

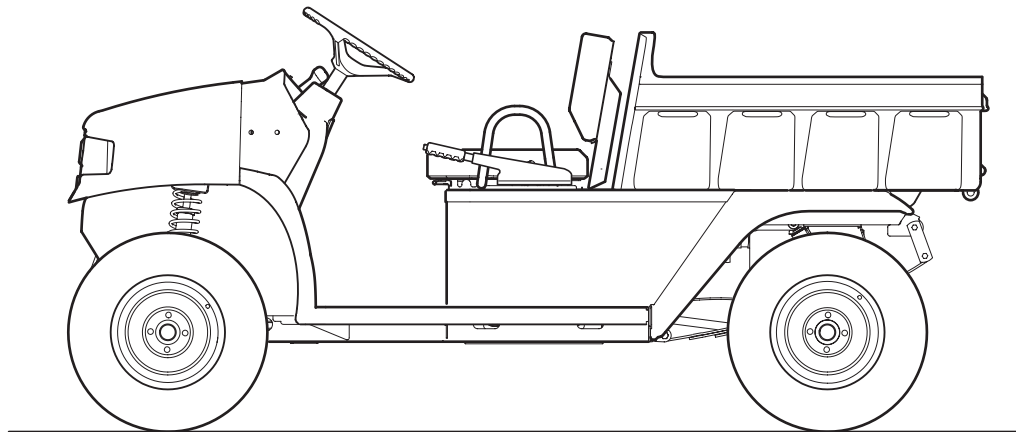
605271



A Textron Company



SERVICE PARTS MANUAL



GASOLINE POWERED UTILITY VEHICLE

ISSUED DATE MAY 2006 REVISED DATE APRIL 2007

SERVICE PARTS MANUAL

GASOLINE POWERED UTILITY VEHICLES

E-Z-GO ST 4X4

STARTING MODEL YEAR 2006+

E-Z-GO Division of TEXTRON, Inc. reserves the right to make design changes without obligation to make these changes on units previously sold and the information contained in this manual is subject to change without notice.

E-Z-GO Division of TEXTRON, Inc. is not liable for errors in this manual or for incidental or consequential damages that result from the use of the material in this manual.

CUSTOMER SERVICE DEPARTMENT IN USA PHONE: 1-800-241-5855 FAX: 1-800-448-8124

OUTSIDE USA PHONE: 001-706-798-4311, FAX: 001-706-771-4609

E-Z-GO DIVISION OF TEXTRON, INC., P.O.BOX 388, AUGUSTA, GEORGIA USA 30906-3852

NOTES

To obtain a copy of the limited warranty applicable to the vehicle, call or write a local Distributor, authorized Branch or the Warranty Department with vehicle serial number and manufacturer code.

The use of non Original Equipment Manufacturer (OEM) parts may void the warranty.

Tampering with or adjusting the governor to permit vehicle to operate at above factory specifications will void the vehicle warranty.

When servicing engines, all adjustments and replacement components must be per original vehicle specifications in order to maintain the United States of America Federal and State emission certification applicable at the time of manufacture.

BATTERY PROLONGED STORAGE

All batteries will self discharge over time. The rate of self discharge varies depending on the ambient temperature and the age and condition of the batteries.

A fully charged battery will not freeze in winter temperatures unless the temperature falls below -75° F (-60° C).

TABLE OF CONTENTS

SECTION	Page No.
HOW TO USE THE SERVICE PARTS MANUAL	v
ILLUSTRATED PARTS BREAKDOWN	vii
ACCELERATOR	A-1
AIR FILTER	B-1
BODY - FRONT	C-1
BODY - MID	C-5
BODY - REAR	C-7
ROPS AND CAB	C-9
BRAKES	D-1
BRAKES - PARK	E-1
DIRECTION AND DRIVE SELECTOR	F-1
DRIVETRAIN - FRONT	G-1
DRIVETRAIN - MID	G-7
DRIVETRAIN - REAR	G-11
DRIVETRAIN - TRANSMISSION	G-17
ELECTRICAL	H-1
EXHAUST	J-1
FRONT SUSPENSION	K-1
FUEL SYSTEM	L-1
HITCH	M-1
REAR SUSPENSION	N-1
SEATING	P-1
STEERING	Q-1
TRUCK BED	R-1
WHEELS & TIRES	S-1
SPECIALTY PRODUCTS	APPENDIX A-1
OPTIONS/ACCESSORIES	APPENDIX B-1

TABLE OF CONTENTS

HOW TO USE THE SERVICE PARTS MANUAL

This manual is divided into several sections:

GENERAL INFORMATION

- TABLE OF CONTENTS
- HOW TO USE THE SERVICE PARTS MANUAL

ILLUSTRATED PARTS BREAKDOWN

- Contains illustrations and parts lists for all systems of the vehicle

APPENDIX

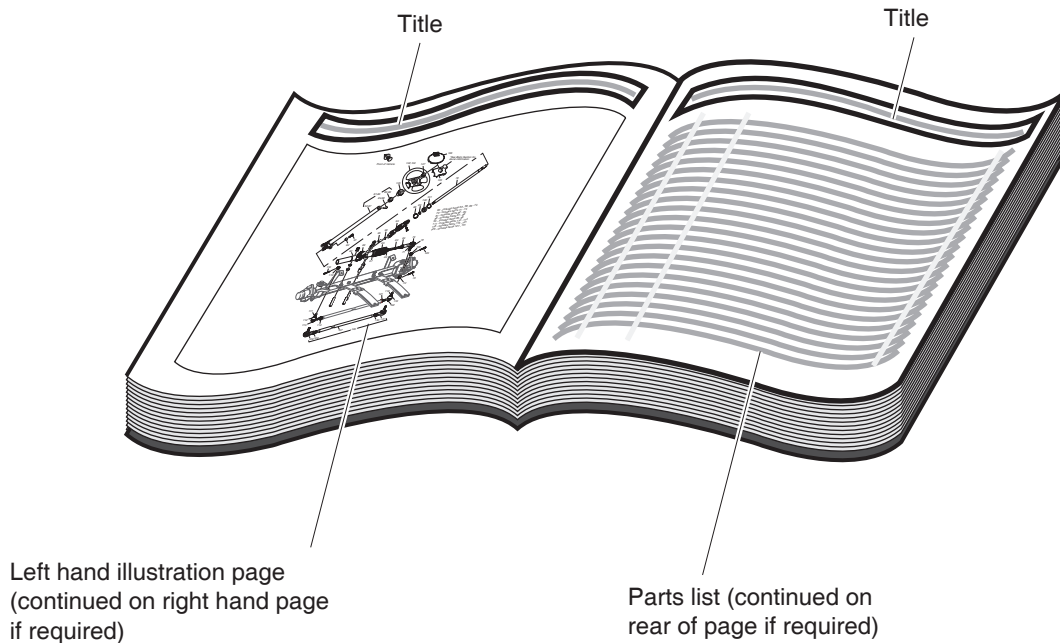
- Contains a listing of specialty products and options/accessories

USE OF THE MANUAL

To use this manual, consult the TABLE OF CONTENTS (page iii) to locate the information or illustration required.

Introduction of some revisions varies due to supply of components; therefore, it is possible that various combinations of components may be found that are not directly reflected by each illustration. Consult the illustration that best suits your situation. Locate the serial number plate (see BODY located in the Illustrated Parts Breakdown section of this manual for its location) and note the complete number shown on the plate. It is important that the serial number of your vehicle and its model number be supplied to Service Parts when ordering any replacement components.

HOW TO USE THE SERVICE PARTS MANUAL



1. WHEN THE PART NUMBER IS NOT KNOWN

- Determine the function and application of the part required. Turn to the INDEX OF MAJOR COMPONENTS and select the most appropriate component description.
- Turn to the page number indicated and locate the part description in the parts list. Read the full accompanying description for specific information regarding the part that was not shown in the index.
- From the parts list, obtain the item number assigned to it and confirm that the part selected is correct by verifying it with the pictorial representation on the illustrated page.

2. IF YOU KNOW THE PART NUMBER

- Use the INDEX OF MAJOR COMPONENTS to find the page(s) the part number appears on.
- Turn to the page number indicated and locate the part number in the parts list. Refer to the accompanying description for specific information regarding the part.
- From the parts list, obtain the item number assigned to it and confirm that the part selected is correct by verifying it with the pictorial representation on the illustrated page.

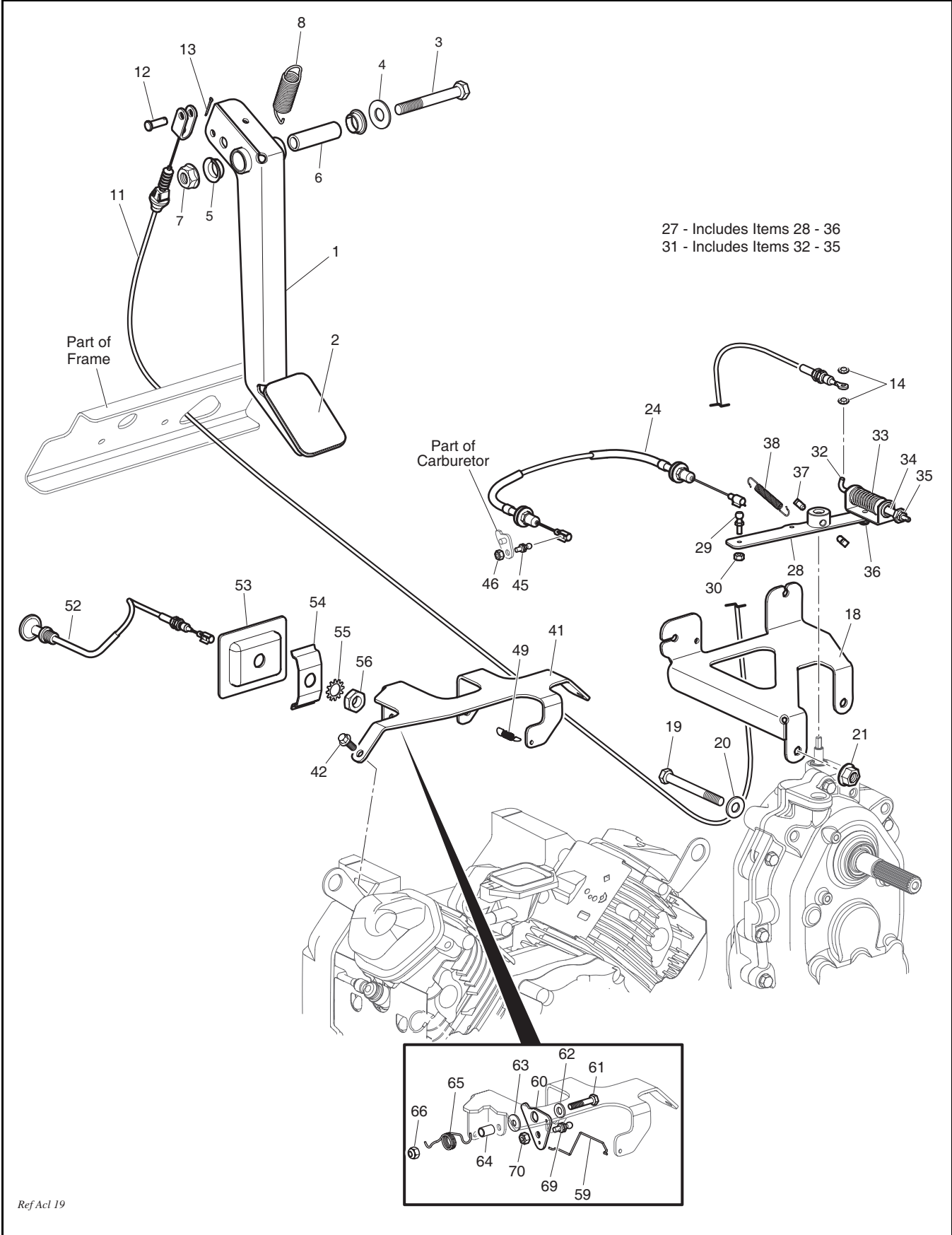
Should an asterisk (*) appear in the part number column on the parts list page, read upwards until a part number is found. The part number is the lowest assembly sold by Service Parts. The asterisk (*) indicates that the part depicted is not available for purchase.

NOTE: Descriptions are indented under the assembly that they are used on. That assembly is, in turn listed under the assembly that it is used on. This process is repeated until the highest final assembly is reached.

To facilitate the maintenance and repair of the vehicle, a Technician's Repair and Service Manual is available from the Service Parts Department.

ILLUSTRATED PARTS BREAKDOWN

ACCELERATOR



ACCELERATOR

Where applicable, THE USE OF NON UL PARTS WILL VOID ANY UL LISTING.

When ordering parts, please specify the model and serial number of the product.

* Indicates a component that is not available as an individual part.

G** Indicates consult Customer Service Department for additional information.

ITEM	PART NO.	1 2 3 4 5	DESCRIPTION	QTY.
1	<u>73999-G01</u>		ACCELERATOR PEDAL.....	1
2	<u>73547-G01</u>		PEDAL PAD	1
3	<u>311398</u>		SCREW, 1/2 - 13 X 3 1/2	1
4	<u>00643-G3</u>		WASHER, 1/2"	1
5	<u>73995-G01</u>		BUSHING	2
6	<u>73993-G01</u>		INNER PIVOT TUBE	1
7	<u>800700</u>		LOCK NUT, 1/2 - 13	1
8	<u>73813-G01</u>		EXTENSION SPRING.....	1
9				
10				
11	<u>73699-G01</u>		ACCELERATOR CABLE.....	1
12	<u>10386-G3</u>		CLEVIS PIN, 5/16" X 13/16" LG.....	1
13	<u>10387-G3</u>		COTTER PIN, 3/32" X 3/4" LG.....	1
14	<u>12064-G3</u>		PUSH NUT, 3/16"	2
15				
16				
17				
18	<u>73720-G01</u>		ACCELERATOR AND GOVERNOR CABLE BRACKET	1
19	<u>311391</u>		SCREW, 3/8 - 16 X 4	2
20	<u>00643-G1</u>		WASHER, 3/8"	1
21	<u>800698</u>		LOCK NUT, 3/8 - 16	2
22				
23				
24	<u>73820-G01</u>		GOVERNOR CABLE.....	1
25				
26				
27	<u>73719-G01</u>		GOVERNOR LEVER ASSEMBLY (INCLUDES ITEMS 28 - 36)	1
28	<u>73718-G01</u>		GOVERNOR LEVER	1
29	<u>15944-G1</u>		BALL JOINT.....	1
30	<u>00734-G5</u>		LOCK NUT, #10 - 32.....	1

ACCELERATOR

Where applicable, THE USE OF NON UL PARTS WILL VOID ANY UL LISTING.

When ordering parts, please specify the model and serial number of the product.

* Indicates a component that is not available as an individual part.

G** Indicates consult Customer Service Department for additional information.

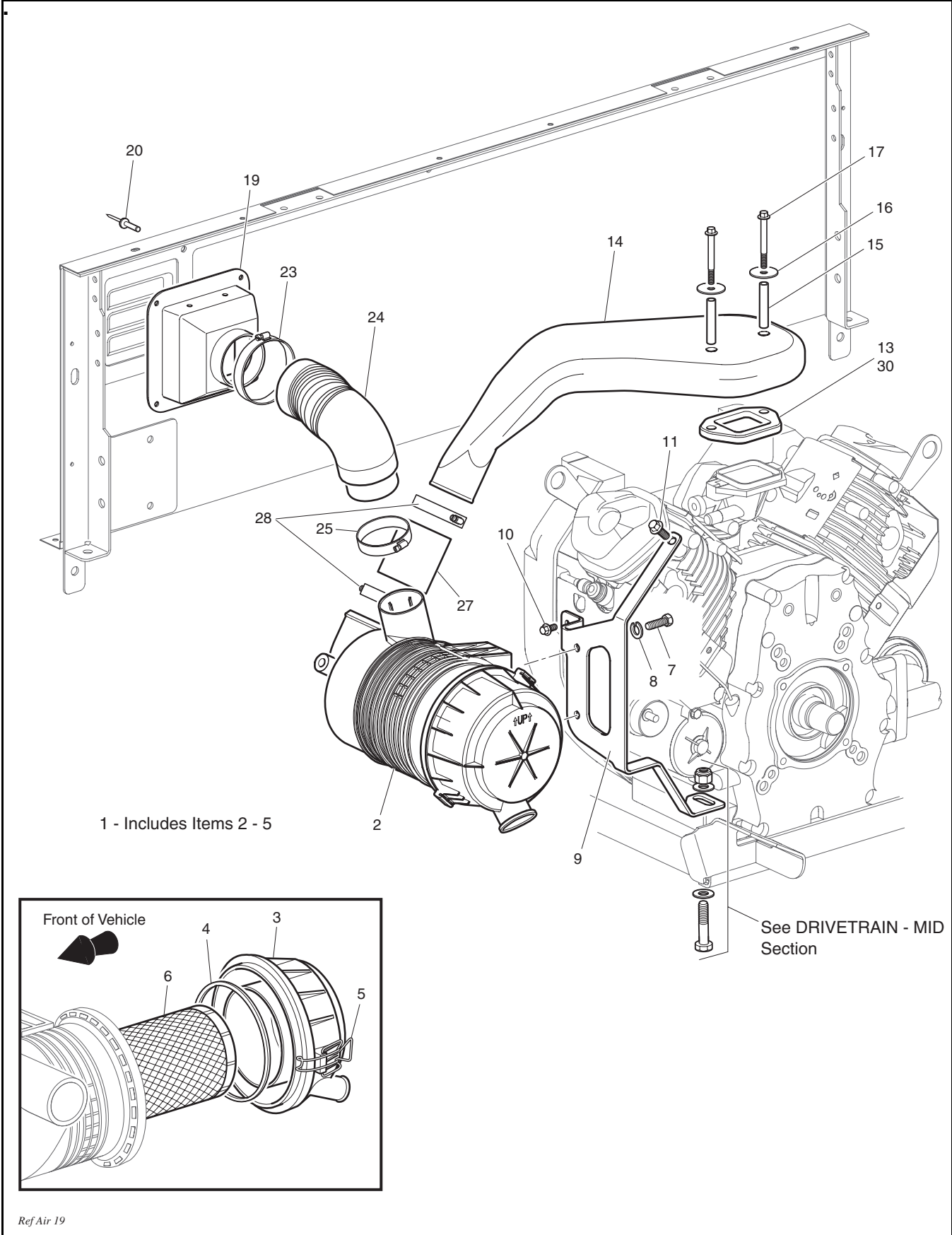
ITEM	PART NO.	1 2 3 4 5	DESCRIPTION	QTY.
31	<u>22751-G2</u>		GOVERNOR BRACKET ASSEMBLY (INCLUDES ITEMS 32 - 35).....	1
32	<u>25274-G1</u>		GOVERNOR ROD	1
33	<u>23578-G1</u>		COMPRESSION SPRING.....	1
34	<u>23859-G1</u>		GOVERNOR ADJUSTER	11
35	<u>00526-G4</u>		NUT, #10 - 32.....	1
36	<u>14390-G4</u>		LOCK NUT, 1/4 - 20.....	1
37	<u>00491-G4</u>		SETSCREW, 1/4 - 20 X 1/2" LG	2
38	<u>25738-G01</u>		SPRING.....	1
39				
40				
41	<u>73571-G01</u>		GOVERNOR CABLE AND CHOKE BRACKET	1
42	<u>73875-G01</u>		BOLT, M8 - 1.25 X 20MM LG.....	2
43				
44				
45	<u>73722-G01</u>		BALL STUD.....	1
46	<u>00734-G5</u>		LOCK NUT, #10 -32	1
47				
48				
49	<u>73862-G01</u>		EXTENSION SPRING.....	1
50				
51				
52	<u>73566-G01</u>		CHOKE CABLE.....	1
53	<u>72154-G01</u>		CHOKE CABLE ADAPTER.....	1
54	<u>72155-G02</u>		ADAPTER RETAINER	1
55	<u>00568-G4</u>		LOCK WASHER, 9/16".....	1
56	<u>00545-G4</u>		JAM NUT, 9/16 - 18.....	1
57				
58				
59	<u>72943-G01</u>		CHOKE LINKAGE	1
60	<u>73570-G01</u>		CHOKE PIVOT PLATE	1

ACCLERATOR

Where applicable, THE USE OF NON UL PARTS WILL VOID ANY UL LISTING.
 When ordering parts, please specify the model and serial number of the product.
 * Indicates a component that is not available as an individual part.
 G** Indicates consult Customer Service Department for additional information.

ITEM	PART NO.	1 2 3 4 5	DESCRIPTION	QTY.
61	<u>00415-G2</u>		BOLT, 1/4 - 20 X 1 1/4" LG	1
62	<u>00559-G7</u>		WASHER , 1/4"	1
63	<u>75677-G01</u>		BUSHING	1
64	<u>23726-G7</u>		SPACER, 9/16"	1
65	<u>23577-G1</u>		TORSION SPRING	1
66	<u>14390-G4</u>		LOCK NUT, 1/4 - 20	1
67				
68				
69	<u>73745-G01</u>		BALL STUD	1
70	<u>00734-G2</u>		LOCK NUT, 1/4 - 28	1

AIR FILTER



AIR FILTER

Where applicable, THE USE OF NON UL PARTS WILL VOID ANY UL LISTING.

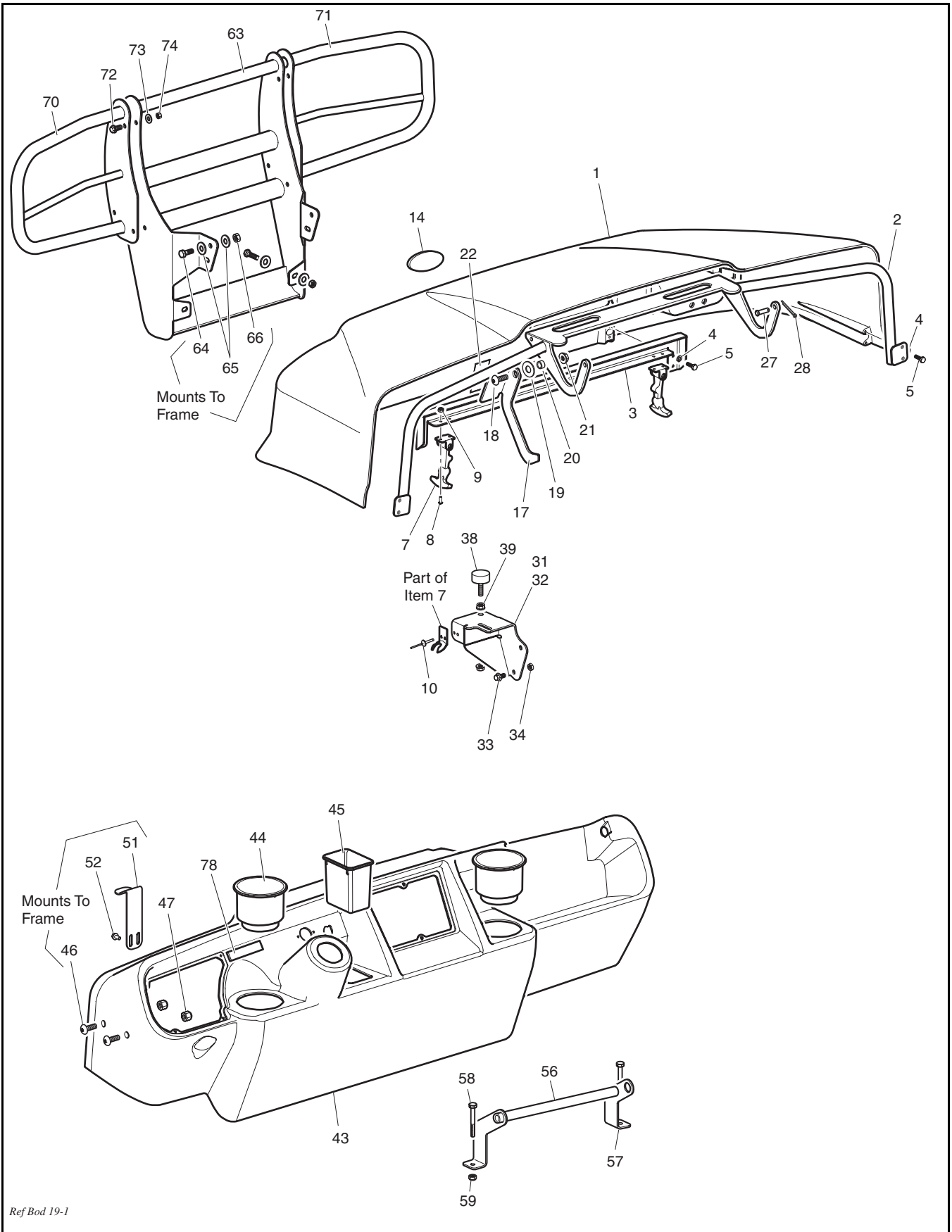
When ordering parts, please specify the model and serial number of the product.

* Indicates a component that is not available as an individual part.

G** Indicates consult Customer Service Department for additional information.

ITEM	PART NO.	1 2 3 4 5	DESCRIPTION	QTY.
1	<u>73654-G01</u>		AIR CLEANER CANISTER ASSEMBLY (INCLUDES ITEMS 2 - 5)	1
2	*		AIR CLEANER CANISTER.....	1
3	<u>72997-G01</u>		AIR CLEANER COVER	1
4	<u>72998-G01</u>		AIR CLEANER O-RING	1
5	*		AIR CLEANER LATCH	2
6	<u>72987-G01</u>		AIR CLEANER ELEMENT	1
7	<u>01055-G01</u>		SCREW, M8-1.25 X 30MM LG.....	2
8	450411		LOCK WASHER, M8.....	2
9	<u>73713-G01</u>		AIR FILTER BRACKET	1
10	<u>73876-G01</u>		BOLT, M6 -1.00 x 12MM LG	1
11	<u>73875-G01</u>		BOLT, M8 -1.25 x 20MM LG	1
12				
13	<u>73695-G01</u>		AIR INTAKE PLENUM TO CARBURETOR SEAL	1
14	<u>73694-G01</u>		AIR INTAKE PLENUM	1
15	<u>73711-G01</u>		SPACER.....	2
16	<u>16469-G1</u>		WASHER, 1/4"	2
17	<u>73715-G01</u>		BOLT, M6 -1.00 x 60MM LG	2
18				
19	<u>73574-G01</u>		REMOTE AIR INTAKE	1
20	<u>71055-G01</u>		RIVET, 3/16" X 1" LG (ALUMINUM)	4
21				
22				
23	<u>11391-G2</u>		HOSE CLAMP, 2 1/16".....	1
24	<u>73714-G01</u>		HOSE (CONVOLUTED).....	1
25	<u>11391-G7</u>		HOSE CLAMP, 1 9/16".....	1
26				
27	<u>73712-G01</u>		HOSE (AIR FILTER TO PLENUM)	1
28	<u>11391-G7</u>		HOSE CLAMP, 1 9/16".....	2
29				
30	<u>70999-G01</u>		SEALANT	A/R

BODY - FRONT



Ref Bod 19-1

BODY - FRONT

Where applicable, THE USE OF NON UL PARTS WILL VOID ANY UL LISTING.

When ordering parts, please specify the model and serial number of the product.

* Indicates a component that is not available as an individual part.

G** Indicates consult Customer Service Department for additional information.

ITEM	PART NO.	1 2 3 4 5	DESCRIPTION	QTY.
1	72841-G**		COWL.....	1
2	<u>73586-G01</u>		COWL FRAME	1
3	<u>73583-G01</u>		FRONT COWL BRACKET	1
4	<u>00565-G5</u>		LOCK WASHER, #10.....	12
5	<u>73640-G01</u>		SCREW, #10 - 16 X 3/4"	12
6				
7	<u>73639-G01</u>		HOOD LATCH.....	2
8	<u>00379-G4</u>		SCREW, #10 - 24 X 1/2" LG	4
9	<u>14390-G10</u>		LOCK NUT, #10 - 24	4
10	<u>14601-G9</u>		RIVET, 3/16" X 9/16" LG (STAINLESS STEEL)	4
11				
12				
13				
14	<u>74813-G01</u>		LABEL(EZGO).....	1
15				
16				
17	<u>73496-G01</u>		COWL LATCH.....	1
18	<u>73653-G01</u>		SCREW, TORX, 3/8 - 16 X 1 1/8" LG	1
19	<u>00771-G4</u>		NYLON WASHER, 1/2"	1
20	<u>23726-G4</u>		SPACER, 5/16"	1
21	<u>800698</u>		LOCK NUT, 3/8 - 16	1
22	<u>72939-G01</u>		LABEL (LATCH WARNING).....	1
23				
24				
25				
26				
27	<u>17651-G2</u>		CLEVIS PIN, 5/16" X 1 1/8" LG.....	2
28	<u>10387-G3</u>		COTTER PIN, 3/32" X 3/4" LG.....	2
29				
30				

BODY - FRONT

Where applicable, THE USE OF NON UL PARTS WILL VOID ANY UL LISTING.

When ordering parts, please specify the model and serial number of the product.

* Indicates a component that is not available as an individual part.

G** Indicates consult Customer Service Department for additional information.

ITEM	PART NO.	1 2 3 4 5	DESCRIPTION	QTY.
31	<u>73585-G01</u>		COWL SUPPORT BRACKET (DRIVER SIDE)	1
32	<u>73585-G02</u>		COWL SUPPORT BRACKET (PASSENGER SIDE)	1
33	<u>13437-G3</u>		LOCK SCREW, 5/16 - 18 X 1" LG.....	4
34	<u>800697</u>		LOCK NUT, 5/16 - 18	4
35				
36				
37				
38	<u>70113-G01</u>		ADJUSTABLE BUMPER.....	2
39	<u>11027-G1</u>		LOCK NUT, 5/16 - 18	4
40				
41				
42				
43	<u>72842-G01</u>		INSTRUMENT PANEL	1
44	<u>73638-G01</u>		CUP HOLDER	2
45	<u>73726-G01</u>		HAND RADIO HOLDER.....	1
46	<u>73653-G01</u>		SCREW, TORX, 3/8 - 16 X 1 1/8" LG	4
47	<u>11098-G5</u>		LOCK NUT, 3/8 - 16	4
48				
49				
50				
51	<u>73597-G01</u>		INSTRUMENT PANEL SUPPORT BRACKET.....	2
52	<u>71102-G02</u>		BOLT, 1/4 - 20 X 1/2" LG	4
53				
54				
55				
56	<u>73736-G01</u>		HAND RAIL	1
57	<u>73735-G01</u>		HAND RAIL MOUNT	1
58	<u>00440-G4</u>		BOLT, 5/16 - 18 X 2 1/2" LG	2
59	<u>800697</u>		LOCK NUT, 5/16 - 18	2
60				

BODY - FRONT

Where applicable, THE USE OF NON UL PARTS WILL VOID ANY UL LISTING.

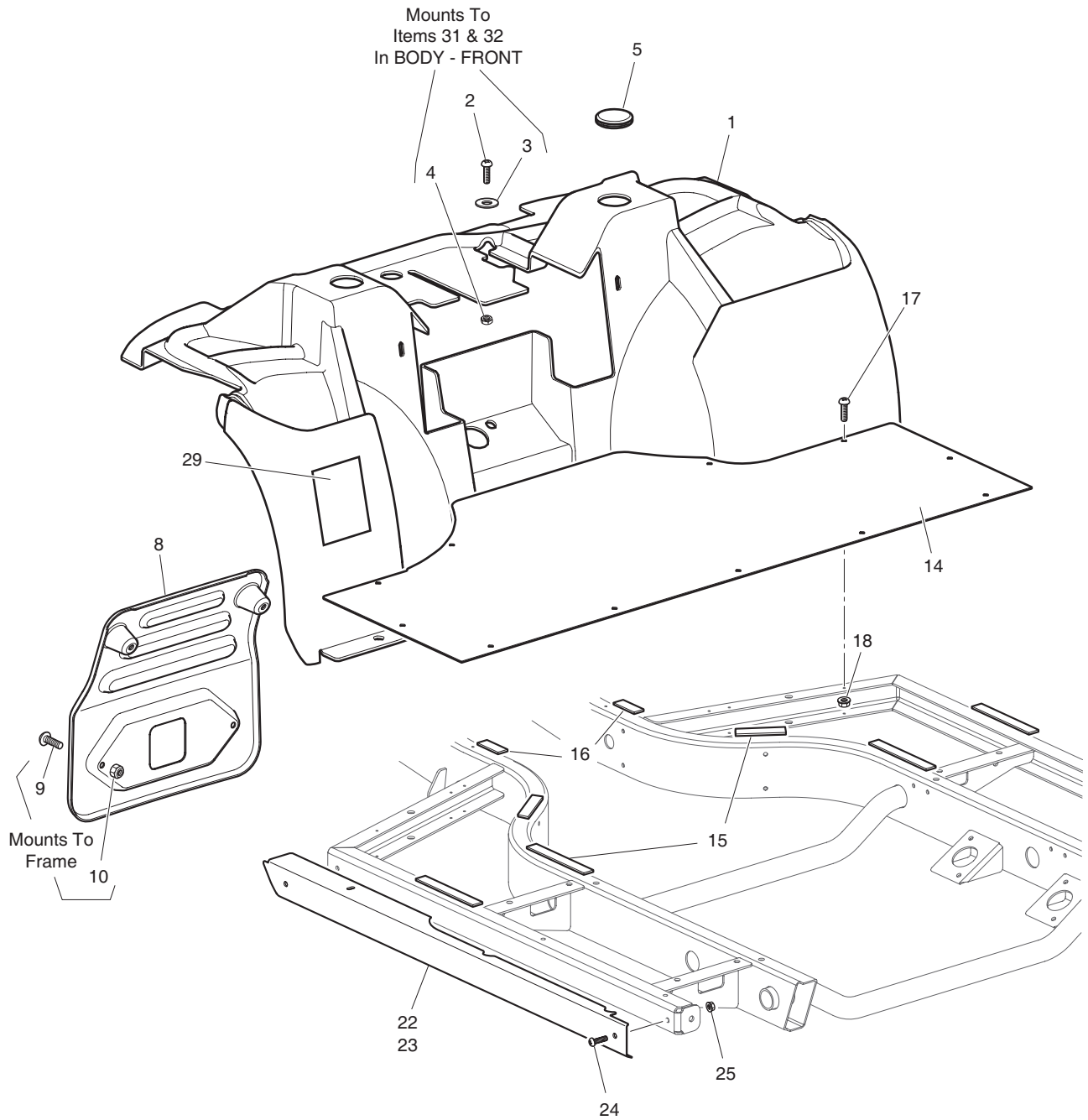
When ordering parts, please specify the model and serial number of the product.

* Indicates a component that is not available as an individual part.

G** Indicates consult Customer Service Department for additional information.

ITEM	PART NO.	1 2 3 4 5	DESCRIPTION	QTY.
61				
62				
63	74973-G01		BRUSH GUARD.....	1
64	<u>00463-G4</u>		BOLT, 7/16 - 14 X 1 1/2" LG	6
65	<u>00643-G3</u>		WASHER, 1/2"	12
66	<u>00734-G1</u>		LOCK NUT, 7/16 - 14	6
67				
68				
69				
70	<u>74978-G01</u>		BRUSH GUARD SIDE (DRIVER SIDE)	1
71	<u>74978-G02</u>		BRUSH GUARD SIDE (PASSENGER SIDE)	1
72	<u>13437-G4</u>		LOCK SCREW, 3/8 - 16 X 1" LG.....	8
73	<u>00571-G2</u>		WASHER, 5/16"	8
74	<u>11098-G5</u>		LOCK NUT, 3/8 - 16	8
75				
76				
77				
78	<u>29187-G01</u>		LABEL (COLD STARTING).....	1

BODY - MID

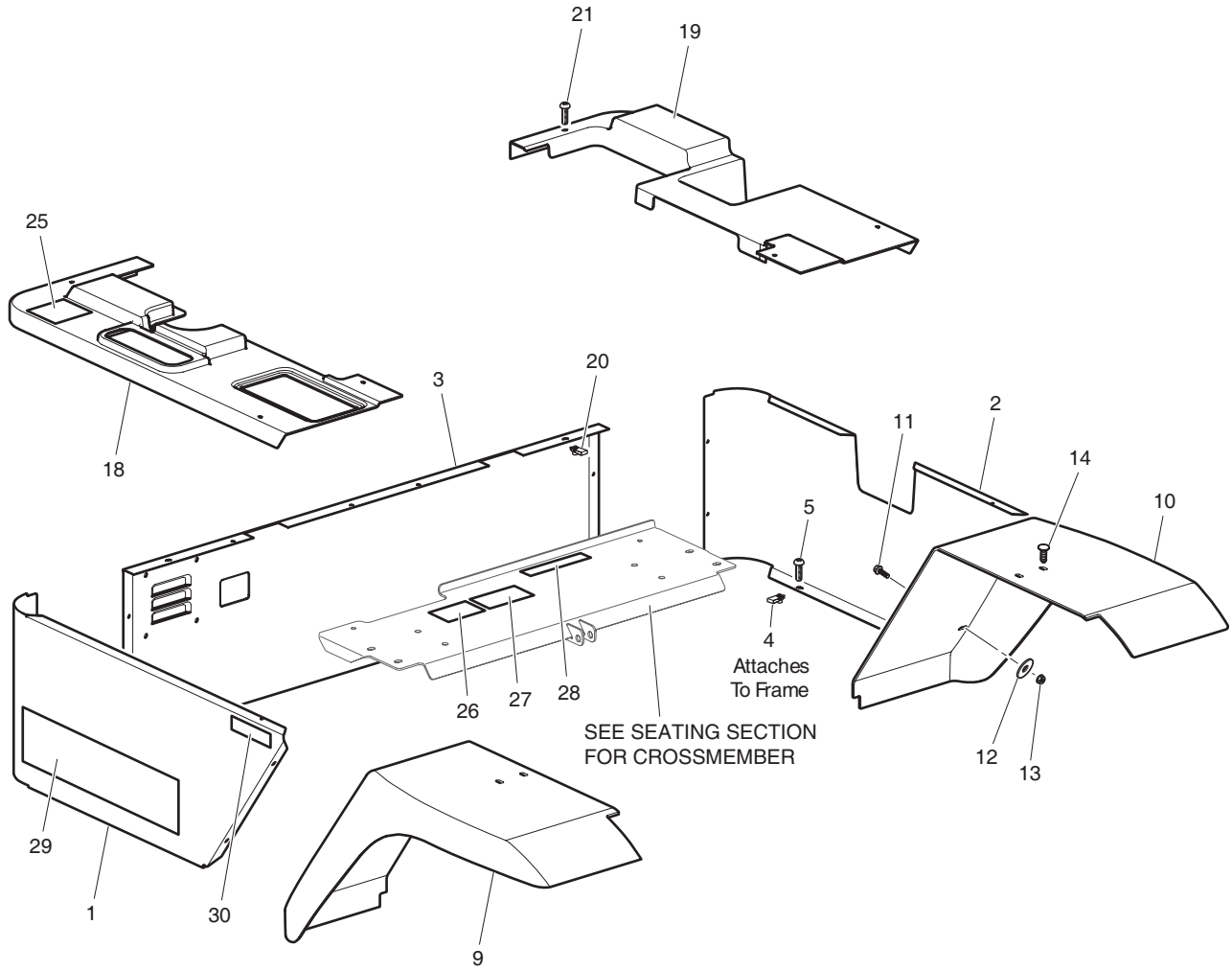


Ref Bod 19-2

Where applicable, THE USE OF NON UL PARTS WILL VOID ANY UL LISTING.
 When ordering parts, please specify the model and serial number of the product.
 * Indicates a component that is not available as an individual part.
 G** Indicates consult Customer Service Department for additional information.

ITEM	PART NO.	1 2 3 4 5	DESCRIPTION	QTY.
1	<u>73608-G01</u>		FRONT FENDER WELL	1
2	600610		SCREW, TORX, 1/4 - 20 X 1" LG (STAINLESS STEEL).....	2
3	<u>00642-G8</u>		WASHER, 5/16"	2
4	<u>800706</u>		LOCK NUT, 1/4 - 20	2
5	<u>35643-G01</u>		HOLE PLUG.....	2
6				
7				
8	<u>72940-G01</u>		FRONT VALANCE	1
9	<u>73653-G01</u>		BOLT, 3/8 - 16 X 1 1/8"	4
10	<u>11098-G5</u>		LOCK NUT, 3/8 - 16	4
11				
12				
13				
14	<u>73833-G01</u>		FLOORPAN.....	1
15	<u>14382-G4</u>		NOISE SUPPRESSION STRIP, 6"	6
16	<u>14382-G7</u>		NOISE SUPPRESSION STRIP, 2"	2
17	600610		SCREW, TORX, 1/4 - 20 X 1" LG (STAINLESS STEEL).....	11
18	<u>800706</u>		LOCK NUT, 1/4 - 20	11
19				
20				
21				
22	<u>73599-G01</u>		ROCKER PANEL (DRIVER SIDE).....	1
23	<u>73599-G02</u>		ROCKER PANEL (PASSENGER SIDE)	1
24	600610		SCREW, TORX, 1/4 - 20 X 1" LG (STAINLESS STEEL).....	4
25	<u>800706</u>		LOCK NUT, 1/4 - 20	4
26				
27				
28				
29	<u>73771-G01</u>		LABEL (WARNING)	1

BODY - REAR



Ref Pnd 19-3

BODY - REAR

Where applicable, THE USE OF NON UL PARTS WILL VOID ANY UL LISTING.

When ordering parts, please specify the model and serial number of the product.

* Indicates a component that is not available as an individual part.

G** Indicates consult Customer Service Department for additional information.

ITEM	PART NO.	1 2 3 4 5	DESCRIPTION	QTY.
1	73641-G**		LOWER SIDE PANEL (DRIVER SIDE).....	1
2	73641-G**		LOWER SIDE PANEL (PASSENGER SIDE).....	1
3	73642-G**		SEAT SUPPORT PANEL.....	1
4	<u>600609</u>		LOCKING RETAINER NUT ('J' TYPE), 1/4 -20	9
5	600610		SCREW, TORX, 1/4 - 20 X 1" LG (STAINLESS STEEL).....	9
6				
7				
8				
9	<u>600417-G01</u>		REAR FENDER (DRIVER SIDE)	1
10	<u>600417-G02</u>		REAR FENDER (PASSENGER SIDE)	1
11	<u>13437-G9</u>		LOCK SCREW, 1/4 - 20 X 3/4" LG.....	4
12	<u>16469-G1</u>		WASHER, 1/4"	4
13	800706		LOCK NUT, 1/4 - 20	4
14	<u>16816-G2</u>		RATCHET FASTENER, 1/4" X 3/4" LG	4
15				
16				
17				
18	<u>73819-G01</u>		SEAT PANEL (DRIVER SIDE).....	1
19	<u>73818-G01</u>		SEAT PANEL (PASSENGER SIDE)	1
20	<u>600609</u>		LOCKING RETAINER NUT ('J' TYPE), 1/4 -20	6
21	600610		SCREW,1/4 - 20 X 1" LG (STAINLESS STEEL).....	6
22				
23				
24				
25	<u>73769-G01</u>		LABEL (PARK BRAKE).....	1
26	<u>75696-G01</u>		LABEL (HOT EXHAUST)	1
27	<u>74093-G01</u>		LABEL (WARNING)	1
28	<u>24880-G1</u>		LABEL (GOVERNOR WARNING)	1
29	<u>600819</u>		LABEL (ST 4X4).....	2
30	<u>74099-G01</u>		LABEL (TILT WARNING PICTOGRAM)	2

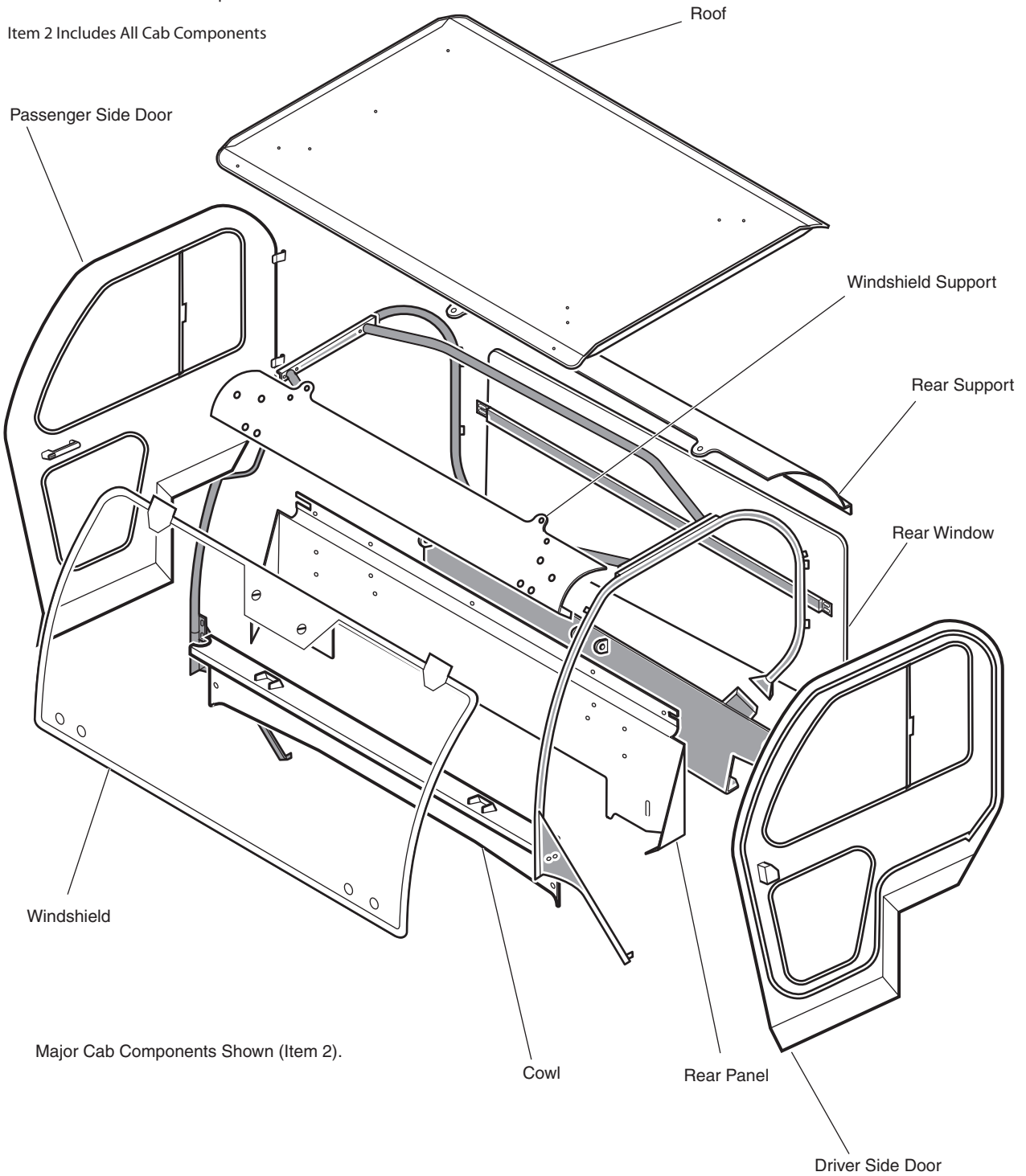
ROPS AND CAB



Components indicated in gray are part of the ROPS unit (Item 1).
Damage to any component of the ROPS will require replacement of entire unit

Item 1 Includes All ROPS Components

Item 2 Includes All Cab Components

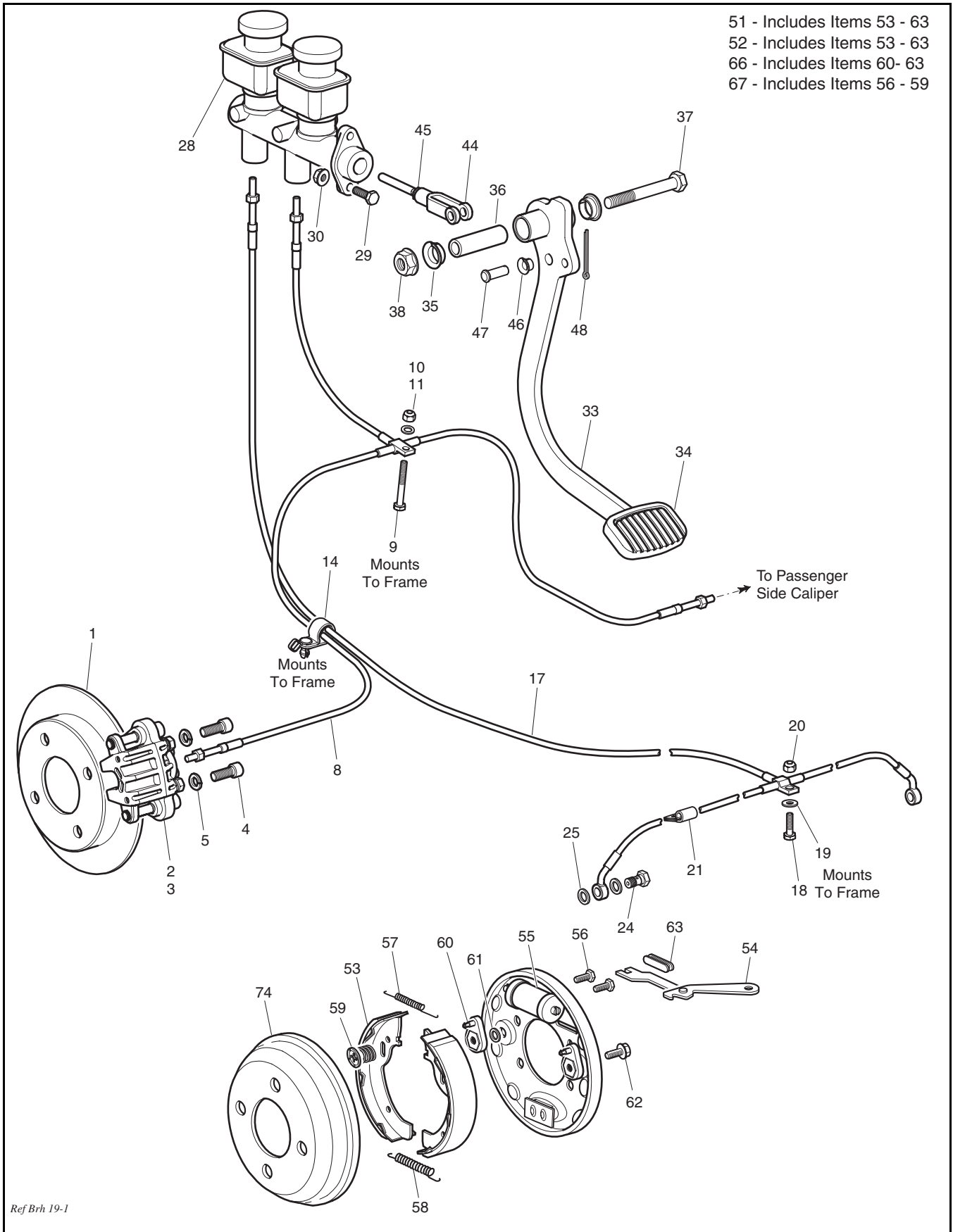


ROPS AND CAB

Where applicable, THE USE OF NON UL PARTS WILL VOID ANY UL LISTING.
 When ordering parts, please specify the model and serial number of the product.
 * Indicates a component that is not available as an individual part.
 G** Indicates consult Customer Service Department for additional information.

ITEM	PART NO.	1 2 3 4 5	DESCRIPTION	QTY.
1	600895		ROPS UNIT. (INCLUDES ALL ITEMS IN GRAY AND REQUIRED HARDWARE)	1
2	600917		CAB (REQUIRES INSTALLATION OF ROPS UNIT). (INCLUDES ALL MAJOR ITEMS SHOWN, WINDSHIELD WIPER & MOTOR ALL WEATHER STRIPPING AND MOUNTING HARDWARE) INDIVIDUAL REPLACEMENT PARTS OF ROPS ARE NOT AVAILABLE. IN CASE OF DAMAGE, ENTIRE UNIT MUST BE REPLACED. CAB COMPONENTS CAN BE PURCHASED BY CONTACTING: CURTIS TRACTOR CAB, INC. 111, HIGGINS STREET WORCESTER, MA 01606 1-800-343-7676	1

BRAKES



Ref Brh 19-1

BRAKES

Where applicable, THE USE OF NON UL PARTS WILL VOID ANY UL LISTING.

When ordering parts, please specify the model and serial number of the product.

* Indicates a component that is not available as an individual part.

G** Indicates consult Customer Service Department for additional information.

ITEM	PART NO.	1 2 3 4 5	DESCRIPTION	QTY.
1	<u>73625-G01</u>		ROTOR	2
2	<u>73790-G01</u>		CALIPER (INCLUDES ITEM 3)	2
3	<u>72935-G01</u>		BRAKE PADS (SET OF 4)	1
4	<u>73972-G01</u>		BOLT, 3/8 -24 x 1" LG	4
5	<u>00878-G1</u>		LOCK WASHER, 3/8"	4
6				
7				
8	<u>73791-G01</u>		FRONT BRAKE LINE	1
9	00414-G8		BOLT, 1/4 - 20 X 2" LG	1
10	<u>00559-G7</u>		WASHER , 1/4"	1
11	<u>14390-G4</u>		LOCK NUT, 1/4 - 20	1
12				
13				
14	<u>73864-G02</u>		CLAMP, 3/4"	10
15				
16				
17	<u>73800-G01</u>		REAR BRAKE LINE	1
18	00414-G8		BOLT, 1/4 - 20 X 1" LG	1
19	<u>00559-G7</u>		WASHER , 1/4"	1
20	<u>14390-G4</u>		LOCK NUT, 1/4 - 20	1
21	<u>11845-G9</u>		INSULATED CABLE CLAMP, 5/16"	2
22				
23				
24	<u>75683-G01</u>		BANJO BOLT	2
25	<u>75684-G01</u>		COPPER GASKET	4
26				
27				
28	<u>73793-G01</u>		MASTER CYLINDER	1
29	<u>00439-G1</u>		BOLT, 5/16 - 18 X 1 1/8" LG	2
30	<u>800697</u>		LOCK NUT, 5/16 - 18	2

BRAKES

Where applicable, THE USE OF NON UL PARTS WILL VOID ANY UL LISTING.

When ordering parts, please specify the model and serial number of the product.

* Indicates a component that is not available as an individual part.

G** Indicates consult Customer Service Department for additional information.

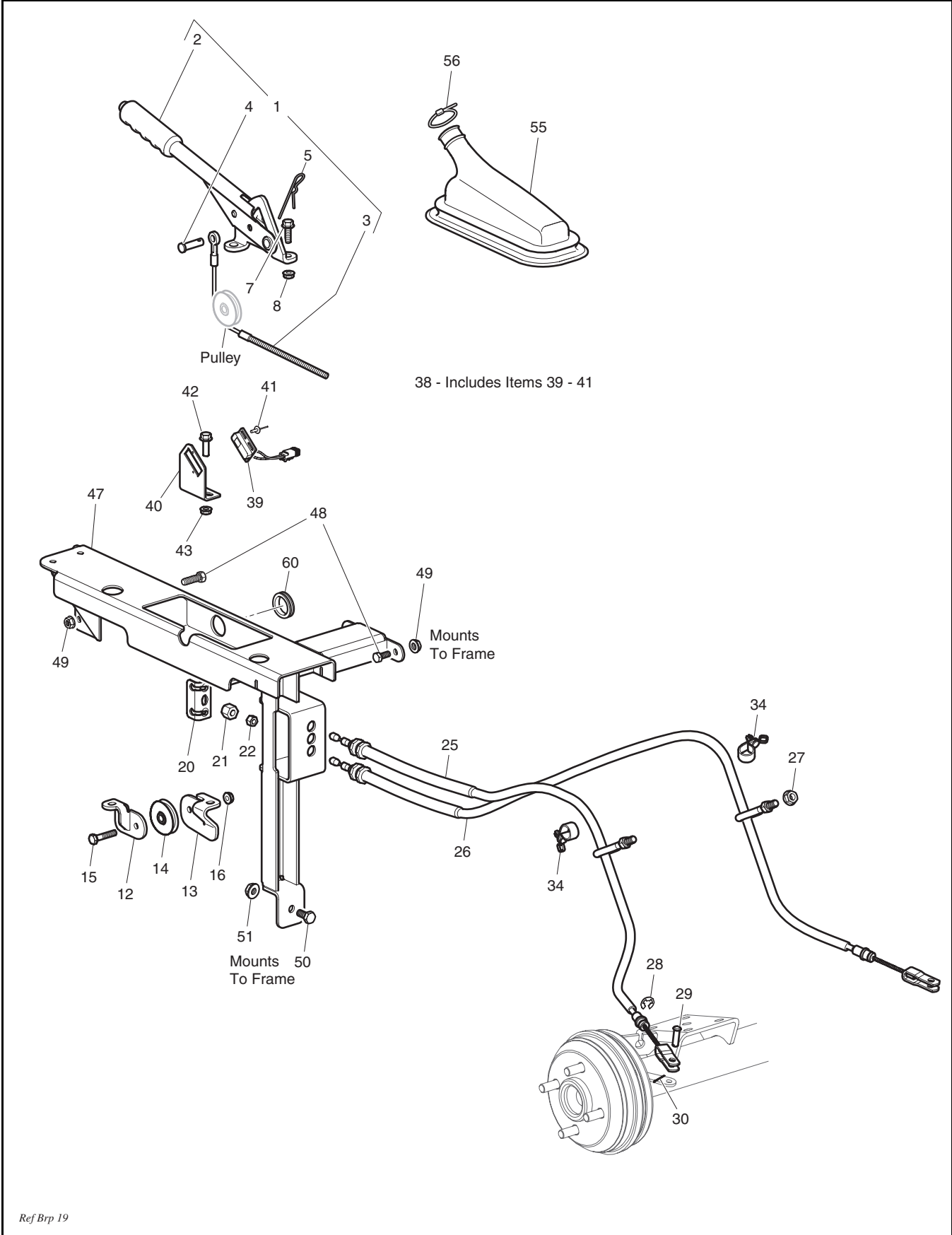
ITEM	PART NO.	1 2 3 4 5	DESCRIPTION	QTY.
31				
32				
33	601180		BRAKE PEDAL	1
34	<u>810152</u>		COVER, PEDAL PAD	1
35	<u>73995-G01</u>		BUSHING	2
36	<u>73993-G01</u>		INNER PIVOT TUBE	1
37	<u>311398</u>		SCREW, 1/2 - 13 X 3 1/2" LG	1
38	<u>800700</u>		LOCK NUT, 1/2 - 13	1
39				
40				
41				
42				
43				
44	<u>10385-G10</u>		CLEVIS YOKE (ADJUSTABLE)	1
45	<u>00544-G2</u>		JAM NUT, 1/4 - 28	1
46	<u>73545-G01</u>		BUSHING	1
47	10386-G4		CLEVIS PIN, 3/8" X 15/16"	1
48	<u>00798-G1</u>		COTTER PIN, 1/16" X 1" LG	1
49				
50				
51	<u>72819-G01</u>		BRAKE ASSEMBLY (DRIVER SIDE) (INCLUDES ITEMS 53 - 63)	1
52	<u>72819-G02</u>		BRAKE ASSEMBLY (PASSENGER SIDE) (INCLUDES ITEMS 53 - 63)	1
53	<u>72180-G01</u>		BRAKE SHOE	2
54	75829-G**		PARK BRAKE WHEEL LEVER	1
55	<u>75828-G01</u>		WHEEL CYLINDER	1
56	*		WHEEL CYLINDER BOLT	2
57	*		UPPER RETURN SPRING	1
58	*		LOWER RETURN SPRING	1
59	*		CUP AND SPRING	2
60	*		ADJUSTER	2

BRAKES

Where applicable, THE USE OF NON UL PARTS WILL VOID ANY UL LISTING.
 When ordering parts, please specify the model and serial number of the product.
 * Indicates a component that is not available as an individual part.
 G** Indicates consult Customer Service Department for additional information.

ITEM	PART NO.	1 2 3 4 5	DESCRIPTION	QTY.
61	*		WASHER	2
62	*		BOLT, 1/4 - 28 X 1/2" LG	2
63	*		DUST COVER	1
64				
65				
66	<u>75826-G01</u>		ADJUSTER KIT (INCLUDES ITEMS 60 - 63)	1
67	<u>75827-G01</u>		HARDWARE KIT (INCLUDES ITEMS 56 - 59)	1
68				
69				
70				
71				
72				
73				
74	<u>72818-G01</u>		BRAKE DRUM	2

BRAKES - PARK



Ref Brp 19

BRAKES - PARK

Where applicable, THE USE OF NON UL PARTS WILL VOID ANY UL LISTING.

When ordering parts, please specify the model and serial number of the product.

* Indicates a component that is not available as an individual part.

G** Indicates consult Customer Service Department for additional information.

ITEM	PART NO.	1 2 3 4 5	DESCRIPTION	QTY.
1	<u>73678-G01</u>		PARK BRAKE LEVER ASSEMBLY (INCLUDES ITEMS 2 - 5)	1
2	<u>73679-G01</u>		PARK BRAKE LEVER	1
3	<u>75498-G02</u>		PARK BRAKE CABLE	1
4	<u>75791-G01</u>		CLEVIS PIN, 3/8" X 1 1/8" LG	1
5	<u>75791-G02</u>		COTTER PIN, 15/32" X 2 13/16" LG	1
6				
7	<u>13437-G3</u>		LOCK SCREW, 5/16 - 18 X 1" LG.....	2
8	<u>800697</u>		LOCK NUT, 5/16 - 18.....	2
9				
10				
11				
12	<u>600054-G01</u>		PULLEY MOUNT BRACKET (DRIVER SIDE)	1
13	<u>600053-G01</u>		PULLEY MOUNT BRACKET (PASSENGER SIDE)	1
14	<u>75789-G01</u>		PULLEY, 2" DIA	1
15	<u>00439-G4</u>		BOLT, 5/16 - 18 X 1 1/2" LG	1
16	<u>800697</u>		LOCK NUT, 5/16 - 18.....	1
17				
18				
19				
20	<u>28082-G01</u>		EQUALIZER BRACKET	1
21	<u>00963-G01</u>		SPHERICAL NUT, 5/16 - 24	1
22	<u>00532-G4</u>		NUT, 5/16 - 24.....	1
23				
24				
25	<u>73701-G01</u>		PARK BRAKE CABLE (DRIVER SIDE)	1
26	<u>73701-G02</u>		PARK BRAKE CABLE (PASSENGER SIDE)	1
27	<u>800698</u>		LOCK NUT, 3/8 - 16.....	2
28	<u>01111-G01</u>		RETAINING RING, 25/64" (STAINLESS STEEL)	4
29	<u>14443-G3</u>		CLEVIS PIN, 5/16" X 1" LG.....	2
30	<u>10387-G3</u>		COTTER PIN, 3/32" X 3/4" LG.....	2

BRAKES - PARK

Where applicable, THE USE OF NON UL PARTS WILL VOID ANY UL LISTING.

When ordering parts, please specify the model and serial number of the product.

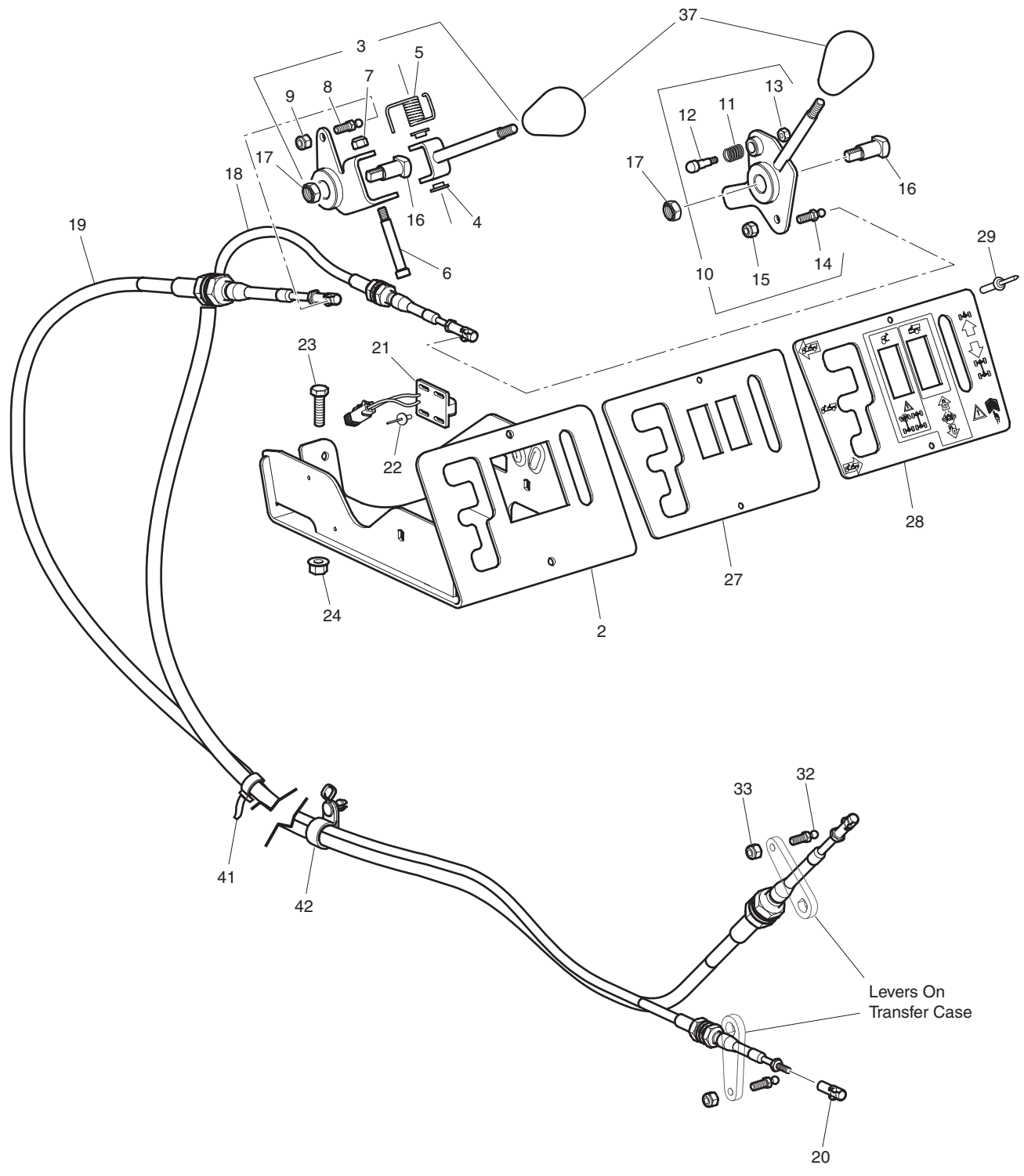
* Indicates a component that is not available as an individual part.

G** Indicates consult Customer Service Department for additional information.

ITEM	PART NO.	1 2 3 4 5	DESCRIPTION	QTY.
31				
32				
33				
34	<u>73864-G02</u>		CLAMP, 3/4"	2
35				
36				
37				
38	<u>600052-G01</u>		SENSOR ASSEMBLY (INCLUDES ITEMS 39 - 41)	1
39	<u>73826-G01</u>		PROXIMITY SENSOR SWITCH	1
40	<u>600051-G01</u>		SENSOR BRACKET	1
41	<u>10570-G3</u>		RIVET, 1/8" X 17/32" LG (ALUMINUM)	2
42	<u>13437-G3</u>		LOCK SCREW, 5/16 - 18 X 1" LG	2
43	<u>800697</u>		LOCK NUT, 5/16 - 18	2
44				
45				
46				
47	<u>73676-G01</u>		PARK BRAKE FRAME	1
48	00438-G6		BOLT, 5/16 - 18 X 3/4" LG	5
49	<u>800697</u>		LOCK NUT, 5/16 - 18	5
50	<u>00426-G6</u>		BOLT, 3/8 - 16 X 3/4" LG	1
51	<u>800698</u>		LOCK NUT, 3/8 - 16	1
52				
53				
54				
55	<u>73854-G01</u>		PARK BRAKE BOOT	1
56	<u>17618-G1</u>		WIRE TIE	1
57				
58				
59				
60	<u>72936-G01</u>		GROMMET	1

DIRECTION AND DRIVE SELECTOR

1 - Includes Items 2 - 22



Ref Dsl 19

DIRECTION AND DRIVE SELECTOR

Where applicable, THE USE OF NON UL PARTS WILL VOID ANY UL LISTING.

When ordering parts, please specify the model and serial number of the product.

* Indicates a component that is not available as an individual part.

G** Indicates consult Customer Service Department for additional information.

ITEM	PART NO.	1 2 3 4 5	DESCRIPTION	QTY.
1	73740-G01		FNR & 2WD/4WD SHIFTER ASSEMBLY (INCLUDES ITEMS 2 - 22)	1
2	<u>73761-G01</u>		SHIFTER HOUSING.....	1
3	<u>73747-G01</u>		DIRECTION SELECTOR HANDLE (INCLUDES ITEMS 4 - 9)	1
4	<u>73751-G01</u>		FLANGED BUSHING, 5/16"	2
5	<u>73752-G01</u>		TORSION SPRING	1
6	<u>73753-G01</u>		SHOULDER BOLT, 1/4 - 20	1
7	<u>14390-G4</u>		LOCK NUT, 1/4 - 20	1
8	<u>73745-G01</u>		BALL STUD	1
9	<u>00734-G2</u>		LOCK NUT, 1/4 - 28	1
10	73741-G01		TWO/FOUR WHEEL DRIVE SELECTOR HANDLE (INCL. ITEMS 11 - 15)	1
11	<u>72733-G01</u>		COMPRESSION SPRING 3/8" X 5/8" LG	1
12	<u>73746-G01</u>		DETENT PIN	1
13	<u>00734-G5</u>		LOCK NUT, # 10-32	1
14	<u>73745-G01</u>		BALL STUD	1
15	<u>00734-G2</u>		LOCK NUT, 1/4-28	1
16	<u>75937-G01</u>		PIVOT SHAFT	2
17	<u>14390-G1</u>		LOCK NUT, 3/8 - 24.....	2
18	<u>601568</u>		TWO/FOUR WHEEL DRIVE SELECTOR CABLE (INCLUDES ITEM 20) ...	1
19	<u>601567</u>		DIRECTION SELECTOR CABLE (INCLUDES ITEM 20).....	1
20	<u>72811-G01</u>		CABLE END SOCKET	2
21	<u>73825-G01</u>		PROXIMITY SENSOR SWITCH.....	1
22	<u>10570-G9</u>		RIVET, 1/8" X 11/32" LG (ALUMINUM)	2
23	<u>00439-G1</u>		BOLT, 5/16 - 18 X 1 1/8" LG	2
24	<u>800697</u>		LOCK NUT, 5/16 - 18	2
25				
26				
27	<u>73725-G01</u>		HAND CONTROL COVER PLATE	1
28	<u>73777-G01</u>		LABEL (HAND CONTROLS).....	1
29	<u>71055-G01</u>		RIVET, 3/16" X 1" LG (ALUMINUM)	2
30				

DIRECTION AND DRIVE SELECTOR

Where applicable, THE USE OF NON UL PARTS WILL VOID ANY UL LISTING.

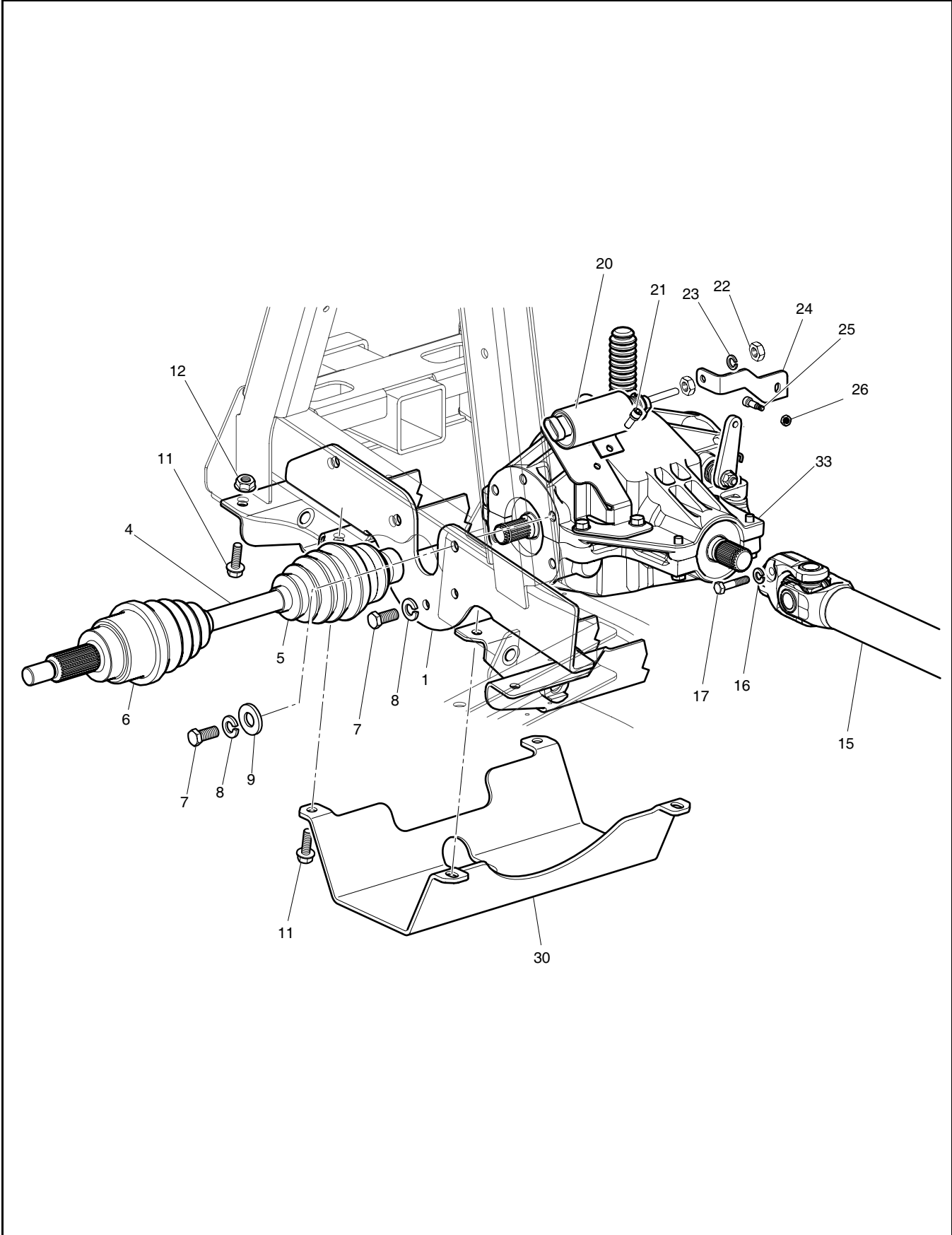
When ordering parts, please specify the model and serial number of the product.

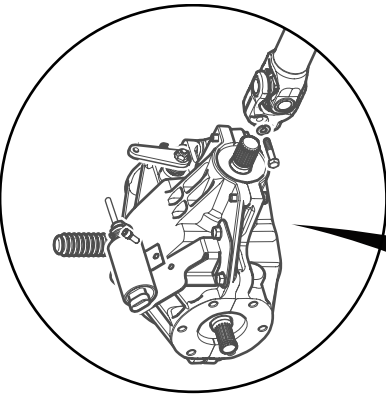
* Indicates a component that is not available as an individual part.

G** Indicates consult Customer Service Department for additional information.

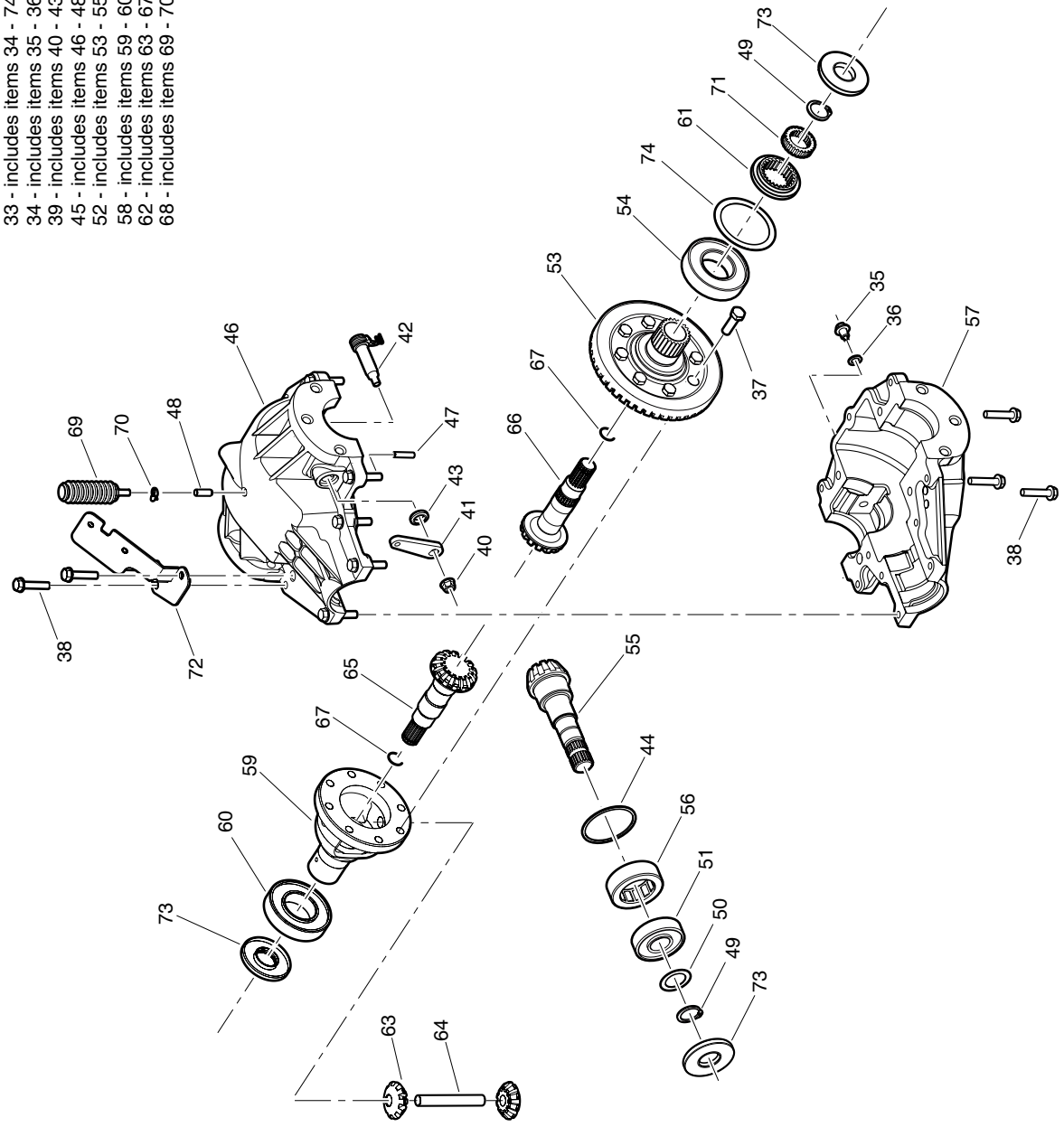
ITEM	PART NO.	1 2 3 4 5	DESCRIPTION	QTY.
31				
32	<u>73745-G01</u>		BALL STUD.....	2
33	<u>00734-G2</u>		LOCK NUT, 1/4 - 28.....	2
34				
35				
36				
37	<u>73988-G01</u>		KNOB.....	2
38				
39				
40				
41	<u>17618-G1</u>		WIRE TIE.....	1
42	<u>73864-G02</u>		CLAMP, 3/4".....	2

DRIVETRAIN - FRONT





- 33 - includes items 34 - 74
- 34 - includes items 35 - 36
- 39 - includes items 40 - 43
- 45 - includes items 46 - 48
- 52 - includes items 53 - 55
- 58 - includes items 59 - 60
- 62 - includes items 63 - 67
- 68 - includes items 69 - 70



DRIVETRAIN - FRONT

Where applicable, THE USE OF NON UL PARTS WILL VOID ANY UL LISTING.

When ordering parts, please specify the model and serial number of the product.

* Indicates a component that is not available as an individual part.

G** Indicates consult Customer Service Department for additional information.

ITEM	PART NO.	1 2 3 4 5	DESCRIPTION	QTY.
1	<u>72951-G01</u>		FRONT UNDERCARRIAGE	1
2				
3				
4	<u>72847-G01</u>		HALF SHAFT	2
5	<u>602951</u>		BOOT KIT INNER	1
6	<u>602952</u>		BOOT KIT OUTER	1
7	<u>00426-G8</u>		BOLT, 3/8 - 16 X 1" LG	10
8	<u>00566-G1</u>		WASHER, LOCK 3/8	10
9	<u>00560-G1</u>		WASHER, 3/8	4
10				
11	<u>13437-G4</u>		LOCK SCREW, 3/8 - 16 X 1" LG	10
12	<u>800698</u>		LOCK NUT, 3/8 - 16	10
13				
14				
15	<u>73948-G01</u>		FRONT DRIVE SHAFT	1
16	<u>00565-G8</u>		LOCK WASHER, 5/16"	2
17	<u>72687-G01</u>		BOLT, PATCHLOCK, 5/16 - 24 X 1 1/2" LG	2
18				
19				
20	<u>600047-G01</u>		SOLENOID	1
21	<u>600117-G01</u>		SCREW & WASHER, 1/4 - 28 X 5/8" LG	2
22	<u>00544-G2</u>		JAM NUT, 1/4 -28	2
23	<u>00565-G7</u>		LOCK WASHER, 1/4"	1
24	<u>600046-G01</u>		DIFFERENTIAL LOCK LINKAGE	1
25	<u>73962-G01</u>		SHOULDER BOLT, #10 - 24	1
26	<u>14390-G10</u>		LOCK NUT, #10 - 24	1
27				
28				
29				
30	<u>73834-G01</u>		FRONT DIFFERENTIAL GUARD	1

DRIVETRAIN - FRONT

Where applicable, THE USE OF NON UL PARTS WILL VOID ANY UL LISTING.

When ordering parts, please specify the model and serial number of the product.

* Indicates a component that is not available as an individual part.

G** Indicates consult Customer Service Department for additional information.

ITEM	PART NO.	1	2	3	4	5	DESCRIPTION	QTY.
31								
32								
33	<u>73838-G01</u>						FRONT DIFFERENTIAL ASSEMBLY (INCLUDES ITEMS 34 - 74)	1
34	<u>602790</u>						DRAIN PLUG KIT (INCLUDES ITEMS 35 - 36).....	1
35	*						PLUG, 3/8 - 16	1
36	*						WASHER.....	1
37	<u>602789</u>						SCREW, 3/8 - 16 X 1 1/4" LG.....	8
38	<u>602778</u>						SCREW, 5/16 - 18 X 1 1/2" LG.....	13
39	<u>602787</u>						DIFFERENTIAL LOCK LEVER KIT (INCLUDES ITEMS 40 - 43)	1
40	*						LOCK NUT, 5/16 - 24	1
41	*						BELLCRANK	1
42	*						WELDMENT	1
43	*						SEAL	1
44	<u>602808</u>						WASHER	1
45	<u>602788</u>						DIFFERENTIAL CASE KIT (UPPER) (INCLUDES ITEMS 46 - 48)	1
46	*						DIFFERENTIAL CASE	1
47	*						PIN	1
48	*						TUBE.....	1
49	<u>602837</u>						RETAINING RING (EXTERNAL)	2
50	<u>602839</u>						SHIM.....	1
51	<u>602809</u>						BEARING.....	1
52	<u>602780</u>						GEAR AND PINION KIT (INCLUDES ITEMS 53 - 55)	1
53	*						GEAR	1
54	*						BEARING	1
55	*						PINION	1
56	<u>602810</u>						BEARING.....	1
57	<u>602811</u>						DIFFERENTIAL CASE (LOWER)	1
58	<u>602786</u>						DIFFERENTIAL HOUSING KIT (INCLUDES ITEMS 59 - 60)	1
59	*						HOUSING.....	1
60	*						BALL BEARING	1

DRIVETRAIN - FRONT

Where applicable, THE USE OF NON UL PARTS WILL VOID ANY UL LISTING.

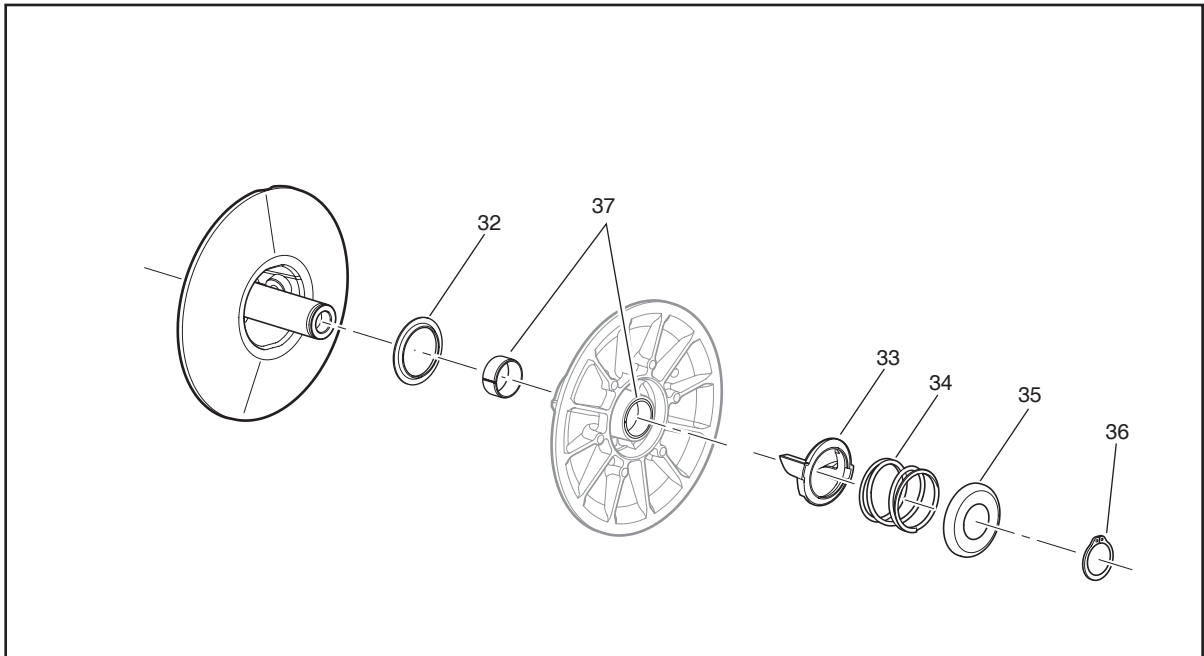
When ordering parts, please specify the model and serial number of the product.

* Indicates a component that is not available as an individual part.

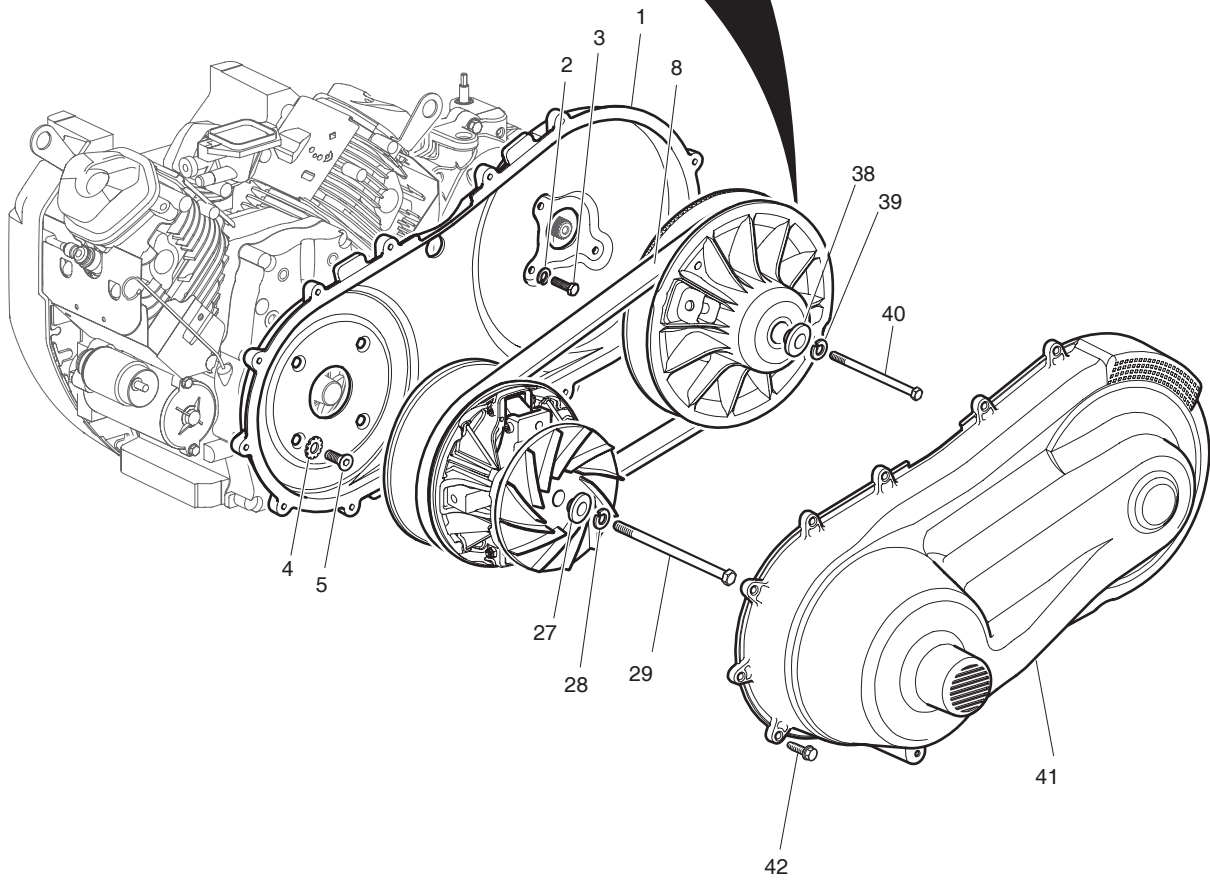
G** Indicates consult Customer Service Department for additional information.

ITEM	PART NO.	1	2	3	4	5	DESCRIPTION	QTY.
61	<u>602831</u>						DOG ENGAGEMENT	1
62	<u>602805</u>						DIFFERENTIAL PINION AND GEAR SET (INCLUDES ITEMS 63 - 67)	1
63	*						PINION	2
64	*						DIFFERENTIAL PIN	1
65	*						GEAR OUTPUT SHAFT	1
66	*						GEAR OUTPUT SHAFT (DIFFERENTIAL)	1
67	*						RETAINING RING	2
68	<u>602779</u>						BELLOW KIT (INCLUDES ITEMS 69 - 70)	1
69	*						VENT	1
70	*						SPRING CLIP	1
71	<u>602806</u>						COLLAR	1
72	<u>602807</u>						DIFFERENTIAL BRACKET	1
73	<u>602834</u>						SEAL	3
74	<u>602836</u>						SHIM	1

DRIVETRAIN - MID

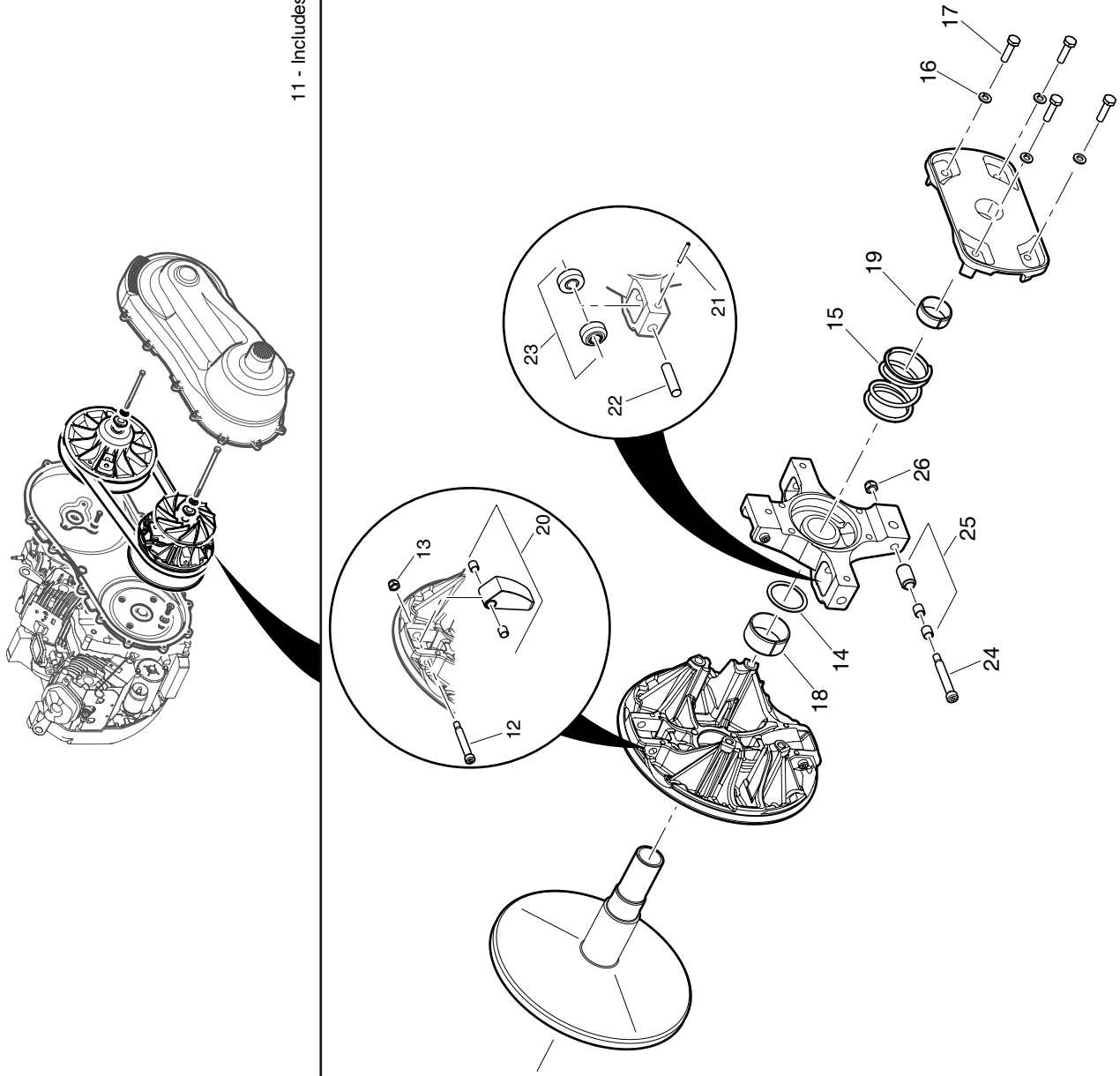


31 - Includes items 32 - 37



Ref Dtm 19-2

11 - Includes items 12 - 26



DRIVETRAIN - MID

Where applicable, THE USE OF NON UL PARTS WILL VOID ANY UL LISTING.

When ordering parts, please specify the model and serial number of the product.

* Indicates a component that is not available as an individual part.

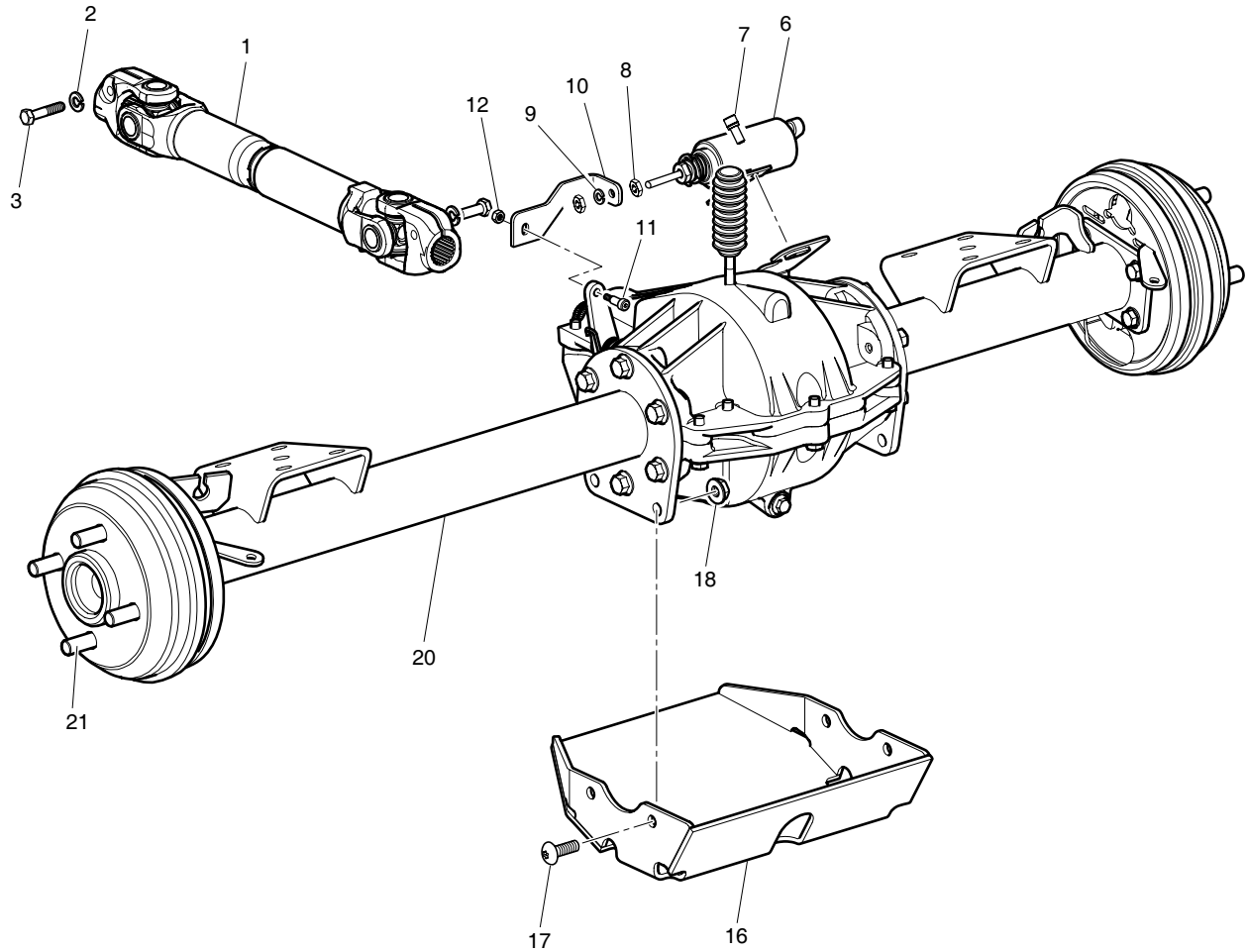
G** Indicates consult Customer Service Department for additional information.

ITEM	PART NO.	1 2 3 4 5	DESCRIPTION	QTY.
1	<u>73663-G01</u>		COVER BACK PLATE	1
2	<u>73960-G01</u>		LOCK WASHER, 5/16"	4
3	<u>73959-G01</u>		SCREW, 5/16 - 24 X 3/4" LG	4
4	<u>00565-G7</u>		LOCK WASHER, 1/4"	3
5	<u>00414-G6</u>		BOLT, 1/4 - 20 X 3/4" LG	3
6				
7				
8	<u>73965-G01</u>		DRIVE BELT	1
9				
10				
11	<u>73841-G01</u>		DRIVE CLUTCH ASSEMBLY (INCLUDES ITEMS 12 - 26)	1
12	<u>602877</u>		SCREW, .312 X 1 3/4" LG	2
13	<u>602879</u>		LOCK NUT, 1/4 - 20	2
14	<u>603009</u>		SHIM	AR
15	<u>603011</u>		COMPRESSION SPRING	1
16	<u>603013</u>		LOCK WASHER, 1/4"	4
17	<u>603014</u>		SCREW, 1/4 - 20 X 1 1/4" LG	4
18	<u>603003</u>		BEARING	1
19	<u>603004</u>		BEARING	1
20	<u>603005</u>		WEIGHT CLUTCH	2
21	<u>602874</u>		PIN, .125 X 1" LG	2
22	<u>602875</u>		DOWEL PIN, .375 X 1 1/2" LG	2
23	<u>602876</u>		ROLLER	4
24	<u>602877</u>		SCREW, .312 X 1 3/4" LG	2
25	<u>602878</u>		ROLLER WEIGHT	2
26	<u>602879</u>		LOCK NUT, 1/4 - 20	2
27	<u>25757-G1</u>		PILOT WASHER	1
28	<u>00566-G2</u>		LOCK WASHER, 7/16"	1
29	<u>73953-G01</u>		BOLT, M10 X 1.25 X 160MM LG	1
30				

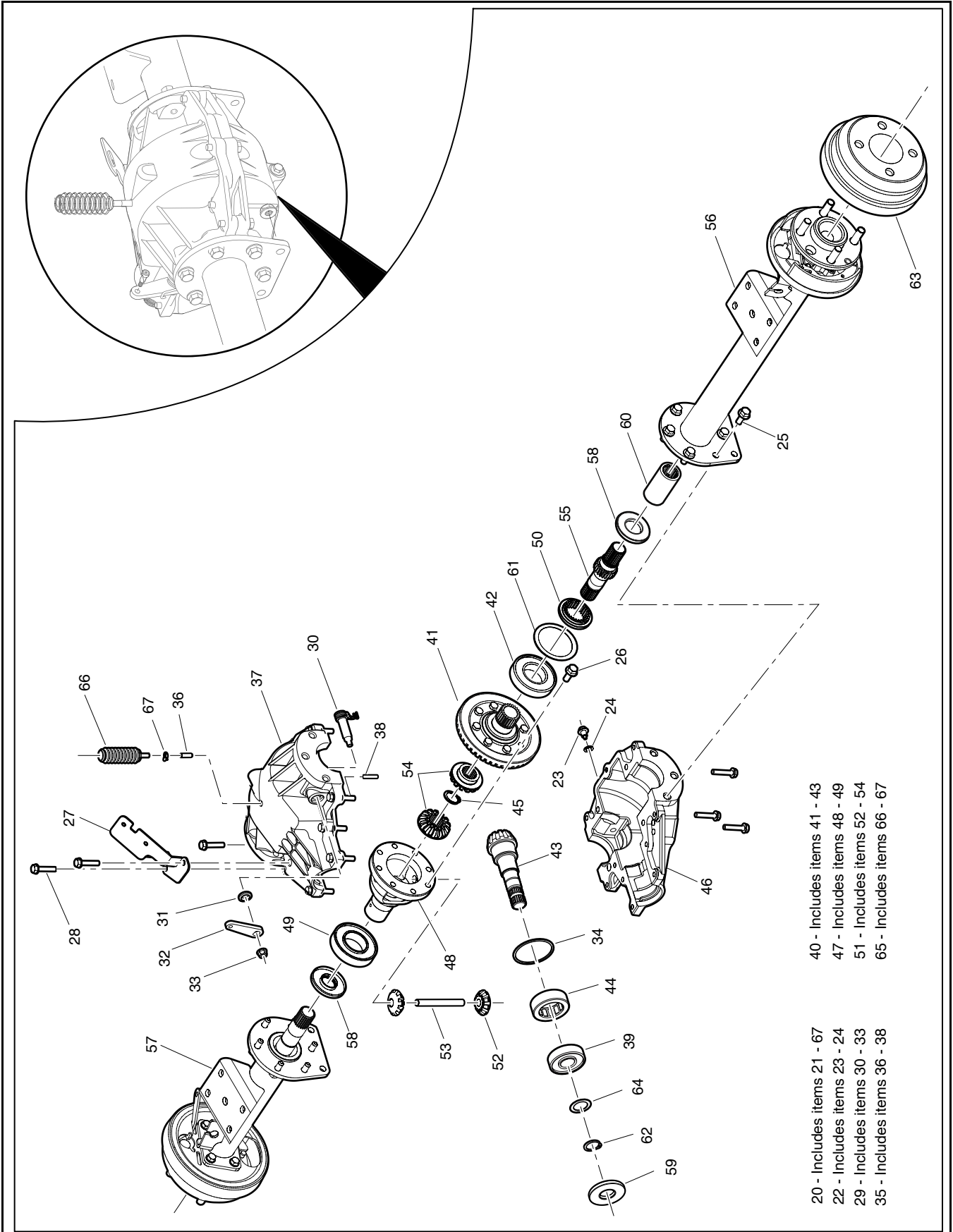
Where applicable, THE USE OF NON UL PARTS WILL VOID ANY UL LISTING.
 When ordering parts, please specify the model and serial number of the product.
 * Indicates a component that is not available as an individual part.
 G** Indicates consult Customer Service Department for additional information.

ITEM	PART NO.	1 2 3 4 5	DESCRIPTION	QTY.
31	<u>73842-G01</u>		DRIVEN CLUTCH ASSEMBLY (INCLUDES ITEMS 32 - 37)	1
32	<u>602881</u>		WASHER THRUST.....	1
33	<u>602883</u>		SPRING RETAINER (INNER)	1
34	<u>602884</u>		COMPRESSION SPRING	1
35	<u>602885</u>		SPRING RETAINER (OUTER)	1
36	<u>602886</u>		RETAINER RING.....	1
37	<u>602887</u>		BEARING.....	2
38	<u>25756-G1</u>		RETAINING WASHER	1
39	<u>00565-G8</u>		LOCK WASHER, 5/16".....	1
40	<u>548958</u>		SCREW, 5/16 - 18 X 3 1/2" LG	1
41	<u>73664-G01</u>		CVT COVER	1
42	<u>71204-G01</u>		BOLT, 1/4 - 20 X 7/8" LG	14

DRIVETRAIN - REAR



Ref Dtr 19



DRIVETRAIN - REAR

Where applicable, THE USE OF NON UL PARTS WILL VOID ANY UL LISTING.

When ordering parts, please specify the model and serial number of the product.

* Indicates a component that is not available as an individual part.

G** Indicates consult Customer Service Department for additional information.

ITEM	PART NO.	1 2 3 4 5	DESCRIPTION	QTY.
1	<u>73949-G01</u>		REAR DRIVE SHAFT.....	1
2	<u>00565-G8</u>		LOCK WASHER, 5/16".....	2
3	<u>72687-G01</u>		BOLT, PATCHLOCK, 5/16 - 24 X 1 1/2" LG	2
4				
5				
6	<u>600047-G01</u>		SOLENOID.....	1
7	<u>600117-G01</u>		SCREW & WASHER, 1/4 - 28 X 5/8" LG	2
8	<u>00544-G2</u>		JAM NUT, 1/4 -28	2
9	<u>00565-G7</u>		LOCK WASHER, 1/4".....	1
10	<u>600046-G01</u>		DIFFERENTIAL LOCK LINKAGE	1
11	<u>73962-G01</u>		SHOULDER BOLT, #10 - 24.....	1
12	<u>14390-G10</u>		LOCK NUT, #10 - 24.....	1
13				
14				
15				
16	<u>73399-G01</u>		REAR DIFFERENTIAL GUARD.....	1
17	<u>73653-G01</u>		BOLT, 3/8 - 16 X 1 1/8" LG	4
18	<u>800698</u>		LOCK NUT, 3/8 - 16.....	4
19				
20	<u>73840-G01</u>		REAR AXLE (INCLUDES ITEMS 21 - 67)	1
21	<u>72759-G01</u>		LUG BOLT, 1/2 - 20 (REAR).....	8
22	<u>602790</u>		DRAIN PLUG KIT (INCLUDES ITEMS 23 - 24).....	1
23	*		PLUG, 3/8 - 16	1
24	*		WASHER.....	1
25	<u>602791</u>		SCREW, 3/8 - 16 X 1 1/4" LG	12
26	<u>602789</u>		SCREW, 3/8 - 16 X 1 1/4" LG	8
27	<u>602807</u>		DIFFRENTIAL BRACKET.....	1
28	<u>602778</u>		SCREW, 5/16 - 18 X 1 1/2" LG.....	13
29	<u>602787</u>		DIFFRENTIAL LOCK LEVER KIT (INCLUDES ITEMS 30 - 33).....	1
30	*		ACTUATOR DIFFERENTIAL LOCK	1

DRIVETRAIN - REAR

Where applicable, THE USE OF NON UL PARTS WILL VOID ANY UL LISTING.

When ordering parts, please specify the model and serial number of the product.

* Indicates a component that is not available as an individual part.

G** Indicates consult Customer Service Department for additional information.

ITEM	PART NO.	1	2	3	4	5	DESCRIPTION	QTY.
31	*						SEAL	1
32	*						BELLCRANK	1
33	*						LOCK NUT, 5/16 - 24	1
34	<u>602808</u>						WASHER	1
35	<u>602788</u>						DIFFERENTIAL CASE (UPPER) (INCLUDES ITEMS 36 - 38)	1
36	*						TUBE	1
37	*						DIFFERENTIAL CASE	1
38	*						PIN	1
39	<u>602809</u>						BALL BEARING	1
40	<u>602780</u>						GEAR AND PINION KIT (INCLUDES ITEMS 41 - 43)	1
41	*						GEAR	1
42	*						BALL BEARING	1
43	*						PINION	1
44	<u>602810</u>						BEARING	1
45	<u>602830</u>						RETAINING RING (EXTERNAL)	1
46	<u>602811</u>						DIFFERENTIAL CASE (LOWER)	1
47	<u>602786</u>						DIFFERENTIAL LOCK HOUSING KIT (INCLUDES ITEMS 48 - 49)	1
48	*						HOUSING	1
49	*						BALL BEARING	1
50	<u>602831</u>						DOG ENGAGEMENT	1
51	<u>602792</u>						DIFFERENTIAL PINION AND GEAR SET (INCLUDES ITEMS 52 - 54) ...	1
52	*						PINION	2
53	*						PIN	1
54	*						GEAR	2
55	<u>602832</u>						AXLE LOCK	1
56	<u>602793</u>						AXLE ASSEMBLY (DRIVER SIDE)	1
57	<u>602825</u>						AXLE ASSEMBLY (PASSENGER SIDE)	1
58	<u>602833</u>						SEAL	2
59	<u>602834</u>						SEAL	1
60	<u>602835</u>						COUPLER SHAFT	1

DRIVETRAIN - REAR

Where applicable, THE USE OF NON UL PARTS WILL VOID ANY UL LISTING.

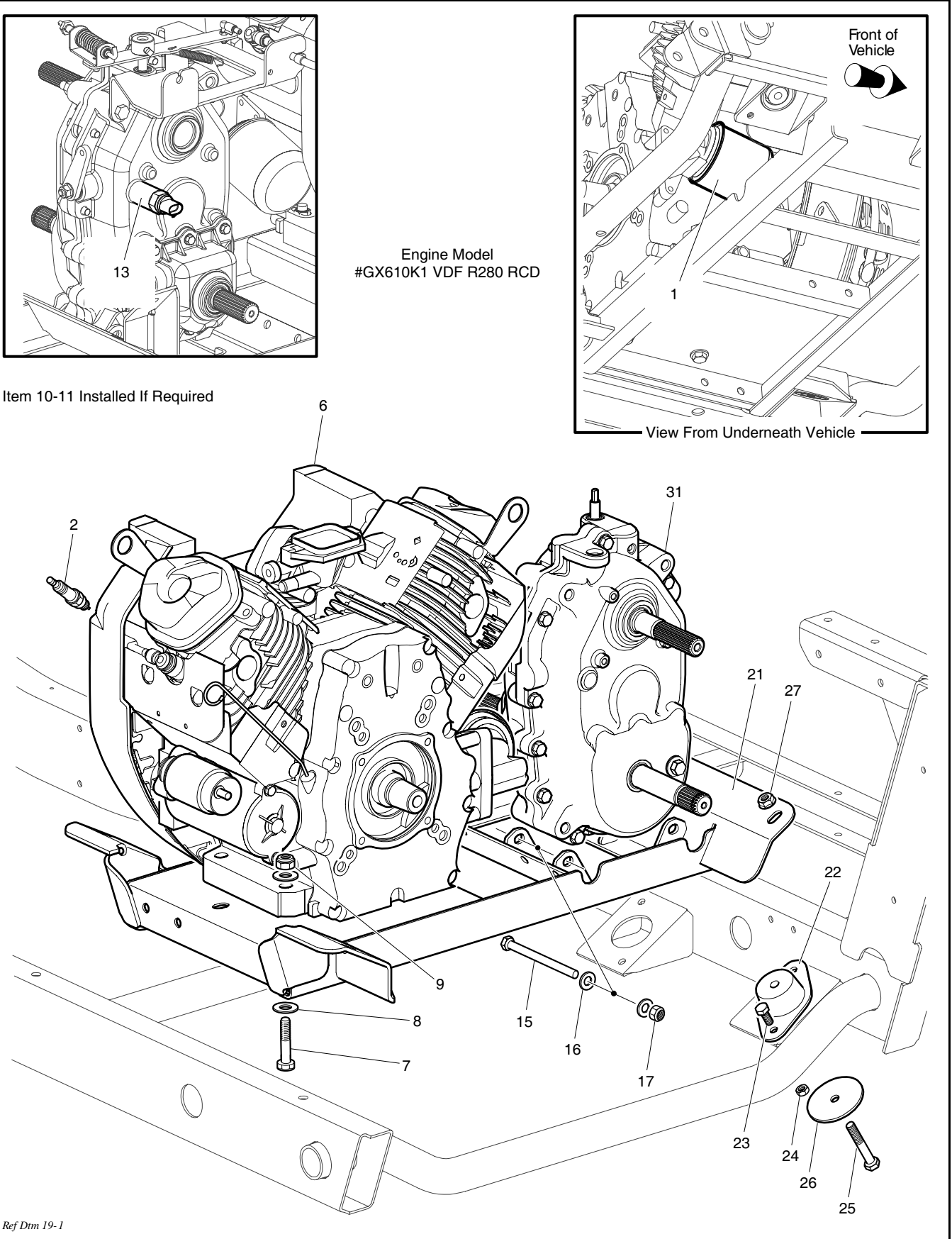
When ordering parts, please specify the model and serial number of the product.

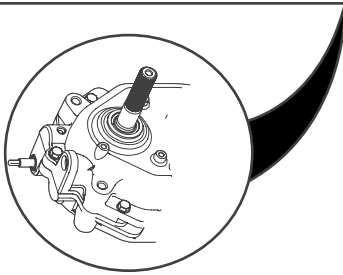
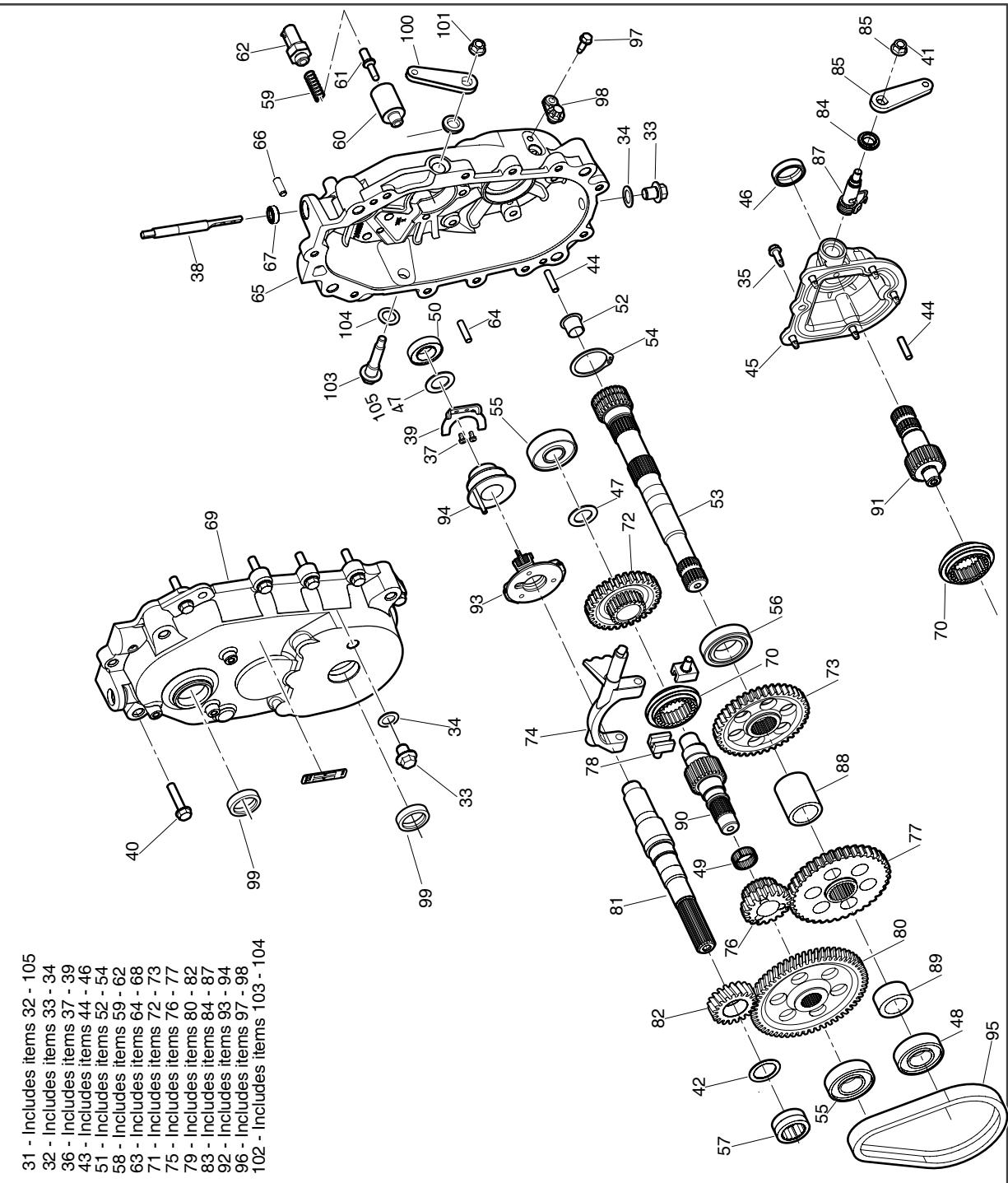
* Indicates a component that is not available as an individual part.

G** Indicates consult Customer Service Department for additional information.

ITEM	PART NO.	1	2	3	4	5	DESCRIPTION	QTY.
61	<u>602836</u>						SHIM	1
62	<u>602837</u>						RETAINING RING	1
63	<u>602838</u>						BRAKE DRUM	1
64	<u>602839</u>						SHIM	1
65	<u>602779</u>						BELLOW SERVICE KIT (INCLUDES ITEMS 66 - 67)	1
66	*						VENT	1
67	*						SPRING CLIP	1

DRIVETRAIN - TRANSMISSION





DRIVETRAIN - TRANSMISSION

Where applicable, THE USE OF NON UL PARTS WILL VOID ANY UL LISTING.

When ordering parts, please specify the model and serial number of the product.

* Indicates a component that is not available as an individual part.

G** Indicates consult Customer Service Department for additional information.

ITEM	PART NO.	1 2 3 4 5	DESCRIPTION	QTY.
1	15400-POH-305PE		OIL FILTER	1
2	<u>BPR2ES</u>		SPARK PLUG (NGK)	2
3				
4				
5				
6	<u>73680-G01</u>		ENGINE HONDA 18 HP, MODEL GX610K1 VDF2 R280 RCD	1
7	<u>311392</u>		BOLT, 7/16 - 14 X 2" LG	4
8	<u>00922-G3</u>		WASHER, 7/16"	8
9	<u>00734-G1</u>		LOCK NUT, 7/16 - 14	4
10	<u>72971-G01</u>		HIGH ALTITUDE KIT, 5-8,000 FT	AR
11	<u>72971-G02</u>		HIGH ALTITUDE KIT, 8-10,00 FT	AR
12				
13	<u>72686-G01</u>		INDICATOR SWITCH	1
14				
15	<u>311391</u>		BOLT, 3/8 - 16 X 4" LG	2
16	<u>00560-G1</u>		WASHER, 3/8"	4
17	<u>11098-G5</u>		LOCK NUT, 3/8 - 16	2
18				
19				
20				
21	<u>73879-G01</u>		ENGINE SUB-FRAME	1
22	<u>73890-G01</u>		ISOLATION MOUNT	4
23	00438-G6		BOLT, 5/16 - 18 X 3/4" LG	8
24	11098-G6		LOCK NUT, 5/16 - 18	8
25	<u>00427-G8</u>		BOLT 3/8 - 16 X 2" LG	4
26	<u>72051-G02</u>		WASHER, 3/8"	4
27	<u>800698</u>		LOCK NUT, 3/8 - 16	4
28				
29				
30				

DRIVETRAIN - TRANSMISSION

Where applicable, THE USE OF NON UL PARTS WILL VOID ANY UL LISTING.

When ordering parts, please specify the model and serial number of the product.

* Indicates a component that is not available as an individual part.

G** Indicates consult Customer Service Department for additional information.

ITEM	PART NO.	1 2 3 4 5	DESCRIPTION	QTY.
31	<u>73839-G01</u>		TRANSFER CASE ASSEMBLY (INCLUDES ITEMS 32 - 105)	1
32	<u>602841</u>		DRAIN PLUG KIT (INCLUDES ITEMS 33 - 34)	1
33	*		PLUG, 1/2 - 20	2
34	*		WASHER NYLON	2
35	<u>602850</u>		SCREW, 1/4 - 20	6
36	<u>602848</u>		GOVERNOR LINKAGE KIT (INCLUDES ITEMS 37 - 39)	1
37	*		SCREW	2
38	*		GOVERNOR ARM	1
39	*		FORK GOVERNOR	1
40	<u>602840</u>		SCREW, 5/16 - 18 X 1 1/2" LG	11
41	*		NUT, 5/16 - 24	1
42	<u>602856</u>		WASHER	1
43	<u>602972</u>		FRONT OUTPUT COVER KIT (INCLUDES ITEMS 44 - 46)	1
44	*		DOWEL PIN	1
45	*		COVER	1
46	*		SEAL	1
47	<u>602857</u>		WASHER	2
48	<u>602858</u>		BALL BEARING	1
49	<u>602859</u>		NEEDLE BEARING	1
50	<u>602860</u>		BALL BEARING	1
51	<u>602846</u>		OUTPUT SHAFT KIT (INCLUDES ITEMS 52 - 54)	1
52	*		BEARING	1
53	*		SHAFT REAR	1
54	*		RETAINING RING	1
55	<u>602861</u>		BALL BEARING	2
56	<u>602862</u>		BALL BEARING	1
57	<u>602863</u>		NEEDLE BEARING	1
58	<u>602852</u>		DETENT ASSEMBLY (INCLUDES ITEMS 59 - 62)	1
59	*		GUIDE	1
60	*		BULLET	1

DRIVETRAIN - TRANSMISSION

Where applicable, THE USE OF NON UL PARTS WILL VOID ANY UL LISTING.

When ordering parts, please specify the model and serial number of the product.

* Indicates a component that is not available as an individual part.

G** Indicates consult Customer Service Department for additional information.

ITEM	PART NO.	1	2	3	4	5	DESCRIPTION	QTY.
61	*						SWITCH	1
62	*						COMPRESSION SPRING.....	1
63	602853						FRONT GEAR CASE KIT (INCLUDES ITEMS 64 - 68)	1
64	*						DOWEL PIN	2
65	*						GEAR CASE (FRONT).....	1
66	*						TUBE VENT	1
67	*						SEAL	1
68	*						SEAL	1
69	<u>602864</u>						GEAR CASE (REAR).....	1
70	<u>602831</u>						DOG ENGAGEMENT	2
71	<u>602845</u>						GEAR KIT (INCLUDES ITEMS 72 - 73)	1
72	*						GEAR	1
73	*						OUTPUT GEAR	1
74	<u>602865</u>						SHIFTER.....	1
75	<u>602844</u>						SPROCKET KIT (INCLUDES ITEMS 76 - 77).....	1
76	*						SPROCKET (18 TEETH)	1
77	*						SPROCKET (38 TEETH)	1
78	<u>602855</u>						COLLAR.....	2
79	602842						INPUT SHAFT AND GEAR KIT (INCLUDES ITEMS 80 - 82)	1
80	*						GEAR	1
81	*						INPUT SHAFT	1
82	*						GEAR	1
83	<u>602854</u>						ACTUATOR ASSEMBLY KIT (INCLUDES ITEMS 84 - 87)	1
84	*						SEAL	1
85	*						NUT, 5/6 - 24	1
86	*						BELL CRANK	1
87	*						ACTUATOR.....	1
88	<u>602866</u>						SPACER	1
89	<u>602867</u>						SPACER	1
90	<u>602868</u>						REVERSE SHAFT	1

DRIVETRAIN - TRANSMISSION

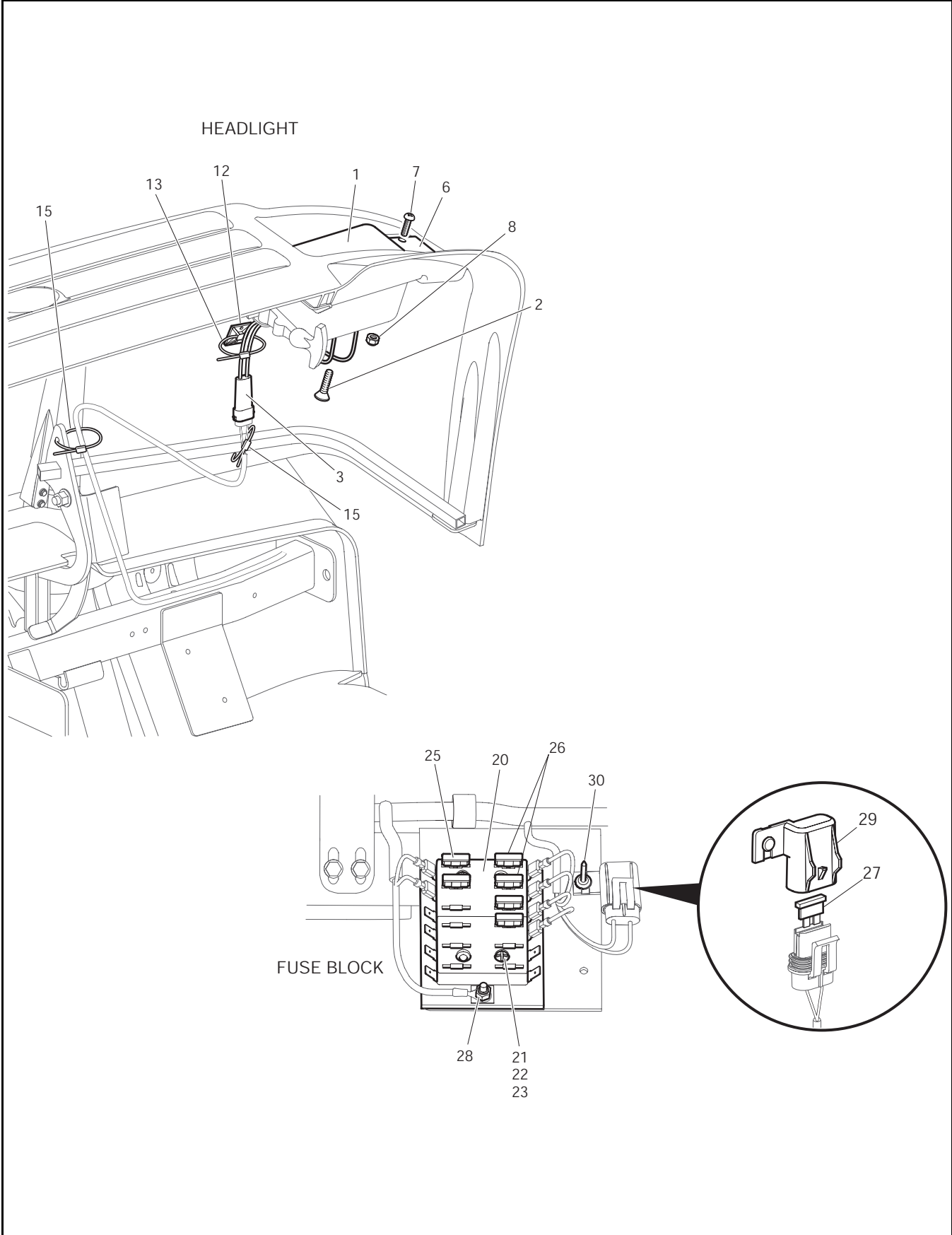
Where applicable, THE USE OF NON UL PARTS WILL VOID ANY UL LISTING.

When ordering parts, please specify the model and serial number of the product.

* Indicates a component that is not available as an individual part.

G** Indicates consult Customer Service Department for additional information.

ITEM	PART NO.	1	2	3	4	5	DESCRIPTION	QTY.
91	<u>602869</u>						FRONT OUTPUT SHAFT	1
92	<u>602847</u>						GOVERNOR KIT (INCLUDES ITEMS 93 - 94).....	1
93	*						FLY WEIGHT	1
94	*						GOVERNOR SPOOL	1
95	<u>602870</u>						CHAIN.....	1
96	<u>602851</u>						SPPED SENSOR PLUG KIT (INCLUDES ITEMS 97 - 98)	1
97	*						SCREW, 1/4 - 20.....	1
98	*						PLUG.....	1
99	<u>602871</u>						SEAL.....	2
100	<u>602872</u>						BELLCRANK (FNR).....	1
101	<u>602873</u>						LOCK NUT, 3/8 - 24.....	1
102	<u>602849</u>						FNR GUIDE (INCLUDES ITEMS 103 - 104)	1
103	*						SCREW	1
104	*						NYLON WASHER	1
105	603085						RETAINING RING	1



ELECTRICAL

Where applicable, THE USE OF NON UL PARTS WILL VOID ANY UL LISTING.

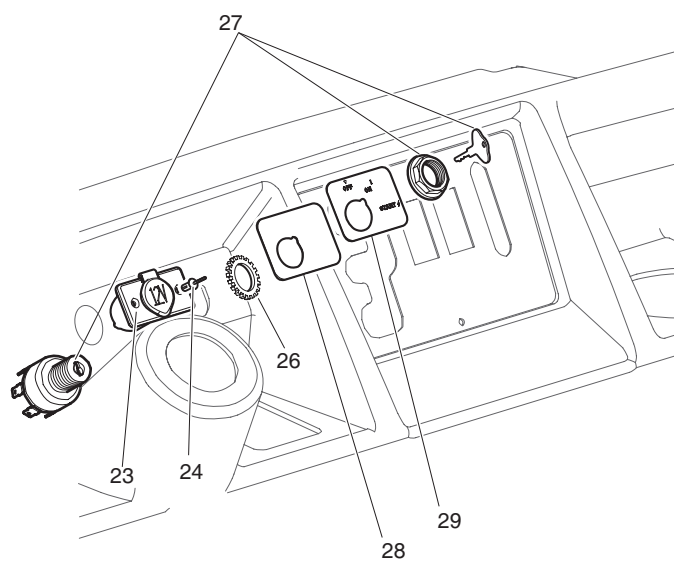
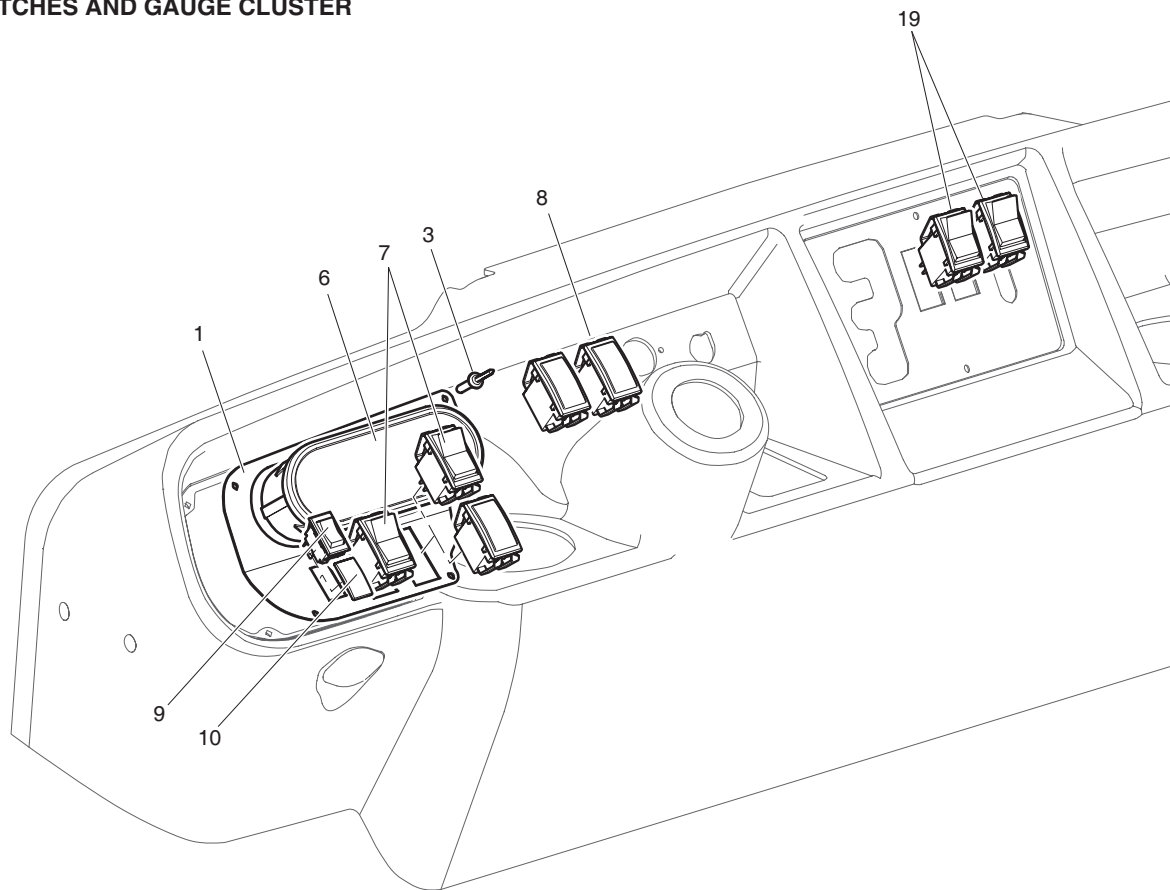
When ordering parts, please specify the model and serial number of the product.

* Indicates a component that is not available as an individual part.

G** Indicates consult Customer Service Department for additional information.

ITEM	PART NO.	1 2 3 4 5	DESCRIPTION	QTY.
1	<u>22523-G1</u>		HEADLIGHT (RECTANGULAR) (INCLUDES ITEM 2)	2
2	<u>00906-G6</u>		SCREW, #10 - 16 X 1" LG	2
3	<u>74337-G01</u>		JUMPER WIRE (HEADLIGHT)	2
4				
5				
6	<u>20574-G4</u>		LENS, AMBER	2
7	<u>00645-G5</u>		SCREW, #6 - 32 X 5/8" LG	4
8	<u>14390-G9</u>		LOCK NUT, #6 - 32	4
9				
10				
11				
12	<u>20058-G1</u>		WIRE TIE ADHESIVE BASE	2
13	<u>17618-G1</u>		WIRE TIE	2
14				
15	<u>31539-G1</u>		WIRE TIE	2
16				
17				
18				
19				
20	<u>35211-G02</u>		FUSE BLOCK (12 POSITION)	1
21	<u>00379-G2</u>		SCREW, #10 - 24 X 1 1/4" LG	2
22	<u>00559-G5</u>		WASHER, #10	2
23	<u>14390-G10</u>		LOCK NUT, #10 - 24	2
24				
25	<u>35212-G01</u>		FUSE, 15 AMP	2
26	<u>35212-G02</u>		FUSE, 20 AMP	2
27	<u>35212-G03</u>		FUSE, 25 AMP	1
28	<u>00526-G4</u>		NUT, #10 - 32	1
29	<u>73499-G01</u>		IN-LINE FUSE COVER	1
30	<u>71055-G01</u>		RIVET, 3/16" X 1" LG (ALUMINUM)	1

SWITCHES AND GAUGE CLUSTER



Where applicable, THE USE OF NON UL PARTS WILL VOID ANY UL LISTING.

When ordering parts, please specify the model and serial number of the product.

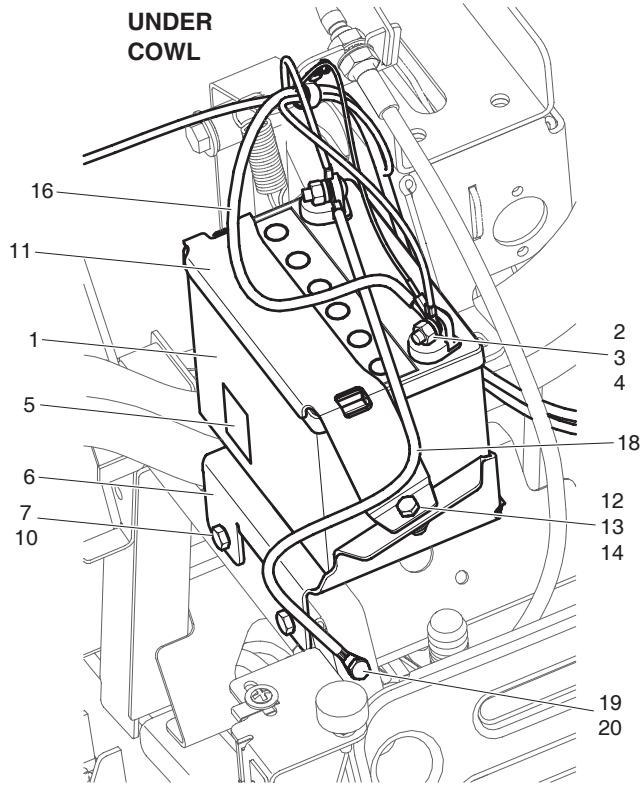
* Indicates a component that is not available as an individual part.

G** Indicates consult Customer Service Department for additional information.

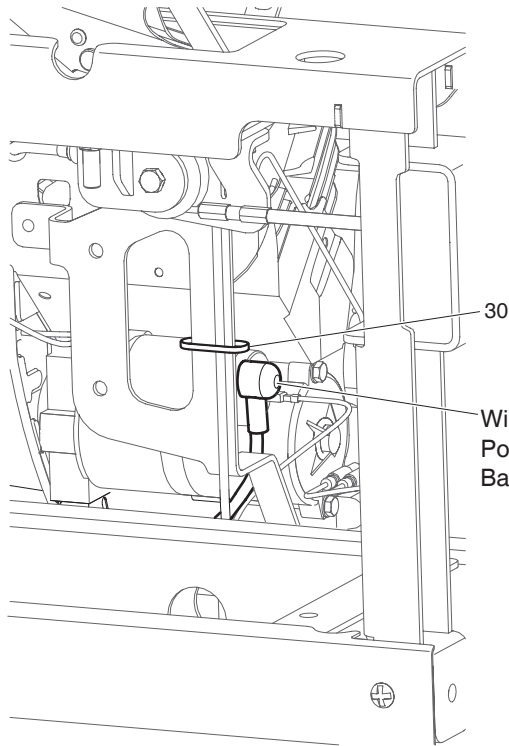
ITEM	PART NO.	1	2	3	4	5	DESCRIPTION	QTY.
1	<u>73660-G01</u>						GAUGE PLATE	1
2								
3	<u>71055-G01</u>						RIVET, 3/16" X 1" LG (ALUMINUM)	4
4								
5								
6	<u>600807</u>						GAUGE CLUSTER.....	1
7	<u>73829-G01</u>						LIGHT SWITCH.....	AR
8	<u>73877-G01</u>						SWITCH HOLE PLUG.....	AR
9	<u>73830-G01</u>						BED DUMP SWITCH (SEE POWER DUMP SECTION)	1
10	<u>73892-G01</u>						SWITCH HOLE PLUG.....	AR
11								
12								
13								
14								
15								
16								
17								
18								
19	<u>73829-G02</u>						ROCKER SWITCH.....	2
20								
21								
22								
23	<u>71078-G01</u>						POWER OUTLET.....	1
24	<u>71045-G01</u>						RIVET, 5/32" X 3/4" LG	2
25								
26	<u>00568-G7</u>						LOCK WASHER, EXTERNAL TOOTH	1
27	<u>72926-G01</u>						KEY SWITCH (OFF-ON-START).....	1
28	<u>73772-G01</u>						PLATE, KEY	1
29	<u>73767-G01</u>						LABEL (KEY START).....	1

ELECTRICAL

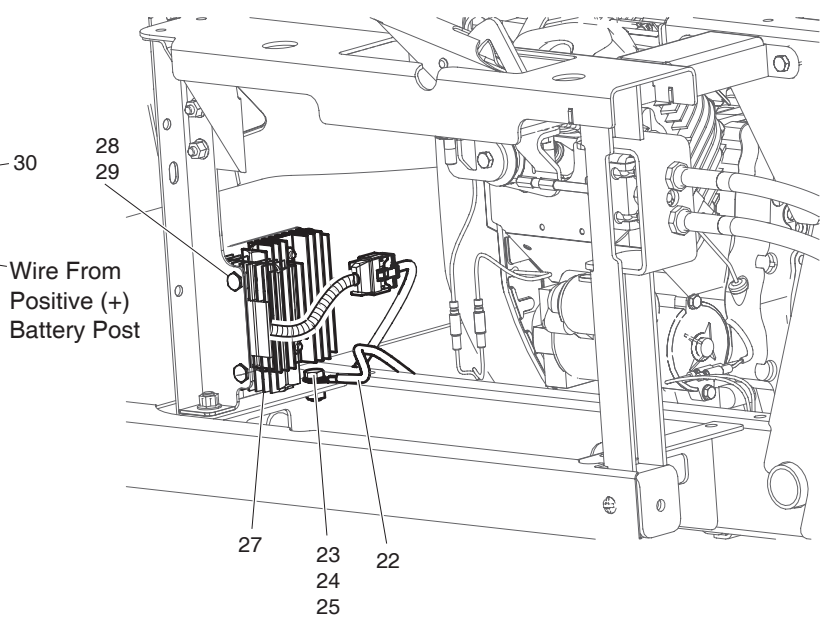
**UNDER
COWL**



**DRIVER SIDE
BEHIND SIDE
PANEL**



**DRIVER SIDE
BEHIND SIDE
PANEL**



Ref Ele 19-3

Where applicable, THE USE OF NON UL PARTS WILL VOID ANY UL LISTING.

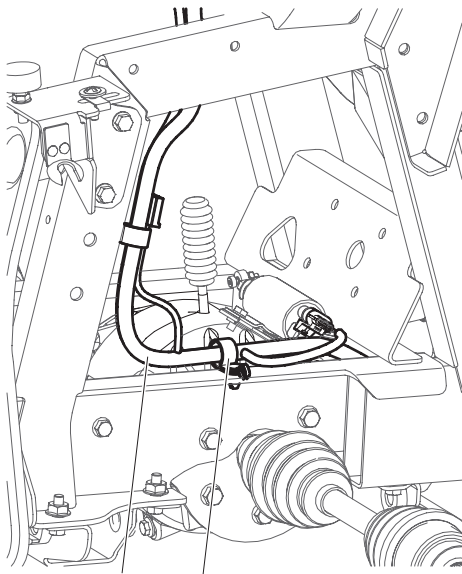
When ordering parts, please specify the model and serial number of the product.

* Indicates a component that is not available as an individual part.

G** Indicates consult Customer Service Department for additional information.

ITEM	PART NO.	1	2	3	4	5	DESCRIPTION	QTY.
1	<u>74956-G01</u>						BATTERY	1
2	<u>74959-G01</u>						SCREW, 5/16 - 18 X 1" LG	2
3	<u>00993-G01</u>						LOCK WASHER, 5/16" (SILICON BRONZE)	2
4	<u>00994-G01</u>						NUT, 5/16 - 18 (SILICON BRONZE)	2
5	<u>35493-G01</u>						LABEL (BATTERY DISPOSAL - CE)	1
6	<u>74957-G01</u>						BATTERY TRAY	1
7	<u>00438-G8</u>						BOLT, 5/16 - 18 X 1" LG	3
8								
9								
10	<u>800697</u>						LOCK NUT, 5/16 - 18	3
11	<u>74958-G01</u>						BATTERY RETAINER	1
12	<u>00438-G8</u>						BOLT, 5/16 - 18 X 1" LG	2
13	<u>00642-G8</u>						WASHER, 5/16"	2
14	11098-G6						LOCK NUT, 5/16 - 18	2
15								
16	<u>25972-G144</u>						6 GA WIRE (BLACK 94") (B+ / SOL)	1
17								
18	<u>25972-G145</u>						6 GA WIRE (BLACK 20") (B- / GRD)	1
19	<u>00438-G8</u>						BOLT, 5/16 - 18 X 1" LG	1
20	<u>800697</u>						LOCK NUT, 5/16 - 18	1
21								
22	<u>25972-G146</u>						6 GA WIRE (BLACK 26") (GRD / ENG)	1
23	<u>00426-G6</u>						BOLT, 3/8 - 16 X 3/4" LG	1
24	<u>00560-G1</u>						WASHER, 3/8"	1
25	<u>800698</u>						LOCK NUT, 3/8 - 16	1
26								
27	<u>72927-G01</u>						VOLTAGE REGULATOR	1
28	00414-G8						BOLT, 1/4 - 20 X 1" LG	2
29	<u>14390-G4</u>						LOCK NUT, 1/4 - 20	2
30	<u>17618-G1</u>						WIRE TIE	1

ELECTRICAL



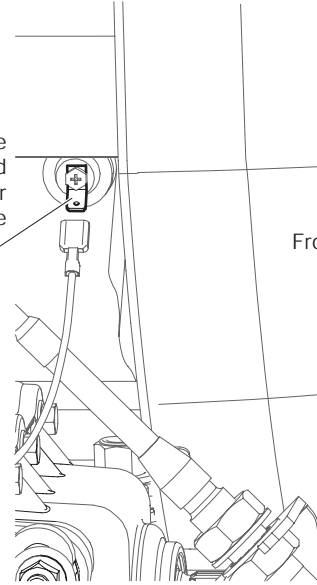
**DRIVER SIDE
FRONT OF
VEHICLE**

1
2 All Items Are Not Shown
3 But Are Item 3 Qty. 19

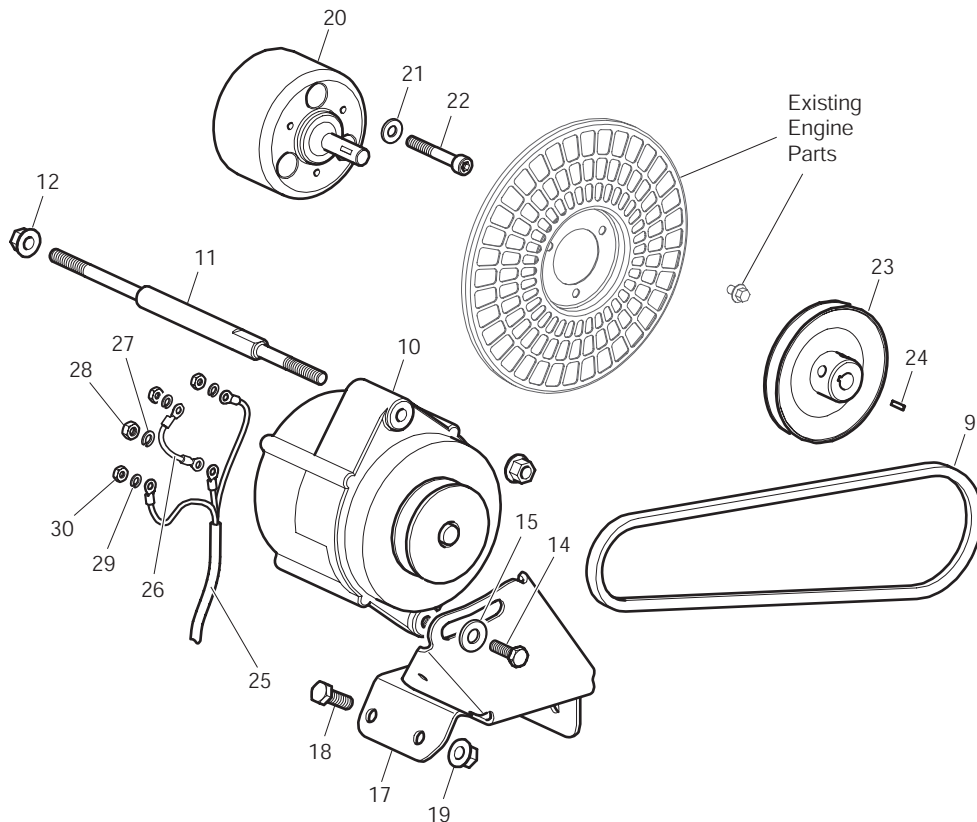
Oil Pressure
Switch Mounted
On Passenger
Side Of Engine

6

Front Of Vehicle



**PASSENGER
SIDE OF ENGINE**



Existing
Engine
Parts

Ref Ele 19-4

Where applicable, THE USE OF NON UL PARTS WILL VOID ANY UL LISTING.

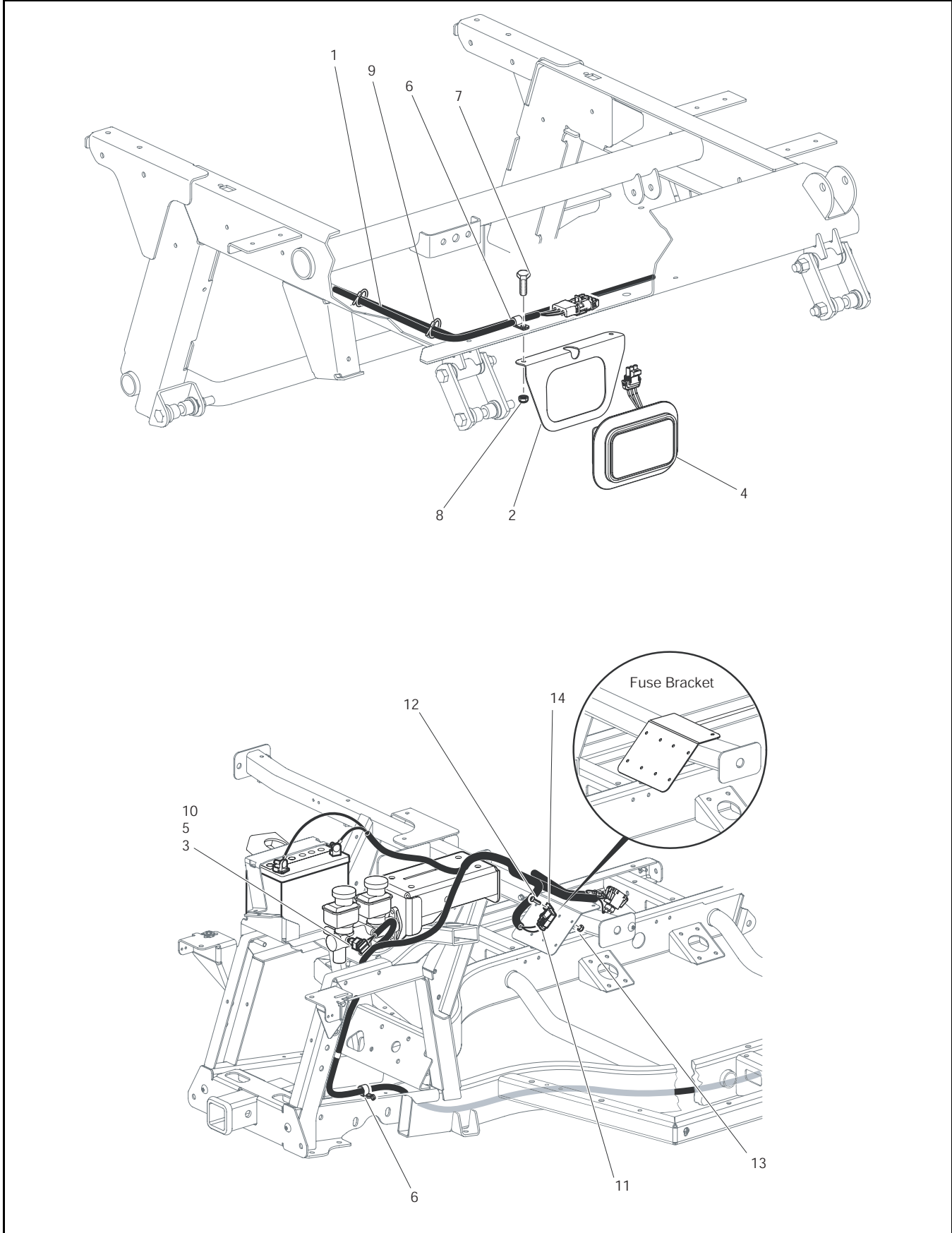
When ordering parts, please specify the model and serial number of the product.

* Indicates a component that is not available as an individual part.

G** Indicates consult Customer Service Department for additional information.

ITEM	PART NO.	1	2	3	4	5	DESCRIPTION	QTY.
1	<u>73989-G01</u>						WIRE HARNESS.....	1
2	<u>73864-G01</u>						CLAMP, 1/2".....	7
3	<u>73864-G02</u>						CLAMP, 3/4".....	19
4								
5								
6	<u>12914-G1</u>						FASTON MALE TERMINAL # 10 X 1/4".....	1
7								
8								
9	<u>73561-G01</u>						ALTERNATOR BELT.....	1
10	<u>893633</u>						ALTERNATOR.....	1
11	<u>73557-G01</u>						ALTERNATOR MOUNTING SHAFT.....	1
12	<u>800698</u>						LOCK NUT, 3/8 - 16.....	2
13								
14	<u>00438-G8</u>						BOLT, 5/16 - 18 X 1" LG.....	1
15	<u>00571-G2</u>						WASHER, 5/16".....	1
16								
17	<u>73556-G01</u>						ALTERNATOR BRACKET.....	1
18	<u>00426-G8</u>						BOLT, 3/8 - 16 X 1" LG.....	4
19	<u>800698</u>						LOCK NUT, 3/8 - 16.....	4
20	<u>73558-G01</u>						PTO SHAFT.....	1
21	<u>01120-G01</u>						WASHER, M8.....	3
22	<u>01119-G01</u>						BOLT, M8 X 1.25 X 55MM LG.....	3
23	<u>842996</u>						PULLEY.....	1
24	2702249						WOODRUFF KEY.....	1
25	<u>73973-G01</u>						WIRE HARNESS (ALTERNATOR).....	1
26	<u>25977-G102</u>						16 GA WIRE (BLACK 3").....	1
27	<u>00565-G7</u>						LOCK WASHER, 1/4".....	1
28	<u>00532-G1</u>						NUT, 1/4 - 20.....	1
29	<u>00565-G5</u>						LOCK WASHER, #10.....	3
30	<u>00526-G4</u>						NUT, #10 - 32.....	3

ELECTRICAL



Where applicable, THE USE OF NON UL PARTS WILL VOID ANY UL LISTING.

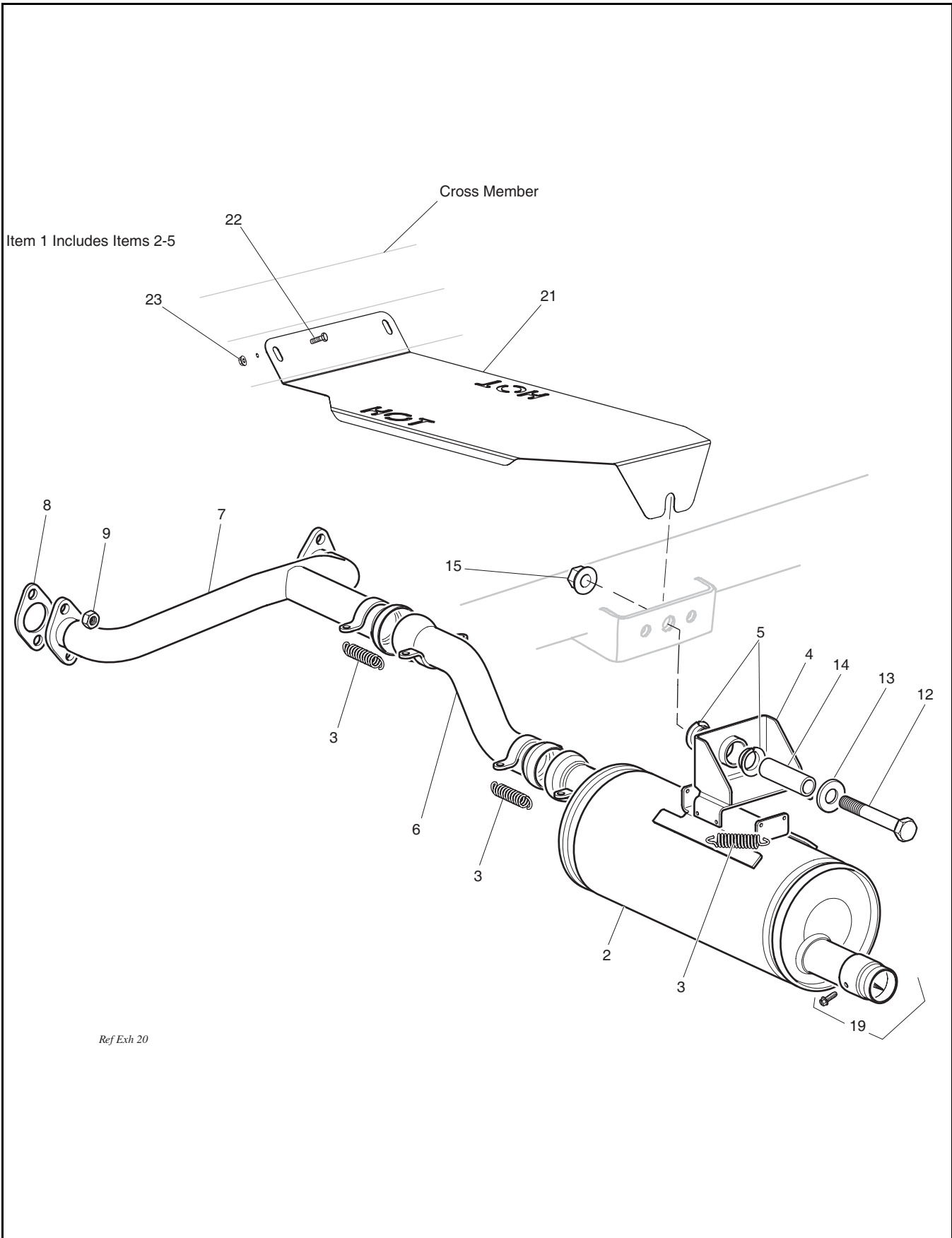
When ordering parts, please specify the model and serial number of the product.

* Indicates a component that is not available as an individual part.

G** Indicates consult Customer Service Department for additional information.

ITEM	PART NO.	1	2	3	4	5	DESCRIPTION	QTY.
1	<u>600399-G01</u>						BRAKE LIGHT HARNESS	1
2	<u>600398-G01</u>						TAIL LIGHT MOUNTING BRACKET	1
3	<u>600401-G01</u>						ADAPTER	1
4	<u>32739-G3</u>						TAILLIGHT (WITH SEALED CONNECTORS)	1
5	<u>21510-G1</u>						BRAKE LIGHT SWITCH	1
6	<u>11845-G7</u>						INSULATED CABLE CLAMP, 1/2"	1
7	<u>00414-G6</u>						BOLT, 1/4 - 20 X 3/4" LG	2
8	<u>14390-G4</u>						LOCK NUT, 1/4 - 20	2
9	<u>31539-G1</u>						WIRE TIE	8
10	<u>600479</u>						WASHER M8, PRESSURE SEALING	1
11	<u>35212-G01</u>						FUSE, 15 AMP	1
12	<u>00740-G4</u>						SCREW 10 - 32 X 1/2" LG (STAINLESS STEEL)	1
13	<u>00734-G5</u>						LOCK NUT #10 - 32	1
14	<u>73499-G01</u>						INLINE FUSE COVER	1

EXHAUST



Where applicable, THE USE OF NON UL PARTS WILL VOID ANY UL LISTING.

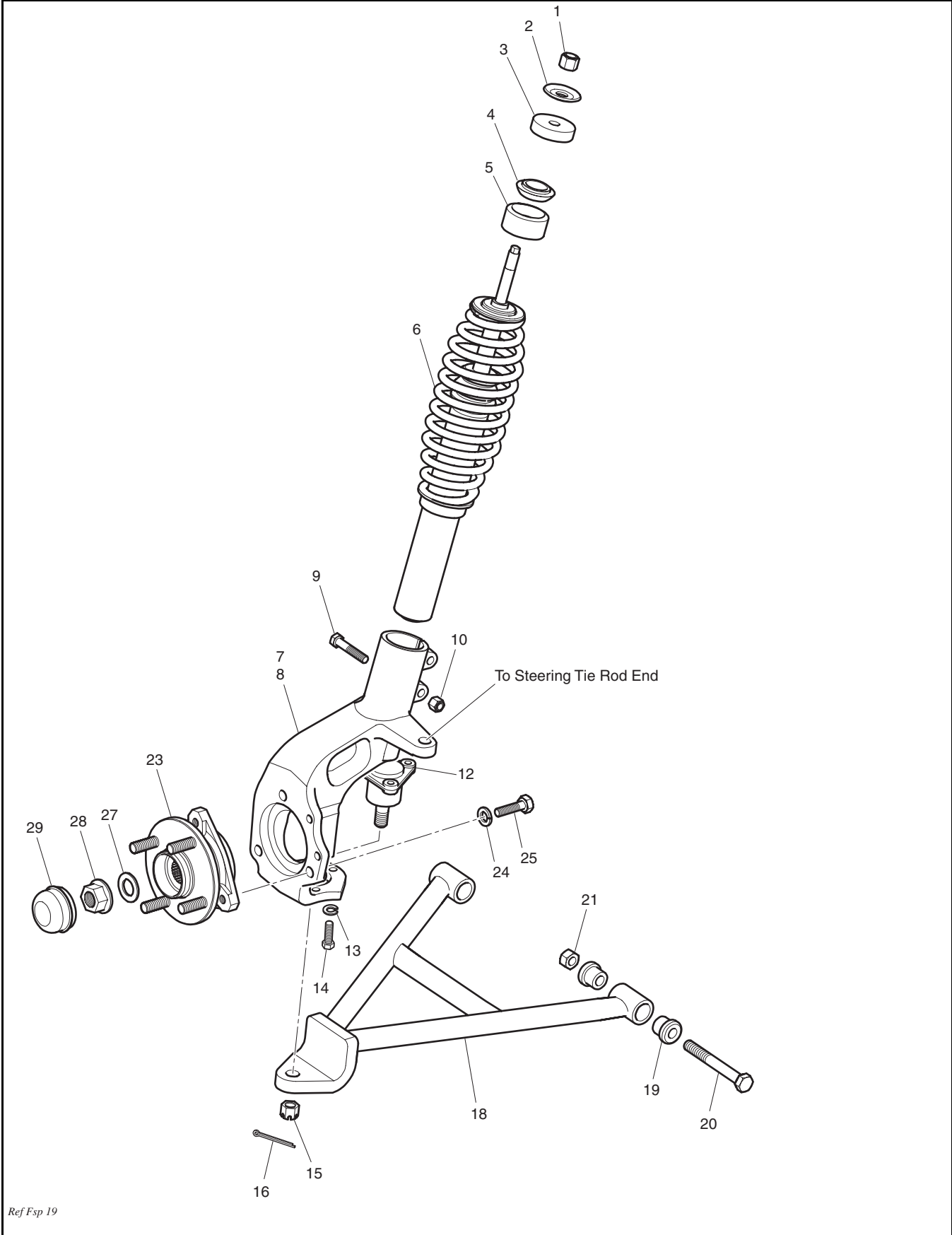
When ordering parts, please specify the model and serial number of the product.

* Indicates a component that is not available as an individual part.

G** Indicates consult Customer Service Department for additional information.

ITEM	PART NO.	1 2 3 4 5	DESCRIPTION	QTY.
1	<u>73579-G01</u>		MUFFLER ASSEMBLY (INCLUDES ITEMS 2 - 5)	1
2	73575-G01		MUFFLER	1
3	73544-G01		SPRING	8
4	73578-G01		MOUNTING BRACKET (INCLUDES ITEM 5)	1
5	*		BUSHING	2
6	<u>73628-G01</u>		EXHAUST PIPE	1
7	<u>73627-G01</u>		EXHAUST MANIFOLD	1
8	<u>73860-G01</u>		GASKET	2
9	94050-08000		NUT	4
10				
11				
12	<u>311398</u>		BOLT, 1/2 - 13 X 3 1/2" LG	1
13	<u>00643-G3</u>		WASHER, 1/2"	1
14	<u>73993-G01</u>		INNER PIVOT TUBE	1
15	<u>800700</u>		LOCK NUT, 1/2 - 13	1
16				
17				
18				
19	<u>72986-G01</u>		SPARK ARRESTER (SCREW INCLUDED)	1
20				
21	<u>600402-G01</u>		HEAT SHIELD	1
22	00414-G06		SCREW, 1/4 - 20 X 1" LG	2
23	800706		NUT, LOCK, 1/4 - 20	2

FRONT SUSPENSION



Ref Esp 19

FRONT SUSPENSION

Where applicable, THE USE OF NON UL PARTS WILL VOID ANY UL LISTING.

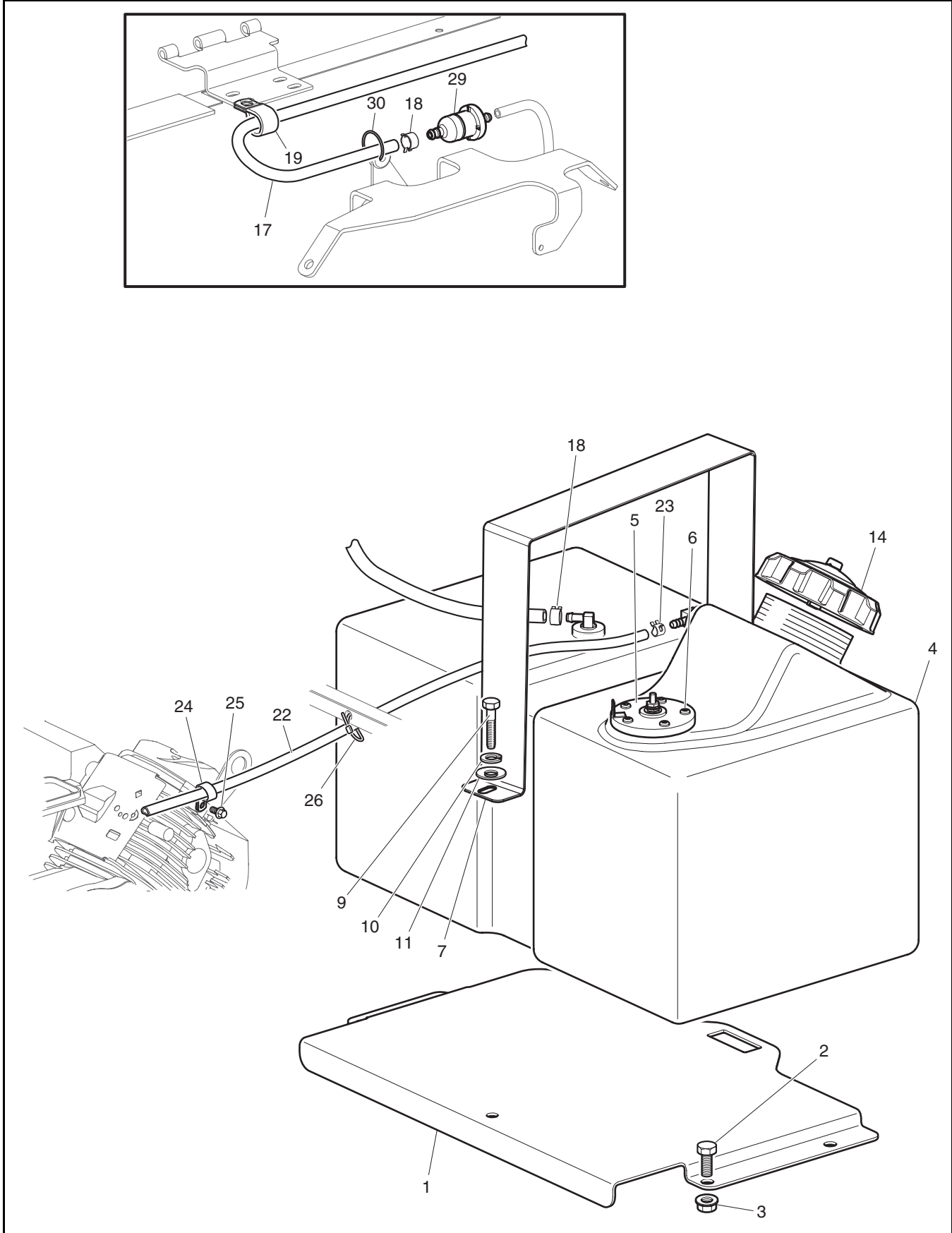
When ordering parts, please specify the model and serial number of the product.

* Indicates a component that is not available as an individual part.

G** Indicates consult Customer Service Department for additional information.

ITEM	PART NO.	1 2 3 4 5	DESCRIPTION	QTY.
1	<u>11098-G8</u>		LOCK NUT, 1/2 - 20	2
2	<u>73611-G01</u>		STRUT WASHER.....	2
3	<u>73615-G01</u>		STRUT BUSHING	2
4	<u>73614-G01</u>		SPHERICAL BALL	2
5	<u>73612-G01</u>		BALL SEAT	2
6	<u>73613-G01</u>		STRUT	2
7	<u>73623-G01</u>		KNUCKLE (DRIVER SIDE)	1
8	<u>73623-G02</u>		KNUCKLE (PASSENGER SIDE)	1
9	<u>00427-G8</u>		BOLT, 3/8 - 16 X 2" LG	4
10	<u>11098-G4</u>		LOCK NUT, 3/8 - 16	4
11				
12	<u>73786-G01</u>		BALL JOINT	2
13	<u>00664-G8</u>		LOCK WASHER, 5/16" (STAINLESS STEEL)	6
14	<u>01055-G01</u>		BOLT, M8 - 1.25 X 30MM LG.....	6
15	<u>73814-G01</u>		CASTLE NUT	2
16	<u>00798-G1</u>		COTTER PIN, 1/16" X 1" LG	2
17				
18	<u>600423-G01</u>		CONTROL ARM.....	2
19	<u>70291-G01</u>		FLANGED BUSHING	8
20	<u>316913</u>		SCREW, 1/2 - 13 X 4" LG	4
21	<u>00557-G1</u>		LOCK NUT, 1/2 - 13	4
22				
23	<u>72839-G01</u>		BEARING	2
24	<u>00566-G3</u>		LOCK WASHER, 1/2".....	6
25	<u>01066-G01</u>		BOLT, M12 - 1.75 X 40MM LG.....	6
26				
27	<u>21830-G01</u>		OUTER BRAKE WASHER.....	2
28	<u>800973</u>		LOCK NUT, 3/4 - 16	2
29	<u>12091-G2</u>		SPINDLE CAP.....	2
30				

FUEL SYSTEM



FUEL SYSTEM

Where applicable, THE USE OF NON UL PARTS WILL VOID ANY UL LISTING.

When ordering parts, please specify the model and serial number of the product.

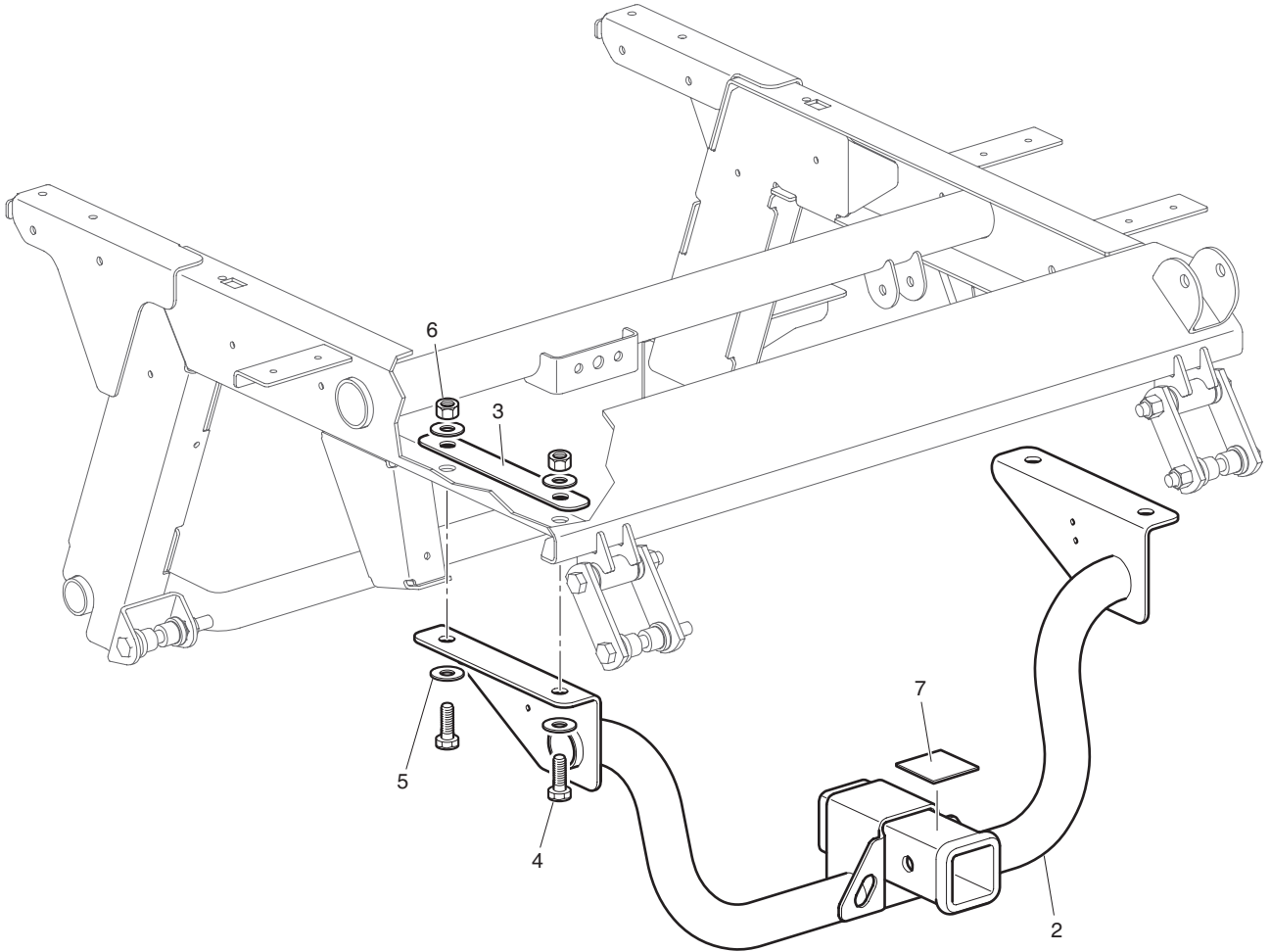
* Indicates a component that is not available as an individual part.

G** Indicates consult Customer Service Department for additional information.

ITEM	PART NO.	1 2 3 4 5	DESCRIPTION	QTY.
1	<u>73827-G01</u>		FUEL TANK PLATE	1
2	<u>00426-G6</u>		BOLT, 3/8 - 16 X 3/4" LG	3
3	<u>800698</u>		LOCK NUT, 3/8 - 16	3
4	<u>74759-G01</u>		FUEL TANK ASSEMBLY	1
5	<u>20048-G6</u>		FUEL LEVEL SENDER (INCLUDES ITEM 6)	1
6	<u>20048-G3</u>		SCREW, #10 - 32 x 3/4" LG	5
7	<u>73773-G01</u>		FUEL TANK MOUNTING STRAP	1
8				
9	<u>00439-G1</u>		BOLT, 5/16 - 18 X 1 1/8" LG	1
10	<u>00565-G8</u>		LOCK WASHER, 5/16"	1
11	<u>00642-G8</u>		WASHER, 5/16"	1
12				
13				
14	<u>73815-G01</u>		FUEL CAP	1
15				
16				
17	<u>27183-G01</u>		TUBING, 1/4" I.D. X 1/2" O.D. (BULK)	AR
18	<u>18292-G1</u>		CLAMP	2
19	<u>11845-G3</u>		INSULATED CABLE CLAMP, 11/16"	2
20				
21				
22	<u>28839-G01</u>		TUBING, 3/16" I.D. X 3/8" O.D. (BULK)	AR
23	<u>18292-G3</u>		CLAMP, 3/8"	2
24	<u>11845-G3</u>		INSULATED CABLE CLAMP, 11/16"	1
25	<u>73875-G01</u>		BOLT, M8 - 1.25 x 20MM LG	1
26	<u>17618-G1</u>		WIRE TIE	1
27				
28				
29	<u>72999-G01</u>		FUEL FILTER	1
30	<u>17618-G1</u>		WIRE TIE	1

HITCH

1 - INCLUDES ITEMS 2 - 7



Ref Hit 19

Where applicable, THE USE OF NON UL PARTS WILL VOID ANY UL LISTING.

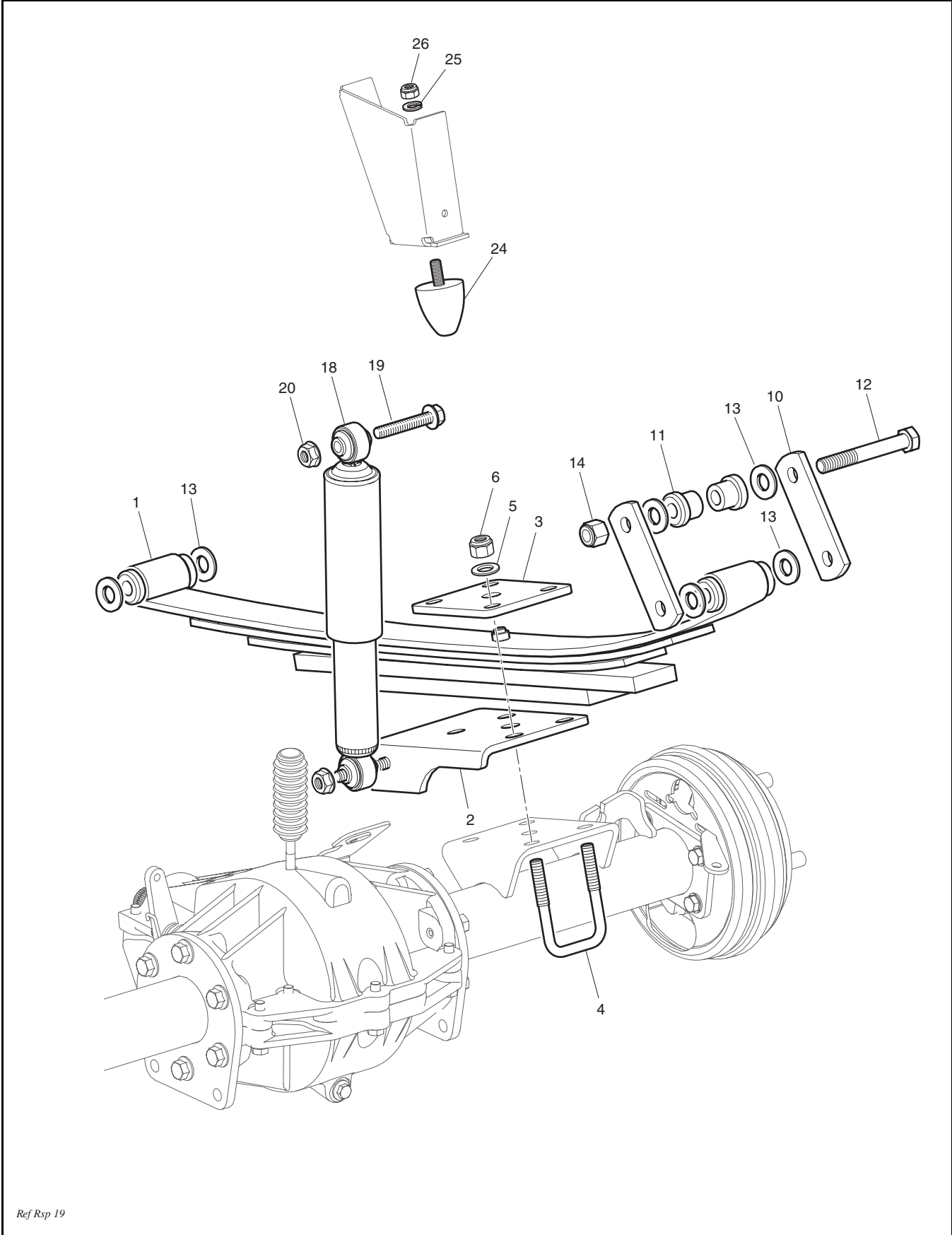
When ordering parts, please specify the model and serial number of the product.

* Indicates a component that is not available as an individual part.

G** Indicates consult Customer Service Department for additional information.

ITEM	PART NO.	1 2 3 4 5	DESCRIPTION	QTY.
1	<u>74989-G01</u>		REAR HITCH KIT (INCLUDES ITEMS 2 - 7)	1
2	<u>74987-G01</u>		REAR HITCH	1
3	<u>74988-G01</u>		BACKING PLATE	2
4	00403-G4		BOLT, 1/2 - 13 X 1 1/2" LG	4
5	<u>00643-G3</u>		WASHER, 1/2"	8
6	<u>14390-G6</u>		LOCK NUT, 1/2 - 13.....	4
7	<u>74991-G01</u>		LABEL (HITCH CAPACITY)	1

REAR SUSPENSION



Ref Rsp 19

REAR SUSPENSION

Where applicable, THE USE OF NON UL PARTS WILL VOID ANY UL LISTING.

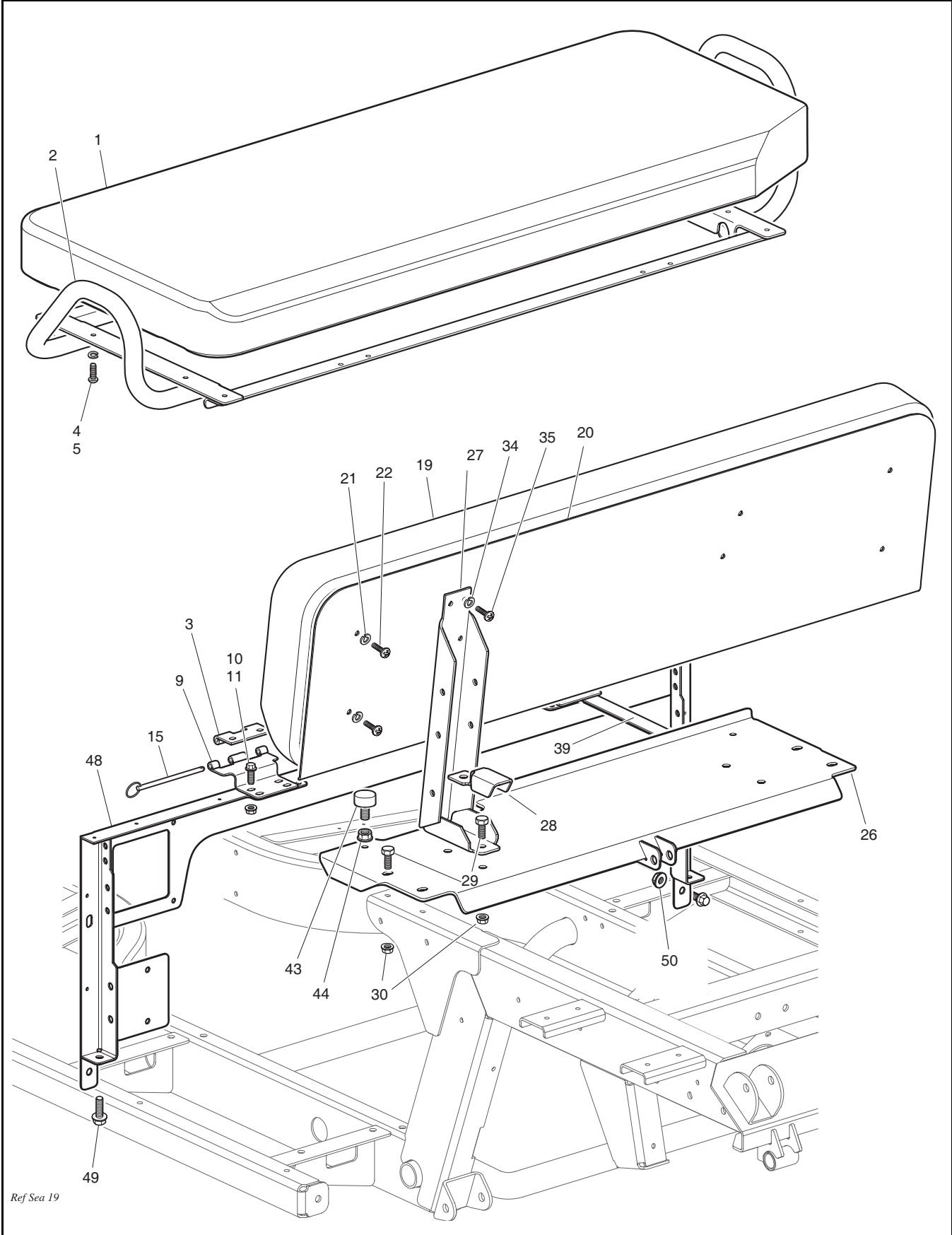
When ordering parts, please specify the model and serial number of the product.

* Indicates a component that is not available as an individual part.

G** Indicates consult Customer Service Department for additional information.

ITEM	PART NO.	1 2 3 4 5	DESCRIPTION	QTY.
1	73802-G01		LEAF SPRING, 265/500 LB	2
2	<u>73896-G01</u>		SHOCK MOUNTING BRACKET	2
3	<u>600282-G01</u>		LEAF SPRING PLATE	2
4	<u>73900-G01</u>		U-BOLT, 3/8-16	4
5	<u>00560-G1</u>		WASHER, 3/8"	8
6	<u>11098-G5</u>		LOCK NUT, 3/8 - 16	8
7				
8				
9				
10	<u>73898-G01</u>		LEAF SPRING SHACKLE	4
11	<u>70291-G01</u>		FLANGED BUSHING	12
12	<u>316913</u>		SCREW, 1/2 - 13 X 4" LG	6
13	<u>00643-G3</u>		WASHER, 1/2"	8
14	<u>14390-G6</u>		LOCK NUT, 1/2 - 13	6
15				
16				
17				
18	<u>73805-G01</u>		SHOCK ABSORBER.....	2
19	<u>13437-G8</u>		LOCK SCREW, 3/8 - 16 X 2" LG.....	4
20	<u>800698</u>		LOCK NUT, 3/8 - 16	4
21				
22				
23				
24	<u>70492-G01</u>		RUBBER BUMPER	2
25	<u>00968-G01</u>		LOCK WASHER, 10MM.....	2
26	<u>00974-G01</u>		NUT, M10 X 1.5.....	2

SEATING



Where applicable, THE USE OF NON UL PARTS WILL VOID ANY UL LISTING.

When ordering parts, please specify the model and serial number of the product.

* Indicates a component that is not available as an individual part.

G** Indicates consult Customer Service Department for additional information.

ITEM	PART NO.	1 2 3 4 5	DESCRIPTION	QTY.
1	73649-G**		SEAT BOTTOM.....	1
2	<u>73648-G01</u>		SEAT BOTTOM FRAME	1
3	<u>34197-G02</u>		HINGE	2
4	<u>00664-G7</u>		LOCK WASHER, 1/4" (STAINLESS STEEL)	8
5	600610		SCREW, 1/4 - 20 X 1" LG (STAINLESS STEEL).....	8
6				
7				
8				
9	<u>35914-G01</u>		HOUSING HALF HINGE	2
10	71204-G01		BOLT, 1/4 - 20 X 7/8" LG	8
11	<u>800706</u>		LOCK NUT, 1/4 - 20	8
12				
13				
14				
15	<u>35928-G01</u>		HINGE PIN	2
16				
17				
18				
19	73652-G**		SEAT BACK	1
20	<u>73651-G01</u>		SEAT BACK COVER PLATE	1
21	<u>00664-G7</u>		LOCK WASHER, 1/4" (STAINLESS STEEL)	4
22	600610		SCREW, TORX, 1/4 - 20 X 1" LG (STAINLESS STEEL).....	4
23				
24				
25				
26	<u>73909-G01</u>		SEAT CROSSMEMBER	1
27	<u>75900-G02</u>		SEAT BACK SUPPORT BRACKET	2
28	<u>74947-G01</u>		BUMPER REST	2
29	<u>13437-G4</u>		BOLT, 3/8 - 16 X 1" LG	8
30	<u>800698</u>		LOCK NUT, 3/8 - 16	8

SEATING

Where applicable, THE USE OF NON UL PARTS WILL VOID ANY UL LISTING.

When ordering parts, please specify the model and serial number of the product.

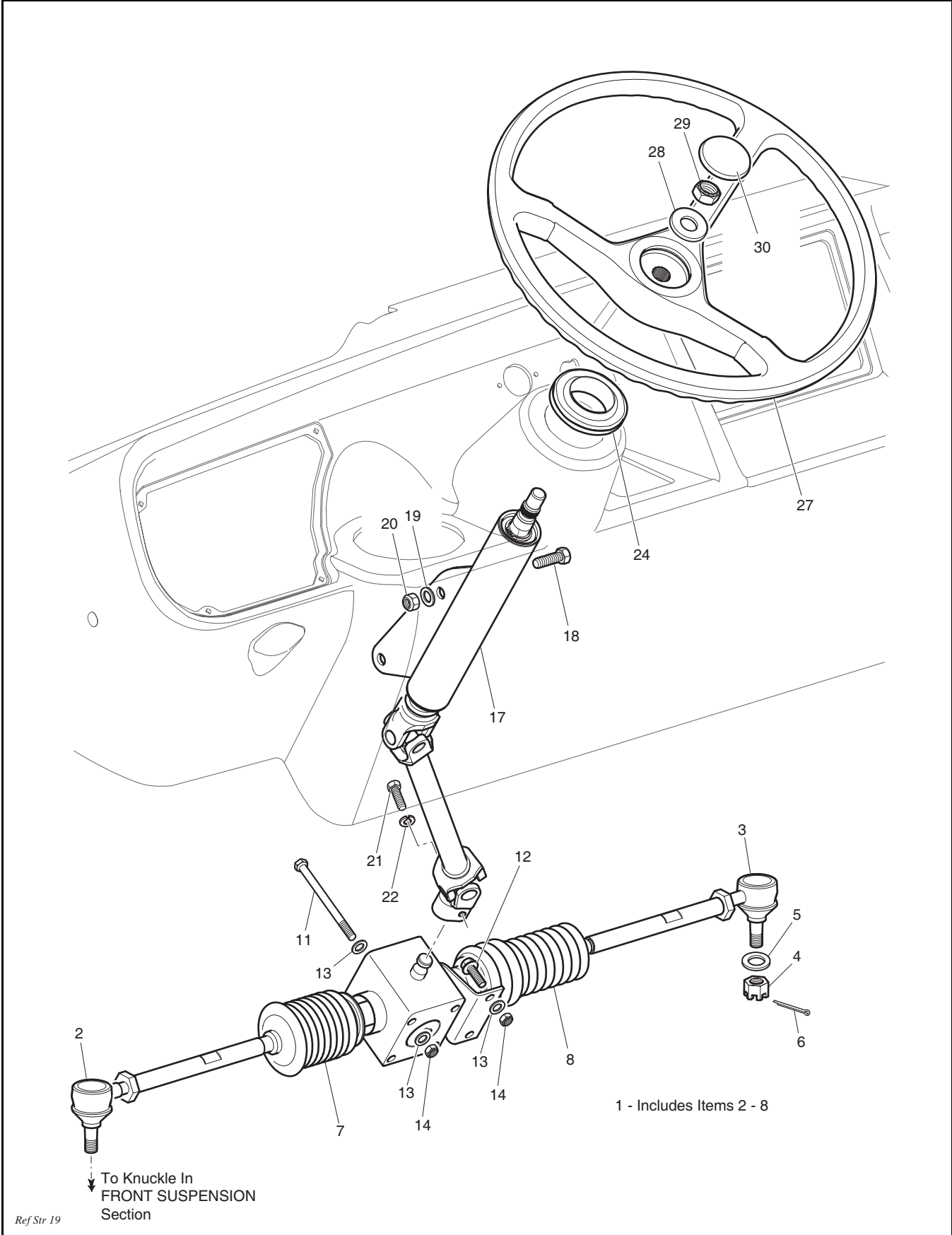
* Indicates a component that is not available as an individual part.

G** Indicates consult Customer Service Department for additional information.

ITEM	PART NO.	1	2	3	4	5	DESCRIPTION	QTY.
31								
32								
33								
34	<u>00664-G7</u>						LOCK WASHER, 1/4" (STAINLESS STEEL)	4
35	600610						SCREW, TORX, 1/4 - 20 X 1" LG (STAINLESS STEEL).....	4
36								
37								
38								
39	<u>73563-G01</u>						BRACE	1
40								
41								
42								
43	<u>70113-G01</u>						ADJUSTABLE BUMPER.....	2
44	<u>800697</u>						LOCK NUT, 5/16 - 18.....	4
45								
46								
47								
48	<u>600268-G01</u>						SEAT FRAME	1
49	<u>00426-G6</u>						BOLT, 3/8 - 16 X 3/4" LG	4
50	<u>800698</u>						LOCK NUT, 3/8 - 16.....	4

Notes:

STEERING



STEERING

Where applicable, THE USE OF NON UL PARTS WILL VOID ANY UL LISTING.

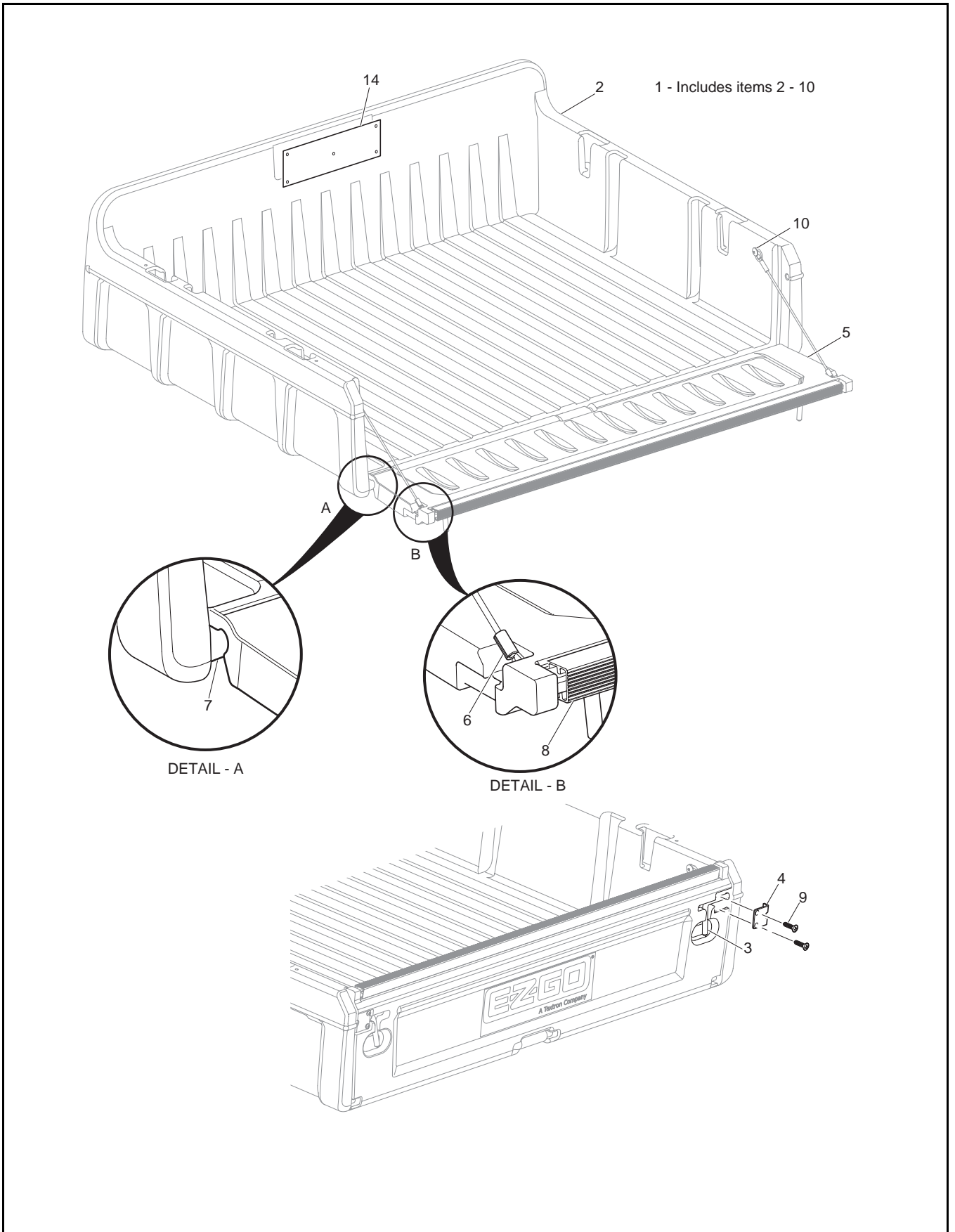
When ordering parts, please specify the model and serial number of the product.

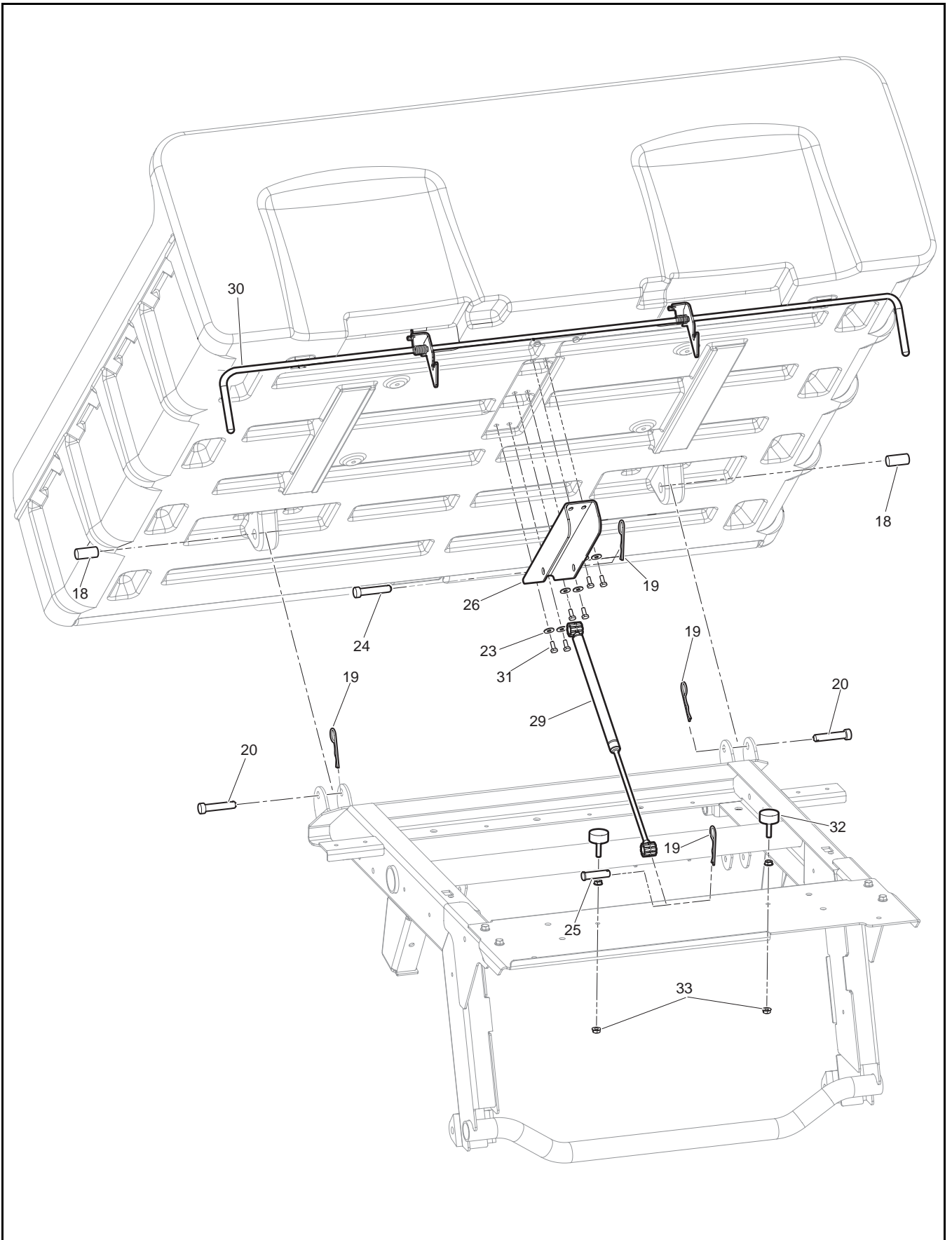
* Indicates a component that is not available as an individual part.

G** Indicates consult Customer Service Department for additional information.

ITEM	PART NO.	1 2 3 4 5	DESCRIPTION	QTY.
1	<u>73809-G01</u>		RACK & PINION ASSEMBLY (INCLUDES ITEMS 2 - 8)	1
2	*		TIE ROD END (DRIVER SIDE)	1
3	*		TIE ROD END (PASSENGER SIDE).....	1
4	<u>73814-G02</u>		NUT, CASTLE M12 X 1.25	2
5	<u>00679-G3</u>		WASHER, 1/2" (STAINLESS STEEL)	2
6	<u>00798-G1</u>		COTTER PIN, 1/16" X 1" LG	2
7	*		BOOT (DRIVER SIDE)	1
8	*		BOOT (PASSENGER SIDE).....	1
9				
10				
11	<u>00441-G8</u>		BOLT, 5/16 - 18 X 4" LG	2
12	<u>13437-G3</u>		LOCK SCREW, 5/16 - 18 X 1" LG.....	2
13	<u>00660-G8</u>		WASHER, 5/16" (STAINLESS STEEL).....	6
14	11098-G6		LOCK NUT, 5/16 - 18.....	4
15				
16				
17	<u>73807-G01</u>		STEERING COLUMN	1
18	<u>00426-G8</u>		BOLT, 3/8 - 16 X 1" LG	2
19	<u>00879-G1</u>		WASHER, 3/8"	2
20	<u>00891-G1</u>		LOCK NUT, 3/8 - 16	2
21	<u>01092-G01</u>		BOLT, M8 X 1.25 X 30MM LG	1
22	<u>00565-G8</u>		LOCK WASHER, 5/16"	1
23				
24	<u>73637-G01</u>		BUSHING	1
25				
26				
27	<u>73808-G01</u>		STEERING WHEEL	1
28	<u>00560-G3</u>		WASHER, 1/2"	1
29	11098-G03		LOCK NUT, 1/2 - 20	1
30	<u>73812-G01</u>		STEERING WHEEL COVER	1

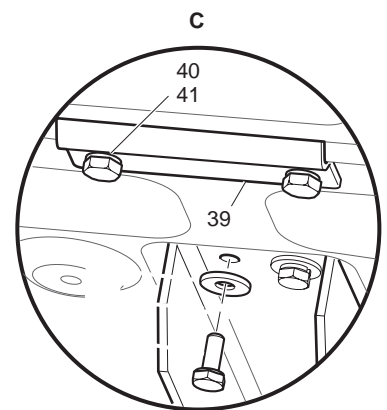
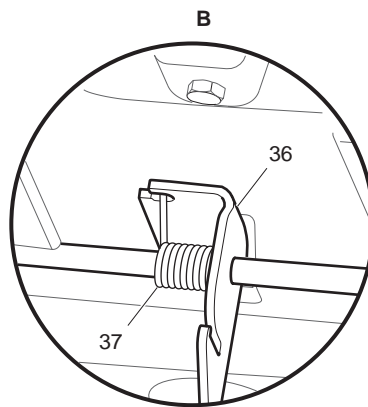
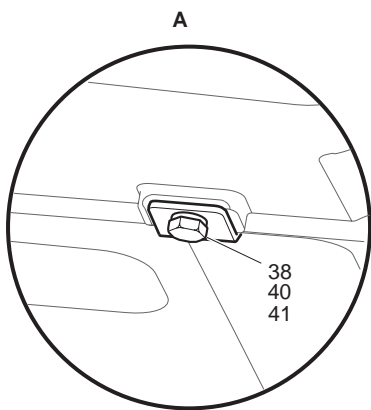
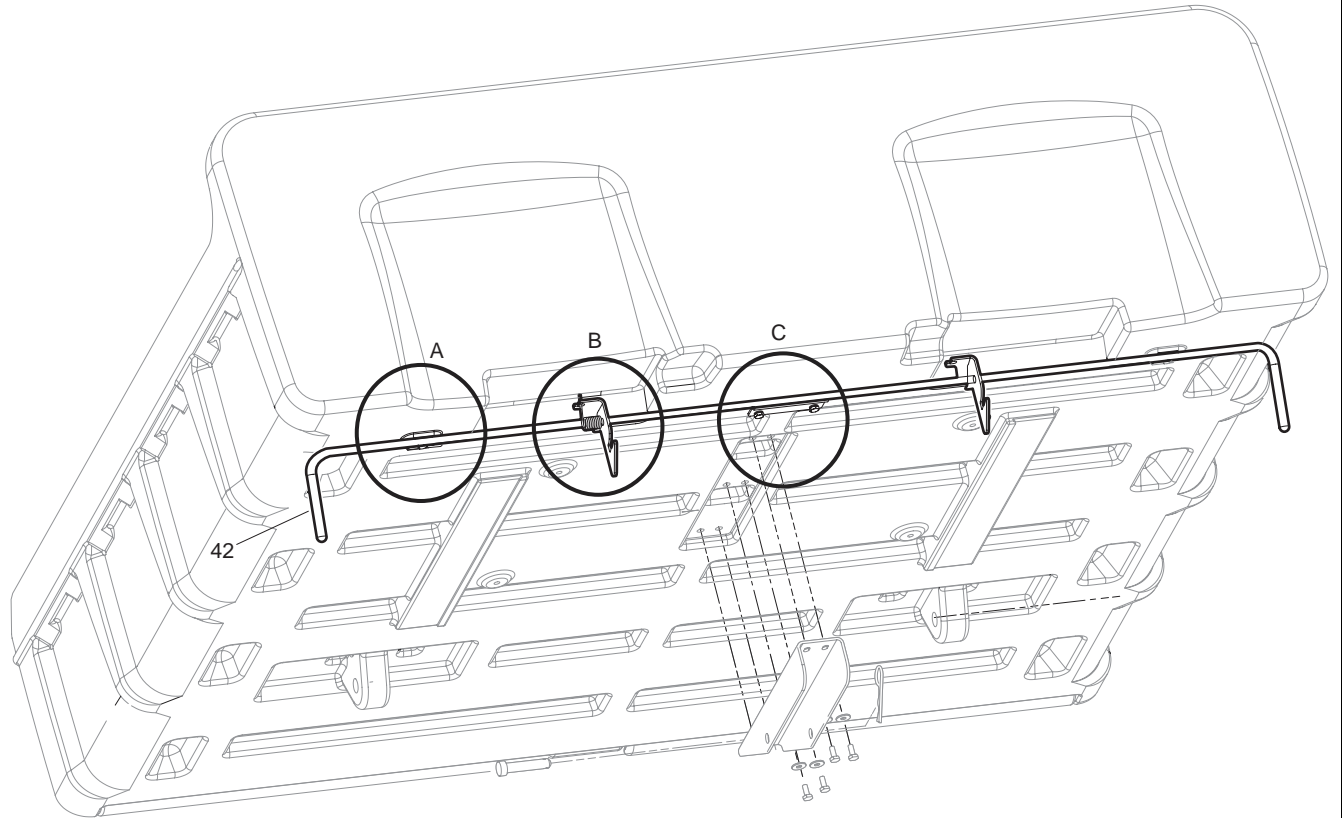
TRUCK BED





TRUCK BED

35 - Includes Items 36 - 42



TRUCK BED

Where applicable, THE USE OF NON UL PARTS WILL VOID ANY UL LISTING.

When ordering parts, please specify the model and serial number of the product.

* Indicates a component that is not available as an individual part.

G** Indicates consult Customer Service Department for additional information.

ITEM	PART NO.	1 2 3 4 5	DESCRIPTION	QTY.
1	<u>602023</u>		BED ASSEMBLY, 49" (INCLUDES ITEMS 2 -10)	1
2	602021		PLASTIC BED, 49"	1
3	<u>602026</u>		LATCH PIN	2
4	<u>602027</u>		PLATE, LATCH	2
5	602022		TAILGATE	1
6	<u>73455-G01</u>		TAILGATE CABLE	2
7	<u>73454-G01</u>		PIVOT, TAILGATE.....	2
8	73449-G02		CHANNEL EXTRUSION.....	1
9	74384-G01		SCREW, 1/4 - 20"	8
10	<u>73460-G01</u>		SHOULDER BOLT	2
11				
12				
13				
14	<u>74821-G04</u>		LABEL (BED LOAD WARNING)	1
15				
16				
17				
18	<u>73903-G01</u>		BUSHING	2
19	<u>21683-G1</u>		COTTER PIN, 15/32" X 2 13/16" LG	4
20	<u>73904-G01</u>		CLEVIS PIN.....	2
21				
22				
23	<u>00642-G7</u>		WASHER, 1/4"	6
24	<u>14443-G10</u>		CLEVIS PIN, 1/2" X 2 7/8" LG	1
25	<u>14443-G11</u>		CLEVIS PIN, 1/2" X 1 3/4" LG	1
26	<u>73907-G01</u>		SPRING CHANNEL	1
27				
28				
29	<u>71537-G02</u>		GAS SPRING	1
30				

TRUCK BED

Where applicable, THE USE OF NON UL PARTS WILL VOID ANY UL LISTING.

When ordering parts, please specify the model and serial number of the product.

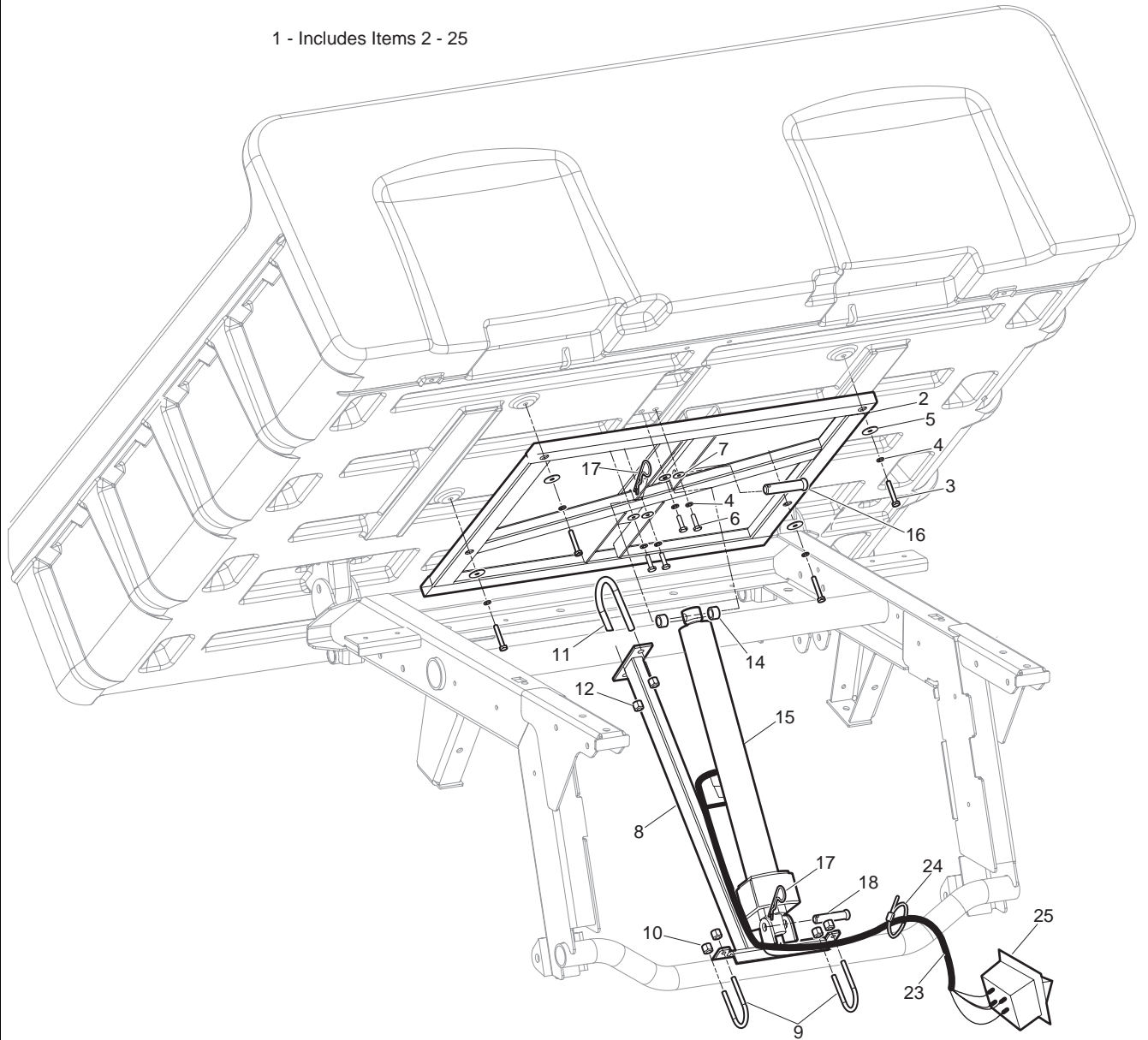
* Indicates a component that is not available as an individual part.

G** Indicates consult Customer Service Department for additional information.

ITEM	PART NO.	1	2	3	4	5	DESCRIPTION	QTY.
31	<u>01118-G01</u>						SCREW, 1/4 - 20"	6
32	<u>70113-G01</u>						ADJUSTABLE RUBBER BUMPER	2
33	<u>11027-G1</u>						LOCK NUT, 5/16 - 18	2
34								
35	<u>73940-G01</u>						BED LATCH ASSEMBLY (INCLUDES ITEMS 36 - 42)	1
36	<u>73905-G02</u>						BED LATCH	1
37	<u>71538-G01</u>						LATCH TORSION SPRING	1
38	<u>71099-G02</u>						KEEPER PLATE	2
39	<u>71477-G02</u>						RETAINER BRACKET	1
40	<u>00414-G5</u>						BOLT, 1/4 - 20 X 5/8" LG.....	4
41	<u>00565-G7</u>						LOCK WASHER, 1/4"	4
42	<u>71704-G01</u>						HANDLE GRIP.....	2

POWER DUMP

1 - Includes Items 2 - 25



POWER DUMP

THE USE OF NON U.L. PARTS WILL VOID ANY U.L. LISTING.

When ordering parts, please specify the model and serial number of the product.

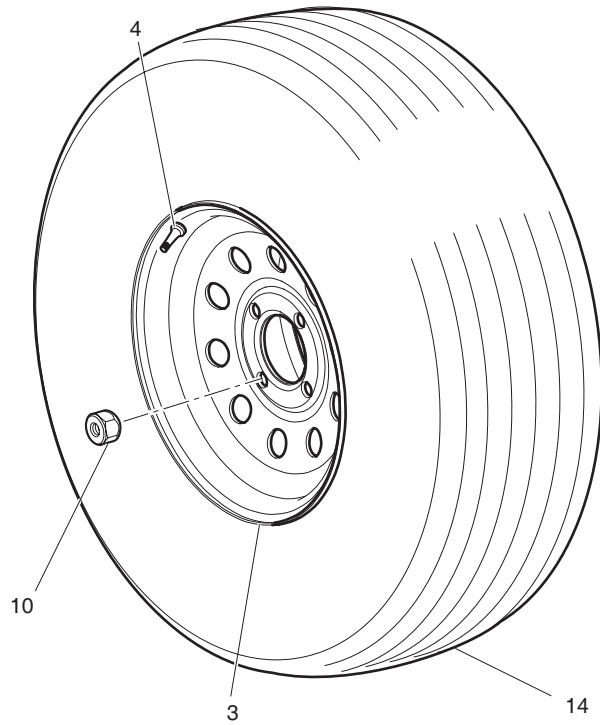
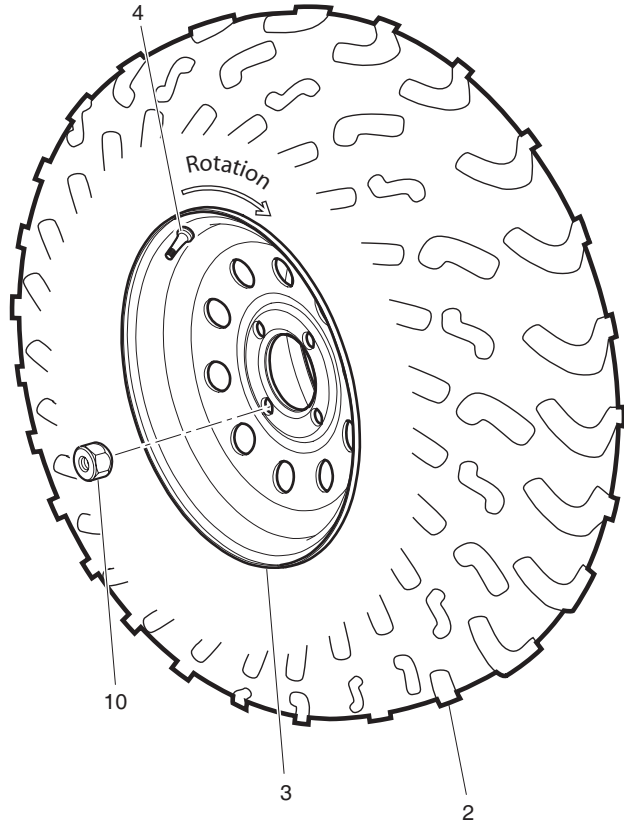
* Indicates a component that is not available as an individual part.

G** Indicates consult Customer Service Department for additional information.

ITEM	PART NO.	1 2 3 4 5	DESCRIPTION	QTY.
1	<u>602364</u>		POWER DUMP KIT (INCLUDES ITEMS 2 - 25).....	1
2	<u>602315</u>		TRUCK BED FRAME.....	1
3	<u>00415-G4</u>		BOLT, 1/4 - 20 X 1 1/2" LG.....	4
4	<u>00565-G7</u>		LOCK WASHER, 1/4"	8
5	<u>16469-G7</u>		FENDER WASHER, 1/4"	4
6	<u>00414-G7</u>		BOLT, 1/4 - 20 X 7/8" LG.....	4
7	<u>00642-G7</u>		WASHER, 1/4"	4
8	<u>602310</u>		BRACE.....	1
9	<u>602356</u>		U-BOLT, 1/4 - 20	2
10	<u>14390-G4</u>		LOCK NUT, 1/4 - 20	4
11	<u>602357</u>		U-BOLT, 3/8 - 16	1
12	<u>11098-G5</u>		LOCK NUT, 3/8 - 16	2
13				
14	<u>27613-G01</u>		SPACER	2
15	<u>602353</u>		ACTUATOR	1
16	<u>14443-G10</u>		CLEVIS PIN	1
17	<u>21683-G1</u>		COTTER PIN (HAIR CLIP)	2
18	<u>14443-G11</u>		CLEVIS PIN	1
19				
20				
21				
22				
23	<u>602442</u>		WIRING HARNESS	1
24	<u>17618-G1</u>		WIRE TIE	8
25	<u>73830-G01</u>		SWITCH.....	1

WHEELS & TIRES

- 1 - Includes Items 2, 3, 4
- 7 - Includes Items 2, 3, 4
- 13 - Includes Items 14, 3, 4



Ref Whl 19

WHEELS & TIRES

Where applicable, THE USE OF NON UL PARTS WILL VOID ANY UL LISTING.
 When ordering parts, please specify the model and serial number of the product.
 * Indicates a component that is not available as an individual part.
 G** Indicates consult Customer Service Department for additional information.

ITEM	PART NO.	1 2 3 4 5	DESCRIPTION	QTY.
1	<u>72941-G02</u>		TIRE AND WHEEL ASSEMBLY (DRIVER SIDE) (INCLUDES ITEMS 2 - 4)	2
2	*		TIRE (AT489), 25 X 11 - 12	1
3	*		WHEEL, 10" X 6"	1
4	*		VALVE STEM	1
5				
6				
7	<u>72941-G03</u>		TIRE AND WHEEL ASSY. (PASSENGER SIDE) (INCLUDES ITEMS 2 - 4)	2
8				
9				
10	<u>14723-G1</u>		LUG NUT, 1/2 - 20	16
11				
12				
13	<u>72994-G02</u>		TIRE AND WHEEL ASSEMBLY (INCLUDES ITEMS 14, 3, 4)	4
14	<u>72994-G01</u>		TIRE (TURF CTR TREAD), 25 X 11 - 12	1

SPECIALTY PRODUCTS

SPECIALTY PRODUCTS

SPECIALTY PRODUCTS

SPECIAL TOOLS	PART NO.
CLUTCH PULLER (DRIVE)	19779-G2
CURRENT INDICATOR.....	16489-G2
DIGITAL MULTI-METER	27481-G01
COMPRESSION TESTER.....	72524-G01
FEELER GAUGE	72525-G01
TACHOMETER.....	72526-G01

ENGINE OIL	PART NO.
4 CYCLE ENGINE OIL, 5 GALLON (19 LITER)	25730-G03
4 CYCLE ENGINE OIL, 12 QUART CASE	25730-G04
4 CYCLE ENGINE OIL, 1 QUART BOTTLE (950 ML)	25730-G06

TOUCH UP PAINT	PART NO.
PEN 3 OUNCE (89 ML) - RECON GREEN	28432-G**
PEN 3 OUNCE (89 ML) - CAMOUFLAGE PAINT (THREE PENS).....	75831-G01
AEROSOL 12 OUNCE (360 ML) - RECON GREEN	28140-G**

MAINTENANCE PRODUCTS	PART NO.
PLEXUS® CLEANER, 7 OUNCE (210 ML) (FOR WINDSHIELDS).....	28433-G01
PLEXUS® CLEANER, 13 OUNCE (380 ML) (FOR WINDSHIELDS).....	28433-G02
BATTERY PROTECTOR, 14 OUNCE (410 ML) SPRAY	75500-G01
CARBURETOR & CHOKE CLEANER, 15 OUNCE (440 ML) SPRAY	75501-G01
WHITE LITHIUM GREASE, 14 OUNCE (410 ML) SPRAY	75502-G01
PENETRANT/LUBRICANT, 15 OUNCE (440 ML) SPRAY	75503-G01
MULTI-PURPOSE CLEANER & DEGREASER, 14 OUNCE (410 ML) SPRAY	75504-G01
MULTI-PURPOSE HAND CLEANER, 32 OUNCE (950 ML) LIQUID.....	75505-G01
BATTERY CLEANER, 32 OUNCE (950 ML) WITH TRIGGER SPRAYER.....	75506-G01
BIO-DEGRADABLE CLEANER, 32 OUNCE (950 ML) WITH TRIGGER SPRAYER	75507-G01
MULTI-PURPOSE VALUE PACK.....	75508-G01
<ul style="list-style-type: none"> • BATTERY PROTECTOR, 4 OUNCE (120 ML) SPRAY • PENETRANT/LUBRICANT, 4 OUNCE (120 ML) SPRAY • WHITE LITHIUM GREASE, 4 OUNCE (120 ML) SPRAY • CARBURETOR & CHOKE CLEANER, 4 OUNCE (120 ML) SPRAY 	

OPTIONS/ACCESSORIES

OPTIONS/ACCESSORIES

ITEM	KIT NO.	SECTION
HIGH OUTPUT ALTERNATOR KIT	72979-G01	Electrical
FRONT BRUSH GUARD KIT	74982-G01	Body
SIDE BRUSH GUARD KIT	74983-G01	Body
REAR HITCH KIT	74989-G01	Hitch
WINCH KIT	74259-G05	
HIGH ALTITUDE CONVERSION KIT (5-8K FT)	72971-G01	
HIGH ALTITUDE CONVERSION KIT (8-10K FT)	72971-G02	
TURF TIRE AND WHEEL ASSEMBLY	600872	Wheels And Tires
FRONT DIFFERENTIAL GUARD	72844-G01	Drivetrain - Front
REAR DIFFERENTIAL GUARD	72899-G01	Drivetrain - Rear



A Textron Company

E-Z-GO Division Of Textron, Inc.,
1451 Marvin Griffin Road, Augusta, Georgia USA 30906-3852

TO CONTACT US

North America:

Technical Assistance & Warranty Phone: 1-800-774-3946, FAX: 1-800-448-8124
Service Parts Phone: 1-888-GET-EZGO (1-888-438-3946), FAX: 1-800-752-6175

International:

Phone: 001-706-798-4311, FAX: 001-706-771-4609

Certified ISO 9001 / ISO 14001 by



Copyrighted Material
This manual may not be reproduced in whole or
in part without the express permission of
E-Z-GO Division of Textron, Inc.
Technical Communications Department