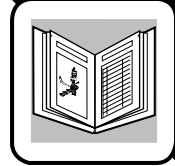


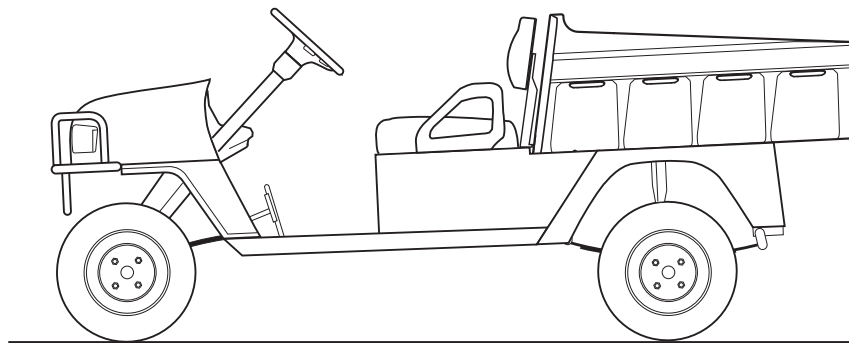
604973



A Textron Company



SERVICE PARTS MANUAL



GASOLINE POWERED UTILITY VEHICLES

ISSUED: APRIL 2006 REVISED: NOVEMBER 2008

SERVICE PARTS MANUAL

GASOLINE POWERED UTILITY VEHICLES

E-Z-GO ST 480

E-Z-GO ST 480 (CAMO)

JACOBSEN 4800

STARTING MODEL YEAR 2006+

DISCLAIMER: The E-Z-GO Division of Textron Inc. reserves the right to incorporate engineering and design changes to products in this Manual, without obligation to include these changes on units leased/sold previously.

The information contained in this Manual may be revised periodically by the E-Z-GO Division, and therefore is subject to change without notice.

The E-Z-GO Division DISCLAIMS LIABILITY FOR ERRORS IN THIS MANUAL, and the E-Z-GO Division SPECIFICALLY DISCLAIMS LIABILITY FOR INCIDENTAL AND CONSEQUENTIAL DAMAGES resulting from the use of the information and materials in this Manual.

CUSTOMER SERVICE DEPARTMENT IN USA PHONE: 1-800-241-5855 FAX: 1-800-448-8124

OUTSIDE USA PHONE: 001-706-798-4311, FAX: 001-706-771-4609

TEXTRON GOLF, TURF & SPECIALTY PRODUCTS, P.O.BOX 388, AUGUSTA, GEORGIA USA 30903-0388

NOTES

To obtain a copy of the limited warranty applicable to the vehicle, call or write a local Distributor, an authorized Branch or the Warranty Department with vehicle serial number and manufacture date code.

The use of non Original Equipment Manufacturer (OEM) approved parts may void the warranty.

Tampering with or adjusting the governor to permit vehicle to operate at above factory specifications will void the vehicle warranty.

When servicing engines, all adjustments and replacement components must be per original vehicle specifications in order to maintain the United States of America Federal and State emission certification applicable at time of manufacture.

BATTERY PROLONGED STORAGE

All batteries will self discharge over time. The rate of self discharge varies depending on the ambient temperature and the age and condition of the batteries.

A fully charged battery will not freeze in winter temperatures unless the temperature falls below -75° F (-60° C).

TABLE OF CONTENTS

SECTION	Page No.
HOW TO USE THE SERVICE PARTS MANUAL	v
ILLUSTRATED PARTS BREAKDOWN	vii
ACCELERATOR	A-1
AIR CLEANER	B-1
BODY	C-1
BRAKES	D-1
PARK BRAKE	E-1
CLUTCH	F-1
DIRECTION SELECTOR	G-1
ELECTRICAL SYSTEM	H-1
ENGINE	J-1
FRONT SUSPENSION	K-1
FUEL SYSTEM	L-1
REAR AXLE	M-1
REAR SUSPENSION	N-1
SEATS	P-1
STARTER / GENERATOR	Q-1
STEERING	R-1
TRUCK BED	S-1
WEATHER PROTECTION	T-1
WHEELS AND TIRES	U-1
WINCH	W-1
OPTIONS/ACCESSORIES	APPENDIX A-1

HOW TO USE THE SERVICE PARTS MANUAL

This manual is divided into several sections:

GENERAL INFORMATION

- TABLE OF CONTENTS
- HOW TO USE THE SERVICE PARTS MANUAL

ILLUSTRATED PARTS BREAKDOWN

- Contains illustrations and parts lists for all systems of the vehicle

APPENDIX

- Contains a listing of specialty products and options/accessories

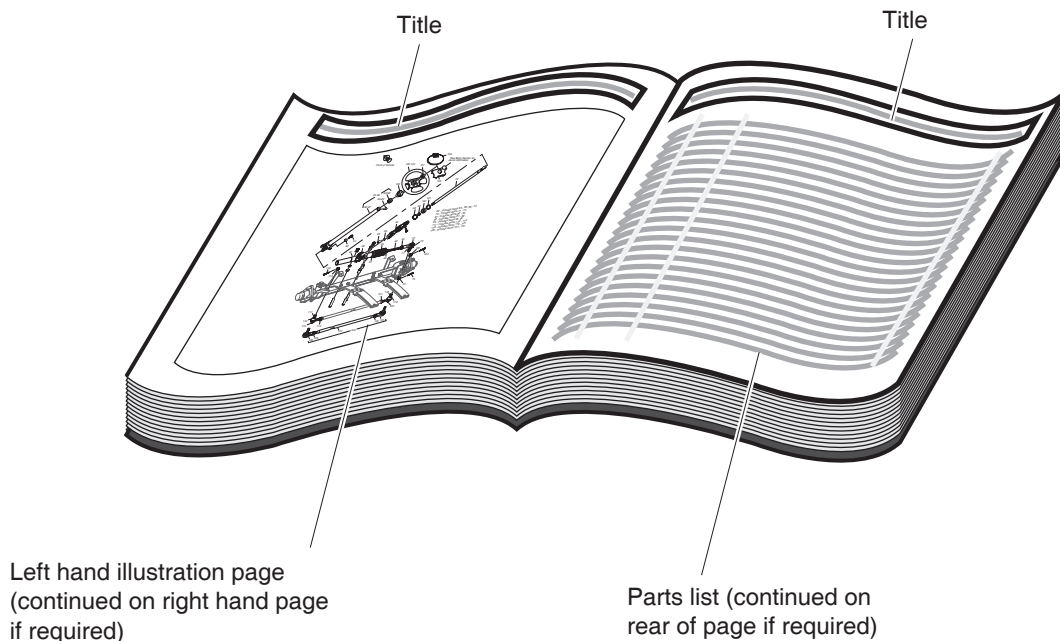
USE OF THE MANUAL

To use this manual, consult the TABLE OF CONTENTS (page iii) to locate the information or illustration required.

Introduction of some revisions varies due to supply of components; therefore, it is possible that various combinations of components may be found that are not directly reflected by each illustration. Consult the illustration that best suits your situation. Locate the serial number plate (see BODY located in the Illustrated Parts Breakdown section of this manual for its location) and note the complete number shown on the plate. It is important that the serial number of your vehicle and its model number be supplied to Service Parts when ordering any replacement components.

Locate the serial number plate (see BODY located in the Illustrated Parts Breakdown section of this manual for its location) and note the complete number shown on the plate.

HOW TO USE THE SERVICE PARTS MANUAL



1. WHEN THE PART NUMBER IS NOT KNOWN

- Determine the function and application of the part required. Turn to the INDEX OF MAJOR COMPONENTS and select the most appropriate component description.
- Turn to the page number indicated and locate the part description in the parts list. Read the full accompanying description for specific information regarding the part that was not shown in the index.
- From the parts list, obtain the item number assigned to it and confirm that the part selected is correct by verifying it with the pictorial representation on the illustrated page.

2. IF YOU KNOW THE PART NUMBER

- Use the INDEX OF MAJOR COMPONENTS to find the page(s) the part number appears on.
- Turn to the page number indicated and locate the part number in the parts list. Refer to the accompanying description for specific information regarding the part.
- From the parts list, obtain the item number assigned to it and confirm that the part selected is correct by verifying it with the pictorial representation on the illustrated page.

Should an asterisk (*) appear in the part number column on the parts list page, read upwards until a part number is found. The part number is the lowest assembly sold by Service Parts. The asterisk (*) indicates that the part depicted is not available for purchase.

NOTE: Descriptions are indented under the assembly that they are used on. That assembly is, in turn listed under the assembly that it is used on. This process is repeated until the highest final assembly is reached.

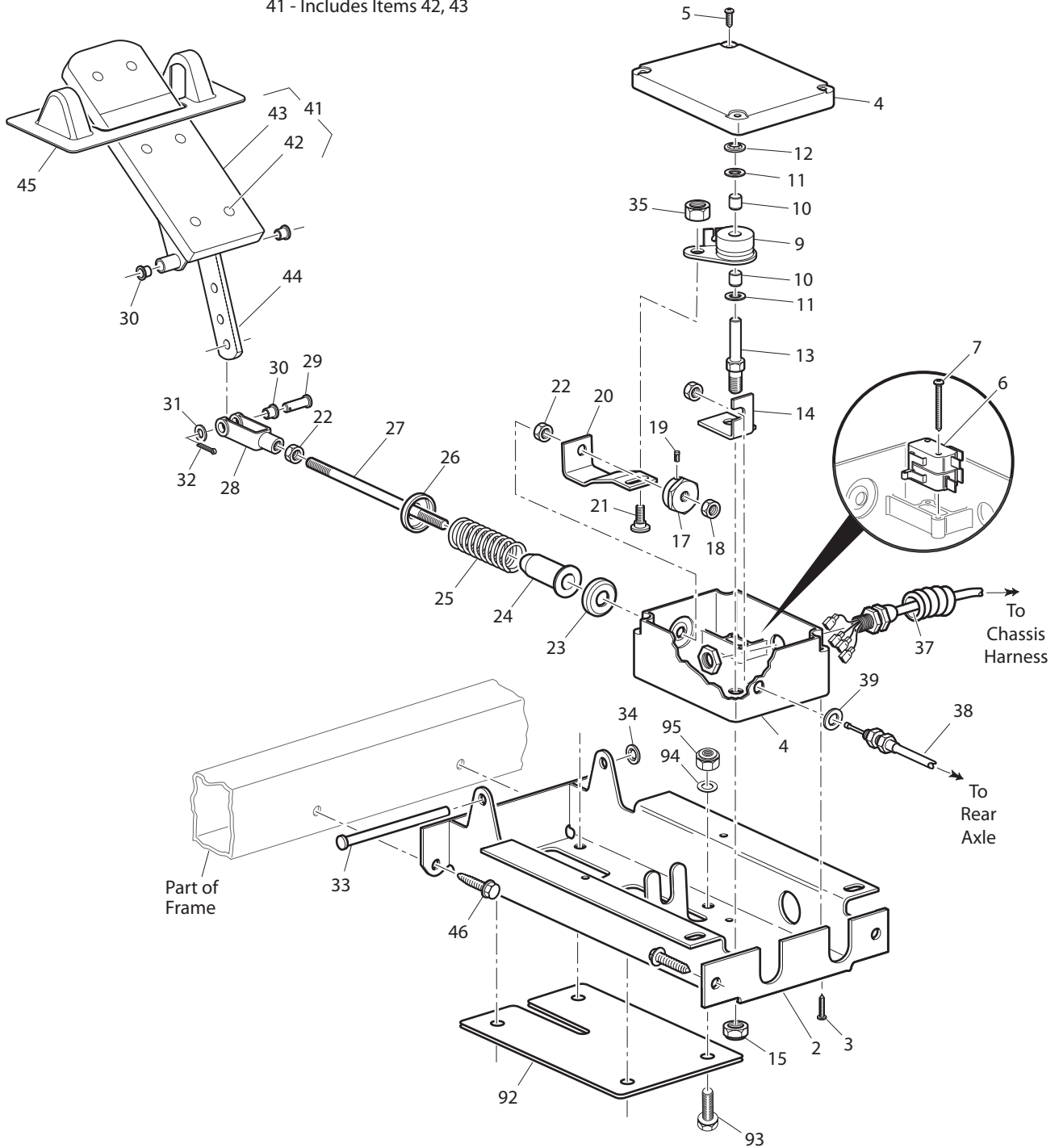
To facilitate the maintenance and repair of the vehicle, a Technician's Repair and Service Manual is available from the Service Parts Department.

ILLUSTRATED PARTS BREAKDOWN

ILLUSTRATED PARTS BREAKDOWN

ACCELERATOR

1 - Includes Items 2 - 44
40 - Includes Items 41 - 44
41 - Includes Items 42, 43



ACCELERATOR

When ordering parts, please specify the model and serial number of the product.

* Indicates a component that is not available as an individual part.

G** Indicates consult Customer Service Department for additional information.

ITEM	PART NO.	1 2 3 4 5	DESCRIPTION	QTY.
1	<u>75765-G03</u>		PEDAL BOX ASSEMBLY (INCLUDES ITEMS 2 - 44)	1
2	<u>70116-G02</u>		ACCELERATOR PEDAL BRACKET.....	1
3	<u>01051-G01</u>		SCREW, #8 - 16 X 1/2" LG	4
4	<u>25853-G02</u>		PEDAL BOX AND COVER	1
5	<u>00684-G6</u>		SCREW, #8 - 32 X 3/4" LG (STAINLESS STEEL).....	2
6	<u>75652-G01</u>		MICRO SWITCH.....	1
7	<u>01050-G02</u>		SCREW, #4 - 20 X 1 1/8" LG	2
8				
9	<u>72066-G01</u>		CONTROL ARM	1
10	<u>23860-G1</u>		BEARING.....	2
11	<u>24621-G1</u>		NYLON WASHER, 5/16".....	2
12	<u>12064-G1</u>		PUSH NUT, 5/16".....	1
13	<u>25768-G01</u>		PIVOT ROD	1
14	<u>72199-G01</u>		PIVOT BRACKET	1
15	<u>14390-G1</u>		LOCK NUT, 3/8 - 24.....	1
16				
17	<u>72198-G03</u>		MICRO SWITCH CAM.....	1
18	<u>15126-G1</u>		LOCK NUT, 5/16 - 24	1
19	<u>00487-G3</u>		SETSCREW, 1/4 - 20 X 3/8" LG	1
20	<u>72074-G01</u>		CONTROL ARM LINK	1
21	<u>72225-G01</u>		SHOULDER BOLT, #10 - 24 X 11/16" LG	1
22	<u>00532-G4</u>		NUT, 5/16 - 24.....	2
23	<u>17677-G1</u>		SPRING RETAINER, 1/2"	1
24	<u>17979-G1</u>		ACCELERATOR ROD BUSHING	1
25	<u>73046-G01</u>		COMPRESSION SPRING, 3/8"	1
26	<u>17677-G2</u>		SPRING RETAINER	1
27	<u>72072-G01</u>		ACCELERATOR ROD	1
28	<u>10385-G4</u>		CLEVIS YOKE (ADJUSTABLE).....	1
29	<u>10386-G3</u>		CLEVIS PIN, 5/16" X 13/16" LG	1
30	<u>17838-G1</u>		NYLON BUSHING	3

ACCELERATOR

When ordering parts, please specify the model and serial number of the product.

* Indicates a component that is not available as an individual part.

G** Indicates consult Customer Service Department for additional information.

ITEM	PART NO.	1	2	3	4	5	DESCRIPTION	QTY.
31	<u>17255-G1</u>						TEFLON WASHER, 5/16"	1
32	<u>10387-G3</u>						COTTER PIN, 3/32" X 3/4" LG	1
33	70134-G01						PEDAL PIVOT PIN	1
34	<u>00986-G01</u>						PUSH NUT, 5/16"	1
35	<u>14390-G10</u>						LOCK NUT, #10 - 24	1
36								
37	<u>35679-G02</u>						WIRE HARNESS (PEDAL BOX)	1
38	<u>75639-G01</u>						ACCELERATOR CABLE	1
39	00559-G8						WASHER, 5/16"	1
40	<u>25799-G03</u>						ACCELERATOR PEDAL ASSEMBLY (INCLUDES ITEMS 41 - 44).....	1
41	<u>27844-G01</u>						ACCELERATOR PEDAL PAD KIT (INCLUDES ITEMS 42 - 43).....	1
42	<u>15766-G1</u>						OVAL RIVET, 3/16" X 3/8" LG.....	6
43	*						ACCELERATOR PEDAL PAD	1
44	*						ACCELERATOR PEDAL	1
45	<u>70135-G01</u>						PEDAL PIVOT COVER	1
46	<u>00715-G2</u>						BOLT, 5/16 - 18 X 13/16" LG	4
47								
48	<u>00415-G2</u>						BOLT, 1/4 - 20 X 1 1/4" LG	1
49	<u>00559-G7</u>						WASHER, 1/4"	1
50	<u>75679-G01</u>						CHOKE PIVOT LEVER	1
51	<u>15944-G1</u>						BALL JOINT	1
52	<u>00734-G5</u>						LOCK NUT, #10 - 32	1
53	<u>75677-G01</u>						BUSHING	1
54	<u>23577-G1</u>						TORSION SPRING	1
55	23726-G7						SPACER, 9/16"	1
56	<u>14390-G4</u>						LOCK NUT, 1/4 - 20	1
57								
58	<u>75651-G01</u>						CHOKE AND GOVERNOR CABLE BRACKET	1
59	<u>00566-G2</u>						LOCK WASHER, 7/16"	2
60	<u>00462-G7</u>						BOLT, 7/16 - 14 X 7/8" LG	2

ACCELERATOR

When ordering parts, please specify the model and serial number of the product.

* Indicates a component that is not available as an individual part.

G** Indicates consult Customer Service Department for additional information.

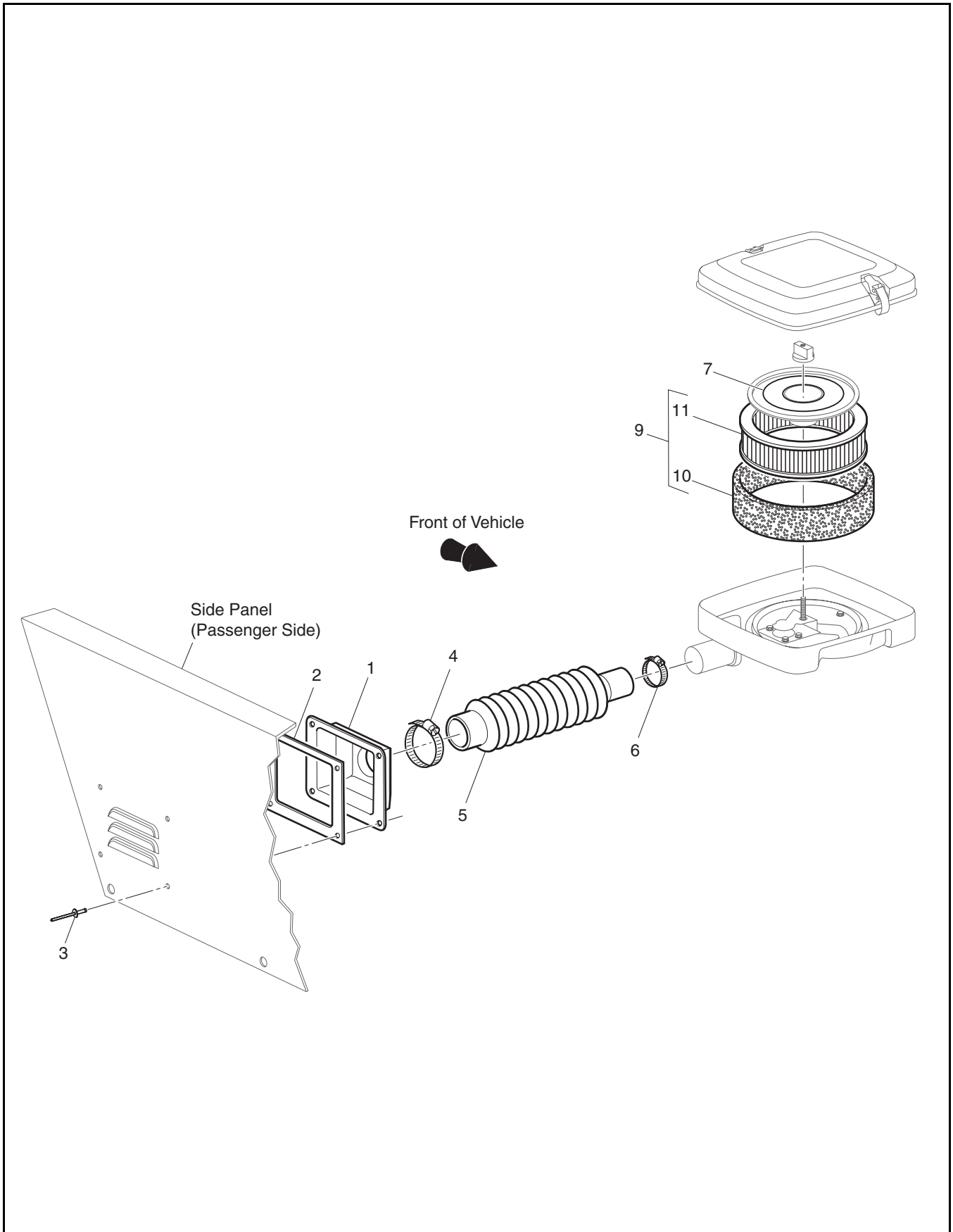
ITEM	PART NO.	1 2 3 4 5	DESCRIPTION	QTY.
61				
62	<u>75650-G01</u>		CHOKE LINK.....	1
63				
64	<u>75712-G01</u>		CHOKE CABLE.....	1
65	<u>75675-G01</u>		GOVERNOR CABLE.....	1
66				
67	<u>75682-G01</u>		GOVERNOR BELLCRANK ASSEMBLY (INCLUDES ITEMS 68 - 80).....	1
68	<u>75681-G01</u>		GOVERNOR BELLCRANK.....	1
69	<u>15944-G1</u>		BALL JOINT.....	1
70	<u>00734-G5</u>		LOCK NUT, #10 - 32.....	1
71	<u>14390-G4</u>		LOCK NUT, 1/4 - 20.....	1
72	<u>22751-G2</u>		GOVERNOR BRACKET ASSEMBLY (INCLUDES ITEMS 73 - 80).....	1
73	<u>22752-G1</u>		GOVERNOR BRACKET.....	1
74	<u>25274-G1</u>		GOVERNOR ROD.....	1
75	<u>22754-G1</u>		BUSHING.....	1
76	<u>25661-G01</u>		CUP WASHER.....	2
77	<u>23578-G1</u>		COMPRESSION SPRING.....	1
78	<u>22754-G2</u>		BUSHING.....	1
79	<u>23859-G1</u>		GOVERNOR ADJUSTER.....	1
80	<u>00526-G4</u>		NUT, #10 - 32.....	1
81	<u>00491-G4</u>		SETSCREW, 1/4 - 20 X 1/2" LG.....	2
82	<u>25738-G01</u>		SPRING.....	1
83	<u>25286-G1</u>		SAFETY SEAL, 3/8".....	1
84	<u>12064-G3</u>		PUSH NUT, 3/16".....	1
85				
86	<u>25653-G01</u>		ACCELERATOR CABLE BRACKET.....	1
87	<u>26826-G01</u>		LOCK WASHER, 8 MM.....	2
88	<u>26827-G01</u>		NUT, M8 X 1.25 MM.....	2
89				
90	<u>75832-G01</u>		WIRE AND TUBE RETAINER, 3/8" CAPACITY.....	1

ACCELERATOR

When ordering parts, please specify the model and serial number of the product.
 * Indicates a component that is not available as an individual part.
 G** Indicates consult Customer Service Department for additional information.

ITEM	PART NO.	1 2 3 4 5	DESCRIPTION	QTY.
91				
92	<u>75546-G01</u>		PLATE	1
93	<u>00414-G6</u>		BOLT, 1/4 - 20 X 3/4" LG	4
94	<u>00559-G7</u>		WASHER, 1/4"	4
95	<u>00654-G2</u>		LOCK NUT, 1/4 - 20 (STAINLESS STEEL)	4

AIR CLEANER

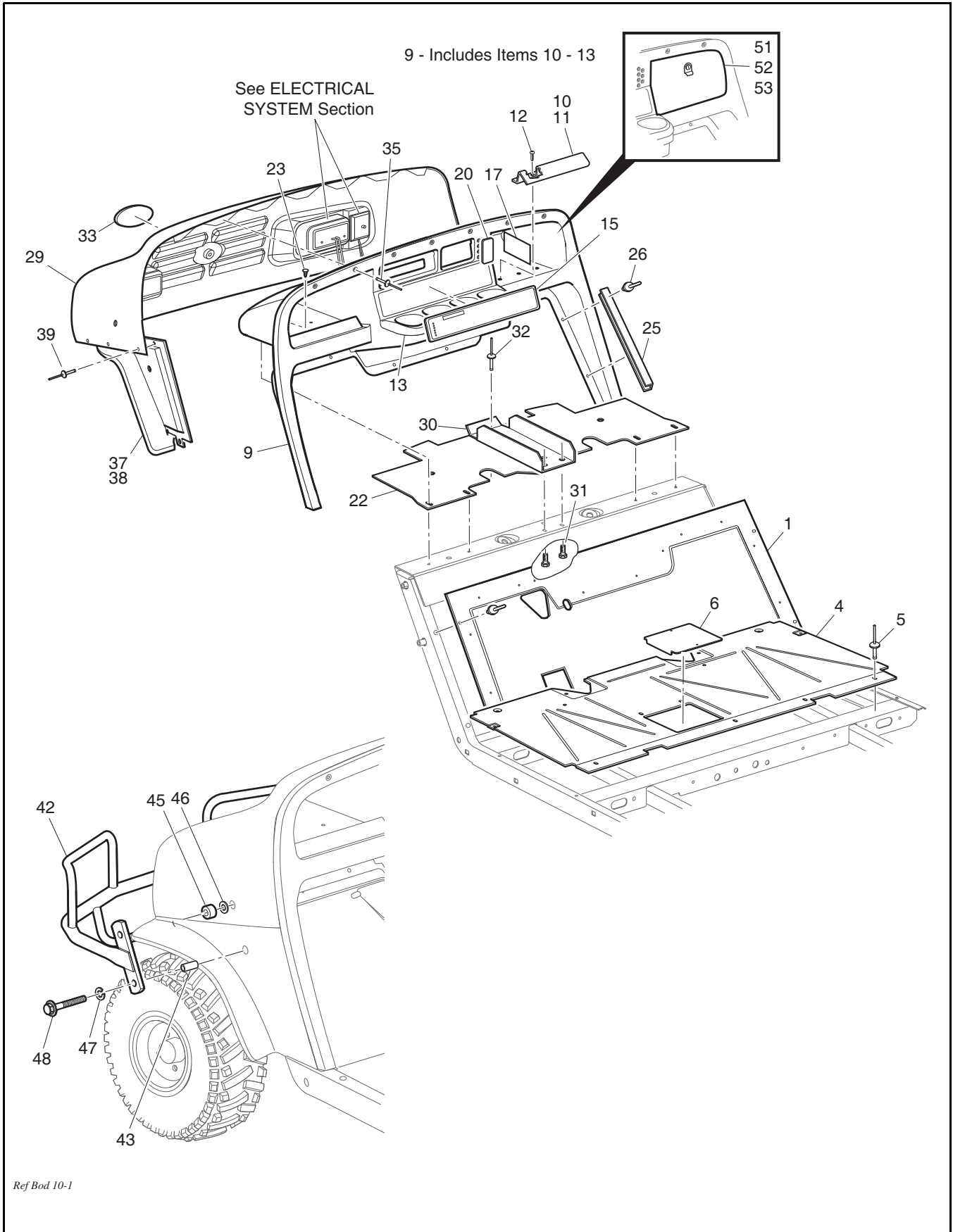


AIR CLEANER

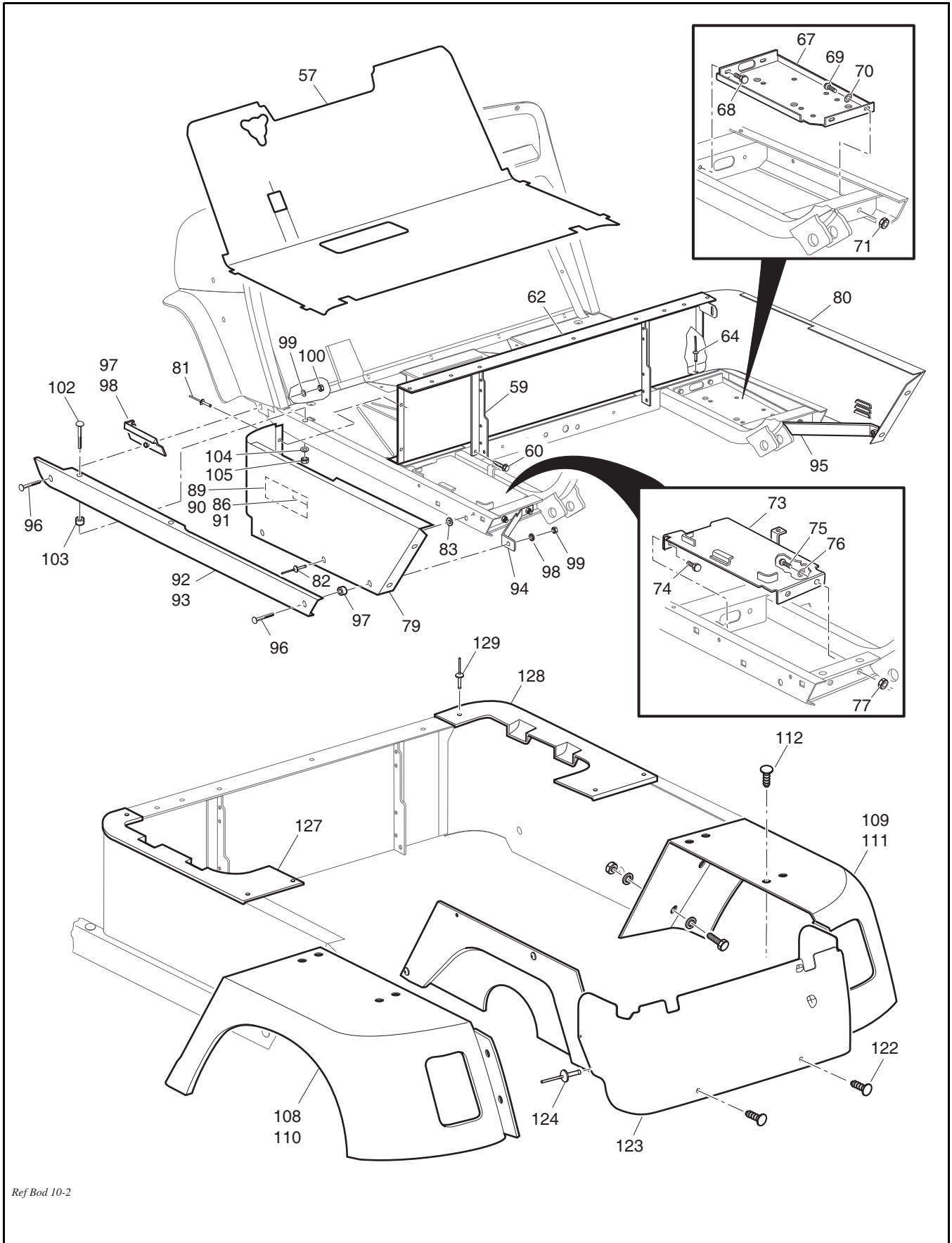
THE USE OF NON U.L. PARTS WILL VOID ANY U.L. LISTING.
 When ordering parts, please specify the model and serial number of the product.
 * Indicates a component that is not available as an individual part.
 G** Indicates consult Customer Service Department for additional information.

ITEM	PART NO.	1 2 3 4 5	DESCRIPTION	QTY.
1	<u>72416-G01</u>		INLET ADAPTER	1
2	<u>72415-G01</u>		GASKET	1
3	<u>71055-G01</u>		RIVET, 3/16" X 1" LG (ALUMINUM)	4
4	<u>11391-G2</u>		HOSE CLAMP, 2 1/16".....	1
5	<u>72527-G01</u>		HOSE	1
6	<u>11391-G5</u>		HOSE CLAMP, 13/16".....	1
7	74485-G01		DECAL	1
8				
9	5050		PRE-CLEANER AND AIR CLEANER CARTRIDGE (INCLUDES ITEMS 10, 11).....	1
10	272490		PRE-CLEANER	1
11	394018		AIR CLEANER CARTRIDGE.....	1

BODY

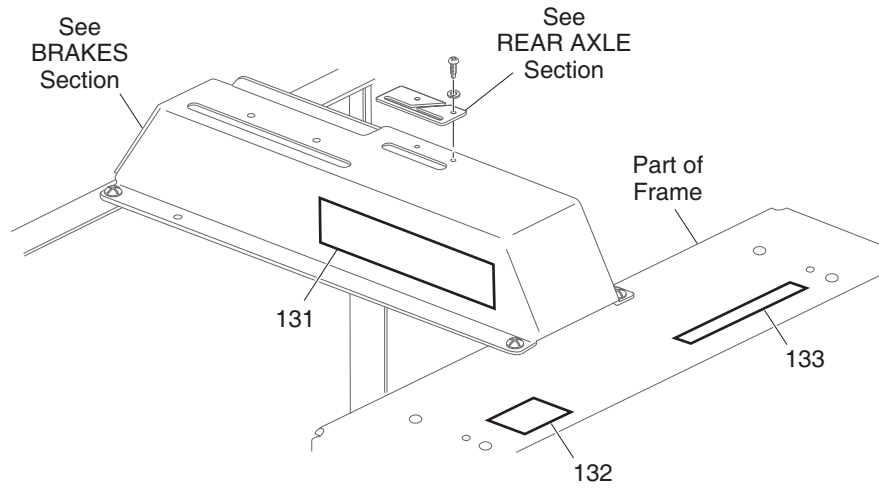


Ref Bod 10-1



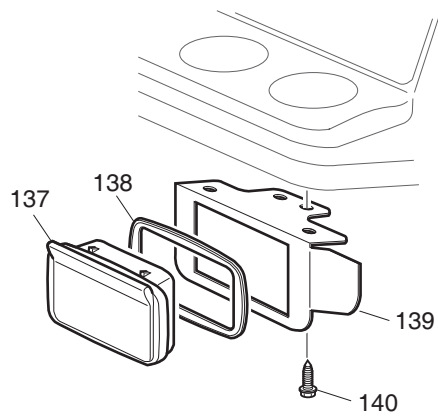
Ref Bod 10-2

BODY



ASH TRAY

136 - Includes Items 137 - 140

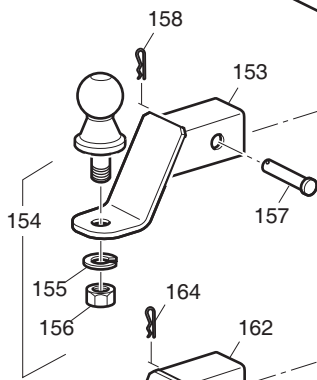


Ref Bod 10-3

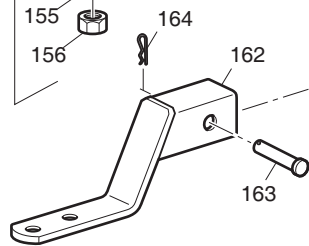
- 152 - Includes Items 153 - 158
- 161 - Includes items 162 - 164
- 167 - Includes items 168 - 172
- 175 - Includes Items 176 - 177
- 181 - Includes items 182 - 186
- 189 - Includes items 190 - 193

HITCHES

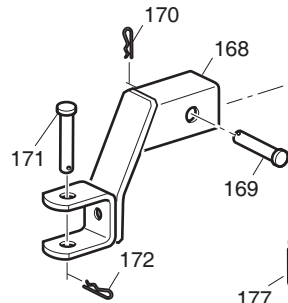
Dropped Heavy Duty Hitch



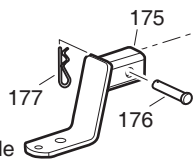
Dropped Angle Hitch



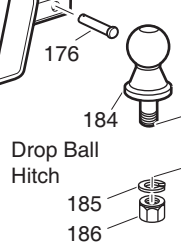
Dropped Clevis Hitch



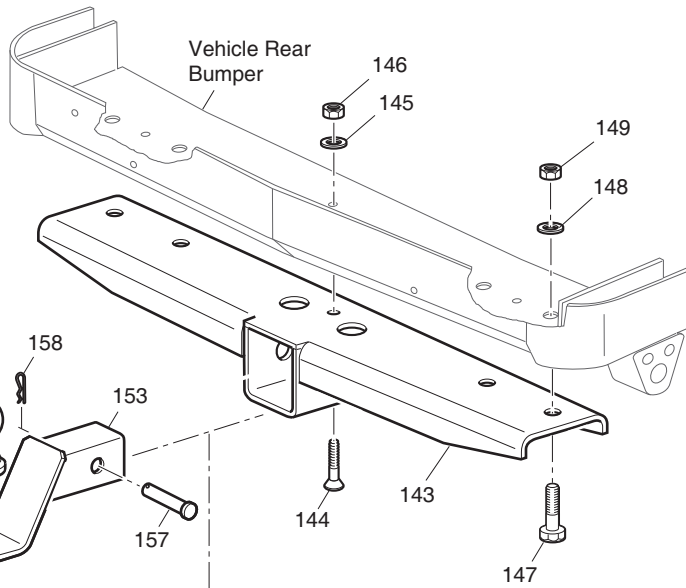
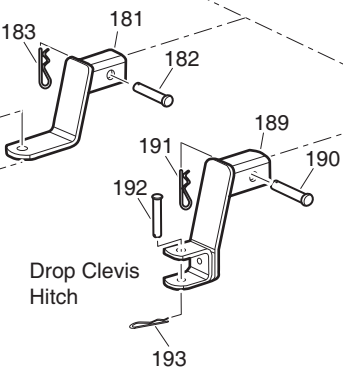
Drop Angle Hitch



Drop Ball Hitch



Drop Clevis Hitch



Ref Bod 10-4

BODY

THE USE OF NON U.L. PARTS WILL VOID ANY U.L. LISTING.
 When ordering parts, please specify the model and serial number of the product.
 * Indicates a component that is not available as an individual part.
 G** Indicates consult Customer Service Department for additional information.

ITEM	PART NO.	1 2 3 4 5	DESCRIPTION	QTY.
1	<u>71510-G01</u>		UPPER FLOORPAN.....	1
2	<u>14601-G11</u>		RIVET, 3/16" X 9/16" LG (ALUMINUM).....	9
3				
4	<u>70451-G01</u>		LOWER FLOORPAN.....	1
5	<u>14601-G11</u>		RIVET, 3/16" X 9/16" LG (ALUMINUM).....	7
6	<u>70452-G01</u>		ACCESS COVER.....	1
7				
8				
9	<u>71151-G03</u>		INSTRUMENT PANEL ASSEMBLY (INCLUDES ITEMS 10 - 13)	1
10	<u>71153-G01</u>		DEFLECTOR (PASSENGER SIDE)	1
11	<u>71154-G01</u>		DEFLECTOR (DRIVER SIDE).....	1
12	<u>00614-G5</u>		SCREW, #8 - 18 X 5/8" LG	6
13	<u>71158-G01</u>		INSTRUMENT PANEL INSERT (FOUR CUP).....	1
14				
15	<u>35962-G01</u>		LABEL (SAFETY).....	1
16				
17				
18				
19				
20	<u>35968-G01</u>		LABEL (TEE HOLDER COVER).....	1
21				
22	<u>71413-G01</u>		SPLASH PANEL.....	1
23	<u>16816-G2</u>		RATCHET FASTENER, 1/4" X 3/4" LG	1
24				
25	<u>71115-G01</u>		VINYL TRIM	2
26	<u>71055-G01</u>		RIVET, 3/16" X 1" LG (ALUMINUM).....	10
27				
28				
29	606534-G**		COWL..... 606534G002....ST COWL SPECIAL COLOR 606534G005....ST COWL FRONT JAC ORANGE	1

THE USE OF NON U.L. PARTS WILL VOID ANY U.L. LISTING.
 When ordering parts, please specify the model and serial number of the product.
 * Indicates a component that is not available as an individual part.
 G** Indicates consult Customer Service Department for additional information.

ITEM	PART NO.	1	2	3	4	5	DESCRIPTION	QTY.
							606534G006....ST COWL FRONT LIGHT GOLD PEARL	
							606534G007....ST COWL SILVER PEARL METAL	
							606534G011....ST COWL BLACK PAINT	
							606534G012....ST COWL EMERALD GREEN PEARL	
							606534G013....ST COWL CLOUD GREY	
							606534G014....ST COWL VIPER BLUE METAL	
							606534G019....ST COWL PATRIOT BLUE PEARL	
							606534G020....ST COWL INFERNO RED METAL	
							606534G023....ST COWL ADV CLASSICE CAMO	
							606534G024....ST COWL FRONT NATURAL	
							606534G025....ST COWL FRONT NEW HOLLAND BLUE	
							606534G026....ST COWL FRONT STEEL BLUE PEARL	
							606534G027....ST COWL BRIGHT SILVER METAL	
							606534G029....ST COWL PRIME	
							606534G030....ST COWL HD ADV CAMO	
							606534G031....ST COWL FRONT METALLIC CHARCOAL	
							606534G033....ST COWL TIMERLINE GREEN	
							606534G034....ST COWL DEEP MOLTEN RED	
							606534G035....ST COWL SAFETY YELLOW	
							606534G036....ST COWL CAMPAGNE BEIGE TEXT	
							606534G037....ST COWL HUNTER GREEN	
							606534G038....ST COWL BRIGHT WHITE	
							606534G039....ST COWL FLAME RED	
							606534G040....ST COWL BLACK	
							606534G041....ST COWL ELECTRIC BLUE	
							606534G042....ST COWL PLATINUM	
							606534G043....ST COWL BURGUNDY ON CH BG	
							606534G044....ST COWL ALMOND	
							606534G046....ST COWL BURGANDY ON BLACK	
							606534G047....ST COWL BURLINGTON GREEN	
							606534G048....ST COWL BLACK ON CHAM BEIGE	
							606534G049....ST COWL RED ON CHAM BEIGE	
30	<u>71101-G02</u>						COWL SUPPORT BRACKET	1
31	<u>71102-G02</u>						BOLT, 1/4 - 20 X 1/2" LG	3
32	<u>71055-G01</u>						RIVET, 3/16" X 1" LG (ALUMINUM)	1
33	<u>603489</u>						NAMEPLATE, WOODS (COWL).....	1
34								
35	<u>71055-G01</u>						RIVET, 3/16" X 1" LG (ALUMINUM)	7
36								
37	<u>71338-G01</u>						FENDER FLARE (DRIVER SIDE).....	1
38	<u>71338-G02</u>						FENDER FLARE (PASSENGER SIDE)	1
39	<u>71055-G01</u>						RIVET, 3/16" X 1" LG (ALUMINUM)	6

BODY

THE USE OF NON U.L. PARTS WILL VOID ANY U.L. LISTING.
 When ordering parts, please specify the model and serial number of the product.
 * Indicates a component that is not available as an individual part.
 G** Indicates consult Customer Service Department for additional information.

ITEM	PART NO.	1 2 3 4 5	DESCRIPTION	QTY.
40				
41				
42	<u>74265-G02</u>		BUMPER.....	1
43	<u>75048-G04</u>		SPACER 1".....	2
44				
45	<u>75048-G01</u>		SPACER, 1/2".....	2
46	<u>00570-G2</u>		WASHER, 5/16".....	2
47	<u>00905-G8</u>		LOCK WASHER, 5/16".....	4
48	<u>01035-G02</u>		BOLT, 5/16 - 18 X 2 1/2" LG.....	4
49				
50				
51	<u>75459-G01</u>		GLOVE BOX DOORS (PAIR).....	1
52	<u>75459-G02</u>		GLOVE BOX DOOR (DRIVER SIDE).....	1
53	<u>75459-G03</u>		GLOVE BOX DOOR (PASSENGER SIDE).....	1
54				
55				
56				
57	<u>70048-G06</u>		FLOORMAT W/HORN HOLES (1/8").....	1
58				
59	70440-G02		SEAT FRAME.....	1
60	<u>00715-G2</u>		BOLT, 5/16 - 18 X 13/16" LG.....	2
61				
62	609147-G**		SEAT WRAP PANEL 609147G02....SPECIAL COLOR 609147G05....FRONT JAC ORANGE 609147G13....CLOUD GREY 609147G19....PATRIOT BLUE 609147G20....INFERNO RED 609147G26....STEEL BLUE 609147G31....METALLIC CHARCOAL 609147G35....SAFETY YELLOW 609147G36....CHAMPAGNE BEIGE 609147G37....HUNTER GREEN 609147G38....BRIGHT WHITE	1

THE USE OF NON U.L. PARTS WILL VOID ANY U.L. LISTING.
 When ordering parts, please specify the model and serial number of the product.
 * Indicates a component that is not available as an individual part.
 G** Indicates consult Customer Service Department for additional information.

ITEM	PART NO.	1 2 3 4 5	DESCRIPTION	QTY.
63			609147G39....FLAME RED 609147G40....BLACK 609147G41....ELECTRIC BLUE 609147G42....PLATINUM	
64	<u>10570-G10</u>		RIVET, 5/32" X 9/16" LG (STAINLESS STEEL)	5
65				
66				
67	<u>70244-G03</u>		SPLASH PANEL.....	1
68	<u>00715-G2</u>		BOLT, 5/16 - 18 X 13/16" LG	2
69	<u>00438-G8</u>		BOLT, 5/16 - 18 X 1" LG	2
70	00559-G8		WASHER, 5/16"	2
71	11098-G6		LOCK NUT, 5/16 - 18	2
72				
73	<u>600496</u>		BATTERY TRAY.....	1
74	<u>00715-G2</u>		BOLT, 5/16 - 18 X 4/5" LG	2
75	<u>00438-G8</u>		BOLT, 5/16 - 18 X 1" LG	2
76	00559-G8		WASHER, 5/16"	2
77	11098-G6		LOCK NUT, 5/16 - 188	2
78				
79	609168-G1**		SIDE PANEL (DRIVER SIDE) 609168G102....SPECIAL COLOR 609168G105....FRONT JAC ORANGE 609168G113....CLOUD GREY 609168G119....PATROT BLUE 609168G120....INFERNO RED 609168G126....STEEL BLUE 609168G131....MET CHARCOAL 609168G135....SAFETY YELLOW 609168G136....CHAMPAGNE BEIGE 609168G137....HUNTER GREEN 609168G138....BRIGHT WHITE 609168G139....FLAME RED 609168G140....BLACK 609168G141....ELECTRIC BLUE 609168G142....PLATINUM	1
80	609168-G3**		SIDE PANEL (PASSENGER SIDE).....	1

BODY

THE USE OF NON U.L. PARTS WILL VOID ANY U.L. LISTING.
 When ordering parts, please specify the model and serial number of the product.
 * Indicates a component that is not available as an individual part.
 G** Indicates consult Customer Service Department for additional information.

ITEM	PART NO.	1 2 3 4 5	DESCRIPTION	QTY.
			609168G302....SPECIAL COLOR 609168G305....FRONT JAC ORANGE 609168G313....CLOUD GREY 609168G319....PATRIOT BLUE 609168G320....INFERNO RED 609168G326....STEEL BLUE 609168G331....METTALLIC CHARCOAL 609168G335....SAFETY YELLOW 609168G336....CHAMPAGNE BEIGE 609168G337....HUNTER GREEN 609168G338....BRIGHT WHITE 609168G339....FLAME RED 609168G340....BLACK 609168G341....ELECTRIC BLUE 609168G342....PLATINUM	
81	<u>10570-G10</u>		RIVET, 5/32" X 9/16" LG	4
82	10570-G12		RIVET, 1/4" X 9/16" LG (ALUMINUM)	4
83	<u>16469-G1</u>		WASHER, 1/4"	4
84				
85				
86	<u>600821</u>		DECAL (ST 480)	2
87				
88				
89	<u>28915-G01</u>		DECAL (JACOBSEN) (DRIVER SIDE)	2
90	<u>28915-G02</u>		DECAL (JACOBSEN) (PASSENGER SIDE)	2
91	603664		DECAL (MAV 480)	2
92	<u>71439-G03</u>		ROCKER PANEL (DRIVER SIDE)	1
93	<u>71439-G04</u>		ROCKER PANEL (PASSENGER SIDE)	1
94	<u>71440-G03</u>		BRACE (DRIVER SIDE)	1
95	<u>71440-G04</u>		BRACE (PASSENGER SIDE)	1
96	<u>00789-G2</u>		SCREW, #10 - 24 X 1 1/4" LG	4
97	<u>71424-G01</u>		SPACER (DRIVER SIDE)	1
98	<u>71424-G02</u>		SPACER (PASSENGER SIDE)	1
99	<u>00660-G5</u>		WASHER, #10 (STAINLESS STEEL)	4
100	<u>14390-G10</u>		LOCK NUT, #10 - 24	4

THE USE OF NON U.L. PARTS WILL VOID ANY U.L. LISTING.
 When ordering parts, please specify the model and serial number of the product.
 * Indicates a component that is not available as an individual part.
 G** Indicates consult Customer Service Department for additional information.

ITEM	PART NO.	1 2 3 4 5	DESCRIPTION	QTY.
101				
102	<u>16705-G1</u>		SCREW, 1/4 - 20 X 1" LG (STAINLESS STEEL)	4
103	<u>23726-G2</u>		SPACER, 1/4"	4
104	<u>00559-G7</u>		WASHER, 1/4"	4
105	<u>14390-G4</u>		LOCK NUT, 1/4 - 20	4
106				
107				
108	<u>74893-G01</u>		FENDER (DRIVER SIDE)	1
109	<u>74893-G02</u>		FENDER (PASSENGER SIDE).....	1
110	<u>74893-G03</u>		FENDER WITH TAILLIGHT (DRIVER SIDE)	1
111	<u>74893-G04</u>		FENDER WITH TAILLIGHT (PASSENGER SIDE).....	1
112	<u>16816-G2</u>		RATCHET FASTENER, 1/4" X 3/4" LG	8
113				
114				
115				
116				
117				
118				
119				
120				
121				
122	<u>16816-G2</u>		RATCHET FASTENER, 1/4" X 3/4" LG	2
123	<u>74890-G01</u>		REAR PANEL	1
124	<u>71055-G01</u>		RIVET, 3/16" X 1" LG	4
125				
126				
127	<u>74891-G01</u>		SEAT FILLER PANEL (DRIVER SIDE)	1
128	<u>74891-G02</u>		SEAT FILLER PANEL (PASSENGER SIDE).....	1
129	<u>10570-G10</u>		RIVET, 5/32" X 9/16" LG (STAINLESS STEEL)	6
130				

BODY

THE USE OF NON U.L. PARTS WILL VOID ANY U.L. LISTING.
 When ordering parts, please specify the model and serial number of the product.
 * Indicates a component that is not available as an individual part.
 G** Indicates consult Customer Service Department for additional information.

ITEM	PART NO.	1 2 3 4 5	DESCRIPTION	QTY.
131	<u>74093-G01</u>		LABEL (WARNING).....	2
132	<u>75696-G01</u>		LABEL (HOT EXHAUST)	1
133	<u>24880-G1</u>		LABEL (GOVERNOR WARNING).....	1
134				
135				
136	<u>75109-G03</u>		ASH TRAY KIT (INCLUDES ITEMS 137 - 140)	1
137	<u>27731-G01</u>		ASH TRAY	1
138	<u>27736-G01</u>		GASKET	1
139	<u>75108-G02</u>		BRACKET	1
140	<u>00100-G4</u>		SCREW, #10 - 16 X 1/2" LG	4
141				
142				
143	<u>74348-G02</u>		HITCH RECEIVER	1
144	<u>00198-G8</u>		SCREW, 5/16 - 18 X 1" LG.....	1
145	<u>00569-G8</u>		WASHER, 5/16"	1
146	<u>11098-G6</u>		LOCK NUT, 5/16 - 18	1
147	<u>00463-G4</u>		BOLT, 7/16 - 14 X 1 1/2" LG	4
148	<u>00922-G3</u>		WASHER, 7/16"	4
149	<u>00734-G1</u>		LOCK NUT, 7/16 - 14	4
150				
151				
152	<u>74492-G10</u>		DROP BALL HITCH KIT (INCLUDES ITEMS 153 - 158).....	1
153	<u>74491-G02</u>		DROP BALL HITCH.....	1
154	<u>31757-G1</u>		HITCH BALL, 1 7/8" (INCLUDES ITEMS 155 - 156)	1
155	<u>00566-G6</u>		LOCK WASHER, 3/4".....	1
156	<u>00702-G11</u>		NUT, 3/4 - 16	1
157	<u>21317-G01</u>		CLEVIS PIN, 5/8" X 3" LG	1
158	<u>21683-G1</u>		COTTER PIN, 15/32" X 2 13/16" LG	1
159				
160				

THE USE OF NON U.L. PARTS WILL VOID ANY U.L. LISTING.
 When ordering parts, please specify the model and serial number of the product.
 * Indicates a component that is not available as an individual part.
 G** Indicates consult Customer Service Department for additional information.

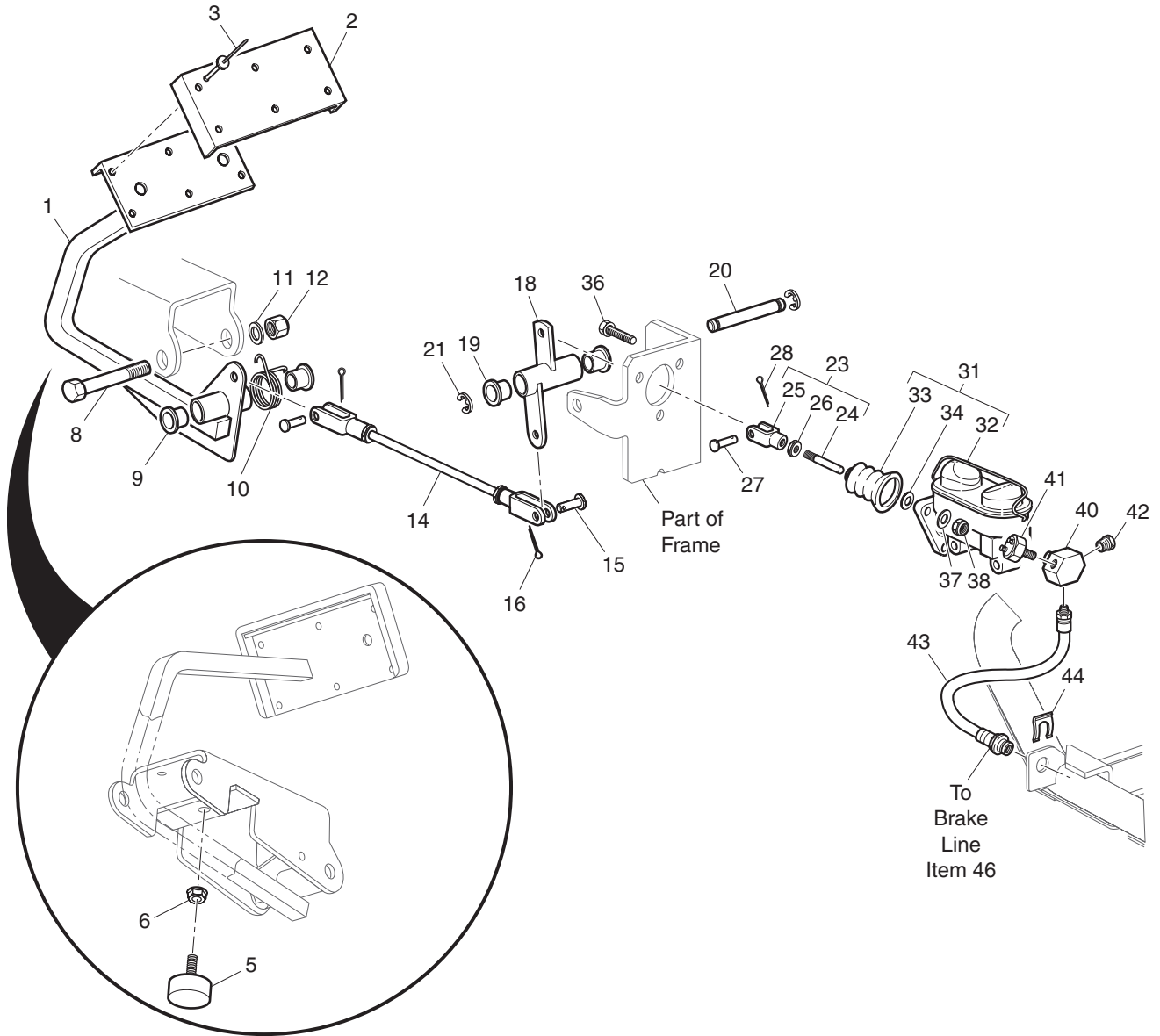
ITEM	PART NO.	1 2 3 4 5	DESCRIPTION	QTY.
161	<u>74492-G08</u>		DROP ANGLE HITCH KIT (INCLUDES ITEMS 162 - 164)	1
162	<u>74489-G02</u>		DROP ANGLE HITCH	1
163	21317-G01		CLEVIS PIN, 5/8" X 3" LG	1
164	<u>21683-G1</u>		COTTER PIN, 15/32" X 2 13/16" LG	1
165				
166				
167	<u>74492-G12</u>		DROP CLEVIS HITCH KIT (INCLUDES ITEMS 168 - 172)	1
168	<u>74495-G02</u>		DROP CLEVIS HITCH	1
169	21317-G01		CLEVIS PIN, 5/8" X 3" LG	1
170	<u>21683-G1</u>		COTTER PIN, 15/32" X 2 13/16" LG	1
171	<u>14443-G7</u>		CLEVIS PIN, 1/2" X 2 5/8" LG	1
172	<u>19314-G1</u>		COTTER PIN, 2 1/2" LG	1
173				
174				
175	<u>74489-G02</u>		DROP ANGLE HITCH KIT (INCLUDES ITEMS 176 - 177)	1
176	21317-G01		CLEVIS PIN, 5/8" X 3" LG	1
177	<u>21683-G1</u>		COTTER PIN, 15/32" X 2 11/16" LG	1
178				
179				
180				
181	<u>74491-G02</u>		DROP BALL HITCH KIT (INCLUDES ITEMS 182 - 186)	1
182	21317-G01		CLEVIS PIN, 5/8" X 3" LG	1
183	<u>21683-G1</u>		COTTER PIN, 15/32" X 2 11/16" LG	1
184	<u>31757-G1</u>		HITCH BALL, 1 7/8	1
185	<u>00566-G6</u>		LOCK WASHER, 3/4	1
186	00702-G11		NUT, 3/4 - 16	1
187				
188				
189	<u>74495-G02</u>		DROP CLEVIS HITCH (INCLUDES ITEMS 190 - 193)	1
190	21317-G01		CLEVIS PIN, 5/8" X 3" LG	1

BODY

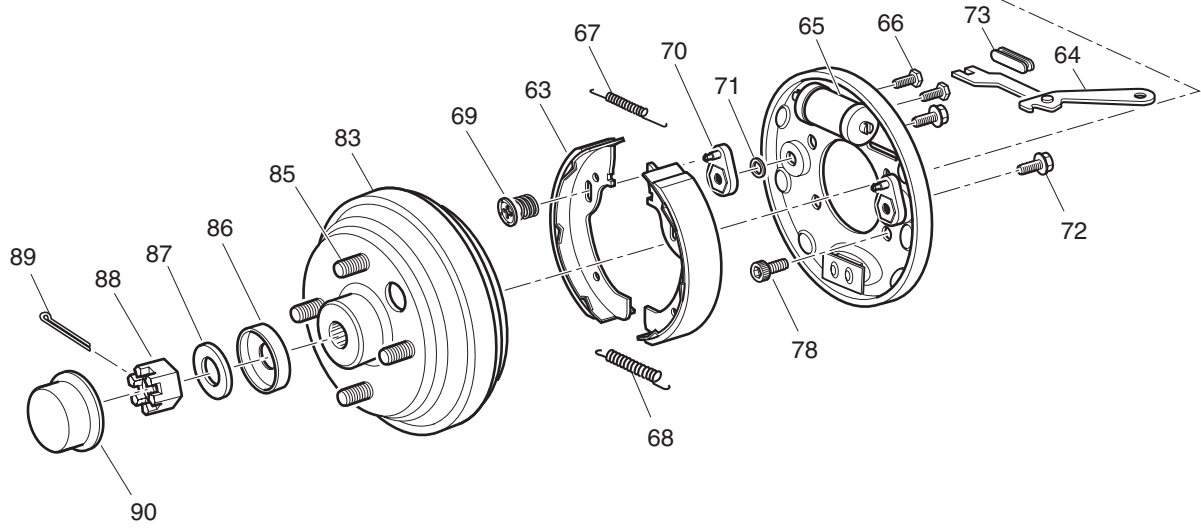
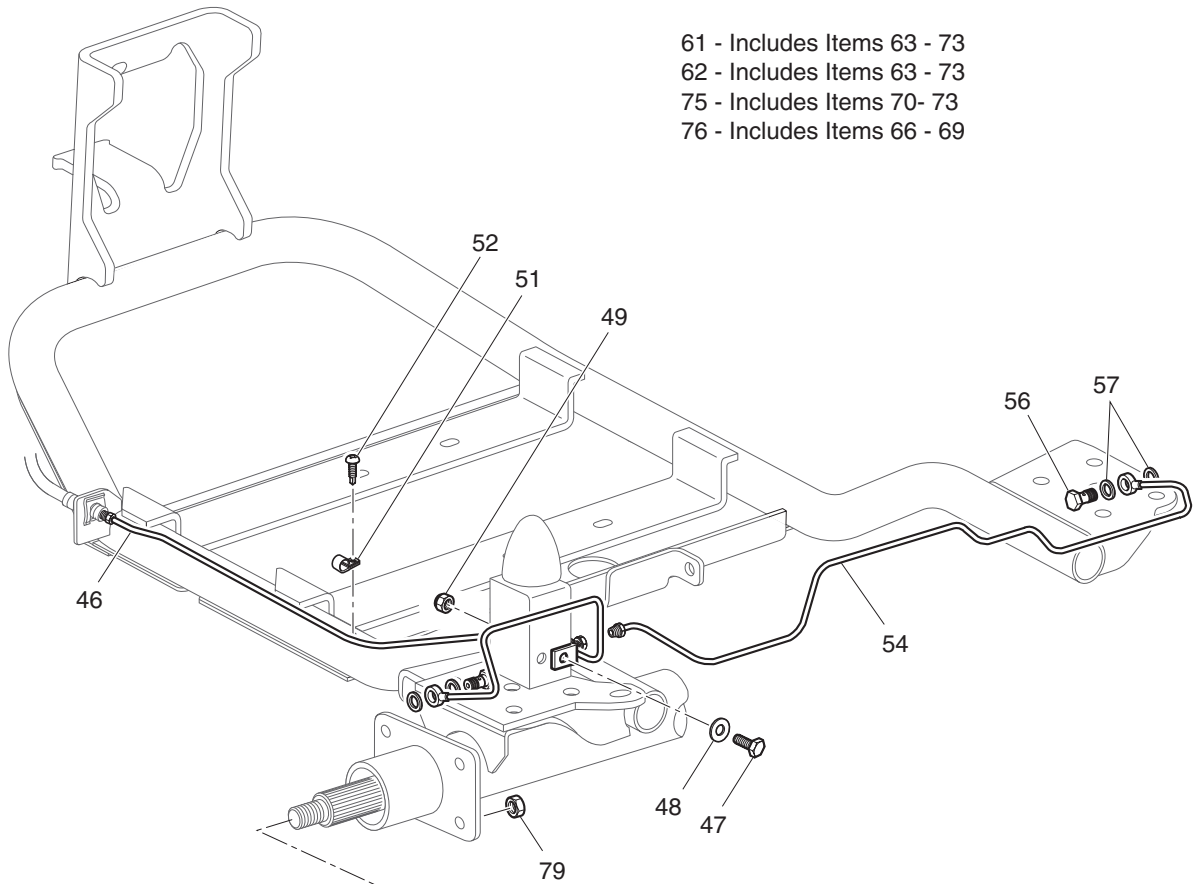
THE USE OF NON U.L. PARTS WILL VOID ANY U.L. LISTING.
 When ordering parts, please specify the model and serial number of the product.
 * Indicates a component that is not available as an individual part.
 G** Indicates consult Customer Service Department for additional information.

ITEM	PART NO.	1	2	3	4	5	DESCRIPTION	QTY.
191	<u>21683-G1</u>						COTTER PIN, 15/32" X 2 11/16" LG.....	1
192	<u>14443-G7</u>						CLEVIS PIN, 1/2" X 2 1/2" LG	1
193	<u>19314-G1</u>						COTTER PIN, 2 1/2" LG	1

BRAKES



- 61 - Includes Items 63 - 73
- 62 - Includes Items 63 - 73
- 75 - Includes Items 70- 73
- 76 - Includes Items 66 - 69



BRAKES

THE USE OF NON U.L. PARTS WILL VOID ANY U.L. LISTING.

When ordering parts, please specify the model and serial number of the product.

* Indicates a component that is not available as an individual part.

G** Indicates consult Customer Service Department for additional information.

ITEM	PART NO.	1 2 3 4 5	DESCRIPTION	QTY.
1	<u>75605-G01</u>		BRAKE PEDAL	1
2	<u>70257-G01</u>		BRAKE PEDAL PAD	1
3	<u>14269-G1</u>		RIVET, 3/16" X 1/2" LG	6
4				
5	<u>70113-G01</u>		ADJUSTABLE BUMPER.....	1
6	<u>11027-G1</u>		LOCK NUT, 5/16 - 18.....	1
7				
8	<u>70582-G01</u>		SHOULDER BOLT, 3/8 - 16 X 4" LG (STAINLESS STEEL).....	1
9	<u>70581-G01</u>		FLANGED BUSHING	2
10	<u>70676-G01</u>		TORSION SPRING	1
11	<u>00643-G1</u>		WASHER, 3/8"	1
12	<u>11098-G5</u>		LOCK NUT, 3/8 - 16.....	1
13				
14	<u>34124-G02</u>		LINKAGE ROD.....	1
15	<u>10386-G3</u>		CLEVIS PIN, 5/16" X 13/16" LG.....	2
16	<u>10387-G3</u>		COTTER PIN, 3/32" X 3/4" LG.....	2
17				
18	<u>75607-G01</u>		BELL CRANK	1
19	<u>70581-G01</u>		FLANGED BUSHING	2
20	<u>70410-G02</u>		SHAFT, 5 1/2" LG.....	1
21	<u>01111-G01</u>		RETAINING RING, 13/32" (STAINLESS STEEL)	2
22				
23	<u>30298-G2</u>		PUSH ROD ASSEMBLY (INCLUDES ITEMS 24 - 26)	1
24	<u>30293-G2</u>		PUSH ROD, 3 1/8" LG.....	1
25	<u>21508-G1</u>		CLEVIS YOKE	1
26	<u>00544-G6</u>		JAM NUT, 3/8 - 24	1
27	<u>14443-G3</u>		CLEVIS PIN, 5/16" X 1" LG	1
28	<u>10387-G3</u>		COTTER PIN, 3/32" X 3/4" LG.....	1
29				
30				

BRAKES

THE USE OF NON U.L. PARTS WILL VOID ANY U.L. LISTING.

When ordering parts, please specify the model and serial number of the product.

* Indicates a component that is not available as an individual part.

G** Indicates consult Customer Service Department for additional information.

ITEM	PART NO.	1 2 3 4 5	DESCRIPTION	QTY.
31	<u>70643-G02</u>		MASTER CYLINDER KIT (INCLUDES ITEMS 32 - 34)	1
32	*		MASTER CYLINDER.....	1
33	<u>32768-G1</u>		MASTER CYLINDER BOOT.....	1
34	<u>00675-G1</u>		WASHER, 3/8" (STAINLESS STEEL)	1
35				
36	<u>00427-G4</u>		BOLT, 3/8 - 16 X 1 1/2" LG	3
37	<u>00560-G1</u>		WASHER, 3/8"	3
38	<u>11098-G5</u>		LOCK NUT, 3/8 - 16.....	3
39				
40	<u>26469-G01</u>		BRANCH TEE (MALE)	1
41	<u>21510-G1</u>		BRAKE LIGHT SWITCH	1
42	<u>21503-G1</u>		PLUG.....	1
43	<u>75621-G01</u>		FLEXIBLE BRAKE HOSE	1
44	<u>11456-G1</u>		CLIP	1
45				
46	<u>75644-G01</u>		PRIMARY BRAKE LINE.....	1
47	00438-G6		BOLT, 5/16 - 18 X 3/4" LG	1
48	00559-G8		WASHER, 5/16"	1
49	11098-G6		LOCK NUT, 5/16 - 18.....	1
50				
51	<u>11845-G5</u>		INSULATED CABLE CLAMP, 3/8".....	1
52	<u>00106-G6</u>		SCREW, #12 - 24 X 3/4" LG	1
53				
54	<u>75645-G01</u>		SECONDARY BRAKE LINE	1
55				
56	<u>75683-G01</u>		BANJO BOLT	2
57	<u>75684-G01</u>		COPPER GASKET.....	4
58				
59				
60				

BRAKES

THE USE OF NON U.L. PARTS WILL VOID ANY U.L. LISTING.

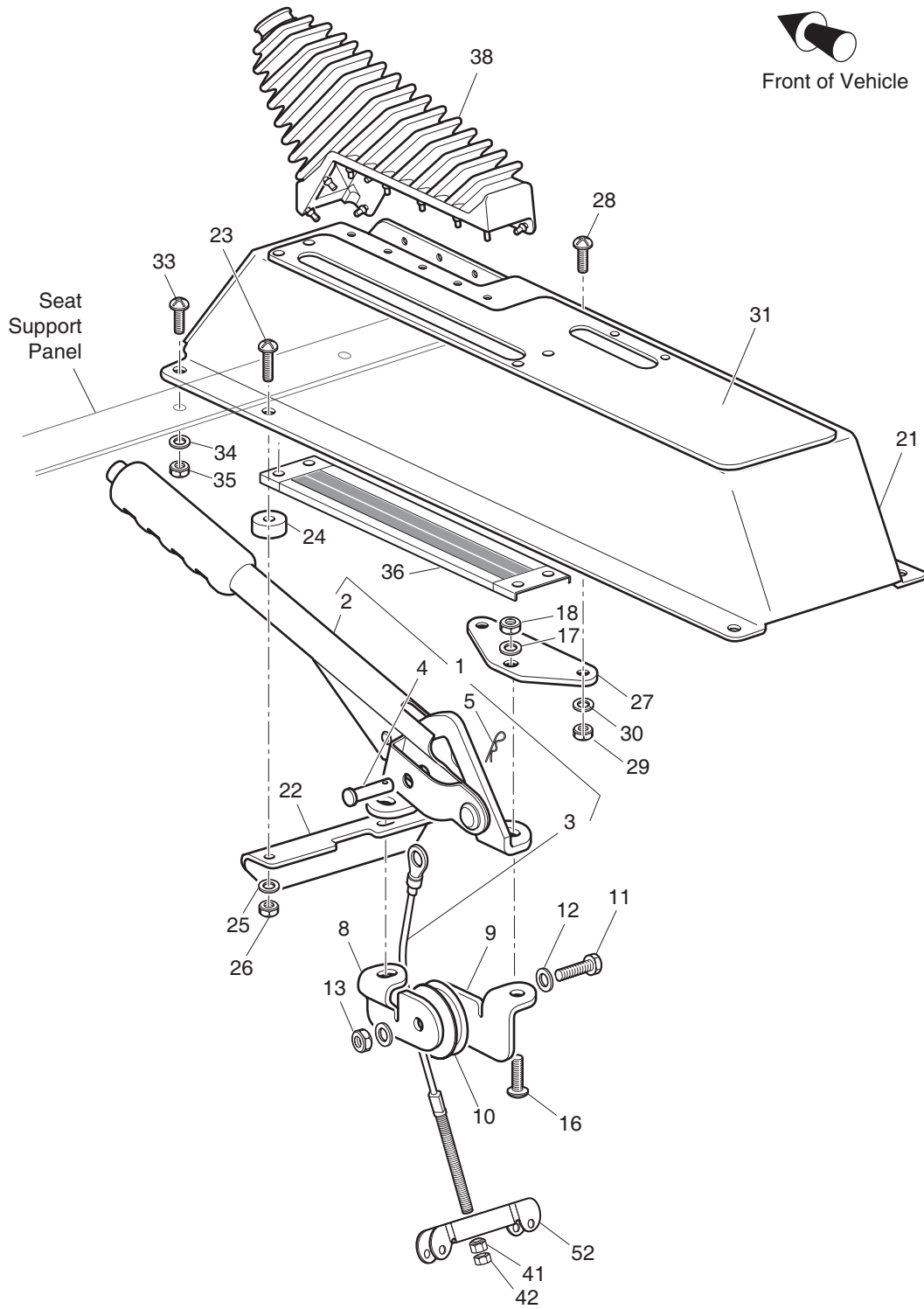
When ordering parts, please specify the model and serial number of the product.

* Indicates a component that is not available as an individual part.

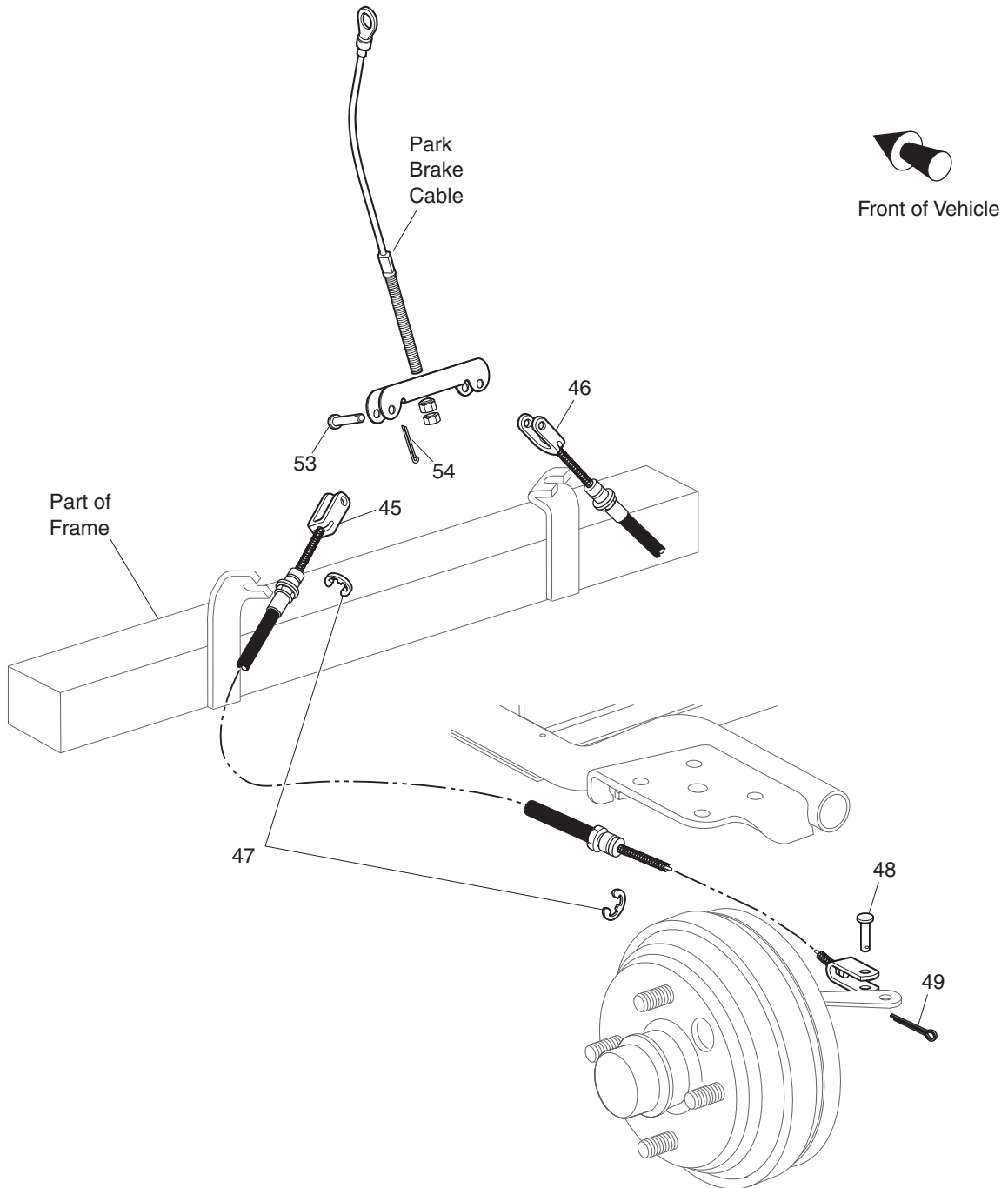
G** Indicates consult Customer Service Department for additional information.

ITEM	PART NO.	1 2 3 4 5	DESCRIPTION	QTY.
61	<u>75685-G01</u>		BRAKE ASSEMBLY (DRIVER SIDE) (INCLUDES ITEMS 63 - 73).....	1
62	<u>75685-G02</u>		BRAKE ASSEMBLY (PASSENGER SIDE) (INCLUDES ITEMS 63 - 73).....	1
63	<u>75830-G01</u>		BRAKE SHOE.....	2
64	75829-G**		PARK BRAKE WHEEL LEVER	1
65	<u>75828-G01</u>		WHEEL CYLINDER.....	1
66	*		WHEEL CYLINDER BOLT.....	2
67	*		UPPER RETURN SPRING.....	1
68	*		LOWER RETURN SPRING.....	1
69	*		CUP AND SPRING.....	2
70	*		ADJUSTER.....	2
71	*		WASHER.....	2
72	*		BOLT, 1/4 - 28 X 1/2" LG.....	2
73	*		DUST COVER.....	1
74				
75	<u>75826-G01</u>		ADJUSTER KIT (INCLUDES ITEMS 70 - 73).....	1
76	<u>75827-G01</u>		HARDWARE KIT (INCLUDES ITEMS 66 - 69).....	1
77				
78	<u>75701-G01</u>		SCREW, 5/16 - 24 X 3/4" LG.....	8
79	<u>15126-G1</u>		LOCK NUT, 5/16 - 24.....	8
80				
81				
82				
83	<u>75573-G01</u>		BRAKE DRUM ASSEMBLY (INCLUDES ITEMS 84 - 85).....	2
84	*		BRAKE DRUM.....	1
85	<u>19862-G2</u>		LUG BOLT, 1/2 - 20 X 1 11/16" LG.....	4
86	<u>24939-G2</u>		SPINDLE CAP ADAPTER.....	2
87	<u>75586-G01</u>		OUTER BRAKE DRUM WASHER.....	2
88	<u>00518-G8</u>		SLOTTED NUT, 3/4 - 16.....	2
89	<u>10387-G1</u>		COTTER PIN, 1/8" X 1 1/2" LG.....	2
90	<u>12091-G2</u>		SPINDLE CAP.....	2

PARK BRAKE



PARK BRAKE



PARK BRAKE

THE USE OF NON U.L. PARTS WILL VOID ANY U.L. LISTING.

When ordering parts, please specify the model and serial number of the product.

* Indicates a component that is not available as an individual part.

G** Indicates consult Customer Service Department for additional information.

ITEM	PART NO.	1 2 3 4 5	DESCRIPTION	QTY.
1	<u>75791-G03</u>		PARKING BRAKE LEVER ASSEMBLY (INCLUDES ITEMS 2 - 5)	1
2	75790-G01		PARKING BRAKE LEVER.....	1
3	<u>75498-G01</u>		PARKING BRAKE CABLE.....	1
4	*		COTTER PIN, 3.32"x1" LG	1
5	*		HAIRCLIP	1
6				
7				
8	<u>75769-G01</u>		PULLEY MOUNT BRACKET (DRIVER SIDE)	1
9	<u>75768-G01</u>		PULLEY MOUNT BRACKET (PASSENGER SIDE)	1
10	<u>75789-G01</u>		PULLEY, 2" DIA	1
11	<u>00439-G4</u>		BOLT, 5/16 - 18 X 1 1/2" LG	1
12	00559-G8		WASHER, 5/16"	2
13	11098-G6		LOCK NUT, 5/16 - 18	1
14				
15				
16	<u>00976-G08</u>		SCREW, 5/16 - 18 X 1" LG	2
17	00559-G8		WASHER, 5/16"	2
18	11098-G6		LOCK NUT, 5/16 - 18 (STAINLESS STEEL)	2
19				
20				
21	75968-G01		CENTER CONSOLE	1
22	<u>75594-G01</u>		SUPPORT BRACKET	1
23	<u>16705-G1</u>		SCREW, 1/4 - 20 X 1" LG (STAINLESS STEEL).....	2
24	<u>23726-G12</u>		SPACER, 3/8"	2
25	<u>00559-G7</u>		WASHER, 1/4"	2
26	<u>14390-G4</u>		LOCK NUT, 1/4 - 20	2
27	<u>75773-G01</u>		SUPPORT PLATE.....	1
28	16705-G3		SCREW, 1/4 - 20 X 3/4" LG (STAINLESS STEEL).....	2
29	<u>00559-G7</u>		WASHER, 1/4"	2
30	<u>14390-G4</u>		LOCK NUT, 1/4 - 20	2

PARK BRAKE

THE USE OF NON U.L. PARTS WILL VOID ANY U.L. LISTING.

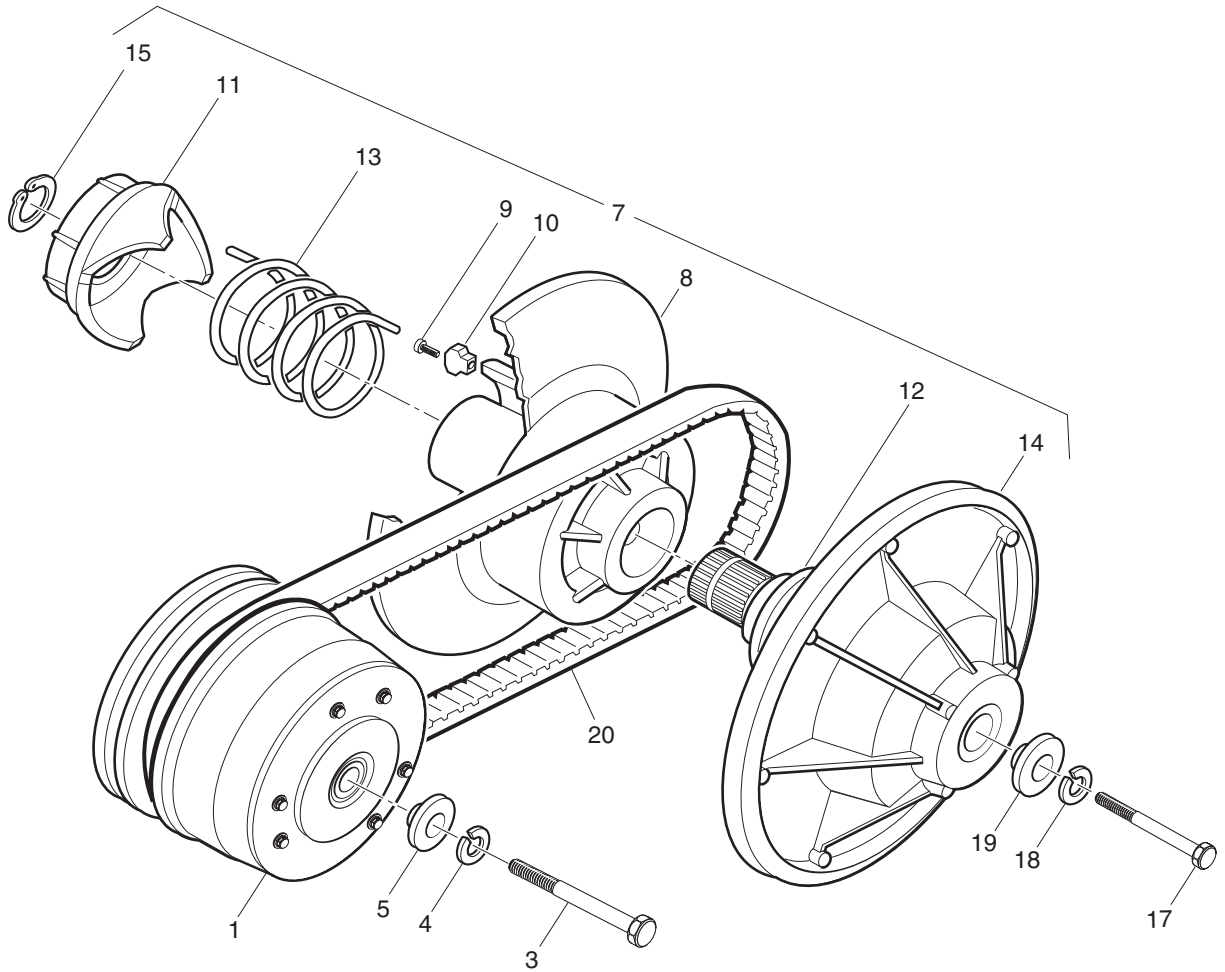
When ordering parts, please specify the model and serial number of the product.

* Indicates a component that is not available as an individual part.

G** Indicates consult Customer Service Department for additional information.

ITEM	PART NO.	1 2 3 4 5	DESCRIPTION	QTY.
31	<u>75970-G01</u>		DECAL (CENTER CONSOLE).....	1
32				
33	16705-G3		SCREW, 1/4 - 20 X 3/4" LG (STAINLESS STEEL).....	4
34	<u>00559-G7</u>		WASHER, 1/4"	4
35	<u>14390-G4</u>		LOCK NUT, 1/4 - 20	4
36				
37				
38	<u>75821-G01</u>		PARKING BRAKE BOOT	1
39				
40				
41	<u>00963-G01</u>		SPHERICAL NUT, 5/16 - 24	1
42	<u>00544-G4</u>		JAM NUT, 5/16 - 24.....	1
43				
44				
45	75595-G01		PARKING BRAKE CABLE (DRIVER SIDE).....	1
46	<u>75595-G02</u>		PARKING BRAKE CABLE (PASSENGER SIDE)	1
47	<u>01111-G01</u>		RETAINING RING, 13/32" (STAINLESS STEEL)	4
48	<u>14443-G2</u>		CLEVIS PIN, 5/16" X 13/16" LG.....	2
49	<u>10387-G3</u>		COTTER PIN, 3/32" X 3/4" LG.....	2
50				
51				
52	<u>75499-G01</u>		EQUALIZER	1
53	<u>14443-G3</u>		CLEVIS PIN, 5/16" X 13/16" LG.....	2
54	<u>10387-G3</u>		COTTER PIN, 3/32" X 3/4" LG.....	2

CLUTCH



CLUTCH

THE USE OF NON U.L. PARTS WILL VOID ANY U.L. LISTING.

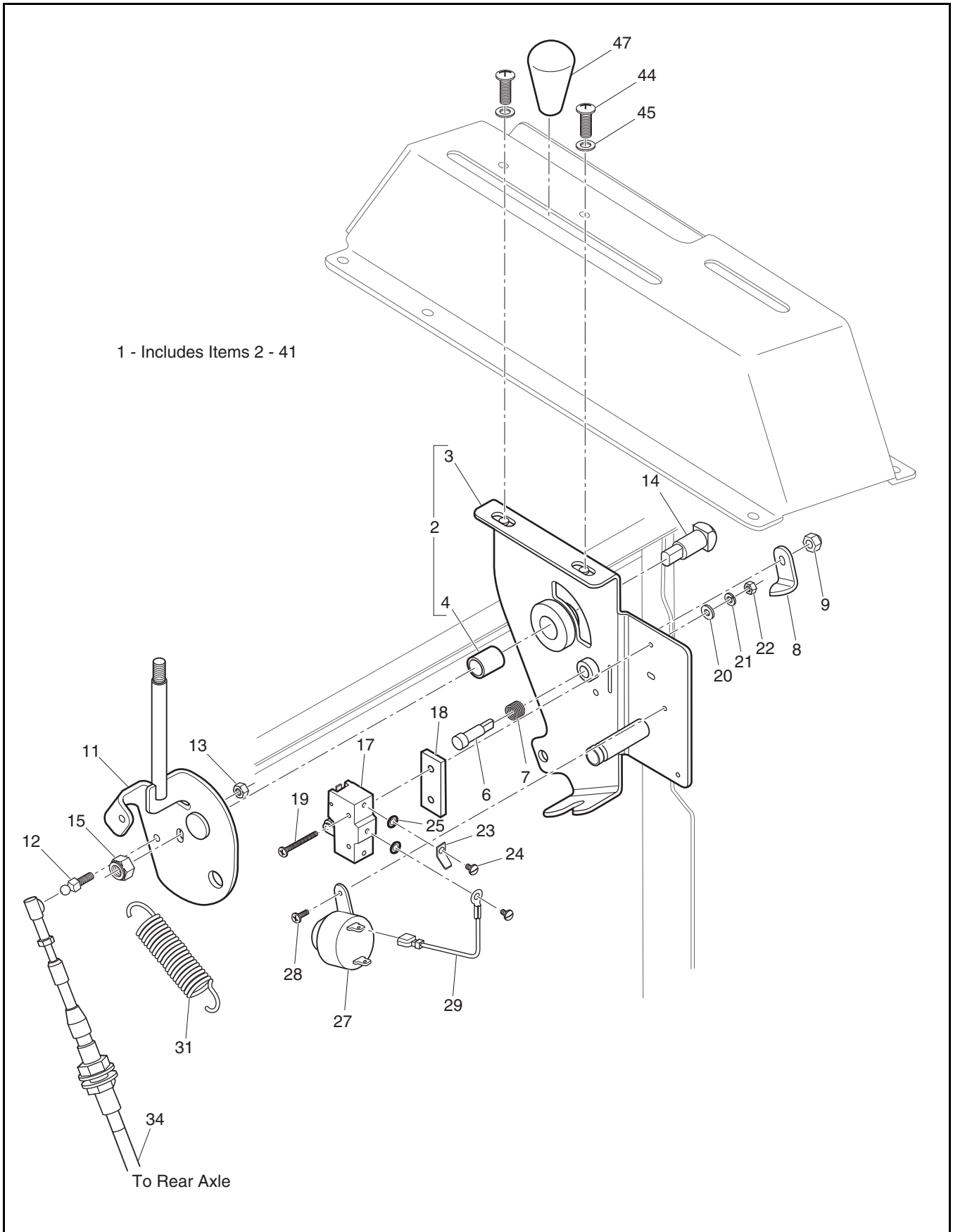
When ordering parts, please specify the model and serial number of the product.

* Indicates a component that is not available as an individual part.

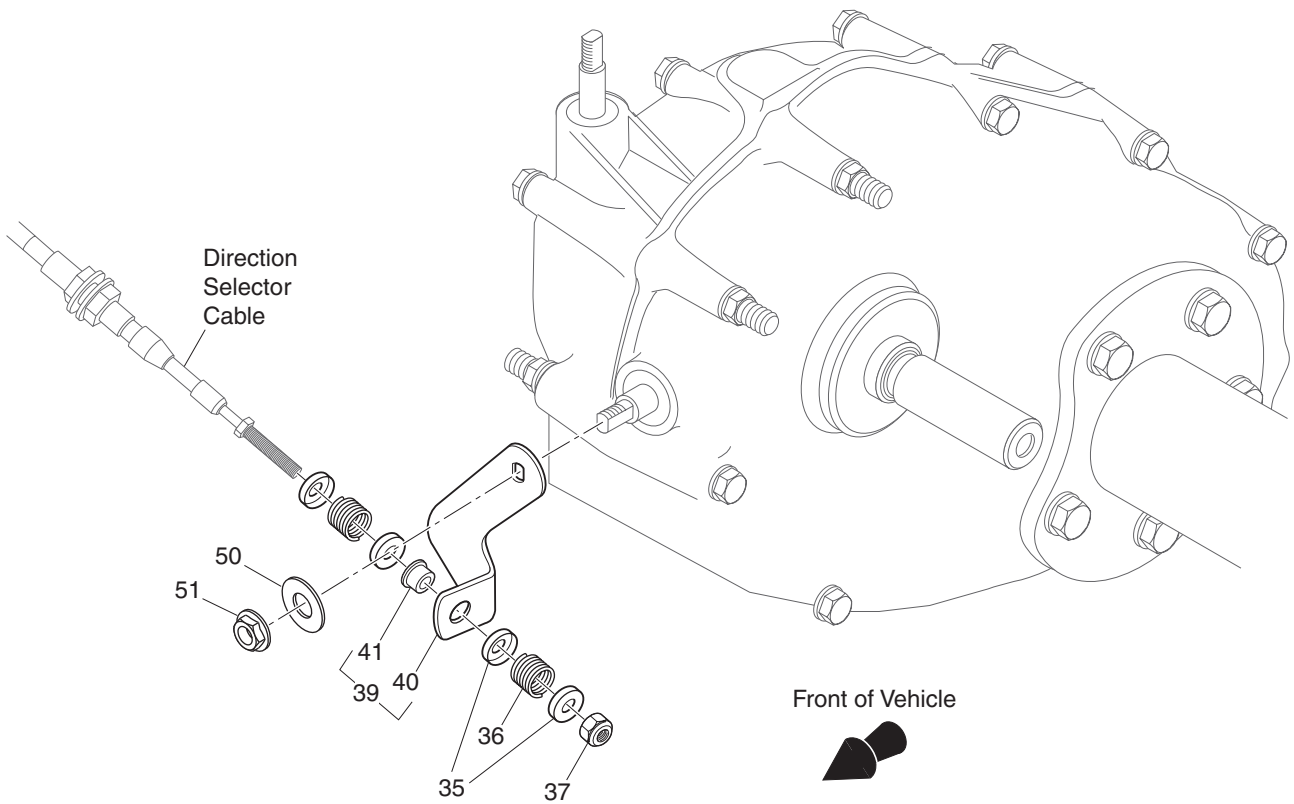
G** Indicates consult Customer Service Department for additional information.

ITEM	PART NO.	1 2 3 4 5	DESCRIPTION	QTY.
1	<u>26952-G03</u>		DRIVE CLUTCH	1
2				
3	<u>00473-G9</u>		BOLT, 7/16 - 20 X 6 1/2" LG	1
4	<u>00566-G2</u>		LOCK WASHER, 7/16".....	1
5	<u>25757-G1</u>		PILOT WASHER	1
6				
7	<u>26301-G02</u>		DRIVEN CLUTCH ASSEMBLY (INCLUDES ITEMS 8 - 15).....	1
8	*		MOVABLE SHEAVE (INCLUDES ITEMS 9 -10)	1
9	<u>00979-G01</u>		SCREW, #10 - 24 X 7/8" LG	3
10	<u>26479-G01</u>		RAMP BUTTON	3
11	*		CAM.....	1
12	<u>24600-G1</u>		SPACER, 1 1/2"	1
13	<u>26304-G01</u>		COMPRESSION SPRING	1
14	*		SHEAVE AND POST	1
15	<u>27270-G01</u>		HEAVY DUTY RETAINING RING	1
16				
17	<u>00441-G8</u>		BOLT, 5/16 - 18 X 4" LG	1
18	<u>00565-G8</u>		LOCK WASHER, 5/16".....	4
19	<u>25756-G1</u>		RETAINING WASHER	1
20	<u>75691-G01</u>		DRIVE BELT	1

DIRECTION SELECTOR



DIRECTION SELECTOR



DIRECTION SELECTOR

THE USE OF NON U.L. PARTS WILL VOID ANY U.L. LISTING.

When ordering parts, please specify the model and serial number of the product.

* Indicates a component that is not available as an individual part.

G** Indicates consult Customer Service Department for additional information.

ITEM	PART NO.	1 2 3 4 5	DESCRIPTION	QTY.
1	<u>75939-G01</u>		DIRECTION SELECTOR ASSEMBLY (INCLUDES ITEMS 2 - 41)	
2	<u>28767-G01</u>		SHIFTER BRACKET ASSEMBLY (INCLUDES ITEM 3 AND 4)	1
3	<u>75973-G01</u>		SHIFTER BRACKET	1
4	<u>25664-G2</u>		BUSHING, 1/2" X 3/4"	1
5				
6	<u>72724-G01</u>		NEUTRAL LOCK PIN	1
7	<u>72733-G01</u>		COMPRESSION SPRING	1
8	<u>72729-G01</u>		NEUTRAL LOCK LEVER.....	1
9	<u>00734-G2</u>		LOCK NUT, 1/4 - 28.....	1
10				
11	<u>75936-G01</u>		DIRECTION SELECTOR CAM / HANDLE	1
12	<u>72732-G01</u>		BALL STUD, 1/4"	1
13	<u>00734-G5</u>		LOCK NUT, #10 - 32.....	1
14	<u>75937-G01</u>		PIVOT SHAFT	1
15	<u>14390-G01</u>		LOCK NUT, 3/8 - 24.....	1
16				
17	<u>10606-G1</u>		MICRO SWITCH.....	1
18	<u>27151-G01</u>		SPACER	1
19	<u>00645-G02</u>		SCREW, #6 - 32 X 1 1/4" LG.....	2
20	<u>00559-G3</u>		WASHER, #6	2
21	<u>00565-G3</u>		LOCK WASHER, #6	2
22	<u>00525-G5</u>		NUT, #6 - 32	2
23	<u>14628-G1</u>		FASTON TAB, 5/16" X 5/16"	1
24	<u>13514-G1</u>		SCREW.....	2
25	<u>00567-G3</u>		LOCK WASHER, #6	2
26				
27	<u>73290-G03</u>		BUZZER.....	1
28	<u>01063-G01</u>		SCREW, SELF TAPPING, #6 - 32 X 3/8"	2
29	<u>25978-G234</u>		18 GA WIRE (RED 6")	1
30				

DIRECTION SELECTOR

THE USE OF NON U.L. PARTS WILL VOID ANY U.L. LISTING.

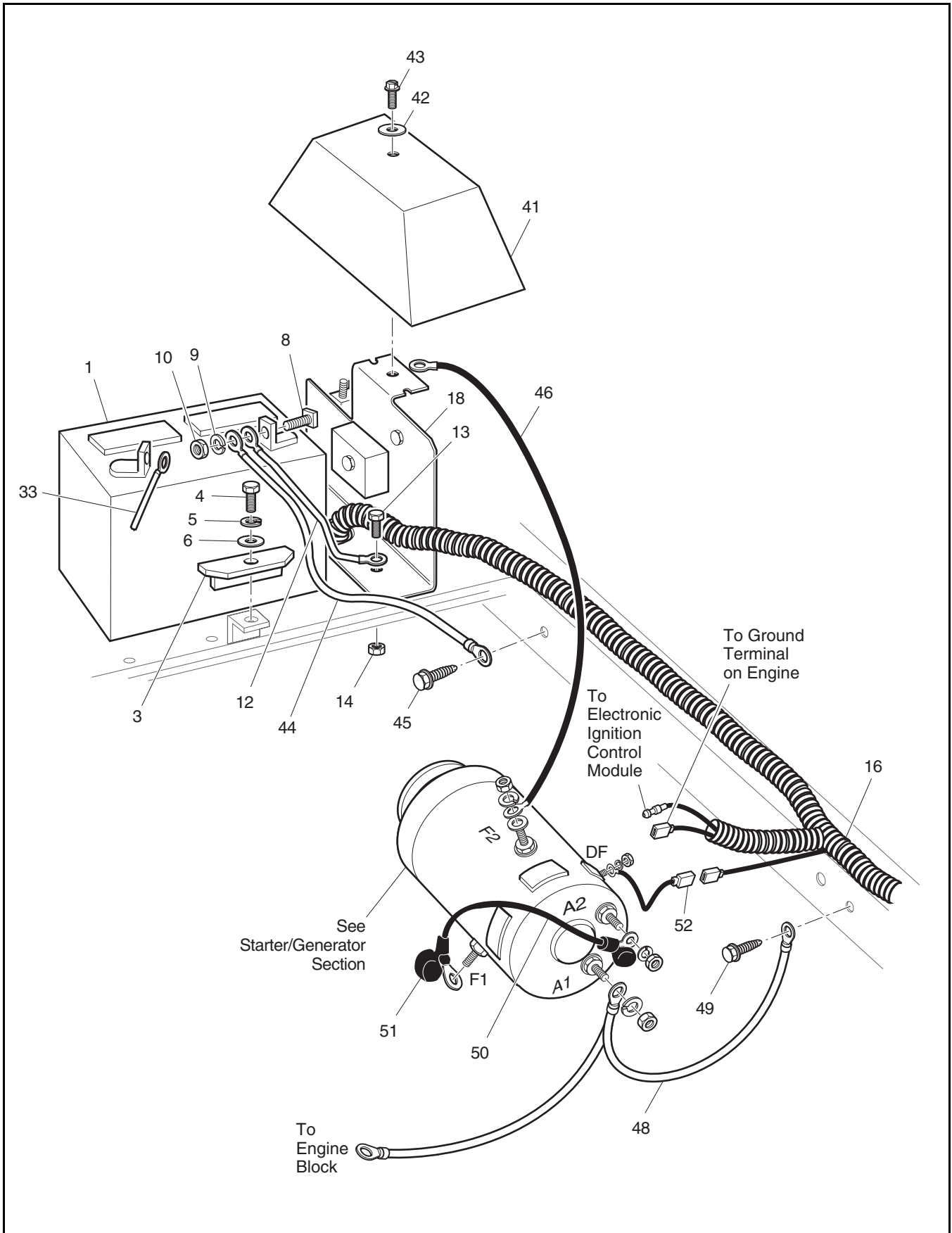
When ordering parts, please specify the model and serial number of the product.

* Indicates a component that is not available as an individual part.

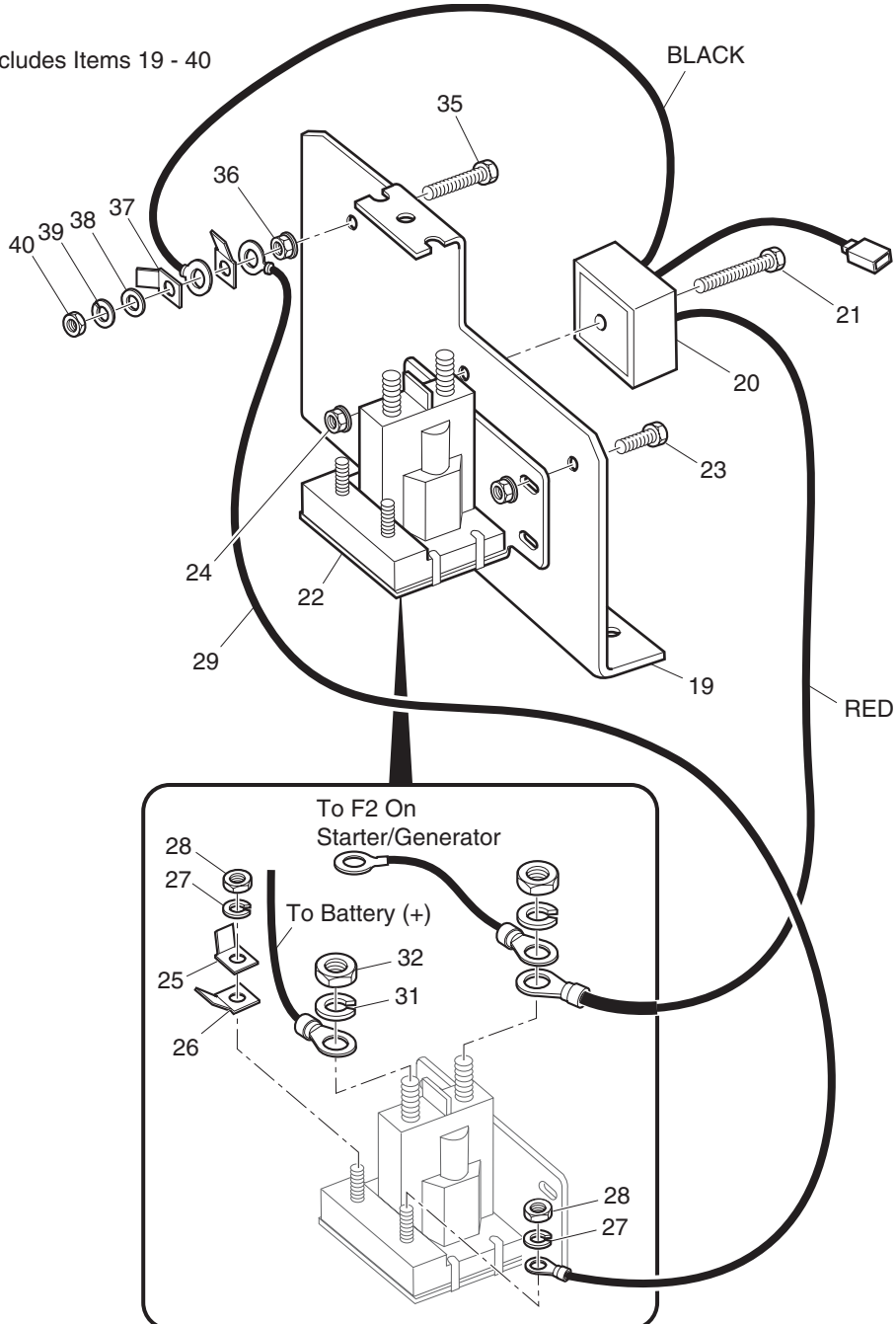
G** Indicates consult Customer Service Department for additional information.

ITEM	PART NO.	1	2	3	4	5	DESCRIPTION	QTY.
31	<u>28574-G01</u>						EXTENSION SPRING	1
32								
33								
34	<u>72734-G04</u>						DIRECTION SELECTOR CABLE	1
35	<u>25727-G01</u>						CUP WASHER, 1/4"	4
36	<u>72735-G01</u>						COMPRESSION SPRING	2
37	<u>00734-G5</u>						LOCK NUT, #10 - 32.....	1
38								
39	<u>28768-G01</u>						SHIFTER ARM ASSEMBLY (INCLUDES ITEMS 40 AND 41)	1
40	<u>75940-G01</u>						SHIFTER ARM	1
41	<u>22754-G4</u>						BUSHING	1
42								
43								
44	<u>16705-G2</u>						SCREW, 1/4 - 20 X 5/8" LG (STAINLESS STEEL)	2
45	<u>00664-G7</u>						LOCK WASHER, 1/4" (STAINLESS STEEL)	2
46								
47	<u>11989-G1</u>						DIRECTION SELECTOR KNOB	1
48								
49								
50	00559-G8						WASHER, 5/16"	1
51	26830-G01						LOCK NUT, M8 X 1.25 MM LG	1

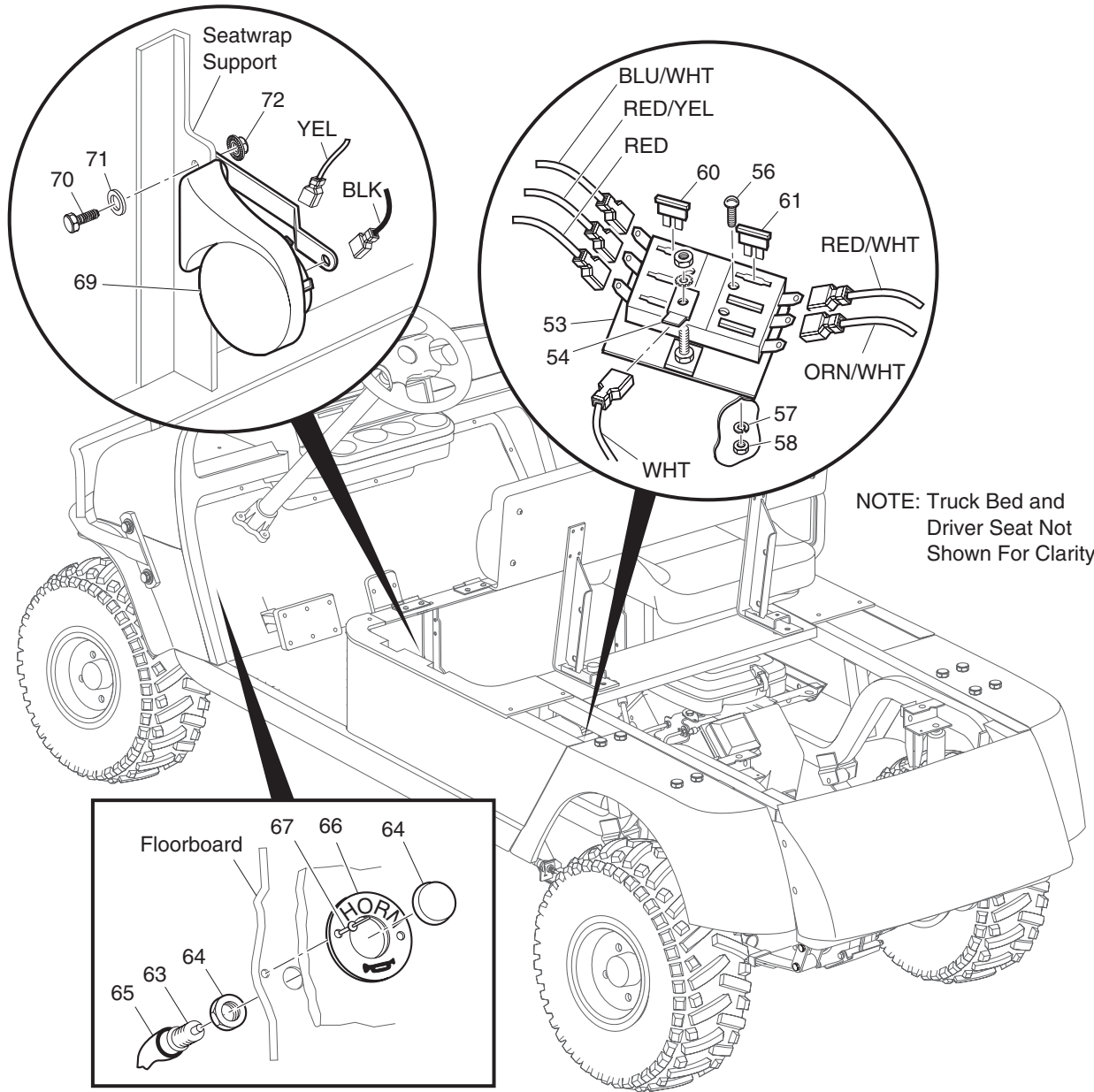
ELECTRICAL SYSTEM



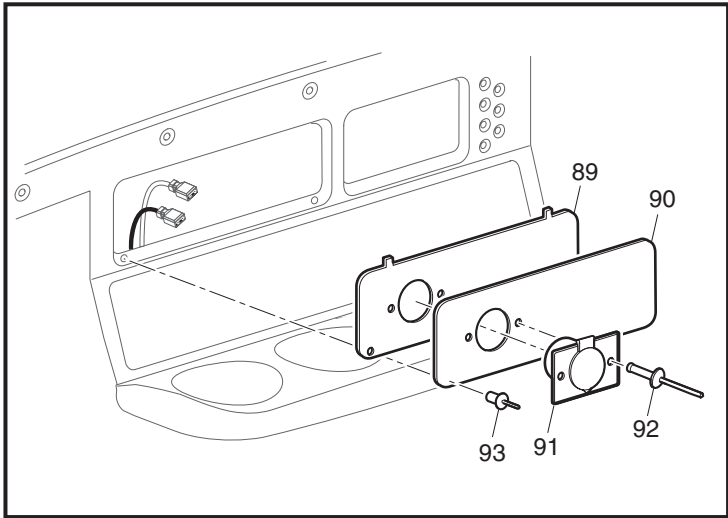
18 - Includes Items 19 - 40



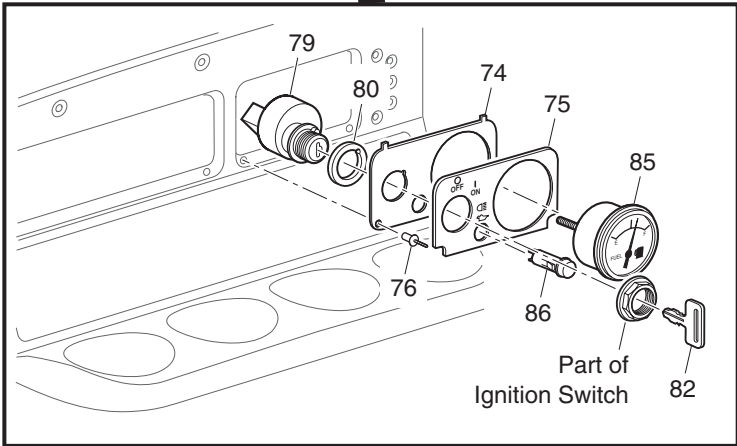
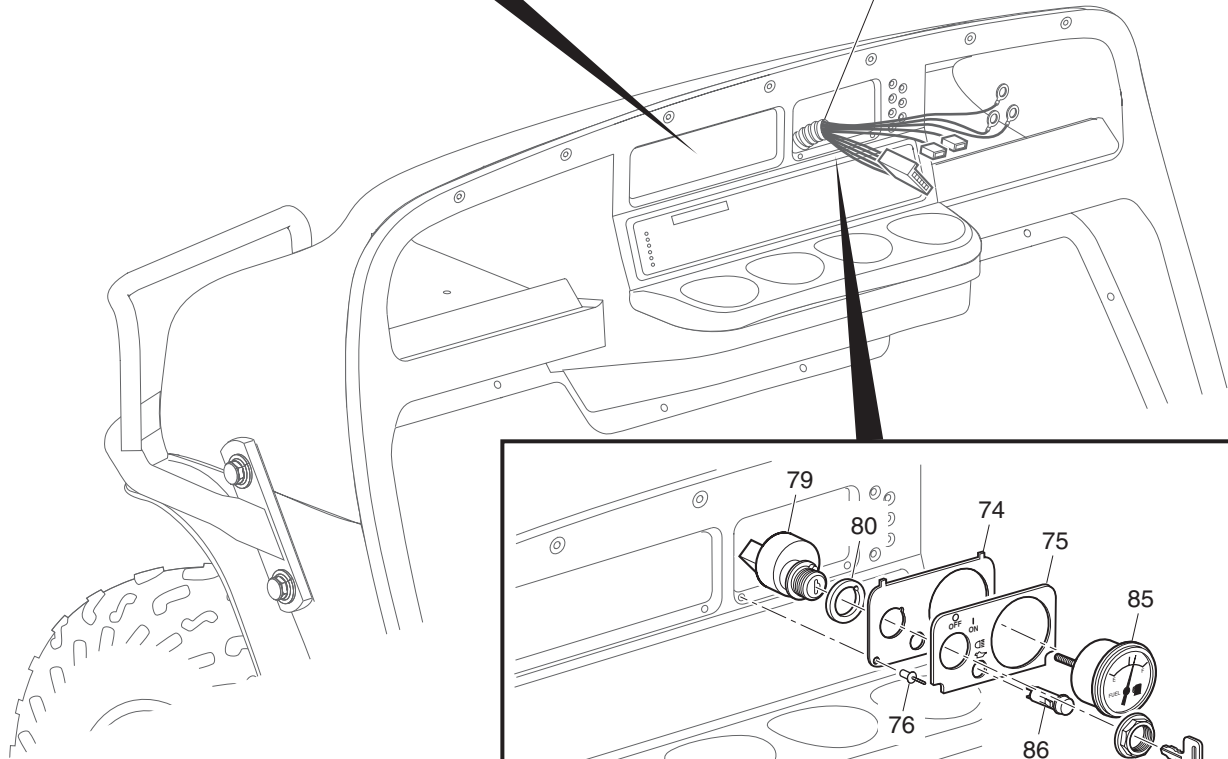
ELECTRICAL SYSTEM



Ref Ele 10-3

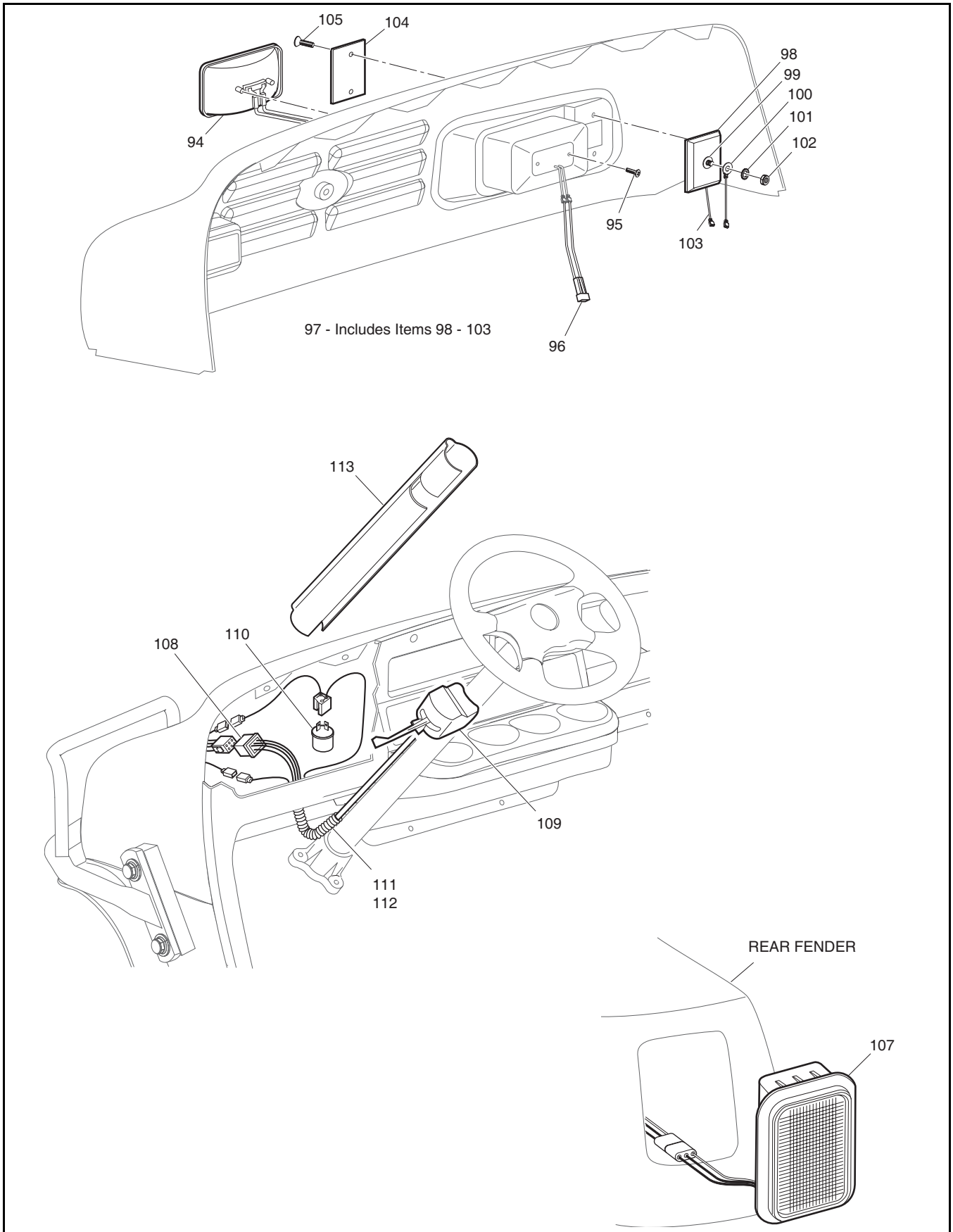


Wire Harness
(Chassis)

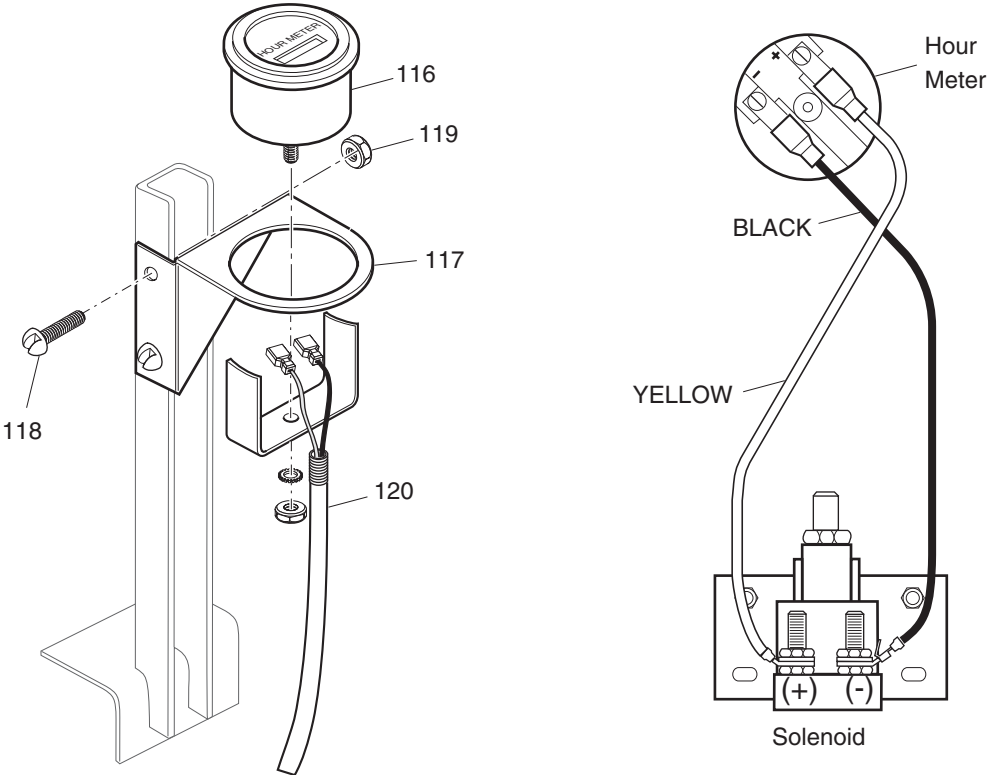


Part of
Ignition Switch

ELECTRICAL SYSTEM



115 - Includes Items 116 - 120



ELECTRICAL SYSTEM

THE USE OF NON U.L. PARTS WILL VOID ANY U.L. LISTING.

When ordering parts, please specify the model and serial number of the product.

* Indicates a component that is not available as an individual part.

G** Indicates consult Customer Service Department for additional information.

ITEM	PART NO.	1 2 3 4 5	DESCRIPTION	QTY.
1	24775-G*		BATTERY, 12V	1
2				
3	<u>72101-G02</u>		BATTERY HOLD DOWN.....	1
4	00438-G6		BOLT, 5/16 - 18 X 3/4" LG	1
5	<u>00565-G8</u>		LOCK WASHER, 5/16"	1
6	<u>00571-G2</u>		WASHER, 5/16"	1
7				
8	<u>00962-G1</u>		BOLT, 5/16 - 18 X 1 1/4" LG	2
9	<u>00993-G01</u>		LOCK WASHER, 5/16" (SILICON BRONZE)	2
10	<u>00994-G01</u>		NUT, 5/16 - 18 (SILICON BRONZE)	2
11				
12	<u>28519-G01</u>		BATTERY GROUND CABLE	1
13	00438-G6		BOLT, 5/16 - 18 X 3/4" LG	2
14	<u>11027-G1</u>		LOCK NUT, 5/16 - 18	2
15				
16	<u>75899-G01</u>		WIRE HARNESS (CHASSIS)	1
17				
18	<u>75638-G01</u>		ELECTRICAL PLATE ASSEMBLY (INCLUDES ITEMS 19 - 40)	1
19	<u>73057-G01</u>		BRACKET	1
20	<u>27739-G01</u>		VOLTAGE REGULATOR	1
21	<u>00415-G2</u>		BOLT, 1/4 - 20 X 1 1/4" LG.....	1
22	<u>27153-G01</u>		SOLENOID	1
23	<u>00414-G5</u>		BOLT, 1/4 - 20 X 5/8" LG.....	1
24	<u>11027-G2</u>		LOCK NUT, 1/4 - 20.....	2
25	<u>73446-G01</u>		FASTON TAB, 90°	1
26	<u>12914-G1</u>		FASTON TAB.....	1
27	<u>00565-G5</u>		LOCK WASHER, #10	2
28	<u>00526-G4</u>		NUT, #10 - 32.....	2
29	<u>25978-G56</u>		18 GA WIRE (BLACK 5 3/4") (SOL - GND)	1
30				

ELECTRICAL SYSTEM

THE USE OF NON U.L. PARTS WILL VOID ANY U.L. LISTING.
 When ordering parts, please specify the model and serial number of the product.
 * Indicates a component that is not available as an individual part.
 G** Indicates consult Customer Service Department for additional information.

ITEM	PART NO.	1	2	3	4	5	DESCRIPTION	QTY.
31	<u>00565-G8</u>						LOCK WASHER, 5/16"	2
32	<u>00544-G4</u>						NUT, 5/16 - 24.....	2
33	<u>25972-G33</u>						6 GA WIRE (BLACK 24") (B+ - SOL).....	1
34								
35	<u>00414-G8</u>						BOLT, 1/4 - 20 X 1" LG.....	1
36	<u>11027-G2</u>						LOCK NUT, 1/4 - 20.....	1
37	<u>12914-G2</u>						FASTON TAB.....	2
38	<u>00650-G7</u>						WASHER, 1/4"	1
39	<u>00664-G7</u>						LOCK WASHER, 1/4"	1
40	<u>00532-G1</u>						NUT, 1/4 - 20.....	1
41	<u>73049-G01</u>						COVER.....	1
42	<u>16469-G1</u>						WASHER, 1/4"	1
43	<u>00114-G6</u>						SCREW, 1/4 - 14 X 3/4" LG.....	1
44	<u>11894-G1</u>						6 GA WIRE (BLACK 15") (B- - GND)	1
45	<u>00715-G2</u>						BOLT, 5/16 - 18 X 3/4" LG	1
46	<u>25972-G129</u>						6 GA WIRE (BLACK 31") (F2 - SOL)	1
47	<u>17618-G1</u>						WIRE TIE	AR
48	<u>28520-G02</u>						GROUND CABLE.....	1
49	<u>00965-G01</u>						SCREW, 1/4 - 20 X 3/4" LG.....	1
50	<u>25887-G01</u>						6 GA WIRE (BLACK 6") (F1 - A2)	1
51	<u>25682-G01</u>						TERMINAL COVER	3
52	<u>25977-G90</u>						16 GA WIRE (GREEN 12") (DF - CHASSIS HARNESS).....	1
53	<u>35211-G01</u>						FUSE BLOCK.....	1
54	<u>12914-G1</u>						FASTON TAB	1
55								
56	<u>00379-G2</u>						SCREW, #10 - 24 X 1 1/4" LG.....	2
57	<u>00559-G5</u>						WASHER, #10.....	2
58	<u>14390-G10</u>						LOCK NUT, #10 - 24	2
59								
60	<u>35212-G01</u>						FUSE, 15 AMP	4

ELECTRICAL SYSTEM

THE USE OF NON U.L. PARTS WILL VOID ANY U.L. LISTING.

When ordering parts, please specify the model and serial number of the product.

* Indicates a component that is not available as an individual part.

G** Indicates consult Customer Service Department for additional information.

ITEM	PART NO.	1 2 3 4 5	DESCRIPTION	QTY.
61	<u>35212-G05</u>		FUSE, 7.5 AMP	1
62				
63	<u>17318-G1</u>		HORN SWITCH.....	1
64	<u>17318-G2</u>		HORN SWITCH CAP AND NUT	1
65	<u>27068-G01</u>		HORN SWITCH BOOT	1
66	19233-G1		HORN SWITCH LABEL	1
67	<u>71055-G01</u>		RIVET, 3/16" X 1" LG (ALUMINUM)	2
68				
69	<u>32860-G1</u>		HORN.....	1
70	<u>00414-G5</u>		BOLT, 1/4 - 20 X 5/8" LG	1
71	00559-G8		WASHER, 5/16"	1
72	<u>00891-G2</u>		LOCK NUT, 1/4 - 20	1
73				
74	<u>73030-G07</u>		PLATE (FUEL GAUGE AND OIL LIGHT).....	1
75	<u>75808-G01</u>		LABEL (FUEL GAUGE AND LOW OIL WITH LIGHTS).....	1
76	33623-G02		RIVET, 3/16" X 3/8" LG	2
77				
78				
79	<u>75809-G01</u>		IGNITION SWITCH AND KEY (INDIVIDUALLY KEYED).....	1
80	<u>75811-G01</u>		IGNITION SWITCH SPACER.....	1
81				
82	75818-G**		IGNITION KEY (ORDER BY 4 DIGIT NUMBER ON KEY)	1
83				
84				
85	<u>21553-G1</u>		FUEL GAUGE	1
86	<u>23474-G1</u>		INDICATOR LIGHT	1
87				
88	74444-G01		POWER OUTLET PLATE (INCLUDES ITEMS 89 - 92).....	1
89	<u>71077-G03</u>		CONSOLE PLATE	1
90	<u>35966-G01</u>		LABEL, CONSOLE	1

ELECTRICAL SYSTEM

THE USE OF NON U.L. PARTS WILL VOID ANY U.L. LISTING.

When ordering parts, please specify the model and serial number of the product.

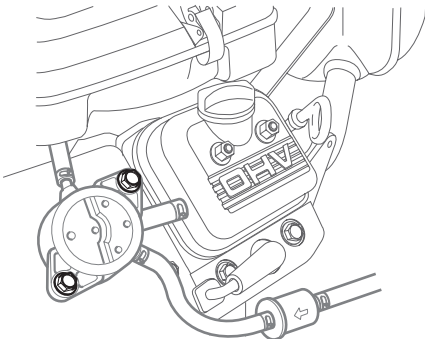
* Indicates a component that is not available as an individual part.

G** Indicates consult Customer Service Department for additional information.

ITEM	PART NO.	1	2	3	4	5	DESCRIPTION	QTY.
91	<u>71078-G01</u>						POWER OUTLET (12 VOLT).....	1
92	<u>14601-G10</u>						RIVET, 3/16" X 7/16" LG (ALUMINUM)	3
93	<u>33623-G02</u>						DRIVE RIVET, 3/16" X 3/8" LG	3
94	<u>22523-G1</u>						HEADLIGHT (RECTANGULAR) (INCLUDES ITEM 95)	2
95	<u>00906-G6</u>						SCREW, #10 - 16 X 1" LG.....	2
96	<u>74337-G01</u>						JUMPER WIRE (HEADLIGHT)	2
97	<u>20570-G3</u>						TURN SIGNAL LIGHT (INCLUDES ITEMS 98 - 103).....	2
98	<u>20574-G3</u>						TURN SIGNAL LIGHT	1
99	<u>00660-G7</u>						WASHER, 1/4" (STAINLESS STEEL).....	1
100	<u>20606-G1</u>						WIRE.....	1
101	<u>00567-G7</u>						LOCK WASHER, 1/4"	1
102	<u>00532-G1</u>						NUT, 1/4 - 20.....	1
103	<u>18995-G1</u>						PUSH-ON MALE TERMINAL	1
104	<u>20574-G5</u>						LENS, AMBER	1
105	<u>00118-G5</u>						SCREW, #6 - 18 X 5/8" LG.....	2
106								
107	<u>32739-G3</u>						TAILLIGHT (WITH SEALED CONNECTORS)	2
108	<u>75711-G01</u>						TAILLIGHT JUMPER PLUG (FOR VEHICLE WITHOUT TURN SIGNAL).....	1
109	<u>17867-G1</u>						TURN SIGNAL (WITH MOUNTING HARDWARE) (INCLUDES ITEM 110)	1
110	<u>21640-G1</u>						TURN SIGNAL FLASHER	1
111	<u>32307-G3</u>						FLEX LOOM, 3/8" X 8" LG	1
112	<u>17618-G1</u>						WIRE TIE	2
113	<u>20965-G3</u>						STEERING COLUMN COVER.....	1
114								
115	<u>75114-G06</u>						HOUR METER KIT (INCLUDES ITEMS 116 - 120)	1
116	<u>21573-G1</u>						HOUR METER ASSEMBLY.....	1
117	<u>74019-G02</u>						HOUR METER BRACKET.....	1
118	<u>00379-G4</u>						SCREW, #10 - 24 X 1/2" LG	2
119	<u>14390-G10</u>						LOCK NUT, #10 - 24.....	2
120	<u>75117-G01</u>						WIRE HARNESS (HOUR METER).....	1

ENGINE

THE USE OF NON U.L. PARTS WILL VOID ANY U.L. LISTING.
 When ordering parts, please specify the model and serial number of the product.
 * Indicates a component that is not available as an individual part.
 G** Indicates consult Customer Service Department for additional information.

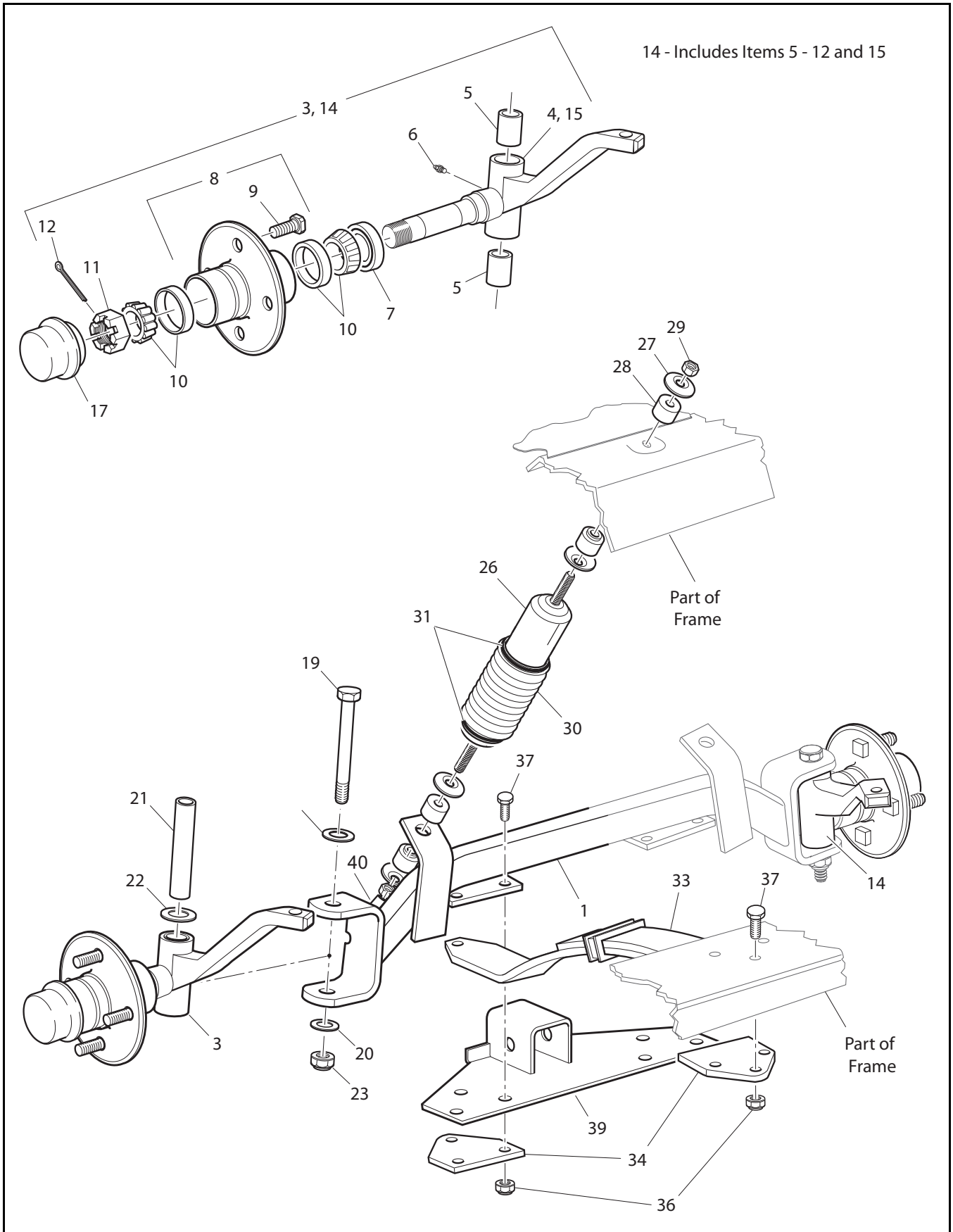
ITEM	PART NO.	1	2	3	4	5	DESCRIPTION	QTY.
1	75843-G01						SUBFRAME	1
2								
3	75643-G01						ENGINE, 480CC (INCLUDES ITEMS 4 - 11).....	1
4	808979						CARBURETOR.....	1
5	491055						SPARK PLUG (RC12YC)	2
6	75814-G01						OIL DRAIN VALVE	1
7	492932						OIL FILTER.....	1
8	75649-G01						45° ELBOW, 1/8 NPT X 1/8 NPT.....	1
9	690233						OIL PRESSURE SWITCH	1
10	691562						MUFFLER.....	1
11	809093						ELECTRONIC IGNITION CONTROL MODULE.....	1
<p>For internal engine replacement parts, see an Authorized Briggs & Stratton® Dealer. To locate the nearest dealer, see the dealer locator map at the web site www.briggsandstratton.com or in the “Yellow Pages™” directory under “Engines, Gasoline”, “Gasoline Engines”, “Lawn Mowers” or similar category.</p> <p>The following information, located on the fan housing, must be provided when requesting information or ordering replacement parts:</p> <p>Model: Type: Code:</p> <div style="text-align: center; margin-top: 20px;">  </div>								

ENGINE

THE USE OF NON U.L. PARTS WILL VOID ANY U.L. LISTING.
 When ordering parts, please specify the model and serial number of the product.
 * Indicates a component that is not available as an individual part.
 G** Indicates consult Customer Service Department for additional information.

ITEM	PART NO.	1 2 3 4 5	DESCRIPTION	QTY.
12				
13				
14	00439-G8		BOLT, 5/16 - 18 X 2" LG	4
15	00559-G8		WASHER, 5/16"	8
16	11098-G6		LOCK NUT, 5/16 - 18	4
17				
18				
19	<u>75569-G01</u>		FRONT ENGINE MOUNTING BRACKET	1
20	<u>00429-G4</u>		BOLT, 3/8 - 16 X 3 1/2" LG	2
21	<u>00560-G1</u>		WASHER, 3/8"	2
22	<u>75714-G01</u>		PLATE WASHER	1
23	<u>11098-G5</u>		LOCK NUT, 3/8 - 16	2
24	<u>75568-G01</u>		ISOLATOR	1
25				
26	<u>75745-G01</u>		EXHAUST PIPE (INCLUDES ITEMS 27 - 29)	1
27	*		CLAMP	1
28	*		SPARK ARRESTOR	1
29	<u>01022-G01</u>		SCREW, #6 - 20 X 5/16" LG	1
30				
31				
32	75882-G01		ENGINE, 480CC (HIGH ALTITUDE 5,000 - 7,500 FT) (INCL ITEMS 3, 33)	1
33	<u>75859-G01</u>		CARBURETOR HIGH ALTITUDE KIT (INCLUDES ITEMS 34, 35)	1
34	<u>75865-G01</u>		MAIN JET #86	1
35	<u>75861-G01</u>		LABEL (HIGH ALTITUDE - 5,000 - 7,500 FT)	1
36				
37	75882-G02		ENGINE, 480CC (HIGH ALTITUDE 7,500 - 10,000 FT) (INCL ITEMS 3, 38)	1
38	<u>75859-G02</u>		CARBURETOR HIGH ALTITUDE KIT (INCLUDES ITEMS 39, 40)	1
39	<u>75865-G02</u>		MAIN JET #84	1
40	<u>75863-G01</u>		LABEL (HIGH ALTITUDE - 7,500 - 10,000 FT)	1

FRONT SUSPENSION



FRONT SUSPENSION

Where applicable, THE USE OF NON UL PARTS WILL VOID ANY UL LISTING.

When ordering parts, please specify the model and serial number of the product.

* Indicates a component that is not available as an individual part.

G** Indicates consult Customer Service Department for additional information.

ITEM	PART NO.	1 2 3 4 5	DESCRIPTION	QTY.
1	<u>70515-G01</u>		FRONT AXLE	1
2				
3	<u>70535-G03</u>		SPINDLE ASSEMBLY (DRIVER SIDE) (INCLUDES ITEMS 4 - 12).....	1
4	*		SPINDLE (DRIVER SIDE)	1
5	<u>16623-G1</u>		BEARING	2
6	<u>10389-G3</u>		GREASE FITTING, STRAIGHT	1
7	<u>25146-G1</u>		GREASE SEAL	1
8	<u>35886-G01</u>		WHEEL HUB ASSEMBLY WITH RACES (INCLUDES ITEMS 9)	1
9	<u>19862-G1</u>		LUG BOLT, 1/2 - 20 X 1 3/16" LG	4
10	<u>11750-G2</u>		BEARING AND RACE ASSEMBLY (COMPLETE)	2
11	12093-G1		SLOTTED NUT, 1 - 14	1
12	<u>00798-G8</u>		COTTER PIN, 5/32" X 1 3/4" LG	1
13				
14	70534-G03		SPINDLE ASSEMBLY (PASSENGER SIDE) (INCL ITEMS 5 - 12, 15)	1
15	*		SPINDLE (PASSENGER SIDE).....	1
16				
17	<u>12091-G2</u>		SPINDLE CAP	2
18				
19	<u>01040-G01</u>		BOLT, 1/2 - 13 X 5" LG	2
20	<u>00571-G5</u>		WASHER, 1/2"	4
21	<u>70328-G01</u>		KING PIN TUBE	2
22	<u>16982-G1</u>		THRUST WASHER, 7/8"	2
23	<u>14390-G6</u>		LOCK NUT, 1/2 - 13	2
24				
25				
26	<u>70630-G01</u>		SHOCK ABSORBER.....	2
27	<u>10435-G1</u>		SHOCK ABSORBER WASHER.....	8
28	<u>10194-G1</u>		RUBBER BUSHING	8
29	<u>00532-G6</u>		NUT, 3/8 - 24	4
30	<u>70509-G01</u>		SHOCK ABSORBER BOOT	2

FRONT SUSPENSION

Where applicable, THE USE OF NON UL PARTS WILL VOID ANY UL LISTING.

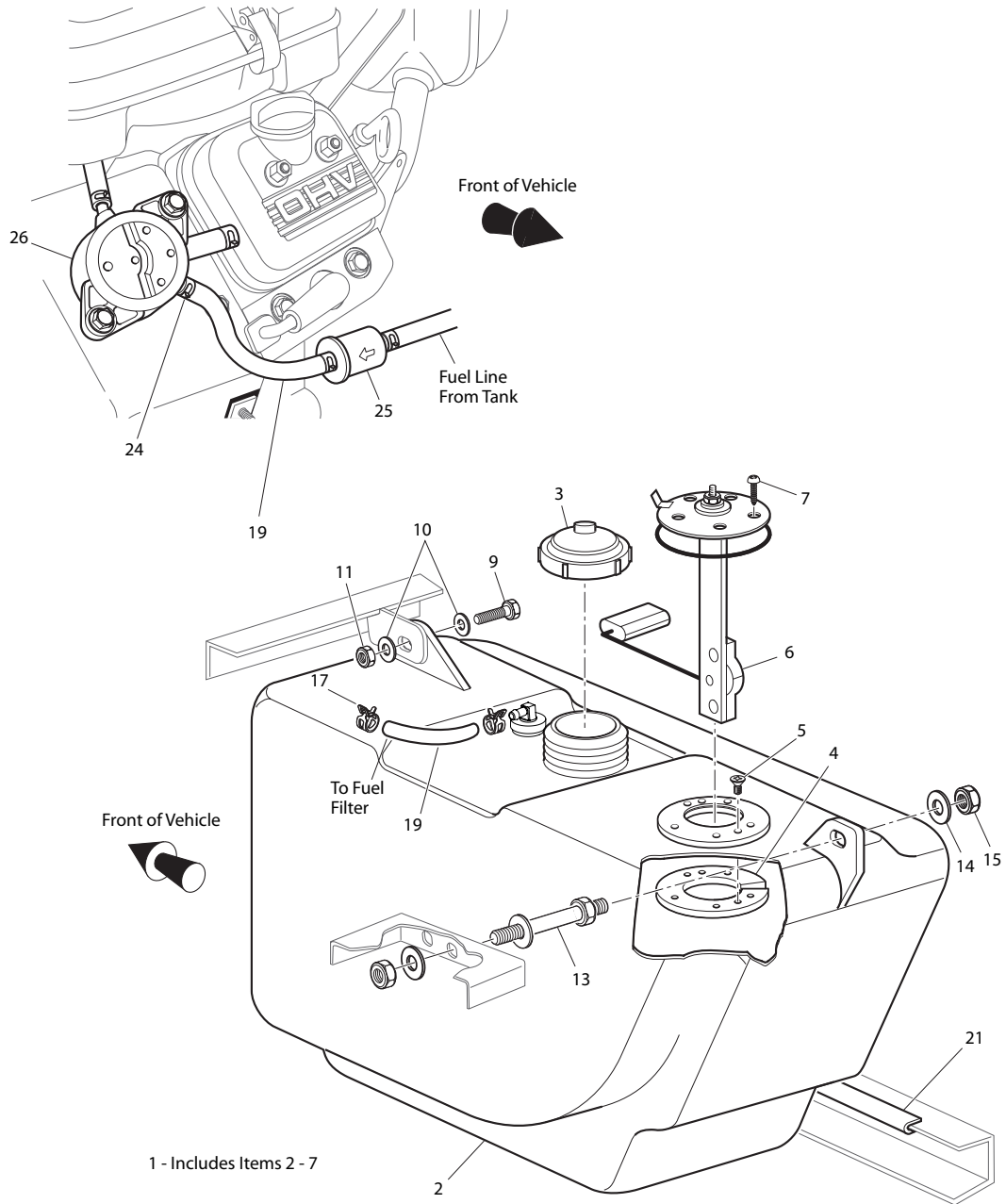
When ordering parts, please specify the model and serial number of the product.

* Indicates a component that is not available as an individual part.

G** Indicates consult Customer Service Department for additional information.

ITEM	PART NO.	1 2 3 4 5	DESCRIPTION	QTY.
31	<u>31539-G1</u>		WIRE TIE	4
32				
33	<u>70422-G01</u>		LEAF SPRING (HEAVY DUTY).....	2
34	<u>70163-G03</u>		SPRING PLATE	4
35				
36	<u>00734-G1</u>		LOCK NUT, 7/16 - 14	12
37	<u>00463-G11</u>		BOLT, 7/16 - 14 X 1 3/4" LG	12
38				
39	<u>74255-G01</u>		WINCH RECEIVER.....	1
40	<u>10044-G01</u>		VINYL CAP	2

FUEL SYSTEM



FUEL SYSTEM

THE USE OF NON U.L. PARTS WILL VOID ANY U.L. LISTING.
 When ordering parts, please specify the model and serial number of the product.
 * Indicates a component that is not available as an individual part.
 G** Indicates consult Customer Service Department for additional information.

ITEM	PART NO.	1 2 3 4 5	DESCRIPTION	QTY.
1	<u>605704</u>		FUEL TANK ASSEMBLY (INCLUDES ITEMS 2 - 7).....	1
2	605523		FUEL TANK	1
3	<u>72282-G01</u>		FUEL TANK CAP	1
4	<u>72229-G01</u>		FUEL LEVEL SENDER ADAPTER.....	1
5	<u>72230-G01</u>		SCREW, #6 - 32 X 1/2" LG	2
6	<u>20048-G2</u>		FUEL LEVEL SENDER.....	1
7	<u>72232-G01</u>		SCREW, #10 - 32 X 3/4"	5
8				
9	<u>00438-G8</u>		BOLT, 5/16 - 18 X 1" LG	1
10	00559-G8		WASHER, 5/16"	2
11	11098-G6		LOCK NUT, 5/16 - 18	1
12				
13	<u>70483-G01</u>		SPACER	1
14	00559-G8		WASHER, 5/16"	2
15	11098-G6		LOCK NUT, 5/16 - 18	2
16				
17	<u>18292-G1</u>		CLAMP	2
18				
19	<u>27183-G01</u>		TUBING, 1/4" I.D. X 1/2" O.D. (BULK, 1 FT. INCREMENTS).....	AR
20				
21	<u>22280-G1</u>		VINYL TRIM, (BULK)	AR
22				
23				
24	<u>18292-G1</u>		CLAMP	6
25	493629		FUEL FILTER	1
26	<u>808656</u>		FUEL PUMP	1

FUEL SYSTEM - CALIFORNIA REQUIREMENT

THE USE OF NON U.L. PARTS WILL VOID ANY U.L. LISTING.

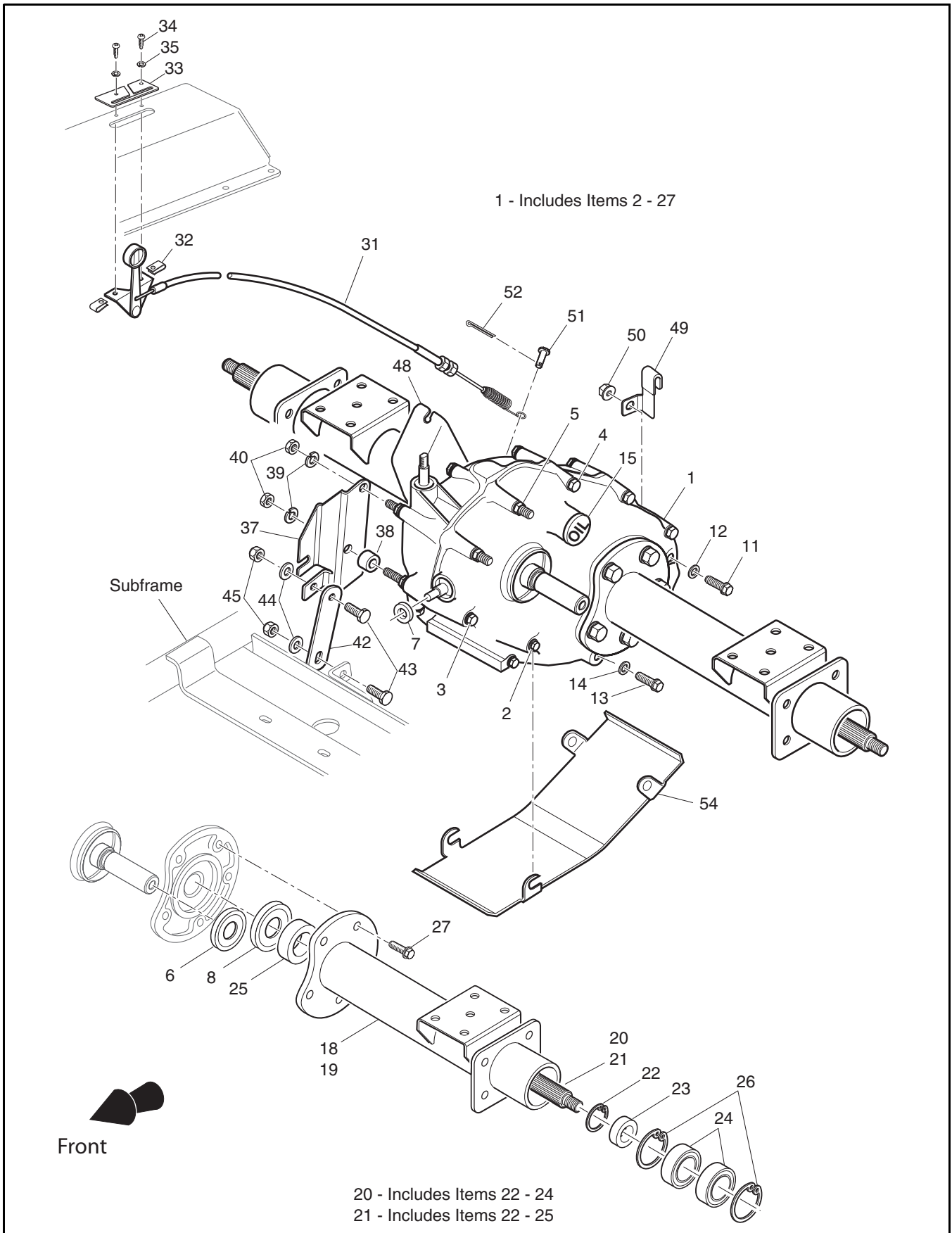
When ordering parts, please specify the model and serial number of the product.

* Indicates a component that is not available as an individual part.

G** Indicates consult Customer Service Department for additional information.

ITEM	PART NO.	1	2	3	4	5	DESCRIPTION	QTY.
1	<u>605704</u>						FUEL TANK ASSEMBLY (INCLUDES ITEMS 2 - 7)	1
2	605523						FUEL TANK	1
3	<u>72282-G01</u>						FUEL TANK CAP	1
4	<u>72229-G01</u>						FUEL LEVEL SENDER ADAPTER.....	1
5	<u>72230-G01</u>						SCREW, #6 - 32 X 1/2" LG	2
6	<u>20048-G2</u>						FUEL LEVEL SENDER.....	1
7	<u>72232-G01</u>						SCREW, #10 - 32 X 3/4"	5
8	<u>00438-G8</u>						BOLT, 5/16 - 18 X 1" LG	1
9	00559-G8						WASHER, 5/16"	2
10	11098-G6						LOCK NUT, 5/16 - 18	1
11	<u>70483-G01</u>						SPACER.....	1
12	00559-G8						WASHER, 5/16"	2
13	11098-G6						LOCK NUT, 5/16 - 18	2
14	<u>18292-G1</u>						CLAMP	2
15	<u>604597</u>						FUEL HOSE CARB	26"
16	<u>32372-G6</u>						VINYL TRIM, (BULK)	AR
17	<u>17618-G1</u>						NYLON CLAMP	1
18	<u>604589</u>						LABEL EVP CARB	1
19	<u>691035</u>						FUEL FILTER	1
20	<u>808656</u>						FUEL PUMP	1

REAR AXLE



REAR AXLE

THE USE OF NON U.L. PARTS WILL VOID ANY U.L. LISTING.

When ordering parts, please specify the model and serial number of the product.

* Indicates a component that is not available as an individual part.

G** Indicates consult Customer Service Department for additional information.

ITEM	PART NO.	1 2 3 4 5	DESCRIPTION	QTY.
1	<u>75945-G01</u>		REAR AXLE (INCLUDES ITEMS 2 - 27)	1
2	<u>26823-G01</u>		FLANGED BOLT, M8 X 1.25 X 100 MM LG.....	5
3	<u>26824-G01</u>		FLANGED BOLT, M8 X 1.25 X 110 MM LG	3
4	<u>72052-G01</u>		FLANGED BOLT, M8 X 1.25 X 130 MM LG.....	1
5	<u>28724-G01</u>		FLANGED NUT, M8 X 1.25.....	9
6	<u>26761-G01</u>		INPUT SHAFT SEAL	1
7	<u>26762-G01</u>		SHIFTER SHAFT SEAL.....	1
8	<u>28720-G01</u>		AXLE SHAFT SEAL.....	2
9				
10				
11	<u>26768-G01</u>		OIL CHECK PLUG.....	1
12	<u>26769-G01</u>		GASKET, 8 MM.....	1
13	<u>26770-G01</u>		OIL DRAIN PLUG	1
14	<u>26771-G01</u>		GASKET, 14 MM.....	1
15	<u>26772-G01</u>		OIL FILLER PLUG	1
16				
17				
18	<u>606468</u>		AXLE TUBE (DRIVER SIDE).....	1
19	<u>606469</u>		AXLE TUBE (PASSENGER SIDE)	1
20	<u>28701-G01</u>		AXLE SHAFT (DRIVER SIDE) (INCLUDES ITEMS 22 - 24).....	1
21	<u>28702-G01</u>		AXLE SHAFT (PASSENGER SIDE) (INCLUDES ITEMS 22 - 25)	1
22	<u>28707-G01</u>		SNAP RING, 30 MM	1
23	<u>28708-G01</u>		COLLAR, 30 X 20 MM.....	1
24	<u>28703-G01</u>		BALL BEARING	2
25	<u>28719-G01</u>		SEAL COLLAR.....	1
26	<u>28706-G01</u>		SNAP RING, 55 MM.....	4
27	<u>72260-G01</u>		FLANGED BOLT, M10 X 1.5 X 23 MM	10
28				
29				
30				

REAR AXLE

THE USE OF NON U.L. PARTS WILL VOID ANY U.L. LISTING.

When ordering parts, please specify the model and serial number of the product.

* Indicates a component that is not available as an individual part.

G** Indicates consult Customer Service Department for additional information.

ITEM	PART NO.	1 2 3 4 5	DESCRIPTION	QTY.
31	<u>75653-G01</u>		DIFFERENTIAL LOCK CABLE (INCLUDES HARDWARE).....	1
32	<u>71003-G03</u>		'J' RETAINER NUT.....	2
33	<u>75697-G01</u>		PLATE.....	1
34	<u>18464-G1</u>		SCREW, #8 - 18 X 7/8" LG.....	2
35	<u>00565-G4</u>		LOCK WASHER, #8.....	2
36				
37	<u>75941-G01</u>		BRACKET.....	1
38	<u>75048-G01</u>		SPACER, 1/2".....	1
39	<u>26826-G01</u>		LOCK WASHER, 8 MM.....	2
40	<u>26827-G01</u>		NUT, M8 X 1.25 MM.....	2
41				
42	<u>75942-G01</u>		DIFFERENTIAL LINK.....	1
43	<u>00426-G8</u>		BOLT, 3/8 - 16 X 1" LG.....	2
44	<u>00560-G1</u>		WASHER, 3/8".....	2
45	<u>11098-G5</u>		LOCK NUT, 3/8 - 16.....	2
46				
47				
48	<u>75620-G01</u>		DIFFERENTIAL LOCK CABLE BRACKET.....	1
49	<u>75813-G01</u>		CLAMP.....	1
50	<u>26830-G01</u>		LOCK NUT, M8 X 1.25 MM.....	1
51	<u>10386-G3</u>		CLEVIS PIN, 5/16" X 13/16" LG.....	1
52	<u>10387-G3</u>		COTTER PIN, 3/32" X 3/4" LG.....	1
53				
54	<u>72349-G02</u>		DIFFERENTIAL SKID PLATE.....	1

REAR SUSPENSION

THE USE OF NON U.L. PARTS WILL VOID ANY U.L. LISTING.

When ordering parts, please specify the model and serial number of the product.

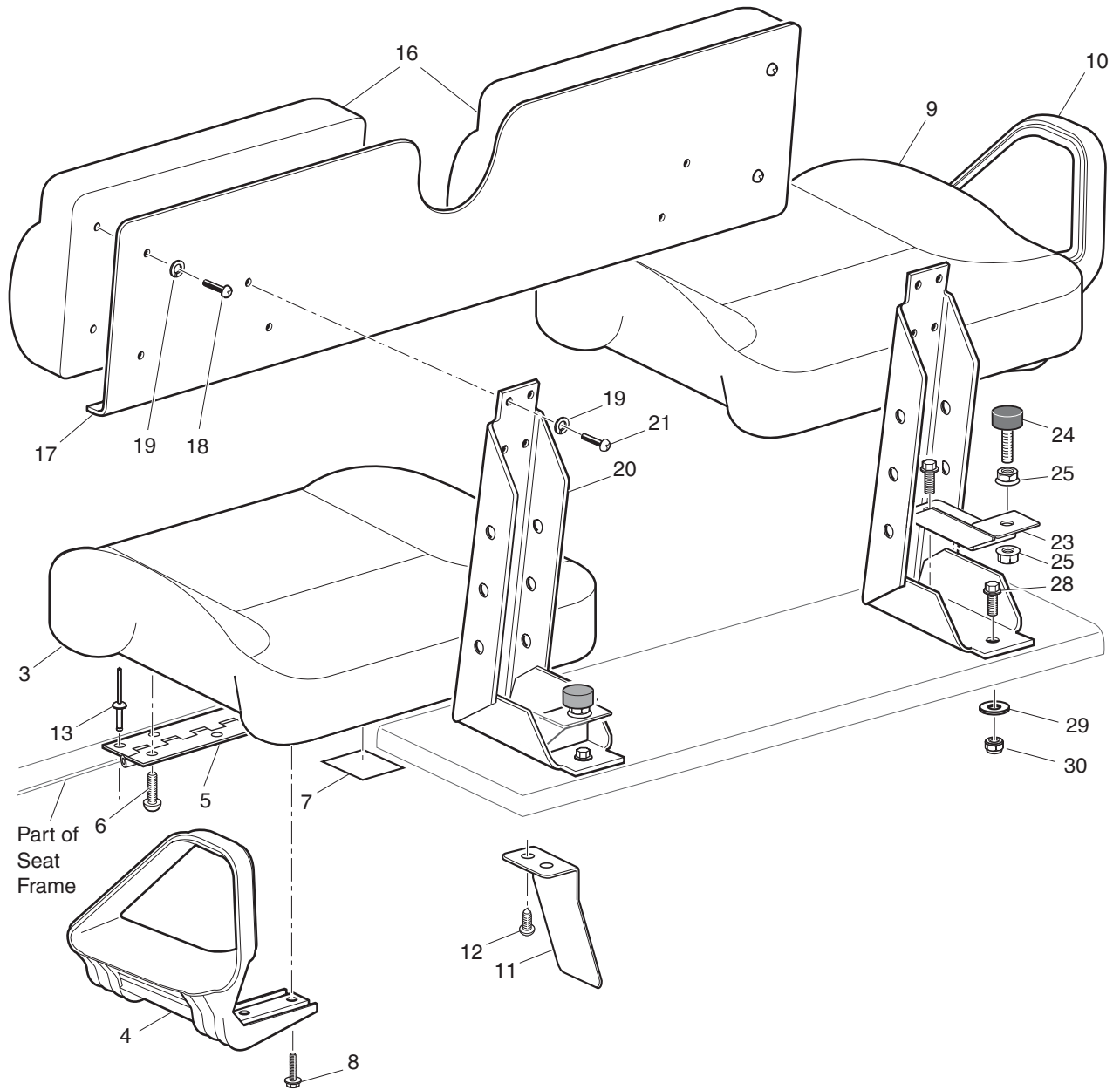
* Indicates a component that is not available as an individual part.

G** Indicates consult Customer Service Department for additional information.

ITEM	PART NO.	1 2 3 4 5	DESCRIPTION	QTY.
1	<u>75721-G01</u>		HEAVY DUTY LEAF SPRING	2
2				
3	<u>75565-G02</u>		SHOCK/STOP MOUNT (PASSENGER SIDE)	1
4	<u>75565-G01</u>		SHOCK/STOP MOUNT (DRIVER SIDE)	1
5	<u>70492-G01</u>		RUBBER BUMPER	2
6	<u>00968-G01</u>		LOCK WASHER, 10 MM	2
7	<u>00974-G01</u>		NUT, M10 X 1.5	2
8				
9				
10				
11	<u>72618-G01</u>		'U' BOLT, 3/8 - 16 X 2" X 2 1/2" LG	4
12	<u>00560-G1</u>		WASHER, 3/8"	8
13	<u>11098-G5</u>		LOCK NUT, 3/8 - 16	8
14				
15				
16	<u>14158-G1</u>		SHOULDER BOLT, 3/8 - 16 X 3 1/4" LG	2
17	<u>12262-G1</u>		LOCK NUT, 3/8 - 16	2
18				
19	<u>70291-G01</u>		FLANGED BUSHING	12
20	<u>70289-G02</u>		SPACER	4
21	<u>00429-G4</u>		BOLT, 3/8 - 16 X 3 1/2" LG	4
22	<u>70290-G02</u>		SHACKLE PLATE	4
23	<u>11098-G5</u>		LOCK NUT, 3/8 - 16	4
24				
25	<u>76418-G01</u>		SHOCK ABSORBER	2
26	<u>10435-G1</u>		SHOCK ABSORBER WASHER	8
27	<u>10194-G1</u>		RUBBER BUSHING	8
28	<u>00532-G6</u>		NUT, 3/8 - 24	4

SEATS

- 1 - Includes Items 3 - 8
- 2 - Includes Items 5 - 10
- 15 - Includes Items 16 - 21



SEATS

THE USE OF NON U.L. PARTS WILL VOID ANY U.L. LISTING.

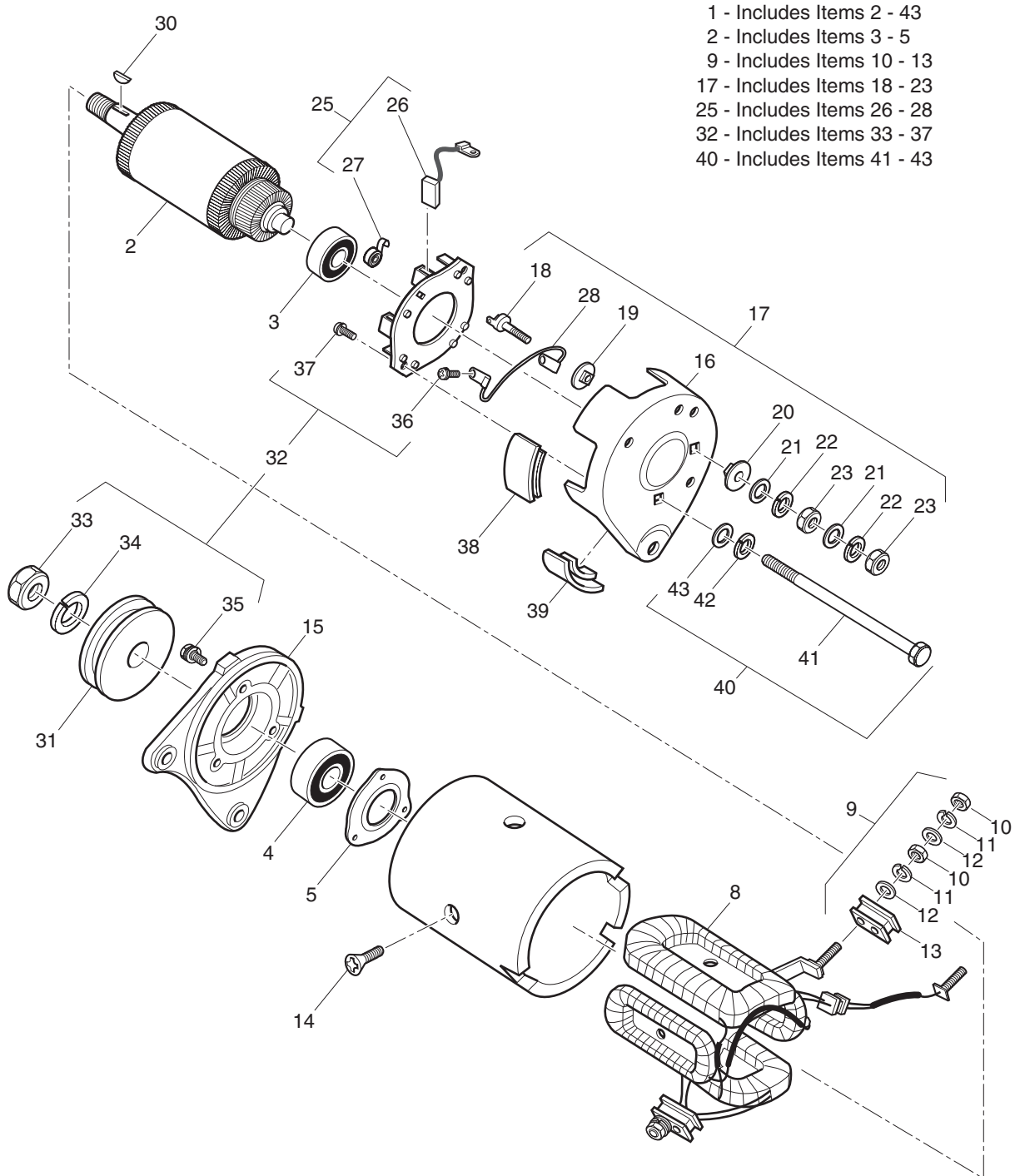
When ordering parts, please specify the model and serial number of the product.

* Indicates a component that is not available as an individual part.

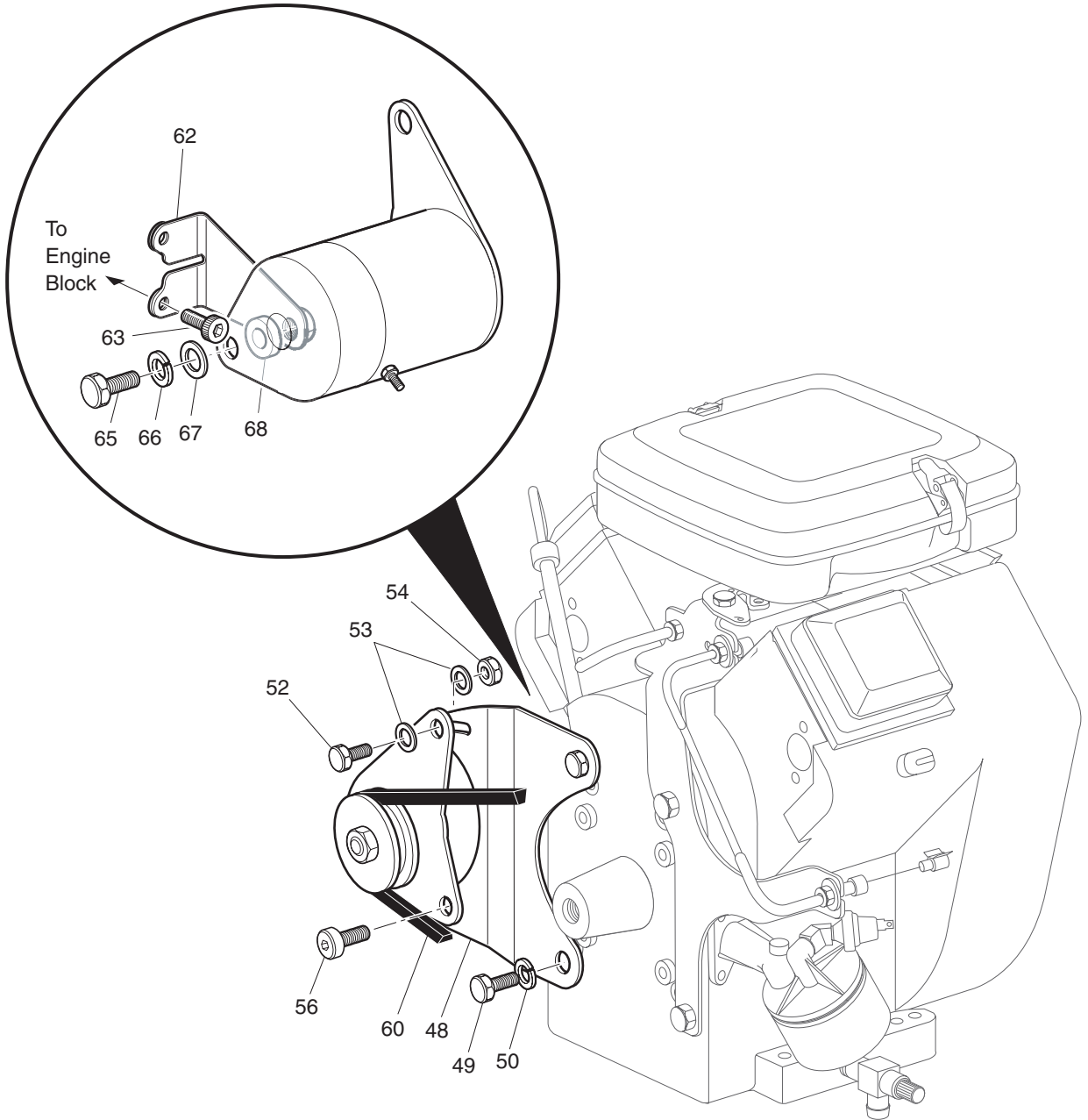
G** Indicates consult Customer Service Department for additional information.

ITEM	PART NO.	1 2 3 4 5	DESCRIPTION	QTY.
1	75880-G**		SEAT BOTTOM (DRIVER SIDE) (INCLUDES ITEMS 3 - 8).....	1
2	75881-G**		SEAT BOTTOM (PASSENGER SIDE) (INCLUDES ITEMS 5 - 10)	1
3	75833-G**		SEAT BOTTOM CUSHION (DRIVER SIDE).....	1
4	<u>71702-G01</u>		HIP RESTRAINT (DRIVER SIDE)	1
5	<u>75847-G01</u>		HINGE.....	1
6	<u>16705-G1</u>		SCREW, 1/4 - 20 X 1" LG (STAINLESS STEEL).....	8
7	<u>17074-G1</u>		RUBBER PAD.....	2
8	71204-G01		BOLT, 1/4 - 20 X 7/8" LG.....	4
9	75834-GXX		SEAT BOTTOM CUSHION (PASSENGER SIDE)	1
10	<u>71701-G01</u>		HIP RESTRAINT (PASSENGER SIDE).....	1
11	<u>75848-G01</u>		SEAT PROP	1
12	<u>00114-G6</u>		SCREW, #12 - 14 X 3/4" LG.....	2
13	<u>10570-G11</u>		RIVET, 3/16" X 3/4" LG (STAINLESS STEEL)	8
14				
15	75849-G**		SEAT BACK (INCLUDES ITEMS 16 - 21).....	1
16	75840-G**		SEAT BACK CUSHION	2
17	<u>75841-G01</u>		SEAT BACK PLATE	1
18	16705-G3		SCREW, 1/4 - 20 X 3/4" LG (STAINLESS STEEL).....	4
19	<u>00664-G7</u>		LOCK WASHER, 1/4" (STAINLESS STEEL).....	8
20	<u>75900-G02</u>		SEAT BACK SUPPORT.....	2
21	<u>16705-G1</u>		SCREW, 1/4 - 20 X 1" LG (STAINLESS STEEL).....	4
22				
23	<u>74947-G01</u>		BRACKET	2
24	<u>70113-G01</u>		ADJUSTABLE BUMPER	2
25	<u>11027-G1</u>		LOCK NUT, 5/16 - 18	4
26				
27				
28	<u>01006-G01</u>		BOLT, 3/8 - 16 X 1 1/4" LG	4
29	<u>00560-G1</u>		WASHER, 3/8"	4
30	<u>11098-G5</u>		LOCK NUT, 3/8 - 16	4

STARTER / GENERATOR



REAR VIEW



Ref Sig 10-2

STARTER / GENERATOR

THE USE OF NON U.L. PARTS WILL VOID ANY U.L. LISTING.

When ordering parts, please specify the model and serial number of the product.

* Indicates a component that is not available as an individual part.

G** Indicates consult Customer Service Department for additional information.

ITEM	PART NO.	1 2 3 4 5	DESCRIPTION	QTY.
1	<u>27065-G01</u>		STARTER / GENERATOR (INCLUDES ITEMS 2 - 43)	1
2	<u>26870-G01</u>		ARMATURE (INCLUDES ITEMS 3 - 5)	1
3	26871-G01		REAR BALL BEARING	1
4	<u>26872-G01</u>		FRONT BALL BEARING.....	1
5	<u>26873-G01</u>		BEARING HOLDER.....	1
6				
7				
8	<u>26875-G01</u>		FIELD COIL	1
9	<u>26876-G01</u>		INSULATING BRUSH ASSEMBLY ('F') (INCLUDES ITEMS 10 - 13)	2
10	*		NUT	2
11	*		LOCK WASHER.....	2
12	*		WASHER.....	2
13	*		INSULATOR.....	1
14	26877-G01		POLE CORE SETSCREW.....	4
15	<u>26878-G01</u>		FRONT COVER.....	1
16	26879-G01		REAR COVER	1
17	<u>26880-G01</u>		TERMINAL ASSEMBLY ('A') (INCLUDES ITEMS 18 - 23)	2
18	*		TERMINAL	2
19	*		INSULATOR	2
20	*		INSULATOR	2
21	*		WASHER.....	4
22	*		LOCK WASHER.....	4
23	*		NUT	4
24				
25	<u>26881-G01</u>		BRUSH HOLDER ASSEMBLY (INCLUDES ITEMS 26 - 28).....	1
26	<u>26658-G01</u>		BRUSH	4
27	<u>26882-G01</u>		BRUSH SPRING.....	4
28	<u>26883-G01</u>		BRUSH CONNECTOR	2
29				
30	<u>26884-G01</u>		KEY.....	1

STARTER / GENERATOR

THE USE OF NON U.L. PARTS WILL VOID ANY U.L. LISTING.

When ordering parts, please specify the model and serial number of the product.

* Indicates a component that is not available as an individual part.

G** Indicates consult Customer Service Department for additional information.

ITEM	PART NO.	1	2	3	4	5	DESCRIPTION	QTY.
31	*						PULLEY	1
32	<u>26886-G01</u>						PULLEY HARDWARE KIT (INCLUDES ITEMS 33 - 37)	1
33	*						NUT	1
34	*						LOCK WASHER.....	1
35	*						SCREW	3
36	*						SCREW	4
37	*						SCREW	2
38	<u>26887-G01</u>						BRUSH 1 COVER.....	3
39	<u>26888-G01</u>						BRUSH 2 COVER.....	2
40	<u>26889-G01</u>						BOLT AND WASHER ASSEMBLY (INCLUDES ITEMS 41 - 43)	2
41	*						BOLT	2
42	*						LOCK WASHER.....	2
43	*						WASHER.....	2
44								
45								
46								
47								
48	75705-G01						FRONT STARTER BRACKET	1
49	<u>00462-G7</u>						BOLT, 7/16 - 14 X 7/8" LG	2
50	<u>00566-G2</u>						LOCK WASHER, 7/16".....	2
51								
52	<u>00439-G2</u>						BOLT, 5/16 - 18 X 1 1/4" LG	1
53	00559-G8						WASHER, 5/16"	2
54	11098-G6						LOCK NUT, 5/16 - 18.....	1
55								
56	<u>75792-G01</u>						SCREW, 1/2 - 13 X 1 1/2" LG	1
57								
58								
59								
60	<u>75690-G01</u>						STARTER/GENERATOR BELT	1

STARTER / GENERATOR

THE USE OF NON U.L. PARTS WILL VOID ANY U.L. LISTING.

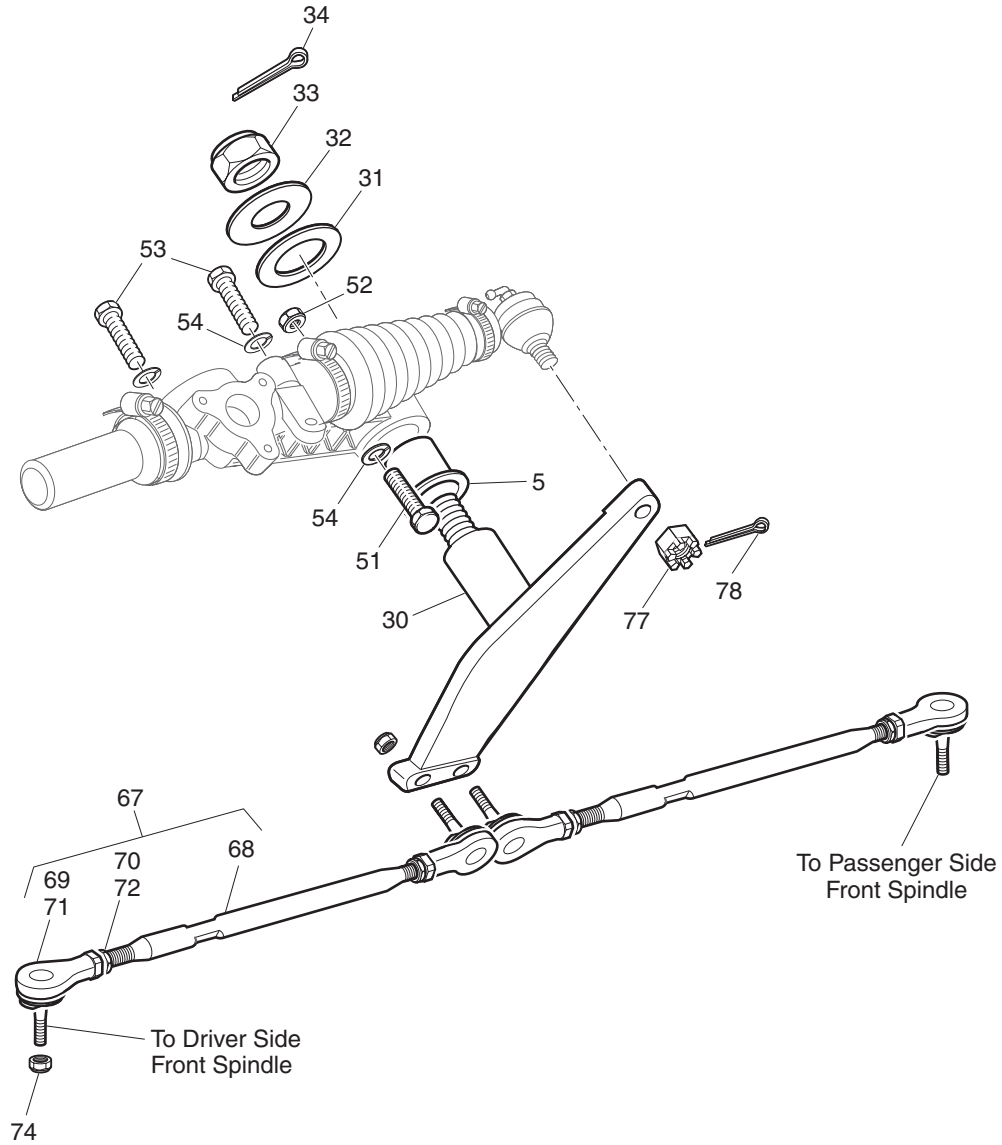
When ordering parts, please specify the model and serial number of the product.

* Indicates a component that is not available as an individual part.

G** Indicates consult Customer Service Department for additional information.

ITEM	PART NO.	1 2 3 4 5	DESCRIPTION	QTY.
61				
62	<u>75706-G01</u>		REAR STARTER BRACKET.....	1
63	<u>75746-G01</u>		SCREW, M8 - 1.25 X 20MM LG.....	2
64				
65	<u>00631-G2</u>		BOLT, 1/2 - 13 X 2 1/4" LG	1
66	<u>00566-G3</u>		LOCK WASHER, 1/2".....	1
67	<u>00560-G3</u>		WASHER, 1/2"	1
68	<u>75562-G01</u>		SPACER.....	1

IDLER, TIE RODS AND MOUNTING



STEERING

Where applicable, THE USE OF NON UL PARTS WILL VOID ANY UL LISTING.

When ordering parts, please specify the model and serial number of the product.

* Indicates a component that is not available as an individual part.

G** Indicates consult Customer Service Department for additional information.

ITEM	PART NO.	1 2 3 4 5	DESCRIPTION	QTY.
1	<u>70723-G02</u>		STEERING BOX ASSEMBLY (COMPLETE).....	1
2	<u>70175-G01</u>		STEERING HOUSING (INCLUDES ITEMS 3 - 6).....	1
3	*		SLEEVE BEARING	1
4	*		SLEEVE BEARING	1
5	*		FLANGED BEARING	1
6	<u>10389-G3</u>		GREASE FITTING, STRAIGHT	1
7				
8	<u>00426-G6</u>		BOLT, 3/8 - 16 X 3/4" LG.....	2
9	<u>18456-G1</u>		GREASE FITTING, 90°	1
10	<u>70177-G01</u>		RACK GUIDE COVER.....	1
11	<u>70225-G01</u>		GASKET	1
12	<u>70178-G01</u>		COMPRESSION SPRING	1
13	<u>70179-G01</u>		RACK GUIDE.....	1
14	<u>11391-G1</u>		HOSE CLAMP, 1 5/16"	1
15	<u>70041-G01</u>		RACK COVER	1
16	<u>11391-G1</u>		HOSE CLAMP, 1 5/16"	1
17	<u>70183-G01</u>		BELLOWS.....	1
18	<u>11391-G5</u>		HOSE CLAMP, 13/16"	1
19				
20	<u>70724-G01</u>		STEERING GEAR KIT (INCLUDES ITEMS 21 - 28).....	1
21	<u>70717-G01</u>		GEAR PINION.....	1
22	<u>15112-G1</u>		BALL BEARING	1
23	<u>70190-G01</u>		EXTERNAL RETAINING RING.....	1
24	<u>70718-G01</u>		STEERING RACK	1
25	<u>70192-G01</u>		RACK BALL END	1
26	<u>00544-G8</u>		JAM NUT, 7/16 - 20	1
27	<u>18456-G1</u>		GREASE FITTING, 90°	1
28	<u>70466-G01</u>		RETAINER	1
29				
30	<u>70184-G01</u>		IDLER	1

STEERING

Where applicable, THE USE OF NON UL PARTS WILL VOID ANY UL LISTING.

When ordering parts, please specify the model and serial number of the product.

* Indicates a component that is not available as an individual part.

G** Indicates consult Customer Service Department for additional information.

ITEM	PART NO.	1	2	3	4	5	DESCRIPTION	QTY.
31	<u>70216-G01</u>						THRUST WASHER, 1 1/2"	1
32	<u>70195-G01</u>						THRUST WASHER, 7/8"	1
33	<u>00734-G6</u>						LOCK NUT, 7/8 - 9.....	1
34	<u>00798-G8</u>						COTTER PIN, 5/32" X 1 3/4" LG	1
35								
36	<u>70721-G01</u>						STEERING SHAFT/COLUMN KIT (INCLUDES ITEMS 37 - 48)	1
37	<u>14322-G6</u>						STEERING SHAFT.....	1
38	<u>70558-G01</u>						COUPLING	1
39	<u>00550-G1</u>						LOCK NUT, 1/4 - 20.....	2
40	<u>70227-G01</u>						SCREW, 1/4 - 20 X 7/8" LG.....	2
41	<u>70223-G01</u>						GASKET	1
42	<u>01034-G01</u>						BOLT, 3/8 - 16 X 1 1/4" LG WITH PATCHLOCK.....	3
43	<u>00878-G1</u>						LOCK WASHER, 3/8"	3
44	<u>70466-G01</u>						RETAINER.....	1
45	<u>28633-G01</u>						STEERING COLUMN KIT (INCLUDES ITEMS 46 - 48).....	1
46	*						STEERING COLUMN	1
47	<u>28569-G01</u>						STEERING COLUMN BUSHING	1
48	<u>01022-G01</u>						SCREW, #6 - 20 X 5/16" LG	1
49								
50								
51	<u>00470-G4</u>						BOLT, 7/16 - 20 X 2 1/2" LG	1
52	<u>00734-G3</u>						LOCK NUT, 7/16 - 20	1
53	<u>01033-G01</u>						BOLT, 7/16 - 14 X 1 1/4" LG WITH PATCHLOCK	2
54	<u>00566-G2</u>						LOCK WASHER, 7/16".....	3
55								
56								
57								
58	<u>602980</u>						STEERING WHEEL	1
59	<u>71949-G01</u>						HUB COVER	1
60								

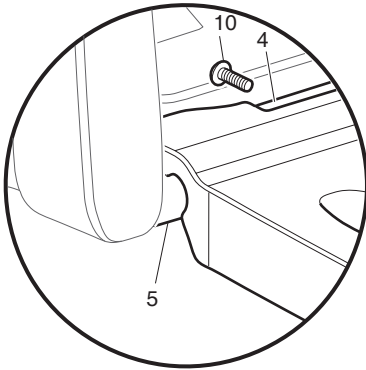
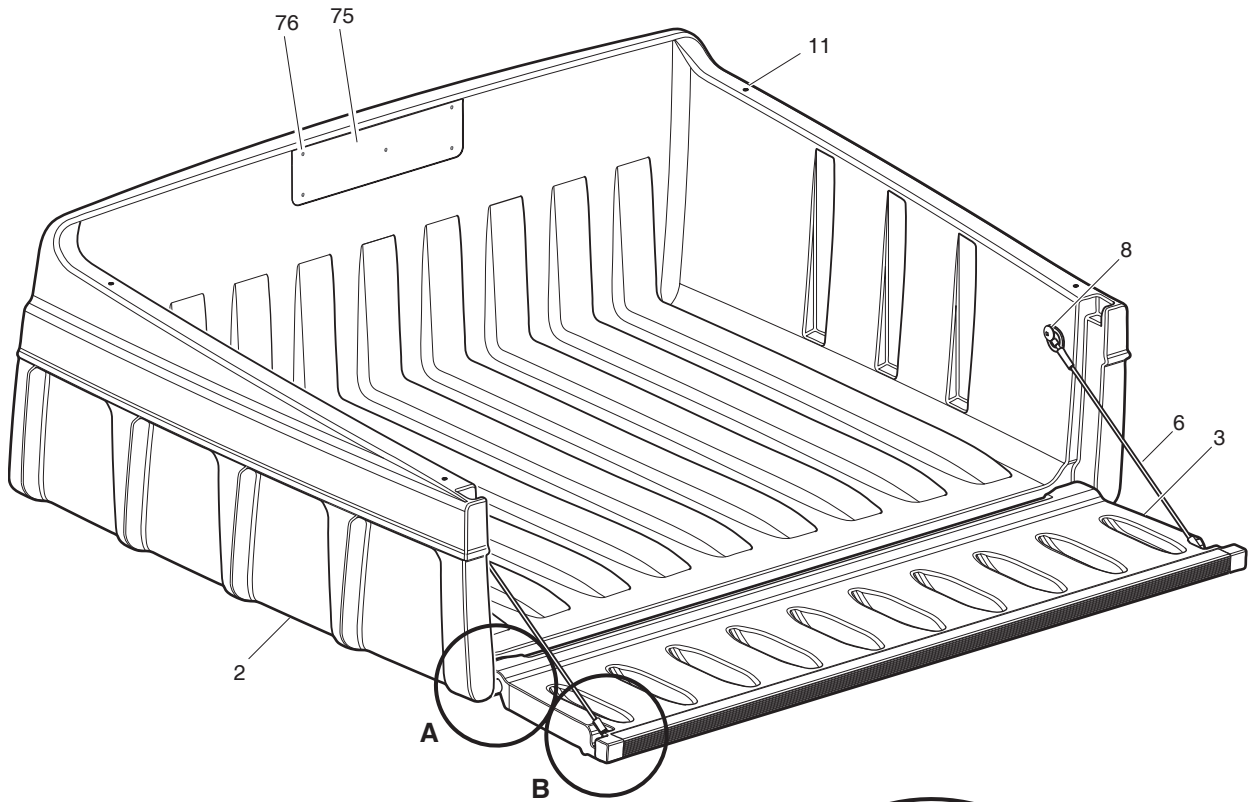
STEERING

Where applicable, THE USE OF NON UL PARTS WILL VOID ANY UL LISTING.
 When ordering parts, please specify the model and serial number of the product.
 * Indicates a component that is not available as an individual part.
 G** Indicates consult Customer Service Department for additional information.

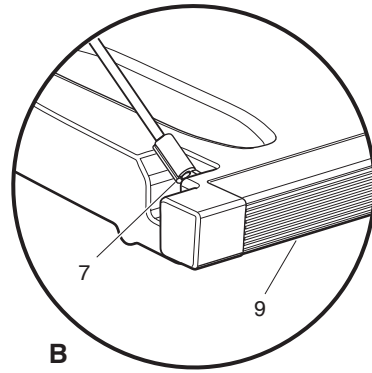
ITEM	PART NO.	1 2 3 4 5	DESCRIPTION	QTY.
61	<u>71147-G01</u>		COVER.....	1
62	<u>71047-G01</u>		LABEL (E-Z-GO)	1
63	74405-G01		LABEL (CUSHMAN).....	1
64	<u>14390-G2</u>		LOCK NUT, 5/8 - 18	1
65				
66				
67	<u>70904-G04</u>		TIE ROD ASSEMBLY (INCLUDES ITEMS 68 - 72).....	2
68	<u>70855-G03</u>		THREADED ROD (10 1/8" LG).....	1
69	<u>70902-G01</u>		TIE ROD END (LEFT HAND THREADS)	1
70	<u>01069-G01</u>		JAM NUT, M12 X 1.25-05 (LEFT HAND THREADS)	1
71	<u>70902-G02</u>		TIE ROD END (RIGHT HAND THREADS).....	1
72	<u>01069-G02</u>		JAM NUT, M12 X 1.25-05 (RIGHT HAND THREADS).....	1
73				
74	<u>00734-G1</u>		LOCK NUT, 7/16 - 14	4
75				
76				
77	<u>50209-G2</u>		CASTELLATED NUT, 7/16 - 20	1
78	<u>10387-G2</u>		COTTER PIN, 3/32" X 1" LG	1

TRUCK BED

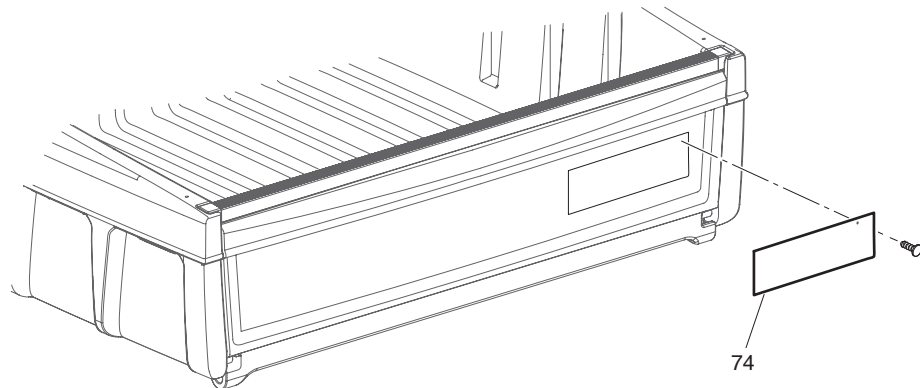
1 - INCLUDES ITEMS 2 - 11

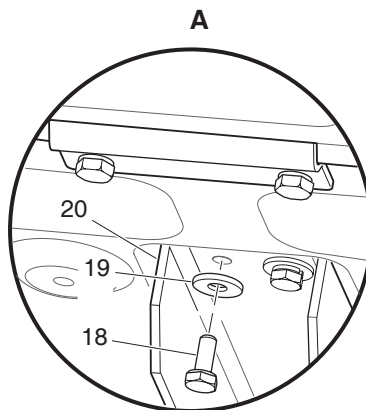
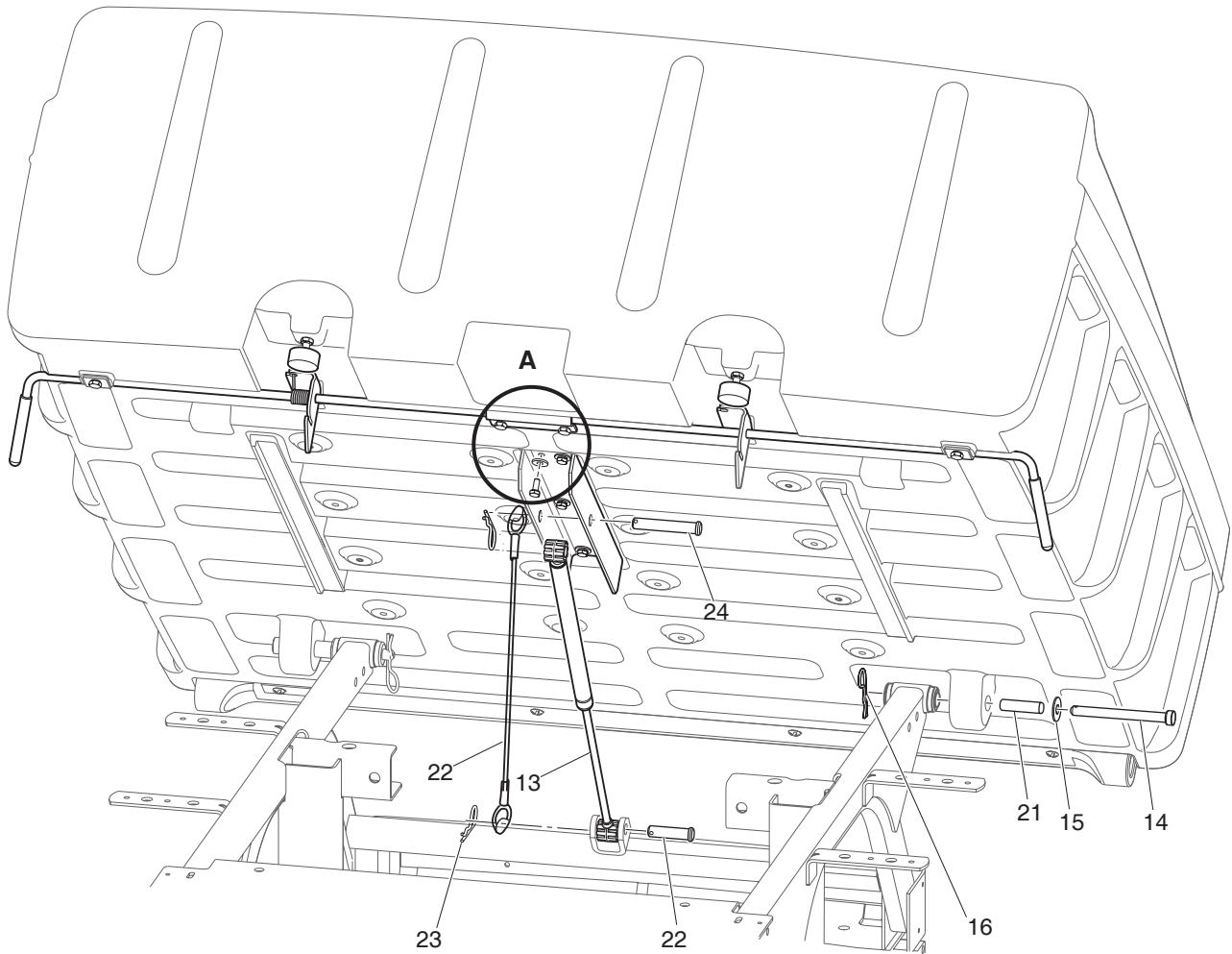


A



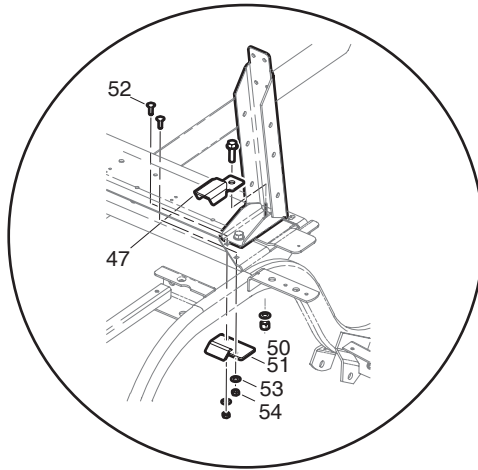
B



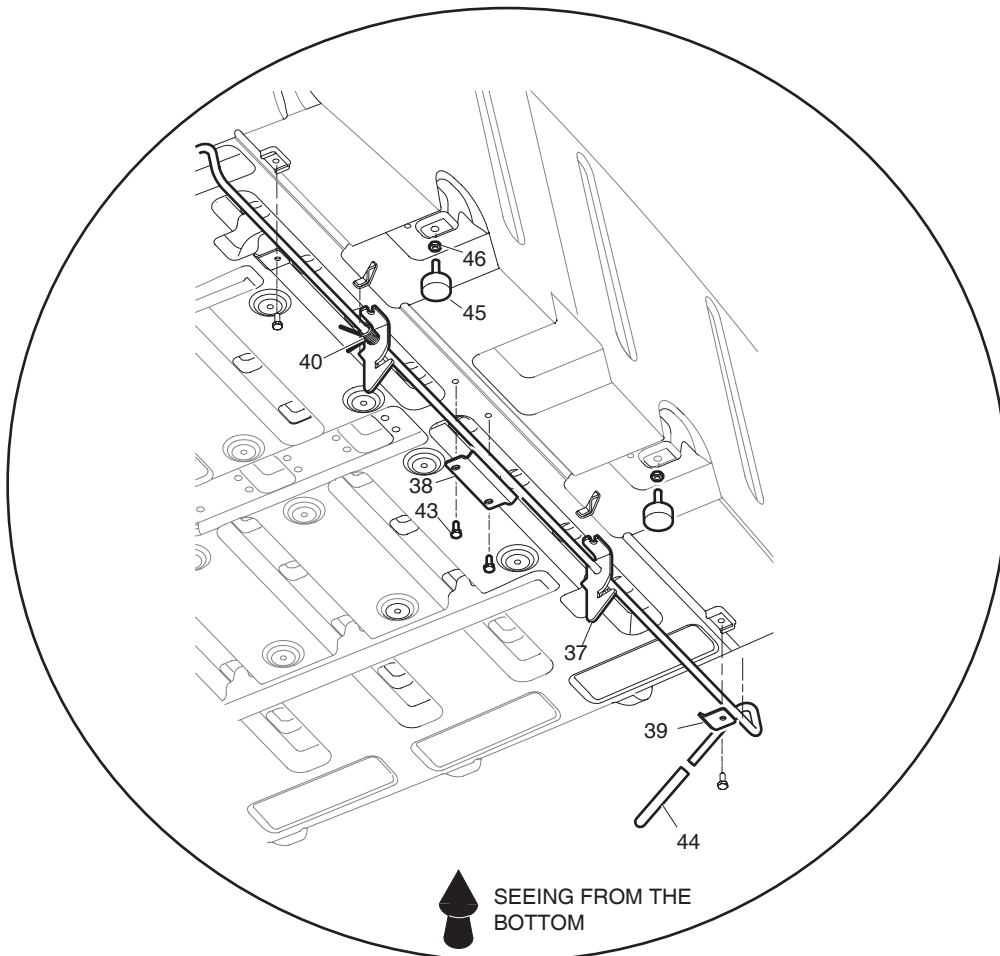


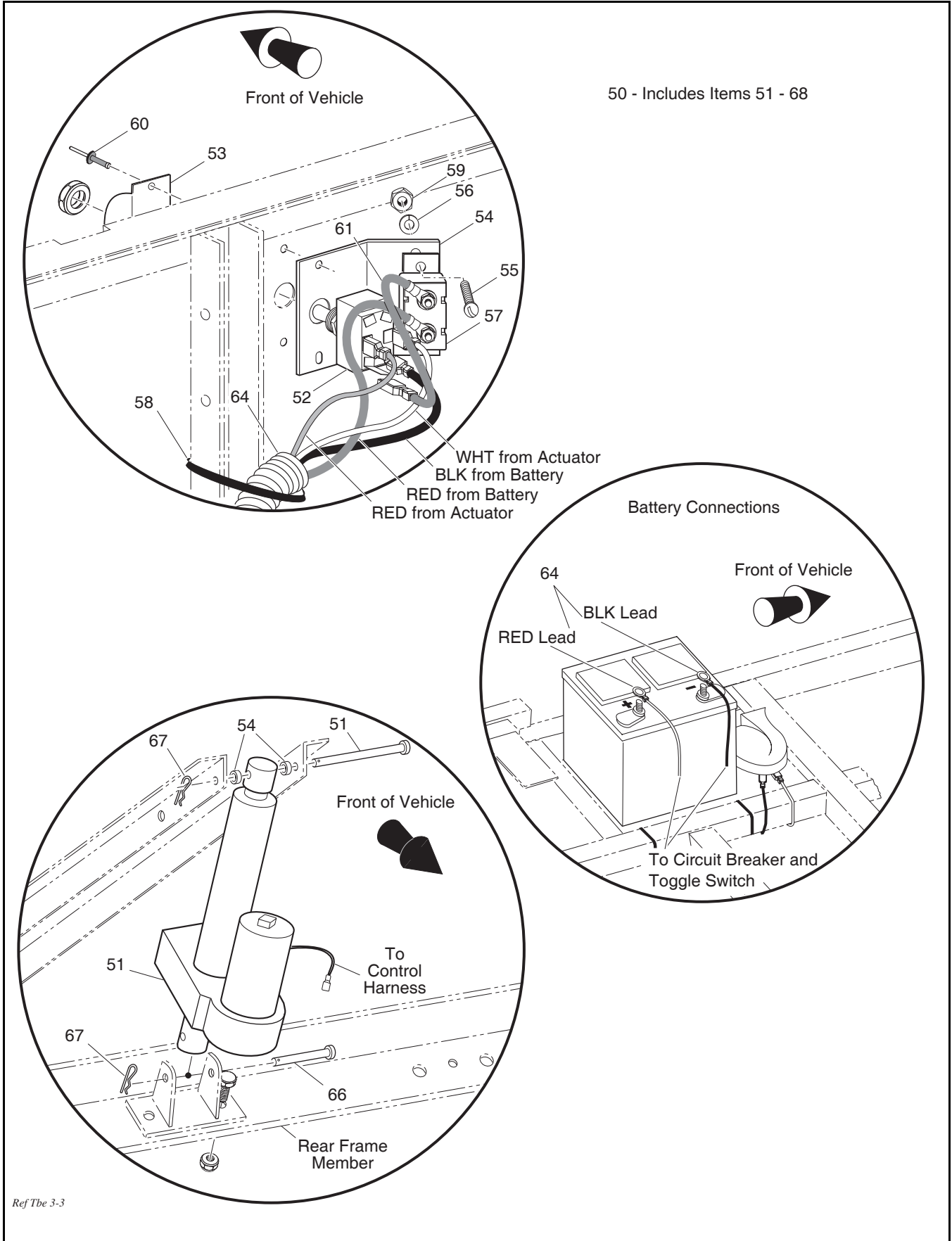
Ref Tbp 21-2

TRUCK BED



36 - INCLUDES ITEMS 37 - 47





TRUCK BED

Where applicable, THE USE OF NON UL PARTS WILL VOID ANY UL LISTING.

When ordering parts, please specify the model and serial number of the product.

* Indicates a component that is not available as an individual part.

G** Indicates consult Customer Service Department for additional information.

ITEM	PART NO.	1 2 3 4 5	DESCRIPTION	QTY.
1	<u>73451-G01</u>		ASSEMBLY PLASTIC BED (INCLUDES ITEMS 2 - 11)	1
2	<u>73447-G01</u>		PLASTIC BED 40"	1
3	<u>73448-G01</u>		TAILGATE 36", PLASTIC	1
4	<u>73450-G01</u>		ANGLE, BOWED	1
5	<u>73454-G01</u>		SHAFT, PIVOT	2
6	<u>73455-G01</u>		CABLE ASSEMBLY, TAILGATE	2
7	<u>00415-G2</u>		SCREW, 1/4 - 20 X 5/8" LG	4
8	<u>73460-G01</u>		BOLT, SHOULDER.....	2
9	<u>73449-G01</u>		CHANNEL, EXTRUSION.....	1
10	<u>16705-G2</u>		SCREW, 1/4 - 2 X 5/8" LG	4
11	<u>16816-G5</u>		RACHET FASTNER	4
12				
13	<u>71537-G02</u>		GAS SPRING	1
14	<u>71571-G01</u>		CLEVIS PIN.....	2
15	<u>00571-G5</u>		WASHER, 1/2"	2
16	<u>21683-G1</u>		COTTER PIN.....	2
17				
18	<u>01118-G01</u>		SCREW, 1/4 - 20 X 5/8" LG	8
19	<u>00642-G7</u>		WASHER, 1/4"	8
20	<u>71569-G02</u>		CHANNEL GAS SPRING.....	1
21	<u>71570-G01</u>		BUSHING	4
22	<u>602904</u>		CABLE ASSEMBLY	4
23	<u>21683-G1</u>		COTTER PIN.....	2
24	<u>14443-G10</u>		CLEVIS PIN, 1/2 X 3"	1
25	<u>14443-G12</u>		CLEVIS PIN, 1/2" X 2.00".....	1
26				
27				
28				
29				
30				

TRUCK BED

Where applicable, THE USE OF NON UL PARTS WILL VOID ANY UL LISTING.

When ordering parts, please specify the model and serial number of the product.

* Indicates a component that is not available as an individual part.

G** Indicates consult Customer Service Department for additional information.

ITEM	PART NO.	1 2 3 4 5	DESCRIPTION	QTY.
31				
32				
33				
34				
35				
36	<u>71095-G02</u>		INSTALLATION LATCH (INCLUDES ITEMS 37 - 54)	1
37	<u>74962-G01</u>		WELDMET LATCH BED	1
38	<u>71477-G02</u>		BRACKET	1
39	<u>71099-G02</u>		LATCH PLATE	2
40	<u>71538-G01</u>		TORSION SPRING.....	1
41				
42				
43	<u>01118-G01</u>		SCREW, 1/4 - 2 X 5/8" LG	4
44	<u>71704-G01</u>		HANDLE GRIP	2
45	<u>70113-G01</u>		BUMPER.....	2
46	<u>11027-G1</u>		LOCK NUT, 5/16 - 18.....	2
47	<u>74947-G01</u>		BRACKET BUMPER.....	2
48				
49				
50	<u>74637-G04</u>		ELECTRIC DUMP KIT (INCLUDES ITEMS 51 - 68).....	1
51	<u>27612-G02</u>		ELECTRIC ACTUATOR 36 V	1
52	<u>27680-G01</u>		TOGGLE SWITCH.....	1
53	<u>27447-G01</u>		TOGGLE GUARD	1
54	<u>74165-G02</u>		CIRCUIT BREAKER MOUNTING BRACKET.....	1
55	<u>00150-G4</u>		SCREW, 10 - 24 X 1/2" LG	2
56	<u>00565-G5</u>		LOCK WASHER, #10	2
57	<u>21320-G3</u>		CIRCUIT BREAKER 15A 24V	1
58	<u>17618-G1</u>		WIRE TIE	8
59	<u>00526-G3</u>		NUT, #10 - 24	2
60	<u>10570-G9</u>		RIVET, 5/32 X .55.....	2

TRUCK BED

Where applicable, THE USE OF NON UL PARTS WILL VOID ANY UL LISTING.

When ordering parts, please specify the model and serial number of the product.

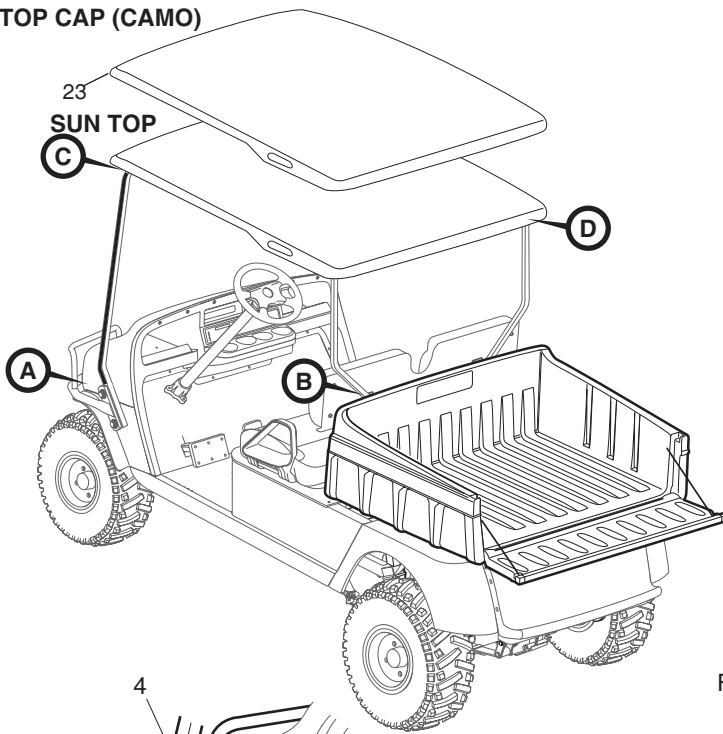
* Indicates a component that is not available as an individual part.

G** Indicates consult Customer Service Department for additional information.

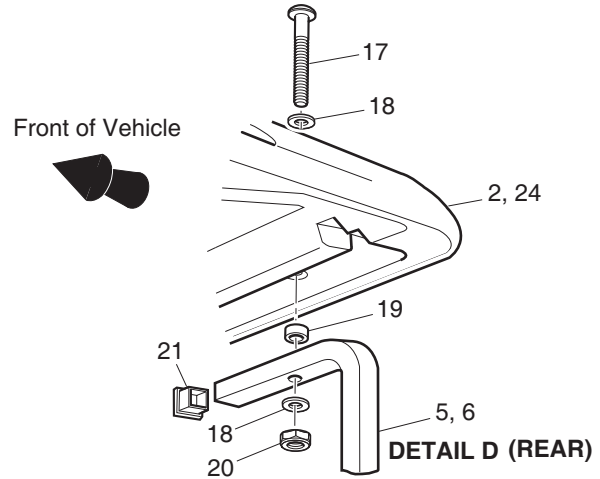
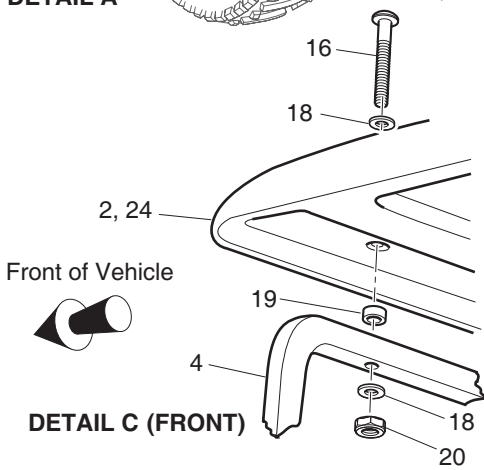
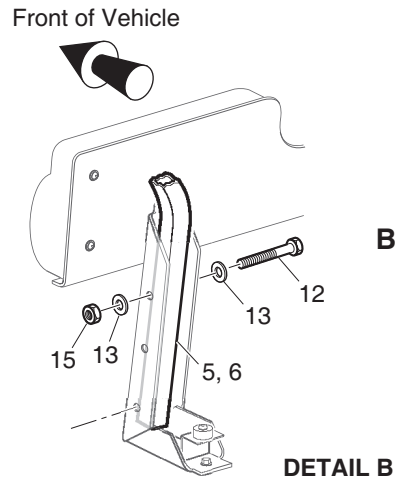
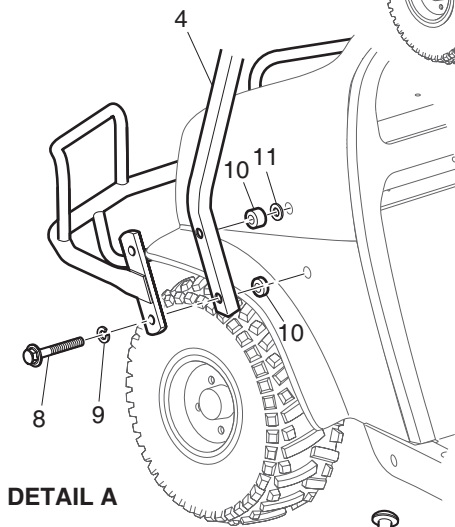
ITEM	PART NO.	1	2	3	4	5	DESCRIPTION	QTY.
61	<u>25976-G14</u>						14 GA WIRE (RED 5")	1
62								
63								
64	74054-G01						WIRE HARNESS (CONTROL)	1
65	<u>14443-G10</u>						CLEVIS PIN, 1/2" X 2 7/8" LG	1
66	<u>14443-G11</u>						CLEVIS PIN, 1/2" X 1 3/4" LG	1
67	<u>21683-G1</u>						COTTER PIN, 15/32" X 2 13/16" LG	2
68	<u>27613-G01</u>						SPACER	2
69								
70								
71								
72								
73								
74	<u>600823</u>						LABEL EZGO MPT	2
75	<u>74821-G01</u>						BED CAPACITY LABEL (500 LB)	1
76	<u>71055-G01</u>						RIVET, 3/16"	5

WEATHER PROTECTION

SUN TOP CAP (CAMO)

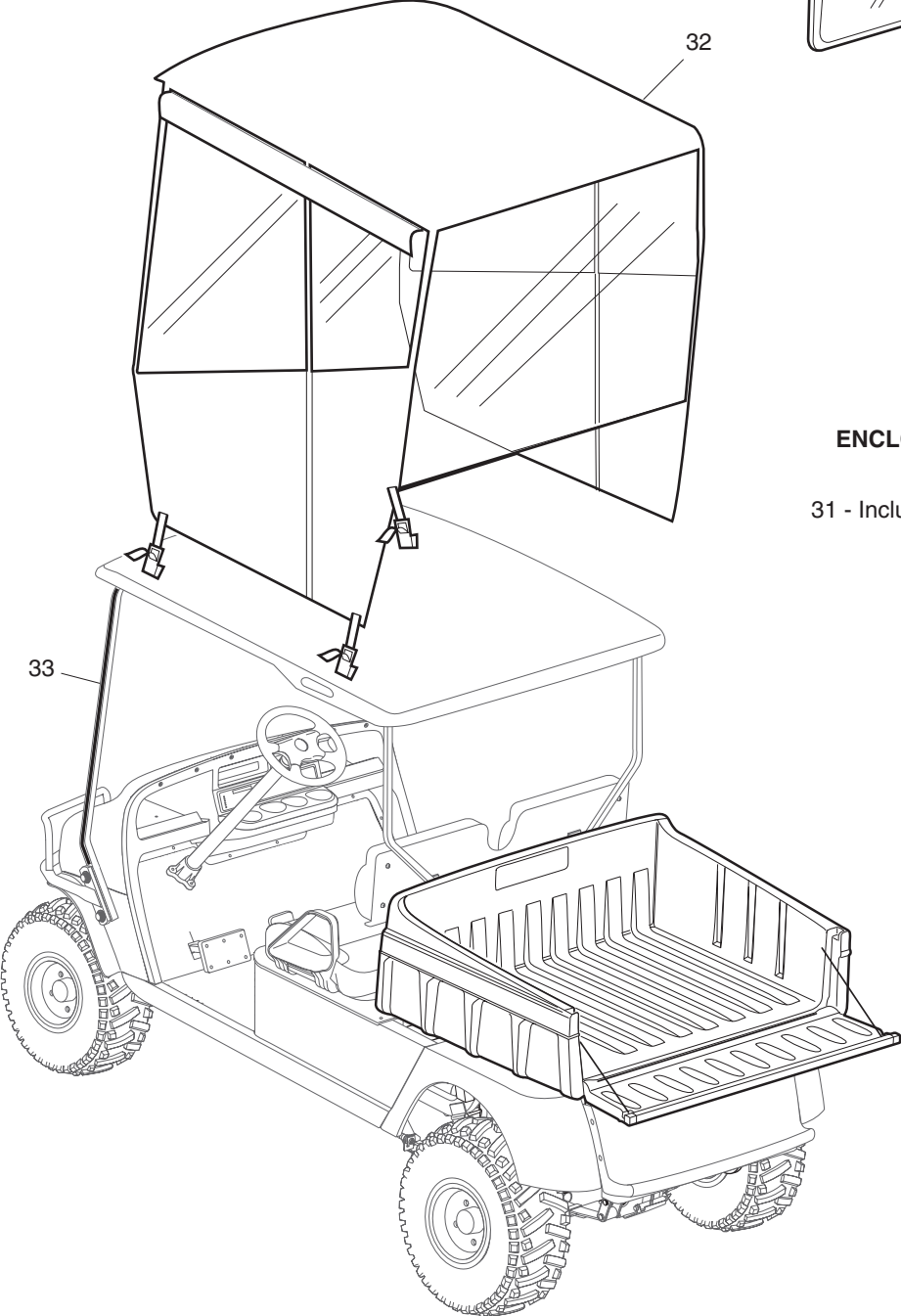
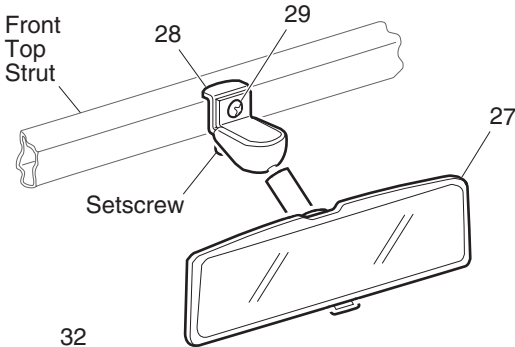


- 1 - Includes Items 2 - 21
- 3 - Includes Items 4 - 21
- 7 - Includes Items 8 - 21



REAR VIEW MIRROR

26 - Includes Items 27 - 29



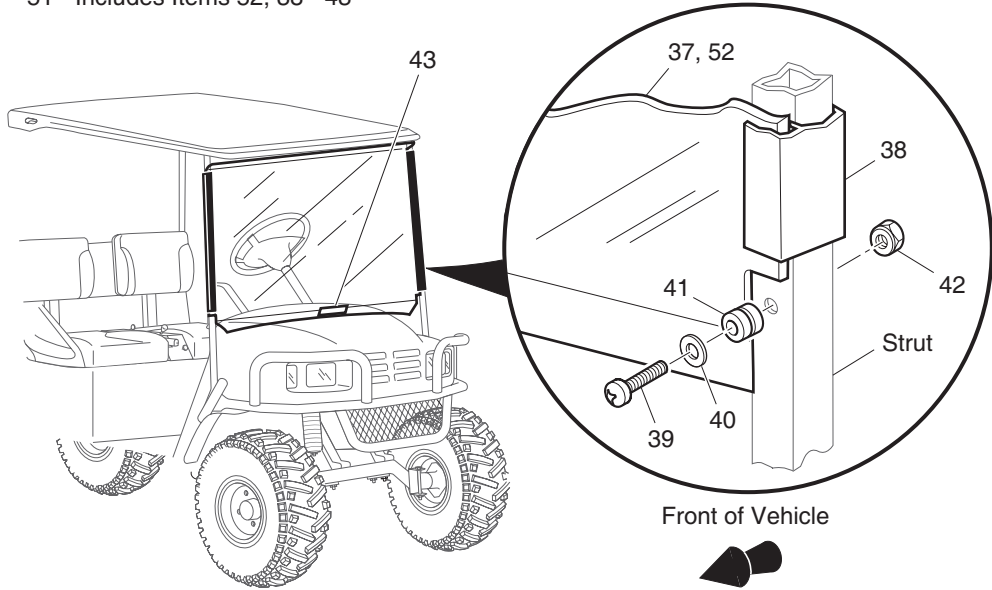
ENCLOSURE

31 - Includes Items 32, 33

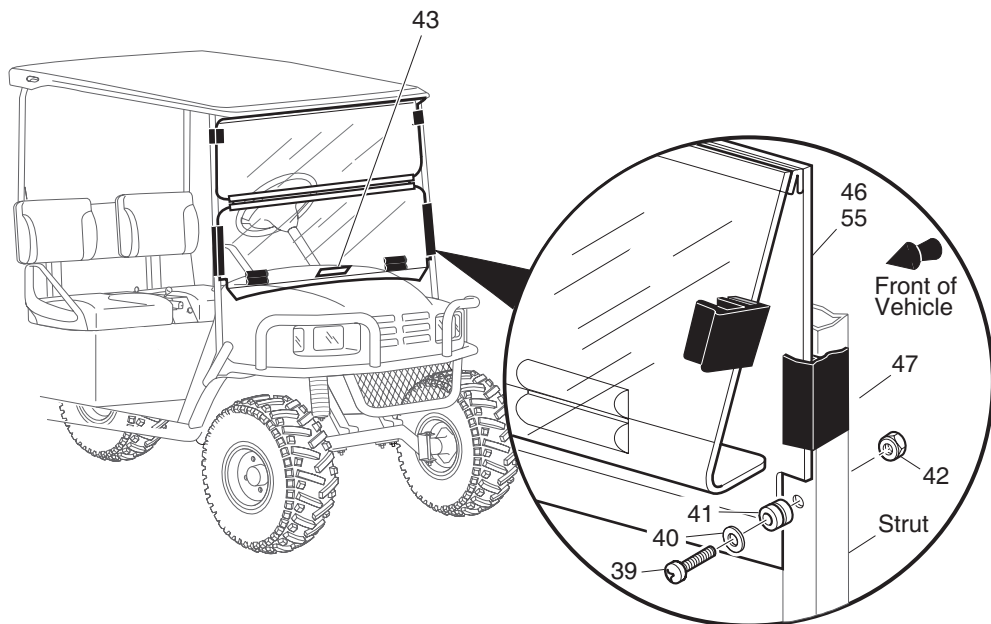
WEATHER PROTECTION

WINDSHIELDS

36 - Includes Items 37 - 43
51 - Includes Items 52, 38 - 43

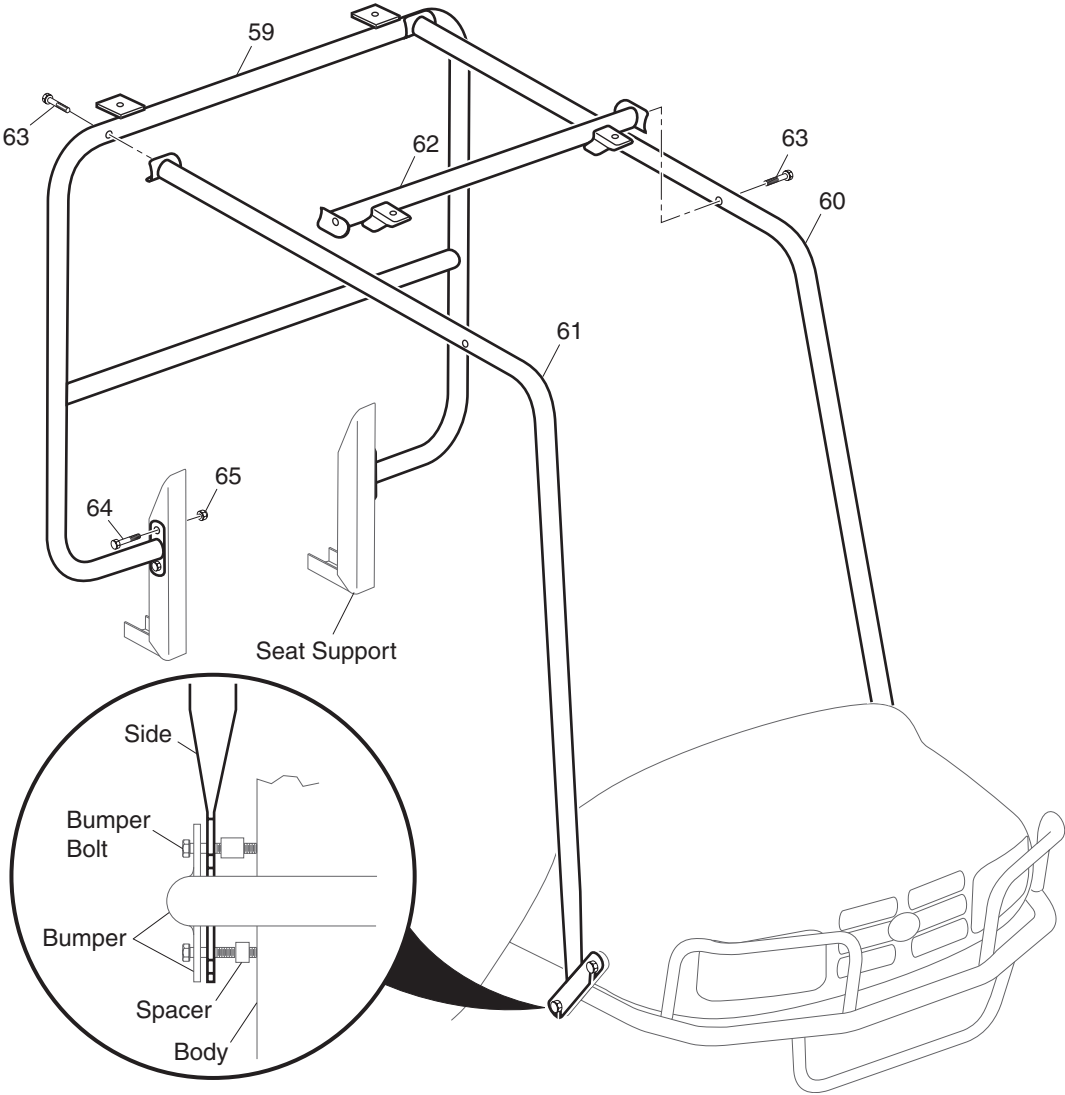


45 - Includes Items 46 - 47, 39 - 43
54 - Includes Items 55, 47, 39 - 43



Ref Wea 10-3

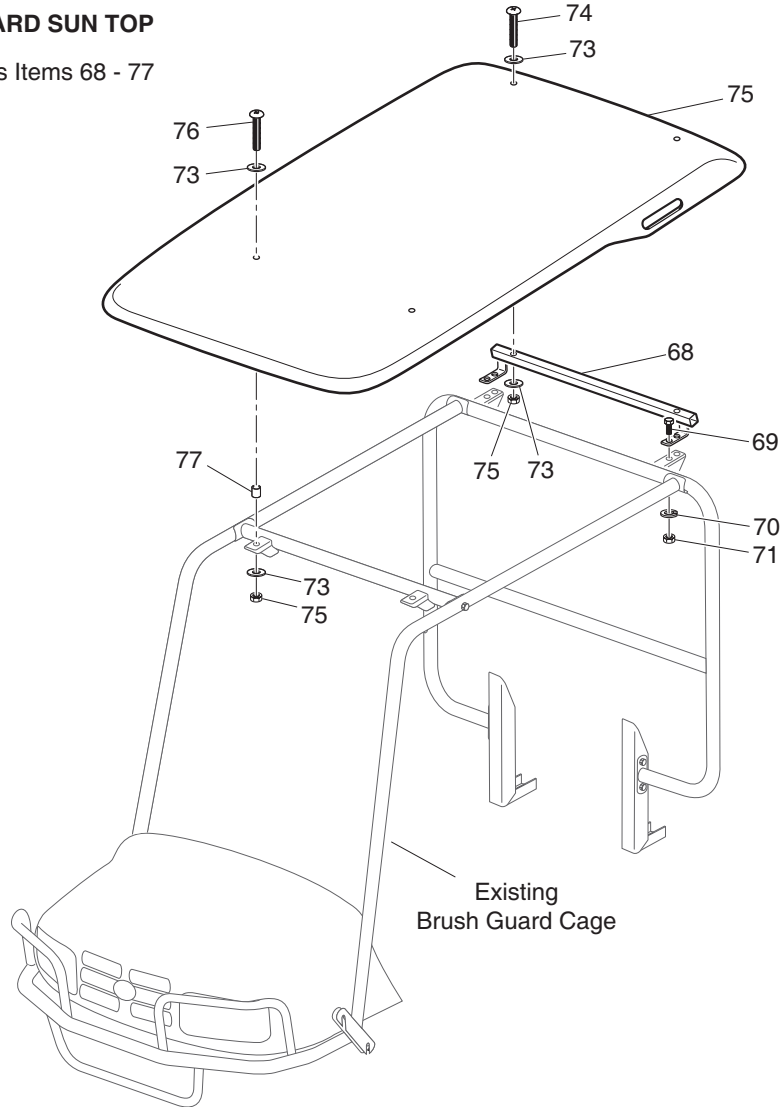
BRUSHGUARD
58 - Includes Items 59 - 65



WEATHER PROTECTION

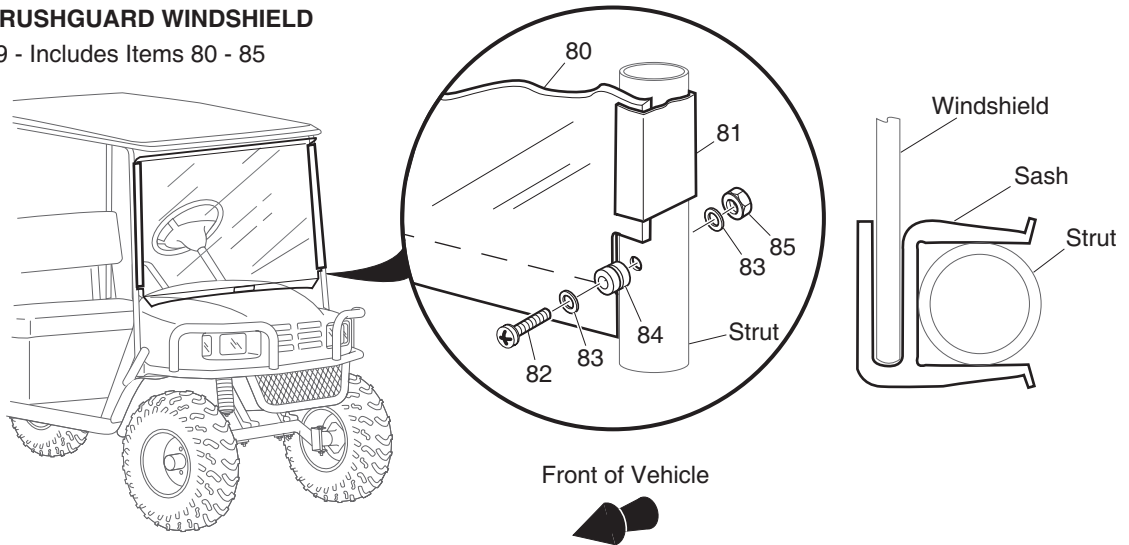
BRUSHGUARD SUN TOP

67 - Includes Items 68 - 77



BRUSHGUARD WINDSHIELD

79 - Includes Items 80 - 85



Ref Wea 10-5

WEATHER PROTECTION

THE USE OF NON U.L. PARTS WILL VOID ANY U.L. LISTING.

When ordering parts, please specify the model and serial number of the product.

* Indicates a component that is not available as an individual part.

G** Indicates consult Customer Service Department for additional information.

ITEM	PART NO.	1 2 3 4 5	DESCRIPTION	QTY.
1	75040-G0*		SUN TOP KIT (INCLUDES ITEMS 2 -21)	1
2	27069-G0*		SUN TOP	1
3	<u>75044-G06</u>		HARDWARE KIT (INCLUDES ITEMS 4 - 21).....	1
4	<u>75045-G05</u>		FRONT STRUT	1
5	<u>75838-G03</u>		REAR STRUT (DRIVER SIDE)	1
6	<u>75838-G04</u>		REAR STRUT (PASSENGER SIDE)	1
7	<u>75465-G01</u>		FASTENING HARDWARE KIT (INCLUDES ITEMS 8 - 21).....	1
8	<u>00440-G2</u>		BOLT, 5/16 - 18 X 2 1/4" LG	4
9	<u>00905-G8</u>		LOCK WASHER, 5/16"	4
10	<u>75048-G01</u>		SPACER, 1/2"	2
11	<u>00570-G2</u>		WASHER, 5/16"	6
12	<u>00685-G7</u>		BOLT, 5/16 - 18 X 1 3/4" LG (STAINLESS STEEL)	4
13	<u>01110-G03</u>		WASHER, 5/16" (STAINLESS STEEL)	8
14				
15	11098-G6		LOCK NUT, 5/16 - 18 (STAINLESS STEEL)	4
16	<u>00753-G5</u>		SCREW, 1/4 - 20 X 2" LG (STAINLESS STEEL)	2
17	00753-G6		SCREW, 1/4 - 20 X 2 1/4" LG (STAINLESS STEEL)	2
18	<u>01110-G01</u>		WASHER, 1/4" (STAINLESS STEEL)	8
19	<u>75051-G01</u>		PLASTIC SPACER	4
20	<u>00891-G2</u>		LOCK NUT, 1/4 - 20 (STAINLESS STEEL)	4
21	<u>19853-G1</u>		END CAP, 1"	2
22				
23	75378-G0*		SUN TOP CAP (CAMO) (OVER ITEM 1).....	1
24				
25				
26	<u>19528-G2</u>		REAR VIEW MIRROR KIT (INCLUDES ITEMS 27 - 29)	1
27	<u>19496-G1</u>		REAR VIEW MIRROR	1
28	19502-G2		SUPPORT BRACKET.....	1
29	<u>19527-G1</u>		SCREW, #8 - 32 X 5/8" LG (STAINLESS STEEL)	1
30				

WEATHER PROTECTION

Replacement parts for the windshield may be obtained from Eagle Parts, Inc. 1811 Wilkinson Rd. Augusta, GA 30904. Telephone (706) 729-9911 or FAX (706) 729-9955

* Indicates a component that is not available as an individual part.

G** Indicates consult Customer Service Department for additional information.

ITEM	PART NO.	1	2	3	4	5	DESCRIPTION	QTY.
31	75367-G**						3 SIDED SOFT ENCLOSURE KIT (INCLUDES ITEMS 32 - 33).....	1
32	*						ENCLOSURE	1
33	*						VELCRO	AR
34								
35								
36	<u>71966-G01</u>						WINDSHIELD KIT (FULL POLYCARBONATE) (REQUIRES SUN TOP KIT) ...	1
37	<u>71954-G01</u>						WINDSHIELD (FULL) (LEXAN).....	1
38	EGWHC12						SASH, 26" LG	2
39	EGWHS12						SCREW, 1/4 - 20 X 1 3/4" LG (STAINLESS STEEL)	2
40	EGWHG12						WASHER, 1/4" (STAINLESS STEEL)	2
41	EGWHG13						RUBBER GROMET	2
42	EGWHN12						LOCK NUT, 1/4 - 20 (STAINLESS STEEL).....	2
43	EGWHL14						SAFETY LABEL.....	1
44								
45	<u>71966-G02</u>						WINDSHIELD KIT (FOLDING POLYCARBONATE (REQUIRES SUN TOP KIT)	1
46	<u>71955-G01</u>						WINDSHIELD (FOLD DOWN) (LEXAN).....	1
47	EGWHC10						SASH, 12" LG	2
48								
49								
50								
51	<u>71966-G03</u>						WINDSHIELD KIT (FULL ACRYLIC) (REQUIRES SUN TOP KIT)	1
52	<u>71960-G01</u>						WINDSHIELD (FULL) (ACRYLIC)	1
53								
54	<u>71966-G04</u>						WINDSHIELD KIT (FOLDING ACRYLIC) (REQUIRES SUN TOP KIT)	1
55	<u>71961-G01</u>						WINDSHIELD (FOLD DOWN) (ACRYLIC).....	1
56								
57								
58	74479-G02						BRUSH GUARD KIT (INCLUDES ITEMS 59 - 65)	1
59	<u>74465-G03</u>						BACK.....	1
60	<u>74459-G03</u>						SIDE (DRIVER SIDE)	1

WEATHER PROTECTION

THE USE OF NON U.L. PARTS WILL VOID ANY U.L. LISTING.

When ordering parts, please specify the model and serial number of the product.

* Indicates a component that is not available as an individual part.

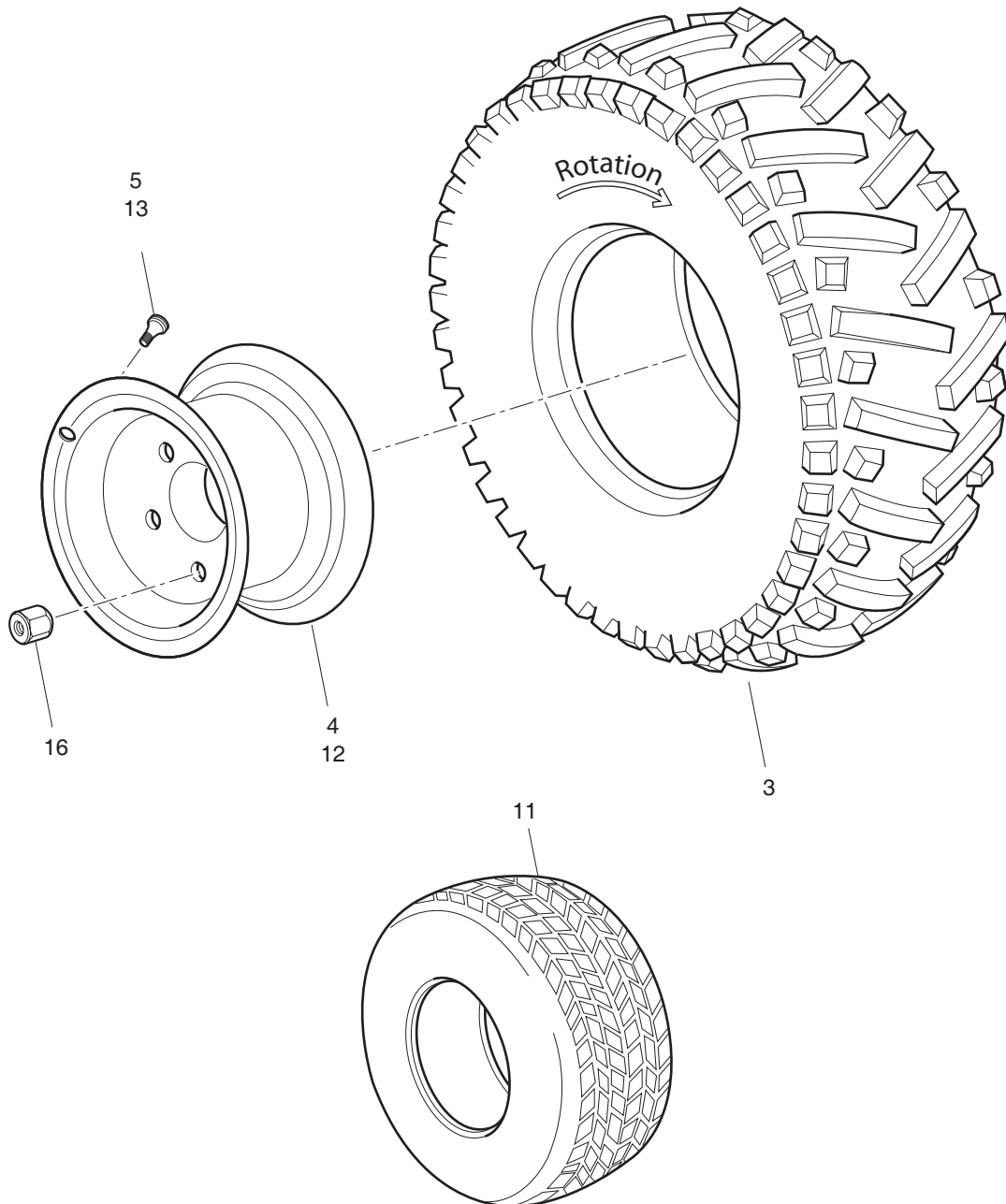
G** Indicates consult Customer Service Department for additional information.

ITEM	PART NO.	1	2	3	4	5	DESCRIPTION	QTY.
61	<u>74460-G03</u>						SIDE (PASSENGER SIDE)	1
62	<u>74462-G03</u>						TOP	1
63	<u>00428-G2</u>						BOLT, 3/8 - 16 X 2 1/4" LG	4
64	<u>00438-G7</u>						BOLT, 5/16 - 18 X 7/8" LG	4
65	11098-G6						LOCK NUT, 5/16 - 18	4
66								
67	74496-G0*						SUN TOP KIT (WITH BRUSH GUARD) (INCLUDES ITEMS 68 - 77)	1
68	<u>74466-G03</u>						MOUNTING BRACKET	1
69	00438-G5						BOLT, 5/16 - 18 X 5/8" LG	4
70	<u>00565-G8</u>						LOCK WASHER, 5/16"	4
71	<u>00532-G3</u>						NUT, 5/16 - 18	4
72	74497-G0*						SUN TOP	1
73	<u>00559-G7</u>						WASHER, 1/4"	8
74	00753-G6						SCREW, 1/4 - 20 X 2 1/4" LG (STAINLESS STEEL)	2
75	<u>00891-G2</u>						LOCK NUT, 1/4 - 20	4
76	<u>00753-G7</u>						SCREW, 1/4 - 20 X 2 1/2" LG	2
77	<u>74469-G01</u>						SPACER	2
78								
79	<u>74542-G01</u>						WINDSHIELD KIT, POLYCARBONATE (WITH BRUSH GUARD) (Replacement Parts available from Eagle Parts, 706-790-6687)	1
80	110-735A						WINDSHIELD (POLYCARBONATE)	1
81	EGWHC12						SASH, 26" LG	2
82	110-072E						SCREW, 1/4 - 20 X 1/2" LG (STAINLESS STEEL)	2
83	EGWHG12						WASHER, 1/4" (STAINLESS STEEL)	4
84	EGWHG13						RUBBER GROMET	2
85	EGWHN12						LOCK NUT, 1/4 - 20 (STAINLESS STEEL)	2

WHEELS AND TIRES

- 1 - Includes Items 3, 4, 5
- 2 - Includes Items 3, 4, 5
- 10 - Includes Items 11, 12, 13

(Style of tire may differ from tire shown)



WHEELS AND TIRES

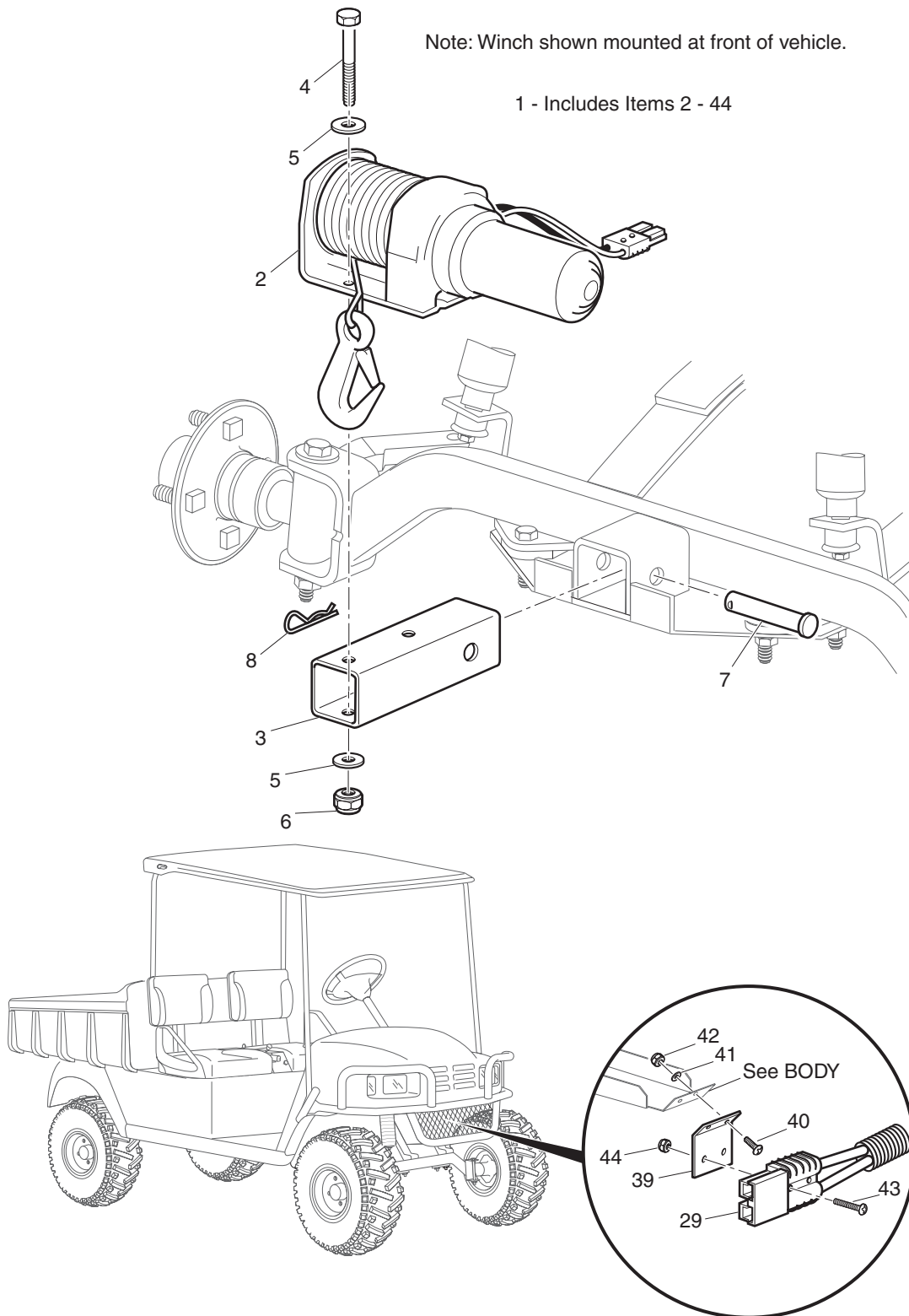
THE USE OF NON U.L. PARTS WILL VOID ANY U.L. LISTING.
 When ordering parts, please specify the model and serial number of the product.
 * Indicates a component that is not available as an individual part.
 G** Indicates consult Customer Service Department for additional information.

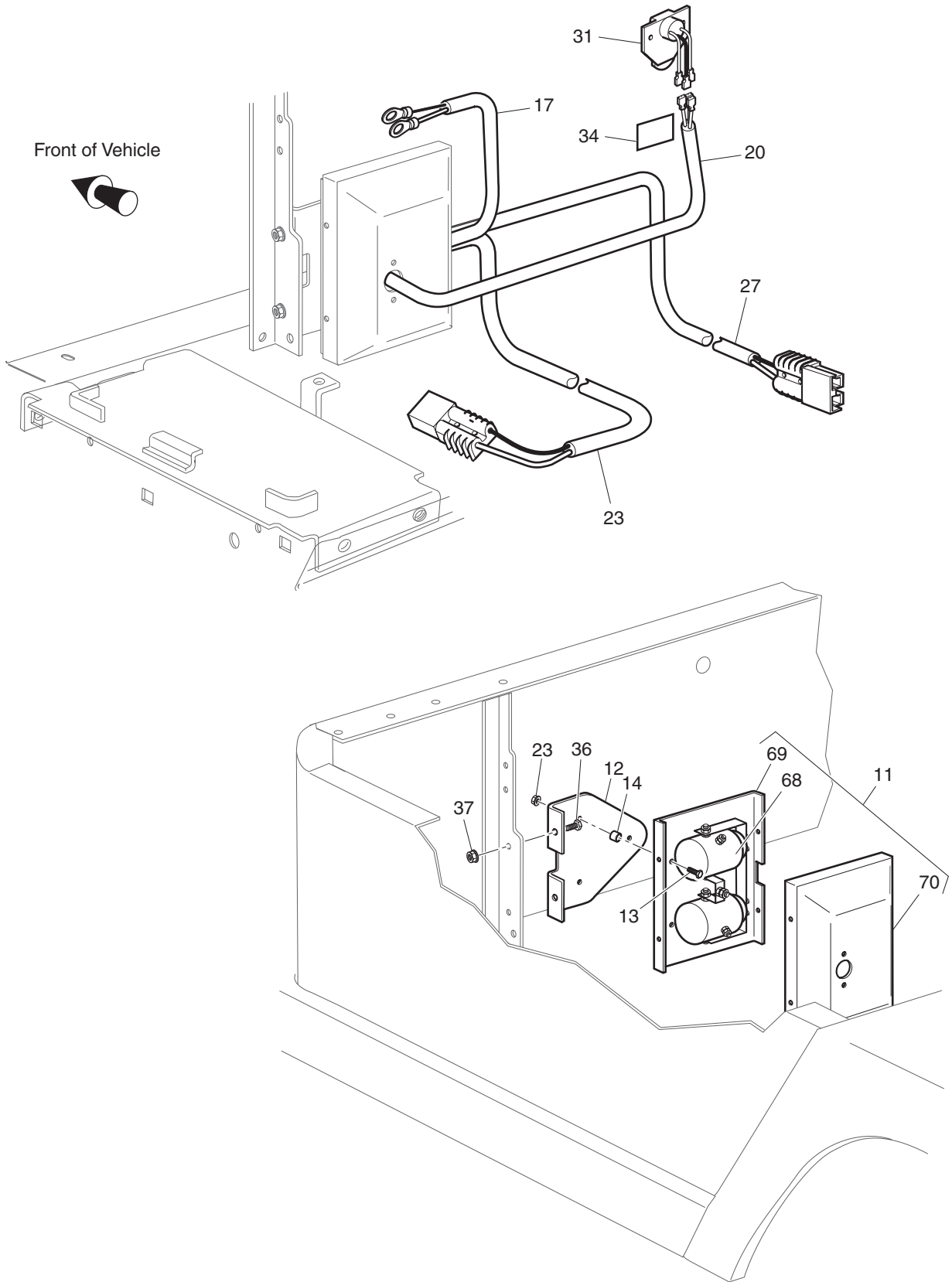
ITEM	PART NO.	1 2 3 4 5	DESCRIPTION	QTY.
1	<u>28630-G04</u>		BLACK WHEEL AND STRYKER® 1 TIRE ASSEMBLY (DRIVER SIDE) (INCLUDES ITEMS 3, 4, 5)	AR
2	<u>28630-G05</u>		BLACK WHEEL AND STRYKER® 1 TIRE ASSEMBLY (PASSENGER SIDE) (INCLUDES ITEMS 3, 4, 5).....	AR
3	<u>28630-G01</u>		TIRE, 22 X 9 - 10 STRYKER® 1	1
4	<u>15172-G02</u>		WHEEL RIM, BLACK (4 LUG)	1
5	<u>11657-G1</u>		VALVE STEM	1
6				
7				
8				
9				
10	<u>28442-G03</u>		BLACK WHEEL AND TURF SAVER® TIRE ASSEMBLY (ITEMS 11, 12, 13) ...	AR
11	<u>28442-G02</u>		TIRE, 20 X 10 - 10 TURF SAVER®	1
12	<u>15172-G02</u>		WHEEL RIM, BLACK (4 LUG)	1
13	<u>11657-G1</u>		VALVE STEM	1
14				
15				
16	<u>14723-G1</u>		LUG NUT, 1/2 - 20	AR

WINCH

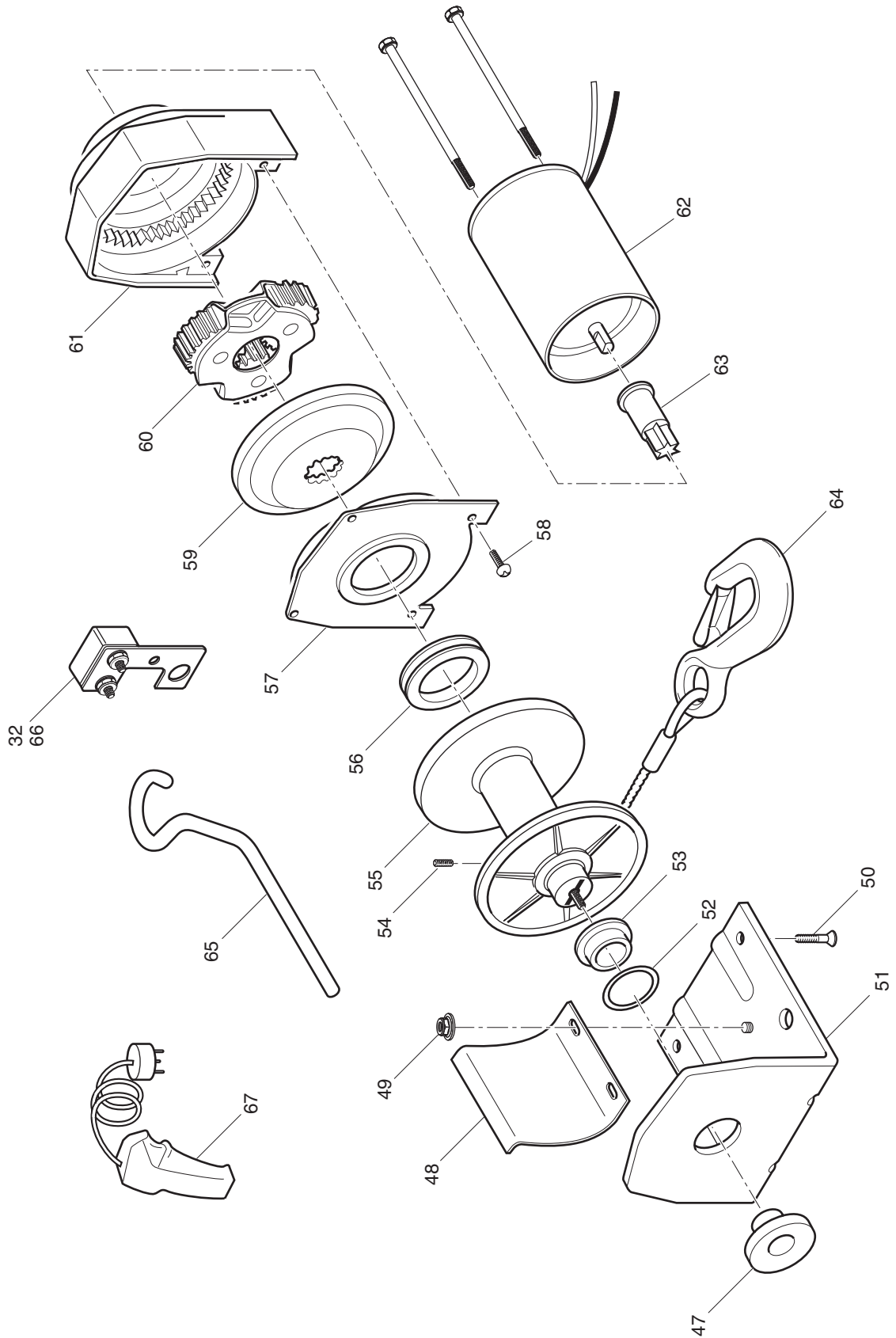
Note: Winch shown mounted at front of vehicle.

1 - Includes Items 2 - 44





WINCH



When ordering parts, please specify the model and serial number of the product.

* Indicates a component that is not available as an individual part.

G** Indicates consult Customer Service Department for additional information.

ITEM	PART NO.	1 2 3 4 5	DESCRIPTION	QTY.
1	<u>74259-G04</u>		WINCH KIT (INCLUDES ITEMS 2 - 44)	1
2	600792		WINCH ASSEMBLY, T1500	1
3	<u>74271-G01</u>		WINCH MOUNTING TUBE	1
4	<u>00440-G6</u>		BOLT, 5/16 - 18 X 2 3/4" LG	2
5	<u>00571-G2</u>		WASHER, 5/16"	4
6	<u>00891-G3</u>		LOCK NUT, 5/16 - 18	2
7	<u>21317-G1</u>		CLEVIS PIN, 5/8" x 3" LG	1
8	<u>21683-G1</u>		COTTER PIN, 15/32" X 2 13/16" LG	1
9				
10	<u>74286-G03</u>		REMOTE SOLENOID (INCLUDES ITEMS 11 - 32)	1
11	<u>74256-G02</u>		SOLENOID KIT	1
12	<u>74326-G01</u>		MOUNTING BRACKET	1
13	<u>00414-G6</u>		BOLT, 1/4 - 20 X 3/4" LG	3
14	<u>23726-G1</u>		SPACER, 1/4"	3
15	<u>14390-G4</u>		LOCK NUT, 1/4 - 20	3
16				
17	<u>72278-G01</u>		WIRE HARNESS (SOLENOID - BATTERY)	1
18				
19				
20	600801		WIRE HARNESS (SOLENOID - RECEPTACLE)	1
21	<u>20436-G1</u>		FLEX LOOM, 4" (BULK)	1
22				
23	600799		WIRE HARNESS (SOLENOID - FRONT)	1
24	18833-G1		FLEX LOOM, 84" (BULK)	1
25	<u>73235-G01</u>		CONNECTOR	1
26				
27	600798		WIRE HARNESS (SOLENOID - REAR) (INCLUDES 28, 29)	1
28	18833-G1		FLEX LOOM, 49" (BULK)	1
29	<u>73235-G01</u>		CONNECTOR	1
30				

WINCH

When ordering parts, please specify the model and serial number of the product.

* Indicates a component that is not available as an individual part.

G** Indicates consult Customer Service Department for additional information.

ITEM	PART NO.	1	2	3	4	5	DESCRIPTION	QTY.
31	<u>600482</u>						RECEPTACLE WITH LEADS (GREEN, WHITE, BLACK)	1
32	*						CIRCUIT BREAKER WITH BRACKET.....	1
33								
34	<u>71489-G01</u>						LABEL (READ INSTRUCTIONS)	1
35								
36	<u>00414-G5</u>						BOLT, 1/4 - 20 X 5/8" LG.....	2
37	<u>14390-G4</u>						LOCK NUT, 1/4 - 20.....	2
38								
39	<u>74289-G01</u>						CONNECTOR MOUNT PLATE.....	1
40	<u>00740-G4</u>						SCREW, #10 - 32 x 1/2" LG (STAINLESS STEEL)	2
41	<u>00559-G5</u>						WASHER, #10	2
42	<u>00921-G8</u>						LOCK NUT, #10 - 32.....	2
43	<u>00156-G8</u>						SCREW, #10 - 32 X 1" LG	2
44	<u>00526-G4</u>						LOCK NUT, #10 - 32.....	2
45								
46								
							The following items are replacement components for the winch. For service or replacement parts, contact Superwinch, Inc., Winch Drive, Putnam, CT 06260 Phone: (860) 928-7787, FAX: (860) 928-1143	
							Always provide the following information when requesting information or ordering replacement parts:	
							Winch Part Number: T1500 Serial Number: (found on housing) Part Number and Description	
47	87-10490						KNOB ASSEMBLY, T-SERIES F/W	1
48	87-22381						TENSION PLATE	1
49	87-23149-05						NUT, HEX, FLANGED, M5 X 0.8	2
50	89-22291-01						SCREW, ST HEX SKY FH, M6 X 1 X 20	2
51	87-22394						BASEPLATE ASSEMBLY, T-SERIES	1
52	AS REQ'D						WASHER, .020" OR .030" THICK.....	A/R
53	87-10466						BUSHING, T-SERIES.....	1

When ordering parts, please specify the model and serial number of the product.
 * Indicates a component that is not available as an individual part.
 G** Indicates consult Customer Service Department for additional information.

ITEM	PART NO.	1	2	3	4	5	DESCRIPTION	QTY.
54	87-23309-01						SET SCREW, M5 X 0.8 X 6	1
55	87-22397						DRUM ASSEMBLY	1
56	87-10470						DRUM SUPPORT BUSHING	1
57	87-33257						DRUM SUPPORT PLATE.....	1
58	87-23030-10						SCREW, ST PAN HEAD, M4 X 0.7 X 10	4
59	87-33251						ROTATOR GEAR, T-SERIES	1
60	87-22380						CARRIER ASSEMBLY, T-SERIES.....	1
61	87-22396						STATIONARY GEAR HOUSING ASSEMBLY, T-SERIES.....	1
62	87-33249						MOTOR, 12 VOLT	1
63	87-22401						MOTOR PINION GEAR	1
64	1535A						WIRE ROPE AND HOOK ASSEMBLY, 5/32" X 25 FEET.....	1
65	89-32300						HANSAVER BAR	1
66	90-22873-03						CIRCUIT BREAKER ASSEMBLY, 12 VOLT, T-SERIES	1
67	90-22117						REMOTE CONTROL ASSEMBLY	1
68	92-20172						SOLENOID, 12 VOLT	2
69	90-32070						SOLENOID BACK PLATE	1
70	90-31079						SOLENOID COVER.....	1

WINCH

OPTIONS/ACCESSORIES

OPTIONS/ACCESSORIES

OPTIONS/ACCESSORIES

ITEM	KIT NO.	COMMENTS
ACCESSORY LIST	KIT NO.	LOCATION IN MANUAL
ASHTRAY KIT.....	75109-G03	See BODY
BRUSHGUARD	74479-G02	See WEATHER PROTECTION
BRUSHGUARD SUN TOP	74496-G0*	See WEATHER PROTECTION
BRUSHGUARD WINDSHIELD.....	74542-G01	See WEATHER PROTECTION
REAR BASKET	71449-G01	
FRONT BASKET	71065-G02	
HITCH.....	74492-G0*	See BODY
GLOVE BOX DOOR	75459-G0*	See BODY
GUN HOLDER	74365-G01	
HOUR METER KIT	75114-G06	See ELECTRICAL SYSTEM
REAR VIEW MIRROR KIT (REQUIRES SUN TOP KIT).....	19528-G2	See WEATHER PROTECTION
SOFT ENCLOSURE (3 SIDED).....	75367-G0*	See WEATHER PROTECTION
SUN TOP KIT	75040-G0*	See WEATHER PROTECTION
SUN TOP CAP (CAMO)	75378-G02	See WEATHER PROTECTION
TURN SIGNAL.....	17867-G1	See ELECTRICAL SYSTEM
WINCH.....	74259-G04	See WINCH
WINDSHIELD KIT (REQUIRES SUN TOP KIT)	71966-G0*	See WEATHER PROTECTION
WINDSHIELD KIT (FOLD DOWN) (REQUIRES SUN TOP KIT).....	71966-G0*	See WEATHER PROTECTION
TIRE DOMINATOR 20X11-10.....	605316	Wheels and Tires
PATHFINDER TIRE, BRUSHED WHEEL LH	605355	Wheels and Tires
PATHFINDER TIRE, BURSHED WHEEL RH.....	605356	Wheels and Tires
V-STEM BRUSHED SPOKED WHEEL	605351	Wheels and Tires
DOMINATOR POLISHED WHEEL	605319	Wheels and Tires
DOMINATOR BRUSHED WHEEL	605320	Wheels and Tires
CHROME CENTER CAP - SPOKED WHEEL.....	604929	Wheels and Tires
NUT, LUG-CHROME	605310	Wheels and Tires
V-STEM POLISHED SPOKED WHEEL.....	605311	Wheels and Tires
PATHFINDER TIRE 22X11-10	604928	Wheels and Tires
PATHFINDER TIRE POLISHED WHEEL LH.....	604930	Wheels and Tires
PATHFINDER TIRE POLISHED WHEEL RH	605228	Wheels and Tires



A Textron Company

E-Z-GO Division Of Textron, Inc.,
1451 Marvin Griffin Road, Augusta, Georgia USA 30906-3852

TO CONTACT US

North America:

Technical Assistance & Warranty Phone: 1-800-774-3946, FAX: 1-800-448-8124
Service Parts Phone: 1-888-GET-EZGO (1-888-438-3946), FAX: 1-800-752-6175

International:

Phone: 001-706-798-4311, FAX: 001-706-771-4609

Certified ISO 9001 / ISO 14001 by



Copyrighted Material
This manual may not be reproduced in whole or
in part without the express permission of
E-Z-GO Division of Textron, Inc.
Technical Communications Department