



A Textron Company

# SERVICE PARTS MANUAL



**605276**

*Electric Three Wheeled Vehicle*

ISSUE DATE: JUNE 2006



# **SERVICE PARTS MANUAL**

## **ELECTRIC POWERED THREE WHEEL SERVICE VEHICLE**

**INDUSTRIAL 835™**

**STARTING MODEL YEAR: 2007**

E-Z-GO Division of Textron Inc., reserves the right to make design changes without obligation to make these changes on units previously sold and the information contained in this manual is subject to change without notice.

E-Z-GO Division of Textron Inc., is not liable for errors in this manual or for incidental or consequential damages that result from the use of the material in this manual.

**CUSTOMER SERVICE DEPARTMENT IN USA PHONE: 1-800-241-5855 FAX: 1-800-448-8124**

**OUTSIDE USA PHONE: 001-706-798-4311, FAX: 001-706-771-4609**

**E-Z-GO DIVISION OF TEXTRON, INC., P.O.BOX 388, AUGUSTA, GEORGIA USA 30906-3852**

## NOTES

To obtain a copy of the limited warranty applicable to the vehicle, call or write a local Distributor, authorized Branch or the Warranty Department with vehicle serial number and manufacturer code.

The use of non Original Equipment Manufacturer (OEM) parts may void the warranty.

Overfilling of batteries may void the warranty.

### BATTERY PROLONGED STORAGE

All batteries will self discharge over time. The rate of self discharge varies depending on the ambient temperature and the age and condition of the batteries.

A fully charged battery will not freeze in winter temperatures unless the temperature falls below -75° F (-60° C).

As with all electric vehicles, the batteries must be checked and recharged as required or at a minimum of 30 day intervals.

# TABLE OF CONTENTS

<b>SECTION</b>	<b>Page No.</b>
HOW TO USE THE SERVICE PARTS MANUAL .....	-v
ILLUSTRATED PARTS BREAKDOWN .....	-ix
BATTERY CHARGER .....	A-1
BODY & DECALS .....	B-1
BRAKE PEDAL & LINKAGE .....	C-1
DIFFERENTIAL .....	D-1
EE COMPONENTS .....	E-1
ELECTRICAL COMPONENTS .....	F-1
FORK, HUB & HANDLEBARS .....	G-1
FRONT & REAR WHEELS - TIRES .....	H-1
MOTOR .....	J-1
SEATING .....	K-1
SPEED CONTROL PEDAL .....	L-1
STEERING WHEEL ACCESSORY .....	M-1



# HOW TO USE THE SERVICE PARTS MANUAL

This manual is divided into several sections:

## **GENERAL INFORMATION**

- TABLE OF CONTENTS
- HOW TO USE THE SERVICE PARTS MANUAL

## **ILLUSTRATED PARTS BREAKDOWN**

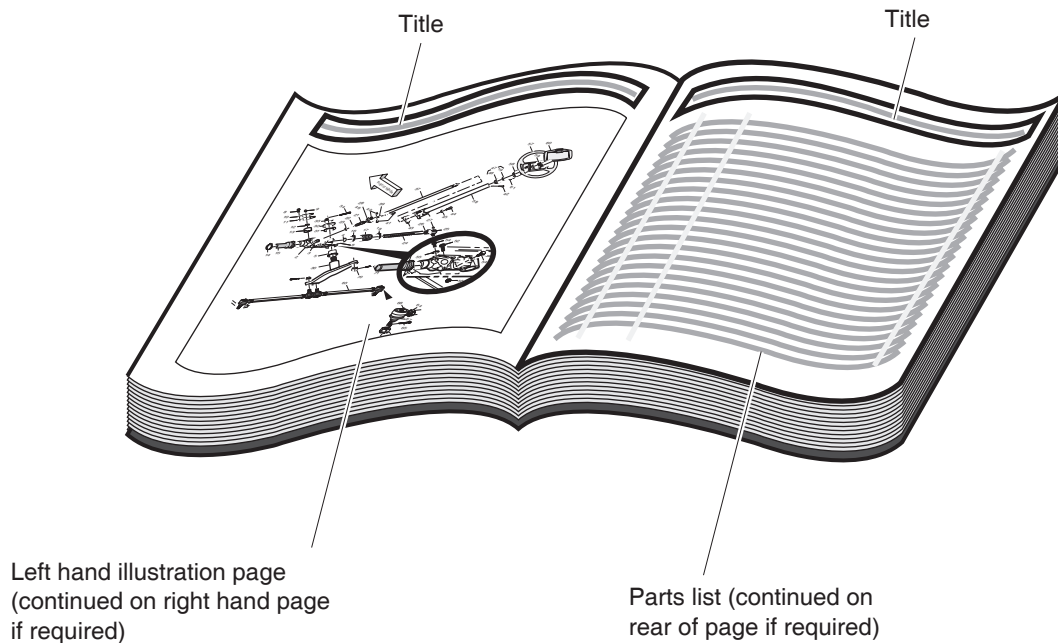
- Contains illustrations and parts lists for all systems of the vehicle.

## **USE OF THE MANUAL**

To use this manual, consult the TABLE OF CONTENTS (page iii) to locate the information or illustration required.

Introduction of some revisions varies due to supply of components; therefore, it is possible that various combinations of components may be found that are not directly reflected by each illustration. Consult the illustration that best suits your situation. Locate the serial number plate (see BODY located in the Illustrated Parts Breakdown section of this manual for its location) and note the complete number shown on the plate. It is important that the serial number of your vehicle and its model number be supplied to Service Parts when ordering any replacement components.

# HOW TO USE THE SERVICE PARTS MANUAL



## 1. WHEN THE PART NUMBER IS NOT KNOWN

- Determine the function and application of the part required. Turn to the TABLE OF CONTENTS and select the most appropriate component description.
- Turn to the page number indicated and locate the part description in the parts list. Read the full accompanying description for specific information regarding the part that was not shown in the index.
- From the parts list, obtain the item number assigned to it and confirm that the part selected is correct by verifying it with the pictorial representation on the illustrated page.

Should an asterisk (\*) appear in the part number column on the parts list page, read upwards until a part number is found. The part number is the lowest assembly sold by Service Parts. The asterisk (\*) indicates that the part depicted is not available for purchase.

NOTE: Descriptions are indented under the assembly that they are used on. That assembly is, in turn listed under the assembly that it is used on. This process is repeated until the highest final assembly is reached.

**To facilitate the maintenance and repair of the vehicle, a Technician's Repair and Service Manual is available from the Service Parts Department.**



# HOW TO USE THE SERVICE PARTS MANUAL

## VEHICLE IDENTIFICATION

**THESE IDENTIFICATION NUMBERS MUST APPEAR ON ALL CORRESPONDENCE CONCERNING THE VEHICLE.**

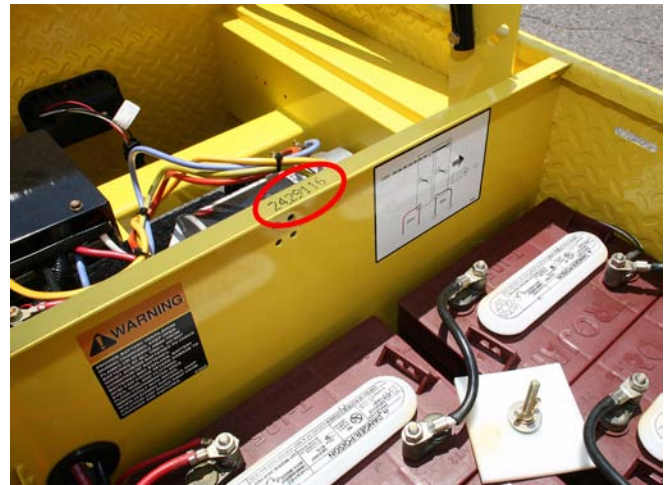
### VEHICLE MODEL NUMBER/ MODEL YEAR & SERIAL NUMBER

The vehicle model number decal is located on upper left portion of kick panel. The complete (10) ten digit number is required to identify certain parts.



**Model Number, Model Year and  
Serial Number on Decal**

The vehicle serial number is stamped on top of the frame adjacent to the Battery Compartment.

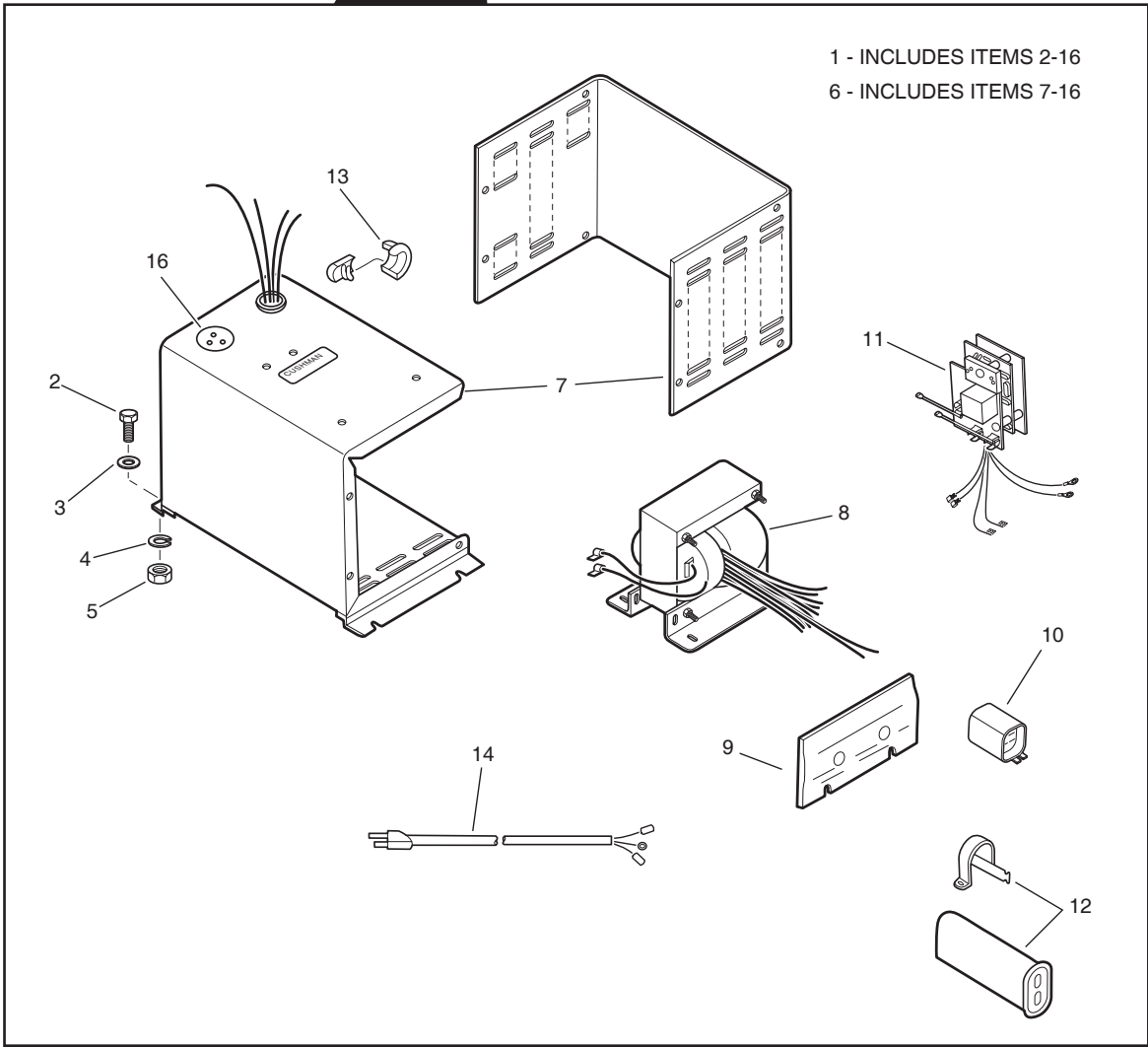
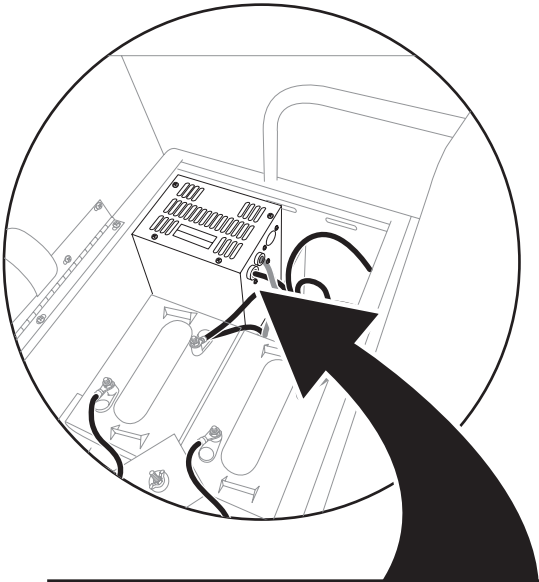


**Vehicle Serial Number on the Frame Adjacent to  
the Battery Compartment**



**ILLUSTRATED PARTS BREAKDOWN**

# BATTERY CHARGER

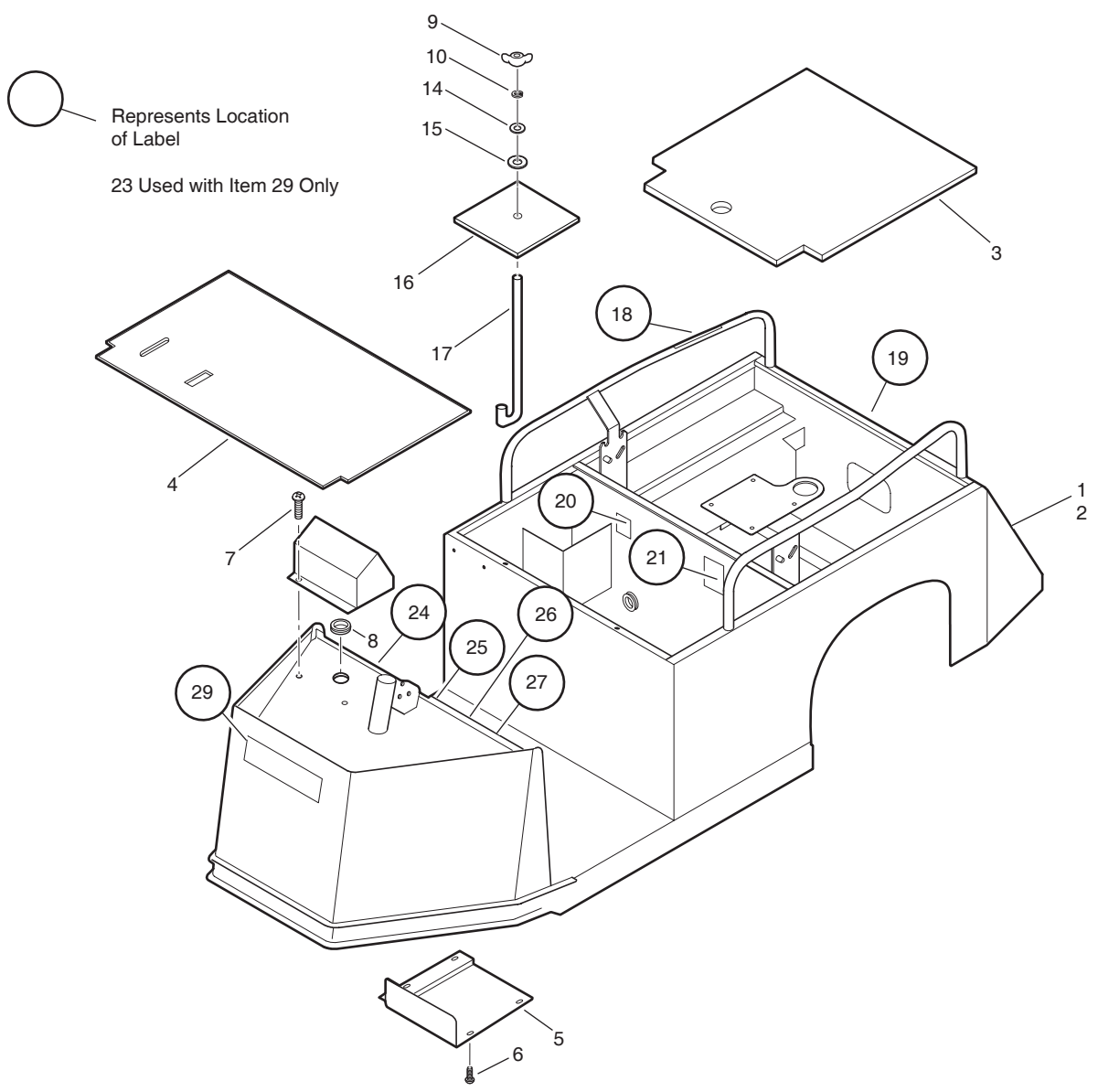


# BATTERY CHARGER

Where applicable, THE USE OF NON UL PARTS WILL VOID ANY UL LISTING.  
 When ordering parts, please specify the model and serial number of the product.  
 \* Indicates a component that is not available as an individual part.  
 G\*\* Indicates consult Customer Service Department for additional information.

ITEM	PART NO.	1	2	3	4	5	DESCRIPTION	QTY.	
1	<u>892860</u>	LESTER MODEL 16940, 25 AMP, 115 VAC, 60 HZ (INCLUDES ITEMS 2-16)							
2	<u>800017</u>	SCREW, 1/4-20 X 1" LG .....							4
3	<u>308090</u>	WASHER, 1/4" .....							4
4	<u>306396</u>	LOCK WASHER, 1/4" .....							4
5	<u>306375</u>	NUT, 1/4-20 .....							4
6	<u>892860</u>	CHARGER, COMPLETE, MODEL 16940 (INCLUDES ITEMS 7-16).....							1
7	892889	CASE, LESTER NO. 21559S .....							1
8	892890	TRANSFORMER, LESTER NO. 16945S .....							1
9	886435	HEATSINK, W/DIODES .....							1
10	<u>892893</u>	RELAY .....							1
11	<u>892891</u>	TIMER .....							1
12	<u>823749</u>	CAPACITOR, 6.0 MFD.....							1
13	<u>822048</u>	BUSHING, A.C. CORD .....							1
14	<u>883216</u>	CORDSET, A.C.....							1
15	892892	WIRING HARNESS (NOT ILLUSTRATED) .....							1
16	883844	FUSE.....							1

# BODY & DECALS





19



20

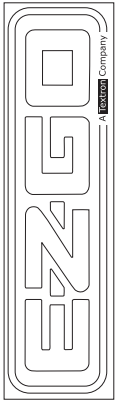


24

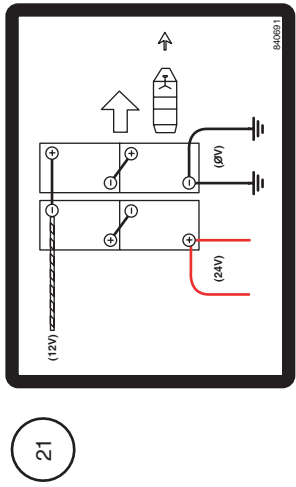


25

SERIAL NUMBER LABEL NOT SHOWN



29



21



27



18

# BODY & DECALS

Where applicable, THE USE OF NON UL PARTS WILL VOID ANY UL LISTING.

When ordering parts, please specify the model and serial number of the product.

\* Indicates a component that is not available as an individual part.

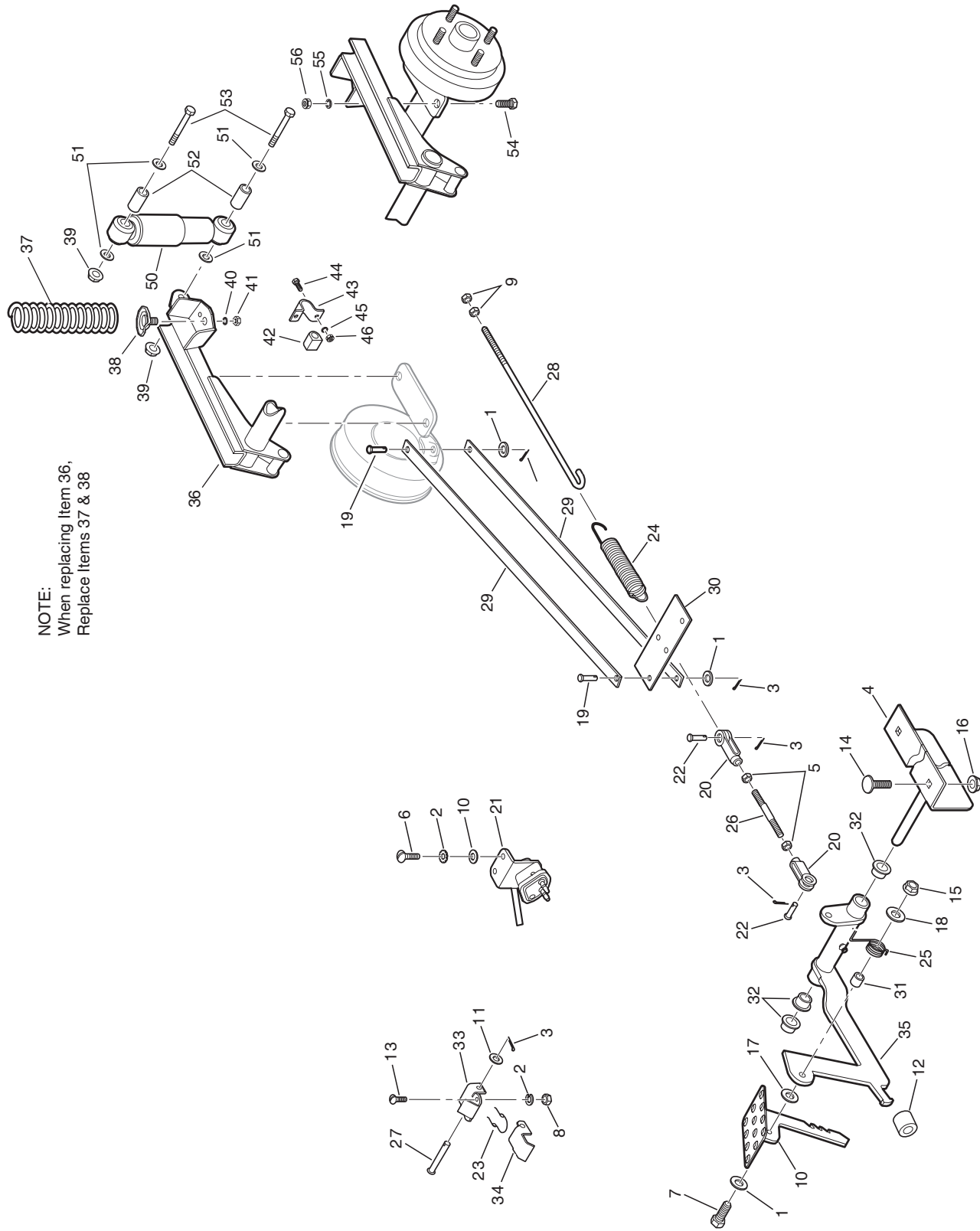
G\*\* Indicates consult Customer Service Department for additional information.

ITEM	PART NO.	1 2 3 4 5	DESCRIPTION	QTY.
1	892709		BODY, W/DECALS .....	1
2	893187		BODY, GALVANIZED W/DECALS.....	1
3	<u>840684</u>		DECK, CARGO AREA .....	1
4	<u>840528</u>		MAT, FLOOR .....	1
5	<u>840770</u>		GUARD, PEDAL.....	1
6	<u>800026</u>		SCREW, 1/4-20 X 3/4" LG .....	4
7	548013		SCREW, 1/4-20 X 1/2" LG .....	2
8	<u>828247</u>		GROMMET.....	2
9	<u>800315</u>		NUT, WING 5/16-18 .....	1
10	<u>306325</u>		LOCK WASHER, 5/16".....	1
11				
12				
13				
14	<u>809152</u>		WASHER, 5/16" .....	3
15	<u>818303</u>		WASHER, REBOUND BUMPER .....	1
16	<u>840695</u>		PLATE, BATTERY HOLD DOWN .....	1
17	<u>806954</u>		BOLT, BATTERY HOLD DOWN .....	1
18	<u>825328</u>		LABEL, WARNING, USE HAND HOLDS.....	2
19	<u>840696</u>		LABEL, WARNING, NO STANDING.....	1
20	<u>819936</u>		LABEL, WARNING, BATTERY VENTILATION.....	1
21	<u>840691</u>		LABEL, BATTERY WIRING .....	1
22				
23	<u>12064-G3</u>		PUSH NUT, 3/16" .....	3
24	<u>825387</u>		LABEL, WARNING, VEHICLE OPERATION .....	1
25	29165		LABEL, NOTICE, OFF-HIGHWAY .....	1
26	*		SERIAL NUMBER LABEL.....	1
27	<u>830926</u>		LABEL, WARNING, CHARGER OPERATION.....	1
28				
29	<u>71037-G02</u>		E-Z-GO NAMEPLATE .....	1





# BRAKE PEDAL & LINKAGE



# BRAKE PEDAL & LINKAGE

Where applicable, THE USE OF NON UL PARTS WILL VOID ANY UL LISTING.  
 When ordering parts, please specify the model and serial number of the product.  
 \* Indicates a component that is not available as an individual part.  
 G\*\* Indicates consult Customer Service Department for additional information.

ITEM	PART NO.	1 2 3 4 5	DESCRIPTION	QTY.
1	<u>103867</u>		WASHER, 11/32" .....	4
2	<u>120052</u>		LOCK WASHER, #10.....	4
3	<u>306328</u>		PIN, COTTER 3/32 X 3/4" LG .....	7
4	<u>2703903.7</u>		PIVOT, BRAKE .....	1
5	<u>306320</u>		NUT, 5/16-24.....	2
6	<u>306391</u>		SCREW, #10-32 X 5/16" LG .....	2
7	<u>306435</u>		SCREW, 5/16-18 X 1 1/4" LG .....	1
8	<u>306531</u>		NUT, #10-24.....	2
9	<u>306932</u>		NUT, 5/16-18.....	2
10	<u>892802</u>		LATCH, BRAKE .....	1
11	<u>308090</u>		WASHER, 1/4" .....	1
12	<u>517163</u>		SPACER.....	1
13	<u>800271</u>		SCREW, #10-24 X 1/2" LG .....	2
14	<u>800557</u>		BOLT, CARRIAGE 5/16-18 X 3/4" LG.....	2
15	<u>800290</u>		NUT, LOCK 5/16-18 .....	1
16	<u>800697</u>		NUT, FLANGELOCK 5/16-18.....	2
17	<u>800873</u>		WASHER, NYLON 3/8" .....	1
18	<u>800874</u>		WASHER, 11/32" .....	2
19	<u>806714</u>		PIN, CLEVIS 5/16 X 15/16" LG .....	4
20	<u>810722</u>		YOKE .....	2
21	<u>814005</u>		SWITCH .....	1
22	<u>806703</u>		PIN, CLEVIS.....	2
23	<u>817507</u>		SPRING.....	1
24	<u>822313</u>		SPRING, EXTENSION.....	1
25	<u>829860</u>		SPRING.....	1
26	<u>830661</u>		ROD, THREADED.....	1
27	<u>830784</u>		PIN, PIVOT.....	1
28	<u>831861</u>		BOLT, ADJUSTING.....	1
29	<u>840326</u>		STRAP, BRAKE .....	4
30	<u>840335</u>		CROSSMEMBER, BRAKE.....	1

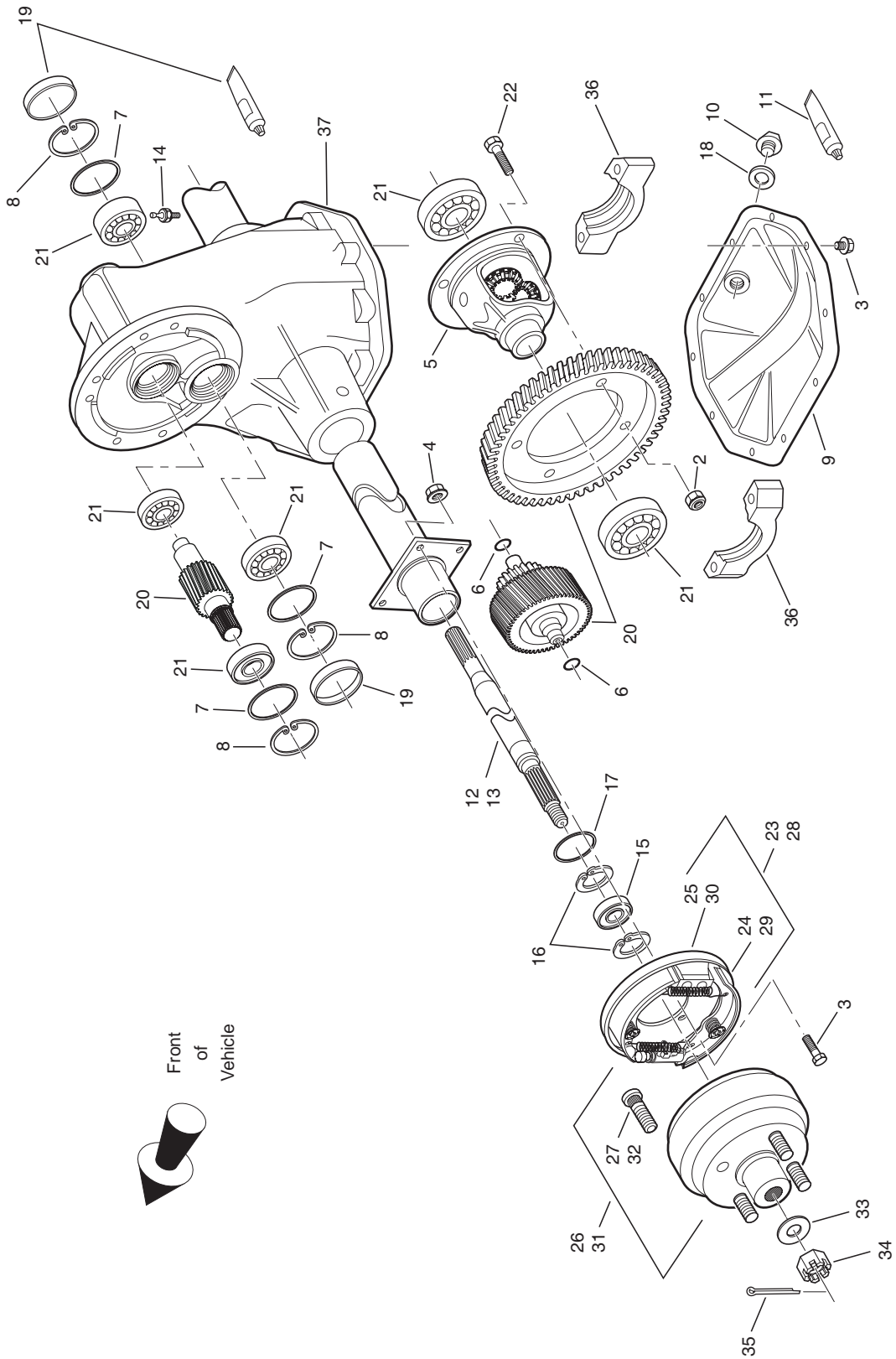
# BRAKE PEDAL & LINKAGE

Where applicable, THE USE OF NON UL PARTS WILL VOID ANY UL LISTING.  
 When ordering parts, please specify the model and serial number of the product.  
 \* Indicates a component that is not available as an individual part.  
 G\*\* Indicates consult Customer Service Department for additional information.

ITEM	PART NO.	1 2 3 4 5	DESCRIPTION	QTY.
31	<u>840491</u>		BUSHING .....	1
32	<u>840494</u>		BEARING, FLANGED .....	3
33	840666		LATCH, BRAKE LOCK.....	1
34	840667		LATCH, PARK BRAKE.....	1
35	<u>2703900.7</u>		ARM, BRAKE .....	1
36	<u>897151</u>		FRAME, POWER .....	1
37	<u>805437</u>		SPRING.....	2
38	<u>876660</u>		RETAINER .....	2
39	<u>800294</u>		NUT, LOCK 7/16-14 .....	2
40	<u>809152</u>		WASHER, 5/16" .....	3
41	<u>308332</u>		NUT, 1/2-13.....	2
42	<u>816667</u>		BLOCK, STABILZER.....	2
43	<u>825366</u>		RETAINER .....	2
44	<u>306835</u>		SCREW, 3/8-16 X 1 1/4" LG .....	4
45	<u>120177</u>		LOCK WASHER, 3/8".....	4
46	<u>306562</u>		NUT, 3/8-16.....	4
47				
48				
49				
50	<u>807332</u>		SHOCK ABSORBER.....	1
51	<u>825500</u>		WASHER, CUPPED.....	4
52	<u>823621</u>		BUSHING .....	2
53	<u>311396</u>		SCREW, 7/16-14 X 2" LG .....	2
54	<u>800546</u>		SCREW, M12-1.25 X 35MM LG.....	4
55	<u>120166</u>		LOCK WASHER, 1/2".....	6
56	<u>800875</u>		NUT, M12-1.25.....	4



# DIFFERENTIAL



Where applicable, THE USE OF NON UL PARTS WILL VOID ANY UL LISTING.

When ordering parts, please specify the model and serial number of the product.

\* Indicates a component that is not available as an individual part.

G\*\* Indicates consult Customer Service Department for additional information.

ITEM	PART NO.	1 2 3 4 5	DESCRIPTION	QTY.
1	4115147		DIFFERENTIAL, COMPLETE (INCLUDES ITEMS 1-31) .....	
2	<u>306319</u>		NUT, 3/8-24 .....	4
3	<u>306450</u>		SCREW, 5/16-18 X 3/4" LG .....	18
4	<u>548911</u>		NUT, FLANGELOCK 5/16-18 .....	8
5	840807		CASE ASSEMBLY .....	1
6	840808		SEAL, O-RING .....	2
7	840809		SEAL, O-RING .....	3
8	840810		RING, RETAINING .....	3
9	4115172		COVER, CARRIER .....	1
10	845316		PLUG, FILL (HEX HEAD) .....	1
11			SEAL, COVER PLATE .....	1
12	<u>840814</u>		SHAFT, AXLE LH .....	1
13	<u>840815</u>		SHAFT, AXLE RH .....	1
14	840816		VENT .....	1
15	840817		BEARING .....	2
16	840818		RING, RETAINING .....	4
17	840819		SEAL, OIL .....	2
18	840820		WASHER, FLAT PLASTIC .....	1
19	840821		KIT, INTERMEDIATE SEAL .....	1
20	840822		GEAR SET .....	1
21	<u>840823</u>		KIT, CARRIER BEARING .....	1
22	840824		SCREW, 3/8-24 X 1 1/8" LG .....	4
23	4115155		BRAKE, (LEFT), COMPLETE (INCLUDES ITEMS 24-25) .....	1
24	4115170		KIT, BRAKE SHOES (1 WHEEL) .....	2
25	<u>892968</u>		KIT, BRAKE HARDWARE (1 WHEEL) .....	2
26	<u>892969</u>		HUB, W/ STUDS (INCLUDES ITEM 27) .....	2
27	840844		STUD, WHEEL MOUNTING .....	4
28	4115156		BRAKE, (RIGHT), COMPLETE (INCLUDES ITEMS 29-30) .....	1
29	<u>892866</u>		KIT, BRAKE SHOES (1 WHEEL) .....	2
30	<u>892968</u>		KIT, BRAKE HARDWARE (1 WHEEL) .....	2

# DIFFERENTIAL

Where applicable, THE USE OF NON UL PARTS WILL VOID ANY UL LISTING.  
 When ordering parts, please specify the model and serial number of the product.  
 \* Indicates a component that is not available as an individual part.  
 G\*\* Indicates consult Customer Service Department for additional information.

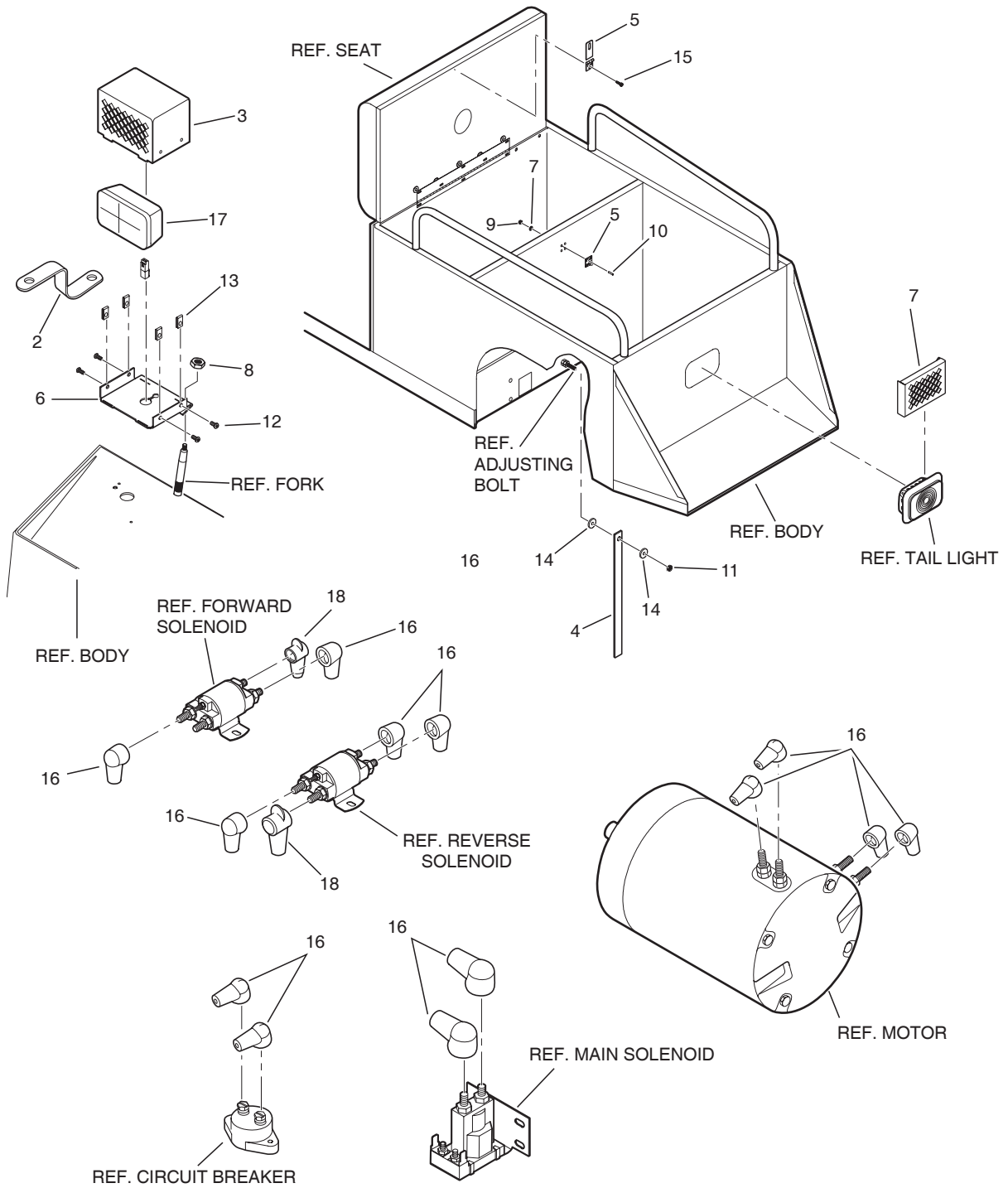
ITEM	PART NO.	1 2 3 4 5	DESCRIPTION	QTY.
31	892969		HUB, W/ STUDS (INCLUDES ITEM 32).....	2
32	840844		STUD, WHEEL MOUNTING .....	4
33	850017		WASHER.....	2
34	500389-7		CASTLE NUT .....	2
35	500024-6		COTTER PIN.....	2
36	*		CLAMP, BOTTOM.....	2
37	*		CASING, UPPER .....	1



**Notes:**

Handwritten notes area with multiple horizontal lines.

# EE COMPONENTS

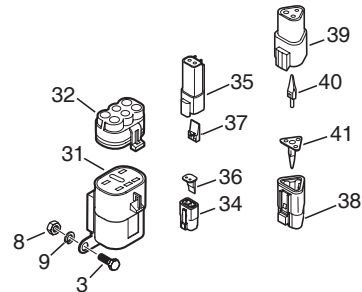
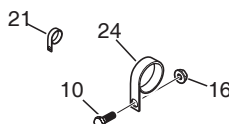
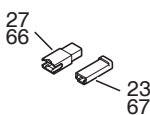
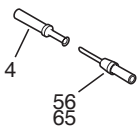
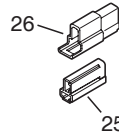
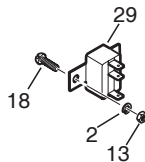
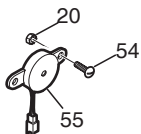
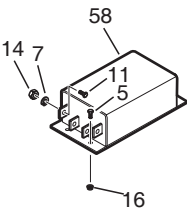
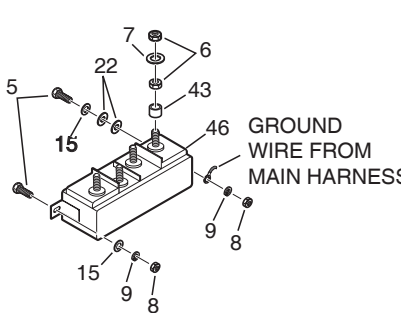
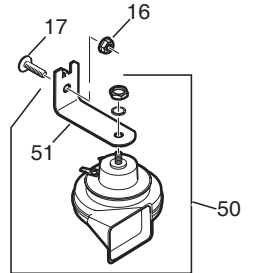
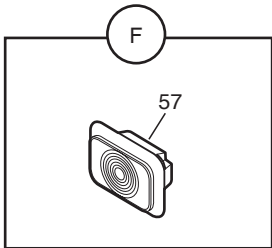
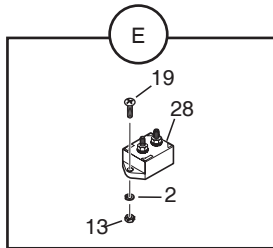
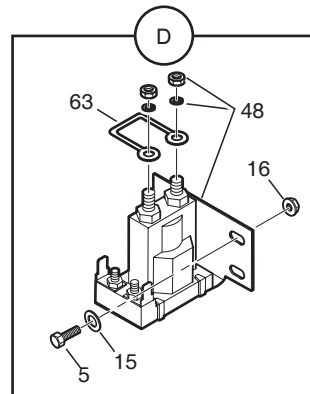
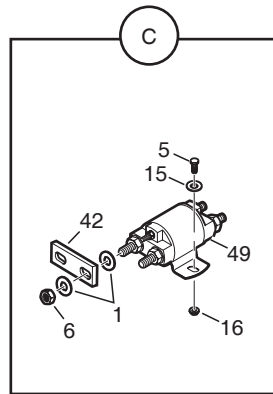
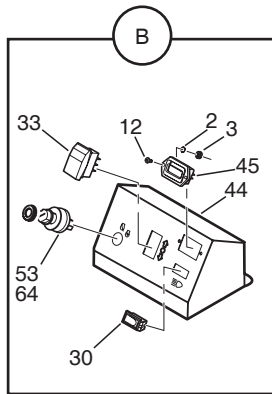
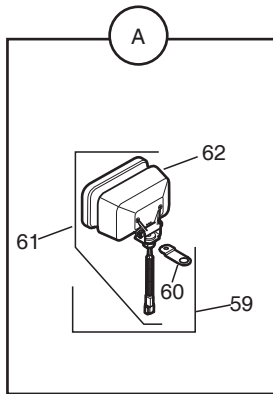
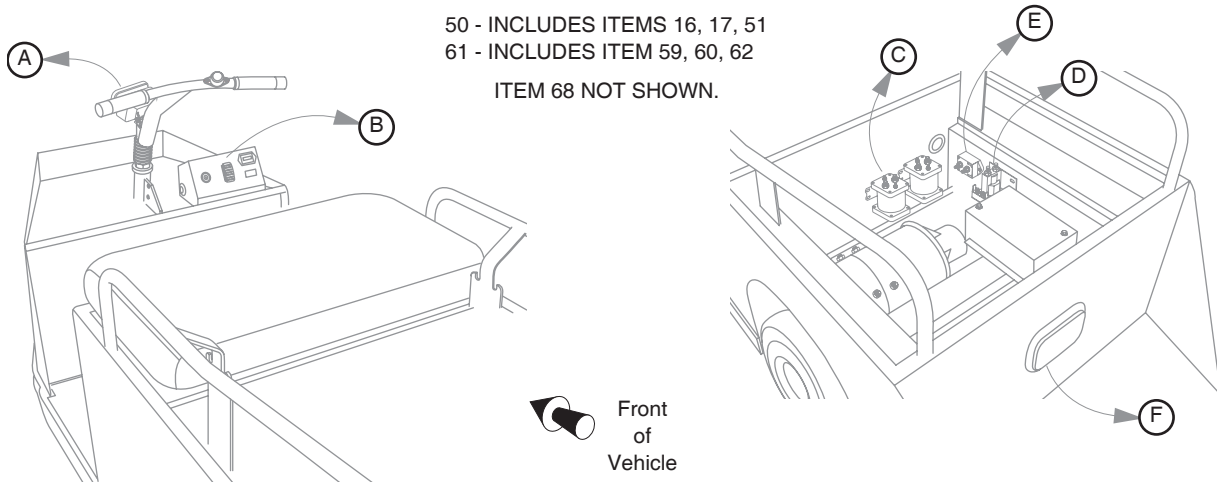


# EE COMPONENTS

Where applicable, THE USE OF NON UL PARTS WILL VOID ANY UL LISTING.  
 When ordering parts, please specify the model and serial number of the product.  
 \* Indicates a component that is not available as an individual part.  
 G\*\* Indicates consult Customer Service Department for additional information.

ITEM	PART NO.	1 2 3 4 5	DESCRIPTION	QTY.
1	<u>120052</u>		LOCK WASHER, #10".....	4
2	<u>840854-G01</u>		BRACKET .....	1
3	<u>2702875.7</u>		COVER, HEADLIGHT GUARD .....	1
4	2702915		STRAP, STATIC.....	1
5	<u>2702994</u>		HASP, SAFETY W/STAPLE .....	1
6	<u>2703038.7</u>		BASE, HEADLIGHT GUARD .....	1
7	<u>2703039.7</u>		COVER, REAR LIGHT .....	1
8	<u>305134</u>		NUT, 7/8-14, JAM.....	1
9	<u>306531</u>		NUT, #10-24.....	4
10	306532		SCREW, #10-24 X 5/8" LG .....	4
11	<u>306932</u>		NUT, 5/16-18.....	1
12	<u>800019</u>		SCREW, 1/4-29 X 1/2" LG .....	4
13	<u>800238</u>		NUT, 1/4-20, SPEED.....	4
14	800874		WASHER, 11/32" .....	2
15	<u>800965</u>		SCREW, 12-14 X 3/4" LG, .....	3
16	<u>844328</u>		BOOT, TERMINAL .....	13
17	<u>892523</u>		HEADLIGHT.....	1
18	<u>840177</u>		BOOT, TERMINAL.....	2

# ELECTRICAL COMPONENTS



# ELECTRICAL COMPONENTS

Where applicable, THE USE OF NON UL PARTS WILL VOID ANY UL LISTING.

When ordering parts, please specify the model and serial number of the product.

\* Indicates a component that is not available as an individual part.

G\*\* Indicates consult Customer Service Department for additional information.

ITEM	PART NO.	1 2 3 4 5	DESCRIPTION	QTY.
1	<u>103867</u>		WASHER, 5/16" .....	8
2	<u>120052</u>		WASHER, #10.....	7
3	<u>300646</u>		SCREW, 1/4-20 X 3/4" LG .....	2
4	<u>838769</u>		TERMINAL, SOCKET .....	AR
5	<u>302288</u>		SCREW, 1/4-20 X 1" LG .....	14
6	<u>306320</u>		NUT, 5/16-24.....	12
7	<u>306325</u>		LOCK WASHER, 5/16".....	8
8	<u>306375</u>		NUT, 1/4-20.....	8
9	<u>306396</u>		LOCK WASHER, 1/4".....	7
10	<u>306419</u>		SCREW, 1/4-20 X 1/2" LG .....	1
11	<u>306450</u>		SCREW, 5/16-18 X 3/4" LG .....	4
12	<u>306514</u>		SCREW, #10-24 X 1/2" LG .....	2
13	<u>306531</u>		NUT, #10-24.....	7
14	<u>306932</u>		NUT, 5/16-18.....	4
15	<u>308090</u>		WASHER, 1/4" .....	8
16	<u>548910</u>		NUT, 1/4-20 FLANGELOCK.....	12
17	<u>800017</u>		SCREW, 1/4-20 X 1" LG .....	1
18	<u>800271</u>		SCREW, #10-24 X 1/2" LG .....	2
19	<u>800299</u>		SCREW, #10-24 X 1" LG .....	3
20	<u>800587</u>		NUT, #4-40 W/LOCK WASHER.....	2
21	<u>814924</u>		CLAMP .....	3
22	<u>817719</u>		BUSHING, FIBER .....	2
23	<u>825880</u>		CONNECTOR, 1 CONTACT PLUG .....	AR
24	<u>825884</u>		CLAMP .....	1
25	<u>826005</u>		CONNECTOR, 2 CONTACT PLUG .....	AR
26	<u>826006</u>		CONNECTOR, 2 CONTACT RECEPTACLE.....	AR
27	<u>826726</u>		CONNECTOR, 1 CONTACT RECEPTACLE.....	AR
28	<u>829164</u>		CIRCUIT BREAKER, 90 AMP.....	1
29	<u>829780</u>		CIRCUIT BREAKER, 20 AMP.....	1
30	<u>830640</u>		SWITCH, ROCKER.....	1

# ELECTRICAL COMPONENTS

Where applicable, THE USE OF NON UL PARTS WILL VOID ANY UL LISTING.

When ordering parts, please specify the model and serial number of the product.

\* Indicates a component that is not available as an individual part.

G\*\* Indicates consult Customer Service Department for additional information.

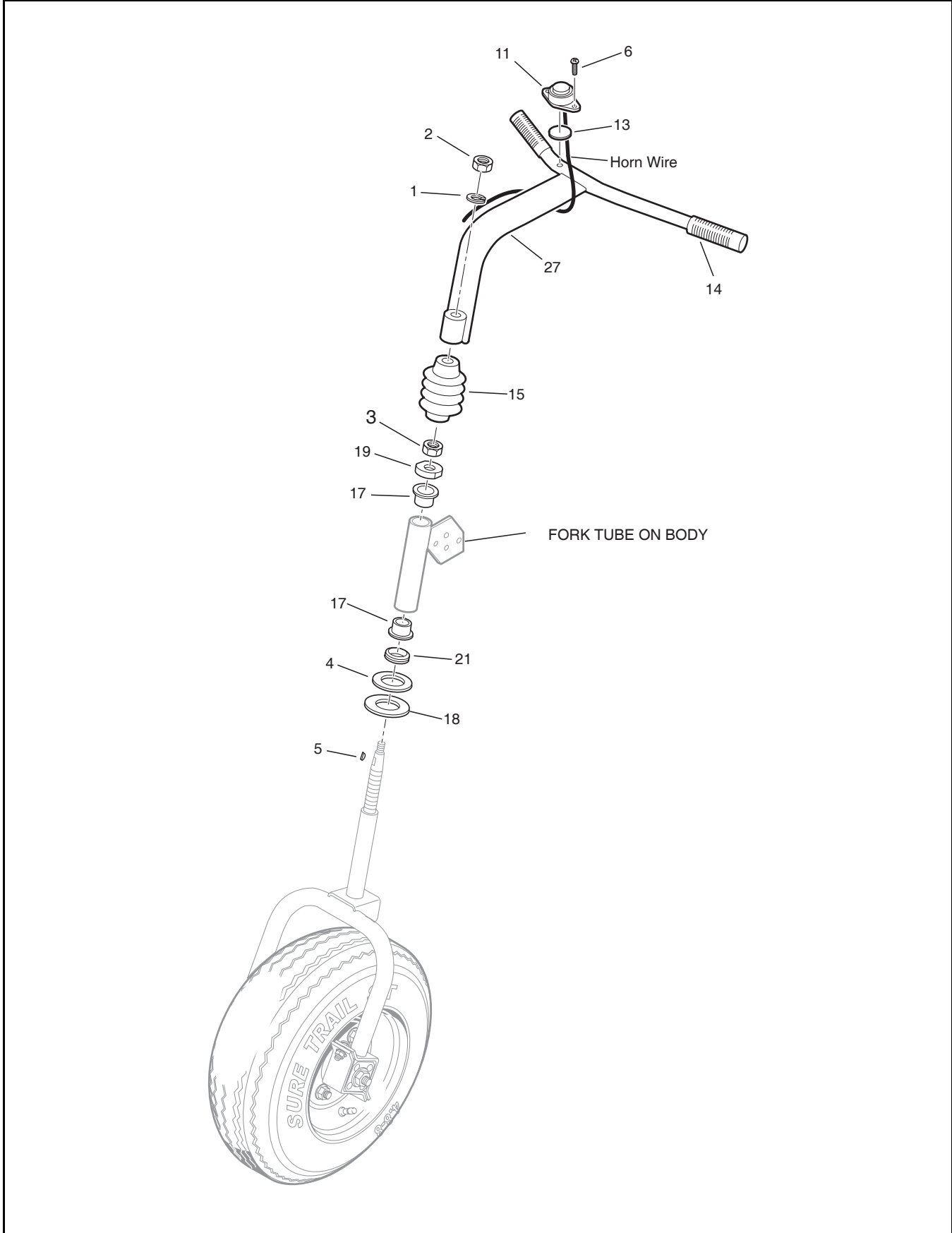
ITEM	PART NO.	1 2 3 4 5	DESCRIPTION	QTY.
31				
32				
33	<u>836354</u>		SWITCH .....	1
34	839917		PLUG, 2-WIRE .....	AR
35	<u>839918</u>		RECEPTACLE, 2-WIRE .....	AR
36	839921		LOCK, 2-WIRE PLUG .....	AR
37	<u>839935</u>		LOCK, 2-WIRE RECEPTACLE .....	AR
38	<u>839849</u>		PLUG, 3-WIRE .....	AR
39	<u>839850</u>		RECEPTACLE, 3-WIRE .....	AR
40	840117		LOCK, 3-WIRE RECEPTACLE .....	AR
41	<u>840118</u>		LOCK, 3-WIRE PLUG .....	AR
42	<u>840273</u>		BAR, SOLENOID BUS .....	2
43	<u>840491</u>		BUSHING .....	4
44	<u>840496</u>		PANEL, CONTROL .....	1
45	<u>840526</u>		GAUGE, BATTERY CONDITION.....	1
46				
47	<u>840679</u>		RECTIFIER BRIDGE.....	1
48	<u>841208</u>		SOLENOID, 24 VOLT, MAIN CONTACT .....	1
49	841248		SOLENOID, 24 VOLT .....	2
50	<u>886425</u>		HORN (INCLUDES ITEM 51).....	1
51	<u>829694</u>		BRACKET, HORN .....	1
52	880631		HOUR METER SET (ACCESSORY) .....	1
53	<u>886311</u>		SWITCH, IGNITION .....	1
54	<u>888503</u>		SERVICE SET CONTAINS TWO #4-40 X 3/4" L SCREWS .....	1
55	<u>890000</u>		BUZZER .....	1
56	524358		TERMINAL, MALE PIN (16-18 GAUGE).....	AR
57	<u>892676</u>		LIGHT, RED (TAIL LIGHT).....	1
58	<u>4110440</u>		CONTROLLER, SPEED.....	1
59	892942		HEADLIGHT SET (ACCESSORY) (INCLUDES ITEMS 60-62) .....	1
60	840854		BRACKET, HEADLIGHT .....	1

# ELECTRICAL COMPONENTS

Where applicable, THE USE OF NON UL PARTS WILL VOID ANY UL LISTING.  
 When ordering parts, please specify the model and serial number of the product.  
 \* Indicates a component that is not available as an individual part.  
 G\*\* Indicates consult Customer Service Department for additional information.

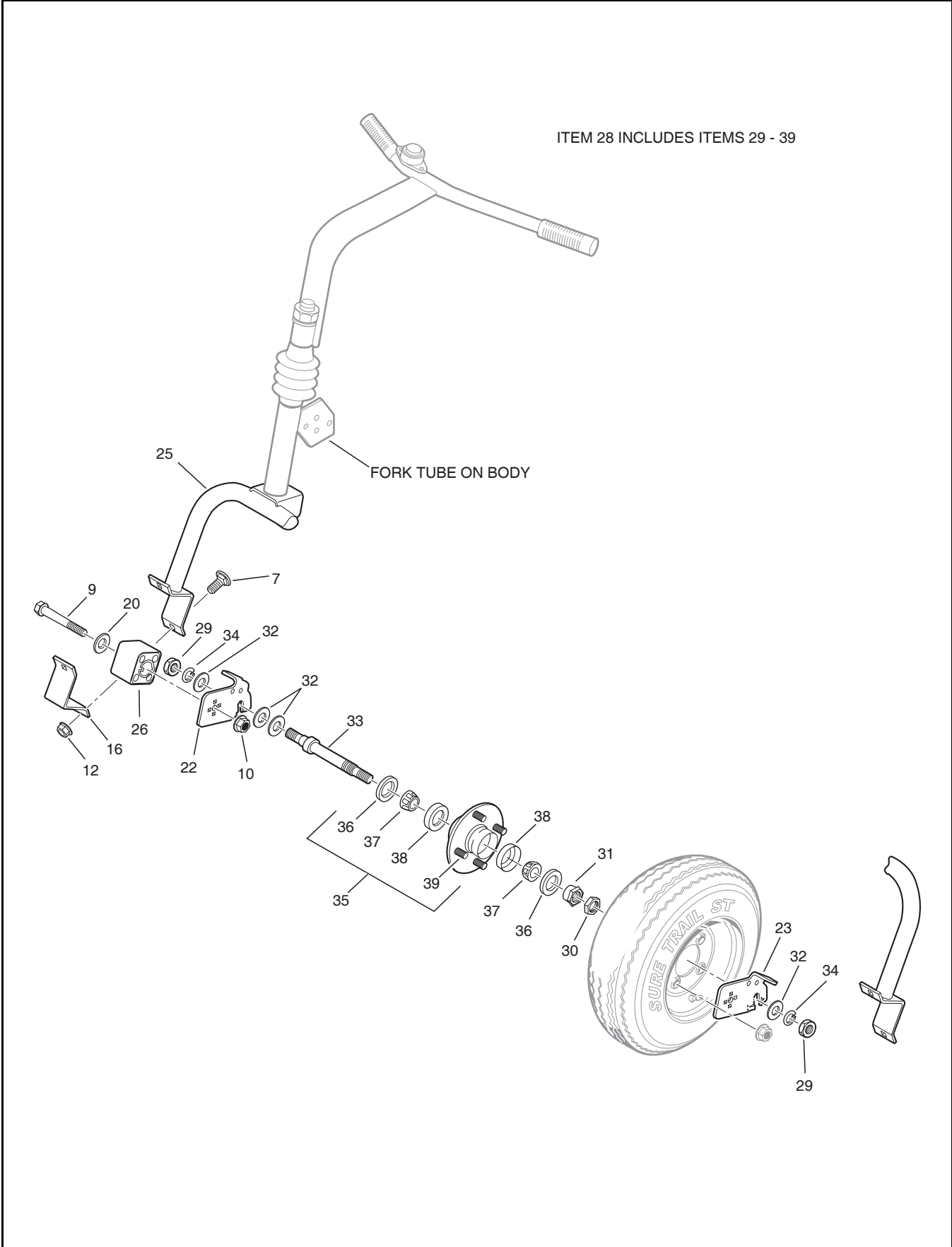
ITEM	PART NO.	1 2 3 4 5	DESCRIPTION	QTY.
61	<u>892523</u>		HEADLIGHT (INCLUDES ITEM 62) .....	1
62	840860		BULB, HEADLIGHT .....	1
63	<u>893142</u>		RESISTOR, 250 OHM.....	1
64	<u>886311</u>		SWITCH, IGNITION, KEYED ALIKE .....	1
65	840676		TERMINAL, MALE PIN (14-16 GAUGE).....	AR
66	<u>825886</u>		TERMINAL, 1/4 FEMALE, 14-16AWG .....	AR
67	<u>825748</u>		TERMINAL, 1/4 FEMALE, 14-16AWG .....	AR
68	7035		GREASE, ELECTRICAL CONNECTOR.....	1

# FORK, HUB & HANDLEBARS





# FORK, HUB & HANDLEBARS



# FORK, HUB & HANDLEBARS

Where applicable, THE USE OF NON UL PARTS WILL VOID ANY UL LISTING.

When ordering parts, please specify the model and serial number of the product.

\* Indicates a component that is not available as an individual part.

G\*\* Indicates consult Customer Service Department for additional information.

ITEM	PART NO.	1 2 3 4 5	DESCRIPTION	QTY.
1	<u>120166</u>		LOCK WASHER, 1/2".....	1
2	<u>301988</u>		NUT, 1/2-20.....	1
3	<u>305134</u>		NUT, JAM 7/8-14.....	2
4	<u>520231</u>		WASHER, THRUST 1 1/4".....	1
5	<u>551041</u>		KEY, WOODRUFF #6.....	1
6	<u>800144</u>		SCREW, #10-16 X 5/8" LG.....	2
7	<u>800500</u>		BOLT, CARRIAGE 3/8-16 X 1" LG.....	4
8				
9	<u>800610</u>		SCREW, FLANGE 7/16-20 X 1 1/8" LG.....	2
10	<u>800612</u>		NUT, LOCK 7/16-20.....	2
11	<u>806791</u>		HORN BUTTON.....	1
12	<u>800698</u>		NUT, FLANGELOCK 3/8-16.....	4
13	<u>807290</u>		INSULATOR, HORN.....	1
14	<u>807472</u>		GRIP, HANDLE.....	2
15	<u>831909</u>		BOOT.....	1
16	<u>840318</u>		CLAMP, HALF.....	2
17	<u>840318</u>		BEARING, FLANGED.....	2
18	<u>840372</u>		WASHER, RUBBER.....	1
19	<u>840411</u>		NUT, SPINDLE.....	1
20	<u>840412</u>		WASHER, 7/16".....	2
21	<u>840479</u>		RING, V.....	1
22	<u>840479</u>		BRACKET, FORK RH.....	1
23	<u>840689</u>		BRACKET, FORK LH.....	1
24				
25	<u>892701</u>		FORK.....	1
26	<u>892744</u>		MOUNT, SUSPENSION.....	2
27	<u>892764</u>		HANDLE BAR.....	1
28	<u>892781</u>		AXLE & HUB ASSEMBLY (INCLUDES ITEMS 29-39).....	1
29	<u>130084</u>		NUT, 5/8-18.....	2
30	<u>310854</u>		NUT, JAM 1-14.....	1

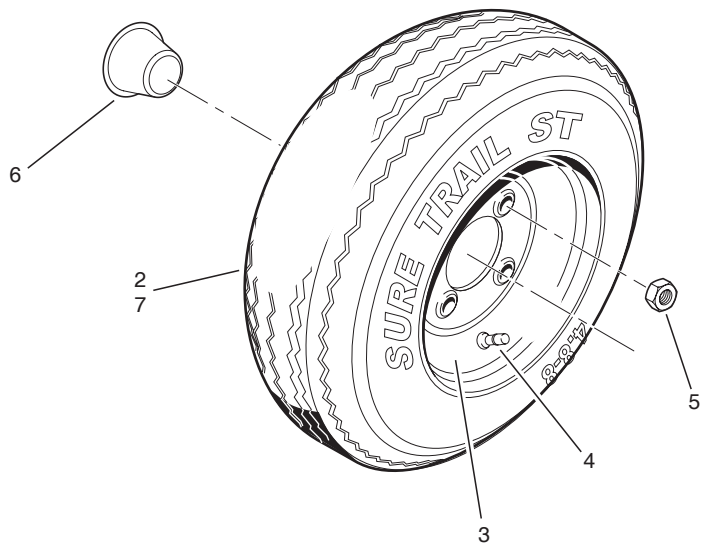
# FORK, HUB & HANDLEBARS

Where applicable, THE USE OF NON UL PARTS WILL VOID ANY UL LISTING.  
 When ordering parts, please specify the model and serial number of the product.  
 \* Indicates a component that is not available as an individual part.  
 G\*\* Indicates consult Customer Service Department for additional information.

ITEM	PART NO.	1 2 3 4 5	DESCRIPTION	QTY.
31	<u>815814</u>		NUT, BEARING ADJUSTING .....	1
32	<u>809156</u>		WASHER, THRUST 9/16" .....	4
33	<u>840325</u>		AXLE .....	1
34	<u>306494</u>		LOCK WASHER, 5/8" .....	2
35	<u>892781</u>		HUB ASSEMBLY (INCLUDES ITEMS 36-39) .....	1
36	<u>700290</u>		SEAL, GREASE .....	2
37	814473		BEARING .....	2
38	814474		RACE, BEARING .....	2
39	843616		BOLT, WHEEL .....	4

# FRONT & REAR WHEELS - TIRES

1 INCLUDES ITEMS 2-4

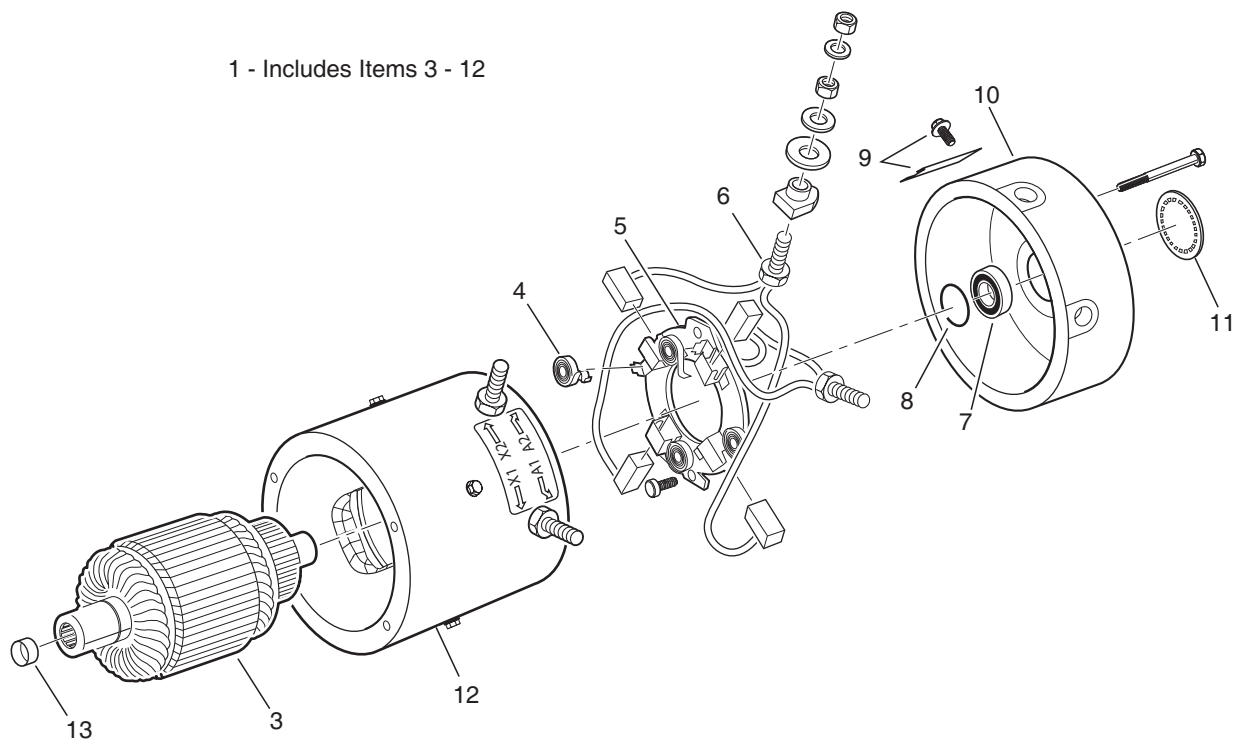


## FRONT & REAR WHEELS - TIRES

Where applicable, THE USE OF NON UL PARTS WILL VOID ANY UL LISTING.  
 When ordering parts, please specify the model and serial number of the product.  
 \* Indicates a component that is not available as an individual part.  
 G\*\* Indicates consult Customer Service Department for additional information.

ITEM	PART NO.	1 2 3 4 5	DESCRIPTION	QTY.
1	<u>600424</u>		TIRE AND WHEEL, SOLID TIRE, SET OF 3 (INCLUDES ITEMS 2-4) .....	1
2	602494		TIRE .....	1
3	33678		RIM .....	1
4	<u>886735</u>		VALVE STEM .....	1
5	14723G01		LUG NUT 1/2-20 .....	1
6	<u>74175G01</u>		DUST COVER .....	1
7	<u>600450</u>		TIRE & WHEEL ASSEMBLY (FOAM FILLED) (INCLUDES ITEMS 2-4) .....	1

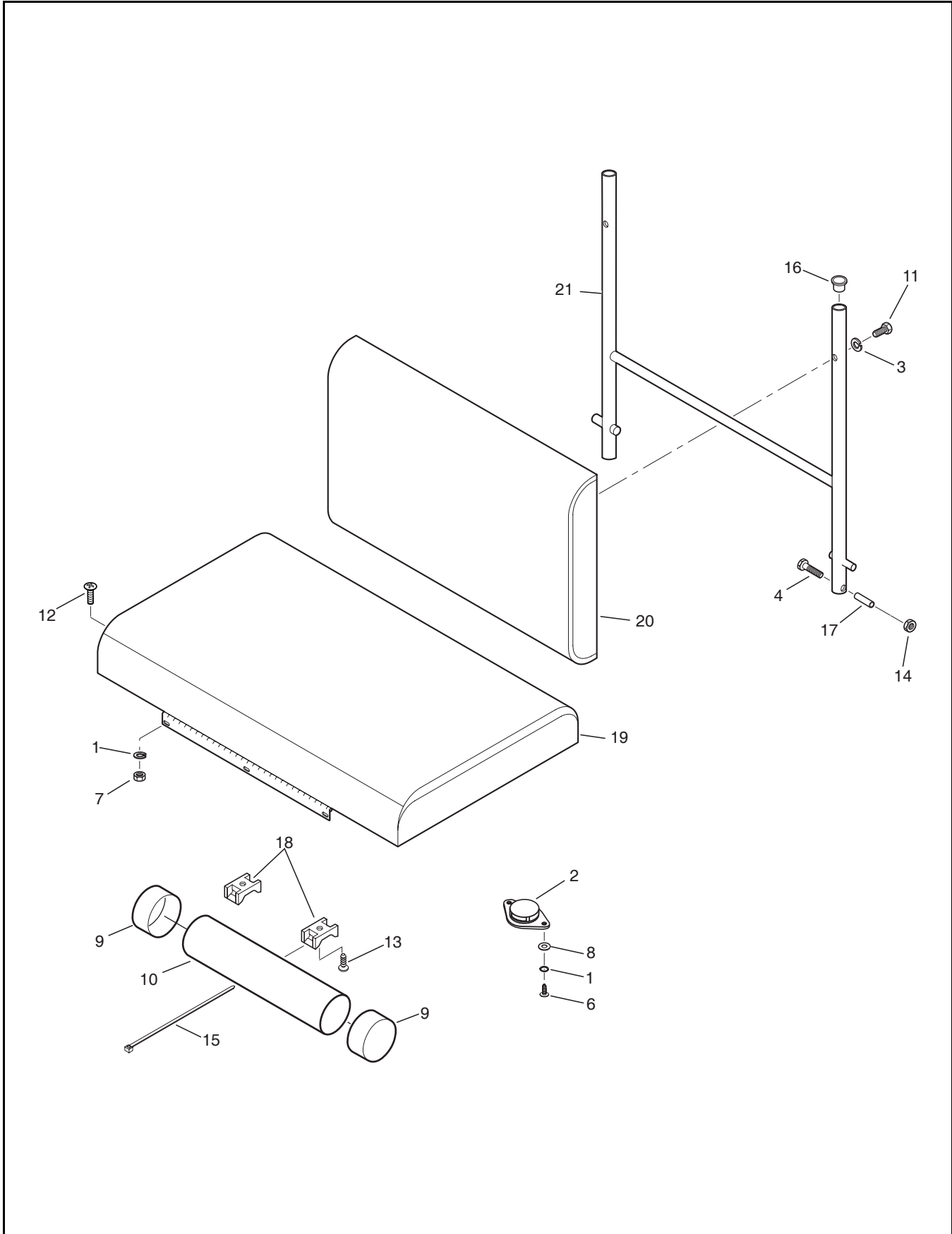
# MOTOR



Where applicable, THE USE OF NON UL PARTS WILL VOID ANY UL LISTING.  
 When ordering parts, please specify the model and serial number of the product.  
 \* Indicates a component that is not available as an individual part.  
 G\*\* Indicates consult Customer Service Department for additional information.

ITEM	PART NO.	1	2	3	4	5	DESCRIPTION	QTY.
1	<u>73445G01</u>	MOTOR, SERIES (INCLUDES ITEMS 3-12) .....					1	
2								
3	<u>73120-G01</u>	ARMATURE .....					1	
4	<u>73120-G03</u>	BRUSH SPRING.....					4	
5	<u>73120-G15</u>	BRUSH PLATE AND BOX.....					1	
6	<u>73120-G25</u>	BRUSH REPLACEMENT KIT (INCLUDES HARDWARE) .....					1	
7	<u>73120-G07</u>	BEARING .....					1	
8	<u>73120-G06</u>	SNAP RING .....					1	
9	<u>73120-G09</u>	COVER PLATE AND SCREW.....					1	
10	<u>73120-G08</u>	COMMUTATOR END HOUSING .....					1	
11	<u>73120-G16</u>	CAP.....					1	
12	<u>73120-G31</u>	FRAME AND FIELD COIL (G02 MOTOR) (INCLUDES HARDWARE) .....					1	
13	<u>24261-G1</u>	SPLINE BUMPER .....					1	

# SEATING





Where applicable, THE USE OF NON UL PARTS WILL VOID ANY UL LISTING.

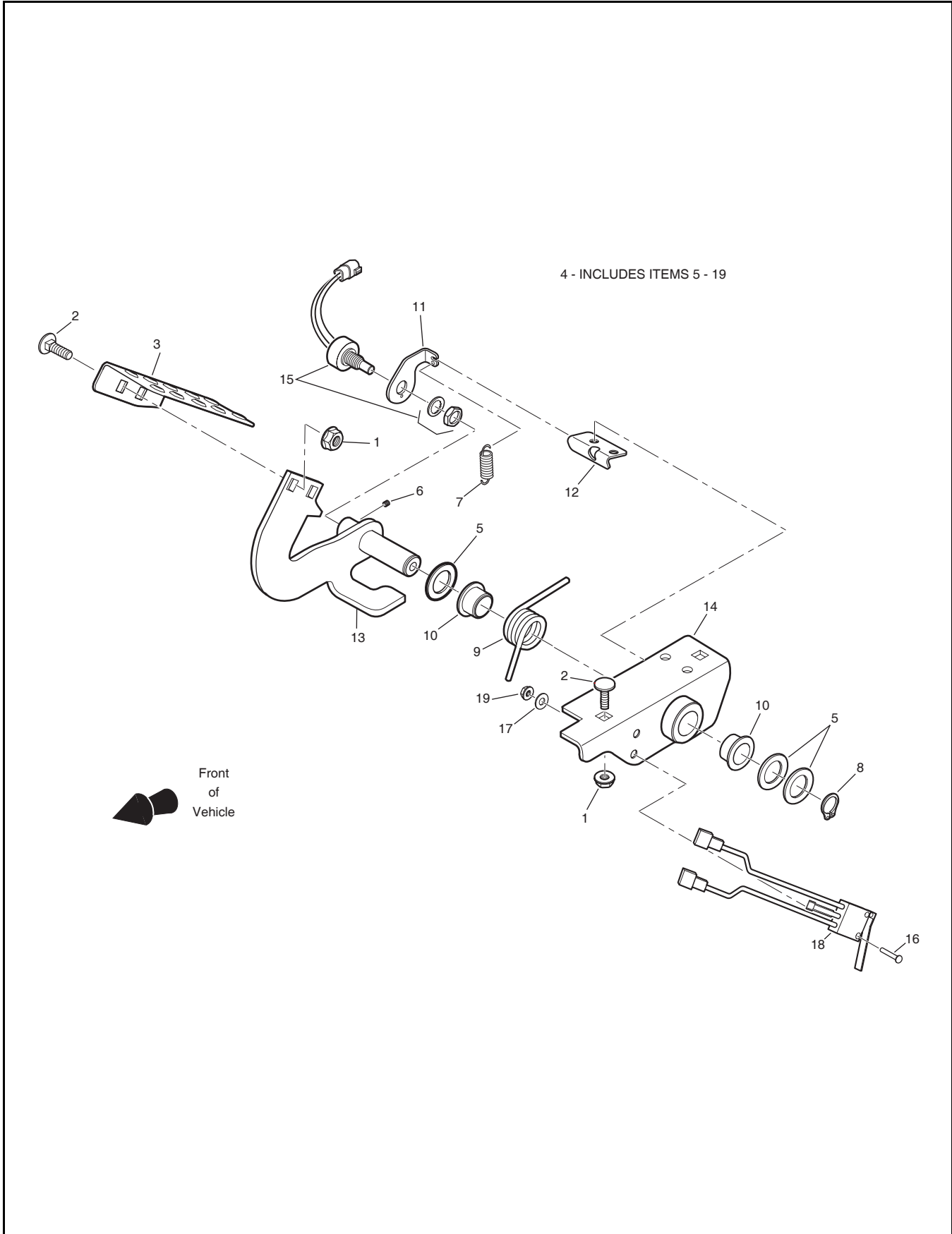
When ordering parts, please specify the model and serial number of the product.

\* Indicates a component that is not available as an individual part.

G\*\* Indicates consult Customer Service Department for additional information.

ITEM	PART NO.	1 2 3 4 5	DESCRIPTION	QTY.
1	<u>120052</u>		LOCK WASHER, #10".....	5
2	<u>158135-01</u>		SWITCH, SEAT.....	1
3	<u>306396</u>		LOCK WASHER, 1/4".....	3
4	<u>306423</u>		SCREW, 5/16-18 X 1 3/4" LG.....	2
5				
6	<u>306527</u>		SCREW, #10-24 X 3/4" LG.....	2
7	<u>306531</u>		NUT, #10-24.....	3
8	<u>308089</u>		WASHER, #10".....	2
9	<u>38061A</u>		CAP, VINYL.....	2
10	<u>38541</u>		TUBE, DOCUMENT.....	1
11	<u>600014</u>		SCREW, 1/4-20 X 1 3/4" LG.....	4
12	<u>800271</u>		SCREW, #10-24 X 1/2" LG.....	3
13	<u>800344</u>		SCREW, #10-16 X 9/16" L TAPPING.....	2
14	<u>800697</u>		NUT, FLANGELOCK 5/16-18.....	2
15	<u>823549</u>		TIE, WIRE 15.5" (40MM).....	2
16	<u>826747</u>		PLUG, HOLE.....	2
17	<u>840499</u>		BUSHING.....	2
18	<u>840508</u>		MOUNT, CABLE TIE.....	2
19	<u>883938</u>		SEAT.....	1
20	<u>884683</u>		BACKREST.....	1
21	<u>892823</u>		FRAME, BACKREST.....	1

# SPEED CONTROL PEDAL



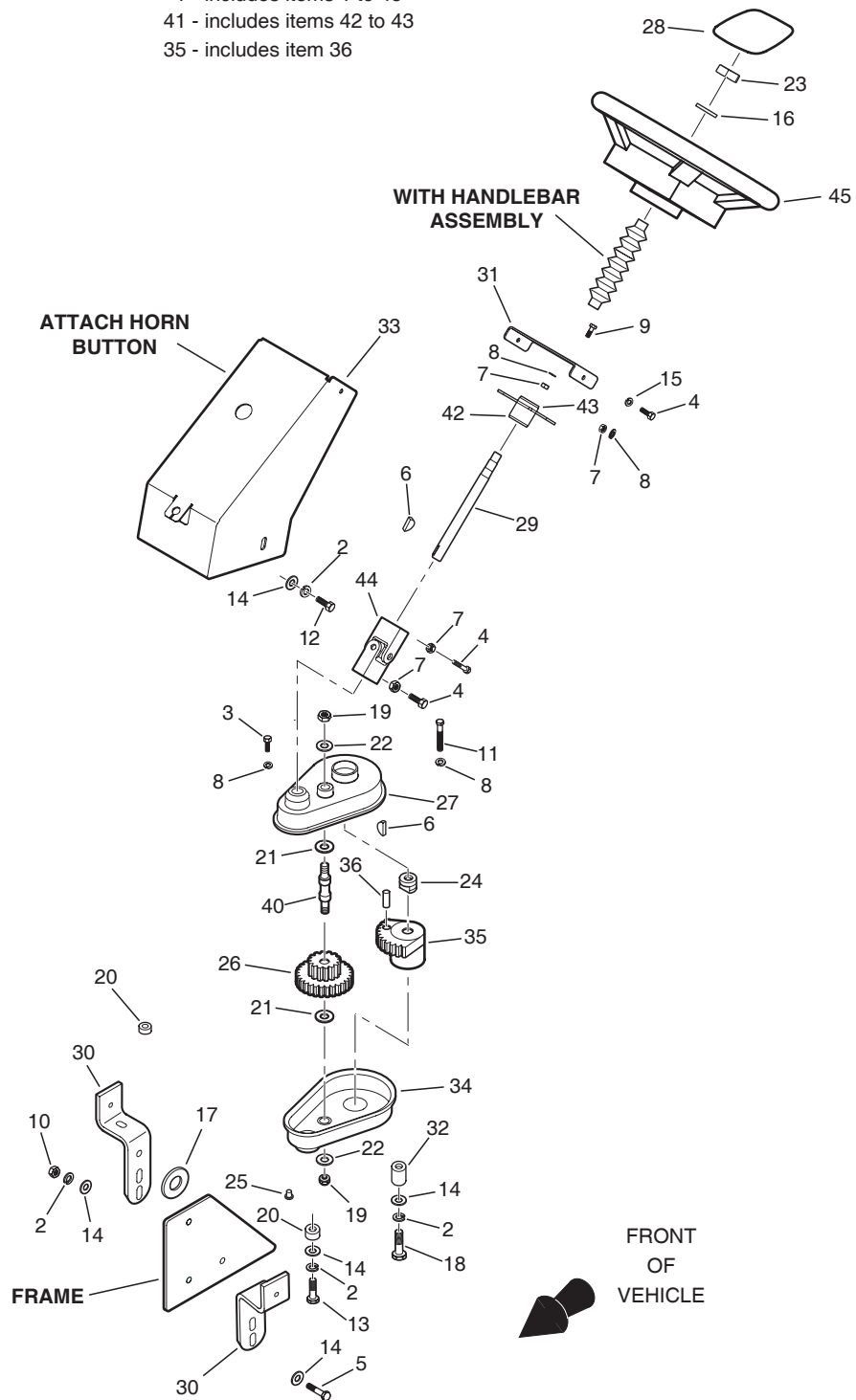
# SPEED CONTROL PEDAL

Where applicable, THE USE OF NON UL PARTS WILL VOID ANY UL LISTING.  
 When ordering parts, please specify the model and serial number of the product.  
 \* Indicates a component that is not available as an individual part.  
 G\*\* Indicates consult Customer Service Department for additional information.

ITEM	PART NO.	1 2 3 4 5	DESCRIPTION	QTY.
1	<u>548911</u>		NUT, FLANGELOCK, 5/16-18.....	4
2	<u>800557</u>		BOLT, CARRIAGE, 5/16-18 X 3/4" LG.....	4
3	<u>840419</u>		PEDAL, SPEED CONTROL.....	1
4	<u>897184</u>		SPEED CONTROL ASSEMBLY (INCLUDES ITEMS 5-19) .....	1
5	<u>548478</u>		WASHER, FLAT .....	3
6	<u>800225</u>		SCREW, SET, #10-24 X 1/4" LG .....	1
7	<u>805421</u>		SPRING, INDEX .....	1
8	<u>833104</u>		RING, RETAINING .....	1
9	<u>840435</u>		SPRING, TORSION.....	1
10	<u>840494</u>		BEARING, FLANGED.....	2
11	<u>869184</u>		BRACKET, POTENTIOMETER MOUNT.....	1
12	<u>840688</u>		TAB.....	1
13	<u>897184</u>		ARM, SPEED CONTROL .....	1
14	<u>897183</u>		BRACKET, SPEED CONTROL MOUNT .....	1
15	4119768		POTENTIOMETER, 30°.....	1
16	<u>800439</u>		SCREW, #4-40 X 3/4" LG .....	2
17	<u>308089</u>		WASHER, FLAT .....	2
18	<u>894439</u>		SWITCH, NC.....	1
19	<u>800587</u>		NUT, #4-40 .....	2

# STEERING WHEEL ACCESSORY

1 - includes items 1 to 45  
 41 - includes items 42 to 43  
 35 - includes item 36



# STEERING WHEEL ACCESSORY

Where applicable, THE USE OF NON UL PARTS WILL VOID ANY UL LISTING.

When ordering parts, please specify the model and serial number of the product.

\* Indicates a component that is not available as an individual part.

G\*\* Indicates consult Customer Service Department for additional information.

ITEM	PART NO.	1 2 3 4 5	DESCRIPTION	QTY.
1	893079		ACCESSORY STEERING WHEEL (INCLUDES ITEMS 2-45).....	1
2	<u>120177</u>		LOCK WASHER, 3/8" .....	8
3	<u>302030</u>		SCREW, 1/4-20 X 1 1/4" LG.....	3
4	<u>302288</u>		SCREW, 1/4-20 X 1" LG.....	4
5	302600		SCREW, 3/8-16 X 1 1/2" LG.....	3
6	<u>306367</u>		KEY WOODRUFF .188 X .750" LG.....	2
7	<u>306375</u>		NUT, 1/4-20 .....	8
8	<u>306396</u>		LOCK WASHER, 1/4" .....	11
9	306487		SCREW, 1/4-20 X .62" LG.....	4
10	<u>306562</u>		NUT, 3/8-16 .....	3
11	<u>306832</u>		SCREW 1/4-20 X 2" LG.....	4
12	306834		SCREW 3/8-16 X 3/4" LG.....	2
13	<u>306835</u>		SCREW 3/8-16 X 1 1/4" LG.....	2
14	<u>306981</u>		WASHER, 3/8" .....	11
15	<u>308090</u>		WASHER, 1/4" .....	2
16	311496		WASHER, 5/8" .....	1
17	<u>517663</u>		WASHER.....	1
18	551094		SCREW, 3/6-16 X 1 3/4" LG.....	1
19	<u>800612</u>		NUT, 7/16 CROWN LOCK.....	2
20	<u>808935</u>		SPACER.....	2
21	<u>816446</u>		WASHER.....	2
22	<u>816449</u>		WASHER, LOCATING.....	2
23	<u>816652</u>		NUT, STEERING WHEEL.....	1
24	<u>825672</u>		NUT.....	1
25	<u>825919</u>		PLUG, HOLE.....	1
26	<u>830168</u>		GEAR, CLUSTER.....	1
27	832555		HOUSING, UPPER.....	1
28	<u>892228</u>		COVER, STEERING WHEEL CENTER.....	1
29	840981		SHAFT, STEERING WHEEL.....	1
30	840982		SUPPORT, STEERING.....	2

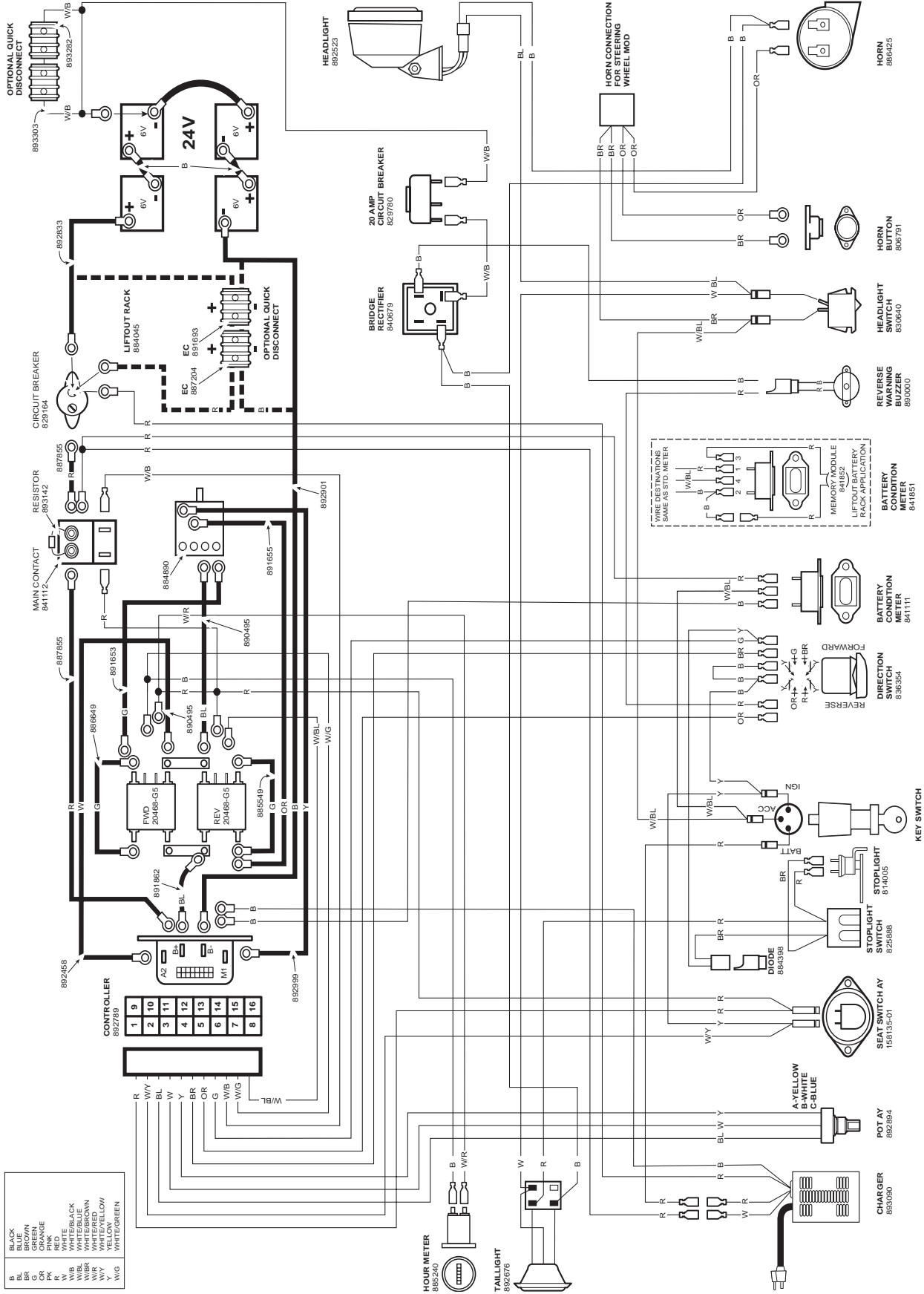
# STEERING WHEEL ACCESSORY

Where applicable, THE USE OF NON UL PARTS WILL VOID ANY UL LISTING.  
 When ordering parts, please specify the model and serial number of the product.  
 \* Indicates a component that is not available as an individual part.  
 G\*\* Indicates consult Customer Service Department for additional information.

ITEM	PART NO.	1	2	3	4	5	DESCRIPTION	QTY.
31	844264						PLATE, WHEEL MOUNT.....	1
32	844290						BUSHING.....	1
33	844292						COVER, STEERING.....	1
34	<u>886883</u>						HOUSING, LOWER.....	1
35	<u>886913</u>						GEAR ASSY, DRIVEN (INCLUDES ITEM 36) .....	1
36	<u>310546</u>						PIN, ROLL 1/2 X 1 1/2" LG.....	1
37								
38								
39								
40	<u>883317</u>						BOLT, IDLER ADJUSTING.....	1
41	<u>891597</u>						BUSHING ASSY, STEERING (INCLUDES ITEMS 42-43).....	1
42	<u>548225</u>						FITTING, LUBE .....	1
43	<u>827188</u>						BEARING .....	1
44	<u>891680</u>						JOINT ASSY, UNIVERSAL.....	1
45	<u>892228</u>						WHEEL, STEERING 14" .....	1

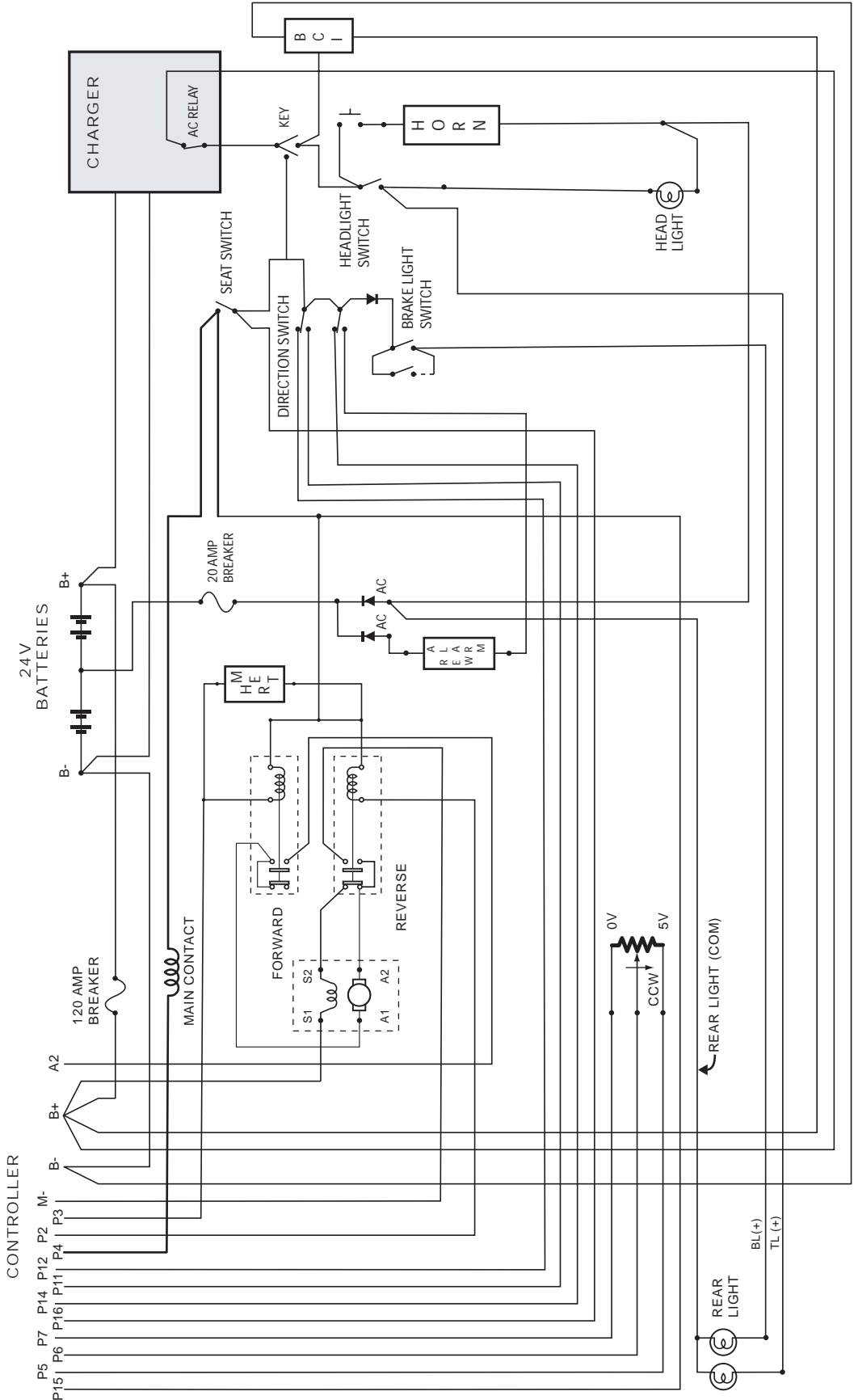


B	BLACK
BL	BLUE
BR	BROWN
G	GREEN
OR	ORANGE
R	RED
W	WHITE
WB	WHITE/BLACK
WBL	WHITE/BLUE
WBR	WHITE/BROWN
WY	WHITE/YELLOW
WYG	WHITE/GREEN



ALL WIRING IN MAIN HARNESS  
897160 UNLESS NOTED









A Textron Company



**E-Z-GO Division of Textron, Inc.,**  
1451 Marvin Griffin Road, Augusta, Georgia USA 30906-3852

**TO CONTACT US...**

North America:

**Technical Assistance & Warranty  
Service Parts**

Phone: 1-800-774-3946, FAX: 1-800-448-8124

Phone: 1-888-GET-E-Z-GO (1-888-438-3946), FAX: 1-800-752-6175

International:

Phone: 001-706-798-4311, FAX: 001-706-771-4609

Certified ISO 9001 / ISO 14001 by



Copyrighted Material  
This manual may not be reproduced in whole or  
in part without the express permission of  
E-Z-GO Division of Textron, Inc.  
Technical Communications Department