



A Textron Company

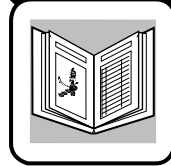
**CUSHMAN**

A Textron Company

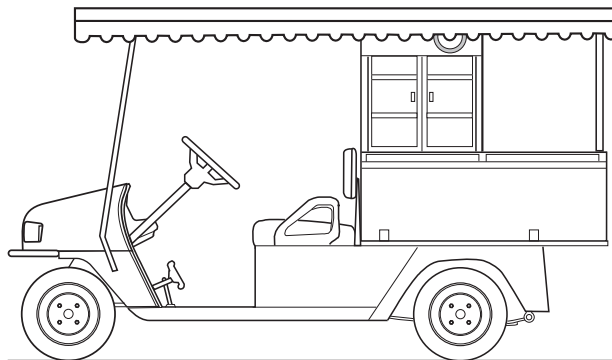
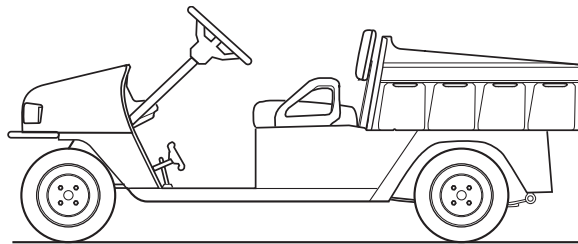
**JACOBSEN**

A Textron Company

606913



# SERVICE PARTS MANUAL



*Ref Fcv 21*

## GASOLINE POWERED UTILITY VEHICLES

ISSUED: APRIL 2008    REVISED: DEC 2008

# **SERVICE PARTS MANUAL**

## **GASOLINE POWERED UTILITY VEHICLES**

**MPT™ 1200; CARB**

**COMMANDER™ 2200; CARB**

**HAULER™ 1200; CARB**

**REFRESHER® 1200; CARB**

**STARTING MODEL YEAR 2008**

The E-Z-GO Division of Textron Inc. reserves the right to incorporate engineering and design changes to products in this Manual, without obligation to include these changes on units leased/sold previously.

The information contained in this Manual may be revised periodically by the E-Z-GO Division, and therefore is subject to change without notice.

The E-Z-GO Division **DISCLAIMS LIABILITY FOR ERRORS IN THIS MANUAL**, and the E-Z-GO Division **SPECIFICALLY DISCLAIMS LIABILITY FOR INCIDENTAL AND CONSEQUENTIAL DAMAGES** resulting from the use of the information and materials in this Manual.

**CUSTOMER SERVICE DEPARTMENT IN USA PHONE: 1-800-241-5855 FAX: 1-800-448-8124**

**OUTSIDE USA PHONE: 001-706-798-4311, FAX: 001-706-771-4609**

**E-Z-GO DIVISION OF TEXTRON, INC., P.O.BOX 388, AUGUSTA, GEORGIA USA 30903-0388**

## **GENERAL INFORMATION**

To obtain a copy of the limited warranty applicable to the vehicle, call or write a local Distributor, authorized Branch or the Warranty Department with vehicle serial number and manufacturer code.

The use of non Original Equipment Manufacturer (OEM) parts may void the warranty.

Tampering with or adjusting the governor to permit vehicle to operate at above factory specifications will void the vehicle warranty.

When servicing engines, all adjustments and replacement components must be per original vehicle specifications in order to maintain the United States of America Federal and State emission certification applicable at the time of manufacture.

### **BATTERY PROLONGED STORAGE**

All batteries will self discharge over time. The rate of self discharge varies depending on the ambient temperature and the age and condition of the batteries.

A fully charged battery will not freeze in winter temperatures unless the temperature falls below -75° F (-60° C).

# TABLE OF CONTENTS

SECTION	Page No.
<b>HOW TO USE THE SERVICE PARTS MANUAL</b> .....	vii
<b>ACCELERATOR ASSEMBLY</b> .....	A-1
• Pedal Box Assembly	
• Accelerator Pedal	
• Micro Switch	
• Accelerator Cable	
• Choke Cable	
• Governor Cable	
<b>AIR FILTER</b> .....	B-1
• Air Cleaner Element	
• Air Filter Housing	
• Air Cleaner Hose	
<b>BODY</b> .....	C-1
• Floorpan	
• Floormat	
• Instrument Panel	
• Splash Panel	
• Cowl	
• Nameplate	
• Cup Holder	
• Fender Flares	
• Glove Box Doors	
• Rocker Panels	
• Fenders	
• Seat Frame	
• Battery Tray	
• Hitches	
<b>BRAKES MECHANICAL</b> .....	D-1
• Brake Pedal Assembly	
• Brake Pedal Pad	
• Compensator	
• Equalizer	
• Brake Cable	
• Brake Drum Assembly	
• Brake Shoes	
<b>BRAKES DISC</b> .....	E-1
• Brake Pedal Assembly	
• Brake Pedal Pad	
• Compensator	
• Equalizer	
• Brake Cable	
• Spindle for Front Disc Brake	
• Calipers	
• Disc Brake Hub Assembly	
• Master Cylinder	
• Disc Brake Pads	
<b>CAB</b> .....	F-1
• Steel Cab	
• Doors	
• Ball Cage	



# TABLE OF CONTENTS

<b>SECTION</b>	<b>Page No.</b>
<b>CARBURETOR AND CHOKE</b> .....	<b>G-1</b>
• Carburetor	
• Main Jet	
• Needle Valve	
<b>CLUTCH</b> .....	<b>H-1</b>
• Drive Clutch	
• Driven Clutch	
• Drive Belt	
<b>DIRECTION SELECTOR</b> .....	<b>J-1</b>
• Direction Selector Assembly	
• Handle	
• Compression Spring	
• Extension Spring	
• Push Pull Shifter Cable	
• Shifter Arm	
<b>ELECTRICAL SYSTEM</b> .....	<b>K-1</b>
• Battery	
• Ground Cable	
• Voltage Regulator	
• Solenoid	
• Horn	
• Turn Signal	
• Headlight	
• Key Switch	
• Tail Lights	
• Fuel Gauge	
• Hour Meter	
• Wire Harness	
<b>ENGINE AND MUFFLER</b> .....	<b>L-1</b>
• Engine	
• Muffler	
• Oil Dip Stick	
• Oil Filter	
<b>ENGINE MOUNTING</b> .....	<b>M-1</b>
• Front Engine Mount	
• Engine Pan Mount	
• Differential Plate	
<b>FRONT SUSPENSION AND STEERING</b> .....	<b>N-1</b>
• Front Axle	
• Spindles	
• Hubs	
• Front Leaf Spring	
• Front Shock Absorber	
• Steering Box	
• Steering Column	
• Steering Wheel	
• Tie Rod	
<b>FUEL SYSTEM</b> .....	<b>P-1</b>
• Fuel Tank	
• Pulse Line	

# TABLE OF CONTENTS

SECTION	Page No.
<ul style="list-style-type: none"><li>• Fuel Pump</li><li>• Fuel Line</li><li>• Carbon Cannister (CARB only)</li></ul>	
<b>REAR AXLE</b> .....	<b>Q-1</b>
<ul style="list-style-type: none"><li>• Axle Shaft</li><li>• Axle Tube</li><li>• Oil Check Plug</li><li>• Oil Drain Plug</li></ul>	
<b>REAR SUSPENSION</b> .....	<b>R-1</b>
<ul style="list-style-type: none"><li>• Shock Absorber</li><li>• Leaf Spring</li><li>• Shackles</li><li>• Bushings</li></ul>	
<b>REFRESHER UNIT</b> .....	<b>S-1</b>
<ul style="list-style-type: none"><li>• Doors</li><li>• Mounting Frame</li><li>• Seat Back Support</li><li>• Windshield</li><li>• Canopy</li><li>• Canopy Frame</li></ul>	
<b>SEATING</b> .....	<b>T-1</b>
<ul style="list-style-type: none"><li>• Seat Back Support</li><li>• Seat Bottom</li><li>• Seat Back</li><li>• Hip Restraints</li><li>• Bed Bumper Bracket</li></ul>	
<b>STARTER / GENERATOR</b> .....	<b>U-1</b>
<ul style="list-style-type: none"><li>• Starter / Generator</li><li>• Starter / Generator Belt</li></ul>	
<b>TRUCK BED PLASTIC</b> .....	<b>V-1</b>
<ul style="list-style-type: none"><li>• Bed Assembly</li><li>• Bed Latch</li><li>• Adjustable Bumper</li><li>• Heat Shield</li><li>• Name Plate</li><li>• Electric Actuator</li></ul>	
<b>WEATHER PROTECTION</b> .....	<b>W-1</b>
<ul style="list-style-type: none"><li>• Sun Top</li><li>• 3 Sided Soft Enclosure</li><li>• Windshield</li></ul>	
<b>WHEELS AND TIRES</b> .....	<b>X-1</b>
<ul style="list-style-type: none"><li>• Tire &amp; Wheel Assembly</li><li>• Lug Nuts</li><li>• Dust Cap</li></ul>	



# HOW TO USE THE SERVICE PARTS MANUAL

This manual is divided into several sections:

## GENERAL INFORMATION

- TABLE OF CONTENTS
- HOW TO USE THE SERVICE PARTS MANUAL

## ILLUSTRATED PARTS BREAKDOWN

- Contains illustrations and parts lists for all systems of the vehicle

## APPENDIX

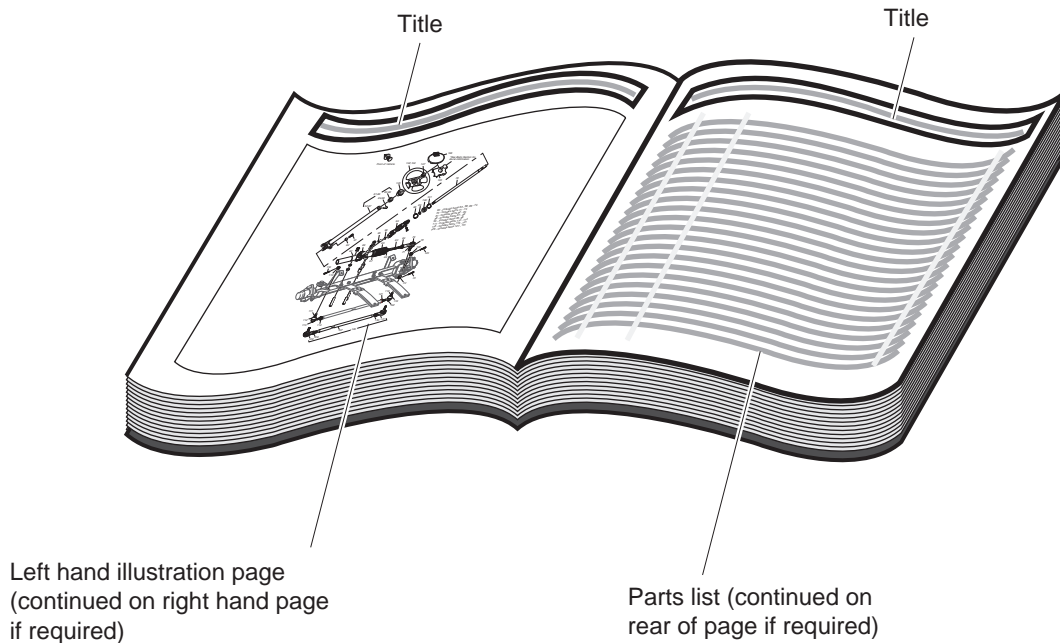
- Contains a listing of specialty products and options/accessories

## USE OF THE MANUAL

To use this manual, consult the TABLE OF CONTENTS (page iii) to locate the information or illustration required.

Introduction of some revisions varies due to supply of components; therefore, it is possible that various combinations of components may be found that are not directly reflected by each illustration. Consult the illustration that best suits your situation. Locate the serial number plate (see BODY located in the Illustrated Parts Breakdown section of this manual for its location) and note the complete number shown on the plate. It is important that the serial number of your vehicle and its model number be supplied to Service Parts when ordering any replacement components.

# HOW TO USE THE SERVICE PARTS MANUAL



## 1. WHEN THE PART NUMBER IS NOT KNOWN

- Determine the function and application of the part required. Turn to the INDEX OF MAJOR COMPONENTS and select the most appropriate component description.
- Turn to the page number indicated and locate the part description in the parts list. Read the full accompanying description for specific information regarding the part that was not shown in the index.
- From the parts list, obtain the item number assigned to it and confirm that the part selected is correct by verifying it with the pictorial representation on the illustrated page.

## 2. IF YOU KNOW THE PART NUMBER

- Use the INDEX OF MAJOR COMPONENTS to find the page(s) the part number appears on.
- Turn to the page number indicated and locate the part number in the parts list. Refer to the accompanying description for specific information regarding the part.
- From the parts list, obtain the item number assigned to it and confirm that the part selected is correct by verifying it with the pictorial representation on the illustrated page.

Should an asterisk (\*) appear in the part number column on the parts list page, read upwards until a part number is found. The part number is the lowest assembly sold by Service Parts. The asterisk (\*) indicates that the part depicted is not available for purchase.

NOTE: Descriptions are indented under the assembly that they are used on. That assembly is, in turn listed under the assembly that it is used on. This process is repeated until the highest final assembly is reached.

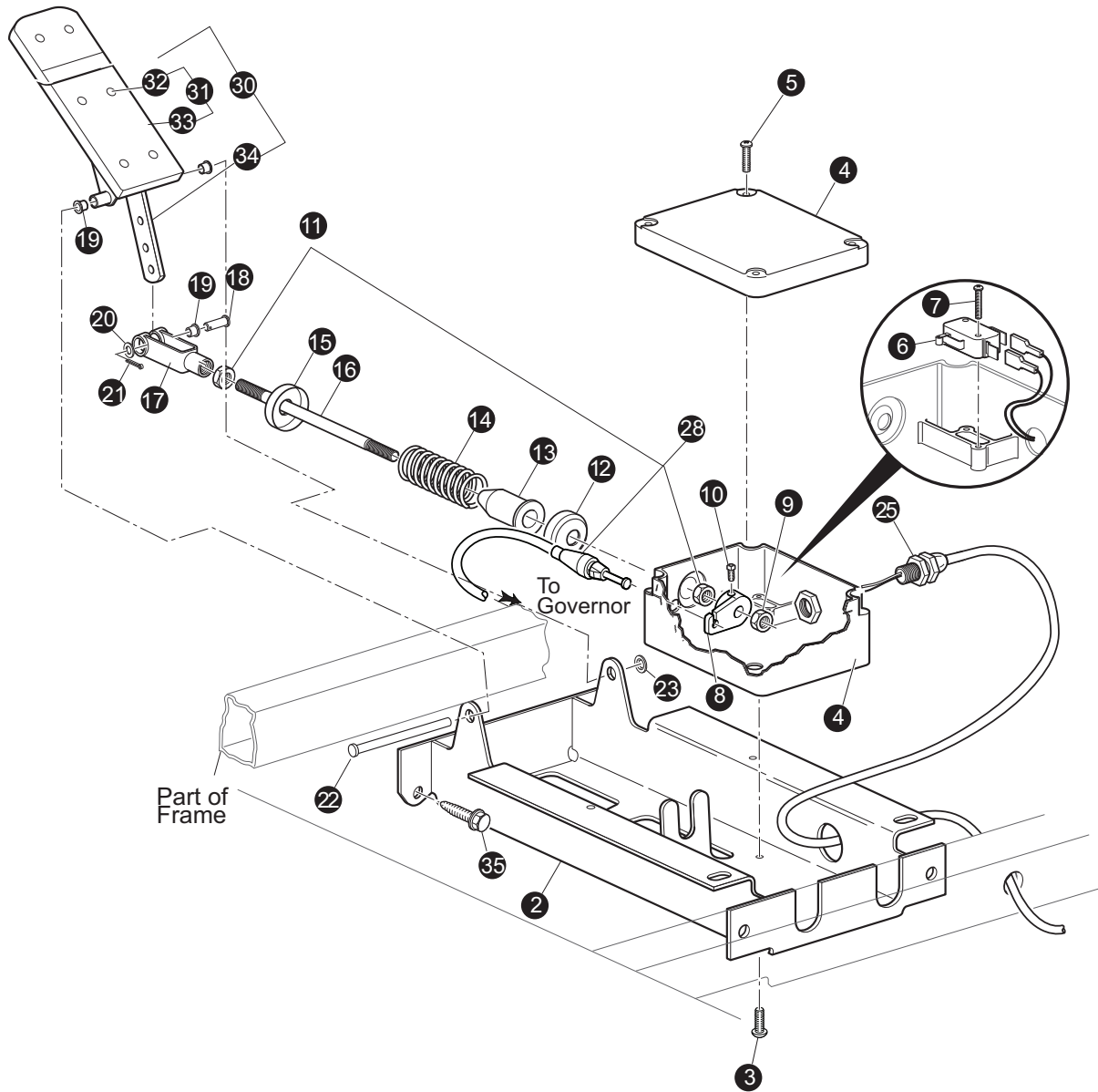
**To facilitate the maintenance and repair of the vehicle, a Technician's Repair and Service Manual is available from the Service Parts Department.**

# **ILLUSTRATED PARTS BREAKDOWN**

# **ILLUSTRATED PARTS BREAKDOWN**

# ACCELERATOR

1 - Includes Items 2 - 39







# ACCELERATOR

When ordering parts, please specify the model and serial number of the product.

\* Indicates a component that is not available as an individual part.

\*\*\* Indicates consult Customer Service Department for additional information.

ITEM	PART NO.	1 2 3 4 5	DESCRIPTION	QTY.
1	<u>606991</u>		PEDAL BOX ASSEMBLY (INCLUDES ITEMS 2 - 39, .....	1
2	70116G02		ACCELERATOR PEDAL BRACKET .....	1
3	<u>01051G01</u>		SCREW, #8 - 16 X 1/2" LG .....	4
4	<u>25853G03</u>		PEDAL BOX AND COVER .....	1
5	<u>00684G6</u>		SCREW, #8 - 32 X 3/4" LG (STAINLESS STEEL) .....	2
6	<u>25861G01</u>		MICRO SWITCH .....	1
7	<u>01050G01</u>		SCREW, #4 - 20 X 5/8" LG .....	2
8	<u>72716G01</u>		MICRO SWITCH CAM .....	1
9	<u>15126G1</u>		LOCK NUT, 5/16 - 24 .....	1
10	<u>00487G3</u>		SETSCREW, 1/4 - 20 X 3/8" LG .....	1
11	<u>00532G4</u>		NUT, 5/16 - 24 .....	2
12	<u>17677G1</u>		SPRING RETAINER .....	1
13	<u>17979G1</u>		ACCELERATOR ROD BUSHING .....	1
14	<u>73046G01</u>		COMPRESSION SPRING .....	1
15	<u>17677G2</u>		SPRING RETAINER .....	1
16	72072G01		ACCELERATOR ROD .....	1
17	10385G4		CLEVIS YOKE (ADJUSTABLE) .....	1
18	<u>10386G3</u>		CLEVIS PIN, 5/16" X 13/16" LG .....	1
19	<u>17838G1</u>		NYLON BUSHING .....	3
20	<u>17255G1</u>		TEFLON WASHER, 5/16" .....	1
21	<u>10387G3</u>		COTTER PIN, 3/32" X 3/4" LG .....	1
22	<u>74432G01</u>		PEDAL PIVOT PIN .....	1
23	<u>12064G6</u>		PUSH NUT, 9/32" .....	1
24	12730G1		WHEEL BEARING GREASE (NOT ILLUSTRATED) .....	A/R
25	<u>72201G04</u>		WIRE HARNESS (PEDAL BOX) .....	1
26				
27				
28	<u>608614</u>		ACCELERATOR CABLE .....	1
29				
30	<u>25799G03</u>		ACCELERATOR PEDAL ASSEMBLY (INCLUDES ITEMS 31- 33) .....	1
31	<u>27844G01</u>		ACCELERATOR PEDAL PAD KIT (INCLUDES ITEMS 32- 33)	

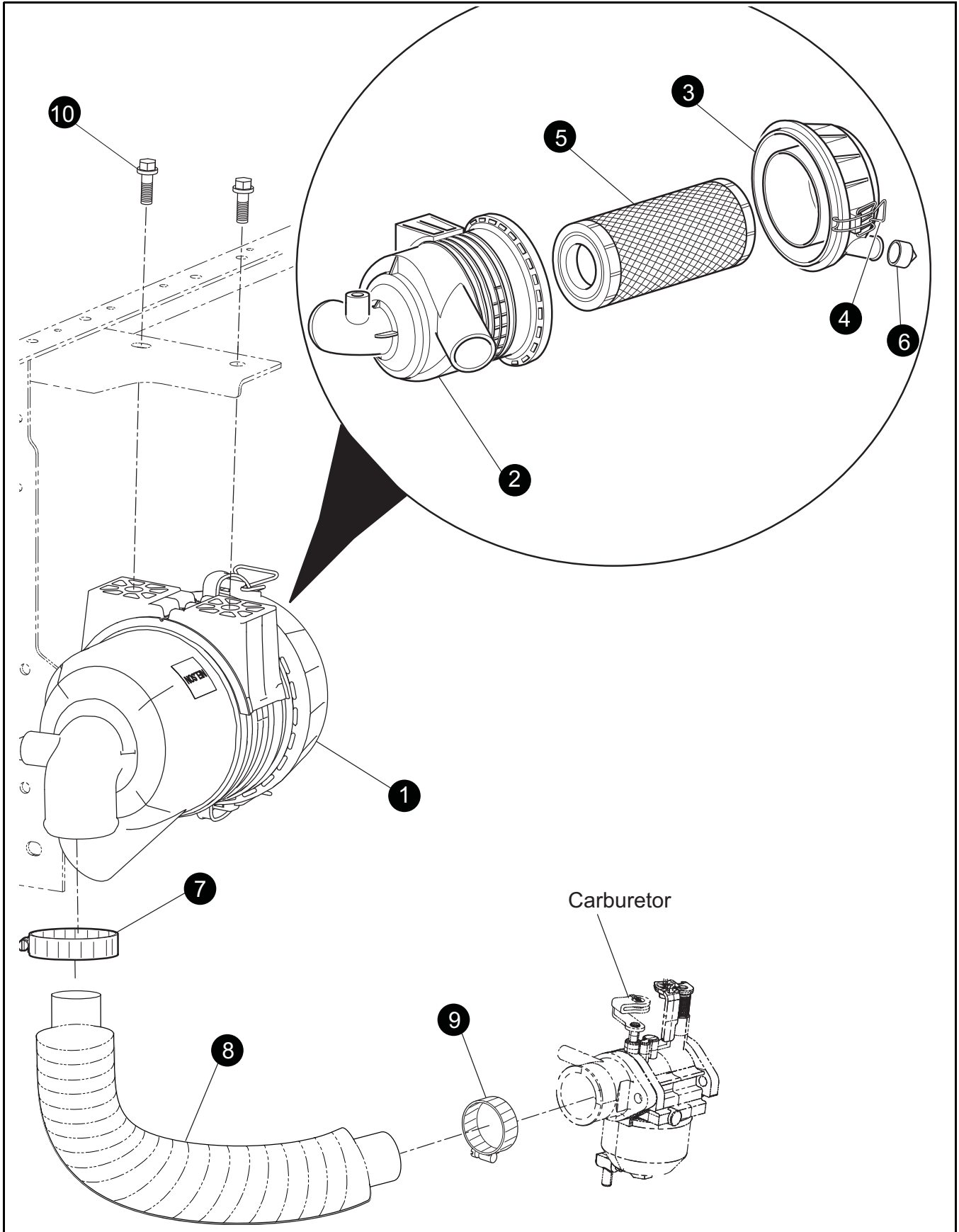
When ordering parts, please specify the model and serial number of the product.

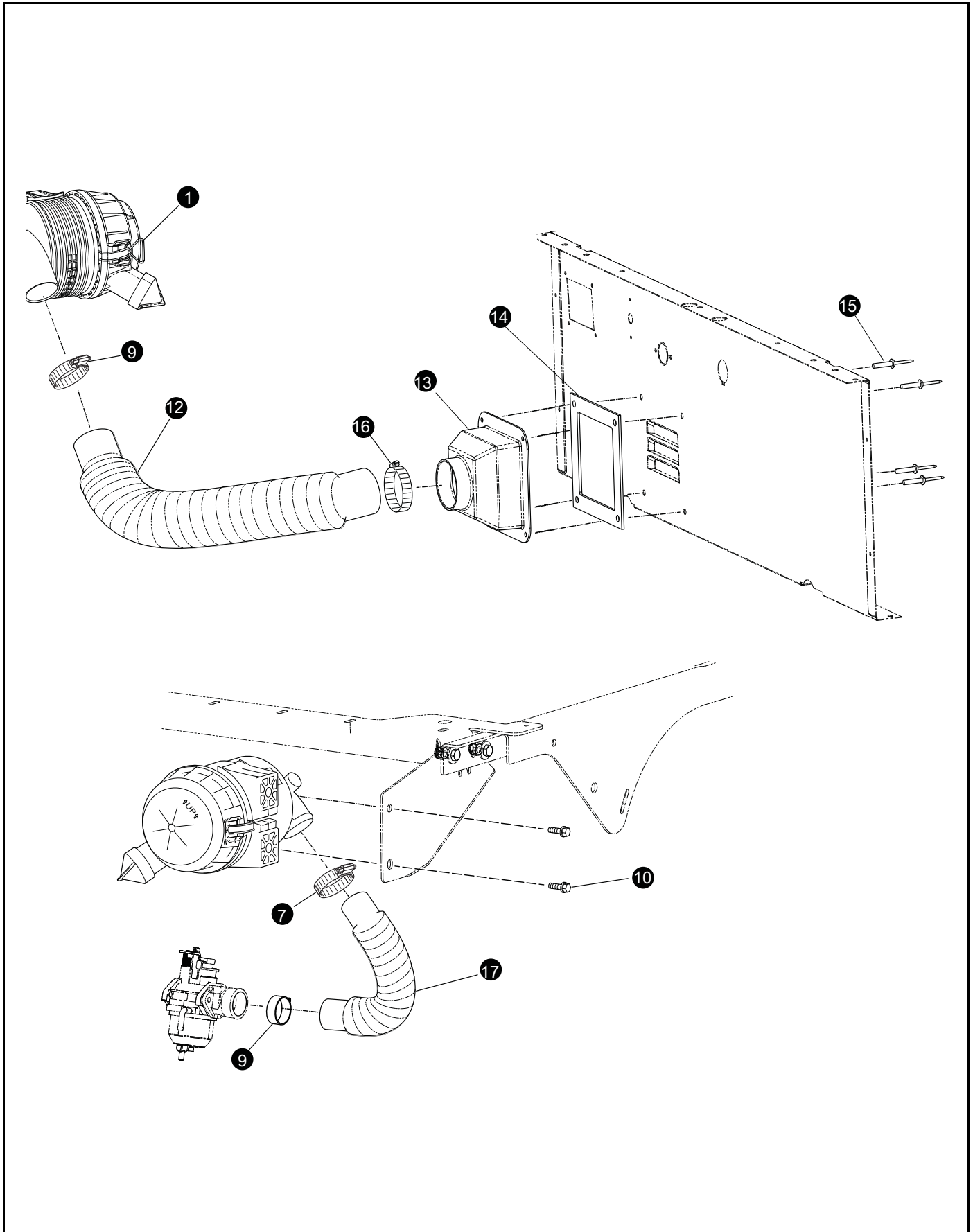
\* Indicates a component that is not available as an individual part.

\*\*\* Indicates consult Customer Service Department for additional information.

ITEM	PART NO.	1 2 3 4 5	DESCRIPTION	QTY.
32	<u>16409G1</u>		OVAL RIVET, 3/16" X 7/16" LG .....	6
33	<u>27512-G01</u>		ACCELERATOR PEDAL PAD .....	1
34	*		ACCELERATOR PEDAL	
35	<u>00715G2</u>		BOLT, 5/16 -18 X 4/5" LG.....	4
36	<u>605793</u>		CHOKE CABLE ASSY .....	1
37	<u>00568G4</u>		LOCK WASHER, 9/16" .....	1
38	<u>00545G4</u>		JAM NUT, 9/16 - 18.....	1
39	<u>72154G01</u>		CHOKE CABLE ADAPTER.....	1
40	<u>72155G02</u>		RETAINER .....	1
41				
42				
43	<u>606083</u>		UPPER GOVERNOR BRACKET.....	1
44	<u>606005</u>		LOWER GOVERNOR BRACKET .....	1
45	<u>606265</u>		BOLT, M6 - 1 X 12.....	1
46	<u>606421</u>		BOLT, M6 - 1 X 30.....	1
47	<u>450452</u>		NUT, M6 - 1.0.....	1
48	<u>606283</u>		GOVERNOR LEVER BUSHING .....	1
49	<u>606284</u>		GOVERNOR ROD .....	1
50	<u>603890</u>		GOVERNOR ROD GUARD .....	1
51	<u>606264</u>		BOLT, M6 - 1 X 20.....	1
52	<u>606262</u>		BOLT, M8 - 1.25 X 16.....	1
53	<u>606074</u>		GOVERNOR CABLE / DIRECTION SELECTOR BRACKET .....	1
54	<u>606256</u>		BOLT, M10 - 1.25 X 16.....	2
55	<u>14601G11</u>		RIVET.....	1
56	<u>608527</u>		GOVERNOR WARNING DECAL.....	1
57	<u>00915G1</u>		WASHER .....	1
58	<u>606199</u>		GOVERNOR COVER .....	1
59	<u>17618G1</u>		NYLON CLAMP .....	2

# AIR FILTER





# AIR FILTER

When ordering parts, please specify the model and serial number of the product.

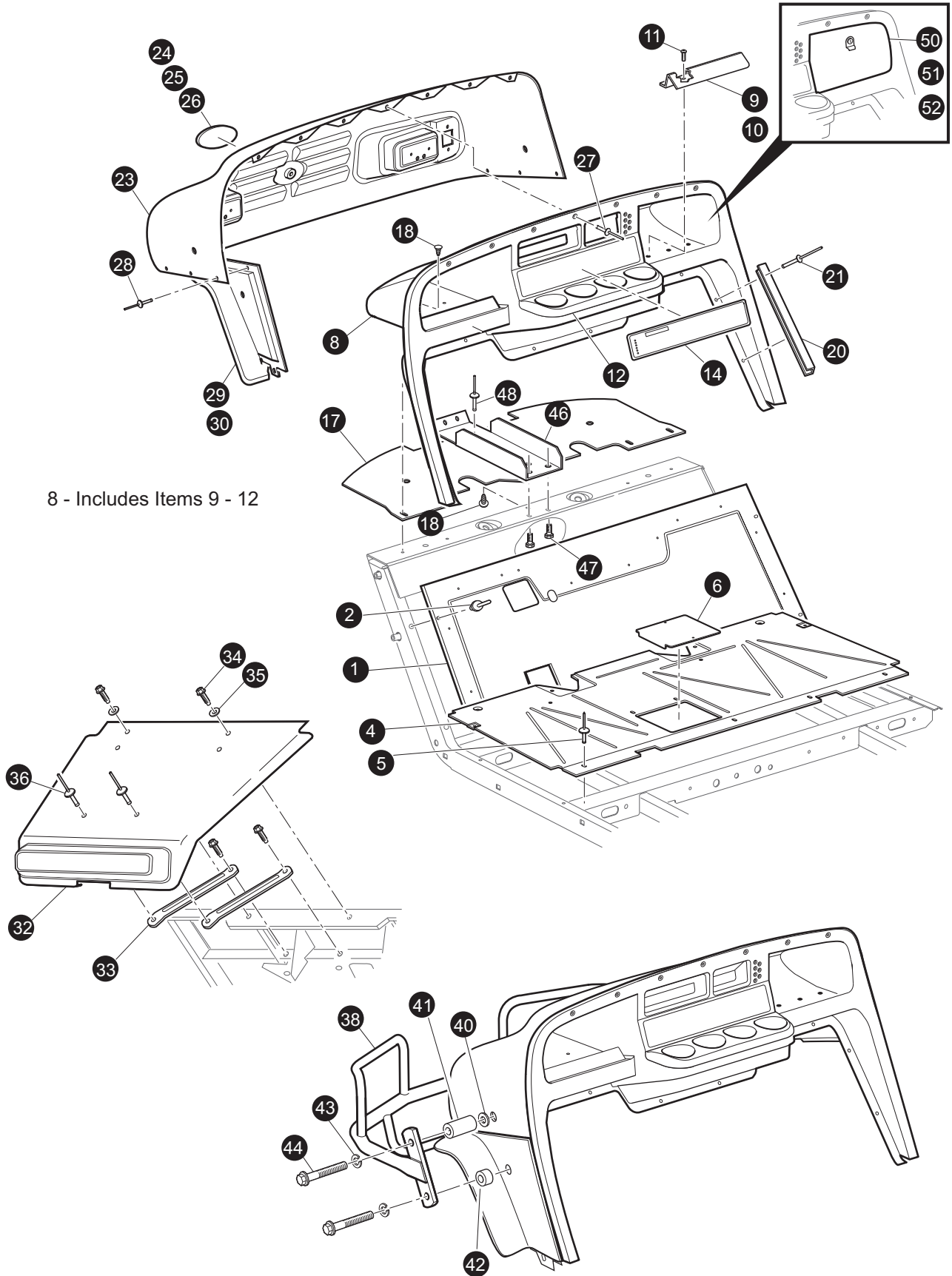
\* Indicates a component that is not available as an individual part.

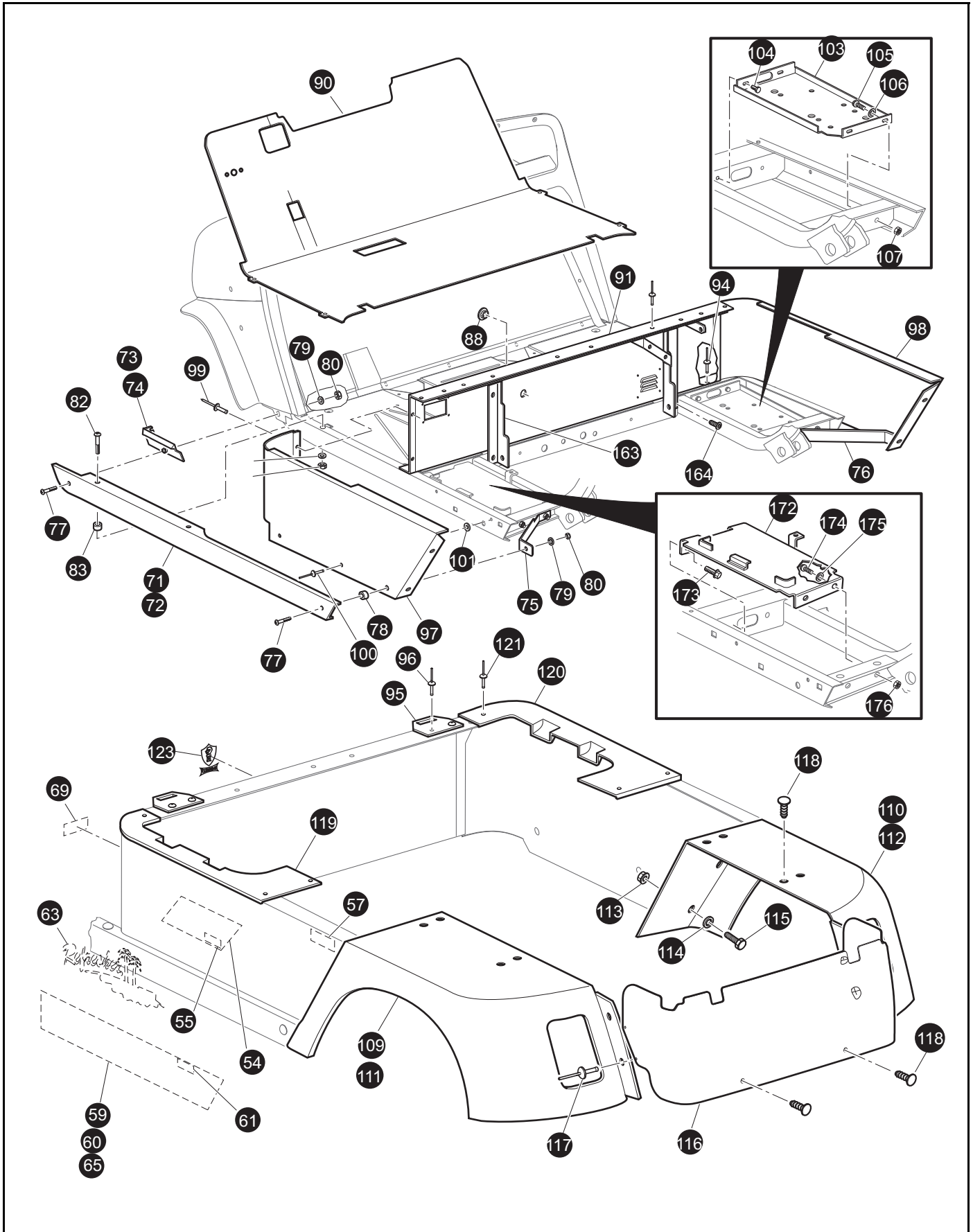
\*\*\* Indicates consult Customer Service Department for additional information.

ITEM	PART NO.	1 2 3 4 5	DESCRIPTION	QTY.
1	<u>606952</u>		AIR CLEANER (INCLUDES ITEMS 2 - 6).....	1
2	607269		BODY & BRACKET ASSEMBLY .....	1
3	<u>72599G01</u>		AIR CLEANER COVER .....	1
4	<u>72604G01</u>		AIR CLEANER CLIP .....	2
5	<u>28463G01</u>		AIR FILTER .....	1
6	<u>28462G01</u>		VALVE DUST EJECTOR.....	1
7	<u>11391G7</u>		HOSE CLAMP, 1.56 - 2.50 DIA .....	1
8	<u>607950</u>		HOSE 10" LONG .....	1
9	<u>11391G1</u>		HOSE CLAMP 1.31 - 2.25 DIA.....	3
10	<u>25532G1</u>		BOLT AND WASHER, M8 X 1.25 X 18 MM .....	4
11				
12	<u>72637G03</u>		HOSE, AIR INTAKE, 16" LONG .....	1
13	<u>72416G01</u>		INTAKE ASSEMBLY, REMOTE AIR.....	1
14	<u>72415G01</u>		GASKET, REMOTE AIR INTAKE .....	1
15	<u>71055G01</u>		RIVET, 3/16 DIA .....	4
16	<u>11391G2</u>		CLAMP, HOSE, 2.06 - 3.00 DIA .....	1
17	<u>601910</u>		HOSE, 14' LONG .....	1



# BODY

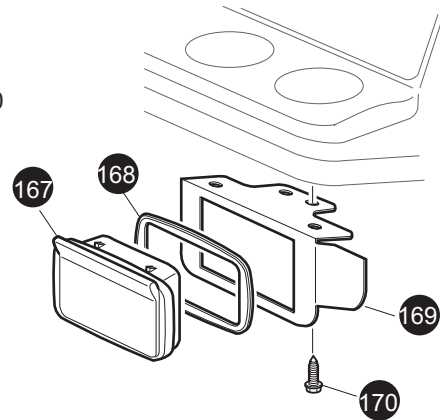




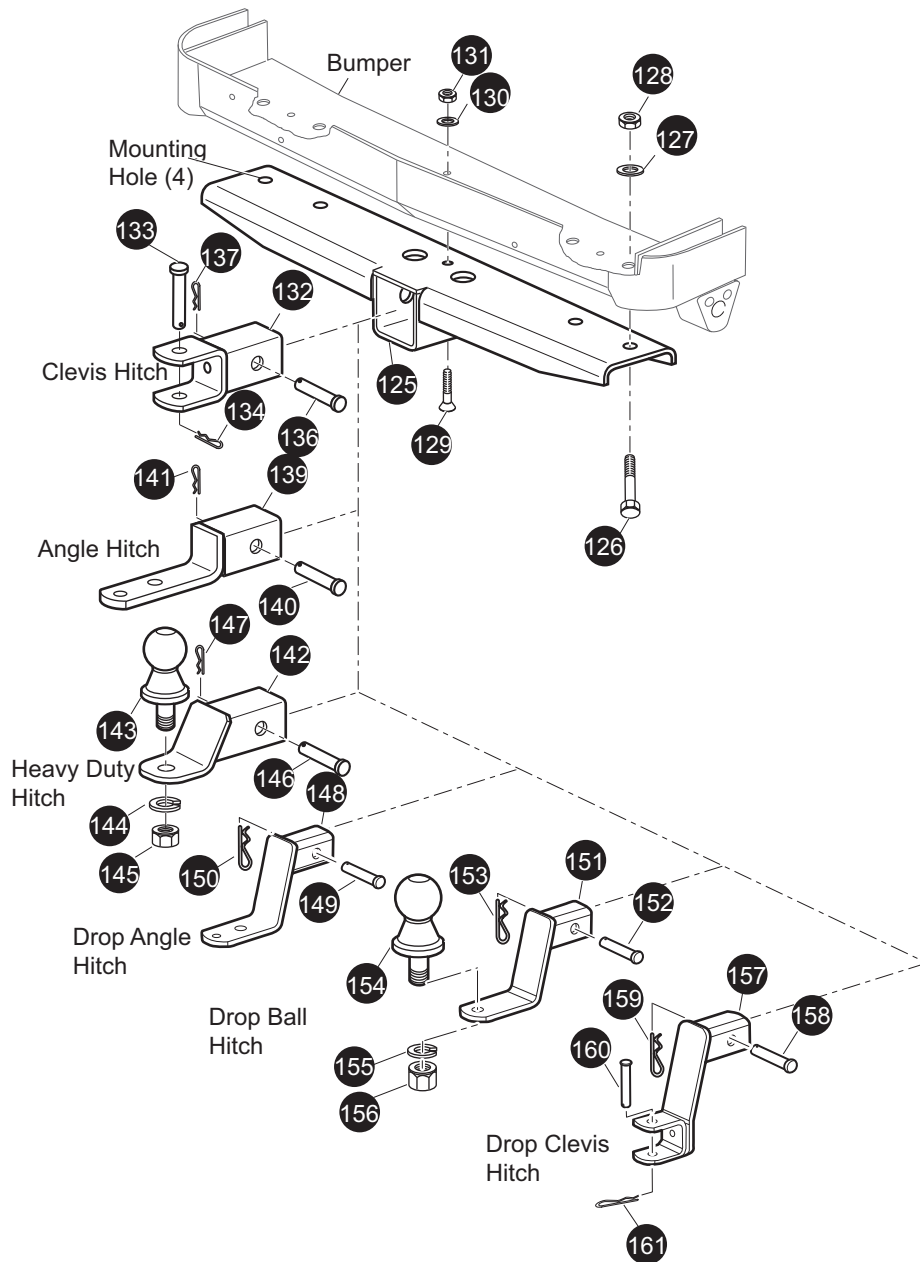


## ASH TRAY

166 - Includes Items 167 - 170



## HITCHES



When ordering parts, please specify the model and serial number of the product.

\* Indicates a component that is not available as an individual part.

\*\*\* Indicates consult Customer Service Department for additional information.

ITEM	PART NO.	1 2 3 4 5	DESCRIPTION	QTY.
1	70662G01		UPPER FLOORPAN (AXLE MOUNTED STEERING) .....	1
2	<u>14601G11</u>		RIVET, 3/16" X 9/16" LG .....	9
3				
4	<u>70451G01</u>		LOWER FLOORPAN .....	1
5	<u>14601G11</u>		RIVET, 3/16" X 9/16" LG .....	7
6	<u>70452G01</u>		ACCESS COVER.....	1
7				
8	<u>71151G03</u>		INSTRUMENT PANEL ASSEMBLY (INCLUDES ITEMS 9 - 12) .....	1
9	<u>71153G01</u>		DEFLECTOR (PASSENGER SIDE).....	1
10	<u>71154G01</u>		DEFLECTOR (DRIVER SIDE).....	1
11	<u>00614G5</u>		SCREW, #8 - 18 X 5/8" LG.....	6
12	<u>71158G01</u>		INSTRUMENT PANEL INSERT (FOUR CUP) .....	1
13				
14	<u>35964G01</u>		LABEL (SAFETY) (PICTOGRAPH) .....	1
15				
16				
17	<u>71413G01</u>		SPLASH PANEL .....	1
18	<u>16816G2</u>		RATCHET FASTENER, 1/4" X 3/4" LG.....	5
19				
20	<u>71115G01</u>		VINYL TRIM.....	2
21	<u>71055G01</u>		RIVET, 3/16" X 1" LG .....	10
22				
23	606534G**		COWL (LX/SE)..... 606534G002....ST COWL SPECIAL COLOR 606534G005....ST COWL FRONT JAC ORANGE 606534G006....ST COWL FRONT LIGHT GOLD PEARL 606534G007....ST COWL SILVER PEARL METAL 606534G011....ST COWL BLACK PAINT 606534G012....ST COWL EMERALD GREEN PEARL 606534G013....ST COWL CLOUD GREY 606534G014....ST COWL VIPER BLUE METAL 606534G019....ST COWL PATRIOT BLUE PEARL 606534G020....ST COWL INFERNO RED METAL 606534G023....ST COWL ADV CLASSICE CAMO 606534G024....ST COWL FRONT NATURAL 606534G025....ST COWL FRONT NEW HOLLAND BLUE	1

# BODY

When ordering parts, please specify the model and serial number of the product.

\* Indicates a component that is not available as an individual part.

\*\*\* Indicates consult Customer Service Department for additional information.

ITEM	PART NO.	1	2	3	4	5	DESCRIPTION	QTY.
							606534G026....ST COWL FRONT STEEL BLUE PEARL	
							606534G027....ST COWL BRIGHT SILVER METAL	
							606534G029....ST COWL PRIME	
							606534G030....ST COWL HD ADV CAMO	
							606534G031....ST COWL FRONT METALLIC CHARCOAL	
							606534G033....ST COWL TIMERLINE GREEN	
							606534G034....ST COWL DEEP MOLTEN RED	
							606534G035....ST COWL SAFETY YELLOW	
							606534G036....ST COWL CAMPAGNE BEIGE TEXT	
							606534G037....ST COWL HUNTER GREEN	
							606534G038....ST COWL BRIGHT WHITE	
							606534G039....ST COWL FLAME RED	
							606534G040....ST COWL BLACK	
							606534G041....ST COWL ELECTRIC BLUE	
							606534G042....ST COWL PLATINUM	
							606534G043....ST COWL BURGUNDY ON CH BG	
							606534G044....ST COWL ALMOND	
							606534G046....ST COWL BURGANDY ON BLACK	
							606534G047....ST COWL BURLINGTON GREEN	
							606534G048....ST COWL BLACK ON CHAM BEIGE	
							606534G049....ST COWL RED ON CHAM BEIGE	
24	<u>74813G01</u>						NAMEPLATE (E-Z-GO) (OVAL) .....	1
25	<u>28907G01</u>						NAMEPLATE (JACOBSEN) (OVAL).....	1
26	<u>74401G01</u>						NAMEPLATE (CUSHMAN) (OVAL).....	1
27	<u>71055G01</u>						RIVET, 3/16" X 1" LG.....	9
28	<u>71055G01</u>						RIVET, 3/16" X 1" LG.....	6
29	<u>71338G01</u>						FENDER FLARE (DRIVER SIDE).....	1
30	<u>71338G02</u>						FENDER FLARE (PASSENGER SIDE) .....	1
31								
32	<u>27166G04</u>						FRONT SHIELD .....	1
33	<u>70725G02</u>						FRONT SHIELD BRACE.....	2
34	<u>01038G01</u>						SCREW, 1/4 - 20 X 1/2" LG.....	4
35	<u>16469G1</u>						WASHER, 1/4".....	2
36	<u>01057G01</u>						RIVET, KTR, 1/4" X 1" LG .....	2
37								
38	<u>74265G02</u>						BUMPER .....	1
39								
40	<u>00570G2</u>						WASHER, 5/16".....	2
41	<u>75048G04</u>						SPACER, 1".....	2

When ordering parts, please specify the model and serial number of the product.

\* Indicates a component that is not available as an individual part.

\*\*\* Indicates consult Customer Service Department for additional information.

ITEM	PART NO.	1 2 3 4 5	DESCRIPTION	QTY.
42	<u>75048G01</u>		SPACER, 1/2" .....	2
43	<u>00905G8</u>		LOCK WASHER, 5/16" .....	4
44	<u>01035G02</u>		BOLT, 5/16 - 18 X 2 1/2" LG.....	4
45				
46	71101G01		COWL SUPPORT BRACKET .....	1
47	<u>71102G02</u>		SELF TAPPING SCREW, 1/4 - 20 X 1/2" LG.....	3
48	<u>71055G01</u>		RIVET, 3/16" X 1 1/8" LG .....	1
49				
50	<u>75459G01</u>		GLOVE BOX DOORS (BOTH SIDES).....	1
51	<u>75459G02</u>		GLOVE BOX DOOR (DRIVER SIDE).....	1
52	<u>75459G03</u>		GLOVE BOX DOOR (PASSENGER SIDE) .....	1
53				
54	<u>600823</u>		LABEL (MPT™) .....	2
55	<u>600817</u>		LABEL (1200).....	2
56				
57	<u>74099G01</u>		LABEL, TILT WARNING PICTOGRAPH.....	2
58				
59	<u>28915G01</u>		LABEL (JACOBSEN HAULER™) (DRIVER SIDE).....	1
60	<u>28915G02</u>		LABEL (JACOBSEN HAULER™) (PASSENGER SIDE).....	1
61	<u>74099G01</u>		LABEL (1200).....	2
62				
63	<u>75743G01</u>		LABEL (REFRESHER) .....	2
64				
65	<u>600811</u>		LABEL (CUSHMAN COMMANDER™) (DRIVER SIDE) .....	2
66				
67				
68				
69	*		SERIAL NUMBER PLATE.....	1
70				
71	<u>71439G03</u>		ROCKER PANEL (DRIVER SIDE).....	1
72	<u>71439G04</u>		ROCKER PANEL (PASSENGER SIDE) .....	1

# BODY

When ordering parts, please specify the model and serial number of the product.

\* Indicates a component that is not available as an individual part.

\*\*\* Indicates consult Customer Service Department for additional information.

ITEM	PART NO.	1 2 3 4 5	DESCRIPTION	QTY.
73	<u>71424G01</u>		FENDER SPACER (DRIVER SIDE).....	1
74	<u>71424G02</u>		FENDER SPACER (PASSENGER SIDE) .....	1
75	<u>71440G03</u>		BRACE (DRIVER SIDE).....	1
76	<u>71440G04</u>		BRACE (PASSENGER SIDE) .....	1
77	<u>00789G2</u>		SCREW, #10 - 24 X 1 1/4" LG.....	4
78	<u>23726G2</u>		SPACER, 1/4" .....	2
79	<u>00660G5</u>		WASHER, #10.....	4
80	<u>14390G10</u>		LOCK NUT, #10 - 24.....	4
81				
82	<u>16705G1</u>		SCREW, 1/4 - 20 X 1" LG.....	4
83	<u>23726G2</u>		SPACER, 1/4" .....	4
84	<u>00559G7</u>		WASHER, 1/4".....	4
85	<u>14390G4</u>		LOCK NUT, 1/4 - 20.....	4
86				
87				
88	<u>20271G9</u>		HOLE PLUG, 1/2" .....	1
89				
90	<u>70663G04</u>		FLOORMAT (AXLE MOUNTED STEERING).....	1
91	609143G**		SEAT WRAP (W/DRIVER SIDE LOUVERS)..... 609143G02....SPECIAL COLOR 609143G05....FRONT JAC ORANGE 609143G35....SAFETY YELLOW 609143G36....CHAMPAGNE BEIGE 609143G37....HUNTER GREEN 609143G38....BRIGHT WHITE 609143G39....FLAME RED 609143G40....WRAP BLACK	1
92				
93				
94	<u>10570G10</u>		RIVET, 5/32" X 9/16" LG.....	8
95	<u>71609G01</u>		SEAT HINGE PLATE .....	2
96	<u>10570G11</u>		RIVET, 3/16" X 3/4" LG.....	4
97	609168G1**		SIDE PANEL, DRIVER SIDE..... 609168G102....SPECIAL COLOR 609168G105....FRONT JAC ORANGE	1

When ordering parts, please specify the model and serial number of the product.

\* Indicates a component that is not available as an individual part.

\*\*\* Indicates consult Customer Service Department for additional information.

ITEM	PART NO.	1 2 3 4 5	DESCRIPTION	QTY.
98	609168G2**		609168G135....SAFETY YELLOW 609168G136....CHAMPAGNE BEIGE 609168G137....HUNTER GREEN 609168G138....BRIGHT WHITE 609168G139....FLAME RED 609168G140....BLACK SIDE PANEL, PASSENGER SIDE..... 609168G202....SPECIAL COLOR 609168G205....FRONT JAC ORANGE 609168G235....SAFETY YELLOW 609168G236....CHAMPAGNE BEIGE 609168G237....HUNTER GREEN 609168G238....BRIGHT WHITE 609168G239....FLAME RED 609168G240....BLACK	1
99	<u>10570G10</u>		RIVET, 5/32" X 9/16" LG .....	4
100	<u>10570G12</u>		RIVET, 1/4" X 1/2" LG .....	4
101	<u>16469G7</u>		WASHER, 1/4" .....	4
102				
103	<u>70244G03</u>		SPLASH PANEL .....	1
104	<u>00715G2</u>		BOLT, 5/16 - 18 X 13/16" LG.....	2
105	<u>00438G8</u>		BOLT, 5/16 - 18 X 1" LG.....	2
106	<u>00559G8</u>		WASHER, 5/16" .....	2
107	<u>11098G6</u>		LOCK NUT, 5/16 - 18 .....	2
108				
109	<u>74893G01</u>		FENDER (DRIVER SIDE).....	1
110	<u>74893G02</u>		FENDER (PASSENGER SIDE) .....	1
111	<u>74893G03</u>		FENDER WITH TAILLIGHT (DRIVER SIDE).....	1
112	<u>74893G04</u>		FENDER WITH TAILLIGHT (PASSENGER SIDE) .....	1
113	<u>14390G4</u>		LOCK NUT, 1/4 - 20 .....	4
114	<u>00642G7</u>		WASHER, 1/4" .....	8
115	<u>00414G6</u>		BOLT, 1/4 - 20 X 7/8" LG.....	4
116	<u>74890G01</u>		REAR PANEL.....	1
117	<u>71055G01</u>		RIVET, 3/16" X 1" LG .....	4
118	<u>16816G2</u>		RATCHET FASTENER, 1/4" X 3/4" LG.....	10
119	<u>74891G01</u>		SEAT FILLER PANEL (DRIVER SIDE).....	1

# BODY

When ordering parts, please specify the model and serial number of the product.

\* Indicates a component that is not available as an individual part.

\*\*\* Indicates consult Customer Service Department for additional information.

ITEM	PART NO.	1 2 3 4 5	DESCRIPTION	QTY.
120	<u>74891G02</u>		SEAT FILLER PANEL (PASSENGER SIDE).....	1
121	<u>10570G10</u>		RIVET, 5/32" X 9/16" LG.....	6
122				
123	<u>74755G01</u>		LABEL (E-SHIELD™).....	1
124				
125	<u>74348G02</u>		HITCH RECEIVER.....	1
126	<u>00463G4</u>		BOLT, 7/16 - 14 X 1 1/2" LG.....	4
127	<u>00922G3</u>		WASHER, 7/16".....	4
128	<u>00734G1</u>		LOCK NUT, 7/16 - 14.....	4
129	<u>00198G8</u>		SCREW, 5/16 - 18 X 1" LG.....	1
130	00559G8		WASHER, 5/16".....	1
131	11098G6		LOCK NUT, 5/16 - 18.....	1
132	<u>74338G02</u>		CLEVIS HITCH.....	1
133	<u>14443G7</u>		CLEVIS PIN, 1/2" X 2 1/2" LG.....	1
134	<u>19314G1</u>		COTTER PIN, 2 1/2" LG.....	1
135				
136	21317G01		CLEVIS PIN, 5/8" X 3" LG.....	1
137	<u>21683G1</u>		COTTER PIN, 15/32" X 2 11/16" LG.....	1
138				
139	<u>74339G02</u>		ANGLE HITCH.....	1
140	21317G01		CLEVIS PIN, 5/8" X 3" LG.....	1
141	<u>21683G1</u>		COTTER PIN, 15/32" X 2 11/16" LG.....	1
142	<u>74351G02</u>		HEAVY DUTY HITCH.....	1
143	<u>31757G1</u>		HITCH BALL, 1 7/8".....	1
144	<u>00566G6</u>		LOCK WASHER, 3/4".....	1
145	00702G11		NUT, 3/4 - 16.....	1
146	21317G01		CLEVIS PIN, 5/8" X 3" LG.....	1
147	<u>21683G1</u>		COTTER PIN, 15/32" X 2 11/16" LG.....	1
148	<u>74489G02</u>		DROP ANGLE HITCH.....	1
149	21317G01		CLEVIS PIN, 5/8" X 3" LG.....	1
150	<u>21683G1</u>		COTTER PIN, 15/32" X 2 11/16" LG.....	1

When ordering parts, please specify the model and serial number of the product.

\* Indicates a component that is not available as an individual part.

\*\*\* Indicates consult Customer Service Department for additional information.

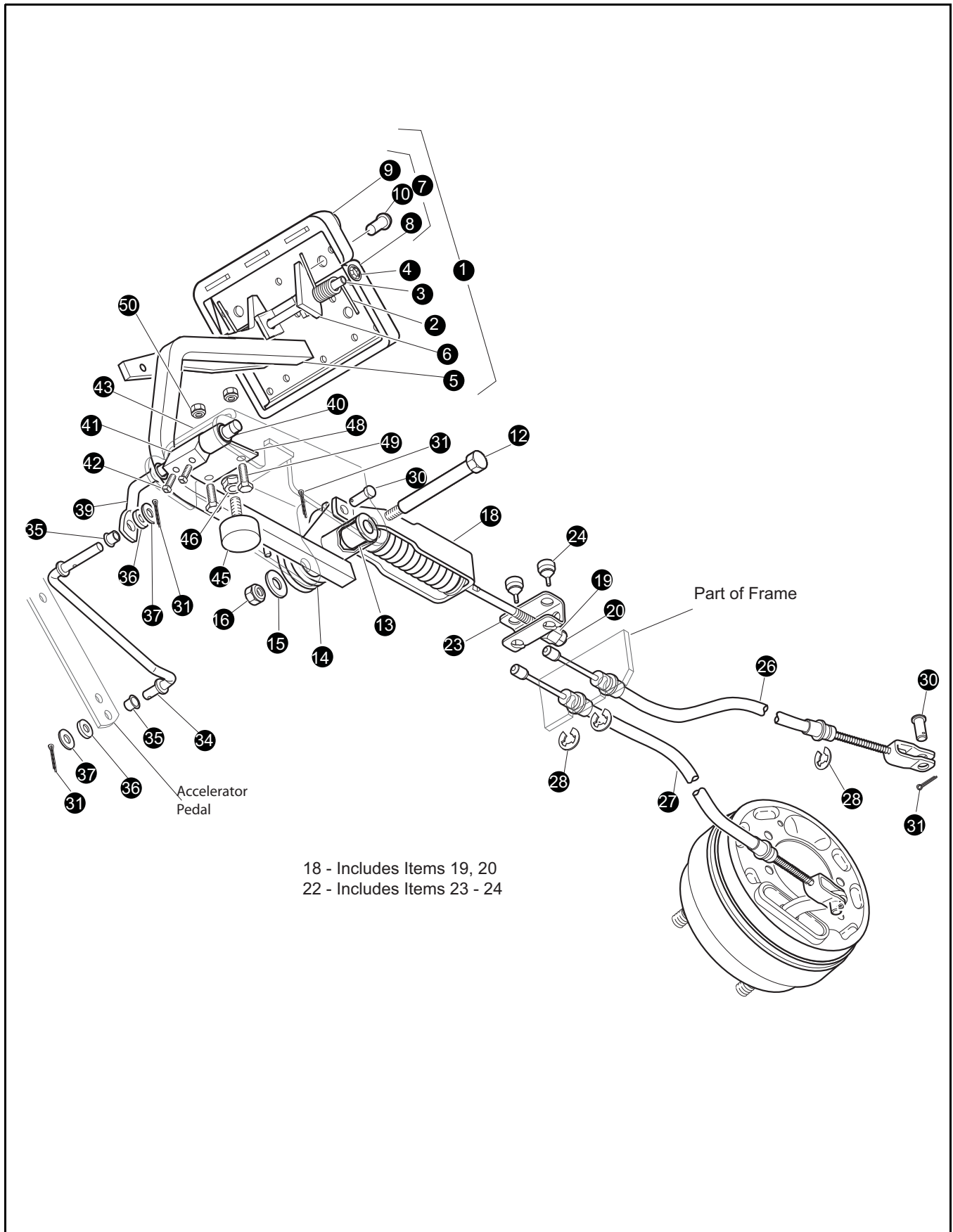
ITEM	PART NO.	1 2 3 4 5	DESCRIPTION	QTY.
151	<u>74491G02</u>		DROP BALL HITCH.....	1
152	21317G01		CLEVIS PIN, 5/8" X 3" LG.....	1
153	<u>21683G1</u>		COTTER PIN, 15/32" X 2 11/16" LG.....	1
154	<u>31757G1</u>		HITCH BALL, 1 7/8".....	1
155	<u>00566G6</u>		LOCK WASHER, 3/4".....	1
156	00702G11		NUT, 3/4 - 16.....	1
157	<u>74495G02</u>		DROP CLEVIS HITCH.....	1
158	21317G01		CLEVIS PIN, 5/8" X 3" LG.....	1
159	<u>21683G1</u>		COTTER PIN, 15/32" X 2 11/16" LG.....	1
160	<u>14443G7</u>		CLEVIS PIN, 1/2" X 2 1/2" LG.....	1
161	<u>19314G1</u>		COTTER PIN, 2 1/2" LG.....	1
162				
163	<u>70440G04</u>		SEAT FRAME.....	1
164	<u>00715G2</u>		SCREW, 3/8 - 16 X 1/4" LG.....	2
165				
166	<u>75109G04</u>		ASH TRAY KIT (INCLUDES ITEMS 167 - 170).....	1
167	27731G01		ASH TRAY.....	1
168	27736G01		GASKET.....	1
169	<u>75108G02</u>		BRACKET.....	1
170	<u>00100G4</u>		SCREW, #10 - 16 X 1/2" LG.....	4
171				
172	<u>600496</u>		BATTERY TRAY.....	1
173	<u>00715G2</u>		BOLT, 5/16 - 18 X 13/16" LG.....	2
174	<u>00438G8</u>		BOLT, 5/16 - 18 X 1" LG.....	2
175	<u>00571G2</u>		WASHER, 5/16".....	2
176	11098G6		LOCK NUT, 5/16 - 18.....	2





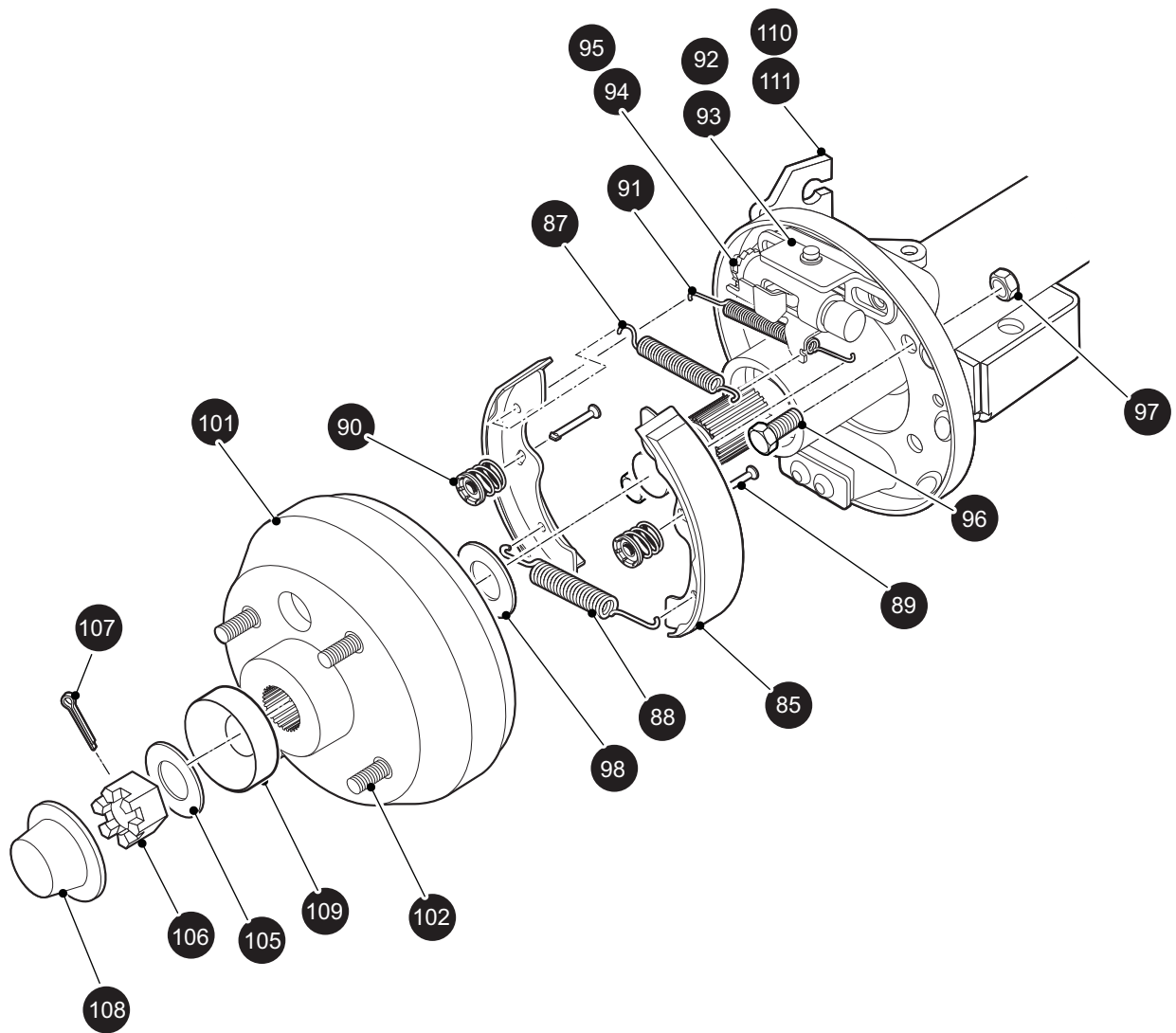


# BRAKES - MECHANICAL





# BRAKES - MECHANICAL



- 82 - Includes Items 84 - 92, 94, 95
- 83 - Includes Items 84 - 91, 93 - 95
- 84 - Includes Items 85
- 86 - Includes Items 87 - 91
- 92 - Includes Items 94, 95
- 93 - Includes Items 94, 95
- 100 - Includes Items 101, 102

# BRAKES - MECHANICAL

When ordering parts, please specify the model and serial number of the product.

\* Indicates a component that is not available as an individual part.

\*\*\* Indicates consult Customer Service Department for additional information.

ITEM	PART NO.	1 2 3 4 5	DESCRIPTION	QTY.
1	<u>70612G02</u>		BRAKE PEDAL ASSEMBLY (WITHOUT BRAKE LIGHTS) (INCLUDES ITEMS 2 - 10) .....	1
2	<u>70681G01</u>		TORSION SPRING.....	2
3	<u>70682G01</u>		PIVOT PIN.....	1
4	<u>01071G01</u>		PUSHNUT, 5/16" .....	2
5	*		BRAKE PEDAL.....	1
6	<u>70611G02</u>		PARK BRAKE PEDAL .....	1
7	<u>70274G01</u>		BRAKE/PARK BRAKE PEDAL PAD KIT (INCLUDES ITEMS 8 - 10).....	1
8	*		SERVICE BRAKE PAD .....	1
9	*		PARK BRAKE PEDAL PAD .....	1
10	<u>15766G1</u>		OVAL RIVET, 3/16" X 7/16" LG.....	9
11				
12	<u>70582G01</u>		SHOULDER BOLT, 3/8 - 16 X 4" LG (STAINLESS STEEL) .....	1
13	<u>70581G01</u>		FLANGED BUSHING.....	2
14	<u>70676G01</u>		TORSION SPRING .....	1
15	<u>00643G1</u>		WASHER, 3/8" .....	1
16	<u>11098G5</u>		LOCK NUT, 3/8 - 16 .....	1
17				
18	<u>70272G04</u>		COMPENSATOR ASSEMBLY (INCLUDES ITEMS 19, 20).....	1
19	<u>00963G01</u>		SPHERICAL NUT, 5/16 - 24 .....	1
20	<u>11098G9</u>		LOCK NUT, 5/16 - 24.....	1
21				
22	<u>70969G06</u>		EQUALIZER AND BRAKE CABLE ASSEMBLY (INCLUDES ITEMS 23-24) .	1
23	<u>28082G01</u>		EQUALIZER BRACKET .....	1
24	<u>28083G01</u>		BRAKE COMPENSATOR BUMPER .....	2
25				
26	<u>70968G10</u>		BRAKE CABLE DRIVER SIDE .....	1
27	<u>70968G11</u>		BRAKE CABLE PASSENGER SIDE.....	1
28	<u>01111G01</u>		RETAINING RING, 13/32" (STAINLESS STEEL).....	4
29				
30	<u>10386G3</u>		CLEVIS PIN, 5/16" X 13/16" LG.....	3

# BRAKES - MECHANICAL

When ordering parts, please specify the model and serial number of the product.

\* Indicates a component that is not available as an individual part.

\*\*\* Indicates consult Customer Service Department for additional information.

ITEM	PART NO.	1 2 3 4 5	DESCRIPTION	QTY.
31	<u>10387G3</u>		COTTER PIN, 3/32" X 3/4" LG .....	5
32				
33				
34	<u>70601G01</u>		KICK-OFF LINK.....	1
35	<u>17838G1</u>		NYLON BUSHING.....	2
36	<u>20835G1</u>		TEFLON WASHER, 3/8" .....	2
37	00559G8		WASHER, 5/16".....	2
38				
39	<u>70098G01</u>		KICK-OFF CAM PIVOT .....	1
40	<u>10097G6</u>		FLANGED BEARING .....	2
41	<u>70587G01</u>		KICK-OFF CAM.....	1
42	<u>71215G01</u>		SETSCREW, 1/4 - 20 X 1/2" LG.....	2
43	<u>14134G4</u>		SPACER .....	1
44				
45	<u>70113G01</u>		ADJUSTABLE BUMPER .....	1
46	<u>11027G1</u>		LOCK NUT, 5/16 - 18.....	1
47				
48	<u>70080G02</u>		CATCH BRACKET .....	1
49	<u>00414G6</u>		BOLT, 1/4 - 20 X 3/4" LG .....	2
50	<u>14390G4</u>		LOCK NUT, 1/4 - 20 (STAINLESS STEEL) .....	2
51				
52				
53	70690G02		BRAKE PEDAL ASSEMBLY (WITH BRAKE LIGHTS) (INCLUDES ITEMS 54 - 80).....	1
54	*		BRAKE PEDAL .....	1
55	<u>70611G02</u>		PARK BRAKE PEDAL.....	1
56	70274G01		BRAKE/PARK BRAKE PEDAL PAD KIT (INCLUDES ITEMS 57 - 59).....	1
57	*		SERVICE BRAKE PAD.....	1
58	*		PARK BRAKE PAD.....	1
59	<u>16409G1</u>		OVAL RIVET, 3/16" x 7/16" LG .....	9
60				
61	<u>70258G03</u>		BRAKE PEDAL PLATE .....	1

# BRAKES - MECHANICAL

When ordering parts, please specify the model and serial number of the product.

\* Indicates a component that is not available as an individual part.

\*\*\* Indicates consult Customer Service Department for additional information.

ITEM	PART NO.	1 2 3 4 5	DESCRIPTION	QTY.
62	<u>70682G01</u>		PIVOT PIN.....	1
63	<u>70681G01</u>		TORSION SPRING.....	2
64	<u>01071G01</u>		PUSHNUT, 5/16".....	1
65	<u>00737G8</u>		SCREW, #10 - 24 X 7/8" LG.....	4
66	<u>00739G1</u>		RUBBER NUT, #10 - 24.....	2
67	<u>74535G01</u>		BRAKE PEDAL STANDOFF.....	2
68	<u>27137G01</u>		CONICAL SPRING.....	2
69	<u>14390G10</u>		LOCK NUT, #10 - 24.....	2
70	10606G8		MICRO SWITCH.....	1
71	<u>00957G1</u>		BOLT, #6 - 32 X 1 1/4" LG.....	2
72	<u>00559G5</u>		WASHER, #10.....	2
73	<u>00559G3</u>		WASHER, #6.....	4
74	<u>00565G3</u>		LOCK WASHER, #6.....	2
75	<u>00525G5</u>		NUT, #6 - 32.....	2
76	<u>13514G1</u>		SCREW AND LOCK WASHER, #6.....	2
77				
78	<u>14628G1</u>		FASTON TAB.....	2
79	<u>24605G1</u>		WIRE HARNESS (BRAKE LIGHT).....	1
80	<u>17618G1</u>		WIRE TIE.....	4
81				
82	<u>70998G01</u>		BRAKE ASSEMBLY (DRIVER SIDE) (INCLUDES ITEMS 84 - 92, 94, 95)....	1
83	<u>70998G02</u>		BRAKE ASSEMBLY (PASSENGER SIDE) (INCLUDES ITEMS 84 - 91, 93 - 95).....	1
84	70794G01		BRAKE SHOE KIT (INCLUDES ITEM 85).....	2
85	*		BRAKE SHOE.....	2
86	<u>27944G01</u>		BRAKE SPRING KIT (INCLUDES ITEMS 87 - 91).....	2
87	*		UPPER SPRING.....	1
88	*		LOWER SPRING.....	1
89	*		PIN.....	2
90	*		CUP AND SPRING.....	2
91	*		ADJUSTER SPRING.....	1



# BRAKES - MECHANICAL

When ordering parts, please specify the model and serial number of the product.

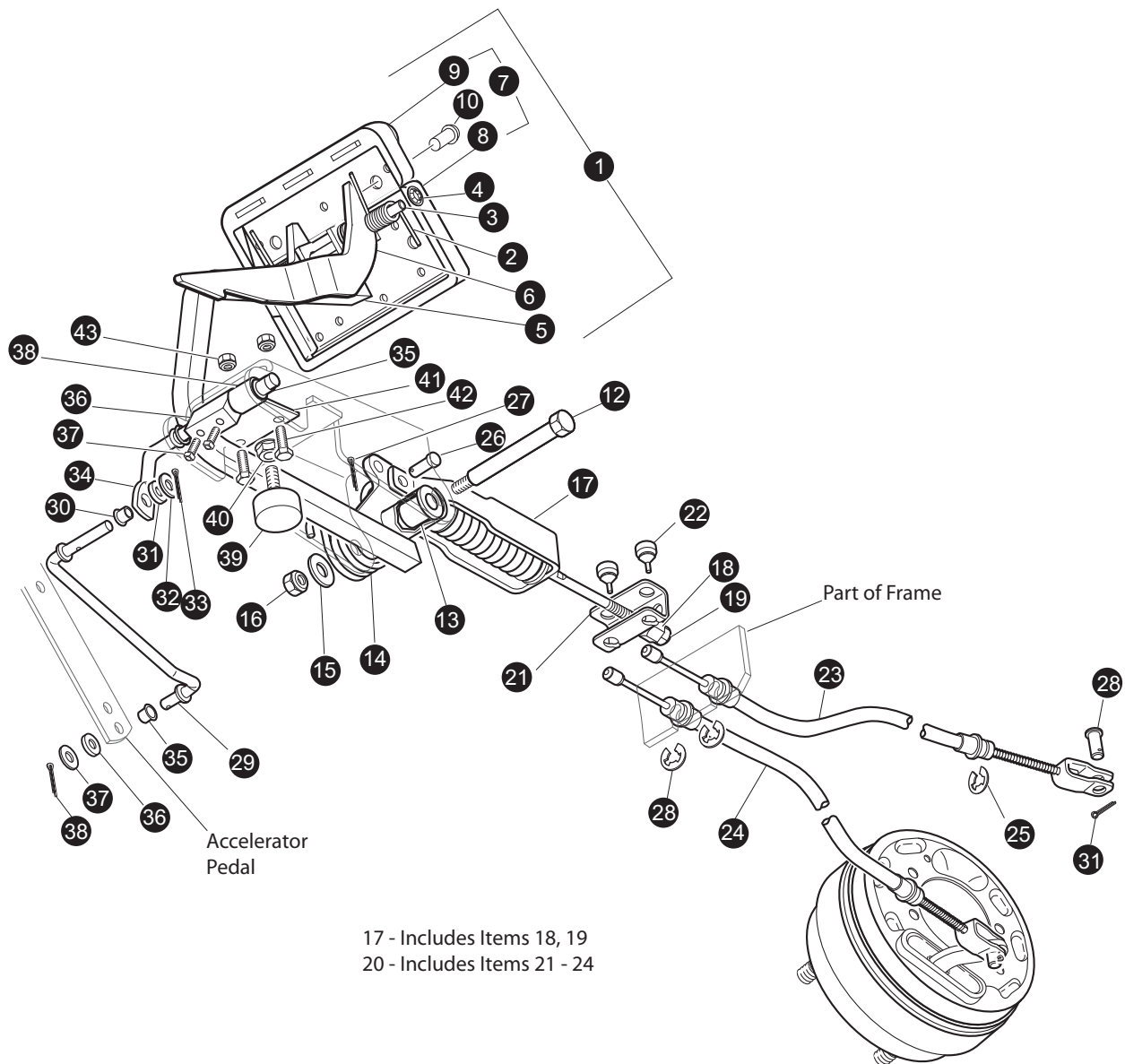
\* Indicates a component that is not available as an individual part.

\*\*\* Indicates consult Customer Service Department for additional information.

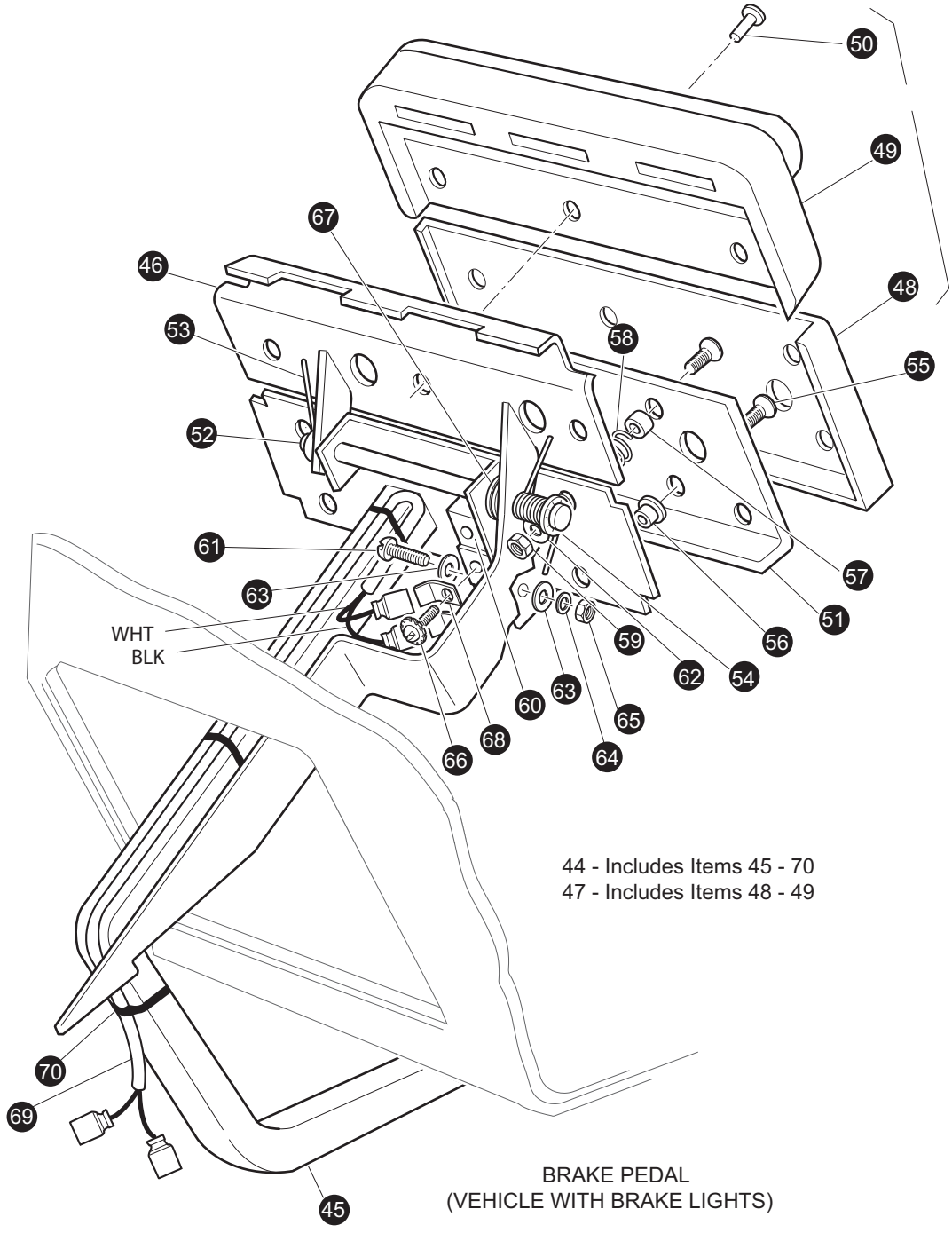
ITEM	PART NO.	1	2	3	4	5	DESCRIPTION	QTY.
92	<u>72582G01</u>						BRAKE ADJUSTER KIT (DRIVER SIDE) (INCLUDES ITEMS 94, 95) ....	1
93	<u>72582G02</u>						BRAKE ADJUSTER KIT (PASSENGER SIDE) (INCL. ITEMS 94, 95).....	1
94	*						ADJUSTER.....	1
95	*						TEFLON WASHER.....	2
96	<u>17083G2</u>						BOLT, 5/16 - 24 X 1" LG .....	8
97	<u>15126G1</u>						LOCK NUT, 5/16 - 24.....	8
98	<u>21809G1</u>						INNER BRAKE DRUM WASHER, 1 5/16" OD X 1" ID X 1/32" .....	2
99								
100	<u>21807G2</u>						BRAKE DRUM ASSEMBLY (INCLUDES ITEMS 101 - 102).....	2
101	*						BRAKE DRUM .....	1
102	<u>19862G2</u>						LUG BOLT, 1/2 - 20 X 1 3/16" LG .....	4
103								
104								
105	<u>606945</u>						OUTER BRAKE DRUM WASHER .....	2
106	<u>606403</u>						SLOTTED NUT, M22 X 1.5.....	2
107	<u>10387G1</u>						COTTER PIN, 1/8" X 1 1/2" LG .....	2
108	<u>74175G01</u>						SPINDLE CAP.....	2
109	<u>607033</u>						SPINDLE CAP ADAPTER.....	2
110	<u>608200</u>						BRAKE CABLE BRACKET (PASSENGER SIDE).....	1
111	<u>608201</u>						BRAKE CABLE BRACKET (DRIVER SIDE) .....	1



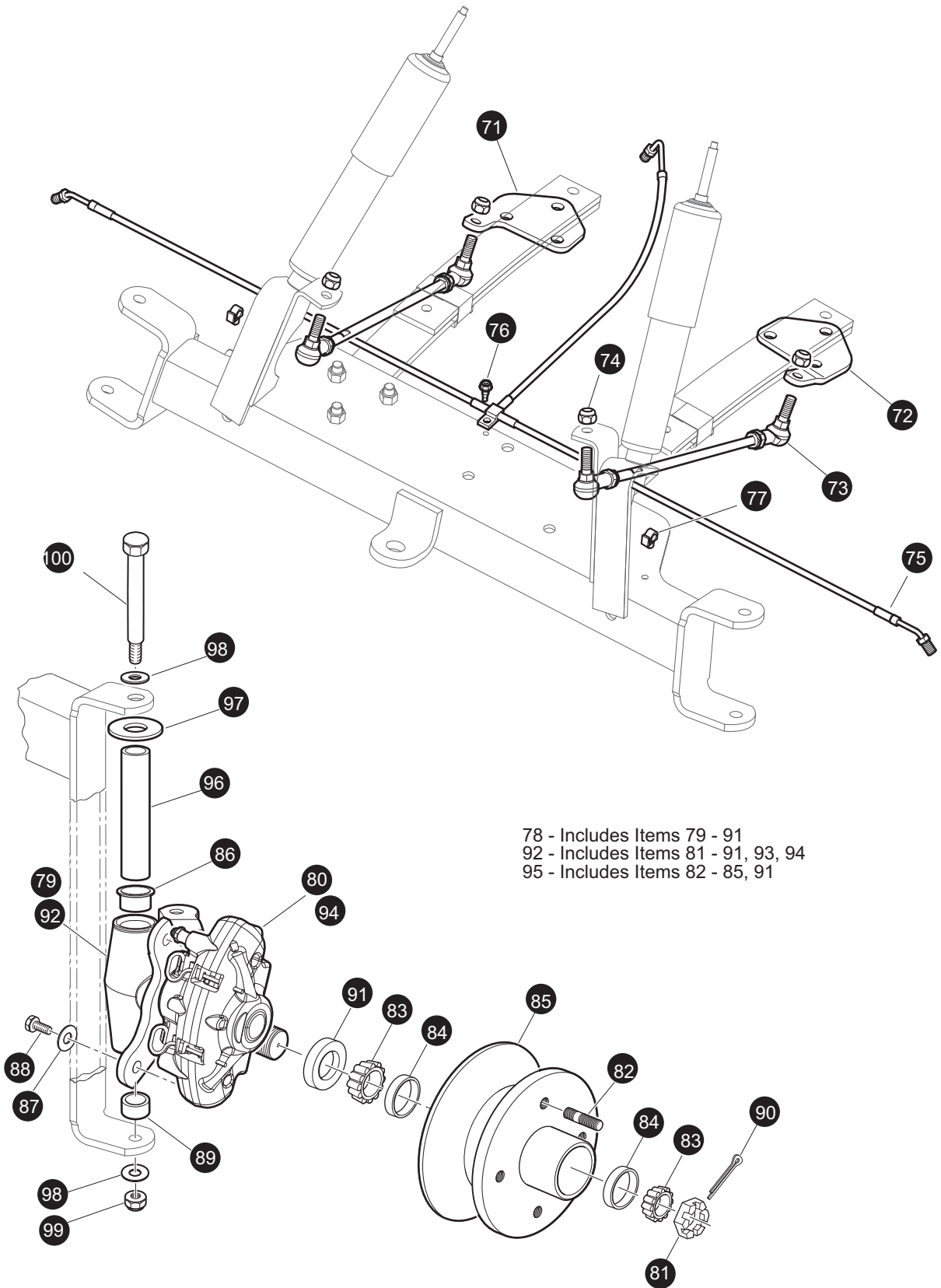
# BRAKES - FRONT DISC

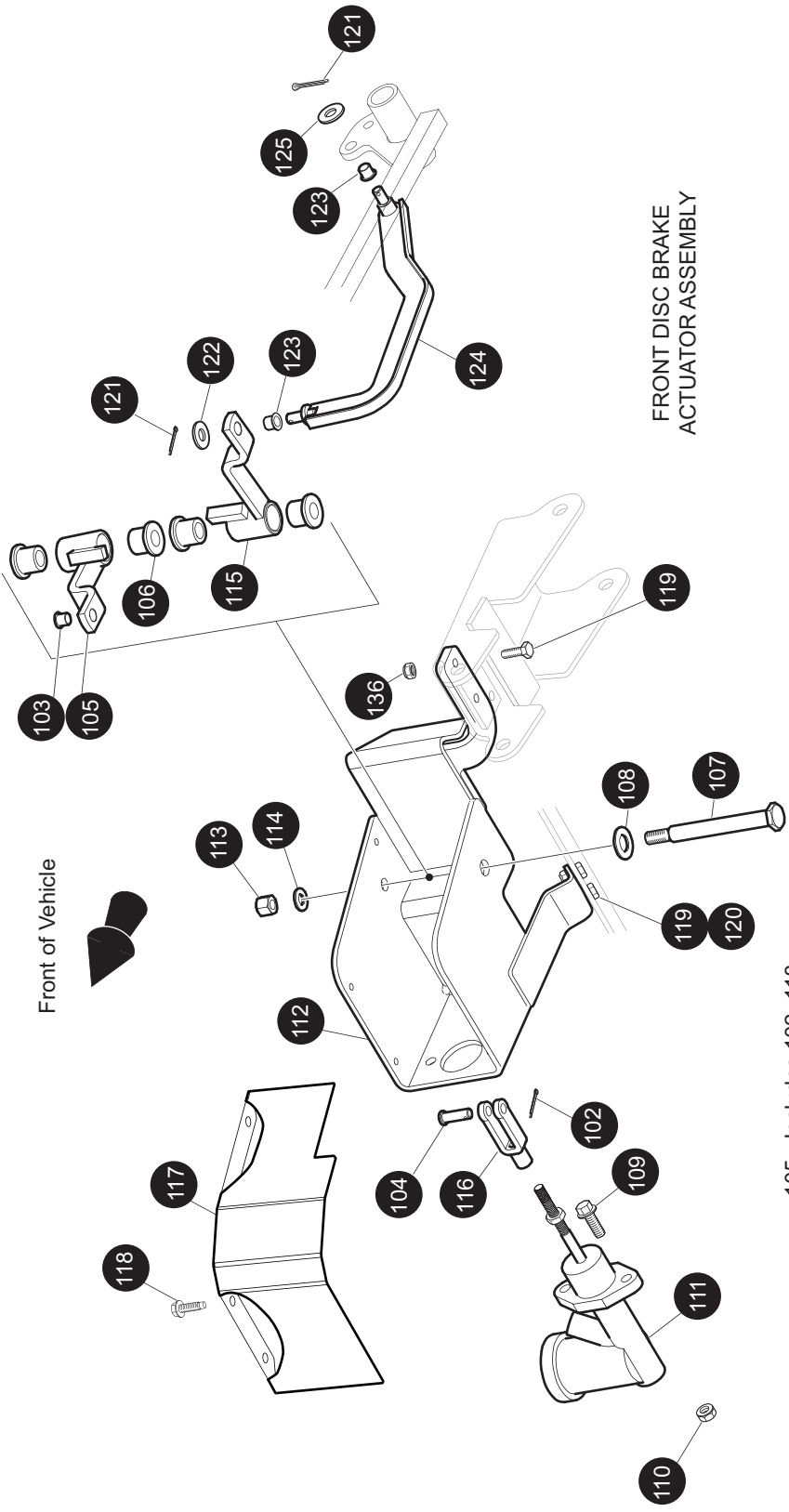


Ref Brh 21-1



# BRAKES - FRONT DISC





FRONT DISC BRAKE  
ACTUATOR ASSEMBLY

Front of Vehicle

105 - Includes 102 -118

# BRAKES - FRONT DISC

When ordering parts, please specify the model and serial number of the product.

\* Indicates a component that is not available as an individual part.

\*\*\* Indicates consult Customer Service Department for additional information.

ITEM	PART NO.	1 2 3 4 5	DESCRIPTION	QTY.
1	<u>74723G01</u>		BRAKE PEDAL ASSEMBLY (WITHOUT BRAKE LIGHTS) (INCLUDES ITEMS 2 - 11).....	1
2	<u>70681G01</u>		TORSION SPRING .....	2
3	<u>70682G01</u>		PIVOT PIN .....	1
4	<u>01071G01</u>		PUSHNUT, 5/16".....	2
5	*		BRAKE PEDAL .....	1
6	<u>74724G01</u>		PARK BRAKE PEDAL.....	1
7	<u>70274G01</u>		BRAKE/PARK BRAKE PEDAL PAD KIT (INCLUDES ITEMS 8 - 10) .....	1
8	*		SERVICE BRAKE PAD.....	1
9	*		PARK BRAKE PEDAL PAD .....	1
10	<u>16409G1</u>		OVAL RIVET, 3/16" X 15/32" LG .....	9
11				
12	<u>70582G01</u>		SHOULDER BOLT, 3/8 - 16 X 4" LG .....	1
13	<u>70581G01</u>		FLANGED BUSHING .....	2
14	<u>70676G01</u>		TORSION SPRING .....	1
15	<u>00643G1</u>		WASHER, 3/8".....	1
16	<u>11098G5</u>		LOCK NUT, 3/8 - 16.....	1
17	<u>70272G04</u>		COMPENSATOR ASSEMBLY (INCLUDES ITEMS 18, 19).....	1
18	<u>00963G01</u>		SPHERICAL NUT, 5/16 - 24.....	1
19	<u>11098G9</u>		LOCK NUT, 5/16 - 24 .....	1
20	<u>70969G05</u>		EQUALIZER AND BRAKE CABLE ASSEMBLY (INCLUDES ITEMS 21 - 24)	1
21	<u>28082G01</u>		EQUALIZER BRACKET .....	1
22	<u>28083G01</u>		BRAKE COMPENSATOR BUMPER.....	2
23	<u>70968G08</u>		BRAKE CABLE (DRIVER SIDE).....	1
24	<u>70968G09</u>		BRAKE CABLE (PASSENGER SIDE) .....	1
25	<u>01111G01</u>		RETAINING RING, S.S. ....	4
26	<u>10386G3</u>		CLEVIS PIN, 5/16" X 1" LG .....	5
27	<u>10387G3</u>		COTTER PIN, 3/32" X 3/4" LG .....	3
28				
29	<u>70601G01</u>		KICK-OFF LINK.....	1
30	<u>17838G1</u>		NYLON BUSHING.....	2

# BRAKES - FRONT DISC

When ordering parts, please specify the model and serial number of the product.

\* Indicates a component that is not available as an individual part.

\*\*\* Indicates consult Customer Service Department for additional information.

ITEM	PART NO.	1 2 3 4 5	DESCRIPTION	QTY.
31	<u>20835G1</u>		NYLON WASHER, 3/8".....	2
32	00559G8		WASHER, 5/16" .....	2
33				
34	<u>70098G01</u>		KICK-OFF CAM PIVOT.....	1
35	<u>10097G6</u>		FLANGED BEARING .....	2
36	<u>70587G01</u>		KICK-OFF CAM .....	1
37	<u>71215G01</u>		SETSCREW, 1/4 - 20 X 1/2" LG .....	2
38	<u>14134G4</u>		SPACER.....	1
39	<u>70113G01</u>		ADJUSTABLE BUMPER.....	1
40	<u>11027G1</u>		LOCK NUT, 5/16 - 18 .....	1
41	<u>70080G02</u>		CATCH BRACKET .....	1
42	00414G8		BOLT, 1/4 - 20 X 3/4" LG.....	2
43	<u>14390G4</u>		LOCK NUT, 1/4 - 20 .....	2
44	<u>74874G01</u>		BRAKE PEDAL ASSEMBLY (WITH BRAKE LIGHTS) (INCLUDES ITEMS 45 - 70) .....	1
45	*		BRAKE PEDAL.....	1
46	74724G01		PARK BRAKE PEDAL .....	1
47	70274G01		BRAKE/PARK BRAKE PEDAL PAD KIT (INCLUDES ITEMS 48 - 49) ....	1
48	*		SERVICE BRAKE PAD .....	1
49	*		PARK BRAKE PAD .....	1
50	<u>16409G1</u>		OVAL RIVET, 3/16" X 15/32" LG.....	9
51	<u>70258G03</u>		BRAKE PEDAL PLATE .....	1
52	<u>70682G01</u>		PIVOT PIN.....	1
53	<u>70681G01</u>		TORSION SPRING.....	2
54	<u>01071G01</u>		PUSHNUT, 5/16" .....	2
55	<u>00737G8</u>		SCREW, #10 - 24 X 1" LG.....	4
56	<u>00739G1</u>		RUBBER NUT, #10 - 24 .....	2
57	<u>74535G01</u>		BRAKE PEDAL STANDOFF.....	2
58	<u>27137G01</u>		CONICAL SPRING.....	2
59	<u>14390G10</u>		LOCK NUT, #10 - 24.....	2
60	10606G8		MICRO SWITCH .....	1



# BRAKES - FRONT DISC

When ordering parts, please specify the model and serial number of the product.

\* Indicates a component that is not available as an individual part.

\*\*\* Indicates consult Customer Service Department for additional information.

ITEM	PART NO.	1 2 3 4 5	DESCRIPTION	QTY.
61	<u>00957G1</u>		SCREW, #6 - 32 X 1 1/4" LG .....	2
62	<u>00559G5</u>		WASHER, #10 .....	2
63	<u>00559G3</u>		WASHER, #6 .....	4
64	<u>00565G3</u>		LOCK WASHER, #6.....	2
65	<u>00525G5</u>		NUT, #6 - 32 .....	2
66	<u>13514G1</u>		SCREW AND LOCK WASHER, #6.....	2
67	<u>20835G1</u>		WASHER, TEFLON, 3/8" .....	2
68	<u>14628G1</u>		FASTON TAB .....	2
69	<u>24605G1</u>		WIRE HARNESS (BRAKE LIGHT) .....	1
70	<u>17618G1</u>		WIRE TIE .....	3
71	<u>74731G02</u>		SPRING PLATE (PASSENGER SIDE).....	1
72	<u>74731G01</u>		SPRING PLATE (DRIVER SIDE) .....	1
73	<u>74730G01</u>		FOUR LINK ROD .....	2
74	<u>01084G01</u>		LOCK NUT, M10-1.25.....	4
75	<u>74736G01</u>		BRAKE LINE .....	1
76	<u>01038G01</u>		SCREW, 1/4 - 20 X 4444" LG.....	1
77	<u>74875G01</u>		WIRE RETAINER .....	2
78	<u>602281</u>		SPINDLE, CALIPER AND DISC HUB ASSEMBLY (DRIVER SIDE) (INCLUDES ITEMS 79 - 91).....	1
79	<u>602176</u>		DISC BRAKE SPINDLE (DRIVER SIDE).....	1
80	<u>74733G02</u>		CALIPER (DRIVER SIDE).....	1
81	<u>12093G1</u>		SLOTTED NUT .....	1
82	<u>74864G01</u>		DRIVE FLANGE STUD .....	4
83	<u>11750G2</u>		ROLLER BEARING.....	2
84	<u>51141G1</u>		BEARING RACE .....	2
85	<u>74673G01</u>		DISC BRAKE HUB.....	1
86	<u>70648G01</u>		FLANGED BEARING .....	1
87	<u>00566G1</u>		WASHER, 3/8" .....	2
88	<u>00426G8</u>		BOLT, 3/8 - 16 X 1 .....	2
89	<u>70749G01</u>		BEARING .....	1
90	<u>00798G8</u>		COTTER PIN .....	1
91	<u>25146G1</u>		GREASE SEAL.....	1

# BRAKES - FRONT DISC

When ordering parts, please specify the model and serial number of the product.

\* Indicates a component that is not available as an individual part.

\*\*\* Indicates consult Customer Service Department for additional information.

ITEM	PART NO.	1 2 3 4 5	DESCRIPTION	QTY.
92	<u>602288</u>		SPINDLE, CALIPER AND DISC HUB ASSEMBLY (PASSENGER SIDE) (INCLUDES ITEMS 81 - 91, 93, 94) .....	1
93	<u>602158</u>		DISC BRAKE SPINDLE (PASSENGER SIDE).....	1
94	<u>74733G01</u>		CALIPER (PASSENGER SIDE) .....	1
95	<u>74948G01</u>		DISC BRAKE SERVICE HUB (INCLUDES ITEMS 82 - 85, 91) .....	1
96	<u>70745G01</u>		KINGPIN TUBE.....	2
97	<u>70754G01</u>		THRUST WASHER.....	2
98	<u>00560G3</u>		WASHER, 1/2" .....	4
99	<u>14390G3</u>		LOCKNUT, 1/2 - 13 .....	2
100	<u>00407G6</u>		CAPSCREW, 1/2 - 13 X 6" LG.....	2
101	<u>608706</u>		FRONT DISC BRAKE BRAKE ACTUATOR ASSEMBLY (INCLUDES ITEMS 102 - 118).....	1
102	<u>10387G3</u>		COTTER PIN, 3/32 X 3/4" LG .....	1
103	<u>17838G1</u>		NYLON BUSHING.....	1
104	<u>10386G3</u>		CLEVIS PIN, 5/16 X 1" LG .....	1
105	<u>608122</u>		UPPER ACTUATOR PIVOT .....	1
106	<u>70581G02</u>		ACETAL BUSHING.....	4
107	<u>74711G01</u>		SHOULDER BOLT.....	1
108	<u>00560G3</u>		WASHER, 1/2".....	1
109	<u>00439G1</u>		BOLT, 1/2 - 13 X 6" LG .....	2
110	<u>11098G06</u>		LOCKNUT, 5/16 - 18.....	2
111	<u>887364</u>		MASTER CYLINDER .....	1
112	<u>608661</u>		MASTER CYLINDER MOUNT WELDMENT.....	1
113	<u>11098G5</u>		LOCKNUT, 3/8 - 16.....	1
114	<u>00679G1</u>		WASHER, 3/8" STAINLESS .....	1
115	<u>608118</u>		LOWER ACTUATOR PIVOT .....	1
116	<u>10385G4</u>		CLEVIS YOKE.....	1
117	<u>606869</u>		ACTUATOR COVER .....	1
118	<u>01038G01</u>		SCREW, 1/4 -20 SWAGEFORM .....	3
119	<u>00414G8</u>		BOLT, 1/4 - 20 X 1 1/4" LG.....	4
120	<u>00891G2</u>		LOCKNUT, 1/4 - 20 .....	4
121	<u>10387G3</u>		COTTER PIN, 3/32 X 3/4 .....	2

# BRAKES - FRONT DISC

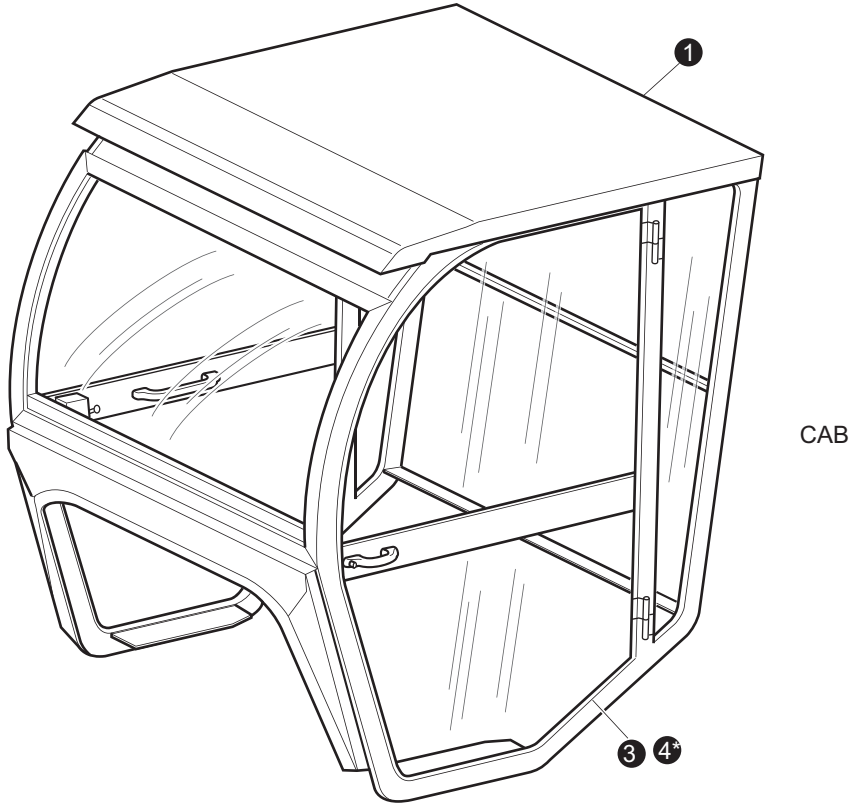
When ordering parts, please specify the model and serial number of the product.

\* Indicates a component that is not available as an individual part.

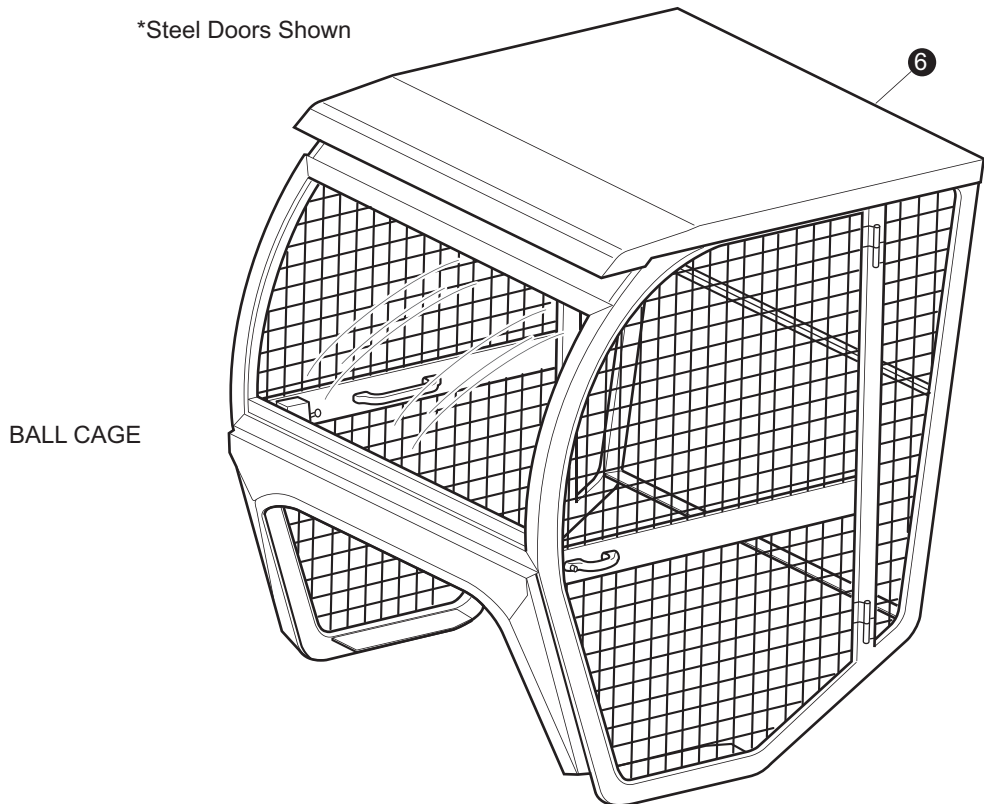
\*\*\* Indicates consult Customer Service Department for additional information.

ITEM	PART NO.	1 2 3 4 5	DESCRIPTION	QTY.
122	<u>20835G1</u>		WASHER, NYLON.....	1
123	<u>17838G1</u>		NYLON BUSHING.....	2
124	<u>74865G01</u>		ACTUATOR LINKAGE.....	1
125	<u>00771G5</u>		WASHER, 3/8".....	1
126	<u>74917G01</u>		DISC BRAKE PAD AND PIN KIT (SERVICES ONE CORNER) (INCLUDES ITEMS 127 - 128).....	1
127	*		BRAKE PADS .....	2
128	*		BRAKE PAD RETAINER PINS .....	2





\*Steel Doors Shown



For Cab Accessories, See ACCESSORIES LISTING in Appendix B

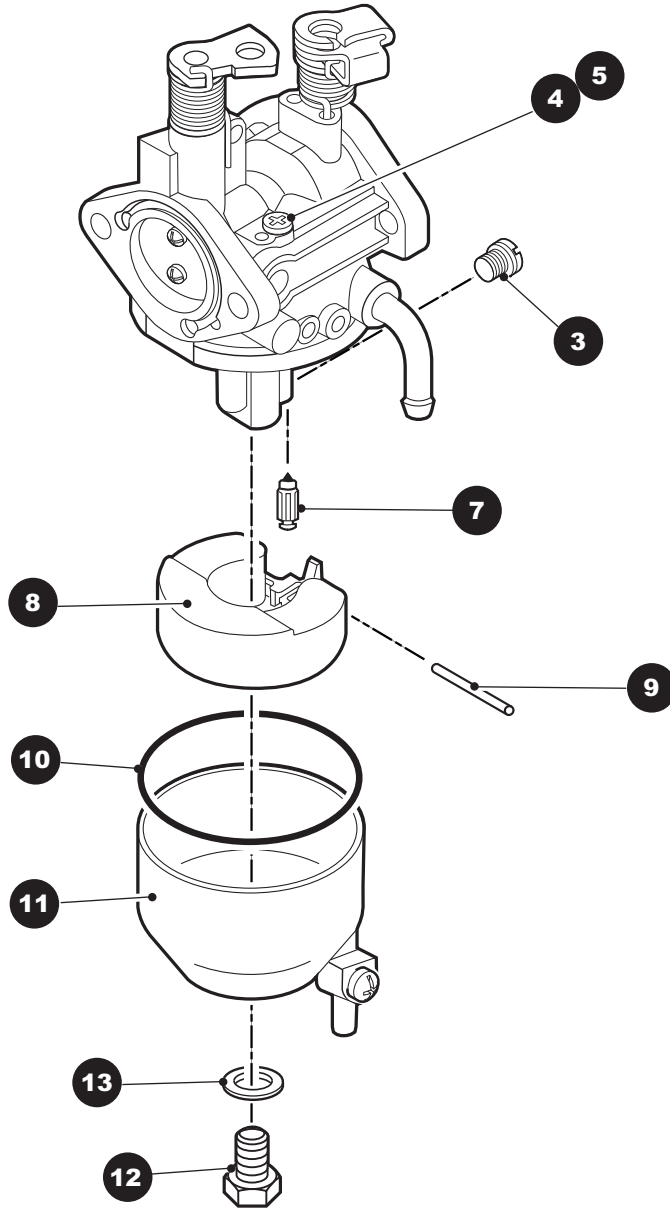
When ordering parts, please specify the model and serial number of the product.

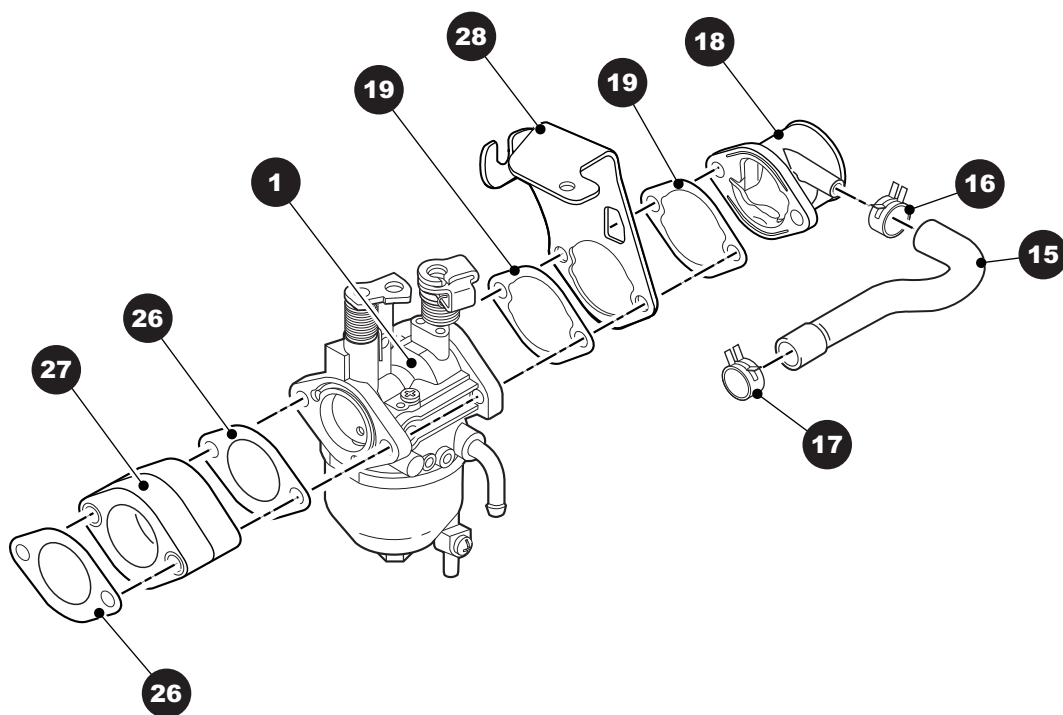
\* Indicates a component that is not available as an individual part.

\*\*\* Indicates consult Customer Service Department for additional information.

ITEM	PART NO.	1 2 3 4 5	DESCRIPTION	QTY.
1	72684G**		STEEL CAB (WITHOUT DOORS) REPACEMENT PARTS AND ACCESSORIES MAY BE OBTAINED FROM CURTIS CAB, INC. ....	1
2				
3	<u>75855G01</u>		VINYL DOOR KIT .....	1
4	75856G**		STEEL DOOR KIT .....	1
5				
6	<u>75853G01</u>		BALL CAGE .....	1
<p>For Cab replacement parts and accessories, contact Curtis Cab at:                      Curtis Cab, Inc. 111 Higgins Street, Worcester, Massachusetts, 01606.                      Tel.: 508-853-2200. Toll free: 800-343-7676.  <a href="http://www.curtiscab.com">www.curtiscab.com</a></p>				

# CARBURETOR AND CHOKE







# CARBURETOR AND CHOKE

When ordering parts, please specify the model and serial number of the product.

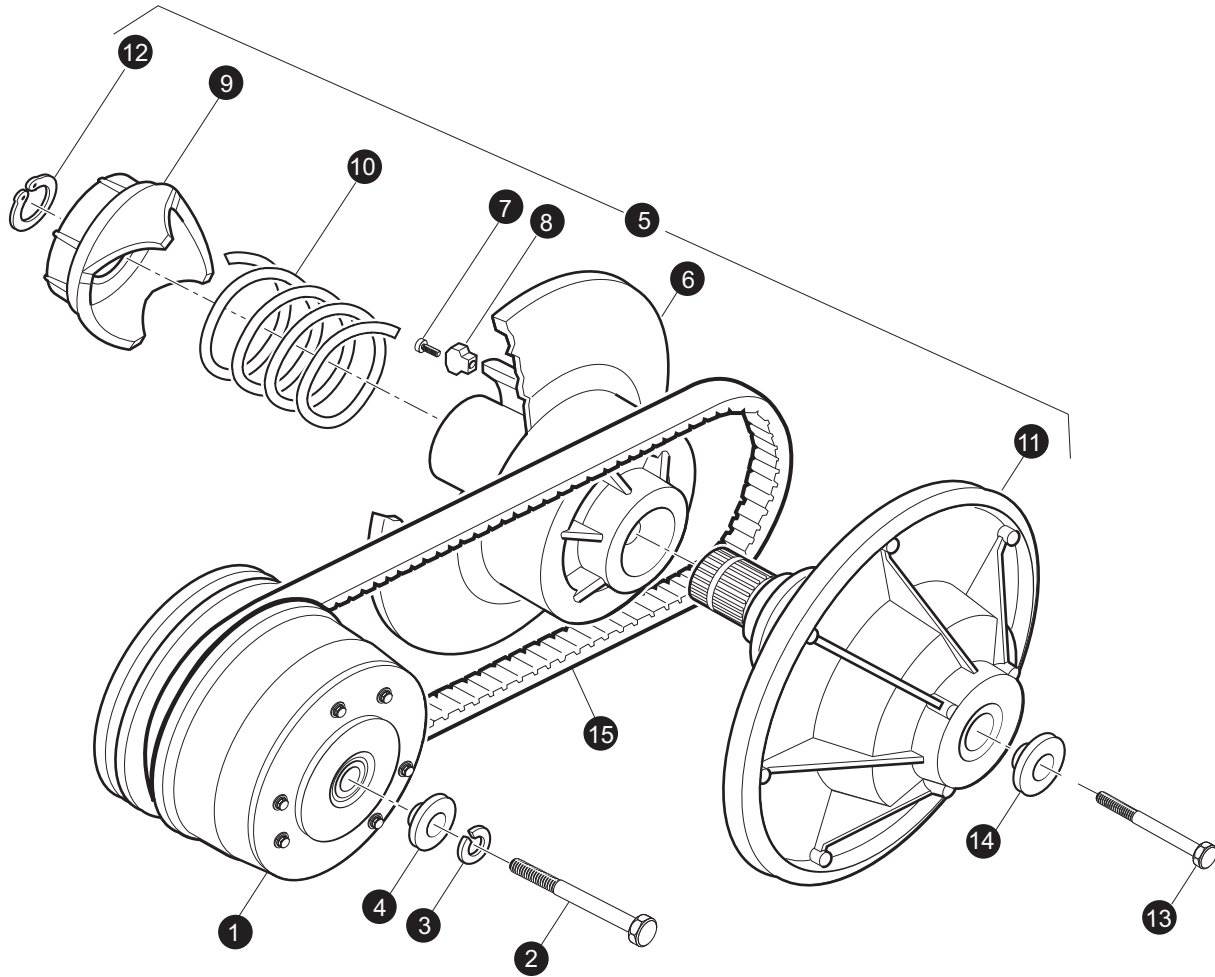
\* Indicates a component that is not available as an individual part.

\*\*\* Indicates consult Customer Service Department for additional information.

ITEM	PART NO.	1	2	3	4	5	DESCRIPTION	QTY.
1	<u>607954</u>						CARBURETOR (INCLUDES ITEMS 3 - 21).....	1
2								
3	<u>607683</u>						MAIN JET (#104).....	1
4	<u>608021</u>						PILOT JET (#44) .....	1
5	<u>603585</u>						PLUG.....	1
6								
7	<u>603586</u>						NEEDLE VALVE .....	1
8	<u>603587</u>						FLOAT .....	1
9	<u>603588</u>						FLOAT PIN .....	1
10	<u>603589</u>						FLOAT BOWL GASKET .....	1
11	<u>603590</u>						FLOAT CHAMBER .....	1
12	<u>603592</u>						BOWL SCREW .....	1
13	<u>603591</u>						BOWL GASKET .....	1
14								
15	<u>603598</u>						BREATHER TUBE.....	1
16	<u>603596</u>						CLAMP, INTAKE TUBE .....	1
17	<u>603597</u>						CLAMP CYLINDER HEAD TUBE .....	1
18	<u>603594</u>						INTAKE TUBE .....	1
19	<u>603593</u>						CHOKE GASKET .....	2
20	<u>603595</u>						NUT, M6 X 1.0 .....	2
21	<u>608023</u>						THROTTLE ROD ATTACHMENT BUSHING .....	1
22								
23	<u>607684</u>						MAIN JET (#102) (FOR ELEVATIONS OF 3000 FT - 6000 FT) .....	1
24	<u>607685</u>						MAIN JET (#100) (FOR ELEVATIONS OF 6000 FT - 10000 FT) .....	1
25								
26	<u>603580</u>						CARBURETOR MOUNT GASKET .....	2
27	<u>603581</u>						CARBURETOR INSULATOR .....	1



# CLUTCH



When ordering parts, please specify the model and serial number of the product.

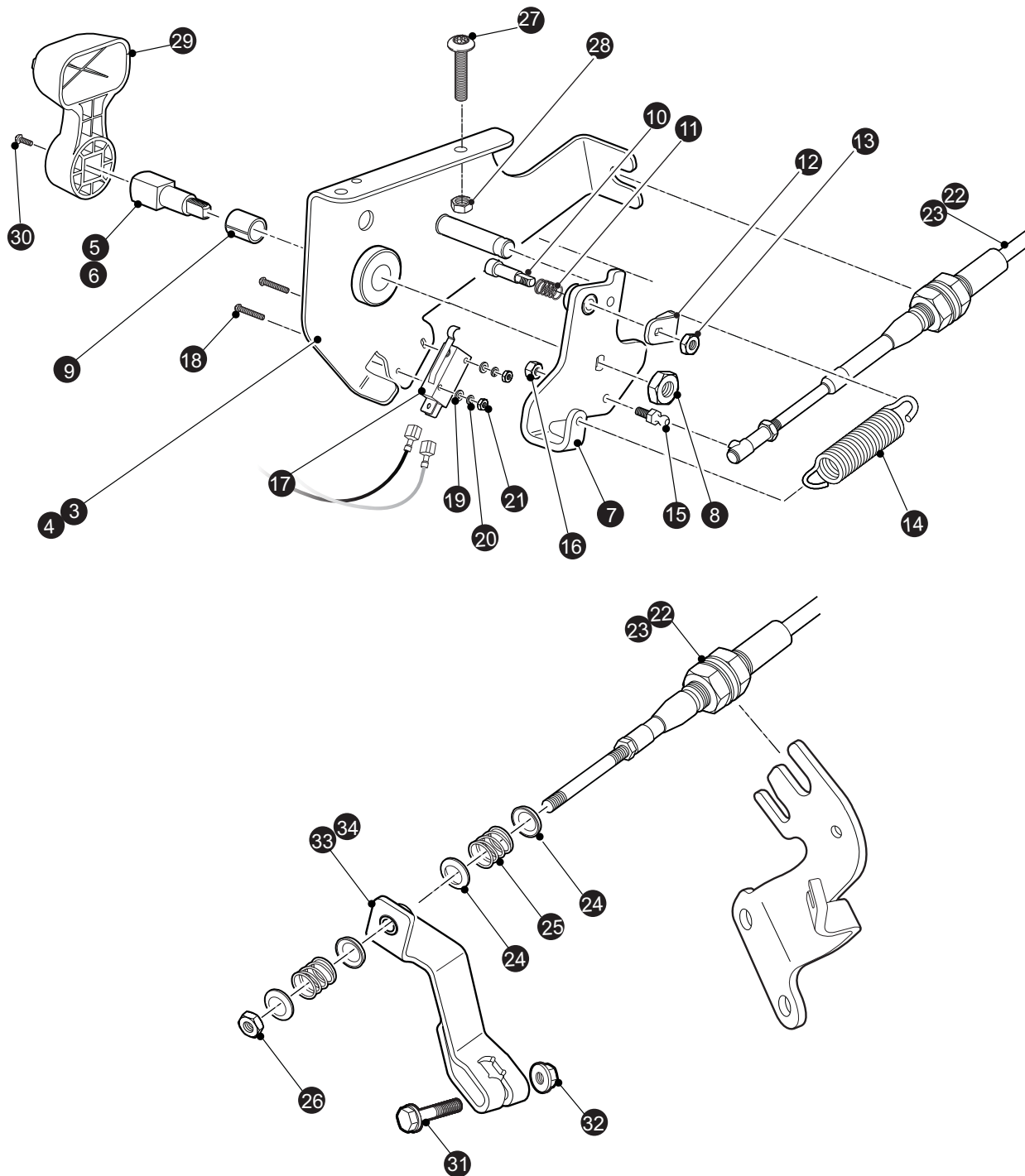
\* Indicates a component that is not available as an individual part.

\*\*\* Indicates consult Customer Service Department for additional information.

ITEM	PART NO.	1 2 3 4 5	DESCRIPTION	QTY.
1	<u>602000</u>		DRIVE CLUTCH .....	1
2	<u>606245</u>		BOLT, M12 - 1.25 X 160MM LG .....	1
3	<u>606239</u>		WASHER, M12 .....	1
4	<u>606230</u>		WASHER .....	1
5	602001		DRIVEN CLUTCH ASSEMBLY (INCLUDES ITEMS 8 - 15).....	1
6	*		MOVABLE SHEAVE .....	1
7	<u>608210</u>		SCREW, M4 X 25.....	3
8	<u>608204</u>		RAMP BUTTON.....	3
9	*		CAM.....	1
10	608209		COMPRESSION SPRING.....	1
11	*		SHEAVE AND POST .....	1
12	<u>608211</u>		HEAVY DUTY RETAINING RING.....	1
13	<u>606243</u>		BOLT, M12 - 1.25 X 120MM LG .....	1
14	<u>606239</u>		WASHER, M12 .....	1
15	<u>606136</u>		DRIVE BELT .....	1

# DIRECTION SELECTOR

1 - includes Items (3, 5, 7 - 22, 24 - 33)



# DIRECTION SELECTOR

When ordering parts, please specify the model and serial number of the product.

\* Indicates a component that is not available as an individual part.

\*\*\* Indicates consult Customer Service Department for additional information.

ITEM	PART NO.	1 2 3 4 5	DESCRIPTION	QTY.
1	<u>606173</u>		DIRECTION SELECTOR ASSEMBLY (INCLUDES ITEMS 3, 5, 7-22, 24-33)	1
2				
3	608831		DIRECTION SELECTOR BRACKET WITH BUSHING (INCLUDES ITEM 9)	1
4				
5	<u>70233G01</u>		DIRECTION SELECTOR SHAFT.....	1
6				
7	<u>603700</u>		DIRECTION SELECTOR CAM.....	1
8	<u>14390G1</u>		LOCK NUT, 3/8 - 24.....	1
9	*		BUSHING .....	1
10	<u>72724G01</u>		NEUTRAL LOCK PIN .....	1
11	<u>72733G01</u>		COMPRESSION SPRING, 3/8" X 5/8" LG .....	1
12	<u>72729G01</u>		NEUTRAL LOCK BRACKET .....	1
13	<u>00734G2</u>		LOCK NUT, 1/4 - 28.....	1
14	<u>28574G01</u>		EXTENSION SPRING .....	1
15	<u>72732G01</u>		BALL STUD, 1/4".....	1
16	<u>00734G5</u>		LOCK NUT, #10 - 32.....	1
17	<u>72736G01</u>		MICRO SWITCH .....	1
18	<u>01062G01</u>		SCREW, #4 - 40 X 1" LG.....	2
19	<u>00559G1</u>		WASHER, #4 .....	2
20	<u>00565G1</u>		LOCK WASHER, #4 .....	2
21	<u>00526G2</u>		NUT, #4 - 40 .....	2
22	<u>605807</u>		PUSH / PULL SHIFTER CABLE .....	1
23				
24	<u>25727G01</u>		CUP WASHER, 1/4" .....	4
25	<u>72735G01</u>		COMPRESSION SPRING, 19/32" X 1" LG .....	2
26	<u>00734G5</u>		LOCK NUT, #10 - 32.....	1
27	<u>70227G01</u>		SCREW, 1/4 - 20 X 7/8" LG .....	2
28	<u>11027G2</u>		LOCK NUT, 1/4 - 20 .....	2
29	<u>71205G01</u>		DIRECTION SELECTOR HANDLE .....	1
30	<u>00740G4</u>		SCREW, #10 - 32 X 1/2" LG (STAINLESS STEEL).....	1
31	<u>606421</u>		BOLT, M6 - 1.00 X 30.....	1

# DIRECTION SELECTOR

When ordering parts, please specify the model and serial number of the product.

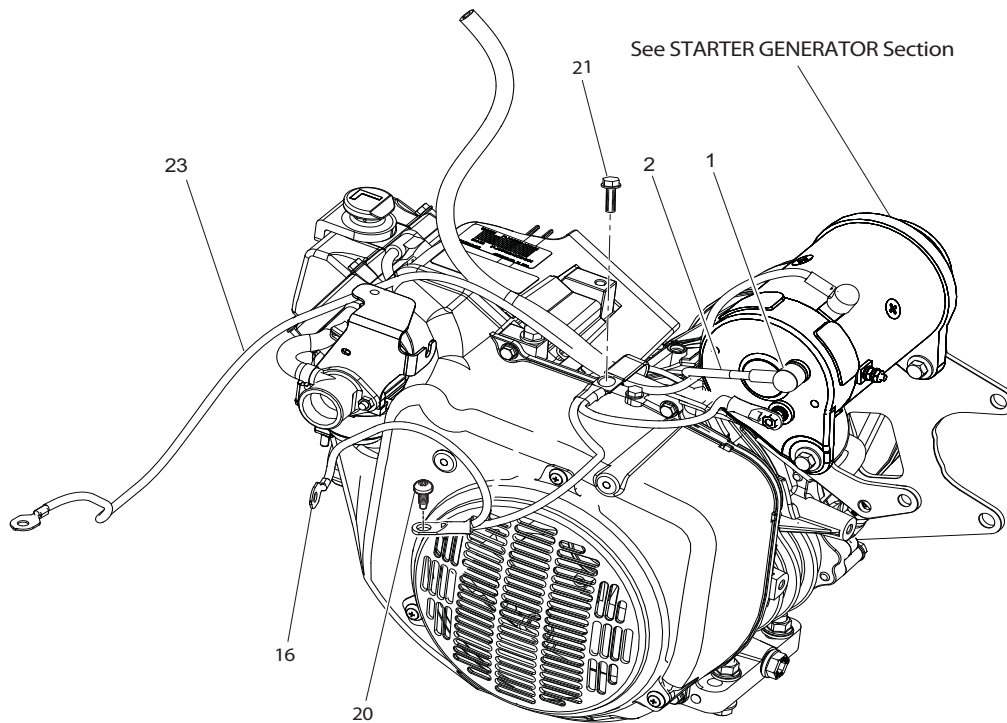
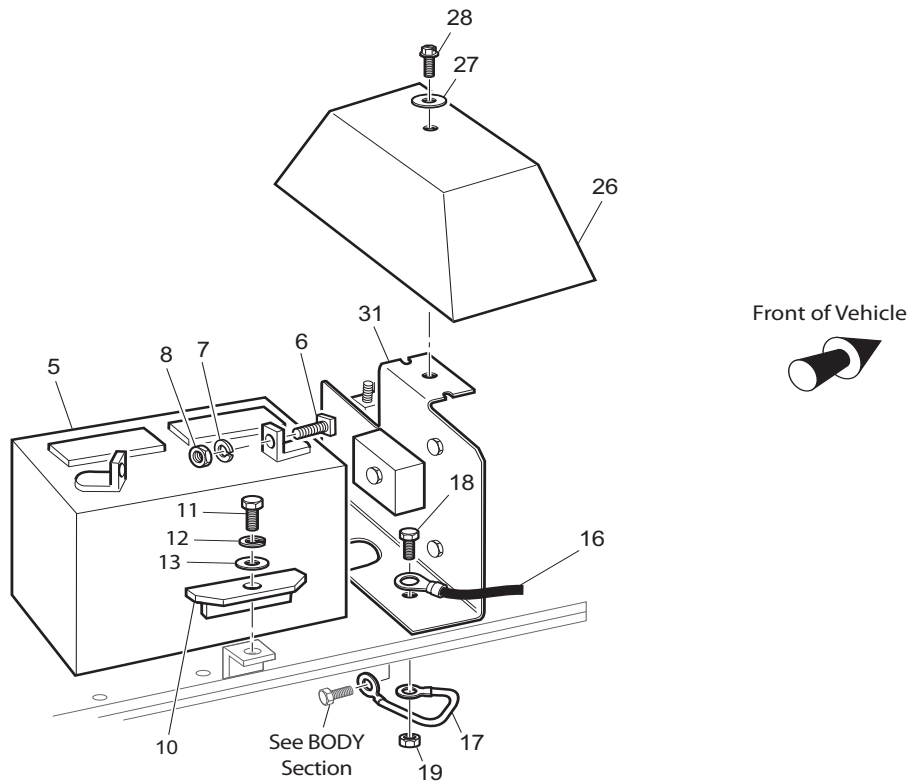
\* Indicates a component that is not available as an individual part.

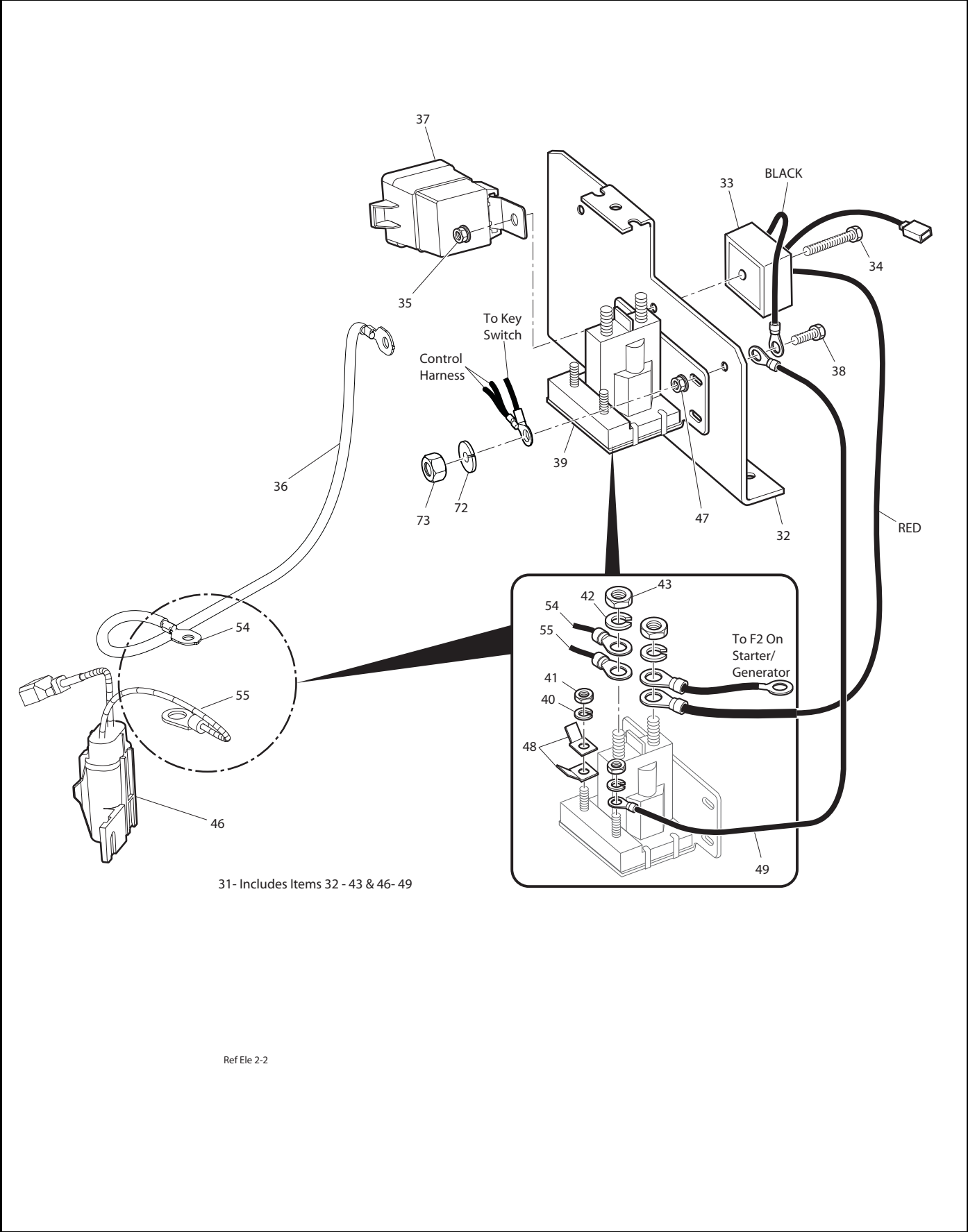
\*\*\* Indicates consult Customer Service Department for additional information.

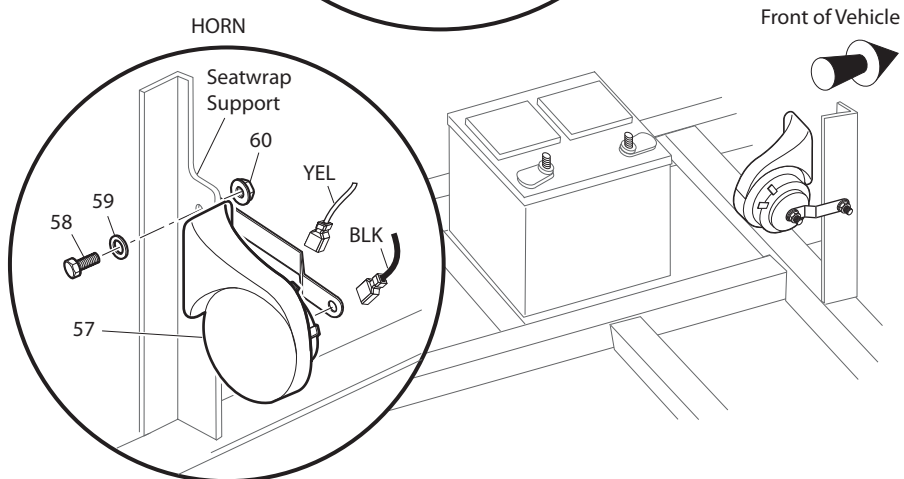
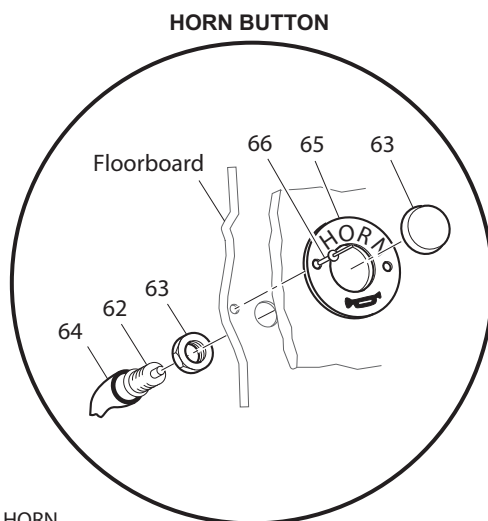
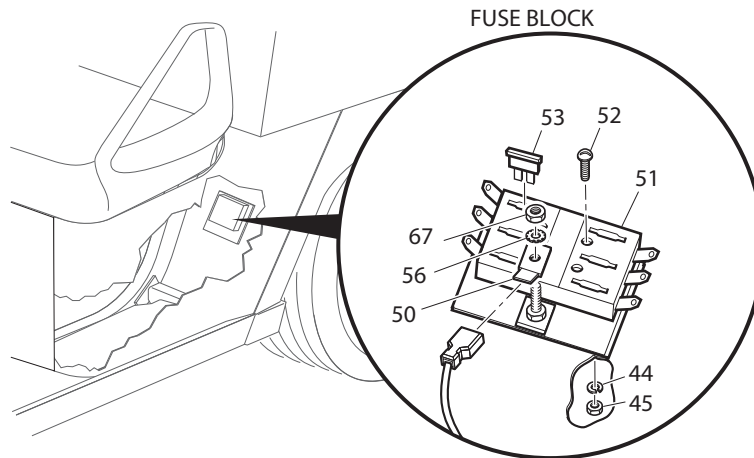
ITEM	PART NO.	1 2 3 4 5	DESCRIPTION	QTY.
32	<u>450452</u>		NUT, M6 - 1.00 .....	1
33	<u>608832</u>		SHIFTER ARM ( INCLUDES ITEM 34 ) .....	1
34	*		BUSHING, FLIP LOK, 0.25 .....	1
35	<u>31539G1</u>		WIRE TIE (NOT SHOWN IN ILLUSTRATION).....	1
36	<u>01072G01</u>		CABLE CLIP (NOT SHOWN IN ILLUSTRATION).....	1



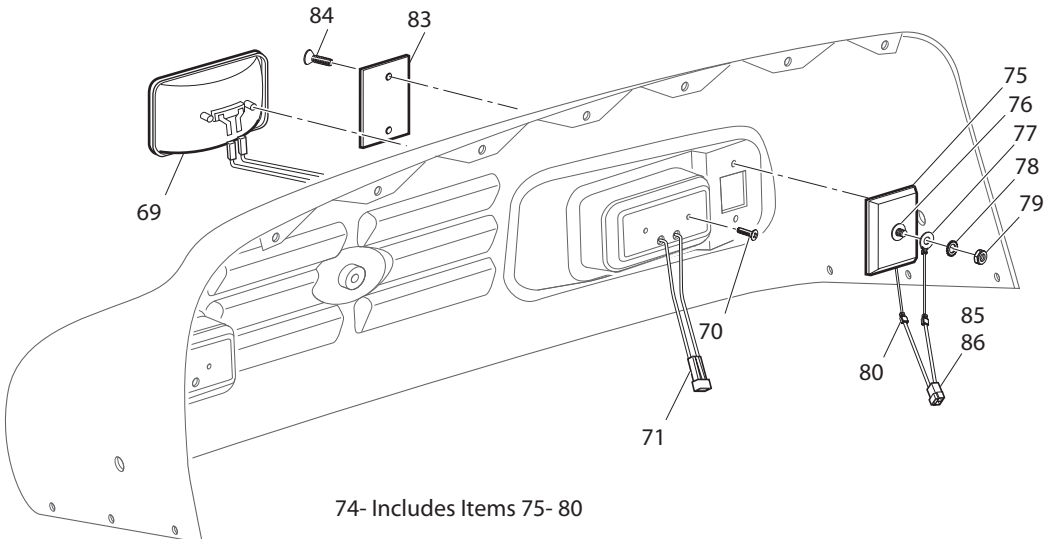




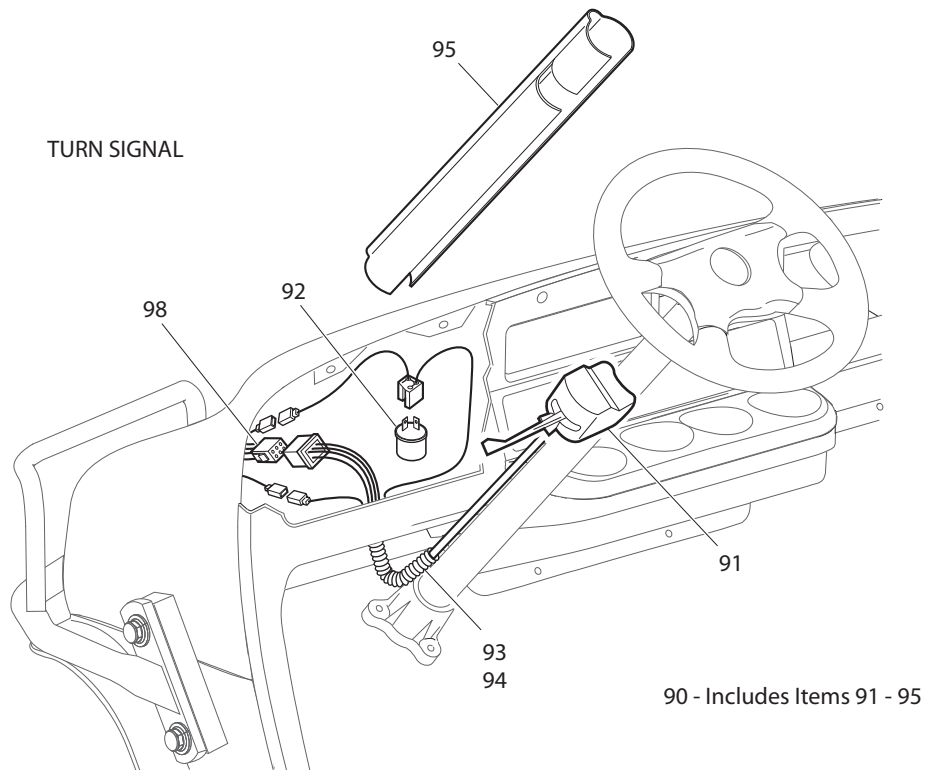
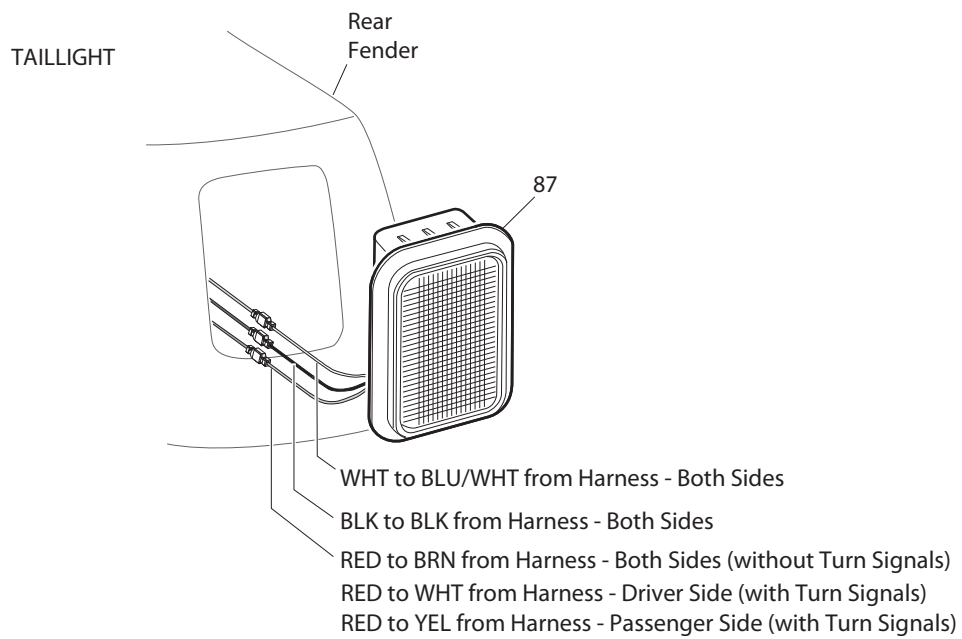




Ref Ele 21-3

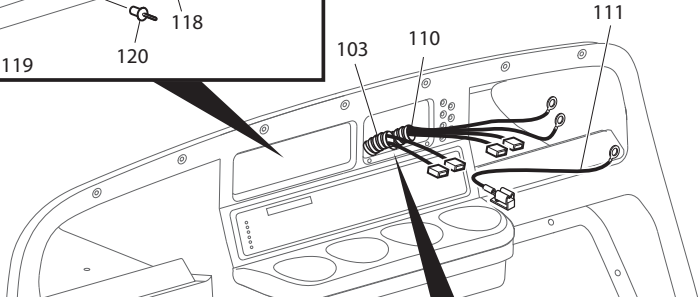
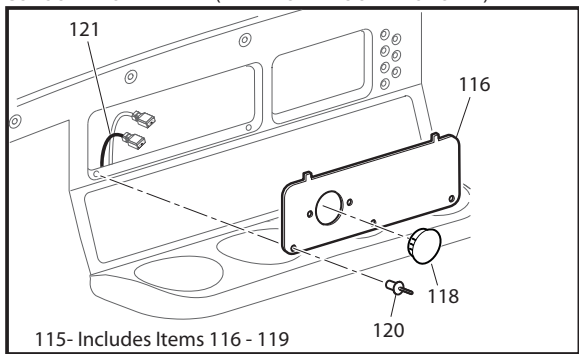


Ref Ele 11-4

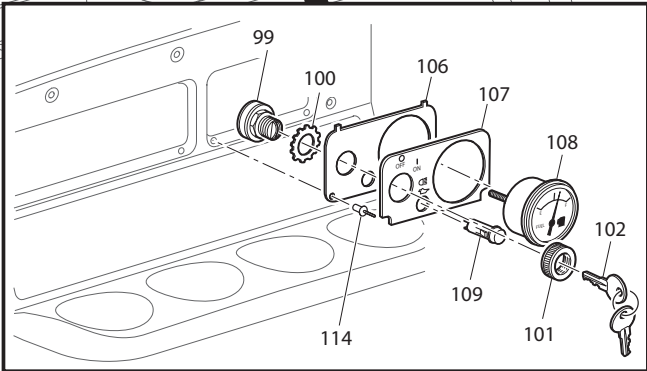


Ref Ele 11-5

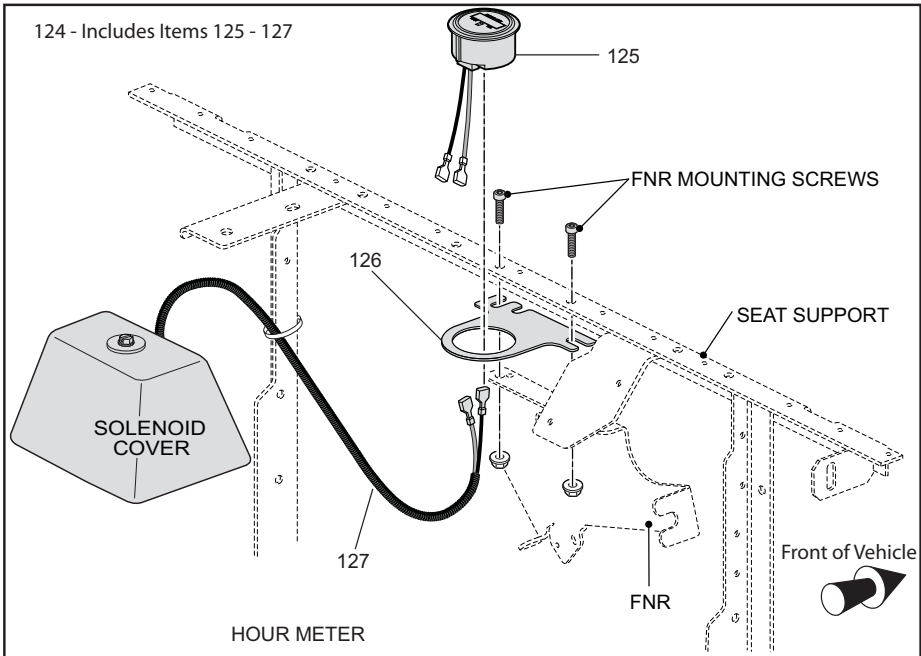
CONSOLE INSERT PLATE (WITH POWER OUTLET SHOWN)



Front of Vehicle



KEY SWITCH, INDICATOR LIGHT(S), AND FUEL GAUGE



Ref Ele 11-6

# ELECTRICAL

When ordering parts, please specify the model and serial number of the product.

\* Indicates a component that is not available as an individual part.

\*\*\* Indicates consult Customer Service Department for additional information.

ITEM	PART NO.	1 2 3 4 5	DESCRIPTION	QTY.
1	<u>607053</u>		6 GA WIRE (BLACK 6", F1 - A2).....	1
2	<u>25682G1</u>		TERMINAL COVER.....	3
3				
4				
5	24775G*		BATTERY, 12V .....	1
6	*		BOLT, 5/16 - 18 X 1 1/4" LG.....	2
7	*		LOCK WASHER, 5/16" (SILICON BRONZE).....	2
8	*		NUT, 5/16 - 18 (SILICON BRONZE) .....	2
9				
10	<u>72101G02</u>		BATTERY HOLD DOWN .....	1
11	00438G6		BOLT, 5/16 - 18 X 3/4" LG .....	3
12	<u>00565G8</u>		LOCK WASHER, 5/16" .....	1
13	<u>00571G2</u>		WASHER, 5/16" (STAINLESS STEEL) .....	1
14				
15				
16	<u>27044G03</u>		GROUND CABLE.....	1
17	<u>25976G19</u>		14 GA WIRE (BLACK 6").....	1
18	00438G6		BOLT, 5/16 - 18 X 3/4" LG .....	2
19	<u>11027G1</u>		LOCK NUT, 5/16 - 18.....	2
20	<u>26676G01</u>		FLANGED BOLT .....	1
21	<u>606264</u>		BOLT, M6-1 X 20 .....	1
22				
23	<u>25972G85</u>		6 GA WIRE (BLACK 23", F2 - SOL).....	1
24	<u>605821</u>		WIRE HARNESS (CONTROL).....	1
25	<u>17618G1</u>		WIRE TIE (NOT ILLUSTRATED ) .....	AR
26	<u>73049G01</u>		COVER FNR .....	1
27	<u>16469G1</u>		WASHER, 1/4".....	1
28	<u>00114G6</u>		SCREW, 1/4 - 14 X 3/4" LG.....	1
29				
30				
31	<u>605563</u>		ELECTRICAL PLATE ASSEMBLY (INCLUDES ITEMS 32 - 49) .....	1

When ordering parts, please specify the model and serial number of the product.

\* Indicates a component that is not available as an individual part.

\*\*\* Indicates consult Customer Service Department for additional information.

ITEM	PART NO.	1 2 3 4 5	DESCRIPTION	QTY.
32	<u>73057G01</u>		BRACKET.....	1
33	<u>27739G01</u>		VOLTAGE REGULATOR.....	1
34	<u>00415G4</u>		BOLT, 1/4 - 20 X 1 1/4" LG.....	1
35	<u>11027G2</u>		LOCK NUT, 1/4 - 20.....	1
36	<u>25972G33</u>		WIRE ASSEMBLY 6 GA.....	1
37	<u>603282</u>		RELAY.....	1
38	<u>00661G08</u>		BOLT, 1/4 - 20 X 1" LG.....	1
39	<u>27153G01</u>		SOLENOID.....	1
40	*		LOCK WASHER, #10.....	2
41	*		NUT, #10 - 32.....	2
42	*		LOCK WASHER, 5/16".....	2
43	*		NUT, 5/16 - 24.....	2
44	<u>00559G5</u>		WASHER, # 10.....	2
45	<u>14390G10</u>		LOCKNUT, #10-24.....	2
46	<u>600418G01</u>		FUSE HOLDER ASSEMBLY.....	1
47	<u>11027G2</u>		LOCK NUT, 1/4 - 20.....	1
48	<u>73446G01</u>		FASTON TAB, 90°.....	2
49	<u>25978G56</u>		18 GA WIRE (BLACK 5 3/4").....	1
50	<u>12914G01</u>		PUSH ON MALE TERMINAL.....	1
51	<u>35211G01</u>		FUSE BLOCK.....	1
52	<u>00379G2</u>		RIVET, 1/8" X 13/16" LG.....	2
53	<u>35212G01</u>		15 AMP FUSE.....	3
54	<u>25972G33</u>		#6 GA WIRE ASSEMBLY.....	1
55	<u>20216G1</u>		16 GA WIRE (RED).....	1
56	<u>00567G5</u>		LOCK WASHER, #10.....	1
57	<u>32860G1</u>		HORN.....	1
58	<u>00414G5</u>		BOLT, 1/4 - 20 x 5/8" LG.....	1
59	<u>00559G7</u>		WASHER, 1/4" (STAINLESS STEEL).....	1
60	<u>14390G4</u>		LOCK NUT, 1/4 - 20.....	1
61				
62	<u>17318G1</u>		HORN SWITCH.....	1



# ELECTRICAL

When ordering parts, please specify the model and serial number of the product.

\* Indicates a component that is not available as an individual part.

\*\*\* Indicates consult Customer Service Department for additional information.

ITEM	PART NO.	1 2 3 4 5	DESCRIPTION	QTY.
63	<u>17318G2</u>		HORN SWITCH CAP AND NUT .....	1
64	<u>27068G01</u>		HORN SWITCH BOOT .....	1
65	19233G1		HORN SWITCH LABEL .....	1
66	<u>71055G01</u>		RIVET, 3/16" X 1" LG (ALUMINUM) .....	2
67	<u>00526G4</u>		NUT, #10-32 .....	1
68				
69	22523G01		HEADLIGHT (INCLUDES ITEM 70) .....	2
70	<u>01085G01</u>		SCREW, #10 - 24 X 2 - 1/7 .....	4
71	<u>74337G01</u>		JUMPER WIRE (HEADLIGHT) .....	2
72				
73				
74	<u>20570G3</u>		TURN SIGNAL LIGHT ASSEMBLY (INCLUDES ITEMS 75 - 80) .....	2
75	<u>20574G3</u>		TURN SIGNAL LIGHT .....	1
76	<u>00660G7</u>		WASHER, 1/4" (STAINLESS STEEL) .....	1
77	<u>20606G1</u>		WIRE ASSEMBLY .....	1
78	<u>00567G7</u>		LOCK WASHER, 1/4" .....	1
79	<u>00532G1</u>		NUT, 1/4 - 20 .....	1
80	<u>18995G1</u>		PUSH-ON TERMINAL (MALE) .....	1
81				
82				
83	<u>20574G4</u>		LENS, AMBER .....	1
84	<u>00118G5</u>		SCREW, #6 - 18 X 5/8" LG .....	4
85	<u>74056G01</u>		TURN SIGNAL JUMPER, RED/BLACK (PASSENGER SIDE) .....	1
86	<u>74056G02</u>		TURN SIGNAL JUMPER, GREEN/BLACK (DRIVER SIDE) .....	1
87	<u>32739G2</u>		TAILLIGHT ASSEMBLY (COMPLETE) .....	2
88				
89				
90	606887		TURN SIGNAL KIT (INCLUDES ITEMS 91 - 95) .....	1
91	<u>17867G1</u>		TURN SIGNAL (WITH MOUNTING HARDWARE) (INCLUDES ITEM 106)	1
92	<u>21640G1</u>		TURN SIGNAL FLASHER .....	1
93	<u>32307G3</u>		FLEX LOOM, 3/8 X 8" LG .....	1

When ordering parts, please specify the model and serial number of the product.

\* Indicates a component that is not available as an individual part.

\*\*\* Indicates consult Customer Service Department for additional information.

ITEM	PART NO.	1 2 3 4 5	DESCRIPTION	QTY.
94	<u>17618G1</u>		WIRE TIE.....	2
95	<u>20965G3</u>		STEERING COLUMN COVER.....	1
96				
97				
98	<u>606045</u>		WIRE HARNESS (ACCESSORY) .....	1
99	<u>18602G1</u>		IGNITION SWITCH (WITH LIGHTS, INDIVIDUALLY KEYED).....	1
100	<u>00568G6</u>		LOCK WASHER, 3/4" .....	1
101	<u>17137G1</u>		FACE NUT, 3/4 - 20.....	1
102	<u>17063G1</u>		IGNITION KEY .....	1
103	<u>605830</u>		WIRE HARNESS (KEY SWITCH).....	1
104				
105				
106	<u>73030G04</u>		PLATE (FUEL GAUGE AND OIL LIGHT) .....	1
107	<u>71131G01</u>		LABEL (OIL LIGHT AND FUEL GAUGE WITH HEADLIGHTS) .....	1
108	<u>21553G1</u>		FUEL GAUGE .....	1
109	<u>23474G1</u>		INDICATOR LIGHT .....	1
110	<u>74311G01</u>		HARNESS (OIL LIGHT/FUEL GAUGE).....	1
111	<u>25978G122</u>		18 GA WIRE (RED 6") .....	1
112				
113				
114	<u>33623G02</u>		DRIVE RIVET, 3/16" X 3/8" LG .....	2
115	<u>74693G01</u>		CONSOLE INSERT ASSEMBLY (INCLUDES ITEMS 116 - 119).....	1
116	<u>73522G03</u>		CONSOLE INSERT PLATE.....	1
117				
118	<u>20271G10</u>		HOLE PLUG .....	1
119				
120	<u>33623G02</u>		DRIVE RIVET, 3/16" X 3/8" LG .....	3
121				
122				
123				
124	<u>607285</u>		HOUR METER KIT (INCLUDES ITEMS 125 - 127).....	1

# ELECTRICAL

When ordering parts, please specify the model and serial number of the product.

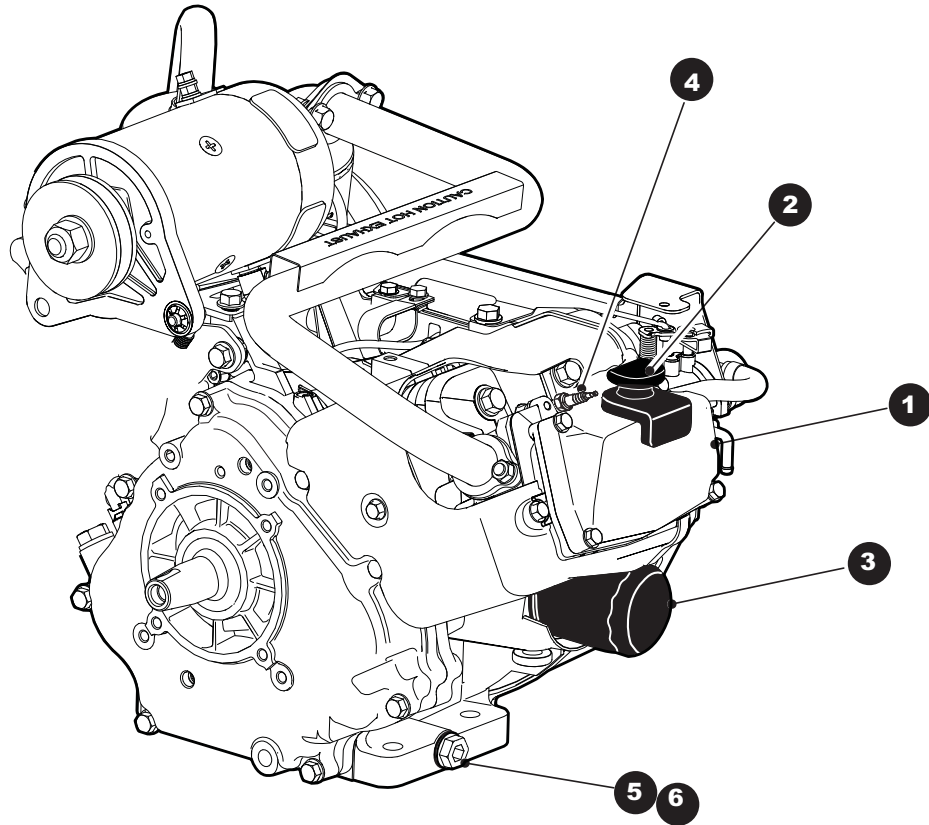
\* Indicates a component that is not available as an individual part.

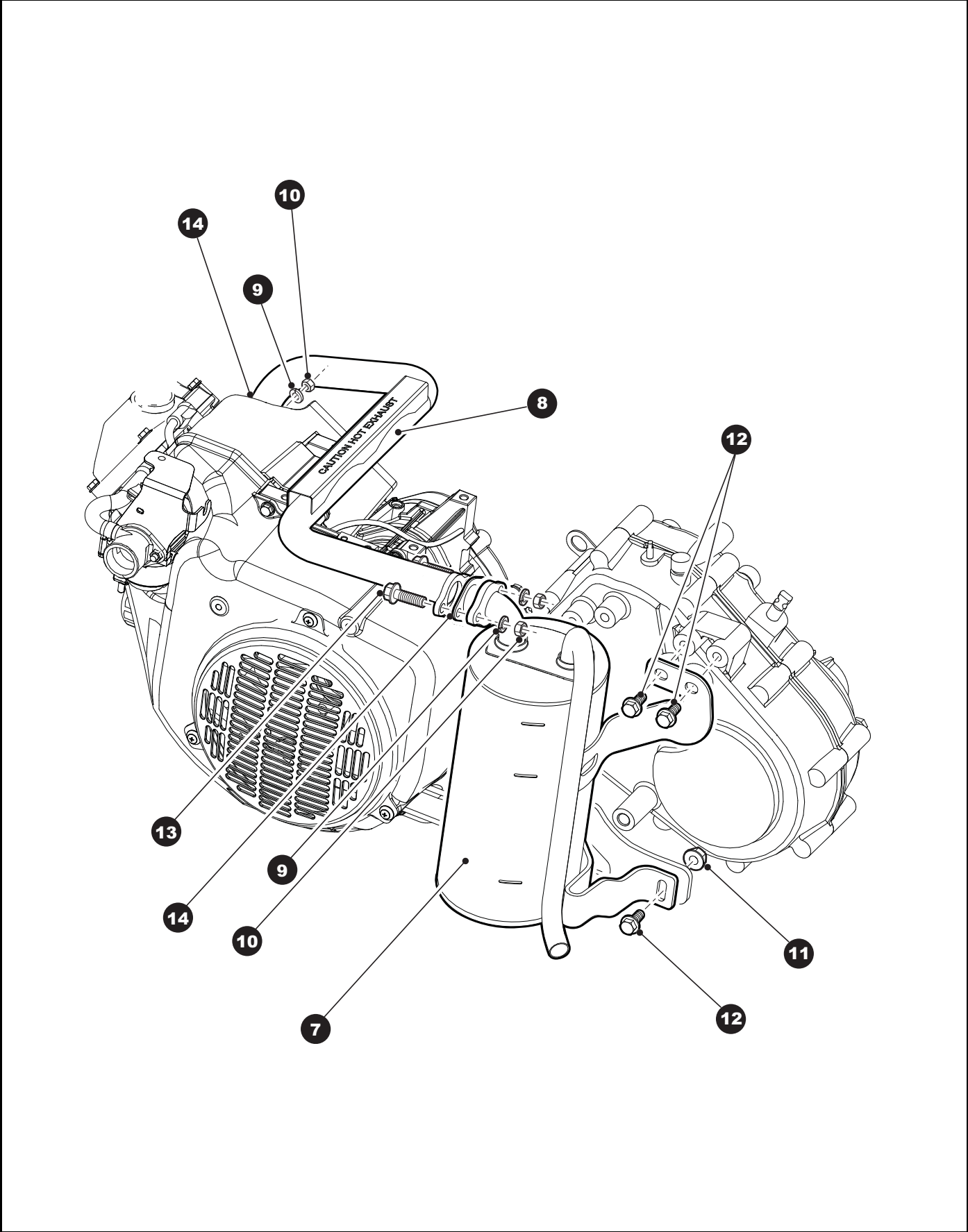
\*\*\* Indicates consult Customer Service Department for additional information.

ITEM	PART NO.	1	2	3	4	5	DESCRIPTION	QTY.
125	<u>603720</u>						HOUR METER.....	1
126	<u>603721</u>						HOUR METER BRACKET.....	1
127	<u>606254</u>						WIRE HARNESS (HOUR METER).....	1



# ENGINE AND MUFFLER





# ENGINE AND MUFFLER

When ordering parts, please specify the model and serial number of the product.

\* Indicates a component that is not available as an individual part.

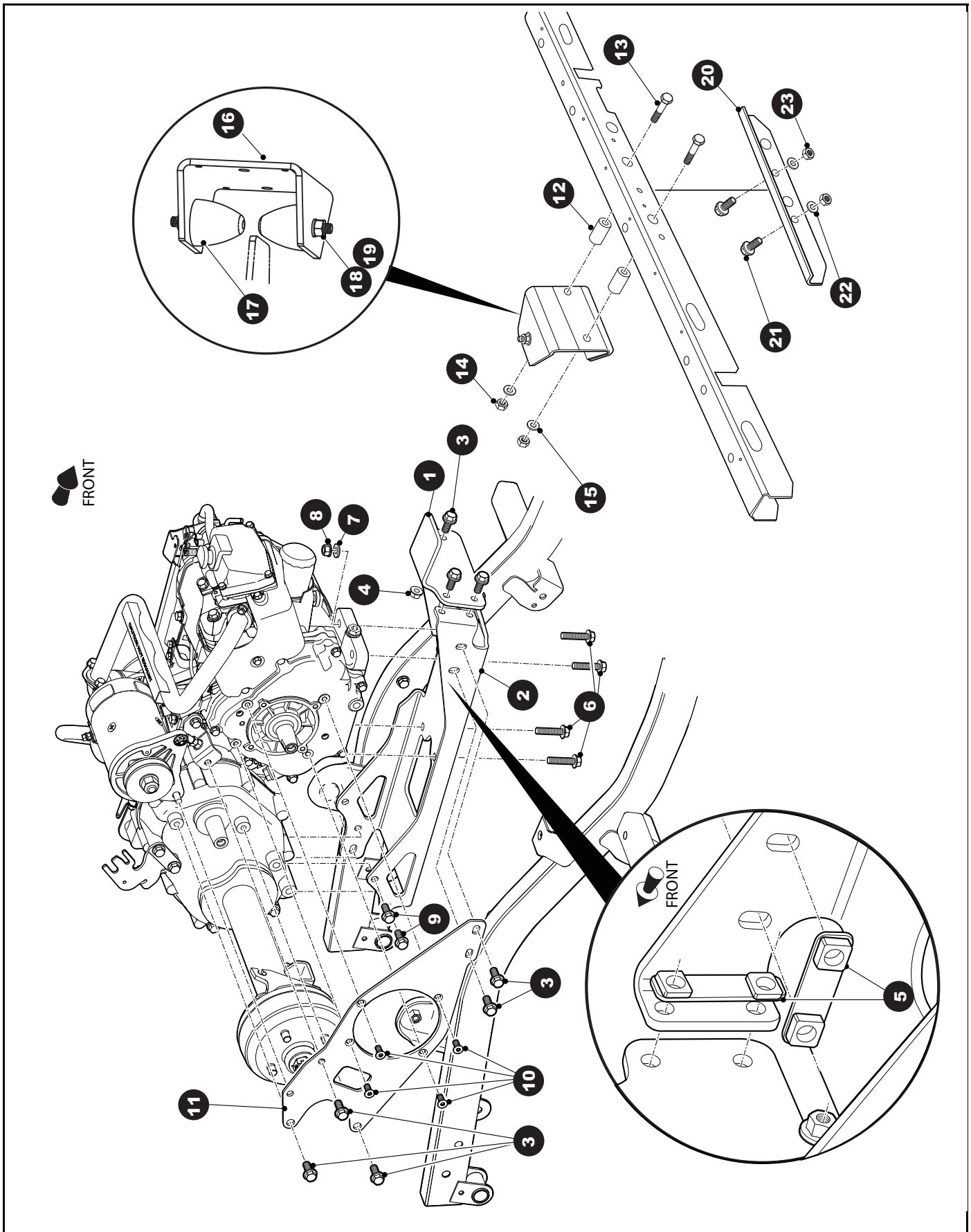
\*\*\* Indicates consult Customer Service Department for additional information.

ITEM	PART NO.	1 2 3 4 5	DESCRIPTION	QTY.
1	<u>607154</u>		ENGINE, GAS, 13HP, NON-GOLF .....	1
2	<u>606390</u>		DIP STICK.....	1
3	<u>607454</u>		OIL FILTER .....	1
4	<u>607462</u>		SPARK PLUG (BPR2ES).....	1
5	<u>603557</u>		OIL DRAIN PLUG .....	1
6	<u>603562</u>		'O' RING, 16MM .....	1
7	606984		MUFFLER.....	1
8	<u>606982</u>		EXHAUST PIPE .....	1
9	<u>606272</u>		WASHER, 8MM .....	4
10	<u>606267</u>		NUT, M8 X 1.25 .....	4
11	<u>606279</u>		NUT, M10 - 1.25 .....	1
12	<u>606256</u>		BOLT, M10 - 1.25 X 25 .....	3
13	<u>602330</u>		BOLT, M8 - 1.25 X 30 .....	2
14	<u>603599</u>		EXHAUST GASKET .....	2





# ENGINE MOUNTING



# ENGINE MOUNTING

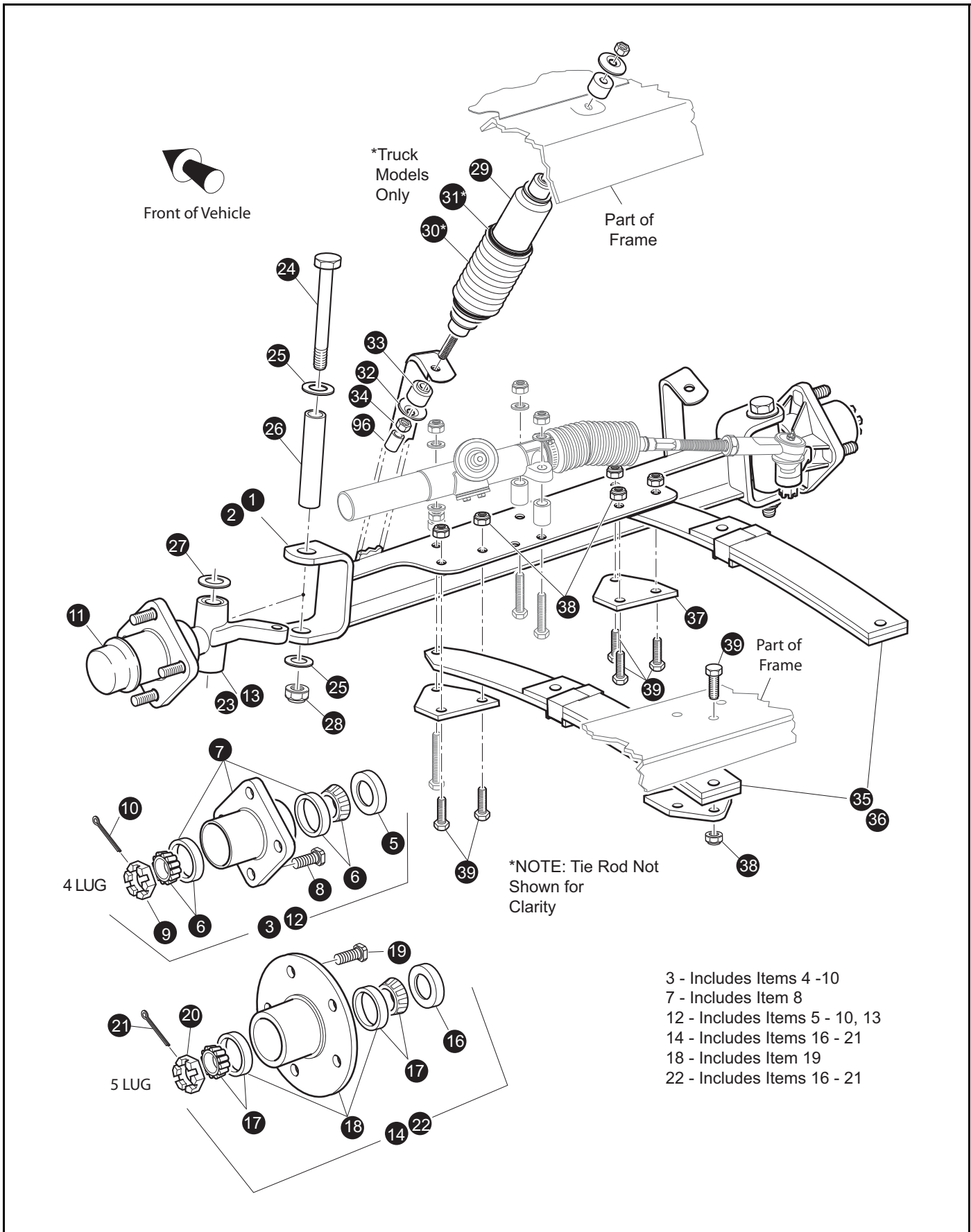
When ordering parts, please specify the model and serial number of the product.

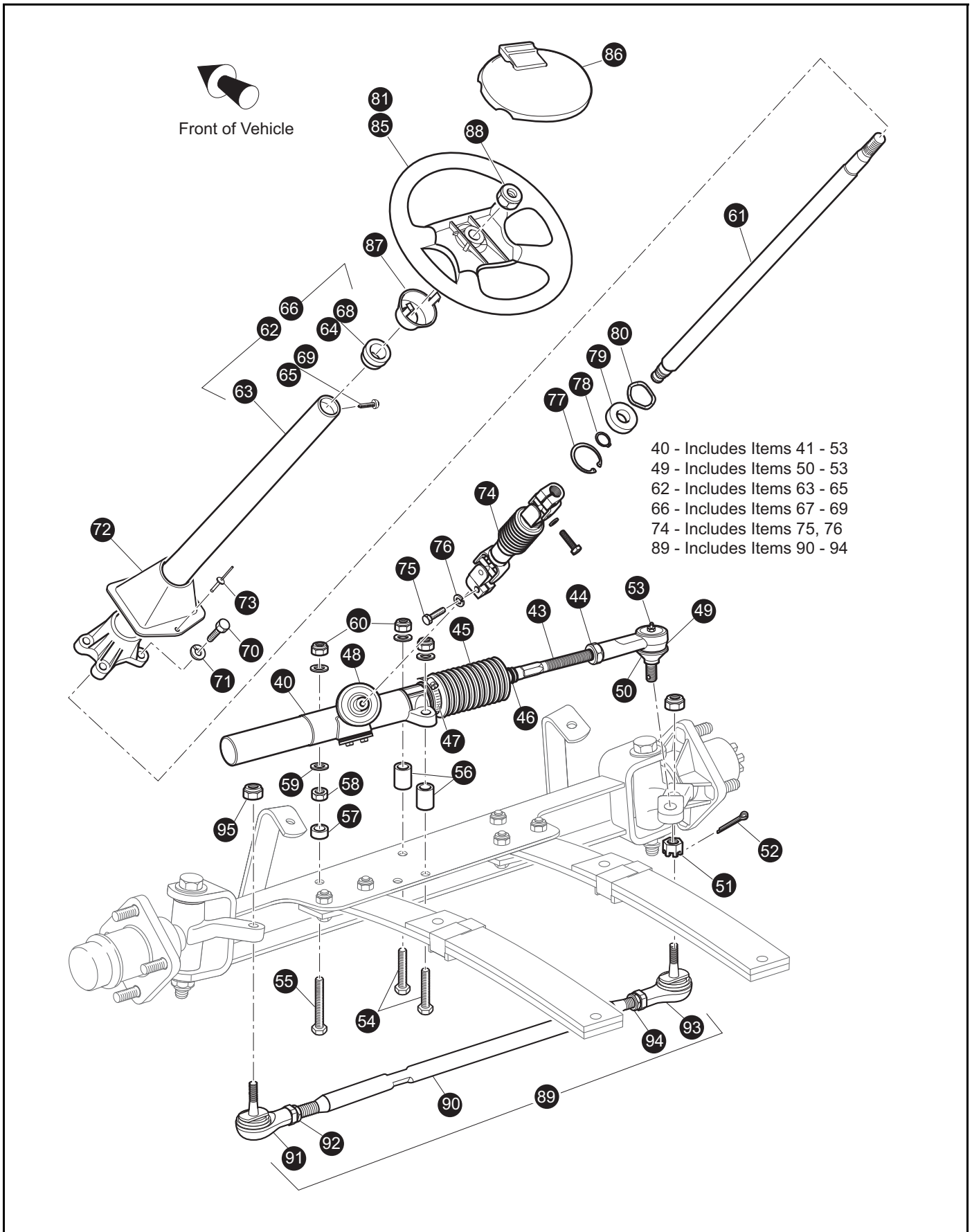
\* Indicates a component that is not available as an individual part.

\*\*\* Indicates consult Customer Service Department for additional information.

ITEM	PART NO.	1 2 3 4 5	DESCRIPTION	QTY.
1	<u>606007</u>		FRONT ENGINE MOUNT .....	1
2	<u>603101</u>		ENGINE PAN MOUNT .....	1
3	<u>606256</u>		BOLT, M10 - 1.25 X 25 .....	8
4	<u>606279</u>		NUT, M10 - 1.25 .....	1
5	<u>606096</u>		NUT PLATE .....	2
6	<u>606259</u>		BOLT, M10 - 1.25 X 45 .....	4
7	<u>603823</u>		FLAT WASHER, M10 X 22 - 2.5 .....	4
8	<u>606279</u>		NUT, M10 - 1.25 .....	4
9	<u>608020</u>		BOLT, M10 - 1.25 X 34 .....	4
10	<u>606246</u>		FLAT HEAD SCREW, T40 .....	4
11	<u>602146</u>		DIFFERENTIAL PLATE .....	1
12	<u>72016G01</u>		TUBE SPACER .....	2
13	<u>00428G6</u>		HEX HEAD 3/8 - 16, UNC X 2.75 .....	2
14	<u>11098G5</u>		PLASTIC INSERT LOCK NUT .....	2
15	<u>00643G1</u>		FLAT WASHER .....	2
16	<u>605995</u>		TS2 FRONT MOUNT BRACKET .....	1
17	<u>605757</u>		RUBBER BUMPER .....	2
18	<u>00974G01</u>		HEX - NUT .....	2
19	<u>00968G01</u>		LOCK WASHER .....	2
20	<u>70269G02</u>		CROSSMEMBER BRACE .....	1
21	<u>00438G7</u>		SCREW, HEX HEAD 5/16 - 18 UNC .....	2
22	01110G3		FLAT WASHER .....	2
23	<u>01109G01</u>		PLASTIC INSERT LOCK NUT .....	2

# FRONT SUSPENSION / STEERING





# FRONT SUSPENSION / STEERING

When ordering parts, please specify the model and serial number of the product.

\* Indicates a component that is not available as an individual part.

\*\*\* Indicates consult Customer Service Department for additional information.

ITEM	PART NO.	1 2 3 4 5	DESCRIPTION	QTY.
1	<u>602513</u>		FRONT AXLE .....	1
2	<u>602327</u>		FRONT AXLE WITH FRONT DISC BRAKES .....	1
3	<u>70942G03</u>		SPINDLE AND HUB ASSEMBLY, 4 LUG (PASSENGER SIDE) (INCLUDES ITEMS 4 - 10).....	1
4	<u>70942G04</u>		SPINDLE ASSEMBLY (PASSENGER SIDE).....	1
5	<u>25146G1</u>		GREASE SEAL .....	1
6	<u>50892G1</u>		ROLLER BEARING AND RACE ASSEMBLY .....	2
7	<u>70589G01</u>		WHEEL HUB ASSEMBLY WITH RACES, 4 LUG (INCLUDES ITEM 8) ..	1
8	<u>19862G1</u>		LUG BOLT, 1/2 - 20 X 1 3/16" LG.....	4
9	<u>12093G1</u>		CASTELLATED NUT, 1 - 14.....	1
10	<u>00798G8</u>		COTTER PIN, 5/32" X 1 3/4" LG.....	1
11	<u>12091G2</u>		SPINDLE CAP .....	2
12	<u>70673G03</u>		SPINDLE AND HUB ASSEMBLY, 4 LUG (DRIVER SIDE) (INCLUDES ITEMS 5 - 10, 13).....	1
13	<u>70673G04</u>		SPINDLE ASSEMBLY (DRIVER SIDE) .....	1
14	<u>602288</u>		SPINDLE AND HUB ASSEMBLY WITH FRONT DISC BRAKES (PASSENGER SIDE)(INCLUDES ITEMS 15 - 20).....	1
15				
16	<u>12092G1</u>		GREASE SEAL .....	1
17	<u>50892G1</u>		ROLLER BEARING AND RACE ASSEMBLY .....	2
18	<u>74673G01</u>		WHEEL HUB ASSEMBLY WITH RACES, (INCLUDES ITEM 19).....	1
19	<u>30143G1</u>		LUG BOLT, 1/2 - 20 X 1 7/32" LG .....	5
20	<u>12093G1</u>		CASTELLATED NUT, 1 - 14.....	1
21	<u>00798G8</u>		COTTER PIN, 5/32" X 1 3/4" LG.....	1
22	<u>602281</u>		SPINDLE AND HUB ASSEMBLY, WITH FRONT DISC BRAKES (DRIVER SIDE)(INCLUDES ITEMS 15 - 20) .....	1
23				
24	<u>00407G6</u>		BOLT, 1/2 - 13 X 6" LG .....	2
25	<u>00560G3</u>		WASHER, 1/2" .....	4
26	<u>70745G01</u>		KING PIN TUBE .....	2
27	<u>70754G01</u>		THRUST WASHER, 1" (STAINLESS STEEL).....	2
28	<u>14390G6</u>		LOCK NUT, 1/2 - 13.....	2
29	<u>76419G01</u>		SHOCK ABSORBER.....	2

# FRONT SUSPENSION / STEERING

When ordering parts, please specify the model and serial number of the product.

\* Indicates a component that is not available as an individual part.

\*\*\* Indicates consult Customer Service Department for additional information.

ITEM	PART NO.	1 2 3 4 5	DESCRIPTION	QTY.
30	<u>70509G01</u>		SHOCK ABSORBER BOOT .....	2
31	<u>31539G1</u>		WIRE TIE .....	4
32	<u>10435G1</u>		SHOCK ABSORBER WASHER.....	8
33	<u>10194G1</u>		RUBBER BUSHING .....	8
34	<u>00532G6</u>		NUT, 3/8 - 24 .....	4
35	70990G02		LEAF SPRING (SEE PART NUMBER ON SPRING).....	2
36	<u>70664G03</u>		LEAF SPRING (HEAVY DUTY) (SEE PART NUMBER ON SPRING).....	2
37	<u>70163G03</u>		SPRING PLATE .....	4
38	<u>00734G1</u>		LOCK NUT, 7/16 - 14 .....	11
39	<u>00463G11</u>		BOLT, 7/16 - 14 X 1 3/4" LG.....	11
40	<u>70964G01</u>		RACK AND PINION UNIT (COMPLETE) (INCLUDES ITEMS 41 - 53).....	1
41	<u>70965G01</u>		STEERING RACK COVER & BEARING .....	1
42	*		STEERING BOX INSTALLATION TAG .....	1
43	<u>70694G01</u>		RACK EXTENSION .....	1
44	*		JAM NUT, 1/2 - 20 .....	1
45	<u>70961G01</u>		RACK BOOT .....	1
46	<u>12416G2</u>		WIRE TIE.....	1
47	<u>11391G8</u>		CLAMP, 1 13/16 - 2 3/8" .....	1
48	<u>70638G01</u>		PINION SEAL .....	1
49	<u>70695G01</u>		RACK BALL JOINT (INCLUDES ITEMS 50 - 53).....	1
50	<u>50641G1</u>		RUBBER BOOT .....	1
51	<u>50209G2</u>		CASTELLATED NUT, 7/16 - 20.....	1
52	<u>10387G2</u>		COTTER PIN, 3/32" X 1" LG.....	1
53	<u>10389G3</u>		GREASE FITTING, STRAIGHT .....	1
54	<u>00464G6</u>		BOLT, 7/16 - 14 X 2 3/4" LG.....	2
55	<u>01068G01</u>		BOLT, 7/16 - 14 X 3 1/2" LG.....	1
56	<u>70667G02</u>		SPACER.....	2
57	<u>70667G03</u>		SPACER (SHORT).....	1
58	<u>00532G7</u>		NUT, 7/16 - 14 .....	1
59	<u>00560G2</u>		FLAT WASHER, 7/16" .....	7
60	<u>00734G1</u>		LOCK NUT, 7/16 - 14 .....	3

# FRONT SUSPENSION / STEERING

When ordering parts, please specify the model and serial number of the product.

\* Indicates a component that is not available as an individual part.

\*\*\* Indicates consult Customer Service Department for additional information.

ITEM	PART NO.	1 2 3 4 5	DESCRIPTION	QTY.
61	<u>70607G01</u>		STEERING SHAFT .....	1
62	<u>70758G06</u>		STEERING COLUMN KIT (INCLUDES ITEMS 63 - 65) .....	1
63	<u>70610G03</u>		STEERING COLUMN .....	1
64	<u>28569G01</u>		STEERING COLUMN BUSHING.....	1
65	<u>01022G01</u>		SCREW, #6 - 20 X 5/16" LG .....	1
66	<u>70758G08</u>		STEERING COLUMN KIT (HORN) (INCLUDES ITEMS 67 - 69) .....	1
67	<u>70610G04</u>		STEERING COLUMN .....	1
68	<u>28569G01</u>		STEERING COLUMN BUSHING.....	1
69	<u>01022G01</u>		SCREW, #6 - 20 X 5/16" LG .....	1
70	<u>01006G01</u>		BOLT, 3/8 - 16 X 1 1/4" LG .....	4
71	<u>00879G1</u>		LOCK WASHER, 3/8".....	4
72	<u>70997G01</u>		COVER.....	1
73	<u>71055G01</u>		RIVET, 3/16" X 1" LG (ALUMINUM).....	1
74	<u>70580G01</u>		INTERMEDIATE SHAFT (INCLUDES ITEMS 75, 76).....	1
75	<u>01055G01</u>		BOLT, M8 X 1.25 - 05.....	2
76	<u>00565G8</u>		LOCK WASHER, 5/16" .....	2
77	<u>70751G01</u>		RETAINING RING (INTERNAL).....	1
78	<u>70888G01</u>		RETAINING RING (EXTERNAL).....	1
79	<u>15112G1</u>		BALL BEARING.....	1
80	<u>70887G01</u>		WAVE WASHER.....	1
81				
82				
83				
84				
85	<u>602979</u>		STEERING WHEEL .....	1
86	<u>607925</u>		CLIPBOARD.....	1
87	<u>71949G01</u>		HUB COVER .....	1
88	<u>14390G2</u>		LOCK NUT, 5/8 - 18.....	1
89	<u>70876G02</u>		TIE ROD ASSEMBLY (INCLUDES ITEMS 90 - 94).....	1
90	<u>70897G02</u>		THREADED ROD (24" LG).....	1
91	<u>70902G01</u>		TIE ROD END (LEFT HAND THREADS) .....	1

# FRONT SUSPENSION / STEERING

When ordering parts, please specify the model and serial number of the product.

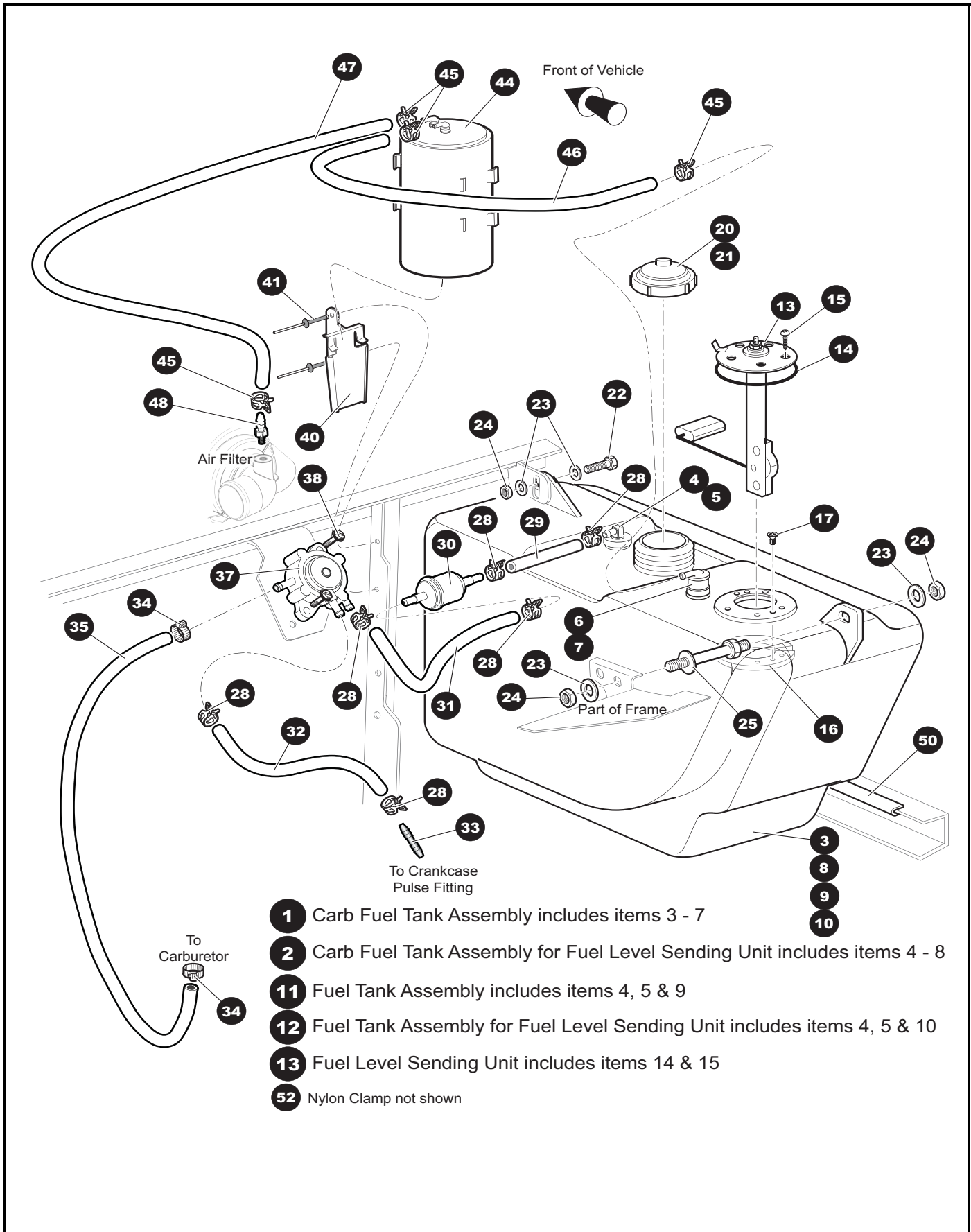
\* Indicates a component that is not available as an individual part.

\*\*\* Indicates consult Customer Service Department for additional information.

ITEM	PART NO.	1 2 3 4 5	DESCRIPTION	QTY.
92	<u>01069G01</u>		JAM NUT, M12 X 1.25 - 05 (LEFT HAND THREADS) .....	1
93	<u>70902G02</u>		TIE ROD END (RIGHT HAND THREADS) .....	1
94	<u>01069G02</u>		JAM NUT, M12 X 1.25 - 05 (RIGHT HAND THREADS).....	1
95	<u>00734G1</u>		LOCK NUT, 7/16 - 14 .....	2
96	<u>10044G01</u>		CAP, VINYL.....	2



# FUEL SYSTEM



When ordering parts, please specify the model and serial number of the product.

\* Indicates a component that is not available as an individual part.

\*\*\* Indicates consult Customer Service Department for additional information.

ITEM	PART NO.	1 2 3 4 5	DESCRIPTION	QTY.
1	<u>620180</u>		CARB FUEL TANK ASSEMBLY (includes items 3 - 7) .....	1
2	<u>620182</u>		CARB FUEL TANK ASSEMBLY (use with sending unit) (inc items 4 - 8).....	1
3	<u>620179</u>		CARB STANDARD FUEL TANK.....	1
4	<u>70988G01</u>		SIPHON TUBE GROMMET .....	1
5	<u>18287G3</u>		SIPHON TUBE ASSEMBLY .....	1
6	<u>606068</u>		ROLLOVER VALVE GROMMET .....	1
7	<u>606067</u>		ROLLOVER VALVE .....	1
8	<u>607479</u>		CARB STANDARD FUEL TANK FOR USE WITH SENDING UNIT.....	1
9	<u>605701</u>		STANDARD FUEL TANK.....	1
10	605523		STANDARD FUEL TANK FOR USE WITH SENDING UNIT.....	1
11	605521		FUEL TANK ASSEMBLY (includes items 4, 5 & 9).....	1
12	<u>605704</u>		FUEL TANK ASSEMBLY (use with sending unit) (inc items 4, 5 & 10) .....	1
13	<u>20048G2</u>		FUEL LEVEL SENDING UNIT (includes items 14 & 15) .....	1
14	*		GASKET .....	1
15	*		STAINLESS STEEL HEX HEAD SCREW WITH SEALANT, #10 - 32 X 1/2	5
16	72229G01		FUEL TANK ADAPTER.....	1
17	<u>72230G01</u>		FLAT HEAD PHILLIPS SCREW, #6 - 32 X .50 .....	2
18				
19	<u>72282G01</u>		FUEL FILL CAP .....	1
20	<u>606211</u>		CARB FUEL FILL CAP .....	1
21				
22	<u>00438G8</u>		HEX HEAD BOLT, 5/16 - 18 X 1 .....	1
23	00559G8		FLAT WASHER, 5/16 .....	4
24	11098G6		LOCK NUT, 5/16 - 18 .....	3
25	<u>70483G01</u>		SPACER BOLT, 5/16 - 18.....	1
26				
27				
28	<u>18292G1</u>		HOSE CLAMP, .50 DIAMETER .....	6
29	608014		FUEL SYSTEM HOSE, .25 I.D. X .50 O.D. X 3.25 LONG .....	1
30	<u>72084G01</u>		FUEL LINE FILTER.....	1
31	608014		FUEL SYSTEM HOSE, .25 I.D. X .50 O.D. X 8.00 LONG .....	1

# FUEL SYSTEM

When ordering parts, please specify the model and serial number of the product.

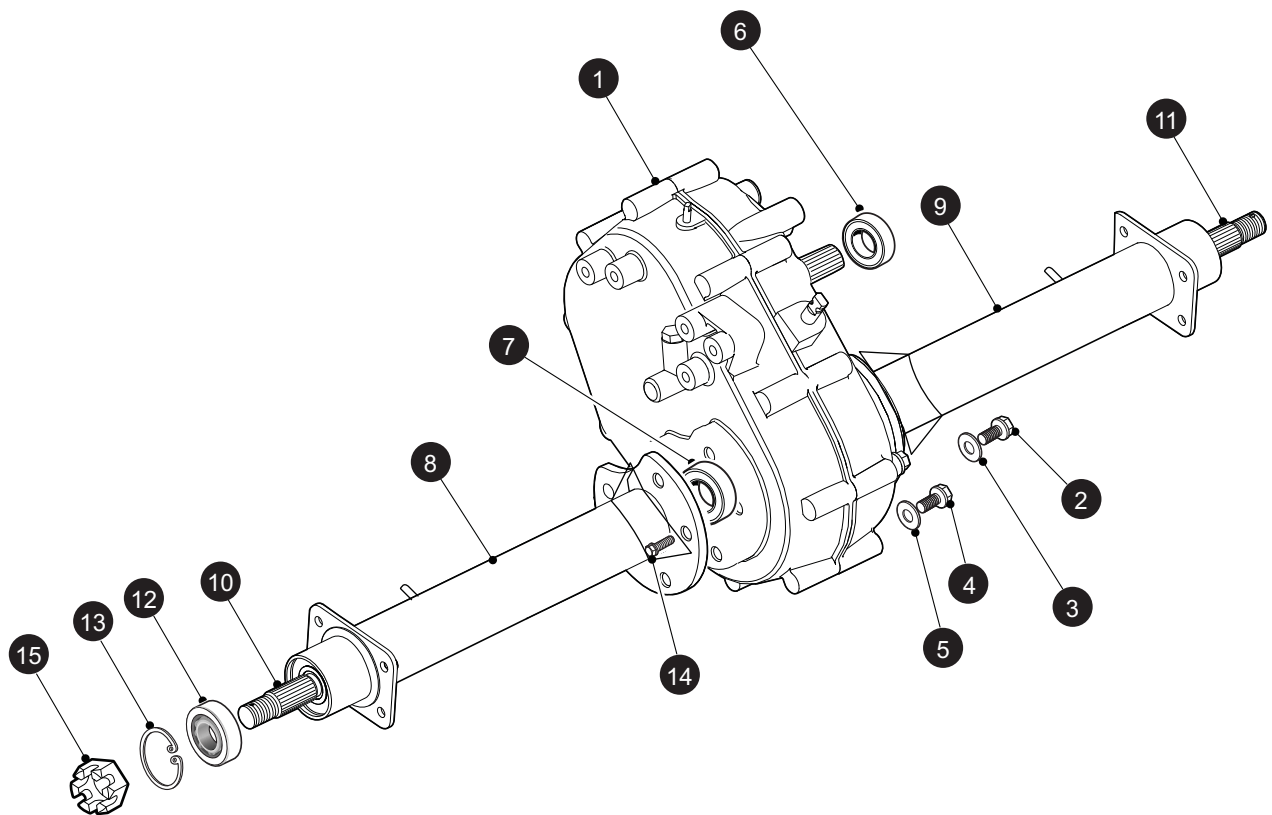
\* Indicates a component that is not available as an individual part.

\*\*\* Indicates consult Customer Service Department for additional information.

ITEM	PART NO.	1 2 3 4 5	DESCRIPTION	QTY.
32	<u>27183G01</u>		LOW PRESSURE PULSE LINE, .25 I.D. X .50 O.D. X 9.00 LONG.....	1
33	<u>607010</u>		PULSE LINE CONNECTOR, .156 I.D. ....	1
34	<u>11391G4</u>		HOSE CLAMP, .25 - .63 DIA .....	2
35	608014		CARB FUEL SYSTEM HOSE, .25 I.D. X .50 O.D. X 26.00 LONG.....	1
36				
37	<u>602061</u>		FUEL PUMP .....	1
38	<u>00114G6</u>		HEX WASHER HEAD SLOTTED TAPPING SCREW, 1/4 - 14 X .75.....	2
39				
40	<u>606310</u>		CARBON CANNISTER MOUNTING BRACKET (CARB ONLY).....	1
41	<u>10570G11</u>		RIVET, 3/16 DIA X .70 (CARB ONLY) .....	2
42				
43				
44	<u>606071</u>		CARBON CANNISTER (CARB ONLY6) .....	1
45	<u>606963</u>		HOSE CLAMP, .41 DIA (CARB ONLY).....	4
46	<u>28839G01</u>		LOW PRESSURE FUEL HOSE, 3/16 I.D. X 3/8 O.D. X 17.00 LONG (CARB)	1
47	<u>28839G01</u>		LOW PRESSURE FUEL HOSE, 3/16 I.D. X 3/8 O.D. X 34.00 LONG (CARB)	1
48	<u>606404</u>		HOSE TO AIR FILTER FITTING, .156 I.D. WITH 1/8 - 27 NPT (CARB ONLY)	1
49				
50	<u>22280G1</u>		BLACK TRIM, 6.25 LONG .....	1
51				
52	<u>17618G1</u>		NYLON CLAMP.....	2



# REAR AXLE



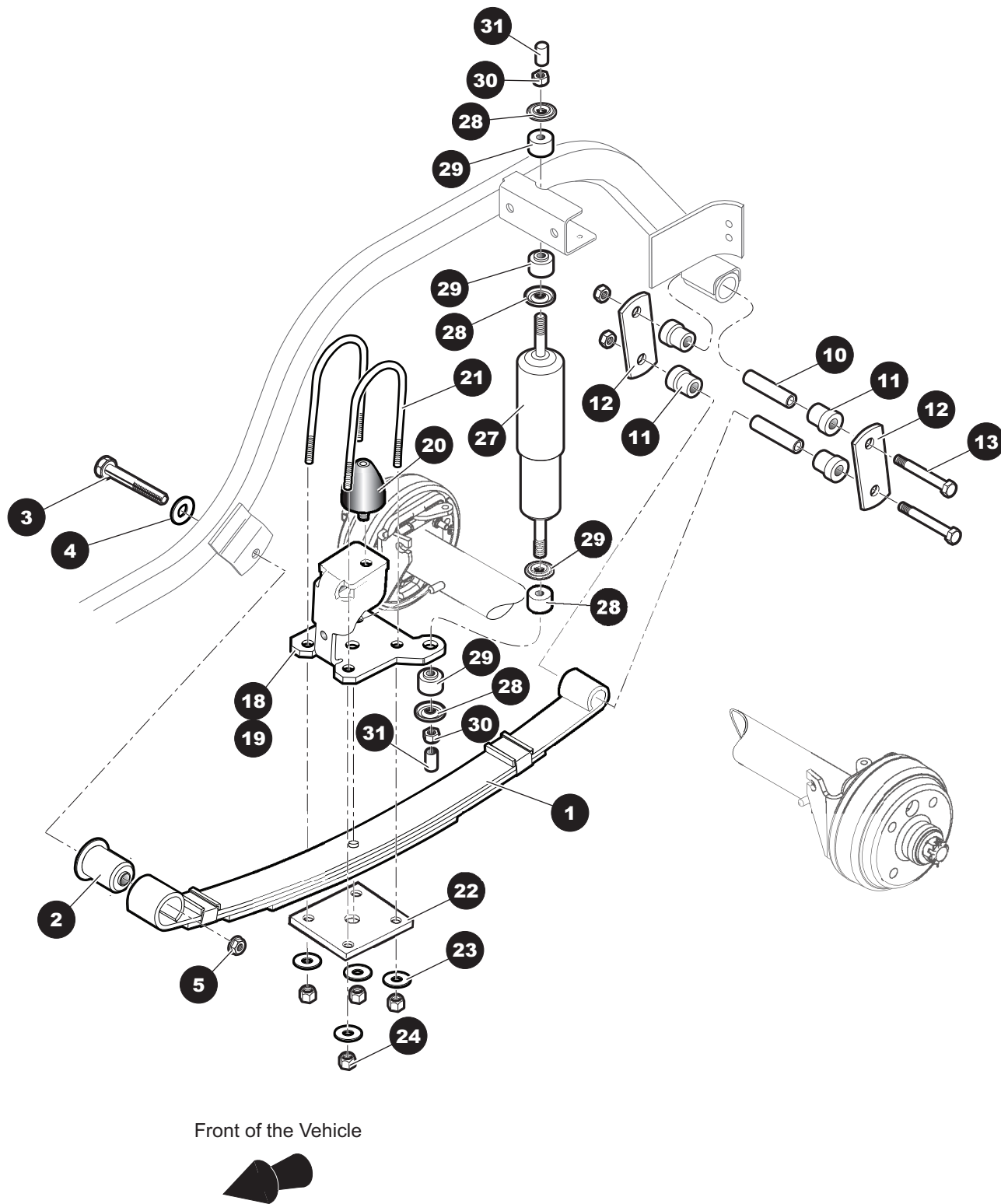
When ordering parts, please specify the model and serial number of the product.

\* Indicates a component that is not available as an individual part.

\*\*\* Indicates consult Customer Service Department for additional information.

ITEM	PART NO.	1 2 3 4 5	DESCRIPTION	QTY.
1	605891		REAR AXLE, (INCLUDES ITEMS 2 - 15) .....	1
2	<u>26770G01</u>		OIL CHECK PLUG .....	1
3	<u>26771G01</u>		GASKET, 14 MM .....	1
4	<u>26770G01</u>		OIL DRAIN PLUG .....	1
5	<u>26771G01</u>		GASKET, 14 MM .....	1
6	<u>72259G01</u>		INPUT SHAFT OIL SEAL .....	1
7	<u>72259G01</u>		AXLE SHAFT OIL SEAL .....	2
8	<u>607939</u>		AXLE TUBE (DRIVER SIDE) .....	1
9	<u>607940</u>		AXLE TUBE (PASSENGER SIDE) .....	1
10	<u>607945</u>		AXLE SHAFT (DRIVER SIDE) INCLUDES ITEM 12 .....	1
11	<u>607946</u>		AXLE SHAFT (PASSENGER SIDE) INCLUDES ITEM 12 .....	1
12	<u>26811G01</u>		BALL BEARING .....	2
13	26814G01		RETAINING RING .....	2
14	<u>72260G01</u>		FLANGED BOLT, M10 X 1.5 X 23 MM LG .....	10
15	<u>606403</u>		SLOTTED NUT, M22 X 1.5 .....	2

# REAR SUSPENSION



# REAR SUSPENSION

When ordering parts, please specify the model and serial number of the product.

\* Indicates a component that is not available as an individual part.

\*\*\* Indicates consult Customer Service Department for additional information.

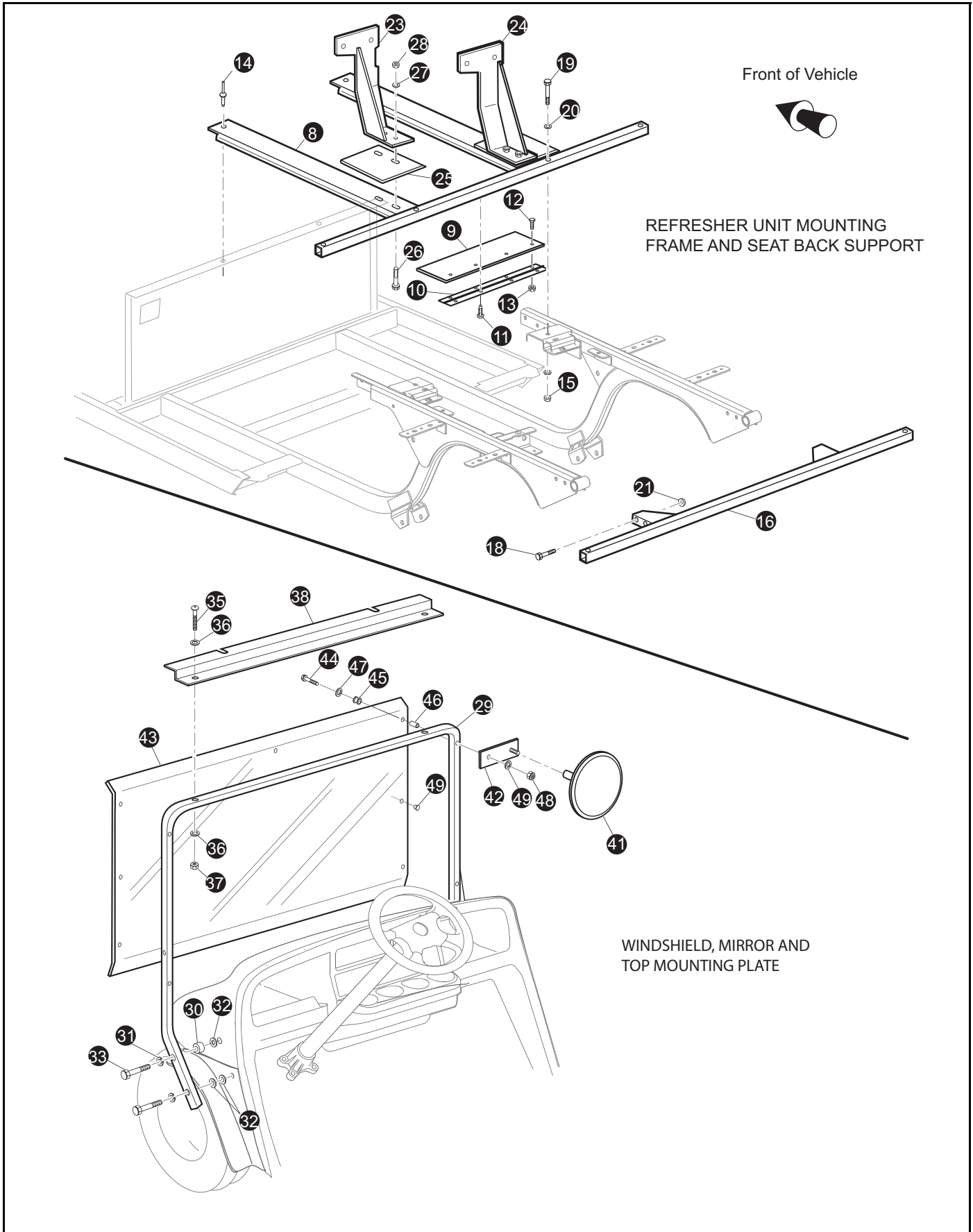
ITEM	PART NO.	1 2 3 4 5	DESCRIPTION	QTY.
1	<u>605722</u>		HEAVY DUTY LEAF SPRING.....	2
2	<u>605445</u>		LEAF SPRING BUSHING, FRONT.....	2
3	<u>00665G9</u>		HEX HEAD BOLT, SS 3/8 - 16 X 3.5 LG.....	2
4	<u>00643G1</u>		FLAT WASHER, .411 I.D. X 1.00 O.D. X .06.....	2
5	<u>12262G1</u>		FLANGED LOCK NUT, 3/8 - 16.....	2
6				
7				
8				
9				
10	<u>70289G02</u>		SPLIT STEEL SPACER.....	4
11	<u>70291G01</u>		FLANGED URETHANE BUSHING.....	8
12	<u>70290G02</u>		SHACKLE PLATE.....	4
13	<u>00665G9</u>		HEX HEAD BOLT, SS 3/8 - 16 X 3.5 LG.....	4
14	<u>11098G5</u>		LOCK NUT, 3/8 - 16.....	4
15				
16				
17				
18	<u>605952</u>		AXLE BRACKET, DRIVER SIDE.....	1
19	<u>605959</u>		AXLE BRACKET, PASSTENGER SIDE.....	1
20	<u>70492G01</u>		RUBBER BUMPER.....	2
21	<u>32195G3</u>		U-BOLT.....	4
22	<u>605956</u>		REAR SUSPENSION PLATE.....	2
23	<u>00643G1</u>		FLAT WASHER, .411 I.D. X 1.00 O.D. X .06.....	8
24	<u>11098G5</u>		LOCK NUT, 3/8 - 16.....	8
25				
26				
27	<u>70248G01</u>		SHOCK ABSORBER.....	2
28	<u>10435G1</u>		SHOCK ABSORBER WASHER.....	8
29	<u>10194G1</u>		RUBBER SHOCK BUSHING.....	8
30	<u>00532G6</u>		HEX NUT, 3/8 - 24.....	4
31	<u>10044G01</u>		VINYL CAP.....	4

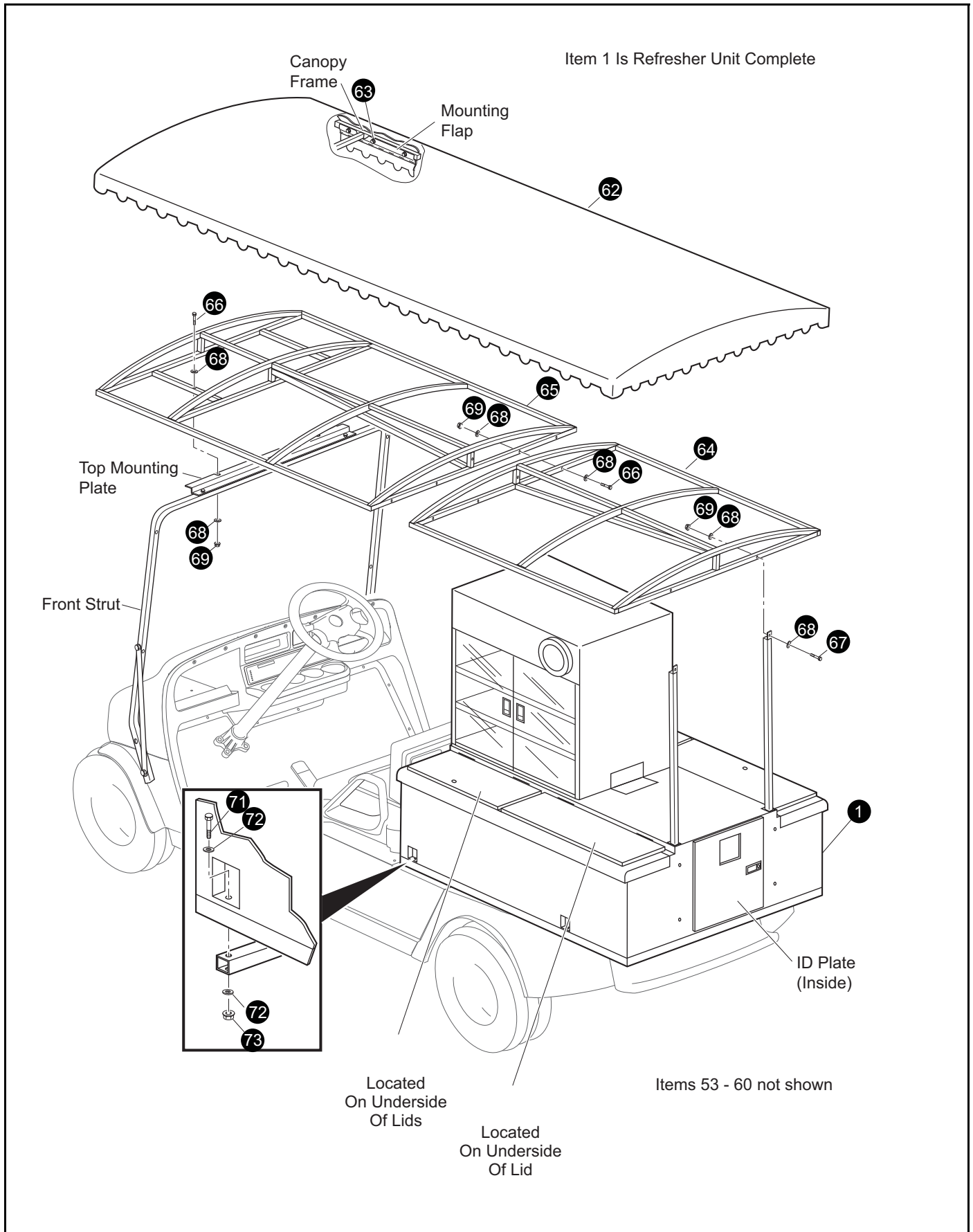






# REFRESHER UNIT





# REFRESHER UNIT

When ordering parts, please specify the model and serial number of the product.

\* Indicates a component that is not available as an individual part.

\*\*\* Indicates consult Customer Service Department for additional information.

ITEM	PART NO.	1 2 3 4 5	DESCRIPTION	QTY.
1	74434G01		REFRESHER UNIT (COMPLETE) (INCLUDES ITEMS 3 - 49) .....	1
2				
3				
4				
5				
6				
7				
8	<u>74421G02</u>		REFRESHER UNIT MOUNTING FRAME (FRONT).....	1
9	74392G02		ENGINE ACCESS DOOR.....	1
10	<u>33121G01</u>		ACCESS DOOR HINGE .....	1
11	<u>00106G6</u>		SCREW, 12 - 24 X 3/4" LG .....	4
12	<u>00414G5</u>		BOLT, 1/4 - 20 X 1/2" LG.....	4
13	00891G2		LOCK NUT, 1/4 - 20 .....	4
14	<u>10570G10</u>		RIVET, 5/32" (STAINLESS STEEL) .....	2
15	11098G6		LOCK NUT, 5/16 - 18 .....	2
16	<u>71545G01</u>		REFRESHER UNIT MOUNTING FRAME (REAR).....	1
17				
18	<u>00427G8</u>		BOLT, 3/8 - 16 X 2" LG.....	4
19	00439G8		BOLT, 5/16 - 18 X 2" LG.....	2
20	00559G8		WASHER, 5/16" .....	4
21	<u>11027G5</u>		LOCK NUT, 5/16 - 18 .....	4
22				
23	<u>70008G01</u>		SEAT BACK SUPPORT (DRIVER SIDE).....	1
24	<u>70008G02</u>		SEAT BACK SUPPORT (PASSENGER SIDE) .....	1
25	<u>74855G01</u>		SIDE COVER .....	2
26	<u>00438G8</u>		BOLT, 5/16 - 18 X 1" LG .....	4
27	00559G8		WASHER, 5/16".....	4
28	11098G6		LOCK NUT, 5/16 - 18.....	4
29	<u>75045G06</u>		FRONT STRUT.....	1
30	<u>75048G01</u>		SPACER.....	2
31	<u>00905G8</u>		LOCK WASHER, 5/16" (BLACK).....	4

# REFRESHER UNIT

When ordering parts, please specify the model and serial number of the product.

\* Indicates a component that is not available as an individual part.

\*\*\* Indicates consult Customer Service Department for additional information.

ITEM	PART NO.	1 2 3 4 5	DESCRIPTION	QTY.
32	<u>00879G1</u>		WASHER, 3/8" X 1" .....	6
33	<u>01035G02</u>		BOLT, 5/16 - 18 X 2 1/2" LG .....	4
34				
35	<u>16705G6</u>		BOLT, 1/4 - 20 X 1 1/2" LG .....	2
36	<u>00559G7</u>		WASHER, 1/4" .....	4
37	00891G2		LOCK NUT, 1/4 - 20 .....	2
38	<u>74191G02</u>		TOP MOUNTING PLATE .....	1
39	36002G01		DECAL (WARNING) .....	3
40	<u>35991G01</u>		DECAL (WARNING) .....	1
41	<u>74202G01</u>		MIRROR, 6" .....	2
42	<u>74203G02</u>		MIRROR MOUNTING BRACKET .....	2
43	<u>75021G03</u>		WINDSHIELD .....	1
44	<u>16705G6</u>		BOLT, 1/4 - 20 X 1 3/4" LG .....	4
45	72147G01		RUBBER GROMMET .....	4
46	23726G7		SPACER .....	4
47	<u>00660G7</u>		WASHER, 1/4" .....	8
48	00891G2		LOCK NUT, 1/4 - 20 .....	4
49	<u>75124G01</u>		BUMPER .....	2
50				
51				
52			<b>ITEMS 53 - 60 NOT SHOWN</b>	
53	<u>74346G01</u>		SIGN BOARD .....	2
54	<u>75793G01</u>		CONDIMENT TRAY .....	1
55	<u>75794G01</u>		BOTTLE CADDY .....	1
56	<u>75795G01</u>		CASH DRAWER .....	1
57	<u>75796G01</u>		MINI BOTTLE CARRIER .....	1
58	<u>75797G01</u>		HUMIDOR .....	1
59	<u>75798G01</u>		CREDIT CARD MACHINE MOUNT .....	1
60	<u>75891G01</u>		FOOD WARMER .....	1
61			<b>THE FOLLOWING SERVICE PARTS AND ACCESORIES ARE AVAILABLE FROM 19TH HOLE MARKETING, INC, 400 E. COMSTOCK DRIVE, CHANDLER, AZ 85225, PHONE: (480) 497 - 8280</b>	

# REFRESHER UNIT

When ordering parts, please specify the model and serial number of the product.

\* Indicates a component that is not available as an individual part.

\*\*\* Indicates consult Customer Service Department for additional information.

ITEM	PART NO.	1 2 3 4 5	DESCRIPTION	QTY.
62	EZRAM10064		CANOPY .....	1
63	H1092		SELF TAPPING SCREW, 10MM X 1/2" LG .....	40
64	EZRAM10060		CANOPY FRAME (REAR) .....	1
65	EZRAM10061		CANOPY FRAME (FRONT) .....	1
66	H1075		BOLT, 1/4 - 20 X 2" .....	7
67	H1077		BOLT, 1/4 - 20 X 1 1/4" LG .....	2
68	H1079		WASHER, 1/4" .....	18
69	H1078		LOCK NUT, 1/4 - 20.....	9
70				
71	H1083		BOLT, 5/16 - 18 X 1 1/4" LG .....	4
72	H1019		WASHER, 5/16" .....	8
73	H1017		LOCK NUT, 5/16 - 18.....	4
74			<b>ITEMS 75 - 106 NOT SHOWN</b>	
75	EZRAM10033		COLD STORAGE DOOR, FRONT .....	1
76	EZRAM10037		COLD STORAGE DOOR, REAR .....	1
77	EZRAM10041		CONSUMABLE ICE DOOR.....	1
78	EZRAM10022		CANOPY UPRIGHT .....	1
79	EZRAM10069		HOSE MOUNTING BRACKET .....	1
80	H4007		COMPRESSION HINGE .....	1
81	EZRAM10075		TRASH DOOR HINGE .....	1
82	B6001		TRASH BIN .....	1
83	H4008		TRASH DOOR LATCH .....	1
84	EZRAM10045		TRASH DOOR COMPARTMENT.....	1
85	M6003		DOOR SEAL GASKET .....	1
86	H2006		LOCK (COLD STORAGE DOOR) .....	1
87				
88	EZRAM10069		HOSE MOUNTING BRACKET .....	2
89	H5012		SPIGOT VALVE .....	2
90	H5000		DRAIN HOSE, 36" LG .....	1
91	H5007		HOSE ADAPTER, 3/4" X 1/2" .....	2
92	H5006		COMBINATION ELBOW .....	3

# REFRESHER UNIT

When ordering parts, please specify the model and serial number of the product.

\* Indicates a component that is not available as an individual part.

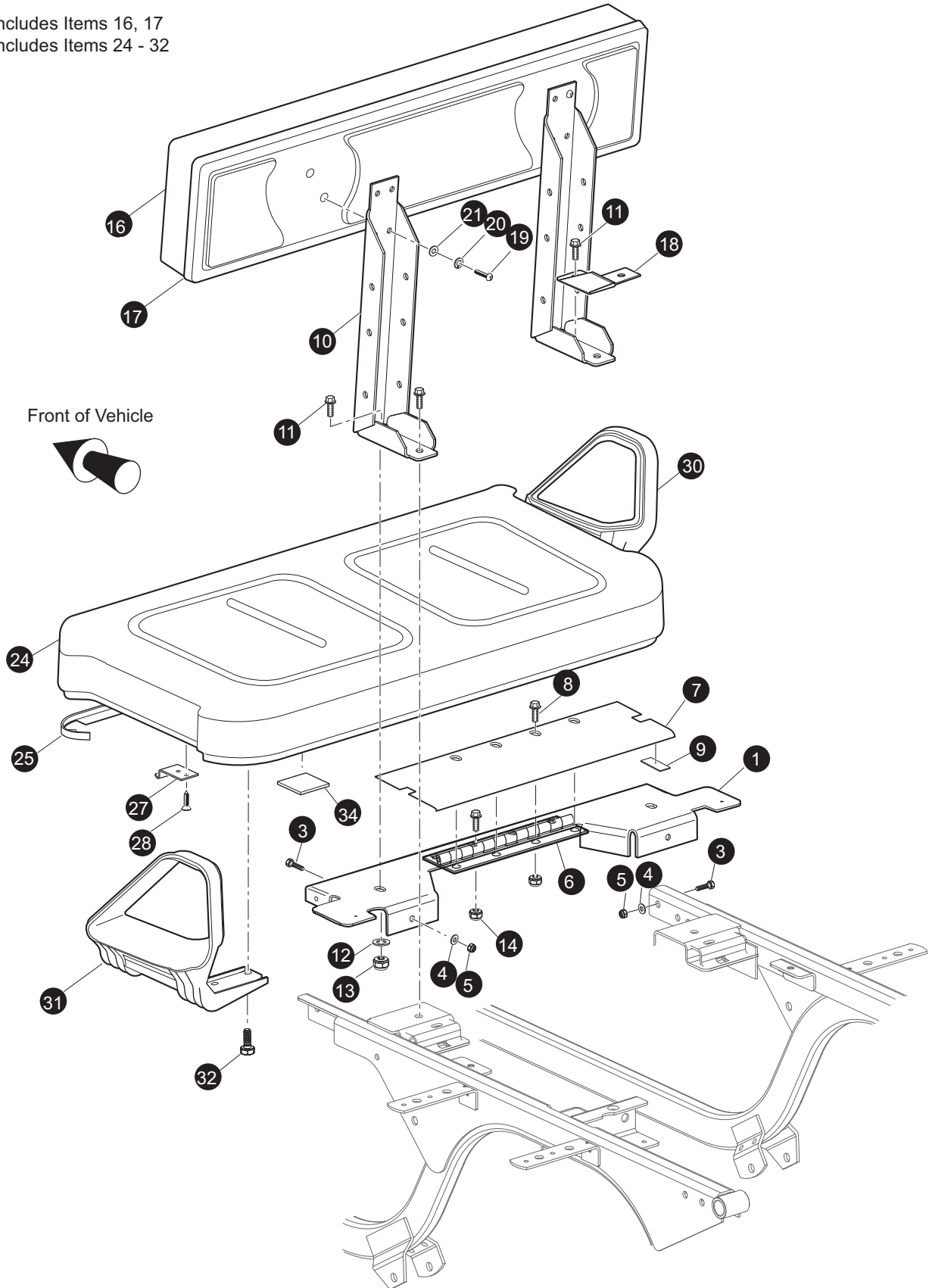
\*\*\* Indicates consult Customer Service Department for additional information.

ITEM	PART NO.	1 2 3 4 5	DESCRIPTION	QTY.
93	H5005		COMBINATION TEE .....	1
94	H1070		HOSE CLAMP.....	1
95				
96	B10000		TOUCH UP PAINT REPAIR KIT .....	1
97	EZRAM100010		DOOR ACCESSORY MODULE (LEFT) .....	1
98	EZRAM100012		DOOR ACCESSORY MODULE (RIGHT).....	1
99	H4009		LOCKING LATCH .....	1
100	B9001		CUP DISPENSER.....	1
101	B9002		CUP DISPENSOR COVER RING.....	1
102	B9003		CUP DISPENSOR COVER SPRING.....	1
103	B6011		AIRPOT, 3.75 LITER (STAINLESS STEEL).....	1
104	EZRAM100020		AIRPOT RACK ASSEMBLY.....	1
105	H600		DOOR HINGE (STAINLESS STEEL).....	1
106	M1002		CUSHIONING ADHESIVE TAPE.....	1



# SEATING

15 - Includes Items 16, 17  
23 - Includes Items 24 - 32



When ordering parts, please specify the model and serial number of the product.

\* Indicates a component that is not available as an individual part.

\*\*\* Indicates consult Customer Service Department for additional information.

ITEM	PART NO.	1 2 3 4 5	DESCRIPTION	QTY.
1	<u>71446G02</u>		SEAT BACK SUPPORT .....	1
2	<u>00715G2</u>		BOLT, 5/16 - 18 X 13/16" LG.....	1
3	<u>00438G8</u>		BOLT, 5/16 - 18 X 1" LG.....	4
4	<u>00642G8</u>		WASHER, 5/16" .....	4
5	<u>11098G6</u>		LOCK NUT, 5/16 - 18 .....	4
6	<u>33121G01</u>		HINGE.....	1
7	<u>71558G02</u>		ACCESS COVER.....	1
8	<u>00414G5</u>		BOLT, 1/4 - 20 X 1/2" LG.....	8
9	<u>14382G7</u>		NOISE SUPPRESSOR.....	2
10	<u>75900G02</u>		SEAT BACK SUPPORT BRACKET .....	2
11	<u>01006G01</u>		BOLT, 3/8 - 16 X 1 1/4" LG.....	4
12	<u>00560G1</u>		WASHER, 3/8" .....	4
13	<u>11098G5</u>		LOCK NUT, 3/8 - 16 .....	4
14	<u>14390G4</u>		LOCK NUT, 1/4 - 20 .....	8
15	<u>71274G**</u>		SEAT BACK ASSEMBLY (INCLUDES ITEMS 16, 17) .....	1
16	<u>18144G**</u>		VINYL SEAT BACK COVER .....	1
17	<u>74889G01</u>		PLASTIC SEAT BACK COVER (BLACK) .....	1
18	<u>74947G01</u>		BED BUMPER BRACKET .....	2
19	<u>16705G12</u>		SCREW, 1/4 - 20 X 1" LG .....	4
20	<u>00664G7</u>		LOCK WASHER, 1/4" .....	4
21	<u>01110G01</u>		WASHER, 1/4" .....	4
22	<u>604916G**</u>		TWO TONE VINYL SEAT BACK .....	1
23	<u>71611G**</u>		SEAT BOTTOM ASSEMBLY (INCLUDES ITEMS 24 - 32).....	1
24	<u>71602G**</u>		VINYL SEAT BOTTOM COVER .....	1
25	<u>71012G01</u>		VINYL TRIM (SEAT BOTTOM).....	1
26				
27	<u>71610G01</u>		SEAT HINGE .....	2
28	<u>00720G08</u>		SCREW, #12 - 14 X 1" LG .....	6
29				
30	<u>71701G01</u>		HIP RESTRAINT (PASSENGER SIDE) .....	1
31	<u>71702G01</u>		HIP RESTRAINT (DRIVER SIDE).....	1

# SEATING

When ordering parts, please specify the model and serial number of the product.

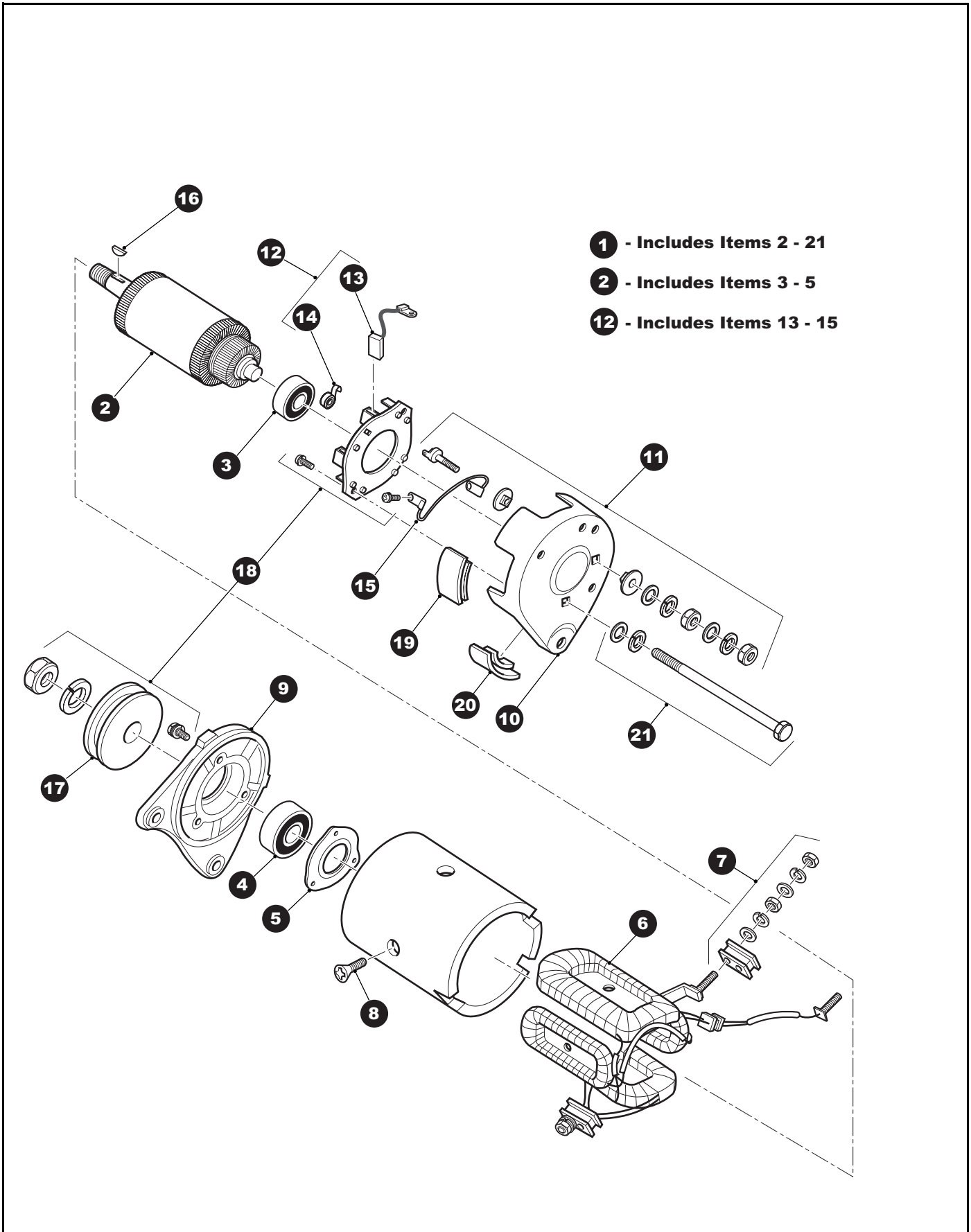
\* Indicates a component that is not available as an individual part.

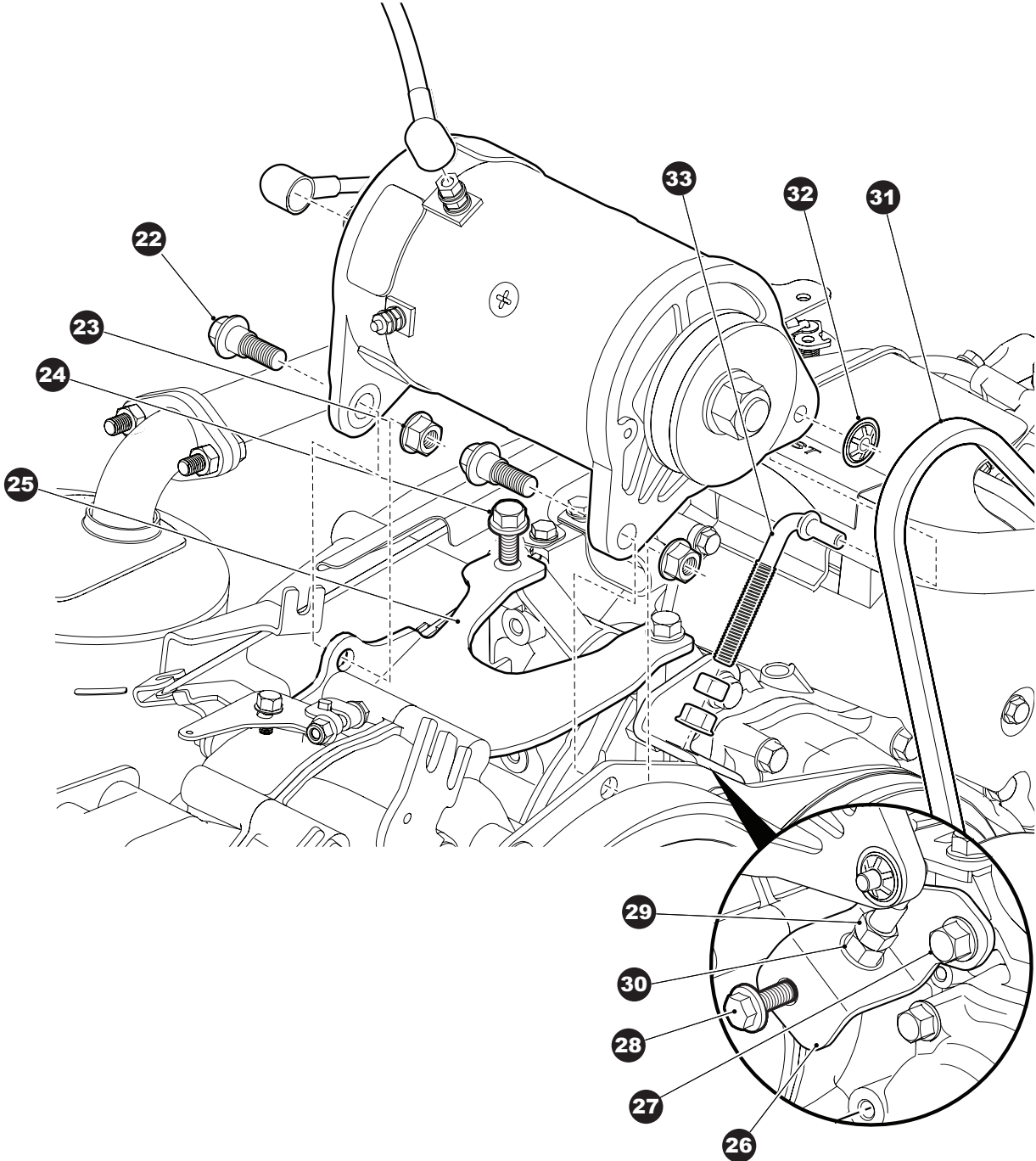
\*\*\* Indicates consult Customer Service Department for additional information.

ITEM	PART NO.	1	2	3	4	5	DESCRIPTION	QTY.
32	71204G01						BOLT, 1/4 - 20 X 7/8" LG. ....	8
33	604912G**						TWO TONE VINYL SEAT BOTTOM .....	1
34	<u>17074G1</u>						BUMPER .....	2



# STARTER / GENERATOR





# STARTER / GENERATOR

When ordering parts, please specify the model and serial number of the product.

\* Indicates a component that is not available as an individual part.

\*\*\* Indicates consult Customer Service Department for additional information.

ITEM	PART NO.	1 2 3 4 5	DESCRIPTION	QTY.
1	<u>27065G01</u>		STARTER / GENERATOR (INCLUDES ITEMS 2 - 21).....	1
2	<u>26870G01</u>		ARMATURE (INCLUDES ITEMS 3 - 5) .....	1
3	<u>26871G01</u>		REAR BALL BEARING .....	1
4	<u>26872G01</u>		FRONT BALL BEARING.....	1
5	<u>26873G01</u>		BEARING HOLDER.....	1
6	<u>26875G01</u>		FIELD COIL.....	1
7	<u>26876G01</u>		INSULATING BRUSH ASSEMBLY ('F').....	2
8	<u>26877G01</u>		POLE CORE SETSCREW.....	4
9	<u>26878G01</u>		FRONT COVER.....	1
10	<u>26879G01</u>		REAR COVER .....	1
11	<u>26880G01</u>		TERMINAL ASSEMBLY ('A').....	2
12	<u>26881G01</u>		BRUSH HOLDER ASSEMBLY (INCLUDES ITEMS 13 - 15).....	1
13	<u>26658G01</u>		BRUSH .....	4
14	<u>26882G01</u>		BRUSH SPRING .....	4
15	<u>26883G01</u>		BRUSH CONNECTOR.....	2
16	<u>26884G01</u>		KEY .....	1
17	<u>26885G01</u>		PULLEY (GSB107-35011) .....	1
18	<u>26886G01</u>		BRUSH AND PULLEY HARDWARE KIT .....	1
19	<u>26887G01</u>		BRUSH 1 COVER.....	3
20	<u>26888G01</u>		BRUSH 2 COVER.....	2
21	<u>26889G01</u>		HOUSING HARDWARE KIT .....	2
22	<u>606235</u>		BOLT, HXFL SHLDR - M10 - 1.25 X 20.....	2
23	<u>606279</u>		NUT, M10 - 1.25 .....	2
24	<u>606261</u>		BOLT, M8 - 1.25 X 20 .....	3
25	<u>602141</u>		STARTER/GENERATOR BRACKET .....	1
26	<u>602145</u>		TENSIONER BRACKET.....	1
27	<u>606261</u>		BOLT, M8 - 1.25 X 20 .....	1
28	<u>606256</u>		BOLT, M10 - 1.25 X 25 .....	1
29	<u>606255</u>		NUT, M10 - 1.25 .....	1
30	<u>606274</u>		NUT, M10 - 1.25 .....	1
31	<u>606138</u>		STARTER/GENERATOR BELT .....	1

# STARTER / GENERATOR

When ordering parts, please specify the model and serial number of the product.

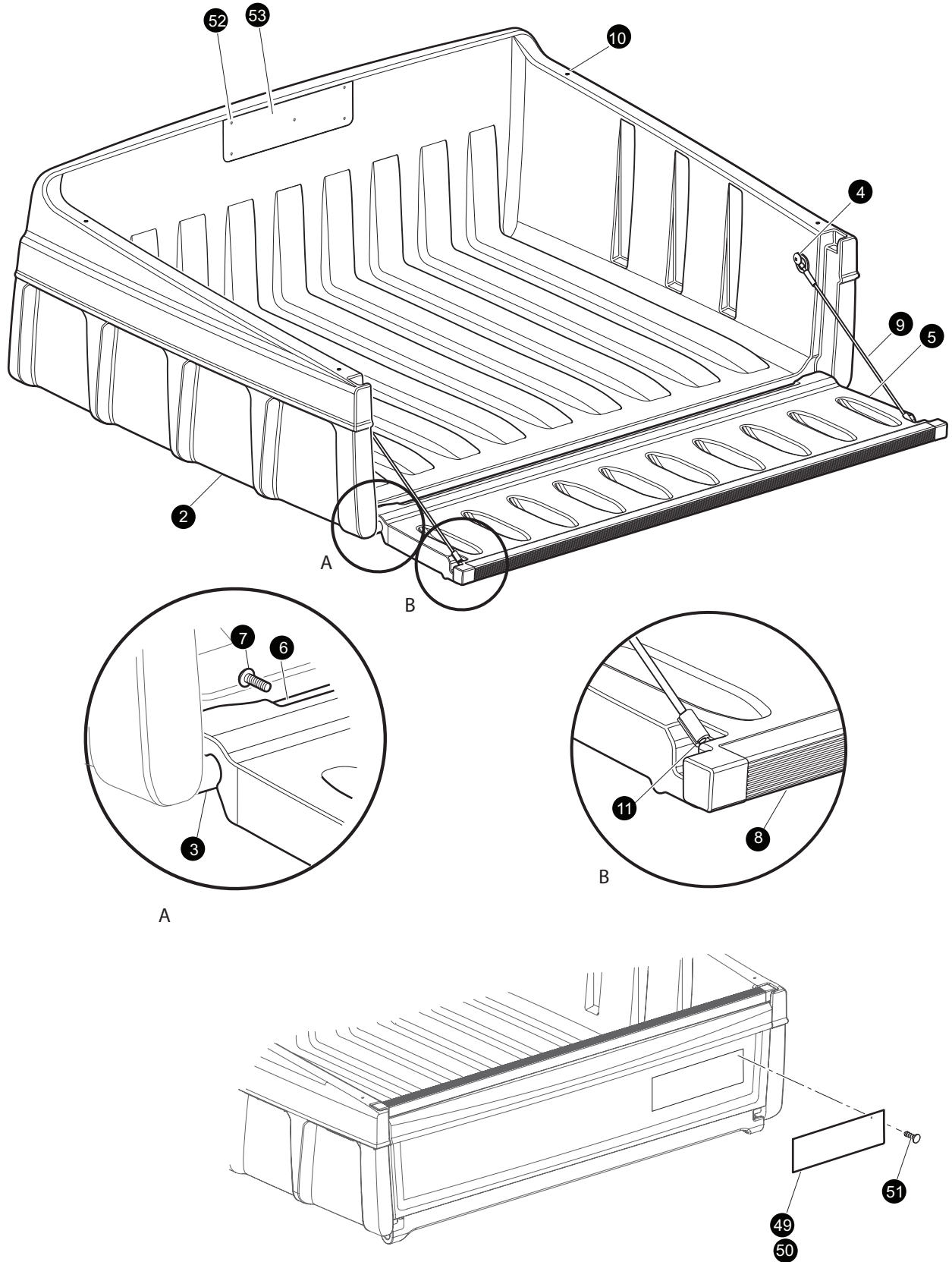
\* Indicates a component that is not available as an individual part.

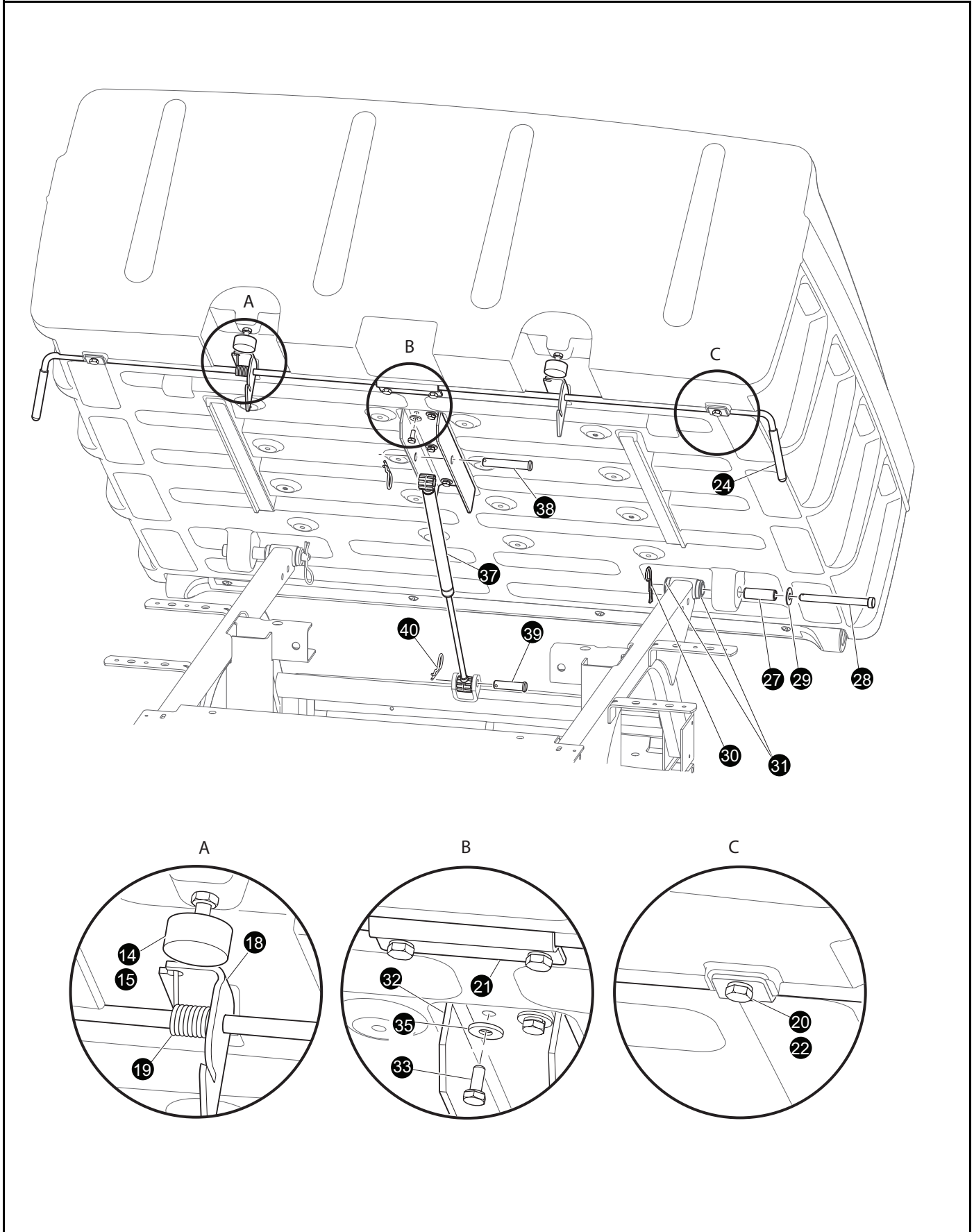
\*\*\* Indicates consult Customer Service Department for additional information.

ITEM	PART NO.	1 2 3 4 5	DESCRIPTION	QTY.
32	<u>12064G6</u>		PUSH NUT, 5/16" .....	1
33	606236		TENSIONER BOLT .....	1



# TRUCK BED, PLASTIC







# TRUCK BED, PLASTIC

When ordering parts, please specify the model and serial number of the product.

\* Indicates a component that is not available as an individual part.

\*\*\* Indicates consult Customer Service Department for additional information.

ITEM	PART NO.	1 2 3 4 5	DESCRIPTION	QTY.
1	<u>73451G01</u>		BED ASSEMBLY, 40" (INCLUDES ITEMS 2 -11) .....	1
2	<u>73447G01</u>		PLASTIC BED, 40" .....	1
3	<u>73454G01</u>		PIVOT SHAFT .....	2
4	<u>73460G01</u>		SHOULDER BOLT, 1/4 - 20 X 3/4" LG .....	2
5	<u>73448G01</u>		TAILGATE .....	1
6	<u>73450G01</u>		BOWED ANGLE .....	1
7	<u>16705G2</u>		SCREW, 1/4 - 20 X 5/8" LG (STAINLESS STEEL) .....	4
8	<u>73449G01</u>		EXTRUSION CHANNEL .....	1
9	<u>73455G01</u>		TAILGATE CABLE .....	1
10				
11	<u>00415G2</u>		SCREW, 1/4 - 20 X 5/8" LG (STAINLESS STEEL) .....	2
12				
13				
14	<u>70113G01</u>		ADJUSTABLE RUBBER BUMPER .....	2
15	<u>11027G1</u>		LOCK NUT, 5/16 - 18 .....	2
16				
17				
18	<u>74962G01</u>		BED LATCH .....	1
19	<u>71538G01</u>		LATCH TORSION SPRING .....	1
20	<u>71099G02</u>		KEEPER PLATE .....	2
21	<u>71477G02</u>		RETAINER BRACKET .....	1
22	<u>01118G01</u>		SCREW, 1/4 - 20 X 5/8" LG .....	4
23				
24	<u>71704G01</u>		HANDLE GRIP .....	2
25				
26				
27	<u>71570G01</u>		BUSHING .....	2
28	<u>71571G01</u>		CLEVIS PIN .....	2
29	<u>00571G5</u>		WASHER, 1/2" .....	2
30	<u>21683G1</u>		COTTER PIN .....	2
31	<u>70291G01</u>		BUSHING .....	4

# TRUCK BED, PLASTIC

When ordering parts, please specify the model and serial number of the product.

\* Indicates a component that is not available as an individual part.

\*\*\* Indicates consult Customer Service Department for additional information.

ITEM	PART NO.	1 2 3 4 5	DESCRIPTION	QTY.
32	<u>71569G02</u>		SPRING CHANNEL.....	1
33	<u>01118G01</u>		SCREW, 1/4 - 20 X 5/8" LG.....	8
34				
35	<u>00642G7</u>		WASHER, 1/4".....	8
36				
37	<u>71537G02</u>		GAS SPRING .....	2
38	<u>14443G10</u>		CLEVIS PIN, 1/2" X 2 27/32" LG .....	1
39	<u>14443G11</u>		CLEVIS PIN, 1/2" X 1 3/4" LG .....	1
40	<u>21683G1</u>		COTTER PIN, .....	2
41				
42				
43	<u>71547G02</u>		OUTRIGGER CHANNEL.....	1
44	<u>27612G02</u>		ELECTRIC ACTUATOR, 12 VOLT, 1500 LBS.....	1
45				
46	<u>72339G02</u>		PLASTIC BED HEAT SHIELD (GASOLINE VEHICLE ONLY) .....	1
47	<u>00642G7</u>		WASHER, 1/4".....	2
48	<u>01118G01</u>		SCREW, 1/4-20 X 5/8".....	2
49				
50				
51				
52				
53				
54				
55				
56				
57				
58				
59				
60				
61				
62				

# TRUCK BED, PLASTIC

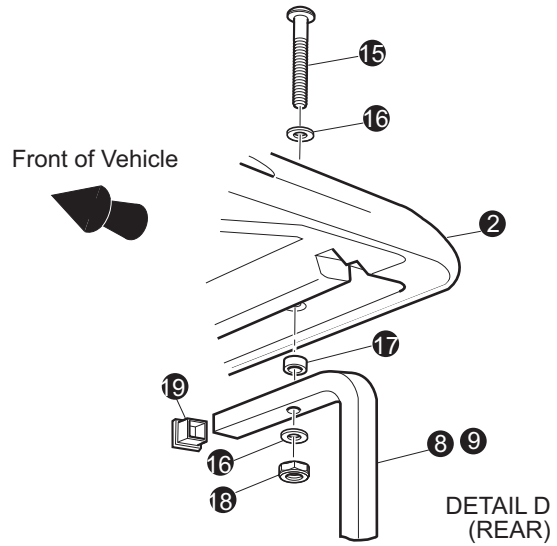
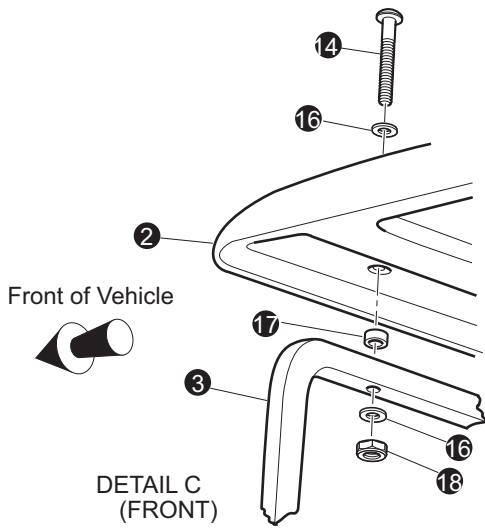
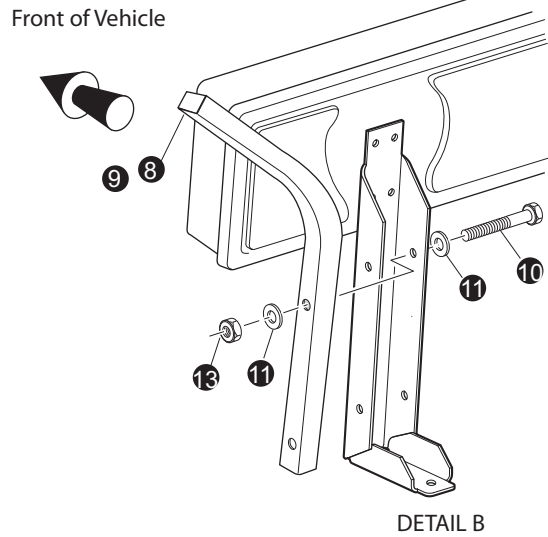
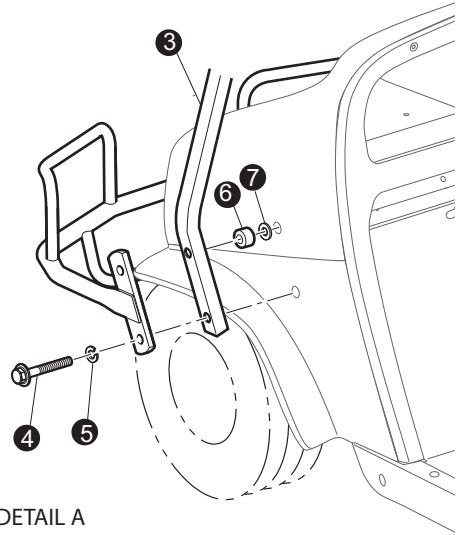
When ordering parts, please specify the model and serial number of the product.

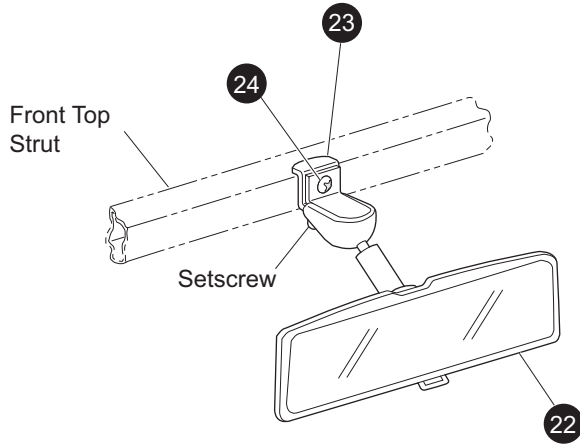
\* Indicates a component that is not available as an individual part.

\*\*\* Indicates consult Customer Service Department for additional information.

ITEM	PART NO.	1 2 3 4 5	DESCRIPTION	QTY.
63	600110		JACOBSEN PLATE.....	1
64	<u>600108G01</u>		CUSHMAN PLATE.....	1
65	<u>16816G2</u>		RATCHET FASTENER.....	4
66				
67	<u>74821G01</u>		LOAD BED DECAL.....	1
68	<u>71055G01</u>		RIVET.....	5

# WEATHER PROTECTION



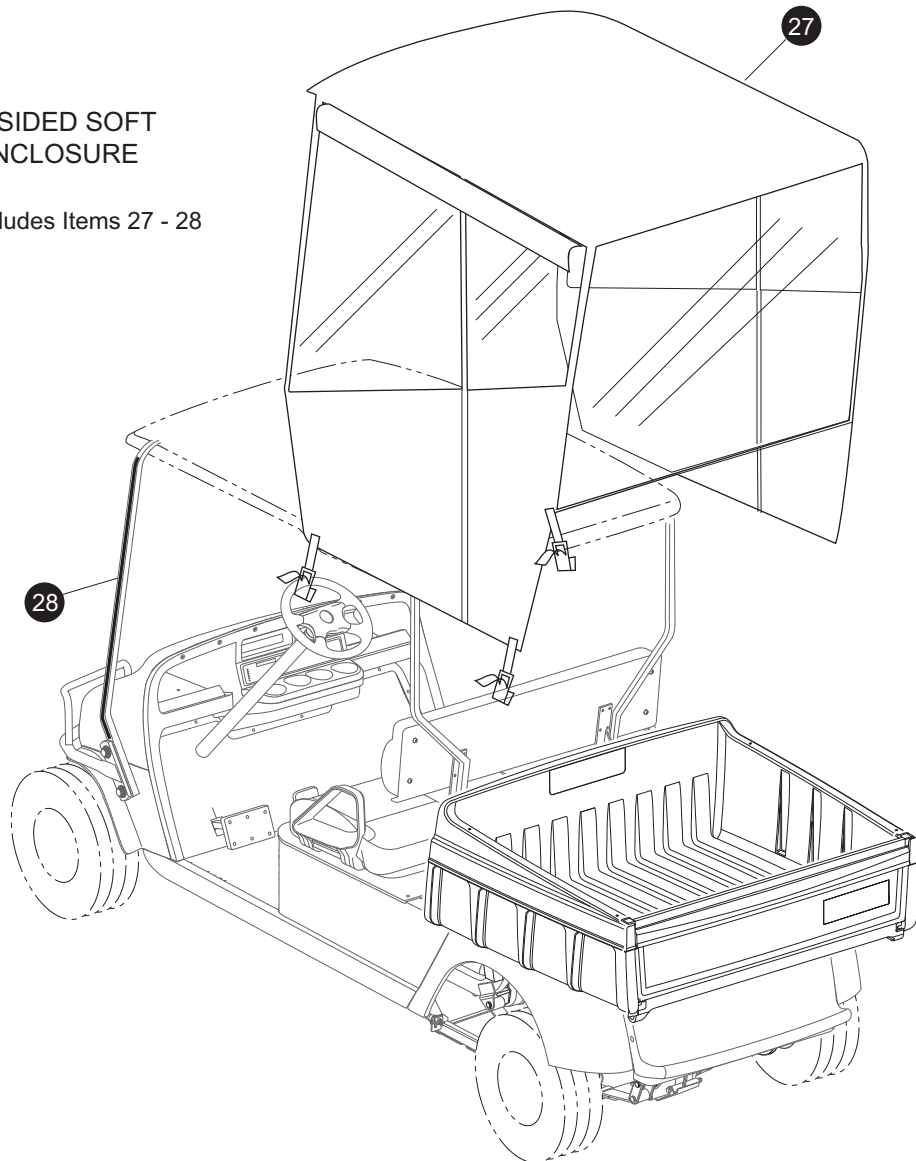


## REAR VIEW MIRROR

21 - Includes Items 22 - 24

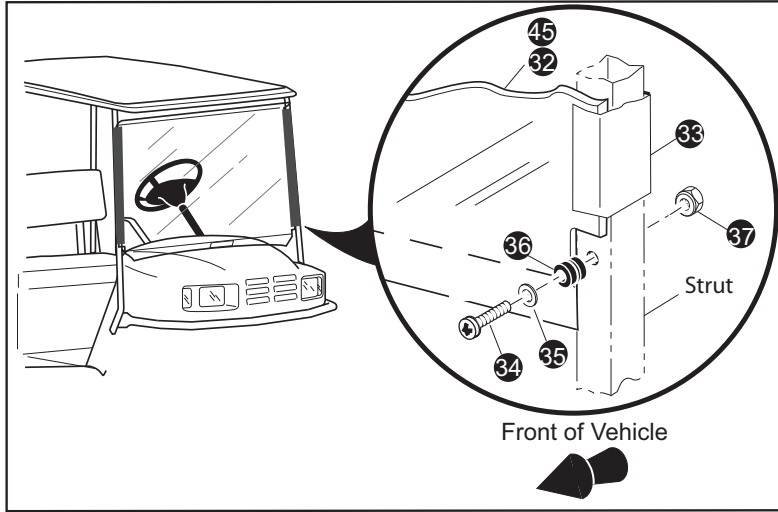
## 3-SIDED SOFT ENCLOSURE

26 - Includes Items 27 - 28

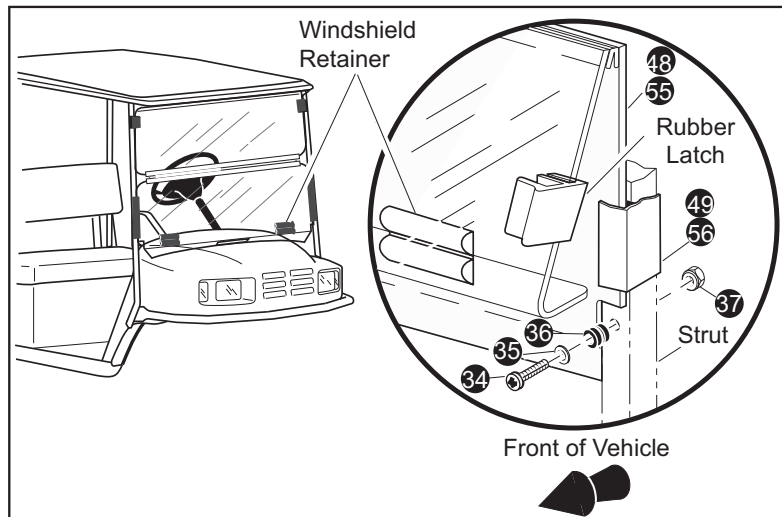




# WEATHER PROTECTION



- 44 - Includes item 45
- 47 - Includes item 48 - 49
- 54 - Includes item 55 - 56



# WEATHER PROTECTION

When ordering parts, please specify the model and serial number of the product.

\* Indicates a component that is not available as an individual part.

\*\*\* Indicates consult Customer Service Department for additional information.

ITEM	PART NO.	1 2 3 4 5	DESCRIPTION	QTY.
1	75040-G**		SUN TOP KIT (INCLUDES ITEMS 2 - 19).....	1
2	<u>27069-G01</u>		SUN TOP.....	1
3	<u>75045-G05</u>		FRONT STRUT.....	1
4	<u>00440-G2</u>		BOLT, 5/16 - 18 X 2 1/4" LG.....	4
5	<u>00905-G8</u>		LOCK WASHER, 5/16".....	4
6	<u>75048-G01</u>		SPACER, 1/2".....	2
7	<u>00570-G2</u>		WASHER, 5/16".....	6
8	<u>75838-G04</u>		REAR STRUT (PASSENGER SIDE).....	1
9	<u>75838-G03</u>		REAR STRUT (DRIVER SIDE).....	1
10	<u>00685-G7</u>		BOLT, 5/16 - 18 X 1 3/4" LG.....	4
11	<u>01110-G03</u>		WASHER, 5/16".....	8
12				
13	11098-G6		LOCK NUT, 5/16 - 18.....	4
14	<u>00753-G5</u>		SCREW, 1/4 - 20 X 2" LG (STAINLESS STEEL).....	2
15	00753-G6		SCREW, 1/4 - 20 X 2 1/4" LG (STAINLESS STEEL).....	2
16	<u>01110-G01</u>		WASHER, 1/4" (STAINLESS STEEL).....	8
17	<u>75051-G01</u>		SPACER.....	4
18	<u>00891-G2</u>		LOCK NUT, 1/4 - 20.....	4
19	<u>19853-G1</u>		END CAP, 1".....	2
20				
21	<u>19528-G2</u>		REAR VIEW MIRROR KIT (REQUIRES SUN TOP) (INCLUDES ITEMS 22 - 24).....	1
22	<u>19496-G1</u>		REAR VIEW MIRROR.....	1
23	19502-G2		SUPPORT BRACKET.....	1
24	<u>19527-G1</u>		SCREW, #8 - 32 X 5/8" LG (STAINLESS STEEL).....	1
25				
26	75367-G**		3-SIDED SOFT ENCLOSURE (REQUIRES SUN TOP) (INCL ITEMS 27 - 28).....	1
27	*		ENCLOSURE.....	1
28	*		VELCRO.....	AR
29				
30				

# WEATHER PROTECTION

When ordering parts, please specify the model and serial number of the product.

\* Indicates a component that is not available as an individual part.

\*\*\* Indicates consult Customer Service Department for additional information.

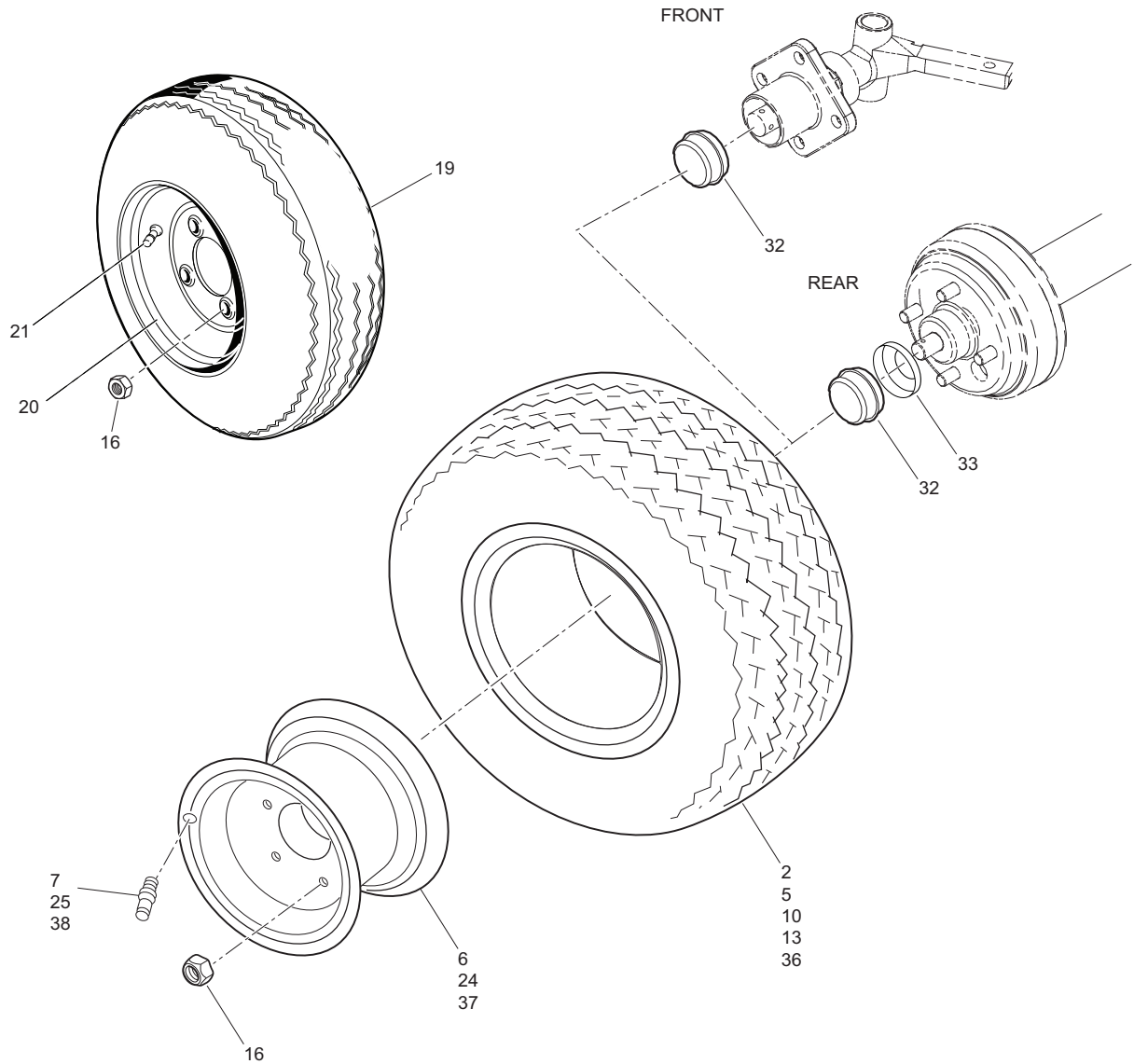
ITEM	PART NO.	1	2	3	4	5	DESCRIPTION	QTY.
31	<u>71966-G01</u>						WINDSHIELD KIT (FULL) (INCLUDES ITEMS 32 - 38) .....	1
32	<u>71954-G01</u>						WINDSHIELD (FULL) (LEXAN) .....	1
33	EGWHC12						SASH, 26" LG. ....	2
34	EGWHS12						BOLT, 1/4 - 20 X 1 3/4" LG. (STAINLESS STEEL).....	2
35	EGWHG12						WASHER, 1/4" (STAINLESS STEEL).....	4
36	EGWHG13						RUBBER GROMMET .....	2
37	EGWHN12						LOCK NUT, 1/4 - 20 (STAINLESS STEEL).....	2
38	71963-G01						SAFETY LABEL .....	1
39								
40								
41								
42								
43								
44	<u>71966-G03</u>						WINDSHIELD KIT (FULL) (INCLUDES ITEMS 45, 33 - 37) .....	1
45	<u>71960-G01</u>						WINDSHIELD (FULL) .....	1
46								
47	<u>71966-G04</u>						WINDSHIELD KIT (SPLIT) (INCLUDES ITEMS 48, 49, 34 - 37) .....	1
48	<u>71961-G01</u>						WINDSHIELD (SPLIT) .....	1
49	EGWHC10						SASH, 12" LG. ....	2
50								
51								
52								
53								
54	<u>71966-G02</u>						WINDSHIELD KIT (SPLIT) (INCLUDES ITEMS 55, 56, 34 - 37) .....	1
55	<u>71955-G01</u>						WINDSHIELD (SPLIT) (LEXAN) .....	1
56	EGWHC10						SASH, 12" LG. ....	2



# WHEELS AND TIRES

- 1 - Includes Items 2, 24, 25
- 4 - Includes Items 5, 7
- 9 - Includes Items 10, 24, 25
- 12 - Includes Items 13, 24, 25
- 18 - Includes Items 19, 20, 21
- 35 - Includes items 36, 37, 38

Tire design may vary by Part Number



Ref Whl 20-1



GOLD / SILVER / CHROME SPOKE HUBCAP  
23, 24, 25

# WHEELS AND TIRES

When ordering parts, please specify the model and serial number of the product.

\* Indicates a component that is not available as an individual part.

G\*\* Indicates consult Customer Service Department for additional information.

ITEM	PART NO.	1 2 3 4 5	DESCRIPTION	QTY.
1	<u>28757G01</u>		TIRE AND WHEEL ASSEMBLY (LINKS 18 X 8.5 - 8) (INCLUDES ITEMS 2, 24, 25).....	1
2	<u>28764G01</u>		TIRE (LINKS 18 X 8.5 - 8) .....	1
3				
4	<u>28442G01</u>		TIRE AND WHEEL ASSEMBLY (TURF SAVER 20 X 10 - 10) <b>MPT &amp; JACOBSEN ONLY STANDARD REAR TIRE</b> (INCLUDES ITEMS 5 - 7).....	1
5	<u>28442G02</u>		CARLISLE TIRE (TURF SAVER 20 X 10 - 10).....	1
6	<u>15172G01</u>		WHEEL RIM.....	1
7	<u>11657G1</u>		VALVE STEM.....	1
8				
9	<u>28757G03</u>		WHEEL & TIRE ASSEMBLY (TURF SAVER 18 X 8.5 - 8) (INCLUDES ITEMS 10, 24, 25).....	1
10	<u>28764G03</u>		TIRE (TURF-SAVER 18 X 8.5 - 8).....	1
11				
12	<u>28842G01</u>		WHEEL AND TIRE ASSEMBLY) ( USA TRAIL 18 X 8.5 - 8 ) (INCLUDES ITEMS 13 , 24, 25 ).....	1
13	<u>28764G06</u>		CARLISLE TIRE ( 18.5 X 8.5 - 8 LOAD RANGE C ).....	1
14				
15				
16	<u>14723G1</u>		LUG NUT.....	A/R
17				
18	<u>27784G06</u>		WHEEL AND TIRE ASSEMBLY, USA TRAIL (INCLUDES ITEMS 19 - 21) <b>INDUSTRIAL VEHICLE TIRE ONLY</b> .....	1
19	<u>27784G07</u>		CARLISLE TIRE (USA TRAIL 5.70 X 8).....	1
20	*		WHEEL RIM (4 LUG).....	1
21	*		VALVE STEM.....	1
22				
23				
24	<u>28759G01</u>		WHEEL RIM (4 LUG).....	1
25	<u>11657G2</u>		VALVE STEM.....	1
26				

# WHEELS AND TIRES

When ordering parts, please specify the model and serial number of the product.  
 \* Indicates a component that is not available as an individual part.  
 G\*\* Indicates consult Customer Service Department for additional information.

ITEM	PART NO.	1	2	3	4	5	DESCRIPTION	QTY.
27								
28	<u>19241G2</u>						GOLD SPOKE HUBCAP (OPTIONAL) .....	A/R
29	<u>19241G1</u>						SILVER SPOKE HUBCAP (OPTIONAL) .....	A/R
30	<u>16042G1</u>						CHROME SPOKE HUBCAP (OPTIONAL).....	A/R
31								
32	<u>12091G2</u>						SPINDLE CAP .....	A/R
33	<u>607033</u>						SPINDLE CAP ADAPTER.....	A/R
34								
35	25373G01						WHEEL AND TIRE ASSEMBLY (TURF SAVER) (INCLUDES ITEM 36, 37, 38) <b>REFRESHER VEHICLE ONLY</b> .....	1
36	<u>21526G2</u>						CARLISLE TIRE (TURF SAVER 18 X 9.5 - 8).....	1
37	25759G01						WHEEL RIM (4 LUG).....	1
38	<u>11657G2</u>						VALVE STEM.....	1





# OPTIONS/ACCESSORIES

## OPTIONS/ACCESSORIES

ITEM	KIT NO.	SECTION
ASHTRAY KIT . . . . .	75109-G04 . . . . .	See BODY
BALL HITCH KIT . . . . .	74492-G0* . . . . .	See BODY
CAB (BALL CAGE) . . . . .	75853-G0* . . . . .	See CAB
CAB DOOR SET . . . . .	75856-G0* . . . . .	See CAB
CAB DOOR SET (VINYL) . . . . .	75855-G01 . . . . .	See CAB
CAB . . . . .	75854-G0* . . . . .	See CAB
CAB SWITCH PANEL . . . . .	74250-G01 . . . . .	See CAB
CLEVIS HITCH KIT . . . . .	74492-G0* . . . . .	See BODY
DEFROSTER/COOLING FAN . . . . .	74248-G01 . . . . .	See CAB
ELECTRIC DUMP KIT . . . . .	74658-G04 . . . . .	See TRUCK BED
GLOVE BOX DOOR . . . . .	75456-G0* . . . . .	See BODY
HOUR METER KIT . . . . .	75114-G02 . . . . .	See ELECTRICAL SYSTEM
INSIDE REAR VIEW MIRROR (CAB) . . . . .	27924-G01 . . . . .	See WEATHER PROTECTION
REAR VIEW MIRROR KIT . . . . .	19528-G2 . . . . .	See WEATHER PROTECTION
SOFT ENCLOSURE . . . . .	75367-G0* . . . . .	See WEATHER PROTECTION
STROBE LIGHT . . . . .	74245-G01 . . . . .	See CAB
SUN TOP KIT . . . . .	75040-G0* . . . . .	See WEATHER PROTECTION
TURN SIGNAL KIT . . . . .	75107-G02 . . . . .	See ELECTRICAL SYSTEM
WHEEL COVERS (GOLD SPOKE) . . . . .	19241-G* . . . . .	See WHEELS AND TIRES
WHEEL COVERS (SILVER SPOKE) . . . . .	19241-G* . . . . .	See WHEELS AND TIRES
WINDSHIELD (FULL) (LEXAN-POLYCARBONATE) . . . . .	71966-G01 . . . . .	See WEATHER PROTECTION
WINDSHIELD (SPLIT) (LEXAN-POLYCARBONATE) . . . . .	71966-G02 . . . . .	See WEATHER PROTECTION
WINDSHIELD (FULL) (PLEXIGLAS) . . . . .	71966-G03 . . . . .	See WEATHER PROTECTION
WINDSHIELD (SPLIT) (PLEXIGLAS) . . . . .	71966-G04 . . . . .	See WEATHER PROTECTION
WINDSHIELD WIPER . . . . .	74244-G01 . . . . .	See CAB
WORK LIGHTS . . . . .	74247-G01 . . . . .	See CAB
WORK LIGHT BAR WITH LIGHTS . . . . .	71323-G01 . . . . .	See ELECTRICAL SYSTEM
WORK LIGHT BAR WITH STROBE . . . . .	71323-G02 . . . . .	See ELECTRICAL SYSTEM
WORK LIGHT BAR WITH LIGHTS AND STROBE . . . . .	71323-G03 . . . . .	See ELECTRICAL SYSTEM

# SPECIALTY PRODUCTS

# SPECIALTY PRODUCTS

## SPECIAL TOOLS

## PART NO.

HIGH RESISTANCE SPARK PLUG WIRE SET .....	26733-G02
CLUTCH PULLER (DRIVE) .....	19779-G2
FLYWHEEL PULLER .....	27111-G01
CURRENT INDICATOR .....	16489-G2
DIGITAL MULTI-METER .....	27481-G01
SLIDE HAMMER (AXLE/HUB REMOVAL) .....	15947-G1
SLIDE HAMMER (AXLE REMOVAL ONLY) .....	18753-G1
COMPRESSION TESTER .....	72524-G01
FEELER GAUGE .....	72525-G01
TACHOMETER .....	72526-G01

## ENGINE OIL

## PART NO.

4 CYCLE ENGINE OIL, 5 GALLON (19 LITER) .....	25730-G03
4 CYCLE ENGINE OIL, 12 QUART CASE .....	25730-G04
4 CYCLE ENGINE OIL, 1 QUART BOTTLE (950 ML) .....	25730-G06

## TOUCH UP PAINT

## PART NO.

PEN 3 OUNCE (89 ML) - HUNTER GREEN .....	28432-G02
PEN 3 OUNCE (89 ML) - CHAMPAGNE BEIGE .....	28432-G01
PEN 3 OUNCE (89 ML) - WHITE .....	28432-G05
PEN 3 OUNCE (89 ML) - INDUSTRIAL YELLOW .....	28432-G03
PEN 3 OUNCE (89 ML) - ORANGE .....	28432-G04
PEN 3 OUNCE (89 ML) - STEEL BLUE PEARL .....	28432-G24
PEN 3 OUNCE (89 ML) - OLIVE GREEN .....	28432-G**
PEN 3 OUNCE (89 ML) - CAMOUFLAGE PAINT (THREE PENS) .....	75831-G01
AEROSOL 12 OUNCE (360 ML) - HUNTER GREEN .....	28140-G09
AEROSOL 12 OUNCE (360 ML) - CHAMPAGNE BEIGE .....	28140-G15
AEROSOL 12 OUNCE (360 ML) - WHITE .....	28140-G03
AEROSOL 12 OUNCE (360 ML) - INDUSTRIAL YELLOW .....	28140-G14
AEROSOL 12 OUNCE (360 ML) - ORANGE .....	28140-G13
AEROSOL 12 OUNCE (360 ML) - STEEL BLUE PEARL .....	28140-G**
AEROSOL 12 OUNCE (360 ML) - OLIVE GREEN .....	28140-G**

## SPECIALTY PRODUCTS

<b>MAINTENANCE PRODUCTS</b>	<b>PART NO.</b>
FORMULA 40 VINYL-COAT® - WHITE .....	28166-G01
PLEXUS® CLEANER, 7 OUNCE (210 ML) (FOR WINDSHIELDS) .....	28433-G01
PLEXUS® CLEANER, 13 OUNCE (380 ML) (FOR WINDSHIELDS) .....	28433-G02
BATTERY PROTECTOR, 14 OUNCE (410 ML) SPRAY .....	75500-G01
CARBURETOR & CHOKE CLEANER, 15 OUNCE (440 ML) SPRAY .....	75501-G01
WHITE LITHIUM GREASE, 14 OUNCE (410 ML) SPRAY .....	75502-G01
PENETRANT/LUBRICANT, 15 OUNCE (440 ML) SPRAY .....	75503-G01
MULTI-PURPOSE CLEANER & DEGREASER, 14 OUNCE (410 ML) SPRAY .....	75504-G01
MULTI-PURPOSE HAND CLEANER, 32 OUNCE (950 ML) LIQUID .....	75505-G01
BATTERY CLEANER, 32 OUNCE (950 ML) WITH TRIGGER SPRAYER .....	75506-G01
BIO-DEGRADABLE CLEANER, 32 OUNCE (950 ML) WITH TRIGGER SPRAYER .....	75507-G01
MULTI-PURPOSE VALUE PACK .....	75508-G01
• BATTERY PROTECTOR, 4 OUNCE (120 ML) SPRAY	
• PENETRANT/LUBRICANT, 4 OUNCE (120 ML) SPRAY	
• WHITE LITHIUM GREASE, 4 OUNCE (120 ML) SPRAY	
• CARBURETOR & CHOKE CLEANER, 4 OUNCE (120 ML) SPRAY	

# SPECIALTY PRODUCTS



A Textron Company

E-Z-GO Division Of Textron, Inc.,  
1451 Marvin Griffin Road, Augusta, Georgia USA 30906-3852

**TO CONTACT US**

North America:

Technical Assistance & Warranty Phone: 1-800-774-3946, FAX: 1-800-448-8124  
Service Parts Phone: 1-888-GET-EZGO (1-888-438-3946), FAX: 1-800-752-6175

International:

Phone: 001-706-798-4311, FAX: 001-706-771-4609

Certified ISO 9001 / ISO 14001 by



Copyrighted Material  
This manual may not be reproduced in whole or  
in part without the express permission of  
E-Z-GO Division of Textron, Inc.  
Technical Communications Department