



A Textron Company

RXV GASOLINE SERVICE PARTS MANUAL



607976

ISSUED JANUARY 2008 REVISED JULY 2008

SERVICE PARTS MANUAL

GASOLINE POWERED GOLF CARS & PERSONAL VEHICLES

RXV GOLF CAR

RXV FREEDOM™

RXV SHUTTLE 2 + 2

Starting Model Year 2008

E-Z-GO Division of TEXTRON, Inc. reserves the right to incorporate engineering and design changes to products in this Manual, without obligation to include these changes on units leased/sold previously.

The information contained in this Manual may be revised periodically by the E-Z-GO Division, and therefore is subject to change without notice.

The E-Z-GO Division **DISCLAIMS LIABILITY FOR ERRORS IN THIS MANUAL**, and the E-Z-GO Division **SPECIFICALLY DISCLAIMS LIABILITY FOR INCIDENTAL AND CONSEQUENTIAL DAMAGES** resulting from the use of the information and materials in this Manual.

TO CONTACT US

NORTH AMERICA:

TECHNICAL ASSISTANCE & WARRANTY PHONE: 1-800-774-3946, FAX: 1-800-448-8124

SERVICE PARTS PHONE: 1-888-GET-EZGO (1-888-438-3946), FAX: 1-800-752-6175

INTERNATIONAL: PHONE: 001-706-798-4311, FAX: 001-706-771-4609

E-Z-GO DIVISION OF TEXTRON, INC., 1451 MARVIN GRIFFIN ROAD, AUGUSTA, GEORGIA USA 30906-3852

GENERAL INFORMATION

This vehicle has been designed and manufactured in the United States of America (USA) as a 'World Vehicle'. The Standards and Specifications listed in the following text originate in the USA unless otherwise indicated.

The use of non Original Equipment Manufacturer (OEM) approved parts may void the warranty.

Tampering with or adjusting the governor to permit vehicle to operate at above factory specifications will void the vehicle warranty.

When servicing engines, all adjustments and replacement components must be per original vehicle specifications in order to maintain the United States of America Federal and State emission certification applicable at the time of manufacture.

BATTERY PROLONGED STORAGE

All batteries will self discharge over time. The rate of self discharge varies depending on the ambient temperature and the age and condition of the batteries.

A fully charged battery will not freeze in winter temperatures unless the temperature falls below -75° F (-60° C).

TABLE OF CONTENTS

SECTION	Page No.
HOW TO USE THE SERVICE PARTS MANUAL	Vii
ACCELERATOR PEDAL ASSEMBLY	A-1
• Pedal Cover	
• Accelerator Pedal	
• Accelerator Pedal Switch	
AIR FILTER	B-1
• Air Cleaner Element	
• Air Filter Housing	
• Air Cleaner Hose	
BODY - FRONT	C-1
• Front Bumper	
• Front Splash Shield	
• Cowl	
• Nameplate	
• Instrument Panel	
• Instrument Panel Trim	
• Cup Holder	
BODY - MID SECTION	C-5
• Pedal Cover	
• Floorboard	
• Floormat	
• Rocker Panels	
BODY - REAR	C-7
• Rear Body	
• Rear Splash Shields	
• Seat Support	
• Bagwell Liner	
• Access Panel	
BODY - ACCESSORIES	C-11
• Sand Bottle	
• Cooler Jug	
• Scuff Guard	
• Soft Swipe	
BODY - ACCESSORIES	C-13
• Divot Repair Kit	
• Club & Ball Washer	
BRAKES	D-1
• Brake Pedal Pad	
• Brake Pedal	
• Brake Cable	
• Brake Drum Assembly	
CARBURETOR AND CHOKE	E-1
• Carburetor	
• Main Jet	
• Choke Cable	
CLUTCH	F-1
• Drive Clutch	
• Driven Clutch	

TABLE OF CONTENTS

SECTION	Page No.
DIRECTION SELECTOR	G-1
• Push/Pull Shifter Cable	
• Compression Spring	
• Neutral Lock Bracket	
ELECTRICAL SYSTEM	H-1
• Main Harness	
• Battery	
• Hour Meter	
• Ground Cable	
• Turn Signal	
• Headlight	
• Key Switch	
• Tail Lights	
ENGINE AND MUFFLER	J-1
• Engine	
• Muffler	
• Oil Dip Stick	
• Oil Filter	
ENGINE MOUNTING	K-5
• Engine Pan Mount	
• Front Engine Mount	
FRONT SUSPENSION AND STEERING	L-1
• Strut	
• Spindle	
• A-Arm	
• Steering Box	
• Steering Column	
• Steering Wheel	
FUEL SYSTEM	M-1
• Fuel Tank	
• Pulse Line	
REAR AXLE	N-1
• Axle Shaft	
• Axle Tube	
• Oil Check Plug	
REAR SUSPENSION	P-1
• Shocks	
• Leaf Spring	
• Shackles	
SEATING - GOLF CAR	Q-1
• Seat Bottom	
• Seat Back	
• Hip Restraints	
• Seat Back Support	
SEATING - SHUTTLE 2+2	Q-5
• Seat Bottom, Rear Facing Seat	
• Seat Back, Rear Facing Seat	
• Floorboard, Rear Facing Seat	
• Arm Rest, Rear Facing Seat	

TABLE OF CONTENTS

SECTION	Page No.
STARTER / GENERATOR	R-5
• Starter	
• Starter Belt	
• Starter Tensioner	
TOW BAR	S-1
WEATHER PROTECTION - GOLF CAR	T-1
• Sun Top	
WEATHER PROTECTION - SHUTTLE 2+2	T-3
• Sun Top	
WEATHER PROTECTION - WINDHIELD	T-5
WHEELS AND TIRES	U-1
• Tire & Wheel Assembly	
• Lug Nuts	
• Dust Cap	

TABLE OF CONTENTS

SECTION

Page No.

HOW TO USE THE SERVICE PARTS MANUAL

This manual is divided into several sections:

GENERAL INFORMATION

- TABLE OF CONTENTS
- HOW TO USE THE SERVICE PARTS MANUAL

ILLUSTRATED PARTS BREAKDOWN

- Contains illustrations and parts lists for all systems of the vehicle.

USE OF THE MANUAL

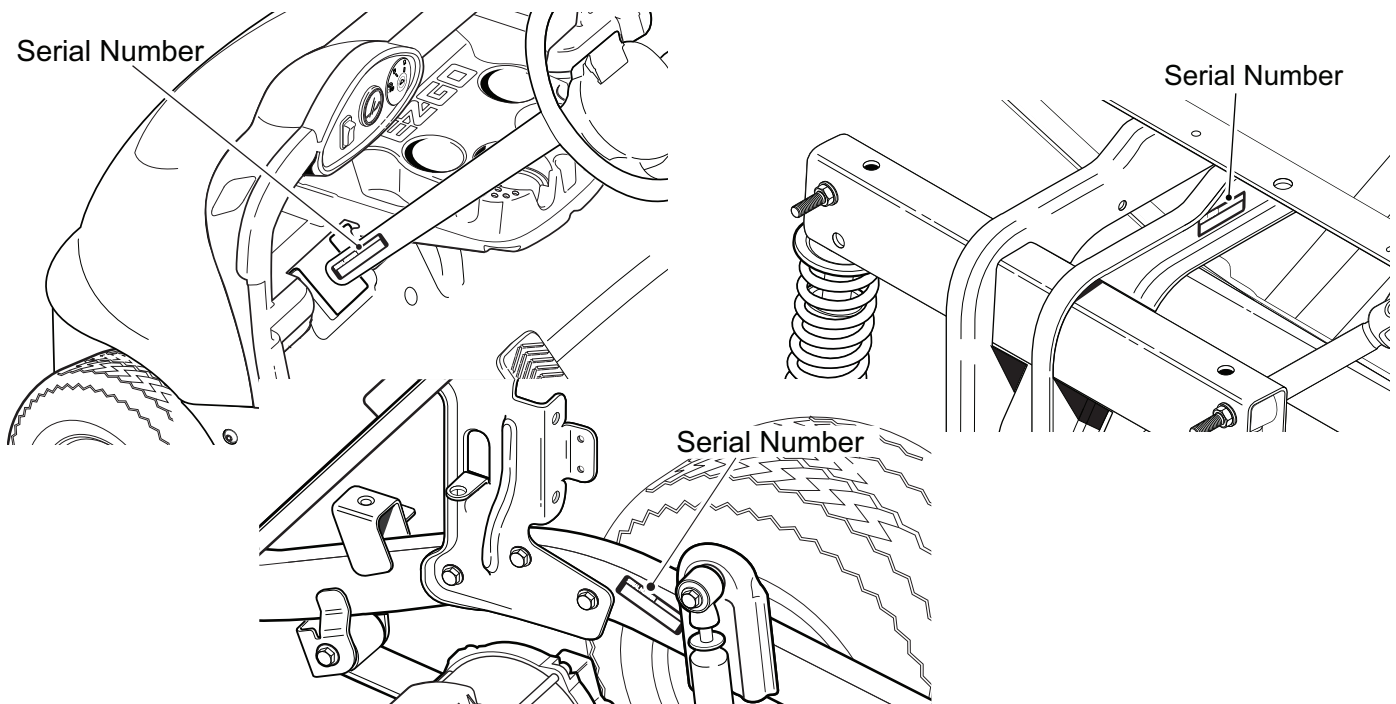
To use this manual, consult the TABLE OF CONTENTS (page iii) to locate the information or illustration required.

Introduction of some revisions varies due to supply of components; therefore, it is possible that various combinations of components may be found that are not directly reflected by each illustration. Consult the illustration that best suits your situation. Locate the serial number. It is important that the serial number of your vehicle and its model number be supplied to Service Parts when ordering any replacement components.

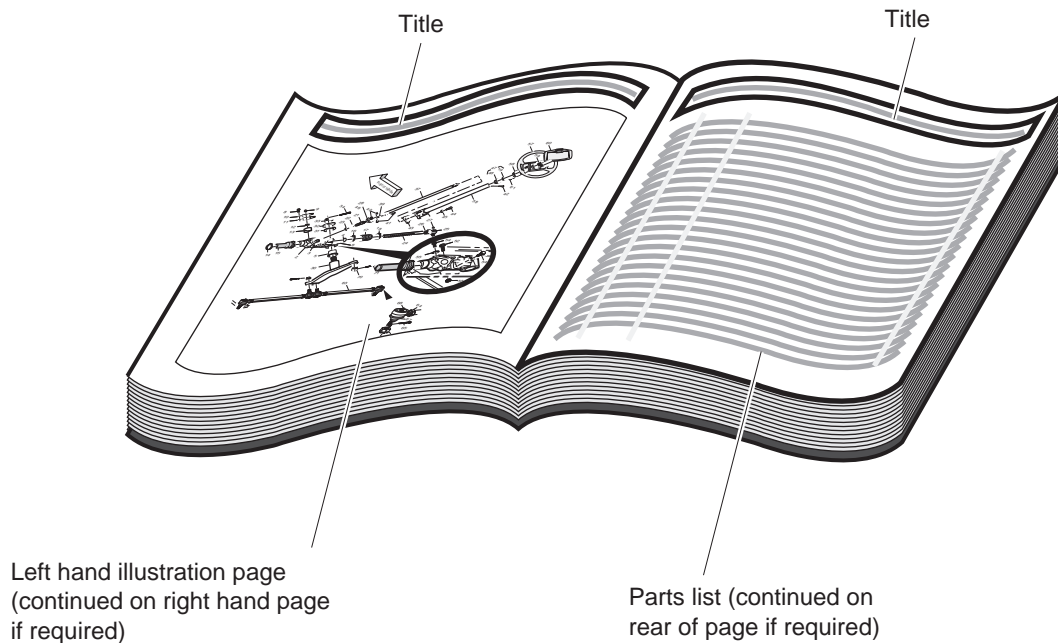
SERIAL NUMBER LOCATION

Three serial number and manufacture date code labels are on the vehicle. One is placed on the steering column, the second is located on the frame member under the front splash shield on the driver side and the third is located on the passenger side frame rail at the rear of the vehicle.

In order to obtain correct components for the vehicle, the manufacture date code, serial number and vehicle model must be provided when ordering service parts.



HOW TO USE THE SERVICE PARTS MANUAL



1. WHEN THE PART NUMBER IS NOT KNOWN

- Determine the function and application of the part required. Turn to the TABLE OF CONTENTS and select the most appropriate component description.
- Turn to the page number indicated and locate the part description in the parts list. Read the full accompanying description for specific information regarding the part that was not shown in the index.
- From the parts list, obtain the item number assigned to it and confirm that the part selected is correct by verifying it with the pictorial representation on the illustrated page.

Should an asterisk (*) appear in the part number column on the parts list page, read upwards until a part number is found. The part number is the lowest assembly sold by Service Parts. The asterisk (*) indicates that the part depicted is not available for purchase.

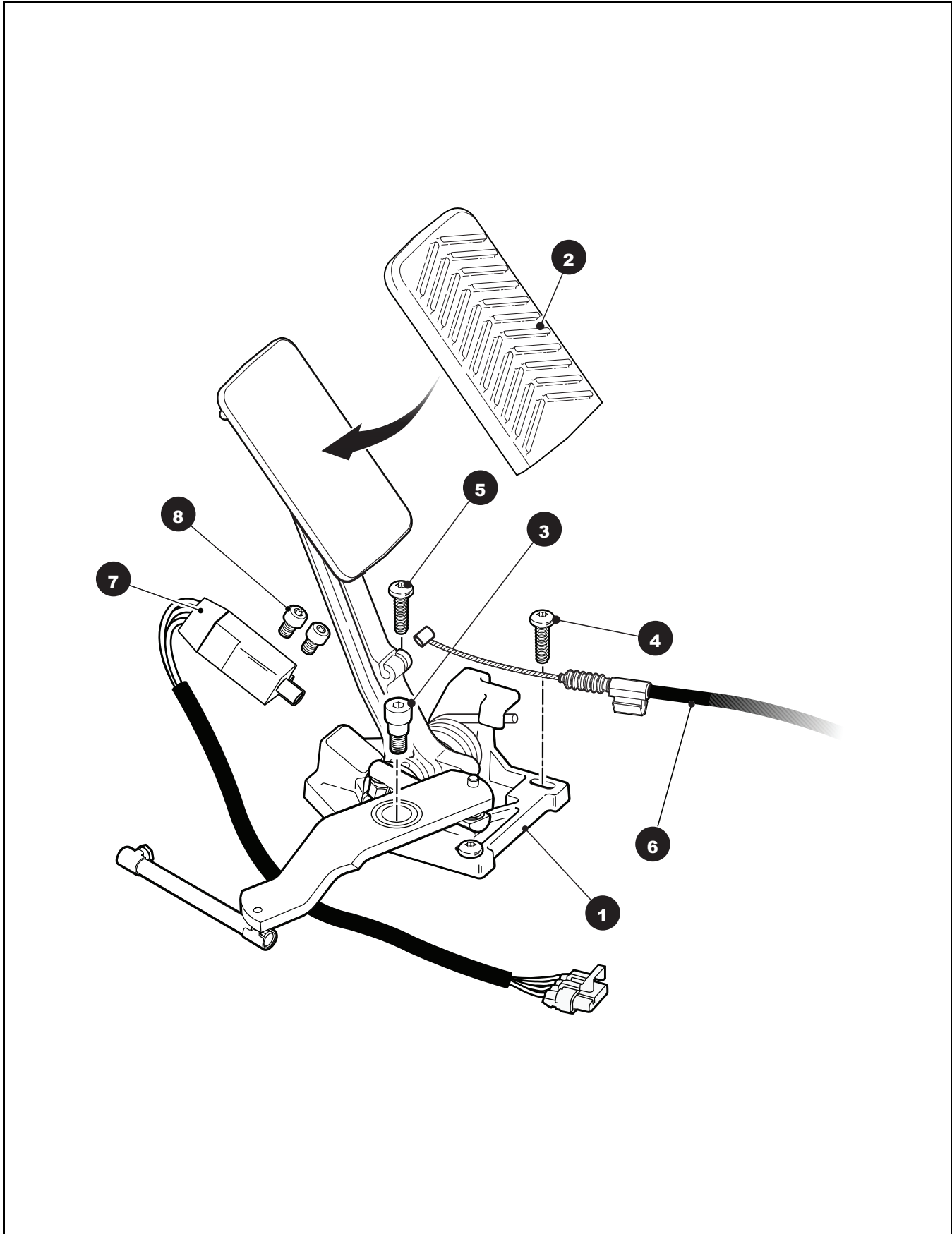
NOTE: Descriptions are indented under the assembly that they are used on. That assembly is, in turn listed under the assembly that it is used on. This process is repeated until the highest final assembly is reached.

To facilitate the maintenance and repair of the vehicle, a Technician's Repair and Service Manual is available from the Service Parts Department.

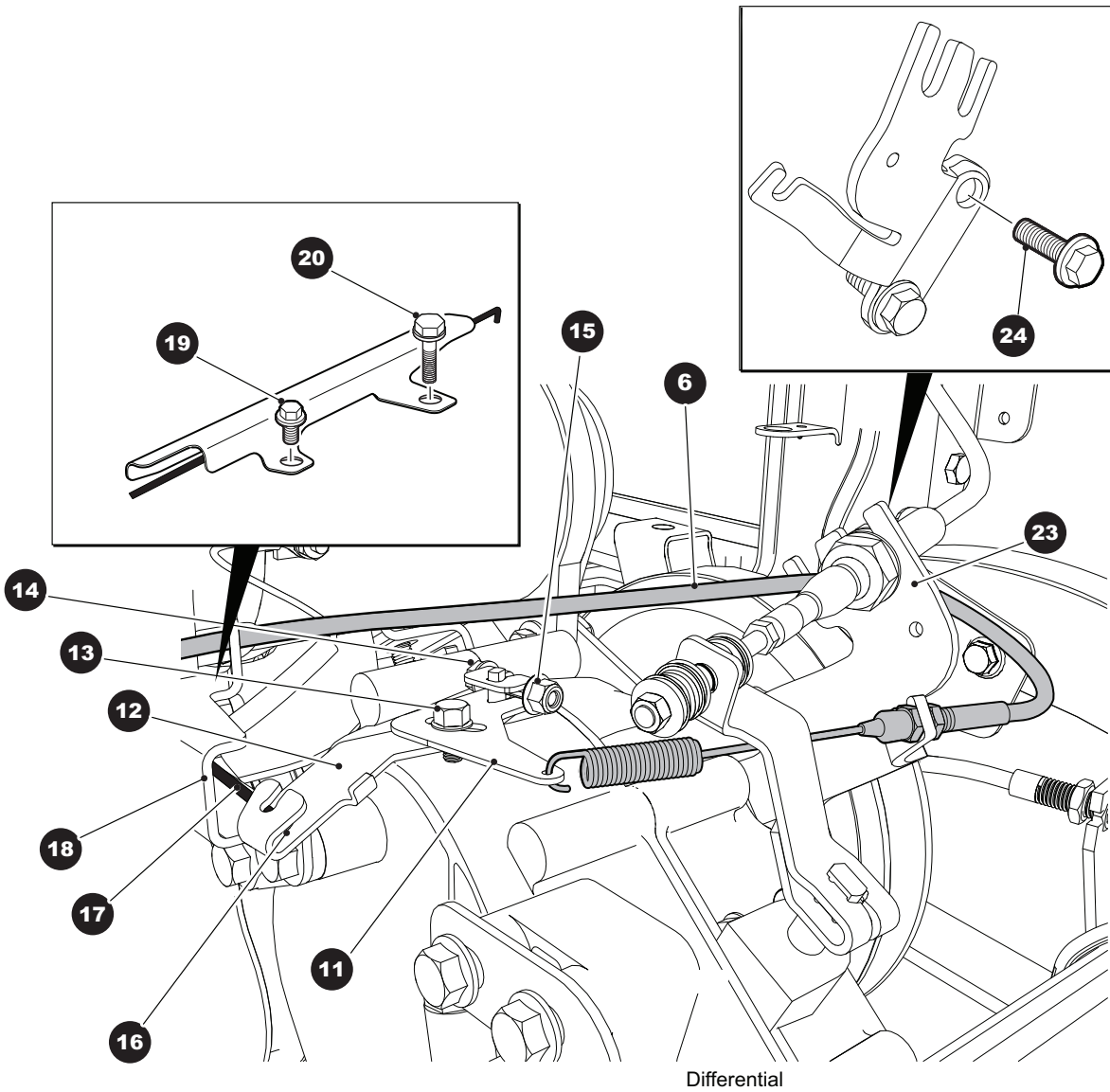
ILLUSTRATED PARTS BREAKDOWN

ILLUSTRATED PARTS BREAKDOWN

ACCELERATOR



ACCELERATOR



ACCELERATOR

Where applicable, THE USE OF NON UL PARTS WILL VOID ANY UL LISTING.

When ordering parts, please specify the model and serial number of the product.

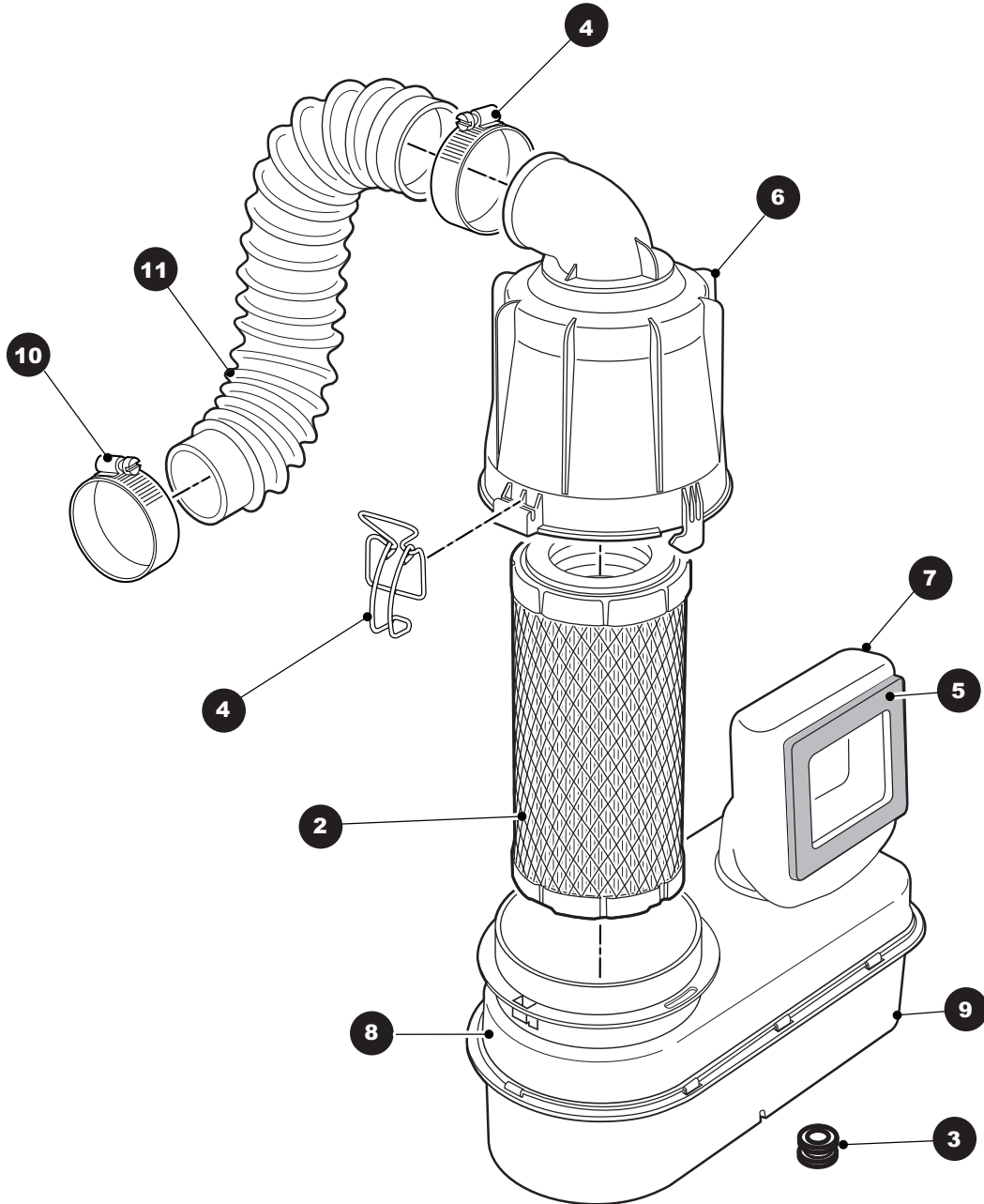
* Indicates a component that is not available as an individual part.

G** Indicates consult Customer Service Department for additional information.

ITEM	PART NO.	1 2 3 4 5	DESCRIPTION	QTY.
1	604991		ACCELERATOR PEDAL ASSEMBLY	1
2	600255		ACCELERATOR PEDAL COVER	1
3	<u>604536</u>		BOLT, M8 - 1.25 X 20	1
4	<u>606277</u>		BOLT, M6	3
5	<u>608290</u>		BOLT,	2
6	604099		ACCELERATOR CABLE	1
7	<u>607605</u>		ACCELERATOR PEDAL SWITCH.....	1
8	<u>620030</u>		SOCKET HEAD SCREW, M5 X 0.8	2
9				
10				
11	<u>606083</u>		UPPER GOVERNOR BRACKET	1
12	<u>606005</u>		LOWER GOVERNOR BRACKET	1
13	<u>606265</u>		BOLT, M6 - 1 X 12	1
14	<u>606421</u>		BOLT, M6 - 1 X 30	1
15	<u>450452</u>		NUT, M6 - 1.0	1
16	<u>606283</u>		GOVERNOR LEVER BUSHING	1
17	<u>606284</u>		GOVERNOR ROD	1
18	<u>603890</u>		GOVERNOR ROD GUARD	1
19	<u>606264</u>		BOLT, M6 - 1 X 20	1
20	<u>606262</u>		BOLT, M8 - 1.25 X 16	1
21				
22				
23	<u>606074</u>		GOVERNOR CABLE/DIRECTION SELECTOR BRACKET.....	1
24	<u>606256</u>		BOLT, M10 - 1.25 X 16	2

AIR FILTER

1 - Includes items 2 - 9

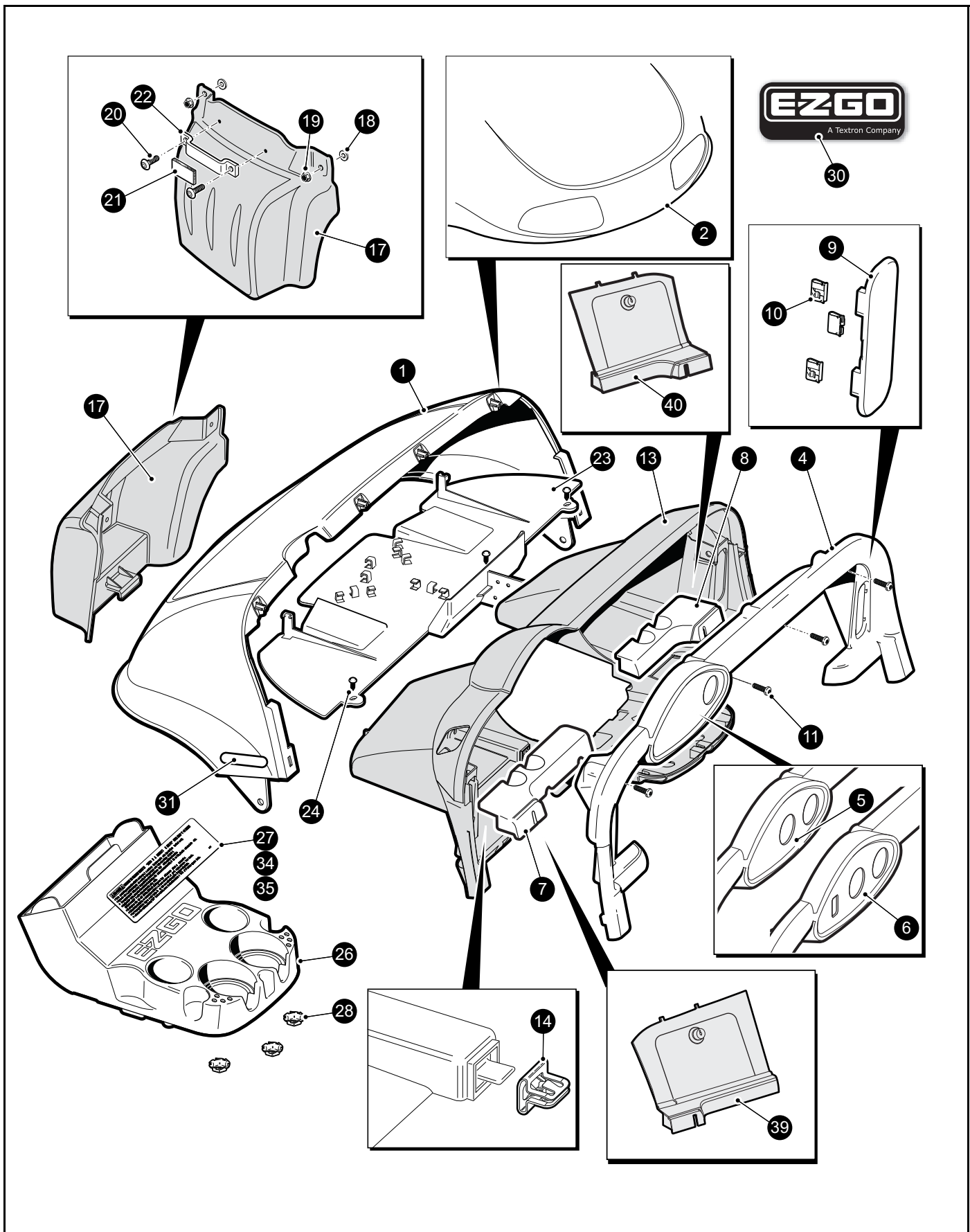


AIR FILTER

THE USE OF NON U.L. PARTS WILL VOID ANY U.L. LISTING.
 When ordering parts, please specify the model and serial number of the product.
 * Indicates a component that is not available as an individual part.
 G** Indicates consult Customer Service Department for additional information.

ITEM	PART NO.	1 2 3 4 5	DESCRIPTION	QTY.
1	<u>601729</u>		AIR CLEANER ASSEMBLY	1
2	<u>28463G01</u>		AIR CLEANER ELEMENT	1
3	603752		AIR CLEANER BASE GROMMET	3
4	603750		AIR FILTER LATCH	1
5	603749		INTAKE TUBE GASKET	1
6	601728		AIR FILTER HOUSING	1
7	601727		AIR FILTER INTAKE TUBE	1
8	601726		AIR FILTER COVER	1
9	601725		AIR FILTER BASE	1
10	<u>11391G7</u>		HOSE CLAMP	2
11	<u>601910</u>		AIR CLEANER HOSE	1

BODY



When ordering parts, please specify the model and serial number of the product.

* Indicates a component that is not available as an individual part.

*** Indicates consult Customer Service Department for additional information.

ITEM	PART NO.	1 2 3 4 5	DESCRIPTION	QTY.
1	6XXXXX***		FRONT COWL, WITHOUT HEADLIGH OPENING (see colors below) 606953 IVORY 606954 FORREST GREEN 606955 PATRIOT BLUE 606956 BLACK 606957 MOLTEN RED 606958 BRIGHT WHITE 606959 FLAME RED 606960 STEEL BLUE 608476 PLATINUM 608477 ALMOND 608493 ELECTRIC BLUE 608494 INFERNO RED	1
2	6XXXXX***		FRONT COWL, WITH HEADLIGHT OPENING (see colors below) 620227 IVORY 620228 FORREST GREEN 620229 PATRIOT BLUE 620230 BLACK 620231 MOLTEN RED 620232 BRIGHT WHITE 620233 FLAME RED 620234 STEEL BLUE 608478 PLATINUM 608479 ALMOND 608516 ELECTRIC BLUE 608517 INFERNO RED	1
3				
4	<u>600242</u>		INSTRUMENT PANEL TRIM, OPENING FOR KEY SWITCH ONLY	1
5	<u>608808</u>		INSTRUMENT PANEL TRIM, OPENING FOR KEY SWITCH & SOC	1
6	<u>608864</u>		INSTRUMENT PANEL TRIM, OPENING FOR KEY SW, SOC & LIGHT SW.	1
7	<u>600243</u>		BALL HOLDER INSERT, DRIVER SIDE.....	1
8	<u>600241</u>		BALL HOLDER INSERT, PASSENGER SIDE	1
9	<u>602388</u>		ACCESS COVER ASSEMBLY	1
10	<u>602100</u>		U-CLIP	1
11				

BODY

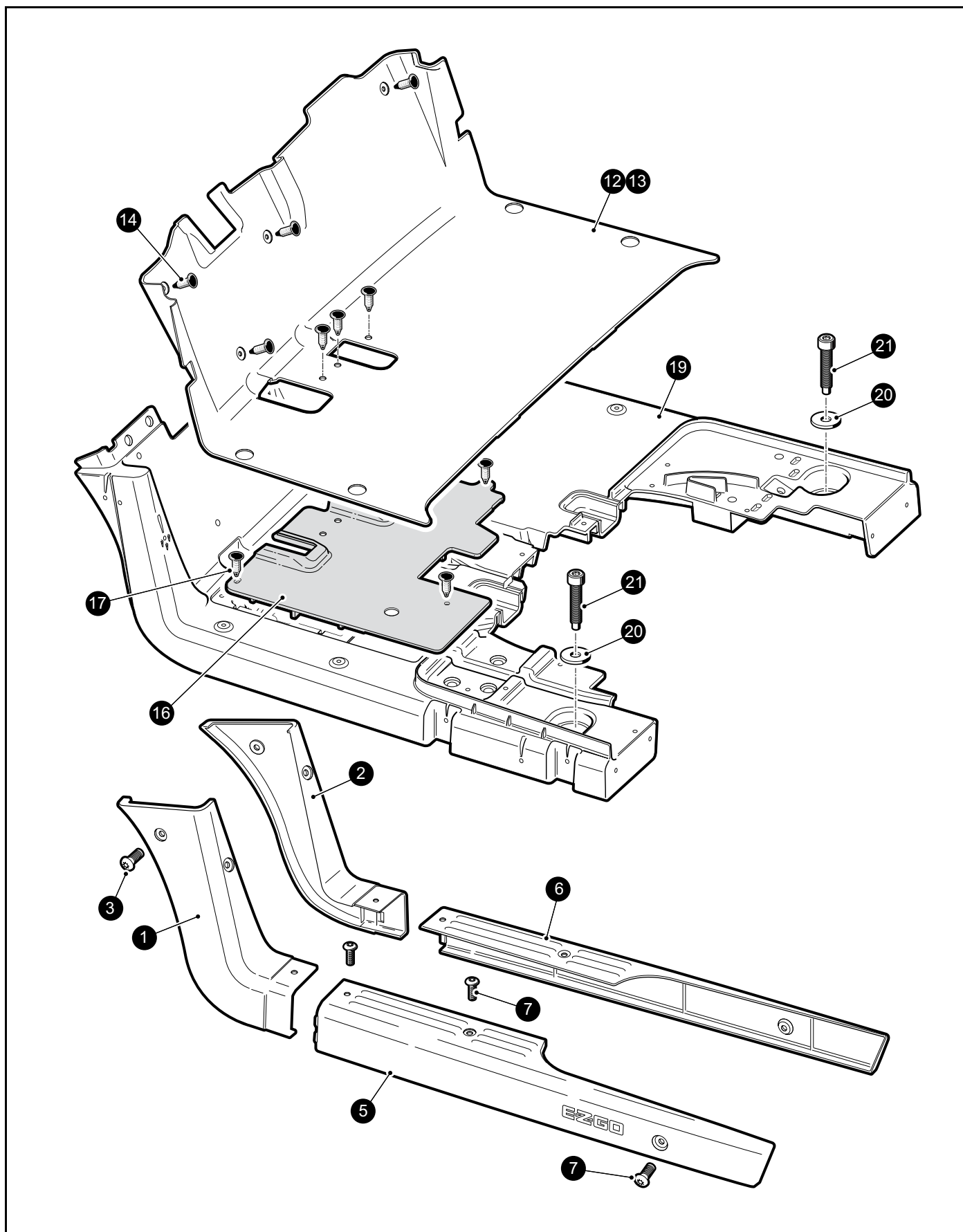
When ordering parts, please specify the model and serial number of the product.

* Indicates a component that is not available as an individual part.

*** Indicates consult Customer Service Department for additional information.

ITEM	PART NO.	1 2 3 4 5	DESCRIPTION	QTY.
12				
13	<u>602387</u>		INSTRUMENT PANEL	1
14	<u>602184</u>		SPRING CLIP	1
15				
16				
17	<u>605935</u>		FRONT BUMPER.....	1
18	<u>604066</u>		FLAT WASHER, M10 (O.D. 30, I.D. 10.5, THK. 1.75).....	1
19	<u>600525</u>		FLANGED HEX NUT WITH PLASTIC INSERT, M10-1.5.....	1
20	<u>608290</u>		PAN HEAD PHILLIPS SCREW, #10 - 16 SELF TAPING	2
21	<u>14382G7</u>		NOISE SUPPRESION STRIP	1
22	<u>608469</u>		COWL SUPPORT	1
23	<u>601634</u>		FRONT SPLASH GUARD	1
24	<u>16816G2</u>		CHRISTMAS TREE RIVET	3
25				
26	<u>602101</u>		CUPHOLDER ASSEMBLY (includes item 27)	1
27	<u>608522</u>		WARNING AND INSTRUCTION DECAL.....	1
28	<u>71597G01</u>		SELF THREADING NUT	3
29				
30	<u>606405</u>		E - Z - GO NAMEPLATE	1
31	<u>607545</u>		AMBER REFLEX REFLECTOR, FRON.....	2
32				
33				
34	<u>608528</u>		WARNING AND INSTRUCTION DECAL (Freedom vehicles)	1
35	<u>608701</u>		WARNING AND INSTRUCTION DECAL, PICTOGRAMS (CE vehicles).....	1
36				
37				
38				
39	<u>607533</u>		GLOVE BOX, DRIVER SIDE.....	1
40	<u>607131</u>		GLOVE BOX, PASSENGER SIDE	1
41				
42				

BODY



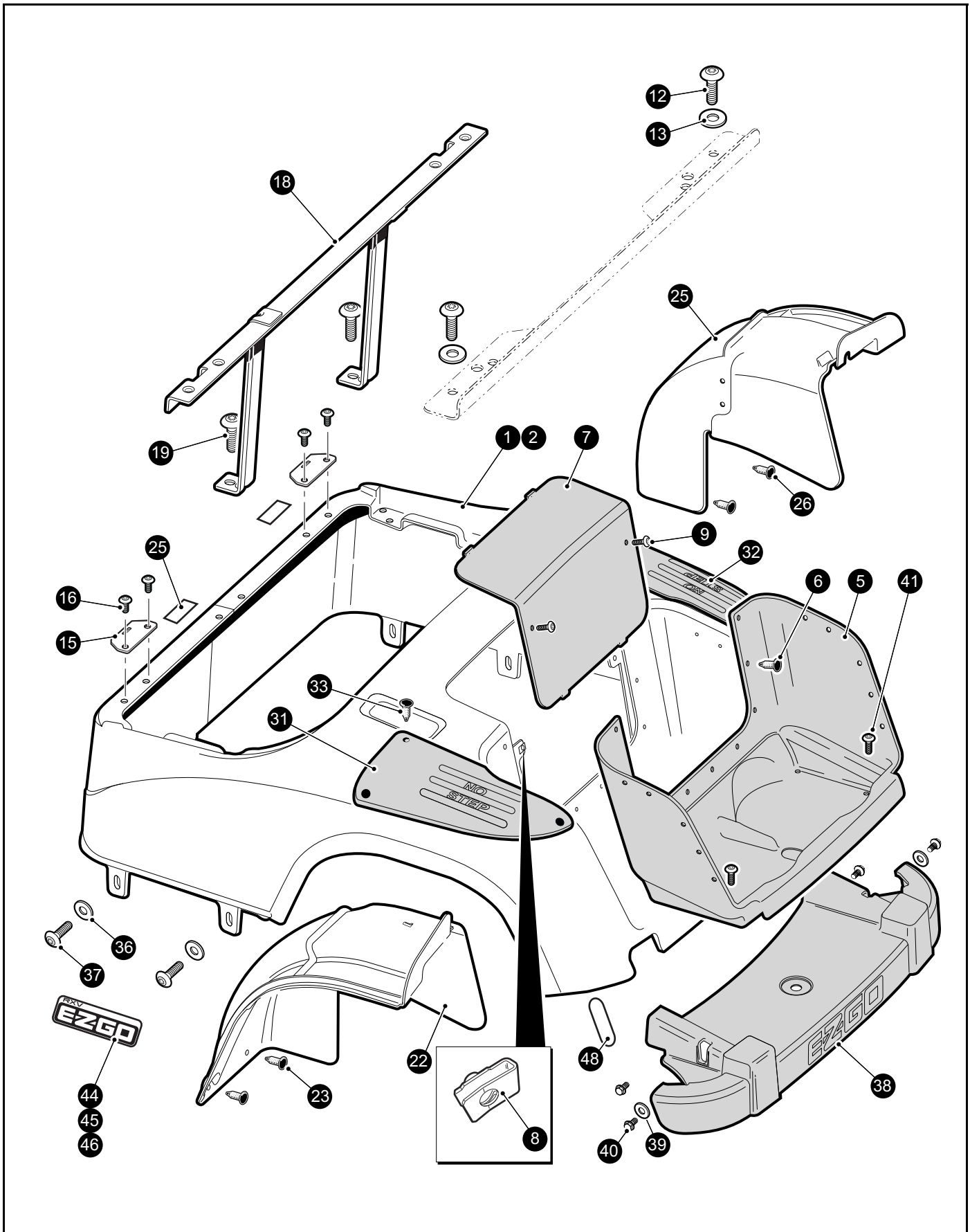
When ordering parts, please specify the model and serial number of the product.

* Indicates a component that is not available as an individual part.

*** Indicates consult Customer Service Department for additional information.

ITEM	PART NO.	1 2 3 4 5	DESCRIPTION	QTY.
1	<u>601257</u>		UPPER ROCKER PANEL, DRIVER SIDE	1
2	<u>601258</u>		UPPER ROCKER PANEL, PASSENGER SIDE	1
3	<u>605957</u>		BUTTON HEAD TORX SCREW, THREAD FORMING, M8	2
4				
5	<u>600253</u>		LOWER ROCKER PANEL, DRIVER SIDE	1
6	<u>600257</u>		LOWER ROCKER PANEL, PASSENGER SIDE	1
7	<u>605957</u>		BUTTON HEAD TORX SCREW, THREAD FORMING, M8	3
8				
9				
10				
11				
12	<u>601118</u>		FLOORMAT WITHOUT HOLE FOR HORN.....	1
13	<u>603707</u>		FLOORMAT WITH HOLE FOR HORN	1
14	<u>16816G2</u>		CHRISTMAS TREE RIVET (.25 X .88).....	5
15	168162G1		CHRISTMAS TREE RIVET (.25 X .68).....	2
16	<u>605277</u>		PEDAL COVER PLATE	1
17	<u>16816G2</u>		CHRISTMAS TREE RIVET (.25 X .88).....	4
18				
19	<u>603798</u>		FLOOR BOARD.....	1
20	<u>604066</u>		FLAT WASHER, M10 (O.D. 30, I.D. 10.5, THK. 1.75)	2
21	<u>602020</u>		TORX SOCKET HEAD CAP SCREW, M10 - 1.5 X 50	2

BODY



When ordering parts, please specify the model and serial number of the product.

* Indicates a component that is not available as an individual part.

*** Indicates consult Customer Service Department for additional information.

ITEM	PART NO.	1 2 3 4 5	DESCRIPTION	QTY.
1	6XXXXX		REAR BODY ASSEMBLY WITHOUT LIGHT OPENINGS (includes items 5 - 9) (see colors below)..... 620243 IVORY 620244 FORREST GREEN 620245 PATRIOT BLUE 620246 BLACK 620247 MOLTEN RED 620248 BRIGHT WHITE 620249 FLAME RED 620250 STEEL BLUE 608549 PLATINUM 608550 ALMOND 608551 ELECTRIC BLUE 608552 INFERNO RED	1
2	6XXXXX		REAR BODY ASSEMBLY WITH LIGHT OPENINGS (includes items 5-9) (see colors below)..... 620251 IVORY 620252 FORREST GREEN 620253 PATRIOT BLUE 620254 BLACK 620255 MOLTEN RED 620256 BRIGHT WHITE 620257 FLAME RED 620258 STEEL BLUE 608553 PLATINUM 608554 ALMOND 608555 ELECTRIC BLUE 608556 INFERNO RED	1
3				
4				
5	<u>601679</u>		BAGWELL LINER INSERT.....	1
6	<u>16816G2</u>		CHRISTMAS TREE RIVET	20
7	<u>600249</u>		REAR BODY ACCESS PANEL	1
8	<u>602409</u>		BARREL CLIP, M6-1	2
9	<u>601326</u>		BUTTON HEAD TORX BOLT, M6 - 1 X 20.....	2
10				

BODY

When ordering parts, please specify the model and serial number of the product.

* Indicates a component that is not available as an individual part.

*** Indicates consult Customer Service Department for additional information.

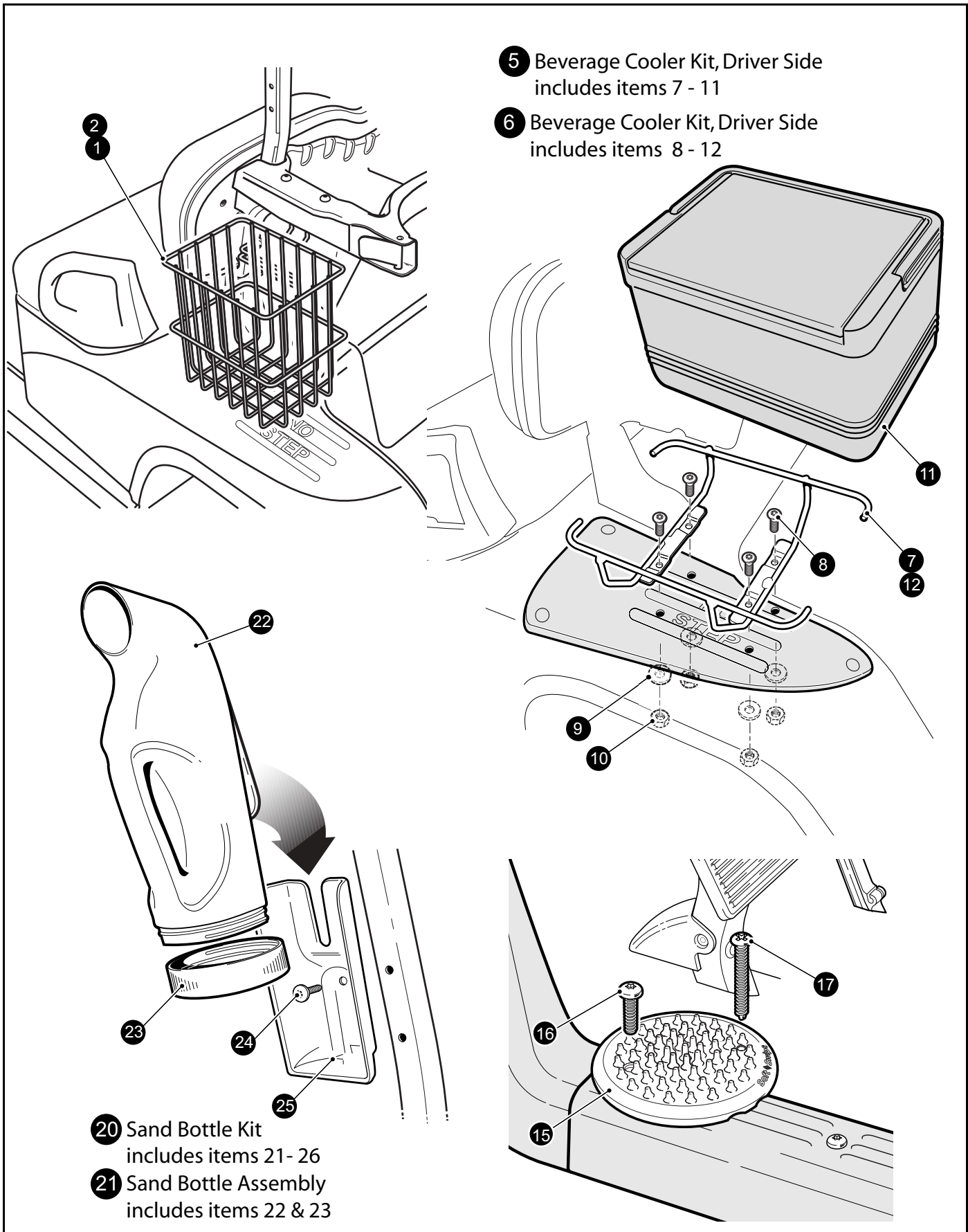
ITEM	PART NO.	1 2 3 4 5	DESCRIPTION	QTY.
11				
12	<u>602572</u>		PAN HEAD TORX BOLT, M10 - 1.5 X 25	2
13	<u>604066</u>		FLAT WASHER, M10 (O.D. 30, I.D. 10.5, THK. 1.75).....	2
14				
15	<u>602558</u>		SEAT HINGE PLATE	1
16	<u>602572</u>		PAN HEAD TORX BOLT, M10 - 1.5 X 25	2
17				
18	<u>601921</u>		FRONT SEAT SUPPORT ASSEMBLY.....	1
19	<u>602572</u>		PAN HEAD TORX BOLT, M10 - 1.5 X 25	2
20				
21				
22	<u>601621</u>		REAR SPLASH GUARD, DRIVER SIDE	1
23	<u>16816G2</u>		CHRISTMAS TREE RIVET (.25 X .88)	4
24				
25	<u>601622</u>		REAR SPLASH GUARD, PASSENGER SIDE	1
26	<u>16816G2</u>		CHRISTMAS TREE RIVET (.25 X .88)	4
27				
28	<u>608513</u>		RUBBER PAD	4
29				
30				
31	<u>601865</u>		SCUFF GUARD, DRIVER SIDE.....	1
32	<u>601864</u>		SCUFF GUARD, PASSENGER SIDE	1
33	<u>16816G2</u>		CHRISTMAS TREE RIVET (.25 X .88)	6
34				
35				
36	<u>604066</u>		FLAT WASHER, (O.D. 30, I.D. 10.5, THK. 1.75).....	4
37	<u>605957</u>		BUTTON HEAD TORX SCREW, THREAD FORMING, M8	4
38	603819		REAR BUMPER	1
39	<u>604266</u>		FLAT WASHER, M10 (O.D. 30, I.D. 10.5, THK. 1.75).....	2
40	<u>603799</u>		HEX HEAD FLANGED BOLT, M10 - 1.5 X 25.....	4
41	<u>608313</u>		BUTTON HEAD TORX BOLT, M10 - 1.5 X 25.....	2

When ordering parts, please specify the model and serial number of the product.

* Indicates a component that is not available as an individual part.

*** Indicates consult Customer Service Department for additional information.

ITEM	PART NO.	1 2 3 4 5	DESCRIPTION	QTY.
42				
43				
44	<u>607859</u>		RXV DECAL.....	2
45	607861		E - Z - GO FREEDOM DECAL.....	2
46	<u>607863</u>		E - Z - GO 2 + 2 SHUTTLE DECAL	2
47				
48	<u>607547</u>		RED REFLEX REFLECTOR, REAR.....	4



When ordering parts, please specify the model and serial number of the product.

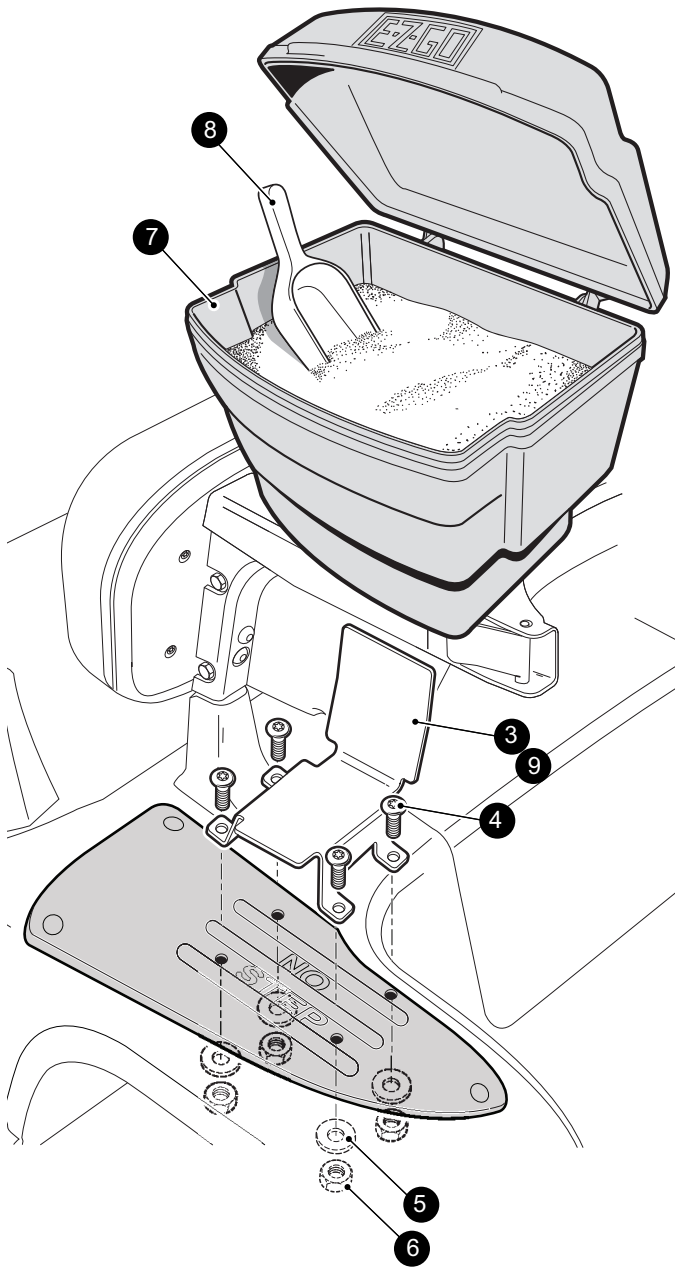
* Indicates a component that is not available as an individual part.

*** Indicates consult Customer Service Department for additional information.

ITEM	PART NO.	1 2 3 4 5	DESCRIPTION	QTY.
1	<u>603846</u>		SIDE BASKET, DRIVER SIDE (use existing hardware).....	1
2	<u>603702</u>		SIDE BASKET, PASSENGER SIDE (use existing hardware).....	1
3				
4				
5	<u>603733</u>		BEVERAGE COOLER KIT, DRIVER SIDE (includes items 7 -)	1
6	<u>604215</u>		BEVERAGE COOLER KIT, PASSENGER SIDE (includes items 8 -).....	1
7	<u>603706</u>		MOUNTING BRACKET, DRIVER SIDE	1
8	<u>600530</u>		BUTTON HEAD TORX BOLT, M10 - 1.5 X 34.....	4
9	<u>608520</u>		POLYPROPYLENE WASHER.....	4
10	<u>600525</u>		LOCKING NUT, M10 - 1.25	4
11	<u>601366</u>		BEVERAGE COOLER.....	1
12	<u>603777</u>		MOUNTING BRACKET, PASSENGER SIDE	1
13				
14				
15	604360		SOFTSWIPE	1
16	<u>605957</u>		BUTTON HEAD TORX SCREW, THREAD FORMING, M8	1
17	620209		PAN HEAD PHILLIPS SCREW, #10 X 2"	1
18				
19				
20	<u>607104</u>		SAND BOTTLE KIT (includes items 21 - 25)	1
21	<u>607102</u>		SAND BOTTLE ASSEMBLY (includes items 22 & 23).....	1
22	<u>605961</u>		SAND BOTTLE	1
23	<u>605962</u>		SAND BOTTLE CAP	1
24	<u>602572</u>		PAN HEAD TORX SCREW, TAPTITE M10 - 1.5 X 25	1
25	<u>606085</u>		SAND BOTTLE MOUNTING BRACKET	1

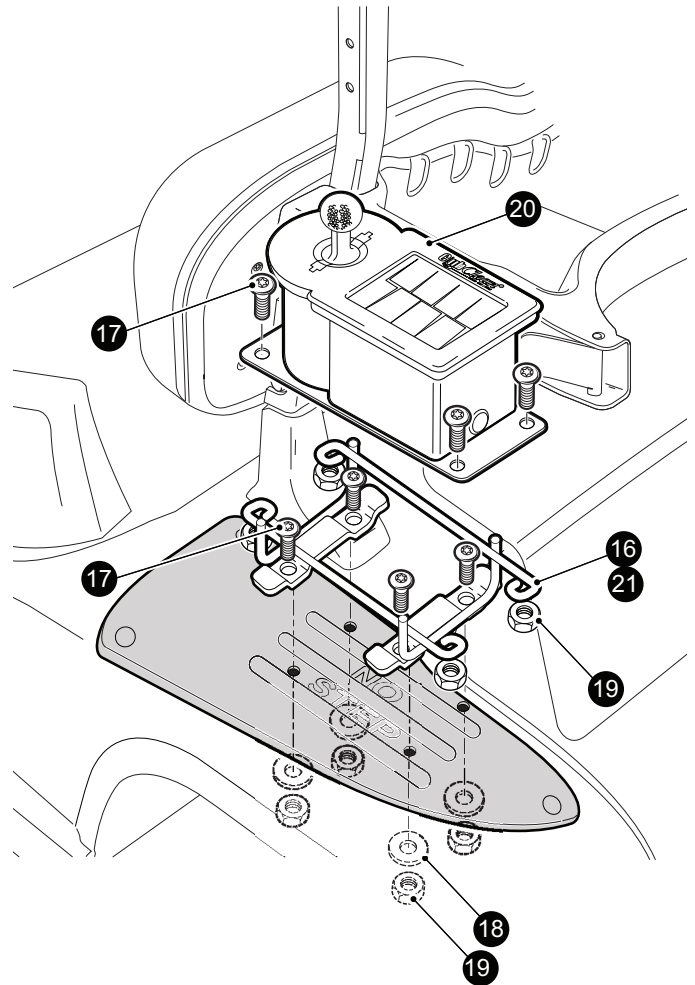
1 Divot Repair Kit, Driver Side
includes items 3 - 8

2 Divot Repair Kit, Driver Side
includes items 4 - 9



14 Club & Ball Washer Kit, Driver Side
includes items 16 - 20

15 Club & Ball Washer Kit, Driver Side
includes items 17 - 21



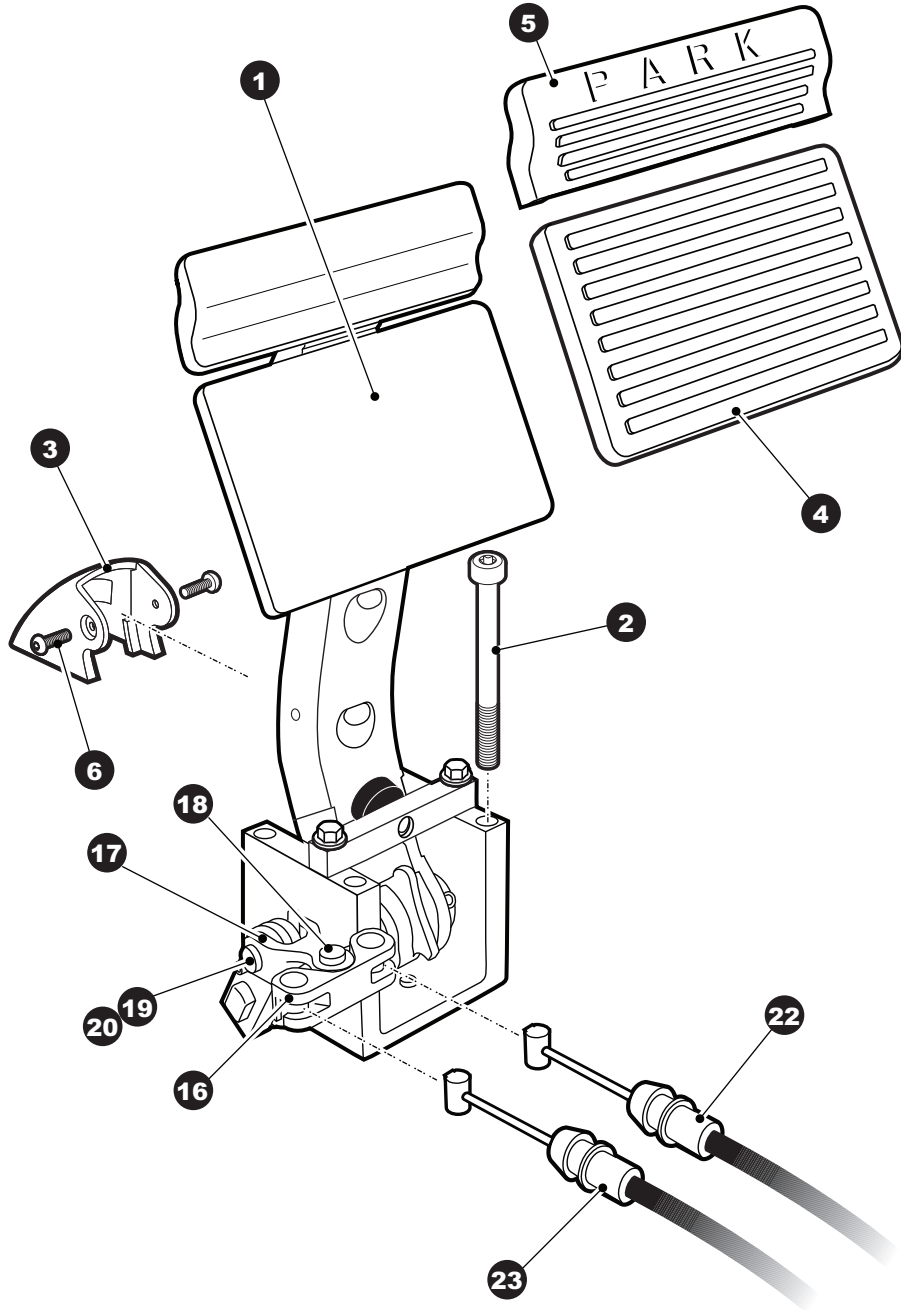
When ordering parts, please specify the model and serial number of the product.

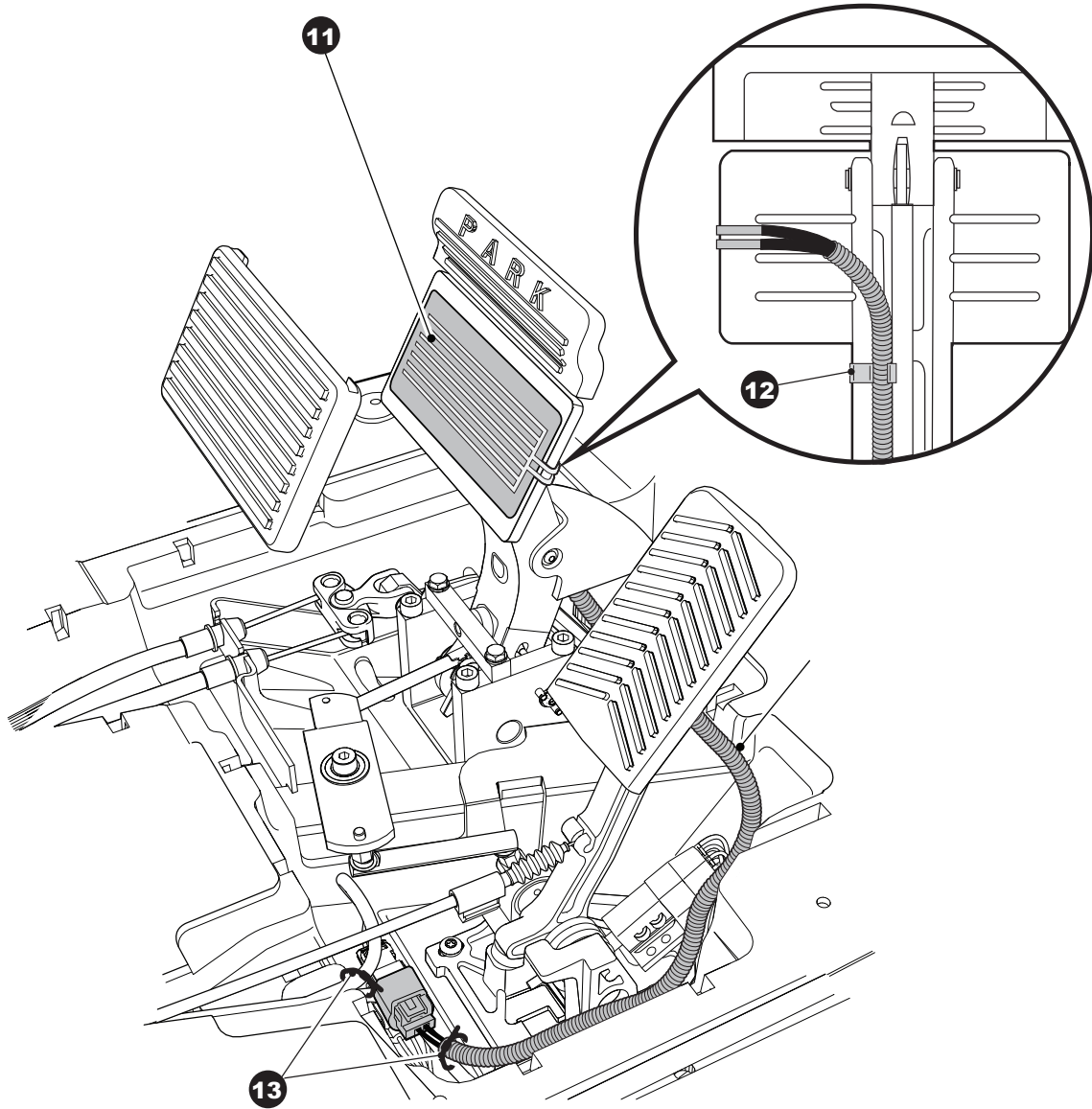
* Indicates a component that is not available as an individual part.

*** Indicates consult Customer Service Department for additional information.

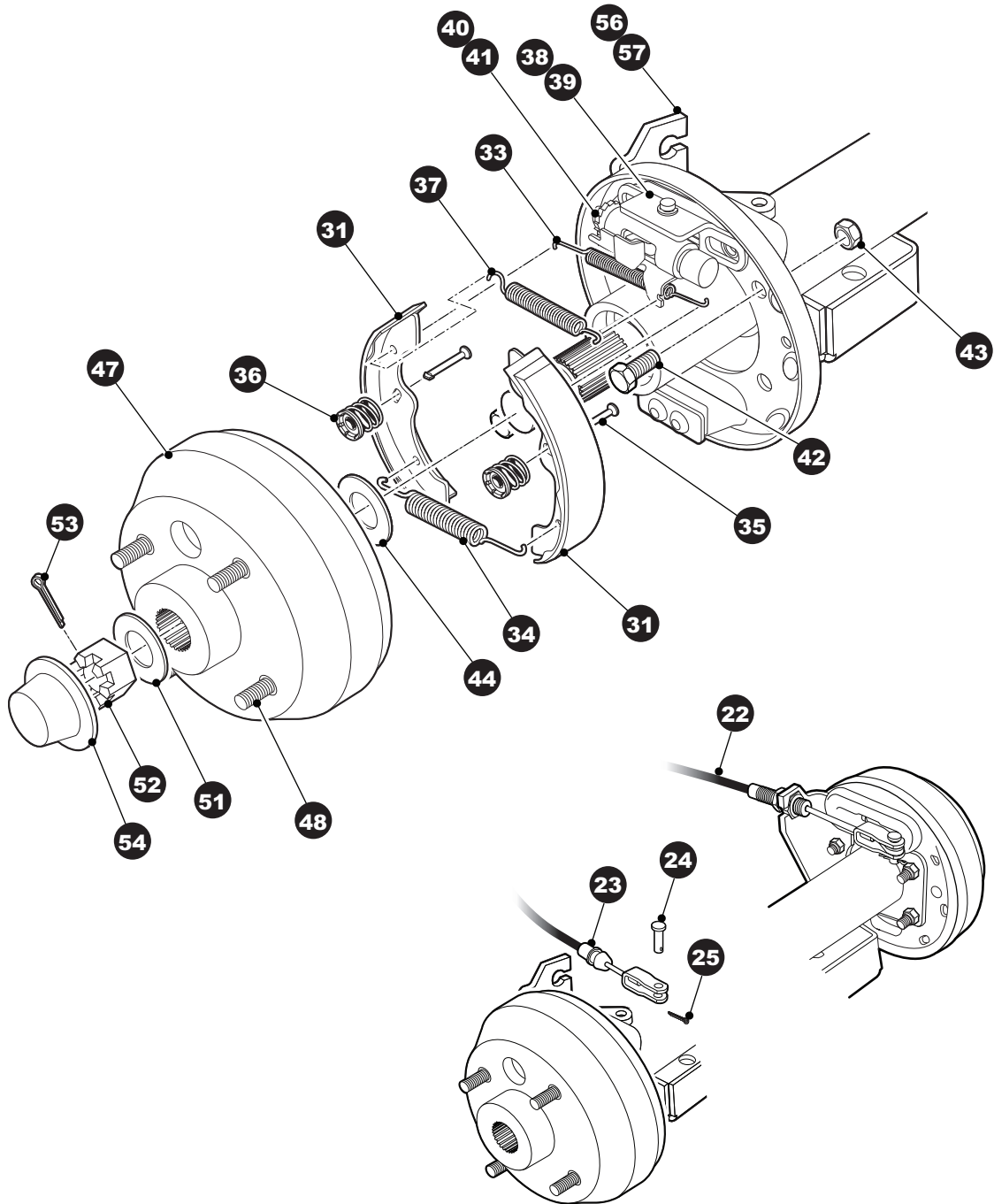
ITEM	PART NO.	1 2 3 4 5	DESCRIPTION	QTY.
1	<u>604214</u>		DIVOT REPAIR KIT, DRIVER SIDE (includes items 3 - 8)	1
2	<u>603250</u>		DIVOT REPAIR KIT, PASSENGER SIDE (includes items 4 - 9)	1
3	<u>603825</u>		MOUNTING BRACKET, DRIVER SIDE	1
4	<u>600530</u>		BUTTON HEAD TORX BOLT, M10 - 1.5 X 34.....	4
5	<u>608520</u>		POLYPROPYLENE WASHER.....	4
6	<u>600525</u>		LOCKING NUT, M10 - 1.25	4
7	601365		DIVOT REPAIR BUCKET	1
8	604642		SCOOP.....	1
9	<u>603824</u>		MOUNTING BRACKET, PASSENGER SIDE	1
10				
11				
12				
13				
14	<u>604216</u>		CLUB & BALL WASHER KIT, DRIVER SIDE (includes items 16 - 20)	1
15	<u>603252</u>		CLUB & BALL WASHER KIT, PASSENGER SIDE (includes items 17 - 21)...	1
16	<u>604577</u>		MOUNTING BRACKET, DRIVER SIDE	1
17	<u>600530</u>		BUTTON HEAD TORX BOLT, M10 - 1.5 X 34.....	4
18	<u>608520</u>		POLYPROPYLENE WASHER.....	4
19	<u>600525</u>		LOCKING NUT, M10 - 1.25	4
20	<u>603836</u>		CLUB & BALL WASHER	1
21	<u>604576</u>		MOUNTING BRACKET, PASSENGER SIDE	1

BRAKES





BRAKES



BRAKES

Where applicable, THE USE OF NON UL PARTS WILL VOID ANY UL LISTING.

When ordering parts, please specify the model and serial number of the product.

* Indicates a component that is not available as an individual part.

G** Indicates consult Customer Service Department for additional information.

ITEM	PART NO.	1 2 3 4 5	DESCRIPTION	QTY.
1	604990		BRAKE PEDAL ASSEMBLY	
2	<u>605254</u>		SOCKET HEAD SCREW, M8 - 1.25 X 90.....	4
3	<u>605688</u>		BRAKE PEDAL COVER.....	1
4	600252		BRAKE PEDAL RUBBER COVER.....	1
5	<u>601406</u>		PARK BRAKE PEDAL RUBBER COVER.....	1
6	<u>600543</u>		BOLT, M4 - .7 X 12.....	2
7			PARK BRAKE KICK-OFF LINKAGE.....	1
8				
9				
10				
11	606711		BRAKE LIGHT SWITCH.....	1
12	<u>606814</u>		S-CLIP.....	1
13	<u>17618G1</u>		NYLON CLAMP.....	2
14				
15				
16	<u>604458</u>		EQUALIZER.....	1
17	<u>604459</u>		BRAKE CABLE CLIP.....	1
18	<u>601894</u>		CLEVIS PIN, 8MM X 21.5MM.....	1
19	<u>601835</u>		E CLIP RING, 8 MM.....	2
20	<u>601895</u>		CLEVIS PIN, 8MM X 27.0MM.....	1
21				
22	<u>601286</u>		BRAKE CABLE, PASSENGER SIDE.....	1
23	600323		BRAKE CABLE, DRIVER SIDE.....	1
24	<u>10386G3</u>		CLEVIS PIN.....	2
25	<u>10387G3</u>		COTTER PIN .94 X .75.....	2
26				
27				
28	<u>70998-G01</u>		BRAKE ASSEMBLY (PASSENGER SIDE) (INCLUDES ITEMS 30 - 38).....	1
29	<u>70998-G02</u>		BRAKE ASSEMBLY (DRIVER SIDE) (INCLUDES ITEMS 30 - 37, 39).....	1
30	70795G01		BRAKE SHOE.....	4

BRAKES

Where applicable, THE USE OF NON UL PARTS WILL VOID ANY UL LISTING.

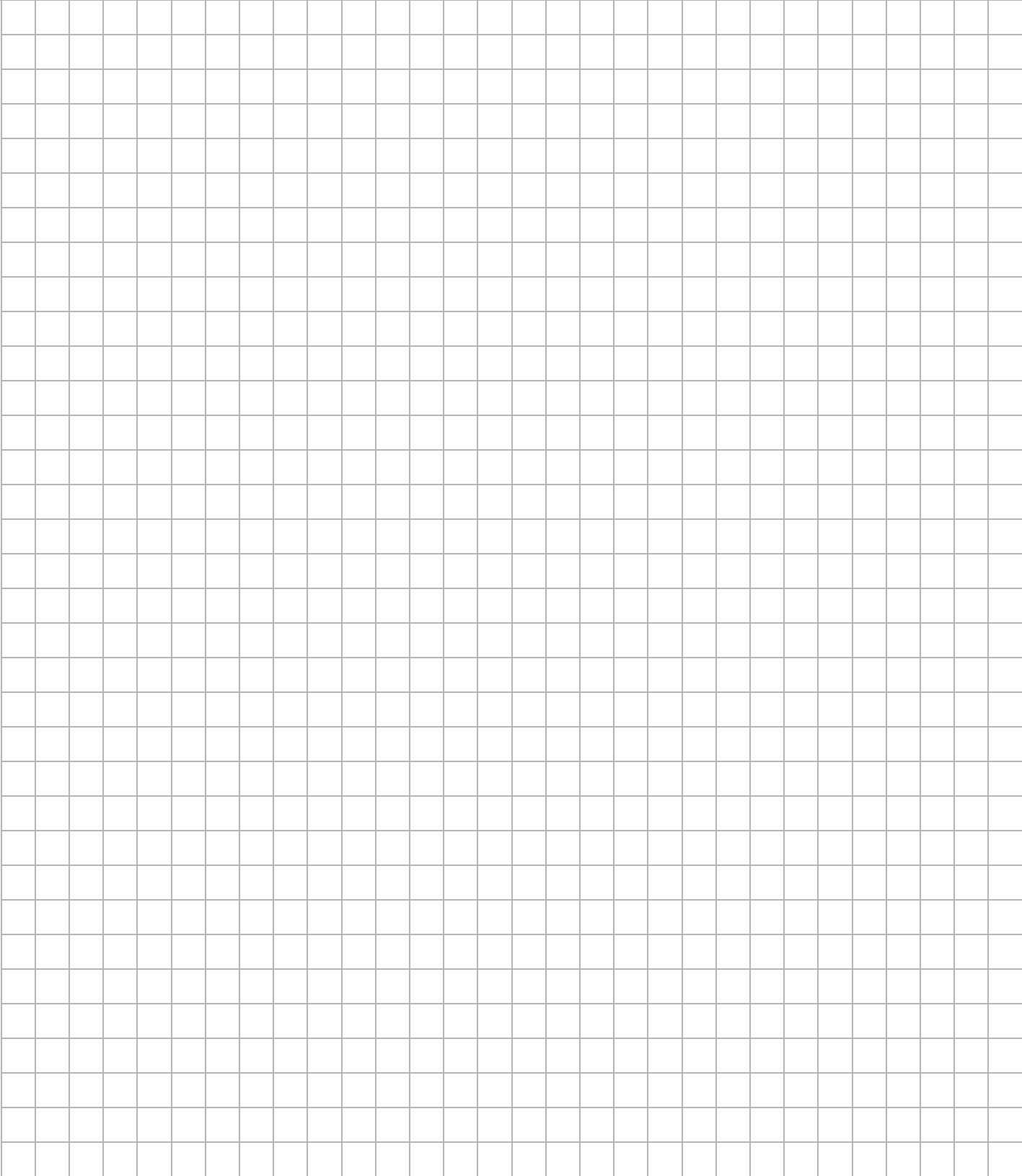
When ordering parts, please specify the model and serial number of the product.

* Indicates a component that is not available as an individual part.

G** Indicates consult Customer Service Department for additional information.

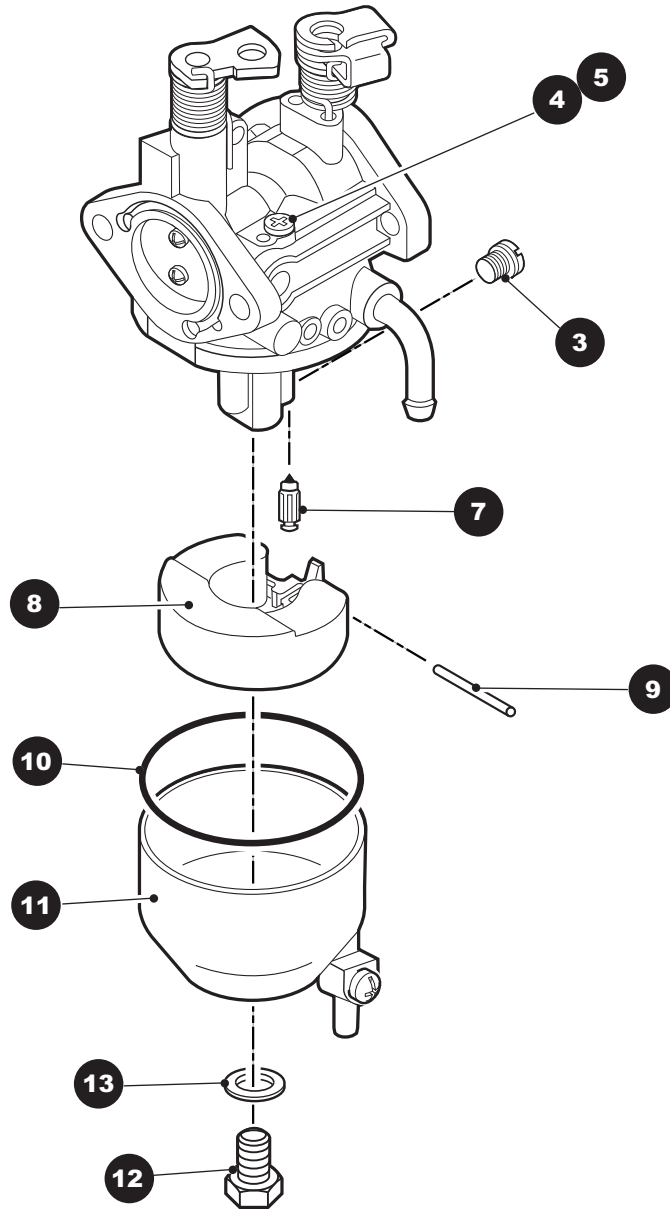
ITEM	PART NO.	1	2	3	4	5	DESCRIPTION	QTY.
31	*						BRAKE SHOES	2
32	<u>27944-G01</u>						BRAKE SPRING KIT (INCLUDES ITEMS 33 - 37).....	2
33	*						UPPER SPRING	1
34	*						LOWER SPRING	1
35	*						PIN	2
36	*						CUP AND SPRING	2
37	*						ADJUSTER SPRING.....	1
38	<u>72582-G01</u>						BRAKE ADJUSTER KIT (PASSENGER SIDE) (INCLUDES ITEMS 40, 41)	1
39	<u>72582-G02</u>						BRAKE ADJUSTER KIT (DRIVER SIDE) (INCLUDES ITEMS 40, 41)	1
40	*						ADJUSTER	1
41	*						TEFLON WASHER.....	2
42	<u>17083-G2</u>						BOLT, 5/16 - 24 X 1" LG	8
43	<u>15126-G1</u>						LOCK NUT, 5/16 - 24	8
44	<u>21809-G1</u>						INNER BRAKE DRUM WASHER, 1 5/16" O.D. X 1" I.D. X 1/32"	2
45								
46	<u>21807-G1</u>						BRAKE DRUM ASSEMBLY (INCLUDES ITEMS 47 - 48).....	2
47	*						BRAKE DRUM	1
48	<u>19862-G1</u>						LUG BOLT, 1/2 - 20 X 1 3/16" LG	4
49								
50								
51	<u>21830-G1</u>						OUTER BRAKE DRUM WASHER	2
52	<u>00518-G8</u>						CASTELLATED NUT, 3/4 - 16	2
53	<u>10387-G1</u>						COTTER PIN, 1/8" X 1 1/2" LG	2
54	<u>74175-G01</u>						SPINDLE CAP	2
55								
56	<u>608200</u>						BRAKE CABLE BRACKET (PASSENGER SIDE).....	1
57	<u>608201</u>						BRAKE CABLE BRACKET (DRIVER SIDE)	1

Notes:

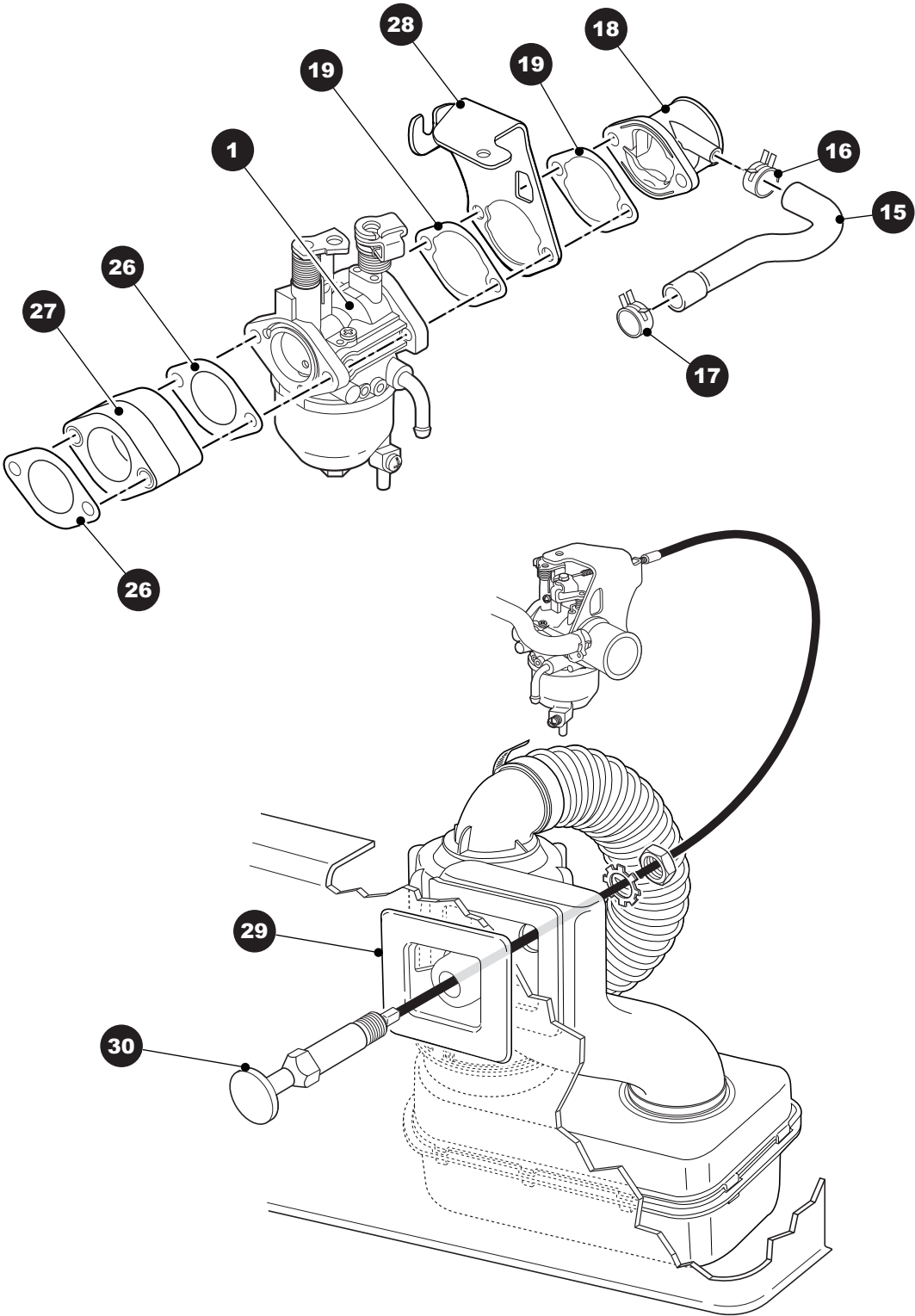


A large grid of 20 columns and 30 rows, intended for taking notes. The grid is composed of thin grey lines forming a uniform pattern of squares across the page.

CARBURETOR AND CHOKE



CARBURETOR AND CHOKE



CARBURETOR AND CHOKE

THE USE OF NON U.L. PARTS WILL VOID ANY U.L. LISTING.

When ordering parts, please specify the model and serial number of the product.

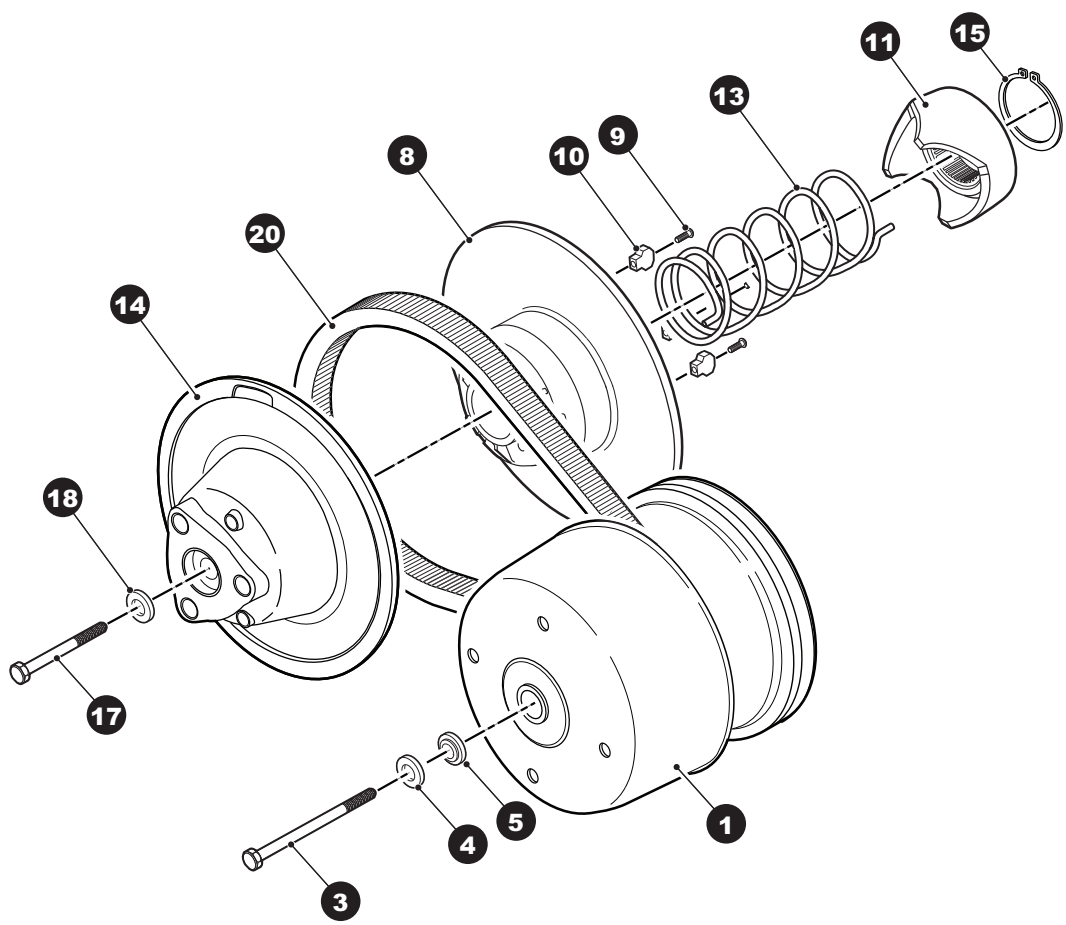
* Indicates a component that is not available as an individual part.

G** Indicates consult Customer Service Department for additional information.

ITEM	PART NO.	1 2 3 4 5	DESCRIPTION	QTY.
1	<u>607954</u>		CARBURETOR (INCLUDES ITEMS 3 - 21).....	1
2				
3	<u>607683</u>		MAIN JET (#104)	1
4	<u>608021</u>		PILOT JET (#44).....	1
5	<u>603585</u>		PLUG	1
6				
7	<u>603586</u>		NEEDLE VALVE	1
8	<u>603587</u>		FLOAT.....	1
9	<u>603588</u>		FLOAT PIN.....	1
10	<u>603589</u>		FLOAT BOWL GASKET	1
11	<u>603590</u>		FLOAT CHAMBER.....	1
12	<u>603592</u>		BOWL SCREW	1
13	<u>603591</u>		BOWL GASKET	1
14				
15	<u>603598</u>		BREATHER TUBE	1
16	<u>603596</u>		CLAMP, INTAKE TUBE.....	1
17	<u>603597</u>		CLAMP CYLINDER HEAD TUBE.....	1
18	<u>603594</u>		INTAKE TUBE.....	1
19	<u>603593</u>		CHOKE GASKET.....	2
20	<u>603595</u>		NUT, M6 X 1.0.....	2
21	<u>608023</u>		THROTTLE ROD ATTACHMENT BUSHING.....	1
22				
23	<u>607684</u>		MAIN JET (#102) (FOR ELEVATIONS OF 3000 FT - 6000 FT).....	1
24	<u>607685</u>		MAIN JET (#100) (FOR ELEVATIONS OF 6000 FT - 10000 FT).....	1
25				
26	<u>603580</u>		CARBURETOR MOUNT GASKET.....	2
27	<u>603581</u>		CARBURETOR INSULATOR	1
28				
29	<u>600209</u>		CHOKE/AIR INTAKE ADAPTER	1
30	<u>601986</u>		CHOKE CABLE (22 1/4" LG WITH NUTS)	1

CLUTCH

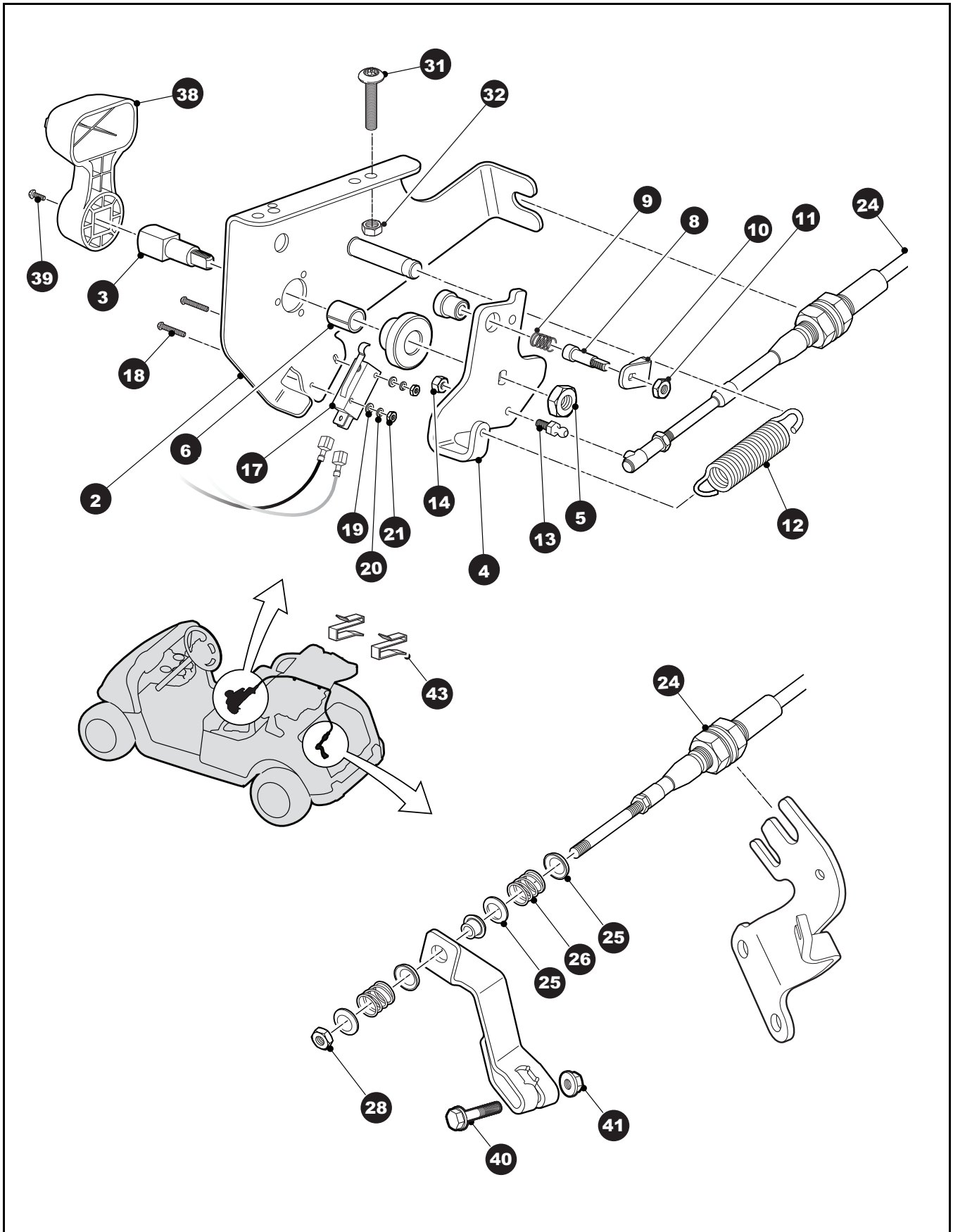
7 - Includes items 8 - 15



Where applicable, THE USE OF NON UL PARTS WILL VOID ANY UL LISTING.
 When ordering parts, please specify the model and serial number of the product.
 * Indicates a component that is not available as an individual part.
 G** Indicates consult Customer Service Department for additional information.

ITEM	PART NO.	1 2 3 4 5	DESCRIPTION	QTY.
1	<u>602000</u>		DRIVE CLUTCH	1
2				
3	<u>606245</u>		BOLT, M12 - 1.25 X 160MM LG	1
4	<u>606239</u>		WASHER, M12.....	1
5	<u>606230</u>		WASHER.....	1
6				
7	602001		DRIVEN CLUTCH ASSEMBLY (INCLUDES ITEMS 8 - 15)	1
8	*		MOVABLE SHEAVE	1
9	<u>608210</u>		SCREW, M4 X 25.....	3
10	<u>608204</u>		RAMP BUTTON	3
11	*		CAM.....	1
12				
13	608209		COMPRESSION SPRING	1
14	*		SHEAVE AND POST	1
15	<u>608211</u>		HEAVY DUTY RETAINING RING	1
16				
17	<u>606243</u>		BOLT, M12 - 1.25 X 120MM LG	1
18	<u>606239</u>		WASHER, M12.....	1
19				
20	<u>606136</u>		DRIVE BELT.....	1

DIRECTION SELECTOR



DIRECTION SELECTOR

Where applicable, THE USE OF NON UL PARTS WILL VOID ANY UL LISTING.

When ordering parts, please specify the model and serial number of the product.

* Indicates a component that is not available as an individual part.

G** Indicates consult Customer Service Department for additional information.

ITEM	PART NO.	1 2 3 4 5	DESCRIPTION	QTY.
1	<u>608161</u>		DIRECTION SELECTOR ASSEMBLY (INCLUDES ITEMS 2 - 28)	1
2	<u>603627</u>		DIRECTION SELECTOR BRACKET WITH BUSHING	1
3	<u>608150</u>		DIRECTION SELECTOR SHAFT	1
4	<u>603700</u>		DIRECTION SELECTOR CAM	1
5	<u>14390-G1</u>		LOCK NUT, 3/8 - 24	1
6	<u>25664-G2</u>		BUSHING.....	1
7				
8	<u>72724-G01</u>		NEUTRAL LOCK PIN	1
9	<u>72733-G01</u>		COMPRESSION SPRING, 3/8" X 5/8" LG	1
10	<u>72729-G01</u>		NEUTRAL LOCK BRACKET	1
11	<u>00734-G2</u>		LOCK NUT, 1/4 - 28	1
12	<u>28574-G01</u>		EXTENSION SPRING	1
13	<u>72732-G01</u>		BALL STUD, 1/4"	1
14	<u>00734-G5</u>		LOCK NUT, #10 - 32	1
15				
16				
17	<u>72736-G01</u>		MICRO SWITCH.....	1
18	<u>01062-G01</u>		SCREW, #4 - 40 X 1" LG	2
19	<u>00559-G1</u>		WASHER, #4	2
20	<u>00565-G1</u>		LOCK WASHER, #4	2
21	<u>00526-G2</u>		NUT, #4 - 40.....	2
22				
23				
24	<u>603615</u>		PUSH / PULL SHIFTER CABLE.....	1
25	<u>25727-G01</u>		CUP WASHER, 1/4"	4
26	<u>72735-G01</u>		COMPRESSION SPRING, 19/32" X 1" LG	2
27			SHIFTER BRACKET WITH BUSHING	1
28	<u>00734-G5</u>		LOCK NUT, #10 - 32	1
29				
30				

DIRECTION SELECTOR

Where applicable, THE USE OF NON UL PARTS WILL VOID ANY UL LISTING.

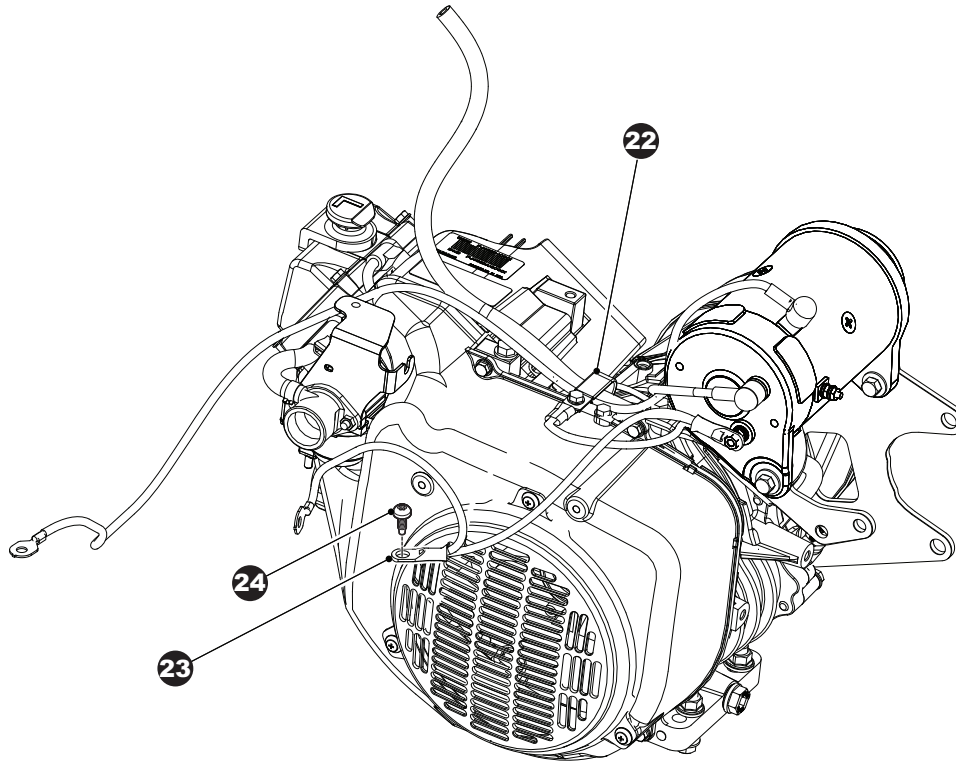
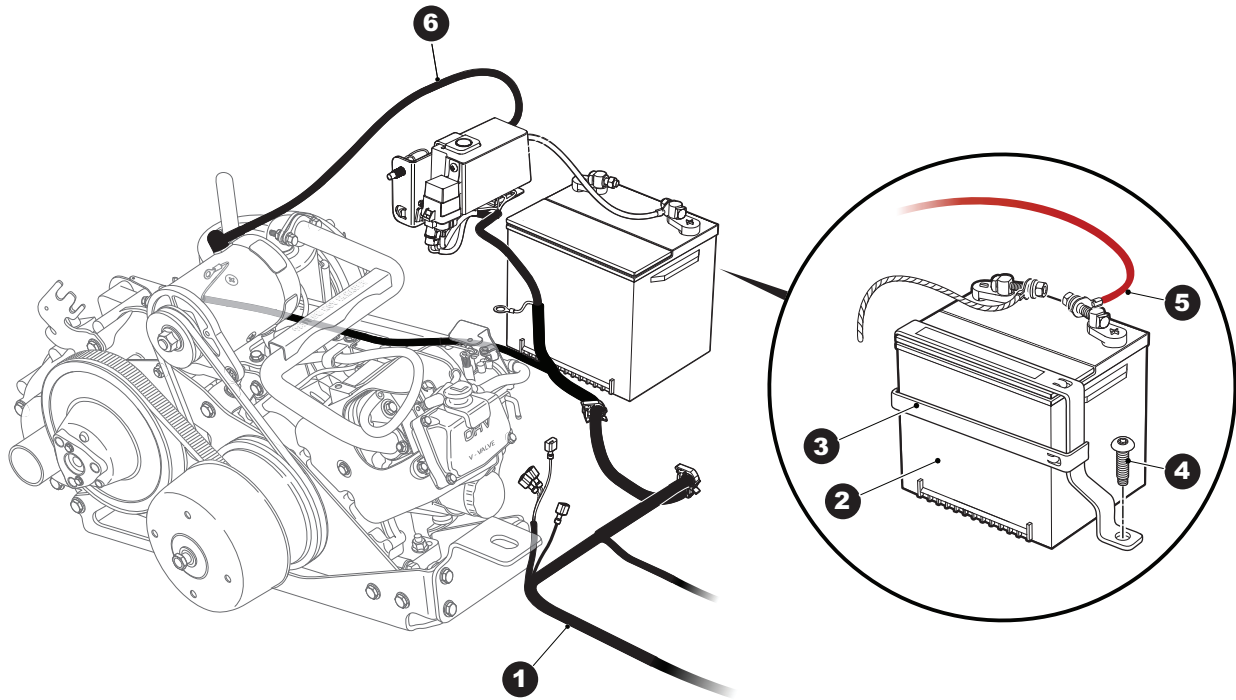
When ordering parts, please specify the model and serial number of the product.

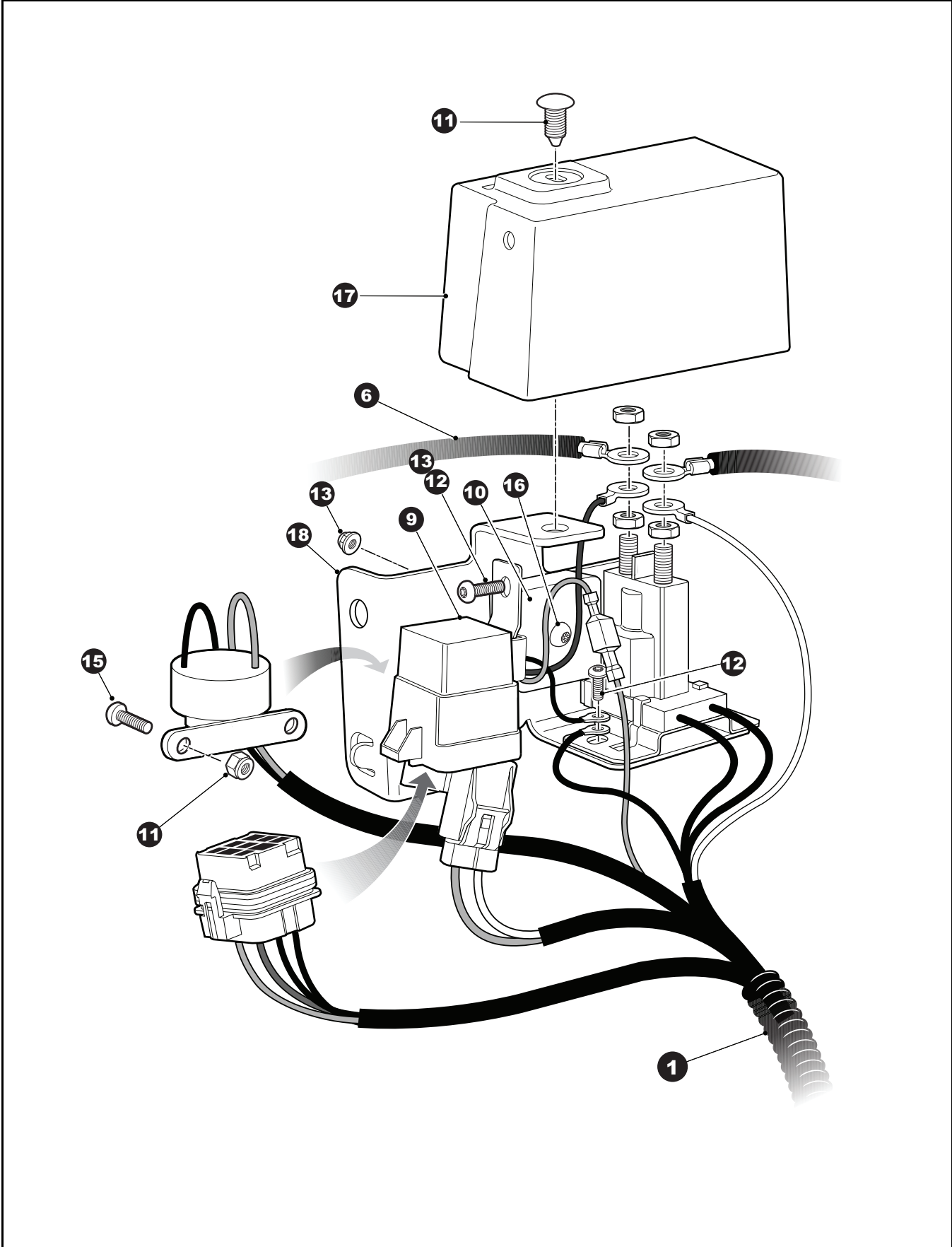
* Indicates a component that is not available as an individual part.

G** Indicates consult Customer Service Department for additional information.

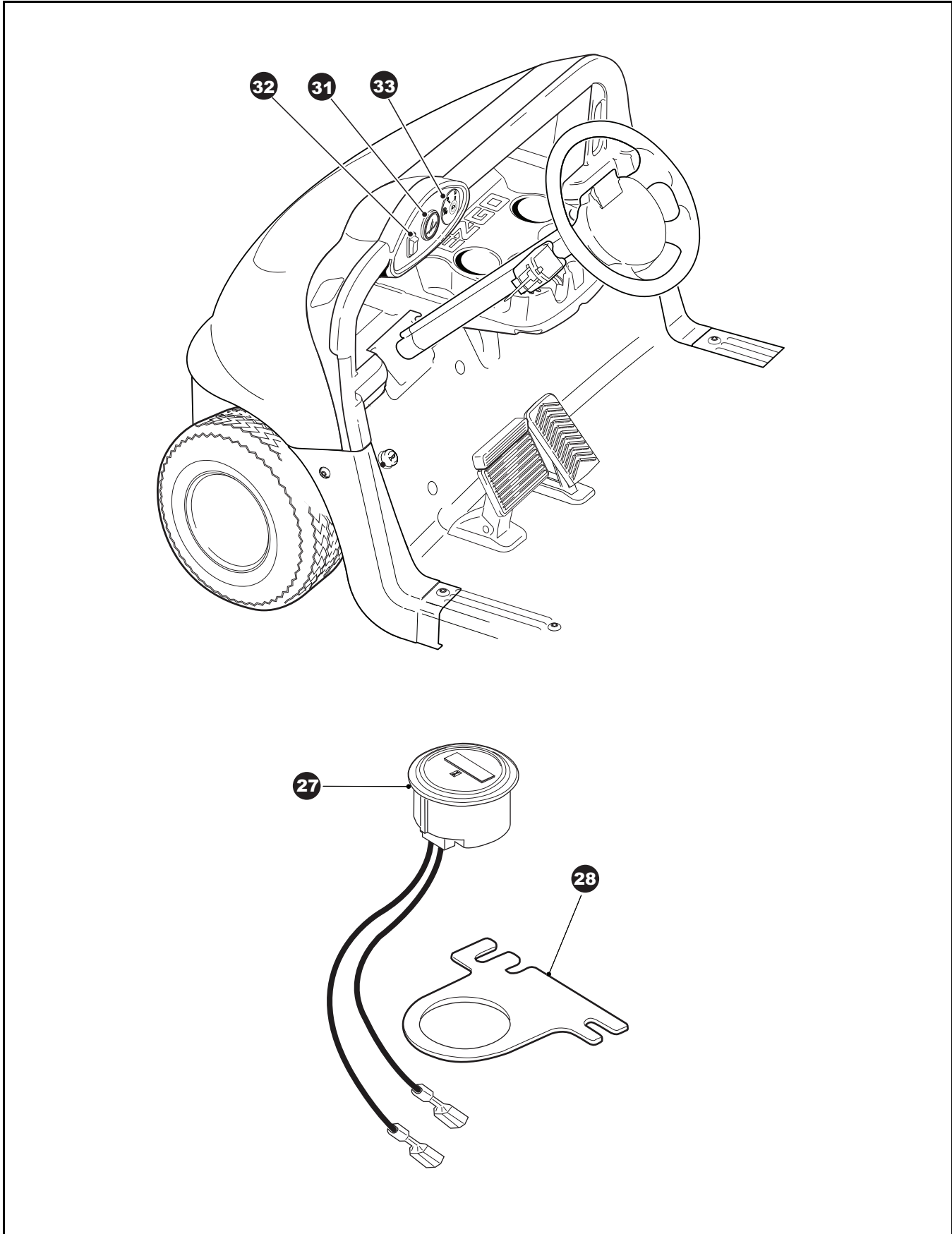
ITEM	PART NO.	1 2 3 4 5	DESCRIPTION	QTY.
31	<u>601326</u>		BOLT, M6 - 1.00 X 20	2
32	<u>450452</u>		NUT, M6 - 1.00	2
33				
34				
35	26830-G01		LOCK NUT, M8 X 1.25 MM	1
36				
37				
38	<u>71205-G01</u>		DIRECTION SELECTOR HANDLE	1
39	<u>00740-G4</u>		SCREW, #10 - 32 X 1/2" LG (STAINLESS STEEL)	1
40	<u>606421</u>		BOLT, M6 - 1.00 X 30	1
41	<u>450452</u>		NUT, M6 - 1.00	1
42				
43	<u>01072-G01</u>		CABLE CLIP	2

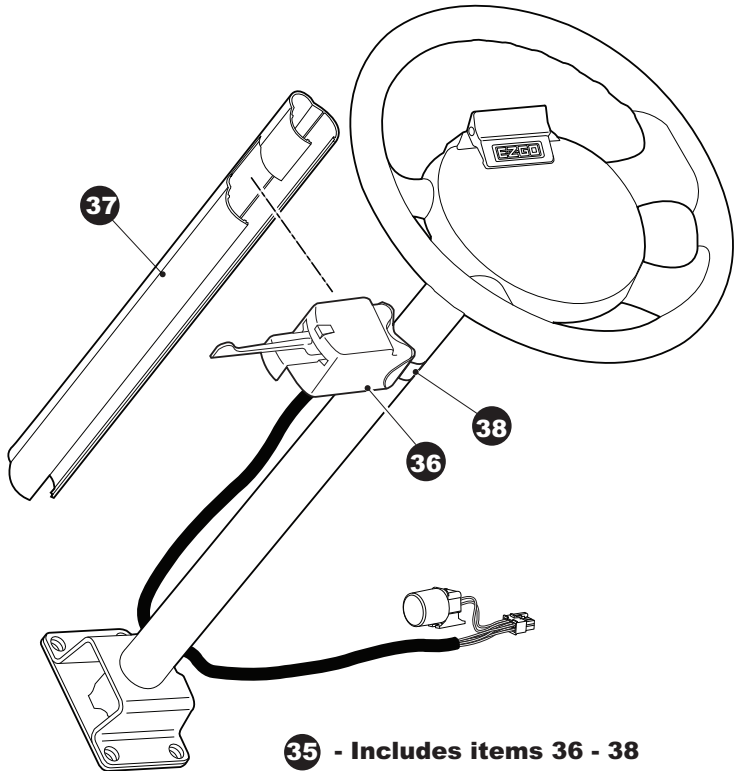
ELECTRICAL SYSTEM



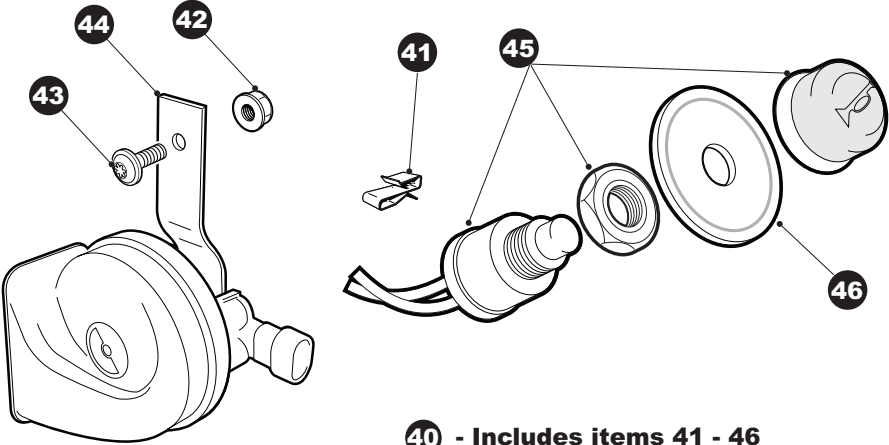


ELECTRICAL SYSTEM



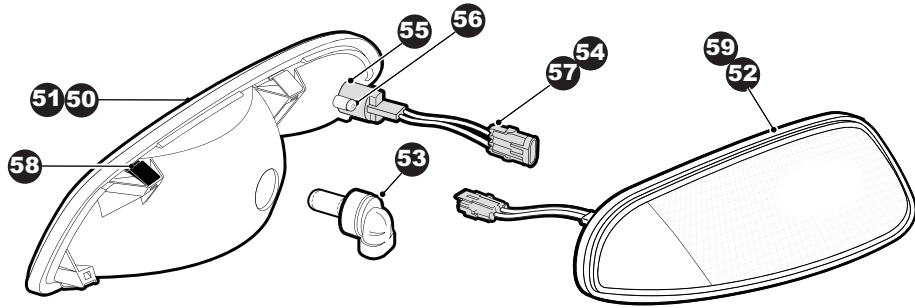


35 - Includes items 36 - 38

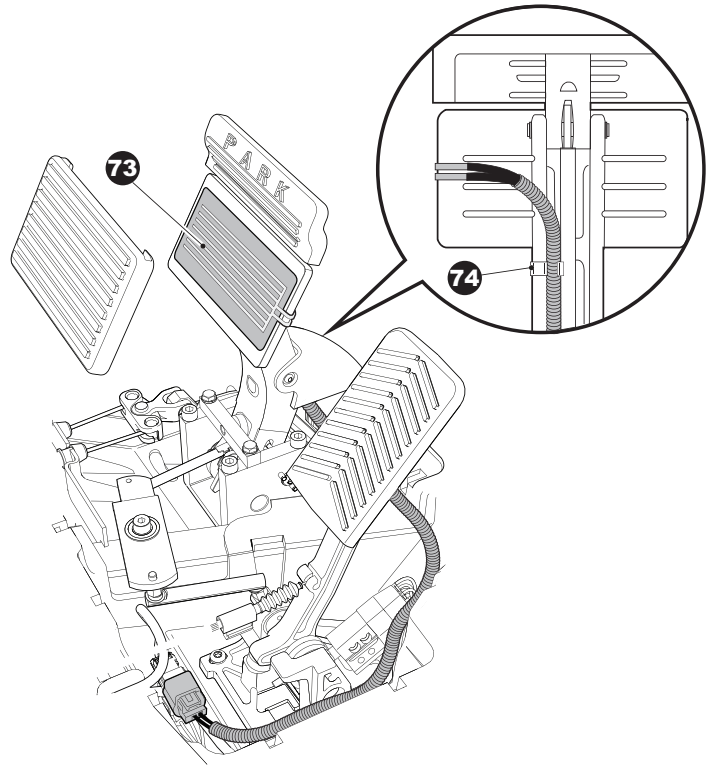


40 - Includes items 41 - 46

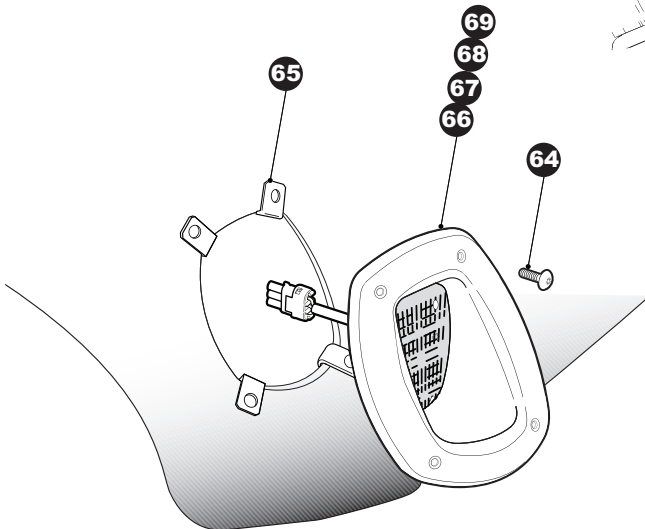
ELECTRICAL SYSTEM

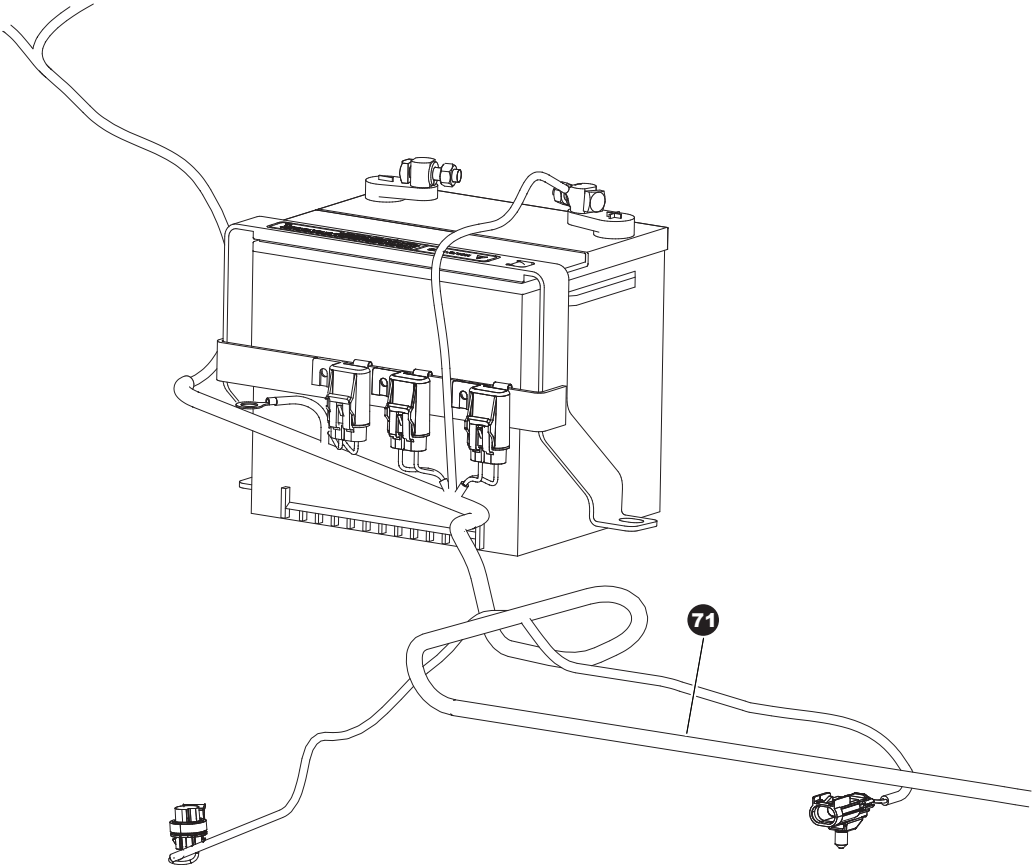


49 - Includes items 50 - 59



62 - Includes items 63 - 69





ELECTRICAL SYSTEM

Where applicable, THE USE OF NON UL PARTS WILL VOID ANY UL LISTING.

When ordering parts, please specify the model and serial number of the product.

* Indicates a component that is not available as an individual part.

G** Indicates consult Customer Service Department for additional information.

ITEM	PART NO.	1 2 3 4 5	DESCRIPTION	QTY.
1	<u>602163</u>		MAIN HARNESS, FLEET	1
2	<u>24775G1</u>		BATTERY, 12V	1
3	<u>601832</u>		BATTERY TIE DOWN	1
4	<u>605957</u>		BOSS SCREW, M8	2
5	<u>601462</u>		POSITIVE BATTERY CABLE (SOL - BATT+)	1
6	<u>603874</u>		6 GA. WIRE, (SOL - F2).....	1
7				
8				
9	<u>603282</u>		RELAY, 12V	1
10	<u>27739G01</u>		VOLTAGE REGULATOR.....	1
11	<u>16816G1</u>		RACHET FASTENER.....	1
12	<u>601326</u>		SCREW, M6 - 1.0 X 25.....	3
13	<u>601476</u>		NUT, M6 - 1	4
14	<u>602053</u>		NUT, M4	3
15	<u>600543</u>		SCREW, M4 - 0.7 X 12.....	3
16	<u>602063</u>		SCREW, M6 - 1.0 X 40.....	1
17	<u>603390</u>		COVER.....	1
18	<u>600962</u>		BRACKET	1
19				
20				
21	<u>602070</u>		GROUND CABLE.....	1
22	<u>606962</u>		CLAMP	1
23	<u>606264</u>		BOLT, M6 - 1.0 X 20	1
24	<u>602572</u>		BOLT, M10 - 1.5 - 25	1
25				
26				
27	<u>607120</u>		HOUR METER	1
28	<u>603721</u>		HOUR METER BRACKET	1
29				
30				

ELECTRICAL SYSTEM

Where applicable, THE USE OF NON UL PARTS WILL VOID ANY UL LISTING.
 When ordering parts, please specify the model and serial number of the product.
 * Indicates a component that is not available as an individual part.
 G** Indicates consult Customer Service Department for additional information.

ITEM	PART NO.	1 2 3 4 5	DESCRIPTION	QTY.
31	604015		FUEL GAUGE	1
32	<u>604019</u>		HEADLIGHT SWITCH.....	1
33	<u>603623</u>		KEY SWITCH.....	1
34				
35	<u>607530</u>		TURN SIGNAL SWITCH KIT (includes items 36 - 38)	1
36	<u>604511</u>		TURN SIGNAL ASSEMBLY.....	1
37	<u>20965G3</u>		COVER	1
38	<u>608771</u>		RUBBER TAPE/INSULATION.....	1
39				
40	<u>607528</u>		HORN ASSEMBLY KIT (includes items 41- 46).....	1
41	<u>01072G01</u>		CLIP	2
42	<u>601476</u>		LOCK NUT, M6 - 1	1
43	<u>601326</u>		BUTTON HEAD TORX BOLT, M6 - 1 X 20	1
44	<u>604196</u>		HORN ASSEMBLY	1
45	<u>604193</u>		HORN BUTTON SWITCH ASSEMBLY	1
46	<u>608397</u>		HORN PLATE	1
47				
48				
49	<u>607445</u>		HEADLIGHT KIT (includes items 50 - 59).....	1
50	<u>607439</u>		HEADLIGHT ASSEMBLY, DRIVER SIDE (includes items 52 - 58)	1
51	<u>607438</u>		HEADLIGHT ASSEMBLY, PASSENGER SIDE (includes items 53 - 59)..	1
52	604452		GASKET, DRIVER SIDE	1
53	<u>74004G01</u>		HEADLIGHT BULB	1
54	<u>604539</u>		TURN SIGNAL BULB.....	1
55	608322		BULB RETAINER	1
56	<u>608328</u>		BUTTON HEAD TORX SCREW, PLASTITE.....	1
57	<u>607487</u>		TURN SIGNAL WIRE HARNESS	1
58	<u>607434</u>		HEADLIGHT RETAINING CLIP.....	4
59	<u>607437</u>		GASKET, PASSENGER SIDE.....	1
60				

ELECTRICAL SYSTEM

Where applicable, THE USE OF NON UL PARTS WILL VOID ANY UL LISTING.

When ordering parts, please specify the model and serial number of the product.

* Indicates a component that is not available as an individual part.

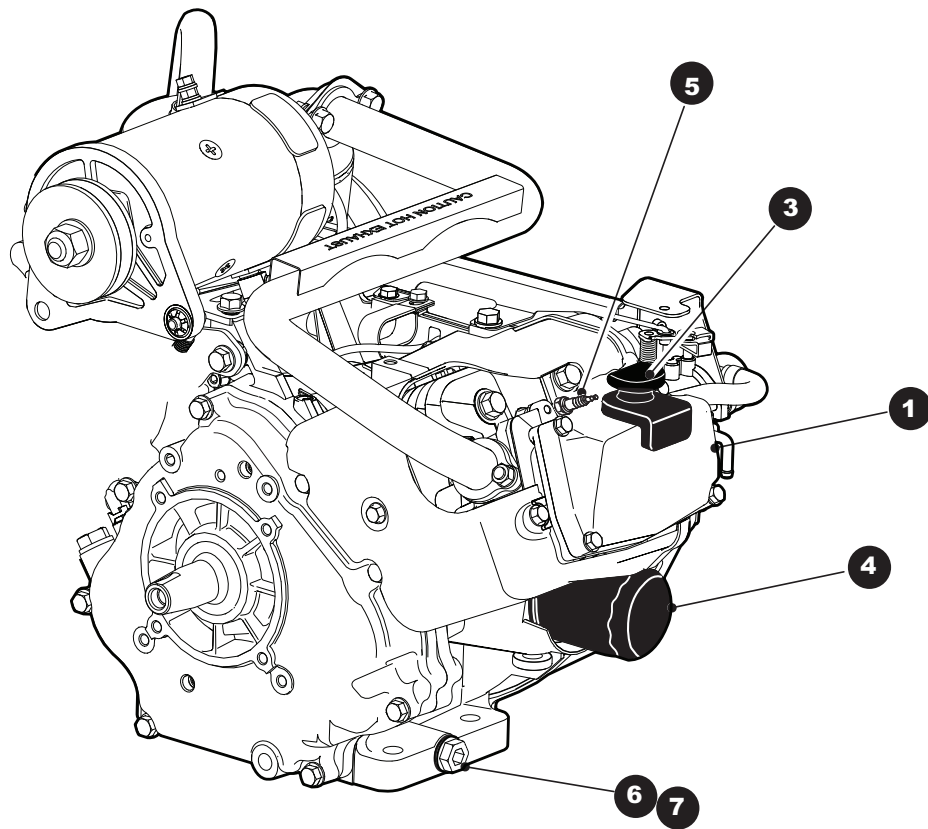
G** Indicates consult Customer Service Department for additional information.

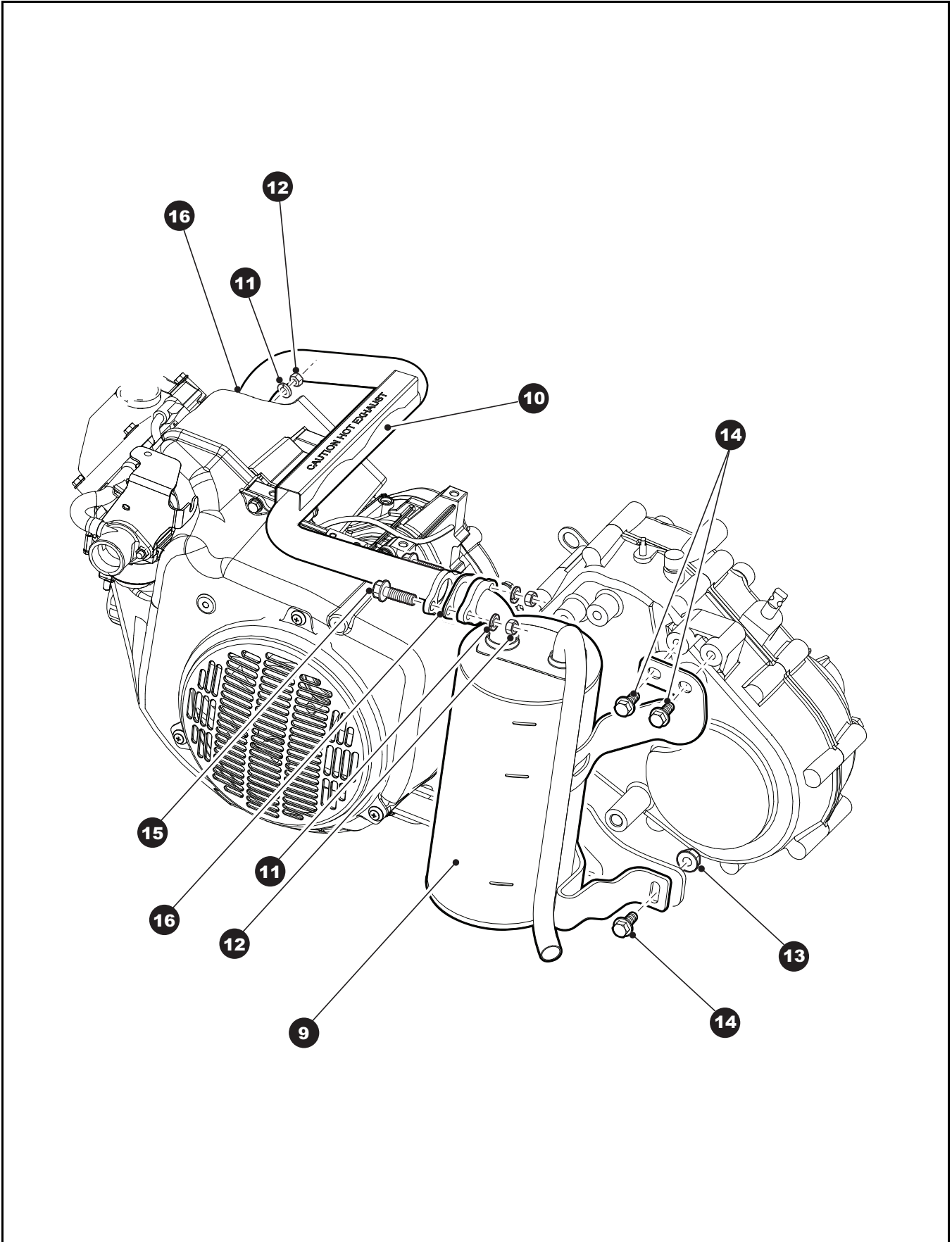
ITEM	PART NO.	1	2	3	4	5	DESCRIPTION	QTY.
61								
62	<u>607450</u>						TAIL LIGHT KIT (includes items 63 - 69).....	1
63	<u>607474</u>						TAIL LIGHT HARDWARE KIT (INCLUDES ITEMS 64 & 65).....	1
64	<u>601326</u>						BUTTON HEAD TORX BOLT, M6 - 1 X 20	8
65	<u>602409</u>						BARRELL CLIP, M6.....	8
66	<u>603325</u>						TAIL LIGHT ASSEMBLY, DRIVER SIDE (includes items 68 & 69.....	1
67	<u>603326</u>						TAIL LIGHT ASSEMBLY, PASSENGER SIDE (includes items 68 & 69) ..	1
68	<u>604311</u>						TAIL LIGHT BULB	1
69	<u>604858</u>						TAIL LIGHT LENS	1
70								
71	<u>603848</u>						ACCESSORY HARNESS.....	1
72								
73	606711						BRAKE LIGHT SWITCH ASSEMBLY	1
74	<u>606814</u>						S-CLIP	1

Notes:

A large rectangular grid of graph paper, consisting of 30 columns and 25 rows of small squares, intended for handwritten notes.

ENGINE AND MUFFLER



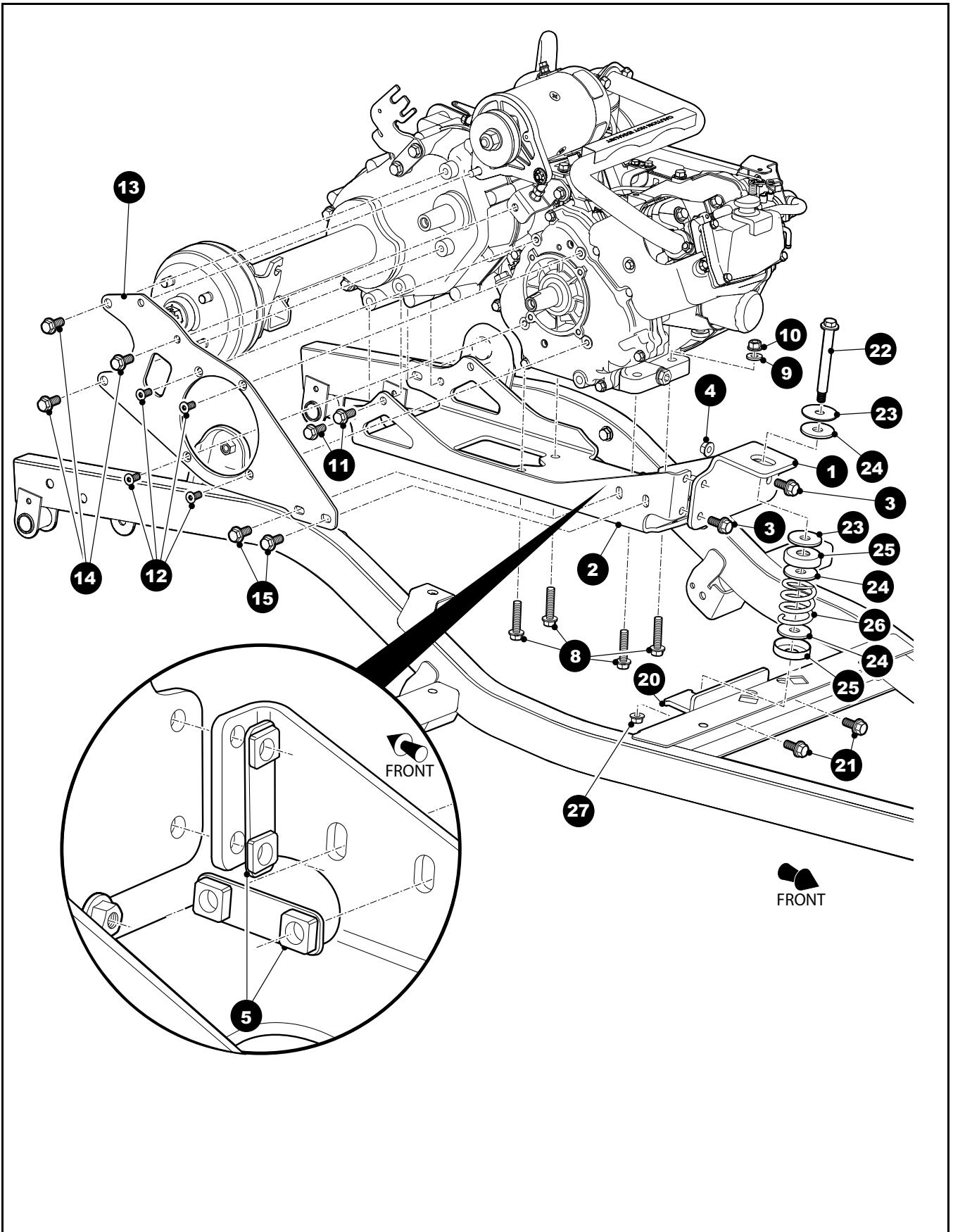


ENGINE AND MUFFLER

Where applicable, THE USE OF NON UL PARTS WILL VOID ANY UL LISTING.
 When ordering parts, please specify the model and serial number of the product.
 * Indicates a component that is not available as an individual part.
 G** Indicates consult Customer Service Department for additional information.

ITEM	PART NO.	1	2	3	4	5	DESCRIPTION	QTY.
1	<u>602348</u>						ENGINE.....	1
2								
3	<u>606390</u>						DIP STICK	1
4	<u>607454</u>						OIL FILTER.....	1
5	<u>607462</u>						SPARK PLUG (BPR2ES).....	1
6	<u>603557</u>						OIL DRAIN PLUG	1
7	<u>603562</u>						'O' RING, 16MM.....	1
8								
9	<u>606984</u>						MUFFLER	1
10	<u>606982</u>						EXHAUST PIPE	1
11	<u>606272</u>						WASHER, 8MM.....	4
12	<u>606267</u>						NUT, M8 X 1.25	4
13	<u>606279</u>						NUT, M10 - 1.25	1
14	<u>606256</u>						BOLT, M10 - 1.25 X 25	3
15	<u>602330</u>						BOLT, M8 - 1.25 X 30	2
16	<u>603599</u>						EXHAUST GASKET	2

ENGINE MOUNTING



ENGINE MOUNTING

Where applicable, THE USE OF NON UL PARTS WILL VOID ANY UL LISTING.

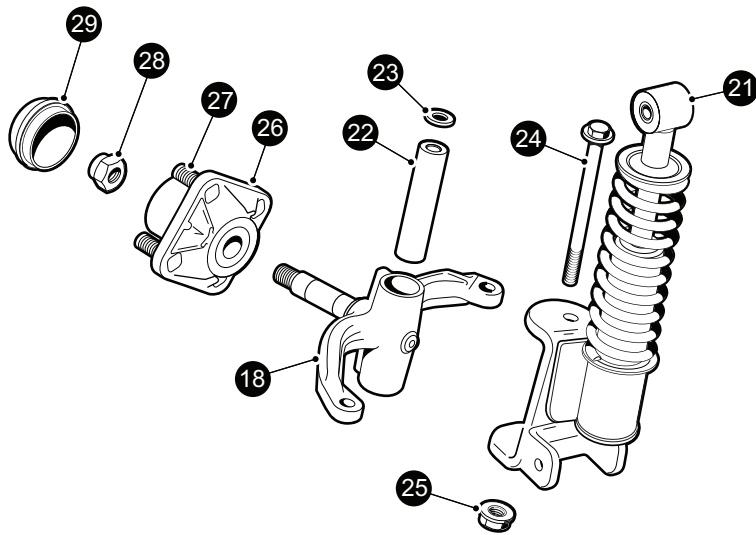
When ordering parts, please specify the model and serial number of the product.

* Indicates a component that is not available as an individual part.

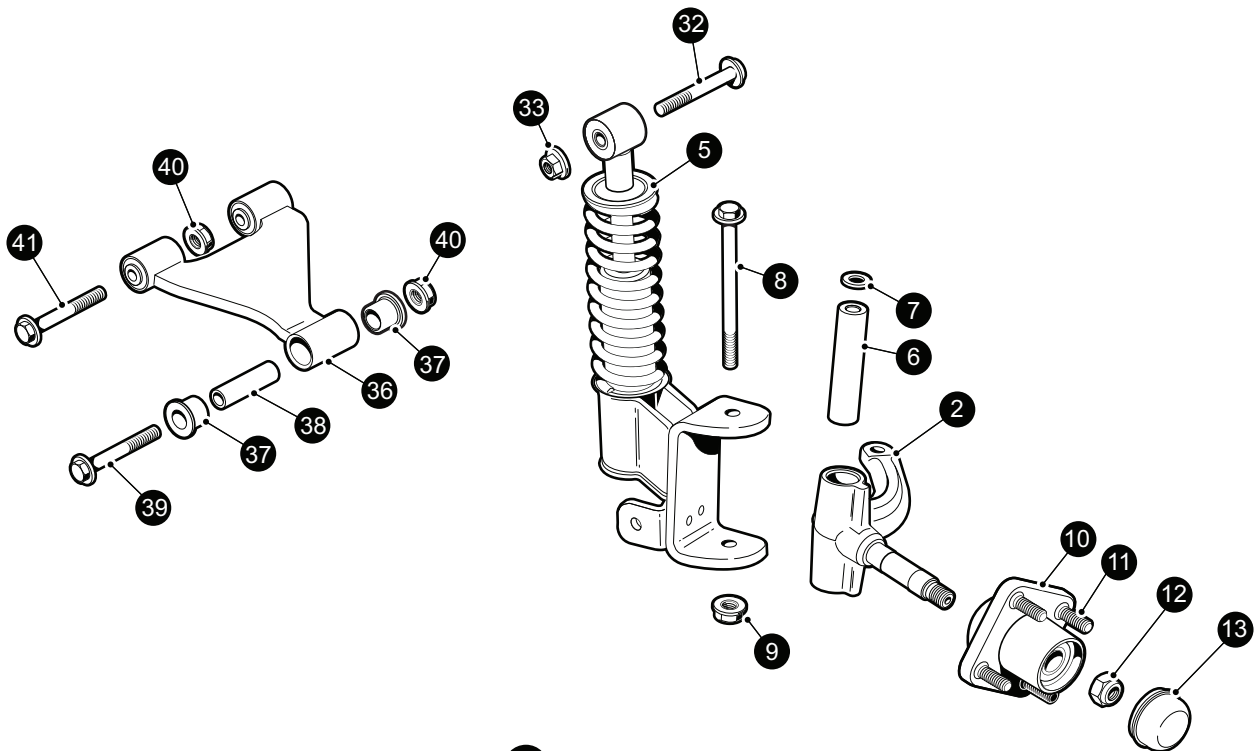
G** Indicates consult Customer Service Department for additional information.

ITEM	PART NO.	1 2 3 4 5	DESCRIPTION	QTY.
1	<u>606007</u>		FRONT ENGINE MOUNT	1
2	<u>603101</u>		ENGINE PAN MOUNT	1
3	<u>606256</u>		BOLT, M10 - 1.25 X 25	3
4	<u>606279</u>		NUT, M10 - 1.25	1
5	<u>606096</u>		NUT PLATE	2
6				
7				
8	<u>606259</u>		BOLT,	4
9	<u>603823</u>		FLAT WASHER, M10 X 22 - 2.5.....	4
10	<u>606279</u>		NUT, M10 - 1.25	4
11	<u>608020</u>		BOLT, M10 - 1.25 X 34	4
12	<u>606246</u>		FLAT HEAD SCREW, T40.....	4
13	<u>602146</u>		DIFFERENTIAL PLATE.....	1
14	<u>606256</u>		BOLT, M10 - 1.25 X 25	3
15	<u>606256</u>		BOLT, M10 - 1.25 X 25	2
16				
17				
18				
19				
20	608641		WELDMENT, ISO MOUNT	1
21	<u>603799</u>		BOLT, M10 -1.0 X 25	2
22	<u>607299</u>		BOLT, M10 - 1.5	1
23	<u>607297</u>		RUBBER WASHER.....	2
24	<u>607298</u>		DELTRIN WASHER.....	3
25	<u>24939G2</u>		CAP ADAPTER	2
26	<u>606166</u>		COMPRESSION SPRING.....	1
27	<u>600525</u>		NUT, PLS, LK, M10 - 1.5	1

FRONT SUSPENSION



17 Front Suspension Assembly Passenger Side
includes items 18, 21 - 29



1 Front Suspension Assembly Diver Side
includes items 2, 5 - 13

FRONT SUSPENSION

When ordering parts, please specify the model and serial number of the product.

* Indicates a component that is not available as an individual part.

*** Indicates consult Customer Service Department for additional information.

ITEM	PART NO.	1 2 3 4 5	DESCRIPTION	QTY.
1	<u>608763</u>		FRONT SUSPENSION ASSEMBLY, DRIVER SIDE (includes items 2 - 13) ..	1
2	<u>607413</u>		SPINDLE ASSEMBLY, DRIVER SIDE.....	1
3				
4				
5	<u>601246</u>		STRUT ASSEMBLY, DRIVER SIDE.....	1
6	<u>620380</u>		KINGPIN TUBE	1
7	<u>601920</u>		THRUST WASHER	1
8	<u>601924</u>		KINGPIN, HEX HEAD FLANGED BOLT, M12 - 1.25 X 145	1
9	<u>600549</u>		HEX NUT, FLANGED, M12 - 1.25	1
10	600001		HUB ASSEMBLY (includes item 11).....	1
11	607896		WHEEL STUD.....	4
12	<u>601709</u>		LOCKING HEX NUT, M16 - 2.....	1
13	<u>12091-G3</u>		SPINDLE CAP.....	1
14				
15				
16				
17	608764		FRONT SUSPENSION ASSEMBLY, PASSENGER SIDE (inc items 18 - 29)	1
18	607411		SPINDLE ASSEMBLY, PASSENGER SIDE	1
19				
20				
21	<u>603024</u>		STRUT ASSEMBLY, PASSENGER SIDE	1
22	<u>620380</u>		KINGPIN TUBE	1
23	<u>601920</u>		THRUST WASHER	1
24	<u>601924</u>		KINGPIN, HEX HEAD FLANGED BOLT, M12 - 1.25 X 145	1
25	<u>600549</u>		HEX NUT, FLANGED, M12 - 1.25	1
26	600001		HUB ASSEMBLY (includes item 27).....	1
27	607896		WHEEL STUD.....	4
28	<u>601709</u>		LOCKING HEX NUT, M16 - 2.....	1
29	<u>12091-G3</u>		SPINDLE CAP.....	1
30				
31				

FRONT SUSPENSION

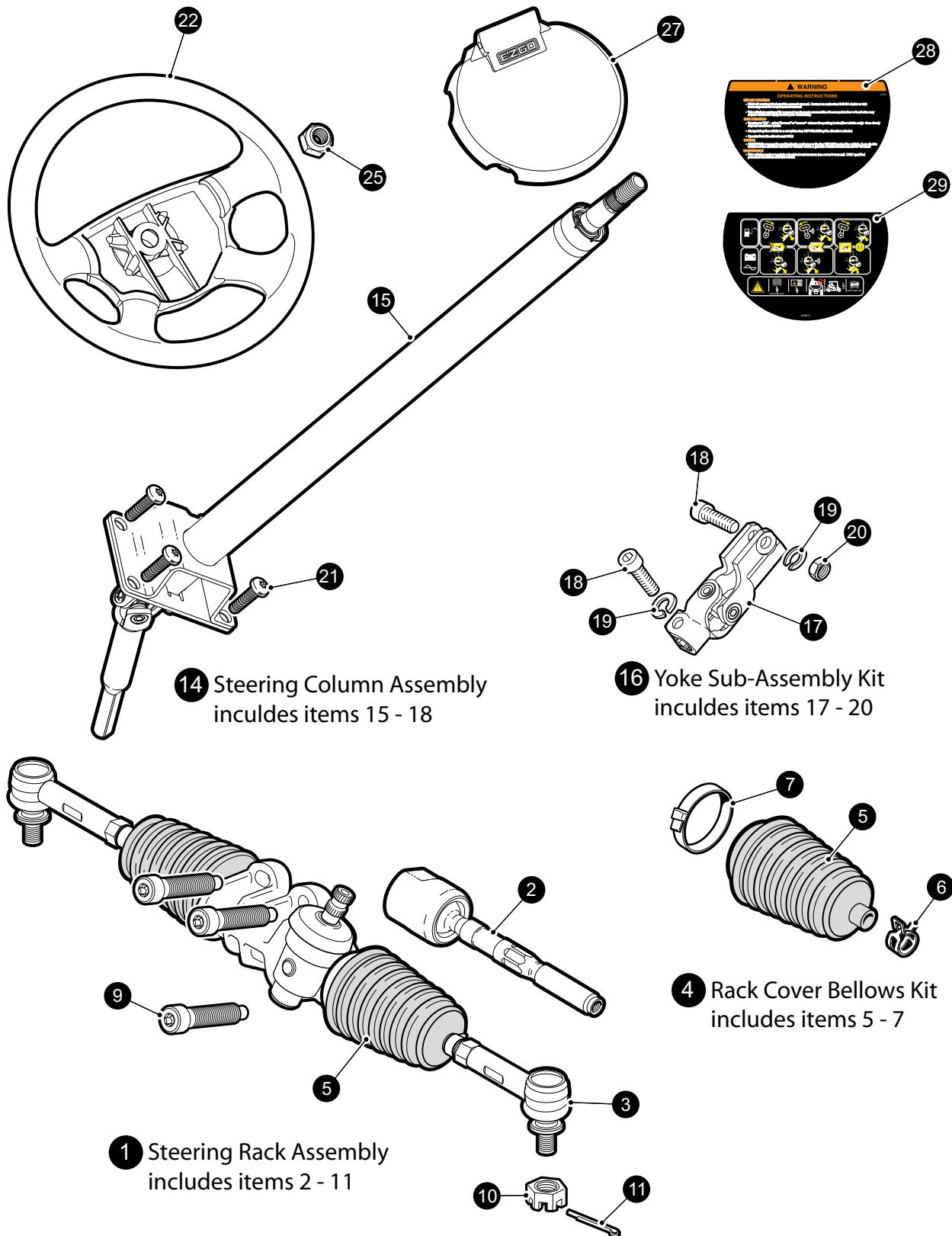
When ordering parts, please specify the model and serial number of the product.

* Indicates a component that is not available as an individual part.

*** Indicates consult Customer Service Department for additional information.

ITEM	PART NO.	1 2 3 4 5	DESCRIPTION	QTY.
32	<u>602415</u>		HEX HEAD FLANGED BOLT, M10 - 1.5 X 80.....	2
33	<u>600525</u>		HEX NUT, FLANGED LOCK, M10 - 1.5	2
34				
35				
36	<u>608089</u>		A-ARM ASSEMBLY	2
37	<u>601340</u>		A-ARM BUSHING.....	4
38	<u>602085</u>		A-ARM CARRIER TUBE	2
39	<u>601754</u>		HEX HEAD FLANGED BOLT, M10 - 1.5 X 90.....	2
40	<u>600525</u>		HEX NUT, FLANGED LOCK, M10 - 1.5	6
41	<u>602415</u>		HEX HEAD FLANGED BOLT, M10 - 1.5 X 80.....	4

FRONT SUSPENSION



FRONT SUSPENSION

When ordering parts, please specify the model and serial number of the product.

* Indicates a component that is not available as an individual part.

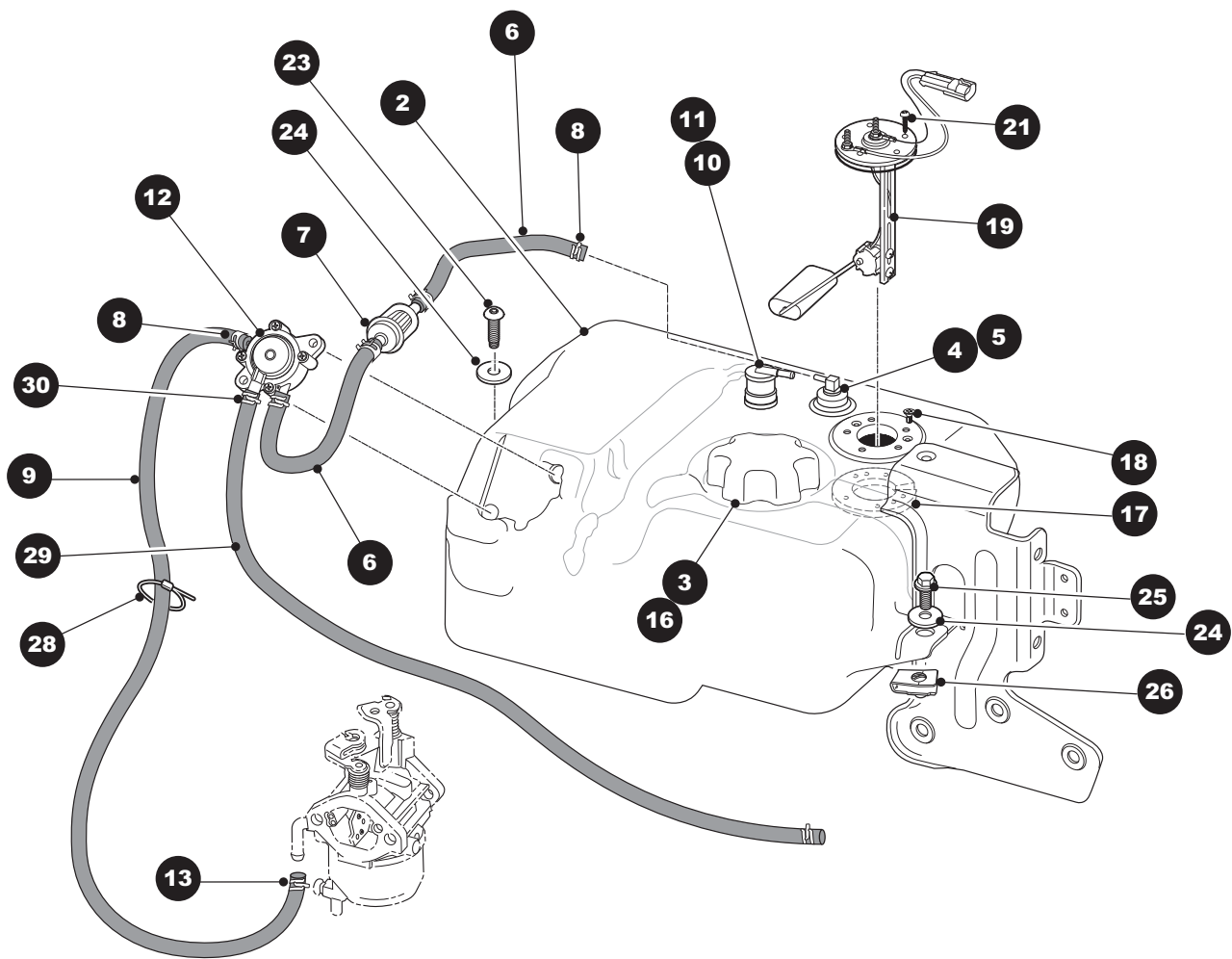
*** Indicates consult Customer Service Department for additional information.

ITEM	PART NO.	1 2 3 4 5	DESCRIPTION	QTY.
1	<u>601500</u>		STEERING RACK ASSEMBLY (includes items 2 - 4)	1
2	<u>603865</u>		STEERING ROD	2
3	<u>604614</u>		ROD END	2
4	<u>604615</u>		RACK COVER BELLOWS KIT (includes items 5 - 7)	2
5	608112		BELLOWS.....	1
6	608108		BELLOWS CLAMP (small end).....	1
7	608109		BELLOWS CLIP (large end)	1
8				
9	<u>602020</u>		TORX SOCKET HEAD CAP SCREW, M10 - 1.5 X 80.....	3
10	<u>608005</u>		CASTLE HEX NUT, M12 - 1.25	2
11	<u>10387-G2</u>		COTTER PIN.....	2
12				
13				
14	<u>600333</u>		STEERING COLUMN ASSEMBLY (includes items 15 - 18).....	1
15	<u>608117</u>		STEERING COLUMN SUB ASSEMBLY	1
16	<u>604613</u>		YOKE SUB ASSEMBLY KIT (includes items 17 & 18).....	1
17	<u>608114</u>		STEERING YOKE.....	1
18	<u>608653</u>		SOCKET HEAD BOLT, M10 X 1.5 S 35.....	2
19	<u>608654</u>		LOCK WASHER, M10.5.....	2
20	<u>608655</u>		HEX NUT, M10 - 1.5.....	1
21	<u>602572</u>		PAN HEAD TORX SCREW, TAPTITE M10 - 1.5 X 25.....	4
22	<u>602980</u>		STEERING WHEEL	1
23				
24				
25	<u>601709</u>		LOCK NUT, M16 - 2	1
26				
27	<u>607925</u>		SCORECARD HOLDER ASSEMBLY	1
28	<u>608529</u>		STEERING WHEEL WARNING LABEL	1
29	<u>608819</u>		STEERING WHEEL WARNING LABEL, CE	1

FUEL SYSTEM

1 - Includes Items 2 - 13

15 - Includes Items 3 - 13 & 16 - 21



FUEL SYSTEM

THE USE OF NON U.L. PARTS WILL VOID ANY U.L. LISTING.

When ordering parts, please specify the model and serial number of the product.

* Indicates a component that is not available as an individual part.

G** Indicates consult Customer Service Department for additional information.

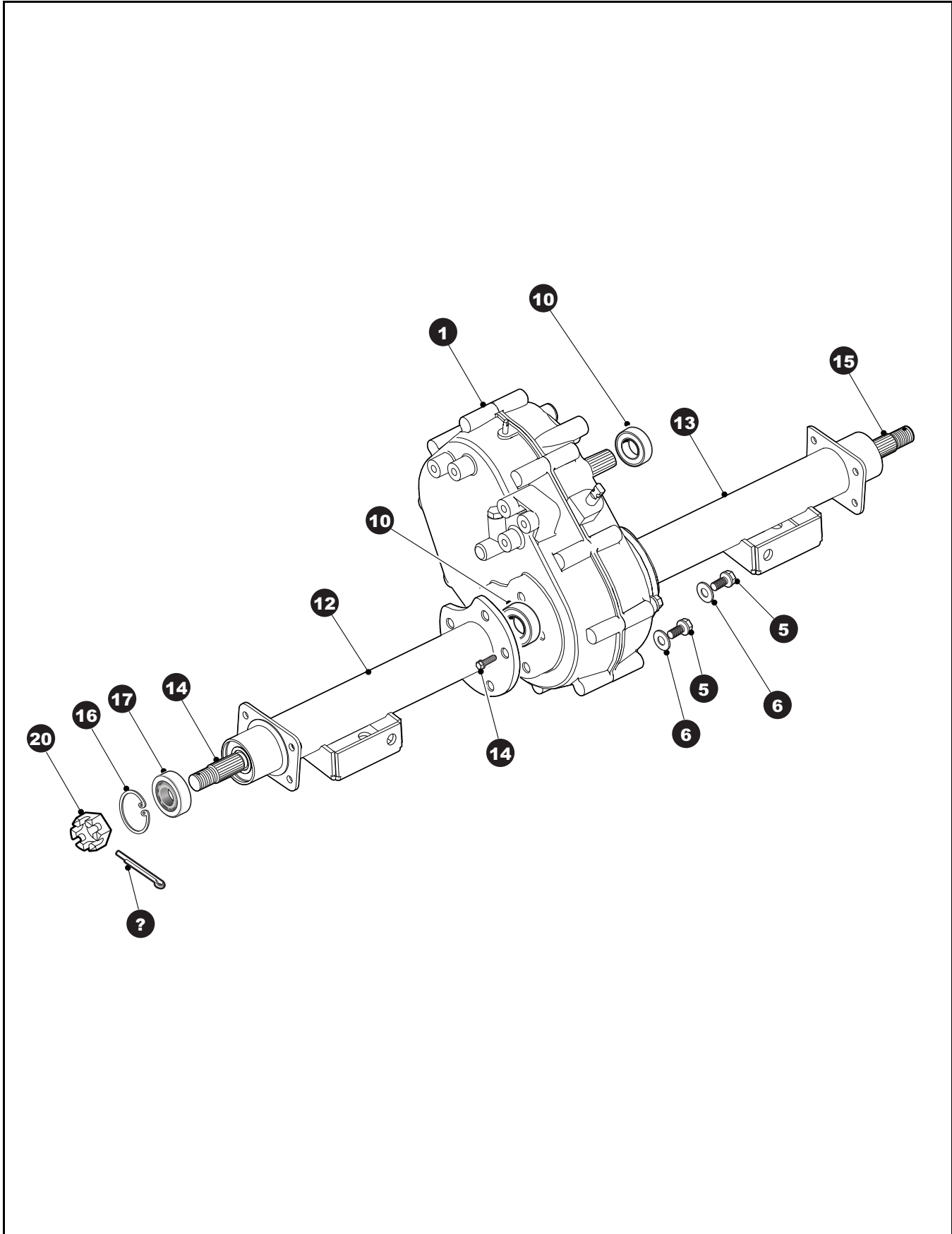
ITEM	PART NO.	1 2 3 4 5	DESCRIPTION	QTY.
1	603191		FUEL TANK ASSEMBLY	1
2	600140		FUEL TANK	1
3	<u>620174</u>		FUEL TANK CAP	1
4	18287G03		SIPHON TUBE.....	1
5	<u>70988G01</u>		GROMMET	1
6	<u>17470G1</u>		FUEL HOSE, (BULK).....	8"
7	<u>72084G01</u>		FUEL FILTER.....	1
8	<u>18292G1</u>		CLAMP, 1/2".....	5
9	<u>17470G1</u>		FUEL HOSE, (BULK) (TO CARBURETOR)	22.5"
10	<u>606067</u>		ROLLOVER VALVE	1
11	<u>606068</u>		ROLLOVER VALVE GROMMET.....	1
12	<u>602061</u>		FUEL PUMP	1
13	<u>11391G4</u>		CLAMP, 1/2".....	1
14				
15	604018		FUEL TANK ASSEMBLY WITH LEVEL SWITCH (INCLUDES ITEMS 3 -12 & 16 - 21)	1
16	604251		FUEL TANK (FOR VEHICLES WITH FUEL GUAGE)	1
17	72229G01		FUEL LEVEL SENDER ADAPTER.....	1
18	<u>72230G01</u>		SCREW, #6 - 32 X 1/2" LG	2
19	<u>604188</u>		FUEL LEVEL SENDER (INCLUDES ITEM 13)	1
20	*		GASKET	1
21	<u>72232G01</u>		SCREW, #10 x 3/4" LG	5
22				
23	<u>605957</u>		BOSS SCREW TORX, M8 - 1.25 X 25.....	1
24	<u>604066</u>		WASHER, WASHER M10, 10.5 X 30	2
25	<u>603799</u>		HEX BOLT, M10 - 1.5 X 25.....	1
26	<u>603818</u>		BARREL CLIP NUT, M10 - 1.5.....	1
27				
28	<u>17618G1</u>		WIRE TIE	1
29	<u>27183G01</u>		PULSE LINE (BULK), (BLACK WITH WHITE LINE MARKING)	28"

FUEL SYSTEM

THE USE OF NON U.L. PARTS WILL VOID ANY U.L. LISTING.
 When ordering parts, please specify the model and serial number of the product.
 * Indicates a component that is not available as an individual part.
 G** Indicates consult Customer Service Department for additional information.

ITEM	PART NO.	1 2 3 4 5 DESCRIPTION	QTY.
30	<u>18292G1</u>	CLAMP, 1/2"	2

REAR AXLE



REAR AXLE

Where applicable, THE USE OF NON UL PARTS WILL VOID ANY UL LISTING.

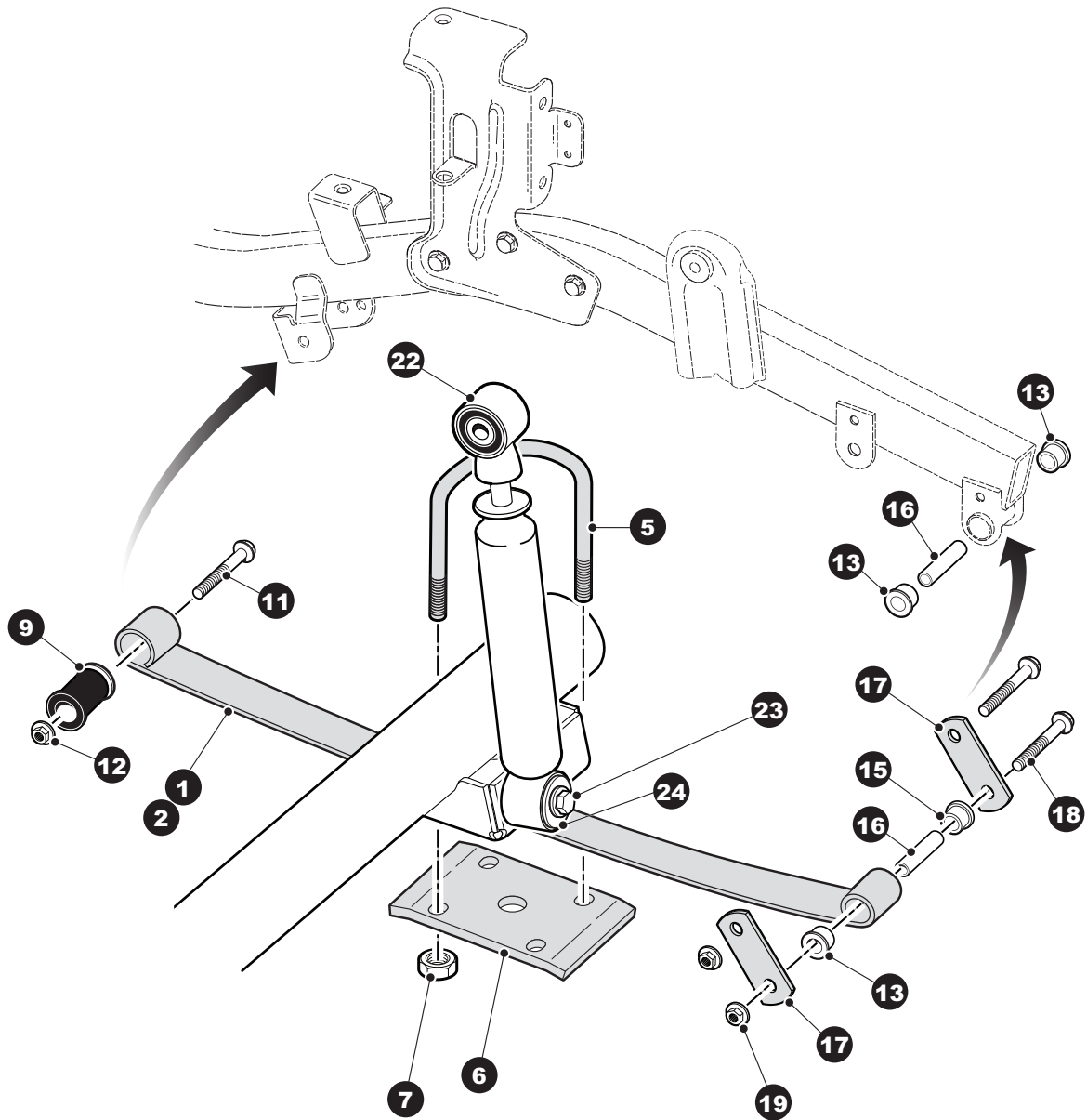
When ordering parts, please specify the model and serial number of the product.

* Indicates a component that is not available as an individual part.

G** Indicates consult Customer Service Department for additional information.

ITEM	PART NO.	1 2 3 4 5	DESCRIPTION	QTY.
1	606423		REAR AXLE, (INCLUDES ITEMS 3 - 23)	1
2				
3	<u>26770-G01</u>		OIL CHECK PLUG.....	1
4	<u>26771-G01</u>		GASKET, 14 MM.....	1
5	<u>26770-G01</u>		OIL DRAIN PLUG	1
6	<u>26771-G01</u>		GASKET, 14 MM.....	1
7				
8	<u>72259-G01</u>		INPUT SHAFT OIL SEAL	1
9				
10	<u>72259-G01</u>		AXLE SHAFT OIL SEAL.....	2
11				
12	<u>607969</u>		AXLE TUBE (DRIVER SIDE).....	1
13	607960		AXLE TUBE (PASSENGER SIDE)	1
14	607987		AXLE SHAFT (DRIVER SIDE).....	1
15	607988		AXLE SHAFT (PASSENGER SIDE).....	1
16	26814-G01		RETAINING RING.....	2
17	<u>26811-G01</u>		BALL BEARING	2
18	<u>72260-G01</u>		FLANGED BOLT, M10 X 1.5 X 23 MM LG.....	10
19				
20	<u>606403</u>		SLOTTED NUT, M22 X 1.5	2

REAR SUSPENSION



REAR SUSPENSION

When ordering parts, please specify the model and serial number of the product.

* Indicates a component that is not available as an individual part.

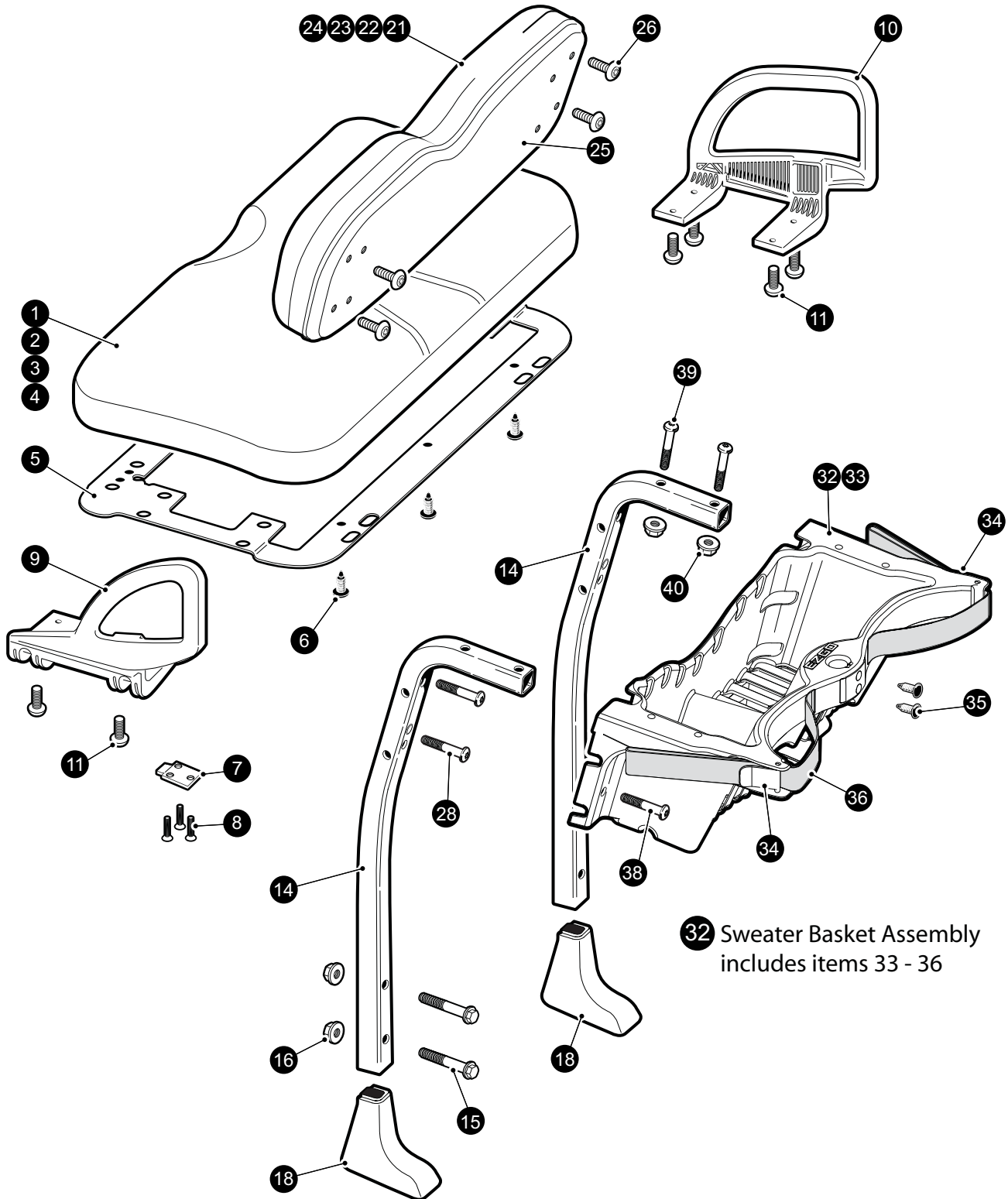
*** Indicates consult Customer Service Department for additional information.

ITEM	PART NO.	1 2 3 4 5	DESCRIPTION	QTY.
1	603498		TAPERED LEAF SPRING.....	2
2	<u>604494</u>		HEAVY DUT TAPERED LEAF SPRING	2
3				
4				
5	<u>603415</u>		U-BOLT	2
6	603495		LEAF SPRING PLATE	2
7	<u>600525</u>		LOCK NUT, M10 - 1.5	4
8				
9	<u>605684</u>		FRONT SPRING BUSHING.....	2
10				
11	<u>601754</u>		FLANGED HEX HEAD BOLT, M10 - 1.5.....	2
12	<u>600525</u>		LOCK NUT, M10 - 1.5	2
13				
14				
15	<u>70291-G01</u>		FLANGED URETHANE BUSHING (small).....	8
16	<u>620161</u>		SPLIT STEEL SPACER	4
17	<u>603648</u>		SHACKLE PLATE	4
18	<u>601754</u>		FLANGED HEX HEAD BOLT, M10 - 1.5 X 100	4
19	<u>600525</u>		LOCK NUT, M10 - 1.5	4
20				
21				
22	<u>603637</u>		SHOCK ABSORBER	2
23	<u>601414</u>		FLANGED HEX HEAD BOLT, M10 - 1.5 X 65	4
24	<u>604066</u>		FLAT WASHER, 10.5 X 30 X 2.5	4

SEATING & BASKET

1 Seat Bottom Assembly includes items 2 - 11

21 Seat Back Assembly includes items 22 - 26



32 Sweater Basket Assembly includes items 33 - 36

SEATING & BASKET

When ordering parts, please specify the model and serial number of the product.

* Indicates a component that is not available as an individual part.

*** Indicates consult Customer Service Department for additional information.

ITEM	PART NO.	1 2 3 4 5	DESCRIPTION	QTY.
1	6XXXXX		SEAT BOTTOM ASSEMBLY (select color below), (includes items 2 - 7) 605551 STONE BEIGE SEAT BOTTOM 608013 OYSTER SEAT BOTTOM	1
2	6XXXXX		SEAT BOTTOM VINYL COVER (select color below) 600221 STONE BEIGE SEAT BOTTOM VINYL COVER 608007 OYSTER SEAT BOTTOM VINYL COVER	1
3	600503		SEAT BOTTOM FOAM.....	1
4	600502		SEAT BOTTOM WOODEN BASE ASSEMBLY.....	1
5	<u>602551</u>		SEAT BOTTOM COVER PLATE	1
6	<u>16816-G2</u>		CHRISTMAS TREE RIVET	4
7	<u>71610-G01</u>		SEAT HINGE	2
8	<u>00720-G08</u>		FLAT HEAD PHILLIPS TAPPING SCREW, #12 - 14 X 1.00	6
9	<u>607532</u>		HIP RESTRAINT, DRIVER SIDE.....	1
10	<u>607653</u>		HIP RESTRAINT, PASSENGER SIDE	1
11	<u>600530</u>		BUTTON HEAD TORX BOLT, M10 - 1.5 X 25.....	8
12				
13				
14	<u>602413</u>		SEAT BACK SUPPORT STRUT.....	2
15	<u>603800</u>		FLANGED HEX HEAD BOLT, M10 - 1.5 X 50	4
16	<u>600525</u>		LOCK NUT, M10 - 1.5	4
17				
18	<u>602112</u>		SEAT BACK SUPPORT STRUT COVER.....	2
19				
20				
21	6XXXXX		SEAT BACK ASSEMBLY (select color below), (includes items 22 -)..... 605548 STONE BEIGE SEAT BACK ASSEMBLY 608012 OYSTER SEAT BACK ASSEMBLY	1
22	6XXXXX		SEAT BACK VINYL COVER (select color below)..... 605537 STONE BEIGE SEAT BACK VINYL COVER 608006 OYSTER SEAT BACK VINYL COVER	1
23	<u>71754-G01</u>		SEAT BACK FOAM	1
24	<u>605550</u>		SEAT BACK WOODEN BASE ASSEMBLY	1

SEATING & BASKET

When ordering parts, please specify the model and serial number of the product.

* Indicates a component that is not available as an individual part.

*** Indicates consult Customer Service Department for additional information.

ITEM	PART NO.	1	2	3	4	5	DESCRIPTION	QTY.
25	<u>605529</u>						SEAT BACK BLACK PLASTIC COVER.....	1
26	603000						BUTTON HEAD TORX SCREW, PLASTITE THREAD FORMING, M6 - 1	4
27								
28	<u>600527</u>						BUTTON HEAD TORX BOLT, M10 - 1.5 X 60.....	4
29								
30								
31								
32	<u>602742</u>						SWEATER BASKET ASSEMBLY (includes items 33 - 36)	1
33	600228						SWEATER BASKET	1
34	<u>608051</u>						BAG STRAP CLAMP	2
35	<u>16816-G1</u>						CHRISTMAS TREE RIVET.....	2
36	604102						BAG STRAP.....	1
37								
38	<u>600530</u>						BUTTON HEAD TORX BOLT, M10 - 1.5 X 25.....	2
39	<u>600527</u>						BUTTON HEAD TORX BOLT, M10 - 1.5 X 60.....	4
40	<u>600525</u>						LOCK NUT, M10 - 1.5.....	4

SEATING & BASKET



23 Seat Bottom Assembly includes items 24 - 26

30 Seat Back Assembly includes items 31 - 35

12 Floor Board Assembly includes items 13 - 16

SEATING & BASKET

When ordering parts, please specify the model and serial number of the product.

* Indicates a component that is not available as an individual part.

*** Indicates consult Customer Service Department for additional information.

ITEM	PART NO.	1 2 3 4 5	DESCRIPTION	QTY.
1	<u>604473</u>		SEAT BACK SUPPORT, 2 + 2 SEAT	1
2	<u>603800</u>		HEX HEAD FLANGED BOLT, M10 - 1.5 X 50	4
3	<u>600525</u>		LOCK NUT, M10 - 1.5	4
4				
5	<u>606286</u>		REAR SEAT BACK MOUNTING BRACKET.....	2
6	<u>604723</u>		ARM REST, DRIVER SIDE	1
7	<u>604725</u>		ARM REST, PASSENGER SIDE	1
8	<u>600530</u>		BUTTON HEAD TORX BOLT, M10 - 1.5 X 25	4
9	<u>600525</u>		LOCK NUT, M10 - 1.5	4
10				
11				
12	<u>604457</u>		REAR FACING SEAT FLOORBOARD ASSEMBLY (includes items 7 - 10)...	1
13	604398		FOOTREST WELDMENT	1
14	<u>74074-G01</u>		WARNING DECAL	1
15	<u>19853-G1</u>		END CAP.....	2
16	<u>604407</u>		RUBBER FLOORMAT	1
17	<u>603799</u>		HEX HEAD FLANGED BOLT, M10 - 1.5 X 25	4
18				
19	<u>608820</u>		2 + 2 WARNING DECAL, CE.....	1
20	<u>602415</u>		HEX HEAD FLANGED BOLT, M10 - 1.5 X 80	2
21	<u>600525</u>		LOCK NUT, M10 - 1.5	2
22				
23	6XXXXX		SEAT BOTTOM ASSEMBLY (select color below) (includes items 24 - 26) 605501 STONE BEIGE SEAT BOTTOM ASSEMBLY 608010 OYSTER SEAT BOTTOM ASSEMBLY	1
24	6XXXXX		SEAT BOTTOM VINYL COVER (select color below)..... 600221 STONE BEIGE SEAT BOTTOM VINYL COVER 608007 OYSTER SEAT BOTTOM VINYL COVER	1
25	<u>605503</u>		SEAT BOTTOM FOAM.....	1
26	<u>605502</u>		SEAT BOTTOM WOODEN BASE ASSEMBLY.....	1
27	<u>603799</u>		HEX HEAD FLANGED BOLT, M10 - 1.5 X 25	4

SEATING & BASKET

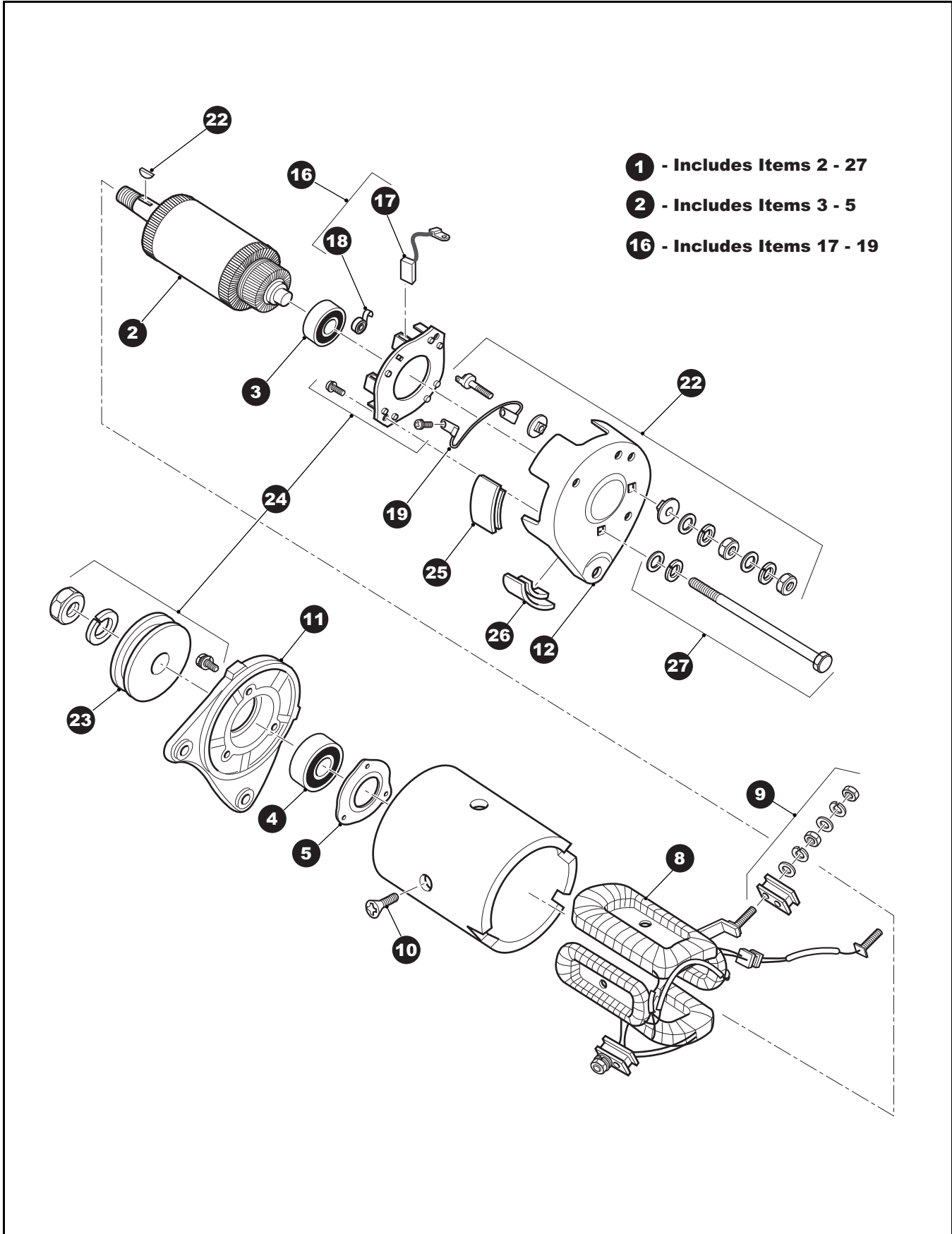
When ordering parts, please specify the model and serial number of the product.

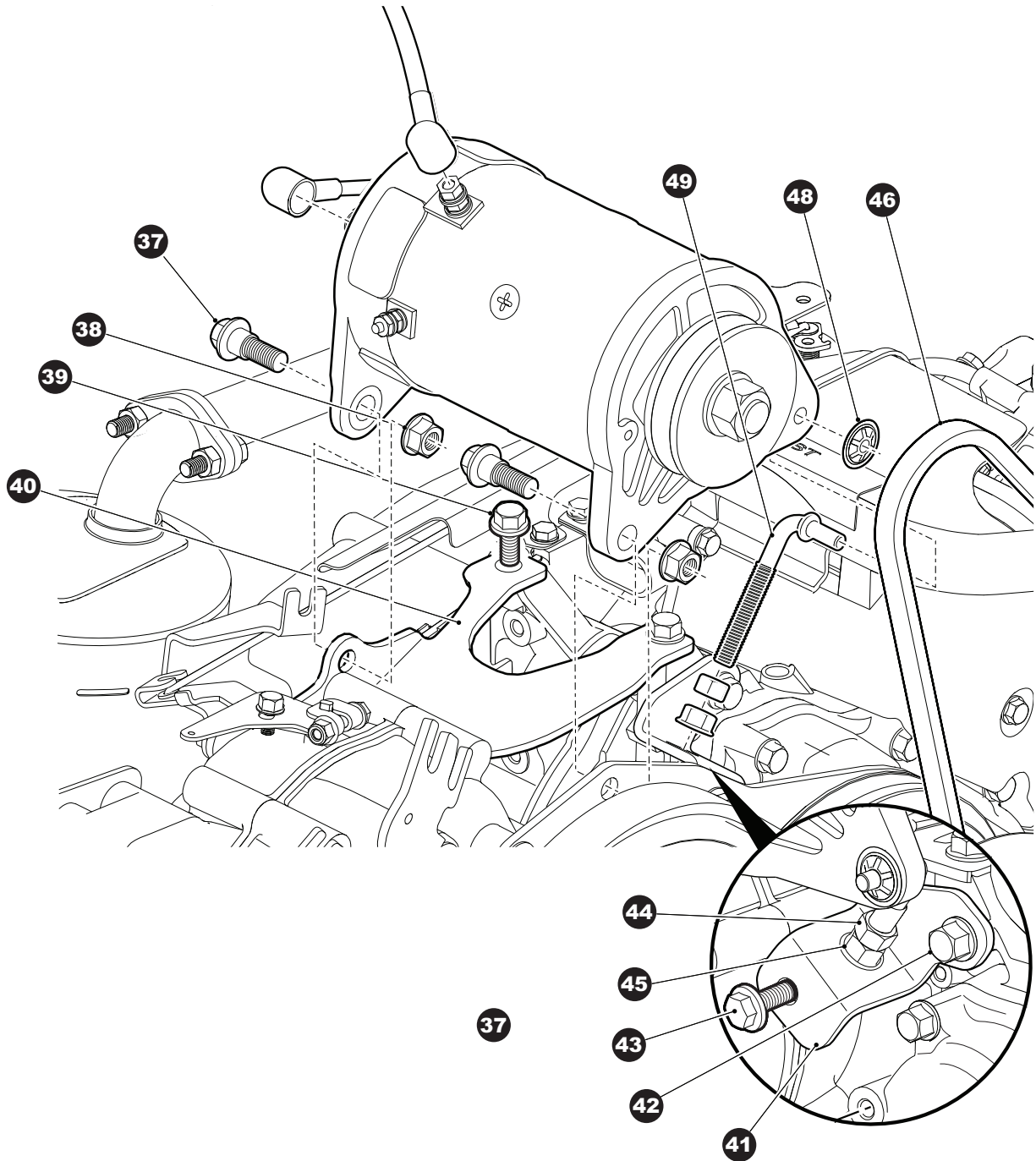
* Indicates a component that is not available as an individual part.

*** Indicates consult Customer Service Department for additional information.

ITEM	PART NO.	1	2	3	4	5	DESCRIPTION	QTY.
28								
29								
30	6XXXXX						SEAT BACK ASSEMBLY (select color below).....	1
							605548..... STONE BEIGE SEAT BACK ASSEMBLY	
							608012..... OYSTER SEAT BACK ASSEMBLY	
31	6XXXXX						SEAT BACK VINYL COVER (select color below).....	1
							605537..... STONE BEIGE SEAT BACK VINYL COVER	
							608006..... OYSTER SEAT BACK VINYL COVER	
32	<u>71754-G01</u>						SEAT BACK FOAM.....	1
33	<u>605550</u>						SEAT BACK WOODEN BASE ASSEMBLY	1
34	<u>605529</u>						SEAT BACK BLACK PLASTIC COVER.....	1
35	603000						BUTTON HEAD TORX SCREW, PLASTITE THREAD FORMING, M6 - 1	4
36								
37	<u>600530</u>						BUTTON HEAD TORX BOLT, M101 - 1.5 X 25.....	2
38								
39								
40	<u>600530</u>						BUTTON HEAD TORX BOLT, M10 - 1.5 X 25.....	2
41	<u>603818</u>						BARREL CLIP, M10 - 1.5	2

STARTER / GENERATOR





STARTER / GENERATOR

Where applicable, THE USE OF NON UL PARTS WILL VOID ANY UL LISTING.

When ordering parts, please specify the model and serial number of the product.

* Indicates a component that is not available as an individual part.

G** Indicates consult Customer Service Department for additional information.

ITEM	PART NO.	1	2	3	4	5	DESCRIPTION	QTY.
1	<u>27065-G01</u>						STARTER / GENERATOR (INCLUDES ITEMS 2 - 27).....	1
2	<u>26870-G01</u>						ARMATURE	1
3	<u>26871-G01</u>						REAR BALL BEARING	1
4	<u>26872-G01</u>						FRONT BALL BEARING.....	1
5	<u>26873-G01</u>						BEARING HOLDER.....	1
6								
7								
8	<u>26875-G01</u>						FIELD COIL	1
9	<u>26876-G01</u>						INSULATING BRUSH ASSEMBLY ('F').....	2
10	<u>26877-G01</u>						POLE CORE SETSCREW.....	4
11	<u>26878-G01</u>						FRONT COVER.....	1
12	<u>27879-G01</u>						REAR COVER	1
13	<u>26880-G01</u>						TERMINAL ASSEMBLY ('A').....	2
14								
15								
16	<u>26881-G01</u>						BRUSH HOLDER ASSEMBLY (INCLUDES ITEMS 17 - 19)	1
17	<u>26658-G01</u>						BRUSH.....	4
18	<u>26882-G01</u>						BRUSH SPRING	4
19	<u>26883-G01</u>						BRUSH CONNECTOR.....	2
20								
21								
22	<u>26884-G01</u>						KEY.....	1
23	<u>26885-G01</u>						PULLEY	1
24	<u>26886-G01</u>						BRUSH AND PULLEY HARDWARE KIT.....	1
25	<u>26887-G01</u>						BRUSH 1 COVER.....	3
26	<u>26888-G01</u>						BRUSH 2 COVER.....	2
27	<u>26889-G01</u>						HOUSING HARDWARE KIT	2
28								
29								
30								

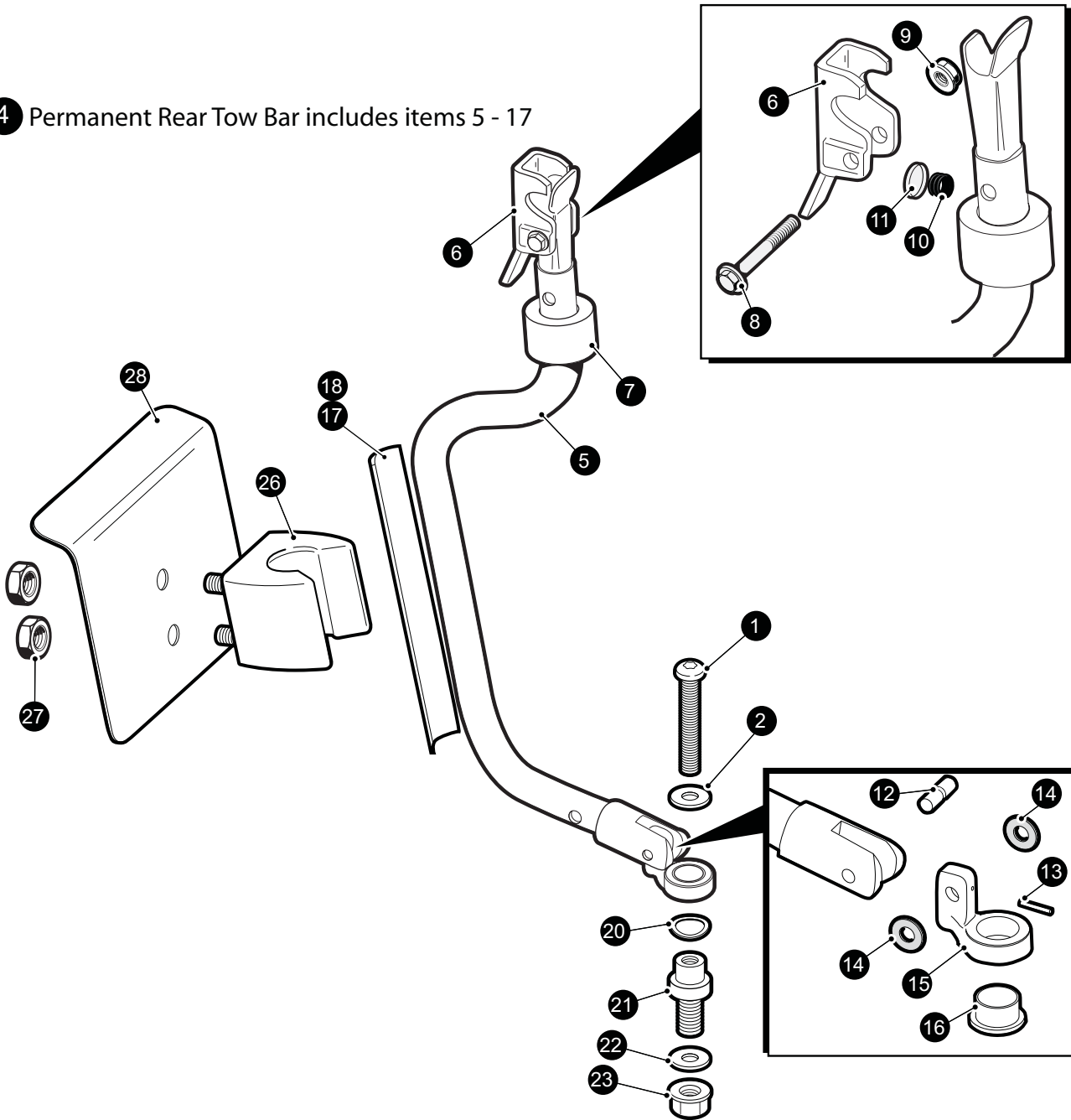
STARTER / GENERATOR

Where applicable, THE USE OF NON UL PARTS WILL VOID ANY UL LISTING.
 When ordering parts, please specify the model and serial number of the product.
 * Indicates a component that is not available as an individual part.
 G** Indicates consult Customer Service Department for additional information.

ITEM	PART NO.	1 2 3 4 5	DESCRIPTION	QTY.
31	<u>00938-G4</u>		BOLT, 1/2 - 13 X 8" LG	1
32	<u>00560-G3</u>		WASHER, 1/2"	2
33	<u>00566-G3</u>		LOCK WASHER, 1/2".....	1
34	<u>00533-G1</u>		NUT, 1/2 - 13	1
35				
36				
37	<u>606235</u>		BOLT, M10 - 1.25 X 20	2
38	<u>606279</u>		NUT, M10 - 1.25	2
39	<u>606261</u>		BOLT, M8 - 1.25 X 20	3
40	<u>602141</u>		STARTER/GENERATOR BRACKET	1
41	<u>602145</u>		TENSIONER BRACKET	1
42	<u>606261</u>		BOLT, M8 - 1.25 X 20	1
43	<u>606256</u>		BOLT, M10 - 1.25 X 25	1
44	<u>606255</u>		NUT, M10 - 1.25	1
45	<u>606274</u>		NUT, M10 - 1.25	1
46	<u>606138</u>		STARTER/GENERATOR BELT	1
47				
48	12064-G4		PUSH NUT, 5/16"	1
49	606236		TENSIONER BOLT	1

TOW BAR

4 Permanent Rear Tow Bar includes items 5 - 17



When ordering parts, please specify the model and serial number of the product.

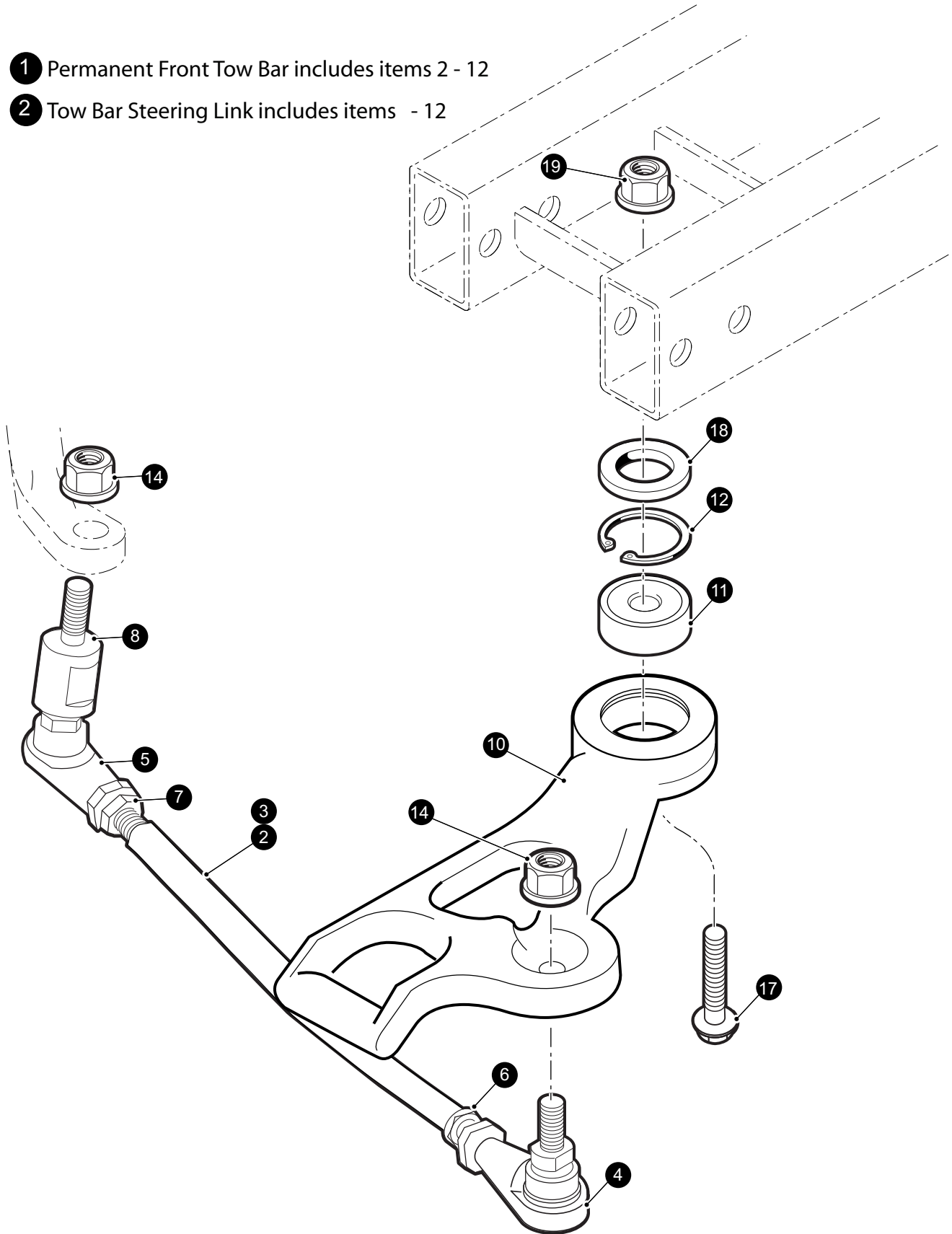
* Indicates a component that is not available as an individual part.

*** Indicates consult Customer Service Department for additional information.

ITEM	PART NO.	1 2 3 4 5	DESCRIPTION	QTY.
1	<u>603384</u>		PAN HEAD TORX BOLT, M12 - 1.25 X 100.....	1
2	<u>603182</u>		FLAT WASHER, M12, 13.5 X 32 X 3	1
3				
4	<u>603476</u>		PERMANENT TOW BAR (towing vehicle), (includes items 5 - 17)	1
5	<u>603316</u>		TOW BAR	1
6	<u>603236</u>		LATCH	1
7	<u>75362-G01</u>		LATCH STOP	1
8	<u>601414</u>		HEX HEAD FLANGED BOLT, M10 - 1.5 X 65.....	1
9	<u>600525</u>		FLANGED LOCK NUT, M10 - 1.5.....	1
10	<u>20852-G2</u>		COMPRESSION SPRING	1
11	<u>25661-G02</u>		CUP WASHER	1
12	<u>603494</u>		PIVOT PIN.....	1
13	<u>608793</u>		SPRING PIN.....	1
14	<u>75340-G01</u>		DELTRIN WASHER.....	2
15	<u>602988</u>		TOW BAR SWIVEL	1
16	<u>70648-G01</u>		FLANGED BUSHING	1
17	608525		TOW BAR WARNING DECAL.....	1
18	608525		TOW BAR WARNING DECAL, CE	1
19				
20	<u>603341</u>		WAVE SPRING WASHER, 32mm	1
21	<u>602990</u>		TOW BAR PIVOT.....	1
22	<u>603182</u>		FLAT WASHER, M12, 13.5 X 32 X 3	1
23	<u>600549</u>		FLANGED HEX NUT, M12 - 1.25.....	1
24				
25				
26	<u>603020</u>		REAR TOW BAR RETAINER	1
27	<u>600525</u>		FLANGED HEX NUT, M10 - 1.5.....	2
28	<u>608757</u>		RETAINER BACKING PLATE	1

TOW BAR

- 1 Permanent Front Tow Bar includes items 2 - 12
- 2 Tow Bar Steering Link includes items - 12



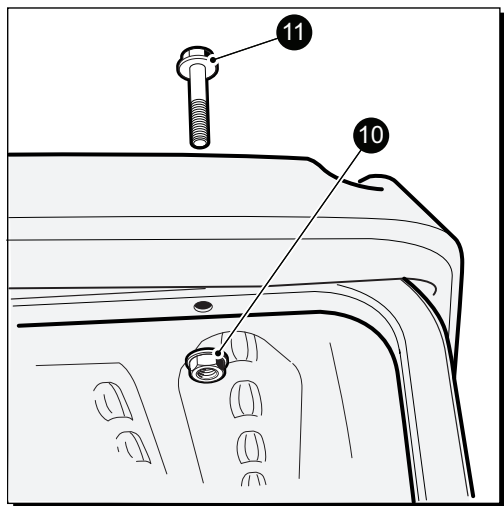
When ordering parts, please specify the model and serial number of the product.

* Indicates a component that is not available as an individual part.

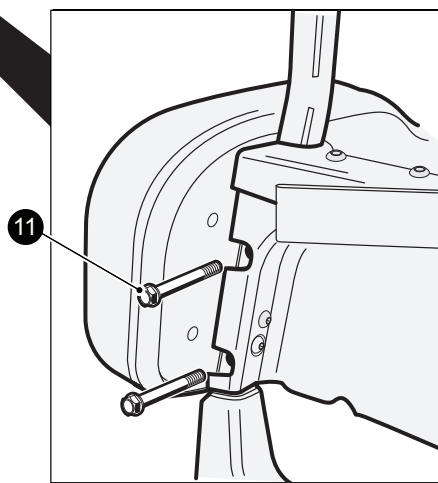
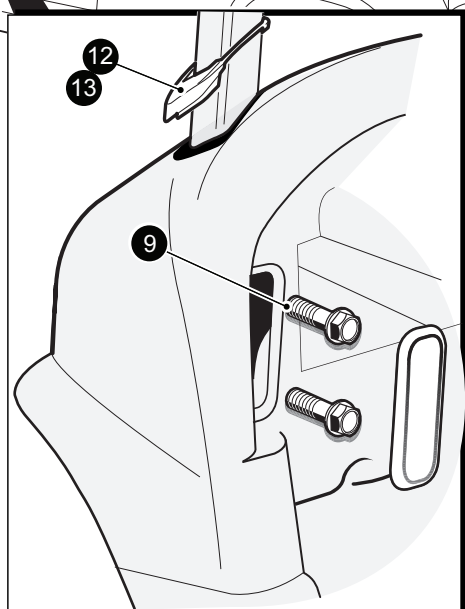
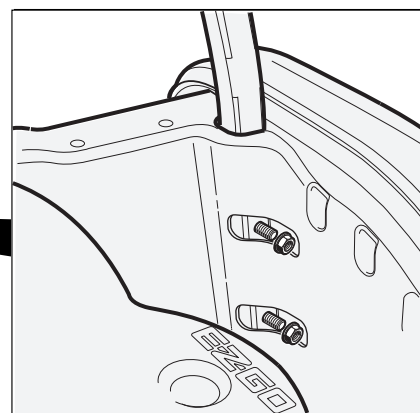
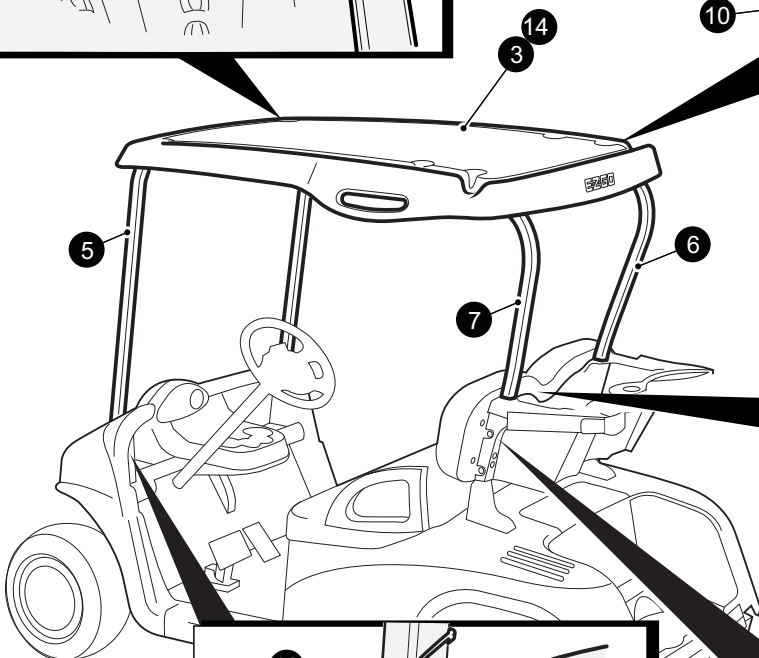
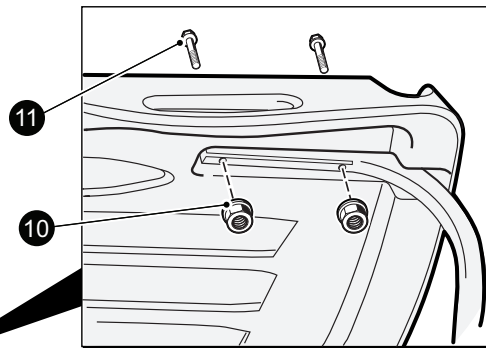
*** Indicates consult Customer Service Department for additional information.

ITEM	PART NO.	1 2 3 4 5	DESCRIPTION	QTY.
1	603475		PERMANENT TOW BAR (towed vehicle) (includes items 2 - 12)	1
2	<u>601624</u>		TOW BAR STEERING LINK (includes items 3 - 8)	1
3	<u>603297</u>		TOW BAR TIE ROD	1
4	<u>603322</u>		LEFT HAND TIE ROD END	1
5	<u>601266</u>		RIGHT HAND TIE ROD END	1
6	<u>603487</u>		JAM NUT, M12 - 1.25 LH	1
7	<u>603488</u>		JAM NUT, M12 - 1.25 RH	1
8	<u>608739</u>		SPACER	1
9				
10	<u>601389</u>		FRONT TOW BAR CASTING	1
11	<u>606073</u>		BEARING	1
12	<u>607322</u>		INTERNAL SNAP RING	1
13				
14	<u>600549</u>		FLANGED HEX NUT, M12 - 1.25	2
15				
16				
17	<u>607365</u>		HEX HEAD FLANGED BOLT, M16 - 2 X 70	1
18	<u>606293</u>		FRONT TOW BAR SPACER	1
19	<u>601709</u>		LOCKING HEX NUT, M16 - 2	1

WEATHER PROTECTION



- 1 Stone Beige Sun Top Kit includes items 3 - 13
- 2 Oyster Sun Top Kit includes items 4 - 14
- 4 Strut Kit includes items 5 - 15
- 8 Sun Top Hardware Kit includes items 9 - 13



WEATHER PROTECTION

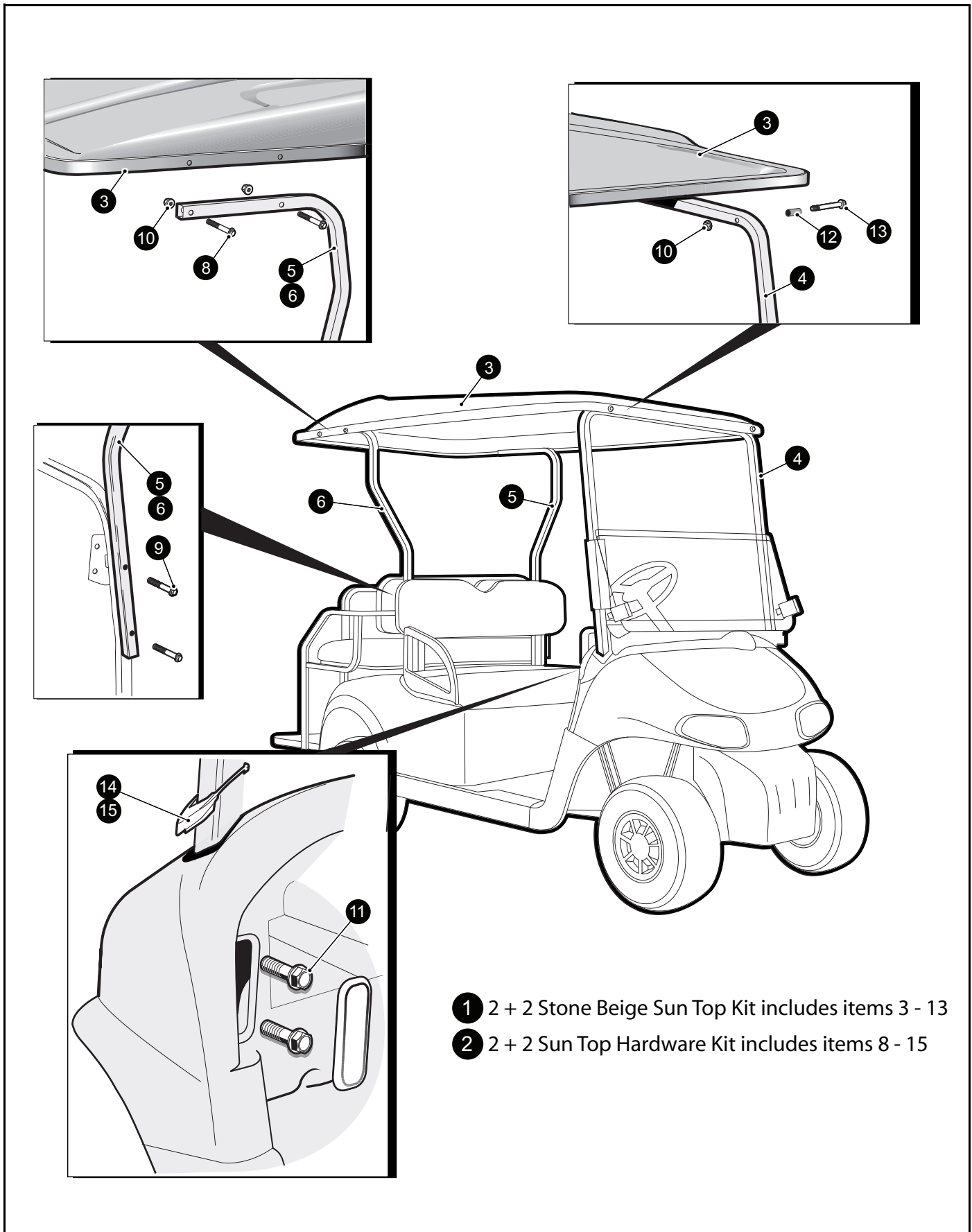
When ordering parts, please specify the model and serial number of the product.

* Indicates a component that is not available as an individual part.

*** Indicates consult Customer Service Department for additional information.

ITEM	PART NO.	1 2 3 4 5	DESCRIPTION	QTY.
1	606354		SUN TOP KIT, STONE BEIGE (includes items 3- 13)	1
2	608695		SUN TOP KIT, OYSTER (includes items 4 - 14).....	1
3	<u>602115</u>		SUN TOP, STONE BEIGE	1
4	608677		SUN TOP STRUT KIT (includes items 5 - 8.....	1
5	<u>603203</u>		FRONT STRUT	1
6	<u>603370</u>		REAR STRUT, PASSENGER SIDE	1
7	603369		REAR STRUT, DRIVER SIDE.....	1
8	<u>607013</u>		SUN TOP HARDWARE KIT (includes items 9 - 13)	1
9	<u>602415</u>		HEX HEAD FLANGED BOLT, M10 - 1.5 X 80.....	4
10	<u>600525</u>		FLANGED LOCK NUT, M10 - 1.5.....	10
11	<u>603800</u>		HEX HEAD FLANGED BOLT, M10 - 1.5 X 50.....	10
12	<u>602770</u>		GROMMET, DRIVER SIDE	1
13	<u>602992</u>		GROMMET, PASSENGER SIDE.....	1
14	608693		SUN TOP, OYSTER	1

WEATHER PROTECTION



WEATHER PROTECTION

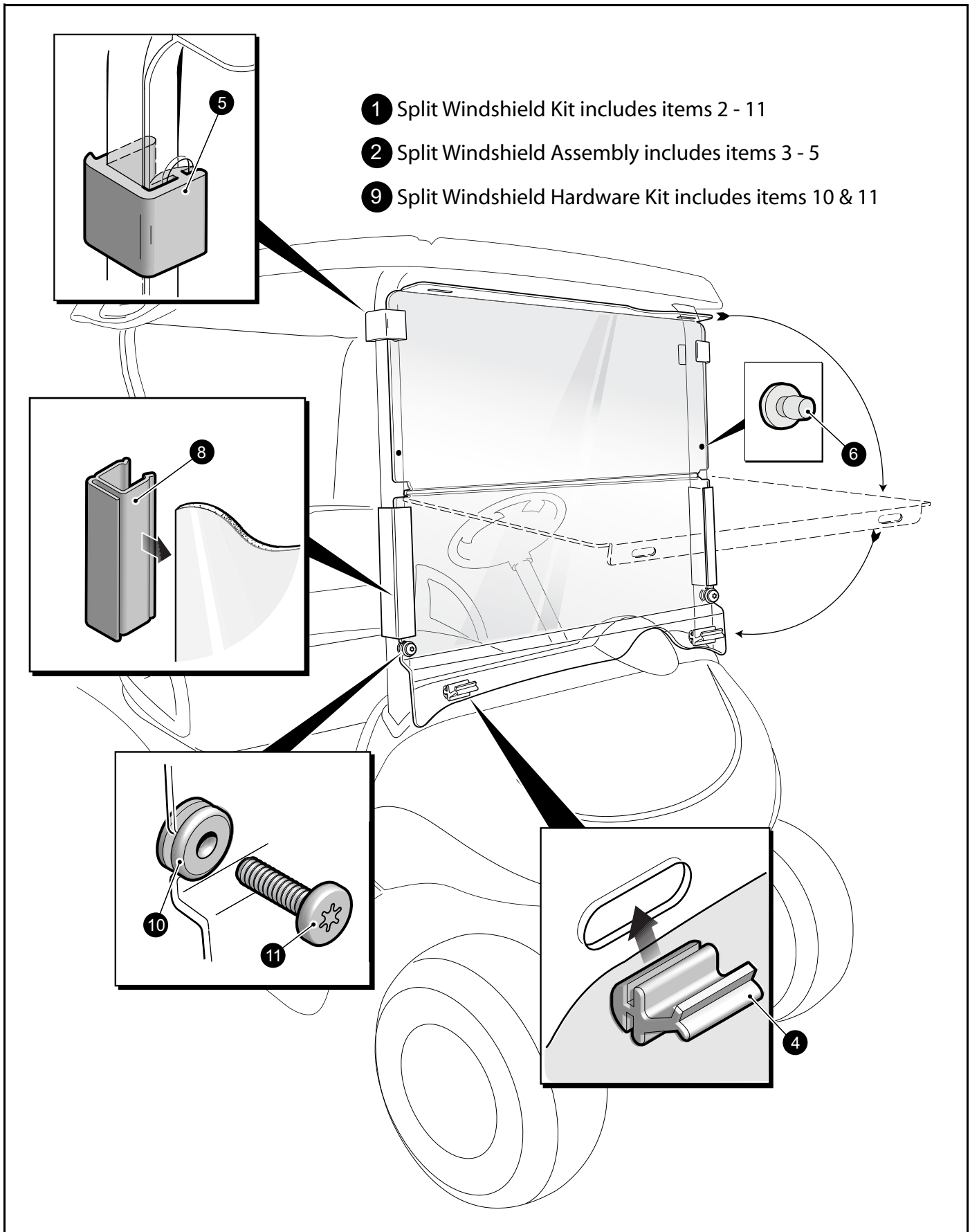
When ordering parts, please specify the model and serial number of the product.

* Indicates a component that is not available as an individual part.

*** Indicates consult Customer Service Department for additional information.

ITEM	PART NO.	1 2 3 4 5	DESCRIPTION	QTY.
1	604568		2 + 2 SUN TOP KIT, STONE BEIGE (includes items 3 - 13)	1
2				
3	603854		2 + 2 SUN TOP, STONE BEIGE	1
4	<u>603203</u>		FRONT STRUT	1
5	<u>604423</u>		2 + 2 REAR STRUT, DRIVER SIDE	1
6	<u>604424</u>		2 + 2 REAR STRUT, PASSENGER SIDE	1
7	604378		2 + 2 SUN TOP HARDWARE KIT (includes items 7 -)	1
8	<u>601414</u>		HEX HEAD FLANGED BOLT, M10 - 1.5 X 65	4
9	<u>602415</u>		HEX HEAD FLANGED BOLT, M10 - 1.5 X 80	4
10	<u>600525</u>		FLANGED LOCK NUT, M10 - 1.5	6
11	<u>603800</u>		HEX HEAD FLANGED BOLT, M10 - 1.5 X 50	4
12	607329		SPACER TUBE	2
13	<u>601754</u>		HEX HEAD FLANGED BOLT, M10 - 1.5 X 100	2
14	<u>602770</u>		STRUT GROMMET, DRIVER SIDE	1
15	<u>602992</u>		STRUT GROMMET, PASSENGER SIDE	1

WEATHER PROTECTION



WEATHER PROTECTION

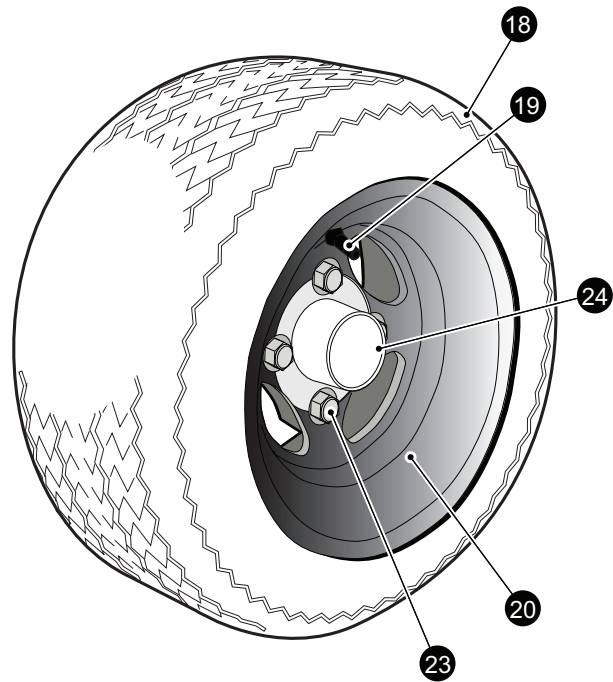
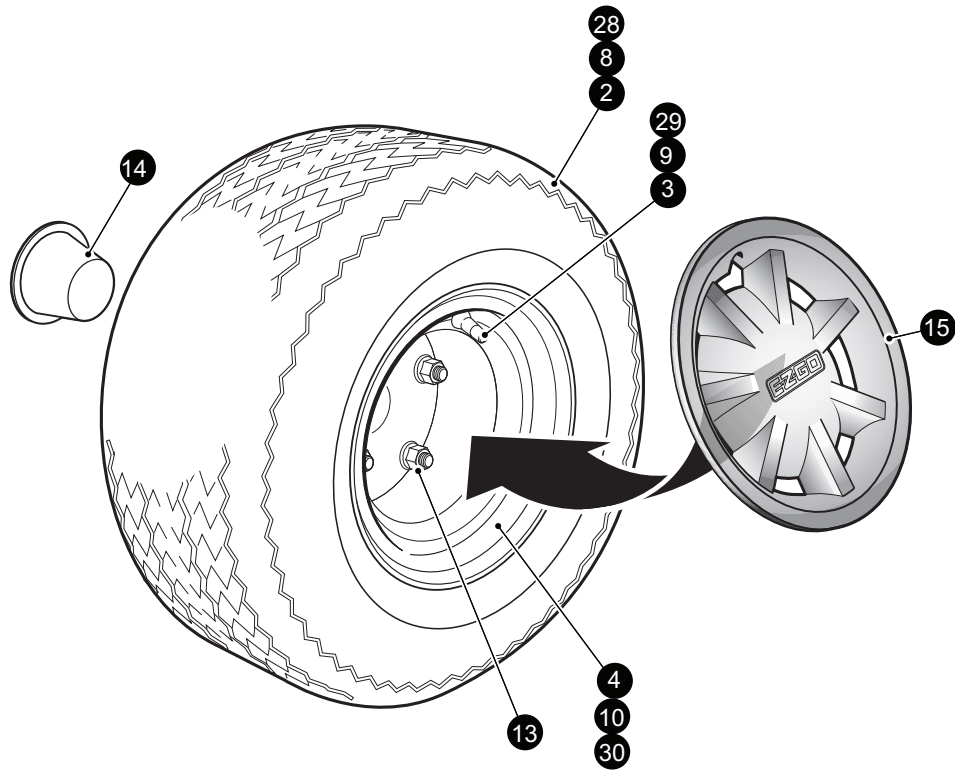
When ordering parts, please specify the model and serial number of the product.

* Indicates a component that is not available as an individual part.

*** Indicates consult Customer Service Department for additional information.

ITEM	PART NO.	1 2 3 4 5	DESCRIPTION	QTY.
1	<u>606584</u>		SPLIT WINDSHIELD KIT (includes items 2 - 11).....	1
2	<u>606623</u>		SPLIT WINDSHIELD ASSEMBLY (includes items 3 - 5).....	1
3	<u>603738</u>		SPLIT WINDSHIELD.....	1
4	<u>603201</u>		LOWER WINDSHIELD LATCH.....	2
5	<u>603198</u>		UPPER WINDSHIELD LATCH.....	2
6	<u>604115</u>		WINDSHIELD ISOLATOR.....	2
7				
8	603852		WINDSHIELD ATTACHMENT SASH.....	2
9	607014		SPLIT WINDSHIELD HARDWARE KIT (includes items 10 & 11)	1
10	<u>604116</u>		GROMMET	2
11	<u>602572</u>		PAN HEAD TORX BOLT, M10 - 1.5 X 25.....	2

WHEELS AND TIRES



WHEELS AND TIRES

When ordering parts, please specify the model and serial number of the product.

* Indicates a component that is not available as an individual part.

*** Indicates consult Customer Service Department for additional information.

ITEM	PART NO.	1 2 3 4 5	DESCRIPTION	QTY.
1	603173		LINKS WHEEL AND TIRE ASSEMBLY (includes items 2 - 4).....	1
2	<u>28764-G01</u>		CARLISLE LINKS TIRE, 18 X 8.5 - 8	1
3	<u>11657-G2</u>		VALVE STEM.....	1
4	<u>603172</u>		STONE BEIGE WHEEL.....	1
5				
6				
7	<u>605713</u>		T - SHOT WHEEL AND TIRE ASSEMBLY (includes items 8 - 10).....	1
8	606379		CARLISLE T - SHOT TIRE, 4 PLY 18 X 8.5 - 8	1
9	<u>11657-G2</u>		VALVE STEM.....	1
10	<u>603172</u>		STONE BEIGE WHEEL.....	1
11				
12				
13	<u>14723-G1</u>		LUG NUT, 1/2 - 20 UNF	4
14	<u>74175-G01</u>		DUST CAP	1
15	603785		HUB CAP	1
16				
17	<u>600599</u>		ALLOY WHEEL AND TIRE ASSEMBLY.....	1
18	<u>601768</u>		TOUR MAX TIRE, 205 / 50 - 10	1
19	<u>601767</u>		VALVE STEM.....	1
20	<u>601766</u>		ITP ALLOY WHEEL.....	1
21				
22				
23	<u>605310</u>		CHROME LUG NUT, 1/20-020 UNF	4
24	<u>601353</u>		ALLOY WHEEL CAP	1
25				
26				
27	<u>603216</u>		USA WHEEL AND TIRE ASSEMBLY (includes items 28 -30).....	1
28	<u>28764-G08</u>		CARLISLE USA TRAIL TIRE 18.5 X 8.5 - 8.....	1
29	<u>11657-G2</u>		VALVE STEM.....	1
30	<u>603172</u>		STONE BEIGE WHEEL.....	1
31				



A Textron Company

E-Z-GO Division of Textron, Inc.,
1451 Marvin Griffin Road, Augusta, Georgia 30906 - 3852 USA

TO CONTACT US...

North America:

**Technical Assistance & Warranty
Service Parts**

Phone: 1-800-774-3946, FAX: 1-800-448-8124

Phone: 1-888-GET-E-Z-GO (1-888-438-3946), FAX: 1-800-752-6175

International:

Phone: 001-706-798-4311, FAX: 001-706-771-4609

ISO 9001
ISO 14001

BUREAU VERITAS
Certification



Copyrighted Material
This manual may not be reproduced in whole or
in part without the express permission of
E-Z-GO Division of Textron, Inc.
Technical Communications Department