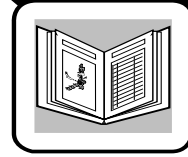


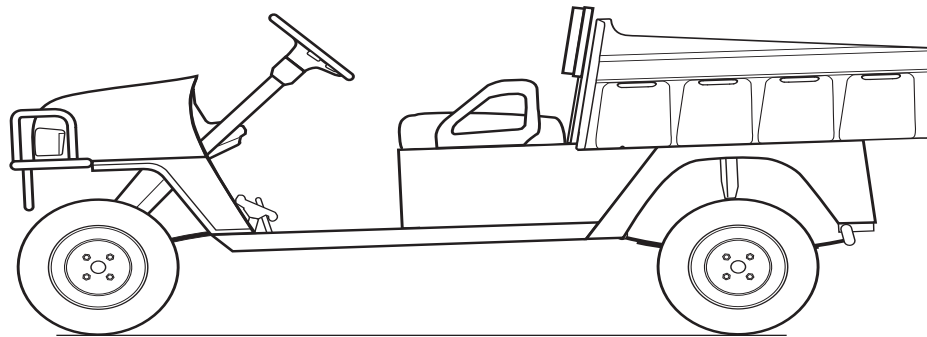
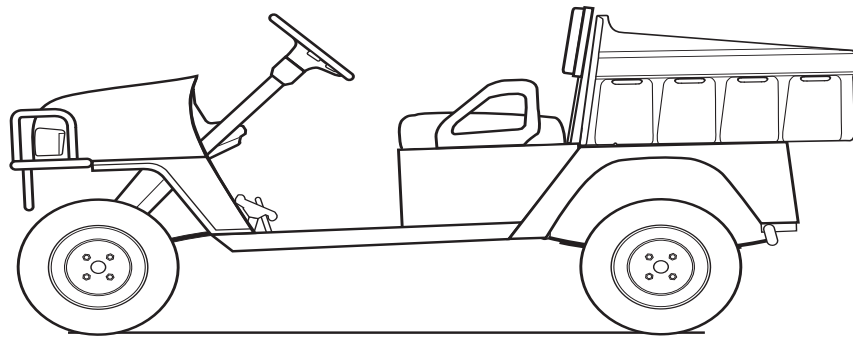
606915



A Textron Company



SERVICE PARTS MANUAL



GASOLINE POWERED UTILITY VEHICLE

ISSUED MARCH 2008

REVISED JULY 2008

SERVICE PARTS MANUAL

GASOLINE POWERED UTILITY VEHICLES

ST 400

ST 400 CARB

ST SPORT

ST SPORT CARB

ST SPORT II CARB

JAC 4000

STARTING MODEL YEAR 2008

DISCLAIMER: The E-Z-GO Division of Textron Inc. reserves the right to incorporate engineering and design changes to products in this Manual, without obligation to include these changes on units leased/sold previously.

The information contained in this Manual may be revised periodically by the E-Z-GO Division, and therefore is subject to change without notice.

The E-Z-GO Division DISCLAIMS LIABILITY FOR ERRORS IN THIS MANUAL, and the E-Z-GO Division SPECIFICALLY DISCLAIMS LIABILITY FOR INCIDENTAL AND CONSEQUENTIAL DAMAGES resulting from the use of the information and materials in this Manual.

CUSTOMER SERVICE DEPARTMENT IN USA PHONE: 1-800-241-5855 FAX: 1-800-448-8124

OUTSIDE USA PHONE: 001-706-798-4311, FAX: 001-706-771-4609

E-Z-GO DIVISION OF TEXTRON, INC., MARVIN GRIFFIN RD., AUGUSTA, GEORGIA USA 30906

NOTES

To obtain a copy of the limited warranty applicable to the vehicle, call or write a local Distributor, authorized Branch or the Warranty Department with vehicle serial number and manufacturer code.

The use of non Original Equipment Manufacturer (OEM) parts may void the warranty.

Overfilling of batteries may void the warranty.

BATTERY PROLONGED STORAGE

All batteries will self discharge over time. The rate of self discharge varies depending on the ambient temperature and the age and condition of the batteries.

A fully charged battery will not freeze in winter temperatures unless the temperature falls below -75 F (-60 C).

As with all electric vehicles, the batteries must be checked and recharged as required or at a minimum of 30 day intervals.

TABLE OF CONTENTS

SECTION	Page No.
HOW TO USE THE SERVICE PARTS MANUAL	v
ILLUSTRATED PARTS BREAKDOWN	vii
ACCELERATOR	A-1
• Pedal Box Assembly	
• Actuator Pedal Assembly	
• Governor Cover/Decal	
AIR FILTER	B-1
• Air Cleaner	
BODY	C-1
• Instrument Panel Assembly	
• Cowl	
• Front Bracket Assembly	
• Rear Body	
• Foot Rest Assembly	
BRAKES	D-1
• Brake Pedal Assembly	
• Brake Drum Assembly	
CARBURETOR AND CHOKE	E-1
• Carburetor	
• Choke Cable	
CLUTCH	F-1
• Drive Clutch	
• Driven Clutch Assembly	
DIRECTION SELECTOR	G-1
• Direction Selector Handle	
ELECTRICAL SYSTEM	H-1
• Battery	
• Ground Cable	
• Electrical Plate Assembly	
• Horn	
ENGINE AND MUFFLER	J-1
• Engine	
• Muffler	
ENGINE MOUNTING	K-1
• Front Engine Mount	

TABLE OF CONTENTS

- Engine Pan Mount
- Iso Mount

FRONT SUSPENSION L-1

- Front Axle
- Spindle Assembly
- Shock Absorber

FUEL SYSTEM M-1

- CARB Fuel Tank Assembly
- Fuel Pump
- Carbon Canister

REAR AXLE N-1

- Axle Tube
- Axle Shaft

REAR SUSPENSION P-1

- Heavy Duty Leaf Spring
- Flanged Bushing

SEATING Q-1

- Seat Bottom Assembly
- Seat Back Assembly

STARTER / GENERATOR R-1

- Insulating Brush Assembly
- Starter/Generator Adjuster

STEERING S-1

- Steering Shaft
- Steering Column
- Tie Rod Assembly

WEATHER PROTECTION T-1

- Sun Top Kit
- Windshield Kit

WHEELS AND TIRES U-1

SPECIALTY PRODUCTS APPENDIX A-1

OPTIONS AND ACCESSORIES APPENDIX B-1

HOW TO USE THE SERVICE PARTS MANUAL

This manual is divided into several sections:

GENERAL INFORMATION

- TABLE OF CONTENTS
- HOW TO USE THE SERVICE PARTS MANUAL

ILLUSTRATED PARTS BREAKDOWN

- Contains illustrations and parts lists for all systems of the vehicle

APPENDIX

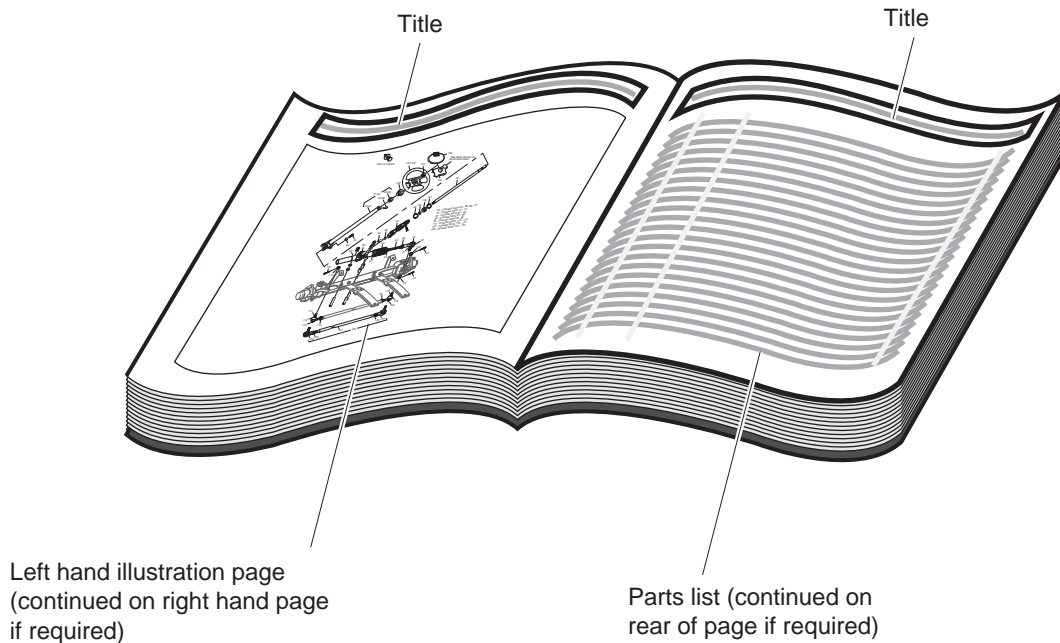
- Contains a listing of specialty products and options/accessories

USE OF THE MANUAL

To use this manual, consult the TABLE OF CONTENTS (page iii) to locate the information or illustration required.

Introduction of some revisions varies due to supply of components; therefore, it is possible that various combinations of components may be found that are not directly reflected by each illustration. Consult the illustration that best suits your situation. Locate the serial number plate (see BODY located in the Illustrated Parts Breakdown section of this manual for its location) and note the complete number shown on the plate. It is important that the serial number of your vehicle and its model number be supplied to Service Parts when ordering any replacement components.

HOW TO USE THE SERVICE PARTS MANUAL



1. WHEN THE PART NUMBER IS NOT KNOWN

- Determine the function and application of the part required. Turn to the INDEX OF MAJOR COMPONENTS and select the most appropriate component description.
- Turn to the page number indicated and locate the part description in the parts list. Read the full accompanying description for specific information regarding the part that was not shown in the index.
- From the parts list, obtain the item number assigned to it and confirm that the part selected is correct by verifying it with the pictorial representation on the illustrated page.

2. IF YOU KNOW THE PART NUMBER

- Use the INDEX OF MAJOR COMPONENTS to find the page(s) the part number appears on.
- Turn to the page number indicated and locate the part number in the parts list. Refer to the accompanying description for specific information regarding the part.
- From the parts list, obtain the item number assigned to it and confirm that the part selected is correct by verifying it with the pictorial representation on the illustrated page.

Should an asterisk (*) appear in the part number column on the parts list page, read upwards until a part number is found. The part number is the lowest assembly sold by Service Parts. The asterisk (*) indicates that the part depicted is not available for purchase.

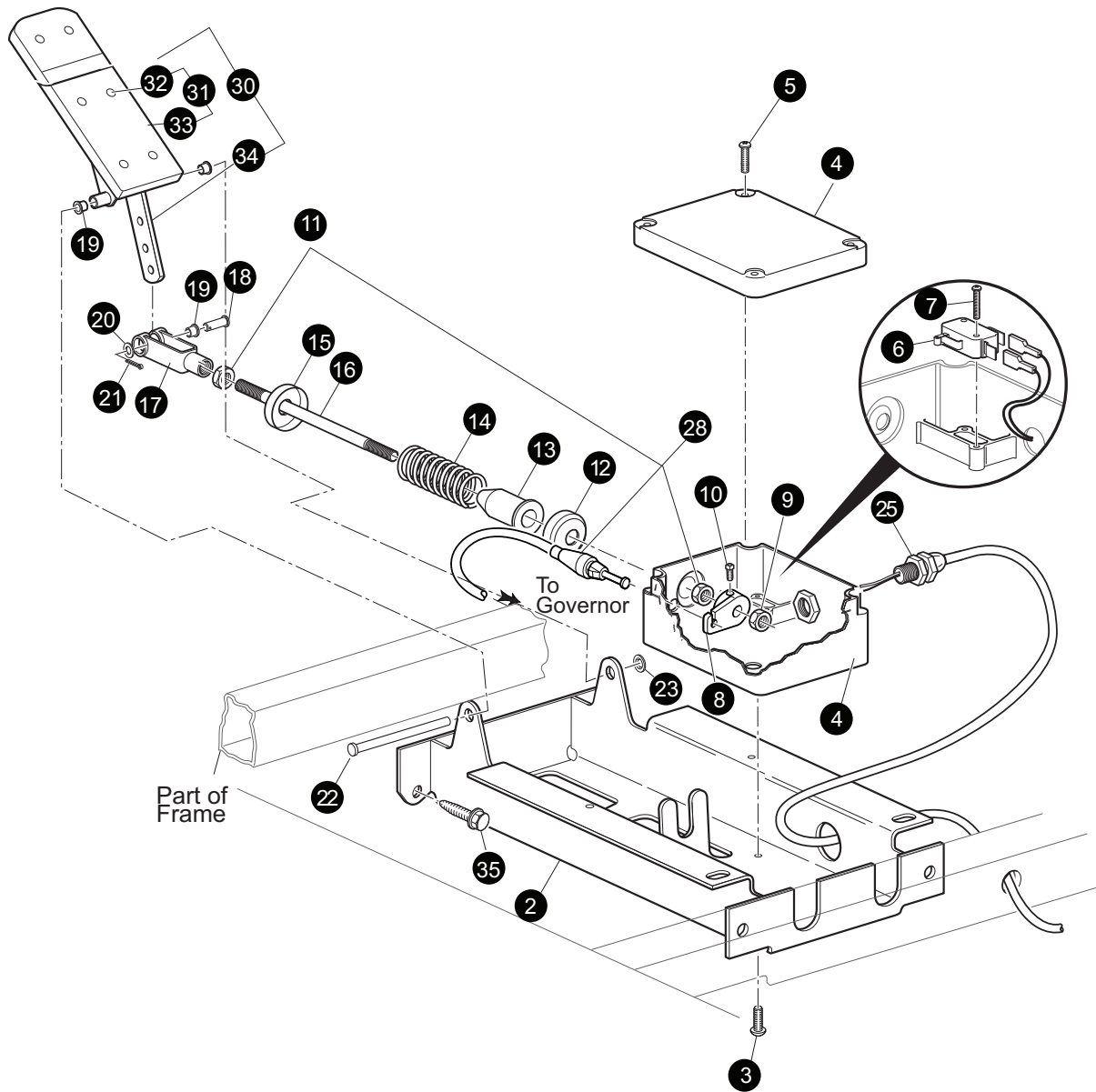
NOTE: Descriptions are indented under the assembly that they are used on. That assembly is, in turn listed under the assembly that it is used on. This process is repeated until the highest final assembly is reached.

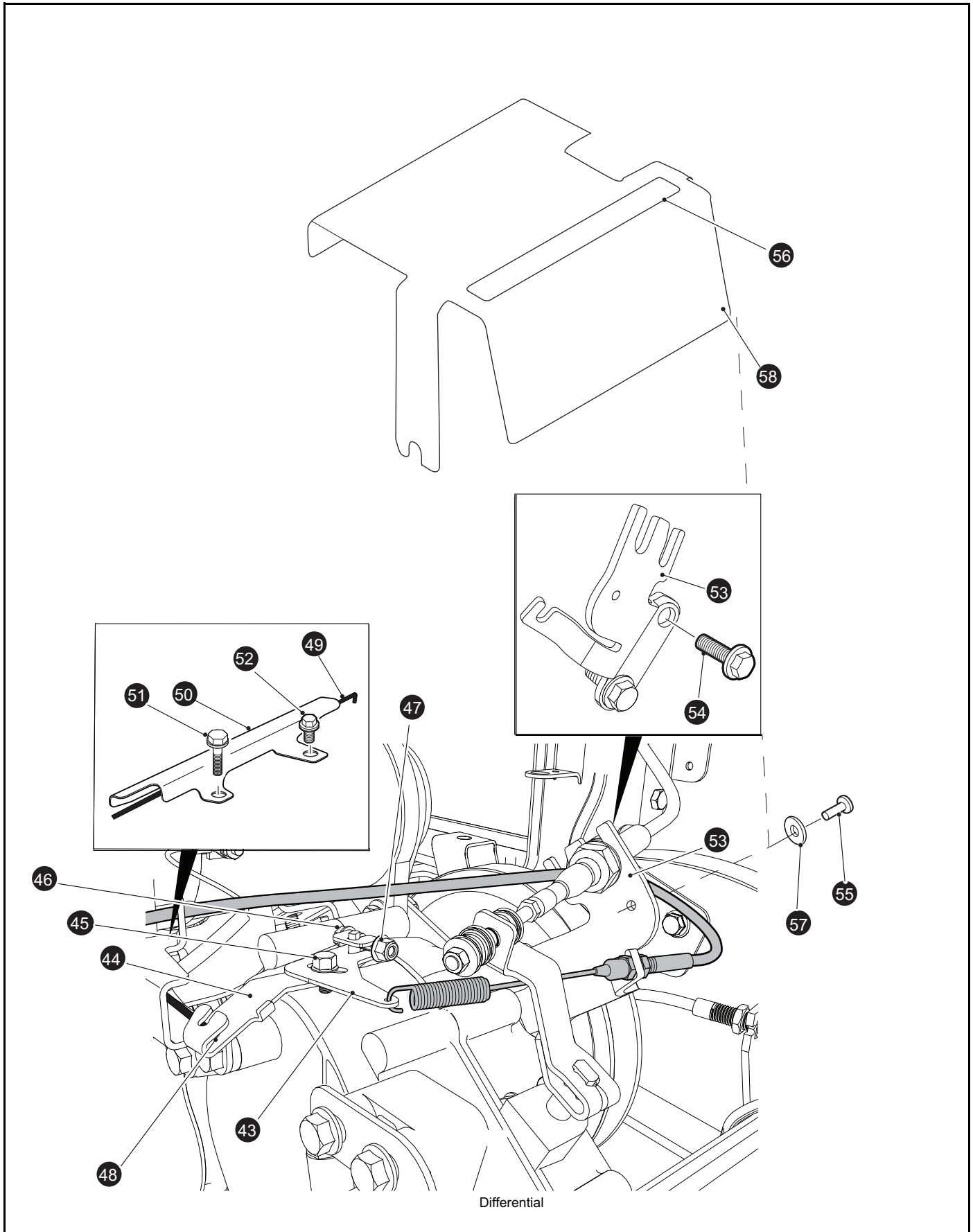
To facilitate the maintenance and repair of the vehicle, a Technician's Repair and Service Manual is available from the Service Parts Department.

ILLUSTRATED PARTS BREAKDOWN

ACCELERATOR

1 - Includes Items 3 - 34





ACCELERATOR

When ordering parts, please specify the model and serial number of the product.

* Indicates a component that is not available as an individual part.

*** Indicates consult Customer Service Department for additional information.

ITEM	PART NO.	1 2 3 4 5	DESCRIPTION	QTY.
1	<u>606990</u>		PEDAL BOX ASSEMBLY (INCLUDES ITEMS 2 - 34)	1
2	70116G02		ACCELERATOR PEDAL BRACKET	1
3	<u>01051G01</u>		SCREW, #8 - 16 X 1/2" LG	4
4	<u>25853G03</u>		PEDAL BOX AND COVER	1
5	<u>00684G6</u>		SCREW, #8 - 32 X 3/4" LG (STAINLESS STEEL)	2
6	<u>25861G01</u>		MICRO SWITCH	1
7	<u>01050G01</u>		SCREW, #4 - 20 X 5/8" LG	2
8	<u>72716G01</u>		MICRO SWITCH CAM	1
9	<u>15126G1</u>		LOCK NUT, 5/16 - 24	1
10	<u>00487G3</u>		SETSCREW, 1/4 - 20 X 3/8" LG	1
11	<u>00532G4</u>		NUT, 5/16 - 24	2
12	<u>17677G1</u>		SPRING RETAINER	1
13	<u>17979G1</u>		ACCELERATOR ROD BUSHING	1
14	<u>73046G01</u>		COMPRESSION SPRING	1
15	<u>17677G2</u>		SPRING RETAINER	1
16	72072G01		ACCELERATOR ROD	1
17	10385G4		CLEVIS YOKE (ADJUSTABLE)	1
18	<u>10386G3</u>		CLEVIS PIN, 5/16" X 13/16" LG	1
19	<u>17838G1</u>		NYLON BUSHING	3
20	<u>17255G1</u>		TEFLON WASHER, 5/16"	1
21	<u>10387G3</u>		COTTER PIN, 3/32" X 3/4" LG	1
22	<u>74432G01</u>		PEDAL PIVOT PIN	1
23	<u>12064G6</u>		PUSH NUT, 9/32"	1
24	12730G1		WHEEL BEARING GREASE (NOT ILLUSTRATED)	A/R
25	<u>72201G04</u>		WIRE HARNESS (PEDAL BOX)	1
26				
27				
28	<u>608608</u>		ACCELERATOR CABLE	1
29				
30	<u>25799G03</u>		ACCELERATOR PEDAL ASSEMBLY (INCLUDES ITEMS 31- 33)	1
31	<u>27844G01</u>		ACCELERATOR PEDAL PAD KIT (INCLUDES ITEMS 32- 33)	1

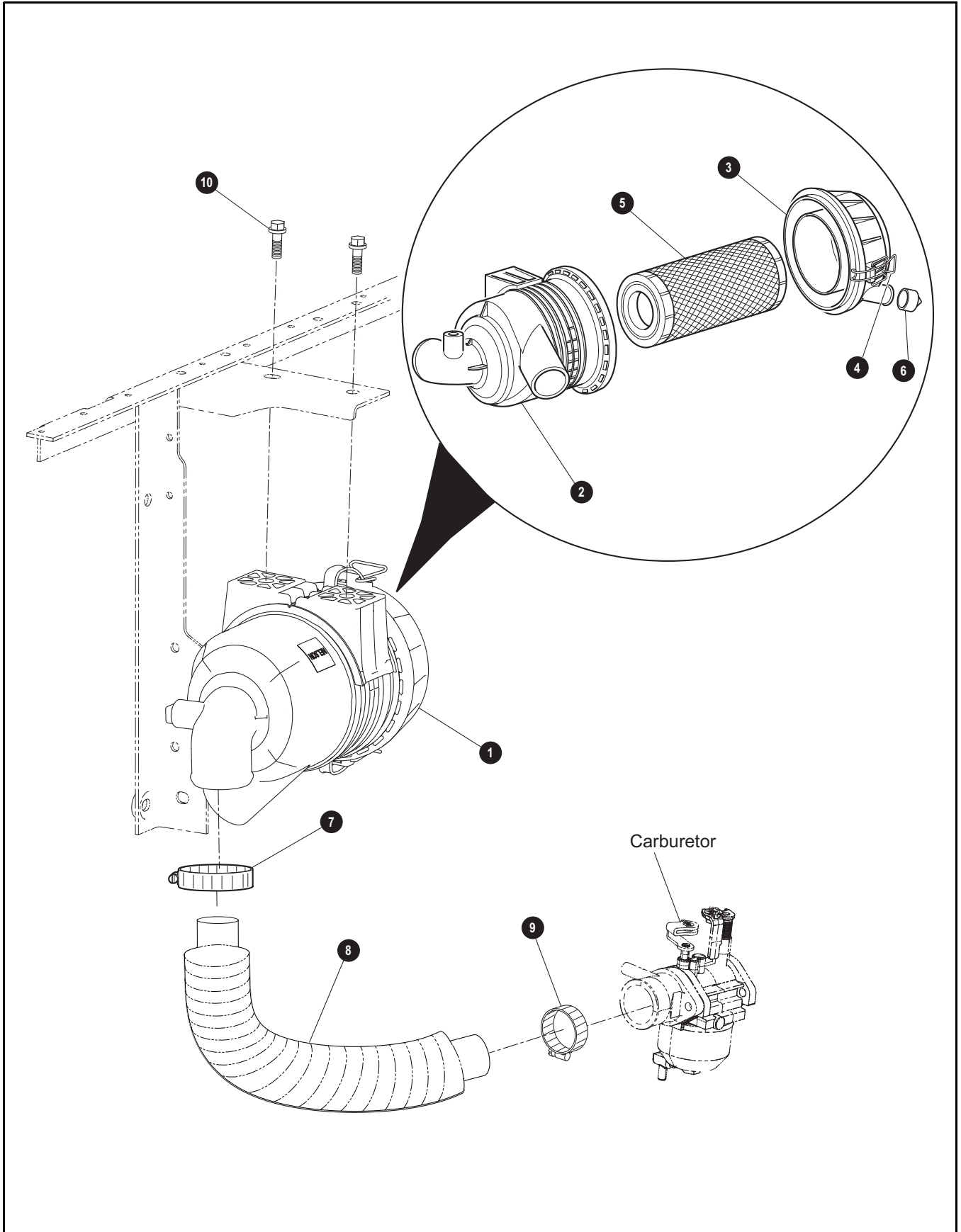
When ordering parts, please specify the model and serial number of the product.

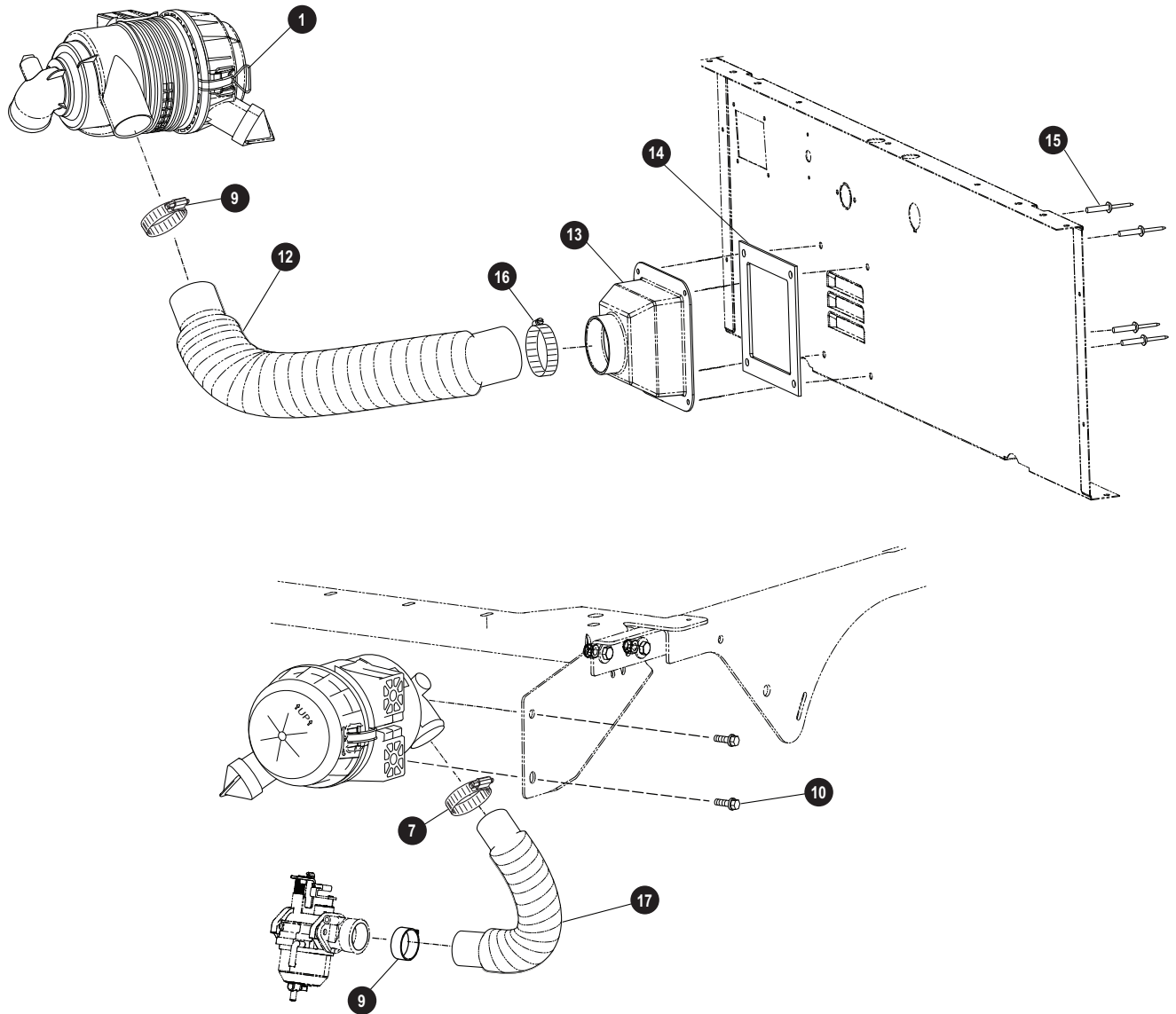
* Indicates a component that is not available as an individual part.

*** Indicates consult Customer Service Department for additional information.

ITEM	PART NO.	1	2	3	4	5	DESCRIPTION	QTY.
32	<u>16409G1</u>						OVAL RIVET, 3/16" X 7/16" LG	6
33	<u>27512-G01</u>						ACCELERATOR PEDAL PAD	1
34	*						ACCELERATOR PEDAL	
35	<u>00715G2</u>						BOLT, 5/16 -18 X 4/5" LG.....	4
36								
37								
38								
39								
40								
41								
42								
43	<u>606083</u>						UPPER GOVERNOR BRACKET.....	1
44	<u>606005</u>						LOWER GOVERNOR BRACKET	1
45	<u>606265</u>						BOLT, M6 - 1 X 12.....	1
46	<u>606421</u>						BOLT, M6 - 1 X 30.....	1
47	<u>450452</u>						NUT, M6 - 1.0.....	1
48	<u>606283</u>						GOVERNOR LEVER BUSHING	1
49	<u>606284</u>						GOVERNOR ROD	1
50	<u>603890</u>						GOVERNOR ROD GUARD	1
51	<u>606264</u>						BOLT, M6 - 1 X 20.....	1
52	<u>606262</u>						BOLT, M8 - 1.25 X 16.....	1
53	<u>606074</u>						GOVERNOR CABLE / DIRECTION SELECTOR BRACKET	1
54	<u>606256</u>						BOLT, M10 - 1.25 X 16.....	2
55	<u>14601G11</u>						RIVET.....	1
56	<u>608527</u>						GOVERNOR WARNING DECAL.....	1
57	<u>00915G1</u>						WASHER	1
58	<u>606199</u>						GOVERNOR COVER	1
59	<u>17618G1</u>						NYLON CLAMP	2

AIR FILTER





AIR FILTER

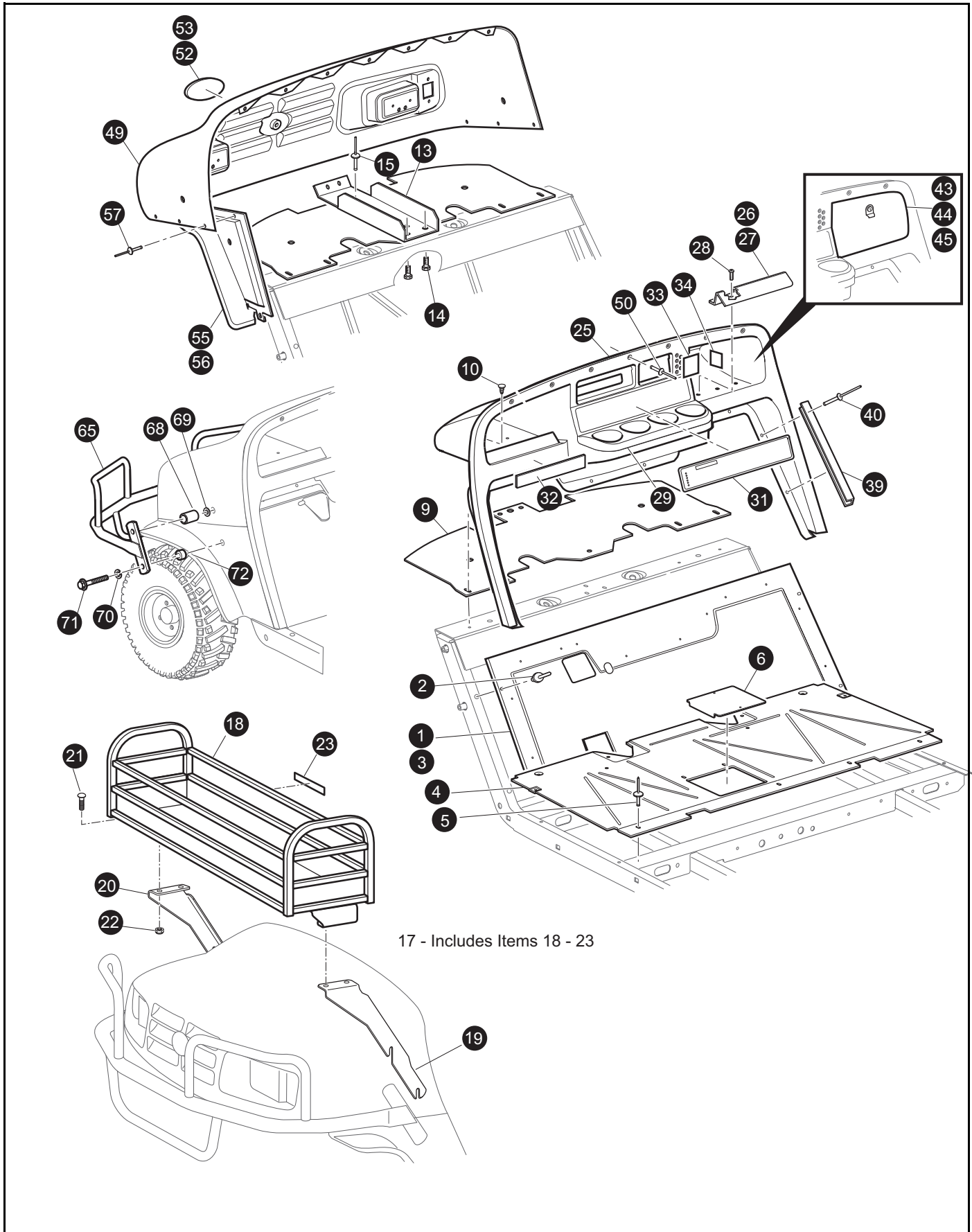
When ordering parts, please specify the model and serial number of the product.

* Indicates a component that is not available as an individual part.

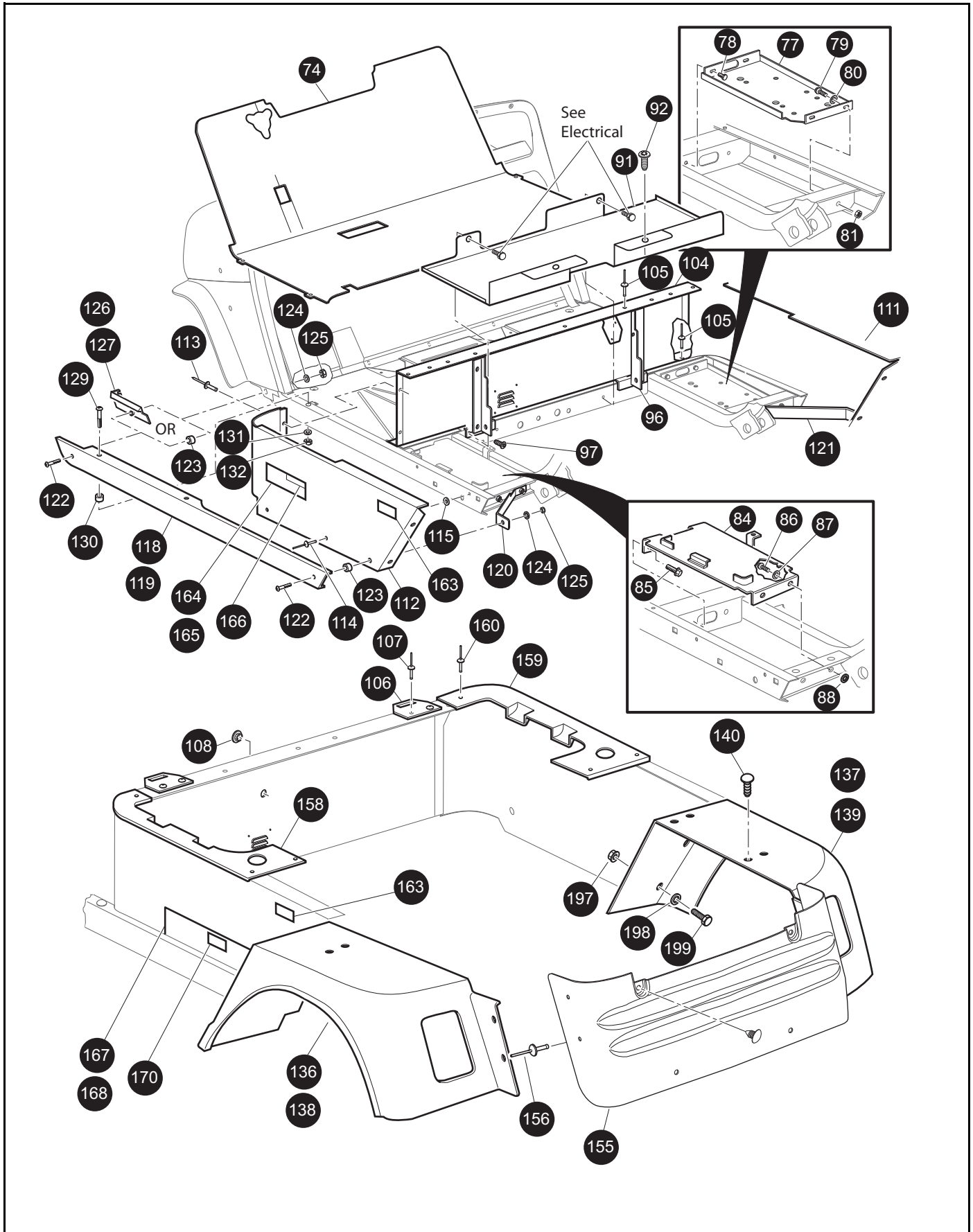
*** Indicates consult Customer Service Department for additional information.

ITEM	PART NO.	1 2 3 4 5	DESCRIPTION	QTY.
1	<u>606952</u>		AIR CLEANER (INCLUDES ITEMS 2 - 6).....	1
2	607269		BODY & BRACKET ASSEMBLY	1
3	<u>72599G01</u>		AIR CLEANER COVER	1
4	<u>72604G01</u>		AIR CLEANER CLIP	2
5	<u>28463G01</u>		AIR FILTER	1
6	<u>28462G01</u>		VALVE DUST EJECTOR.....	1
7	<u>11391G7</u>		HOSE CLAMP, 1.56 - 2.50 DIA	1
8	<u>607950</u>		HOSE 10" LONG	1
9	<u>11391G1</u>		HOSE CLAMP 1.31 - 2.25 DIA.....	3
10	<u>25532G1</u>		BOLT AND WASHER, M8 X 1.25 X 18 MM	4
11				
12	<u>72637G03</u>		HOSE, AIR INTAKE, 16" LONG	1
13	<u>72416G01</u>		INTAKE ASSEMBLY, REMOTE AIR.....	1
14	<u>72415G01</u>		GASKET, REMOTE AIR INTAKE	1
15	<u>71055G01</u>		RIVET, 3/16 DIA	4
16	<u>11391G2</u>		CLAMP, HOSE, 2.06 - 3.00 DIA	1
17	<u>601910</u>		HOSE, 14' LONG	1

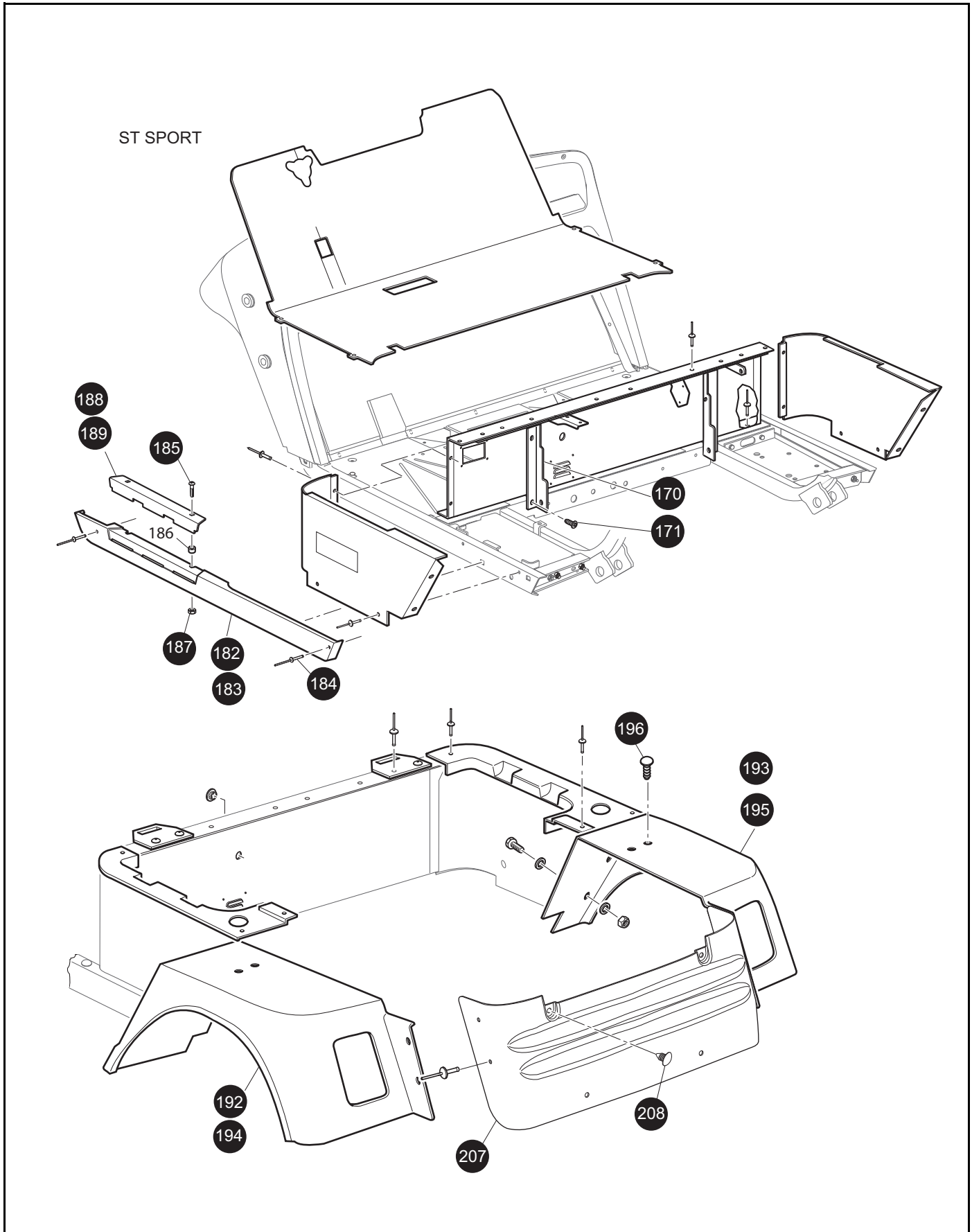
BODY



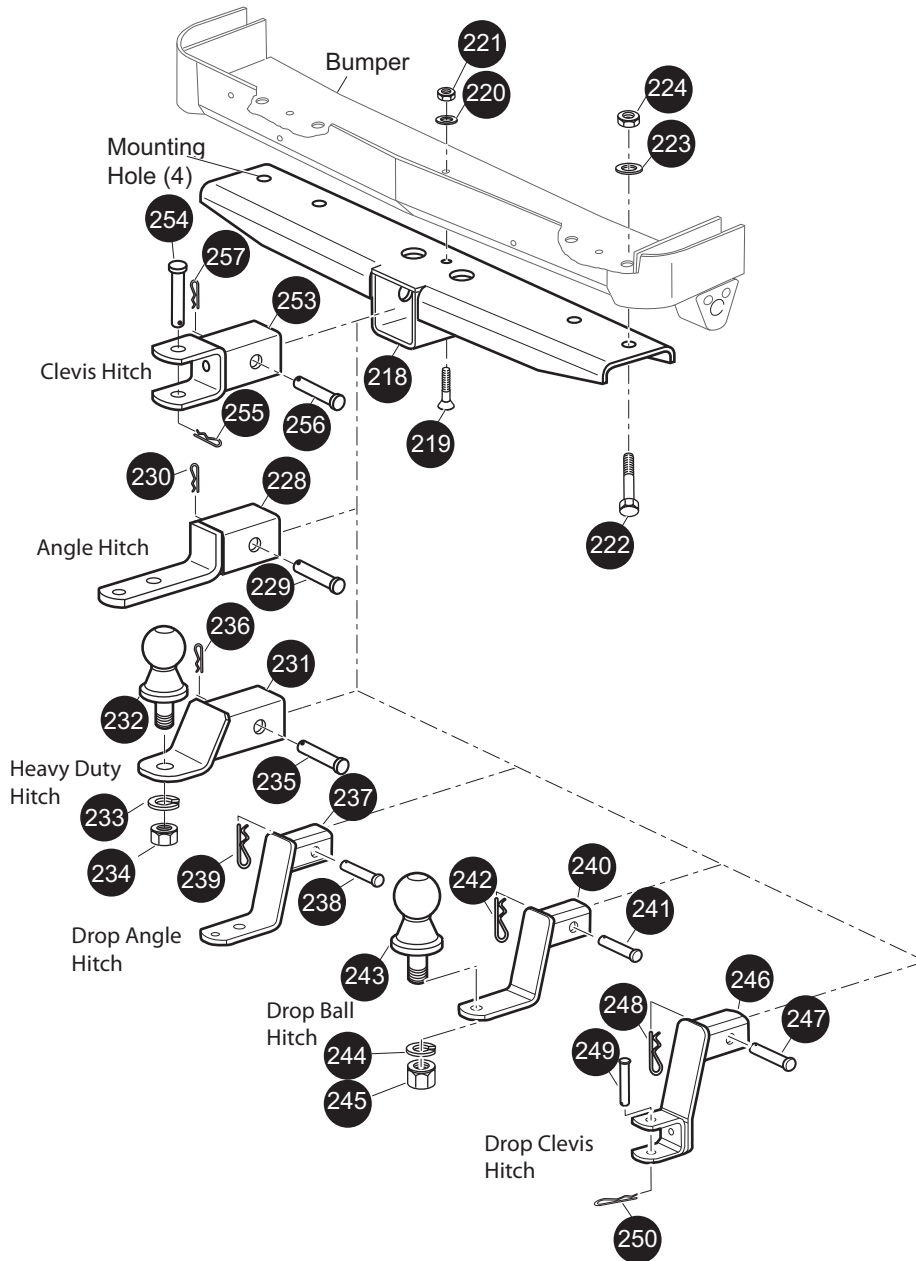
17 - Includes Items 18 - 23



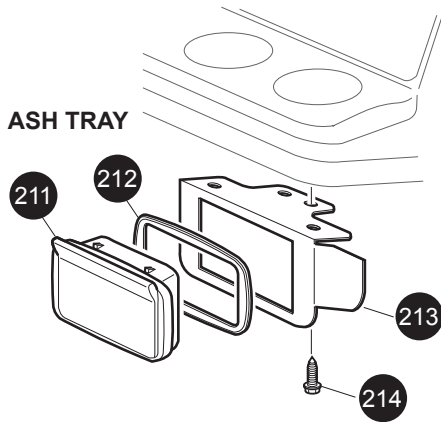
BODY



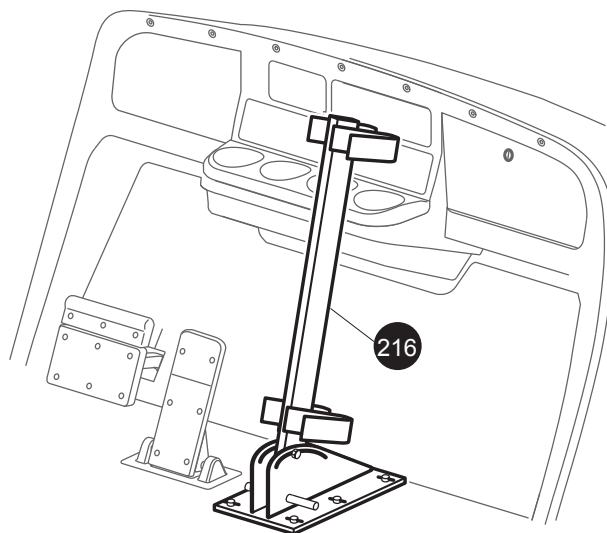
HITCHES



ASH TRAY



**FLOOR MOUNT
GUN HOLDER**



When ordering parts, please specify the model and serial number of the product.

* Indicates a component that is not available as an individual part.

*** Indicates consult Customer Service Department for additional information.

ITEM	PART NO.	1 2 3 4 5	DESCRIPTION	QTY.
1	<u>71510G01</u>		UPPER FLOORPAN	1
2	<u>14601G11</u>		RIVET, 3/16" X 9/16" LG (ALUMINUM).....	9
3	<u>70662G01</u>		UPPER FLOORPAN (ST SPORT II).....	1
4	<u>70451G01</u>		LOWER FLOORPAN	1
5	<u>14601G11</u>		RIVET, 3/16" X 9/16" LG (ALUMINUM).....	7
6	<u>70452G01</u>		ACCESS COVER.....	1
7				
8				
9	<u>71413G01</u>		SPLASH PANEL	1
10	<u>16816G2</u>		RATCHET FASTENER, 1/4" X 3/4" LG.....	4
11				
12				
13	<u>71101G02</u>		COWL SUPPORT BRACKET	1
14	<u>71102G02</u>		SELF TAPPING SCREW, 1/4 - 20 X 1/2" LG.....	3
15	<u>71055G01</u>		RIVET, 3/16" X 1 1/8" LG (ALUMINUM).....	1
16				
17	<u>74521G02</u>		FRONT BASKET ASSEMBLY (INCLUDES ITEMS 18 - 23).....	1
18	<u>74523G01</u>		FRONT BASKET	1
19	<u>74522G01</u>		BASKET MOUNTING BRACKET (DRIVER SIDE)	1
20	<u>74522G02</u>		BASKET MOUNTING BRACKET (PASSENGER SIDE).....	1
21	<u>00725G1</u>		CARRIAGE BOLT, 3/8 - 16 X 1" LG (STAINLESS STEEL)	4
22	<u>00891G1</u>		LOCK NUT, 3/8 - 16.....	4
23	<u>71931G01</u>		LABEL, FRONT BASKET (WARNING)	1
24				
25	<u>71151G03</u>		INSTRUMENT PANEL ASSEMBLY (INCLUDES ITEMS 26 - 29).....	1
26	<u>71153G01</u>		DEFLECTOR (PASSENGER SIDE)	1
27	<u>71154G01</u>		DEFLECTOR (DRIVER SIDE).....	1
28	<u>00614G5</u>		SCREW, #8 - 18 X 5/8" LG.....	4
29	<u>71158G01</u>		INSTRUMENT PANEL INSERT (FOUR CUP)	1
30				
31	<u>601781</u>		LABEL (SAFETY).....	1

BODY

When ordering parts, please specify the model and serial number of the product.

* Indicates a component that is not available as an individual part.

*** Indicates consult Customer Service Department for additional information.

ITEM	PART NO.	1 2 3 4 5	DESCRIPTION	QTY.
32	<u>74443G01</u>		LABEL (ANTI-ROLL BACK)	1
33	<u>35968G01</u>		LABEL (T-HOLDER COVER)	1
34	*		SERIAL NUMBER PLATE	1
35				
36				
37				
38				
39	<u>71115G01</u>		VINYL TRIM	2
40	<u>71055G01</u>		RIVET, 3/16" X 1" LG (ALUMINUM)	10
41				
42				
43	<u>75456G01</u>		GLOVE BOX DOORS (BOTH SIDES)	1
44	<u>75456G02</u>		GLOVE BOX DOOR (DRIVER SIDE)	1
45	<u>75456G03</u>		GLOVE BOX DOOR (PASSENGER SIDE)	1
46				
47				
48				
49	71469G**		COWL	1
50	<u>71055G01</u>		RIVET, 3/16" X 1" LG (ALUMINUM)	7
51				
52	<u>605434</u>		NAMEPLATE (E-Z-GO) (OVAL)	1
53	<u>28907G01</u>		NAMEPLATE (JACOBSON) (OVAL)	1
54				
55	<u>71338G01</u>		FENDER FLARE (DRIVER SIDE)	1
56	<u>71338G02</u>		FENDER FLARE (PASSENGER SIDE)	1
57	<u>71055G01</u>		RIVET, 3/16" X 1" LG (ALUMINUM)	6
58				
59				
60				
61				
62				

When ordering parts, please specify the model and serial number of the product.

* Indicates a component that is not available as an individual part.

*** Indicates consult Customer Service Department for additional information.

ITEM	PART NO.	1 2 3 4 5	DESCRIPTION	QTY.
63				
64				
65	<u>74265G02</u>		BUMPER.....	1
66				
67				
68	<u>75048G04</u>		SPACER, 1"	2
69	<u>00570G2</u>		WASHER, 5/16"	2
70	<u>00905G8</u>		LOCK WASHER, 5/16"	4
71	<u>01035G02</u>		BOLT, 5/16 - 18 X 2 1/2" LG.....	4
72	<u>75048G01</u>		SPACER.....	2
73				
74	<u>70048G06</u>		FLOORMAT	1
75	<u>70663G03</u>		FLOORMAT 1/8 (ST SPORT II).....	1
76				
77	<u>70244G03</u>		SPLASH PANEL	1
78	<u>00715G2</u>		BOLT, 5/16 - 18 X 4/5" LG.....	4
79	<u>00438G8</u>		BOLT, 5/16 - 18 X 1" LG (ST 350).....	2
80	00559G8		WASHER, 5/16" (ST 350)	2
81	11098G6		LOCK NUT, 5/16 - 18 (STAINLESS STEEL) (ST 350).....	2
82				
83				
84	<u>600496</u>		BATTERY TRAY.....	1
85	<u>00715G2</u>		BOLT, 5/16 - 18 X 4/5" LG.....	AR
86	00438G6		BOLT, 5/16 - 18 X 3/4" LG.....	3
87	<u>00571G2</u>		WASHER, 5/16"	1
88	<u>00565G8</u>		LOCK WASHER, 5/16"	1
89				
90				
91	<u>70629G01</u>		SPLASH PANEL	1
92	<u>00106G6</u>		SELF THREADING SCREW, #12 - 24 X 3/4" LG	2
93				

BODY

When ordering parts, please specify the model and serial number of the product.

* Indicates a component that is not available as an individual part.

*** Indicates consult Customer Service Department for additional information.

ITEM	PART NO.	1	2	3	4	5	DESCRIPTION	QTY.
94								
95								
96	<u>605763</u>						SEAT FRAME (ST 400).....	1
97	<u>00715G2</u>						BOLT, 5/16 - 18 X 4/5" LG	2
98								
99								
100								
101								
102								
103								
104	71977G**						SEAT WRAP PANEL WITH LOUVERS.....	1
105	<u>10570G10</u>						RIVET, 5/32" X 9/16" LG (STAINLESS STEEL)	8
106	<u>71609G01</u>						SEAT HINGE PLATE	2
107	<u>10570G11</u>						RIVET, 3/16" X 3/4" LG (STAINLESS STEEL)	4
108	<u>20271G9</u>						HOLE PLUG	1
109								
110								
111	71674G**						SIDE PANEL (DRIVER SIDE) (ST 350)	1
112	71674G**						SIDE PANEL (PASSENGER SIDE) (ST 350).....	1
113	<u>10570G10</u>						RIVET, 5/32" X 9/16" LG (STAINLESS STEEL)	4
114	10570G12						RIVET, 1/4" X 9/16" LG (ALUMINUM)	4
115	<u>16469G1</u>						WASHER, 1/4"	4
116								
117								
118	<u>71439G03</u>						ROCKER PANEL (DRIVER SIDE) (ST 400)	1
119	<u>71439G04</u>						ROCKER PANEL (PASSENGER SIDE) (ST 400).....	1
120	<u>71440G03</u>						BRACE (DRIVER SIDE).....	1
121	<u>71440G04</u>						BRACE (PASSENGER SIDE)	1
122	<u>00789G2</u>						SCREW, #10 - 24 X 1 1/4" LG	4
123	<u>23726G2</u>						SPACER, 1/4"	4
124	<u>00660G5</u>						WASHER, #10 (STAINLESS STEEL).....	4

When ordering parts, please specify the model and serial number of the product.

* Indicates a component that is not available as an individual part.

*** Indicates consult Customer Service Department for additional information.

ITEM	PART NO.	1 2 3 4 5	DESCRIPTION	QTY.
125	<u>14390G10</u>		LOCK NUT, #10 - 24	4
126	<u>71424G01</u>		SPACER (DRIVER SIDE)	1
127	<u>71424G02</u>		SPACER (PASSENGER SIDE).....	1
128				
129	<u>16705G1</u>		SCREW, 1/4 - 20 X 1" LG (STAINLESS STEEL).....	4
130	<u>23726G2</u>		SPACER, 1/4"	4
131	<u>00559G7</u>		WASHER , 1/4"	4
132	<u>14390G4</u>		LOCK NUT, 1/4 - 20	4
133				
134				
135				
136	<u>74893G01</u>		FENDER (DRIVER SIDE) (ST 400).....	1
137	<u>74893G02</u>		FENDER (PASSENGER SIDE) (ST 400)	1
138				
139				
140	<u>16816G2</u>		RATCHET FASTENER, 1/4" X 3/4" LG.....	10
141				
142				
143				
144				
145				
146				
147				
148				
149				
150				
151				
152				
153				
154				
155	<u>74890G01</u>		REAR PANEL (ST 400).....	1

BODY

When ordering parts, please specify the model and serial number of the product.

* Indicates a component that is not available as an individual part.

*** Indicates consult Customer Service Department for additional information.

ITEM	PART NO.	1	2	3	4	5	DESCRIPTION	QTY.
156	<u>71055G01</u>						RIVET, 3/16" X 1" LG (ALUMINUM)	4
157								
158	<u>74891G01</u>						SEAT FILLER PANEL (DRIVER SIDE)	1
159	<u>74891G02</u>						SEAT FILLER PANEL (PASSENGER SIDE).....	1
160	<u>10570G10</u>						RIVET, 5/32" X 9/16" LG (STAINLESS STEEL)	6
161								
162								
163	<u>74099G01</u>						LABEL (TILT WARNING).....	2
164	<u>620312</u>						LABEL (E-Z-GO, LARGE)	2
165	620313						LABEL (E-Z-GO, MEDIUM).....	2
166	<u>620323</u>						LABEL (ST 400)	2
167	<u>620325</u>						LABEL (ST SPORT)	2
168	<u>28915G01</u>						LABEL (JACOBSEN HAULER) (DRIVER SIDE).....	1
169	<u>28915-G02</u>						LABEL (JACOBSEN HAULER) (PASSENGER SIDE)	1
170	<u>620214</u>						LABEL (4000).....	2
171	<u>605694</u>						SEAT FRAME (ST SPORT)	1
172	<u>00715G2</u>						BOLT, 5/16 - 18 X 4/5" LG	2
173								
174								
175								
176								
177								
178								
179								
180								
181								
182	<u>71502G01</u>						ROCKER PANEL (DRIVER SIDE) (ST SPORT).....	1
183	<u>71501G01</u>						ROCKER PANEL (PASSENGER SIDE) (ST SPORT)	1
184	<u>15058G6</u>						RIVET, 3/16" X 15/16" LG (ALUMINUM)	4
185	<u>16705G1</u>						SCREW, 1/4 - 20 X 1" LG (STAINLESS STEEL)	4
186	<u>23726G4</u>						SPACER, 5/16"	4

When ordering parts, please specify the model and serial number of the product.

* Indicates a component that is not available as an individual part.

*** Indicates consult Customer Service Department for additional information.

ITEM	PART NO.	1 2 3 4 5	DESCRIPTION	QTY.
187	<u>14390G4</u>		LOCK NUT, 1/4 - 20	4
188	<u>71507G02</u>		SILL PLATE (DRIVER SIDE)	1
189	<u>71507G01</u>		SILL PLATE (PASSENGER SIDE).....	1
190				
191				
192	<u>74892G01</u>		FENDER (DRIVER SIDE) (ST SPORT).....	1
193	<u>74892G02</u>		FENDER (PASSENGER SIDE) (ST SPORT)	1
194	<u>74892G03</u>		FENDER WITH TAILLIGHT (DRIVER SIDE) (ST SPORT)	1
195	<u>74892G04</u>		FENDER WITH TAILLIGHT (PASSENGER SIDE) (ST SPORT).....	1
196	<u>16816G2</u>		RATCHET FASTENER, 1/4" X 3/4" LG.....	10
197	<u>14390G4</u>		LOCK NUT, 1/4 - 20	4
198	<u>00642G7</u>		WASHER, 1/4"	8
199	<u>00414G6</u>		BOLT, 1/4 - 20 X 3/4" LG.....	4
200				
201				
202				
203				
204				
205				
206				
207				
208	<u>74890G01</u>		REAR PANEL (ST SPORT)	1
209	<u>16816G2</u>		RATCHET FASTENER, 1/4" X 3/4" LG.....	8
210				
211				
212	<u>27731G01</u>		ASH TRAY	1
213	<u>27736G01</u>		GASKET.....	1
214	<u>75108G02</u>		BRACKET	1
215	<u>00100G4</u>		SCREW, #10 - 16 X 1/2" LG	4
216				
217	<u>74365G01</u>		GUN HOLDER.....	1

BODY

When ordering parts, please specify the model and serial number of the product.

* Indicates a component that is not available as an individual part.

*** Indicates consult Customer Service Department for additional information.

ITEM	PART NO.	1 2 3 4 5	DESCRIPTION	QTY.
218	<u>74348G02</u>		HITCH RECEIVER	1
219	<u>00198G8</u>		BOLT, 5/16 - 18 X 1" LG	1
220	00559G8		WASHER, 5/16"	1
221	11098G6		LOCK NUT, 5/16 - 18 (STAINLESS STEEL)	1
222	<u>00463G4</u>		BOLT, 7/16 - 14 X 1 1/2" LG	4
223	<u>00922G3</u>		WASHER, 7/16"	4
224	<u>00734G1</u>		LOCK NUT, 7/16 - 14	4
225				
226				
227				
228	<u>74339G02</u>		ANGLE HITCH	1
229	21317G01		CLEVIS PIN, 5/8" X 3" LG	1
230	<u>21683G1</u>		COTTER PIN, 15/32" X 2 11/16" LG	1
231	<u>74351G02</u>		HEAVY DUTY HITCH	1
232	<u>31757G1</u>		HITCH BALL, 1 7/8"	1
233	<u>00566G6</u>		LOCK WASHER, 3/4"	1
234	00702G11		NUT, 3/4 - 16	1
235	21317G01		CLEVIS PIN, 5/8" X 3" LG	1
236	<u>21683G1</u>		COTTER PIN, 15/32" X 2 11/16" LG	1
237	<u>74489G02</u>		DROP ANGLE HITCH	1
238	21317G01		CLEVIS PIN, 5/8" X 2 11/16" LG	1
239	<u>21683G1</u>		COTTER PIN, 15/32" X 2 11/16" LG	1
240	<u>74491G02</u>		DROP BALL HITCH	1
241	21317G01		CLEVIS PIN, 5/8" X 3" LG	1
242	<u>21683G1</u>		COTTER PIN, 15/32" X 2 11/16" LG	1
243	<u>31757G1</u>		HITCH BALL, 1 7/8"	1
244	<u>00566G6</u>		LOCK WASHER, 3/4"	1
245	00702G11		NUT, 3/4 - 16	1
246	<u>74495G02</u>		DROP CLEVIS HITCH	1
247	21317G01		CLEVIS PIN, 5/8" X 3" LG	1
248	<u>21683G1</u>		COTTER PIN, 15/32" X 2 11/16" LG	1

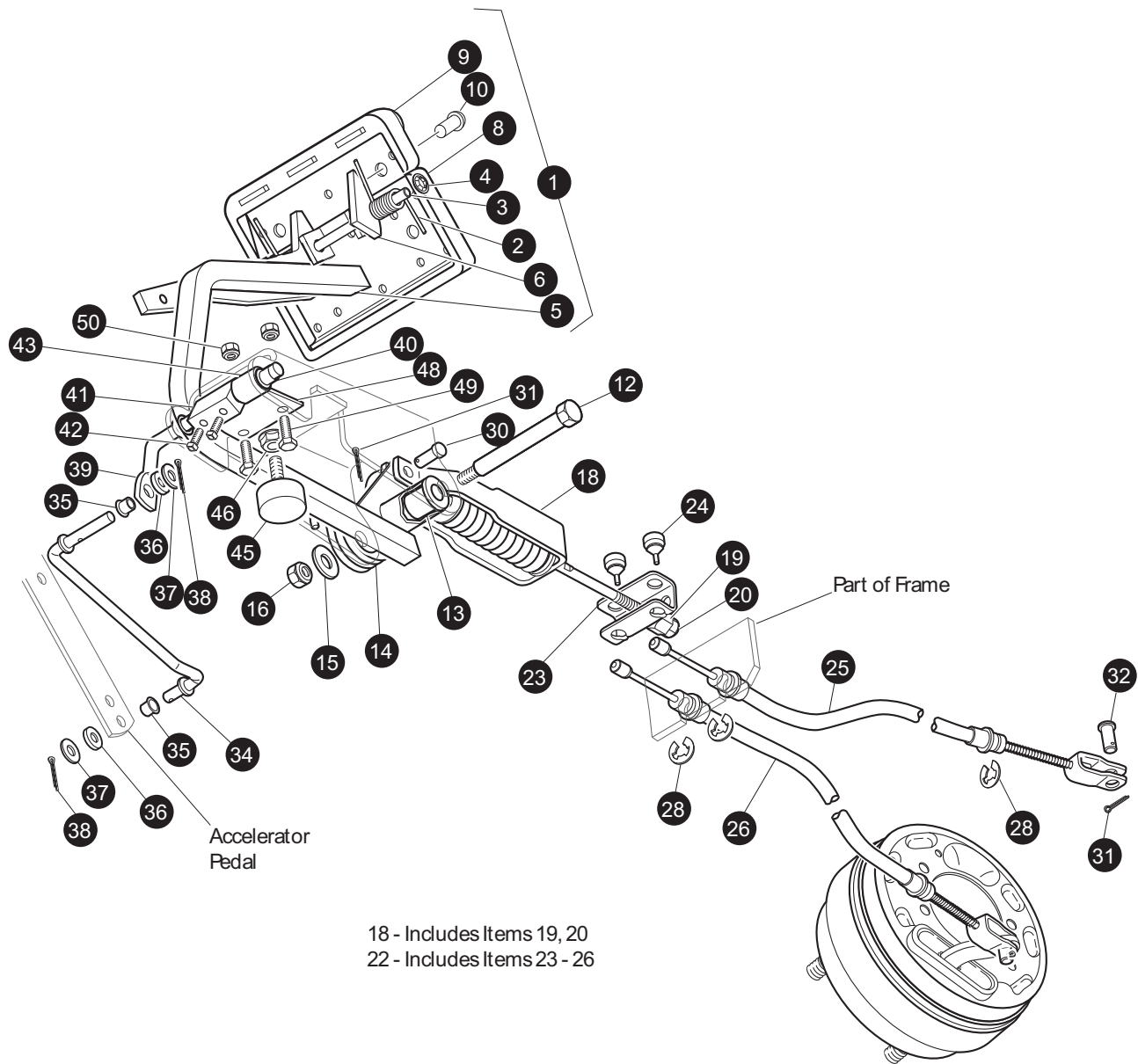
When ordering parts, please specify the model and serial number of the product.

* Indicates a component that is not available as an individual part.

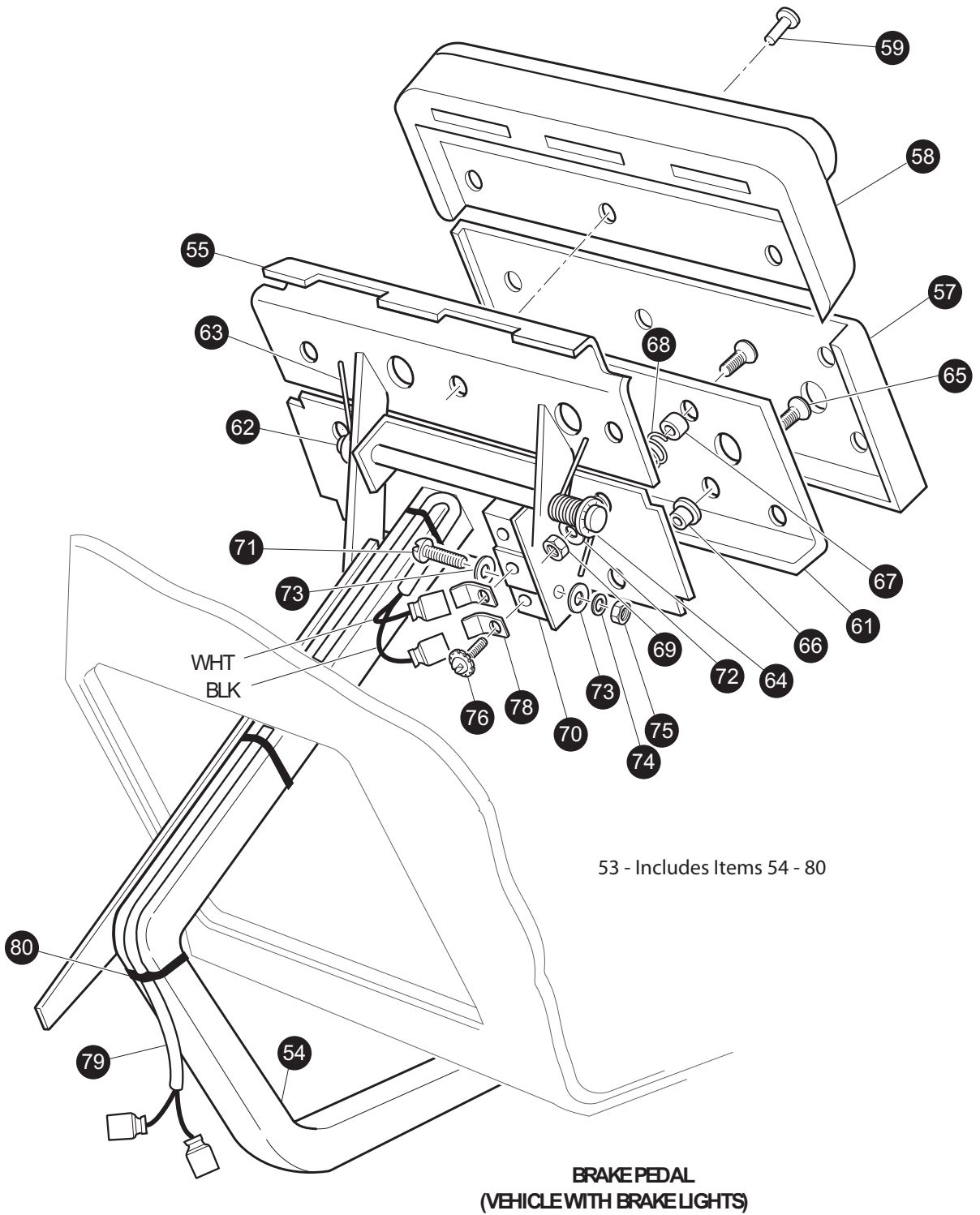
*** Indicates consult Customer Service Department for additional information.

ITEM	PART NO.	1 2 3 4 5	DESCRIPTION	QTY.
249	<u>14443G7</u>		CLEVIS PIN, 1/2" X 2 1/2" LG.....	1
250	<u>19314G1</u>		COTTER PIN, 2 1/2" LG	1
251				
252				
253	<u>74338G02</u>		CLEVIS HITCH	1
254	<u>14443G7</u>		CLEVIS PIN, 1/2" X 2 1/2" LG.....	1
255	<u>19314G1</u>		COTTER PIN, 2 1/2" LG	1
256	<u>21317G01</u>		CLEVIS PIN, 5/8" X 3" LG.....	1
257	<u>21683G1</u>		COTTER PIN, 15/32" X 2 11/16" LG.....	1

BRAKES

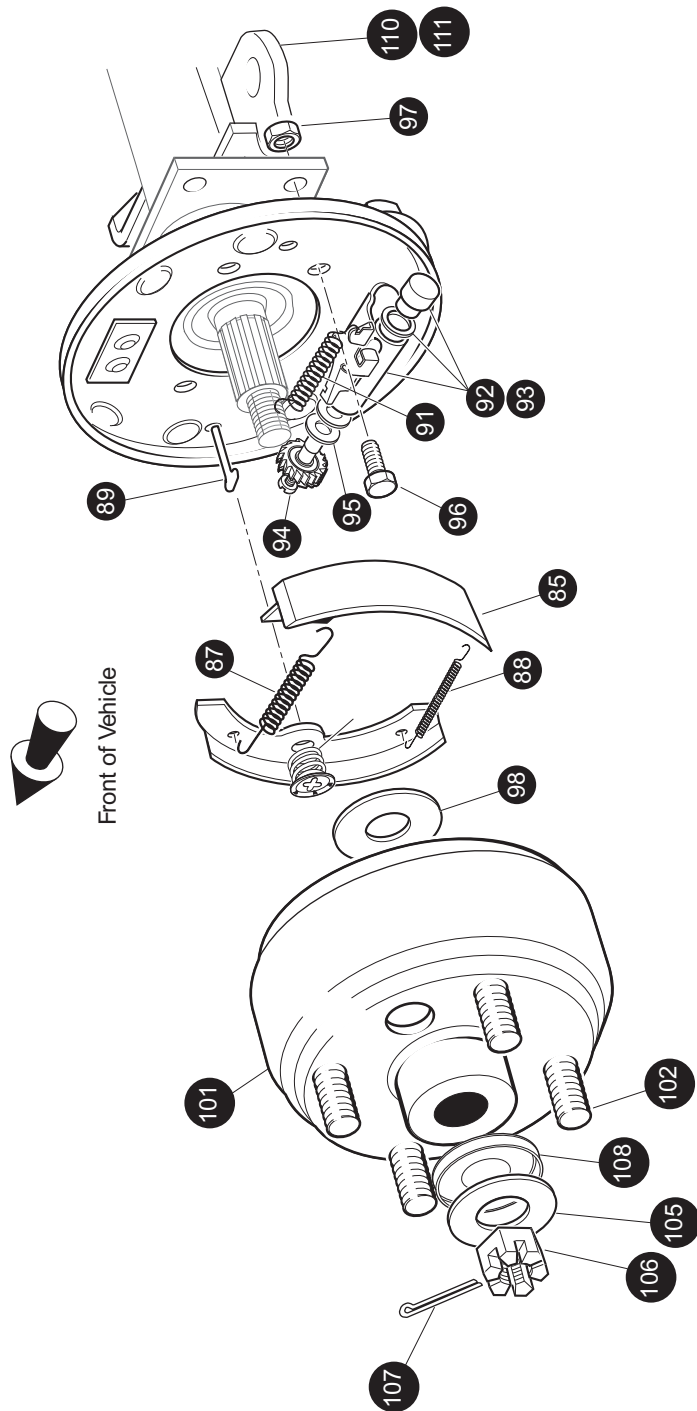


Ref Brk 6-1



Ref Brk 6-2

BRAKES



- 82 - Includes Items 84 - 92
- 83 - Includes Items 84 - 93
- 84 - Includes Items 85
- 86 - Includes Items 87 - 91
- 92 - Includes Items 94, 95
- 93 - Includes Items 94, 95
- 100 - Includes Items 101, 102

Ref Brk 6-3

When ordering parts, please specify the model and serial number of the product.

* Indicates a component that is not available as an individual part.

*** Indicates consult Customer Service Department for additional information.

ITEM	PART NO.	1 2 3 4 5	DESCRIPTION	QTY.
1	<u>70612G02</u>		BRAKE PEDAL ASSEMBLY (WITHOUT BRAKE LIGHTS) (INCLUDES ITEMS 2 - 10)	1
2	<u>70681G01</u>		TORSION SPRING.....	2
3	<u>70682G01</u>		PIVOT PIN.....	1
4	<u>01071G01</u>		PUSHNUT, 5/16"	1
5	<u>70259G02</u>		BRAKE PEDAL.....	1
6	<u>70611G02</u>		PARK BRAKE PEDAL	1
7				
8	<u>70257G01</u>		SERVICE BRAKE PAD.....	1
9	<u>70256G01</u>		PARK BRAKE PEDAL PAD	1
10	<u>16409G1</u>		OVAL RIVET, 3/16" X 3/8" LG	9
11				
12	<u>70582G01</u>		SHOULDER BOLT, 3/8 - 16 X 4" LG.....	1
13	<u>70581G01</u>		FLANGED BUSHING.....	2
14	<u>70676G01</u>		TORSION SPRING	1
15	<u>00643G1</u>		WASHER, 3/8"	1
16	<u>11098G5</u>		LOCK NUT, 3/8 - 16	1
17				
18	<u>70272G04</u>		COMPENSATOR ASSEMBLY (INCLUDES ITEMS 19, 20).....	1
19	<u>00963G01</u>		SPHERICAL NUT, 5/16 - 24	1
20	<u>11098G9</u>		LOCK NUT, 5/16 - 24.....	1
21				
22	<u>70969G03</u>		EQUALIZER AND BRAKE CABLE ASSEMBLY (INCLUDES ITEMS 23 - 26)	1
23	<u>28082G01</u>		EQUALIZER BRACKET	1
24	<u>28083G01</u>		BRAKE COMPENSATOR BUMPER	2
25	*		BRAKE CABLE (DRIVER SIDE)	1
26	*		BRAKE CABLE (PASSENGER SIDE).....	1
27				
28	<u>01111G01</u>		RETAINING RING, S.S.	4
29				
30	<u>10386G3</u>		CLEVIS PIN, 5/16" X 1" LG.....	3

BRAKES

When ordering parts, please specify the model and serial number of the product.

* Indicates a component that is not available as an individual part.

*** Indicates consult Customer Service Department for additional information.

ITEM	PART NO.	1 2 3 4 5	DESCRIPTION	QTY.
31	<u>10387G3</u>		COTTER PIN, 3/32" X 3/4" LG	3
32	<u>14443G2</u>		CLEVIS PIN, 5/16" X 3/4" LG	2
33				
34	<u>70601G01</u>		KICK-OFF LINK.....	1
35	<u>17838G1</u>		NYLON BUSHING.....	2
36	<u>20835G1</u>		TEFLON WASHER, 3/8"	2
37	00559G8		WASHER, 5/16".....	2
38	<u>10387G3</u>		COTTER PIN, 3/32" X 3/4" LG	2
39	<u>70098G01</u>		KICK-OFF CAM PIVOT	1
40	<u>10097G6</u>		FLANGED BEARING	2
41	<u>70587G01</u>		KICK-OFF CAM.....	1
42	<u>71215G01</u>		SETSCREW, 1/4 - 20 X 1/2" LG.....	2
43	<u>14134G4</u>		SPACER	1
44				
45	<u>70113G01</u>		ADJUSTABLE BUMPER	1
46	<u>11027G1</u>		LOCK NUT, 5/16 - 18.....	1
47				
48	<u>70080G02</u>		CATCH BRACKET	1
49	<u>00414G6</u>		BOLT, 1/4 - 20 X 3/4" LG	2
50	<u>14390G4</u>		LOCK NUT, 1/4 - 20.....	2
51				
52				
53	70690G02		BRAKE PEDAL ASSEMBLY (WITH BRAKE LIGHTS) (INCLUDES ITEMS 54 - 80).....	1
54	<u>70686G02</u>		BRAKE PEDAL	1
55	<u>70611G02</u>		PARK BRAKE PEDAL.....	1
56				
57	<u>70257G01</u>		SERVICE BRAKE PAD	1
58	<u>70256G01</u>		PARK BRAKE PAD	1
59	<u>16409G1</u>		OVAL RIVET, 3/16" x 3/8" LG	9
60				
61	<u>70258G03</u>		BRAKE PEDAL PLATE	1

When ordering parts, please specify the model and serial number of the product.

* Indicates a component that is not available as an individual part.

*** Indicates consult Customer Service Department for additional information.

ITEM	PART NO.	1 2 3 4 5	DESCRIPTION	QTY.
62	<u>70682G01</u>		PIVOT PIN.....	1
63	<u>70681G01</u>		TORSION SPRING.....	2
64	<u>01071G01</u>		PUSHNUT, 5/16"	1
65	<u>00737G8</u>		SCREW, #10 - 24 X 1" LG	4
66	<u>00739G1</u>		RUBBER NUT, #10 - 24	2
67	<u>74535G01</u>		BRAKE PEDAL STANDOFF.....	2
68	<u>27137G01</u>		CONICAL SPRING.....	2
69	<u>14390G10</u>		LOCK NUT, #10 - 24.....	2
70	10606G8		MICRO SWITCH	1
71	<u>00957G1</u>		SCREW, #6 - 32 X 1 1/4" LG	2
72	<u>00559G5</u>		WASHER, #10	2
73	<u>00559G3</u>		WASHER, #6	4
74	<u>00565G3</u>		LOCK WASHER, #6	2
75	<u>00525G5</u>		NUT, #6 - 32	2
76	<u>13514G1</u>		SCREW AND LOCK WASHER, #6	2
77				
78	<u>14628G1</u>		FASTON TAB.....	2
79	<u>24605G1</u>		WIRE HARNESS (BRAKE LIGHT).....	1
80	<u>17618G1</u>		WIRE TIE.....	2
81				
82	<u>70998G01</u>		BRAKE ASSEMBLY (DRIVER SIDE) (INCLUDES ITEMS 84 - 92).....	1
83	<u>70998G02</u>		BRAKE ASSEMBLY (PASSENGER SIDE) (INCL. ITEMS 84 - 91, 93).....	1
84	70794G01		BRAKE SHOE KIT (INCLUDES ITEM 85)	2
85	*		BRAKE SHOE.....	2
86	<u>27944G01</u>		BRAKE SPRING KIT (INCLUDES ITEMS 87 - 91)	2
87	*		UPPER SPRING	1
88	*		LOWER SPRING	1
89	*		PIN	2
90	*		CUP AND SPRING	2
91	*		ADJUSTER SPRING	1
92	<u>72582G01</u>		BRAKE ADJUSTER KIT (DRIVER SIDE) (INCLUDES ITEMS 94, 95)....	1

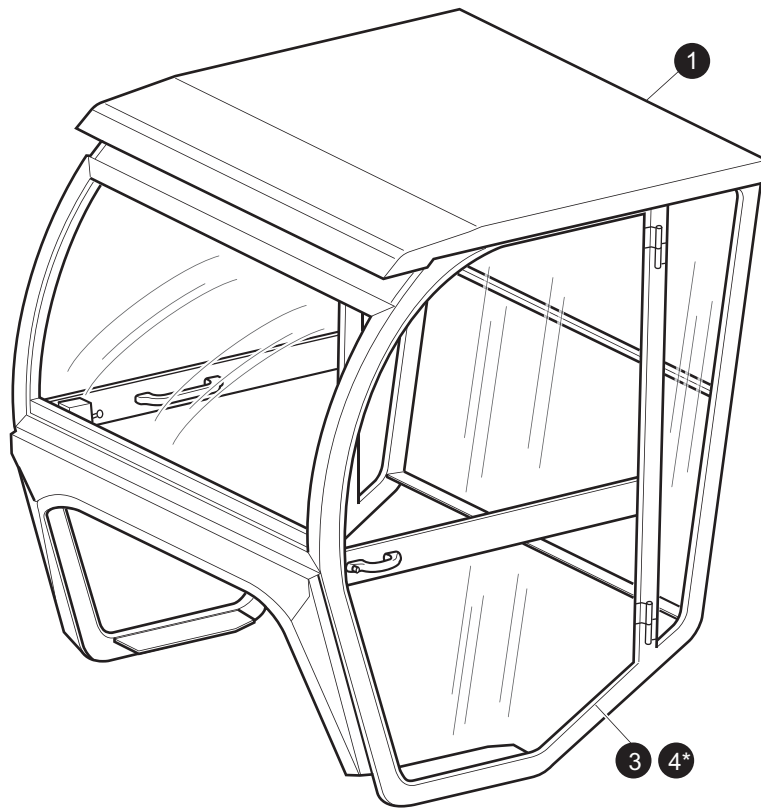
BRAKES

When ordering parts, please specify the model and serial number of the product.

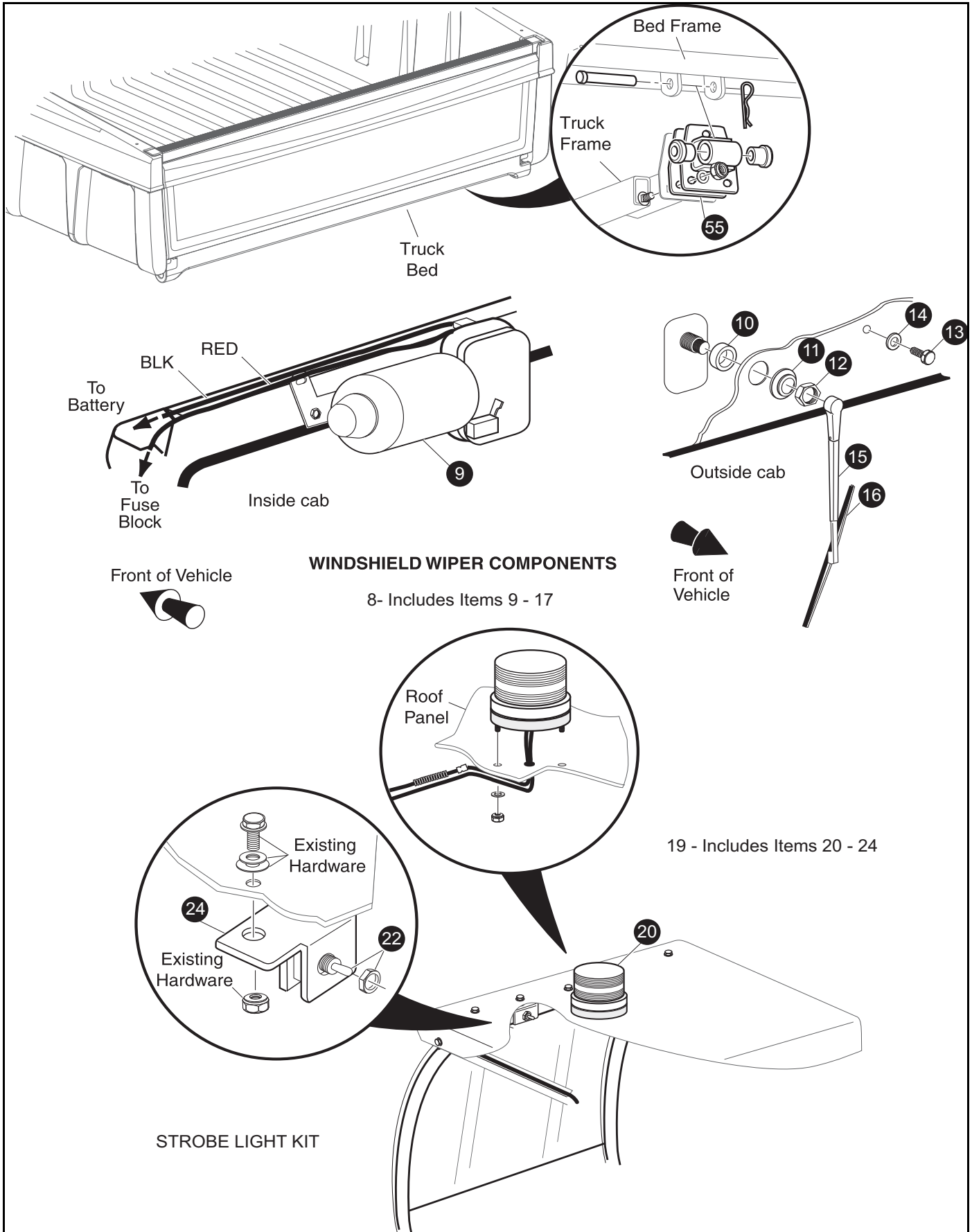
* Indicates a component that is not available as an individual part.

*** Indicates consult Customer Service Department for additional information.

ITEM	PART NO.	1	2	3	4	5	DESCRIPTION	QTY.
93	<u>72582G02</u>						BRAKE ADJUSTER KIT (PASSENGER SIDE) (INCL ITEMS 94, 95).....	1
94	*						ADJUSTER.....	1
95	*						TEFLON WASHER.....	2
96	<u>17083G2</u>						BOLT, 5/16 - 24 X 1" LG	8
97	<u>15126G1</u>						LOCK NUT, 5/16 - 24.....	8
98	<u>21809G1</u>						INNER BRAKE DRUM WASHER, 1 5/16" OD X 1" ID X 1/32"	2
99								
100	<u>21807G2</u>						BRAKE DRUM ASSEMBLY (INCLUDES ITEMS 101 - 102).....	2
101	*						BRAKE DRUM	1
102	<u>19862G1</u>						LUG BOLT, 1/2 - 20.....	4
103								
104	<u>24939G2</u>						SPINDLE CAP ADAPTER.....	2
105	<u>606945</u>						OUTER BRAKE DRUM WASHER	2
106	<u>606403</u>						SLOTTED NUT, 3/4 - 16.....	2
107	<u>10387G1</u>						COTTER PIN, 1/8" X 1 1/2" LG	2
108	<u>607033</u>						SPINDLE CAP.....	2
109								
110	<u>608200</u>						BRAKE CABLE BRACKET (PASSENGER SIDE).....	1
111	<u>608201</u>						BRAKE CABLE BRACKET (DRIVER SIDE)	1



*Steel Doors Shown



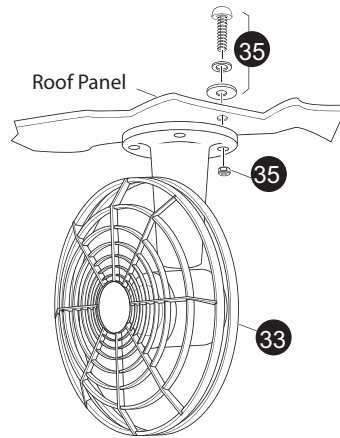
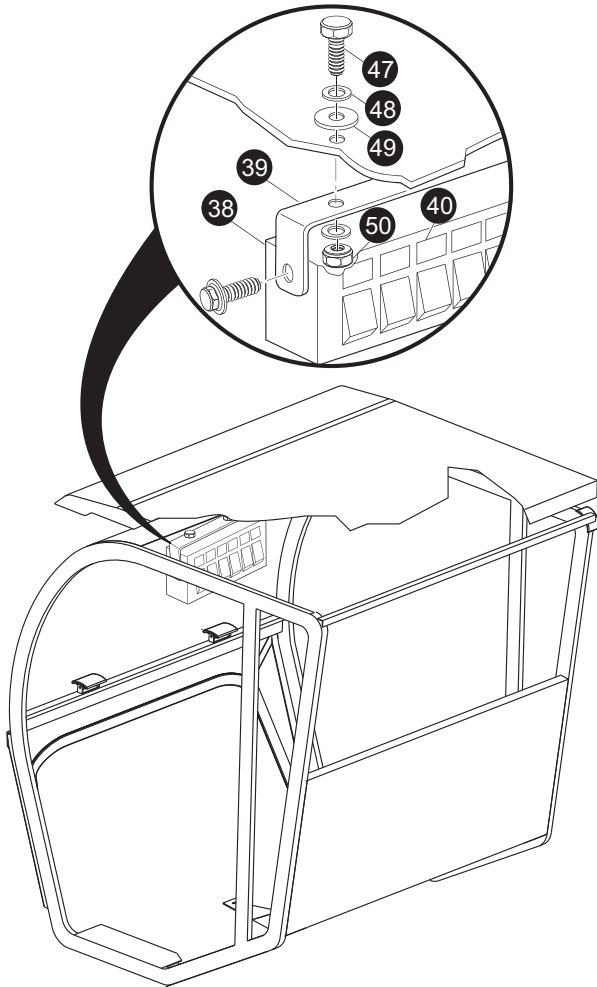
WINDSHIELD WIPER COMPONENTS

8- Includes Items 9 - 17

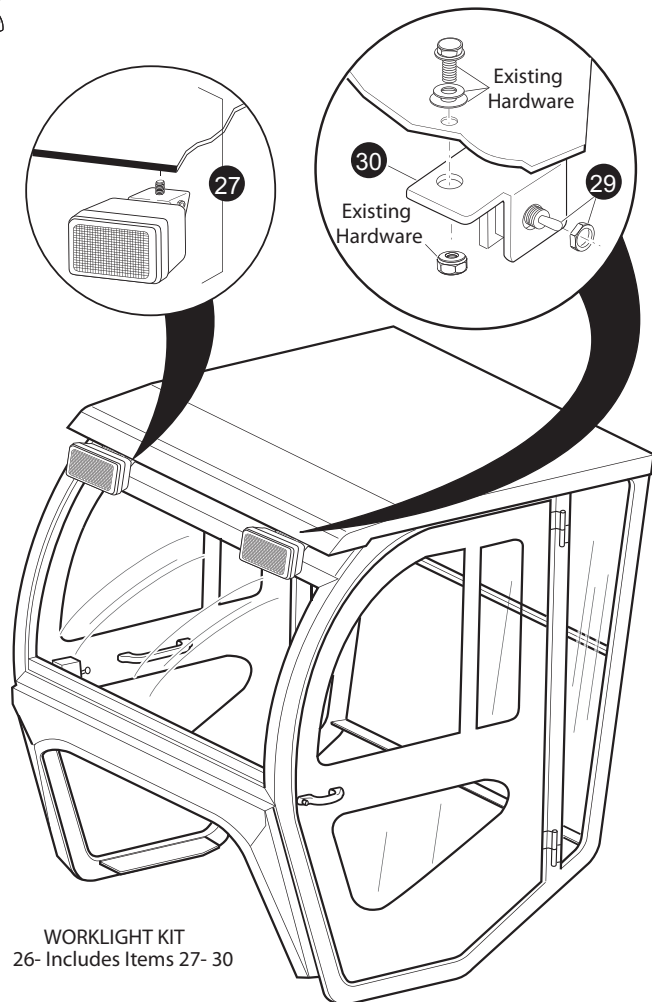
19 - Includes Items 20 - 24

STROBE LIGHT KIT

SWITCH PANEL KIT
37 - Includes Items 38 - 52



DEFROSTER / COOLING FAN KIT
32 - Includes Items 33- 35



WORKLIGHT KIT
26 - Includes Items 27- 30

When ordering parts, please specify the model and serial number of the product.

* Indicates a component that is not available as an individual part.

*** Indicates consult Customer Service Department for additional information.

ITEM	PART NO.	1 2 3 4 5	DESCRIPTION	QTY.
1	72684G**		STEEL CAB (WITHOUT DOORS) REPACEMENT PARTS AND ACCESSORIES MAY BE OBTAINED FROM CURTIS CAB, INC.) (ST 350).	1
2				
3	<u>75855G01</u>		VINYL DOOR KIT	1
4	75856G**		STEEL DOOR KIT	1
5				
6				
7				
8	<u>74244G01</u>		WINDSHIELD WIPER KIT (INCLUDES ITEMS 9 -17)	1
9	9PWM85		WIPER MOTOR (INCLUDES ITEMS 10 - 14).....	1
10	*		SPACER.....	1
11	*		SHAFT COVER (SEAL)	1
12	*		NUT	1
13	*		BOLT	1
14	*		WASHER	1
15	9PWA		WIPER ARM.....	1
16	9PWB		WINDSHIELD WIPER BLADE	1
17	9E003		ELECTRICAL HARDWARE KIT (NOT ILLUSTRATED).....	1
18				
19	<u>74245G01</u>		STROBE LIGHT KIT (INCLUDES ITEMS 20 - 24)	1
20	9PSLRL		STROBE LENS	1
21	9E001		ELECTRICAL HARDWARE KIT (NOT ILLUSTRATED).....	1
22	9E002		TOGGLE SWITCH.....	1
23	9PSLRB		REPLACEMENT BULB (NOT ILLUSTRATED)	1
24	9PB001		BRACKET.....	1
25				
26	<u>74247G01</u>		WORK LIGHT KIT (INCLUDES ITEMS 27 - 30)	1
27	9LW1A		WORK LIGHT (INCLUDES HARDWARE)	2
28	9E001		ELECTRICAL HARDWARE KIT (NOT ILLUSTRATED).....	1
29	9E002		TOGGLE SWITCH.....	1
30	9PB001		BRACKET.....	1

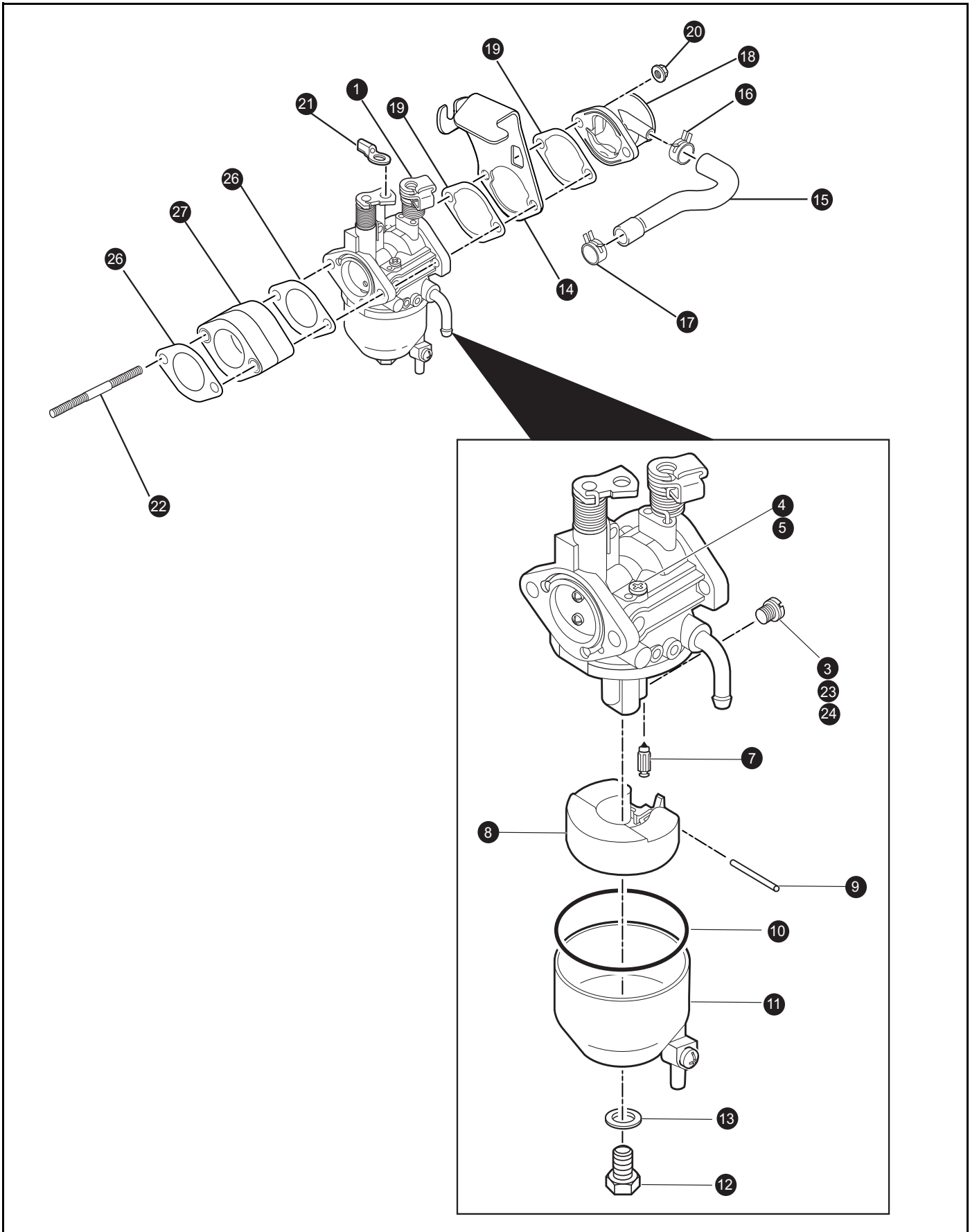
When ordering parts, please specify the model and serial number of the product.

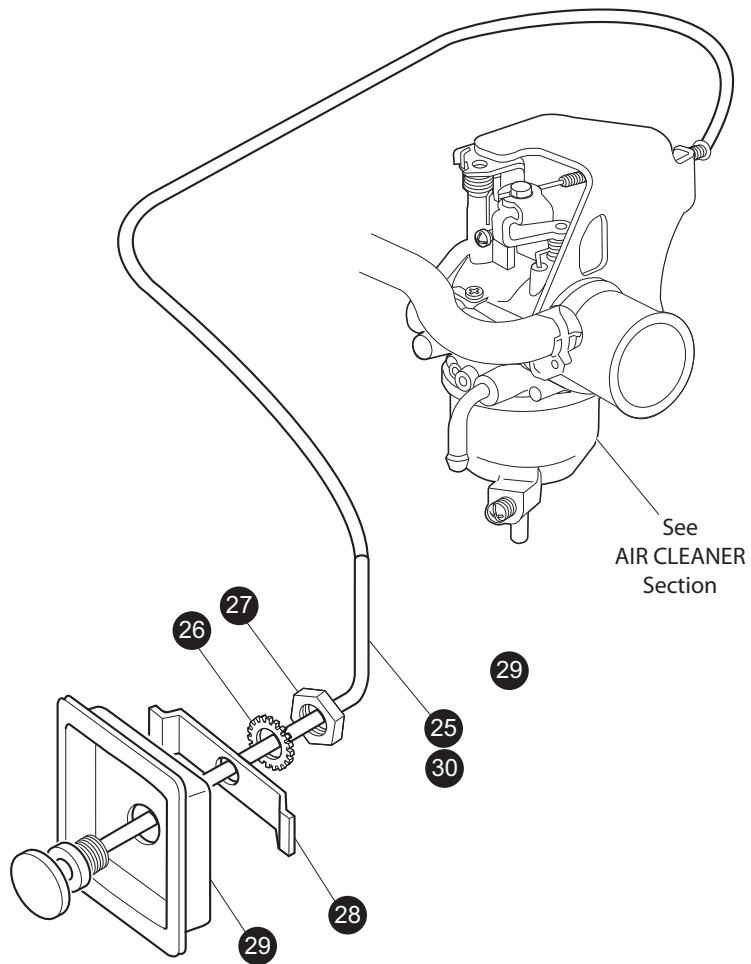
* Indicates a component that is not available as an individual part.

*** Indicates consult Customer Service Department for additional information.

ITEM	PART NO.	1	2	3	4	5	DESCRIPTION	QTY.
31								
32	<u>74248G01</u>						DEFROSTER / COOLING FAN KIT (INCLUDES ITEMS 33 - 35)	1
33	9PDF						FAN	1
34	9E001						ELECTRICAL HARDWARE KIT (NOT ILLUSTRATED)	1
35	9PFHK						HARDWARE KIT.....	1
36								
37	<u>74250G01</u>						SWITCH PANEL KIT (INCLUDES ITEMS 38 - 52)	1
38	9PSF1-001						SWITCH PANEL	1
39	9PSF1-002						MOUNTING BRACKET AND HARDWARE	1
40	9PSF1-003						ADHESIVE LABELS	1
41	9PSF1-004						3 AMP FUSE (NOT ILLUSTRATED).....	2
42	9PSF1-005						5 AMP FUSE (NOT ILLUSTRATED).....	3
43	9PSF1-006						7.5 AMP FUSE (NOT ILLUSTRATED).....	1
44	9PSF1-007						FLEX LOOM, 5/8" X 10 FT LG (NOT ILLUSTRATED).....	1
45	9PSF1-008						4-WAY BASE TIE (NOT ILLUSTRATED).....	6
46	9PSF1-009						WIRE TIE (NOT ILLUSTRATED)	14
47	9PSF1-010						BOLT, 1/4 - 20 X 7/8" LG.....	2
48	9PSF1-011						WASHER, 1/4"	4
49	9PSF1-012						NYLON WASHER, 1/4".....	2
50	9PSF1-013						LOCK NUT, 1/4 - 20	2
51	9PSF1-014						10 GA WIRE (RED 8") (NOT ILLUSTRATED)	1
52	9PSF1-015						10 GA WIRE (BLACK 8") (NOT ILLUSTRATED).....	1
53								
54								
55	6E03T						BED SPACER.....	2
56								

CARBURETOR AND CHOKE





Ref Cac 2-2

CARBURETOR AND CHOKE

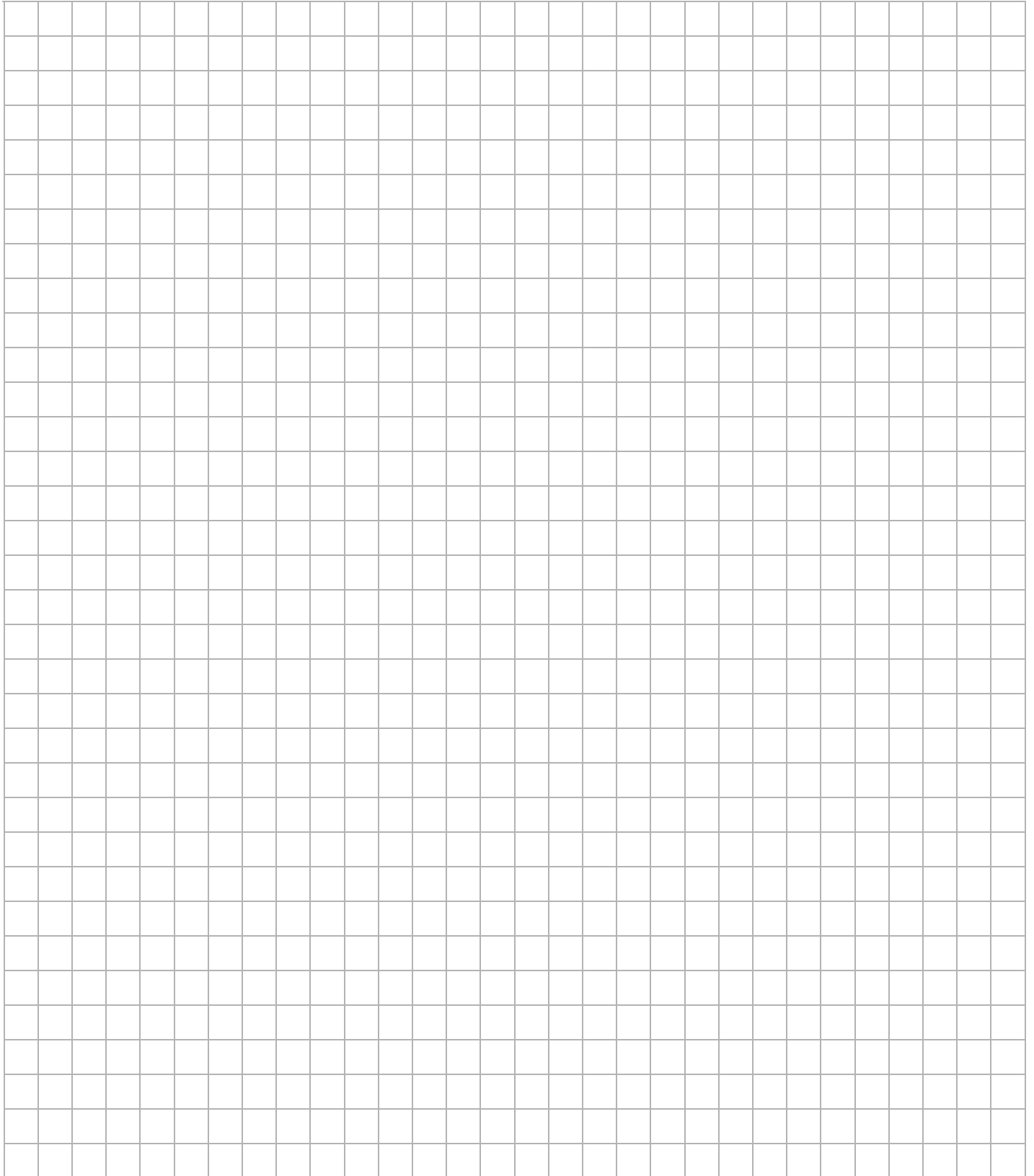
When ordering parts, please specify the model and serial number of the product.

* Indicates a component that is not available as an individual part.

*** Indicates consult Customer Service Department for additional information.

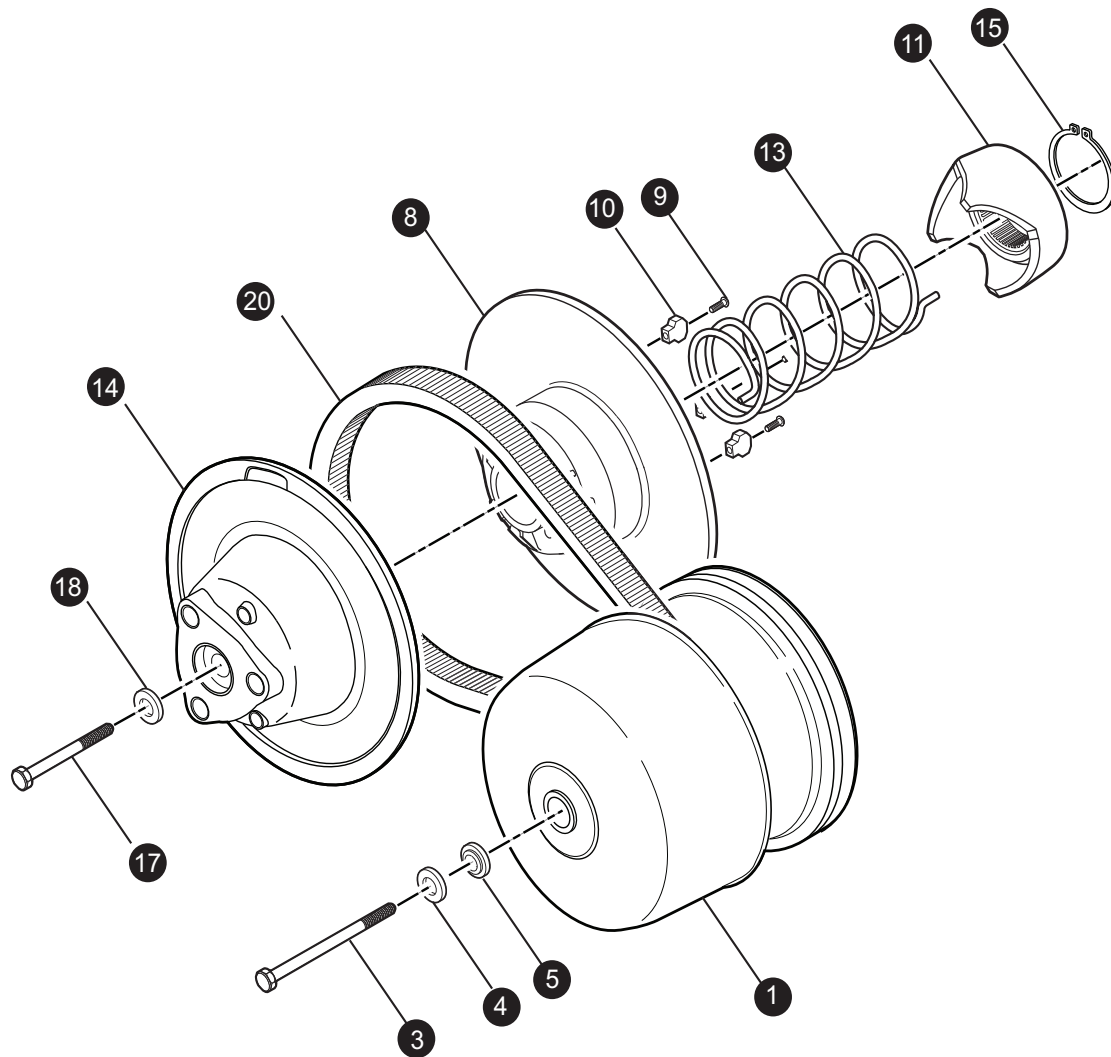
ITEM	PART NO.	1 2 3 4 5	DESCRIPTION	QTY.
1	<u>607955</u>		CARBURETOR (INCLUDES ITEMS 3 - 22).....	1
2				
3	<u>607956</u>		MAIN JET (#106)	1
4	<u>607957</u>		PILOT JET (#52)	1
5	<u>603585</u>		PLUG	1
6				
7	<u>603586</u>		NEEDLE VALVE.....	1
8	<u>603587</u>		FLOAT.....	1
9	<u>603588</u>		FLOAT PIN.....	1
10	<u>603589</u>		FLOAT BOWL GASKET.....	1
11	<u>603590</u>		FLOAT CHAMBER.....	1
12	<u>603592</u>		BOWL SCREW	1
13	<u>603591</u>		BOWL GASKET	1
14	<u>603583</u>		CHOKE BRACKET	1
15	<u>603598</u>		BREATHER TUBE	1
16	<u>603596</u>		CLAMP, INTAKE TUBE.....	1
17	<u>603597</u>		CLAMP CYLINDER HEAD TUBE	1
18	<u>603594</u>		INTAKE TUBE	1
19	<u>603593</u>		CHOKE GASKET.....	2
20	<u>603595</u>		NUT, M6 X 1.0.....	2
21	<u>608023</u>		THROTTLE ROD ATTACHMENT BUSHING.....	1
22	<u>603584</u>		STUD BOLT	2
23	<u>607684</u>		MAIN JET (#102) (FOR ELEVATIONS OF 6000 FT - 10000 FT).....	1
24	<u>607683</u>		MAIN JET (#104) (FOR ELEVATIONS OF 3000 FT - 6000 FT).....	1
25	<u>605868</u>		CHOKE CABLE (SWB)	1
26	<u>00568G4</u>		LOCK WASHER, 9/16"	1
27	<u>00545G4</u>		JAM NUT, 9/16 - 18	1
28	<u>72155G02</u>		RETAINER.....	1
29	<u>72154G01</u>		CHOKE CABLE ADAPTER.....	1
30	<u>605793</u>		CHOKE CABLE (MWB).....	1

Notes:

A large grid area for taking notes, consisting of 20 columns and 30 rows of small squares.

CLUTCH

7 - Includes items 8 to 15



When ordering parts, please specify the model and serial number of the product.

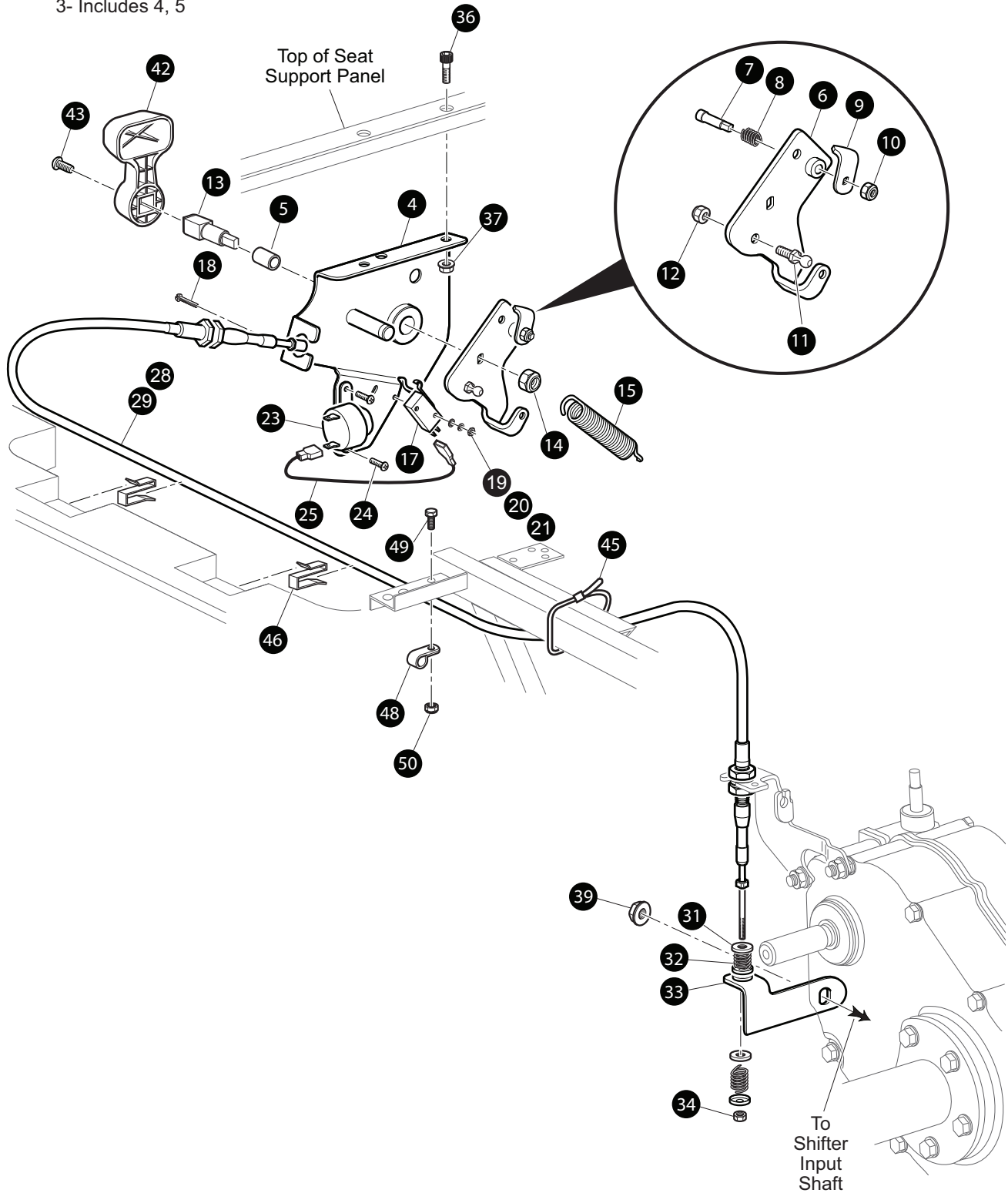
* Indicates a component that is not available as an individual part.

*** Indicates consult Customer Service Department for additional information.

ITEM	PART NO.	1 2 3 4 5	DESCRIPTION	QTY.
1	<u>602000</u>		DRIVE CLUTCH	1
2				
3	<u>606245</u>		BOLT, M12 - 1.25 X 160MM LG	1
4	<u>606239</u>		WASHER, M12	1
5	<u>606230</u>		WASHER	1
6				
7	602001		DRIVEN CLUTCH ASSEMBLY (INCLUDES ITEMS 8 - 15).....	1
8	*		MOVABLE SHEAVE	1
9	<u>608210</u>		SCREW, M4 X 25.....	3
10	<u>608204</u>		RAMP BUTTON	3
11	*		CAM.....	1
12				
13	608209		COMPRESSION SPRING	1
14	*		SHEAVE AND POST	1
15	<u>608211</u>		HEAVY DUTY RETAINING RING.....	1
16				
17	<u>606243</u>		BOLT, M12 - 1.25 X 120MM LG	1
18	<u>606239</u>		WASHER, M12	1
19				
20	<u>606136</u>		DRIVE BELT	1

DIRECTION SELECTOR

- 1 - Includes Items 3 - 28, 31 - 34 (ST 350)
- 2 - Includes Items 3 - 25, 29 - 34 (ST SPORT)
- 3- Includes 4, 5



Ref Dsl 9

DIRECTION SELECTOR

When ordering parts, please specify the model and serial number of the product.

* Indicates a component that is not available as an individual part.

*** Indicates consult Customer Service Department for additional information.

ITEM	PART NO.	1 2 3 4 5	DESCRIPTION	QTY.
1	<u>72721-G06</u>		DIRECTION SELECTOR ASSY (INCLUDES ITEMS 3 - 28, 31 - 34) (ST 350)	1
2	<u>72721-G05</u>		DIRECTION SELECTOR ASSY (INCLUDES ITEMS 3 - 25, 29 - 34) (SPORT)	1
3	74456-G02		DIRECTION SELECTOR BRACKET (INCLUDES ITEMS 4, 5)	1
4	<u>72737-G02</u>		WELDMENT	1
5	<u>25664-G2</u>		BUSHING	1
6	<u>72738-G01</u>		DIRECTION SELECTOR CAM.....	1
7	<u>72724-G01</u>		NEUTRAL LOCK PIN	1
8	<u>72733-G01</u>		COMPRESSION SPRING, 3/8" X 5/8" LG	1
9	<u>72729-G01</u>		NEUTRAL LOCK LATCH.....	1
10	<u>00734-G2</u>		LOCK NUT, 1/4 - 28.....	1
11	<u>72732-G01</u>		BALL STUD	1
12	<u>00734-G5</u>		LOCK NUT, #10 - 32.....	1
13	<u>70233-G01</u>		DIRECTION SELECTOR SHAFT.....	1
14	<u>14390-G1</u>		LOCK NUT, 3/8 - 24.....	1
15	<u>28574-G01</u>		EXTENSION SPRING	1
16				
17	<u>72736-G01</u>		MICRO SWITCH	1
18	<u>01062-G01</u>		SCREW, #4 - 40 X 1" LG.....	2
19	<u>00559-G1</u>		WASHER, #4	2
20	<u>00565-G1</u>		LOCK WASHER, #4	2
21	<u>00526-G2</u>		NUT, #4 - 40	2
22				
23	<u>73290-G03</u>		REVERSE WARNING BUZZER.....	1
24	<u>01063-G01</u>		SCREW, #6 - 32 X 3/8" LG.....	2
25	<u>25978-G345</u>		18 GA WIRE (RED 7").....	1
26				
27				
28	<u>72734-G03</u>		SHIFTER CABLE (ST 350)	1
29	<u>602891</u>		SHIFTER CABLE (ST SPORT)	1
30				
31	<u>25727-G01</u>		CUP WASHER, 1/4"	4

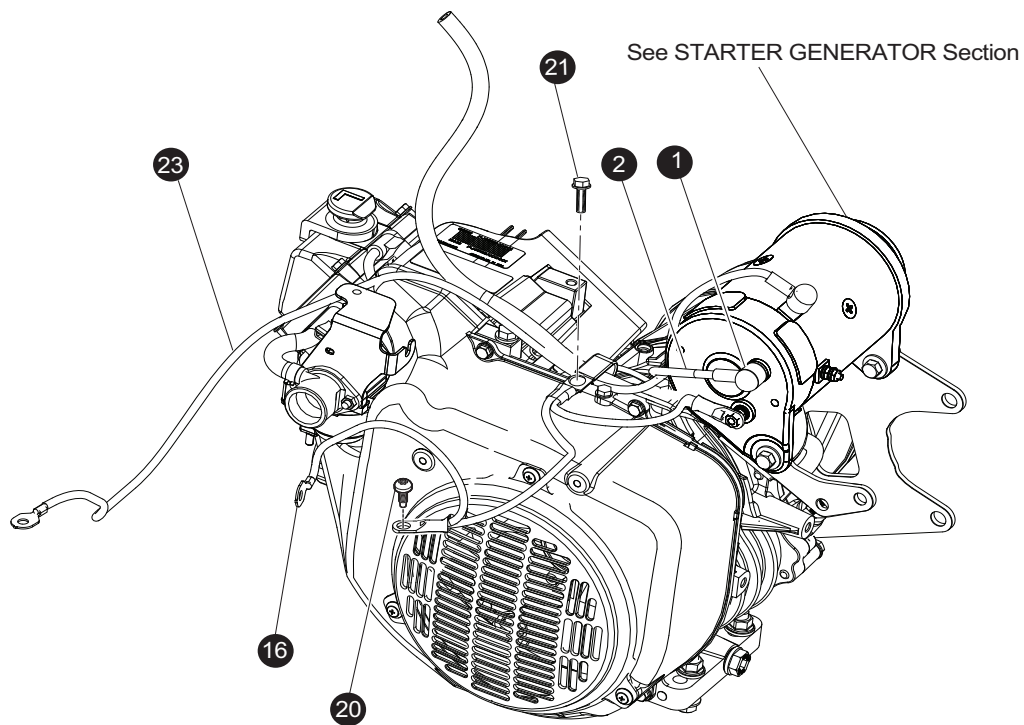
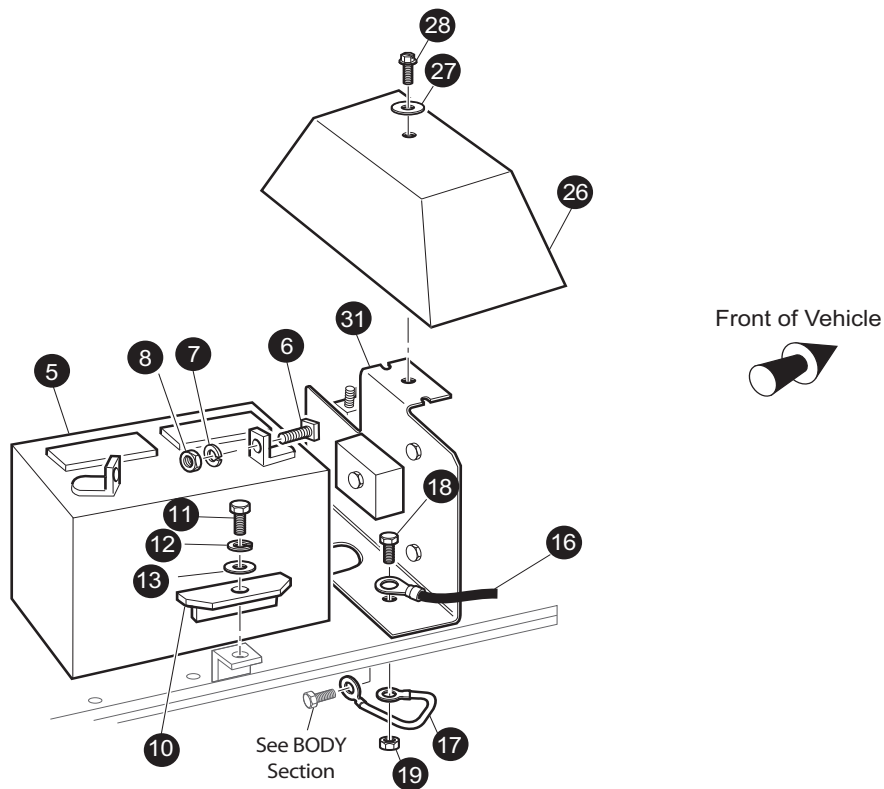
DIRECTION SELECTOR

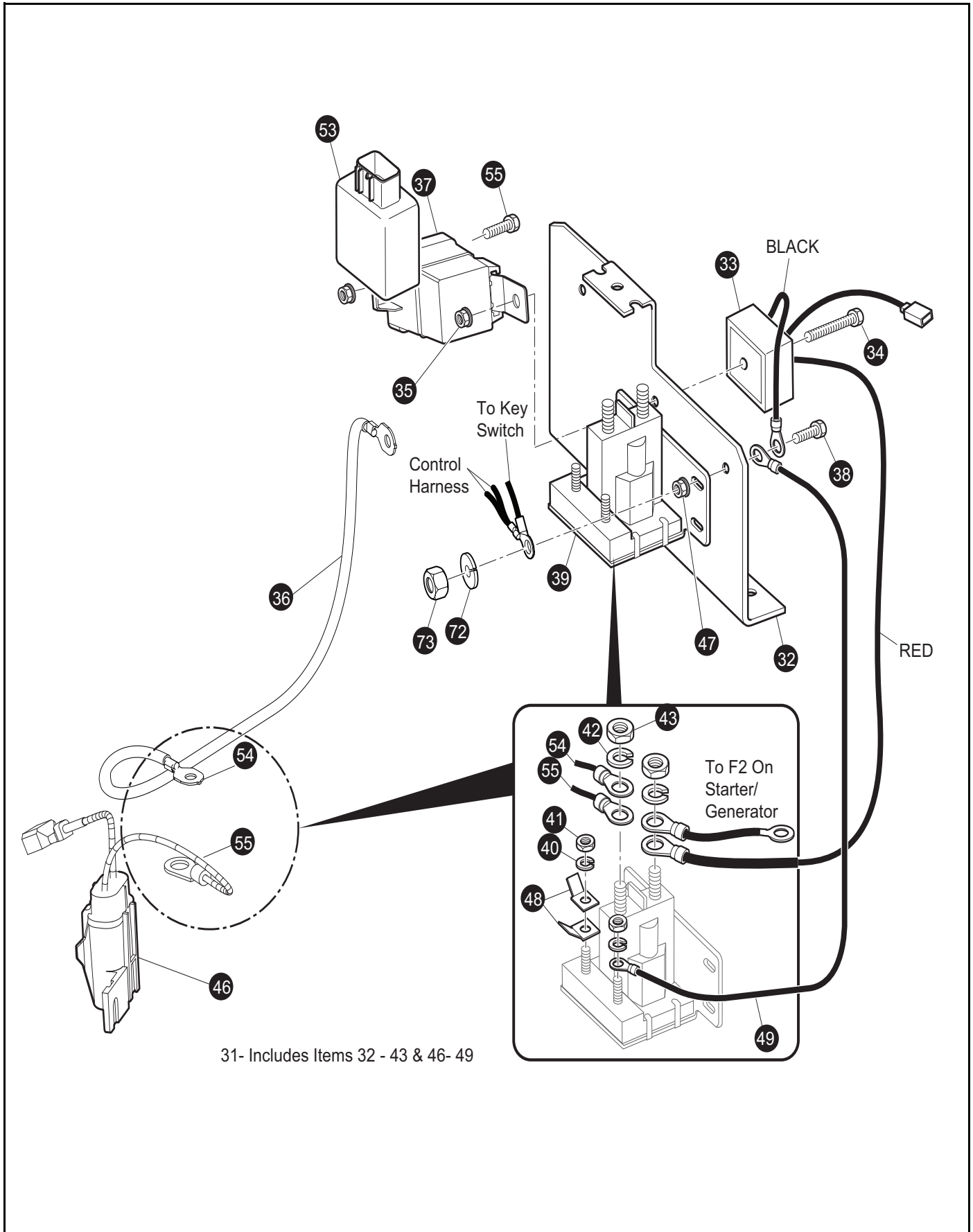
When ordering parts, please specify the model and serial number of the product.

* Indicates a component that is not available as an individual part.

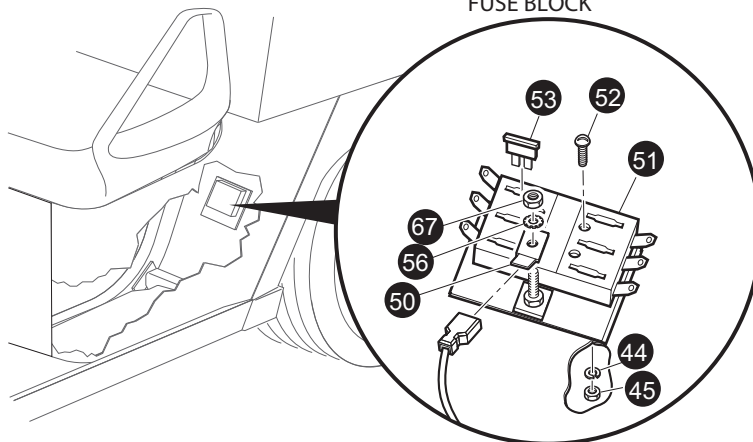
*** Indicates consult Customer Service Department for additional information.

ITEM	PART NO.	1	2	3	4	5	DESCRIPTION	QTY.
32	<u>72735-G01</u>						COMPRESSION SPRING, 19/32" X 1" LG	2
33	<u>72730-G01</u>						SHIFTER ARM WITH BUSHING	1
34	<u>00734-G5</u>						LOCK NUT, #10 - 32	1
35								
36	<u>70227-G01</u>						SCREW, 1/4 - 20 X 7/8" LG	2
37	<u>11027-G2</u>						LOCK NUT, 1/4 - 20	2
38								
39	26830-G01						LOCK NUT, M8 X 1.25 MM	1
40								
41								
42	<u>71205-G01</u>						DIRECTION SELECTOR HANDLE	1
43	<u>00740-G4</u>						SCREW, #10 - 32 X 1/2" LG (STAINLESS STEEL)	1
44								
45	<u>31539-G1</u>						WIRE TIE	1
46	<u>01072-G01</u>						CABLE CLIP	2
47								
48	<u>11845-G5</u>						CLIP, 3/8" (ST 350)	1
49	<u>00414-G6</u>						BOLT, 1/4 - 20 X 3/4" LG (ST 350)	1
50	<u>14390-G4</u>						LOCK NUT, 1/4 - 20 (ST 350)	1

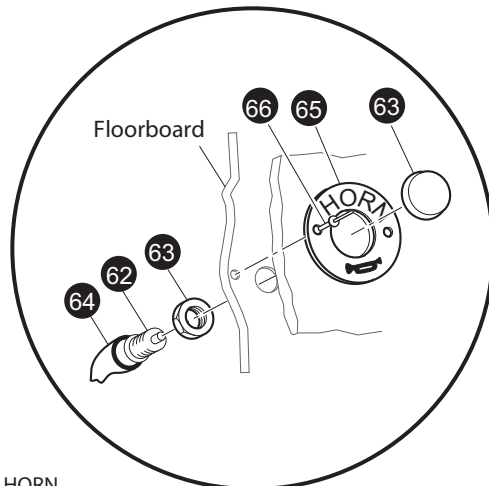




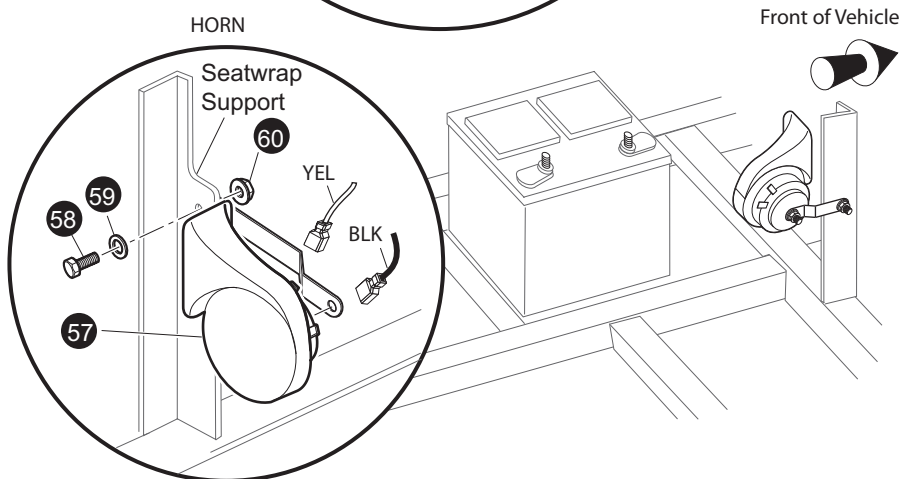
FUSE BLOCK

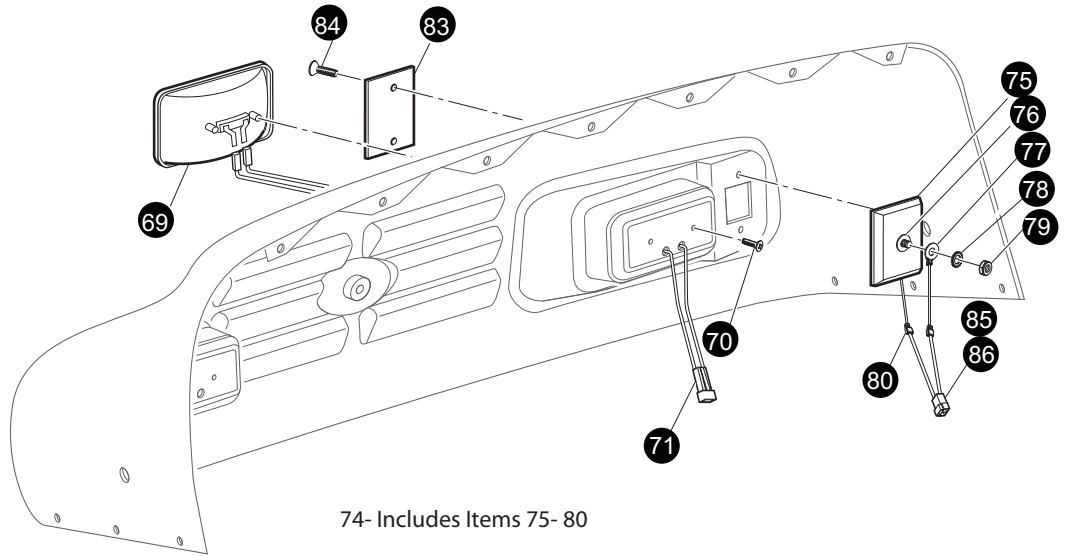


HORN BUTTON

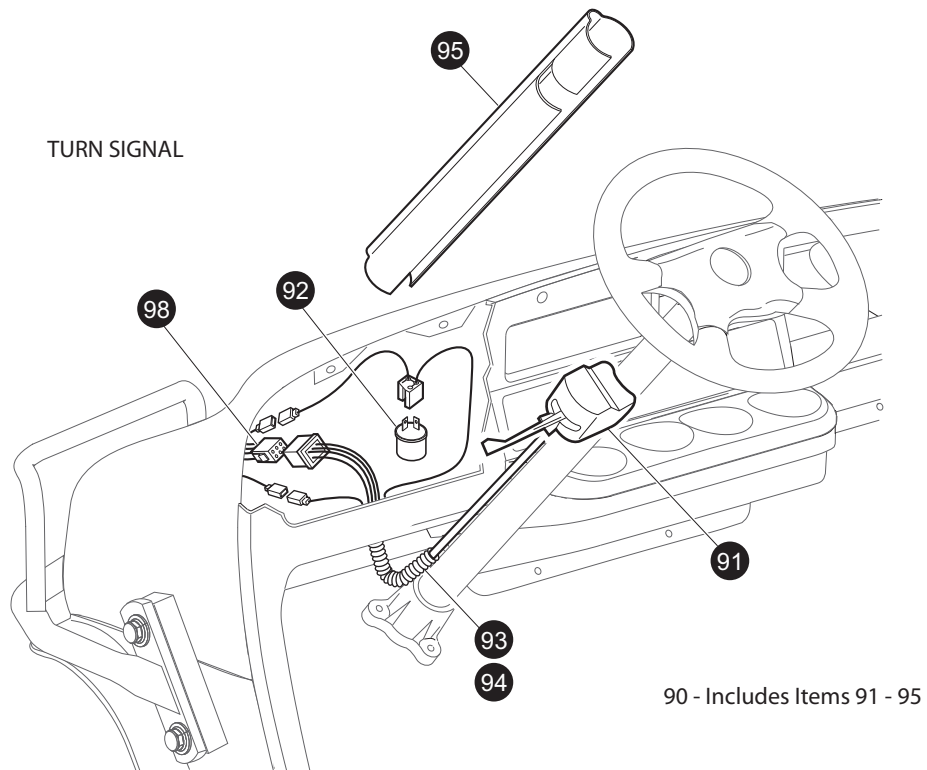
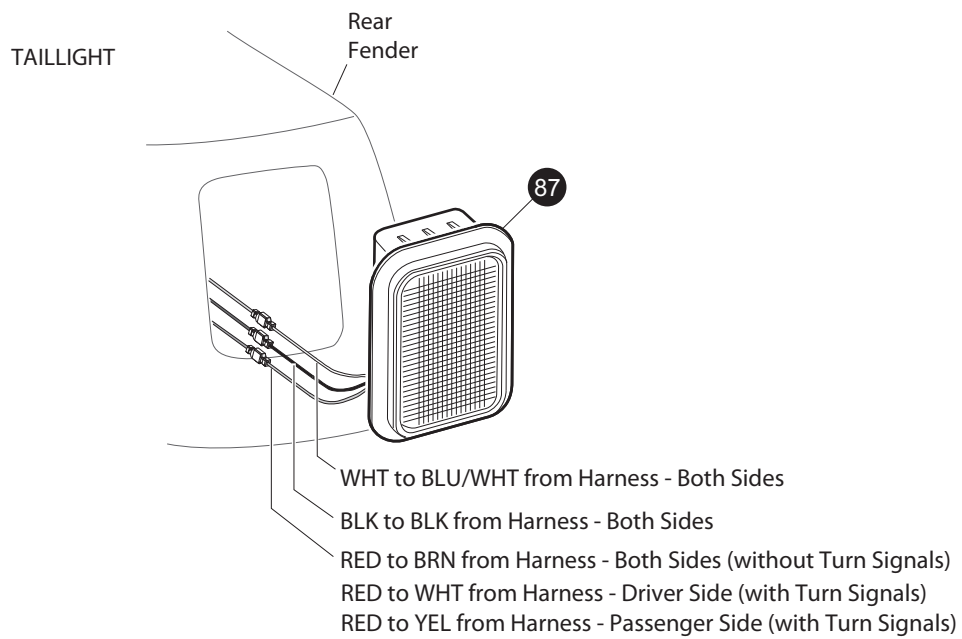


HORN



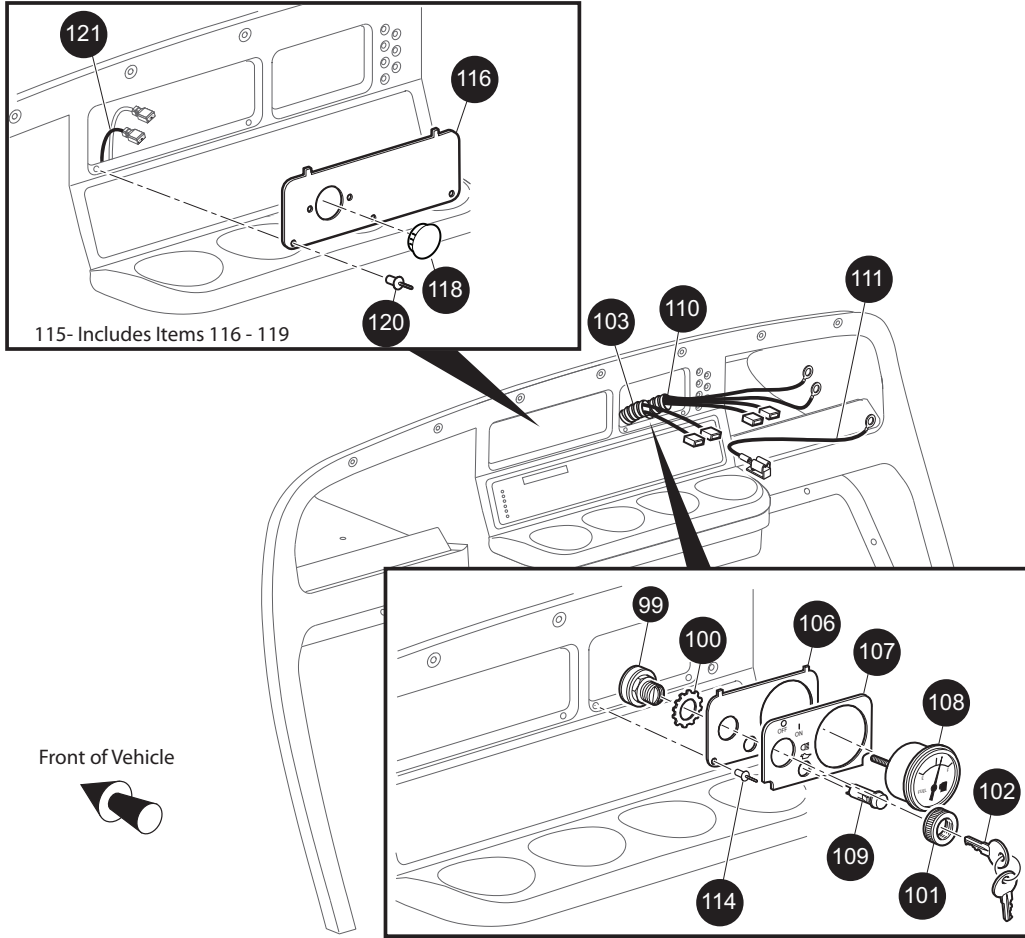


Ref Ele 11-4



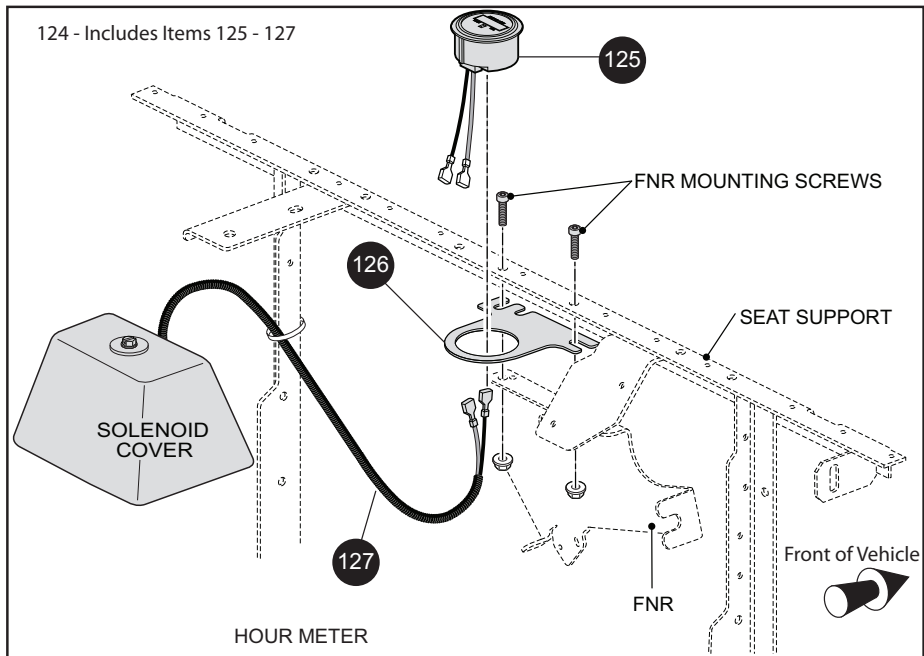
Ref Ele 11-5

CONSOLE INSERT PLATE (WITH POWER OUTLET SHOWN)



KEY SWITCH, INDICATOR LIGHT(S), AND FUEL GAUGE

124 - Includes Items 125 - 127



Ref Ele 11-6

ELECTRICAL

When ordering parts, please specify the model and serial number of the product.

* Indicates a component that is not available as an individual part.

*** Indicates consult Customer Service Department for additional information.

ITEM	PART NO.	1 2 3 4 5	DESCRIPTION	QTY.
1	<u>607053</u>		6 GA WIRE (BLACK 6", F1 - A2).....	1
2	<u>25682G1</u>		TERMINAL COVER.....	3
3				
4				
5	24775G*		BATTERY, 12V	1
6	*		BOLT, 5/16 - 18 X 1 1/4" LG.....	2
7	*		LOCK WASHER, 5/16" (SILICON BRONZE).....	2
8	*		NUT, 5/16 - 18 (SILICON BRONZE)	2
9				
10	<u>72101G02</u>		BATTERY HOLD DOWN	1
11	00438G6		BOLT, 5/16 - 18 X 3/4" LG	3
12	<u>00565G8</u>		LOCK WASHER, 5/16"	1
13	<u>00571G2</u>		WASHER, 5/16" (STAINLESS STEEL)	1
14				
15				
16	<u>27044G03</u>		GROUND CABLE.....	1
17	<u>25976G19</u>		14 GA WIRE (BLACK 6").....	1
18	00438G6		BOLT, 5/16 - 18 X 3/4" LG	2
19	<u>11027G1</u>		LOCK NUT, 5/16 - 18.....	2
20	<u>26676G01</u>		FLANGED BOLT	1
21	<u>606264</u>		BOLT, M6-1 X 20	1
22				
23	<u>25972G85</u>		6 GA WIRE (BLACK 23", F2 - SOL).....	1
24	<u>605821</u>		WIRE HARNESS (CONTROL).....	1
25	<u>17618G1</u>		WIRE TIE (NOT ILLUSTRATED)	AR
26	<u>73049G01</u>		COVER FNR	1
27	<u>16469G1</u>		WASHER, 1/4".....	1
28	<u>00114G6</u>		SCREW, 1/4 - 14 X 3/4" LG.....	1
29				
30				
31	<u>605563</u>		ELECTRICAL PLATE ASSEMBLY (INCLUDES ITEMS 32 - 49)	1

When ordering parts, please specify the model and serial number of the product.

* Indicates a component that is not available as an individual part.

*** Indicates consult Customer Service Department for additional information.

ITEM	PART NO.	1 2 3 4 5	DESCRIPTION	QTY.
32	<u>73057G01</u>		BRACKET.....	1
33	<u>27739G01</u>		VOLTAGE REGULATOR.....	1
34	<u>00415G4</u>		BOLT, 1/4 - 20 X 1 1/4" LG.....	1
35	<u>11027G2</u>		LOCK NUT, 1/4 - 20.....	1
36	<u>25972G33</u>		WIRE ASSEMBLY 6 GA.....	1
37	<u>603282</u>		RELAY.....	1
38	00661G08		BOLT, 1/4 - 20 X 1" LG.....	1
39	<u>27153G01</u>		SOLENOID.....	1
40	*		LOCK WASHER, #10.....	2
41	*		NUT, #10 - 32.....	2
42	*		LOCK WASHER, 5/16".....	2
43	*		NUT, 5/16 - 24.....	2
44	<u>00559G5</u>		WASHER, # 10.....	2
45	<u>14390G10</u>		LOCKNUT, #10-24.....	2
46	600418G01		FUSE HOLDER ASSEMBLY.....	1
47	<u>11027G2</u>		LOCK NUT, 1/4 - 20.....	1
48	<u>73446G01</u>		FASTON TAB, 90°.....	2
49	<u>25978G56</u>		18 GA WIRE (BLACK 5 3/4").....	1
50	12914G01		PUSH ON MALE TERMINAL.....	1
51	<u>35211G01</u>		FUSE BLOCK.....	1
52	<u>00379G2</u>		RIVET, 1/8" X 13/16" LG.....	2
53	<u>35212G01</u>		15 AMP FUSE.....	3
54	<u>25972G33</u>		#6 GA WIRE ASSEMBLY.....	1
55	<u>20216G1</u>		16 GA WIRE (RED).....	1
56	<u>00567G5</u>		LOCK WASHER, #10.....	1
57	<u>32860G1</u>		HORN.....	1
58	<u>00414G5</u>		BOLT, 1/4 - 20 x 5/8" LG.....	1
59	<u>00559G7</u>		WASHER, 1/4" (STAINLESS STEEL).....	1
60	<u>14390G4</u>		LOCK NUT, 1/4 - 20.....	1
61				
62	<u>17318G1</u>		HORN SWITCH.....	1

ELECTRICAL

When ordering parts, please specify the model and serial number of the product.

* Indicates a component that is not available as an individual part.

*** Indicates consult Customer Service Department for additional information.

ITEM	PART NO.	1 2 3 4 5	DESCRIPTION	QTY.
63	<u>17318G2</u>		HORN SWITCH CAP AND NUT	1
64	<u>27068G01</u>		HORN SWITCH BOOT.....	1
65	19233G1		HORN SWITCH LABEL.....	1
66	<u>71055G01</u>		RIVET, 3/16" X 1" LG (ALUMINUM)	2
67	<u>00526G4</u>		NUT, #10-32	1
68				
69	22523G01		HEADLIGHT (INCLUDES ITEM 70).....	2
70	<u>01085G01</u>		SCREW, #10 - 24 X 2 - 1/7	4
71	<u>74337G01</u>		JUMPER WIRE (HEADLIGHT)	2
72				
73				
74	<u>20570G3</u>		TURN SIGNAL LIGHT ASSEMBLY (INCLUDES ITEMS 75 - 80).....	2
75	<u>20574G3</u>		TURN SIGNAL LIGHT	1
76	<u>00660G7</u>		WASHER, 1/4" (STAINLESS STEEL).....	1
77	<u>20606G1</u>		WIRE ASSEMBLY.....	1
78	<u>00567G7</u>		LOCK WASHER, 1/4"	1
79	<u>00532G1</u>		NUT, 1/4 - 20.....	1
80	<u>18995G1</u>		PUSH-ON TERMINAL (MALE).....	1
81				
82				
83	<u>20574G4</u>		LENS, AMBER	1
84	<u>00118G5</u>		SCREW, #6 - 18 X 5/8" LG.....	4
85	<u>74056G01</u>		TURN SIGNAL JUMPER, RED/BLACK (PASSENGER SIDE)	1
86	<u>74056G02</u>		TURN SIGNAL JUMPER, GREEN/BLACK (DRIVER SIDE).....	1
87	<u>32739G2</u>		TAILLIGHT ASSEMBLY (COMPLETE)	2
88				
89				
90	606887		TURN SIGNAL KIT (INCLUDES ITEMS 91 - 95).....	1
91	<u>17867G1</u>		TURN SIGNAL (WITH MOUNTING HARDWARE) (INCLUDES ITEM 106)	1
92	<u>21640G1</u>		TURN SIGNAL FLASHER.....	1
93	<u>32307G3</u>		FLEX LOOM, 3/8 X 8" LG	1

When ordering parts, please specify the model and serial number of the product.

* Indicates a component that is not available as an individual part.

*** Indicates consult Customer Service Department for additional information.

ITEM	PART NO.	1 2 3 4 5	DESCRIPTION	QTY.
94	<u>17618G1</u>		WIRE TIE.....	2
95	<u>20965G3</u>		STEERING COLUMN COVER.....	1
96				
97				
98	<u>606045</u>		WIRE HARNESS (ACCESSORY)	1
99	<u>18602G1</u>		IGNITION SWITCH (WITH LIGHTS, INDIVIDUALLY KEYED).....	1
100	<u>00568G6</u>		LOCK WASHER, 3/4"	1
101	<u>17137G1</u>		FACE NUT, 3/4 - 20.....	1
102	<u>17063G1</u>		IGNITION KEY	1
103	<u>605830</u>		WIRE HARNESS (KEY SWITCH).....	1
104				
105				
106	<u>73030G04</u>		PLATE (FUEL GAUGE AND OIL LIGHT)	1
107	<u>71131G01</u>		LABEL (OIL LIGHT AND FUEL GAUGE WITH HEADLIGHTS)	1
108	<u>21553G1</u>		FUEL GAUGE	1
109	<u>23474G1</u>		INDICATOR LIGHT	1
110	<u>74311G01</u>		HARNESS (OIL LIGHT/FUEL GAUGE).....	1
111	<u>25978G122</u>		18 GA WIRE (RED 6")	1
112				
113				
114	<u>33623G02</u>		DRIVE RIVET, 3/16" X 3/8" LG	2
115	<u>74693G01</u>		CONSOLE INSERT ASSEMBLY (INCLUDES ITEMS 116 - 119).....	1
116	<u>73522G03</u>		CONSOLE INSERT PLATE.....	1
117				
118	<u>20271G10</u>		HOLE PLUG	1
119				
120	<u>33623G02</u>		DRIVE RIVET, 3/16" X 3/8" LG	3
121				
122				
123				
124	<u>607285</u>		HOUR METER KIT (INCLUDES ITEMS 125 - 127).....	1

ELECTRICAL

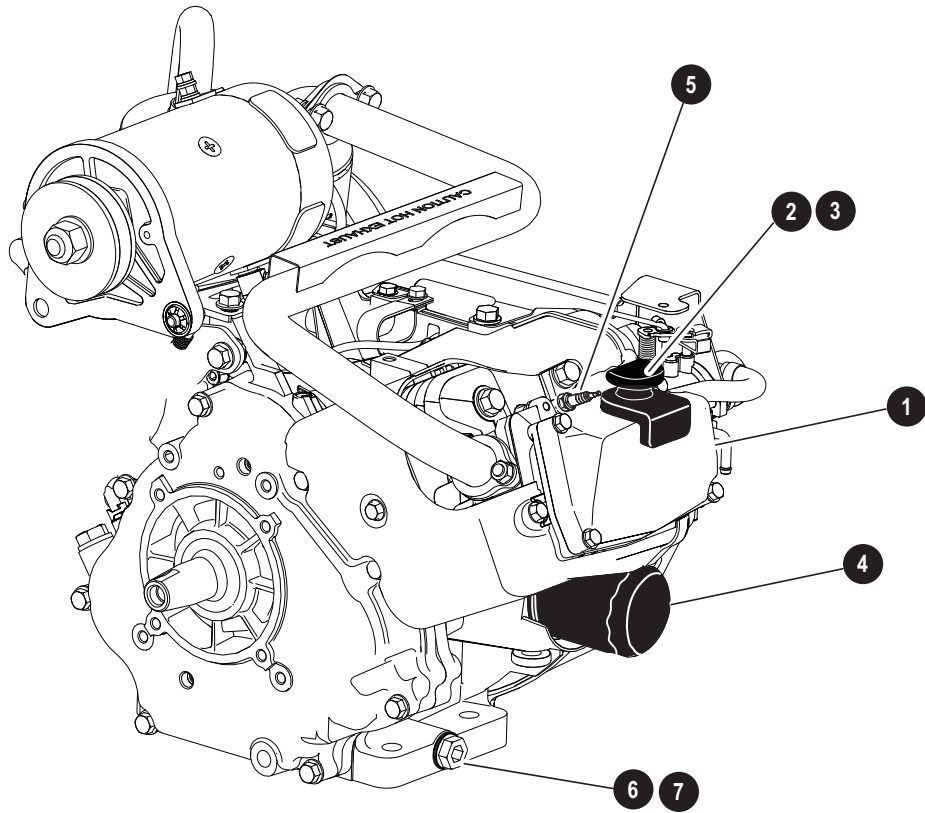
When ordering parts, please specify the model and serial number of the product.

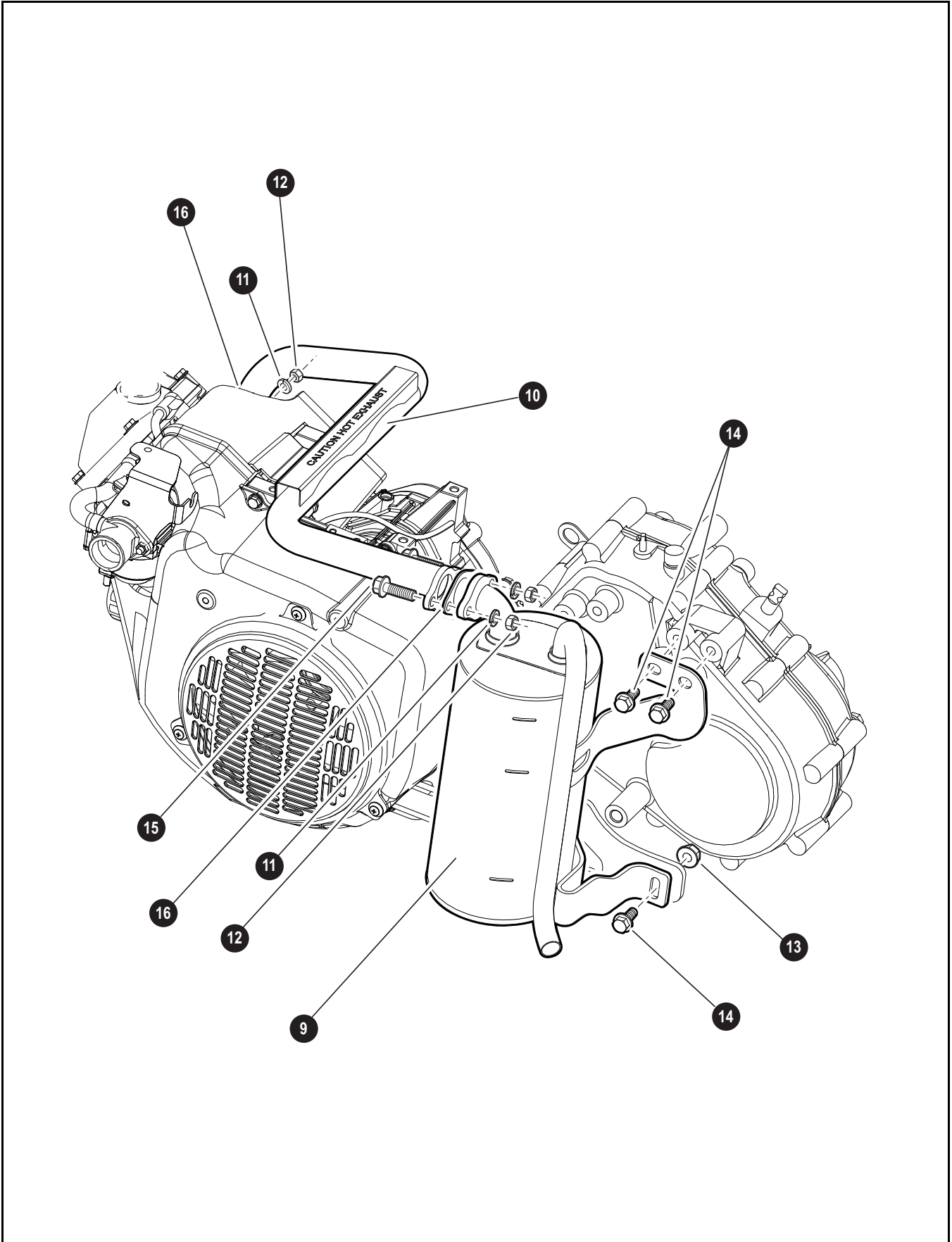
* Indicates a component that is not available as an individual part.

*** Indicates consult Customer Service Department for additional information.

ITEM	PART NO.	1	2	3	4	5	DESCRIPTION	QTY.
125	<u>603720</u>						HOUR METER.....	1
126	<u>603721</u>						HOUR METER BRACKET	1
127	<u>606254</u>						WIRE HARNESS (HOUR METER).....	1

ENGINE AND MUFFLER





ENGINE AND MUFFLER

Where applicable, THE USE OF NON UL PARTS WILL VOID ANY UL LISTING.

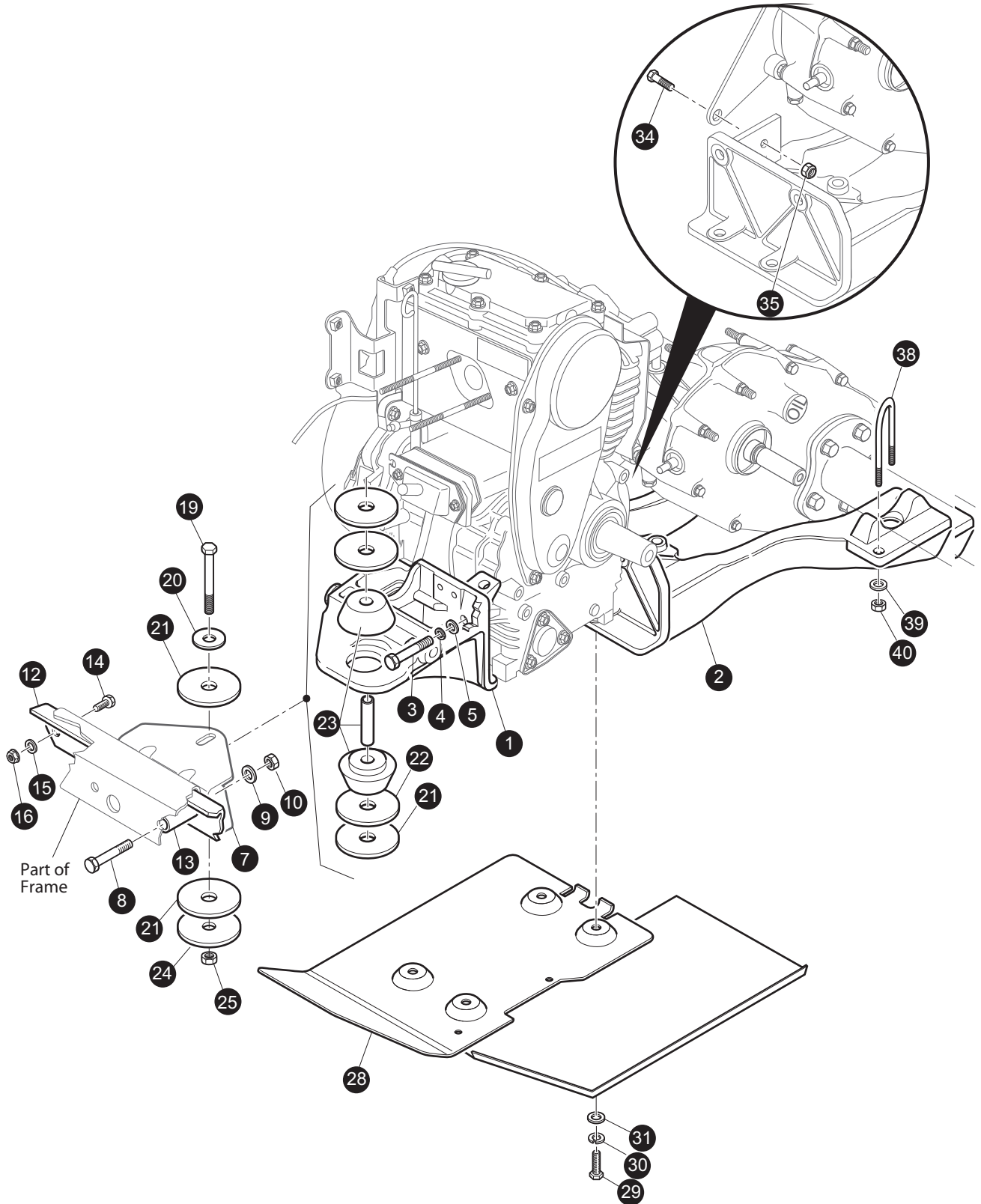
When ordering parts, please specify the model and serial number of the product.

* Indicates a component that is not available as an individual part.

G** Indicates consult Customer Service Department for additional information.

ITEM	PART NO.	1	2	3	4	5	DESCRIPTION	QTY.
1	<u>607154</u>						ENGINE, GAS, 13HP, NON-GOLF.....	1
2	<u>606390</u>						DIP STICK, LOW (ST SPORT II G CARB).....	1
3	<u>606391</u>						DIP STICK, HIGH.....	1
4	<u>607454</u>						OIL FILTER.....	1
5	<u>607462</u>						SPARK PLUG (BPR2ES).....	1
6	<u>603557</u>						OIL DRAIN PLUG.....	1
7	<u>603562</u>						'O' RING, 16MM.....	1
8								
9	<u>606984</u>						MUFFLER.....	1
10	<u>606982</u>						EXHAUST PIPE.....	1
11	<u>606272</u>						WASHER, 8MM.....	4
12	<u>606267</u>						NUT, M8 X 1.25.....	4
13	<u>606279</u>						NUT, M10 - 1.25.....	1
14	<u>606256</u>						BOLT, M10 - 1.25 X 25.....	3
15	<u>602330</u>						BOLT, M8 - 1.25 X 30.....	2
16	<u>603599</u>						EXHAUST GASKET.....	2

ENGINE MOUNTING



Ref Emt 9

ENGINE MOUNTING

When ordering parts, please specify the model and serial number of the product.

* Indicates a component that is not available as an individual part.

*** Indicates consult Customer Service Department for additional information.

ITEM	PART NO.	1 2 3 4 5	DESCRIPTION	QTY.
1	<u>72010-G01</u>		FRONT ENGINE MOUNT	1
2	<u>72011-G01</u>		REAR ENGINE MOUNT	1
3	<u>00463-G4</u>		BOLT, 7/16 - 14 X 1 1/2" LG.....	4
4	<u>00566-G2</u>		LOCK WASHER, 7/16"	4
5	<u>00922-G3</u>		WASHER, 7/16"	4
6				
7	<u>72253-G02</u>		MOUNT BRACKET	1
8	<u>00428-G6</u>		BOLT, 3/8 - 16 X 2 3/4" LG.....	2
9	<u>00643-G1</u>		WASHER, 3/8"	2
10	<u>11098-G5</u>		LOCK NUT, 3/8 - 16	2
11				
12	<u>70269-G01</u>		CROSSMEMBER BRACE	1
13	<u>72016-G01</u>		SPACER.....	2
14	<u>00438-G7</u>		BOLT, 5/16 - 18 X 7/8" LG.....	2
15	<u>01110-G03</u>		WASHER, 5/16"	2
16	<u>01109-G01</u>		LOCK NUT, 5/16 - 18	2
17				
18				
19	<u>00430-G4</u>		BOLT, 3/8 - 16 X 4 1/2" LG.....	1
20	<u>15121-G1</u>		WASHER, 1 1/4" X 3/8"	1
21	<u>72050-G01</u>		PLASTIC WASHER, 2 1/2" x 5/8"	4
22	<u>72051-G01</u>		WASHER, 2 1/2" X 5/8"	2
23	<u>72015-G01</u>		ISOLATION MOUNT	1
24	<u>72051-G02</u>		WASHER, 2 1/2" X 11/32".....	1
25	<u>11098-G5</u>		LOCK NUT, 3/8 - 16	1
26				
27				
28	<u>70527-G02</u>		ENGINE GUARD	1
29	<u>00463-G4</u>		BOLT, 7/16 - 14 X 1 1/2" LG.....	4
30	<u>00566-G2</u>		LOCK WASHER, 7/16"	4
31	<u>00922-G3</u>		WASHER, 7/16"	4

ENGINE MOUNTING

When ordering parts, please specify the model and serial number of the product.

* Indicates a component that is not available as an individual part.

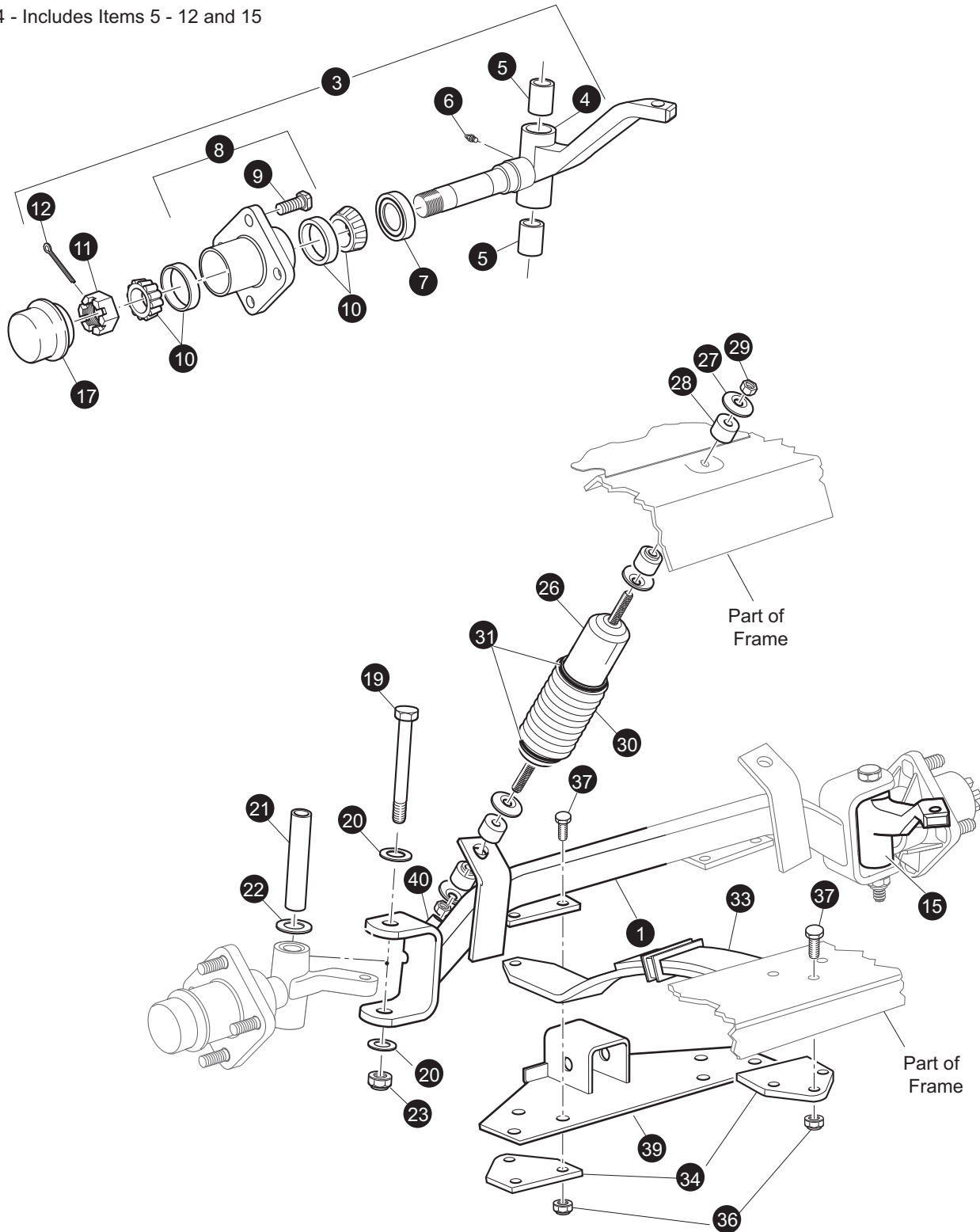
*** Indicates consult Customer Service Department for additional information.

ITEM	PART NO.	1	2	3	4	5	DESCRIPTION	QTY.
32								
33								
34	<u>00439-G2</u>						BOLT, 5/16 - 18 X 1 1/8" LG	1
35	11098-G6						LOCK NUT, 5/16 - 18.....	1
36								
37								
38	<u>72035-G01</u>						'U' BOLT, 7/16 - 14	2
39	<u>00922-G3</u>						WASHER, 7/16".....	4
40	<u>00734-G1</u>						LOCK NUT, 7/16 - 14.....	4

FRONT SUSPENSION

3 - Includes Items 4 - 12

14 - Includes Items 5 - 12 and 15



FRONT SUSPENSION

When ordering parts, please specify the model and serial number of the product.

* Indicates a component that is not available as an individual part.

*** Indicates consult Customer Service Department for additional information.

ITEM	PART NO.	1 2 3 4 5	DESCRIPTION	QTY.
1	<u>70515-G01</u>		FRONT AXLE.....	1
2				
3	<u>70535-G03</u>		SPINDLE ASSEMBLY (DRIVER SIDE) (INCLUDES ITEMS 4 - 12)	1
4	*		SPINDLE (DRIVER SIDE).....	1
5	<u>16623-G1</u>		BEARING	2
6	<u>10389-G3</u>		GREASE FITTING, STRAIGHT	1
7	<u>25146-G1</u>		GREASE SEAL	1
8	<u>35886-G01</u>		WHEEL HUB ASSEMBLY WITH RACES (INCLUDES ITEMS 9).....	1
9	<u>19862-G1</u>		LUG BOLT, 1/2 - 20 X 1 3/16" LG	4
10	<u>50892-G1</u>		BEARING AND RACE ASSEMBLY (COMPLETE).....	2
11	<u>12093-G1</u>		SLOTTED NUT, 1 - 14.....	1
12	<u>00798-G8</u>		COTTER PIN, 5/32" X 1 3/4" LG	1
13				
14	<u>70534-G03</u>		SPINDLE ASSEMBLY (PASSENGER SIDE) (INCL ITEMS 5 - 12, 15)	1
15	*		SPINDLE (PASSENGER SIDE)	1
16				
17	<u>12091-G2</u>		SPINDLE CAP	2
18				
19	<u>01040-G01</u>		BOLT, 1/2 - 13 X 5" LG.....	2
20	<u>00571-G5</u>		WASHER, 1/2"	4
21	<u>70328-G01</u>		KING PIN TUBE.....	2
22	<u>16982-G1</u>		THRUST WASHER, 7/8"	2
23	<u>14390-G6</u>		LOCK NUT, 1/2 - 13	2
24				
25				
26	<u>70630-G01</u>		SHOCK ABSORBER	2
27	<u>10435-G1</u>		SHOCK ABSORBER WASHER.....	8
28	<u>10194-G1</u>		RUBBER BUSHING	8
29	<u>00532-G6</u>		NUT, 3/8 - 24	4
30	<u>70509-G01</u>		SHOCK ABSORBER BOOT	2
31	<u>31539-G1</u>		WIRE TIE	4

FRONT SUSPENSION

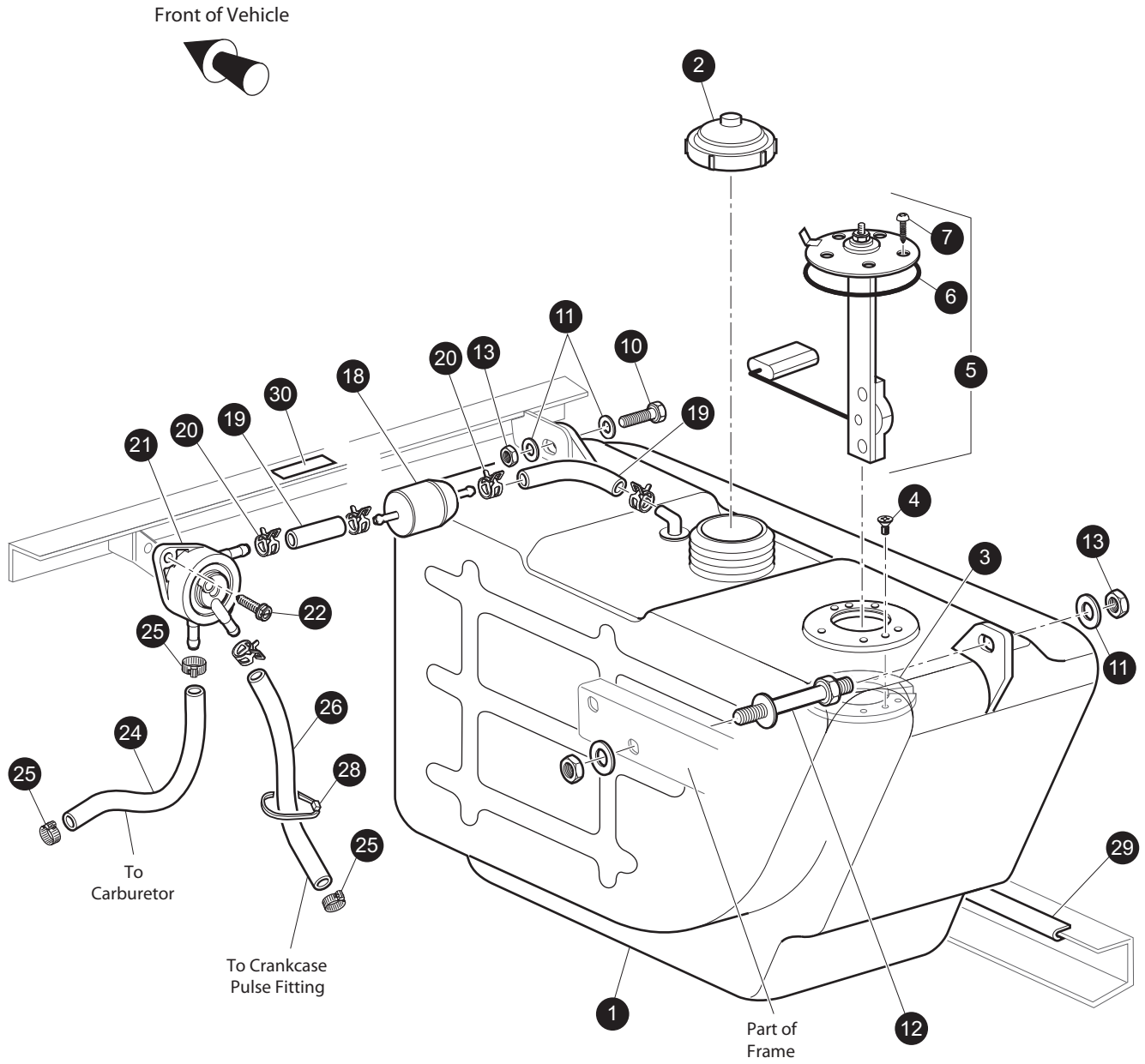
When ordering parts, please specify the model and serial number of the product.

* Indicates a component that is not available as an individual part.

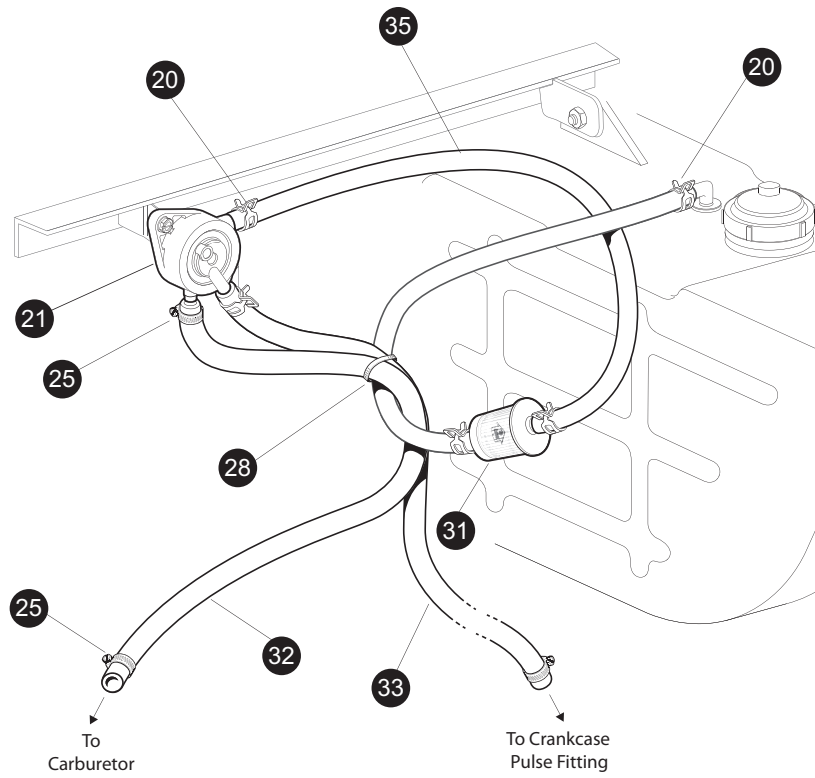
*** Indicates consult Customer Service Department for additional information.

ITEM	PART NO.	1	2	3	4	5	DESCRIPTION	QTY.
32								
33	<u>70422-G01</u>						LEAF SPRING (HEAVY DUTY).....	2
34	<u>70163-G03</u>						SPRING PLATE.....	4
35								
36	<u>00734-G1</u>						LOCK NUT, 7/16 - 14.....	12
37	<u>00463-G11</u>						BOLT, 7/16 - 14 X 1 3/4" LG	12
38								
39	<u>74255-G01</u>						WINCH RECEIVER.....	1
40	<u>10044-G01</u>						VINYL CAP.....	2

FUEL SYSTEM



Ref Fsy 9-1



CALIFORNIA EMISSION REQUIREMENT

FUEL SYSTEM

When ordering parts, please specify the model and serial number of the product.

* Indicates a component that is not available as an individual part.

*** Indicates consult Customer Service Department for additional information.

ITEM	PART NO.	1 2 3 4 5	DESCRIPTION	QTY.
1	<u>72231-G01</u>		FUEL TANK (FOR ELECTRIC FUEL GAUGE)	1
2	<u>72282-G01</u>		FUEL TANK CAP	1
3	<u>72229-G01</u>		FUEL LEVEL SENDER ADAPTER	1
4	<u>72230-G01</u>		SCREW, #6 - 32 X 1/2" LG	2
5	<u>20048-G2</u>		FUEL LEVEL SENDER (ELEC. FUEL GAUGE) (INCLUDES ITEMS 6, 7)....	1
6	*		GASKET	1
7	<u>72232-G01</u>		SCREW, #10 - 32 x 3/4" LG	5
8				
9				
10	<u>00438-G8</u>		BOLT, 5/16 - 18 X 1" LG	1
11	<u>00559-G8</u>		WASHER, 5/16"	4
12	<u>70483-G01</u>		SPACER BOLT	1
13	<u>01109-G01</u>		LOCK NUT, 5/16 - 18 (STAINLESS STEEL)	3
14				
15				
16				
17				
18	<u>72084-G01</u>		FUEL FILTER	1
19	<u>17470-G1</u>		FUEL SYSTEM TUBING, 1/4" ID X 1/2" OD (BULK).....	3 1/4"
20	<u>18292-G1</u>		CLAMP	5
21	<u>72873-G01</u>		FUEL PUMP	1
22	<u>00114-G6</u>		SCREW, 1/4 - 14 X 3/4" LG	2
23				
24	<u>17470-G1</u>		FUEL SYSTEM TUBING, 1/4" ID X 1/2" OD (BULK).....	26"
25	<u>11391-G4</u>		HOSE CLAMP, 1/4"	3
26	<u>27183-G01</u>		TUBING, 1/4" I.D. X 1/2" O.D. (BULK).....	26"
27				
28	<u>17618-G1</u>		WIRE TIE.....	3
29	<u>22280-G1</u>		VINYL TRIM - BLACK, (BULK).....	6 1/4"
30	<u>26459-G01</u>		LABEL (UNLEADED GASOLINE ONLY)	1
31	<u>12902-G1</u>		FUEL FILTER-CARB	1

FUEL SYSTEM

When ordering parts, please specify the model and serial number of the product.

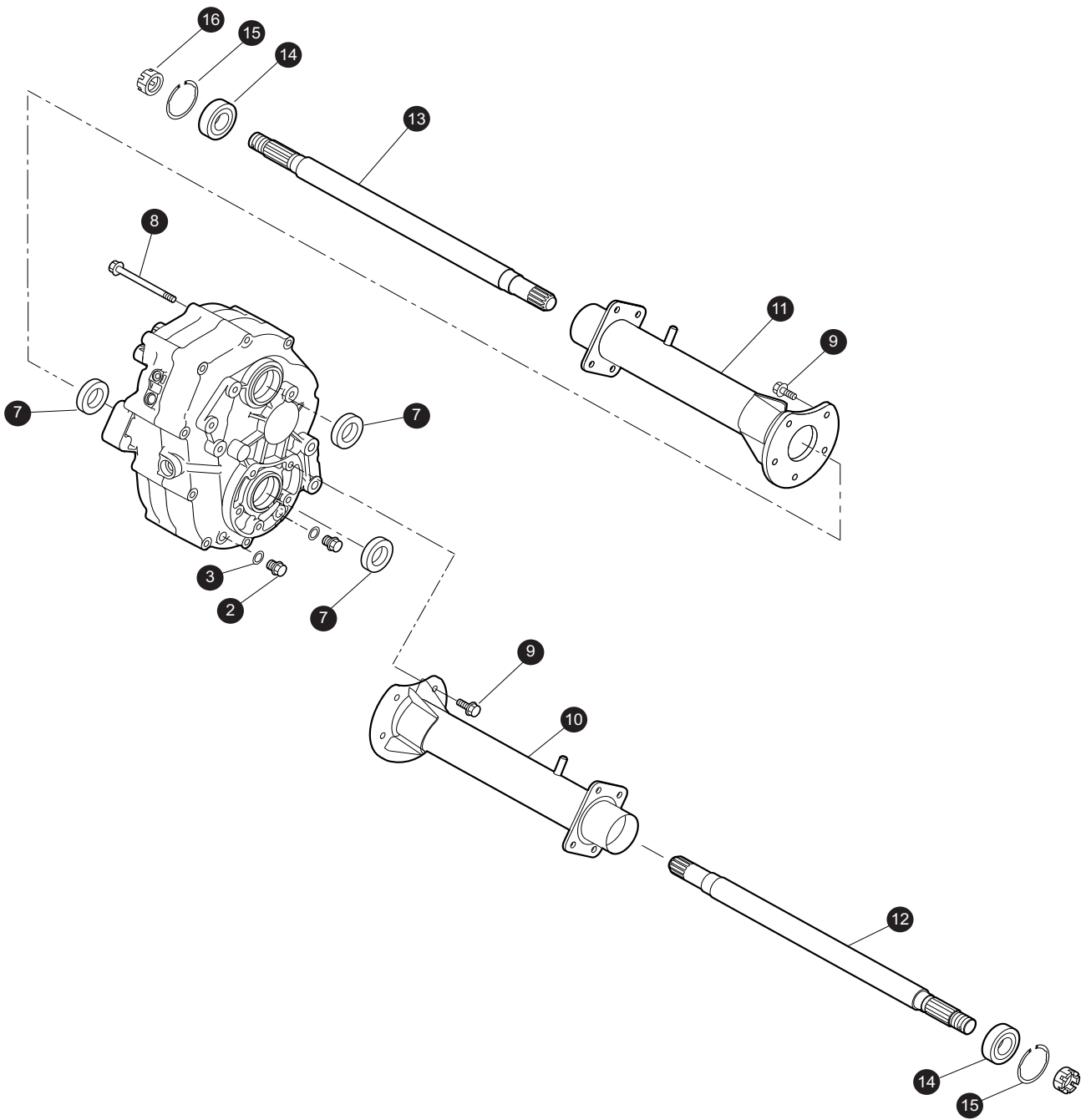
* Indicates a component that is not available as an individual part.

*** Indicates consult Customer Service Department for additional information.

ITEM	PART NO.	1 2 3 4 5	DESCRIPTION	QTY.
32	604596		FUEL SYSTEM TUBING, 26" LG, 1/4"ID X 1/2" OD (BULK)	AR
33	<u>27183-G01</u>		TUBING, 1/4" I.D. X 1/2" O.D. (BULK)	AR
34				
35	604596		FUEL SYSTEM TUBING, 14" LG, 1/4" ID X 1/2" OD (BULK)	AR
36				
37				
38	<u>604589</u>		LABEL, CARB EMISSION (TOP OF TIMING BELT COVER)	1

REAR AXLE

1 - Includes Items 2 - 16



REAR AXLE

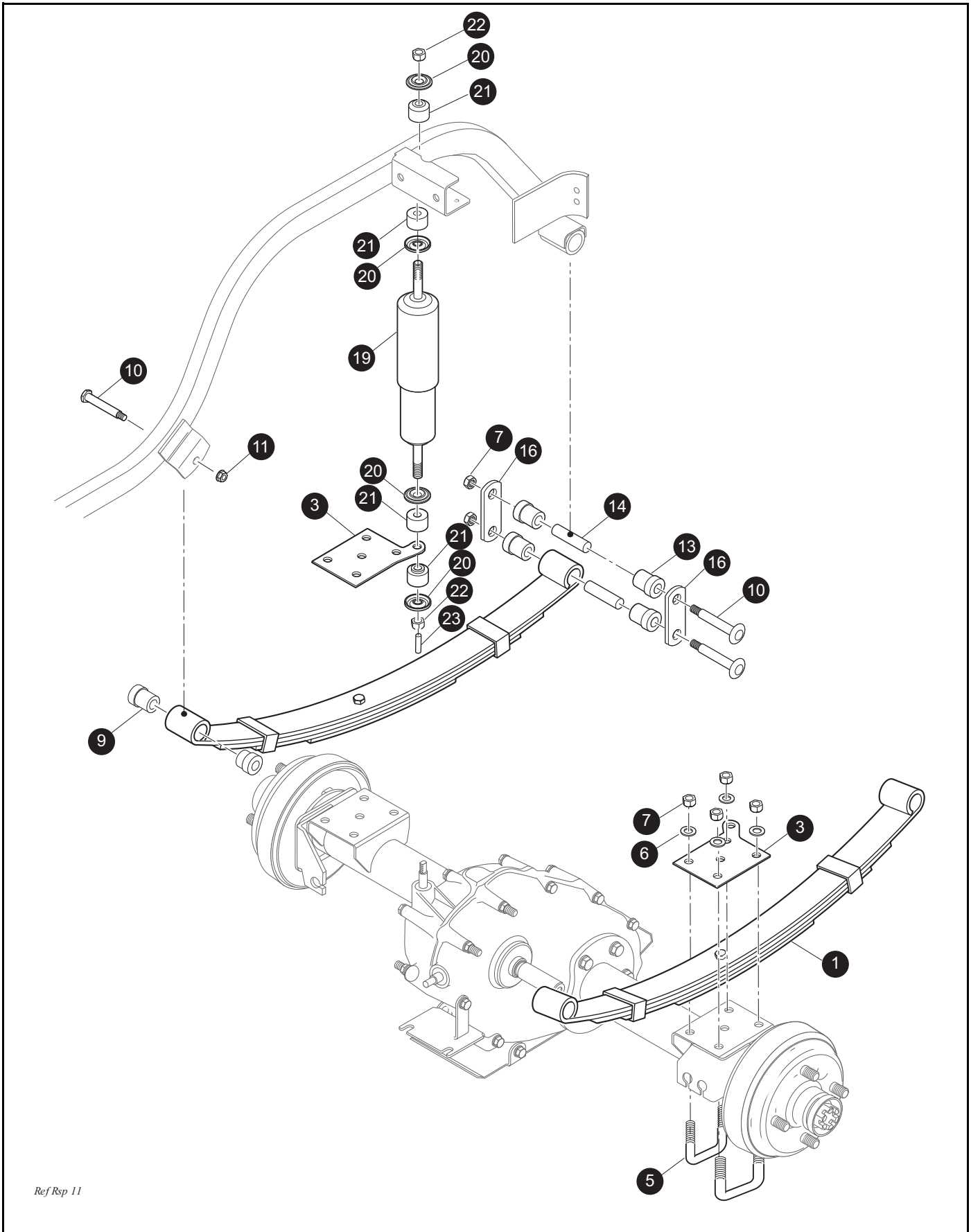
When ordering parts, please specify the model and serial number of the product.

* Indicates a component that is not available as an individual part.

*** Indicates consult Customer Service Department for additional information.

ITEM	PART NO.	1 2 3 4 5	DESCRIPTION	QTY.
1	605891		REAR AXLE	1
2	<u>26770-G01</u>		OIL DRAIN PLUG	2
3	<u>26771-G01</u>		GASKET	2
4				
5				
6				
7	<u>72259-G01</u>		OIL SEAL 28 X 47 X 9	3
8	<u>26823-G01</u>		FLANGE BOLT M8 X 1.25 X 100	10
9	<u>72260-G01</u>		FLANGE BOLT M10 X 1.5 X 23	10
10	<u>607940</u>		AXLE TUBE (PASSENGER SIDE)	1
11	<u>607939</u>		AXLE TUBE (DRIVER SIDE)	1
12	607988		AXLE SHAFT (PASSENGER SIDE)	1
13	607987		AXLE SHAFT (DRIVER SIDE)	1
14	<u>26811-G01</u>		BALL BEARING	2
15	26814-G01		SNAP RING	2
16	<u>606403</u>		SLOTTED NUT	2

REAR SUSPENSION



Ref Rsp 11

REAR SUSPENSION

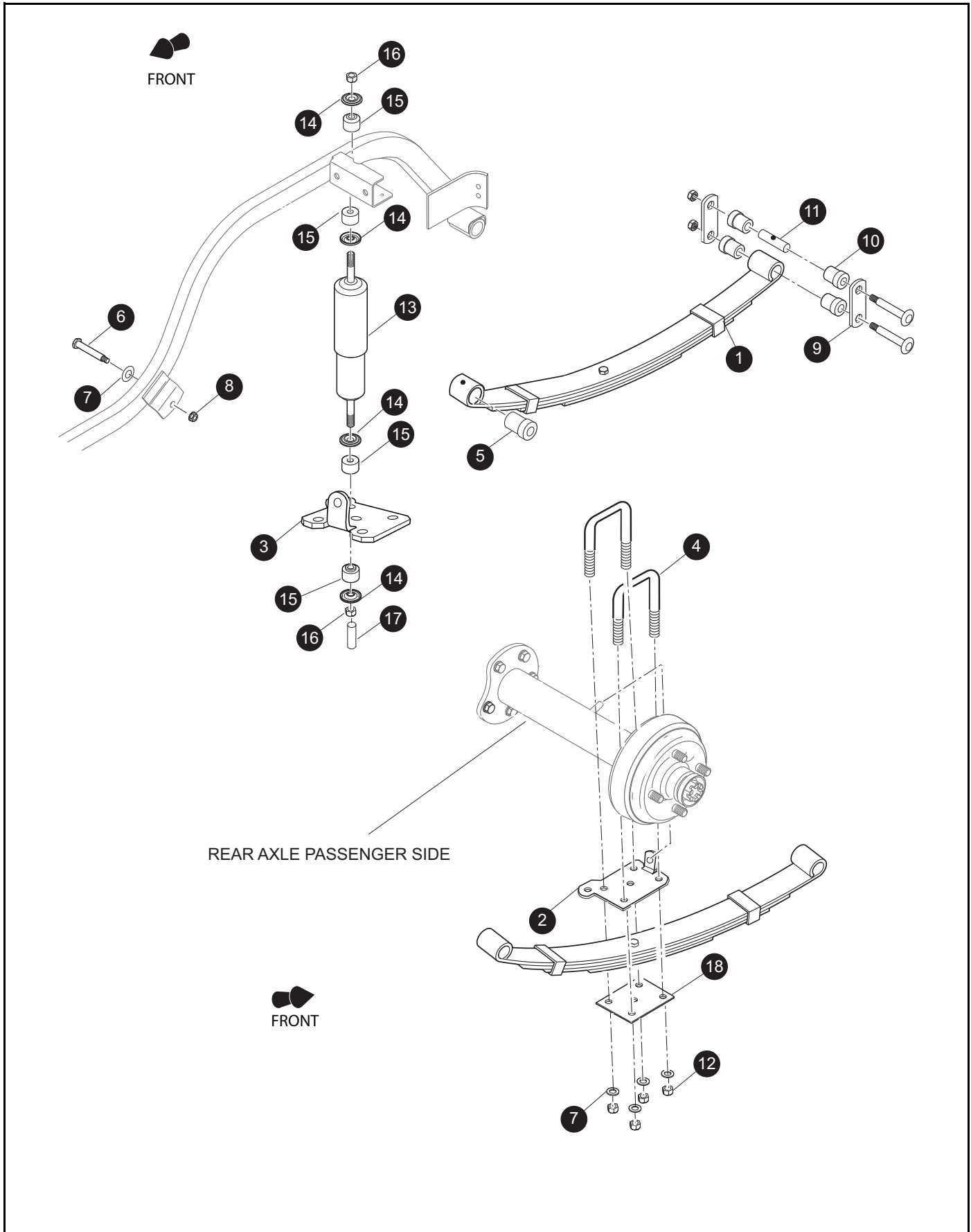
When ordering parts, please specify the model and serial number of the product.

* Indicates a component that is not available as an individual part.

*** Indicates consult Customer Service Department for additional information.

ITEM	PART NO.	1 2 3 4 5	DESCRIPTION	QTY.
1	<u>605721</u>		HEAVY DUTY LEAF SPRING.....	2
2				
3	<u>605977</u>		SPRING PLATE	2
4				
5	<u>32195G3</u>		'U' BOLT, 3/8 - 16 X 2" X 2 1/8" LG.....	4
6	<u>00643G1</u>		WASHER, 3/8"	10
7	<u>11098G5</u>		LOCK NUT, 3/8 - 16	12
8				
9	<u>605445</u>		FLANGED BUSHING.....	2
10	<u>00665G9</u>		SHOULDER BOLT, 3/8 - 16 X 3 1/4" LG.....	6
11	<u>12262G1</u>		LOCK NUT, 3/8 - 16	2
12				
13	<u>70291G01</u>		FLANGED BUSHING.....	8
14	<u>70289G02</u>		SPACER.....	4
15				
16	<u>70290G02</u>		SHACKLE PLATE	4
17				
18				
19	<u>70248G01</u>		SHOCK ABSORBER	2
20	<u>10435G1</u>		SHOCK ABSORBER WASHER.....	8
21	<u>10194G1</u>		RUBBER BUSHING.....	8
22	<u>00532G6</u>		NUT, 3/8 - 24	4
23	<u>10044G01</u>		VINYL CAP	2

REAR SUSPENSION



REAR SUSPENSION

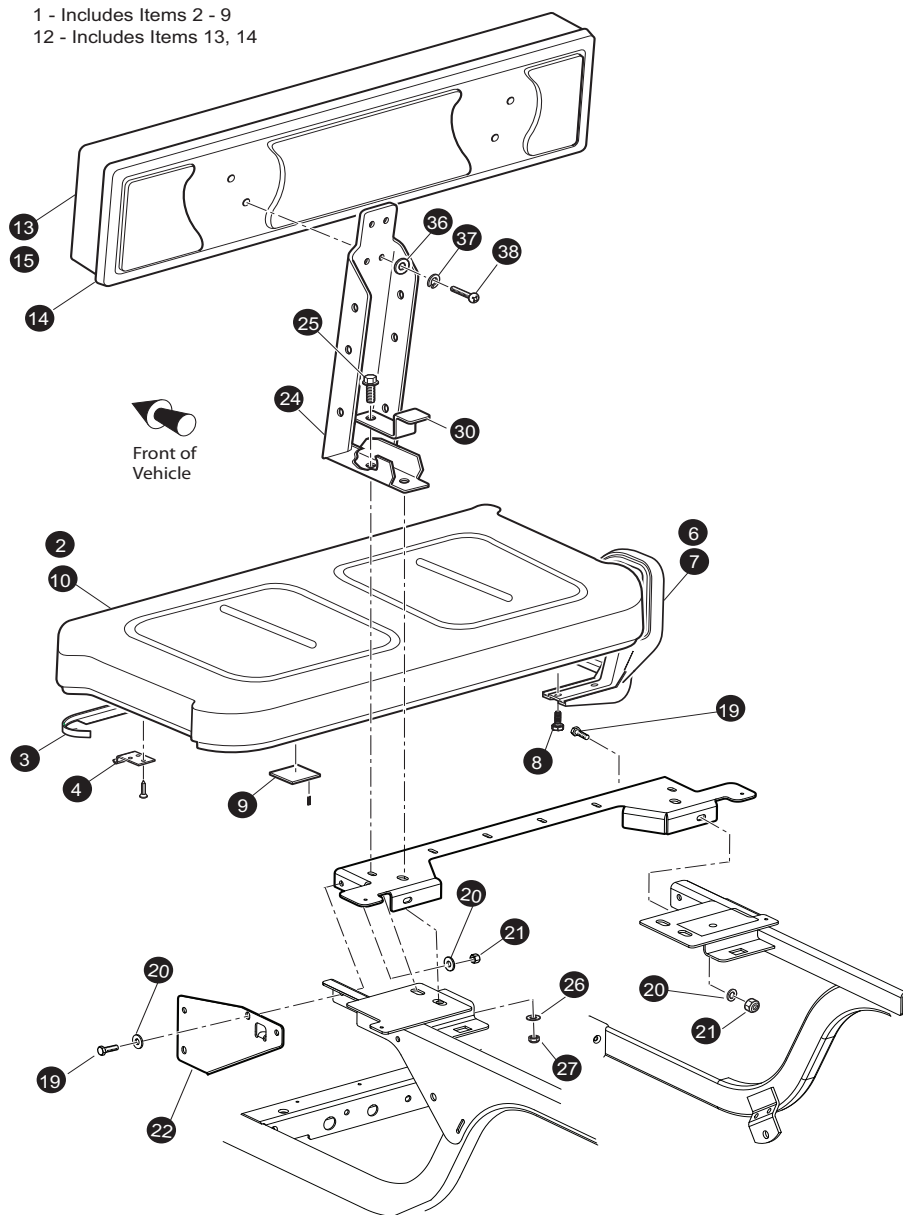
When ordering parts, please specify the model and serial number of the product.

* Indicates a component that is not available as an individual part.

*** Indicates consult Customer Service Department for additional information.

ITEM	PART NO.	1 2 3 4 5	DESCRIPTION	QTY.
1	<u>605721</u>		HEAVY DUTY LEAF SPRING.....	1
2	<u>605958</u>		AXLE BRACKET PASSENGER SIDE	1
3	<u>605938</u>		AXLE BRACKET DRIVER SIDE	1
4	<u>32195G3</u>		'U' BOLT	4
5	<u>605445</u>		FRONT SPRING BUSH.....	2
6	<u>00665G9</u>		SHOULDER BOLT, 3/8 - 16	6
7	<u>00643G1</u>		FLAT WASHER B TYPE 3/8	10
8	<u>12262G1</u>		LOCK NUT, 3/8 - 16	2
9	<u>70290G02</u>		SHACKLE PLATE	4
10	<u>70291G01</u>		FLANGED BUSHING.....	8
11	<u>70289G02</u>		SPACER.....	4
12	<u>11098G5</u>		LOCK NUT, 3/8 - 16	12
13	<u>70248G01</u>		SHOCK ABSORBER	2
14	<u>10435G1</u>		SHOCK ABSORBER WASHER.....	8
15	<u>10194G1</u>		RUBBER BUSHING.....	8
16	<u>00532G6</u>		NUT, 3/8 - 24	4
17	<u>10044G01</u>		VINYL CAP	2
18	<u>605956</u>		REAR SUSPENSION PLATE	2

SEATING



When ordering parts, please specify the model and serial number of the product.

* Indicates a component that is not available as an individual part.

*** Indicates consult Customer Service Department for additional information.

ITEM	PART NO.	1 2 3 4 5	DESCRIPTION	QTY.
1	71611G**		SEAT BOTTOM ASSEMBLY (INCLUDES ITEMS 2 - 9).....	1
2	71602G**		VINYL SEAT BOTTOM COVER.....	1
3	<u>71012G01</u>		VINYL TRIM (SEAT BOTTOM).....	1
4	<u>71610G01</u>		SEAT HINGE.....	2
5	<u>00720G08</u>		SCREW, #12 - 14 X 1" LG (STAINLESS STEEL).....	6
6	<u>71701G01</u>		HIP RESTRAINT (PASSENGER SIDE).....	1
7	<u>71702G01</u>		HIP RESTRAINT (DRIVER SIDE).....	1
8	71204G01		BOLT, 1/4 - 20 X 7/8" LG.....	8
9	<u>17074G1</u>		RUBBER PAD.....	2
10	604912G**		TWO TONE VINYL SEAT BOTTOM.....	1
11				
12	71274G**		SEAT BACK ASSEMBLY (INCLUDES ITEMS 13, 14).....	1
13	18144G**		VINYL SEAT BACK COVER.....	1
14	<u>74889G01</u>		PLASTIC SEAT BACK COVER (BLACK).....	1
15	604916G**		TWO TONE VINYL SEAT BACK.....	1
16				
17	71446G02		SEAT BACK SUPPORT.....	1
18				
19	<u>00438G8</u>		BOLT, 5/16 - 18 X 1" LG.....	5
20	<u>00571G2</u>		WASHER, 5/16".....	6
21	11098G6		LOCK NUT, 5/16 - 18 (STAINLESS STEEL).....	5
22	<u>605776</u>		BRACKET.....	1
23				
24	<u>75900G02</u>		SEAT BACK SUPPORT BRACKET.....	2
25	<u>01006G01</u>		BOLT, 3/8 - 16 X 1 1/4" LG.....	4
26	<u>00560G1</u>		WASHER, 3/8".....	4
27	<u>11098-G5</u>		LOCK NUT, 3/8 - 16.....	4
28				
29				
30	<u>74947G01</u>		BED BUMPER BRACKET.....	2
31				

SEATING

When ordering parts, please specify the model and serial number of the product.

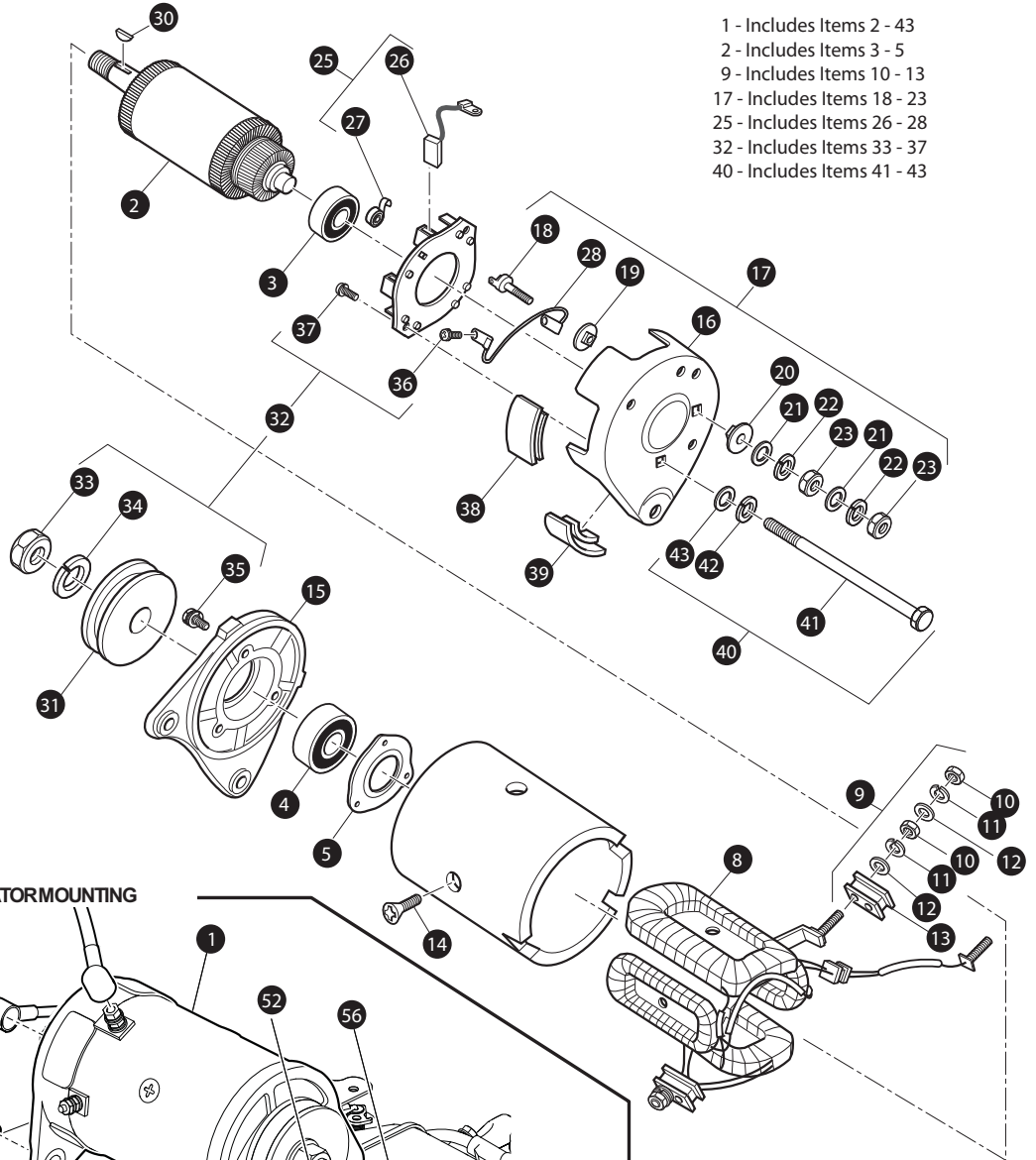
* Indicates a component that is not available as an individual part.

*** Indicates consult Customer Service Department for additional information.

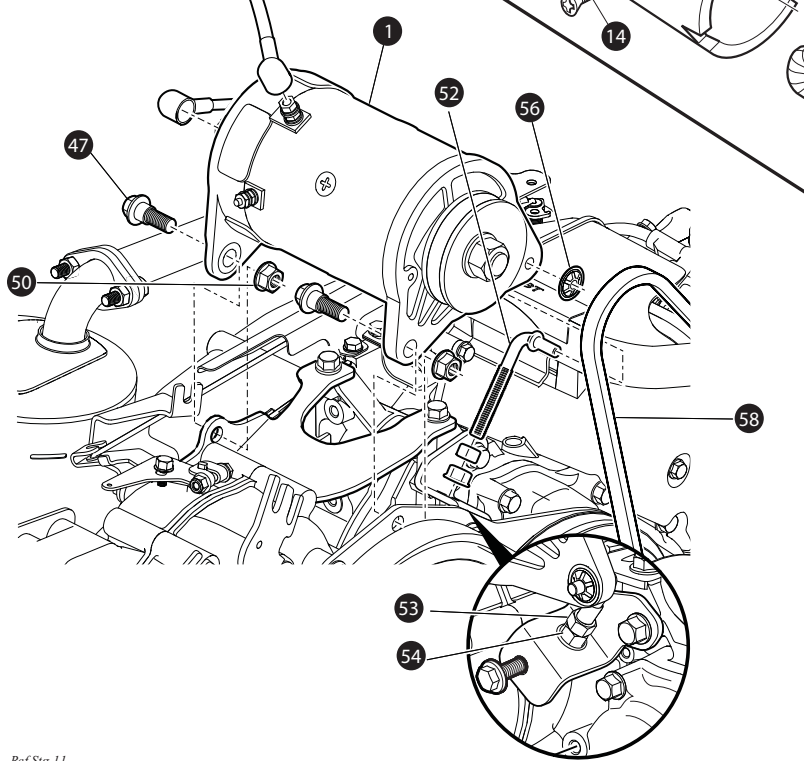
ITEM	PART NO.	1	2	3	4	5	DESCRIPTION	QTY.
32								
33								
34								
35								
36	<u>16705G12</u>						SCREW, 1/4 - 20 X 1" LG (STAINLESS STEEL)	4
37	<u>00664G7</u>						LOCK WASHER, 1/4" (STAINLESS STEEL).....	4
38	<u>01110G01</u>						WASHER, 1/4" (STAINLESS STEEL)	4

STARTER / GENERATOR

- 1 - Includes Items 2 - 43
- 2 - Includes Items 3 - 5
- 9 - Includes Items 10 - 13
- 17 - Includes Items 18 - 23
- 25 - Includes Items 26 - 28
- 32 - Includes Items 33 - 37
- 40 - Includes Items 41 - 43



STARTER/GENERATOR MOUNTING



Ref S1g 11

STARTER / GENERATOR

THE USE OF NON U.L. PARTS WILL VOID ANY U.L. LISTING.

When ordering parts, please specify the model and serial number of the product.

* Indicates a component that is not available as an individual part.

G** Indicates consult Customer Service Department for additional information.

ITEM	PART NO.	1	2	3	4	5	DESCRIPTION	QTY.	
1	<u>27065G01</u>	STARTER / GENERATOR (INCLUDES ITEMS 2 - 43).....							1
2	<u>26870G01</u>	ARMATURE (INCLUDES ITEMS 3 - 5)							1
3	26871G01	REAR BALL BEARING							1
4	26872G01	FRONT BALL BEARING							1
5	<u>26873G01</u>	BEARING HOLDER							1
6									
7									
8	<u>26875G01</u>	FIELD COIL							1
9	<u>26876G01</u>	INSULATING BRUSH ASSEMBLY ('F') (INCLUDES ITEMS 10 - 13).....							2
10	*	NUT							2
11	*	LOCK WASHER							2
12	*	WASHER							2
13	*	INSULATOR							1
14	26877G01	POLE CORE SETSCREW.....							4
15	<u>26878G01</u>	FRONT COVER.....							1
16	27879G01	REAR COVER							1
17	<u>26880G01</u>	TERMINAL ASSEMBLY ('A') (INCLUDES ITEMS 18 - 23).....							2
18	*	TERMINAL							2
19	*	INSULATOR							2
20	*	INSULATOR							2
21	*	WASHER.....							4
22	*	LOCK WASHER							4
23	*	NUT							4
24									
25	<u>26881G01</u>	BRUSH HOLDER ASSEMBLY (INCLUDES ITEMS 26 - 28)							1
26	<u>26658G01</u>	BRUSH.....							4
27	<u>26882G01</u>	BRUSH SPRING							4
28	<u>26883G01</u>	BRUSH CONNECTOR.....							2
29									
30	<u>26884G01</u>	KEY.....							1

STARTER / GENERATOR

THE USE OF NON U.L. PARTS WILL VOID ANY U.L. LISTING.

When ordering parts, please specify the model and serial number of the product.

* Indicates a component that is not available as an individual part.

G** Indicates consult Customer Service Department for additional information.

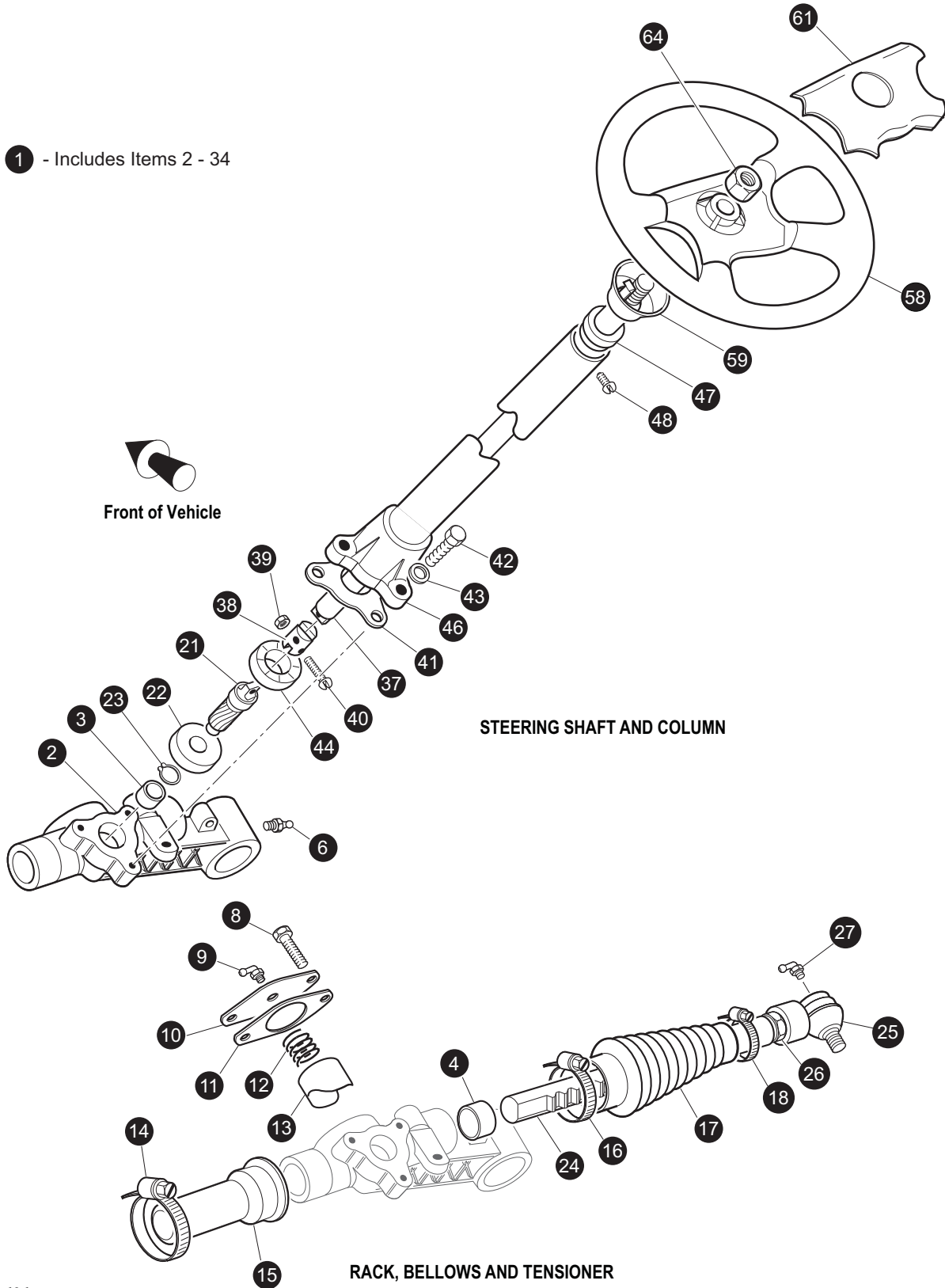
ITEM	PART NO.	1	2	3	4	5	DESCRIPTION	QTY.
31	*						PULLEY	1
32	<u>26886G01</u>						BRUSH AND PULLEY HARDWARE KIT (INCLUDES ITEMS 33 - 37).....	1
33	*						NUT	1
34	*						LOCK WASHER	1
35	*						SCREW	3
36	*						SCREW	4
37	*						SCREW	2
38	<u>26887G01</u>						BRUSH 1 COVER.....	3
39	<u>26888G01</u>						BRUSH 2 COVER.....	2
40	<u>26889G01</u>						HOUSING HARDWARE KIT (INCLUDES ITEMS 41 - 43)	2
41	*						BOLT	2
42	*						LOCK WASHER	2
43	*						WASHER.....	2
44								
45								
46								
47	<u>606235</u>						BOLT, 1/2 - 13 X 8" LG	2
48								
49								
50	<u>606279</u>						NUT, 1/2 - 13	2
51								
52	606236						STARTER / GENERATOR ADJUSTER.....	1
53	<u>606255</u>						JAM NUT, 3/8 - 16	1
54	<u>606274</u>						NUT, 3/8 - 16	1
55								
56	12064G4						PUSH NUT, 5/16"	1
57								
58	<u>606138</u>						STARTER / GENERATOR BELT	1

Notes:

A large grid of graph paper, consisting of 20 columns and 30 rows of small squares, intended for taking notes.

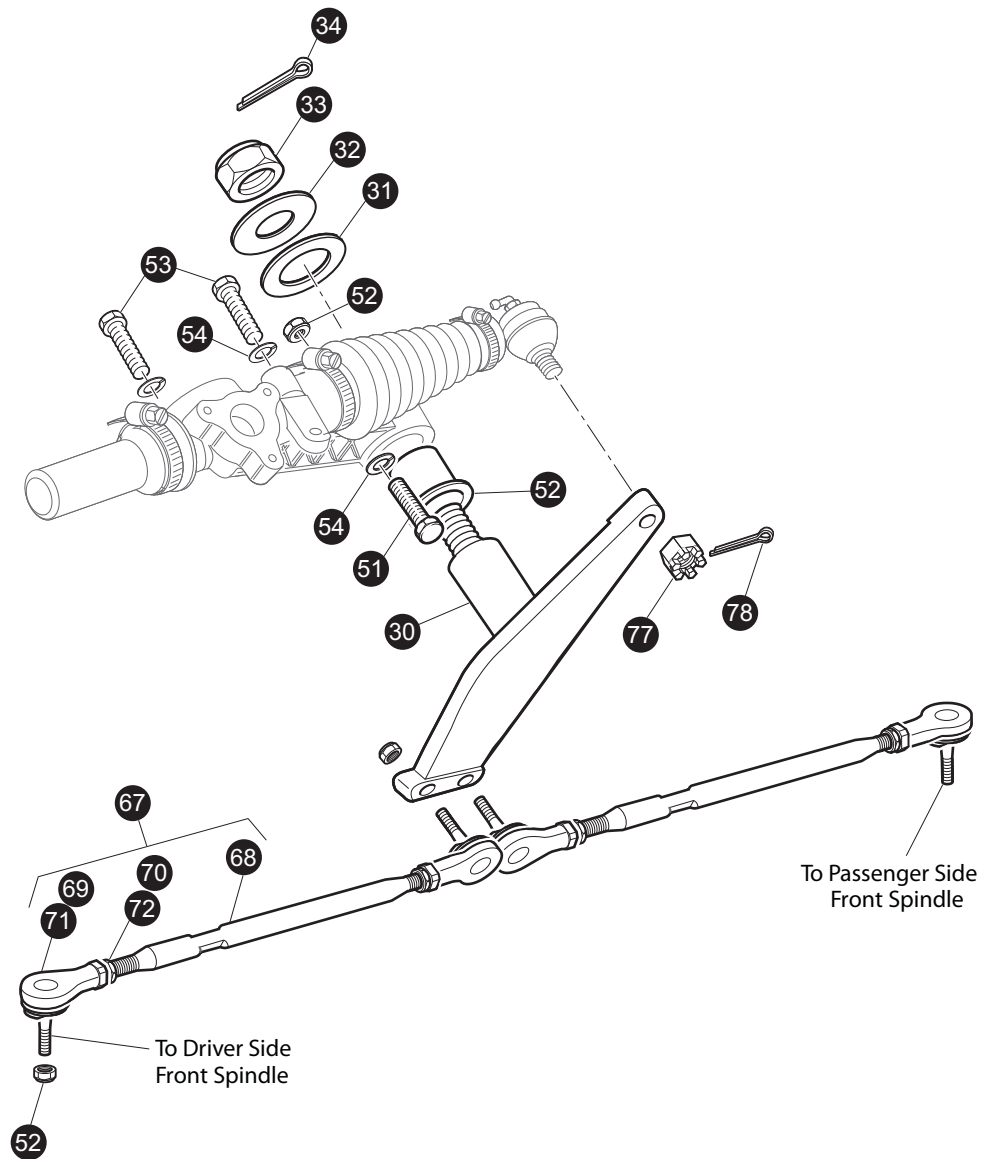
STEERING

1 - Includes Items 2 - 34



Ref Str 10-1

IDLER, TIE RODS AND MOUNTING



Ref Str 10-2

When ordering parts, please specify the model and serial number of the product.

* Indicates a component that is not available as an individual part.

*** Indicates consult Customer Service Department for additional information.

ITEM	PART NO.	1 2 3 4 5	DESCRIPTION	QTY.
1	<u>70723-G01</u>		STEERING BOX ASSEMBLY (COMPLETE) (INCLUDES ITEMS 2 - 34)	1
2				
3	<u>70215-G01</u>		SLEEVE BEARING	1
4	<u>70188-G01</u>		SLEEVE BEARING	1
5	<u>70185-G01</u>		FLANGED BEARING	1
6	<u>10389-G3</u>		GREASE FITTING, STRAIGHT	1
7				
8	<u>00426-G6</u>		BOLT, 3/8 - 16 X 3/4" LG	2
9	<u>18456-G1</u>		GREASE FITTING, 90°	1
10	<u>70177-G01</u>		RACK GUIDE COVER	1
11	<u>70225-G01</u>		GASKET	1
12	<u>70178-G01</u>		COMPRESSION SPRING	1
13	<u>70179-G01</u>		RACK GUIDE	1
14	<u>11391-G1</u>		HOSE CLAMP, 1 5/16"	1
15	<u>70041-G01</u>		RACK COVER	1
16	<u>11391-G1</u>		HOSE CLAMP, 1 5/16"	1
17	<u>70183-G01</u>		BELLOWS	1
18	<u>11391-G5</u>		HOSE CLAMP, 13/16"	1
19				
20				
21	<u>70717-G01</u>		GEAR PINION	1
22	<u>15112-G1</u>		BALL BEARING	1
23	<u>70190-G01</u>		EXTERNAL RETAINING RING	1
24	<u>70718-G01</u>		STEERING RACK	1
25	<u>70192-G01</u>		RACK BALL END	1
26	<u>00532-G8</u>		JAM NUT, 7/16 - 20	1
27	<u>18456-G1</u>		GREASE FITTING, 90°	1
28				
29				
30	<u>70184-G01</u>		IDLER	1
31	<u>70216-G01</u>		THRUST WASHER, 1 1/2"	1

STEERING

When ordering parts, please specify the model and serial number of the product.

* Indicates a component that is not available as an individual part.

*** Indicates consult Customer Service Department for additional information.

ITEM	PART NO.	1	2	3	4	5	DESCRIPTION	QTY.
32	70195-G01						THRUST WASHER, 7/8".....	1
33	<u>00734-G6</u>						LOCK NUT, 7/8 - 9.....	1
34	<u>00798-G8</u>						COTTER PIN, 5/32" X 1 3/4" LG.....	1
35								
36								
37	<u>14322-G6</u>						STEERING SHAFT	1
38	<u>70558-G01</u>						COUPLING.....	1
39	<u>00550-G1</u>						LOCK NUT, 1/4 - 20.....	2
40	<u>70227-G01</u>						SCREW, 1/4 - 20 X 7/8" LG.....	2
41	<u>70223-G01</u>						GASKET	1
42	<u>01034-G01</u>						BOLT, 3/8 - 16 X 1 1/4" LG WITH PATCHLOCK.....	3
43	<u>00878-G1</u>						LOCK WASHER, 3/8".....	3
44	70466-G01						RETAINER.....	1
45								
46	<u>70721-G01</u>						STEERING COLUMN.....	1
47	<u>28569-G01</u>						STEERING COLUMN BUSHING	1
48	<u>01022-G01</u>						SCREW, #6 - 20 X 5/16" LG.....	1
49								
50								
51	<u>00470-G4</u>						BOLT, 7/16 - 20 X 2 1/2" LG	1
52	<u>00734-G3</u>						LOCK NUT, 7/16 - 20.....	1
53	<u>01033-G01</u>						BOLT, 7/16 - 14 X 1 1/4" LG WITH PATCHLOCK.....	2
54	<u>00566-G2</u>						LOCK WASHER, 7/16"	3
55								
56								
57								
58	<u>602980</u>						STEERING WHEEL	1
59								
60								
61	<u>71147-G01</u>						COVER.....	1
62								

When ordering parts, please specify the model and serial number of the product.

* Indicates a component that is not available as an individual part.

*** Indicates consult Customer Service Department for additional information.

ITEM	PART NO.	1 2 3 4 5	DESCRIPTION	QTY.
63				
64	<u>14390-G2</u>		LOCK NUT, 5/8 - 18	1
65				
66				
67	<u>70904-G04</u>		TIE ROD ASSEMBLY (INCLUDES ITEMS 68 - 72).....	2
68	<u>70855-G03</u>		THREADED ROD (10 1/8" LG)	1
69	<u>70902-G01</u>		TIE ROD END (LEFT HAND THREADS).....	1
70	<u>01069-G01</u>		JAM NUT, M12 X 1.25-05 (LEFT HAND THREADS)	1
71	<u>70902-G02</u>		TIE ROD END (RIGHT HAND THREADS)	1
72	<u>01069-G02</u>		JAM NUT, M12 X 1.25-05 (RIGHT HAND THREADS).....	1
73				
74	<u>00734-G1</u>		LOCK NUT, 7/16 - 14	4
75				
76				
77	<u>50209-G2</u>		CASTELLATED NUT, 7/16 - 20.....	1
78	<u>10387-G2</u>		COTTER PIN, 3/32" X 1" LG.....	1
79				
80				
81	74599G02		STEERING (INCLUDES ITEMS 82 - 109) (ST SPORT II CARB)	1
82	<u>00463G11</u>		SCREW, CAP	11
83	<u>01068G01</u>		SCREW, HEX CAP.....	1
84	<u>00464G6</u>		SCREW	2
85	<u>00734G1</u>		NUT, NYLOK	16
86				
87				
88	<u>10387G2</u>		COTTER PIN.....	1
89				
90				
91	<u>50209G2</u>		NUT, HEX SLOTTED.....	1
92	<u>50641G1</u>		BOOT, RUBBER.....	1
93	<u>70163G03</u>		PLATE, SPRING.....	4

STEERING

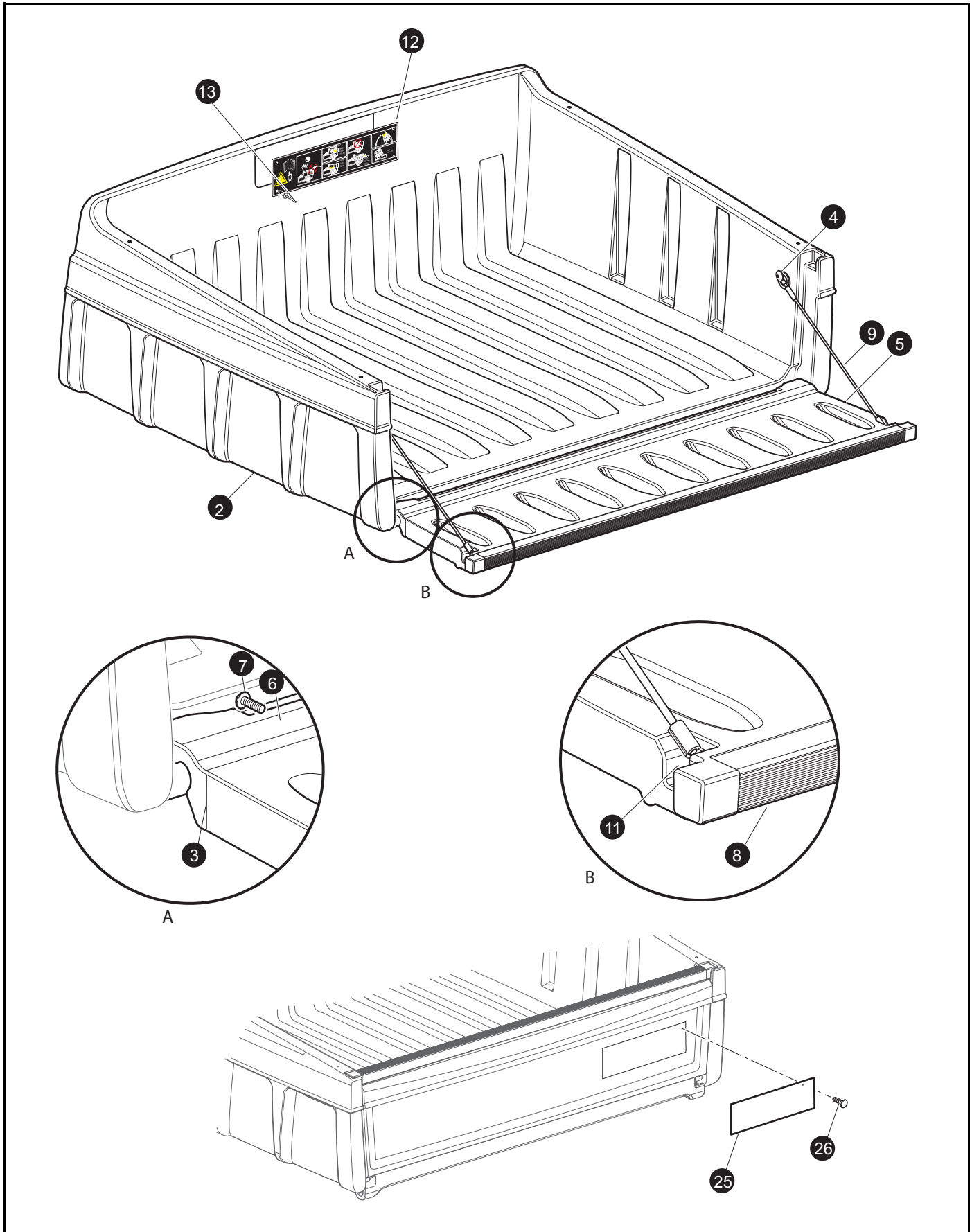
When ordering parts, please specify the model and serial number of the product.

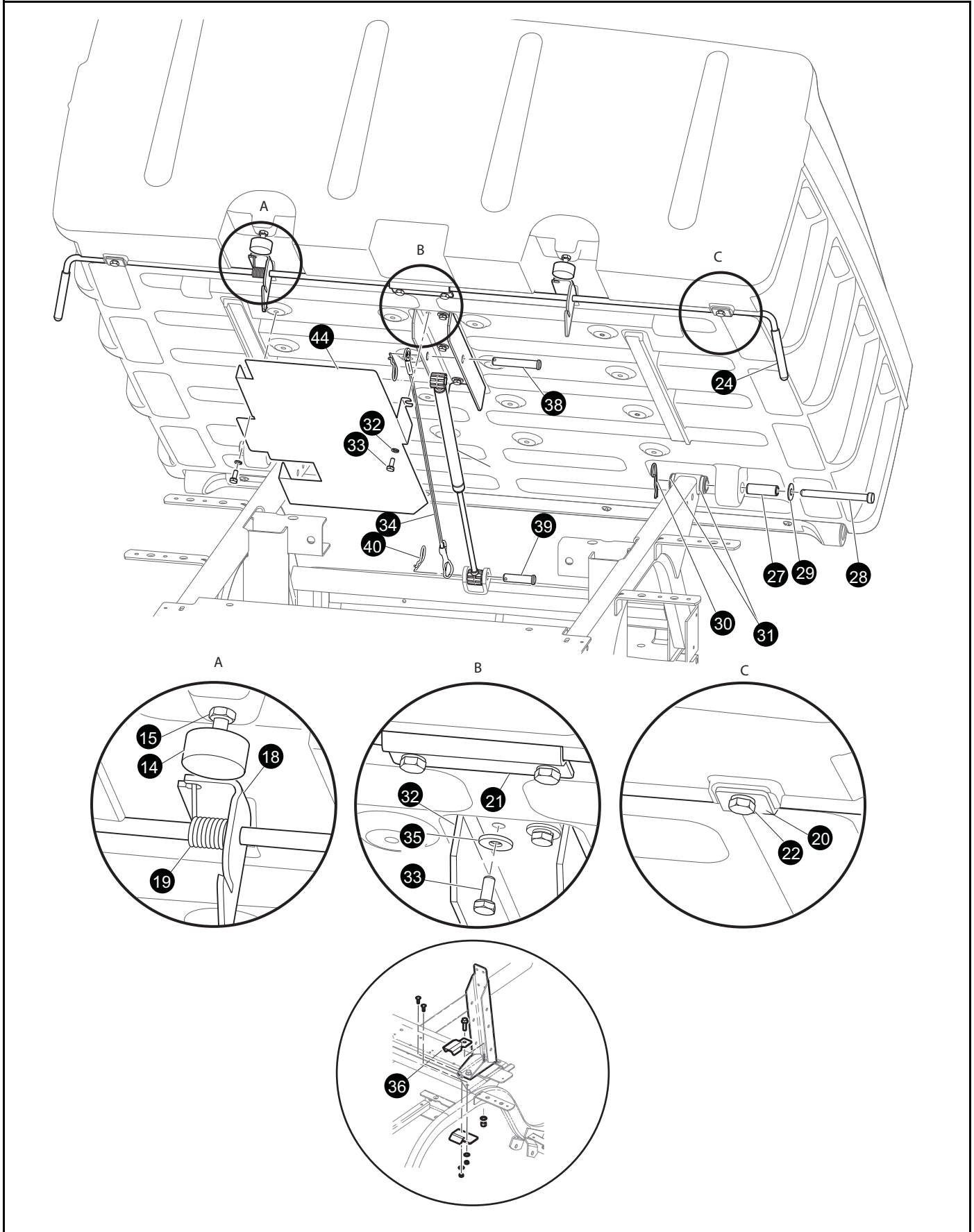
* Indicates a component that is not available as an individual part.

*** Indicates consult Customer Service Department for additional information.

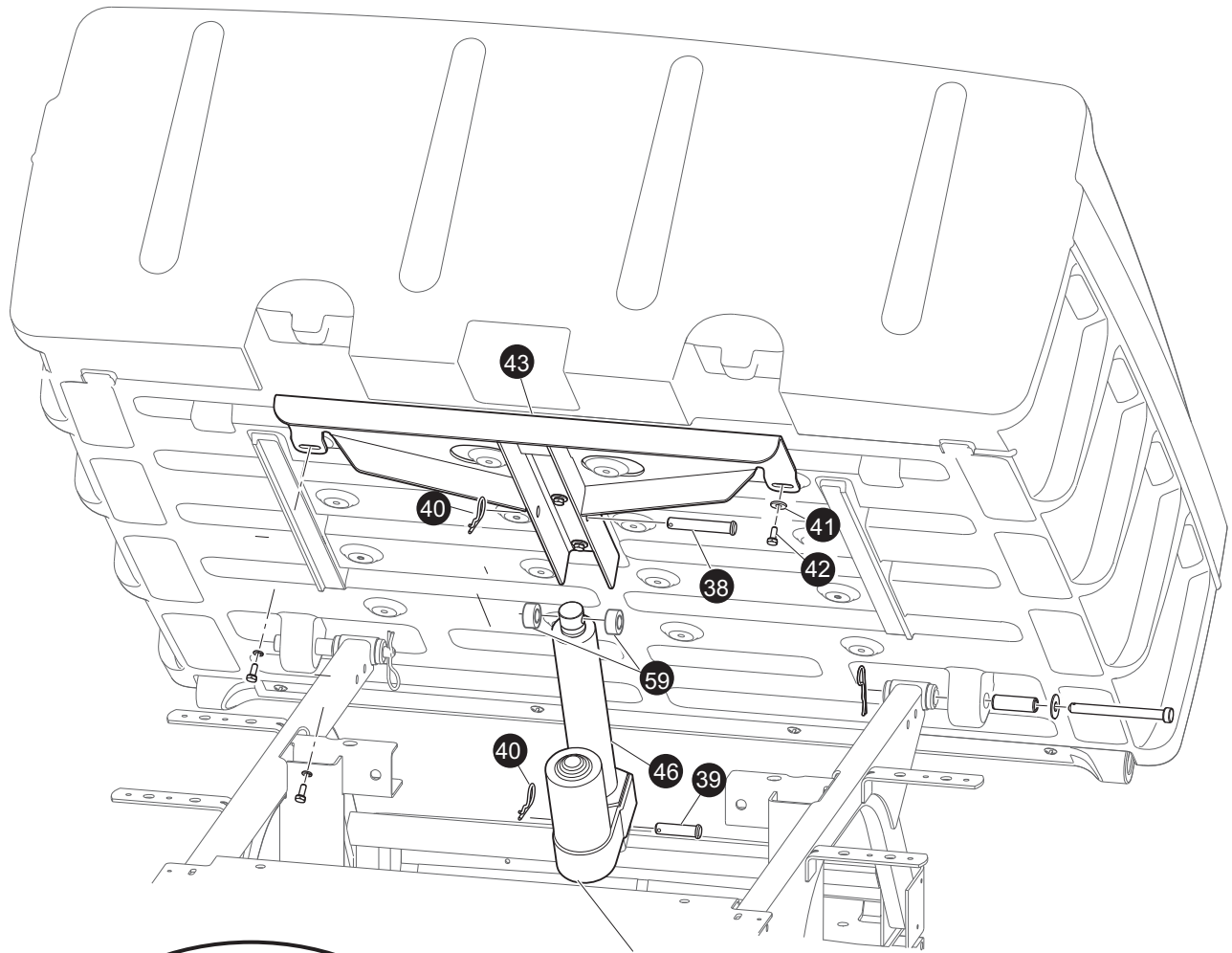
ITEM	PART NO.	1	2	3	4	5	DESCRIPTION	QTY.
94								
95	<u>70745G01</u>						KINGPIN TUBE.....	2
96	<u>74605G01</u>						STEERING BOX ASSEMBLY.....	1
97	<u>602512</u>						FRONT AXLE WELDMENT.....	1
98	<u>70754G01</u>						WASHER, THRUST, SS.....	2
99	<u>70942G03</u>						SPINDLE ASSEMBLY PASSENGER SIDE.....	1
100	<u>70673G03</u>						SPINDLE ASSEMBLY DRIVER SIDE.....	1
101	<u>00560G2</u>						FLAT WASHER.....	7
102	<u>00407G6</u>						CAPSCREW.....	2
103	<u>70667G02</u>						SPACER.....	2
104	<u>00560G3</u>						WASHER, FLAT.....	4
105	<u>14390G6</u>						NUT, NYLOK.....	2
106	<u>00532G7</u>						NUT, HEX.....	1
107	<u>70667G03</u>						SPACER.....	1
108	<u>74604G01</u>						TIE ROD ASSEMBLY.....	1
109	<u>70989G03</u>						SPRING, FRONT.....	2

TRUCK BED 350

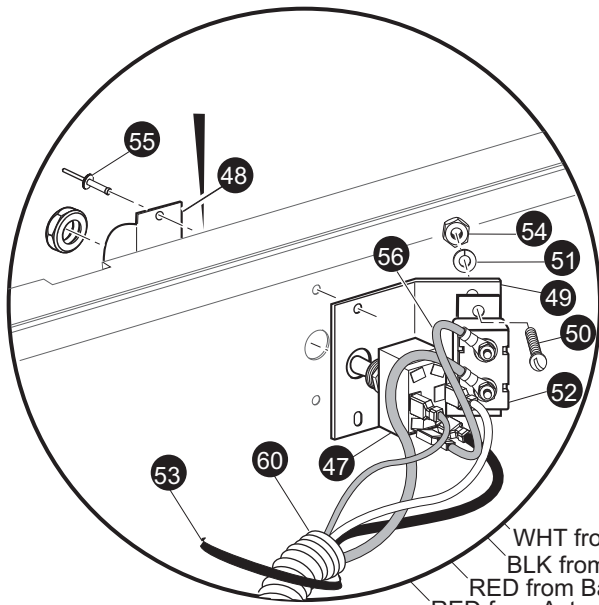




TRUCK BED 350



Actuator may be rotated 90° on some models



WHT from Actuator
 BLK from Battery
 RED from Battery
 RED from Actuator



When ordering parts, please specify the model and serial number of the product.

* Indicates a component that is not available as an individual part.

*** Indicates consult Customer Service Department for additional information.

ITEM	PART NO.	1 2 3 4 5	DESCRIPTION	QTY.
1	<u>73451-G01</u>		BED ASSEMBLY, 40" (INCLUDES ITEMS 2 -11)	1
2	<u>73447-G01</u>		PLASTIC BED, 40"	1
3	<u>73454-G01</u>		PIVOT SHAFT	2
4	<u>73460-G01</u>		SHOULDER BOLT, 1/4 - 20 X 3/4" LG	2
5	<u>73455-G01</u>		TAILGATE CABLE	1
6	<u>73450-G01</u>		BOWED ANGLE	1
7	<u>16705-G2</u>		SCREW, 1/4 - 20 X 5/8" LG (STAINLESS STEEL)	4
8	<u>73449-G01</u>		EXTRUSION CHANNEL	1
9	<u>16818-G5</u>		RATCHET FASTENER	4
10				
11	<u>00415-G2</u>		SCREW, 1/4 - 20 X 5/8" LG	2
12	<u>74821-G01</u>		BED CAPACITY LABEL	1
13	<u>71055-G01</u>		RIVET, 3/16" X 1" LG (ALUMINUM).....	5
14	<u>70113-G01</u>		ADJUSTABLE RUBBER BUMPER.....	2
15	<u>11027-G1</u>		LOCK NUT, 5/16 - 18	2
16				
17				
18	<u>74962-G01</u>		BED LATCH	1
19	<u>71538-G01</u>		LATCH TORSION SPRING	1
20	<u>71099-G02</u>		PLATE, LATCH	2
21	<u>71477-G02</u>		RETAINER BRACKET	1
22	<u>01118-G01</u>		SCREW, 1/4 - 20 X 5/8" LG	4
23				
24	<u>71704-G01</u>		HANDLE GRIP	2
25	<u>600110-G01</u>		LABEL	1
26	<u>16816-G2</u>		RATCHET FASTNER.....	4
27	<u>71570-G01</u>		BUSHING.....	2
28	<u>71571-G01</u>		CLEVIS PIN	2
29	<u>00571-G5</u>		WASHER, 1 1/4 X 7/16.....	2
30	<u>21683-G1</u>		HAIR CLIP.....	2
31	<u>70291-G01</u>		BUSHING.....	4

TRUCK BED 350

When ordering parts, please specify the model and serial number of the product.

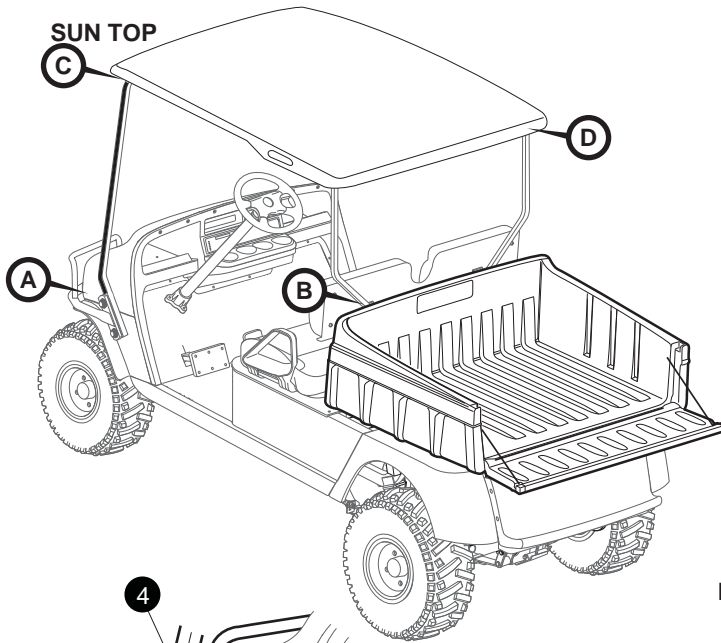
* Indicates a component that is not available as an individual part.

*** Indicates consult Customer Service Department for additional information.

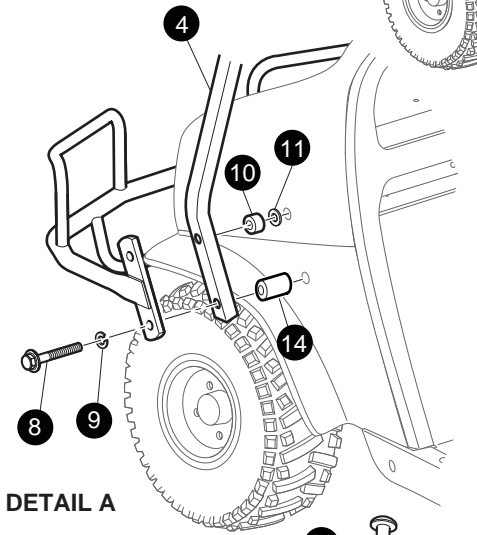
ITEM	PART NO.	1 2 3 4 5	DESCRIPTION	QTY.
32	<u>71569-G02</u>		SPRING CHANNEL.....	1
33	<u>01118-G01</u>		SCREW, 1/4 - 20 X 5/8" LG.....	8
34	<u>602904</u>		BED TETHER CABLE	1
35	<u>00642-G7</u>		WASHER, 1/4".....	8
36	<u>74947-G01</u>		BRACKET, BUMPER.....	2
37	<u>71537-G02</u>		GAS SPRING	2
38	<u>14443-G10</u>		CLEVIS PIN, 1/2" X 2 27/32" LG	1
39	<u>14443-G12</u>		CLEVIS PIN, 1/2" X 1 3/4" LG	1
40	<u>21683-G1</u>		HAIR CLIP	2
41	<u>00642-G7</u>		WASHER, 1/4".....	8
42	<u>01118-G01</u>		SCREW, 1/4 - 20 X 5/8" LG.....	8
43	<u>71547-G02</u>		OUTRIGGER CHANNEL.....	1
44	<u>72339-G02</u>		PLASTIC BED HEAT SHIELD (GASLONE VEHICLES ONLY).....	1
45	<u>74164-G04</u>		ELECTRIC DUMP KIT (INCLUDES ITEMS 37 - 54).....	1
46	<u>27612-G02</u>		ELECTRIC ACTUATOR, 12 VOLT, 1500 LBS	1
47	<u>27680-G01</u>		TOGGLE SWITCH.....	1
48	<u>27447-G01</u>		TOGGLE GUARD	1
49	<u>74165-G02</u>		CIRCUIT BREAKER MOUNTING BRACKET.....	1
50	<u>00150-G4</u>		SCREW, 10 - 24 X 1/2" LG	2
51	<u>00565-G5</u>		LOCK WASHER, #10.....	2
52	<u>21320-G4</u>		CIRCUIT BREAKER 15A 24V.....	1
53	<u>17618-G1</u>		WIRE TIE	8
54	<u>00526-G3</u>		NUT, #10 - 24.....	2
55	<u>10570-G9</u>		RIVET, 5/32 X .55.....	2
56	<u>25976-G14</u>		14 GA WIRE (RED 5")	1
57				
58				
59	<u>27613-G01</u>		SPACER.....	2
60	<u>74613-G01</u>		HARNESS.....	1

WEATHER PROTECTION

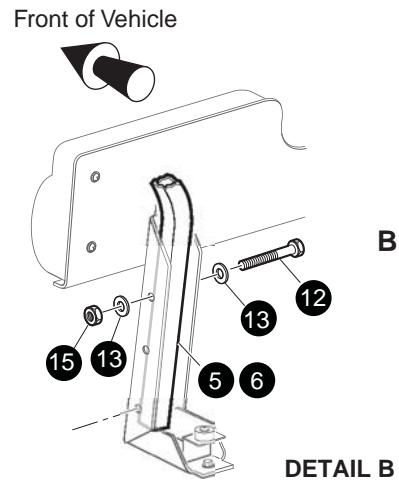
SUN TOP CAP (CAMO)



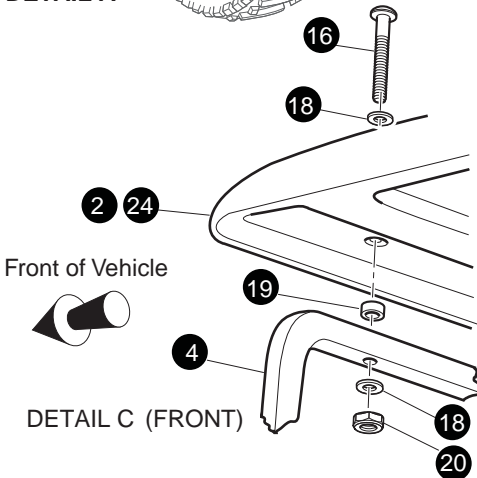
- 1 - Includes Items 2 - 21
- 3 - Includes Items 4 - 21
- 7 - Includes Items 8 - 21



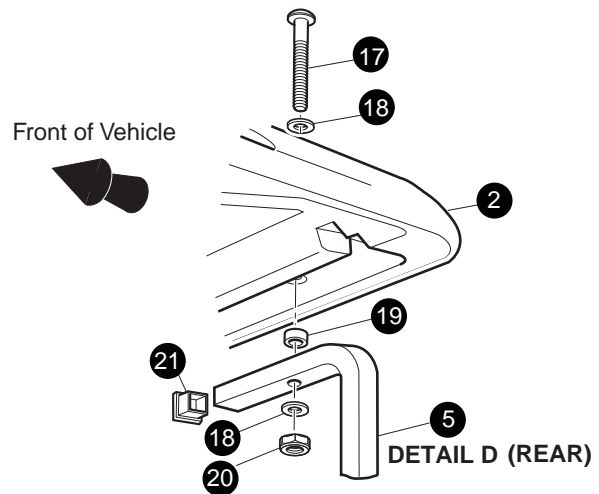
DETAIL A



DETAIL B



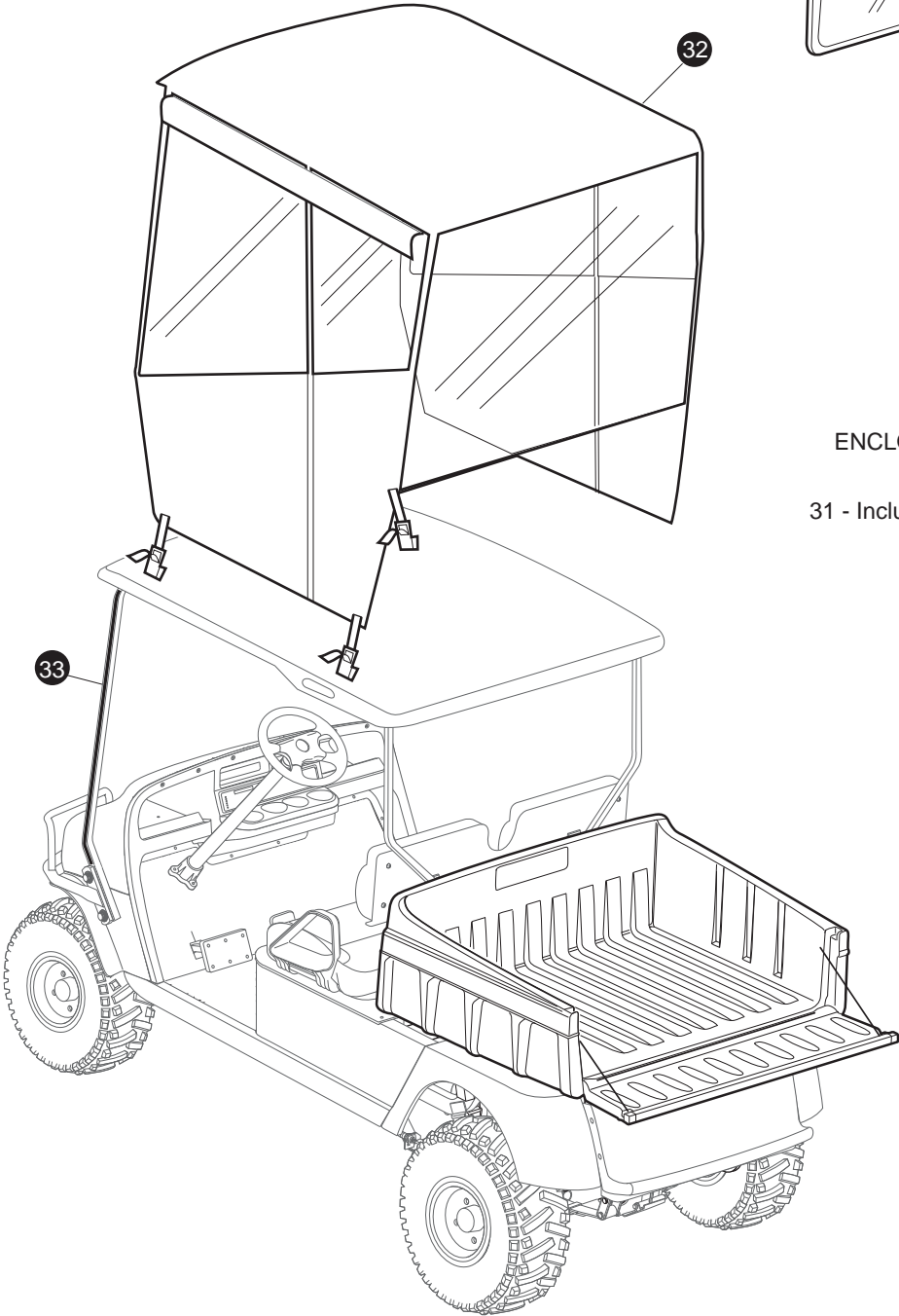
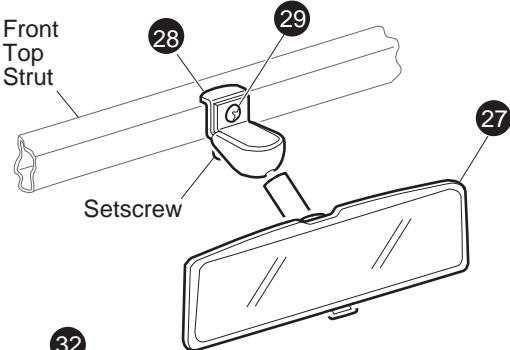
DETAIL C (FRONT)



DETAIL D (REAR)

REAR VIEW MIRROR

26 - Includes Items 27 - 29



ENCLOSURE

31 - Includes Items 32, 33

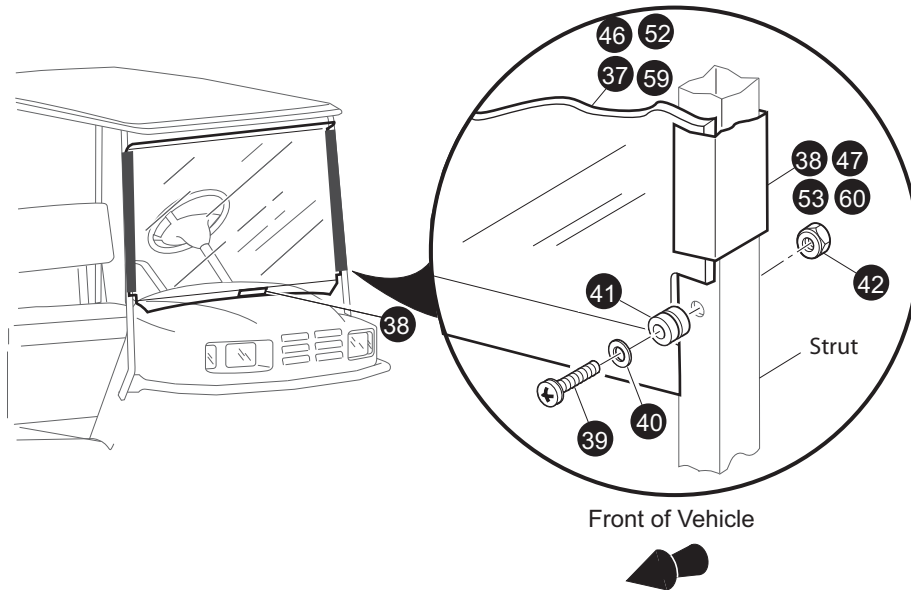
WEATHER PROTECTION

36 - Includes 37 - 43

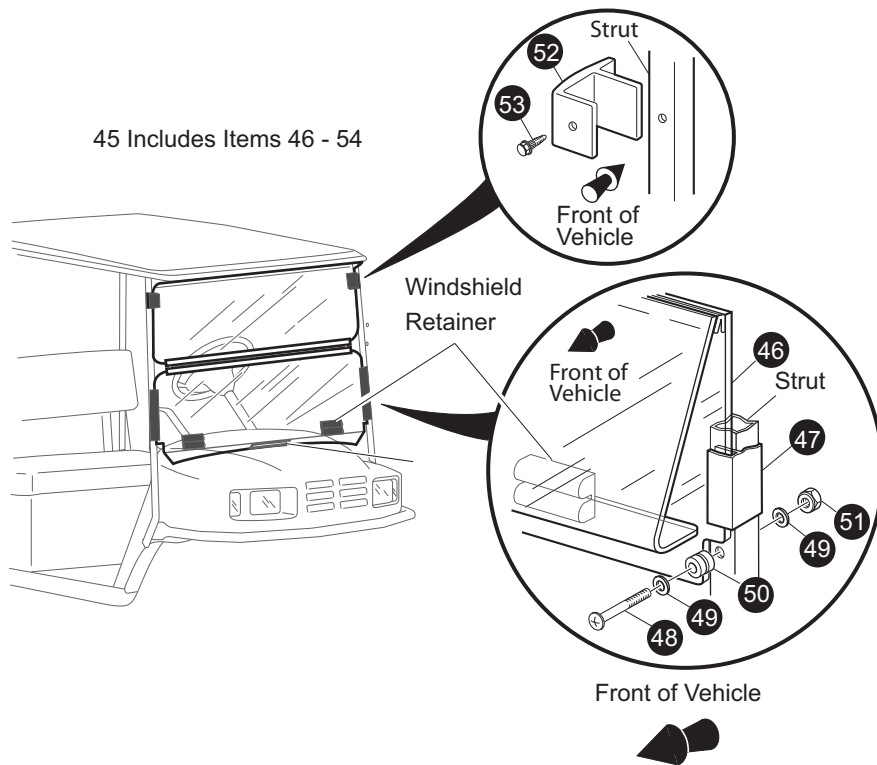
45 - Includes 46 - 47 and 39 - 43

51 - Includes 52 - 53 and 39 - 43

51 - Includes 59 - 60 and 39 - 43

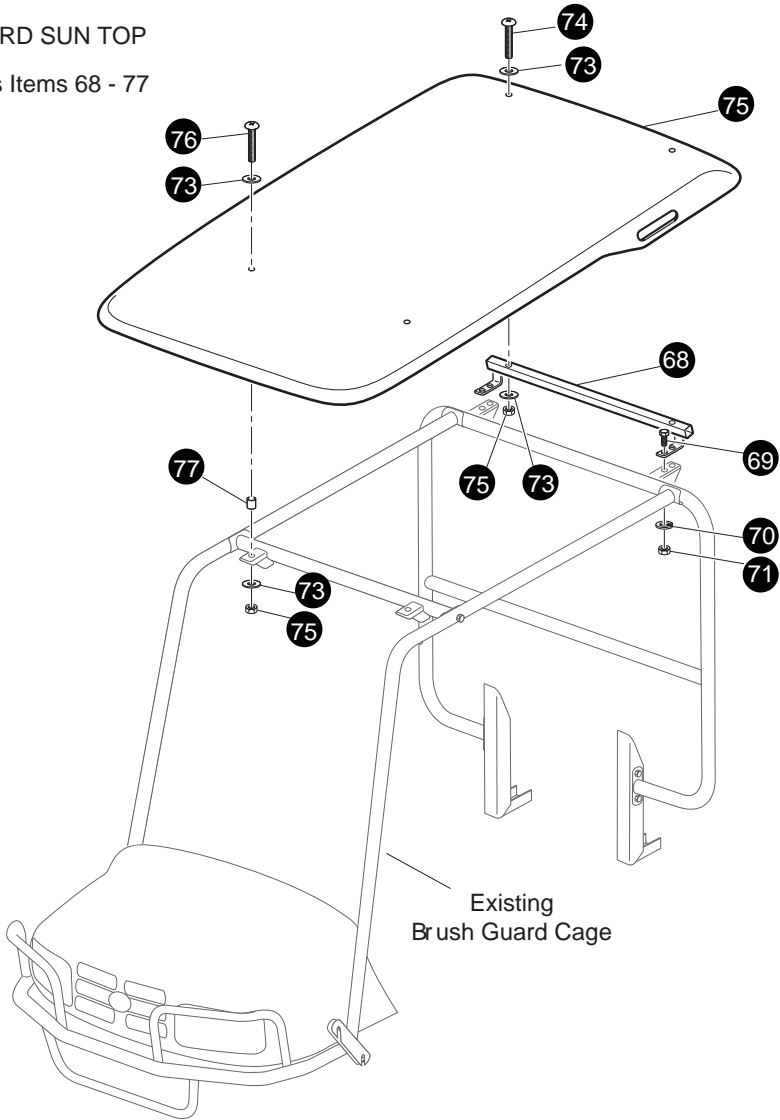


45 Includes Items 46 - 54

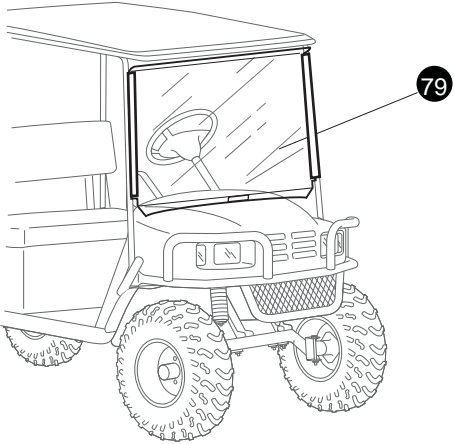


BRUSHGUARD SUN TOP

67 - Includes Items 68 - 77



BRUSHGUARD WINDSHIELD



WEATHER PROTECTION

When ordering parts, please specify the model and serial number of the product.

* Indicates a component that is not available as an individual part.

*** Indicates consult Customer Service Department for additional information.

ITEM	PART NO.	1	2	3	4	5	DESCRIPTION	QTY.
1	75040-G0*						SUN TOP KIT (INCLUDES ITEMS 2 -21)	1
2	27069-G0*						SUN TOP	1
3	<u>75044-G06</u>						HARDWARE KIT (INCLUDES ITEMS 4 - 21)	1
4	<u>75045-G05</u>						FRONT STRUT	1
5	<u>75838-G03</u>						REAR STRUT (DRIVER SIDE)	1
6	<u>75838-G04</u>						REAR STRUT (PASSENGER SIDE).....	1
7	<u>75465-G01</u>						FASTENING HARDWARE KIT (INCLUDES ITEMS 8 - 21)	1
8	<u>00440-G2</u>						BOLT, 5/16 - 18 X 2 1/4" LG.....	4
9	<u>00905-G8</u>						LOCK WASHER, 5/16"	4
10	<u>75048-G01</u>						SPACER, 1/2"	2
11	<u>00570-G2</u>						WASHER, 5/16"	6
12	<u>00685-G7</u>						BOLT, 5/16 - 18 X 1 3/4" LG (STAINLESS STEEL)	4
13	<u>01110-G03</u>						WASHER, 5/16" (STAINLESS STEEL).....	8
14	<u>75048-G04</u>						SPACER.....	2
15	<u>01109-G01</u>						LOCK NUT, 5/16 - 18 (STAINLESS STEEL).....	4
16	<u>00753-G5</u>						SCREW, 1/4 - 20 X 2" LG (STAINLESS STEEL).....	2
17	00753-G6						SCREW, 1/4 - 20 X 2 1/4" LG (STAINLESS STEEL)	2
18	<u>01110-G01</u>						WASHER, 1/4" (STAINLESS STEEL)	8
19	<u>75051-G01</u>						PLASTIC SPACER.....	4
20	<u>00891-G2</u>						LOCK NUT, 1/4 - 20 (STAINLESS STEEL).....	4
21	<u>19853-G1</u>						END CAP, 1"	2
22								
23								
24								
25								
26	<u>19528-G2</u>						REAR VIEW MIRROR KIT (INCLUDES ITEMS 27 - 29)	1
27	<u>19496-G1</u>						REAR VIEW MIRROR	1
28	19502-G2						SUPPORT BRACKET.....	1
29	<u>19527-G1</u>						SCREW, #8 - 32 X 5/8" LG (STAINLESS STEEL).....	1
30								
31	75367-G**						3 SIDED SOFT ENCLOSURE KIT (INCLUDES ITEMS 32 - 33)	1

WEATHER PROTECTION

When ordering parts, please specify the model and serial number of the product.

* Indicates a component that is not available as an individual part.

*** Indicates consult Customer Service Department for additional information.

ITEM	PART NO.	1 2 3 4 5	DESCRIPTION	QTY.
32	*		ENCLOSURE	1
33	*		VELCRO	AR
34				
35				
36	<u>71966-G01</u>		WINDSHIELD KIT (FULL)(REQUIRES SUN TOP KIT) (INCLUDES ITEMS 37- 43).....	1
37	<u>71954-G01</u>		WINDSHIELD (FULL) (LEXAN).....	1
38	<u>75528-G01</u>		SASH, 26" LG.....	2
39	71956-G03		SCREW, 1/4 - 20 X 1 3/4" LG (STAINLESS STEEL)	2
40	71956-G04		WASHER, 1/4" (STAINLESS STEEL)	4
41	71956-G06		RUBBER GROMMET	2
42	<u>71956-G05</u>		LOCK NUT, 1/4 - 20 (STAINLESS STEEL)	2
43	EGWHL14		SAFETY LABEL (NOT ILLUSTRATED)	1
44				
45	<u>71966-G02</u>		WINDSHIELD KIT (FOLD DOWN) (REQUIRES SUN TOP KIT) (INCLUDES ITEMS 46 - 47 AND 39 - 43).....	1
46	<u>71955-G01</u>		WINDSHIELD (SPLIT) (LEXAN)	1
47	<u>75528-G02</u>		SASH, 12" LG.....	2
48				
49				
50				
51	<u>71966-G03</u>		WINDSHIELD KIT (FULL) (REQUIRES SUN TOP KIT) (INCLUDES ITEMS 52 - 53 AND 39 - 43).....	1
52	<u>71960-G01</u>		WINDSHIELD (FULL).....	1
53	<u>75528-G01</u>		SASH, 26" LG.....	2
54				
55				
56				
57				
58	<u>71966-G04</u>		WINDSHIELD KIT (FOLD DOWN)(REQUIRES SUN TOP KIT) (INCLUDES ITEMS 59 - 60 AND 39 - 43).....	1
59	<u>71961-G01</u>		WINDSHIELD (SPLIT).....	1

WEATHER PROTECTION

When ordering parts, please specify the model and serial number of the product.

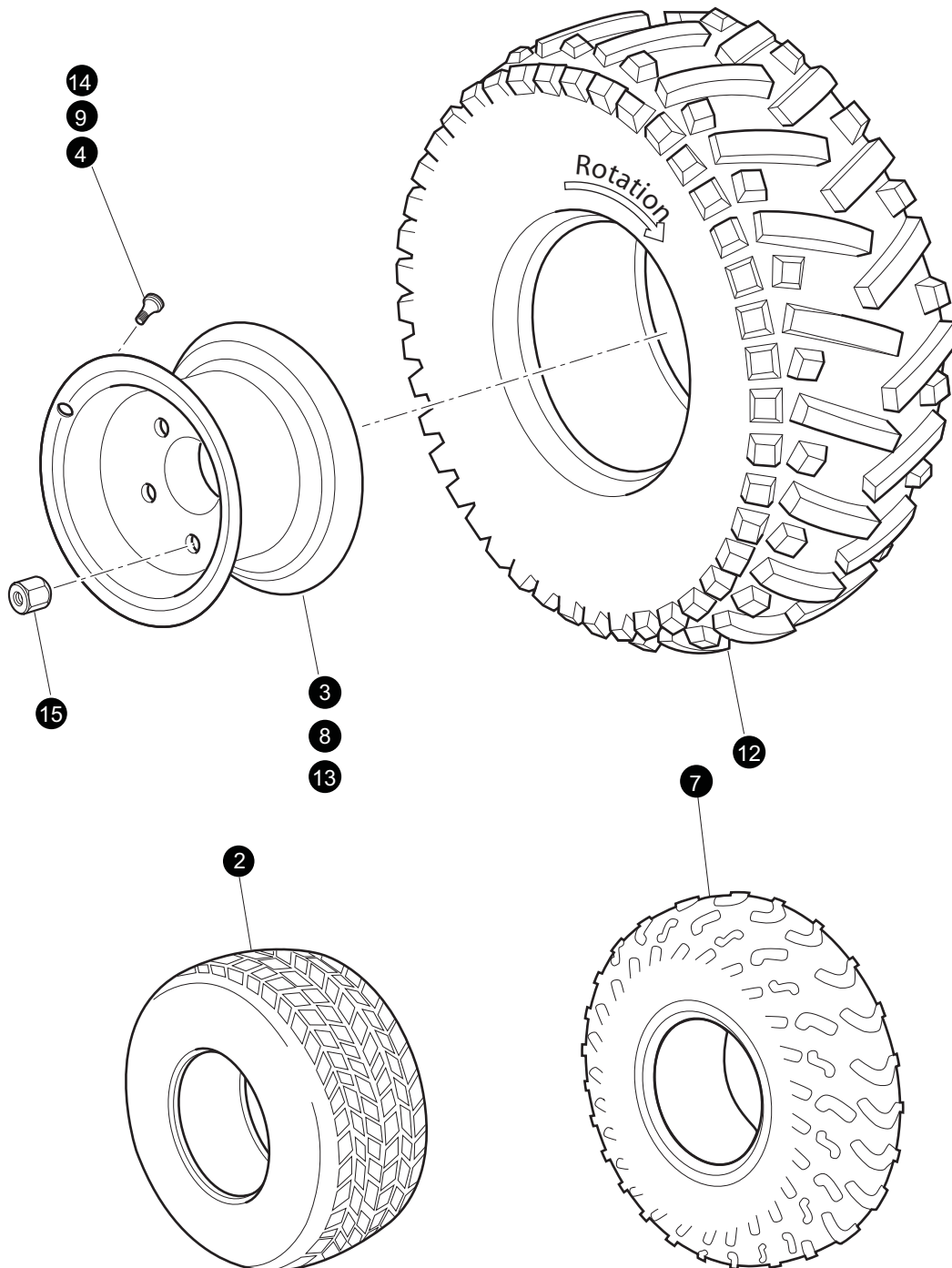
* Indicates a component that is not available as an individual part.

*** Indicates consult Customer Service Department for additional information.

ITEM	PART NO.	1	2	3	4	5	DESCRIPTION	QTY.
60	EGWHC10						SASH, 12" LG	2
61								
62								
63								
64								
65								
66								
67	74496-G0*						SUN TOP KIT (WITH BRUSH GUARD) (INCLUDES ITEMS 68 - 77)	1
68	<u>74466-G01</u>						MOUNTING BRACKET.....	1
69	00438-G5						BOLT, 5/16 - 18 X 5/8" LG.....	4
70	<u>00565-G8</u>						LOCK WASHER, 5/16"	4
71	<u>00532-G3</u>						NUT, 5/16 - 18.....	4
72	74497-G0*						SUN TOP	1
73	<u>00559-G7</u>						WASHER, 1/4" (STAINLESS STEEL).....	8
74	00753-G6						SCREW, 1/4 - 20 X 2 1/4" LG (STAINLESS STEEL).....	2
75	<u>00891-G2</u>						LOCK NUT, 1/4 - 20 (STAINLESS STEEL).....	4
76	<u>00753-G7</u>						SCREW, 1/4 - 20 X 2 1/2" LG (STAINLESS STEEL).....	2
77	<u>74469-G01</u>						SPACER.....	2
78								
79	<u>74542-G01</u>						WINDSHIELD KIT (WITH BRUSH GUARD) (INCLUDES ITEMS 80 - 85) (Replacement Parts available from Eagle Parts, 706-790-6687)	1

WHEELS AND TIRES

- 1 - Includes Items 2 - 4
- 5 - Includes Items 7 - 9
- 6 - Includes Items 7 - 9
- 10- Includes Items 12 - 14
- 11- Includes Items 12 - 14
- (Style of tire may differ from tire shown)



WHEELS AND TIRES

When ordering parts, please specify the model and serial number of the product.

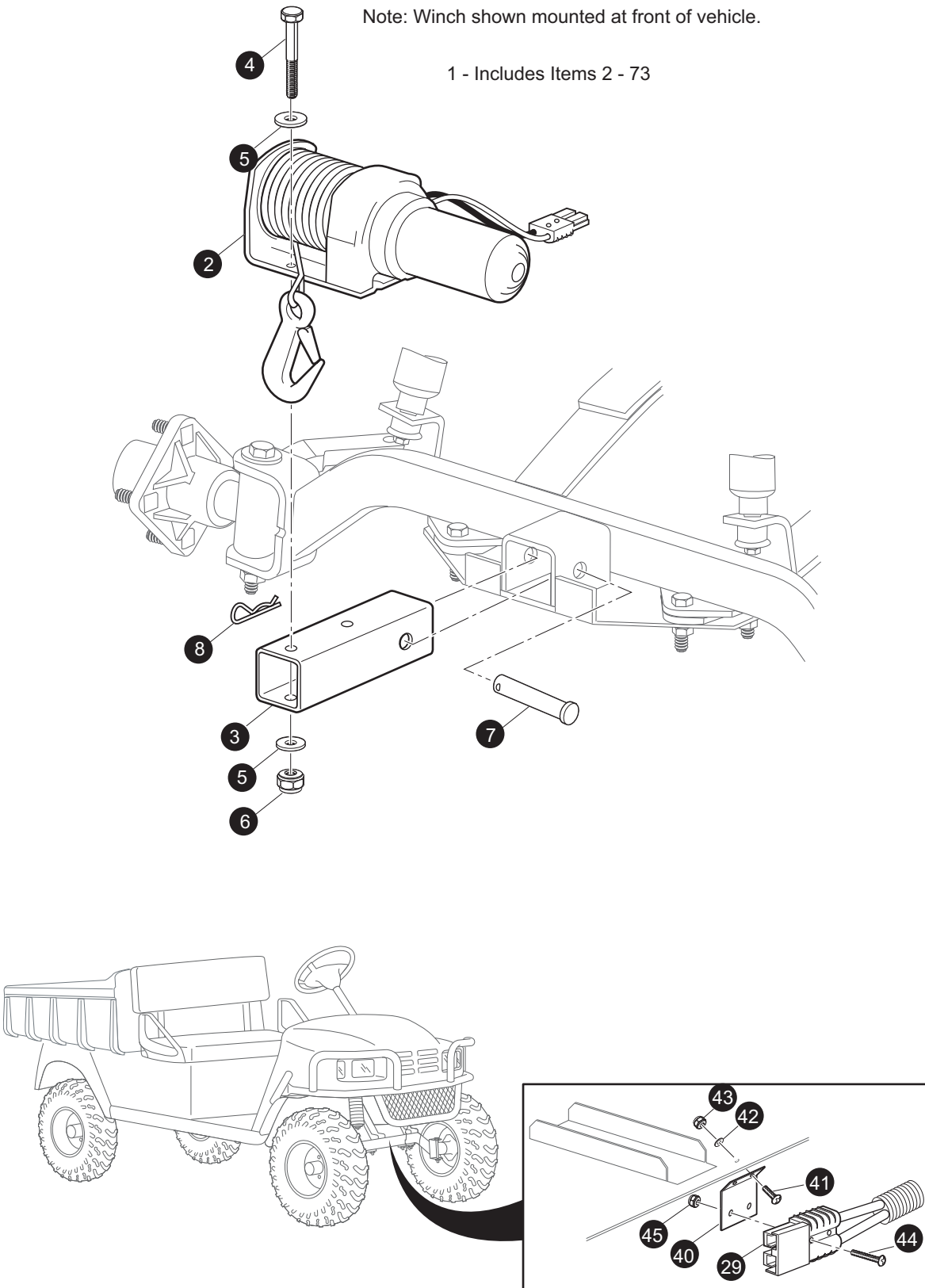
* Indicates a component that is not available as an individual part.

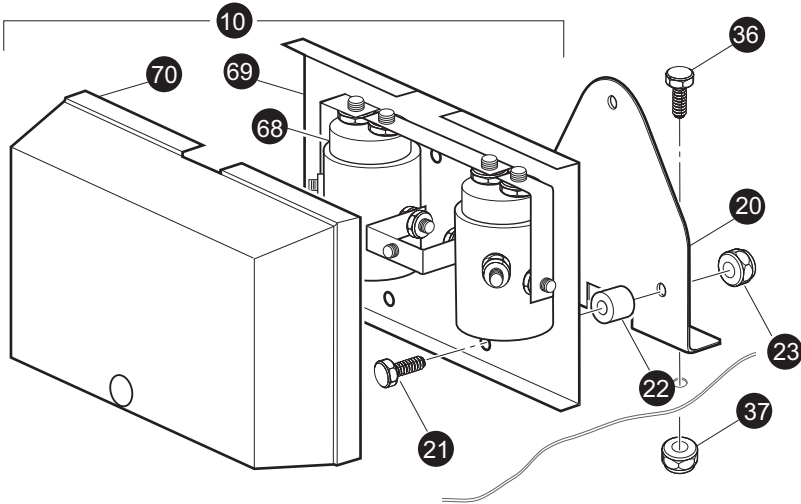
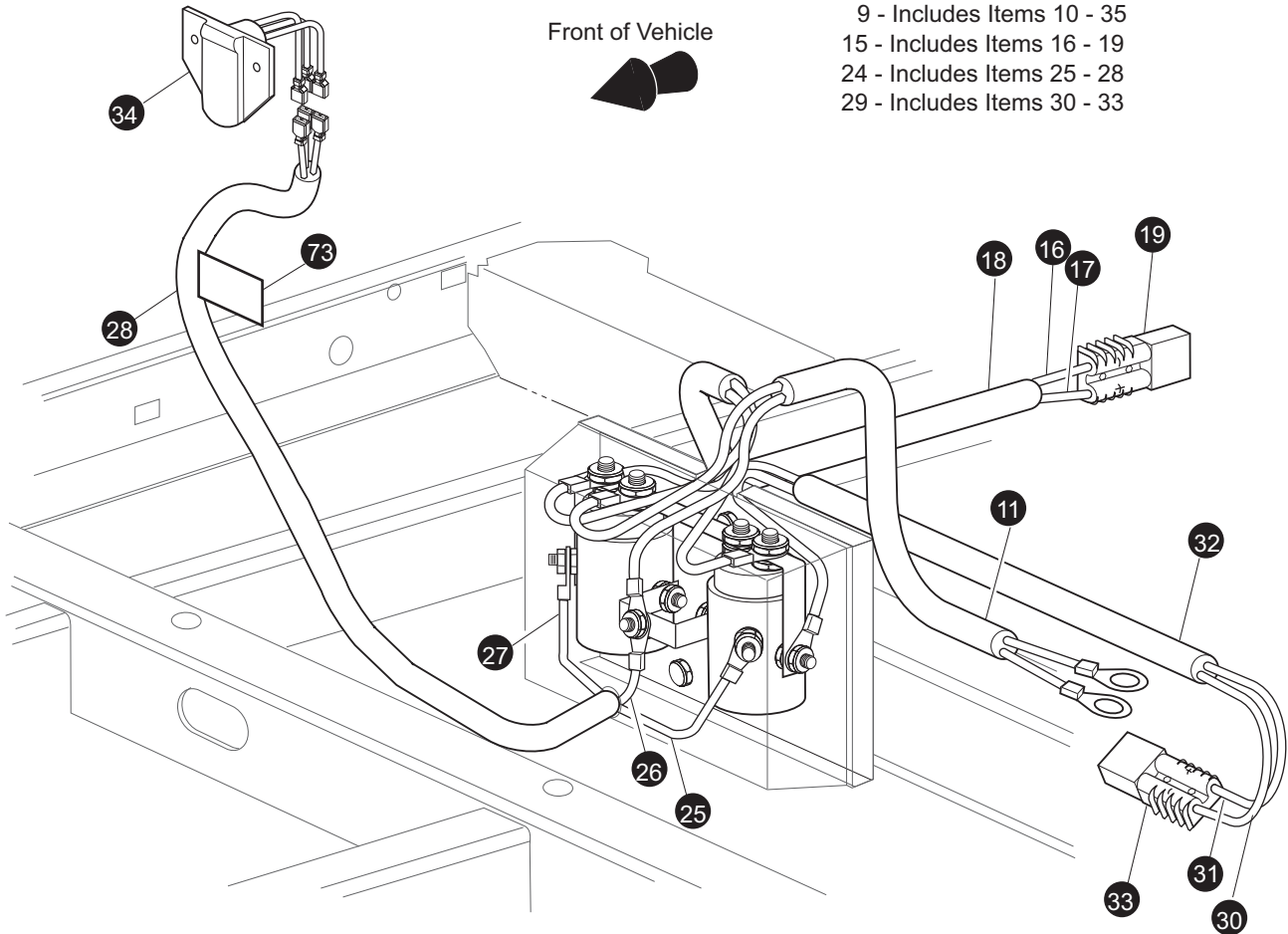
*** Indicates consult Customer Service Department for additional information.

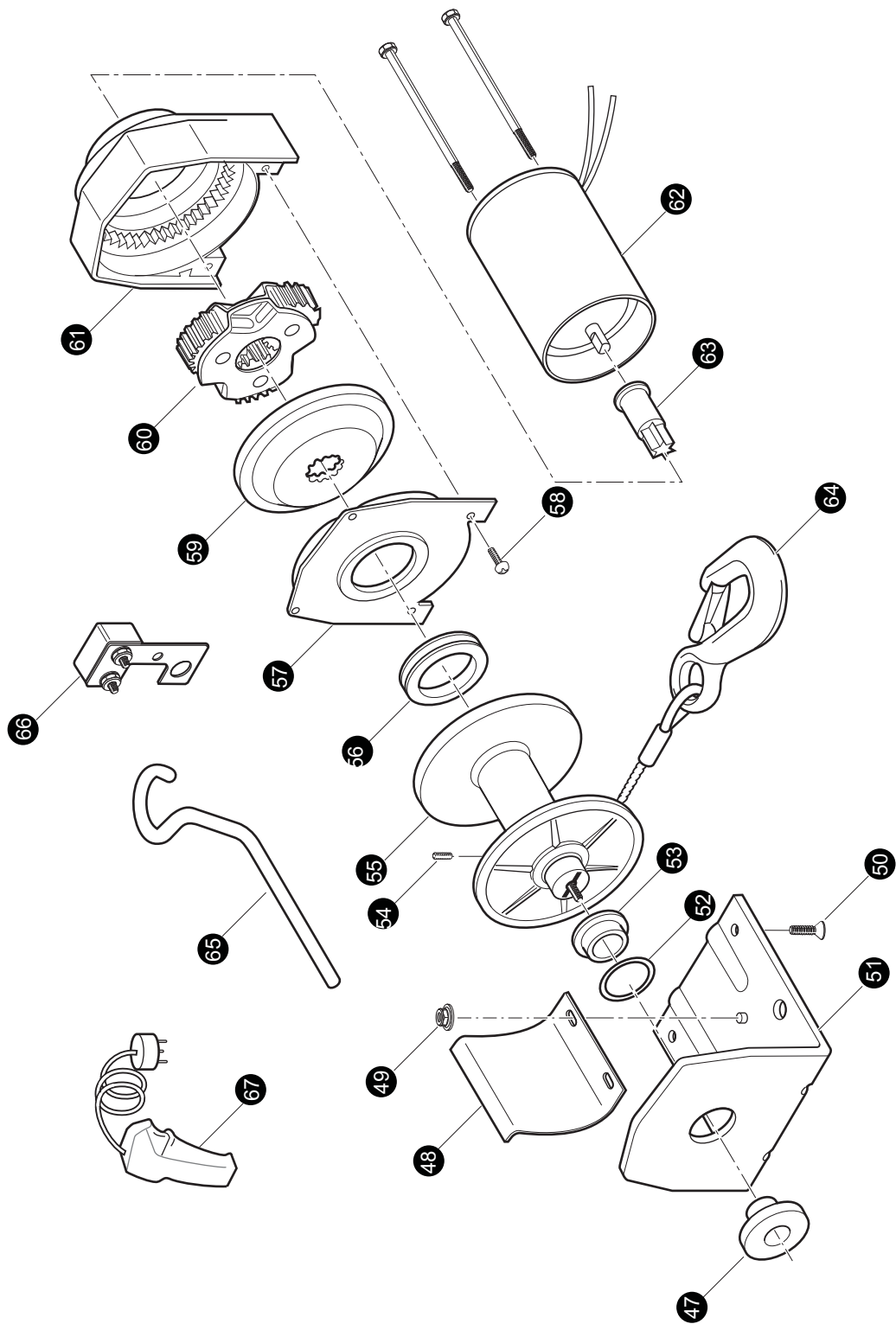
ITEM	PART NO.	1 2 3 4 5	DESCRIPTION	QTY.
1	<u>28442G03</u>		WHEEL AND TIRE ASSY, TURF SAVER (INCLUDES ITEMS 2 - 4)	1
2	<u>28442G02</u>		TIRE, 20 X 10 - 10 TURF SAVER	1
3	<u>15172G02</u>		WHEEL RIM (BLACK, 4 LUG).....	1
4	<u>11657G1</u>		VALVE STEM.....	1
5	<u>74842G03</u>		WHEEL AND TIRE ASSY (DRIVER SIDE) (INCLUDES ITEMS 7 - 9).....	1
6	<u>74842G04</u>		WHEEL AND TIRE ASSY (PASSENGER SIDE) (INCLUDES ITEMS 7 - 9) ..	1
7	<u>74842G05</u>		TIRE, 21 X 11 - 10 TRAIL WOLF	1
8	1015239014		WHEEL RIM (BLACK, 4 LUG).....	1
9	012007		VALVE STEM.....	1
10	<u>28630G04</u>		WHEEL AND TIRE ASSY (DRIVER SIDE) (INCLUDES ITEMS 12 - 14).....	1
11	<u>28630G05</u>		WHEEL AND TIRE ASSY (PASSENGER SIDE) (INCLUDES ITEMS 12 - 14)	1
12	<u>28630G01</u>		TIRE, 22 X 9 - 10 STRYKER	1
13	<u>15172G02</u>		WHEEL RIM (BLACK, 4 LUG).....	1
14	<u>11657G1</u>		VALVE STEM.....	1
15	<u>14723G1</u>		LUGNUT, 1/2 - 20	A/R

Note: Winch shown mounted at front of vehicle.

1 - Includes Items 2 - 73







When ordering parts, please specify the model and serial number of the product.

* Indicates a component that is not available as an individual part.

*** Indicates consult Customer Service Department for additional information.

ITEM	PART NO.	1 2 3 4 5	DESCRIPTION	QTY.
1	74259-G02		WINCH KIT (INCLUDES ITEMS 2 - 73) (ST 350).....	1
2	600792		WINCH ASSEMBLY, T1500.....	1
3	<u>74271-G01</u>		WINCH MOUNTING TUBE	1
4	<u>00440-G6</u>		BOLT, 5/16 - 18 X 2 3/4" LG	2
5	<u>00571-G2</u>		WASHER, 5/16".....	4
6	<u>00891-G3</u>		LOCK NUT, 5/16 - 18.....	2
7	<u>21317-G1</u>		CLEVIS PIN, 5/8" x 3" LG.....	1
8	<u>21683-G1</u>		COTTER PIN, 15/32" X 2 13/16" LG	1
9	74286-G02		REMOTE SOLENOID (INCLUDES ITEMS 10 - 35).....	1
10	<u>74256-G02</u>		SOLENOID KIT	1
11	<u>72278-G01</u>		WIRE HARNESS (SOLENOID to BATTERY)	1
12				
13				
14				
15	600798		WIRE HARNESS (SOLENOID to REAR WINCH) (INCLUDES 16 - 19)	1
16	600794		8 GA WIRE (YELLOW 67")	1
17	600793		8 GA WIRE (BLUE 67")	1
18	<u>20436-G1</u>		FLEX LOOM (BULK) 49"	1
19	<u>73235-G01</u>		CONNECTOR.....	1
20	<u>74326-G01</u>		MOUNTING BRACKET.....	1
21	<u>00414-G6</u>		BOLT, 1/4 - 20 X 3/4" LG.....	3
22	<u>23726-G1</u>		SPACER, 1/4"	3
23	<u>14390-G4</u>		LOCK NUT, 1/4 - 20	3
24	600801		WIRE HARNESS (SOLENOID to RECEPTACLE) (INCLUDES 25-28).	1
25	<u>19077-G1</u>		16 GA WIRE (BLUE 14")	1
26	<u>20216-G1</u>		16 GA WIRE (WHITE 14")	1
27	<u>19080-G1</u>		16 GA WIRE (YELLOW 14")	1
28	<u>17313-G1</u>		FLEX LOOM (BULK), 4"	1
29	<u>600795</u>		WIRE HARNESS (SOLENOID to FRONT WINCH) (INCLUDES 30-33)	1
30	600794		8 GA WIRE (YELLOW 94")	1
31	600793		8 GA WIRE (BLUE 94")	1

When ordering parts, please specify the model and serial number of the product.

* Indicates a component that is not available as an individual part.

*** Indicates consult Customer Service Department for additional information.

ITEM	PART NO.	1	2	3	4	5	DESCRIPTION	QTY.
32	<u>20436-G1</u>						FLEX LOOM, 75 5/8" (BULK)	1
33	<u>73235-G01</u>						CONNECTOR	1
34	<u>600482</u>						RECEPTACLE WITH LEADS (GREEN, WHITE, BLACK)	1
35	*						CIRCUIT BREAKER WITH BRACKET.....	1
36	<u>00414-G5</u>						BOLT, 1/4 - 20 X 5/8" LG.....	2
37	<u>14390-G4</u>						LOCK NUT, 1/4 - 20	2
38								
39								
40	<u>74289-G01</u>						CONNECTOR MOUNT PLATE.....	1
41	<u>00740-G4</u>						SCREW, #10 - 32 X 1/2" LG (STAINLESS STEEL).....	2
42	<u>00559-G5</u>						WASHER, #10	2
43	<u>00921-G8</u>						LOCK NUT, #10 - 32	2
44	<u>00156-G8</u>						SCREW, #10 - 32 X 1" LG	2
45	<u>00526-G4</u>						NUT, #10 - 32	2
46								
<p>The following items are replacement components for the winch. For service or replacement parts, contact Superwinch, Inc., Winch Drive, Putnam, CT 06260 Phone: (860) 928-7787, FAX: (860) 928-1143</p> <p>Always provide the following information when requesting information or ordering replacement parts:</p> <p>Winch Part Number: T1500 Serial Number: (found on housing) Part Number and Description</p>								
47	87-10490						KNOB ASSEMBLY, T-SERIES F/W	1
48	87-22381						TENSION PLATE	1
49	87-23149-05						NUT, HEX, FLANGED, M5 X 0.8	2
50	89-22291-01						SCREW, ST HEX SKY FH, M6 X 1 X 20	2
51	87-22394						BASEPLATE ASSEMBLY, T-SERIES	1
52	AS REQ'D						WASHER, .020 OR .030 THICK	A/R
53	87-10466						BUSHING, T-SERIES.....	1
54	87-23309-01						SET SCREW, M5 X 0.8 X 6	1
55	87-22397						DRUM ASSEMBLY	1

When ordering parts, please specify the model and serial number of the product.

* Indicates a component that is not available as an individual part.

*** Indicates consult Customer Service Department for additional information.

ITEM	PART NO.	1	2	3	4	5	DESCRIPTION	QTY.
56	87-10470						DRUM SUPPORT BUSHING	1
57	87-33257						DRUM SUPPORT PLATE	1
58	87-23030-10						SCREW, ST PAN HEAD, M4 X 0.7 X 10	4
59	87-33251						ROTATOR GEAR, T-SERIES	1
60	87-22380						CARRIER ASSEMBLY, T-SERIES	1
61	87-22396						STATIONARY GEAR HOUSING ASSEMBLY, T-SERIES	1
62	87-33249						MOTOR, 12 VOLT	1
63	87-22401						MOTOR PINION GEAR	1
64	1535A						WIRE ROPE AND HOOK ASSEMBLY, 5/32" X 25 FEET	1
65	89-32300						HANSAVER BAR	1
66	90-22873-03						CIRCUIT BREAKER ASSEMBLY, 12 VOLT, T-SERIES	1
67	90-22117						REMOTE CONTROL ASSEMBLY	1
68	92-20172						SOLENOID, 12 VOLT	2
69	90-32070						SOLENOID BACK PLATE	1
70	90-31079						SOLENOID COVER	1
71								
72								
73	<u>71489-G01</u>						LABEL (READ INSTRUCTIONS)	1

SPECIALTY PRODUCTS

SPECIALTY PRODUCTS

SPECIAL TOOLS	PART NO.
HIGH RESISTANCE SPARK PLUG WIRE SET	26733G02
CLUTCH PULLER (DRIVE)	19779G2
FLYWHEEL PULLER	27111G01
CURRENT INDICATOR	16489G2
DIGITAL MULTI-METER	27481G01
TUBELESS TIRE REPAIR KIT	606009
TIRE PLUGGER REFILL PACK (50/BOX)	606831

TOUCH UP PAINT	PART NO.
PEN 3 OUNCE (89 ML) - HUNTER GREEN	28432G02
PEN 3 OUNCE (89 ML) - CHAMPAGNE BEIGE	28432G01
PEN 3 OUNCE (89 ML) - WHITE	28432G05
PEN 3 OUNCE (89 ML) - INDUSTRIAL YELLOW	28432G03
PEN 3 OUNCE (89 ML) - ORANGE	28432G04
PEN 3 OUNCE (89 ML) - STEEL BLUE PEARL	28432G24
PEN 3 OUNCE (89 ML) - CAMOUFLAGE PAINT (THREE PENS)	75831G01
AEROSOL 12 OUNCE (360 ML) - HUNTER GREEN	28140G09
AEROSOL 12 OUNCE (360 ML) - CHAMPAGNE BEIGE	28140G15
AEROSOL 12 OUNCE (360 ML) - INDUSTRIAL YELLOW	28140G14

MAINTENANCE PRODUCTS	PART NO.
PLEXUS® CLEANER, 13 OUNCE (380 ML) (FOR WINDSHIELDS)	28433G02
BATTERY PROTECTOR, 14 OUNCE (410 ML) SPRAY	27619G02
E-Z-GO ALL SURFACE CLEANER	606311
E-Z-GO FIBREGLASS/PLASTIC RESTORER	606313
WINDSHIELD AND PLASTIC PROTECTOR	606314
64 OZ HAND CLEANER	607636
4 OZ HAND CLEANER	607637

OPTIONS/ACCESSORIES

OPTIONS/ACCESSORIES

OPTIONS/ACCESSORIES

ITEM	KIT NO.	SECTION
ACCESSORIES LISTING		
ASHTRAY KIT	75109-G02	See BODY
BALL HITCH KIT	74491-G02	See BODY
CARGO BED COVER	73521-G01	
CARGO TRAILER (STEEL)	74486-G01	
CARGO TRAILER (POLY)	74487-G01	
CONSOLE POWER OUTLET	71079-G01	See ELECTRICAL SYSTEM
DEFROSTER/COOLING FAN	74248-G01	See CAB (FLAT WINDSHIELD)
DOME LIGHT	20495-G2	See CAB (FLAT WINDSHIELD)
DOOR SET (STEEL)	74301-G0*	See CAB (FLAT WINDSHIELD)
DOOR SET (STEEL)	75856-G0*	See CAB (CURVED WINDSHIELD)
DOOR SET (VINYL)	74242-G01	See CAB (FLAT WINDSHIELD)
DOOR SET (VINYL)	75855-G01	See CAB (CURVED WINDSHIELD)
GLOVE BOX DOOR	75456-G0*	See BODY
GUN HOLDER	74365-G01	
HITCH KITS	74492-G0*	See BODY
HOUR METER KIT	75114-G0*	See ELECTRICAL SYSTEM
RECTANGULAR SIDE MIRROR KIT	27924-G01	See CAB (FLAT WINDSHIELD)
INSTRUMENT/SWITCH PANEL	74250-G01	See CAB (FLAT WINDSHIELD)
LIGHT BAR	75354-G0*	See ELECTRICAL
REAR VIEW MIRROR KIT(REQUIRES SUN TOP KIT)	19528-G2	See WEATHER PROTECTION
SOFT ENCLOSURE (3 SIDED)	75367-G0*	See WEATHER PROTECTION
STEEL CAB, W/O DOORS	75854-G0*	See CAB (CURVED WINDSHIELD)
STROBE LIGHT	74245-G01	See CAB (FLAT WINDSHIELD)
SUN TOP KIT (ST SPORT)	75040-G0*	See WEATHER PROTECTION
TURN SIGNAL KIT	75107-G0*	See ELECTRICAL SYSTEM
WINCH	74259-G02	See WINCH (ST 350)
WINDSHIELD KIT (REQUIRES SUN TOP KIT)	71966-G0*	See WEATHER PROTECTION
FOLD DOWN WINDSHIELD KIT(REQUIRES SUN TOP KIT)	71966-G0*	See WEATHER PROTECTION
WINDSHIELD WIPER	74244-G01	See CAB (FLAT WINDSHIELD)
WORK LIGHTS	74247-G01	See CAB (FLAT WINDSHIELD)
TIRE DOMINATOR 20X11-10	605316	Wheels and Tires
PATHFINDER TIRE BRUSHED WHEEL LH	605355	Wheels and Tires
PATHFINDER TIRE BRUSHED WHEEL RH	605356	Wheels and Tires
PRO TOUR POLISHED WHEEL	605317	Wheels and Tires-ST Sport CARB / ST Sport
PRO TOUR TIRE 205/50-10	605315	Wheels and Tires-ST Sport CARB / ST Sport
V-STEM BRUSHED WHEEL	605351	Wheels and Tires
PRO-BRUSHED WHEEL	605318	Wheels and Tires-ST Sport CARB / ST Sport

OPTIONS/ACCESSORIES

ITEM	KIT NO.	SECTION
		Sport
DOMINATOR POLISHED WHEEL	605319	Wheels and Tires
DOMINATOR BRUSHED WHEEL	605320	Wheels and Tires
CHROME CENTER CAP-SPOKED WHEEL	604929	Wheels and Tires
NUT, LUG-CHROME	605310	Wheels and Tires
V-STEM-POLISHED SPOKED WHEEL	605311	Wheels and Tires
PATHFINDER TIRE 22X11-10	604928	Wheels and Tires
PATHFINDER TIRE POLISHED WHEEL LH.	604930	Wheels and Tires
PATHFINDER TIRE POLISHED WHEEL RH	605228	Wheels and Tires
WHEEL ASSEMBLY - TERRA TRAC	608915	Wheels and Tires - ST 400 / ST SPORT



A Textron Company

E-Z-GO Division Of Textron, Inc.,
1451 Marvin Griffin Road, Augusta, Georgia USA 30906-3852

TO CONTACT US

North America:

Technical Assistance & Warranty Phone: 1-800-774-3946, FAX: 1-800-448-8124
Service Parts Phone: 1-888-GET-EZGO (1-888-438-3946), FAX: 1-800-752-6175

International:

Phone: 001-706-798-4311, FAX: 001-706-771-4609

Certified ISO 9001 / ISO 14001 by



Copyrighted Material
This manual may not be reproduced in whole or
in part without the express permission of
E-Z-GO Division of Textron, Inc.
Technical Communications Department