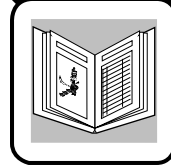




620394



SERVICE PARTS MANUAL



GASOLINE POWERED PERSONNEL CARRIERS

ISSUED APRIL 2008

SERVICE PARTS MANUAL

GASOLINE POWERED PERSONNEL CARRIERS AND GOLF CARS

ST SHUTTLE 4

ST SHUTTLE 6

STARTING MODEL YEAR 2008

DISCLAIMER: The E-Z-GO Division of Textron Inc. reserves the right to incorporate engineering and design changes to products in this Manual, without obligation to include these changes on units leased/sold previously.

The information contained in this Manual may be revised periodically by the E-Z-GO Division, and therefore is subject to change without notice.

The E-Z-GO Division **DISCLAIMS LIABILITY FOR ERRORS IN THIS MANUAL**, and the E-Z-GO Division **SPECIFICALLY DISCLAIMS LIABILITY FOR INCIDENTAL AND CONSEQUENTIAL DAMAGES** resulting from the use of the information and materials in this Manual.

CUSTOMER SERVICE DEPARTMENT IN USA PHONE: 1-800-241-5855 FAX: 1-800-448-8124

OUTSIDE USA PHONE: 001-706-798-4311, FAX: 001-706-771-4609

E-Z-GO DIVISION OF TEXTRON, INC., MARVIN GRIFFIN RD., AUGUSTA, GEORGIA USA 30906

NOTES

To obtain a copy of the limited warranty applicable to the vehicle, call or write a local Distributor, authorized Branch or the Warranty Department with vehicle serial number and manufacturer code.

The use of non Original Equipment Manufacturer (OEM) parts may void the warranty.

Overfilling of batteries may void the warranty.

BATTERY PROLONGED STORAGE

All batteries will self discharge over time. The rate of self discharge varies depending on the ambient temperature and the age and condition of the batteries.

A fully charged battery will not freeze in winter temperatures unless the temperature falls below -75 F (-60 C).

As with all electric vehicles, the batteries must be checked and recharged as required or at a minimum of 30 day intervals.

TABLE OF CONTENTS

SECTION	Page No.
HOW TO USE THE SERVICE PARTS MANUAL	V
ACCELERATOR	A-1
• Pedal Cover	
• Pedal Box Assembly	
• Accelerator Pedal Assembly	
AIR FILTER	B-1
• Air Cleaner Element	
• Air Filter Housing	
• Air Cleaner Hose	
BODY	C-1
• Front Bumper	
• Front Splash Shield	
• Cowl	
• Instrument Panel	
• Rocker Panels	
• Rear Body	
• Seat Support	
BRAKES - MECHANICAL	D-1
• Brake Pedal Pad	
• Brake Pedal	
• Brake Cable	
• Brake Drum Assembly	
CARBURETOR	E-1
• Carburetor	
• Main Jet	
• Choke Cable	
CLUTCH	F-1
• Drive Clutch	
• Driven Clutch	
DIRECTION SELECTOR	G-1
• Push/Pull Shifter Cable	
• Compression Spring	
• Neutral Lock Bracket	
ELECTRICAL SYSTEM	H-1
• Main Harness	
• Battery	
• Hour Meter	
• Ground Cable	
• Turn Signal	
• Headlight	
• Key Switch	
• Tail Lights	
ENGINE AND MUFFLER	J-1
• Engine	
• Muffler	
• Oil Dip Stick	
• Oil Filter	

TABLE OF CONTENTS

SECTION	Page No.
ENGINE MOUNTING	K-1
• Engine Pan Mount	
• Front Engine Mount	
FRONT SUSPENSION AND STEERING	L-1
• Strut	
• Spindle	
• Steering Box	
• Steering Column	
• Steering Wheel	
FUEL SYSTEM	M-1
• Fuel Tank	
• Pulse Line	
REAR AXLE	N-1
• Axle Shaft	
• Axle Tube	
• Oil Check Plug	
REAR SUSPENSION	P-1
• Shocks	
• Leaf Spring	
• Shackles	
SEATING -	Q-1
• Seat Bottom	
• Seat Back	
• Hip Restraints	
• Seat Back Support	
• Seat Bottom, Rear Facing Seat	
STARTER / GENERATOR	R-1
• Starter	
• Starter Belt	
• Starter Tensioner	
CARGO BED	S-1
• WOOD STAKE	
• PLASTIC BED	
WEATHER PROTECTION	T-1
• Sun Top	
• Windshield	
WHEELS AND TIRES	U-1
• Tire & Wheel Assembly	
• Lug Nuts	
SPECIALTY PRODUCT	APPENDIX A-1
OPTIONS/ACCESSORIES	APPENDIX B-1

HOW TO USE THE SERVICE PARTS MANUAL

This manual is divided into several sections:

GENERAL INFORMATION

- TABLE OF CONTENTS
- HOW TO USE THE SERVICE PARTS MANUAL

ILLUSTRATED PARTS BREAKDOWN

- Contains illustrations and parts lists for all systems of the vehicle.

USE OF THE MANUAL

To use this manual, consult the TABLE OF CONTENTS (page iii) to locate the information or illustration required.

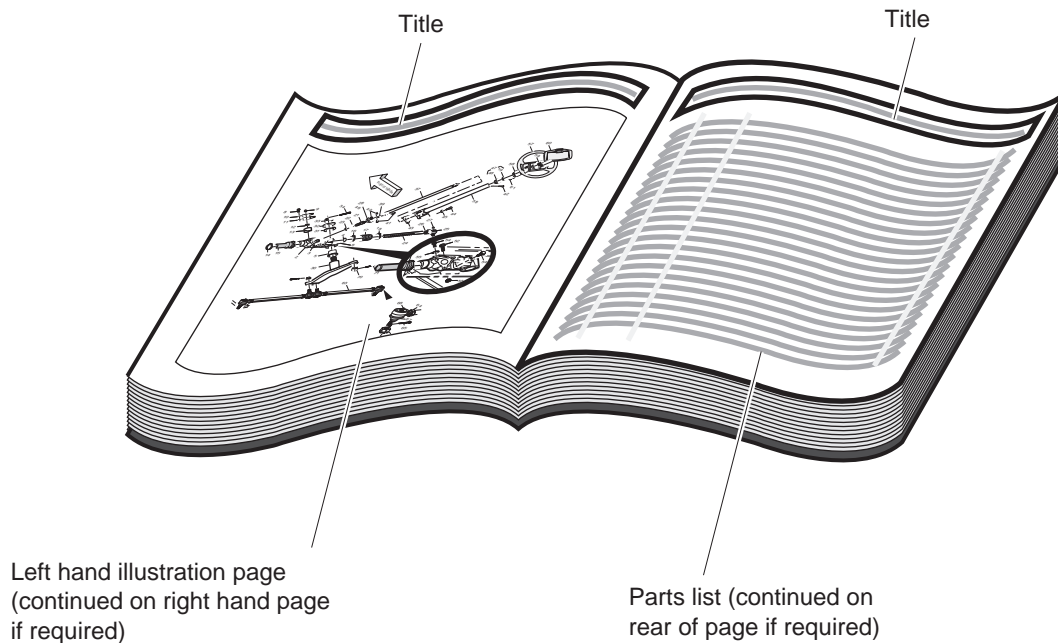
Introduction of some revisions varies due to supply of components; therefore, it is possible that various combinations of components may be found that are not directly reflected by each illustration. Consult the illustration that best suits your situation. Locate the serial number. It is important that the serial number of your vehicle and its model number be supplied to Service Parts when ordering any replacement components.

SERIAL NUMBER LOCATION

Three serial number and manufacture date code labels are on the vehicle. One is placed on the steering column, the second is located on the frame member under the front splash shield on the driver side and the third is located on the passenger side frame rail at the rear of the vehicle.

In order to obtain correct components for the vehicle, the manufacture date code, serial number and vehicle model must be provided when ordering service parts.

HOW TO USE THE SERVICE PARTS MANUAL



1. WHEN THE PART NUMBER IS NOT KNOWN

- Determine the function and application of the part required. Turn to the TABLE OF CONTENTS and select the most appropriate component description.
- Turn to the page number indicated and locate the part description in the parts list. Read the full accompanying description for specific information regarding the part that was not shown in the index.
- From the parts list, obtain the item number assigned to it and confirm that the part selected is correct by verifying it with the pictorial representation on the illustrated page.

Should an asterisk (*) appear in the part number column on the parts list page, read upwards until a part number is found. The part number is the lowest assembly sold by Service Parts. The asterisk (*) indicates that the part depicted is not available for purchase.

NOTE: Descriptions are indented under the assembly that they are used on. That assembly is, in turn listed under the assembly that it is used on. This process is repeated until the highest final assembly is reached.

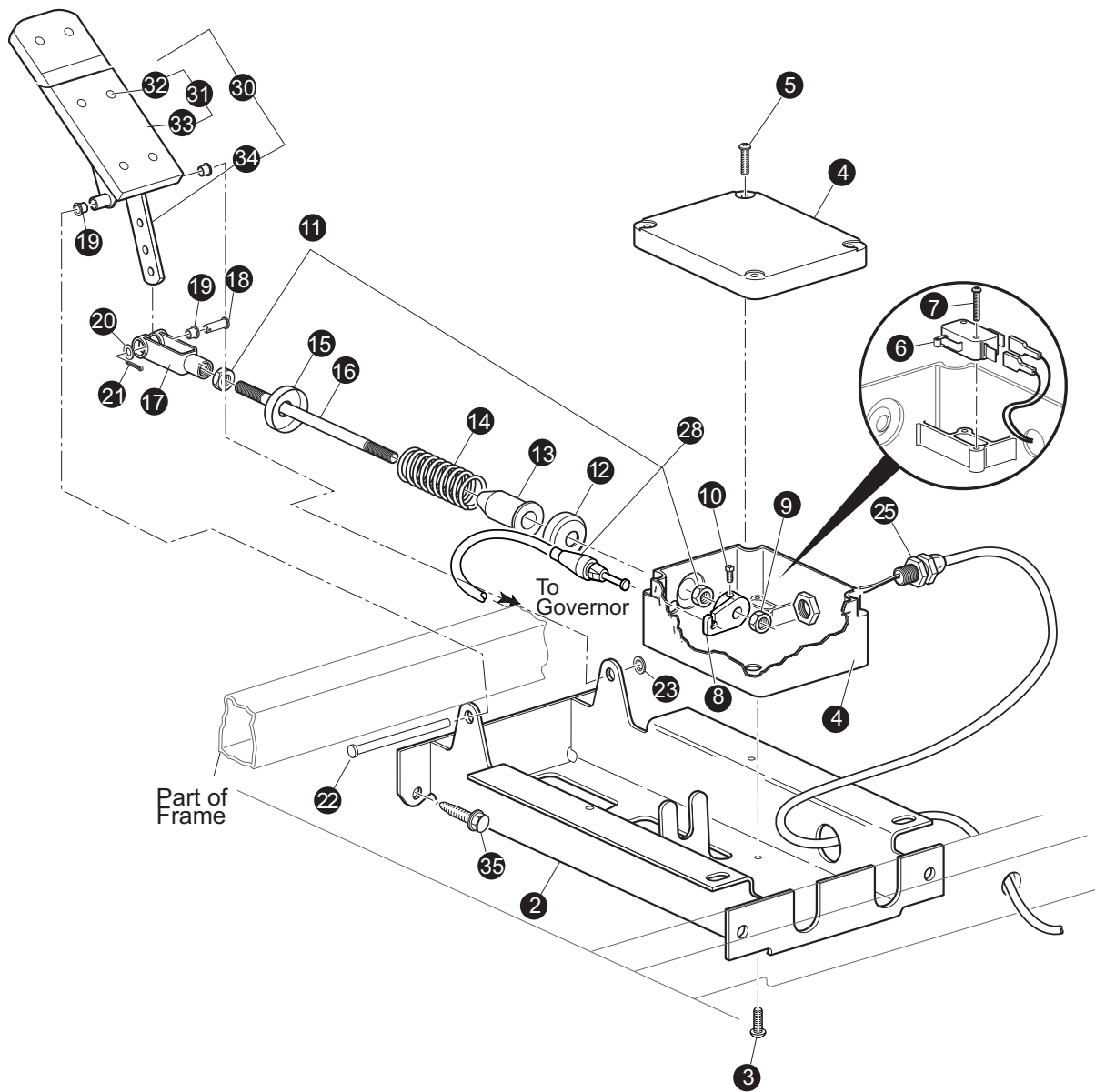
To facilitate the maintenance and repair of the vehicle, a Technician's Repair and Service Manual is available from the Service Parts Department.

ILLUSTRATED PARTS BREAKDOWN

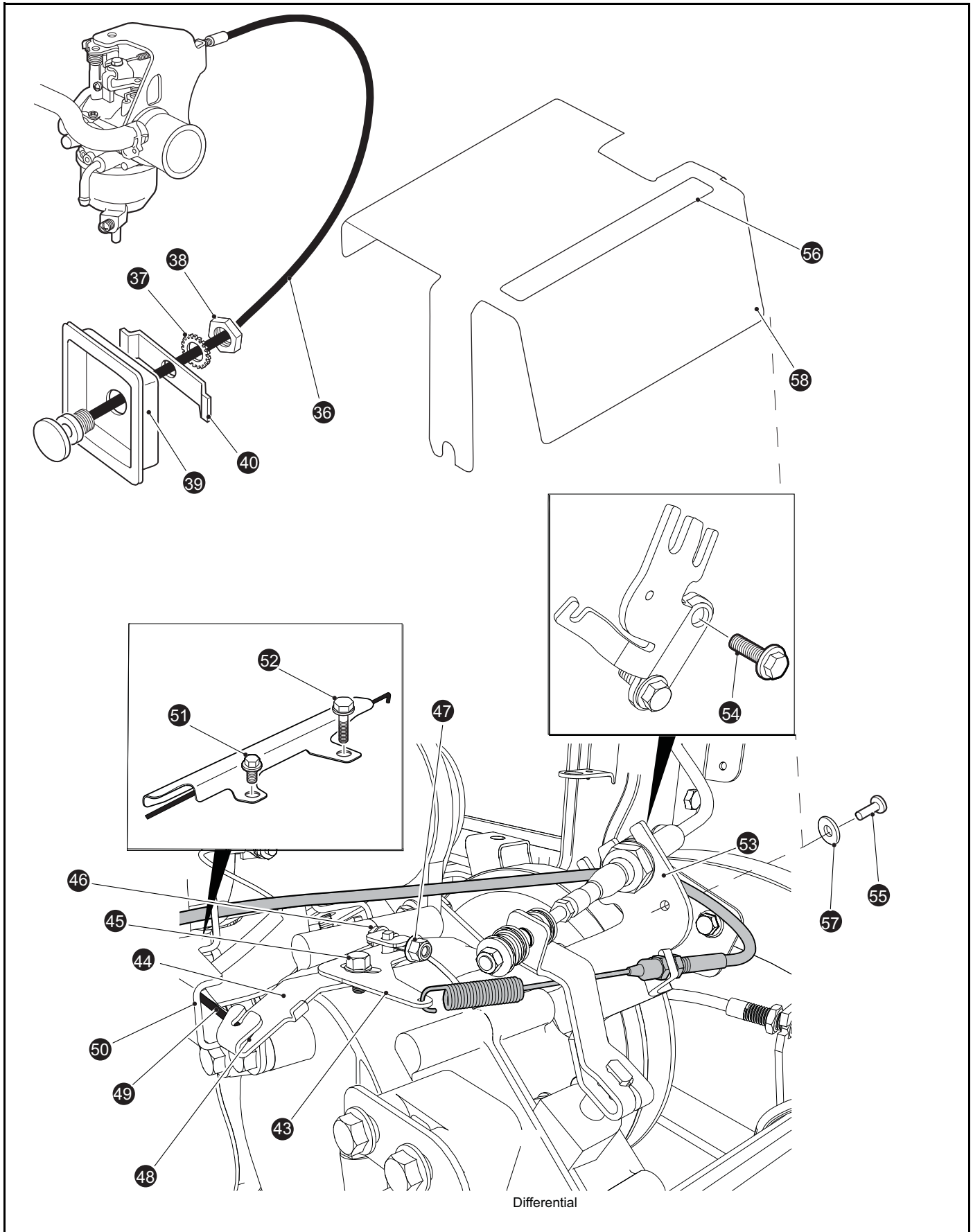
ILLUSTRATED PARTS BREAKDOWN

ACCELERATOR AND CHOKE

1 - Includes Items 3 - 34



ACCELERATOR AND CHOKE



ACCELERATOR AND CHOKE

When ordering parts, please specify the model and serial number of the product.

* Indicates a component that is not available as an individual part.

*** Indicates consult Customer Service Department for additional information.

ITEM	PART NO.	1 2 3 4 5	DESCRIPTION	QTY.
1	<u>606992</u>		PEDAL BOX ASSEMBLY (INCLUDES ITEMS 2 - 34	1
2	70116G02		ACCELERATOR PEDAL BRACKET	1
3	<u>01051G01</u>		SCREW, #8 - 16 X 1/2" LG	4
4	<u>25853G03</u>		PEDAL BOX AND COVER	1
5	<u>00684G6</u>		SCREW, #8 - 32 X 3/4" LG (STAINLESS STEEL)	2
6	<u>25861G01</u>		MICRO SWITCH	1
7	<u>01050G01</u>		SCREW, #4 - 20 X 5/8" LG	2
8	<u>72716G01</u>		MICRO SWITCH CAM	1
9	<u>15126G1</u>		LOCK NUT, 5/16 - 24	1
10	<u>00487G3</u>		SETSCREW, 1/4 - 20 X 3/8" LG	1
11	<u>00532G4</u>		NUT, 5/16 - 24	2
12	<u>17677G1</u>		SPRING RETAINER	1
13	<u>17979G1</u>		ACCELERATOR ROD BUSHING	1
14	<u>73046G01</u>		COMPRESSION SPRING	1
15	<u>17677G2</u>		SPRING RETAINER	1
16	72072G01		ACCELERATOR ROD	1
17	10385G4		CLEVIS YOKE (ADJUSTABLE)	1
18	<u>10386G3</u>		CLEVIS PIN, 5/16" X 13/16" LG	1
19	<u>17838G1</u>		NYLON BUSHING	3
20	<u>17255G1</u>		TEFLON WASHER, 5/16"	1
21	<u>10387G3</u>		COTTER PIN, 3/32" X 3/4" LG	1
22	<u>74432G01</u>		PEDAL PIVOT PIN	1
23	<u>12064G6</u>		PUSH NUT, 9/32"	1
24	12730G1		WHEEL BEARING GREASE (NOT ILLUSTRATED)	A/R
25	<u>72201G04</u>		WIRE HARNESS (PEDAL BOX)	1
26				
27				
28	<u>608618</u>		ACCELERATOR CABLE	1
29				
30	<u>25799G03</u>		ACCELERATOR PEDAL ASSEMBLY (INCLUDES ITEMS 31- 33)	1
31	<u>27844G01</u>		ACCELERATOR PEDAL PAD KIT (INCLUDES ITEMS 32- 33)	1

ACCELERATOR AND CHOKE

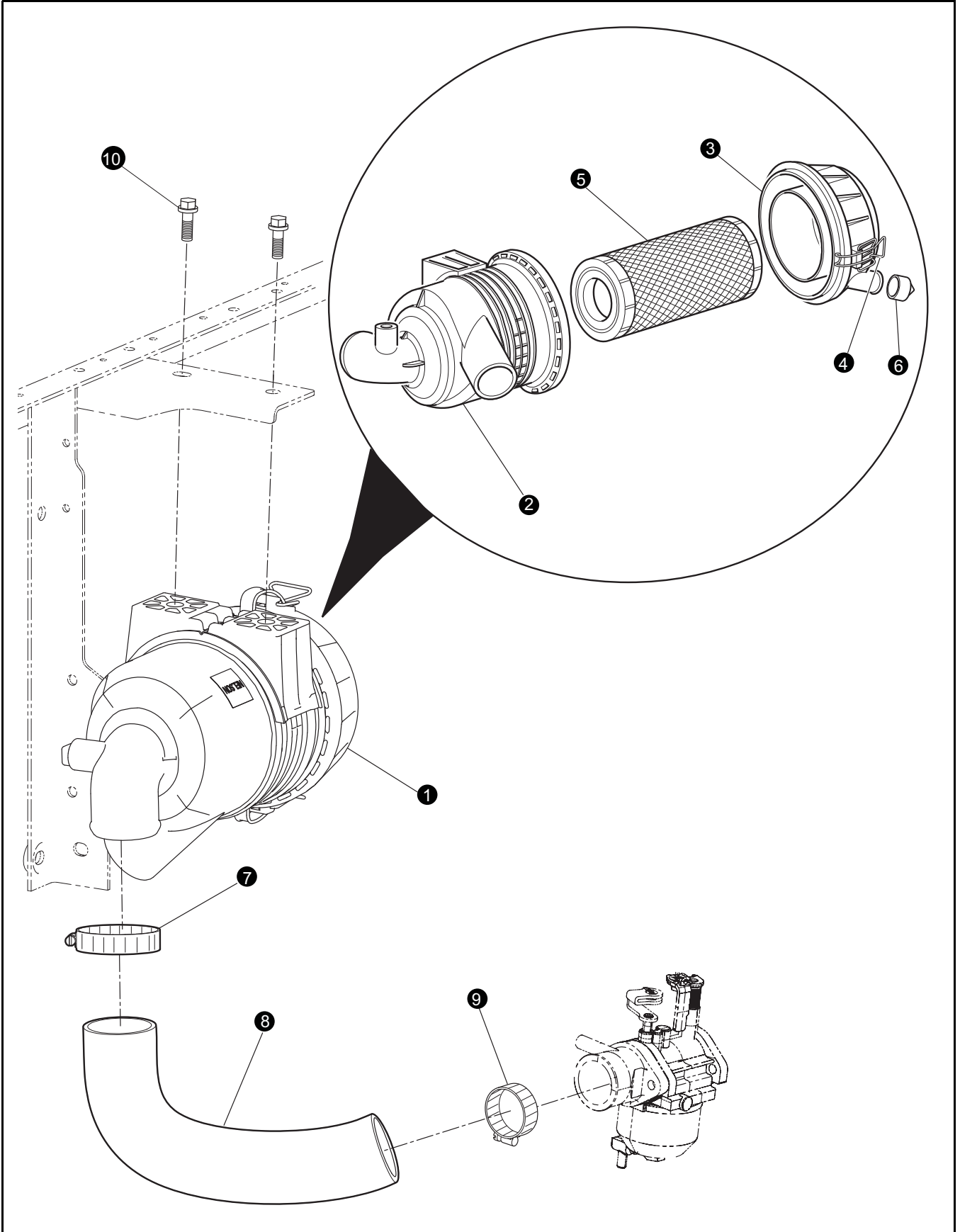
When ordering parts, please specify the model and serial number of the product.

* Indicates a component that is not available as an individual part.

*** Indicates consult Customer Service Department for additional information.

ITEM	PART NO.	1 2 3 4 5	DESCRIPTION	QTY.
32	<u>16409G1</u>		OVAL RIVET, 3/16" X 7/16" LG	6
33	<u>27512-G01</u>		ACCELERATOR PEDAL PAD	1
34	*		ACCELERATOR PEDAL	
35	<u>00715G2</u>		BOLT, 5/16 -18 X 4/5" LG.....	4
36	<u>605795</u>		CHOKE CABLE ASSY (TS - 4, TS - 6).....	1
37	<u>00568G4</u>		LOCK WASHER, 9/16"	1
38	<u>00545G4</u>		JAM NUT, 9/16 - 18.....	1
39	<u>72154G01</u>		CHOKE CABLE ADAPTER.....	1
40	<u>72155G02</u>		RETAINER	1
41				
42				
43	<u>606083</u>		UPPER GOVERNOR BRACKET.....	1
44	<u>606005</u>		LOWER GOVERNOR BRACKET	1
45	<u>606265</u>		BOLT, M6 - 1 X 12.....	1
46	<u>606421</u>		BOLT, M6 - 1 X 30.....	1
47	<u>450452</u>		NUT, M6 - 1.0.....	1
48	<u>606283</u>		GOVERNOR LEVER BUSHING	1
49	<u>606284</u>		GOVERNOR ROD	1
50	<u>603890</u>		GOVERNOR ROD GUARD	1
51	<u>606264</u>		BOLT, M6 - 1 X 20.....	1
52	<u>606262</u>		BOLT, M8 - 1.25 X 16.....	1
53	<u>606074</u>		GOVERNOR CABLE / DIRECTION SELECTOR BRACKET	1
54	<u>606256</u>		BOLT, M10 - 1.25 X 16.....	2
55	<u>14601G11</u>		RIVET.....	1
56	<u>608527</u>		GOVERNOR WARNING DECAL.....	1
57	<u>00915G1</u>		WASHER	1
58	<u>606199</u>		GOVERNOR COVER	1
59	<u>17618G1</u>		NYLON CLAMP	2

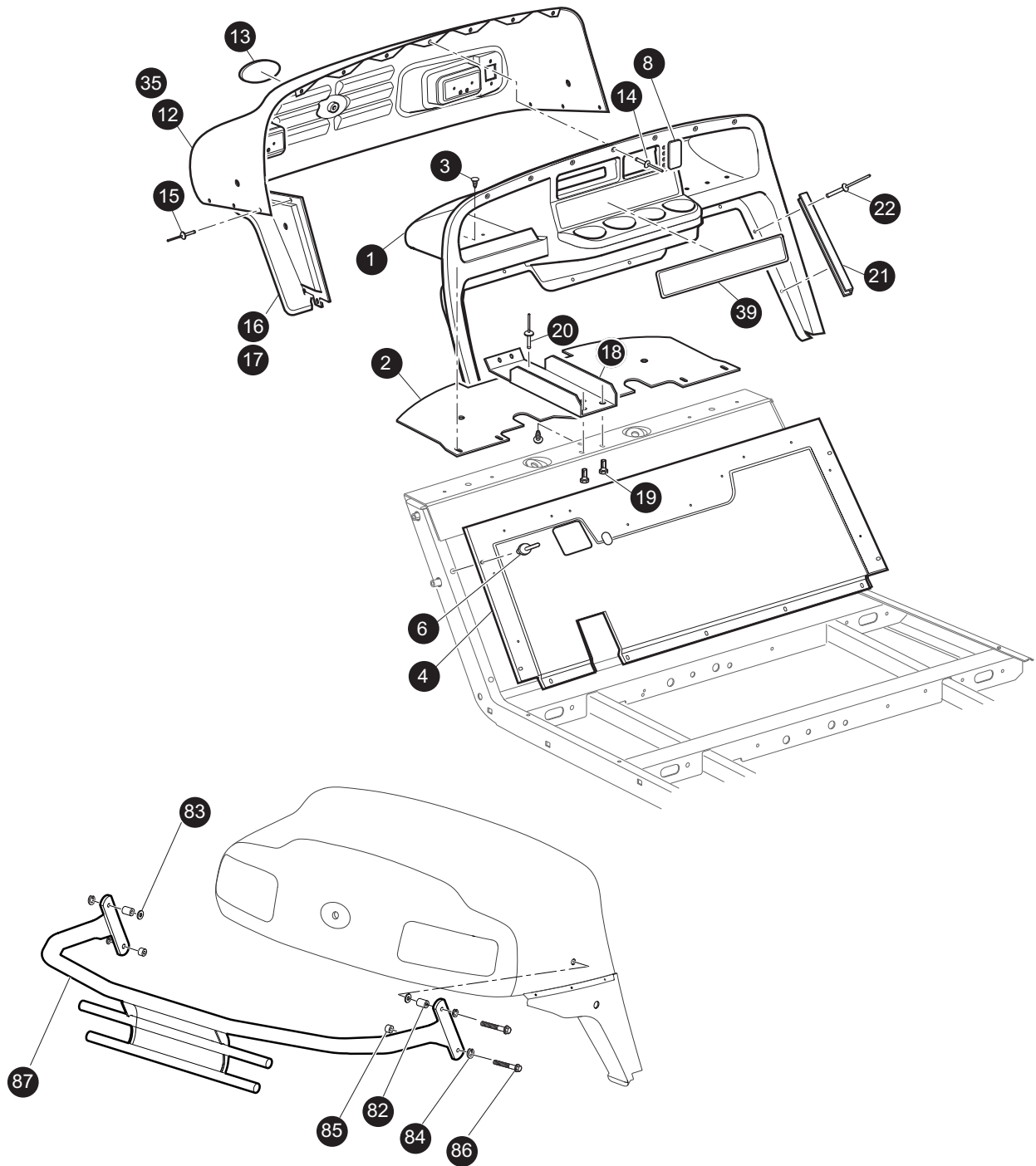
AIR FILTER



THE USE OF NON U.L. PARTS WILL VOID ANY U.L. LISTING.
 When ordering parts, please specify the model and serial number of the product.
 * Indicates a component that is not available as an individual part.
 G** Indicates consult Customer Service Department for additional information.

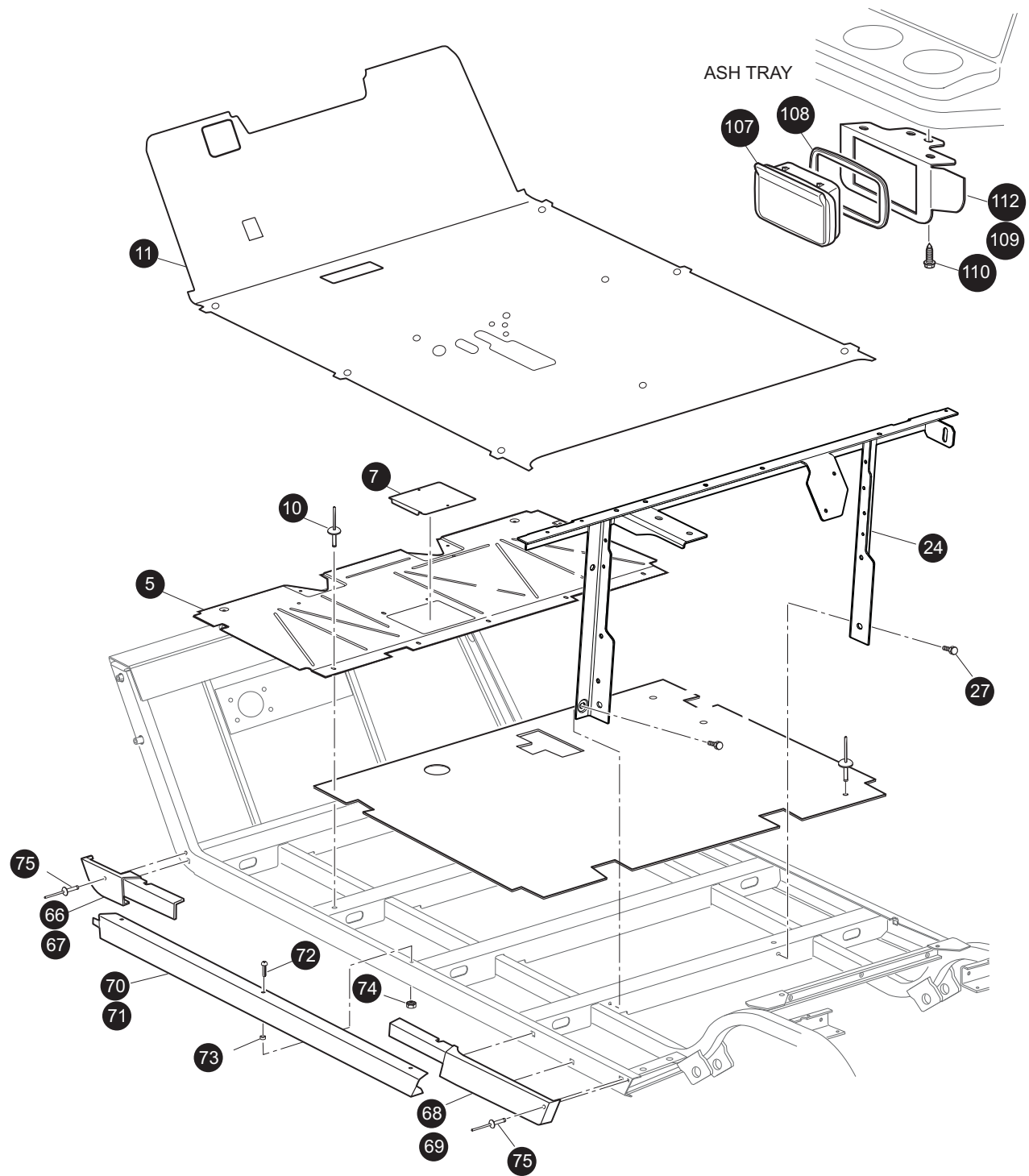
ITEM	PART NO.	1 2 3 4 5	DESCRIPTION	QTY.
1	<u>606952</u>		AIR CLEANER (INCLUDES ITEMS 2 - 6).....	1
2	607269		BODY & BRACKET ASSEMBLY	1
3	<u>72599G01</u>		AIR CLEANER COVER	1
4	<u>72604G01</u>		AIR CLEANER CLIP	2
5	<u>28463G01</u>		AIR FILTER	1
6	<u>28462G01</u>		VALVE DUST EJECTOR	1
7	<u>11391G7</u>		HOSE CLAMP	1
8	<u>607950</u>		HOSE	1
9	<u>11391G1</u>		HOSE CLAMP	1
10	<u>25532G1</u>		BOLT AND WASHER, M8 X 1.25 X 18 MM	2

BODY



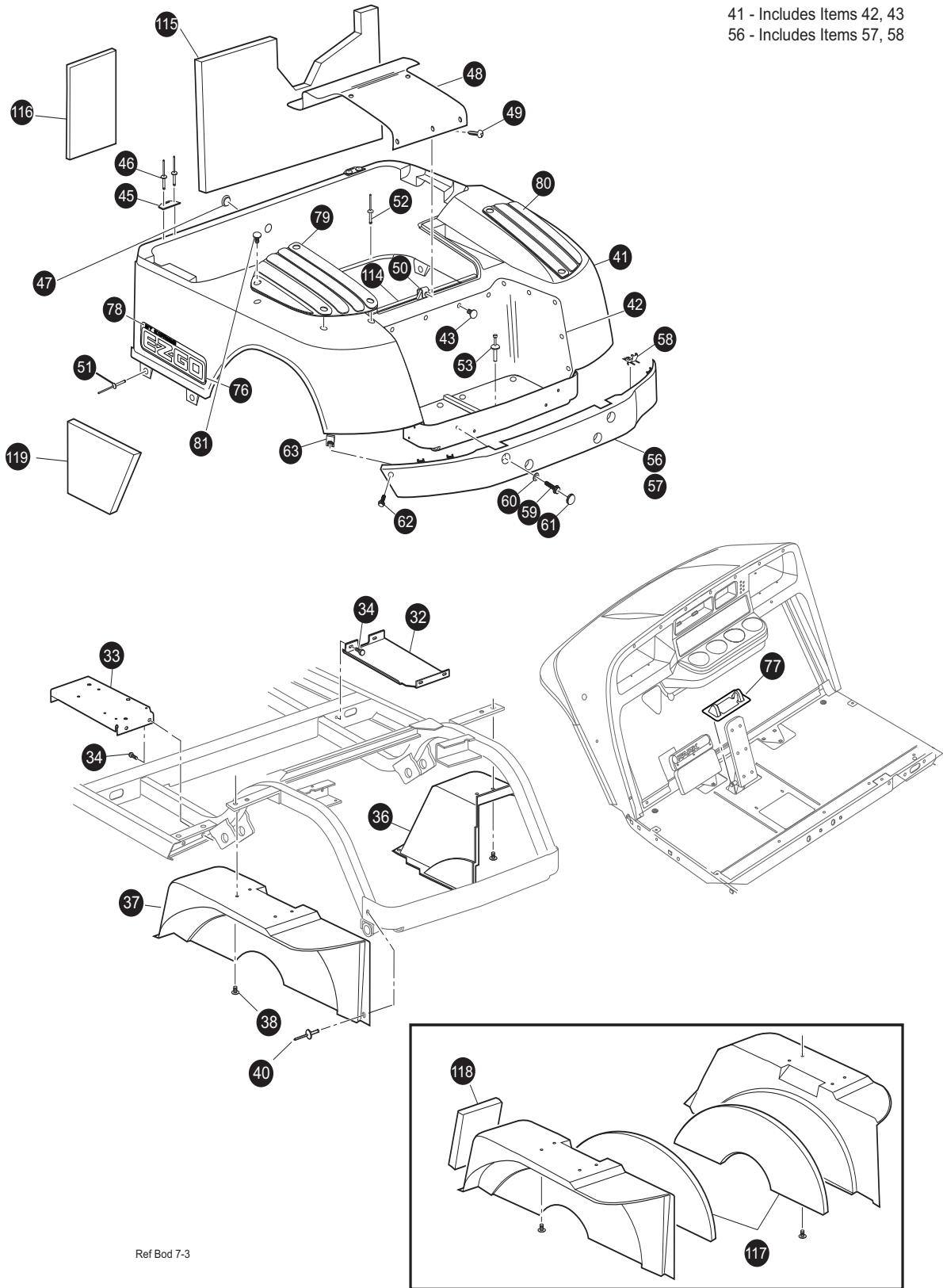
106 - Includes Items 107 - 110

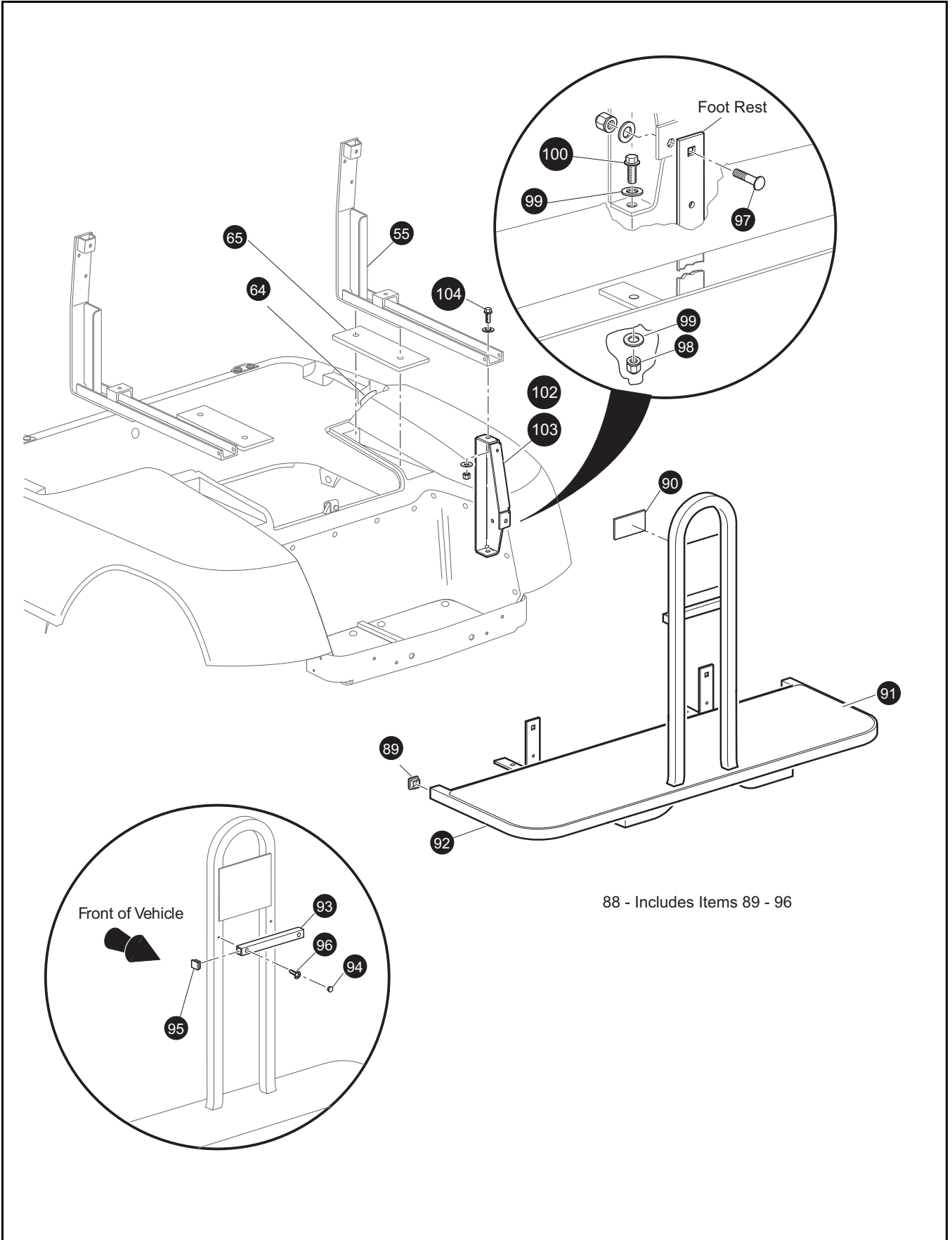
111 - Includes Items 107 - 108, 110, 112



Ref Bod 7-2

BODY





BODY

THE USE OF NON U.L. PARTS WILL VOID ANY U.L. LISTING.

When ordering parts, please specify the model and serial number of the product.

* Indicates a component that is not available as an individual part.

G** Indicates consult Customer Service Department for additional information.

ITEM	PART NO.	1 2 3 4 5	DESCRIPTION	QTY.
1	<u>71151G03</u>		INSTRUMENT PANEL ASSEMBLY	1
2	<u>71413G01</u>		SPLASH PANEL.....	1
3	<u>16816G2</u>		RATCHET FASTENER, 1/4" X 3/4" LG	5
4	<u>70662G01</u>		UPPER FLOORPAN.....	1
5	<u>70451G01</u>		LOWER FLOORPAN.....	1
6	<u>14601G11</u>		RIVET, 3/16" X 9/16" LG (ALUMINUM).....	16
7	<u>70452G01</u>		ACCESS COVER.....	1
8	<u>35968G01</u>		LABEL (TEE HOLDER COVER)	1
9	<u>70823G01</u>		REAR FLOORPAN.....	1
10	<u>10570G10</u>		RIVET, 5/32" X 9/16" LG (STAINLESS STEEL)	5
11	<u>70668G0*</u>		FLOORMAT.....	1
12	<u>606534G0xx</u>		COWL.....	1
13	<u>74183G01</u>		NAMEPLATE (E-Z-GO) (OVAL)	1
14	<u>71055G01</u>		RIVET, 3/16" X 1" LG	7
15	<u>71055G01</u>		RIVET, 3/16" X 1" LG	6
16	<u>71338G01</u>		FENDER FLARE (DRIVER SIDE).....	1
17	<u>71338G02</u>		FENDER FLARE (PASSENGER SIDE)	1
18	<u>71101G02</u>		COWL SUPPORT BRACKET	1
19	<u>71102G02</u>		SELF TAPPING SCREW, 1/4 - 20 X 1/2" LG	3
20	<u>71055G01</u>		RIVET, 3/16" X 1 1/8" LG	1
21	<u>71115G01</u>		VINYL TRIM	2
22	<u>71055G01</u>		RIVET, 3/16" X 1" LG	10
23	<u>00571G2</u>		WASHER, 5/16 (WITHOUT SUN TOP).....	2
24	<u>605694</u>		SEAT FRAME.....	1
25				
26	<u>00715G2</u>		BOLT, 5/16 - 18 X 13/16" LG	2
27				
28				
29				
30				

THE USE OF NON U.L. PARTS WILL VOID ANY U.L. LISTING.
 When ordering parts, please specify the model and serial number of the product.
 * Indicates a component that is not available as an individual part.
 G** Indicates consult Customer Service Department for additional information.

ITEM	PART NO.	1 2 3 4 5	DESCRIPTION	QTY.
31				
32	<u>70244G03</u>		SPLASH PAN (PASSENGER SIDE)	1
33	<u>70244G03</u>		SPLASH PAN (DRIVER SIDE).....	1
34	<u>00715G2</u>		BOLT, 5/16 - 18 X 13/16" LG	8
35	71090GXX		COWL.....	1
36	608124		FENDER LINER (PASSENGER SIDE)	1
37	<u>608125</u>		FENDER LINER (DRIVER SIDE).....	1
38	<u>16816-G2</u>		RATCHET FASTENER, 1/4" X 3/4" LG	8
39	<u>601781</u>		CONSOL PICTOGRAM LABEL	1
40	14601G17		RIVET	2
41	71912G**		REAR BODY ASSEMBLY (W/OUT TAILLIGHTS) (INCLUDES ITEMS 42, 43)..	1
42	71318G01		BAGWELL LINER	1
43	<u>16816G1</u>		RATCHET FASTENER, 1/4" X 9/16" LG	20
44				
45	<u>71609G01</u>		HINGE PLATE	2
46	<u>10570G11</u>		RIVET, 3/16" X 3/4" LG (STAINLESS STEEL)	4
47	<u>71316G01</u>		PLUG.....	1
48	<u>71320G01</u>		ACCESS PANEL	1
49	<u>01107G01</u>		SCREW, #8 X 5/8" LG	5
50	<u>71364G02</u>		'J' CLIP	1
51	10570G12		RIVET, 1/4" X 9/16" LG (ALUMINUM)	4
52	<u>10570G10</u>		RIVET, 5/32" X 9/16" LG (STAINLESS STEEL)	6
53	<u>18436G1</u>		PLASTIC DRIVE RIVET, 1/4" X 9/16" LG	2
54				
55	<u>74111G01</u>		SEAT SUPPORT	2
56	<u>71451G02</u>		REAR BUMPER ASSEMBLY (INCLUDES ITEMS 69 & 70).....	1
57	*		REAR BUMPER.....	1
58	*		STAY	1
59	71398G01		BOLT, 1/4 - 20 X 1 1/4" LG	4
60	<u>00571G2</u>		WASHER, 5/16"	4

BODY

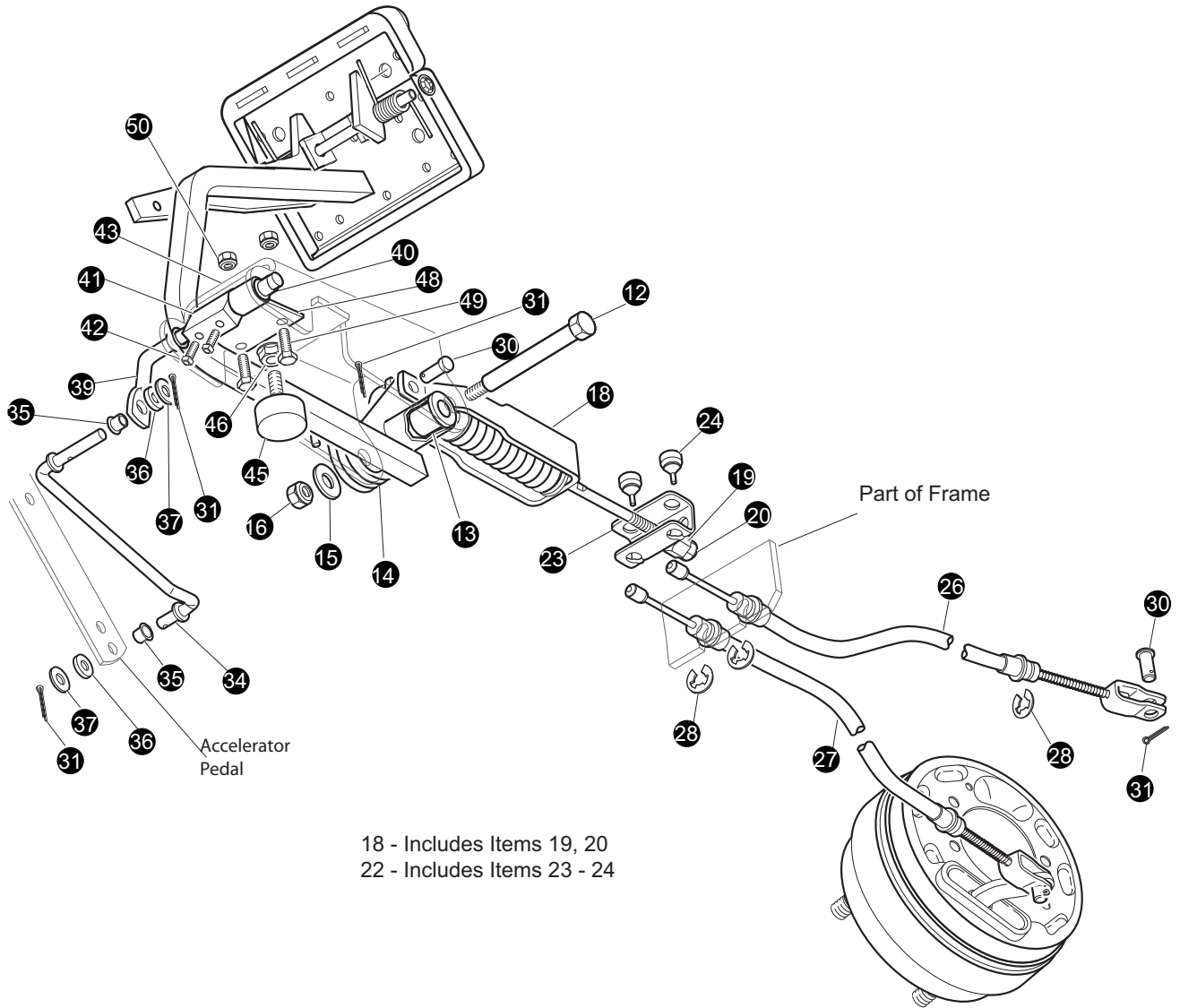
THE USE OF NON U.L. PARTS WILL VOID ANY U.L. LISTING.
 When ordering parts, please specify the model and serial number of the product.
 * Indicates a component that is not available as an individual part.
 G** Indicates consult Customer Service Department for additional information.

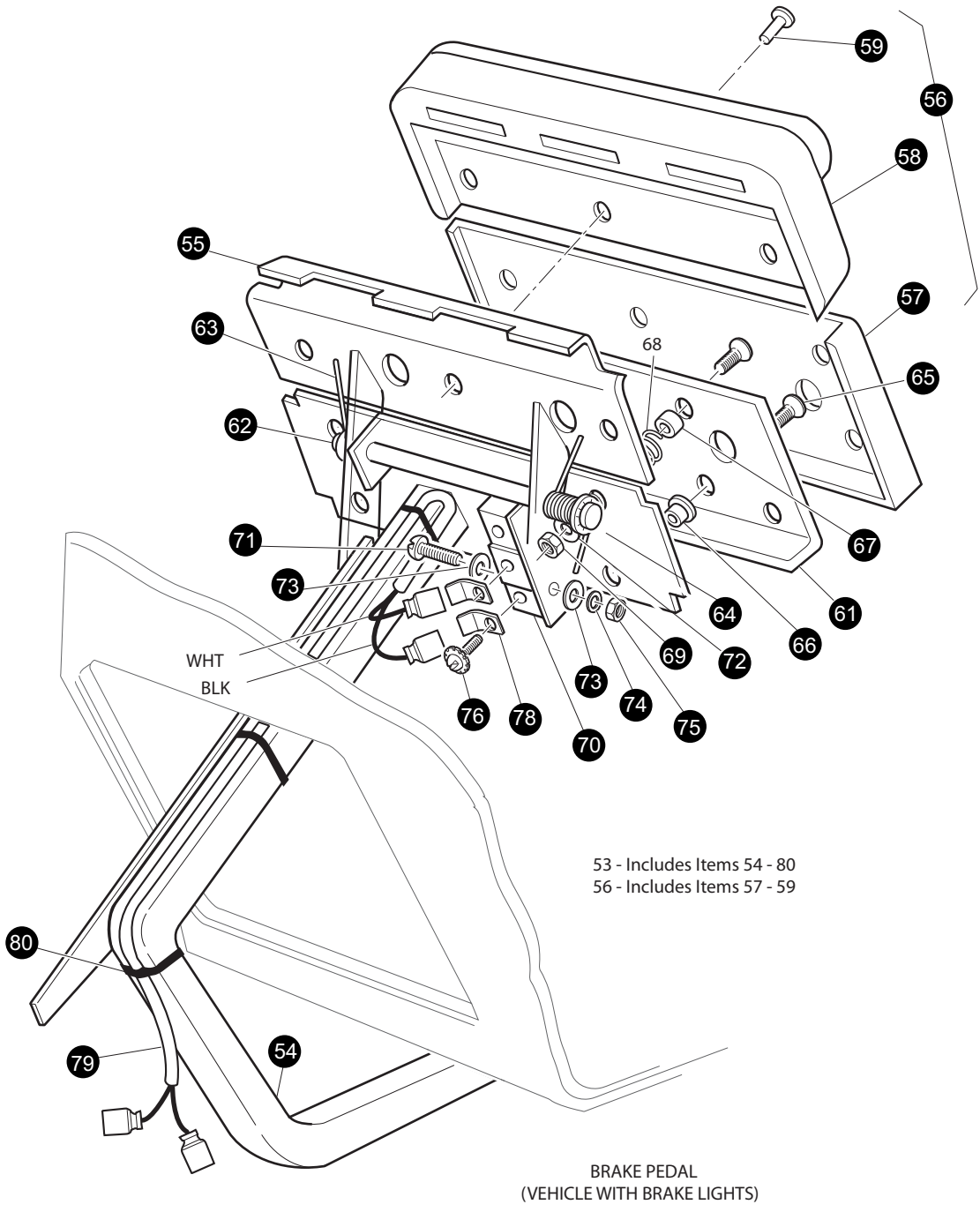
ITEM	PART NO.	1 2 3 4 5	DESCRIPTION	QTY.
61	<u>71455G01</u>		BUMPER PLUG	4
62	<u>71102G03</u>		BOLT, 1/4 - 20 x 11/16" LG	2
63	<u>71554G01</u>		J-TYPE NUT RETAINER, 1/4 - 20.....	2
64	<u>74093G01</u>		LABEL (WARNING).....	1
65	<u>70364G01</u>		SPACER.....	2
66	<u>71642G01</u>		ROCKER PANEL (FRONT, DRIVER SIDE)	1
67	<u>71642G02</u>		ROCKER PANEL (FRONT, PASSENGER SIDE).....	1
68	<u>71643G01</u>		ROCKER PANEL (REAR, DRIVER SIDE)	1
69	<u>71643G02</u>		ROCKER PANEL (REAR, PASSENGER SIDE).....	1
70	<u>71641G01</u>		SILL PLATE (PASSENGER SIDE).....	1
71	<u>71641G02</u>		SILL PLATE (DRIVER SIDE).....	1
72	<u>16705G1</u>		SCREW, 1/4 - 20 X 1" LG (STAINLESS STEEL)	6
73	<u>23726G4</u>		SPACER, 5/16".....	6
74	<u>14390G4</u>		LOCK NUT, 1/4 - 20	6
75	<u>15058G6</u>		RIVET, 3/16" X 15/16" LG (ALUMINUM).....	4
76	<u>620312</u>		E-Z-GO LOGO LARGE LABEL	2
77	<u>70135G01</u>		PEDAL PIVOT COVER	1
78	<u>608431</u>		LABEL (ST EXPRESS)	2
79	<u>75126G01</u>		FENDER SCUFFGUARD (DRIVER SIDE)	1
80	<u>75126G02</u>		FENDER SCUFFGUARD (PASSENGER SIDE).....	1
81	<u>16816G2</u>		RATCHET FASTENER, 1/4" x 3/4 " LG.....	8
82	<u>75048G04</u>		SPACER, 1".....	2
83	<u>00570G2</u>		WASHER, 5/16.....	2
84	<u>00905G8</u>		LOCK WASHER	4
85	<u>75048G01</u>		SPACER.....	2
86	<u>01035G02</u>		BOLT 5/16 - 18 X 2.50.....	4
87	604659		BRUSH GUARD.....	1
88	<u>70361G03</u>		FOOTREST ASSEMBLY (INCLUDES 89 - 96).....	1
89	<u>19853G1</u>		END CAP, 1"	2
90	<u>71929G01</u>		LABEL (WARNING)	1

THE USE OF NON U.L. PARTS WILL VOID ANY U.L. LISTING.
 When ordering parts, please specify the model and serial number of the product.
 * Indicates a component that is not available as an individual part.
 G** Indicates consult Customer Service Department for additional information.

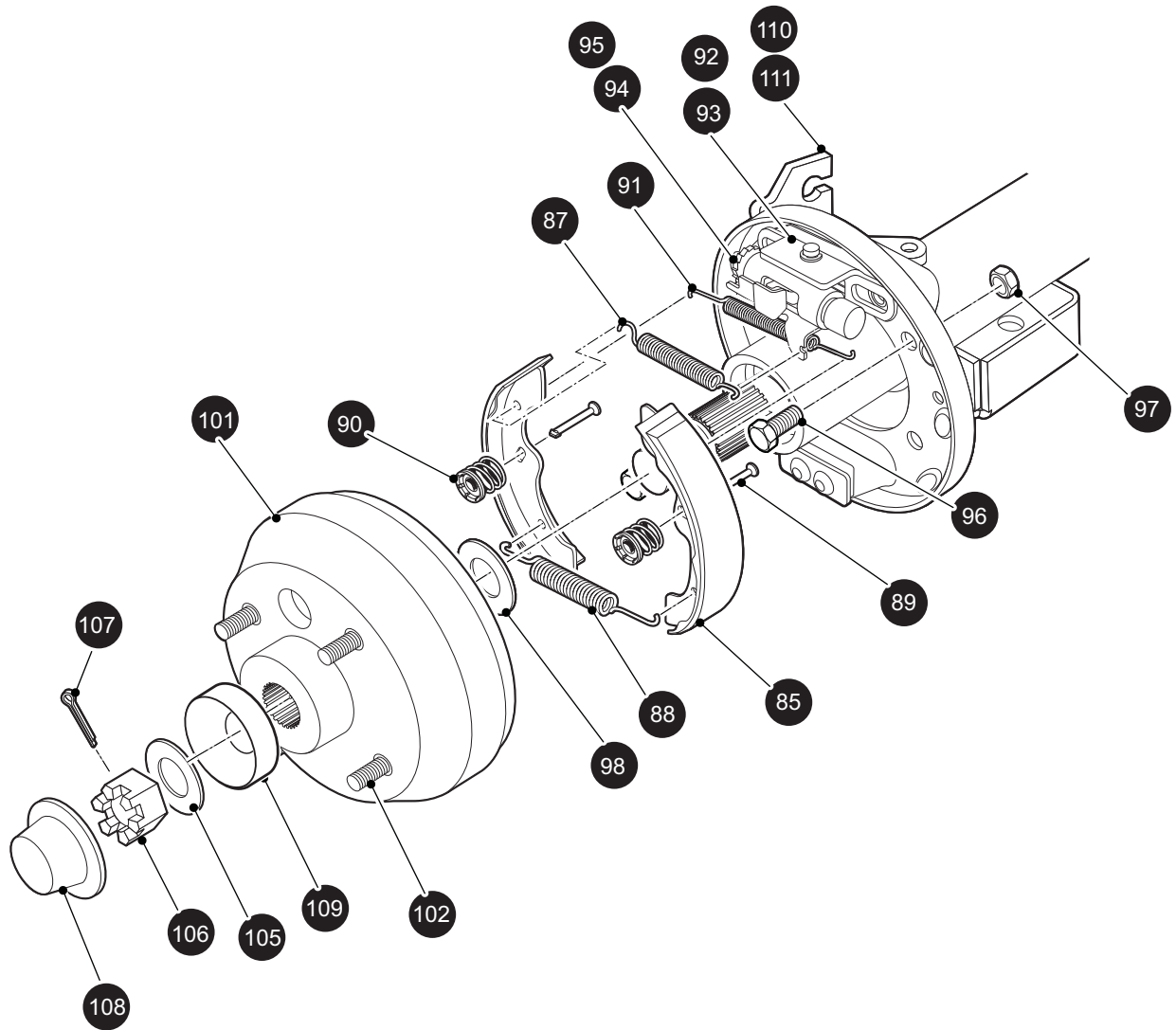
ITEM	PART NO.	1 2 3 4 5	DESCRIPTION	QTY.
91	<u>70362G01</u>		FLOORMAT	1
92	<u>70633G01</u>		FOOTREST	1
93	<u>75268G01</u>		FOOTREST MOUNTING TUBE	1
94	<u>20271G2</u>		HOLE PLUG	2
95	<u>19859G1</u>		END CAP, 3/4	2
96	606682		SCREW, 1/4 - 20 X .75	2
97	<u>00769G2</u>		CARRIAGE BO-LT, 3/8 - 16 X 1 1/4" LG	2
98	<u>11098G5</u>		LOCK NUT, 3/8 - 16	6
99	<u>00560G1</u>		WASHER, 3/8"	14
100	<u>00427G4</u>		BOLT, 3/8 - 16 X 1 - 3/4.....	2
101				
102	<u>74126G01</u>		VERTICAL FRAME SUPPORT (PASSENGER SIDE)	1
103	<u>74126G02</u>		VERTICAL FRAME SUPPORT (DRIVER SIDE).....	1
104	<u>00426G8</u>		BOLT, 3/8 - 16 X 1" LG	2
105				
106	75109G02		ASH TRAY KIT (INCLUDES ITEMS 107 - 110).....	1
107	27731G01		ASH TRAY	1
108	27736G01		GASKET	1
109	<u>75108G02</u>		BRACKET	1
110	<u>00100G4</u>		SCREW, #10 - 16 x 1/2" LG.....	4
111	75109G01		ASH TRAY KIT (INCLUDES ITEMS (107-108, 110,112)	1
112	<u>75108G02</u>		BRACKET (E-COAT)	1
113				
114	<u>22744G1</u>		BAGWELL NOISE SUPPRESSOR	1
115	<u>606248</u>		SEAT WRAP FOAM	1
116	<u>72549G01</u>		SEATWRAP NOISE SUPPRESSOR	1
117	<u>72548G01</u>		FENDER NOISE SUPPRESSOR	2
118	<u>72551G01</u>		FENDER NOISE SUPPRESSOR (DRIVER SIDE, FRONT).....	1
119	<u>72552G01</u>		SEATWRAP NOISE SUPPRESSOR (DRIVER SIDE, SIDE).....	1

BRAKES - MECHANICAL





BRAKES - MECHANICAL



- 82 - Includes Items 84 - 92, 94, 95
- 83 - Includes Items 84 - 91, 93 - 95
- 84 - Includes Items 85
- 86 - Includes Items 87 - 91
- 92 - Includes Items 94, 95
- 93 - Includes Items 94, 95
- 100 - Includes Items 101, 102

BRAKES - MECHANICAL

THE USE OF NON U.L. PARTS WILL VOID ANY U.L. LISTING.
 When ordering parts, please specify the model and serial number of the product.
 * Indicates a component that is not available as an individual part.
 G** Indicates consult Customer Service Department for additional information.

ITEM	PART NO.	1 2 3 4 5	DESCRIPTION	QTY.
1				
2				
3				
4				
5				
6				
7				
8				
9				
10				
11				
12	<u>70582G01</u>		SHOULDER BOLT, 3/8 - 16 X 4" LG (STAINLESS STEEL).....	1
13	<u>70581G01</u>		FLANGED BUSHING	2
14	<u>70676G01</u>		TORSION SPRING	1
15	<u>00643G1</u>		WASHER, 3/8"	1
16	<u>11098G5</u>		LOCK NUT, 3/8 - 16	1
17				
18	<u>70272G04</u>		COMPENSATOR ASSEMBLY (INCLUDES ITEMS 19, 20).....	1
19	<u>00963G01</u>		SPHERICAL NUT, 5/16 - 24	1
20	<u>11098G9</u>		LOCK NUT, 5/16 - 24	1
21				
22	<u>70969G06</u>		EQUALIZER AND BRAKE CABLE ASSEMBLY (INCLUDES ITEMS 23-24).....	1
23	<u>28082G01</u>		EQUALIZER BRACKET	1
24	<u>28083G01</u>		BRAKE COMPENSATOR BUMPER.....	2
25				
26	<u>70968G08</u>		BRAKE CABLE 58.31"	1
27	<u>70968G09</u>		BRAKE CABLE 68.00"	1
28	<u>01111G01</u>		RETAINING RING, 13/32" (STAINLESS STEEL).....	4
29				
30	<u>10386G3</u>		CLEVIS PIN, 5/16" X 13/16" LG.....	3

BRAKES - MECHANICAL

THE USE OF NON U.L. PARTS WILL VOID ANY U.L. LISTING.

When ordering parts, please specify the model and serial number of the product.

* Indicates a component that is not available as an individual part.

G** Indicates consult Customer Service Department for additional information.

ITEM	PART NO.	1 2 3 4 5	DESCRIPTION	QTY.
31	<u>10387G3</u>		COTTER PIN, 3/32" X 3/4" LG	5
32				
33				
34	<u>70601G01</u>		KICK-OFF LINK.....	1
35	<u>17838G1</u>		NYLON BUSHING.....	2
36	<u>20835G1</u>		TEFLON WASHER, 3/8"	2
37	00559G8		WASHER, 5/16"	2
38				
39	<u>70098G01</u>		KICK-OFF CAM PIVOT.....	1
40	<u>10097G6</u>		FLANGED BEARING	2
41	<u>70587G01</u>		KICK-OFF CAM.....	1
42	<u>71215G01</u>		SETSCREW, 1/4 - 20 X 1/2" LG.....	2
43	<u>14134G4</u>		SPACER.....	1
44				
45	<u>70113G01</u>		ADJUSTABLE BUMPER	1
46	<u>11027G1</u>		LOCK NUT, 5/16 - 18	1
47				
48	<u>70080G02</u>		CATCH BRACKET	1
49	<u>00414G6</u>		BOLT, 1/4 - 20 X 3/4" LG	2
50	<u>14390G4</u>		LOCK NUT, 1/4 - 20 (STAINLESS STEEL)	2
51				
52				
53	70690G02		BRAKE PEDAL ASSEMBLY (WITH BRAKE LIGHTS) (INCLUDES ITEMS 54 - 80).....	1
54	*		BRAKE PEDAL.....	1
55	<u>70611G02</u>		PARK BRAKE PEDAL	1
56	70274G01		BRAKE/PARK BRAKE PEDAL PAD KIT (INCLUDES ITEMS 57 - 59).....	1
57	*		SERVICE BRAKE PAD	1
58	*		PARK BRAKE PAD.....	1
59	<u>16409G1</u>		OVAL RIVET, 3/16" x 7/16" LG.....	9

BRAKES - MECHANICAL

THE USE OF NON U.L. PARTS WILL VOID ANY U.L. LISTING.

When ordering parts, please specify the model and serial number of the product.

* Indicates a component that is not available as an individual part.

G** Indicates consult Customer Service Department for additional information.

ITEM	PART NO.	1	2	3	4	5	DESCRIPTION	QTY.
60								
61	<u>70258G03</u>						BRAKE PEDAL PLATE	1
62	<u>70682G01</u>						PIVOT PIN	1
63	<u>70681G01</u>						TORSION SPRING	2
64	<u>01071G01</u>						PUSHNUT, 5/16"	1
65	<u>00737G8</u>						SCREW, #10 - 24 X 7/8" LG	4
66	<u>00739G1</u>						RUBBER NUT, #10 - 24	2
67	<u>74535G01</u>						BRAKE PEDAL STANDOFF	2
68	<u>27137G01</u>						CONICAL SPRING	2
69	<u>14390G10</u>						LOCK NUT, #10 - 24	2
70	10606G8						MICRO SWITCH	1
71	<u>00957G1</u>						BOLT, #6 - 32 X 1 1/4" LG	2
72	<u>00559G5</u>						WASHER, #10	2
73	<u>00559G3</u>						WASHER, #6	4
74	<u>00565G3</u>						LOCK WASHER, #6	2
75	<u>00525G5</u>						NUT, #6 - 32	2
76	<u>13514G1</u>						SCREW AND LOCK WASHER, #6	2
77								
78	<u>14628G1</u>						FASTON TAB	2
79	<u>24605G1</u>						WIRE HARNESS (BRAKE LIGHT)	1
80	<u>17618G1</u>						WIRE TIE	4
81								
82	<u>70998G01</u>						BRAKE ASSEMBLY (DRIVER SIDE) (INCLUDES ITEMS 84 - 92, 94, 95)	1
83	<u>70998G02</u>						BRAKE ASSEMBLY (PASSENGER SIDE) (INCLUDES ITEMS 84 - 91, 93 - 95)	1
84	70794G01						BRAKE SHOE KIT (INCLUDES ITEM 85)	2
85	*						BRAKE SHOE	2
86	<u>27944G01</u>						BRAKE SPRING KIT (INCLUDES ITEMS 87 - 91)	2
87	*						UPPER SPRING	1
88	*						LOWER SPRING	1

BRAKES - MECHANICAL

THE USE OF NON U.L. PARTS WILL VOID ANY U.L. LISTING.

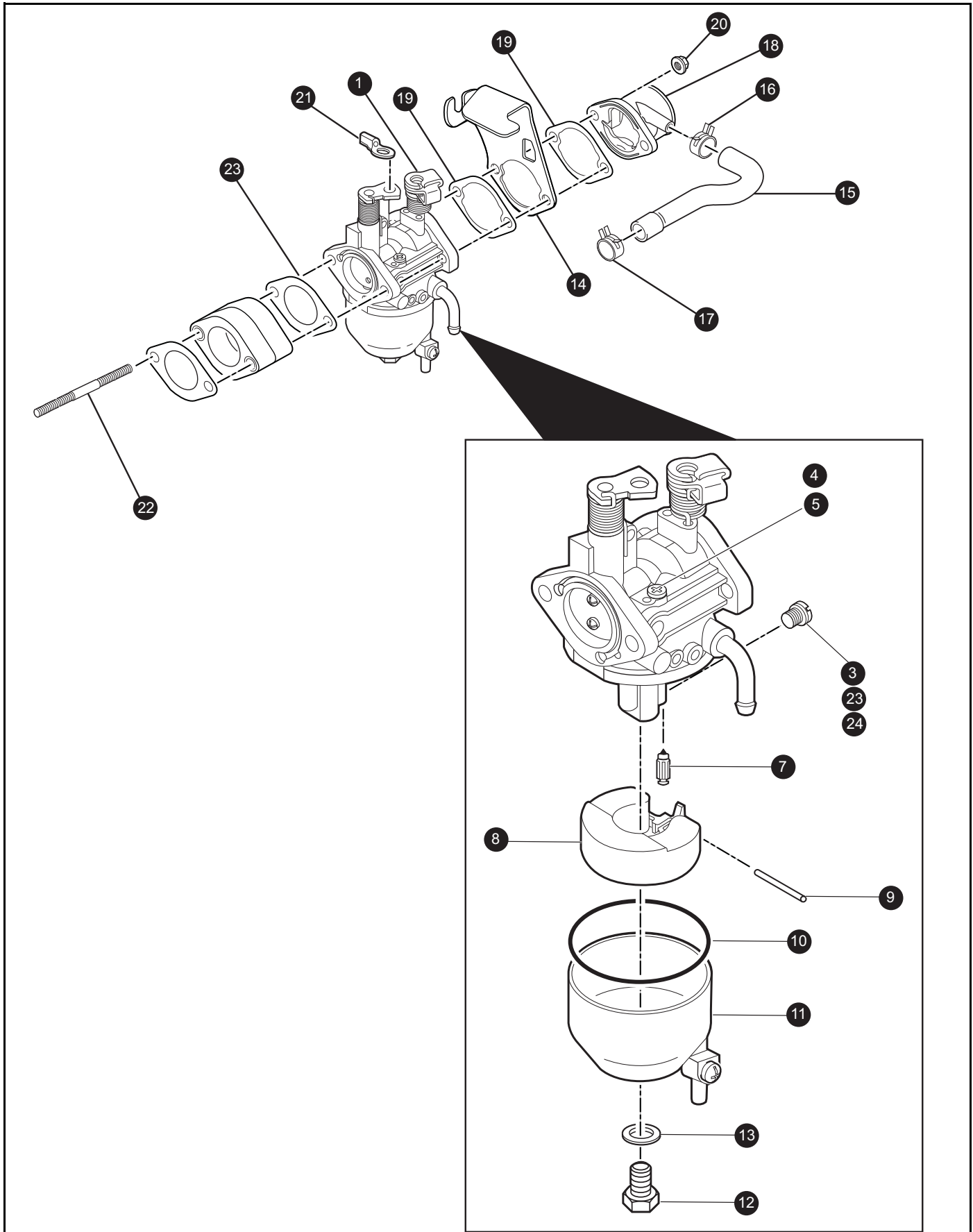
When ordering parts, please specify the model and serial number of the product.

* Indicates a component that is not available as an individual part.

G** Indicates consult Customer Service Department for additional information.

ITEM	PART NO.	1	2	3	4	5	DESCRIPTION	QTY.
89	*						PIN	2
90	*						CUP AND SPRING	2
91	*						ADJUSTER SPRING.....	1
92	<u>72582G01</u>						BRAKE ADJUSTER KIT (DRIVER SIDE) (INCLUDES ITEMS 94, 95)	1
93	<u>72582G02</u>						BRAKE ADJUSTER KIT (PASSENGER SIDE) (INCL. ITEMS 94, 95).....	1
94	*						ADJUSTER	1
95	*						TEFLON WASHER.....	2
96	<u>17083G2</u>						BOLT, 5/16 - 24 X 1" LG	8
97	<u>15126G1</u>						LOCK NUT, 5/16 - 24	8
98	<u>21809G1</u>						INNER BRAKE DRUM WASHER, 1 5/16" OD X 1" ID X 1/32"	2
99								
100	<u>21807G2</u>						BRAKE DRUM ASSEMBLY (INCLUDES ITEMS 101 - 102).....	2
101	*						BRAKE DRUM.....	1
102	<u>19862G2</u>						LUG BOLT, 1/2 - 20 X 1 3/16" LG	4
103								
104								
105	<u>606945</u>						OUTER BRAKE DRUM WASHER	2
106	<u>606403</u>						SLOTTED NUT, M22 X 1.5	2
107	<u>10387G1</u>						COTTER PIN, 1/8" X 1 1/2" LG.....	2
108	<u>74175G01</u>						SPINDLE CAP.....	2
109	<u>607033</u>						SPINDLE CAP ADAPTER.....	2
110	<u>608200</u>						BRAKE CABLE BRACKET (PASSENGER SIDE).....	1
111	<u>608201</u>						BRAKE CABLE BRACKET (DRIVER SIDE)	1

CARBURETOR



When ordering parts, please specify the model and serial number of the product.

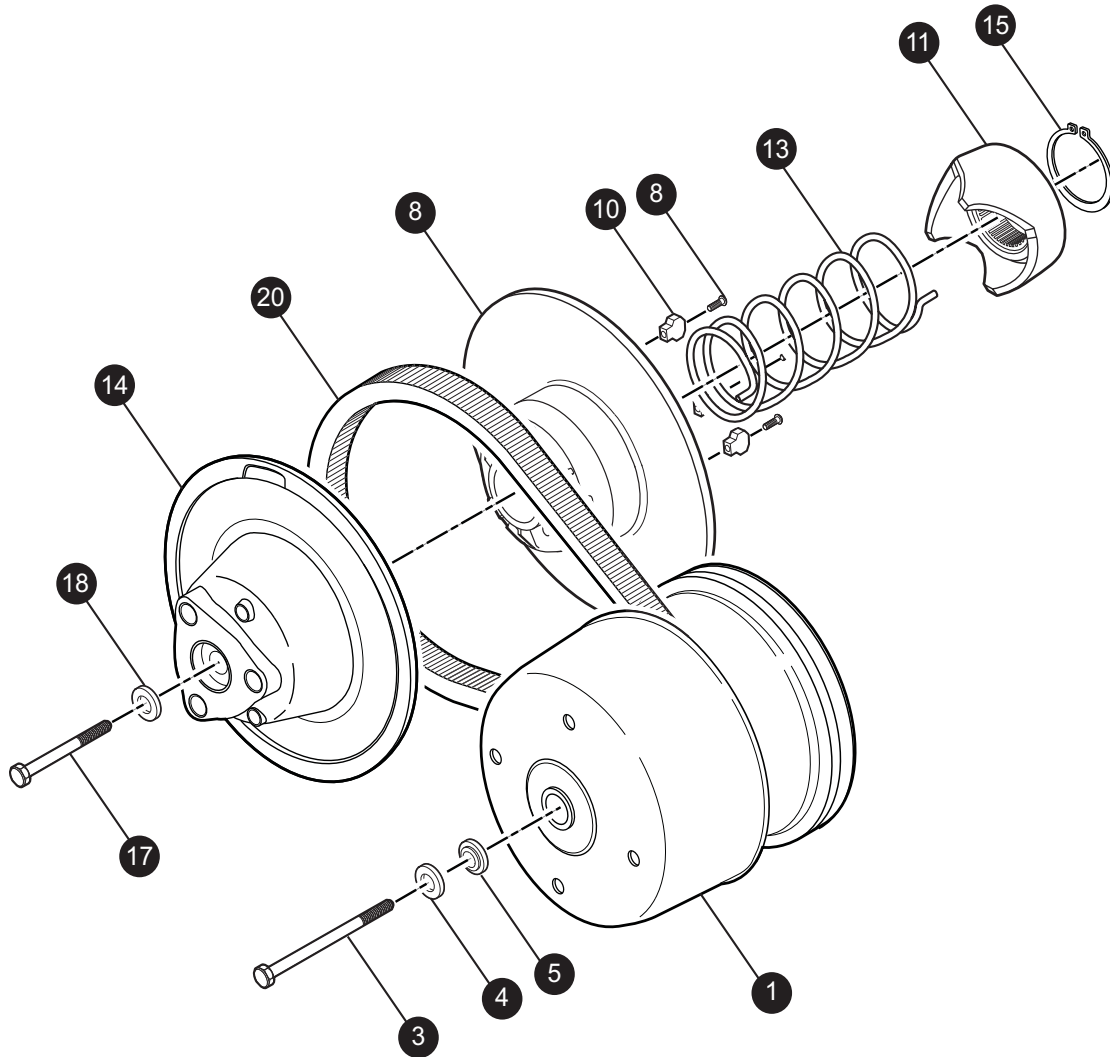
* Indicates a component that is not available as an individual part.

*** Indicates consult Customer Service Department for additional information.

ITEM	PART NO.	1 2 3 4 5	DESCRIPTION	QTY.
1	<u>607955</u>		CARBURETOR (INCLUDES ITEMS 3 - 22)	1
2				
3	<u>607956</u>		MAIN JET (#106).....	1
4	<u>607957</u>		PILOT JET (#52)	1
5	<u>603585</u>		PLUG	1
6				
7	<u>603586</u>		NEEDLE VALVE	1
8	<u>603587</u>		FLOAT	1
9	<u>603588</u>		FLOAT PIN	1
10	<u>603589</u>		FLOAT BOWL GASKET	1
11	<u>603590</u>		FLOAT CHAMBER	1
12	<u>603592</u>		BOWL SCREW.....	1
13	<u>603591</u>		BOWL GASKET	1
14	<u>603583</u>		CHOKE BRACKET.....	1
15	<u>603598</u>		BREATHER TUBE.....	1
16	<u>603596</u>		CLAMP, INTAKE TUBE	1
17	<u>603597</u>		CLAMP CYLINDER HEAD TUBE	1
18	<u>603594</u>		INTAKE TUBE	1
19	<u>603593</u>		CHOKE GASKET	2
20	<u>603595</u>		NUT, M6 X 1.0	2
21	<u>608023</u>		THROTTLE ROD ATTACHMENT BUSHING	1
22	<u>603584</u>		STUD BOLT.....	2
23	<u>607684</u>		MAIN JET (#102) (FOR ELEVATIONS OF 6000 FT - 10000 FT)	1
24	607983		MAIN JET (#104) (FOR ELEVATIONS OF 3000 FT - 6000 FT)	1

CLUTCH

7 - Includes items 8 to 15



When ordering parts, please specify the model and serial number of the product.

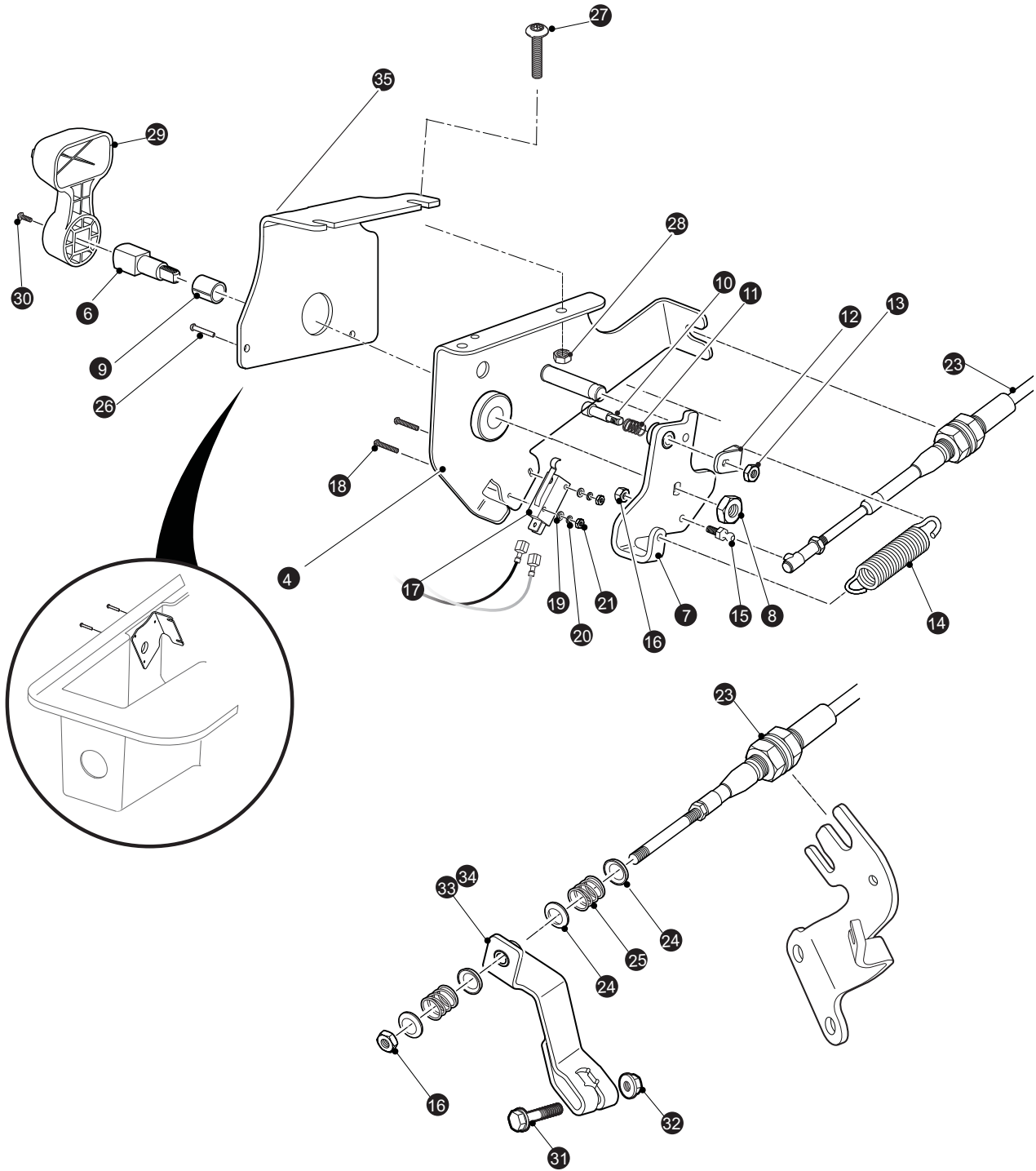
* Indicates a component that is not available as an individual part.

*** Indicates consult Customer Service Department for additional information.

ITEM	PART NO.	1 2 3 4 5	DESCRIPTION	QTY.
1	<u>602000</u>		DRIVE CLUTCH	1
2				
3	<u>606245</u>		BOLT, M12 - 1.25 X 160MM LG	1
4	<u>606239</u>		WASHER, M12	1
5	<u>606230</u>		WASHER	1
6				
7	602001		DRIVEN CLUTCH ASSEMBLY (INCLUDES ITEMS 8 - 15)	1
8	*		MOVABLE SHEAVE	1
9	<u>608210</u>		SCREW, M4 X 25.....	3
10	<u>608204</u>		RAMP BUTTON	3
11	*		CAM.....	1
12				
13	608209		COMPRESSION SPRING	1
14	*		SHEAVE AND POST	1
15	<u>608211</u>		HEAVY DUTY RETAINING RING.....	1
16				
17	<u>606243</u>		BOLT, M12 - 1.25 X 120MM LG	1
18	<u>606239</u>		WASHER, M12	1
19				
20	<u>606136</u>		DRIVE BELT	1

DIRECTION SELECTOR

- 1 - includes Items (16, 23 - 26, 33 - 34)
- 2 - includes Items (4 - 21)



DIRECTION SELECTOR

Where applicable, THE USE OF NON UL PARTS WILL VOID ANY UL LISTING.

When ordering parts, please specify the model and serial number of the product.

* Indicates a component that is not available as an individual part.

G** Indicates consult Customer Service Department for additional information.

ITEM	PART NO.	1 2 3 4 5	DESCRIPTION	QTY.
1	<u>608184</u>		DIRECTION SELECTOR CABLE ASSEMBLY (INCLUDES ITEMS 16, 23-26, 33-34)	1
2	<u>605999</u>		DIRECTION SELECTOR ASSEMBLY (INCLUDES ITEMS 4, 6, 7-21, 23-33) ...	1
3				
4	<u>603627</u>		DIRECTION SELECTOR BRACKET WITH BUSHING (INCLUDES ITEM 9)	1
5				
6	<u>606266</u>		DIRECTION SELECTOR SHAFT	1
7	<u>603700</u>		DIRECTION SELECTOR CAM	1
8	<u>14390G1</u>		LOCK NUT, 3/8 - 24	1
9	*		BUSHING	1
10	<u>72724G01</u>		NEUTRAL LOCK PIN	1
11	<u>72733G01</u>		COMPRESSION SPRING, 3/8" X 5/8" LG	1
12	<u>72729G01</u>		NEUTRAL LOCK BRACKET	1
13	<u>00734G2</u>		LOCK NUT, 1/4 - 28	1
14	<u>28574G01</u>		EXTENSION SPRING	1
15	<u>72732G01</u>		BALL STUD, 1/4"	1
16	<u>00734G5</u>		LOCK NUT, #10 - 32	1
17	<u>72736G01</u>		MICRO SWITCH	1
18	<u>01062G01</u>		SCREW, #4 - 40 X 1" LG	2
19	<u>00559G1</u>		WASHER, #4	2
20	<u>00565G1</u>		LOCK WASHER, #4	2
21	<u>00526G2</u>		NUT, #4 - 40	2
22				
23	<u>605809</u>		PUSH / PULL SHIFTER CABLE	1
24	<u>25727G01</u>		CUP WASHER, 1/4"	4
25	<u>72735G01</u>		COMPRESSION SPRING, 19/32" X 1" LG	2
26	14608G8		RIVET	3
27	<u>70227G01</u>		SCREW, 1/4 - 20 X 7/8" LG	2
28	<u>11027G2</u>		LOCK NUT, 1/4 - 20	2
29	<u>71205G01</u>		DIRECTION SELECTOR HANDLE	1

DIRECTION SELECTOR

Where applicable, THE USE OF NON UL PARTS WILL VOID ANY UL LISTING.

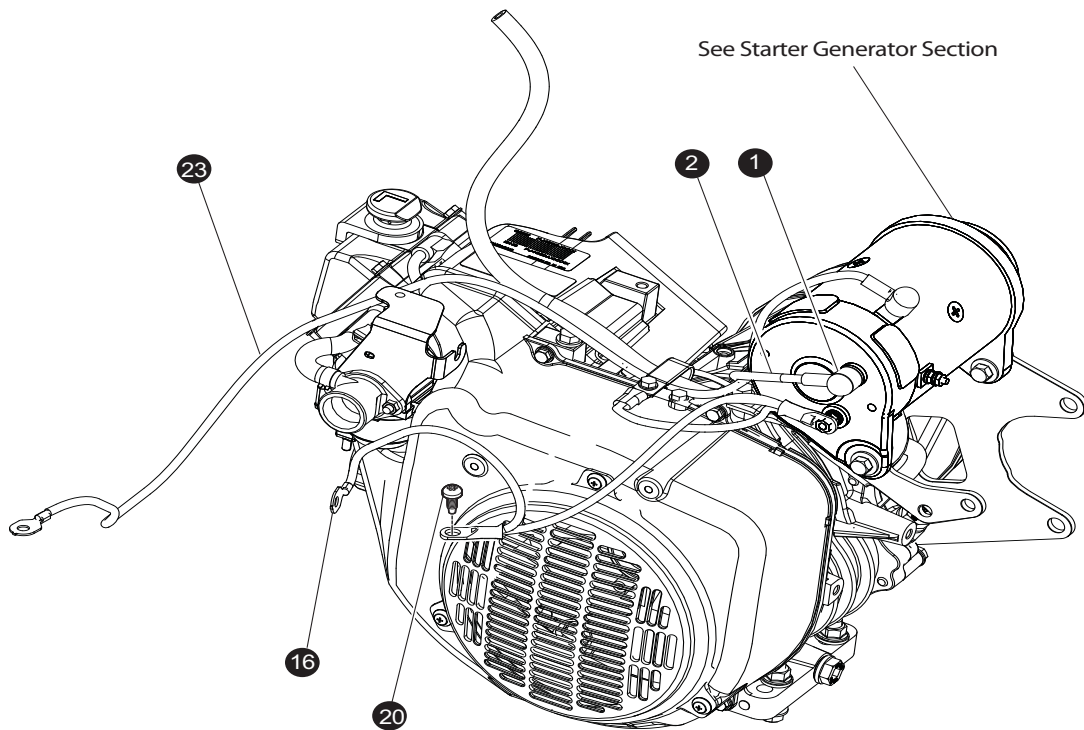
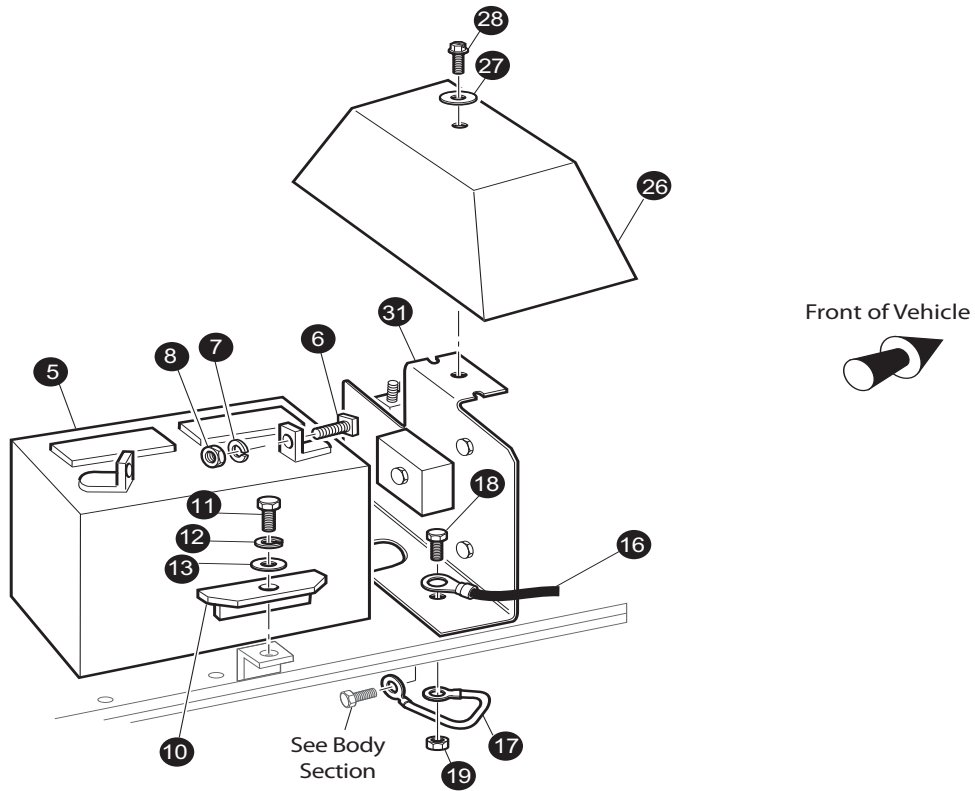
When ordering parts, please specify the model and serial number of the product.

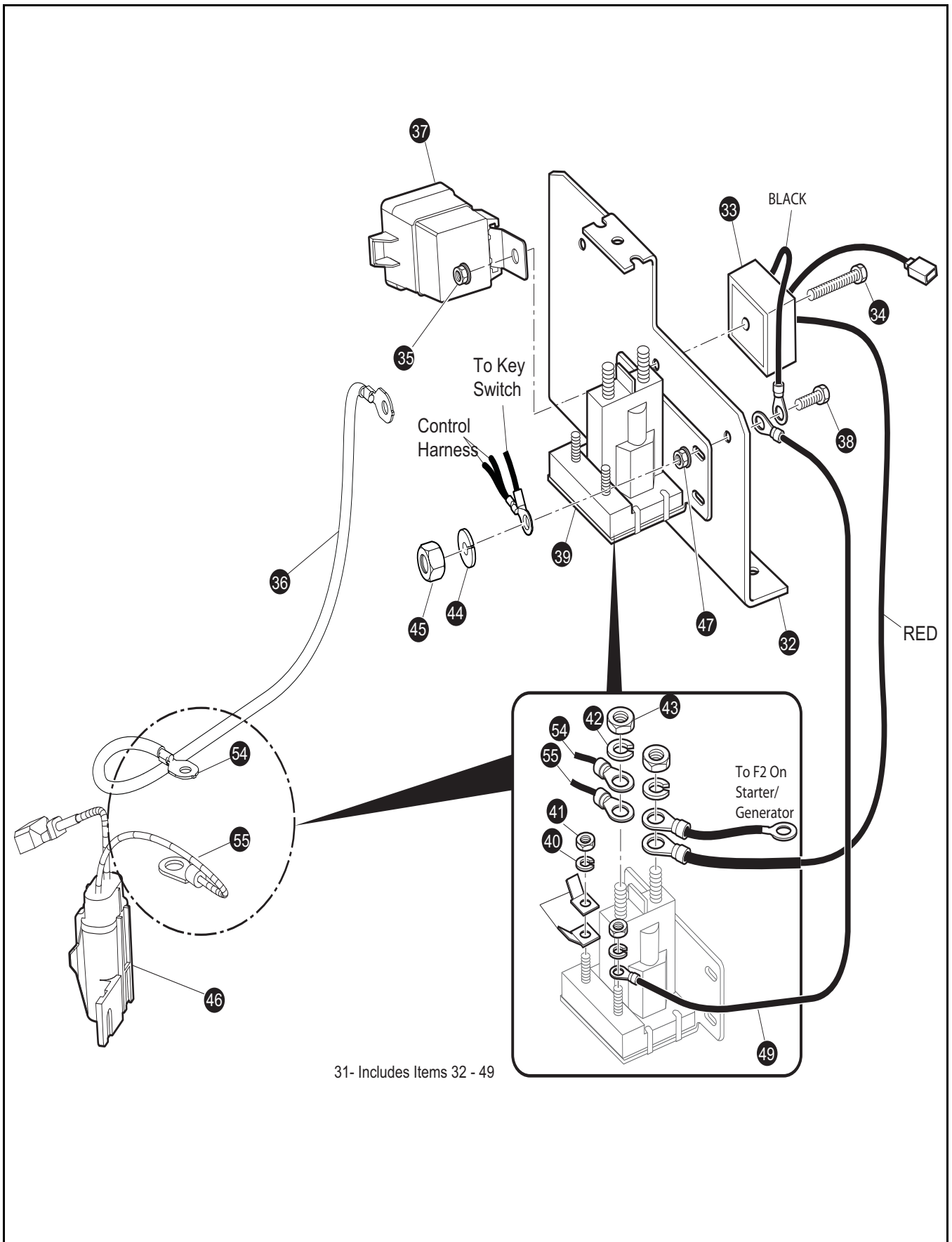
* Indicates a component that is not available as an individual part.

G** Indicates consult Customer Service Department for additional information.

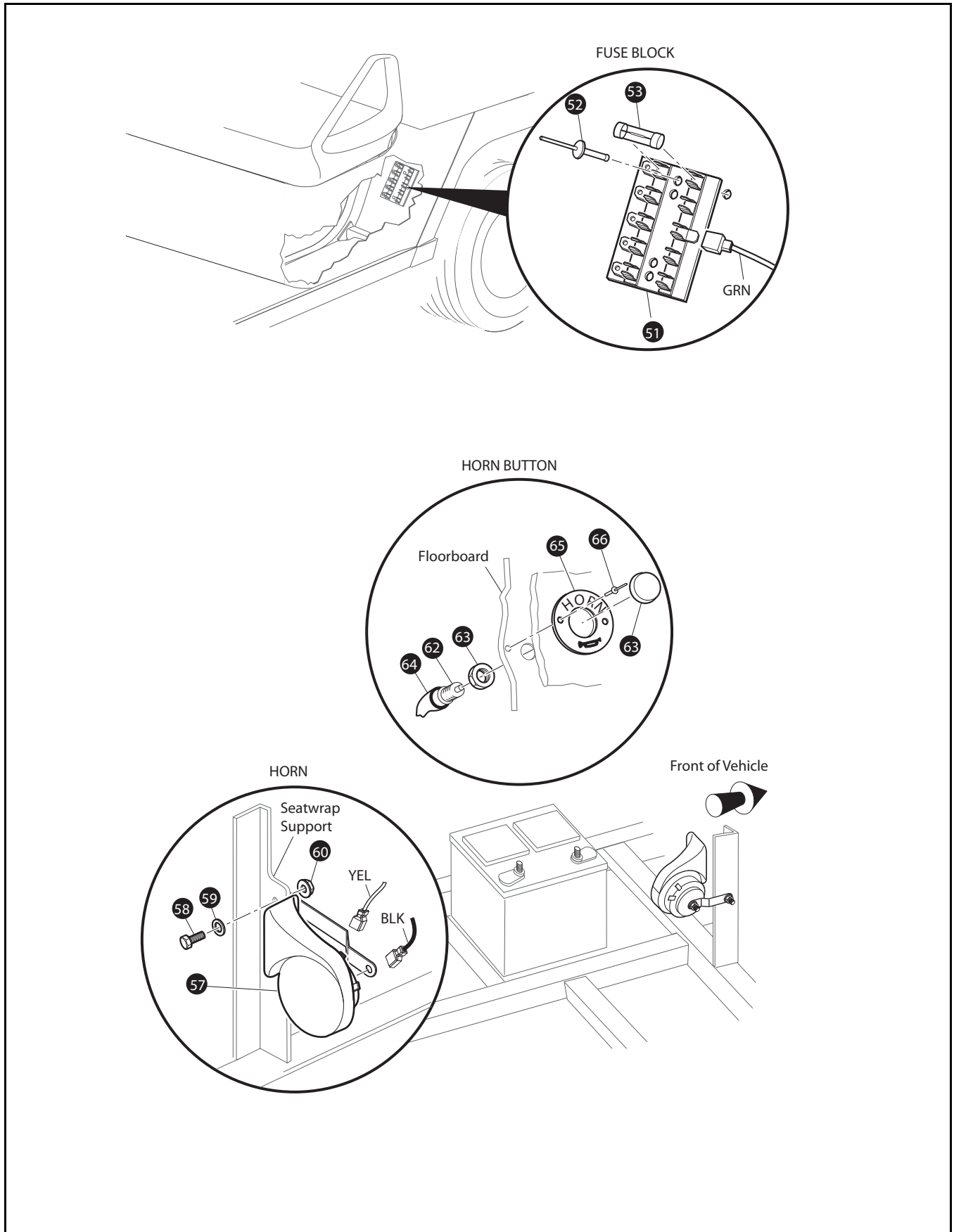
ITEM	PART NO.	1 2 3 4 5	DESCRIPTION	QTY.
30	<u>00740G4</u>		SCREW, #10 - 32 X 1/2" LG (STAINLESS STEEL)	1
31	<u>606421</u>		BOLT, M6 - 1.00 X 30	1
32	<u>450452</u>		NUT, M6 - 1.00	1
33	<u>606014</u>		BRACKET	1
34	*		BUSHING, FLIP LOK, 0.25	1
35				
36	<u>605869</u>		MOUNTING BRACKET	1

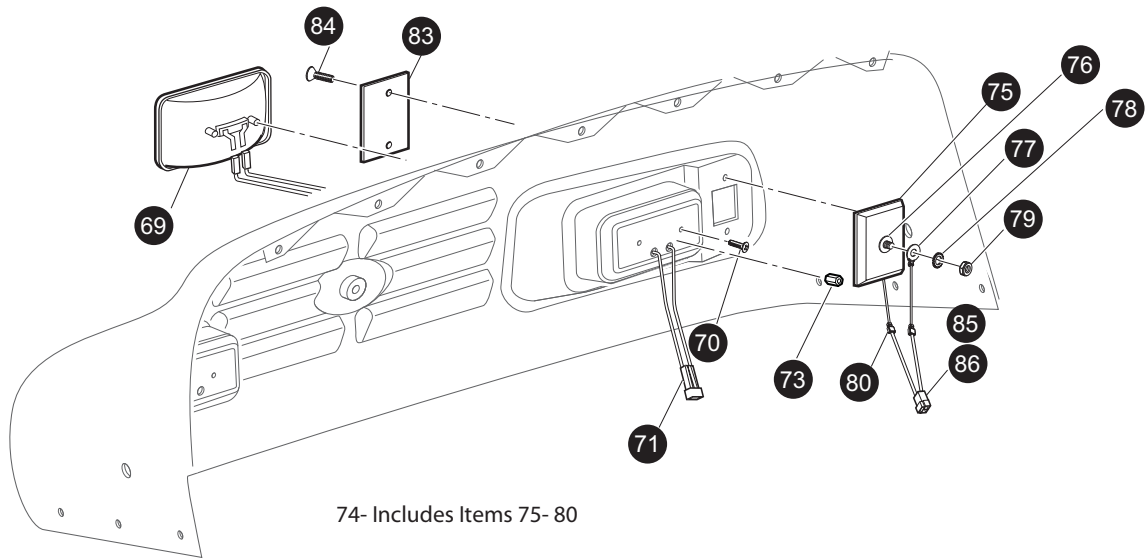
ELECTRICAL SYSTEM





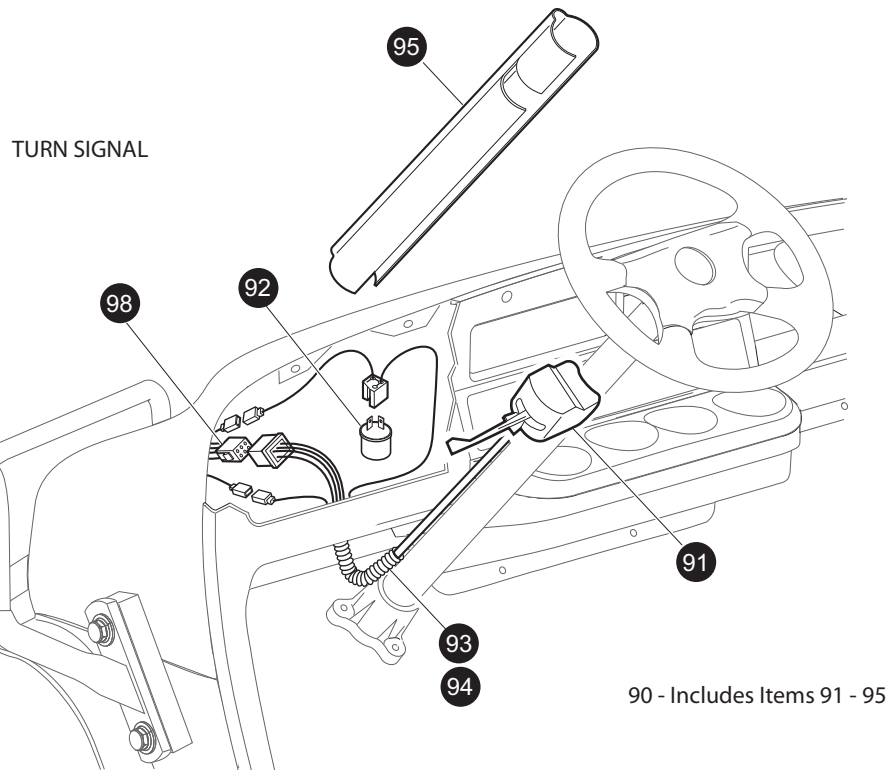
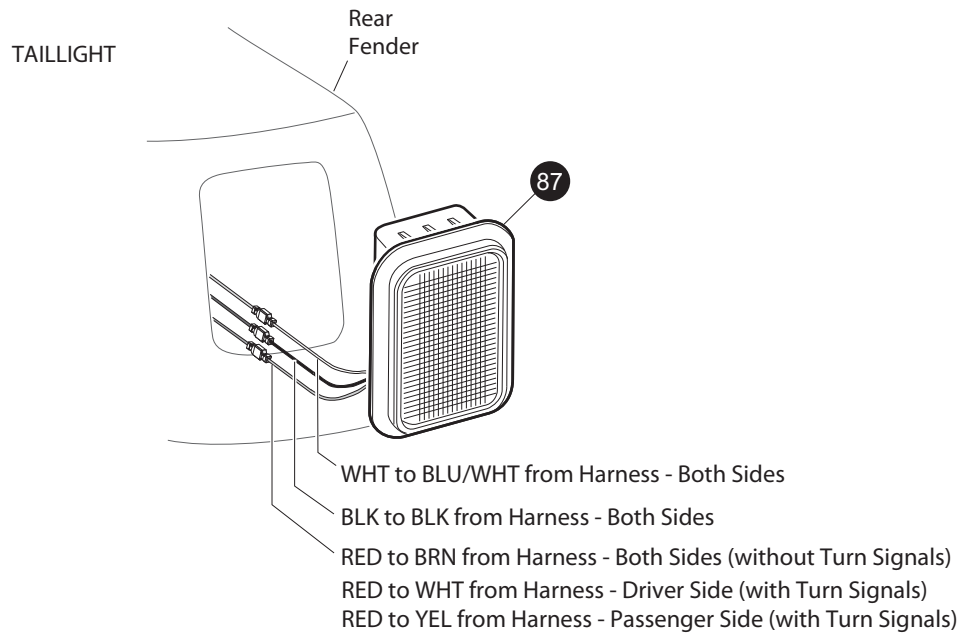
ELECTRICAL SYSTEM





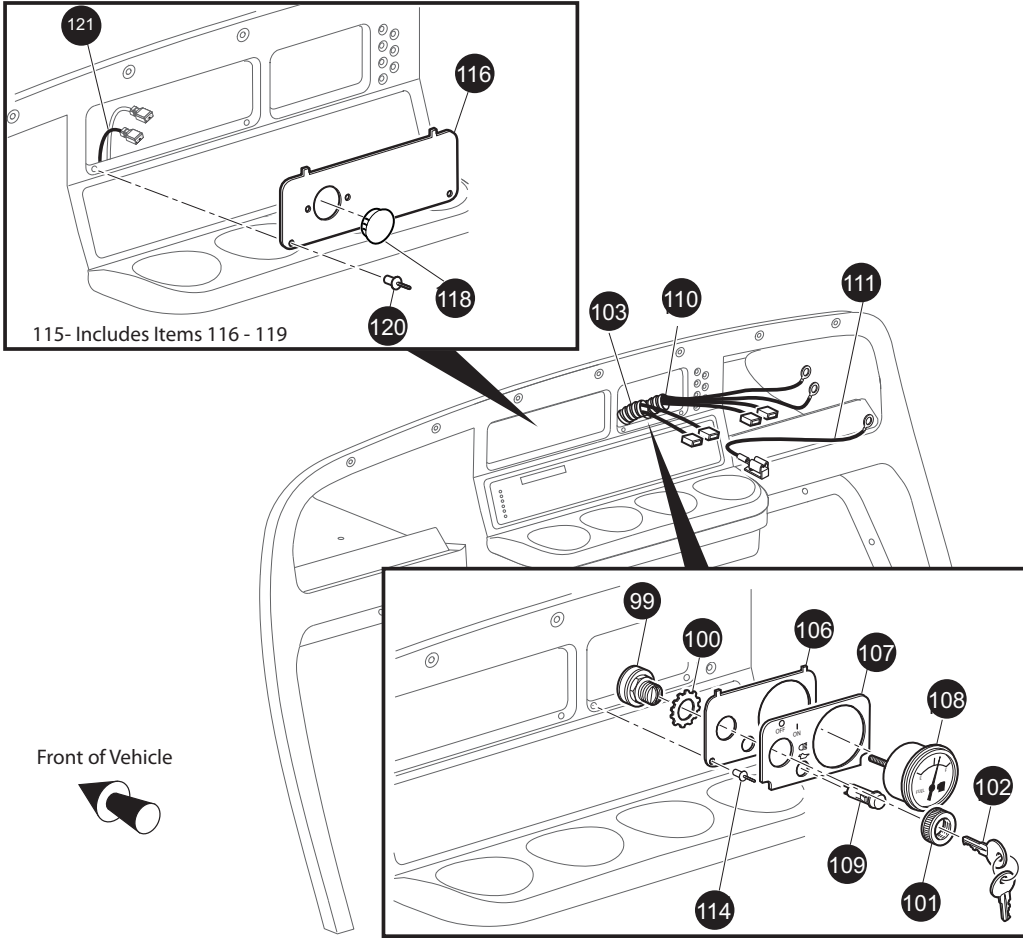
Ref Ele 11-4

ELECTRICAL SYSTEM

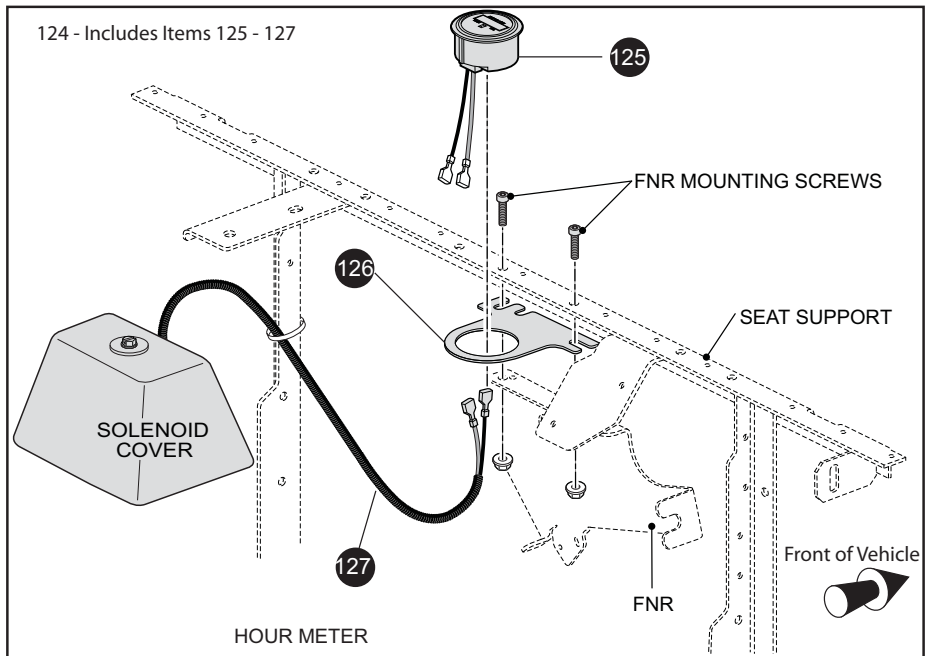


Ref Ele 11-5

CONSOLE INSERT PLATE (WITH POWER OUTLET SHOWN)



124 - Includes Items 125 - 127



Ref Ele 11-6

ELECTRICAL SYSTEM

THE USE OF NON UL PARTS WILL VOID ANY UL LISTING.

When ordering parts, please specify the model and serial number of the product.

* Indicates a component that is not available as an individual part.

G** Indicates consult Customer Service Department for additional information.

ITEM	PART NO.	1 2 3 4 5	DESCRIPTION	QTY.
1	<u>607053</u>		6 GA WIRE (BLACK 6", F1 - A2).....	1
2	<u>25682G01</u>		TERMINAL COVER	3
3				
4				
5	24775G*		BATTERY, 12V	1
6	*		BOLT, 5/16 - 18 X 1 1/4" LG.....	2
7	*		LOCK WASHER, 5/16" (SILICON BRONZE)	2
8	*		NUT, 5/16 - 18 (SILICON BRONZE)	2
9				
10	<u>72101G02</u>		BATTERY HOLD DOWN.....	1
11	00438G6		BOLT, 5/16 - 18 X 3/4" LG	3
12	<u>00565G8</u>		LOCK WASHER, 5/16".....	1
13	<u>00571G2</u>		WASHER, 5/16" (STAINLESS STEEL)	1
14				
15				
16	<u>27044G03</u>		GROUND CABLE.....	1
17	<u>25976G19</u>		14 GA WIRE (BLACK 6")	1
18	00438G6		BOLT, 5/16 - 18 X 3/4" LG	2
19	<u>11027G1</u>		LOCK NUT, 5/16 - 18	2
20	<u>26676G01</u>		FLANGED BOLT	1
21				
22				
23	<u>607103</u>		6 GA WIRE (42" LONG).....	1
24	<u>605777</u>		WIRE HARNESS (CONTROL).....	1
25	<u>17618G1</u>		WIRE TIE (NOT ILLUSTRATED)	AR
26	<u>73049G01</u>		COVER FNR	1
27	<u>16469G1</u>		WASHER, 1/4"	1
28	<u>00114G6</u>		SCREW, 1/4 - 14 X 3/4" LG.....	1
29				
30				

ELECTRICAL SYSTEM

THE USE OF NON UL PARTS WILL VOID ANY UL LISTING.
 When ordering parts, please specify the model and serial number of the product.
 * Indicates a component that is not available as an individual part.
 G** Indicates consult Customer Service Department for additional information.

ITEM	PART NO.	1 2 3 4 5	DESCRIPTION	QTY.
31	<u>605563</u>		ELECTRICAL PLATE ASSEMBLY (INCLUDES ITEMS 32 - 49)	1
32	<u>73057G01</u>		BRACKET	1
33	<u>27739G01</u>		VOLTAGE REGULATOR	1
34	<u>00415G4</u>		BOLT, 1/4 - 20 X 1 1/4" LG.....	1
35	<u>11027G2</u>		LOCK NUT, 1/4 - 20	1
36	<u>25972G33</u>		WIRE ASSEMBLY 6 GA	1
37	<u>603282</u>		RELAY	1
38	<u>00661G8</u>		BOLT, 1/4 - 20 X 1" LG.....	1
39	<u>27153G01</u>		SOLENOID	1
40	*		LOCK WASHER, #10	2
41	*		NUT, #10 - 32	2
42	*		LOCK WASHER, 5/16"	2
43	*		NUT, 5/16 - 24	2
44	<u>00664G7</u>		LOCK WASHER - SS - .255/.263.....	1
45	<u>00532G1</u>		NUT, 1/4 - 20	1
46	600418G01		FUSE HOLDER ASSEMBLY	1
47	<u>11027G2</u>		LOCK NUT, 1/4 - 20	1
48	<u>73446G01</u>		FASTON TAB, 90°	2
49	<u>25978G56</u>		18 GA WIRE (BLACK 5 3/4").....	1
50				
51	<u>22674G1</u>		FUSE BLOCK.....	1
52	<u>01041G01</u>		RIVET, 1/8" X 13/16" LG	2
53	<u>18392G1</u>		15 AMP FUSE	3
54	<u>25972G33</u>		#6 GA WIRE ASSEMBLY	1
55	<u>20216G1</u>		16 GA WIRE (RED).....	1
56				
57	<u>32860G1</u>		HORN.....	1
58	<u>00414G5</u>		BOLT, 1/4 - 20 x 5/8" LG.....	1
59	<u>00559G7</u>		WASHER, 1/4" (STAINLESS STEEL)	1
60	<u>14390G4</u>		LOCK NUT, 1/4 - 20	1

ELECTRICAL SYSTEM

THE USE OF NON UL PARTS WILL VOID ANY UL LISTING.

When ordering parts, please specify the model and serial number of the product.

* Indicates a component that is not available as an individual part.

G** Indicates consult Customer Service Department for additional information.

ITEM	PART NO.	1 2 3 4 5	DESCRIPTION	QTY.
61				
62	<u>17318G1</u>		HORN SWITCH.....	1
63	<u>17318G2</u>		HORN SWITCH CAP AND NUT	1
64	<u>27068G01</u>		HORN SWITCH BOOT	1
65	19233G1		HORN SWITCH LABEL	1
66	<u>71055G01</u>		RIVET, 3/16" X 1" LG (ALUMINUM)	2
67				
68				
69	22523G01		HEADLIGHT (INCLUDES ITEM 70).....	2
70	<u>00906G6</u>		SCREW, #10 - 16 X 1" LG	4
71	<u>74337G01</u>		JUMPER WIRE (HEADLIGHT)	2
72				
73	<u>605953</u>		SPACER.....	4
74	<u>20570G3</u>		TURN SIGNAL LIGHT ASSEMBLY (INCLUDES ITEMS 75 - 80).....	2
75	<u>20574G3</u>		TURN SIGNAL LIGHT	1
76	<u>00660G7</u>		WASHER, 1/4" (STAINLESS STEEL).....	1
77	<u>20606G1</u>		WIRE ASSEMBLY	1
78	<u>00567G7</u>		LOCK WASHER, 1/4"	1
79	<u>00532G1</u>		NUT, 1/4 - 20.....	1
80	<u>18995G1</u>		PUSH-ON TERMINAL (MALE)	1
81				
82				
83	<u>20574G4</u>		LENS, AMBER	1
84	<u>00118G5</u>		SCREW, #6 - 18 X 5/8" LG.....	4
85	<u>74056G01</u>		TURN SIGNAL JUMPER, RED/BLACK (PASSENGER SIDE)	1
86	<u>74056G02</u>		TURN SIGNAL JUMPER, GREEN/BLACK (DRIVER SIDE)	1
87	<u>32739G2</u>		TAILLIGHT ASSEMBLY (COMPLETE)	2
88				
89				
90	606887		TURN SIGNAL KIT (INCLUDES ITEMS 91 - 95).....	1

ELECTRICAL SYSTEM

THE USE OF NON UL PARTS WILL VOID ANY UL LISTING.
 When ordering parts, please specify the model and serial number of the product.
 * Indicates a component that is not available as an individual part.
 G** Indicates consult Customer Service Department for additional information.

ITEM	PART NO.	1	2	3	4	5	DESCRIPTION	QTY.
91	<u>17867G1</u>						TURN SIGNAL (WITH MOUNTING HARDWARE) (INCLUDES ITEM 106).	1
92	<u>21640G1</u>						TURN SIGNAL FLASHER.....	1
93	<u>32307G3</u>						FLEX LOOM, 3/8 X 8" LG.....	1
94	<u>17618G1</u>						WIRE TIE.....	2
95	<u>20965G3</u>						STEERING COLUMN COVER.....	1
96								
97								
98	<u>606046</u>						WIRE HARNESS (ACCESSORY).....	1
99	<u>33639G01</u>						IGNITION SWITCH (WITH LIGHTS).....	1
100	<u>00568G6</u>						LOCK WASHER, 3/4".....	1
101	<u>17137G1</u>						FACE NUT, 3/4 - 20.....	1
102	<u>17063G1</u>						IGNITION KEY.....	1
103	<u>605866</u>						WIRE HARNESS (KEY SWITCH).....	1
104								
105								
106	<u>73030G04</u>						PLATE (FUEL GAUGE AND OIL LIGHT).....	1
107	<u>71127G01</u>						LABEL (OIL LIGHT AND FUEL GAUGE WITH HEADLIGHTS).....	1
108	<u>21553G1</u>						FUEL GAUGE.....	1
109	<u>23474G1</u>						INDICATOR LIGHT.....	1
110	<u>74311G01</u>						HARNESS (OIL LIGHT/FUEL GAUGE).....	1
111	<u>25978G122</u>						18 GA WIRE (RED 6").....	1
112								
113								
114	<u>33623G02</u>						DRIVE RIVET, 3/16" X 3/8" LG.....	2
115	<u>74693G02</u>						CONSOLE INSERT ASSEMBLY (INCLUDES ITEMS 116 - 119).....	1
116	<u>73522G03</u>						CONSOLE INSERT PLATE.....	1
117								
118	<u>20271G10</u>						PLUG.....	1
119								
120	<u>33623G02</u>						DRIVE RIVET, 3/16" X 3/8" LG.....	3

ELECTRICAL SYSTEM

THE USE OF NON UL PARTS WILL VOID ANY UL LISTING.

When ordering parts, please specify the model and serial number of the product.

* Indicates a component that is not available as an individual part.

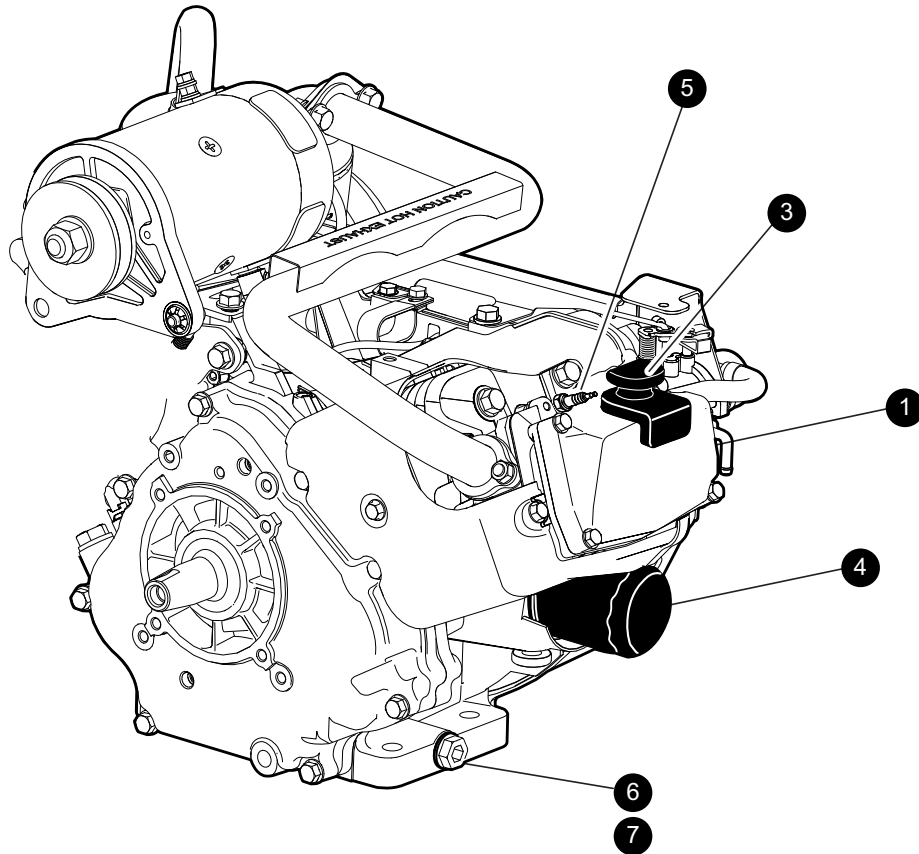
G** Indicates consult Customer Service Department for additional information.

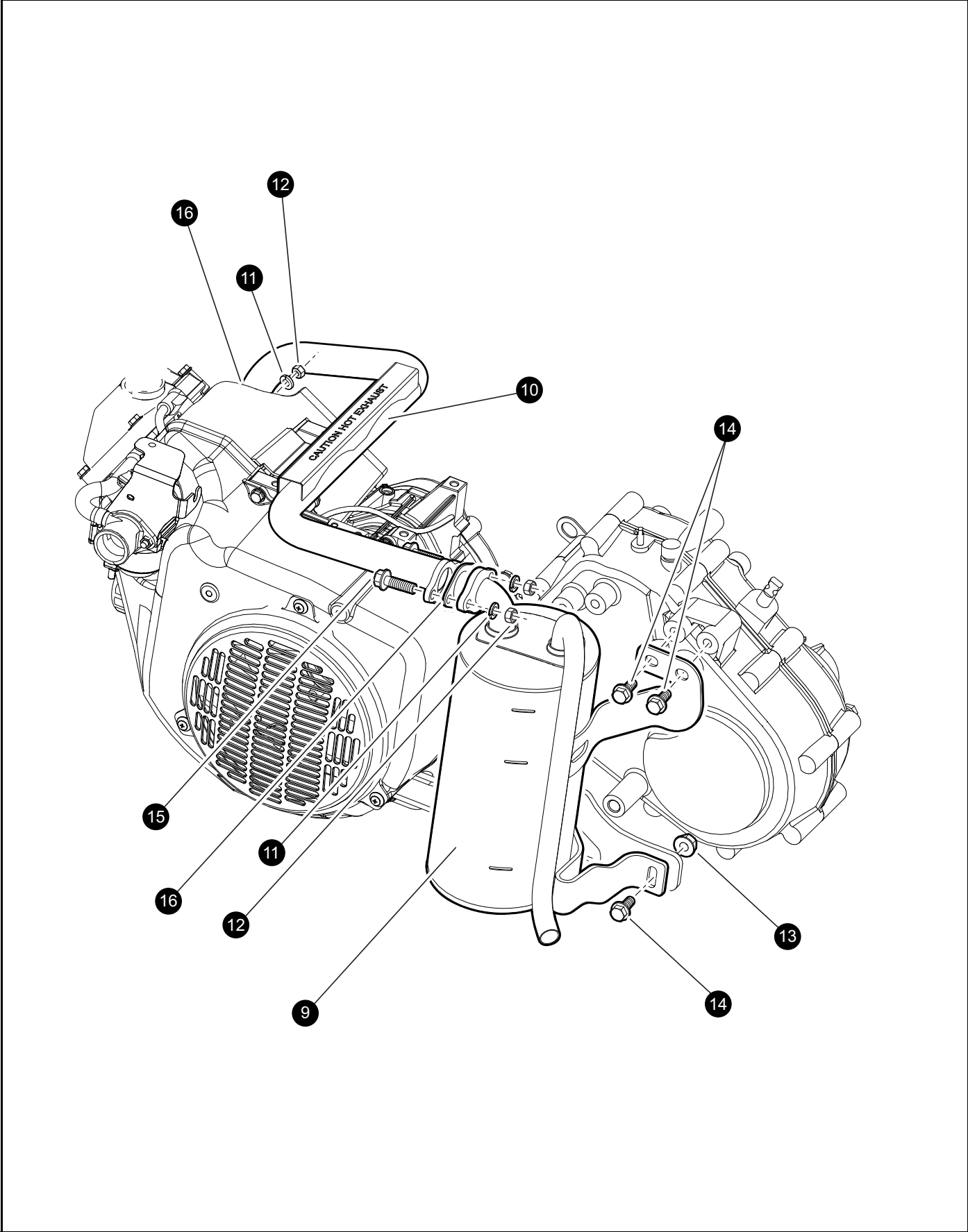
ITEM	PART NO.	1 2 3 4 5	DESCRIPTION	QTY.
121	<u>71081G01</u>		WIRE HARNESS (POWER OUTLET)	1
122				
123				
124	<u>607285</u>		HOUR METER KIT (INCLUDES ITEMS 125 - 127)	1
125	<u>603720</u>		HOUR METER.....	1
126	<u>603721</u>		HOUR METER BRACKET.....	1
127	<u>606254</u>		WIRE HARNESS (HOUR METER).....	1
128	<u>31539G1</u>		NYLON CLAMP 15.5" (NOT ILLUSTRATED)	AR
129	<u>73290G03</u>		CONT TONE POTTED BUZZER (NOT SHOWN).....	1

Notes:

A large grid of graph paper, consisting of 20 columns and 30 rows of small squares, intended for taking notes.

ENGINE AND MUFFLER





ENGINE AND MUFFLER

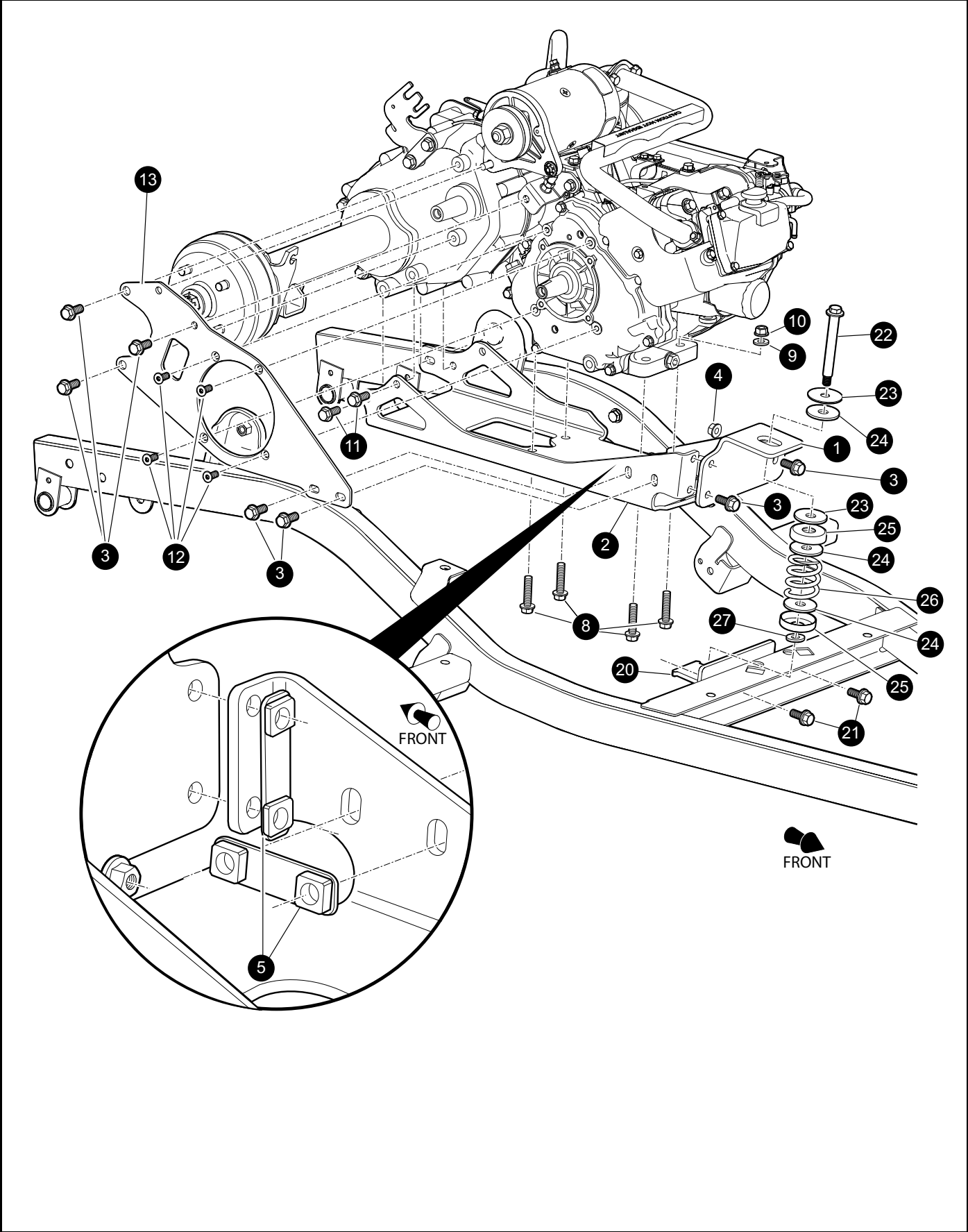
When ordering parts, please specify the model and serial number of the product.

* Indicates a component that is not available as an individual part.

*** Indicates consult Customer Service Department for additional information.

ITEM	PART NO.	1 2 3 4 5	DESCRIPTION	QTY.
1	<u>607154</u>		ENGINE, GAS, 13HP, NON-GOLF	1
2				
3	<u>606391</u>		DIP STICK	1
4	<u>607454</u>		OIL FILTER	1
5	<u>607462</u>		SPARK PLUG (BPR2ES)	1
6	<u>603557</u>		OIL DRAIN PLUG	1
7	<u>603562</u>		'O' RING, 16MM.....	1
8				
9	606984		MUFFLER	1
10	<u>606982</u>		EXHAUST PIPE	1
11	<u>606272</u>		WASHER, 8MM.....	4
12	<u>606267</u>		NUT, M8 X 1.25	4
13	<u>606279</u>		NUT, M10 - 1.25	1
14	<u>606256</u>		BOLT, M10 - 1.25 X 25	3
15	<u>602330</u>		BOLT, M8 - 1.25 X 30	2
16	<u>603599</u>		EXHAUST GASKET	2

ENGINE MOUNTING



ENGINE MOUNTING

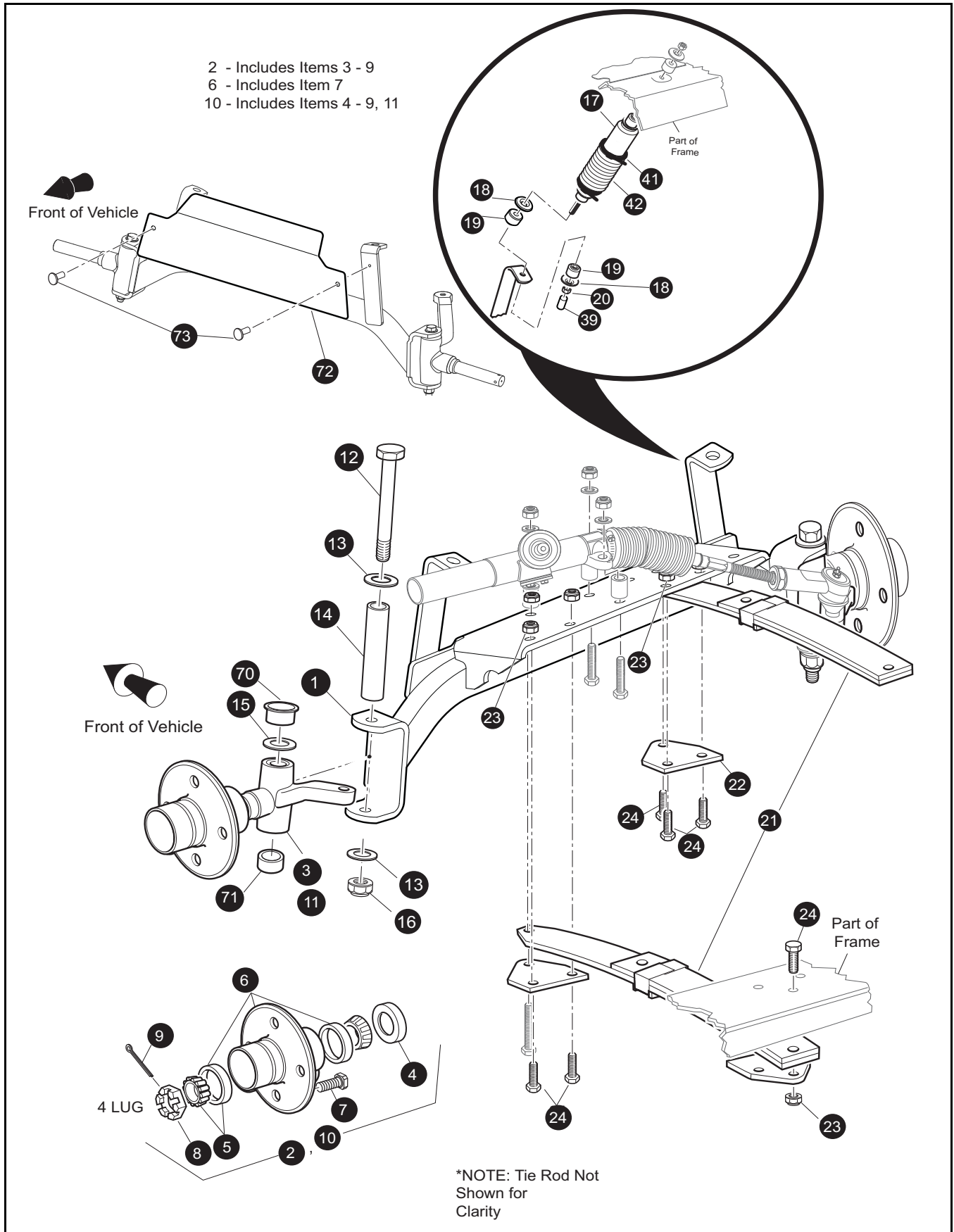
When ordering parts, please specify the model and serial number of the product.

* Indicates a component that is not available as an individual part.

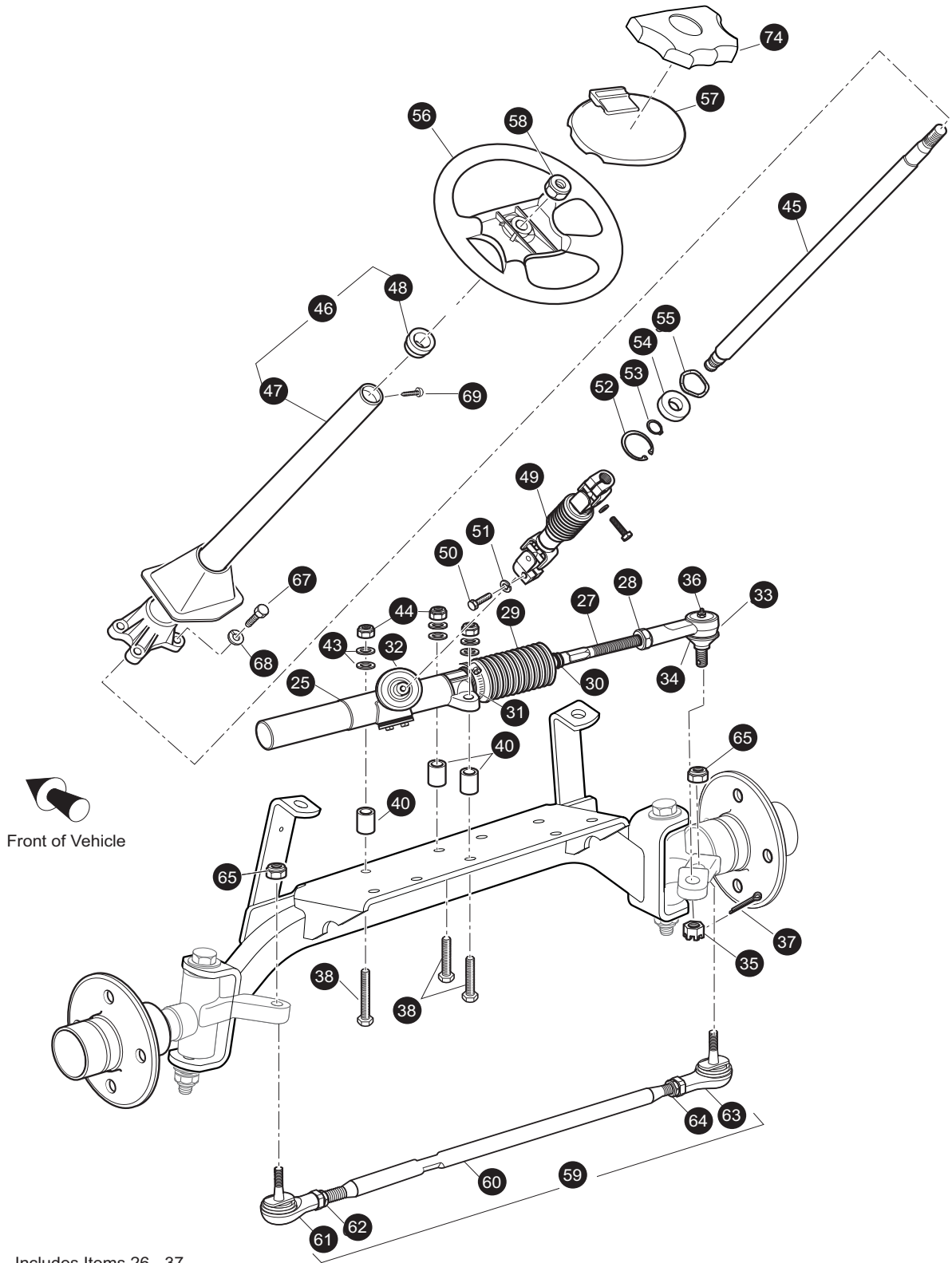
*** Indicates consult Customer Service Department for additional information.

ITEM	PART NO.	1 2 3 4 5	DESCRIPTION	QTY.
1	<u>606007</u>		FRONT ENGINE MOUNT	1
2	<u>603101</u>		ENGINE PAN MOUNT	1
3	<u>606256</u>		BOLT, M10 - 1.25 X 25.....	10
4	<u>606279</u>		NUT, M10 - 1.25.....	1
5	<u>606096</u>		NUT PLATE.....	2
6				
7				
8	<u>606259</u>		BOLT,	4
9	<u>603823</u>		FLAT WASHER, M10 X 22 - 2.5	4
10	<u>606279</u>		NUT, M10 - 1.25.....	4
11	<u>608020</u>		BOLT, M10 - 1.25 X 34.....	4
12	<u>606246</u>		FLAT HEAD SCREW, T40	4
13	<u>602146</u>		DIFFERENTIAL PLATE	1
14				
15				
16				
17				
18				
19				
20	603683		ISO MOUNT.....	1
21	<u>603799</u>		BOLT, M10 -1.0 X 25.....	2
22	<u>607299</u>		BOLT, M10 - 1.5	1
23	<u>607297</u>		RUBBER WASHER	2
24	<u>607298</u>		DELTRIN WASHER	3
25	<u>24939G2</u>		CAP ADAPTER.....	2
26	<u>606166</u>		COMPRESSION SPRING	1
27	<u>604066</u>		WASHER, M10 - 10.5 X 30.....	1

FRONT SUSPENSION/STEERING



FRONT SUSPENSION/STEERING



- 25 - Includes Items 26 - 37
- 33 - Includes Items 34 - 37
- 46 - Includes Items 47,48,69
- 49 - Includes Items 51, 52
- 59 - Includes Items 60 - 64

FRONT SUSPENSION/STEERING

Where applicable, THE USE OF NON UL PARTS WILL VOID ANY UL LISTING.

When ordering parts, please specify the model and serial number of the product.

* Indicates a component that is not available as an individual part.

G** Indicates consult Customer Service Department for additional information.

ITEM	PART NO.	1 2 3 4 5	DESCRIPTION	QTY.
1	<u>606989</u>		FRONT AXLE	1
2	<u>70930-G01</u>		SPINDLE AND HUB ASSEMBLY, 4 LUG (PASSENGER SIDE) (INCLUDES ITEMS 3 - 9).....	1
3	<u>70802-G01</u>		SPINDLE ASSEMBLY (PASSENGER SIDE).....	1
4	<u>25146-G1</u>		GREASE SEAL.....	1
5	<u>11750-G2</u>		ROLLER BEARING AND RACE ASSEMBLY.....	2
6	<u>35886-G01</u>		WHEEL HUB ASSEMBLY WITH RACES, 4 LUG (INCLUDES ITEM 7)	1
7	<u>19862-G1</u>		LUG BOLT, 1/2 - 20 X 1 3/16" LG.....	4
8	12093-G1		CASTELLATED NUT, 1 - 14	1
9	<u>00798-G8</u>		COTTER PIN, 5/32" X 1 3/4" LG	1
10	<u>70931-G01</u>		SPINDLE AND HUB ASSEMBLY, 4 LUG (DRIVER SIDE) (INCLUDES ITEMS 4 - 9, 11).....	1
11	<u>70803-G01</u>		SPINDLE ASSEMBLY (DRIVER SIDE)	1
12	<u>00407-G6</u>		BOLT, 1/2 - 13 X 6" LG	2
13	<u>00560-G3</u>		WASHER, 1/2"	4
14	<u>70745-G01</u>		KING PIN TUBE	2
15	<u>70754-G01</u>		THRUST WASHER, 1" (STAINLESS STEEL).....	2
16	<u>14390-G6</u>		LOCK NUT, 1/2 - 13	2
17	<u>76419-G01</u>		SHOCK ABSORBER.....	2
18	<u>10435-G1</u>		SHOCK ABSORBER WASHER	8
19	<u>10194-G1</u>		RUBBER BUSHING	8
20	<u>00532-G6</u>		NUT, 3/8 - 24	4
21	<u>70664-G03</u>		LEAF SPRING (HEAVY DUTY)	2
22	<u>70163-G03</u>		SPRING PLATE	4
23	<u>00734-G1</u>		LOCK NUT, 7/16 - 14	12
24	<u>00463-G11</u>		BOLT, 7/16 - 14 X 1 3/4" LG	12
25	<u>70964-G01</u>		RACK AND PINION UNIT (COMPLETE) (INCLUDES ITEMS 26 - 37)	1
26	*		STEERING BOX INSTALLATION TAG.....	1
27	<u>70694-G01</u>		RACK EXTENSION	1
28	*		JAM NUT, 1/2 - 20.....	1
29	<u>70961-G01</u>		RACK BOOT.....	1

FRONT SUSPENSION/STEERING

Where applicable, THE USE OF NON UL PARTS WILL VOID ANY UL LISTING.

When ordering parts, please specify the model and serial number of the product.

* Indicates a component that is not available as an individual part.

G** Indicates consult Customer Service Department for additional information.

ITEM	PART NO.	1 2 3 4 5	DESCRIPTION	QTY.
30	<u>12416-G2</u>		WIRE TIE	1
31	<u>11391-G8</u>		CLAMP, 1 13/16 - 2 3/8"	1
32	<u>70638-G01</u>		PINION SEAL	1
33	<u>70695-G01</u>		RACK BALL JOINT (INCLUDES ITEMS 34 -37)	1
34	<u>50641-G1</u>		RUBBER BOOT	1
35	<u>50209-G2</u>		CASTELLATED NUT, 7/16 - 20	1
36	<u>10387-G2</u>		GREASE FITTING, STRAIGHT	1
37	<u>10389-G3</u>		COTTER PIN, 3/32" X 1" LG	1
38	<u>00464-G6</u>		BOLT, 7/16 - 14 X 2 3/4" LG	3
39	<u>10044G01</u>		VINYL CAP	2
40	<u>70667-G02</u>		SPACER	3
41	<u>31539G1</u>		NYLON CLAMP	4
42	<u>70509G01</u>		SHOCK ABSORBER BOOT	2
43	<u>00560-G2</u>		FLAT WASHER, 7/16"	6
44	<u>00734-G1</u>		LOCK NUT, 7/16 - 14	3
45	<u>70607-G01</u>		STEERING SHAFT	1
46	<u>70758-G05</u>		STEERING COLUMN KIT (INCLUDES ITEMS 47,48 & 69)	1
47	<u>70610-G03</u>		STEERING COLUMN	1
48	<u>28569-G01</u>		STEERING COLUMN BUSHING	1
49	<u>70580-G01</u>		INTERMEDIATE SHAFT (INCLUDES ITEMS 50, 51)	1
50	<u>01055-G01</u>		BOLT, M8 X 1.25 - 05	1
51	<u>00565-G8</u>		LOCK WASHER, 5/16"	1
52	<u>70751-G01</u>		RETAINING RING (INTERNAL)	1
53	<u>70888-G01</u>		RETAINING RING (EXTERNAL)	1
54	<u>15112-G1</u>		BALL BEARING	1
55	<u>70887-G01</u>		WAVE WASHER	1
56	<u>602980</u>		STEERING WHEEL	1
57	<u>71950-G01</u>		CLIPBOARD	1
58	<u>14390-G2</u>		LOCK NUT, 5/8 - 18	1
59	<u>70876-G02</u>		TIE ROD ASSEMBLY (INCLUDES ITEMS 60 - 64)	1

FRONT SUSPENSION/STEERING

Where applicable, THE USE OF NON UL PARTS WILL VOID ANY UL LISTING.

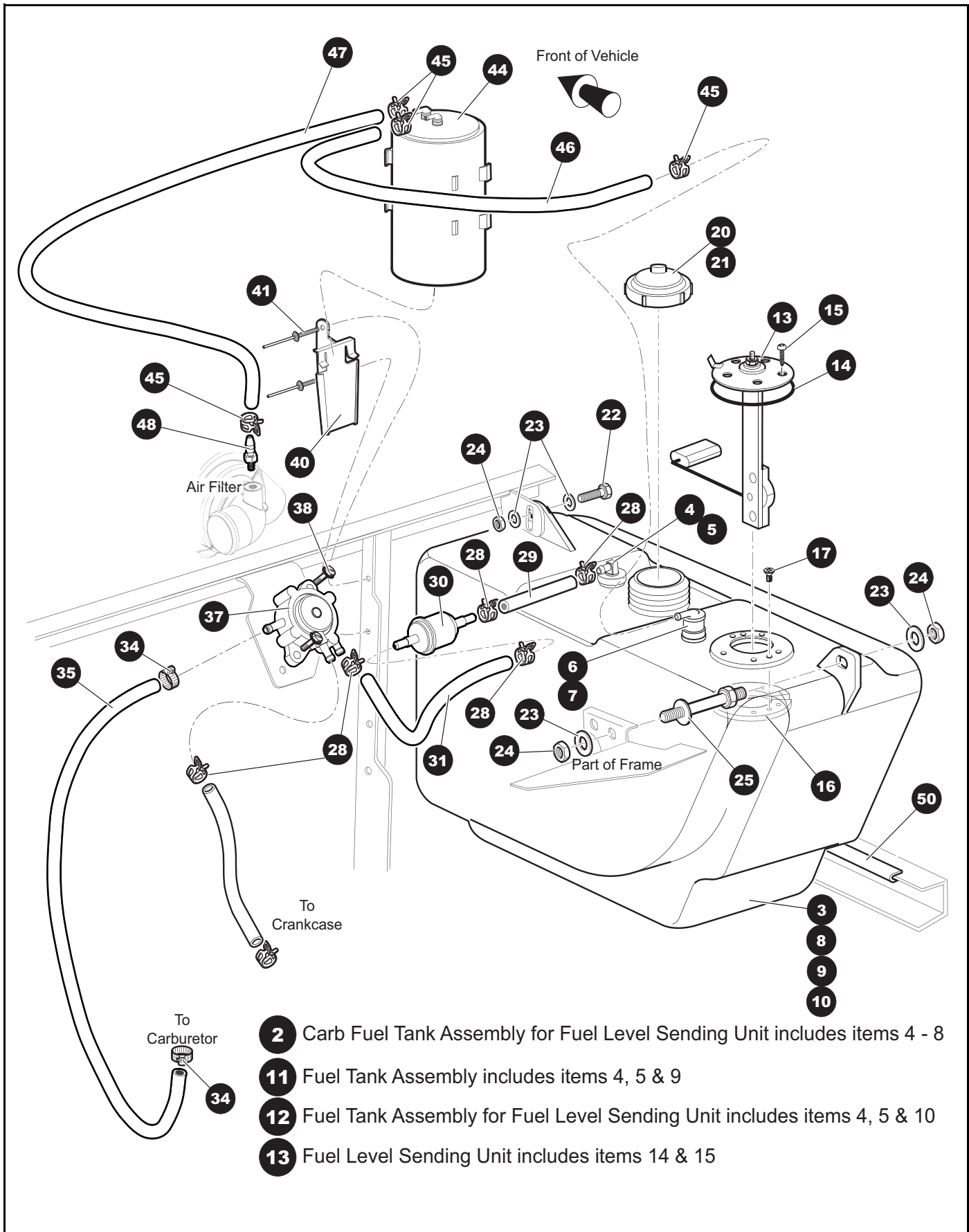
When ordering parts, please specify the model and serial number of the product.

* Indicates a component that is not available as an individual part.

G** Indicates consult Customer Service Department for additional information.

ITEM	PART NO.	1	2	3	4	5	DESCRIPTION	QTY.
60	<u>70897-G02</u>						THREADED ROD (24" LG).....	1
61	<u>70902-G01</u>						TIE ROD END (LEFT HAND THREADS)	1
62	<u>01069-G01</u>						JAM NUT, M12 X 1.25 - 05 (LEFT HAND THREADS).....	1
63	<u>70902-G02</u>						TIE ROD END (RIGHT HAND THREADS).....	1
64	<u>01069-G02</u>						JAM NUT, M12 X 1.25 - 05 (RIGHT HAND THREADS)	1
65	<u>00734-G1</u>						LOCK NUT, 7/16 - 14	2
66								
67	<u>01006-G01</u>						BOLT, 3/8 - 16 x 1 1/4" LG.....	4
68	00879 -G1						LOCK WASHER, 3/8".....	4
69	<u>01022-G01</u>						SCREW #6 - 20 x 5/16" LG	1
70	<u>70648-G01</u>						FLANGED BEARING	1
71	<u>70749-G01</u>						BEARING	1
72	<u>605642</u>						STEERING RACK COVER	1
73	<u>15058G1</u>						RIVET	2
74	<u>71147G01</u>						STEERING WHEEL COVER	1

FUEL SYSTEM



- 2** Carb Fuel Tank Assembly for Fuel Level Sending Unit includes items 4 - 8
- 11** Fuel Tank Assembly includes items 4, 5 & 9
- 12** Fuel Tank Assembly for Fuel Level Sending Unit includes items 4, 5 & 10
- 13** Fuel Level Sending Unit includes items 14 & 15

FUEL SYSTEM

When ordering parts, please specify the model and serial number of the product.

* Indicates a component that is not available as an individual part.

*** Indicates consult Customer Service Department for additional information.

ITEM	PART NO.	1 2 3 4 5	DESCRIPTION	QTY.
1				
2	<u>620182</u>		CARB FUEL TANK ASSEMBLY (use with sending unit) (inc items 4 - 8)	1
3				
4	<u>70988G01</u>		SIPHON TUBE GROMMET	1
5	<u>18287G3</u>		SIPHON TUBE ASSEMBLY	1
6	<u>606068</u>		ROLLOVER VALVE GROMMET	1
7	<u>606067</u>		ROLLOVER VALVE	1
8	<u>607479</u>		CARB STANDARD FUEL TANK	1
9	<u>605701</u>		STANDARD FUEL TANK	1
10	<u>605523</u>		STANDARD FUEL TANK FOR USE WITH SENDING UNIT	1
11	<u>605521</u>		FUEL TANK ASSEMBLY (includes items 4, 5 & 9)	1
12	<u>605704</u>		FUEL TANK ASSEMBLY (use with sending unit) (inc items 4, 5 & 10)	1
13	<u>20048G2</u>		FUEL LEVEL SENDING UNIT (includes items 14 & 15)	1
14	*		GASKET	1
15	*		STAINLESS STEEL HEX HEAD SCREW WITH SEALANT, #10 - 32 X 1/2	5
16	<u>72229G01</u>		FUEL TANK ADAPTER.....	1
17	<u>72230G01</u>		FLAT HEAD PHILLIPS SCREW, #6 - 32 X .50	2
18				
19	<u>72282G01</u>		FUEL FILL CAP	1
20	<u>606211</u>		CARB FUEL FILL CAP	1
21				
22	<u>00438G8</u>		HEX HEAD BOLT, 5/16 - 18 X 1	1
23	<u>00559G8</u>		FLAT WASHER, 5/16	4
24	<u>11098G6</u>		LOCK NUT, 5/16 - 18	3
25	<u>70483G01</u>		SPACER BOLT, 5/16 - 18.....	1
26				
27				
28	<u>18292G1</u>		HOSE CLAMP, .50 DIAMETER	5
29	<u>607007</u>		FUEL SYSTEM HOSE, 3.25"	1
30	<u>72084G01</u>		FUEL LINE FILTER.....	1
31	<u>606969</u>		FUEL SYSTEM HOSE, 8"	1

FUEL SYSTEM

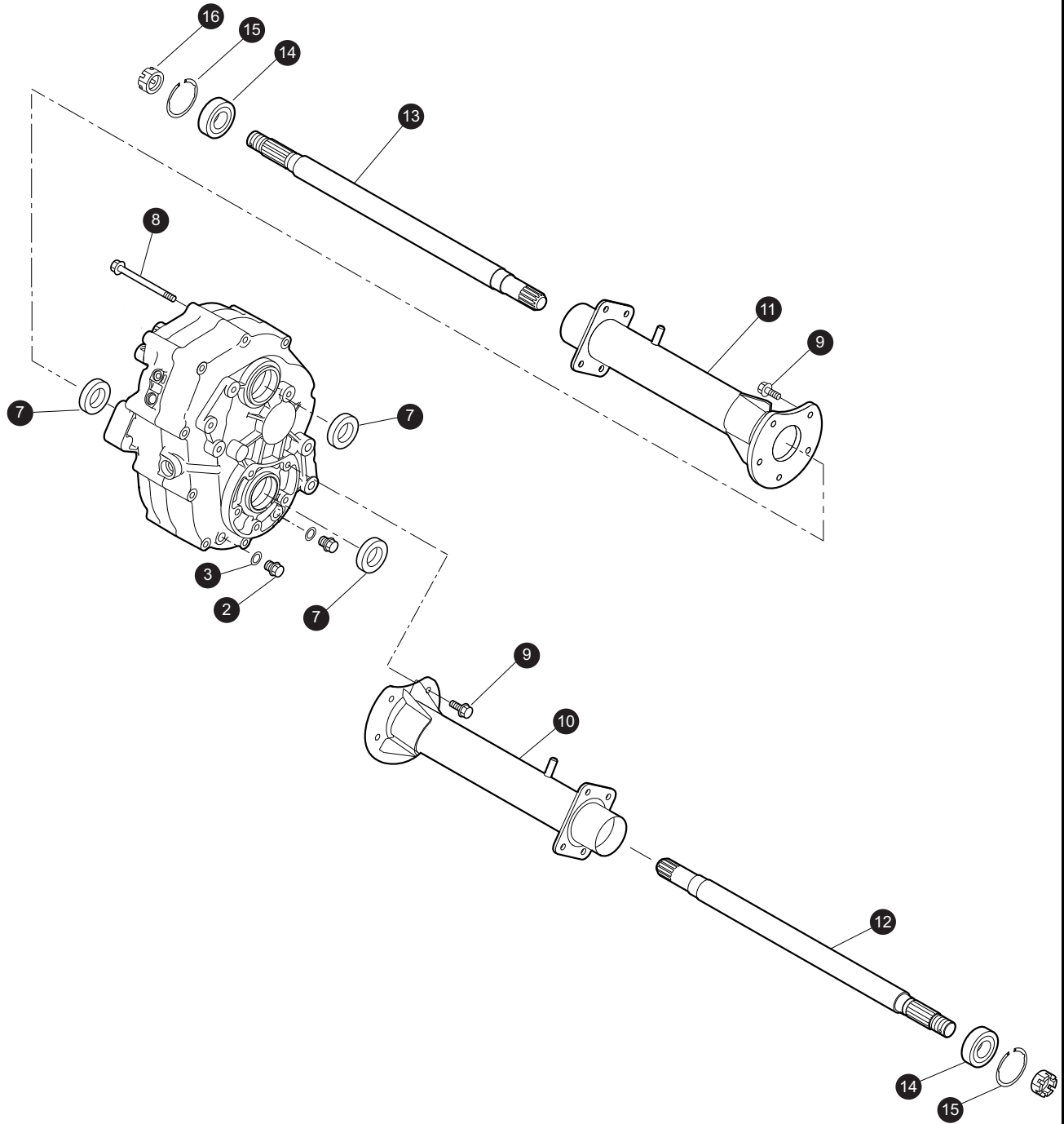
When ordering parts, please specify the model and serial number of the product.

* Indicates a component that is not available as an individual part.

*** Indicates consult Customer Service Department for additional information.

ITEM	PART NO.	1	2	3	4	5	DESCRIPTION	QTY.
32								
33								
34	<u>11391G4</u>						HOSE CLAMP, .25 - .63 DIA	2
35	<u>604597</u>						CARB FUEL SYSTEM HOSE, 26.00 LONG.....	1
36								
37	<u>602061</u>						FUEL PUMP	1
38	<u>00114G6</u>						HEX WASHER HEAD SLOTTED TAPPING SCREW, 1/4 - 14 X .75.....	2
39								
40	<u>606310</u>						CARBON CANNISTER MOUNTING BRACKET (CARB ONLY).....	1
41	<u>10570G11</u>						RIVET, 3/16 DIA X .70 (CARB ONLY)	2
42								
43								
44	<u>606071</u>						CARBON CANNISTER (CARB ONLY)	1
45	<u>606963</u>						HOSE CLAMP, .41 DIA (CARB ONLY).....	4
46	<u>607546</u>						LOW PRESSURE FUEL HOSE, 3/16 I.D. X 17"	1
47	<u>606966</u>						LOW PRESSURE FUEL HOSE, 3/16 I.D. X 34"	1
48	<u>606404</u>						HOSE TO AIR FILTER FITTING, .156 I.D. WITH 1/8 - 27 NPT (CARB ONLY)	1
49								
50	<u>32372G6</u>						BLACK TRIM, 6.25 LONG	1
51								
52	<u>17618G1</u>						NYLON CLAMP.....	2
53	<u>604589</u>						CARB LABEL (NOT SHOWN IN ILLUSTRATION)	1

REAR AXLE



REAR AXLE

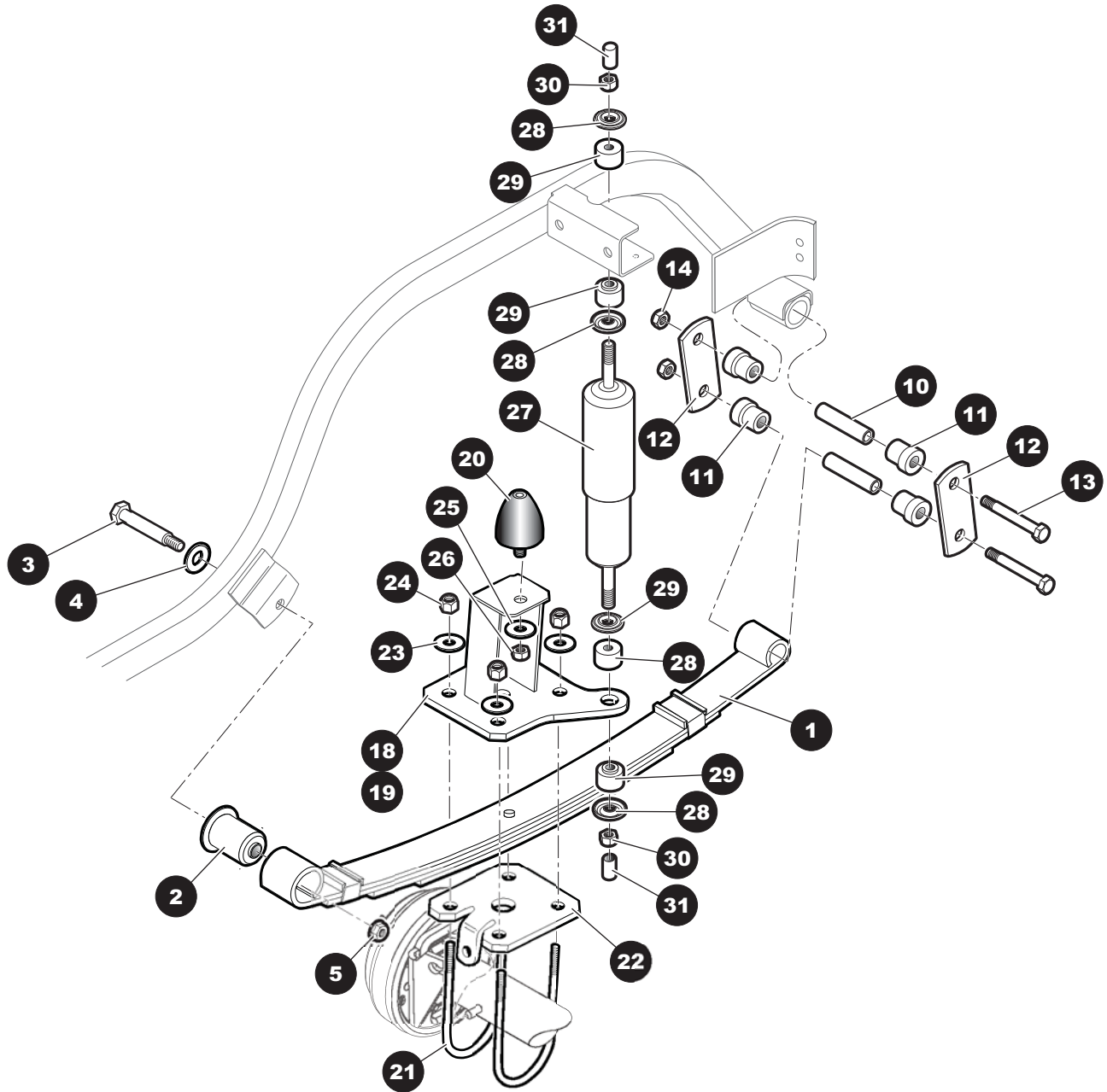
When ordering parts, please specify the model and serial number of the product.

* Indicates a component that is not available as an individual part.

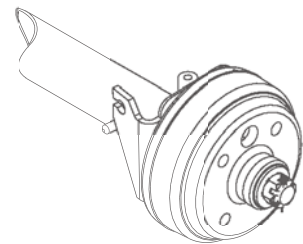
*** Indicates consult Customer Service Department for additional information.

ITEM	PART NO.	1 2 3 4 5	DESCRIPTION	QTY.
1	605891		REAR AXLE	1
2	<u>26770G01</u>		OIL DRAIN PLUG	2
3	<u>26771G01</u>		GASKET	2
4				
5				
6				
7	<u>72259G01</u>		OIL SEAL 28 X 47 X 9	3
8	<u>26823G01</u>		FLANGE BOLT M8 X 1.25 X 100	10
9	<u>72260G01</u>		FLANGE BOLT M10 X 1.5 X 23	10
10	<u>607940</u>		AXLE TUBE (PASSENGER SIDE)	1
11	<u>607939</u>		AXLE TUBE (DRIVER SIDE)	1
12	607988		AXLE SHAFT (PASSENGER SIDE)	1
13	607987		AXLE SHAFT (DRIVER SIDE)	1
14	<u>26811G01</u>		BALL BEARING	2
15	26814G01		SNAP RING	2
16	<u>606403</u>		SLOTTED NUT	2

REAR SUSPENSION



Front of the Vehicle



REAR SUSPENSION

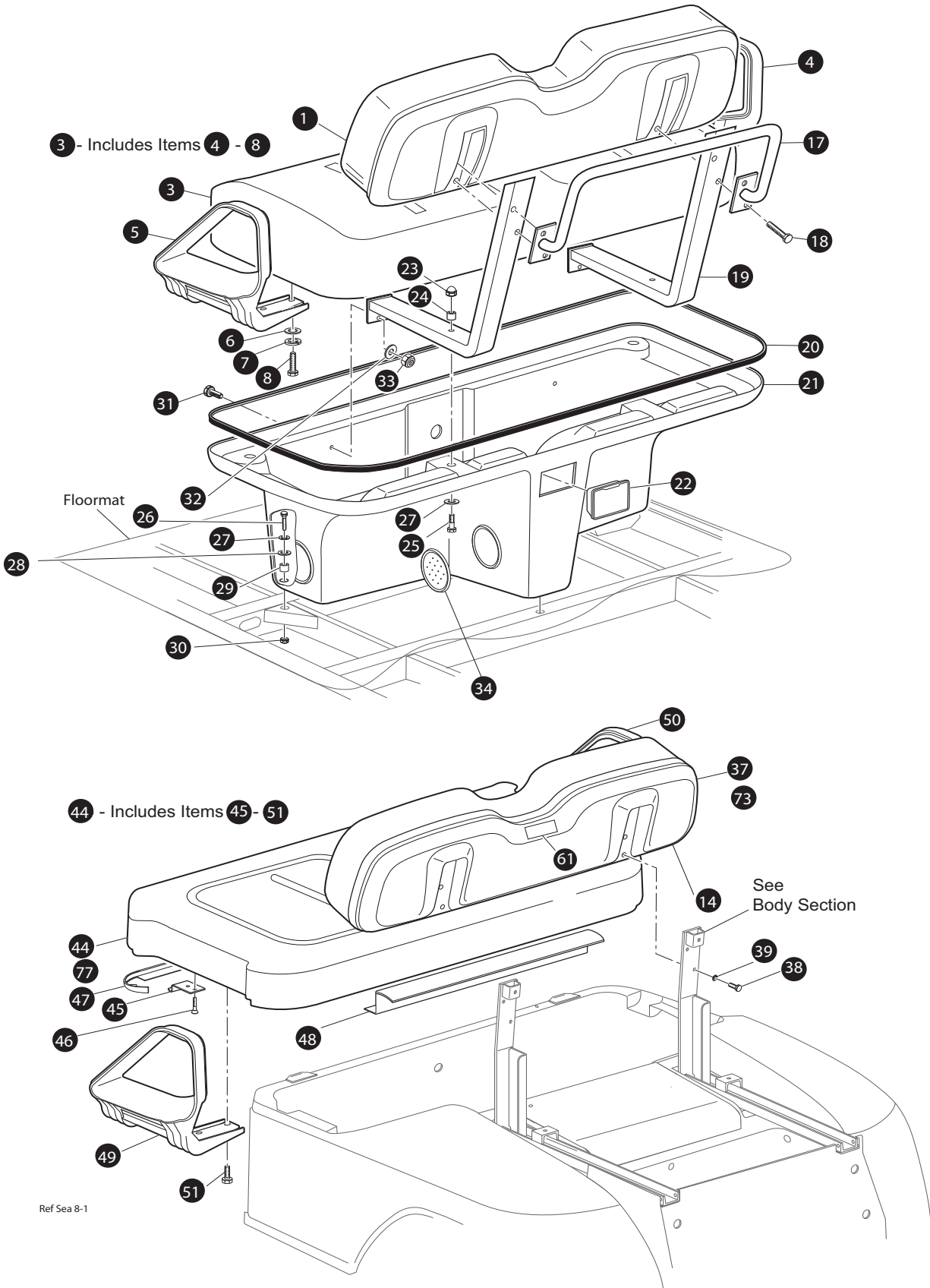
When ordering parts, please specify the model and serial number of the product.

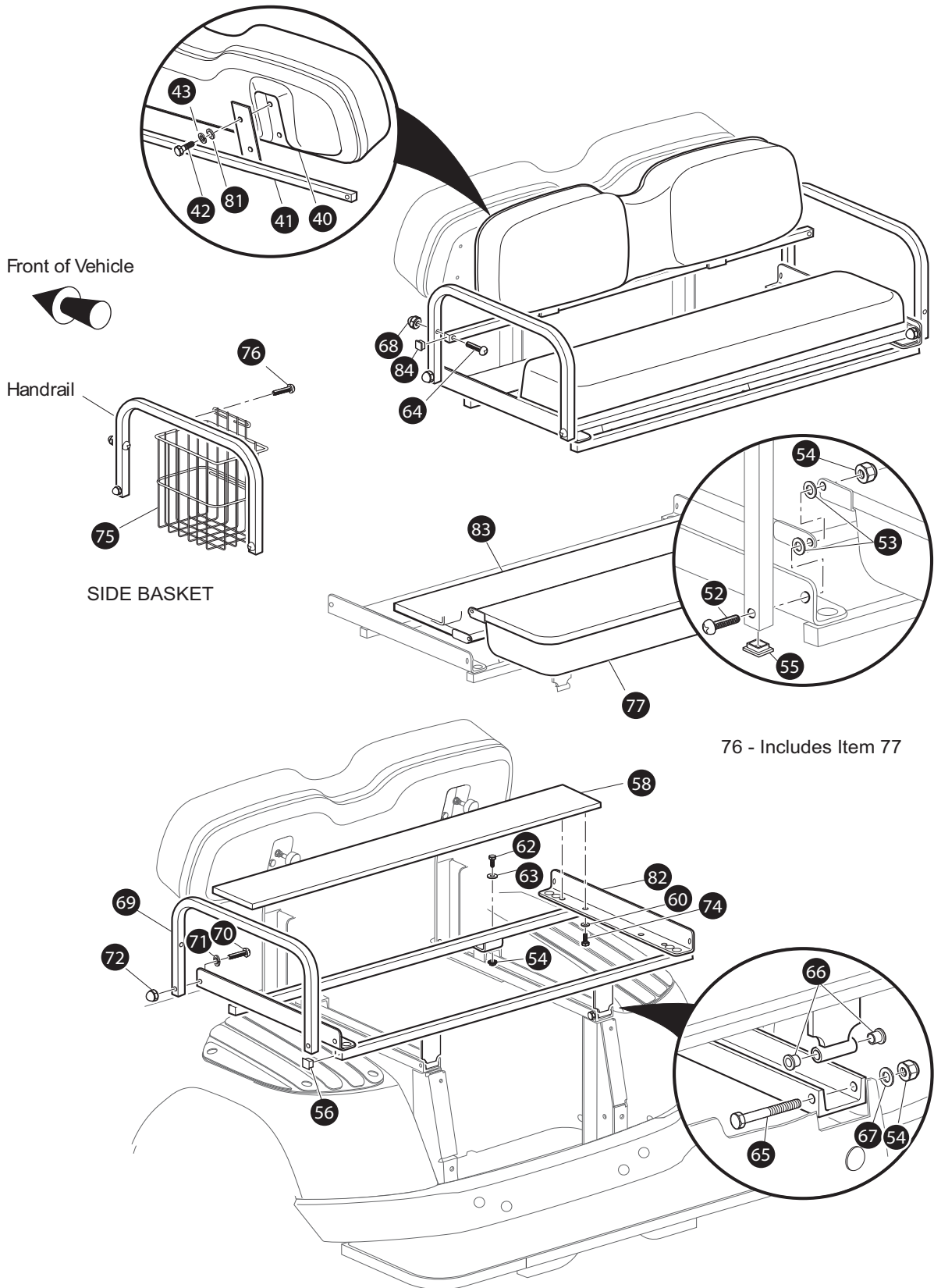
* Indicates a component that is not available as an individual part.

*** Indicates consult Customer Service Department for additional information.

ITEM	PART NO.	1 2 3 4 5	DESCRIPTION	QTY.
1	<u>605722</u>		HEAVY DUTY LEAF SPRING.....	2
2	<u>605445</u>		LEAF SPRING BUSHING, FRONT	2
3	<u>00665G9</u>		HEX HEAD BOLT, SS 3/8 - 16 X 3.5 LG.....	2
4	<u>00643G1</u>		FLAT WASHER, .411 I.D. X 1.00 O.D. X .06	2
5	<u>12262G1</u>		FLANGED LOCK NUT, 3/8 - 16	2
6				
7				
8				
9				
10	<u>70289G02</u>		SPLIT STEEL SPACER	4
11	<u>70291G01</u>		FLANGED URETHANE BUSHING	8
12	<u>70290G02</u>		SHACKLE PLATE	4
13	<u>00665G9</u>		HEX HEAD BOLT, SS 3/8 - 16 X 3.5 LG.....	4
14	<u>11098G5</u>		LOCK NUT, 3/8 - 16	4
15				
16				
17				
18	<u>606090</u>		SPRING PLATE, DRIVER SIDE	1
19	<u>606091</u>		SPRING PLATE, PASSENGER SIDE.....	1
20	<u>70492G01</u>		RUBBER BUMPER.....	2
21	<u>32195G3</u>		U-BOLT	4
22	<u>605955</u>		REAR SUSPENSION PLATE	2
23	<u>00643G1</u>		FLAT WASHER, .411 I.D. X 1.00 O.D. X .06	8
24	<u>11098G5</u>		LOCK NUT, 3/8 - 16	8
25	<u>00968G01</u>		LOCK WASHER, M10.....	2
26	<u>00974G01</u>		HEX NUT, M10.....	2
27	<u>70248G01</u>		SHOCK ABSORBER	2
28	<u>10435G1</u>		SHOCK ABSORBER WASHER.....	8
29	<u>10194G1</u>		RUBBER SHOCK BUSHING	8
30	<u>00532G6</u>		HEX NUT, 3/8 - 24.....	4
31	<u>10044G01</u>		VINYL CAP	4

SEATING





Ref Sea 11-2

SEATING

THE USE OF NON U.L. PARTS WILL VOID ANY U.L. LISTING.

When ordering parts, please specify the model and serial number of the product.

* Indicates a component that is not available as an individual part.

G** Indicates consult Customer Service Department for additional information.

ITEM	PART NO.	1 2 3 4 5	DESCRIPTION	QTY.
1	71751-G**		SEAT BACK ASSEMBLY	1
2				
3	71888-G**		SEAT BOTTOM (INCLUDES ITEMS 4 - 8) (SHUTTLE 4 & 6)	1
4	<u>71701-G01</u>		HIP RESTRAINT (PASSENGER SIDE).....	1
5	<u>71702-G01</u>		HIP RESTRAINT (DRIVER SIDE)	1
6	<u>01110-G01</u>		WASHER, 1/4" (STAINLESS STEEL).....	8
7	<u>00664-G7</u>		LOCKWASHER, 1/4" (STAINLESS STEEL).....	8
8	<u>00415-G2</u>		BOLT, 1/4 - 20 X 1 1/4" LG.....	8
9				
10				
11				
12				
13				
14	71572G01		SEAT BACK REAR COVER.....	1
15				
16				
17	<u>71632-G01</u>		REAR HAND HOLD BAR.....	1
18	<u>71204-G02</u>		BOLT, 1/4 - 20 X 2" LG	4
19	<u>71868-G01</u>		SEAT BACK BRACKET	2
20	<u>32805-G6</u>		TRIM, BLACK.....	1
21	70836-G0**		SEAT POD	1
22	27731-G01		ASHTRAY	1
23	<u>15717-G5</u>		ACORN NUT, 3/8 - 16	2
24	<u>23726-G4</u>		SPACER, 5/16".....	2
25	<u>00427-G8</u>		BOLT, 3/8 - 16 X 2" LG	2
26	00439-G8		BOLT, 5/16 - 18 X 2" LG	3
27	<u>00675-G1</u>		WASHER, 3/8" (STAINLESS STEEL)	5
28	<u>71883-G01</u>		RUBBER WASHER, 5/8"	3
29	<u>23726-G9</u>		SPACER, 3/4".....	3
30	11098-G6		LOCK NUT, 5/16 - 18 (STAINLESS STEEL)	3

THE USE OF NON U.L. PARTS WILL VOID ANY U.L. LISTING.
 When ordering parts, please specify the model and serial number of the product.
 * Indicates a component that is not available as an individual part.
 G** Indicates consult Customer Service Department for additional information.

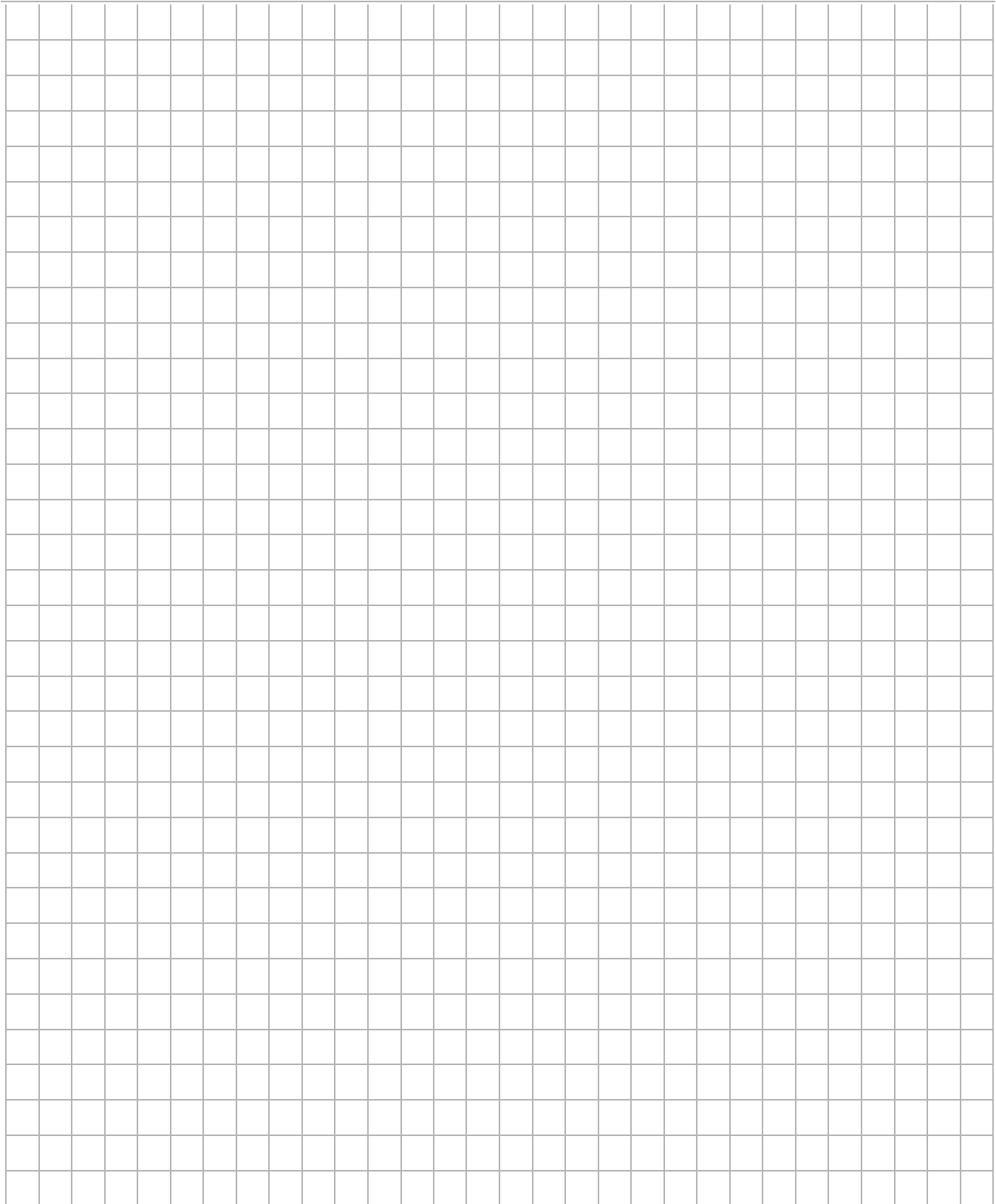
ITEM	PART NO.	1 2 3 4 5	DESCRIPTION	QTY.
31	<u>00976-G06</u>		SCREW, 5/16 - 18 X 3/4" LG (STAINLESS STEEL)	2
32	<u>01110-G01</u>		WASHER, 1/4" (STAINLESS STEEL)	2
33	11098-G6		LOCK NUT, 1/4 - 20 (STAINLESS STEEL)	2
34	<u>71599-G01</u>		VENT PLUG	4
35				
36				
37	71751-G**		SEAT BACK	1
38	<u>00661-G8</u>		BOLT, 1/4 - 20 X 1" LG (STAINLESS STEEL).....	4
39	<u>00664-G7</u>		LOCK WASHER, 1/4" (STAINLESS STEEL)	4
40				
41	<u>75258G01</u>		SEAT BACK SUPPORT	1
42	<u>605056</u>		SCREW 1/4 - 20 X 1	4
43	0664G7		LOCK WASHER, 1/4".....	10
44	71611-G**		SEAT BOTTOM (INCLUDES ITEMS 45 - 51) (SHUTTLE 4 & 6)	1
45	<u>71610-G01</u>		SEAT HINGE	2
46	<u>00720-G08</u>		SCREW, #12 - 14 X 1" LG (STAINLESS STEEL).....	6
47	<u>71012-G01</u>		FRONT EDGE TRIM.....	1
48	<u>71608-G01</u>		BACK EDGE TRIM	1
49	<u>71702-G01</u>		HIP RESTRAINT (DRIVER SIDE)	1
50	<u>71701-G01</u>		HIP RESTRAINT (PASSENGER SIDE).....	1
51	71204-G01		BOLT, 1/4 - 20 X 7/8" LG.....	8
52	<u>00762G6</u>		SCREW, 5/16 - 18 X 1 1/2" LG.....	2
53	<u>17255G1</u>		TEFLON WASHER, 5/16"	4
54	<u>00891G3</u>		LOCK NUT, 5/16 - 18	6
55	<u>19859G1</u>		END PLUG, 3/4"	4
56	<u>75261G02</u>		END PLUG	4
57				
58	<u>71060G01</u>		BED FRONT.....	1
59	<u>00661G6</u>		BOLT, 1/4 - 20 X 3/4" LG	4
60	<u>00664G7</u>		WASHER, 5/16"	4

SEATING

THE USE OF NON U.L. PARTS WILL VOID ANY U.L. LISTING.
 When ordering parts, please specify the model and serial number of the product.
 * Indicates a component that is not available as an individual part.
 G** Indicates consult Customer Service Department for additional information.

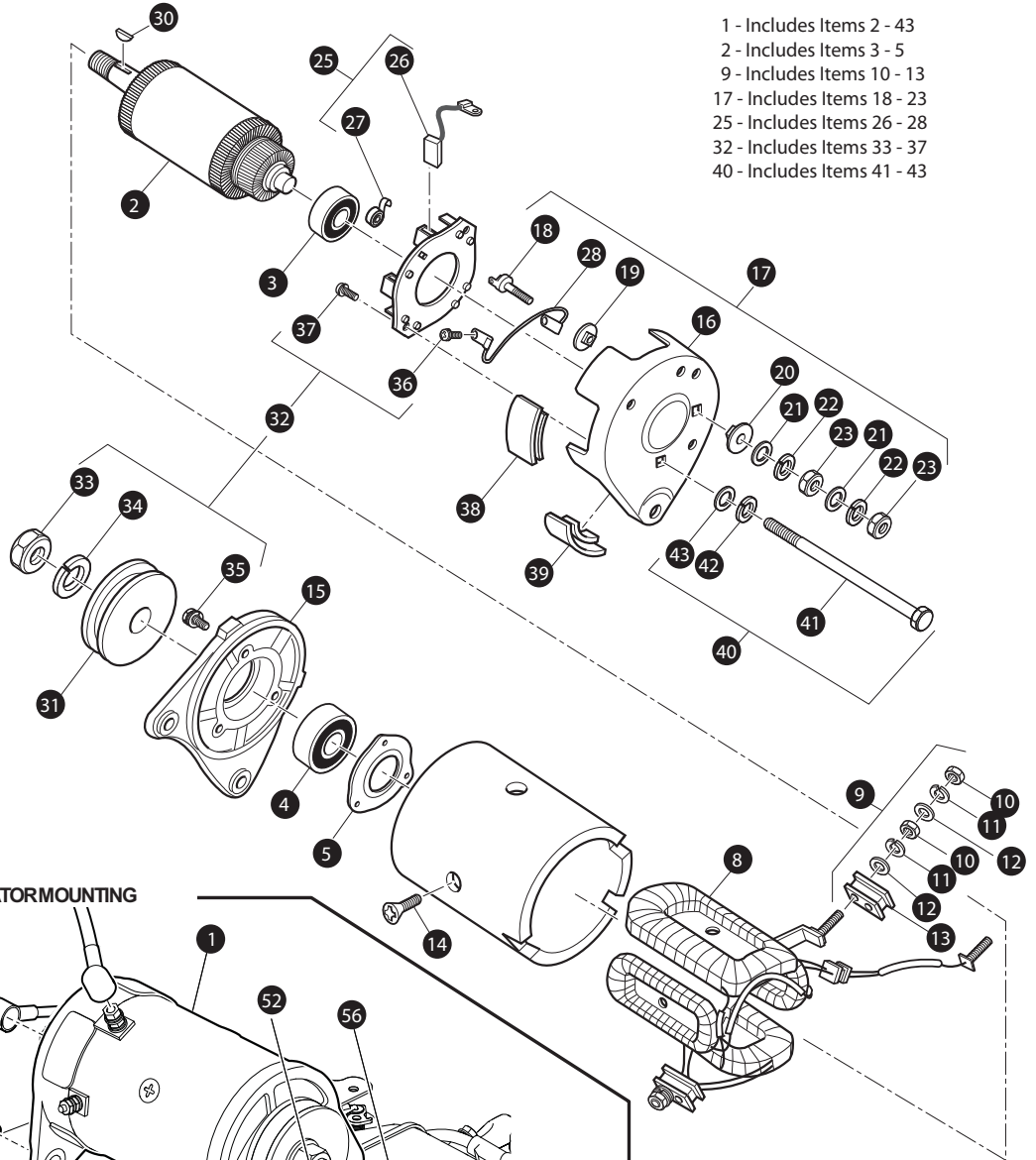
ITEM	PART NO.	1 2 3 4 5	DESCRIPTION	QTY.
61	<u>74095-G01</u>		LABEL (WARNING) (SHUTTLE 4).....	1
62	<u>00438G8</u>		BOLT, 5/16 - 18 X 1" LG	2
63	00559G8		WASHER, 5/16"	2
64	16705G13		SCREW, 1/4 - 20 X 1.875 LG.....	2
65	00272G4		BOLT, 5/16 - 18 X 2 1/2" LG	2
66	<u>17838G1</u>		NYLON BUSHING.....	4
67	00559G8		WASHER, 5/16"	2
68	<u>00520G1</u>		ACORN NUT, 1/4 - 20	2
69	<u>75196G01</u>		HANDRAIL	2
70	<u>00762G2</u>		SCREW, 5/16 - 18 X 1 1/4" LG.....	2
71	<u>00664G8</u>		LOCK WASHER 5/16".....	2
72	<u>00520G3</u>		ACORN NUT, 5/16 - 18	2
73	604916-G**		TWO TONE VINYL SEAT BACK.....	1
74	<u>00661G6</u>		BOLT, 1/4 - 20 X 3/4" LG	4
75				
76	<u>606855</u>		SEAT BOTTOM CONV CARRIER (INCLUDES ITEM 77)	1
77	604940G**		TWO TONE VINYL SEAT BOTTOM.....	1
78				
79				
80				
81	<u>01110G01</u>		WASHEER 1/4"	4
82	<u>75193G01</u>		SUPPORT FRAME.....	1
83	<u>71062G01</u>		BED ASSEMBLY	1
84	<u>75261G01</u>		END PLUG, 3/4"	2

Notes:

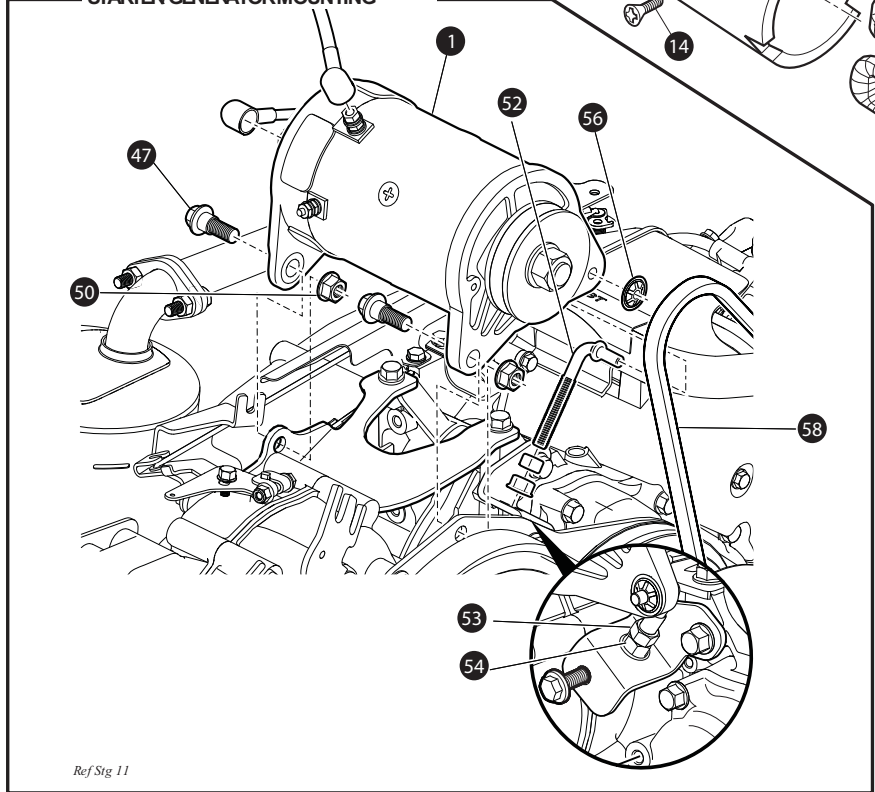
A large grid of graph paper for taking notes, consisting of 30 columns and 30 rows of small squares.

STARTER / GENERATOR

- 1 - Includes Items 2 - 43
- 2 - Includes Items 3 - 5
- 9 - Includes Items 10 - 13
- 17 - Includes Items 18 - 23
- 25 - Includes Items 26 - 28
- 32 - Includes Items 33 - 37
- 40 - Includes Items 41 - 43



STARTER/GENERATOR MOUNTING



Ref Sig 11

STARTER / GENERATOR

THE USE OF NON U.L. PARTS WILL VOID ANY U.L. LISTING.
 When ordering parts, please specify the model and serial number of the product.
 * Indicates a component that is not available as an individual part.
 G** Indicates consult Customer Service Department for additional information.

ITEM	PART NO.	1	2	3	4	5	DESCRIPTION	QTY.
1	<u>27065G01</u>	STARTER / GENERATOR (INCLUDES ITEMS 2 - 43).....					1	
2	<u>26870G01</u>	ARMATURE (INCLUDES ITEMS 3 - 5)					1	
3	26871G01	REAR BALL BEARING					1	
4	26872G01	FRONT BALL BEARING					1	
5	<u>26873G01</u>	BEARING HOLDER					1	
6								
7								
8	<u>26875G01</u>	FIELD COIL					1	
9	<u>26876G01</u>	INSULATING BRUSH ASSEMBLY ('F') (INCLUDES ITEMS 10 - 13).....					2	
10	*	NUT					2	
11	*	LOCK WASHER.....					2	
12	*	WASHER.....					2	
13	*	INSULATOR					1	
14	26877G01	POLE CORE SETSCREW.....					4	
15	<u>26878G01</u>	FRONT COVER.....					1	
16	27879G01	REAR COVER					1	
17	<u>26880G01</u>	TERMINAL ASSEMBLY ('A') (INCLUDES ITEMS 18 - 23).....					2	
18	*	TERMINAL					2	
19	*	INSULATOR					2	
20	*	INSULATOR					2	
21	*	WASHER.....					4	
22	*	LOCK WASHER.....					4	
23	*	NUT					4	
24								
25	<u>26881G01</u>	BRUSH HOLDER ASSEMBLY (INCLUDES ITEMS 26 - 28)					1	
26	<u>26658G01</u>	BRUSH.....					4	
27	<u>26882G01</u>	BRUSH SPRING					4	
28	<u>26883G01</u>	BRUSH CONNECTOR.....					2	
29								
30	<u>26884G01</u>	KEY.....					1	

STARTER / GENERATOR

THE USE OF NON U.L. PARTS WILL VOID ANY U.L. LISTING.

When ordering parts, please specify the model and serial number of the product.

* Indicates a component that is not available as an individual part.

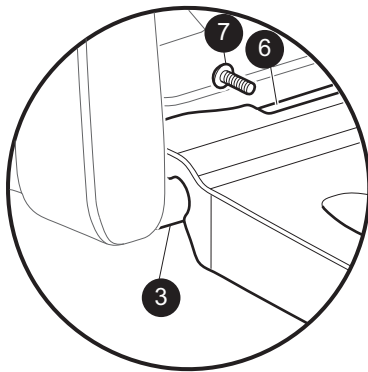
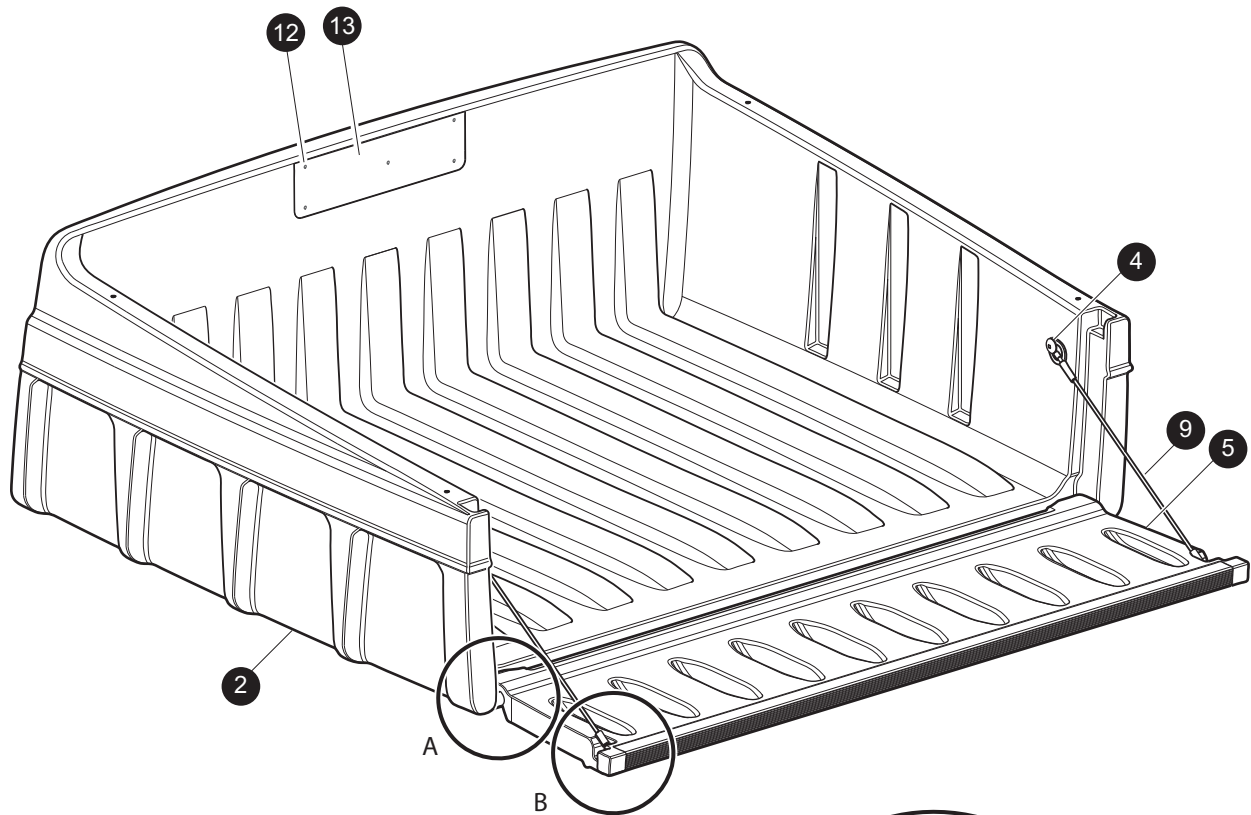
G** Indicates consult Customer Service Department for additional information.

ITEM	PART NO.	1	2	3	4	5	DESCRIPTION	QTY.
31	*						PULLEY	1
32	<u>26886G01</u>						BRUSH AND PULLEY HARDWARE KIT (INCLUDES ITEMS 33 - 37).....	1
33	*						NUT	1
34	*						LOCK WASHER	1
35	*						SCREW	3
36	*						SCREW	4
37	*						SCREW	2
38	<u>26887G01</u>						BRUSH 1 COVER.....	3
39	<u>26888G01</u>						BRUSH 2 COVER.....	2
40	<u>26889G01</u>						HOUSING HARDWARE KIT (INCLUDES ITEMS 41 - 43)	2
41	*						BOLT	2
42	*						LOCK WASHER	2
43	*						WASHER.....	2
44								
45								
46								
47	<u>606235</u>						BOLT, 1/2 - 13 X 8" LG	2
48								
49								
50	<u>606279</u>						NUT, 1/2 - 13	2
51								
52	606236						STARTER / GENERATOR ADJUSTER.....	1
53	<u>606255</u>						JAM NUT, 3/8 - 16	1
54	<u>606274</u>						NUT, 3/8 - 16	1
55								
56	12064G4						PUSH NUT, 5/16"	1
57								
58	<u>606138</u>						STARTER / GENERATOR BELT	1

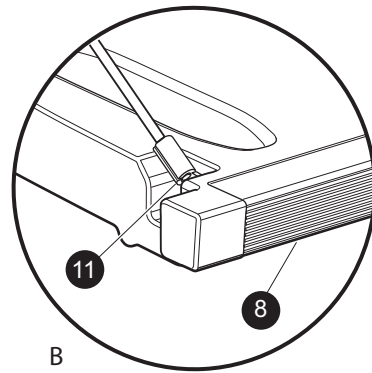
Notes:

A large grid of graph paper, consisting of 20 columns and 30 rows of small squares, intended for taking notes.

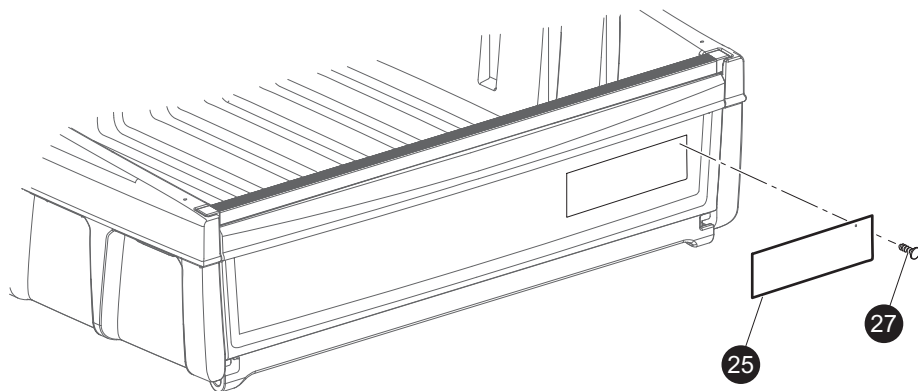
CARGO BED

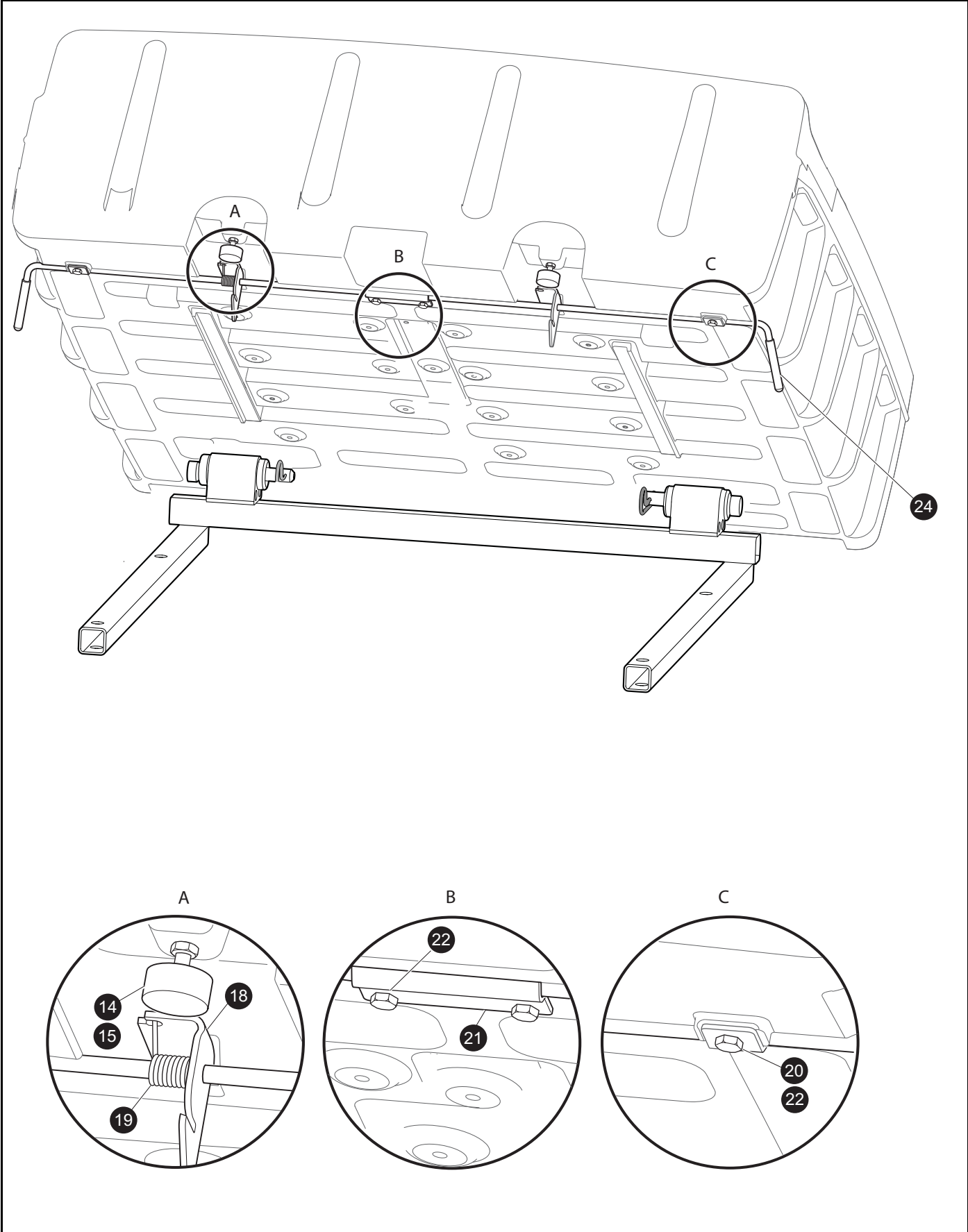


A

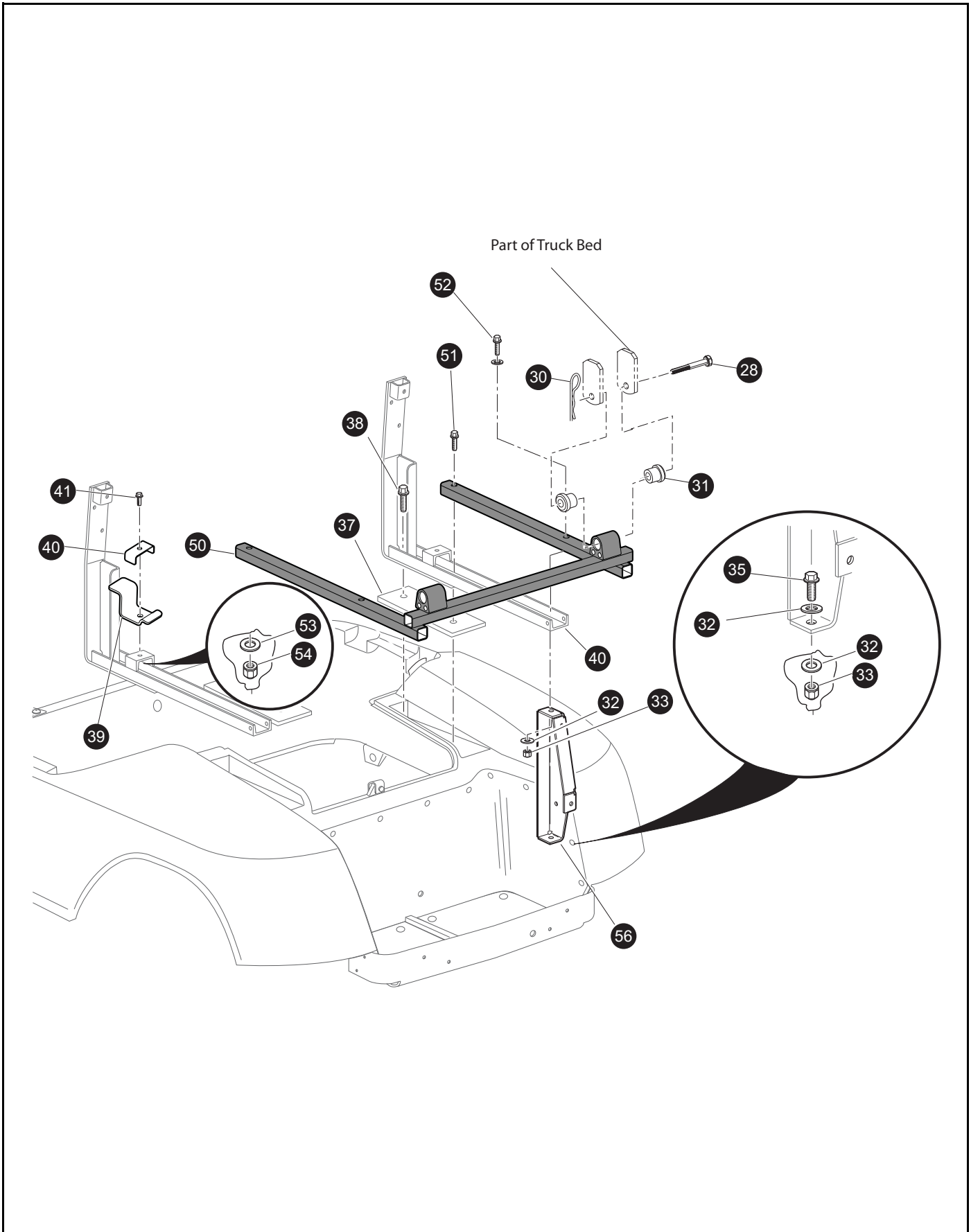


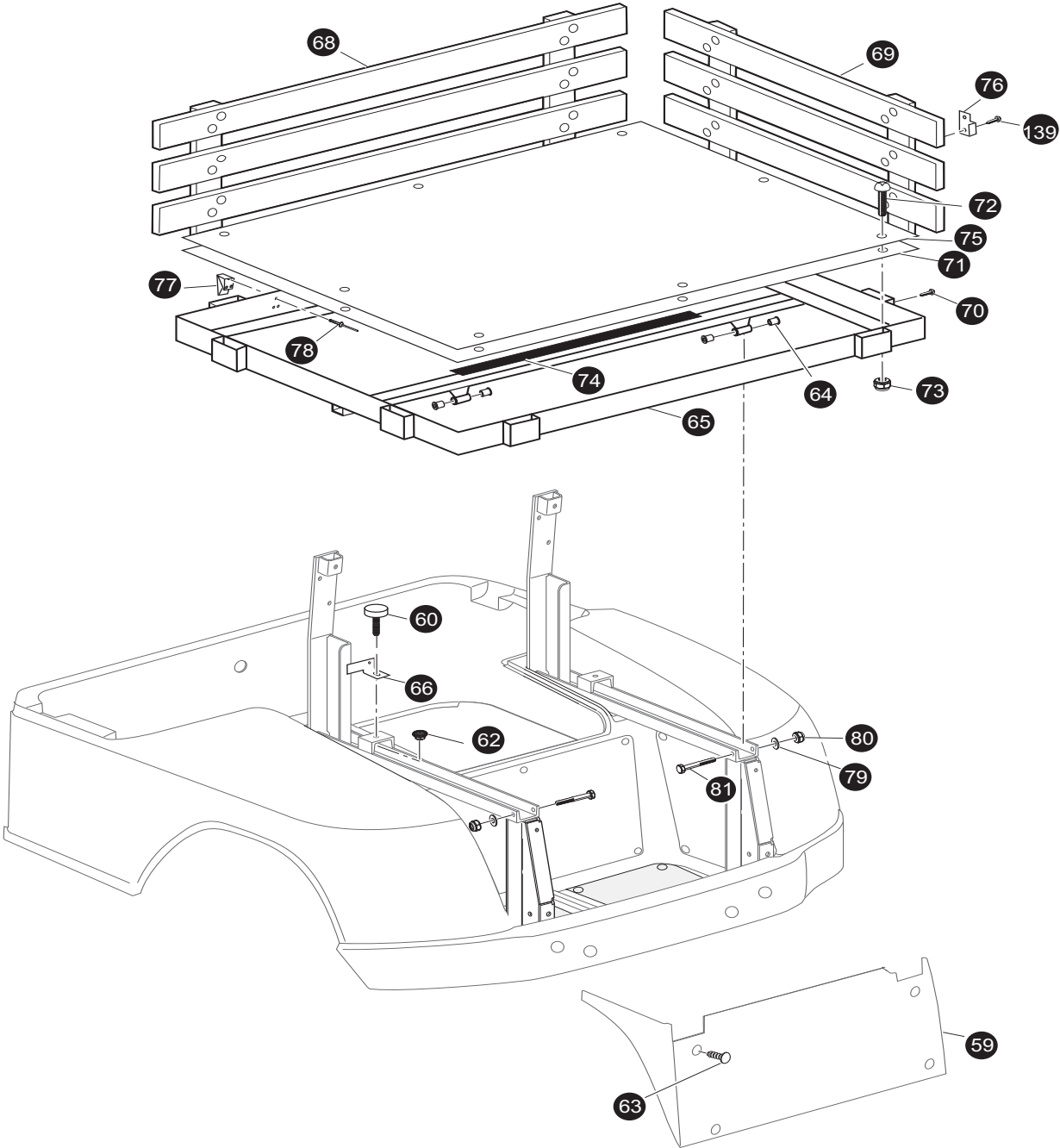
B





CARGO BED





CARGO BED

When ordering parts, please specify the model and serial number of the product.

* Indicates a component that is not available as an individual part.

*** Indicates consult Customer Service Department for additional information.

ITEM	PART NO.	1 2 3 4 5	DESCRIPTION	QTY.
1	<u>72647G01</u>		BED ASSEMBLY (INCLUDES ITEMS 2 -11).....	1
2	<u>72648G01</u>		PLASTIC BED, 36"	1
3	<u>73454G01</u>		PIVOT SHAFT.....	2
4	<u>73460G01</u>		SHOULDER BOLT, 1/4 - 20 X 3/4" LG.....	2
5	<u>72649G01</u>		TAILGATE	1
6	<u>73450G01</u>		BOWED ANGLE	1
7	<u>16705G2</u>		SCREW, 1/4 - 20 X 5/8" LG (STAINLESS STEEL).....	4
8	<u>73449G01</u>		EXTRUSION CHANNEL.....	1
9	<u>73455G02</u>		TAILGATE CABLE	1
10				
11	<u>00415G2</u>		SCREW, 1/4 - 20 X 1 1/4" LG	2
12	<u>74821G01</u>		LOAD BED DECAL	1
13	<u>71055G01</u>		RIVET	5
14	<u>70113G01</u>		ADJUSTABLE RUBBER BUMPER	2
15	<u>11027G1</u>		LOCK NUT, 5/16 - 18.....	2
16				
17				
18	<u>74962G01</u>		BED LATCH.....	1
19	<u>71538G01</u>		LATCH TORSION SPRING	1
20	<u>71099G02</u>		KEEPER PLATE	2
21	<u>71477G02</u>		RETAINER BRACKET.....	1
22	<u>01118G01</u>		SCREW, 1/4 - 20 X 5/8" LG.....	4
23				
24	<u>71704G01</u>		HANDLE GRIP	2
25			
26			E-Z-GO LABEL.....	1
27				
28	<u>71571G01</u>		CLEVIS PIN.....	2
29				
30	<u>21683G1</u>		COTTER PIN.....	2
31	<u>70291G01</u>		BUSHING	4

When ordering parts, please specify the model and serial number of the product.

* Indicates a component that is not available as an individual part.

*** Indicates consult Customer Service Department for additional information.

ITEM	PART NO.	1 2 3 4 5	DESCRIPTION	QTY.
32	00560G01		FLAT WASHER	8
33	<u>11098G5</u>		LOCK NUT	4
34				
35	<u>00427G4</u>		SCREW 38/ - 16.....	2
36				
37	<u>70364G01</u>		SPACER.....	2
38	<u>01006G02</u>		SCREW.....	2
39	<u>606167</u>		FRONT BED SUPPORT	2
40	<u>607093</u>		BED SUPPORT BRACKET	2
41	<u>00439G1</u>		SCREW 5/16 - 18.....	2
42				
43				
44				
45	<u>74111G01</u>		SEAT SUPPORT.....	2
46				
47				
48				
49				
50	<u>606112</u>		BED FRAME	1
51	<u>01075G01</u>		SCREW.....	2
52	<u>00427G8</u>		SCREW, 5/8 - 16"	2
53	00559G8		FLAT WASHER	2
54	11098G6		LOCK NUT	2
55				
56	<u>74126G02</u>		REAR SUPPORT FRAME (PASSENGER SIDE)	1
57				
58				
59	<u>74149G01</u>		PANEL.....	1
60	<u>70113G01</u>		ADJUSTABLE RUBBER BUMPER.....	2
61				
62	<u>11027G1</u>		LOCK NUT, 5/16 - 18.....	4

CARGO BED

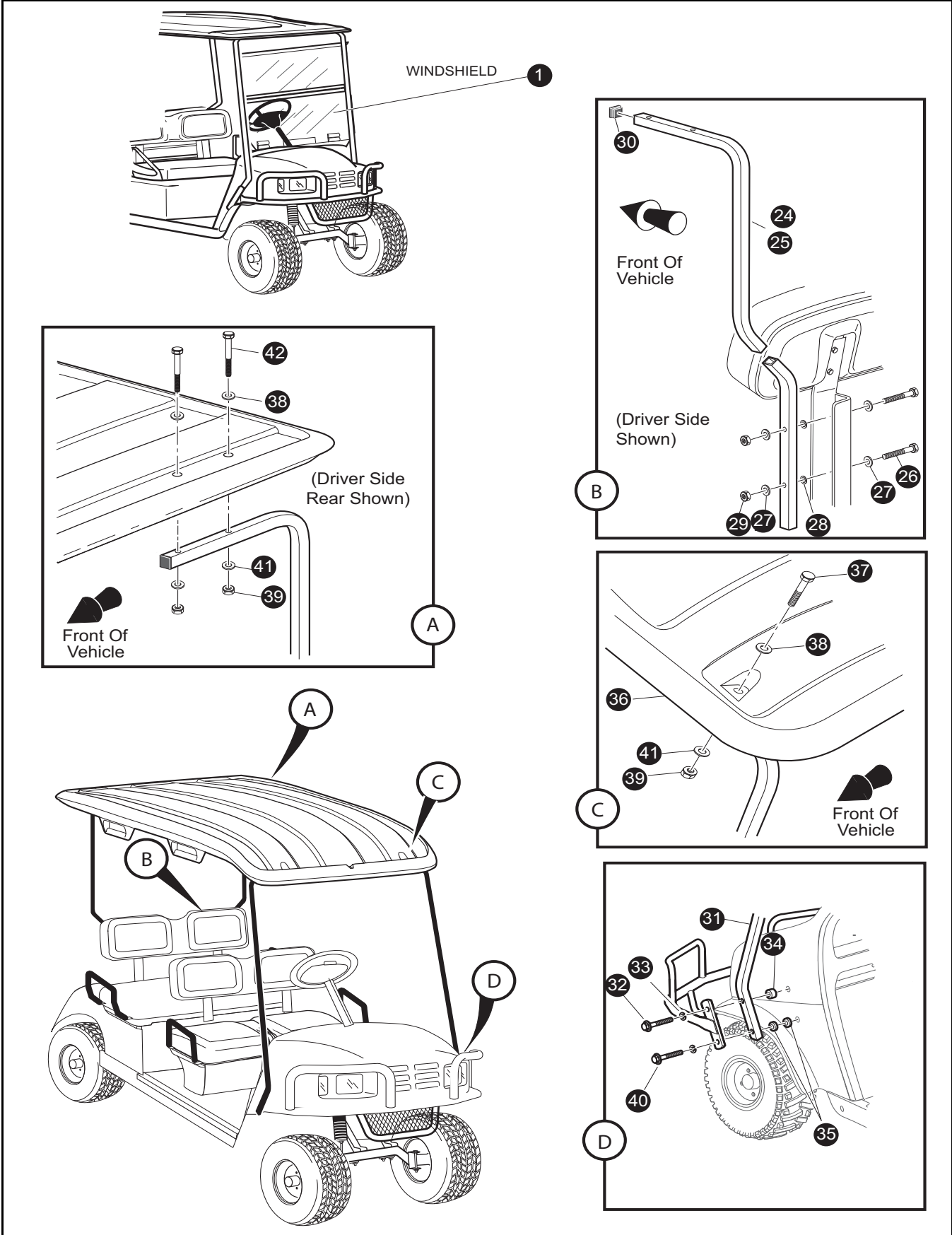
When ordering parts, please specify the model and serial number of the product.

* Indicates a component that is not available as an individual part.

*** Indicates consult Customer Service Department for additional information.

ITEM	PART NO.	1	2	3	4	5	DESCRIPTION	QTY.
63	<u>16816G2</u>						RIVET	4
64	<u>17838G1</u>						NYLON BUSHING	4
65	<u>74080G01</u>						CARGO DECK	1
66	<u>72914G01</u>						HOLD DOWN BRACKET	1
67								
68	<u>34280G02</u>						FRONT/REAR CARGO RACK	2
69	<u>34280G01</u>						SIDE CARGO RACK	2
70	00666G6						SCREW, #10 - 12 X 3/4" LG (STAINLESS STEEL)	10
71	<u>74082G01</u>						STEEL DECK	1
72	16705G3						SCREW, 1/4 - 20 X 3/4" LG (STAINLESS STEEL)	8
73	<u>14390G4</u>						LOCK NUT, 1/4 - 20.....	8
74	23052G1						NOISE SUPPRESSOR	1
75	<u>74097G01</u>						CARGO BED MAT.....	1
76	<u>74079G02</u>						TAILGATE RETAINER BRACKET	2
77	72913G01						LATCH	1
78	<u>00100G6</u>						RIVET, 5/32" X 9/16" LG (STAINLESS STEEL)	2
79	00559G8						WASHER, 5/16".....	2
80	11098G6						LOCK NUT, 5/16 - 18 (STAINLESS STEEL)	2
81	<u>00440G4</u>						BOLT, 5/16 - 18 X 2 1/2" LG	2

WEATHER PROTECTION



WEATHER PROTECTION

THE USE OF NON U.L. PARTS WILL VOID ANY U.L. LISTING.
 When ordering parts, please specify the model and serial number of the product.
 * Indicates a component that is not available as an individual part.
 G** Indicates consult Customer Service Department for additional information.

ITEM	PART NO.	1 2 3 4 5	DESCRIPTION	QTY.
1	<u>607255</u>		WINDSHIELD KIT	1
2				
3				
4				
5				
6				
7				
8				
9				
10				
11				
12				
13	<u>607305</u>		SUN TOP KIT (INCLUDES ITEMS 24 - 42)	1
14				
15				
16				
17				
18				
19				
20				
21				
22				
23	<u>608138</u>		SUN TOP KIT (INCLUDES ITEMS 24 -42)	1
24	<u>75487G02</u>		REAR SUPPORT (DRIVER SIDE)	1
25	<u>75487G01</u>		REAR SUPPORT (PASSENGER SIDE).....	1
26	<u>00665G5</u>		BOLT, 3/8 - 16 X 1 3/4" LG (STAINLESS STEEL)	4
27	<u>00679G1</u>		WASHER, 3/8" (STAINLESS STEEL).....	8
28	<u>00771G5</u>		NYLON WASHER, 3/8".....	4
29	<u>00891G5</u>		LOCK NUT, 3/8 - 16.....	4
30	<u>19853-G1</u>		END CAP, 1"	2

WEATHER PROTECTION

THE USE OF NON U.L. PARTS WILL VOID ANY U.L. LISTING.

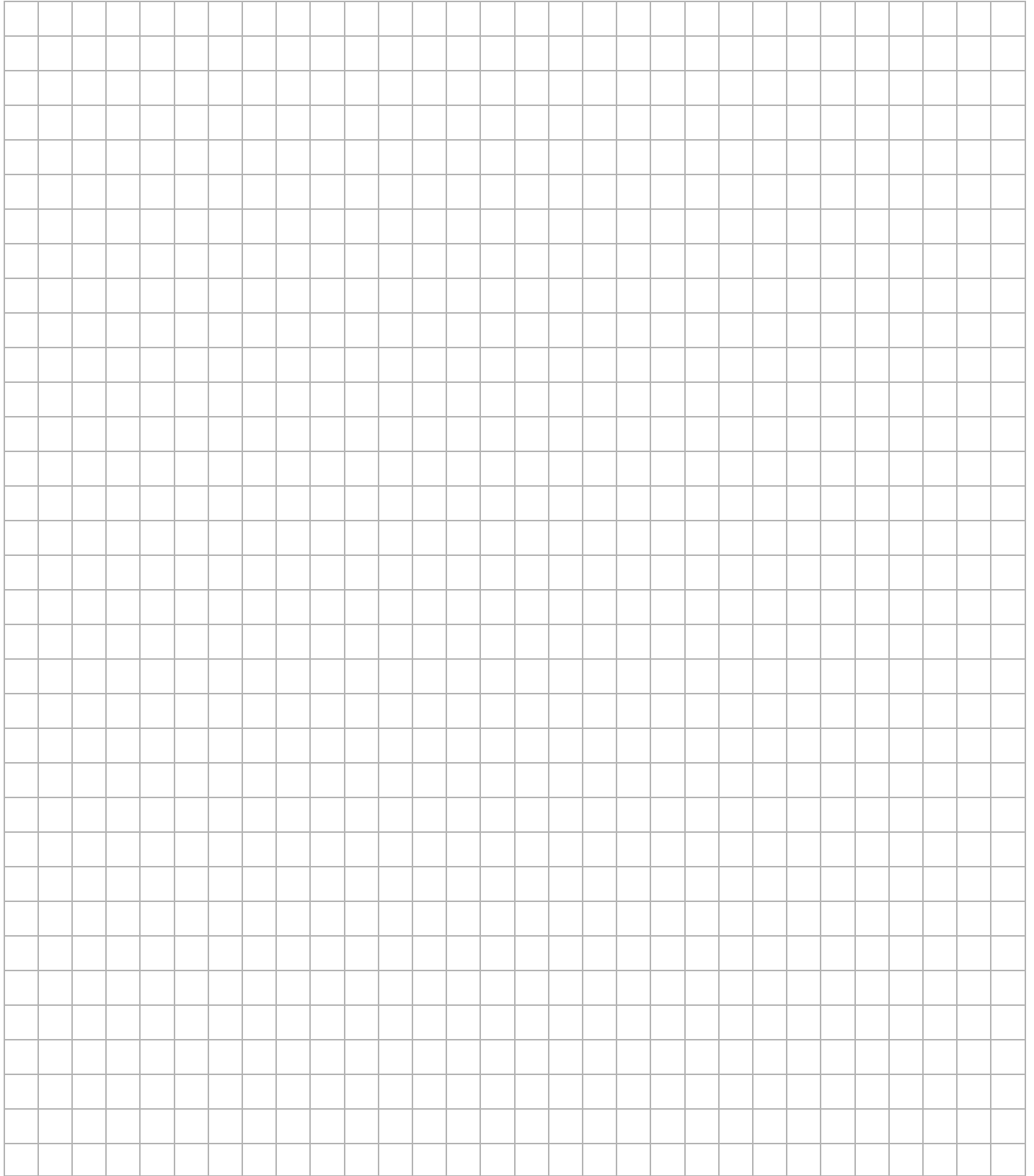
When ordering parts, please specify the model and serial number of the product.

* Indicates a component that is not available as an individual part.

G** Indicates consult Customer Service Department for additional information.

ITEM	PART NO.	1	2	3	4	5	DESCRIPTION	QTY.
31	<u>75488G01</u>						FRONT SUPPORT	1
32	<u>01035G02</u>						BOLT, 5/16 - 18 X 2 1/2" LG.....	2
33	<u>00905G8</u>						LOCK WASHER, 5/16"	4
34	<u>75048G01</u>						SPACER, 1/2"	2
35	<u>00879G1</u>						LOCK WASHER, 3/8"	4
36	<u>74374G01</u>						SUN TOP	1
37	<u>00685G10</u>						SCREW,.....	2
38	<u>00907G2</u>						WASHER, 5/16"	6
39	11098G6						LOCK NUT, 5/16 - 18	6
40	<u>00440G2</u>						BOLT, 5/16 - 18 X 2 1/4" LG.....	2
41	<u>00660G8</u>						WASHER, 5/16"	6
42	<u>00685G11</u>						BOLT, 5/16 - 18 X 3 1/4" LG.....	4

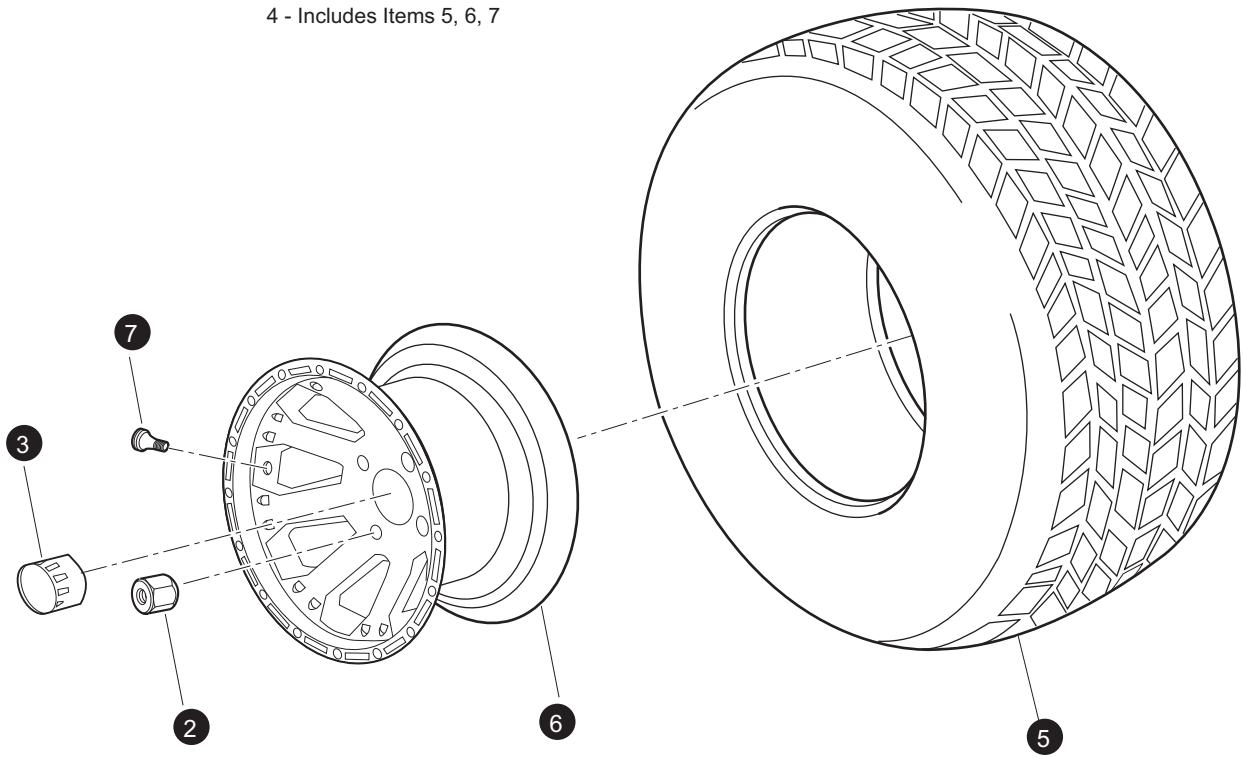
Notes:

A large grid area for taking notes, consisting of 20 columns and 25 rows of small squares.

WHEELS AND TIRES

1 - Includes Items 2, 3, 4

4 - Includes Items 5, 6, 7



(Style of tire may differ from tire shown)

WHEELS AND TIRES

Where applicable, THE USE OF NON UL PARTS WILL VOID ANY UL LISTING.
 When ordering parts, please specify the model and serial number of the product.
 * Indicates a component that is not available as an individual part.
 G** Indicates consult Customer Service Department for additional information.

ITEM	PART NO.	1 2 3 4 5	DESCRIPTION	QTY.
1	607253		TIRE AND WHEEL ASSEMBLY	AR
2	<u>606925</u>		LUG NUT.....	AR
3	<u>606835</u>		CENTER CAP	1
4	<u>607252</u>		WHEEL ASSEMBLY	1
5	<u>606142</u>		TIRE 23 x 10.5 x 12	1
6	<u>606149</u>		WHEEL RIM.....	1
7	<u>604915</u>		VALVE STEM.....	1

SPECIALTY PRODUCTS

SPECIALTY PRODUCTS

SPECIAL TOOLS	PART NO.
HIGH RESISTANCE SPARK PLUG WIRE SET	26733G02
CLUTCH PULLER (DRIVE)	19779G2
FLYWHEEL PULLER	27111G01
CURRENT INDICATOR	16489G2
DIGITAL MULTI-METER	27481G01
TUBELESS TIRE REPAIR KIT	606009
TIRE PLUGGER REFIL PACK (50/BOX)	606831

TOUCH UP PAINT	PART NO.
PEN 3 OUNCE (89 ML) - HUNTER GREEN	28432G02
PEN 3 OUNCE (89 ML) - CHAMPAGNE BEIGE	28432G01
PEN 3 OUNCE (89 ML) - WHITE	28432G05
PEN 3 OUNCE (89 ML) - INDUSTRIAL YELLOW	28432G03
PEN 3 OUNCE (89 ML) - ORANGE	28432G04
PEN 3 OUNCE (89 ML) - STEEL BLUE PEARL	28432G24
PEN 3 OUNCE (89 ML) - OLIVE GREEN	28432G**
PEN 3 OUNCE (89 ML) - CAMOUFLAGE PAINT (THREE PENS)	75831G01
AEROSOL 12 OUNCE (360 ML) - HUNTER GREEN	28140G09
AEROSOL 12 OUNCE (360 ML) - CHAMPAGNE BEIGE	28140G15
AEROSOL 12 OUNCE (360 ML) - INDUSTRIAL YELLOW	28140G14

MAINTENANCE PRODUCTS	PART NO.
PLEXUS® CLEANER, 13 OUNCE (380 ML) (FOR WINDSHIELDS)	28433G02
BATTERY PROTECTOR, 14 OUNCE (410 ML) SPRAY	27619G02
E-Z-GO ALLSURFACE CLEANER	606311
E-Z-GO FIBERGLASS/PLASTIC RESTORER	606313
WIND SHIELD AND PLASTIC PROTECTOR	606314
64 OZ HAND CLEANER	607636
4 OZ HAND CLEANER	607637

OPTIONS/ACCESSORIES

OPTIONS/ACCESSORIES

ITEM	KIT NO.	SECTION
ASHTRAY KIT	75109G01	See BODY
ASHTRAY KIT	75109G02	See BODY
BALL HITCH KIT	74492G02	See BODY
HOUR METER KIT	607285	See ELECTRICAL SYSTEM
REAR VIEW MIRROR KIT	19528G2	See WEATHER PROTECTION
SOFT ENCLOSURE	75367G0*	See WEATHER PROTECTION
SUN TOP KIT	607581	See WEATHER PROTECTION
SUN TOP KIT	607305	See WEATHER PROTECTION
TURN SIGNAL KIT	75107G02	See ELECTRICAL SYSTEM
GOLD SPOKE WHEEL COVERS	19241G*	See WHEELS AND TIRES
SILVER SPOKE WHEEL COVERS	19241G*	See WHEELS AND TIRES
WINDSHIELD (FULL)	607255	See WEATHER PROTECTION
FRONT SHIELD WITH WINCH RECIEVER MOUNT	605676	See STEERING SECTION
WOOD STAKE BED RED/BLK	608279	See CARGO BED
PLASTIC BED, RED/BLK	608280	See CARGO BED
CONV CARRIER WHITE/BLUE	608281	See SEATING
WOODSIDE BED WHITE/BLUE	608282	
PLASTIC BED WHITE/BLUE	608283	



A Textron Company

E-Z-GO Division Of Textron, Inc.,
1451 Marvin Griffin Road, Augusta, Georgia USA 30906-3852

TO CONTACT US

North America:

Technical Assistance & Warranty Phone: 1-800-774-3946, FAX: 1-800-448-8124
Service Parts Phone: 1-888-GET-EZGO (1-888-438-3946), FAX: 1-800-752-6175

International:

Phone: 001-706-798-4311, FAX: 001-706-771-4609

Certified ISO 9001 / ISO 14001 by



Copyrighted Material
This manual may not be reproduced in whole or
in part without the express permission of
E-Z-GO Division of Textron, Inc.
Technical Communications Department