



CUSHMAN®
LET'S WORK!

Electric Powered Vehicle Service Parts Manual



624956-BH

ISSUED NOVEMBER 2011

REVISED FEBRUARY 2020

SERVICE PARTS MANUAL

ELECTRIC POWERED UTILITY VEHICLE

SHUTTLE 2

SHUTTLE 4

SHUTTLE 6

STARTING MODEL YEAR 2012

DISCLAIMER: The E-Z-GO Division of Textron Inc. (E-Z-GO) reserves the right to incorporate engineering and design changes to products in this Manual, without obligation to include these changes on units leased/sold previously.

The information contained in this Manual may be revised periodically E-Z-GO, and therefore is subject to change without notice.

E-Z-GO DISCLAIMS LIABILITY FOR ERRORS IN THIS MANUAL, and E-Z-GO SPECIFICALLY DISCLAIMS LIABILITY FOR INCIDENTAL AND CONSEQUENTIAL DAMAGES RESULTING FROM THE USE OF THE INFORMATION AND MATERIALS IN THIS MANUAL.

TO CONTACT US

NORTH AMERICA:

TECHNICAL ASSISTANCE & WARRANTY PHONE: 1-800-774-3946, FAX: 1-800-448-8124

SERVICE PARTS PHONE: 1-888-GET-EZGO (1-888-438-3946), FAX: 1-800-752-6175

INTERNATIONAL: PHONE: 001-706-798-4311, FAX: 001-706-771-4609

E-Z-GO DIVISION OF TEXTRON INC., 1451 MARVIN GRIFFIN RD., AUGUSTA, GEORGIA USA 30906-3852

GENERAL INFORMATION

To obtain a copy of the limited warranty applicable to the vehicle, call or write a local Distributor, authorized Branch or the Warranty Department with vehicle serial number and manufacturer code.

The use of non Original Equipment Manufacturer (OEM) parts may void the warranty.

Overfilling of batteries may void the warranty.

BATTERY PROLONGED STORAGE

All batteries will self discharge over time. The rate of self discharge varies depending on the ambient temperature and the age and condition of the batteries.

A fully charged battery will not freeze in winter temperatures unless the temperature falls below -75° F (-60° C).

As with all electric vehicles, the batteries must be checked and recharged as required or at a minimum of 30 day intervals.

TABLE OF CONTENTS

SECTION	Page No.
HOW TO USE THE SERVICE PARTS MANUAL.....	V
ACCELERATOR PEDAL ASSEMBLY.....	A - 1
BATTERY CHARGER.....	B - 1
BODY - HAULER.....	C - 1
BRAKES.....	D - 1
ELECTRICAL SYSTEM.....	F - 1
ELECTRONIC SPEED CONTROL.....	G - 1
FRONT SUSPENSION - STEERING.....	H - 5
MOTOR.....	J - 1
REAR AXLE.....	K - 1
REAR SUSPENSION.....	L - 1
SEATING.....	M - 1
TRUCKBED.....	N - 1
WEATHER PROTECTION.....	P - 1
WHEELS AND TIRES.....	R - 1

HOW TO USE THE SERVICE PARTS MANUAL

This manual is divided into several sections:

- GENERAL INFORMATION
- ILLUSTRATED PARTS BREAKDOWN
- APPENDIX

The first section, GENERAL INFORMATION, contains the following information:

- WARRANTY INFORMATION
- GENERAL INDEX
- HOW TO USE THE SERVICE PARTS MANUAL

The second section, ILLUSTRATED PARTS BREAKDOWN, contains illustrations and parts lists for all systems of your vehicle.

The third section, APPENDIX, contains a listing of specialty products and accessories.

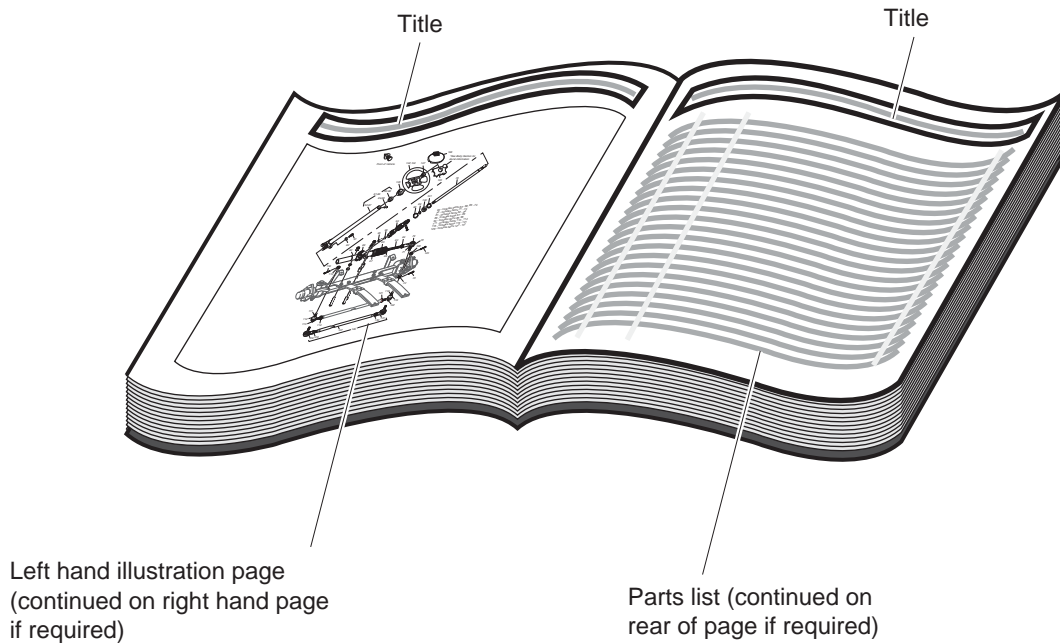
USE OF THE MANUAL

To use this manual, consult the GENERAL INDEX to locate the information or illustration required.

Introduction of some revisions varies due to supply of components; therefore, it is possible that various combinations of components may be found that are not directly reflected by each illustration. Consult the illustration that best suits your situation and then contact the Service Parts Department. It is important that the serial number of your vehicle and its model number be supplied to Service Parts when ordering any replacement components.

Locate the serial number plate (see BODY located in the Illustrated Parts Breakdown section of this manual for its location) and note the complete number shown on the plate.

HOW TO USE THE SERVICE PARTS MANUAL



1. WHEN THE PART NUMBER IS NOT KNOWN

- Determine the function and application of the part required. Turn to the General Index and select the most appropriate title.
- Turn to the page number indicated and locate the desired part on the illustration.
- From the illustration, obtain the item number assigned to the desired part. Refer to the accompanying description for specific information regarding the part.

2. IF YOU KNOW THE PART NUMBER

- Locate the part number or description in the appropriate column on the parts list page.

NOTE: It is suggested that you confirm that the part selected is correct by verifying it with the pictorial representation on the illustrated page.

Should an asterisk (*) appear in the part number column on the parts list page, read upwards until a part number is found. The part number is the lowest assembly sold by Service Parts and the asterisk (*) indicates that the part depicted is not available for purchase.

NOTE: Descriptions are indented under the assembly that they are used on. That assembly is, in turn listed under the assembly that it is used on. This process is repeated until the highest final assembly is reached.

To facilitate the maintenance and repair of the vehicle, a Technician's Repair and Service Manual is available from the Service Parts Department.

HOW TO USE THE SERVICE PARTS MANUAL

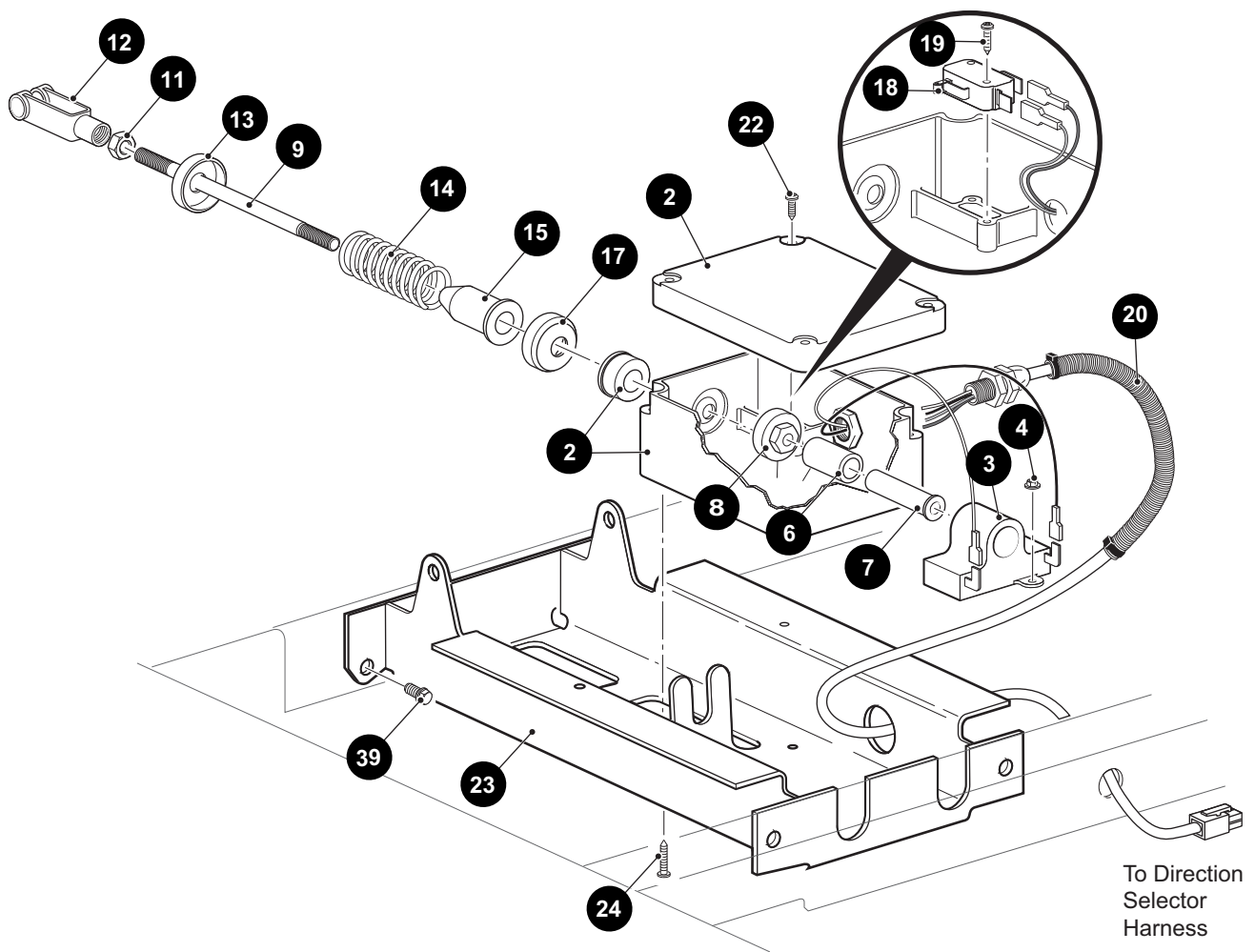
3. COLOR CODE FOR BODY COMPONENTS

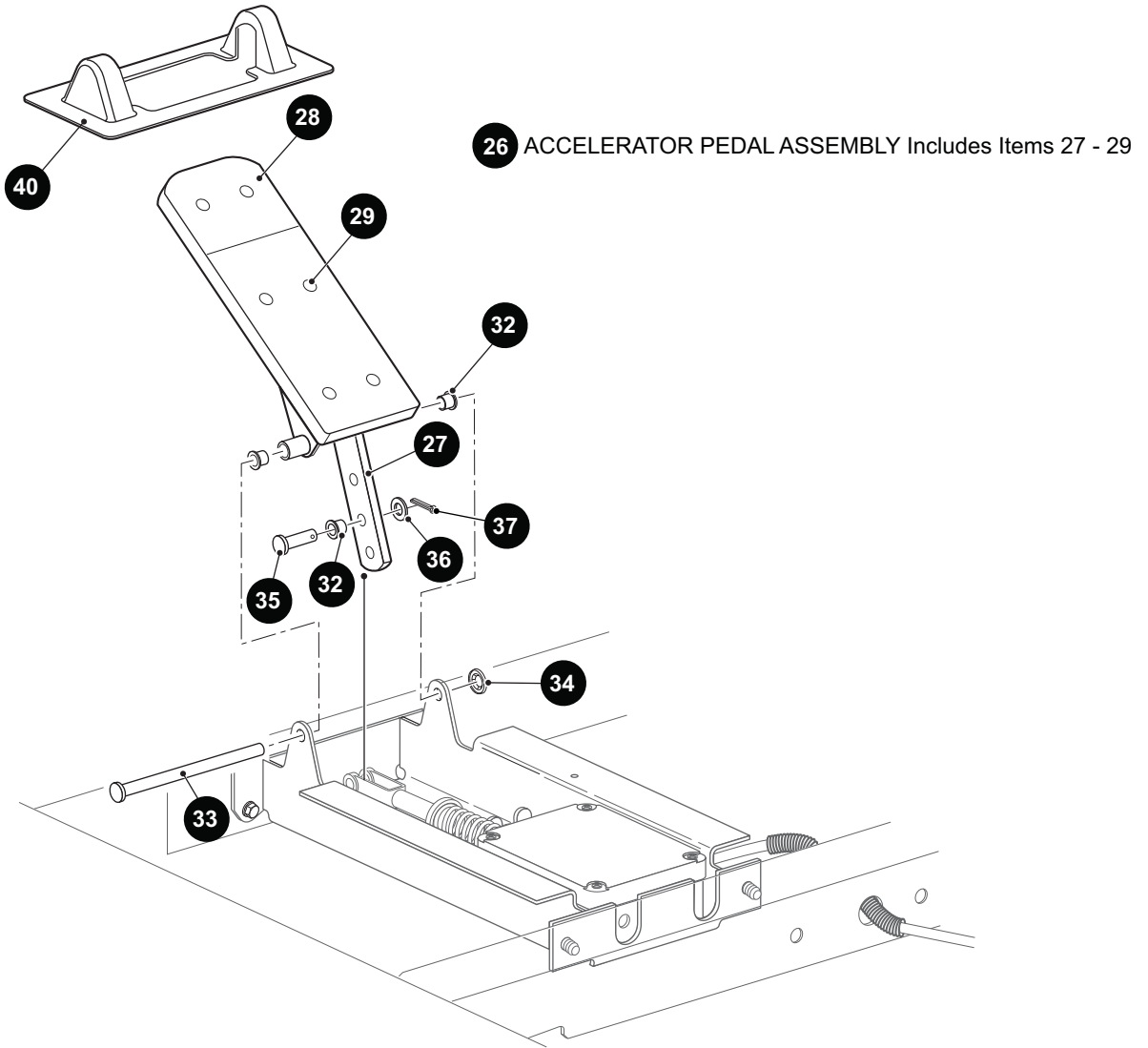
The last two digits of the part number for the body part will denote the color code, locate the part number for the cowl, rear body, seat pod, side panel or seat wrap then locate your color in the list below, replace the last ** or XX with the two digit color code.

<u>CODE #</u>	<u>DESCRIPTION</u>	<u>CODE #</u>	<u>DESCRIPTION</u>
01	NO PAINT	53	MOSSY OAK NEW BREAK UP - DIPPED
02	SPECIAL COLOR	54	MOSSY OAK OBSESSION - DIPPED
05	JACOBSEN ORANGE	55	REALTREE ADVANTAGE MAX 4 - DIPPED
06	LIGHT GOLD PEARL	56	REALTREE HARDWOOD BROWN - DIPPED
07	SILVER PEARL METALIC	57	REALTREE AP HOT PINK - DIPPED
11	BLACK	58	BLACK / SILVER MARBLE - DIPPED
12	EMERALD GREEN PEARL	59	RED / SILVER MARBLE - DIPPED
13	CLOUD GRAY	60	HOT PINK / SILVER MARBLE - DIPPED
14	VIPER BLUE METALLIC	61	REALTREE AP
19	PATRIOT BLUE PEARL	62	REALTREE MAX 4
20	INFERNO RED METALLIC	63	MOSSY OAK BREAKUP
23	ADVANTAGE CLASSIC CAMO	64	MOSSY OAK TREESTAND
24	NATURAL	65	REALTREE APG
25	VIVID NEW HOLLAND BLUE	66	REALTREE MAX 1
26	STEEL BLUE PEARL	67	REALTREE AP PINK
27	BRIGHT SILVER METALLIC	68	REALTREE AP - DIPPED
29	PRIMER ONLY	69	MONSTER GREEN
30	HD ADVANTAGE CAMO	74	BARLEY GOLD
31	METALLIC CHARCOAL	75	OASIS GREEN
32	LIGHT ALMOND PEARL	76	JAVA BROWN
33	TIMBERLINE GREEN	79	JACOBSEN ORANGE 172
34	DEEP MOLTEN RED		
35	SAFETY YELLOW		
36	IVORY		
37	FOREST GREEN		
38	BRIGHT WHITE		
39	FLAME RED		
40	BLACK		
41	ELECTRIC BLUE		
42	PLATINUM		
43	BURGUNDY		
44	ALMOND		
45	BLACK		
46	FLAME RED		
47	BURLINGTON GREEN		
48	BLACK		
49	FLAME RED		
50	RECON GREEN		
51	SUNBURST ORANGE		
52	BRITISH RACING GREEN		

ACCELERATOR

1 PEDAL BOX ASSEMBLY Includes Items 2 - 37





ACCELERATOR

When ordering parts, please specify the model and serial number of the product.

* Indicates a component that is not available as an individual part.

*** Indicates consult Customer Service Department for additional information.

ITEM	PART NO.	1 2 3 4 5	DESCRIPTION	QTY.
1	<u>73333G07</u>		PEDAL BOX ASSEMBLY (INCLUDES ITEMS 2 - 37).....	1
2	<u>25853G01</u>		PEDAL BOX AND COVER (SEAL AND BEARING).....	1
3	<u>25854G01</u>		INDUCTIVE THROTTLE SENSOR.....	1
4	<u>00983G01</u>		SELF THREADING NUT, 3/16".....	2
5				
6	<u>25857G01</u>		PLUNGER SLEEVE.....	1
7	<u>28443G01</u>		PLUNGER.....	1
8	<u>28444G01</u>		PLUNGER CAM.....	1
9	<u>73332G01</u>		ACCELERATOR ROD	1
10				
11	<u>00532G4</u>		LOCK NUT, 5/16 - 24	1
12	<u>10385G4</u>		YOKE (ADJUSTABLE).....	1
13	<u>17677G2</u>		SPRING RETAINER, 3/8"	1
14	<u>73046G01</u>		COMPRESSION SPRING	1
15	<u>17979G1</u>		ACCELERATOR ROD BUSHING	1
16				
17	<u>17677G1</u>		SPRING RETAINER, 1/2"	1
18	<u>25861G02</u>		MICRO SWITCH	1
19	<u>01050G01</u>		SCREW, #4 - 20 X 5/8" LG	2
20	<u>25879G06</u>		WIRING HARNESS (PEDAL BOX ASSEMBLY).....	1
21				
22	<u>00684G6</u>		SCREW, #8 - 32 X 3/4" LG	2
23	<u>652241G03</u>		ACCELERATOR PEDAL BRACKET	1
24	<u>01051G01</u>		SCREW, #8 - 16 X 1/2" LG	4
25				
26	<u>25799G03</u>		ACCELERATOR PEDAL ASSEMBLY (INCLUDES ITEMS 27 - 29)	1
27	<u>652824</u>		ACCELERATOR PEDAL	1
28	<u>27512G01</u>		ACCELERATOR PEDAL PAD	1
29	<u>16409G1</u>		OVAL RIVET 3/16" X 7/16" LG	6
30				
31				

When ordering parts, please specify the model and serial number of the product.

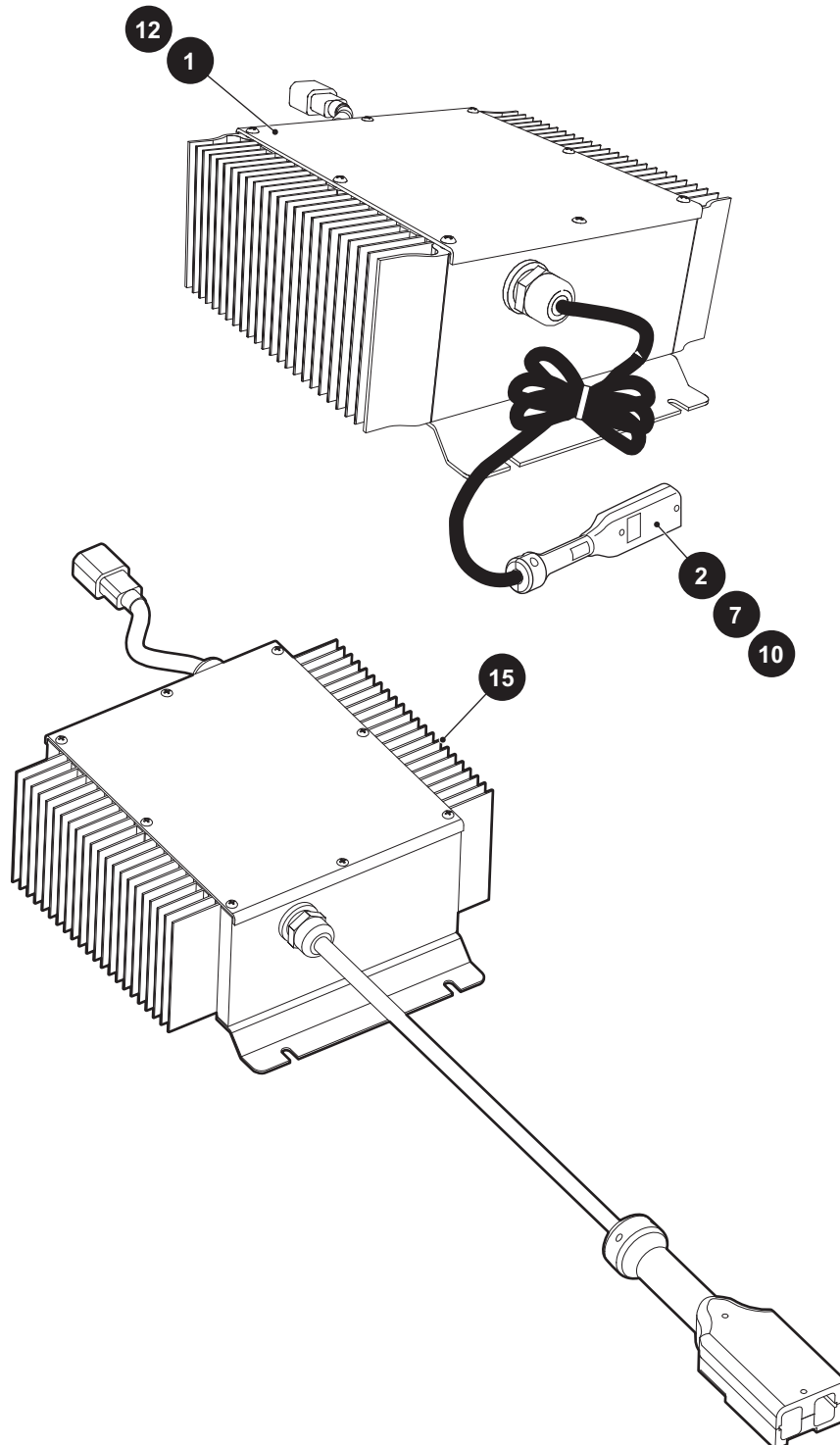
* Indicates a component that is not available as an individual part.

*** Indicates consult Customer Service Department for additional information.

ITEM	PART NO.	1 2 3 4 5	DESCRIPTION	QTY.
32	<u>17838G1</u>		BUSHING	3
33	<u>74432G01</u>		PEDAL PIVOT PIN	1
34	<u>12064G6</u>		PUSHNUT, 9/32" I.D.	1
35	<u>10386G3</u>		CLEVIS PIN, 5/16" X 13/16" LG	1
36	<u>17255G1</u>		TEFLON WASHER, 5/16"	1
37	<u>10387G3</u>		COTTER PIN, 3/32" X 3/4" LG	1
38				
39	<u>00715G2</u>		BOLT, 5/16 - 18 X 13/16" LG.....	4
40	<u>70135G01</u>		PEDAL PIVOT COVER.....	1

BATTERY CHARGER

- 1 48V BATTERY CHARGER WITH 10' DC CORD includes Item 2 - 3
- 6 48V BATTERY CHARGER WITH 10' DC CORD includes Item 7, 12 -13
- 9 48V BATTERY CHARGER WITH 18' DC CORD includes Item 10, 12 -13



BATTERY CHARGER

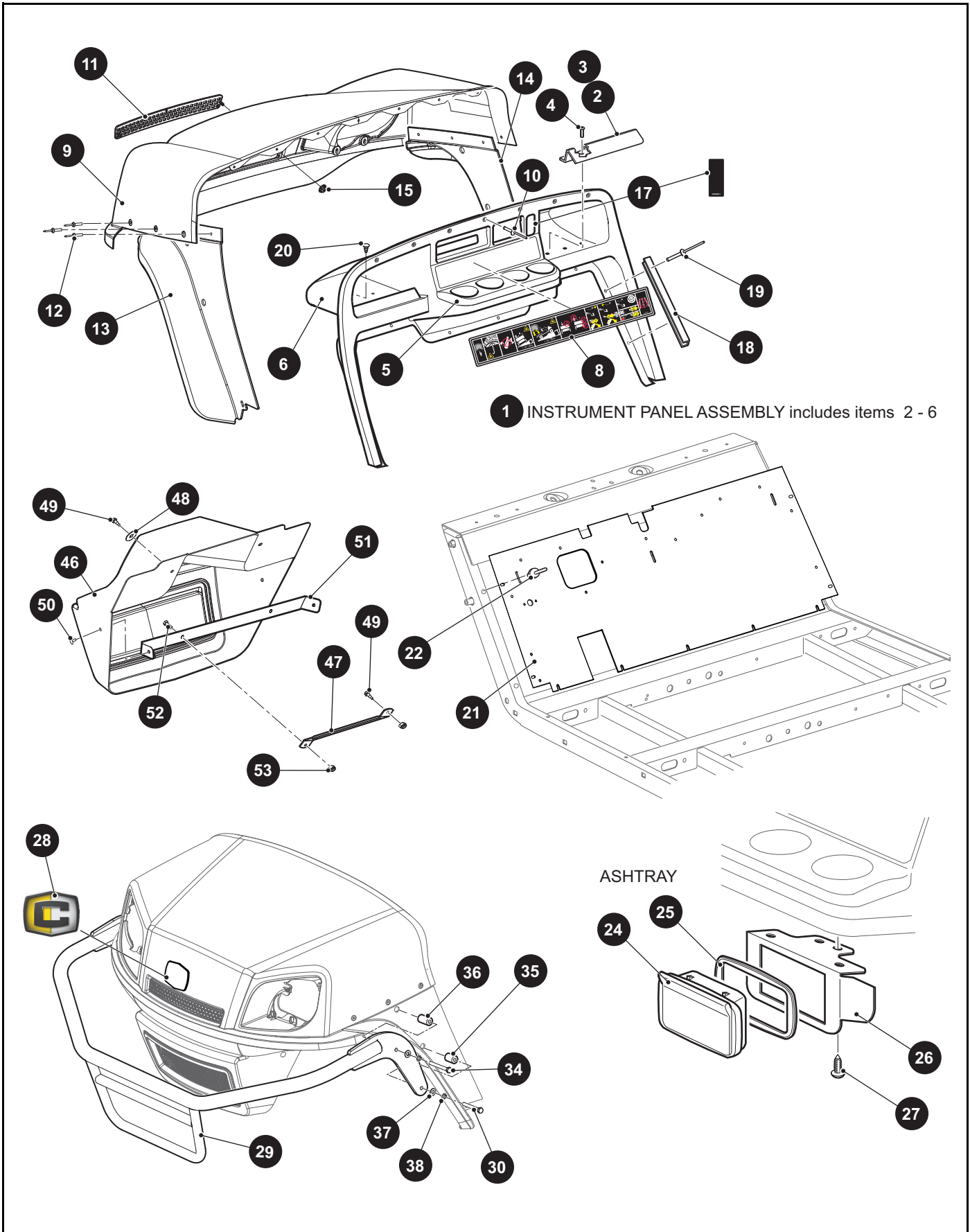
When ordering parts, please specify the model and serial number of the product.

* Indicates a component that is not available as an individual part.

*** Indicates consult Customer Service Department for additional information.

ITEM	PART NO.	1 2 3 4 5	DESCRIPTION	QTY.
1	603869		48V BATTERY CHARGER WITH 10' DC CORD (INCLUDES ITEMS 2 - 3) ..	1
2	<u>600463G02</u>		48V DC CABLE ASSEMBLY	1
3	<u>600462G01</u>		AC POWER CORD (NOT SHOWN).....	1
4				
5				
6	<u>600341G03</u>		48V BATTERY CHARGER WITH 10' DC CORD (INCLUDES ITEMS 7, 12 - 13)	1
7	<u>600463G02</u>		48V DC CABLE ASSEMBLY, 10'	1
8				
9	<u>600341G04</u>		48V BATTERY CHARGER WITH 18' DC CORD (INCLUDES ITEMS 10, 12 - 13)	1
10	600463G04		48V DC CABLE ASSEMBLY, 18'	1
11				
12	<u>600340G02</u>		48V BATTERY CHARGER	1
13	<u>600462G01</u>		AC CORD (NOT SHOWN)	1
14				
15	<u>649420</u>		48V BATTERY CHARGER, 3 METER CORD	1

BODY



When ordering parts, please specify the model and serial number of the product.

* Indicates a component that is not available as an individual part.

*** Indicates consult Customer Service Department for additional information.

ITEM	PART NO.	1 2 3 4 5	DESCRIPTION	QTY.
1	<u>71151G01</u>		INSTRUMENT PANEL ASSEMBLY (INCLUDES ITEMS 2 - 6).....	1
2	<u>71153G01</u>		DEFLECTOR (PASSENGER SIDE).....	1
3	<u>71154G01</u>		DEFLECTOR (DRIVER SIDE).....	1
4	00614G3		PAN HEAD PHILLIPS SCREW, #8 - 15 X 3/8" LG.....	4
5	<u>71158G01</u>		INSTRUMENT PANEL INSERT (FOUR CUP)	1
6	71152G01		INSTRUMENT PANEL.....	1
7				
8	<u>601781</u>		OPERATOR INSTRUCTION DECAL.....	1
9	613036GXX		COWL (See COLOR CODE in HOW TO USE section)	1
10	<u>71055G01</u>		RIVET, 3/16" X 1" LG	7
11	<u>617643</u>		GRILL COVER.....	1
12	<u>71055G01</u>		RIVET, 3/16" X 1" LG.....	6
13	<u>614378</u>		FENDER FLARE (DRIVER SIDE)	1
14	<u>613274</u>		FENDER FLARE (PASSENGER SIDE).....	1
15	<u>71597G01</u>		SELF-THREADING NUT, 3/16" X 19/32"	2
16				
17	<u>35968G01</u>		T-HOLDER COVER DECAL (SHUTTLE 4)	1
18	<u>71115G01</u>		VINYL TRIM	2
19	<u>71055G01</u>		RIVET, 3/16" X 1" LG	10
20	<u>16816G2</u>		RATCHET FASTENER, 1/4" X 3/4" LG.....	4
21	<u>641260</u>		UPPER FLOORPAN	1
22	<u>14601G11</u>		RIVET (ALUMINUM), 3/16" X 9/16" LG	16
23				
24	27731G01		ASHTRAY	1
25	27736G01		GASKET.....	1
26	<u>75108G02</u>		BRACKET	1
27	<u>00106G6</u>		PAN HEAD PHILLIPS SCREW, #12 - 14 X .75" LG	4
28	<u>619135</u>		CUSHMAN COWL DECAL	1
29	617620		BRUSHGUARD.....	1
30	<u>00440G2</u>		HEX HEAD BOLT, 5/16" - 18 X 2 1/4" LG	2
31				

BODY

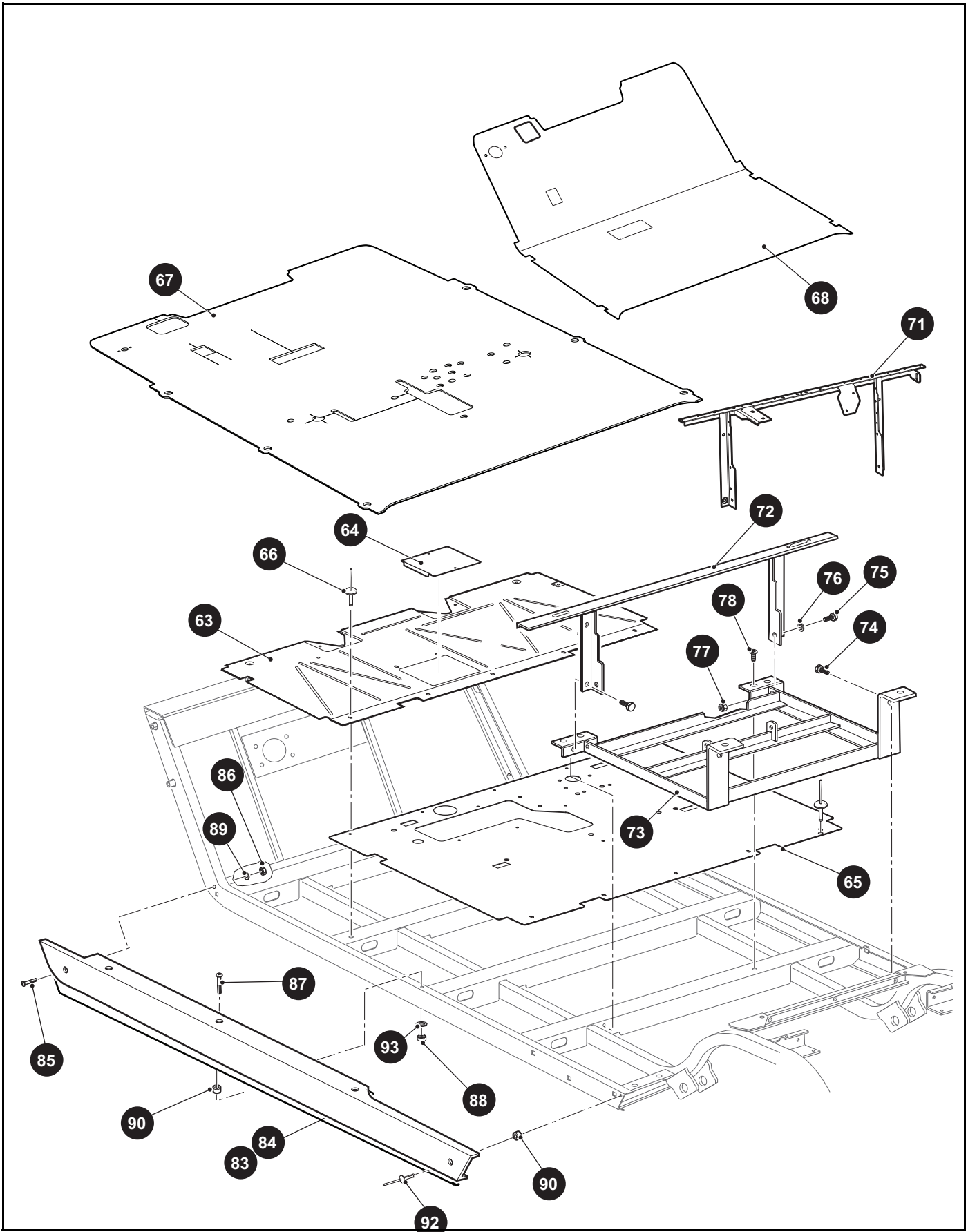
When ordering parts, please specify the model and serial number of the product.

* Indicates a component that is not available as an individual part.

*** Indicates consult Customer Service Department for additional information.

ITEM	PART NO.	1 2 3 4 5	DESCRIPTION	QTY.
32				
33				
34	<u>00440G6</u>		HEX HEAD BOLT, 5/16" - 18 X 2 3/4" LG.....	2
35	<u>75048G04</u>		SPACER, 1".....	2
36	<u>75048G01</u>		SPACER, 1/2".....	2
37	00559G8		FLAT WASHER, 5/16".....	4
38	<u>00565G8</u>		LOCK WASHER, 5/16".....	4
39				
40				
41				
42				
43				
44				
45				
46	<u>613273</u>		FRONT FASCIA.....	1
47	<u>654276</u>		FRONT SHIELD BRACE.....	2
48	<u>16469G1</u>		FENDER WASHER, 9/32" I.D. X 1 1/4" O.D.	2
49	<u>01038G01</u>		HEX HEAD BOLT, 1/4" - 20 X 3/4" LG.....	4
50	<u>15058G1</u>		RIVET (ALUMINUM), 3/16" X 4/9" LG.....	2
51	<u>654275</u>		FASCIA BRACKET.....	1
52	<u>00414G6</u>		HEX HEAD BOLT, 1/4" - 20 X 3/4" LG.....	2
53	<u>14390G4</u>		HEX NUT, 1/4" - 20.....	2
54				
55				
56				
57				
58				
59				
60				
61				
62				

BODY



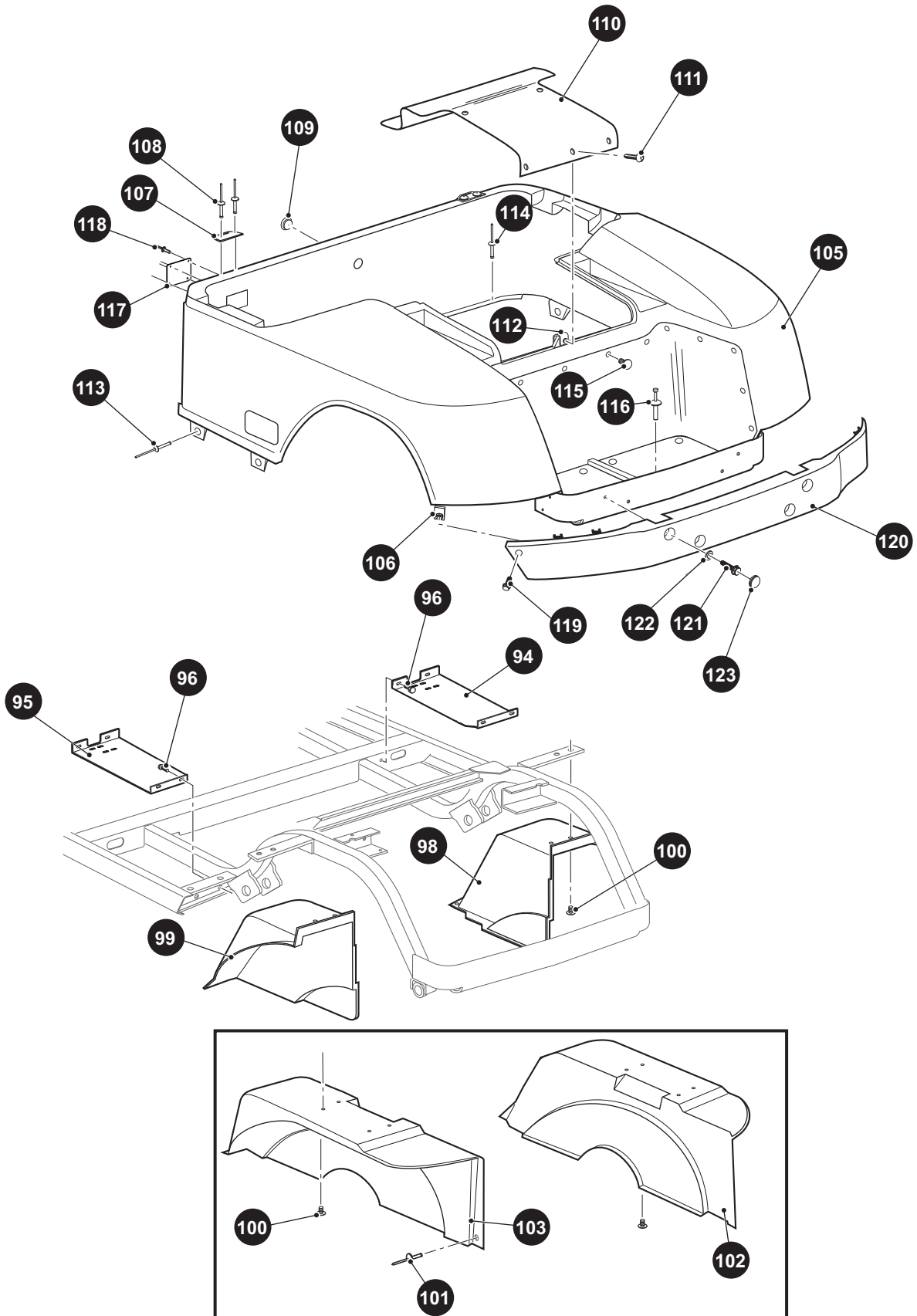
When ordering parts, please specify the model and serial number of the product.

* Indicates a component that is not available as an individual part.

*** Indicates consult Customer Service Department for additional information.

ITEM	PART NO.	1 2 3 4 5	DESCRIPTION	QTY.
63	<u>70451G01</u>		LOWER FLOORPAN	1
64	<u>70452G01</u>		ACCESS COVER.....	1
65	<u>648840</u>		REAR FLOORPAN.....	1
66	<u>10570G10</u>		RIVET (SS), 5/32" X 9/16" LG.....	5
67	<u>652139G02</u>		FLOORMAT WITH HORN HOLE (SHUTTLE 4 AND 6).....	1
68	<u>70663G04</u>		FLOOR MAT WITH HORN HOLE (SHUTTLE 2 ONLY).....	1
69				
70				
71	<u>605694</u>		SEAT FRAME WELDMENT	1
72	<u>70441G01</u>		SEAT FRAME	1
73	<u>652254G03</u>		BATTERY RACK	1
74	<u>00715G2</u>		HEX HEAD BOLT, 5/16" - 18 X 13/16" LG	4
75	00438G6		HEX HEAD BOLT, 5/16" - 18 X 3/4" LG	2
76	00559G8		FLAT WASHER, 5/16".....	2
77	11098G6		LOCK NUT, 5/16" - 18.....	2
78	<u>70200G01</u>		TORX TRUSS HEAD SCREW, 3/8" - 16 X 3/4" LG	2
79				
80				
81				
82				
83	<u>618889</u>		ROCKER PANEL (DRIVER SIDE) (SHUTTLE 4 AND 6 ONLY)	1
84	<u>618888</u>		ROCKER PANEL (PASSENGER SIDE) (SHUTTLE 4 AND 6 ONLY).....	1
85	<u>00789G2</u>		PHILLIPS TRUSS HEAD SCREW #10 - 24 X 1.25" LG	2
86	<u>14390G10</u>		LOCK NUT, #10 - 24	2
87	<u>16705G1</u>		TRUSS HEAD PHILIPS SCREW (SS), 1/4" - 20 X 1" LG.....	6
88	<u>14390G4</u>		LOCK NUT, 1/4" - 20	6
89	<u>00660G5</u>		FLAT WASHER, #10	2
90	<u>23726G4</u>		SPACER, 5/16"	8
91				
92	<u>15058G6</u>		RIVET (ALUMINUM), 3/16" X 15/16" LG	2
93	<u>00559G7</u>		FLAT WASHER, .577" (SHUTTLE 2).....	4

BODY



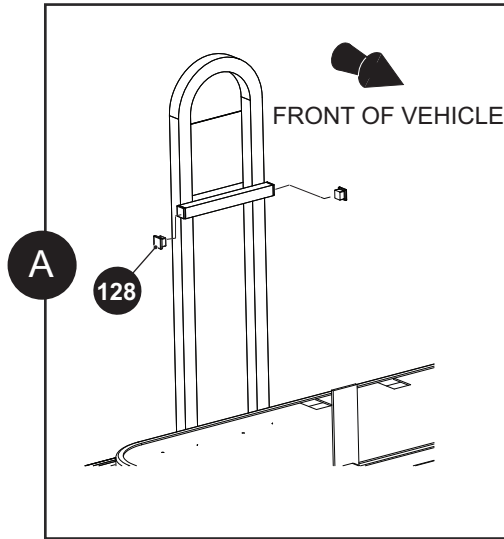
When ordering parts, please specify the model and serial number of the product.

* Indicates a component that is not available as an individual part.

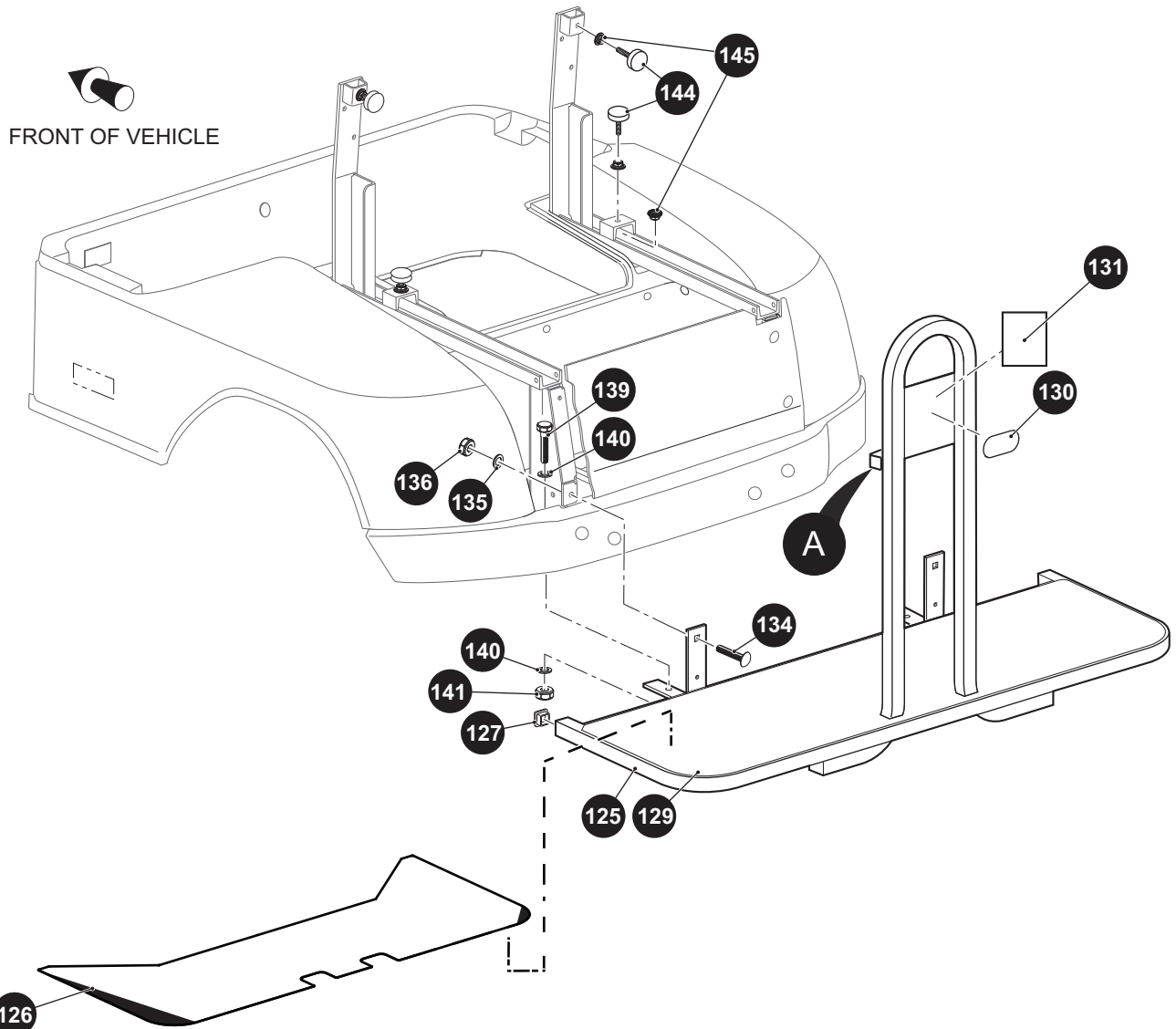
*** Indicates consult Customer Service Department for additional information.

ITEM	PART NO.	1 2 3 4 5	DESCRIPTION	QTY.
94	<u>652443G203</u>		BATTERY TRAY (PASSENGER SIDE).....	1
95	<u>652443G103</u>		BATTERY TRAY (DRIVER SIDE)	1
96	<u>00715G2</u>		HEX HEAD BOLT, 5/16" - 18 X 13/16" LG	8
97				
98	<u>635054G02</u>		FENDER (PASSENGER SIDE)	1
99	<u>635054G01</u>		FENDER (DRIVER SIDE).....	1
100	<u>16816G2</u>		RATCHET FASTENER	8
101	<u>14601G17</u>		RIVET, 3/16" X 9/16" LG	2
102	<u>74892G01</u>		FENDER (DRIVER SIDE) (SHUTTLE 2)	1
103	<u>74892G02</u>		FENDER (PASSENGER SIDE) (SHUTTLE 2).....	1
104				
105	<u>71331G0XX</u>		REAR BODY WITH LNR AND WITH LIGHT (See COLOR CODE in HOW TO USE SECTION)	1
106	<u>71554G01</u>		J-TYPE NUT RETAINER, 1/4" - 20	2
107	<u>71609G01</u>		HINGE PLATE.....	2
108	<u>10570G11</u>		RIVET (SS), 3/16" X 3/4" LG.....	4
109	<u>71316G01</u>		PLUG	1
110	<u>71320G01</u>		ACCESS PANEL	1
111	<u>01107G01</u>		PAN HEAD TORX SCREW, #8 X 5/8" LG	5
112	<u>71364G02</u>		'J' CLIP, #8	1
113	<u>10570G12</u>		RIVET (ALUMINUM), 1/4" X 9/16" LG	2
114	<u>10570G10</u>		RIVET (SS), 5/32" X 9/16" LG.....	6
115	<u>16816G1</u>		RATCHET FASTENER, 1/4" X 3/4" LG.....	20
116	<u>18436G1</u>		PLASTIC DRIVE RIVET, 1/4" X 9/16" LG	2
117	<u>73173G02</u>		COVER PLATE	1
118	<u>71055G01</u>		RIVET (ALUMINUM), 3/16" X 1" LG	4
119	<u>71102G01</u>		HEX HEAD BOLT, 1/4" - 20 X 3/4" LG	2
120	<u>71456G01</u>		REAR BUMPER.....	1
121	<u>71102G01</u>		HEX HEAD BOLT, 1/4" - 20 X 3/4" LG	2
122	<u>00571G2</u>		FLAT WASHER, 5/16".....	2
123	<u>71455G01</u>		BUMPER PLUG	4

BODY



124 FOOT REST ASSEMBLY includes items 125 - 128



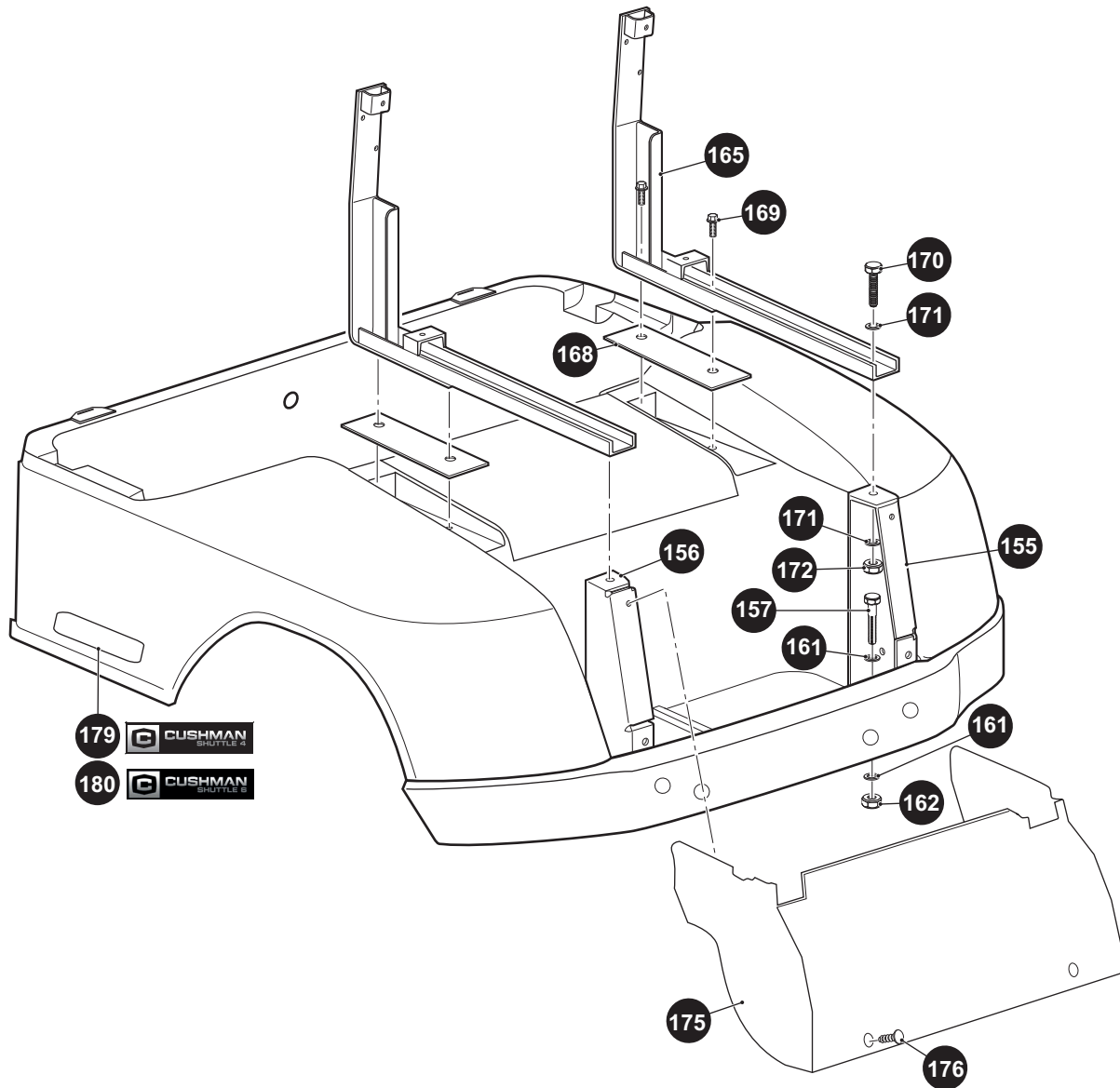
When ordering parts, please specify the model and serial number of the product.

* Indicates a component that is not available as an individual part.

*** Indicates consult Customer Service Department for additional information.

ITEM	PART NO.	1 2 3 4 5	DESCRIPTION	QTY.
124	<u>70361G02</u>		FOOT REST ASSEMBLY (INCLUDES ITEMS 125 - 128).....	1
125	<u>70633G01</u>		FOOT REST	1
126	640652		FOOT REST GRIPTAPE	1
127	<u>19853G1</u>		END CAP.....	2
128	<u>19859G1</u>		END CAP.....	2
129	<u>70362G01</u>		FLOORMAT	1
130	74129G01		REFLECTOR	1
131	<u>608537</u>		REAR SEAT FACING WARNING LABEL	1
132				
133				
134	<u>00769G2</u>		CARRIAGE BOLT, 3/8" - 16 X 1 1/4" LG.....	2
135	<u>00560G1</u>		FLAT WASHER, 3/8".....	2
136	<u>11098G5</u>		LOCK NUT, 3/8" - 16.....	2
137				
138				
139	<u>00427G6</u>		HEX HEAD BOLT, 3/8" - 16 X 1 3/4" LG	2
140	<u>00560G1</u>		FLAT WASHER, 3/8".....	4
141	<u>11098G5</u>		LOCK NUT, 3/8" - 16.....	2
142				
143				
144	<u>70113G01</u>		ADJUSTABLE BUMPER.....	4
145	<u>11027G1</u>		LOCK NUT, 5/16" - 18.....	6
146				
147				
148				
149				
150				
151				
152				
153				
154				

BODY



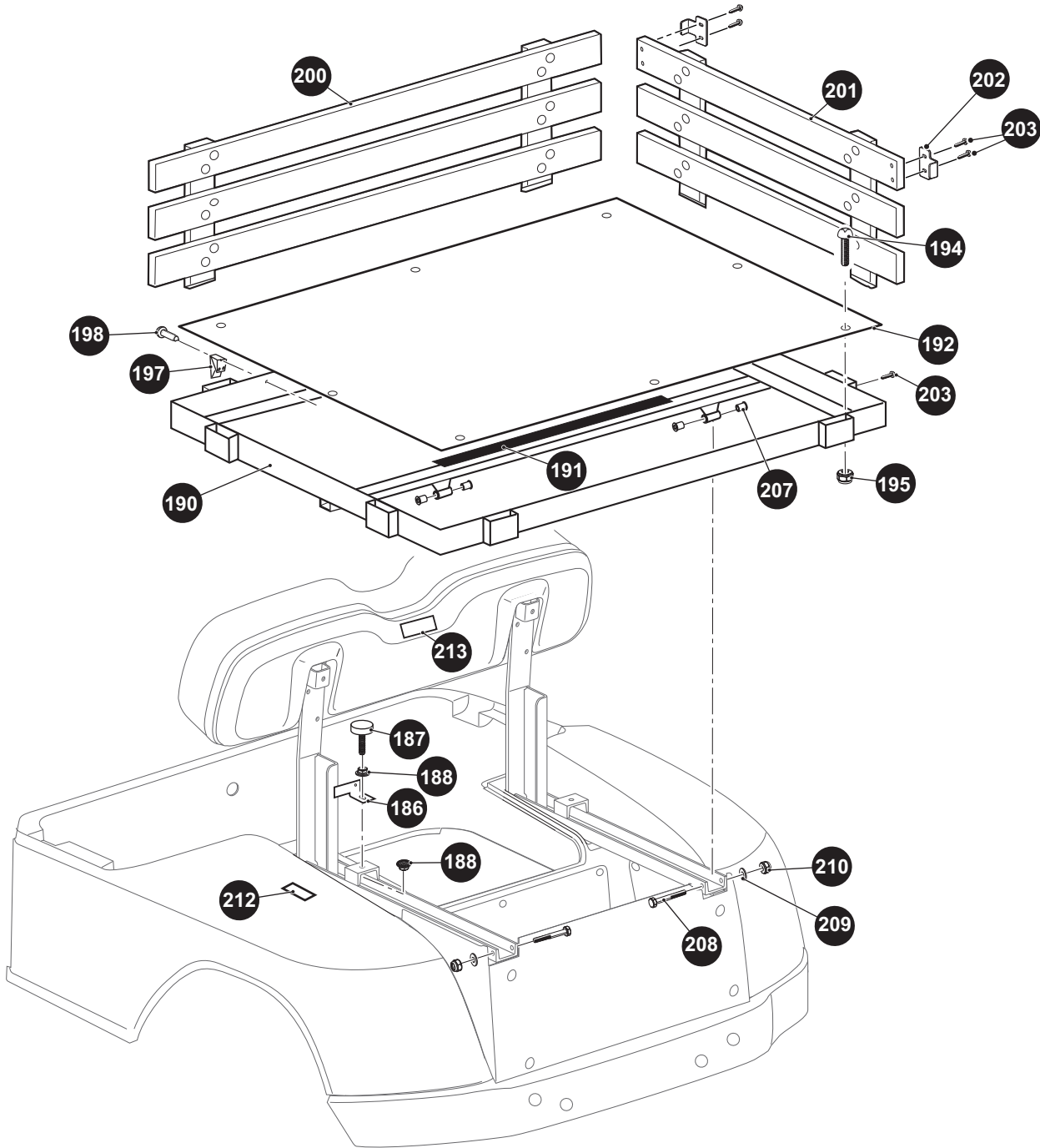
When ordering parts, please specify the model and serial number of the product.

* Indicates a component that is not available as an individual part.

*** Indicates consult Customer Service Department for additional information.

ITEM	PART NO.	1 2 3 4 5	DESCRIPTION	QTY.
155	<u>74126G01</u>		VERTICAL FRAME SUPPORT (DRIVER SIDE)	1
156	<u>74126G02</u>		VERTICAL FRAME SUPPORT (PASSENGER SIDE)	1
157	<u>00427G4</u>		HEX HEAD BOLT, 3/8" - 16 X 1 1/2" LG (SHUTTLE 4)	2
158				
159				
160				
161	<u>00560G1</u>		FLAT WASHER, 3/8"	4
162	<u>11098G5</u>		LOCK NUT, 3/8" - 16	2
163				
164				
165	<u>74111G01</u>		SEAT BACK SUPPORT (SHUTTLE)	2
166				
167				
168	<u>70364G01</u>		SPACER, 8.45" X 2" (SHUTTLE 6)	2
169	<u>01006G01</u>		HEX WASHER HEAD BOLT, 3/8" - 16 X 1 1/4" LG	4
170	<u>00426G8</u>		HEX HEAD BOLT, 3/8" - 16 X 1" LG	2
171	<u>00560G1</u>		FLAT WASHER, 3/8"	4
172	<u>11098G5</u>		LOCK NUT, 3/8" - 16	2
173				
174				
175	<u>74890G01</u>		VALANCE PANEL	1
176	<u>16816G2</u>		RATCHET FASTENER, 1/4" X 3/4" LG	2
177				
178				
179	<u>619146</u>		CUSHMAN DECAL (SHUTTLE 4)	1
180	<u>619148</u>		CUSHMAN DECAL (SHUTTLE 6)	1
181				
182				
183				
184				
185				

BODY



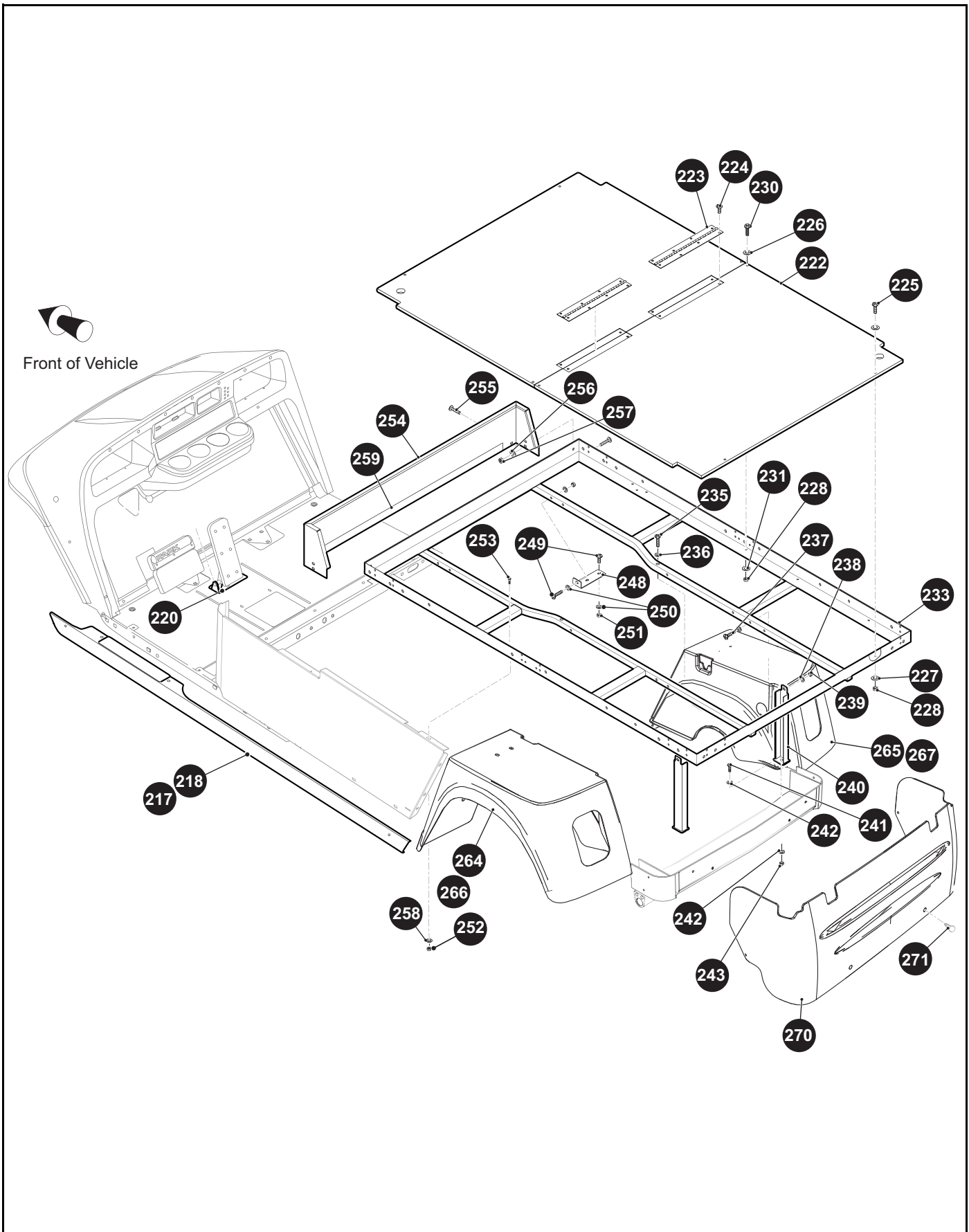
When ordering parts, please specify the model and serial number of the product.

* Indicates a component that is not available as an individual part.

*** Indicates consult Customer Service Department for additional information.

ITEM	PART NO.	1 2 3 4 5	DESCRIPTION	QTY.
186	<u>72914G01</u>		HOLD DOWN BRACKET	1
187	<u>70113G01</u>		ADJUSTABLE BUMPER.....	2
188	<u>11027G1</u>		LOCK NUT, 5/16" - 18.....	4
189				
190	<u>74080G01</u>		CARGO DECK (SHUTTLE 4)	1
191	23052G1		NOISE SUPPRESSOR.....	1
192	<u>655936</u>		CARGO DECKBOARD	1
193				
194	<u>16705G9</u>		TRUSS HEAD PHILLIPS SCREW (SS), 1/4" - 20 X 1.25" LG.....	8
195	<u>14390G4</u>		LOCK NUT, 1/4" - 20.....	8
196				
197	72913G01		LATCH.....	1
198	<u>00100G6</u>		SELF TAPPING SCREW, #10 - 16 X 3/4" LG.....	3
199				
200	<u>34280G02</u>		FRONT/REAR CARGO RACK.....	2
201	<u>34280G01</u>		SIDE CARGO RACK.....	2
202	<u>74079G02</u>		TAILGATE RETAINER BRACKET	4
203	00666G6		TAPPING SCREW, #10 - 12 X 3/4" LG.....	14
204				
205				
206				
207	<u>17838G1</u>		NYLON BUSHING, .5"	4
208	<u>00440G4</u>		HEX HEAD BOLT, 5/16" - 18 X 2 1/2" LG	2
209	00559G8		FLAT WASHER, 5/16".....	2
210	11098G6		LOCK NUT, 5/16" - 18.....	2
211				
212	<u>74099G01</u>		BED LATCH, WARNING LABEL (SHUTTLE 4)	1
213	<u>74095G01</u>		LOAD BED, WARNING LABEL (SHUTTLE 4).....	1
214				
215				
216				

BODY



When ordering parts, please specify the model and serial number of the product.

* Indicates a component that is not available as an individual part.

*** Indicates consult Customer Service Department for additional information.

ITEM	PART NO.	1 2 3 4 5	DESCRIPTION	QTY.
217	<u>619094</u>		ROCKER PANEL (DRIVER SIDE) (SHUTTLE 2)	1
218	<u>619095</u>		ROCKER PANEL (PASSENGER SIDE) (SHUTTLE 2).....	1
219				
220	<u>70135G01</u>		PEDAL PIVOT COVER.....	1
221				
222	<u>646092</u>		CARGO DECK (SHUTTLE 2)	2
223	<u>33121G01</u>		HINGE.....	2
224	16705G3		TRUSS HEAD PHILLIPS SCREW (SS), 1/4" - 20 X 3/4" LG.....	8
225	<u>16705G9</u>		TRUSS HEAD PHILLIPS SCREW (SS), 1/4" - 20 X 1 1/4" LG.....	2
226	<u>00559G7</u>		FLAT WASHER, 1/4"	4
227	<u>00559G7</u>		FLAT WASHER, 1/4"	2
228	<u>00654G2</u>		LOCK NUT, 1/4" - 20	4
229				
230	<u>00753G5</u>		TRUSS HEAD PHILLIPS SCREW, 1/4" - 20 X 2" LG	2
231	<u>16469G1</u>		FENDER WASHER, 1/4"	2
232				
233	<u>72956G01</u>		BED FRAME	1
234				
235	<u>01075G01</u>		HEX HEAD BOLT, 3/8" - 16 X 2 3/4" LG	2
236	<u>00571G3</u>		FLAT WASHER, 3/8"	2
237	<u>00439G6</u>		HEX HEAD BOLT, 5/16" - 18 X 1 3/4" LG	4
238	00559G8		FLAT WASHER, 5/16"	8
239	11098G6		LOCK NUT, 5/16" - 18	4
240	<u>72982G01</u>		BRACKET	2
241	00438G6		HEX HEAD BOLT, 5/16" - 18 X 3/4" LG	2
242	00559G8		FLAT WASHER, 5/16"	2
243	11098G6		LOCK NUT, 5/16" - 18	2
244				
245				
246				
247				

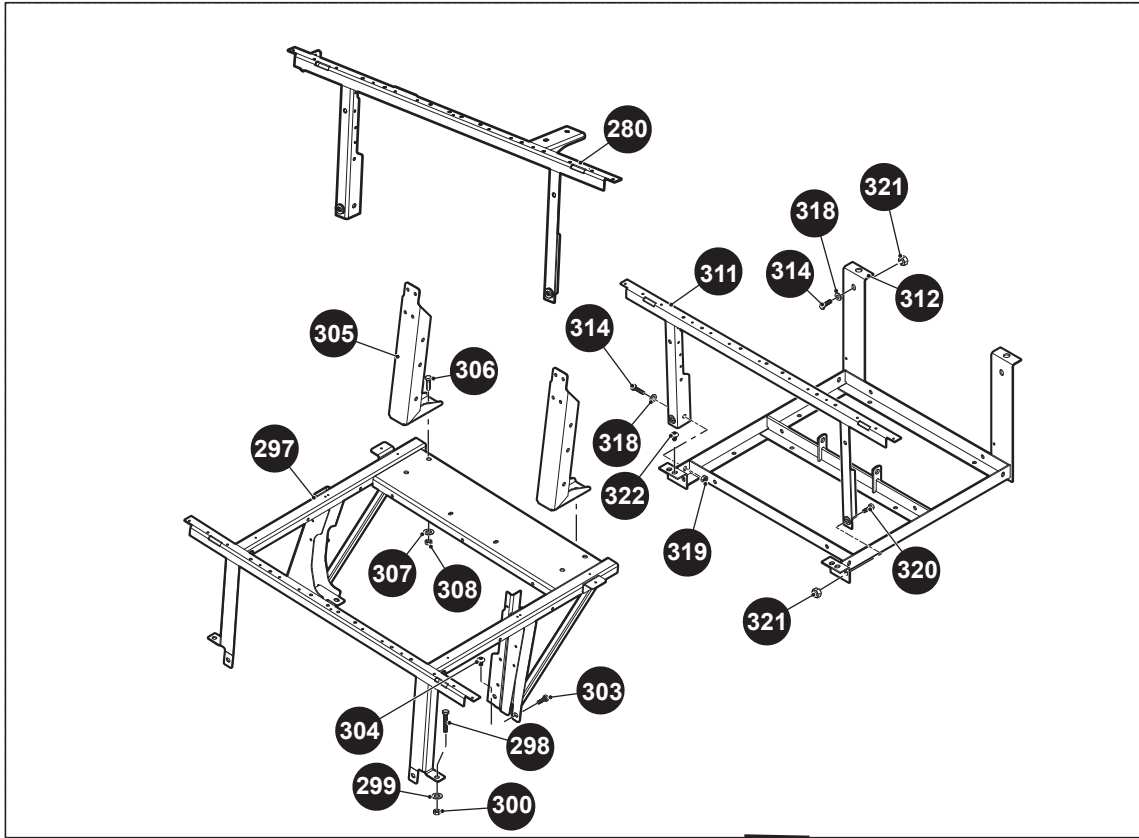
BODY

When ordering parts, please specify the model and serial number of the product.

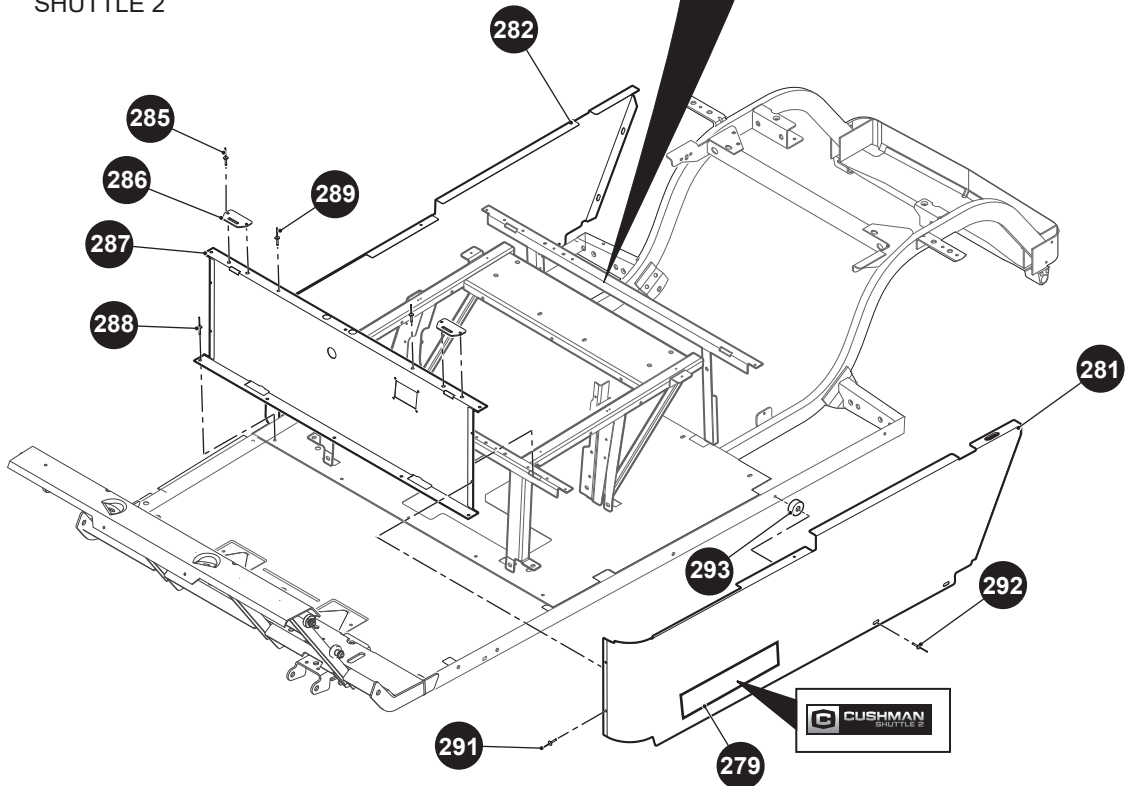
* Indicates a component that is not available as an individual part.

*** Indicates consult Customer Service Department for additional information.

ITEM	PART NO.	1 2 3 4 5	DESCRIPTION	QTY.
248	<u>72983G01</u>		BED MOUNT BRACKET	2
249	16705G3		TRUSS HEAD PHILLIPS SCREW (SS), 1/4" - 20 X 3/4" LG	4
250	<u>00559G7</u>		FLAT WASHER, 1/4"	4
251	<u>00654G2</u>		LOCK NUT, 1/4" - 20	4
252	<u>00654G2</u>		LOCK NUT, 1/4" - 20	2
253	<u>00414G6</u>		HEX HEAD BOLT, 1/4" - 20 X 3/4" LG.....	2
254	<u>72967G01</u>		BULKHEAD	1
255	16705G3		TRUSS HEAD PHILLIPS SCREW (SS), 1/4" - 20 X 3/4" LG	6
256	<u>00559G7</u>		FLAT WASHER, 1/4"	6
257	<u>00654G2</u>		LOCK NUT, 1/4" - 20	6
258	<u>00559G7</u>		FLAT WASHER, 1/4"	2
259	22524G1		FOAM TAPE	40"
260				
261				
262				
263				
264	<u>74892G01</u>		FENDER (DRIVER SIDE)	1
265	<u>74892G02</u>		FENDER (PASSENGER SIDE).....	1
266	<u>74892G03</u>		FENDER WITH TAILLIGHT (DRIVER SIDE)	1
267	<u>74892G04</u>		FENDER WITH TAILLIGHT (PASSENGER SIDE).....	1
268				
269				
270	<u>74890G01</u>		REAR PANEL	1
271	<u>16816G2</u>		RATCHET TYPE FASTENER, 1/4" X 57/64".....	4
272				
273				
274				
275				
276				
277				
278				



SHUTTLE 2



When ordering parts, please specify the model and serial number of the product.

* Indicates a component that is not available as an individual part.

*** Indicates consult Customer Service Department for additional information.

ITEM	PART NO.	1 2 3 4 5	DESCRIPTION	QTY.
279	<u>619144</u>		CUSHMAN DECAL (SHUTTLE 2)	1
280	<u>605694</u>		SEAT FRAME	1
281	602037GXX		SIDE PANEL (DRIVER SIDE) (See COLOR CODE in HOW TO USE section)	1
282	602029GXX		SIDE PANEL (PASSENGER SIDE) (See COLOR CODE in HOW TO USE section).....	1
283				
284				
285	<u>10570G11</u>		RIVET (SS), 3/16" X 3/4" LG.....	4
286	<u>71609G01</u>		SEAT HINGE.....	2
287	600034GXX		SEAT WRAP PANEL (See COLOR CODE in HOW TO USE section).....	1
288	<u>10570G10</u>		RIVET (SS), 5/32" X 9/16" LG.....	5
289	<u>10570G10</u>		RIVET (SS), 5/32" X 9/16" LG.....	2
290				
291	<u>10570G10</u>		RIVET (SS), 5/32" X 9/16" LG.....	4
292	10570G12		RIVET, 1/4" X 9/16" LG	2
293	<u>23726G2</u>		SPACER, 0.298" LG	2
294				
295				
296				
297	642401		SEAT FRAME WELDMENT	1
298	<u>00438G8</u>		HEX HEAD BOLT, 5/16" - 18 x 1"LG.....	2
299	00559G8		FLAT WASHER, 5/16".....	2
300	11098G6		LOCK NUT, 5/16" - 18.....	2
301				
302				
303	<u>00715G2</u>		HEX HEAD BOLT, 5/16" - 18 X 13/16" LG	4
304	<u>70200G01</u>		TORX TRUSS SCREW, 3/8" - 16 X 3/4" LG	2
305	<u>652243G03</u>		SEAT BACK BRACKET	2
306	<u>00427G8</u>		HEX HEAD BOLT, 3/8" - 16 X 1" LG	4
307	<u>00560G1</u>		FLAT WASHER, 3/8".....	4
308	<u>11098G5</u>		LOCK NUT, 3/8" - 16.....	4

BODY

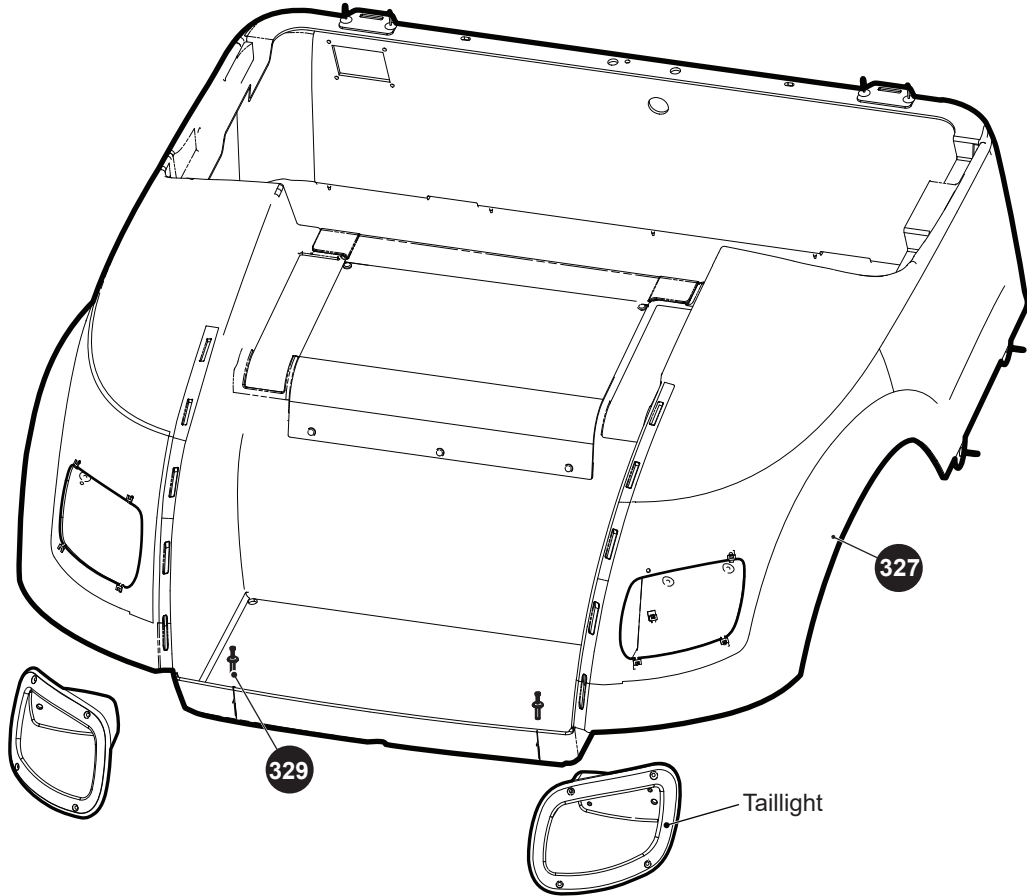
When ordering parts, please specify the model and serial number of the product.

* Indicates a component that is not available as an individual part.

*** Indicates consult Customer Service Department for additional information.

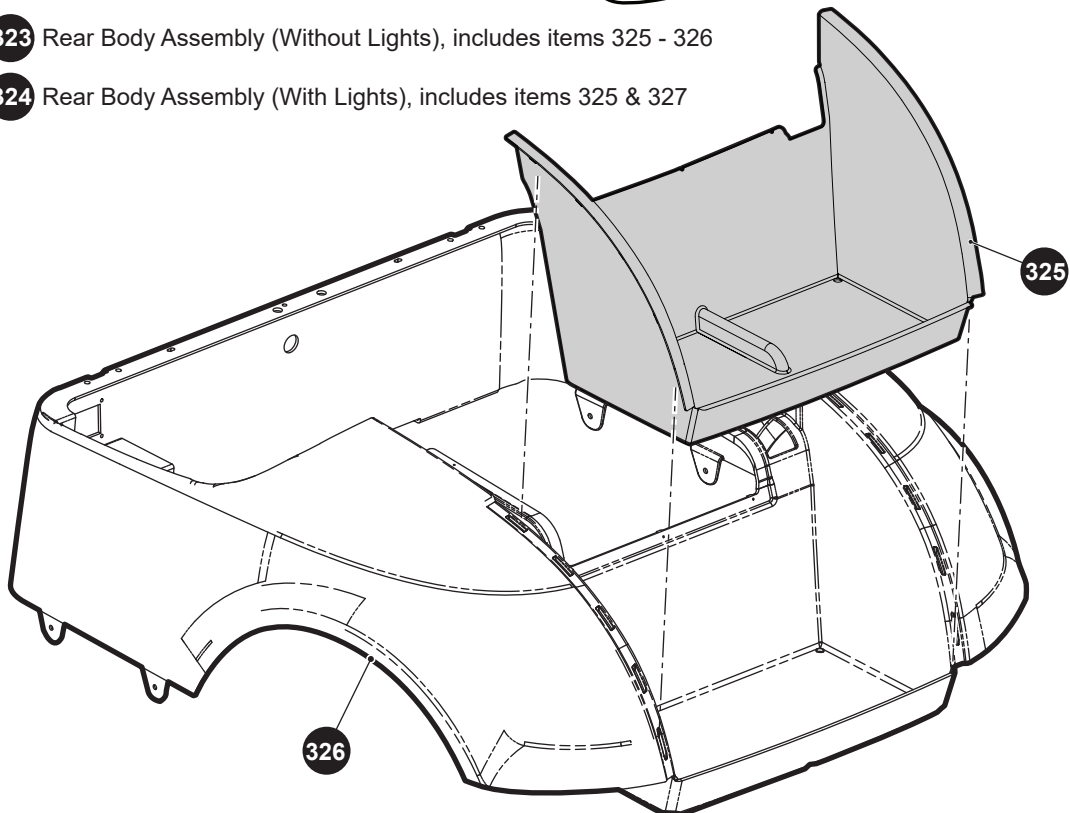
ITEM	PART NO.	1	2	3	4	5	DESCRIPTION	QTY.
309								
310								
311	<u>70441G01</u>						SEAT FRAME	1
312	<u>652254G03</u>						BATTERY RACK WELDMENT	1
313								
314	00438G6						HEX HEAD BOLT, 5/16" - 18 x 3/4" LG	4
315								
316								
317								
318	00559G8						FLAT WASHER, 5/16"	4
319	11098G6						LOCK NUT, 5/16" - 18	4
320	<u>00715G2</u>						HEX HEAD BOLT, 5/16" - 18 X 13/16" LG.....	2
321	11098G6						LOCK NUT, 5/16" - 18	4
322	<u>70200G01</u>						TRUSS HEAD TORX SCREW, 3/8" - 16 X 3/4" LG	2

VEHICLES MANUFACTURED FROM MARCH 2014



323 Rear Body Assembly (Without Lights), includes items 325 - 326

324 Rear Body Assembly (With Lights), includes items 325 & 327



When ordering parts, please specify the model and serial number of the product.

* Indicates a component that is not available as an individual part.

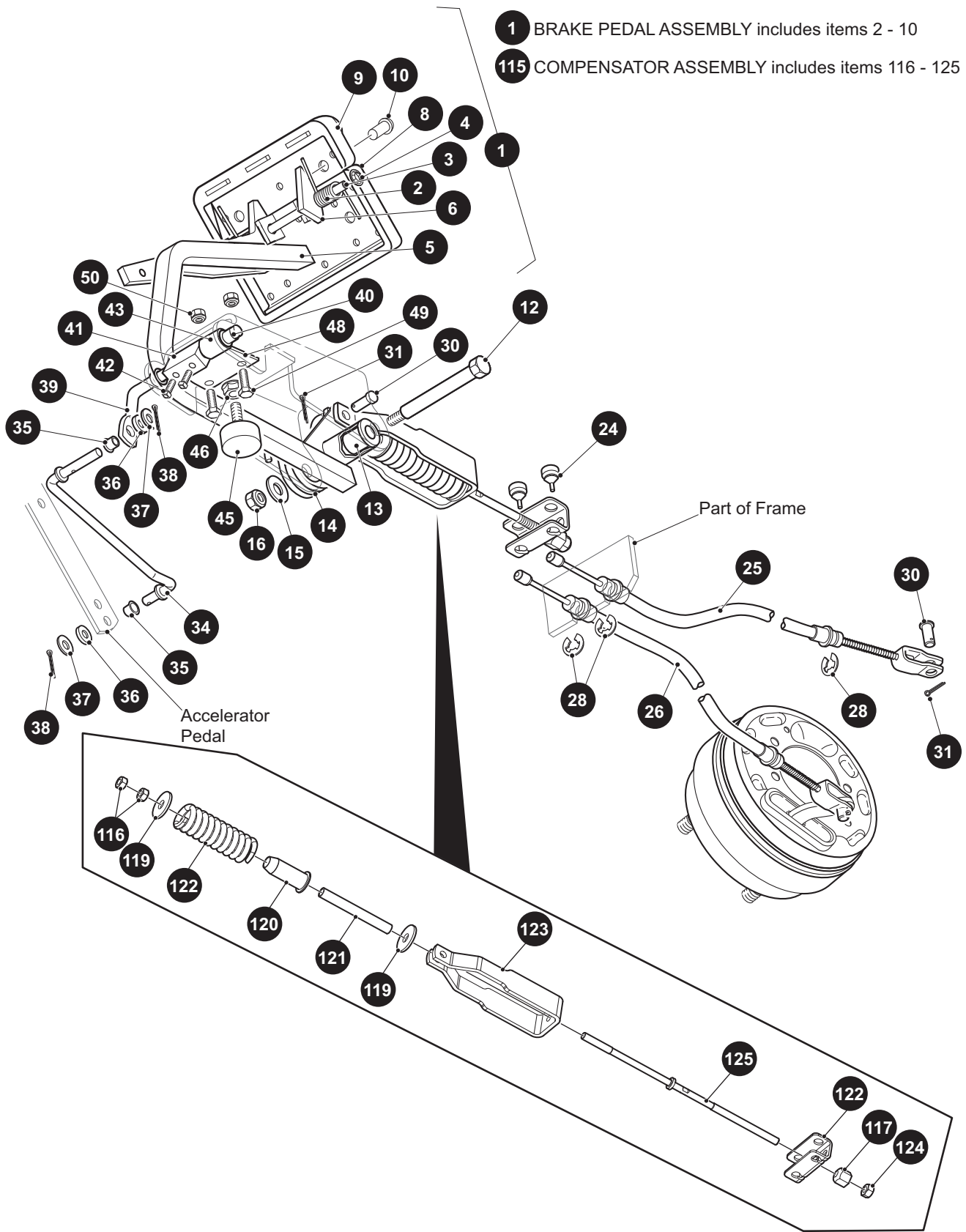
*** Indicates consult Customer Service Department for additional information.

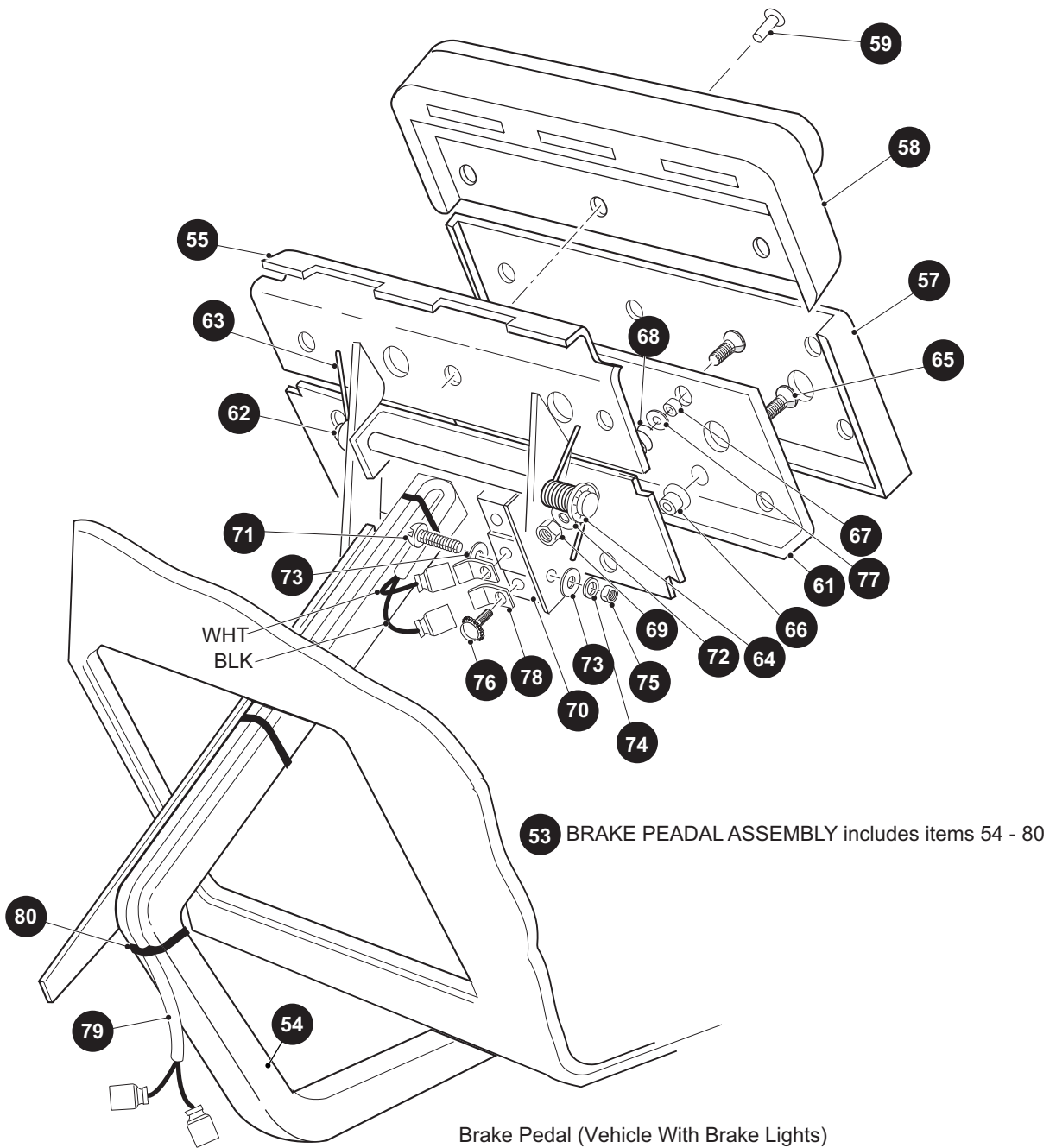
ITEM	PART NO.	1 2 3 4 5	DESCRIPTION	QTY.
323	625272G0XX		REAR BODY ASSEMBLY (WITHOUT LIGHTS) (INCLUDES ITEMS 325-326) (See COLOR CODE in HOW TO USE section) (FOR VEHICLES MANUFACTURED FROM MARCH 2014).....	1
324	625272G1XX		REAR BODY ASSEMBLY (WITH LIGHTS) (INCLUDES ITEMS 325 & 327) (See COLOR CODE in HOW TO USE section) (FOR VEHICLES MANUFACTURED FROM MARCH 2014).....	1
325	<u>624374</u>		BAGWELL LINER (FOR VEHICLES MANUFACTURED FROM MARCH 2014).....	1
326	619752G0XX		REAR BODY (WITHOUT LIGHTS) (See COLOR CODE in HOW TO USE section) (FOR VEHICLES MANUFACTURED FROM MARCH 2014)	1
327	619752G1XX		REAR BODY (WITH LIGHTS) (See COLOR CODE in HOW TO USE section) (FOR VEHICLES MANUFACTURED FROM MARCH 2014)	1
328				
329	<u>633917</u>		RIVET (FOR VEHICLES MANUFACTURED FROM MARCH 2014).....	2

BRAKES

1 BRAKE PEDAL ASSEMBLY includes items 2 - 10

115 COMPENSATOR ASSEMBLY includes items 116 - 125



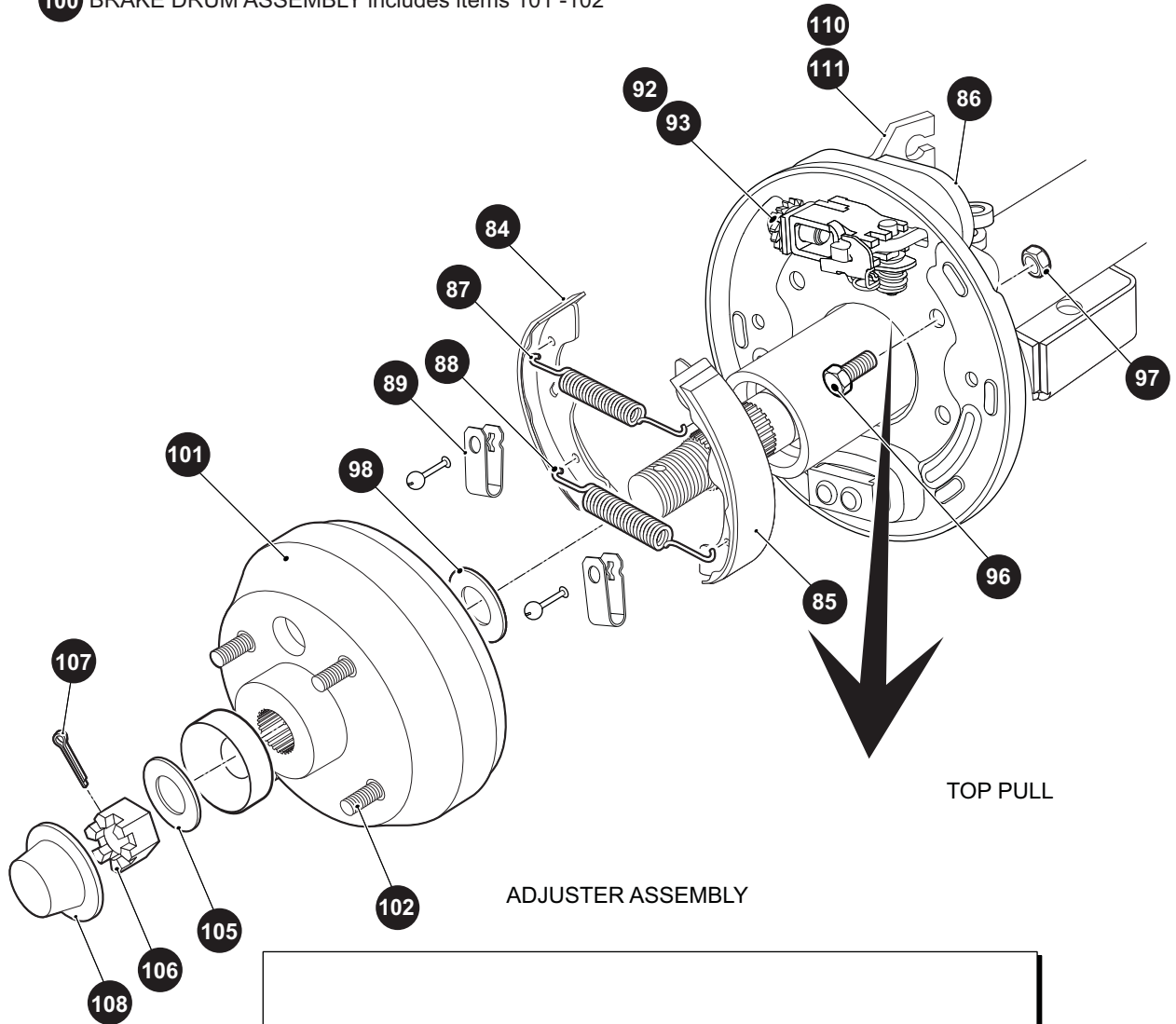


BRAKES

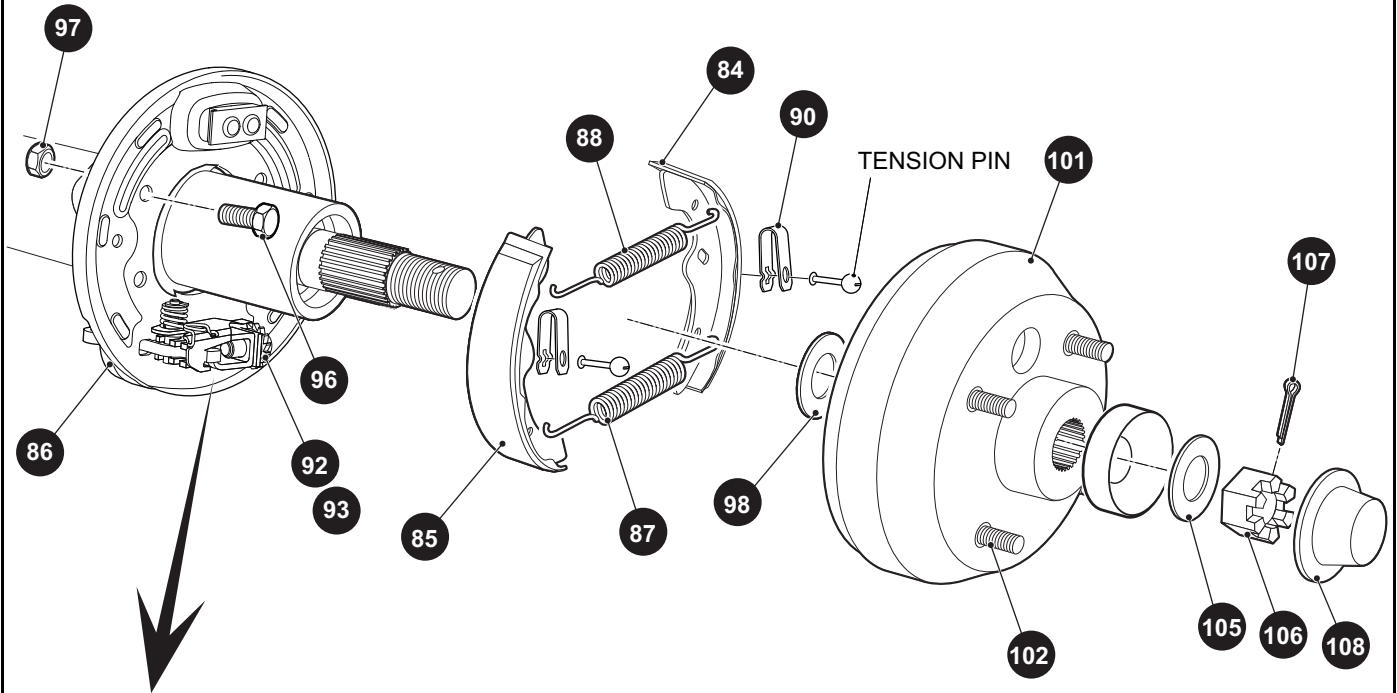
82 BRAKE ASSEMBLY (DRIVER SIDE) includes items 84 - 92

83 BRAKE ASSEMBLY (PASSENGER SIDE) includes itmes 84 - 89, 93

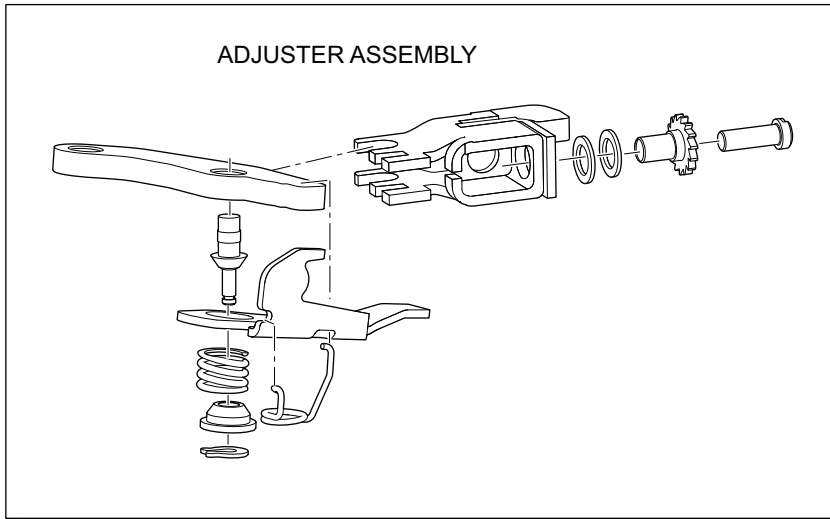
100 BRAKE DRUM ASSEMBLY includes items 101 -102



BOTTOM PULL



ADJUSTER ASSEMBLY



- 82** BRAKE ASSEMBLY includes items 84 - 92
- 83** BRAKE ASSEMBLY includes itmes 84 - 89, 93
- 100** BRAKE DRUM ASSEMBLY includes items 101, 102

BRAKES

When ordering parts, please specify the model and serial number of the product.

* Indicates a component that is not available as an individual part.

*** Indicates consult Customer Service Department for additional information.

ITEM	PART NO.	1 2 3 4 5	DESCRIPTION	QTY.
1	<u>70612G02</u>		BRAKE PEDAL ASSEMBLY (WITHOUT BRAKE LIGHTS) (INCLUDES ITEMS 2 - 10).....	1
2	<u>70681G01</u>		TORSION SPRING	2
3	<u>70682G01</u>		PIVOT PIN	1
4	<u>658825</u>		PUSHNUT, 5/16"	2
5	<u>652251G03</u>		BRAKE PEDAL	1
6	<u>652253G03</u>		PARK BRAKE PEDAL.....	1
7				
8	<u>70257G01</u>		SERVICE BRAKE PAD	1
9	<u>70256G01</u>		PARK BRAKE PEDAL PAD.....	1
10	<u>16409-G1</u>		OVAL RIVET, 3/16" X 7/16" LG	9
11				
12	<u>70582G01</u>		SHOULDER BOLT, 3/8 - 16 X 4" LG (STAINLESS STEEL).....	1
13	<u>70581G01</u>		FLANGED BUSHING	2
14	<u>70676G01</u>		TORSION SPRING	1
15	<u>00643G1</u>		FLAT WASHER, 3/8"	1
16	<u>11098G5</u>		LOCK NUT, 3/8 - 16.....	1
17				
18	<u>01038G01</u>		SWAGEFORM SCREW, 1/4 - 20 (NOT ILLUSTRATED)	1
19				
20				
21	<u>12416G2</u>		NYLON WEDGE LOCK CLAMP (NOT ILLUSTRATED)	3
22				
23				
24	<u>28083G01</u>		BRAKE COMPENSATOR BUMPER	2
25	<u>624695</u>		BRAKE CABLE (DRIVER SIDE)	1
26	<u>624696</u>		BRAKE CABLE (PASSENGER SIDE).....	1
27				
28	<u>01111G01</u>		RETAINING RING, 13/32" (STAINLESS STEEL).....	4
29				

When ordering parts, please specify the model and serial number of the product.

* Indicates a component that is not available as an individual part.

*** Indicates consult Customer Service Department for additional information.

ITEM	PART NO.	1 2 3 4 5	DESCRIPTION	QTY.
30	<u>10386G3</u>		CLEVIS PIN, 5/16" X 13/16" LG.....	3
31	<u>10387G3</u>		COTTER PIN, 3/32" X 3/4" LG.....	3
32	<u>14443G2</u>		CLEVIS PIN, 5/16" X 5/8" LG.....	2
33				
34	<u>70601G01</u>		KICK-OFF LINK	1
35	<u>17838G1</u>		NYLON BUSHING	2
36	<u>20835G1</u>		TEFLON WASHER, 3/8"	2
37	00559G8		FLAT WASHER, 5/16"	2
38	<u>10387G3</u>		COTTER PIN, 3/32" X 3/4" LG.....	2
39	<u>70098G01</u>		KICK-OFF CAM PIVOT.....	1
40	<u>10097G6</u>		FLANGED BEARING	2
41	<u>70587G01</u>		KICK-OFF CAM	1
42	<u>71215G01</u>		SETSCREW, 1/4 - 20 X 1/2" LG	2
43	<u>14134G4</u>		SPACER.....	1
44				
45	<u>70113G01</u>		ADJUSTABLE BUMPER.....	1
46	<u>11027G1</u>		LOCK NUT, 5/16 - 18	1
47				
48	<u>70080G02</u>		CATCH BRACKET	1
49	<u>00414G6</u>		BOLT, 1/4 - 20 X 3/4" LG.....	2
50	<u>14390G4</u>		LOCK NUT, 1/4 - 20 (STAINLESS STEEL).....	2
51				
52				
53	70690G02		BRAKE PEDAL ASSEMBLY (WITH BRAKE LIGHTS) (INCLUDES ITEMS 54 - 80)	1
54	<u>652791G03</u>		BRAKE PEDAL.....	1
55	<u>652253G03</u>		PARK BRAKE PEDAL	1
56				
57	<u>70257G01</u>		SERVICE BRAKE PAD.....	1
58	<u>70256G01</u>		PARK BRAKE PAD.....	1

BRAKES

When ordering parts, please specify the model and serial number of the product.

* Indicates a component that is not available as an individual part.

*** Indicates consult Customer Service Department for additional information.

ITEM	PART NO.	1	2	3	4	5	DESCRIPTION	QTY.
59	<u>16409G1</u>						OVAL RIVET, 3/16" x 7/16" LG.....9	
60								
61	<u>652820</u>						SERVICE BRAKE PEDAL PLATE	1
62	<u>70682G01</u>						PIVOT PIN	1
63	<u>70681G01</u>						TORSION SPRING	2
64	<u>658825</u>						PUSHNUT, 5/16"	1
65	<u>00737G8</u>						SCREW, #10 - 24 X 7/8" LG	4
66	<u>00739G1</u>						RUBBER NUT, #10 - 24.....	2
67	<u>652355</u>						BRAKE PEDAL SPACER.....	2
68	<u>27137G01</u>						CONICAL SPRING	2
69	<u>14390G10</u>						LOCK NUT, #10 - 24	2
70	<u>10606G8</u>						MICRO SWITCH	1
71	<u>00645G2</u>						BOLT, # 6 - 32 X 1 1/4" LG.....	2
72	<u>00559G5</u>						FLAT WASHER, #10	2
73	<u>00559G3</u>						FLAT WASHER, # 6	4
74	<u>00565G3</u>						LOCK WASHER, # 6.....	2
75	<u>00525G5</u>						NUT, # 6 - 32	2
76	<u>13514G1</u>						SCREW AND LOCK WASHER, # 6	2
77	<u>00642G8</u>						FLAT WASHER # 4 - 5/16.....	2
78	<u>14628G1</u>						FASTON TAB	2
79	<u>24605G1</u>						WIRE HARNESS (BRAKE LIGHT)	1
80	<u>17618G1</u>						WIRE TIE	3
81								
82	<u>612211</u>						BRAKE ASSEMBLY (DRIVER SIDE) (INCLUDES ITEMS 84 - 92)	1
83	<u>612189</u>						BRAKE ASSEMBLY (PASSENGER SIDE) (INCLUDES ITEMS 84 - 91, 93)..	1
84	<u>612411</u>						BRAKE SHOE, L	2
85	<u>612412</u>						BRAKE SHOE, T.....	2
86	<u>612413</u>						DUST COVER.....	1
87	<u>612415</u>						BRAKE SPRING	1
88	<u>612414</u>						BRAKE SPRING	1

BRAKES

When ordering parts, please specify the model and serial number of the product.

* Indicates a component that is not available as an individual part.

*** Indicates consult Customer Service Department for additional information.

ITEM	PART NO.	1 2 3 4 5	DESCRIPTION	QTY.
89	<u>612416</u>		SHOE CLAMP	2
90				
91				
92	<u>612418</u>		GEAR ADJUSTER.....	1
93	<u>612417</u>		GEAR ADJUSTER.....	1
94				
95				
96	<u>17083G2</u>		BOLT, 5/16 - 24 X 1" LG.....	8
97	<u>15126G1</u>		LOCK NUT, 5/16 - 24	8
98	<u>21809G1</u>		FLAT WASHER, 13/16"	2
99				
100	<u>21807G1</u>		BRAKE DRUM ASSEMBLY (INCLUDES ITEMS 101 - 102)	2
101	<u>20947G1</u>		BRAKE DRUM.....	1
102	<u>19862G1</u>		LUG BOLT, 1/2 - 20 X 1 3/16" LG	4
103				
104				
105	<u>21830G1</u>		FLAT WASHER, 1 3/8" O.D. X 21/32".....	2
106	<u>613172</u>		CASTELLETED NUT, 5/8 - 18	2
107	<u>10387G1</u>		COTTER PIN, 1/8" X 1 1/2" LG.....	2
108	<u>74175G01</u>		SPINDLE CAP	
109				
110	<u>652248</u>		BRAKE CABLE BRACKET (PASSENGER SIDE)	1
111	<u>652249</u>		BRAKE CABLE BRACKET (DRIVER SIDE).....	1
112				
113				
114				
115	<u>612558</u>		COMPENSATOR ASSEMBLY (INCLUDES ITEMS 116 - 126).....	1
116	<u>00532G4</u>		HEX NUT	2
117	<u>629486</u>		HEX NUT, 5/16 - 24	1
118	<u>28082G01</u>		EQUALIZER BRACKET	1
119	<u>15121G1</u>		FLAT WASHER - 5/16	2

BRAKES

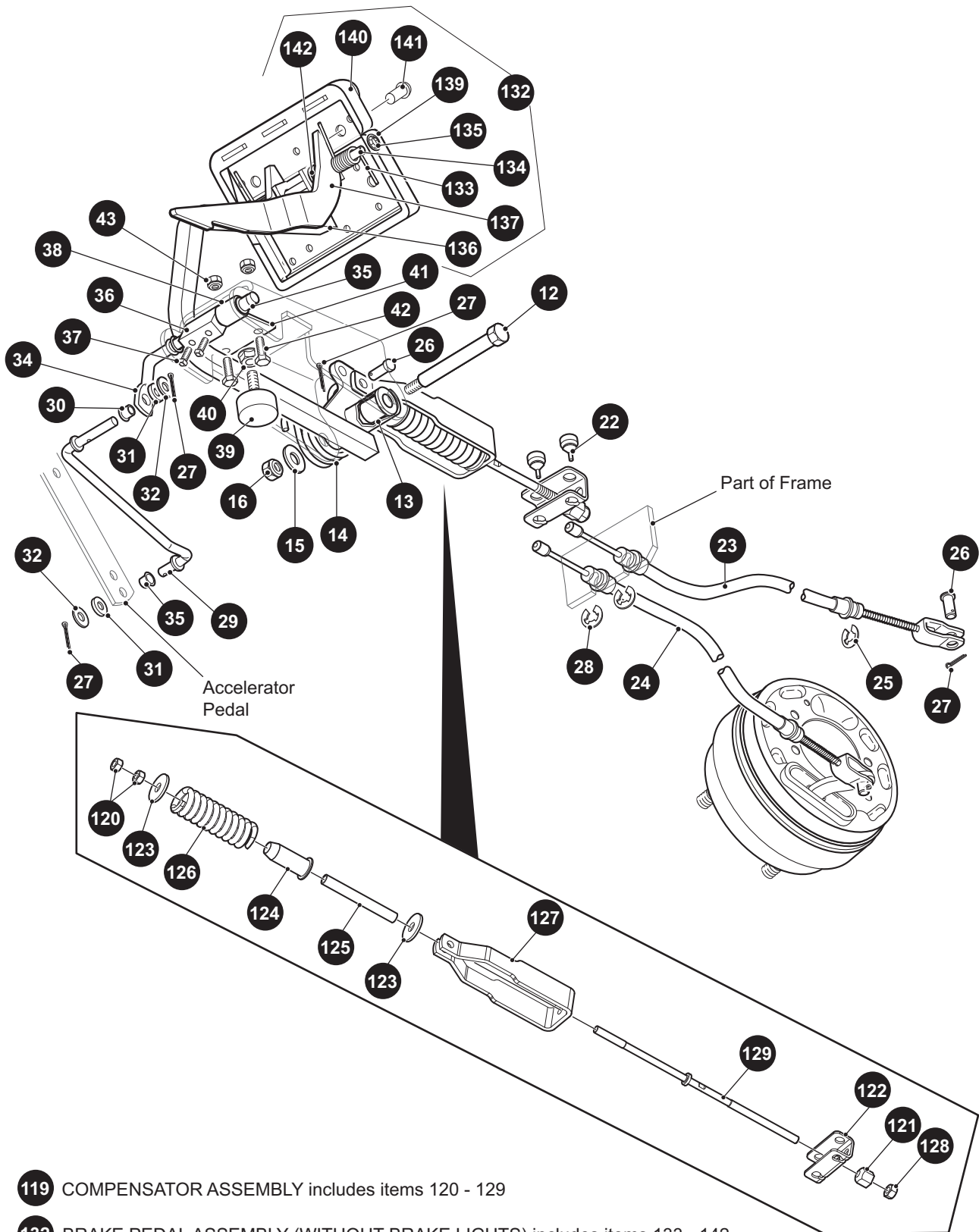
When ordering parts, please specify the model and serial number of the product.

* Indicates a component that is not available as an individual part.

*** Indicates consult Customer Service Department for additional information.

ITEM	PART NO.	1	2	3	4	5	DESCRIPTION	QTY.
120	<u>17979G1</u>						ACCELERATOR ROD BUSHING	1
121	<u>23061G2</u>						TUBE.....	1
122	<u>23463G1</u>						COMPRESSION SPRING	1
123	<u>652256</u>						BRAKE YOKE	1
124	<u>11098G9</u>						HEX LOCK NUT, 5/16 - 24.....	1
125	<u>612557</u>						COMPENSATOR LINK ROD	1

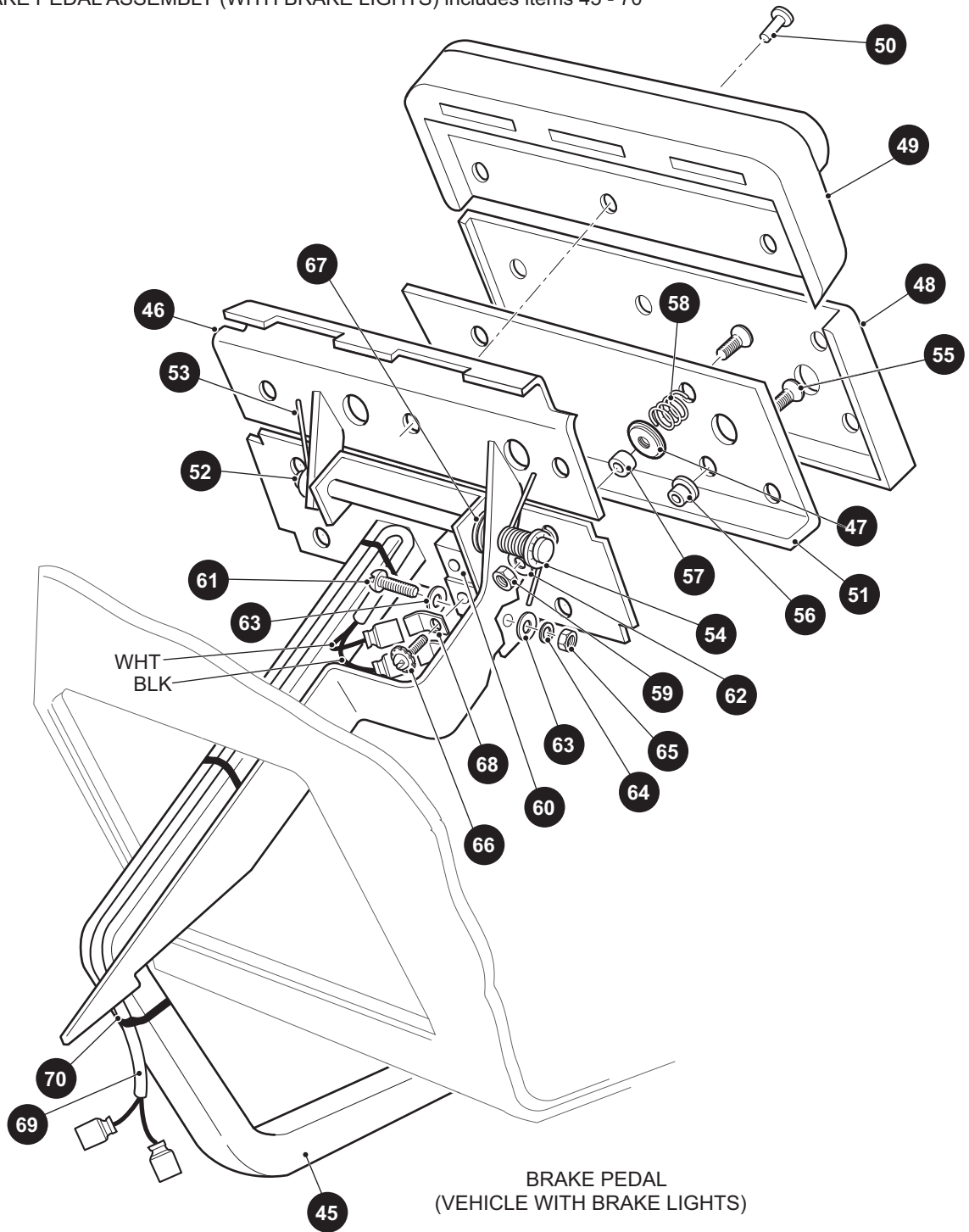
BRAKES - FRONT DISC



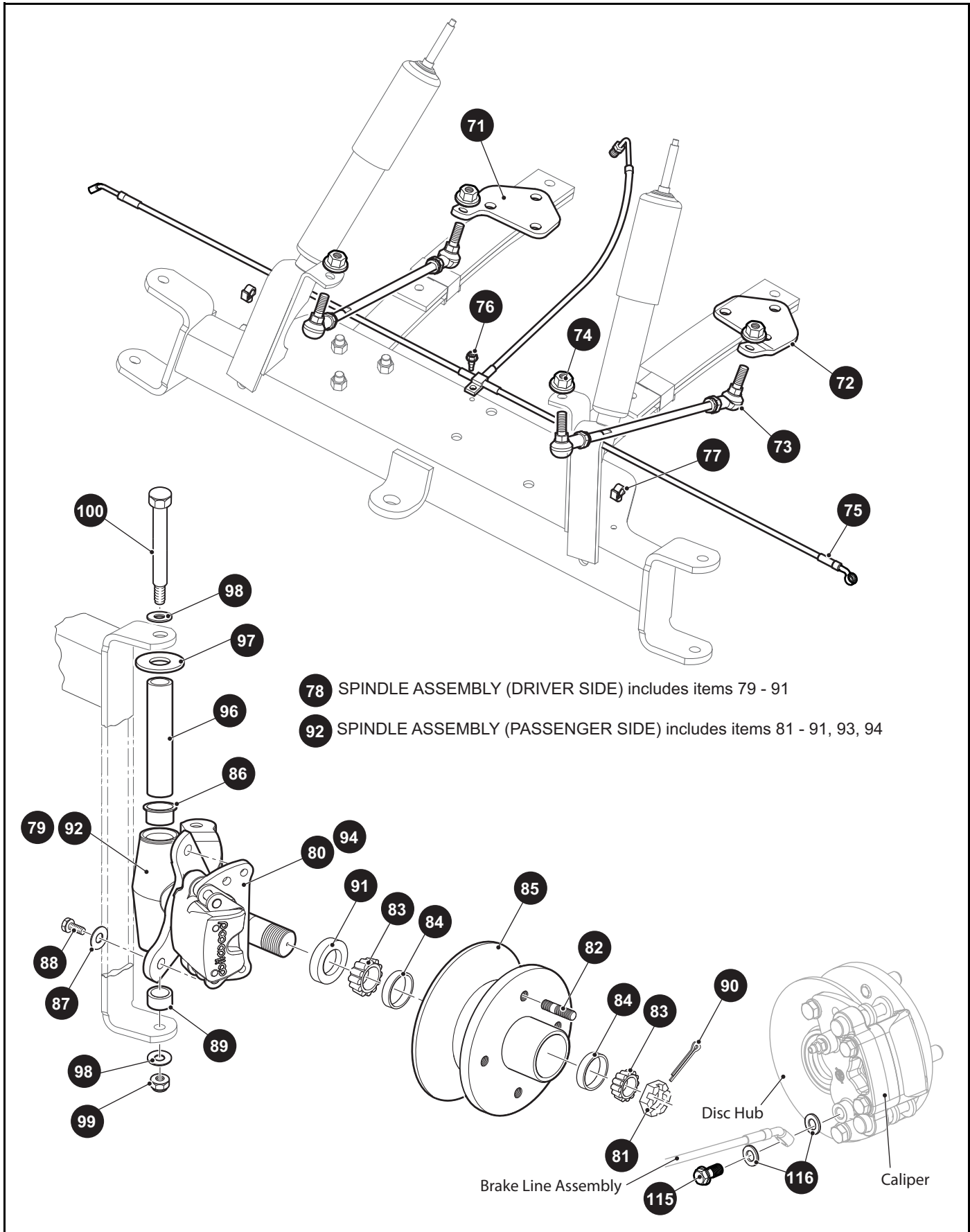
119 COMPENSATOR ASSEMBLY includes items 120 - 129

132 BRAKE PEDAL ASSEMBLY (WITHOUT BRAKE LIGHTS) includes items 133 - 142

44 BRAKE PEDAL ASSEMBLY (WITH BRAKE LIGHTS) includes items 45 - 70



BRAKES - FRONT DISC



BRAKES - FRONT DISC

When ordering parts, please specify the model and serial number of the product.

* Indicates a component that is not available as an individual part.

*** Indicates consult Customer Service Department for additional information.

ITEM	PART NO.	1 2 3 4 5	DESCRIPTION	QTY.
1	<u>17838G1</u>		NYLON BUSHING	2
2	<u>10387G3</u>		COTTER PIN, 3/32" X 3/4"	2
3	<u>10386G3</u>		CLEVIS PIN, 5/16" X 1"	4
4	<u>612704</u>		ACTUATOR COVER	1
5	<u>01038G01</u>		SWAGEFORM SCREW WITH DOGPOINT, 1/4" - 20 X 3/4" LG	3
6	<u>00414G6</u>		HEX HEAD BOLT, 1/4" - 20 X 1/2" LG.....	2
7	<u>14390G4</u>		LOCKNUT, 1/4" - 20	2
8	<u>608943</u>		ACTUATOR LINKAGE.....	1
9	<u>00771G5</u>		FLAT WASHER, 3/8" (NOT ILLUSTRATED)	1
10	<u>21504G1</u>		BRAKE FLUID (NOT ILLUSTRATED)	A/R
11				
12	<u>70582G01</u>		SHOULDER BOLT, 3/8" - 16 X 4" LG	1
13	<u>70581G01</u>		ACETAL BUSHING.....	2
14	<u>70676G01</u>		TORSION SPRING	1
15	<u>00643G1</u>		FLAT WASHER, 3/8"	1
16	<u>11098G5</u>		LOCK NUT, 3/8" - 16	1
17				
18				
19	<u>12416G2</u>		NYLON WEDGE LOCK CLAMP (NOT ILLUSTRATED)	3
20				
21				
22	<u>28083G01</u>		BRAKE COMPENSATOR BUMPER	2
23	<u>624695</u>		BRAKE CABLE (DRIVER SIDE), 65.06" LG	1
24	<u>624696</u>		BRAKE CABLE (PASSENGER SIDE), 74.81" LG.....	1
25	<u>01111G01</u>		RETAINING RING (SS)	4
26	<u>10386G3</u>		CLEVIS PIN, 5/16" X 1"	4
27	<u>10387G3</u>		COTTER PIN, 3/32" X 3/4"	3
28				
29	<u>70601G01</u>		KICK-OFF LINK.....	1
30	<u>17838G1</u>		NYLON BUSHING	2
31	<u>20835G1</u>		NYLON WASHER, 3/8"	2

BRAKES - FRONT DISC

When ordering parts, please specify the model and serial number of the product.

* Indicates a component that is not available as an individual part.

*** Indicates consult Customer Service Department for additional information.

ITEM	PART NO.	1 2 3 4 5	DESCRIPTION	QTY.
32	00559G8		FLAT WASHER, 5/16".....	2
33				
34	<u>70098G01</u>		KICK-OFF CAM PIVOT.....	1
35	<u>10097G6</u>		FLANGED BEARING.....	2
36	<u>70587G01</u>		KICK-OFF CAM.....	1
37	<u>71215G01</u>		SETSCREW WITH PATCH LOCK, 1/4" - 20 X 1/2" LG.....	2
38	<u>14134G4</u>		SPACER, 1 1/4" LG.....	1
39	<u>70113G01</u>		ADJUSTABLE BUMPER.....	1
40	<u>11027G1</u>		LOCK NUT, 5/16" - 18.....	1
41	<u>70080G02</u>		CATCH BRACKET.....	1
42	<u>00414G6</u>		HEX HEAD BOLT, 1/4" - 20 X 1/2" LG.....	2
43	<u>14390G4</u>		LOCK NUT, 1/4" - 20.....	2
44	<u>74874G01</u>		BRAKE PEDAL ASSEMBLY (WITH BRAKE LIGHTS) (INCLUDES ITEMS 45 - 70).....	1
45	74870G01		BRAKE PEDAL.....	1
46	<u>641760</u>		PARK BRAKE PEDAL.....	1
47	<u>00642G8</u>		FLAT WASHER, 5/16".....	1
48	<u>70257G01</u>		SERVICE BRAKE PAD.....	1
49	<u>70256G01</u>		PARK BRAKE PAD.....	1
50	<u>16409G1</u>		OVAL RIVET, 3/16" X 15/32" LG.....	9
51	<u>70258G03</u>		BRAKE PEDAL PLATE.....	1
52	<u>70682G01</u>		PIVOT PIN.....	1
53	<u>70681G01</u>		TORSION SPRING.....	2
54	<u>658825</u>		PUSHNUT, 5/16".....	2
55	<u>00737G8</u>		PHILLIPS FLAT HEAD MACHINE SCREW, #10 - 24 X 1" LG.....	4
56	<u>00739G1</u>		RUBBER NUT, #10 - 24.....	2
57	<u>652355</u>		BRAKE PEDAL SPACER.....	2
58	<u>27137G01</u>		CONICAL SPRING.....	2
59	<u>14390G10</u>		LOCK NUT, #10 - 24.....	2
60	10606G8		LIMIT SWITCH (3 POLE).....	1
61	<u>00645G2</u>		PHILLIPS PAN HEAD MACHINE SCREW, #6 - 32 X 1 1/4" LG.....	2

BRAKES - FRONT DISC

When ordering parts, please specify the model and serial number of the product.

* Indicates a component that is not available as an individual part.

*** Indicates consult Customer Service Department for additional information.

ITEM	PART NO.	1	2	3	4	5	DESCRIPTION	QTY.
62	<u>00559G5</u>						FLAT WASHER, #10	2
63	<u>00559G3</u>						FLAT WASHER, #6	4
64	<u>00565G3</u>						LOCK WASHER, #6.....	2
65	<u>00525G5</u>						HEX NUT, #6 - 32.....	2
66	<u>13514G1</u>						PHILLIPS PAN HEAD MACHINE SCREW, #6 - 32 X 7/32" LG.....	2
67	<u>20835G1</u>						TEFLON WASHER, 3/8"	2
68	<u>14628G1</u>						FASTON TAB	2
69	<u>24605G1</u>						WIRE HARNESS (BRAKE LIGHT)	1
70	<u>17618G1</u>						WIRE TIE	3
71	<u>74731G02</u>						SPRING PLATE (PASSENGER SIDE).....	1
72	<u>74731G01</u>						SPRING PLATE (DRIVER SIDE)	1
73	<u>74730G01</u>						FOUR LINK ROD	2
74	<u>606279</u>						FLANGED HEX NUT, M10 - 1.25	4
75	<u>630766</u>						BRAKE LINE	1
76	<u>01038G01</u>						SWAGEFORM SCREW WITH DOGPOINT, 1/4" - 20 X 1/2" LG	1
77	<u>74875G01</u>						WIRE RETAINER	2
78	<u>602281</u>						SPINDLE ASSEMBLY (DRIVER SIDE) (INCLUDES ITEMS 79 - 91).....	1
79	<u>602176</u>						DISC BRAKE SPINDLE (DRIVER SIDE).....	1
80	<u>633918G02</u>						CALIPER (DRIVER SIDE)	1
81	<u>12093G1</u>						SLOTTED NUT, 1" - 14	1
82	<u>74864G01</u>						DRIVE FLANGE STUD, 1.5" LG.....	4
83	<u>11750G2</u>						ROLLER BEARING.....	2
84	<u>51141G1</u>						BEARING RACE	2
85	<u>630672</u>						DISC BRAKE HUB.....	1
86	<u>70648G01</u>						FLANGED BEARING	1
87	<u>00566G1</u>						LOCK WASHER, 3/8"	2
88	<u>00426G6</u>						HEX HEAD BOLT, 3/8" - 16 X 1" LG	2
89	<u>70749G01</u>						BEARING	1
90	<u>00798G8</u>						COTTER PIN 5/32" X 1 3/4"	1
91	<u>25146G1</u>						GREASE SEAL	1

BRAKES - FRONT DISC

When ordering parts, please specify the model and serial number of the product.

* Indicates a component that is not available as an individual part.

*** Indicates consult Customer Service Department for additional information.

ITEM	PART NO.	1 2 3 4 5	DESCRIPTION	QTY.
92	<u>602288</u>		SPINDLE ASSEMBLY (PASSENGER SIDE) (INCLUDES ITEMS 81 - 91, 93, 94)	1
93	<u>602158</u>		DISC BRAKE SPINDLE (PASSENGER SIDE).....	1
94	<u>633918G01</u>		CALIPER (PASSENGER SIDE)	1
95				
96	<u>70745G01</u>		KINGPIN TUBE	2
97	<u>70754G01</u>		THRUST WASHER (SS), 0.995" I.D. X 1.38" O.D.	2
98	<u>00560G3</u>		FLAT WASHER, 1/2"	4
99	<u>14390G6</u>		LOCKNUT, 1/2" - 13	2
100	<u>00407G6</u>		HEX HEAD BOLT, 1/2" - 13 X 6" LG	2
101	<u>608706</u>		FRONT DISC BRAKE ACTUATOR ASSEMBLY (INCLUDES ITEMS 102 - 114).....	1
102	<u>612706</u>		MASTER CYLINDER WELDMENT	1
103	<u>11098G5</u>		PLASTIC LOCK NUT, 3/8" - 16	1
104	<u>00679G1</u>		FLAT WASHER (SS), 3/8"	1
105	<u>74711G01</u>		ACTUATOR PIVOT BOLT, 3/8" - 16 X 4 1/2" LG	1
106	<u>70581G02</u>		ACETAL BUSHING.....	4
107	<u>608122</u>		WELDMENT BRACKET, UPPER BRAKE	1
108	<u>608118</u>		WELDMENT BRACKET, LOWER BRAKE (FOR VEHICLES MANUFACTURED BEFORE 25 NOV 2014).....	1
109	<u>887364</u>		MASTER CYLINDER	1
110	<u>00439G1</u>		HEX HEAD BOLT, 5/16" - 18 x 1 1/8" LG	2
111	11098G6		LOCK NUT, 5/16" - 18	2
112	<u>10386G3</u>		CLEVIS PIN, 5/16" X 1"	1
113	<u>10387G3</u>		COTTER PIN, 3/32" X 3/4"	1
114	641826		WELDMENT BRACKET, LOWER BRAKE (FOR VEHICLES MANUFACTURED FROM 25 NOV 2014)	1
115	<u>613293</u>		CRUSH WASHER, M10.....	4
116	<u>616459</u>		BANJO BOLT, M10 - 1" X 20" LG	2
117				
118				
119	<u>612558</u>		COMPENSATOR ASSEMBLY (INCLUDES 120 - 129).....	1

BRAKES - FRONT DISC

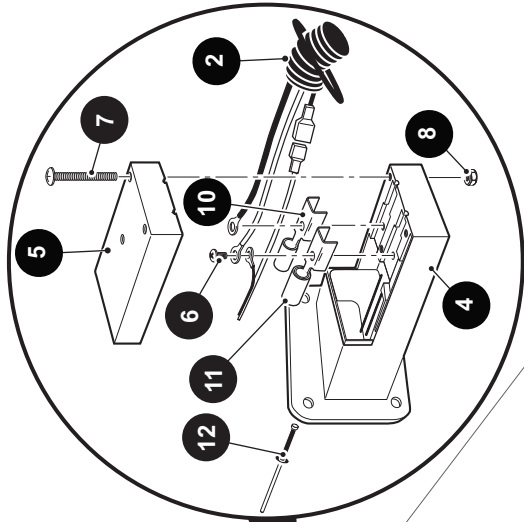
When ordering parts, please specify the model and serial number of the product.

* Indicates a component that is not available as an individual part.

*** Indicates consult Customer Service Department for additional information.

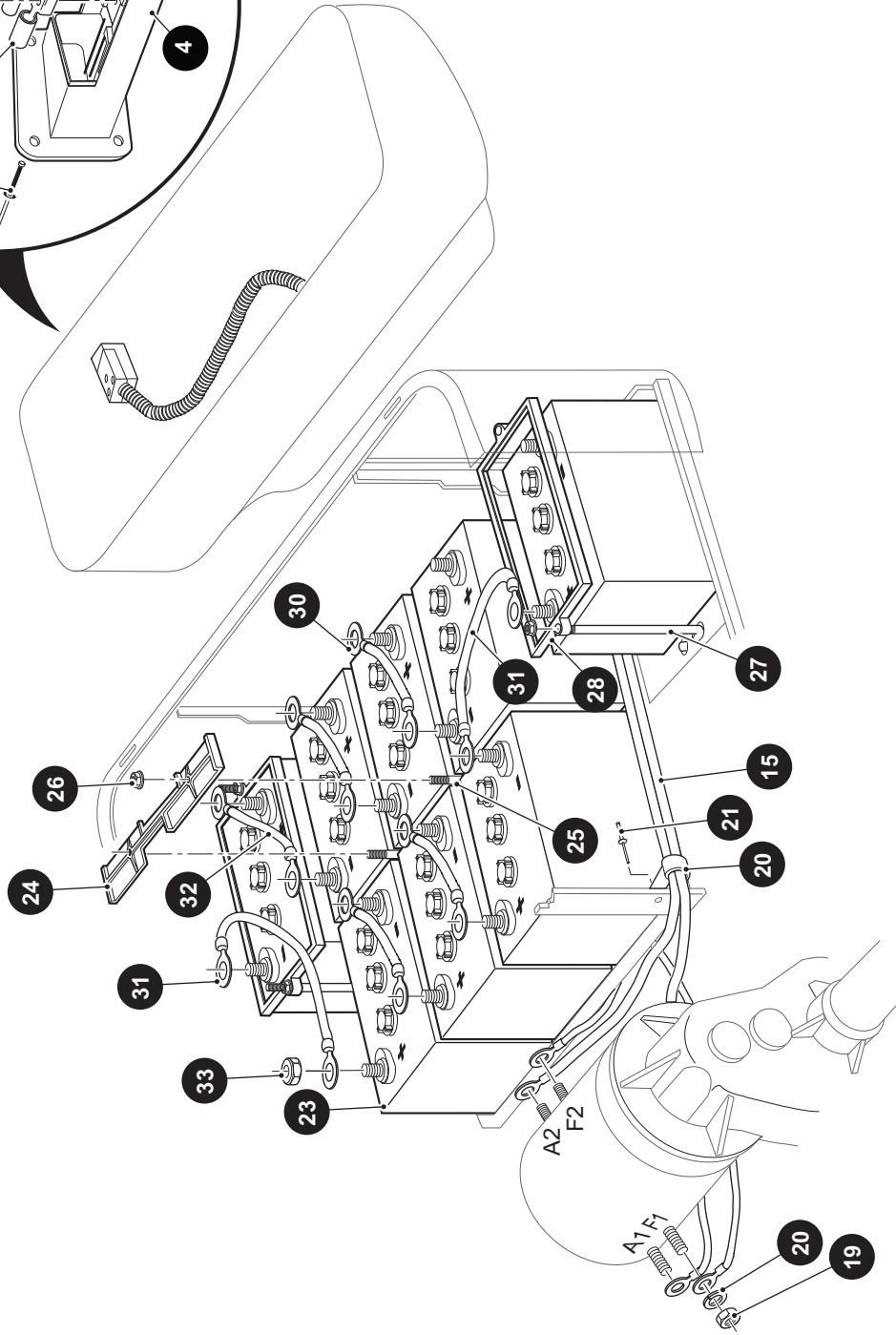
ITEM	PART NO.	1	2	3	4	5	DESCRIPTION	QTY.
120	<u>00532G4</u>						HEX NUT, 1/4" - 20	2
121	<u>629486</u>						HEX NUT, 5/16" - 24	1
122	<u>28082G01</u>						EQUALIZER BRACKET	1
123	<u>15121G1</u>						FLAT WASHER, 5/16"	2
124	<u>17979G1</u>						ACCELERATOR ROD BUSHING	1
125	<u>23061G2</u>						TUBE	1
126	<u>23463G1</u>						COMPRESSION SPRING	1
127	<u>652256</u>						BRAKE YOKE	1
128	<u>11098G9</u>						HEX LOCK NUT, 5/16" - 24	1
129	<u>612557</u>						COMPENSATOR LINK ROD	1
130								
131								
132	<u>74723G01</u>						BRAKE PEDAL ASSEMBLY (WITHOUT BRAKE LIGHTS) (INCLUDES ITEMS 133 - 142)	1
133	<u>70681G01</u>						TORSION SPRING	2
134	<u>70682G01</u>						PIVOT PIN	1
135	<u>658825</u>						PUSHNUT, 5/16"	1
136	<u>74721G01</u>						BRAKE PEDAL	1
137	<u>641760</u>						PARK BRAKE PEDAL	1
138								
139	<u>70257G01</u>						SERVICE BRAKE PAD	1
140	<u>70256G01</u>						PARK BRAKE PEDAL PAD	1
141	<u>16409G1</u>						OVAL RIVET, 3/16" X 15/32" LG	9
142	<u>20835G1</u>						TEFLON WASHER, 3/8"	2

ELECTRICAL SYSTEM

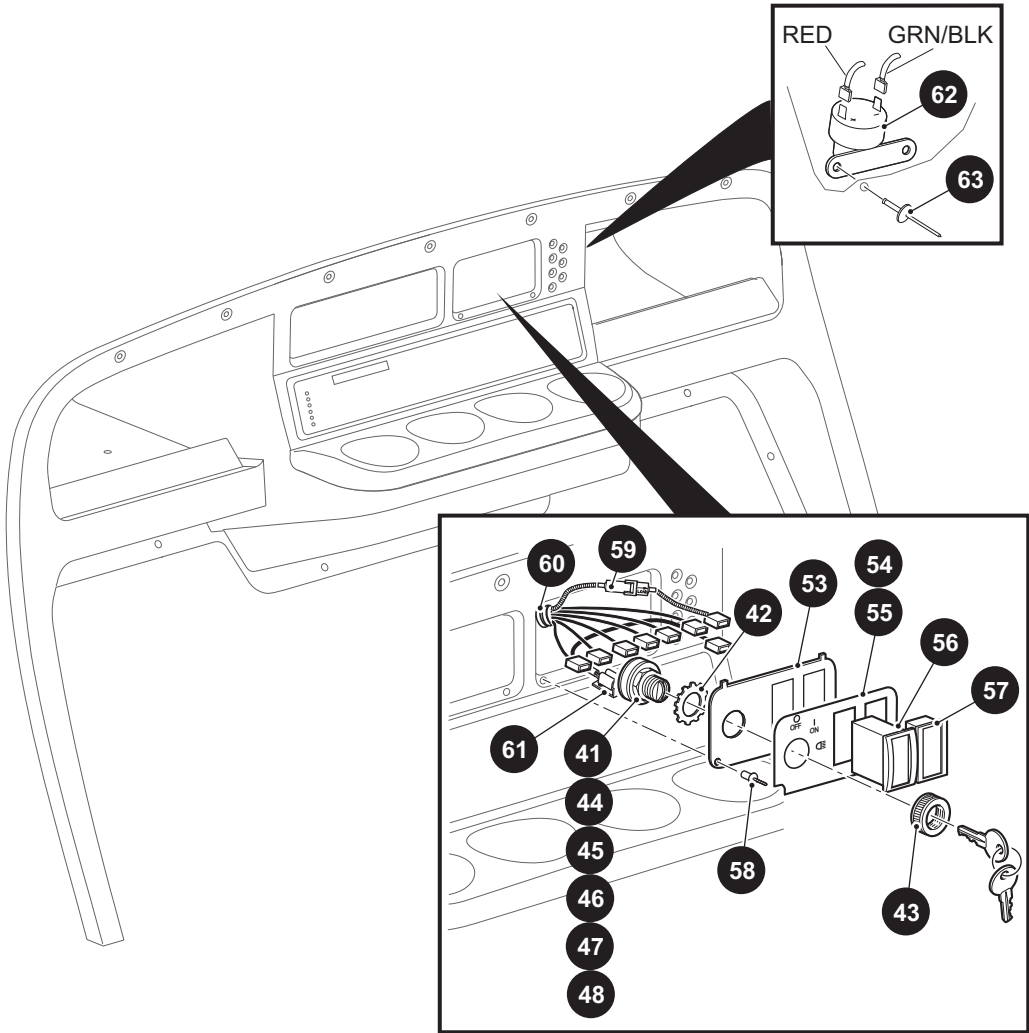


1 CHARGER HARNESS Includes Items 2 - 11

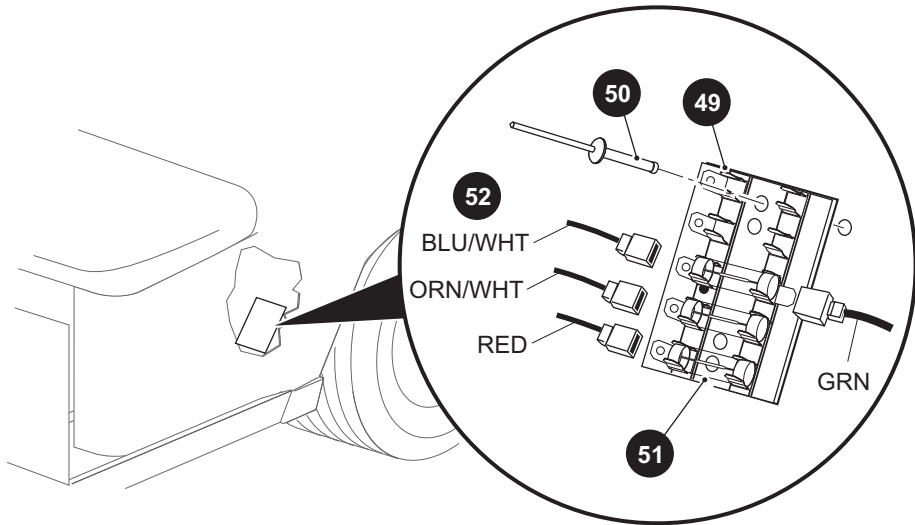
3 CHARGER HARNESS RECEPTACLE Includes Items 4 - 11



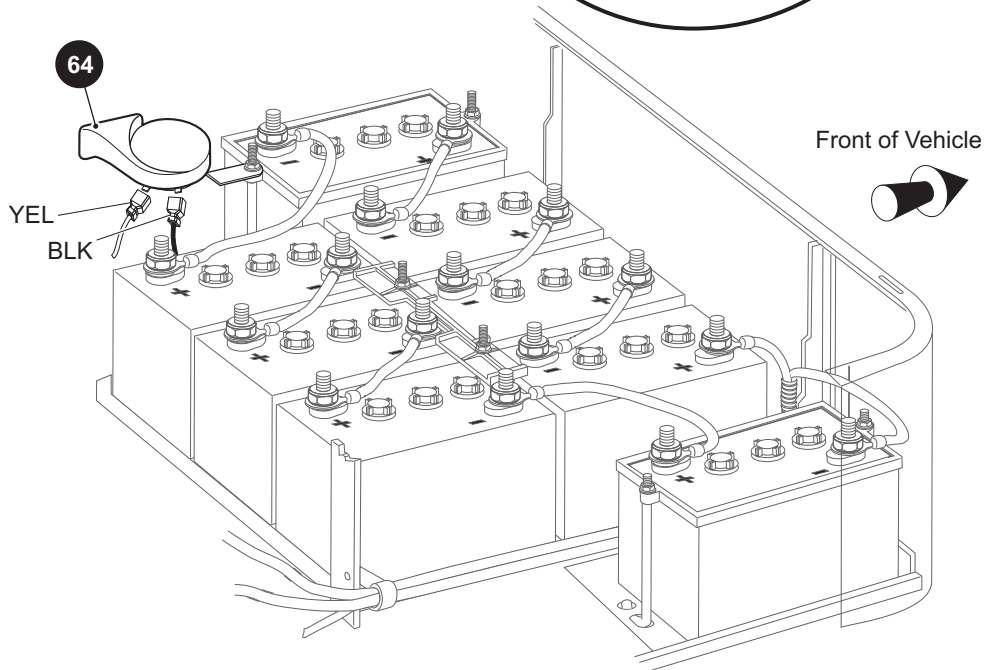
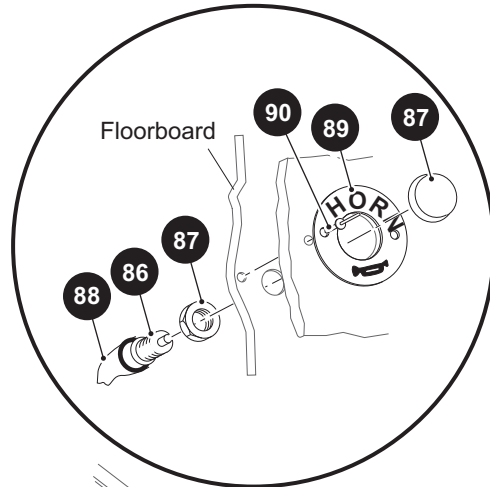
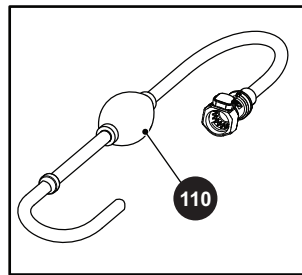
ELECTRICAL SYSTEM



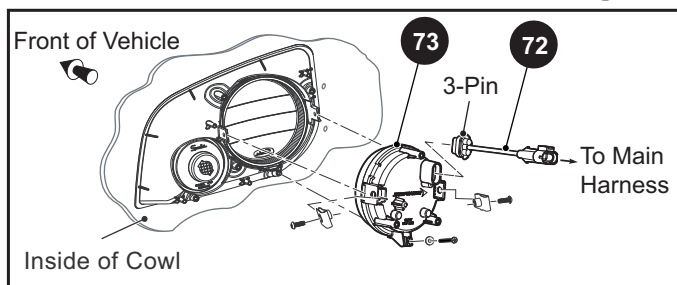
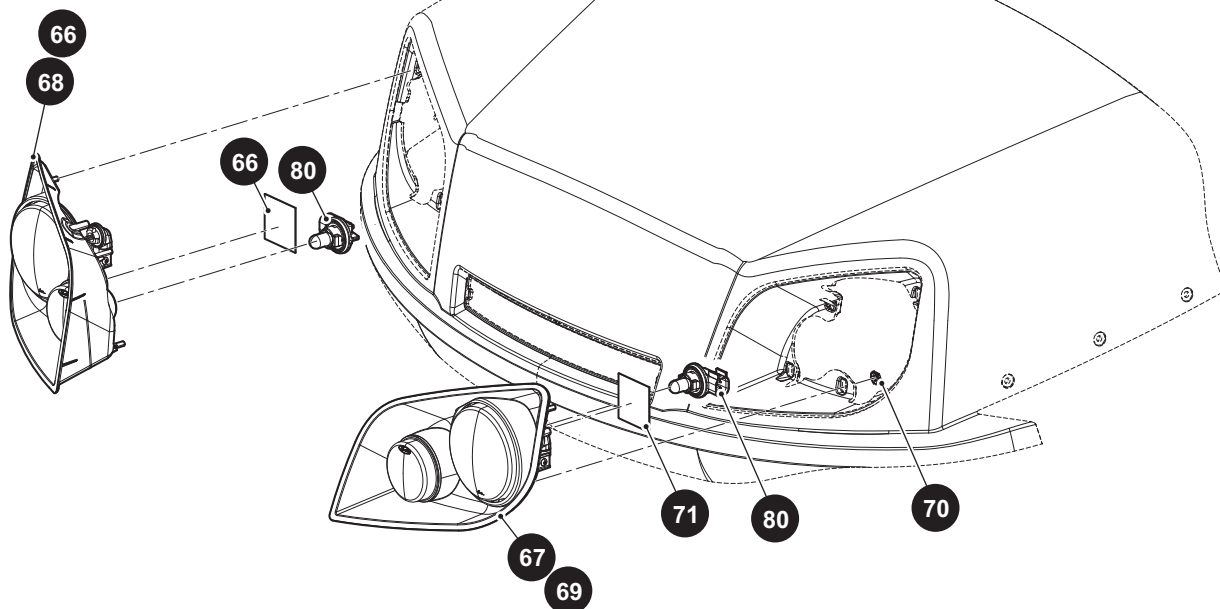
ELECTRICAL SYSTEM



FLOOR MOUNTED HORN BUTTON



HEAD LIGHT & TURN SIGNAL

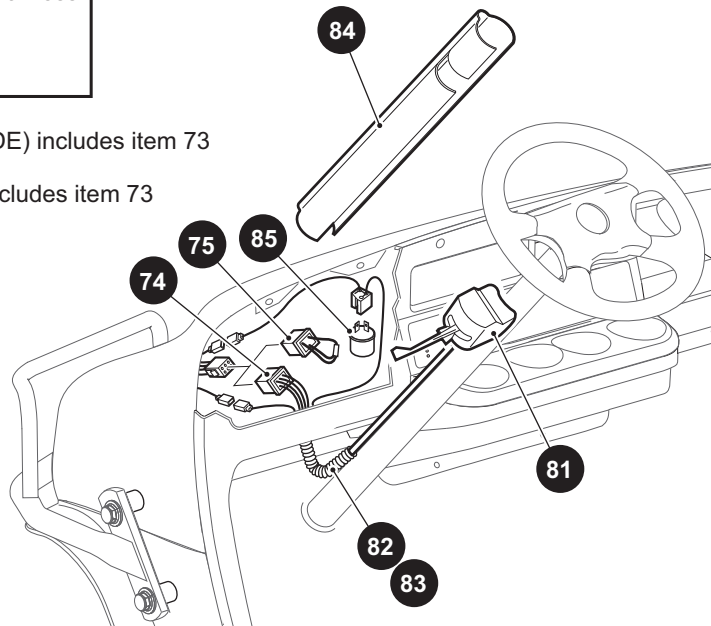
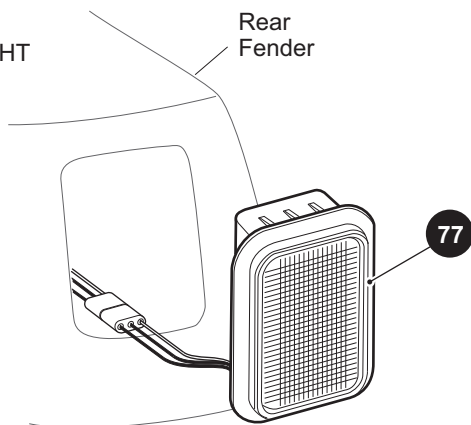


79 TURN SIGNAL KIT Includes items 80 - 85

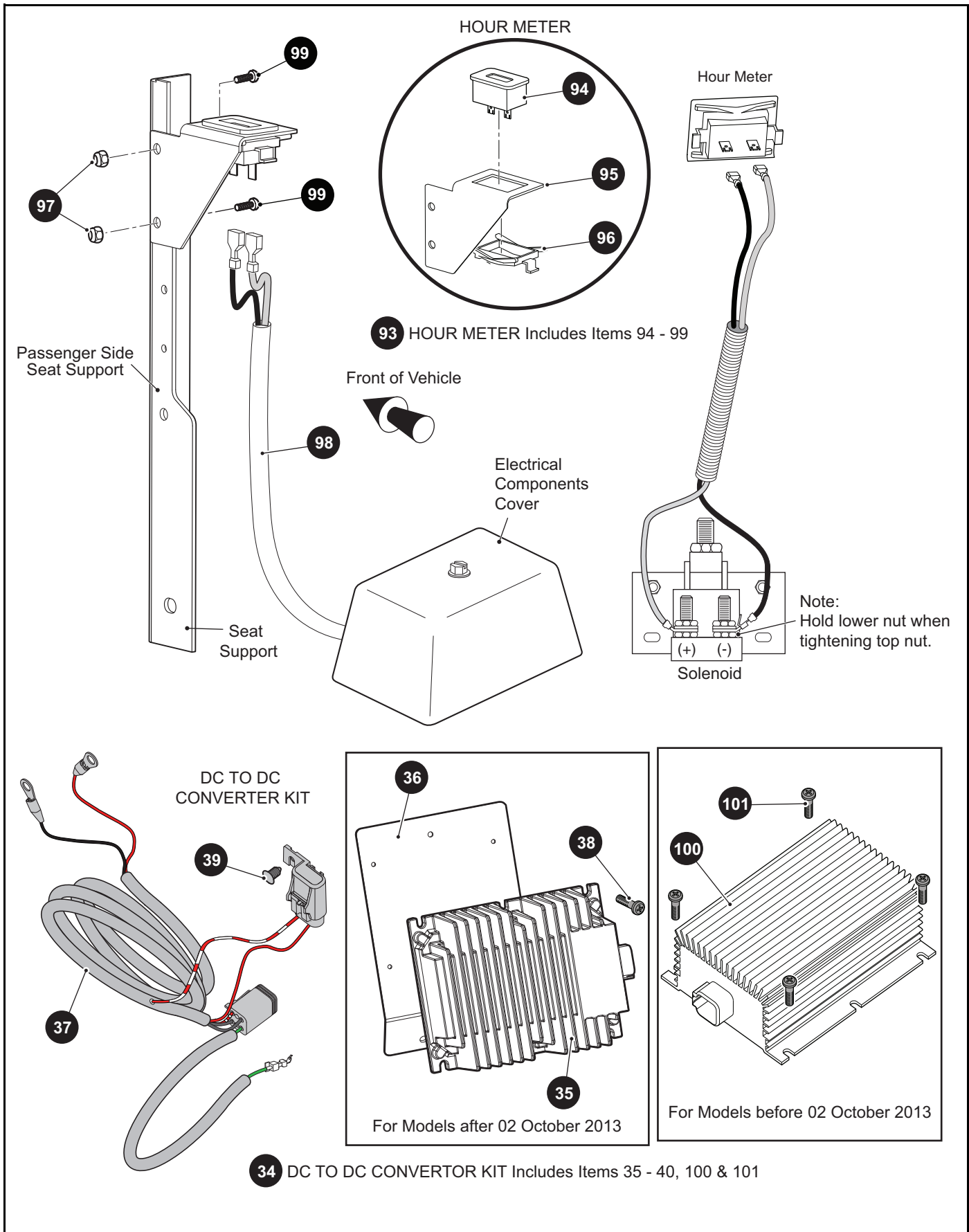
68 LED HEADLIGHT ASSEMBLY (PASSENGER SIDE) includes item 73

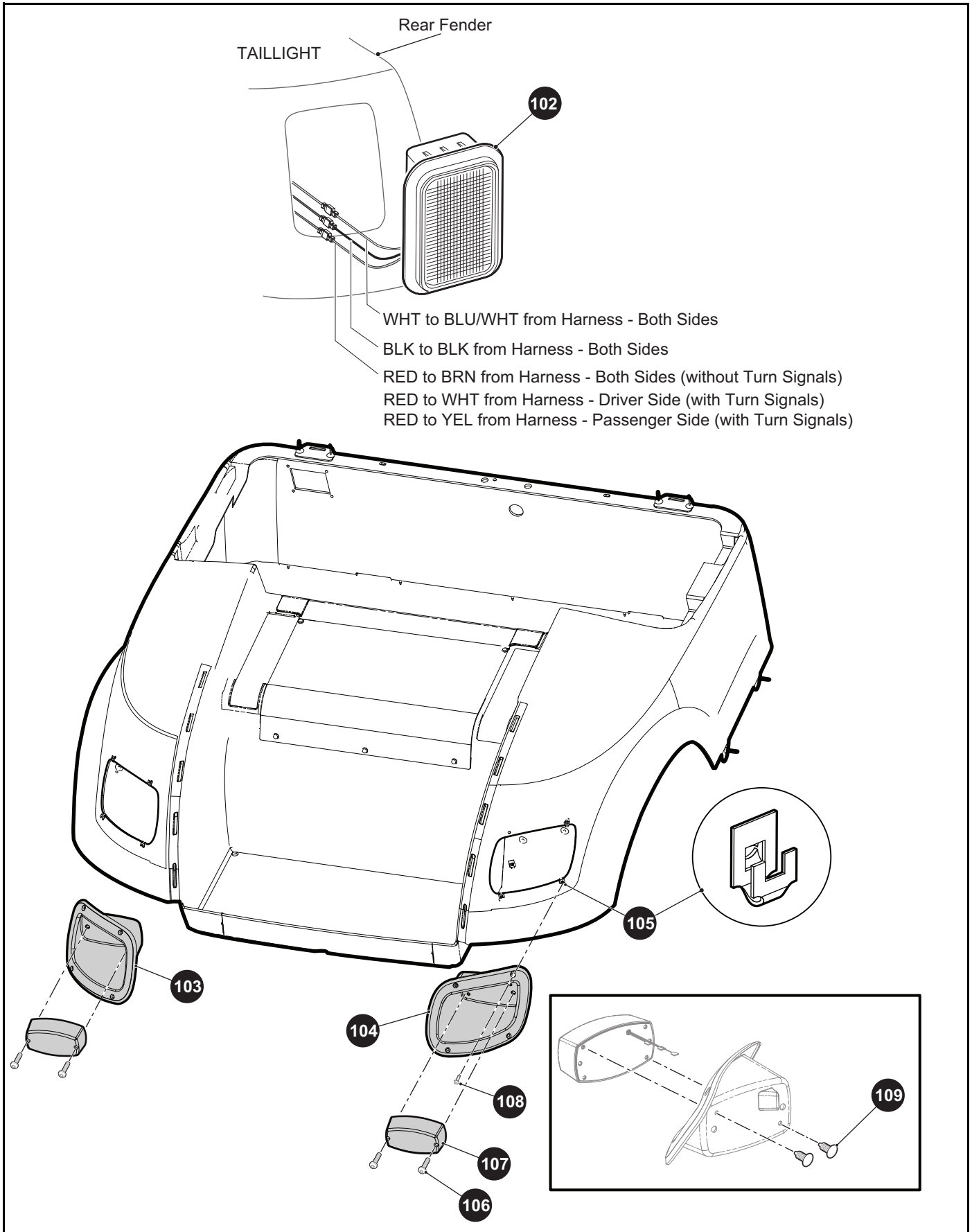
69 LED HEADLIGHT ASSEMBLY (DRIVER SIDE) includes item 73

TAILLIGHT



ELECTRICAL SYSTEM





ELECTRICAL SYSTEM

When ordering parts, please specify the model and serial number of the product.

* Indicates a component that is not available as an individual part.

*** Indicates consult Customer Service Department for additional information.

ITEM	PART NO.	1 2 3 4 5	DESCRIPTION	QTY.
1	<u>73311G03</u>		CHARGER HARNESS / RECEPTACLE (INCLUDES ITEMS 2 - 11).....	1
2	<u>602822</u>		CHARGER HARNESS.....	1
3	<u>668283</u>		CHARGER HARNESS RECEPTACLE (INCLUDES ITEMS 4 - 11)	1
4	73051G22		RECEPTACLE BOTTOM.....	1
5	73051G21		RECEPTACLE COVER	1
6	<u>73051G08</u>		BINDING HEAD BRASS SCREW, #10 - 32 X 1/2" LG.....	2
7	<u>73051G09</u>		PHILLIPS HEAD SCREW, #6 - 32 X 1 3/4" LG	3
8	<u>73051G10</u>		LOCK NUT, #6 - 32.....	3
9	<u>25978G25</u>		RED JUMPER WIRE, 18 GA.....	1
10	73051G23		FEMALE CONTACT	1
11	<u>73051G24</u>		FEMALE CONTACT, INSULATED.....	1
12	<u>71055G01</u>		RIVET, 3/16" X 1" LG.....	4
13				
14				
15	<u>73349G01</u>		POWER HARNESS.....	1
16				
17				
18	<u>00993G01</u>		LOCK WASHER, 5/16"	4
19	<u>28418G01</u>		HEX NUT, 5/16" - 18.....	4
20	27327G0*		CLAMP	1
21	<u>10570G11</u>		RIVET (SS), 3/16" X 3/4" LG	1
22				
23	72824G01		6 VOLT BATTERY	8
24	<u>612867</u>		BATTERY RETAINER	1
25	<u>01101G01</u>		HOLD DOWN BOLT	2
26	<u>11027G1</u>		LOCK NUT, 5/16" - 18	6
27	<u>70386G01</u>		HOLD DOWN BOLT	4
28	70387G01		BATTERY RETAINER	2
29				
30	<u>25971G18</u>		4 GA WIRE (BLK 6").....	4
31	<u>25971G16</u>		4 GA WIRE (BLK 19").....	1

ELECTRICAL SYSTEM

When ordering parts, please specify the model and serial number of the product.

* Indicates a component that is not available as an individual part.

*** Indicates consult Customer Service Department for additional information.

ITEM	PART NO.	1 2 3 4 5	DESCRIPTION	QTY.
32	<u>25971G13</u>		4 GA WIRE (BLK 10 1/2")	2
33	<u>00702G2</u>		HEX NUT, 5/16" - 18	16
34	<u>605988</u>		DC TO DC CONVERTER KIT (INCLUDES ITEMS 35 - 40, 100 & 101).....	1
35	<u>632185</u>		DC TO DC CONVERTER (FOR MODELS AFTER 02 OCTOBER 2013)	1
36	<u>626315</u>		BRACKET	1
37	<u>606018</u>		DC TO DC WIRING HARNESS	1
38	<u>632372</u>		PHILIPS PAN HEAD SCREW, #10 - 24 X 1/2" LG (FOR MODELS AFTER 02 OCTOBER 2013)	4
39	<u>16816G5</u>		CHRISTMAS TREE RIVET, .187" X 0.55" LG	1
40	<u>00715G2</u>		HEX HEAD BOLT, 5/16" - 18 X .80" LG (NOT ILLUSTRATED).....	2
41	<u>18602G1</u>		IGNITION SWITCH	1
42	<u>00568G6</u>		LOCK WASHER, 3/4"	1
43	<u>17137G1</u>		FACE NUT	1
44	<u>17955G1</u>		IGNITION SWITCH (WITHOUT LIGHTS, NON-STANDARD KEY).....	1
45	<u>18027G1</u>		IGNITION SWITCH (WITHOUT LIGHTS, INDIVIDUALLY KEYED)	1
46	<u>33639G01</u>		IGNITION SWITCH (WITH LIGHTS, STANDARD KEY).....	1
47	<u>33639G02</u>		IGNITION SWITCH (WITH LIGHTS, NON-STANDARD KEY)	1
48	<u>33639G03</u>		IGNITION SWITCH (WITH LIGHTS, INDIVIDUALLY KEYED).....	1
49	<u>22674G1</u>		FUSE BLOCK	1
50	<u>01041G01</u>		RIVET, 5/32" X 3/8" LG	2
51	<u>18392G1</u>		FUSE, 15 AMP	3
52	<u>619156</u>		WIRE HARNESS (ACCESSORY) (FOR SHUTTLE 4 AND 6).....	1
53	<u>73030G12</u>		CONSOLE INSERT PLATE	1
54	<u>74320G01</u>		LABEL, DIRECTION SELECTOR AND STATE OF CHARGE METER	1
55	<u>74322G01</u>		LABEL, LIGHTS, DIRECTION SELECTOR & STATE OF CHARGE METER	1
56	<u>624514G02</u>		DIRECTION SELECTOR SWITCH	1
57	<u>33636G05</u>		STATE OF CHARGE METER (VERTICAL)	1
58	<u>33623G02</u>		RIVET, 3/16" X 3/8" LG	2
59	<u>645774</u>		SOC FUSE HARNESS	1
60	<u>73334G01</u>		HARNESS (CONTROL).....	1
61	<u>25978G74</u>		18 GA WIRE (RED 6")	1

ELECTRICAL SYSTEM

When ordering parts, please specify the model and serial number of the product.

* Indicates a component that is not available as an individual part.

*** Indicates consult Customer Service Department for additional information.

ITEM	PART NO.	1 2 3 4 5	DESCRIPTION	QTY.
62	<u>73290G02</u>		BUZZER	1
63	<u>01041G01</u>		RIVET, 5/32" X 3/4" LG.....	2
64	<u>32860G1</u>		HORN	1
65				
66	<u>614497</u>		HEADLIGHT W/O TURN SIGNAL (PASSENGER SIDE).....	1
67	<u>614501</u>		HEADLIGHT W/O TURN SIGNAL (DRIVER SIDE)	1
68	<u>659008</u>		LED HEADLIGHT ASSEMBLY (PASSENGER SIDE) (INCLUDES ITEM 73) .	1
69	<u>659009</u>		LED HEADLIGHT ASSEMBLY (DRIVER SIDE) (INCLUDES ITEM 73).....	1
70	<u>71597G01</u>		SELF THREADING NUT, 5 X 10X 15MM.....	8
71	<u>71781G02</u>		VINYL TAPE	2
72	<u>654465</u>		JUMPER HARNESS, LED HEADLIGHT	2
73	<u>651411G03</u>		LED HEADLIGHT.....	1
74	<u>618257</u>		WIRE HARNESS (ACCESSORY), 48V DC, SWB	1
75	<u>618260</u>		JUMPER PLUG, TAIL LIGHT	1
76				
77	<u>32739G2</u>		TAIL LIGHT	1
78				
79	<u>622712</u>		TURN SIGNAL KIT (INCLUDES ITEMS 80 - 85)	1
80	<u>619102</u>		TURN SIGNAL BULB.....	1
81	<u>611810</u>		TURN SIGNAL SWITCH ASSEMBLY	1
82	<u>32307G3</u>		FLEX LOOM, 3/8" X 8" LG	1
83	<u>17618G1</u>		WIRE TIE	2
84	<u>20965G3</u>		STEERING COLUMN COVER	1
85	<u>21640G01</u>		FLASHER UNIT	1
86	<u>17318G1</u>		HORN SWITCH.....	1
87	<u>17318G2</u>		HORN SWITCH CAP AND NUT	2
88	<u>27068G01</u>		HORN SWITCH BOOT.....	1
89	<u>608397</u>		HORN SWITCH LABEL.....	1
90	<u>01041G01</u>		RIVET, 5/32" X 3/4" LG.....	2
91				
92				

ELECTRICAL SYSTEM

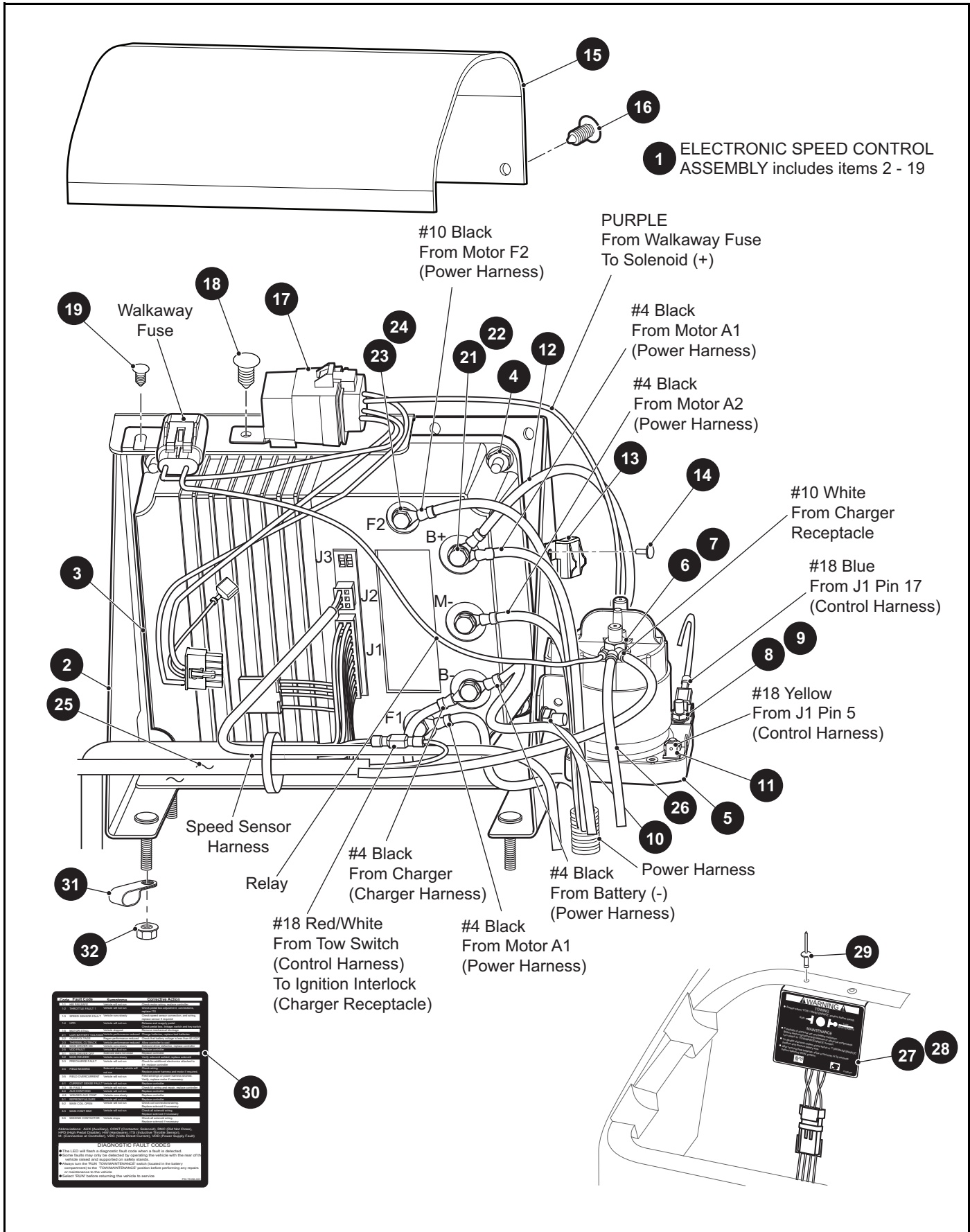
When ordering parts, please specify the model and serial number of the product.

* Indicates a component that is not available as an individual part.

*** Indicates consult Customer Service Department for additional information.

ITEM	PART NO.	1 2 3 4 5	DESCRIPTION	QTY.
93	<u>75113G06</u>		HOUR METER KIT (INCLUDES ITEMS 94 - 99).....	1
94	<u>74665G02</u>		HOUR METER	1
95	<u>74716G01</u>		HOUR METER BRACKET.....	1
96	<u>74696G01</u>		RETAINER CLIP	1
97	<u>14390G10</u>		LOCK NUT, #10 - 24.....	2
98	<u>75117G04</u>		WIRE HARNESS (HOUR METER)	1
99	<u>00379G4</u>		PAN HEAD PHILLIPS SCREW,#10 - 24 X 1/2" LG	2
100	<u>604884</u>		DC TO DC CONVERTER (FOR MODELS BEFORE 02 OCTOBER 2013)	1
101	<u>00379G4</u>		PHILLIPS PAN HEAD SCREW, #10 - 24 X 1/2" LG (FOR MODELS BEFORE 02 OCTOBER 2013)	6
102	<u>22288G1</u>		TAIL LIGHT ASSEMBLY COMPLETE.....	2
103	<u>625251</u>		BEZEL, TAILLIGHT (DRIVER SIDE) (FOR VEHICLES MANUFACTURED FROM MARCH 2014).....	1
104	<u>625252</u>		BEZEL, TAILLIGHT (PASSENGER SIDE) (FOR VEHICLES MANUFACTURED FROM MARCH 2014).....	1
105	<u>71364G02</u>		"J" TYPE NUT, #8 (FOR VEHICLES MANUFACTURED FROM MARCH 2014).....	8
106	<u>00513G4</u>		PAN HEAD PHILLIPS SCREW, #8 X 1.5" LG (FOR VEHICLES MANUFACTURED FROM MARCH 2014).....	4
107	<u>22288G1</u>		TAILLIGHT ASSEMBLY (FOR VEHICLES MANUFACTURED FROM MARCH 2014).....	2
108	<u>71425G01</u>		TAPPING SCREW, #8 - 18 X .75" LG (FOR VEHICLES MANUFACTURED FROM MARCH 2014).....	8
109	<u>14601G11</u>		RIVET, 3/16" X 9/16" (FOR VEHICLES MANUFACTURED FROM MARCH 2014).....	2
110	<u>676122</u>		TROJAN HAND PUMP KIT	1
111	665740		ACCESSORY WIRE HARNESS (NOT ILLUSTRATED) (FOR SHUTTLE 2).....	1

ELECTRONIC SPEED CONTROL



ELECTRONIC SPEED CONTROL

When ordering parts, please specify the model and serial number of the product.

* Indicates a component that is not available as an individual part.

*** Indicates consult Customer Service Department for additional information.

ITEM	PART NO.	1 2 3 4 5	DESCRIPTION	QTY.
1	<u>73348G04</u>		ELECTRONIC SPEED CONTROL ASSEMBLY (INCLUDES ITEMS 2 - 19)	1
2	<u>73351G01</u>		CONTROLLER MOUNT BRACKET	1
3	<u>611173</u>		ELECTRONIC SPEED CONTROLLER.....	1
4	<u>11027G2</u>		LOCK NUT, 1/4" - 20	4
5	<u>621330</u>		SOLENOID	1
6	<u>00565G5</u>		LOCK WASHER, #10	2
7	<u>00526G4</u>		LOCK NUT, #10 - 32.....	2
8	<u>00565G8</u>		LOCK WASHER, 5/16"	2
9	<u>00544G4</u>		JAM NUT, 5/16" - 24	2
10	<u>11027G2</u>		LOCK NUT, 1/4" - 20	2
11	<u>73446G01</u>		FASTON TAB, 90°	4
12	<u>25971G17</u>		4 GA WIRE (BLACK 9").....	1
13	<u>73499G01</u>		INLINE FUSE COVER.....	1
14	<u>15058G1</u>		RIVET (ALUMINUM), 3/16" X 7/16" LG.....	1
15	<u>73523G01</u>		CONTROLLER COVER	1
16	<u>16816G1</u>		RATCHET FASTENER, 1/4" X 9/16" LG	4
17	608931		RELAY HARNESS, WALKAWAY 48V	1
18	<u>16816G2</u>		RIVET, 0.25" X 0.887"	1
19	<u>16816G5</u>		RIVET, 0.187" X 0.550"	1
20				
21	<u>73296G01</u>		BOLT, 8MM X 16MM LG	3
22	<u>00993G01</u>		LOCK WASHER, 5/16"	3
23	<u>73346G01</u>		BOLT, 6MM X 1 X 12MM LG.....	2
24	<u>00993-G02</u>		LOCK WASHER, 1/4"	2
25	<u>73334G01</u>		CONTROL HARNESS	1
26	25971G06		4 GA WIRE (BLK 59 1/2") (SOL - BATTERY +)	1
27	<u>74878G01</u>		TOW-MAINTENANCE SWITCH (SHUTTLE 4/6)	1
28	<u>73347G03</u>		TOW-MAINTENANCE SWITCH (SHUTTLE 2)	1
29	<u>71055G01</u>		RIVET, 5/32" X 3/4" LG	2
30	<u>73398G01</u>		DIAGNOSTIC LABEL (FAULT CODE)	1

ELECTRONIC SPEED CONTROL

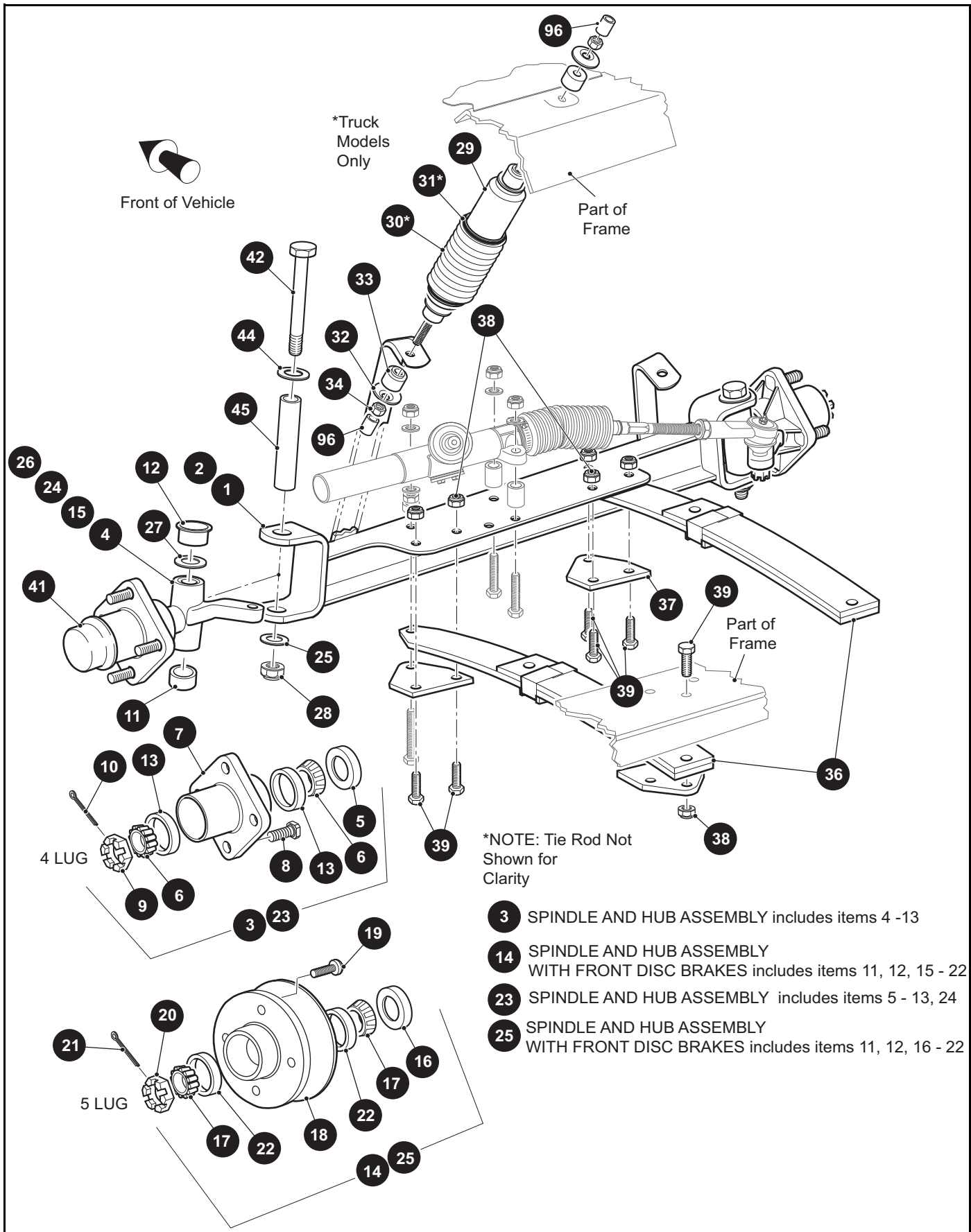
When ordering parts, please specify the model and serial number of the product.

* Indicates a component that is not available as an individual part.

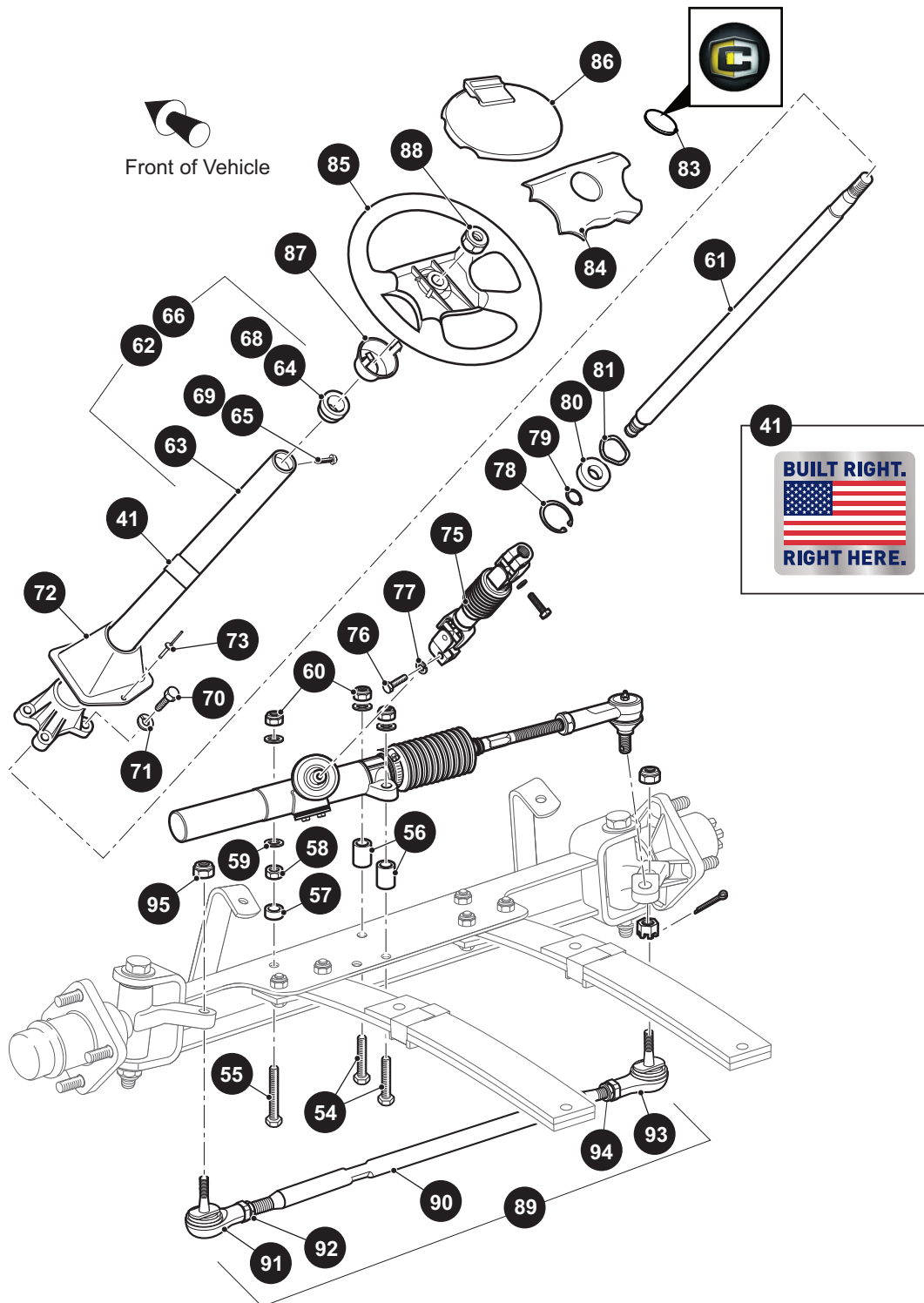
*** Indicates consult Customer Service Department for additional information.

ITEM	PART NO.	1 2 3 4 5	DESCRIPTION	QTY.
31	<u>73053G01</u>		DOUBLE TUBE CLAMP	1
32	<u>11027G2</u>		LOCK NUT, 1/4 - 20.....	4

FRONT SUSPENSION / STEERING



FRONT SUSPENSION / STEERING



- 62 STEERING COLUMN KIT includes items 63 - 65
- 66 STEERING COLUMN KIT includes items 67 - 69
- 74 STEERING COLUMN KIT includes items 61, 63 - 65, 75 - 81
- 89 TIE ROD ASSEMBLY includes items 90 - 94

FRONT SUSPENSION / STEERING

When ordering parts, please specify the model and serial number of the product.

* Indicates a component that is not available as an individual part.

*** Indicates consult Customer Service Department for additional information.

ITEM	PART NO.	1 2 3 4 5	DESCRIPTION	QTY.
1	652822		FRONT AXLE	1
2	<u>602327</u>		FRONT AXLE WITH FRONT DISC BRAKES.....	1
3	<u>70942G03</u>		SPINDLE AND HUB ASSEMBLY, 4 LUG (PASSENGER SIDE) (INCLUDES ITEMS 4 - 13).....	1
4	70940G02		SPINDLE ASSEMBLY (PASSENGER SIDE).....	1
5	<u>25146G1</u>		GREASE SEAL	1
6	<u>11750G2</u>		ROLLER BEARING.....	2
7	<u>70589G01</u>		WHEEL HUB ASSEMBLY WITH RACES, 4 LUG	1
8	<u>19862G1</u>		LUG BOLT, 1/2" - 20 X 1 3/16" LG	4
9	12093G1		CASTELLATED NUT, 1" - 14	1
10	<u>00798G8</u>		COTTER PIN, 5/32" X 1 3/4" LG.....	1
11	<u>632926</u>		SLEEVE BUSHING.....	1
12	<u>632925</u>		FLANGED BUSHING.....	1
13	<u>51141G1</u>		BEARING RACE	2
14	<u>602288</u>		SPINDLE AND HUB ASSEMBLY WITH FRONT DISC BRAKES (PASSENGER SIDE)(INCLUDES ITEMS 11, 12, 15 - 22).....	1
15	<u>602158</u>		SPINDLE ASSEMBLY (PASSENGER SIDE).....	1
16	<u>25146G1</u>		GREASE SEAL	1
17	<u>11750G2</u>		ROLLER BEARING.....	2
18	<u>630672</u>		WHEEL HUB ASSEMBLY	1
19	<u>74864G01</u>		DRIVE FLANGE STUD, 1.5"	4
20	12093G1		CASTELLATED NUT, 1" - 14	1
21	<u>00798G8</u>		COTTER PIN, 5/32" X 1 3/4" LG.....	1
22	<u>51141G1</u>		BEARING RACE	2
23	<u>70673G03</u>		SPINDLE AND HUB ASSEMBLY, 4 LUG (DRIVER SIDE) (INCLUDES ITEMS 5 - 13, 24).....	1
24	<u>70673G04</u>		SPINDLE ASSEMBLY (DRIVER SIDE)	1
25	<u>602281</u>		SPINDLE AND HUB ASSEMBLY, WITH FRONT DISC BRAKES (DRIVER SIDE)(INCLUDES ITEMS 11, 12, 16 - 22, 26).....	1
26	<u>602176</u>		SPINDLE ASSEMBLY (DRIVER SIDE)	1
27	<u>70754G01</u>		THRUST WASHER (SS), 1"	2
28	<u>14390G6</u>		LOCK NUT, 1/2" - 13	2
29	<u>76419G01</u>		SHOCK ABSORBER.....	2

FRONT SUSPENSION / STEERING

When ordering parts, please specify the model and serial number of the product.

* Indicates a component that is not available as an individual part.

*** Indicates consult Customer Service Department for additional information.

ITEM	PART NO.	1 2 3 4 5	DESCRIPTION	QTY.
30	<u>70509G01</u>		SHOCK ABSORBER BOOT	2
31	<u>31539G1</u>		WIRE TIE	4
32	<u>10435G1</u>		SHOCK ABSORBER WASHER.....	8
33	<u>10194G1</u>		RUBBER BUSHING	8
34	<u>00532G6</u>		HEX NUT, 3/8" - 24	4
35				
36	<u>70664G03</u>		CANTILEVER LEAF SPRING (HEAVY DUTY).....	2
37	<u>652258</u>		SPRING PLATE	4
38	<u>00734G1</u>		LOCK NUT, 7/16" - 14.....	11
39	<u>00463G11</u>		HEX HEAD BOLT, 7/16" - 14 X 1 3/4" LG	11
40				
41	<u>12091G2</u>		SPINDLE CAP	2
42	<u>00407G6</u>		HEX HEAD BOLT, 1/2" - 13 X 6" LG	2
43				
44	<u>00560G3</u>		FLAT WASHER, 1/2"	4
45	<u>70745G01</u>		KING PIN TUBE.....	2
46				
47				
48				
49				
50				
51				
52				
53				
54	<u>00464G8</u>		HEX HEAD BOLT, 7/16" - 14 X 2 3/4" LG	2
55	<u>01068G01</u>		HEX HEAD BOLT, 7/16" - 14 X 3 1/2" LG	1
56	<u>70667G02</u>		SPACER, 1.21" LG	2
57	<u>70667G04</u>		STEERING HOUSING SPACER	1
58	<u>00532G7</u>		HEX NUT, 7/16" - 14	1
59	<u>00560G2</u>		FLAT WASHER, 7/16"	7
60	<u>00734G1</u>		LOCK NUT, 7/16" - 14.....	3

FRONT SUSPENSION / STEERING

When ordering parts, please specify the model and serial number of the product.

* Indicates a component that is not available as an individual part.

*** Indicates consult Customer Service Department for additional information.

ITEM	PART NO.	1	2	3	4	5	DESCRIPTION	QTY.
61	<u>70607G01</u>						STEERING SHAFT	1
62	<u>70758G06</u>						STEERING COLUMN KIT (INCLUDES ITEMS 63 - 65)	1
63	<u>70610G03</u>						STEERING COLUMN	1
64	<u>28569G01</u>						STEERING COLUMN BUSHING	1
65	<u>01022G01</u>						HEX WASHER HEAD SCREW, #6 - 20 X 5/16" LG	1
66	<u>70758G08</u>						STEERING COLUMN KIT (HORN) (INCLUDES ITEMS 67 - 69)	1
67	<u>70610G04</u>						STEERING COLUMN	1
68	<u>28569G01</u>						STEERING COLUMN BUSHING	1
69	<u>01022G01</u>						HEX WASHER HEAD SCREW, #6 - 20 X 5/16" LG	1
70	<u>01006G01</u>						HEX WASHER HEAD BOLT, 3/8" - 16 X 1 1/4" LG	4
71	<u>00879G1</u>						LOCK WASHER, 3/8"	4
72	<u>70997G01</u>						COVER	1
73	<u>71055G01</u>						RIVET, 3/16" X 1" LG (ALUMINUM)	1
74	<u>70758G05</u>						STEERING COLUMN KIT (INCLUDES ITEMS 61, 63 - 65, 75 - 81)	1
75	<u>70580G01</u>						INTERMEDIATE SHAFT (INCLUDES ITEMS 75, 76)	1
76	<u>01055G01</u>						HEX HEAD BOLT, M8 X 1.25 - 6G	1
77	<u>00565G8</u>						LOCK WASHER, 5/16"	1
78	<u>70751G01</u>						RETAINING RING (INTERNAL)	1
79	<u>70888G01</u>						RETAINING RING (EXTERNAL)	1
80	<u>15112G1</u>						BALL BEARING	1
81	<u>70887G01</u>						WAVE WASHER	1
82								
83	<u>618086</u>						CUSHMAN STEERING WHEEL DECAL	1
84	<u>71147G01</u>						STEERING WHEEL COVER	1
85	<u>602979</u>						STEERING WHEEL	1
86	<u>607925</u>						CLIPBOARD	1
87	<u>71949G01</u>						HUB COVER	1
88	<u>14390G2</u>						LOCK NUT, 5/8" - 18	1
89	<u>70876G02</u>						TIE ROD ASSEMBLY (INCLUDES ITEMS 90 - 94)	1
90	<u>70897G02</u>						THREADED ROD (24" LG)	1
91	<u>70902G01</u>						TIE ROD END (LEFT HAND THREADS)	1

FRONT SUSPENSION / STEERING

When ordering parts, please specify the model and serial number of the product.

* Indicates a component that is not available as an individual part.

*** Indicates consult Customer Service Department for additional information.

ITEM	PART NO.	1 2 3 4 5	DESCRIPTION	QTY.
92	<u>01069G01</u>		JAM NUT, M12 X 1.25 - 05 (LEFT HAND THREADS)	1
93	<u>70902G02</u>		TIE ROD END (RIGHT HAND THREADS).....	1
94	<u>01069G02</u>		JAM NUT, M12 X 1.25 - 05 (RIGHT HAND THREADS).....	1
95	<u>00734G1</u>		LOCK NUT, 7/16" - 14.....	2
96	<u>10044G01</u>		VINYL CAP.....	4

FRONT SUSPENSION / STEERING

When ordering parts, please specify the model and serial number of the product.

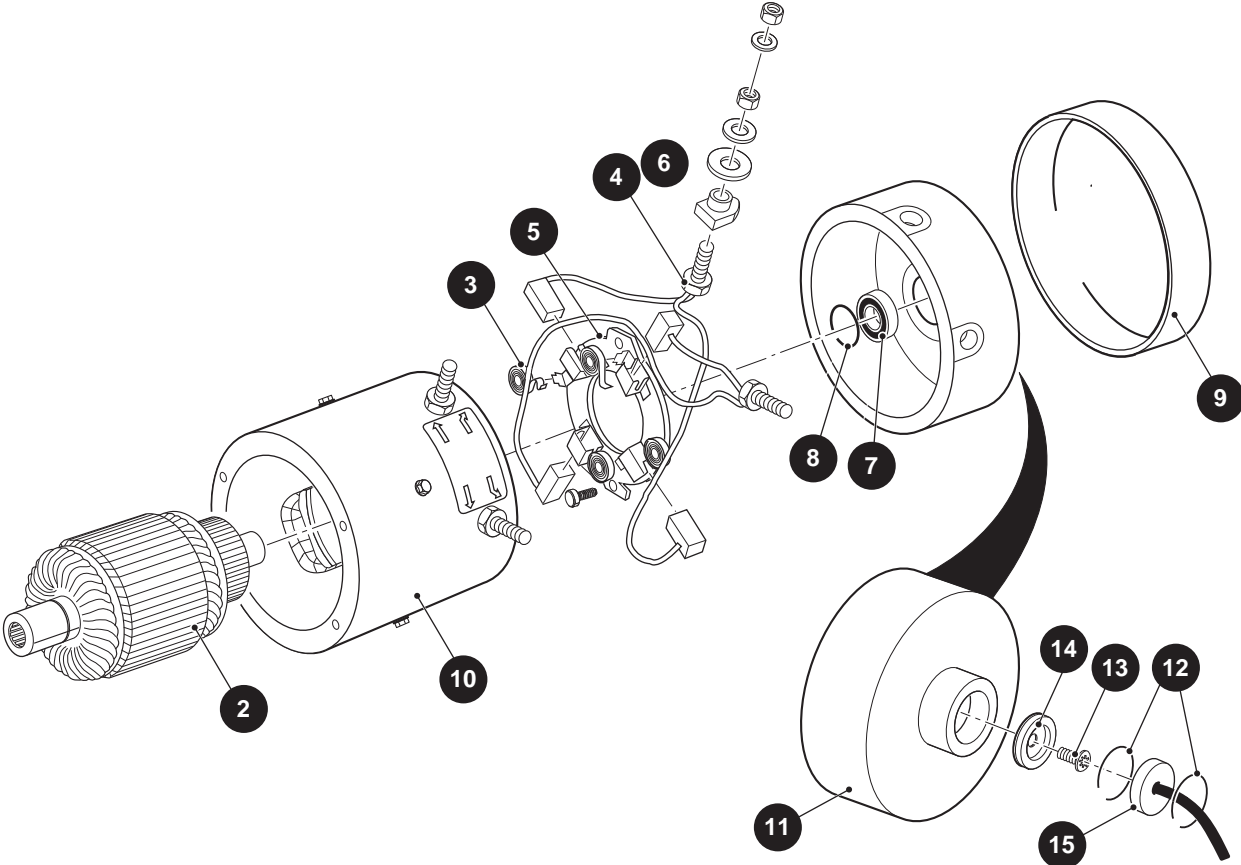
* Indicates a component that is not available as an individual part.

*** Indicates consult Customer Service Department for additional information.

ITEM	PART NO.	1 2 3 4 5	DESCRIPTION	QTY.
1	<u>70964G01</u>		RACK AND PINION UNIT (INCLUDES ITEMS 2 - 23)	1
2	<u>70965G01</u>		STEERING RACK COVER & BEARING	1
3				
4	*		JAM NUT, 1/2" - 20	1
5	<u>70750G01</u>		RETAINING RING (EXTERNAL)	1
6	<u>15112G1</u>		BALL BEARING	1
7	<u>70603G01</u>		PINION	1
8	<u>70751G01</u>		RETAINING RING (INTERNAL)	1
9	<u>70638G01</u>		SEAL (PINION)	1
10	<u>70604G01</u>		STEERING RACK	1
11	*		SET SCREW, #10 - 32 X .25" LG	1
12	<u>70590G01</u>		RACK LOADER	1
13	<u>70666G01</u>		COMPRESSION SPRING	1
14	<u>70645G01</u>		GASKET (RACK LOADER COVER)	1
15	<u>652259</u>		COVER (RACK LOADER)	1
16	<u>71102G01</u>		HEX WASHER HEAD BOLT, 1/4" - 20 X 11/16" LG	2
17	<u>10389G3</u>		GREASE FITTING (STRAIGHT)	1
18	<u>74694G01</u>		ROD END (INNER)	1
19	<u>70961G01</u>		RACK BOOT	1
20	<u>12416G2</u>		NYLON CLAMP, 10"	1
21	<u>11391G8</u>		HOSE CLAMP, 1.81"	1
22				
23	<u>70695G01</u>		TIE ROD END (OUTER) (INCLUDES ITEMS 24 - 25)	1
24	<u>50641G1</u>		GROMMET	1
25	<u>50209G2</u>		HEX SLOTTED NUT, 7/16" - 20	1
26	<u>10387G2</u>		COTTER PIN, 3/32" X 1"	1

MOTOR

1 MOTOR Includes Items 2 - 12



When ordering parts, please specify the model and serial number of the product.

* Indicates a component that is not available as an individual part.

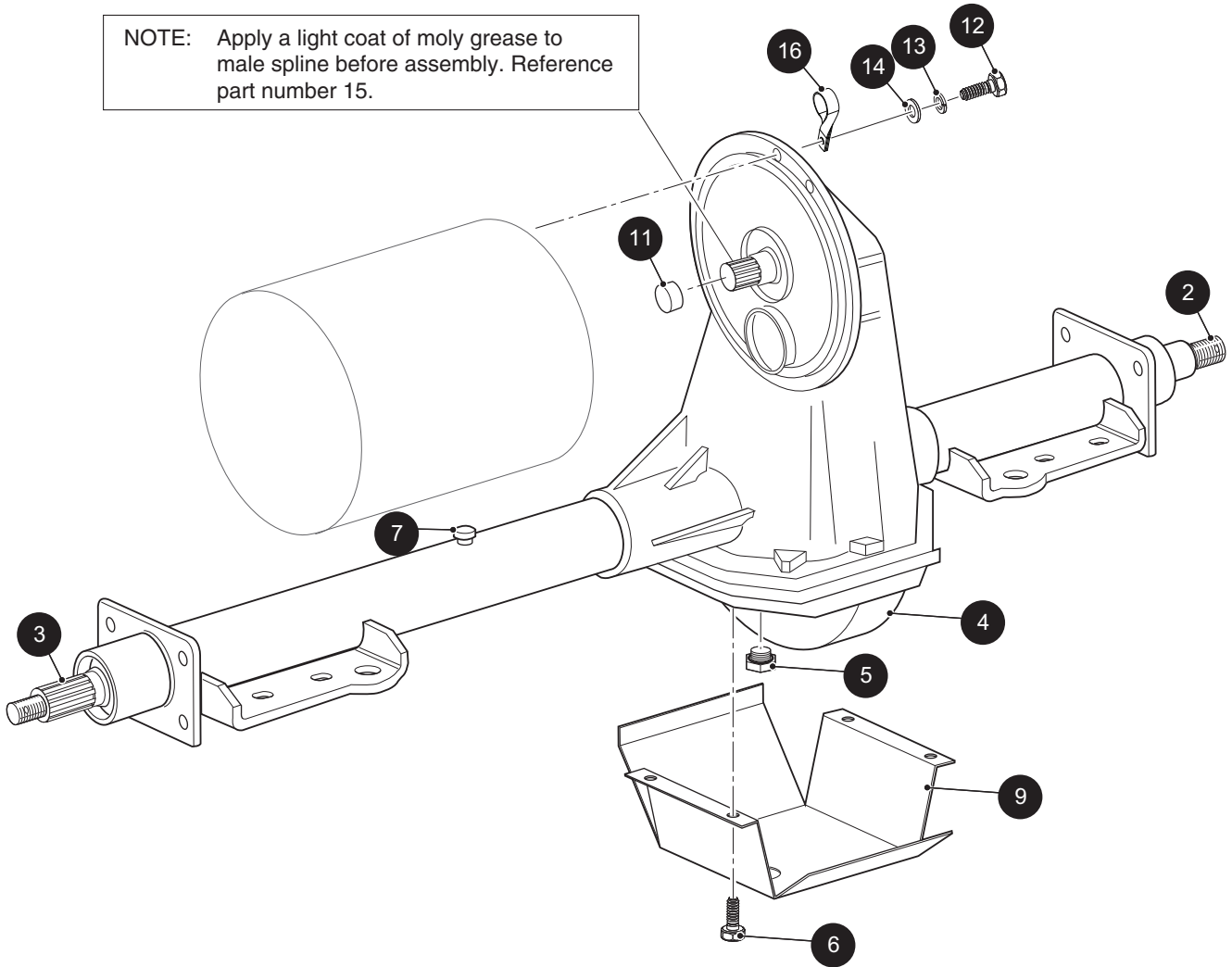
*** Indicates consult Customer Service Department for additional information.

ITEM	PART NO.	1 2 3 4 5	DESCRIPTION	QTY.
1	<u>73291G04</u>		MOTOR (SEPARATELY EXCITED) (INCLUDES ITEMS 2-12)	1
2	73120G36		ARMATURE	1
3	<u>73120G38</u>		BRUSH SPRING	8
4	<u>73120G39</u>		BRUSH	8
5	<u>73120G40</u>		BRUSH BOX	1
6	<u>73120G41</u>		BRUSH REPLACEMENT KIT (INCLUDES HARDWARE)	1
7	<u>73120G07</u>		BEARING	1
8	<u>73120G06</u>		SNAP RING	1
9	<u>73120G43</u>		HEADBAND	1
10	<u>73120G37</u>		FRAME AND FIELD COIL (INCLUDES HARDWARE)	1
11	<u>73120G42</u>		COVER COMMUTATOR END	1
12	<u>73277G01</u>		RETAINING RING	1
13	<u>01037G02</u>		SCREW, #10 - 32 X 1/2" LG	1
14	<u>73328G01</u>		MAGNET	2
15	<u>73327G02</u>		SPEED SENSOR	1

REAR AXLE

1 REAR AXLE ASSEMBLY Includes Items 2 - 7

NOTE: Apply a light coat of moly grease to male spline before assembly. Reference part number 15.



REAR AXLE

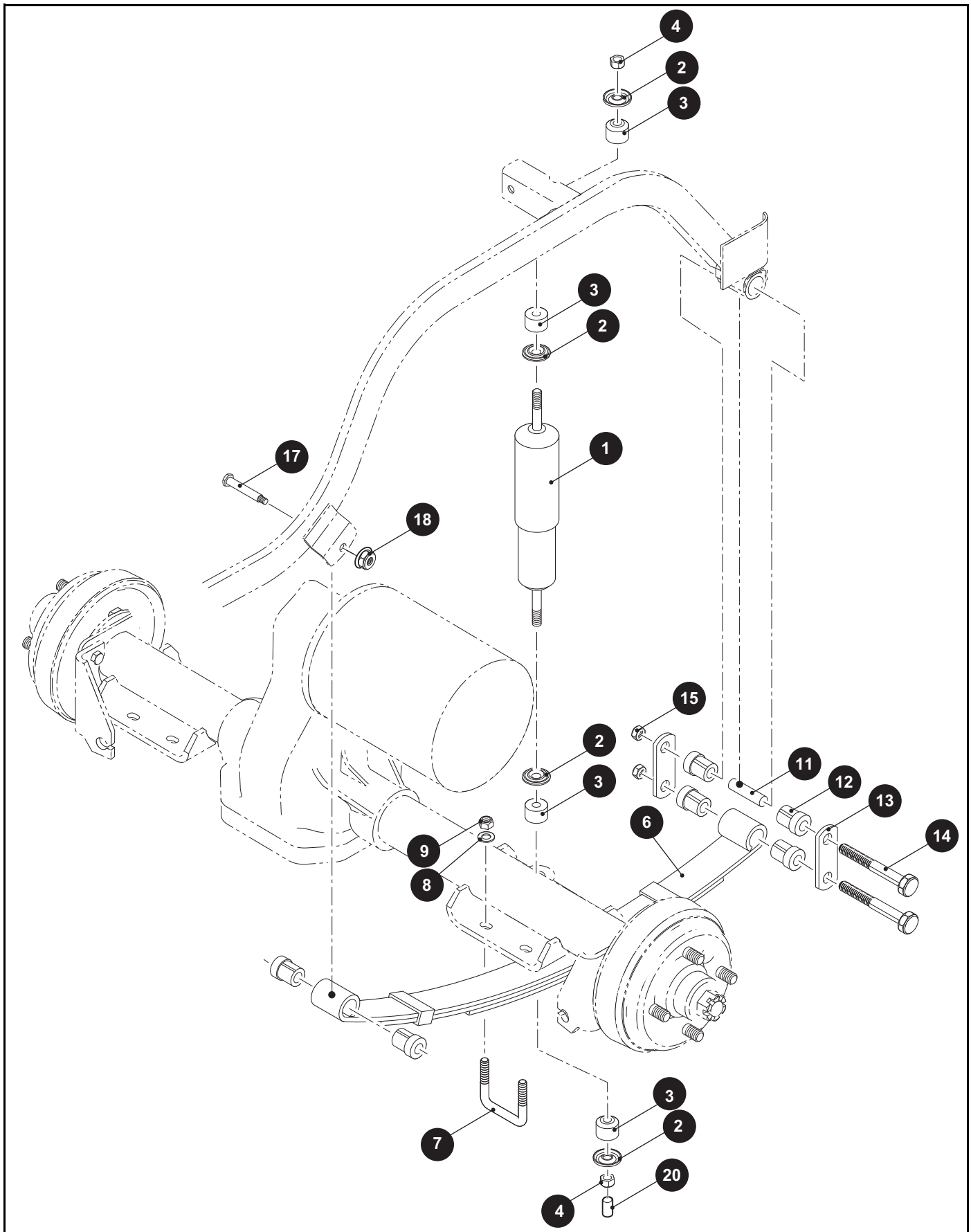
When ordering parts, please specify the model and serial number of the product.

* Indicates a component that is not available as an individual part.

*** Indicates consult Customer Service Department for additional information.

ITEM	PART NO.	1 2 3 4 5	DESCRIPTION	QTY.
1	<u>74612G01</u>		REAR AXLE ASSEMBLY 14.76:1 (INCLUDES ITEMS 2 - 7)	1
2	<u>617609</u>		AXLE SHAFT (PASSENGER SIDE).....	1
3	<u>617608</u>		AXLE SHAFT (DRIVER SIDE)	1
4	*		DIFFERENTIAL COVER	1
5	<u>601081</u>		FILL PLUG WITH 'O' RING	1
6	<u>15558G1</u>		BOLT, 5/16 - 18 X 3/4" LG	10
7	<u>73050G01</u>		VENT	1
8				
9	72763-G02		SCUFF GUARD	1
10				
11	<u>24261G1</u>		SPLINE BUMPER	1
12	<u>00797G2</u>		BOLT, 1/4 - 20 X 1 1/4" LG.....	3
13	<u>00664G7</u>		LOCK WASHER, 1/4" (STAINLESS STEEL)	3
14	<u>01110G01</u>		WASHER, 1/4" (STAINLESS STEEL)	3
15	<u>12719G1</u>		ANTI-SIEZE	AR
16	<u>27327G02</u>		TWISTED CLIP, 1.187" O.D X 1.125" I.D	1

REAR SUSPENSION



REAR SUSPENSION

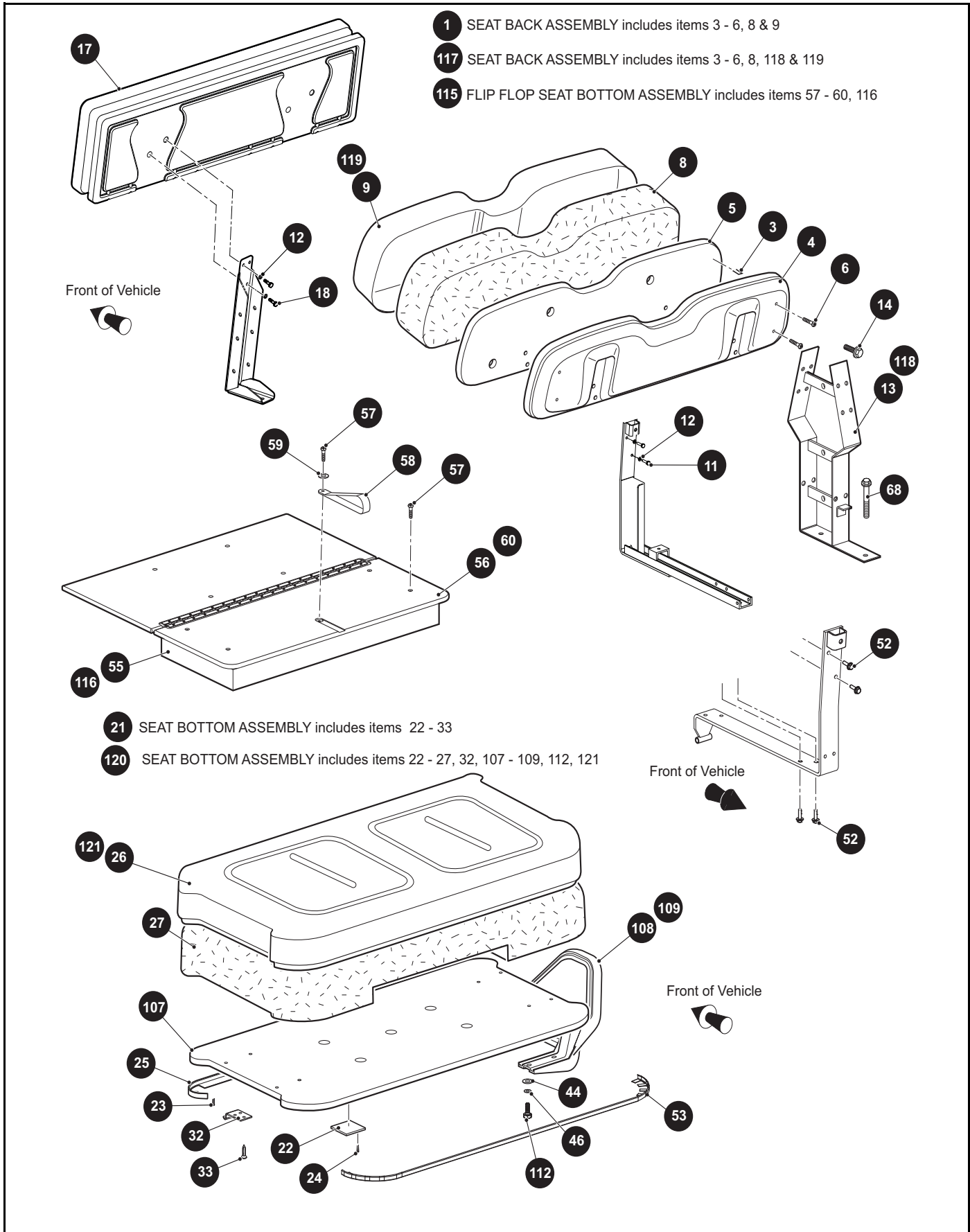
When ordering parts, please specify the model and serial number of the product.

* Indicates a component that is not available as an individual part.

*** Indicates consult Customer Service Department for additional information.

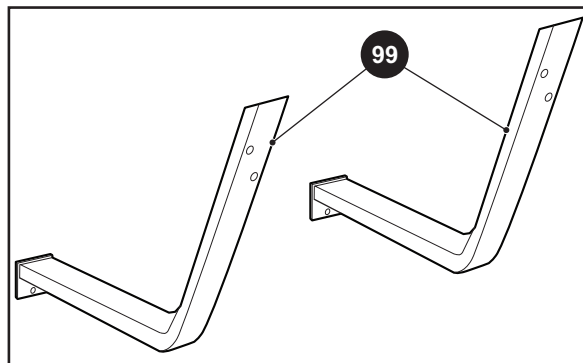
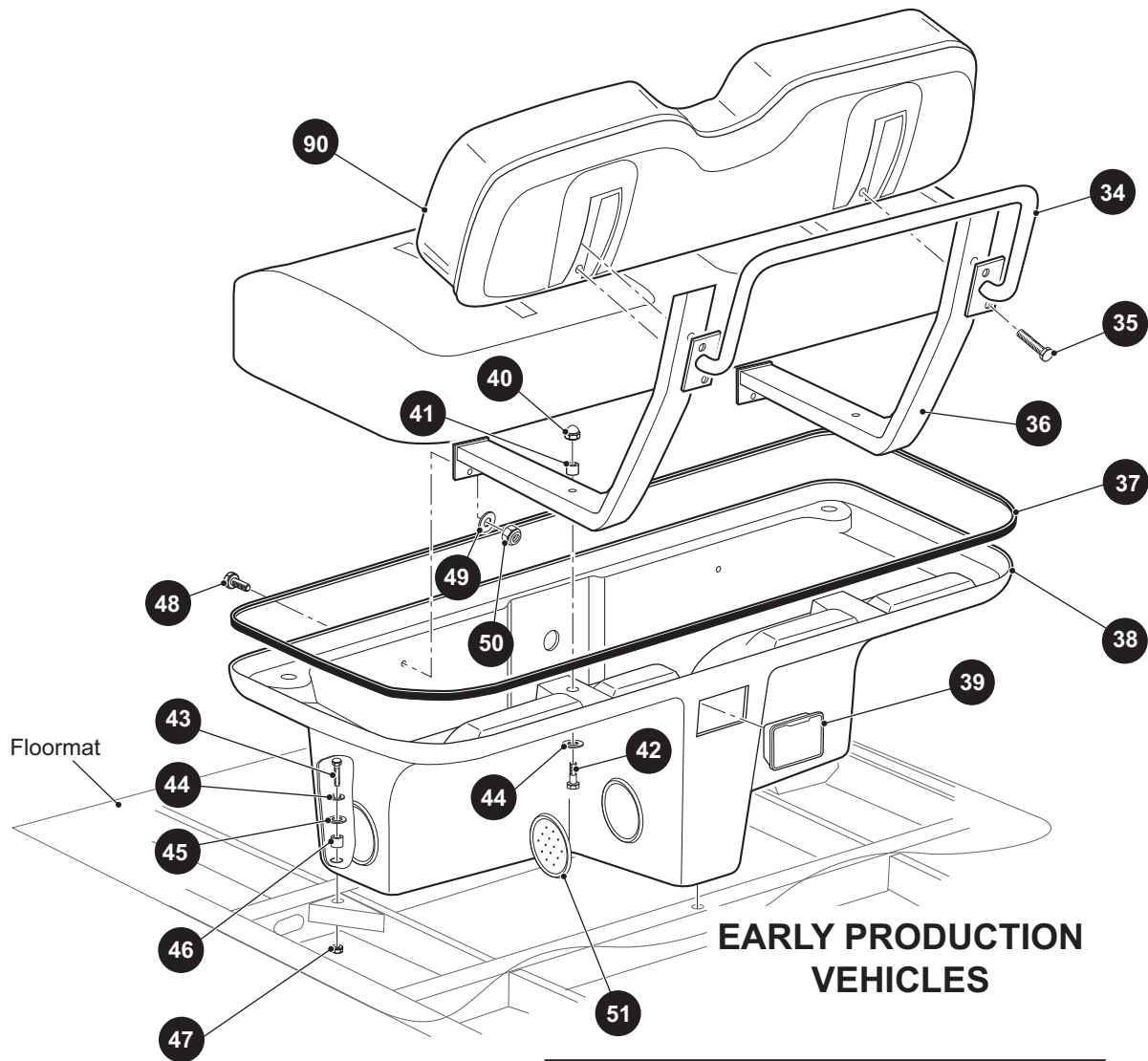
ITEM	PART NO.	1 2 3 4 5	DESCRIPTION	QTY.
1	<u>76418G01</u>		SHOCK ABSORBER.....	2
2	<u>10435G1</u>		SHOCK ABSORBER WASHER.....	8
3	<u>10194G1</u>		RUBBER SHOCK ABSORBER BUSHING.....	8
4	<u>00532G6</u>		HEX NUT, 3/8" - 24.....	4
5				
6	<u>74207G03</u>		LEAF SPRING (HEAVY DUTY).....	2
7	<u>72618G01</u>		"U" BOLT, 3/8" - 16 X 2" X 2 1/2" LG.....	4
8	<u>00560G1</u>		FLAT WASHER, 3/8".....	8
9	<u>11098G5</u>		LOCK NUT, 3/8" - 16.....	8
10				
11	<u>70289G02</u>		SPLIT STEEL SPACER.....	4
12	<u>624030</u>		FLANGED BUSHING.....	12
13	<u>652245</u>		SHACKLE PLATE.....	4
14	<u>00665G9</u>		HEX HEAD BOLT, 3/8" - 16 X 3 1/2" LG (STAINLESS STEEL).....	4
15	<u>11098G5</u>		LOCK NUT, 3/8" - 16.....	4
16				
17	<u>14158G1</u>		SHOULDER BOLT, 3/8" - 16 X 3 1/4" LG.....	2
18	<u>12262G1</u>		LOCK NUT, 3/8" - 16.....	2
19				
20	<u>10044G01</u>		VINYL CAP.....	2

SEATING



SEATING

SHUTTLE 4 and 6



When ordering parts, please specify the model and serial number of the product.

* Indicates a component that is not available as an individual part.

*** Indicates consult Customer Service Department for additional information.

ITEM	PART NO.	1 2 3 4 5	DESCRIPTION	QTY.
1	***		SEAT BACK ASSEMBLY (INCLUDES ITEMS 3 - 6, 8 & 9)	1
			71751G01 WHITE	
			71751G02 GRAY	
			71751G03 OYSTER	
			71751G04 TAN	
			71751G06 BROWN	
			71751G07 BLACK	
			606828 RED/BLACK	
			604908 WHITE/BLUE	
			604907 WHITE/RED	
2				
3	*		FLAT STAPLE.....	95
4	71752G01		PLASTIC SEAT BACK COVER	1
5	<u>645021</u>		SEAT BACK BASE	1
6	<u>01107G01</u>		PAN HEAD TORX SCREW, #8 X 5/8" LG	4
7	607535		PAN HEAD TORX SCREW, #8 X .88" LG	4
8	<u>71754G01</u>		FOAM PADDING (SEAT BACK).....	1
9	***		VINYL SEAT BACK COVER.....	1
			71753G01 WHITE	
			71753G02 GRAY	
			71753G03 OYSTER	
			71753G04 TAN	
			71513G06 BROWN	
			71513G07 BLACK	
			604912G0304 RED/BLACK	
			604916G0102 WHITE/BLUE	
			604916G0103 WHITE/RED	
			604916G0304 RED/BLACK	
10				
11	<u>00661G8</u>		HEX HEAD BOLT, 1/4" - 20 X 1/2" LG	4
12	<u>00664G7</u>		LOCK WASHER, .255" X .263"	4

SEATING

When ordering parts, please specify the model and serial number of the product.

* Indicates a component that is not available as an individual part.

*** Indicates consult Customer Service Department for additional information.

ITEM	PART NO.	1 2 3 4 5	DESCRIPTION	QTY.
13	<u>615730</u>		SEAT BACK SUPPORT	1
14	71204G01		MACHINE SCREW WITH PATCH LOCK, 1/4" - 20 X 7/8" LG	8
15				
16				
17	***		SEAT BACK ASSEMBLY	1
			71274G03 TAN	
			71274G04 GRAY	
			71274G05 OYSTER	
			71274G06 SPECIAL	
18	<u>605056</u>		HEX HEAD BOLT, 1/4" - 20 X 1" LG.....	4
19				
20				
21	***		SEAT BOTTOM ASSEMBLY (INCLUDES ITEMS 22 - 33, 107-109, 112).....	1
			629269G0105 WHITE	
			629269G0104 GRAY	
			629269G0101 OYSTER	
			629269G0103 TAN	
			629269G0108 SPECIAL	
			629269G0107 BROWN	
			629269G0106 BLACK	
			629269G0110 RED ON BLACK	
			629269G0111 WHITE WITH RED	
			629269G0109 WHITE WITH BLUE	
22	<u>17074G1</u>		RUBBER PAD	2
23	*		FLAT STAPLE	110
24	*		FLAT STAPLE	36
25	<u>71012G01</u>		VINYL TRIM (SEAT BOTTOM)	1
26	***		VINYL SEAT BOTTOM COVER.....	1
			71602G01 WHITE	
			71602G02 GRAY	
			71602G03 OYSTER	

When ordering parts, please specify the model and serial number of the product.

* Indicates a component that is not available as an individual part.

*** Indicates consult Customer Service Department for additional information.

ITEM	PART NO.	1 2 3 4 5	DESCRIPTION	QTY.
			71602G04 TAN	
			71602G05 SPECIAL	
			71602G06 BLACK	
			71602G07 BROWN	
			604912G0103 WHITE ON RED	
			604912G0102 WHITE/BLUE	
			604912G0304 RED/BLACK	
27	<u>71603G02</u>		FOAM PADDING (SEAT BOTTOM)	1
28				
29				
30				
31				
32	<u>71610G01</u>		SEAT HINGE	2
33	<u>00720G08</u>		FLAT HEAD PHILLIPS SCREW, #12 -14 X 1" LG.....	6
34	<u>71632G01</u>		HAND GRIP WELDMENT.....	1
35	<u>71204G02</u>		MACHINE SCREW WITH PATCH LOCK, 1/4" - 20 X 2" LG.....	4
36	<u>626576</u>		SEAT BACK SUPPORT WELDMENT	2
37	<u>32805G6</u>		TRIM (BLACK)	1
38	70836G0**		SEAT POD	1
39	27731G01		ASHTRAY	1
40	<u>15717G5</u>		ACORN NUT, 3/8" - 16.....	2
41	<u>23726G4</u>		SPACER, 5/16"	2
42	<u>00427G8</u>		HEX HEAD BOLT, 3/8" - 16 X 2" LG	2
43	00439G8		HEX HEAD BOLT, 5/16" - 18 X 2" LG	3
44	<u>00675G1</u>		FLAT WASHER (SS), 3/8".....	5
45	<u>71883G01</u>		RUBBER WASHER, 5/8"	3
46	<u>23726G9</u>		SPACER, 3/4"	3
47	11098G6		LOCK NUT (SS), 5/16" - 18	3
48	<u>00976G06</u>		TRUSS HEAD PHILLIPS SCREW (SS), 5/16" - 18 X 3/4" LG.....	2
49	<u>01110G01</u>		FLAT WASHER (SS), 1/4".....	2
50	11098G6		LOCK NUT (SS), 1/4" - 20	2

SEATING

When ordering parts, please specify the model and serial number of the product.

* Indicates a component that is not available as an individual part.

*** Indicates consult Customer Service Department for additional information.

ITEM	PART NO.	1	2	3	4	5	DESCRIPTION	QTY.
51	<u>71599G01</u>						VENT PLUG	4
52	71204G01						MACHINE SCREW WITH PATCH LOCK, 1/4" - 20 X 7/8" LG	12
53	<u>74140G01</u>						VINYL TRIM FRONT	1
54								
55	***						FLIP FLOP SEAT BOTTOM	1
							617902 GRAY	
							617903 TAN	
							617905 BROWN	
							617907 WHITE/RED	
							617906 WHITE/BLUE	
							617908 RED/BLACK	
							617911 BLACK	
56	<u>617137</u>						DECK BOARD ASSEMBLY	1
57	<u>16705G1</u>						TRUSS HEAD PHILLIPS SCREW (SS), 1/4" - 20 X 1" LG.....	5
58	<u>617402</u>						SEAT STRAP	1
59	<u>00559G7</u>						FLAT WASHER, 1/4".....	1
60	<u>634190</u>						DECK BOARD ASSEMBLY (FOR VEHICLES MANUFACTURED FROM MARCH 2014).....	1
61	<u>634180</u>						SEAT FRAME WELDMENT (FOR VEHICLES MANUFACTURED FROM MARCH 2014).....	1
62	<u>615712</u>						SEAT FRAME WELDMENT	1
63	<u>615714</u>						FOOTREST WELDMENT.....	1
64	<u>615729</u>						ARMREST, REAR SEAT	2
65	<u>615713</u>						SEAT FRAME SUPPORT.....	2
66	<u>615728</u>						FOOTREST BRACKET (PASSENGER SIDE)	1
67	<u>615727</u>						FOOTREST BRACKET (DRIVER SIDE).....	1
68	<u>01006G01</u>						HEX HEAD BOLT, 3/8" - 16 X 1 1/4" LG.....	4
69	<u>00427G4</u>						HEX HEAD BOLT, 3/8" - 16 X 1 1/2" LG.....	16
70	<u>00429G2</u>						HEX HEAD BOLT, 3/8" - 16 X 3 1/4" LG.....	2
71	<u>16705G9</u>						TRUSS HEAD PHILLIPS SCREW (SS), 1/4" - 20 X 1 1/4" LG	4
72	<u>614221</u>						FLAT WASHER, 3/8"	24
73	<u>01110G01</u>						FLAT WASHER, 1/4"	4

When ordering parts, please specify the model and serial number of the product.

* Indicates a component that is not available as an individual part.

*** Indicates consult Customer Service Department for additional information.

ITEM	PART NO.	1 2 3 4 5	DESCRIPTION	QTY.
74	<u>11098G5</u>		LOCK NUT, 3/8" - 16.....	10
75	<u>11027G5</u>		LOCK NUT, 3/8" - 16.....	4
76	<u>14390G4</u>		LOCK NUT, 1/4" - 20.....	4
77	<u>19853G1</u>		SQUARE CAP TUBE, 1".....	2
78	<u>00427G2</u>		HEX HEAD BOLT, 3/8" - 49 X 1.25" LG (FOR VEHICLES MANUFACTURED FROM MARCH 2014).....	4
79				
80	<u>617901</u>		HANDRAIL KIT, FLIP FLOP SEAT (INCLUDES ITEMS 81 - 86).....	1
81	<u>615721</u>		FOOTREST HANDLE WELDMENT.....	1
82	<u>19859G1</u>		SQUARE CAP TUBE, 3/4".....	2
83	<u>610631</u>		DECAL.....	1
84	<u>00427G8</u>		HEX HEAD BOLT, 3/8" - 16 X 2" LG.....	4
85	<u>614221</u>		FLAT WASHER, 3/8".....	8
86	<u>11098G5</u>		LOCK NUT, 3/8" - 16.....	4
87	<u>634184</u>		HANDRAIL KIT, FLIP FLOP SEAT (INCLUDES ITEMS 82 - 86 & 88) (FOR VEHICLES MANUFACTURED FROM MARCH 2014).....	1
88	<u>631485</u>		FOOTREST HANDLE WELDMENT.....	1
89				
90	71751G**		SEAT BACK ASSEMBLY.....	1
91				
92				
93				
94				
95				
96				
97				
98				
99	<u>71868G01</u>		SEAT BACK SUPPORT WELDMENT.....	2
100				
101				
102				
103				

SEATING

When ordering parts, please specify the model and serial number of the product.

* Indicates a component that is not available as an individual part.

*** Indicates consult Customer Service Department for additional information.

ITEM	PART NO.	1	2	3	4	5	DESCRIPTION	QTY.
104								
105	<u>15717-G5</u>						ACORN NUT, 3/8" - 16	2
106	<u>23726-G4</u>						SPACER, 5/16"	2
107	<u>645492</u>						SEAT BOTTOM.....	1
108	<u>617644</u>						HIP RESTRAINT (DRIVER SIDE)	1
109	<u>617645</u>						HIP RESTRAINT (PASSENGER SIDE).....	1
110								
111								
112	<u>615417</u>						BUTTON HEAD TORX BOLT, M10 - 1.5 X 25MM LG.....	8
113	<u>634175</u>						REAR SEAT ARM REST (FOR VEHICLES MANUFACTURED FROM MARCH 2014)	2
114	<u>634179</u>						FOOTREST WELDMENT (FOR VEHICLES MANUFACTURED FROM MARCH 2014)	1
115	***						FLIP FLOP SEAT BOTTOM ASSEMBLY (FOR VEHICLES MANUFACTURED FROM MARCH 2014) (INCLUDES ITEMS 57 - 60, 116)	1
							628058G01 OYSTER 628058G03 TAN 628058G04 GRAY 628058G06 BLACK 628058G07 BROWN 628058G09 WHITE/BLUE 628058G10 RED/BLACK 628058G11 WHITE/RED 628058G12 WHITE/BLACK 628058G13 WHITE/YELLOW 628058G14 GRAY/BLACK 628058G15 OYSTER/GARNET	
116	***						FLIP FLOP VINYL SEAT BOTTOM COVER..... 617892 GRAY 617893 BROWN 615646 OYSTER 615647 TAN 611125 WHITE/BLUE 611126 WHITE/RED 615648 BLACK 611127 WHITE/YELLOW 611137 GRAY/BLACK 611130 WHITE/BLACK 611135 RED/BLACK 611136 OYSTER/RUBY	1

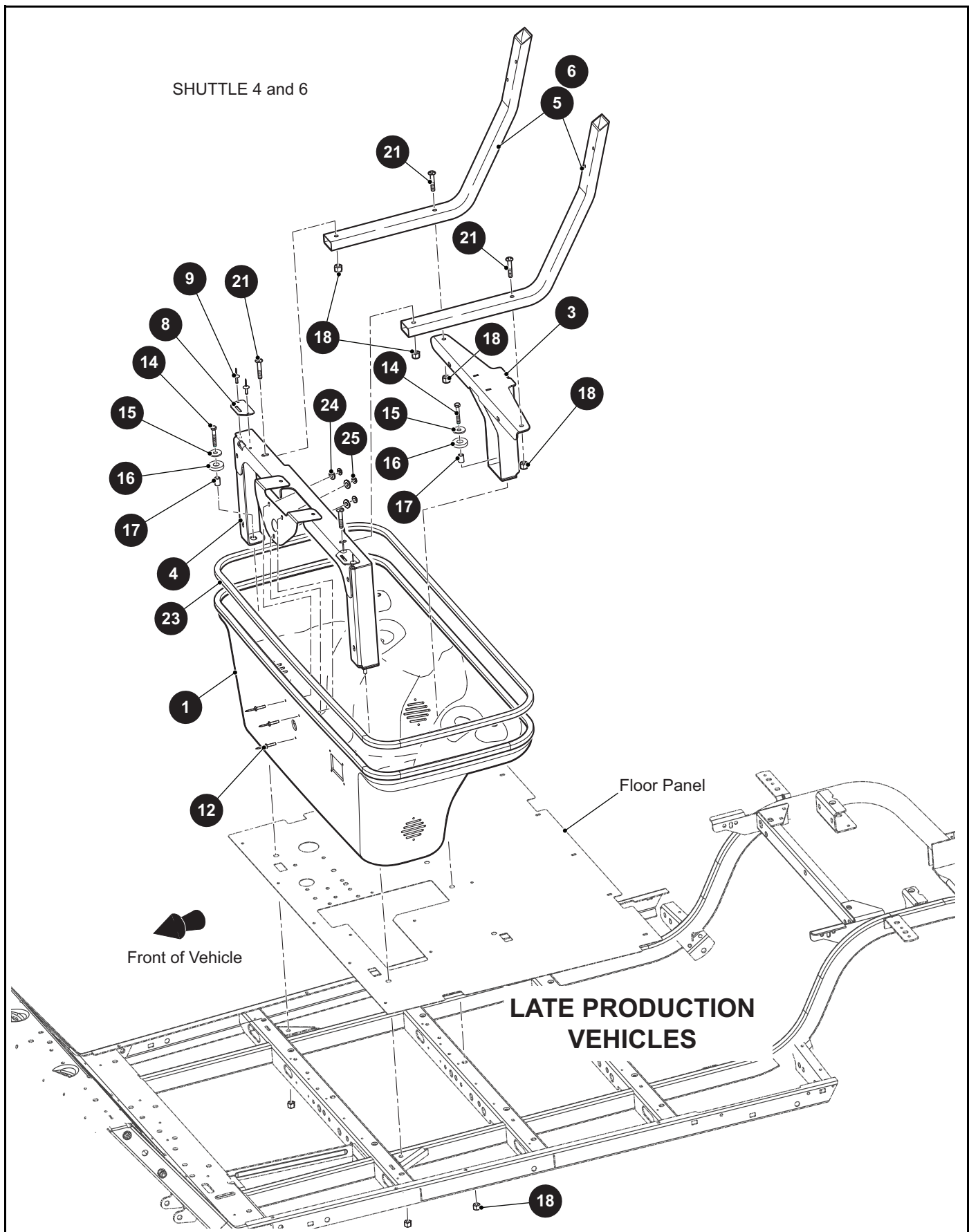
When ordering parts, please specify the model and serial number of the product.

* Indicates a component that is not available as an individual part.

*** Indicates consult Customer Service Department for additional information.

ITEM	PART NO.	1 2 3 4 5	DESCRIPTION	QTY.
117	***		SEAT BACK ASSEMBLY (INCLUDES ITEMS 3 - 6, 8, 118 & 119) (FOR VEHICLES MANUFACTURED FROM MARCH 2014)..... 620794 WHITE/YELLOW 620796 GRAY/BLACK 615838 WHITE/BLACK 615837 OYSTER/GARNET	1
118	<u>634178</u>		SEAT BACK SUPPORT	1
119	***		VINYL SEAT BACK COVER..... 604916G0704 GRAY/BLACK 604916G0108 WHITE/YELLOW 604916G0304 RED/BLACK 604916G0104 WHITE/BLACK 604916G0506 OYSTER/GARNET	1
120	***		SEAT BOTTOM ASSEMBLY (INCLUDES ITEMS 22 - 27, 32 - 33, 107 - 109, 112, 121) (FOR VEHICLES MANUFACTURED FROM MARCH 2014)..... 629269G0113 WHITE/YELLOW 629269G0114 GRAY/BLACK	1
121	***		VINYL SEAT BOTTOM COVER	1
			604912G0108 WHITE/YELLOW 604912G0704 GRAY/BLACK 604912G0304 RED/BLACK 604912G0104 WHITE/BLACK 604912G0506 OYSTER/GARNET	
122	<u>634174</u>		SEAT FRAME SUPPORT (FOR VEHICLES MANUFACTURED FROM MARCH 2014).....	1
123	<u>00427G6</u>		HEX HEAD BOLT, 3/8" - 16 X 1 1/4" LG (FOR VEHICLES MANUFACTURED FROM MARCH 2014).....	1
124	<u>00427G2</u>		HEX HEAD BOLT, 3/8" - 16 X 1 1/4" (FOR VEHICLES MANUFACTURED FROM MARCH 2014).....	16
125	<u>00428G8</u>		HEX HEAD BOLT, 3/8" - 16 X 2 1/4" LG (FOR VEHICLES MANUFACTURED FROM MARCH 2014).....	2
126	<u>00559G7</u>		FLAT WASHER, 1/4" (FOR VEHICLES MANUFACTURED FROM MARCH 2014).....	4

SEATING



When ordering parts, please specify the model and serial number of the product.

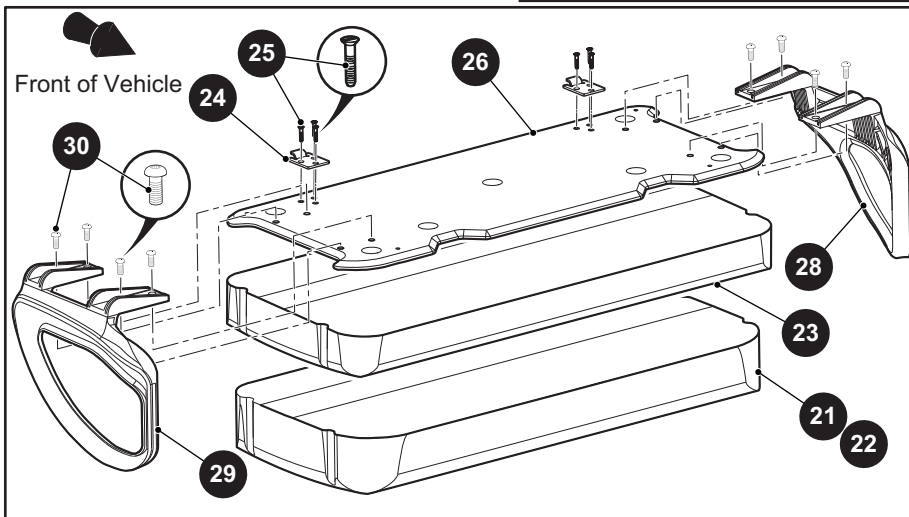
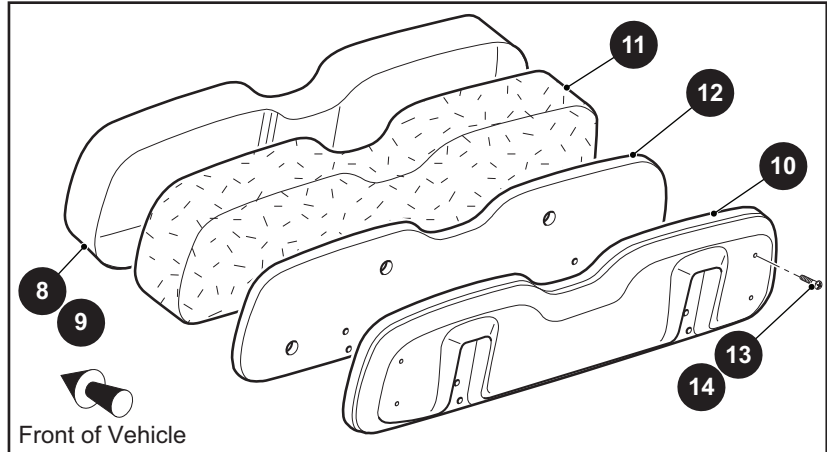
* Indicates a component that is not available as an individual part.

*** Indicates consult Customer Service Department for additional information.

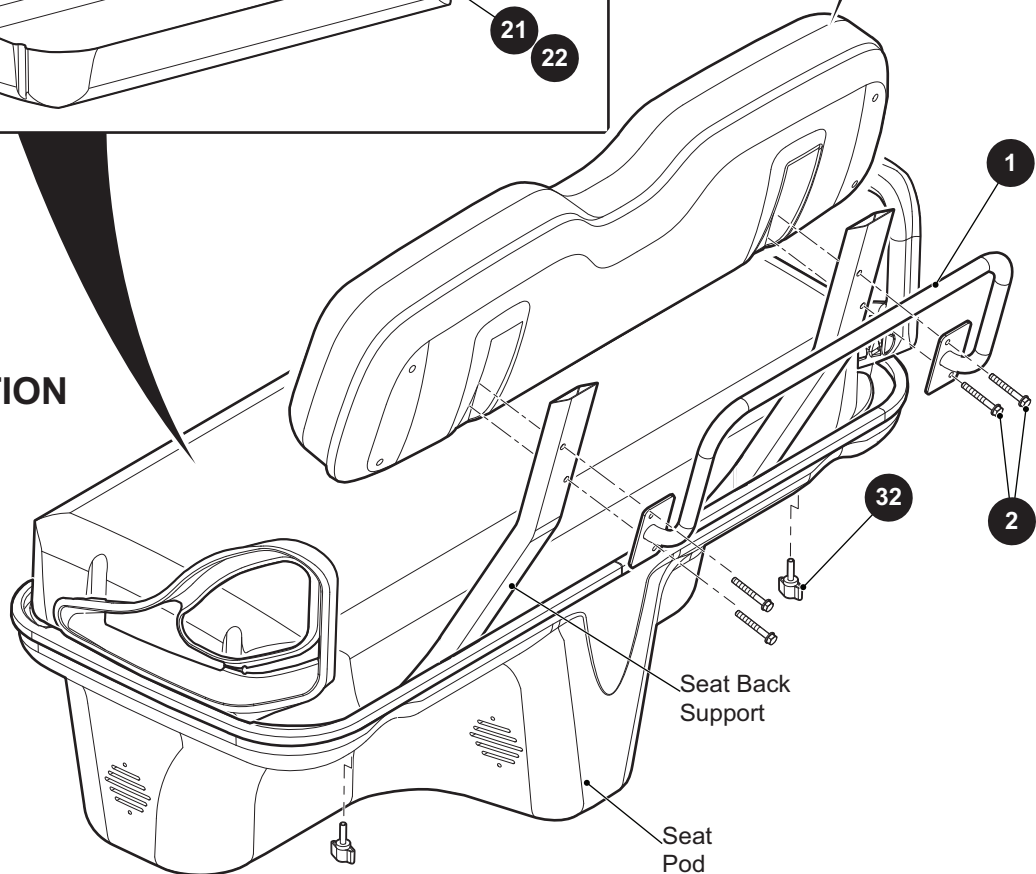
ITEM	PART NO.	1 2 3 4 5	DESCRIPTION	QTY.
1	648313GXX		SEAT POD	1
2				
3	<u>657681</u>		REAR SEAT SUPPORT	1
4	<u>654767</u>		SEAT SUPPORT	1
5	<u>648523</u>		SEAT BACK SUPPORT TUBE (FOR VEHICLES MANUFACTURED BEFORE AUGUST 17, 2019).....	2
6	694377		SEAT BACK SUPPORT TUBE (FOR VEHICLES MANUFACTURED AFTER AUGUST 17, 2019).....	2
7				
8	<u>71609G01</u>		HINGE PLATE.....	2
9	<u>10570G11</u>		RIVET (SS), 3/16" X .70" LG.....	4
10				
11				
12	<u>71055G01</u>		RIVET (ALUMINUM), 3/16" X 1" LG	3
13				
14	00439G8		HEX HEAD BOLT (SS), 5/16" - 18 X 2" LG	3
15	<u>00675G1</u>		WASHER (SS), .398" I.D. X 1.25" O.D. X .115" LG	3
16	<u>71883G01</u>		WASHER (RUBBER), .625" I.D. X 1.50" O.D. X .312" LG.....	3
17	<u>23726G9</u>		SPACER, .312" I.D. X .562" O.D. X .750" LG	3
18	11098G6		LOCK NUT, 5/16" - 18.....	7
19				
20				
21	<u>00762G6</u>		TRUSS HEAD PHILLIPS SCREW (SS), 5/16" - 18 X 3/4" LG.....	4
22				
23	<u>32805G6</u>		TRIM, 118" LG	1
24	<u>00660G5</u>		FLAT WASHER, #10	3
25	<u>01110G01</u>		FLAT WASHER, 1/4"	3

SEATING

- 6 SEAT BACK ASSEMBLY
includes items 8, 10 - 13
- 7 SEAT BACK ASSEMBLY
includes items 9 - 12, 14
- 17 SEAT BOTTOM ASSEMBLY
includes items 22 - 30
- 18 SEAT BOTTOM ASSEMBLY
includes items 21, 23 - 30



LATE PRODUCTION VEHICLES



When ordering parts, please specify the model and serial number of the product.

* Indicates a component that is not available as an individual part.

*** Indicates consult Customer Service Department for additional information.

ITEM	PART NO.	1 2 3 4 5	DESCRIPTION	QTY.
1	<u>71632G01</u>		HAND GRIP WELDMENT.....	1
2	<u>71204G02</u>		MACHINE SCREW WITH PATCH LOCK, 1/4" - 20 X 2" LG.....	4
3				
4				
5				
6	***		SEAT BACK ASSEMBLY (INCLUDES ITEM 8, 10 - 13)..... 606828 RED/BLACK 604908 WHITE/BLUE 604907 WHITE/RED 615838 WHITE/BLACK 620794 WHITE/YELLOW 620796 GRAY/BLACK 615837 OYSTER/GARNET	2
7	***		SEAT BACK ASSEMBLY (INCLUDES ITEM 9 - 12, 14)..... 71751G02 GRAY 71751G03 OYSTER 71751G04 TAN 71751G06 BROWN 71751G07 BLACK	2
8	***		VINYL SEAT BACK COVER..... 604916G0304 RED/BLACK 604912G0102 WHITE/BLUE 604912G0103 WHITE/RED 604916G0104 WHITE/BLACK 604916G0108 WHITE/YELLOW 604916G0704 GREY/BLACK 604916G0506 OYSTER/GARNET	1
9	***		VINYL SEAT BACK COVER..... 71753G01 WHITE 71753G03 OYSTER 71753G04 TAN 71753G06 BROWN 71753G07 BLACK	1
10	71752G01		REAR SEAT BACK COVER.....	1
11	<u>71754G01</u>		SEAT BACK PADDING	1
12	<u>645021</u>		SEAT BACK BASE	1
13	<u>648271</u>		PAN HEAD TORX SCREW (SS), #8 - 15 X 1" LG	4
14	<u>01107G01</u>		PAN HEAD TORX SCREW (SS), #8 X .63" LG.....	4
15				
16				

SEATING

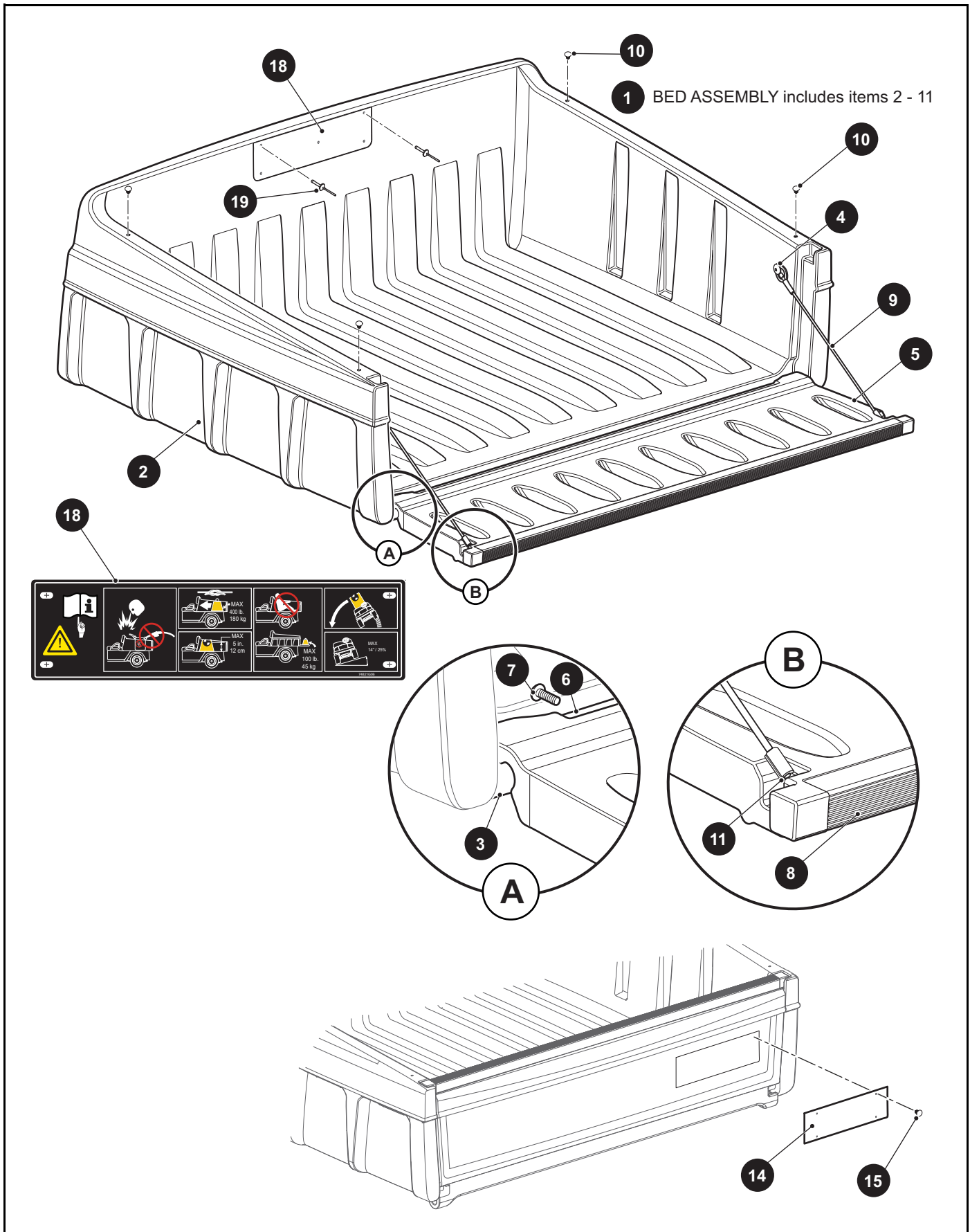
When ordering parts, please specify the model and serial number of the product.

* Indicates a component that is not available as an individual part.

*** Indicates consult Customer Service Department for additional information.

ITEM	PART NO.	1	2	3	4	5	DESCRIPTION	QTY.
17	***						SEAT BOTTOM ASSEMBLY (INCLUDES ITEM 22 - 30) 629269G1701 OYSTER 629269G1703 TAN 629269G1704 GRAY 629269G1706 BLACK 629269G1707 BROWN	1
18	***						SEAT BOTTOM ASSEMBLY (INCLUDES ITEM 21, 23 - 30) 629269G1709 WHITE/BLUE 629269G1710 RED/BLACK 629269G1711 WHITE/RED 629269G1712 WHITE/BLACK 629269G1713 WHITE/YELLOW 629269G1714 GRAY/BLACK 629269G1715 OYSTER/GARNET	1
19								
20								
21	***						VINYL SEAT COVER 604912G0102 WHITE/BLUE 604912G0103 WHITE/RED 604916G0104 WHITE/BLACK 604916G0108 WHITE/YELLOW 604916G0304 RED/BLACK 604916G0506 OYSTER/GARNET 604916G0704 GREY/BLACK	1
22	***						VINYL SEAT COVER 71624G03 OYSTER 71624G04 TAN 71624G02 GRAY 71624G07 BLACK 71624G06 BROWN	1
23	<u>71625G01</u>						SEAT BOTTOM PADDING.....	1
24	<u>71610G01</u>						SEAT HINGE.....	2
25	<u>00720G08</u>						FLAT HEAD PHILLIPS SCREW, #12 -14 X 1" LG	6
26	<u>649851</u>						SEAT BOTTOM BASE	1
27								
28	<u>617645</u>						HIP RESTRAINT (DRIVER SIDE)	1
29	<u>617644</u>						HIP RESTRAINT (PASSENGER SIDE).....	1
30	<u>615417</u>						BUTTON HEAD TORX BOLT, M10 - 1.5 X 25MM LG	8
31								
32	70864G01						T-KNOB STUD, 1/4" - 20 X 1" LG	2

TRUCK BED (SHUTTLE 4)



TRUCK BED (SHUTTLE 4)

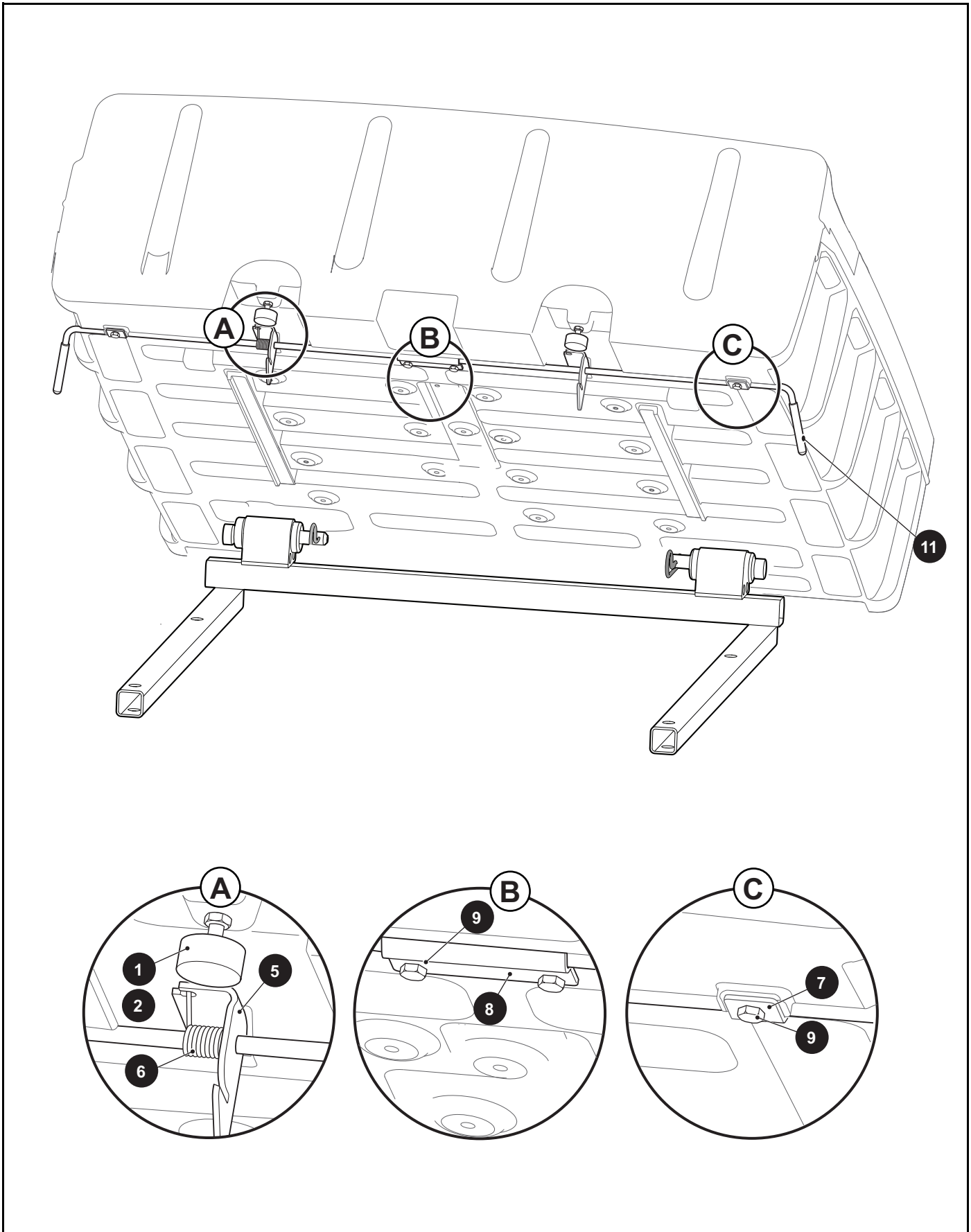
When ordering parts, please specify the model and serial number of the product.

* Indicates a component that is not available as an individual part.

*** Indicates consult Customer Service Department for additional information.

ITEM	PART NO.	1 2 3 4 5	DESCRIPTION	QTY.
1	<u>72647G01</u>		BED ASSEMBLY (INCLUDES ITEMS 2 -11)	1
2	72648G01		PLASTIC BED, 36"	1
3	<u>73454G01</u>		PIVOT SHAFT	2
4	<u>73460G01</u>		SHOULDER BOLT, 1/4" - 20 X 3/4" LG	2
5	<u>72649G01</u>		TAILGATE	1
6	<u>73450G01</u>		BOWED ANGLE	1
7	<u>16705G2</u>		PAN HEAD PHILLIPS SCREW (SS), 1/4" - 20 X 5/8" LG	4
8	<u>73449G01</u>		TAILGATE CAP	1
9	73455G02		TAILGATE CABLE	1
10	<u>16816G5</u>		RATCHET RIVET, .187 X .550	4
11	<u>00415G2</u>		HEX HEAD CAP SCREW, 1/4" - 20 X 1 1/4" LG	2
12				
13				
14	<u>619207</u>		CUSHMAN DECAL	1
15	<u>16816G2</u>		RATCHET RIVET, .25 X .887	4
16				
17				
18	<u>74821G06</u>		LOAD BED LABEL	1
19	<u>71055G01</u>		RIVET, 3/6" DIA.....	5

TRUCK BED (SHUTTLE 4)



TRUCK BED (SHUTTLE 4)

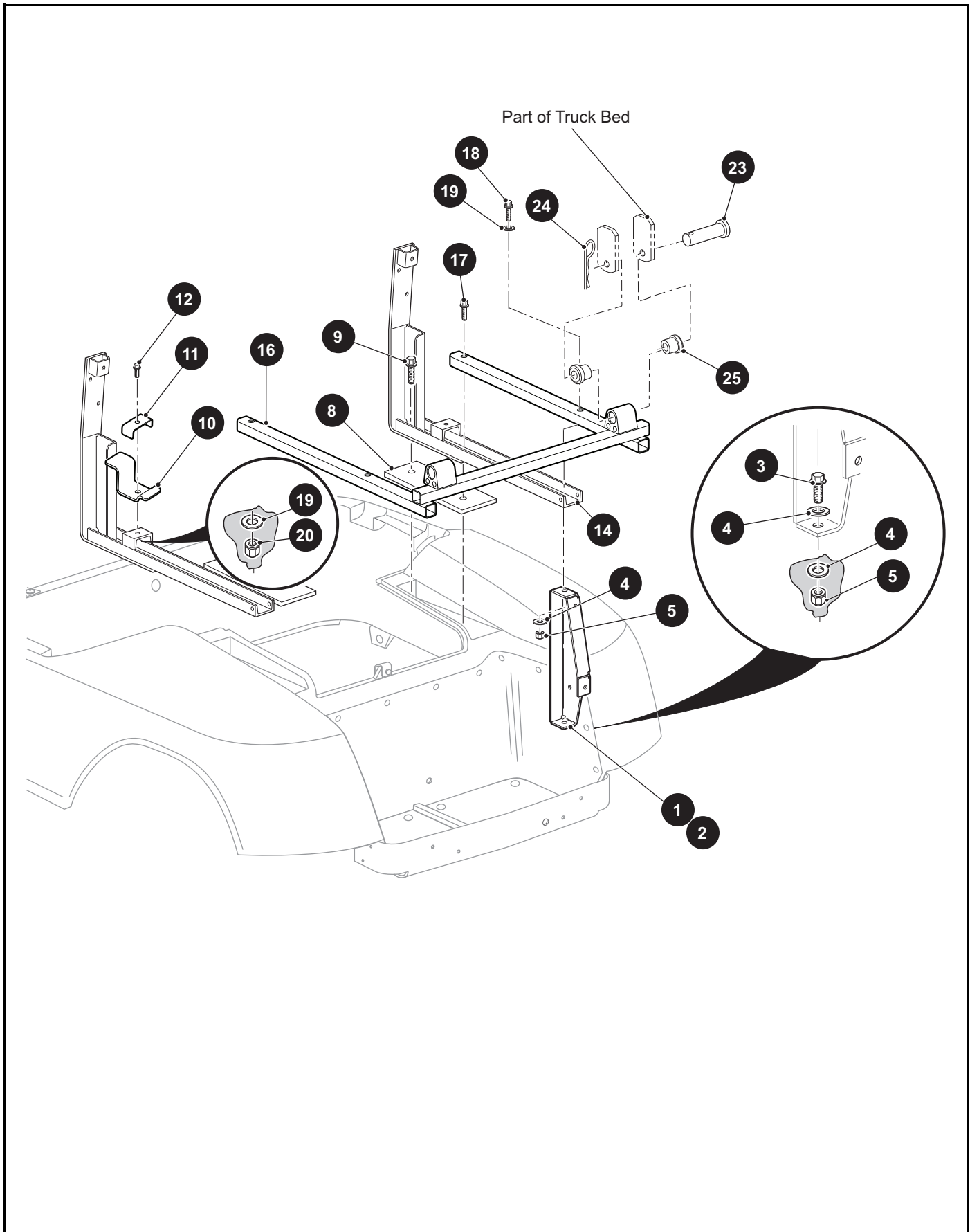
When ordering parts, please specify the model and serial number of the product.

* Indicates a component that is not available as an individual part.

*** Indicates consult Customer Service Department for additional information.

ITEM	PART NO.	1 2 3 4 5	DESCRIPTION	QTY.
1	<u>70113G01</u>		ADJUSTABLE RUBBER BUMPER.....	2
2	<u>11027G1</u>		LOCK NUT, 5/16" - 18.....	2
3				
4				
5	<u>607072</u>		BED LATCH.....	1
6	<u>71538G01</u>		LATCH TORSION SPRING.....	1
7	<u>652442G03</u>		KEEPER PLATE.....	2
8	<u>652440G03</u>		RETAINER BRACKET.....	1
9	<u>01118G01</u>		HEX HEAD CAP SCREW, 1/4" - 20 X 5/8" LG.....	4
10				
11	<u>71704G01</u>		HANDLE GRIP.....	2

TRUCK BED (SHUTTLE 4)



TRUCK BED (SHUTTLE 4)

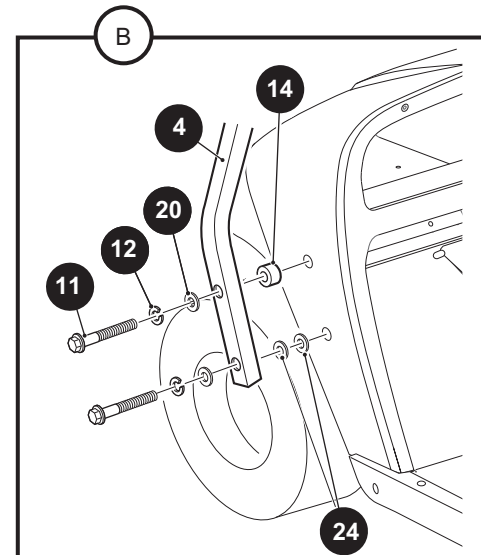
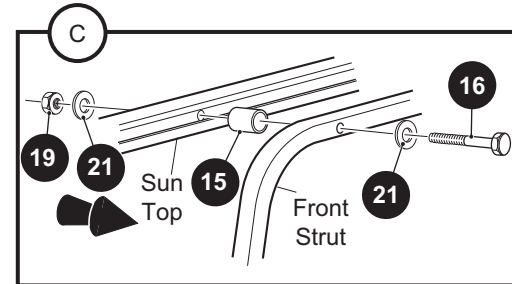
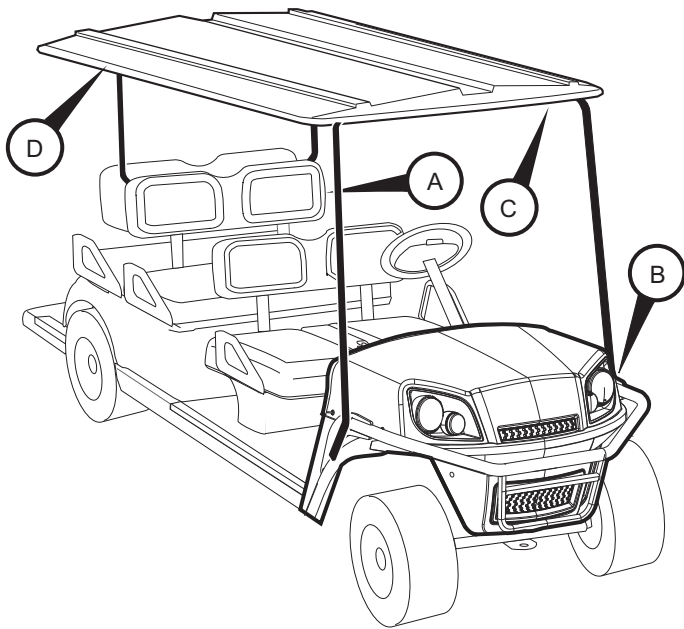
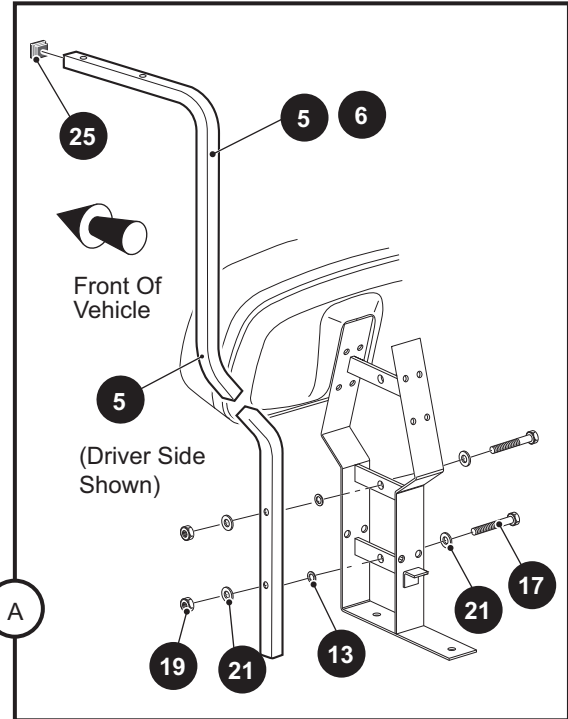
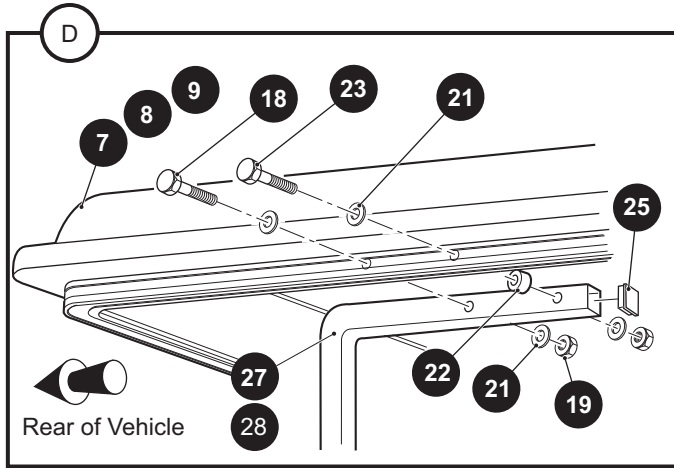
When ordering parts, please specify the model and serial number of the product.

* Indicates a component that is not available as an individual part.

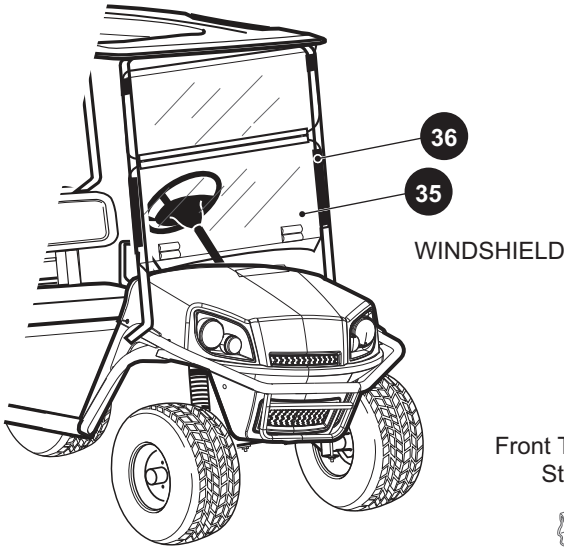
*** Indicates consult Customer Service Department for additional information.

ITEM	PART NO.	1 2 3 4 5	DESCRIPTION	QTY.
1	<u>74126G01</u>		REAR SUPPORT FRAME (DRIVER SIDE)	1
2	<u>74126G02</u>		REAR SUPPORT FRAME (PASSENGER SIDE)	1
3	<u>00427G4</u>		HEX HEAD BOLT, 3/8" - 16 X 1 1/2" LG	2
4	<u>00560G1</u>		FLAT WASHER, 3/8"	6
5	<u>11098G5</u>		LOCK NUT, 3/8" - 16	4
6				
7				
8	<u>70364G01</u>		SPACER	2
9	<u>01006G02</u>		HEX HEAD BOLT, 3/8" - 16 X 1 1/2" LG	2
10	<u>606167</u>		FRONT BED SUPPORT	2
11	<u>607093</u>		BED SUPPORT BRACKET	2
12	<u>00439G1</u>		HEX HEAD CAP SCREW 5/16"- 18 X 1 1/8" LG	2
13				
14	<u>625525</u>		SEAT SUPPORT	2
15				
16	<u>635380</u>		BED FRAME	1
17	<u>01075G02</u>		HEX HEAD BOLT, 3/8" - 16 X 2.5" LG	2
18	<u>00665G8</u>		HEX HEAD BOLT, 3/8" - 16 X 2" LG	2
19	<u>00559G8</u>		FLAT WASHER, 5/16"	4
20	<u>11098G6</u>		LOCK NUT, 3/8" - 16	2
21				
22				
23	<u>71571G01</u>		CLEVIS PIN	2
24	<u>21683G1</u>		COTTER PIN, 5/32" X 2 13/16"	2
25	<u>624030</u>		FLANGED BUSHING	4

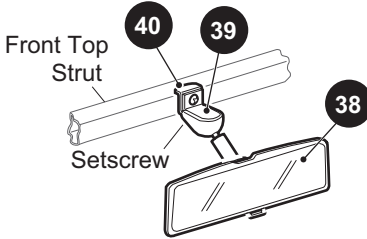
WEATHER PROTECTION



- 1 SUN TOP KIT BLACK includes items 4 - 6, 7, 10 - 25
- 2 SUN TOP KIT WHITE includes items 4 - 6, 8, 10 - 25
- 3 SUN TOP KIT BEIGE includes items 4 - 6, 9, 10 - 25
- 10 SUN TOP HARDWARE KIT includes items 11 - 25
- 29 SUN TOP KIT WHITE includes items 4, 8, 10 - 28
- 30 SUN TOP KIT BLACK includes items 4, 7, 10 - 28
- 31 SUN TOP KIT BEIGE includes items 4, 9, 10 - 28

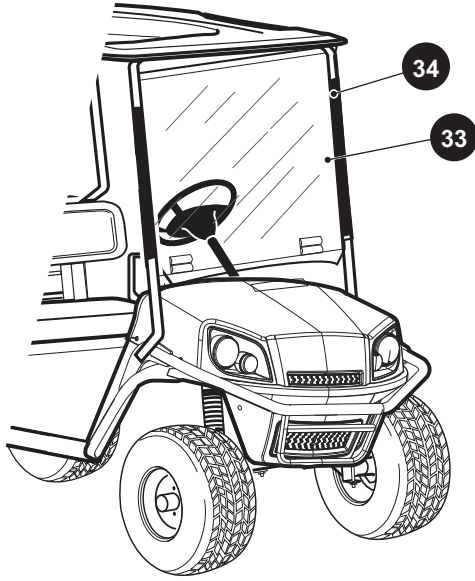


WINDSHIELD



REAR VIEW MIRROR

37 REAR VIEW MIRROR KIT includes items 38 - 40



WINDSHIELD

WEATHER PROTECTION

When ordering parts, please specify the model and serial number of the product.

* Indicates a component that is not available as an individual part.

*** Indicates consult Customer Service Department for additional information.

ITEM	PART NO.	1 2 3 4 5	DESCRIPTION	QTY.
1	610266		SUN TOP KIT BLACK (INCLUDES ITEMS 4 - 6, 7, 10 - 25)	1
2	<u>610268</u>		SUN TOP KIT, WHITE (INCLUDES ITEMS 4 - 6, 8, 10 - 25)	1
3	<u>610267</u>		SUN TOP KIT, BEIGE (INCLUDES ITEMS 4 - 6, 9 - 25).....	1
4	<u>610260</u>		FRONT SUPPORT.....	1
5	<u>602743</u>		REAR SUPPORT (DRIVER SIDE)	1
6	<u>602741</u>		REAR SUPPORT (PASSENGER SIDE).....	1
7	<u>610263</u>		SUN TOP, BLACK.....	1
8	<u>610265</u>		SUN TOP, WHITE	1
9	<u>610264</u>		SUN TOP, BEIGE.....	1
10	<u>610259</u>		SUN TOP HARDWARE KIT (INCLUDES ITEMS 11 - 25)	1
11	<u>00440G2</u>		HEX HEAD BOLT, 5/16" - 18 X 2 1/4" LG.....	2
12	<u>00565G8</u>		LOCK WASHER, 5/16"	4
13	<u>00771G5</u>		NYLON WASHER, 3/8"	4
14	<u>75048G01</u>		SPACER, 1/2"	2
15	<u>18716G1</u>		ALUMINIUM SPACER, 3" LG.....	2
16	00674G8		HEX HEAD BOLT (SS), 3/8" - 16 X 5" LG	2
17	<u>00665G5</u>		HEX HEAD BOLT (SS), 3/8" - 16 X 1 3/4" LG	4
18	<u>00665G6</u>		HEX HEAD BOLT (SS), 3/8" - 16 X 2" LG	2
19	<u>00891G5</u>		LOCK NUT, 3/8" - 16	10
20	00559G8		FLAT WASHER 5/16", BLACK	4
21	<u>00653G1</u>		FLAT WASHER (SS), 5/8"	20
22	24647G1		SPACER, 1/4" THICK	2
23	00665G3		HEX HEAD BOLT, 3/8" - 16 X 2 1/2" LG.....	4
24	<u>00879G1</u>		LOCK WASHER, 3/8"	4
25	<u>19853G1</u>		END CAP, 1"	2
26				
27	<u>611701</u>		REAR SUPPORT (SHUTTLE 2)	2
28	<u>611700</u>		CROSS REAR SUPPORT (SHUTTLE 2)	1
29	<u>611702</u>		SUN TOP KIT, WHITE (INCLUDES ITEMS 4, 8, 10 - 28)	1
30	<u>611707</u>		SUN TOP KIT, BLACK (INCLUDES ITEMS 4, 7, 10 - 28)	1
31	<u>611706</u>		SUN TOP KIT, BEIGE (INCLUDES ITEMS 4, 9, 10 - 28).....	1

WEATHER PROTECTION

When ordering parts, please specify the model and serial number of the product.

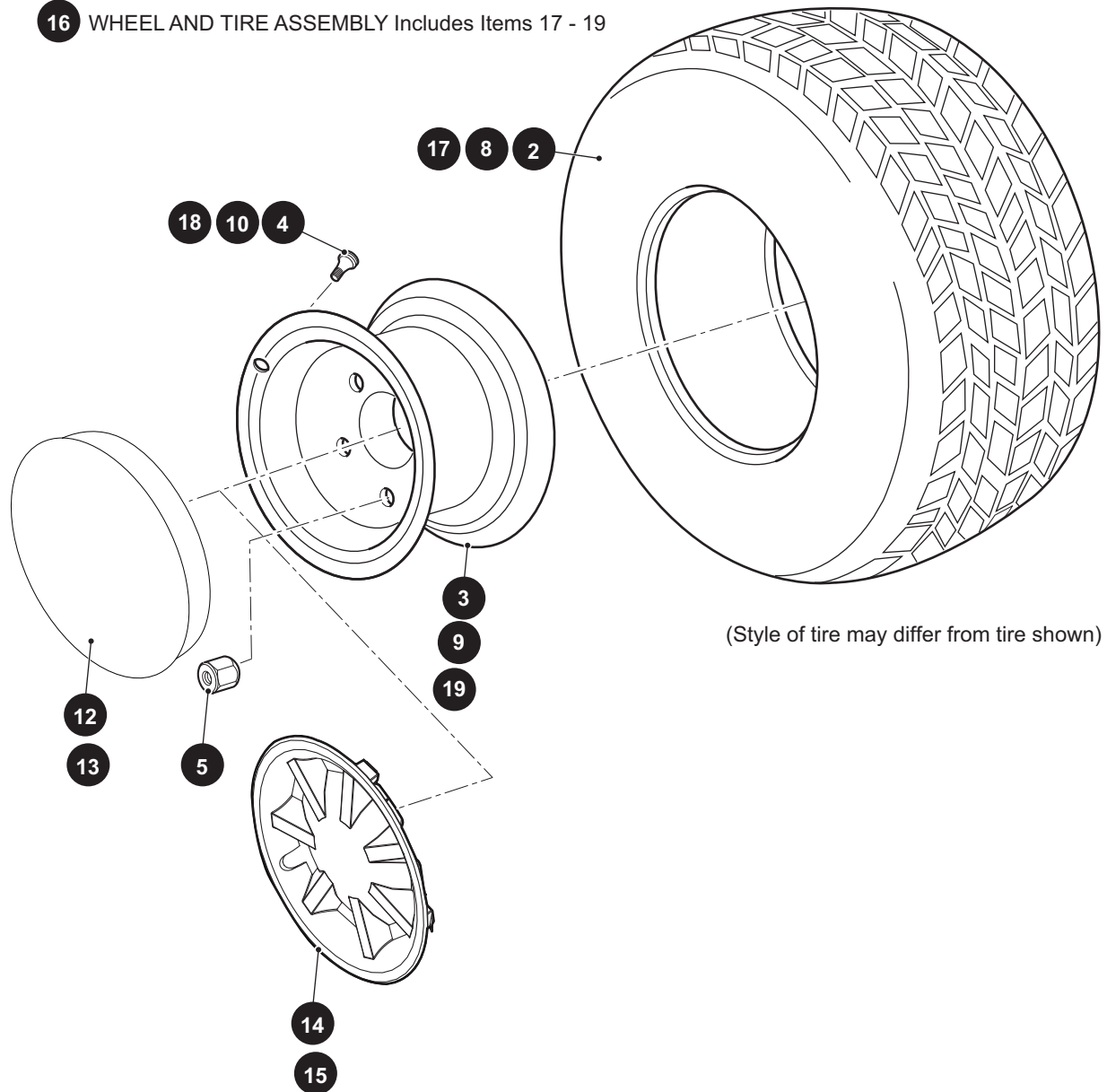
* Indicates a component that is not available as an individual part.

*** Indicates consult Customer Service Department for additional information.

ITEM	PART NO.	1 2 3 4 5	DESCRIPTION	QTY.
32				
33	<u>611099</u>		WINDSHIELD KIT	1
34	<u>615662</u>		SASH, 26"	2
35	<u>611100</u>		WINDSHIELD KIT	1
36	<u>615661</u>		SASH, 12"	2
37	<u>19528G2</u>		REAR VIEW MIRROR KIT (INCLUDES ITEMS 38 - 40)	1
38	<u>19496G1</u>		REAR VIEW MIRROR	1
39	19502G2		SUPPORT BRACKET	1
40	<u>19527G1</u>		HEX HEAD BOLT (SS), # 8 - 32 X 5/8" LG	1

WHEELS AND TIRES

- 1 WHEEL AND TIRE ASSEMBLY Includes Items 2 - 4
- 7 WHEEL AND TIRE ASSEMBLY Includes Items 8 - 10
- 16 WHEEL AND TIRE ASSEMBLY Includes Items 17 - 19



WHEELS AND TIRES

When ordering parts, please specify the model and serial number of the product.

* Indicates a component that is not available as an individual part.

*** Indicates consult Customer Service Department for additional information.

ITEM	PART NO.	1 2 3 4 5	DESCRIPTION	QTY.
1	<u>614437</u>		WHEEL AND TIRE ASSEMBLY, LOAD STAR (INCLUDES ITEMS 2 - 4).....	1
2	<u>614438</u>		TIRE,	1
3	<u>614621</u>		WHEEL RIM	1
4	<u>11657G2</u>		VALVE STEM.....	1
5	<u>14723G1</u>		LUG NUT, 1/2 - 20.....	4
6				
7	<u>612772</u>		WHEEL AND TIRE ASSEMBLY, (INCLUDES ITEMS 8 - 10).....	4
8	<u>612771</u>		TIRE, 18 X 8.50 - 8 LINKS®	1
9	<u>612770</u>		WHEEL RIM	1
10	<u>11657G2</u>		VALVE STEM.....	1
11				
12	<u>615618</u>		HUB CAP (SILVER) (FOR VEHICLES MANUFACTURED BEFORE JANUARY 8, 2018).....	4
13	<u>615617</u>		HUB CAP (GOLD) (FOR VEHICLES MANUFACTURED BEFORE JANUARY 8, 2018).....	4
14	<u>665144</u>		WHEEL COVER (METALLIC SILVER) (FOR VEHICLES MANUFACTURED AFTER JANUARY 8, 2018)	4
15	<u>665149</u>		WHEEL COVER (METALLIC GOLD) (FOR VEHICLES MANUFACTURED AFTER JANUARY 8, 2018)	4
16	<u>653627</u>		WHEEL AND TIRE ASSEMBLY (INCLUDES ITEMS 17 - 19)	1
17	<u>658351</u>		TIRE, K502, 22 X 10 - 10, 6PLY	1
18	<u>604915</u>		CHROME VALVE STEM.....	1
19	<u>604927</u>		POLISHED SPOKED WHEEL, 10 X 7	1



CUSHMAN®
LET'S WORK!

E-Z-GO Division of Textron Inc.,
1451 Marvin Griffin Road, Augusta, Georgia 30906 - 3852 USA

TO CONTACT US...

North America:

Technical Assistance & Warranty

Phone: 1-800-774-3946, FAX: 1-800-448-8124

Service Parts

Phone: 1-888-GET-E-Z-GO (1-888-438-3946), FAX: 1-800-752-6175

International:

Phone: 001-706-798-4311, FAX: 001-706-771-4609

Owners Guide, as well as Repair and Service Manuals
are available from a local Distributor, an authorized Branch,
Genuine E-Z-GO Parts & Accessories Department or at www.shopezgo.com.

Copyrighted Material
This manual may not be reproduced in whole or
in part without the express permission of
E-Z-GO Division of Textron Inc.
Technical Communications Department