



CUSHMAN[®]
LET'S WORK.[®]

SERVICE PARTS MANUAL
HAULER Pro X

655820-AE

ISSUED AUGUST 2016

REVISED APRIL 2020

SERVICE PARTS MANUAL

72V ELECTRIC POWERED VEHICLE

HAULER PRO X

STARTING MODEL YEAR 2017

CALIFORNIA Proposition 65 Warning

WARNING: Motor vehicles may contain fuels, oils and fluids, battery posts, terminals, and related accessories which contain lead and lead compounds and other chemicals identified by the State of California to potentially cause cancer, birth defects, and other reproductive harm. These chemicals are found in vehicles, vehicle parts and accessories, both new and replacements. During maintenance, these vehicles generate used oil, waste fluids, grease, fumes, and particulates, all identified by the State of California to potentially cause cancer, birth defects, and other reproductive harm.

Never modify the vehicle in any way that will alter the weight distribution of the vehicle, decrease its stability or increase the speed beyond the factory specifications. Such modifications can cause serious personal injury or death. Textron Specialized Vehicles prohibits and dis-claims responsibility for any such modifications or any other alteration which would adversely affect the safety of the vehicle. TSV reserves the right to incorporate engineering and design changes to products in this manual, without obligation to include these changes on units sold previously.

The information contained in this manual may be revised periodically by TSV, and therefore is subject to change without notice.

TSV DISCLAIMS LIABILITY FOR ERRORS IN THIS MANUAL, and SPECIFICALLY DISCLAIMS LIABILITY FOR INCIDENTAL AND CONSEQUENTIAL DAMAGES resulting from the use of the information and materials in this manual.

These are the original instructions as defined by 2006/42/EC.

TO CONTACT US:

Textron Specialized Vehicles, Inc.

1451 Marvin Griffin Road

Augusta, Georgia, USA 30906-3852

NORTH AMERICA:

Technical Assistance & Warranty PHONE: 1-800-774-3946, FAX: 1-800-448-8124

Service Parts PHONE: 1-888-438-3946, FAX: 1-800-752-6175

International: PHONE: 001-706-798-4311, FAX: 001-706-771-4609

cushmancomm@textron.com

GENERAL INFORMATION

This vehicle has been designed and manufactured in the United States of America (USA). The Standards and Specifications listed in the following text originate in the USA unless otherwise indicated.

The use of non-Original Equipment Manufacturer (OEM) approved parts may void the warranty.

Failure to properly maintain batteries may void the warranty. Refer to the battery manual for instructions on the proper maintenance and care of the batteries.

BATTERY PROLONGED STORAGE

Batteries self-discharge over time. The rate of self-discharge varies depending on the ambient temperature, the age and condition of the batteries.

Fully charged batteries will not freeze in winter temperatures unless the temperature falls below -75°F (-60°C).

For winter storage, the batteries must be clean, fully charged and disconnected from any source of electrical drain.

The battery charger may remain connected to the vehicle to maintain a full charge on the batteries, provided the charger is plugged into an active electrical source. If power to the electrical source is disconnected or interrupted, the battery charger continues to check the charge on the battery pack. This pulls power from the battery pack and eventually drains the batteries if power is not restored in a timely manner.

As with all electric vehicles, the batteries must be checked and recharged as required or at a minimum of 30 day intervals.

Check and maintain the proper fluid level in all battery cells during the storage period. Proper fluid level is required for maximum battery performance.

BATTERY DISPOSAL

Lead-acid batteries are recyclable. Return whole scrap batteries to distributor, manufacturer or lead smelter for recycling. For neutralized spills, place residue in acid-resistant containers with absorbent material such as sand. Dispose in accordance with local, state and federal regulations for acid and lead compounds. Contact local and/or state environmental officials regarding disposal information.

TABLE OF CONTENTS

SECTION	Page No.
HOW TO USE THE SERVICE PARTS MANUAL.....	V
ACCELERATOR.....	A
BATTERY CHARGER.....	B
BODY.....	C
BRAKES.....	D
CAB.....	E
ELECTRICAL.....	F
ELECTRONIC SPEED CONTROL.....	G
FRONT SUSPENSION AND STEERING.....	H
MOTOR.....	J
REAR AXLE.....	K
REAR SUSPENSION.....	L
SEATING.....	M
TRUCK BED.....	N
WEATHER PROTECTION.....	P
WHEELS AND TIRES.....	R
DECALS AND LABELS.....	S

NOTES

HOW TO USE THE SERVICE PARTS MANUAL

This manual is divided into several sections:

- GENERAL INFORMATION
- ILLUSTRATED PARTS BREAKDOWN
- APPENDIX

The first section, GENERAL INFORMATION, contains the following information:

- WARRANTY INFORMATION
- GENERAL INDEX
- HOW TO USE THE SERVICE PARTS MANUAL

The second section, ILLUSTRATED PARTS BREAKDOWN, contains illustrations and parts lists for all systems of your vehicle.

The third section, APPENDIX, contains a listing of specialty products and accessories.

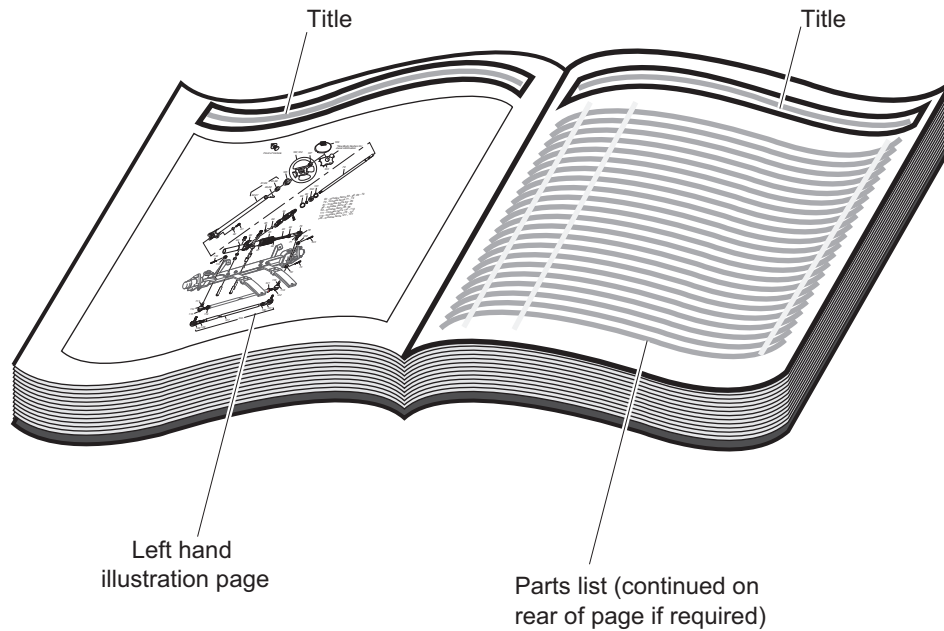
USE OF THE MANUAL

To use this manual, consult the GENERAL INDEX to locate the information or illustration required.

Introduction of some revisions varies due to supply of components; therefore, it is possible that various combinations of components may be found that are not directly reflected by each illustration. Consult the illustration that best suits your situation and then contact the Service Parts Department. It is important that the serial number of your vehicle and its model number be supplied to Service Parts when ordering any replacement components.

Locate the serial number plate (see BODY located in the Illustrated Parts Breakdown section of this manual for its location) and note the complete number shown on the plate.

HOW TO USE THE SERVICE PARTS MANUAL



1. WHEN THE PART NUMBER IS NOT KNOWN

- Determine the function and application of the part required. Turn to the General Index and select the most appropriate title.
- Turn to the page number indicated and locate the desired part on the illustration.
- From the illustration, obtain the item number assigned to the desired part. Refer to the accompanying description for specific information regarding the part.

2. IF YOU KNOW THE PART NUMBER

- Locate the part number or description in the appropriate column on the parts list page.

NOTE: Confirm the part selected is correct by verifying it with the illustration.

If an asterisk (*) appears in the part number column on the parts list page, read upward until a part number is found. The part number is the lowest assembly sold by Service Parts and the asterisk (*) indicates the part depicted is not available for purchase.

NOTE: Descriptions are indented under the assembly that they are used on. That assembly is, in turn listed under the assembly that it is used on. This process is repeated until the highest final assembly is reached.

To facilitate the maintenance and repair of the vehicle, a Technician's Repair and Service Manual is available from the Service Parts Department.

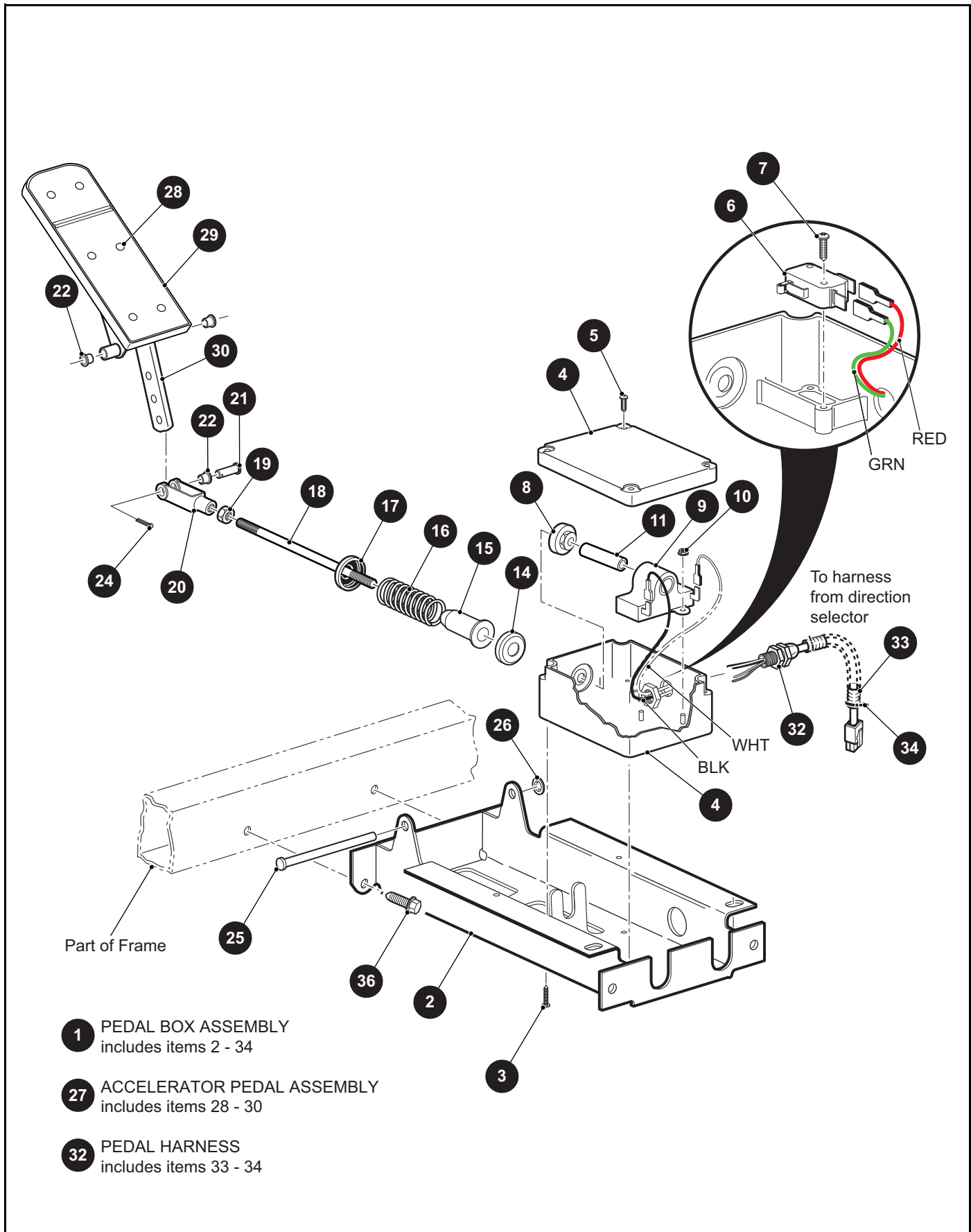
HOW TO USE THE SERVICE PARTS MANUAL

3. COLOR CODE FOR BODY COMPONENTS

The last two digits of the part number for the body part will denote the color code, locate the part number for the cowl, rear body, seat pod, side panel or seat wrap then locate your color in the list below, replace the last ** or XX with the two digit color code.

<u>CODE #</u>	<u>DESCRIPTION</u>
11	BLACK
19	PATRIOT BLUE PEARL
20	INFERNO RED METALLIC
26	STEEL BLUE PEARL
31	METALLIC CHARCOAL
35	SAFETY YELLOW
36	IVORY
37	FOREST GREEN
38	BRIGHT WHITE
39	FLAME RED
41	ELECTRIC BLUE
42	PLATINUM
43	BURGUNDY
44	ALMOND
51	SUNBURST ORANGE
52	BRITISH RACING GREEN
69	MONSTER GREEN
72	MATTE BLACK
73	MATTE GREEN
74	BARLEY GOLD
75	OASIS GREEN
76	JAVA BROWN
78	REAL TREE XTRA DIPPED
79	JACOBSEN ORANGE 172
80	REAL TREE ADVANTAGE MAX 5-DIPPED

ACCELERATOR



1 PEDAL BOX ASSEMBLY
includes items 2 - 34

27 ACCELERATOR PEDAL ASSEMBLY
includes items 28 - 30

32 PEDAL HARNESS
includes items 33 - 34

THE USE OF NON U.L. PARTS WILL VOID ANY U.L. LISTING.

When ordering parts, please specify the model and serial number of the product.

* Indicates a component that is not available as an individual part.

*** Indicates consult Customer Service Department for additional information.

ITEM	PART NO.	1 2 3 4 5	DESCRIPTION	QTY.
1	<u>73333G11</u>		PEDAL BOX ASSEMBLY (PDS) (INCLUDES ITEMS 2 - 34)	1
2	<u>652241G03</u>		ACCELERATOR PEDAL BRACKET	1
3	<u>01051G01</u>		PAN HEAD PHILLIPS SCREW, #8 - 10 X 1/2" LG	4
4	<u>25853G01</u>		PEDAL BOX AND COVER	1
5	<u>00684G6</u>		TRUSS HEAD SCREW (SS), #8 - 32 X 3/4" LG	2
6	<u>25861G01</u>		MICRO SWITCH	1
7	<u>01050G01</u>		PAN HEAD SCREW, #4 - 20 X 5/8" LG	2
8	<u>28444G01</u>		ACCELERATOR ROD CAM	1
9	<u>25854G01</u>		INDUCTIVE THROTTLE SENSOR	1
10	<u>00983G01</u>		SELF THREADING NUT, .38"	2
11	<u>602484</u>		PLUNGER	1
12				
13				
14	<u>17677G1</u>		SPRING RETAINER	1
15	<u>17979G1</u>		BUSHING, .75" X 2" LG	1
16	<u>73046G01</u>		COMPRESSION SPRING	1
17	<u>17677G2</u>		SPRING RETAINER, 3/8"	1
18	<u>73332G01</u>		ACCELERATOR ROD	1
19	<u>00532G4</u>		HEX NUT, 5/16" - 24	1
20	<u>10385G4</u>		CLEVIS YOKE (ADJUSTABLE)	1
21	<u>10386G3</u>		CLEVIS PIN, 5/16" X 13/16" LG	1
22	<u>17838G1</u>		NYLON BUSHING, .37" X .31" LG	3
23				
24	<u>10387G3</u>		COTTER PIN, 3/32" X 3/4" LG	1
25	<u>74432G01</u>		PEDAL PIVOT PIN	1
26	<u>12064G6</u>		PUSH NUT, 5/16"	1
27	<u>25799G03</u>		ACCELERATOR PEDAL ASSEMBLY (INCLUDES ITEMS 28 - 30)	1
28	<u>16409G1</u>		OVAL RIVET, 3/16" X 7/16" LG	6
29	<u>27512G01</u>		ACCELERATOR PEDAL PAD	1
30	<u>70125G04</u>		ACCELERATOR PEDAL	1
31				

ACCELERATOR

THE USE OF NON U.L. PARTS WILL VOID ANY U.L. LISTING.

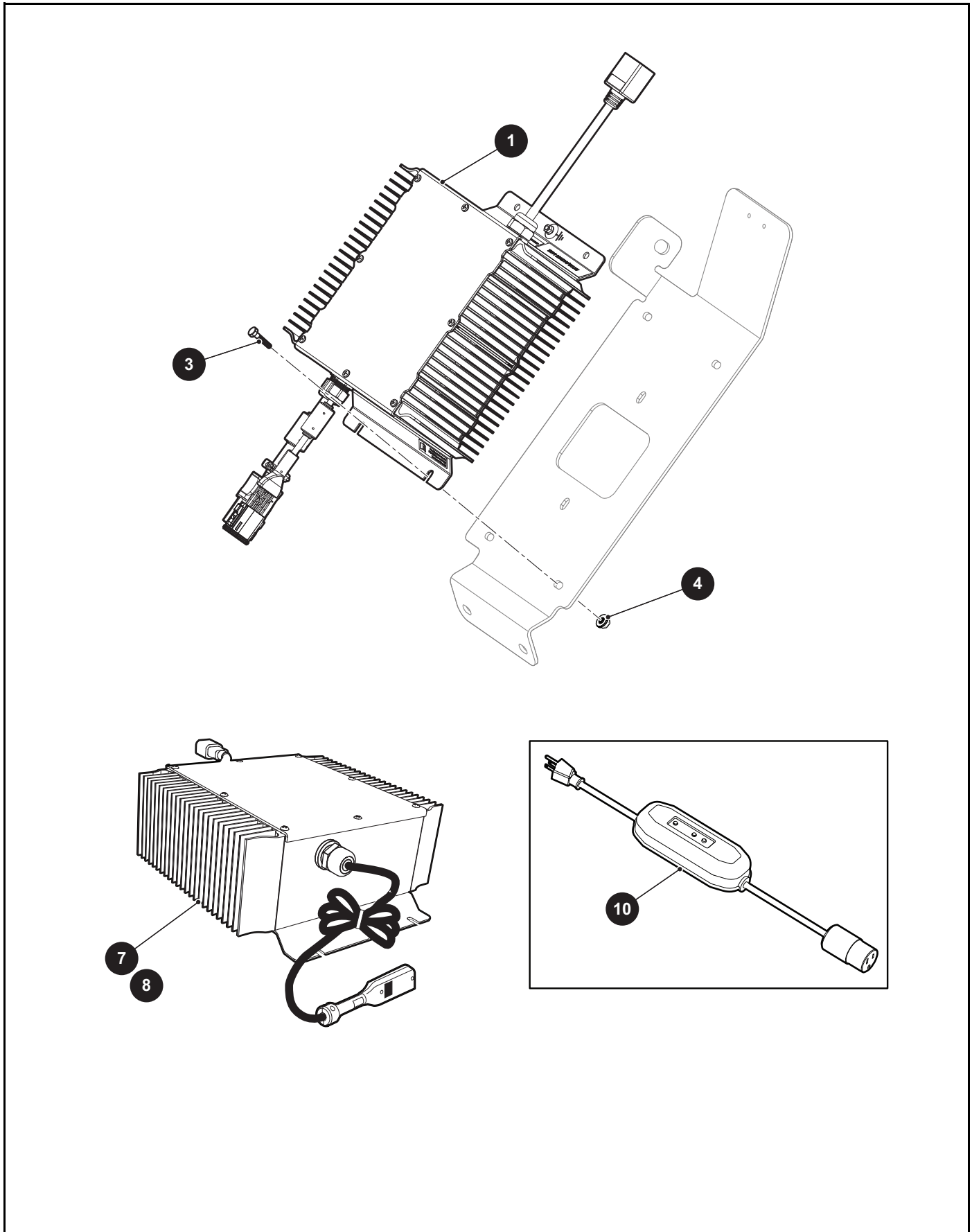
When ordering parts, please specify the model and serial number of the product.

* Indicates a component that is not available as an individual part.

*** Indicates consult Customer Service Department for additional information.

ITEM	PART NO.	1	2	3	4	5	DESCRIPTION	QTY.
32	<u>25879G08</u>						PEDAL HARNESS (INCLUDES ITEMS 33 - 34)	1
33	<u>17313G1</u>						LOOM FLEX (BULK), 3/8"	1
34	<u>17618G1</u>						NYLON CLAMP, 8" LG	2
35								
36	<u>00715G2</u>						HEX HEAD BOLT, 5/16" - 18 X 3/4" LG.....	4

BATTERY CHARGER



BATTERY CHARGER

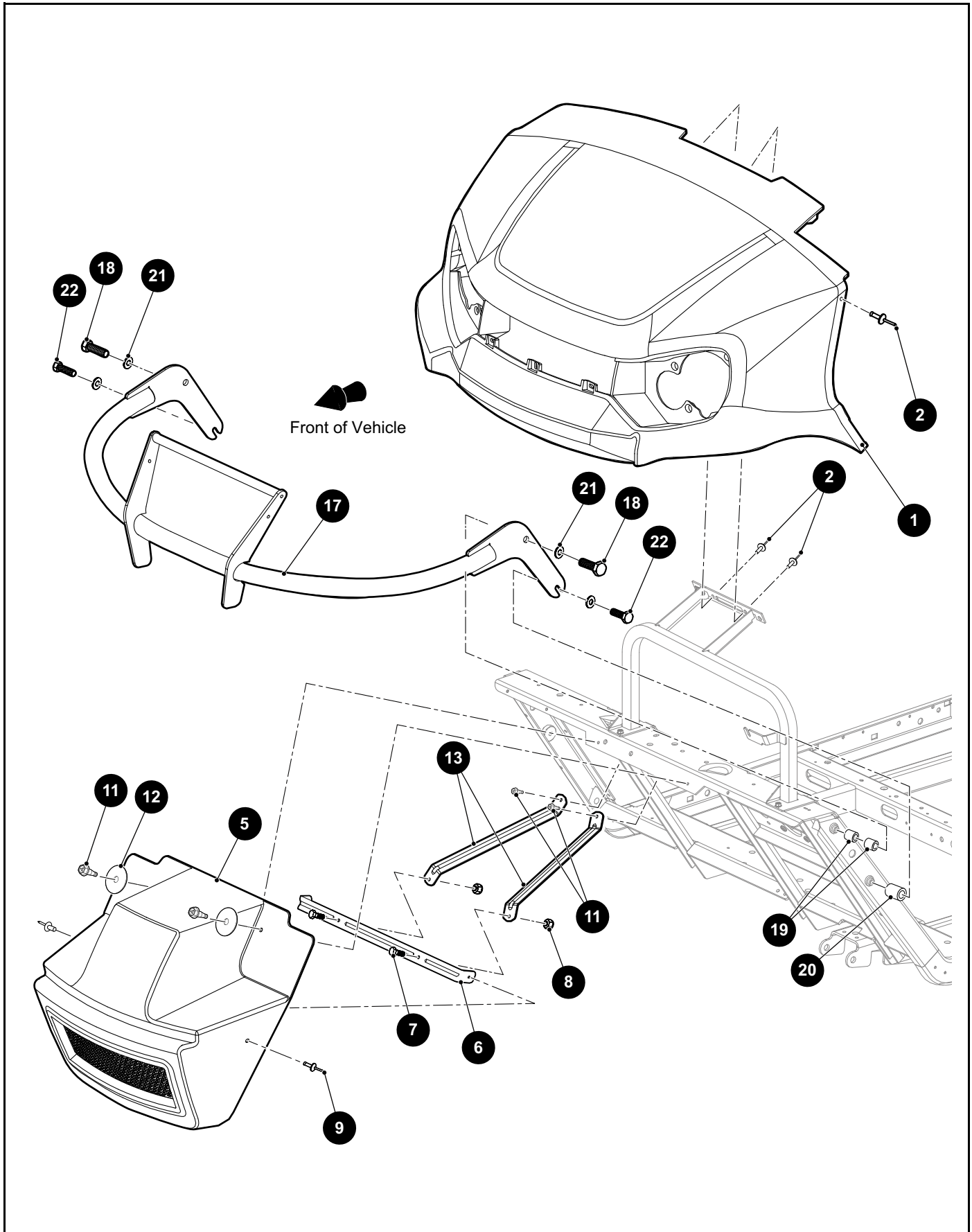
THE USE OF NON U.L. PARTS WILL VOID ANY U.L. LISTING.

When ordering parts, please specify the model and serial number of the product.

* Indicates a component that is not available as an individual part.

*** Indicates consult Customer Service Department for additional information.

ITEM	PART NO.	1 2 3 4 5	DESCRIPTION	QTY.
1	<u>640261</u>		72V ON-BOARD BATTERY CHARGER	1
2				
3	<u>00414G6</u>		HEX HEAD BOLT, 1/2" - 20 X 3/4" LG	4
4	<u>11027G2</u>		FLANGED LOCK NUT, 1/2" - 20.....	4
5				
6				
7	<u>634567</u>		72V BATTERY CHARGER, 1000W	1
8	<u>645743</u>		72V BATTERY CHARGER, 1500W	1
9				
10	652503		ON-BOARD CHARGER, 5 METER DC CORD	1



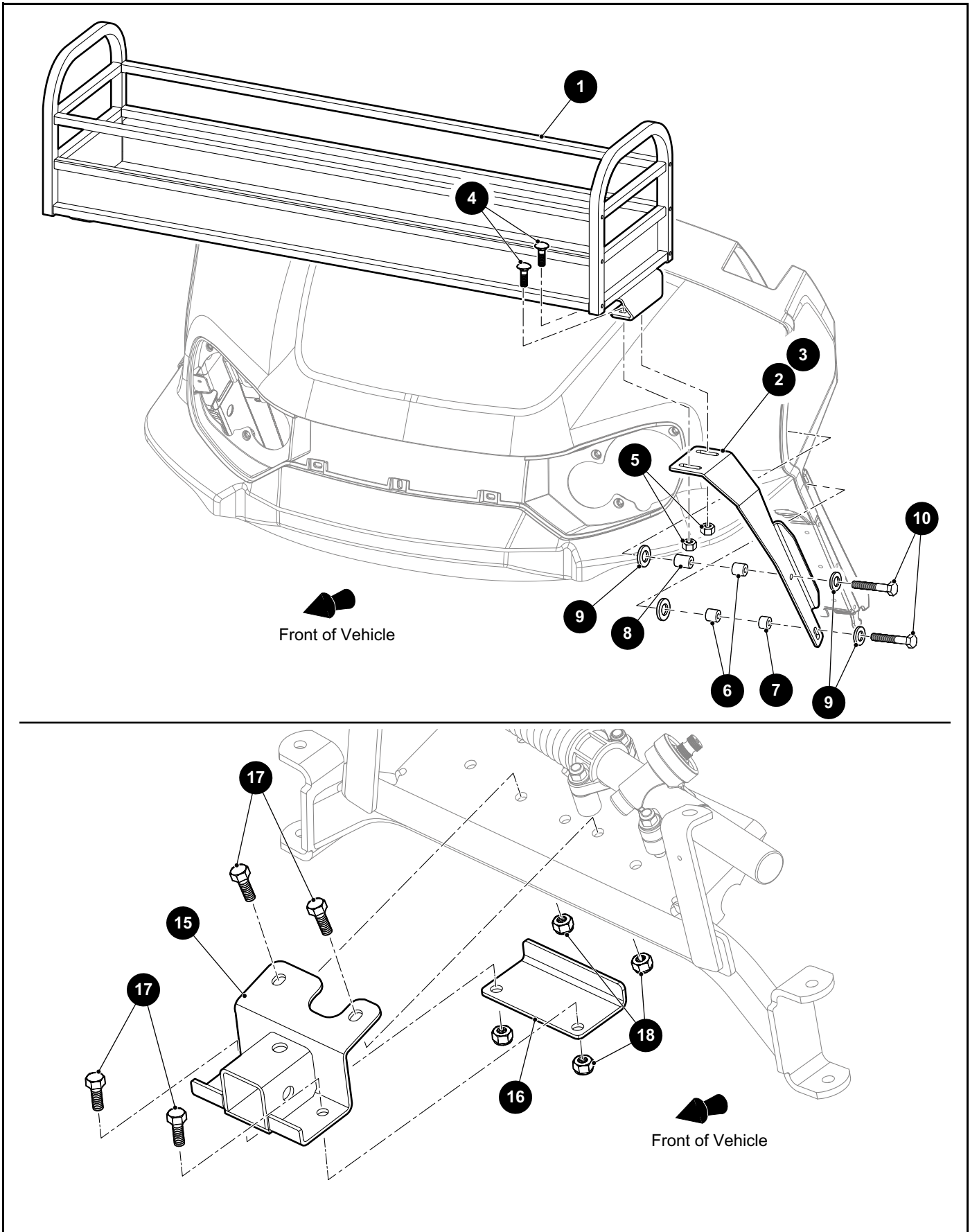
THE USE OF NON U.L. PARTS WILL VOID ANY U.L. LISTING.

When ordering parts, please specify the model and serial number of the product.

* Indicates a component that is not available as an individual part.

*** Indicates consult Customer Service Department for additional information.

ITEM	PART NO.	1 2 3 4 5	DESCRIPTION	QTY.
1	648566G00XX		COWL (SEE COLOR CODE IN HOW TO USE SECTION)	1
2	<u>71055G02</u>		RIVET (ALUMINUM), 3/16" X 1.18" LG	4
3				
4				
5	<u>613273</u>		FRONT FASCIA	1
6	<u>654275</u>		MOUNTING BRACKET	1
7	<u>00414G6</u>		HEX HEAD BOLT, 1/4" - 20 X 3/4" LG	2
8	<u>14390G4</u>		LOCK NUT, 1/4" - 20	2
9	<u>15058G1</u>		RIVET (ALUMINUM), 3/16" X .45" LG	2
10				
11	<u>01038G01</u>		HEX WASHER HEAD SWAGEFORM SCREW, 1/4" - 20 X .70" LG	4
12	<u>16469G1</u>		FENDER WASHER	2
13	654276		FRONT FASCIA MOUNTING BRACE	1
14				
15				
16				
17	<u>662022</u>		BRUSH GUARD	1
18	<u>00441G2</u>		HEX HEAD BOLT, 5/16 - 18 X 3 1/4" LG	2
19	<u>75048G04</u>		SPACER, .328" I.D. X .75" O.D. X 1" LG	4
20	<u>75048G03</u>		SPACER, .328" I.D. X .75" O.D. X 1.5" LG	2
21	00559G8		FLAT WASHER, .349" I.D. X .692" O.D.	4
22	<u>00440G6</u>		HEX HEAD BOLT, 5/16 - 18 X 2 3/4" LG	2



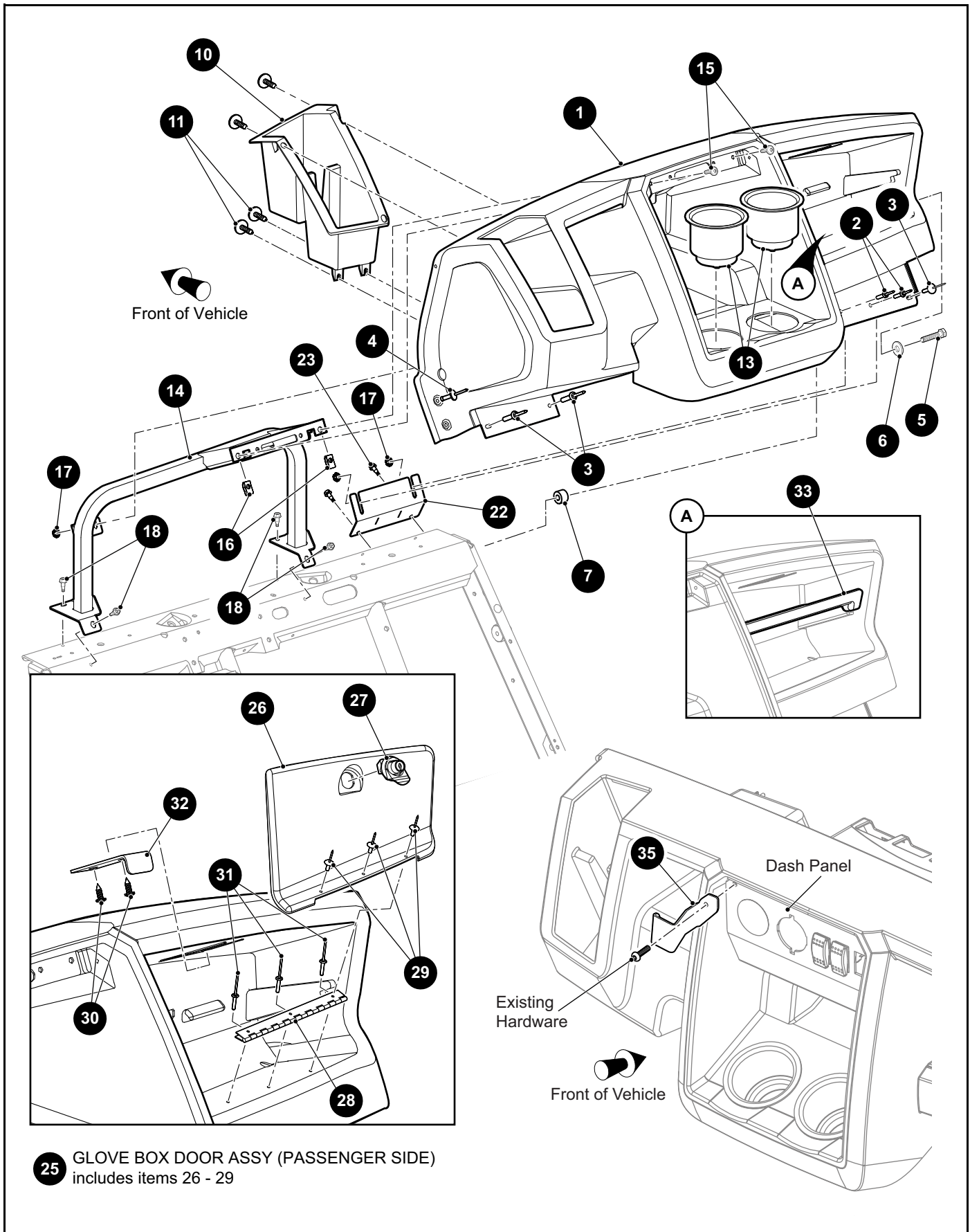
THE USE OF NON U.L. PARTS WILL VOID ANY U.L. LISTING.

When ordering parts, please specify the model and serial number of the product.

* Indicates a component that is not available as an individual part.

*** Indicates consult Customer Service Department for additional information.

ITEM	PART NO.	1 2 3 4 5	DESCRIPTION	QTY.
1	<u>74523G01</u>		FRONT BASKET	1
2	<u>651010G01</u>		FRONT BASKET BRACKET (DRIVER SIDE)	1
3	<u>651010G02</u>		FRONT BASKET BRACKET (PASSENGER SIDE)	1
4	<u>00769G2</u>		ROUND HEAD CARRIAGE BOLT, 3/8" - 16 X 1 1/4" LG	4
5	<u>11098G5</u>		LOCK NUT, 3/8" - 16	4
6	<u>619586</u>		SPACER .328" O.D. X .75" I.D. X .75" L.G.	4
7	<u>634807</u>		SPACER, .328" O.D. X .75" I.D. X .50" L.G.	2
8	<u>75048G04</u>		SPACER .328" O.D. X .75" I.D. X 1" L.G.	2
9	<u>00570G2</u>		FLAT WASHER, 5/16"	8
10	<u>00440G6</u>		HEX HEAD BOLT, 5/16" - 18 X 2 3/4" LG	4
11				
12				
13				
14				
15	<u>635202</u>		WINCH RECEIVER	1
16	<u>604572</u>		WINCH RECEIVER RETAINER	1
17	<u>00462G8</u>		HEX HEAD BOLT, 7/16" - 14 X 7/8" LG	4
18	<u>00734G1</u>		LOCK NUT, 7/16" - 14	4



THE USE OF NON U.L. PARTS WILL VOID ANY U.L. LISTING.

When ordering parts, please specify the model and serial number of the product.

* Indicates a component that is not available as an individual part.

*** Indicates consult Customer Service Department for additional information.

ITEM	PART NO.	1 2 3 4 5	DESCRIPTION	QTY.
1	<u>648568</u>		INSTRUMENT PANEL	1
2	<u>71055G01</u>		RIVET (ALUMINUM), 3/16" X 1 1/8" LG	2
3	<u>14601G11</u>		RIVET (ALUMINUM), 3/16" X 9/16" LG	3
4	<u>71055G02</u>		RIVET (ALUMINUM), 3/16" X 1.18" LG	2
5	<u>651011</u>		HEX HEAD BOLT, 5/16" - 18 X 1.5" LG	2
6	<u>634808</u>		FLAT WASHER, 5/16"	2
7	<u>75048G01</u>		SPACER, .328" X .75" X .5"	2
8				
9				
10	<u>648562</u>		CUP HOLDER (DRIVER SIDE)	1
11	<u>613373</u>		PAN HEAD TAPPING SCREW (WITH WASHER), M4.8 - 1.6 X 22MM LG ...	4
12				
13	<u>650913</u>		SINGLE CENTER CUP HOLDER	2
14	<u>650043</u>		IP SUPPORT	1
15	<u>645323</u>		PAN WASHER HEAD TORX SCREW, M6 - 1 X 23.4MM LG	2
16	<u>602409</u>		BARREL CLIP, M6 - 1	2
17	<u>71597G01</u>		SELF THREADING NUT, 5MM X 10MM X 15MM	3
18	<u>01038G01</u>		HEX WASHER HEAD SWAGEFORM SCREW, 1/4" - 20 X .70" LG	4
19				
20				
21				
22	<u>650042</u>		INSTRUMENT PANEL SUPPORT BRACKET (PASSENGER SIDE)	1
23	<u>01038G01</u>		HEX WASHER HEAD SWAGEFORM SCREW, 1/4" - 20 X .70" LG	2
24				
25	<u>650784</u>		GLOVE BOX DOOR ASSY (PASSENGER SIDE) (INCLUDES ITEM 26 - 29)	1
26	650813		DOOR	1
27	654475		LOCK ASSEMBLY	1
28	652386		HINGE	1
29	<u>14601G10</u>		RIVET (ALUMINUM), 5/32" X .425" LG.....	3
30	<u>00614G4</u>		PAN HEAD PHILLIPS TAPPING SCREW, #8 - 18 X 1/2" LG	2
31	<u>71045G01</u>		RIVET (ALUMINUM), 5/32" X .785" LG	3

BODY

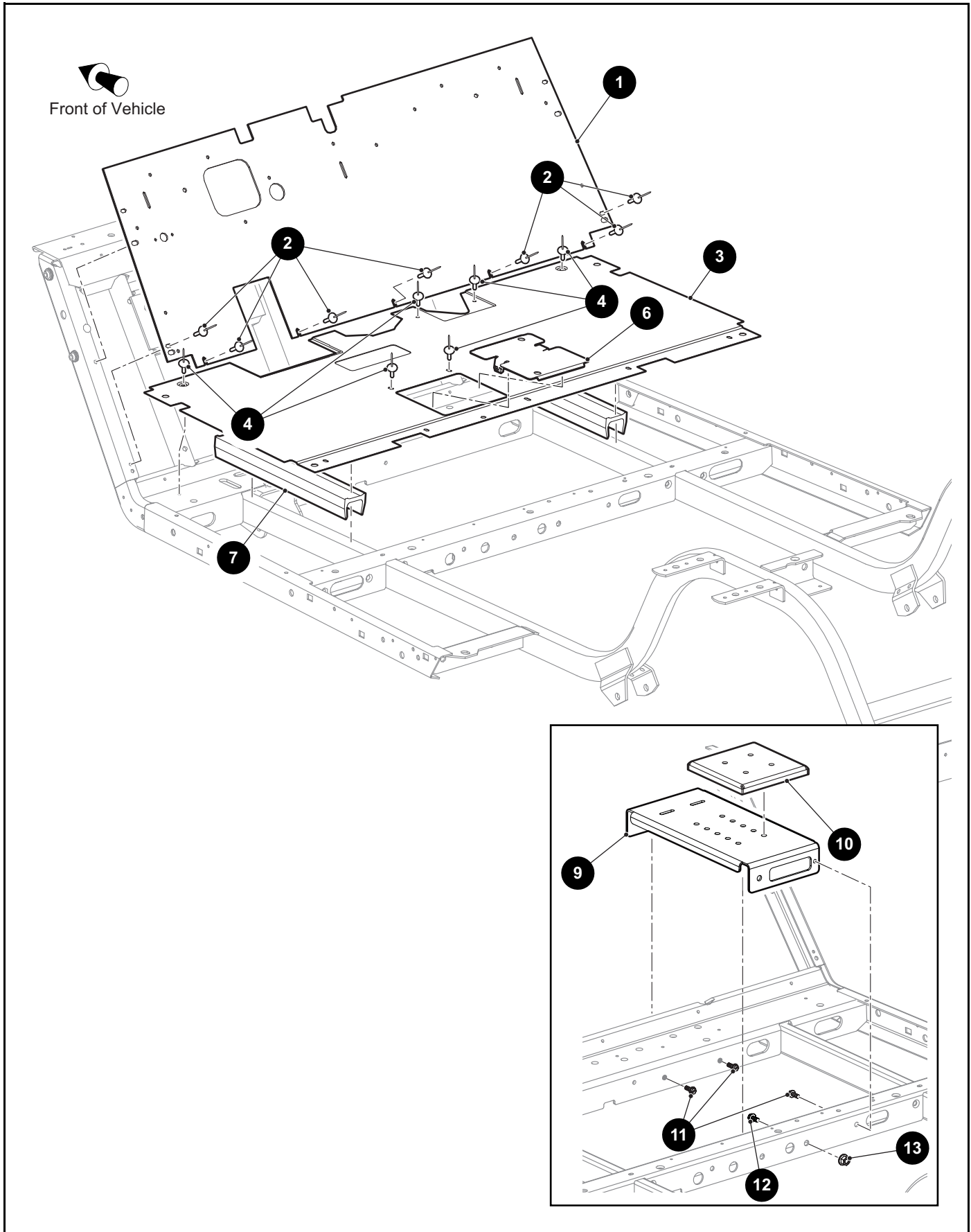
THE USE OF NON U.L. PARTS WILL VOID ANY U.L. LISTING.

When ordering parts, please specify the model and serial number of the product.

* Indicates a component that is not available as an individual part.

*** Indicates consult Customer Service Department for additional information.

ITEM	PART NO.	1 2 3 4 5	DESCRIPTION	QTY.
32	<u>652390</u>		GLOVE BOX STRIKER	1
33	<u>648561</u>		TRAY PANEL (PASSENGER SIDE)	1
34				
35	<u>664044</u>		RADIO CLIP	1



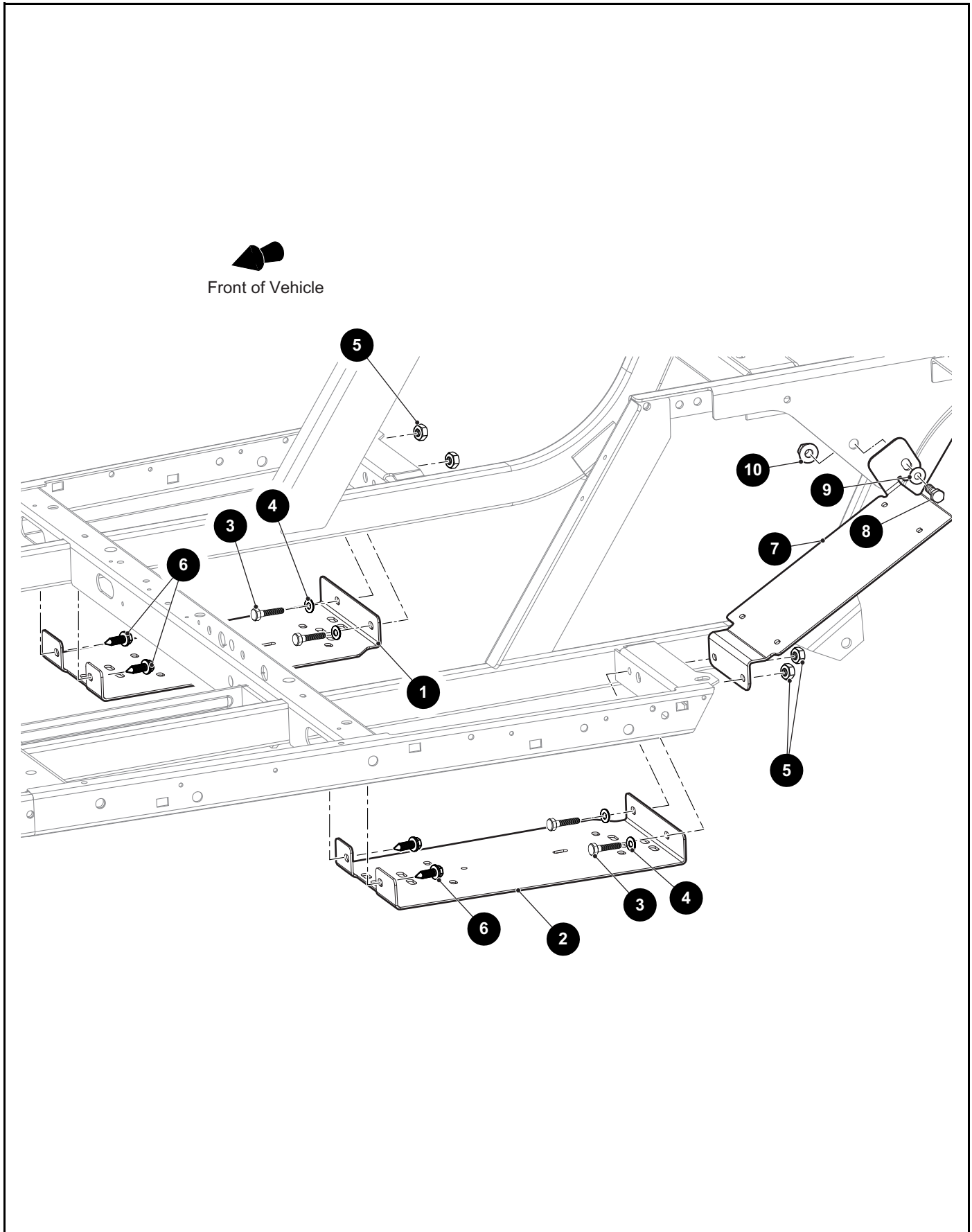
THE USE OF NON U.L. PARTS WILL VOID ANY U.L. LISTING.

When ordering parts, please specify the model and serial number of the product.

* Indicates a component that is not available as an individual part.

*** Indicates consult Customer Service Department for additional information.

ITEM	PART NO.	1 2 3 4 5	DESCRIPTION	QTY.
1	<u>641260</u>		UPPER FLOOR PANEL.....	1
2	<u>14601G11</u>		RIVET (ALUMINUM), 3/16" X .575" LG	7
3	<u>664052G02</u>		FLOOR PANEL (LOWER)	1
4	<u>14601G11</u>		RIVET (ALUMINUM), 3/16" X .575" LG	6
5				
6	<u>665025</u>		ACCESS COVER (MICRO SWITCH)	1
7	<u>664735</u>		FLOORBOARD SPACER	2
8				
9	653010		BASE PLATE	1
10	<u>74365G01</u>		GUN HOLDER MOUNTING	1
11	<u>00114G6</u>		HEX WASHER HEAD SCREW, 1/4" - 14 X 3/4" LG	3
12	<u>800385</u>		FLANGED HEX HEAD BOLT, 3/8" - 16 X 3/4" LG	1
13	<u>11027G5</u>		FLANGED LOCK NUT, 3/8" - 16	1



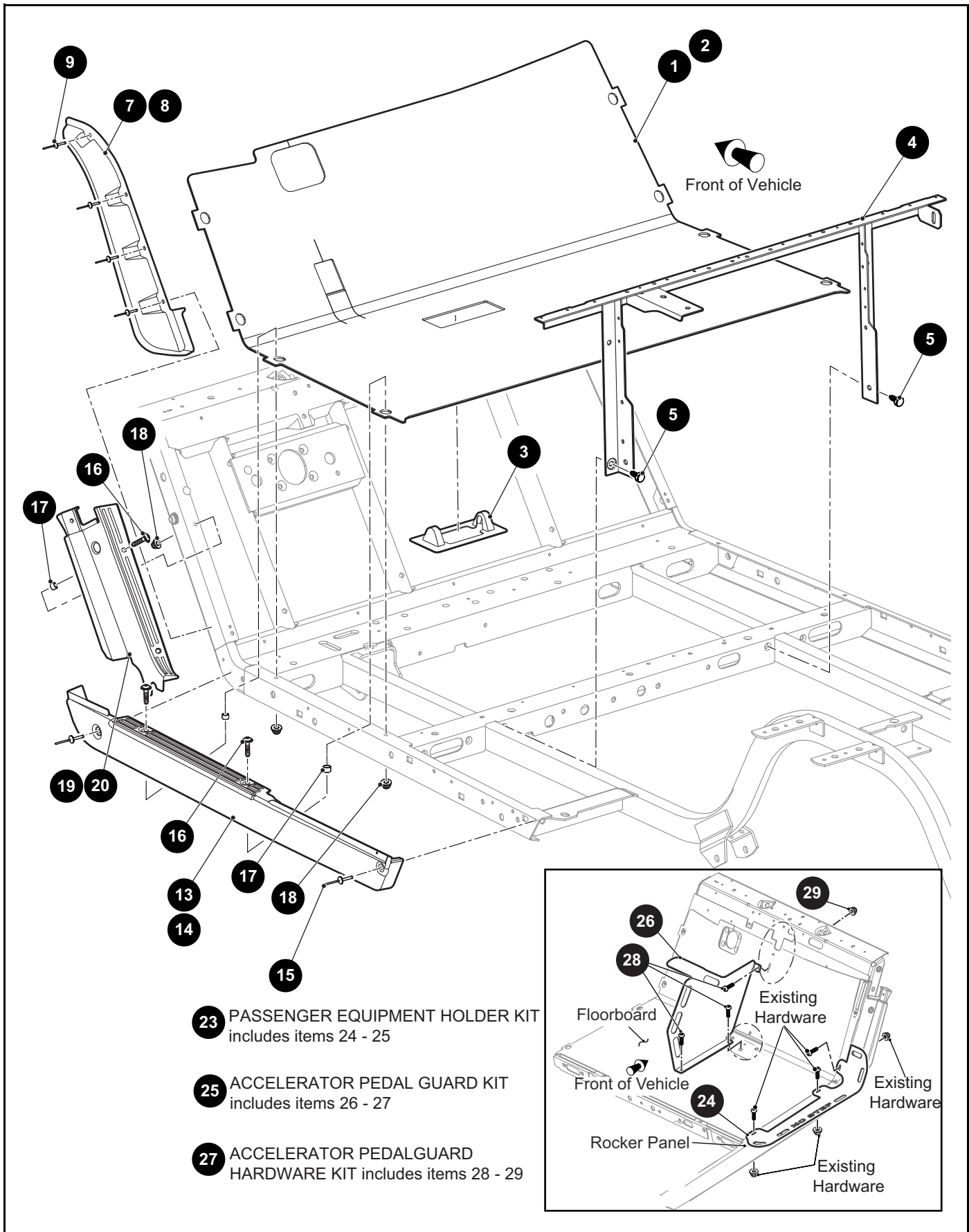
THE USE OF NON U.L. PARTS WILL VOID ANY U.L. LISTING.

When ordering parts, please specify the model and serial number of the product.

* Indicates a component that is not available as an individual part.

*** Indicates consult Customer Service Department for additional information.

ITEM	PART NO.	1 2 3 4 5	DESCRIPTION	QTY.
1	<u>652443G103</u>		BATTERY TRAY BRACKET (DRIVER SIDE)	1
2	<u>652443G203</u>		BATTERY TRAY BRACKET (PASSENGER SIDE)	1
3	<u>00439G2</u>		HEX HEAD BOLT, 5/16" - 18 X 1.25" LG	4
4	00559G8		FLAT WASHER, 5/16"	4
5	11098G6		LOCK NUT, 5/16" - 18	4
6	<u>00715G2</u>		HEX HEAD SCREW, 5/16" - 18 X .8" LG	4
7	<u>633627</u>		BATTERY CHARGER BRACKET	1
8	<u>00426G8</u>		HEX HEAD BOLT, 3/16" - 16 X 1" LG	1
9	<u>00643G1</u>		FLAT WASHER, 3/8" - 16	1
10	<u>11027G5</u>		FLANGED LOCK NUT, 3/16"	1



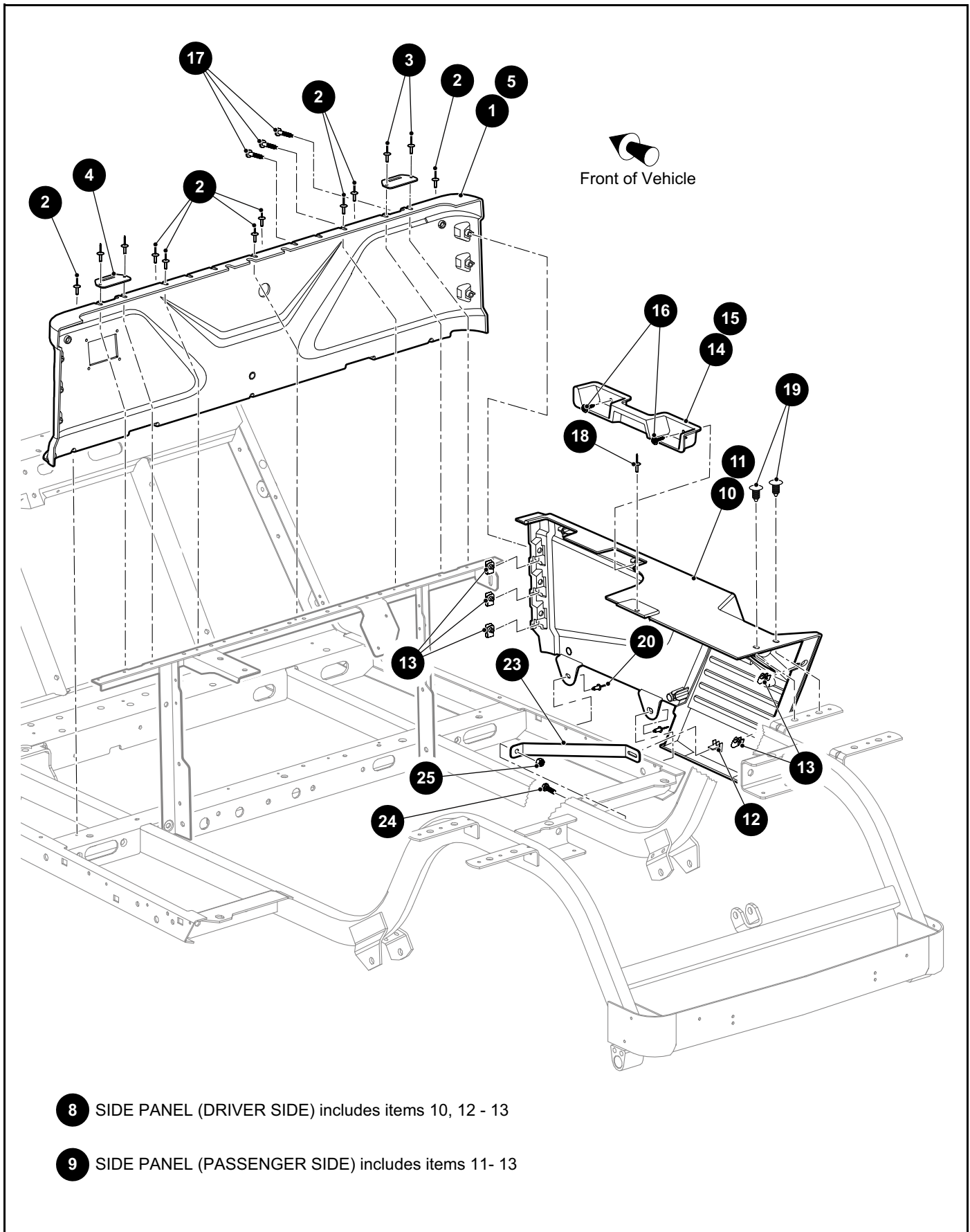
THE USE OF NON U.L. PARTS WILL VOID ANY U.L. LISTING.

When ordering parts, please specify the model and serial number of the product.

* Indicates a component that is not available as an individual part.

*** Indicates consult Customer Service Department for additional information.

ITEM	PART NO.	1 2 3 4 5	DESCRIPTION	QTY.
1	<u>651764G01</u>		UPPER FLOOR MAT	1
2	<u>651764G02</u>		UPPER FLOOR MAT (FOR VEHICLES WITH HYDRAULIC BRAKES).....	1
3	<u>70135G01</u>		PEDAL PIVOT COVER	1
4	<u>70441G01</u>		SEAT FRAME	1
5	<u>00715G2</u>		HEX WASHER HEAD SCREW, 5/16" - 18 X .8" LG	2
6				
7	<u>674546G01</u>		LARGE FRONT FENDER FLARE (DRIVER SIDE)	1
8	<u>674546G02</u>		LARGE FRONT FENDER FLARE (PASSENGER SIDE)	1
9	<u>71055G02</u>		RIVET (ALUMINUM), 3/16" X 1.18" LG	4
10				
11				
12				
13	<u>615239</u>		ROCKER PANEL (DRIVER SIDE)	1
14	<u>617333</u>		ROCKER PANEL (PASSENGER SIDE)	1
15	<u>15058G6</u>		RIVET (ALUMINUM), 3/16" X .95" LG	2
16	<u>645323</u>		PAN WASHER HEAD TORX SCREW, M6 - 1 X 23.4MM LG	4
17	<u>23726G4</u>		SPACER, .5" O.D. X .38" I.D. X .325" LG	4
18	<u>601476</u>		FLANGED LOCK NUT, M6 - 1	4
19	<u>655917G03</u>		UPPER ROCKER PANEL WITH FENDER FLARE MOUNTING HOLES (DRIVER SIDE)	1
20	<u>655917G04</u>		UPPER ROCKER PANEL WITH FENDER FLARE MOUNTING HOLES (PASSENGER SIDE)	1
21				
22				
23	<u>666366</u>		PASSENGER EQUIPMENT HOLDER KIT (INCLUDES ITEMS 24 - 25)	1
24	<u>661653</u>		FLOORBOARD MOUNT.....	1
25	<u>666379</u>		ACCELERATOR PEDAL GUARD KIT (INCLUDES ITEMS 26 - 27)	1
26	<u>662991</u>		ACCELERATOR PEDAL GUARD.....	1
27	<u>666380</u>		ACCELERATOR PEDAL GUARD HARDWARE KIT (INCLUDES ITEMS 28 - 29)	1
28	<u>645323</u>		TORX HEAD SCREW, M6 X 1 - 23.4MM LG	3
29	<u>601476</u>		LOCK NUT, M6 - 1	3



8 SIDE PANEL (DRIVER SIDE) includes items 10, 12 - 13

9 SIDE PANEL (PASSENGER SIDE) includes items 11- 13

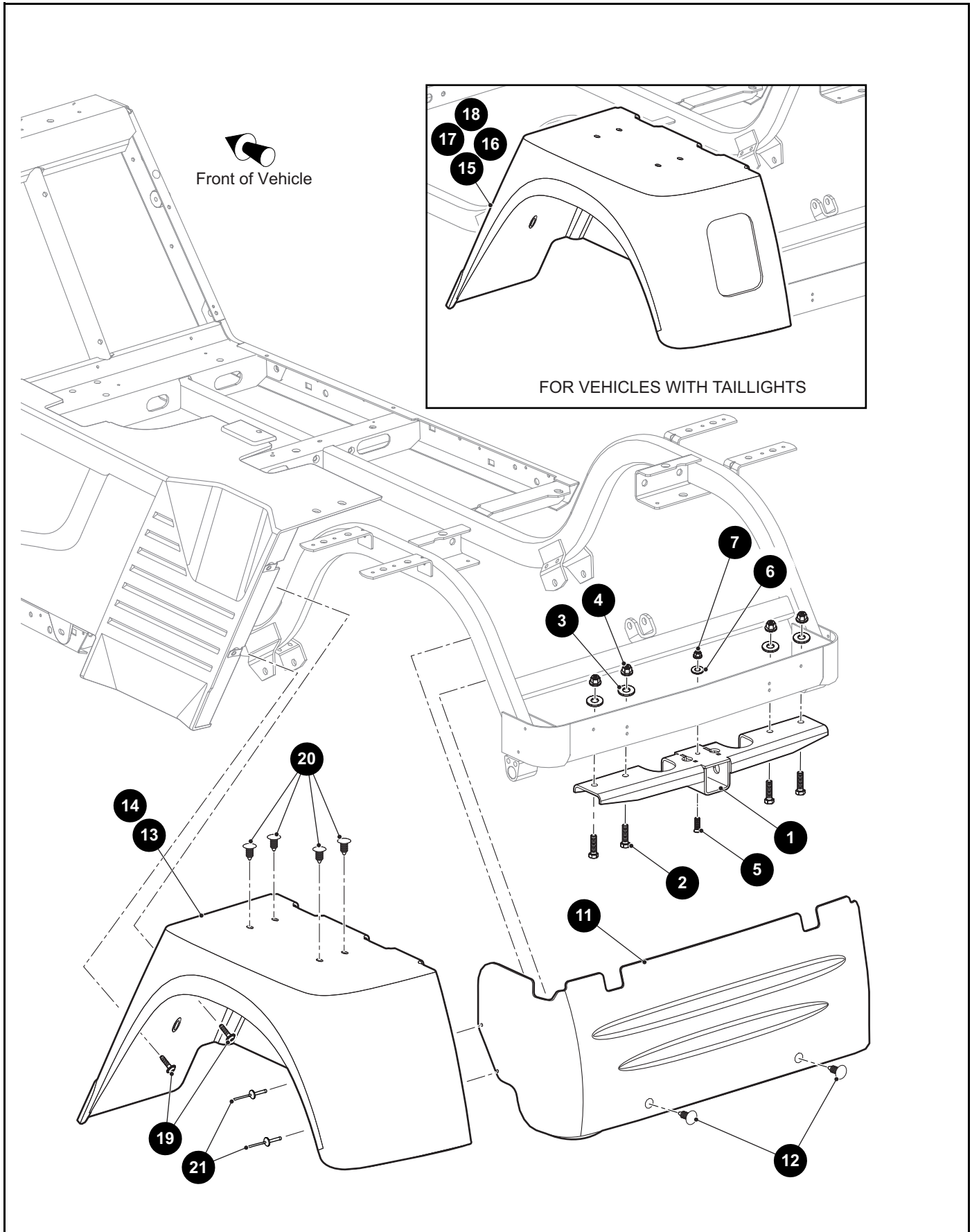
THE USE OF NON U.L. PARTS WILL VOID ANY U.L. LISTING.

When ordering parts, please specify the model and serial number of the product.

* Indicates a component that is not available as an individual part.

*** Indicates consult Customer Service Department for additional information.

ITEM	PART NO.	1 2 3 4 5	DESCRIPTION	QTY.
1	<u>649251G03</u>		SEAT WRAP	1
2	<u>10570G10</u>		RIVET (SS), 5/32" X .55" LG	8
3	<u>10570G11</u>		RIVET (SS), 3/16" X .7" LG	2
4	<u>71609G01</u>		SEAT HINGE PLATE	1
5	<u>649251G04</u>		SEAT WRAP (FOR CE VEHICLES)	1
6				
7				
8	<u>652716G01</u>		SIDE PANEL (DRIVER SIDE) (INCLUDES ITEMS 10, 12 - 13)	1
9	<u>652716G02</u>		SIDE PANEL (PASSENGER SIDE) (INCLUDES ITEMS 11 - 13).....	1
10	<u>649388G01</u>		SIDE PANEL (DRIVER SIDE)	1
11	<u>649388G02</u>		SIDE PANEL (PASSENGER SIDE)	1
12	<u>602184</u>		TRIM CLIP	1
13	<u>602409</u>		BARREL CLIP, M6 - 1.....	5
14	<u>649657G01</u>		HIP RESTRAINT CLOSEOUT (DRIVER SIDE).....	1
15	<u>649657G02</u>		HIP RESTRAINT CLOSEOUT (PASSENGER SIDE)	1
16	<u>613373</u>		PAN HEAD TAPPING SCREW, M4.5 - 1.6 X 22MM LG	2
17	<u>634161</u>		BUTTON HEAD TORX SCREW, M6 - 1 X 30MM LG	6
18	<u>14601G11</u>		RIVET, 3/16" X 9/16" LG	1
19	<u>16816G2</u>		RATCHET RIVET, .25" X .887"	2
20	<u>10570G12</u>		RIVET (ALUMINUM), 1/4" X .625"	2
21				
22				
23	<u>655654</u>		SIDE PANEL MOUNT BRACKET	1
24	<u>00438G8</u>		HEX HEAD BOLT, 5/16" - 18 X 1" LG	1
25	<u>11098G6</u>		LOCK NUT, 5/16"	1



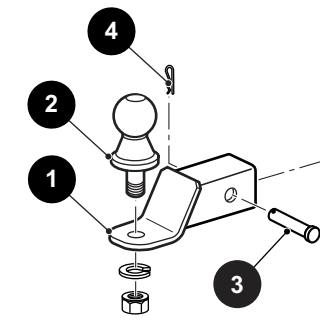
THE USE OF NON U.L. PARTS WILL VOID ANY U.L. LISTING.

When ordering parts, please specify the model and serial number of the product.

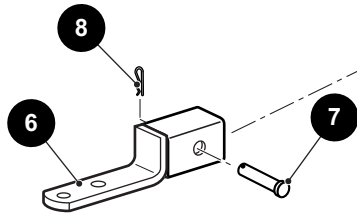
* Indicates a component that is not available as an individual part.

*** Indicates consult Customer Service Department for additional information.

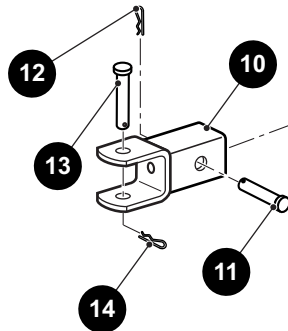
ITEM	PART NO.	1 2 3 4 5	DESCRIPTION	QTY.
1	<u>647080</u>		HITCH RECEIVER	1
2	<u>00463G4</u>		HEX HEAD BOLT, 7/16" - 14 X 1 1/2" LG	4
3	<u>00922G3</u>		FLAT WASHER, 7/16"	4
4	<u>00734G1</u>		LOCK NUT, 7/16" - 14	4
5	<u>00198G8</u>		FLAT HEAD MACHINE SCREW, 5/16" - 18 X 1" LG	1
6	<u>00571G2</u>		FLAT WASHER, 5/16"	1
7	11098G6		LOCK NUT, 5/16" - 18	1
8				
9				
10				
11	<u>74890G01</u>		REAR VALANCE PANEL	1
12	<u>16816G2</u>		RATCHET RIVET, .25" X .887"	2
13	<u>74892G01</u>		REAR FENDER WITHOUT TAILLIGHT (DRIVER SIDE)	1
14	<u>74892G02</u>		REAR FENDER WITHOUT TAILLIGHT (PASSENGER SIDE)	1
15	<u>74892G03</u>		REAR FENDER WITH TAILLIGHT (DRIVER SIDE)	1
16	<u>74892G04</u>		REAR FENDER WITH TAILLIGHT (PASSENGER SIDE)	1
17	<u>625170G01</u>		REAR FENDER WITH TAILLIGHT (4 PASSENGER) (DRIVER SIDE)	1
18	<u>625170G02</u>		REAR FENDER WITH TAILLIGHT (4 PASSENGER) (PASSENGER SIDE) ..	1
19	<u>612635</u>		PAN WASHER HEAD TORX SCREW, M6 - 1 X 20MM LG	2
20	<u>16816G2</u>		RATCHET RIVET, .25" X .887"	4
21	<u>71055G01</u>		RIVET (ALUMINUM), 3/16" X 1 1/8" LG	2



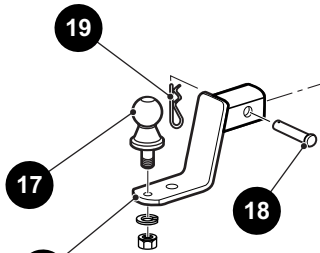
HEAVY DUTY HITCH KIT



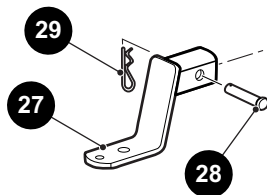
ANGLE HITCH



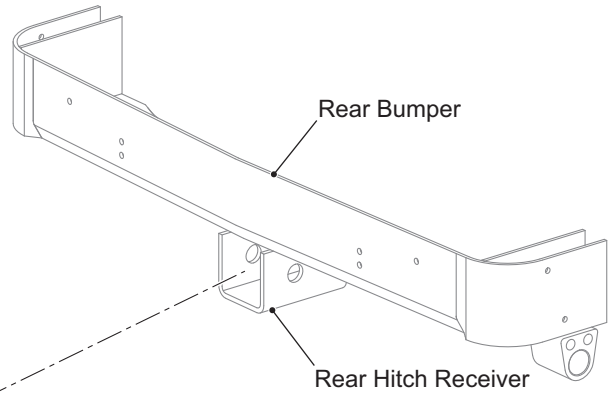
CLEVIS HITCH



DROP ANGLE HITCH



DROP ANGLE HITCH

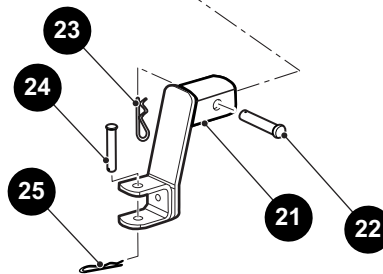


Rear Bumper

Rear Hitch Receiver



Front of Vehicle



DROP CLEVIS HITCH

THE USE OF NON U.L. PARTS WILL VOID ANY U.L. LISTING.

When ordering parts, please specify the model and serial number of the product.

* Indicates a component that is not available as an individual part.

*** Indicates consult Customer Service Department for additional information.

ITEM	PART NO.	1 2 3 4 5	DESCRIPTION	QTY.
1	<u>646730</u>		HEAVY DUTY HITCH.....	1
2	<u>31757G1</u>		HITCH BALL, 1 7/8"	1
3	<u>21317G1</u>		CLEVIS PIN, 5/8" X 3" LG.....	1
4	<u>21683G1</u>		COTTER PIN, 15/32" X 2 1/16" LG.....	1
5				
6	<u>646729</u>		ANGLE HITCH	1
7	<u>21317G1</u>		CLEVIS PIN, 5/8" X 3" LG.....	1
8	<u>21683G1</u>		COTTER PIN, 15/32" X 2 1/16" LG.....	1
9				
10	<u>646727</u>		CLEVIS HITCH	1
11	<u>21317G1</u>		CLEVIS PIN, 5/8" X 3" LG.....	1
12	<u>21683G1</u>		COTTER PIN, 15/32" X 2 1/16" LG.....	1
13	<u>14443G10</u>		CLEVIS PIN, 1/2" X 3" LG.....	1
14	<u>19314G1</u>		COTTER PIN, 5/2" LG	1
15				
16	<u>646743</u>		DROP ANGLE HITCH.....	1
17	<u>31757G1</u>		HITCH BALL, 1 7/8"	1
18	<u>21317G1</u>		CLEVIS PIN, 5/8" X 3" LG.....	1
19	<u>21683G1</u>		COTTER PIN, 15/32" X 2 1/16" LG.....	1
20				
21	<u>646744</u>		DROP CLEVIS HITCH.....	1
22	<u>21317G1</u>		CLEVIS PIN, 5/8" X 3" LG.....	1
23	<u>21683G1</u>		COTTER PIN, 15/32" X 2 1/16" LG.....	1
24	<u>14443G10</u>		CLEVIS PIN, 1/2" X 3" LG.....	1
25	<u>19314G1</u>		COTTER PIN, 5/2" LG	1
26				
27	<u>646731</u>		DROP ANGLE HITCH.....	1
28	<u>21317G1</u>		CLEVIS PIN, 5/8" X 3" LG.....	1
29	<u>21683G1</u>		COTTER PIN, 15/32" X 2 1/16" LG.....	1

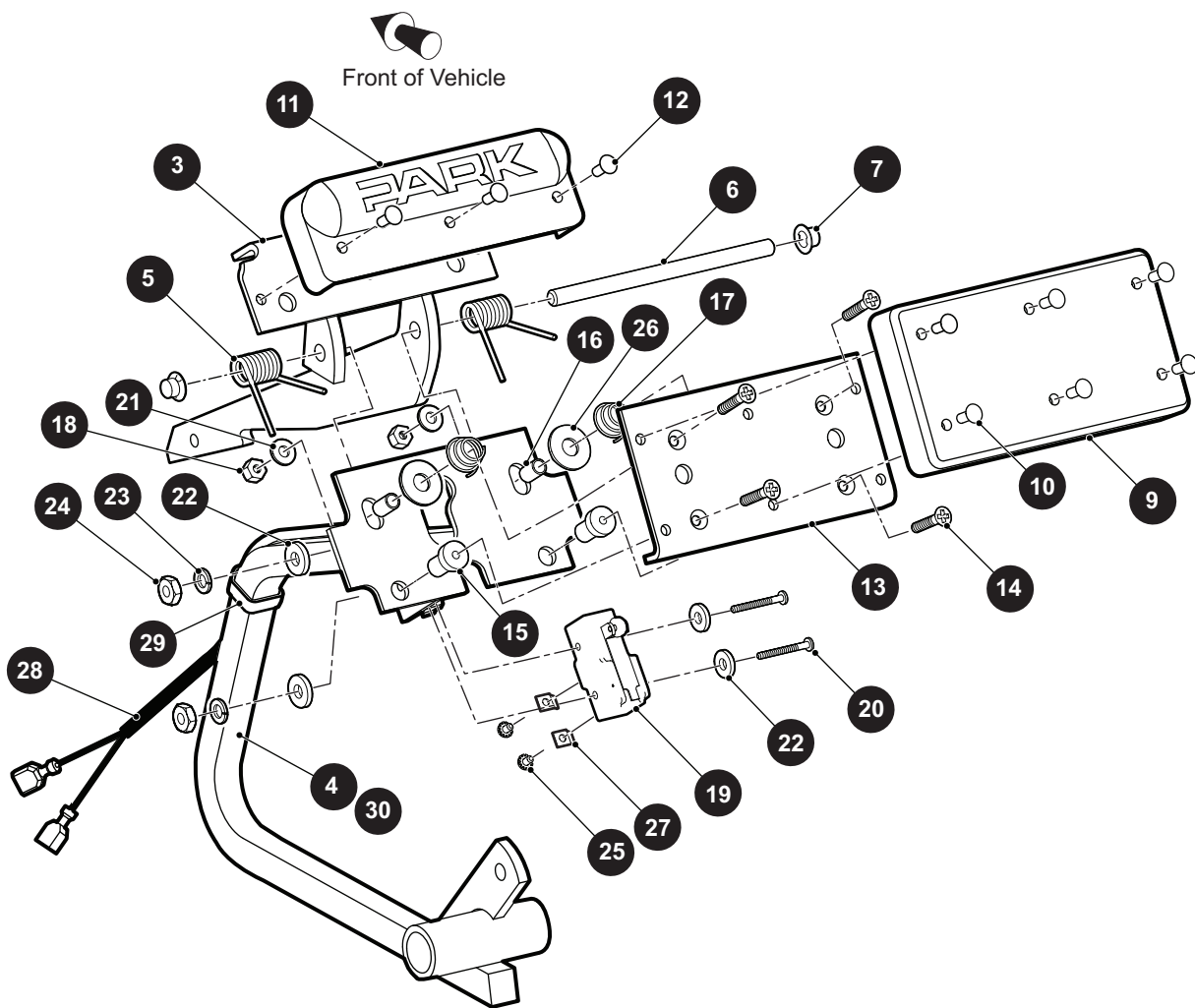
Notes:

A large, empty grid of graph paper, consisting of 30 columns and 35 rows of small squares, intended for taking notes.

Notes:

Grid area for notes

- 1 BRAKE PEDAL ASSEMBLY (WITHOUT BRAKE LIGHTS) includes items 3 - 12
- 2 BRAKE PEDAL ASSEMBLY (WITH BRAKE LIGHTS) includes items 3, 5 - 30



BRAKES

THE USE OF NON U.L. PARTS WILL VOID ANY U.L. LISTING.

When ordering parts, please specify the model and serial number of the product.

* Indicates a component that is not available as an individual part.

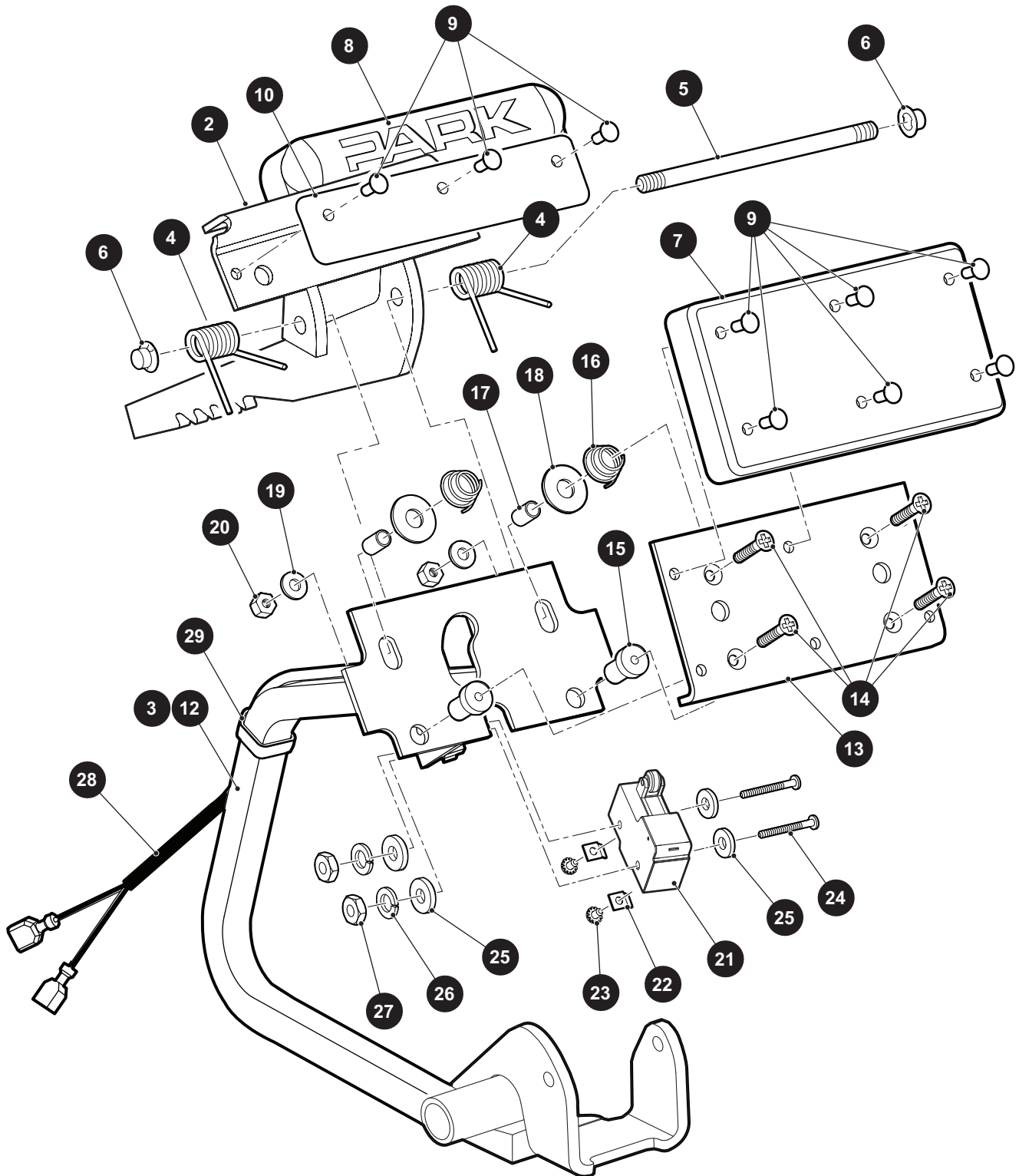
*** Indicates consult Customer Service Department for additional information.

ITEM	PART NO.	1 2 3 4 5	DESCRIPTION	QTY.
1	<u>70612G02</u>		BRAKE PEDAL ASSEMBLY (WITHOUT LIGHTS) (INCLUDES ITEMS 3 - 12)	1
2	70690G02		BRAKE PEDAL ASSEMBLY (WITH LIGHTS) (INCLUDES ITEMS 3, 5 - 30)	1
3	<u>652253G03</u>		PARK BRAKE PEDAL	1
4	<u>652251G03</u>		BRAKE PEDAL (WITHOUT LIGHTS).....	1
5	<u>70681G01</u>		TORSION SPRING.....	2
6	<u>70682G01</u>		PIVOT PIN.....	1
7	<u>658825</u>		PUSH NUT, 5/16" - 24	2
8				
9	<u>70257G01</u>		SERVICE BRAKE PAD.....	1
10	<u>16409G1</u>		OVAL RIVET, .375" X .468" LG	6
11	<u>70256G01</u>		PARK BRAKE PEDAL PAD	1
12	<u>16409G1</u>		OVAL RIVET, .375" X .468" LG	3
13	<u>652820</u>		SERVICE BRAKE PEDAL PLATE	1
14	<u>00737G8</u>		FLAT HEAD PHILLIPS SCREW, #10 - 24 X .875" LG, GRADE 5.....	4
15	<u>00739G1</u>		RUBBER WELL NUT, #10 - 24.....	2
16	<u>652355</u>		BRAKE PEDAL SPACER	2
17	<u>27137G01</u>		CONICAL SPRING	2
18	<u>14390G10</u>		LOCK NUT, #10 - 24.....	2
19	10606G8		MICRO SWITCH	1
20	<u>00645G2</u>		PAN HEAD PHILLIPS SCREW, #6 - 32 X 1 1/4" LG.....	1
21	<u>00559G5</u>		FLAT WASHER, #10	2
22	<u>00559G3</u>		FLAT WASHER, #6	2
23	<u>00565G3</u>		LOCK WASHER, #6	1
24	<u>00525G5</u>		LOCK NUT, #6 - 32.....	1
25	<u>13514G1</u>		LIMIT SWITCH SCREW, #6 - 32 X .22" LG	1
26	<u>00642G8</u>		FLAT WASHER, 5/16"	2
27	<u>14628G1</u>		FASTON TAB.....	1
28	<u>24605G1</u>		WIRE HARNESS (BRAKE LIGHT).....	1
29	<u>17618G1</u>		WIRE TIE.....	2
30	<u>652791G03</u>		BRAKE PEDAL (WITH LIGHTS)	1

BRAKES

1 BRAKE PEDAL ASSEMBLY (WITHOUT LIGHT) includes items 2 - 10

11 BRAKE PEDAL ASSEMBLY (WITH LIGHT) includes items 2, 4 - 10, 12 - 29



BRAKES

THE USE OF NON U.L. PARTS WILL VOID ANY U.L. LISTING.

When ordering parts, please specify the model and serial number of the product.

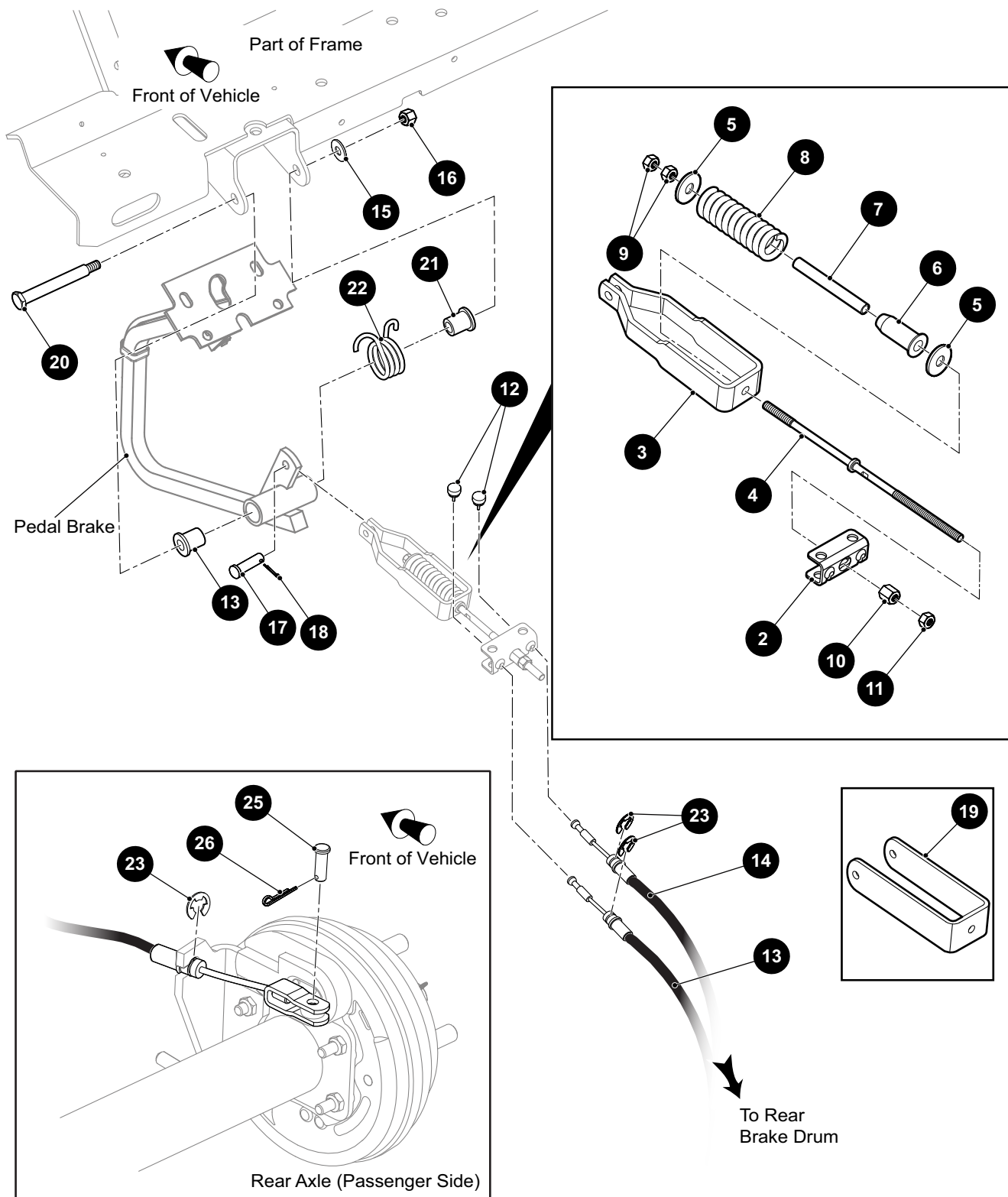
* Indicates a component that is not available as an individual part.

*** Indicates consult Customer Service Department for additional information.

ITEM	PART NO.	1 2 3 4 5	DESCRIPTION	QTY.
1	<u>651213G03</u>		BRAKE PEDAL ASSEMBLY (WITHOUT LIIGHT) (4 WHEEL DRUM BRAKES) (INCLUDES ITEMS 2 - 10)	1
2	<u>660528G03</u>		PARK BRAKE PEDAL WELDMENT	1
3	<u>651207G0003</u>		BRAKE PEDAL WELDMENT (WITHOUT LIGHTS)	1
4	<u>70681G01</u>		TORSION SPRING	2
5	<u>70682G01</u>		PIVOT PIN, .314" DIA X 5.25" LG	1
6	<u>658825</u>		PUSH NUT, 5/16" - 24	2
7	<u>70257G01</u>		BRAKE PAD	1
8	<u>665987</u>		PARK BRAKE PAD	1
9	<u>16409G1</u>		OVAL RIVET, .375" X .468" LG	9
10	<u>665556</u>		DECAL (MULTI LATCH PLATE)	1
11	<u>651213G04</u>		BRAKE PEDAL ASSEMBLY (WITH LIIGHT) (4 WHEEL DRUM BRAKES) (INCLUDES ITEMS 2, 4 - 10, 12 - 29)	1
12	<u>651207G0103</u>		BRAKE PEDAL (WITH LIGHTS)	1
13	<u>652820</u>		BRAKE PEDAL PLATE	1
14	<u>00737G8</u>		FLAT HEAD PHILLIPS SCREW, #10 - 24 X .875" LG	4
15	<u>00739G1</u>		WELL NUT (RUBBER), #10 - 24	2
16	<u>27137G01</u>		CONICAL SPRING	2
17	<u>652355</u>		BRAKE PEDAL SPACER	2
18	<u>00642G8</u>		FLAT WASHER, 5/16"	2
19	<u>00559G5</u>		FLAT WASHER, #10	2
20	<u>14390G10</u>		LOCK NUT, #10 - 24	2
21	<u>10606G8</u>		MICRO SWITCH	1
22	<u>14628G1</u>		FASTON TAB	2
23	<u>13514G1</u>		PAN HEAD PHILLIPS SCREW WITH INTERNAL TOOTH LOCK WASHER, #6 - 32 X .22" LG	2
24	<u>00645G2</u>		PAN HEAD PHILLIPS SCREW, #6 - 32 X 1.25" LG	2
25	<u>00559G3</u>		FLAT WASHER, #6	4
26	<u>00565G3</u>		LOCK WASHER, #6	2
27	<u>00525G5</u>		LOCK NUT, #6 - 32	2
28	<u>24605G1</u>		WIRE HARNESS (BRAKE LIGHT)	1
29	<u>17618G1</u>		NYLON CLAMP, 8" LG	2

BRAKES

1 COMPENSATOR ASSEMBLY (2 WHEEL DRUM BRAKES) includes items 2 - 14



BRAKES

THE USE OF NON U.L. PARTS WILL VOID ANY U.L. LISTING.

When ordering parts, please specify the model and serial number of the product.

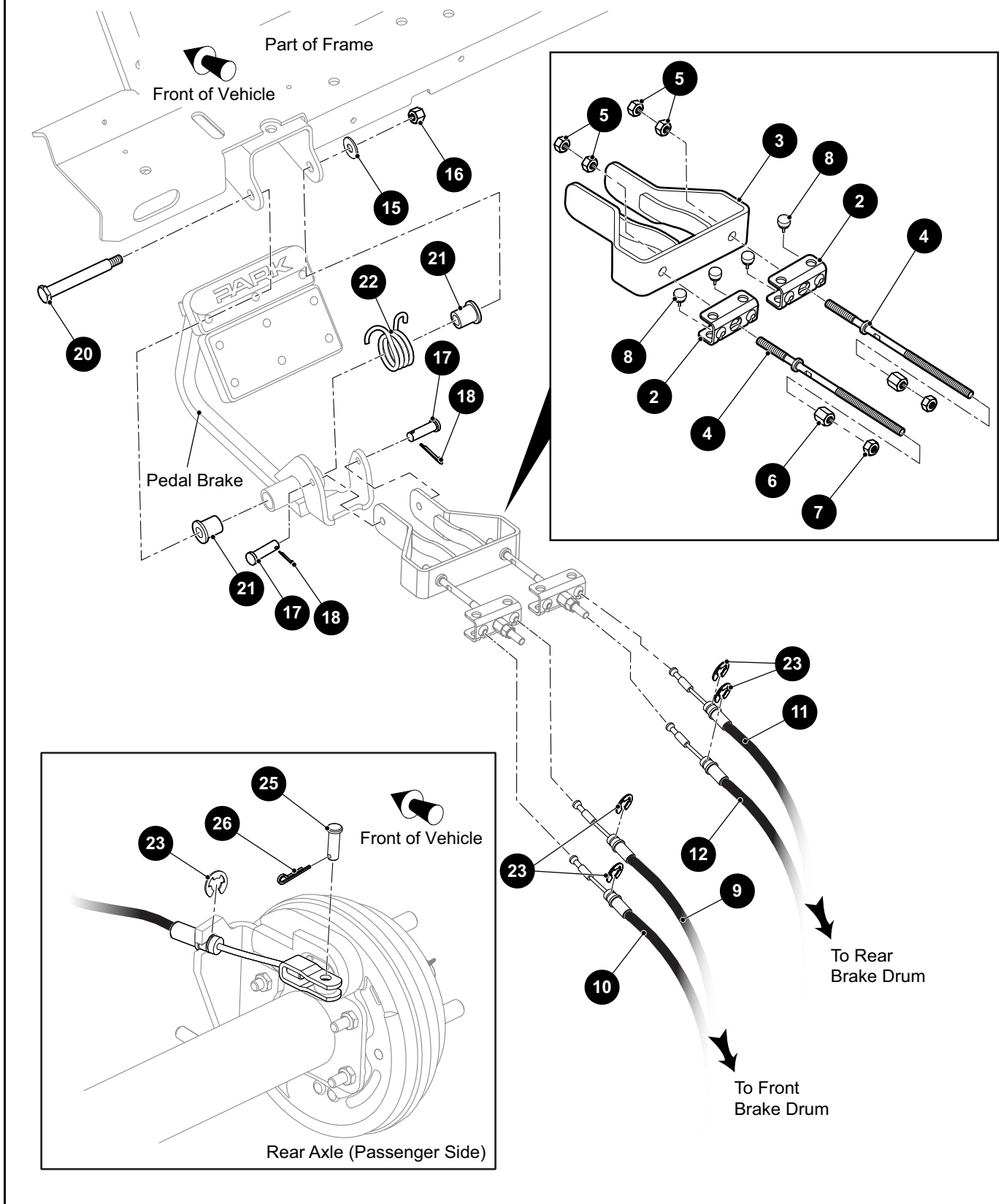
* Indicates a component that is not available as an individual part.

*** Indicates consult Customer Service Department for additional information.

ITEM	PART NO.	1 2 3 4 5	DESCRIPTION	QTY.
1	654666		COMPENSATOR ASSEMBLY (2 WHEEL DRUM BRAKES) (INCLUDES ITEM 2 - 14)	1
2	28082G01		BRAKE DRUM EQUALIZER	1
3	652256		BRAKE DRUM YOKE	1
4	612557		COMPENSATOR LINK ROD, 10.5" LG	1
5	15121G1		FLAT WASHER, 3/8"	2
6	17979G1		BUSHING, .464" I.D. X 1" O.D. X 2" LG	1
7	23061G2		TUBE, .315" I.D. X .44" O.D. X 3.66" LG	1
8	23463G1		COMPRESSION SPRING, 1.28" DIA X 4.06" LG	1
9	00532G4		HEX NUT, 5/16" - 24	2
10	629486		SPHERICAL HEX NUT, 5/16"- 24	1
11	11098G9		HEX LOCK NUT, 5/16" - 24	1
12	28083G01		COMPENSATOR BUMPER, .56" DIA	2
13	624697		BRAKE CABLE, 48.06" LG	1
14	624698		BRAKE CABLE, 57.81" LG	1
15	00643G1		FLAT WASHER, 3/8"	1
16	11098G5		LOCK NUT, 3/8" - 16	1
17	10386G3		CLEVIS PIN, .313" X .84" LG	1
18	10387G3		COTTER PIN, .094" X .75"	1
19	651070		BRAKE DRUM YOKE	1
20	70582G01		SHOULDER BOLT, .495 DIA X 3/8" - 16 THREAD X 3.406" LG.....	1
21	70581G01		BUSHING (ACETAL), .51" I.D. X .795" O.D. X .75" LG	2
22	70676G01		TORSION SPRING, 1.34" DIA.....	1
23	01111G01		RETAINING RING, .8" O.D. X .39" I.D. X .42" LG	4
24				
25	10386G3		CLEVIS PIN, .313" X .84" LG	2
26	10387G3		COTTER PIN, .094" X .75"	2
27				
28	12416G2		WEDGE CLAMP (NYLON), 11.8" LG (NOT ILLUSTRATED)	5

BRAKES

1 COMPENSATOR ASSEMBLY (4 WHEEL DRUM BRAKES) includes items 2 - 12



BRAKES

THE USE OF NON U.L. PARTS WILL VOID ANY U.L. LISTING.

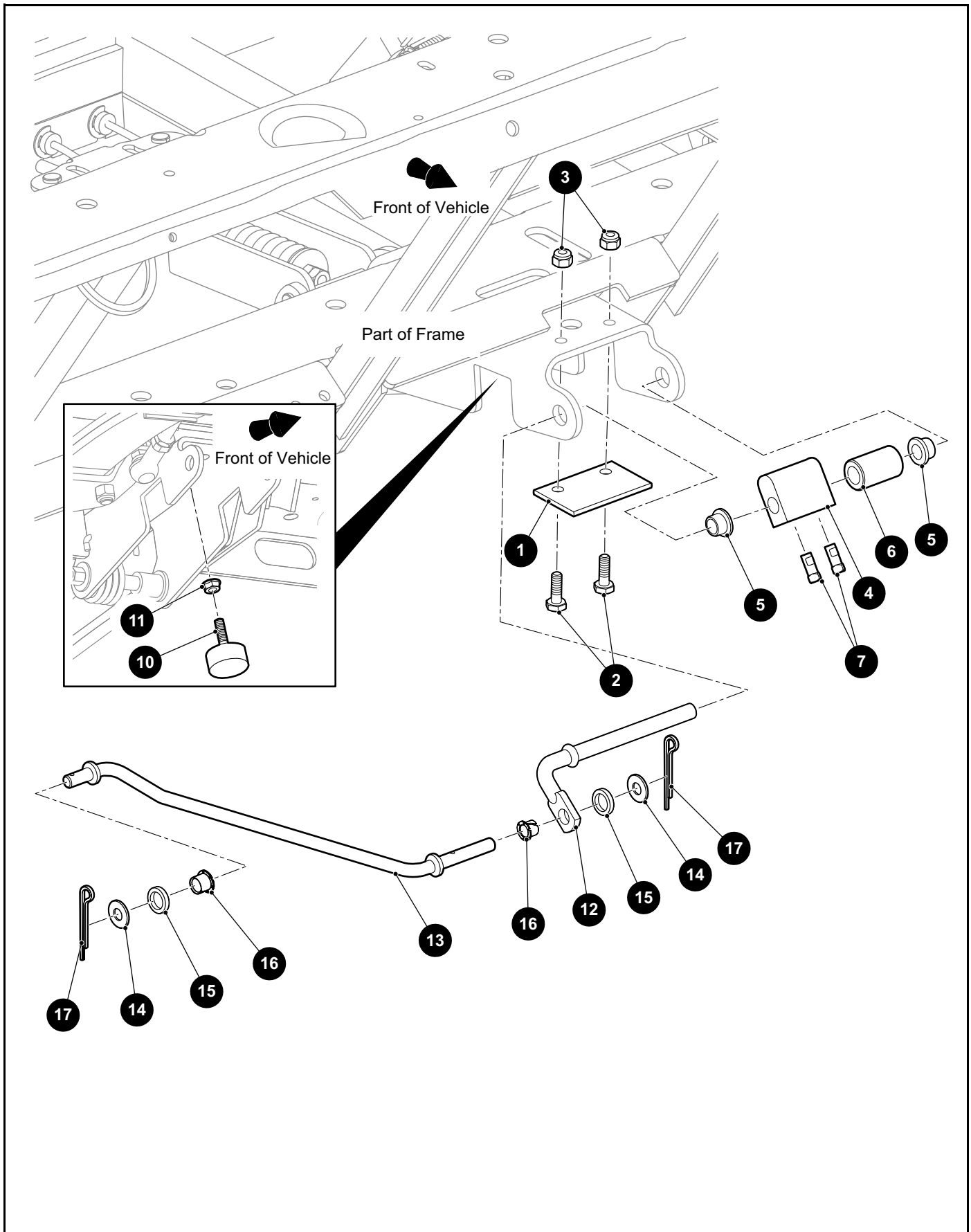
When ordering parts, please specify the model and serial number of the product.

* Indicates a component that is not available as an individual part.

*** Indicates consult Customer Service Department for additional information.

ITEM	PART NO.	1 2 3 4 5	DESCRIPTION	QTY.
1	<u>651204G01</u>		COMPENSATOR ASSEMBLY (4 WHEEL DRUM BRAKES) (INCLUDES ITEM 2 - 12).....	1
2	<u>28082G01</u>		BRAKE DRUM EQUALIZER	1
3	<u>661816</u>		YOKE WELDMENT	1
4	<u>661536</u>		COMPENSATOR LINK ROD, 6.91" LG	2
5	<u>00532G4</u>		HEX NUT, 5/16" - 24	4
6	<u>629486</u>		SPHERICAL HEX NUT, 5/16"- 24	2
7	<u>11098G9</u>		HEX LOCK NUT, 5/16" - 24	2
8	<u>28083G01</u>		COMPENSATOR BUMPER, .56" DIA	4
9	<u>624698</u>		FRONT BRAKE CABLE, 57.81" LG (DRIVER SIDE).....	1
10	<u>624697</u>		FRONT BRAKE CABLE, 48.06" LG (DRIVER SIDE).....	1
11	<u>652751</u>		REAR BRAKE CABLE, 98" LG (PASSENGER SIDE).....	1
12	<u>652752</u>		REAR BRAKE CABLE, 103" LG (PASSENGER SIDE).....	1
13	<u>624711</u>		EQUILIZER AND BRAKE CABLE ASSEMBLY INCLUDES ITEMS (2, 8 - 10)	1
14				
15	<u>00643G1</u>		FLAT WASHER, 3/8"	1
16	<u>11098G5</u>		LOCK NUT, 3/8" - 16	1
17	<u>10386G3</u>		CLEVIS PIN, .313" X .84" LG	2
18	<u>10387G3</u>		COTTER PIN, .094" X .75"	2
19				
20	<u>70582G01</u>		SHOULDER BOLT, .495 DIA X 3/8" - 16 THREAD X 3.406" LG.....	1
21	<u>70581G01</u>		BUSHING (ACETAL), .51" I.D. X .795" O.D. X .75" LG	2
22	<u>70676G01</u>		TORSION SPRING 1.34" DIA	1
23	<u>01111G01</u>		RETAINING RING, .8" O.D. X .39" I.D. X .42" LG	8
24				
25	<u>10386G3</u>		CLEVIS PIN, .313" X .84" LG	2
26	<u>10387G3</u>		COTTER PIN, .094" X .75"	2
27				
28	<u>12416G2</u>		WEDGE CLAMP (NYLON), 11.8" LG (NOT ILLUSTRATED)	5
29	<u>660369</u>		DOUBLE TUBE CLAMP, 1" (NOT ILLUSTRATED)	1
30	<u>70200G01</u>		TRUSS HEAD TORX SCREW, 3/8" - 16 X 3/4" LG (NOT ILLUSTRATED).....	1

BRAKES



BRAKES

THE USE OF NON U.L. PARTS WILL VOID ANY U.L. LISTING.

When ordering parts, please specify the model and serial number of the product.

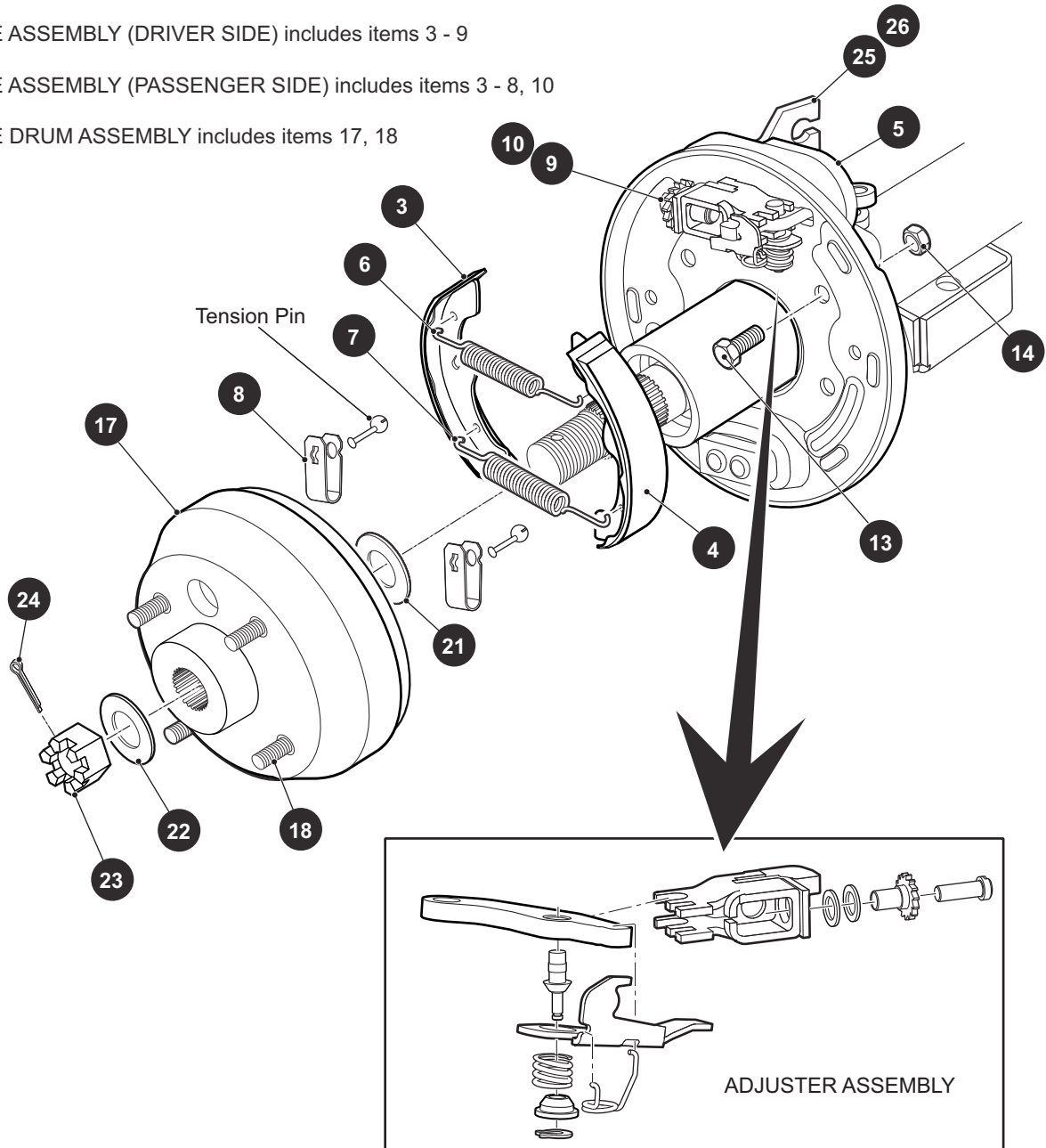
* Indicates a component that is not available as an individual part.

*** Indicates consult Customer Service Department for additional information.

ITEM	PART NO.	1 2 3 4 5	DESCRIPTION	QTY.
1	<u>70080G02</u>		HILL BRAKE CATCH BRACKET	1
2	<u>00414G6</u>		HEX HEAD BOLT, 1/4" - 20 X .75" LG	2
3	<u>14390G4</u>		LOCK NUT, 1/4" - 20	2
4	<u>70587G01</u>		PARK BRAKE CAM	1
5	<u>10097G6</u>		FLANGED BEARING .502 O.D. X .378 I.D. X .380 LG	2
6	<u>14134G4</u>		SPACER, .76" O.D. X .405" I.D. X 1.25" LG	1
7	<u>71215G01</u>		SQUARE HEAD SET SCREW WITH PATCH LOCK, 1/4" - 20 X .5" LG	2
8				
9				
10	<u>70113G01</u>		ADJUSTABLE RUBBER BUMPER	1
11	<u>11027G1</u>		FLANGED LOCK NUT, 5/16" - 18	1
12	<u>70098G01</u>		KICK-OFF CAM PIVOT	1
13	<u>70601G01</u>		KICK-OFF LINKAGE ROD	1
14	<u>00559G8</u>		FLAT WASHER, 1/4" - 20	2
15	<u>20835G1</u>		WASHER, .62" O.D. X .39" I.D. X .135" LG	2
16	<u>17838G1</u>		BUSHING (NYLINER), .374" O.D. X .313" I.D. X .312" LG	2
17	<u>10387G3</u>		COTTER PIN, .094" X .75"	2

REAR MECHANICAL BRAKES

- 1 BRAKE ASSEMBLY (DRIVER SIDE) includes items 3 - 9
- 2 BRAKE ASSEMBLY (PASSENGER SIDE) includes items 3 - 8, 10
- 16 BRAKE DRUM ASSEMBLY includes items 17, 18



BRAKES

THE USE OF NON U.L. PARTS WILL VOID ANY U.L. LISTING.

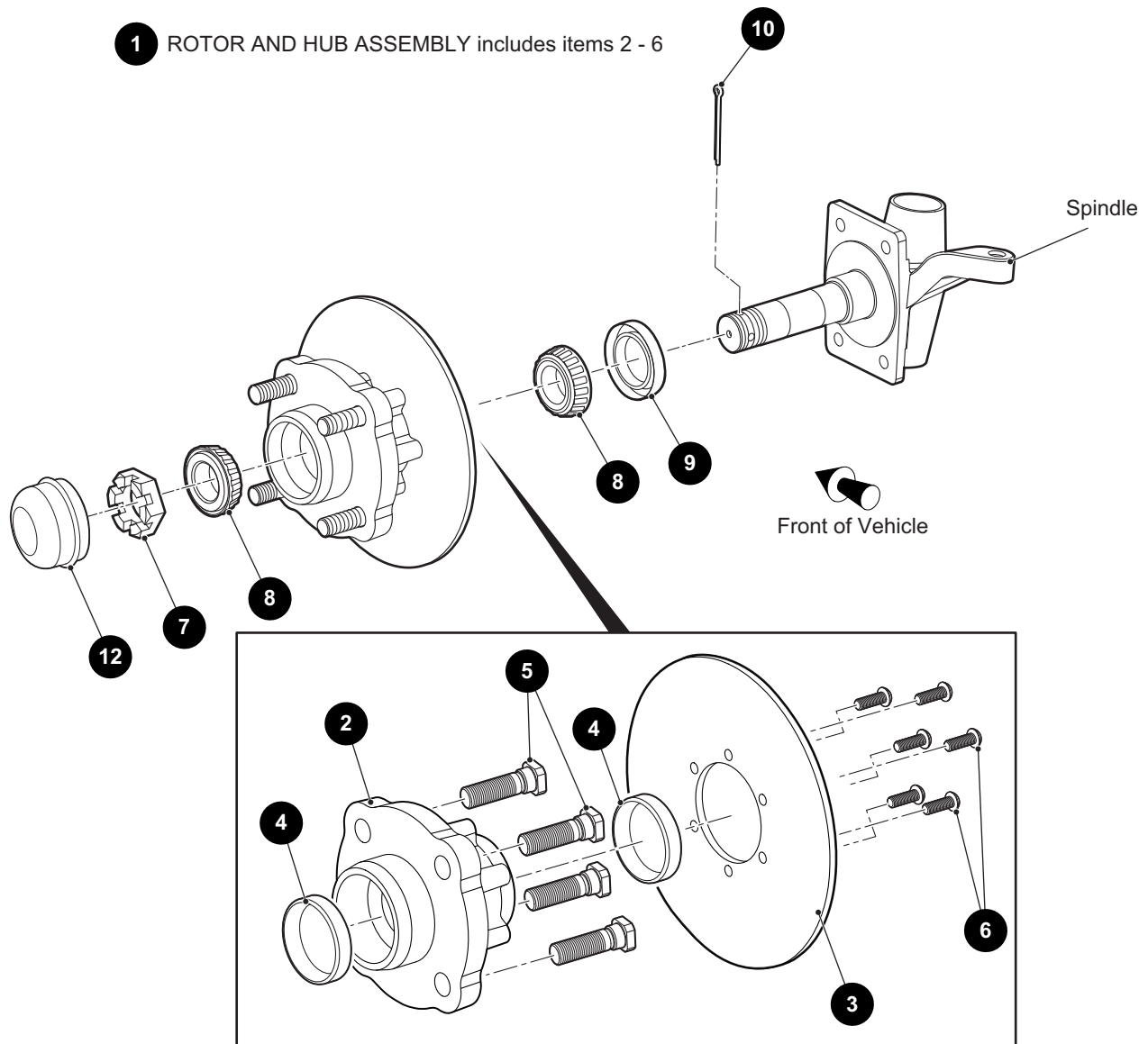
When ordering parts, please specify the model and serial number of the product.

* Indicates a component that is not available as an individual part.

*** Indicates consult Customer Service Department for additional information.

ITEM	PART NO.	1 2 3 4 5	DESCRIPTION	QTY.
1	<u>612211</u>		BRAKE ASSEMBLY (DRIVER SIDE) (INCLUDES ITEMS 3 - 9)	1
2	<u>612189</u>		BRAKE ASSEMBLY (PASSENGER SIDE) (INCLUDES ITEMS 3 - 8, 10)	1
3	<u>612411</u>		BRAKE SHOE, LEADING	1
4	<u>612412</u>		BRAKE SHOE, TRAILING	1
5	<u>612413</u>		DUST COVER	1
6	<u>612415</u>		BRAKE SPRING, TOP	1
7	<u>612414</u>		BRAKE SPRING, BOTTOM	1
8	<u>612416</u>		SHOE CLAMP	2
9	<u>612418</u>		GEAR ADJUSTER (DRIVER SIDE)	1
10	<u>612417</u>		GEAR ADJUSTER (PASSENGER SIDE)	1
11				
12				
13	<u>17083G2</u>		HEX HEAD BOLT, 5/16" - 24 X 1" LG	8
14	<u>15126G1</u>		LOCK NUT, 5/16" - 24	8
15				
16	<u>21807G2</u>		BRAKE DRUM ASSEMBLY (INCLUDES ITEMS 17, 18)	2
17	<u>20947G1</u>		BRAKE DRUM	1
18	<u>19862G2</u>		LUG BOLT, 1/2" - 20 X 1 3/16" LG	4
19				
20				
21	<u>21809G1</u>		FLAT WASHER, INNER WHEEL RIM, 1.31" O.D. X .85" I.D.	2
22	<u>21830G1</u>		FLAT WASHER - BRAKE DRUM, 1.5" O.D. X .76" I.D.	2
23	<u>613172</u>		CASTELLATED HEX NUT, 3/4" - 16	2
24	<u>10387G1</u>		COTTER PIN, .125" X 1.50" LG	2
25	<u>652248</u>		BRAKE CABLE BRACKET (PASSENGER SIDE)	1
26	<u>652249</u>		BRAKE CABLE BRACKET (DRIVER SIDE)	1

FRONT DISC BRAKES



THE USE OF NON U.L. PARTS WILL VOID ANY U.L. LISTING.

When ordering parts, please specify the model and serial number of the product.

* Indicates a component that is not available as an individual part.

*** Indicates consult Customer Service Department for additional information.

ITEM	PART NO.	1 2 3 4 5	DESCRIPTION	QTY.
1	<u>651149</u>		ROTOR AND HUB ASSEMBLY (INCLUDES ITEM 2 - 6)	1
2	647507		HUB	1
3	<u>647215</u>		DISC, 7.2"	1
4	<u>51141G1</u>		BEARING RACE	2
5	<u>19862G2</u>		WHEEL HUB BOLT, 1/2" - 20 X 1.718" LG	4
6	<u>651143</u>		BUTTON HEAD SOCKET SCREW, 1/4" - 28 X .75" LG	6
7	12093G1		HEX NUT (SLOTTED), #1 - 14	1
8	<u>11750G2</u>		ROLLER BEARING	2
9	<u>25146G1</u>		GREASE SEAL	1
10	<u>00798G8</u>		COTTER PIN, 5/32" X 1 3/4"	1
11				
12	<u>12091G2</u>		SPINDLE CAP	1

FOR VEHICLES WITH MECHANICAL DRUM BRAKES

8 DRUM AND HUB ASSEMBLY includes items 9 - 11

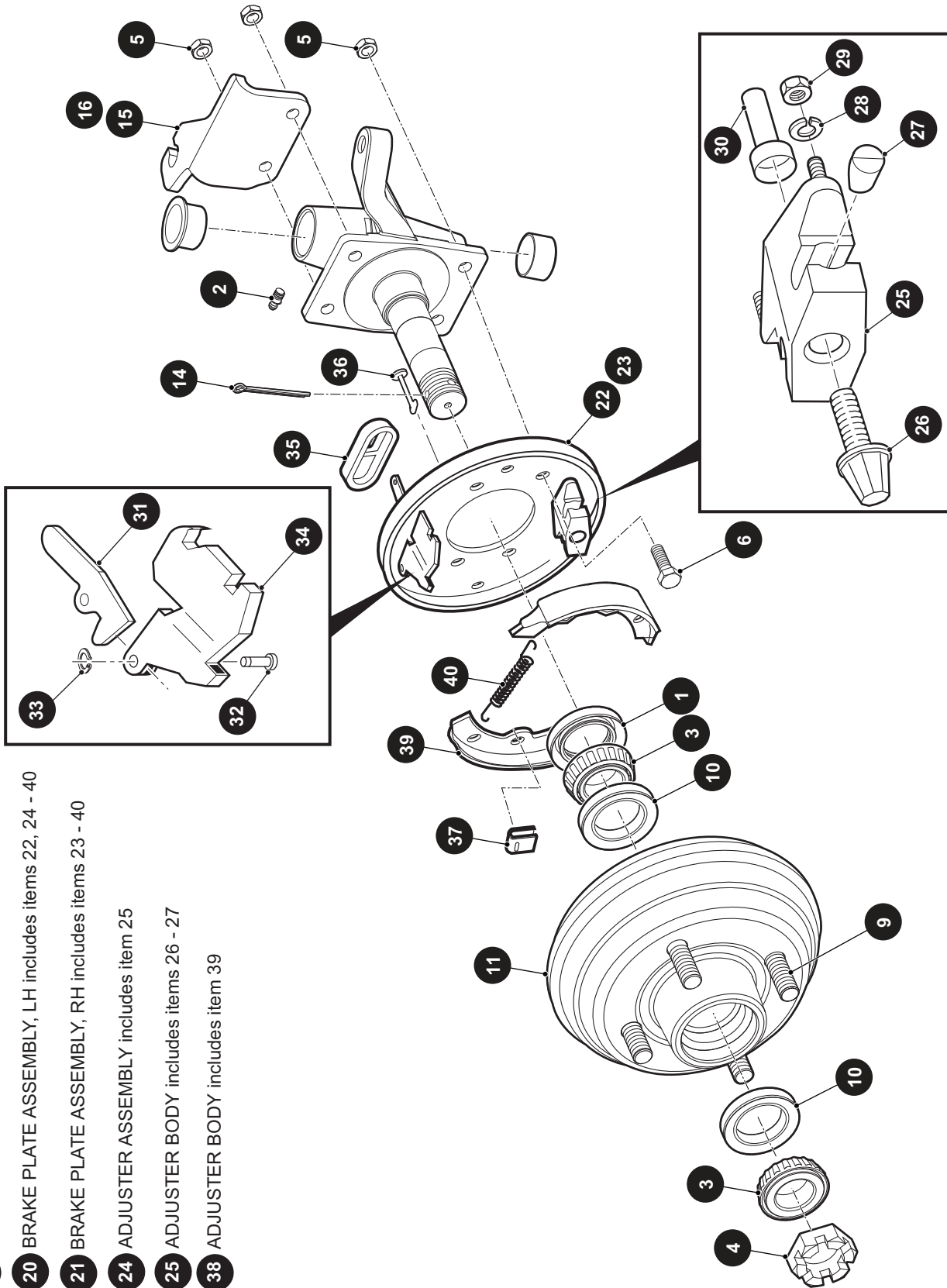
20 BRAKE PLATE ASSEMBLY, LH includes items 22, 24 - 40

21 BRAKE PLATE ASSEMBLY, RH includes items 23 - 40

24 ADJUSTER ASSEMBLY includes item 25

25 ADJUSTER BODY includes items 26 - 27

38 ADJUSTER BODY includes item 39



*The orientation will be different based on the vehicle model

THE USE OF NON U.L. PARTS WILL VOID ANY U.L. LISTING.

When ordering parts, please specify the model and serial number of the product.

* Indicates a component that is not available as an individual part.

*** Indicates consult Customer Service Department for additional information.

ITEM	PART NO.	1 2 3 4 5	DESCRIPTION	QTY.
1	<u>25146G1</u>		SEAL.....	1
2	<u>10389G3</u>		GREASE FITTING	1
3	<u>11750G2</u>		ROLLER BEARING.....	2
4	12093G1		SLOTTED HEX NUT, 1" - 14.....	1
5	<u>15126G1</u>		LOCK NUT, 5/16" - 24.....	4
6	<u>17083G2</u>		HEX HEAD BOLT, 5/16" - 24 X 1" LG	4
7				
8	<u>652164</u>		DRUM AND HUB ASSEMBLY (INCLUDES ITEMS 9 - 11).....	1
9	<u>19862G2</u>		WHEEL HUB BOLT, 1/2 - 20 X 1.718" LG	4
10	<u>51141G1</u>		RACE BEARING	2
11	647535		HUB	1
12				
13				
14	00798G8		COTTER PIN, 5/32" X 1-3/4" LG	1
15	<u>648617G01</u>		BRAKE CABLE BRACKET (DRIVER SIDE).....	1
16	<u>648617G02</u>		BRAKE CABLE BRACKET (PASSENGER SIDE)	1
17				
18				
19				
20	<u>20938G1</u>		BRAKE ASSEMBLY, LH (INCLUDES ITEMS 22, 24 - 40)	1
21	<u>20938G2</u>		BRAKE ASSEMBLY, RH (INCLUDES ITEMS 23 - 40)	1
22	<u>22519G1</u>		BACKING PLATE, LH.....	1
23	<u>22518G1</u>		BACKING PLATE, RH	1
24	<u>22516G1</u>		ADJUSTER ASSEMBLY (INCLUDES ITEM 25).....	1
25	<u>22520G1</u>		ADJUSTER BODY (INCLUDES ITEMS 26 - 27)	1
26	<u>17287G1</u>		ADJUSTER BOLT.....	1
27	<u>17289G1</u>		PISTON ANCHOR	2
28	<u>00664G7</u>		LOCK WASHER, 1/4" (SS).....	2
29	<u>13632G1</u>		HEX NUT, 6MM	2
30	<u>17294G1</u>		ADJUSTING BOLT CAP.....	1
31	<u>22512G1</u>		ACTUATING LEVER	1

BRAKES

THE USE OF NON U.L. PARTS WILL VOID ANY U.L. LISTING.

When ordering parts, please specify the model and serial number of the product.

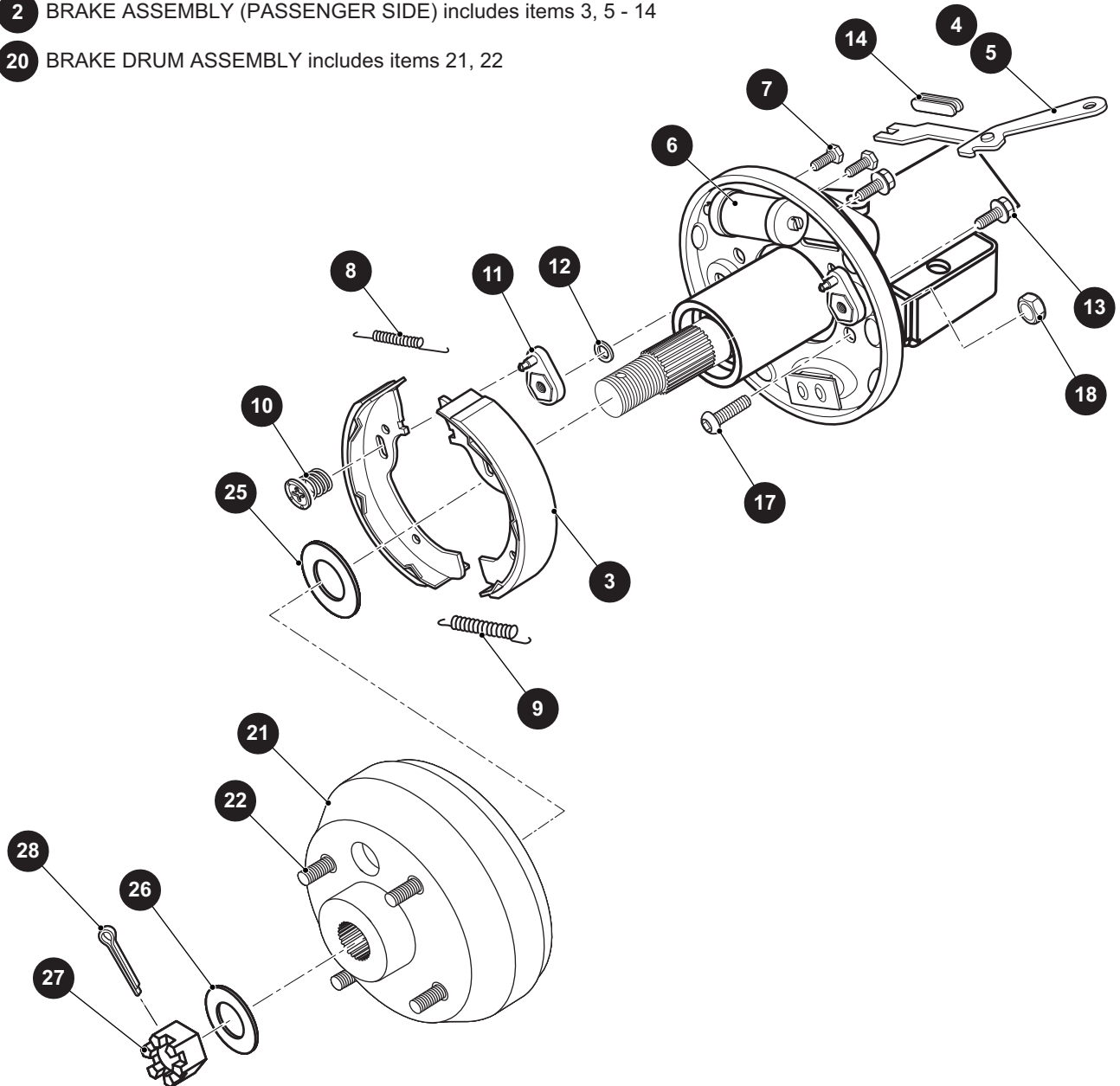
* Indicates a component that is not available as an individual part.

*** Indicates consult Customer Service Department for additional information.

ITEM	PART NO.	1	2	3	4	5	DESCRIPTION	QTY.
32	<u>22513G1</u>						LEVER PIN	1
33	<u>22514G1</u>						'U' CLIP	1
34	<u>22515G1</u>						SLIDING BLOCK.....	1
35	<u>22511G1</u>						DUST COVER.....	1
36	<u>17292G1</u>						TENSION PIN	2
37	<u>17291G1</u>						SPRING CLAMP	2
38	<u>23398G1</u>						BRAKE SHOE SET (INCLUDES ITEM 39).....	1
39	<u>23355G1</u>						BRAKE SHOE	2
40	17290G1						BRAKE SPRING	2

FOR VEHICLES WITH E-BRAKE

- 1 BRAKE ASSEMBLY (DRIVER SIDE) includes items 3, 4, 6 - 14
- 2 BRAKE ASSEMBLY (PASSENGER SIDE) includes items 3, 5 - 14
- 20 BRAKE DRUM ASSEMBLY includes items 21, 22



THE USE OF NON U.L. PARTS WILL VOID ANY U.L. LISTING.

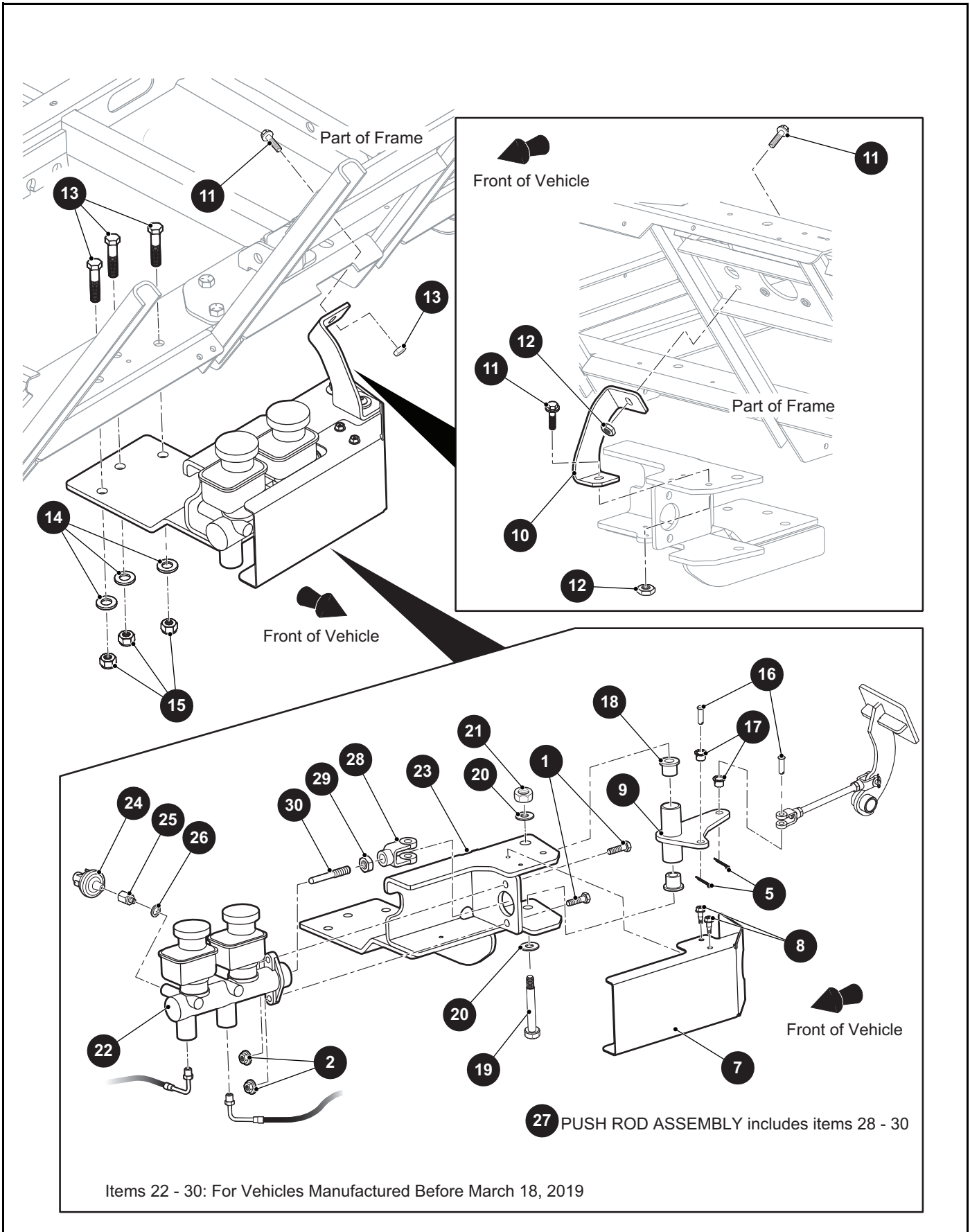
When ordering parts, please specify the model and serial number of the product.

* Indicates a component that is not available as an individual part.

*** Indicates consult Customer Service Department for additional information.

ITEM	PART NO.	1 2 3 4 5	DESCRIPTION	QTY.
1	<u>75685G01</u>		BRAKE ASSEMBLY (DRIVER SIDE) (INCLUDES ITEMS 3, 4, 6 - 14).....	1
2	<u>75685G02</u>		BRAKE ASSEMBLY (PASSENGER SIDE) (INCLUDES ITEMS 3, 5 - 14)	1
3	<u>75830G01</u>		BRAKE SHOE	2
4	<u>75829G01</u>		PARK BRAKE WHEEL LEVER (DRIVER SIDE)	1
5	<u>75829G02</u>		PARK BRAKE WHEEL LEVER (PASSENGER SIDE).....	1
6	<u>75828G01</u>		WHEEL CYLINDER.....	1
7	*		WHEEL CYLINDER BOLT.....	2
8	*		UPPER RETURN SPRING	1
9	*		LOWER RETURN SPRING.....	1
10	*		CUP AND SPRING.....	2
11	*		ADJUSTER.....	2
12	*		FLAT WASHER	2
13	*		HEX HEAD BOLT, 1/4" - 28 X 1/2" LG.....	2
14	*		DUST COVER	1
15	<u>75827G01</u>		HARDWARE KIT (INCLUDES 7 - 10, SERVICES BOTH WHEELS)	1
16	<u>75826G01</u>		ADJUSTER KIT (INCLUDES 11 - 14, SERVICES BOTH WHEELS)	1
17	<u>631224</u>		SOCKET HEAD BOLT, 5/16" - 24 X 1" LG.....	8
18	<u>15126G1</u>		LOCK NUT, 5/16" - 24.....	8
19				
20	<u>21807G2</u>		BRAKE DRUM ASSEMBLY (INCLUDES ITEMS 21, 22).....	2
21	<u>20947G1</u>		BRAKE DRUM.....	1
22	<u>19862G2</u>		LUG BOLT, 1/2" - 20 X 1 3/16" LG.....	4
23				
24				
25	<u>21809G1</u>		FLAT WASHER, INNER WHEEL RIM, 1.31" O.D. X .85" I.D.....	2
26	<u>21830G1</u>		FLAT WASHER - BRAKE DRUM, 1.5" O.D. X .76" I.D.....	2
27	<u>613172</u>		CASTELLATED HEX NUT, 3/4" - 16.....	2
28	<u>10387G1</u>		COTTER PIN, .125" X 1.50" LG	2

BRAKES



THE USE OF NON U.L. PARTS WILL VOID ANY U.L. LISTING.

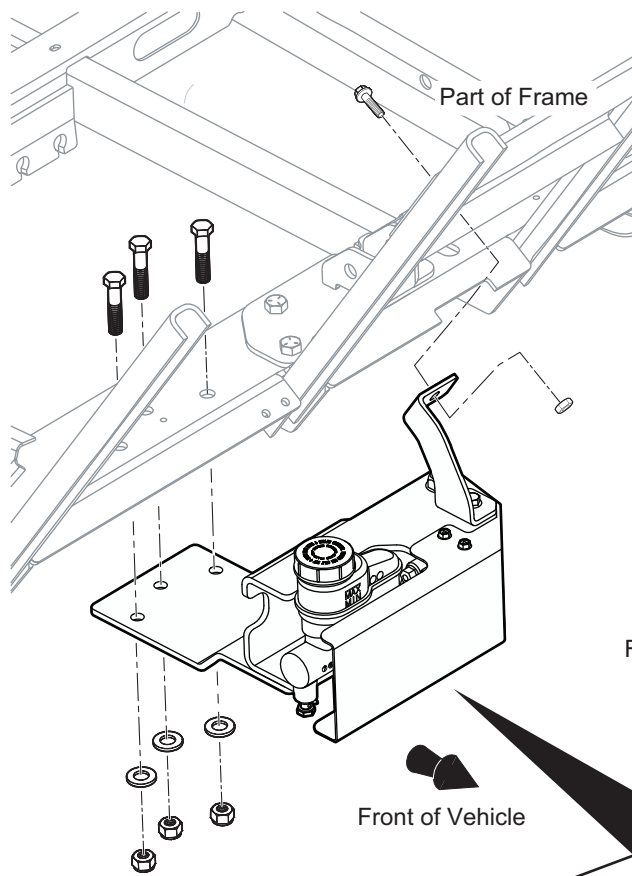
When ordering parts, please specify the model and serial number of the product.

* Indicates a component that is not available as an individual part.

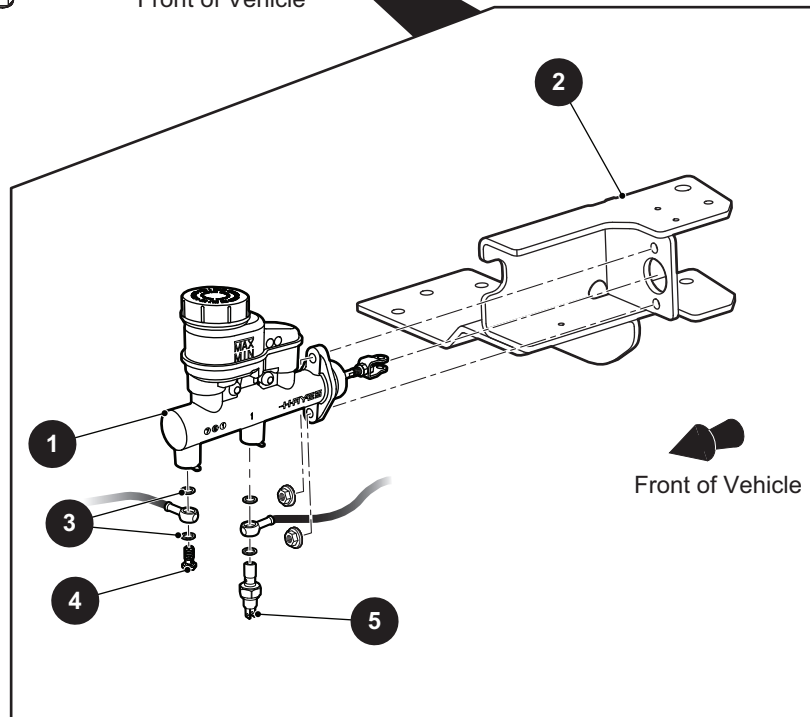
*** Indicates consult Customer Service Department for additional information.

ITEM	PART NO.	1 2 3 4 5	DESCRIPTION	QTY.
1	<u>00439G1</u>		HEX HEAD BOLT, 5/16" - 18 X 1 1/8" LG.	2
2	<u>800697</u>		FLANGED HEX LOCK NUT, 5/16" - 18	2
3				
4				
5	<u>10387G3</u>		COTTER PIN, 3/32" X 3/4"	2
6	<u>679072</u>		HARNES (HYDRAULIC BRAKE) (NOT ILLUSTRATED)	1
7	<u>649149</u>		MASTER CYLINDER COVER	1
8	<u>01038G01</u>		HEX WASHER HEAD SWAGEFORM SCREW, 1/4" - 20 X .70" LG	2
9	<u>649068</u>		BELL CRANK	1
10	<u>654555</u>		STIFFENER BRACKET	1
11	<u>13437G3</u>		FLANGED HEX HEAD BOLT, 5/16" - 18 X 1" LG	2
12	<u>11027G1</u>		FLANGED LOCK NUT, 5/16" - 18	2
13	<u>00463G11</u>		HEX HEAD BOLT, 7/16" - 14 X 1 3/4" LG	3
14	<u>00560G2</u>		FLAT WASHER, 7/16"	3
15	<u>00734G1</u>		LOCK NUT, 7/16" - 14	3
16	<u>14443G3</u>		CLEVIS PIN, .311" X .998" LG	2
17	<u>17838G1</u>		BUSHING (NYLINER), .374" O.D. X .313" I.D. X .312" LG	2
18	<u>70581G02</u>		BUSHING (ACETAL), .51" I.D. X .795" O.D. X .75" LG	2
19	<u>01040G01</u>		HEX HEAD BOLT, 1/2" - 13 X 5" LG	1
20	<u>00560G3</u>		FLAT WASHER (SS), 1/2"	2
21	<u>00551G1</u>		HEX NUT, 1/2" - 13	1
			ITEMS 22 - 30: FOR VEHICLES MANUFACTURED BEFORE MARCH 18, 2019	
22	<u>73793G01</u>		MASTER CYLINDER	1
23	<u>649216</u>		MASTER CYLINDER MOUNTING BRACKET	1
24	<u>620274</u>		SWITCH (STOP LIGHT), 1.47" DIA	1
25	600401		ADAPTER, .56" X 1.05" LG	1
26	<u>600479</u>		WASHER (PRESSURE SEAL), M8	1
27	<u>651077</u>		PUSH ROD ASSEMBLY (INCLUDES ITEMS 28 - 30)	1
28	<u>21508G1</u>		CLEVIS YOKE	1
29	<u>00532G6</u>		HEX NUT, 3/8" - 24	1
30	<u>651076</u>		PUSH ROD, 3/8" - 24 X 3.21" LG	1

BRAKES



For Vehicles Manufactured After March 19, 2019



THE USE OF NON U.L. PARTS WILL VOID ANY U.L. LISTING.

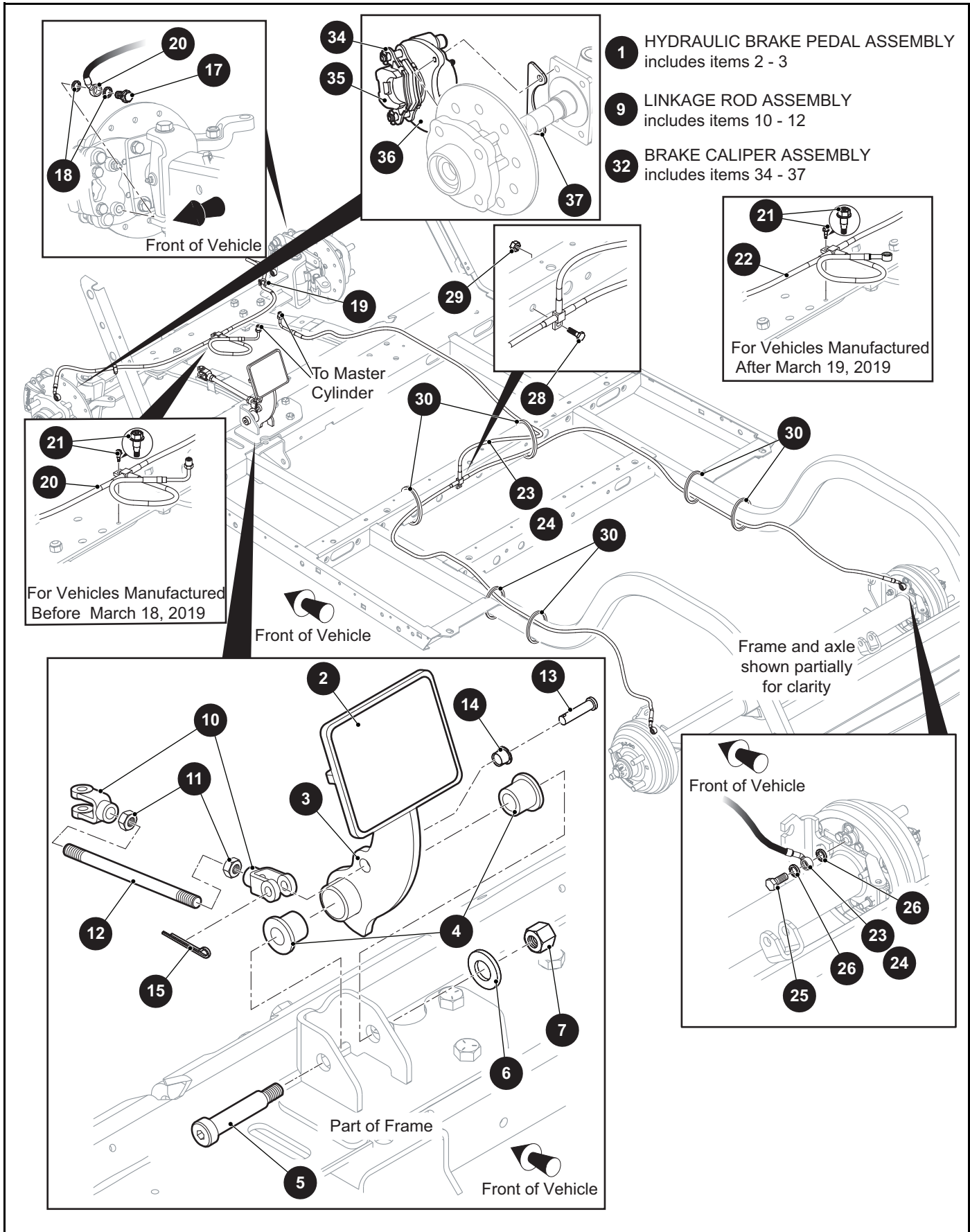
When ordering parts, please specify the model and serial number of the product.

* Indicates a component that is not available as an individual part.

*** Indicates consult Customer Service Department for additional information.

ITEM	PART NO.	1 2 3 4 5	DESCRIPTION	QTY.
			ITEMS 1 - 5: FOR VEHICLES MANUFACTURED AFTER MARCH 19, 2019	
1	668579		MASTER CYLINDER	1
2	671267		MASTER CYLINDER MOUNTING BRACKET	1
3	613293		CRUSH WASHER, M10	4
4	<u>613292</u>		BANJO BOLT, M10 - 1.25	2
5	<u>640820</u>		PRESSURE SWITCH (FOR VEHICLES WITH LIGHTS)	1

BRAKES



THE USE OF NON U.L. PARTS WILL VOID ANY U.L. LISTING.

When ordering parts, please specify the model and serial number of the product.

* Indicates a component that is not available as an individual part.

*** Indicates consult Customer Service Department for additional information.

ITEM	PART NO.	1 2 3 4 5	DESCRIPTION	QTY.
1	<u>651144</u>		HYDRAULIC BRAKE PEDAL ASSEMBLY (INCLUDES ITEM 2 - 3)	1
2	<u>640478</u>		PEDAL GRIP, 3.75" X 3.06"	1
3	<u>649865</u>		BRAKE PEDAL	1
4	<u>70581G02</u>		BUSHING (ACETAL), .51" I.D. X .795" O.D. X .75" LG	2
5	<u>635177</u>		SOCKET HEAD SHOULDER BOLT, 1/2" X 2", 3/8" - 16 X .5" LG.....	1
6	<u>00643G1</u>		FLAT WASHER, 1.015" O.D. X .421" I.D. X .071" LG	2
7	<u>11098G5</u>		LOCK NUT, 3/8" - 16.....	1
8				
9	<u>649072</u>		LINKAGE ROD ASSEMBLY (INCLUDES ITEMS 10 - 12)	1
10	<u>21508G1</u>		CLEVIS YOKE	2
11	<u>00532G6</u>		HEX NUT, 3/8" - 24.....	2
12	<u>649071</u>		LINKAGE ROD, 3/8" - 24 X 6.18" LG	1
13	<u>14443G3</u>		CLEVIS PIN, .311" X .998" LG.....	1
14	<u>17838G1</u>		BUSHING (NYLINER), .374" O.D. X .313" I.D. X .312" LG	1
15	<u>10387G3</u>		COTTER PIN, 3/32" X 3/4"	1
16				
17	<u>616459</u>		BANJO BOLT, M10 - 1 X 20MM LG	1
18	<u>613293</u>		CRUSH WASHER, M10.....	2
19	<u>74875G01</u>		WIRE RETAINER, .34" DIA.....	2
20	<u>649248</u>		BRAKE LINE (FRONT) (FOR VEHICLES MANUFACTURED BEFORE MARCH 18, 2019).....	1
21	<u>01038G01</u>		HEX WASHER HEAD SWAGEFORM SCREW, 1/4" - 20 X .70" LG	1
22	<u>670635</u>		BRAKE LINE (FRONT) (FOR VEHICLES MANUFACTURED AFTER MARCH 19, 2019).....	1
23	<u>648521</u>		BRAKE LINE (REAR) (FOR VEHICLES MANUFACTURED BEFORE MARCH 18, 2019)	1
24	<u>674278G01</u>		BRAKE LINE (REAR) (FOR VEHICLES MANUFACTURED AFTER MARCH 19, 2019).....	1
25	<u>75683G01</u>		BANJO BOLT, 3/8" - 24 X .88" LG	1
26	<u>75684G01</u>		GASKET (COPPER), .391" I.D. X .625" O.D. X .062" LG.....	2
27				
28	<u>00414G5</u>		HEX HEAD BOLT, 1/4" - 20 X 1/2" LG	1

BRAKES

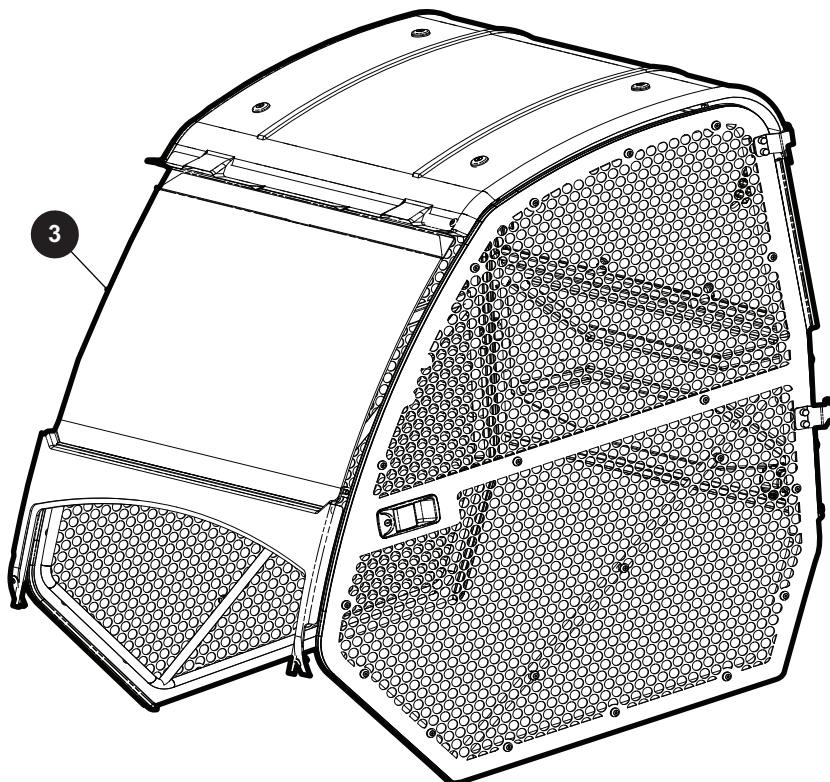
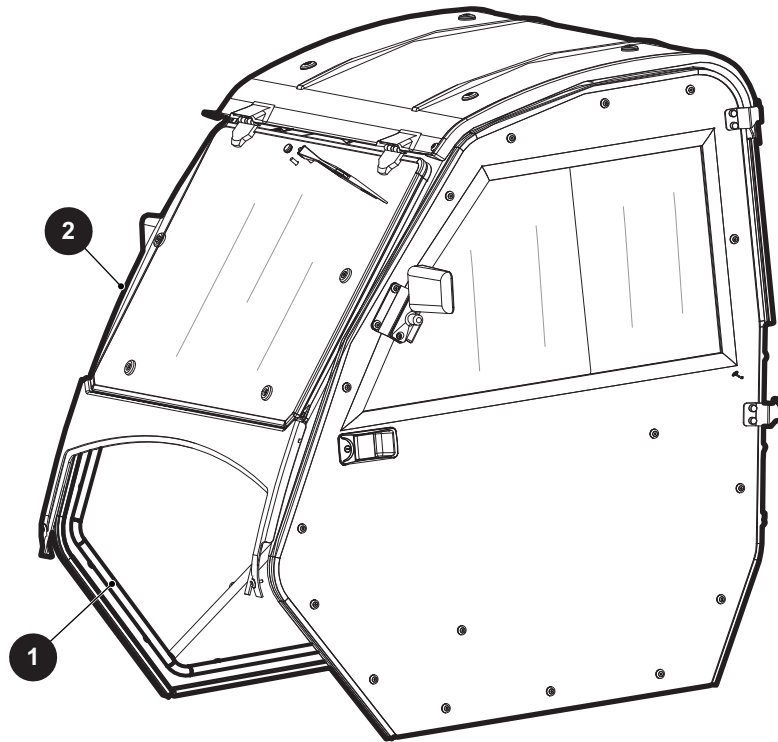
THE USE OF NON U.L. PARTS WILL VOID ANY U.L. LISTING.

When ordering parts, please specify the model and serial number of the product.

* Indicates a component that is not available as an individual part.

*** Indicates consult Customer Service Department for additional information.

ITEM	PART NO.	1 2 3 4 5	DESCRIPTION	QTY.
29	<u>00550G1</u>		HEX NUT WITH INTERNAL LOCK, 1/4" - 20	1
30	<u>12416G2</u>		WEDGE CLAMP (NYLON), 11.8" LG	10
31				
32	<u>670873</u>		BRAKE CALIPER ASSEMBLY (INCLUDES ITEMS 34 - 37)	1
33				
34	<u>672761</u>		BRAKE PAD KIT	1
35	<u>670862</u>		CALIPER	1
36	<u>658896</u>		CALIPER PLATE	1
37	<u>659244</u>		BRAKE CALIPER PLATE SPACER.....	1



THE USE OF NON U.L. PARTS WILL VOID ANY U.L. LISTING.

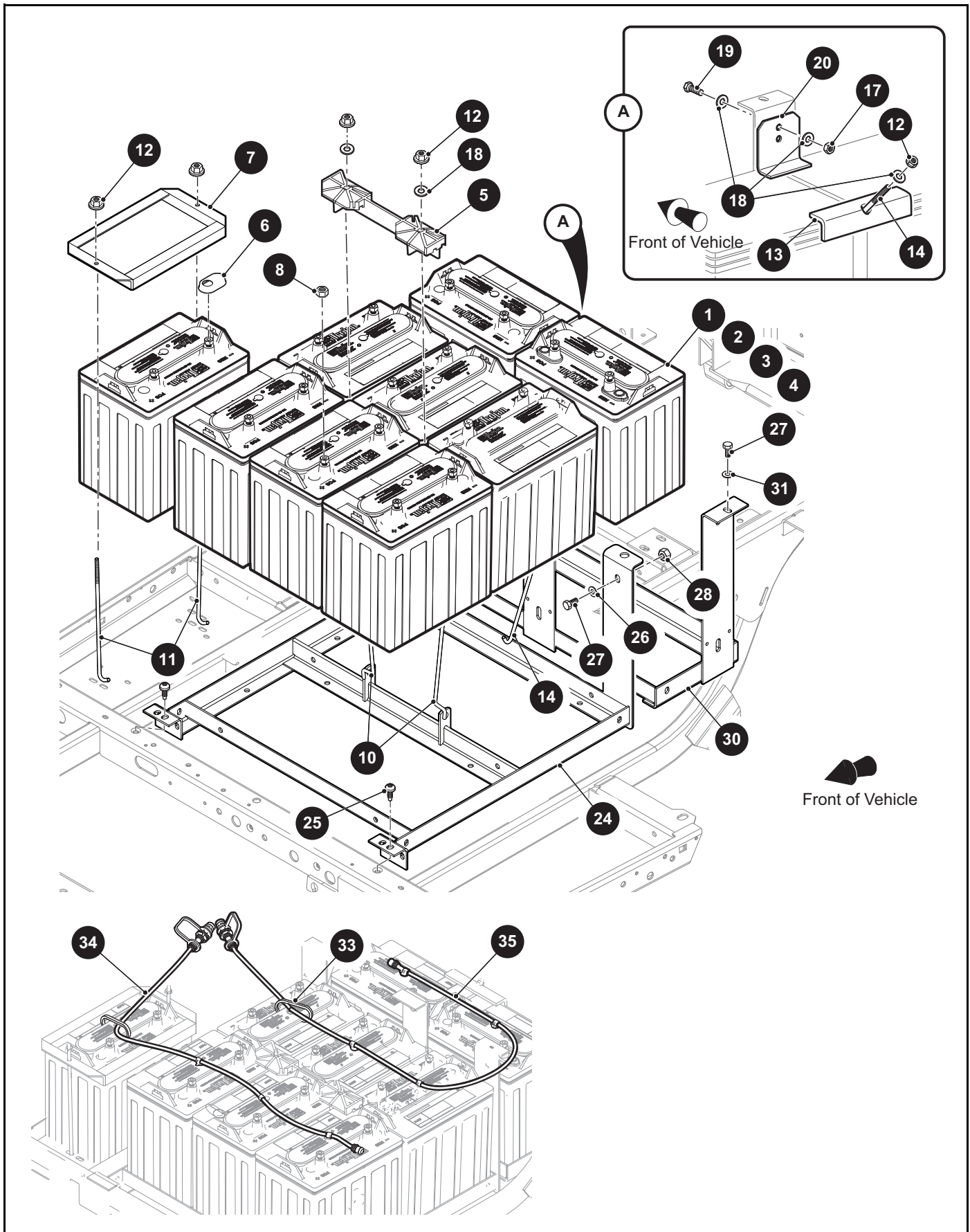
When ordering parts, please specify the model and serial number of the product.

* Indicates a component that is not available as an individual part.

*** Indicates consult Customer Service Department for additional information.

ITEM	PART NO.	1 2 3 4 5 DESCRIPTION	QTY.
1	<u>652854</u>	CAB, ROPS KIT	1
2	<u>652855</u>	CAB, UTILITY KIT	1
3	<u>652856</u>	CAB, BALL CAGE KIT	1

ELECTRICAL



THE USE OF NON U.L. PARTS WILL VOID ANY U.L. LISTING.

When ordering parts, please specify the model and serial number of the product.

* Indicates a component that is not available as an individual part.

*** Indicates consult Customer Service Department for additional information.

ITEM	PART NO.	1 2 3 4 5	DESCRIPTION	QTY.
1	<u>614015</u>		8 VOLT BATTERY - T890.....	9
2	<u>612626</u>		8 VOLT BATTERY - T875.....	9
3	<u>614381</u>		8 VOLT BATTERY - T890, HYDROLINK.....	9
4	<u>614382</u>		8 VOLT BATTERY - T875, HYDROLINK.....	9
5	<u>612867</u>		BATTERY RETAINER.....	1
6	<u>631156</u>		TERMINAL PROTECTOR.....	17
7	<u>616229</u>		BATTERY HOLD DOWN WELDMENT.....	1
8	<u>00702G2</u>		HEX NUT, 5/16" - 18.....	18
9				
10	<u>01101G01</u>		TIE DOWN BOLT.....	2
11	<u>70386G01</u>		TIE DOWN BOLT.....	2
12	<u>11027G1</u>		FLANGED LOCK NUT, 5/16" - 18.....	5
13	<u>11841G1</u>		BATTERY HOLD DOWN ANGLE.....	1
14	<u>01087G01</u>		BATTERY HOLD DOWN ROD.....	1
15				
16				
17	11098G6		LOCK NUT, 5/16" - 18.....	1
18	00559G8		FLAT WASHER, 5/16".....	5
19	00438G6		HEX HEAD BOLT, 5/16" - 18 X 5/8" LG.....	1
20	<u>73218G02</u>		BATTERY RETAINER ANGLE.....	1
21				
22				
23				
24	<u>652254G03</u>		FRONT BATTERY RACK.....	1
25	<u>70200G01</u>		TRUSS HEAD TORX SCREW, 3/8" - 16 X 3/4" LG.....	2
26	00559G8		FLAT WASHER, 5/16".....	4
27	00438G6		HEX HEAD BOLT, 5/16" - 18 X 3/4" LG.....	5
28	11098G6		LOCK NUT, 5/16" - 18.....	2
29				
30	<u>652572G03</u>		REAR BATTERY RACK.....	1
31	<u>00565G8</u>		LOCK WASHER, 5/16".....	3

ELECTRICAL

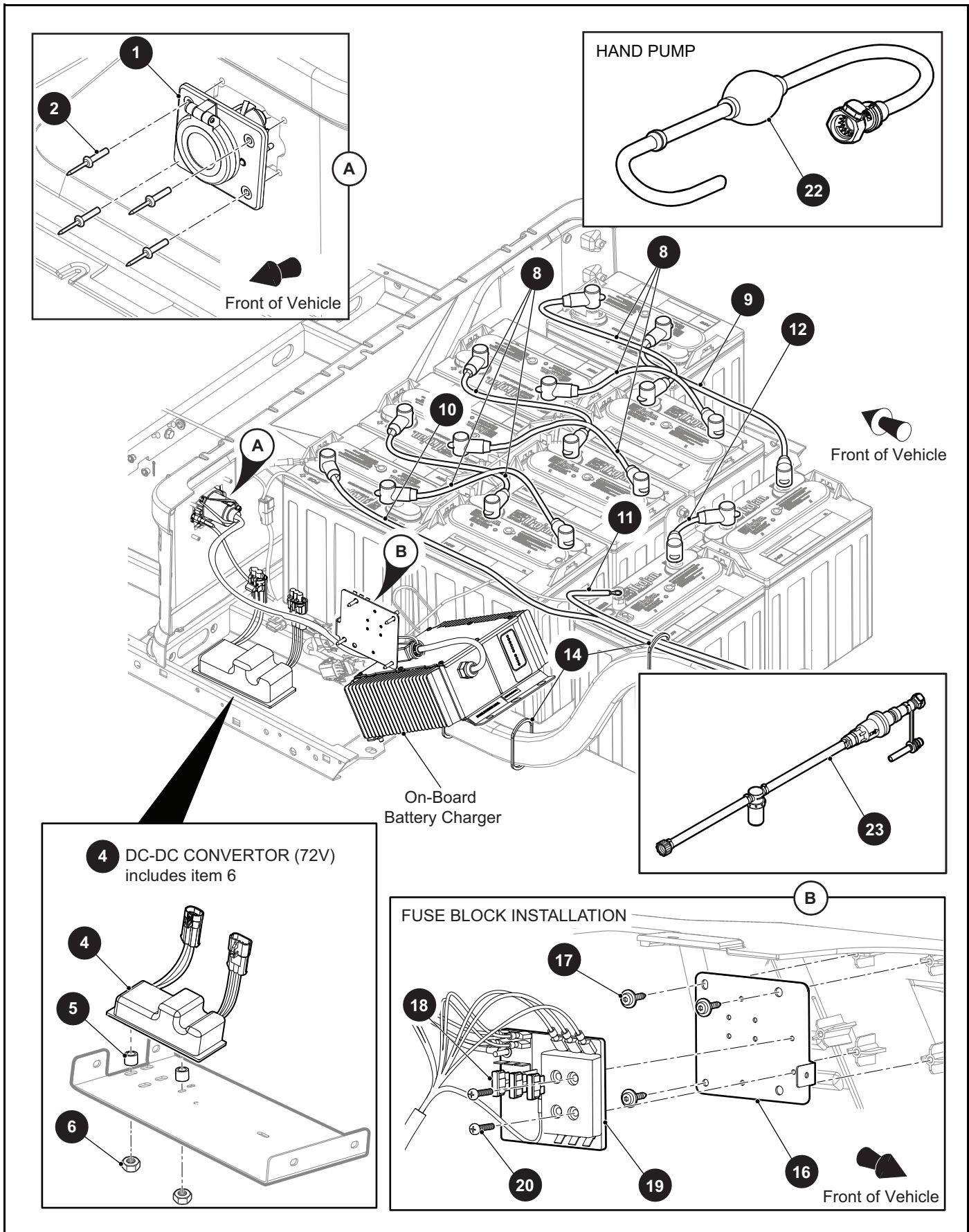
THE USE OF NON U.L. PARTS WILL VOID ANY U.L. LISTING.

When ordering parts, please specify the model and serial number of the product.

* Indicates a component that is not available as an individual part.

*** Indicates consult Customer Service Department for additional information.

ITEM	PART NO.	1 2 3 4 5	DESCRIPTION	QTY.
32				
33	<u>615352</u>		POLYPROPYLENE CLAMP	2
34	<u>624372</u>		HYDROLINK, SNAKE (SHORT)	1
35	<u>624371</u>		HYDROLINK, SNAKE (LONG).....	1



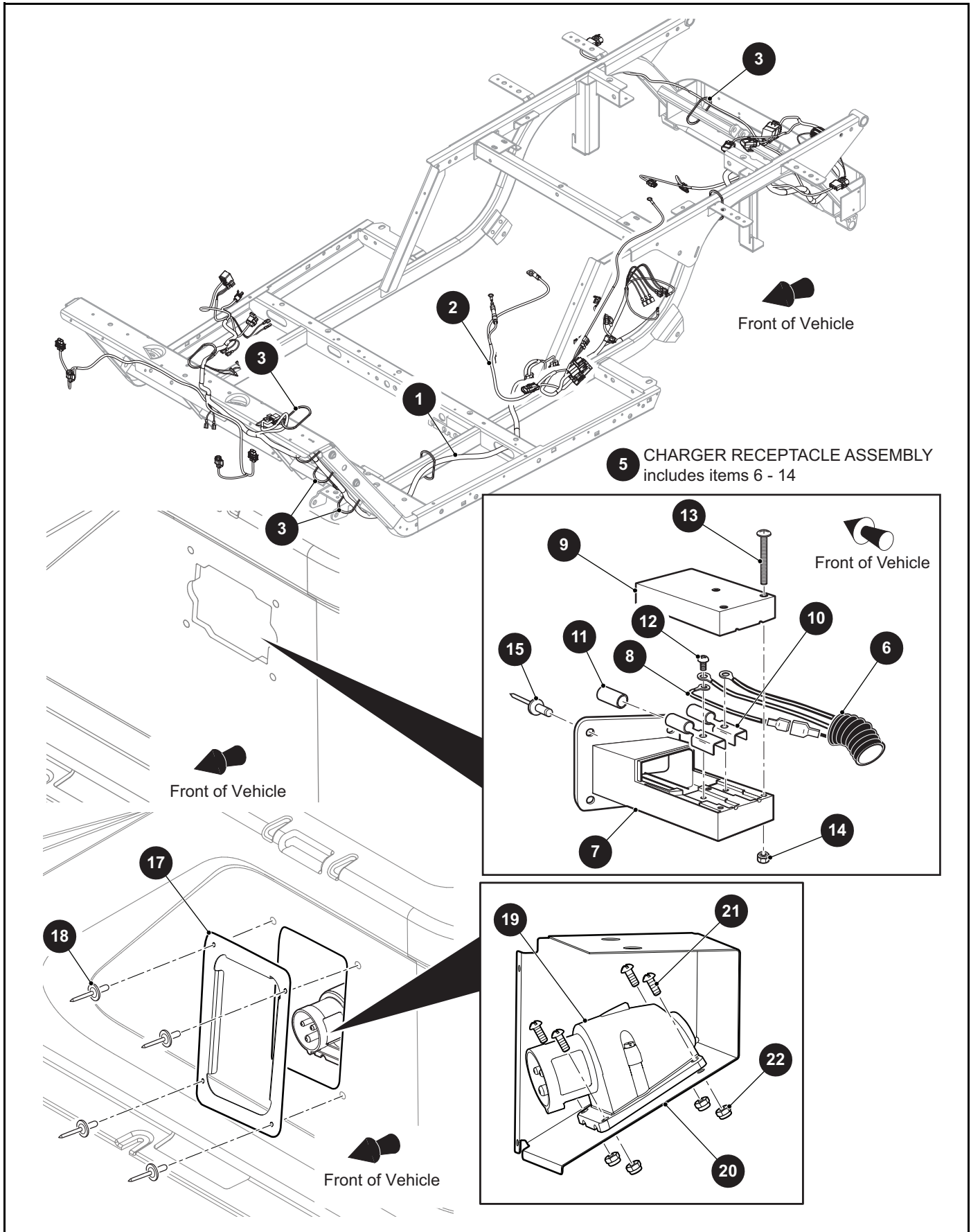
THE USE OF NON U.L. PARTS WILL VOID ANY U.L. LISTING.

When ordering parts, please specify the model and serial number of the product.

* Indicates a component that is not available as an individual part.

*** Indicates consult Customer Service Department for additional information.

ITEM	PART NO.	1 2 3 4 5	DESCRIPTION	QTY.
1	<u>610536</u>		ON-BOARD CHARGER RECEPTACLE	1
2	<u>71055G02</u>		RIVET, 3/16"	4
3				
4	<u>633778</u>		DC-DC CONVERTER (72V) (INCLUDES ITEM 6)	1
5	<u>23726G11</u>		SPACER.....	2
6	*		LOCK NUT, 1/4" - 20	2
7				
8	<u>634270G03</u>		4 GA BATTERY WIRE, 15" LG	6
9	<u>634270G04</u>		4 GA BATTERY WIRE, 22" LG	1
10	<u>634210G08</u>		4 GA BATTERY WIRE, 60" LG	1
11	<u>634210G09</u>		4 GA BATTERY WIRE, 38" LG	1
12	<u>634270G01</u>		4 GA BATTERY WIRE, 6" LG	1
13				
14	<u>31539G1</u>		NYLON CLAMP, 15.5" LG.....	2
15				
16	<u>649890</u>		FUSE BLOCK MOUNTING PLATE.....	1
17	<u>613373</u>		PAN HEAD TORX TAPPING SCREW, M4.8 - 1.6 X 22MM LG	3
18	<u>35212G01</u>		FUSE, 15A	3
19	<u>630034</u>		FUSE PANEL	1
20	<u>635806</u>		PAN HEAD PHILLIPS TAPPING SCREW, #10 - 16 X 1" LG.....	2
21				
22	<u>676122</u>		TROJAN HAND PUMP KIT.....	1
23	<u>614521</u>		REGULATED SUPPLY HOSE, 20FT LG	1



THE USE OF NON U.L. PARTS WILL VOID ANY U.L. LISTING.

When ordering parts, please specify the model and serial number of the product.

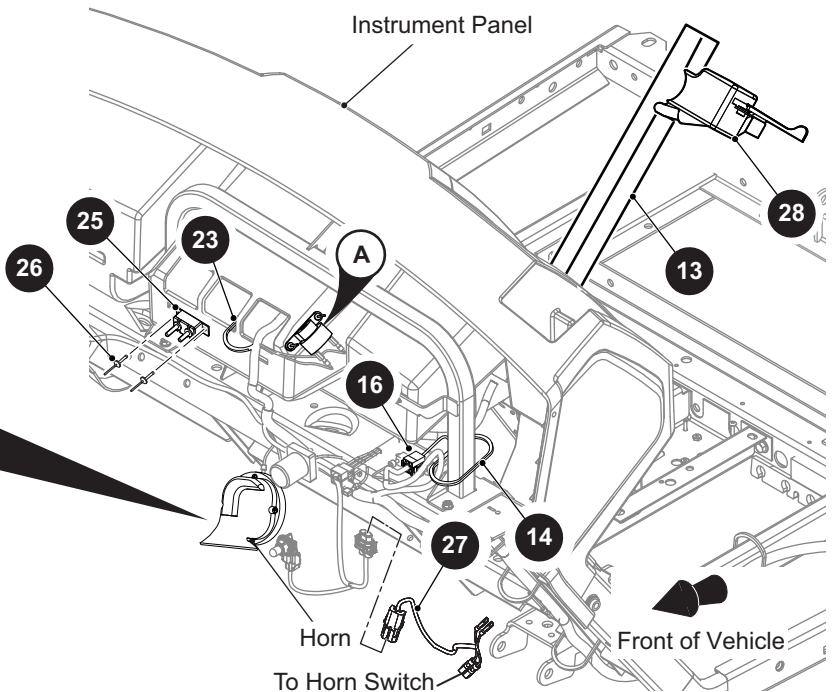
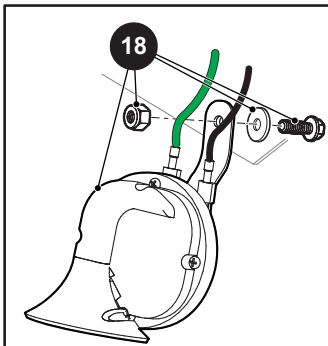
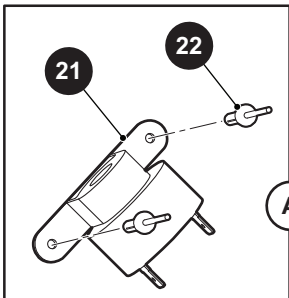
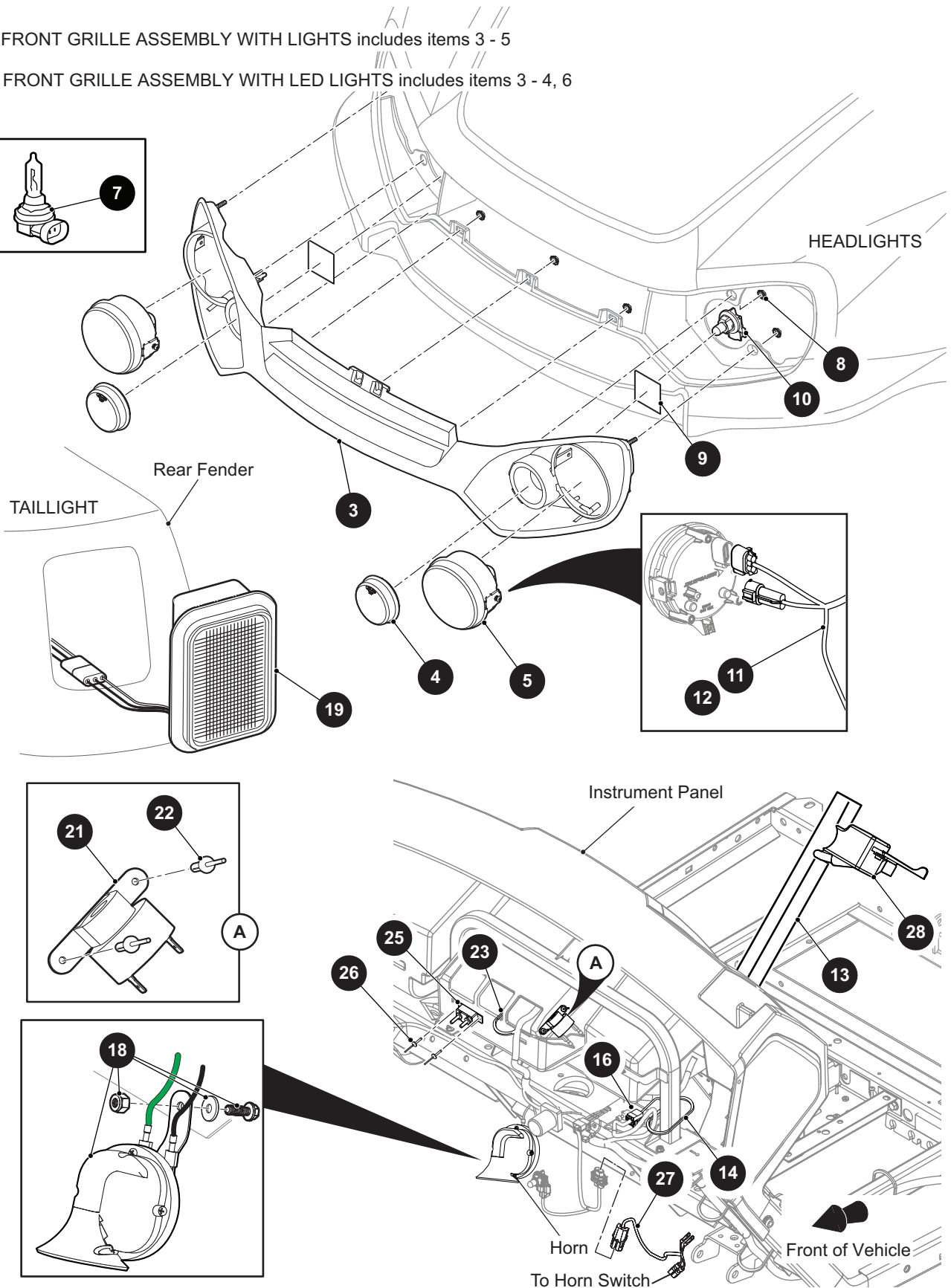
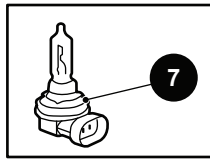
* Indicates a component that is not available as an individual part.

*** Indicates consult Customer Service Department for additional information.

ITEM	PART NO.	1 2 3 4 5	DESCRIPTION	QTY.
1	<u>671774</u>		CONTROL HARNESS	1
2	<u>640264</u>		ON-BOARD CHARGER HARNESS	1
3	<u>31539G1</u>		NYLON CLAMP, 15.5" LG.....	4
4				
5	<u>73063G01</u>		CHARGER RECEPTACLE ASSEMBLY (INCLUDES ITEMS 6 - 14).....	1
6	<u>602594</u>		CHARGER WIRE HARNESS WITH FUSE	1
7	<u>663285</u>		CHARGING RECEPTACLE.....	1
8	<u>25978G25</u>		18 GA WIRE (RED)	1
9	*		RECEPTACLE COVER	1
10	*		FEMALE CONNECTOR	2
11	*		INSULATOR SLEEVE	1
12	*		BRASS SCREW, #10 - 32 X 1/2" LG.....	2
13	*		PAN HEAD SCREW (SS), #6 - 32 X 1 3/4" LG	3
14	*		LOCK NUT, #6 - 32.....	3
15	<u>71055G02</u>		ALUMINUM RIVET, 3/16"	4
16				
17	<u>639412</u>		RECEPTACLE COVER PLATE (CE VEHICLES)	1
18	14601G13		ALUMINUM RIVET, 5/32" X 9/16" (CE VEHICLES).....	4
19	<u>638478</u>		AC RECEPTACLE (CE VEHICLES)	1
20	<u>639167</u>		RECEPTACLE BRACKET (CE VEHICLES)	1
21	<u>00379G4</u>		PAN HEAD PHILLIPS SCREW, #10 - 24 X 1/2" LG (CE VEHICLES)	4
22	<u>14390G10</u>		LOCK NUT, #10 - 24 (CE VEHICLES).....	4

1 FRONT GRILLE ASSEMBLY WITH LIGHTS includes items 3 - 5

2 FRONT GRILLE ASSEMBLY WITH LED LIGHTS includes items 3 - 4, 6



THE USE OF NON U.L. PARTS WILL VOID ANY U.L. LISTING.

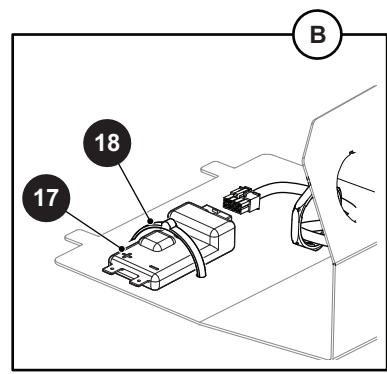
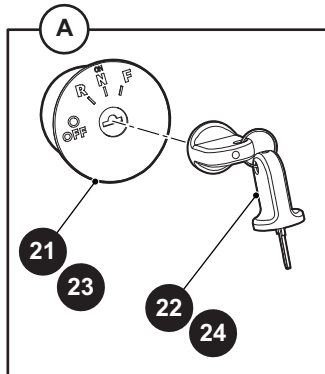
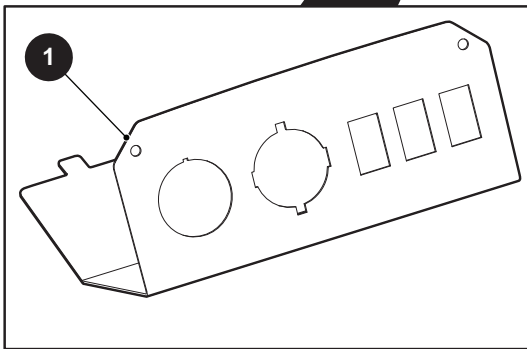
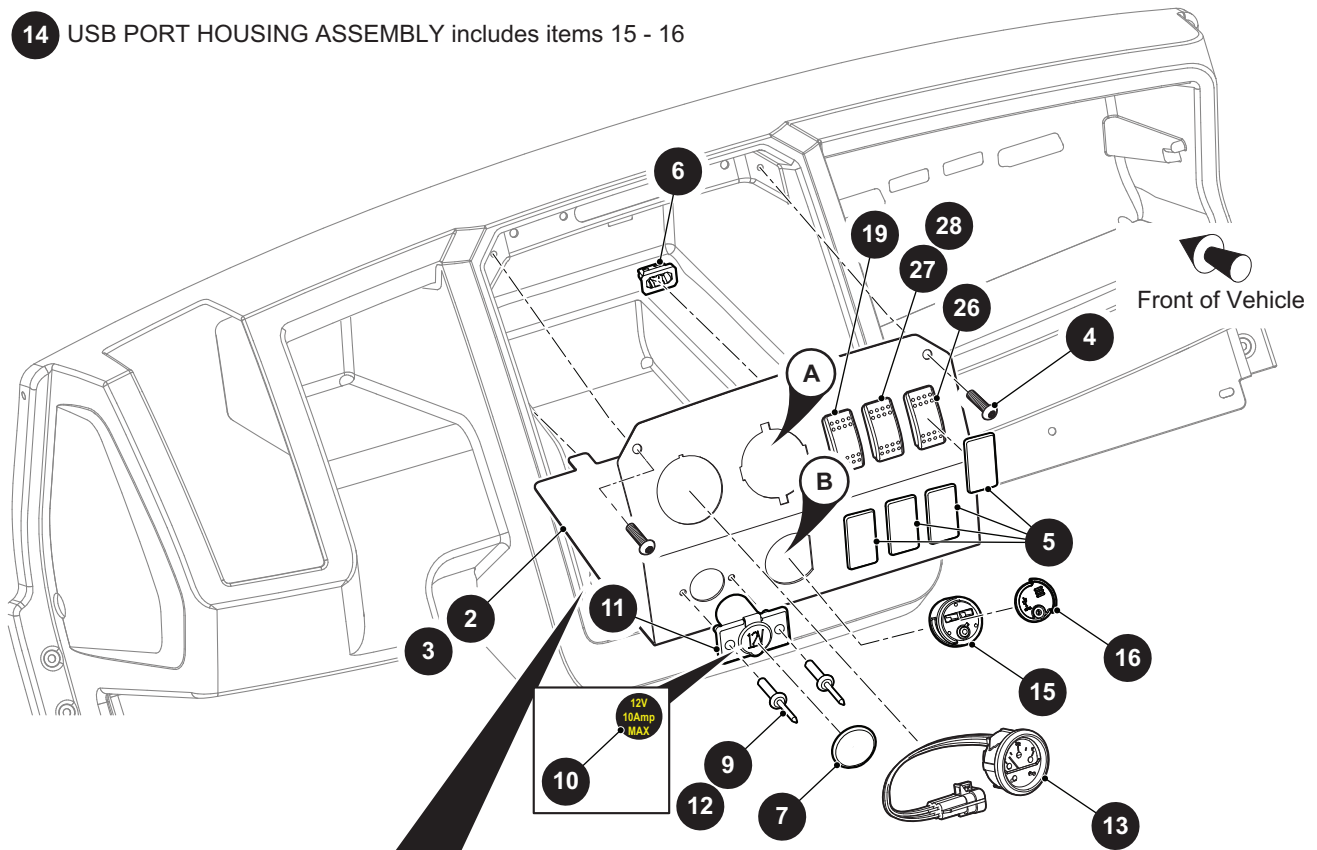
When ordering parts, please specify the model and serial number of the product.

* Indicates a component that is not available as an individual part.

*** Indicates consult Customer Service Department for additional information.

ITEM	PART NO.	1 2 3 4 5	DESCRIPTION	QTY.
1	<u>651698G01</u>		FRONT GRILLE ASSEMBLY WITH LIGHTS (INCLUDES ITEMS 3 - 5)	1
2	<u>651698G03</u>		FRONT GRILLE ASSEMBLY WITH LED LIGHTS (INCLUDES ITEMS 3 - 4, 6)	1
3	648564		FRONT GRILLE	1
4	651437		LENS COVER	1
5	<u>651411G01</u>		HEADLIGHT	1
6	<u>651411G03</u>		LED HEADLIGHT	1
7	<u>619100</u>		HEADLIGHT	1
8	<u>71597G01</u>		SELF THREADING NUT, 5 X 10 X 15MM	9
9	<u>71781G02</u>		VINYL TAPE (FOR VEHICLES WITHOUT TURN SIGNAL LIGHTS)	1
10	<u>619102</u>		TURN SIGNAL BULB	1
11	<u>670038</u>		JUMPER HARNESS, HI/LOW LED HEADLIGHT (FOR VEHICLES MANUFACTURED BEFORE OCTOBER 14, 2018)	1
12	<u>677730</u>		JUMPER HARNESS, HI/LOW LED HEADLIGHT (FOR VEHICLES MANUFACTURED AFTER OCTOBER 14, 2018).....	1
13	<u>20965G3</u>		STEERING COLUMN COVER	1
14	<u>31539G1</u>		NYLON CLAMP, 15.5" LG (NOT ILLUSTRATED).....	2
15				
16	<u>664780</u>		TURN SIGNAL LIGHTS JUMPER HARNESS	1
17				
18	32860G01		HORN.....	1
19	<u>32739G3</u>		TAILLIGHT	1
20				
21	<u>613271</u>		REVERSE BUZZER.....	1
22	<u>01041G01</u>		ALUMINUM RIVET, 5/32"	2
23	31539G01		NYLON CLAMP, 15.5" LG.....	1
24				
25	<u>21320G4</u>		15AMP CIRCUIT BREAKER, 24V (ELECTRIC BED LIFT OPTION).....	1
26	<u>01041G01</u>		ALUMINUM RIVET, 5/32"	2
27	<u>664706</u>		HORN JUMPER HARNESS	1
28	<u>615236</u>		TURN SIGNAL SWITCH ASSEMBLY WITH HORN	1

14 USB PORT HOUSING ASSEMBLY includes items 15 - 16



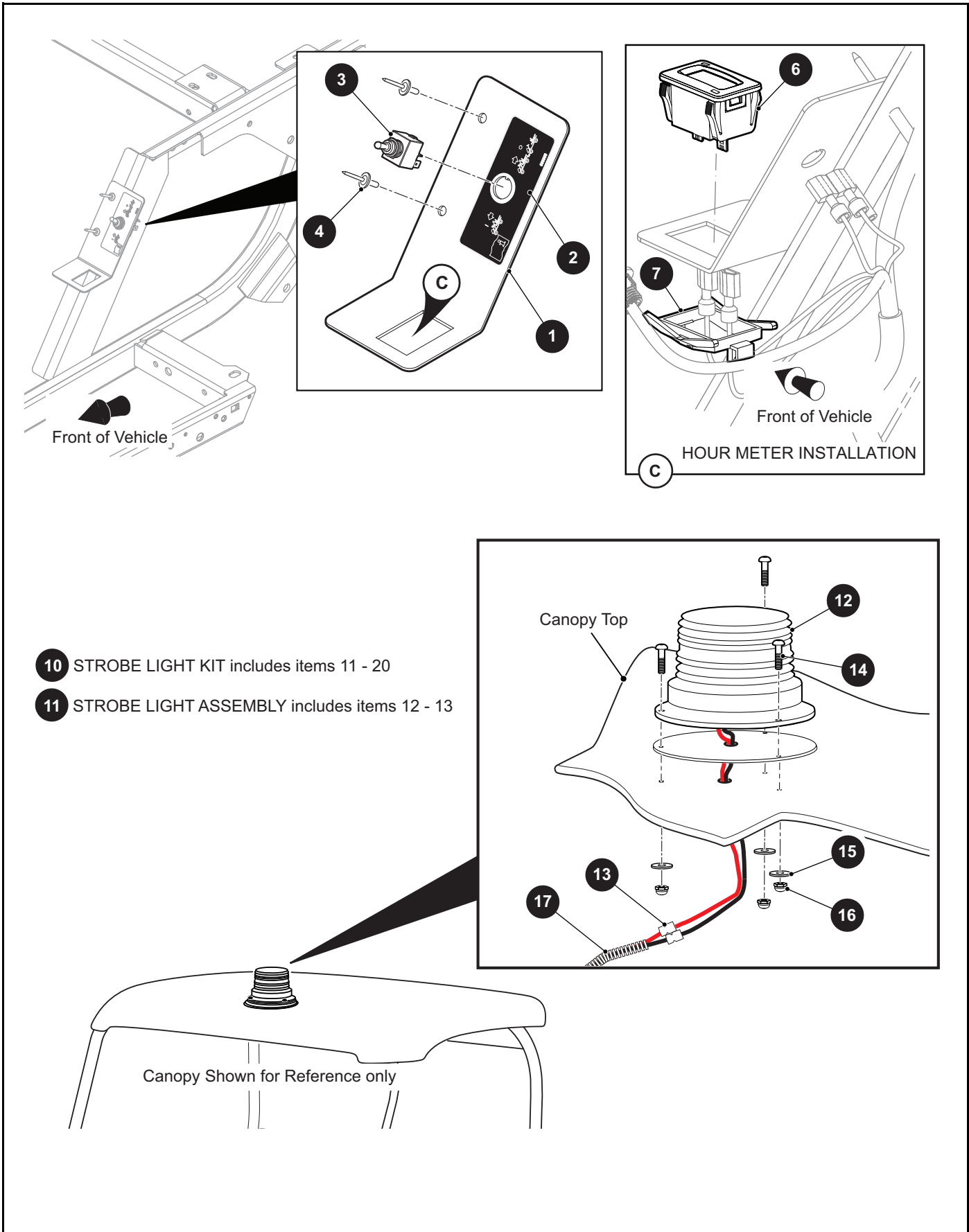
THE USE OF NON U.L. PARTS WILL VOID ANY U.L. LISTING.

When ordering parts, please specify the model and serial number of the product.

* Indicates a component that is not available as an individual part.

*** Indicates consult Customer Service Department for additional information.

ITEM	PART NO.	1 2 3 4 5	DESCRIPTION	QTY.
1	662083G01		GAUGE PANEL (KEY, STATE OF CHARGE METER).....	1
2	662083G02		GAUGE PANEL (KEY, STATE OF CHARGE METER, 12V OUTLET).....	1
3	662083G03		GAUGE PANEL (KEY, STATE OF CHARGE METER, 12V OUTLET, USB)....	1
4	649803		PAN HEAD TORX SCREW, M6 - 2.65 X 25MM LG.....	2
5	627035		PLUG	4
6	602184		CLIP	2
7	20271G10		HOLE PLUG, DIA 1.125"	1
8				
9	71055G01		ALUMINUM RIVET, 3/16" X 1" LG	2
10	637067		12V POWER OUTLET LABEL (CE VEHICLES).....	1
11	71078G01		12V POWER OUTLET	1
12	33623G02		PLASTIC RIVET.....	2
13	612314		STATE OF CHARGE METER	1
14	639384		USB PORT HOUSING ASSEMBLY (INCLUDES ITEMS 15 - 16)	1
15	639383		USB PORT HOUSING.....	1
16	639382		USB PORT LID	1
17	10001356		USB ELECTRONICS	1
18	17618G1		NYLON CLAMP, 8" LG.....	1
19	651897G01		HORN SWITCH	1
20				
21	611283		KEYSWITCH	1
22	611282		KEY SET (COMMON).....	1
23	609682		KEYSWITCH.....	1
24	609693		KEY SET (UNIQUE).....	1
25				
26	651897G04		TRUCK BED SWITCH	1
27	651897G02		HEADLIGHT SWITCH, 2 - POSITION (ON/OFF).....	1
28	651897G03		HEADLIGHT SWITCH, 3 - POSITION (HI/LOW).....	1



10 STROBE LIGHT KIT includes items 11 - 20

11 STROBE LIGHT ASSEMBLY includes items 12 - 13

THE USE OF NON U.L. PARTS WILL VOID ANY U.L. LISTING.

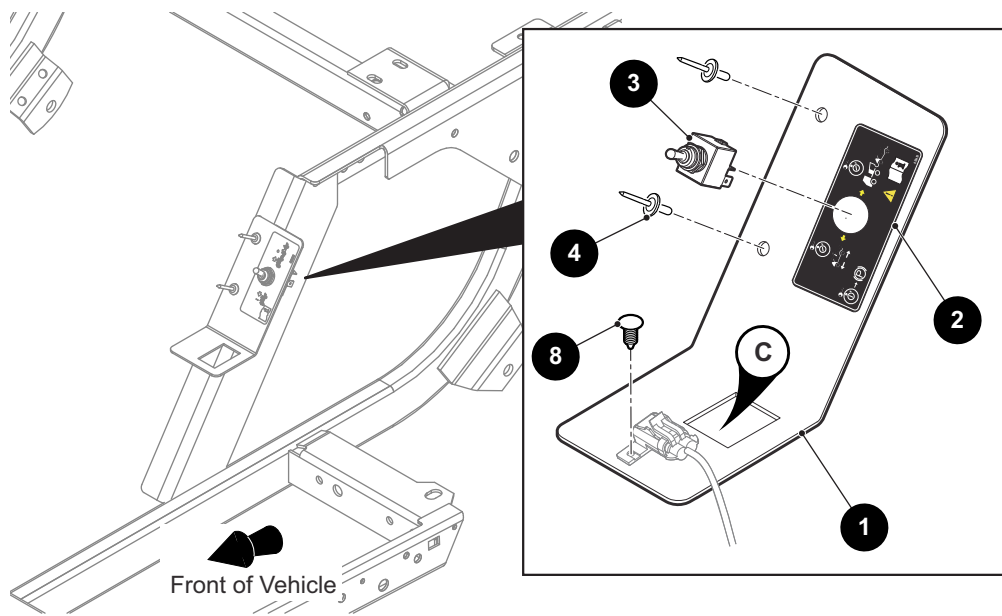
When ordering parts, please specify the model and serial number of the product.

* Indicates a component that is not available as an individual part.

*** Indicates consult Customer Service Department for additional information.

ITEM	PART NO.	1 2 3 4 5	DESCRIPTION	QTY.
1	633745		BRACKET	1
2	633950		RUN/TOW SWITCH LABEL.....	1
3	650304G01		TOGGLE SWITCH (INCLUDES HARDWARE).....	1
4	71055G01		ALUMINUM RIVET, 3/16" X 1" LG	2
5				
6	620133		HOUR METER.....	1
7	74696G01		RETAINER CLIP	1
8				
9				
10	618916		STROBE LIGHT KIT (INCLUDES ITEMS 11 - 20).....	1
11	638496		STROBE LIGHT ASSEMBLY (INCLUDES ITEMS 12 - 13).....	1
12	639425		STROBE LIGHT.....	1
13	17064G1		FEMALE PUSH ON TERMINALS.....	2
14	00979G01		SOCKET HEAD SCREW, 10 - 24 X 7/8" LG	3
15	00559G5		FLAT WASHER, #10	3
16	14390G10		LOCK NUT, #10 - 24.....	3
17	656405		STROBE LIGHT HARNESS	1
18	17618G1		NYLON CLAMP, 8" LG (NOT ILLUSTRATED)	16
19	614901		SELF STRIPPING WIRE SPLICE (NOT ILLUSTRATED).....	1
20	35212G05		FUSE (NOT ILLUSTRATED).....	1
21				
22	656410		ACCESSORY LIGHTS KIT (NOT ILLUSTRATED)	1
23	629631		DUAL SET LED LIGHTS KIT (NOT ILLUSTRATED).....	1

FOR VEHICLES WITH E- BRAKE



THE USE OF NON U.L. PARTS WILL VOID ANY U.L. LISTING.

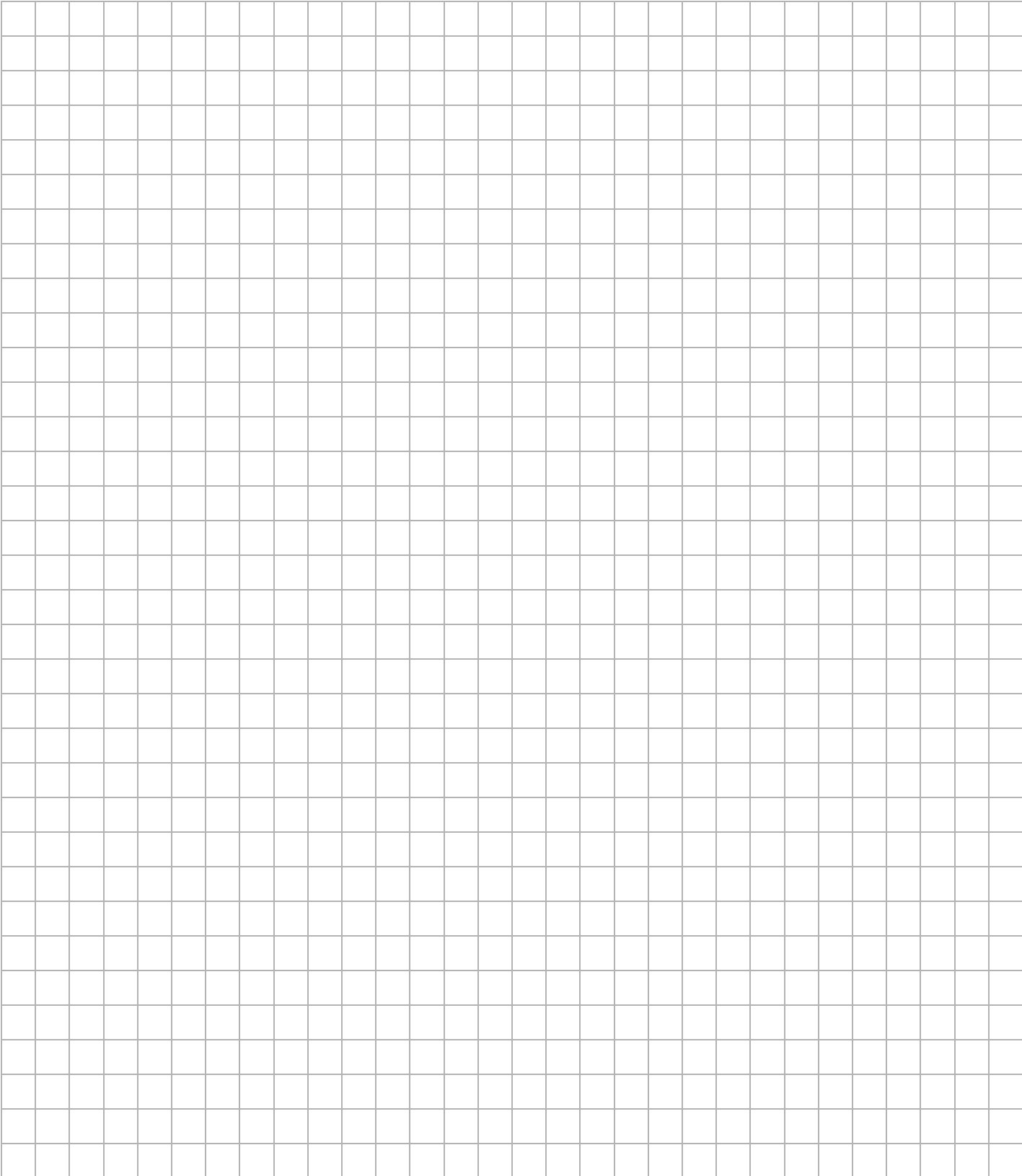
When ordering parts, please specify the model and serial number of the product.

* Indicates a component that is not available as an individual part.

*** Indicates consult Customer Service Department for additional information.

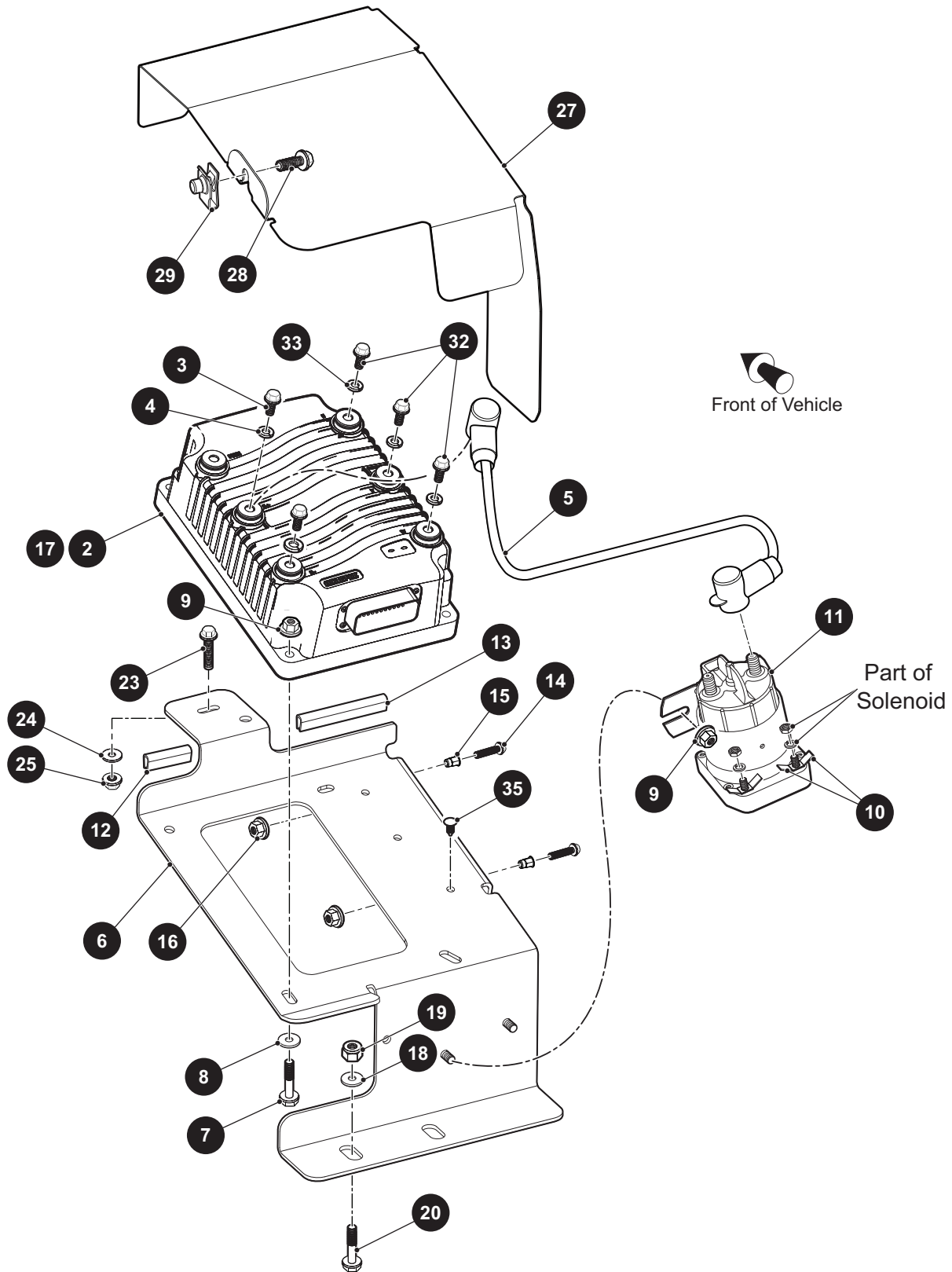
ITEM	PART NO.	1 2 3 4 5	DESCRIPTION	QTY.
1	<u>653459</u>		E-BRAKE SWITCH BRACKET	1
2	<u>653470</u>		E-BRAKE RELEASE SWITCH LABEL	1
3	<u>650304G02</u>		TOGGLE SWITCH (INCLUDES HARDWARE).....	1
4	<u>71055G01</u>		ALUMINUM RIVET, 3/16" X 1" LG	2
5	<u>17618G1</u>		NYLON CLAMP, 8" LG (NOT ILLUSTRATED).....	12
6	<u>656944</u>		FERRITE CLAMP, 5MM I.D. (NOT ILLUSTRATED)	1
7				
8	<u>16816G5</u>		RATCHET RIVET, .187" X .550"	1
9				
10	<u>655562</u>		KEY ON WALKAWAY HARNESS (NOT ILLUSTRATED)	1
11	<u>652201</u>		BRAKE HARNESS (NOT ILLUSTRATED)	1

Notes:



ELECTRONIC SPEED CONTROL

1 ELECTRONIC SPEED CONTROL ASSEMBLY includes items 2 - 17



ELECTRONIC SPEED CONTROL

THE USE OF NON U.L. PARTS WILL VOID ANY U.L. LISTING.

When ordering parts, please specify the model and serial number of the product.

* Indicates a component that is not available as an individual part.

*** Indicates consult Customer Service Department for additional information.

ITEM	PART NO.	1 2 3 4 5	DESCRIPTION	QTY.
1	652979		ELECTRONIC SPEED CONTROL ASSEMBLY, 72V (INCLUDES ITEMS 2 - 17)	1
2	<u>666996G05</u>		CONTROLLER, 350A (FOR VEHICLES MANUFACTURED AFTER MARCH 5, 2018)	1
3	<u>606262</u>		HEX HEAD BOLT, M8 - 1.25 X 16MM LG	1
4	<u>606272</u>		LOCK WASHER, 8MM	1
5	<u>634270G05</u>		4 AWG BATTERY WIRE, 18"	1
6	687625		CONTROLLER BRACKET	1
7	<u>00797G2</u>		HEX HEAD BOLT, 1/4" - 20 X 1 1/4" LG	4
8	<u>00642G7</u>		FLAT WASHER, 5/16"	4
9	<u>11027G2</u>		FLANGED LOCK NUT, 1/4" - 20	6
10	<u>12914G1</u>		FASTON TAB	4
11	<u>621330</u>		SOLENOID	1
12	22281G3		TRIM (BLACK), 1.5"	1
13	<u>32372G8</u>		TRIM (VINYL), 4"	1
14	<u>606421</u>		HEX HEAD BOLT, M6 - 1 X 30MM LG	2
15	<u>635402</u>		HEX INSERT NUT, M6 X 1	2
16	<u>601476</u>		LOCK NUT, M6 - 1	2
17	<u>652398</u>		CONTROLLER, 350A (FOR VEHICLES MANUFACTURED BEFORE MARCH 5, 2018)	1*
18	<u>00922G3</u>		FLAT WASHER, 7/16"	2
19	<u>00734G1</u>		LOCK NUT, 7/16" - 14	2
20	<u>00463G4</u>		HEX HEAD BOLT, 7/16" - 14 X 1 1/2" LG	2
21	<u>31539G1</u>		NYLON CLAMP, 15.5" LG (NOT ILLUSTRATED)	1
22				
23	<u>00414G7</u>		HEX HEAD BOLT, 1/4" - 20 X 1/2" LG	1
24	<u>00559G7</u>		FLAT WASHER, 1/4"	1
25	<u>11027G2</u>		LOCK NUT, 1/4" - 20	1
26				
27	<u>635407</u>		CONTROLLER COVER	1
28	<u>627579</u>		HEX HEAD BOLT, M10 - 1.5 X 35MM LG	1
29	<u>635363</u>		U-NUT (BARREL), M10 X 1.5	1

ELECTRONIC SPEED CONTROL

THE USE OF NON U.L. PARTS WILL VOID ANY U.L. LISTING.

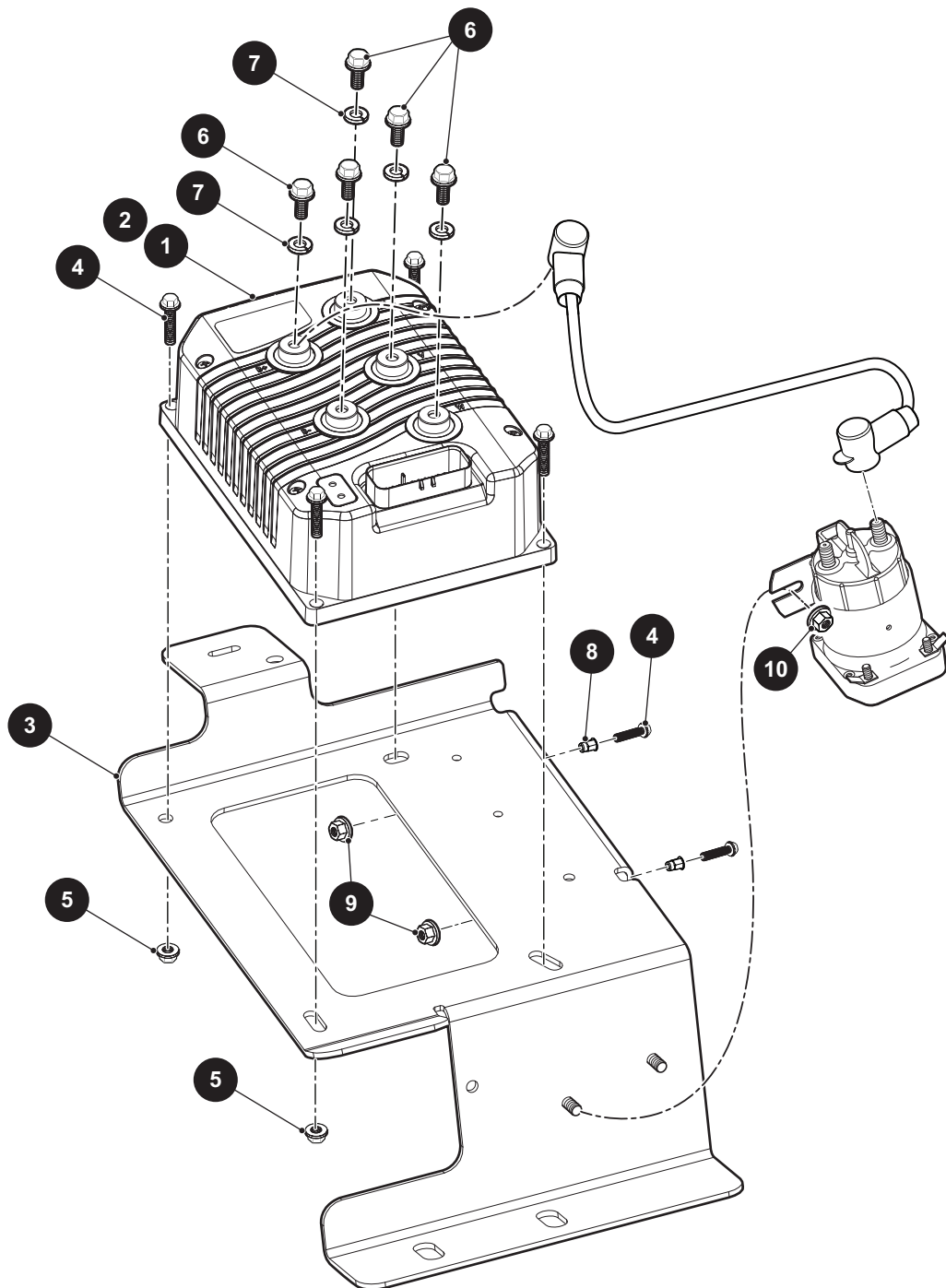
When ordering parts, please specify the model and serial number of the product.

* Indicates a component that is not available as an individual part.

*** Indicates consult Customer Service Department for additional information.

ITEM	PART NO.	1	2	3	4	5	DESCRIPTION	QTY.
30								
31								
32	<u>606262</u>						HEX HEAD BOLT, M8 - 1.25 X 16MM LG	4
33	<u>606272</u>						LOCK WASHER, 8MM	4
34								
35	<u>16816G2</u>						RATCHET RIVET, .25" X .887"	1

ELECTRONIC SPEED CONTROL



ELECTRONIC SPEED CONTROL

THE USE OF NON U.L. PARTS WILL VOID ANY U.L. LISTING.

When ordering parts, please specify the model and serial number of the product.

* Indicates a component that is not available as an individual part.

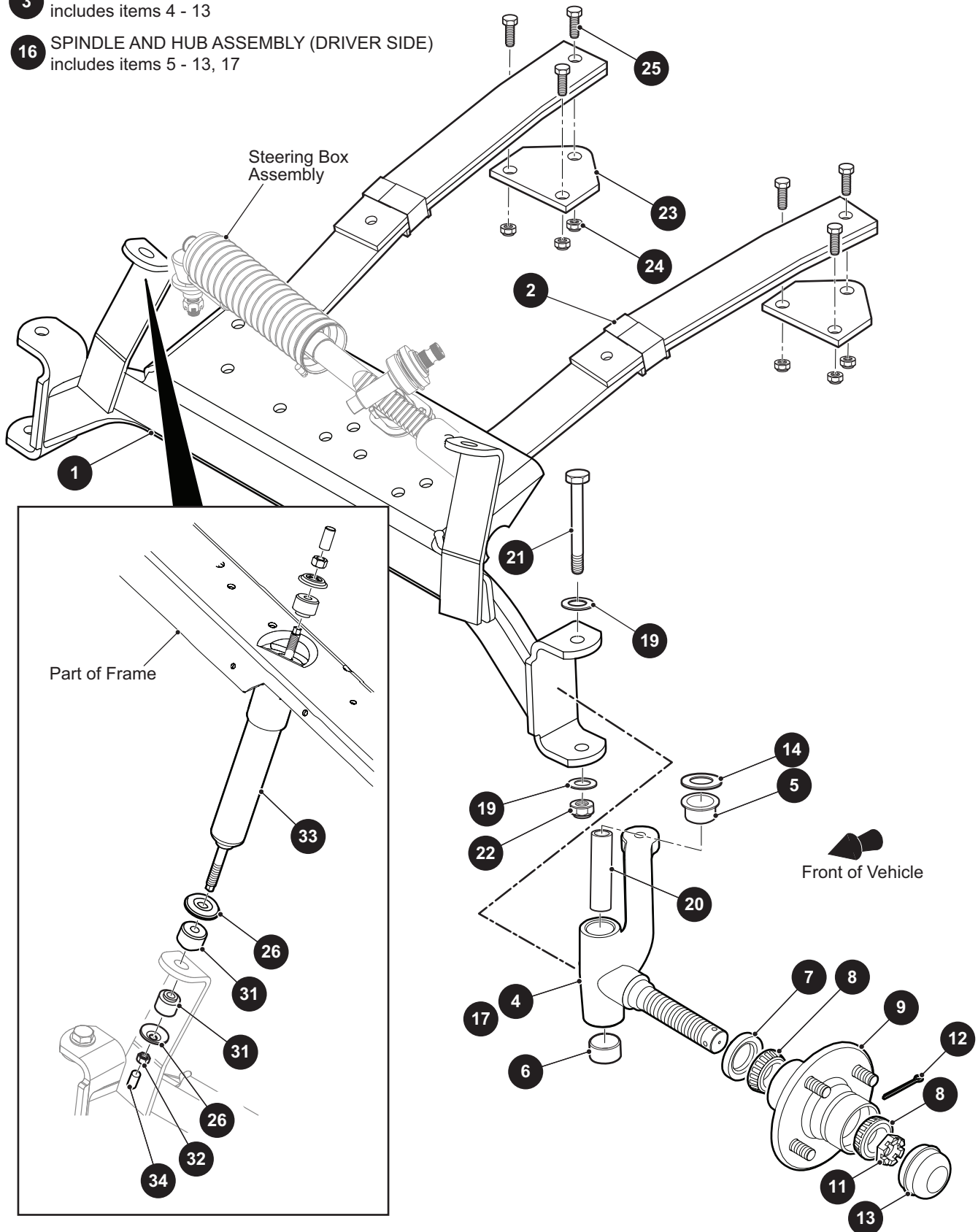
*** Indicates consult Customer Service Department for additional information.

ITEM	PART NO.	1 2 3 4 5	DESCRIPTION	QTY.
1	<u>672599G009</u>		CONTROLLER, 1234SE, 350A, 2WD (FOR VEHICLES MANUFACTURED AFTER OCTOBER 6, 2019)	1
2	<u>672599G013</u>		CONTROLLER, 1234SE, 350A, 2WD, (WITH E-BRAKE OPTION) (FOR VEHICLES MANUFACTURED AFTER OCTOBER 6, 2019)	1
3	<u>687625</u>		CONTROLLER BRACKET	1
4	<u>606421</u>		FLANGED HEX HEAD BOLT, M6 - 1 X 30MM LG	6
5	<u>450452</u>		NUT, M6 - 1	4
6	<u>606264</u>		FLANGED HEX HEAD BOLT, M6 - 1 X 20MM LG	5
7	<u>606272</u>		WASHER, 8MM	5
8	<u>635402</u>		HEX INSERT NUT, M6 X 1	2
9	<u>601476</u>		LOCK NUT, M6 - 1	2
10	<u>11027G2</u>		FLANGED LOCK NUT, 1/4" - 20	2

FRONT SUSPENSION AND STEERING

3 SPINDLE AND HUB ASSEMBLY, 4 LUG (PASSENGER SIDE)
includes items 4 - 13

16 SPINDLE AND HUB ASSEMBLY (DRIVER SIDE)
includes items 5 - 13, 17



FRONT SUSPENSION AND STEERING

THE USE OF NON U.L. PARTS WILL VOID ANY U.L. LISTING.

When ordering parts, please specify the model and serial number of the product.

* Indicates a component that is not available as an individual part.

*** Indicates consult Customer Service Department for additional information.

ITEM	PART NO.	1 2 3 4 5	DESCRIPTION	QTY.
1	<u>633795</u>		FRONT AXLE.....	1
2	<u>70990G03</u>		LEAF SPRING	2
3	<u>70930G01</u>		SPINDLE AND HUB ASSEMBLY, 4 LUG (PASSENGER SIDE) (INCLUDES ITEMS 4 - 13)	1
4	<u>70802G01</u>		SPINDLE ASSEMBLY	1
5	<u>632925</u>		FLANGED BUSHING, O.D 35MM X I.D 25MM.....	1
6	<u>632926</u>		BEARING, O.D 28MM.....	1
7	<u>25146G1</u>		GREASE SEAL.....	1
8	<u>11750G2</u>		ROLLER BEARING AND RACE ASSEMBLY.....	2
9	<u>35886G01</u>		WHEEL HUB	1
10				
11	<u>12093G1</u>		SLOTTED NUT, #1 - 14.....	1
12	<u>00798G8</u>		COTTER PIN, 5/32" X 1 3/4" LG	1
13	<u>12091G2</u>		SPINDLE CAP.....	1
14	<u>70754G01</u>		THRUST WASHER (SS), 1.3"	1
15				
16	<u>70931G01</u>		SPINDLE AND HUB ASSEMBLY, 4 LUG (DRIVER SIDE) (INCLUDES ITEMS 5 - 13, 17)	1
17	<u>70803G01</u>		SPINDLE ASSEMBLY	1
18				
19	<u>00560G3</u>		FLAT WASHER, 1/2".....	2
20	<u>70745G01</u>		KING PIN TUBE, 4.36" LG.....	1
21	<u>00407G6</u>		HEX HEAD BOLT, 1/2" - 13 X 6" LG	1
22	<u>14390G6</u>		LOCK NUT, 1/2" - 13.....	1
23	<u>652258</u>		SPRING PLATE	2
24	<u>00734G1</u>		LOCK NUT, 7/16" - 14.....	6
25	<u>00463G11</u>		HEX HEAD BOLT, 7/16" - 14 X 1 1/2" LG	6
26	<u>10435G1</u>		SHOCK ABSORBER WASHER.....	4
27				
28				
29				
30				

FRONT SUSPENSION AND STEERING

THE USE OF NON U.L. PARTS WILL VOID ANY U.L. LISTING.

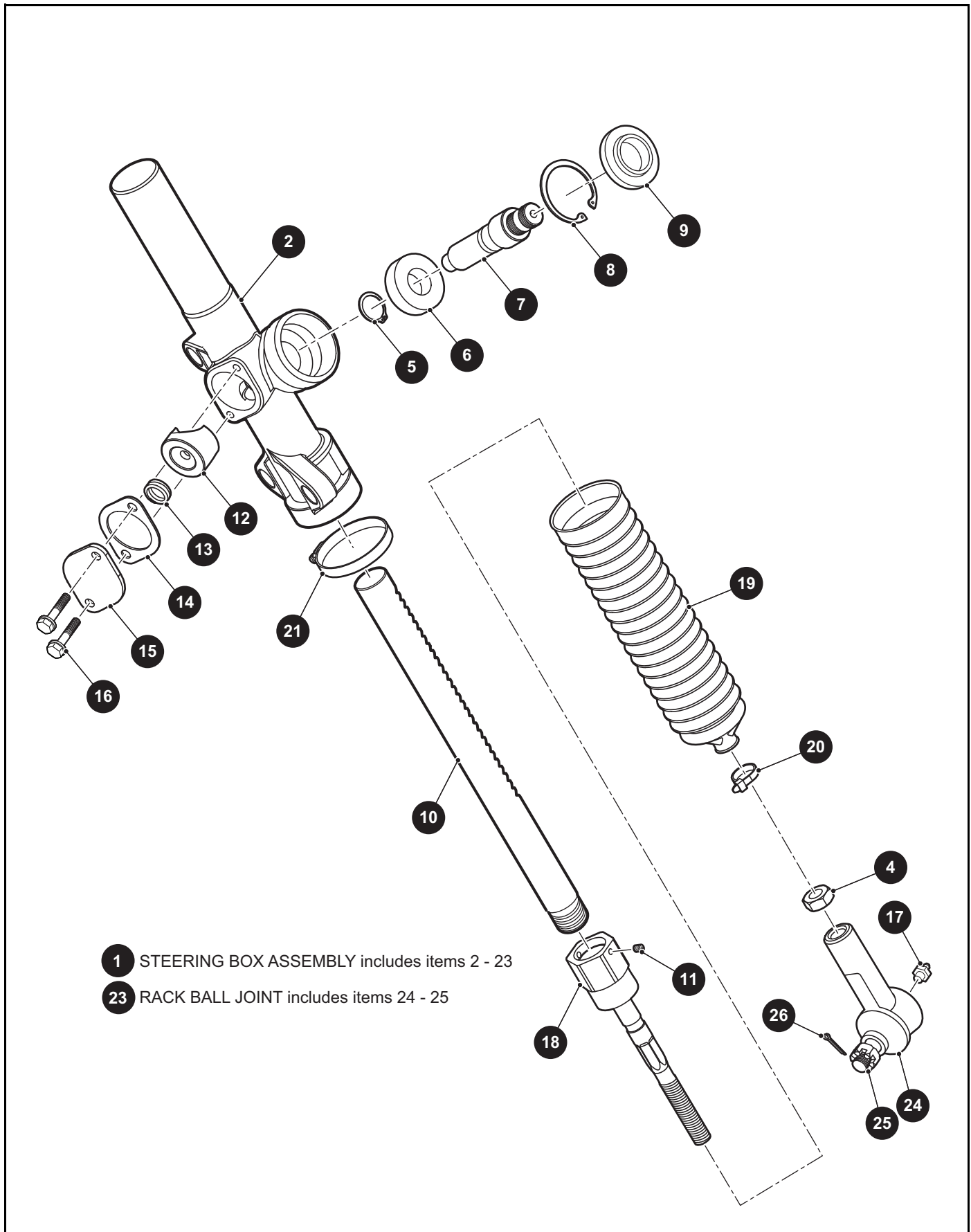
When ordering parts, please specify the model and serial number of the product.

* Indicates a component that is not available as an individual part.

*** Indicates consult Customer Service Department for additional information.

ITEM	PART NO.	1 2 3 4 5	DESCRIPTION	QTY.
31	<u>10194G1</u>		RUBBER SHOCK ABSORBER BUSHING.....	4
32	<u>00532G6</u>		HEX NUT, 1/4" - 20.....	2
33	<u>76419G01</u>		SHOCK ABSORBER	1
34	<u>10044G01</u>		VINYL CAP	2

FRONT SUSPENSION AND STEERING



FRONT SUSPENSION AND STEERING

THE USE OF NON U.L. PARTS WILL VOID ANY U.L. LISTING.

When ordering parts, please specify the model and serial number of the product.

* Indicates a component that is not available as an individual part.

*** Indicates consult Customer Service Department for additional information.

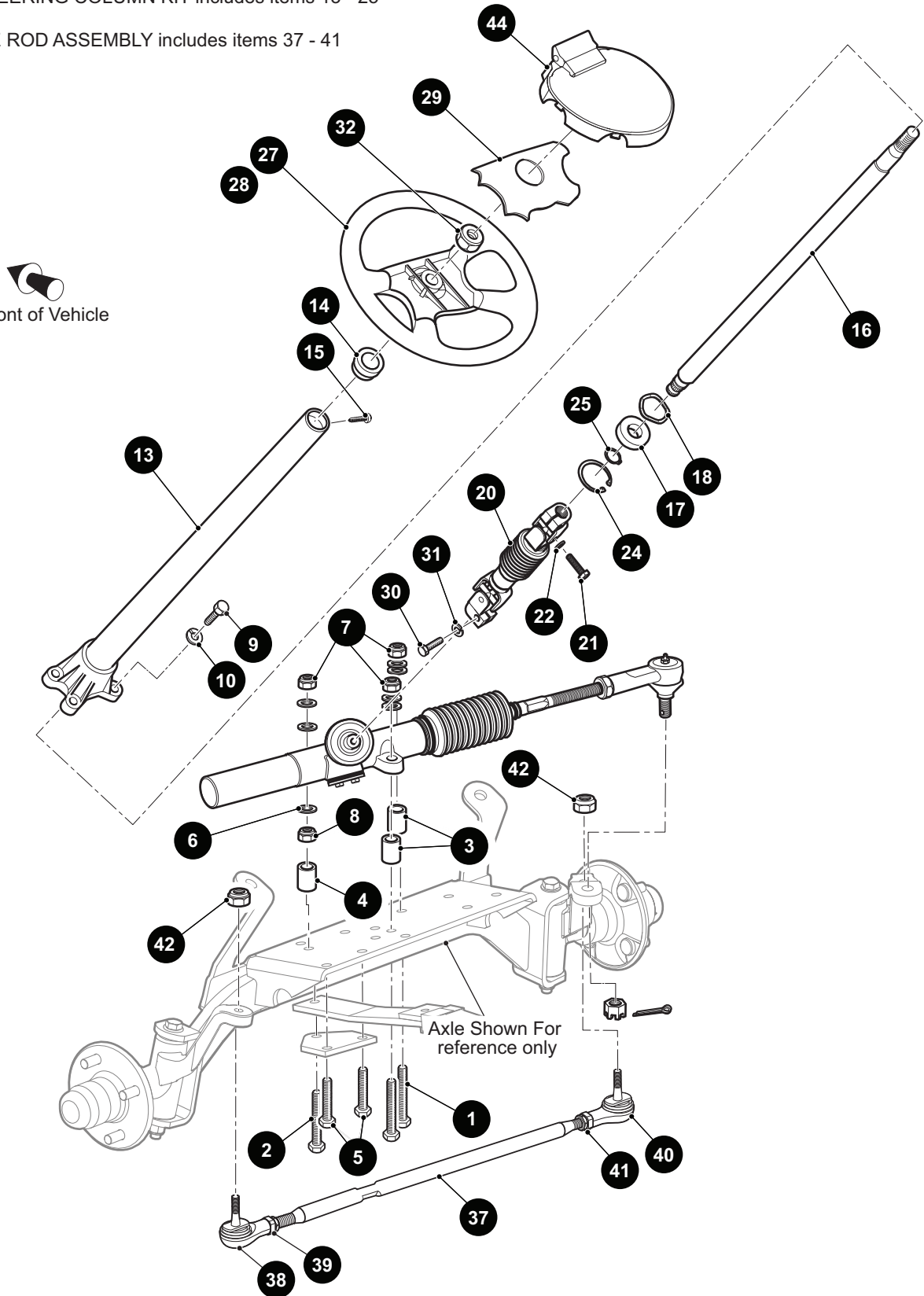
ITEM	PART NO.	1 2 3 4 5	DESCRIPTION	QTY.
1	<u>70964G01</u>		STEERING BOX ASSEMBLY (INCLUDES ITEMS 2 - 23)	1
2	<u>70965G01</u>		STEERING RACK COVER AND BEARING	1
3				
4	*		JAM NUT, 1/2" - 20	1
5	<u>70750G01</u>		RETAINING RING (EXTERNAL)	1
6	<u>15112G1</u>		BALL BEARING, O.D 1.65" X I.D .78"	1
7	<u>70603G01</u>		PINION	1
8	<u>70751G01</u>		RETAINING RING (INTERNAL)	1
9	<u>70638G01</u>		SEAL (PINION)	1
10	<u>70604G01</u>		STEERING RACK	1
11	*		SET SCREW, #10 - 32 X .25" LG	1
12	<u>70590G01</u>		RACK LOADER	1
13	<u>70666G01</u>		COMPRESSION SPRING	1
14	<u>70645G01</u>		GASKET (RACK LOADER COVER)	1
15	<u>652259</u>		COVER (RACK LOADER)	1
16	<u>71102G01</u>		HEX WASHER HEAD BOLT, 1/4" - 20 X 11/16" LG	2
17	<u>10389G3</u>		GREASE FITTING (STRAIGHT)	1
18	<u>74694G01</u>		ROD END (INNER)	1
19	<u>70961G01</u>		RACK BOOT	1
20	<u>12416G2</u>		NYLON CLAMP, 10"	1
21	<u>11391G8</u>		HOSE CLAMP, 1.81"	1
22				
23	<u>70695G01</u>		TIE ROD END (OUTER) (INCLUDES ITEMS 24 - 25)	1
24	<u>50641G1</u>		GROMMET	1
25	<u>50209G2</u>		HEX SLOTTED NUT, 7/16" - 20	1
26	<u>10387G2</u>		COTTER PIN, 3/32" X 1"	1

FRONT SUSPENSION AND STEERING

12 STEERING COLUMN KIT includes items 13 - 25

36 TIE ROD ASSEMBLY includes items 37 - 41

Front of Vehicle



FRONT SUSPENSION AND STEERING

THE USE OF NON U.L. PARTS WILL VOID ANY U.L. LISTING.

When ordering parts, please specify the model and serial number of the product.

* Indicates a component that is not available as an individual part.

*** Indicates consult Customer Service Department for additional information.

ITEM	PART NO.	1 2 3 4 5	DESCRIPTION	QTY.
1	00464G6		HEX HEAD BOLT, 7/16" - 14 X 2 3/4" LG	2
2	01068G01		HEX HEAD BOLT, 7/16" - 14 X 3.5" LG	1
3	70667G02		SPACER, O.D, 1" X I.D .46" X 1.2" LG	2
4	70667G04		SPACER, O.D 1" X I.D .46" X .69" LG	1
5	00463G11		HEX HEAD BOLT, 7/16" - 14 X 1 1/2" LG	2
6	00560G2		FLAT WASHER, 7/16"	7
7	00734G1		LOCK NUT, 7/16" - 14	3
8	00532G7		HEX NUT, 1/4" - 20	1
9	01006G01		HEX WASHER HEAD BOLT, 3/8" - 16 X 1 1/4" LG	4
10	00879G1		LOCK WASHER, 3/8"	4
11				
12	70758G05		STEERING COLUMN ASSEMBLY (INCLUDES ITEMS 13 - 25)	1
13	70610G03		STEERING COLUMN.....	1
14	28569G01		STEERING COLUMN BUSHING	1
15	01022G01		HEX WASHER HEAD BOLT, #6 - 20 X 5/16" LG	1
16	70607G01		STEERING SHAFT.....	1
17	15112G1		BALL BEARING, O.D 1.65" X I.D .78"	1
18	70887G01		WAVE WASHER.....	1
19				
20	70580G01		INTERMEDIATE SHAFT	1
21	01055G01		HEX HEAD BOLT, M8 X 1 1/4" LG	1
22	00565G8		LOCK WASHER, 5/16"	2
23				
24	70751G01		RETAINING RING (INTERNAL)	1
25	70888G01		RETAINING RING (EXTERNAL)	1
26				
27	602980		STEERING WHEEL (PREMIUM).....	1
28	602979		STEERING WHEEL	1
29	71147G01		STEERING WHEEL COVER	1
30	01055G01		HEX HEAD BOLT, M8 X 1 1/4" LG.....	1
31	00565G8		LOCK WASHER, 5/16"	1

FRONT SUSPENSION AND STEERING

THE USE OF NON U.L. PARTS WILL VOID ANY U.L. LISTING.

When ordering parts, please specify the model and serial number of the product.

* Indicates a component that is not available as an individual part.

*** Indicates consult Customer Service Department for additional information.

ITEM	PART NO.	1 2 3 4 5	DESCRIPTION	QTY.
32	<u>14390G2</u>		LOCK NUT, 5/8" - 18	1
33				
34				
35				
36	<u>70876G02</u>		TIE ROD ASSEMBLY, 26.44" LG (INCLUDES ITEMS 37 - 41).....	1
37	<u>70897G02</u>		THREADED ROD (24" LG).....	1
38	<u>70902G01</u>		TIE ROD END (LEFT HAND THREADS)	1
39	<u>01069G01</u>		JAM NUT, M12 X 1.25 - 05 (LEFT HAND THREADS).....	1
40	<u>70902G02</u>		TIE ROD END (RIGHT HAND THREADS)	1
41	<u>01069G02</u>		JAM NUT, M12 X 1.25 - 05 (RIGHT HAND THREADS)	1
42	<u>00734G1</u>		LOCK NUT, 7/16" - 14	2
43				
44	<u>652801</u>		SCORECARD HOLDER.....	1

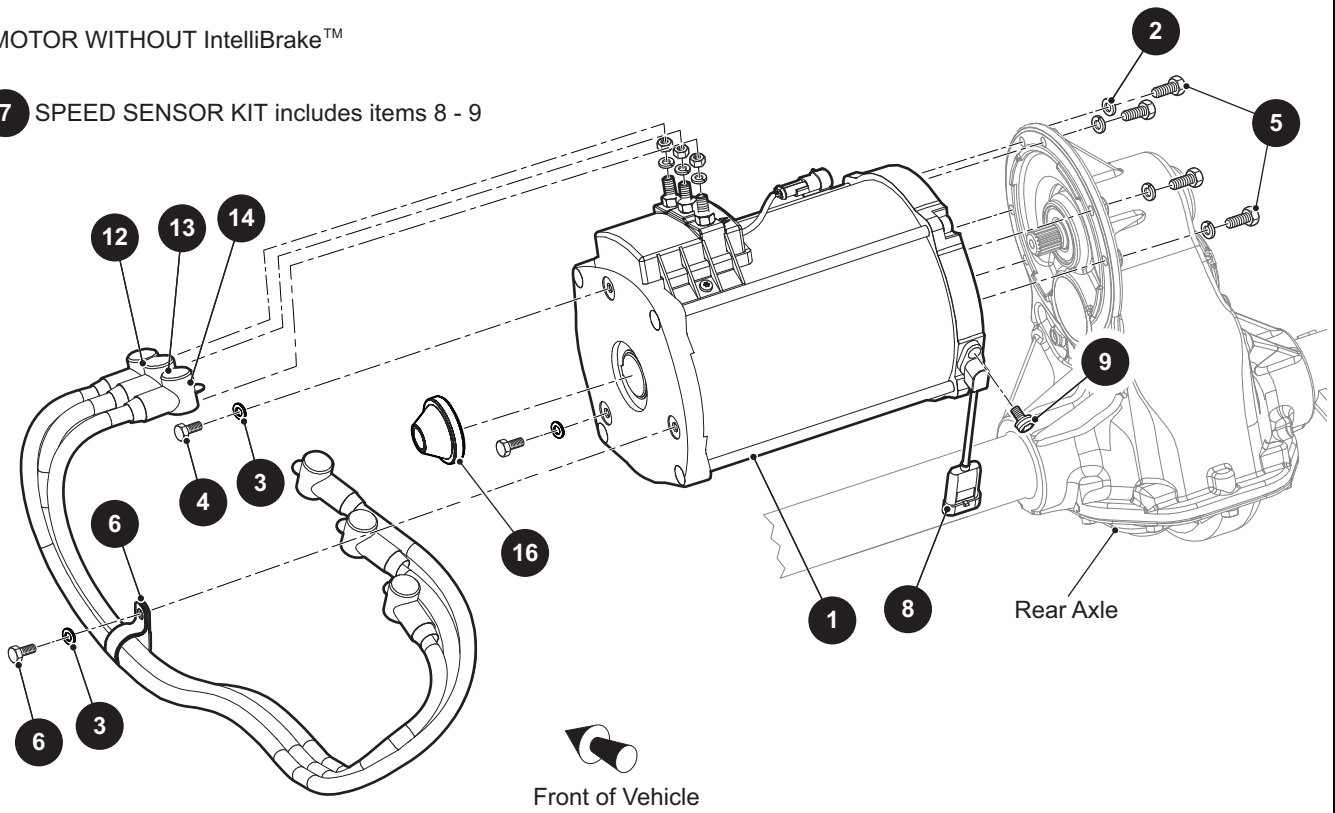
Notes:

A large grid of graph paper with approximately 25 columns and 30 rows, intended for writing notes.

MOTOR

MOTOR WITHOUT IntelliBrake™

7 SPEED SENSOR KIT includes items 8 - 9



THE USE OF NON U.L. PARTS WILL VOID ANY U.L. LISTING.

When ordering parts, please specify the model and serial number of the product.

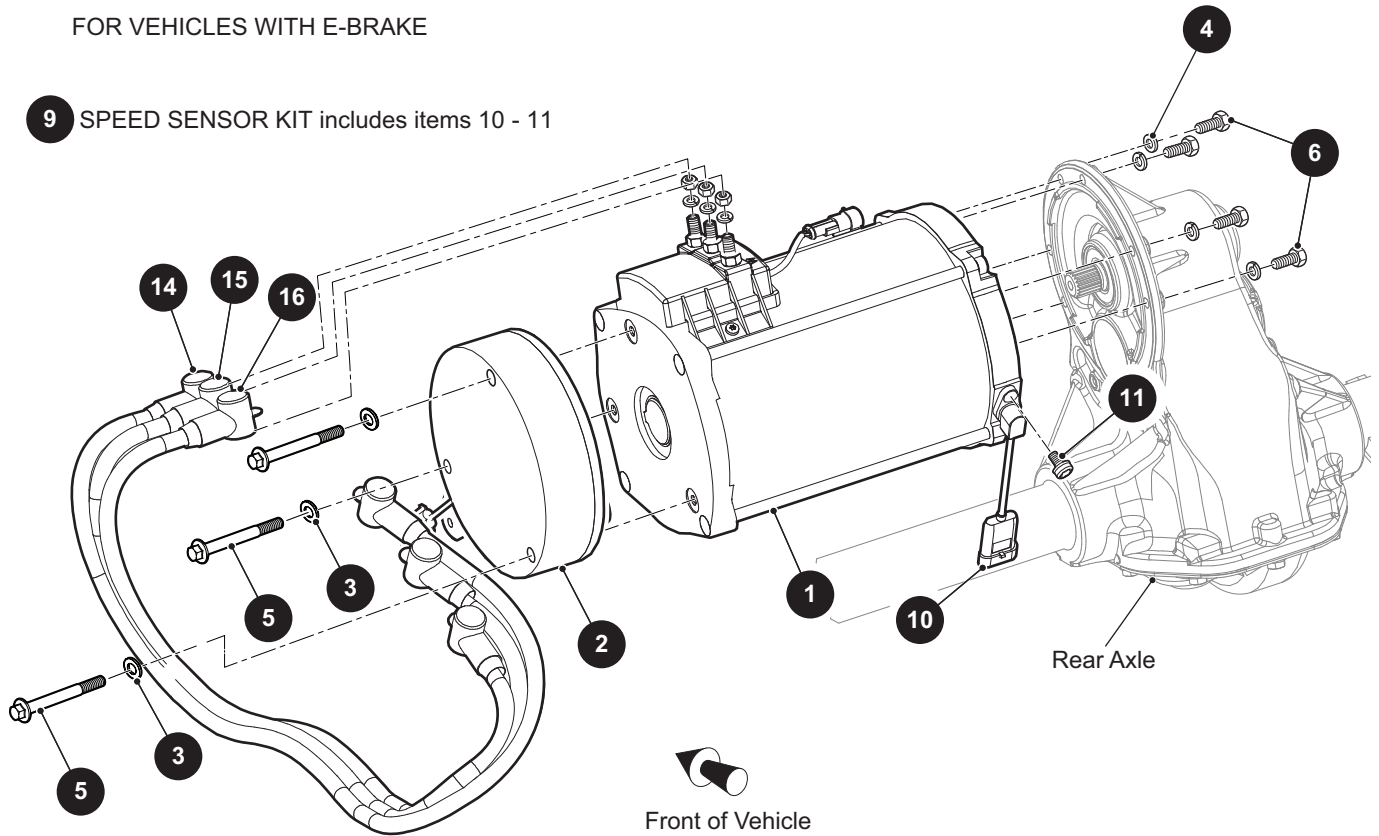
* Indicates a component that is not available as an individual part.

*** Indicates consult Customer Service Department for additional information.

ITEM	PART NO.	1 2 3 4 5	DESCRIPTION	QTY.
1	681071		MOTOR, 72V	1
2	<u>601327</u>		LOCK WASHER, 6MM.....	6
3	<u>00915G1</u>		BONDED SEAL WASHER, 1/4" I.D	3
4	<u>616716</u>		HEX HEAD BOLT, M6 - 1 X 16MM LG.....	3
5	<u>605741</u>		HEX HEAD BOLT, M6 - 1 X 25MM LG.....	6
6	<u>630761</u>		LOOP CLAMP	1
7	<u>614252</u>		SPEED SENSOR KIT (INCLUDES ITEMS 10 - 11).....	1
8	<u>612741</u>		SPEED SENSOR	1
9	<u>614253</u>		PAN HEAD TORX SCREW, M6 - 1 X 12MM LG	1
10				
11				
12	<u>635137G01</u>		MOTOR WIRE (U), 2AWG, 44"	1
13	<u>635137G02</u>		MOTOR WIRE (V), 2AWG, 41"	1
14	<u>635137G03</u>		MOTOR WIRE (W), 2AWG, 37"	1
15				
16	668275		END CAP	1

FOR VEHICLES WITH E-BRAKE

9 SPEED SENSOR KIT includes items 10 - 11



THE USE OF NON U.L. PARTS WILL VOID ANY U.L. LISTING.

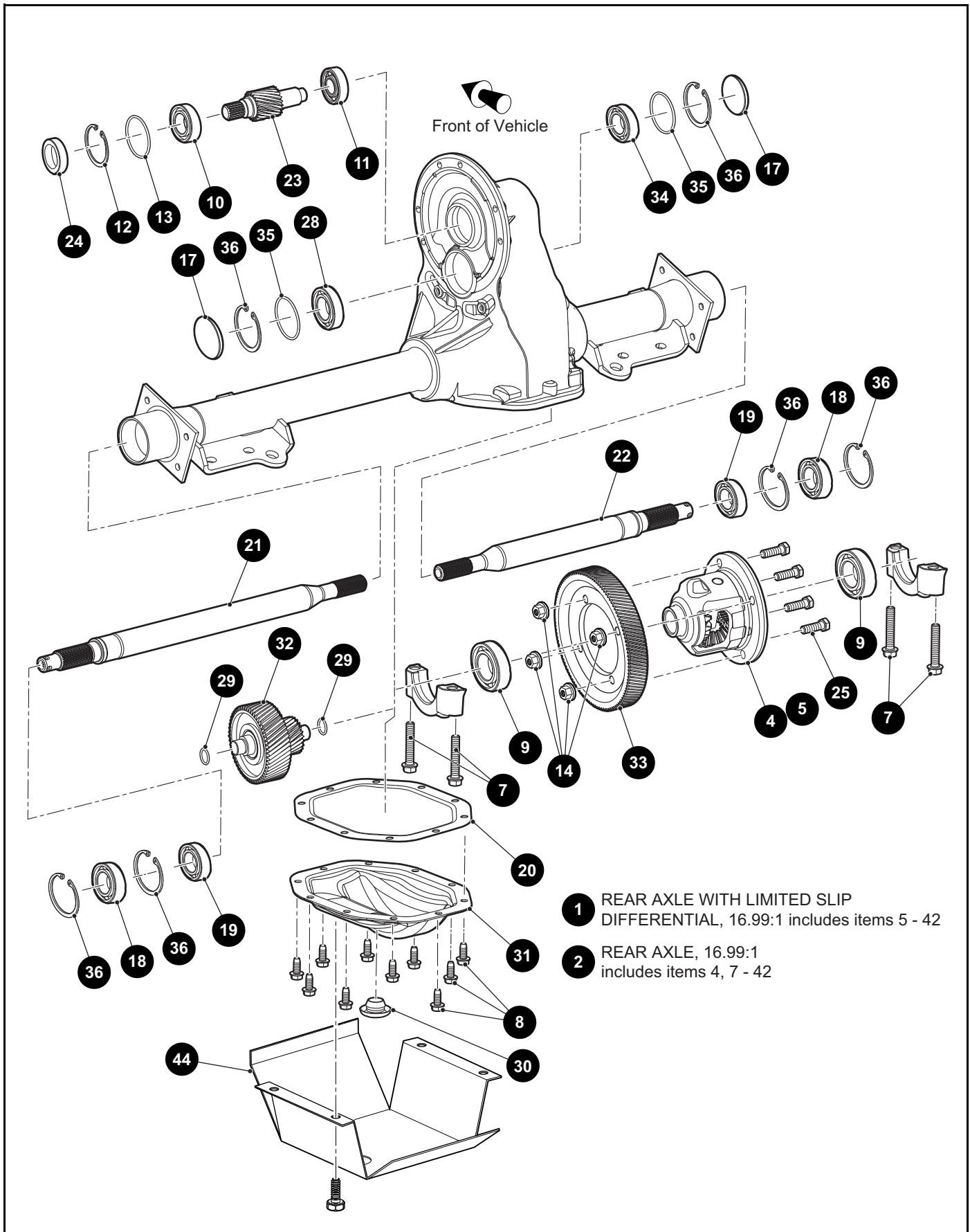
When ordering parts, please specify the model and serial number of the product.

* Indicates a component that is not available as an individual part.

*** Indicates consult Customer Service Department for additional information.

ITEM	PART NO.	1 2 3 4 5	DESCRIPTION	QTY.
1	681071		MOTOR, 72V	1
2	<u>655677</u>		E - BRAKE	1
3	<u>00664G7</u>		LOCK WASHER, 1/4"	3
4	<u>601327</u>		LOCK WASHER, 6MM.....	6
5	<u>73715G01</u>		FLANGED HEX HEAD BOLT, M6 - 1 X 60MM LG.....	3
6	<u>605741</u>		HEX HEAD BOLT, M6 - 1 X 25MM LG.....	6
7				
8				
9	<u>614252</u>		SPEED SENSOR KIT (INCLUDES ITEMS 10 - 11).....	1
10	<u>612741</u>		SPEED SENSOR	1
11	<u>614253</u>		PAN HEAD TORX SCREW, M6 - 1 X 12MM LG	1
12				
13				
14	<u>635137G01</u>		MOTOR WIRE (U), 2AWG, 44"	1
15	<u>635137G02</u>		MOTOR WIRE (V), 2AWG, 41"	1
16	<u>635137G03</u>		MOTOR WIRE (W), 2AWG, 37"	1

REAR AXLE



REAR AXLE

THE USE OF NON U.L. PARTS WILL VOID ANY U.L. LISTING.

When ordering parts, please specify the model and serial number of the product.

* Indicates a component that is not available as an individual part.

*** Indicates consult Customer Service Department for additional information.

ITEM	PART NO.	1 2 3 4 5	DESCRIPTION	QTY.
1	<u>633600</u>		REAR AXLE WITH LIMITED SLIP DIFFERENTIAL, 16.99:1 (INCLUDES ITEMS 5 - 42)	1
2	<u>633599</u>		REAR AXLE, 16.99:1 (INCLUDES ITEMS 4, 7 - 42).....	1
3				
4	<u>601082</u>		DIFFERENTIAL ASSEMBLY.....	1
5	<u>614059</u>		LIMITED SLIP DIFFERENTIAL CARRIER WITH CC CLUTCH	1
6				
7	<u>15118G1</u>		HEX HEAD BOLT, 3/8" - 16 X 2.125" LG	4
8	<u>15558G1</u>		HEX HEAD BOLT, 5/16" - 18 X .75" LG	10
9	<u>17473G1</u>		BEARING ASSEMBLY	2
10	<u>23519G2</u>		BALL BEARING SINGLE LIP SEAL	1
11	<u>23520G1</u>		BALL BEARING	1
12	<u>23530G1</u>		RETAINER RING	1
13	<u>24628G1</u>		O-RING SEAL.....	1
14	<u>601084</u>		LOCK NUT, 3/8" - 24.....	4
15				
16				
17	<u>608811</u>		END CAP	2
18	<u>611788</u>		BALL BEARING	2
19	<u>612064</u>		OIL SEAL	2
20	<u>612824</u>		GASKET	1
21	<u>617608</u>		AXLE SHAFT (DRIVER SIDE).....	1
22	<u>617609</u>		AXLE SHAFT (PASSENGER SIDE)	1
23	<u>620327</u>		INPUT GEAR	1
24	<u>620328</u>		OIL SEAL	1
25	<u>620335</u>		HEX HEAD BOLT, 3/8" - 24 X 1.25" LG	4
26				
27				
28	<u>620340</u>		BALL BEARING	1
29	<u>620345</u>		O-RING, 18MM.....	2
30	<u>620347</u>		RUBBER PLUG	1

REAR AXLE

THE USE OF NON U.L. PARTS WILL VOID ANY U.L. LISTING.

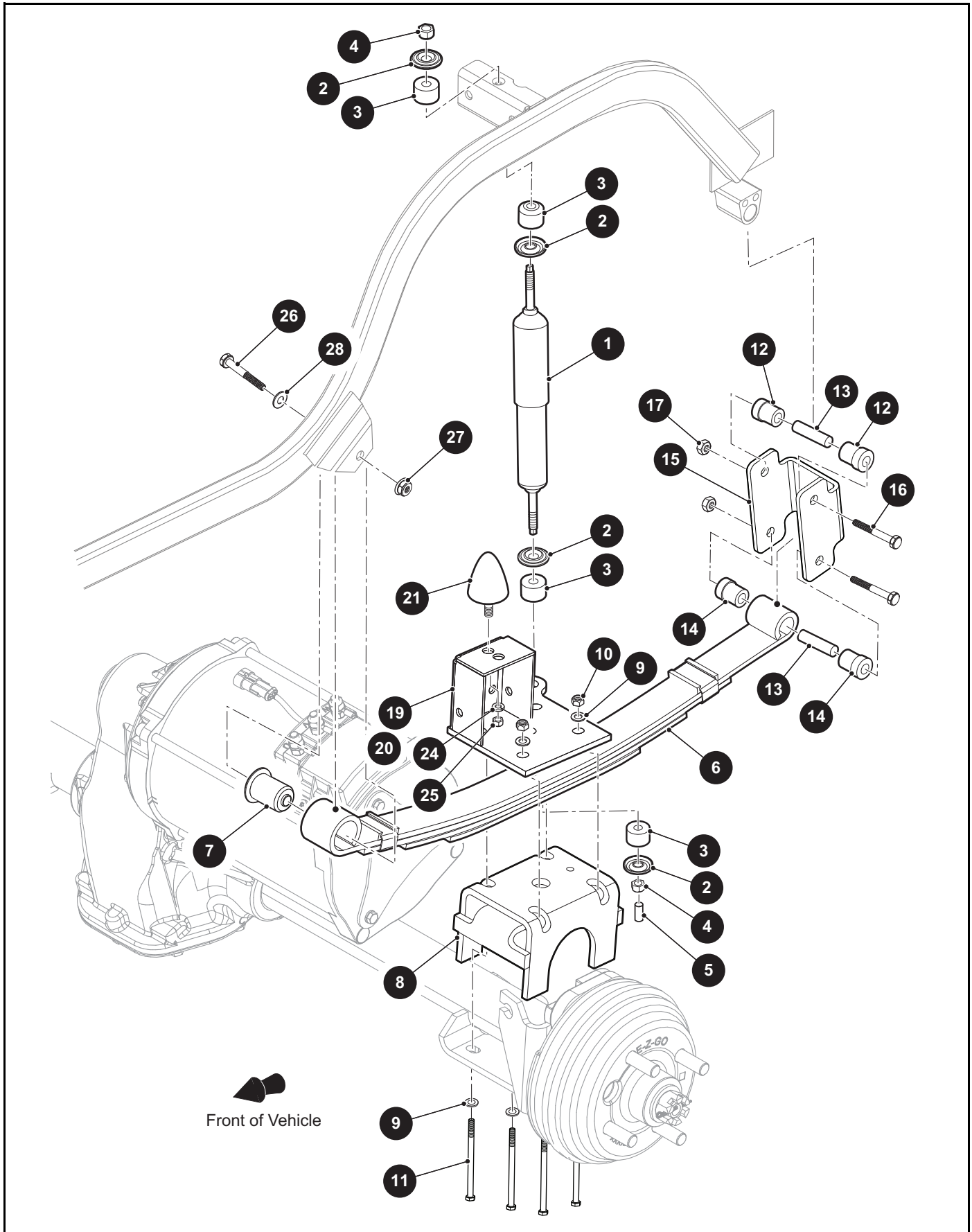
When ordering parts, please specify the model and serial number of the product.

* Indicates a component that is not available as an individual part.

*** Indicates consult Customer Service Department for additional information.

ITEM	PART NO.	1	2	3	4	5	DESCRIPTION	QTY.
31	<u>620348</u>						DIFFERENTIAL COVER PLATE	1
32	<u>620349</u>						INTERMEDIATE GEAR ASSEMBLY	1
33	<u>620350</u>						DRIVE GEAR	1
34	<u>620355</u>						BALL BEARING.....	1
35	<u>620358</u>						O-RING, 18MM	2
36	<u>620359</u>						RETAINING RING	6
37								
38								
39	<u>620329</u>						INPUT GEARS KIT (NOT ILLUSTRATED)	1
40	<u>620361</u>						INTERNAL GEARS KIT (NOT ILLUSTRATED).....	1
41	<u>620362</u>						BALL BEARING KIT (NOT ILLUSTRATED).....	1
42	<u>620363</u>						DIFFERENTIAL COVER ASSEMBLY KIT (NOT ILLUSTRATED).....	1
43								
44	<u>72764G02</u>						SCUFF GUARD (FOR VEHICLES WITH E-BRAKE).....	1

REAR SUSPENSION



REAR SUSPENSION

THE USE OF NON U.L. PARTS WILL VOID ANY U.L. LISTING.

When ordering parts, please specify the model and serial number of the product.

* Indicates a component that is not available as an individual part.

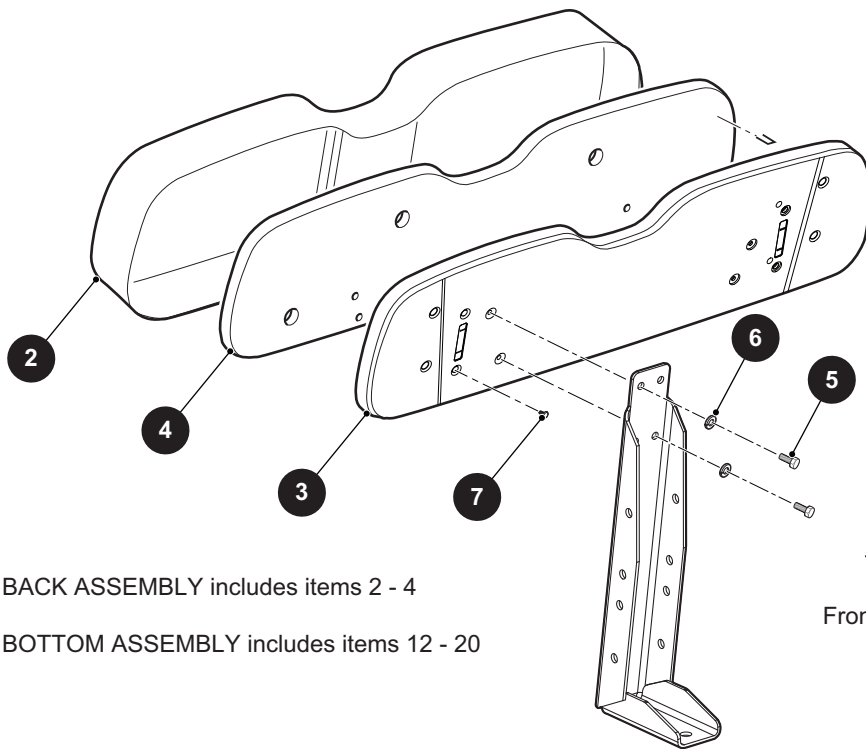
*** Indicates consult Customer Service Department for additional information.

ITEM	PART NO.	1 2 3 4 5	DESCRIPTION	QTY.
1	<u>76418G01</u>		SHOCK ABSORBER.....	1
2	<u>10435G1</u>		SHOCK ABSORBER WASHER, I.D. .406" X O.D. 1.25"	4
3	<u>10194G1</u>		RUBBER BUSHING.....	4
4	<u>00532G6</u>		HEX NUT, 3/8" - 24	2
5	<u>10044G01</u>		VINYL CAP.....	1
6	<u>627738</u>		HEAVY DUTY LEAF SPRING, 600 LBS.....	2
7	<u>605445</u>		BUSHING, 49 MM.....	2
8	<u>652708G03</u>		LIFT BRACKET	1
9	<u>00560G1</u>		FLAT WASHER, 3/8"	8
10	<u>11098G5</u>		LOCK NUT, 3/8" - 16.....	4
11	<u>00430G12</u>		HEX HEAD BOLT, 3/8" - 16 X 5 1/2" LG	4
12	<u>624030</u>		FLANGED BUSHING.....	2
13	<u>70289G02</u>		SPLIT SPACER (STEEL), I.D. .376" X O.D. 1" X 1" LG	2
14	<u>624030</u>		FLANGED BUSHING.....	4
15	<u>652252G03</u>		SHACKLE BRACKET	1
16	<u>00665G9</u>		HEX HEAD BOLT (SS), 3/8" - 16 X 3 1/2" LG	2
17	<u>11098G5</u>		LOCK NUT, 3/8" - 16.....	2
18				
19	<u>652713G103</u>		MOUNTING PLATE (DRIVER SIDE)	1
20	<u>652713G203</u>		MOUNTING PLATE (PASSENGER SIDE)	1
21	<u>70492G01</u>		RUBBER BUMPER.....	1
22				
23				
24	<u>608654</u>		SPLIT LOCK WASHER, M10.....	1
25	<u>00974G01</u>		HEX NUT, M10 X 1.0	1
26	<u>00665G9</u>		HEX HEAD BOLT (SS), 3/8" - 16 X 3 1/2" LG	1
27	<u>12262G1</u>		LOCK NUT, 3/8" - 16.....	1
28	<u>00643G1</u>		FLAT WASHER, 3/8"	1

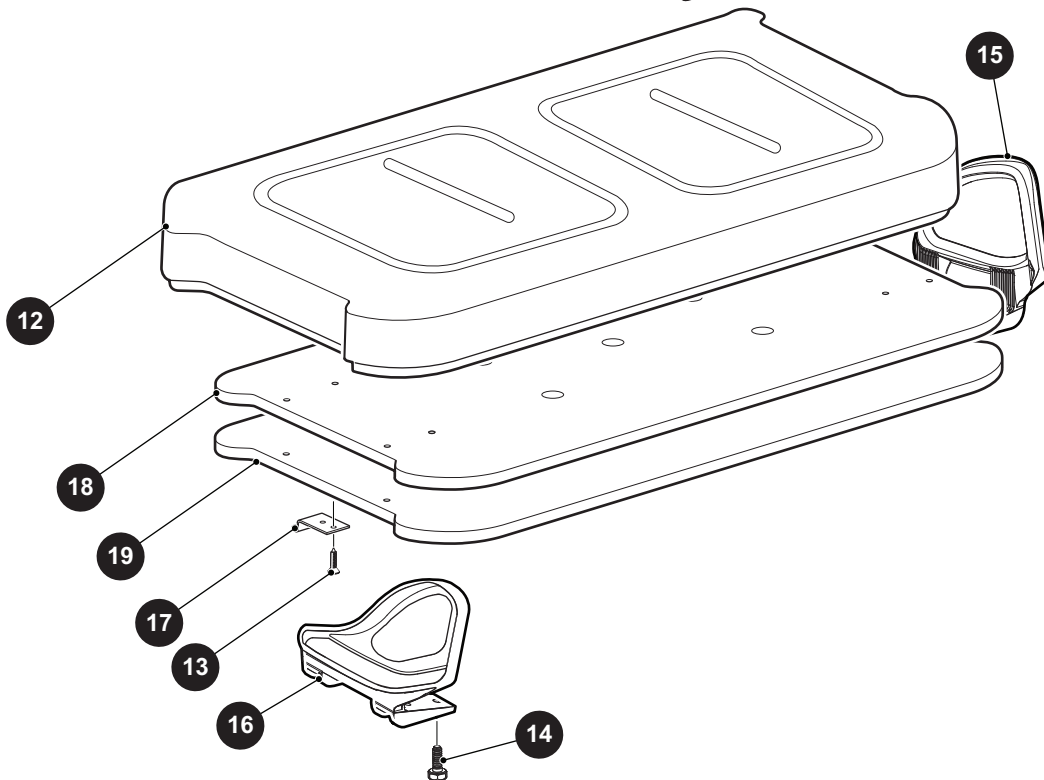
Notes:

Grid area for notes

SEATING



- 1 SEAT BACK ASSEMBLY includes items 2 - 4
- 11 SEAT BOTTOM ASSEMBLY includes items 12 - 20



THE USE OF NON U.L. PARTS WILL VOID ANY U.L. LISTING.

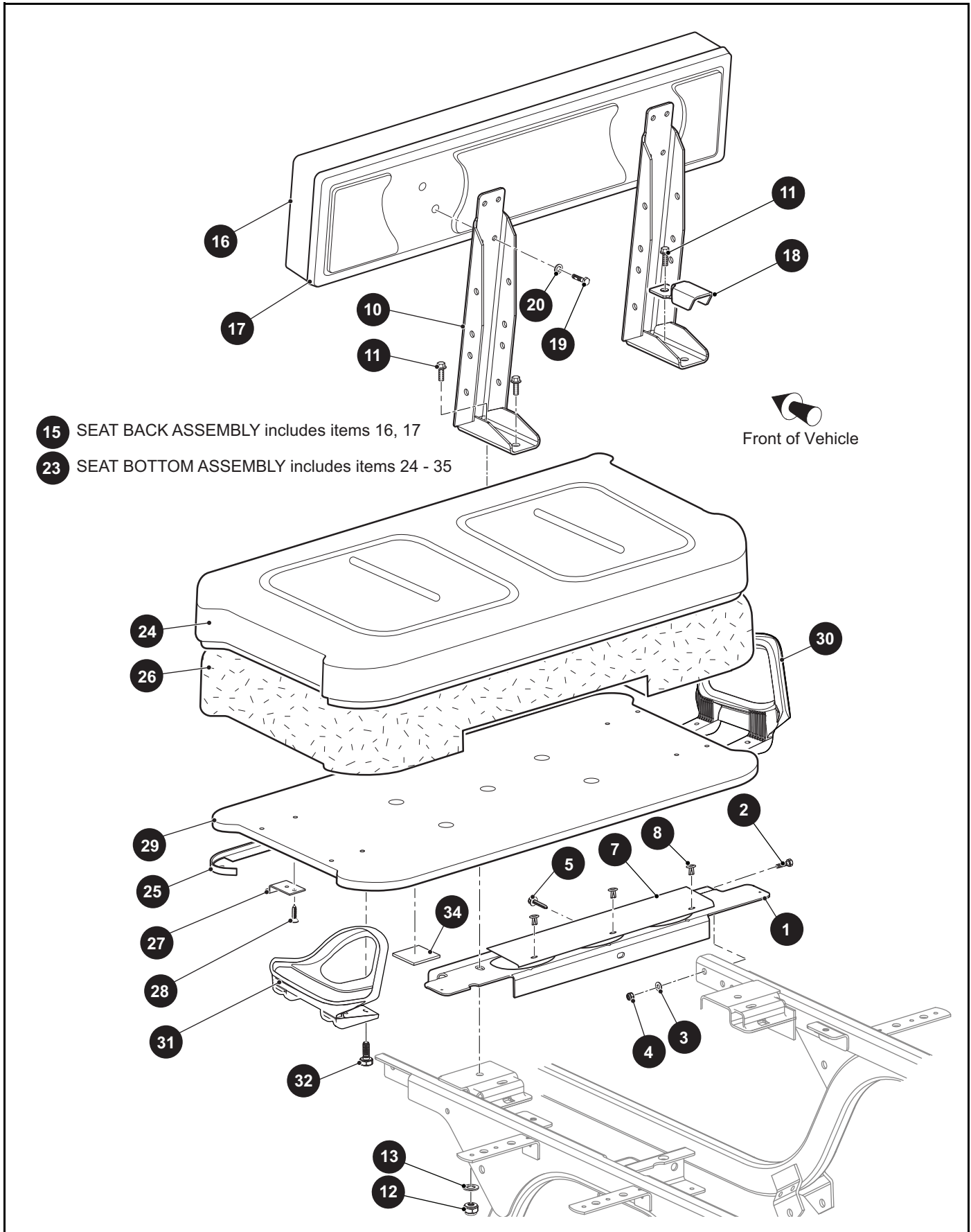
When ordering parts, please specify the model and serial number of the product.

* Indicates a component that is not available as an individual part.

*** Indicates consult Customer Service Department for additional information.

ITEM	PART NO.	1 2 3 4 5	DESCRIPTION	QTY.
1	641897G00**		SEAT BACK ASSEMBLY (INCLUDES ITEMS 2 - 4)..... 641897G0001 OYSTER 641897G0002 STONE BEIGE 641897G0006 BLACK 641897G0004 GRAY	1
2	<u>644820G01</u>		VINYL SEAT BACK COVER..... <u>644820G01</u> OYSTER <u>644820G02</u> STONE BEIGE <u>644820G06</u> BLACK <u>644820G04</u> GRAY	1
3	<u>605529</u>		SEAT BACK COVER	1
4	<u>644268</u>		SEAT BACK HIP BASE	1
5	<u>605056</u>		HEX HEAD BOLT (SS), 1/4" - 20 X 1" LG	2
6	<u>00664G7</u>		LOCK WASHER, 1/4"	2
7	<u>617533</u>		PUSH RIVET.....	4
8				
9				
10				
11	629269G15**		SEAT BOTTOM ASSEMBLY (INCLUDES ITEMS 12 - 20)..... 629269G1501 OYSTER 629269G1502 STONE BEIGE 629269G1506 BLACK 629269G1504 GRAY	1
12	644819G0*		VINY SEAT BOTTOM COVER	1
			644819G01 OYSTER 644819G02 STONE BEIGE 644819G06 BLACK 644819G04 GRAY	
13	<u>00720G08</u>		FLAT HEAD PHILLIPS TAPPING SCREW, #12 - 14 X 1" LG	6
14	<u>615417</u>		BUTTON HEAD TORX BOLT, M10 - 1.5 X 25MM LG	8
15	<u>617644</u>		HIP RESTRAINT (PASSENGER SIDE)	1
16	<u>617645</u>		HIP RESTRAINT (DRIVER SIDE)	1
17	<u>71610G01</u>		SEAT HINGE	2
18	<u>644351</u>		SEAT BOTTOM WOOD ASSEMBLY	1
19	<u>602551</u>		SEAT BOTTOM COVER	1
20	<u>16816G2</u>		RATCHET RIVET, .25" X .887" (NOT ILLUSTRATED).....	4

SEATING



THE USE OF NON U.L. PARTS WILL VOID ANY U.L. LISTING.

When ordering parts, please specify the model and serial number of the product.

* Indicates a component that is not available as an individual part.

*** Indicates consult Customer Service Department for additional information.

ITEM	PART NO.	1 2 3 4 5	DESCRIPTION	QTY.
1	<u>74971G01</u>		SEAT BACK SUPPORT PLATE	1
2	<u>00438G8</u>		HEX HEAD BOLT, 5/16" - 18 X 1" LG	2
3	<u>00642G8</u>		FLAT WASHER, 5/16"	2
4	11098G6		LOCK NUT, 5/16" - 18	1
5	<u>00715G2</u>		FLANGED HEX HEAD BOLT, 5/16" - 18 X 13/16" LG	1
6				
7	<u>71263G01</u>		ACCESS COVER	1
8	<u>18436G1</u>		DRIVE RIVET, 3/16"	3
9				
10	<u>652243G03</u>		SEAT BACK SUPPORT BRACKET	1
11	<u>01006G01</u>		HEX WASHER HEAD BOLT, 3/8" - 16 X 1.25" LG	2
12	<u>11098G5</u>		LOCK NUT, 3/8" - 16	1
13	<u>00643G1</u>		FLAT WASHER, 3/8"	1
14				
15	71274G**		SEAT BACK ASSEMBLY (INCLUDES ITEMS 16, 17)	1
			71274G01 WHITE	
			71274G02 BLACK	
			71274G03 TAN	
			71274G04 GRAY	
			71274G05 OYSTER	
			71274G07 BROWN	
16	18144G**		VINYL SEAT BACK COVER	1
			18144G2 WHITE	
			18144G3 BLACK	
			18144G4 TAN	
			18144G5 GRAY	
			18144G6 OYSTER	
			18144G8 BROWN	
17	<u>74889G01</u>		PLASTIC SEAT BACK COVER (BLACK)	1
18	<u>652444G03</u>		BED BUMPER BRACKET	2
19	<u>605056</u>		HEX HEAD BOLT, 1/4" - 20 X 1" LG	2
20	<u>00664G7</u>		LOCK WASHER, 1/4"	2
21				
22				

SEATING

THE USE OF NON U.L. PARTS WILL VOID ANY U.L. LISTING.

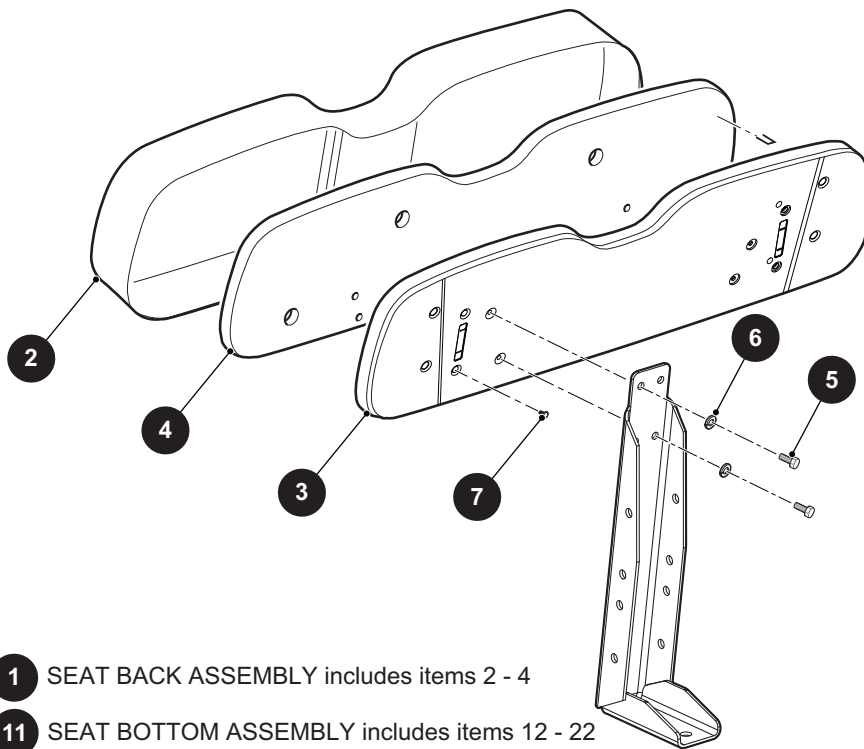
When ordering parts, please specify the model and serial number of the product.

* Indicates a component that is not available as an individual part.

*** Indicates consult Customer Service Department for additional information.

ITEM	PART NO.	1	2	3	4	5	DESCRIPTION	QTY.
23	629269G01**						SEAT BOTTOM ASSEMBLY (INCLUDES ITEMS 24 - 35).....	1
							629269G0101 OYSTER	
							629269G0103 TAN	
							629269G0104 GRAY	
							629269G0105 WHITE	
							629269G0106 BLACK	
							629269G0107 BROWN	
24	71602G**						VINYL SEAT BOTTOM COVER.....	1
							71602G01 WHITE	
							71602G02 GRAY	
							71602G03 OYSTER	
							71602G04 TAN	
							71602G06 BLACK	
							71602G07 BROWN	
25	<u>71012G01</u>						VINYL TRIM (SEAT BOTTOM)	1
26	<u>71603G02</u>						FOAM PADDING (SEAT BOTTOM).....	1
27	<u>71610G01</u>						SEAT HINGE.....	2
28	<u>00720G08</u>						FLAT HEAD PHILLIPS TAPPING SCREW, #12 - 14 X 1" LG.....	6
29	<u>645492</u>						SEAT BOTTOM.....	1
30	<u>617644</u>						HIP RESTRAINT (PASSENGER SIDE)	1
31	<u>617645</u>						HIP RESTRAINT (DRIVER SIDE)	1
32	<u>615417</u>						BUTTON HEAD TORX BOLT, M10 - 1.5 X 25MM LG	8
33	<u>23222G1</u>						FLAT STAPLE (NOT ILLUSTRATED)	AR
34	<u>17074G1</u>						RUBBER PAD	2
35	<u>23223G1</u>						FLAT STAPLE (NOT ILLUSTRATED)	AR

SEATING

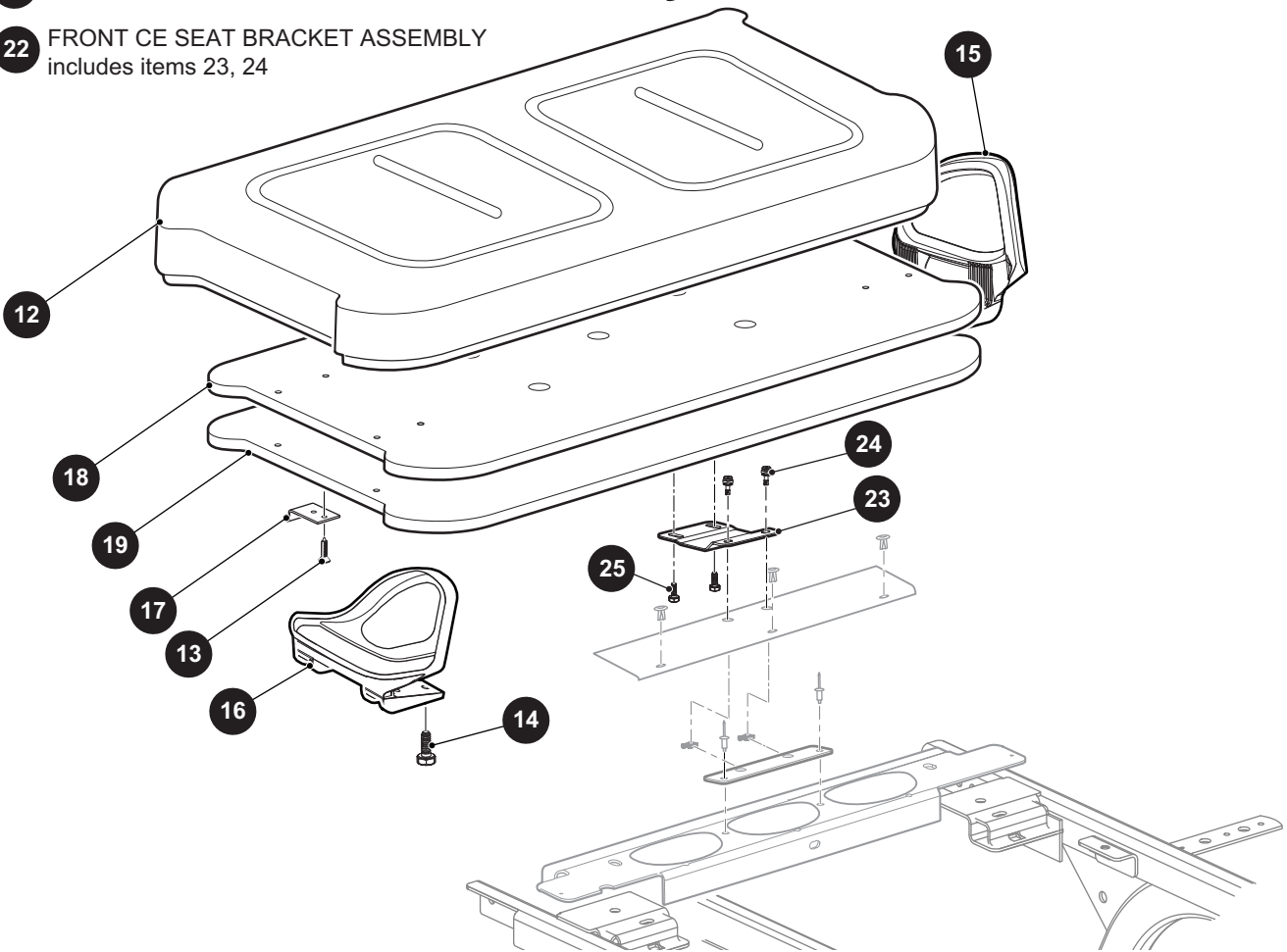


Front of Vehicle

1 SEAT BACK ASSEMBLY includes items 2 - 4

11 SEAT BOTTOM ASSEMBLY includes items 12 - 22

22 FRONT CE SEAT BRACKET ASSEMBLY includes items 23, 24



THE USE OF NON U.L. PARTS WILL VOID ANY U.L. LISTING.

When ordering parts, please specify the model and serial number of the product.

* Indicates a component that is not available as an individual part.

*** Indicates consult Customer Service Department for additional information.

ITEM	PART NO.	1 2 3 4 5	DESCRIPTION	QTY.
1	641897G00**		SEAT BACK ASSEMBLY (INCLUDES ITEMS 2 - 4)..... 641897G0001 OYSTER 641897G0002 STONE BEIGE 641897G0006 BLACK 641897G0004 GRAY	1
2	<u>644820G01</u>		VINYL SEAT BACK COVER..... <u>644820G01</u> OYSTER <u>644820G02</u> STONE BEIGE <u>644820G06</u> BLACK <u>644820G04</u> GRAY	1
3	<u>605529</u>		SEAT BACK COVER	1
4	<u>644268</u>		SEAT BACK HIP BASE	1
5	<u>605056</u>		HEX HEAD BOLT (SS), 1/4" - 20 X 1" LG	4
6	<u>00664G7</u>		LOCK WASHER, 1/4"	4
7	<u>617533</u>		PUSH RIVET.....	4
8				
9				
10				
11	629269G18**		SEAT BOTTOM ASSEMBLY (INCLUDES ITEMS 12 - 22)..... 629269G1801 OYSTER 629269G1802 STONE BEIGE 629269G1806 BLACK 629269G1804 GRAY	1
12	644819G0*		VINY SEAT BOTTOM COVER	1
			644819G01 OYSTER 644819G02 STONE BEIGE 644819G06 BLACK 644819G04 GRAY	
13	<u>00720G08</u>		FLAT HEAD PHILLIPS TAPPING SCREW, #12 - 14 X 1" LG	6
14	<u>615417</u>		BUTTON HEAD TORX BOLT, M10 - 1.5 X 25MM LG	8
15	<u>617644</u>		HIP RESTRAINT (PASSENGER SIDE)	1
16	<u>617645</u>		HIP RESTRAINT (DRIVER SIDE)	1
17	<u>71610G01</u>		SEAT HINGE	2
18	<u>651765</u>		SEAT BOTTOM WOOD ASSEMBLY	1
19	<u>602551</u>		SEAT BOTTOM COVER	1
20	<u>16816G2</u>		RATCHET RIVET, .25 X .887	4
21				

SEATING

THE USE OF NON U.L. PARTS WILL VOID ANY U.L. LISTING.

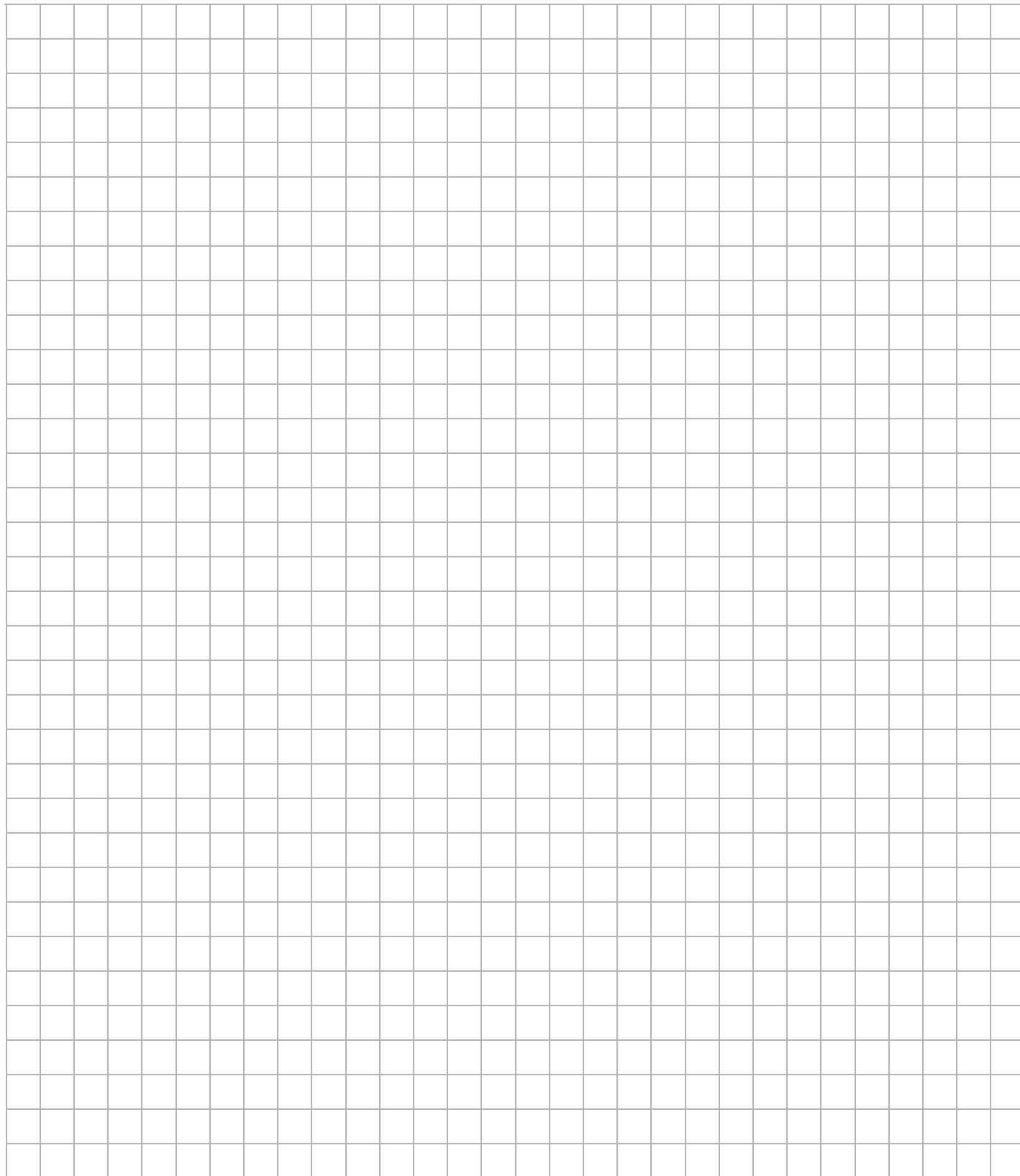
When ordering parts, please specify the model and serial number of the product.

* Indicates a component that is not available as an individual part.

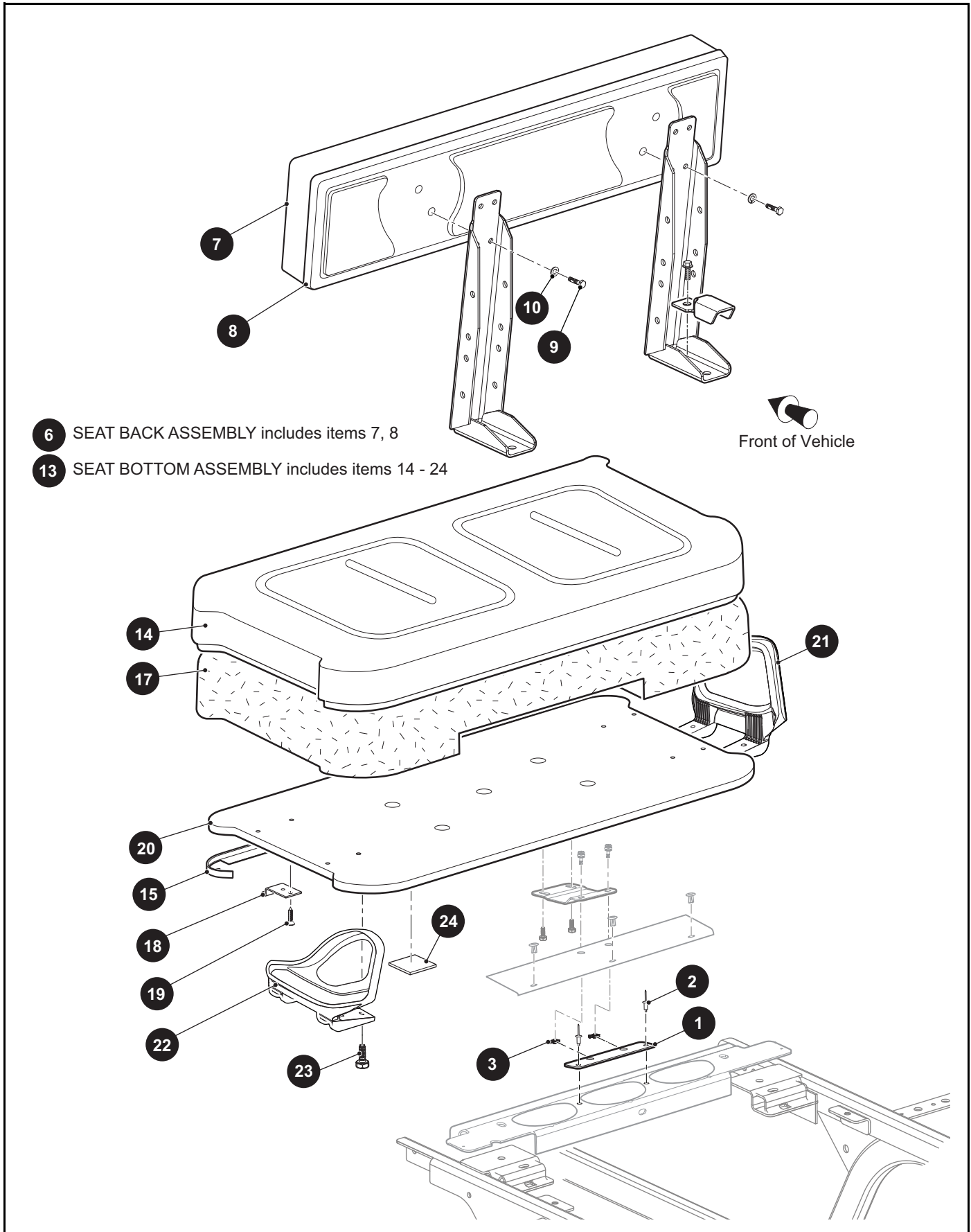
*** Indicates consult Customer Service Department for additional information.

ITEM	PART NO.	1	2	3	4	5	DESCRIPTION	QTY.
22	637082						FRONT SEAT BRACKET ASSEMBLY (CE VEHICLES) (INCLUDES ITEMS 23, 24).....	1
23	<u>635659</u>						FRONT SEAT BRACKET	1
24	<u>635958</u>						QUARTER TURN SCREW ASSEMBLY	2
25	<u>615417</u>						BUTTON HEAD TORX BOLT, M10 - 1.5 X 25MM LG	2

Notes:

A large grid of 20 columns and 20 rows for taking notes. The grid is composed of small squares, suitable for writing or drawing.

SEATING



6 SEAT BACK ASSEMBLY includes items 7, 8

13 SEAT BOTTOM ASSEMBLY includes items 14 - 24

Front of Vehicle

THE USE OF NON U.L. PARTS WILL VOID ANY U.L. LISTING.

When ordering parts, please specify the model and serial number of the product.

* Indicates a component that is not available as an individual part.

*** Indicates consult Customer Service Department for additional information.

ITEM	PART NO.	1 2 3 4 5	DESCRIPTION	QTY.
1	<u>635660</u>		SEAT LATCH REAR BRACKET.....	1
2	10570G12		RIVET, .257 X .556.....	2
3	<u>635654</u>		QUATER TURN CLIP-ON RECEPTACLE	2
4				
5				
6	71274G**		SEAT BACK ASSEMBLY (INCLUDES ITEMS 7, 8)..... 71274G01 WHITE 71274G02 BLACK 71274G03 TAN 71274G04 GRAY 71274G05 OYSTER 71274G07 BROWN	1
7	18144G**		VINYL SEAT BACK COVER..... 18144G2 WHITE 18144G3 BLACK 18144G4 TAN 18144G5 GRAY 18144G6 OYSTER 18144G8 BROWN	1
8	<u>74889G01</u>		PLASTIC SEAT BACK COVER (BLACK)	1
9	<u>605056</u>		HEX HEAD BOLT, 1/4" - 20 X 1" LG	2
10	<u>00664G7</u>		LOCK WASHER, 1/4"	2
11				
12				
13	629269G14**		SEAT BOTTOM ASSEMBLY (INCLUDES ITEMS 14 - 24)..... 629269G1401 OYSTER 629269G1403 TAN 629269G1404 GRAY 629269G1405 WHITE 629269G1406 BLACK 629269G1407 BROWN	1
14	71602G**		VINYL SEAT BOTTOM COVER	1
			71602G01 WHITE 71602G02 GRAY 71602G03 OYSTER 71602G04 TAN 71602G06 BLACK 71602G07 BROWN	
15	<u>71012G01</u>		VINYL TRIM (SEAT BOTTOM).....	1
16				

SEATING

THE USE OF NON U.L. PARTS WILL VOID ANY U.L. LISTING.

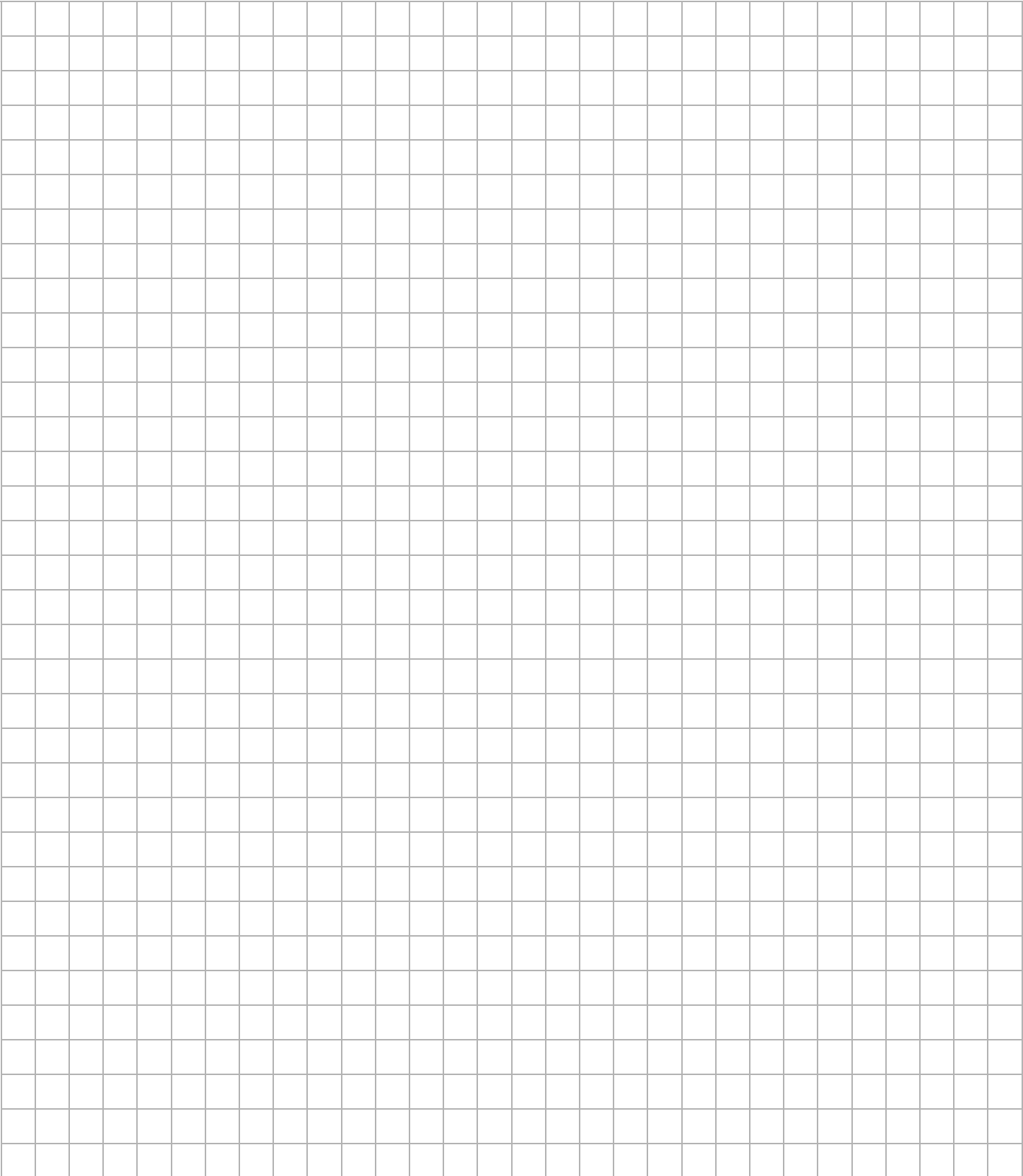
When ordering parts, please specify the model and serial number of the product.

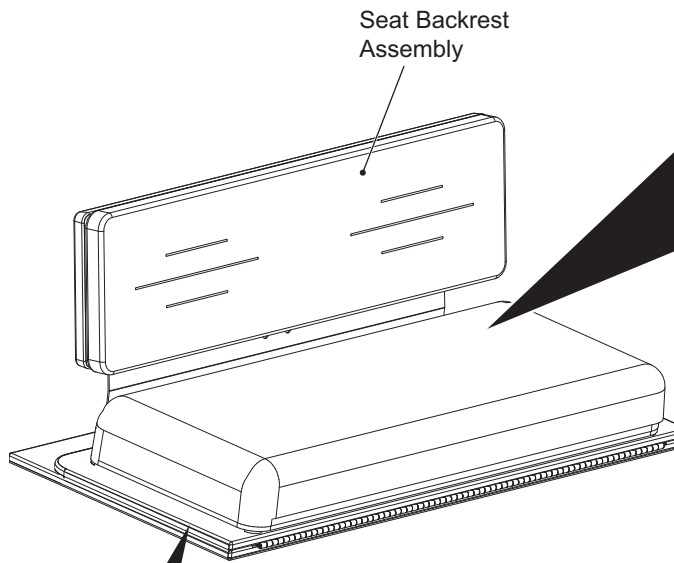
* Indicates a component that is not available as an individual part.

*** Indicates consult Customer Service Department for additional information.

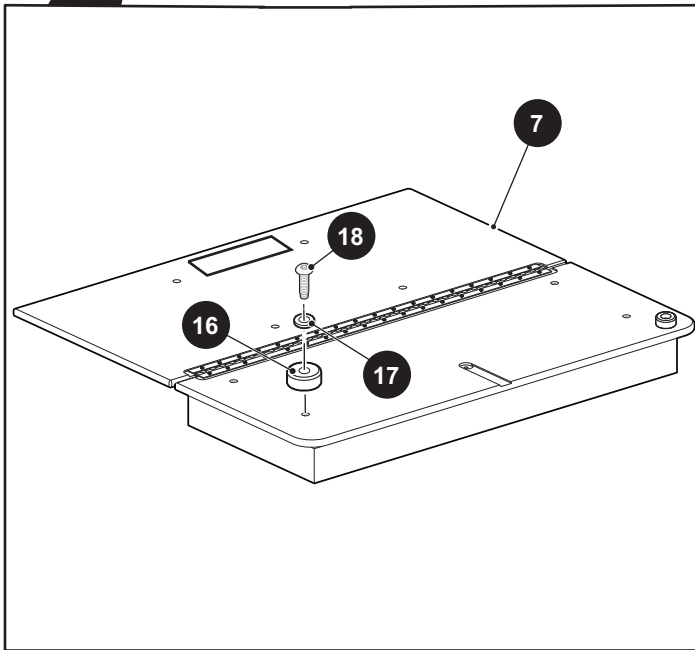
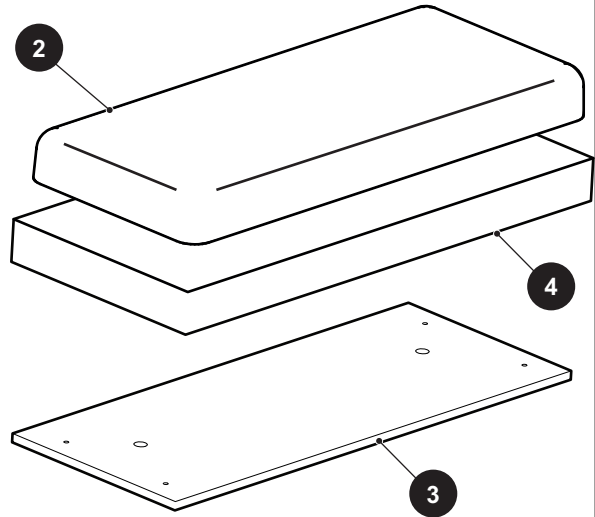
ITEM	PART NO.	1	2	3	4	5	DESCRIPTION	QTY.
17	<u>71603G02</u>						FOAM PADDING (SEAT BOTTOM).....	1
18	<u>71610G01</u>						SEAT HINGE.....	2
19	<u>00720G08</u>						FLAT HEAD PHILLIPS TAPPING SCREW, #12 - 14 X 1" LG.....	6
20	<u>645485</u>						SEAT BOTTOM.....	1
21	<u>617644</u>						HIP RESTRAINT (PASSENGER SIDE).....	1
22	<u>617645</u>						HIP RESTRAINT (DRIVER SIDE)	1
23	<u>615417</u>						BUTTON HEAD TORX BOLT, M10 - 1.5 X 25MM LG	10
24	<u>17074G1</u>						RUBBER PAD	2

Notes:

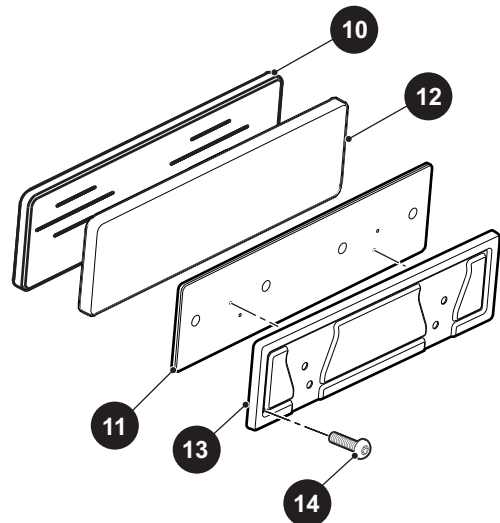




1 FLIP SEAT BOTTOM ASSEMBLY
includes items 2 - 4



9 BACKREST ASSEMBLY (BLACK)
includes items 10 - 14



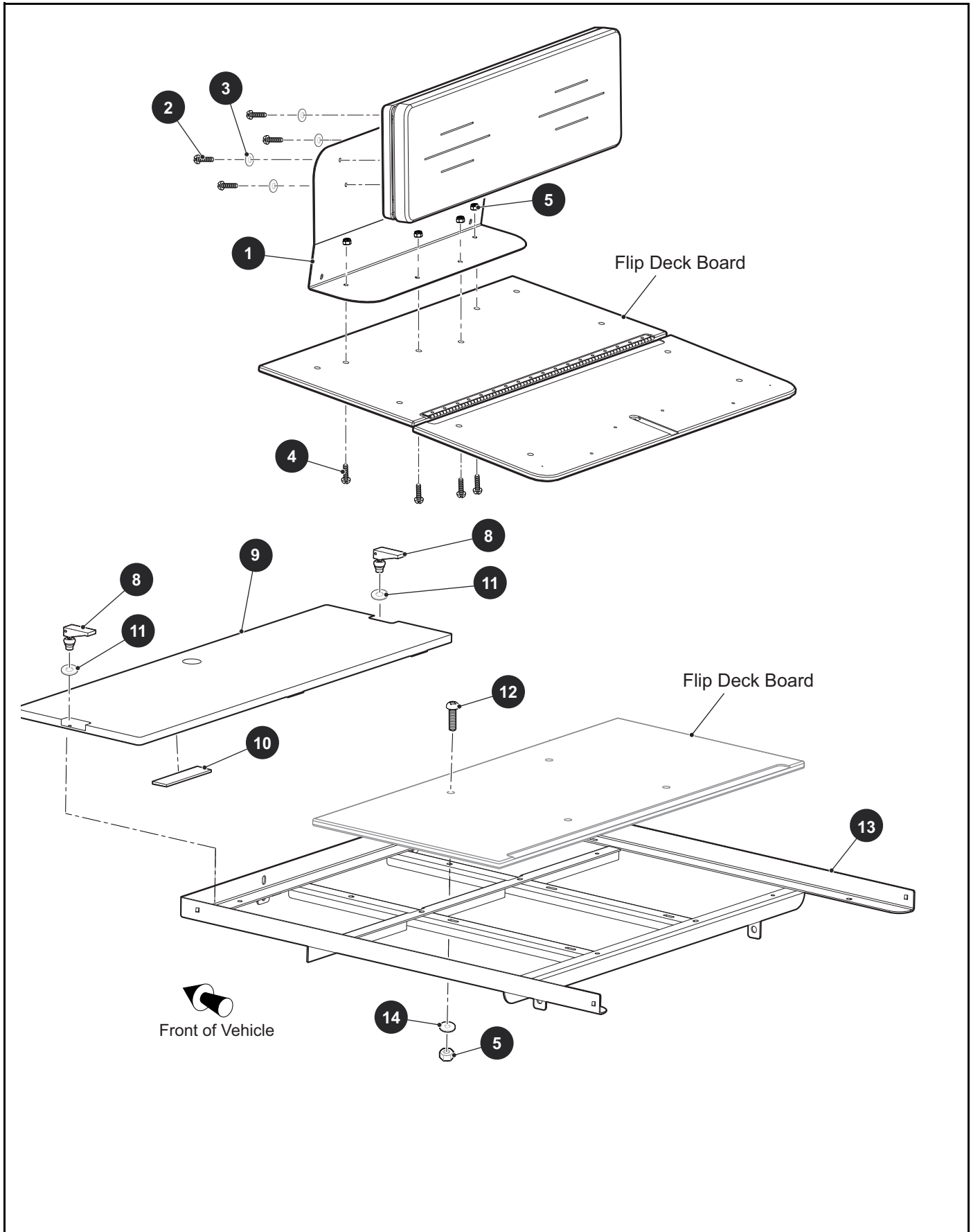
THE USE OF NON U.L. PARTS WILL VOID ANY U.L. LISTING.

When ordering parts, please specify the model and serial number of the product.

* Indicates a component that is not available as an individual part.

*** Indicates consult Customer Service Department for additional information.

ITEM	PART NO.	1 2 3 4 5	DESCRIPTION	QTY.
1	XXXXXX		SEAT BOTTOM ASSEMBLY (INCLUDES ITEMS 2 - 4) 617895 GRAY 617897 BROWN 621026 OYSTER 621027 TAN 621036 BLACK	1
2	XXXXXX		SEAT BOTTOM VINYL 617892 GRAY 617893 BROWN 615646 OYSTER 615647 TAN 615648 BLACK	
3	<u>645820</u>		SEAT BOTTOM	1
4	<u>617401</u>		SEAT BOTTOM FOAM.....	1
5				
6				
7	<u>627157</u>		DECK BOARD ASSEMBLY	1
8				
9	71274G0*		BACK REST ASSEMBLY (INCLUDES ITEMS 10 - 14) 71274G04 GRAY 71274G07 BROWN 71274G05 OYSTER 71274G03 TAN 71274G02 BLACK	1
10	18144G*		SEAT BACK COVER 18144G2 BLACK 18144G3 TAN 18144G4 GRAY 18144G6 OYSTER 18144G8 BROWN	
11	<u>644269</u>		SEAT BACK BASE	1
12	<u>25433G4</u>		SEAT BACK FOAM	1
13	74489G01		SEAT BACK COVER	1
14	<u>01107G01</u>		PAN HEAD TORX SCREW (SS), #8 X 5/8" LG.....	4
15				
16	<u>619756</u>		RUBBER BUMPER.....	2
17	<u>616671</u>		FLAT WASHER, 8MM	2
18	<u>800344</u>		TRUSS HEAD PHILLIPS TAPPING SCREW, #10 - 16 X 5/8" LG.....	2



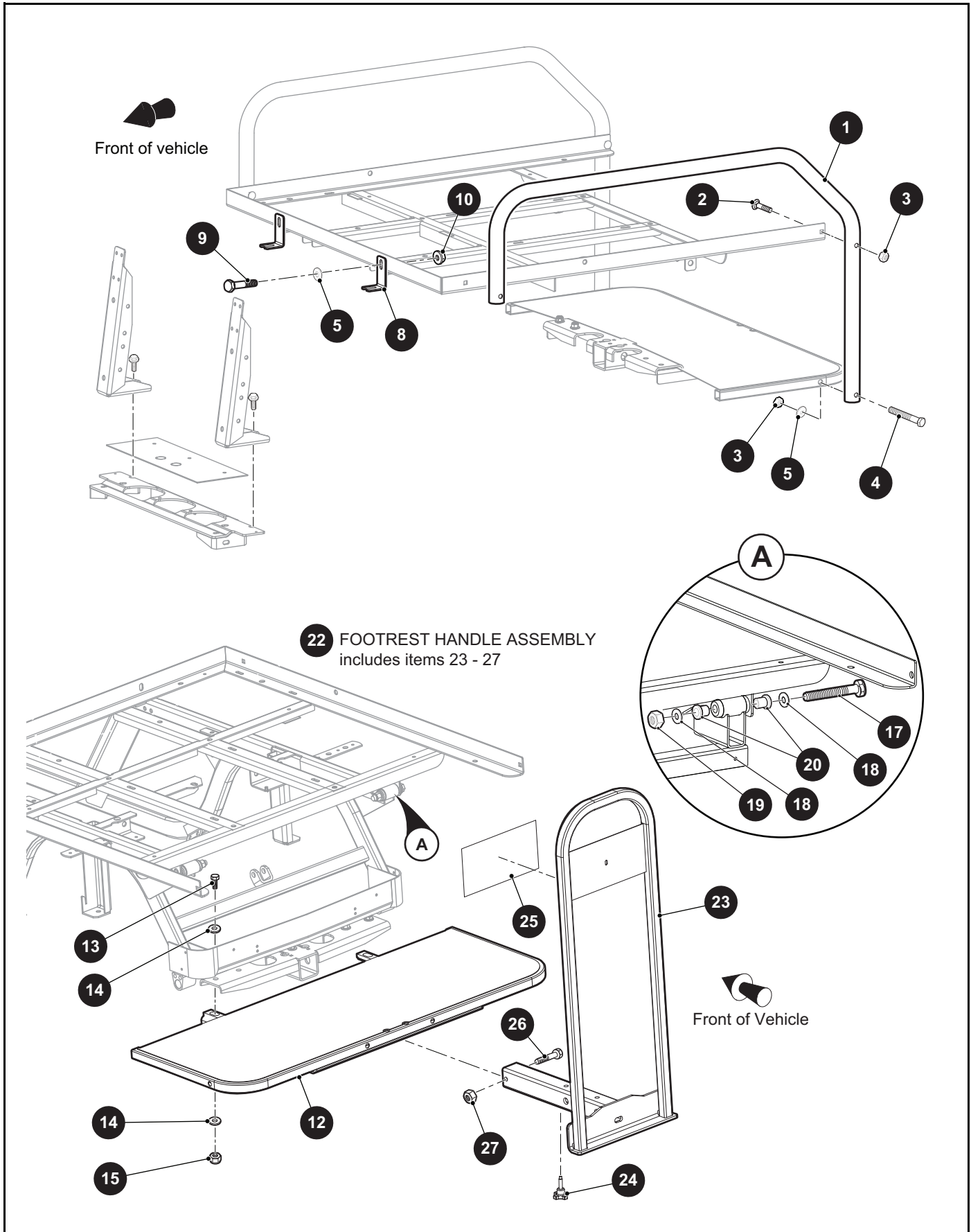
THE USE OF NON U.L. PARTS WILL VOID ANY U.L. LISTING.

When ordering parts, please specify the model and serial number of the product.

* Indicates a component that is not available as an individual part.

*** Indicates consult Customer Service Department for additional information.

ITEM	PART NO.	1 2 3 4 5	DESCRIPTION	QTY.
1	<u>627804</u>		SEAT BACK WELDMENT.....	1
2	<u>16705G9</u>		TRUSS HEAD PHILLIPS SCREW (SS), 1/4" - 20 X 1.25" LG.....	4
3	<u>00664G7</u>		LOCK WASHER, 1/4"	4
4	<u>16705G1</u>		TRUSS HEAD PHILLIPS SCREW (SS), 1/4" - 20 X 1" LG.....	4
5	<u>14390G4</u>		LOCK NUT, 1/4" - 20	8
6				
7				
8	<u>638060</u>		SWELL LATCH.....	2
9	<u>637994</u>		SWING DECK BOARD FILLER.....	1
10	<u>640577</u>		RUBBER PAD	6
11	<u>00793G2</u>		FLAT WASHER (SS), 1/4".....	2
12	<u>16705G9</u>		TRUSS HEAD PHILLIPS SCREW (SS), 1/4" - 20 X 1.25" LG.....	4
13	<u>640259</u>		SEAT FRAME	1
14	<u>01110G01</u>		FLAT WASHER, 1/4"	4



THE USE OF NON U.L. PARTS WILL VOID ANY U.L. LISTING.

When ordering parts, please specify the model and serial number of the product.

* Indicates a component that is not available as an individual part.

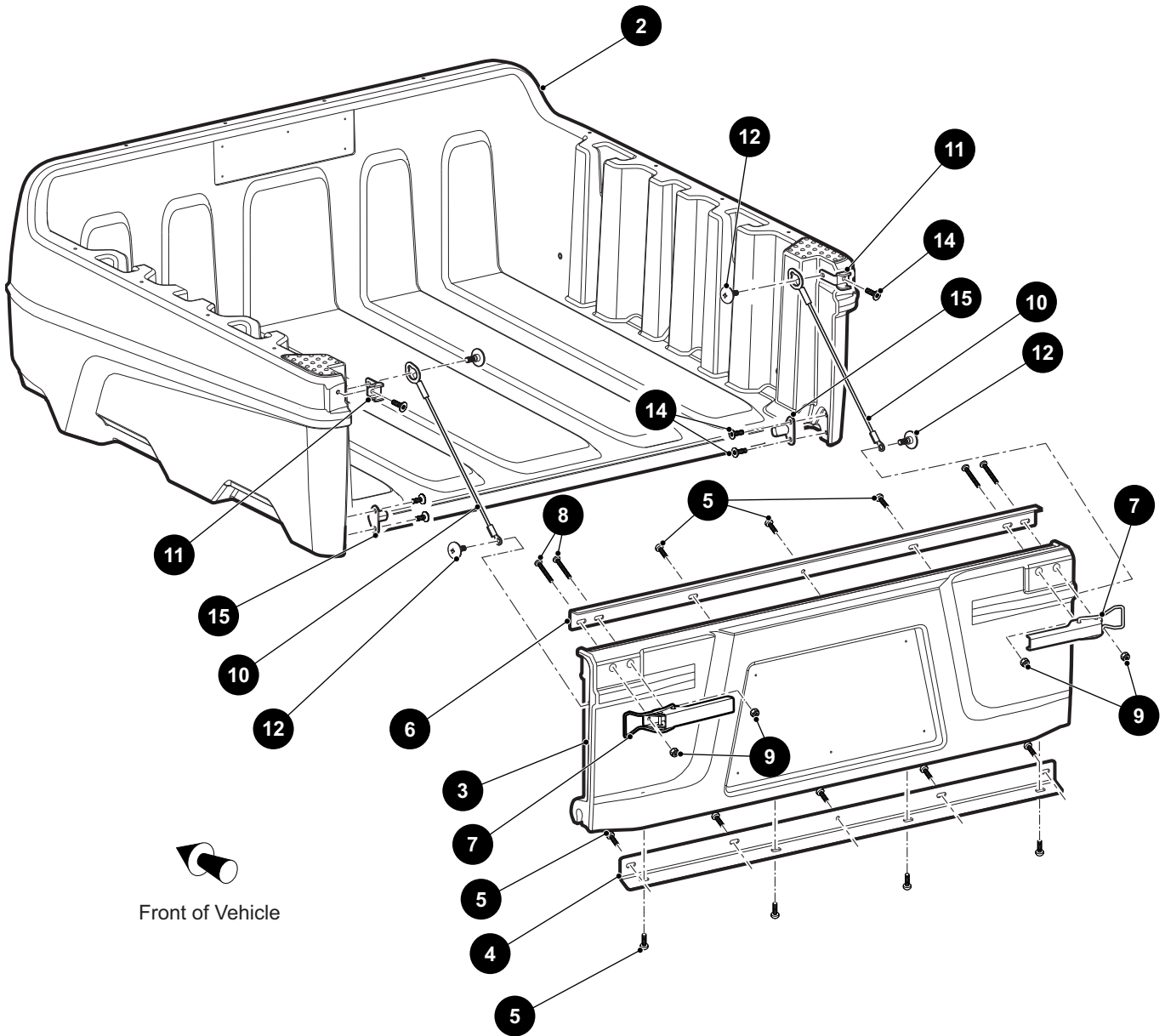
*** Indicates consult Customer Service Department for additional information.

ITEM	PART NO.	1 2 3 4 5	DESCRIPTION	QTY.
1	<u>627783</u>		FLIP SEAT ARMREST	2
2	<u>630673</u>		CARRIAGE BOLT, 3/8" - 16 X 2.25" LG.....	4
3	<u>630643</u>		LOCK NUT, 3/8" - 16.....	6
4	<u>630674</u>		HEX HEAD BOLT, 3/8" - 16 X 3.25" LG	2
5	<u>00560G1</u>		FLAT WASHER, 3/8".....	4
6				
7				
8	<u>627797</u>		SEAT FRAME BRACKET.....	2
9	<u>00426G8</u>		HEX HEAD BOLT, 3/8" - 16 X 3/4" LG	2
10	<u>11027G5</u>		FLANGED LOCK NUT, 3/8" - 16.....	4
11				
12	<u>628552</u>		FOOTREST WELDMENT	1
13	<u>00463G4</u>		FLANGED HEX HEAD BOLT, 7/16" - 14 X 1 1/2" LG	2
14	<u>00560G2</u>		FLAT WASHER, 7/16".....	4
15	<u>00734G1</u>		LOCK NUT, 7/16" - 14.....	2
16				
17	<u>311398</u>		HEX HEAD BOLT, 1/2" - 13 X 3 1/2" LG	2
18	<u>00560G3</u>		FLAT WASHER, 3/8".....	4
19	<u>14390G6</u>		LOCK NUT, 1/2" - 13.....	2
20	<u>624030</u>		FLANGE BUSHING	4
21				
22	<u>643451</u>		FOOT REST HANDLE ASSEMBLY (INCLUDES ITEMS 23 - 27)	1
23	<u>646777</u>		FOOT REST HANDLE WELDMENT	1
24	<u>643468</u>		KNOB, 1/2 - 13	1
25	<u>651665</u>		REAR FACING SEAT AND DECK WARNING LABEL	1
26	<u>00428G4</u>		HEX HEAD BOLT, 3/8" - 16 X 2 1/4" LG.....	1
27	<u>11098G5</u>		LOCK NUT, 3/8" - 16	1

TRUCK BED

PLASTIC TRUCK BED

1 TRUCK BED ASSEMBLY, 40" includes items 2 - 15



THE USE OF NON U.L. PARTS WILL VOID ANY U.L. LISTING.

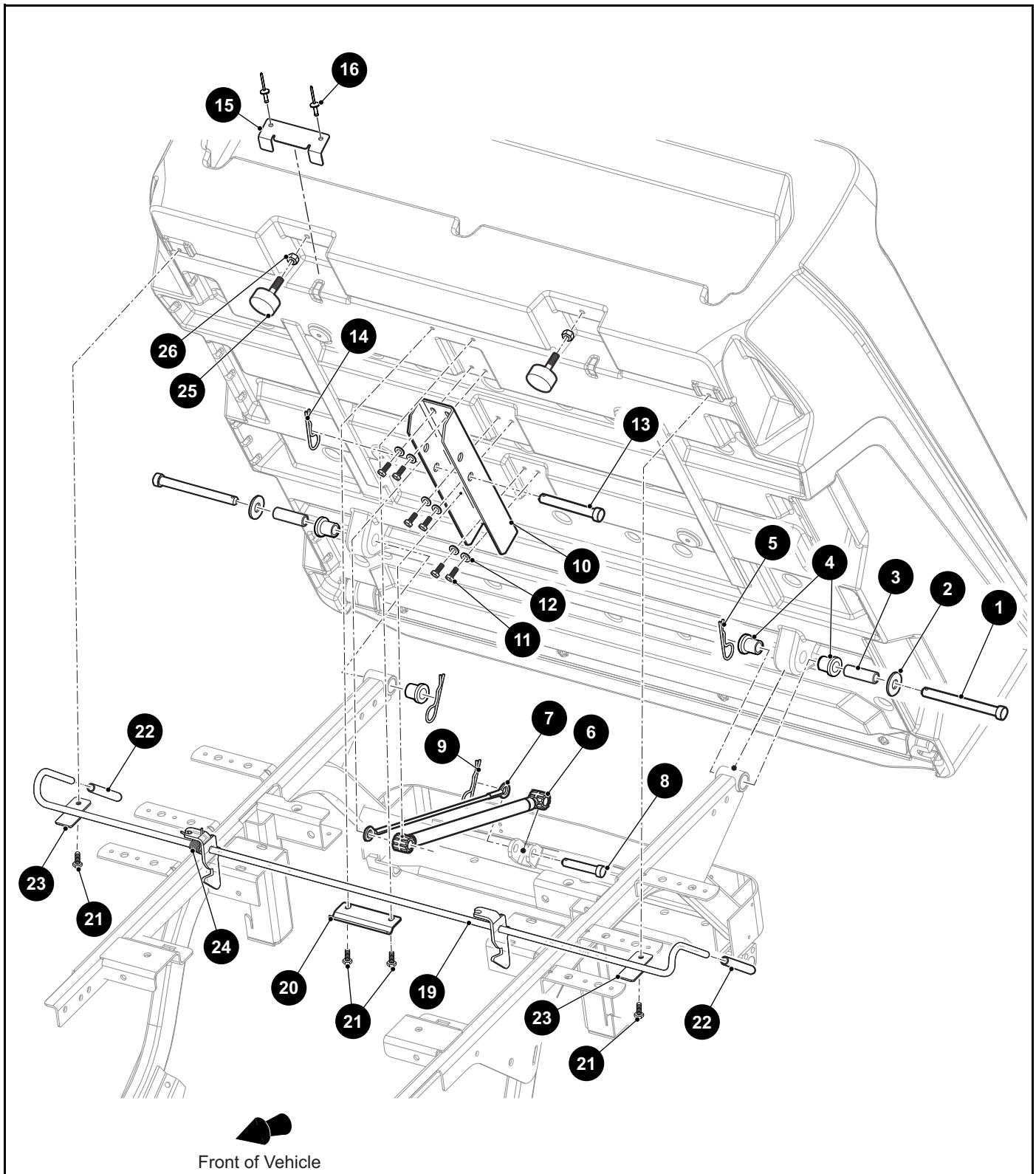
When ordering parts, please specify the model and serial number of the product.

* Indicates a component that is not available as an individual part.

*** Indicates consult Customer Service Department for additional information.

ITEM	PART NO.	1 2 3 4 5	DESCRIPTION	QTY.
1	<u>649869</u>		TRUCK BED ASSEMBLY, 40" (PLASTIC) (INCLUDES ITEMS 2 - 15)	1
2	649871		BED, 40"	1
3	<u>649872</u>		TAILGATE, 40"	1
4	<u>651108</u>		LOWER STIFFENER	1
5	<u>663506</u>		PAN HEAD PHILLIPS SCREW, 1/4" - 20 X 5/8" LG.....	12
6	<u>651107</u>		UPPER STIFFENER	1
7	<u>663143</u>		TAILGATE LATCH	2
8	<u>663718</u>		PAN HEAD PHILLIPS HEAD SCREW, 1/4" - 20 X 3" LG.....	4
9	663527		LOCK NUT, 1/4" - 20	4
10	<u>651635</u>		TAILGATE CABLE ASSEMBLY	2
11	<u>651110</u>		TAILGATE BRACKET	2
12	<u>73460G01</u>		SHOULDER BOLT, .875" DIA X 3/4" LG	4
13				
14	<u>663506</u>		PAN HEAD PHILLIPS SCREW, 1/4" - 20 X 5/8" LG.....	6
15	<u>651109</u>		PIVOT PIN.....	2

TRUCK BED



18 TRUCK BED LATCH ASSEMBLY includes items 19 - 26

THE USE OF NON U.L. PARTS WILL VOID ANY U.L. LISTING.

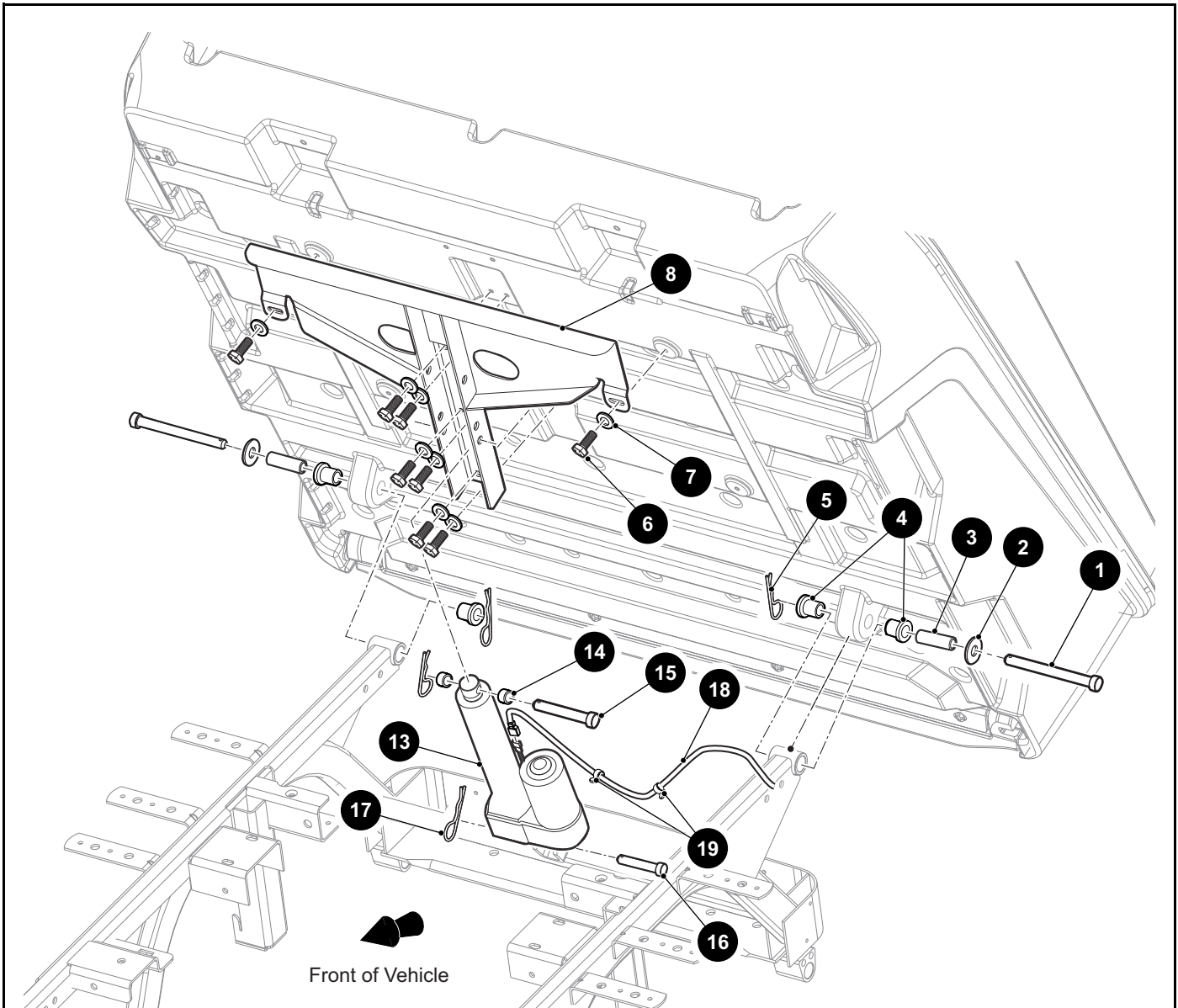
When ordering parts, please specify the model and serial number of the product.

* Indicates a component that is not available as an individual part.

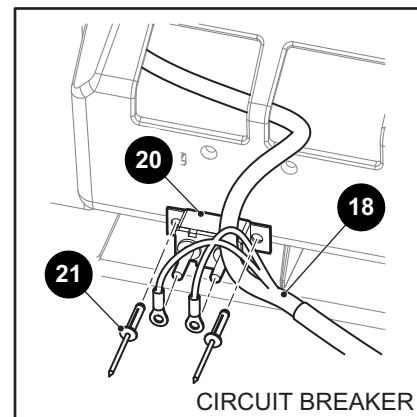
*** Indicates consult Customer Service Department for additional information.

ITEM	PART NO.	1 2 3 4 5	DESCRIPTION	QTY.
1	<u>71571G01</u>		CLEVIS PIN, .5" DIA X 5.25" LG.....	2
2	<u>00571G5</u>		FLAT WASHER, 1/2".....	2
3	<u>71570G01</u>		BUSHING (ACETAL), 2.3" LG.....	2
4	<u>624030</u>		FLANGED BUSHING, .93" LG.....	4
5	<u>21683G1</u>		COTTER PIN, .320" X 2.969".....	2
6	<u>71537G02</u>		GAS SPRING.....	1
7	<u>602904</u>		BED TETHER CABLE ASSEMBLY.....	1
8	<u>14443G12</u>		CLEVIS PIN, .5" DIA X 2.22" LG.....	1
9	<u>21683G1</u>		COTTER PIN, .320" X 2.969".....	1
10	<u>71569G02</u>		GAS SPRING CHANNEL.....	1
11	<u>01118G01</u>		HEX HEAD BOLT WITH PATCH LOCK, 1/4" - 20 X .62" LG.....	6
12	<u>00642G7</u>		FLAT WASHER, 1/4".....	6
13	<u>14443G10</u>		CLEVIS PIN, .5" DIA X 3" LG.....	1
14	<u>21683G1</u>		COTTER PIN, .320" X 2.969".....	1
15	<u>658171</u>		LATCH BED PLATE.....	1
16	<u>71055G01</u>		RIVET (ALUMINIUM), 3/16" X .985" LG.....	2
17				
18	<u>651708</u>		TRUCK BED LATCH ASSEMBLY (INCLUDES ITEMS 19 - 26).....	1
19	<u>647965</u>		LATCH.....	1
20	<u>652440G03</u>		LATCH RETAINER BRACKET.....	1
21	<u>01118G01</u>		HEX HEAD BOLT WITH PATCH LOCK, 1/4" - 20 X .62" LG.....	4
22	<u>71704G01</u>		HANDLE GRIP.....	2
23	<u>657267</u>		RETAINER BRACKET.....	2
24	<u>71538G01</u>		TORSION SPRING.....	1
25	<u>70113G01</u>		ADJUSTABLE RUBBER BUMPER.....	2
26	<u>11027G1</u>		LOCK NUT, 5/16" - 18.....	2

TRUCK BED



12 ELECTRIC DUMP ASSEMBLY includes items 13 - 21



THE USE OF NON U.L. PARTS WILL VOID ANY U.L. LISTING.

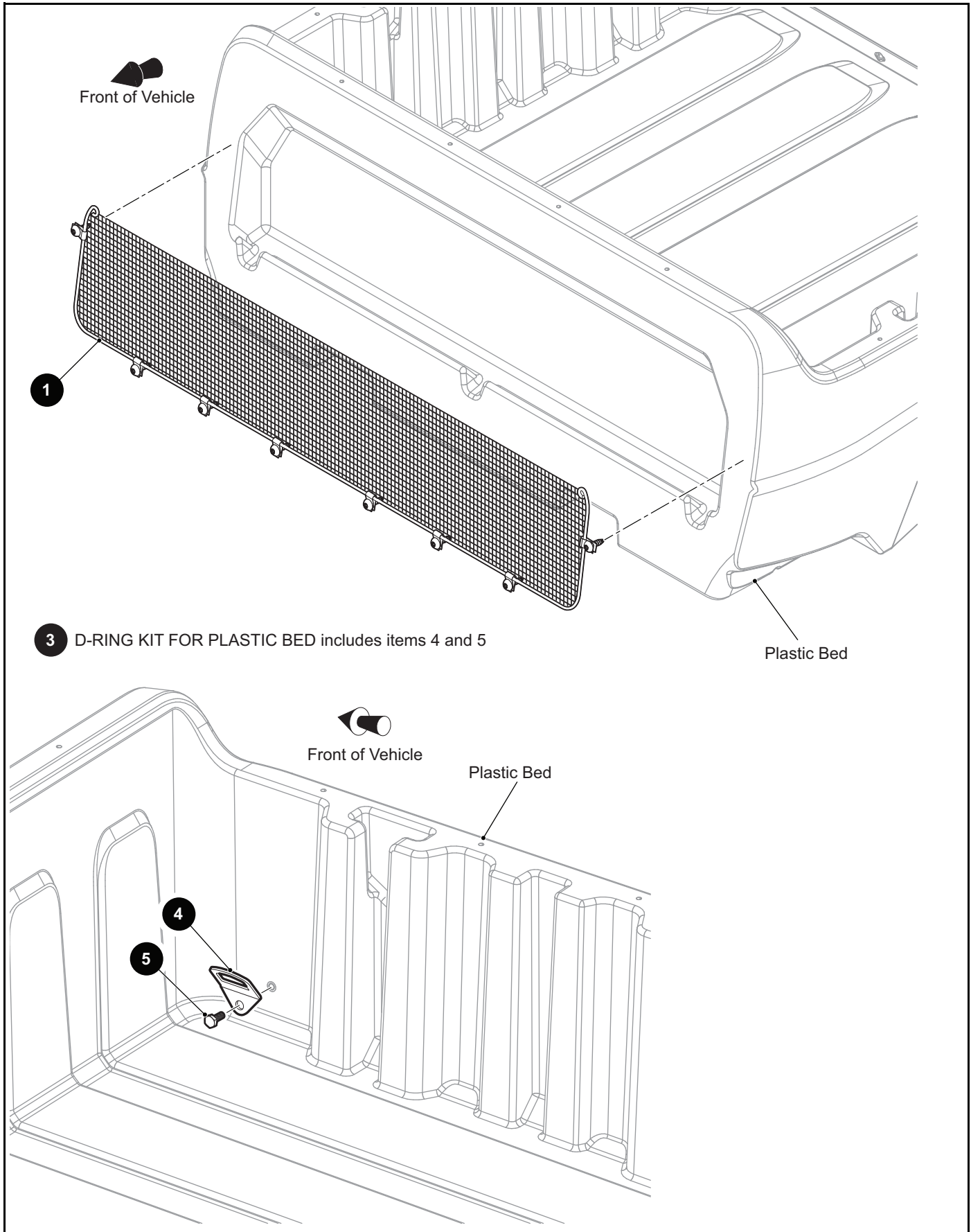
When ordering parts, please specify the model and serial number of the product.

* Indicates a component that is not available as an individual part.

*** Indicates consult Customer Service Department for additional information.

ITEM	PART NO.	1 2 3 4 5	DESCRIPTION	QTY.
1	<u>71571G01</u>		CLEVIS PIN, .5" DIA X 5.25" LG.....	2
2	<u>00571G5</u>		FLAT WASHER, 1/2".....	2
3	<u>71570G01</u>		BUSHING (ACETAL), 2.3" LG.....	2
4	<u>624030</u>		FLANGED BUSHING, .93" LG.....	4
5	<u>21683G1</u>		COTTER PIN, .320" X 2.969".....	2
6	<u>01118G01</u>		HEX HEAD BOLT WITH PATCH LOCK, 1/4" - 20 X .62" LG.....	8
7	<u>00642G7</u>		FLAT WASHER, 1/4".....	8
8	<u>71547G02</u>		CHANNEL OUTRIGGER.....	1
9				
10				
11				
12	<u>653323</u>		ELECTRIC DUMP ASSEMBLY (INCLUDES ITEMS 13 - 21).....	1
13	<u>27612G04</u>		ELECTRIC ACTUATOR.....	1
14	<u>27613G01</u>		SPACER, .75" O.D. X .5" I.D.	2
15	<u>14443G10</u>		CLEVIS PIN, .5" X 3" LG.....	1
16	<u>14443G11</u>		CLEVIS PIN, .5" X 1.92" LG.....	1
17	<u>21683G1</u>		COTTER PIN, .320" X 2.969".....	2
18	<u>653362</u>		ELECTRIC DUMP HARNESS.....	1
19	<u>17618G1</u>		NYLON CLAMP, 8" LG.....	7
20	<u>21320G04</u>		CIRCUIT BREAKER, 15A, 24V.....	1
21	<u>01041G01</u>		ALUMINUM RIVET, 5/23" DIA.....	2

TRUCK BED



THE USE OF NON U.L. PARTS WILL VOID ANY U.L. LISTING.

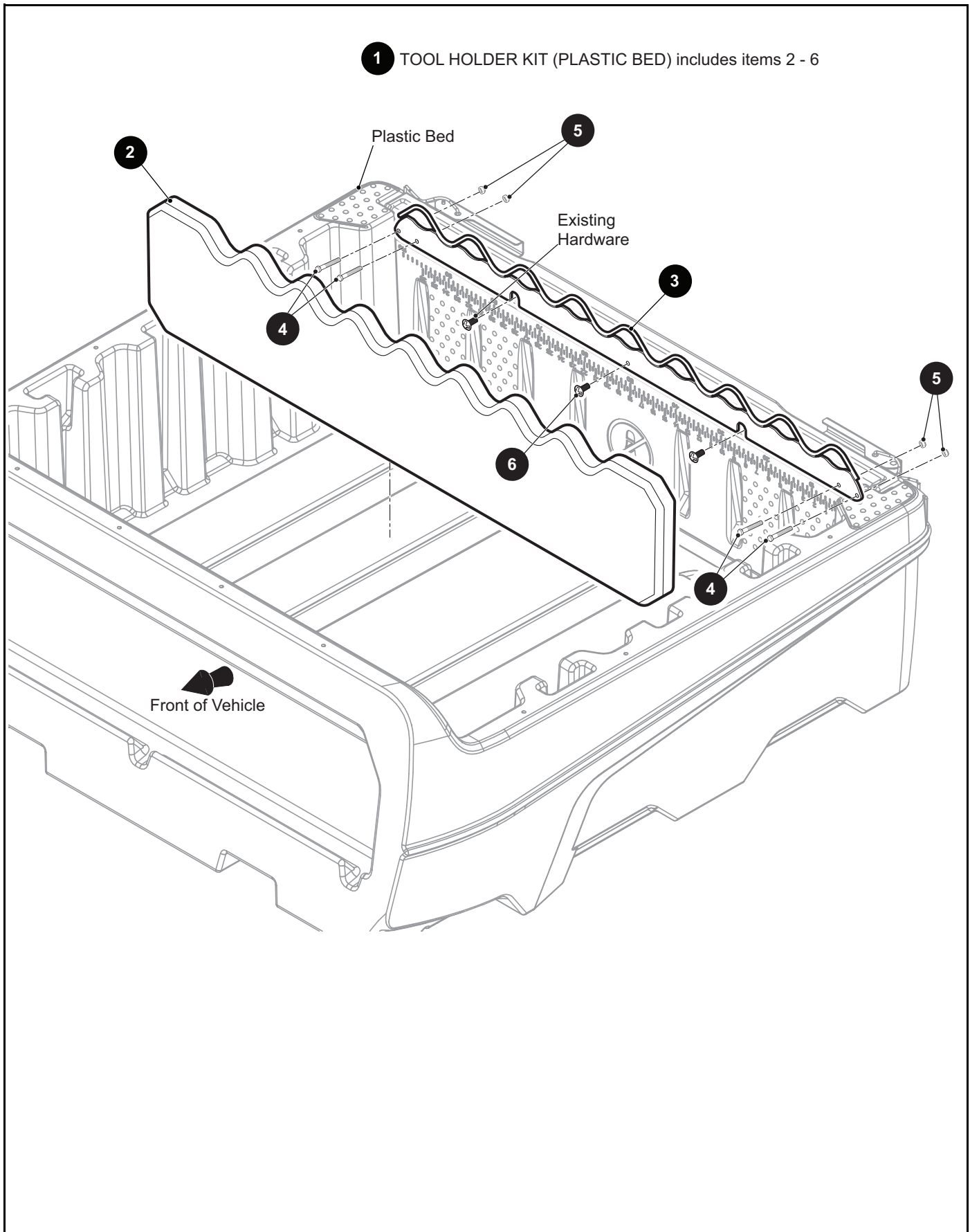
When ordering parts, please specify the model and serial number of the product.

* Indicates a component that is not available as an individual part.

*** Indicates consult Customer Service Department for additional information.

ITEM	PART NO.	1 2 3 4 5	DESCRIPTION	QTY.
1	<u>652838</u>		MESH NET KIT FOR PLASTIC BED (INCLUDES MOUNTING HARDWARE)	1
2				
3	652349		D-RING KIT FOR PLASTIC BED (INCLUDES 4 AND 5)	1
4	<u>650566</u>		D-RING (PLASTIC BED)	4
5	<u>73296G01</u>		HEX HEAD BOLT, M8 - 1.5 X 16MM LG	4

TRUCK BED



THE USE OF NON U.L. PARTS WILL VOID ANY U.L. LISTING.

When ordering parts, please specify the model and serial number of the product.

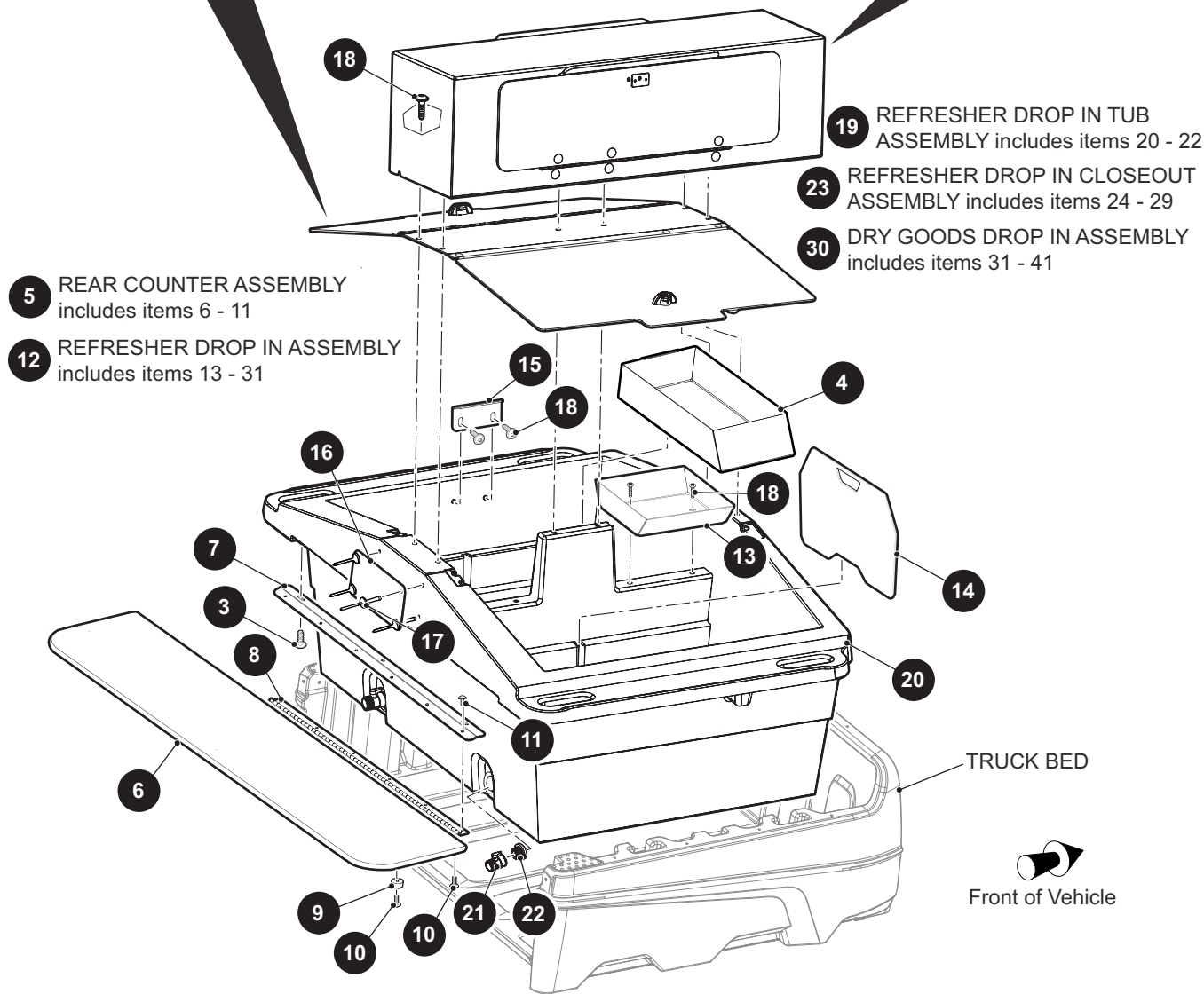
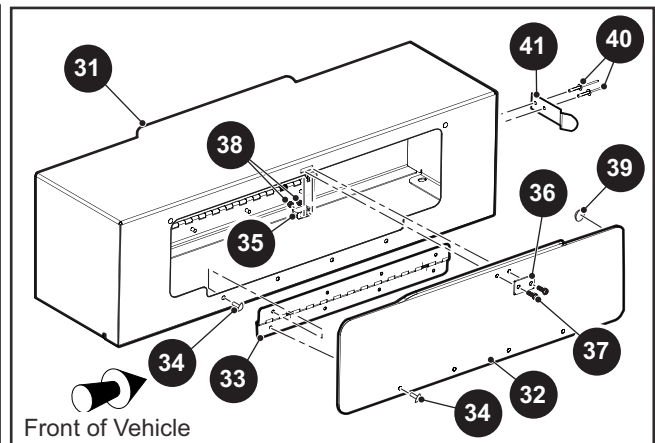
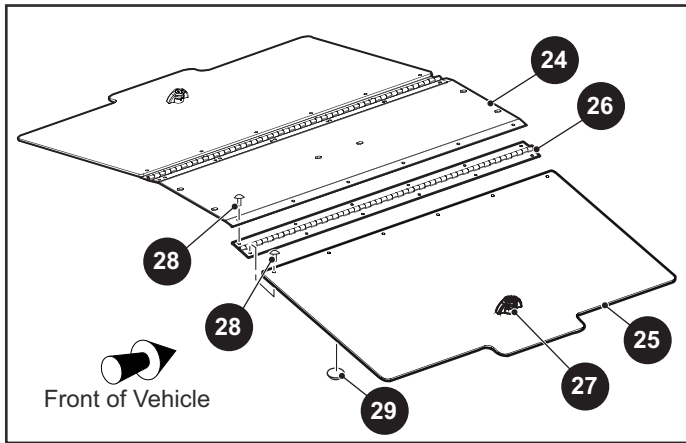
* Indicates a component that is not available as an individual part.

*** Indicates consult Customer Service Department for additional information.

ITEM	PART NO.	1 2 3 4 5	DESCRIPTION	QTY.
1	<u>652510</u>		TOOL HOLDER KIT (PLASTIC BED) (INCLUDES ITEMS 2 - 6)	1
2	<u>652657</u>		BED DIVIDER.....	1
3	<u>651732</u>		LONG HANDLER TOOL HOLDER.....	1
4	<u>00416G6</u>		HEX HEAD BOLT, 1/4" - 20 X 2 3/4" LG	4
5	<u>14390G4</u>		LOCK NUT, 1/4" - 20	4
6	<u>16705G2</u>		PAN HEAD PHILLIPS SCREW (SS), 1/4" - 20 X 5/8" LG	1

TRUCK BED

- 1 REFRESHER DROP IN WITH COUNTER KIT includes items 3, 5 - 12
- 2 REFRESHER DROP IN WITH COUNTER, ICEBOX KIT includes items 3 - 12



5 REAR COUNTER ASSEMBLY includes items 6 - 11

12 REFRESHER DROP IN ASSEMBLY includes items 13 - 31

19 REFRESHER DROP IN TUB ASSEMBLY includes items 20 - 22

23 REFRESHER DROP IN CLOSEOUT ASSEMBLY includes items 24 - 29

30 DRY GOODS DROP IN ASSEMBLY includes items 31 - 41

TRUCK BED

Front of Vehicle

THE USE OF NON U.L. PARTS WILL VOID ANY U.L. LISTING.

When ordering parts, please specify the model and serial number of the product.

* Indicates a component that is not available as an individual part.

*** Indicates consult Customer Service Department for additional information.

ITEM	PART NO.	1 2 3 4 5	DESCRIPTION	QTY.
1	<u>666929G02</u>		REFRESHER DROP IN WITH COUNTER KIT (INCLUDES ITEMS 3, 5 - 12)	1
2	<u>666929G04</u>		REFRESHER DROP IN WITH COUNTER, ICEBOX KIT (INCLUDES ITEMS 3 - 12)	1
3	667938		ROUND WASHER HEAD BOLT, M6 - 1 X 16MM LG.....	3
4	666955		REFRESHER DROP IN, ICE BIN.....	1
5	<u>667253</u>		REAR COUNTER ASSEMBLY (INCLUDES ITEMS 6 - 11)	1
6	667258		REAR COUNTER	1
7	666231		SHELF MOUNT PLATE	1
8	666966		HINGE, 27" LG.....	1
9	667271		BUMPER PAD.....	3
10	667798		PHILLIPS HEAD SCREW (SS), #10 X .5" LG	9
11	662020		RIVET, 3/16" X 7/16" LG	6
12	666939		REFRESHER DROP IN ASSEMBLY (INCLUDES ITEMS 13 - 30).....	1
13	666953		TRAY.....	2
14	666952		DIVIDER.....	2
15	666951		LATCH PLATE	2
16	666960		LABEL.....	2
17	<u>71055G01</u>		RIVET, 3/16" DIA.....	4
18	667938		ROUND WASHER HEAD BOLT, M6 - 1 X 16MM LG	14
19	<u>666940</u>		REFRESHER DROP IN TUB ASSEMBLY (INCLUDES ITEMS 20 - 22)	1
20	663588		DROP IN COOLER.....	1
21	666941		REFRESHER DROP IN DRAIN	2
22	668951		REFRESHER DROP IN SPIN WELD.....	2
23	<u>666931</u>		REFRESHER DROP IN CLOSEOUT ASSEMBLY (INCLUDES ITEMS 24 - 29)	1
24	665961		COVER PLATE.....	1
25	666093		DOOR.....	2
26	666966		HINGE, 27" LG	2
27	666962		CAM LATCH	2
28	662020		RIVET, 3/16" X 7/16" LG.....	24

TRUCK BED

THE USE OF NON U.L. PARTS WILL VOID ANY U.L. LISTING.

When ordering parts, please specify the model and serial number of the product.

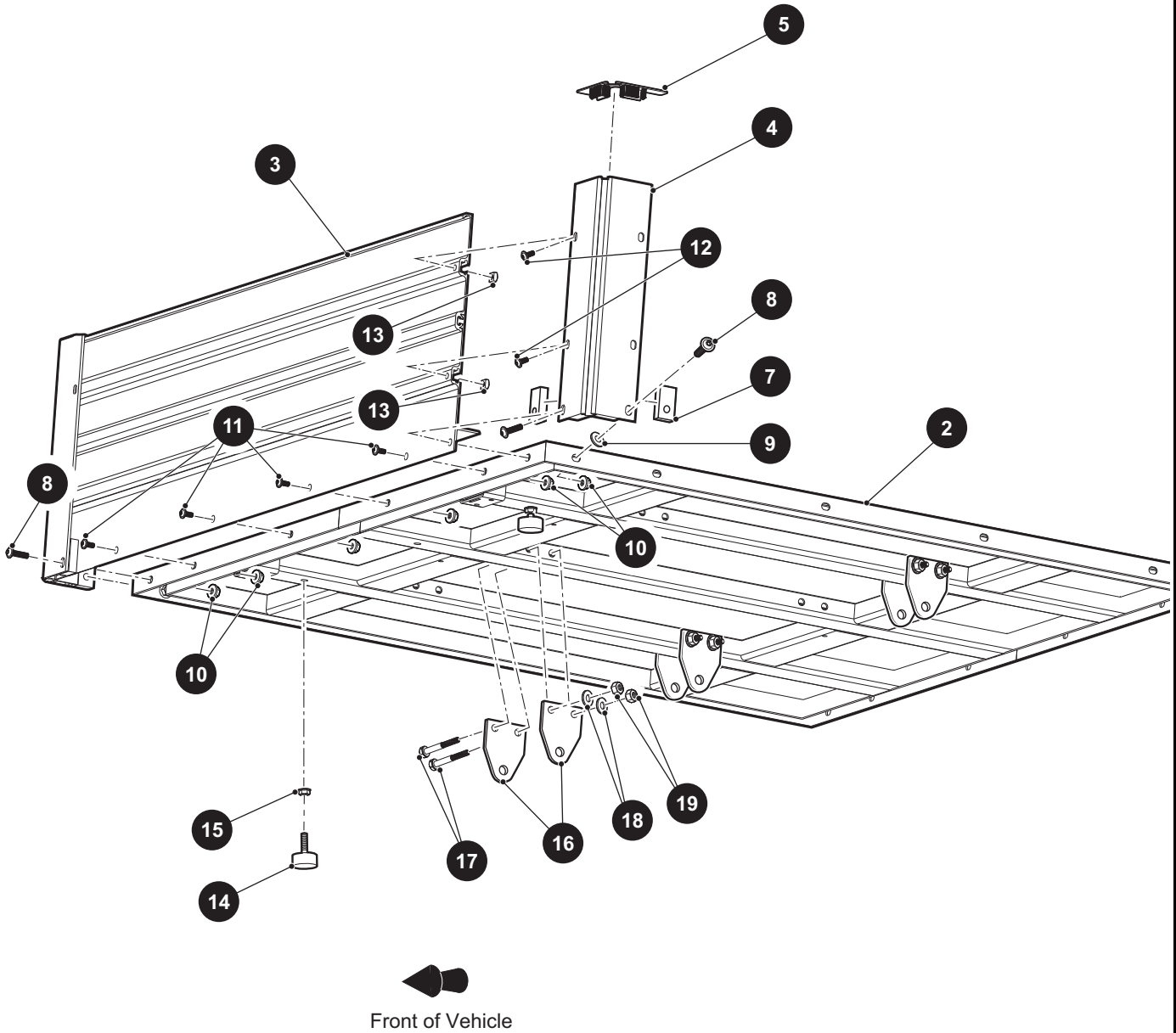
* Indicates a component that is not available as an individual part.

*** Indicates consult Customer Service Department for additional information.

ITEM	PART NO.	1	2	3	4	5	DESCRIPTION	QTY.
29	676505						ROUND BUMPON 5/16" O.D. X 5/46"	8
30	<u>666933</u>						DRY GOODS DROP IN ASSEMBLY (INCLUDES ITEMS 31 - 41)	1
31	665973						DRY GOODS DROP IN	1
32	665975						DRY GOODS DROP IN DOOR.....	2
33	667097						SPRING HINGE	2
34	662020						RIVET, 3/16" X 7/16" LG	16
35	672857						BALL LATCH.....	2
36	674061						COVER PLATE	2
37	674068						HEX HEAD BOLT, #4 - 40 X .4375" LG	4
38	674813						ACORN NUT #4 - 40.....	4
39	676505						ROUND BUMPON, 5/16" O.D. X 5/46"	4
40	<u>71045G01</u>						RIVET, 5/23" DIA.....	4
41	676565						REFRESHER DROP IN LID	2

TRUCK BED

1 FLAT TRUCK BED ASSEMBLY includes items 2 - 19



THE USE OF NON U.L. PARTS WILL VOID ANY U.L. LISTING.

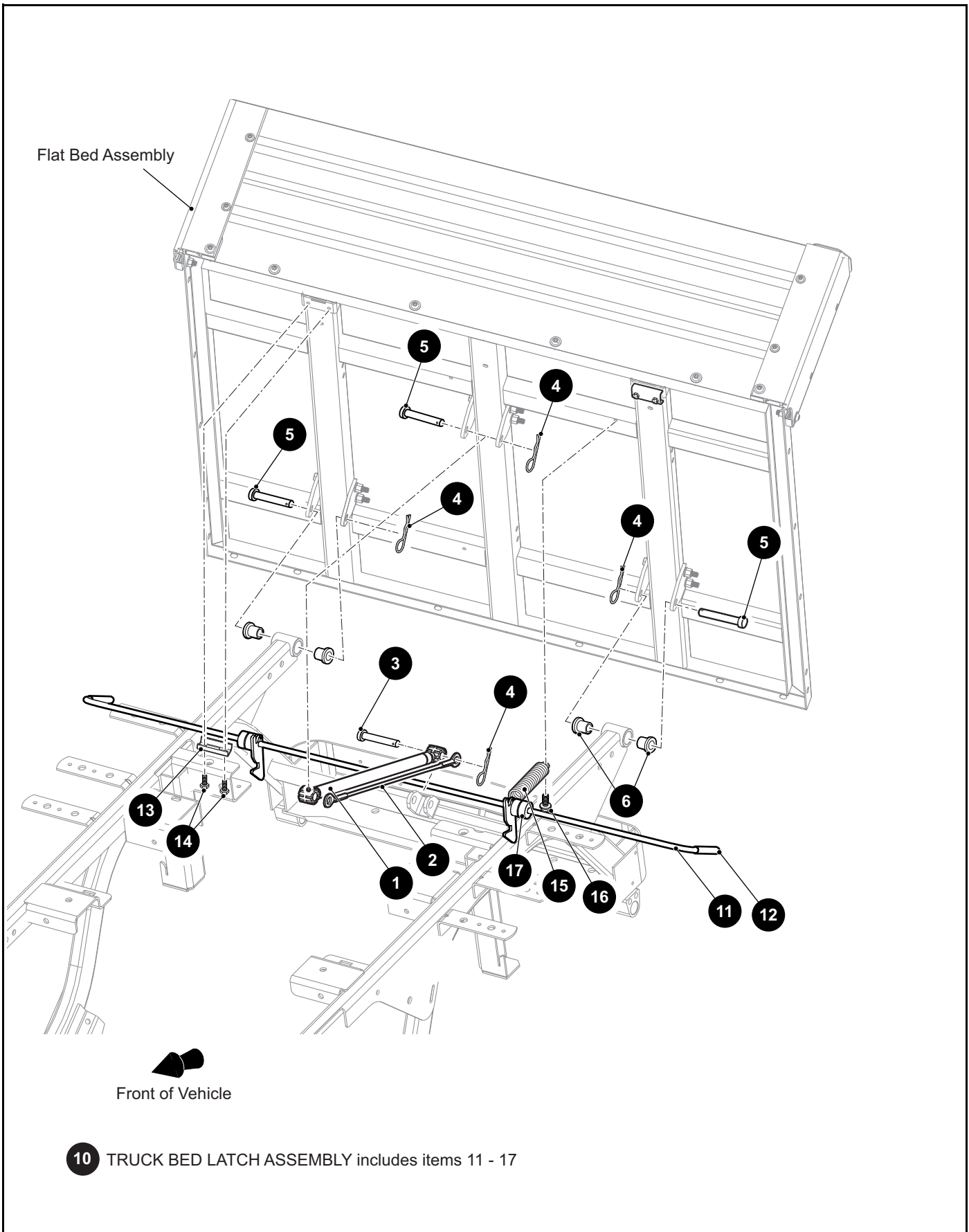
When ordering parts, please specify the model and serial number of the product.

* Indicates a component that is not available as an individual part.

*** Indicates consult Customer Service Department for additional information.

ITEM	PART NO.	1 2 3 4 5	DESCRIPTION	QTY.
29	<u>653275</u>		FLAT TRUCK BED ASSEMBLY (INCLUDES ITEMS 2 - 19)	1
30	<u>647761</u>		BED FRAME.....	1
31	<u>664662</u>		FRONT PANEL ASSEMBLY	1
32	<u>648142</u>		CORNER EXTRUSION	2
33	<u>657300</u>		CORNER EXTRUSION CAP.....	2
34				
35	<u>648829</u>		BED SPACER (ALUMINUM)	4
36	<u>650116</u>		ROUND HEAD TORX SCREW, 3/8" - 16 X 1 1/2" LG	4
37	<u>20835G1</u>		FLAT WASHER, .62" O.D. X .385" I.D.	2
38	<u>11027G5</u>		FLANGED LOCK NUT, 3/8" - 16	8
39	<u>648778</u>		ROUND HEAD TORX SCREW, 3/8" - 16 X 3/4" LG	4
40	<u>650167</u>		ROUND HEAD TORX SCREW, 5/16" - 18 X 3/4" LG	4
41	<u>655642</u>		SQUARE NUT, 5/16" - 18.....	4
42	<u>70113G01</u>		ADJUSTABLE BUMPER (RUBBER).....	2
43	<u>11027G1</u>		FLANGED LOCK NUT, 5/16" - 18	2
44	<u>647976</u>		BED MOUNT (ALUMINUM).....	6
45	<u>649153</u>		HEX HEAD BOLT, 3/8" X 16 X 4" LG	6
46	<u>00560G1</u>		FLAT WASHER, 3/8"	6
47	<u>11098G5</u>		LOCK NUT, 3/8" - 16	6

TRUCK BED



THE USE OF NON U.L. PARTS WILL VOID ANY U.L. LISTING.

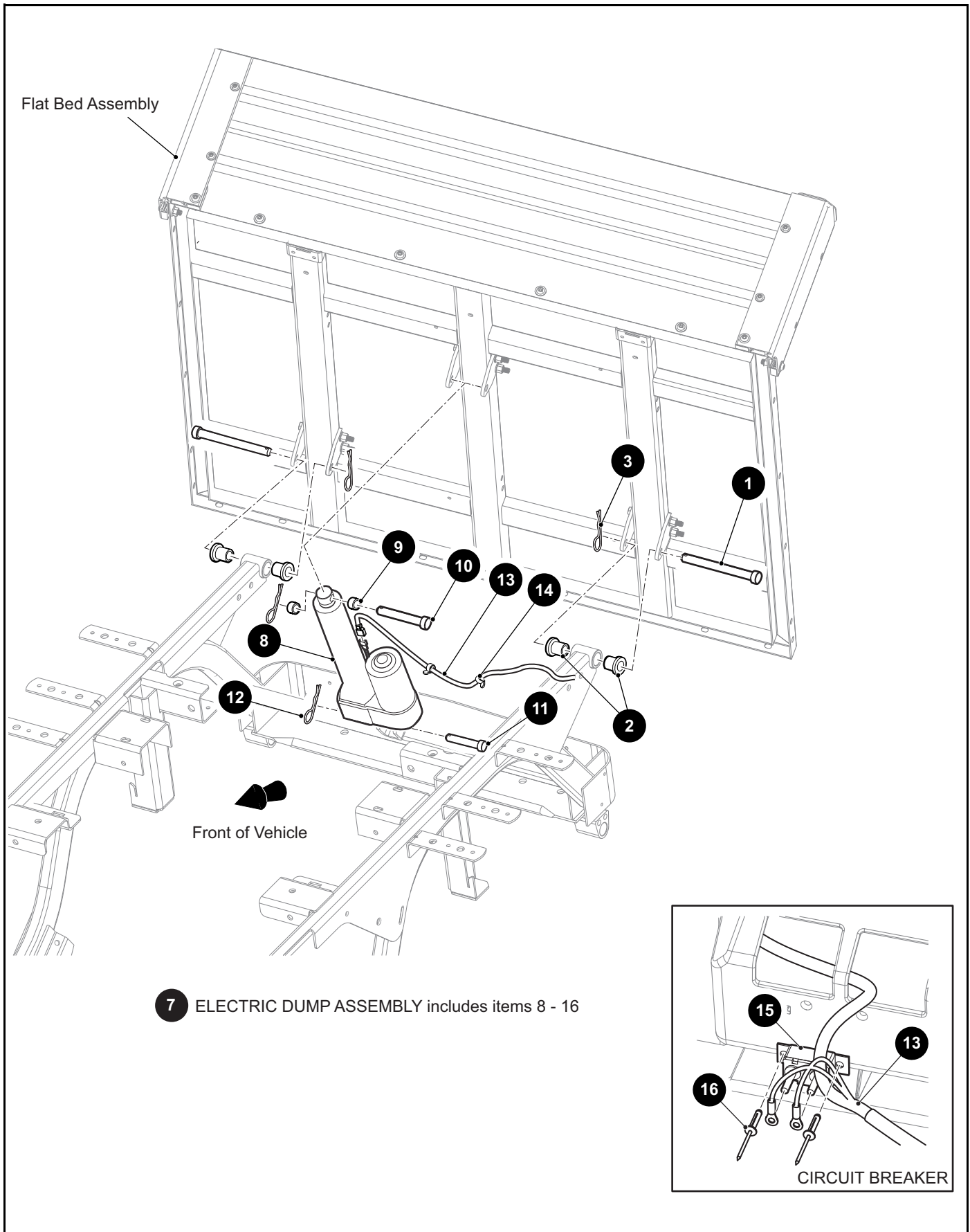
When ordering parts, please specify the model and serial number of the product.

* Indicates a component that is not available as an individual part.

*** Indicates consult Customer Service Department for additional information.

ITEM	PART NO.	1 2 3 4 5	DESCRIPTION	QTY.
1	<u>71537G02</u>		GAS SPRING.....	1
2	<u>602904</u>		BED TETHER CABLE ASSEMBLY.....	1
3	<u>14443G12</u>		CLEVIS PIN, .5" X 2.22" LG.....	1
4	<u>21683G1</u>		COTTER PIN, .320" X 2.969".....	4
5	<u>14443G13</u>		CLEVIS PIN, .5" X 3.5" LG.....	3
6	<u>624030</u>		FLANGED BUSHING, .93" LG.....	4
7				
8				
9				
10	<u>653279G01</u>		TRUCK BED LATCH ASSEMBLY (INCLUDES ITEMS 11 - 17).....	1
11	<u>658739</u>		ALUMINUM BED LATCH.....	1
12	<u>71704G01</u>		HANDLE GRIP.....	2
13	<u>650239</u>		LATCH CLAMP BRACKET.....	2
14	<u>00414G6</u>		HEX HEAD BOLT, 1/4" - 20 X 3/4" LG.....	4
15	<u>30177G1</u>		BRAKE SPRING.....	1
16	<u>00715G2</u>		HEX WASHER HEAD BOLT, 5/16" - 18 X .8" LG.....	1
17	<u>634005</u>		RUBBER BUSHING.....	4

TRUCK BED



THE USE OF NON U.L. PARTS WILL VOID ANY U.L. LISTING.

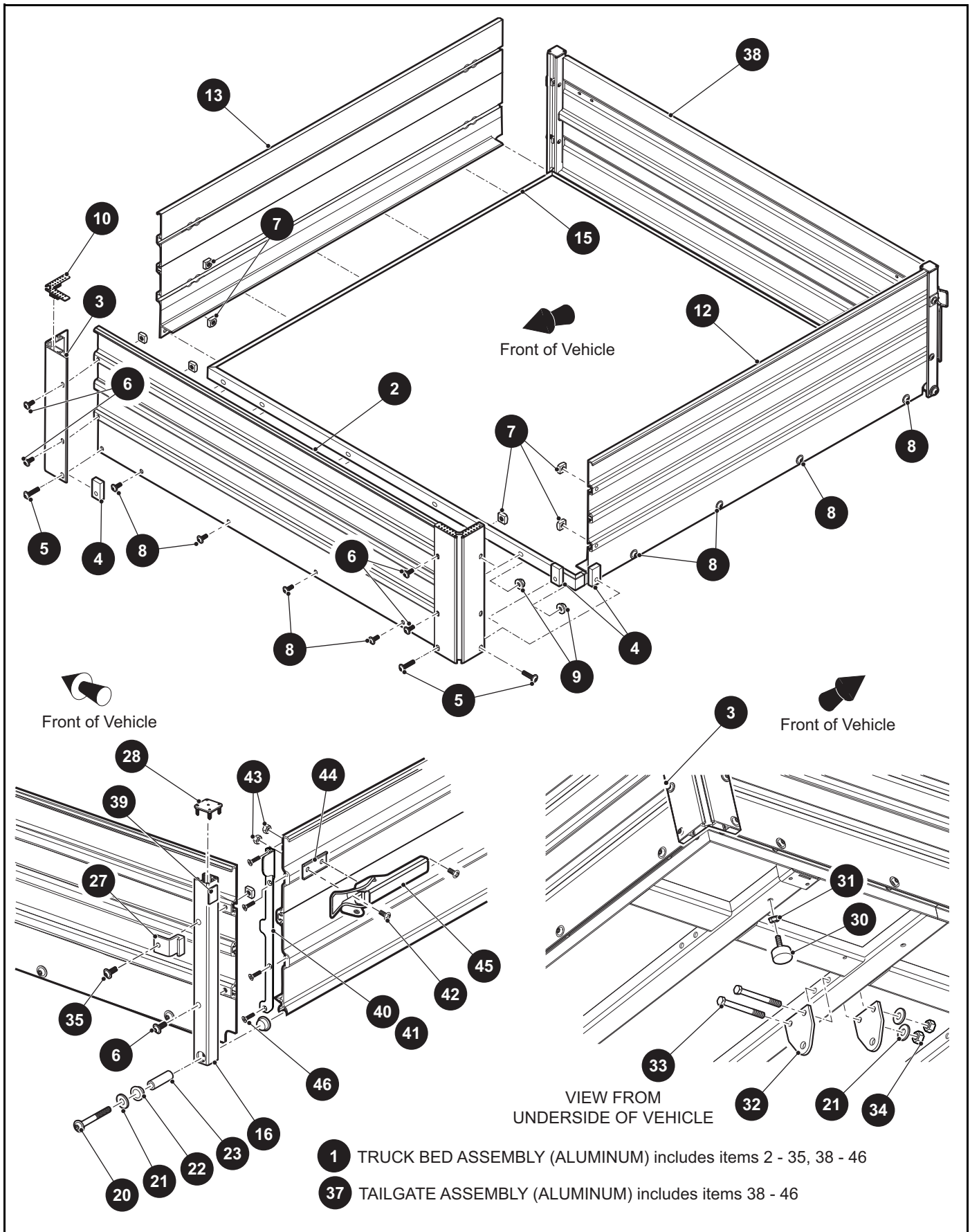
When ordering parts, please specify the model and serial number of the product.

* Indicates a component that is not available as an individual part.

*** Indicates consult Customer Service Department for additional information.

ITEM	PART NO.	1 2 3 4 5	DESCRIPTION	QTY.
1	<u>14443G13</u>		CLEVIS PIN, .5" X 3.5" LG.....	2
2	<u>624030</u>		FLANGED BUSHING, .93" LG.....	4
3	<u>21683G1</u>		COTTER PIN, .320" X 2.969"	2
4				
5				
6				
7	<u>653323</u>		ELECTRIC DUMP ASSEMBLY (INCLUDES ITEMS 8 - 16).....	1
8	<u>27612G04</u>		ELECTRIC ACTUATOR, 48V (1000).....	1
9	<u>27613G01</u>		SPACER, .75" O.D. X .5" I.D.	2
10	<u>14443G10</u>		CLEVIS PIN, .5" X 3" LG	1
11	<u>14443G11</u>		CLEVIS PIN, .5" X 1.92" LG	1
12	<u>21683G1</u>		COTTER PIN, .320" X 2.969"	2
13	<u>653362</u>		ELECTRIC DUMP HARNESS	1
14	<u>17618G1</u>		NYLON CLAMP, 8" LG	7
15	<u>21320G04</u>		CIRCUIT BREAKER, 15A, 24V	1
16	<u>01041G01</u>		ALUMINUM RIVET, 5/23" DIA	2

TRUCK BED



THE USE OF NON U.L. PARTS WILL VOID ANY U.L. LISTING.

When ordering parts, please specify the model and serial number of the product.

* Indicates a component that is not available as an individual part.

*** Indicates consult Customer Service Department for additional information.

ITEM	PART NO.	1 2 3 4 5	DESCRIPTION	QTY.
1	<u>649005</u>		TRUCK BED ASSEMBLY (ALUMINUM) (INCLUDES ITEMS 2 - 35, 38 - 46).	1
2	<u>664662</u>		FRONT PANEL ASSEMBLY	1
3	<u>648142</u>		CORNER EXTRUSION	2
4	<u>648829</u>		BED SPACER (ALUMINUM)	4
5	<u>650116</u>		ROUND HEAD TORX SCREW, 3/8" - 16 X 1 1/2" LG	4
6	<u>650167</u>		ROUND HEAD TORX SCREW, 5/16" - 18 X 3/4" LG	10
7	<u>655642</u>		SQUARE NUT, 5/16" - 18	12
8	<u>648778</u>		ROUND HEAD TORX SCREW, 3/8" - 16 X 3/4" LG	12
9	<u>11027G5</u>		FLANGED LOCK NUT, 3/8" - 16	16
10	<u>657300</u>		CORNER EXTRUSION CAP	2
11				
12	<u>664655</u>		SIDE PANEL ASSEMBLY (DRIVER SIDE).....	1
13	<u>664656</u>		SIDE PANEL ASSEMBLY (PASSENGER SIDE)	1
14				
15	<u>647761</u>		BED FRAME.....	1
16	<u>649219</u>		POST EXTRUSION	2
17				
18				
19				
20	<u>648814</u>		ROUND HEAD TORX SCREW, 3/8" - 16 X 3 1/4" LG	2
21	<u>00560G1</u>		FLAT WASHER, 3/8"	8
22	<u>649091</u>		PLAIN FLANGE BEARING.....	4
23	<u>648809</u>		TAILGATE BUSHING	2
24				
25				
26				
27	<u>658878</u>		TAILGATE LATCH BRACKET	2
28	<u>657301</u>		EXTRUSION POST CAP.....	2
29				
30	<u>70113G01</u>		ADJUSTABLE BUMPER (RUBBER).....	2
31	<u>11027G1</u>		FLANGED LOCK NUT, 5/16" - 18	2

TRUCK BED

THE USE OF NON U.L. PARTS WILL VOID ANY U.L. LISTING.

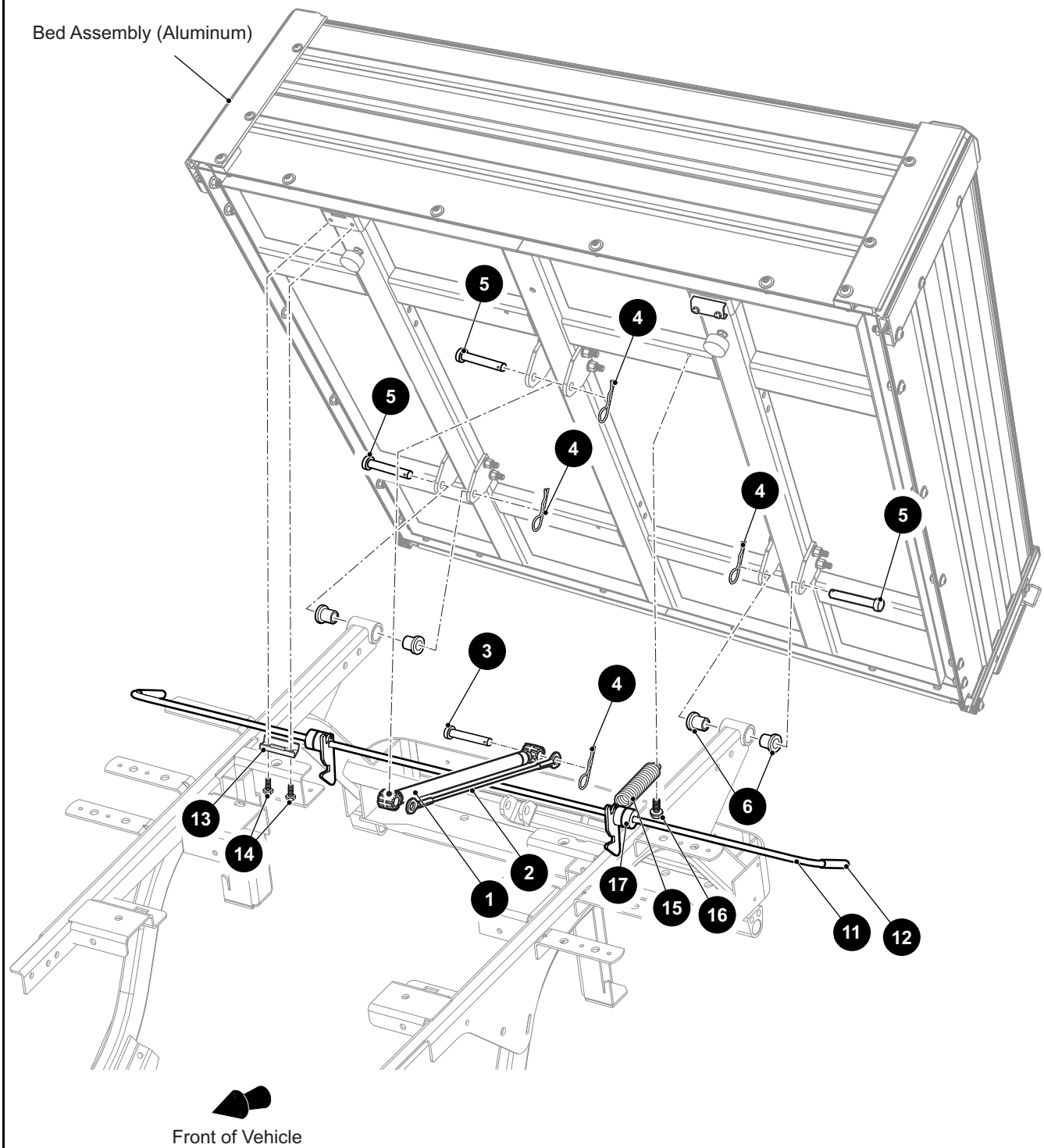
When ordering parts, please specify the model and serial number of the product.

* Indicates a component that is not available as an individual part.

*** Indicates consult Customer Service Department for additional information.

ITEM	PART NO.	1	2	3	4	5	DESCRIPTION	QTY.
32	<u>647976</u>						BED MOUNT (ALUMINUM)	6
33	<u>649153</u>						HEX HEAD BOLT, 3/8" X 16 X 4" LG	6
34	<u>11098G5</u>						LOCK NUT, 3/8" - 16	6
35	<u>648988</u>						ROUND HEAD TORX SCREW, 5/16" - 18 X 1 1/4" LG	2
36								
37	<u>660552</u>						TAILGATE ASSEMBLY (ALUMINIUM) (INCLUDES ITEMS 38 - 46)	1
38	<u>659203</u>						TAILGATE ASSEMBLY	1
39	659417						FOAM TAPE (BLACK)	2
40	<u>658708G01</u>						TAILGATE BRACKET (DRIVER SIDE)	1
41	<u>658708G02</u>						TAILGATE BRACKET (PASSENGER SIDE)	1
42	<u>800296</u>						TRUSS HEAD PHILLIPS SCREW, #10 - 24 X 3/4" LG	4
43	<u>14390G10</u>						LOCK NUT, #10 - 24	4
44	<u>658929</u>						STOP LATCH (SHIM).....	2
45	<u>652781</u>						TAILGATE LATCH ASSEMBLY	2
46	659541						FLAT HEAD TAPPING SCREW, #10 - 24 X 3/4" LG	8

TRUCK BED



10 TRUCK BED LATCH ASSEMBLY includes items 11 - 17

THE USE OF NON U.L. PARTS WILL VOID ANY U.L. LISTING.

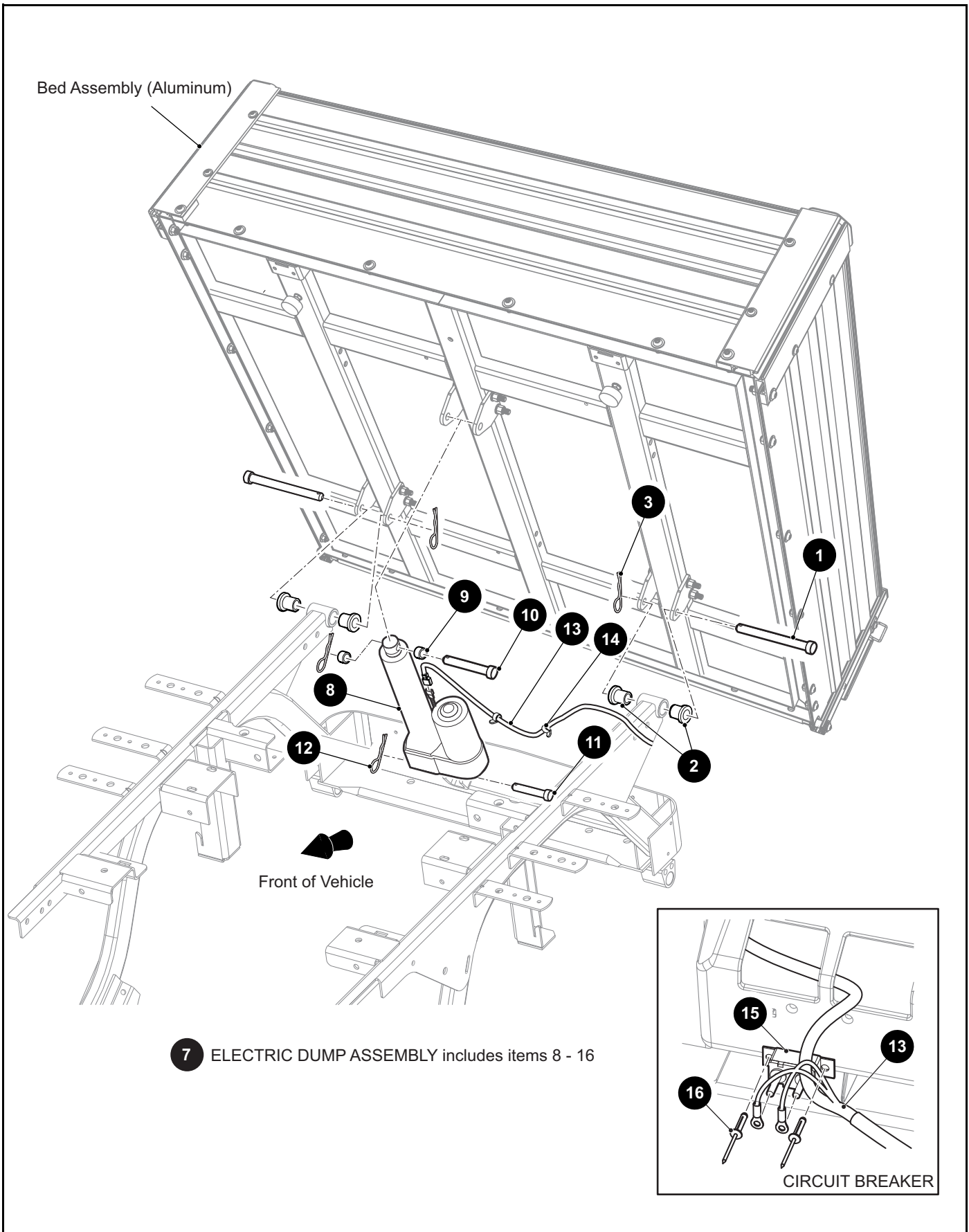
When ordering parts, please specify the model and serial number of the product.

* Indicates a component that is not available as an individual part.

*** Indicates consult Customer Service Department for additional information.

ITEM	PART NO.	1 2 3 4 5	DESCRIPTION	QTY.
1	<u>71537G02</u>		GAS SPRING.....	1
2	<u>602904</u>		BED TETHER CABLE ASSEMBLY.....	1
3	<u>14443G12</u>		CLEVIS PIN, .5" X 2.22" LG.....	1
4	<u>21683G1</u>		COTTER PIN, .320" X 2.969".....	4
5	<u>14443G13</u>		CLEVIS PIN, .5" X 3.5" LG.....	3
6	<u>624030</u>		FLANGED BUSHING, .93" LG.....	4
7				
8				
9				
10	<u>653279G01</u>		TRUCK BED LATCH ASSEMBLY (INCLUDES ITEMS 11 - 17).....	1
11	<u>658739</u>		ALUMINUM BED LATCH.....	1
12	<u>71704G01</u>		HANDLE GRIP.....	2
13	<u>650239</u>		LATCH CLAMP BRACKET.....	2
14	<u>00414G6</u>		HEX HEAD BOLT, 1/4" - 20 X 3/4" LG.....	4
15	<u>30177G1</u>		BRAKE SPRING.....	1
16	<u>00715G2</u>		HEX WASHER HEAD BOLT, 5/16" - 18 X .8" LG.....	1
17	<u>634005</u>		RUBBER BUSHING.....	4

TRUCK BED



THE USE OF NON U.L. PARTS WILL VOID ANY U.L. LISTING.

When ordering parts, please specify the model and serial number of the product.

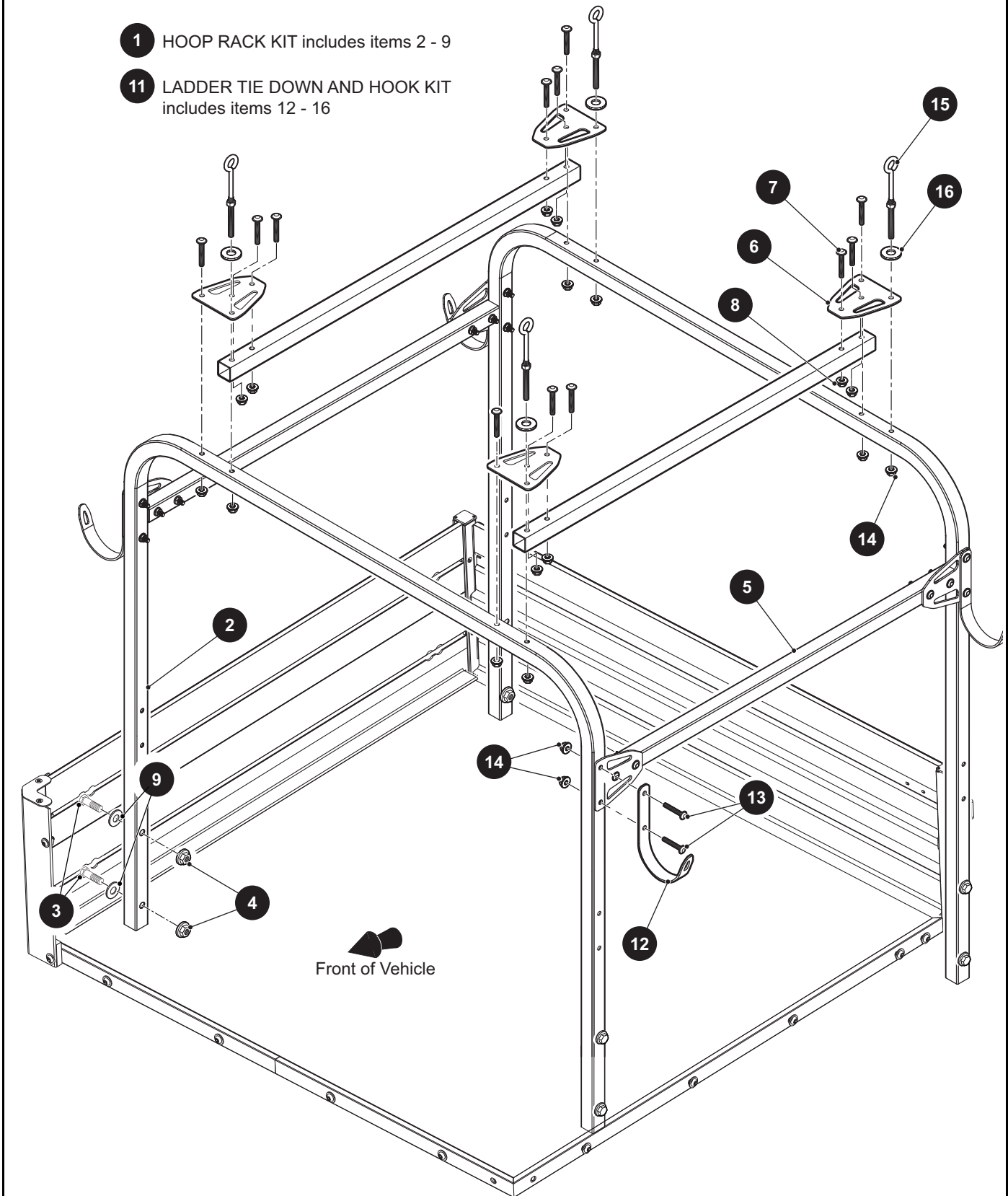
* Indicates a component that is not available as an individual part.

*** Indicates consult Customer Service Department for additional information.

ITEM	PART NO.	1 2 3 4 5	DESCRIPTION	QTY.
1	<u>14443G13</u>		CLEVIS PIN, .5" X 3.5" LG.....	2
2	<u>624030</u>		FLANGED BUSHING, .93" LG.....	4
3	<u>21683G1</u>		COTTER PIN, .320" X 2.969"	2
4				
5				
6				
7	<u>653323</u>		ELECTRIC DUMP ASSEMBLY (INCLUDES ITEMS 8 - 16).....	1
8	<u>27612G04</u>		ELECTRIC ACTUATOR, 48V (1000).....	1
9	<u>27613G01</u>		SPACER, .75" O.D. X .5" I.D.	2
10	<u>14443G10</u>		CLEVIS PIN, .5" X 3" LG	1
11	<u>14443G11</u>		CLEVIS PIN, .5" X 1.92" LG	1
12	<u>21683G1</u>		COTTER PIN, .320" X 2.969"	2
13	<u>653362</u>		ELECTRIC DUMP HARNESS.....	1
14	<u>17618G1</u>		NYLON CLAMP, 8" LG	7
15	<u>21320G04</u>		CIRCUIT BREAKER, 15A, 24V	1
16	<u>01041G01</u>		ALUMINUM RIVET, 5/23" DIA	2

TRUCK BED

- 1** HOOP RACK KIT includes items 2 - 9
- 11** LADDER TIE DOWN AND HOOK KIT includes items 12 - 16



THE USE OF NON U.L. PARTS WILL VOID ANY U.L. LISTING.

When ordering parts, please specify the model and serial number of the product.

* Indicates a component that is not available as an individual part.

*** Indicates consult Customer Service Department for additional information.

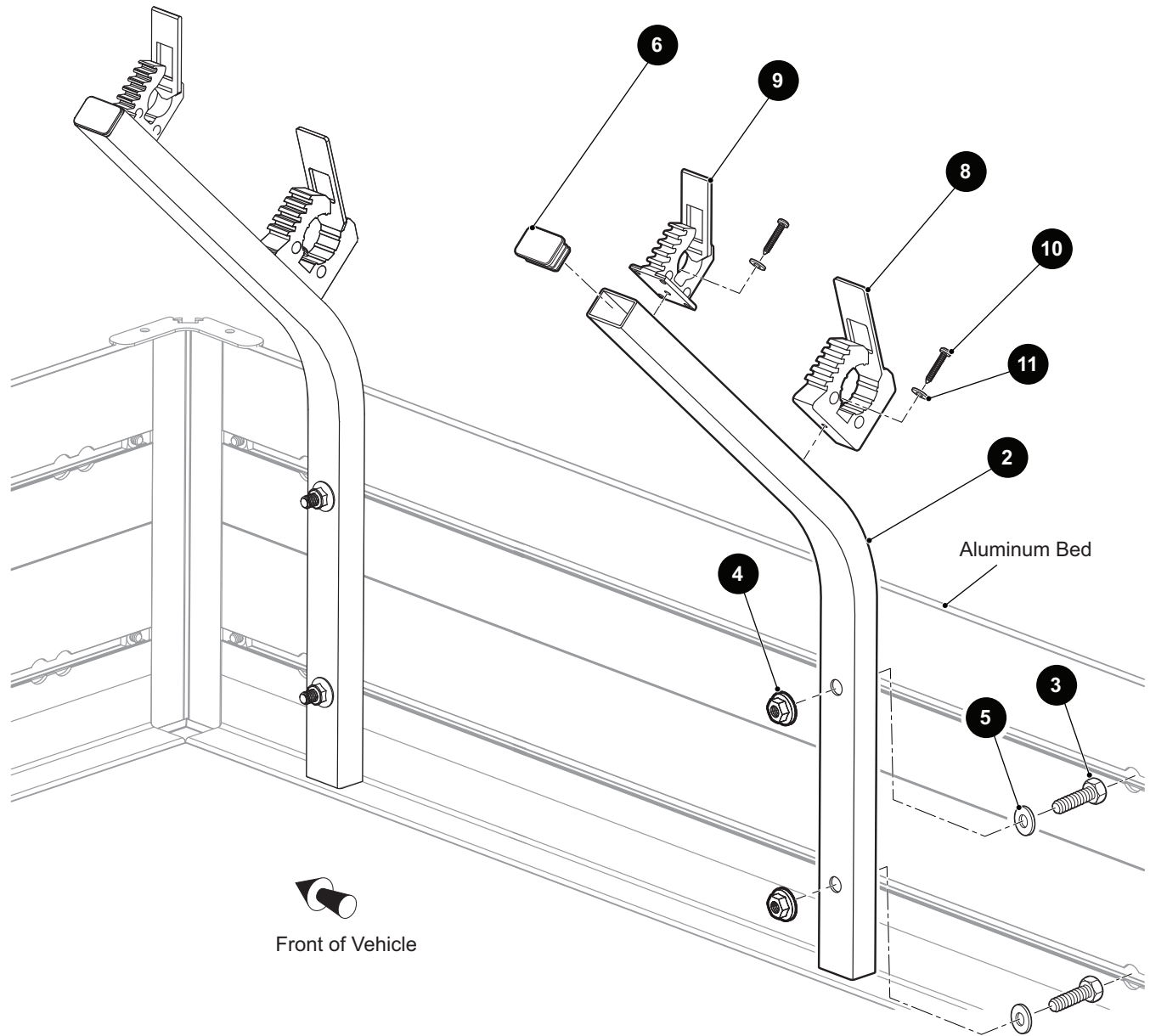
ITEM	PART NO.	1 2 3 4 5	DESCRIPTION	QTY.
1	<u>658573</u>		HOOP RACK KIT (INCLUDES ITEMS 2 - 9)	1
2	<u>650766</u>		ALUMINUM BED HOOP.....	2
3	<u>00427G8</u>		HEX HEAD BOLT, 3/8" - 16 X 2" LG	8
4	<u>12262G1</u>		FLANGED LOCK NUT, 3/8" - 16	8
5	<u>650931</u>		HOOK RACK TIE BAR	2
6	650950		HOOK RACK TIE BAR BRACKET	4
7	<u>652310</u>		ROUND HEAD TORX BOLT, 5/16" - 18 X 2" LG	16
8	<u>11027G1</u>		FLANGED LOCK NUT, 5/16" - 18	16
9	<u>00560G1</u>		FLAT WASHER, 3/8"	8
10				
11	<u>650921</u>		LADDER TIE DOWN AND HOOK KIT (INCLUDES ITEMS 12 - 16)	1
12	<u>651379</u>		HOOK	4
13	<u>652310</u>		ROUND HEAD TORX BOLT, 5/16" - 18 X 2" LG	8
14	<u>11027G1</u>		FLANGED LOCK NUT, 5/16" - 18	8
15	651338		EYE BOLT, 5/16" - 18 X 5" LG	4
16	<u>00642G8</u>		FLAT WASHER, 5/16"	4

TRUCK BED

1 TOOL HOLDER KIT includes items 2 - 7

7 QUICK FIST KIT includes items 8 - 11

14 L-TRACK D-LOOP KIT (NOT ILLUSTRATED) includes item 15



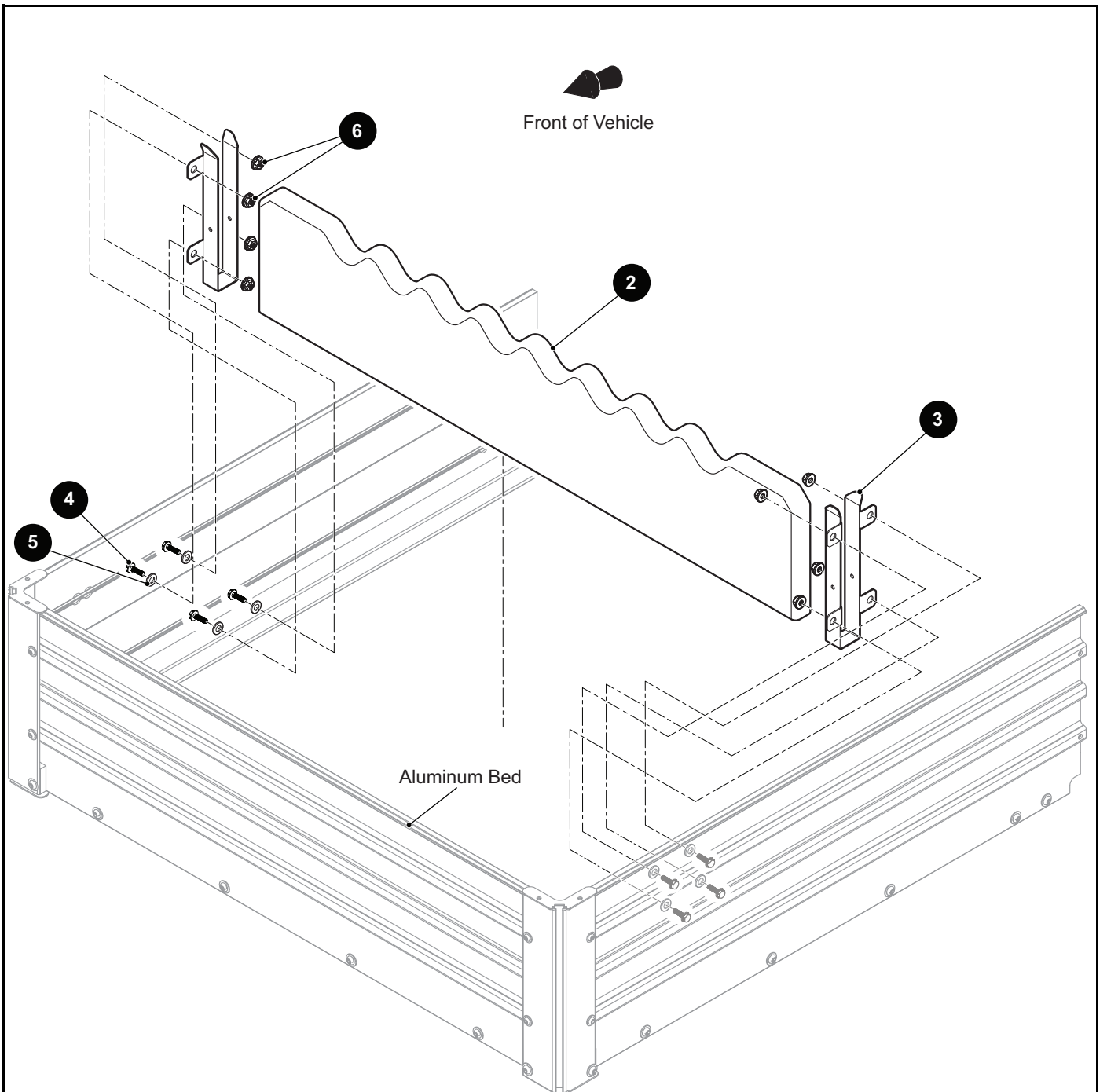
THE USE OF NON U.L. PARTS WILL VOID ANY U.L. LISTING.

When ordering parts, please specify the model and serial number of the product.

* Indicates a component that is not available as an individual part.

*** Indicates consult Customer Service Department for additional information.

ITEM	PART NO.	1 2 3 4 5	DESCRIPTION	QTY.
1	<u>658536</u>		TOOL HOLDER KIT (INCLUDES ITEMS 2 - 7)	1
2	658535		BED BAR	2
3	<u>00427G8</u>		HEX HEAD BOLT, 3/8" - 16 X 2" LG.....	4
4	<u>12262G1</u>		FLANGED LOCK NUT, 3/8" - 16	4
5	<u>00560G1</u>		FLAT WASHER, 3/8"	4
6	652697		END CAP, 1" 1 1/2".....	2
7	<u>652615</u>		QUICK FIST KIT (INCLUDES ITEMS 8 - 11)	1
8	<u>652590</u>		QUICK FIST CLAMP (ORIGINAL)	2
9	<u>646404</u>		QUICK FIST CLAMP (MINI).....	2
10	<u>648271</u>		PAN HEAD TORX SCREW, #8 - 15 X 1" LG	4
11	<u>00559G4</u>		FLAT WASHER, #8	4
12				
13				
14	<u>652347</u>		L-TRACK D-LOOP KIT (NOT ILLUSTRATED) (INCLUDES ITEM 15)	1
15	<u>652346</u>		L-TRACK D-LOOP.....	4



1 ALUMINUM BED DIVIDER KIT includes items 2 - 6

THE USE OF NON U.L. PARTS WILL VOID ANY U.L. LISTING.

When ordering parts, please specify the model and serial number of the product.

* Indicates a component that is not available as an individual part.

*** Indicates consult Customer Service Department for additional information.

ITEM	PART NO.	1 2 3 4 5	DESCRIPTION	QTY.
1	<u>652674</u>		ALUMINUM BED DIVIDER KIT (INCLUDES ITEMS 2 - 6).....	1
2	<u>652673</u>		BED DIVIDER.....	1
3	<u>652677</u>		BED DIVIDER BRACKET.....	2
4	<u>00426G8</u>		HEX HEAD FLANGED BOLT, 3/8" - 16 X 1" LG.....	8
5	<u>00560G1</u>		FLAT WASHER, 3/8"	8
6	<u>12262G1</u>		FLANGED LOCK NUT, 3/8" - 16	8

WEATHER PROTECTION

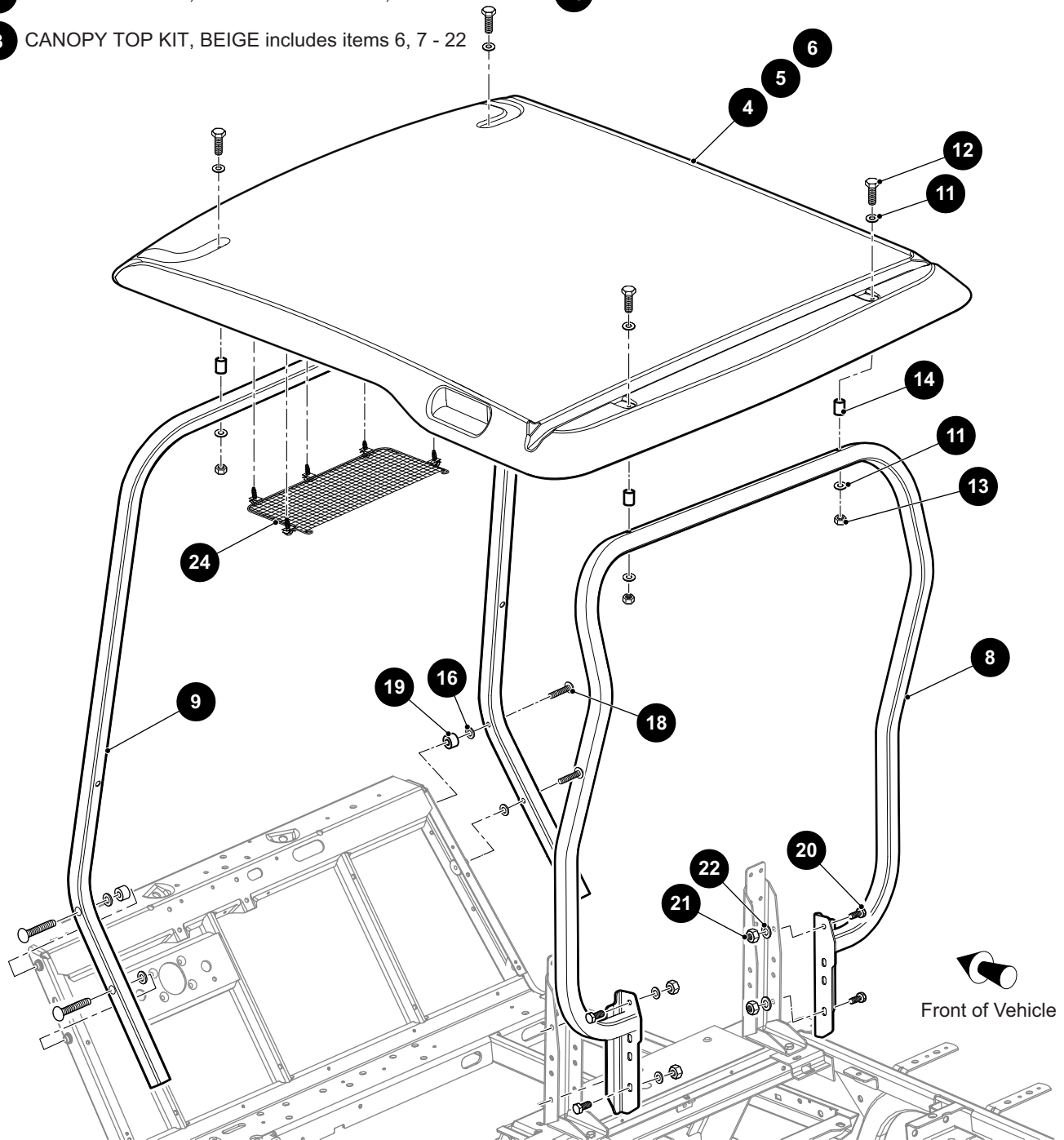
1 CANOPY TOP KIT, BLACK includes items 4, 7 - 22

2 CANOPY TOP KIT, TAN includes items 5, 7 - 22

3 CANOPY TOP KIT, BEIGE includes items 6, 7 - 22

7 CANOPY STRUT SET includes items 8 - 10

10 HARDWARE KIT includes items 11 - 22



WEATHER PROTECTION

THE USE OF NON U.L. PARTS WILL VOID ANY U.L. LISTING.

When ordering parts, please specify the model and serial number of the product.

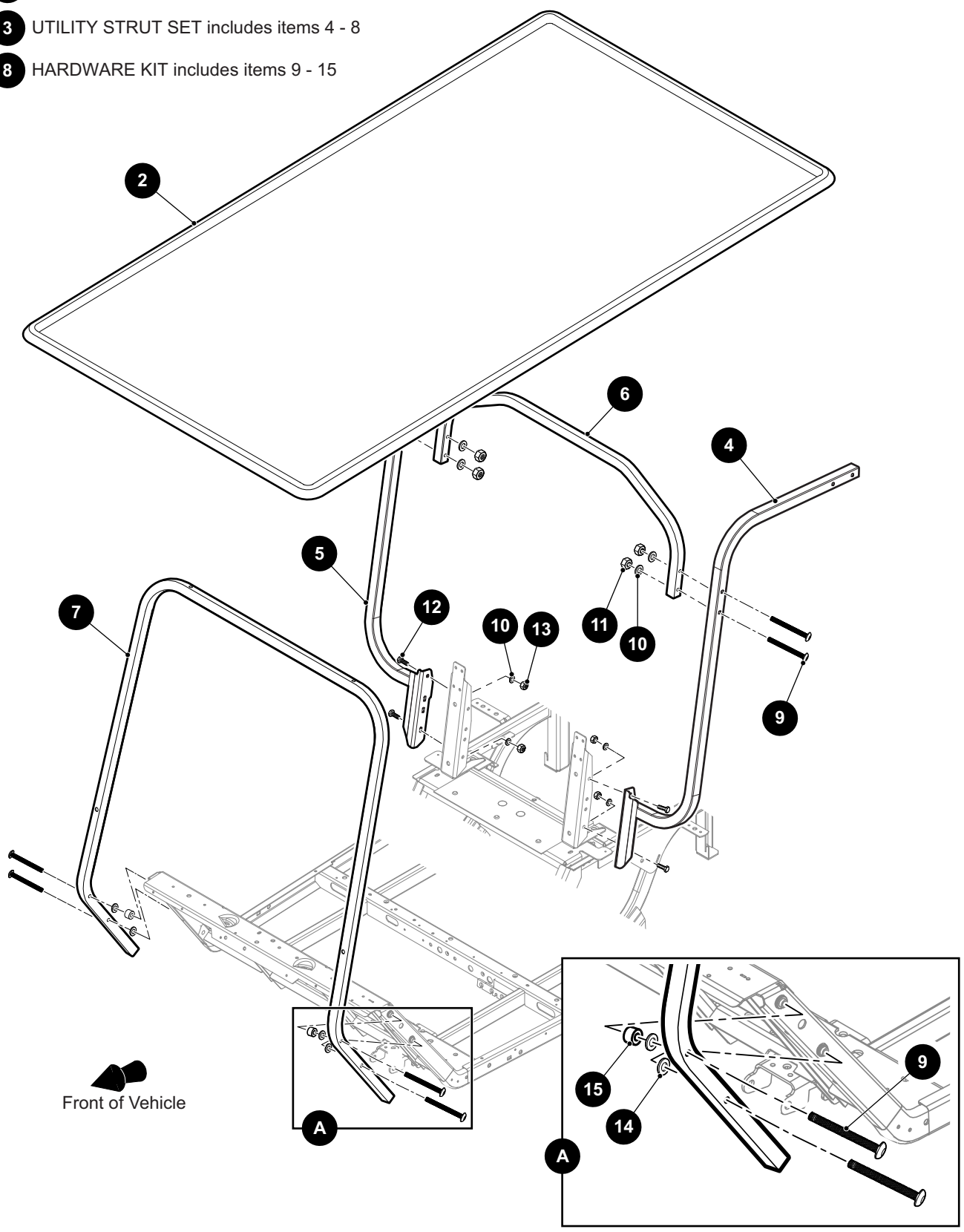
* Indicates a component that is not available as an individual part.

*** Indicates consult Customer Service Department for additional information.

ITEM	PART NO.	1 2 3 4 5	DESCRIPTION	QTY.
1	<u>651917G01</u>		CANOPY TOP KIT (BLACK) (INCLUDES ITEMS 4, 7 - 22)	1
2	<u>651917G02</u>		CANPOPY TOP KIT (TAN) (INCLUDES ITEMS 5, 7 - 22).....	1
3	<u>651917G03</u>		CANOPY TOP KIT (BEIGE) (INCLUDES ITEMS 6, 7 - 22)	1
4	<u>625292</u>		CANOPY TOP (BLACK)	1
5	<u>625290</u>		CANOPY TOP (TAN)	1
6	<u>625291</u>		CANOPY TOP (BEIGE)	1
7	<u>654452</u>		STRUT SET (INCLUDES ITEMS 8 - 10)	1
8	<u>658690</u>		REAR STRUT	1
9	<u>648270</u>		FRONT STRUT	1
10	<u>652328</u>		HARDWARE KIT (INCLUDES ITEMS 11 - 22)	1
11	<u>652324</u>		FLAT WASHER, O.D .692" X I.D .349".....	8
12	<u>652326</u>		HEX HEAD BOLT, 1/4" - 20 X 2.75" LG.....	4
13	<u>652319</u>		LOCK NUT, 1/4 - 20.....	4
14	<u>625301</u>		SPACER, .74" LG	4
15				
16	<u>634808</u>		FLAT WASHER, 5/16"	4
17				
18	<u>652311</u>		ROUND HEAD TORX SCREW (BLACK), 5/16" - 18 X 3" LG	4
19	<u>634807</u>		SPACER, .5" LG	2
20	<u>652313</u>		HEX HEAD BOLT, 5/16" - 18 X 1" LG.....	4
21	<u>652317</u>		LOCK NUT, 5/16" - 18 X .34" LG	4
22	<u>634810</u>		FLAT WASHER, 5/16"	4
23				
24	<u>653594</u>		MESH NET KIT	1

WEATHER PROTECTION

- 1 BESTOP KIT includes items 2 - 3
- 3 UTILITY STRUT SET includes items 4 - 8
- 8 HARDWARE KIT includes items 9 - 15



WEATHER PROTECTION

THE USE OF NON U.L. PARTS WILL VOID ANY U.L. LISTING.

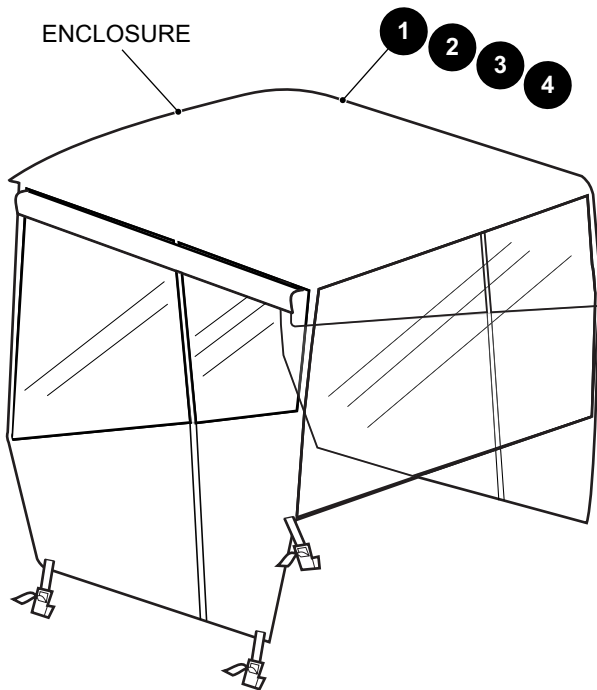
When ordering parts, please specify the model and serial number of the product.

* Indicates a component that is not available as an individual part.

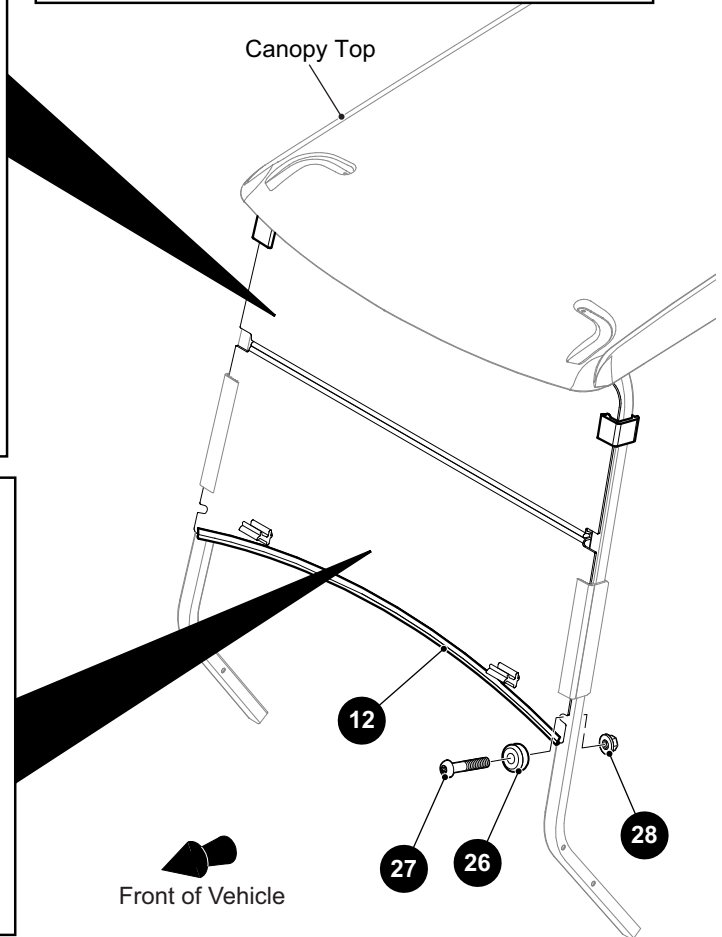
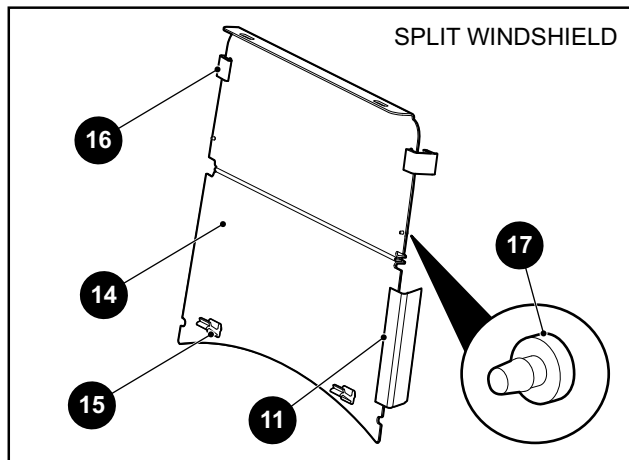
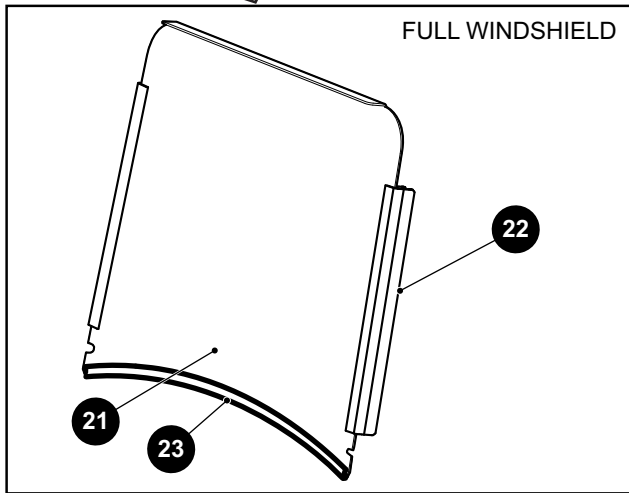
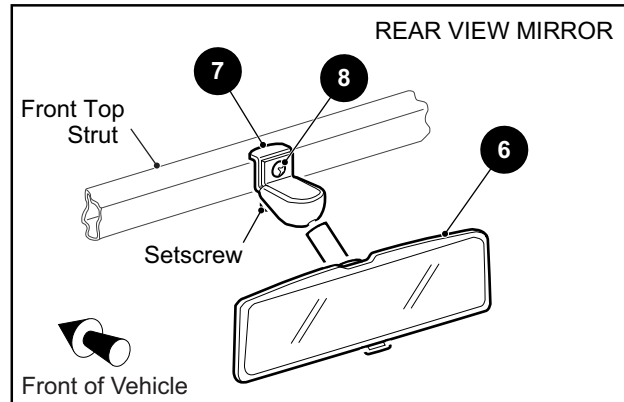
*** Indicates consult Customer Service Department for additional information.

ITEM	PART NO.	1 2 3 4 5	DESCRIPTION	QTY.
1	<u>651916G01</u>		BESTOP KIT (BLACK) (INCLUDES ITEMS 2 - 3)	1
2	<u>655556</u>		SOFT TOP KIT	1
3	<u>651871</u>		UTILITY STRUT SET (INCLUDES ITEMS 4 - 8).....	1
4	<u>659146G01</u>		REAR STRUT (DRIVER SIDE).....	1
5	<u>659146G02</u>		REAR STRUT (PASSENGER SIDE)	1
6	<u>651857</u>		BRACE.....	1
7	<u>648270</u>		FRONT STRUT	1
8	<u>652843</u>		HARDWARE KIT (INCLUDES ITEMS 9 - 15)	1
9	<u>652311</u>		ROUND HEAD TORX SCREW, 5/16" - 18 X 3" LG	8
10	<u>634810</u>		FLAT WASHER, 5/16"	8
11	<u>654587</u>		HEX NUT, 5/16"	4
12	<u>652313</u>		HEX HEAD BOLT, 5/16" - 18 X 1" LG.....	4
13	<u>652317</u>		LOCK NUT, 5/16" - 18	8
14	<u>634808</u>		FLAT WASHER, 5/16"	4
15	<u>634807</u>		SPACER, O.D .328 X I.D .75.....	2
16				
17				
18				
19	<u>601379</u>		REAR VIEW MIRROR KIT (NOT ILLUSTRATED).....	1

WEATHER PROTECTION



- 5 REAR VIEW MIRROR KIT includes items 6 - 8
- 10 SPLIT WINDSHIELD UTILITY KIT includes items 11 - 17, 25
- 13 SPLIT WINDSHIELD ASSEMBLY includes items 14 - 17
- 20 FULL WINDSHIELD UTILITY KIT includes items 21 - 25
- 25 WINDSHIELD HARDWARE KIT includes items 26 - 28



WEATHER PROTECTION

THE USE OF NON U.L. PARTS WILL VOID ANY U.L. LISTING.

When ordering parts, please specify the model and serial number of the product.

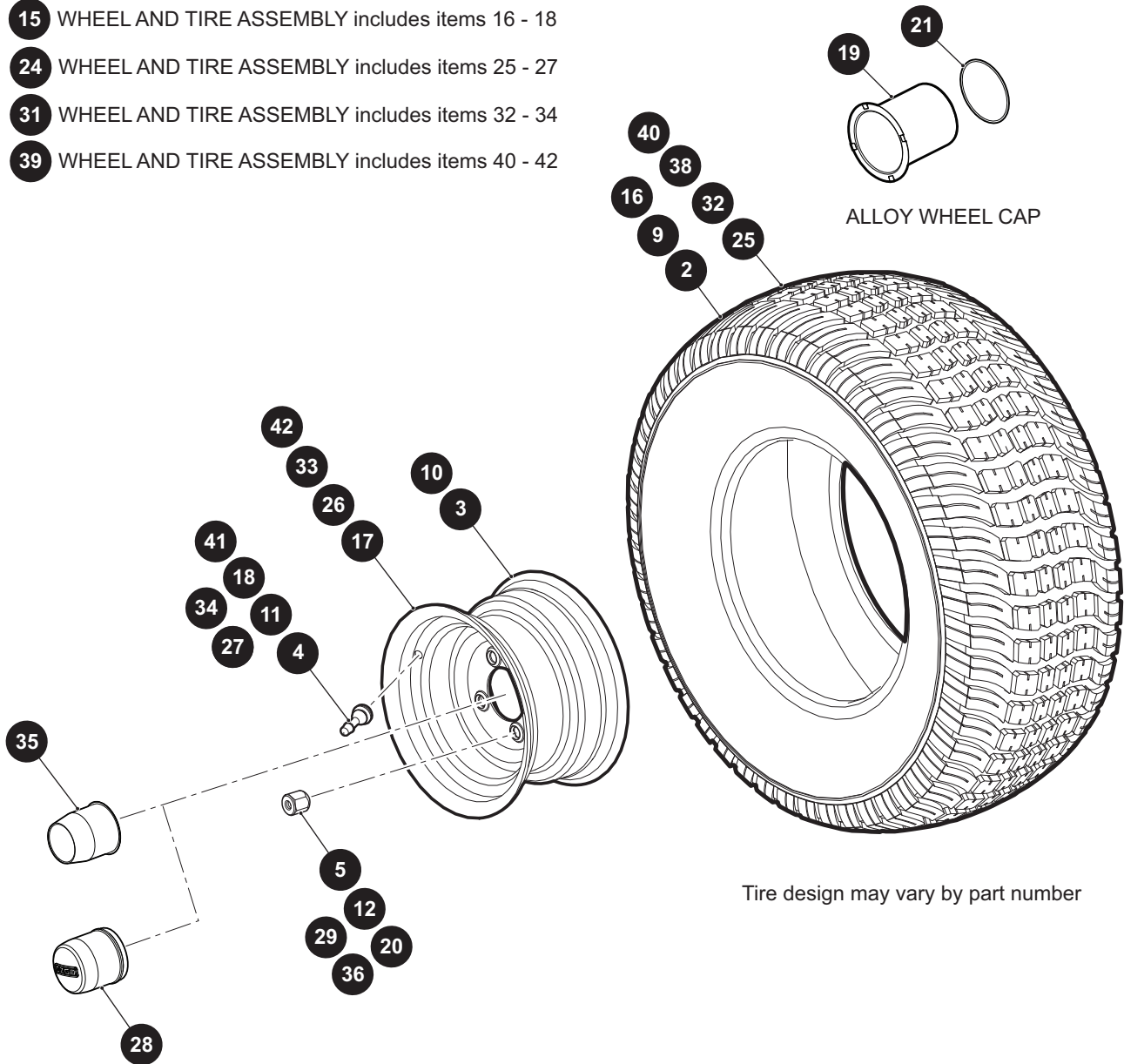
* Indicates a component that is not available as an individual part.

*** Indicates consult Customer Service Department for additional information.

ITEM	PART NO.	1 2 3 4 5	DESCRIPTION	QTY.
1	<u>652344G01</u>		TOP ENCLOSURE (WHITE), 54"	1
2	<u>652344G02</u>		TOP ENCLOSURE (BLACK), 54"	1
3	<u>652344G03</u>		TOP ENCLOSURE (TAN), 54"	1
4	<u>652845G01</u>		TOP ENCLOSURE (BLACK), 86"	1
5	<u>19528G2</u>		REAR VIEW MIRROR KIT (INCLUDES ITEMS 6 - 8)	1
6	<u>19496G1</u>		REAR VIEW MIRROR	1
7	<u>19502G2</u>		SUPPORT BRACKET	1
8	<u>19527G1</u>		PAN HEAD SCREW (SS), #8 - 32 X 5/8" LG	1
9				
10	<u>649825</u>		SPLIT WINDSHIELD KIT (INCLUDES ITEMS 11 - 17, 25).....	1
11	<u>613136</u>		SASH	2
12	<u>649836</u>		SEAL.....	1
13	<u>649849</u>		SPLIT WINDSHIELD ASSEMBLY (INCLUDES ITEMS 14 - 17)	1
14	*		WINDSHIELD.....	1
15	<u>603201</u>		LOWER LATCH	2
16	<u>603198</u>		UPPER LATCH	2
17	<u>604115</u>		GROMMET	2
18				
19				
20	<u>649883</u>		FULL WINDSHIELD KIT (INCLUDES ITEMS 21 - 25).....	1
21	*		FLAT WINDSHIELD	1
22	<u>649885</u>		SASH.....	1
23	<u>649836</u>		SEAL.....	1
24				
25	<u>668122</u>		WINDSHIELD HARDWARE KIT (INCLUDES ITEMS 26 - 28).....	1
26	<u>604116</u>		GROMMET	2
27	<u>600527</u>		BUTTON HEAD TORX BOLT, M10 - 1.5 X 60 MM LG	2
28	<u>600525</u>		LOCK NUT, M10 - 1.5	2

WHEELS AND TIRES

- 1 WHEEL AND TIRE ASSEMBLY includes items 2 - 4
- 8 WHEEL AND TIRE ASSEMBLY includes items 9 - 11
- 15 WHEEL AND TIRE ASSEMBLY includes items 16 - 18
- 24 WHEEL AND TIRE ASSEMBLY includes items 25 - 27
- 31 WHEEL AND TIRE ASSEMBLY includes items 32 - 34
- 39 WHEEL AND TIRE ASSEMBLY includes items 40 - 42



WHEELS AND TIRES

THE USE OF NON U.L. PARTS WILL VOID ANY U.L. LISTING.
 When ordering parts, specify the model and serial number of the product.
 * Indicates a component that is not available as an individual part.
 *** Indicates consult Customer Service Department for additional information.

ITEM	PART NO.	1 2 3 4 5	DESCRIPTION	QTY.
1	<u>652263</u>		WHEEL AND TIRE ASSEMBLY (KENDA) (INCLUDES ITEMS 2 - 4)	1
2	<u>652986</u>		TIRE, 20 X 8 - 10, 6PLY	1
3	<u>643934</u>		WHEEL, 10 X 6	1
4	<u>643948</u>		VALVE STEM.....	1
5	<u>14723G1</u>		LUG NUT, 1/2" - 20	4
6				
7				
8	<u>652392</u>		WHEEL AND TIRE ASSEMBLY (KENDA) (INCLUDES ITEMS 9 - 11).....	1
9	<u>652992</u>		TIRE, 205/65 - 10, 6PLY	1
10	<u>643934</u>		WHEEL, 10 X 6	1
11	<u>643948</u>		VALVE STEM.....	1
12	<u>14723G1</u>		LUG NUT, 1/2" - 20	4
13				
14				
15	<u>608914</u>		WHEEL AND TIRE ASSEMBLY, TERRA TRAC (INCLUDES ITEMS 16 - 18) (FOR VEHICLES MANUFACTURED BEFORE MAY 19, 2018)	1
16	<u>606141</u>		TIRE, 22 X 11 X 10.....	1
17	<u>604927</u>		WHEEL, 10 X 7	1
18	<u>604915</u>		VALVE STEM.....	1
19	<u>601353</u>		WHEEL CAP (ALLOY)	1
20	<u>605310</u>		CHROME LUG NUT, 1/2" - 20 X 1.88" LG.....	4
21	<u>650164</u>		O-RING	1
22				
23				
24	<u>607252</u>		WHEEL AND TIRE ASSEMBLY, TERRA TRAC (INCLUDES ITEMS 25 - 27)	1
25	<u>606142</u>		TIRE, 23 X 10.5 X 12.....	1
26	<u>606149</u>		WHEEL.....	1
27	<u>604915</u>		VALVE STEM.....	1
28	<u>614272</u>		WHEEL CAP	1
29	<u>605310</u>		CHROME LUG NUT, 1/2" - 20 X 1.88" LG.....	4

WHEELS AND TIRES

THE USE OF NON U.L. PARTS WILL VOID ANY U.L. LISTING.

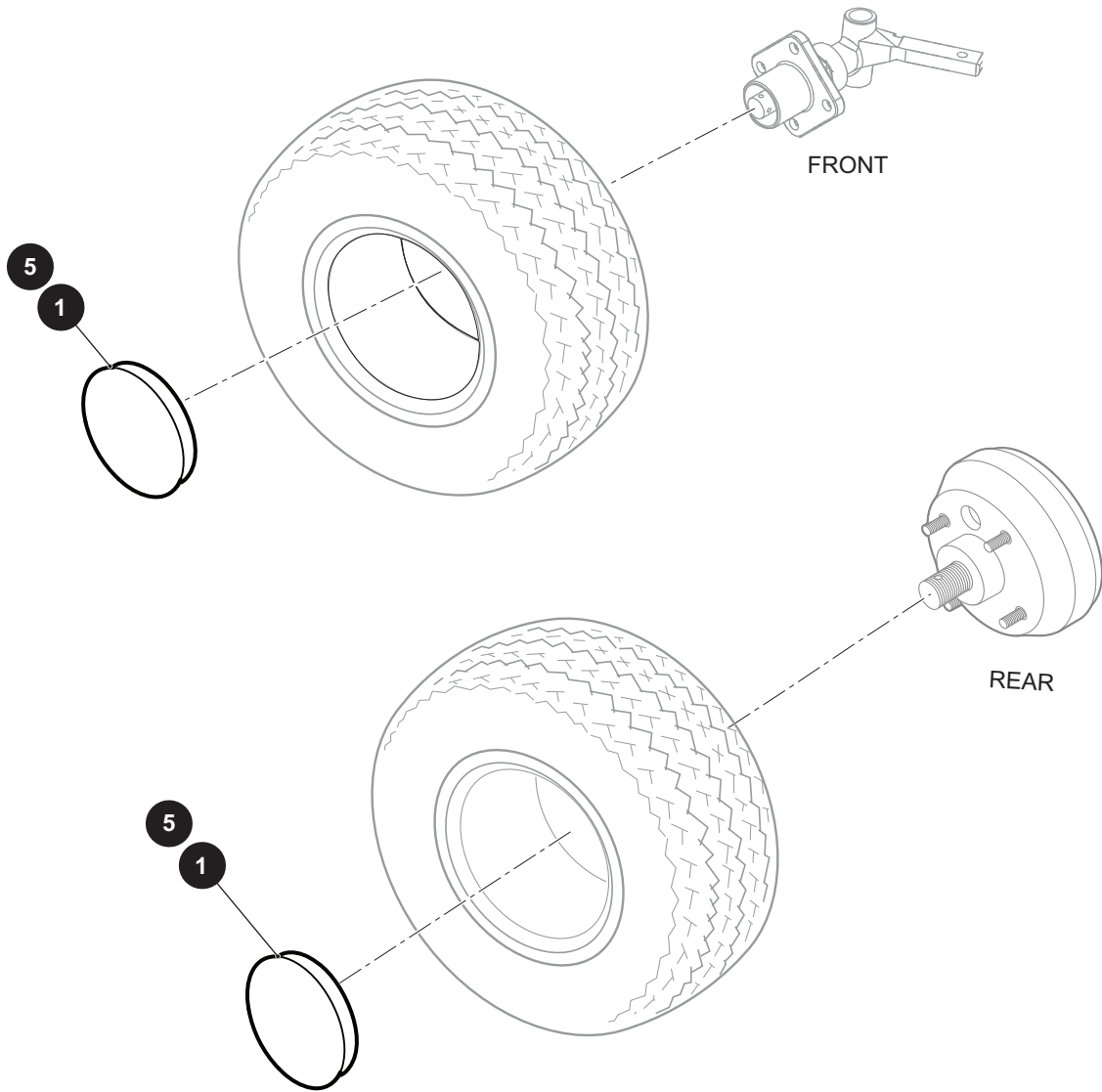
When ordering parts, please specify the model and serial number of the product.

* Indicates a component that is not available as an individual part.

*** Indicates consult Customer Service Department for additional information.

ITEM	PART NO.	1	2	3	4	5	DESCRIPTION	QTY.
30								
31	<u>644592</u>						WHEEL AND TIRE ASSEMBLY, BK X (INCLUDES ITEMS 32 - 34)	1
32	<u>629713</u>						TIRE, 23 X 10.5 - 12	1
33	<u>631041</u>						WHEEL, 12 X 7	1
34	<u>11657G2</u>						VALVE STEM	1
35	<u>630268</u>						CENTER CAP	1
36	<u>14723G1</u>						LUG NUT, 1/2" - 20	4
37								
38	<u>665084</u>						TIRE, 22 X 10 R10	1
39	<u>653627</u>						WHEEL AND TIRE ASSEMBLY (INCLUDES ITEMS 40 - 42) (FOR VEHICLES MANUFACTURED AFTER MAY 19, 2018)	AR
40	658351						TIRE, K502, 22 X 10 - 10, 6PLY	1
41	<u>604915</u>						CHROME VALVE STEM	1
42	<u>604927</u>						POLISHED SPOKED WHEEL, 10 X 7	1

WHEELS AND TIRES



WHEELS AND TIRES

THE USE OF NON U.L. PARTS WILL VOID ANY U.L. LISTING.

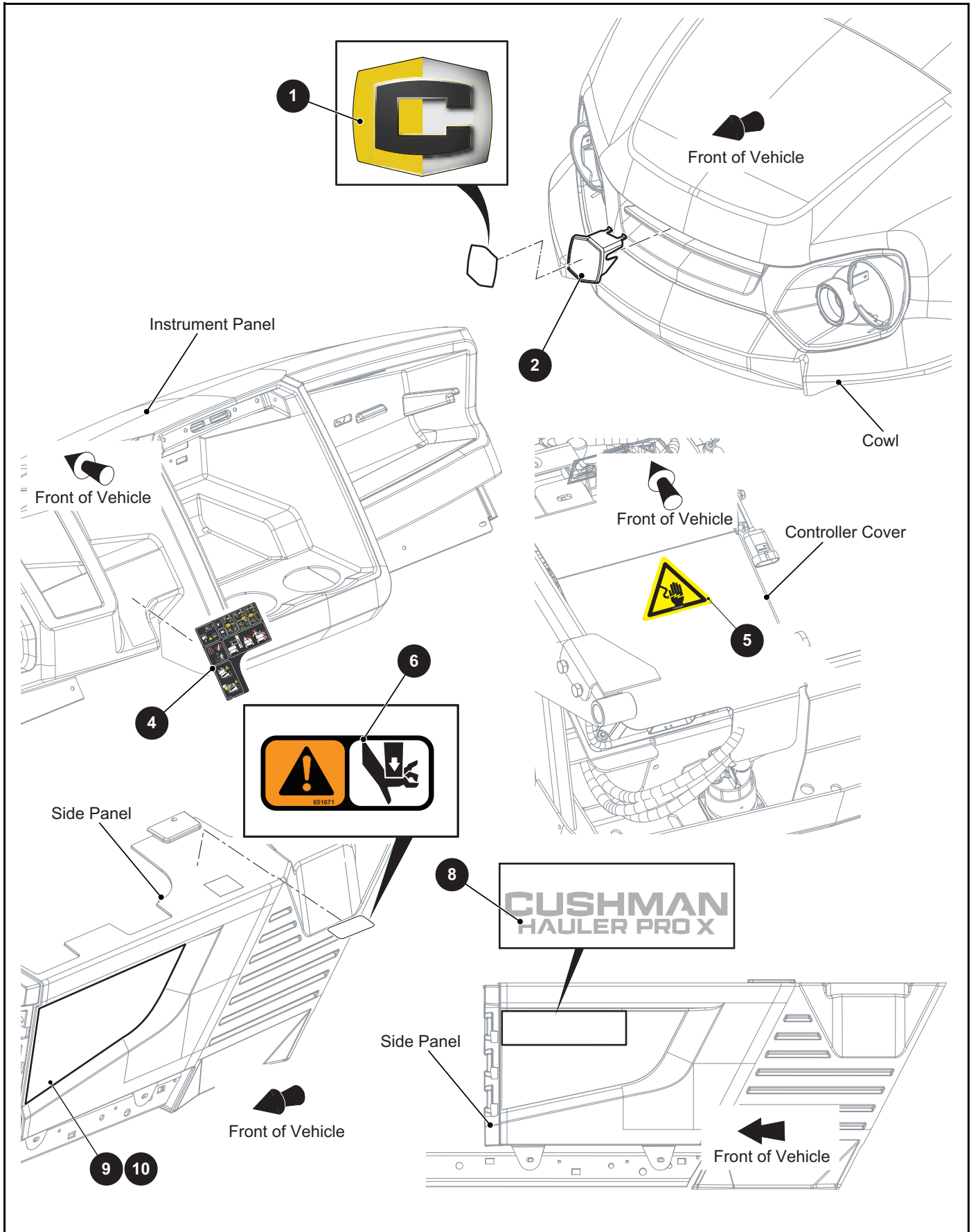
When ordering parts, specify the model and serial number of the product.

* Indicates a component that is not available as an individual part.

*** Indicates consult Customer Service Department for additional information.

ITEM	PART NO.	1 2 3 4 5	DESCRIPTION	QTY.
1	<u>608912</u>		WHEEL COVER (FOR VEHICLES MANUFACTURED BEFORE JANUARY 8, 2018).....	4
2				
3				
4				
5	<u>665151</u>		WHEEL COVER (SILVER) (FOR VEHICLES MANUFACTURED AFTER JANUARY 8, 2018).....	4

DECALS AND LABELS



DECALS AND LABELS

THE USE OF NON U.L. PARTS WILL VOID ANY U.L. LISTING.

When ordering parts, please specify the model and serial number of the product.

* Indicates a component that is not available as an individual part.

*** Indicates consult Customer Service Department for additional information.

ITEM	PART NO.	1 2 3 4 5	DESCRIPTION	QTY.
1	<u>650284</u>		COWL DECAL	1
2	<u>649875G01</u>		COWL LOGO ATTACHMENT	1
3				
4	<u>651654</u>		OPERATING INSTRUCTION LABEL	1
5	<u>71415G01</u>		ELECTRIC SHOCK WARNING LABEL	1
6	<u>651671</u>		PINCH WARNING LABEL	1
7				
8	<u>652086</u>		SIDE PANEL DECAL	1
9	651580G02XX		SIDE COLOR DECAL (PASSENGER SIDE) (See COLOR CODE in HOW TO USE Section)	1
10	651580G01XX		SIDE COLOR DECAL (DRIVER SIDE) (See COLOR CODE in HOW TO USE Section)	1

1

2

3

4

5

7

8

Aluminum Bed

Plastic Bed

Hoop Rack

Front of Vehicle

WARNING READ AND OBEY THE FOLLOWING WARNINGS TO DECREASE RISK OF SERIOUS INJURY OR DEATH.

Pressing the accelerator pedal releases the parking brake even when the key is in the OFF position; the vehicle may move when the accelerator pedal is pressed. The vehicle must be properly restrained. Do not allow anyone to ride in the vehicle until all occupants are properly seated with their backs against the seat and feet flat on the floor. Do not leave children unattended or allow them to play on a parked vehicle.

SAFETY INSTRUCTIONS

BEFORE OPERATING

- READ the owner's manual and operating instructions. Consult an authorized dealer or go to the manufacturer's website for replacement manual or parts. • This vehicle is not for use by non-operators. However, when law or local rules may require additional equipment in your community.

SAFE OPERATION & TOWING

- Turn key to ON, select Forward of Reverse, lower and engage brake (if equipped), and slowly press accelerator pedal. • Always bring vehicle to a complete stop before shifting the direction selector. • Always maintain a safe following distance. • Communicate with other road users. • Always check around or use mirrors or cameras when reversing the vehicle. • Always use proper tie-down technique when loading or unloading the load before leaving the vehicle. In an electric vehicle, put the gear into parking or to OFF or Neutral; in a gasoline vehicle, put the selector in Forward.

MAINTENANCE & TOWING

- This vehicle requires regular scheduled maintenance (see the periodic service schedule by model or model year). • Only qualified personnel should service the vehicle. • Vehicle is not to be towed. Consult owner's manual for transport restrictions.

3

WARNING

- Maximum weight capacity for the ladder rack is 50 lbs. (22 kg).
- The bed capacity is reduced anytime the ladder rack is installed. Refer to the bed label to determine reduced capacity.
- If 600 lbs. (262 kg), maximum bed load capacity is reduced to 600 lbs. (275 kg).
- If 500 lbs. (227 kg), maximum bed load capacity is reduced to 500 lbs. (227 kg).
- To prevent an increased risk of rollover, do not exceed maximum weight limits indicated.

DECALS AND LABELS

THE USE OF NON U.L. PARTS WILL VOID ANY U.L. LISTING.

When ordering parts, please specify the model and serial number of the product.

* Indicates a component that is not available as an individual part.

*** Indicates consult Customer Service Department for additional information.

ITEM	PART NO.	1 2 3 4 5	DESCRIPTION	QTY.
1	<u>35980G02</u>		LOAD BED LABEL (ALUMINUM) (500 LBS)	1
2	<u>618088</u>		TAILGATE DECAL	1
3	<u>658428</u>		HOOP RACK WARNING LABEL	2
4	<u>74821G01</u>		LOAD BED LABEL (PLASTIC) (500LBS)	1
5	<u>71055G01</u>		RIVET (ALUMINUM), 3/16" X .985" LG	4
6				
7	<u>618086</u>		STEERING WHEEL DECAL	1
8	664789		WARNING LABEL (STEERING WHEEL)	1



CUSHMAN™

Textron Specialized Vehicles, Inc.

1451 Marvin Griffin Road
Augusta, Georgia 30906 - 3852 USA

CONTACT US:

North America:

Technical Assistance & Warranty Phone: 1-800-774-3946, FAX: 1-800-448-8124
Service Parts Phone: 1-888-438-3946, FAX: 1-800-752-6175

International:

Phone: 001-706-798-4311, FAX: 001-706-771-4609

Service Parts Manuals, as well as Repair and Service Manuals
are available from a local Distributor, or an authorized Branch,
Parts & Accessories Department or at www.cushman.com.

Copyrighted Material

This manual may not be reproduced in whole
or in part without the express permission of
TSV Technical Communications Department