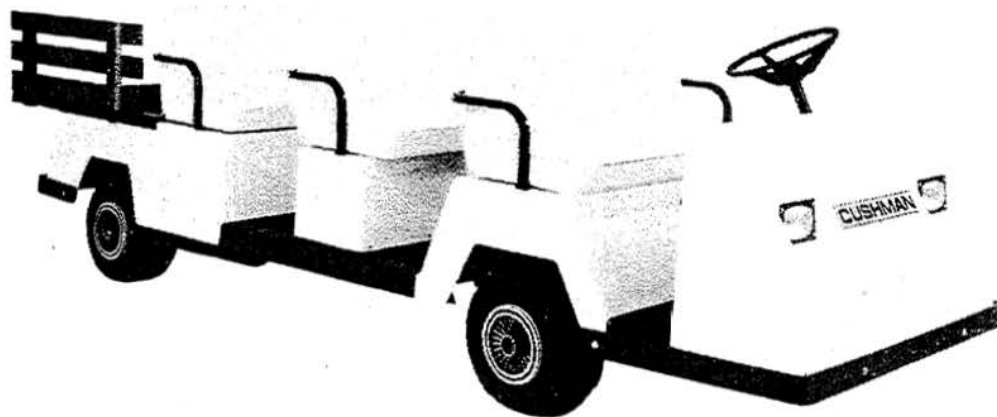




PARTS MANUAL



MODELS:

BEGINNING WITH 9030

888371 F2 ELECTRIC

898372 F2 GASOLINE

898373 F2J ELECTRIC

898374 F2J GASOLINE

898581 BELLHOP ELECTRIC

898582 BELLHOP GASOLINE

898583 BELLHOP ELECTRIC

898584 BELLHOP GASOLINE

898585 BELLHOP ELECTRIC

898586 BELLHOP GASOLINE

SERVICE VEHICLES



SAFETY WARNING

- When replacement parts are required, use genuine CUSHMAN parts or parts with equivalent characteristics including type, strength and material. Failure to do so may result in product malfunction and possible injury to the operator and / or bystanders.
- Illustrations in this manual are a reference guide for parts identification only. Since these illustrations may not depict actual positioning of component parts, they should not be used as an assembly diagram. Doing so may result in improper assembly leading to sudden failure.

Cushman Inc., A Ransomes Company, reserves the right to make changes at any time, without notice, in specifications and models and also to discontinue models and the accessories designed to be used on these models. The right is also reserved to change specifications or parts at any time without incurring any obligation to equip the same on models which were manufactured prior to the date of such change.

While the information contained in this parts manual is based on the latest product information available at the time of publication, the continuing accuracy of this parts manual cannot be guaranteed.



SAFETY WARNING

- In some cases accessories must be used with other accessories or modifications to maintain safe operating conditions for a vehicle. Display of an accessory in this manual does not imply it can be used on all vehicles. Using an accessory in a non-recommended application may create unsafe operating conditions.

NOTE

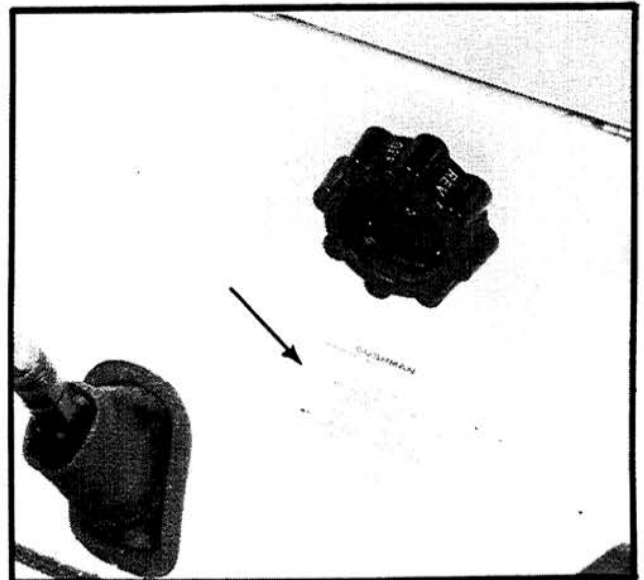
- The information in this manual covers ten vehicle models, modifications and accessories for these models. Use the information that applies to your vehicle.
- Some vehicles may be equipped with special options that are not serviced by Cushman Inc.

VEHICLE IDENTIFICATION

THESE IDENTIFICATION NUMBERS MUST APPEAR ON ALL CORRESPONDENCE CONCERNING THE VEHICLE.

VEHICLE MODEL NUMBER

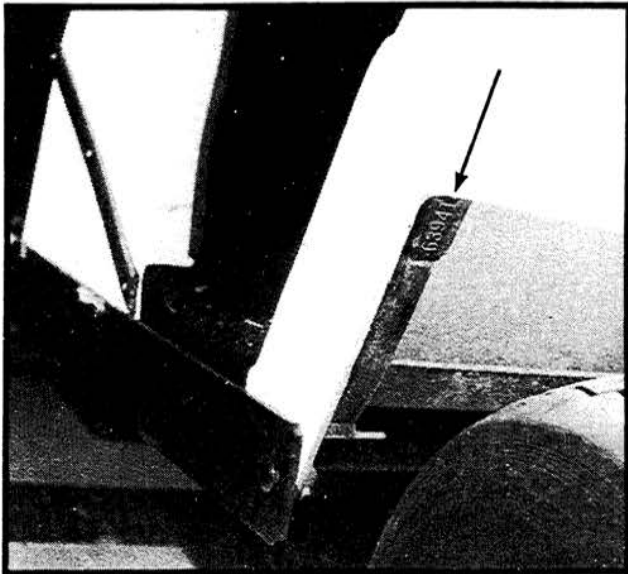
The vehicle model number is located on the vehicle nameplate / decal, just below the seat on the seat base panel as shown in illustration.



Model Number On Vehicle Nameplate/Decal

VEHICLE SERIAL NUMBER

The vehicle serial number is stamped on the tab located just inside the front of the drivers side wheel well as shown in illustration.



Serial Number In Drivers Side Wheel Well

NOTE

- A new system has been implemented for model identification of vehicles. The new system eliminates the model year designation following the six digit vehicle model number printed on the Identification/Nameplate decal on each vehicle. You must be aware of the new system for correct parts ordering information.

For example: instead of having a 898371-9210 designation, the 1992 models will be shown as 898371 only. If the model undergoes any major changes, A is added to the model number, so any vehicle purchased after the first major change will be shown as a 898371A model. The suffix will change (B, C, etc.) with each subsequent major change to the model. The suffix does not have to change at the beginning of each production year unless a major change is incorporated at that time.

The vehicle model year will continue to be the first two digits of the serial number. For example: the serial number 92000761 would indicate a 1992 model year vehicle.

ADDITIONAL MANUALS

Operators Manual, Service Vehicles
Part No. 837926

Order for a minimum charge at this address:
Cushman Inc.
Attention: Cushman Service Dept.
P.O. Box 82409
Lincoln, Nebraska 68501-2409

REPLACEMENT ENGINES AND ENGINE REPAIR PARTS

Replacement engines and engine repair parts may be obtained from your local Kohler dealer.

Engine Model and Specification Numbers:

Kohler Model No. M8S Spec. No. PS301615
for gasoline models 898372 and 898582.

Kohler Model No. 18S Spec. No. PS24662
for gasoline models 898374, 898584,
898586 and on models 898372 and 898582
equipped with modification Part No. 000845.

IMPORTANT!

- INDENTED PART NAMES INDICATE THESE PARTS ARE INCLUDED IN THE PRECEDING ASSEMBLY.

* INDICATES: PARTS NOT ILLUSTRATED.

◇ INDICATES: SEE NOTE BELOW THE PARTS LIST.

AFTER YOU IDENTIFY A PART BY THE REFERENCE NUMBER AND THE SIX DIGIT CUSHMAN NUMBER, **ALWAYS READ THE DESCRIPTION OF THE PART TO BE SURE IT IS WHAT YOU WANT.**

INDEX

A

Accelerator Pedal	
9105 And Prior	14
Electric Vehicles	16-17
Gasoline Vehicles	15
Axle, Front	
9105 And Prior	7
9210 And Later	8-9
Axle, Rear	
9010 thru 9105	44-45
9110 And Later	38-39

B

Battery Condition Meter 36 Volt, Accessory	78
Battery Tray And Hold Downs	43
Battery Tray, 48 Volt Accessory	87
Body Parts	
Models 898371, 898372, 898581 And 898582	20
Models 898373 And 898374	21
Models 898583, 898584, 898585 And 898586	22
Brake Pedal and Parking Brake	30-31
Brake Lines And Connectors, Rear	37
Brake Lines And Connectors, Front	33
Brakes, Front	
9010 Thru 9105	34-35
9110 And Later	36
Brakes, Rear	
Electric Models 9110 And Later	40
Gasoline Models 9110 And Later	38-39

Bumpers, Front And Rear	68
-------------------------	----

C

Cable, Control	12
Cable, Throttle	15
Canopy Accessory, Fiberglass	72-73
Charger Accessory, Shelf Mount	25

Charger And Control Console	25
Charger Relay Set, Accessory	78
Charger, Built-In, 115 Volt AC - 60 Hz, 36 Volt, 25 Amps DC 9010 Thru 9105	23
Charger, Lestronic II, 115 Volt AC - 60 Hz, 36 Volt, 25 Amps DC	24
Charger, 48 Volt Accessory	86

D

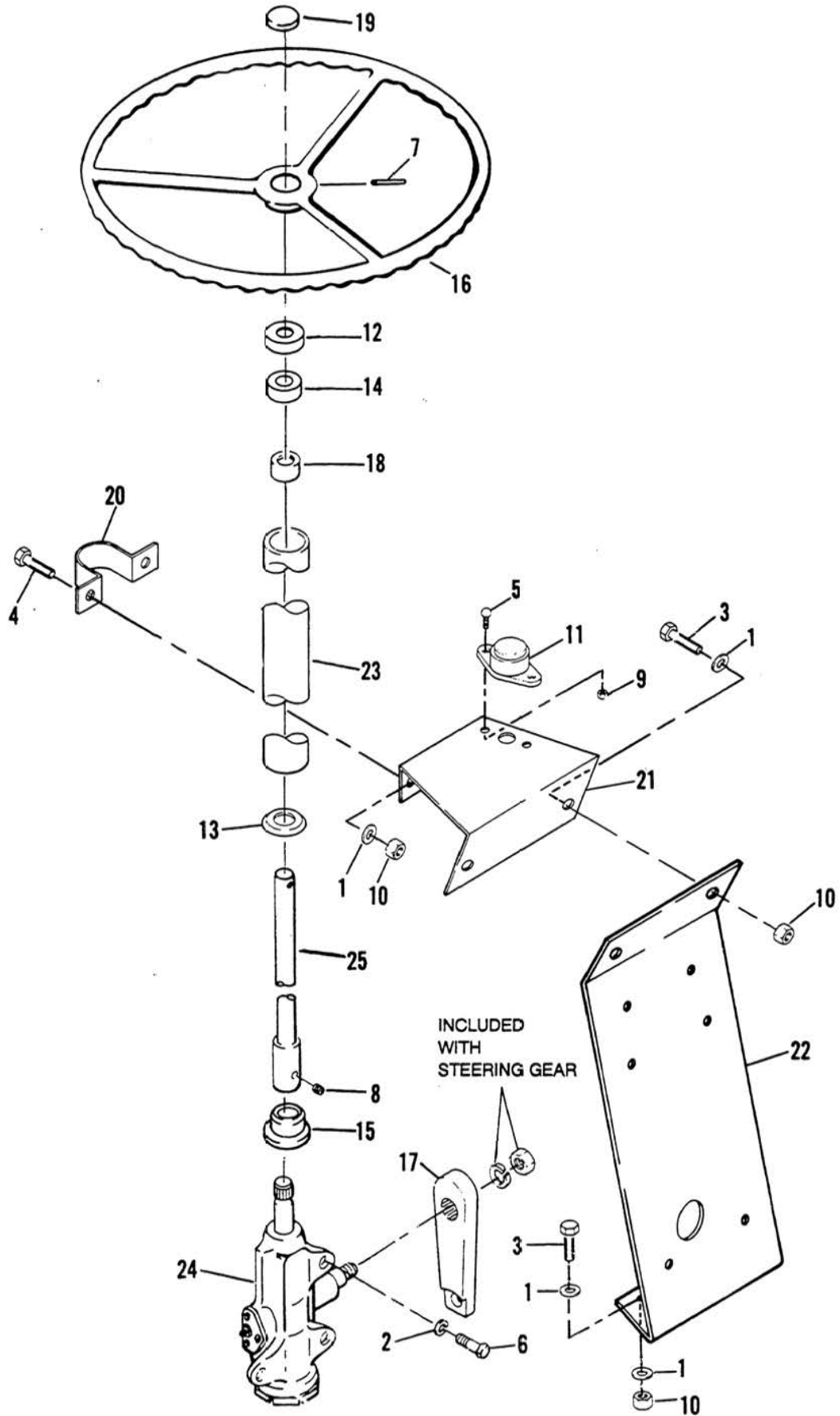
Decals	69
Deck Panels	67
Deck, Cargo, Models 898371, 898372, 898373 and 898374	66
Differential, 9010 Thru 9105	44-45
Differential, 13.00:1 Ratio, 9110 And Later	50-51
Differential, Comet Gasoline Models 9010 Thru 9105	48-49
Direction Control And Linkage, Gasoline Models 9010 Thru 9105	11
Direction Control Switch 9110 And Later	12
Gasoline Models 9210 And Later	13
Drive Belt	56-57
Drive Pulley Models 898374, 898584 and 898586 9010 And Later	52
Models 898372 And 898582 9010 And Later	53
Driven Pulley Models 898374, 898584 and 898586 9010 And Later	55
Models 898372 And 898582 9010 And Later	54

E

Electric Motor, Models 898371, 898373, 898581, 898583 And 898585	28-29
Electrical Components, Circuit Breakers, Fuses, Horn, Switches, Solenoids, Wire Ties, Horn Button And Terminal Covers	88-89
Electrical tubing, connectors, Diode, Fuse And Resistor	83
Engine Replacement	1
Exhaust System, 9010 And Later	64

F			
Food And Beverage Modification	70-71		
Fuel Filter	58		
Fuel Gauge Meter, Accessory	76		
Fuel Tank			
9010 And Later	58		
H			
Headlight And Taillight	42		
Horn	88-89		
Horn Button	4-5, 88-89		
Hour Meter Set, Accessory	75		
Hub, Front	36		
M			
Master Cylinder, 9010 And Later	32		
Mirror Set, Accessory Outside	77		
Motor, 48 Volt Accessory	84-85		
Muffler	64		
P			
Pintle Hitch And Hitch Set, Accessory	82		
Platform Accessory, Cargo, Models 898581, 898582, 898583, 898584, 898585 And 898586	80		
Power Frame, 9010 Thru 9105	18		
Power Frame And Input Shaft Support, 9110 And Later	19		
R			
Reverse Alarm	65		
S			
Salsbury Drive Conversion Kit Models 898372 And 898582	57		
		Models 898374, 898584 and 898586	56
		Seat Belt Set, Accessory	79
		Seats And Frames	62-63
		Shock Absorbers	59
		Solenoid	88-89
		Spark Arrestor Set, Accessory, Models 898372 And 898582	81
		Speed Control, PMC, Models 898371, 898373, 898581, 898583 And 898585	26-27
		Springs, Front	10
		Steering Gear And Steering Wheel 9030 Thru 9105	6
		9110 And Later	4-5
		Switch, Ignition	88-89
T			
		Tires And Wheels	
		9105 And Prior	60
		9110 And Later	61
		Tool Box, Accessory	77
		Transaxle, 9110 And Later	46-47
		Turn Signal Set, Accessory	74
V			
		Vehicle Identification	Inside Front Cover
		Vehicle Model Number	Inside Front Cover
		Vehicle Serial Number	1
W			
		Wheel Cover, Accessory	81
		Wheel Cylinder	36, 38-41
		Windscreen Set, Accessory	76
		Windshield Wiper, Accessory	79
		Wiring Diagram, Models 898371 and 898581	90-91
		Wiring Diagram, Models 898373, 898583 and 898585	92-93

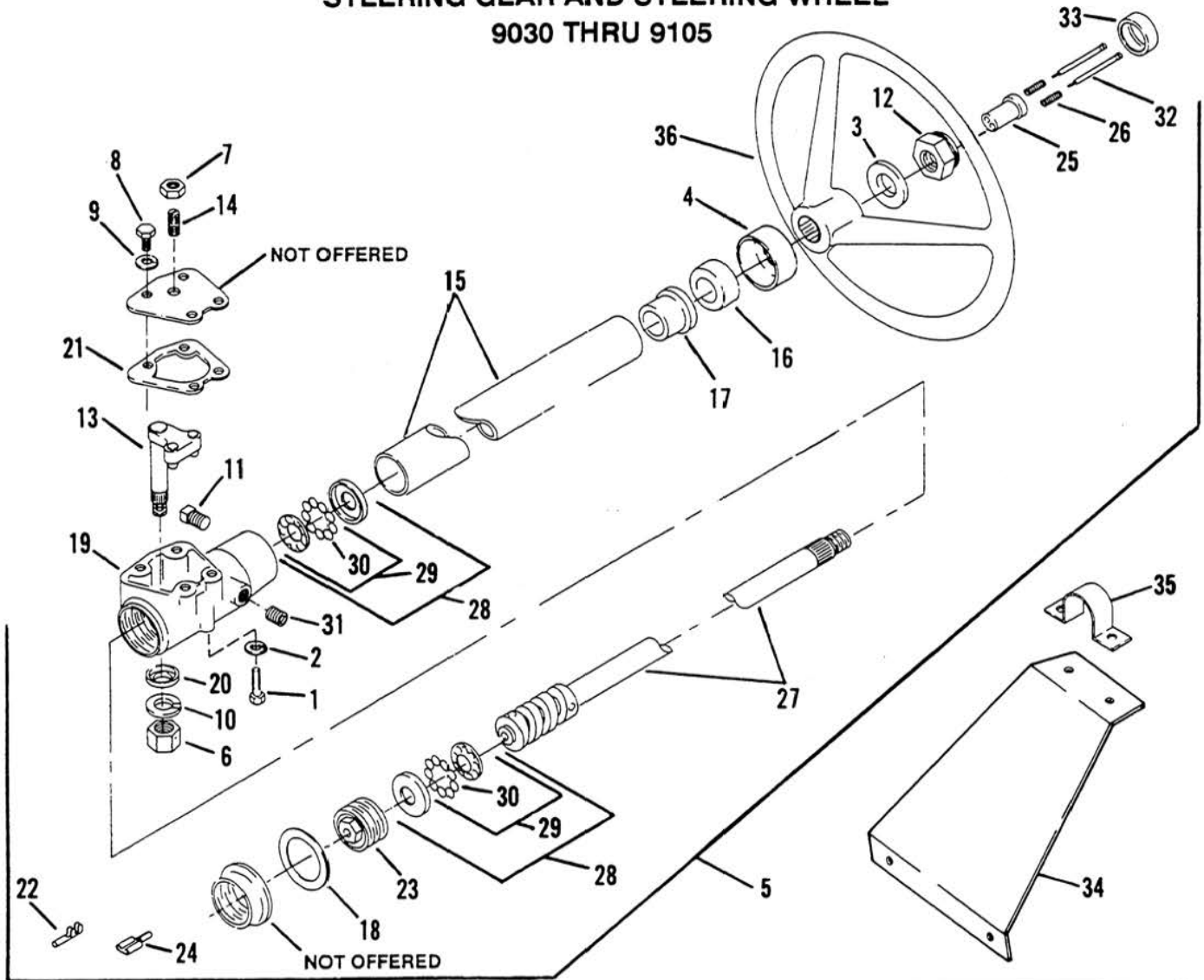
STEERING GEAR AND STEERING WHEEL 9110 AND LATER



**STEERING GEAR AND STEERING WHEEL
9110 AND LATER**

Ref. No.	Part No.	Description	No. Req'd.	Ref. No.	Part No.	Description	No. Req'd.
1	103867	Washer, 5/16"	8	14	819923	Collar, foam	1
2	303269	Lockwasher, 7/16"	3	15	819924	Bearing	1
3	306435	Screw, 5/16-18 x 1 1/4"	4	16	827191	Wheel, steering	1
4	306450	Screw, 5/16-18 x 3/4"	2	17	830482	Arm, pitman	1
5	306514	Screw, #10-24 x 1/2"	2	18	831135	Bearing, bronze	1
6	308197	Screw, 7/16-14 x 1 1/2"	3	19	831298	Nameplate	1
7	316945	Pin, spirol, 1/4" x 1 3/4"	1	20	833633	Bracket	1
8	548201	Screw, set, 5/16-18 x 5/16"	1	21	836449	Bracket, steering column	1
9	548973	Nut, #10-24	2	22	836450	Support, steering column	1
10	800697	Nut, 5/16-18 crownlock flange	6	23	836471	Tube	1
11	806791	Button, horn	1	24	889556	Gear, steering	1
12	810666	Cover	1	25	889786	Shaft	1
13	819547	Grommet	1				

STEERING GEAR AND STEERING WHEEL 9030 THRU 9105

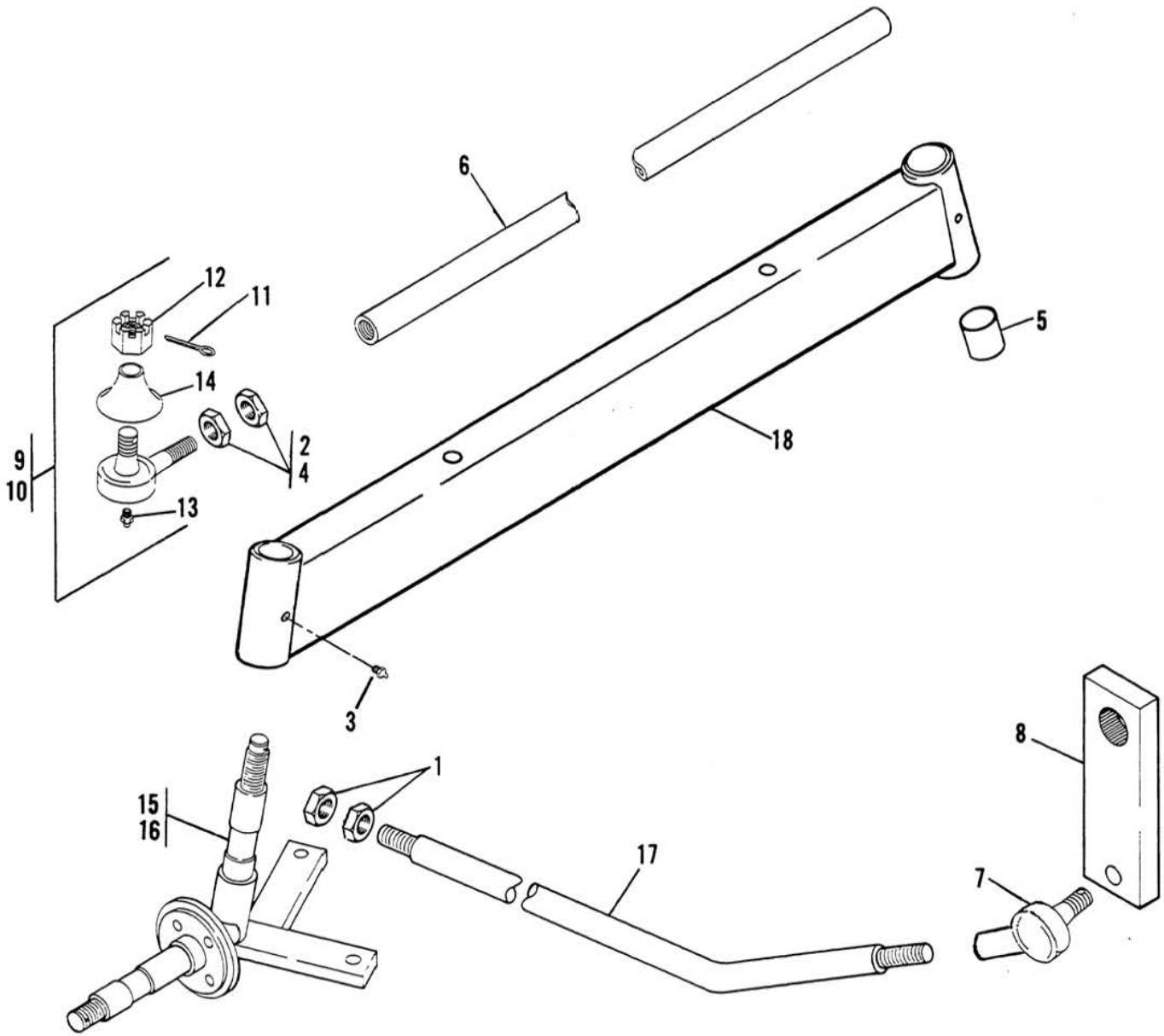


Ref. No.	Part No.	Description	No. Req'd.	Ref. No.	Part No.	Description	No. Req'd.
1	130538	Screw, 7/16-14 x 1 1/4"	3	20	812380	••Seal	1
2	303269	Lockwasher, 7/16"	3	21	819930	•Gasket, side cover	1
3	311496	Washer, 5/8"	1	22	821451	•Terminal, bullet	1
4	810666	Cover, steering tube	1	23	822656	•Plug, adjusting	1
5	883993	Gear, steering	1	24	822977	•Terminal, 1/4" female blade	1
6	130084	•Nut, 5/8-18	1	25	825369	•Insulator, horn	1
7	130541	•Nut, 1/2-20	1	26	825370	•Spring, horn	2
8	306322	•Screw, 5/16-18 x 7/8"	4	27	882750	•Cam and shaft (includes upper and lower bearings)	1
9	306371	•Washer, 5/16"	1	28	818902	••Bearing, retainer, balls & cup	2
10	306494	•Lockwasher, 5/8"	1	29	816886	•••Bearing, retainer & balls	2
11	800118	•Plug	1	30	800131	••••Bearing, ball	8
12	816652	•Nut, 9/16-18 steering wheel	1	31	◇	•Plug, 1/4", NPTF, recessed hex hd.	1
13	818446	•Shaft	1	32	883982	•Wire, horn	2
14	818450	•Screw, adjusting	1	33	883994	•Button, horn	1
15	818656	•Tube, jacket	1	34	833633	Bracket	1
16	819923	•Collar, foam	1	35	834128	Brace, steering column	1
17	819924	•Bearing, plastic	1	36	888527	Wheel, steering	1
18	819927	•Seal	4				
19	819929	•Housing w/seal	1				

INDENTED PART NAMES INDICATE THESE PARTS ARE INCLUDED IN PRECEDING ASSEMBLY

◇ Obtain locally

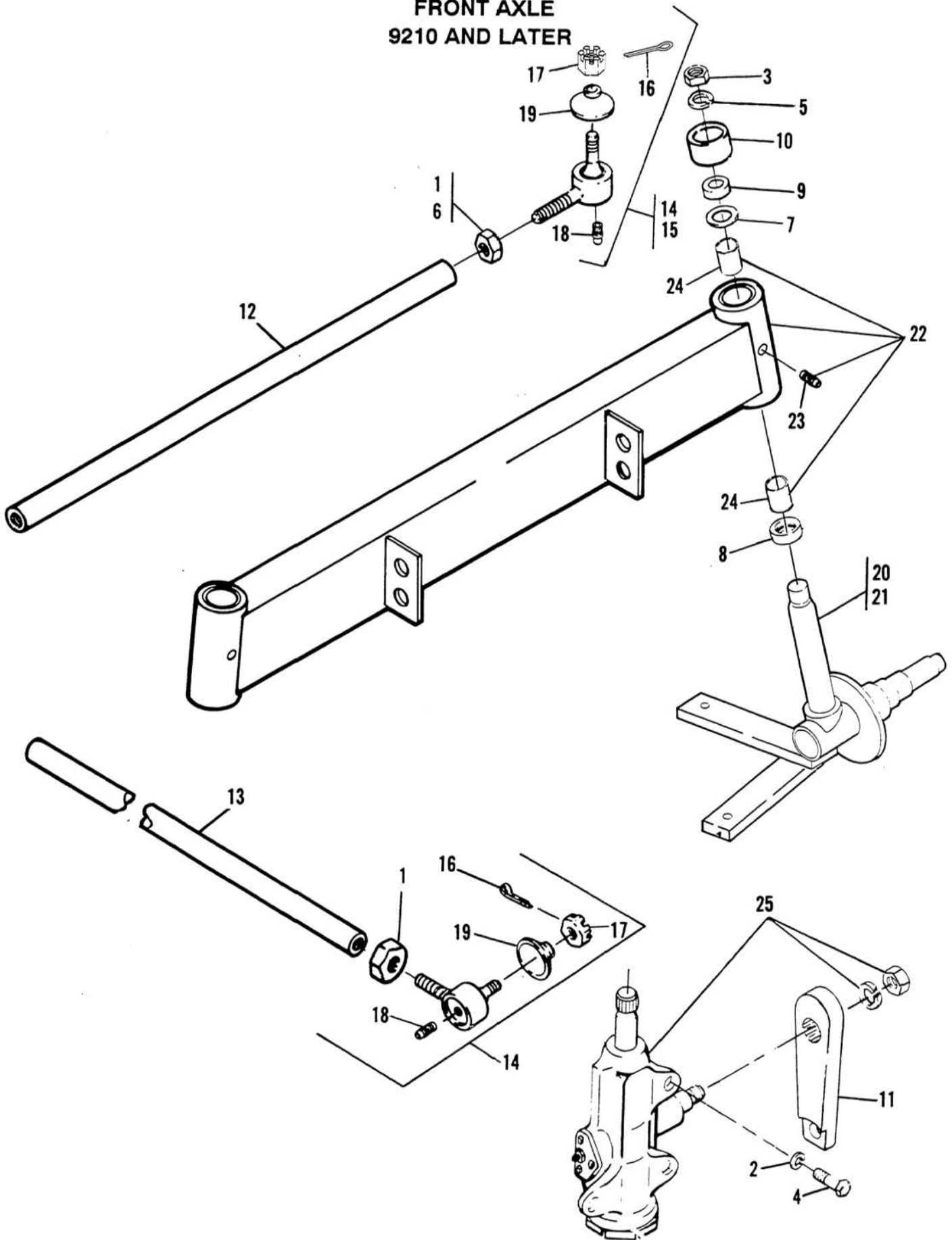
FRONT AXLE 9105 AND PRIOR



Ref. No.	Part No.	Description	No. Req'd.	Ref. No.	Part No.	Description	No. Req'd.
1	130541	Nut, 1/2-20 jam	2	10	887512	Rod end, RH thread	1
2	302944	Nut, 9/16-18 jam, RH thread	2	11	306328	•Pin, cotter, 3/32 x 3/4"	1
3	548224	Fitting, lubrication	2	12	306825	•Nut, castle, 7/16-20	1
4	800485	Nut, 9/16-18 jam, LH thread	2	13	548224	•Fitting, lubrication	1
5	833190	Bushing, bronze	4	14	816586	•Retainer, grease	1
6	833627	Rod, tie	1	15	888956	Kingpin, RH w/arm	1
7	835118	End, rod	2	16	888958	Kingpin, LH	1
8	835597	Arm, pitman	1	17	889210	Rod, steering	1
9	887750	Rod end, LH thread	1	18	889395	Axle, front	1
	AND						

INDENTED PART NAMES INDICATE THESE PARTS ARE INCLUDED IN PRECEDING ASSEMBLY

FRONT AXLE
9210 AND LATER

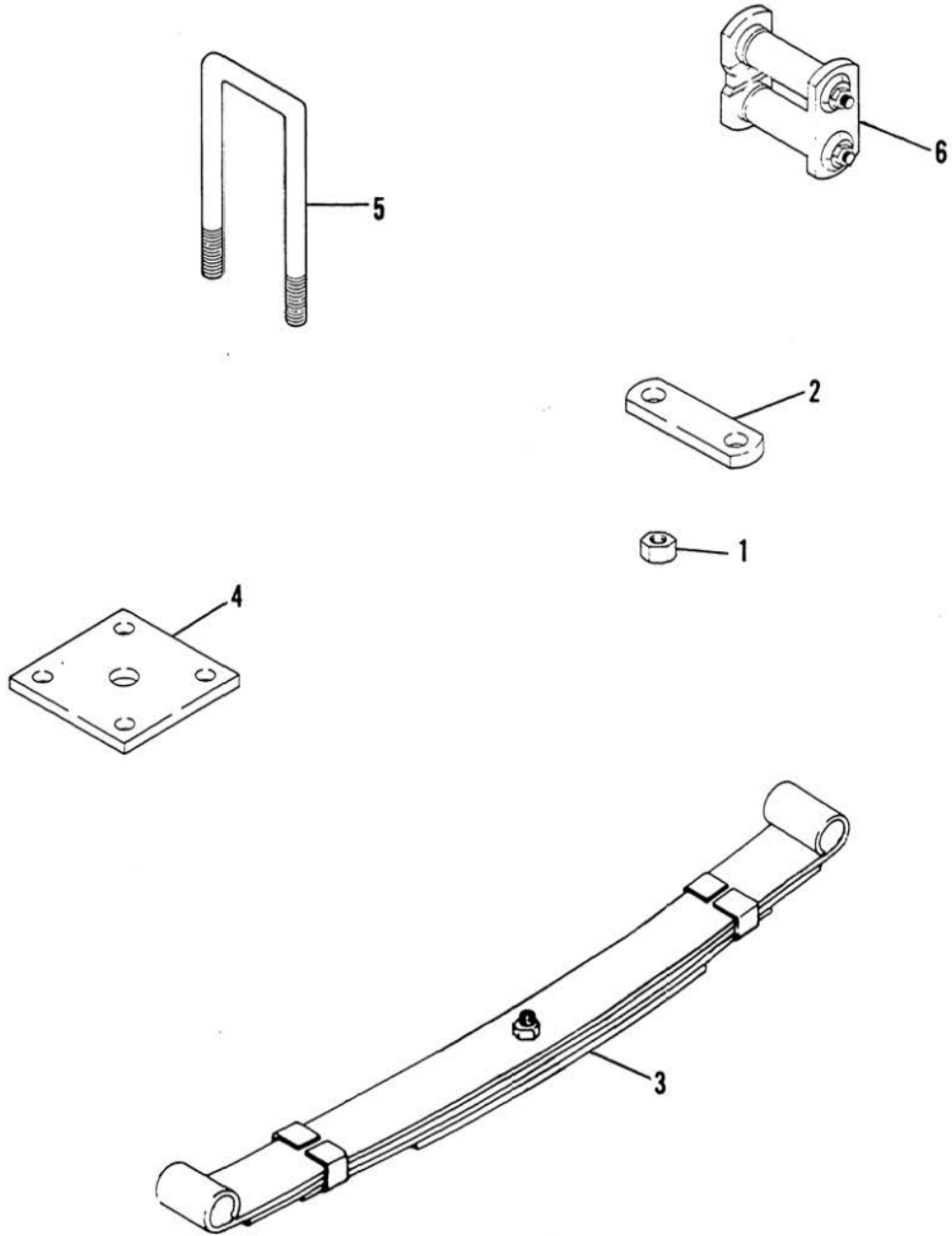


**FRONT AXLE
9210 AND LATER**

Ref. No.	Part No.	Description	No. Req'd.	Ref. No.	Part No.	Description	No. Req'd.
1	302944	Nut, rod end, 9/16-18	3		AND		
2	303269	Lockwasher, 7/16"	3	15	887750	End, tie rod, LEFT HAND THREAD	1
3	307665	Nut, 3/4-16	2				
4	308197	Screw, 7/16-14 x 1 1/2"	3	16	306328	•Pin, cotter, 3/32 x 3/4"	1
5	312272	Lockwasher, 3/4"	2	17	306825	•Nut, 7/16-20, castle	1
6	800485	Nut, 9/16-18 jam	1	18	548224	•Fitting, lubrication	1
7	817889	Washer, thrust	2	19	816586	•Retainer, grease	1
8	817891	Bearing	2	20	889012	Spindle, RIGHT	1
9	818219	Seal	2	21	889013	Spindle, LEFT	1
10	818220	Hub, steering arm	2	22	889028	Axle, front	1
11	830482	Arm, pitman	1	23	807439	•Fitting, lubrication	2
12	833627	Rod, tie	1	24	818238	•Bearing, king pin	2
13	835965	Rod, tie, steering arm	1	25	889556	Steering gear, complete	1
14	887512	End, tie rod, RIGHT HAND THREAD	3				

INDENTED PART NAMES INDICATE THESE PARTS ARE INCLUDED IN PRECEDING ASSEMBLY

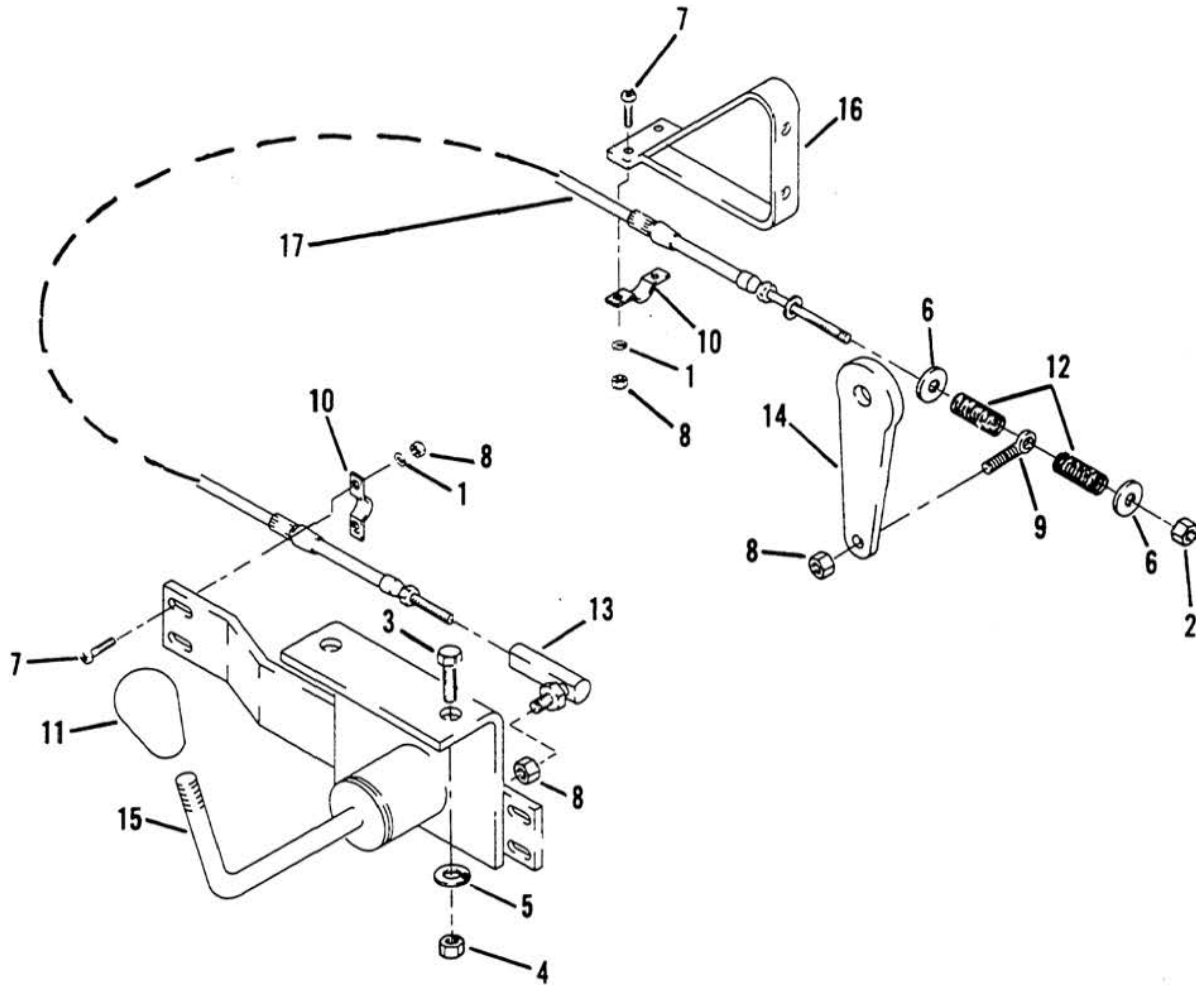
FRONT SPRINGS AND COMPONENTS



Ref. No.	Part No.	Description	No. Req'd.	Ref. No.	Part No.	Description	No. Req'd.
1	548061	Nut, 7/16-20 lock	8	4	835108	Plate	2
2	812218	Plate	4	5	835111	U-bolt	4
3	835106	Spring	2	6	889333	Shackle	2

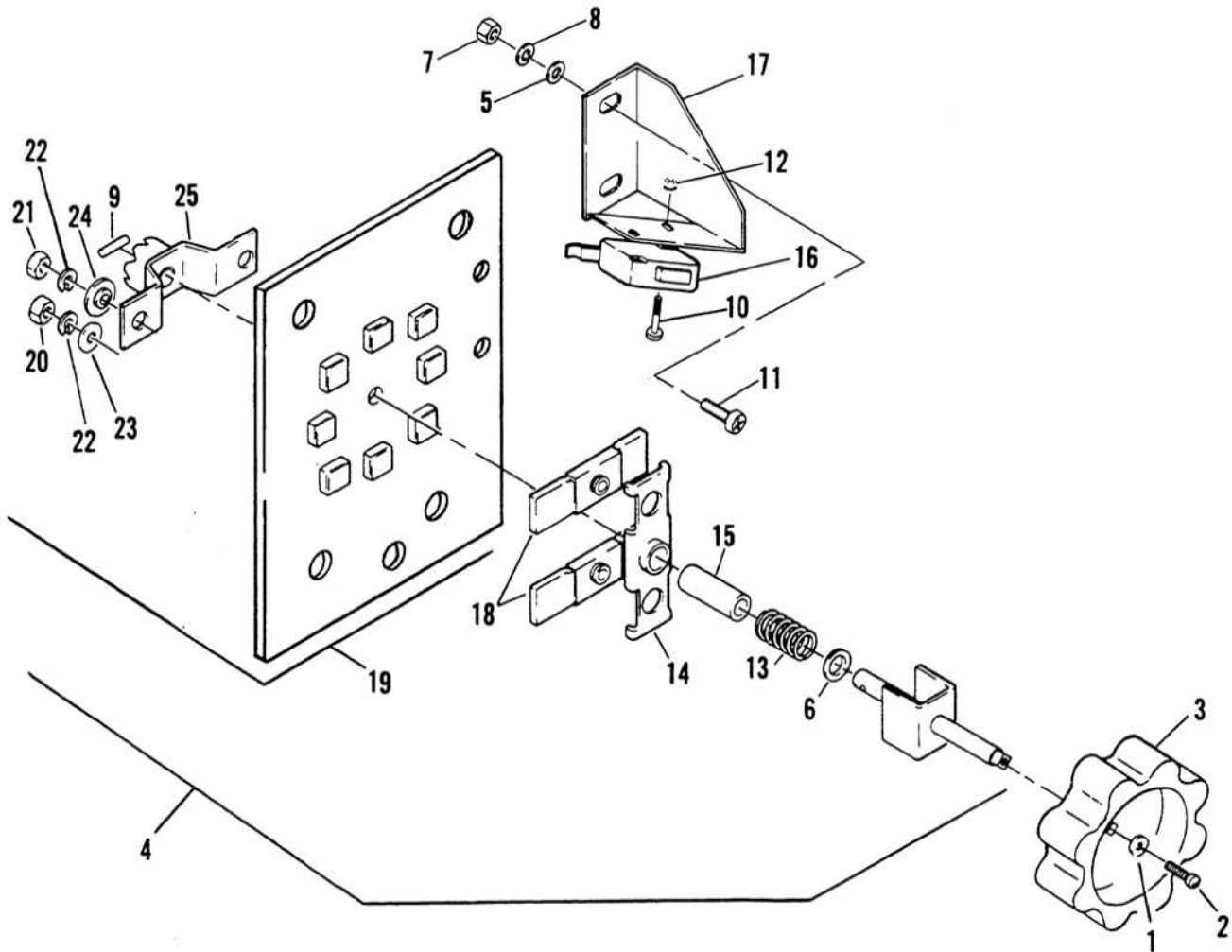
INDENTED PART NAMES INDICATE THESE PARTS ARE INCLUDED IN PRECEDING ASSEMBLY

DIRECTION CONTROL AND LINKAGE
MODELS 898372, 898374, 898582, 898584 AND 898586
9030-9105



Ref. No.	Part No.	Description	No. Req'd.	Ref. No.	Part No.	Description	No. Req'd.
1	120052	Lockwasher, #10	4	13	833815	Cable end, ball	1
2	132520	Nut, #10-32	1	14	833866	Lever, shift	1
3	302288	Screw, 1/4-20 x 1"	2	15	888678	Pivot, forward and reverse	1
4	306375	Nut, 1/4-20	2	16	888679	Mount, transaxle	1
5	306396	Lockwasher, 1/4"	2	17	889313	Cable, shifter (898372 & 898582), 106" (2.7 M)	1
6	308089	Washer, #10	2		889314	Cable, shifter (898374), 10 ft. (3 M)	1
7	800296	Screw, #10-24 x 3/4" P.T.H.	4		889315	Cable, shifter (898584), 11 ft. (3.4 M)	1
8	800577	Nut, #10-24	4		889757	Cable, shifter (898586), 14 ft. (4.3 M)	1
9	800615	Eyebolt	1				
10	833777	Clamp, cable	2				
11	833792	Knob	1				
12	833806	Spring, shifter	2				

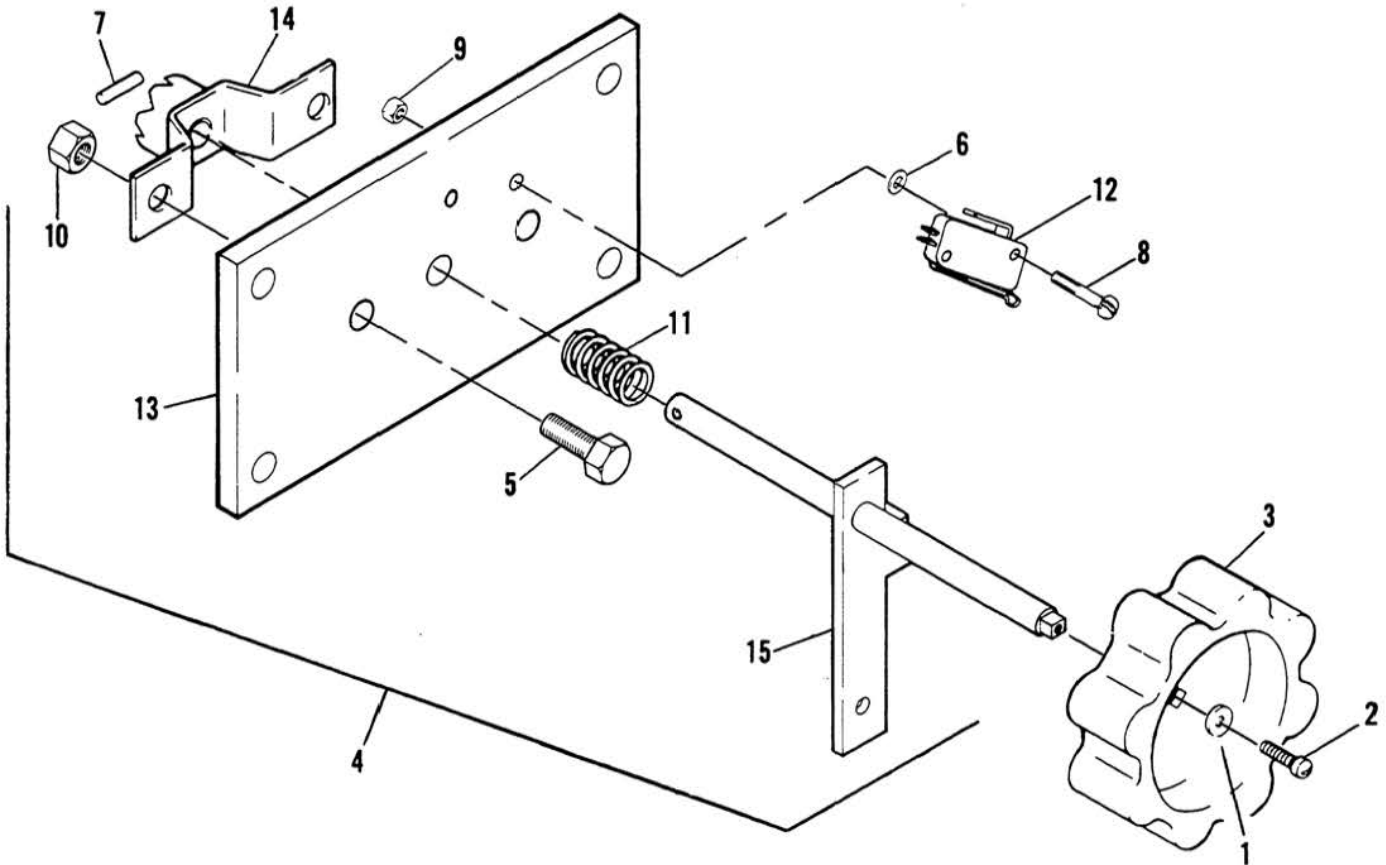
DIRECTION CONTROL SWITCH
MODELS 898371, 898373, 898581, 898583 AND 898585
9110 AND LATER



Ref. No.	Part No.	Description	No. Req'd.	Ref. No.	Part No.	Description	No. Req'd.
1	308088	Washer, #8	1	15	820179	•Spacer	1
2	800366	Screw, #8-32 x 3/8" P.T.H.	1	16	829754	•Switch, micro	1
3	816682	Handle, direction control	1	17	835100	•Bracket, switch mounting	1
4	889529	Switch, direction control	1	18	881872	•Contact	2
5	120052	•Lockwasher, #10	2	19	882643	•Base board, switch	1
6	306453	•Washer, 5/16"	1	20	303932	••Nut, 1/4-20, brass	4
7	306531	•Nut, #10-24	2	21	306375	••Nut, 1/4-20	4
8	308089	•Washer, #10	2	22	306396	••Lockwasher, 1/4"	8
9	311866	•Pin, roll, 1/8" x 1"	1	23	306983	••Washer, 1/4" brass	4
10	322580	•Screw, #4-40 x 7/8"	2	24	817719	••Bushing	2
11	800215	•Screw, #10-24 x 5/8"	2	*	820180	••Spacer, contact	2
12	800587	•Nut w/washer, #4-40	2	25	881877	••Brace and locator	1
13	805452	•Spring, compression	1	*	829635	Cable, control	1
14	820175	•Arm, contact	1				

INDENTED PART NAMES INDICATE THESE PARTS ARE INCLUDED IN PRECEDING ASSEMBLY

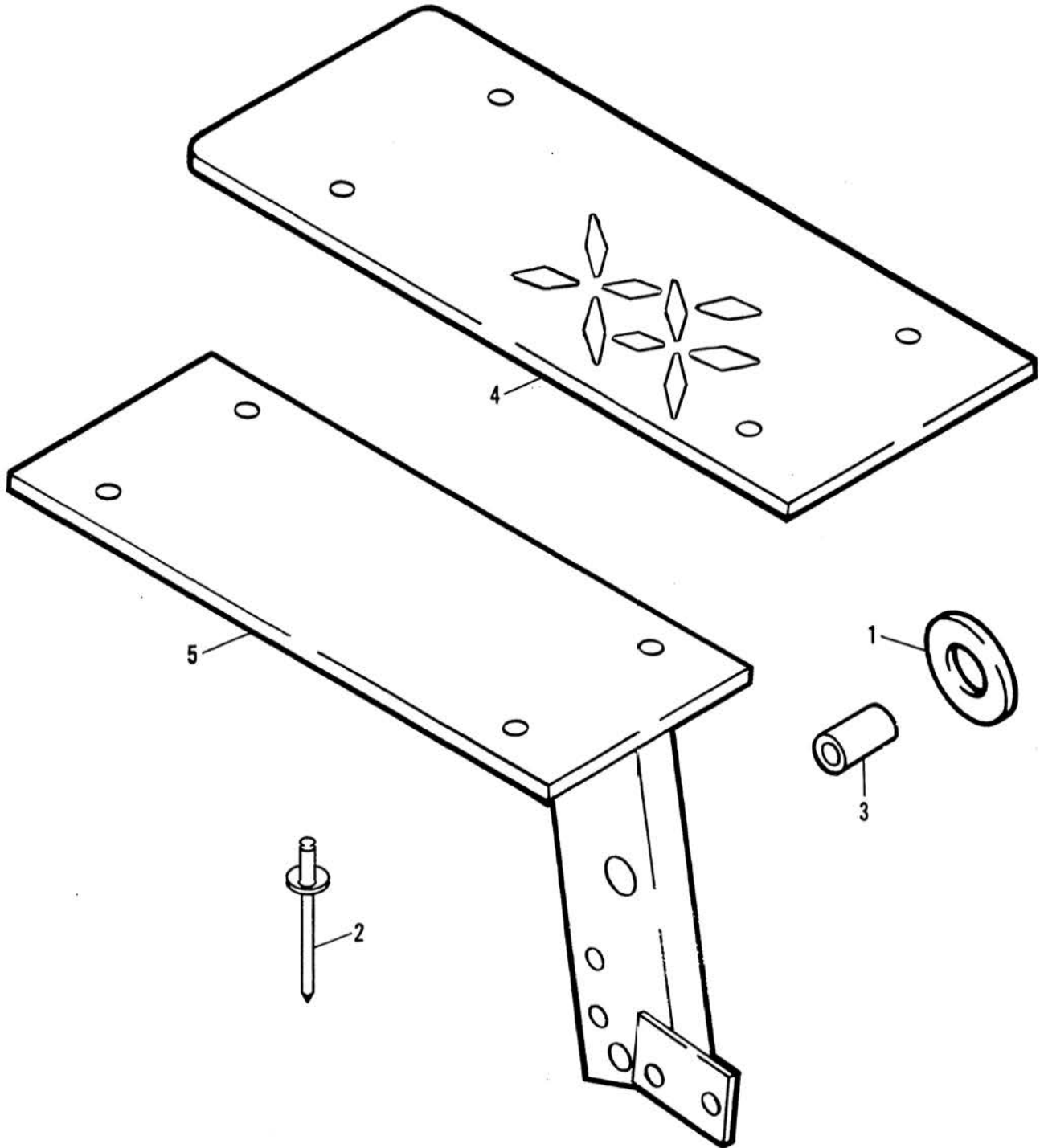
DIRECTION SELECTOR
MODELS 898372, 898374, 898582, 898584 AND 898586
9210 AND LATER



Ref. No.	Part No.	Description	No. Req'd.	Ref. No.	Part No.	Description	No. Req'd.
1	308088	Washer, #8	1	9	800587	•Nut, w/washer, #4-40	2
2	800366	Screw, #8-32 x 3/8" P.T.H.	1	10	800706	•Nut, 1/4-20 crown flange lock	2
3	816682	Handle, direction control	1	11	805452	•Spring, compression	1
4	890147	Switch, direction control	1	12	829754	•Switch, snap action	1
5	302288	•Screw, 1/4-20 x 1"	2	13	836568	•Plate, shift	1
6	308404	•Washer, 1/8"	2	14	881877	•Brace and locator	1
7	311866	•Pin, roll, 1/8 x 1"	1	15	889812	•Shaft	1
8	322580	•Screw, #4-40 x 7/8"	2				

INDENTED PART NAMES INDICATE THESE PARTS ARE INCLUDED IN PRECEDING ASSEMBLY

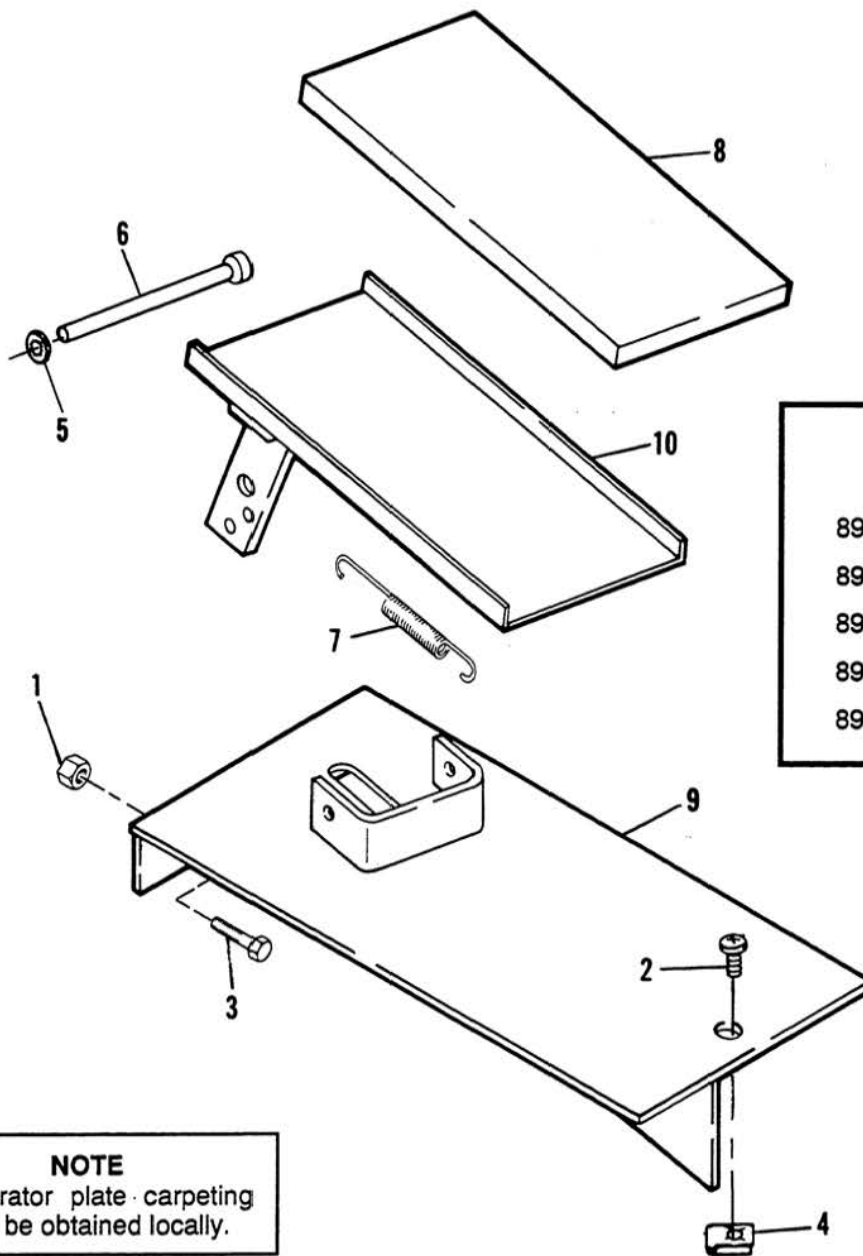
**ACCELERATOR PEDAL
9105 AND PRIOR**



Ref. No.	Part No.	Description	No. Req'd.	Ref. No.	Part No.	Description	No. Req'd.
	889215	Pedal, accelerator	1	3	835057	•Bushing	1
1	548156	•Washer	2	4	835227	•Pad, pedal	1
2	548238	•Rivet, pop	5	5	889129	•Pedal, complete	1

INDENTED PART NAMES INDICATE THESE PARTS ARE INCLUDED IN PRECEDING ASSEMBLY
* Not Illustrated

ACCELERATOR PEDAL
MODELS 898372, 898374, 898582, 898584, 898586



**THROTTLE CABLES
 9010 AND LATER**

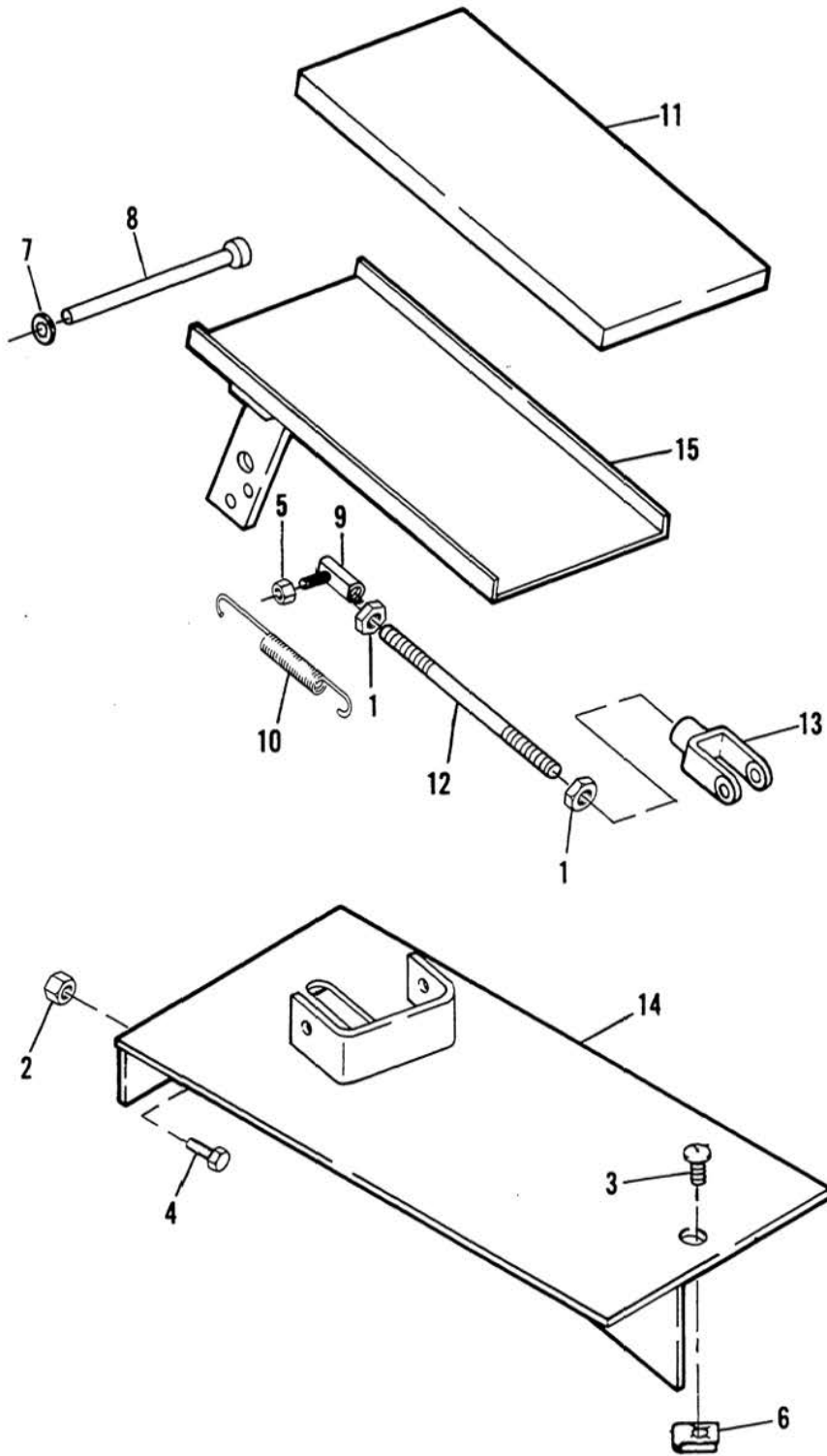
898372 – Part No. 835504
 898374 – Part No. 835389
 898582 – Part No. 835504
 898584 – Part No. 835389
 898586 – Part No. 835507

NOTE
 Accelerator plate - carpeting
 should be obtained locally.

Ref. No.	Part No.	Description	No. Req'd.	Ref. No.	Part No.	Description	No. Req'd.
1	548973	Nut, #10-24	4	6	833794	Pin	1
2	800030	Screw, 5/16-18 x 1" P.T.H.	1	7	835075	Spring	1
3	800306	Screw, #10-24 x 1/2", hex washer head	4	8	◇	Pad, throttle pedal	1
4	800696	Nut, speed, 5/16-18	1	9	889899	Plate	1
5	825821	Pushnut	1	10	890135	Pedal, accelerator	1

◇ Obtain locally

ACCELERATOR PEDAL
MODELS 898371, 898373, 898581, 898583, 898585



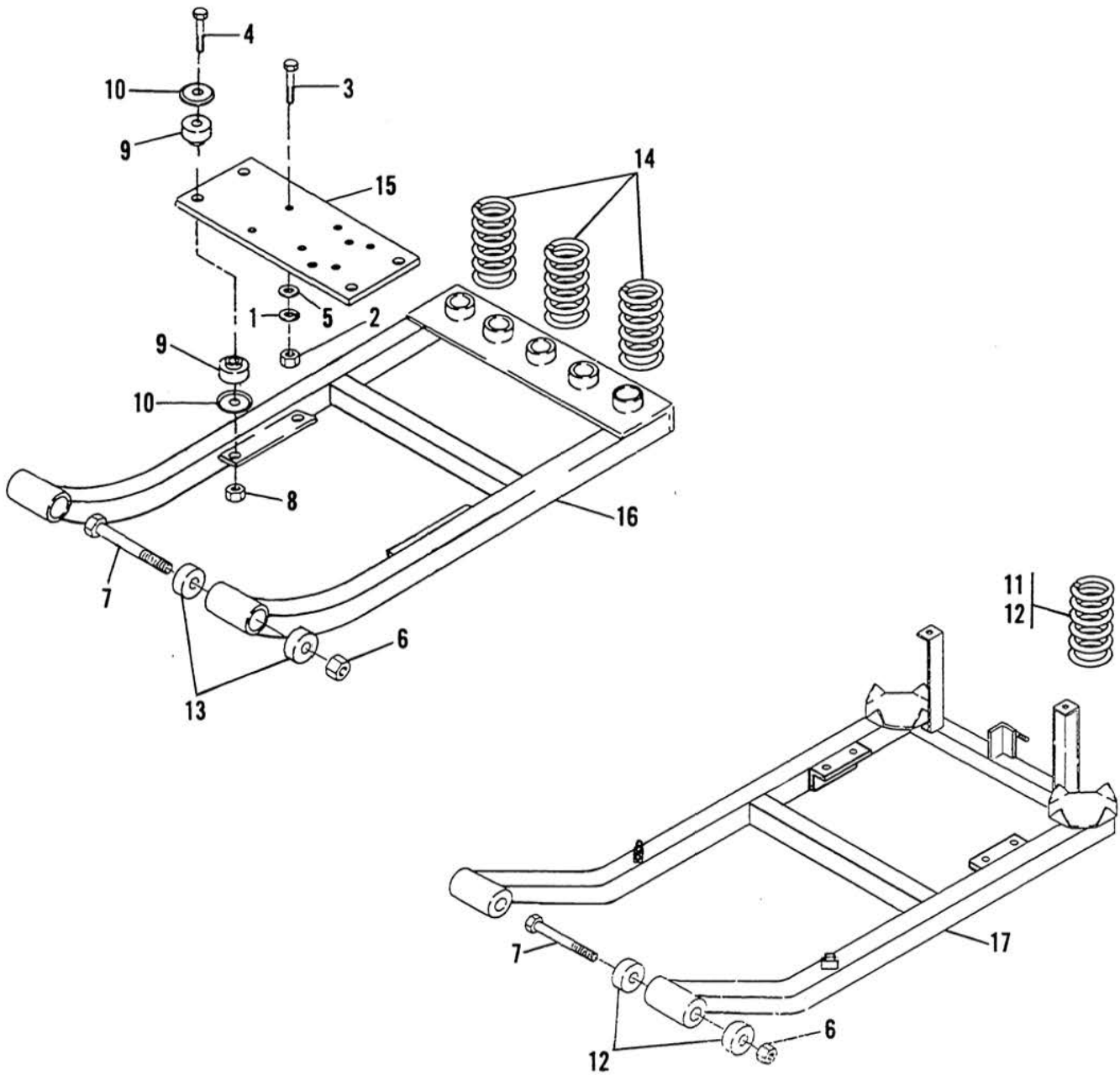
ACCELERATOR PEDAL
MODELS 898371, 898373, 898581, 898583, 898585

Ref. No.	Part No.	Description	No. Req'd.	Ref. No.	Part No.	Description	No. Req'd.
1	132520	Nut, #10-32	2	9	833815	Cable end, ball	1
2	548973	Nut, #10-24	4	10	835075	Spring	1
3	800030	Screw, 5/16-18 x 1" P.T.H.	1	11	◇	Pad, throttle pedal	1
4	800306	Screw, #10-24 x 1/2," hex washer head	4	12	837204	Rod	1
5	800577	Nut, #10-32 stop	1	13	887352	Clevis	1
6	800696	Nut, speed, 5/16-18	1	14	889899	Plate	1
7	825821	Pushnut	1	*	890104	Pot box	1
8	833794	Pin	1	15	890135	Pedal, accelerator	1

◇ Obtain locally

* Not illustrated. Refer to pages 26 and 27.

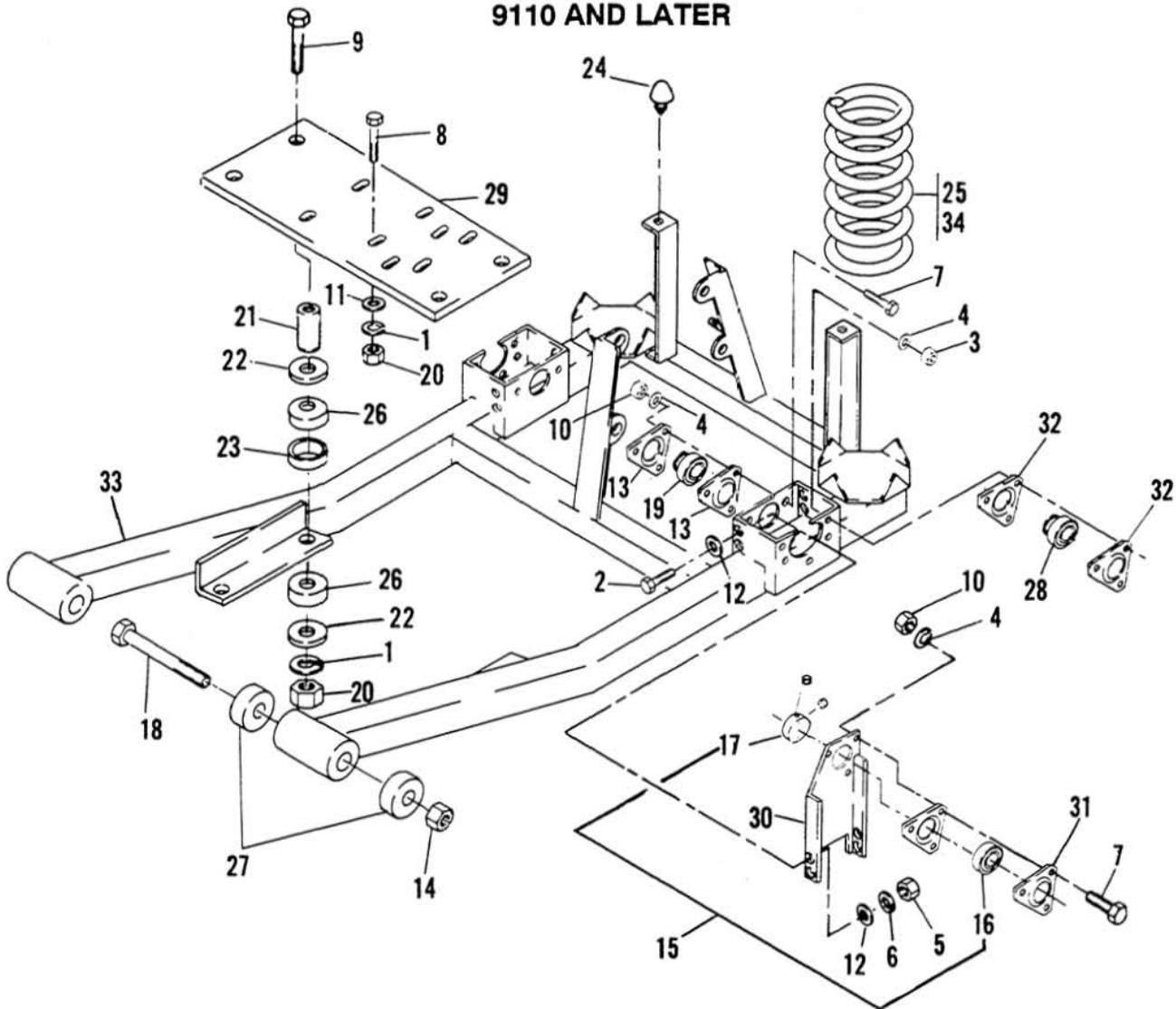
POWER FRAME



Ref. No.	Part No.	Description	No. Req'd.	Ref. No.	Part No.	Description	No. Req'd.
1	120177	◇Lockwasher, 3/8"	8	11	817543	Spring, coil (models 898371, and 898581)	2
2	800619	◇Nut, 3/8-16 lock	4	12	828338	Spring, coil (models 898373, 898583 and 898585)	2
3	306835	◇Screw, 3/8-16 x 1 1/4"	4	13	831838	◇Mount, isolation	4
4	306836	◇Screw, 3/8-16 x 2 1/4"	4	14	833780	Coil spring, rear	As Req'd
5	306981	◇Washer, 3/8"	4	15	833788	Plate, engine mounting	1
6	548051	Nut, 1/2-13 lock	2	16	889138	Frame, power (9010-9105, all gas and electric vehicles)	1
7	548941	Screw, 1/2-13 x 4 1/2"	2	17	889618	Frame, power (9110 & later, electric vehicles only)	1
8	800292	◇Nut, 3/8-16 lock	4				
9	810157	◇Bushing, rubber	7				
10	810758	◇Retainer, bushing	7				

◇ Used on 9010-9105 gasoline vehicles only.

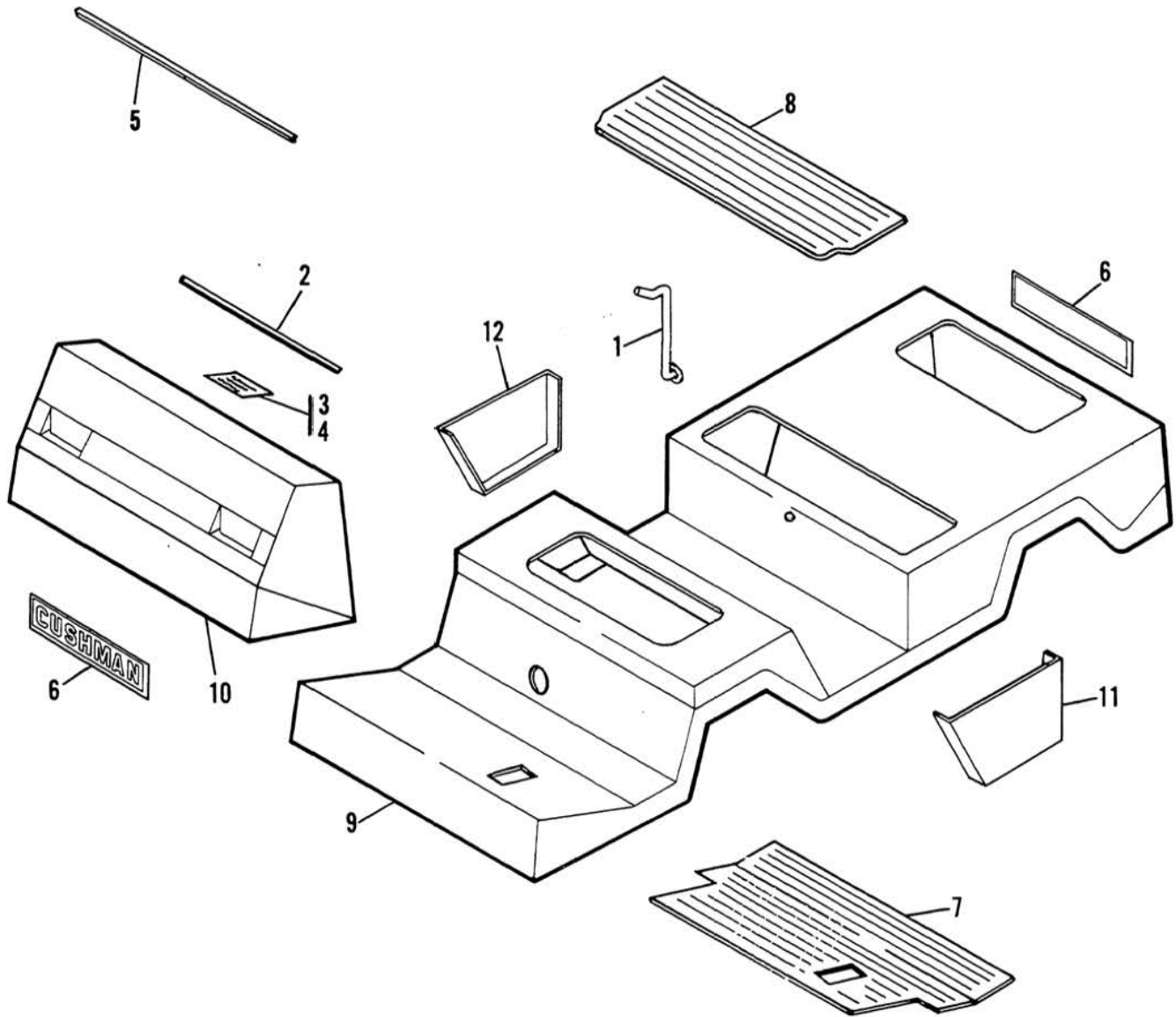
**POWER FRAME AND INPUT SHAFT SUPPORT
MODELS 898372, 898374, 898582, 898584 & 898586
9110 AND LATER**



Ref. No.	Part No.	Description	No. Req'd.	Ref. No.	Part No.	Description	No. Req'd.
1	120177	Lockwasher, 3/8"	8	19	548975	Bearing	2
2	302288	Screw, 1/4-20 x 1"	4	20	800292	Nut, 3/8-16 lock	4
3	306320	Nut, 5/16-24	6	21	808959	Spacer	4
4	306325	Lockwasher, 5/16"	15	22	809174	Washer, special	8
5	306375	Nut, 1/4-20	4	23	809242	Retainer	4
6	306396	Lockwasher, 1/4"	4	24	813850	Bumper, rubber	2
7	306416	Screw, 5/16-18 x 1"	9	25	817543	Spring, coil (models 898371, 898372, 898581 & 898582)	2
8	306835	Screw, 3/8-16 x 1 1/4"	4	26	823765	Mount, rubber	8
9	306836	Screw, 3/8-16 x 2 1/4"	4	27	831838	Mount, isolation	4
10	306932	Nut, 5/16-18	9	28	835105	Bearing, ball	2
11	306981	Washer, 3/8"	4	29	835683	Plate, engine mounting	1
12	308090	Washer, 1/4"	8	30	835912	Plate, input shaft	1
13	522723	Flange, bearing	4	31	835945	Flange, input shaft	2
14	548051	Nut, 1/2-13 lock	2	32	836056	Flange, bearing	4
15	548101	Bearing, input shaft	1	33	889540	Power frame	1
16	521856	•Bearing, ball	1	34	828338	Spring, coil (models 898373, 898374, 898583, 898584, 898585 & 898586)	2
17	521857	•Collar, locking	1				
18	548941	Screw, 1/2-13 x 4 1/2"	2				

INDENTED PART NAMES INDICATE THESE PARTS ARE INCLUDED IN PRECEDING ASSEMBLY

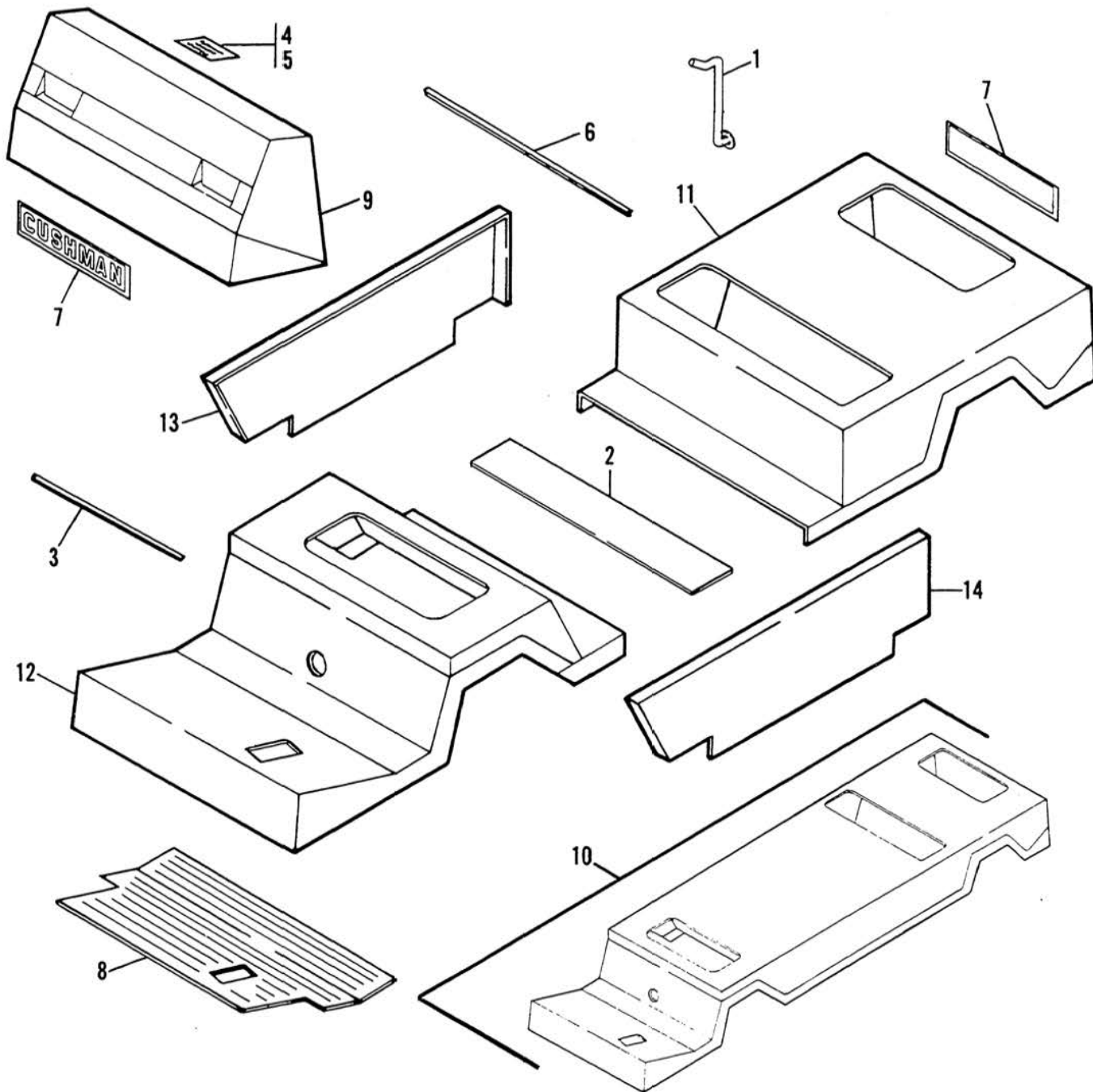
BODY PARTS
MODELS 898371, 898372, 898581 AND 898582



Ref. No.	Part No.	Description	No. Req'd.	Ref. No.	Part No.	Description	No. Req'd.
1	770017	Support, cargo deck	1	7	◇	Floormat	Not Offered
2	821893	Molding, 12' (3.6 M)	As Req'd	8	◇	Floormat	Not Offered
3	825387	Decal, safety (electric models) . . .	1	9	889302	Body, fiberglass	1
4	826307	Decal, safety (gasoline models) . .	1	10	889303	Body, front fiberglass	1
5	828976	Weatherstrip, 25' (7.6 M)	As Req'd	11	889311	Insert, body side, RIGHT	1
6	830790	Plate, CUSHMAN	2	12	889430	Insert, body side, LEFT	1

◇ Obtain locally

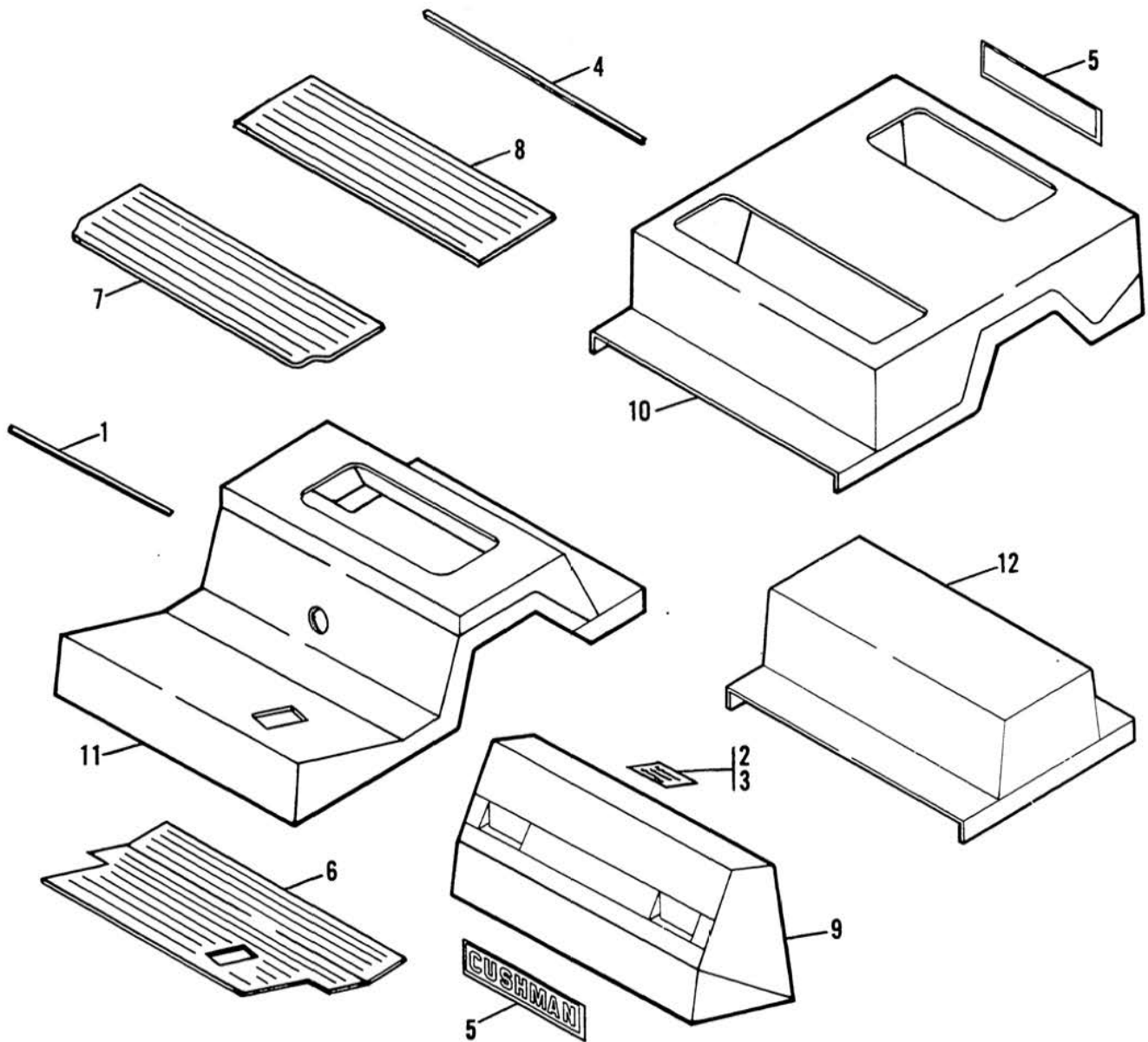
BODY PARTS
MODELS 898373 AND 898374



Ref. No.	Part No.	Description	No. Req'd.	Ref. No.	Part No.	Description	No. Req'd.
1	770017	Support, cargo deck	1	8	◇	Floormat	Not offered
2	◇	Strip, floorboard	Not offered	9	889303	Body, front fiberglass	1
3	821893	Molding, 12' (3.6 M)	As Req'd	10	889304	Body, fiberglass (9010-9110) . . .	1
4	825387	Decal, safety (electric models) . . .	1	11	889305	Body, fiberglass	1
5	826307	Decal, safety (gasoline models) . .	1	12	889306	Body, fiberglass	1
6	828976	Weatherstrip, 25' (7.6 M)	As Req'd	13	890013	Insert, RIGHT	1
7	830790	Plate, CUSHMAN	2	14	890014	Insert, LEFT	1

◇ Obtain locally

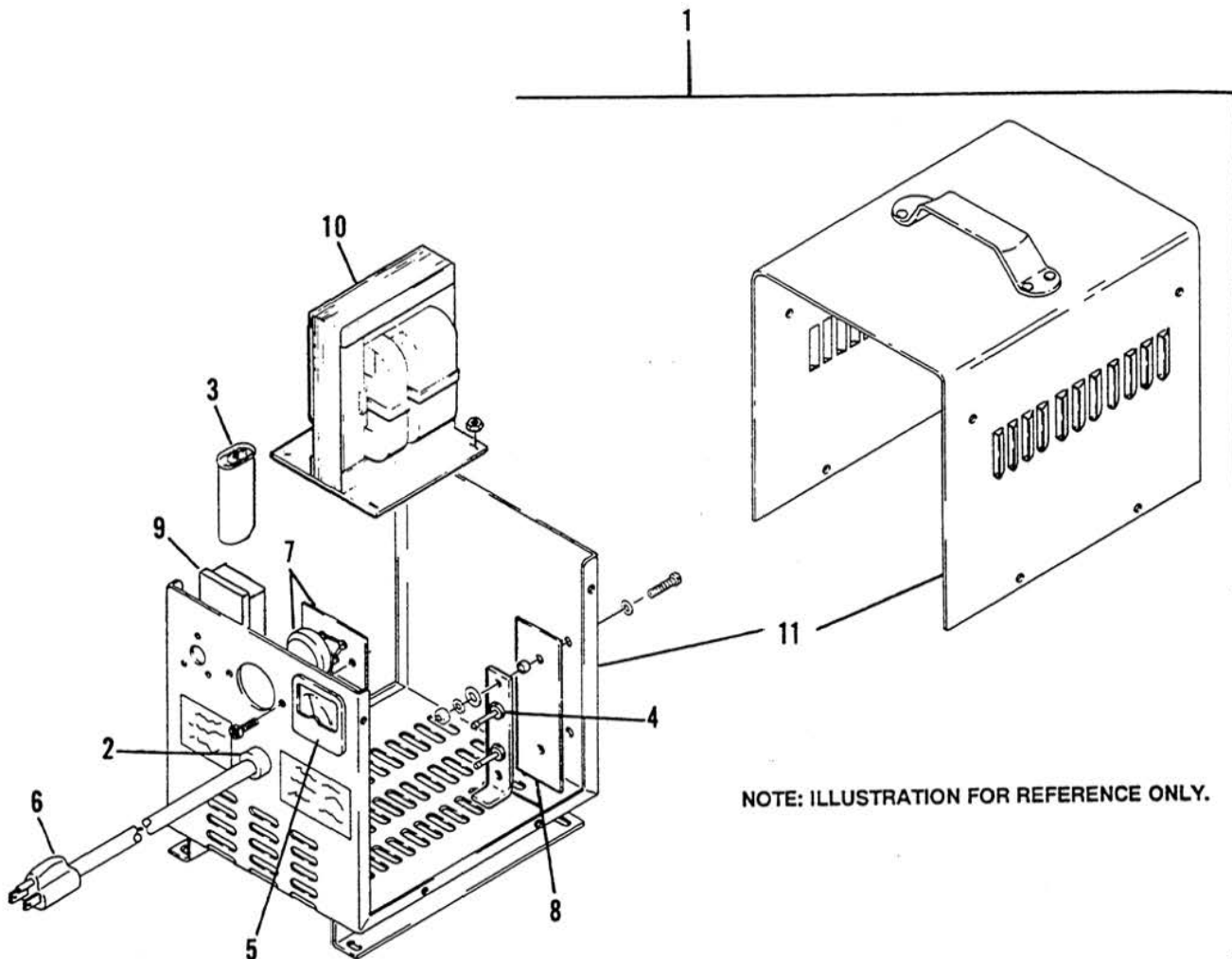
BODY PARTS
MODELS 898583, 898584, 898585 AND 898586



Ref. No.	Part No.	Description	No. Req'd.	Ref. No.	Part No.	Description	No. Req'd.
1	821893	Molding, 12' (3.6 M)	As Req'd	7	◇	Floormat	Not offered
2	825387	Decal, safety (electric models) . . .	1	8	◇	Floormat	Not offered
3	826307	Decal, safety (gasoline models) . .	1	9	889303	Body, front fiberglass	1
4	828976	Weatherstrip, 25' (7.6 M)	As Req'd	10	889305	Body, fiberglass	1
5	830790	Plate, CUSHMAN	2	11	889306	Body, fiberglass	1
6	◇	Floormat	Not offered	12	889754	Box, seat	1

◇ Obtain locally

BUILT-IN CHARGER
115 VOLT AC – 60 HZ, 36 VOLT, 25 AMPS DC
9010 THRU 9105



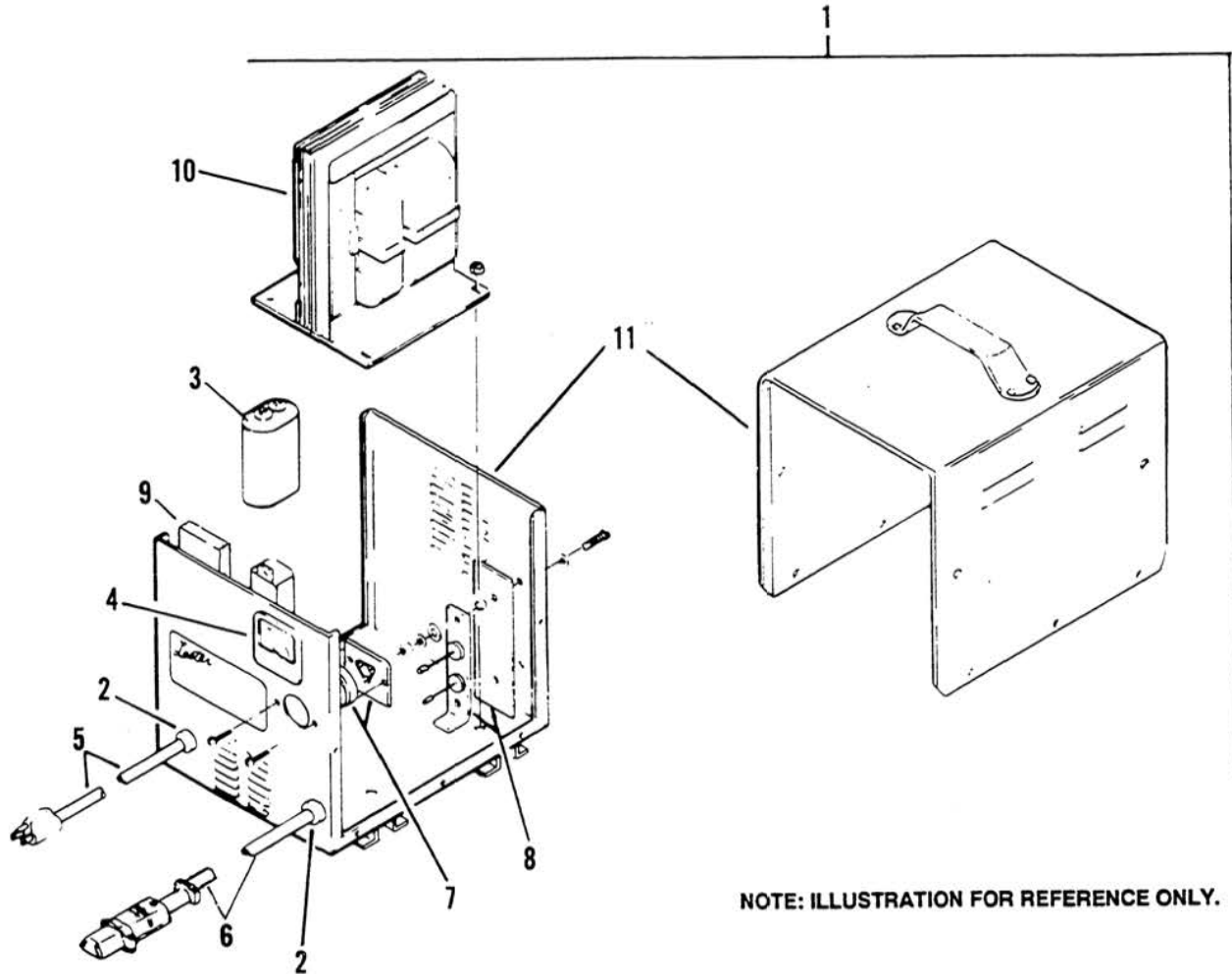
Ref. No.	Part No.	Description	No. Req'd.	Ref. No.	Part No.	Description	No. Req'd.
1	889009	Charger, complete, Model No. 14250	1	7	883844	•Fuse	1
2	822048	•Bushing, insulator	1	8	886435	•Heat sink w/diodes & insulator	1
3	823749	•Capacitor, 6 MFD	1	9	886886	•Timer kit, electronic	1
4	825057	•Diode, replacement, press fit	As Req'd	*	889075	•Cord set, DC output	1
5	826723	•Ammeter, 30 AMP	1	10	◇	•Transformer (Lester Part No. 07849S)	1
6	883216	•Cord set, AC input	1	11	◇	•Case (Lester Part No. 16883S)	1

INDENTED PART NAMES INDICATE THESE PARTS ARE INCLUDED IN PRECEDING ASSEMBLY

* Not illustrated

◇ Obtain direct from Lester Electrical of Nebraska; 625 West "A" Street; Lincoln, Nebraska 68522

LESTRONIC II CHARGER
115 VOLT AC – 60 HZ, 36 VOLT, 25 AMPS DC



NOTE: ILLUSTRATION FOR REFERENCE ONLY.

Ref. No.	Part No.	Description	No. Req'd.	Ref. No.	Part No.	Description	No. Req'd.
1	887668	Charger, complete, Model No. 06430-22	1	7	883844	•Fuse	1
2	822048	•Bushing, insulator	2	8	886435	•Heat sink, w/diodes & insulator	1
3	823749	•Capacitor, 6 MFD	1	9	886886	•Timer, 12 hour	1
4	826723	•Ammeter, 30 AMP	1	10	◇	•Transformer (Lester Part No. 09691S)	1
5	883216	•Cord set, AC input	1	11	◇	•Case (Lester Part No. 07335S)	1
6	883401	•Cord set, DC output	1				

INDENTED PART NAMES INDICATE THESE PARTS ARE INCLUDED IN PRECEDING ASSEMBLY
 ◇ Obtain direct from Lester Electrical of Nebraska; 625 West "A" Street; Lincoln, Nebraska 68522

**CHARGER
AND
CONTROL CONSOLE
CUSHMAN PART NOS. 889992 AND 890062, LESTER MODEL NO. 15145
115 VOLTS AC – 60 HZ
36 VOLTS, 25 AMPS DC**

SERVICE PARTS:

Obtain direct from Lester Electrical of Nebraska; 625 West "A" Street; Lincoln, Nebraska 68522

**ACCESSORY CHARGERS
FOR
ALL ELECTRIC MODELS**

**ACCESSORY
SHELF MOUNT CHARGER
CUSHMAN PART NO. 888063, LESTER MODEL NO. 9475
115 VOLTS AC – 60 HZ
36 VOLTS, 40 AMPS DC
ELECTRONIC TIMER**

SERVICE PARTS:

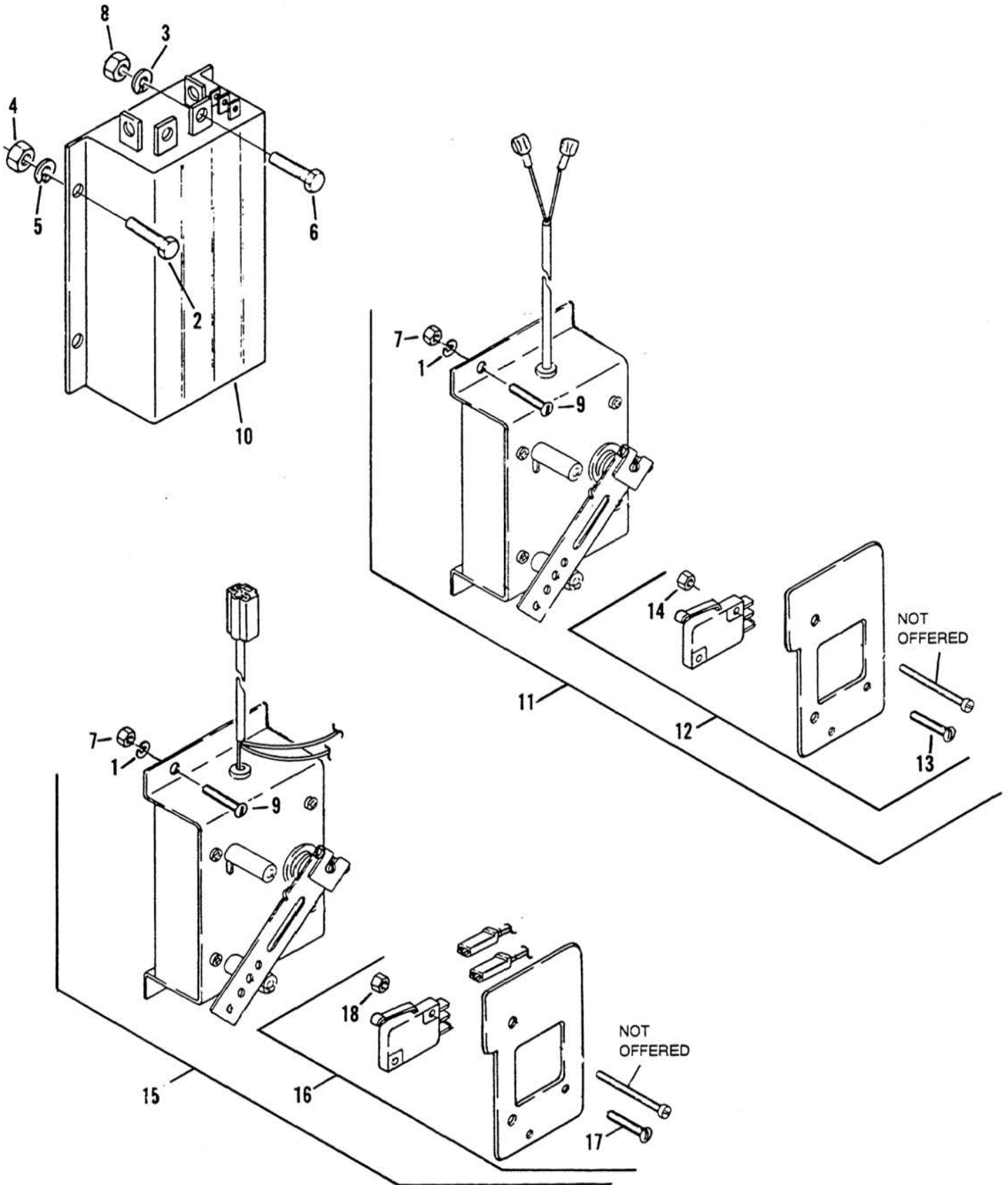
Obtain direct from Lester Electrical of Nebraska; 625 West "A" Street; Lincoln, Nebraska 68522

**ACCESSORY
SHELF MOUNT CHARGER
CUSHMAN PART NO. 889493, LESTER MODEL NO. 14550
120 VOLTS AC – 60 HZ
36 VOLTS, 36 AMPS DC**

SERVICE PARTS:

Obtain direct from Lester Electrical of Nebraska; 625 West "A" Street; Lincoln, Nebraska 68522

PMC SPEED CONTROL
MODELS 898371, 898373, 898581, 898583 AND 898585



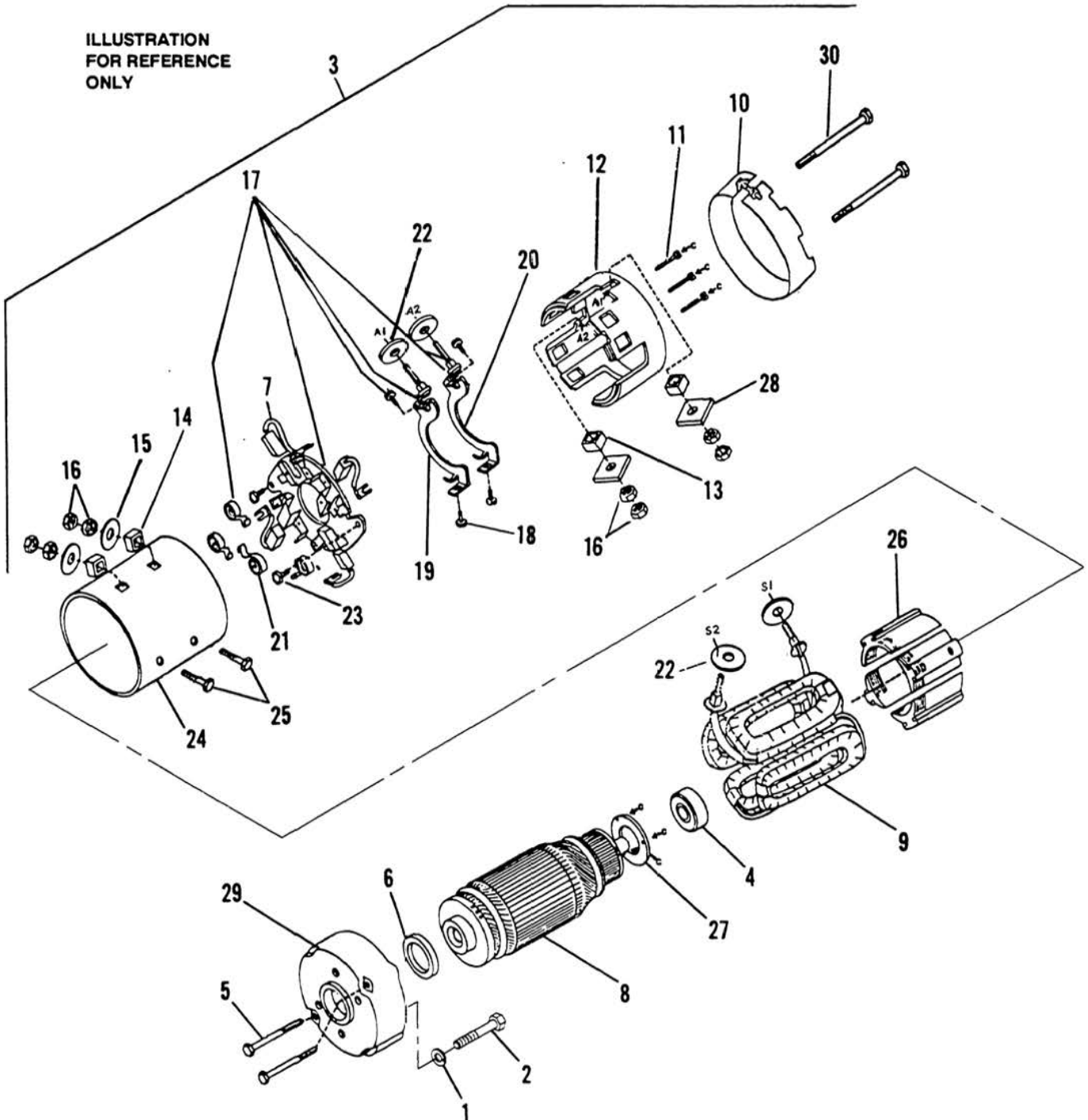
**PMC SPEED CONTROL
MODELS 898371, 898373, 898581, 898583 AND 898585**

Ref. No.	Part No.	Description	No. Req'd.	Ref. No.	Part No.	Description	No. Req'd.
1	120052	Lockwasher, #10	4	10	832858	Switch, speed control, 36 volt (models 9010 and later)	1
2	300646	Screw, 1/4-20 x 3/4"	4	11	889473	Pot box (models 9010 thru 9110)	1
3	306325	Lockwasher, 5/16"	2	12	889929	•Switch kit, micro	1
4	306375	Nut, 1/4-20	4	13	888503	••Screw, service kit	1
5	306396	Lockwasher, 1/4"	4	14	800587	•••Nut, special	2
6	306450	Screw, 5/16-18 X 3/4"	2	15	890104	Pot box (models 9210 and later)	1
7	306531	Nut, #10-24	4	16	889929	•Switch kit, micro	1
8	306932	Nut, 5/16-18	2	17	888503	••Screw, service kit	1
9	800215	Screw, #10-24 x 5/8" P.T.H.	4	18	800587	•••Nut, special	2

INDENTED PART NAMES INDICATE THESE PARTS ARE INCLUDED IN PRECEDING ASSEMBLY

ELECTRIC MOTOR
MODELS 898371, 898373, 898581, 898583 AND 898585

ILLUSTRATION
FOR REFERENCE
ONLY



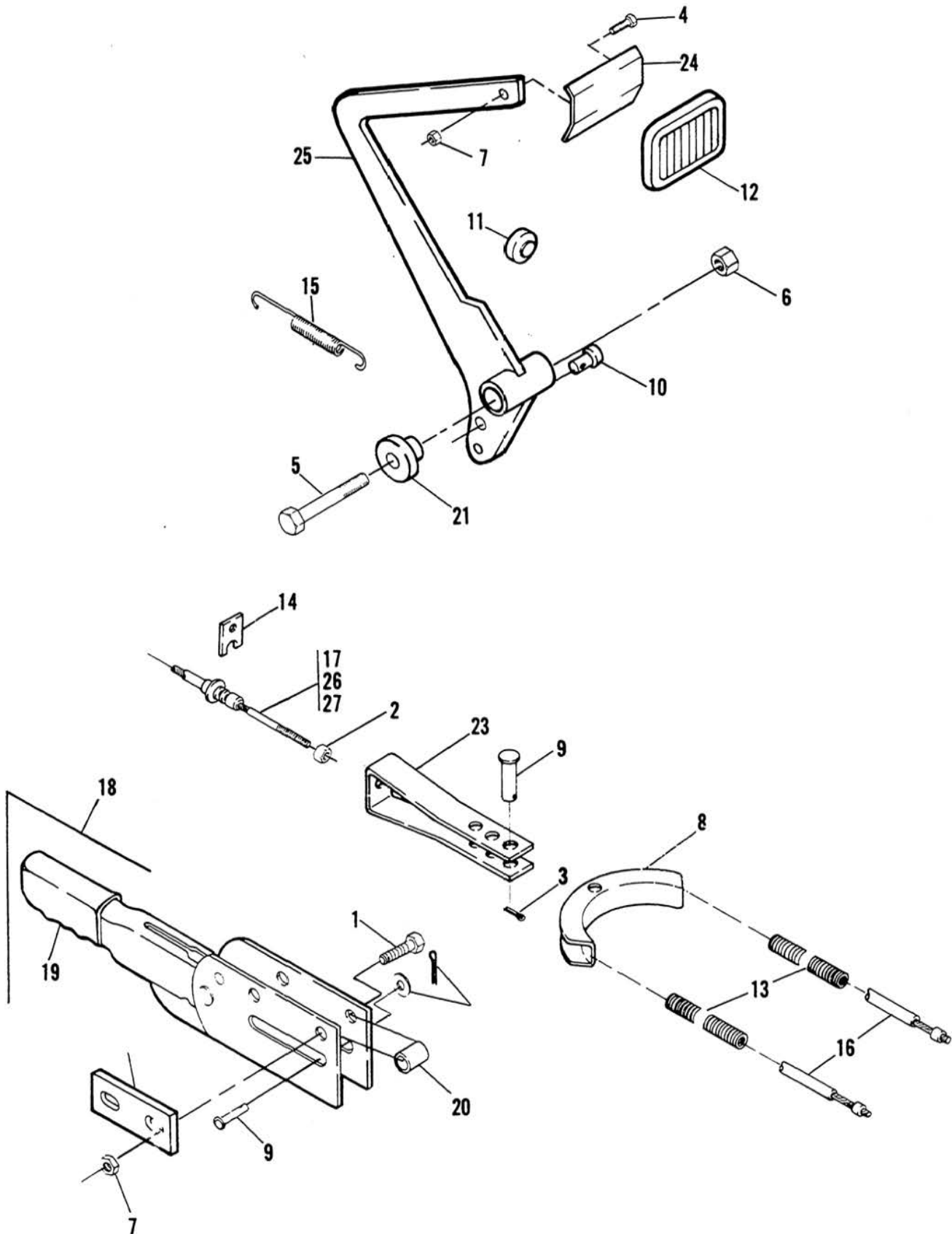
ELECTRIC MOTOR
MODELS 898371, 898373, 898581, 898583 AND 898585

Ref. No.	Part No.	Description	No. Req'd.	Ref. No.	Part No.	Description	No. Req'd.
1	120177	Lockwasher, 3/8"	4	18	◇	••Screw, brush, G.E.N67P16004	4
2	551094	Screw, 3/8-16 x 1 3/4"4		19	◇	••Crossover and stud A1, G.E. 424B549AA1	1
3	886766	Motor, G.E. Model No. 5BC49JB402	1	20	◇	••Crossover and stud A2, G.E. 424B549AB1	1
4	808058	•Bearing, ball, commutator end ..	1	21	824754	••Spring, brush	4
5	823631	•Screw, motor clamp	4	22	◇	•Washer, insulation for terminal studs, G.E. 625A202CN1	4
6	829250	•Seal, shaft	1	23	◇	•Screw, brush rigging, mounting G.E. N670P15006C	2
7	830188	•Brush	4	*	◇	•Stator, complete, G.E. 5BC49JB402-P	1
8	836254	•Armature	1	24	◇	••Shell, stator, G.E. 38A104316BE103	1
9	889713	•Coils, field	1	25	◇	••Screw, pole piece, G.E. N22P21012B11	8
10	◇	•Cover, brush, G.E. 622A824AG2	1	26	◇	••Field pole piece, G.E. 425B432AA2	4
11	◇	•Screw, retainer, G.E. N44P13012B	3	27	◇	•Retainer ring, bearing, G.E. 625A837BS1	1
12	◇	•Endshield, commutator end, G.E. 323D173BW1	1	28	◇	•Washer, insulation for terminal studs, G.E. 625A202CP1	2
13	◇	•Bushing, insulation for A1 and A2 studs, G.E. 624A169AA2	2	29	◇	•End shield, pulley end, G.E. 322D450AL1	4
14	◇	•Bushing, insulation for field studs, G.E. 624A169AA2	2	30	◇	•Screw, motor clamp, G.E. N14P21052	2
15	◇	•Washer, insulation for terminal stud, G.E. 625A202AP1	2				
16	◇	•Nut, terminal stud, G.E. N210P23B	8				
17	◇	•Brush rigging and parts, G.E. 161L503AA1	1				

INDENTED PART NAMES INDICATE THESE PARTS ARE INCLUDED IN PRECEDING ASSEMBLY

* Not Illustrated

BRAKE PEDAL AND PARKING BRAKE



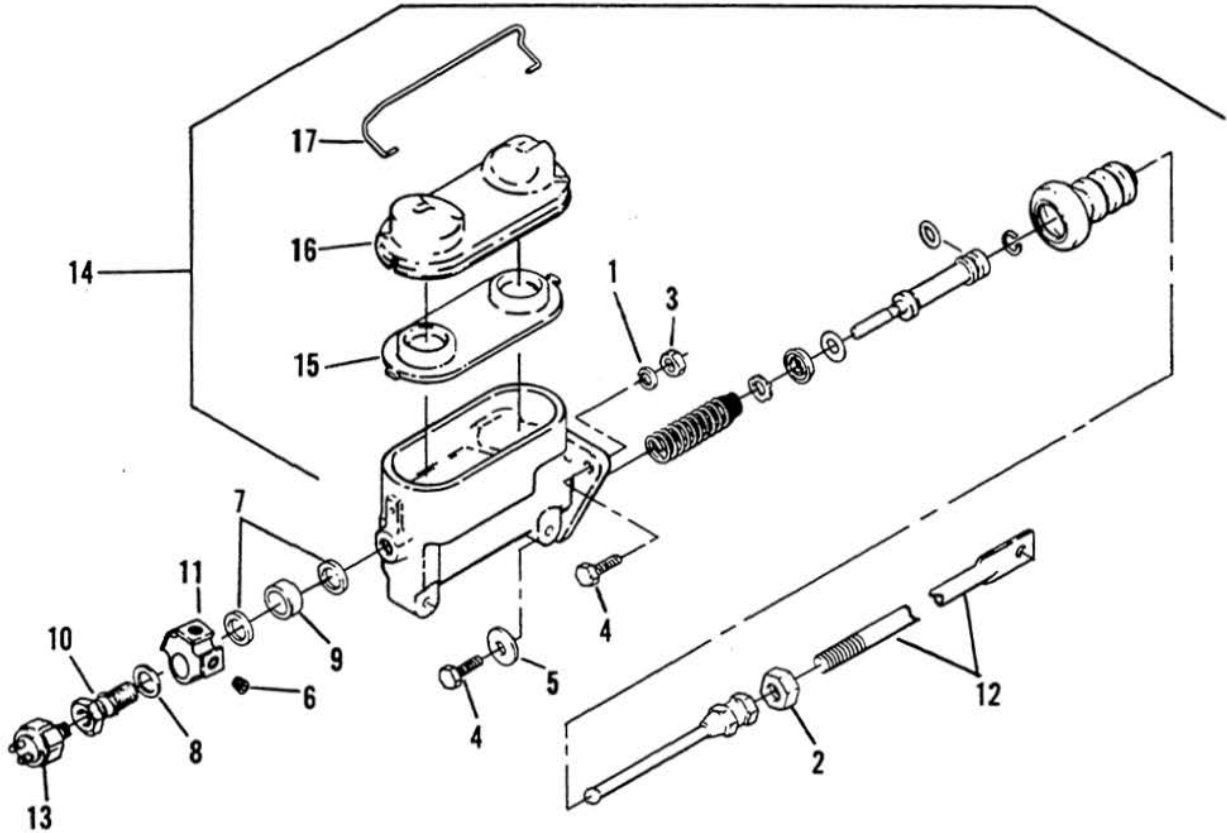
BRAKE PEDAL AND PARKING BRAKE

Ref. No.	Part No.	Description	No. Req'd.	Ref. No.	Part No.	Description	No. Req'd.
1	131794	Screw, 3/8-16 x 2"	2	16	829635	Cable, control	1
2	306320	Nut, 5/16-24	2	17	829636	Cable (models 898371, 898372, 898581 and 898582)	1
3	306328	Pin, 3/32 x 3/4" cotter	1		829683	*Cover, handle	1
4	306834	Screw, 3/8-16 x 3/4"	1	18	831263	Lever, park brake w/hardware . .	1
5	311398	Screw, 1/2-13 x 3 1/2"	1	19	807472	*Grip, hand	1
*	320107	Strap, tie, 7" (178 mm)	1	20	831540	Spacer	2
6	548051	Nut, 1/2-13	1	21	833772	Bushing, nylon	2
7	800698	Nut, 3/8-16 lock	3	22	835078	Spacer	1
8	805864	Yoke, cable	1	23	837236	Bracket	1
9	806703	Pin, clevis	1	24	875212	Pedal	1
10	806714	Pin, clevis	1	25	889792	Pedal, brake	1
11	810149	Bumper, rubber	1	26	889900	Cable (models 898373, 898374, 898583 and 898584)	1
12	810152	Cover, pedal	1	27	889901	Cable (models 898585 and 898586)	1
13	810380	Spring	2				
14	825380	Clamp, cable	1				
15	825918	Spring	1				

INDENTED PART NAMES INDICATE THESE PARTS ARE INCLUDED IN PRECEDING ASSEMBLY

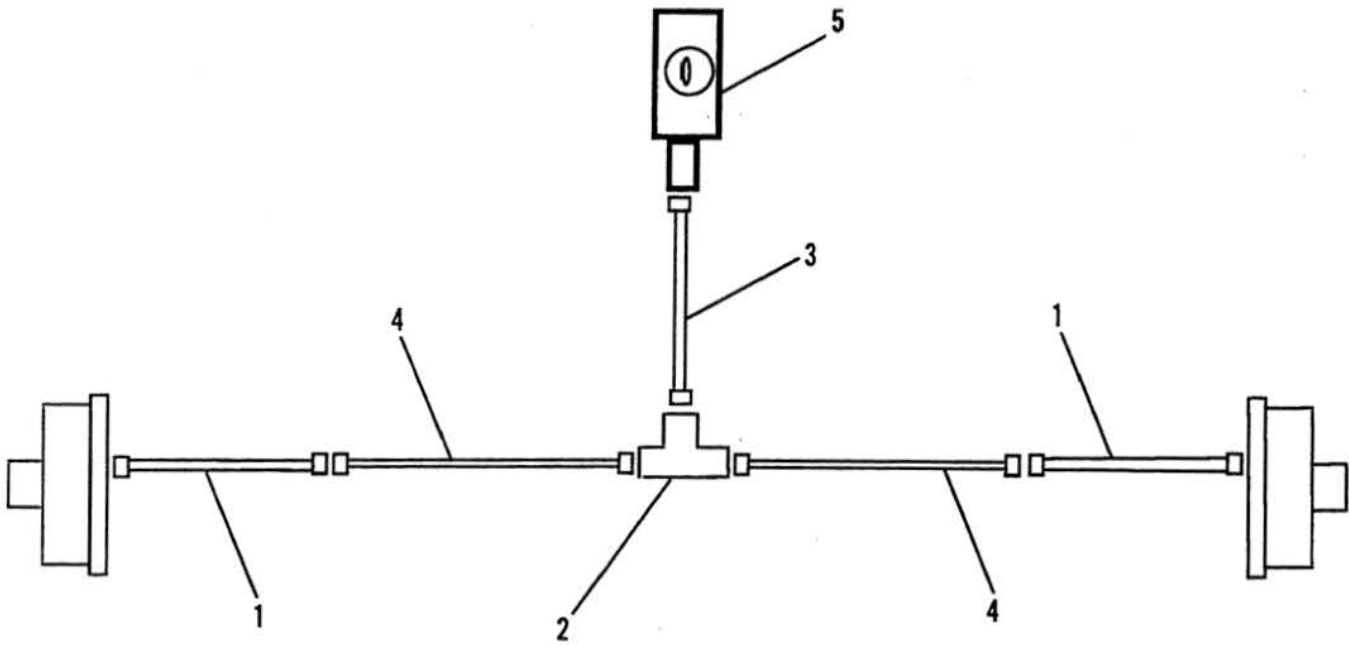
* Not Illustrated

MASTER CYLINDER 9010 AND LATER



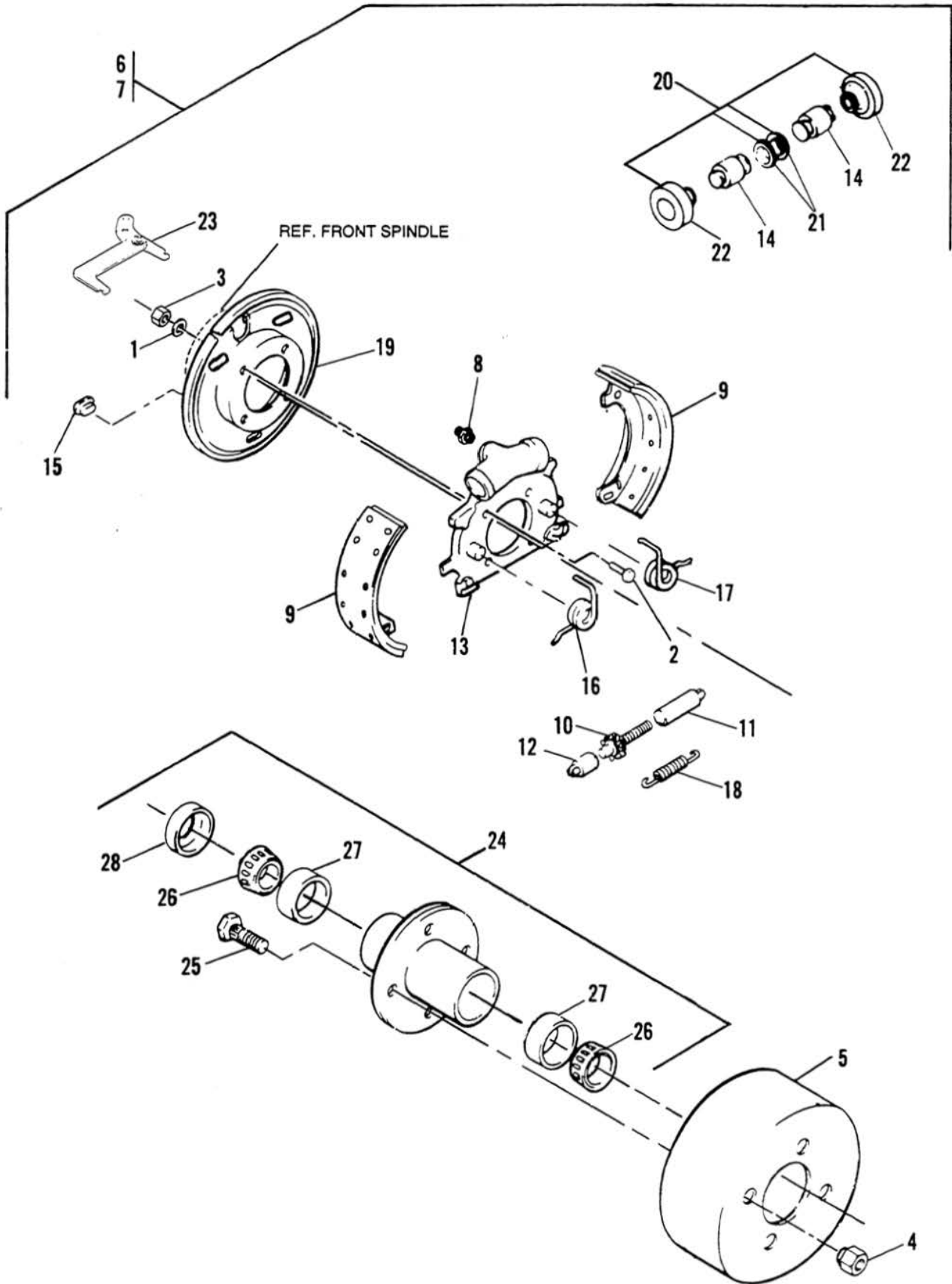
Ref. No.	Part No.	Description	No. Req'd.	Ref. No.	Part No.	Description	No. Req'd.
1	120177	Lockwasher, 3/8"	3	10	830189	Bolt, master cylinder	1
2	130981	Nut, 7/16-20	1	11	830817	Fitting, master cylinder	1
3	306562	Nut, 3/8-16	3	12	835564	Rod, brake	1
4	306835	Screw, 3/8-16 x 1 3/4"	3	13	886182	Switch, stoplight	1
5	603623	Washer, special	1	14	889342	Master cylinder, complete, (.875 bore)	1
6	800227	Plug, 1/8-27	1	15	829059	•Gasket, reservoir	1
7	810443	Washer, sealing	2	16	829060	•Cover, reservoir	1
8	810444	Washer, sealing, outer	1	17	829061	•Wire, bail	1
9	829844	Bushing	1				

**FRONT BRAKES
9105 AND LATER**



Ref. No.	Part No.	Description	No. Req'd.	Ref. No.	Part No.	Description	No. Req'd.
1	817938	Hose, hydraulic, 10 27/32" (275 mm)	2	4	835858	Tube, hydraulic brake, 5" (127 mm)	2
2	820008	Fitting, hydraulic tee	1	5	889342	Master cylinder, complete	1
3	835080	Hose, hydraulic brake, 15 13/16" (402 mm)	1				

FRONT BRAKES 9010 THRU 9105



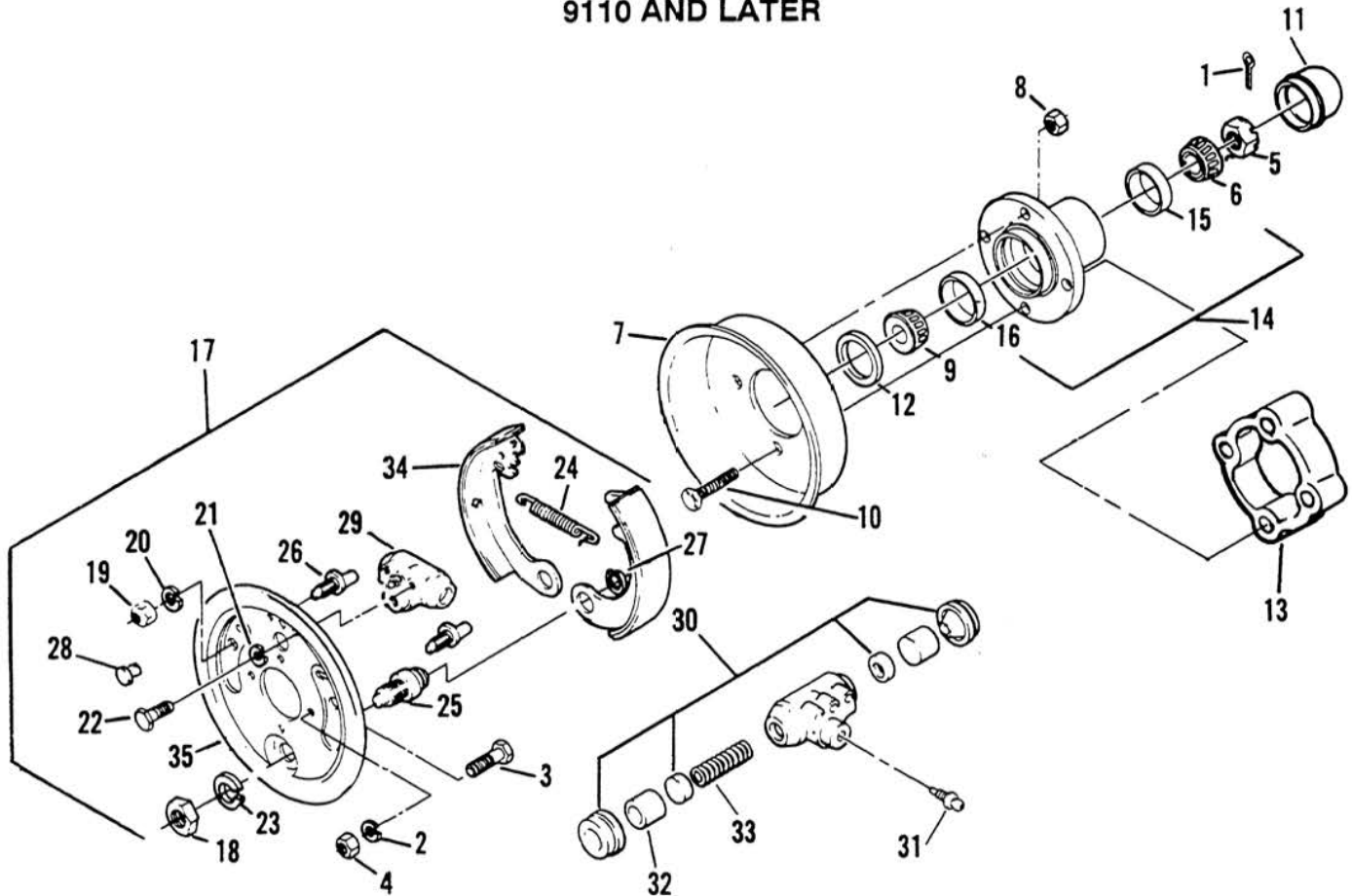
**FRONT BRAKES
9010 THRU 9105**

Ref. No.	Part No.	Description	No. Req'd.	Ref. No.	Part No.	Description	No. Req'd.
1	306325	Lockwasher, 5/16"	8	15	824833	•Cover, adjustment hole	1
2	306416	Screw, 5/16-18 x 1"	8	16	824835	•Spring, shoe adjusting, LEFT . .	1
3	306932	Nut, 5/16-18	8	17	824836	•Spring, shoe return, RIGHT . . .	1
4	800573	Nut, 1/2-20, wheel mounting . . .	8	18	824837	•Spring, adjusting screw	1
5	833786	Drum, brake, steel 4" (102 mm) bolt circle	2	*	824839	•Spring	1
6	889212	Brake, complete, LEFT	1	19	836281	•Shield, dust	1
	OR			20	884126	•Repair kit, wheel cylinder	1
7	889213	Brake, complete, RIGHT	1	21	824570	••Cup	2
8	811794	•Screw, bleeder	1	22	824830	••Boot and ring	2
9	824573	•Kit, (2) two brake shoes	1	23	885250	•Arm, actuating	1
10	824826	•Screw, adjusting	1	24	889403	Hub, front	2
11	824827	•Nut, adjusting screw pivot	1	25	◇	•Screw, wheel mounting	4
12	824828	•Socket, adjusting screw	1	26	814473	•Cone, bearing	2
13	824829	•Spider	1	27	814474	•Cup, bearing	2
14	824832	•Piston	2	28	830772	•Seal, grease	1

INDENTED PART NAMES INDICATE THESE PARTS ARE INCLUDED IN PRECEDING ASSEMBLY

- * Not Illustrated
- ◇ Obtain locally

**FRONT BRAKE, FRONT HUB AND WHEEL CYLINDER
MODELS 898372, 898374, 898582, 898584 AND 898586
9110 AND LATER**

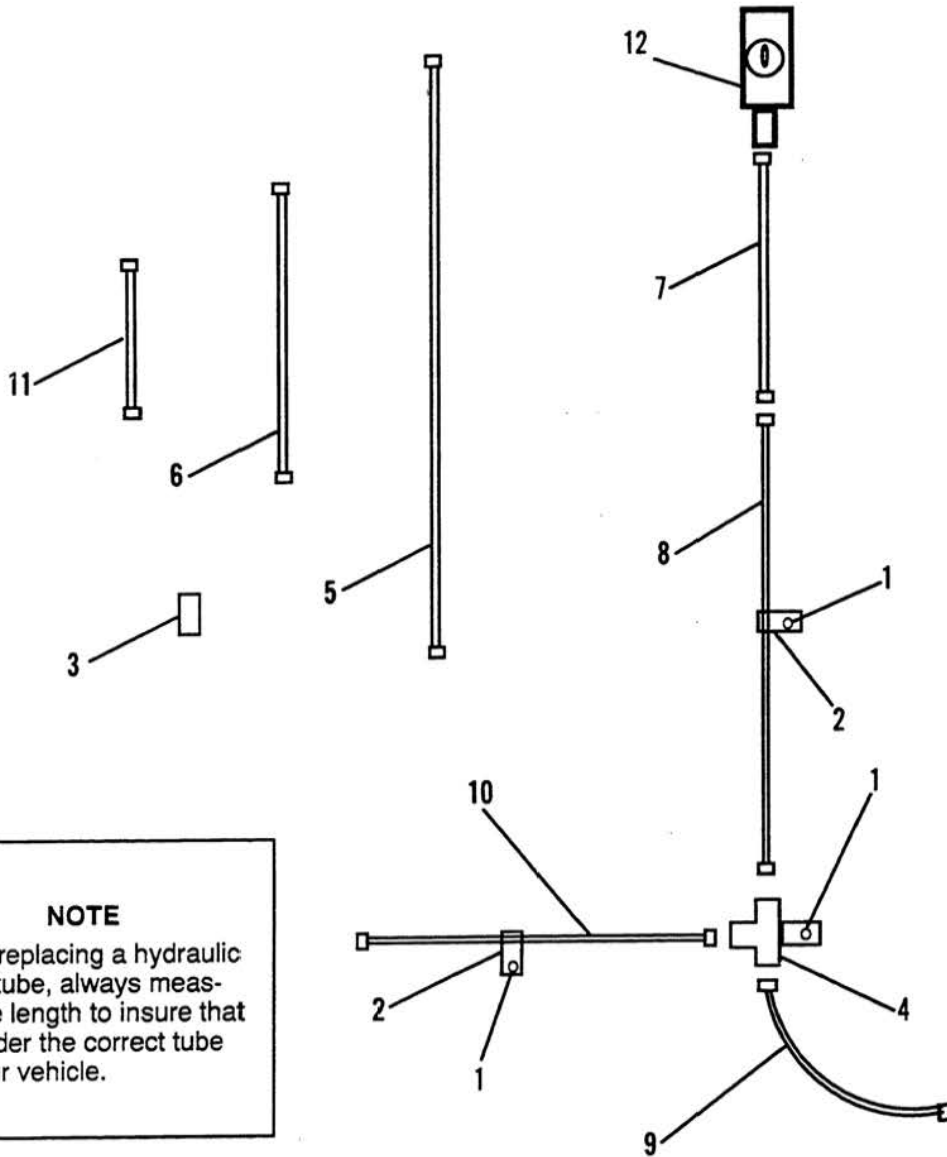


Ref. No.	Part No.	Description	No. Req'd.◇	Ref. No.	Part No.	Description	No. Req'd.◇
1	304636	Pin, 1/8 x 1 1/8" cotter	1	19	306319	•Nut, 3/8-24	2
2	306325	Lockwasher, 5/16"	4	20	306353	•Lockwasher, 3/8"	2
3	306450	Screw, 5/16-18 x 3/4"	4	21	306396	•Lockwasher, 1/4"	2
4	306932	Nut, 5/16-18	4	22	306419	•Screw, 1/4-20 x 1/2"	2
5	311537	Nut, 3/4-16, castle	1	23	306494	•Lockwasher, 5/8"	1
6	385174	Bearing, outer	1	24	805441	•Spring	1
7	805030	Drum, brake, steel	1	25	806758	•Pin, heel	1
8	805860	Nut, wheel retaining	4	26	806761	•Pin, adjustment	2
9	815403	Bearing, inner	1	27	809252	•Ring, retaining	1
10	815838	Screw, wheel mounting	4	28	835841	•Plug, hole	1
11	817250	Cover	1	29	886371	•Cylinder, wheel	1
12	817928	Seal	1	30	811775	••Repair kit, wheel cylinder	1
13	826010	Spacer	1	31	811794	••Screw, bleeder	1
14	881109	Hub w/bearing cups	1	32	811910	••Piston, wheel cylinder	2
15	808088	•Cup, bearing, outer	1	33	811911	••Spring, wheel cylinder	1
16	814474	•Cup, bearing, inner	1	34	887284	•Brake shoe, w/lining	2
17	881152	Shoe, shield and brake, complete	1	35	889593	•Shield, dust	1
18	130084	•Nut, 5/8-18	1				

◇ Indicated quantity is for each wheel brake

INDENTED PART NAMES INDICATE THESE PARTS ARE INCLUDED IN PRECEDING ASSEMBLY

REAR HYDRAULIC BRAKE TUBES

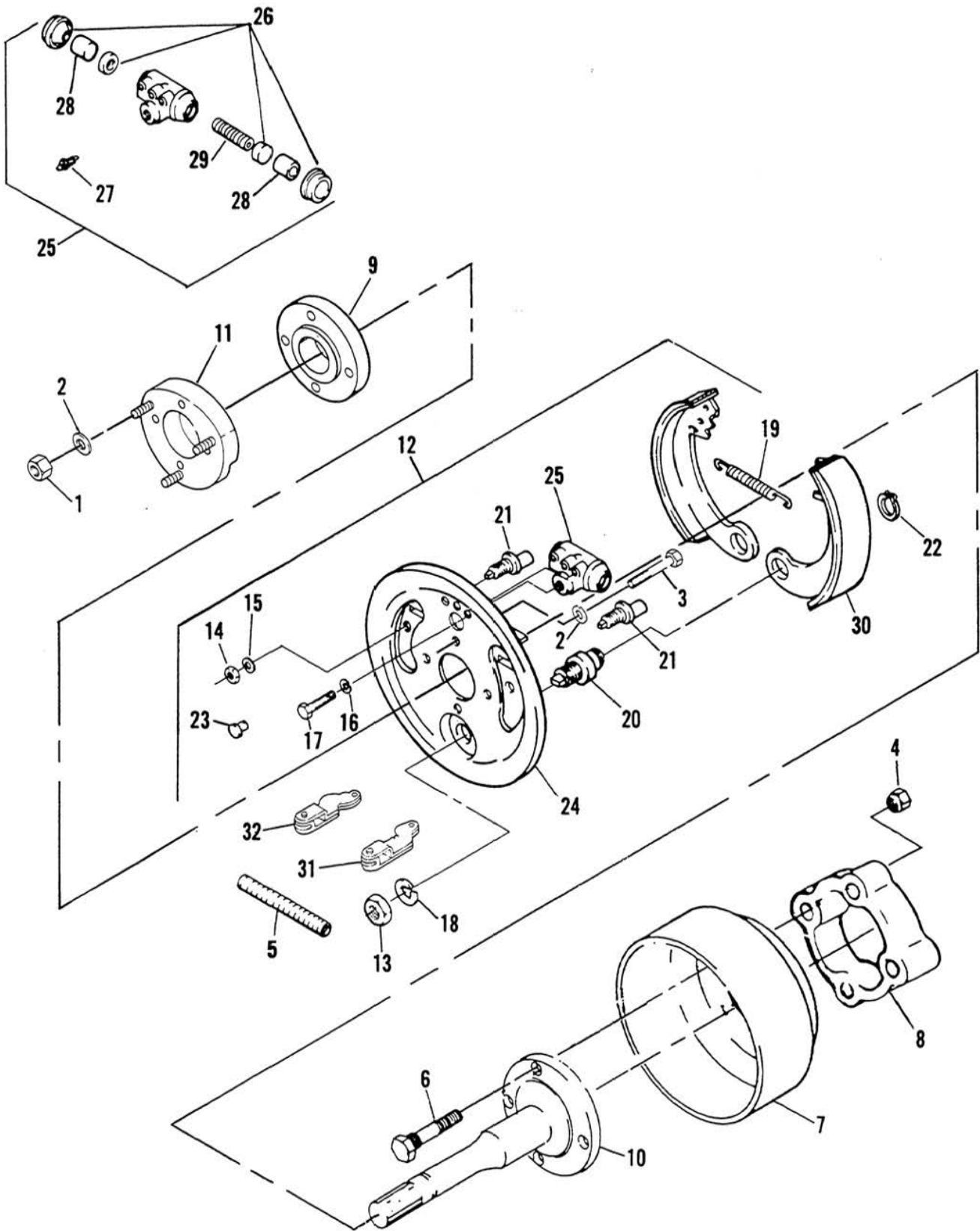


NOTE

When replacing a hydraulic brake tube, always measure the length to insure that you order the correct tube for your vehicle.

Ref. No.	Part No.	Description	No. Req'd.	Ref. No.	Part No.	Description	No. Req'd.
1	112050	Screw, 1/4-20 x 5/8"	3	7	836217	Tube, hydraulic, 28 1/2" (724 mm)	1
2	812445	Clamp	2	8	836218	Tube, hydraulic, 20 1/2" (521 mm)	1
3	812555	Fitting, hydraulic union	1	9	836219	Tube, hydraulic, 14 1/2" (368 mm)	1
4	835076	Tee	1	10	836220	Tube, hydraulic, 38 1/4" (972 mm)	1
5	835321	Tube, hydraulic, 64 1/2" (1.6 M)	1	11	836738	Hose, hydraulic, 18 3/4" (476 mm)	1
6	835390	Tube, hydraulic, 31 1/2" (800 mm)	1	12	889342	Cylinder, master	1

REAR WHEEL BRAKES
MODELS 898372, 898374, 898582, 898584 AND 898586
9110 AND LATER

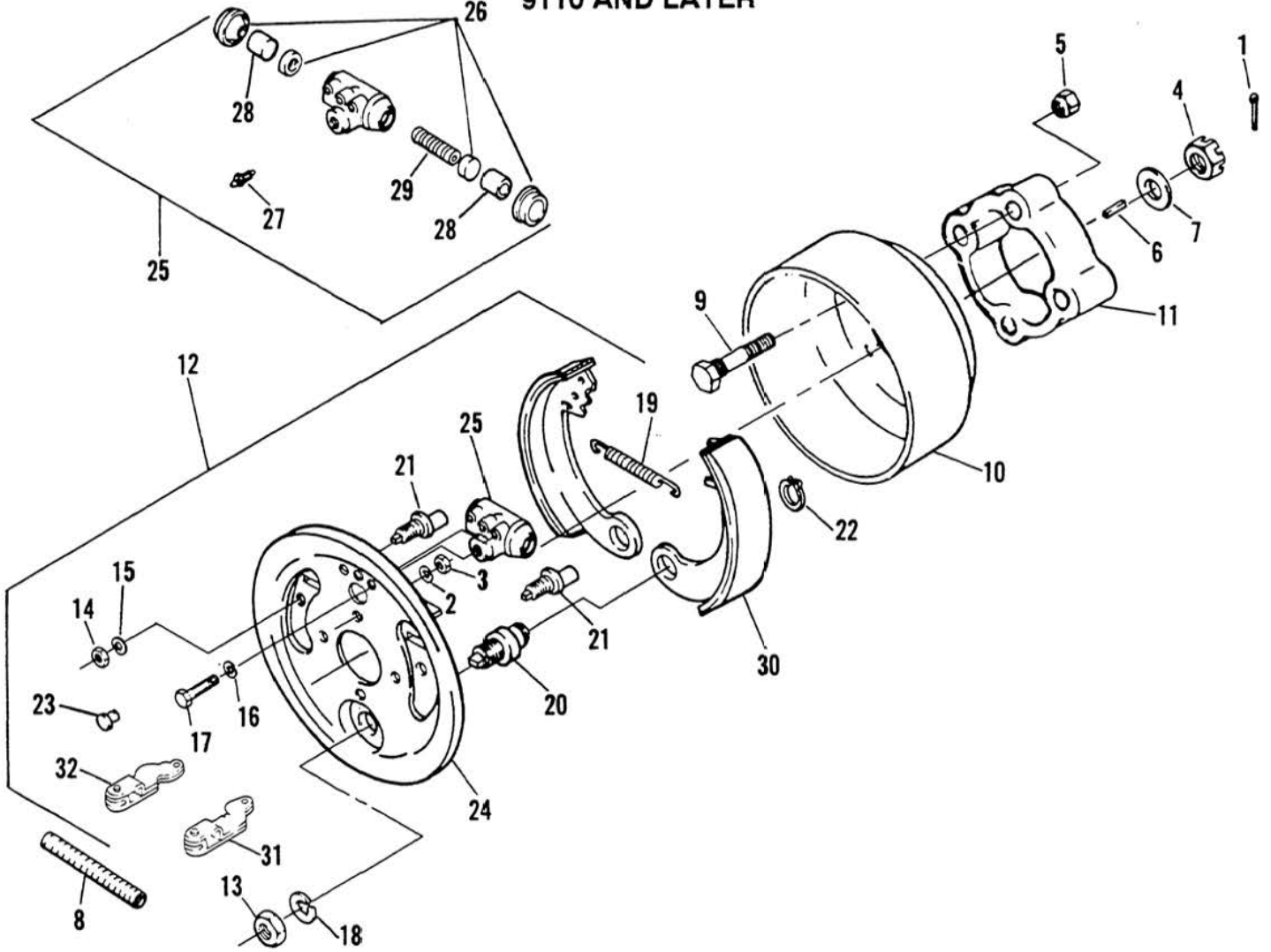


REAR WHEEL BRAKES
MODELS 898372, 898374, 898582, 898584 AND 898586
9110 AND LATER

Ref. No.	Part No.	Description	No. Req'd.	Ref. No.	Part No.	Description	No. Req'd.
1	306320	Nut, 5/16-24	6	17	306419	•Screw, 1/4-20 x 1/2"	2
2	306325	Lockwasher, 5/16"	14	18	306494	•Lockwasher, 5/8"	1
3	306416	Screw, 5/16-18 x 1"	6	19	805441	•Spring	1
4	805860	Nut, wheel retaining	8	20	806758	•Pin, heel	1
5	810380	Spring	2	21	806761	•Pin, adjustment	2
6	815838	Screw, wheel mounting	8	22	809252	•Ring, retaining	1
7	826644	Drum, brake	2	23	835841	•Plug, hole	1
8	835653	Spacer, wheel	2	24	876519	•Shield, brake dust	1
9	835752	Spacer, bearing	1	25	886371	•Cylinder, wheel	1
10	889689	Axle, rear	2	26	811775	••Repair kit, wheel cylinder	1
11	889783	Spacer	1	27	811794	••Screw, bleeder	1
12	889883	Brake, rear, complete	2	28	811910	••Piston, wheel cylinder	2
13	130084	•Nut, 5/8-18	1	29	811911	••Spring, wheel cylinder	1
14	306319	•Nut, 3/8-24	2	30	887284	•Brake shoe w/lining bonded	2
15	306353	•Lockwasher, 3/8"	2	31	889881	•Lever, RIGHT	1
16	306396	•Lockwasher, 1/4"	2	32	889882	•Lever, LEFT	1

INDENTED PART NAMES INDICATE THESE PARTS ARE INCLUDED IN PRECEDING ASSEMBLY

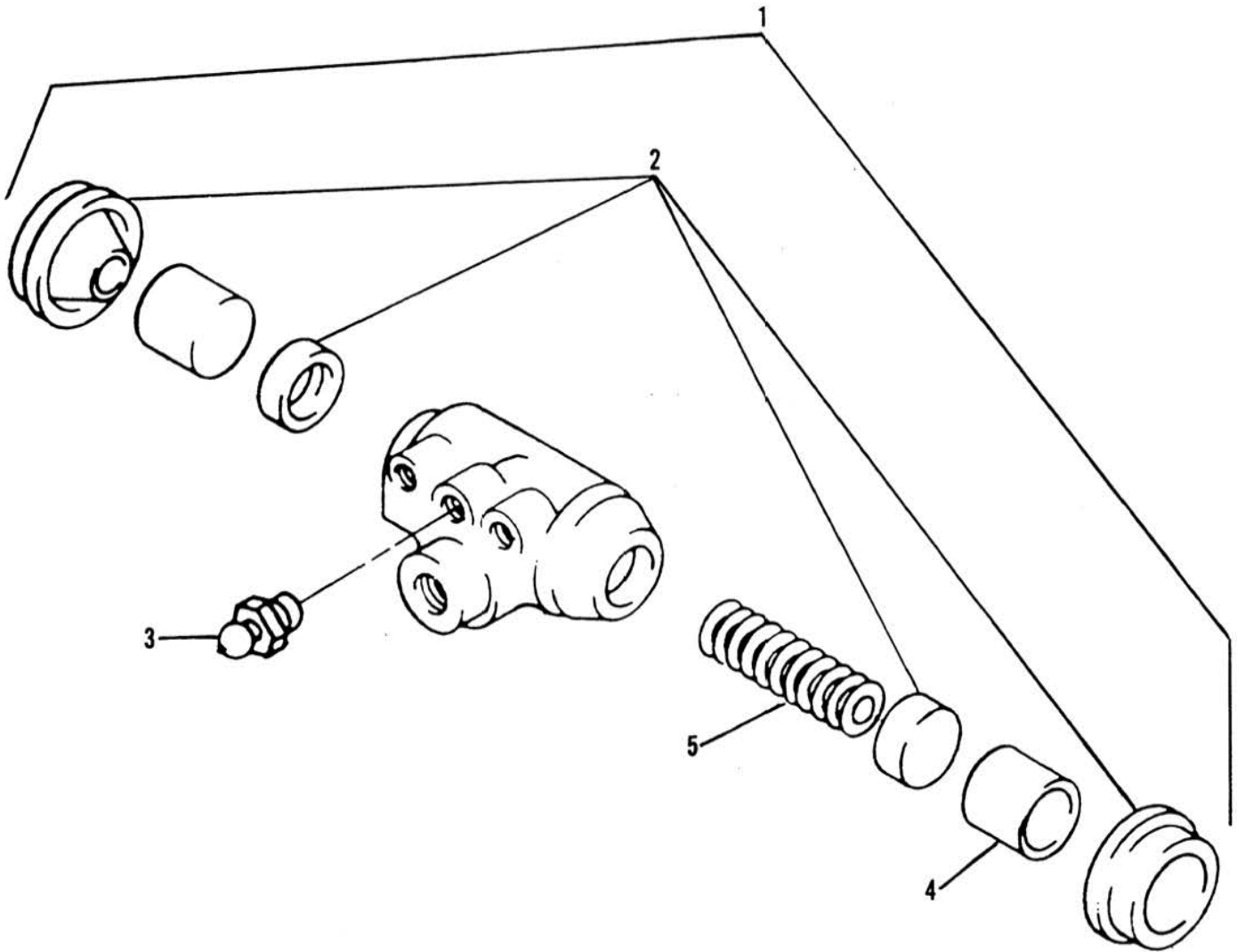
REAR WHEEL BRAKES
MODELS 898371, 898373, 898581, 898583 AND 898585
9110 AND LATER



Ref. No.	Part No.	Description	No. Req'd.	Ref. No.	Part No.	Description	No. Req'd.
1	304636	Pin, 1/8 x 1 1/8" cotter	2	17	306419	•Screw, 1/4-20 x 1/2"	2
2	306325	Lockwasher, 5/16"	8	18	306494	•Lockwasher, 5/8"	1
3	306932	Nut, 5/16-18	8	19	805441	•Spring	1
4	805843	Nut, 5/8-18 castle	2	20	806758	•Pin, heel	1
5	805860	Nut, wheel retaining	8	21	806761	•Pin, adjustment	2
6	805875	Key, hub	2	22	809252	•Ring, retaining	1
7	809156	Washer, hub	2	23	835841	•Plug, hole	1
8	810380	Spring	2	24	876519	•Shield, brake dust	1
9	815838	Screw, wheel mounting	8	25	886371	•Cylinder, wheel	1
10	826644	Drum, brake	2	26	811775	••Repair kit, wheel cylinder	1
11	835653	Spacer, wheel	2	27	811794	••Screw, bleeder	1
12	889883	Brake, rear, complete	2	28	811910	••Piston, wheel cylinder	2
13	130084	•Nut, 5/8-18	1	29	811911	••Spring, wheel cylinder	1
14	306319	•Nut, 3/8-24	2	30	887284	•Brake shoe w/lining bonded	2
15	306353	•Lockwasher, 3/8"	2	31	889881	•Lever, RIGHT	1
16	306396	•Lockwasher, 1/4"	2	32	889882	•Lever, LEFT	1

INDENTED PART NAMES INDICATE THESE PARTS ARE INCLUDED IN PRECEDING ASSEMBLY

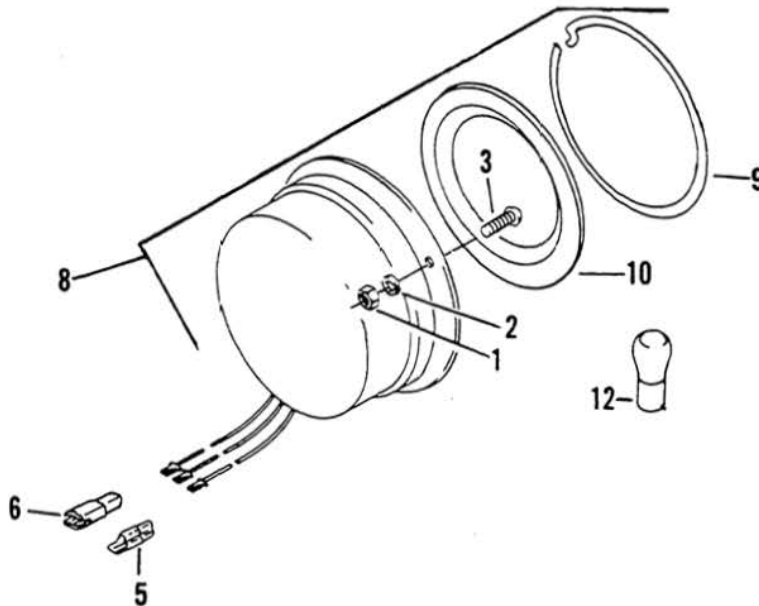
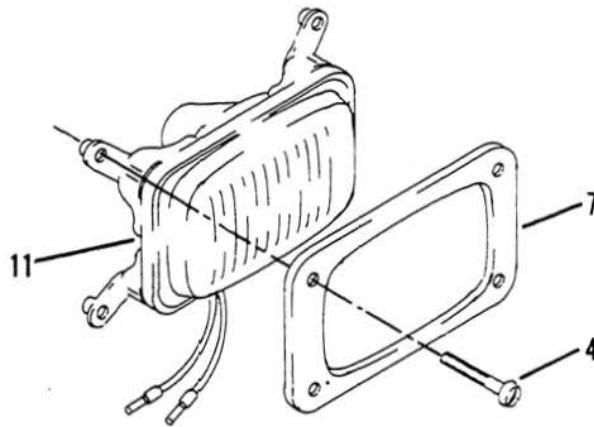
WHEEL CYLINDER



Ref. No.	Part No.	Description	No. Req'd.	Ref. No.	Part No.	Description	No. Req'd.
1	886371	Wheel cylinder, complete	As Req'd	3	811794	•Screw, bleeder	1
2	811775	•Repair kit (includes parts shown)	As Req'd	4	811910	•Piston, wheel cylinder	2
				5	811911	•Spring, wheel cylinder	1

INDENTED PART NAMES INDICATE THESE PARTS ARE INCLUDED IN PRECEDING ASSEMBLY

HEADLIGHT AND TAILLIGHT

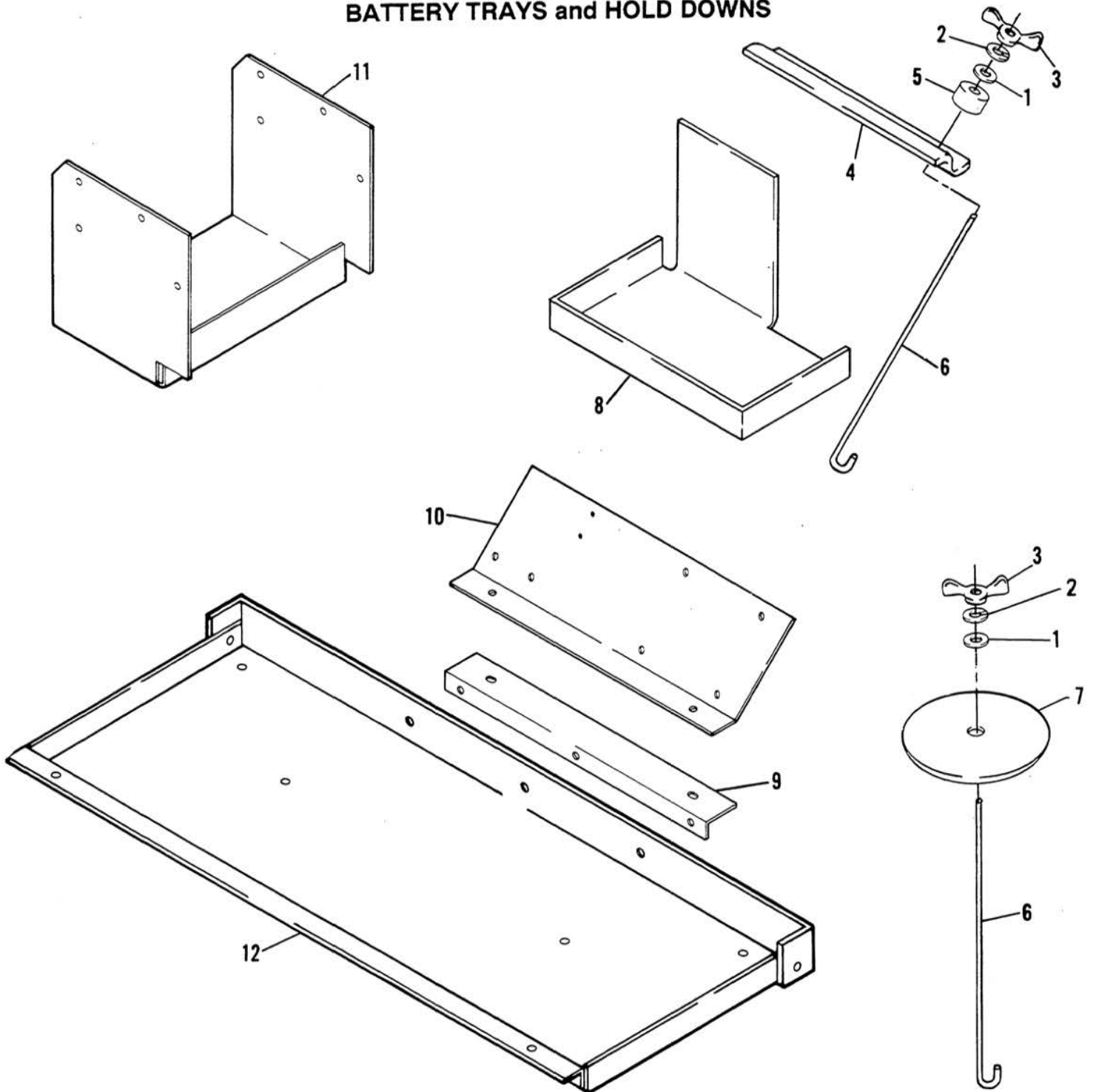


Ref. No.	Part No.	Description	No. Req'd.	Ref. No.	Part No.	Description	No. Req'd.
1	133079	Nut, #8-32	6	8	886241	Stop and taillight, complete	2
2	306310	Lockwasher, #8	6	9	832037	•Ring, retaining	1
3	800178	Screw, #8-32 x 1/2"	6	10	887936	•Lens and gasket	1
4	800745	Screw, #10-24 x 1 3/4"	8	11	889265	Headlight	2
5	826006	Connector, 2 contact	1	*	835133	•Bulb	1
6	826726	Connector, contact	1	12	822049	•Bulb, #1157	1
7	835134	Bezel, headlight	2				

INDENTED PART NAMES INDICATE THESE PARTS ARE INCLUDED IN PRECEDING ASSEMBLY

* Not Illustrated

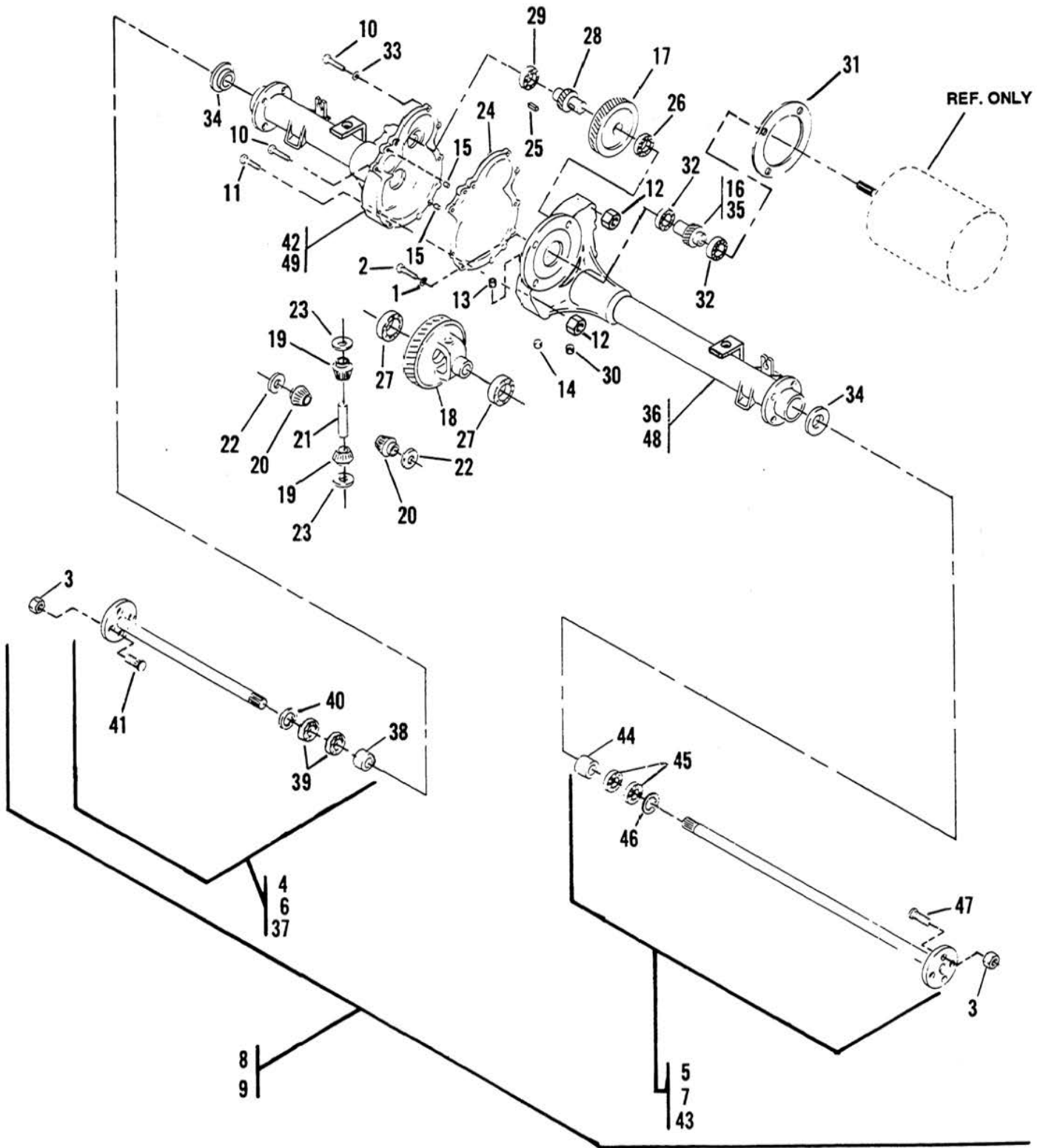
BATTERY TRAYS and HOLD DOWNS



Ref. No.	Part No.	Description	No. Req'd.	Ref. No.	Part No.	Description	No. Req'd.
1	103867	Washer, 5/16"	2	8	834503	Tray, battery, models 898584 & 898586	1
2	306325	Lockwasher, 5/16"	2	9	835561	◇Bracket	1
3	800315	Wing nut	2	10	835569	Panel, electrical	1
4	815847	Hold down, battery	1	11	835821	Tray, battery, models 898372, 898374 & 898582	1
5	818303	Spacer, rubber	2	12	889369	Tray, battery, models 898371, 898373, 898581, 898583 and 898585	1
6	819792	"J" Bolt	2				
7	833595	Plate, battery hold down	2				

◇ This bracket must be used when installing Battery Tray Part No. 889369 on older models.

DIFFERENTIAL
MODELS 898371, 898373, 898581, 898583 AND 898585
9010 THRU 9105



DIFFERENTIAL
MODELS 898371, 898373, 898581, 898583 AND 898585
9010 THRU 9105

Ref. No.	Part No.	Description	No. Req'd.	Ref. No.	Part No.	Description	No. Req'd.
1	120177	Lockwasher, 3/8"	1	24	835008	•Gasket, differential	1
2	306835	Screw, 3/8-16 x 1 1/4"	1	25	835009	•Key	1
3	800573	Nut, 1/2-20, wheel mounting	8	26	835011	•Bearing, ball	1
4	889109	∇Axle, LEFT hand, w/bolts 14 1/2" (368 mm) models 898371 and 898581 (9010-9105) (4" [102 mm] diameter bolt pattern . .	1	27	835012	•Bearing, ball	2
5	889111	∇Axle, RIGHT hand, w/bolts 19 1/2" (495 mm) models 898371 and 898581 (9010-9105) (4" [102 mm] diameter bolt pattern . .	1	28	835014	•Pinion, intermediate	1
6	889531	∇Axle, LEFT hand, w/bolts 14 1/2" (368 mm) models 898371 and 898581 (9110 and later) (3 3/4" [95 mm] diameter bolt pattern . .	1	29	835016	•Bearing, ball	1
7	889532	∇Axle, RIGHT hand, w/bolts 19 1/2" (495 mm) models 898371 and 898581 (9110 and later) (3 3/4" [95 mm] diameter bolt pattern . .	1	30	835018	•Plug	1
8	770028	◇Differential, models 898371 and 898581	1	31	835019	•Gasket	1
	OR			32	835020	•Bearing	1
9	889317	Differential, complete, models 898373, 898583 and 898585 . . .	1	33	835021	•Washer, nylon	3
10	316907	•Screw, 1/4-20 x 2 3/4"	4	34	835022	•Seal, grease	2
11	548030	•Screw, 1/4-20 x 3 1/2"	6	35	835551	•Pinion, input, models 898371 and 898581	1
12	548910	•Nut, 1/4-20 flangelock	0	36	889108	•Housing, RIGHT, models 898371 and 898581	1
13	800120	•Plug, pipe	1	37	889368	◇◇•Axle, LEFT hand, w/bolts 14 1/2" (368 mm) models 898373, 898583 and 898585 (4" [102 mm] diameter bolt pattern) .	1
14	800122	•Plug, pipe	2	38	835010	••Ring, locking	1
15	806711	•Pin	2	39	835013	••Bearing	2
16	835000	•Pinion, input	1	40	835017	••Ring, retaining	1
17	835001	•Gear, intermediate	1	41	836861	••Stud, wheel	4
18	835002	•Gear, output	1	42	889110	•Housing, LEFT, models 898371 and 898581	1
19	835003	•Gear, differential idler	2	43	889367	◇◇•Axle, RIGHT hand, w/bolts 19 1/2" (495 mm) models 898373, 898583 and 898585 (4" [102 mm] diameter bolt pattern) .	1
20	835004	•Gear, differential	2	44	835010	••Ring, locking	1
21	835005	•Pin, knurled	1	45	835013	••Bearing	2
22	835006	•Washer, thrust	2	46	835017	••Ring, retaining	1
23	835007	•Washer, spherical	2	47	836861	••Stud, wheel	4
				48	889366	•Housing, RIGHT, models 898373, 898583 and 898585 . . .	1
				49	889365	•Housing, LEFT, models 898373, 898583 and 898585 . . .	1

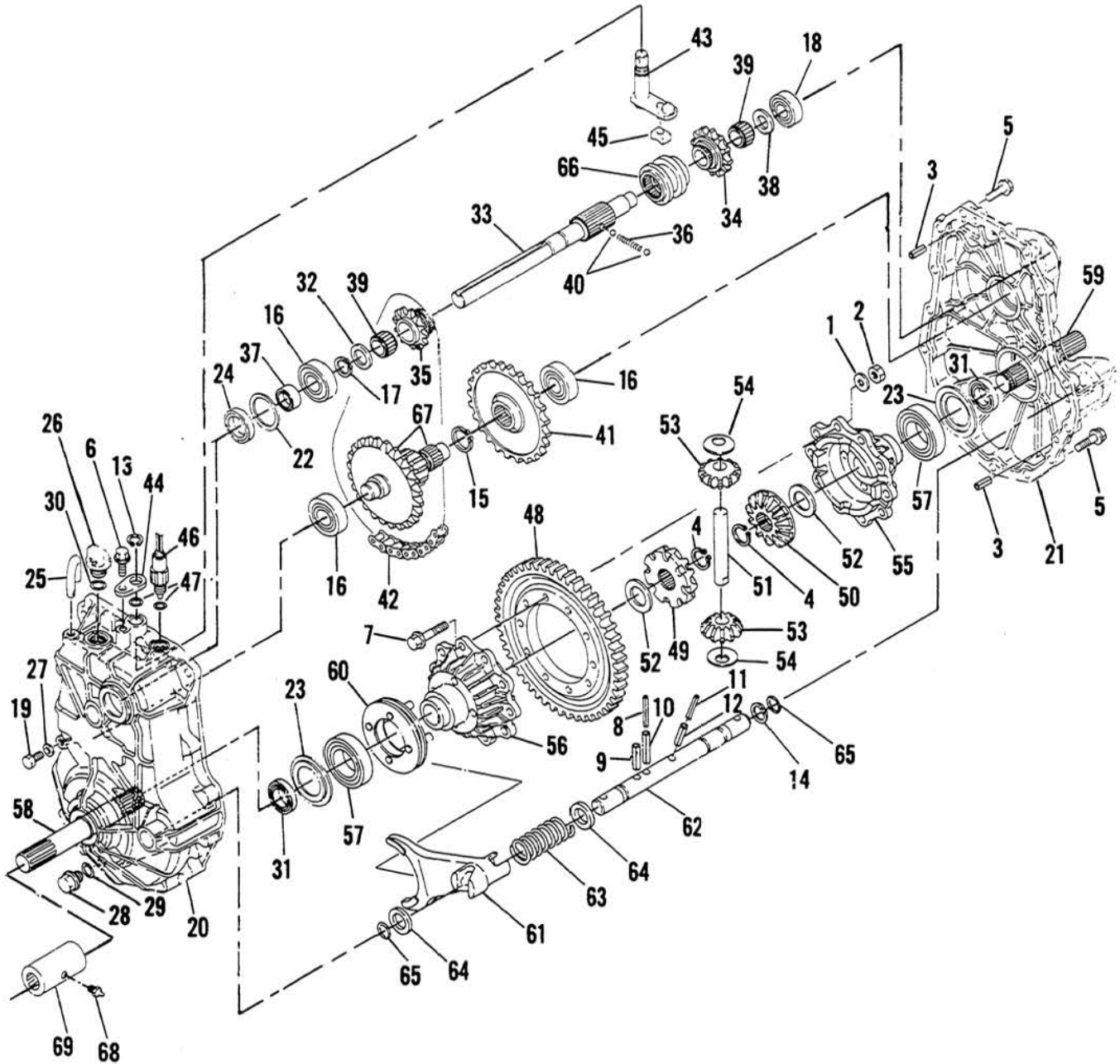
INDENTED PART NAMES INDICATE THESE PARTS ARE INCLUDED IN PRECEDING ASSEMBLY

◇ This differential is not offered complete with axles. The axles (items 4, 5, 6 and 7) must be ordered separately.

◇◇ These axles are included with Differential Part No. 889317 only.

∇ These axles have only one bearing per axle.

TRANSAXLE
MODELS 898372, 898374, 898582, 898584 AND 898586
9110 AND LATER

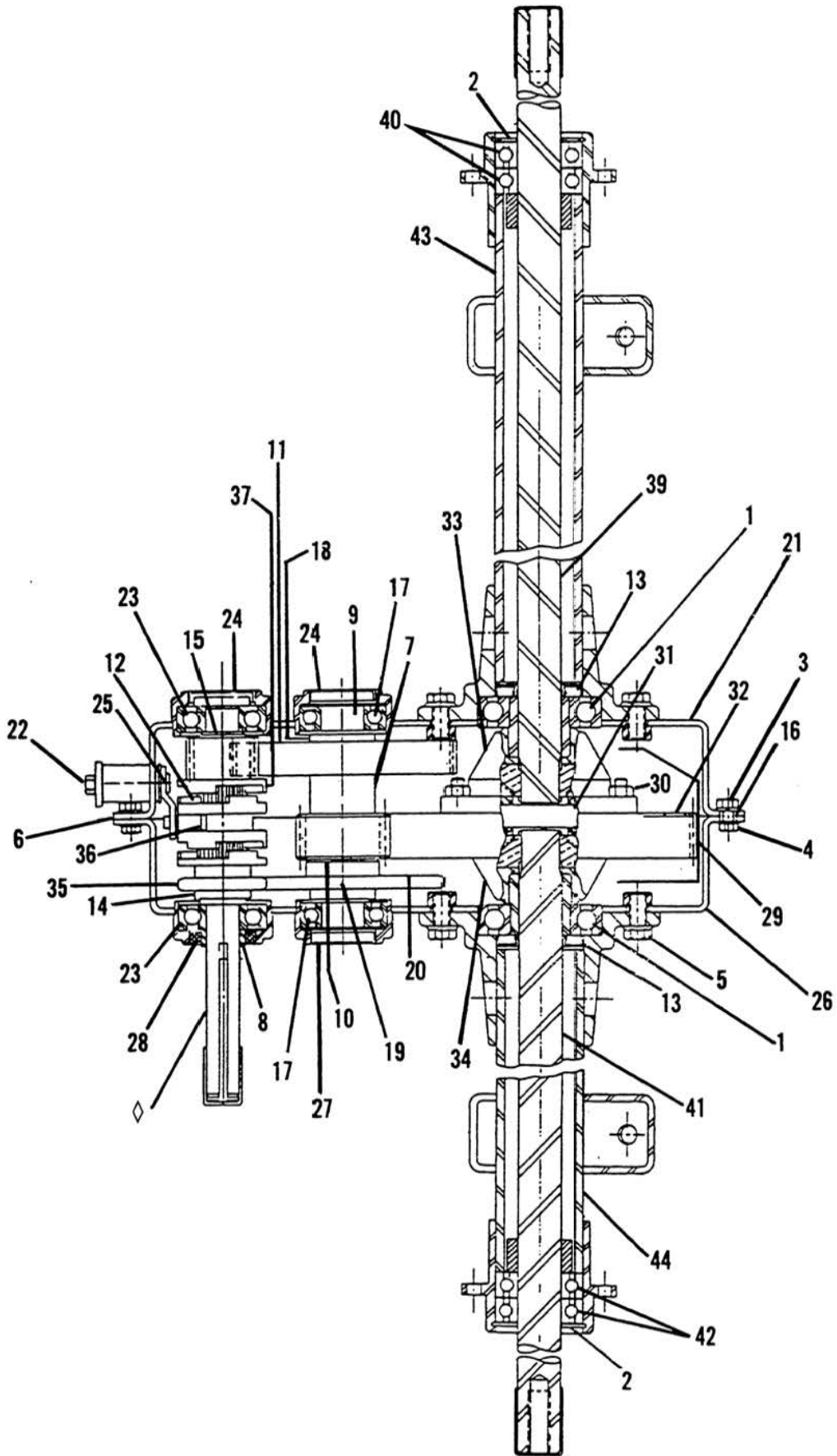


TRANSAXLE
MODELS 898372, 898374, 898582, 898584 AND 898586
9110 AND LATER

Ref. No.	Part No.	Description	No. Req'd	Ref. No.	Part No.	Description	No. Req'd
	889415	Transaxle, complete	1	35	836762	•Input sprocket, 11 tooth	1
1	306453	•Washer, 5/16"	10	36	836764	•Spring, detent	1
2	800428	•Nut, M8 x 1.25	10	37	836765	•Sleeve, input shaft	1
3	800721	•Pin, roll	2	38	836766	•Shim washer, input shaft	1
4	800722	•Ring, retaining	2	39	836769	•Needle bearing	2
5	800723	•Bolt, hex hd. flange	16	40	836770	•Ball, detent	2
6	800726	•Bolt, hex hd. flange	1	41	836771	•Reduction gear, 49 tooth	1
7	800727	•Bolt, hex hd. flange	10	42	836772	•Chain, drive	1
8	800728	•Pin, roll	1	43	836773	•Shift arm	1
9	800729	•Pin, roll	1	44	836774	•Retention plate, shifter	1
10	800730	•Pin, roll	1	45	836775	•Shift block	1
11	800731	•Pin, roll	1	46	836776	•Switch, neutral start	1
12	800732	•Pin, roll	1	47	836777	•O-ring	2
13	800733	•Ring, retaining	1	48	836778	•Final gear, 55 tooth	1
14	800734	•Ring, retaining	1	49	836779	•Differential gear, LEFT	1
15	800735	•Ring, retaining	1	50	836780	•Differential gear, RIGHT	1
16	808058	•Bearing	3	51	836781	•Shaft, Differential pinion	1
17	809250	•Ring, retaining	1	52	836782	•Washer, differential gear	2
18	812009	•Bearing	1	53	836783	•Pinion, differential	2
19	828153	•Bolt, hex cap	1	54	836784	•Washer, differential pinion	2
20	836747	•Housing, transaxle, LEFT	1	55	836785	•Differential case, RIGHT	1
21	836748	•Housing, transaxle, RIGHT	1	56	836786	•Differential case, LEFT	1
22	836749	•Washer, input shaft	1	57	836787	•Bearing, axle shaft	2
23	836750	•Washer, output shaft	2	58	836788	•Axle shaft, LEFT	1
24	836751	•Seal, input shaft	1	59	836789	•Axle shaft, RIGHT	1
25	836752	•Fitting, breather	1	60	836790	•Slider, differential lock	1
26	836753	•Cap, oil fill	1	61	836791	•Fork, differential lock	1
27	836754	•Washer, seal	1	62	836792	•Shaft, differential lock	1
28	836755	•Plug, oil drain	1	63	836793	•Spring, differential lock	1
29	836756	•Gasket, oil drain	1	64	836794	•Spacer, differential lock	2
30	836757	•Gasket, oil fill	1	65	836795	•O-ring, differential lock	2
31	836758	•Seal, output shaft	2	66	836817	•Shifter collar	1
32	836759	•Shim, washer	1	67	889903	•Shaft, reduction	1
33	836760	•Input shaft	1	68	807439	Fitting, lubrication	2
34	836761	•Input gear, 21 tooth	1	69	835654	Coupling	2

INDENTED PART NAMES INDICATE THESE PARTS ARE INCLUDED IN PRECEDING ASSEMBLY

COMET DIFFERENTIAL
MODELS 898372, 898374, 898582, 898584 AND 898586
9010 THRU 9105



COMET DIFFERENTIAL
MODELS 898372, 898374, 898582, 898584 AND 898586
9010 THRU 9105

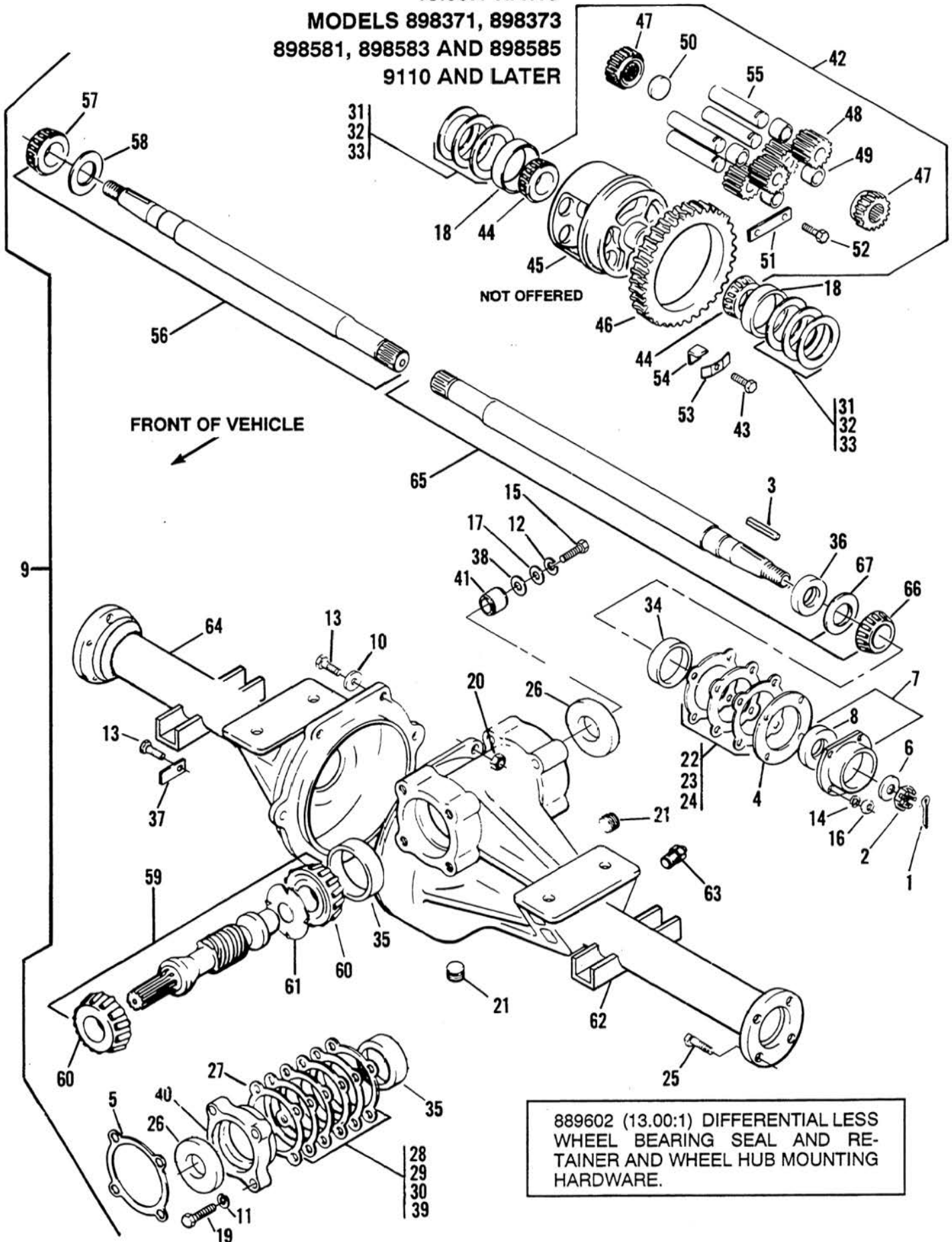
Ref. No.	Part No.	Description	No. Req'd.	Ref. No.	Part No.	Description	No. Req'd.
	890628	Differential, complete	1	22	548827	••Screw, 1/4-20 x 1/2"	1
1	548112	•Bearing	4	23	835604	••Bearing, gearcase	2
2	548326	•Ring, retaining	2	24	835606	••Plug, seal	2
3	548827	•Screw, 1/4-20 x 1/2" flangelock	15	25	889374	••Arm and shaft, shifter	1
4	548910	•Nut, 1/4-20 flangelock	15	26	889376	•Case, LEFT	1
*	800128	•Ball, detent	1	*	807624	••O-ring, fill plug	1
5	800385	•Screw, axle housing, 3/8-16 x 3/4"	12	27	835606	••Plug, seal	1
*	800622	•Screw, 5/16-18 x 1"	1	28	835614	••Seal, oil	1
6	835353	•Gasket, case	1	*	835615	••Vent, atmospheric	1
7	835580	•Spacer, 55/64" I.D. (21.8 mm) 1 1/2" O.D. (38 mm)	1	*	835616	••Plug, fill	1
8	835581	•Spacer, gearcase, 3/4" I.D.(19 mm) 1" O.D. (25 mm)	1	29	889379	•Differential	1
9	835582	•Shaft, intermediate	1	30	306932	••Nut, 5/16-18	8
10	835583	•Gear, pinion, 20 tooth	1	*	548809	••Screw, 5/16-18 x 1 1/2"	8
11	835584	•Gear, 60 tooth	1	*	835578	••Shaft, pinion, short	2
12	835585	•Dog, shift	1	31	835579	••Shaft, pinion, long	1
13	835599	•Seal, gearcase	2	*	835586	••Gear, pinion, 10 tooth	2
14	835600	•Washer, special	1	*	835587	••Gear, pinion, 16 tooth	2
15	835601	•Washer, special	1	32	835588	••Gear, output, 69 tooth	1
*	835602	•Spring, detent	1	33	889372	••Carrier, differential	1
16	835603	•Bushing, gearcase	3	34	889373	••Carrier, differential	1
17	835605	•Bearing, gearcase	2	35	889380	•Sprocket and dog	1
18	835612	•Spacer	1	36	889381	•Fork, shift	1
*	835613	•Washer, clutch	1	37	889382	•Gear, input dog and gear	1
19	836188	•Chain	1	38	◇	•Shaft, input	1
20	889201	•Sprocket, 29 tooth	1	39	889384	•Shaft, output, 20" (508 mm)	1
21	889375	•Case, RIGHT	1	40	836275	••Bearing	2
*	520824	••O-ring, shift arm and shaft	2	41	889385	•Shaft, output, 16" (406 mm)	1
				42	836275	••Bearing	2
				43	889947	•Housing, LONG axle	1
				44	889948	•Housing, SHORT axle	1

INDENTED PART NAMES INDICATE THESE PARTS ARE INCLUDED IN PRECEDING ASSEMBLY

* Not illustrated

◇ Order Bearing Support Kit Part No. 890735

DIFFERENTIAL
13.00:1 RATIO
MODELS 898371, 898373
898581, 898583 AND 898585
9110 AND LATER



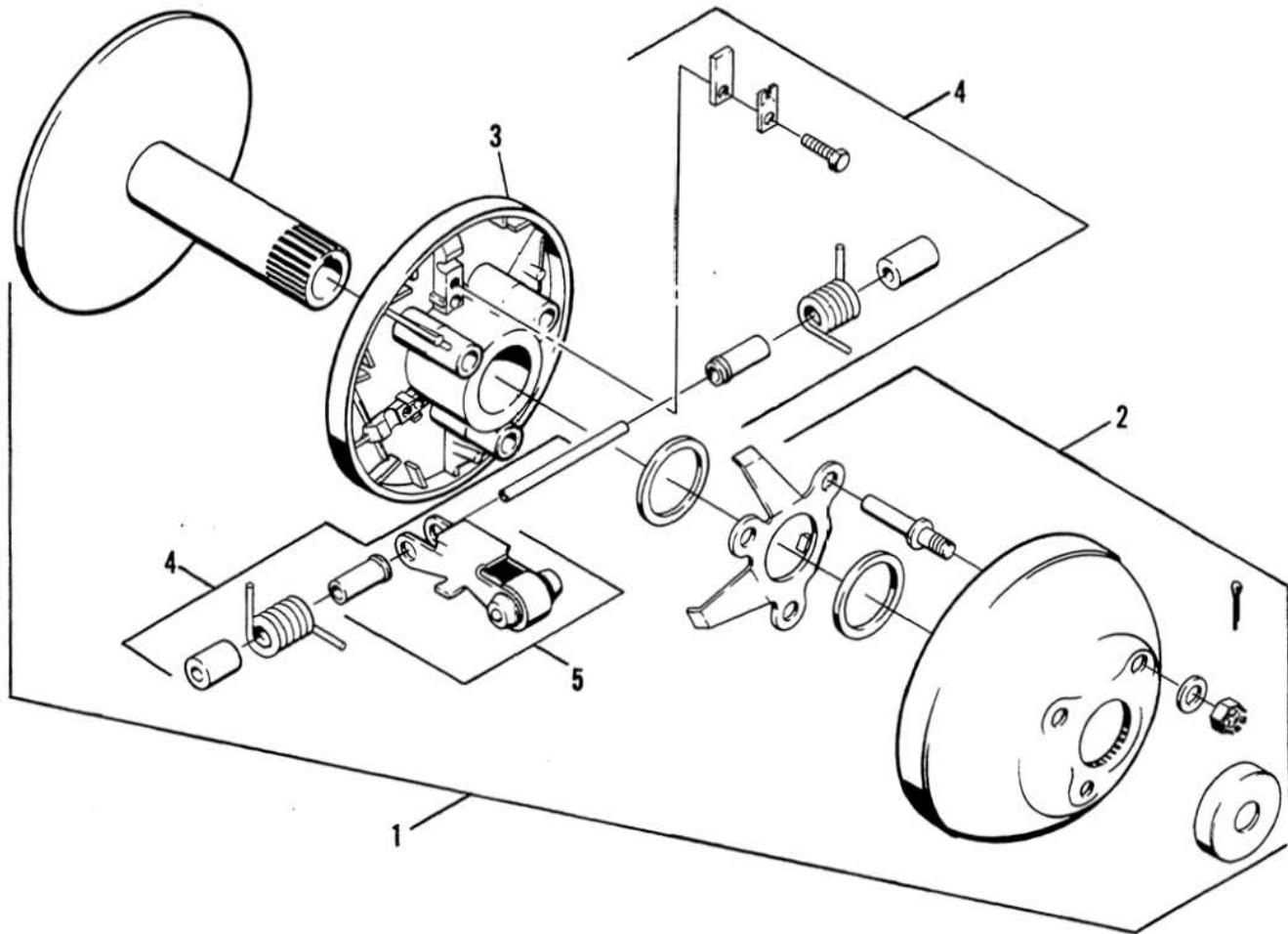
DIFFERENTIAL
13.00:1 RATIO
MODELS 898371, 898373, 898581, 898583 AND 898585
9110 AND LATER

Ref. No.	Part No.	Description	No. Req'd.	Ref. No.	Part No.	Description	No. Req'd.
1	304636	Pin, cotter, 1/8 x 1 1/8"	2	35	814476	•Cup, roller bearing	2
2	805843	Nut, 5/8-18 castle	2	36	814477	•Seal, rear axle	2
3	805875	Key, hub	2	37	814851	•Tag, ratio (13.00:1 ratio)	1
4	808303	Gasket, bearing	2	38	816446	•Washer, special	1
5	828044	Gasket	1	39	816515	•Shim, .003	As Req'd
6	836674	Washer, special	2	40	829036	•Retainer bearing	1
7	879476	Seal and retainer	2	41	829455	•Hub	1
8	814488	•Seal, bearing	1	42	879473	•Gear, carrier, (13.00:1 ratio)	1
9	889602	Differential, complete	1	43	306555	••Screw, 5/16-18 x 3/4"	2
10	103867	•Washer, 5/16"	5	44	386767	••Bearing, cone, carrier	2
11	120177	•Lockwasher, 3/8"	4	45	◇	••Housing, carrier	1
12	303269	•Lockwasher, 7/16"	1	46	814131	••Gear, worm, (13.00:1 ratio)	1
13	304055	•Screw, 5/16-18 x 1 3/8"	6	47	814481	••Gear, axle shaft	2
14	306325	Lockwasher, 5/16"	8	48	814482	••Gear, differential planet	4
15	306838	•Screw, 7/16-14 x 1"	1	49	814483	••Spacer	4
16	306932	•Nut, 5/16-18	8	50	814484	••Spacer	1
17	306982	•Washer, 7/16"	1	51	815794	••Plate, locking	3
18	320122	•Cup, roller bearing	2	52	816812	••Screw, special	6
19	551094	•Screw, 3/8-16 x 1 3/4"	4	53	816823	••Plate, retainer	2
20	800290	•Nut, 5/16-18 lock	6	54	816824	••Plate, locking	2
21	800356	•Plug, filler-drain	2	55	816825	••Shaft, differential gear	4
22	805320	•Shim, .005	As Req'd	56	887295	•Axle, RIGHT, 17 25/64" (442 mm)	1
23	805321	•Shim, .010	As Req'd	57	815403	••Bearing cone, roller	1
24	805322	•Shim, .030	As Req'd	58	827018	••Backing ring	1
25	806251	•Screw, special	8	59	887794	•Worm w/bearings and slinger	1
26	812335	•Seal	2	60	814475	••Bearing cone, roller	2
27	814465	•Gasket	2	61	886706	••Slinger set, oil	1
28	814466	•Shim, .055	As Req'd	62	889600	•Housing, LEFT	1
29	814467	•Shim, .010	As Req'd	63	827486	••Valve, breather	1
30	814468	•Shim, .030	As Req'd	64	889601	•Housing, RIGHT	1
31	814469	•Shim, .003	As Req'd	65	889913	•Axle, LEFT, 17 7/64" (435 mm)	1
32	814470	•Shim, .005	As Req'd	66	815403	••Bearing cone, roller	1
33	814471	•Shim, .010	As Req'd	67	827018	••Backing ring	1
34	814474	•Cup, roller bearing	2				

INDENTED PART NAMES INDICATE THESE PARTS ARE INCLUDED IN PRECEDING ASSEMBLY

◇ Not Offered

DRIVE PULLEY
MODELS 898374, 898584 AND 898586
9010 AND LATER

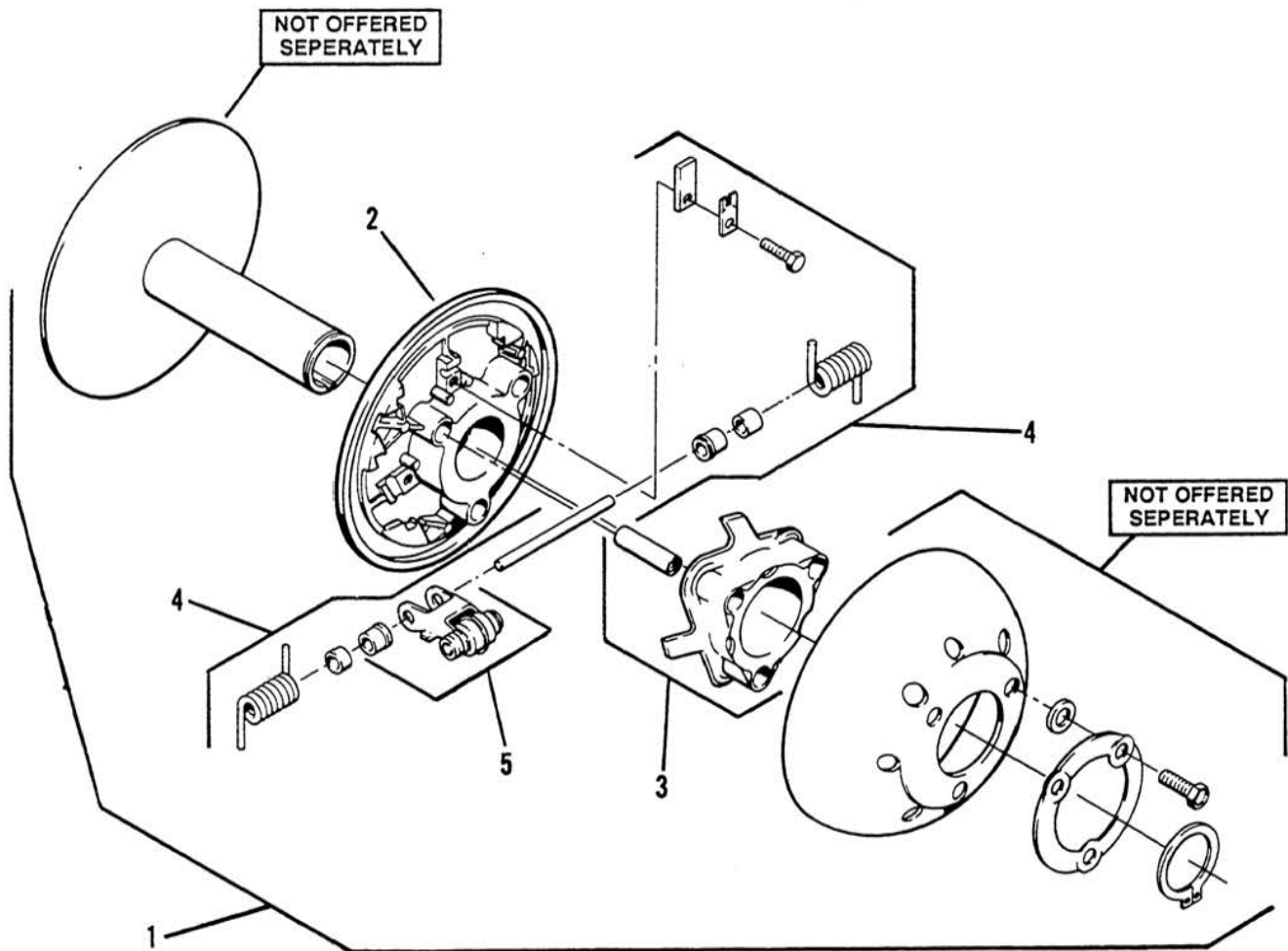


Ref. No.	Part No.	Description	No. Req'd.	Ref. No.	Part No.	Description	No. Req'd.
1	888992	Drive pulley	1		◇	••Shaft	3
2	889006	•Plate, ramp	1		◇	••Spring	3
3	889008	•Movable face	1		◇	••Spring	3
4	889024	•Spring kit	1		◇	••Screw, 1/4-20 x 5/8"	3
	◇	••Retainer	3	5	889025	•Arm kit	1
	◇	••Retainer	3		◇	••Bushing	6
	◇	••Bushing	6		◇	••Arm	3
	◇	••Bushing	6				

◇ Not serviced separately

INDENTED PART NAMES INDICATE THESE PARTS ARE INCLUDED IN PRECEDING ASSEMBLY

**DRIVE PULLEY
MODELS 898372 AND 898582
9010 AND LATER**

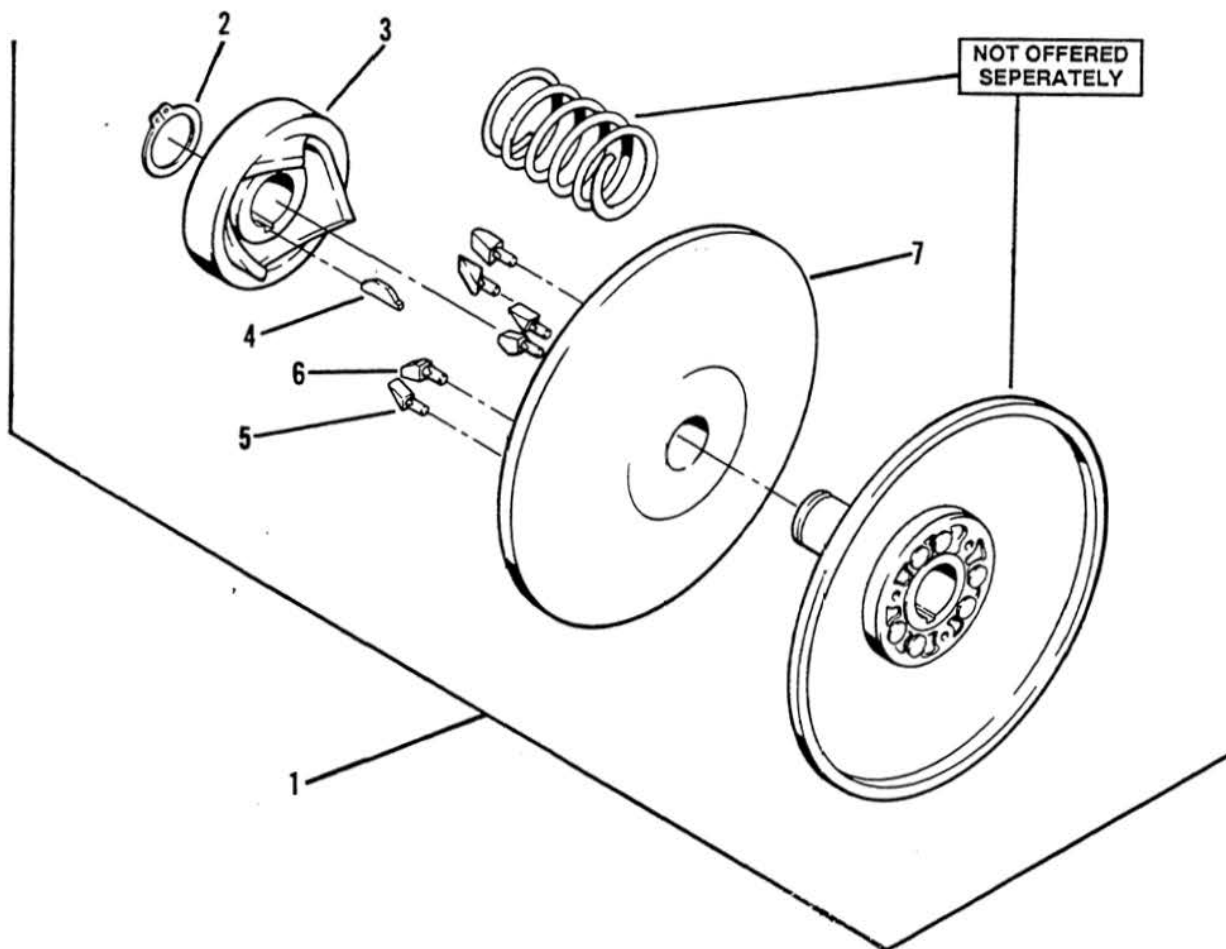


Ref. No.	Part No.	Description	No. Req'd.	Ref. No.	Part No.	Description	No. Req'd.
1	888395	Drive pulley	1		◇	••Bushing	6
2	889002	•Pulley, drive	1		◇	••Shaft	3
3	889003	•Spider and pin	1		◇	••Spring	3
		◇			◇	••Spring	3
		◇			◇	••Screw, 1/4-20 x 5/8"	3
4	889026	•Spring kit	1	5	889027	•Arm kit	1
		◇			◇	••Bushing	6
		◇			◇	••Arm	3
		◇					

◇ Not serviced separately

INDENTED PART NAMES INDICATE THESE PARTS ARE INCLUDED IN PRECEDING ASSEMBLY

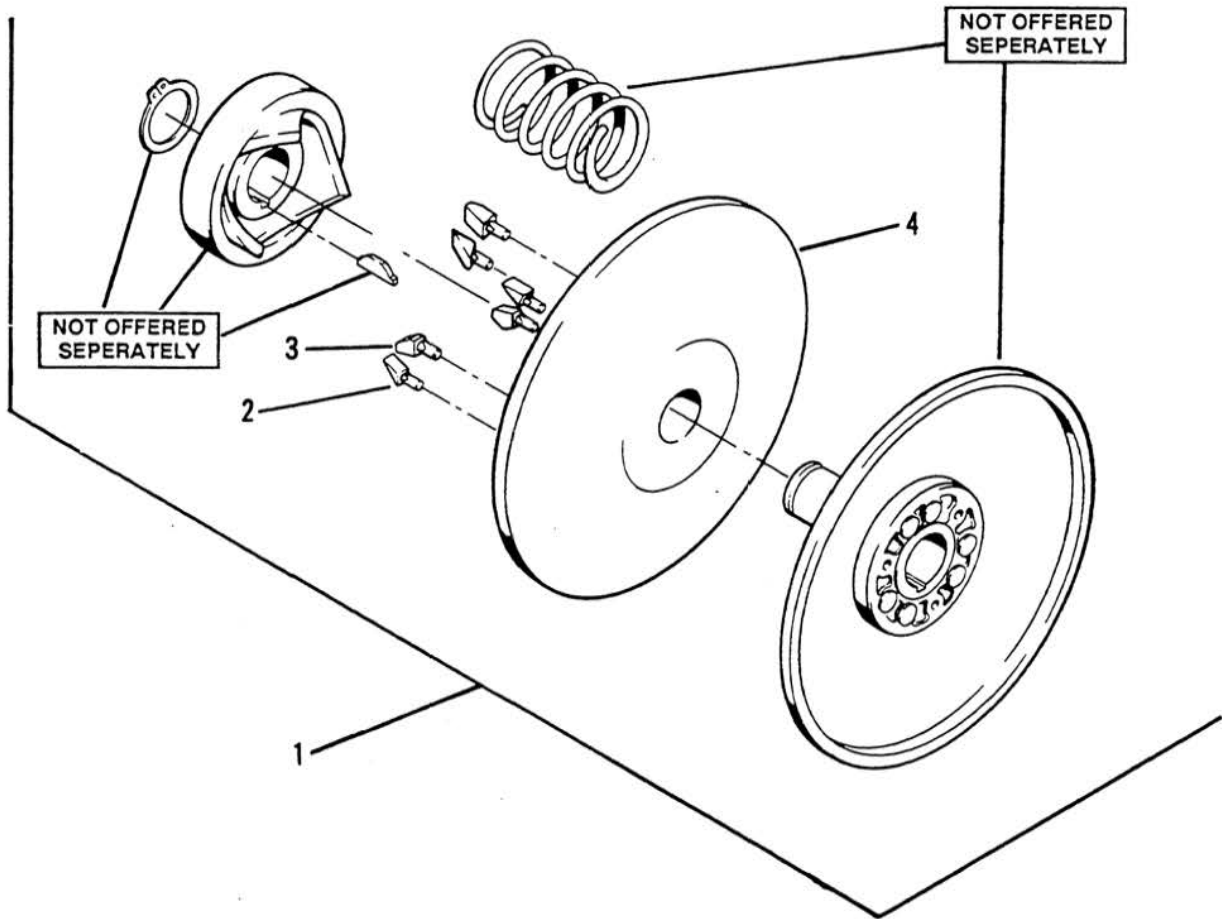
**DRIVEN PULLEY
MODELS 898372 AND 898582
9010 AND LATER**



Ref. No.	Part No.	Description	No. Req'd.	Ref. No.	Part No.	Description	No. Req'd.
1	888825	Pulley, driven	1	5	834738	•Slipper, cam, RIGHT	3
2	521674	•Ring	1	6	834739	•Slipper, cam, LEFT	3
3	834736	•Cam, torque	1	7	889004	•Movable face	1
4	834737	•Key, cam	1				

INDENTED PART NAMES INDICATE THESE PARTS ARE INCLUDED IN PRECEDING ASSEMBLY

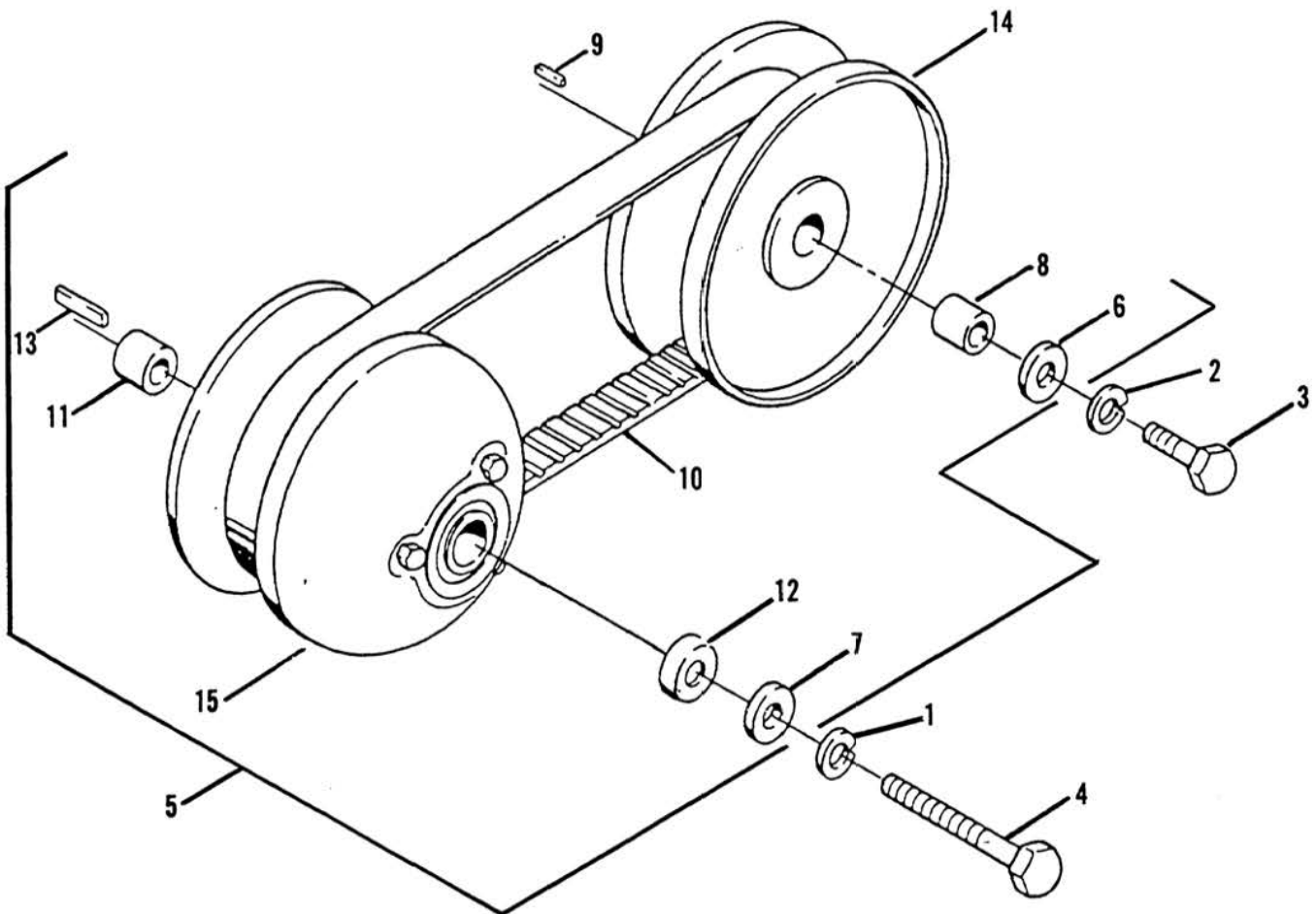
DRIVEN PULLEY
MODELS 898374, 898584 AND 898586
9010 AND LATER



Ref. No.	Part No.	Description	No. Req'd.	Ref. No.	Part No.	Description	No. Req'd.
1	888991	Pulley, driven	1	3	834739	•Slipper, cam LH	3
2	834738	•Slipper, cam RH	3	4	889007	•Movable face	1

INDENTED PART NAMES INDICATE THESE PARTS ARE INCLUDED IN PRECEDING ASSEMBLY

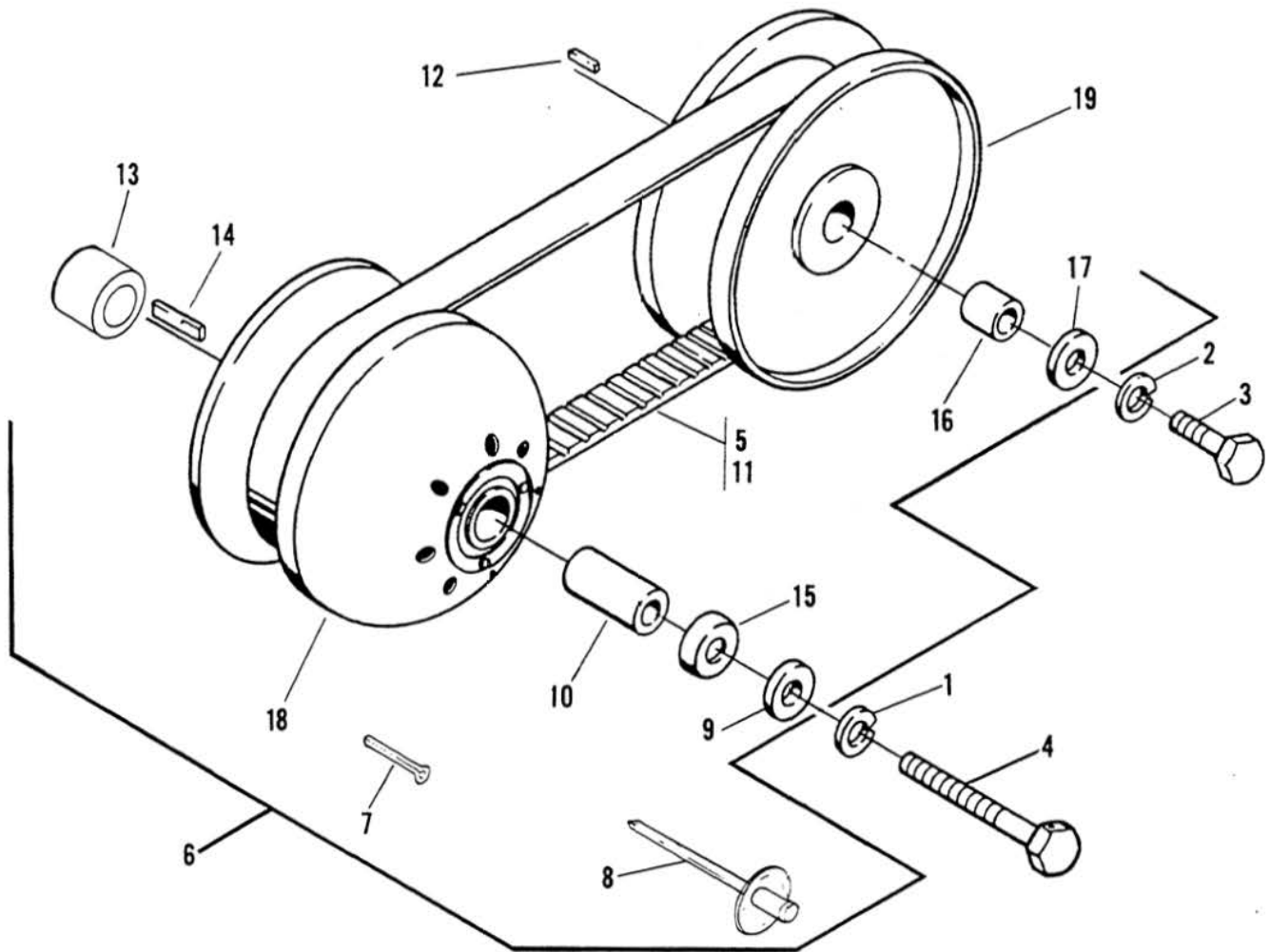
**SALSBURY DRIVE CONVERSION KIT
MODELS 898374, 898584 AND 898586**



Ref. No.	Part No.	Description	No. Req'd.	Ref. No.	Part No.	Description	No. Req'd.
1	302600	Lockwasher, 7/16"	1	9	833796	•Key	1
2	306325	Lockwasher, 5/16"	1	10	834090	•Belt, drive, 50" (1270 mm)	1
3	309878	Screw, 5/16-24 x 2 1/2"	1	11	834214	•Spacer	1
4	800599	Screw, 7/16-20 x 4 1/2	1	12	834885	•Washer	1
5	888994	Drive kit, salsbury 18 H.P.	1	13	834969	•Key, 1/4 x 1/4 x 5 1/2"	1
6	548159	•Washer, 5/16"	1	14	888991	•Pulley, driven	1
7	817783	•Washer, 7/16"	1	15	888992	•Drive pulley	1
8	823560	•Bushing	1				

INDENTED PART NAMES INDICATE THESE PARTS ARE INCLUDED IN PRECEDING ASSEMBLY

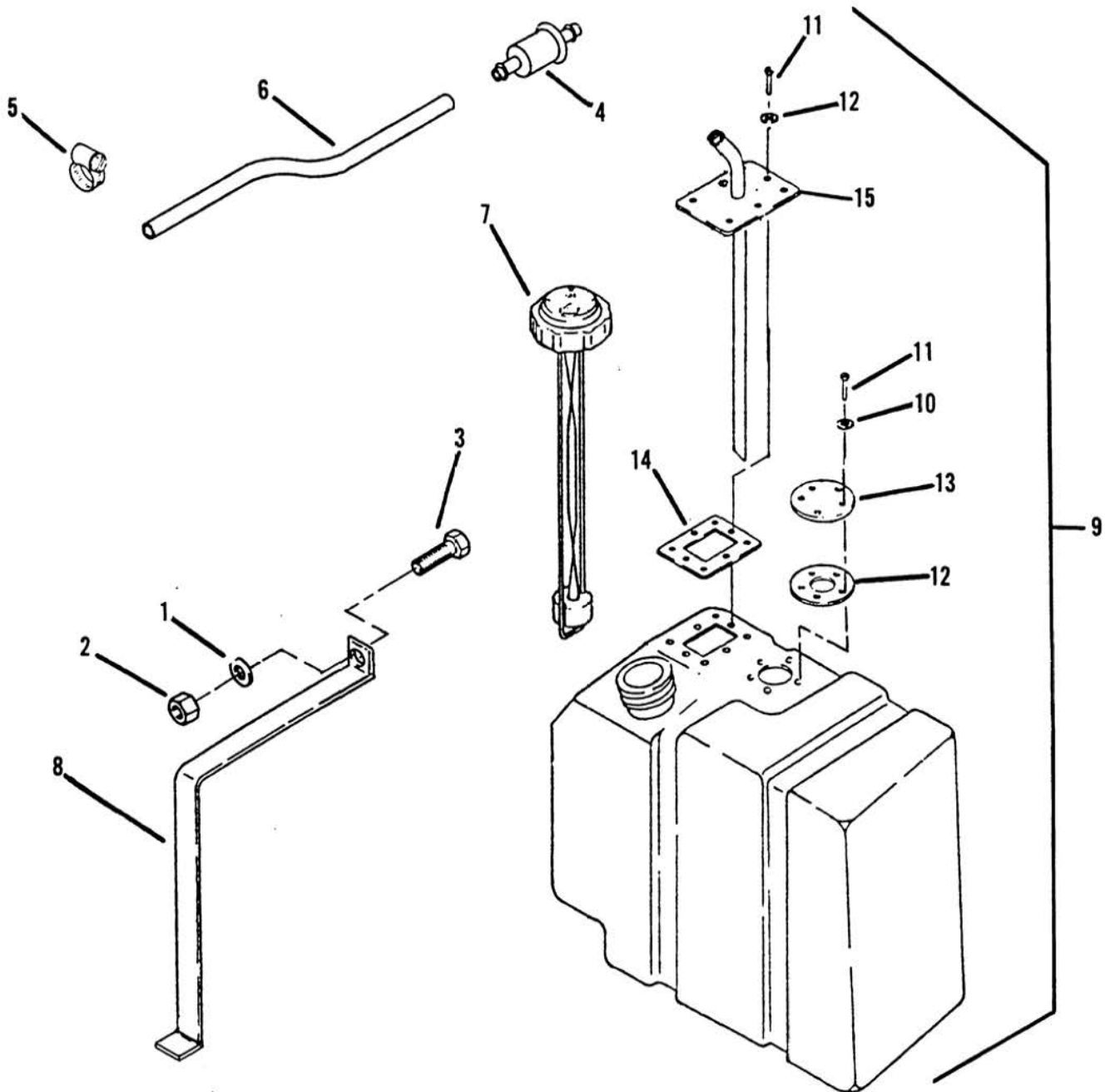
**SALSBURY DRIVE CONVERSION KIT
MODELS 898372 AND 898582**



Ref. No.	Part No.	Description	No. Req'd.	Ref. No.	Part No.	Description	No. Req'd.
1	302600	Lockwasher, 7/16"	1	11	833755	•Belt, drive, 49" (1244 mm), models 9010-9105	1
2	306325	Lockwasher, 5/16	1	*	833788	•Base, engine mount	1
3	309878	Screw, 7/16-20 x 4 1/2"	1	12	833796	•Key	1
4	315384	Screw, 7/16-20 x 3 3/4"	1	13	833804	•Spacer	1
5	835670	Belt, drive, 60" (1524 mm), models 9110 & later	1	14	834238	•Key	1
6	888993	Drive kit, salsbury 8 h.p.	1	15	834884	•Washer	1
7	306328	•Pin, 3/32 x 3/4" cotter	1	16	837279	•Bushing	1
8	548238	•Rivet, pop, 3/16"	4	17	837280	•Spacer	1
9	817783	•Washer	1	18	888395	•Drive pulley	1
10	819233	•Bushing	1	19	888825	•Pulley, driven	1

INDENTED PART NAMES INDICATE THESE PARTS ARE INCLUDED IN PRECEDING ASSEMBLY
* Not Illustrated

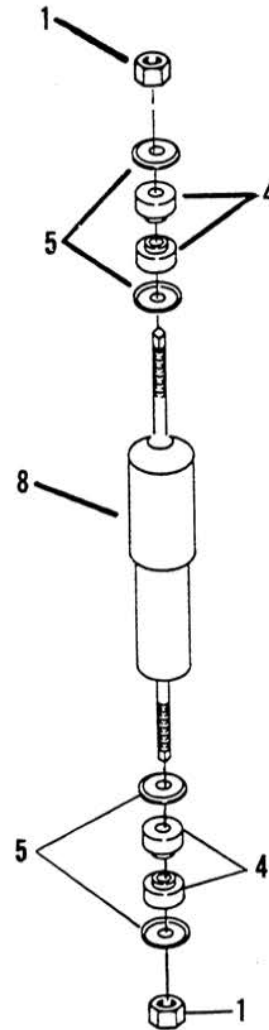
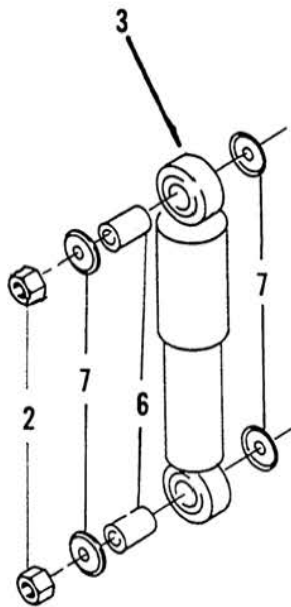
FUEL TANK
MODELS 898372, 898374, 898582, 898584 AND 898586
9010 AND LATER



Ref. No.	Part No.	Description	No. Req'd.	Ref. No.	Part No.	Description	No. Req'd.
1	306325	Lockwasher, 5/16"	1	9	888703	Fuel tank, complete	1
2	306932	Nut, 5/16-18	1	10	120052	•Lockwasher, #10	13
3	800029	Screw, 5/16-18 x 2" P.T.H.	1	11	800021	•Screw, #10-32 x 1/2"	13
4	825619	Filter, fuel	1	12	829954	•Gasket	1
5	825624	Clamp, hose	4	13	833989	•Cover	1
6	826590	Hose, fuel (25')	As Req'd	14	835808	•Gasket	1
7	831306	Cap, w/gauge	1	15	889512	•Pick-up, fuel	1
8	836238	Band, fuel tank	1				

INDENTED PART NAMES INDICATE THESE PARTS ARE INCLUDED IN PRECEDING ASSEMBLY

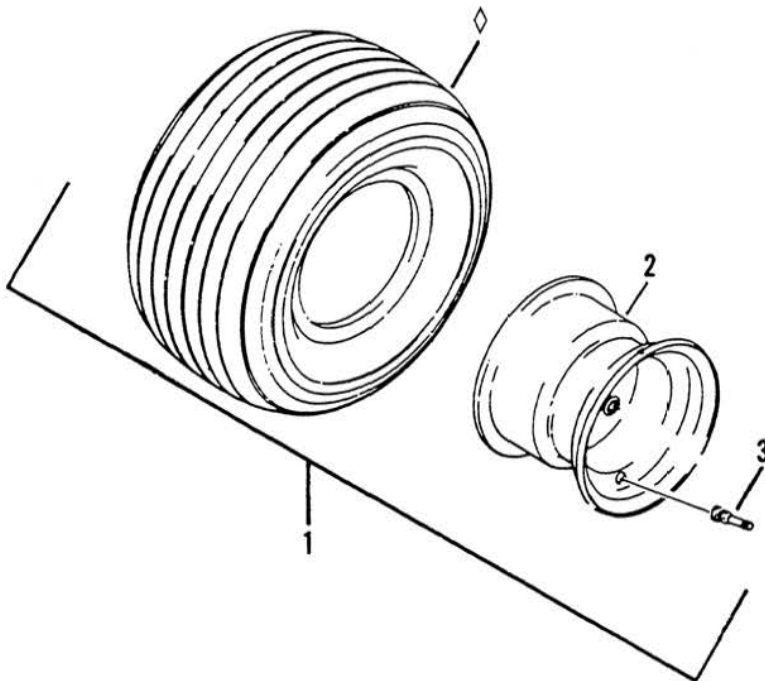
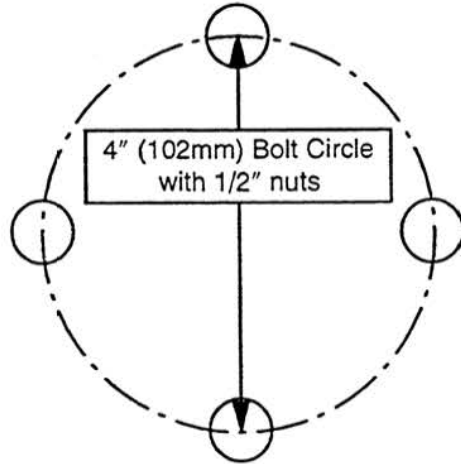
SHOCK ABSORBERS



Ref. No.	Part No.	Description	No. Req'd.	Ref. No.	Part No.	Description	No. Req'd.
1	306388	Nut, 3/8-24	2	5	810758	Retainer	4
2	800294	Nut, 7/16-14, centerlock	2	6	823621	Bushing	2
3	807335	Absorber, shock, REAR 9110 and later	1	7	825500	Washer	4
4	810157	Bushing, rubber	4	8	888683	Absorber, shock, FRONT or REAR, 9010-9105	1-2

**TIRES AND WHEELS
9105 AND PRIOR**

**BOLT CIRCLE
9020 AND PRIOR**

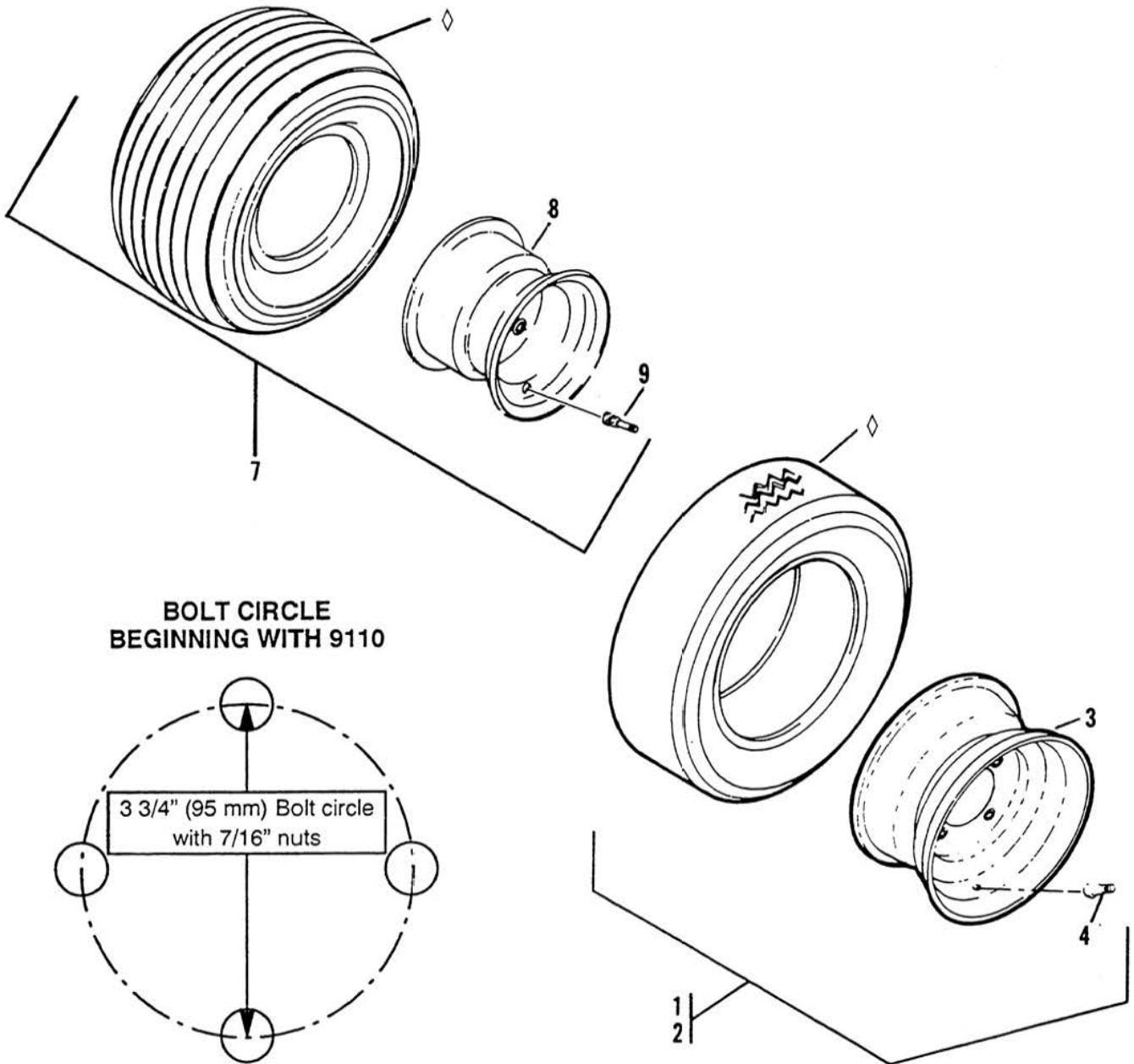


Ref. No.	Part No.	Description	No. Req'd.	Ref. No.	Part No.	Description	No. Req'd.
1	888730	Tire and wheel, front and rear	4	3	886735	•Stem, valve	1
2	889005	•Wheel, 8.00 x 7.00, 4" (102 mm) bolt circle	1	4	◇	•Tire, 8.50 x 8.00, rib tread	1

INDENTED PART NAMES INDICATE THESE PARTS ARE INCLUDED IN PRECEDING ASSEMBLY

◇ Obtain locally

TIRES AND WHEELS 9110 AND LATER

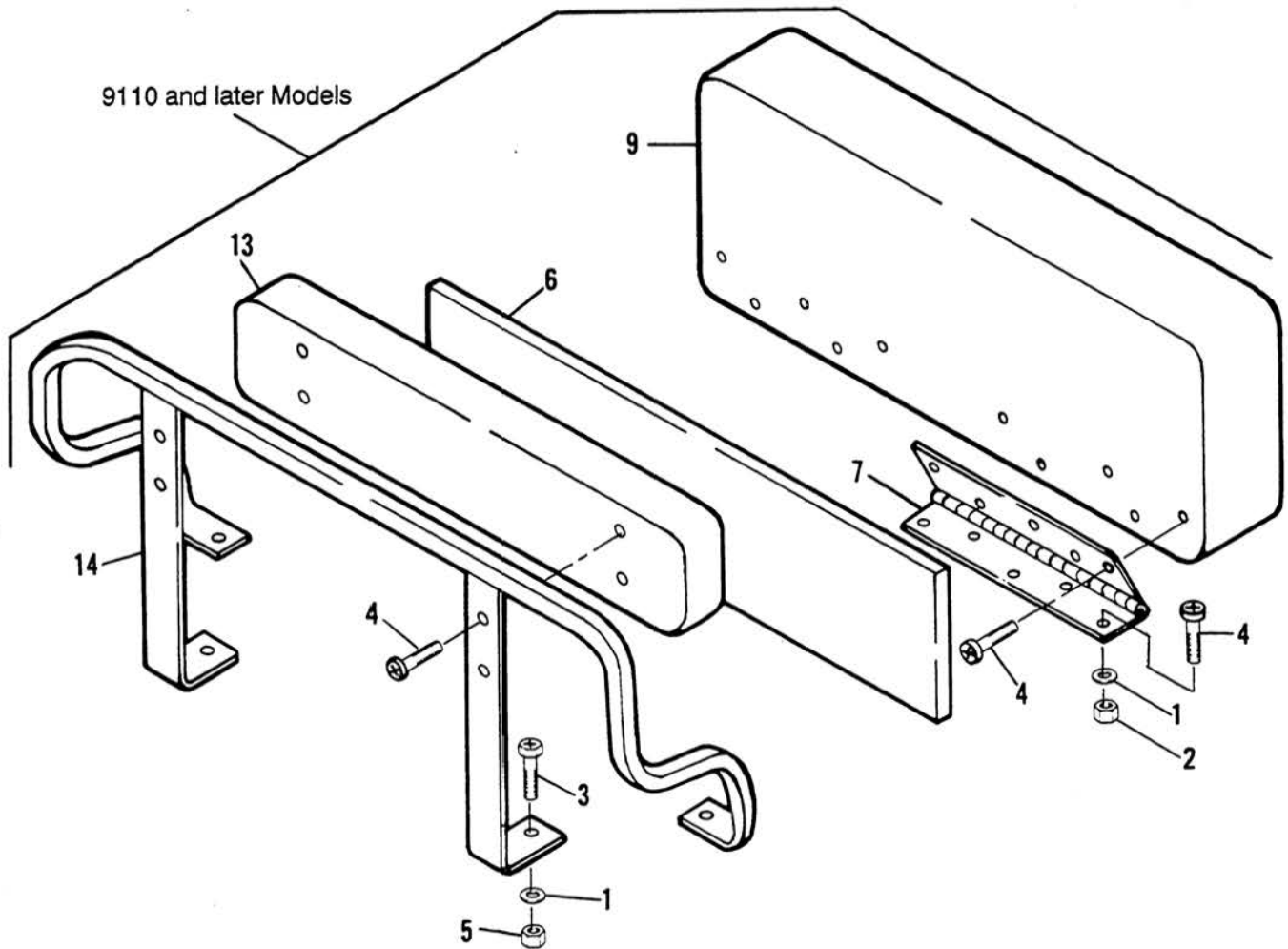
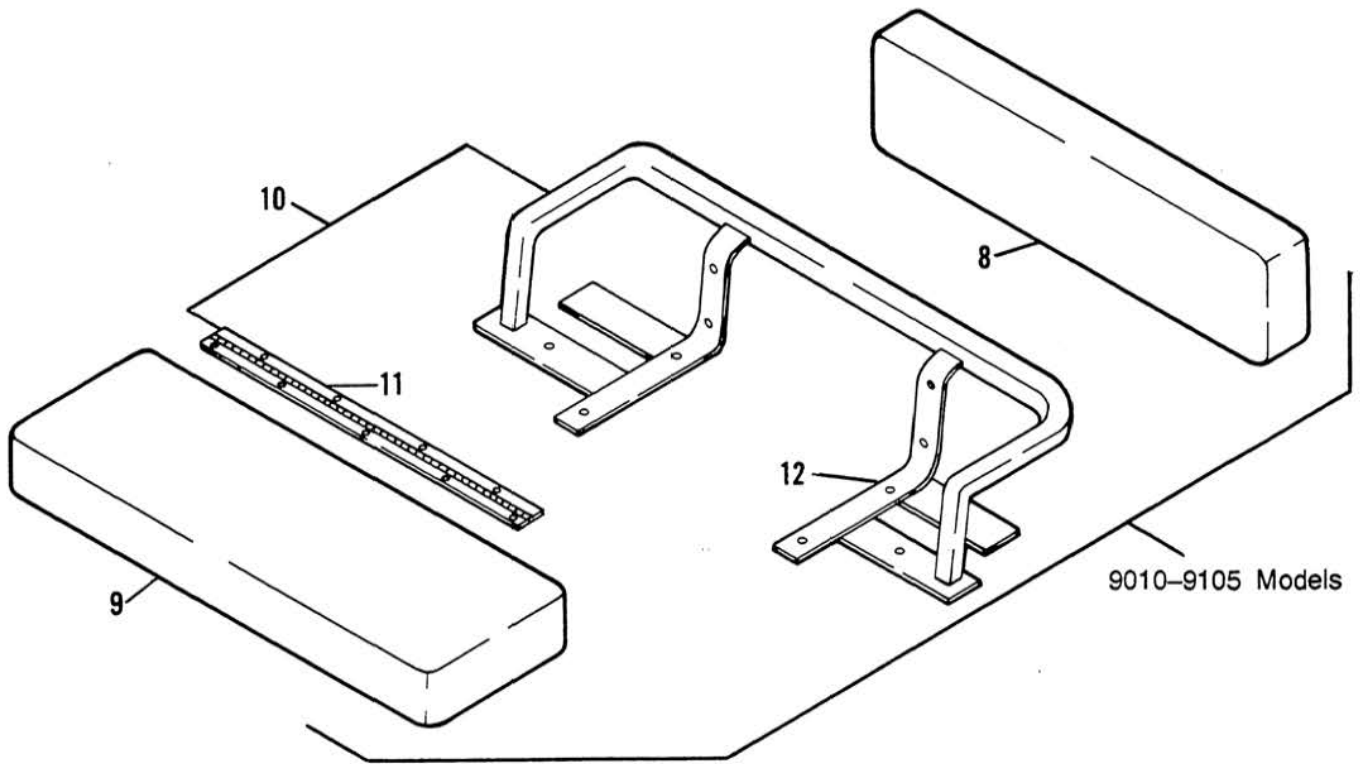


Ref. No.	Part No.	Description	No. Req'd.	Ref. No.	Part No.	Description	No. Req'd.
1	820497	Tire and wheel, front and rear . . .	4	5	◇	•Tire, 5.70 x 8.00—load range C . . .	1
	OR			6	◇	•Tire, 5.70 x 8.00—load range B . . .	1
2	882930	Tire and wheel, front and rear, Modification 000835	4	7	889414	Tire and wheel, front and rear . . .	4
3	824989	•Wheel, 8.00 x 3.75, 3 3/4" (95 mm) bolt circle	1	8	815474	•Wheel, 8.00 x 7.00, 3 3/4" (95 mm) bolt circle	1
4	886735	•Stem, valve	1	9	886735	•Stem, valve	1
				10	◇	•Tire, 8.50 x 8.00, rib tread	1

INDENTED PART NAMES INDICATE THESE PARTS ARE INCLUDED IN PRECEDING ASSEMBLY

◇ Obtain locally

SEATS AND FRAMES

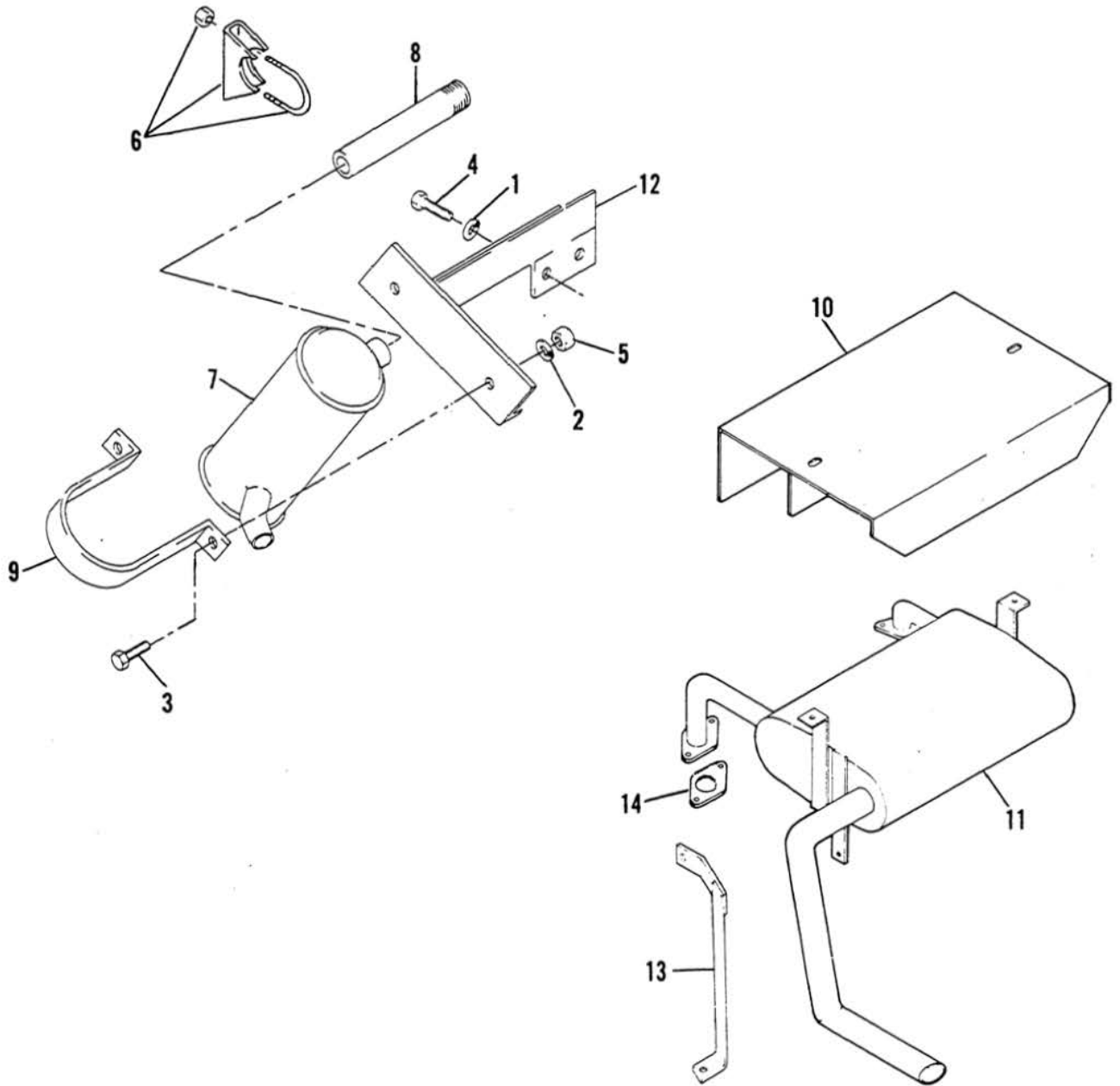


SEATS AND FRAMES

Ref. No.	Part No.	Description	No. Req'd.	Ref. No.	Part No.	Description	No. Req'd.
1	308089	Washer, #10	As Req'd	7	837113	Hinge, 14 3/4" (375 mm)	As Req'd
2	548973	Nut, #10-24	As Req'd	8	889141	Backrest	As Req'd
3	800030	Screw, 5/16-18 x 1" PTH	As Req'd	9	889253	Seat, bench	As Req'd
4	800299	Screw, #10-24 x 1" PTH	As Req'd	10	889254	Frame, hinged seat	As Req'd
5	800697	Nut, 5/16-18 crownlock flange	As Req'd	11	835128	•Hinge, 35" (889 mm)	As Req'd
				12	889142	•Frame	As Req'd
6	835425	Insulation (models 898582, 898584 and 898586 only)	1	13	889820	Backrest	As Req'd
				14	889876	Frame	As Req'd

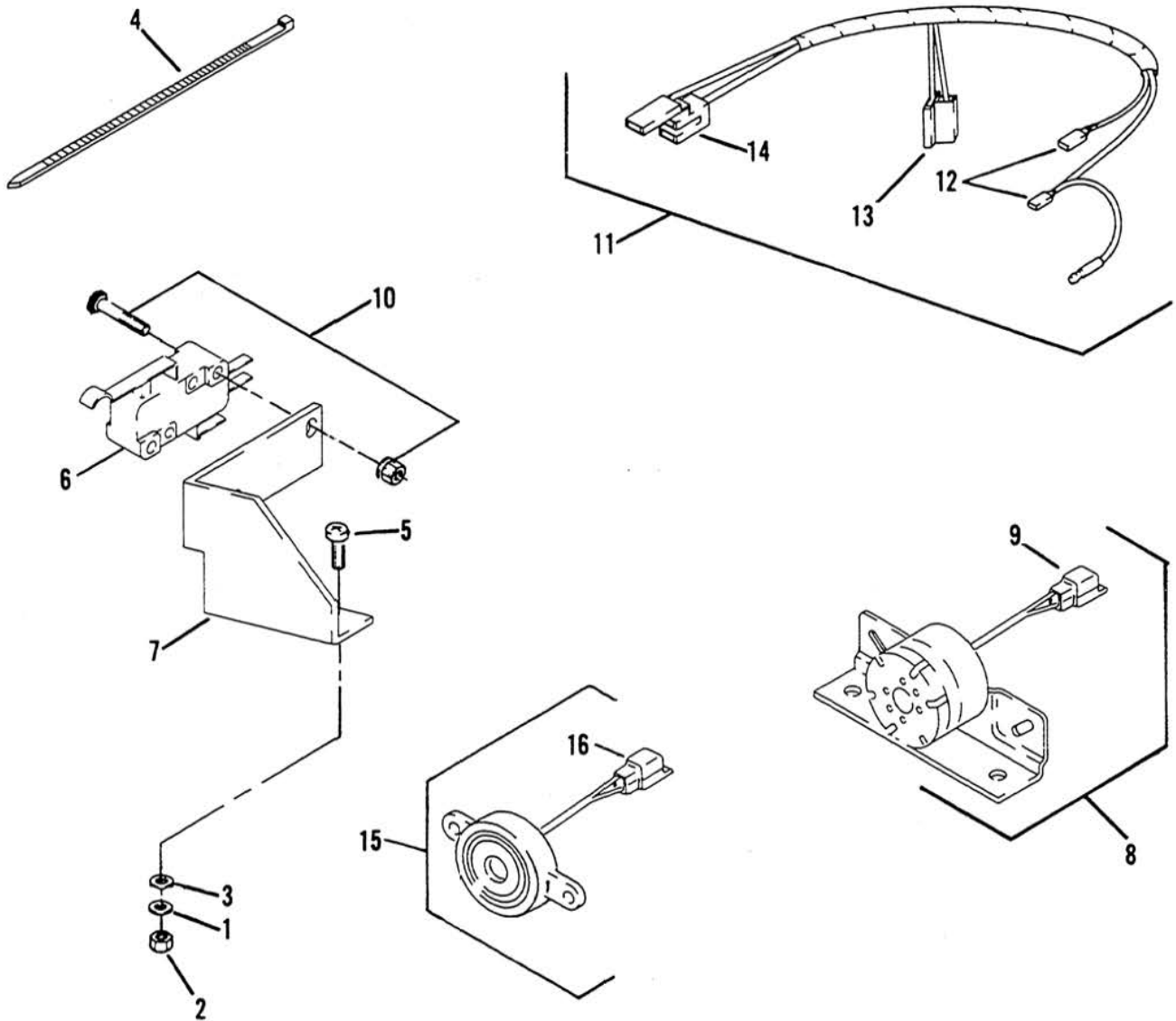
INDENTED PART NAMES INDICATE THESE PARTS ARE INCLUDED IN PRECEDING ASSEMBLY

EXHAUST SYSTEM
MODELS 898372, 898374, 898582, 898584 AND 898586
9010 AND LATER



Ref. No.	Part No.	Description	No. Req'd.	Ref. No.	Part No.	Description	No. Req'd.
1	120177	Lockwasher, 3/8"	2	8	833782	Pipe, exhaust	1
2	306325	Lockwasher, 5/16"	2	9	836050	Strap, muffler	1
3	306450	Screw, 5/16-18 x 3/4"	2	10	836231	Shield, heat	1
4	306834	Screw, 3/8-16 x 3/4"	2	11	889242	Muffler, exhaust (18 H.P.)	1
5	306932	Nut, 5/16-18	2	12	889599	Bracket, muffler	1
6	818962	Clamp	1	13	890035	Support, muffler	1
7	833752	Muffler, exhaust (8 H.P.)	1	14	835403	Gasket, muffler	2

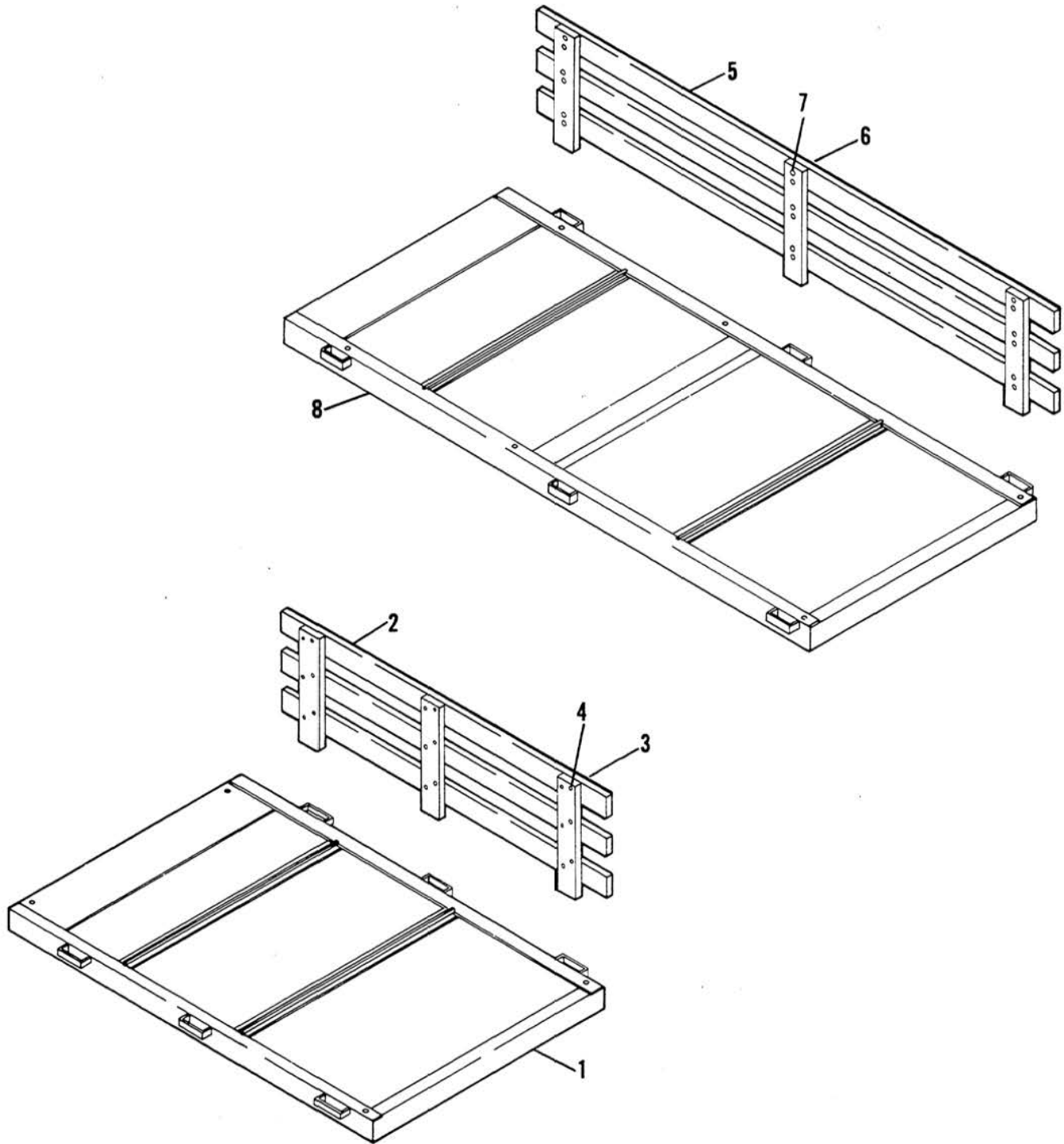
REVERSE ALARM



Ref. No.	Part No.	Description	No. Req'd.	Ref. No.	Part No.	Description	No. Req'd.
	000840	Reverse sounder set	1	9	826006	••Connector	1
1	120052	•Lockwasher, #10	2	10	888503	•Screw, service kit	1
2	306531	•Nut, #10-24	2	11	889533	•Harness, wire	1
3	308089	•Washer, #10	2	12	825748	••Terminal, female	2
4	320107	•Tie strap, 7" (178 mm)	4	13	826005	••Connector	1
5	800215	•Screw, #10-24 x 5/8" P.T.H. ...	2	14	829778	••Connector, micro switch	1
6	829754	•Switch, snap action	1	15	890000	Buzzer (9110 and later)	1
7	835100	•Bracket, switch mounting	1	*	825886	•Terminal, male	2
8	885430	•Buzzer (9105 and prior)	1	16	826006	•Connector	1
*	825886	••Terminal, male	2				

INDENTED PART NAMES INDICATE THESE PARTS ARE INCLUDED IN PRECEDING ASSEMBLY
 * Not Illustrated

CARGO DECKS
MODELS 898371, 898372, 898373 AND 898374

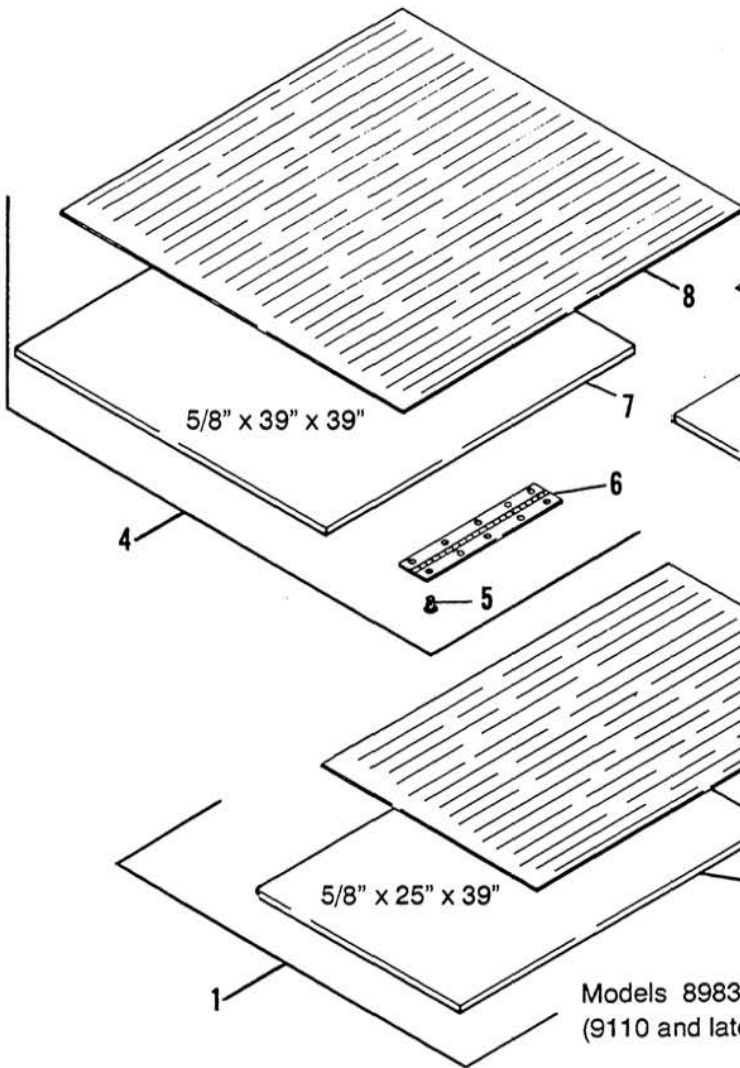


Ref. No.	Part No.	Description	No. Req'd.	Ref. No.	Part No.	Description	No. Req'd.
1	889807	Frame, 67 9/16" (1716 mm) rear deck	1	5	889247	Rack, 93" (2362 mm) side	2
2	889245	Rack, 60" (1524 mm) side	2	6	800017	•Screw, 1/4-20 x 1" P.T.H.	18
3	800017	•Screw, 1/4-20 x 1" P.T.H.	18	7	800719	•Screw, special	18
4	800719	•Screw, special	18	8	889914	Frame, 98 1/4" (2496 mm) rear deck	1

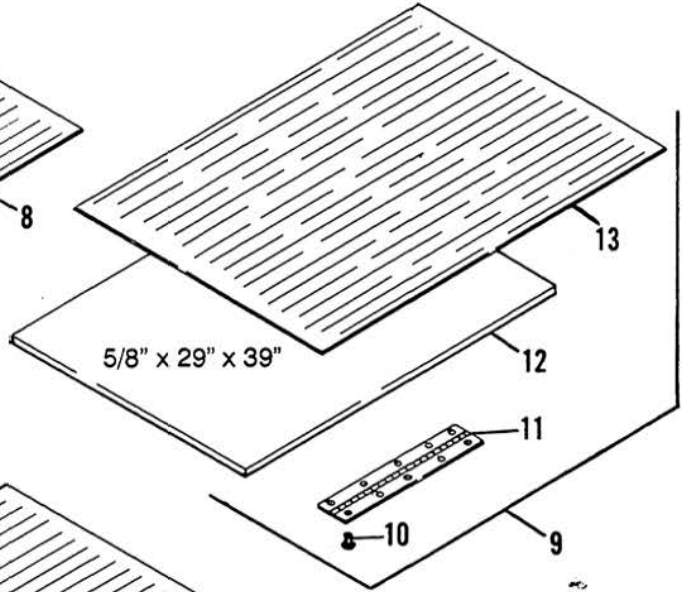
INDENTED PART NAMES INDICATE THESE PARTS ARE INCLUDED IN PRECEDING ASSEMBLY

DECK PANELS

Models 898371, 898372, 898373 and 898374
(9110 and later)



Models 898373 (9210 and later) and 898374
(9110 and later)

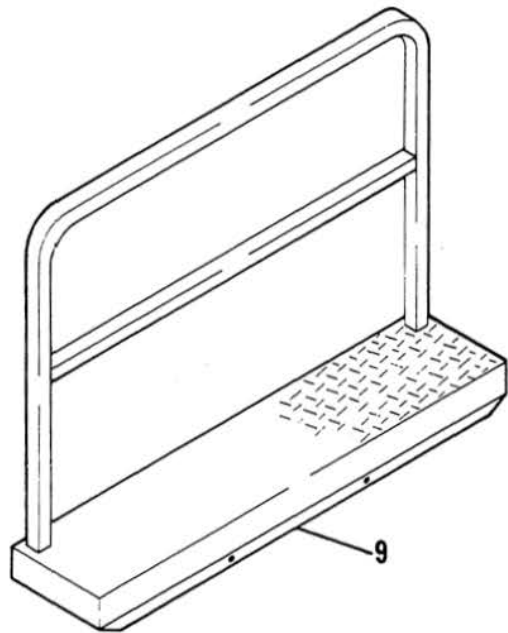
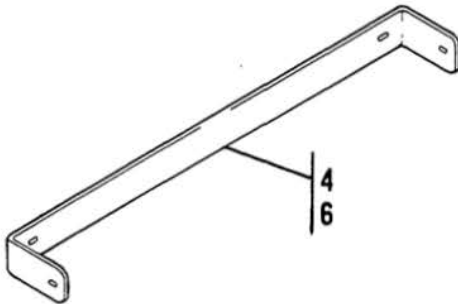
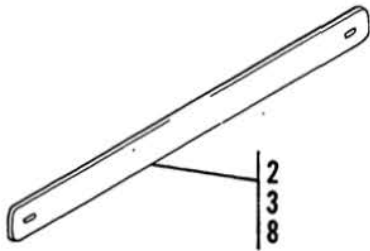
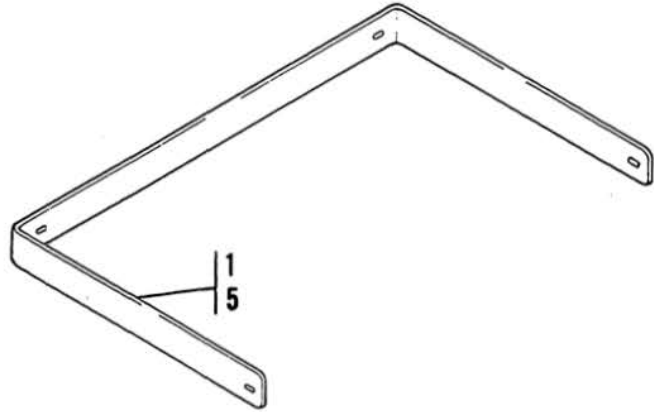
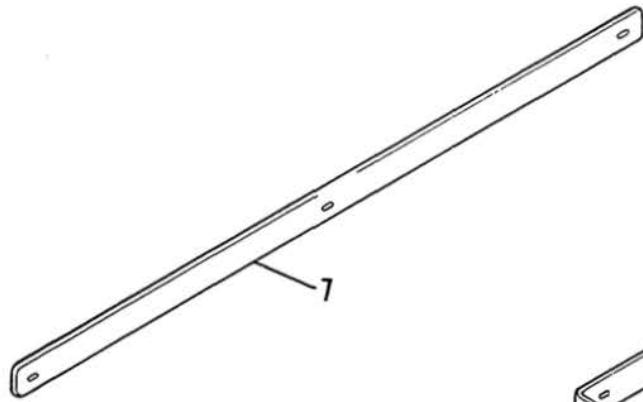


Models 898371, 898372, 898373 and 898374
(9110 and later)

Ref. No.	Part No.	Description	No. Req'd.	Ref. No.	Part No.	Description	No. Req'd.
1	889808	Panel, rear deck	1	8	◇ •Carpet, center deck panel	1	
2	◇	•Deckboard, rear panel	1	9	889919 Panel, center deck	1	
3	◇	•Carpet, rear deck panel	1	10	800215 •Screw, #10-24 x 5/8" P.T.H.	10	
4	889809	Panel, deck access	1	11	837113 •Hinge, seat	2	
5	800215	•Screw, #10-24 x 5/8" P.T.H.	10	12	◇ •Deckboard, center panel	1	
6	837113	•Hinge, seat	2	13	◇ •Carpet, center deck panel	1	
7	◇	•Deckboard, center panel	1				


INDENTED PART NAMES INDICATE THESE PARTS ARE INCLUDED IN PRECEDING ASSEMBLY
◇ Obtain Locally

BUMPERS



Ref. No.	Part No.	Description	No. Req'd.	Ref. No.	Part No.	Description	No. Req'd.
1	835058	Bumper, front, 102" (2.6M)	1	6	836106	Bumper, rear, 91 1/2" (2.3 M) . . .	1
2	835345	Bumper, side, 38 1/4" (.97M)	2	7	836357	Bumper, side, 72 3/4" (1.8 M) . . .	2
3	835396	Bumper, side, 59 1/4" (1.5 M)	2	8	837112	Bumper, side, 41 1/4" (1.05 M) . . .	2
4	835767	Bumper, rear, 59 1/2" (1.5 M)	1	9	890754	Bumper, rear step	1
5	835769	Bumper, front, 103.91" (2.6 M)	1				

DECALS



SAFETY WARNING

FAILURE TO OBEY A SAFETY WARNING MAY RESULT IN INJURY TO YOU OR OTHERS. THIS VEHICLE IS OF SUFFICIENT SIZE AND WEIGHT TO CAUSE SERIOUS INJURY IN CASE OF UPSET OR COLLISION.

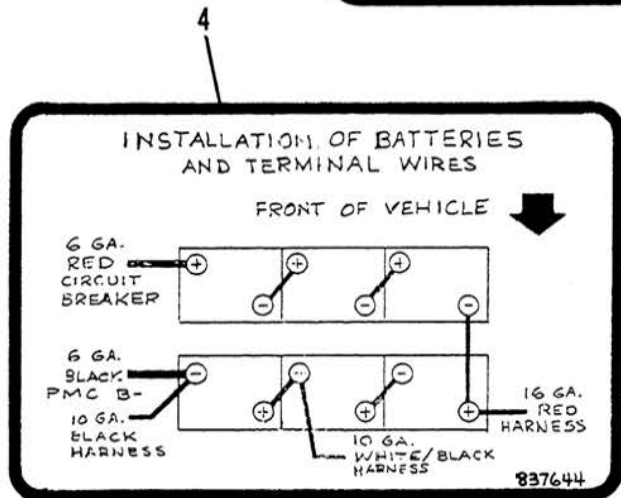
BEFORE STARTING ENGINE — Read and understand Operator's Manual (located under seat). Do not exceed payload capacity given on vehicle name plate or permit passenger any place on vehicle except seat. Use hand holds. Place heavy loads forward of rear axle. Unbalanced or top heavy loads can cause upset.

WHILE OPERATING VEHICLE — Remain seated, use both hands for steering. Keep arms and legs within vehicle body. Avoid sudden starts and stops. Sudden sharp turns can cause upset. Regulate speed to meet road and weather conditions. Do not operate in or near an explosive environment. If a malfunction occurs, cease operation — Do not operate vehicle until condition is corrected.

BEFORE LEAVING VEHICLE — Turn ignition to "OFF" position — remove key. Apply parking brake — parking brake is not automatically applied. Follow procedure in Operator's Manual for parking on an incline.

826307

3



4



SAFETY WARNING

PROVIDE BATTERY VENTILATION DURING CHARGING. KEEP OPEN FLAMES OR SPARKS AWAY FROM BATTERIES AT ALL TIMES. DO NOT SHORT ACROSS TERMINALS TO CHECK CONDITION OF BATTERIES. BATTERIES MAY EXPLODE. BATTERY ACID CAN CAUSE SEVERE DAMAGE TO EYES, SKIN, AND CLOTHING. FLUSH CONTAMINATED AREA IMMEDIATELY WITH WATER. WHEN CLEANING BATTERIES, KEEP SOLUTION AND WATER AWAY FROM CHARGER AND SWITCHES.

819936

1



SAFETY WARNING

FAILURE TO OBEY A SAFETY WARNING MAY RESULT IN INJURY TO YOU OR OTHERS

BEFORE OPERATING VEHICLE
READ AND UNDERSTAND OPERATOR'S MANUAL (LOCATED UNDER SEAT). ALL OCCUPANTS MUST BE SEATED IN FACTORY APPROVED SEATS. SWITCHES SPARK — DO NOT OPERATE IN EXPLOSIVE OR COMBUSTIBLE ATMOSPHERE.

WHILE OPERATING VEHICLE
KEEP BODY INSIDE VEHICLE. STAY IN SEAT. USE HAND HOLDS. SUDDEN SHARP TURNS, UNBALANCED OR TOP-HEAVY LOADS CAN CAUSE UPSET. REVERSE SPEED IS EQUAL TO FORWARD SPEED. CARGO MUST BE SECURED TO PLATFORM. AVOID SUDDEN STARTS AND STOPS TO AVOID UNSEATING PASSENGERS. ADJUST SPEED TO CONDITIONS.

BEFORE LEAVING VEHICLE
SET DIRECTION SELECTOR KNOB TO "OFF". TURN KEY TO VERTICAL "OFF" POSITION AND REMOVE. IF MALFUNCTION OCCURS, OR ADJUSTMENT IS NEEDED, DO NOT USE.

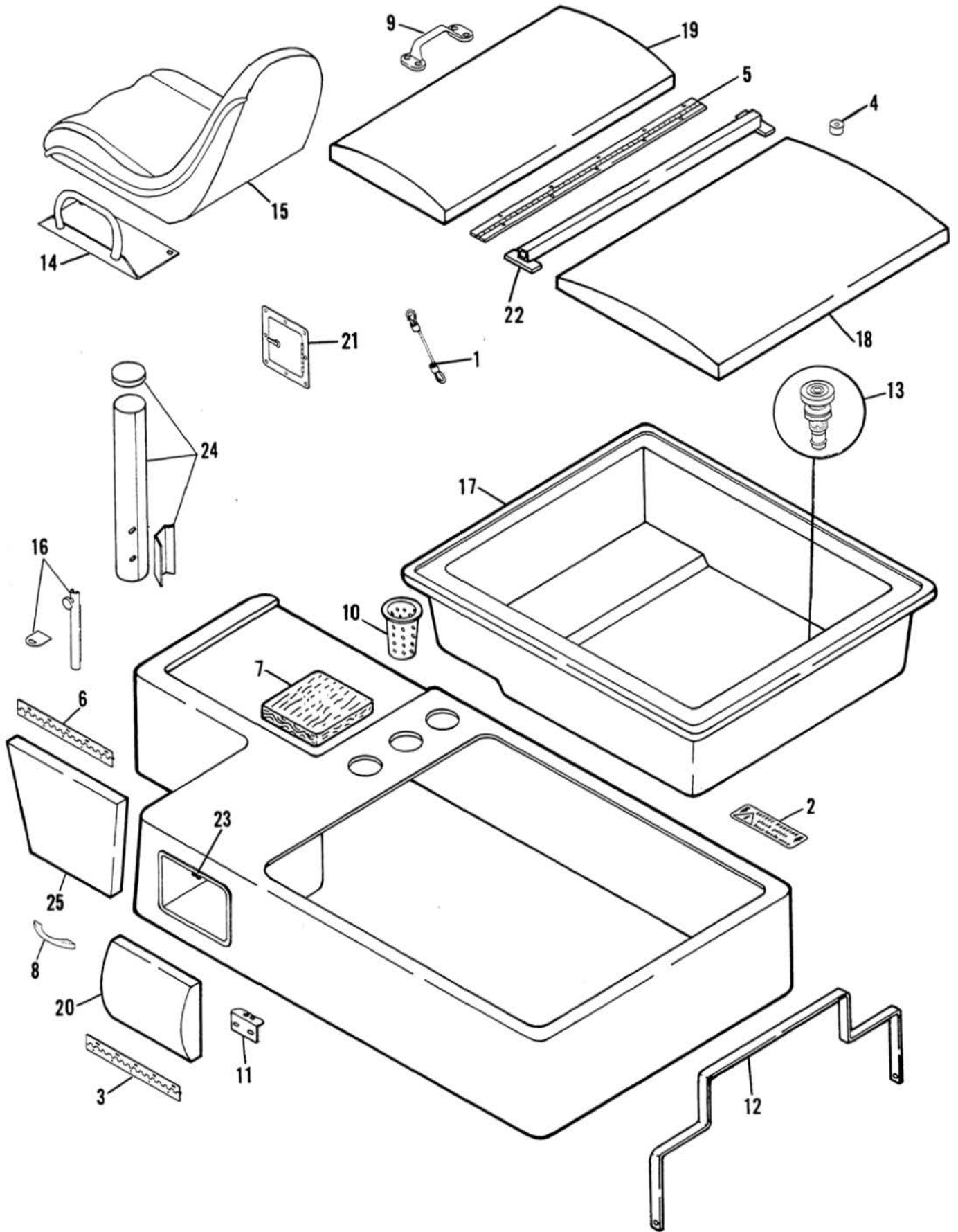
WARNING-APPLY HAND BRAKE OR FOOT BRAKE - PARKING BRAKE NOT AUTOMATICALLY APPLIED

825387

2

Ref. No.	Part No.	Description	No. Req'd.	Ref. No.	Part No.	Description	No. Req'd.
1	819936	Decal, safety	1	3	826307	Decal, safety	1
2	825387	Decal, safety	1	4	837644	Decal, battery wiring	1

FOOD AND BEVERAGE MODIFICATION



FOOD AND BEVERAGE MODIFICATION

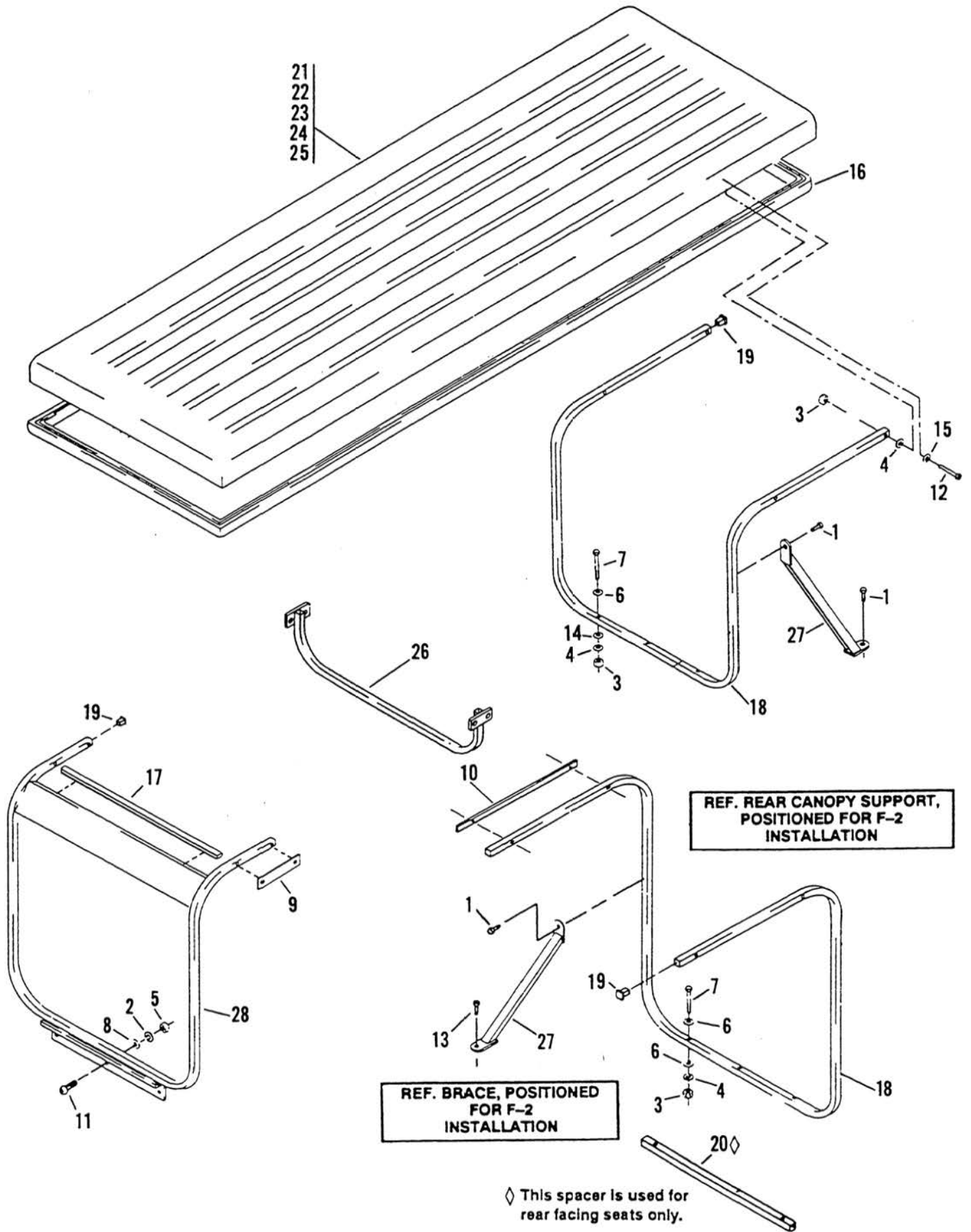
Ref. No.	Part No.	Description	No. Req'd.	Ref. No.	Part No.	Description	No. Req'd.
	000870	Food & Beverage Modification . . .	1	11	835756	•Bracket, door latch	2
*	103867	•Washer, 5/16"	4	12	835757	•Support, tub	1
*	306325	•Lockwasher, 5/16"	4	*	835839	•Seal, 25' (7.6 M)	As Req'd
*	306328	•Pin, 3/32 x 3/4" cotter	1	*	835840	•Seal, 25' (7.6 M)	As Req'd
*	306435	•Screws, 5/16-18 x 1 1/4"	4	13	835854	•Valve, tub drain	1
1	547444	•Extension, cable	2	14	887179	•Restraint, hip	1
*	548159	•Washer	1	15	887299	•Seat	1
*	821893	•Trim, push on 12' (3.6 M) As Req'd		16	889256	•Latch, insert door	2
2	829950	•Decal, safety	2	17	889319	•Tub, food and beverage	1
3	833759	•Hinge, seat	2	18	889320	•Lid, rear	1
4	833816	•Bumper, rubber (9105 & prior) . .	2	19	889321	•Lid, front	1
*	834753	•Guide, tub	2	20	889322	•Door, side upper	2
5	835128	•Hinge, 35" (889 mm)	2	21	889335	•Door, gas tank, w/key	1
*	835428	•Bracket, body mounting	1	22	889339	•Support, lid-tub	1
6	835439	•Hinge, 12" (305 mm)	2	*	889433	•Holddown, body, RIGHT	1
7	835452	•Board, cutting	1	*	889434	•Holddown, body, LEFT	1
8	835453	•Knob, side door	2	23	889495	•Catch, door	2
9	835456	•Handle, lid and tub	3	24	888740	◇Dispenser set, cup	1
10	835457	•Holder, utensil	3	25	889311	◇Insert, body side	1

INDENTED PART NAMES INDICATE THESE PARTS ARE INCLUDED IN PRECEDING ASSEMBLY

◇ Not included with food and beverage modification

* Not illustrated

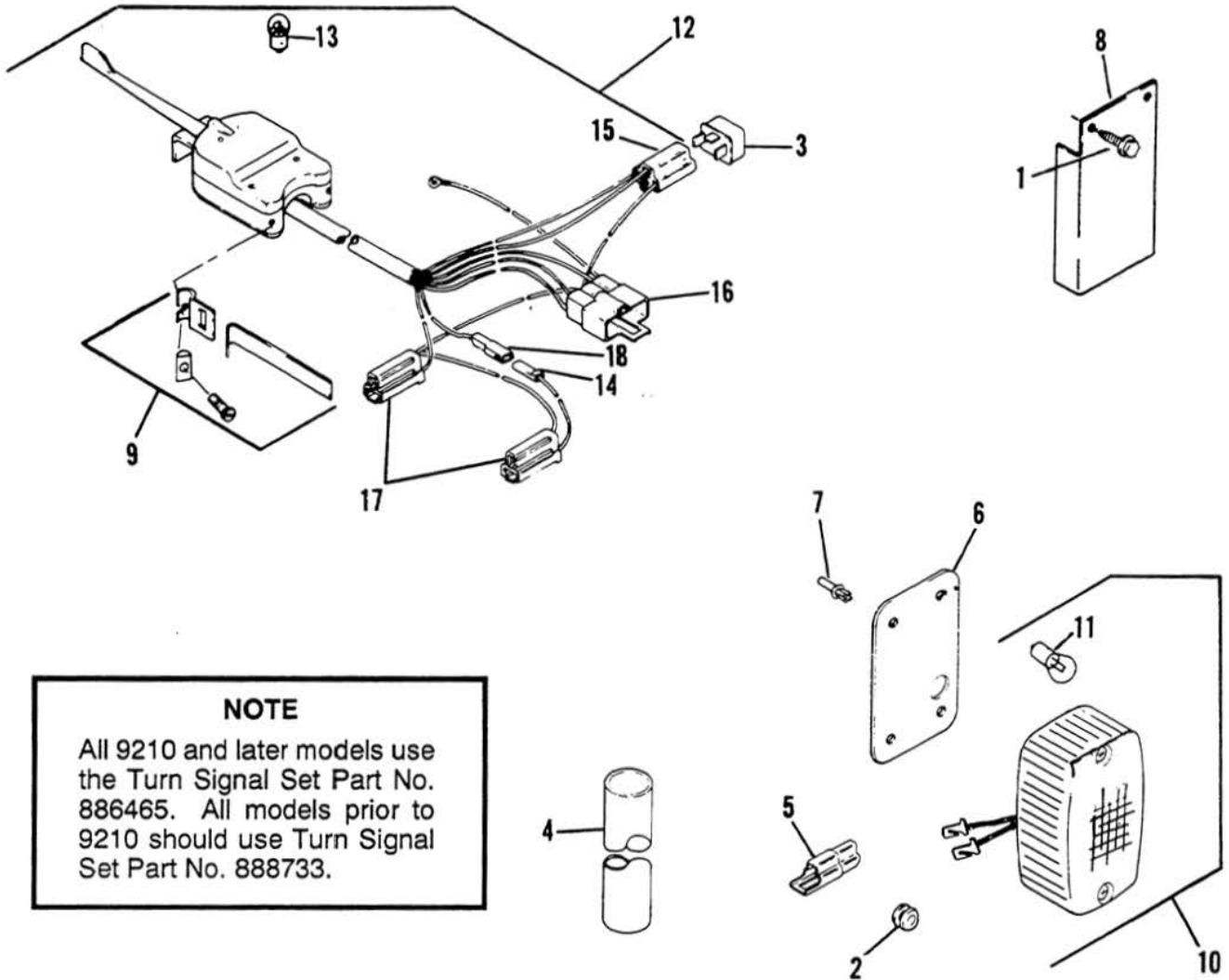
FIBERGLASS CANOPY ACCESSORY



FIBERGLASS CANOPY ACCESSORY

Ref. No.	Part No.	Description	No. Req'd.	Ref. No.	Part No.	Description	No. Req'd.
1	112050	Screw, 1/4-20 x 5/8" tapping	8	15	821427	Washer, sealing	8
2	306325	Lockwasher, 5/16"	7	16	821893	Trim, 12' (3.6 M)	As Req'd
3	306375	Nut, 1/4-20	13	17	828390	Seal, 39 1/2" (1004 mm) .	As Req'd
4	306396	Lockwasher, 1/4"	13	18	835527	Support, canopy, rear	1
5	306932	Nut, 5/16-18	7	19	835771	Cap plug	4
6	308090	Washer, 1/4"	12	20	836293	Spacer	1
7	316907	Screw, 1/4-20 x 2 3/4"	3	21	889186	Top, 115" (2.9 M) fiberglass	1
8	548159	Washer, 5/16"	7	22	889187	Top, 41" (1041 mm) fiberglass ..	1
9	700000	Spacer, canopy	8	23	889189	Top, 140" (3.6 M) fiberglass	1
10	700063	Spacer, canopy	8	24	889190	Top, 150" (3.8 M) fiberglass	1
11	800030	Screw, 5/16-18 x 1" P.T.H.	7	25	889192	Top, 183" (4.6 M) fiberglass	1
12	800284	Screw, 1/4-20 x 1 3/4" P.T.H. . . .	8	26	889444	Support, clothes rack	1
13	800780	Screw, 1/4-20 x 2" Torx	2	27	889648	Brace, top support	2
14	815680	Washer, special	3	28	889922	Support, canopy, FRONT	1

TURN SIGNAL SET ACCESSORY



NOTE

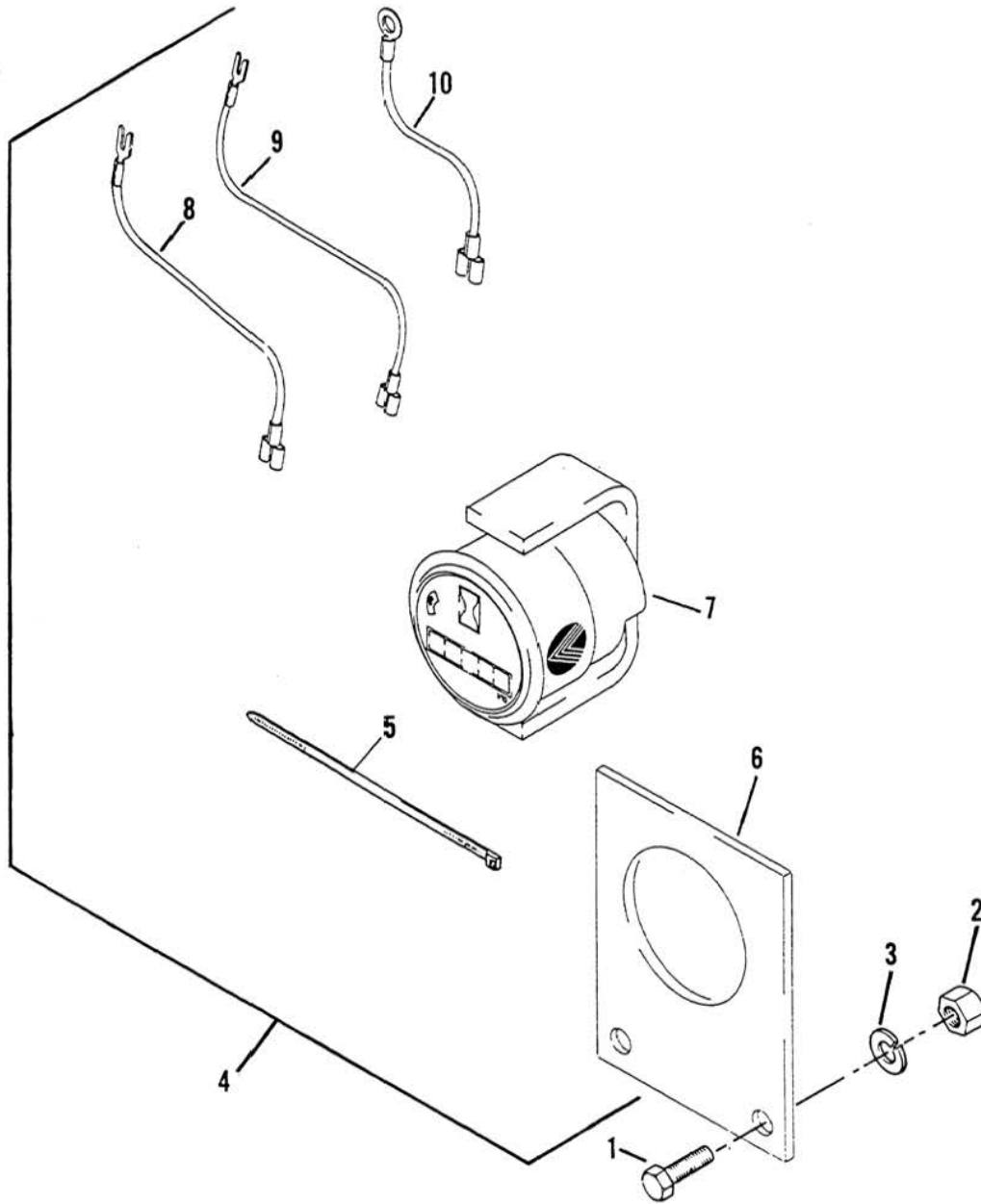
All 9210 and later models use the Turn Signal Set Part No. 886465. All models prior to 9210 should use Turn Signal Set Part No. 888733.

Ref. No.	Part No.	Description	No. Req'd.	Ref. No.	Part No.	Description	No. Req'd.
	886465	Turn signal set, complete	1	11	822049	••Bulb, miniature	1
1	112050	•Screw, 1/4-20 x 5/8", tapping	2	12	886620	•Switch, turn signal w/hardware	1
2	809163	•Grommet	2	13	811953	••Bulb, miniature	1
3	822867	•Flasher	1	14	825880	••Connector, one way	1
4	824974	•Insulator sleeve, steering	1	15	825894	••Connector, three way	1
5	826006	•Connector, two way	2	16	825973	••Connector, six way	1
6	830004	•Pad, signal light	2	17	826005	••Connector, two way	2
7	830006	•Rivet, plastic	8	*	826190	••Tubing, convoluted, .350 I.D., 50' (15.2M)	As Req'd
8	830237	•Cover, wiring	1	18	826726	••Connector, one way	1
9	882855	•Strap w/hardware	1				
10	886355	•Light	2				

INDENTED PART NAMES INDICATE THESE PARTS ARE INCLUDED IN PRECEDING ASSEMBLY

* Not Illustrated

HOUR METER SET ACCESSORY



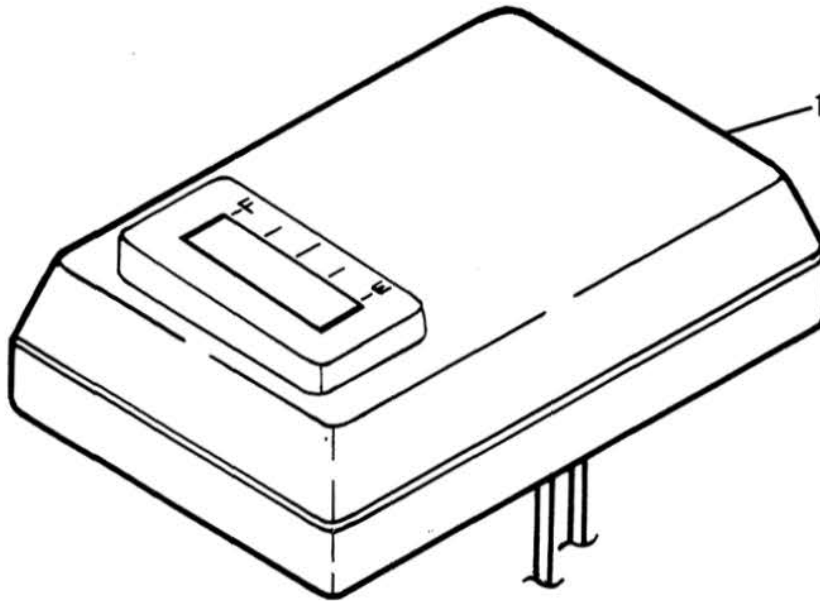
Ref. No.	Part No.	Description	No. Req'd.	Ref. No.	Part No.	Description	No. Req'd.
1	302288	Screw, 1/4-20 x 1"	2	7	886802	•Gauge, hour meter	1
2	306375	Nut, 1/4-20	2	8	◇	•Wire, black ground 20" (508 mm)	1
3	306396	Lockwasher, 1/4"	2	9	◇	•Wire, red positive 20" (508 mm)	1
4	888713	Hour meter set	1	10	◇	•Wire, green ground 5" (127 mm)	1
5	320107	•Tie strap, 7" (178 mm)	3				
*	825880	•Connector, 1 contact female	4				
6	835967	•Bracket	1				

INDENTED PART NAMES INDICATE THESE PARTS ARE INCLUDED IN PRECEDING ASSEMBLY

* Not illustrated

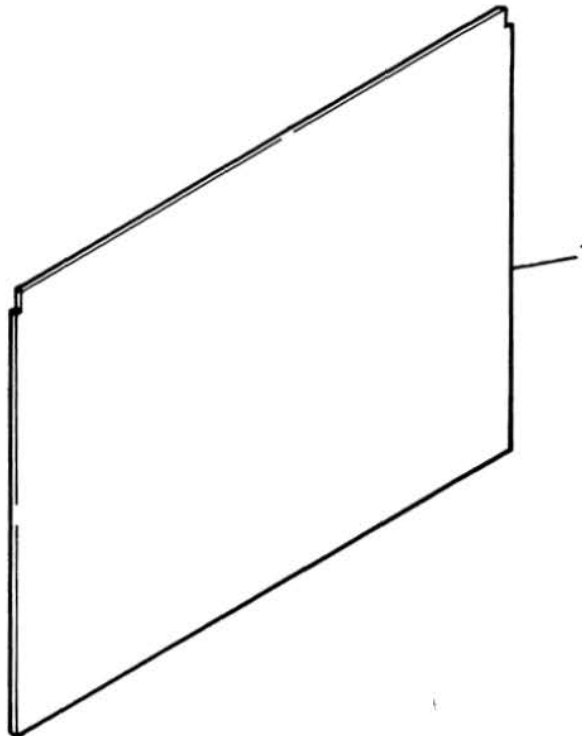
◇ Not offered separately

FUEL GAUGE METER ACCESSORY



Ref. No.	Part No.	Description	No. Req'd.	Ref. No.	Part No.	Description	No. Req'd.
1	888732	Meter, fuel gauge	1				

WINDSCREEN SET ACCESSORY



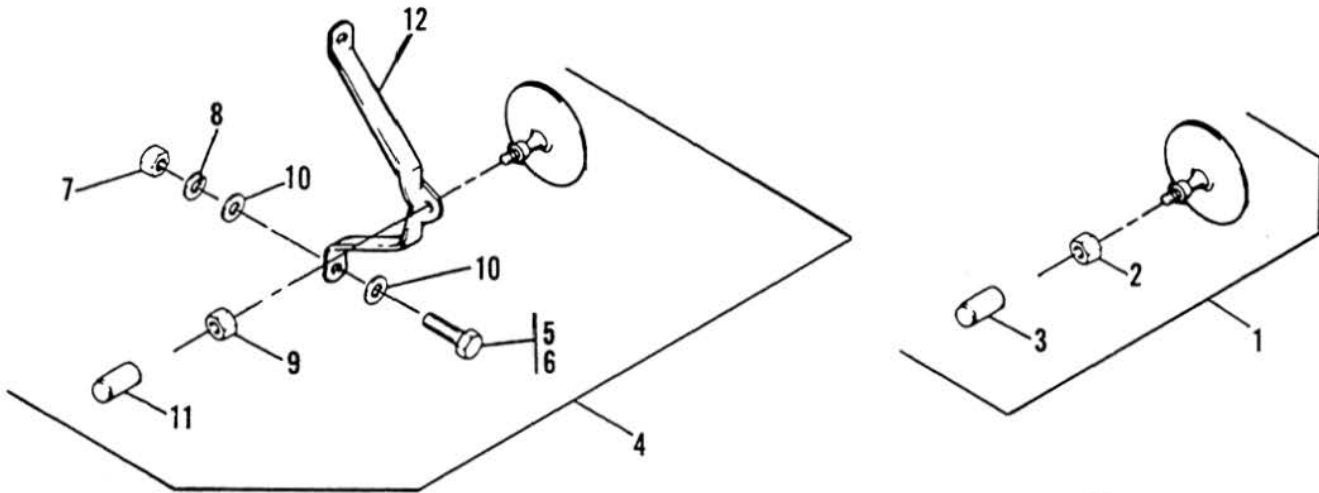
Ref. No.	Part No.	Description	No. Req'd.	Ref. No.	Part No.	Description	No. Req'd.
1	890094	Windscreen set, complete	1	*	◇	•Tape, high bond adhesive	
	◇	•Windscreen (safety glass)	1			12' (3.7M)	1

INDENTED PART NAMES INDICATE THESE PARTS ARE INCLUDED IN PRECEDING ASSEMBLY

* Not illustrated

◇ Not offered separately

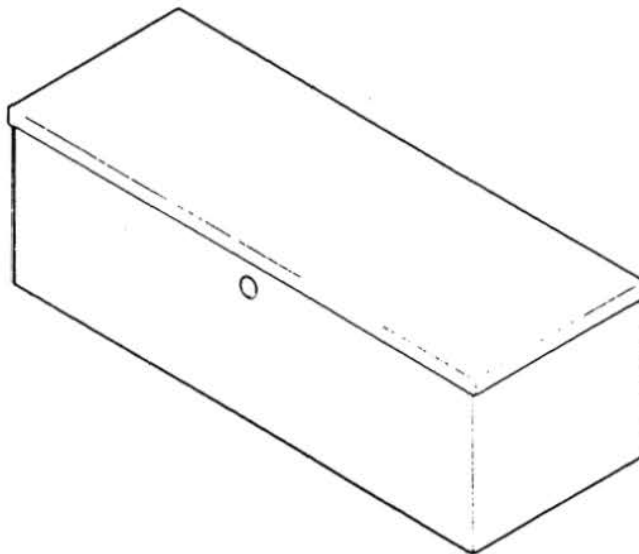
OUTSIDE MIRROR SET ACCESSORY



Ref. No.	Part No.	Description	No. Req'd.	Ref. No.	Part No.	Description	No. Req'd.
1	887246	Mirror set	1	7	306375	•Nut, 1/4-20	2
2	306375	•Nut, 1/4-20	1	8	306396	•Lockwasher, 1/4"	2
3	823201	•Cap, vinyl, push on	1	9	306397	•Nut, 1/4-28	1
4	888717	Outside mirror set, complete	1	10	308090	•Washer, 1/4"	4
5	112050	•Screw, 1/4-20 x 5/8" tapping	2	11	823201	•Cap, vinyl, push on	1
6	302288	•Screw, 1/4-20 x 1"	2	12	831582	•Bracket, mirror	1

INDENTED PART NAMES INDICATE THESE PARTS ARE INCLUDED IN PRECEDING ASSEMBLY

TOOL BOX ACCESSORY

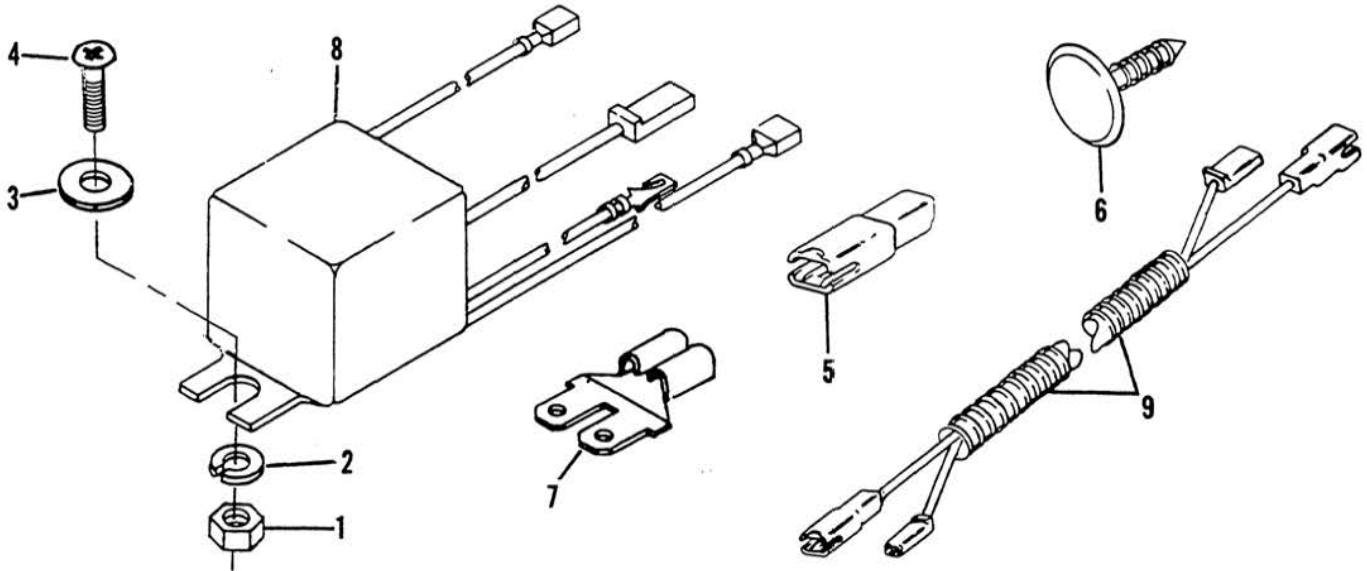


Ref. No.	Part No.	Description	No. Req'd.	Ref. No.	Part No.	Description	No. Req'd.
	887810	Tool box w/tray, yellow	1	*	800059	•Nut, 1/4", cable mounting	4
*	308089	•Washer, #10, lid to box	7	*	◇	•Seal, weather, lid to box, 1/4" thick x 3/8" wide	As Req'd
*	308090	•Washer, 1/4, cable mounting	4	*	888470	•Keylock w/keys	1
*	547444	•Cable, extension, lid support	4				

INDENTED PART NAMES INDICATE THESE PARTS ARE INCLUDED IN PRECEDING ASSEMBLY

- * Not illustrated
- ◇ Obtain locally

**CHARGER RELAY SET ACCESSORY
MODELS 898371, 898373, 898581, 898583 AND 898585**



Ref. No.	Part No.	Description	No. Req'd.	Ref. No.	Part No.	Description	No. Req'd.
	887496	Charger relay set	1	5	826726	•Connector, contact	1
1	133079	•Nut, #8-32	2	6	830665	•Clip, plastic	4
2	306310	•Lockwasher, #8	2	7	831381	•Adapter, two blade	2
3	308088	•Washer, #8	2	8	887500	•Relay, 15 amp	1
4	800178	•Screw, #8-32 x 1/2", P.T.H.	2	9	887501	•Harness, battery charger to solenoid	1

INDENTED PART NAMES INDICATE THESE PARTS ARE INCLUDED IN PRECEDING ASSEMBLY

**BATTERY CONDITION METER 36 VOLT ACCESSORY
MODELS 898371, 898373, 898581, 898583 AND 898585**



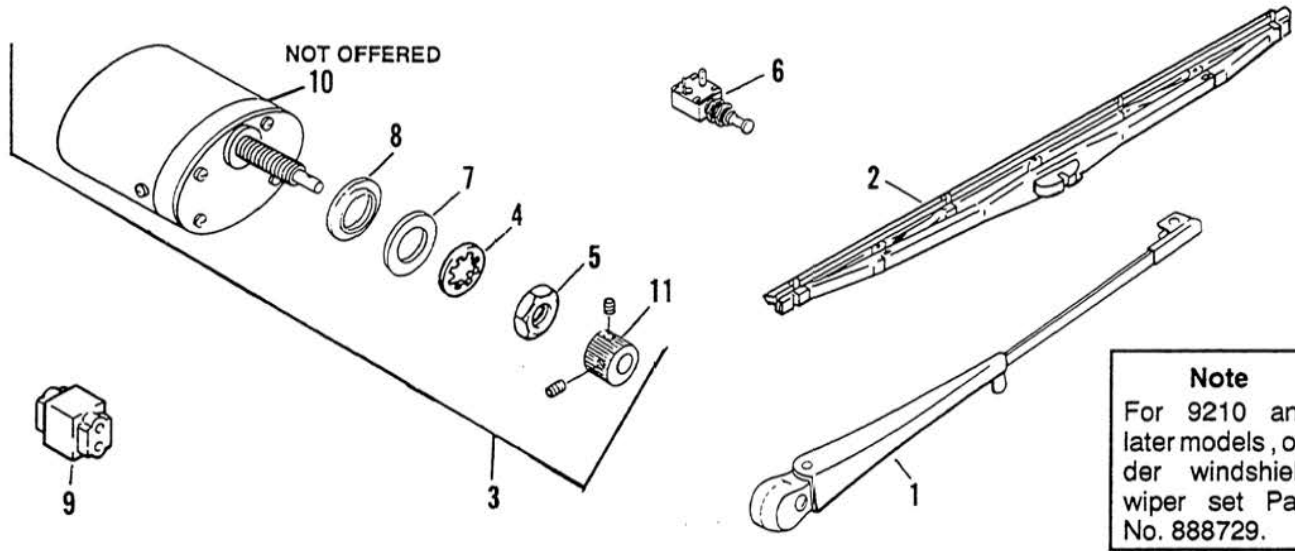
Ref. No.	Part No.	Description	No. Req'd.	Ref. No.	Part No.	Description	No. Req'd.
	886455	Battery condition meter set	1	*	302437	•Nut, #6-32	2
1	◇	•Meter, battery condition	1	*	306506	•Lockwasher, #6	2
*	120052	•Lockwasher, #10	2	*	829787	•Terminal, 45° 1/4" male	2
*	132520	•Nut, #10-32	2				

INDENTED PART NAMES INDICATE THESE PARTS ARE INCLUDED IN PRECEDING ASSEMBLY

* Not Illustrated

◇ Not offered separately

WINDSHIELD WIPER ACCESSORY



Note
For 9210 and later models, order windshield wiper set Part No. 888729.

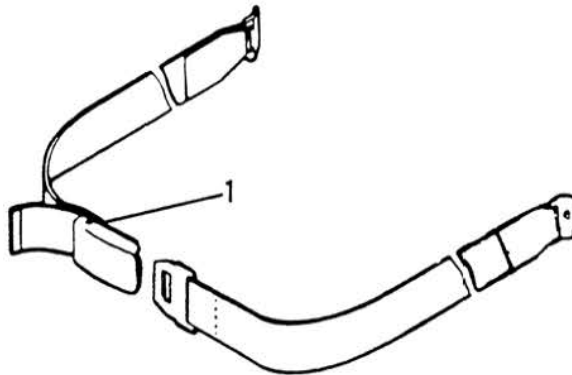
Ref. No.	Part No.	Description	No. Req'd.	Ref. No.	Part No.	Description	No. Req'd.
1	807321	Arm, windshield washer	1	7	824097	•Insulator	1
2	812661	Blade, wiper	1	8	824098	•Insulator	1
3	883760	Wiper motor set	1	*	825879	•Terminal, eyelet	2
4	306993	•Lockwasher, 3/8" internal type shakeproof	1	*	◇	•Terminal, female	2
5	813062	•Nut, special	1	9	883203	•Connector, electrical	2
6	817310	•Switch	1	10	◇	•Motor, wiper	1
				11	888886	•Adapter, wiper	1

INDENTED PART NAMES INDICATE THESE PARTS ARE INCLUDED IN PRECEDING ASSEMBLY

* Not Illustrated

◇ Not offered separately

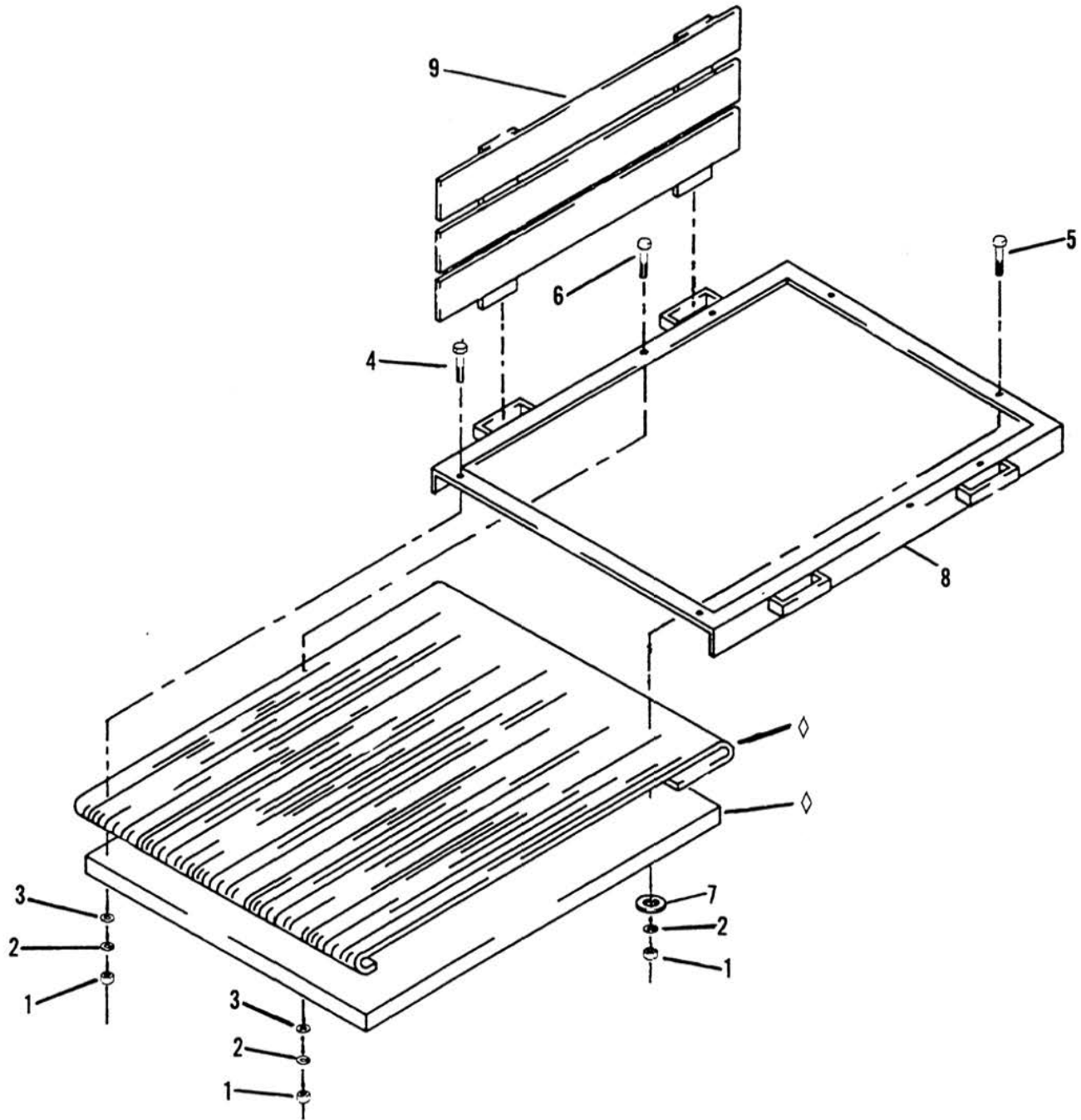
SEAT BELT SET ACCESSORY



Ref. No.	Part No.	Description	No. Req'd.	Ref. No.	Part No.	Description	No. Req'd.
	888739	Seat belt set	2	1	884395	•Belt, seat, w/attaching hardware	1

INDENTED PART NAMES INDICATE THESE PARTS ARE INCLUDED IN PRECEDING ASSEMBLY

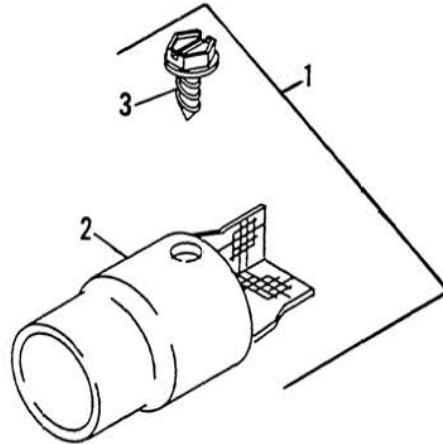
CARGO PLATFORM ACCESSORY
MODELS 898581, 898582, 898583, 898584, 898585 AND 898586



Ref. No.	Part No.	Description	No. Req'd.	Ref. No.	Part No.	Description	No. Req'd.
	888809	Cargo platform, complete	1	6	800213	•Bolt, 1/4-20 x 2" carriage	2
1	306375	•Nut, 1/4-20	8	7	816307	•Washer, special	2
2	306396	•Lockwasher, 1/4"	8	8	888863	•Frame, deck	1
3	548175	•Washer, 1/4"	6	9	888875	•Rack, side	2
4	600014	•Screw, 1/4-20 x 1 3/4"	2	10	◇	•Deck, cargo	1
5	800069	•Bolt, 1/4-20 x 1" carriage	4	11	◇	•Carpet, cargo deck	1

INDENTED PART NAMES INDICATE THESE PARTS ARE INCLUDED IN PRECEDING ASSEMBLY
 ◇ Obtain Locally

**SPARK ARRESTOR SET ACCESSORY
MODELS 898372 AND 898582**

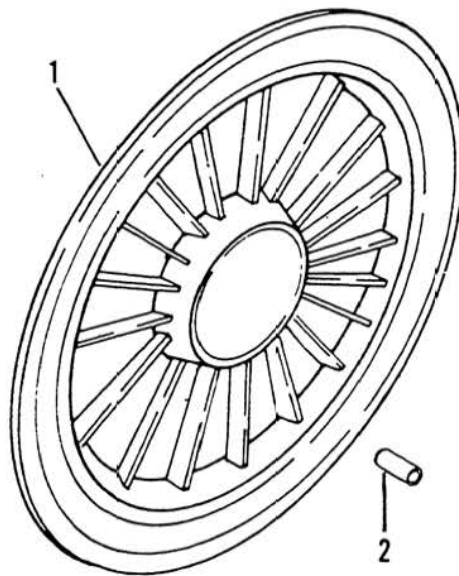


Ref. No.	Part No.	Description	No. Req'd.	Ref. No.	Part No.	Description	No. Req'd.
1	888978	Spark arrestor set, complete	1	3	◇	•Screw, #8	1
2	◇	•Arrestor, spark	1				

INDENTED PART NAMES INDICATE THESE PARTS ARE INCLUDED IN PRECEDING ASSEMBLY

◇ Not offered separately

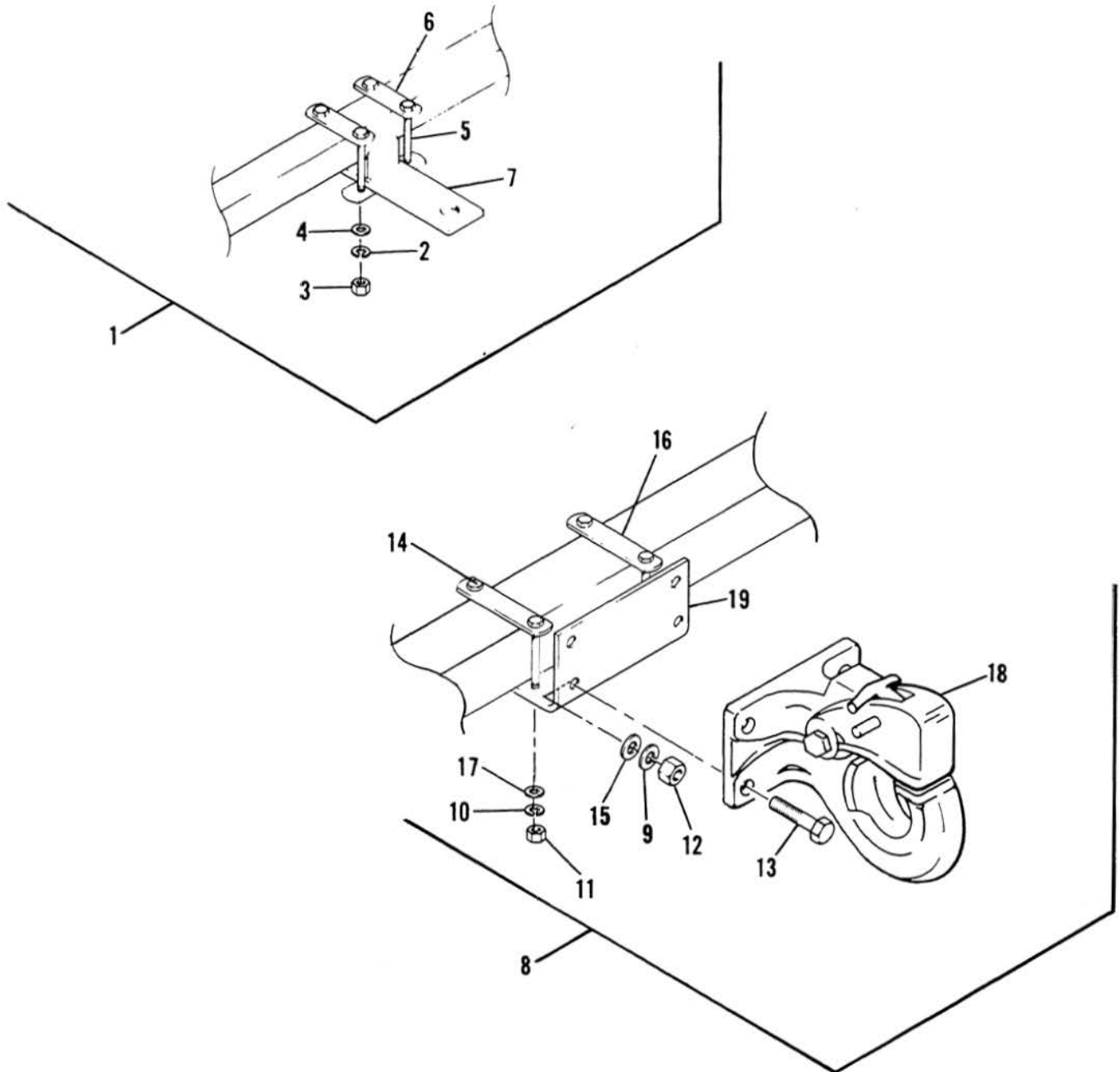
WHEEL COVER ACCESSORY



Ref. No.	Part No.	Description	No. Req'd.	Ref. No.	Part No.	Description	No. Req'd.
1	887347	Wheel cover set	1	2	831667	•Extension, valve stem	4
	831665	•Cover, wheel	4				

INDENTED PART NAMES INDICATE THESE PARTS ARE INCLUDED IN PRECEDING ASSEMBLY

PINTLE HITCH AND HITCH SET ACCESSORY

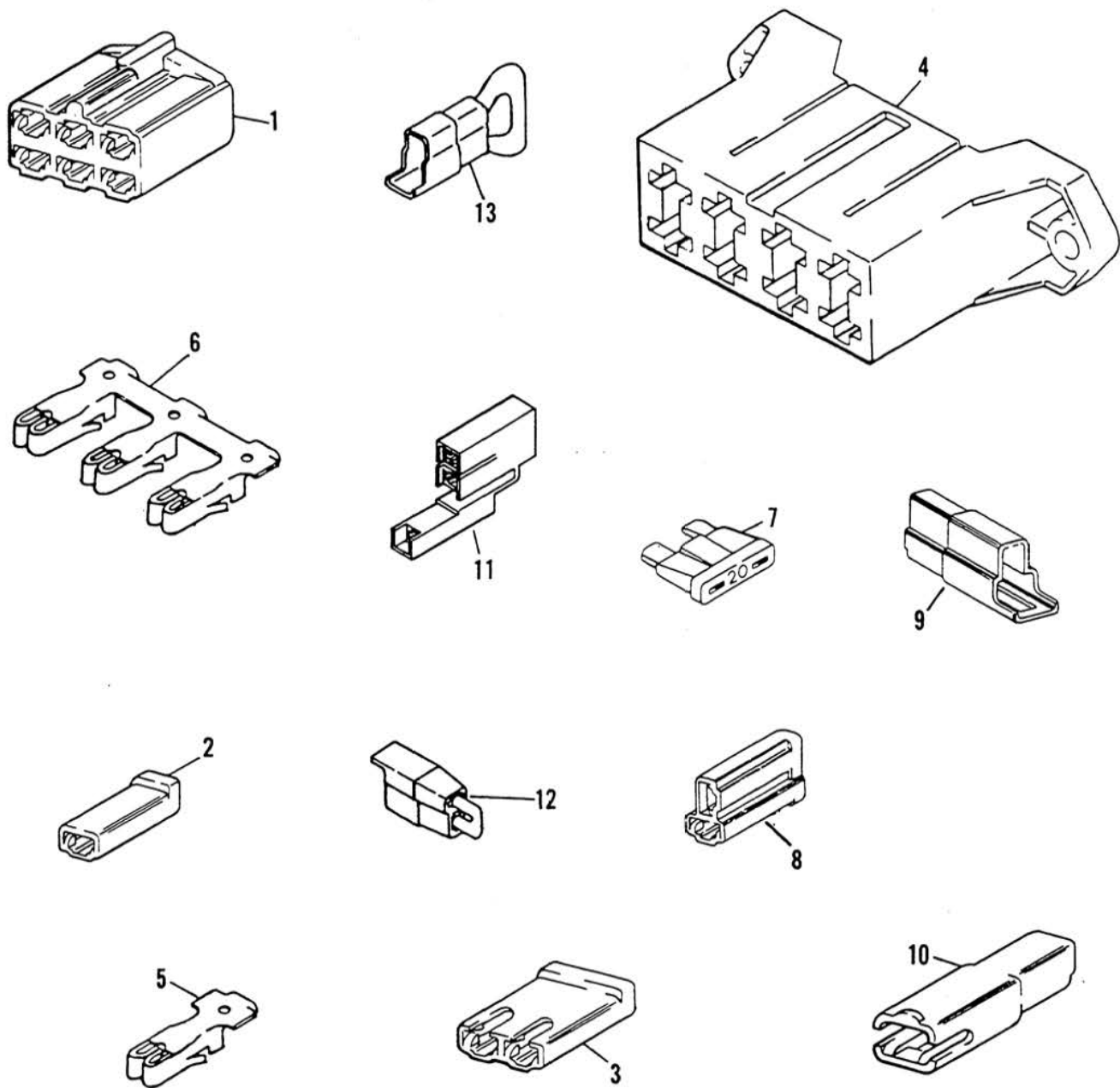


Ref. No.	Part No.	Description	No. Req'd.	Ref. No.	Part No.	Description	No. Req'd.
1	889398	Hitch set	1	11	304364	•Nut, 7/16-14	4
2	303269	•Lockwasher, 7/16"	4	12	308332	•Nut, 1/2-13	4
3	304364	•Nut, 7/16"	4	13	311401	•Screw, 1/2-13 x 1 1/2"	4
4	306982	•Washer, 7/16"	4	14	317444	•Screw, 7/16-14 x 3 3/4"	4
5	548951	•Screw, 7/16-14 x 5 1/2"	4	15	548157	•Washer, special	8
6	812218	•Plate	2	16	812218	•Plate	4
7	◇	•Tongue	1	17	823269	•Washer, special	8
8	889530	Pintle hitch set	1	18	825153	•Hook, pintle	1
9	120166	•Lockwasher, 1/2"	4	19	835926	•Bracket	1
10	303269	•Lockwasher, 7/16"	4				

INDENTED PART NAMES INDICATE THESE PARTS ARE INCLUDED IN PRECEDING ASSEMBLY

◇ Not offered separately

DIODE, RESISTOR, FUSE, ELECTRICAL TUBING & CONNECTORS

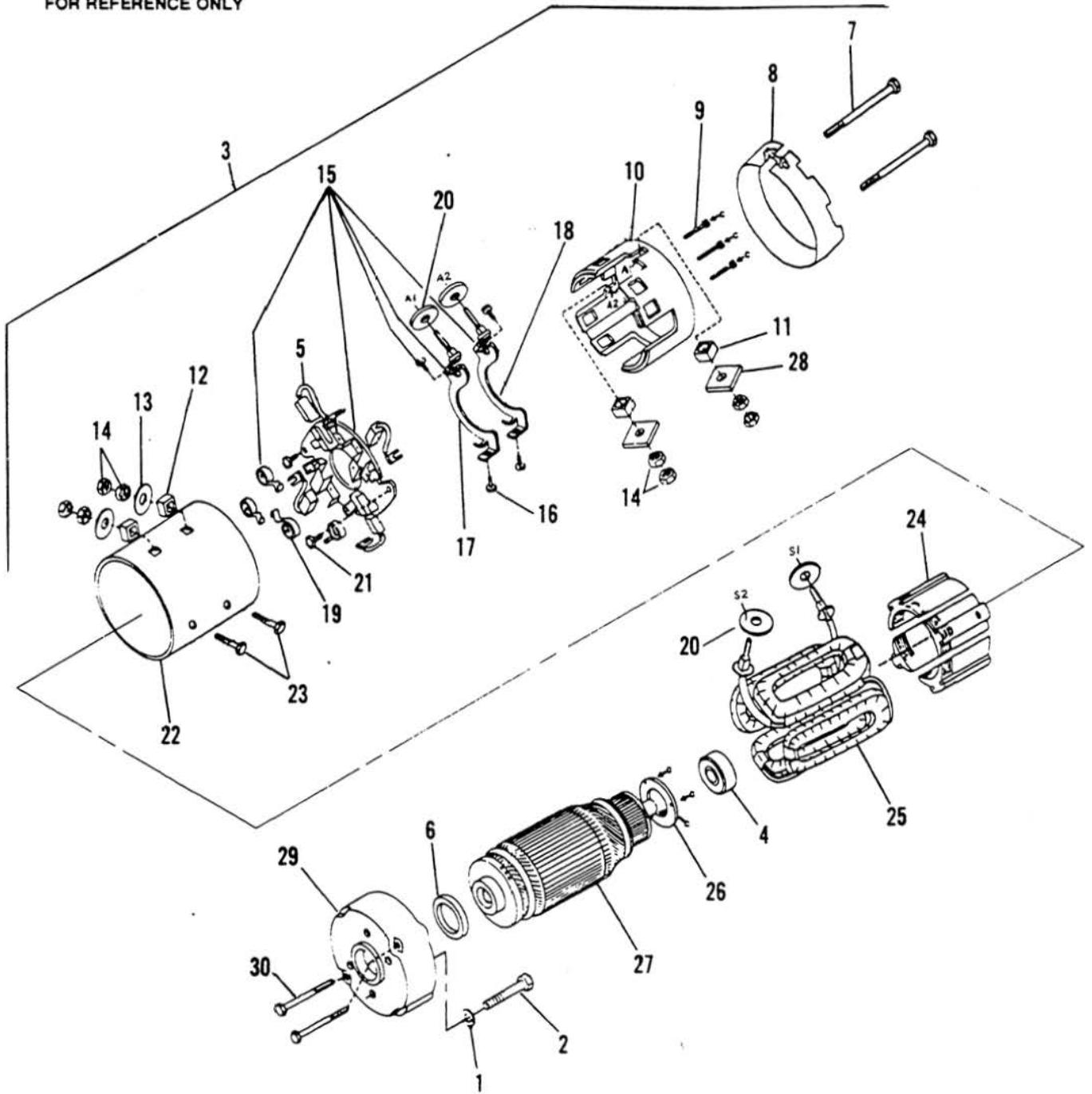


Ref. No.	Part No.	Description	No. Req'd.	Ref. No.	Part No.	Description	No. Req'd.
1	825877	Connector, six contact	1	8	826005	Connector	6
2	825880	Connector, female	As Req'd	9	826006	Connector, two contact	As Req'd
3	825949	Connector	1	*	826190	Tubing, convoluted, 0.35 inside diameter, 50' (15.2 M)	As Req'd
4	825996	Connector	1	10	826726	Connector contact	1
5	825998	Terminal fuse clip	1	11	829778	Connector, micro switch	1
6	825999	Terminal	1	12	884398	Diode	1
7	826000	Fuse, 20 amp	5	13	887679	Resistor	1

* Not Illustrated

48 VOLT ACCESSORY
MOTOR PART NO. 886765
G.E. MODEL NO. 5BC49JB397A

ILLUSTRATION
FOR REFERENCE ONLY



**48 VOLT ACCESSORY
MOTOR PART NO. 886765
G.E. MODEL NO. 5BC49JB397A**

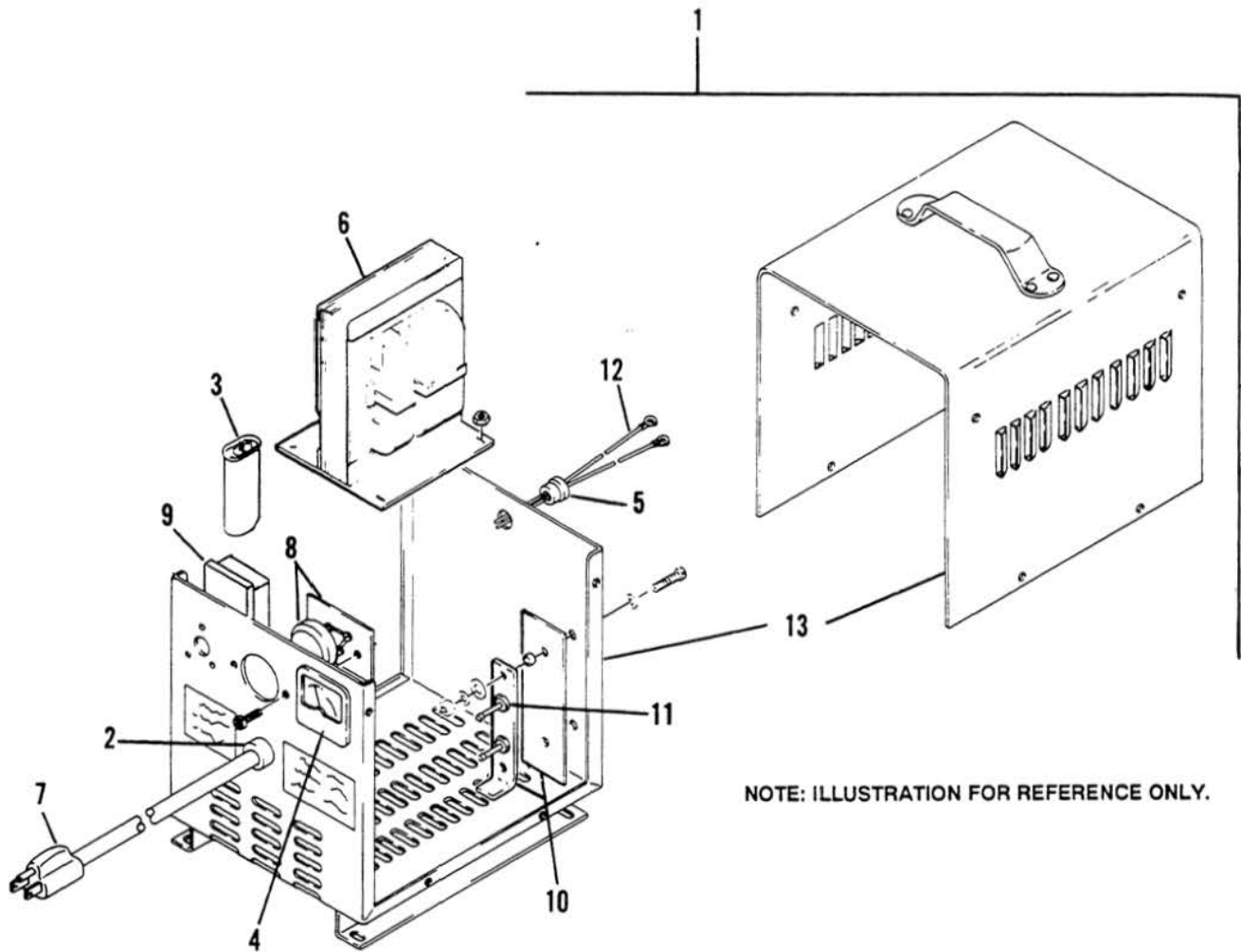
Ref. No.	Part No.	Description	No. Req'd	Ref. No.	Part No.	Description	No. Req'd
1	120177	Lockwasher, 3/8	4			G.E.424B549AA1	1
2	551094	Screw, 3/8-16 x 1 3/4	4	18	◇	••Crossover and stud "A1",	
3	886765	Motor, G.E. Model No. 5BC49JB397A	1			G.E.424B549AB1	1
4	808058	•Bearing, ball commutator end	1	19	824754	••Spring, brush	4
5	826086	•Brush	4	20	◇	•Washer, insulation for terminal stud, G.E.625A202CN1	4
6	829250	•Seal, shaft	1	21	◇	•Screw, brush rigging, mounting, G.E.N670P15006C	2
7	◇	•Screw, motor clamp, G.E.N14P21052	2	*	◇	•Stator, complete G.E.5BC49JB397A-P	1
8	◇	•Cover, brush G.E.622A824AG2	1	22	◇	••Shell, stator, G.E.38A104316BE103	1
9	◇	•Screw, retainer G.E.N44P13012B	3	23	◇	••Screw, pole piece, G.E.N22P21012B11	8
10	◇	•Endshield, commutator end, G.E.323D173BW1	1	24	◇	••Field pole piece, G.E.425B432AA2	4
11	◇	•Bushing, insulation for A1 and A2 studs, G.E.624A169AA1	2	25	◇	••Coils, field G.E.346C618JB132(set)	1
12	◇	•Bushing, insulation for field studs, G.E.624A169AA2	2	26	◇	•Retainer ring, bearing G.E.625A837BS1	1
13	◇	•Washer, insulation for terminal stud, G.E.625A202AP1	2	27	◇	•Armature, G.E.5BC49JB397A-R	1
14	◇	•Nut, terminal stud, G.E.N21OP23B	8	28	◇	•Washer, insulation for terminal studs, G.E.625A202CP1	2
15	◇	•Brush rigging and parts G.E.161L503AA1	1	29	◇	•Endshield, pulley end, G.E.322D450AL1	1
16	◇	••Screw, brush, G.E.N67P16004	4	30	823631	•Screw, motor clamp	4
17	◇	••Crossover and stud "A1",					

* Not Illustrated

◇ Parts may be obtained from a G.E. Service Center

INDENTED PART NAMES INDICATE THESE PARTS ARE INCLUDED IN PRECEDING ASSEMBLY

**48 VOLT ACCESSORY
BUILT-IN LESTRONIC II CHARGER
115 VOLT AC - 60 HZ, 48 VOLT, 25 AMPS, DC**

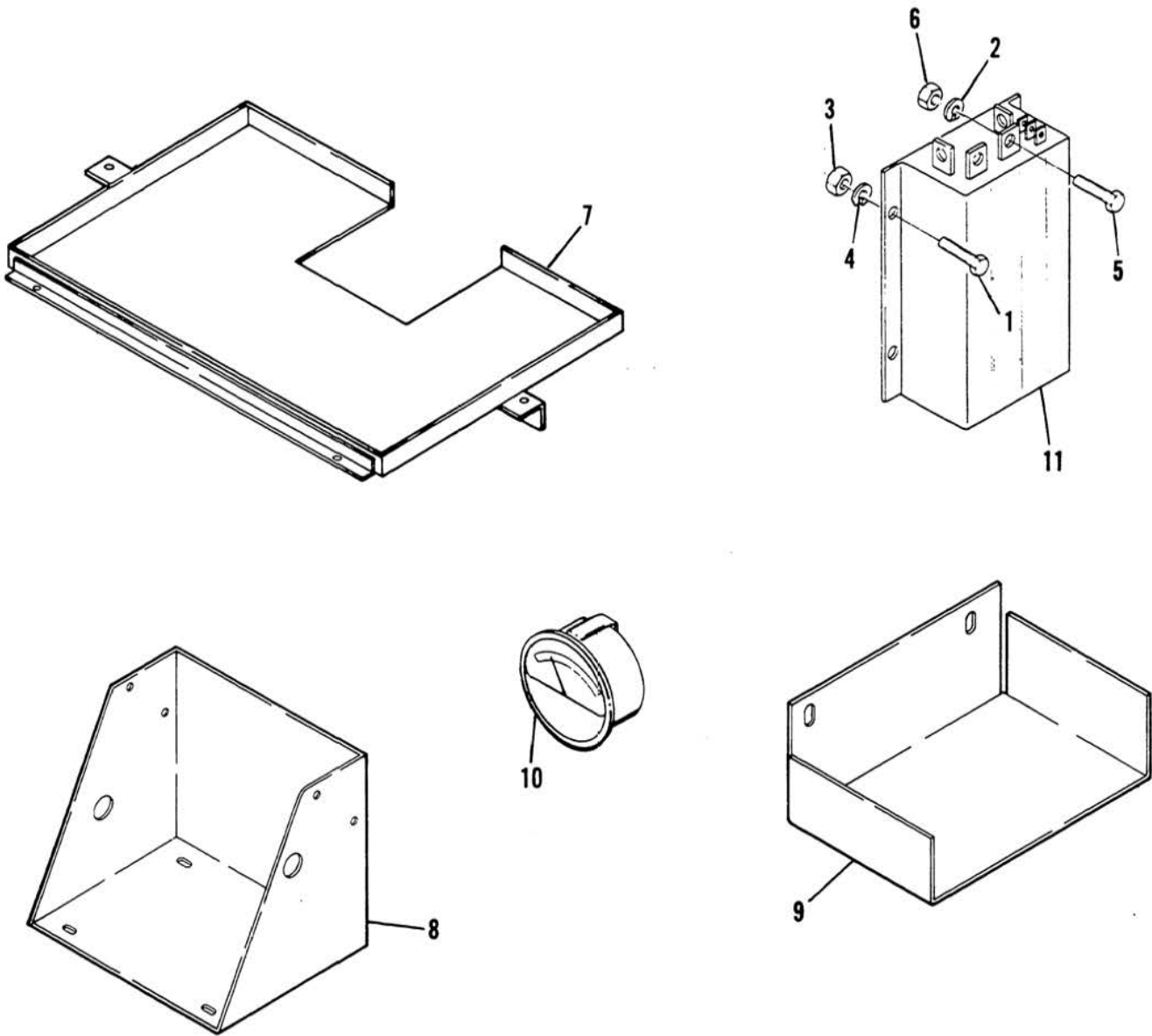


NOTE: ILLUSTRATION FOR REFERENCE ONLY.

Ref. No.	Part No.	Description	No. Req'd	Ref. No.	Part No.	Description	No. Req'd
1	886481	Charger, complete, Model No. 6885	1	8	883844	•Fuse	1
2	822048	•Bushing, insulator	1	9	885086	•Timer kit, electronic	1
3	823749	•Capacitor, 6 MFD	1	10	886435	•Heat sink w/diodes & insulator	1
4	826723	•Ammeter, 30 AMP	1	11	825057	•Diode, replacement, press fit	As Req'd
5	830123	•Bushing, insulator	1	12	886747	•Cord set, DC output	1
6	◇	•Transformer	1	13	◇	•Case, Lester No. 10141S	1
7	883216	•Cord set AC input	1				

◇ Obtain direct from Lester Electrical of Nebraska; 625 West "A" Street; Lincoln, Nebraska 68522
INDENTED PART NAMES INDICATE THESE PARTS ARE INCLUDED IN PRECEDING ASSEMBLY.

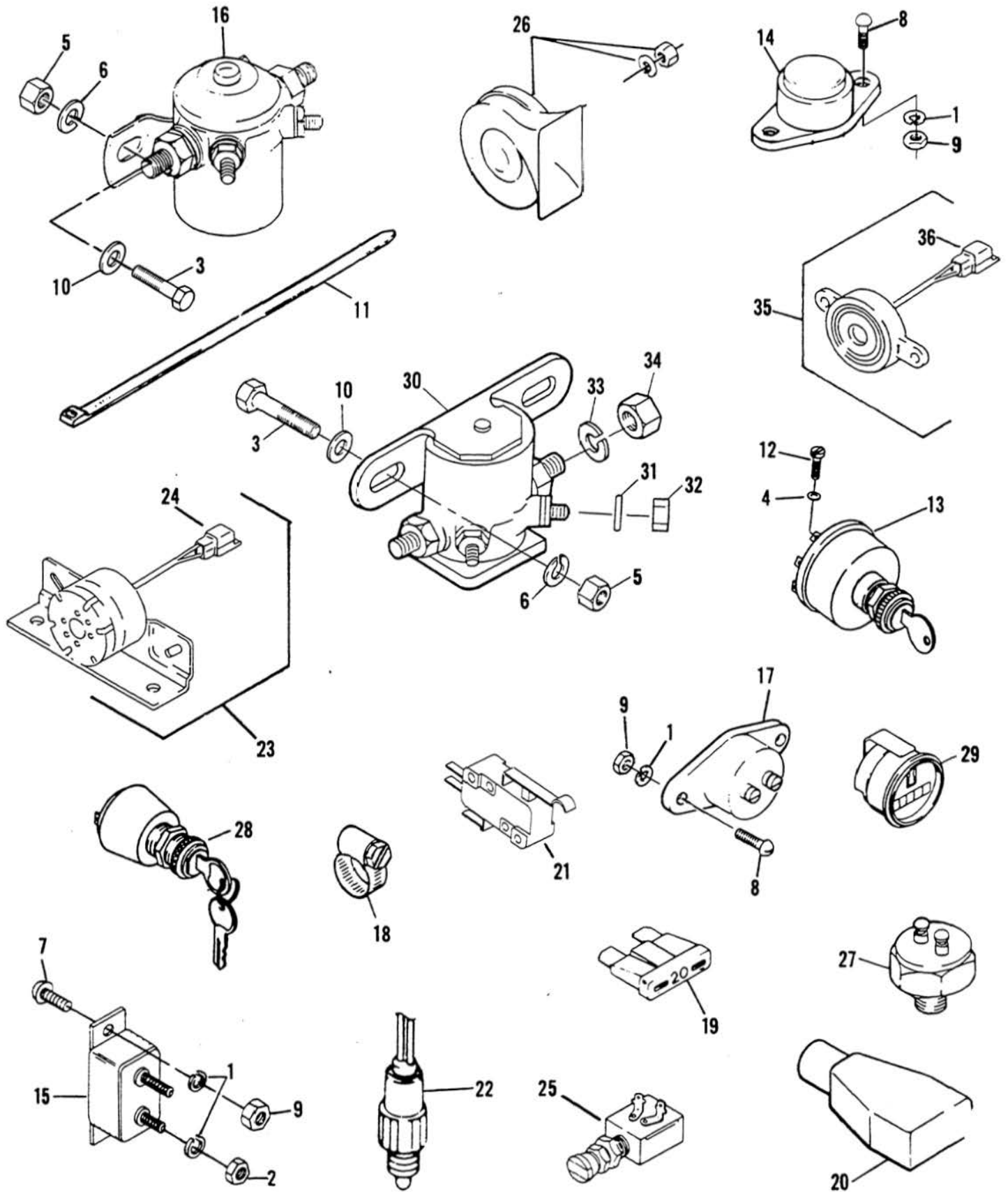
**48 VOLT ACCESSORY
CONTROLLER, BATTERY TRAY, METER,
CHARGER BRACKET AND CORD SHELF**



Ref. No.	Part No.	Description	No. Req'd.	Ref. No.	Part No.	Description	No. Req'd.
1	300646	Screw, 1/4-20 x 3/4"	4	7	700054	Tray, battery	1
2	306325	Lockwasher, 5/16"	4	8	700064	Bracket, battery	1
3	306375	Nut, 1/4-20	4	9	700132	Shelf, charger cord	1
4	306396	Lockwasher, 1/4"	4	*	883078	Wire, 10" (254 mm)	2
5	306450	Screw, 5/16-18 x 3/4"	4	10	885500	Meter, battery condition	1
6	306932	Nut, 5/16-18	4	11	889731	Controller, 21.6 kw	1

* Not illustrated

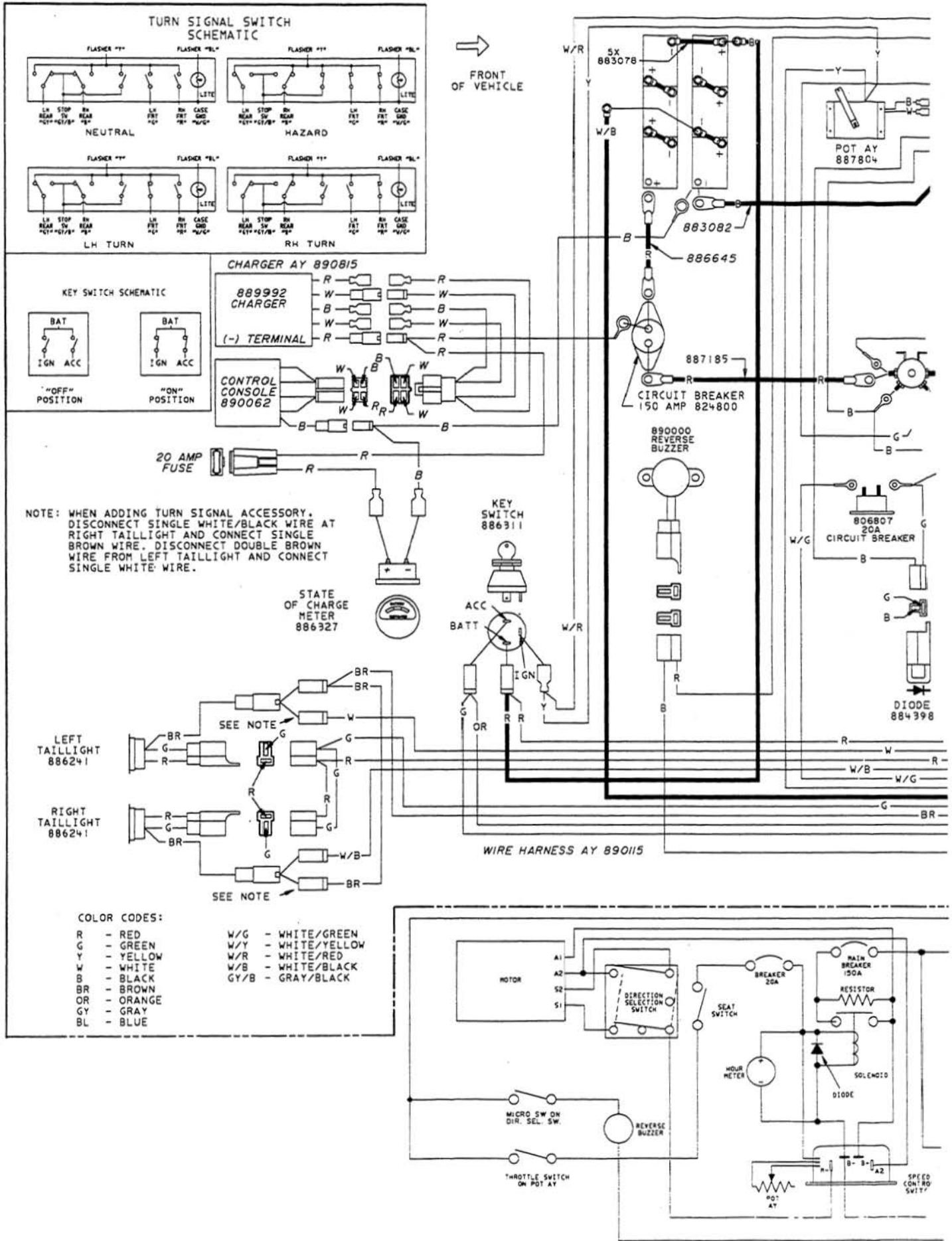
**ELECTRICAL COMPONENTS
CIRCUIT BREAKERS, FUSES, HORN, SWITCHES, SOLENOIDS,
WIRE TIES, HORN BUTTON AND TERMINAL COVERS**



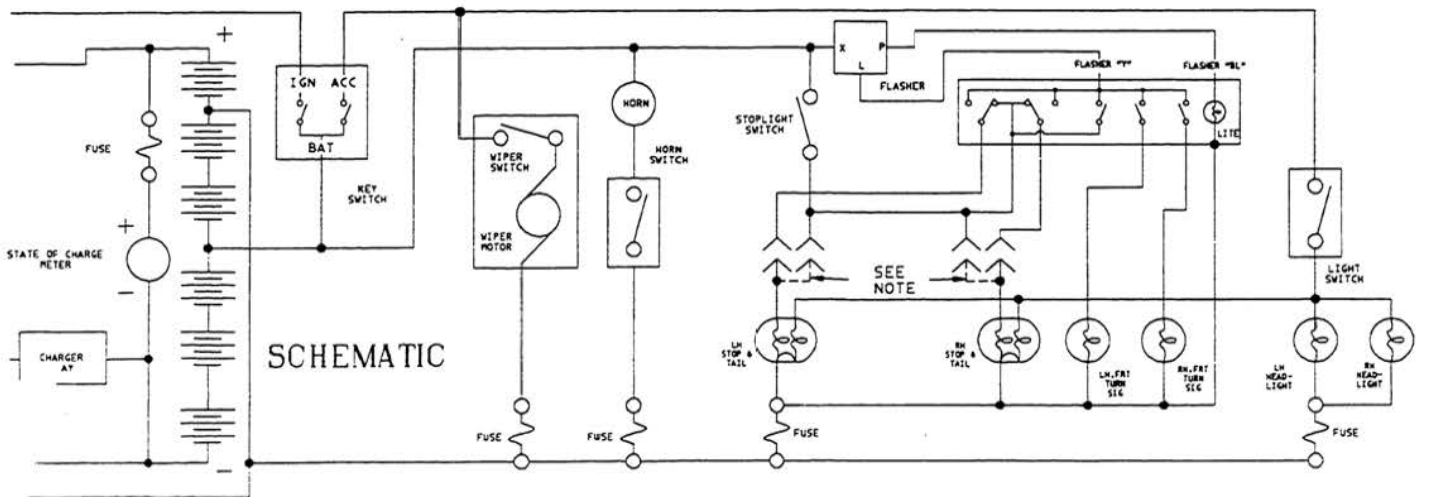
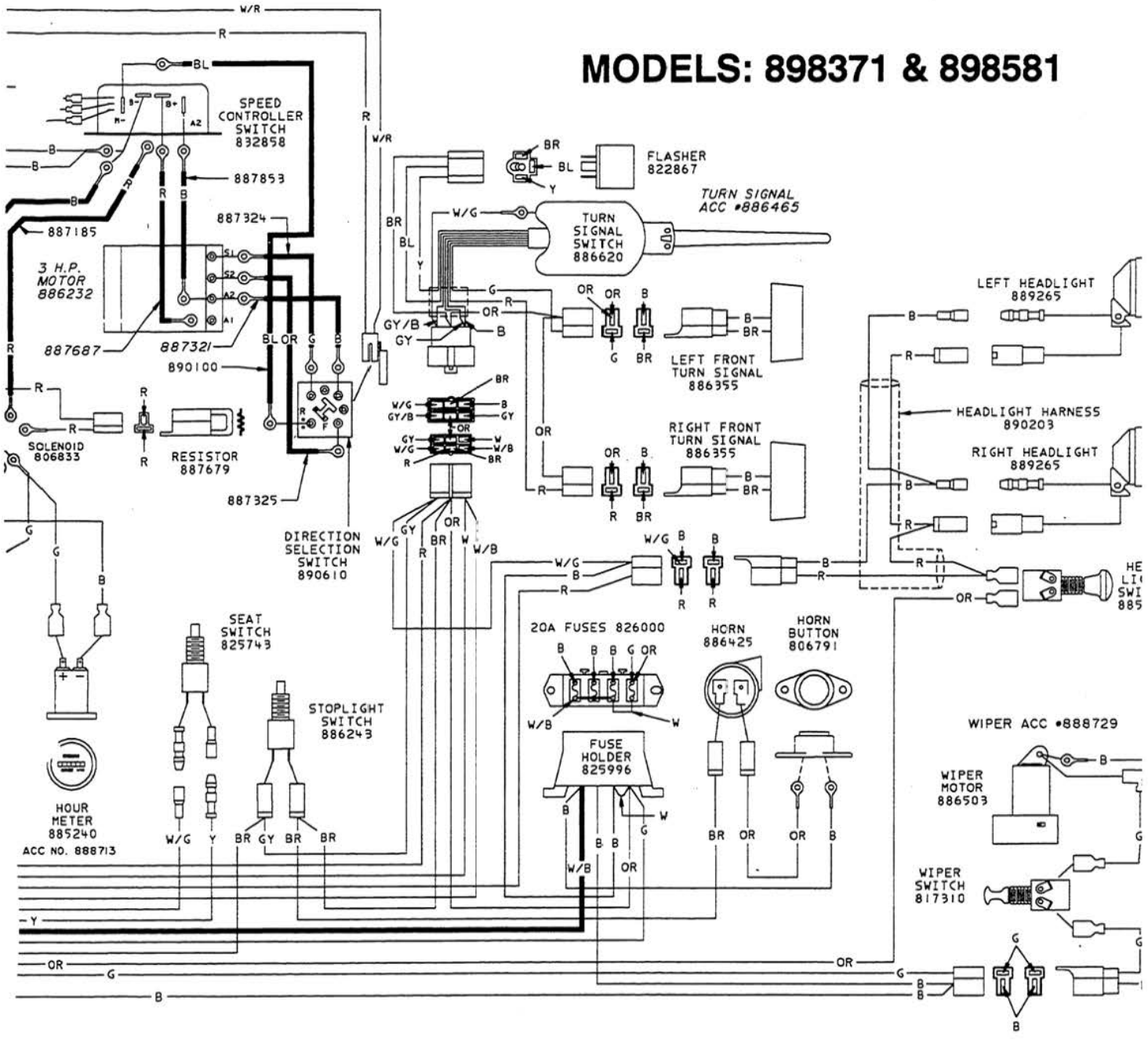
ELECTRICAL COMPONENTS
CIRCUIT BREAKERS, FUSES, HORN, SWITCHES, SOLENOIDS,
WIRE TIES, HORN BUTTON AND TERMINAL COVERS

Ref. No.	Part No.	Description	No. Req'd.	Ref. No.	Part No.	Description	No. Req'd.
1	120052	Lockwasher, #10	6	20	827492	Cover, battery terminal	2
2	132520	Nut, #10-32	2	21	829754	Switch, micro	1
3	300646	Screw, 1/4-20 x 3/4"	4	22	836776	Switch, neutral start	1
4	306310	Lockwasher, #8	5	23	885430	Buzzer (9105 and prior)	1
5	306375	Nut, 1/4-20	4	*	825886	•Terminal, male	2
6	306396	Lockwasher, 1/4"	4	24	826006	•Connector	1
7	306460	Screw, #10-24 x 3/8"	2	25	885848	Switch, light	1
8	306527	Screw, #10-24 x 3/4", rd. hd.	4	26	886090	Horn	1
9	306531	Nut, #10-24	6	27	886182	Switch, stoplight	1
10	308090	Washer, 1/4"	2	28	886311	Switch, ignition (electric vehicles)	1
11	320107	Tie, wire, 7" (178 mm)	As Req'd	29	886802	Hourmeter set	1
12	323772	Screw, #8-32 x 1/4", rd. hd.	5	30	889673	Solenoid, 12-Volt w/nuts (gasoline vehicles)	1
13	393301	Switch, ignition (gasoline vehicles)	1	31	120052	•Lockwasher, #10	2
14	806791	Button, horn	1	32	132520	•Nut, #10-32	2
15	806807	Circuit breaker, 20 amp	1	33	306325	•Lockwasher, 5/16"	2
16	806833	Solenoid, 12-volt (electric vehicles)	1	34	306932	•Nut, 5/16-18	2
17	824800	Circuit breaker, 150 amp	1	35	890000	Buzzer	1
18	825624	Clamp	4	*	825886	•Terminal, male	2
19	826000	Fuse	5	36	826006	•Connector	1
*	826190	Tubing, convoluted, 0.35 I.D., 50' (15.2 M)	As Req'd				

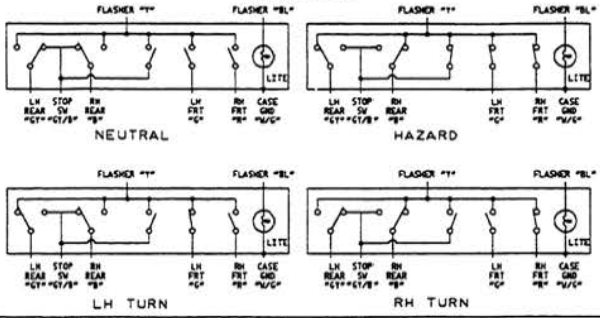
* Not Illustrated



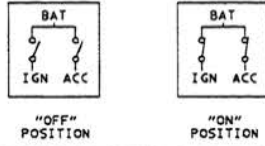
MODELS: 898371 & 898581



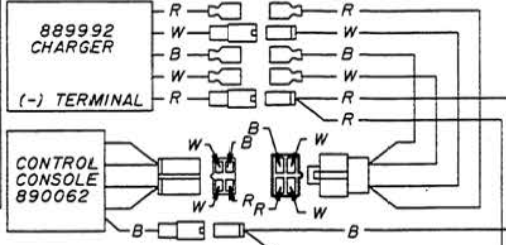
TURN SIGNAL SWITCH SCHEMATIC



KEY SWITCH SCHEMATIC



CHARGER AY 890815



20 AMP FUSE

NOTE: WHEN ADDING TURN SIGNAL ACCESSORY, DISCONNECT SINGLE WHITE/BLACK WIRE AT RIGHT TAILLIGHT AND CONNECT SINGLE BROWN WIRE. DISCONNECT DOUBLE BROWN WIRE FROM LEFT TAILLIGHT AND CONNECT SINGLE WHITE WIRE.

STATE OF CHARGE METER 886327

KEY SWITCH 886311

ACC BATT

LEFT TAILLIGHT 886241

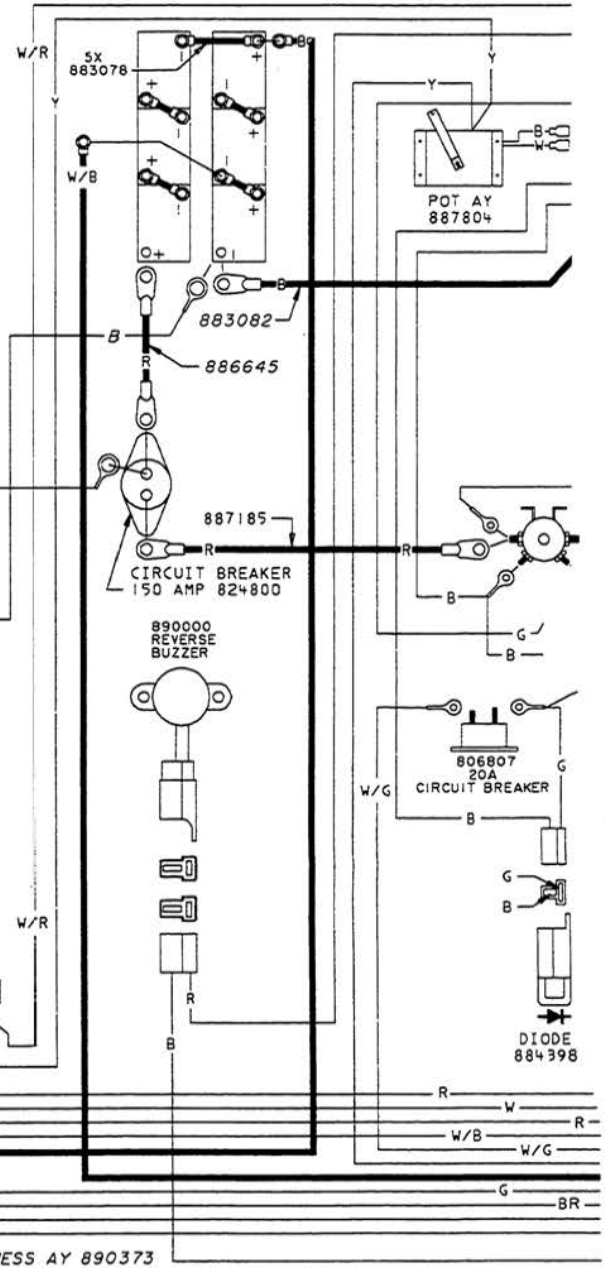
RIGHT TAILLIGHT 886241

SEE NOTE

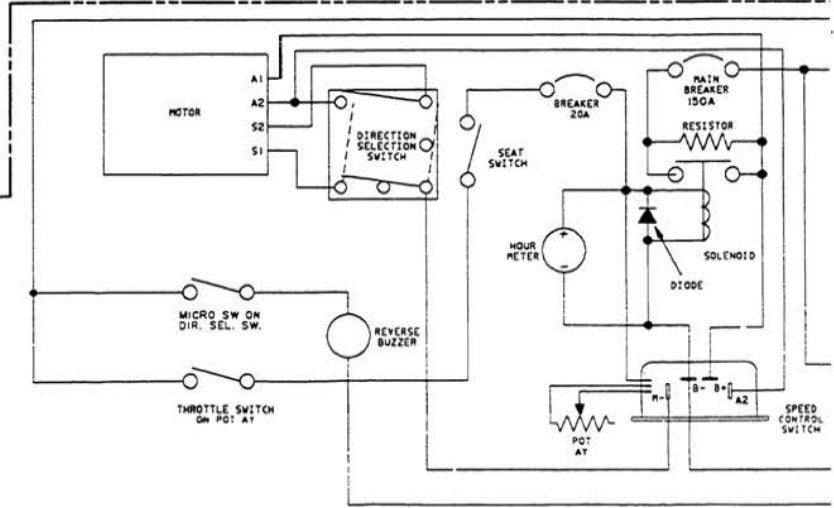
COLOR CODES:

- | | |
|-------------|--------------------|
| R - RED | W/G - WHITE/GREEN |
| G - GREEN | W/Y - WHITE/YELLOW |
| Y - YELLOW | W/R - WHITE/RED |
| W - WHITE | W/B - WHITE/BLACK |
| B - BLACK | GY/B - GRAY/BLACK |
| BR - BROWN | |
| OR - ORANGE | |
| GY - GRAY | |
| BL - BLUE | |

FRONT OF VEHICLE



WIRE HARNESS AY 890373



* MODEL 898585
 ** MODEL 898373 & 898583

RANSOMES



Cushman Inc. • A Ransomes Company
P.O. Box 82409, Lincoln, Nebraska 68501-2409 U.S.A.