



A Textron Company

# S E R V I C E P A R T S M A N U A L



**Industrial 640**

**605510**

*E l e c t r i c T h r e e W h e e l e d V e h i c l e s*

ISSUED: JULY 2006

REVISED: SEPTEMBER 2009



# **SERVICE PARTS MANUAL**

## **ELECTRIC THREE WHEEL UTILITY VEHICLES**

### **INDUSTRIAL 640**

### **STARTING MODEL YEAR 2007**

E-Z-GO Division of TEXTRON, Inc. reserves the right to make design changes without obligation to make these changes on units previously sold and the information contained in this manual is subject to change without notice.

E-Z-GO Division of TEXTRON, Inc. is not liable for errors in this manual or for incidental or consequential damages that result from the use of the material in this manual.

**CUSTOMER SERVICE DEPARTMENT IN USA PHONE: 1-800-241-5855 FAX: 1-800-448-8124**

**OUTSIDE USA PHONE: 001-706-798-4311, FAX: 001-706-771-4609**

**E-Z-GO DIVISION OF TEXTRON, INC., P.O.BOX 388, AUGUSTA, GEORGIA USA 30906-3852**

## **NOTES**

To obtain a copy of the limited warranty applicable to the vehicle, call or write a local Distributor, authorized Branch or the Warranty Department with vehicle serial number and manufacturer code.

The use of non Original Equipment Manufacturer (OEM) parts may void the warranty.

Tampering with or adjusting the governor to permit vehicle to operate at above factory specifications will void the vehicle warranty.

When servicing engines, all adjustments and replacement components must be per original vehicle specifications in order to maintain the United States of America Federal and State emission certification applicable at the time of manufacture.

### **BATTERY PROLONGED STORAGE**

All batteries will self discharge over time. The rate of self discharge varies depending on the ambient temperature and the age and condition of the batteries.

A fully charged battery will not freeze in winter temperatures unless the temperature falls below -75° F (-60° C).



# TABLE OF CONTENTS

<b>SECTION</b>	<b>Page No.</b>
HOW TO USE THE SERVICE PARTS MANUAL .....	vii
ILLUSTRATED PARTS BREAKDOWN .....	ix
ACCELERATOR .....	A-1
BATTERY CHARGER - PORTABLE .....	B-1
BATTERY CHARGER - ON BOARD .....	B-3
BODY .....	C-1
BRAKES .....	D-1
DIRECTION SELECTOR .....	E-1
ELECTRICAL SYSTEM .....	F-1
ELECTRONIC SPEED CONTROL .....	G-1
FRONT FORK AND STEERING .....	H-1
MOTOR .....	J-1
REAR AXLE .....	K-1
WHEELS AND TIRES .....	L-1

# TABLE OF CONTENTS

# HOW TO USE THE SERVICE PARTS MANUAL

This manual is divided into several sections:

## **GENERAL INFORMATION**

- TABLE OF CONTENTS
- HOW TO USE THE SERVICE PARTS MANUAL

## **ILLUSTRATED PARTS BREAKDOWN**

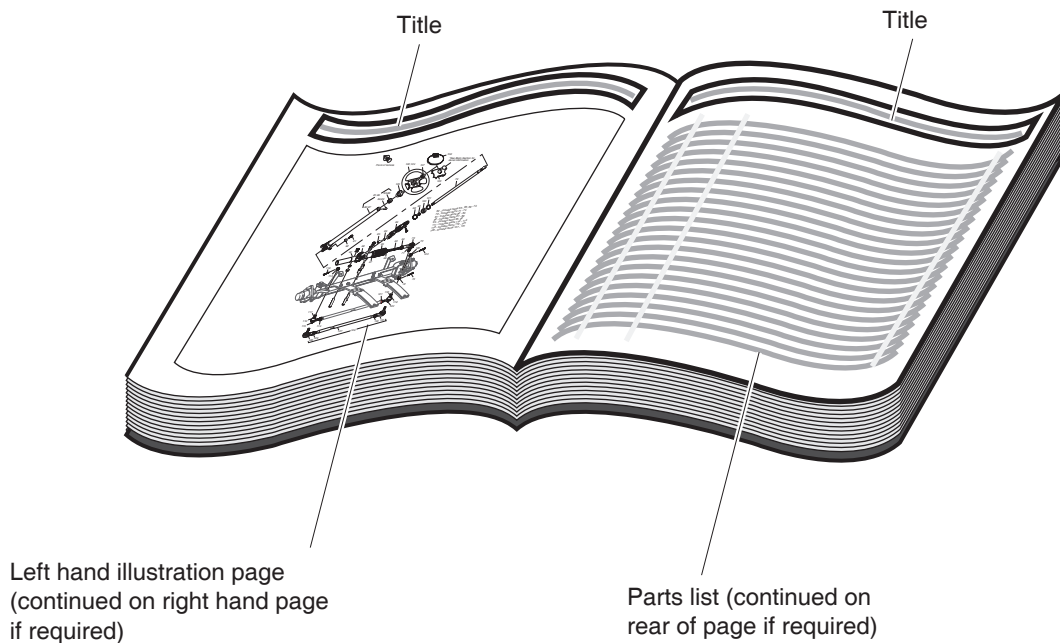
- Contains illustrations and parts lists for all systems of the vehicle

## **USE OF THE MANUAL**

To use this manual, consult the TABLE OF CONTENTS (page iii) to locate the information or illustration required.

Introduction of some revisions varies due to supply of components; therefore, it is possible that various combinations of components may be found that are not directly reflected by each illustration. Consult the illustration that best suits your situation. Locate the serial number plate (see BODY located in the Illustrated Parts Breakdown section of this manual for its location) and note the complete number shown on the plate. It is important that the serial number of your vehicle and its model number be supplied to Service Parts when ordering any replacement components.

# HOW TO USE THE SERVICE PARTS MANUAL



## 1. WHEN THE PART NUMBER IS NOT KNOWN

- Determine the function and application of the part required. Turn to the TABLE OF CONTENTS and select the most appropriate component description.
- Turn to the page number indicated and locate the part description in the parts list. Read the full accompanying description for specific information regarding the part that was not shown in the index.
- From the parts list, obtain the item number assigned to it and confirm that the part selected is correct by verifying it with the pictorial representation on the illustrated page.

## 2. IF YOU KNOW THE PART NUMBER

- Turn to the page number indicated and locate the part number in the parts list. Refer to the accompanying description for specific information regarding the part.
- From the parts list, obtain the item number assigned to it and confirm that the part selected is correct by verifying it with the pictorial representation on the illustrated page.

Should an asterisk (\*) appear in the part number column on the parts list page, read upwards until a part number is found. The part number is the lowest assembly sold by Service Parts. The asterisk (\*) indicates that the part depicted is not available for purchase.

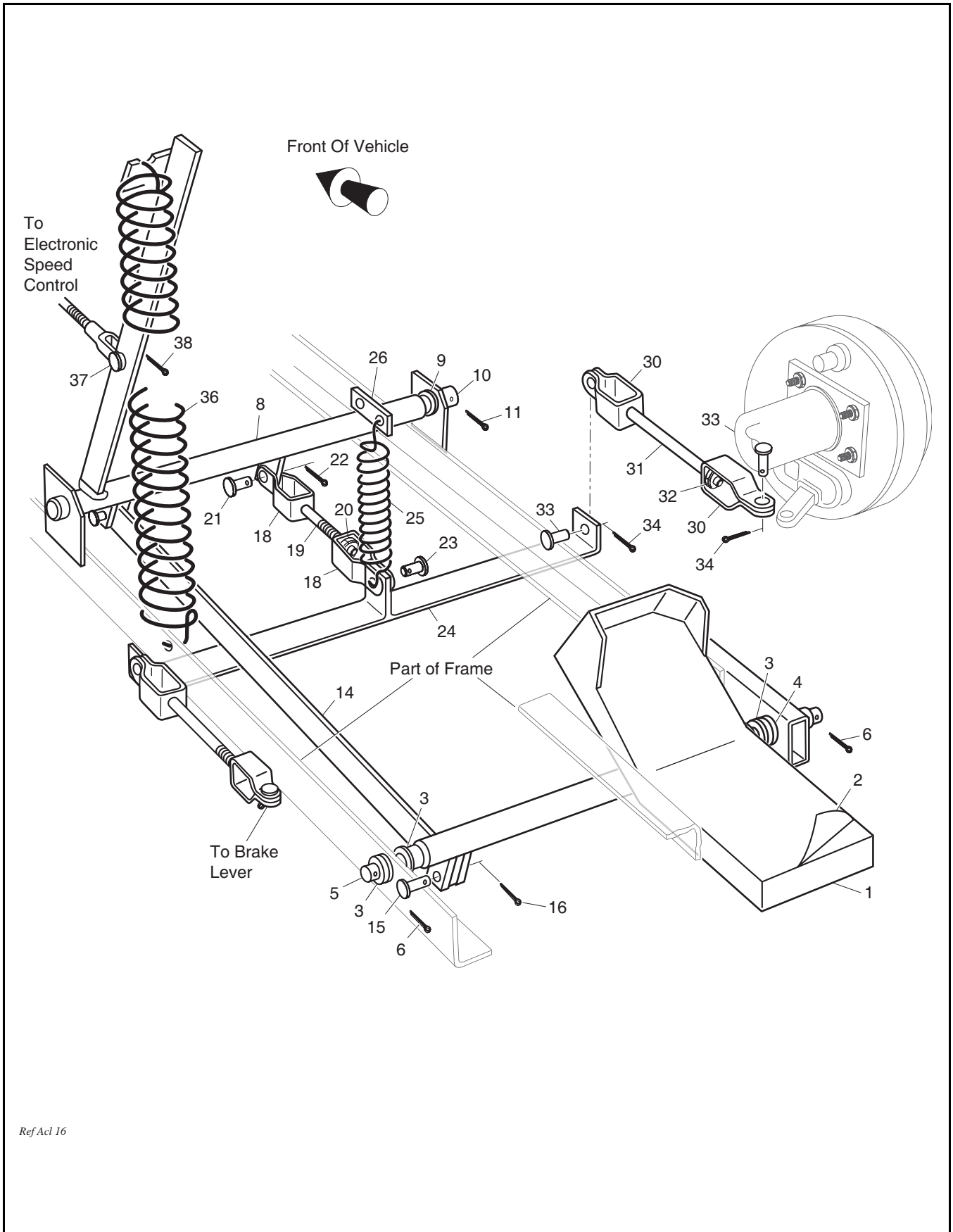
NOTE: Descriptions are indented under the assembly that they are used on. That assembly is, in turn listed under the assembly that it is used on. This process is repeated until the highest final assembly is reached.

**To facilitate the maintenance and repair of the vehicle, a Technician's Repair and Service Manual is available from the Service Parts Department.**

# **ILLUSTRATED PARTS BREAKDOWN**

# **ILLUSTRATED PARTS BREAKDOWN**

# ACCELERATOR



Ref Acl 16

# ACCELERATOR

When ordering parts, please specify the model and serial number of the product.

\* Indicates a component that is not available as an individual part.

G\*\* Indicates consult Customer Service Department for additional information.

ITEM	PART NO.	1 2 3 4 5	DESCRIPTION	QTY.
1	<u>32277-G1</u>		FOOT PEDAL.....	1
2	<u>21531-G2</u>		ABRASIVE STRIP .....	1
3	<u>70581-G01</u>		BUSHING .....	3
4	<u>00771-G2</u>		NYLON WASHER, 1/2" .....	2
5	<u>30772-G4</u>		PIVOT SHAFT, 1/2" DIA. X 17" LG .....	1
6	<u>10387-G2</u>		COTTER PIN, 3/32" X 1" LG .....	2
7				
8	<u>32279-G1</u>		CONTROL ARM.....	1
9	<u>70581-G01</u>		BUSHING .....	2
10	<u>30772-G3</u>		PIVOT SHAFT, 1/2" DIA. X 16" LG .....	1
11	<u>10387-G9</u>		COTTER PIN, 1/8" X 1 1/4" LG .....	1
12				
13				
14	<u>30783-G1</u>		CONTROL LINK.....	1
15	<u>14443-G3</u>		CLEVIS PIN, 5/16" X 1" LG .....	2
16	<u>10387-G2</u>		COTTER PIN, 3/32" X 1" LG .....	2
17				
18	<u>30182-G1</u>		CLEVIS YOKE.....	2
19	<u>00272-G4</u>		BOLT, 5/16 - 18 X 2 1/2" LG .....	1
20	<u>11098-G6</u>		LOCK NUT, 5/16 - 18 (STAINLESS STEEL) .....	1
21	<u>10386-G3</u>		CLEVIS PIN, 5/16" X 13/16" LG .....	1
22	<u>10387-G2</u>		COTTER PIN, 3/32" X 1" LG .....	1
23	<u>14443-G3</u>		CLEVIS PIN, 5/16" X 7/8" LG .....	1
24	<u>30779-G1</u>		BRAKE EQUALIZER.....	1
25	<u>35428-G01</u>		EXTENSION SPRING.....	1
26	<u>31855-G1</u>		SPRING LINK.....	1
27				
28				
29				
30	<u>30182-G1</u>		CLEVIS YOKE.....	4

# ACCELERATOR

When ordering parts, please specify the model and serial number of the product.

\* Indicates a component that is not available as an individual part.

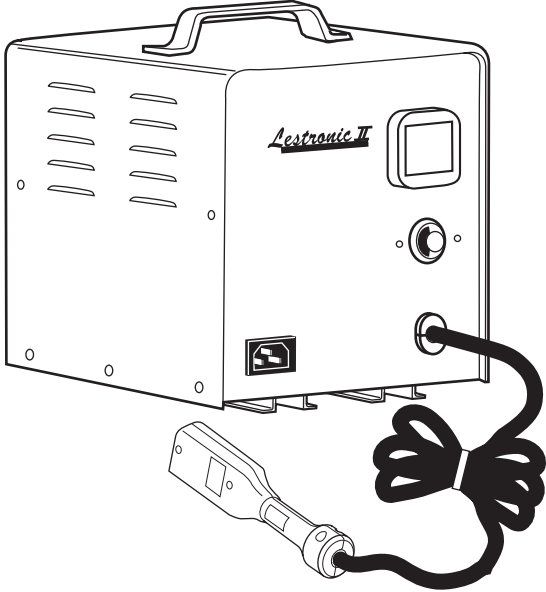
G\*\* Indicates consult Customer Service Department for additional information.

ITEM	PART NO.	1 2 3 4 5	DESCRIPTION	QTY.
31	<u>00441-G8</u>		BOLT, 5/16 - 18 X 4" LG .....	2
32	11098-G6		LOCK NUT, 5/16 - 18 (STAINLESS STEEL) .....	2
33	<u>10386-G3</u>		CLEVIS PIN, 5/16" X 13/16" LG .....	4
34	<u>10387-G2</u>		COTTER PIN, 3/32" X 1" LG .....	4
35				
36	<u>30177-G1</u>		EXTENSION SPRING .....	1
37	<u>10386-G3</u>		CLEVIS PIN, 5/16" X 13/16" LG .....	1
38	<u>10387-G2</u>		COTTER PIN, 3/32" X 1" LG .....	1





# BATTERY CHARGER - PORTABLE



*Ref Bcl 16*

# BATTERY CHARGER - PORTABLE

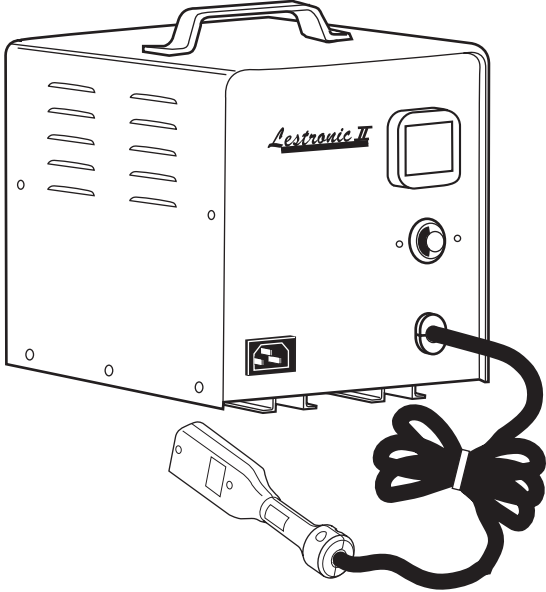
When ordering parts, please specify the model and serial number of the product.

\* Indicates a component that is not available as an individual part.

G\*\* Indicates consult Customer Service Department for additional information.

ITEM	PART NO.	1 2 3 4 5	DESCRIPTION	QTY.
1	<u>602712</u>		<p>BATTERY CHARGER, LESTER, 24 VOLT, PORTABLE</p> <p>For service or replacement parts, contact:                      Lester Electrical                      625 West "A" Street                      Lincoln, NE 68522</p> <p>Phone: USA 001-402- 477-8988, FAX: 001-402- 474-1769</p> <p>Always provide the following information when requesting information                      or ordering replacement parts:</p> <p>Model Number:                      Serial Number: (stamped into housing)</p>	

# BATTERY CHARGER - ON BOARD



*Ref Bcl 16*

# BATTERY CHARGER - ON BOARD

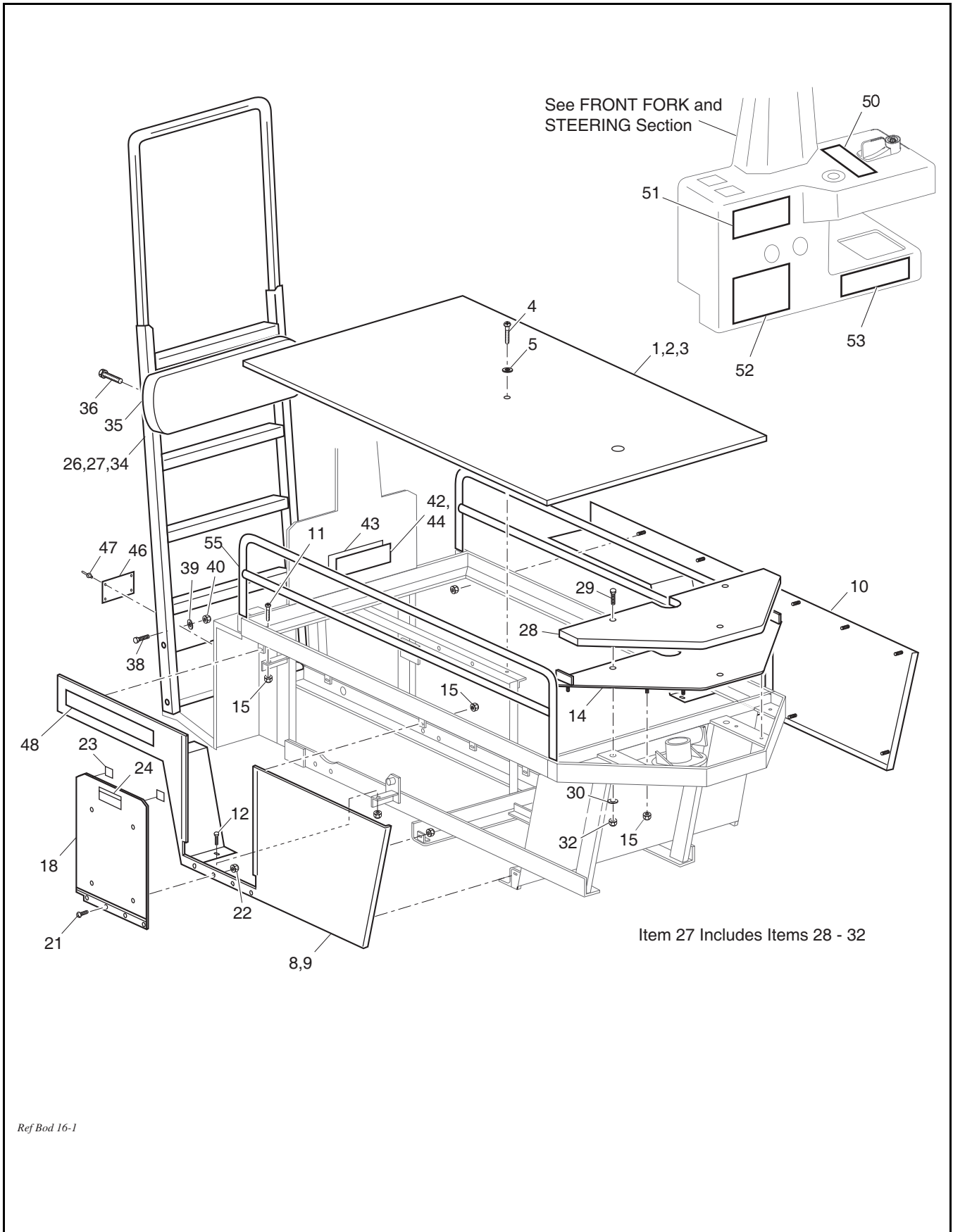
When ordering parts, please specify the model and serial number of the product.

\* Indicates a component that is not available as an individual part.

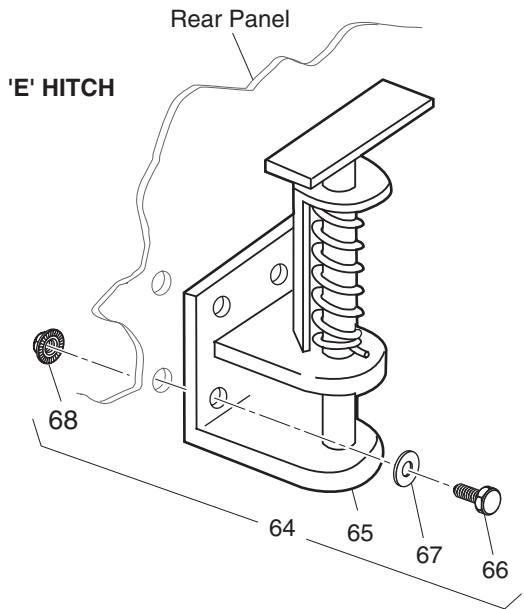
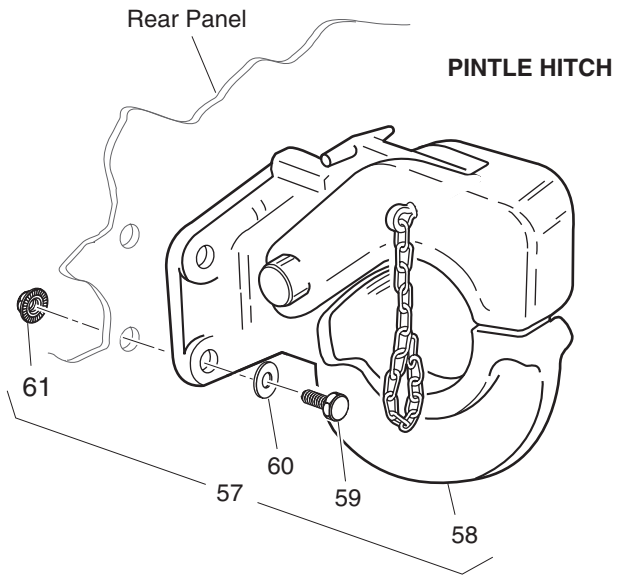
G\*\* Indicates consult Customer Service Department for additional information.

ITEM	PART NO.	1 2 3 4 5	DESCRIPTION	QTY.
1	<u>602707</u>		<p>BATTERY CHARGER ASSEMBLY, LESTER, 24 VOLT</p> <p>For service or replacement parts, contact:                      Lester Electrical                      625 West "A" Street                      Lincoln, NE 68522</p> <p>Phone: USA 001-402- 477-8988, FAX: 001-402- 474-1769                      Always provide the following information when requesting information                      or ordering replacement parts:</p> <p>Model Number:                      Serial Number: (stamped into housing)</p>	

# BODY



Ref Bod 16-1



Ref Bod 16-2

# BODY

When ordering parts, please specify the model and serial number of the product.

\* Indicates a component that is not available as an individual part.

G\*\* Indicates consult Customer Service Department for additional information.

ITEM	PART NO.	1 2 3 4 5	DESCRIPTION	QTY.
1	<u>35700-G01</u>		LOAD DECK.....	1
2	<u>31051-G1</u>		GALVANIZED STEEL LOAD DECK .....	1
3	<u>31051-G2</u>		STAINLESS STEEL LOAD DECK .....	1
4	00753-G3		SCREW, 1/4 - 20 X 1 1/2" LG (STAINLESS STEEL).....	1
5	00559-G8		WASHER, 5/16" .....	1
6				
7				
8	<u>33738-G01</u>		BODY PANEL, RH SIDE (IF EQUIPPED WITH ONBOARD CHARGER) .....	1
9	<u>33738-G02</u>		BODY PANEL, RH SIDE (IF EQUIPPED WITH PORTABLE CHARGER) .....	1
10	<u>33739-G01</u>		BODY PANEL, LH SIDE .....	1
11	<u>00414-G6</u>		BOLT, 1/4 - 20 X 3/4" LG .....	2
12	<u>16705-G4</u>		SCREW, 1/4 - 20 X 1/2" LG (STAINLESS STEEL).....	2
13				
14	33750-G01		FRONT TRAY .....	1
15	<u>11027-G2</u>		LOCK NUT, 1/4 - 20 .....	28
16				
17				
18	<u>32574-G1</u>		CHARGER MOUNT DOOR ASSEMBLY .....	1
19				
20				
21	<u>16705-G2</u>		SCREW 1/4 - 20 X 5/8" LG (STAINLESS STEEL).....	4
22	<u>14390-G4</u>		LOCK NUT, 1/4 - 20 .....	4
23	22524-G1		FOAM TAPE (CUT TO 1" LG).....	1
24	<u>22280-G1</u>		TRIM, BLACK (CUT TO 3 1/2" LG) .....	1
25				
26	<u>33291-G01</u>		LADDER KIT (4 STEP) .....	1
27	<u>33291-G02</u>		LADDER KIT (6 STEP) (INCLUDES ITEMS 28 - 32).....	1
28	32556-G1		COUNTER WEIGHT.....	1
29	00659-G2		BOLT, 1/2 - 13 X 2 1/4" LG (STAINLESS STEEL) .....	3
30	<u>00679-G3</u>		WASHER, 1/2" (STAINLESS STEEL) .....	6



When ordering parts, please specify the model and serial number of the product.

\* Indicates a component that is not available as an individual part.

G\*\* Indicates consult Customer Service Department for additional information.

ITEM	PART NO.	1	2	3	4	5	DESCRIPTION	QTY.
31								
32	00891-G4						LOCK NUT, 1/2 - 13.....	3
33								
34	<u>30931-G1</u>						BACKREST FRAME .....	1
35	<u>30917-G2</u>						CUSHION, BACKREST .....	1
36	00126-G6						SCREW, #12 - 11 X 3/4" LG .....	3
37								
38	<u>00288-G8</u>						BOLT, 7/16 - 14 X 1" LG .....	4
39	<u>00566-G2</u>						LOCK WASHER, 7/16".....	4
40	<u>00532-G7</u>						NUT, 7/16 - 14.....	4
41								
42	<u>71037-G02</u>						NAMEPLATE, E-Z-GO (INCLUDES ITEM 43).....	1
43	23093-G1						DOUBLE SIDED TAPE (CUT TO LENGTH) .....	1
44								
45	*						SERIAL NUMBER PLATE.....	1
46	<u>10570-G9</u>						RIVET, 1/8" X 11/32" LG (ALUMINUM) .....	4
47	<u>35432-G01</u>						LABEL (INDUSTRIAL) .....	2
48								
49	<u>31127-G1</u>						LABEL (DIRECTION SELECTOR).....	1
50	<u>27493-G01</u>						LABEL (CHARGER OPERATION INSTRUCTIONS).....	1
51	<u>34359-G01</u>						LABEL (SAFETY/OPERATION INSTRUCTIONS).....	1
52	<u>25775-G01</u>						LABEL (CHARGER WARNING) .....	1
53								
54	<u>31158-G2</u>						SIDE RAILS.....	2
55								
56	<u>32980-G04</u>						PINTLE HITCH KIT (INCLUDES ITEMS 58 - 61) .....	1
57	30817-G1						PINTLE HITCH .....	1
58	<u>00427-G4</u>						BOLT, 3/8 - 16 X 1 1/2" LG.....	4
59	<u>00560-G1</u>						WASHER, 3/8".....	8
60	<u>11098-G5</u>						LOCK NUT, 3/8 - 16.....	4

# BODY

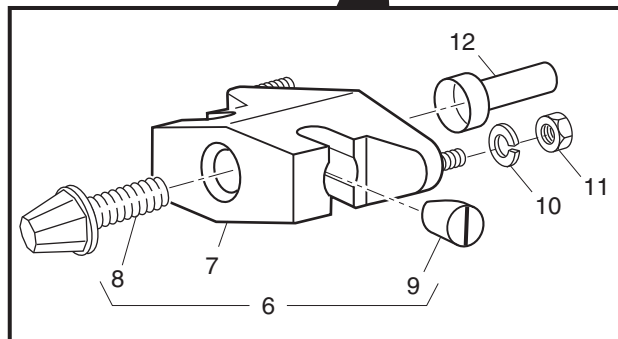
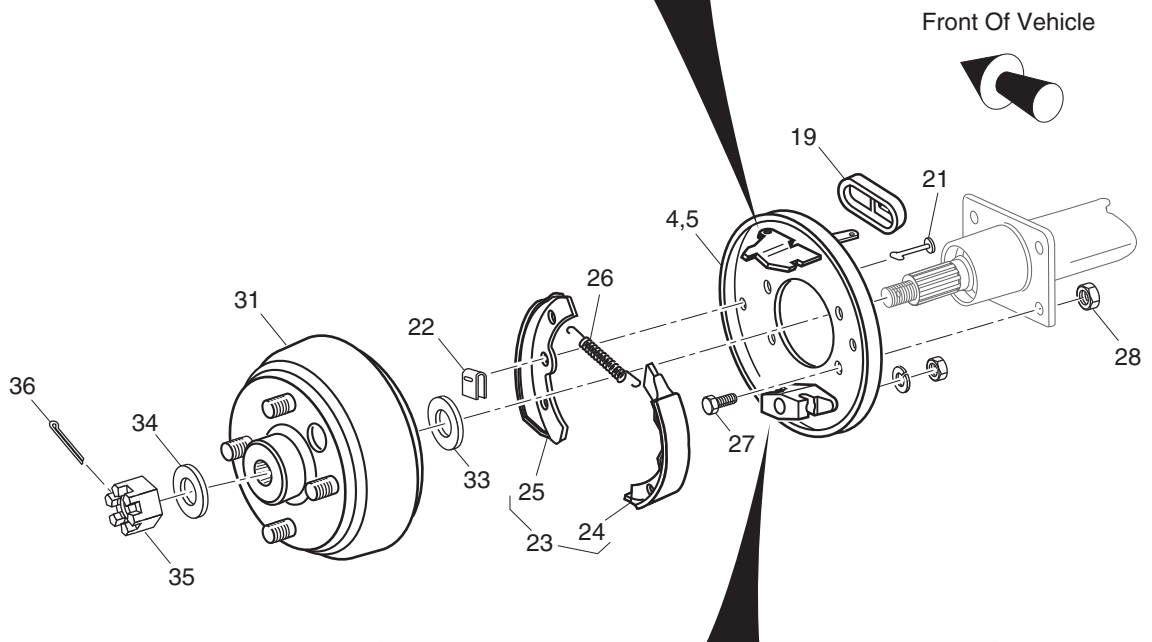
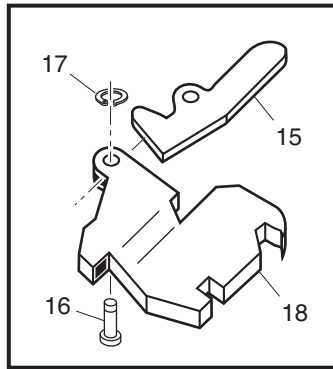
When ordering parts, please specify the model and serial number of the product.  
 \* Indicates a component that is not available as an individual part.  
 G\*\* Indicates consult Customer Service Department for additional information.

ITEM	PART NO.	1 2 3 4 5	DESCRIPTION	QTY.
61				
62				
63	<u>33732-G04</u>		'E' HITCH KIT (INCLUDES ITEMS 65 - 68) .....	1
64	<u>33731-G01</u>		'E' HITCH .....	1
65	<u>00427-G6</u>		BOLT, 3/8 - 16 X 1 3/4" LG .....	4
66	<u>00560-G1</u>		WASHER, 3/8" .....	8
67	<u>11098-G5</u>		LOCK NUT, 3/8 - 16.....	4



# BRAKES

- 1 - Includes Items 4, 6 - 26
- 2 - Includes Items 5 - 26
- 23 - Includes Items 24, 25



Ref Brk 16

When ordering parts, please specify the model and serial number of the product.

\* Indicates a component that is not available as an individual part.

G\*\* Indicates consult Customer Service Department for additional information.

ITEM	PART NO.	1 2 3 4 5	DESCRIPTION	QTY.
1	<u>20938-G1</u>		BRAKE ASSEMBLY, L.H. (INCLUDES ITEMS 4, 6 - 26) .....	1
2	<u>20938-G2</u>		BRAKE ASSEMBLY, R.H. (INCLUDES ITEMS 5 - 26).....	1
3				
4	<u>22519-G1</u>		BACKING PLATE, L.H. ....	1
5	<u>22518-G1</u>		BACKING PLATE, R.H. ....	1
6	<u>22516-G1</u>		ADJUSTER ASSEMBLY (INCLUDES ITEMS 7 - 9) .....	1
7	<u>22520-G1</u>		ADJUSTER BODY (INCLUDES ITEMS 8, 9).....	1
8	<u>17287-G1</u>		ADJUSTER BOLT .....	1
9	<u>17289-G1</u>		PISTON ANCHOR .....	2
10	<u>00664-G7</u>		LOCK WASHER, 1/4" (STAINLESS STEEL).....	2
11	<u>13632-G1</u>		NUT, 6MM.....	2
12	<u>17294-G1</u>		ADJUSTING BOLT CAP .....	1
13				
14				
15	<u>22512-G1</u>		ACTUATING LEVER.....	1
16	<u>22513-G1</u>		LEVER PIN .....	1
17	<u>22514-G1</u>		'U' CLIP .....	1
18	<u>22515-G1</u>		SLIDING BLOCK .....	1
19	<u>22511-G1</u>		DUST COVER .....	1
20				
21	<u>17292-G1</u>		TENSION PIN .....	2
22	<u>17291-G1</u>		SPRING CLAMP .....	2
23	<u>23398-G1</u>		BRAKE SHOE SET (INCLUDES ITEMS 24, 25).....	1
24	<u>23355-G1</u>		BRAKE SHOE (LEADING).....	1
25	<u>23355-G2</u>		BRAKE SHOE (TRAILING).....	1
26	<u>17290-G1</u>		BRAKE SPRING .....	2
27	<u>17083-G1</u>		BOLT, 5/16 - 24 X 3/4" LG .....	4
28	<u>15126-G1</u>		LOCK NUT, 5/16 - 24 .....	4
29				
30				

# BRAKES

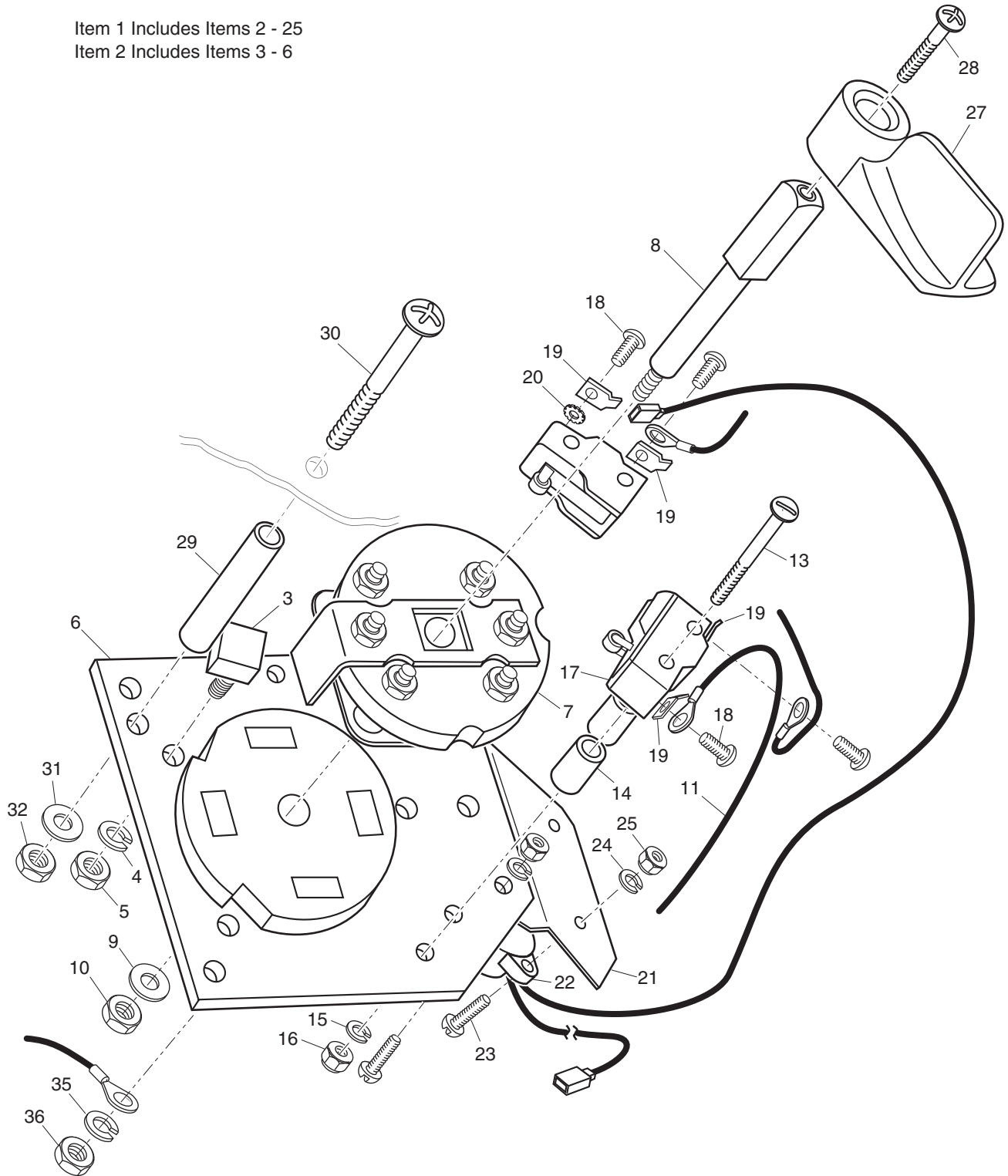
When ordering parts, please specify the model and serial number of the product.  
 \* Indicates a component that is not available as an individual part.  
 G\*\* Indicates consult Customer Service Department for additional information.

ITEM	PART NO.	1 2 3 4 5	DESCRIPTION	QTY.
31	<u>19186-G2</u>		BRAKE DRUM AND HUB ASSEMBLY .....	1
32				
33	<u>15485-G1</u>		WASHER, 13/16" .....	2
34	<u>15487-G1</u>		WASHER, 1 3/8" O.D. X 21/32" .....	2
35	<u>612928</u>		CASTELLATED NUT, 5/8 - 18 .....	2
36	<u>10387-G1</u>		COTTER PIN, 1/8" X 1 1/2" LG .....	2



# DIRECTION SELECTOR

Item 1 Includes Items 2 - 25  
Item 2 Includes Items 3 - 6



Ref Dsl 16



# DIRECTION SELECTOR

When ordering parts, please specify the model and serial number of the product.

\* Indicates a component that is not available as an individual part.

G\*\* Indicates consult Customer Service Department for additional information.

ITEM	PART NO.	1 2 3 4 5	DESCRIPTION	QTY.
1	<u>32042-G2</u>		DIRECTION SELECTOR ASSEMBLY (INCLUDES ITEMS 2 - 25) .....	1
2	<u>14651-G1</u>		CONTACT BOARD ASSEMBLY (INCLUDES ITEMS 3 - 6).....	1
3	<u>24940-G1</u>		STOP.....	2
4	<u>00565-G7</u>		LOCK WASHER, 1/4" (STAINLESS STEEL) .....	2
5	<u>00414-G6</u>		NUT, 1/4 - 20.....	2
6	*		BOARD AND CONTACT.....	1
7	<u>12835-G1</u>		CAM.....	1
8	<u>19470-G1</u>		SHAFT .....	1
9	<u>00560-G1</u>		WASHER, 3/8" .....	1
10	<u>14390-G1</u>		LOCK NUT, 3/8 - 24.....	1
11	<u>20757-G1</u>		18 GA WIRE (RED, 7 3/4") .....	1
12				
13	<u>00645-G6</u>		SCREW, #6 - 32 X 1 3/4" LG .....	4
14	<u>12806-G1</u>		SPACER .....	4
15	<u>00565-G3</u>		LOCK WASHER, #6 .....	4
16	<u>00525-G5</u>		NUT, #6 - 32 .....	4
17	<u>10606-G2</u>		MICRO SWITCH (HEAVY DUTY) .....	2
18	<u>13514-G1</u>		SCREW, #6 - 32 X 7/32" LG .....	4
19	<u>14628-G1</u>		FASTON TAB, 5/16" X 5/16" .....	3
20	<u>00567-G3</u>		LOCK WASHER, #6 .....	4
21	<u>32043-G1</u>		BUZZER BRACKET.....	1
22	<u>17940-G1</u>		REVERSE WARNING BUZZER .....	1
23	<u>00138-G4</u>		SCREW, #6 - 32 X 1/2" LG .....	2
24	<u>00565-G3</u>		LOCK WASHER, #6 .....	4
25	<u>00525-G5</u>		NUT, #6 - 32 .....	4
26				
27	<u>19886-G1</u>		DIRECTION SELECTOR HANDLE.....	1
28	<u>00740-G4</u>		SCREW, #10 - 32 X 1/2" LG (STAINLESS STEEL).....	1
29	<u>30318-G2</u>		SPACER.....	3
30	<u>00753-G7</u>		SCREW, 1/4 - 20 X 2 1/2" LG (STAINLESS STEEL).....	3

# DIRECTION SELECTOR

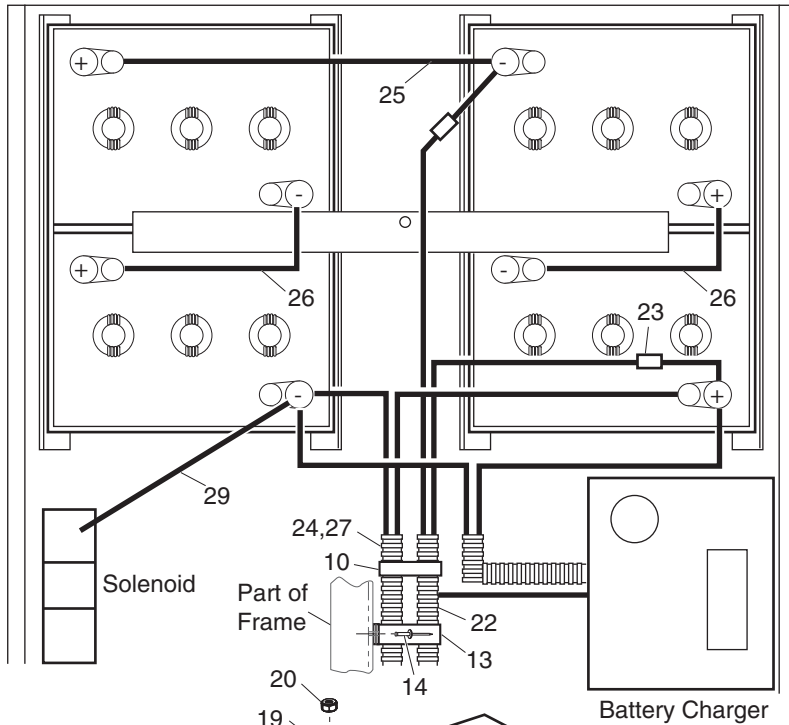
When ordering parts, please specify the model and serial number of the product.  
 \* Indicates a component that is not available as an individual part.  
 G\*\* Indicates consult Customer Service Department for additional information.

ITEM	PART NO.	1	2	3	4	5	DESCRIPTION	QTY.
31	<u>01110-G01</u>						WASHER, 1/4" (STAINLESS STEEL).....	3
32	<u>00550-G1</u>						LOCK NUT, 1/4 - 20.....	3
33								
34								
35	<u>00565-G8</u>						LOCK WASHER, 5/16".....	4
36	<u>00544-G3</u>						JAM NUT, 5/16 - 18.....	4

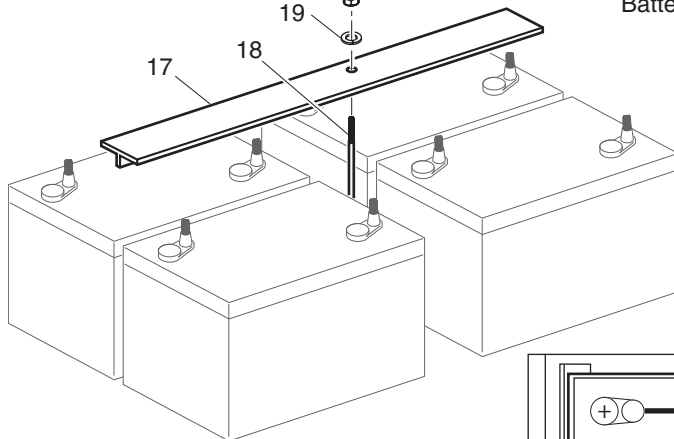
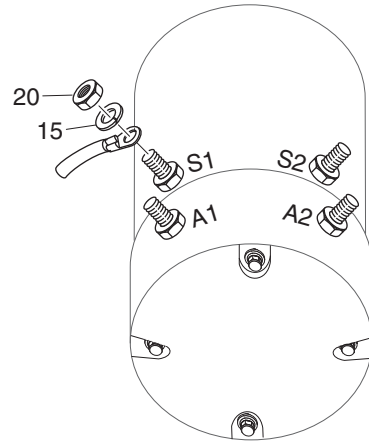


# ELECTRICAL SYSTEM

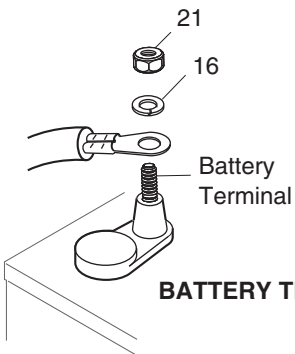
## ON BOARD BATTERIES



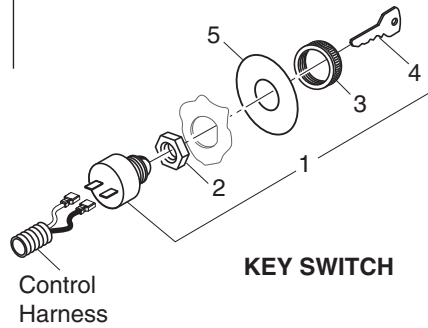
## MOTOR TERMINALS



## BATTERY HOLD DOWN

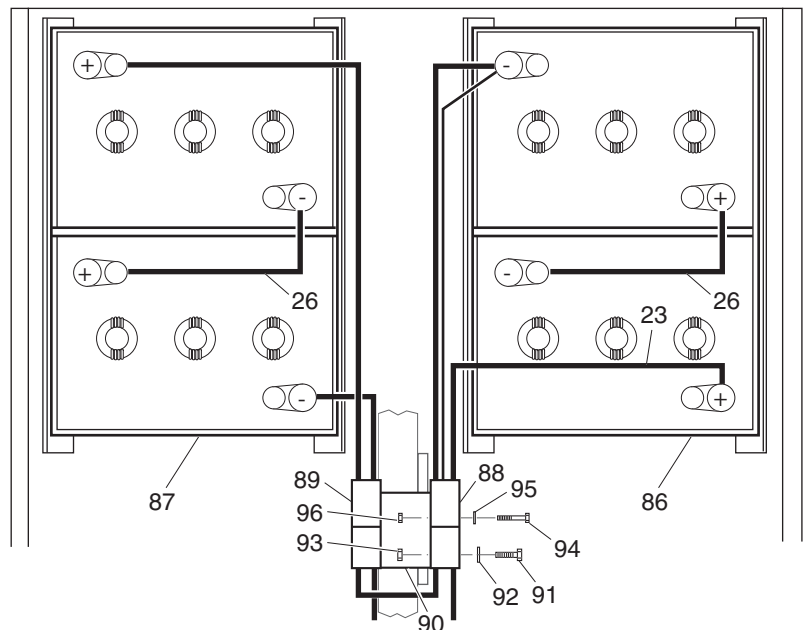


## BATTERY TERMINAL

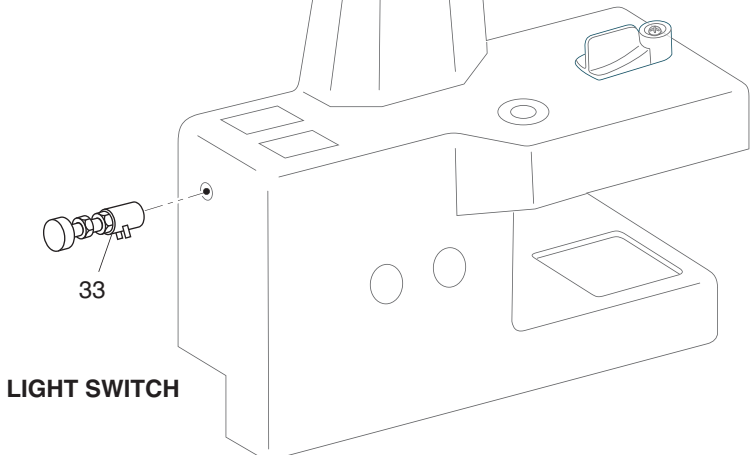


## KEY SWITCH

## LIFT OUT BATTERIES

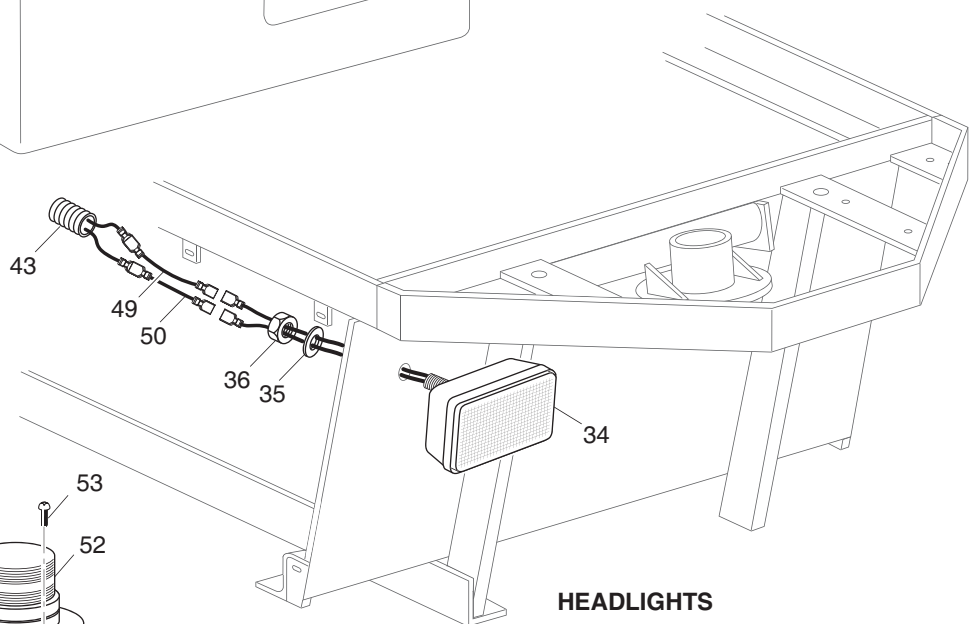


Ref Ele 16-1

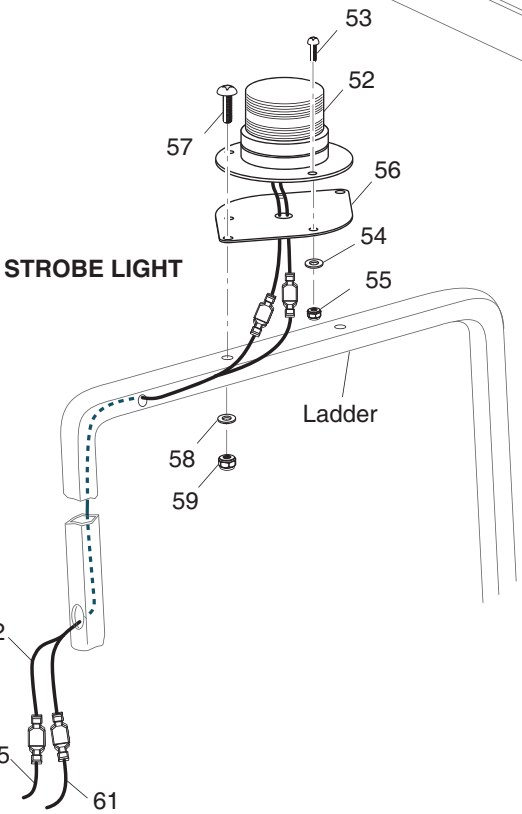


**LIGHT SWITCH**

- 31 - Includes Items 33 - 45
- 32 - Includes Items 33 - 50
- 51 - Includes Items 52 - 65

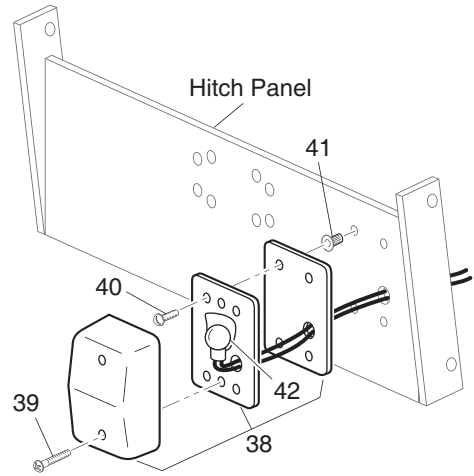


**HEADLIGHTS**



**STROBE LIGHT**

Ladder

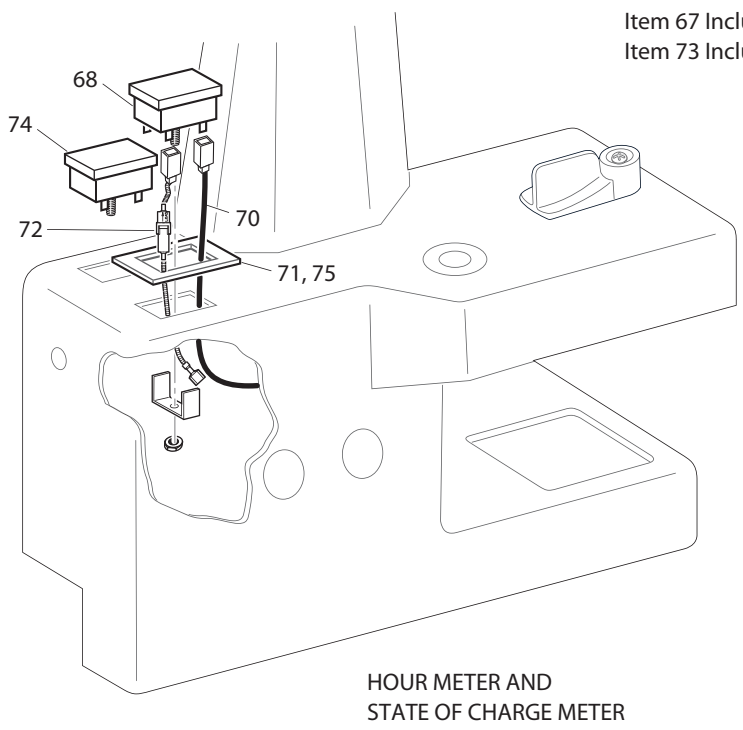
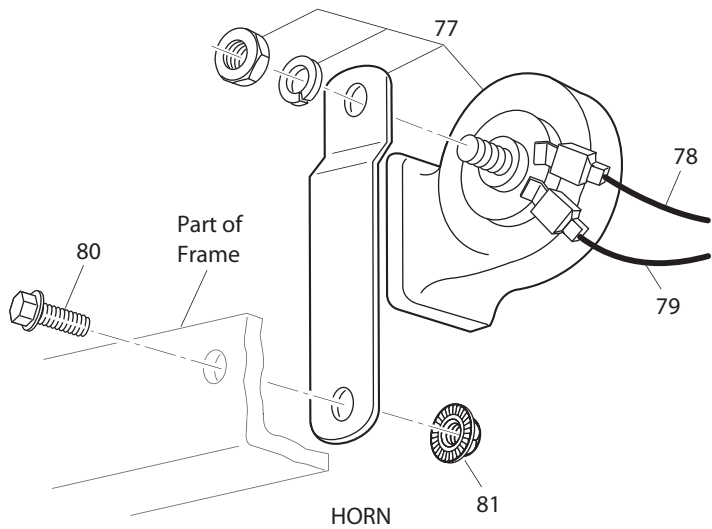
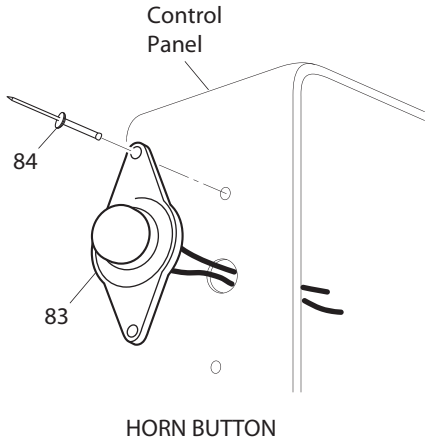


Hitch Panel

**TAILLIGHT**

Ref Ele 16-2

# ELECTRICAL SYSTEM



Item 67 Includes Items 68 - 71  
Item 73 Includes Items 74 - 75

Ref Ele 16-3

# ELECTRICAL SYSTEM

When ordering parts, please specify the model and serial number of the product.  
 \* Indicates a component that is not available as an individual part.  
 G\*\* Indicates consult Customer Service Department for additional information.

ITEM	PART NO.	1 2 3 4 5	DESCRIPTION	QTY.
1	<u>17421-G1</u>		KEY SWITCH (INCLUDES ITEMS 2 - 4) .....	1
2	*		PAL NUT .....	1
3	<u>17137-G1</u>		FACE NUT, 3/4 - 20 .....	1
4	<u>17063-G1</u>		IGNITION KEY .....	1
5	<u>30533-G1</u>		ON/OFF PLATE .....	1
6				
7				
8	<u>31114-G2</u>		CABLE RETAINER .....	3
9	<u>00852-G1</u>		RIVET, 3/16" X 7/16" LG .....	3
10	<u>17618-G1</u>		WIRE TIE .....	10
11	<u>20058-G1</u>		WIRE TIE ADHESIVE BASE .....	7
12				
13	<u>11845-G3</u>		INSULATED CABLE CLAMP, 3/4" .....	2
14	<u>00852-G1</u>		RIVET, 3/16" X 7/16" LG .....	2
15	<u>00993-G01</u>		LOCK WASHER, 5/16" (SILICON BRONZE) .....	4
16	<u>00565-G8</u>		WASHER, 5/16" (SILICON BRONZE) .....	8
17	<u>31387-G1</u>		BATTERY HOLD DOWN .....	1
18	<u>30429-G2</u>		BATTERY HOLD DOWN ROD, 5/16 - 18 .....	1
19	<u>00642-G8</u>		WASHER, 5/16" .....	1
20	<u>00532-G3</u>		NUT, 5/16 - 18 .....	4
21	<u>00702-G2</u>		NUT, 5/16 - 18 .....	8
22	<u>32626-G1</u>		CONTROL HARNESS .....	1
23	<u>18392-G1</u>		FUSE (15 AMP) .....	2
24	<u>32615-G1</u>		POWER HARNESS (ON BOARD CHARGER) .....	1
25	<u>31178-G1</u>		6 GA WIRE (BLACK, 18 1/4") .....	1
26	<u>31178-G2</u>		6 GA WIRE (BLACK, 8 3/4") .....	2
27	<u>32642-G1</u>		POWER HARNESS (PORTABLE CHARGER) .....	1
28				
29	<u>32684-G1</u>		10 GA WIRE (BLACK, 18 1/2") .....	1
30				

# ELECTRICAL SYSTEM

When ordering parts, please specify the model and serial number of the product.

\* Indicates a component that is not available as an individual part.

G\*\* Indicates consult Customer Service Department for additional information.

ITEM	PART NO.	1 2 3 4 5	DESCRIPTION	QTY.
31	32984-G02		LIGHT KIT (INCLUDES ITEMS 33 - 45) .....	1
32	32984-G03		LIGHT KIT (W/LIFT OUT BATTERIES) (INCLUDES ITEMS 33 - 50) .....	1
33	<u>18431-G1</u>		LIGHT SWITCH ASSEMBLY .....	1
34	<u>30394-G1</u>		HEAD LIGHT ASSEMBLY .....	2
35	<u>00556-G3</u>		LOCK WASHER, .....	2
36	<u>00533-G1</u>		NUT, 1/2 - 13.....	2
37				
38	<u>22288-G1</u>		TAILLIGHT ASSEMBLY .....	1
39	<u>00513-G4</u>		SCREW, #8 - 18 X 1 1/2" LG .....	2
40	00180-G6		SCREW, #10 - 24 X 3/4" LG .....	4
41	<u>00739-G1</u>		WELL NUT, #10 - 24.....	4
42	<u>21759-G1</u>		LIGHT BULB .....	1
43	<u>32985-G01</u>		WIRE HARNESS (LIGHTS).....	1
44	<u>20058-G1</u>		WIRE TIE ADHESIVE BASE .....	4
45	<u>17618-G1</u>		WIRE TIE .....	12
46				
47	<u>33021-G01</u>		WIRE HARNESS (LIFT OUT BATTERIES) .....	1
48	<u>17902-G1</u>		TAB ADAPTOR .....	1
49	<u>33208-G02</u>		16 GA WIRE (WHITE, 6") .....	2
50	<u>33208-G01</u>		16 GA WIRE (BLACK, 6").....	2
51	<u>33212-G01</u>		STROBE LIGHT KIT (INCLUDES ITEMS 52 - 65).....	1
52	25617-G01		STROBE LIGHT ASSEMBLY .....	1
53	<u>00156-G4</u>		SCREW, #10 - 32 X 1/2" LG .....	3
54	00594-G5		LOCK WASHER, #10 .....	3
55	00672-G4		NUT, #10 - 32 (STAINLESS STEEL) .....	3
56	<u>33201-G01</u>		STROBE MOUNTING BRACKET.....	1
57	<u>00753-G7</u>		SCREW, 1/4 - 20 X 2 1/2" LG (STAINLESS STEEL).....	2
58	<u>00660-G7</u>		WASHER, 1/4" (STAINLESS STEEL).....	2
59	<u>00654-G2</u>		LOCK NUT, 1/4 - 20 (STAINLESS STEEL).....	2
60	<u>17902-G1</u>		TAB ADAPTER .....	1



# ELECTRICAL SYSTEM

When ordering parts, please specify the model and serial number of the product.

\* Indicates a component that is not available as an individual part.

G\*\* Indicates consult Customer Service Department for additional information.

ITEM	PART NO.	1 2 3 4 5	DESCRIPTION	QTY.
61	<u>25615-G01</u>		16 GA WIRE (RED, 41") .....	1
62	<u>25616-G01</u>		16 GA WIRE (GRAY, 83") .....	1
63	<u>22594-G1</u>		FUSE HOLDER .....	1
64	<u>17618-G1</u>		WIRE TIE .....	9
65	<u>33203-G01</u>		16 GA WIRE (GRAY, 48") .....	1
66				
67	33587-G01		STATE OF CHARGE METER ASSEMBLY (INCLUDES ITEMS 68 - 71) .....	1
68	<u>33636-G02</u>		STATE OF CHARGE METER (24 VOLT) .....	1
69	<u>17902-G1</u>		TAB ADAPTER .....	1
70	25978-G62		18 GA WIRE (RED, 12") .....	1
71	<u>28178-G01</u>		MOUNTING PLATE .....	1
72	<u>609067</u>		SOC FUSE HARNESS .....	1
73	33586-G01		HOUR METER ASSEMBLY (INCLUDES ITEMS 74 - 75) .....	1
74	<u>33633-G01</u>		HOUR METER (18 - 60 VDC).....	1
75	<u>28178-G01</u>		MOUNTING PLATE .....	1
76				
77	<u>32860-G1</u>		HORN ASSEMBLY .....	1
78	25978-G91		18 GA WIRE (ORANGE, 12").....	1
79	35111G01		18 GA WIRE (YELLOW/RED, 12").....	1
80	<u>00661-G8</u>		BOLT, 1/4 - 20 X 1" LG (STAINLESS STEEL).....	1
81	<u>14390-G4</u>		LOCK NUT, 1/4 - 20 .....	1
82				
83	<u>20948-G1</u>		HORN SWITCH.....	1
84	<u>14601-G8</u>		RIVET, 3/16" X 7/16" LG (ALUMINUM).....	2
85				
86	32660-G1		LIFT OUT BATTERY ASSEMBLY (RIGHT) .....	1
87	32660-G2		LIFT OUT BATTERY ASSEMBLY (LEFT).....	1
88	<u>32662-G1</u>		CHARGER CONNECTOR (LIFT OUT BATTERY) (RH).....	1
89	<u>32590-G1</u>		CHARGER CONNECTOR (LIFT OUT BATTERY) (LH).....	1
90	<u>32561-G1</u>		BATTERY CONNECTOR BRACKET .....	1

# ELECTRICAL SYSTEM

When ordering parts, please specify the model and serial number of the product.

\* Indicates a component that is not available as an individual part.

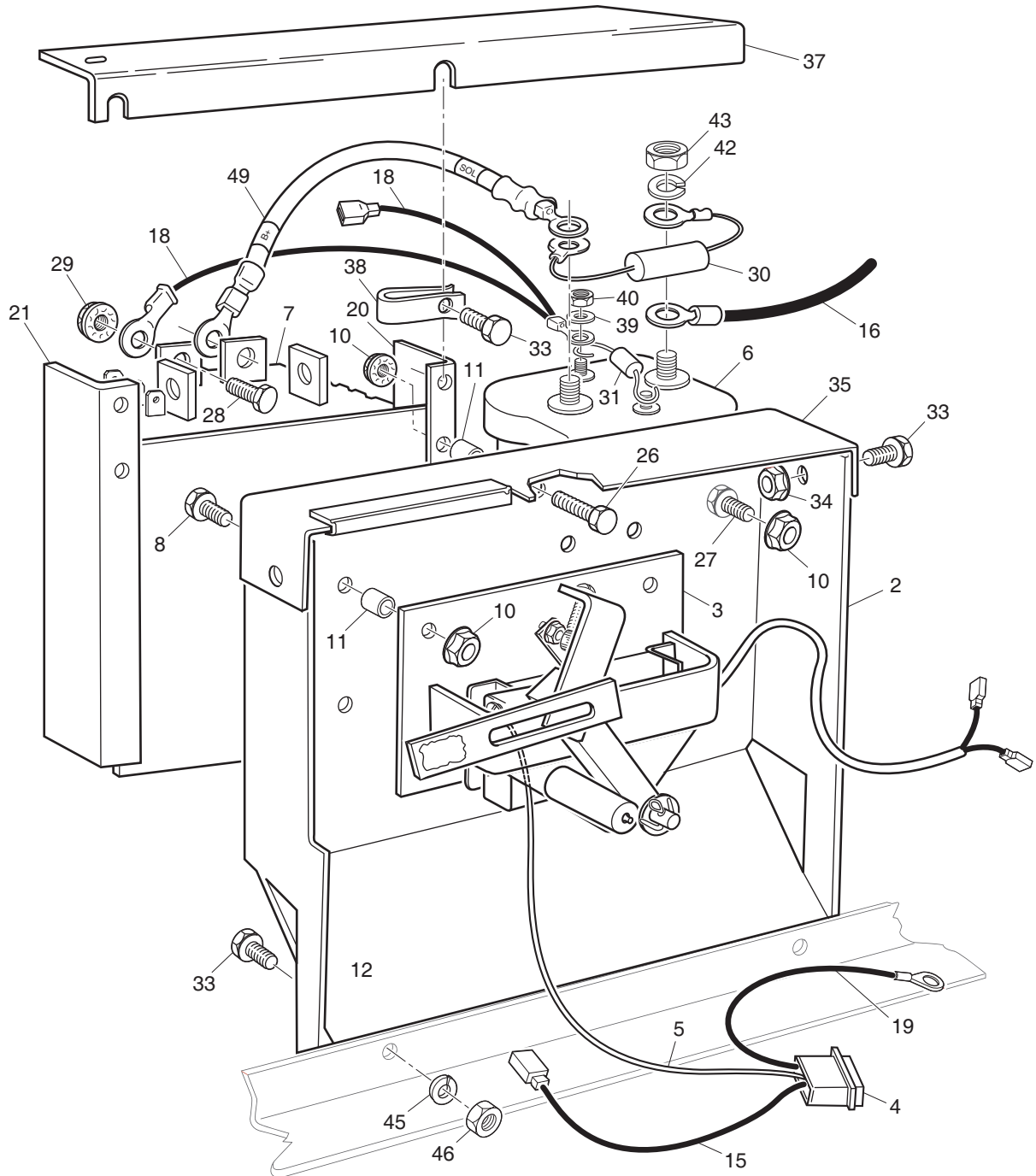
G\*\* Indicates consult Customer Service Department for additional information.

ITEM	PART NO.	1 2 3 4 5	DESCRIPTION	QTY.
91	00438-G6		BOLT, 5/16 - 18 X 3/4" LG .....	2
92	<u>00565-G8</u>		LOCK WASHER, 5/16" .....	2
93	<u>00532-G3</u>		NUT, 5/16 - 18 .....	2
94	<u>00415-G4</u>		BOLT, 1/4 - 20 X 1 1/2" LG .....	6
95	00554-G7		WASHER, 1/4" .....	6
96	<u>14390-G4</u>		NUT, 1/4 - 20 .....	6



# ELECTRONIC SPEED CONTROL

Item 1 Includes Items 2 - 31



Ref Esc 16

# ELECTRONIC SPEED CONTROL

When ordering parts, please specify the model and serial number of the product.

\* Indicates a component that is not available as an individual part.

G\*\* Indicates consult Customer Service Department for additional information.

ITEM	PART NO.	1	2	3	4	5	DESCRIPTION	QTY.
1	<u>32568-G1</u>						SPEED CONTROLLER ASSEMBLY (INCLUDES ITEMS 2 - 31) .....	1
2	<u>32558-G1</u>						SPEED CONTROL BRACKET .....	1
3	<u>32636-G1</u>						POTENTIOMETER SUPPORT .....	1
4	<u>24002-G1</u>						FOUR PIN CONNECTOR (FEMALE) .....	1
5	<u>32630-G1</u>						16 GA WIRE (WHITE/RED, 22 3/4") .....	1
6	<u>20468-G3</u>						HEAVY DUTY SOLENOID (24 VOLT).....	1
7	<u>20972-G1</u>						SPEED CONTROLLER .....	1
8	<u>00414-G6</u>						BOLT, 1/4 - 20 X 3/4" LG .....	3
9								
10	<u>11027-G2</u>						LOCK NUT, 1/4 - 20.....	9
11	<u>23726-G1</u>						SPACER, 1/4" .....	4
12								
13								
14								
15	<u>32632-G1</u>						16 GA WIRE (BLUE, 18 3/4") .....	1
16	<u>32684-G1</u>						10 GA WIRE (BLACK, 18 1/2") .....	1
17	<u>25972-G83</u>						6 GA WIRE (BLACK, 6 3/4") .....	1
18	<u>32627-G1</u>						16 GA WIRE (BLACK, 18") .....	1
19	<u>32631-G1</u>						16 GA WIRE (RED/WHITE, 8 1/2") .....	1
20	<u>32620-G1</u>						ANGLE SHIELD, RH.....	1
21	<u>32620-G2</u>						ANGLE SHIELD, LH .....	1
22								
23								
24								
25								
26	<u>00414-G7</u>						BOLT, 1/4 - 20 X 7/8" LG .....	4
27	<u>00414-G4</u>						BOLT, 1/4 - 20 X 1/2" LG .....	2
28	<u>00438-G6</u>						BOLT, 5/16 - 18 X 5/8" LG .....	4
29	<u>11027-G1</u>						LOCK NUT, 5/16 - 18.....	4
30	<u>21764-G1</u>						RESISTOR.....	1

# ELECTRONIC SPEED CONTROL

When ordering parts, please specify the model and serial number of the product.

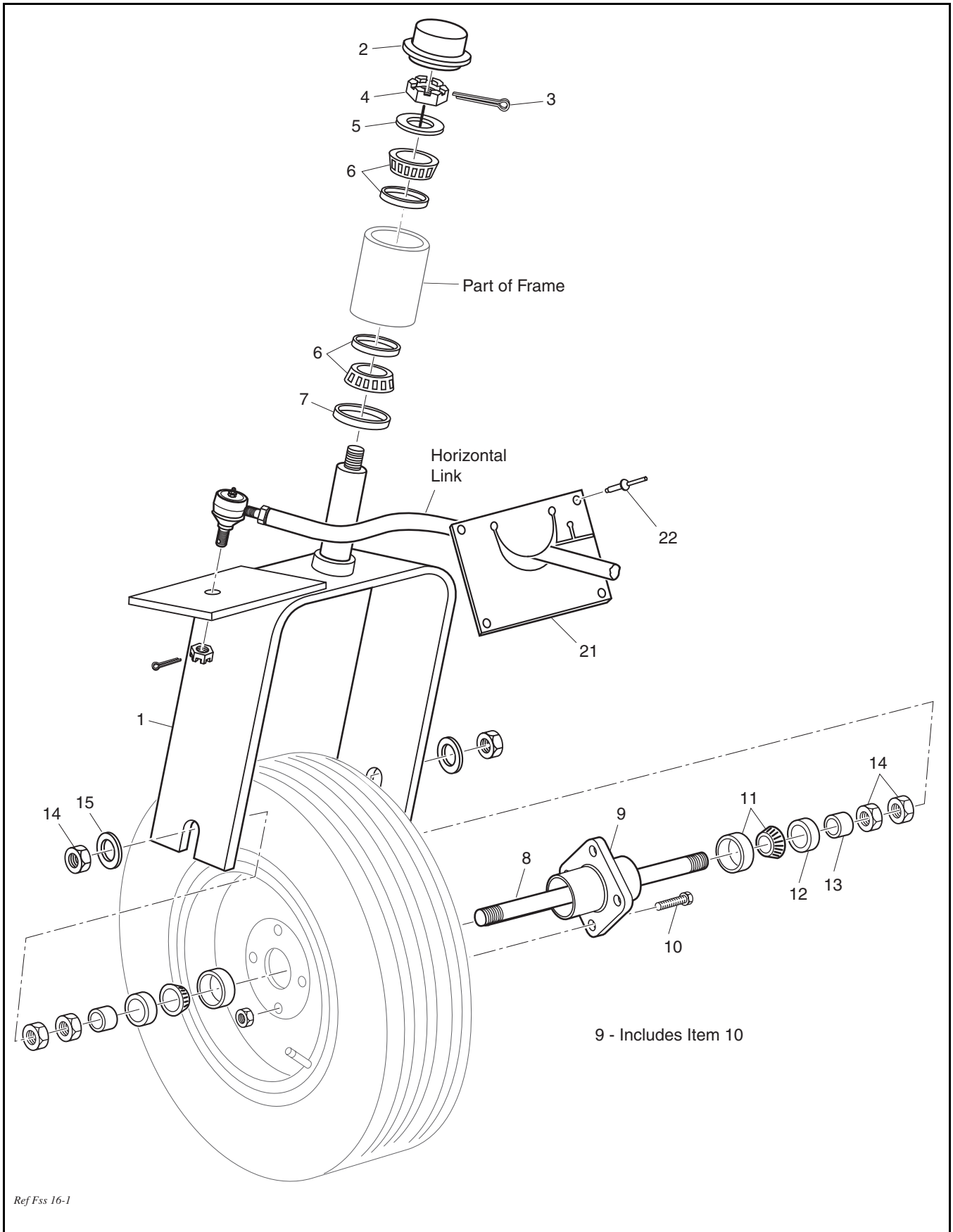
\* Indicates a component that is not available as an individual part.

G\*\* Indicates consult Customer Service Department for additional information.

ITEM	PART NO.	1	2	3	4	5	DESCRIPTION	QTY.
31	<u>30353-G1</u>						DIODE, 3 AMP.....	1
32								
33	<u>00661-G8</u>						BOLT, 1/4 - 20 X 1" LG (STAINLESS STEEL).....	6
34	<u>11027-G2</u>						LOCK NUT, 1/4 - 20.....	2
35	<u>32618-G1</u>						LINKAGE SHIELD.....	1
36								
37	<u>32619-G1</u>						SPEED CONTROL COVER.....	1
38	<u>00709-G1</u>						'U' NUT, 1/4 - 20.....	2
39	<u>00565-G5</u>						LOCK WASHER, #10.....	2
40	<u>00526-G4</u>						NUT, #10 - 32.....	2
41								
42	<u>00565-G8</u>						LOCK WASHER, 5/16".....	2
43	<u>00532-G3</u>						JAM NUT, 5/16 - 24.....	2
44								
45	<u>23726-G1</u>						WASHER, 1/4" (STAINLESS STEEL).....	1
46	<u>11027-G2</u>						LOCK NUT, 1/4 - 20.....	1
47								
48	<u>25949-G01</u>						VARISTOR MOV.....	1
49	<u>25972-G83</u>						6 GA WIRE (BLACK, 9").....	1
50	<u>25977-G85</u>						16 GA WIRE (BLUE, 23").....	1

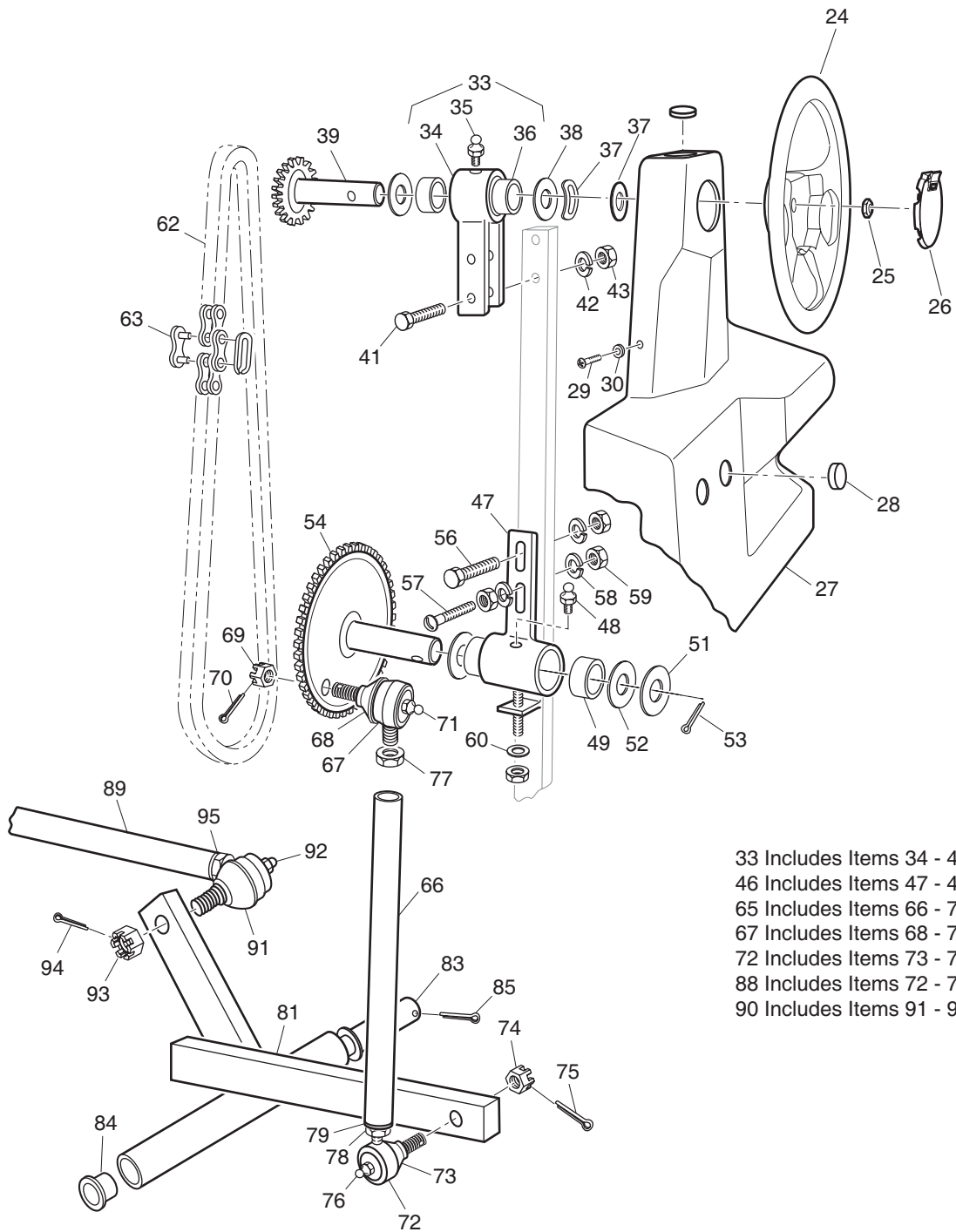


# FRONT FORK AND STEERING





# FRONT FORK AND STEERING



- 33 Includes Items 34 - 40
- 46 Includes Items 47 - 49
- 65 Includes Items 66 - 78
- 67 Includes Items 68 - 71
- 72 Includes Items 73 - 76
- 88 Includes Items 72 - 77, 89 - 95
- 90 Includes Items 91 - 94

Ref Fss 16-2

# FRONT FORK AND STEERING

When ordering parts, please specify the model and serial number of the product.

\* Indicates a component that is not available as an individual part.

G\*\* Indicates consult Customer Service Department for additional information.

ITEM	PART NO.	1 2 3 4 5	DESCRIPTION	QTY.
1	<u>30905-G1</u>		FRONT FORK .....	1
2	<u>30146-G1</u>		DUST CAP .....	1
3	10387-G5		COTTER PIN, 3/32" X 1 1/4" LG .....	1
4	00536-G8		CASTELLATED NUT, 3/4 - 16 .....	1
5	<u>00571-G8</u>		WASHER, 3/4" .....	1
6	<u>50892-G1</u>		BEARNG AND RACE ASSEMBLY (COMPLETE) .....	1
7	<u>12092-G1</u>		GREASE SEAL .....	1
8	<u>10223-G7</u>		FRONT AXLE .....	1
9	<u>19888-G1</u>		HUB (INCLUDES ITEM 10) .....	1
10	<u>19862-G1</u>		LUG BOLT, 1/2 - 20 X 1 3/16" LG .....	4
11	<u>50908-G1</u>		BEARING AND RACE .....	2
12	<u>19471-G1</u>		GREASE SEAL .....	2
13	<u>11655-G2</u>		AXLE SPACER .....	2
14	<u>00667-G8</u>		JAM NUT, 3/4 - 16 (STAINLESS STEEL) .....	6
15	<u>00571-G8</u>		WASHER, 3/4" .....	3
16				
17				
18				
19				
20				
21	<u>30878-G1</u>		SPLASH SHIELD .....	1
22	<u>14269-G1</u>		RIVET, 3/16" X 1/2" LG .....	4
23				
24	<u>71948-G01</u>		STEERING WHEEL .....	1
25	<u>14390-G2</u>		LOCK NUT, 5/8 - 18 .....	1
26	75910-G01		CLIP BOARD .....	1
27	33175-G**		CONTROL PANEL COVER .....	1
28	<u>34507-G01</u>		HOLE PLUG .....	3
29	00102-G6		SCREW, #8 - 18 X 3/4" LG .....	11
30	<u>00559-G4</u>		WASHER, #8 .....	11

# FRONT FORK AND STEERING

When ordering parts, please specify the model and serial number of the product.

\* Indicates a component that is not available as an individual part.

G\*\* Indicates consult Customer Service Department for additional information.

ITEM	PART NO.	1	2	3	4	5	DESCRIPTION	QTY.
31								
32								
33	<u>31922-G1</u>						UPPER FIXED HUB ASSEMBLY (INCLUDES ITEMS 34 - 40).....	1
34	<u>30866-G1</u>						UPPER HUB (FIXED) .....	1
35	<u>10389-G3</u>						GREASE FITTING, STRAIGHT .....	1
36	<u>30154-G1</u>						BUSHING.....	2
37	<u>00731-G1</u>						SPRING WASHER .....	1
38	<u>30156-G1</u>						THRUST WASHER, 3/4" .....	2
39	<u>71897-G01</u>						SPROCKET AND SHAFT (UPPER) .....	1
40								
41	<u>00271-G8</u>						BOLT, 5/16 - 18 X 2" LG .....	2
42	<u>00565-G8</u>						LOCK WASHER, 5/16".....	2
43	<u>00532-G3</u>						NUT, 5/16 - 18.....	2
44								
45								
46	<u>31921-G1</u>						HUB ASSEMBLY (LOWER, SLIDING) (INCLUDES ITEMS 47 - 49).....	1
47	<u>30869-G1</u>						HUB (LOWER, SLIDING) .....	1
48	<u>18456-G1</u>						GREASE FITTING, 90° .....	1
49	<u>30154-G1</u>						BUSHING.....	2
50								
51	<u>00571-G8</u>						WASHER, 3/4.....	1
52	<u>30156-G1</u>						THRUST WASHER, 3/4" .....	2
53	<u>10387-G9</u>						COTTER PIN, 1/8" X 1 1/4" LG .....	2
54	<u>30861-G1</u>						SPROCKET AND SHAFT (LOWER).....	1
55								
56	<u>00271-G8</u>						BOLT, 5/16 - 18 X 2" LG .....	1
57	<u>00743-G1</u>						SCREW, 5/16 - 18 X 3 1/2" LG .....	1
58	<u>00565-G8</u>						LOCK WASHER, 5/16".....	3
59	<u>00532-G3</u>						NUT, 5/16 - 18.....	4
60	<u>00565G8</u>						LOCK WASHER, 5/16".....	1

# FRONT FORK AND STEERING

When ordering parts, please specify the model and serial number of the product.

\* Indicates a component that is not available as an individual part.

G\*\* Indicates consult Customer Service Department for additional information.

ITEM	PART NO.	1	2	3	4	5	DESCRIPTION	QTY.
61								
62	<u>30870-G1</u>						CHAIN, ROLLER.....	1
63	<u>30871-G1</u>						MASTER LINK .....	1
64								
65	<u>30420-G1</u>						VERTICAL LINK ASSEMBLY (INCLUDES ITEMS 66 - 78).....	1
66	<u>30873-G1</u>						VERTICAL LINK .....	1
67	<u>27205-G02</u>						TIE ROD END, RH THREAD (INCLUDES ITEMS 68 - 71) .....	1
68	<u>50641-G1</u>						RUBBER BOOT .....	1
69	<u>50209-G2</u>						CASTELLATED NUT, 7/16 - 20 .....	1
70	<u>10387-G1</u>						COTTER PIN, 1/8" X 1 1/2" LG.....	1
71	<u>10389-G3</u>						GREASE FITTING, STRAIGHT.....	1
72	<u>27205-G01</u>						TIE ROD END, LH THREAD (INCLUDES ITEMS 73 - 76).....	1
73	<u>50641-G1</u>						RUBBER BOOT .....	1
74	<u>50209-G2</u>						CASTELLATED NUT, 7/16 - 20 .....	1
75	<u>10387-G1</u>						COTTER PIN, 1/8 X 1 1/2" LG .....	1
76	<u>10389-G3</u>						GREASE FITTING, STRAIGHT.....	1
77	<u>18434-G3</u>						JAM NUT, 9/16 - 18 (LEFT HAND THREADS).....	1
78	<u>18434-G4</u>						JAM NUT, 9/16 - 18 (RIGHT HAND THREADS) .....	1
79								
80								
81	<u>30874-G1</u>						BELLCRANK.....	1
82								
83	<u>30772-G2</u>						PIVOT SHAFT, 8".....	1
84	<u>70581-G01</u>						BUSHING .....	2
85	<u>10387-G9</u>						COTTER PIN, 1/8" X 1 1/4" LG.....	1
86								
87								
88	<u>30419-G1</u>						HORIZONTAL LINKAGE ASSEMBLY (INCLUDES ITEMS 72 -77, 89 - 95) .....	1
89	<u>30872-G1</u>						HORIZONTAL LINK.....	1
90	<u>27205-G02</u>						TIE ROD END, RH THREAD (INCLUDES ITEMS 91 - 94) .....	1

# FRONT FORK AND STEERING

When ordering parts, please specify the model and serial number of the product.

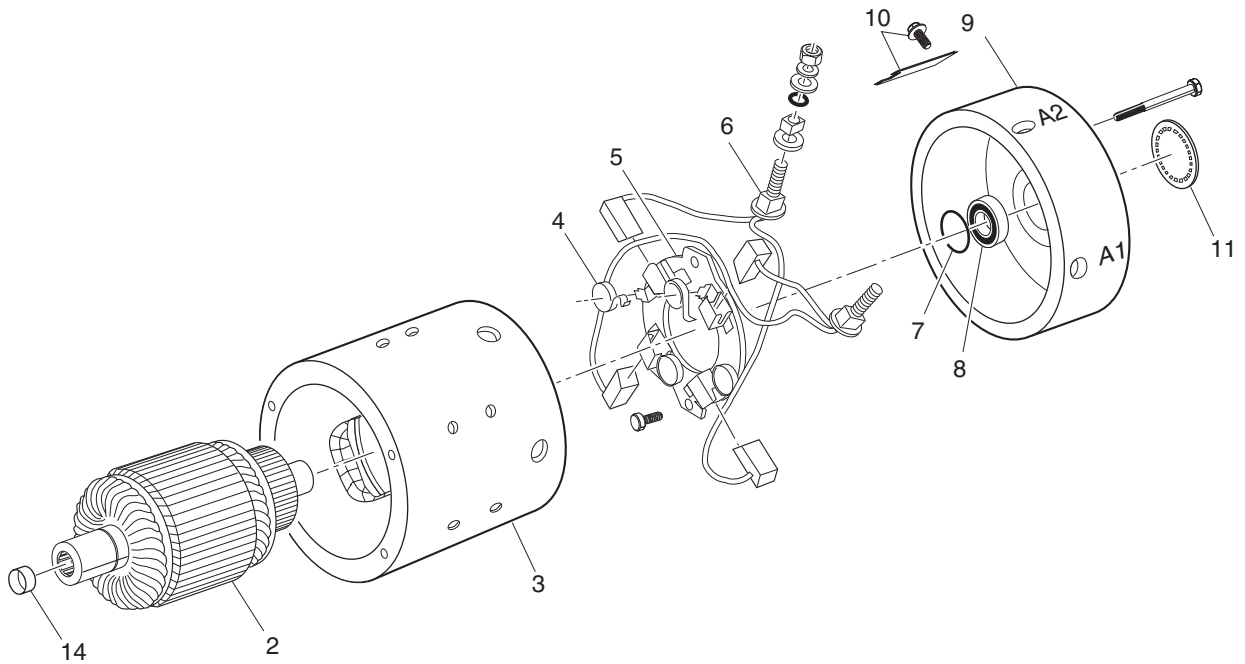
\* Indicates a component that is not available as an individual part.

G\*\* Indicates consult Customer Service Department for additional information.

ITEM	PART NO.	1	2	3	4	5	DESCRIPTION	QTY.
91	<u>50641-G1</u>						RUBBER BOOT .....	1
92	<u>10389-G3</u>						GREASE FITTING, STRAIGHT .....	1
93	<u>50209-G2</u>						CASTELLATED NUT, 7/16 - 20 .....	1
94	<u>10387-G1</u>						COTTER PIN, 1/8" X 1 1/2" LG .....	1
95	<u>18434-G4</u>						JAM NUT, 9/16 - 18 (RIGHT HAND THREAD).....	1

# MOTOR

1 - Includes Items 2 - 11

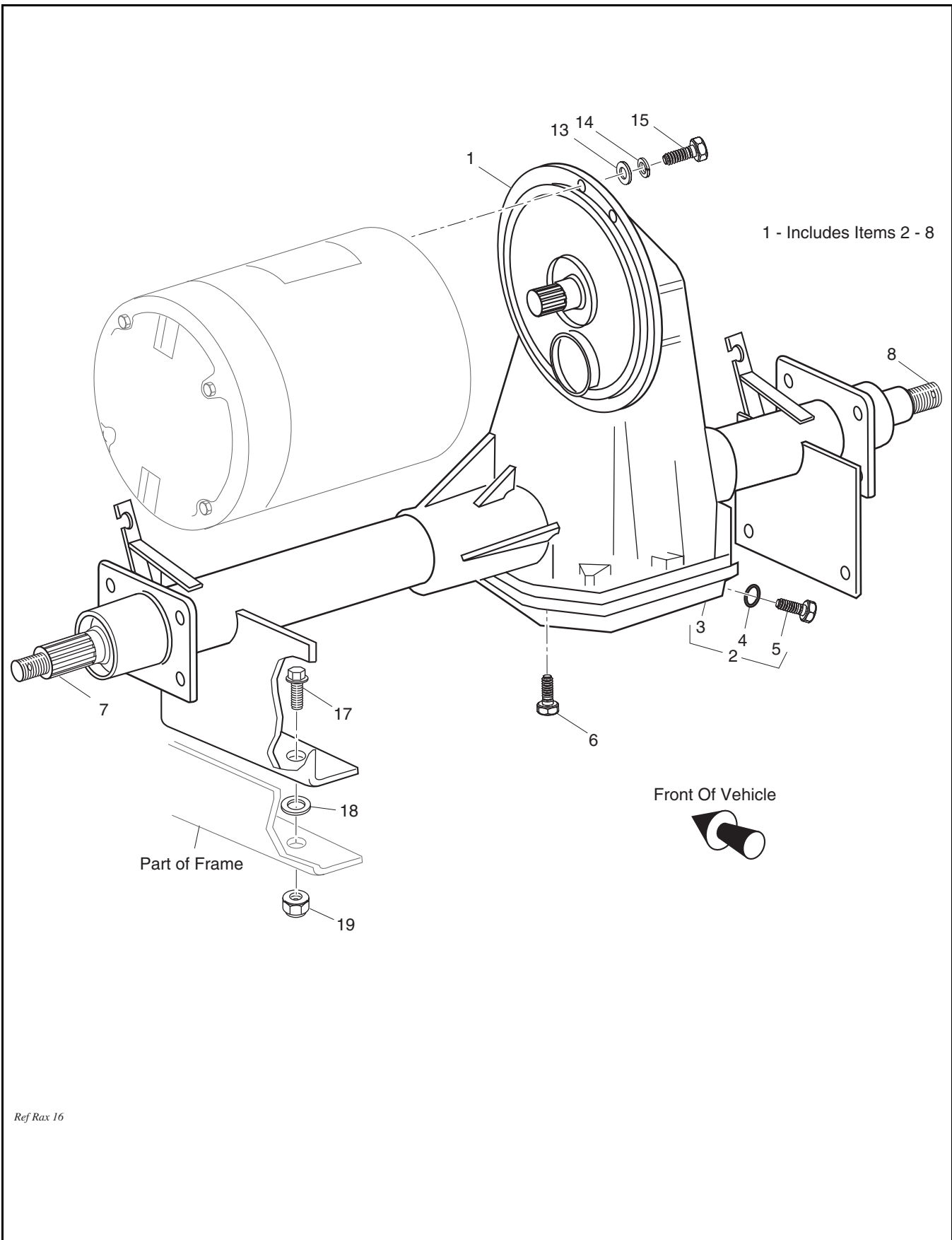


Ref Mtr 16

When ordering parts, please specify the model and serial number of the product.  
 \* Indicates a component that is not available as an individual part.  
 G\*\* Indicates consult Customer Service Department for additional information.

ITEM	PART NO.	1 2 3 4 5	DESCRIPTION	QTY.
1	<u>73445-G01</u>		MOTOR, FLEET SPEED, NON-VENTED (INCLUDES ITEMS 2 - 11) .....	1
2	<u>73120-G01</u>		ARMATURE .....	1
3	<u>73120-G29</u>		FRAME AND FIELD COIL (INCLUDES HARDWARE).....	1
4	<u>73120-G03</u>		BRUSH SPRING.....	4
5	<u>73120-G15</u>		BRUSH PLATE AND BOX.....	1
6	<u>73120-G25</u>		BRUSH REPLACEMENT KIT (INCLUDES HARDWARE) .....	1
7	<u>73120-G06</u>		SNAP RING .....	1
8	<u>73120-G07</u>		BEARING.....	1
9	<u>73120-G08</u>		COVER COMMUTATOR END .....	1
10	<u>73120-G09</u>		COVER PLATE AND SCREW.....	1
11	<u>73120-G16</u>		CAP.....	1
12				
13				
14	<u>24261-G1</u>		BUMPER SPLINE.....	1

# REAR AXLE



Ref Rax 16



# REAR AXLE

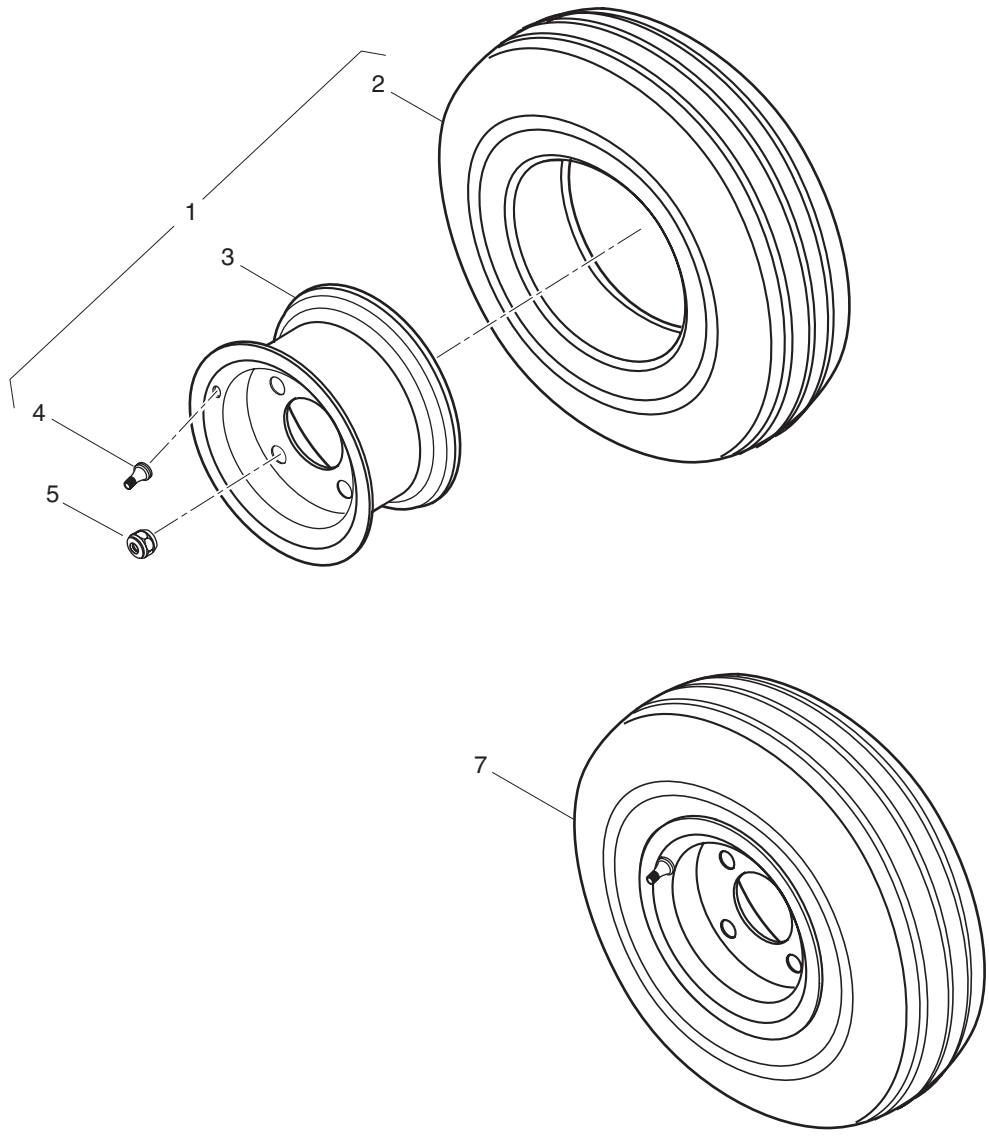
When ordering parts, please specify the model and serial number of the product.

\* Indicates a component that is not available as an individual part.

G\*\* Indicates consult Customer Service Department for additional information.

ITEM	PART NO.	1 2 3 4 5	DESCRIPTION	QTY.
1	36015-G01		REAR AXLE ASSEMBLY (INCLUDES ITEMS 2 - 8) .....	1
2	28584-G01		DIFFERENTIAL COVER ASSEMBLY (INCLUDES ITEMS 3 - 5) .....	1
3	28583-G01		DIFFERENTIAL COVER .....	1
4	28582-G01		O-RING .....	1
5	28581-G01		FILL/CHECK PLUG .....	1
6	<u>15558-G1</u>		BOLT, 5/16 - 18 X 3/4" LG .....	10
7	<u>20377-G5</u>		AXLE SHAFT (LEFT SIDE) .....	1
8	<u>20377-G6</u>		AXLE SHAFT (RIGHT SIDE) .....	1
9				
10				
11				
12				
13	<u>00559-G7</u>		WASHER, 1/4" (STAINLESS STEEL) .....	3
14	<u>00565-G7</u>		LOCK WASHER, 1/4" (STAINLESS STEEL) .....	3
15	<u>00797-G2</u>		BOLT, 1/4 - 20 X 1 1/4" LG .....	3
16				
17	<u>00427-G2</u>		BOLT, 3/8 - 16 X 1 1/4" LG .....	4
18	<u>00643-G1</u>		WASHER, 3/8" .....	4
19	<u>11098-G5</u>		NUT, 3/8 - 16 .....	4

# WHEELS AND TIRES



*Ref Whl 16*

# WHEELS AND TIRES

When ordering parts, please specify the model and serial number of the product.

\* Indicates a component that is not available as an individual part.

G\*\* Indicates consult Customer Service Department for additional information.

ITEM	PART NO.	1 2 3 4 5	DESCRIPTION	QTY.
1	<u>600424</u>		TIRE AND WHEEL ASSEMBLY (INCLUDES ITEMS 2 - 4).....	3
2	*		TIRE, 4.80 - 8.....	1
3	33678		WHEEL RIM, 4 LUG .....	1
4	<u>886735</u>		VALVE STEM .....	1
5	<u>14723-G1</u>		LUG NUT, 1/2 - 20 .....	4
6				
7	<u>600450</u>		TIRE AND WHEEL ASSEMBLY (4.8 - 8 FOAM FILLED) .....	3





A Textron Company



**E-Z-GO Division of Textron, Inc.,**  
1451 Marvin Griffin Road, Augusta, Georgia USA 30906-3852

TO CONTACT US...

North America:

**Technical Assistance & Warranty  
Service Parts**

Phone: 1-800-774-3946, FAX: 1-800-448-8124

Phone: 1-888-GET-E-Z-GO (1-888-438-3946), FAX: 1-800-752-6175

International:

Phone: 001-706-798-4311, FAX: 001-706-771-4609

Certified ISO 9001 / ISO 14001 by



Copyrighted Material  
This manual may not be reproduced in whole or  
in part without the express permission of  
E-Z-GO Division of Textron, Inc.  
Technical Communications Department