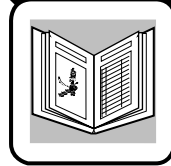


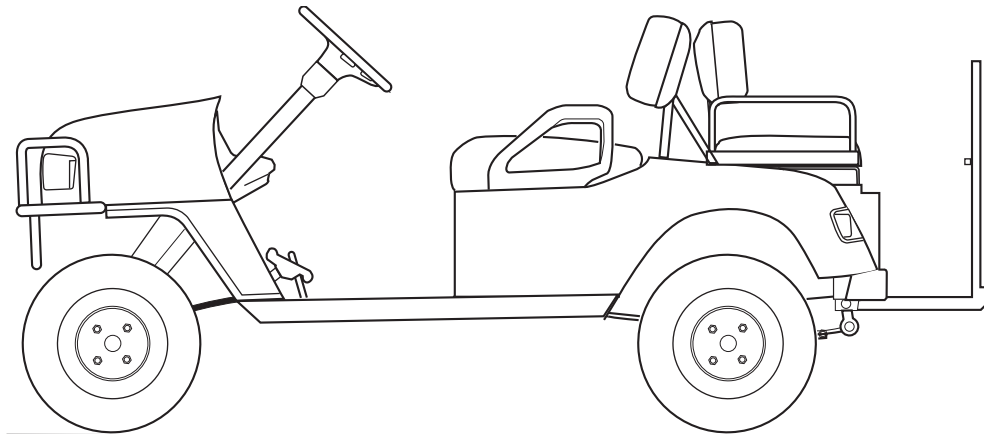
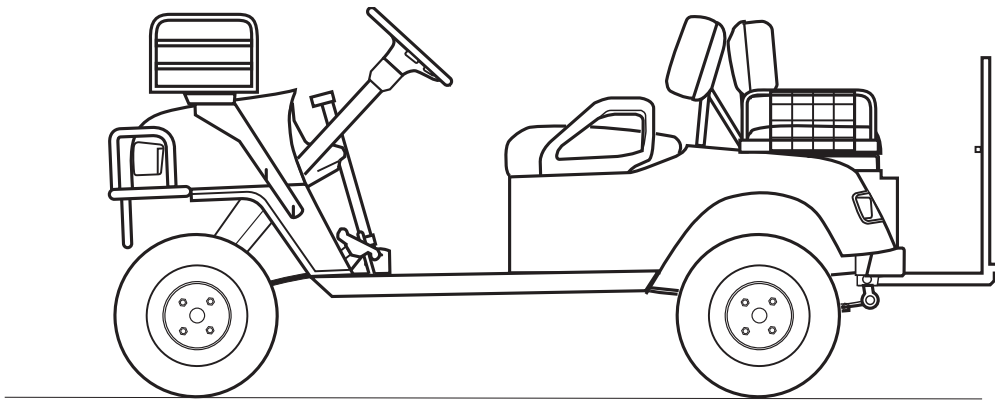
28793-G01



A Textron Company



SERVICE PARTS MANUAL



ELECTRIC POWERED UTILITY VEHICLE

ISSUED DATE SEPTEMBER 2005 REVISED DATE OCTOBER 2007

SERVICE PARTS MANUAL

ELECTRIC POWERED CLAYS CAR™

ELECTRIC POWERED ST SPORT 2+2

STARTING MODEL YEAR 2004

DISCLAIMER: The E-Z-GO Division of Textron Inc. reserves the right to incorporate engineering and design changes to products in this Manual, without obligation to include these changes on units leased/sold previously.

The information contained in this Manual may be revised periodically by the E-Z-GO Division, and therefore is subject to change without notice.

The E-Z-GO Division DISCLAIMS LIABILITY FOR ERRORS IN THIS MANUAL, and the E-Z-GO Division SPECIFICALLY DISCLAIMS LIABILITY FOR INCIDENTAL AND CONSEQUENTIAL DAMAGES resulting from the use of the information and materials in this Manual.

CUSTOMER SERVICE DEPARTMENT IN USA PHONE: 1-800-241-5855 FAX: 1-800-448-8124

OUTSIDE USA PHONE: 001-706-798-4311, FAX: 001-706-771-4609

E-Z-GO DIVISION OF TEXTRON, INC., 1451 MARVIN GRIFFIN ROAD, AUGUSTA, GEORGIA USA 30906-3852

GENERAL INFORMATION

To obtain a copy of the limited warranty applicable to the vehicle, call or write a local Distributor, authorized Branch or the Warranty Department with vehicle serial number and manufacture date code.

The use of non Original Equipment Manufacturer (OEM) parts may void the warranty.

When servicing engines, all adjustments and replacement components must be per original vehicle specifications in order to maintain the United States of America Federal and State emission certification applicable at the time of manufacture.

TABLE OF CONTENTS

SECTION	Page No.
HOW TO USE THE SERVICE PARTS MANUAL	v
ILLUSTRATED PARTS BREAKDOWN.....	vii
ACCELERATOR	A-1
BATTERY CHARGER - PORTABLE 36 VOLT.....	B-1
BATTERY CHARGER - EXPORT 36 VOLT.....	B-9
BODY.....	C-1
BRAKES	D-1
DIRECTION SELECTOR.....	E-1
ELECTRICAL SYSTEM.....	F-1
ELECTRONIC SPEED CONTROL - HD.....	G-1
FRONT SUSPENSION.....	H-1
MOTOR.....	J-1
REAR AXLE.....	K-1
REAR SUSPENSION.....	L-1
SEATING.....	M-1
STEERING.....	N-1
WEATHER PROTECTION.....	P-1
WHEELS AND TIRES.....	Q-1
SPECIALTY PRODUCTS	APPENDIX A-1
ACCESSORIES	APPENDIX B-1

HOW TO USE THE SERVICE PARTS MANUAL

This manual is divided into several sections:

GENERAL INFORMATION

- TABLE OF CONTENTS
- HOW TO USE THE SERVICE PARTS MANUAL

ILLUSTRATED PARTS BREAKDOWN

- Contains illustrations and parts lists for all systems of the vehicle

APPENDIX

- Contains a listing of specialty products and options/accessories

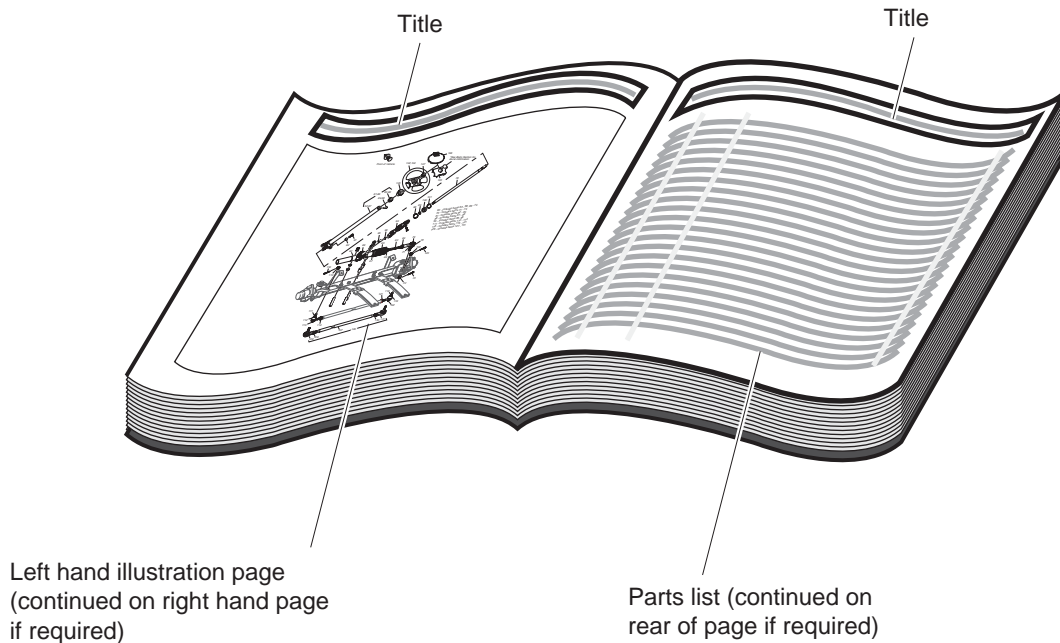
USE OF THE MANUAL

To use this manual, consult the TABLE OF CONTENTS (page iii) to locate the information or illustration required.

Introduction of some revisions varies due to supply of components; therefore, it is possible that various combinations of components may be found that are not directly reflected by each illustration. Consult the illustration that best suits your situation. Locate the serial number label (see BODY located in the Illustrated Parts Breakdown section of this manual for its location) and note the complete number shown on the label. It is important that the serial number of your vehicle and its model number be supplied to Service Parts when ordering any replacement components.

Locate the serial number label (see BODY located in the illustrated parts breakdown section of this manual for its location) and note the complete number shown on the label.

HOW TO USE THE SERVICE PARTS MANUAL



1. WHEN THE PART NUMBER IS NOT KNOWN

- Determine the function and application of the part required. Turn to the INDEX OF MAJOR COMPONENTS and select the most appropriate component description.
- Turn to the page number indicated and locate the part description in the parts list. Read the full accompanying description for specific information regarding the part that was not shown in the index.
- From the parts list, obtain the item number assigned to it and confirm that the part selected is correct by verifying it with the pictorial representation on the illustrated page.

2. IF YOU KNOW THE PART NUMBER

- Use the INDEX OF MAJOR COMPONENTS to find the page(s) the part number appears on.
- Turn to the page number indicated and locate the part number in the parts list. Refer to the accompanying description for specific information regarding the part.
- From the parts list, obtain the item number assigned to it and confirm that the part selected is correct by verifying it with the pictorial representation on the illustrated page.

Should an asterisk (*) appear in the part number column on the parts list page, read upwards until a part number is found. The part number is the lowest assembly sold by Service Parts. The asterisk (*) indicates that the part depicted is not available for purchase.

NOTE: Descriptions are indented under the assembly that they are used on. That assembly is, in turn listed under the assembly that it is used on. This process is repeated until the highest final assembly is reached.

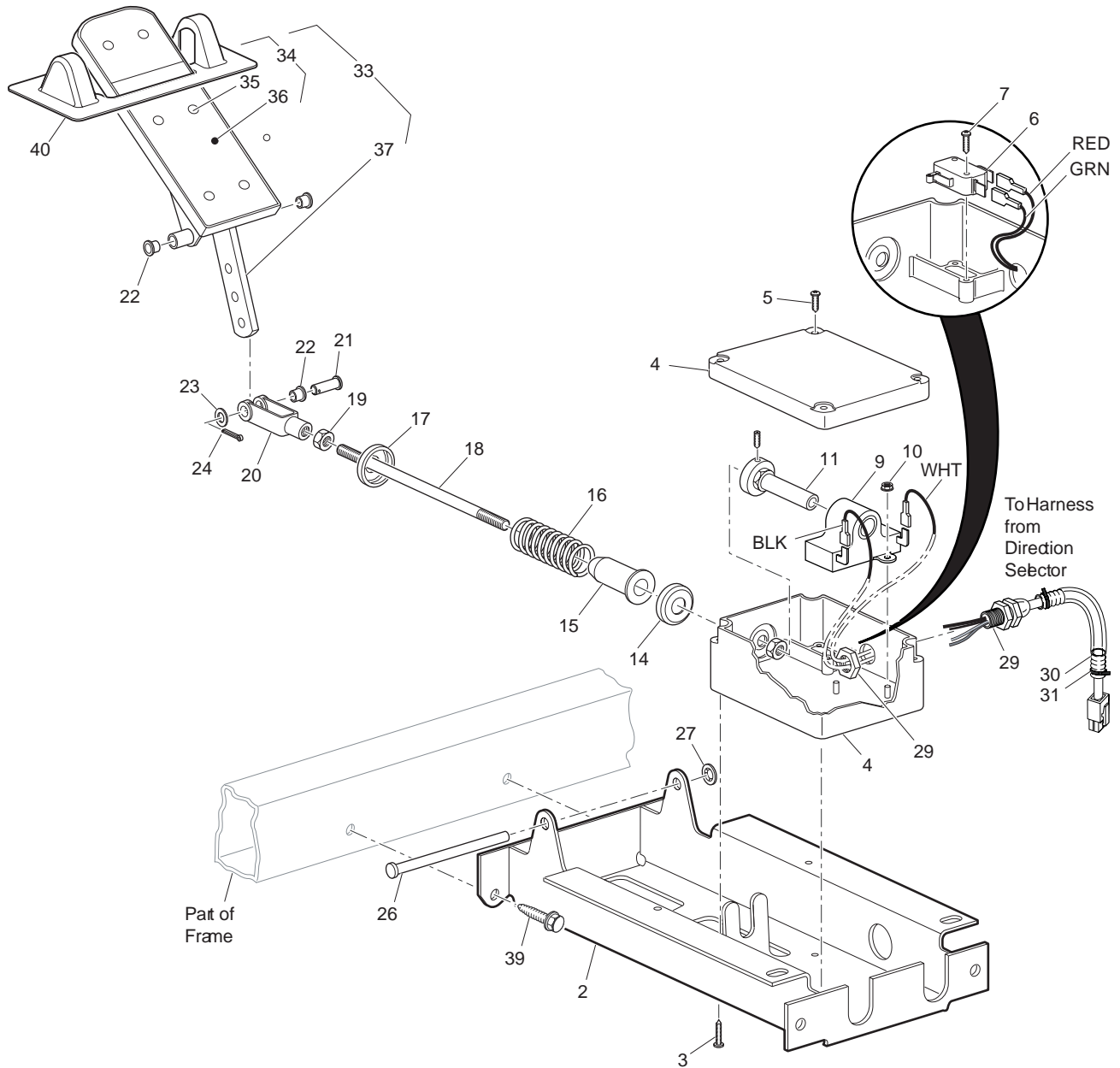
To facilitate the maintenance and repair of the vehicle, a Technician's Repair and Service Manual is available from the Service Parts Department.

ILLUSTRATED PARTS BREAKDOWN

ILLUSTRATED PARTS BREAKDOWN

ACCELERATOR

1 - Includes items 2 - 37



ACCELERATOR

When ordering parts, please specify the model and serial number of the product.

* Indicates a component that is not available as an individual part.

G** Indicates consult Customer Service Department for additional information.

ITEM	PART NO.	1 2 3 4 5	DESCRIPTION	QTY.
1	<u>73333-G12</u>		PEDAL BOX ASSEMBLY (INCLUDES ITEMS 2 - 37)	1
2	<u>70116-G02</u>		ACCELERATOR PEDAL BRACKET.....	1
3	<u>01051-G01</u>		SCREW, #8 - 16 X 1/2" LG.	4
4	<u>25853-G01</u>		PEDAL BOX AND COVER	1
5	<u>00684-G6</u>		SCREW, #8 - 32 X 3/4" LG.	2
6	<u>25861-G01</u>		MICRO SWITCH.....	1
7	<u>01050-G01</u>		SCREW, #4 - 20 X 5/8" LG	2
8				
9	<u>25854-G01</u>		INDUCTIVE THROTTLE SENSOR	1
10	<u>00983-G01</u>		SELF THREADING NUT, 3/16"	2
11	<u>28443-G01</u>		PLUNGER.....	1
12				
13				
14	<u>17677-G1</u>		SPRING RETAINER, 1/2"	1
15	<u>17979-G1</u>		BUSHING.....	1
16	<u>73046-G01</u>		COMPRESSION SPRING	1
17	<u>17677-G2</u>		SPRING RETAINER, 3/8"	1
18	<u>73332-G01</u>		ACCELERATOR ROD	1
19	<u>00532-G4</u>		LOCK NUT, 5/16 - 24	1
20	<u>10385-G4</u>		CLEVIS YOKE (ADJUSTABLE).....	1
21	<u>10386-G3</u>		CLEVIS PIN, 5/16" X 1" LG	1
22	<u>17838-G1</u>		NYLON BUSHING	3
23	<u>17255-G1</u>		TEFLON WASHER, 5/16".....	1
24	<u>10387-G3</u>		COTTER PIN, 3/32" X 3/4" LG	1
25				
26	<u>74432-G01</u>		PEDAL PIVOT PIN	1
27	<u>12064-G6</u>		PUSH NUT, 9/32".....	1
28				
29	<u>25879-G09</u>		WIRING HARNESS (PEDAL BOX ASSEMBLY)	1
30	<u>17313-G1</u>		LOOM FLEX, 3/8" X 6" LG (BULK).....	1

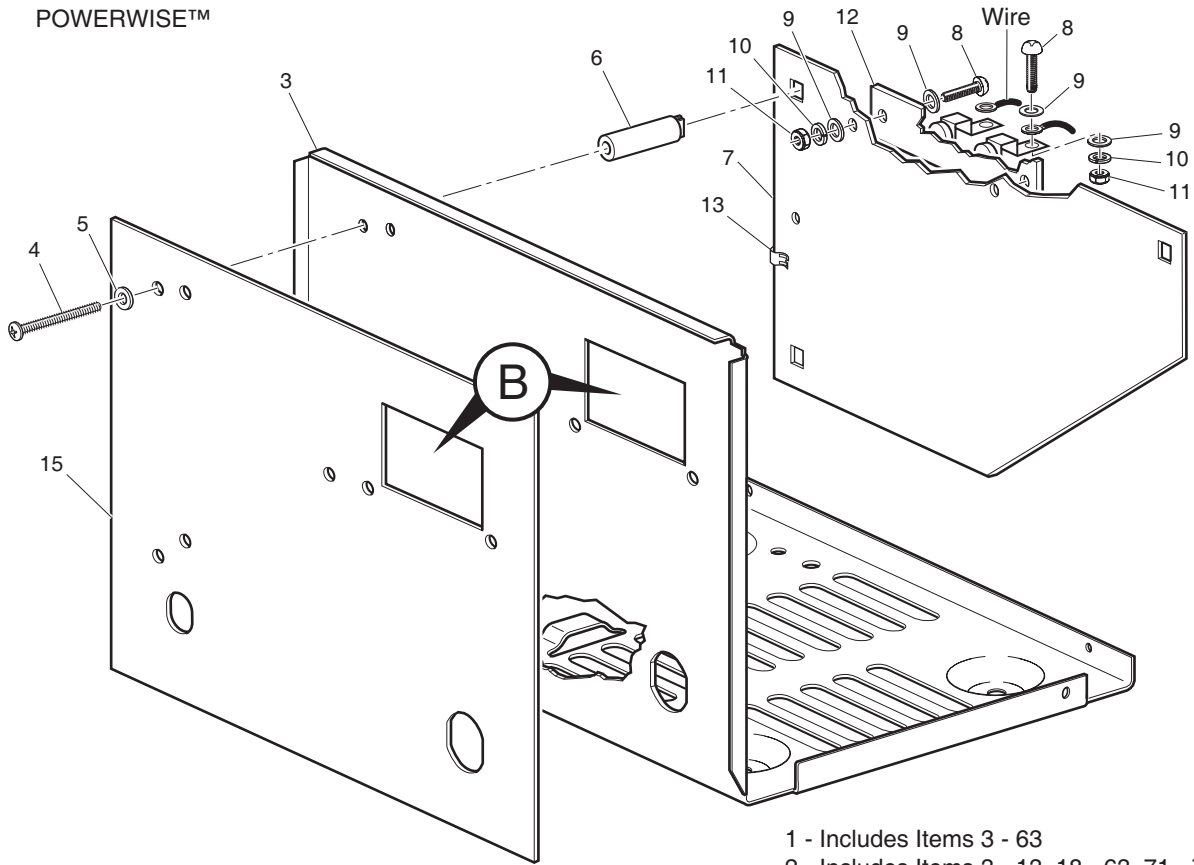
ACCELERATOR

When ordering parts, please specify the model and serial number of the product.
 * Indicates a component that is not available as an individual part.
 G** Indicates consult Customer Service Department for additional information.

ITEM	PART NO.	1	2	3	4	5	DESCRIPTION	QTY.
31	<u>17618-G1</u>						WIRE TIE	2
32								
33	<u>25799-G03</u>						ACCELERATOR PEDAL ASSEMBLY (INCLUDES ITEMS 34 - 37).....	1
34	<u>27844-G01</u>						ACCELERATOR PEDAL PAD KIT (INCLUDES ITEMS 35 - 36).....	1
35	<u>15766-G1</u>						OVAL RIVET, 3/16" X 3/8" LG.....	6
36	<u>27512-G01</u>						ACCELERATOR PEDAL PAD	1
37	*						ACCELERATOR PEDAL	1
38								
39	<u>00715-G2</u>						BOLT, 5/16 - 18 X 13/16" LG	4
40	<u>70135-G01</u>						PEDAL PIVOT COVER	1

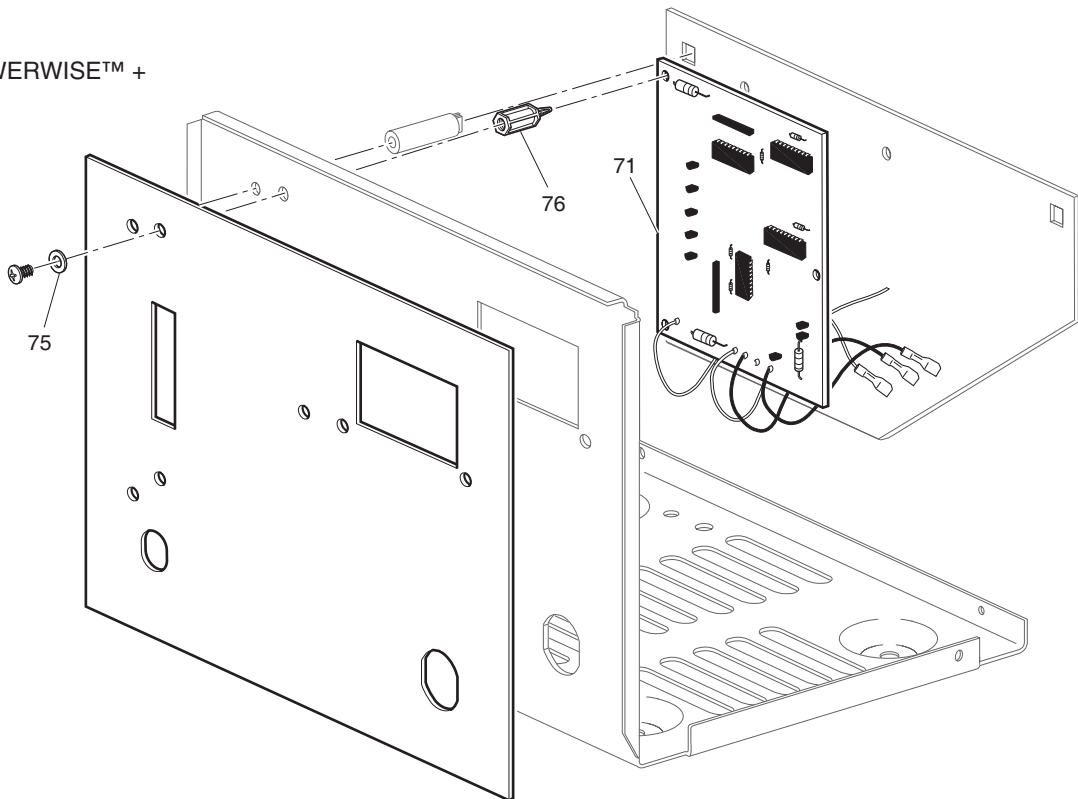
BATTERY CHARGER - PORTABLE 36 VOLT

POWERWISE™



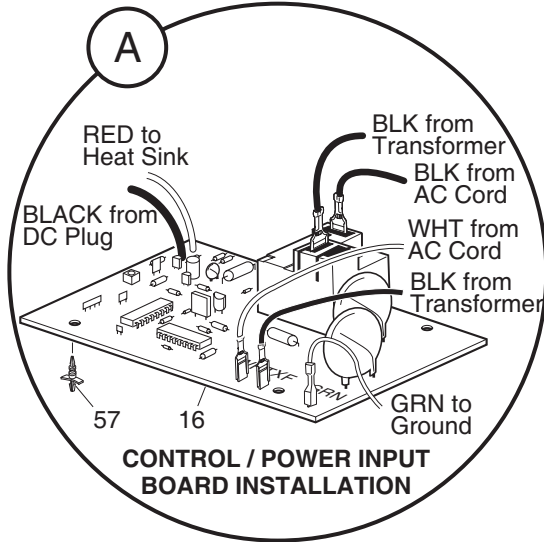
- 1 - Includes Items 3 - 63
- 2 - Includes Items 3 - 13, 18 - 63, 71 - 76

POWERWISE™ +

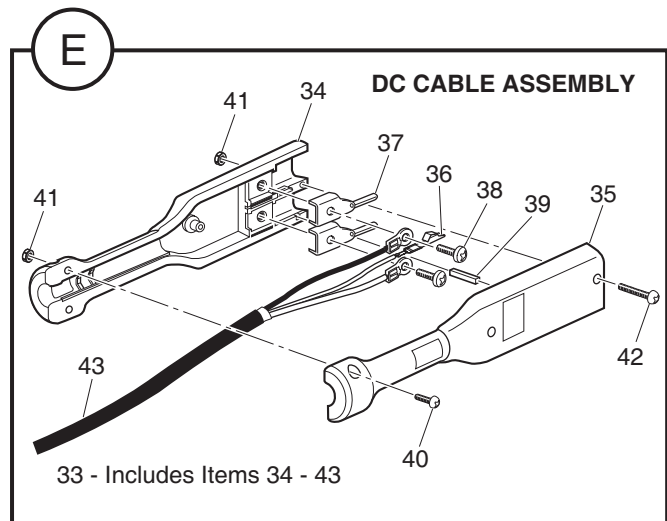
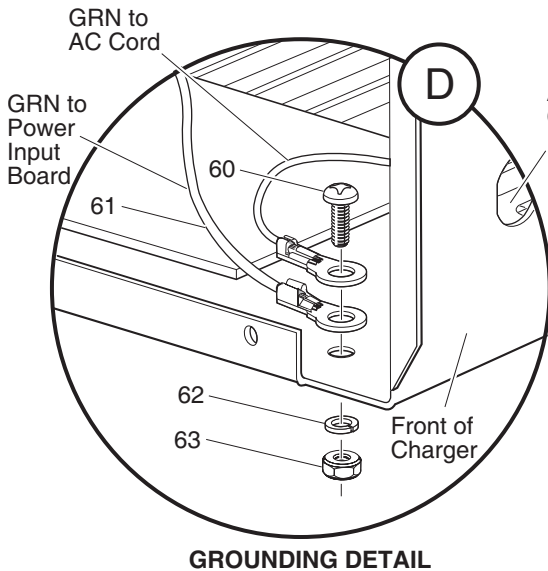
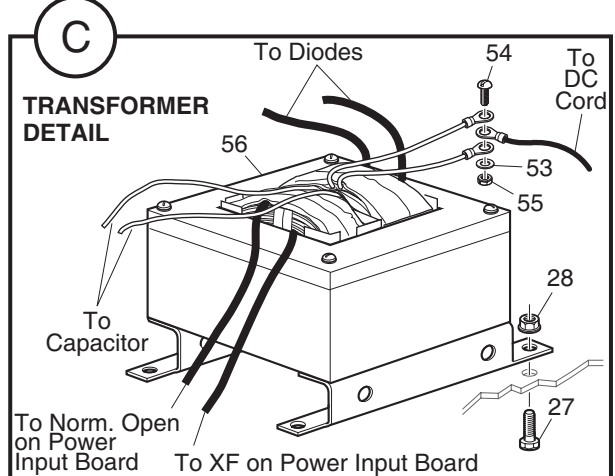
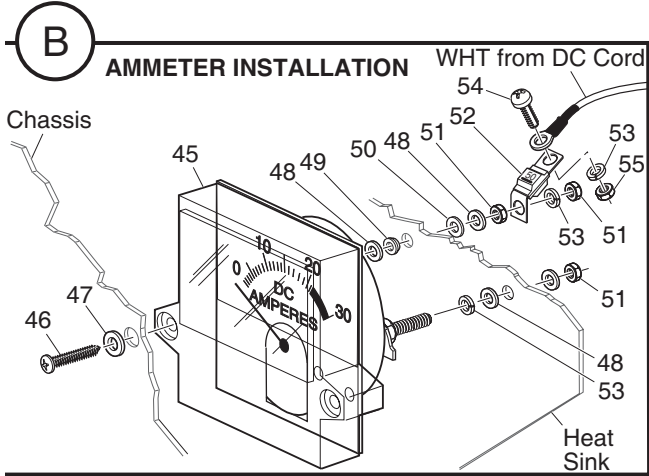
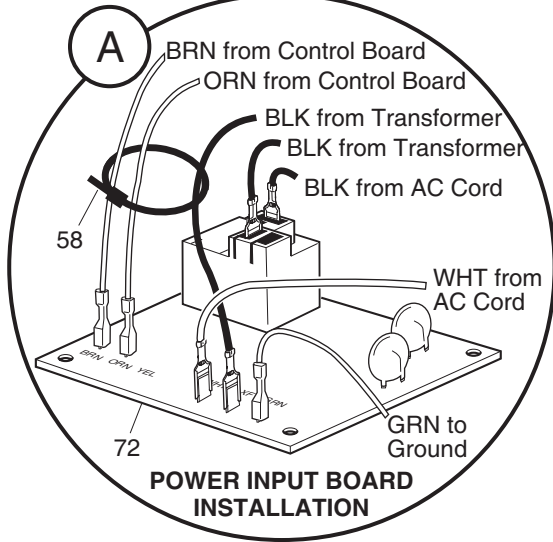


BATTERY CHARGER - PORTABLE 36 VOLT

POWERWISE™



POWERWISE™ +



BATTERY CHARGER - PORTABLE 36 VOLT

78
84



BATTERY CHARGER - PORTABLE 36 VOLT

When ordering parts, please specify the model and serial number of the product.

* Indicates a component that is not available as an individual part.

G** Indicates consult Customer Service Department for additional information.

ITEM	PART NO.	1	2	3	4	5	DESCRIPTION	QTY.
1	28115-G01						POWERWISE™ CHARGER (10' CORD) (INCLUDES ITEMS 3 - 63).....	1
2	<u>28115-G02</u>						POWERWISE™ + CHARGER (PORTABLE, 10' CORD) (INCLUDES ITEMS 3 - 13, 18 - 63, 71 - 76).....	1
3	*						CHASSIS	1
4	<u>00513-G6</u>						SCREW, #8 - 18 X 1 3/4" LG	2
5	<u>00559-G4</u>						WASHER, #8	2
6	<u>11572-G3</u>						EXPANSION NUT.....	2
7	<u>28104-G01</u>						HEAT SINK	1
8	<u>00372-G4</u>						SCREW, #8 - 32 X 1/2" LG	4
9	<u>00559-G4</u>						WASHER, #8	4
10	<u>00565-G4</u>						LOCK WASHER, #8	4
11	<u>00526-G1</u>						NUT, #8 - 32.....	4
12	<u>28548-G01</u>						DIODE.....	1
13	<u>28110-G01</u>						ELECTRICAL CLIP.....	1
14								
15	*						LABEL (POWERWISE™)	1
16	<u>28667-G01</u>						CONTROL / POWER INPUT BOARD	1
17								
18	*						COVER	1
19	<u>28102-G01</u>						HANDLE	1
20	<u>00614-G4</u>						SCREW, #8 - 18 X 1/2" LG	6
21	<u>28136-G01</u>						LABEL (VENTILATION).....	1
22	<u>28136-G02</u>						LABEL (CORD CONDITION).....	1
23								
24	<u>26979-G01</u>						CAPACITOR BRACKET	1
25	<u>28109-G01</u>						CAPACITOR	1
26	<u>00969-G01</u>						SCREW, #8 - 32 X 3/8" LG	3
27	<u>00414-G5</u>						BOLT, 1/4 - 20 X 5/8" LG.....	3
28	<u>11027-G2</u>						LOCK NUT, 1/4 - 20.....	3
29	<u>19388-G4</u>						AC CORD	1

BATTERY CHARGER - PORTABLE 36 VOLT

When ordering parts, please specify the model and serial number of the product.

* Indicates a component that is not available as an individual part.

G** Indicates consult Customer Service Department for additional information.

ITEM	PART NO.	1	2	3	4	5	DESCRIPTION	QTY.
30	<u>13557-G2</u>						STRAIN RELIEF (AC).....	1
31								
32								
33	<u>73345-G01</u>						DC CORD AND HANDLE ASSEMBLY (INCLUDES ITEMS 34 - 43)	1
34	<u>73051-G11</u>						PLUG (TOP HALF).....	1
35	<u>73051-G12</u>						PLUG (BOTTOM HALF).....	1
36	<u>73051-G27</u>						AUXILIARY CONTACT.....	1
37	<u>73051-G14</u>						MALE PIN.....	2
38	<u>73051-G08</u>						SCREW, #10 - 32 X 1/2" LG (BRASS)	2
39	<u>73051-G15</u>						MAGNET	1
40	<u>73051-G16</u>						SCREW, #6 - 32 X 1/2" LG (STAINLESS STEEL)	2
41	<u>73051-G10</u>						LOCK NUT, #6 - 32	4
42	<u>73051-G17</u>						SCREW, #6 - 32 X 1" LG (STAINLESS STEEL)	2
43	<u>73344-G01</u>						DC CORD, 10' LG	1
44								
45	<u>28105-G01</u>						AMMETER.....	1
46	<u>01051-G01</u>						SCREW, #8 - 16 X 1/2" LG	2
47	<u>00559-G4</u>						WASHER, #8	2
48	<u>01003-G01</u>						WASHER, #10 (BRASS).....	4
49	<u>22589-G2</u>						SHOULDER WASHER, #10	1
50	<u>00771-G6</u>						NYLON WASHER, 3/8".....	1
51	00528-G4						NUT, #10 - 32 (BRASS)	3
52	<u>28106-G01</u>						50 AMP FUSE.....	1
53	<u>00565-G5</u>						LOCK WASHER, #10	4
54	<u>00378-G4</u>						SCREW, #10 - 24 X 1/2" LG	2
55	<u>00526-G3</u>						NUT, #10 - 24.....	2
56	<u>28103-G01</u>						TRANSFORMER	1
57	<u>27877-G01</u>						SPACER SUPPORT	4
58	<u>17618-G1</u>						WIRE TIE	2
59								

BATTERY CHARGER - PORTABLE 36 VOLT

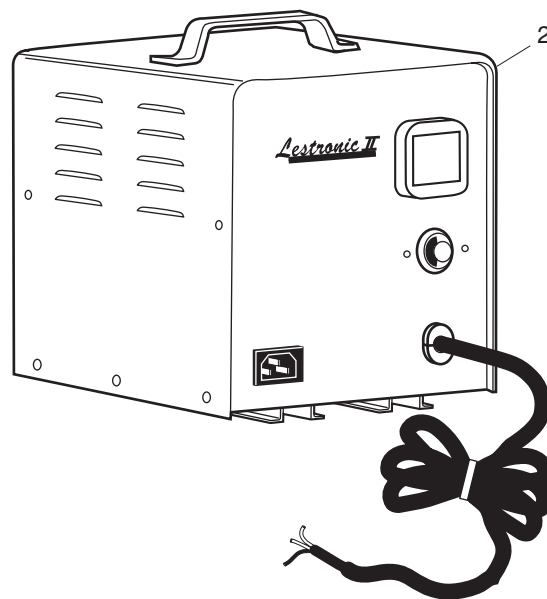
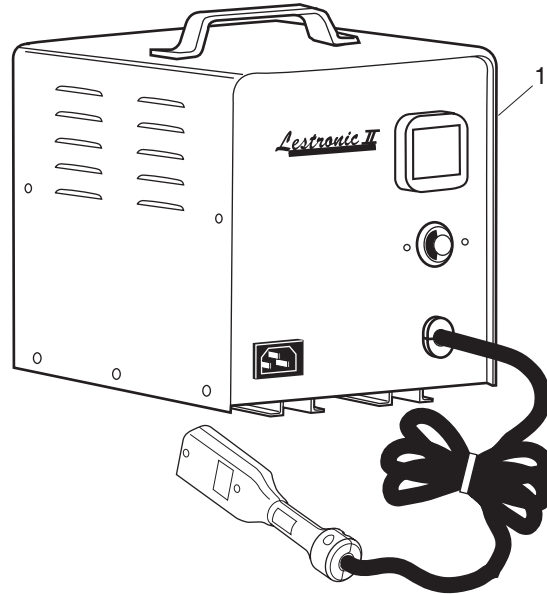
When ordering parts, please specify the model and serial number of the product.

* Indicates a component that is not available as an individual part.

G** Indicates consult Customer Service Department for additional information.

ITEM	PART NO.	1	2	3	4	5	DESCRIPTION	QTY.
60	<u>00372-G3</u>						SCREW, #8 - 32 X 3/8" LG	1
61	<u>25977-G32</u>						16 GA WIRE (GREEN 4").....	1
62	<u>00565-G4</u>						LOCK WASHER, #8	1
63	<u>00526-G1</u>						NUT, #8 - 32.....	1
64								
65								
66								
67								
68								
69								
70								
71	<u>28667-G02</u>						CONTROL BOARD.....	1
72	<u>28667-G03</u>						POWER INPUT BOARD.....	1
73								
74								
75	<u>00559-G3</u>						WASHER, #6	3
76	<u>28111-G01</u>						SUPPORT SPACER	3
77								
78	605747						POWERWISE QE (DELTA) 36 VOLT 10' CORD CHARGER.....	1
79	<u>604320</u>						KIT, AC CORD, 9', POWERWISE QE	1
80	<u>605493</u>						KIT, 10' DC CORD, 36V POWERWISE QE	1
81	605607						KIT, PCB/EMI BRD, 36-48V PWISE QE	1
82	605608						KIT, CHARGER CVER/HNDLE, 36V PW QE	1
83	<u>606296</u>						CHARGER HANDLE-POWERWISE QE	1
84	605748						POWERWISE QE(DELTA) 36 VOLT 18' CORD CHARGER.....	1
85	<u>604320</u>						KIT, AC CORD, 9', POWERWISE QE	1
86	<u>605494</u>						KIT, 18' DC CORD, 36V POWERWISE QE	1
87	605607						KIT, PCB/ EMI BRD, 36-48V PWISE QE	1
88	605608						KIT, CHARGER CVER/ HNDLE, 36V PW QE	1
89	<u>606296</u>						CHARGER HANDLE- POWERWISE QE	1

BATTERY CHARGER - EXPORT 36 VOLT



BATTERY CHARGER - EXPORT 36 VOLT

Where applicable, THE USE OF NON UL PARTS WILL VOID ANY UL LISTING.

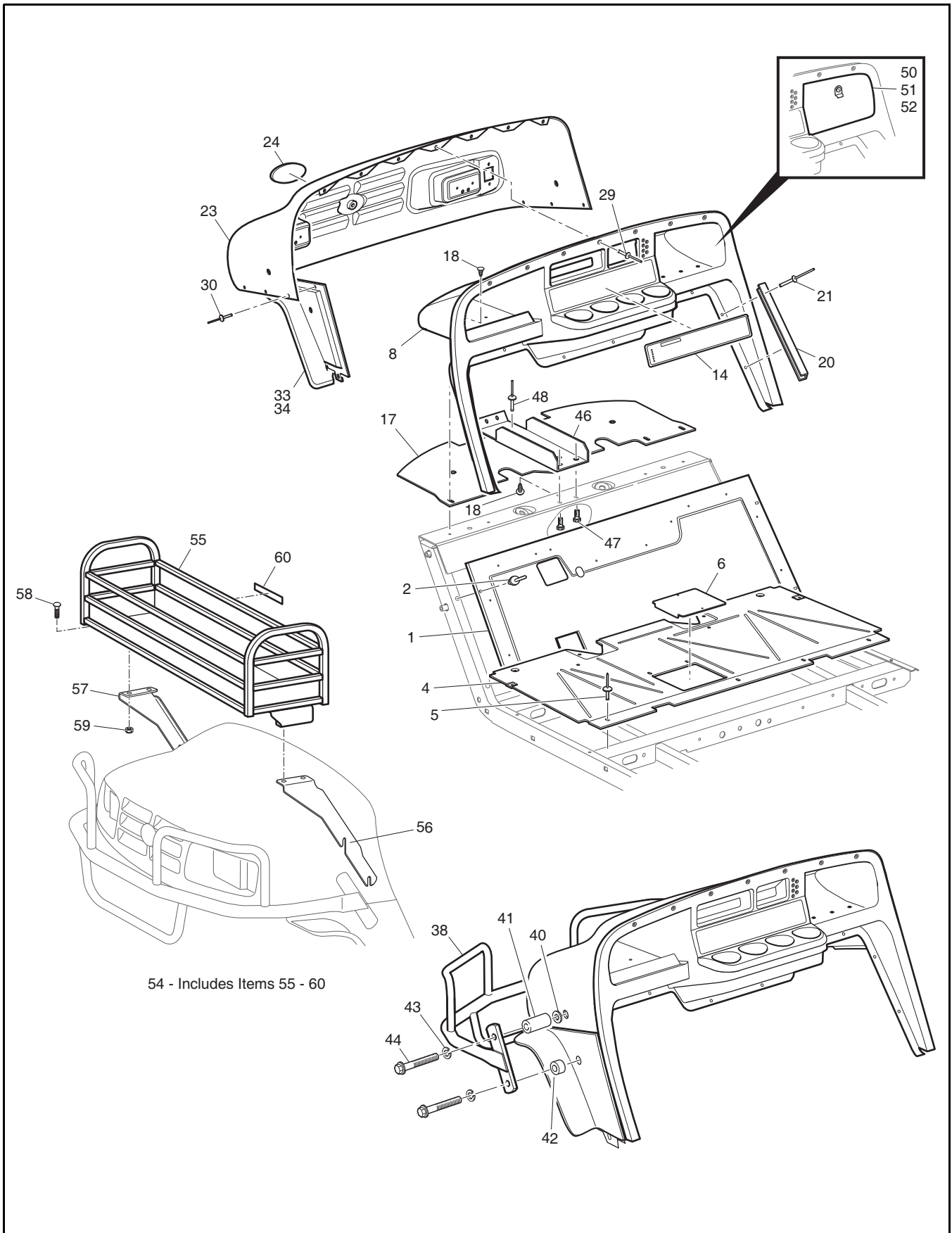
When ordering parts, please specify the model and serial number of the product.

* Indicates a component that is not available as an individual part.

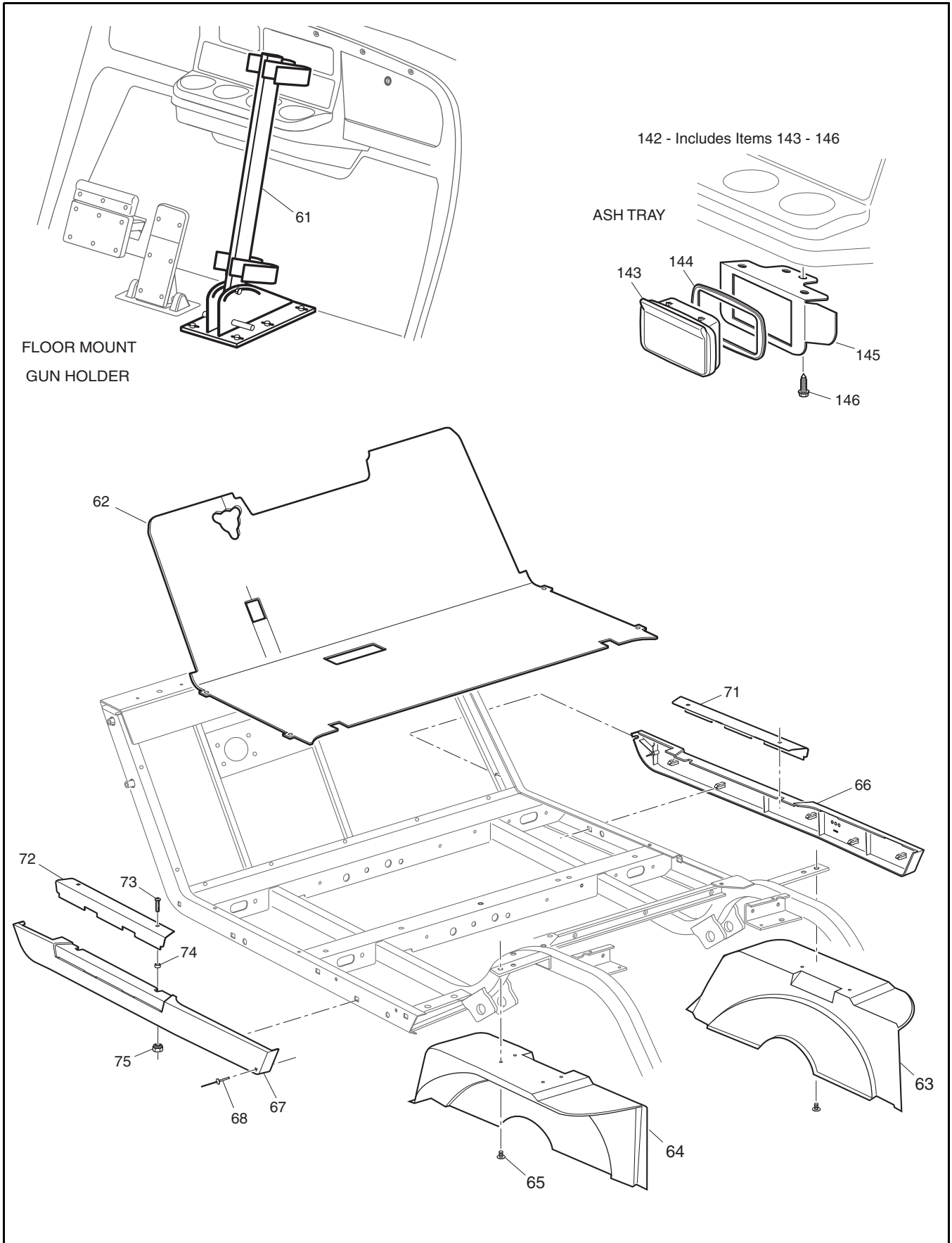
G** Indicates consult Customer Service Department for additional information.

ITEM	PART NO.	1	2	3	4	5	DESCRIPTION	QTY.
1	<u>28516-G01</u>						BATTERY CHARGER, LESTER, 36 VOLT, PORTABLE WITH POWERWISE CONNECTOR, CE APPROVED (OPTIONAL)	
2	28516-G03						<p>BATTERY CHARGER, LESTER, 36 VOLT, ON-BOARD, CE APPROVED (OPTIONAL)</p> <p>For service or replacement parts, contact: Lester Electrical 625 West "A" Street Lincoln, NE 68522</p> <p>Phone: (402) 477-8988, FAX: (402) 474-1769</p> <p>Always provide the following information when requesting information or ordering replacement parts:</p> <p>Model Number: Serial Number: (stamped into housing)</p>	

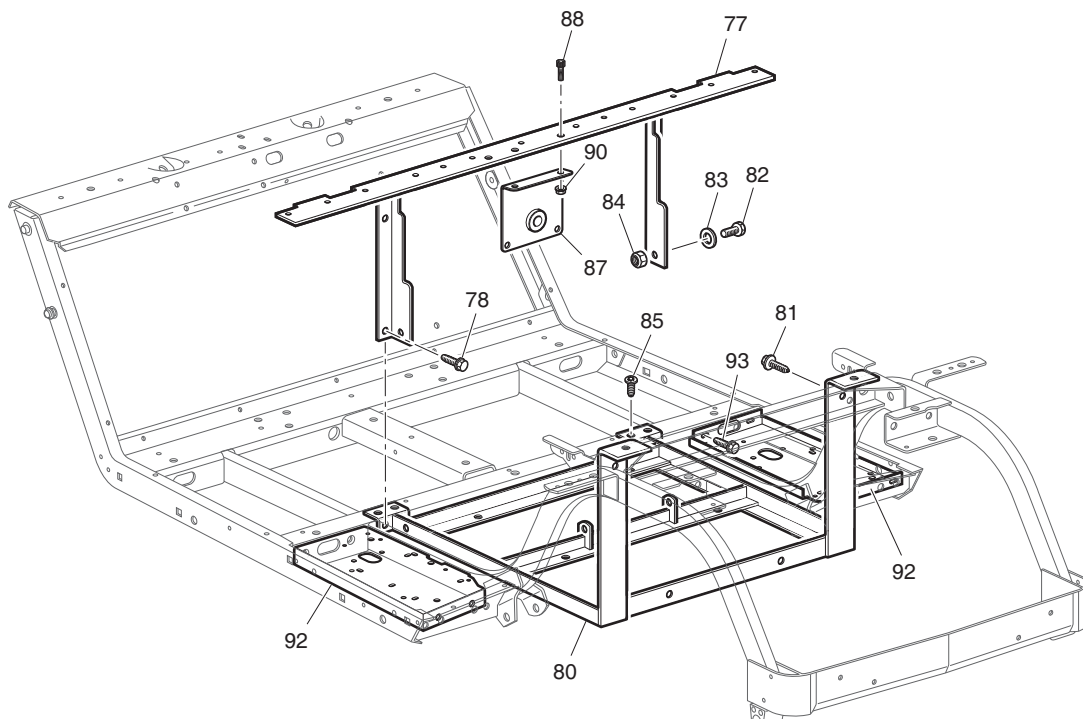
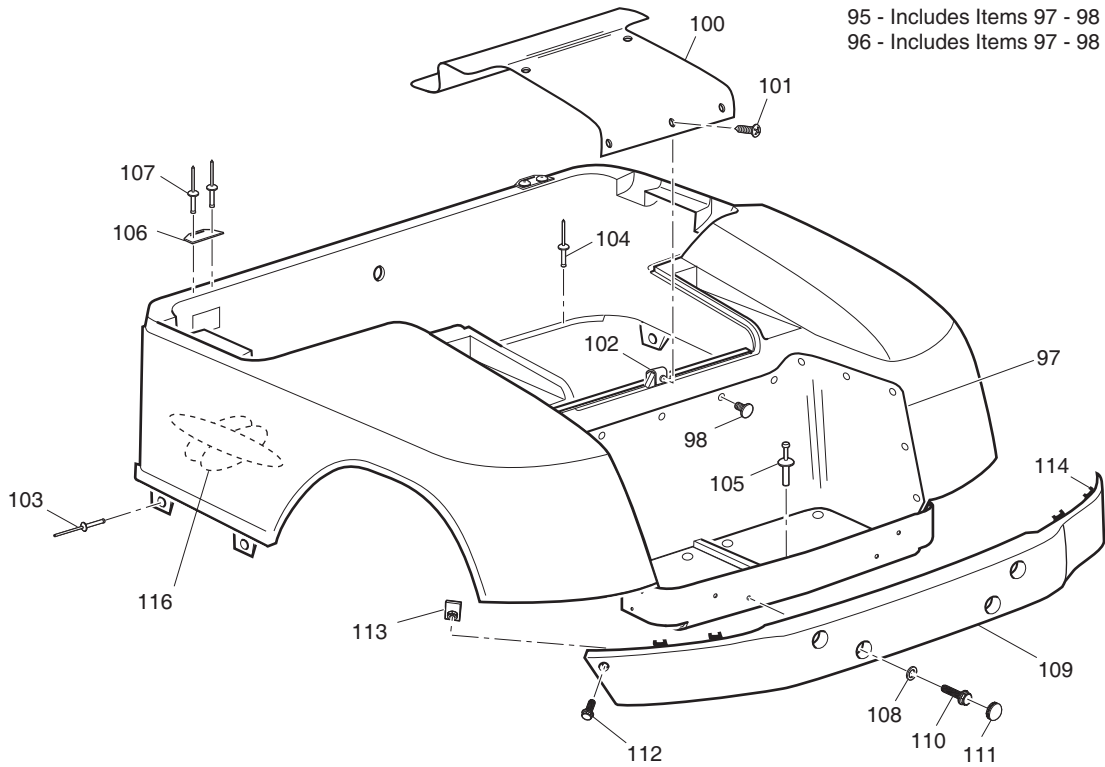
BODY

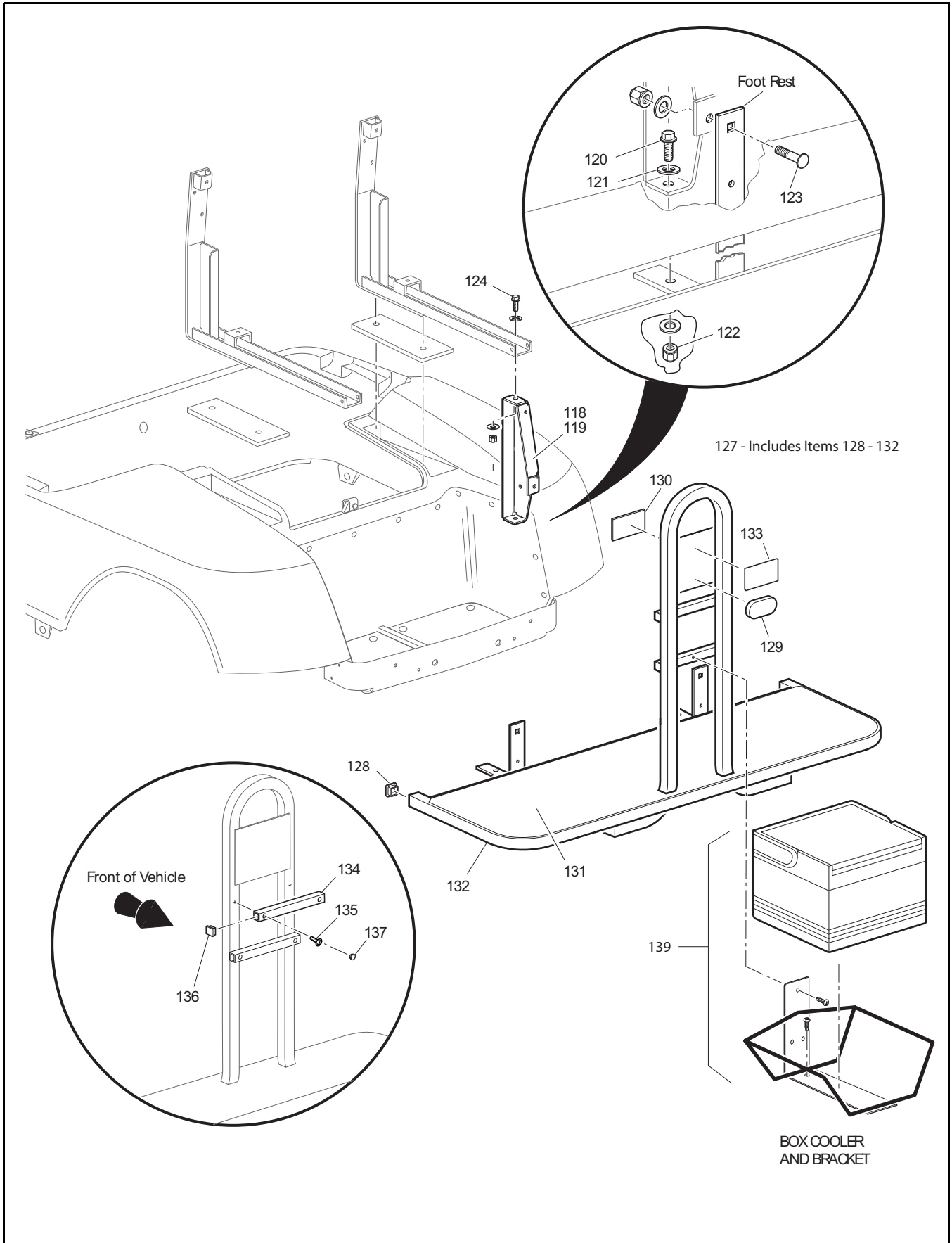


54 - Includes Items 55 - 60



BODY





BODY

THE USE OF NON U.L. PARTS WILL VOID ANY U.L. LISTING.

When ordering parts, please specify the model and serial number of the product.

* Indicates a component that is not available as an individual part.

G** Indicates consult Customer Service Department for additional information.

ITEM	PART NO.	1 2 3 4 5	DESCRIPTION	QTY.
1	<u>71510-G01</u>		UPPER FLOORPAN (AXLE MOUNTED STEERING)	1
2	<u>14601-G11</u>		RIVET, 3/16" X 9/16" LG	9
3				
4	<u>70451-G01</u>		LOWER FLOORPAN.....	1
5	<u>14601-G11</u>		RIVET, 3/16" X 9/16" LG	7
6	<u>70452-G01</u>		ACCESS COVER.....	1
7				
8	<u>71151-G03</u>		INSTRUMENT PANEL ASSEMBLY	1
9				
10				
11				
12				
13				
14	<u>35964-G01</u>		LABEL (SAFETY) (PICTOGRAPH).....	1
15				
16				
17	<u>71413-G01</u>		SPLASH PANEL.....	1
18	<u>16816-G2</u>		RATCHET FASTENER, 1/4" X 3/4" LG	5
19				
20	<u>71115-G01</u>		VINYL TRIM	2
21	<u>71055-G01</u>		RIVET, 3/16" X 1" LG	10
22				
23	606534-G**		COWL.....	1
24	<u>74813-G01</u>		NAMEPLATE (E-Z-GO) (OVAL)	1
25				
26				
27				
28				
29	<u>71055-G01</u>		RIVET, 3/16" X 1" LG	7
30	<u>71055-G01</u>		RIVET, 3/16" X 1" LG	6

THE USE OF NON U.L. PARTS WILL VOID ANY U.L. LISTING.
 When ordering parts, please specify the model and serial number of the product.
 * Indicates a component that is not available as an individual part.
 G** Indicates consult Customer Service Department for additional information.

ITEM	PART NO.	1 2 3 4 5	DESCRIPTION	QTY.
31				
32				
33	<u>71338-G01</u>		FENDER FLARE (DRIVER SIDE).....	1
34	<u>71338-G02</u>		FENDER FLARE (PASSENGER SIDE)	1
35				
36				
37				
38	<u>74265-G02</u>		BUMPER	1
39				
40	<u>00570-G2</u>		WASHER, 5/16"	2
41	<u>75048-G04</u>		SPACER, 1".....	2
42	<u>75048-G01</u>		SPACER, 1/2".....	2
43	<u>00905-G8</u>		LOCK WASHER, 5/16".....	4
44	<u>01035-G02</u>		BOLT, 5/16 - 18 X 2 1/2" LG	4
45				
46	<u>71101-G02</u>		COWL SUPPORT BRACKET	1
47	<u>71102-G02</u>		SELF TAPPING SCREW, 1/4 - 20 X 1/2" LG	3
48	<u>71055-G01</u>		RIVET, 3/16" X 1 1/8" LG	1
49				
50	<u>75459-G01</u>		GLOVE BOX DOORS (BOTH SIDES)	1
51	<u>75459-G02</u>		GLOVE BOX DOOR (DRIVER SIDE)	1
52	<u>75459-G03</u>		GLOVE BOX DOOR (PASSENGER SIDE).....	1
53				
54	<u>74521-G02</u>		FRONT BASKET ASSEMBLY (INCLUDES ITEMS 55 - 60).....	1
55	<u>74523-G01</u>		FRONT BASKET	1
56	<u>74522-G01</u>		BASKET MOUNTING BRACKET (DRIVER SIDE).....	1
57	<u>74522-G02</u>		BASKET MOUNTING BRACKET (PASSENGER SIDE)	1
58	00725-G1		CARRIAGE BOLT, 3/8 - 16 X 1" LG (STAINLESS STEEL)	4
59	<u>00891-G1</u>		LOCK NUT, 3/8 - 16.....	4
60	<u>71931-G01</u>		LABEL, FRONT BASKET (WARNING).....	1

BODY

THE USE OF NON U.L. PARTS WILL VOID ANY U.L. LISTING.
 When ordering parts, please specify the model and serial number of the product.
 * Indicates a component that is not available as an individual part.
 G** Indicates consult Customer Service Department for additional information.

ITEM	PART NO.	1 2 3 4 5	DESCRIPTION	QTY.
61	<u>74365-G01</u>		GUN HOLDER, FLOOR MOUNT	1
62	<u>70048-G06</u>		FLOORMAT WITH HORN HOLES (1/8")	1
63				
64				
65				
66	<u>71501-G01</u>		ROCKER PANEL (PASSENGER SIDE).....	1
67	<u>71502-G01</u>		ROCKER PANEL (DRIVER SIDE)	1
68	<u>15058-G6</u>		RIVET, 3/16" X 15/16" LG (ALUMINUM).....	4
69				
70				
71	<u>71507-G01</u>		SILL PLATE (PASSENGER SIDE).....	1
72	<u>71507-G02</u>		SILL PLATE (DRIVER SIDE).....	1
73	<u>16705-G1</u>		SCREW, 1/4 - 20 X 1" LG (STAINLESS STEEL)	4
74	<u>23726-G4</u>		SPACER, 5/16"	4
75	<u>00891-G2</u>		LOCK NUT, 1/4 - 20 (STAINLESS STEEL)	4
76				
77	<u>70441-G01</u>		SEAT FRAME.....	1
78	<u>00715-G2</u>		BOLT, 5/16 - 18 X 13/16" LG	2
79				
80	<u>70046-G02</u>		BATTERY RACK	1
81	<u>00715-G2</u>		BOLT, 5/16 - 18 X 13/16" LG	2
82	<u>00438-G6</u>		BOLT, 5/16 - 18 X 3/4" LG	2
83	<u>00559-G8</u>		WASHER, 5/16"	2
84	<u>11098-G6</u>		LOCK NUT, 5/16 - 18 (STAINLESS STEEL)	2
85	<u>70200-G01</u>		SCREW, 3/8 - 16 X 3/4" LG.....	2
86				
87	<u>70444-G02</u>		BRACKET	1
88	<u>28272-G01</u>		BOLT, 1/4 - 20 X 5/8" LG	2
89				
90	<u>11027-G2</u>		LOCK NUT, 1/4 - 20	2

THE USE OF NON U.L. PARTS WILL VOID ANY U.L. LISTING.

When ordering parts, please specify the model and serial number of the product.

* Indicates a component that is not available as an individual part.

G** Indicates consult Customer Service Department for additional information.

ITEM	PART NO.	1 2 3 4 5	DESCRIPTION	QTY.
91				
92	<u>70244-G03</u>		SPLASH PANEL.....	2
93	<u>00715-G2</u>		BOLT, 5/16 - 18 X 13/16" LG	8
94				
95	71912-G4**		REAR BODY (WITHOUT TAILLIGHTS) (INCLUDES ITEMS 97, 98)	1
96	71334-G0**		REAR BODY (WITH TAILLIGHTS) (INCLUDES ITEMS 97, 98).....	1
97	71318-G01		BAGWELL LINER	1
98	<u>16816-G1</u>		RATCHET FASTENER, 1/4" X 9/16" LG	26
99				
100	<u>71320-G01</u>		ACCESS PANEL	1
101	<u>01107-G01</u>		SCREW, #8 X 3/8" LG (STAINLESS STEEL)	5
102	<u>71364-G02</u>		"J" CLIP	1
103	10570-G12		RIVET, 1/4" X 9/16" LG (ALUMINUM)	4
104	<u>10570-G10</u>		RIVET, 5/32" X 9/16" LG (STAINLESS STEEL)	6
105	<u>18436-G1</u>		PLASTIC DRIVE RIVET, 1/4" X 3/4" LG	2
106	<u>71609-G01</u>		SEAT HINGE PLATE	2
107	<u>10570-G11</u>		RIVET, 3/16" X 3/4" LG (STAINLESS STEEL)	4
108	<u>00571-G2</u>		WASHER, 5/16"	4
109	<u>71456-G01</u>		NOTCHED REAR BUMPER	1
110	71398-G01		BOLT, 1/4 - 20 X 1 1/4" LG	4
111	<u>71455-G01</u>		BUMPER PLUG	4
112	<u>71102-G01</u>		BOLT, 1/4 - 20 x 11/16" LG	2
113	<u>71554-G01</u>		J-TYPE NUT RETAINER, 1/4 - 20.....	2
114	<u>71457-G01</u>		BUMPER STAY	4
115				
116	<u>74532-G01</u>		LABEL (CLAYS CAR).....	2
117				
118	<u>74126-G01</u>		VERTICAL FRAME SUPPORT (DRIVER SIDE).....	1
119	<u>74126-G02</u>		VERTICAL FRAME SUPPORT (PASSENGER SIDE)	1
120	<u>00427-G6</u>		BOLT, 3/8 - 16 X 1 1/2" LG	2

BODY

THE USE OF NON U.L. PARTS WILL VOID ANY U.L. LISTING.

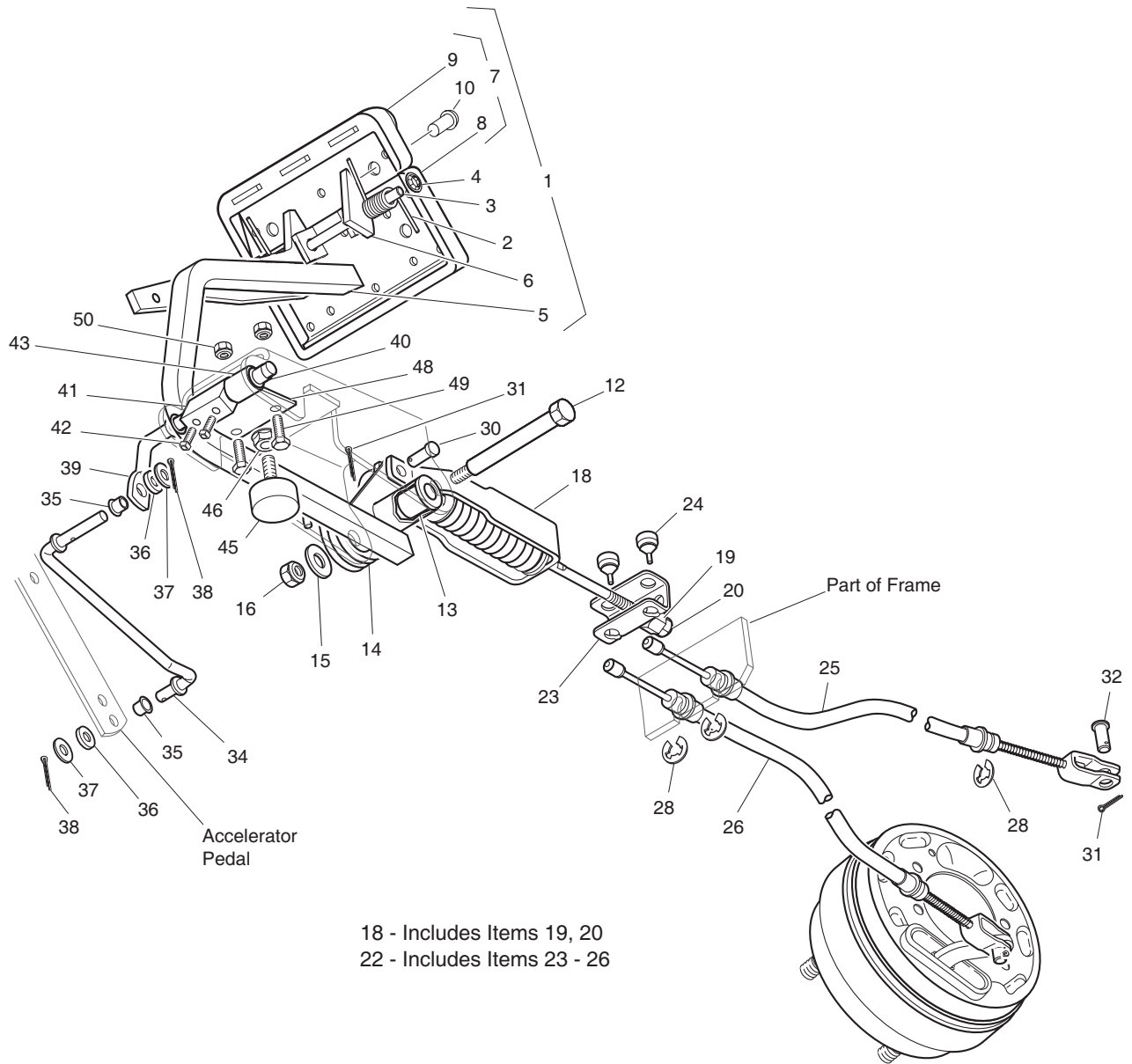
When ordering parts, please specify the model and serial number of the product.

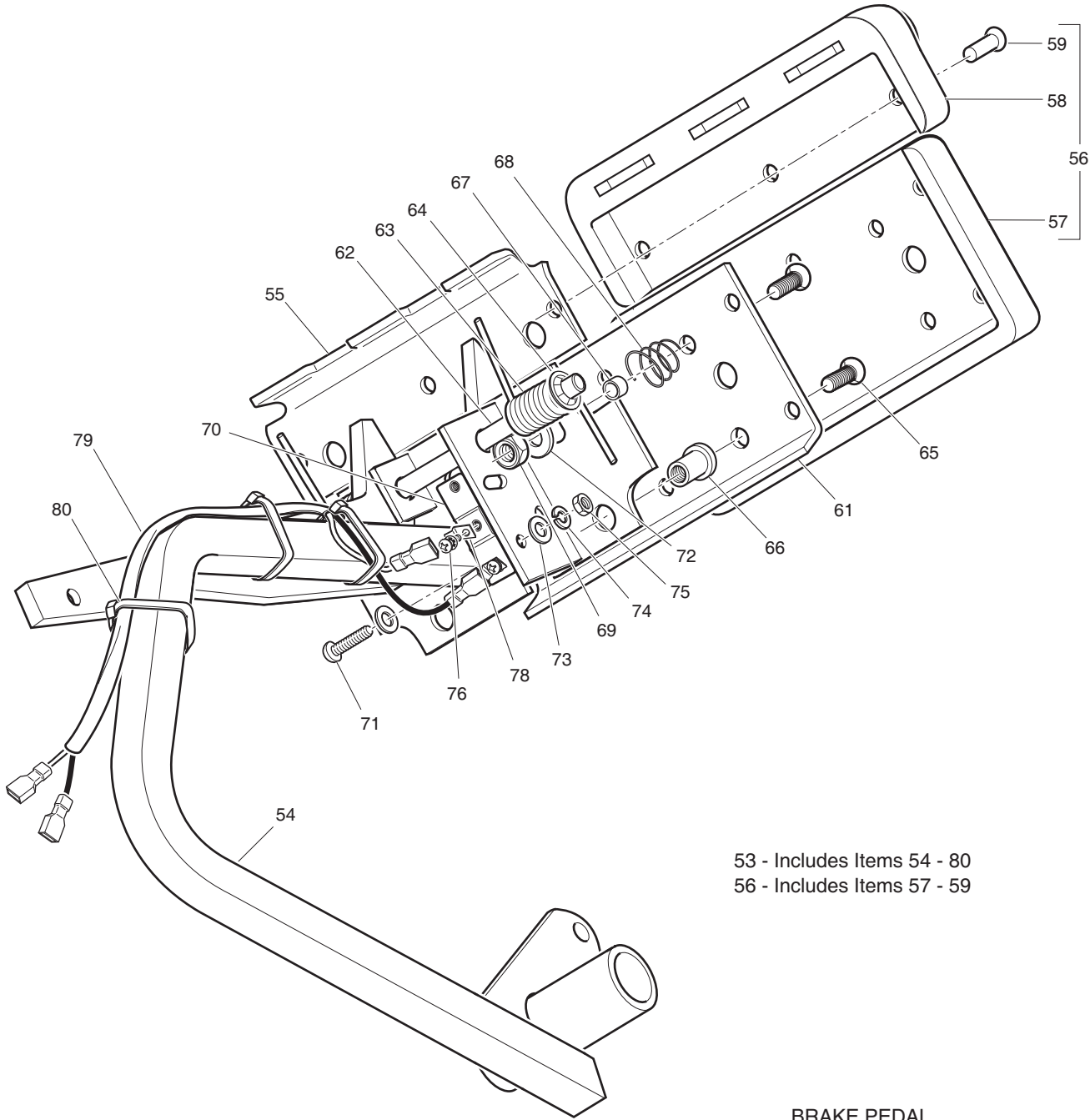
* Indicates a component that is not available as an individual part.

G** Indicates consult Customer Service Department for additional information.

ITEM	PART NO.	1 2 3 4 5	DESCRIPTION	QTY.
121	<u>00560-G1</u>		WASHER, 3/8"	10
122	<u>11098-G5</u>		LOCK NUT, 3/8 - 16	10
123	<u>00769-G2</u>		CARRIAGE BOLT, 3/8 - 16 X 1 1/4" LG	2
124	<u>00426-G8</u>		BOLT, 3/8 - 16 X 1" LG	2
125				
126				
127	<u>70361-G02</u>		FOOTREST ASSEMBLY (INCLUDES ITEMS 128 - 132)	1
128	<u>19853-G1</u>		END CAP, 1"	2
129	<u>74129-G01</u>		REFLECTOR	1
130	<u>74132-G01</u>		LABEL (WARNING)	1
131	<u>70362-G01</u>		FLOORMAT	1
132	<u>70633-G01</u>		FOOTREST	1
133	<u>71929-G01</u>		LABEL (LOAD BED LIMIT WARNING)	1
134	<u>75268-G01</u>		SUPPORT TUBE	2
135	<u>606882</u>		SELF THREADING SCREW, #12 - 24 X 3/4" LG	4
136	<u>19859-G1</u>		END CAP, 3/4"	4
137	<u>20271-G2</u>		HOLE PLUG, 1/2"	4
138	<u>74149-G01</u>		VALANCE PANEL	1
139				
140	<u>71048-G01</u>		BOX COOLER AND BRACKET (INCLUDES HARDWARE)	1
141				
142	<u>75109-G04</u>		ASH TRAY KIT (INCLUDES ITEMS 143 - 146)	1
143	<u>27731-G01</u>		ASH TRAY	1
144	<u>27736-G01</u>		GASKET	1
145	<u>75108-G02</u>		BRACKET	1
146	<u>00100-G4</u>		SCREW, #10 - 16 X 1/2" LG	4
147				
148	<u>74533-G01</u>		GUN HOLDER (SWIVEL MOUNT) (NOT ILLUSTRATED)	1

BRAKES

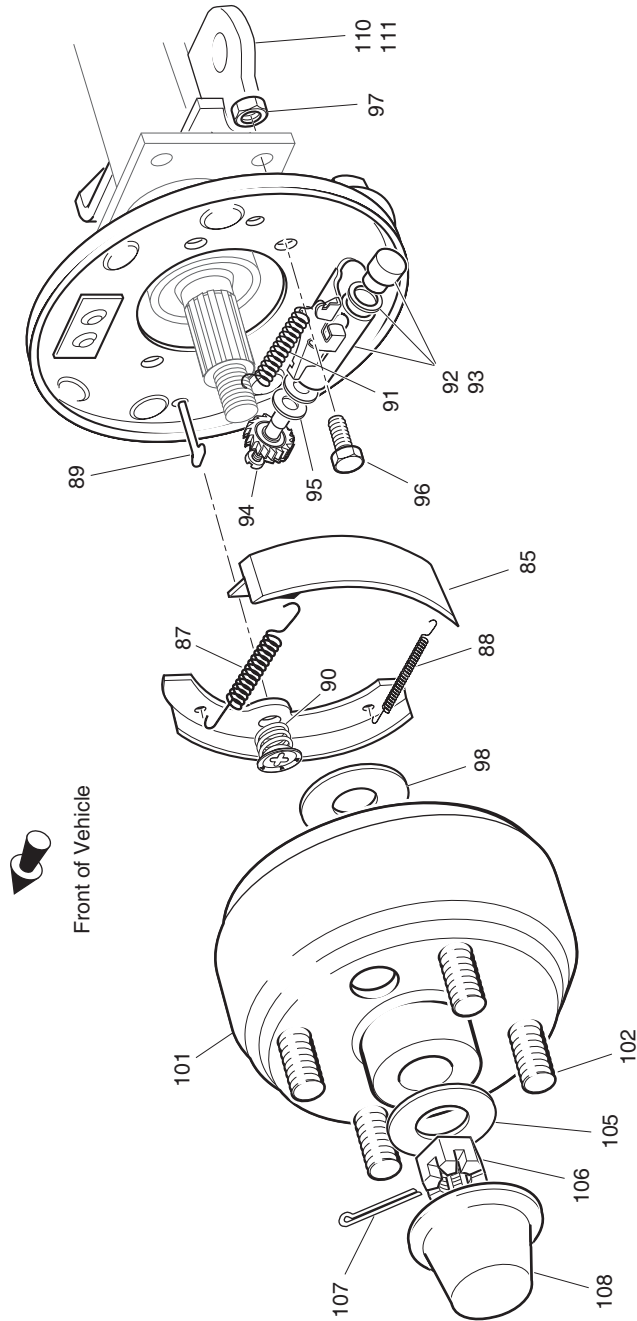




53 - Includes Items 54 - 80
56 - Includes Items 57 - 59

**BRAKE PEDAL
(VEHICLE WITH BRAKE LIGHTS)**

BRAKES



- 82 - Includes Items 84 - 92, 94, 95
- 83 - Includes Items 84 - 91, 93 - 95
- 84 - Includes Items 85
- 86 - Includes Items 87 - 91
- 92 - Includes Items 94, 95
- 93 - Includes Items 94, 95
- 100 - Includes Items 101, 102

BRAKES

THE USE OF NON U.L. PARTS WILL VOID ANY U.L. LISTING.

When ordering parts, please specify the model and serial number of the product.

* Indicates a component that is not available as an individual part.

G** Indicates consult Customer Service Department for additional information.

ITEM	PART NO.	1 2 3 4 5	DESCRIPTION	QTY.
1	<u>70612-G02</u>		BRAKE PEDAL ASSEMBLY (WITHOUT BRAKE LIGHTS) (INCLUDES ITEMS 2 - 10).....	1
2	<u>70681-G01</u>		TORSION SPRING.....	2
3	<u>70682-G01</u>		PIVOT PIN.....	1
4	<u>01071-G01</u>		PUSHNUT, 5/16".....	2
5	*		BRAKE PEDAL.....	1
6	<u>70611-G02</u>		PARK BRAKE PEDAL.....	1
7	<u>70274-G01</u>		BRAKE/PARK BRAKE PEDAL PAD KIT (INCLUDES ITEMS 8 - 10).....	1
8	*		SERVICE BRAKE PAD.....	1
9	*		PARK BRAKE PEDAL PAD.....	1
10	<u>15766-G1</u>		OVAL RIVET, 3/16" X 3/8" LG.....	9
11				
12	<u>70582-G01</u>		SHOULDER BOLT, 3/8 - 16 X 4" LG.....	1
13	<u>70581-G01</u>		FLANGED BUSHING.....	2
14	<u>70676-G01</u>		TORSION SPRING.....	1
15	<u>00643-G1</u>		WASHER, 3/8".....	1
16	<u>11098-G5</u>		LOCK NUT, 3/8 - 16.....	1
17				
18	<u>70272-G04</u>		COMPENSATOR ASSEMBLY (INCLUDES ITEMS 19, 20).....	1
19	<u>00963-G01</u>		SPHERICAL NUT, 5/16 - 24.....	1
20	<u>11098-G9</u>		LOCK NUT, 5/16 - 24.....	1
21				
22	<u>70969-G05</u>		EQUALIZER AND BRAKE CABLE ASSEMBLY (INCLUDES ITEMS 23-26).....	1
23	<u>28082-G01</u>		EQUALIZER BRACKET.....	1
24	<u>28083-G01</u>		BRAKE COMPENSATOR BUMPER.....	2
25	*		BRAKE CABLE (DRIVER SIDE).....	1
26	*		BRAKE CABLE (PASSENGER SIDE).....	1
27				
28	<u>01111-G01</u>		RETAINING RING, 13/32" (STAINLESS STEEL).....	4
29				

BRAKES

THE USE OF NON U.L. PARTS WILL VOID ANY U.L. LISTING.

When ordering parts, please specify the model and serial number of the product.

* Indicates a component that is not available as an individual part.

G** Indicates consult Customer Service Department for additional information.

ITEM	PART NO.	1 2 3 4 5	DESCRIPTION	QTY.
30	<u>10386-G3</u>		CLEVIS PIN, 5/16" X 1" LG	3
31	<u>10387-G3</u>		COTTER PIN, 3/32" X 3/4" LG	3
32	<u>14443-G2</u>		CLEVIS PIN, 5/16" X 3/4" LG	2
33				
34	<u>70601-G01</u>		KICK-OFF LINK.....	1
35	<u>17838-G1</u>		NYLON BUSHING.....	2
36	<u>20835-G1</u>		TEFLON WASHER, 3/8"	2
37	00559-G8		WASHER, 5/16"	2
38	<u>10387-G3</u>		COTTER PIN, 3/32" X 3/4" LG	2
39	<u>70098-G01</u>		KICK-OFF CAM PIVOT.....	1
40	<u>10097-G6</u>		FLANGED BEARING	2
41	<u>70587-G01</u>		KICK-OFF CAM.....	1
42	<u>71215-G01</u>		SETSCREW, 1/4 - 20 X 1/2" LG.....	2
43	<u>14134-G4</u>		SPACER	1
44				
45	<u>70113-G01</u>		ADJUSTABLE BUMPER	1
46	<u>11027-G1</u>		LOCK NUT, 5/16 - 18	1
47				
48	<u>70080-G02</u>		CATCH BRACKET	1
49	<u>00414-G6</u>		BOLT, 1/4 - 20 X 3/4" LG	2
50	<u>00891-G2</u>		LOCK NUT, 1/4 - 20	2
51				
52				
53	70690-G02		BRAKE PEDAL ASSEMBLY (WITH BRAKE LIGHTS) (INCLUDES ITEMS 54 - 80).....	1
54	*		BRAKE PEDAL.....	1
55	<u>70611-G02</u>		PARK BRAKE PEDAL	1
56	70274-G01		BRAKE/PARK BRAKE PEDAL PAD KIT (INCLUDES ITEMS 57 - 59).....	1
57	*		SERVICE BRAKE PAD	1
58	*		PARK BRAKE PAD.....	1

BRAKES

THE USE OF NON U.L. PARTS WILL VOID ANY U.L. LISTING.

When ordering parts, please specify the model and serial number of the product.

* Indicates a component that is not available as an individual part.

G** Indicates consult Customer Service Department for additional information.

ITEM	PART NO.	1	2	3	4	5	DESCRIPTION	QTY.
59	<u>15766-G1</u>						OVAL RIVET, 3/16" x 3/8" LG	9
60								
61	<u>70258-G03</u>						SERVICE BRAKE PEDAL PLATE	1
62	<u>70682-G01</u>						PIVOT PIN	1
63	<u>70681-G01</u>						TORSION SPRING	2
64	<u>01071-G01</u>						PUSHNUT, 5/16"	1
65	<u>00737-G8</u>						SCREW, #10 - 24 X 1" LG	4
66	<u>00739-G1</u>						RUBBER NUT, #10 - 24	2
67	<u>74535-G01</u>						BRAKE PEDAL STANDOFF	2
68	<u>27137-G01</u>						CONICAL SPRING	2
69	11098-G7						LOCK NUT, #10 - 24	2
70	10606-G8						MICRO SWITCH	1
71	<u>00957-G1</u>						SCREW, #6 - 32 X 1 1/4" LG	2
72	<u>00559-G5</u>						WASHER, #10	2
73	<u>00559-G3</u>						WASHER, #6	4
74	<u>00565-G3</u>						LOCK WASHER, #6	2
75	<u>00525-G5</u>						NUT, #6 - 32	2
76	<u>13514-G1</u>						SCREW AND LOCK WASHER, #6	2
77								
78	<u>14628-G1</u>						FASTON TAB	2
79	<u>24605-G1</u>						WIRE HARNESS (BRAKE LIGHT)	1
80	<u>17618-G1</u>						WIRE TIE	3
81								
82	<u>70998-G01</u>						BRAKE ASSEMBLY (DRIVER SIDE) (INCLUDES ITEMS 84 - 95)	1
83	<u>70998-G02</u>						BRAKE ASSEMBLY (PASSENGER SIDE) (INCLUDES ITEMS 84 - 95)	1
84	70794-G01						BRAKE SHOE KIT (INCLUDES ITEM 85)	2
85	*						BRAKE SHOE	2
86	<u>27944-G01</u>						BRAKE SPRING KIT (INCLUDES ITEMS 87 - 91)	2
87	*						UPPER SPRING	1
88	*						LOWER SPRING	1

BRAKES

THE USE OF NON U.L. PARTS WILL VOID ANY U.L. LISTING.

When ordering parts, please specify the model and serial number of the product.

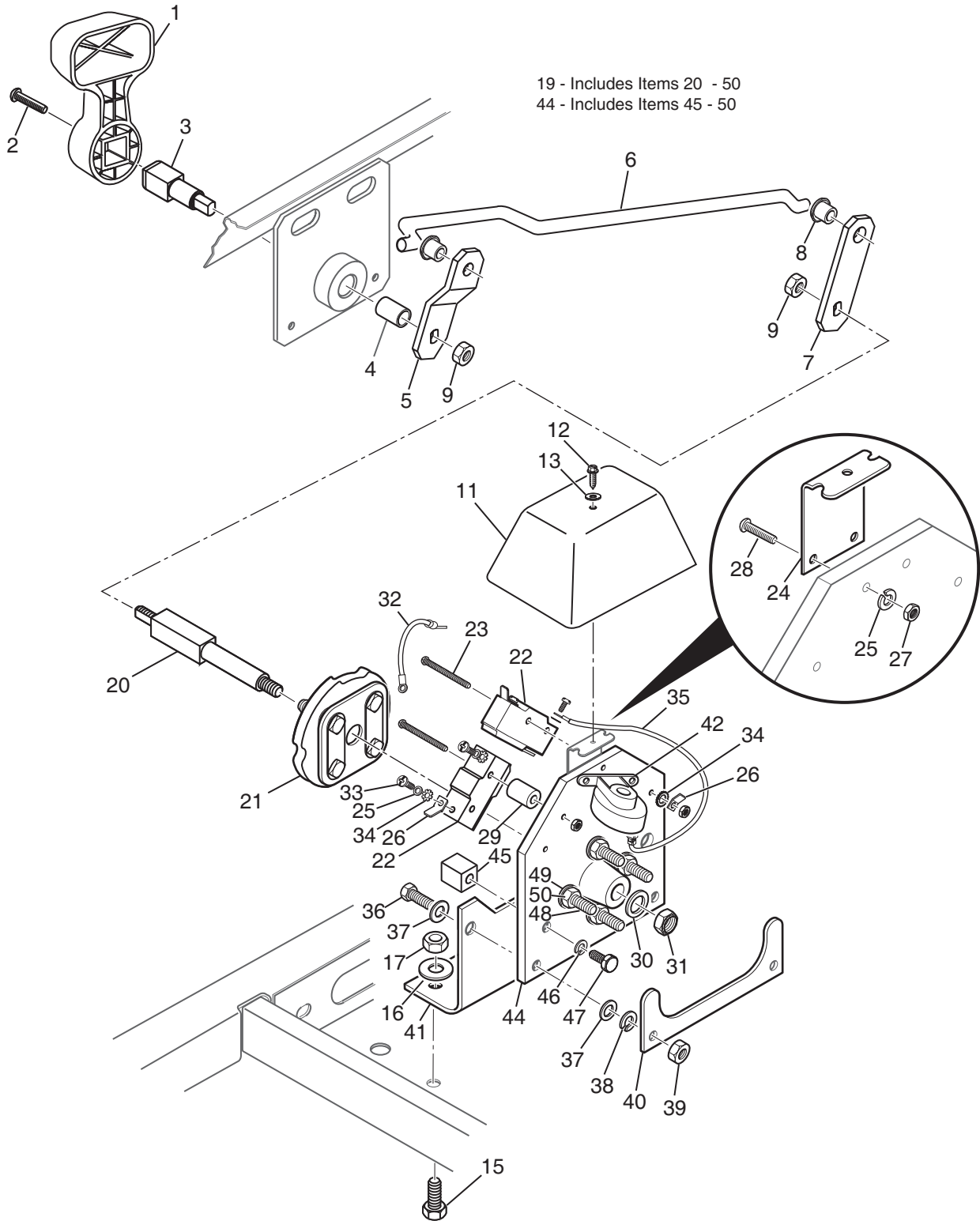
* Indicates a component that is not available as an individual part.

G** Indicates consult Customer Service Department for additional information.

ITEM	PART NO.	1	2	3	4	5	DESCRIPTION	QTY.
89	*						PIN	2
90	*						CUP AND SPRING	2
91	*						ADJUSTER SPRING.....	1
92	<u>72582-G01</u>						BRAKE ADJUSTER KIT (DRIVER SIDE) (INCLUDES ITEMS 94, 95)	1
93	<u>72582-G02</u>						BRAKE ADJUSTER KIT (PASSENGER SIDE) (INCL. ITEMS 94, 95).....	1
94	*						ADJUSTER	1
95	*						TEFLON WASHER.....	2
96	<u>17083-G2</u>						BOLT, 5/16 - 24 X 1" LG	8
97	<u>15126-G1</u>						LOCK NUT, 5/16 - 24	8
98	<u>21809-G1</u>						INNER BRAKE DRUM WASHER.....	2
99								
100	<u>21807-G1</u>						BRAKE DRUM ASSEMBLY (INCLUDES ITEMS 101 - 102).....	2
101	*						BRAKE DRUM	1
102	<u>19862-G1</u>						LUG BOLT, 1/2 - 20.....	4
103								
104								
105	<u>21830-G1</u>						WASHER, 1 3/8" O.D. X 21/32"	2
106	<u>00518-G8</u>						SLOTTED NUT, 5/8 - 18.....	2
107	<u>10387-G1</u>						COTTER PIN, 1/8" X 1 1/2" LG	2
108	<u>74175-G01</u>						SPINDLE CAP.....	2
109								
110	<u>75870-G04</u>						BRAKE CABLE BRACKET (PASSENGER SIDE).....	1
111	<u>75870-G03</u>						BRAKE CABLE BRACKET (DRIVER SIDE)	1

DIRECTION SELECTOR

*NOTE: For PDS Direction Selector See ELECTRICAL SYSTEM Section



DIRECTION SELECTOR

Where applicable, THE USE OF NON UL PARTS WILL VOID ANY UL LISTING.

When ordering parts, please specify the model and serial number of the product.

* Indicates a component that is not available as an individual part.

G** Indicates consult Customer Service Department for additional information.

ITEM	PART NO.	1 2 3 4 5	DESCRIPTION	QTY.
1	<u>71205-G01</u>		DIRECTION SELECTOR HANDLE.....	1
2	<u>00740-G4</u>		SCREW, #10 - 32 X 1/2" LG (STAINLESS STEEL).....	1
3	<u>70233-G01</u>		DIRECTION SELECTOR SHAFT.....	1
4	<u>25664-G2</u>		BUSHING.....	1
5	<u>70334-G01</u>		OFFSET SHIFT LINKAGE ARM.....	1
6	<u>70313-G01</u>		LINKAGE ROD.....	1
7	<u>70232-G03</u>		SHIFT LINKAGE ARM.....	1
8	<u>22754-G3</u>		BUSHING.....	2
9	<u>14390-G1</u>		LOCK NUT, 3/8 - 24.....	2
10				
11	<u>73049-G01</u>		DIRECTION SELECTOR COVER.....	1
12	<u>00114-G6</u>		SCREW, 1/4 - 14 X 3/4" LG.....	1
13	<u>16469-G7</u>		WASHER, 1/4".....	1
14				
15	<u>00438-G6</u>		BOLT, 5/16 - 18 X 3/4" LG.....	2
16	<u>00571-G2</u>		WASHER, 5/16" (STAINLESS STEEL).....	2
17	<u>11098-G6</u>		LOCK NUT, 5/16 - 18 (STAINLESS STEEL).....	2
18				
19	<u>70578-G02</u>		DIRECTION SELECTOR ASSEMBLY (INCLUDES ITEMS 20 - 50).....	1
20	<u>73027-G01</u>		DIRECTION SELECTOR SHAFT.....	1
21	<u>12835-G1</u>		CAM.....	1
22	<u>10606-G2</u>		MICRO SWITCH.....	2
23	<u>00645-G7</u>		SCREW, #6 - 32 X 2" LG.....	4
24	<u>73048-G01</u>		COVER BRACKET.....	1
25	<u>00565-G3</u>		LOCK WASHER, #6.....	6
26	<u>14628-G1</u>		PUSH ON MALE TERMINAL.....	3
27	<u>00525-G5</u>		NUT, #6 - 32.....	6
28	<u>00645-G5</u>		SCREW, #6 - 32 X 5/8" LG.....	2
29	<u>12806-G1</u>		SPACER.....	4
30	<u>00560-G1</u>		WASHER, 3/8".....	1

DIRECTION SELECTOR

Where applicable, THE USE OF NON UL PARTS WILL VOID ANY UL LISTING.

When ordering parts, please specify the model and serial number of the product.

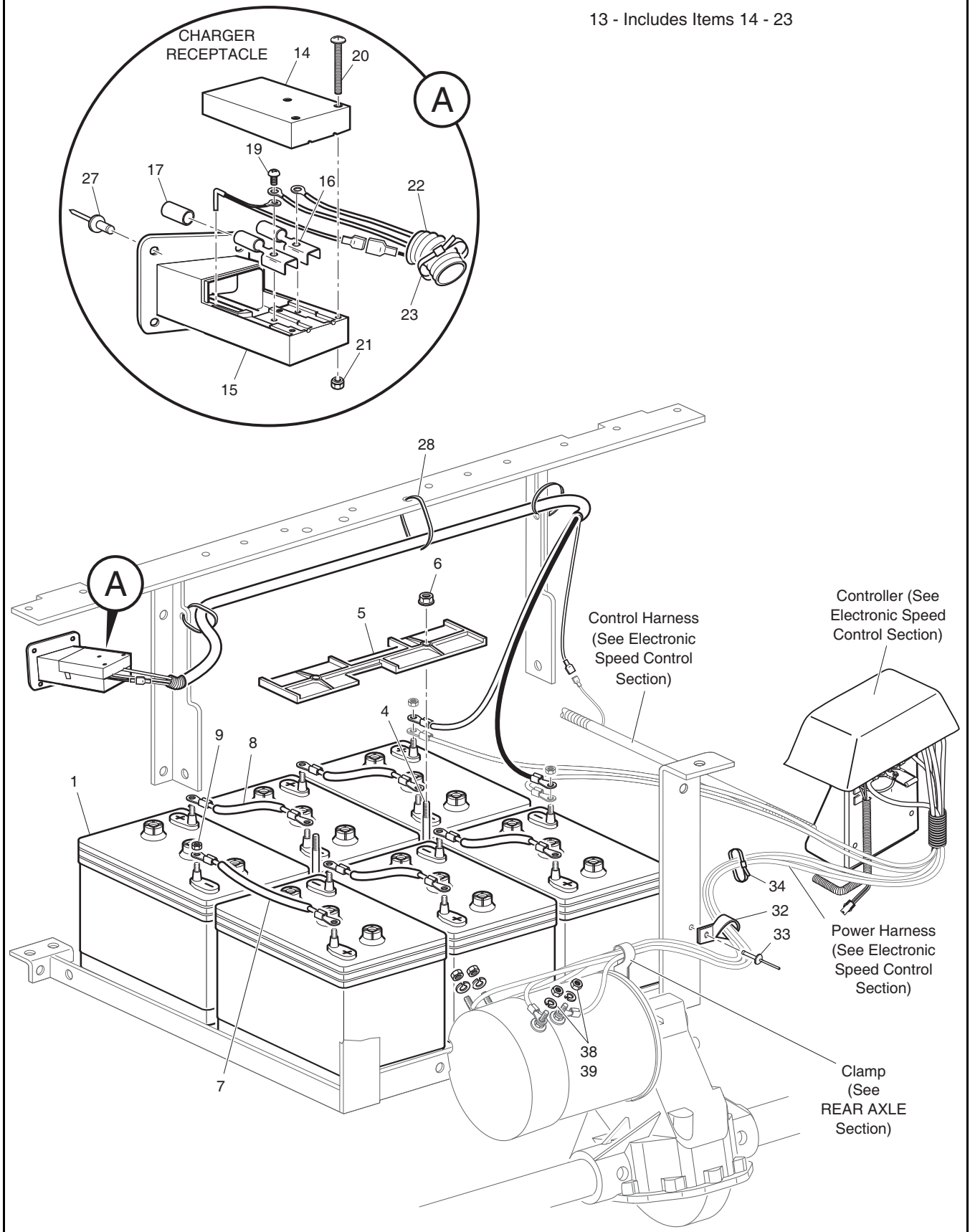
* Indicates a component that is not available as an individual part.

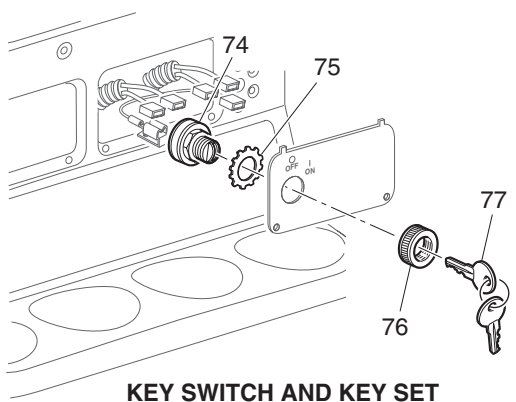
G** Indicates consult Customer Service Department for additional information.

ITEM	PART NO.	1	2	3	4	5	DESCRIPTION	QTY.
31	<u>14390-G1</u>						LOCK NUT, 3/8 - 24	1
32	<u>25978-G37</u>						18 GA WIRE (RED 4")	1
33	<u>13514-G1</u>						SCREW.....	4
34	<u>00567-G3</u>						LOCK WASHER, #6	4
35	<u>25978-G343</u>						18 GA WIRE (RED 6")	1
36	<u>00414-G8</u>						BOLT, 1/4 - 20 X 1" LG (STAINLESS STEEL)	2
37	<u>00559-G7</u>						WASHER, 1/4" (STAINLESS STEEL).....	4
38	<u>00565-G7</u>						LOCK WASHER, 1/4" (STAINLESS STEEL).....	2
39	<u>00532-G1</u>						NUT, 1/4 - 20.....	2
40	<u>15461-G1</u>						SUPPORT BRACKET.....	1
41	<u>73031-G02</u>						DIRECTION SELECTOR MOUNTING BRACKET	1
42	<u>73290-G02</u>						REVERSE WARNING BUZZER (CONTINUOUS TONE).....	1
43								
44	<u>14651-G1</u>						CONTACT BOARD ASSEMBLY (INCLUDES ITEMS 45 - 50)	1
45	<u>24940-G1</u>						STOP	2
46	<u>00565-G7</u>						LOCK WASHER, 1/4" (STAINLESS STEEL)	2
47	<u>00414-G6</u>						BOLT, 1/4 - 20 X 3/4" LG	2
48	<u>18888-G1</u>						CONTACT STUD, 5/16 - 18	4
49	<u>00565-G8</u>						LOCK WASHER, 5/16"	4
50	<u>00544-G3</u>						NUT, 5/16 - 18	4

ELECTRICAL SYSTEM

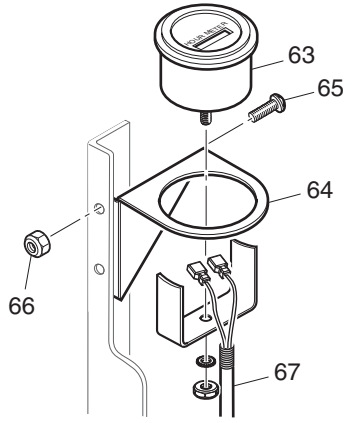
13 - Includes Items 14 - 23



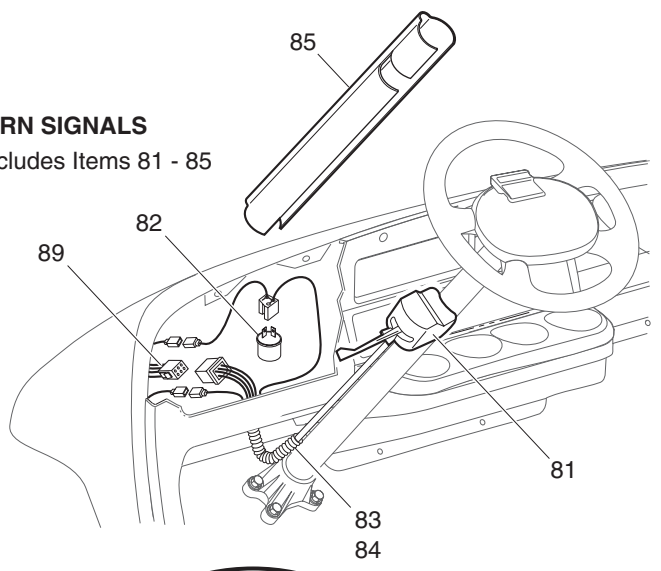


KEY SWITCH AND KEY SET

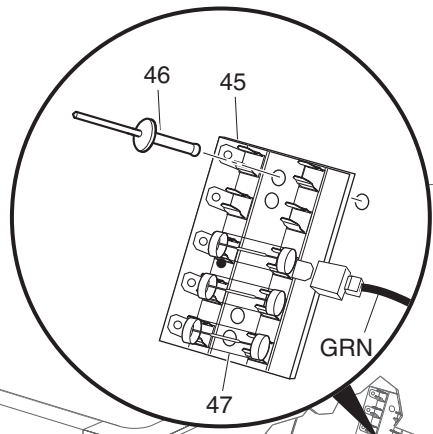
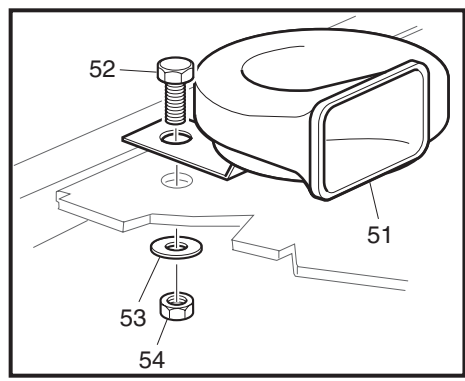
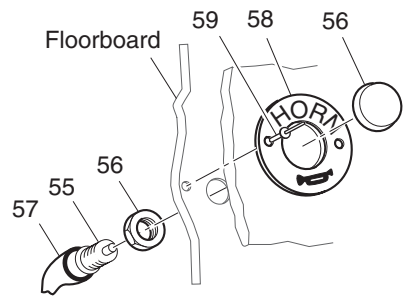
HOUR METER DETAIL
62 - Includes Items 63 - 67



TURN SIGNALS
80 - Includes Items 81 - 85



HORN BUTTON



ELECTRICAL SYSTEM

Where applicable, THE USE OF NON UL PARTS WILL VOID ANY UL LISTING.
 When ordering parts, please specify the model and serial number of the product.
 * Indicates a component that is not available as an individual part.
 G** Indicates consult Customer Service Department for additional information.

ITEM	PART NO.	1	2	3	4	5	DESCRIPTION	QTY.	
1	XXXXX-GXX	6 VOLT BATTERY							6
2									
3									
4	<u>01101-G01</u>	HOLD DOWN BOLT (STAINLESS STEEL).....							2
5	<u>70045-G01</u>	BATTERY RETAINER							1
6	<u>11027-G1</u>	LOCK NUT, 5/16 - 18							2
7	<u>25972-G32</u>	6 GA WIRE (BATTERY INTERCONNECT, BLACK, 10 1/2")							1
8	<u>25972-G40</u>	6 GA WIRE (BATTERY INTERCONNECT, 6").....							4
9	<u>00702-G2</u>	NUT, 5/16 - 18							12
10									
11									
12									
13	<u>73063-G01</u>	CHARGER RECEPTACLE ASSEMBLY (INCLUDES ITEMS 14 - 23).....							1
14	*	RECEPTACLE COVER							1
15	*	RECEPTACLE BOTTOM							1
16	<u>73051-G05</u>	FEMALE CONNECTOR							2
17	<u>73051-G06</u>	INSULATOR SLEEVE.....							1
18									
19	<u>73051-G08</u>	SCREW, #10 - 32 X 1/2" LG (BRASS)							2
20	<u>73051-G09</u>	SCREW, #6 - 32 X 1 3/4" LG (STAINLESS STEEL).....							3
21	<u>73051-G10</u>	LOCK NUT, #6 - 32							3
22	*	WIRE HARNESS (CHARGER).....							1
23	<u>17618-G1</u>	WIRE TIE							2
24									
25									
26									
27	<u>71055-G01</u>	RIVET, 3/16" X 1" LG (ALUMINUM).....							4
28	<u>17618-G1</u>	WIRE TIE							3
29									
30									

ELECTRICAL SYSTEM

Where applicable, THE USE OF NON UL PARTS WILL VOID ANY UL LISTING.

When ordering parts, please specify the model and serial number of the product.

* Indicates a component that is not available as an individual part.

G** Indicates consult Customer Service Department for additional information.

ITEM	PART NO.	1 2 3 4 5	DESCRIPTION	QTY.
31				
32	<u>27327-G01</u>		CABLE CLAMP	1
33	<u>10570-G11</u>		RIVET, 3/16" X 3/4" LG (STAINLESS STEEL)	1
34	<u>17618-G1</u>		WIRE TIE	8
35				
36				
37				
38	<u>00993-G01</u>		LOCK WASHER, 5/16" (SILICON BRONZE)	AR
39	<u>28418-G01</u>		NUT, 5/16 - 18 (BRASS).....	AR
40				
41				
42				
43				
44				
45	<u>22674-G1</u>		FUSE BLOCK.....	1
46	<u>01041-G01</u>		RIVET, 1/8" X 13/16" LG	2
47	<u>18392-G1</u>		15 AMP FUSE	AR
48				
49				
50				
51	<u>32860-G1</u>		HORN.....	1
52	<u>00414-G5</u>		BOLT, 1/4 - 20 X 5/8" LG	1
53	<u>00559-G7</u>		WASHER, 1/4" (STAINLESS STEEL)	1
54	<u>14390-G4</u>		LOCK NUT, 1/4 - 20	1
55	<u>17318-G1</u>		HORN SWITCH.....	1
56	<u>17318-G2</u>		HORN SWITCH CAP AND NUT	1
57	<u>27068-G01</u>		HORN SWITCH BOOT	1
58	<u>19233-G1</u>		HORN SWITCH LABEL	1
59	<u>71055-G01</u>		RIVET, 3/16" X 1" LG (ALUMINUM).....	2
60				

ELECTRICAL SYSTEM

Where applicable, THE USE OF NON UL PARTS WILL VOID ANY UL LISTING.
 When ordering parts, please specify the model and serial number of the product.
 * Indicates a component that is not available as an individual part.
 G** Indicates consult Customer Service Department for additional information.

ITEM	PART NO.	1	2	3	4	5	DESCRIPTION	QTY.
61								
62	75113-G02						HOUR METER KIT (INCLUDES ITEMS 63 - 67).....	1
63	<u>21573-G1</u>						HOUR METER.....	1
64	<u>74019-G02</u>						HOUR METER BRACKET.....	1
65	<u>00379-G4</u>						SCREW, #10 - 24 X 1/2" LG.....	2
66	<u>14390-G10</u>						LOCK NUT, #10 - 24.....	2
67	<u>75117-G01</u>						WIRE HARNESS (HOUR METER).....	1
68								
69								
70								
71								
72								
73								
74	33639-G**						KEY SWITCH (WITH LIGHTS)	1
75	<u>00568-G6</u>						LOCK WASHER, 3/4".....	1
76	17137-G1						FACE NUT, 3/4 - 20.....	1
77	<u>17063-G1</u>						KEY (SET).....	1
78								
79								
80	<u>75107-G02</u>						TURN SIGNAL KIT (INCLUDES ITEMS 81 - 85).....	1
81	<u>17867-G1</u>						TURN SIGNAL (WITH MOUNTING HARDWARE).....	1
82	<u>21640-G1</u>						TURN SIGNAL FLASHER.....	1
83	<u>32307-G3</u>						FLEX LOOM, 3/8" X 8" LG.....	1
84	<u>17618-G1</u>						WIRE TIE.....	2
85	<u>20965-G3</u>						STEERING COLUMN COVER	1
86								
87								
88								
89	73043-G01						WIRE HARNESS (ACCESSORY).....	1
90								

ELECTRICAL SYSTEM

Where applicable, THE USE OF NON UL PARTS WILL VOID ANY UL LISTING.

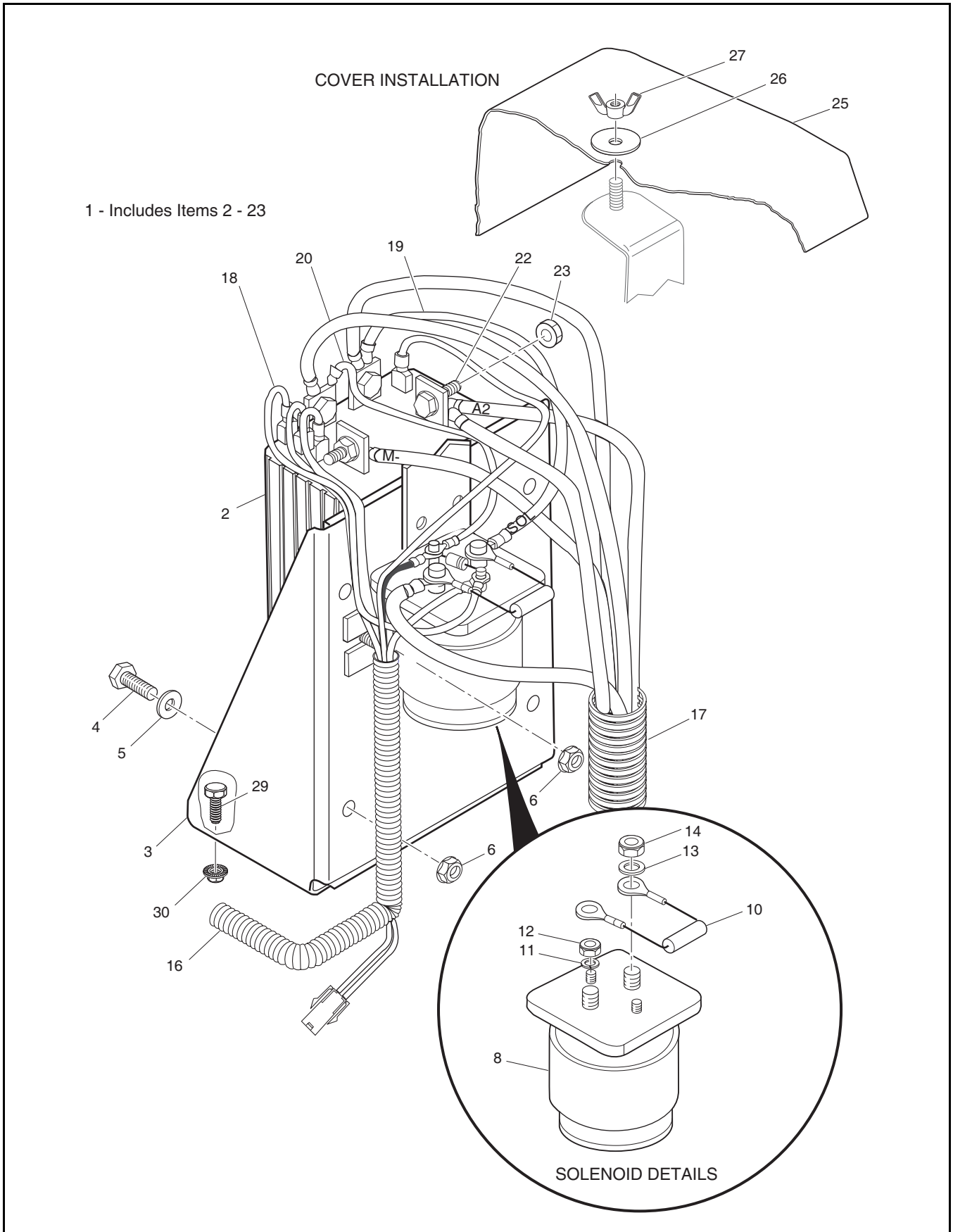
When ordering parts, please specify the model and serial number of the product.

* Indicates a component that is not available as an individual part.

G** Indicates consult Customer Service Department for additional information.

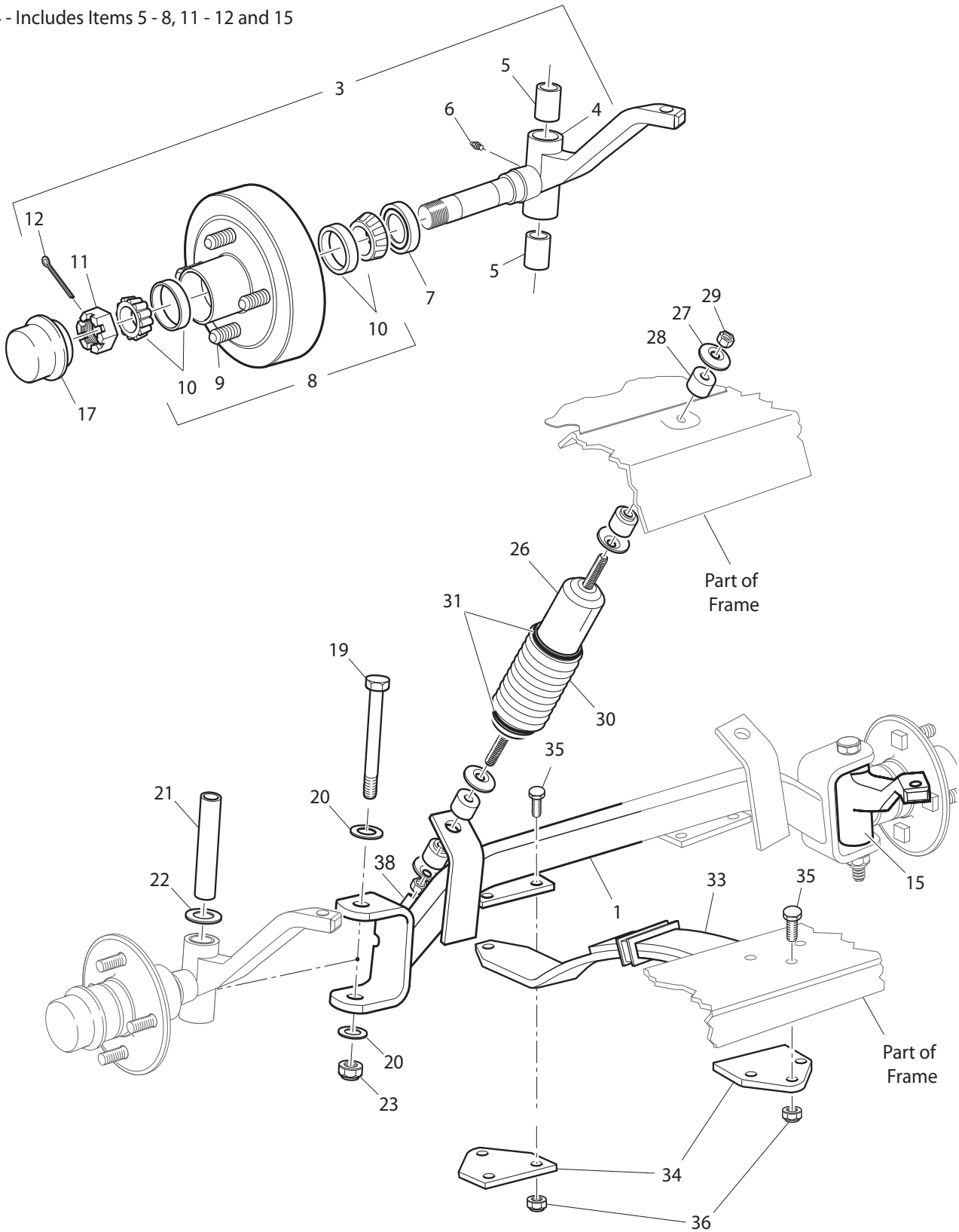
ITEM	PART NO.	1 2 3 4 5	DESCRIPTION	QTY.
91				
92				
93	<u>74371-G01</u>		BEZEL (DRIVER SIDE).....	1
94	<u>74371-G02</u>		BEZEL (PASSENGER SIDE)	1
95	<u>71364-G02</u>		'J' CLIP	8
96	<u>71425-G01</u>		COUNTERSUNK SCREW, #8	8
97	<u>22288-G2</u>		BRAKE / TAILLIGHT LAMP.....	1
98	<u>14601-G11</u>		RIVET, 3/16" X 9/16" LG (ALUMINUM).....	4
99	<u>21759-G1</u>		TAILLIGHT BULB	AR
100				
101				
102				
103	<u>22523-G1</u>		HEADLIGHT (INCLUDES ITEM 94).....	2
104	<u>00906-G6</u>		SCREW, #10 - 16 X 1" LG	2
105	<u>74337-G01</u>		JUMPER WIRE (HEADLIGHT)	2
106				
107	<u>20570-G3</u>		TURN SIGNAL LIGHT ASSEMBLY (INCLUDES ITEMS 108 - 113).....	2
108	<u>20574-G3</u>		TURN SIGNAL LIGHT	1
109	<u>00660-G7</u>		WASHER, 1/4" (STAINLESS STEEL).....	1
110	<u>20606-G1</u>		WIRE ASSEMBLY	1
111	<u>00567-G7</u>		LOCK WASHER, 1/4"	1
112	<u>00532-G1</u>		NUT, 1/4 - 20.....	1
113	<u>18995-G1</u>		PUSH-ON TERMINAL (MALE).....	1
114	<u>20574-G5</u>		LENS, AMBER	1
115	<u>00118-G5</u>		SCREW, #6 - 18 X 5/8" LG.....	2
116	<u>74056-G01</u>		TURN SIGNAL JUMPER, RED/BLACK (PASSENGER SIDE)	1
117	<u>74056-G02</u>		TURN SIGNAL JUMPER, GREEN/BLACK (DRIVER SIDE)	1

ELECTRONIC SPEED CONTROL - HD



FRONT SUSPENSION

14 - Includes Items 5 - 8, 11 - 12 and 15



FRONT SUSPENSION

THE USE OF NON U.L. PARTS WILL VOID ANY U.L. LISTING.

When ordering parts, please specify the model and serial number of the product.

* Indicates a component that is not available as an individual part.

G** Indicates consult Customer Service Department for additional information.

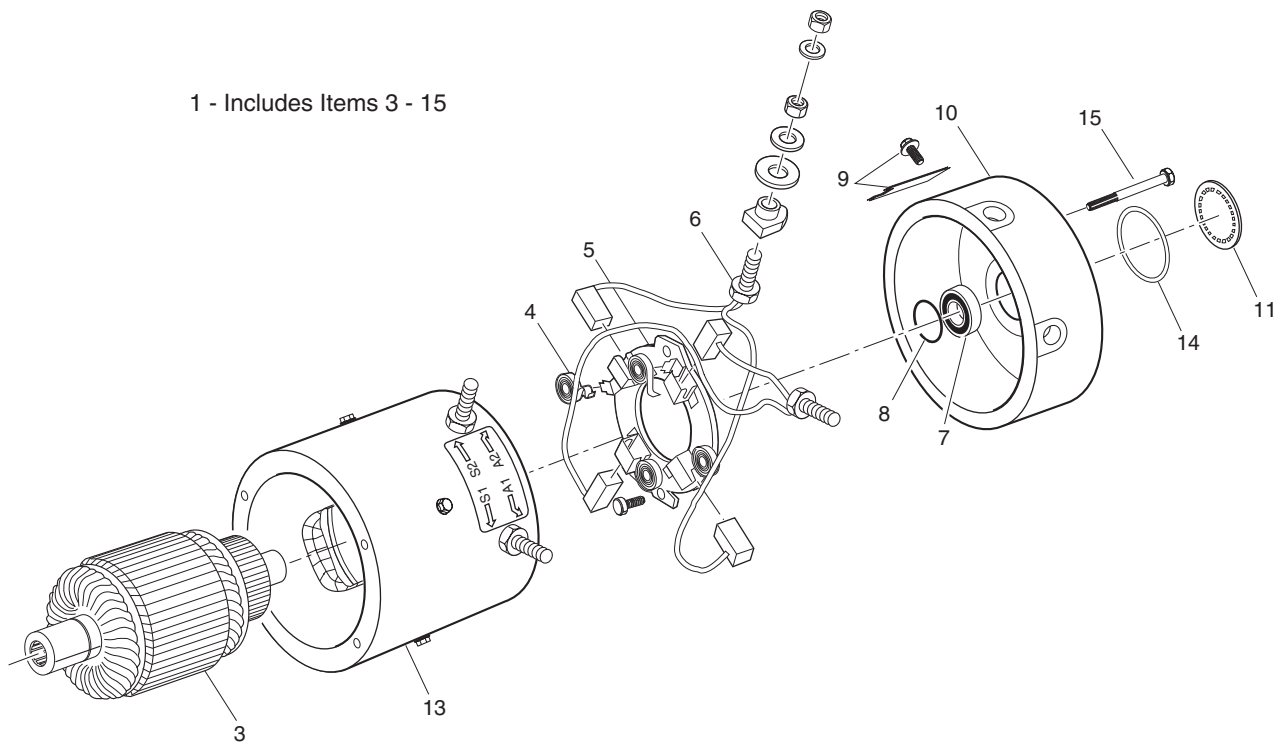
ITEM	PART NO.	1 2 3 4 5	DESCRIPTION	QTY.
1	<u>70515-G01</u>		FRONT AXLE	1
2				
3	<u>70535-G02</u>		SPINDLE ASSEMBLY (DRIVER SIDE) (INCLUDES ITEMS 4 - 8, 11 - 12).....	1
4	*		SPINDLE (DRIVER SIDE)	1
5	<u>16623-G1</u>		BEARING.....	2
6	<u>10389-G3</u>		GREASE FITTING, STRAIGHT	1
7	<u>25146-G1</u>		GREASE SEAL.....	1
8	<u>72590-G01</u>		WHEEL HUB ASSEMBLY (INCLUDES ITEMS 9, 10).....	1
9	<u>36038-G01</u>		DRIVE FLANGE STUD, 1/2 - 20 X 1 3/16" LG.....	4
10	<u>50892-G1</u>		BEARING AND RACE ASSEMBLY (COMPLETE)	2
11	12093-G1		SLOTTED NUT, 1 - 14	1
12	<u>00798-G8</u>		COTTER PIN, 5/32" X 1 3/4" LG	1
13				
14	<u>70534-G02</u>		SPINDLE ASSEMBLY (PASSENGER SIDE) (INCLUDES ITEMS 5 - 8, 11 - 12, 15)	1
15	*		SPINDLE (PASSENGER SIDE).....	1
16				
17	<u>12091-G2</u>		SPINDLE CAP.....	2
18				
19	<u>01040-G01</u>		BOLT, 1/2 - 13 X 5" LG	2
20	<u>00571-G5</u>		WASHER, 1/2"	4
21	<u>70328-G01</u>		KING PIN TUBE	2
22	<u>16982-G1</u>		THRUST WASHER, 7/8"	2
23	<u>14390-G6</u>		LOCK NUT, 1/2 - 13	2
24				
25				
26	<u>70630-G01</u>		SHOCK ABSORBER.....	2
27	<u>10435-G1</u>		SHOCK ABSORBER WASHER.....	8
28	<u>10194-G1</u>		RUBBER BUSHING	8
29	<u>00532-G6</u>		NUT, 3/8 - 24	4

FRONT SUSPENSION

THE USE OF NON U.L. PARTS WILL VOID ANY U.L. LISTING.
 When ordering parts, please specify the model and serial number of the product.
 * Indicates a component that is not available as an individual part.
 G** Indicates consult Customer Service Department for additional information.

ITEM	PART NO.	1	2	3	4	5	DESCRIPTION	QTY.
30	<u>70509-G01</u>						SHOCK ABSORBER BOOT	2
31	<u>31539-G1</u>						WIRE TIE	4
32								
33	<u>70422-G01</u>						LEAF SPRING (HEAVY DUTY).....	2
34	<u>70163-G03</u>						SPRING PLATE	4
35	<u>00463-G11</u>						BOLT, 7/16 - 14 X 1 3/4" LG	12
36	<u>00734-G1</u>						LOCK NUT, 7/16 - 14	1
37								
38	<u>10044-G01</u>						VINYL CAP	2

MOTOR



MOTOR

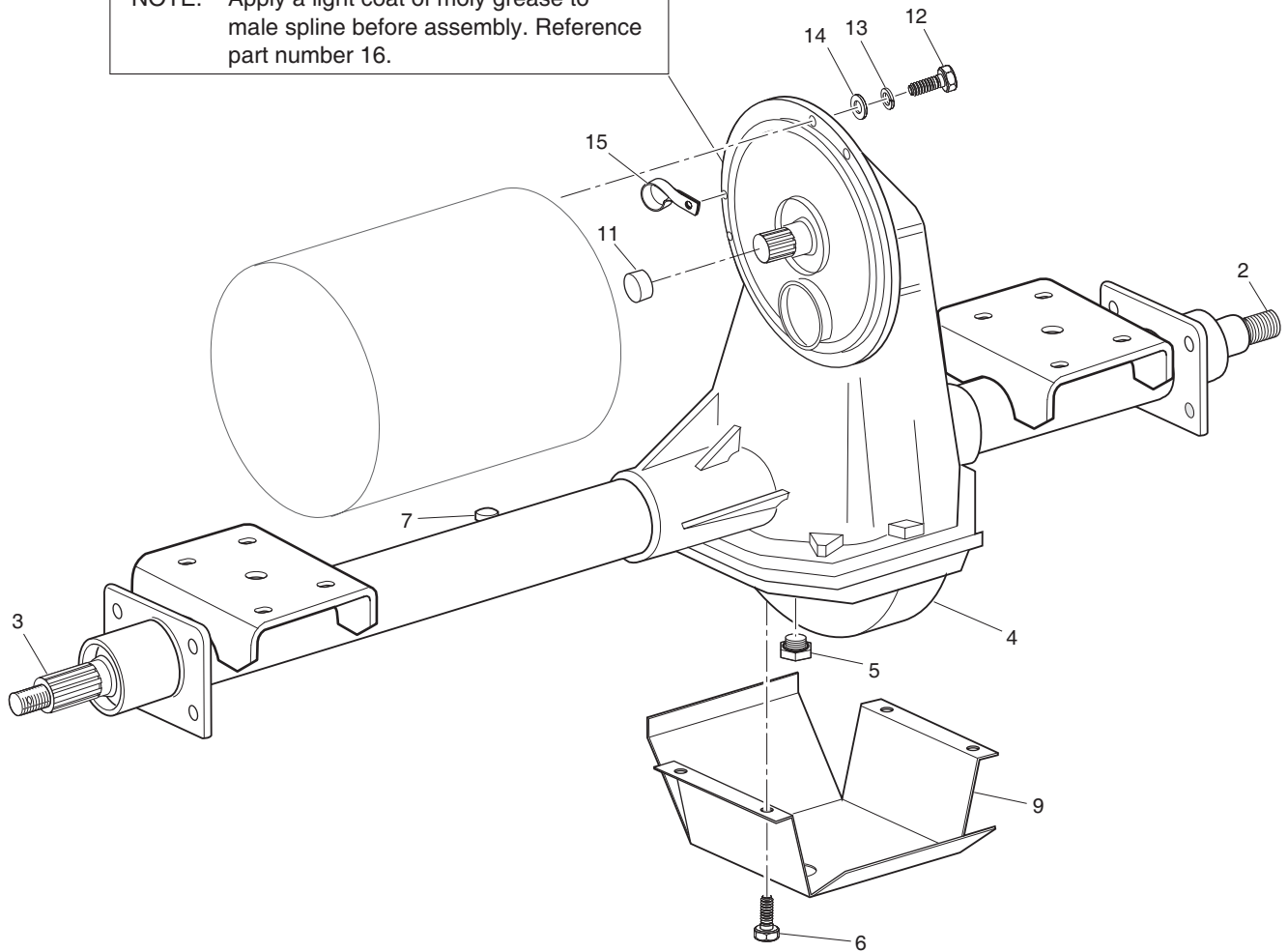
THE USE OF NON U.L. PARTS WILL VOID ANY U.L. LISTING.
 When ordering parts, please specify the model and serial number of the product.
 * Indicates a component that is not available as an individual part.
 G** Indicates consult Customer Service Department for additional information.

ITEM	PART NO.	1 2 3 4 5	DESCRIPTION	QTY.
1	<u>73445-G01</u>		MOTOR (SERIES, FLEET SPEED) (INCLUDES ITEMS 3 - 15)	1
2				
3	<u>73120-G01</u>		ARMATURE	1
4	<u>73120-G03</u>		BRUSH SPRING.....	4
5	<u>73120-G15</u>		BRUSH PLATE AND BOX	1
6	<u>73120-G25</u>		BRUSH REPLACEMENT KIT (INCLUDES HARDWARE)	1
7	<u>73120-G07</u>		BEARING	1
8	<u>73120-G06</u>		SNAP RING	1
9	<u>73120-G09</u>		COVER PLATE AND SCREW	1
10	<u>73120-G08</u>		COVER COMMUTATOR END	1
11	<u>73120-G16</u>		CAP.....	1
12				
13	73120-G33		FRAME AND FIELD COIL (INCLUDES HARDWARE).....	1
14	<u>73277-G01</u>		RETAINING RING.....	1
15	<u>73120-G32</u>		COMMUTATOR HEAD SCREW	4

REAR AXLE

1 - Includes Items 2 - 7

NOTE: Apply a light coat of moly grease to male spline before assembly. Reference part number 16.

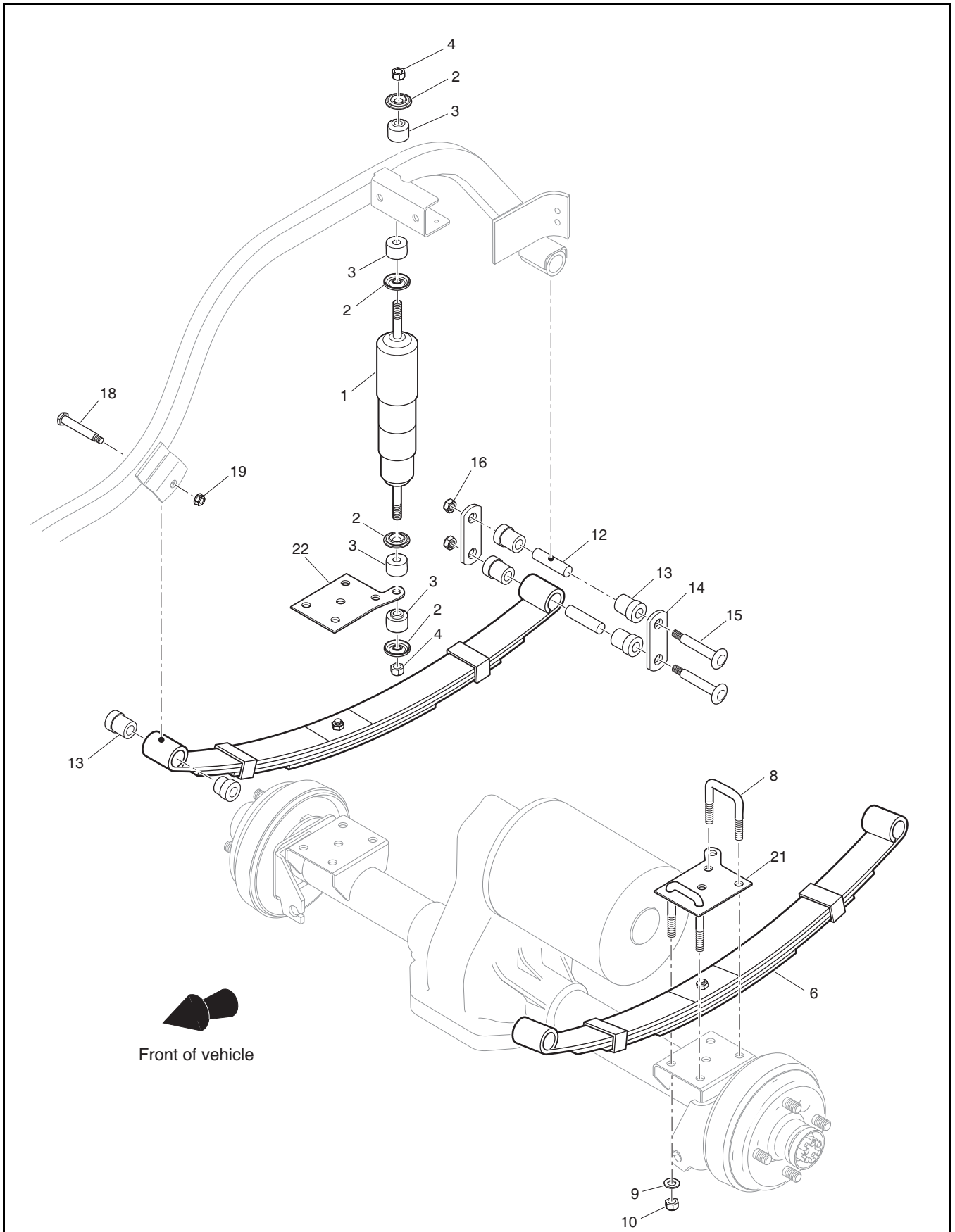


REAR AXLE

Where applicable, THE USE OF NON UL PARTS WILL VOID ANY UL LISTING.
 When ordering parts, please specify the model and serial number of the product.
 * Indicates a component that is not available as an individual part.
 G** Indicates consult Customer Service Department for additional information.

ITEM	PART NO.	1 2 3 4 5	DESCRIPTION	QTY.
1	74775-G01		REAR AXLE ASSEMBLY (INCLUDES ITEMS 2 - 7)	1
2	*		AXLE SHAFT (PASSENGER SIDE)	1
3	*		AXLE SHAFT (DRIVER SIDE).....	1
4	*		DIFFERENTIAL COVER.....	1
5	<u>28610-G01</u>		FILL PLUG WITH 'O' RING.....	1
6	<u>15558-G1</u>		BOLT, 5/16 - 18 X 3/4" LG.....	10
7	<u>73050-G01</u>		VENT	1
8				
9	72763-G02		SCUFF GUARD	1
10				
11	XXXXX-XXX		SPLINE BUMPER (SEE ELECTRIC MOTOR).....	1
12	<u>00797-G2</u>		BOLT, 1/4 - 20 X 1 1/4" LG	3
13	<u>00565-G7</u>		LOCK WASHER, 1/4" (STAINLESS STEEL)	3
14	<u>00559-G7</u>		WASHER, 1/4" (STAINLESS STEEL)	3
15	<u>27327-G01</u>		CLAMP	1
16	28095-G01		MOLY LUBE, 2 OZ.	AR

REAR SUSPENSION



REAR SUSPENSION

Where applicable, THE USE OF NON UL PARTS WILL VOID ANY UL LISTING.

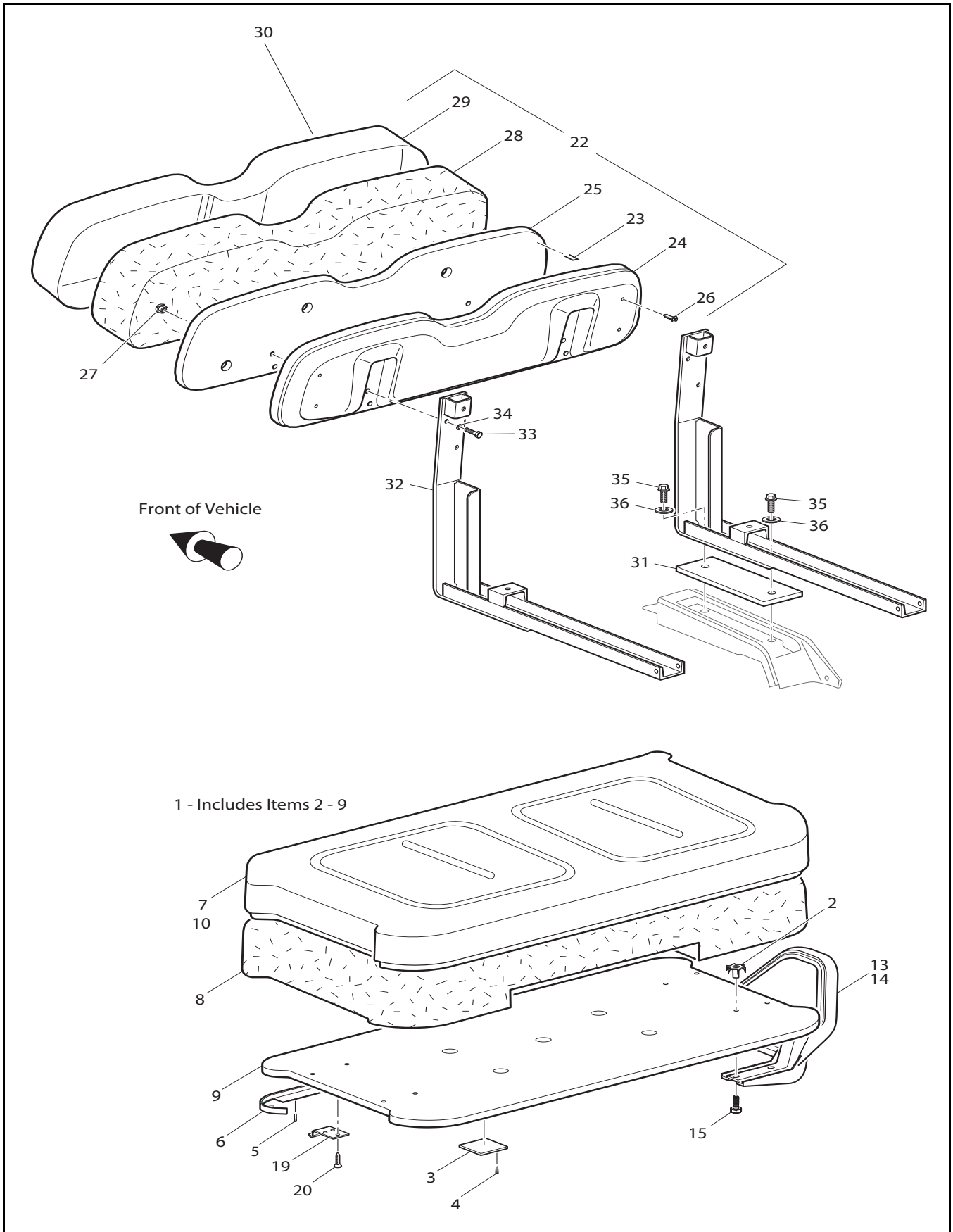
When ordering parts, please specify the model and serial number of the product.

* Indicates a component that is not available as an individual part.

G** Indicates consult Customer Service Department for additional information.

ITEM	PART NO.	1 2 3 4 5	DESCRIPTION	QTY.
1	<u>76418-G01</u>		SHOCK ABSORBER.....	2
2	<u>10435-G1</u>		SHOCK ABSORBER WASHER.....	8
3	<u>10194-G1</u>		RUBBER BUSHING.....	8
4	<u>00532-G6</u>		NUT, 3/8 - 24.....	4
5				
6	<u>75721-G01</u>		LEAF SPRING.....	2
7				
8	<u>72618-G02</u>		'U' BOLT, 3/8 - 16 X 2" X 2 1/2" LG.....	4
9	<u>00560-G1</u>		WASHER, 3/8".....	8
10	<u>11098-G5</u>		LOCK NUT, 3/8 - 16.....	8
11				
12	<u>70289-G02</u>		SPACER.....	4
13	<u>70291-G01</u>		FLANGED BUSHING (LEAF SPRING).....	12
14	<u>70290-G02</u>		SHACKLE PLATE.....	4
15	<u>00665-G9</u>		BOLT, 3/8 - 16 X 3 1/2" LG (STAINLESS STEEL).....	4
16	<u>11098-G5</u>		LOCK NUT, 3/8 - 16.....	4
17				
18	<u>14158-G1</u>		SHOULDER BOLT, 3/8 - 16 X 3 1/4" LG.....	2
19	<u>12262-G1</u>		LOCK NUT, 3/8 - 16.....	2
20				
21	<u>75564-G03</u>		SHOCK ABSORBER MOUNTING PLATE (DRIVER SIDE).....	1
22	<u>75564-G04</u>		SHOCK ABSORBER MOUNTING PLATE (PASSENGER SIDE).....	1

SEATING



SEATING

THE USE OF NON U.L. PARTS WILL VOID ANY U.L. LISTING.

When ordering parts, please specify the model and serial number of the product.

* Indicates a component that is not available as an individual part.

G** Indicates consult Customer Service Department for additional information.

ITEM	PART NO.	1 2 3 4 5	DESCRIPTION	QTY.
1	71611-G**		SEAT BOTTOM ASSEMBLY (INCLUDES ITEMS 2 - 9)	1
2	*		TEE NUT.....	8
3	<u>17074-G1</u>		RUBBER PAD.....	2
4	*		FLAT STAPLE.....	110
5	*		FLAT STAPLE.....	46
6	<u>71012-G01</u>		VINYL TRIM (SEAT BOTTOM).....	1
7	71602-G**		VINYL SEAT BOTTOM COVER	1
8	*		FOAM PADDING (SEAT BOTTOM).....	1
9	*		SEAT BOTTOM (WOOD).....	1
10	604912-G**		TWO TONE VINYL SEAT BOTTOM	1
11				
12				
13	<u>71701-G01</u>		HIP RESTRAINT (PASSENGER SIDE)	1
14	<u>71702-G01</u>		HIP RESTRAINT (DRIVER SIDE).....	1
15	71204-G01		BOLT, 1/4 - 20 X 1" LG (STAINLESS STEEL).....	8
16				
17				
18				
19	<u>71610-G01</u>		SEAT HINGE.....	2
20	<u>00720-G08</u>		SCREW, #12 - 14 X 1" LG (STAINLESS STEEL)	4
21				
22	71751-G**		SEAT BACK ASSEMBLY (INCLUDES ITEMS 23 - 29).....	1
23	*		FLAT STAPLE.....	95
24	71752-G01		PLASTIC SEAT BACK COVER	1
25	*		SEAT BACK (WOOD).....	1
26	<u>01107-G01</u>		SCREW, #8 X 3/8" LG (STAINLESS STEEL)	4
27	*		TEE NUT.....	4
28	*		FOAM PADDING (SEAT BACK).....	1
29	71753-G**		VINYL SEAT BACK COVER	1
30	604916-G**		TWO TONE VINYL SEAT BACK.....	1

SEATING

THE USE OF NON U.L. PARTS WILL VOID ANY U.L. LISTING.

When ordering parts, please specify the model and serial number of the product.

* Indicates a component that is not available as an individual part.

G** Indicates consult Customer Service Department for additional information.

ITEM	PART NO.	1 2 3 4 5	DESCRIPTION	QTY.
31	<u>70364-G01</u>		SPACER.....	2
32	<u>74111-G01</u>		SEAT BACK SUPPORT	2
33	<u>00661-G8</u>		BOLT, 1/4 - 20 X 1" LG (STAINLESS STEEL).....	4
34	<u>00664-G7</u>		LOCK WASHER, 1/4" (STAINLESS STEEL)	4
35	<u>01006-G02</u>		BOLT, 3/8 - 16 X 1 1/2" LG	4
36	<u>00560-G1</u>		WASHER, 3/8"	4
37				
38				
39				
40	71751-G**		SEAT BACK ASSEMBLY (INCLUDES ITEMS 23 - 29).....	1
41	<u>75258-G01</u>		SEAT BACK SUPPORT	1
42	<u>00661-G8</u>		BOLT, 1/4 - 20 X 1" LG (STAINLESS STEEL).....	4
43	<u>00664-G7</u>		LOCK WASHER, 1/4" (STAINLESS STEEL)	4
44	<u>16705-G6</u>		SCREW, 1/4 - 20 X 1 3/4" LG (STAINLESS STEEL)	2
45	<u>00520-G1</u>		ACORN NUT, 1/4 - 20	2
46	<u>75261-G01</u>		END PLUG, 3/4"	2
47				
48	<u>71062-G01</u>		BED ASSEMBLY	1
49	71063-G**		SEAT BOTTOM ASSEMBLY (INCLUDES ITEM 50, 51).....	1
50	75197-G**		SEAT BOTTOM (INCLUDES ITEM 51)	1
51	75252-G**		VINYL SEAT BOTTOM COVER.....	1
52	<u>00762-G6</u>		SCREW, 5/16 - 18 X 1 1/2" LG (STAINLESS STEEL)	2
53	<u>17255-G1</u>		TEFLON WASHER, 5/16"	4
54	<u>00654-G3</u>		LOCK NUT, 5/16 - 18 (STAINLESS STEEL)	2
55	<u>19859-G1</u>		END CAP, 3/4".....	4
56				
57				
58	<u>71060-G01</u>		BED FRONT (INCLUDES MAT).....	1
59	<u>00661-G6</u>		BOLT, 1/4 - 20 X 3/4" LG (STAINLESS STEEL).....	4
60	<u>00664-G7</u>		WASHER, 5/16"	4

SEATING

THE USE OF NON U.L. PARTS WILL VOID ANY U.L. LISTING.

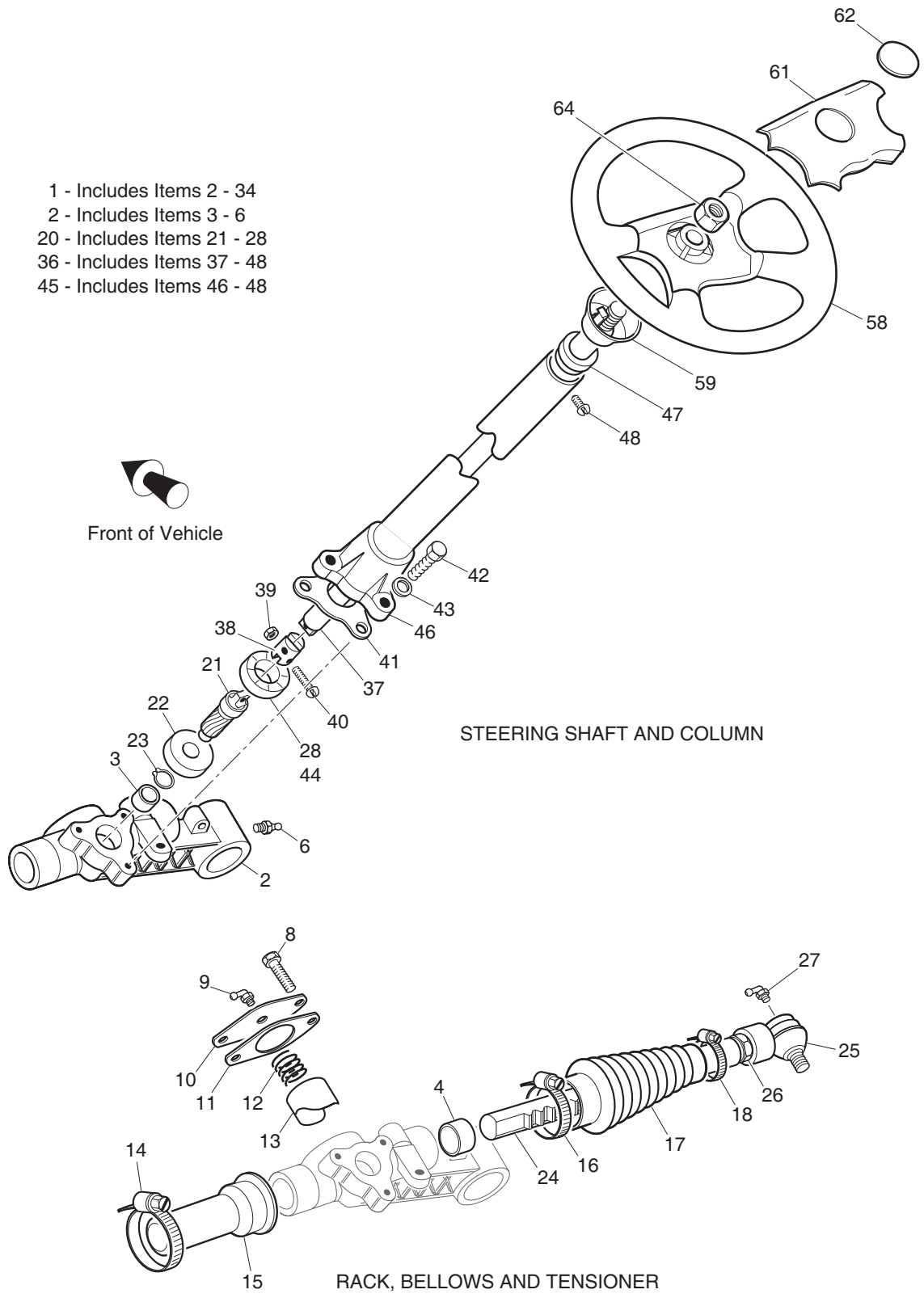
When ordering parts, please specify the model and serial number of the product.

* Indicates a component that is not available as an individual part.

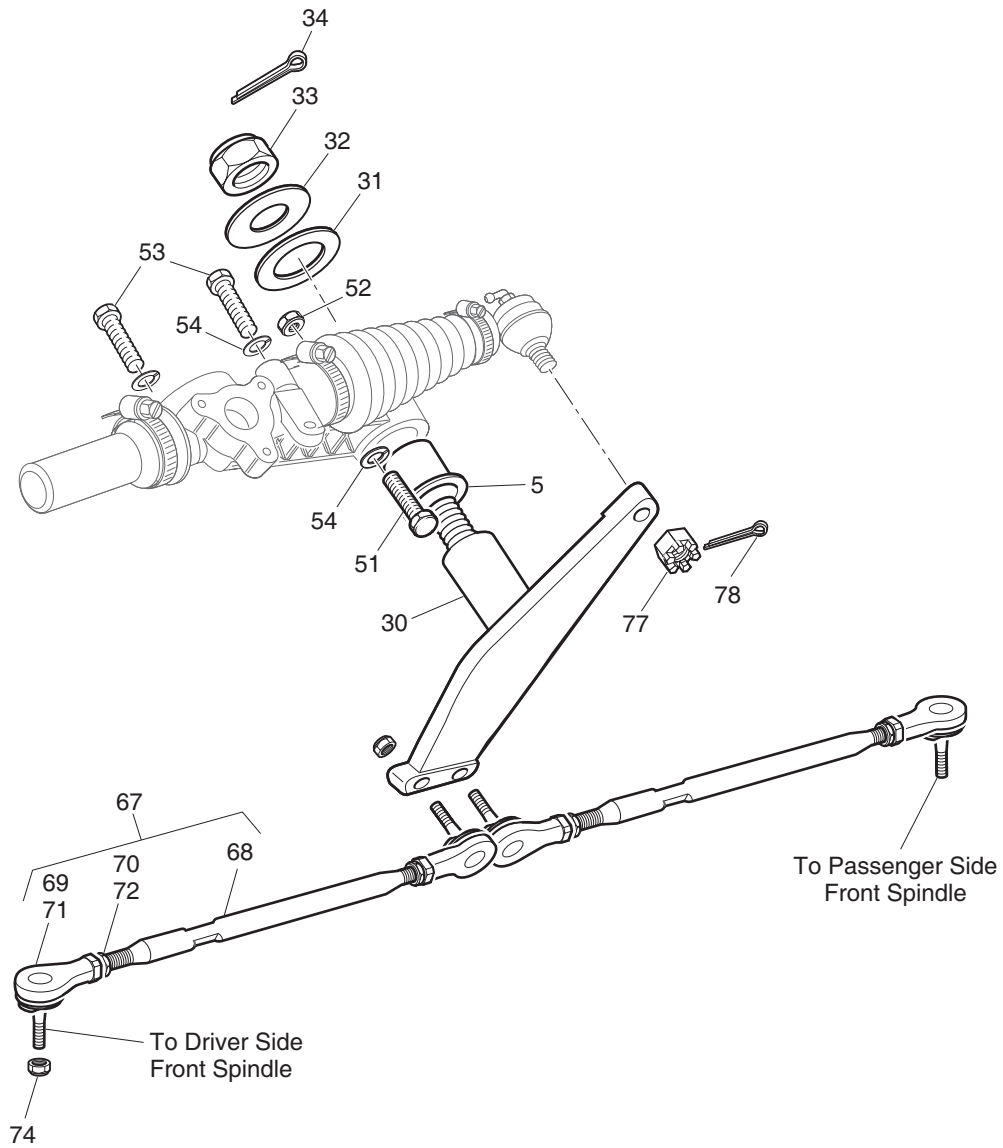
G** Indicates consult Customer Service Department for additional information.

ITEM	PART NO.	1 2 3 4 5	DESCRIPTION	QTY.
61	<u>75193-G01</u>		SUPPORT FRAME.....	1
62	<u>00438-G8</u>		BOLT, 5/16 - 18 X 1" LG	2
63	00559-G8		WASHER, 5/16"	2
64	<u>00654-G3</u>		LOCK NUT, 5/16 - 18	2
65	<u>00440-G4</u>		BOLT, 5/16 - 18 X 2 1/2" LG	2
66	<u>17838-G1</u>		NYLON BUSHING.....	4
67	00559-G8		WASHER, 5/16"	2
68	<u>00654-G3</u>		LOCK NUT, 5/16 - 18 (STAINLESS STEEL)	2
69	<u>75196-G01</u>		HANDRAIL	2
70	<u>00762-G2</u>		SCREW, 5/16 - 18 X 1 1/4" LG (STAINLESS STEEL)	2
71	<u>00664-G8</u>		LOCK WASHER, 5/16" (STAINLESS STEEL)	2
72	<u>00520-G3</u>		ACORN NUT, 5/16 - 18	2
73	<u>75261-G02</u>		END CAP, 1".....	4
74				
75	<u>75460-G01</u>		SIDE BASKET (BLACK).....	2
76	<u>00106-G6</u>		SELF THREADING SCREW, #12 - 24 X 3/4" LG	4

STEERING



IDLER, TIE RODS AND MOUNTING



STEERING

THE USE OF NON U.L. PARTS WILL VOID ANY U.L. LISTING.

When ordering parts, please specify the model and serial number of the product.

* Indicates a component that is not available as an individual part.

G** Indicates consult Customer Service Department for additional information.

ITEM	PART NO.	1	2	3	4	5	DESCRIPTION	QTY.
1	<u>70723-G02</u>	STEERING BOX ASSEMBLY (COMPLETE) (INCLUDES ITEMS 2 - 34)					1	
2	<u>75364-G01</u>	STEERING HOUSING (INCLUDES ITEMS 3 - 6)					1	
3	*	SLEEVE BEARING					1	
4	*	SLEEVE BEARING					1	
5	*	FLANGED BEARING					1	
6	<u>10389-G3</u>	GREASE FITTING, STRAIGHT					1	
7								
8	<u>00426-G6</u>	BOLT, 3/8 - 16 X 3/4" LG.....					2	
9	<u>18456-G1</u>	GREASE FITTING, 90°					1	
10	<u>70177-G01</u>	RACK GUIDE COVER					1	
11	<u>70225-G01</u>	GASKET					1	
12	<u>70178-G01</u>	COMPRESSION SPRING					1	
13	<u>70179-G01</u>	RACK GUIDE.....					1	
14	<u>11391-G1</u>	HOSE CLAMP, 1 5/16"					1	
15	<u>70041-G01</u>	RACK COVER					1	
16	<u>11391-G1</u>	HOSE CLAMP, 1 5/16"					1	
17	<u>70183-G01</u>	BELLOWS.....					1	
18	<u>11391-G5</u>	HOSE CLAMP, 13/16"					1	
19								
20	<u>70724-G01</u>	STEERING GEAR KIT (INCLUDES ITEMS 21 - 28)					1	
21	<u>70717-G01</u>	GEAR PINION					1	
22	<u>15112-G1</u>	BALL BEARING					1	
23	<u>70190-G01</u>	EXTERNAL RETAINING RING					1	
24	<u>70718-G01</u>	STEERING RACK					1	
25	<u>70192-G01</u>	RACK BALL END					1	
26	<u>00544-G8</u>	JAM NUT, 7/16 - 20					1	
27	<u>18456-G1</u>	GREASE FITTING, 90°					1	
28	<u>70466-G01</u>	RETAINER.....					1	
29								
30	<u>70184-G01</u>	IDLER					1	

STEERING

THE USE OF NON U.L. PARTS WILL VOID ANY U.L. LISTING.

When ordering parts, please specify the model and serial number of the product.

* Indicates a component that is not available as an individual part.

G** Indicates consult Customer Service Department for additional information.

ITEM	PART NO.	1	2	3	4	5	DESCRIPTION	QTY.
31	<u>70216-G01</u>						THRUST WASHER, 1 1/2"	1
32	<u>70195-G01</u>						THRUST WASHER, 7/8"	1
33	<u>00734-G6</u>						LOCK NUT, 7/8 - 9	1
34	<u>00798-G8</u>						COTTER PIN, 5/32" X 1 3/4" LG	1
35								
36	<u>70360-G01</u>						STEERING SHAFT/COLUMN KIT (INCLUDES ITEMS 37 - 48)	1
37	<u>14322-G6</u>						STEERING SHAFT	1
38	<u>70558-G01</u>						COUPLING	1
39	<u>00550-G1</u>						LOCK NUT, 1/4 - 20	2
40	<u>70227-G01</u>						SCREW, 1/4 - 20 X 7/8" LG	2
41	<u>70223-G01</u>						GASKET	1
42	<u>01034-G01</u>						BOLT, 3/8 - 16 X 1 1/2" LG WITH PATCHLOCK	3
43	<u>00878-G1</u>						LOCK WASHER, 3/8"	3
44	<u>70466-G01</u>						RETAINER	1
45	<u>28633-G01</u>						STEERING COLUMN KIT (INCLUDES ITEMS 46 - 48).....	1
46	*						STEERING COLUMN	1
47	<u>28569-G01</u>						STEERING COLUMN BUSHING	1
48	<u>01022-G01</u>						SCREW, #6 - 20 X 5/16" LG.....	1
49								
50								
51	<u>00470-G4</u>						BOLT, 7/16 - 20 X 2 1/2" LG	1
52	<u>00734-G3</u>						LOCK NUT, 7/16 - 20	1
53	<u>01033-G01</u>						BOLT, 7/16 - 14 X 1 1/4" LG WITH PATCHLOCK	2
54	<u>00566-G2</u>						LOCK WASHER, 7/16".....	3
55								
56								
57								
58	<u>71146-G01</u>						STEERING WHEEL	1
59	<u>71949-G01</u>						HUB COVER	1
60								

STEERING

THE USE OF NON U.L. PARTS WILL VOID ANY U.L. LISTING.

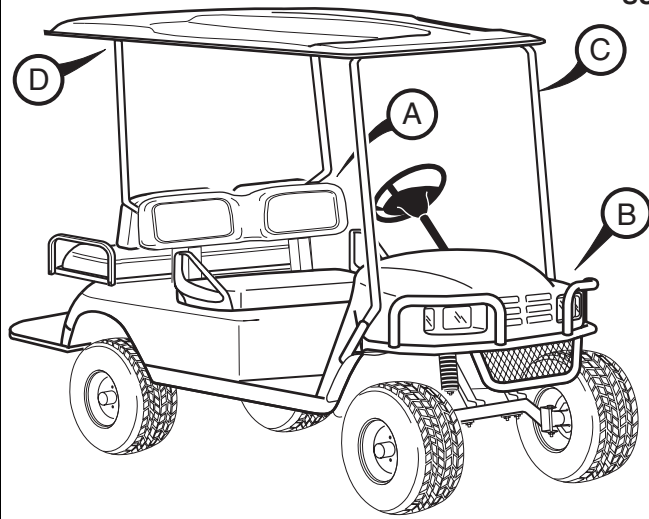
When ordering parts, please specify the model and serial number of the product.

* Indicates a component that is not available as an individual part.

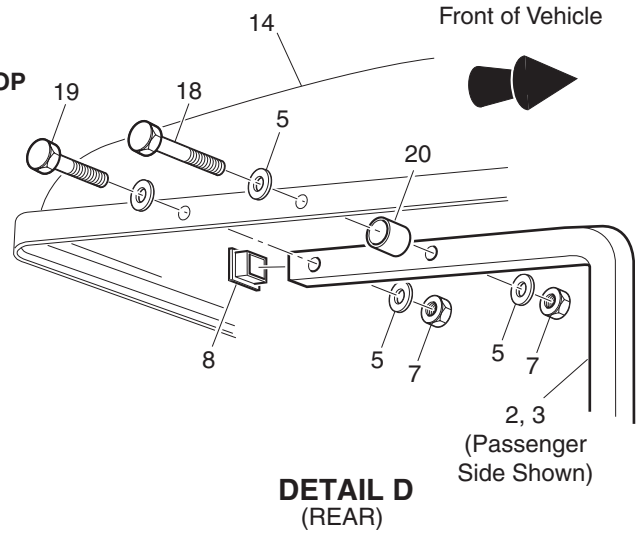
G** Indicates consult Customer Service Department for additional information.

ITEM	PART NO.	1 2 3 4 5	DESCRIPTION	QTY.
61	<u>71147-G01</u>		STEERING WHEEL COVER	1
62	<u>71047-G01</u>		LABEL (E-Z-GO)	1
63				
64	<u>14390-G2</u>		LOCK NUT, 5/8 - 18	1
65				
66				
67	<u>70904-G04</u>		TIE ROD ASSEMBLY (INCLUDES ITEMS 68 - 72).....	2
68	<u>70855-G03</u>		THREADED ROD (10 1/8" LG).....	1
69	<u>70902-G01</u>		TIE ROD END (LEFT HAND THREADS)	1
70	<u>01069-G01</u>		JAM NUT, M12 X 1.25-05 (LEFT HAND THREADS).....	1
71	<u>70902-G02</u>		TIE ROD END (RIGHT HAND THREADS).....	1
72	<u>01069-G02</u>		JAM NUT, M12 X 1.25-05 (RIGHT HAND THREADS)	1
73				
74	<u>00734-G1</u>		LOCK NUT, 7/16 - 14	4
75				
76				
77	<u>50209-G2</u>		CASTELLATED NUT, 7/16 - 20	1
78	<u>10387-G2</u>		COTTER PIN, 3/32" X 1" LG	1

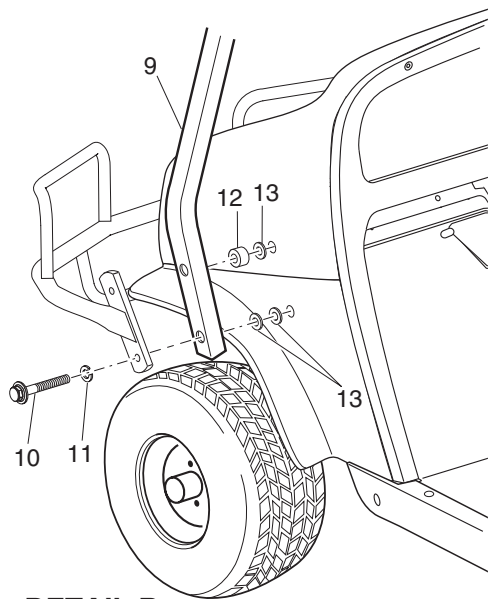
WEATHER PROTECTION



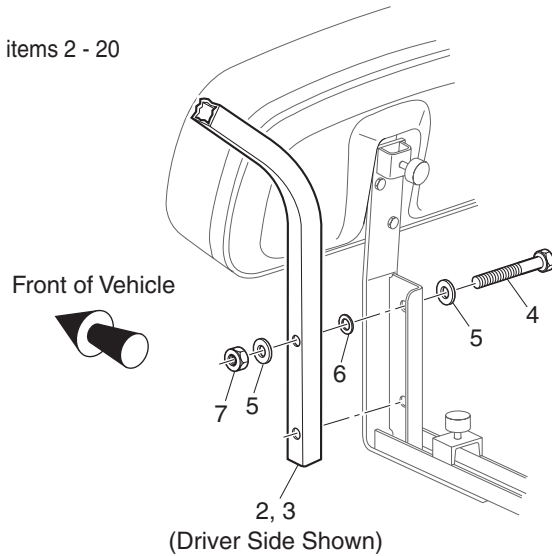
SUNTOP



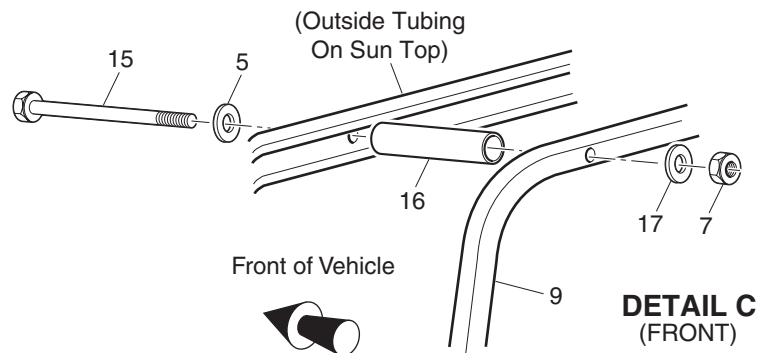
1 - Includes items 2 - 20



DETAIL B

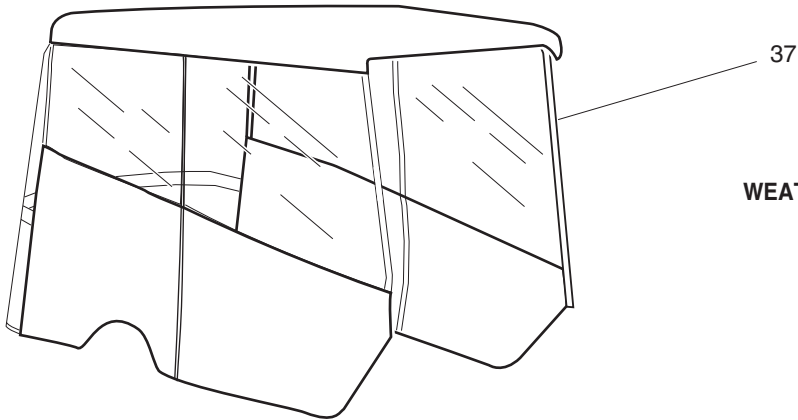
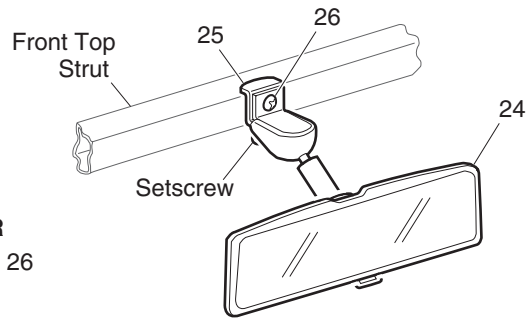


DETAIL A

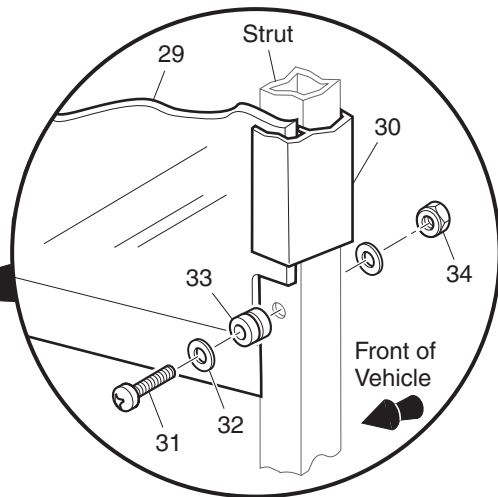
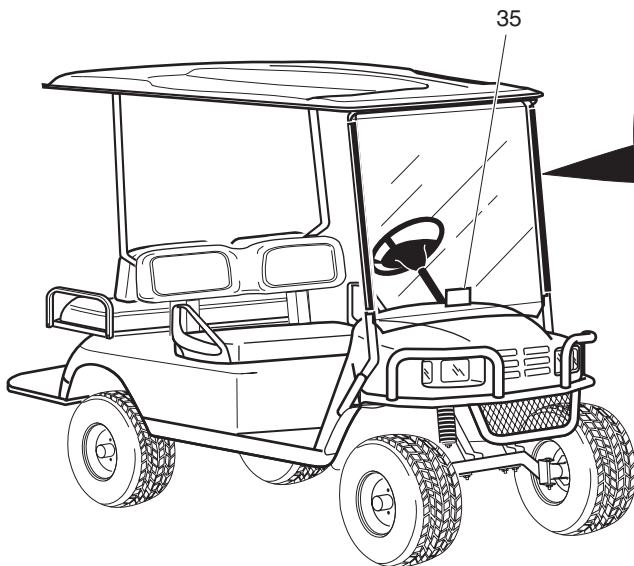


Ref Wea 11-1

REAR VIEW MIRROR
23 - Includes Items 24 - 26



WEATHER ENCLOSURE



27 - Includes Items 29 - 35
28 - Includes Items 29 - 35

WEATHER PROTECTION

THE USE OF NON U.L. PARTS WILL VOID ANY U.L. LISTING.

When ordering parts, please specify the model and serial number of the product.

* Indicates a component that is not available as an individual part.

G** Indicates consult Customer Service Department for additional information.

ITEM	PART NO.	1 2 3 4 5	DESCRIPTION	QTY.
1	<u>75123-G01</u>		SUN TOP KIT (INCLUDES ITEMS 2 - 20)	1
2	<u>75074-G01</u>		REAR STRUT (DRIVER SIDE).....	1
3	<u>75074-G02</u>		REAR STRUT (PASSENGER SIDE)	1
4	<u>00665-G5</u>		BOLT, 3/8 - 16 X 1 3/4" LG (STAINLESS STEEL)	4
5	<u>00679-G1</u>		WASHER, 3/8" (STAINLESS STEEL).....	18
6	<u>00771-G5</u>		NYLON WASHER, 3/8.....	4
7	<u>00891-G5</u>		LOCK NUT, 3/8 - 16.....	10
8	<u>19853-G1</u>		END CAP, 1"	2
9	<u>75125-G01</u>		FRONT STRUT.....	1
10	<u>0440-G2</u>		BOLT, 5/16 - 18 X 2 1/4" LG	4
11	<u>00905-G8</u>		LOCK WASHER, 5/16"	4
12	<u>75048-G01</u>		SPACER, 1/2"	2
13	<u>00879-G1</u>		LOCK WASHER, 3/8"	4
14	<u>27604-G01</u>		SUN TOP	1
15	<u>00674-G8</u>		BOLT, 3/8 - 16 X 5" LG (STAINLESS STEEL)	2
16	<u>18716-G1</u>		SPACER	2
17	<u>00653-G1</u>		WASHER, 3/8" (STAINLESS STEEL).....	2
18	<u>00665-G3</u>		BOLT, 3/8 - 16 X 2 1/2" LG (STAINLESS STEEL)	2
19	<u>00665-G6</u>		BOLT, 3/8 - 16 X 2" LG (STAINLESS STEEL)	2
20	<u>24647-G1</u>		SPACER, 1/4"	2
21				
22				
23	<u>19528-G2</u>		REAR VIEW MIRROR KIT (INCLUDES ITEMS 24 - 26)	1
24	<u>19496-G1</u>		REAR VIEW MIRROR	1
25	<u>19502-G2</u>		SUPPORT BRACKET.....	1
26	<u>19527-G1</u>		SCREW, #8 - 32 X 5/8" LG (STAINLESS STEEL).....	1
27	<u>75525-G03</u>		WINDSHIELD KIT ST 4-CADDY (REQUIRES SUN TOP KIT) (INCLUDES ITEMS 29-35).....	1
28	<u>71966-G01</u>		WINDSHIELD KIT (LEXAN) (REQUIRES SUN TOP KIT) (INCLUDES ITEMS 29 - 35).....	1
29	*		WINDSHIELD	1

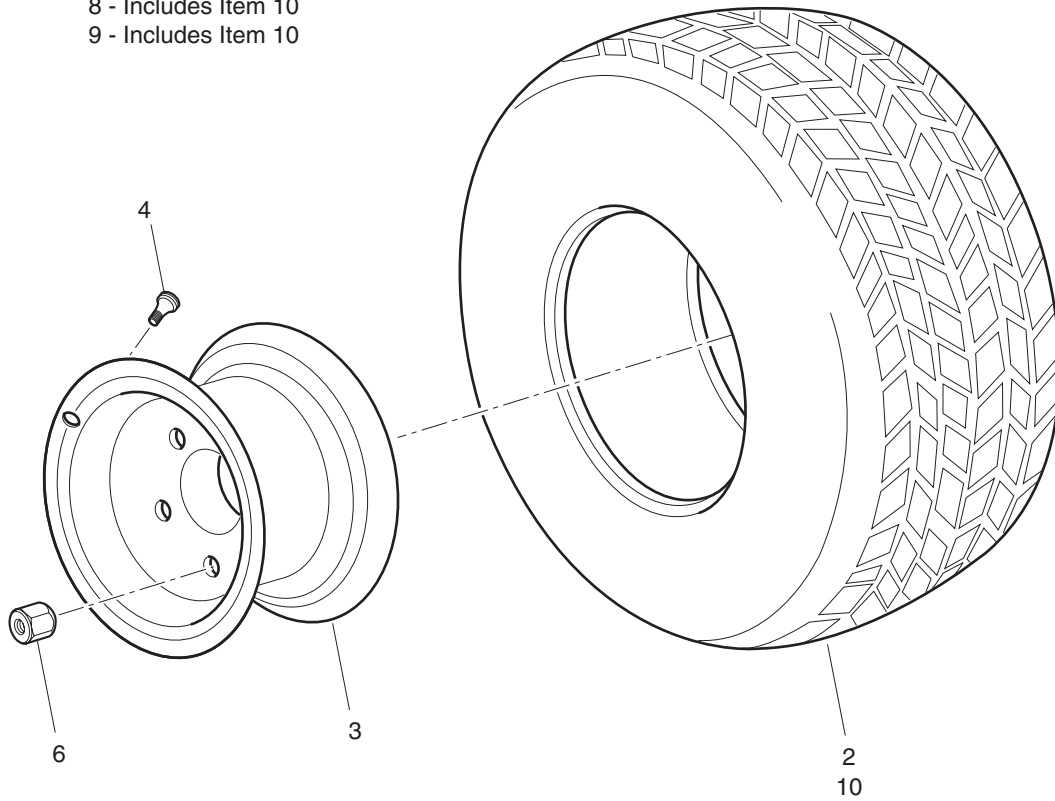
WEATHER PROTECTION

THE USE OF NON U.L. PARTS WILL VOID ANY U.L. LISTING.
 When ordering parts, please specify the model and serial number of the product.
 * Indicates a component that is not available as an individual part.
 G** Indicates consult Customer Service Department for additional information.

ITEM	PART NO.	1	2	3	4	5	DESCRIPTION	QTY.
30	110-035A						SASH, 26" LG	2
31	110-072A						SCREW, 1/4 - 20 X 1 3/4" LG (STAINLESS STEEL).....	2
32	110-072B						WASHER, 1/4" (STAINLESS STEEL).....	4
33	<u>110-072C</u>						RUBBER GROMMET	2
34	110-072D						LOCK NUT, 1/4 - 20 (STAINLESS STEEL).....	2
35	110-066						LABEL (SAFETY)	1
36								
37	<u>75492-G01</u>						WEATHER ENCLOSURE (3 SIDED) (REQUIRES SUN TOP KIT)	1
							Replacement Parts for items 30-35 may be obtained from:	
							Eagle Parts, Inc 1811 Wilkinson Rd. Augusta, GA 30904 Telephone (706) 729-9911 Fax (706) 729-9955	

WHEELS AND TIRES

- 1 - Includes Items 2, 3, 4
- 8 - Includes Item 10
- 9 - Includes Item 10



(Style of tire may differ from tire shown)

WHEELS AND TIRES

When ordering parts, please specify the model and serial number of the product.
 * Indicates a component that is not available as an individual part.
 G** Indicates consult Customer Service Department for additional information.

ITEM	PART NO.	1	2	3	4	5	DESCRIPTION	QTY.
1	<u>28442-G03</u>						SILVER WHEEL AND TURF SAVER® TIRE ASSEMBLY (INCLUDES ITEMS 2, 3, 4).....	AR
2	<u>28442-G02</u>						TIRE, 20 X 10 - 10 TURF SAVER®	1
3	<u>15172-G03</u>						WHEEL RIM, SILVER (4 LUG)	1
4	<u>11657-G1</u>						VALVE STEM.....	1
5								
6	<u>14723-G1</u>						LUG NUT, 1/2 -20.....	AR
7								
8	<u>74842-G03</u>						WHEEL & TRAIL WOLF TIRE® ASSEMBLY PASSENGER SIDE (INCLUDES ITEM 10)	AR
9	74842-g04						WHEEL & TRAIL WOLF TIRE® ASSEMBLY DRIVER SIDE (INCLUDES ITEM 10)	AR
10	<u>74842-G05</u>						TIRE, 20 X 11 - 10 TRAIL WOLF®.....	1

SPECIALTY PRODUCTS

SPECIALTY PRODUCTS

SPECIALTY PRODUCTS

SPECIAL TOOLS	PART NO.
BATTERY MAINTENANCE KIT	25587-G01
SEAL INSTALLATION TOOL (REAR AXLE SHAFT SEAL)	18739-G1
BATTERY SET DISCHARGER, 36 VOLT, 75 AMP	28251-G01
CURRENT INDICATOR	16489-G2
DIGITAL MULTI-METER	27481-G01
CRIMPING TOOL	27765-G01
SLIDE HAMMER (AXLE/HUB REMOVAL)	15947-G1
SLIDE HAMMER (AXLE REMOVAL ONLY)	18753-G1

TOUCH UP PAINT	PART NO.
PEN 3 OUNCE (89 ML) - HUNTER GREEN	28432-G02
PEN 3 OUNCE (89 ML) - CHAMPAGNE BEIGE	28432-G01
PEN 3 OUNCE (89 ML) - WHITE	28432-G05
PEN 3 OUNCE (89 ML) - INDUSTRIAL YELLOW	28432-G03
PEN 3 OUNCE (89 ML) - ORANGE	28432-G04
PEN 3 OUNCE (89 ML) - STEEL BLUE PEARL	28432-G**
PEN 3 OUNCE (89 ML) - CAMOUFLAGE PAINT (THREE PENS)	75831-G01
AEROSOL 12 OUNCE (360 ML) - HUNTER GREEN	28140-G09
AEROSOL 12 OUNCE (360 ML) - CHAMPAGNE BEIGE	28140-G15
AEROSOL 12 OUNCE (360 ML) - WHITE	28140-G03
AEROSOL 12 OUNCE (360 ML) - INDUSTRIAL YELLOW	28140-G14
AEROSOL 12 OUNCE (360 ML) - ORANGE	28140-G13
AEROSOL 12 OUNCE (360 ML) - STEEL BLUE PEARL	28140-G**

MAINTENANCE PRODUCTS	PART NO.
FORMULA 40 VINYL-COAT® - WHITE	28166-G01
PLEXUS® CLEANER, 7 OUNCE (210 ML) (FOR WINDSHIELDS)	28433-G01
PLEXUS® CLEANER, 13 OUNCE (380 ML) (FOR WINDSHIELDS)	28433-G02
BATTERY PROTECTOR, 14 OUNCE (410 ML) SPRAY	75500-G01
WHITE LITHIUM GREASE, 14 OUNCE (410 ML) SPRAY	75502-G01
PENETRANT/LUBRICANT, 15 OUNCE (440 ML) SPRAY	75503-G01
MULTI-PURPOSE CLEANER & DEGREASER, 14 OUNCE (410 ML) SPRAY	75504-G01
MULTI-PURPOSE HAND CLEANER, 32 OUNCE (950 ML) LIQUID	75505-G01

SPECIALTY PRODUCTS

BATTERY CLEANER, 32 OUNCE (950 ML) WITH TRIGGER SPRAYER	75506-G01
BIO-DEGRADABLE CLEANER, 32 OUNCE (950 ML) WITH TRIGGER SPRAYER.....	75507-G01
MULTI-PURPOSE VALUE PACK.....	75508-G01
• BATTERY PROTECTOR, 4 OUNCE (120 ML) SPRAY	
• PENETRANT/LUBRICANT, 4 OUNCE (120 ML) SPRAY	
• WHITE LITHIUM GREASE, 4 OUNCE (120 ML) SPRAY	
• CARBURETOR & CHOKE CLEANER, 4 OUNCE (120 ML) SPRAY	

OPTIONS/ACCESSORIES

OPTIONS/ACCESSORIES

OPTIONS/ACCESSORIES

ACCESSORIES LISTING

ASH TRAY INSTALLATION, FIELD KIT, E-COAT	75109-G04	Body
COOLER & BRACKET KIT	75344-G01	Body
FAN, DEFROSTER/COOLING	74248-G01	Body
WATER COOLER	75170-G01	Body
INST'L COOLER KIT (BLACK) (FIELD)	74581-G01	Body
INST'L COOLER KIT (GREEN) (FIELD)	74581-G02	Body
GUN MOUNT, SWIVEL W/BASE PLATE	74533-G01	Body
GUN HOLDER, REMOVEABLE FLOOR MT.	74365-G01	Body - St Sport 2+2 E
KIT, FRONT BASKET	71065-G02	Body - St Sport 2+2 E
TURN SIGNAL - FIELD INSTALLATION	75107-G02	Electrical
HOUR METER - FIELD INSTALLATION	75113-G02	Electrical
REAR VIEW MIRROR FIELD KIT (REQ SUN TOP KIT)	19528-G2	Weather protection
MESSAGE HOLDER KIT - ONE PIECE (REQ SUN TOP KIT)	75509-G01	Weather protection
MESSAGE HOLDER KIT (REQ SUN TOP KIT)	75496-G01	Weather protection
TOP CAP, ADV CAMO (FLD)	75378-G02	Weather protection
TOP CAP, HDT CAMO (FLD)	75378-G04	Weather protection
ENCLOSURE - 3 SIDES	75492-G01	Weather protection - Clays Car Electric
ENCLOSURE - 3 SIDES ADV CAMO	75492-G02	Weather protection - Clays Car Electric
ENCLOSURE - 3 SIDES HDT CAMO	75492-G03	Weather protection - Clays Car Electric
WINDSHIELD KIT FLAT-CLIP ON CLEAR	75524-G03	Weather protection - Clays Car Electric
SUN TOP KIT - PERSONNEL CARRIER	75123-G01	Weather protection - Clays Car Electric
SUN TOP, TAN MPT800	75040-G11	Weather protection - Clays Car Electric
SUN TOP, BRN MPT800	75040-G07	Weather protection - Clays Car Electric
ENCLOSURE, 3 SIDES TAN	75367-G03	Weather protection - Clays Car Electric
ENCLOSURE, 3 SIDES ADV CAMO	75367-G04	Weather protection - Clays Car Electric
ENCLOSURE, 3 SIDES HDT CAMO	75367-G05	Weather protection - Clays Car Electric
ENCLOSURE - 3 SIDES	75078-G01	Weather protection - St Sport 2+2 E

ACCESSORIES LISTING

ENCLOSURE - 3 SIDES ADV CAMO	75078-G02	Weather protection - St Sport 2+2 E
ENCLOSURE - 3 SIDES HDT CAMO	75078-G03	Weather protection - St Sport 2+2 E
WINDSHIELD KIT FLAT-CLIP ON, 30/70	71966-G03	Weather protection - St Sport 2+2 E
TIRE DOMINATOR 20X11-10	605316	Wheels and Tires
PATHFINDER TIRE, BRUSHED WHEEL LH	605355	Wheels and Tires
PATHFINDER TIRE, BRUSHED WHEEL RH	605356	Wheels and Tires
V-STEM BRUSHED SPOKED WHEEL	605351	Wheels and Tires

OPTIONS/ACCESSORIES

DOMINATOR - POLISHED WHEEL	605319	Wheels and Tires
DOMINATOR - BRUSHED WHEEL	605320	Wheels and Tires
CHROME CENTER CAP - SPOKED WHEEL	604929	Wheels and Tires
NUT, LUG-CHROME	605310	Wheels and Tires
V-STEM POLISHED SPOKED WHEEL	605311	Wheels and Tires
PATHFINDER TIRE 22X11-10	604928	Wheels and Tires
PATHFINDER TIRE, POLISHED WHEEL LH	604930	Wheels and Tires
PATHFINDER TIRE, POLISHED WHEEL RH	605228	Wheels and Tires



A Textron Company

E-Z-GO Division Of Textron, Inc.,
1451 Marvin Griffin Road, Augusta, Georgia USA 30906-3852

TO CONTACT US

North America:

Technical Assistance & Warranty Phone: 1-800-774-3946, FAX: 1-800-448-8124
Service Parts Phone: 1-888-GET-EZGO (1-888-438-3946), FAX: 1-800-752-6175

International:

Phone: 001-706-798-4311, FAX: 001-706-771-4609

Certified ISO 9001 / ISO 14001 by



Copyrighted Material
This manual may not be reproduced in whole or
in part without the express permission of
E-Z-GO Division of Textron, Inc.
Technical Communications Department