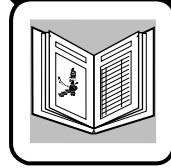


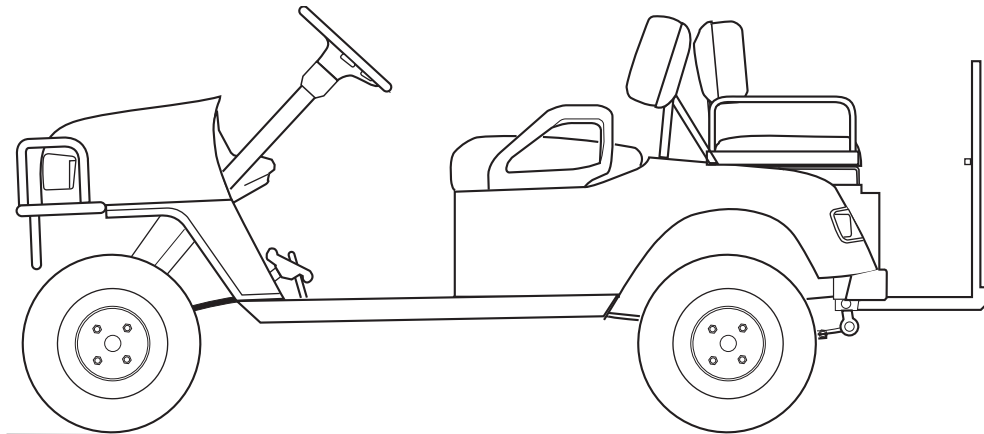
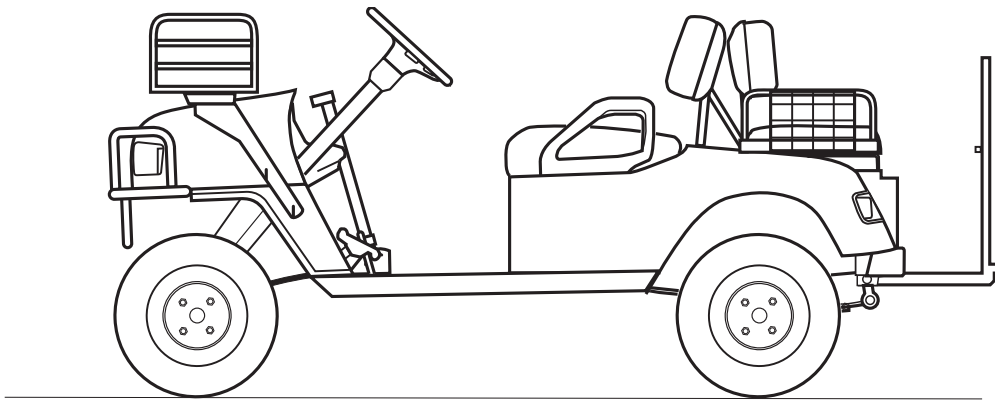


A Textron Company

620297



## SERVICE PARTS MANUAL



## ELECTRIC POWERED UTILITY VEHICLE

ISSUED OCTOBER 2007

REVISED AUGUST 2009



# **SERVICE PARTS MANUAL**

**ELECTRIC POWERED  
UTILITY VEHICLE**

**CLAYS CAR™**

**ST SPORT 2+2 PDS**

**ST CUSTOM PDS**

**STARTING MODEL YEAR 2007**

E-Z-GO Division of Textron, Inc. Products reserves the right to make design changes without obligation to make these changes on units previously sold and the information contained in this manual is subject to change without notice.

E-Z-GO Division of Textron, Inc. is not liable for errors in this manual or for incidental or consequential damages that result from the use of the material in this manual.

**CUSTOMER SERVICE DEPARTMENT IN USA PHONE: 1-800-241-5855 FAX: 1-800-448-8124**

**OUTSIDE USA PHONE: 001-706-798-4311, FAX: 001-706-771-4609**

**E-Z-GO DIVISION OF TEXTRON, INC., 1451 MARVIN GRIFFIN ROAD, AUGUSTA, GEORGIA USA 30906-3852**

## **GENERAL INFORMATION**

**To obtain a copy of the limited warranty applicable to the vehicle, call or write a local Distributor, authorized Branch or the Warranty Department with vehicle serial number and manufacture date code.**

**The use of non Original Equipment Manufacturer (OEM) parts may void the warranty.**

**When servicing engines, all adjustments and replacement components must be per original vehicle specifications in order to maintain the United States of America Federal and State emission certification applicable at the time of manufacture.**

# TABLE OF CONTENTS

<b>SECTION</b>	<b>Page No.</b>
HOW TO USE THE SERVICE PARTS MANUAL .....	v
ILLUSTRATED PARTS BREAKDOWN.....	vii
ACCELERATOR .....	A-1
BATTERY CHARGER - 36 VOLT .....	B-1
BODY.....	C-1
BRAKES .....	D-1
ELECTRICAL SYSTEM - PDS .....	E-1
ELECTRONIC SPEED CONTROL - PDS.....	F-1
FRONT SUSPENSION .....	G-1
MOTOR.....	H-1
REAR AXLE.....	I-1
REAR SUSPENSION .....	J-1
SEATING.....	K-1
STEERING.....	L-1
WEATHER PROTECTION.....	M-1
WHEELS AND TIRES.....	N-1
SPECIALTY PRODUCTS .....	APPENDIX A-1
ACCESSORIES .....	APPENDIX B-1



# HOW TO USE THE SERVICE PARTS MANUAL

This manual is divided into several sections:

## **GENERAL INFORMATION**

- TABLE OF CONTENTS
- HOW TO USE THE SERVICE PARTS MANUAL

## **ILLUSTRATED PARTS BREAKDOWN**

- Contains illustrations and parts lists for all systems of the vehicle

## **APPENDIX**

- Contains a listing of specialty products and options/accessories

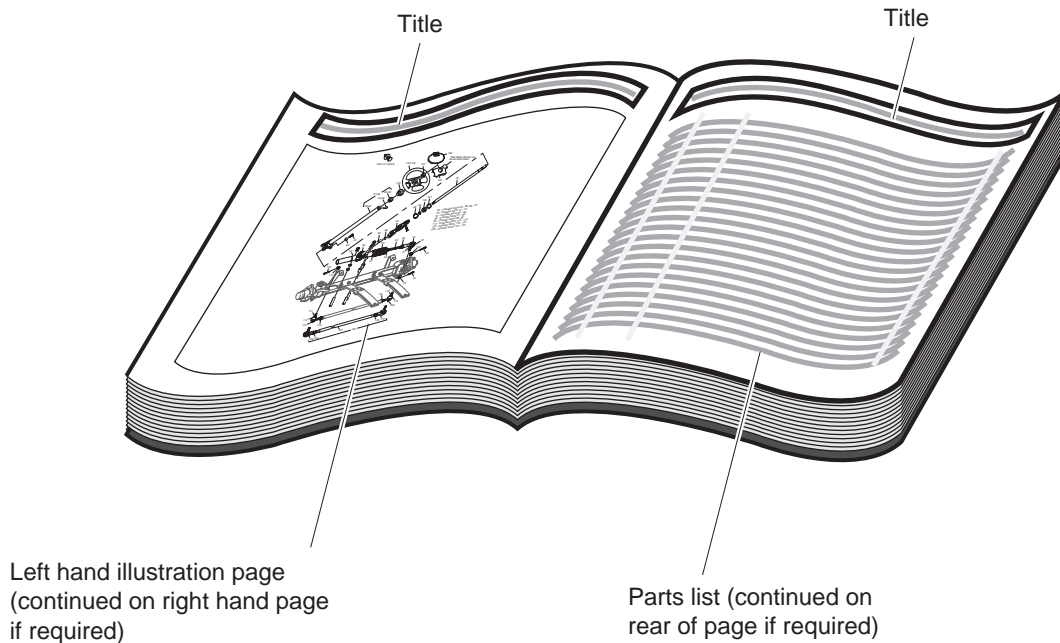
## **USE OF THE MANUAL**

To use this manual, consult the TABLE OF CONTENTS (page iii) to locate the information or illustration required.

Introduction of some revisions varies due to supply of components; therefore, it is possible that various combinations of components may be found that are not directly reflected by each illustration. Consult the illustration that best suits your situation. Locate the serial number label (see BODY located in the Illustrated Parts Breakdown section of this manual for its location) and note the complete number shown on the label. It is important that the serial number of your vehicle and its model number be supplied to Service Parts when ordering any replacement components.

Locate the serial number label (see BODY located in the illustrated parts breakdown section of this manual for its location) and note the complete number shown on the label.

# HOW TO USE THE SERVICE PARTS MANUAL



## 1. WHEN THE PART NUMBER IS NOT KNOWN

- Determine the function and application of the part required. Turn to the INDEX OF MAJOR COMPONENTS and select the most appropriate component description.
- Turn to the page number indicated and locate the part description in the parts list. Read the full accompanying description for specific information regarding the part that was not shown in the index.
- From the parts list, obtain the item number assigned to it and confirm that the part selected is correct by verifying it with the pictorial representation on the illustrated page.

## 2. IF YOU KNOW THE PART NUMBER

- Use the INDEX OF MAJOR COMPONENTS to find the page(s) the part number appears on.
- Turn to the page number indicated and locate the part number in the parts list. Refer to the accompanying description for specific information regarding the part.
- From the parts list, obtain the item number assigned to it and confirm that the part selected is correct by verifying it with the pictorial representation on the illustrated page.

Should an asterisk (\*) appear in the part number column on the parts list page, read upwards until a part number is found. The part number is the lowest assembly sold by Service Parts. The asterisk (\*) indicates that the part depicted is not available for purchase.

NOTE: Descriptions are indented under the assembly that they are used on. That assembly is, in turn listed under the assembly that it is used on. This process is repeated until the highest final assembly is reached.

**To facilitate the maintenance and repair of the vehicle, a Technician's Repair and Service Manual is available from the Service Parts Department.**

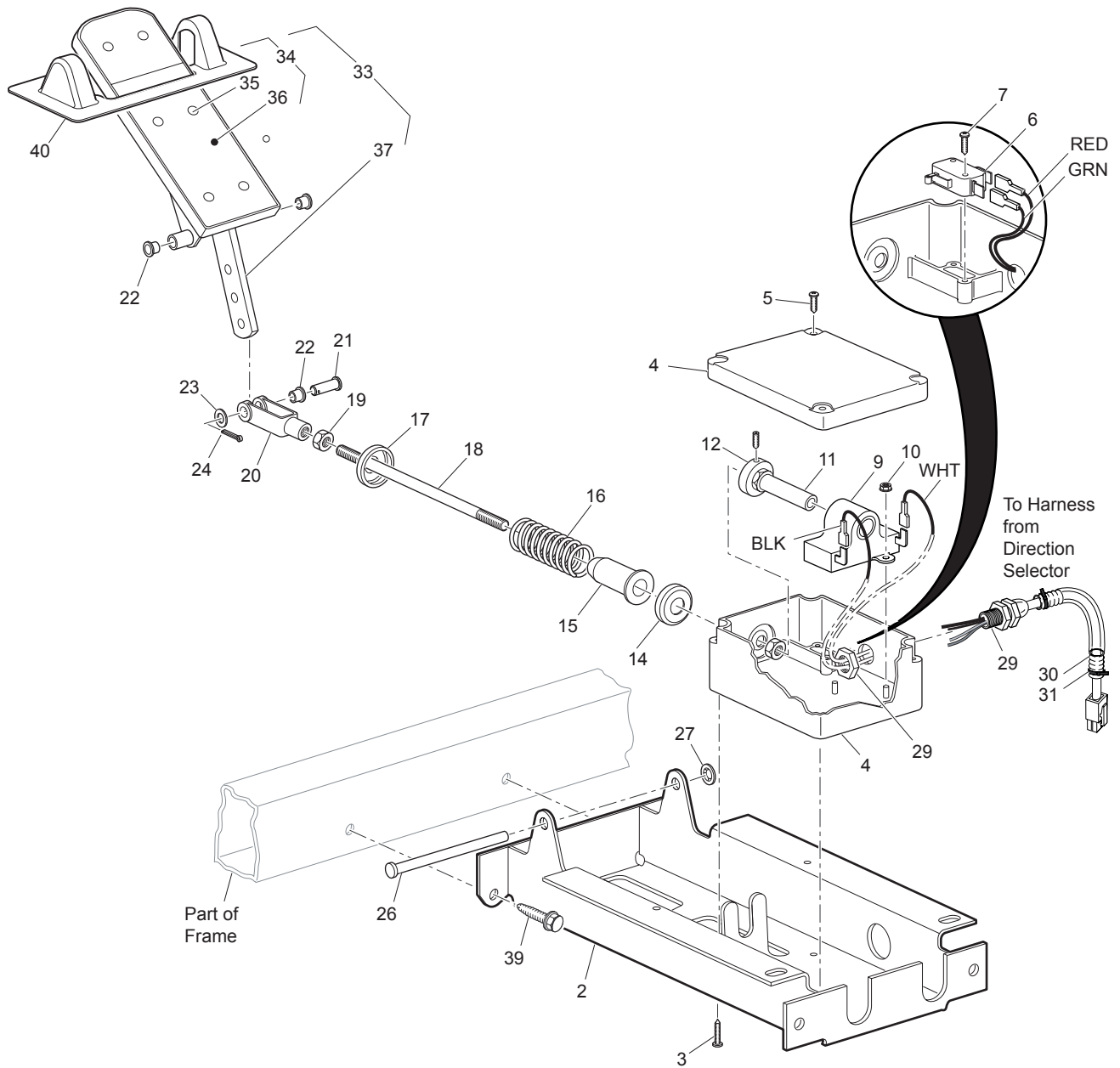


**ILLUSTRATED PARTS BREAKDOWN**

**ILLUSTRATED PARTS BREAKDOWN**

# ACCELERATOR

1 - Includes Items 2 - 37



# ACCELERATOR

When ordering parts, please specify the model and serial number of the product.

\* Indicates a component that is not available as an individual part.

G\*\* Indicates consult Customer Service Department for additional information.

ITEM	PART NO.	1 2 3 4 5	DESCRIPTION	QTY.
1	<u>73333-G10</u>		PEDAL BOX ASSEMBLY (INCLUDES ITEMS 2 - 37) .....	1
2	<u>70116-G02</u>		ACCELERATOR PEDAL BRACKET.....	1
3	<u>01051-G01</u>		SCREW, #8 - 16 X 1/2" LG. ....	4
4	<u>25853-G01</u>		PEDAL BOX AND COVER .....	1
5	<u>00684-G6</u>		SCREW, #8 - 32 X 3/4" LG. ....	2
6	<u>25861-G02</u>		MICRO SWITCH.....	1
7	<u>01050-G01</u>		SCREW, #4 - 20 X 5/8" LG .....	2
8				
9	<u>25854-G01</u>		INDUCTIVE THROTTLE SENSOR .....	1
10	<u>00983-G01</u>		SELF THREADING NUT, 3/16" .....	2
11	<u>602484</u>		PLUNGER.....	1
12	<u>28444-G01</u>		ACCELERATOR CAM ROD .....	1
13				
14	<u>17677-G1</u>		SPRING RETAINER, 1/2" .....	1
15	<u>17979-G1</u>		BUSHING.....	1
16	<u>73046-G01</u>		COMPRESSION SPRING .....	1
17	<u>17677-G2</u>		SPRING RETAINER, 3/8" .....	1
18	<u>73332-G01</u>		ACCELERATOR ROD .....	1
19	<u>00532-G4</u>		LOCK NUT, 5/16 - 24 .....	1
20	<u>10385-G4</u>		CLEVIS YOKE (ADJUSTABLE).....	1
21	<u>10386-G3</u>		CLEVIS PIN, 5/16" X 1" LG .....	1
22	<u>17838-G1</u>		NYLON BUSHING .....	3
23	<u>17255-G1</u>		TEFLON WASHER, 5/16".....	1
24	<u>10387-G3</u>		COTTER PIN, 3/32" X 3/4" LG .....	1
25				
26	<u>74432-G01</u>		PEDAL PIVOT PIN .....	1
27	<u>12064-G6</u>		PUSH NUT, 9/32".....	1
28				
29	<u>25879-G05</u>		WIRING HARNESS (PEDAL BOX ASSEMBLY) .....	1
30	<u>17313-G1</u>		LOOM FLEX, 3/8" X 6" LG (BULK).....	AIR

# ACCELERATOR

When ordering parts, please specify the model and serial number of the product.  
 \* Indicates a component that is not available as an individual part.  
 G\*\* Indicates consult Customer Service Department for additional information.

ITEM	PART NO.	1 2 3 4 5	DESCRIPTION	QTY.
31	<u>17618-G1</u>		WIRE TIE .....	2
32				
33	<u>25799-G03</u>		ACCELERATOR PEDAL ASSEMBLY (INCLUDES ITEMS 34 - 37).....	1
34	<u>27844-G01</u>		ACCELERATOR PEDAL PAD KIT (INCLUDES ITEMS 35 - 36).....	1
35	<u>15766-G1</u>		OVAL RIVET, 3/16" X 3/8" LG .....	6
36	<u>27512-G01</u>		ACCELERATOR PEDAL PAD .....	1
37	*		ACCELERATOR PEDAL .....	1
38				
39	<u>00715-G2</u>		BOLT, 5/16 - 18 X 13/16" LG .....	4
40	<u>70135-G01</u>		PEDAL PIVOT COVER .....	1



# BATTERY CHARGER 36 VOLT

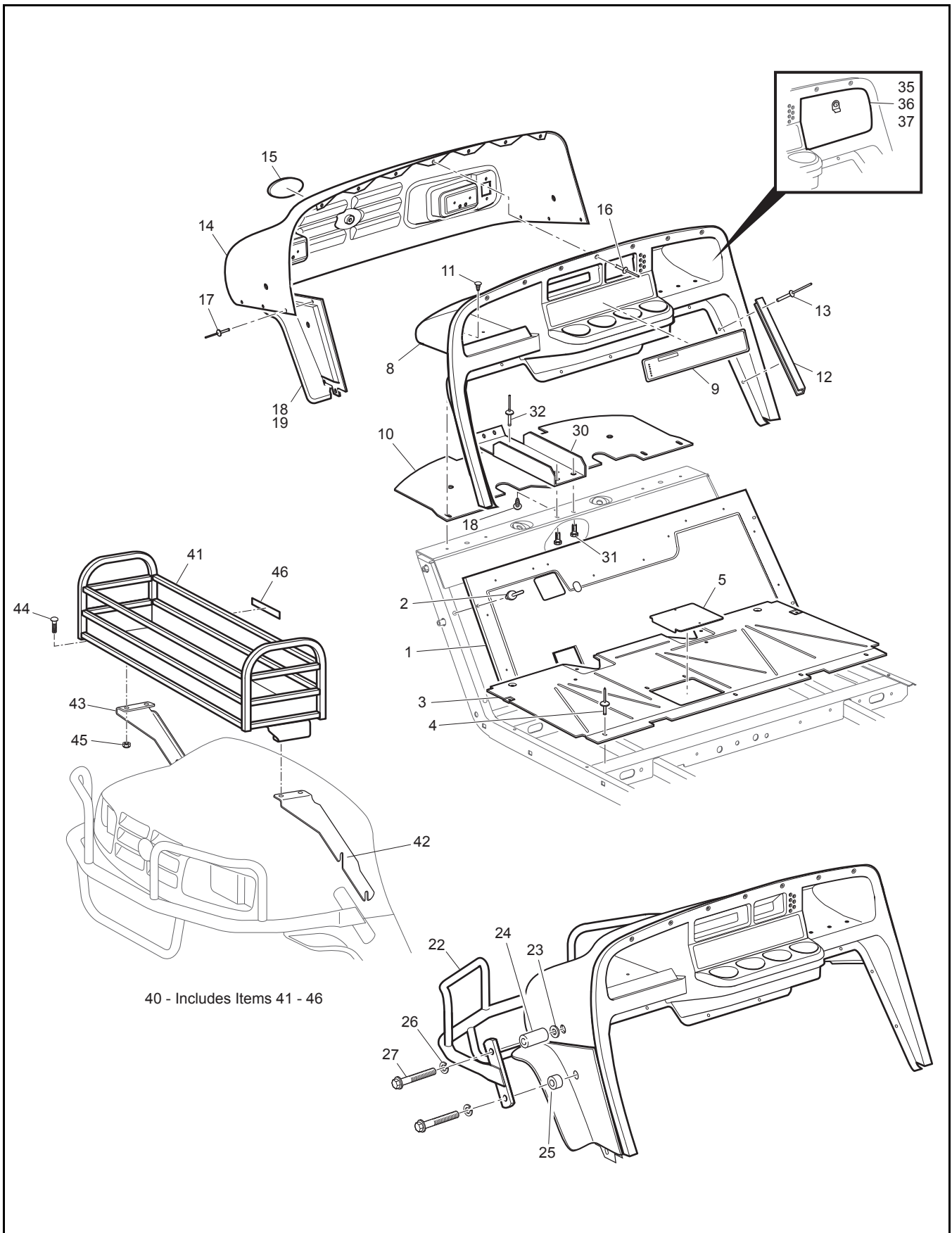


# BATTERY CHARGER 36 VOLT

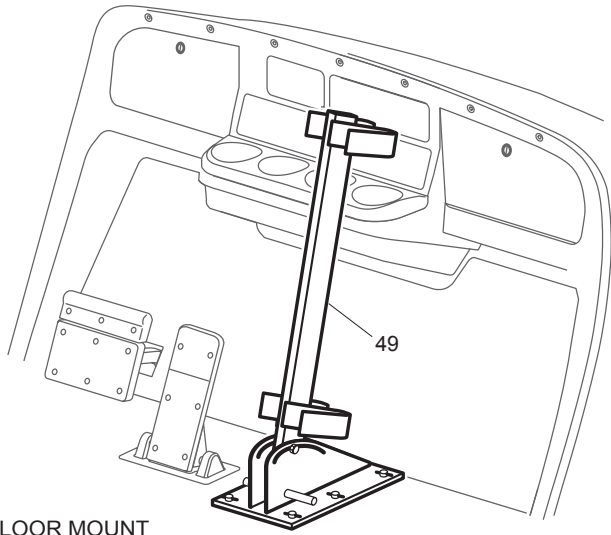
Where applicable, THE USE OF NON UL PARTS WILL VOID ANY UL LISTING.  
 When ordering parts, please specify the model and serial number of the product.  
 \* Indicates a component that is not available as an individual part.  
 G\*\* Indicates consult Customer Service Department for additional information.

ITEM	PART NO.	1	2	3	4	5	DESCRIPTION	QTY.
1	<u>611119</u>						POWERWISE QE BATTERY CHARGER, 36 VOLT, W/3 METER CORD.....	1
2	<u>611213</u>						3 METER CORD, 36 VOLT (INCLUDES STRAIN RELIEF).....	1
3								
4								
5	611937						DC STRAIN RELIEF SERVICE KIT (INCLUDES 5 STRAIN RELIEFS).....	1
6	<u>611212</u>						AC CORD (INCLUDES STRAIN RELIEF).....	1
7	611936						AC STRAIN RELIEF SERVICE KIT (INCLUDES 5 STRAIN RELIEFS).....	1
8	611215						HANDLE AND COVER SERVICE KIT (INCLUDES ITEMS 9 - 12).....	1
9	<u>611216</u>						HANDLE.....	1
10	*						COVER.....	1
11	*						RUBBER PLUG.....	1
12	*						SCREWS.....	1

# BODY



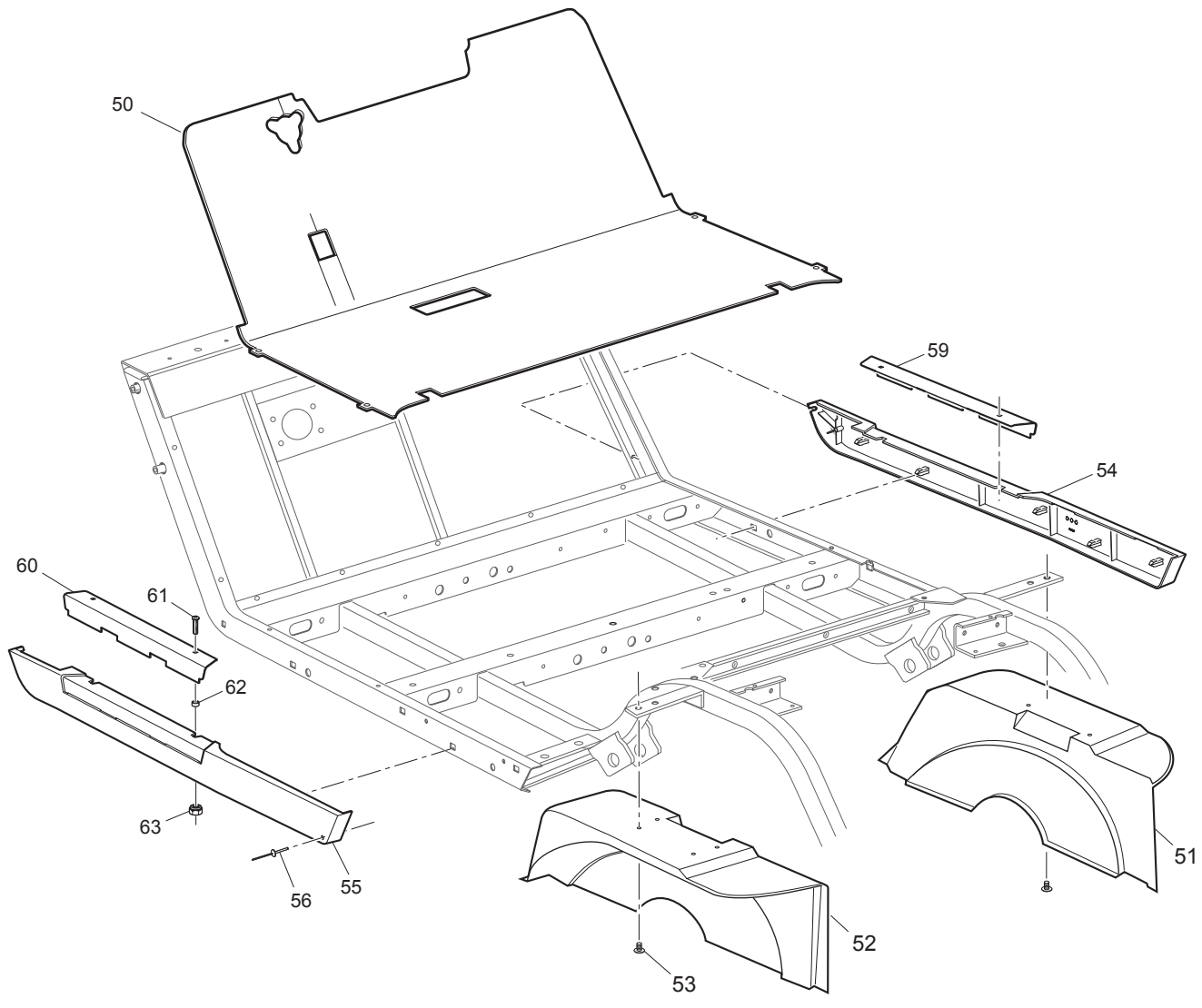
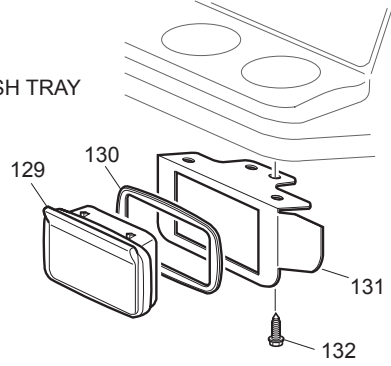




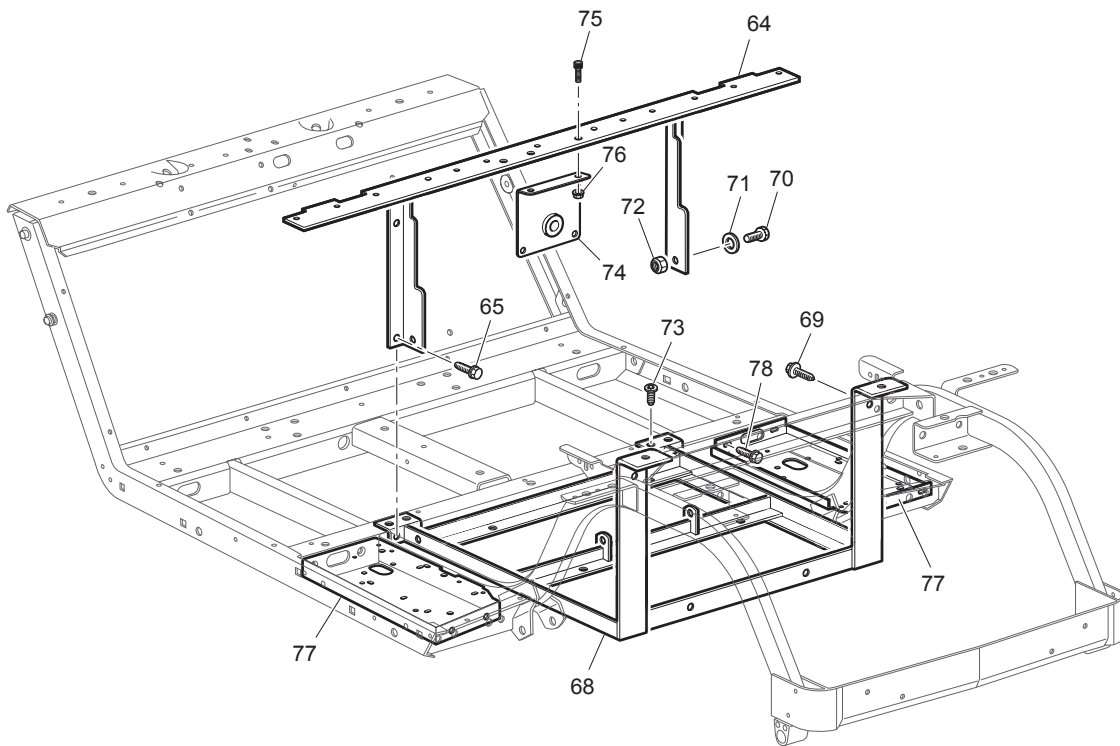
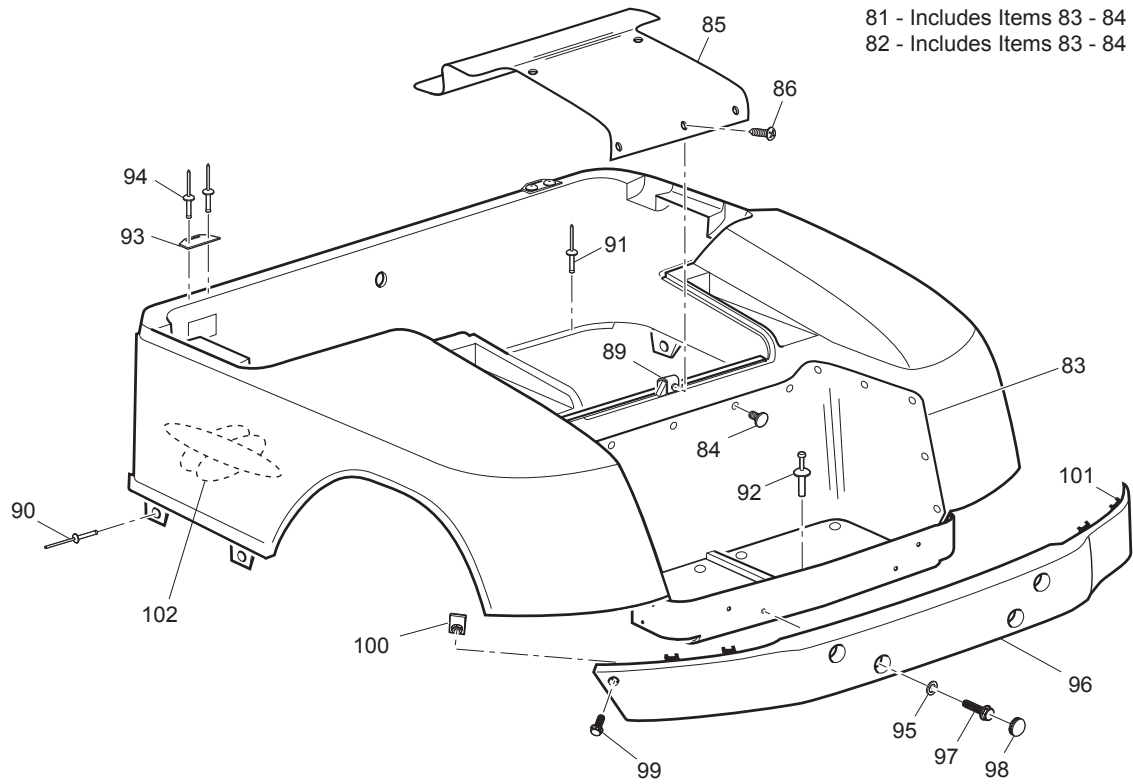
FLOOR MOUNT  
GUN HOLDER

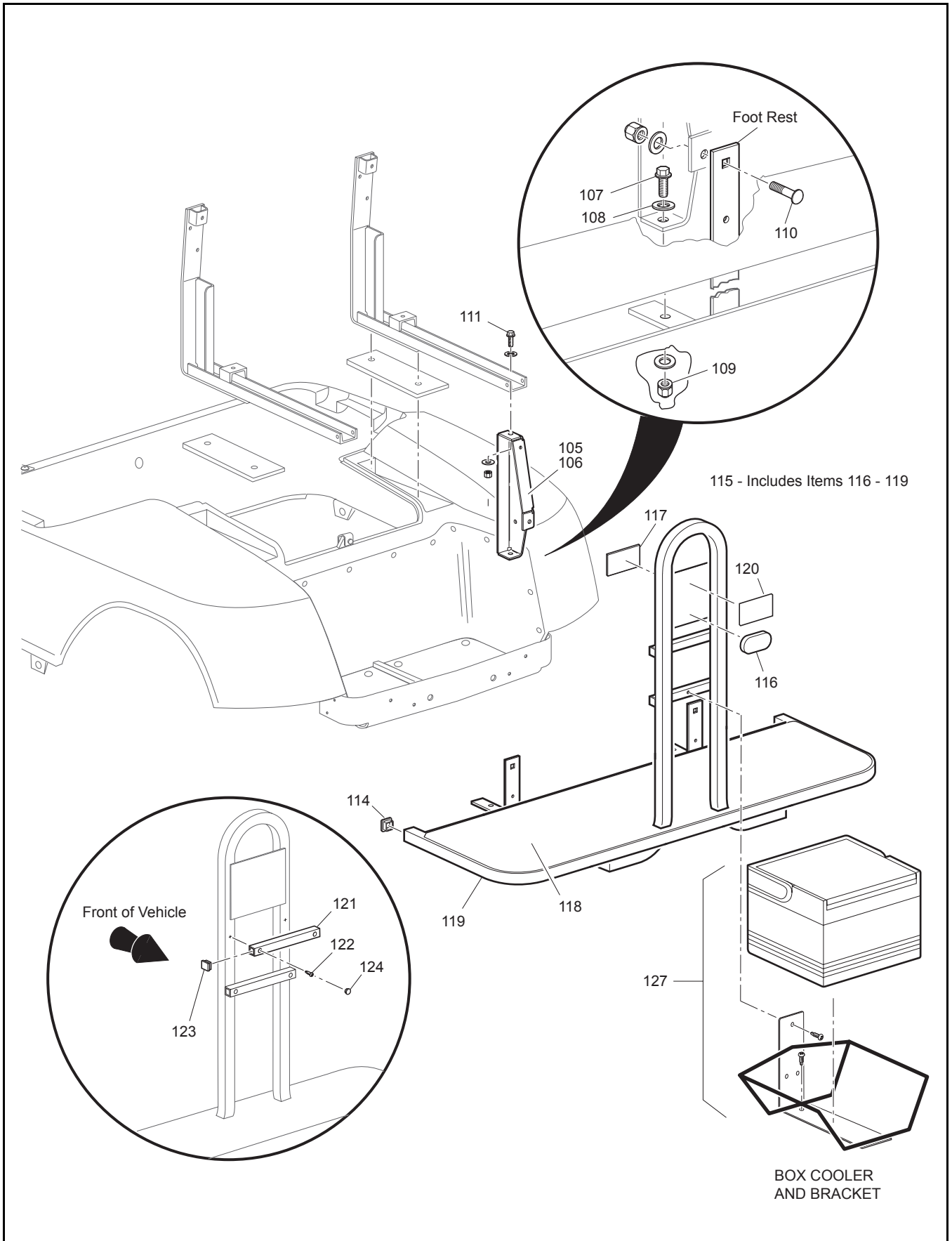
128 - Includes Items 129 - 132

ASH TRAY



# BODY





# BODY

THE USE OF NON U.L. PARTS WILL VOID ANY U.L. LISTING.  
 When ordering parts, please specify the model and serial number of the product.  
 \* Indicates a component that is not available as an individual part.  
 G\*\* Indicates consult Customer Service Department for additional information.

ITEM	PART NO.	1 2 3 4 5	DESCRIPTION	QTY.
1	<u>71510-G01</u>		UPPER FLOORPAN (AXLE MOUNTED STEERING) .....	1
2	<u>14601-G11</u>		RIVET, 3/16" X 9/16" LG .....	9
3	<u>70451-G01</u>		LOWER FLOORPAN.....	1
4	<u>14601-G11</u>		RIVET, 3/16" X 9/16" LG .....	7
5	<u>70452-G01</u>		ACCESS COVER.....	1
6				
7				
8	<u>71151-G03</u>		INSTRUMENT PANEL ASSEMBLY .....	1
9	<u>35964-G01</u>		LABEL (SAFETY) (PICTOGRAPH).....	1
10	<u>71413-G01</u>		SPLASH PANEL.....	1
11	<u>16816-G2</u>		RATCHET FASTENER, 1/4" X 3/4" LG .....	5
12	<u>71115-G01</u>		VINYL TRIM .....	2
13	<u>71055-G01</u>		RIVET, 3/16" X 1" LG .....	10
14	<u>71468-G**</u>		COWL.....	1
15	<u>74183-G01</u>		NAMEPLATE (E-Z-GO) (OVAL) .....	1
16	<u>71055-G01</u>		RIVET, 3/16" X 1" LG .....	7
17	<u>71055-G01</u>		RIVET, 3/16" X 1" LG .....	6
18	<u>71338-G01</u>		FENDER FLARE (DRIVER SIDE).....	1
19	<u>71338-G02</u>		FENDER FLARE (PASSENGER SIDE) .....	1
20				
21				
22	<u>74265-G02</u>		BUMPER .....	1
23	<u>00570-G2</u>		WASHER, 5/16" .....	2
24	<u>75048-G04</u>		SPACER, 1".....	2
25	<u>75048-G01</u>		SPACER, 1/2".....	2
26	<u>00905-G8</u>		LOCK WASHER, 5/16" .....	4
27	<u>01035-G02</u>		BOLT, 5/16 - 18 X 2 1/2" LG .....	4
28				
29				
30	<u>71101-G02</u>		COWL SUPPORT BRACKET .....	1

THE USE OF NON U.L. PARTS WILL VOID ANY U.L. LISTING.  
 When ordering parts, please specify the model and serial number of the product.  
 \* Indicates a component that is not available as an individual part.  
 G\*\* Indicates consult Customer Service Department for additional information.

ITEM	PART NO.	1 2 3 4 5	DESCRIPTION	QTY.
31	<u>71102-G02</u>		SELF TAPPING SCREW, 1/4 - 20 X 1/2" LG .....	3
32	<u>71055-G01</u>		RIVET, 3/16" X 1 1/8" LG .....	1
33				
34				
35	<u>75459-G01</u>		GLOVE BOX DOORS (BOTH SIDES) .....	1
36	<u>75459-G02</u>		GLOVE BOX DOOR (DRIVER SIDE) .....	1
37	<u>75459-G03</u>		GLOVE BOX DOOR (PASSENGER SIDE).....	1
38				
39				
40	<u>74521-G02</u>		FRONT BASKET ASSEMBLY (INCLUDES ITEMS 55 - 60).....	1
41	<u>74523-G01</u>		FRONT BASKET .....	1
42	<u>74522-G01</u>		BASKET MOUNTING BRACKET (DRIVER SIDE).....	1
43	<u>74522-G02</u>		BASKET MOUNTING BRACKET (PASSENGER SIDE) .....	1
44	00725-G1		CARRIAGE BOLT, 3/8 - 16 X 1" LG (STAINLESS STEEL) .....	4
45	00891-G1		LOCK NUT, 3/8 - 16 .....	4
46	<u>71931-G01</u>		LABEL, FRONT BASKET (WARNING).....	1
47				
48				
49	<u>74365-G01</u>		GUN HOLDER, FLOOR MOUNT .....	1
50	<u>70048-G06</u>		FLOORMAT WITH HORN HOLES (1/8") .....	1
51	71551-G01		RH FENDER LINER .....	1
52	<u>71552-G01</u>		LH FENDER LINER .....	1
53	<u>16816-G2</u>		RATCHET FASTENER, 1/4" X 3/4" LG	
54	<u>71501-G01</u>		ROCKER PANEL (PASSENGER SIDE).....	1
55	<u>71502-G01</u>		ROCKER PANEL (DRIVER SIDE) .....	1
56	<u>15058-G6</u>		RIVET, 3/16" X 15/16" LG (ALUMINUM).....	4
57				
58				
59	71507-G01		SILL PLATE (PASSENGER SIDE).....	1
60	<u>71507-G02</u>		SILL PLATE (DRIVER SIDE).....	1

# BODY

THE USE OF NON U.L. PARTS WILL VOID ANY U.L. LISTING.  
 When ordering parts, please specify the model and serial number of the product.  
 \* Indicates a component that is not available as an individual part.  
 G\*\* Indicates consult Customer Service Department for additional information.

ITEM	PART NO.	1 2 3 4 5	DESCRIPTION	QTY.
61	<u>16705-G1</u>		SCREW, 1/4 - 20 X 1" LG (STAINLESS STEEL) .....	4
62	<u>23726-G4</u>		SPACER, 5/16".....	4
63	<u>14390-G4</u>		LOCK NUT, 1/4 - 20 .....	4
64	<u>70441-G01</u>		SEAT FRAME.....	1
65	<u>00715-G2</u>		BOLT, 5/16 - 18 X 13/16" LG .....	2
66				
67				
68	<u>70046-G02</u>		BATTERY RACK .....	1
69	<u>00715-G2</u>		BOLT, 5/16 - 18 X 13/16" LG .....	2
70	<u>00438-G6</u>		BOLT, 5/16 - 18 X 3/4" LG .....	2
71	<u>00559-G8</u>		WASHER, 5/16" .....	2
72	<u>11098-G6</u>		LOCK NUT, 5/16 - 18 (STAINLESS STEEL) .....	2
73	<u>70200-G01</u>		SCREW, 3/8 - 16 X 3/4" LG.....	2
74	<u>70444-G02</u>		BRACKET .....	1
75	<u>28272-G01</u>		BOLT, 1/4 - 20 X 5/8" LG .....	2
76	<u>11027-G2</u>		LOCK NUT, 1/4 - 20 .....	2
77	<u>70244-G03</u>		SPLASH PANEL.....	2
78	<u>00715-G2</u>		BOLT, 5/16 - 18 X 13/16" LG .....	8
79				
80				
81	<u>71912-G4**</u>		REAR BODY (WITHOUT TAILLIGHTS) (INCLUDES ITEMS 97, 98) .....	1
82				
83	<u>71318-G01</u>		BAGWELL LINER.....	1
84	<u>16816-G1</u>		RATCHET FASTENER, 1/4" X 9/16" LG .....	26
85	<u>71320-G01</u>		ACCESS PANEL .....	1
86	<u>01107-G01</u>		SCREW, #8 X 3/8" LG (STAINLESS STEEL) .....	5
87				
88				
89	<u>71364-G02</u>		"J" CLIP .....	1
90	<u>10570-G12</u>		RIVET, 1/4" X 9/16" LG (ALUMINUM).....	4

THE USE OF NON U.L. PARTS WILL VOID ANY U.L. LISTING.  
 When ordering parts, please specify the model and serial number of the product.  
 \* Indicates a component that is not available as an individual part.  
 G\*\* Indicates consult Customer Service Department for additional information.

ITEM	PART NO.	1 2 3 4 5	DESCRIPTION	QTY.
91	<u>10570-G10</u>		RIVET, 5/32" X 9/16" LG (STAINLESS STEEL) .....	6
92	<u>18436-G1</u>		PLASTIC DRIVE RIVET, 1/4" X 3/4" LG .....	2
93	<u>71609-G01</u>		SEAT HINGE PLATE.....	2
94	<u>10570-G11</u>		RIVET, 3/16" X 3/4" LG (STAINLESS STEEL) .....	4
95	<u>00571-G2</u>		WASHER, 5/16" .....	4
96	<u>71456-G01</u>		NOTCHED REAR BUMPER .....	1
97	<u>71398-G01</u>		BOLT, 1/4 - 20 X 1 1/4" LG .....	4
98	<u>71455-G01</u>		BUMPER PLUG .....	4
99	<u>71102-G01</u>		BOLT, 1/4 - 20 x 11/16" LG .....	2
100	<u>71554-G01</u>		J-TYPE NUT RETAINER, 1/4 - 20.....	2
101	<u>71457-G01</u>		BUMPER STAY .....	4
102	<u>74532-G01</u>		LABEL (CLAYS CAR).....	2
103				
104				
105	<u>74126-G01</u>		VERTICAL FRAME SUPPORT (DRIVER SIDE).....	1
106	<u>74126-G02</u>		VERTICAL FRAME SUPPORT (PASSENGER SIDE) .....	1
107	<u>00427-G6</u>		BOLT, 3/8 - 16 X 1 3/4" LG .....	2
108	<u>00560-G1</u>		WASHER, 3/8" .....	14
109	<u>11098-G5</u>		LOCK NUT, 3/8 - 16 .....	6
110	<u>00769-G2</u>		CARRIAGE BOLT, 3/8 - 16 X 1 1/4" LG .....	2
111	<u>00426-G8</u>		BOLT, 3/8 - 16 X 1" LG .....	2
112				
113				
114	<u>19853-G1</u>		END CAP, 1".....	2
115	<u>70361-G03</u>		FOOTREST ASSEMBLY (INCLUDES ITEMS 113 - 116) .....	1
116	<u>74129-G01</u>		REFLECTOR .....	1
117	<u>74132-G01</u>		LABEL (WARNING) .....	1
118	<u>70362-G01</u>		FLOORMAT .....	1
119	<u>70633-G01</u>		FOOTREST .....	1
120	<u>71929-G01</u>		LABEL (LOAD BED LIMIT WARNING) .....	1

# BODY

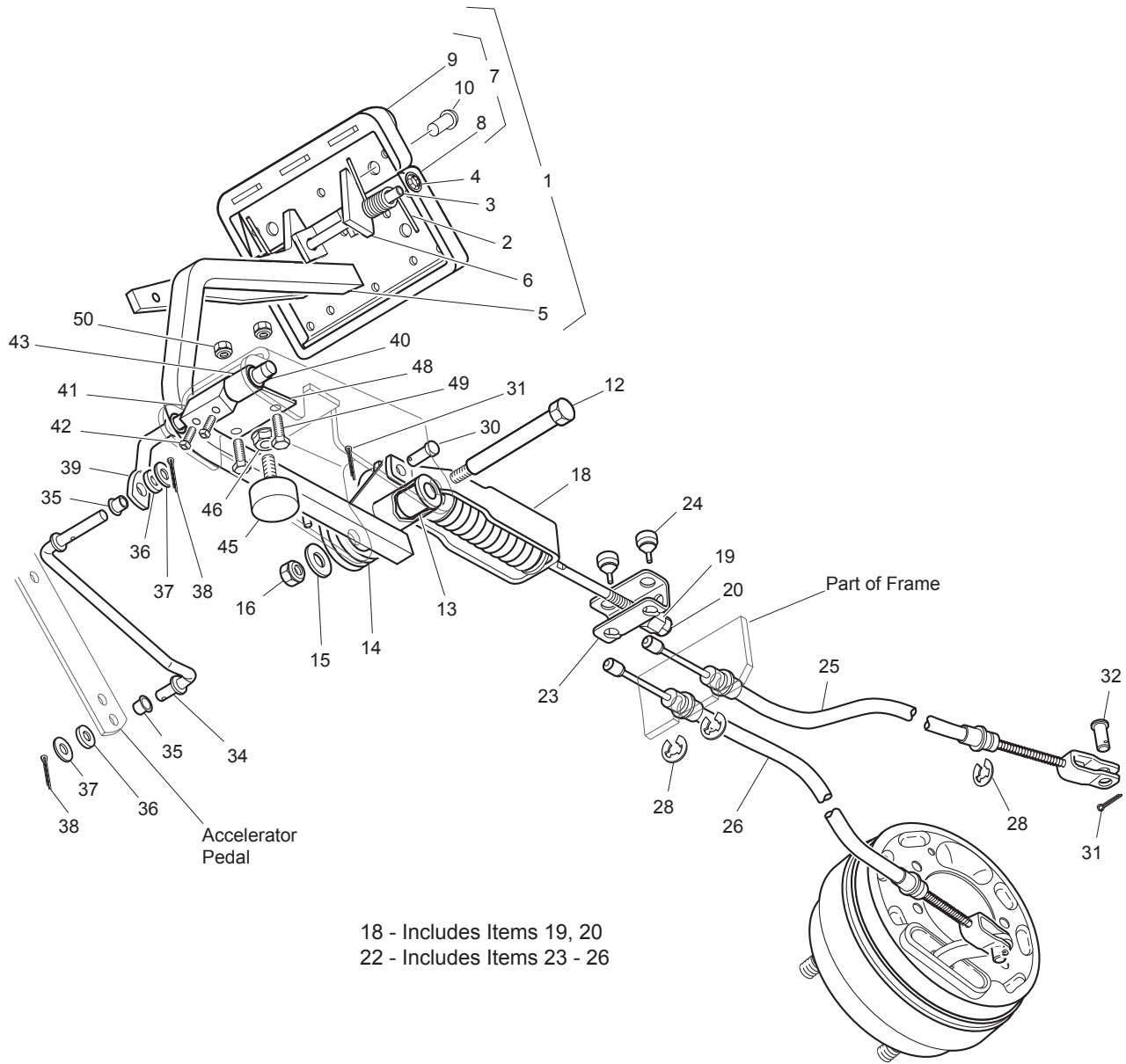
THE USE OF NON U.L. PARTS WILL VOID ANY U.L. LISTING.  
 When ordering parts, please specify the model and serial number of the product.  
 \* Indicates a component that is not available as an individual part.  
 G\*\* Indicates consult Customer Service Department for additional information.

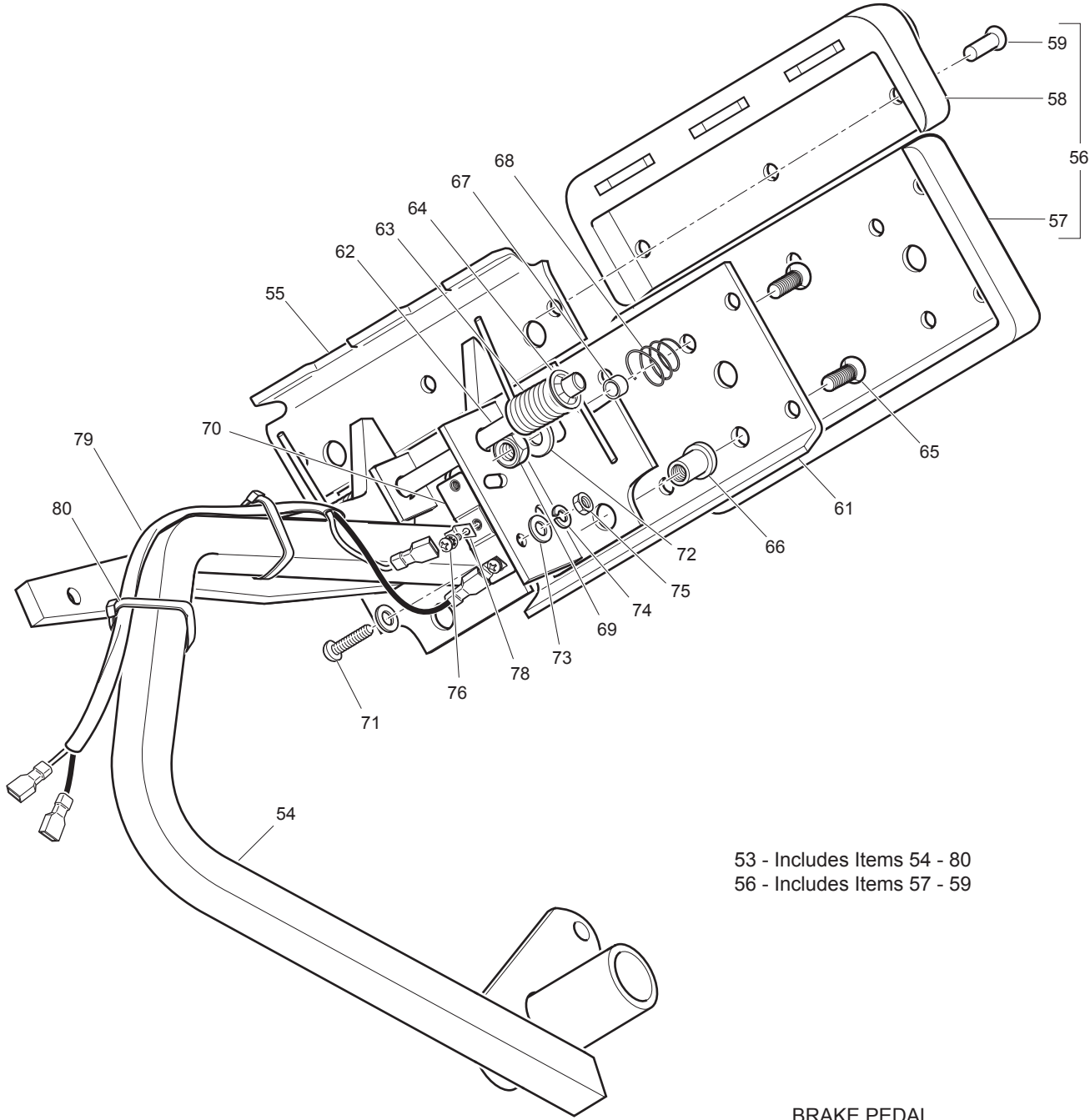
ITEM	PART NO.	1 2 3 4 5	DESCRIPTION	QTY.
121	<u>75268-G01</u>		SUPPORT TUBE.....	1
122	<u>00106-G6</u>		SELF THREADING SCREW, #12 - 24 X 3/4" LG .....	2
123	<u>19859-G1</u>		END CAP, 3/4".....	2
124	<u>20271-G2</u>		HOLE PLUG, 1/2".....	2
125				
126				
127	<u>71048-G01</u>		BOX COOLER AND BRACKET (INCLUDES HARDWARE).....	1
128	<u>75109-G04</u>		ASH TRAY KIT (INCLUDES ITEMS 129 - 132) .....	1
129	<u>27731-G01</u>		ASH TRAY .....	1
130	<u>27736-G01</u>		GASKET .....	1
131	<u>75108-G02</u>		BRACKET .....	1
132	<u>00100-G4</u>		SCREW, #10 - 16 X 1/2" LG .....	4
133	<u>74533-G01</u>		GUN HOLDER (SWIVEL MOUNT) (NOT ILLUSTRATED) .....	1





# BRAKES

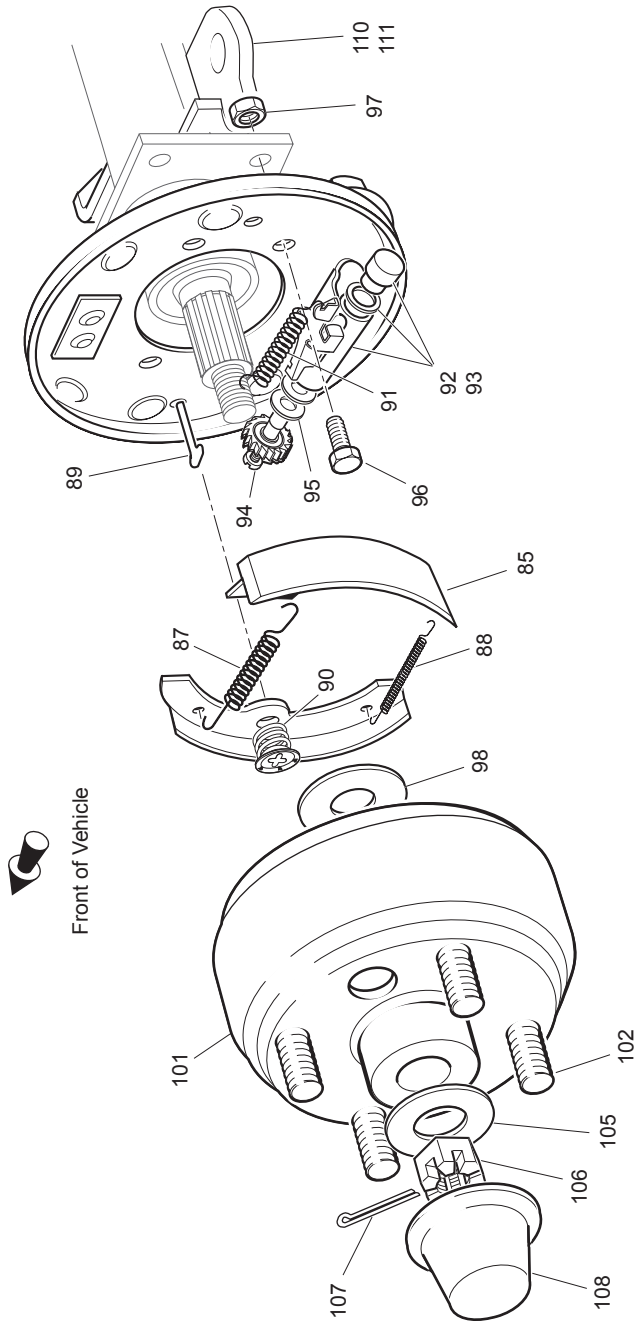




53 - Includes Items 54 - 80  
56 - Includes Items 57 - 59

**BRAKE PEDAL  
(VEHICLE WITH BRAKE LIGHTS)**

# BRAKES



- 82 - Includes Items 84 - 92, 94, 95
- 83 - Includes Items 84 - 91, 93 - 95
- 84 - Includes Items 85
- 86 - Includes Items 87 - 91
- 92 - Includes Items 94, 95
- 93 - Includes Items 94, 95
- 100 - Includes Items 101, 102

# BRAKES

THE USE OF NON U.L. PARTS WILL VOID ANY U.L. LISTING.

When ordering parts, please specify the model and serial number of the product.

\* Indicates a component that is not available as an individual part.

G\*\* Indicates consult Customer Service Department for additional information.

ITEM	PART NO.	1	2	3	4	5	DESCRIPTION	QTY.
1	<u>70612-G02</u>						BRAKE PEDAL ASSEMBLY (WITHOUT BRAKE LIGHTS) (INCLUDES ITEMS 2 - 10).....	1
2	<u>70681-G01</u>						TORSION SPRING.....	2
3	<u>70682-G01</u>						PIVOT PIN.....	1
4	<u>01071-G01</u>						PUSHNUT, 5/16".....	2
5	*						BRAKE PEDAL.....	1
6	<u>70611-G02</u>						PARK BRAKE PEDAL.....	1
7	<u>70274-G01</u>						BRAKE/PARK BRAKE PEDAL PAD KIT (INCLUDES ITEMS 8 - 10).....	1
8	*						SERVICE BRAKE PAD.....	1
9	*						PARK BRAKE PEDAL PAD.....	1
10	<u>15766-G1</u>						OVAL RIVET, 3/16" X 3/8" LG.....	9
11								
12	<u>70582-G01</u>						SHOULDER BOLT, STAINLESS STEEL.....	1
13	<u>70581-G01</u>						FLANGED BUSHING.....	2
14	<u>70676-G01</u>						TORSION SPRING.....	1
15	<u>00643-G1</u>						WASHER, 3/8".....	1
16	<u>11098-G5</u>						LOCK NUT, 3/8 - 16.....	1
17								
18	<u>70272-G04</u>						COMPENSATOR ASSEMBLY (INCLUDES ITEMS 19, 20).....	1
19	<u>00963-G01</u>						SPHERICAL NUT, 5/16 - 24.....	1
20	<u>11098-G9</u>						LOCK NUT, 5/16 - 24.....	1
21								
22	<u>70969-G03</u>						EQUALIZER AND BRAKE CABLE ASSEMBLY (INCLUDES ITEMS 23-26).....	1
23	<u>28082-G01</u>						EQUALIZER BRACKET.....	1
24	<u>28083-G01</u>						BRAKE COMPENSATOR BUMPER.....	2
25	*						BRAKE CABLE (DRIVER SIDE).....	1
26	*						BRAKE CABLE (PASSENGER SIDE).....	1
27								
28	<u>01111-G01</u>						RETAINING RING, 13/32" (STAINLESS STEEL).....	4
29								

# BRAKES

THE USE OF NON U.L. PARTS WILL VOID ANY U.L. LISTING.

When ordering parts, please specify the model and serial number of the product.

\* Indicates a component that is not available as an individual part.

G\*\* Indicates consult Customer Service Department for additional information.

ITEM	PART NO.	1 2 3 4 5	DESCRIPTION	QTY.
30	<u>10386-G3</u>		CLEVIS PIN, 5/16" X 1" LG .....	1
31	<u>10387-G3</u>		COTTER PIN, 3/32" X 3/4" LG .....	3
32	<u>14443-G2</u>		CLEVIS PIN, 5/16" X 3/4" LG .....	2
33				
34	<u>70601-G01</u>		KICK-OFF LINK.....	1
35	<u>17838-G1</u>		NYLON BUSHING.....	2
36	<u>20835-G1</u>		TEFLON WASHER, 3/8" .....	2
37	<u>00559-G8</u>		WASHER, 5/16" .....	2
38	<u>10387-G3</u>		COTTER PIN, 3/32" X 3/4" LG .....	2
39	<u>70098-G01</u>		KICK-OFF CAM PIVOT.....	1
40	<u>10097-G6</u>		FLANGED BEARING .....	2
41	<u>70587-G01</u>		KICK-OFF CAM.....	1
42	<u>71215-G01</u>		SETSCREW, 1/4 - 20 X 1/2" LG.....	2
43	<u>14134-G4</u>		SPACER.....	1
44				
45	<u>70113-G01</u>		ADJUSTABLE BUMPER.....	1
46	<u>11027-G1</u>		LOCK NUT, 5/16 - 18 .....	1
47				
48	<u>70080-G02</u>		CATCH BRACKET .....	1
49	<u>00414-G6</u>		BOLT, 1/4 - 20 X 3/4" LG .....	2
50	<u>14390-G4</u>		LOCK NUT, 1/4 - 20 .....	2
51				
52				
53	<u>70690-G02</u>		BRAKE PEDAL ASSEMBLY (WITH BRAKE LIGHTS) (INCLUDES ITEMS 54 - 80).....	1
54	*		BRAKE PEDAL.....	1
55	<u>70611-G02</u>		PARK BRAKE PEDAL .....	1
56	<u>70274-G01</u>		BRAKE/PARK BRAKE PEDAL PAD KIT (INCLUDES ITEMS 57 - 59).....	1
57	*		SERVICE BRAKE PAD .....	1
58	*		PARK BRAKE PAD.....	1

# BRAKES

THE USE OF NON U.L. PARTS WILL VOID ANY U.L. LISTING.

When ordering parts, please specify the model and serial number of the product.

\* Indicates a component that is not available as an individual part.

G\*\* Indicates consult Customer Service Department for additional information.

ITEM	PART NO.	1	2	3	4	5	DESCRIPTION	QTY.
59	<u>15766-G1</u>						OVAL RIVET, 3/16" x 3/8" LG .....	9
60								
61	<u>70258-G03</u>						SERVICE BRAKE PEDAL PLATE .....	1
62	<u>70682-G01</u>						PIVOT PIN .....	1
63	<u>70681-G01</u>						TORSION SPRING .....	2
64	<u>01071-G01</u>						PUSHNUT, 5/16" .....	1
65	<u>00737-G8</u>						SCREW, #10 - 24 X 1" LG .....	4
66	<u>00739-G1</u>						RUBBER NUT, #10 - 24 .....	2
67	<u>74535-G01</u>						BRAKE PEDAL STANDOFF .....	2
68	<u>27137-G01</u>						CONICAL SPRING .....	2
69	<u>14390-G01</u>						LOCK NUT, #10 - 24 .....	2
70	<u>10606-G8</u>						MICRO SWITCH .....	1
71	<u>00957-G1</u>						SCREW, #6 - 32 X 1 1/4" LG .....	2
72	<u>00559-G5</u>						WASHER, #10 .....	2
73	<u>00559-G3</u>						WASHER, #6 .....	4
74	<u>00565-G3</u>						LOCK WASHER, #6 .....	2
75	<u>00525-G5</u>						NUT, #6 - 32 .....	2
76	<u>13514-G1</u>						SCREW AND LOCK WASHER, #6 .....	2
77								
78	<u>14628-G1</u>						FASTON TAB .....	2
79	<u>24605-G1</u>						WIRE HARNESS (BRAKE LIGHT) .....	1
80	<u>17618-G1</u>						WIRE TIE .....	2
81								
82	<u>70998-G01</u>						BRAKE ASSEMBLY (DRIVER SIDE) (INCLUDES ITEMS 84 - 92, 94, 95) .....	1
83	<u>70998-G02</u>						BRAKE ASSEMBLY (PASSENGER SIDE) (INCLUDES ITEMS 84 - 91, 93-95)	1
84	<u>70794-G01</u>						BRAKE SHOE KIT (INCLUDES ITEM 85) .....	2
85	*						BRAKE SHOE .....	2
86	<u>27944-G01</u>						BRAKE SPRING KIT (INCLUDES ITEMS 87 - 91) .....	2
87	*						UPPER SPRING .....	1
88	*						LOWER SPRING .....	1

# BRAKES

THE USE OF NON U.L. PARTS WILL VOID ANY U.L. LISTING.

When ordering parts, please specify the model and serial number of the product.

\* Indicates a component that is not available as an individual part.

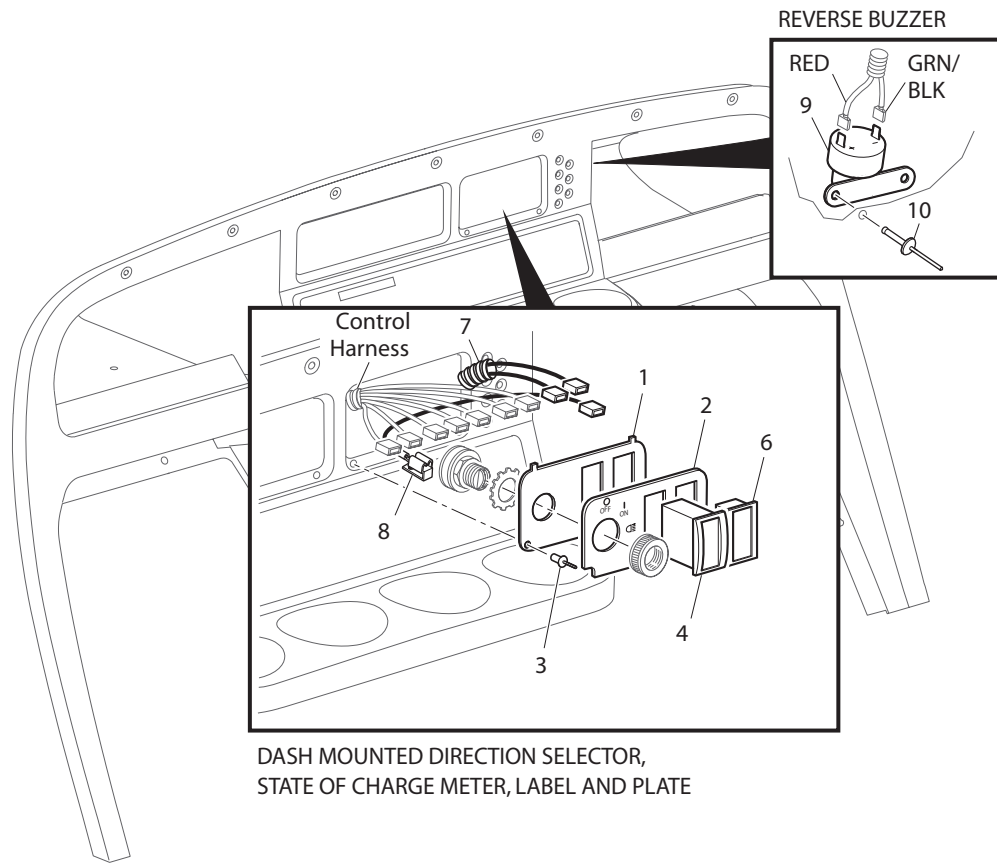
G\*\* Indicates consult Customer Service Department for additional information.

ITEM	PART NO.	1	2	3	4	5	DESCRIPTION	QTY.
89	*						PIN .....	2
90	*						CUP AND SPRING .....	2
91	*						ADJUSTER SPRING.....	1
92	<u>72582-G01</u>						BRAKE ADJUSTER KIT (DRIVER SIDE) (INCLUDES ITEMS 94, 95) .....	1
93	<u>72582-G02</u>						BRAKE ADJUSTER KIT (PASSENGER SIDE) (INCL. ITEMS 94, 95).....	1
94	*						ADJUSTER .....	1
95	*						TEFLON WASHER.....	2
96	<u>17083-G2</u>						BOLT, 5/16 - 24 X 1" LG .....	8
97	<u>15126-G1</u>						LOCK NUT, 5/16 - 24 .....	8
98	<u>21809-G1</u>						INNER BRAKE DRUM WASHER.....	2
99								
100	<u>21807-G2</u>						BRAKE DRUM ASSEMBLY (INCLUDES ITEMS 101 - 102).....	2
101	*						BRAKE DRUM .....	1
102	<u>19862-G2</u>						LUG BOLT, 1/2 - 20.....	4
103								
104								
105	<u>21830-G1</u>						WASHER, 1 3/8" O.D. X 21/32" .....	2
106	<u>00518-G8</u>						SLOTTED NUT, 5/8 - 18.....	2
107	<u>10387-G1</u>						COTTER PIN, 1/8" X 1 1/2" LG .....	2
108	<u>74175-G01</u>						SPINDLE CAP.....	2
109								
110	<u>75870-G04</u>						BRAKE CABLE BRACKET (PASSENGER SIDE).....	1
111	<u>75870-G03</u>						BRAKE CABLE BRACKET (DRIVER SIDE) .....	1





# ELECTRICAL SYSTEM - PDS



Ref Ele 1-4

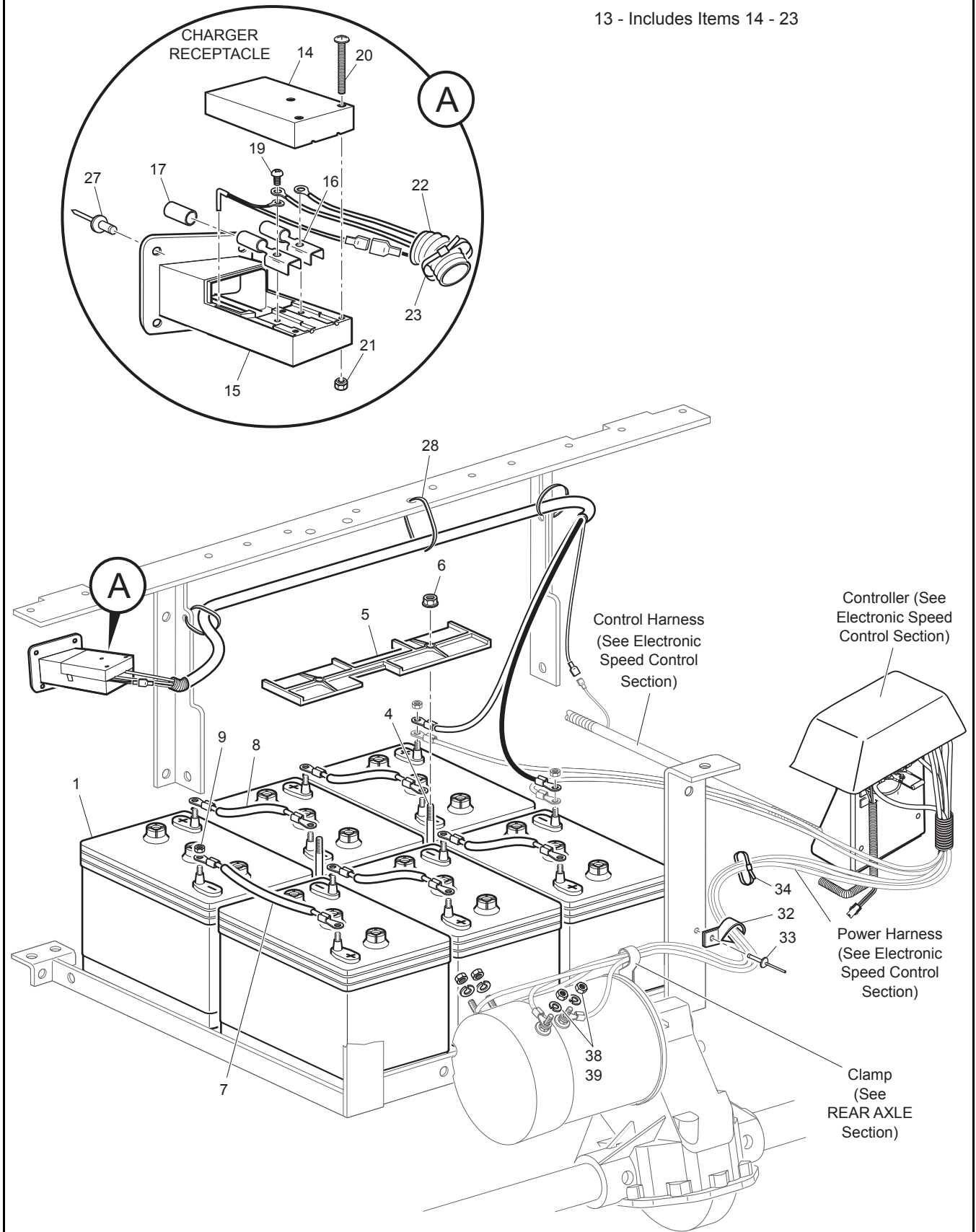
# ELECTRICAL SYSTEM - PDS

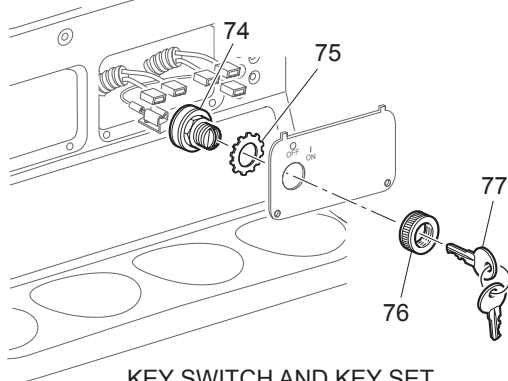
Where applicable, THE USE OF NON UL PARTS WILL VOID ANY UL LISTING.  
 When ordering parts, please specify the model and serial number of the product.  
 \* Indicates a component that is not available as an individual part.  
 G\*\* Indicates consult Customer Service Department for additional information.

ITEM	PART NO.	1 2 3 4 5	DESCRIPTION	QTY.
1	<u>73030-G06</u>		PLATE (KEY SWITCH, DIRECTION SELECTOR, CHARGE METER) .....	1
2	<u>74322-G01</u>		LABEL (KEY SWITCH WITH LIGHTS, DIRECTION SELECTOR, CHARGE METER) .....	1
3	33623-G02		DRIVE RIVET, 3/16" X 3/8" LG .....	2
4	<u>74323-G01</u>		DIRECTION SELECTOR SWITCH (DASH MOUNTED).....	1
5				
6	<u>33636-G04</u>		STATE OF CHARGE METER (VERTICAL) .....	1
7	<u>74018-G01</u>		WIRE HARNESS (STATE OF CHARGE METER) .....	1
8	<u>25978-G74</u>		18 GA WIRE (RED 6").....	1
9	<u>73290-G02</u>		REVERSE WARNING BUZZER (CONTINUOUS TONE) .....	1
10	<u>01041-G01</u>		RIVET, 1/8" X 13/16" LG .....	2

# ELECTRICAL SYSTEM

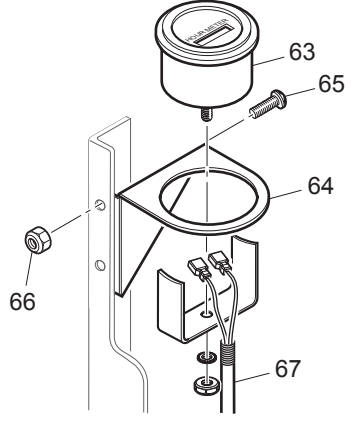
13 - Includes Items 14 - 23



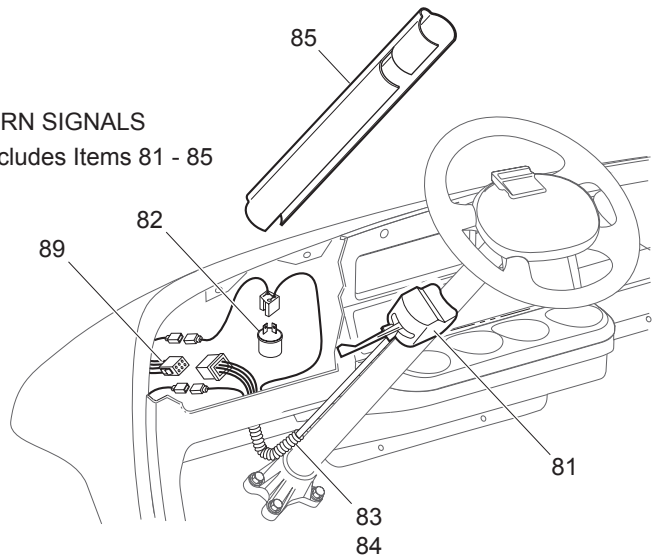


**KEY SWITCH AND KEY SET**

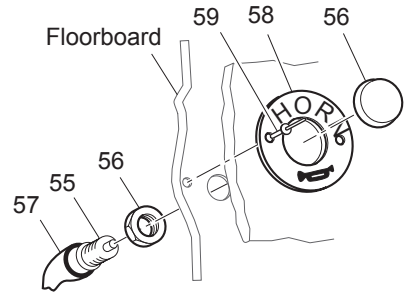
**HOUR METER DETAIL**  
62 - Includes Items 63 - 67



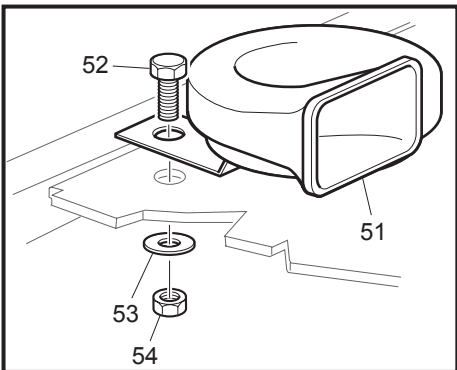
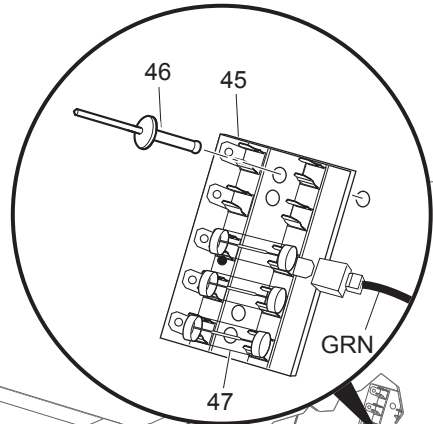
**TURN SIGNALS**  
80 - Includes Items 81 - 85



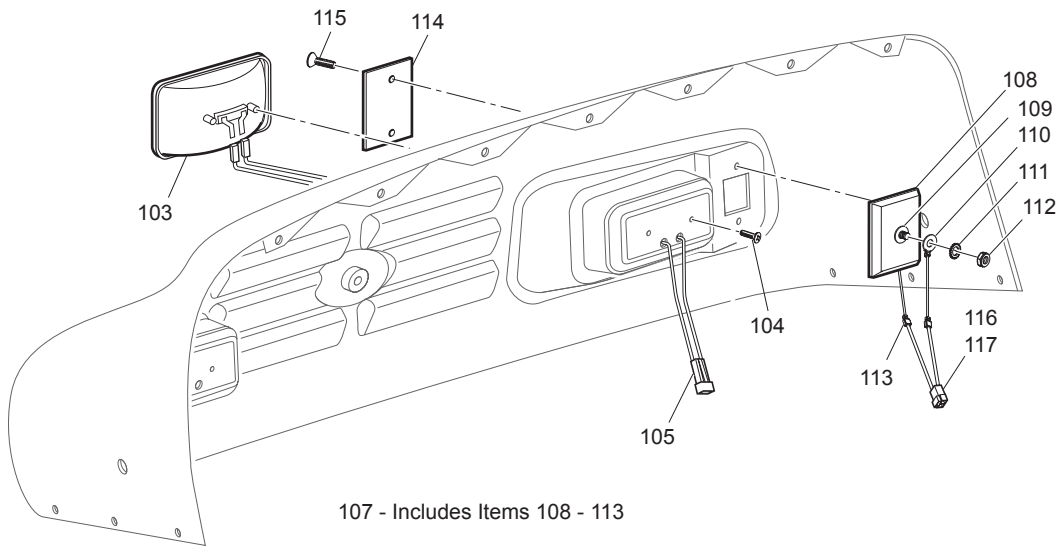
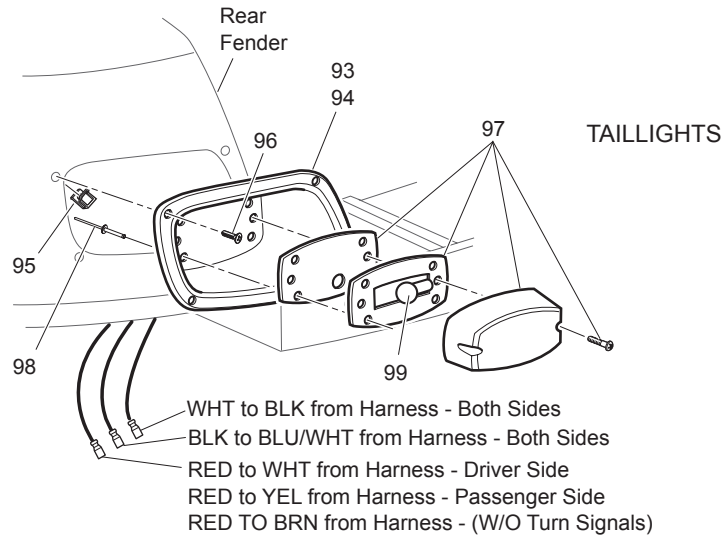
**HORN BUTTON**



Floorboard



# ELECTRICAL SYSTEM



# ELECTRICAL SYSTEM

Where applicable, THE USE OF NON UL PARTS WILL VOID ANY UL LISTING.  
 When ordering parts, please specify the model and serial number of the product.  
 \* Indicates a component that is not available as an individual part.  
 G\*\* Indicates consult Customer Service Department for additional information.

ITEM	PART NO.	1	2	3	4	5	DESCRIPTION	QTY.
1	XXXXX-GXX						6 VOLT BATTERY .....	6
2								
3								
4	<u>01101-G01</u>						HOLD DOWN BOLT (STAINLESS STEEL).....	2
5	<u>70045-G01</u>						BATTERY RETAINER .....	1
6	<u>11027-G1</u>						LOCK NUT, 5/16 - 18 .....	2
7	<u>25971-G13</u>						6 GA WIRE (BATTERY INTERCONNECT, BLACK, 10 1/2").....	1
8	<u>25971-G18</u>						6 GA WIRE (BATTERY INTERCONNECT, 6").....	4
9	<u>00702-G2</u>						NUT, 5/16 - 18 .....	12
10								
11								
12								
13	<u>73063-G01</u>						CHARGER RECEPTACLE ASSEMBLY (INCLUDES ITEMS 14 - 23).....	1
14	*						RECEPTACLE COVER .....	1
15	*						RECEPTACLE BOTTOM .....	1
16	<u>73051-G05</u>						FEMALE CONNECTOR .....	2
17	<u>73051-G06</u>						INSULATOR SLEEVE.....	1
18								
19	<u>73051-G08</u>						SCREW, #10 - 32 X 1/2" LG (BRASS) .....	2
20	<u>73051-G09</u>						SCREW, #6 - 32 X 1 3/4" LG (STAINLESS STEEL).....	3
21	<u>73051-G10</u>						LOCK NUT, #6 - 32 .....	3
22	*						WIRE HARNESS (CHARGER).....	1
23	<u>17618-G1</u>						WIRE TIE .....	2
24								
25								
26								
27	<u>71055-G01</u>						RIVET, 3/16" X 1" LG (ALUMINUM).....	4
28	<u>17618-G1</u>						WIRE TIE .....	3
29								
30								

# ELECTRICAL SYSTEM

Where applicable, THE USE OF NON UL PARTS WILL VOID ANY UL LISTING.

When ordering parts, please specify the model and serial number of the product.

\* Indicates a component that is not available as an individual part.

G\*\* Indicates consult Customer Service Department for additional information.

ITEM	PART NO.	1 2 3 4 5	DESCRIPTION	QTY.
31				
32	<u>27327-G01</u>		CABLE CLAMP .....	1
33	<u>10570-G11</u>		RIVET, 3/16" X 3/4" LG (STAINLESS STEEL) .....	1
34	<u>17618-G1</u>		WIRE TIE .....	8
35				
36				
37				
38	<u>00993-G01</u>		LOCK WASHER, 5/16" (SILICON BRONZE) .....	AR
39	<u>28418-G01</u>		NUT, 5/16 - 18 (BRASS).....	AR
40				
41				
42				
43				
44				
45	<u>22674-G1</u>		FUSE BLOCK.....	1
46	<u>01041-G01</u>		RIVET, 1/8" X 13/16" LG .....	2
47	<u>18392-G1</u>		15 AMP FUSE .....	AR
48				
49				
50				
51	<u>32860-G1</u>		HORN .....	1
52	<u>00414-G5</u>		BOLT, 1/4 - 20 X 5/8" LG .....	1
53	<u>00559-G7</u>		WASHER, 1/4" (STAINLESS STEEL) .....	1
54	<u>14390-G4</u>		LOCK NUT, 1/4 - 20 .....	1
55	<u>17318-G1</u>		HORN SWITCH.....	1
56	<u>17318-G2</u>		HORN SWITCH CAP AND NUT .....	1
57	<u>27068-G01</u>		HORN SWITCH BOOT .....	1
58	<u>19233-G1</u>		HORN SWITCH LABEL .....	1
59	<u>71055-G01</u>		RIVET, 3/16" X 1" LG (ALUMINUM).....	2
60				



# ELECTRICAL SYSTEM

Where applicable, THE USE OF NON UL PARTS WILL VOID ANY UL LISTING.  
 When ordering parts, please specify the model and serial number of the product.  
 \* Indicates a component that is not available as an individual part.  
 G\*\* Indicates consult Customer Service Department for additional information.

ITEM	PART NO.	1 2 3 4 5	DESCRIPTION	QTY.
61				
62	75113-G02		HOUR METER KIT (INCLUDES ITEMS 63 - 67).....	1
63	<u>21573-G1</u>		HOUR METER.....	1
64	<u>74019-G02</u>		HOUR METER BRACKET.....	1
65	<u>00379-G4</u>		SCREW, #10 - 24 X 1/2" LG.....	2
66	<u>14390-G10</u>		LOCK NUT, #10 - 24.....	2
67	<u>75117-G01</u>		WIRE HARNESS (HOUR METER).....	1
68				
69				
70				
71				
72				
73				
74	33639-G**		KEY SWITCH (WITH LIGHTS).....	1
75	<u>00568-G6</u>		LOCK WASHER, 3/4".....	1
76	17137-G1		FACE NUT, 3/4 - 20.....	1
77	<u>17063-G1</u>		KEY (SET).....	1
78				
79				
80	<u>75107-G02</u>		TURN SIGNAL KIT (INCLUDES ITEMS 81 - 85).....	1
81	<u>17867-G1</u>		TURN SIGNAL (WITH MOUNTING HARDWARE).....	1
82	<u>21640-G1</u>		TURN SIGNAL FLASHER.....	1
83	<u>32307-G3</u>		FLEX LOOM, 3/8" X 8" LG.....	1
84	<u>17618-G1</u>		WIRE TIE.....	2
85	<u>20965-G3</u>		STEERING COLUMN COVER.....	1
86				
87				
88				
89	73043-G01		WIRE HARNESS (ACCESSORY).....	1
90				

# ELECTRICAL SYSTEM

Where applicable, THE USE OF NON UL PARTS WILL VOID ANY UL LISTING.

When ordering parts, please specify the model and serial number of the product.

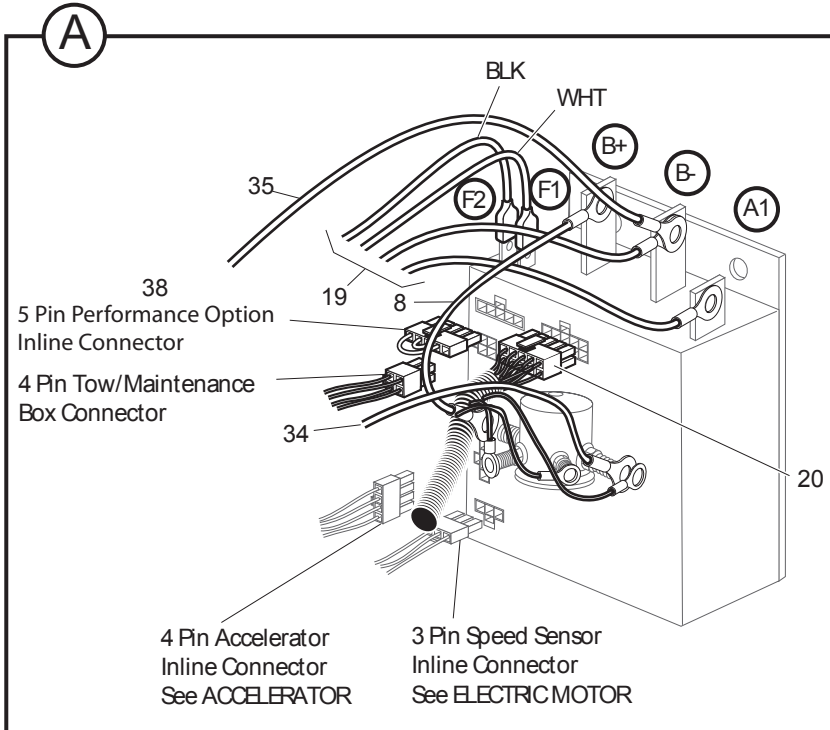
\* Indicates a component that is not available as an individual part.

G\*\* Indicates consult Customer Service Department for additional information.

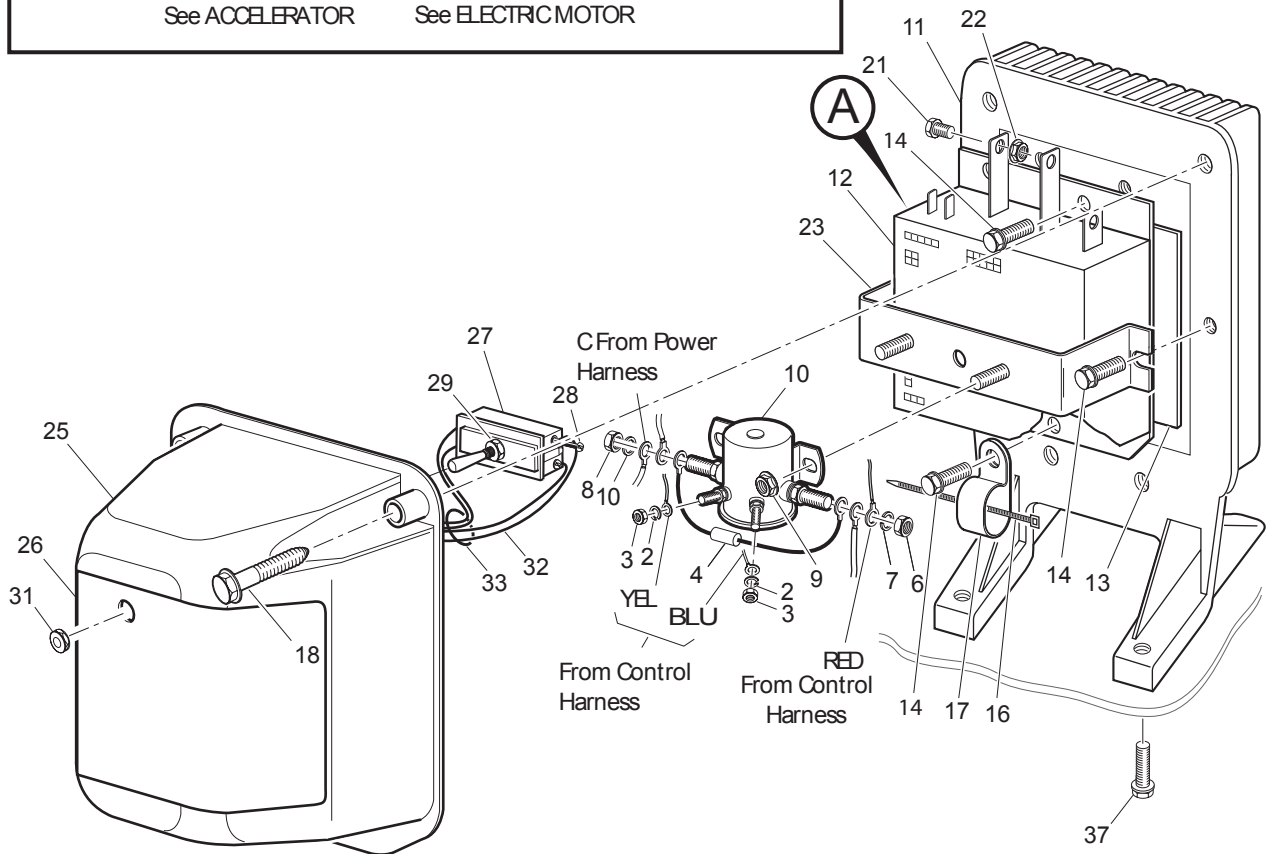
ITEM	PART NO.	1 2 3 4 5	DESCRIPTION	QTY.
91				
92				
93	<u>74371-G01</u>		BEZEL (DRIVER SIDE).....	1
94	<u>74371-G02</u>		BEZEL (PASSENGER SIDE).....	1
95	<u>71364-G02</u>		'J' CLIP .....	8
96	<u>71425-G01</u>		COUNTERSUNK SCREW, #8 .....	8
97	<u>22288-G2</u>		BRAKE / TAILLIGHT LAMP.....	1
98	<u>14601-G11</u>		RIVET, 3/16" X 9/16" LG (ALUMINUM).....	4
99	<u>21759-G1</u>		TAILLIGHT BULB .....	AR
100				
101				
102				
103	<u>22523-G1</u>		HEADLIGHT (INCLUDES ITEM 94).....	2
104	<u>00906-G6</u>		SCREW, #10 - 16 X 1" LG .....	2
105	<u>74337-G01</u>		JUMPER WIRE (HEADLIGHT) .....	2
106				
107	<u>20570-G3</u>		TURN SIGNAL LIGHT ASSEMBLY (INCLUDES ITEMS 108 - 113).....	2
108	<u>20574-G3</u>		TURN SIGNAL LIGHT .....	1
109	<u>00660-G7</u>		WASHER, 1/4" (STAINLESS STEEL).....	1
110	<u>20606-G1</u>		WIRE ASSEMBLY .....	1
111	<u>00567-G7</u>		LOCK WASHER, 1/4" .....	1
112	<u>00532-G1</u>		NUT, 1/4 - 20.....	1
113	<u>18995-G1</u>		PUSH-ON TERMINAL (MALE).....	1
114	<u>20574-G5</u>		LENS, AMBER .....	1
115	<u>00118-G5</u>		SCREW, #6 - 18 X 5/8" LG.....	2
116	<u>74056-G01</u>		TURN SIGNAL JUMPER, RED/BLACK (PASSENGER SIDE).....	1
117	<u>74056-G02</u>		TURN SIGNAL JUMPER, GREEN/BLACK (DRIVER SIDE) .....	1



# ELECTRONIC SPEED CONTROL - PDS



- 1 - Includes Items 2 - 35
- 24 - Includes Items 25 - 33
- 27 - Includes Items 28 - 31



Ref Esp 1-1

## ELECTRONIC SPEED CONTROL - PDS

Where applicable, THE USE OF NON UL PARTS WILL VOID ANY UL LISTING.

When ordering parts, please specify the model and serial number of the product.

\* Indicates a component that is not available as an individual part.

G\*\* Indicates consult Customer Service Department for additional information.

ITEM	PART NO.	1	2	3	4	5	DESCRIPTION	QTY.	
1	73276-G03							ELECTRONIC SPEED CONTROL ASSEMBLY (INCLUDES ITEMS 2 - 35).....	1
2	*							LOCK WASHER, #10 .....	2
3	*							NUT, 10 - 32.....	2
4	<u>21764-G1</u>							RESISTOR.....	1
5									
6	*							NUT, 5/16 - 24.....	2
7	*							LOCK WASHER, 5/16" .....	2
8	<u>25971-G18</u>							4 GA WIRE ASSY BLACK 6".....	1
9	<u>800706</u>							LOCK NUT, 1/4 - 20 .....	2
10	<u>27855-G02</u>							SOLENOID, 36 VOLT .....	1
11	<u>73471-G01</u>							HEATSINK .....	1
12	<u>73326-G07</u>							ELECTRONIC SPEED CONTROLLER .....	1
13	<u>73190-G01</u>							THERMAL MOUNTING PAD .....	1
14	<u>71102-G01</u>							BOLT, 1/4 - 20 X 3/4" LG.....	3
15									
16	<u>31539-G1</u>							WIRE TIE .....	1
17	<u>73053-G01</u>							DOUBLE TUBE CLAMP .....	1
18	<u>71102-G01</u>							BOLT, 1/4 - 20 X 3/4" LG.....	4
19	<u>73106-G01</u>							WIRE HARNESS (POWER) .....	1
20	<u>74324-G02</u>							WIRE HARNESS (CONTROL) .....	1
21	<u>00270-G5</u>							BOLT, 5/16 - 18 X 5/8" LG.....	3
22	<u>11027-G1</u>							LOCK NUT, 5/16 - 18.....	3
23	<u>25866-G01</u>							SOLENOID BRACKET .....	1
24	<u>73089-G01</u>							COVER ASSEMBLY (INCLUDES ITEMS 25 - 33) .....	1
25	<u>73028-G02</u>							COVER (WITH GASKET) .....	1
26	<u>73093-G01</u>							LABEL (TOW SWITCH) .....	1
27	<u>73125-G01</u>							TOGGLE SWITCH WITH SEAL (INCLUDES ITEMS 28 - 31) .....	1
28	*							SCREW, #5 - 40.....	4
29	*							NUT, 15/32 - 32.....	1
30									

# ELECTRONIC SPEED CONTROL - PDS

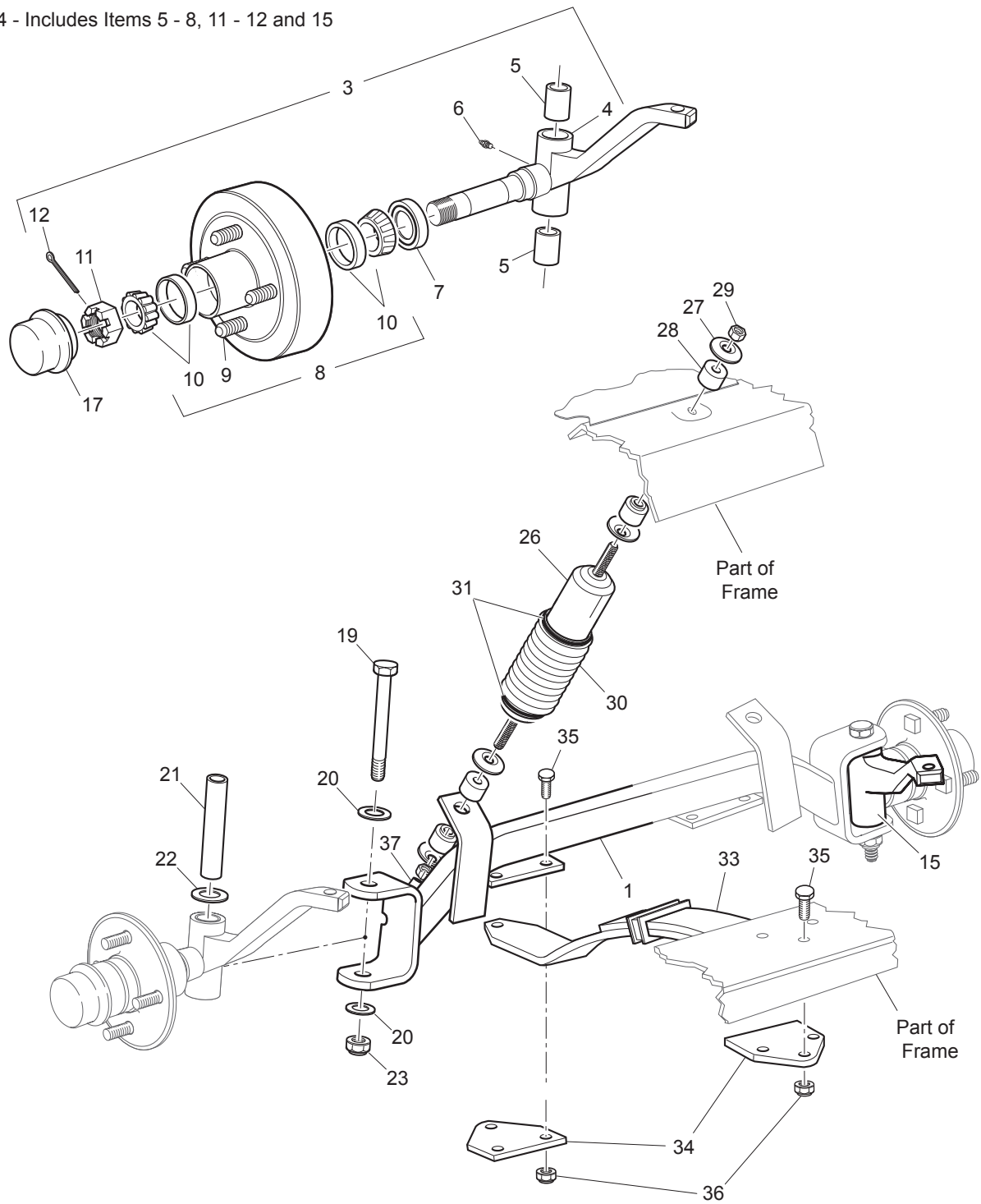
Where applicable, THE USE OF NON UL PARTS WILL VOID ANY UL LISTING.  
 When ordering parts, please specify the model and serial number of the product.  
 \* Indicates a component that is not available as an individual part.  
 G\*\* Indicates consult Customer Service Department for additional information.

ITEM	PART NO.	1	2	3	4	5	DESCRIPTION	QTY.
31	<u>73139-G01</u>						SEALED NUT, 15/32 - 32.....	1
32	<u>73138-G02</u>						WIRE HARNESS (TOW SWITCH).....	1
33	<u>17618-G1</u>						WIRE TIE .....	1
34	<u>602178</u>						4 GA WIRE (BLACK 27", BL+ TO SOL) .....	1
35	<u>602179</u>						4 GA WIRE (BLACK 36", BL- TO B-).....	1
36								
37	<u>71102-G01</u>						BOLT, 1/4 - 20 X 3/4" LG .....	2
38	<u>73272-G01</u>						PERFORMANCE OPTION.....	1



# FRONT SUSPENSION

14 - Includes Items 5 - 8, 11 - 12 and 15





# FRONT SUSPENSION

THE USE OF NON U.L. PARTS WILL VOID ANY U.L. LISTING.

When ordering parts, please specify the model and serial number of the product.

\* Indicates a component that is not available as an individual part.

G\*\* Indicates consult Customer Service Department for additional information.

ITEM	PART NO.	1 2 3 4 5	DESCRIPTION	QTY.
1	<u>70515-G01</u>		FRONT AXLE .....	1
2				
3	<u>70535-G02</u>		SPINDLE ASSEMBLY (DRIVER SIDE) (INCLUDES ITEMS 4 - 8, 11 - 12).....	1
4	*		SPINDLE (DRIVER SIDE) .....	1
5	<u>16623-G1</u>		BEARING.....	2
6	<u>10389-G3</u>		GREASE FITTING, STRAIGHT .....	1
7	<u>25146-G1</u>		GREASE SEAL.....	1
8	<u>72590-G01</u>		WHEEL HUB ASSEMBLY (INCLUDES ITEMS 9, 10).....	1
9	<u>36038-G01</u>		DRIVE FLANGE STUD, 1/2 - 20 X 1 3/16" LG.....	4
10	<u>50892-G1</u>		BEARING AND RACE ASSEMBLY (COMPLETE) .....	2
11	<u>12093-G1</u>		SLOTTED NUT, 1 - 14 .....	1
12	<u>00798-G8</u>		COTTER PIN, 5/32" X 1 3/4" LG .....	1
13				
14	<u>70534-G02</u>		SPINDLE ASSEMBLY (PASSENGER SIDE) (INCLUDES ITEMS 5 - 8, 11 - 12, 15) .....	1
15	*		SPINDLE (PASSENGER SIDE).....	1
16				
17	<u>12091-G2</u>		SPINDLE CAP.....	2
18				
19	<u>01040-G01</u>		BOLT, 1/2 - 13 X 5" LG .....	2
20	<u>00571-G5</u>		WASHER, 1/2" .....	4
21	<u>70328-G01</u>		KING PIN TUBE .....	2
22	<u>16982-G1</u>		THRUST WASHER, 7/8" .....	2
23	<u>14390-G6</u>		LOCK NUT, 1/2 - 13 .....	2
24				
25				
26	<u>70630-G01</u>		SHOCK ABSORBER.....	2
27	<u>10435-G1</u>		SHOCK ABSORBER WASHER.....	8
28	<u>10194-G1</u>		RUBBER BUSHING .....	8
29	<u>00532-G6</u>		NUT, 3/8 - 24 .....	4

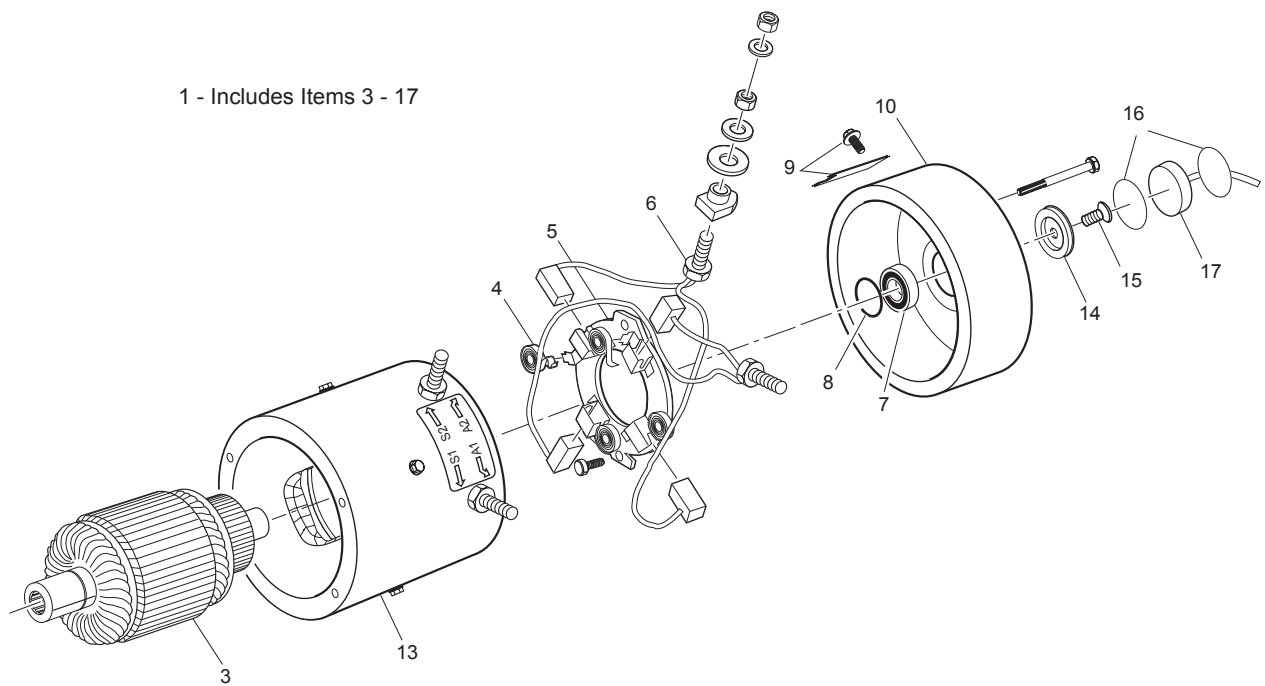
# FRONT SUSPENSION

THE USE OF NON U.L. PARTS WILL VOID ANY U.L. LISTING.  
 When ordering parts, please specify the model and serial number of the product.  
 \* Indicates a component that is not available as an individual part.  
 G\*\* Indicates consult Customer Service Department for additional information.

ITEM	PART NO.	1 2 3 4 5	DESCRIPTION	QTY.
30	<u>70509-G01</u>		SHOCK ABSORBER BOOT .....	2
31	<u>31539-G1</u>		WIRE TIE .....	4
32				
33	<u>70422-G01</u>		LEAF SPRING (HEAVY DUTY).....	2
34	<u>70163-G03</u>		SPRING PLATE .....	4
35	<u>00463-G11</u>		BOLT, 7/16 - 14 X 1 3/4" LG .....	12
36	<u>00734-G1</u>		LOCK NUT, 7/16 - 14 .....	12
37	<u>10044G01</u>		VINYL CAP .....	1



# MOTOR



# MOTOR

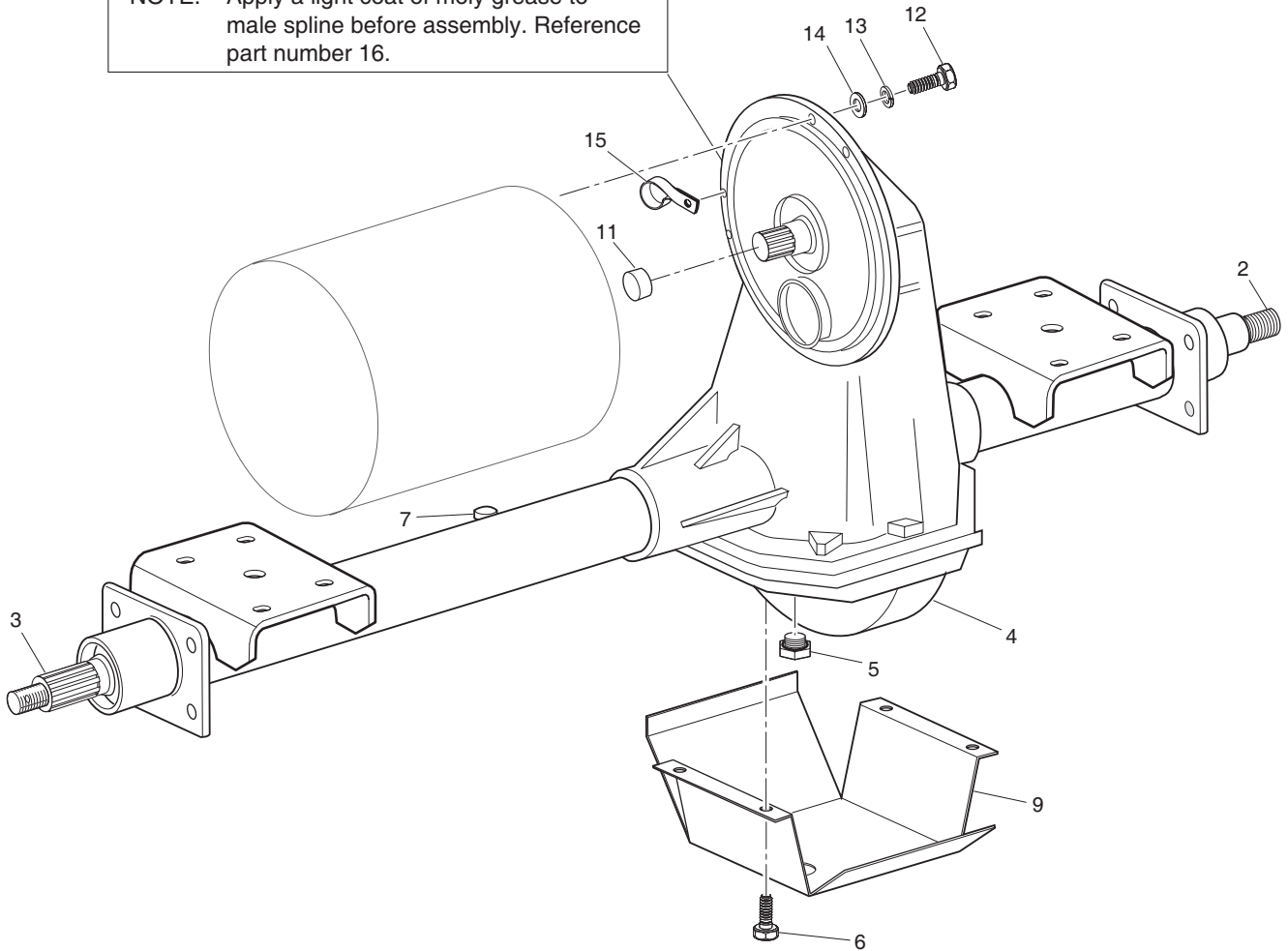
THE USE OF NON U.L. PARTS WILL VOID ANY U.L. LISTING.  
 When ordering parts, please specify the model and serial number of the product.  
 \* Indicates a component that is not available as an individual part.  
 G\*\* Indicates consult Customer Service Department for additional information.

ITEM	PART NO.	1	2	3	4	5	DESCRIPTION	QTY.
1	<u>73124-G08</u>						MOTOR (SEPARATELY EXCITED) (PDS) (INCLUDES ITEMS 3 - 17).....	1
2								
3	<u>73120-G18</u>						ARMATURE .....	1
4	<u>73120-G03</u>						BRUSH SPRING.....	4
5	<u>73120-G15</u>						BRUSH PLATE AND BOX .....	1
6	<u>73120-G25</u>						BRUSH REPLACEMENT KIT (INCLUDES HARDWARE) .....	1
7	<u>73120-G07</u>						BEARING .....	1
8	<u>73120-G06</u>						SNAP RING .....	1
9	<u>73120-G09</u>						COVER PLATE AND SCREW .....	1
10	<u>73120-G19</u>						COVER COMMUTATOR END HOUSING .....	1
11								
12								
13	<u>73120-G31</u>						FRAME AND FIELD COIL (INCLUDES HARDWARE).....	1
14	<u>73328-G01</u>						MAGNET.....	1
15	01037-G01						SCREW, #10-32 X 1/2" LG .....	1
16	<u>73277-G01</u>						RETAINING RING.....	2
17	<u>73327-G01</u>						SPEED SENSOR.....	1

# REAR AXLE

1 - Includes Items 2 - 7

NOTE: Apply a light coat of moly grease to male spline before assembly. Reference part number 16.

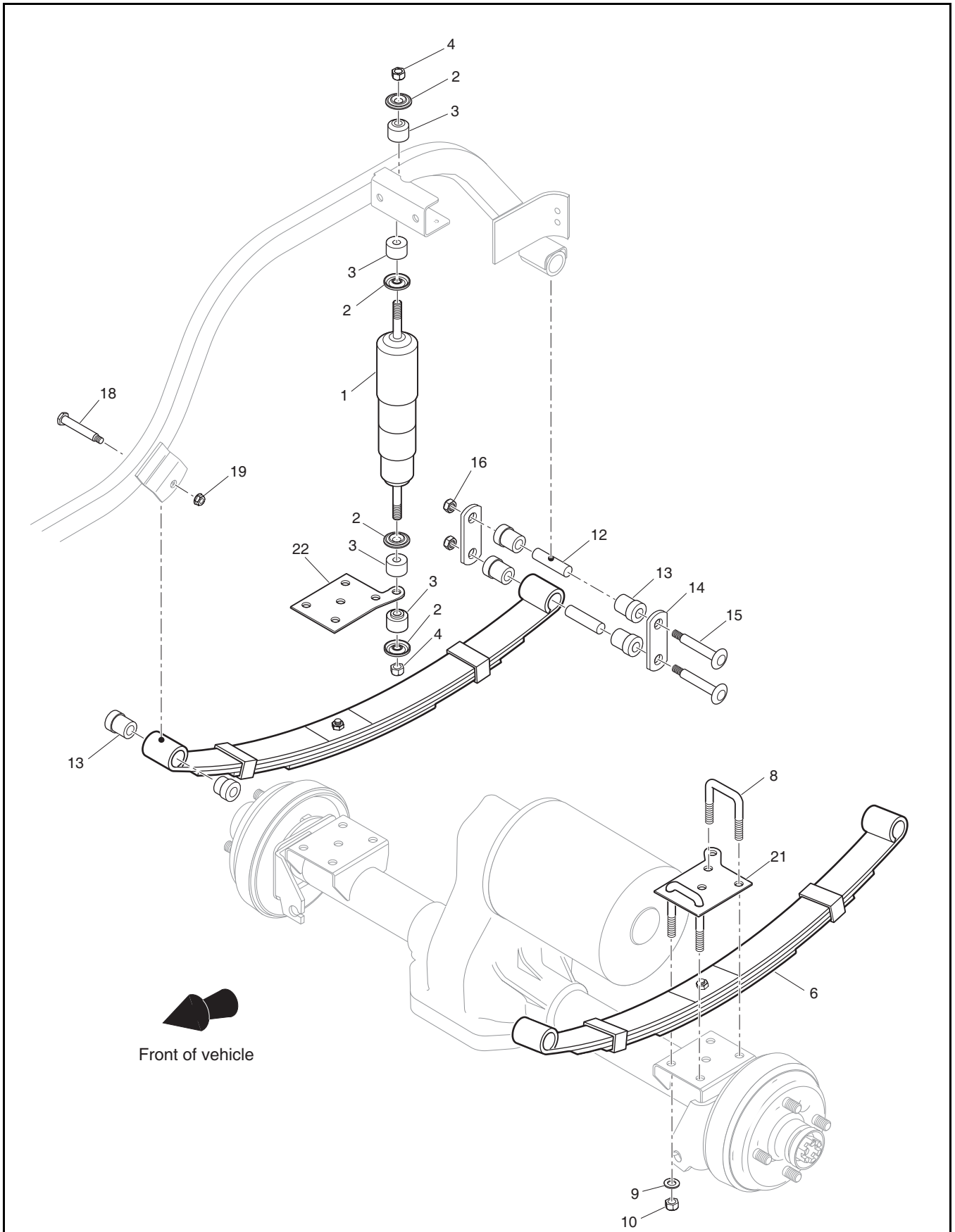


# REAR AXLE

Where applicable, THE USE OF NON UL PARTS WILL VOID ANY UL LISTING.  
 When ordering parts, please specify the model and serial number of the product.  
 \* Indicates a component that is not available as an individual part.  
 G\*\* Indicates consult Customer Service Department for additional information.

ITEM	PART NO.	1 2 3 4 5	DESCRIPTION	QTY.
1	<u>74776-G01</u>		REAR AXLE ASSEMBLY (INCLUDES ITEMS 2 - 7) .....	1
2	*		AXLE SHAFT (PASSENGER SIDE) .....	1
3	*		AXLE SHAFT (DRIVER SIDE) .....	1
4	*		DIFFERENTIAL COVER .....	1
5	<u>28610-G01</u>		FILL PLUG WITH 'O' RING .....	1
6	<u>15558-G1</u>		BOLT, 5/16 - 18 X 3/4" LG .....	10
7	<u>73050-G01</u>		VENT .....	1
8				
9	<u>72764-G02</u>		SCUFF GUARD .....	1
10				
11	XXXXX-XXX		SPLINE BUMPER (SEE ELECTRIC MOTOR) .....	1
12	<u>00797-G2</u>		BOLT, 1/4 - 20 X 1 1/4" LG .....	3
13	<u>00565-G7</u>		LOCK WASHER, 1/4" (STAINLESS STEEL) .....	3
14	<u>00559-G7</u>		WASHER, 1/4" (STAINLESS STEEL) .....	3
15	<u>27327-G01</u>		CLAMP .....	1
16	<u>27023-G01</u>		MOLY LUBE, 2 OZ. ....	AR

# REAR SUSPENSION





# REAR SUSPENSION

Where applicable, THE USE OF NON UL PARTS WILL VOID ANY UL LISTING.

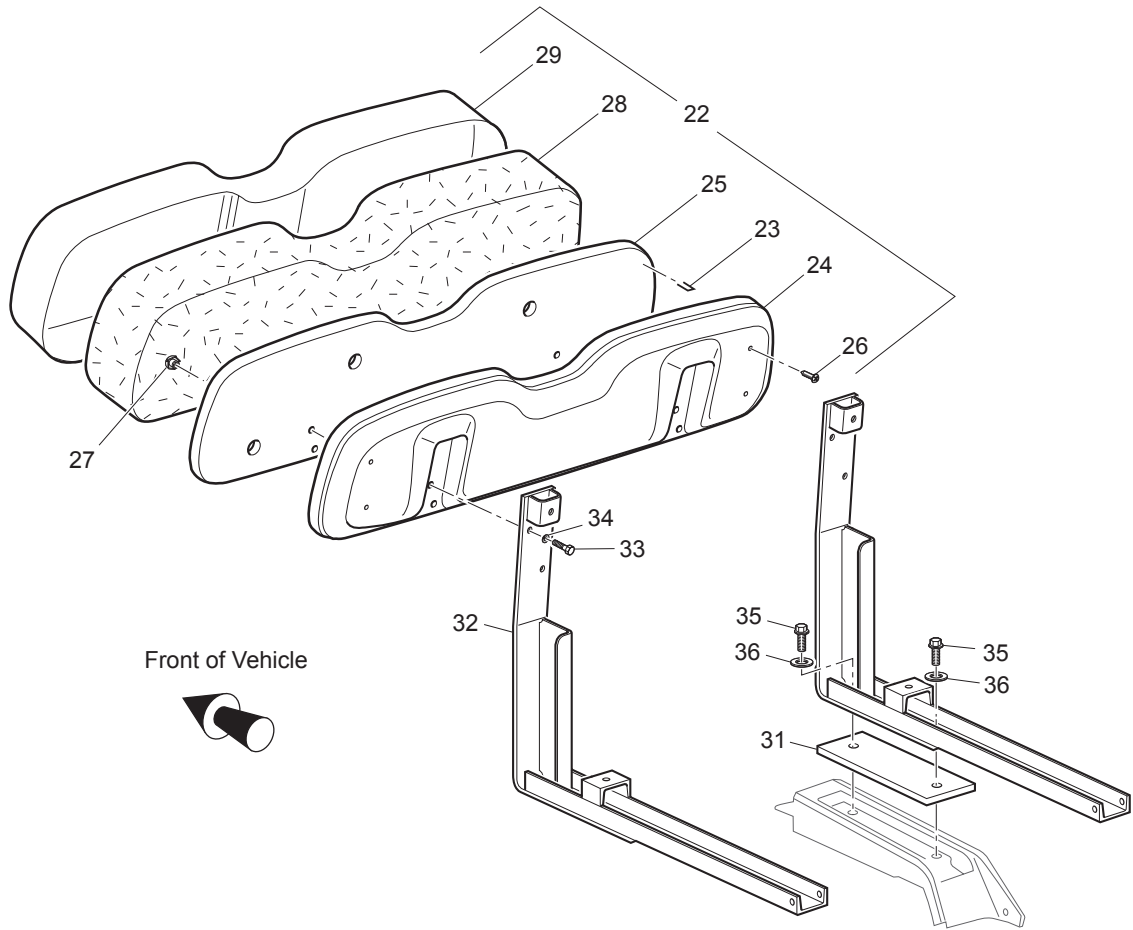
When ordering parts, please specify the model and serial number of the product.

\* Indicates a component that is not available as an individual part.

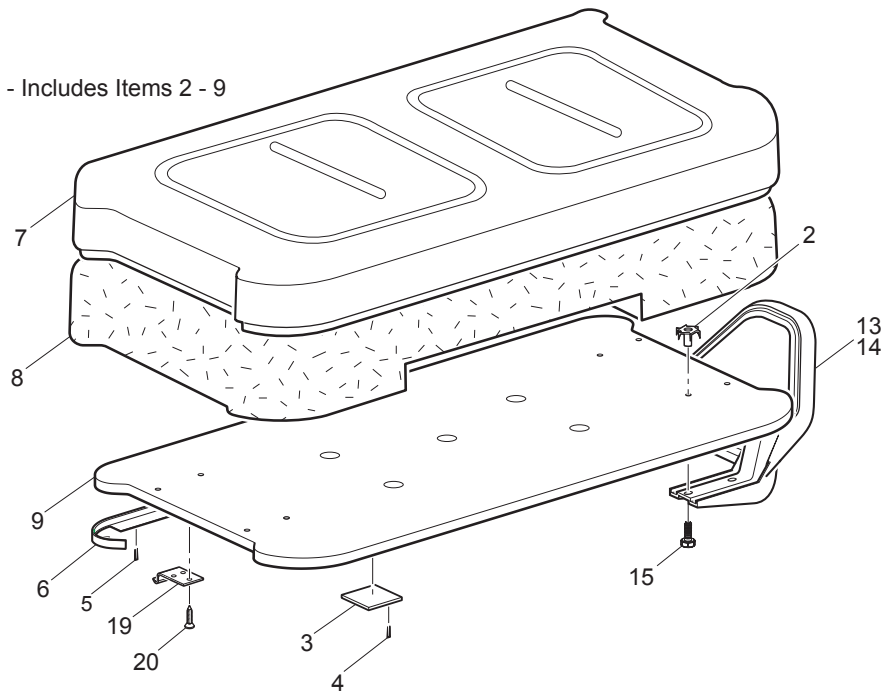
G\*\* Indicates consult Customer Service Department for additional information.

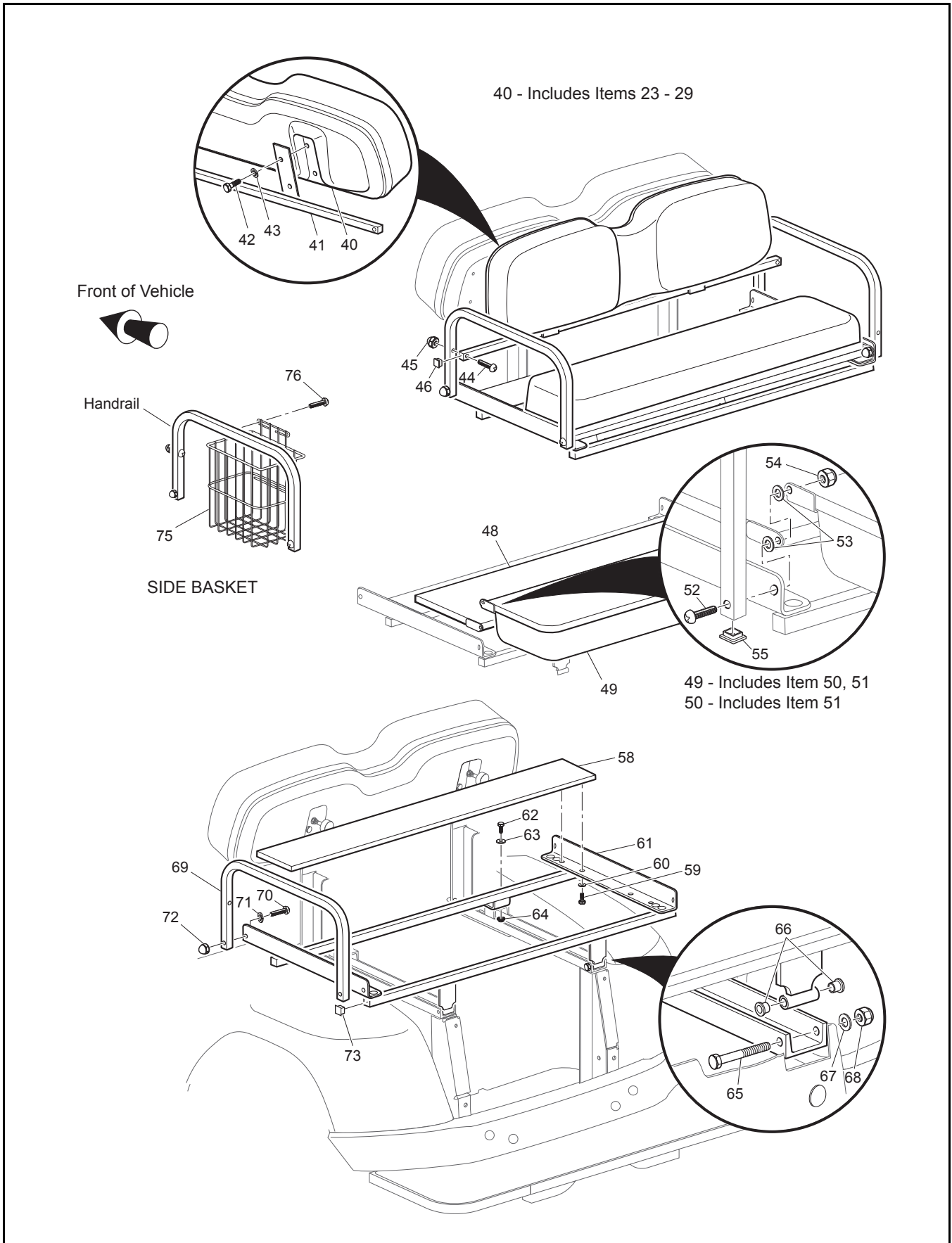
ITEM	PART NO.	1 2 3 4 5	DESCRIPTION	QTY.
1	<u>76418-G01</u>		SHOCK ABSORBER.....	2
2	<u>10435-G1</u>		SHOCK ABSORBER WASHER.....	8
3	<u>10194-G1</u>		RUBBER BUSHING.....	8
4	<u>00532-G6</u>		NUT, 3/8 - 24.....	4
5				
6	<u>75721-G01</u>		LEAF SPRING.....	2
7				
8	<u>72618-G01</u>		'U' BOLT, 3/8 - 16 X 2" X 2 1/2" LG.....	4
9	<u>00560-G1</u>		WASHER, 3/8".....	8
10	<u>11098-G5</u>		LOCK NUT, 3/8 - 16.....	8
11				
12	<u>70289-G02</u>		SPACER.....	4
13	<u>70291-G01</u>		FLANGED BUSHING (LEAF SPRING).....	12
14	<u>70290-G02</u>		SHACKLE PLATE.....	4
15	<u>00665-G9</u>		BOLT, 3/8 - 16 X 3 1/2" LG (STAINLESS STEEL).....	4
16	<u>11098-G5</u>		LOCK NUT, 3/8 - 16.....	4
17				
18	<u>14158-G1</u>		SHOULDER BOLT, 3/8 - 16 X 3 1/4" LG.....	2
19	<u>12262-G1</u>		LOCK NUT, 3/8 - 16.....	2
20				
21	<u>75564-G03</u>		SHOCK ABSORBER MOUNTING PLATE (DRIVER SIDE).....	1
22	<u>75564-G04</u>		SHOCK ABSORBER MOUNTING PLATE (PASSENGER SIDE).....	1

# SEATING



1 - Includes Items 2 - 9





# SEATING

THE USE OF NON U.L. PARTS WILL VOID ANY U.L. LISTING.

When ordering parts, please specify the model and serial number of the product.

\* Indicates a component that is not available as an individual part.

G\*\* Indicates consult Customer Service Department for additional information.

ITEM	PART NO.	1 2 3 4 5	DESCRIPTION	QTY.
1	71611-G**		SEAT BOTTOM ASSEMBLY (INCLUDES ITEMS 2 - 9) .....	1
2	*		TEE NUT.....	8
3	<u>17074-G1</u>		RUBBER PAD.....	2
4	*		FLAT STAPLE.....	110
5	*		FLAT STAPLE.....	46
6	<u>71012-G01</u>		VINYL TRIM (SEAT BOTTOM).....	1
7	71602-G**		VINYL SEAT BOTTOM COVER .....	1
8	*		FOAM PADDING (SEAT BOTTOM).....	1
9	*		SEAT BOTTOM (WOOD).....	1
10				
11				
12				
13	<u>71701-G01</u>		HIP RESTRAINT (PASSENGER SIDE) .....	1
14	<u>71702-G01</u>		HIP RESTRAINT (DRIVER SIDE).....	1
15	71204-G01		BOLT, 1/4 - 20 X 1" LG (STAINLESS STEEL).....	8
16				
17				
18				
19	<u>71610-G01</u>		SEAT HINGE.....	2
20	<u>00720-G08</u>		SCREW, #12 - 14 X 1" LG (STAINLESS STEEL) .....	6
21				
22	71751-G**		SEAT BACK ASSEMBLY (INCLUDES ITEMS 23 - 29).....	1
23	*		FLAT STAPLE.....	95
24	71752-G01		PLASTIC SEAT BACK COVER .....	1
25	*		SEAT BACK (WOOD).....	1
26	<u>01107-G01</u>		SCREW, #8 X 3/8" LG (STAINLESS STEEL).....	4
27	*		TEE NUT.....	4
28	*		FOAM PADDING (SEAT BACK).....	1
29	71753-G**		VINYL SEAT BACK COVER .....	1
30				

# SEATING

THE USE OF NON U.L. PARTS WILL VOID ANY U.L. LISTING.

When ordering parts, please specify the model and serial number of the product.

\* Indicates a component that is not available as an individual part.

G\*\* Indicates consult Customer Service Department for additional information.

ITEM	PART NO.	1 2 3 4 5	DESCRIPTION	QTY.
31	<u>70364-G01</u>		SPACER.....	2
32	<u>74111-G01</u>		SEAT BACK SUPPORT .....	2
33	<u>00661-G8</u>		BOLT, 1/4 - 20 X 1" LG (STAINLESS STEEL).....	4
34	<u>00664-G7</u>		LOCK WASHER, 1/4" (STAINLESS STEEL) .....	4
35	<u>01006-G02</u>		BOLT, 3/8 - 16 X 1 1/2" LG .....	4
36	<u>00560-G1</u>		WASHER, 3/8" .....	4
37				
38				
39				
40	71751-G**		SEAT BACK ASSEMBLY (INCLUDES ITEMS 23 - 29).....	1
41	<u>75258-G01</u>		SEAT BACK SUPPORT .....	1
42	<u>00661-G8</u>		BOLT, 1/4 - 20 X 1" LG (STAINLESS STEEL).....	4
43	<u>00664-G7</u>		LOCK WASHER, 1/4" (STAINLESS STEEL) .....	4
44	<u>16705-G6</u>		SCREW, 1/4 - 20 X 1 3/4" LG (STAINLESS STEEL) .....	2
45	<u>00520-G1</u>		ACORN NUT, 1/4 - 20 .....	2
46	<u>75261-G01</u>		END PLUG, 3/4" .....	2
47				
48	<u>71062-G01</u>		BED ASSEMBLY .....	1
49	71063-G**		SEAT BOTTOM ASSEMBLY (INCLUDES ITEM 50, 51).....	1
50	75197-G**		SEAT BOTTOM (INCLUDES ITEM 51) .....	1
51	75252-G**		VINYL SEAT BOTTOM COVER.....	1
52	<u>00762-G6</u>		SCREW, 5/16 - 18 X 1 1/2" LG (STAINLESS STEEL) .....	2
53	<u>17255-G1</u>		TEFLON WASHER, 5/16" .....	4
54	<u>00891-G3</u>		LOCK NUT, 5/16 - 18 (STAINLESS STEEL).....	2
55	<u>19859-G1</u>		END CAP, 3/4".....	4
56				
57				
58	<u>71060-G01</u>		BED FRONT (INCLUDES MAT).....	1
59	<u>00661-G6</u>		BOLT, 1/4 - 20 X 3/4" LG (STAINLESS STEEL).....	4
60	<u>00664-G7</u>		WASHER, 5/16" .....	4

# SEATING

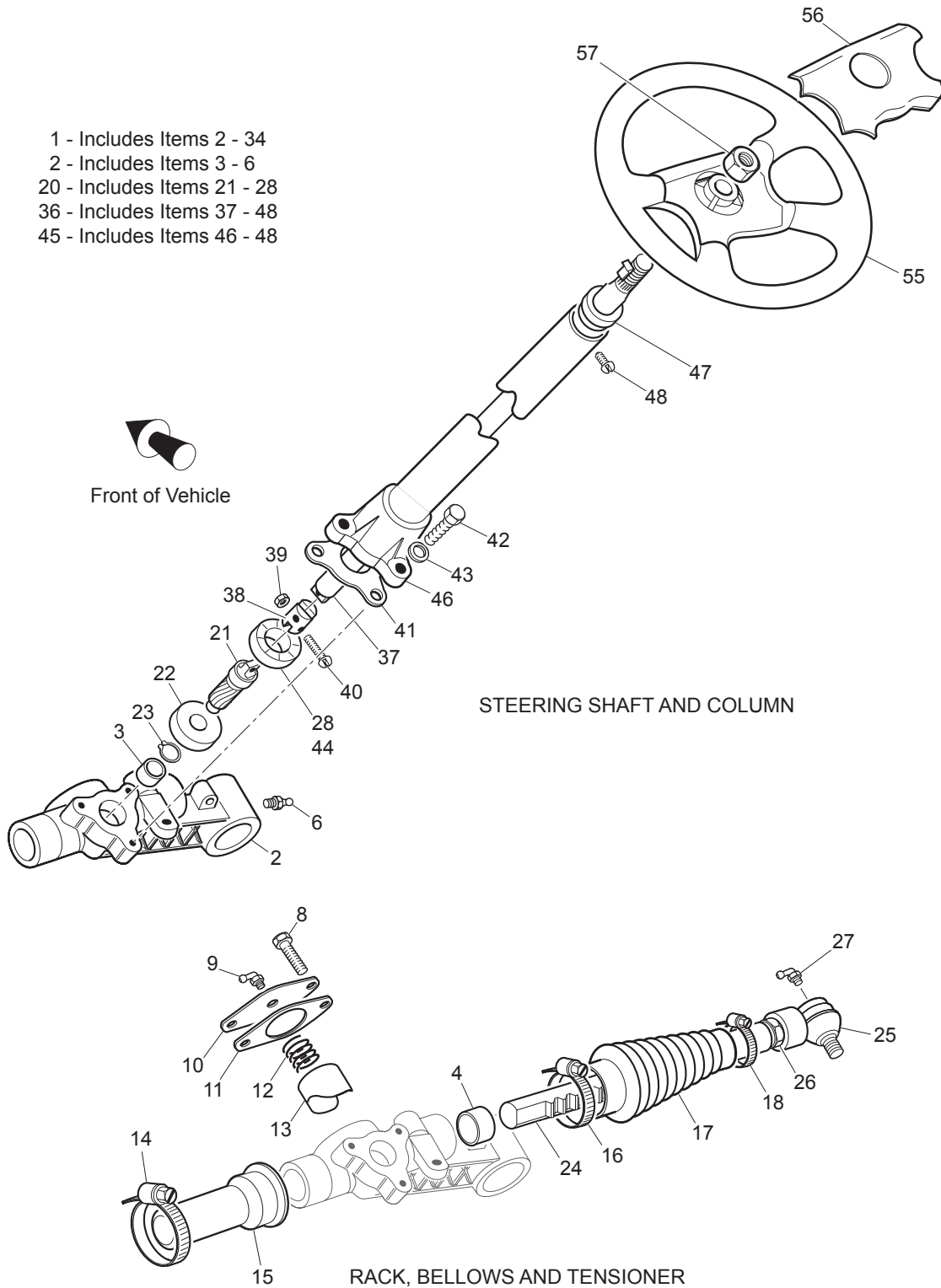
THE USE OF NON U.L. PARTS WILL VOID ANY U.L. LISTING.  
 When ordering parts, please specify the model and serial number of the product.  
 \* Indicates a component that is not available as an individual part.  
 G\*\* Indicates consult Customer Service Department for additional information.

ITEM	PART NO.	1 2 3 4 5	DESCRIPTION	QTY.
61	<u>75193-G01</u>		SUPPORT FRAME.....	1
62	<u>00438-G8</u>		BOLT, 5/16 - 18 X 1" LG.....	2
63	<u>00559-G8</u>		WASHER, 5/16".....	2
64	<u>00891-G3</u>		LOCK NUT, 5/16 - 18.....	2
65	<u>00440-G4</u>		BOLT, 5/16 - 18 X 2 1/2" LG.....	2
66	<u>17838-G1</u>		NYLON BUSHING.....	4
67	<u>00559-G8</u>		WASHER, 5/16".....	2
68	<u>00891-G3</u>		LOCK NUT, 5/16 - 18 (STAINLESS STEEL).....	2
69	<u>75196-G01</u>		HANDRAIL.....	2
70	<u>00762-G2</u>		SCREW, 5/16 - 18 X 1 1/4" LG (STAINLESS STEEL).....	2
71	<u>00664-G8</u>		LOCK WASHER, 5/16" (STAINLESS STEEL).....	2
72	<u>00520-G3</u>		ACORN NUT, 5/16 - 18.....	2
73	<u>75261-G02</u>		END CAP, 1".....	4
74				
75	<u>75460-G01</u>		SIDE BASKET (BLACK).....	2
76	<u>00106-G6</u>		SELF THREADING SCREW, #12 - 24 X 3/4" LG.....	4



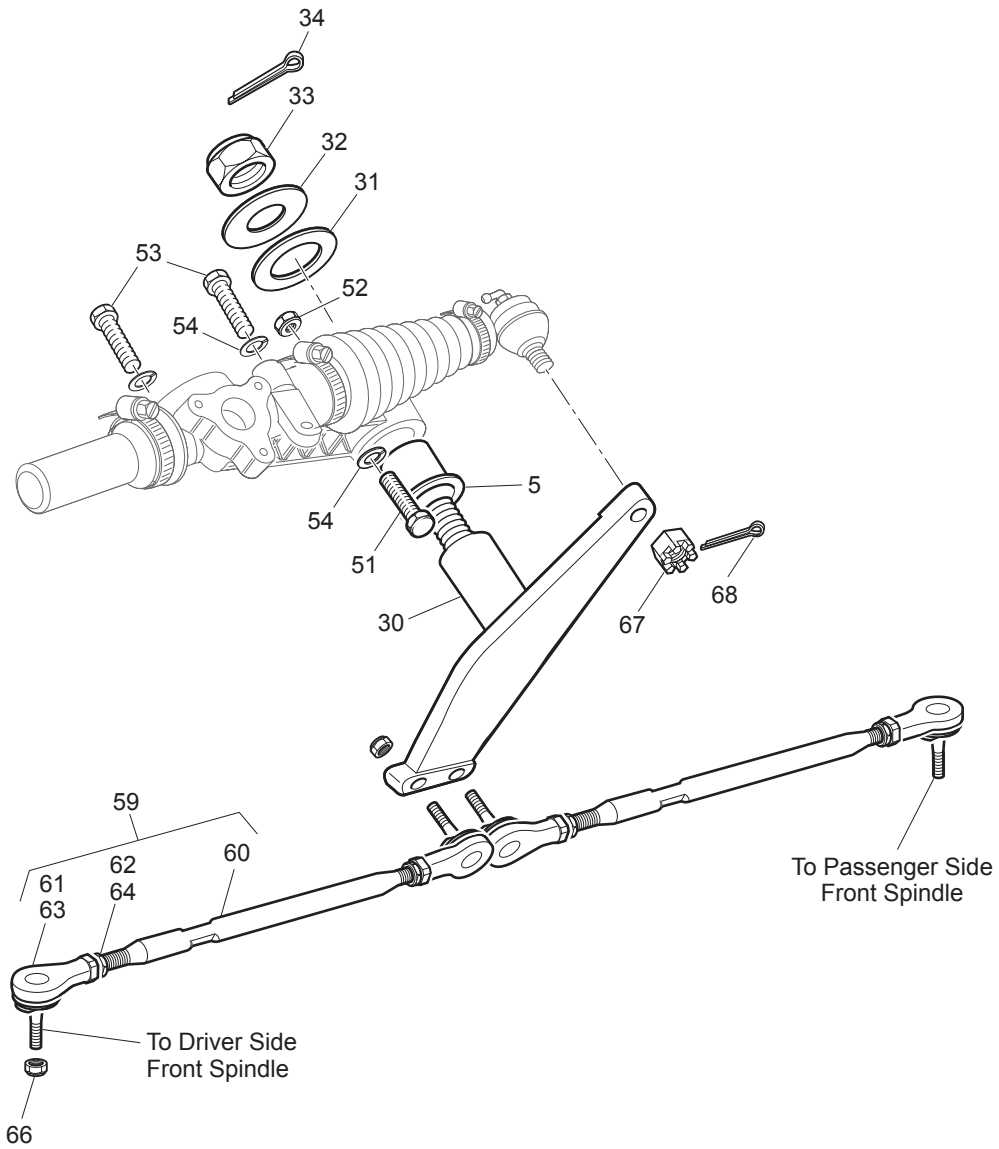
# STEERING

- 1 - Includes Items 2 - 34
- 2 - Includes Items 3 - 6
- 20 - Includes Items 21 - 28
- 36 - Includes Items 37 - 48
- 45 - Includes Items 46 - 48





## IDLER, TIE RODS AND MOUNTING



# STEERING

THE USE OF NON U.L. PARTS WILL VOID ANY U.L. LISTING.

When ordering parts, please specify the model and serial number of the product.

\* Indicates a component that is not available as an individual part.

G\*\* Indicates consult Customer Service Department for additional information.

ITEM	PART NO.	1 2 3 4 5	DESCRIPTION	QTY.
1	<u>70723-G02</u>		STEERING BOX ASSEMBLY (COMPLETE) (INCLUDES ITEMS 2 - 34) .....	1
2	<u>70175-G01</u>		STEERING HOUSING (INCLUDES ITEMS 3 - 6) .....	1
3	*		SLEEVE BEARING .....	1
4	*		SLEEVE BEARING .....	1
5	*		FLANGED BEARING .....	1
6	<u>10389-G3</u>		GREASE FITTING, STRAIGHT .....	1
7				
8	<u>00426-G6</u>		BOLT, 3/8 - 16 X 3/4" LG.....	2
9	<u>18456-G1</u>		GREASE FITTING, 90° .....	1
10	<u>70177-G01</u>		RACK GUIDE COVER.....	1
11	<u>70225-G01</u>		GASKET .....	1
12	<u>70178-G01</u>		COMPRESSION SPRING .....	1
13	<u>70179-G01</u>		RACK GUIDE.....	1
14	<u>11391-G1</u>		HOSE CLAMP, 1 5/16".....	1
15	<u>70041-G01</u>		RACK COVER .....	1
16	<u>11391-G1</u>		HOSE CLAMP, 1 5/16".....	1
17	<u>70183-G01</u>		BELLOWS.....	1
18	<u>11391-G5</u>		HOSE CLAMP, 13/16".....	1
19				
20	<u>70724-G01</u>		STEERING GEAR KIT (INCLUDES ITEMS 21 - 28).....	1
21	<u>70717-G01</u>		GEAR PINION .....	1
22	<u>15112-G1</u>		BALL BEARING .....	1
23	<u>70190-G01</u>		EXTERNAL RETAINING RING .....	1
24	<u>70718-G01</u>		STEERING RACK .....	1
25	<u>70192-G01</u>		RACK BALL END .....	1
26	<u>00532-G8</u>		JAM NUT, 7/16 - 20 .....	1
27	<u>18456-G1</u>		GREASE FITTING, 90° .....	1
28	<u>70466-G01</u>		RETAINER.....	1
29				
30	<u>70184-G01</u>		IDLER .....	1

# STEERING

THE USE OF NON U.L. PARTS WILL VOID ANY U.L. LISTING.

When ordering parts, please specify the model and serial number of the product.

\* Indicates a component that is not available as an individual part.

G\*\* Indicates consult Customer Service Department for additional information.

ITEM	PART NO.	1 2 3 4 5	DESCRIPTION	QTY.
31	<u>70216-G01</u>		THRUST WASHER, 1 1/2" .....	1
32	<u>70195-G01</u>		THRUST WASHER, 7/8" .....	1
33	<u>00734-G6</u>		LOCK NUT, 7/8 - 9 .....	1
34	<u>00798-G8</u>		COTTER PIN, 5/32" X 1 3/4" LG .....	1
35				
36	<u>70360-G01</u>		STEERING SHAFT/COLUMN KIT (INCLUDES ITEMS 37 - 48) .....	1
37	<u>14322-G6</u>		STEERING SHAFT .....	1
38	<u>70558-G01</u>		COUPLING .....	1
39	<u>00550-G1</u>		LOCK NUT, 1/4 - 20 .....	2
40	<u>70227-G01</u>		SCREW, 1/4 - 20 X 7/8" LG .....	2
41	<u>70223-G01</u>		GASKET .....	1
42	<u>01034-G01</u>		BOLT, 3/8 - 16 X 1 1/2" LG WITH PATCHLOCK .....	3
43	<u>00878-G1</u>		LOCK WASHER, 3/8" .....	3
44	<u>70466-G01</u>		RETAINER .....	1
45	<u>28633-G01</u>		STEERING COLUMN KIT (INCLUDES ITEMS 46 - 48) .....	1
46	*		STEERING COLUMN .....	1
47	<u>28569-G01</u>		STEERING COLUMN BUSHING .....	1
48	<u>01022-G01</u>		SCREW, #6 - 20 X 5/16" LG .....	1
49				
50				
51	<u>00470-G4</u>		BOLT, 7/16 - 20 X 2 1/2" LG .....	1
52	<u>00734-G3</u>		LOCK NUT, 7/16 - 20 .....	1
53	<u>01033-G01</u>		BOLT, 7/16 - 14 X 1 1/4" LG WITH PATCHLOCK .....	2
54	<u>00566-G2</u>		LOCK WASHER, 7/16" .....	3
55	<u>602980</u>		STEERING WHEEL .....	1
56	<u>71147-G01</u>		STEERING WHEEL COVER .....	1
57	<u>14390-G2</u>		LOCK NUT, 5/8 - 18 .....	1
58				
59	<u>70904-G04</u>		TIE ROD ASSEMBLY (INCLUDES ITEMS 60 - 64) .....	2
60	<u>70855-G03</u>		THREADED ROD (10 1/8" LG) .....	1

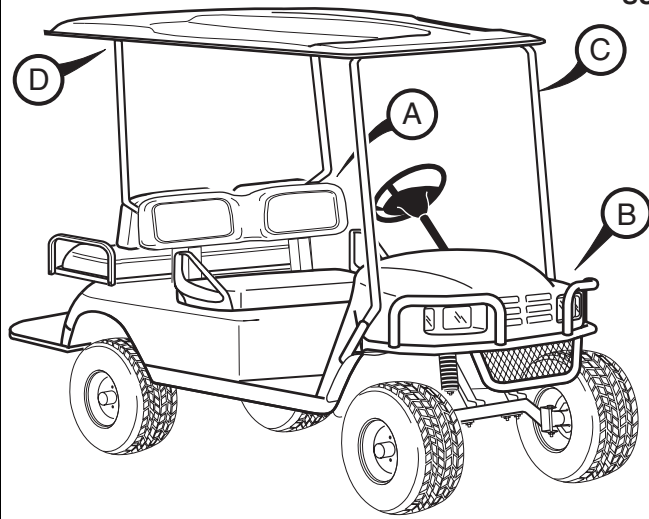
# STEERING

THE USE OF NON U.L. PARTS WILL VOID ANY U.L. LISTING.  
 When ordering parts, please specify the model and serial number of the product.  
 \* Indicates a component that is not available as an individual part.  
 G\*\* Indicates consult Customer Service Department for additional information.

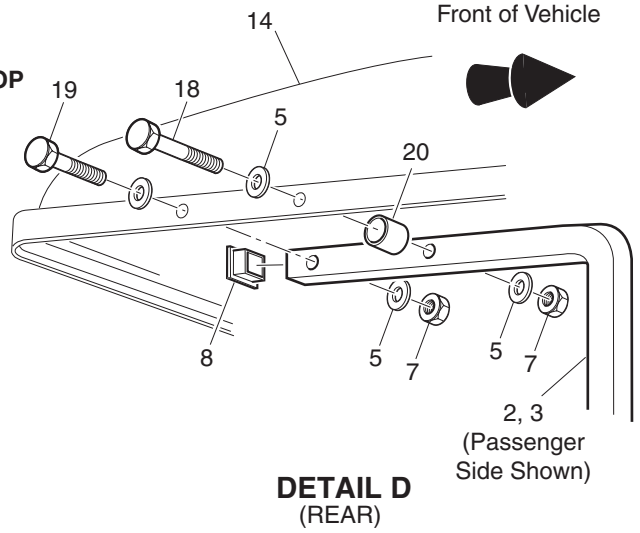
ITEM	PART NO.	1	2	3	4	5	DESCRIPTION	QTY.
61	<u>70902-G01</u>						TIE ROD END (LEFT HAND THREADS) .....	1
62	<u>01069-G01</u>						JAM NUT, M12 X 1.25-05 (LEFT HAND THREADS).....	1
63	<u>70902-G02</u>						TIE ROD END (RIGHT HAND THREADS).....	1
64	<u>01069-G02</u>						JAM NUT, M12 X 1.25-05 (RIGHT HAND THREADS) .....	1
65								
66	<u>00734-G1</u>						LOCK NUT, 7/16 - 14 .....	4
67	<u>50209-G2</u>						CASTELLATED NUT, 7/16 - 20 .....	1
68	<u>10387-G2</u>						COTTER PIN, 3/32" X 1" LG .....	1



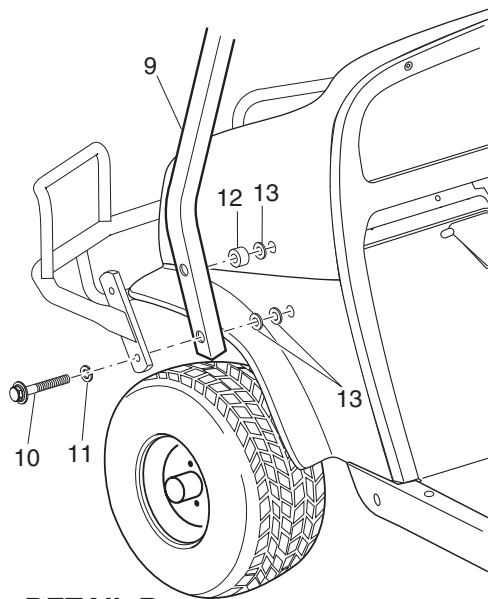
# WEATHER PROTECTION



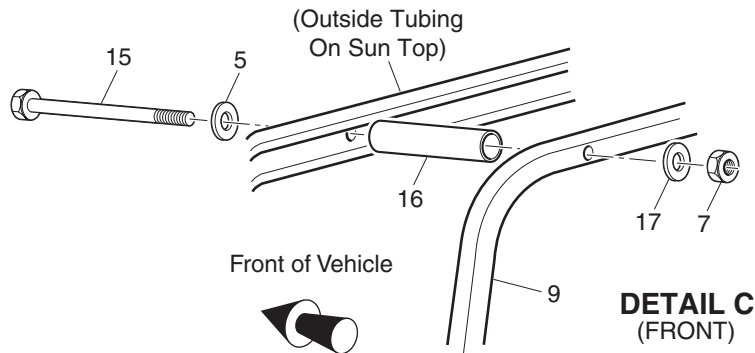
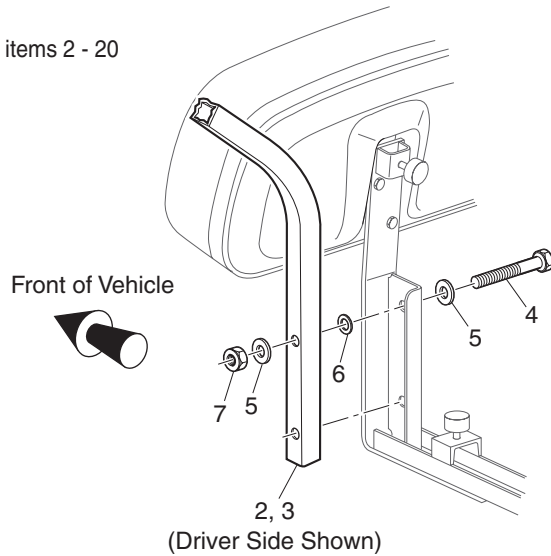
## SUNTOP



1 - Includes items 2 - 20



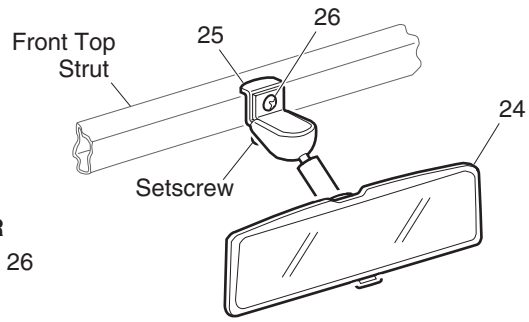
## DETAIL B



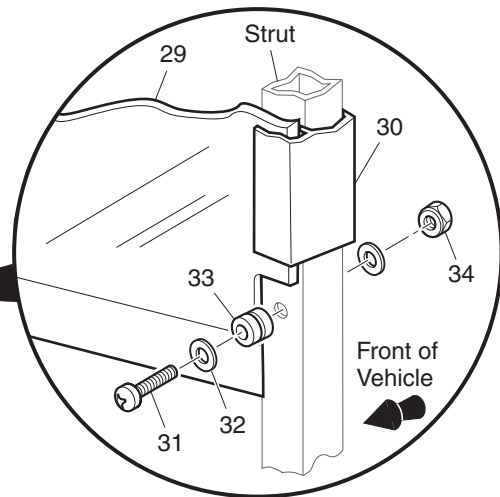
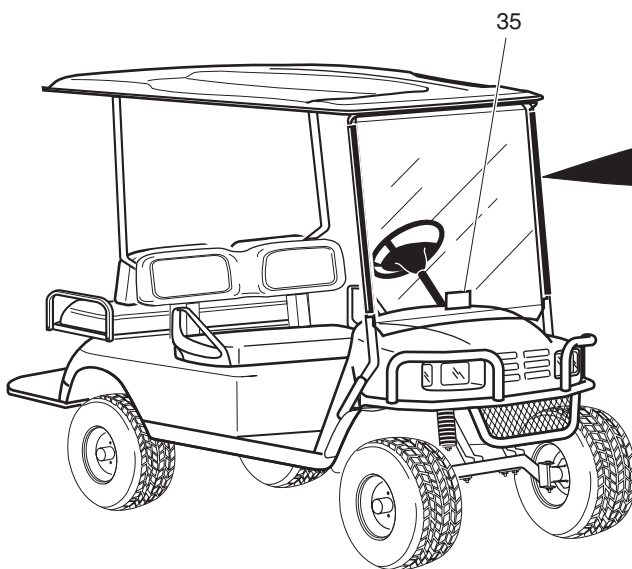
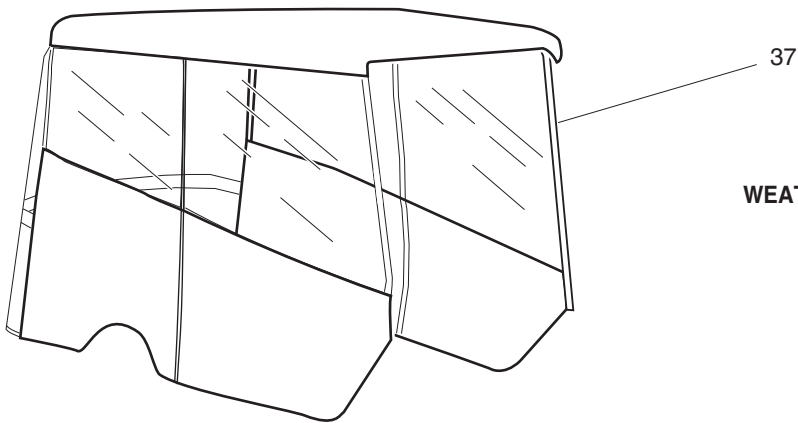
Ref Wea 11-1

# WEATHER PROTECTION

**REAR VIEW MIRROR**  
23 - Includes Items 24 - 26



**WEATHER ENCLOSURE**



27 - Includes Items 29 - 35  
28 - Includes Items 29 - 35

# WEATHER PROTECTION

THE USE OF NON U.L. PARTS WILL VOID ANY U.L. LISTING.

When ordering parts, please specify the model and serial number of the product.

\* Indicates a component that is not available as an individual part.

G\*\* Indicates consult Customer Service Department for additional information.

ITEM	PART NO.	1 2 3 4 5	DESCRIPTION	QTY.
1	<u>75123-G01</u>		SUN TOP KIT (INCLUDES ITEMS 2 - 20) .....	1
2	<u>75074-G01</u>		REAR STRUT (DRIVER SIDE).....	1
3	<u>75074-G02</u>		REAR STRUT (PASSENGER SIDE).....	1
4	<u>00665-G5</u>		BOLT, 3/8 - 16 X 1 3/4" LG (STAINLESS STEEL) .....	4
5	<u>00679-G1</u>		WASHER, 3/8" (STAINLESS STEEL).....	18
6	<u>00771-G5</u>		NYLON WASHER, 3/8.....	4
7	<u>00891-G5</u>		LOCK NUT, 3/8 - 16.....	10
8	<u>19853-G1</u>		END CAP, 1" .....	2
9	<u>75125-G01</u>		FRONT STRUT.....	1
10	<u>0440-G2</u>		BOLT, 5/16 - 18 X 2 1/4" LG.....	4
11	<u>00905-G8</u>		LOCK WASHER, 5/16" .....	4
12	<u>75048-G01</u>		SPACER, 1/2" .....	2
13	<u>00879-G1</u>		LOCK WASHER, 3/8" .....	4
14	<u>27604-G01</u>		SUN TOP .....	1
15	<u>00674-G8</u>		BOLT, 3/8 - 16 X 5" LG (STAINLESS STEEL) .....	2
16	<u>18716-G1</u>		SPACER .....	2
17	<u>00653-G1</u>		WASHER, 3/8" (STAINLESS STEEL).....	2
18	<u>00665-G3</u>		BOLT, 3/8 - 16 X 2 1/2" LG (STAINLESS STEEL) .....	2
19	<u>00665-G6</u>		BOLT, 3/8 - 16 X 2" LG (STAINLESS STEEL) .....	2
20	<u>24647-G1</u>		SPACER, 1/4" .....	2
21				
22				
23	<u>19528-G2</u>		REAR VIEW MIRROR KIT (INCLUDES ITEMS 24 - 26) .....	1
24	<u>19496-G1</u>		REAR VIEW MIRROR .....	1
25	<u>19502-G2</u>		SUPPORT BRACKET.....	1
26	<u>19527-G1</u>		SCREW, #8 - 32 X 5/8" LG (STAINLESS STEEL).....	1
27	<u>75525-G03</u>		WINDSHIELD KIT ST 4-CADDY (REQUIRES SUN TOP KIT) (INCLUDES ITEMS 29-35).....	1
28	<u>71966-G01</u>		WINDSHIELD KIT (LEXAN) (REQUIRES SUN TOP KIT) (INCLUDES ITEMS 29 - 35).....	1
29	*		WINDSHIELD .....	1



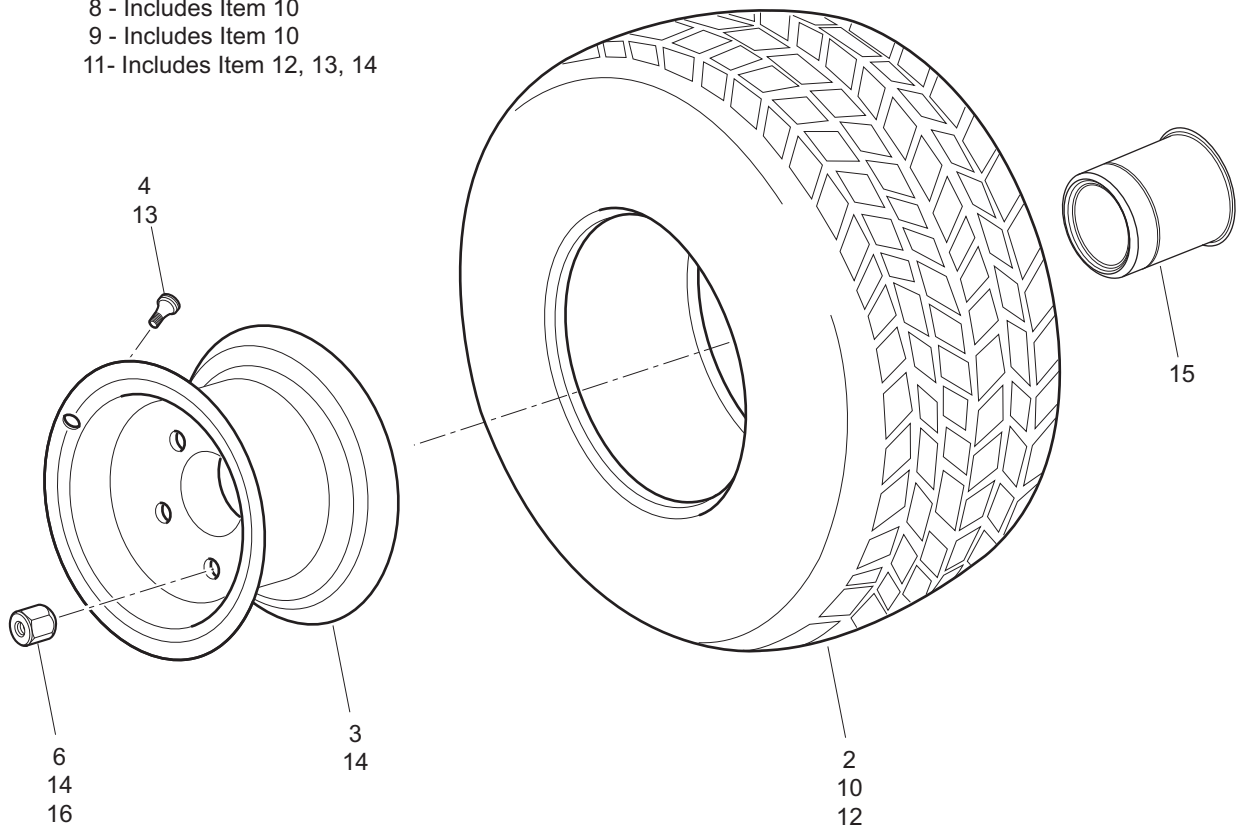
# WEATHER PROTECTION

THE USE OF NON U.L. PARTS WILL VOID ANY U.L. LISTING.  
 When ordering parts, please specify the model and serial number of the product.  
 \* Indicates a component that is not available as an individual part.  
 G\*\* Indicates consult Customer Service Department for additional information.

ITEM	PART NO.	1	2	3	4	5	DESCRIPTION	QTY.
30	110-035A						SASH, 26" LG .....	2
31	110-072A						SCREW, 1/4 - 20 X 1 3/4" LG (STAINLESS STEEL).....	2
32	110-072B						WASHER, 1/4" (STAINLESS STEEL).....	4
33	<u>110-072C</u>						RUBBER GROMMET .....	2
34	110-072D						LOCK NUT, 1/4 - 20 (STAINLESS STEEL).....	2
35	110-066						LABEL (SAFETY) .....	1
36								
37	<u>75492-G01</u>						WEATHER ENCLOSURE (3 SIDED) (REQUIRES SUN TOP KIT) .....	1
							<p style="text-align: center;">Replacement Parts for items 30-35                      may be obtained from:</p> <p style="text-align: center;">Eagle Parts, Inc                      1811 Wilkinson Rd.                      Augusta, GA 30904                      Telephone (706) 729-9911                      Fax (706) 729-9955</p>	

# WHEELS AND TIRES

- 1 - Includes Items 2, 3, 4
- 8 - Includes Item 10
- 9 - Includes Item 10
- 11- Includes Item 12, 13, 14



(Style of tire may differ from tire shown)

# WHEELS AND TIRES

When ordering parts, please specify the model and serial number of the product.

\* Indicates a component that is not available as an individual part.

G\*\* Indicates consult Customer Service Department for additional information.

ITEM	PART NO.	1	2	3	4	5	DESCRIPTION	QTY.
1	<u>28442-G03</u>						BLACK WHEEL AND TURF SAVER® TIRE ASSEMBLY (INCLUDES ITEMS 2, 3, 4).....	AR
2	<u>28442-G02</u>						TIRE, 20 X 10 - 10 TURF SAVER® .....	1
3	<u>15172-G02</u>						WHEEL RIM, (4 LUG).....	1
4	<u>11657-G1</u>						VALVE STEM.....	1
5								
6	<u>14723-G1</u>						LUG NUT, 1/2 -20.....	AR
7								
8	<u>74842-G03</u>						WHEEL & TRAIL WOLF TIRE® ASSEMBLY PASSENGER SIDE (INCLUDES ITEM 10) .....	AR
9	<u>74842-G04</u>						WHEEL & TRAIL WOLF TIRE® ASSEMBLY DRIVER SIDE (INCLUDES ITEM 10) .....	AR
10	<u>74842-G05</u>						TIRE, 20 X 11 - 10 TRAIL WOLF®.....	1
11	608915						WHEEL ASSEMBLY (INCLUDES ITEM 12, 13, 14) .....	AR
12	<u>606141</u>						TERRA TRAC TIRE.....	1
13	<u>604915</u>						VALVE STEM.....	1
14	<u>604927</u>						WHEEL - POLISHED SPOKED.....	1
15	<u>604929</u>						CENTER CAP .....	AR
16	601354						NUT, LUG .....	AR



## **SPECIALTY PRODUCTS**

# **SPECIALTY PRODUCTS**

## SPECIALTY PRODUCTS

<b>SPECIAL TOOLS</b>	<b>PART NO.</b>
BATTERY MAINTENANCE KIT .....	25587-G01
SEAL INSTALLATION TOOL (REAR AXLE SHAFT SEAL) .....	18739-G1
BATTERY SET DISCHARGER, 36 VOLT, 75 AMP .....	28251-G01
CURRENT INDICATOR .....	16489-G2
DIGITAL MULTI-METER .....	27481-G01
CRIMPING TOOL .....	27765-G01
TUBELESS TIRE REPAIR KIT .....	606009
TIRE PLUBBER REFILL PACK (50/BOX) .....	606831

<b>TOUCH UP PAINT</b>	<b>PART NO.</b>
PEN 3 OUNCE (89 ML) - HUNTER GREEN .....	28432-G02
PEN 3 OUNCE (89 ML) - CHAMPAGNE BEIGE .....	28432-G01
PEN 3 OUNCE (89 ML) - WHITE .....	28432-G05
PEN 3 OUNCE (89 ML) - INDUSTRIAL YELLOW .....	28432-G03
PEN 3 OUNCE (89 ML) - ORANGE .....	28432-G04
PEN 3 OUNCE (89 ML) - STEEL BLUE PEARL .....	28432-G**
PEN 3 OUNCE (89 ML) - CAMOUFLAGE PAINT (THREE PENS) .....	75831-G01
AEROSOL 12 OUNCE (360 ML) - HUNTER GREEN .....	28140-G09
AEROSOL 12 OUNCE (360 ML) - CHAMPAGNE BEIGE .....	28140-G15
AEROSOL 12 OUNCE (360 ML) - INDUSTRIAL YELLOW .....	28140-G14

<b>MAINTENANCE PRODUCTS</b>	<b>PART NO.</b>
BATTERY PROTECTOR, 14 OUNCE (410 ML) SPRAY .....	27619-G02
E-Z-GO ALL SURFACE CLEANSER .....	606311
E-Z-GO FIBERGLASS/PLASTIC RESTORER .....	606313
W/SHIELD AND PLASTIC PROTECTOR .....	606314
64 OZ HAND CLEANER .....	607636
4 OZ HAND CLEANER .....	607637

**OPTIONS/ACCESSORIES**

**OPTIONS/ACCESSORIES**

## OPTIONS/ACCESSORIES

### ACCESSORIES LISTING

ASH TRAY INSTALLATION, FIELD KIT, E-COAT . . . . .	75109-G04 . . . . .	Body
COOLER & BRACKET KIT . . . . .	75344-G01 . . . . .	Body
FAN, DEFROSTER/COOLING . . . . .	74248-G01 . . . . .	Body
WATER COOLER . . . . .	75170-G01 . . . . .	Body
INST'L COOLER KIT (BLACK) (FIELD). . . . .	74581-G01 . . . . .	Body
INST'L COOLER KIT (GREEN) (FIELD) . . . . .	74581-G02 . . . . .	Body
GUN MOUNT, SWIVEL W/BASE PLATE. . . . .	74533-G01 . . . . .	Body
GUN HOLDER, REMOVEABLE FLOOR MT. . . . .	74365-G01 . . . . .	Body - St Sport 2+2 E
KIT, FRONT BASKET . . . . .	71065-G02 . . . . .	Body - St Sport 2+2 E
POWERWISE QE BATTERY CHARGER, 36 VOLT, W/5.5 METER CORD . . . . .	611120 . . . . .	Battery Charger
TURN SIGNAL - FIELD INSTALLATION . . . . .	75107-G02 . . . . .	Electrical
HOUR METER - FIELD INSTALLATION . . . . .	75113-G02 . . . . .	Electrical
REAR VIEW MIRROR FIELD KIT (REQ SUN TOP KIT) . . . . .	19528-G2 . . . . .	Weather protection
MESSAGE HOLDER KIT - ONE PIECE (REQ SUN TOP KIT). . . . .	75509-G01 . . . . .	Weather protection
MESSAGE HOLDER KIT (REQ SUN TOP KIT) . . . . .	75496-G01 . . . . .	Weather protection
TOP CAP, ADV CAMO (FLD) . . . . .	75378-G02 . . . . .	Weather protection
TOP CAP, HDT CAMO (FLD) . . . . .	75378-G04 . . . . .	Weather protection
ENCLOSURE - 3 SIDES . . . . .	75492-G01 . . . . .	Weather protection - Clays Car Electric
ENCLOSURE - 3 SIDES ADV CAMO . . . . .	75492-G02 . . . . .	Weather protection - Clays Car Electric
ENCLOSURE - 3 SIDES HDT CAMO . . . . .	75492-G03 . . . . .	Weather protection - Clays Car Electric
WINDSHIELD KIT FLAT-CLIP ON CLEAR . . . . .	75524-G03 . . . . .	Weather protection - Clays Car Electric
SUN TOP KIT - PERSONNEL CARRIER. . . . .	75123-G01 . . . . .	Weather protection - Clays Car Electric
SUN TOP, TAN MPT800 . . . . .	75040-G11 . . . . .	Weather protection - Clays Car Electric
SUN TOP, BRN MPT800 . . . . .	75040-G07 . . . . .	Weather protection - Clays Car Electric
ENCLOSURE, 3 SIDES TAN. . . . .	75367-G03 . . . . .	Weather protection - Clays Car Electric
ENCLOSURE, 3 SIDES ADV CAMO. . . . .	75367-G04 . . . . .	Weather protection - Clays Car Electric
ENCLOSURE, 3 SIDES HDT CAMO. . . . .	75367-G05 . . . . .	Weather protection - Clays Car Electric
ENCLOSURE - 3 SIDES . . . . .	75078-G01 . . . . .	Weather protection - St Sport 2+2 E

### ACCESSORIES LISTING

ENCLOSURE - 3 SIDES ADV CAMO . . . . .	75078-G02 . . . . .	Weather protection - St Sport 2+2 E
ENCLOSURE - 3 SIDES HDT CAMO . . . . .	75078-G03 . . . . .	Weather protection - St Sport 2+2 E
WINDSHIELD KIT FLAT-CLIP ON, 30/70 . . . . .	71966-G03 . . . . .	Weather protection - St Sport 2+2 E
WHEEL ASSEMBLY - TERRA TRAC . . . . .	608915 . . . . .	Wheels and Tires - Clays Car PDS



## OPTIONS/ACCESSORIES

ITEM	KIT NO.	SECTION
WHEEL ASSEMBLY - TERRA TRAC .....	608915.....	Wheels and Tires - ST Sport 2+2 PDS







A Textron Company

E-Z-GO Division Of Textron, Inc.,  
1451 Marvin Griffin Road, Augusta, Georgia USA 30906-3852

**TO CONTACT US**

North America:

Technical Assistance & Warranty Phone: 1-800-774-3946, FAX: 1-800-448-8124  
Service Parts Phone: 1-888-GET-EZGO (1-888-438-3946), FAX: 1-800-752-6175

International:

Phone: 001-706-798-4311, FAX: 001-706-771-4609

Certified ISO 9001 / ISO 14001 by



Copyrighted Material  
This manual may not be reproduced in whole or  
in part without the express permission of  
E-Z-GO Division of Textron, Inc.  
Technical Communications Department