



A Textron Company

EXPRESS S4 HIGH OUTPUT **Service Parts Manual**

48V ELECTRIC POWERED VEHICLE



635086-AJ

ISSUED JUNE 2014

REVISED DECEMBER 2020

SERVICE PARTS MANUAL

48V ELECTRIC POWERED VEHICLE

EXPRESS S4 HIGH OUTPUT

STARTING MODEL YEAR 2014

CALIFORNIA Proposition 65 Warning

WARNING: Engine exhaust, some of its constituents, and certain vehicle components contain or emit chemicals known to the State of California to cause cancer and birth defects or other reproductive harm. In addition, certain fluids contained in vehicles and certain products of component wear contain or emit chemicals known to the State of California to cause cancer and birth defects or other reproductive harm.

DISCLAIMER: The E-Z-GO Division of Textron Inc. (E-Z-GO) reserves the right to incorporate engineering and design changes to products in this Manual, without obligation to include these changes on units leased/sold previously.

The information contained in this Manual may be revised periodically E-Z-GO, and therefore is subject to change without notice.

E-Z-GO DISCLAIMS LIABILITY FOR ERRORS IN THIS MANUAL, and E-Z-GO SPECIFICALLY DISCLAIMS LIABILITY FOR INCIDENTAL AND CONSEQUENTIAL DAMAGES RESULTING FROM THE USE OF THE INFORMATION AND MATERIALS IN THIS MANUAL.

TO CONTACT US

NORTH AMERICA:

TECHNICAL ASSISTANCE & WARRANTY PHONE: 1-800-774-3946, FAX: 1-800-448-8124

SERVICE PARTS PHONE: 1-888-GET-EZGO (1-888-438-3946), FAX: 1-800-752-6175

INTERNATIONAL: PHONE: 001-706-798-4311, FAX: 001-706-771-4609

E-Z-GO DIVISION OF TEXTRON INC., 1451 MARVIN GRIFFIN RD., AUGUSTA, GEORGIA USA 30906-3852

GENERAL INFORMATION

To obtain a copy of the limited warranty applicable to the vehicle, call or write a local Distributor, authorized Branch or the Warranty Department with vehicle serial number and manufacturer code.

The use of non Original Equipment Manufacturer (OEM) parts may void the warranty.

Overfilling of batteries may void the warranty.

BATTERY PROLONGED STORAGE

All batteries will self discharge over time. The rate of self discharge varies depending on the ambient temperature and the age and condition of the batteries.

A fully charged battery will not freeze in winter temperatures unless the temperature falls below -75° F (-60° C).

As with all electric vehicles, the batteries must be checked and recharged as required or at a minimum of 30 day intervals.

BATTERY DISPOSAL

Lead-acid batteries are recyclable. Return whole scrap batteries to distributor, manufacturer or lead smelter for recycling. For neutralized spills, place residue in acid-resistant containers with absorbent material, sand or earth and dispose of in accordance with local, state and federal regulations for acid and lead compounds. Contact local and/or state environmental officials regarding disposal information.

TABLE OF CONTENTS

SECTION	Page No.
HOW TO USE THE SERVICE PARTS MANUAL.....	v
ACCELERATOR.....	A
BATTERY CHARGER.....	B
BODY.....	C
BRAKES.....	D
ELECTRICAL SYSTEM.....	E
ELECTRONIC SPEED CONTROL.....	F
FRONT SUSPENSION AND STEERING.....	G
MOTOR.....	H
REAR AXLE.....	J
REAR SUSPENSION.....	K
SEATING.....	L
WEATHER PROTECTION.....	M
WHEELS AND TIRES.....	N

NOTES

A large grid of graph paper for taking notes, consisting of 20 columns and 30 rows of small squares.

HOW TO USE THE SERVICE PARTS MANUAL

This manual is divided into several sections:

- GENERAL INFORMATION
- ILLUSTRATED PARTS BREAKDOWN
- APPENDIX

The first section, GENERAL INFORMATION, contains the following information:

- WARRANTY INFORMATION
- GENERAL INDEX
- HOW TO USE THE SERVICE PARTS MANUAL

The second section, ILLUSTRATED PARTS BREAKDOWN, contains illustrations and parts lists for all systems of your vehicle.

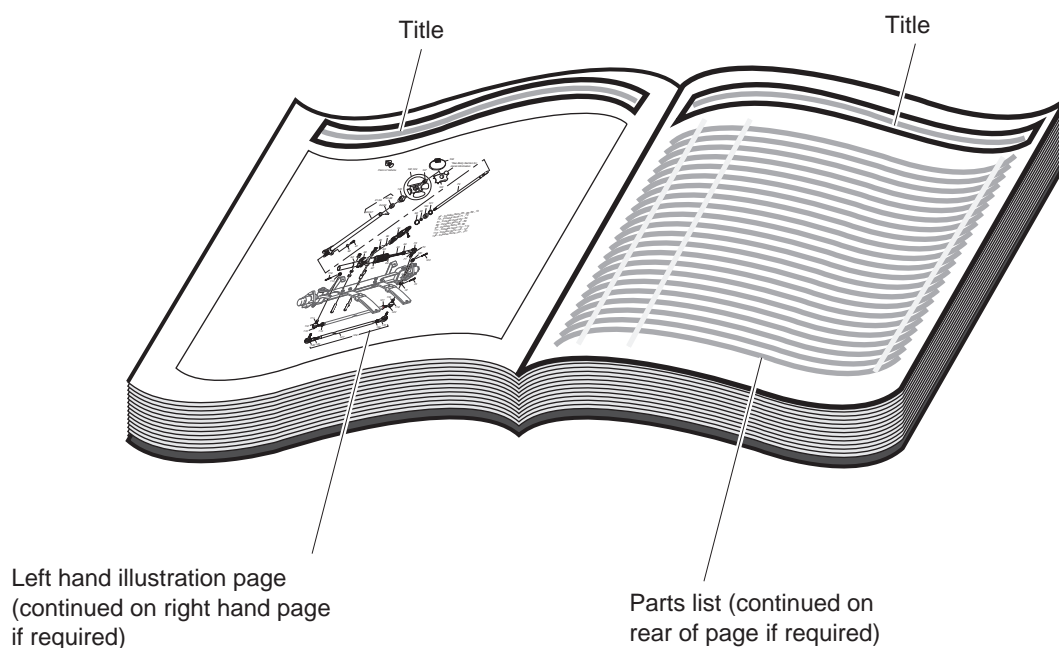
The third section, APPENDIX, contains a listing of specialty products and accessories.

USE OF THE MANUAL

To use this manual, consult the GENERAL INDEX to locate the information or illustration required.

Introduction of some revisions varies due to supply of components; therefore, it is possible that various combinations of components may be found that are not directly reflected by each illustration. Consult the illustration that best suits your situation and then contact the Service Parts Department. It is important that the serial number of your vehicle and its model number be supplied to Service Parts when ordering any replacement components.

Locate the serial number plate (see BODY located in the Illustrated Parts Breakdown section of this manual for its location) and note the complete number shown on the plate.



HOW TO USE THE SERVICE PARTS MANUAL

1. WHEN THE PART NUMBER IS NOT KNOWN

- Determine the function and application of the part required. Turn to the General Index and select the most appropriate title.
- Turn to the page number indicated and locate the desired part on the illustration.
- From the illustration, obtain the item number assigned to the desired part. Refer to the accompanying description for specific information regarding the part.

2. IF YOU KNOW THE PART NUMBER

- Locate the part number or description in the appropriate column on the parts list page.

NOTE: It is suggested that you confirm that the part selected is correct by verifying it with the pictorial representation on the illustrated page.

Should an asterisk (*) appear in the part number column on the parts list page, read upwards until a part number is found. The part number is the lowest assembly sold by Service Parts and the asterisk (*) indicates that the part depicted is not available for purchase.

NOTE: Descriptions are indented under the assembly that they are used on. That assembly is, in turn listed under the assembly that it is used on. This process is repeated until the highest final assembly is reached.

To facilitate the maintenance and repair of the vehicle, a Technician's Repair and Service Manual is available from the Service Parts Department.

HOW TO USE THE SERVICE PARTS MANUAL

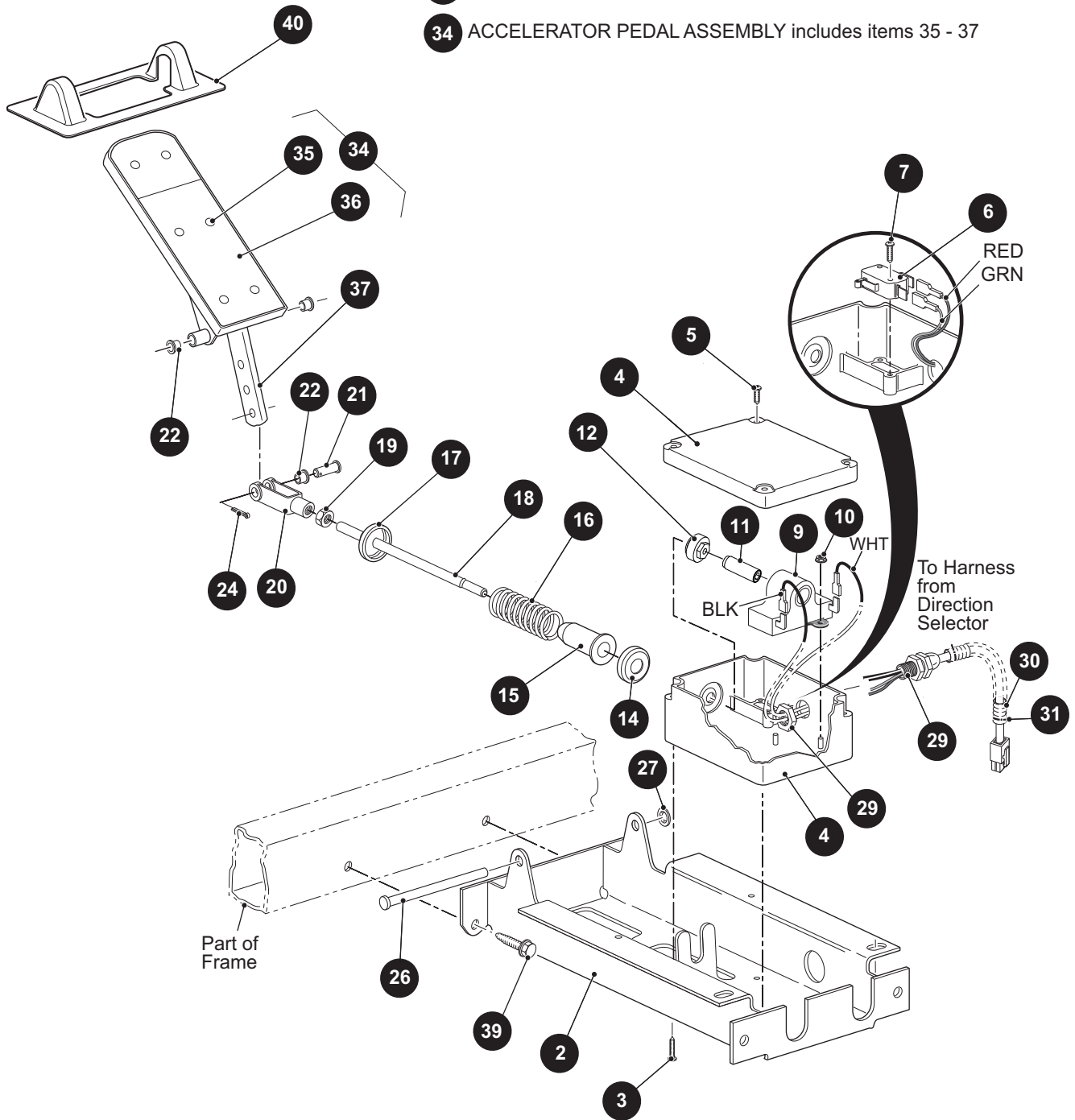
3. COLOR CODE FOR BODY COMPONENTS

The last two digits of the part number for the body part will denote the color code. Locate the part number for the cowl, rear body, seat pod, side panel or seat wrap then locate your color in the list below. Replace the last ** or XX with the two digit color code.

<u>CODE #</u>	<u>DESCRIPTION</u>	<u>CODE #</u>	<u>DESCRIPTION</u>
01	NO PAINT	62	REALTREE MAX 4
02	SPECIAL COLOR	63	MOSSY OAK BREAKUP
05	JACOBSEN ORANGE	64	MOSSY OAK TREESTAND
06	LIGHT GOLD PEARL	65	REALTREE APG
07	SILVER PEARL METALIC	66	REALTREE MAX 1
11	BLACK	67	REALTREE AP PINK
13	CLOUD GRAY	68	REALTREE AP - DIPPED
14	VIPER BLUE METALLIC	69	MONSTER GREEN
19	PATRIOT BLUE PEARL	70	REAL TREE ADVANTAGE MAX1 AP
20	INFERNO RED METALLIC	71	REAL TREE AP SNOW DIPPED
23	ADVANTAGE CLASSIC CAMO	72	MATTE BLACK
24	NATURAL	73	MATTE GREEN
25	VIVID NEW HOLLAND BLUE	74	BARLEY GOLD
26	STEEL BLUE PEARL	75	OASIS GREEN
27	BRIGHT SILVER METALLIC	76	JAVA BROWN
29	PRIMER ONLY	77	SEMI GLOSS BLACK
30	HD ADVANTAGE CAMO	78	REAL TREE XTRA DIPPED
31	METALLIC CHARCOAL	79	JACOBSEN ORANGE 172
32	LIGHT ALMOND PEARL		
35	SAFETY YELLOW		
36	IVORY		
37	FOREST GREEN		
38	BRIGHT WHITE		
39	FLAME RED		
41	ELECTRIC BLUE		
42	PLATINUM		
43	BURGUNDY		
44	ALMOND		
47	BURLINGTON GREEN		
50	RECON GREEN		
51	SUNBURST ORANGE		
52	BRITISH RACING GREEN		
53	MOSSY OAK NEW BREAK UP - DIPPED		
54	MOSSY OAK OBSESSION - DIPPED		
55	REALTREE ADVANTAGE MAX 4 - DIPPED		
56	REALTREE HARDWOOD BROWN - DIPPED		
57	REALTREE AP HOT PINK - DIPPED		
58	BLACK / SILVER MARBLE - DIPPED		
59	RED / SILVER MARBLE - DIPPED		
60	HOT PINK / SILVER MARBLE - DIPPED		
61	REALTREE AP		

ACCELERATOR

- 1 PEDAL BOX ASSEMBLY includes items 2 - 27, 29 and 34
- 29 ACCELERATOR PEDAL HARNESS includes items 30 - 31
- 34 ACCELERATOR PEDAL ASSEMBLY includes items 35 - 37



THE USE OF NON U.L. PARTS WILL VOID ANY U.L. LISTING.

When ordering parts, please specify the model and serial number of the product.

* Indicates a component that is not available as an individual part.

*** Indicates consult Customer Service Department for additional information.

ITEM	PART NO.	1 2 3 4 5	DESCRIPTION	QTY.
1	<u>73333G11</u>		PEDAL BOX ASSEMBLY (INCLUDES ITEMS 2 - 27, 29 AND 34).....	1
2	<u>652241G03</u>		ACCELERATOR PEDAL BRACKET	1
3	<u>01051G01</u>		PAN HEAD PHILLIPS SCREW, #8 - 16 X 1/2" LG	4
4	<u>25853G01</u>		PEDAL BOX AND COVER	1
5	<u>00684G6</u>		TRUSS HEAD PHILLIPS SCREW, #8 - 32 X 3/4" LG	2
6	<u>25861G02</u>		MICRO SWITCH	1
7	<u>01050G01</u>		PAN HEAD TORX SCREW, #4 - 20 X 5/8" LG	2
8				
9	<u>25854G01</u>		INDUCTIVE THROTTLE SENSOR	1
10	<u>00983G01</u>		SELF THREADING NUT, 3/16"	2
11	<u>602484</u>		PLUNGER	1
12	<u>28444G01</u>		CAM ACCELERATOR ROD	1
13				
14	<u>17677G1</u>		SPRING RETAINER, 1/2"	1
15	<u>17979G1</u>		BUSHING	1
16	<u>73046G01</u>		COMPRESSION SPRING	1
17	<u>17677G2</u>		SPRING RETAINER, 3/8"	1
18	<u>73332G01</u>		ACCELERATOR ROD	1
19	<u>00532G4</u>		LOCK NUT, 5/16" - 24	1
20	<u>10385G4</u>		CLEVIS YOKE (ADJUSTABLE).....	1
21	<u>10386G3</u>		CLEVIS PIN, 5/16" X 1" LG	1
22	<u>17838G1</u>		NYLON BUSHING	3
23				
24	<u>10387G3</u>		COTTER PIN, 3/32" X 3/4" LG	1
25				
26	<u>74432G01</u>		PEDAL PIVOT PIN	1
27	<u>12064G6</u>		PUSH NUT, 19/64"	1
28				
29	<u>25879G08</u>		ACCELERATOR PEDAL HARNESS (INCLUDES ITEMS 30 - 31)	1
30	<u>17313G1</u>		FLEX LOOM, 3/8" X 6" LG (BULK)	1
31	<u>17618G1</u>		NYLON CLAMP	2

ACCELERATOR

THE USE OF NON U.L. PARTS WILL VOID ANY U.L. LISTING.

When ordering parts, please specify the model and serial number of the product.

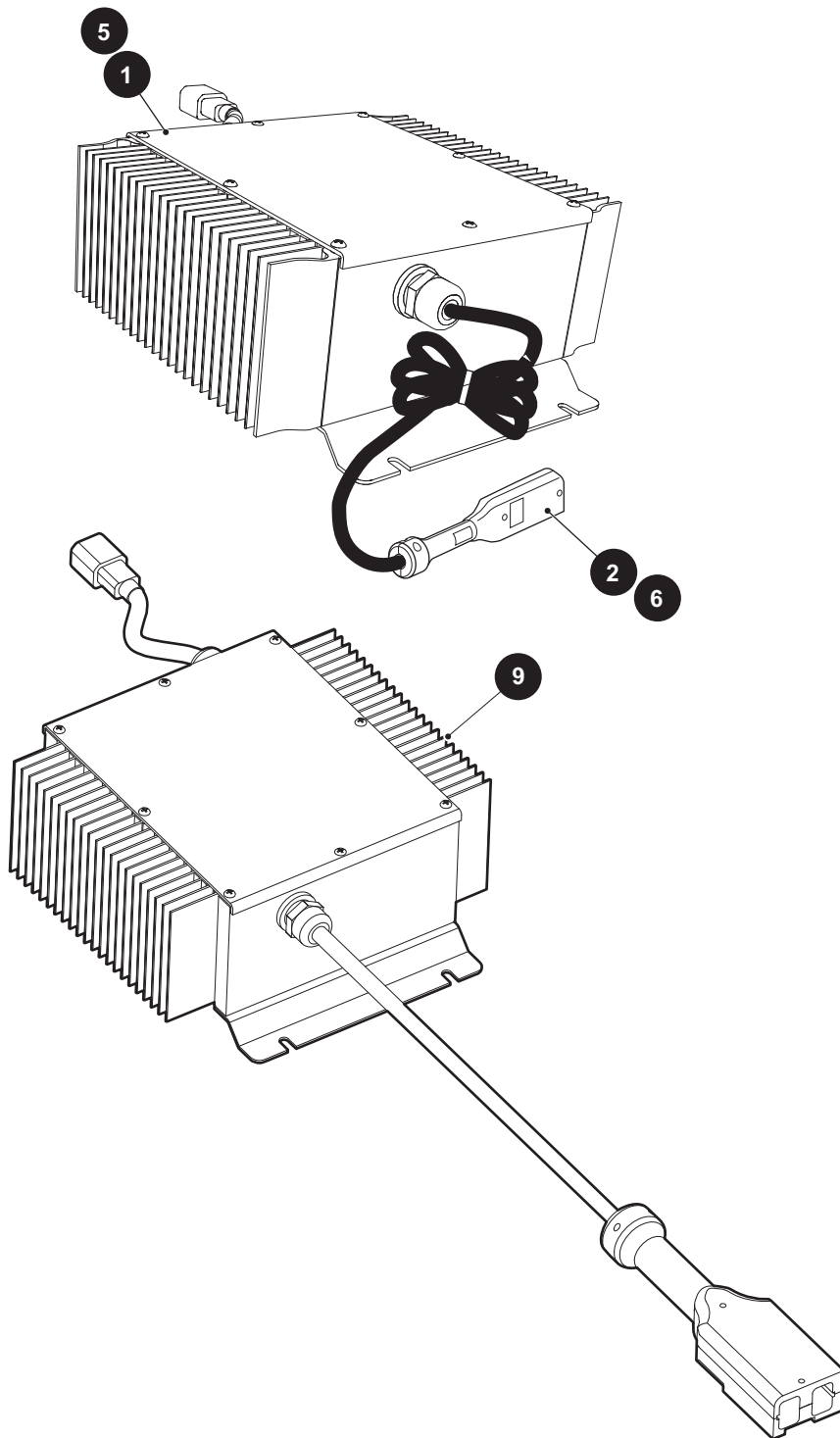
* Indicates a component that is not available as an individual part.

*** Indicates consult Customer Service Department for additional information.

ITEM	PART NO.	1	2	3	4	5	DESCRIPTION	QTY.
32								
33								
34	<u>25799G03</u>						ACCELERATOR PEDAL ASSEMBLY (INCLUDES ITEMS 35 - 37)	1
35	<u>16409G1</u>						RIVET, 3/16" X 7/16" LG.....	6
36	<u>27512G01</u>						ACCELERATOR PEDAL PAD	1
37	652824						ACCELERATOR PEDAL	1
38								
39	<u>00715G2</u>						HEX HEAD TAPTITE SCREW, 5/16" - 18 X 4/5" LG.....	4
40	<u>70135G01</u>						PEDAL PIVOT COVER	1

BATTERY CHARGER

- 1 48V PORTABLE CHARGER WITH 10' DC CORD includes items 2 & 3
- 5 48V BATTERY CHARGER WITH 18' DC CORD includes items 6 & 7



BATTERY CHARGER

THE USE OF NON U.L. PARTS WILL VOID ANY U.L. LISTING.

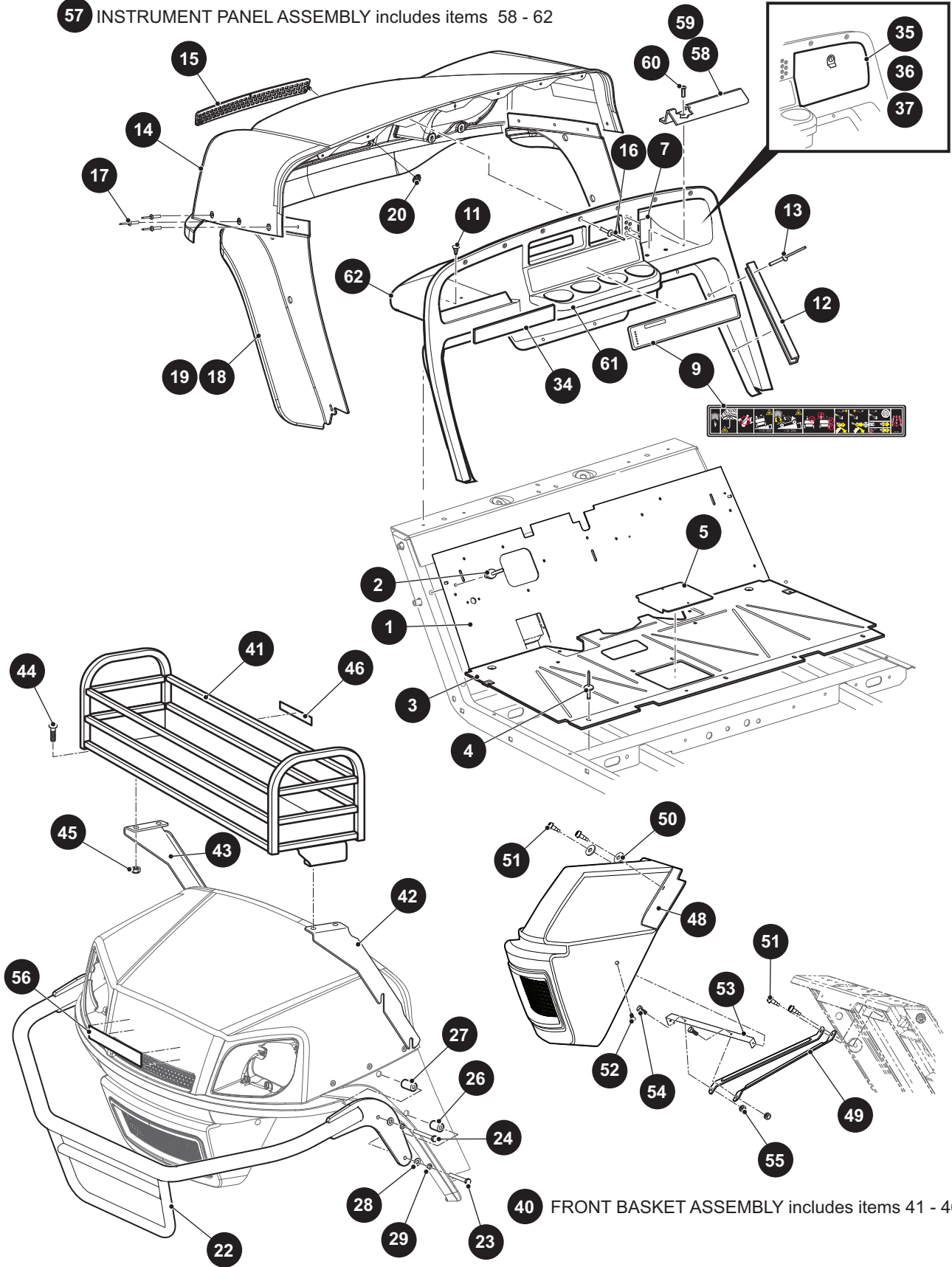
When ordering parts, please specify the model and serial number of the product.

* Indicates a component that is not available as an individual part.

*** Indicates consult Customer Service Department for additional information.

ITEM	PART NO.	1 2 3 4 5	DESCRIPTION	QTY.
1	<u>603689</u>		48V PORTABLE CHARGER WITH 10' DC CORD (INCLUDES ITEMS 2 & 3)	1
2	<u>600463G01</u>		DC CABLE ASSEMBLY, 10'	1
3	<u>600462G01</u>		AC POWER CORD (NOT ILLUSTRATED)	1
4				
5	<u>603690</u>		48V BATTERY CHARGER WITH 18' DC CORD (INCLUDES ITEMS 6 & 7)	1
6	<u>600463G03</u>		DC CABLE ASSEMBLY, 18'	1
7	<u>600462G01</u>		AC POWER CORD (NOT ILLUSTRATED)	1
8				
9	<u>649420</u>		48V BATTERY CHARGER, 3 METER CORD	1

57 INSTRUMENT PANEL ASSEMBLY includes items 58 - 62



40 FRONT BASKET ASSEMBLY includes items 41 - 46

THE USE OF NON U.L. PARTS WILL VOID ANY U.L. LISTING.

When ordering parts, please specify the model and serial number of the product.

* Indicates a component that is not available as an individual part.

*** Indicates consult Customer Service Department for additional information.

ITEM	PART NO.	1 2 3 4 5	DESCRIPTION	QTY.
1	<u>637534</u>		UPPER FLOOR PANEL.....	1
2	<u>14601G11</u>		RIVET, 3/16" X 9/16" LG	9
3	<u>70451G01</u>		LOWER FLOORPAN	1
4	<u>14601G11</u>		RIVET, 3/16" X 9/16" LG	7
5	<u>70452G01</u>		ACCESS COVER.....	1
6				
7	<u>35968G01</u>		T-HOLDER COVER	1
8				
9	<u>601781</u>		WARNING DECAL.....	1
10				
11	<u>16816G2</u>		RIVET RATCHET, .25" X .887" LG	4
12	<u>71115G01</u>		VINYL TRIM	2
13	<u>71055G01</u>		RIVET, 3/16" X 1" LG	10
14	613036GXXX		COWL	1
15	<u>617643</u>		GRILL COVER.....	1
16	<u>71055G01</u>		RIVET, 3/16" X 1" LG	7
17	<u>71055G01</u>		RIVET, 3/16" X 1" LG	6
18	<u>614378</u>		FENDER FLARE (DRIVER SIDE)	1
19	<u>613274</u>		FENDER FLARE (PASSENGER SIDE).....	1
20	<u>71597G01</u>		SELF THREADING NUT, 3/16" X 19/32"	2
21				
22	617620		BRUSHGUARD.....	1
23	<u>00440G2</u>		HEX HEAD BOLT, 5/16" - 18 X 2 1/4" LG	2
24	<u>00440G6</u>		HEX HEAD BOLT, 5/16" - 18 X 2 3/4" LG	2
25				
26	<u>75048G04</u>		SPACER, .32" X .75" X 1" LG	2
27	<u>75048G02</u>		SPACER, .32" X .75" X 1.3" LG	2
28	00559G8		FLAT WASHER, 5/16".....	4
29	<u>00565G8</u>		LOCK WASHER, 5/16"	4
30				
31				

BODY

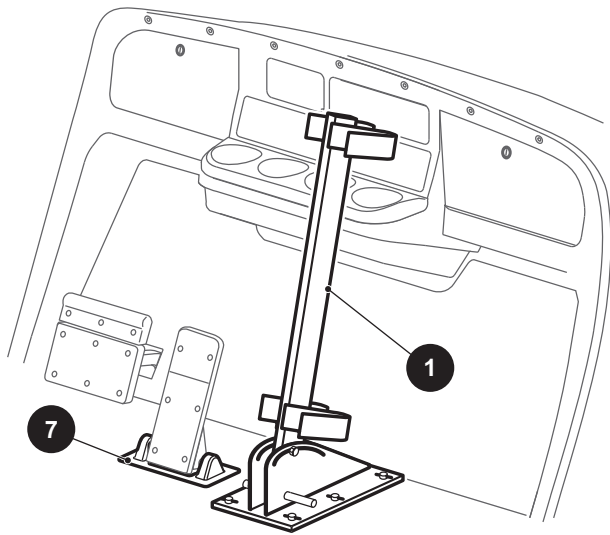
THE USE OF NON U.L. PARTS WILL VOID ANY U.L. LISTING.

When ordering parts, please specify the model and serial number of the product.

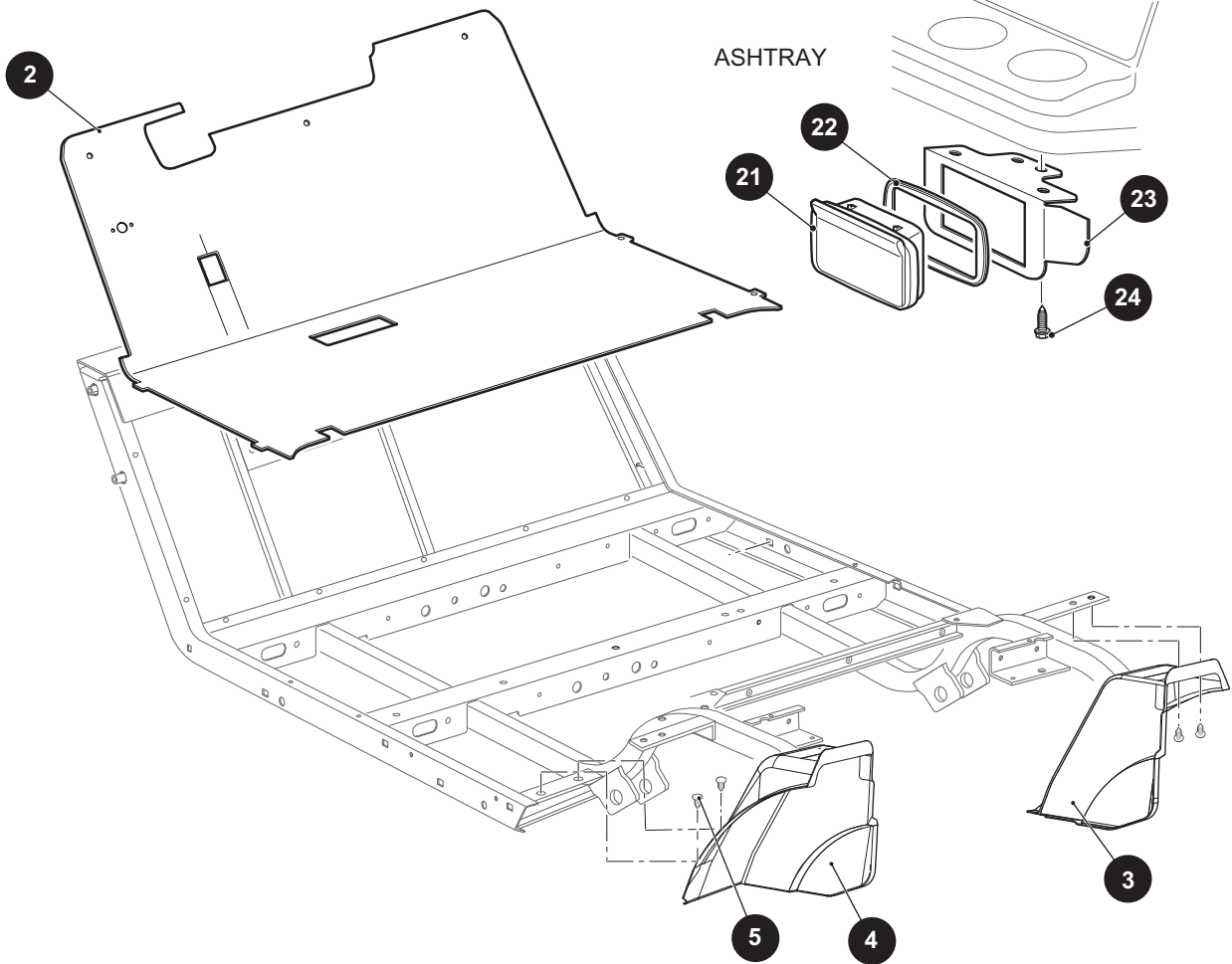
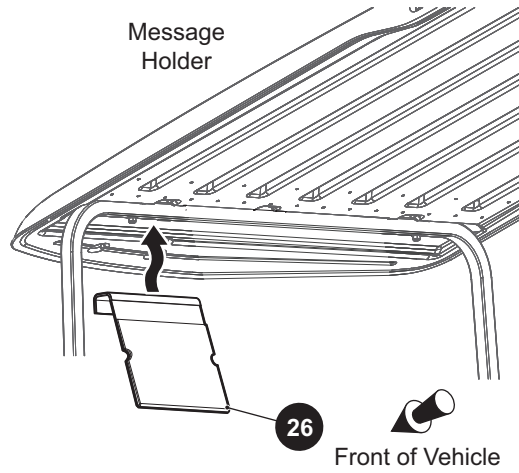
* Indicates a component that is not available as an individual part.

*** Indicates consult Customer Service Department for additional information.

ITEM	PART NO.	1	2	3	4	5	DESCRIPTION	QTY.
32								
33								
34	<u>74443G01</u>						LABEL (ANTI-ROLLBACK).....	1
35	<u>75459G01</u>						GLOVE BOX DOORS (BOTH SIDES)	1
36	<u>75459G02</u>						GLOVE BOX DOOR (DRIVER SIDE)	1
37	<u>75459G03</u>						GLOVE BOX DOOR (PASSENGER SIDE).....	1
38								
39								
40	<u>74521G02</u>						FRONT BASKET ASSEMBLY (INCLUDES ITEMS 41 - 46)	1
41	<u>74523G01</u>						WELDMENT BASKET	1
42	<u>625076</u>						BASKET MOUNTING BRACKET (DRIVER SIDE)	1
43	<u>625077</u>						BASKET MOUNTING BRACKET (PASSENGER SIDE)	1
44	<u>00769G2</u>						CARRIAGE BOLT (SS), 3/8" - 16 X 1.25" LG	4
45	<u>11098G5</u>						LOCK NUT, 3/8" - 16	4
46	<u>71931G01</u>						FRONT BASKET WARNING LABEL	1
47								
48	<u>613273</u>						FRONT FASCIA.....	1
49	<u>654276</u>						FRONT SHIELD BRACE	2
50	<u>16469G1</u>						FENDER WASHER, 9/32" I.D. X 1 1/4" O.D.	2
51	<u>01038G01</u>						HEX HEAD BOLT, 1/4" - 20 X 3/4" LG.....	4
52	<u>15058G1</u>						RIVET (ALUMINUM), 3/16" X 4/9" LG.....	2
53	<u>654275</u>						FASCIA BRACKET	1
54	<u>00414G6</u>						HEX HEAD BOLT, 1/4" - 20 X 3/4" LG.....	2
55	<u>14390G4</u>						PLASTIC INSERT LOCK NUT, 1/4" - 20	2
56	<u>619206</u>						E-Z-GO COWL DECAL	1
57	<u>71151G03</u>						INSTRUMENT PANEL ASSEMBLY (INCLUDES ITEMS 58 - 62).....	1
58	<u>71153G01</u>						DEFLECTOR (PASSENGER SIDE)	1
59	<u>71154G01</u>						DEFLECTOR (DRIVER SIDE).....	1
60	<u>00614G3</u>						PAN HEAD PHILLIPS SCREW, #8 - 15 X 3/8" LG	4
61	<u>71158G01</u>						INSTRUMENT PANEL INSERT (FOUR CUP).....	1
62	<u>71152G01</u>						INSTRUMENT PANEL	1



Floor Mount Gun Holder



THE USE OF NON U.L. PARTS WILL VOID ANY U.L. LISTING.

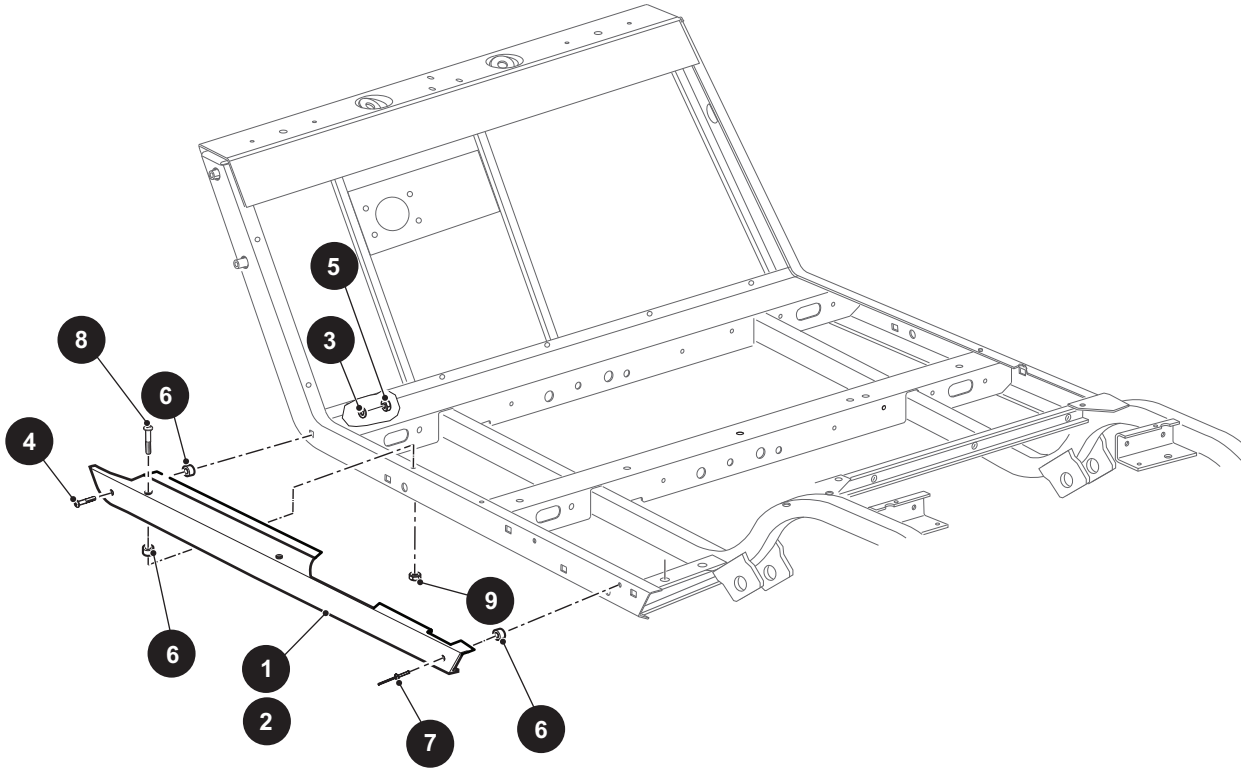
When ordering parts, please specify the model and serial number of the product.

* Indicates a component that is not available as an individual part.

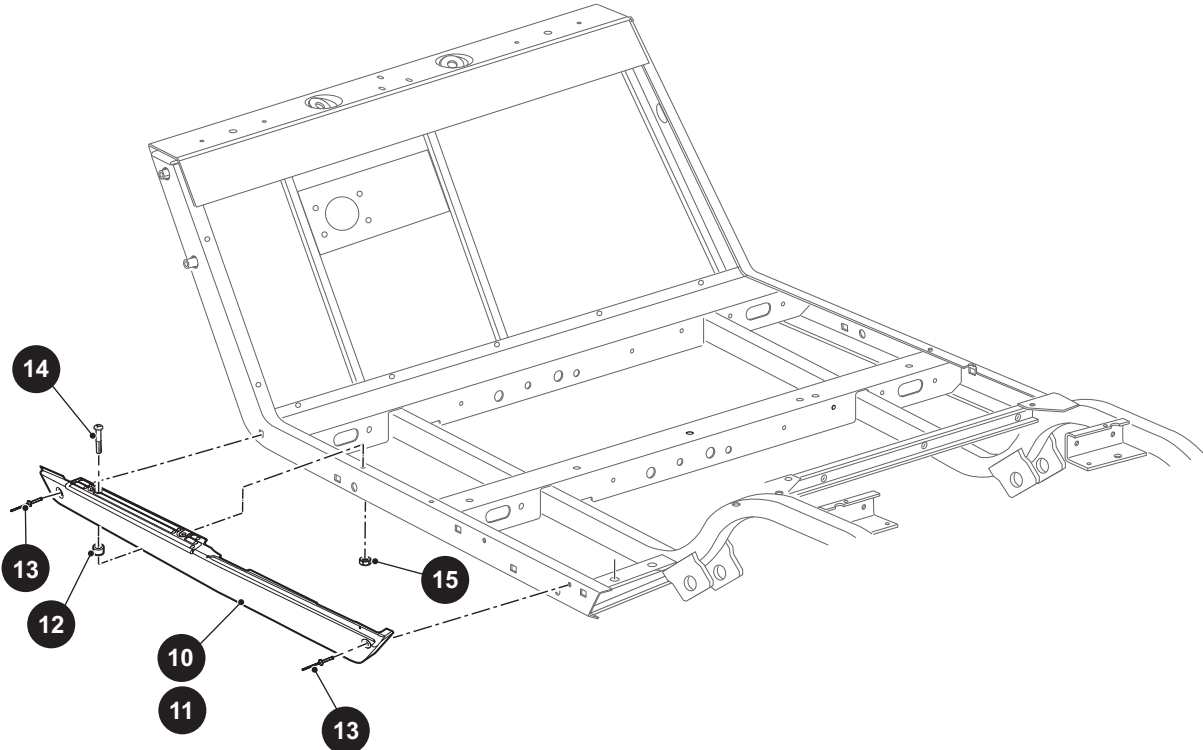
*** Indicates consult Customer Service Department for additional information.

ITEM	PART NO.	1 2 3 4 5	DESCRIPTION	QTY.
1	<u>74365G01</u>		GUN HOLDER FLOOR MOUNT.....	1
2	<u>637535G02</u>		FLOORMAT WITH HORN HOLES	1
3	<u>635054G02</u>		FENDER LINER (PASSENGER SIDE).....	1
4	<u>635054G01</u>		FENDER LINER (DRIVER SIDE)	1
5	<u>16816G2</u>		RATCHET FASTENER, 1/4" X 3/4" LG.....	8
6				
7	<u>70135G01</u>		PEDAL PIVOT COVER.....	1
8				
9				
10				
11				
12				
13				
14				
15				
16				
17				
18				
19				
20	<u>75109G03</u>		ASH TRAY KIT (INCLUDES ITEMS 21 - 24)	1
21	<u>27731G01</u>		ASH TRAY.....	1
22	<u>27736G01</u>		GASKET	1
23	<u>75108G02</u>		BRACKET.....	1
24	<u>00100G4</u>		SELF TAPPING SCREW, #10 - 16 X 1/2" LG	4
25				
26	<u>75509G01</u>		MESSAGE HOLDER	1
27	<u>74533G01</u>		GUN HOLDER (SWIVEL MOUNT) (NOT ILLUSTRATED).....	1

FOR VEHICLES MANUFACTURED BEFORE JUNE 02, 2019



FOR VEHICLES MANUFACTURED AFTER JUNE 02, 2019



THE USE OF NON U.L. PARTS WILL VOID ANY U.L. LISTING.

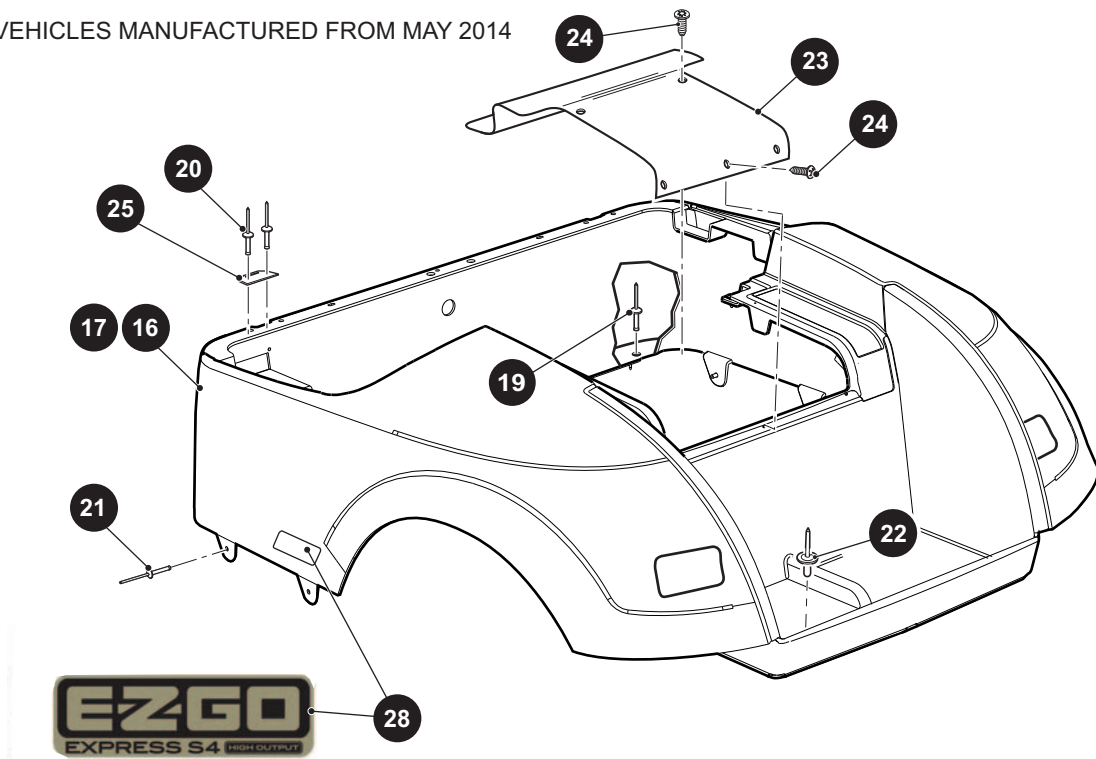
When ordering parts, please specify the model and serial number of the product.

* Indicates a component that is not available as an individual part.

*** Indicates consult Customer Service Department for additional information.

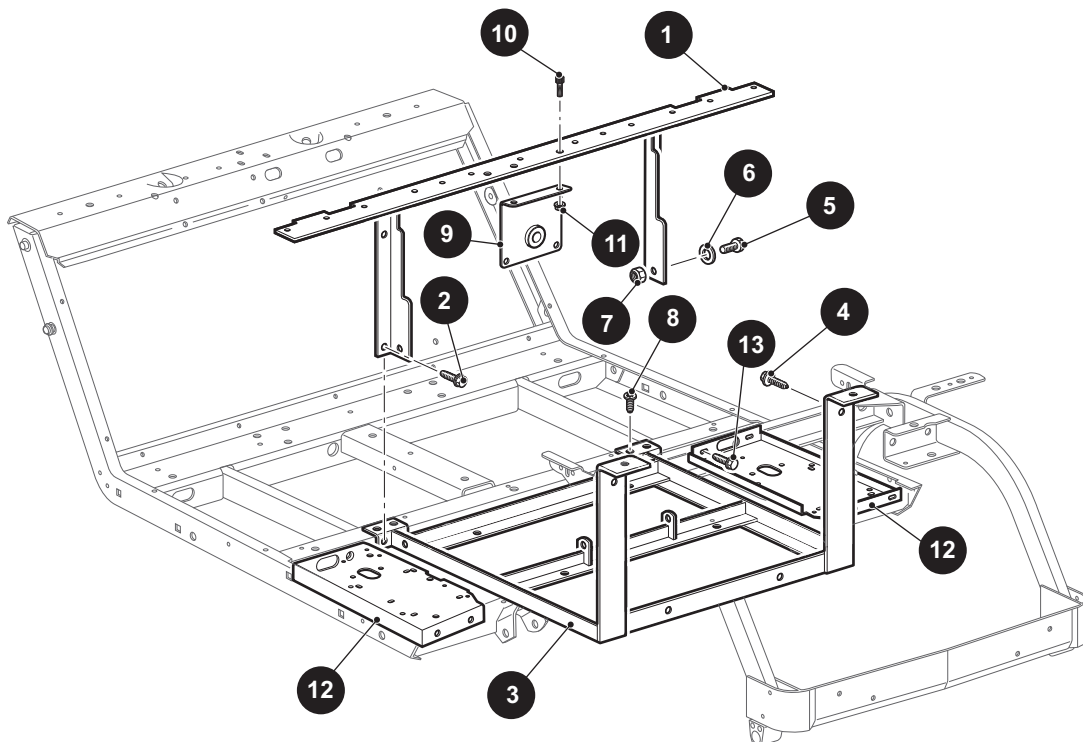
ITEM	PART NO.	1 2 3 4 5	DESCRIPTION	QTY.
FOR VEHICLES MANUFACTURED BEFORE JUNE 02, 2019				
1	<u>639948G01</u>		ROCKER PANEL (DRIVER SIDE).....	1
2	<u>639948G02</u>		ROCKER PANEL (PASSENGER SIDE)	1
3	<u>00660G5</u>		FLAT WASHER, #10	2
4	<u>00789G2</u>		TRUSS HEAD PHILLIPS SCREW #10 - 24 X 1.25" LG	2
5	<u>14390G10</u>		LOCK NUT, #10 - 24	2
6	<u>23726G4</u>		SPACER, 0.25"	4
7	<u>15058G6</u>		RIVET (ALUMINUM), 3/16"	1
8	<u>16705G1</u>		TRUSS HEAD SCREW (SS), 1/4" - 20 X 1" LG	2
9	<u>14390G4</u>		LOCK NUT, 1/4" - 20	2
FOR VEHICLES MANUFACTURED AFTER JUNE 02, 2019				
10	689928G01		ROCKER PANEL (DRIVER SIDE).....	1
11	689928G02		ROCKER PANEL (PASSENGER SIDE)	1
12	<u>23726G4</u>		SPACER, 0.25"	2
13	<u>15058G6</u>		RIVET (ALUMINUM), 3/16"	2
14	<u>645323</u>		BUTTON HEAD TORX HEXALOBULAR SCREW, M6 - 1 X 23.4MM LG	2
15	<u>601476</u>		LOCK NUT, M6 - 1	2

FOR VEHICLES MANUFACTURED FROM MAY 2014



16 REAR BODY (WITHOUT TAILLIGHTS) includes items 19 - 26

17 REAR BODY (WITH TAILLIGHTS) includes items 19 - 26



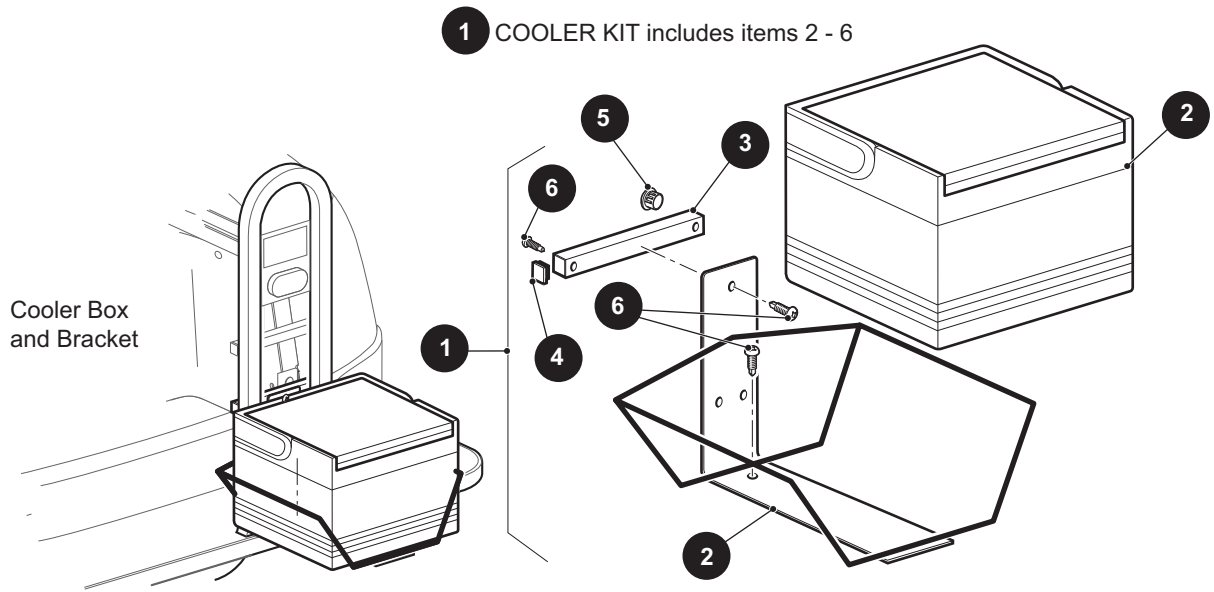
THE USE OF NON U.L. PARTS WILL VOID ANY U.L. LISTING.

When ordering parts, please specify the model and serial number of the product.

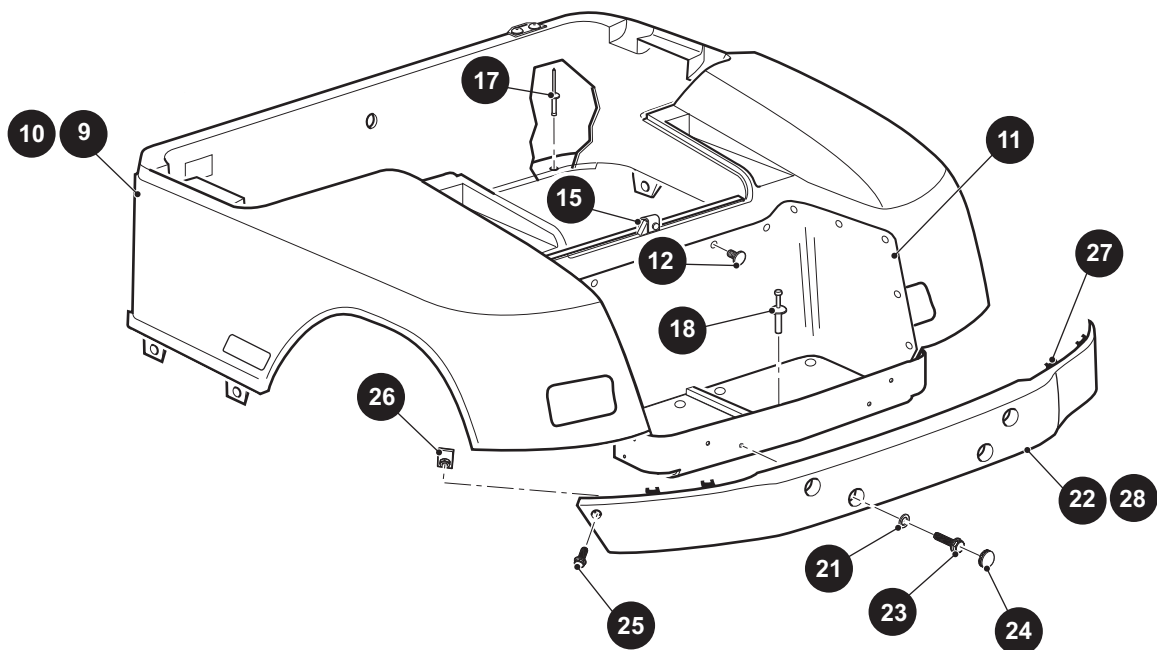
* Indicates a component that is not available as an individual part.

*** Indicates consult Customer Service Department for additional information.

ITEM	PART NO.	1 2 3 4 5	DESCRIPTION	QTY.
1	<u>70441G01</u>		SEAT FRAME	1
2	<u>00715G2</u>		HEX HEAD BOLT, 5/16" - 18 X 13/16" LG	2
3	<u>652254G03</u>		BATTERY RACK	1
4	<u>00715G2</u>		HEX HEAD BOLT, 5/16" - 18 X 13/16" LG	2
5	<u>00438G6</u>		HEX HEAD BOLT, 5/16" - 18 X 3/4" LG	2
6	<u>00559G8</u>		FLAT WASHER, 5/16"	2
7	<u>11098G6</u>		LOCK NUT (SS), 5/16" - 18	2
8	<u>70200G01</u>		TRUSS HEAD TORX SCREW, 3/8" - 16 X 3/4" LG	2
9	<u>70444G02</u>		BRACKET	1
10	<u>70227G01</u>		SOCKET HEAD CAP SCREW, 1/4" - 20 X 7/8" LG	2
11	<u>11027G2</u>		LOCK NUT, 1/4" - 20	2
12	<u>70244G05</u>		SPLASH PANEL.....	2
13	<u>00715G2</u>		HEX HEAD BOLT, 5/16" - 18 X 13/16" LG	8
14				
15				
16	<u>625272G0**</u>		REAR BODY (WITHOUT TAILLIGHTS) (INCLUDES ITEMS 19 - 26).....	1
17	<u>625272G1**</u>		REAR BODY (WITH TAILLIGHTS) (INCLUDES ITEMS 19 - 26)	1
18				
19	<u>10570G10</u>		RIVET (SS), 5/32" X 9/16" LG	5
20	<u>10570G11</u>		RIVET (SS), 3/16" X 3/4" LG	4
21	<u>10570G12</u>		RIVET (ALUMINUM), 1/4" X 3/4" LG	2
22	<u>633917</u>		PLASTIC DRIVE RIVET	2
23	<u>71320G01</u>		ACCESS COVER	1
24	<u>01107G01</u>		PAN HEAD TORX SCREW (SS), #8 X 3/8" LG.....	5
25	<u>71609G01</u>		SEAT HINGE PLATE	2
26	<u>16816G2</u>		RATCHET RIVET, .25" X .887" LG (NOT ILLUSTRATED).....	2
27				
28	<u>635051</u>		E-Z-GO EXPRESS S4 HIGH OUTPUT DECAL.....	2



FOR VEHICLES MANUFACTURED BEFORE MAY 2014



9 REAR BODY (WITHOUT TAILLIGHTS) includes items 11, 12

10 REAR BODY (WITH TAILLIGHTS) includes items 11, 12

THE USE OF NON U.L. PARTS WILL VOID ANY U.L. LISTING.

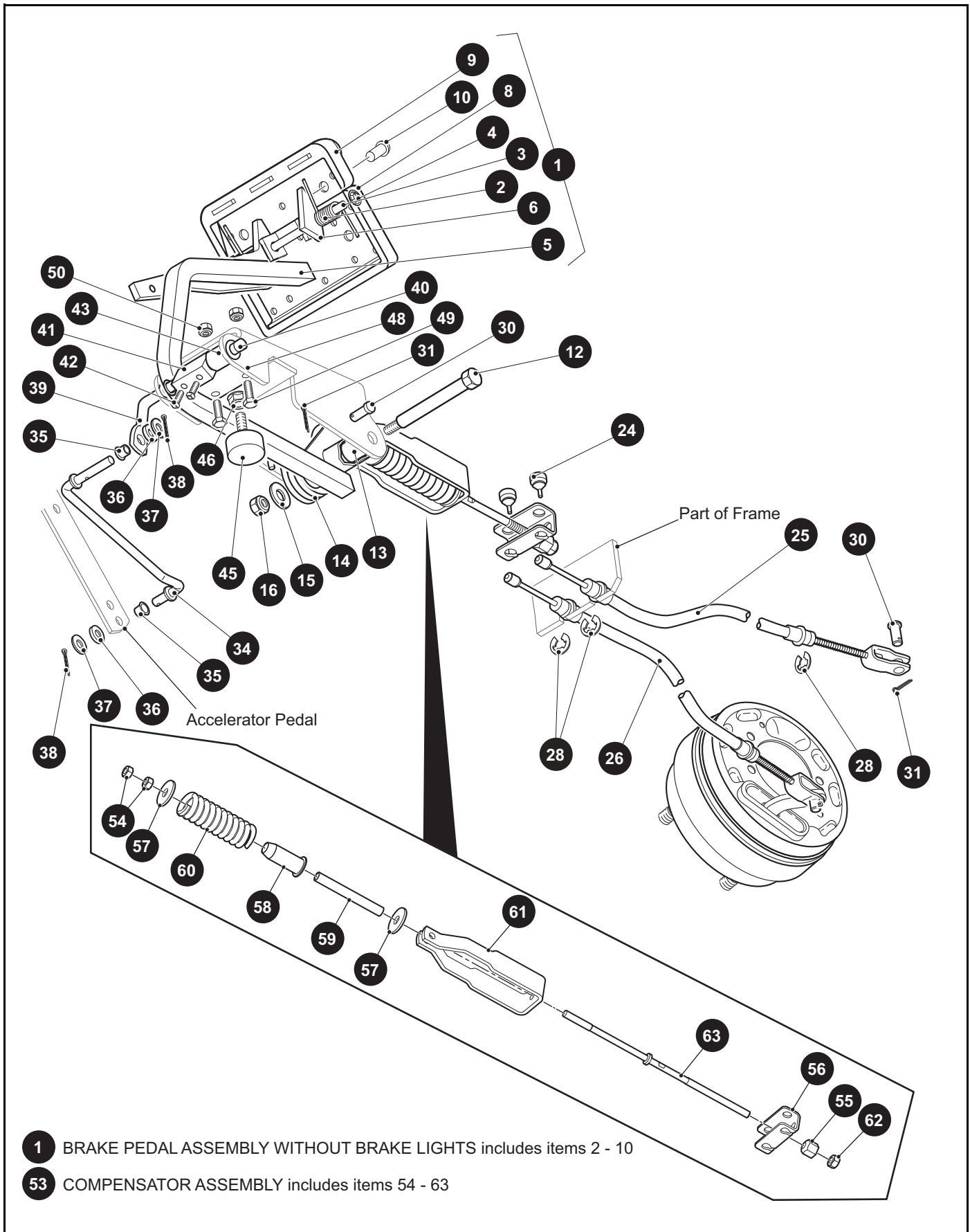
When ordering parts, please specify the model and serial number of the product.

* Indicates a component that is not available as an individual part.

*** Indicates consult Customer Service Department for additional information.

ITEM	PART NO.	1 2 3 4 5	DESCRIPTION	QTY.
1	<u>74581G01</u>		COOLER KIT (INCLUDES ITEMS 2 - 6).....	1
2	<u>71048G01</u>		COOLER & BRACKET KIT.....	1
3	<u>75268G01</u>		SUPPORT TUBE.....	1
4	<u>19859G1</u>		END CAP, 3/4".....	2
5	<u>20271G2</u>		HOLE PLUG, 1/2".....	2
6	<u>00106G6</u>		PAN HEAD PHILLIPS SELF DRILLING SCREW, #12 - 24 X .75" LG.....	4
7				
8				
9	71912G4**		REAR BODY (WITHOUT TAILLIGHTS) (INCLUDES ITEMS 11, 12).....	1
10	71331G0**		REAR BODY (WITH TAILLIGHTS) (INCLUDES ITEMS 11, 12).....	1
11	71318G01		BAGWELL LINER.....	1
12	<u>16816G1</u>		RATCHET FASTENER, 1/4" X 9/16" LG.....	20
13				
14				
15	<u>71364G02</u>		"J" CLIP.....	1
16				
17	<u>10570G10</u>		RIVET (SS), 5/32" X 9/16" LG.....	6
18	<u>18436G1</u>		PLASTIC DRIVE RIVET, 1/4" X 3/4" LG.....	2
19				
20				
21	<u>00571G2</u>		FLAT WASHER, 5/16".....	4
22	71456G01		NOTCHED REAR BUMPER.....	1
23	<u>71102G01</u>		HEX HEAD BOLT, 1/4" - 20 X 3/4" LG.....	4
24	<u>71455G01</u>		BUMPER PLUG.....	4
25	<u>71102G01</u>		HEX HEAD BOLT, 1/4" - 20 X 3/4" LG.....	2
26	<u>71554G01</u>		J-TYPE NUT RETAINER, 1/4" - 20.....	2
27	<u>71457G01</u>		BUMPER STAY.....	4
28	<u>71451G02</u>		REAR BUMPER.....	1

BRAKES



BRAKES

THE USE OF NON U.L. PARTS WILL VOID ANY U.L. LISTING.

When ordering parts, please specify the model and serial number of the product.

* Indicates a component that is not available as an individual part.

*** Indicates consult Customer Service Department for additional information.

ITEM	PART NO.	1 2 3 4 5	DESCRIPTION	QTY.
1	<u>70612G02</u>		BRAKE PEDAL ASSEMBLY WITHOUT BRAKE LIGHTS (INCLUDES ITEMS 2 - 10)	1
2	<u>70681G01</u>		TORSION SPRING.....	2
3	<u>70682G01</u>		PIVOT PIN.....	1
4	<u>658825</u>		PUSHNUT WASHER, 5/16"	2
5	<u>652251G03</u>		BRAKE PEDAL.....	1
6	<u>652253G03</u>		PARK BRAKE PEDAL	1
7				
8	<u>70257G01</u>		SERVICE BRAKE PAD.....	1
9	<u>70256G01</u>		PARK BRAKE PEDAL PAD	1
10	<u>16409G1</u>		OVAL RIVET, 3/16" X 7/16" LG	9
11				
12	<u>70582G01</u>		SHOULDER BOLT (SS), 3/8" - 16 X 4" LG	1
13	<u>70581G01</u>		FLANGED BUSHING.....	2
14	<u>70676G01</u>		TORSION SPRING	1
15	<u>00643G1</u>		FLAT WASHER, 3/8"	1
16	<u>11098G5</u>		LOCK NUT, 3/8" - 16.....	1
17				
18	<u>01038G01</u>		SWAGEFORM SCREW, 1/4" - 20 (NOT ILLUSTRATED).....	1
19				
20	<u>12416G2</u>		NYLON WEDGE LOCK CLAMP (NOT ILLUSTRATED)	1
21				
22				
23				
24	<u>28083G01</u>		BRAKE COMPENSATOR BUMPER.....	2
25	<u>624690</u>		BRAKE CABLE (DRIVER SIDE).....	1
26	<u>624691</u>		BRAKE CABLE (PASSENGER SIDE)	1
27				
28	<u>01111G01</u>		RETAINING RING (SS), 13/32"	4
29				
30	<u>10386G3</u>		CLEVIS PIN, 5/16" X 13/16" LG.....	3

BRAKES

THE USE OF NON U.L. PARTS WILL VOID ANY U.L. LISTING.

When ordering parts, please specify the model and serial number of the product.

* Indicates a component that is not available as an individual part.

*** Indicates consult Customer Service Department for additional information.

ITEM	PART NO.	1 2 3 4 5	DESCRIPTION	QTY.
31	<u>10387G3</u>		COTTER PIN, 3/32" X 3/4" LG	3
32				
33				
34	<u>70601G01</u>		KICK-OFF LINK.....	1
35	<u>17838G1</u>		NYLON BUSHING, 0.5" X 0.31" LG	2
36	<u>20835G1</u>		TEFLON WASHER, 3/8"	2
37	<u>00559G8</u>		FLAT WASHER, 5/16"	2
38	<u>10387G3</u>		COTTER PIN, 3/32" X 3/4" LG	2
39	<u>70098G01</u>		KICK-OFF CAM PIVOT	1
40	<u>10097G6</u>		FLANGED BEARING	2
41	<u>70587G01</u>		KICK-OFF CAM.....	1
42	<u>71215G01</u>		SETSCREW, 1/4" - 20 X 1/2" LG	2
43	<u>14134G4</u>		SPACER, 0.76" X 1.25" LG	1
44				
45	<u>70113G01</u>		ADJUSTABLE BUMPER	1
46	<u>11027G1</u>		LOCK NUT, 5/16" - 18	1
47				
48	<u>70080G02</u>		CATCH BRACKET.....	1
49	<u>00414G6</u>		HEX HEAD BOLT, 1/4" - 20 X 3/4" LG.....	2
50	<u>14390G4</u>		LOCK NUT (SS), 1/4" - 20.....	2
51				
52				
53	<u>612558</u>		COMPENSATOR ASSEMBLY (INCLUDES ITEMS 54 - 63)	1
54	<u>00532G4</u>		HEX NUT, 5/16" - 24	2
55	<u>629486</u>		HEX NUT, 5/16" - 24	1
56	<u>28082G01</u>		EQUALIZER BRACKET	1
57	<u>15121G1</u>		FLAT WASHER, 5/16".....	2
58	<u>17979G1</u>		ACCELERATOR ROD BUSHING	1
59	<u>23061G2</u>		TUBE.....	1
60	<u>23463G1</u>		COMPRESSION SPRING	1
61	<u>652256</u>		BRAKE YOKE	1

THE USE OF NON U.L. PARTS WILL VOID ANY U.L. LISTING.

When ordering parts, please specify the model and serial number of the product.

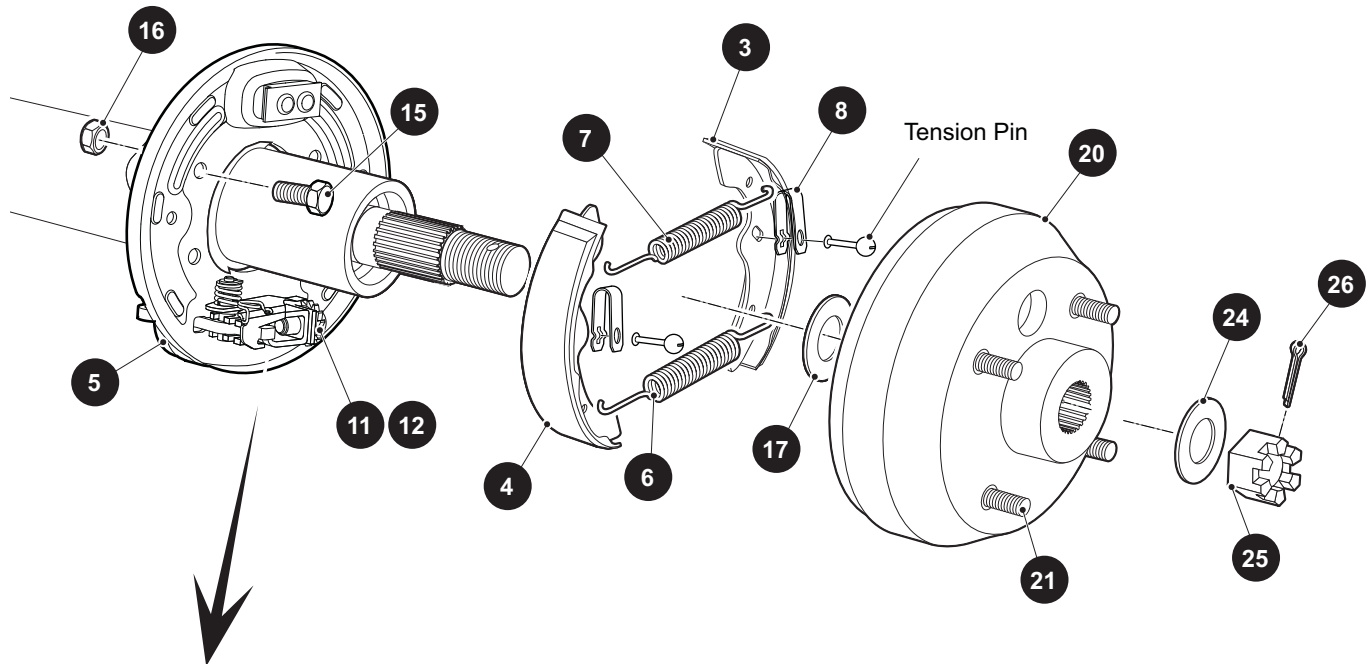
* Indicates a component that is not available as an individual part.

*** Indicates consult Customer Service Department for additional information.

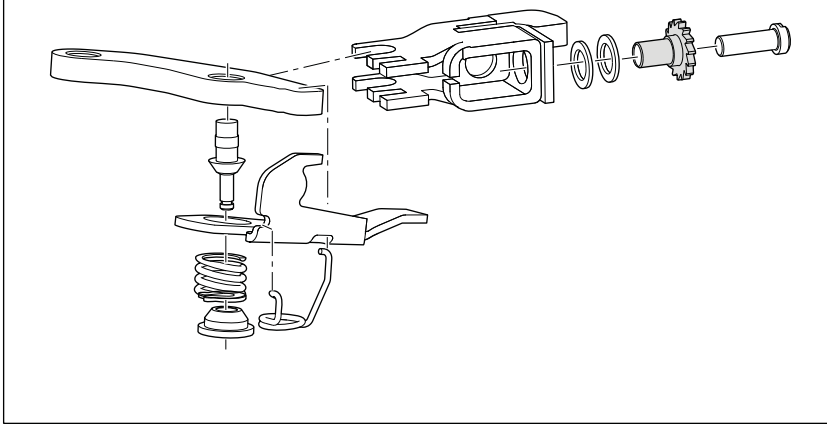
ITEM	PART NO.	1 2 3 4 5 DESCRIPTION	QTY.
62	<u>11098G9</u>	HEX LOCK NUT, 5/16" - 24.....	1
63	<u>612557</u>	COMPENSATOR ROD LINK.....	1

BOTTOM PULL

- 1 BRAKE ASSEMBLY (DRIVER SIDE) includes items 3 - 11
- 2 BRAKE ASSEMBLY (PASSENGER SIDE) includes items 3 - 8, 12
- 19 BRAKE DRUM ASSEMBLY includes items 20 - 21



ADJUSTER ASSEMBLY



BRAKES

THE USE OF NON U.L. PARTS WILL VOID ANY U.L. LISTING.

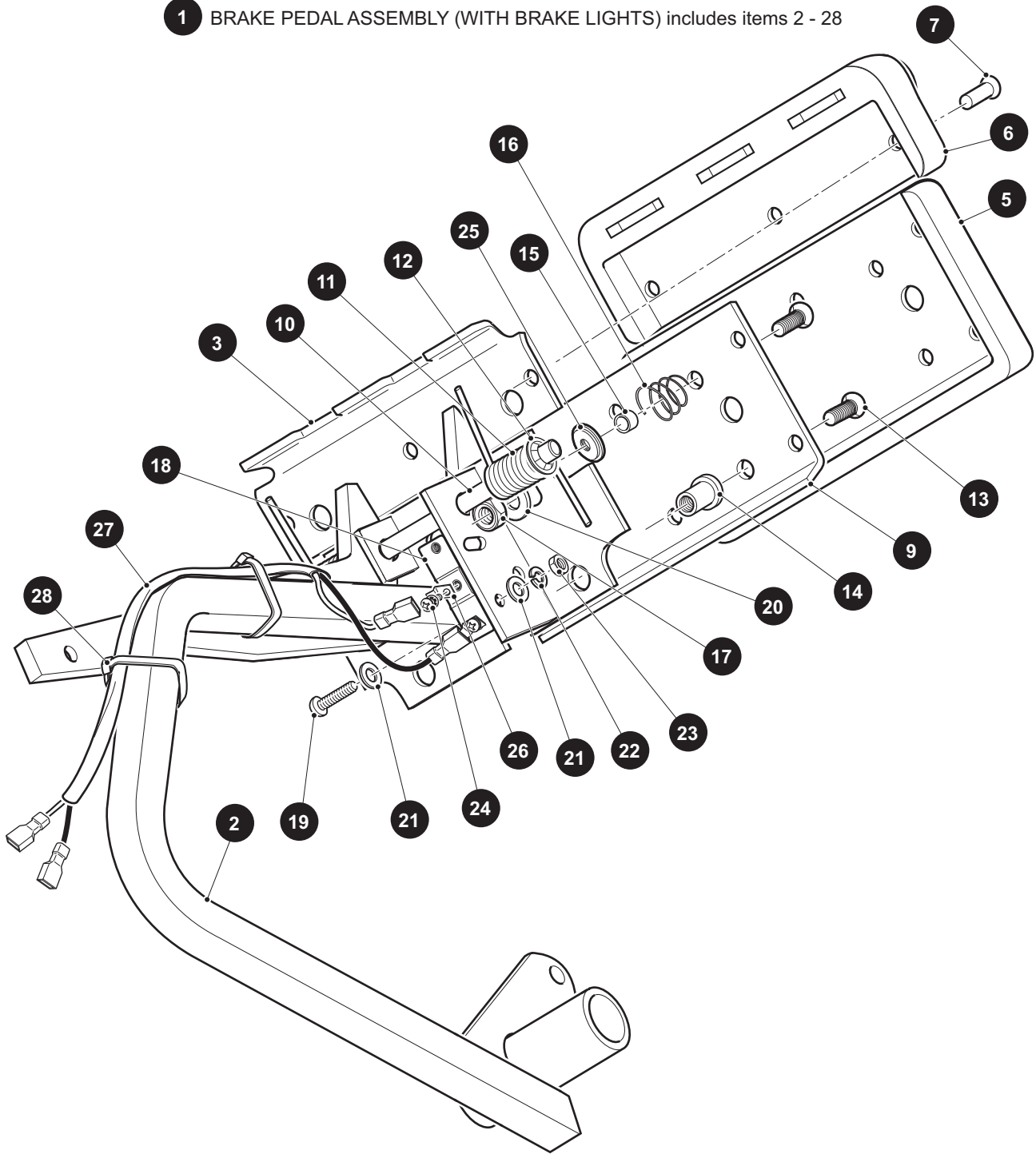
When ordering parts, please specify the model and serial number of the product.

* Indicates a component that is not available as an individual part.

*** Indicates consult Customer Service Department for additional information.

ITEM	PART NO.	1 2 3 4 5	DESCRIPTION	QTY.
1	<u>612211</u>		BRAKE ASSEMBLY (DRIVER SIDE) (INCLUDES ITEMS 3 - 11)	1
2	<u>612189</u>		BRAKE ASSEMBLY (PASSENGER SIDE) (INCLUDES ITEMS 3 - 8, 12)	1
3	<u>612411</u>		BRAKE SHOE, LEADING	1
4	<u>612412</u>		BRAKE SHOE, TRAILING	1
5	<u>612413</u>		DUST COVER	1
6	<u>612415</u>		BRAKE SPRING	1
7	<u>612414</u>		BRAKE SPRING	1
8	<u>612416</u>		SHOE CLAMP	2
9				
10				
11	<u>612418</u>		GEAR ADJUSTER	1
12	<u>612417</u>		GEAR ADJUSTER	1
13				
14				
15	<u>17083G2</u>		HEX HEAD BOLT, 5/16" - 24 X 1" LG	8
16	<u>15126G1</u>		LOCK NUT, 5/16" - 24	8
17	<u>21809G1</u>		FLAT WASHER, 1/4"	2
18				
19	<u>21807G2</u>		BRAKE DRUM ASSEMBLY (INCLUDES ITEMS 20 - 21)	2
20	<u>20947G1</u>		BRAKE DRUM	1
21	<u>19862G1</u>		LUG BOLT, 1/2" - 20 X 1 3/16" LG	4
22				
23				
24	<u>21830G1</u>		FLAT WASHER, 1 3/8" O.D. X 21/32"	2
25	<u>613172</u>		CASTELLATED NUT, 5/8" - 18	2
26	<u>10387G1</u>		COTTER PIN, 1/8" X 1 1/2" LG	2

1 BRAKE PEDAL ASSEMBLY (WITH BRAKE LIGHTS) includes items 2 - 28



BRAKES

THE USE OF NON U.L. PARTS WILL VOID ANY U.L. LISTING.

When ordering parts, please specify the model and serial number of the product.

* Indicates a component that is not available as an individual part.

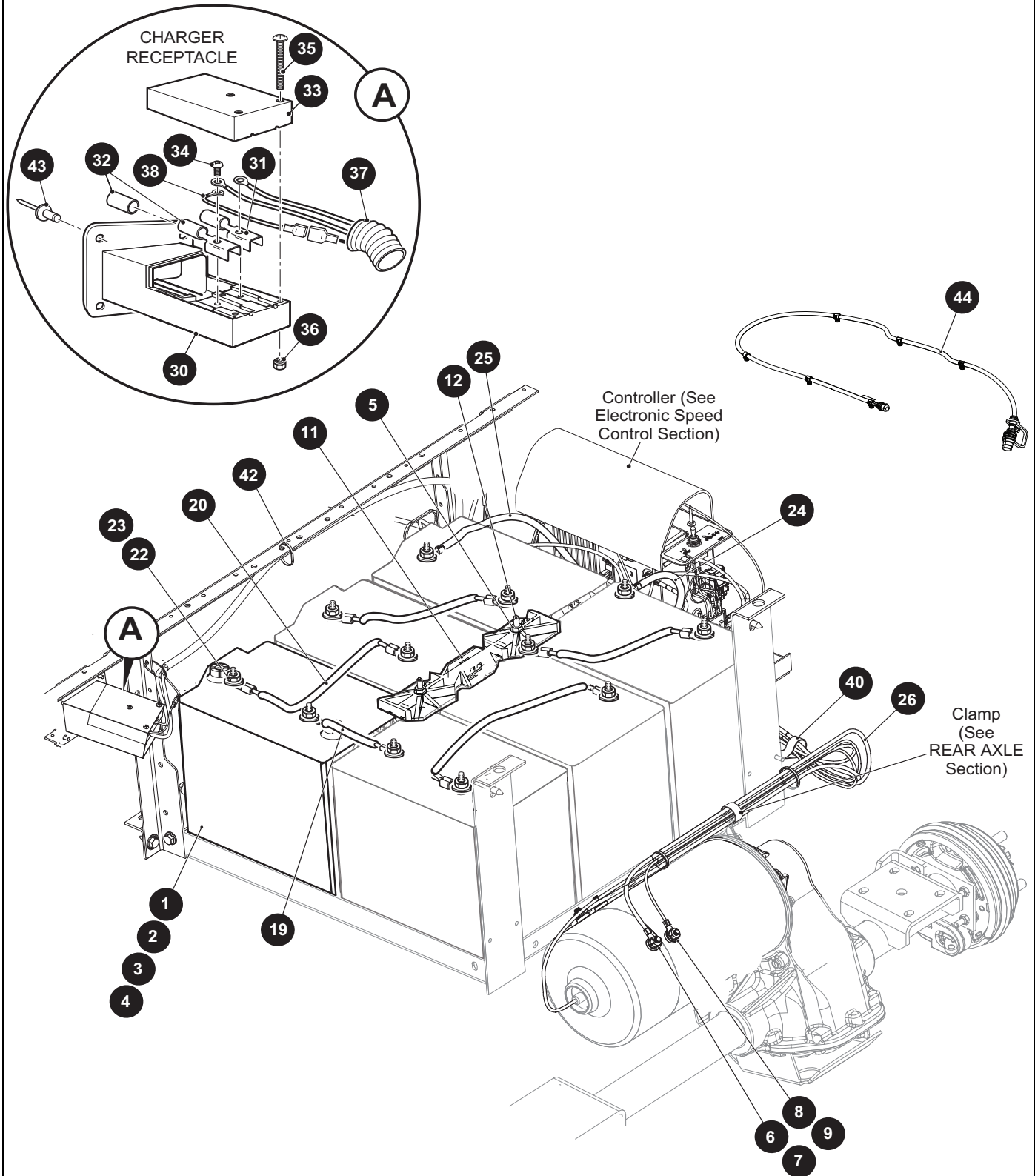
*** Indicates consult Customer Service Department for additional information.

ITEM	PART NO.	1 2 3 4 5	DESCRIPTION	QTY.
1	70690G02		BRAKE PEDAL ASSEMBLY (WITH BRAKE LIGHTS) (INCLUDES ITEMS 2 - 28)	1
2	<u>652791G03</u>		BRAKE PEDAL.....	1
3	<u>652253G03</u>		PARK BRAKE PEDAL	1
4				
5	<u>70257G01</u>		BRAKE PAD	1
6	70256G01		PARKING BRAKE PAD	1
7	<u>16409G1</u>		OVAL RIVET, 3/16" x 3/8" LG	9
8				
9	<u>652820</u>		SERVICE BRAKE PEDAL PLATE	1
10	<u>70682G01</u>		PARK BRAKE PEDAL PIN	1
11	<u>70681G01</u>		TORSION SPRING.....	2
12	<u>658825</u>		PUSH NUT, 5/16"	1
13	<u>00737G8</u>		TORX HEAD SCREW, #10 - 24 X 1" LG.....	4
14	<u>00739G1</u>		RUBBER NUT, #10 - 24	2
15	<u>652355</u>		BRAKE PEDAL SPACER	2
16	<u>27137G01</u>		CONICAL SPRING	2
17	<u>14390G10</u>		LOCK NUT, #10 - 24.....	2
18	10606G8		LIMIT SWITCH	1
19	<u>00645G2</u>		PAN HEAD PHILLIPS SCREW, #6 - 32 X 1 1/4" LG.....	2
20	<u>00559G5</u>		FLAT WASHER, #10	2
21	<u>00559G3</u>		FLAT WASHER, #6	4
22	<u>00565G3</u>		LOCK WASHER, #6	2
23	<u>00525G5</u>		LOCK NUT, #6 - 32.....	2
24	<u>13514G1</u>		SCREW AND LOCK WASHER, #6	2
25	<u>00642G8</u>		FLAT WASHER, 5/16"	2
26	<u>14628G1</u>		FAST-ON TAB.....	2
27	<u>24605G1</u>		BRAKE LIGHT WIRE HARNESS	1
28	<u>17618G1</u>		WIRE TIE.....	2

ELECTRICAL SYSTEM

28 CHARGER RECEPTACLE ASSEMBLY includes items 29, 37 - 38

29 CHARGING RECEPTACLE includes items 30 - 36



ELECTRICAL SYSTEM

THE USE OF NON U.L. PARTS WILL VOID ANY U.L. LISTING.

When ordering parts, please specify the model and serial number of the product.

* Indicates a component that is not available as an individual part.

*** Indicates consult Customer Service Department for additional information.

ITEM	PART NO.	1 2 3 4 5	DESCRIPTION	QTY.
1	<u>618594</u>		8 VOLT BATTERY	6
2	<u>614015</u>		8 VOLT BATTERY	6
3	<u>618595</u>		8 VOLT BATTERY	6
4	<u>614381</u>		8 VOLT BATTERY	6
5	<u>11027G1</u>		LOCK NUT, 5/16" - 18.....	2
6	<u>00993G01</u>		LOCK WASHER (SILICON BRONZE), 5/16".....	5
7	<u>28418G01</u>		HEX NUT (BRASS), 5/16" - 18	2
8	<u>00993G02</u>		LOCK WASHER (SILICON BRONZE), 1/4".....	4
9	<u>28418G02</u>		LOCK NUT (BRASS), 1/4" - 20	2
10	<u>614521</u>		REGULATED HOSE SUPPLY, 20' (NOT ILLUSTRATED).....	1
11	<u>612867</u>		BATTERY RETAINER.....	1
12	<u>01101G01</u>		TIE DOWN BOLT	2
13				
14				
15				
16				
17				
18				
19	<u>25971G18</u>		4 GA WIRE (BATTERY INTERCONNECT, BLACK), 6" LG	1
20	<u>25971G13</u>		4 GA WIRE (BATTERY INTERCONNECT, BLACK), 10 1/2" LG	4
21				
22	<u>00565G8</u>		LOCK WASHER, 5/16"	12
23	<u>00702G2</u>		HEX NUT, 5/16" - 18	12
24	<u>25971G16</u>		4 GA WIRE (BATTERY -, BLACK), 19" LG	1
25	<u>607592</u>		4 GA WIRE GREEN, 28" LG	1
26	<u>74659G01</u>		POWER HARNESS	1
27	<u>74649G01</u>		CONTROL HARNESS (NOT ILLUSTRATED)	1
28	<u>609670</u>		CHARGER RECEPTACLE ASSEMBLY (INCLUDES ITEMS 29, 37 - 38).....	1
29	<u>668283</u>		CHARGING RECEPTACLE (INCLUDES ITEM 30 - 36)	1
30	<u>73051G22</u>		RECEPTACLE BOTTOM	1
31	<u>73051G23</u>		FEMALE CONNECTOR.....	1

ELECTRICAL SYSTEM

THE USE OF NON U.L. PARTS WILL VOID ANY U.L. LISTING.

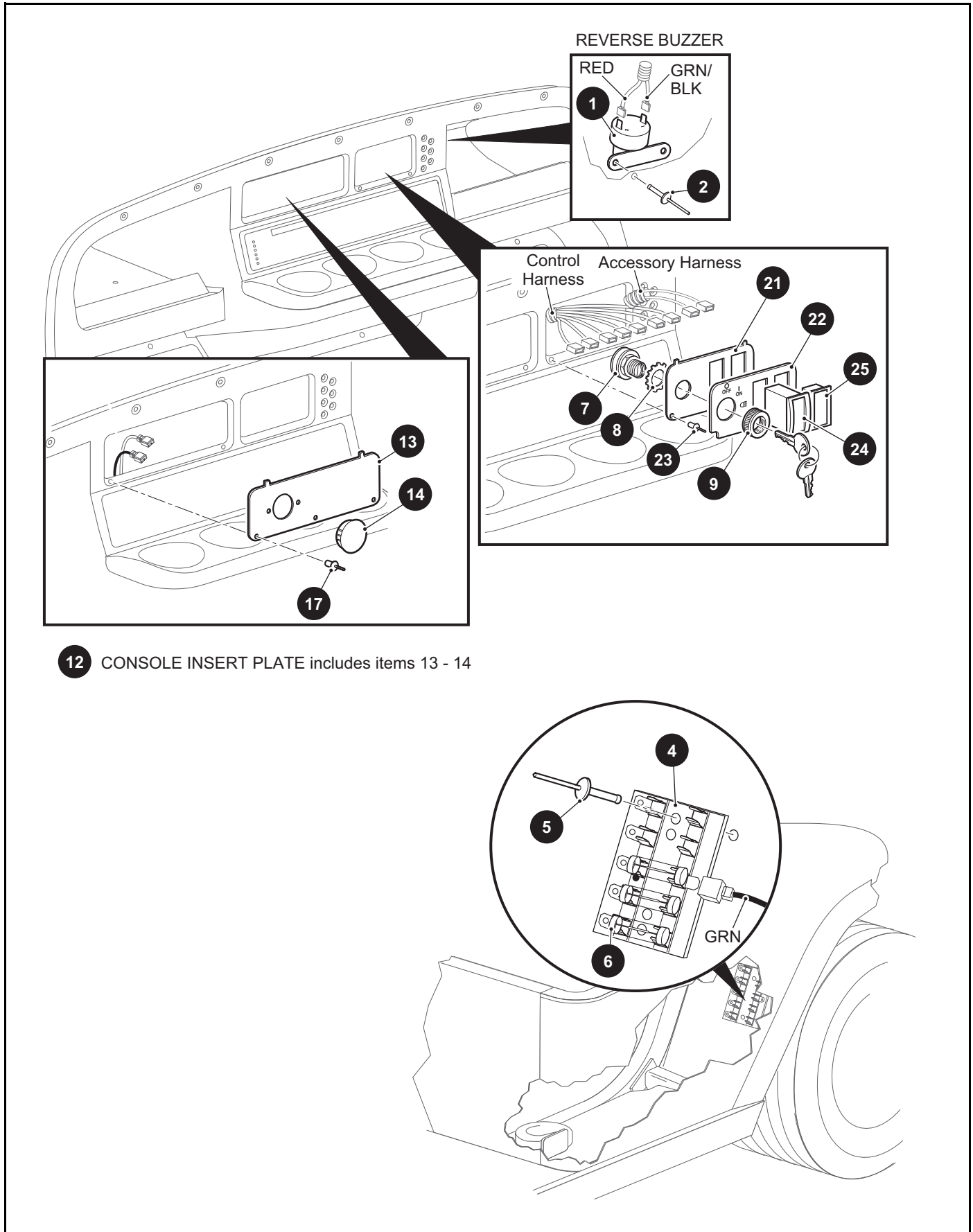
When ordering parts, please specify the model and serial number of the product.

* Indicates a component that is not available as an individual part.

*** Indicates consult Customer Service Department for additional information.

ITEM	PART NO.	1	2	3	4	5	DESCRIPTION	QTY.
32	<u>73051G24</u>						INSULATOR SLEEVE	1
33	<u>73051G21</u>						RECEPTACLE COVER	1
34	<u>73051G08</u>						PHILLIPS PAN HEAD SCREW (BRASS), #10 - 32 X 1/2" LG	2
35	<u>73051G09</u>						PHILLIPS PAN HEAD SCREW (SS), #6 - 32 X 1 3/4" LG	3
36	<u>73051G10</u>						LOCK NUT, #6 - 32.....	3
37	<u>609654</u>						WIRE HARNESS (CHARGER).....	1
38	<u>25978G25</u>						18 GA WIRE (RED 9")	1
39								
40	<u>27327G02</u>						CABLE CLAMP	1
41	<u>10570G11</u>						RIVET (SS), 3/16" X 3/4" LG (NOT ILLUSTRATED).....	1
42	<u>17618G1</u>						WIRE TIE.....	11
43	<u>71055G01</u>						RIVET (ALUMINUM), 3/16" X 1" LG.....	4
44	<u>614457</u>						SNAKE HYDROLINK, 6 - 6V OR 6 - 8V	1
45	<u>615352</u>						CLAMP - POLYPROPYLENE (NOT ILLUSTRATED).....	9

Notes:A large grid of graph paper for taking notes. The grid consists of 20 columns and 30 rows of small squares.



ELECTRICAL SYSTEM

THE USE OF NON U.L. PARTS WILL VOID ANY U.L. LISTING.

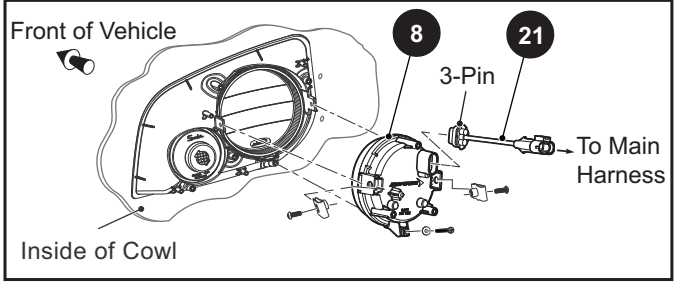
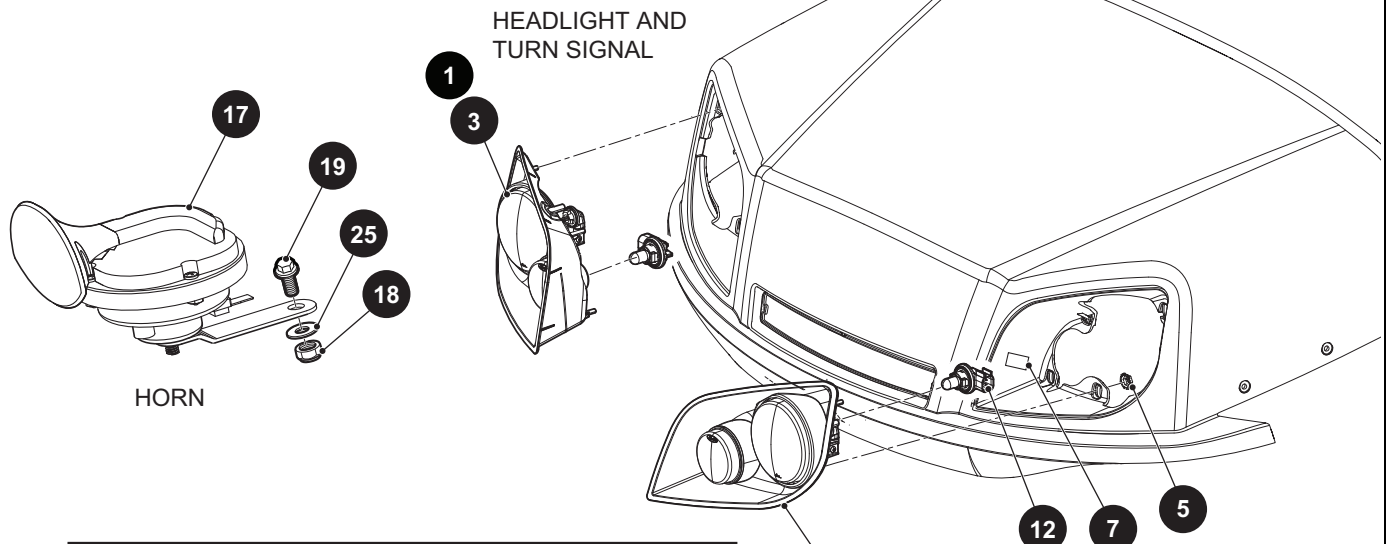
When ordering parts, please specify the model and serial number of the product.

* Indicates a component that is not available as an individual part.

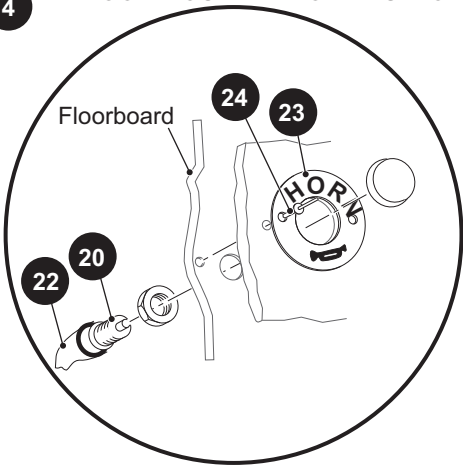
*** Indicates consult Customer Service Department for additional information.

ITEM	PART NO.	1 2 3 4 5	DESCRIPTION	QTY.
1	<u>613271</u>		CONTINUOUS TONE BUZZER.....	1
2	<u>01041G01</u>		RIVET, 1/8" X 13/16" LG	2
3				
4	<u>22674G1</u>		FUSE BLOCK	1
5	<u>01041G01</u>		RIVET, 1/8" X 13/16" LG	2
6	<u>18392G1</u>		15 AMP FUSE	AR
7	33639G**		KEY SWITCH WITH LIGHTS.....	1
8	<u>00568G6</u>		LOCK WASHER, 3/4"	1
9	17137G1		FACE NUT, 3/4" - 20	1
10				
11				
12	<u>74693G02</u>		CONSOLE INSERT ASSEMBLY (INCLUDES ITEMS 13 - 14).....	1
13	<u>73522G03</u>		CONSOLE INSERT PLATE.....	1
14	<u>20271G10</u>		HOLE PLUG	1
15				
16				
17	33623G02		DRIVE RIVET, 3/16" X 3/8" LG	3
18				
19				
20				
21	<u>73030G12</u>		CONSOLE PLATE	1
22	<u>74322G01</u>		CONSOLE PLATE DECAL.....	1
23	33623G02		DRIVE RIVET, 3/16" X 3/8" LG	2
24	<u>624514G02</u>		DIRECTION SELECTOR SWITCH.....	1
25	<u>33636G05</u>		STATE OF CHARGE METER (SOC).....	1
26				
27	<u>25978G74</u>		WIRE ASSEMBLY RED #18 (NOT ILLUSTRATED)	1
28	<u>35966G03</u>		BALL HOLDER DECAL (NOT ILLUSTRATED).....	1

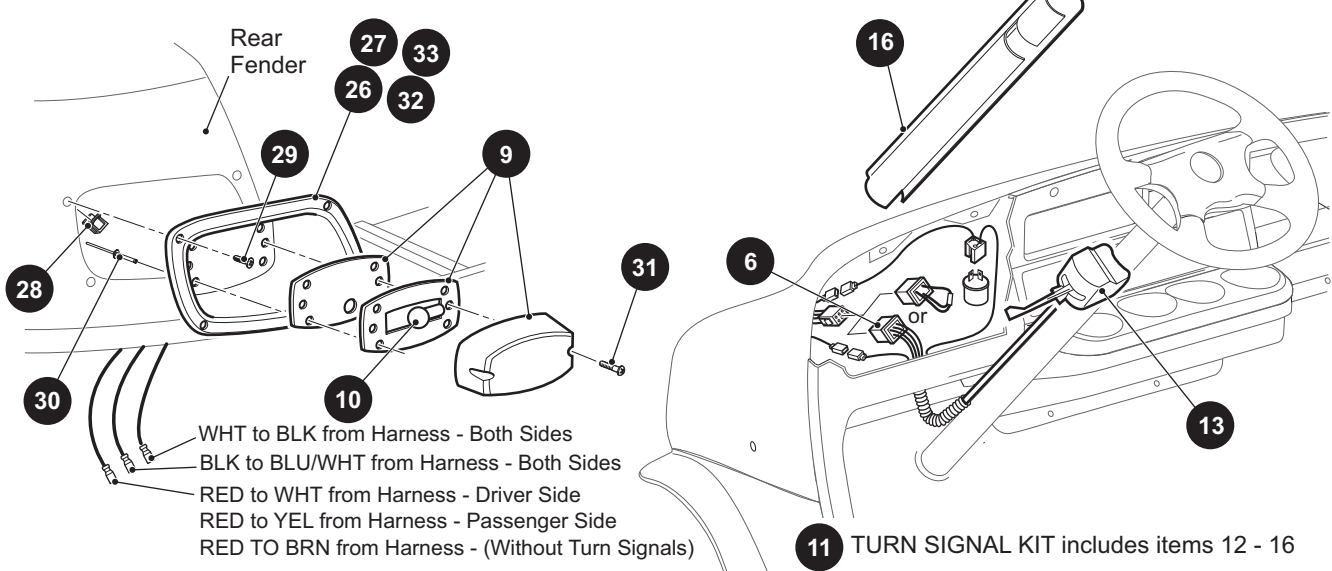
ELECTRICAL SYSTEM



- 3** LED HEADLIGHT ASSEMBLY (PASSENGER SIDE) includes item 8
- 4** LED HEADLIGHT ASSEMBLY (DRIVER SIDE) includes item 8



TAILLIGHTS



- WHT to BLK from Harness - Both Sides
- BLK to BLU/WHT from Harness - Both Sides
- RED to WHT from Harness - Driver Side
- RED to YEL from Harness - Passenger Side
- RED TO BRN from Harness - (Without Turn Signals)

11 TURN SIGNAL KIT includes items 12 - 16

ELECTRICAL SYSTEM

THE USE OF NON U.L. PARTS WILL VOID ANY U.L. LISTING.

When ordering parts, please specify the model and serial number of the product.

* Indicates a component that is not available as an individual part.

*** Indicates consult Customer Service Department for additional information.

ITEM	PART NO.	1 2 3 4 5	DESCRIPTION	QTY.
1	<u>614497</u>		HEADLIGHT WITHOUT TURN SIGNAL (PASSENGER SIDE)	1
2	<u>614501</u>		HEADLIGHT WITHOUT TURN SIGNAL (DRIVER SIDE)	1
3	<u>659008</u>		LED HEADLIGHT ASSEMBLY (PASSENGER SIDE) (INCLUDES ITEM 8)...	1
4	<u>659009</u>		LED HEADLIGHT ASSEMBLY (DRIVER SIDE) (INCLUDES ITEM 8)	1
5	<u>71597G01</u>		SELF THREADING NUT, 5 X 10 X 15MM	8
6	<u>666161</u>		WIRE HARNESS (ACCESSORY) 48V DC	1
7	<u>71781G02</u>		VINYL TAPE	2
8	<u>651411G03</u>		LED HEADLIGHT	1
9	<u>22288G2</u>		TAILLIGHT ASSEMBLY (INCLUDES ITEM 10)	2
10	<u>21759G1</u>		TAILLIGHT BULB	1
11	<u>622661</u>		TURN SIGNAL KIT (INCLUDES ITEMS 12 - 16).....	1
12	<u>619102</u>		TURN SIGNAL BULB	2
13	<u>611810</u>		TURN SIGNAL SWITCH ASSEMBLY.....	1
14	<u>31539G1</u>		NYLON CLAMP (NOT ILLUSTRATED).....	1
15	<u>19344G1</u>		ELECTRICAL VINYL TAPE (NOT ILLUSTRATED)	1
16	<u>20965G3</u>		STEERING COLUMN COVER	1
17	<u>32860G01</u>		HORN.....	1
18	<u>14390G4</u>		LOCK NUT 1/4" - 20	1
19	<u>00414G5</u>		HEX HEAD BOLT, 1/4" - 20 X .62" LG	1
20	<u>17318G1</u>		HORN SWITCH	1
21	<u>654465</u>		JUMPER HARNESS, LED HEADLIGHT	1
22	<u>27068G01</u>		HORN SWITCH BOOT	1
23	<u>608397</u>		HORN SWITCH LABEL	1
24	<u>71055G01</u>		RIVET (ALUMINUM), 3/16" X 1" LG	2
25	<u>00559G7</u>		FLAT WASHER, 1/4"	1
26	<u>625251</u>		TAILLIGHT BEZEL (DRIVER SIDE).....	1
27	<u>625252</u>		TAILLIGHT BEZEL (PASSENGER SIDE)	1
28	<u>71364G02</u>		J-CLIP	8
29	<u>71425G01</u>		FLAT HEAD PHILLIPS TAPPING SCREW, #8 - 18 X 3/4" LG.....	8
30	<u>14601G11</u>		RIVET (ALUMINUM), 3/16" X 9/16" LG	4
31	<u>00513G4</u>		PAN HEAD PHILLIPS SCREW, #8 - 18 X 1 1/2" LG	4

ELECTRICAL SYSTEM

THE USE OF NON U.L. PARTS WILL VOID ANY U.L. LISTING.

When ordering parts, please specify the model and serial number of the product.

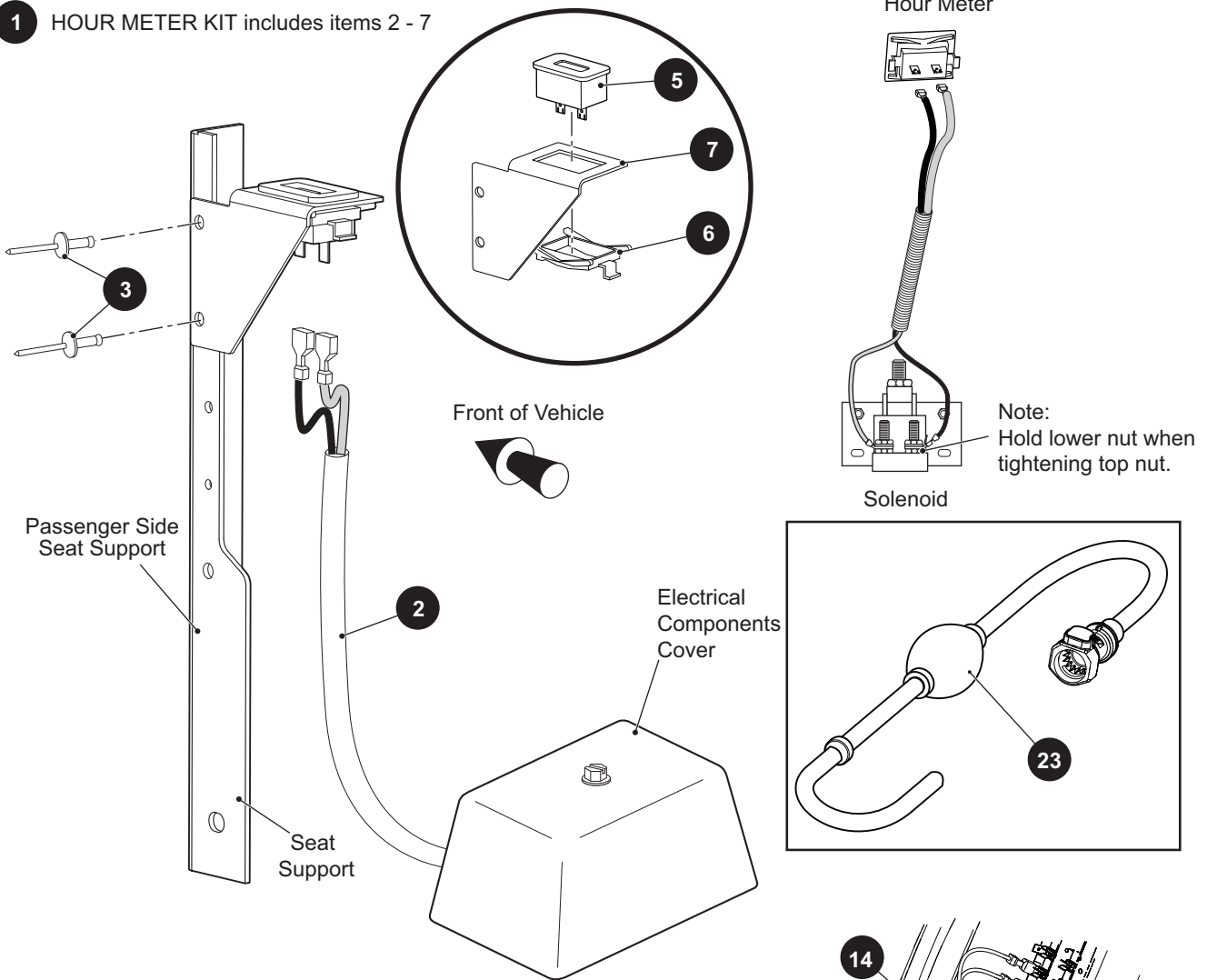
* Indicates a component that is not available as an individual part.

*** Indicates consult Customer Service Department for additional information.

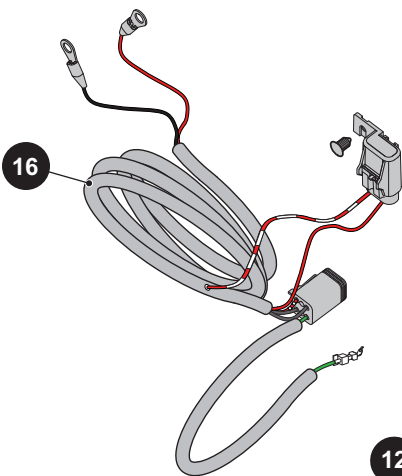
ITEM	PART NO.	1 2 3 4 5	DESCRIPTION	QTY.
32	<u>74371G01</u>		TAILLIGHT BEZEL (DRIVER SIDE) (FOR VEHICLES MANUFACTURED BEFORE MAY 2014).....	1
33	<u>74371G02</u>		TAILLIGHT BEZEL (PASSENGER SIDE) (FOR VEHICLES MANUFACTURED BEFORE MAY 2014).....	1

ELECTRICAL SYSTEM

1 HOUR METER KIT includes items 2 - 7

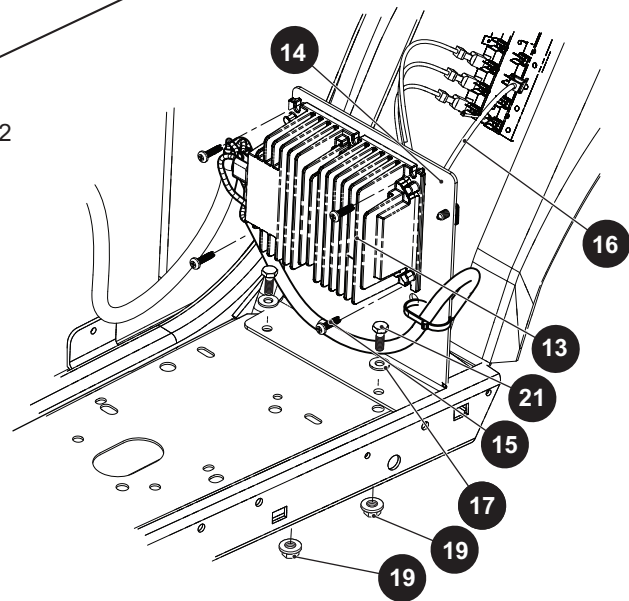


11 DC/DC CONVERTER KIT includes items 12 - 22



DC/DC
CONVERTER KIT

12 DC/DC CONVERTER ASSEMBLY includes items 13 - 15



ELECTRICAL SYSTEM

THE USE OF NON U.L. PARTS WILL VOID ANY U.L. LISTING.

When ordering parts, please specify the model and serial number of the product.

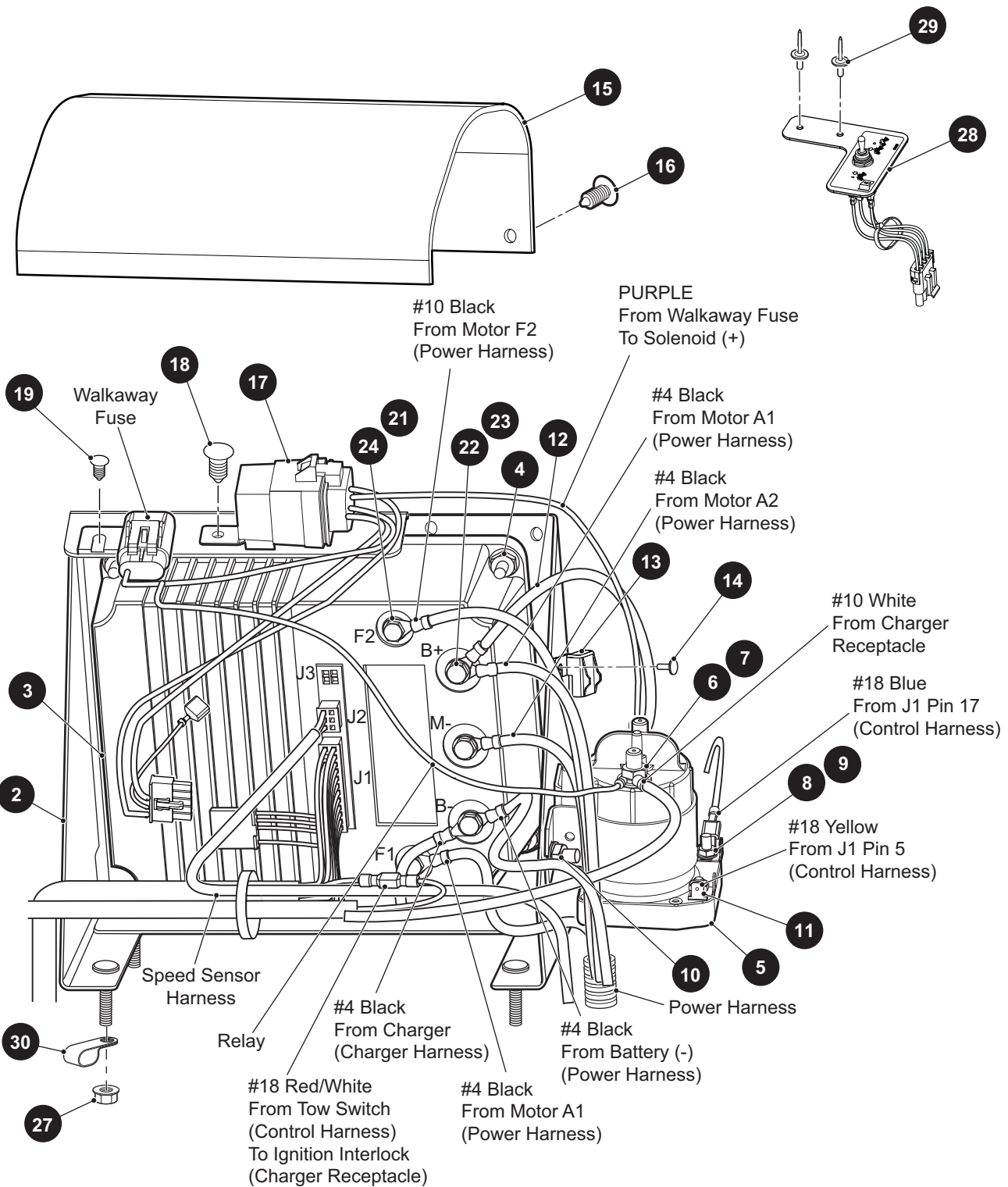
* Indicates a component that is not available as an individual part.

*** Indicates consult Customer Service Department for additional information.

ITEM	PART NO.	1 2 3 4 5	DESCRIPTION	QTY.
1	<u>74914G02</u>		HOUR METER KIT (INCLUDES ITEMS 2 - 7).....	1
2	<u>74908G01</u>		HOUR METER HARNESS	1
3	<u>10570G11</u>		RIVET (SS), 3/16" X 3/4" LG	2
4	<u>74720G01</u>		HOUR METER ASSEMBLY (INCLUDES ITEMS 5 - 7).....	1
5	<u>74665G02</u>		HOUR METER.....	1
6	<u>74696G01</u>		RETAINER CLIP	1
7	<u>74716G02</u>		HOUR METER BRACKET	1
8	<u>17618G1</u>		NYLON CLAMP (NOT ILLUSTRATED).....	2
9				
10				
11	<u>605750</u>		DC/DC CONVERTER KIT (INCLUDES ITEMS 12 - 22).....	1
12	<u>656108</u>		DC/DC CONVERTER ASSEMBLY (INCLUDES ITEMS 13 - 15)	1
13	<u>632185</u>		DC/DC CONVERTER	1
14	<u>633303</u>		DC/DC CONVERTER BRACKET	1
15	<u>632372</u>		TAPPING SCREW, #10 - 32 X 3/4" LG.....	4
16	<u>605888</u>		HARNESS	1
17	<u>00559G7</u>		FLAT WASHER, 1/4"	2
18				
19	<u>11027G2</u>		FLANGED LOCK NUT, 1/4" - 20	2
20	<u>19344G1</u>		ELECTRICAL VINYL TAPE (NOT ILLUSTRATED)	1
21	<u>00414G6</u>		HEX HEAD BOLT, 1/4" - 20 X .75" LG.....	2
22	<u>17618G1</u>		NYLON CLAMP (NOT ILLUSTRATED).....	5
23	<u>676122</u>		TROJAN HAND PUMP KIT.....	1

ELECTRONIC SPEED CONTROL

1 ELECTRONIC SPEED CONTROL ASSEMBLY includes items 2 - 24



ELECTRONIC SPEED CONTROL

THE USE OF NON U.L. PARTS WILL VOID ANY U.L. LISTING.

When ordering parts, please specify the model and serial number of the product.

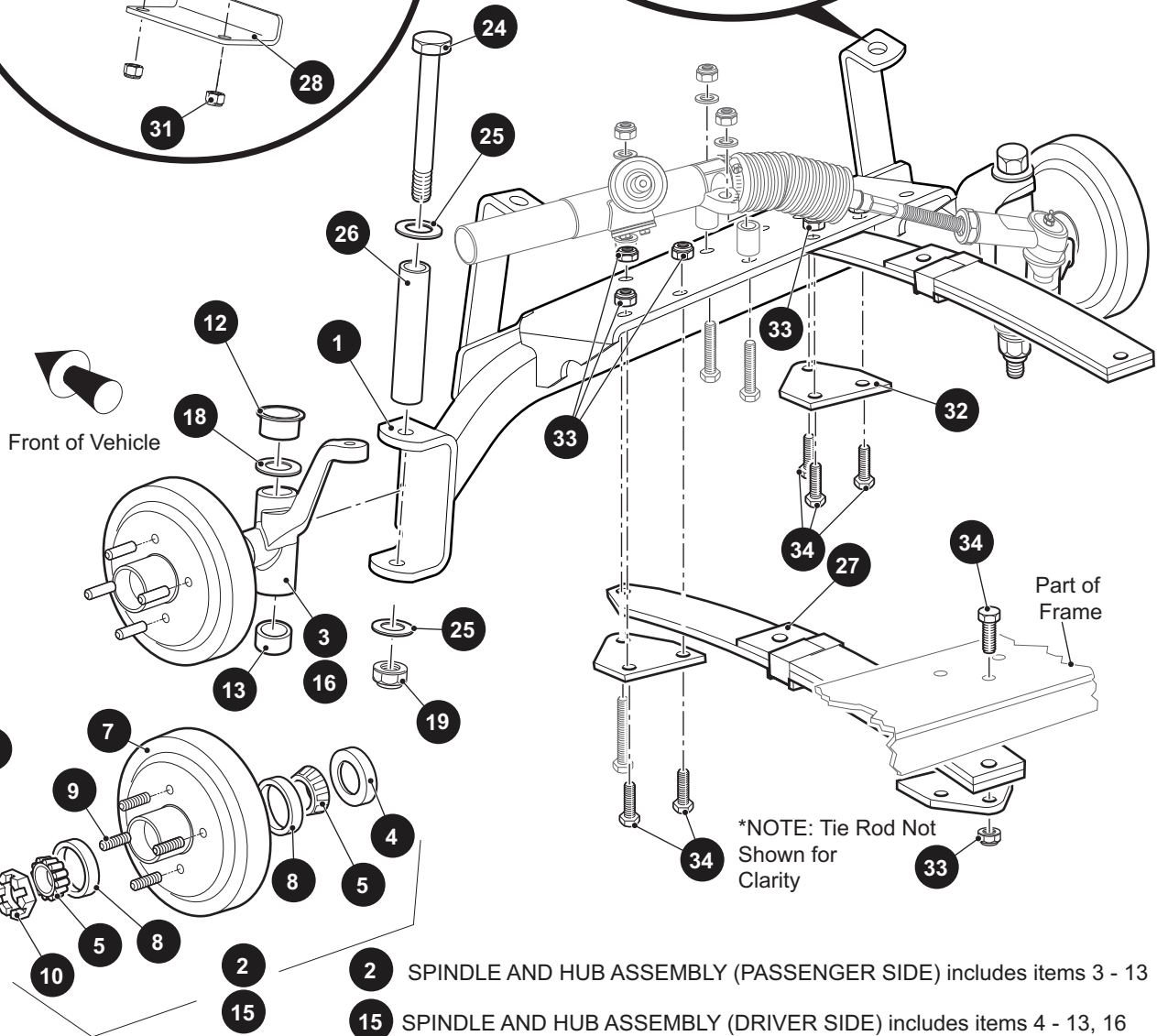
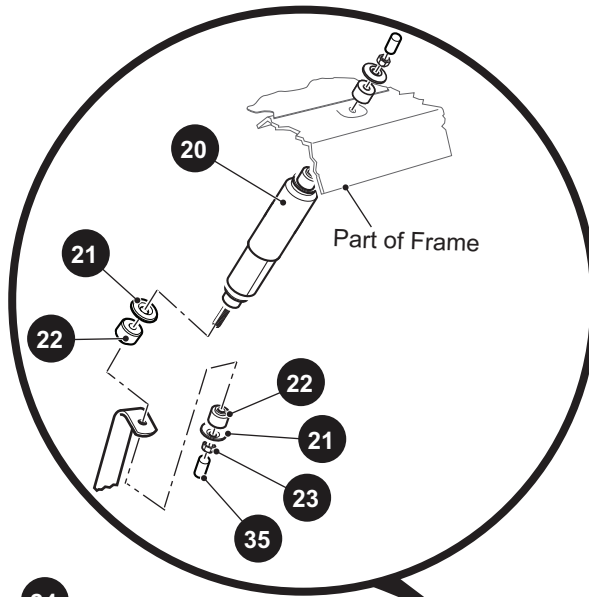
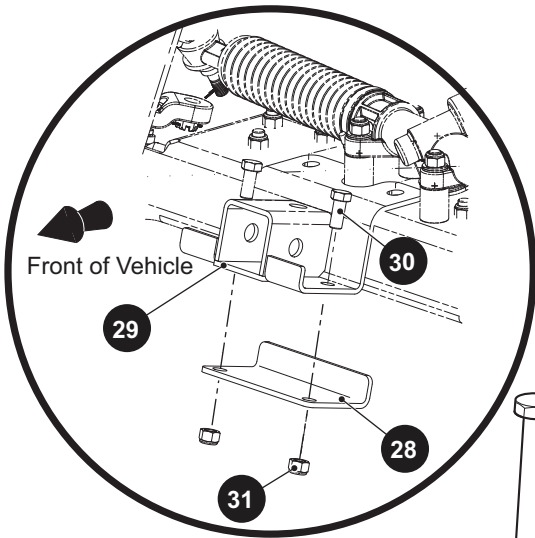
* Indicates a component that is not available as an individual part.

*** Indicates consult Customer Service Department for additional information.

ITEM	PART NO.	1 2 3 4 5	DESCRIPTION	QTY.
1	658629		ELECTRONIC SPEED CONTROL ASSEMBLY (INCLUDES ITEMS 2 -24)	1
2	<u>73351G01</u>		CONTROLLER MOUNT BRACKET	1
3	<u>611173</u>		ELECTRONIC SPEED CONTROLLER.....	1
4	<u>11027G2</u>		LOCK NUT, 1/4" - 20	4
5	<u>621330</u>		SOLENOID	1
6	<u>00565G5</u>		LOCK WASHER, #10	2
7	<u>00526G4</u>		LOCK NUT, #10 - 32.....	2
8	<u>00565G8</u>		LOCK WASHER, 5/16"	2
9	<u>00544G4</u>		JAM NUT, 5/16" - 24	2
10	<u>11027G2</u>		LOCK NUT, 1/4" - 20	2
11	<u>73446G01</u>		FASTON TAB, 90°	4
12	<u>25971G17</u>		4 GA WIRE (BLACK 9").....	1
13	<u>73499G01</u>		INLINE FUSE COVER.....	1
14	<u>15058G1</u>		RIVET (ALUMINUM), 3/16" X 7/16" LG	1
15	<u>73523G01</u>		CONTROLLER COVER	1
16	<u>16816G1</u>		RATCHET FASTENER, 1/4" X 9/16" LG	4
17	608931		WALKAWAY RELAY HARNESS, 48V	1
18	<u>16816G2</u>		RIVET, 0.25" X 0.887"	1
19	<u>16816G5</u>		RIVET, 0.187" X 0.550"	1
20				
21	<u>00993G02</u>		LOCK WASHER (SILICON BRONZE), 1/4"	2
22	<u>73296G01</u>		HEX HEAD BOLT, M8 X 1.25 X 16MM LG	3
23	<u>00993G01</u>		LOCK WASHER (SILICON BRONZE), 5/16"	3
24	<u>73876G01</u>		FLANGED SCREW, 12MM LG.....	2
25	<u>73277G01</u>		RETAINER RING (NOT ILLUSTRATED)	1
26	<u>35212G01</u>		FUSE, 15 AMP (NOT ILLUSTRATED)	1
27	<u>11027G2</u>		LOCK NUT, 1/4" - 20	4
28	<u>636618</u>		TOW SWITCH ASSEMBLY	1
29	<u>15058G1</u>		RIVET (ALUMINUM), 3/16" X 7/16" LG	2
30	<u>73053G01</u>		DOUBLE TUBE CLAMP	1

FRONT SUSPENSION AND STEERING

6 HUB ASSEMBLY includes items 7 - 9



2 SPINDLE AND HUB ASSEMBLY (PASSENGER SIDE) includes items 3 - 13

15 SPINDLE AND HUB ASSEMBLY (DRIVER SIDE) includes items 4 - 13, 16

FRONT SUSPENSION AND STEERING

THE USE OF NON U.L. PARTS WILL VOID ANY U.L. LISTING.

When ordering parts, please specify the model and serial number of the product.

* Indicates a component that is not available as an individual part.

*** Indicates consult Customer Service Department for additional information.

ITEM	PART NO.	1 2 3 4 5	DESCRIPTION	QTY.
1	652823		FRONT AXLE.....	1
2	<u>70930G02</u>		SPINDLE AND HUB ASSEMBLY (PASSENGER SIDE) (INCLUDES ITEMS 3 - 13)	1
3	<u>70802G01</u>		SPINDLE ASSEMBLY (PASSENGER SIDE)	1
4	<u>25146G1</u>		GREASE SEAL.....	1
5	<u>11750G2</u>		ROLLER BEARING AND RACE ASSEMBLY	2
6	<u>72590G01</u>		HUB ASSEMBLY (INCLUDES ITEMS 7 - 9)	1
7	<u>74332G01</u>		WHEEL HUB.....	1
8	<u>51141G1</u>		BEARING RACE	2
9	<u>36038G01</u>		WHEEL STUD, 1/2" - 20 X 2" LG.....	4
10	<u>12093G1</u>		CASTELLATED NUT, 1" - 14.....	1
11	<u>00798G8</u>		COTTER PIN, 5/32" X 1 3/4" LG	1
12	<u>632925</u>		FLANGED BUSHING, 25MM	1
13	<u>632926</u>		SLEEVE BUSHING, 25MM	1
14				
15	<u>70931G02</u>		SPINDLE AND HUB ASSEMBLY (DRIVER SIDE) (INCLUDES ITEMS 4 - 13, 16)	1
16	<u>70803G01</u>		SPINDLE ASSEMBLY (DRIVER SIDE).....	1
17				
18	<u>70754G01</u>		THRUST WASHER (SS), 1"	2
19	<u>14390G6</u>		LOCK NUT, 1/2" - 13.....	2
20	<u>76419G01</u>		SHOCK ABSORBER.....	2
21	<u>10435G1</u>		SHOCK ABSORBER WASHER, 1.25" O.D. X .406" I.D.	8
22	<u>10194G1</u>		RUBBER BUSHING, 1" O.D. X .34" I.D.....	8
23	<u>00532G6</u>		HEX NUT, 3/8" - 24	4
24	<u>00407G6</u>		KING PIN BOLT, 1/2" - 13 X 6" LG.....	2
25	<u>00560G3</u>		FLAT WASHER, 1/2"	4
26	<u>70745G01</u>		KING PIN TUBE.....	2
27	<u>70990G03</u>		CANTILEVER LEAF SPRING.....	2
28	<u>604572</u>		WINCH PLATE.....	4
29	<u>635202</u>		WINCH RECEIVER.....	3
30	<u>00462G8</u>		HEX HEAD BOLT, 7/16" - 14 X 1" LG	4

FRONT SUSPENSION AND STEERING

THE USE OF NON U.L. PARTS WILL VOID ANY U.L. LISTING.

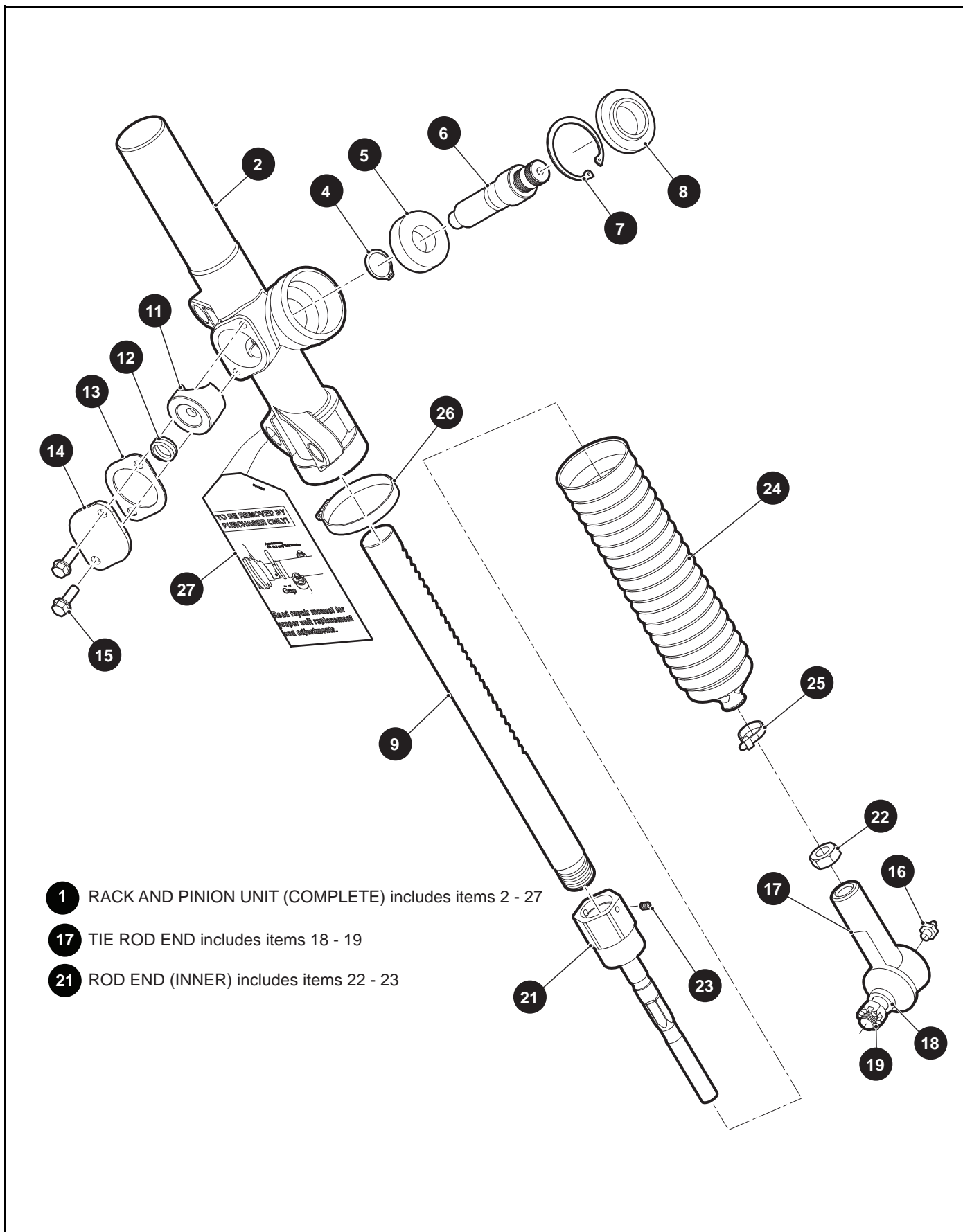
When ordering parts, please specify the model and serial number of the product.

* Indicates a component that is not available as an individual part.

*** Indicates consult Customer Service Department for additional information.

ITEM	PART NO.	1 2 3 4 5	DESCRIPTION	QTY.
31	<u>00734G1</u>		LOCK NUT, 7/16" - 14	4
32	<u>652258</u>		SPRING PLATE.....	4
33	<u>00734G1</u>		LOCK NUT, 7/16" - 14	12
34	<u>00463G11</u>		HEX HEAD BOLT, 7/16" - 14 X 1 3/4" LG.....	12
35	<u>10044G01</u>		VINYL CAP	4

FRONT SUSPENSION AND STEERING



FRONT SUSPENSION AND STEERING

THE USE OF NON U.L. PARTS WILL VOID ANY U.L. LISTING.

When ordering parts, please specify the model and serial number of the product.

* Indicates a component that is not available as an individual part.

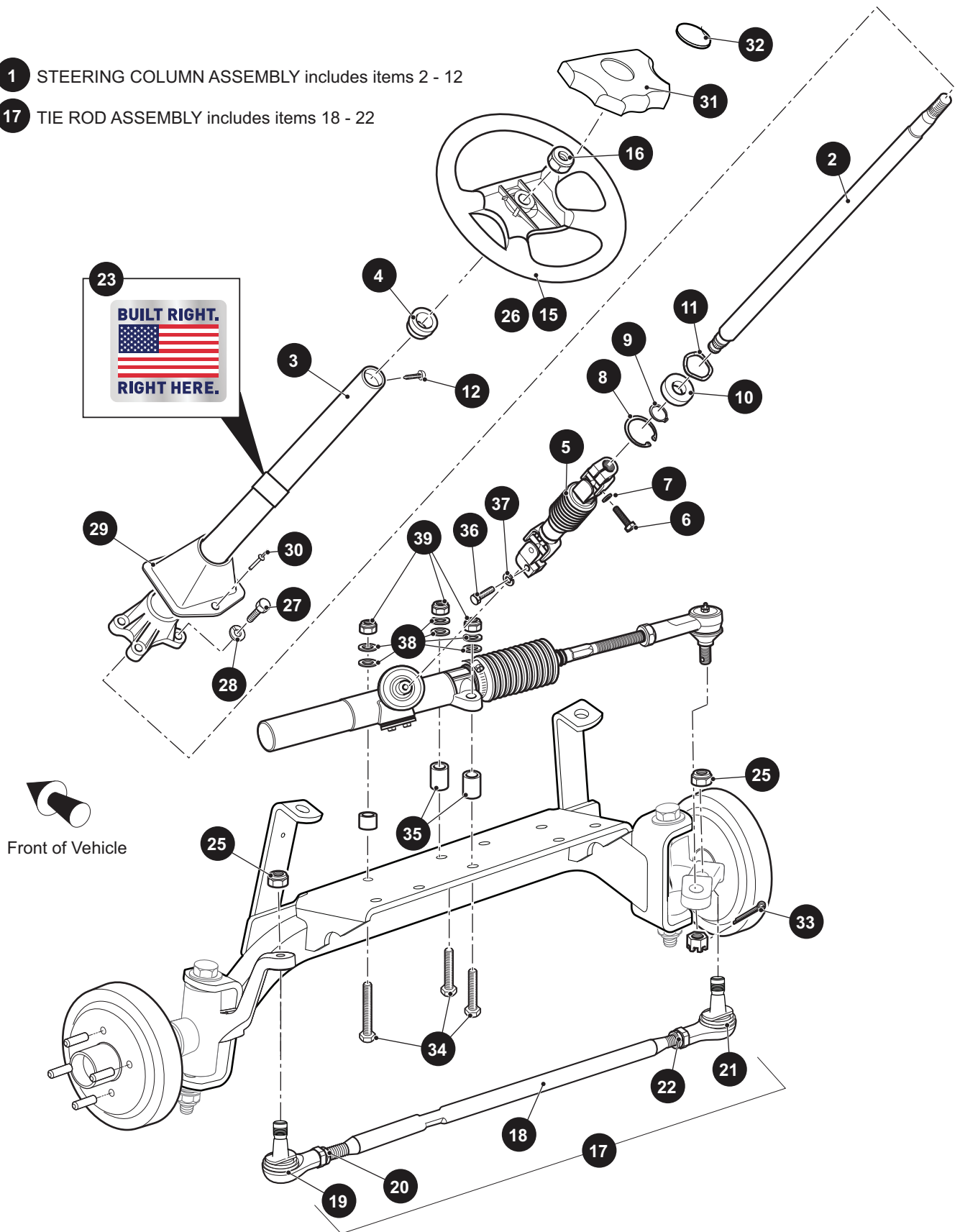
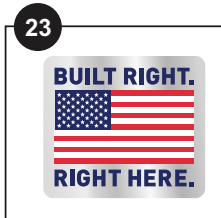
*** Indicates consult Customer Service Department for additional information.

ITEM	PART NO.	1 2 3 4 5	DESCRIPTION	QTY.
1	<u>70964G01</u>		RACK AND PINION UNIT (COMPLETE) (INCLUDES ITEMS 2 - 27)	1
2	<u>70965G01</u>		STEERING RACK COVER AND BEARING	1
3				
4	<u>70750G01</u>		RETAINING RING (EXTERNAL)	1
5	<u>15112G1</u>		BALL BEARING	1
6	<u>70603G01</u>		PINION	1
7	<u>70751G01</u>		RETAINING RING (INTERNAL)	1
8	<u>70638G01</u>		SEAL PINION	1
9	<u>70604G01</u>		STEERING RACK	1
10				
11	<u>70590G01</u>		RACK LOADER	1
12	<u>70666G01</u>		SPRING COMPRESSION	1
13	<u>70645G01</u>		GASKET (RACK LOADER)	1
14	<u>652259</u>		COVER (RACK LOADER)	1
15	<u>71102G01</u>		HEX HEAD TAPTITE SCREW, 1/4" - 20 X 3/4" LG	2
16	<u>10389G3</u>		GREASE FITTING, STRAIGHT	1
17	<u>70695G01</u>		TIE ROD END (INCLUDES ITEMS 18 - 19)	1
18	<u>50641G1</u>		RUBBER BOOT	1
19	*		SLOTTED NUT, 7/16" - 20	1
20				
21	<u>70694G01</u>		ROD END (INNER) (INCLUDES ITEMS 22 - 23)	1
22	*		JAM NUT, 1/2" - 20	1
23	*		SET SCREW, #10 - 32 x .25" LG	1
24	<u>70961G01</u>		RACK BOOT	1
25	<u>12416G2</u>		NYLON CLAMP	1
26	<u>11391G8</u>		HOSE CLAMP, 1 13/16" - 2 3/8"	1
27	604238		STEERING BOX TAG	1

FRONT SUSPENSION AND STEERING

1 STEERING COLUMN ASSEMBLY includes items 2 - 12

17 TIE ROD ASSEMBLY includes items 18 - 22



FRONT SUSPENSION AND STEERING

THE USE OF NON U.L. PARTS WILL VOID ANY U.L. LISTING.

When ordering parts, please specify the model and serial number of the product.

* Indicates a component that is not available as an individual part.

*** Indicates consult Customer Service Department for additional information.

ITEM	PART NO.	1 2 3 4 5	DESCRIPTION	QTY.
1	<u>70758G05</u>		STEERING COLUMN ASSEMBLY (INCLUDES ITEMS 2 - 12)	1
2	<u>70607G01</u>		STEERING SHAFT.....	1
3	<u>70610G03</u>		STEERING COLUMN.....	1
4	<u>28569G01</u>		STEERING COLUMN BUSHING	1
5	<u>70580G01</u>		INTERMEDIATE SHAFT	1
6	<u>01055G01</u>		HEX HEAD BOLT, M8 X 1.25 LG	1
7	<u>00565G8</u>		LOCK WASHER, 5/16"	1
8	<u>70751G01</u>		RETAINING RING (INTERNAL)	1
9	<u>70888G01</u>		RETAINING RING (EXTERNAL).....	1
10	<u>15112G1</u>		BALL BEARING.....	1
11	<u>70887G01</u>		WAVE WASHER.....	1
12	<u>01022G01</u>		HEX HEAD BOLT, #6 - 20 x 5/16" LG	1
13				
14				
15	<u>602980</u>		STEERING WHEEL (PREMIUM).....	1
16	<u>14390G2</u>		LOCK NUT, 5/8" - 18.....	1
17	<u>70876G02</u>		TIE ROD ASSEMBLY (INCLUDES ITEMS 18 - 22).....	1
18	<u>70897G02</u>		THREADED ROD (24" LG)	1
19	<u>70902G01</u>		TIE ROD END (LEFT HAND THREADS).....	1
20	<u>01069G01</u>		JAM NUT, M12 X 1.25 (LEFT HAND THREADS).....	1
21	<u>70902G02</u>		TIE ROD END (RIGHT HAND THREADS).....	1
22	<u>01069G02</u>		JAM NUT, M12 X 1.25 (RIGHT HAND THREADS)	1
23	<u>685698</u>		DECAL, MADE IN USA.....	1
24				
25	<u>00734G1</u>		LOCK NUT, 7/16" - 14.....	2
26	<u>602979</u>		STEERING WHEEL	1
27	<u>01006G01</u>		HEX HEAD BOLT, 3/8" - 16 x 1 1/4" LG.....	4
28	<u>00879G1</u>		FLAT WASHER, 3/8"	4
29	<u>70997G01</u>		STEERING COLUMN BASE COVER.....	1
30	<u>71055G01</u>		RIVET, 3/16" DIA.....	1
31	<u>71147G01</u>		STEERING WHEEL COVER	1

FRONT SUSPENSION AND STEERING

THE USE OF NON U.L. PARTS WILL VOID ANY U.L. LISTING.

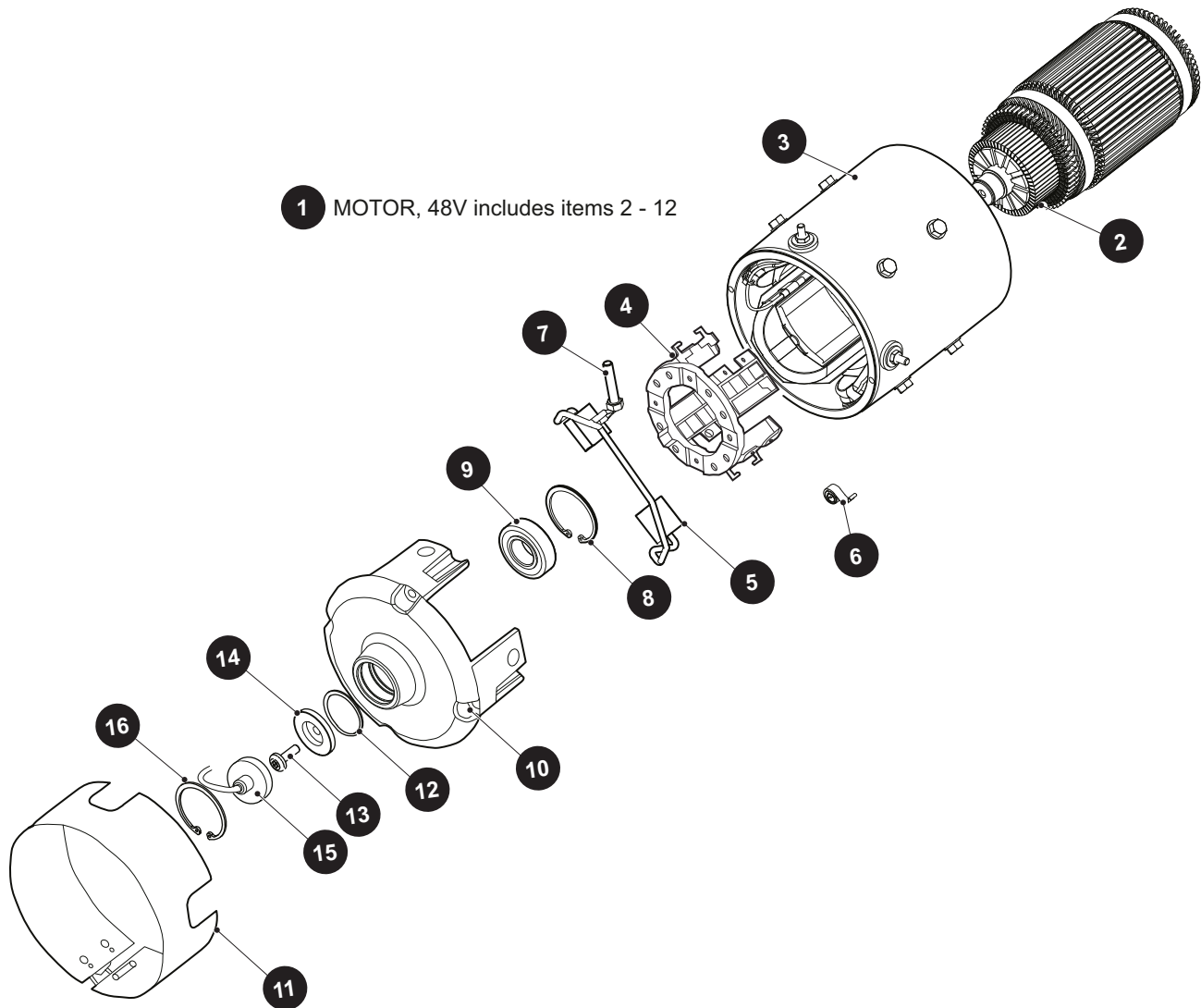
When ordering parts, please specify the model and serial number of the product.

* Indicates a component that is not available as an individual part.

*** Indicates consult Customer Service Department for additional information.

ITEM	PART NO.	1 2 3 4 5	DESCRIPTION	QTY.
32	<u>605435</u>		E-Z-GO STEERING WHEEL DECAL	1
33	<u>10387G2</u>		COTTER PIN, 3/32" X 1" LG	1
34	<u>00464G6</u>		HEX HEAD BOLT, 7/16" - 14 X 2 3/4" LG	3
35	<u>70667G02</u>		SPACER, 1.21"	3
36	<u>01055G01</u>		HEX HEAD BOLT, M8 X 1.25 LG	1
37	<u>00565G8</u>		LOCK WASHER, 5/16"	1
38	<u>00560G2</u>		FLAT WASHER, 7/16"	6
39	<u>00734G1</u>		LOCK NUT, 7/16" - 14	3

MOTOR



THE USE OF NON U.L. PARTS WILL VOID ANY U.L. LISTING.

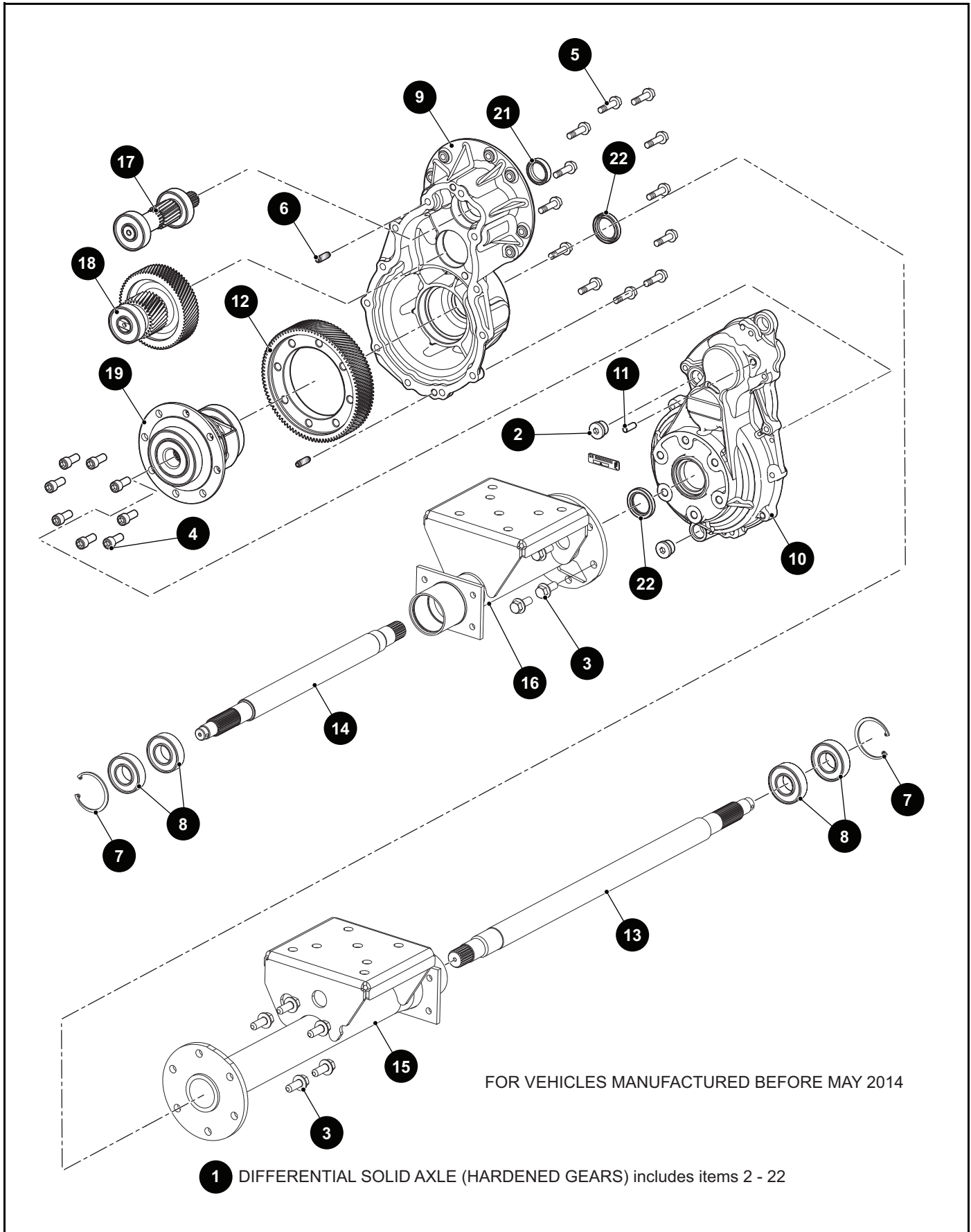
When ordering parts, please specify the model and serial number of the product.

* Indicates a component that is not available as an individual part.

*** Indicates consult Customer Service Department for additional information.

ITEM	PART NO.	1 2 3 4 5	DESCRIPTION	QTY.
1	<u>628660</u>		MOTOR, 48V (INCLUDES ITEMS 2 - 12).....	1
2	<u>73120G34</u>		ARMATURE ASSEMBLY.....	1
3	<u>73120G37</u>		FRAME & FIELD ASSEMBLY	1
4	<u>73120G40</u>		BRUSH PLATE ASSEMBLY (WITH SPRINGS).....	1
5	<u>73120G39</u>		BRUSH	8
6	<u>73120G38</u>		SPRING.....	8
7	<u>73120G41</u>		BRUSH LEAD & TERMINAL SERVICE KIT	1
8	<u>73120G06</u>		RETAINING RING	1
9	<u>73120G07</u>		BEARING	1
10	624909		COMMUTATOR ENDHEAD	1
11	<u>73120G43</u>		HEADBAND ASSEMBLY.....	1
12	<u>624109</u>		O-RING, 1.36" I.D.	1
13	<u>01037G02</u>		PAN HEAD SCREW, #10 - 32 X 1/2" LG	1
14	<u>73328G01</u>		SPEED SENSOR MAGNET	1
15	<u>73327G04</u>		SPEED SENSOR.....	1
16	<u>73277G01</u>		RETAINING RING.....	1

REAR AXLE



THE USE OF NON U.L. PARTS WILL VOID ANY U.L. LISTING.

When ordering parts, please specify the model and serial number of the product.

* Indicates a component that is not available as an individual part.

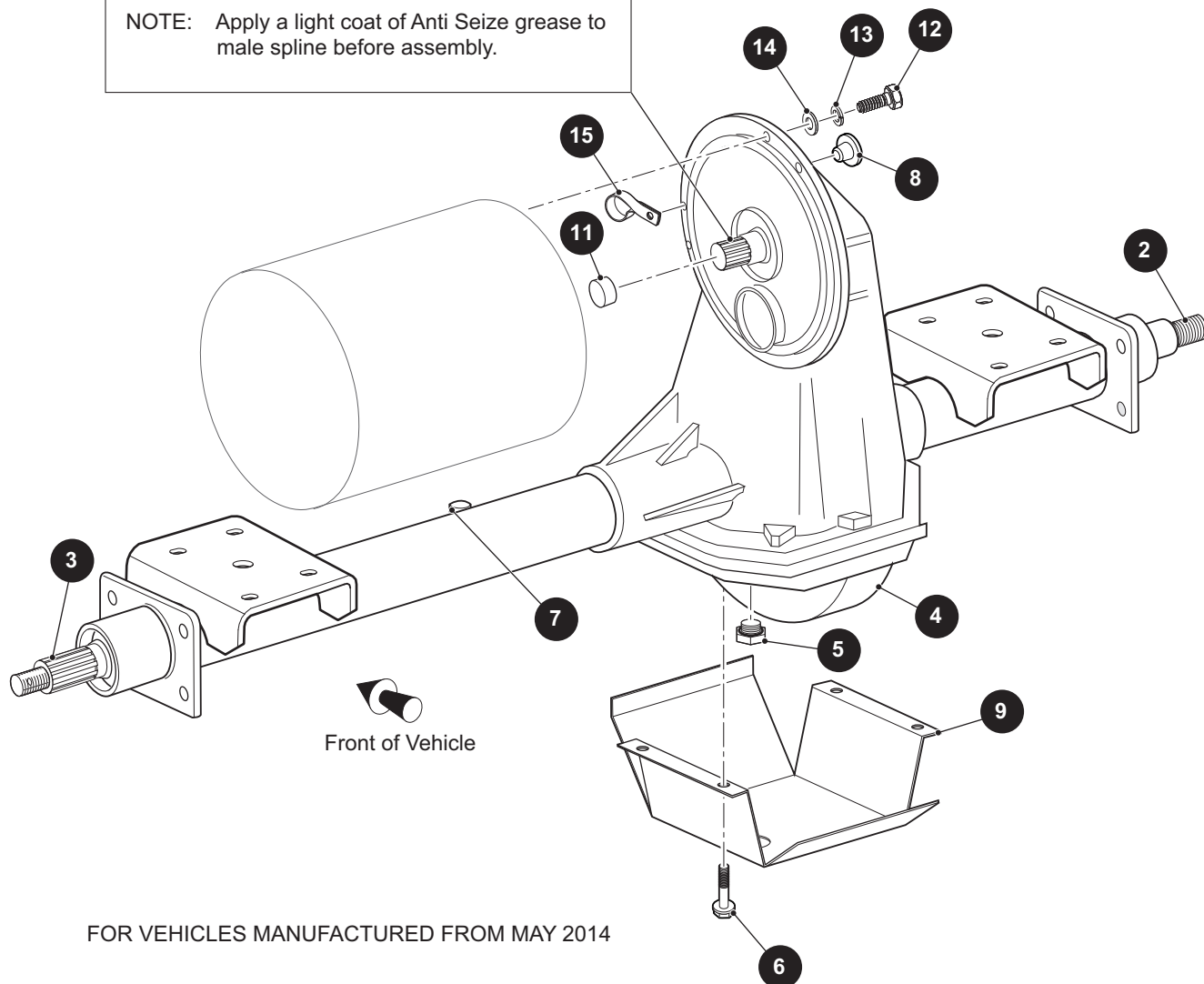
*** Indicates consult Customer Service Department for additional information.

ITEM	PART NO.	1 2 3 4 5	DESCRIPTION	QTY.
1	<u>631165</u>		DIFFERENTIAL SOLID AXLE (HARDENED GEARS) (INCLUDES ITEMS 2 - 22)	1
2	*		HEX HOLLOW PLUG, 3/4" - 16	2
3	*		HEX HEAD SCREW, 3/8" - 16 X 1" LG	12
4	*		HEX HEAD SCREW, 3/8" - 24MM LG	8
5	*		TAPPING SCREW, 5/16" - 18 X 1.25" LG	12
6	*		PIN, 5/16" X 1" LG	2
7	*		RETAINING RING, 52MM	2
8	*		BALL BEARING, 25MM X 52MM X 15MM	4
9	*		GEARCASE - MACH (DRIVER SIDE)	1
10	*		GEARCASE - MACH (PASSENGER SIDE)	1
11	*		VENT TUBE, 1/4"	1
12	*		HELICAL OUTPUT GEAR	1
13	*		AXLE (DRIVER SIDE)	1
14	*		AXLE (PASSENGER SIDE)	1
15	*		AXLE TUBE WELDMENT (DRIVER SIDE)	1
16	*		AXLE TUBE WELDMENT (PASSENGER SIDE)	1
17	*		SHAFT MOTOR INPUT SUBASSEMBLY	1
18	*		INTERMEDIATE SHAFT SUBASSEMBLY	1
19	*		DIFFERENTIAL SUBASSEMBLY	1
20	*		VENT CAP PLUG, 5/16" (NOT ILLUSTRATED)	1
21	*		TRIPLE LIP SEAL, 25 X 35 X 7.8	1
22	*		DUAL LIP SEAL, 29 X 42 X 7	2

REAR AXLE

- 1 REAR AXLE ASSEMBLY includes items 2 - 7
- 18 REAR AXLE ASSEMBLY W/LSD includes items 2 - 7

NOTE: Apply a light coat of Anti Seize grease to male spline before assembly.



REAR AXLE

THE USE OF NON U.L. PARTS WILL VOID ANY U.L. LISTING.

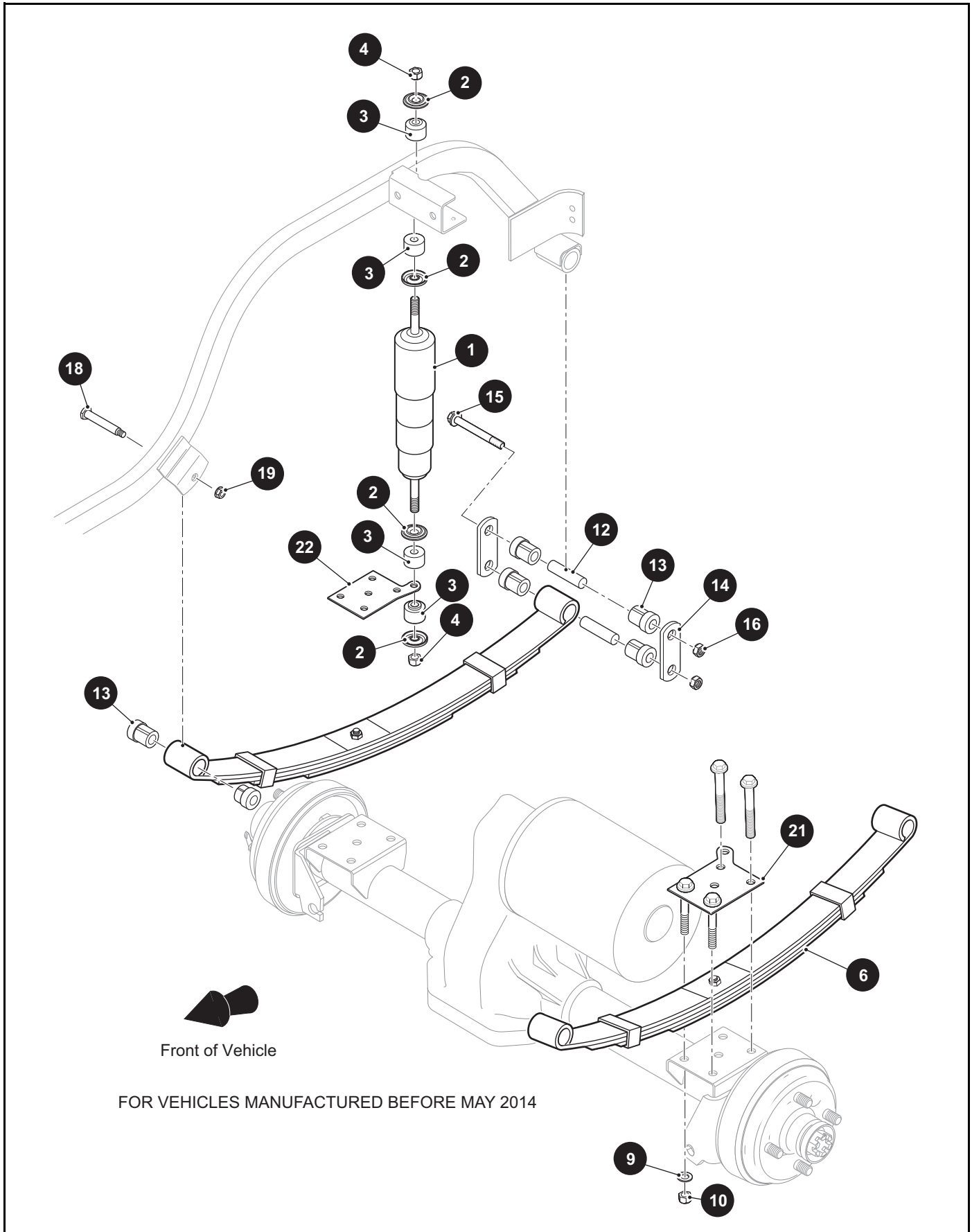
When ordering parts, please specify the model and serial number of the product.

* Indicates a component that is not available as an individual part.

*** Indicates consult Customer Service Department for additional information.

ITEM	PART NO.	1 2 3 4 5	DESCRIPTION	QTY.
1	<u>74776G01</u>		REAR AXLE ASSEMBLY (INCLUDES ITEMS 2 - 7).....	1
2	<u>617609</u>		AXLE SHAFT (PASSENGER SIDE).....	1
3	<u>617608</u>		AXLE SHAFT (DRIVER SIDE)	1
4	<u>612823</u>		DIFFERENTIAL COVER	1
5	<u>601085</u>		HEX HEAD PLUG	1
6	<u>15558G1</u>		HEX HEAD FLANGED BOLT, 5/16" - 18 X 3/4" LG.....	10
7	<u>73050G01</u>		VENT VALVE	1
8	<u>624110</u>		PLUG	3
9	<u>72764G02</u>		SCUFF GUARD	1
10				
11	<u>24261G1</u>		SPLINE BUMPER	1
12	<u>00797G2</u>		HEX HEAD BOLT, 1/4" - 20 X 1 1/4" LG	3
13	<u>00664G7</u>		LOCK WASHER (SS), 1/4"	3
14	<u>01110G01</u>		FLAT WASHER (SS), 1/4"	3
15	<u>27327G01</u>		CLAMP	1
16				
17				
18	<u>617150</u>		REAR AXLE ASSEMBLY W/LSD (INCLUDES ITEMS 2 - 7).....	1

REAR SUSPENSION



REAR SUSPENSION

THE USE OF NON U.L. PARTS WILL VOID ANY U.L. LISTING.

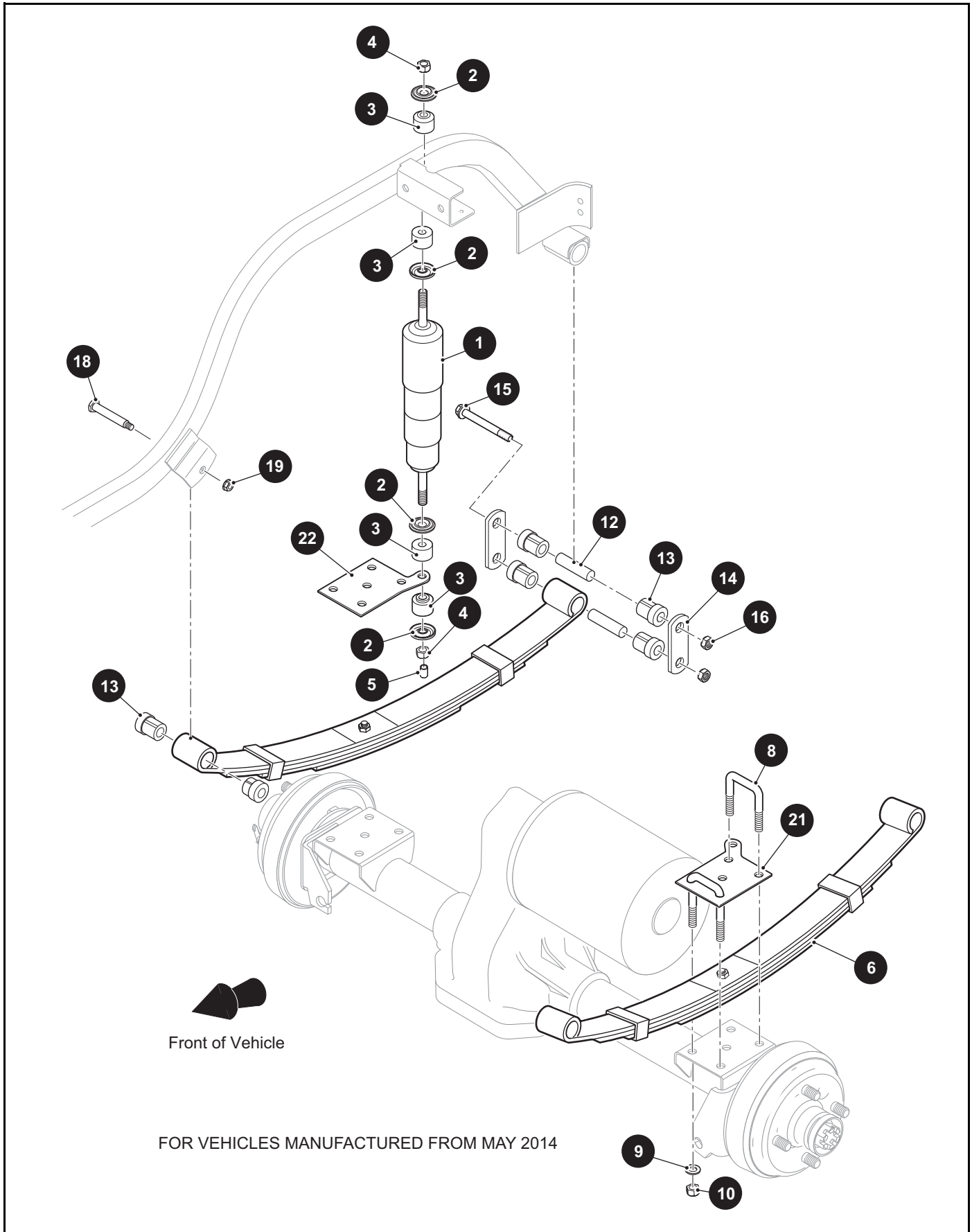
When ordering parts, please specify the model and serial number of the product.

* Indicates a component that is not available as an individual part.

*** Indicates consult Customer Service Department for additional information.

ITEM	PART NO.	1 2 3 4 5	DESCRIPTION	QTY.
1	<u>633674</u>		SHOCK ABSORBER.....	2
2	634006		SHOCK ABSORBER WASHER.....	8
3	<u>634005</u>		RUBBER BUSHING.....	8
4	<u>606255</u>		HEX JAM NUT, M10 X 1.25	4
5				
6	<u>616098</u>		LEAF SPRING	2
7				
8				
9	<u>306981</u>		FLAT WASHER, 3/8".....	8
10	<u>616675</u>		LOCK NUT, M10 X 1.5.....	8
11				
12	<u>70289G02</u>		SPLIT STEEL SPACER	4
13	<u>624030</u>		FLANGED BUSHING.....	12
14	<u>652245</u>		SHACKLE PLATE	4
15	<u>00665G9</u>		HEX HEAD BOLT (SS), 3/8" - 16 X 3 1/2" LG	4
16	<u>11098G5</u>		LOCK NUT, 3/8" - 16.....	4
17				
18	<u>14158G1</u>		SHOULDER BOLT, 3/8" - 16 X 3 1/4" LG	2
19	<u>12262G1</u>		FLANGED LOCK NUT, 3/8" - 16.....	2
20				
21	633028		SHOCK ABSORBER MOUNTING PLATE (DRIVER SIDE)	1
22	633029		SHOCK ABSORBER MOUNTING PLATE (PASSENGER SIDE).....	1

REAR SUSPENSION



REAR SUSPENSION

THE USE OF NON U.L. PARTS WILL VOID ANY U.L. LISTING.

When ordering parts, please specify the model and serial number of the product.

* Indicates a component that is not available as an individual part.

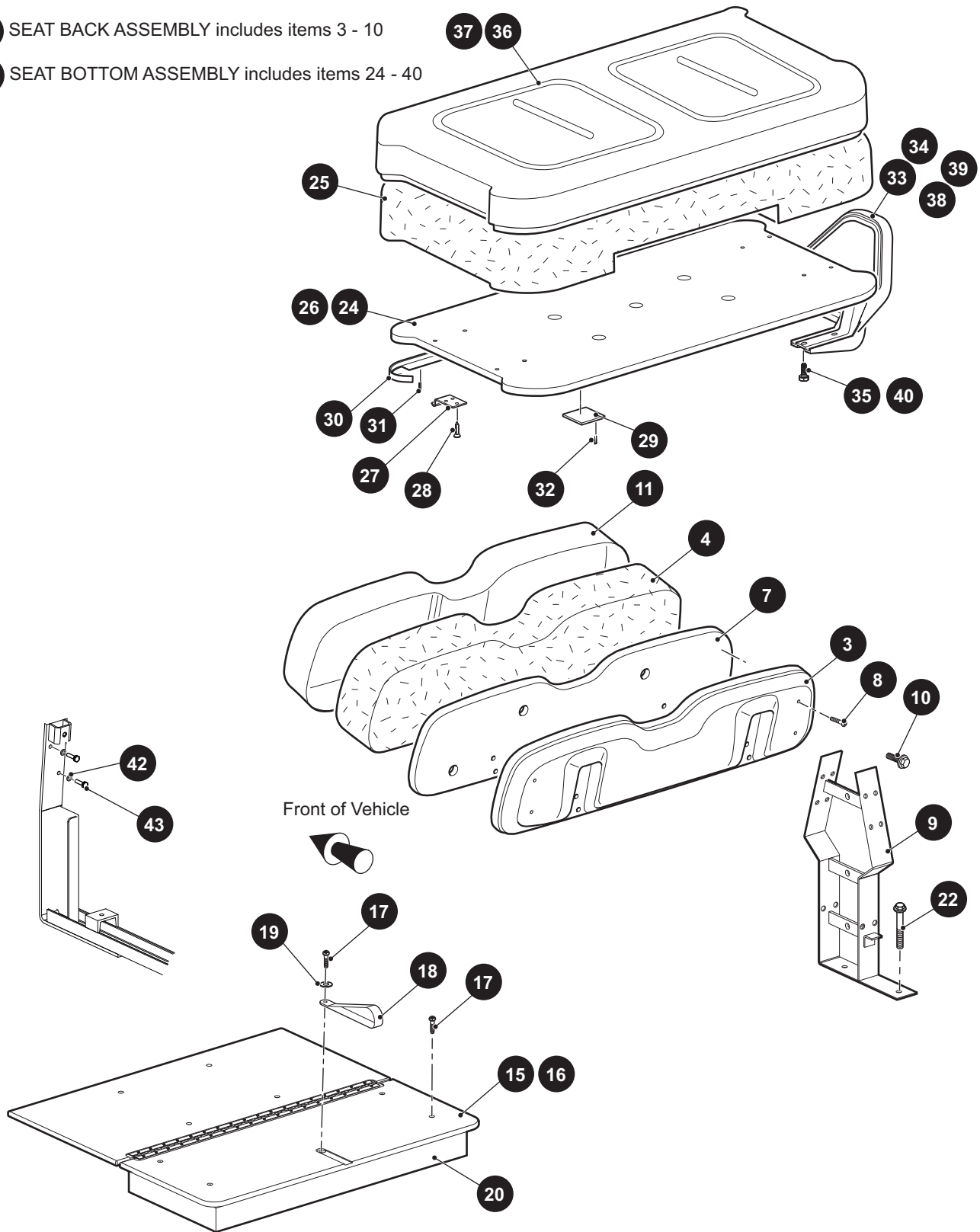
*** Indicates consult Customer Service Department for additional information.

ITEM	PART NO.	1 2 3 4 5	DESCRIPTION	QTY.
1	<u>76418G01</u>		SHOCK ABSORBER.....	2
2	<u>10435G1</u>		SHOCK ABSORBER WASHER.....	8
3	<u>10194G1</u>		RUBBER BUSHING, 1" O.D. X 0.34" I.D.....	8
4	<u>00532G6</u>		HEX NUT, 3/8" - 24	4
5	<u>10044G01</u>		VINYL CAP.....	2
6	<u>75721G01</u>		LEAF SPRING	2
7				
8	<u>72618G01</u>		'U' BOLT, 3/8" - 16 X 2" X 2 1/2" LG.....	4
9	<u>00560G1</u>		FLAT WASHER, 3/8".....	8
10	<u>11098G5</u>		LOCK NUT, 3/8" - 16.....	8
11				
12	<u>70289G02</u>		SPLIT SPACER (STEEL), 0.5" DIA.....	4
13	<u>624030</u>		FLANGED BUSHING, 21.6MM OD X 13.2MM I.D.	12
14	<u>652245</u>		SHACKLE PLATE	4
15	<u>00665G9</u>		HEX HEAD BOLT (SS) , 3/8" - 16 X 3 1/2" LG	4
16	<u>11098G5</u>		LOCK NUT, 3/8" - 16.....	4
17				
18	<u>14158G1</u>		HEX HEAD SHOULDER BOLT, 3/8" - 16 X 3 1/4" LG	2
19	<u>12262G1</u>		FLANGED LOCK NUT, 3/8" - 16.....	2
20				
21	<u>620733</u>		SHOCK ABSORBER MOUNTING PLATE (DRIVER SIDE)	1
22	<u>620736</u>		SHOCK ABSORBER MOUNTING PLATE (PASSENGER SIDE).....	1

SEATING

1 SEAT BACK ASSEMBLY includes items 3 - 10

23 SEAT BOTTOM ASSEMBLY includes items 24 - 40



14 FLIP FLOP SEAT BOTTOM ASSEMBLY includes items 20

THE USE OF NON U.L. PARTS WILL VOID ANY U.L. LISTING.

When ordering parts, please specify the model and serial number of the product.

* Indicates a component that is not available as an individual part.

*** Indicates consult Customer Service Department for additional information.

ITEM	PART NO.	1 2 3 4 5	DESCRIPTION	QTY.
1	***		SEAT BACK ASSEMBLY (INCLUDES ITEMS 3 - 10)..... 71751G02 GRAY 71751G03 OYSTER 71751G04 TAN 71751G07 BLACK 604908 WHITE/BLUE 604907 WHITE/RED 71751G06 BROWN 620794 WHITE/YELLOW 620796 GRAY/BLACK 606828 RED/BLACK 615838 WHITE/BLACK 615837 OYSTER/GARNET	1
2				
3	71752G01		SEAT BACK REAR COVER	1
4	<u>71754G01</u>		FOAM PADDING	1
5				
6				
7	<u>645021</u>		SEAT BACK BASE	1
8	<u>01107G01</u>		PAN HEAD TORX SCREW (SS), #8 X 5/8" LG.....	4
9	<u>615730</u>		SEAT BACK SUPPORT	2
10	71204G01		HEX HEAD BOLT, 1/4" - 20 X .88" LG.....	8
11	***		VINYL SEAT BACK COVER	1
			71753G03 OYSTER	
			71753G04 TAN	
			71753G07 BLACK	
			71753G02 GRAY	
			71753G06 BROWN	
			71753G01 WHITE	
			71753G05 SPECIAL	
			604916G0103 WHITE/RED (FOR VEHICLES MANUFACTURED BEFORE MAY 2014)	
			604916G0704 GRAY/BLACK (FOR VEHICLES MANUFACTURED BEFORE MAY 2014)	
			604916G0108 WHITE/YELLOW (FOR VEHICLES MANUFACTURED BEFORE MAY 2014)	
12				
13				
14	***		FLIP FLOP SEAT BOTTOM ASSEMBLY (INCLUDES ITEM 20)..... 632837G01 OYSTER 632837G03 TAN	1

SEATING

THE USE OF NON U.L. PARTS WILL VOID ANY U.L. LISTING.

When ordering parts, please specify the model and serial number of the product.

* Indicates a component that is not available as an individual part.

*** Indicates consult Customer Service Department for additional information.

ITEM	PART NO.	1	2	3	4	5	DESCRIPTION	QTY.
		632837G04	GRAY					
		632837G06	BLACK					
		632837G07	BROWN					
		632837G09	WHITE/BLUE					
		632837G10	RED/BLACK					
		632837G11	WHITE/RED					
		632837G12	WHITE/BLACK					
		632837G13	WHITE/YELLOW					
		632837G14	GRAY/BLACK					
		632837G15	OYSTER/GARNET					
		621027	TAN (FOR VEHICLES MANUFACTURED BEFORE MAY 2014)					
		621026	OYSTER (FOR VEHICLES MANUFACTURED BEFORE MAY 2014)					
		621031	WHITE/BLUE (FOR VEHICLES MANUFACTURED BEFORE MAY 2014)					
		621036	BLACK (FOR VEHICLES MANUFACTURED BEFORE MAY 2014)					
		621032	WHITE/RED (FOR VEHICLES MANUFACTURED BEFORE MAY 2014)					
		621034	WHITE/YELLOW (FOR VEHICLES MANUFACTURED BEFORE MAY 2014)					
		621035	GRAY/BLACK (FOR VEHICLES MANUFACTURED BEFORE MAY 2014)					
		617895	GRAY (FOR VEHICLES MANUFACTURED BEFORE MAY 2014)					
		617897	BROWN (FOR VEHICLES MANUFACTURED BEFORE MAY 2014)					
15	<u>617137</u>	DECK BOARD ASSEMBLY (FOR VEHICLES MANUFACTURED BEFORE MAY 2014)						1
16	<u>634190</u>	DECK BOARD ASSEMBLY						1
17	<u>16705G1</u>	TRUSS HEAD PHILLIPS SCREW (SS), 1/4" - 20 X 1" LG						5
18	<u>617402</u>	SEAT STRAP						1
19	<u>00559G7</u>	FLAT WASHER, 1/4"						1
20	***	FLIP FLOP VINYL SEAT BOTTOM.....						1
		615646	OYSTER					
		615647	TAN					
		617892	GRAY					
		615648	BLACK					
		617893	BROWN					
		611125	WHITE/BLUE					
		611135	RED/BLACK					
		611126	WHITE/RED					
		611130	WHITE/BLACK					
		611127	WHITE/YELLOW					
		611137	GRAY/BLACK					
		611136	OYSTER/RUBY					

THE USE OF NON U.L. PARTS WILL VOID ANY U.L. LISTING.

When ordering parts, please specify the model and serial number of the product.

* Indicates a component that is not available as an individual part.

*** Indicates consult Customer Service Department for additional information.

ITEM	PART NO.	1 2 3 4 5	DESCRIPTION	QTY.
21				
22	<u>01006G01</u>		HEX WASHER HEAD SCREW, 3/8" - 16 X 1.25" LG	4
23	***		SEAT BOTTOM ASSEMBLY (INCLUDES ITEMS 24 - 40)	1
			629269G0101 OYSTER	
			629269G0103 TAN	
			629269G0104 GRAY	
			629269G0105 WHITE	
			629269G0106 BLACK	
			629269G0107 BROWN	
			629269G0108 CUSTOM SOLID	
			629269G0109 WHITE/BLUE	
			629269G0110 RED/BLACK	
			629269G0111 WHITE/RED	
			629269G0112 WHITE/BLACK	
			629269G0113 WHITE/YELLOW	
			629269G0114 GRAY/BLACK	
			629269G0115 OYSTER/GARNET	
			71611G07 TAN (FOR VEHICLES MANUFACTURED BEFORE MAY 2014)	
			71611G05 OYSTER (FOR VEHICLES MANUFACTURED BEFORE MAY 2014)	
			71611G03 GRAY (FOR VEHICLES MANUFACTURED BEFORE MAY 2014)	
			71611G17 BLACK (FOR VEHICLES MANUFACTURED BEFORE MAY 2014)	
			71611G16 BROWN (FOR VEHICLES MANUFACTURED BEFORE MAY 2014)	
24	<u>645493</u>		SEAT BOTTOM (FOR VEHICLES MANUFACTURED BEFORE MAY 2014)	1
25	<u>71603G02</u>		FOAM PADDING (SEAT BOTTOM)	1
26	<u>645492</u>		SEAT BOTTOM	1
27	<u>71610G01</u>		SEAT HINGE	2
28	<u>00720G08</u>		FLAT HEAD PHILLIPS SCREW (SS), #12 - 14 X 1" LG	6
29	<u>17074G1</u>		RUBBER PAD	2
30	<u>71012G01</u>		VINYL TRIM (SEAT BOTTOM)	1
31	<u>23222G1</u>		FLAT STAPLE	110
32	<u>23223G1</u>		FLAT STAPLE	36
33	<u>617645</u>		HIP RESTRAINT (DRIVER SIDE)	1
34	<u>617644</u>		HIP RESTRAINT (PASSENGER SIDE)	1
35	<u>615417</u>		BUTTON HEAD TORX BOLT (SS), 1/4" - 20 X 1" LG	8
36	***		VINYL SEAT BOTTOM COVER	1

SEATING

THE USE OF NON U.L. PARTS WILL VOID ANY U.L. LISTING.

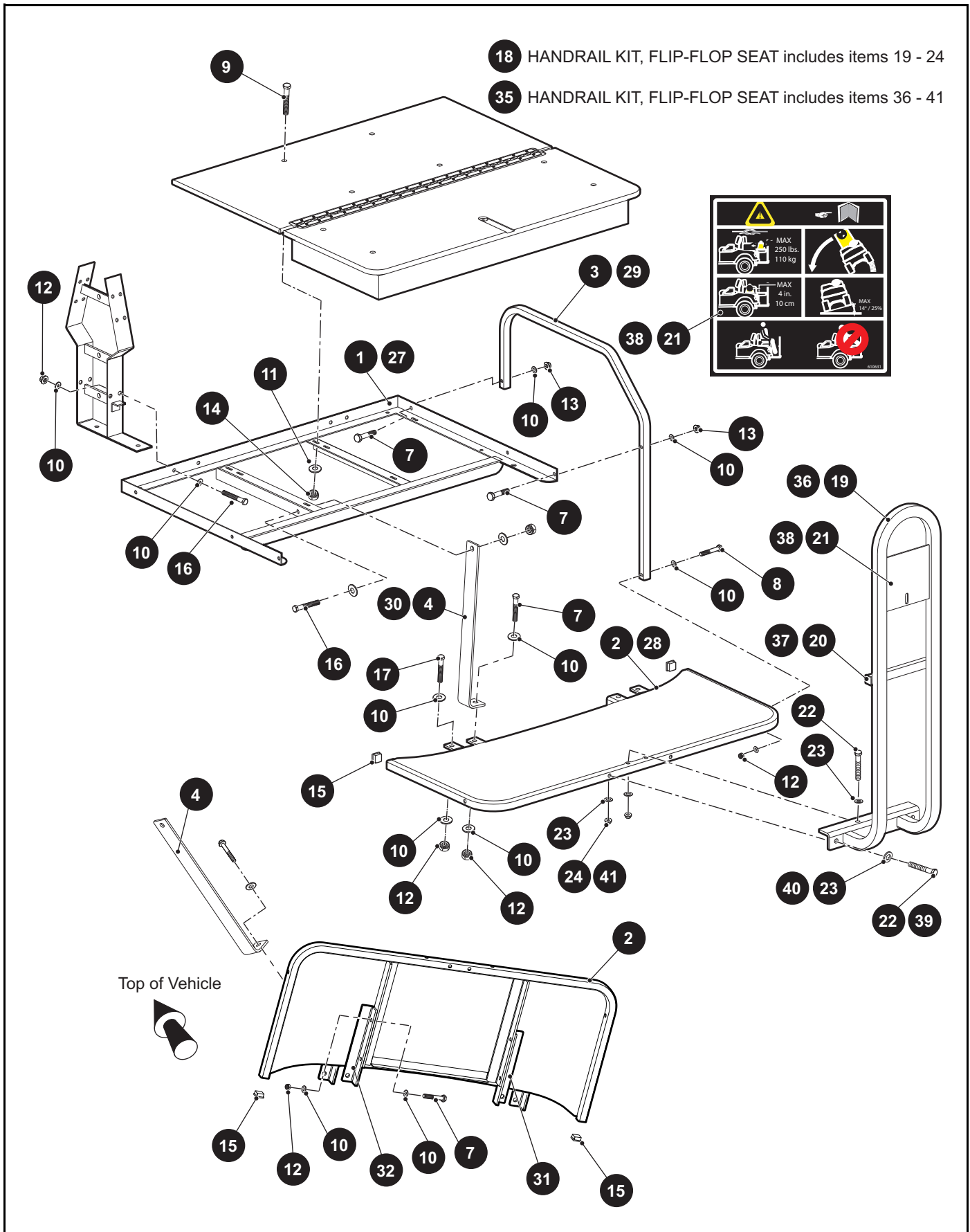
When ordering parts, please specify the model and serial number of the product.

* Indicates a component that is not available as an individual part.

*** Indicates consult Customer Service Department for additional information.

ITEM	PART NO.	1	2	3	4	5	DESCRIPTION	QTY.
37	***						604912G0103 WHITE/RED 604912G0102 WHITE/BLUE 604912G0108 WHITE/YELLOW 604912G0104 WHITE/BLACK 604912G0304 RED/BLACK 604912G0506 OYSTER/GARNET 604912G0704 GRAY/BLACK SEAT BOTTOM COVER..... 71602G01 WHITE 71602G02 GRAY 71602G03 OYSTER 71602G04 TAN 71602G05 SPECIAL 71602G06 BLACK 71602G07 BROWN 604912G0103 WHITE/RED (FOR VEHICLES MANUFACTURED BEFORE MAY 2014) 604912G0102 WHITE/BLUE (FOR VEHICLES MANUFACTURED BEFORE MAY 2014) 604912G0108 WHITE/YELLOW (FOR VEHICLES MANUFACTURED BEFORE MAY 2014) 604912G0704 GRAY/BLACK (FOR VEHICLES MANUFACTURED BEFORE MAY 2014)	1
38	<u>71702G01</u>						HIP RESTRAINT (DRIVER SIDE) (FOR VEHICLES MANUFACTURED BEFORE MAY 2014).....	1
39	<u>71701G01</u>						HIP RESTRAINT (PASSENGER SIDE) (FOR VEHICLES MANUFACTURED BEFORE MAY 2014).....	1
40	<u>71204G01</u>						HEX HEAD BOLT (SS), 1/4" - 20 X 1" LG (FOR VEHICLES MANUFACTURED BEFORE MAY 2014).....	8
41								
42	<u>00664G7</u>						LOCK WASHER, 1/4"	4
43	<u>00661G8</u>						HEX HEAD CAP SCREW, 1/4" - 20 X 1" LG.....	4

SEATING



THE USE OF NON U.L. PARTS WILL VOID ANY U.L. LISTING.

When ordering parts, please specify the model and serial number of the product.

* Indicates a component that is not available as an individual part.

*** Indicates consult Customer Service Department for additional information.

ITEM	PART NO.	1 2 3 4 5	DESCRIPTION	QTY.
1	<u>634180</u>		SEAT FRAME WELDMENT	1
2	<u>634179</u>		FOOTREST WELDMENT	1
3	<u>634175</u>		ARMREST, REAR SEAT	2
4	<u>634174</u>		SEAT FRAME SUPPORT	2
5				
6				
7	<u>00427G4</u>		HEX HEAD CAP SCREW, 3/8" - 16 X 1.5" LG	6
8	<u>00428G8</u>		HEX HEAD CAP SCREW, 3/8" - 16 X 3" LG	2
9	<u>16705G9</u>		TRUSS HEAD PHILLIPS SCREW (SS), 1/4" - 20 X 1.25" LG.....	4
10	<u>614221</u>		FLAT WASHER, 3/8"	24
11	<u>00559G7</u>		FLAT WASHER, 1/4"	4
12	<u>11098G5</u>		PLASTIC LOCK NUT, 3/8" - 16.....	10
13	<u>11027G5</u>		FLANGED LOCK NUT, 3/8" - 16	4
14	<u>14390G4</u>		PLASTIC LOCK NUT, 1/4" - 20	4
15	<u>19853G1</u>		SQUARE CAP TUBE, 1"	2
16	<u>00427G2</u>		HEX HEAD BOLT, 3/8" - 16 X 1.25" LG	4
17	<u>00427G6</u>		HEX HEAD BOLT, 3/8" - 16 X 1.75" LG	2
18	<u>634184</u>		HANDRAIL KIT, FLIP-FLOP SEAT (INCLUDES ITEMS 19 - 24).....	1
19	<u>634185</u>		FOOTREST HANDLE WELDMENT	1
20	<u>19859G1</u>		SQUARE CAP TUBE, 3/4"	2
21	<u>610631</u>		DECAL.....	1
22	<u>00427G8</u>		HEX HEAD BOLT, 3/8" - 16 X 2" LG.....	4
23	<u>614221</u>		FLAT WASHER, 3/8"	8
24	<u>11098G5</u>		PLASTIC LOCK NUT, 3/8" - 16	4
25				
26				
27	<u>615712</u>		SEAT FRAME WELDMENT (FOR VEHICLES MANUFACTURED BEFORE MAY 2014).....	1
28	<u>615714</u>		FOOTREST WELDMENT (FOR VEHICLES MANUFACTURED BEFORE MAY 2014).....	1
29	<u>615729</u>		ARMREST, REAR SEAT (FOR VEHICLES MANUFACTURED BEFORE MAY 2014).....	2

SEATING

THE USE OF NON U.L. PARTS WILL VOID ANY U.L. LISTING.

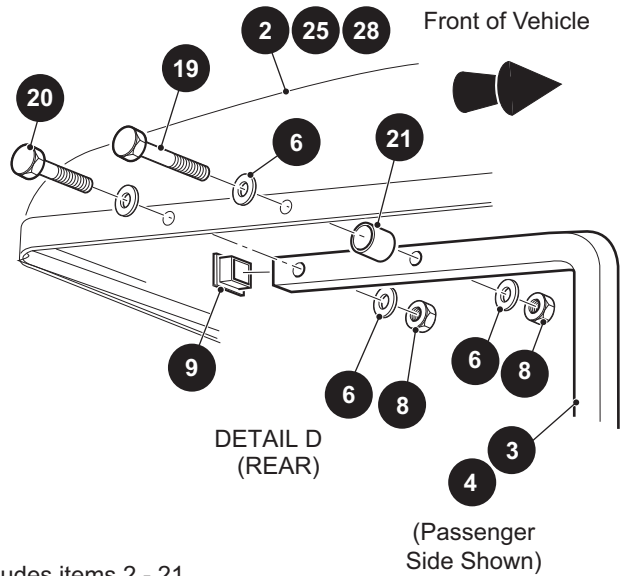
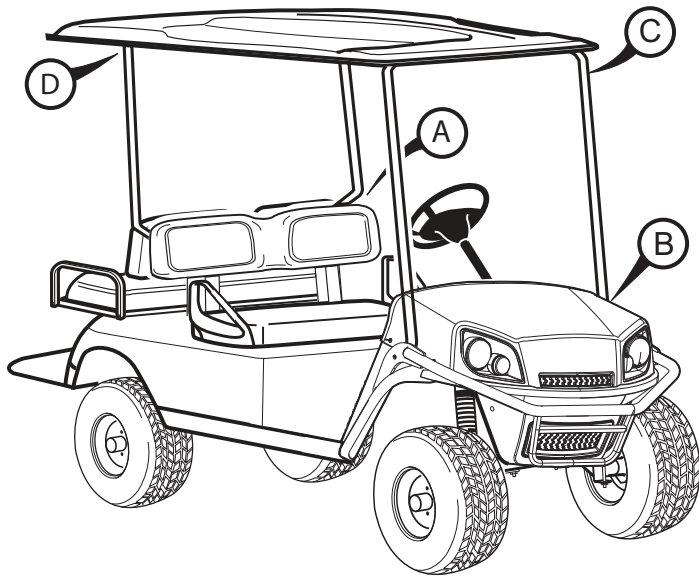
When ordering parts, please specify the model and serial number of the product.

* Indicates a component that is not available as an individual part.

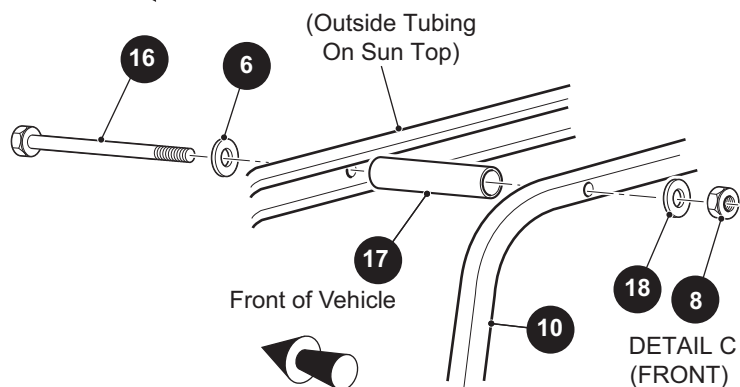
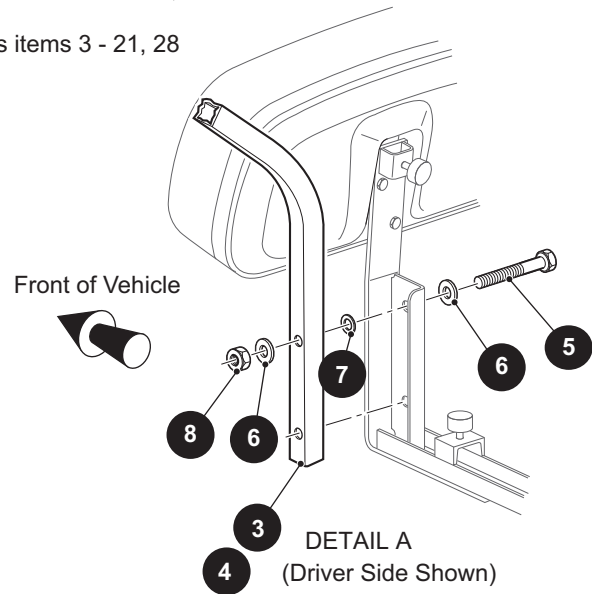
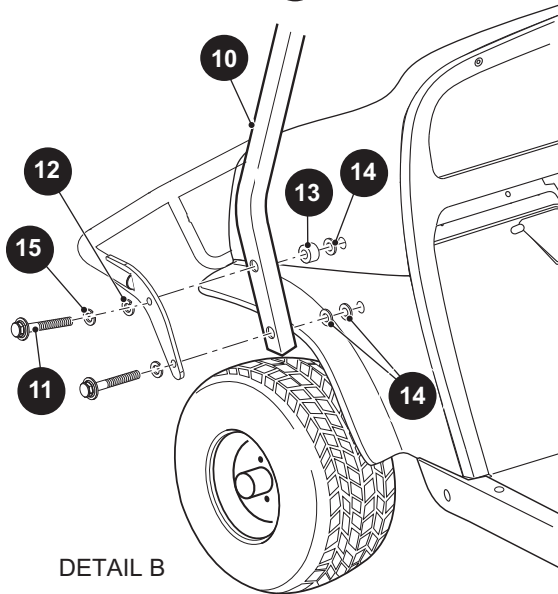
*** Indicates consult Customer Service Department for additional information.

ITEM	PART NO.	1	2	3	4	5	DESCRIPTION	QTY.
30	<u>615713</u>						SEAT FRAME SUPPORT (FOR VEHICLES MANUFACTURED BEFORE MAY 2014)	2
31	<u>615728</u>						FOOTREST BRACKET (PASSENGER SIDE) (FOR VEHICLES MANUFACTURED BEFORE MAY 2014)	1
32	<u>615727</u>						FOOTREST BRACKET (DRIVER SIDE) (FOR VEHICLES MANUFACTURED BEFORE MAY 2014)	1
33								
34								
35	<u>617901</u>						HANDRAIL KIT, FLIP-FLOP SEAT (INCLUDES ITEMS 36 - 41) (FOR VEHICLES MANUFACTURED BEFORE MAY 2014).....	1
36	<u>615721</u>						FOOTREST HANDLE WELDMENT	1
37	<u>19859G1</u>						SQUARE CAP TUBE, 3/4"	2
38	<u>610631</u>						DECAL	1
39	<u>00427G8</u>						HEX HEAD SCREW, 3/8" - 16 X 2" LG.....	4
40	<u>614221</u>						FLAT WASHER, 3/8"	8
41	<u>11098G5</u>						PLASTIC LOCK NUT, 3/8" - 16.....	4

WEATHER PROTECTION



- 1** SUN TOP KIT (BLACK), 80" LG includes items 2 - 21
- 24** SUN TOP KIT (WHITE), 80" LG includes items 3 - 21, 25
- 27** SUN TOP KIT (TAN), 80" LG includes items 3 - 21, 28



WEATHER PROTECTION

THE USE OF NON U.L. PARTS WILL VOID ANY U.L. LISTING.

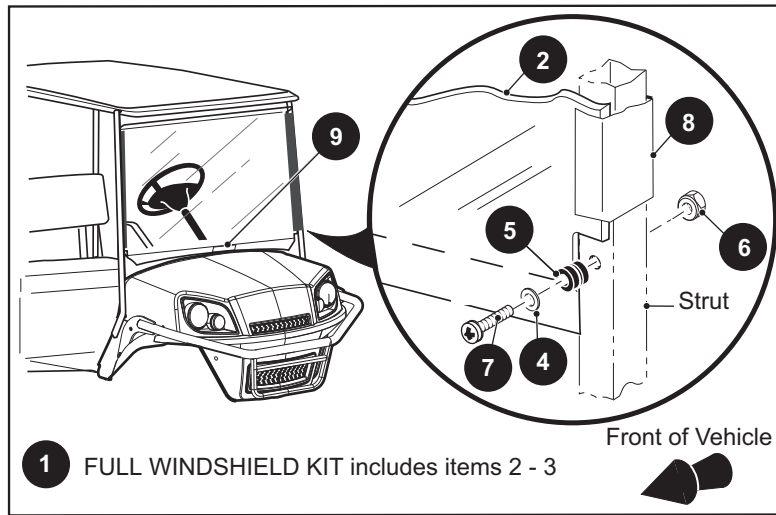
When ordering parts, please specify the model and serial number of the product.

* Indicates a component that is not available as an individual part.

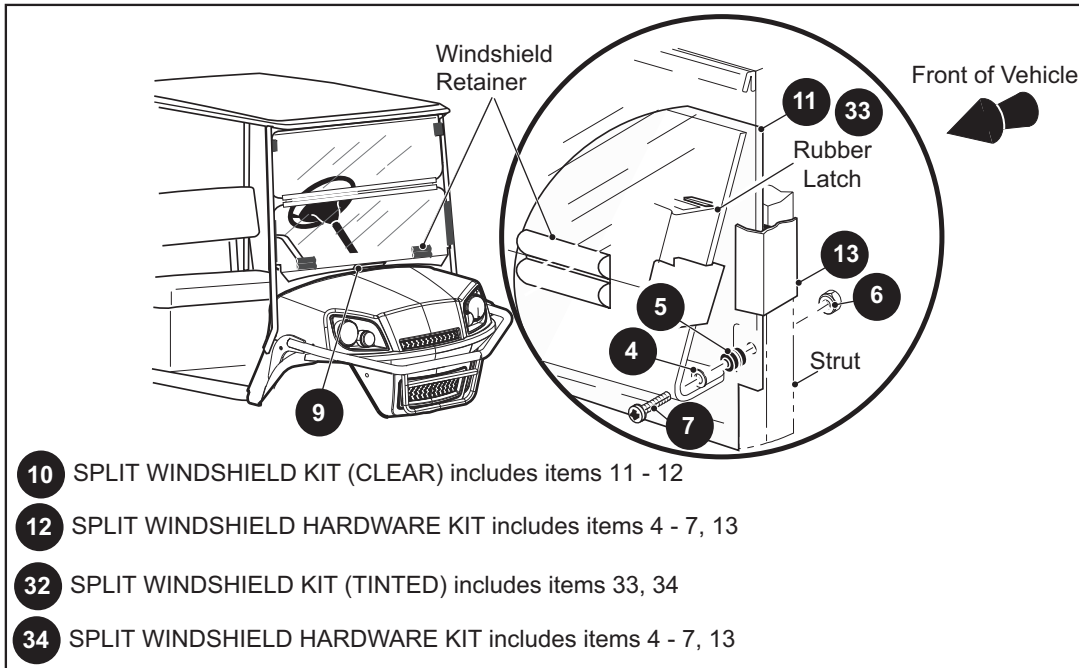
*** Indicates consult Customer Service Department for additional information.

ITEM	PART NO.	1 2 3 4 5	DESCRIPTION	QTY.
1	<u>606260</u>		SUN TOP KIT (BLACK), 80" LG (INCLUDES ITEMS 2 - 21).....	1
2	<u>606937</u>		SUN TOP (BLACK), 80" LG.....	1
3	<u>602743</u>		REAR STRUT (DRIVER SIDE)	1
4	<u>602741</u>		REAR STRUT (PASSENGER SIDE).....	1
5	<u>00665G5</u>		HEX HEAD BOLT (SS), 3/8" - 16 X 1 3/4" LG	4
6	<u>00679G1</u>		FLAT WASHER (SS), 3/8"	18
7	<u>00771G5</u>		NYLON WASHER, 3/8"	4
8	<u>00891G5</u>		LOCK NUT, 3/8" - 16	10
9	<u>19853G1</u>		END CAP, 1"	2
10	<u>75125G01</u>		FRONT STRUT	1
11	<u>00440G2</u>		HEX HEAD BOLT, 5/16" - 18 X 2 1/4" LG.....	4
12	<u>00905G8</u>		LOCK WASHER, 5/16"	4
13	<u>75048G01</u>		SPACER, 1/2"	2
14	<u>00879G1</u>		LOCK WASHER, 3/8"	4
15	<u>00559G8</u>		FLAT WASHER, 5/16"	4
16	<u>00674G8</u>		HEX HEAD BOLT (SS), 3/8 - 16 X 5" LG	2
17	<u>18716G1</u>		SPACER	2
18	<u>00653G1</u>		FLAT WASHER (SS), 3/8"	2
19	<u>00665G3</u>		HEX HEAD BOLT (SS), 3/8" - 16 X 2 1/2" LG	2
20	<u>00665G6</u>		HEX HEAD BOLT (SS), 3/8" - 16 X 2" LG	2
21	<u>24647G1</u>		SPACER, 1/4"	2
22				
23				
24	<u>603119</u>		SUN TOP KIT (WHITE), 80" LG (INCLUDES ITEMS 3 - 21, 25).....	1
25	<u>27604G01</u>		SUN TOP (WHITE), 80" LG.....	1
26				
27	<u>603120</u>		SUN TOP KIT (TAN), 80" LG (INCLUDES 3 - 21, 28).....	1
28	<u>602672</u>		SUN TOP (TAN), 80" LG	1
29				
30				

WEATHER PROTECTION



1 FULL WINDSHIELD KIT includes items 2 - 3

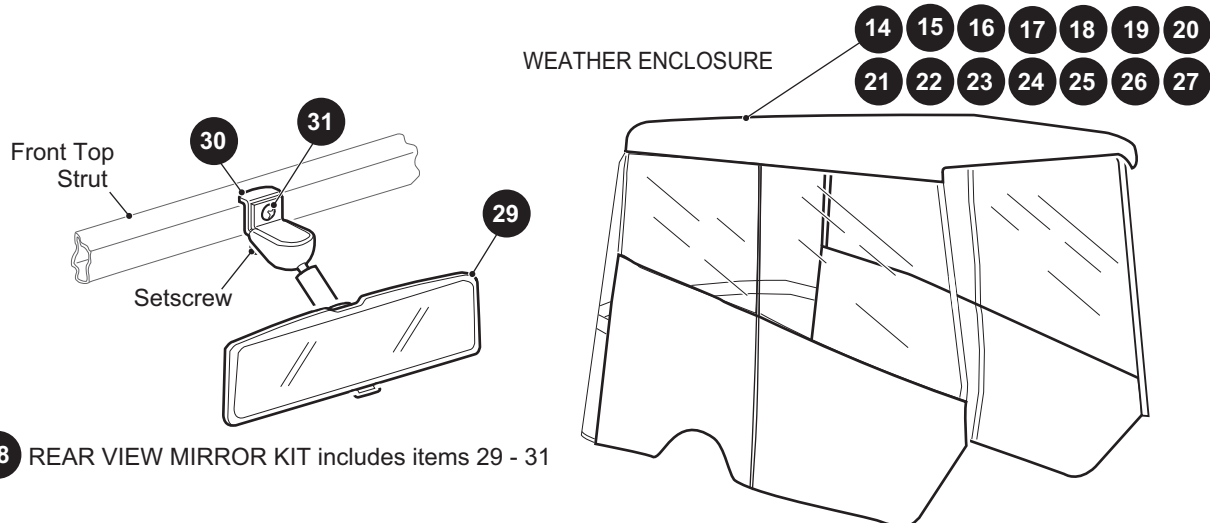


10 SPLIT WINDSHIELD KIT (CLEAR) includes items 11 - 12

12 SPLIT WINDSHIELD HARDWARE KIT includes items 4 - 7, 13

32 SPLIT WINDSHIELD KIT (TINTED) includes items 33, 34

34 SPLIT WINDSHIELD HARDWARE KIT includes items 4 - 7, 13



28 REAR VIEW MIRROR KIT includes items 29 - 31

WEATHER PROTECTION

THE USE OF NON U.L. PARTS WILL VOID ANY U.L. LISTING.

When ordering parts, please specify the model and serial number of the product.

* Indicates a component that is not available as an individual part.

*** Indicates consult Customer Service Department for additional information.

ITEM	PART NO.	1 2 3 4 5	DESCRIPTION	QTY.
1	<u>71966G03</u>		FULL WINDSHIELD KIT (INCLUDES ITEMS 2 - 3).....	1
2	<u>71960G01</u>		WINDSHIELD (FULL)	2
3	<u>71956G03</u>		HARDWARE KIT (INCLUDES ITEMS 4 - 8)	1
4	*		FLAT WASHER (SS), 1/4".....	2
5	*		RUBBER GROMMET	2
6	*		LOCK NUT (SS), 1/4" - 20	2
7	*		PAN HEAD PHILLIPS SCREW (SS), 1/4" - 20 X 1 3/4" LG.....	2
8	<u>615662</u>		SASH, 26" LG	2
9	*		SAFETY LABEL	1
10	<u>71966G05</u>		SPLIT WINDSHIELD KIT (CLEAR) (INCLUDES ITEMS 11 - 12)	1
11	<u>630012</u>		SPLIT WINDSHIELD (CLEAR).....	1
12	<u>71956G05</u>		SPLIT WINDSHEILD HARDWARE KIT (INCLUDES ITEMS 4 - 7, 13)....	1
13	<u>615661</u>		SASH, 12" LG	2
14	<u>605122</u>		ENCLOSURE (PACIFIC BLUE) (REQUIRES SUN TOP KIT)	1
15	<u>605128</u>		ENCLOSURE (TUSCAN) (REQUIRES SUN TOP KIT).....	1
16	<u>605119</u>		ENCLOSURE (TAN) (REQUIRES SUN TOP KIT).....	1
17	<u>605133</u>		ENCLOSURE (ASPEN) (REQUIRES SUN TOP KIT).....	1
18	<u>605126</u>		ENCLOSURE (BURGUNDY) (REQUIRES SUN TOP KIT)	1
19	<u>605123</u>		ENCLOSURE (CAPRI) (REQUIRES SUN TOP KIT).....	1
20	<u>605130</u>		ENCLOSURE (CHARCOAL TWEED) (REQUIRES SUN TOP KIT).....	1
21	<u>605129</u>		ENCLOSURE (DUBONNET TWEED) (REQUIRES SUN TOP KIT).....	1
22	<u>605121</u>		ENCLOSURE (HUNTER GREEN) (REQUIRES SUN TOP KIT).....	1
23	<u>605125</u>		ENCLOSURE (HEMLOCK TWEED) (REQUIRES SUN TOP KIT).....	1
24	<u>605131</u>		ENCLOSURE (JOCKEY RED) (REQUIRES SUN TOP KIT).....	1
25	<u>605127</u>		ENCLOSURE (LINEN TWEED) (REQUIRES SUN TOP KIT)	1
26	<u>605132</u>		ENCLOSURE (MEDITERRANEAN BLUE) (REQUIRES SUN TOP KIT)	1
27	<u>605120</u>		ENCLOSURE (OYSTER) (REQUIRES SUN TOP KIT).....	1
28	<u>19528G2</u>		REAR VIEW MIRROR KIT (INCLUDES ITEMS 29 - 31).....	1
29	<u>19496G1</u>		REAR VIEW MIRROR.....	1
30	<u>19502G3</u>		SUPPORT BRACKET	1
31	<u>19527G1</u>		PAN HEAD PHILLIPS SCREW (SS), #8 - 32 X 5/8" LG	1

WEATHER PROTECTION

THE USE OF NON U.L. PARTS WILL VOID ANY U.L. LISTING.

When ordering parts, please specify the model and serial number of the product.

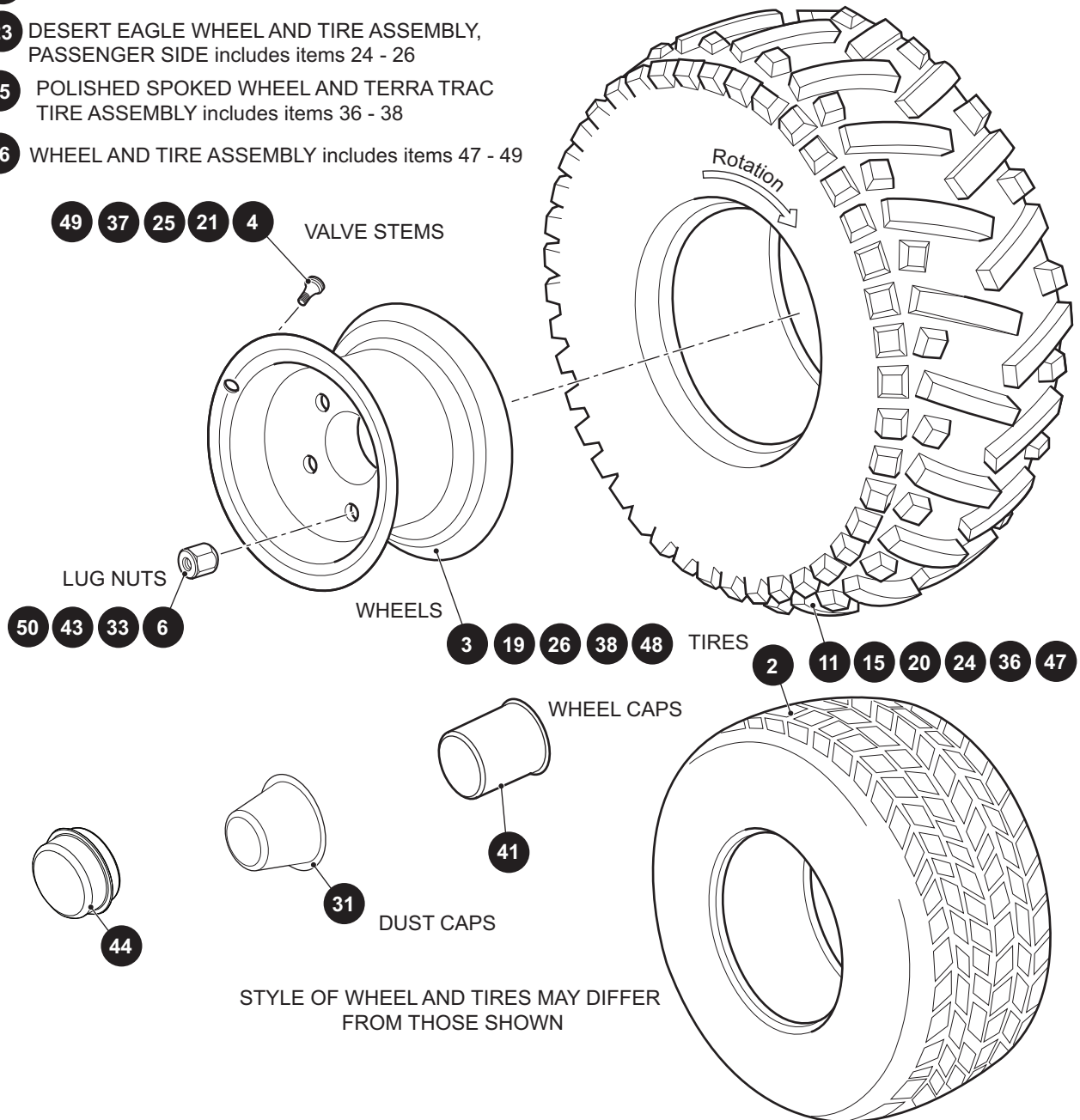
* Indicates a component that is not available as an individual part.

*** Indicates consult Customer Service Department for additional information.

ITEM	PART NO.	1	2	3	4	5	DESCRIPTION	QTY.
32	<u>71966G06</u>						SPLIT WINDSHIELD KIT (TINTED) (INCLUDES ITEMS 33, 34).....	1
33	<u>630013</u>						SPLIT WINDSHIELD (TINTED)	1
34	<u>71956G05</u>						SPLIT WINDSHIELD HARDWARE KIT (INCLUDES ITEMS 4 - 7, 13)	1

WHEELS AND TIRES

- 1 BLACK WHEEL AND TURF SAVER TIRE ASSEMBLY includes items 2 - 4
- 9 WHEEL AND TRAIL WOLF TIRE ASSEMBLY (DRIVER SIDE) includes item 11
- 10 WHEEL AND TRAIL WOLF TIRE ASSEMBLY (PASSENGER SIDE) includes item 11
- 13 BLACK WHEEL AND STRYKER 1 TIRE ASSEMBLY (DRIVER SIDE) includes items 3, 4, 15
- 14 BLACK WHEEL AND STRYKER 1 TIRE ASSEMBLY (PASSENGER SIDE) includes items 3, 4, 15
- 17 POLISHED WHEEL AND PATHFINDER TIRE ASSEMBLY (DRIVER SIDE) includes items 19 - 21
- 18 POLISHED WHEEL AND PATHFINDER TIRE ASSEMBLY (PASSENGER SIDE) includes items 19 - 21
- 22 DESERT EAGLE WHEEL AND TIRE ASSEMBLY, DRIVER SIDE includes items 24 - 26
- 23 DESERT EAGLE WHEEL AND TIRE ASSEMBLY, PASSENGER SIDE includes items 24 - 26
- 35 POLISHED SPOKED WHEEL AND TERRA TRAC TIRE ASSEMBLY includes items 36 - 38
- 46 WHEEL AND TIRE ASSEMBLY includes items 47 - 49



STYLE OF WHEEL AND TIRES MAY DIFFER FROM THOSE SHOWN

WHEELS AND TIRES

THE USE OF NON U.L. PARTS WILL VOID ANY U.L. LISTING.

When ordering parts, please specify the model and serial number of the product.

* Indicates a component that is not available as an individual part.

*** Indicates consult Customer Service Department for additional information.

ITEM	PART NO.	1 2 3 4 5	DESCRIPTION	QTY.
1	<u>28442G03</u>		BLACK WHEEL AND TURF SAVER® TIRE ASSEMBLY (INCLUDES ITEMS 2 - 4) (FOR VEHICLES MANUFACTURED UNTIL 14OCT2016)	AR
2	<u>28442G02</u>		TIRE, 20 X 10 - 10 TURF SAVER®	1
3	<u>15172G02</u>		BLACK WHEEL RIM, (4 LUG).....	1
4	<u>11657G1</u>		VALVE STEM.....	1
5				
6	<u>14723G1</u>		LUG NUT, 1/2" -20	AR
7				
8				
9	<u>74842G03</u>		WHEEL AND TRAIL WOLF TIRE® ASSEMBLY (DRIVER SIDE) (INCLUDES ITEM 11)	AR
10	<u>74842G04</u>		WHEEL AND TRAIL WOLF TIRE® ASSEMBLY (PASSENGER SIDE) (INCLUDES ITEM 11)	AR
11	<u>74842G05</u>		TIRE, 20 X 11 - 10 TRAIL WOLF®	1
12				
13	<u>28630G04</u>		BLACK WHEEL AND STRYKER® 1 TIRE ASSEMBLY (DRIVER SIDE) (INCLUDES ITEMS 3, 4, 15).....	AR
14	<u>28630G05</u>		BLACK WHEEL AND STRYKER® 1 TIRE ASSEMBLY (PASSENGER SIDE) (INCLUDES ITEMS 3, 4, 15).....	AR
15	<u>28630G01</u>		TIRE, 22 X 9 - 10 STRYKER 1	1
16				
17	<u>604930</u>		POLISHED WHEEL AND PATHFINDER TIRE® ASSEMBLY (DRIVER SIDE) (INCLUDES ITEM 19 - 21)	AR
18	<u>605228</u>		POLISHED WHEEL AND PATHFINDER TIRE® ASSEMBLY (PASSENGER SIDE) (INCLUDES ITEM 19 - 21)	AR
19	<u>604927</u>		POLISHED CAST ALUMINUM WHEEL	1
20	<u>604928</u>		TIRE, 22 X 11 PATHFINDER TIRE®	1
21	<u>604915</u>		VALVE STEM.....	1
22	<u>671955G01</u>		DESERT EAGLE WHEEL AND TIRE ASSEMBLY, DRIVER SIDE (INCLUDES ITEMS 24 - 26)	AR
23	<u>671955G02</u>		DESERT EAGLE WHEEL AND TIRE ASSEMBLY, PASSENGER SIDE (INCLUDES ITEMS 24 - 26)	AR
24	<u>671459</u>		TIRE, 23 X 10 - 14	1
25	<u>604915</u>		CHROME VALVE STEM.....	1

WHEELS AND TIRES

THE USE OF NON U.L. PARTS WILL VOID ANY U.L. LISTING.

When ordering parts, please specify the model and serial number of the product.

* Indicates a component that is not available as an individual part.

*** Indicates consult Customer Service Department for additional information.

ITEM	PART NO.	1 2 3 4 5	DESCRIPTION	QTY.
26	<u>670078</u>		WHEEL, 14 X 7	1
27				
28	<u>606240</u>		DIAMOND WHEEL AND SPEEDRACER TIRE ASSY (DRIVER SIDE) (NOT ILLUSTRATED)	AR
29	<u>606179</u>		DIAMOND WHEEL AND SPEEDRACER TIRE ASSY (PASSENGER SIDE) (NOT ILLUSTRATED)	AR
30				
31	<u>608910</u>		DIAMOND WHEEL CAP.....	AR
32				
33	<u>605310</u>		CHROME LUG NUT, 1/2" - 20.....	AR
34				
35	<u>608914</u>		POLISHED SPOKED WHEEL AND TERRA TRAC TIRE ASSEMBLY (INCLUDES ITEMS 36 - 38) (FOR VEHICLES MANUFACTURED BEFORE MAY 19, 2018)	AR
36	<u>606141</u>		TERRA TRAC TIRE, 22 X 11 - 10.....	1
37	<u>604915</u>		CHROME VALVE STEM	1
38	<u>604927</u>		POLISHED SPOKED WHEEL, 10 X 7.....	1
39				
40				
41	<u>601353</u>		WHEEL CAP.....	AR
42				
43	<u>605310</u>		CHROME LUG NUT, 1/2" - 20.....	AR
44	<u>12091G2</u>		SPINDLE CAP	AR
45				
46	<u>652263</u>		WHEEL AND TIRE ASSEMBLY (INCLUDES ITEMS 47 - 49) (FOR VEHICLES MANUFACTURED FROM 15OCT2016).....	AR
47	<u>652986</u>		KENDA TIRE, K500, 20 X 8 - 10, 6PLY	1
48	<u>643934</u>		WHEEL, 10 X 6.....	1
49	<u>643948</u>		VALVE STEM	1
50	<u>14723G1</u>		LUG NUT, 1/2" - 20.....	AR



A Textron Company

E-Z-GO Division of Textron Inc.,
1451 Marvin Griffin Road, Augusta, Georgia 30906 - 3852 USA

TO CONTACT US...

North America:

Technical Assistance & Warranty Phone: 1-800-774-3946, FAX: 1-800-448-8124

Service Parts Phone: 1-888-GET-E-Z-GO (1-888-438-3946), FAX: 1-800-752-6175

International: Phone: 001-706-798-4311, FAX: 001-706-771-4609

Service Parts Manuals, as well as Repair and Service Manuals
are available from a local Distributor, an authorized Branch,
Genuine E-Z-GO Parts & Accessories Department or at www.shopezgo.com.

Copyrighted Material
This manual may not be reproduced in whole or
in part without the express permission of
E-Z-GO Division of Textron Inc.
Technical Communications Department