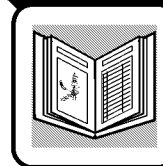
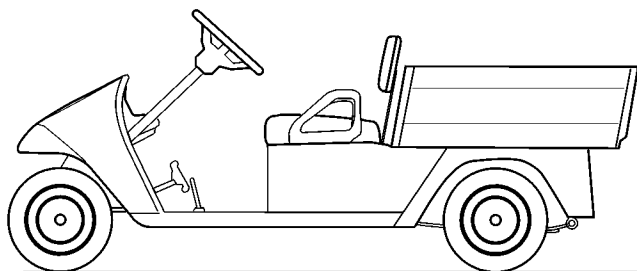
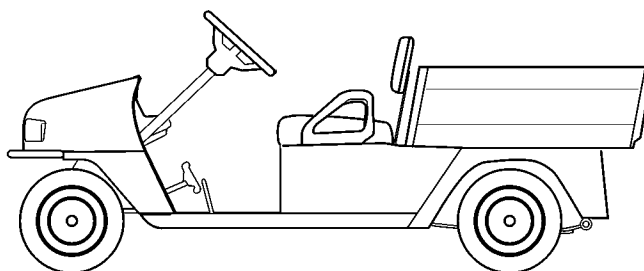


28664-G01



SERVICE PARTS MANUAL



ELECTRIC POWERED UTILITY VEHICLE

STARTING MODEL YEAR: 2001

REVISED: 11/2001

SERVICE PARTS MANUAL

ELECTRIC UTILITY VEHICLES

WORKHORSE[®] 1000
WORKHORSE[®] 1000 LX
COMMANDER[™] 2100
COMMANDER[™] 2100 SE
JACOBSEN 1110 E-HAULER[™]

TEXTRON Golf, Turf & Specialty Products reserves the right to make design changes without obligation to make these changes on units previously sold and the information contained in this manual is subject to change without notice.

TEXTRON Golf, Turf & Specialty Products is not liable for errors in this manual or for incidental or consequential damages that result from the use of the material in this manual.

CUSTOMER SERVICE DEPARTMENT IN USA PHONE: 1-800-241-5855 FAX: 1-800-448-8124

OUTSIDE USA PHONE: 010-1-706-798-4311, FAX: 010-1-706-771-4609

TEXTRON GOLF, TURF & SPECIALTY PRODUCTS, P.O.BOX 388, AUGUSTA, GEORGIA USA 30903-0388

NOTES

To obtain a copy of the limited warranty applicable to the vehicle, call or write a local Distributor, authorized Branch or the Warranty Department with vehicle serial number and manufacturer code.

The use of non Original Equipment Manufacturer (OEM) parts may void the warranty.

Overfilling of batteries may void the warranty.

BATTERY PROLONGED STORAGE

All batteries will self discharge over time. The rate of self discharge varies depending on the ambient temperature and the age and condition of the batteries.

A fully charged battery will not freeze in winter temperatures unless the temperature falls below -75° F (-60° C).

As with all electric vehicles, the batteries must be checked and recharged as required or at a minimum of 30 day intervals.

GENERAL INDEX

SECTION	Page No.
How to use the Service Parts Manual.....	vii
ILLUSTRATED PARTS BREAKDOWN:	
ACCELERATOR	
• Pedal Box Assembly, Accelerator Pedal.....	A-1
BATTERY CHARGER	
• PowerWise™ Battery Charger (Portable).....	B-1
• PowerWise™ Battery Charger (On Board).....	B-9
• Lester Battery Charger (Portable).....	B-17
BODY	
• (WorkHorse® 1000 / Commander™ 2100) Cowl, Front Shield, Dash Panel, Floor Boards, Ash Tray	C-1
• Seat Frame, Battery Frame, Splash Panels	C-2
• Floormat, Seat Wrap, Side Panels, Side Panel Decals, Rocker Panels.....	C-3
• Seat Filler Panels, Rear Fenders, Rear Panel, Front Bumper.....	C-4
• Ball Hitch, Clevis Hitch.....	C-5
• (1000 LX / 2100 SE) Cowl, Front Fenders, Front Shield, Dash Panel, Glove Box Doors.....	C-6
• (WorkHorse® 1000 LX / Commander™ 2100 SE) Bumper, Side Panel Decals	C-7
BRAKES	
• Brake Pedal (with brake lights)	D-1
• Brake Pedal (without brake lights)	D-2
• Brake Linkage	D-3
• Wheel Brake	D-4
CAB	
• Cab	E-1
• Cab Mounts, Windshield Wiper.....	E-2
• Steel Doors, Vinyl Doors, Strobe Light	E-3
• Control Panel, Defroster/Cooling Fan, Worklight	E-4
DIRECTION SELECTOR	
• Direction Selector, Reverse Warning Buzzer.....	F-1
ELECTRIC MOTOR	
• Electric Motor	G-1

GENERAL INDEX

SECTION	Page No.
ELECTRICAL SYSTEM	
• Batteries.....	H-1
• Charger Receptacle, Fuse Blocks	H-2
• Ignition Switch, State of Charge Meter, Horn.....	H-3
• Headlight.....	H-4
• Brake Pedal and Taillight Connections	H-5
• Turn Signal, Hour Meter.....	H-6
• Worklights, Strobe Light.....	H-7
• (WorkHorse® 1000 LX / Commander™ 2100 SE) Headlights, Turn Signal.....	H-8
ELECTRONIC SPEED CONTROL	
• Electronic Speed Control and Wiring, Solenoid and Wiring.....	J-1
FRONT SUSPENSION (Early Production, for Jan. 2001 and later see 'FRONT SUSPENSION AND STEERING')	
• Front Axle, Spindle, Wheel Hub, Shock Absorber, Spring.....	K-1
FRONT SUSPENSION AND STEERING (Jan. 2001 and later)	
• Front Axle, Spindle, Wheel Hub, Tie Rod, Steering Column and Wheel	K-5
REAR AXLE	
• Rear Axle, Differential Cover, Drain Plug, Vent, Differential Guard	L-1
REAR SUSPENSION	
• Leaf Spring, Shock Absorber.....	M-1
SEATS	
• Seat Back, Seat Bottom, Hip Restraint.....	N-1
STEERING (Early Production, for Jan. 2001 and later see 'FRONT SUSPENSION AND STEERING')	
• Rack and Pinion Assembly, Tie Rod Assembly, Steering Column, Steering Wheel	P-1
TRUCKBED	
• Manual Dump Bed, Bed Pivot, Tailgate, Decals	Q-1
• Tilt Latch, Bed Prop	Q-2
• Bed Liner, Ramp.....	Q-3
• Electric Dump Bed, Bed Pivot, Tailgate, Decals	Q-9
• Actuator, Battery Connections, Toggle Switch	Q-10
• Bed Liner, Ramp.....	Q-11
• Flat Bed, Bed Pivot.....	Q-17
• Tilt Latch, Bed Prop	Q-18
• Cargo Racks	Q-19

GENERAL INDEX

SECTION	Page No.
WEATHER PROTECTION	
• Sun Top.....	R-1
• Inside Mirror, 3-Sided Soft Enclosure	R-2
• Windshields	R-3
WHEELS AND TIRES	
• Tire and Wheel Assembly, Wheel, Valve Stem	S-1
• Wheel Covers	S-2
SPECIALTY PRODUCTS	Appendix - A
• Special Tools	
• Paint	
• Performance Products	
ACCESSORIES	Appendix - B
• Accessories Listing	

HOW TO USE THE SERVICE PARTS MANUAL

This manual is divided into several sections:

- GENERAL INFORMATION
- ILLUSTRATED PARTS BREAKDOWN
- APPENDIX

The first section, GENERAL INFORMATION, contains the following information:

- WARRANTY INFORMATION
- GENERAL INDEX
- HOW TO USE THE SERVICE PARTS MANUAL

The second section, ILLUSTRATED PARTS BREAKDOWN, contains illustrations and parts lists for all systems of your vehicle.

The third section, APPENDIX, contains a listing of specialty products and accessories.

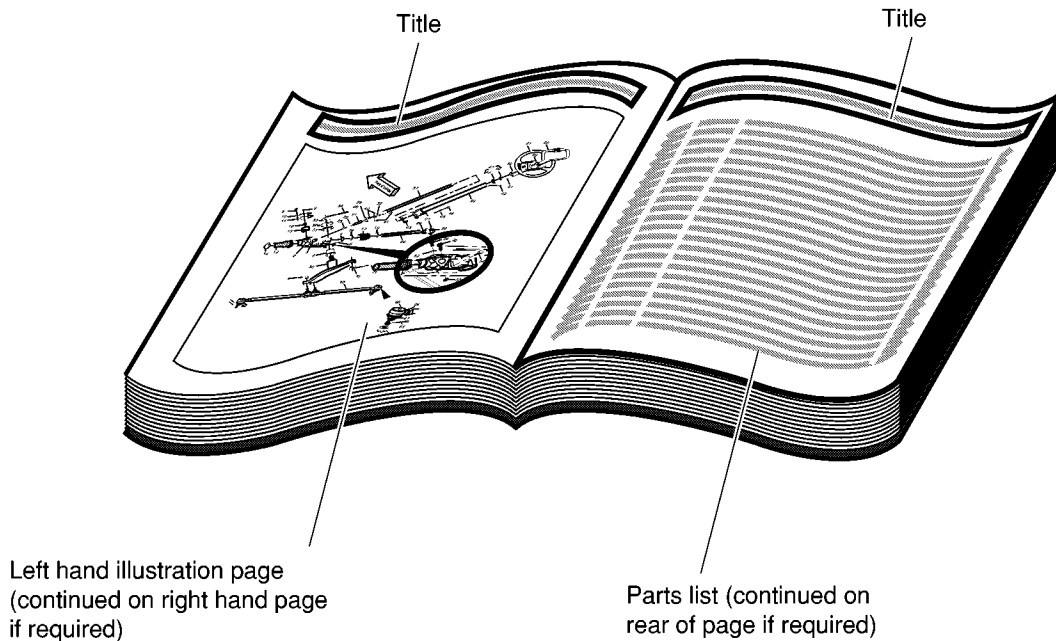
USE OF THE MANUAL

To use this manual, consult the GENERAL INDEX to locate the information or illustration required.

Introduction of some revisions varies due to supply of components; therefore, it is possible that various combinations of components may be found that are not directly reflected by each illustration. Consult the illustration that best suits your situation and then contact the Service Parts Department. It is important that the serial number of your vehicle and its model number be supplied to Service Parts when ordering any replacement components.

Locate the serial number plate (see BODY located in the Illustrated Parts Breakdown section of this manual for its location) and note the complete number shown on the plate.

HOW TO USE THE SERVICE PARTS MANUAL



1. WHEN THE PART NUMBER IS NOT KNOWN

- Determine the function and application of the part required. Turn to the General Index and select the most appropriate title.
- Turn to the page number indicated and locate the desired part on the illustration.
- From the illustration, obtain the item number assigned to the desired part. Refer to the accompanying description for specific information regarding the part.

2. IF YOU KNOW THE PART NUMBER

- Locate the part number or description in the appropriate column on the parts list page.

NOTE: It is suggested that you confirm that the part selected is correct by verifying it with the pictorial representation on the illustrated page.

Should an asterisk (*) appear in the part number column on the parts list page, read upwards until a part number is found. The part number is the lowest assembly sold and the asterisk (*) indicates that the part depicted is not available for purchase.

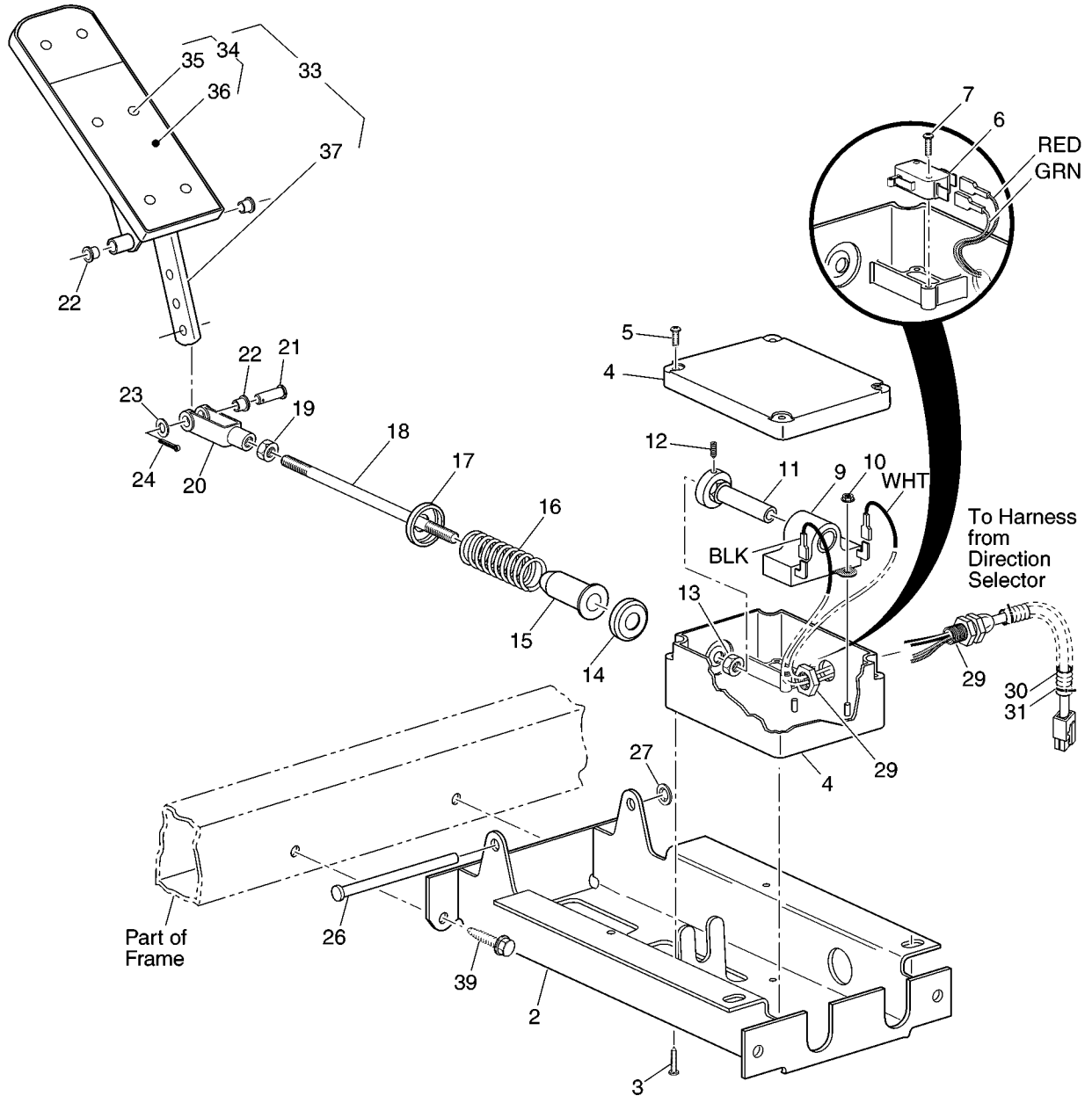
NOTE: Descriptions are indented under the assembly that they are used on. That assembly is, in turn listed under the assembly that it is used on. This process is repeated until the highest final assembly is reached.

To facilitate the maintenance and repair of the vehicle, a Technician's Repair and Service Manual is available from the Service Parts Department.

ILLUSTRATED PARTS BREAKDOWN

ILLUSTRATED PARTS BREAKDOWN

1 - Includes Items 2 - 37



THE USE OF NON UL PARTS WILL VOID ANY UL LISTING.

When ordering parts, please specify the model and serial number of the product.

* Indicates a component that is not available as an individual part.

G** Indicates consult Customer Service Department for additional information.

ITEM	PART NO.	1 2 3 4 5	DESCRIPTION	QTY.
1	25870-G03		PEDAL BOX ASSEMBLY (INCLUDES ITEMS 2 - 37).....	1
2	70116-G01		ACCELERATOR PEDAL BRACKET	1
3	00984-G01		SCREW, #8 - 10 X 1/2" LG.....	4
4	25853-G01		PEDAL BOX AND COVER.....	1
5	00684-G6		SCREW, #8 - 32 X 3/4" LG.....	4
6	25861-G01		MICRO SWITCH.....	1
7	00982-G01		SCREW, #4 - 14 X 5/8" LG.....	2
8				
9	25854-G01		INDUCTIVE THROTTLE SENSOR	1
10	00983-G01		SELF THREADING NUT, 3/16"	2
11	26551-G01		PLUNGER	1
12	00486-G2		SETSCREW, #8 - 32 X 1/8" LG.....	1
13	00550-G2		LOCK NUT, 1/4 - 28.....	1
14	17677-G1		SPRING RETAINER, 1/2".....	1
15	17979-G1		BUSHING	1
16	73046-G01		COMPRESSION SPRING	1
17	17677-G2		SPRING RETAINER, 3/8"	1
18	25859-G01		ACCELERATOR ROD	1
19	00532-G4		LOCK NUT, 5/16 - 24.....	1
20	10385-G4		CLEVIS YOKE (ADJUSTABLE).....	1
21	10386-G3		CLEVIS PIN, 5/16" X 1" LG	1
22	17838-G1		NYLON BUSHING.....	3
23	17255-G1		TEFLON WASHER, 5/16".....	1
24	10387-G3		COTTER PIN, 3/32" X 3/4" LG	1
25				
26	70134-G01		PEDAL PIVOT PIN	1
27	00986-G01		PUSH NUT, 9/32"	1
28				
29	25879-G03		WIRING HARNESS (PEDAL BOX ASSEMBLY).....	1
30	17313-G1		LOOM FLEX, 3/8" X 6" LG (BULK).....	1

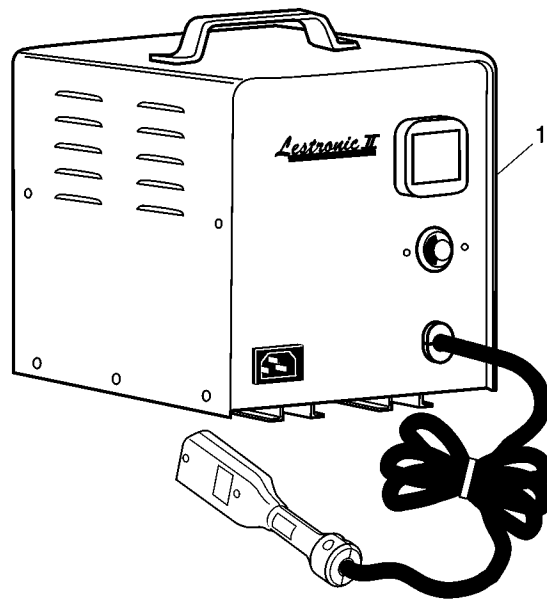
THE USE OF NON UL PARTS WILL VOID ANY UL LISTING.

When ordering parts, please specify the model and serial number of the product.

* Indicates a component that is not available as an individual part.

G** Indicates consult Customer Service Department for additional information.

ITEM	PART NO.	1	2	3	4	5	DESCRIPTION	QTY.
31	17618-G1						WIRE TIE	2
32								
33	25799-G01						ACCELERATOR PEDAL ASSEMBLY (INCLUDES ITEMS 34 - 37).....	1
34	27844-G01						ACCELERATOR PEDAL PAD KIT (INCLUDES ITEMS 35 - 36).....	1
35	15766-G1						OVAL RIVET, 3/16" X 3/8" LG.....	6
36	27512-G01						ACCELERATOR PEDAL PAD	1
37	*						ACCELERATOR PEDAL	1
38								
39	00715-G2						BOLT, 5/16 - 18 X 13/16" LG	4



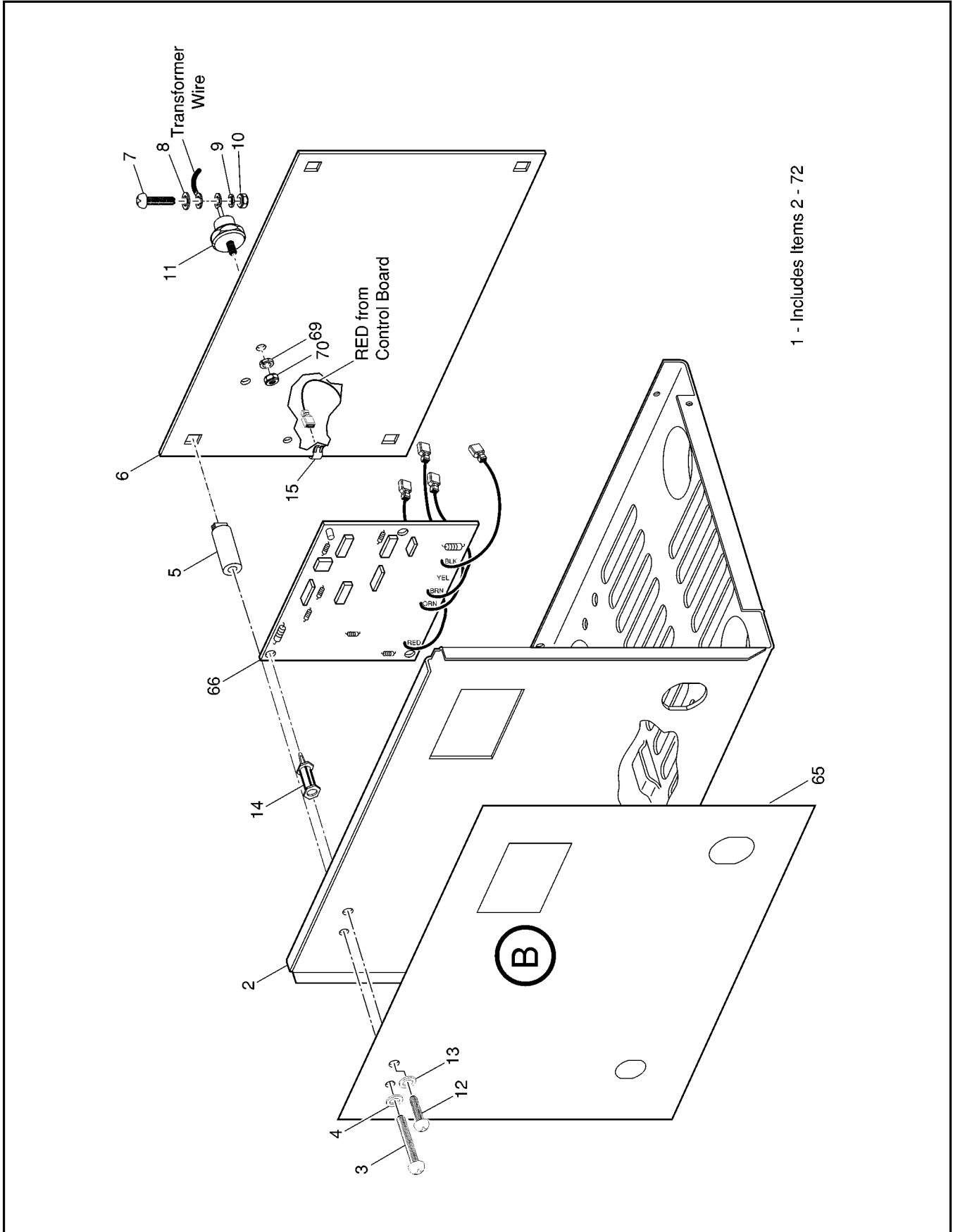
THE USE OF NON U.L. PARTS WILL VOID ANY U.L. LISTING.

When ordering parts, please specify the model and serial number of the product.

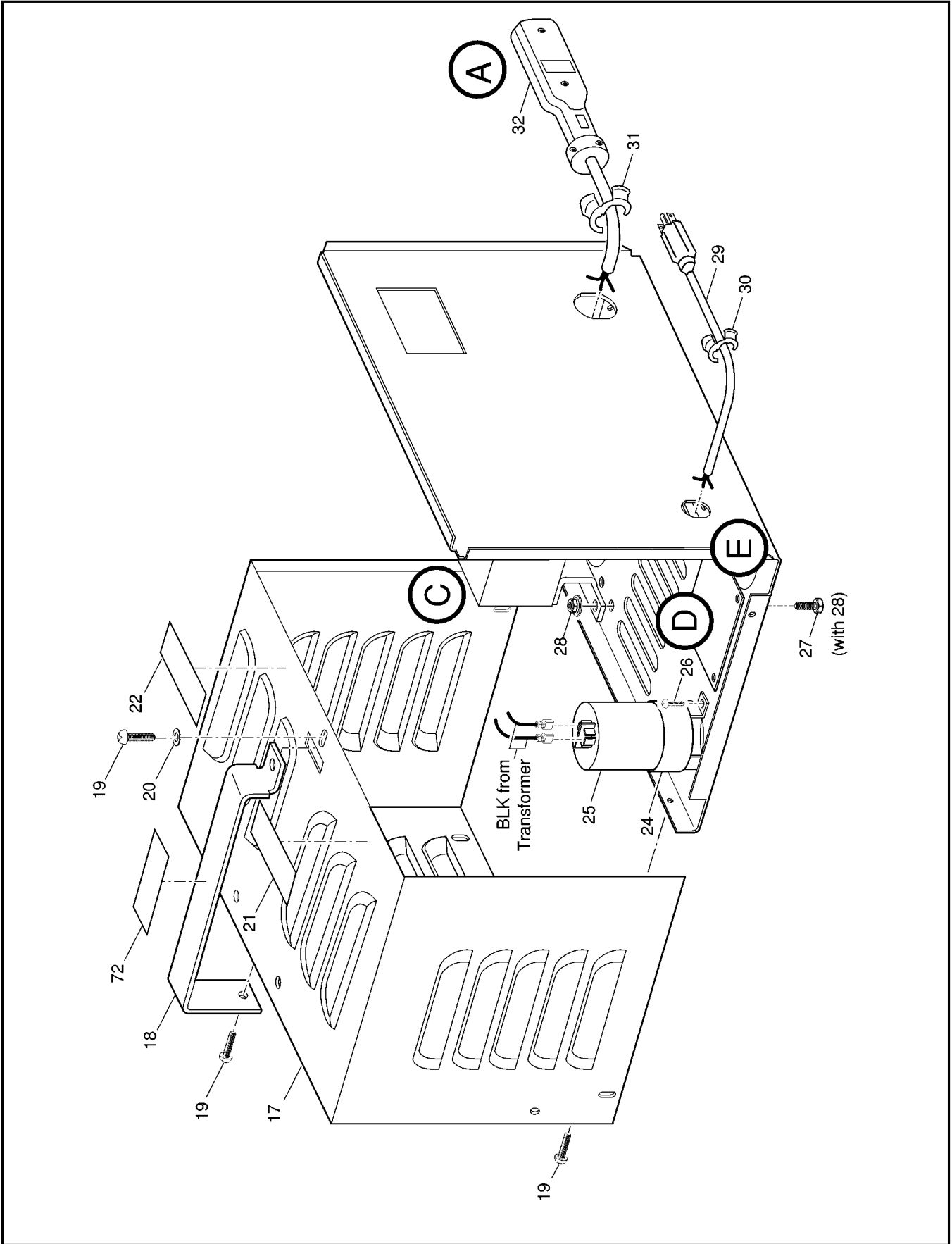
* Indicates a component that is not available as an individual part.

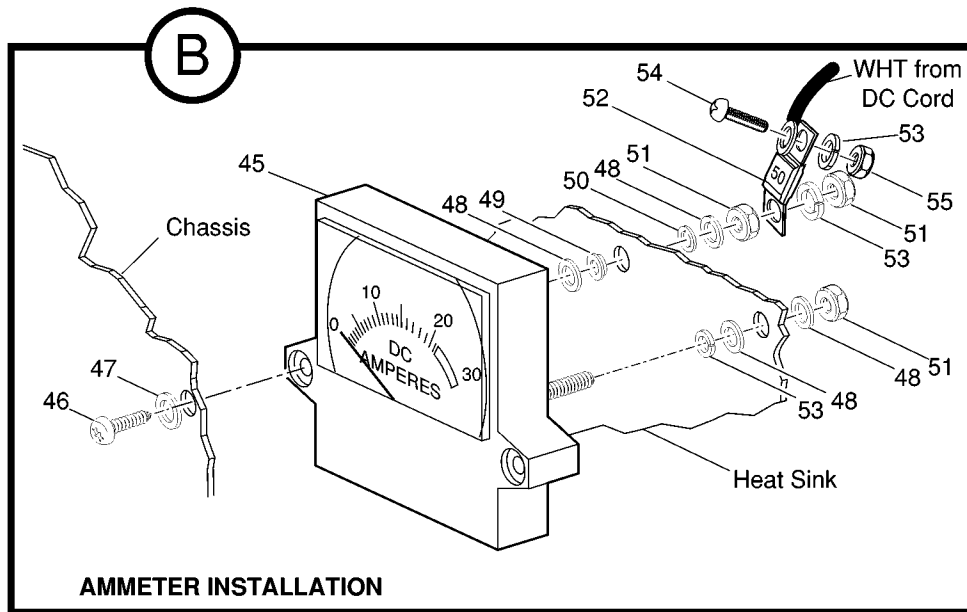
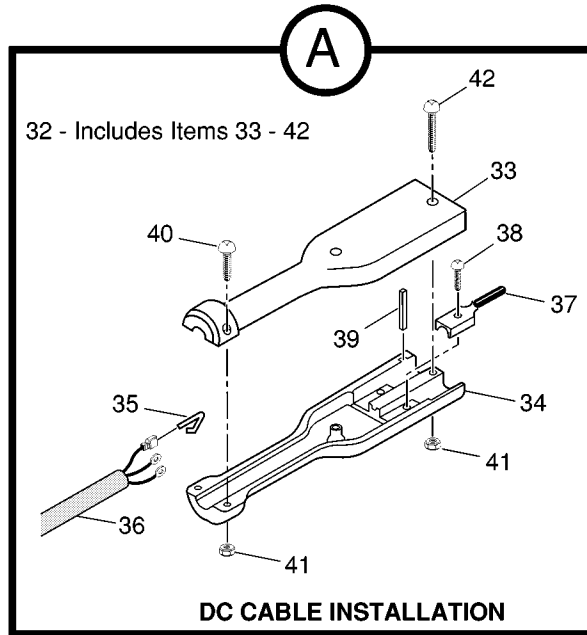
G** Indicates consult Customer Service Department for additional information.

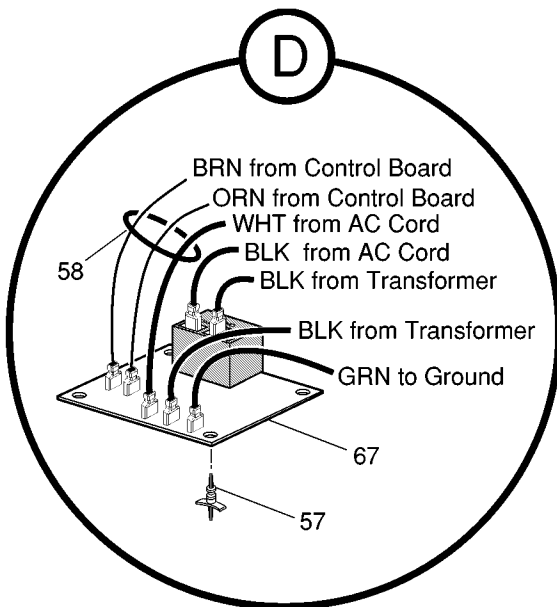
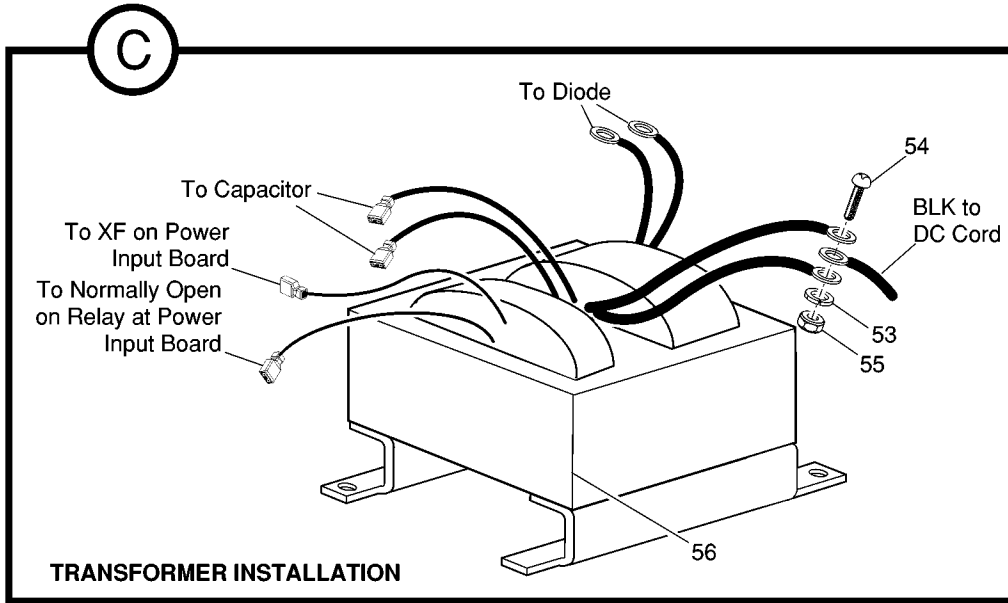
ITEM	PART NO.	1 2 3 4 5 DESCRIPTION	QTY.
1	28516-G01	<p>BATTERY CHARGER, LESTER, 36 VOLT, PORTABLE WITH POWERWISE CONNECTOR, CE APPROVED (OPTIONAL)</p> <p>For service or replacement parts, contact: Lester Electrical 625 West "A" Street Lincoln, NE 68522</p> <p>Phone: (402) 477-8988, FAX: (402) 474-1769</p> <p>Always provide the following information when requesting information or ordering replacement parts:</p> <p>Model Number: Serial Number: (stamped into housing)</p>	



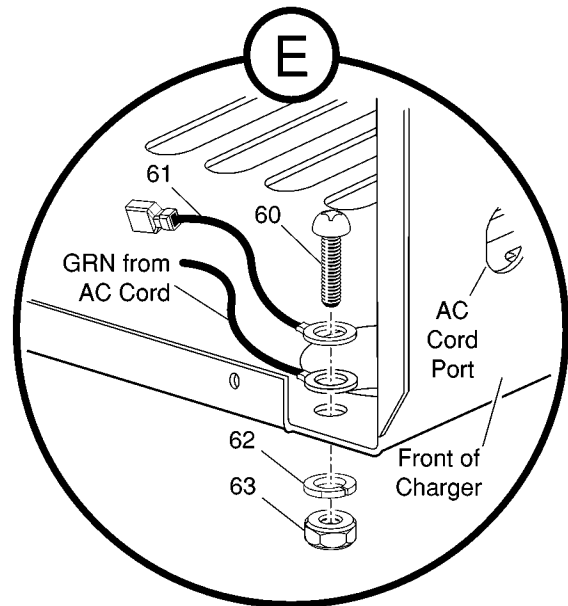
1 - Includes Items 2 - 72







**POWER INPUT BOARD
INSTALLATION**



**GROUNDING
DETAIL**

BATTERY CHARGER**Electric Vehicle**

THE USE OF NON UL PARTS WILL VOID ANY UL LISTING.

When ordering parts, please specify the model and serial number of the product.

* Indicates a component that is not available as an individual part.

G** Indicates consult Customer Service Department for additional information.

ITEM	PART NO.	1 2 3 4 5	DESCRIPTION	QTY.
1	28115-G04		POWERWISE™ CHARGER (INCLUDES ITEMS 2 - 72)	1
2	*		CHASSIS	1
3	00513-G6		SCREW, #8 - 18 X 1 3/4" LG.	2
4	00559-G4		WASHER, #8	2
5	11572-G3		EXPANSION NUT	2
6	28104-G01		HEAT SINK	1
7	00138-G3		SCREW, #6 - 32 X 3/8" LG.	2
8	00559-G3		WASHER, #6	2
9	00567-G3		LOCK WASHER, #6	2
10	00525-G5		NUT, #6 - 32.....	2
11	18488-G1		DIODE.....	2
12	01005-G01		SCREW, #6 - 19 X 5/16" LG.	3
13	00559-G3		WASHER, #6	3
14	28111-G01		SUPPORT SPACER	3
15	28110-G01		ELECTRICAL CLIP	1
16				
17	*		COVER	1
18	28102-G01		HANDLE	1
19	00614-G4		SCREW, #8 - 18 X 1/2" LG.	6
20	00559-G4		WASHER, #8	1
21	28136-G01		LABEL (VENTILATION)	1
22	28136-G02		LABEL (DC CORD CONDITION)	1
23				
24	26979-G01		CAPACITOR BRACKET	1
25	28109-G01		CAPACITOR	1
26	00969-G01		SCREW, #8 - 32 X 3/8" LG.	3
27	00414-G5		BOLT, 1/4 - 20 X 5/8" LG.....	3
28	11027-G2		LOCK NUT, 1/4 - 20.....	3
29	19388-G4		AC CORD	1
30	13557-G2		STRAIN RELIEF (AC).....	1

THE USE OF NON UL PARTS WILL VOID ANY UL LISTING.

When ordering parts, please specify the model and serial number of the product.

* Indicates a component that is not available as an individual part.

G** Indicates consult Customer Service Department for additional information.

ITEM	PART NO.	1	2	3	4	5	DESCRIPTION	QTY.
31	13557-G3						STRAIN RELIEF (DC)	1
32	28137-G01						DC CORD AND HANDLE ASSEMBLY (INCLUDES ITEMS 33 - 42).....	1
33	73051-G11						PLUG (TOP HALF).....	1
34	73051-G12						PLUG (BOTTOM HALF).....	1
35	73051-G27						AUXILIARY CONTACT	1
36	73331-G01						DC CORD	1
37	73051-G14						MALE PIN	2
38	73051-G08						SCREW, #10 - 32 X 1/2" LG (BRASS).....	2
39	73051-G15						MAGNET	1
40	73051-G16						SCREW, #6 - 32 X 1/2" LG (STAINLESS STEEL)	2
41	73051-G10						LOCK NUT, #6 - 32	4
42	73051-G17						SCREW, #6 - 32 X 1" LG (STAINLESS STEEL)	2
43								
44								
45	28105-G01						AMMETER.....	1
46	00984-G01						SCREW, #8 - 10 X 1/2" LG.....	2
47	00559-G4						WASHER, #8	2
48	01003-G01						BRASS WASHER, #10	4
49	22589-G2						SHOULDER WASHER, #10	1
50	00771-G6						NYLON WASHER, #10.....	1
51	00528-G4						NUT, #10 - 32.....	3
52	28106-G01						50 AMP FUSE	1
53	00565-G5						LOCK WASHER, #10	4
54	00378-G4						SCREW, #10 - 24 X 1/2" LG.....	2
55	00526-G3						NUT, #10 - 24.....	2
56	28103-G01						TRANSFORMER.....	1
57	27877-G01						SPACER SUPPORT	4
58	17618-G1						WIRE TIE.....	2
59								
60	00372-G3						SCREW, #8 - 32 X 3/8" LG.....	1

BATTERY CHARGER**Electric Vehicle**

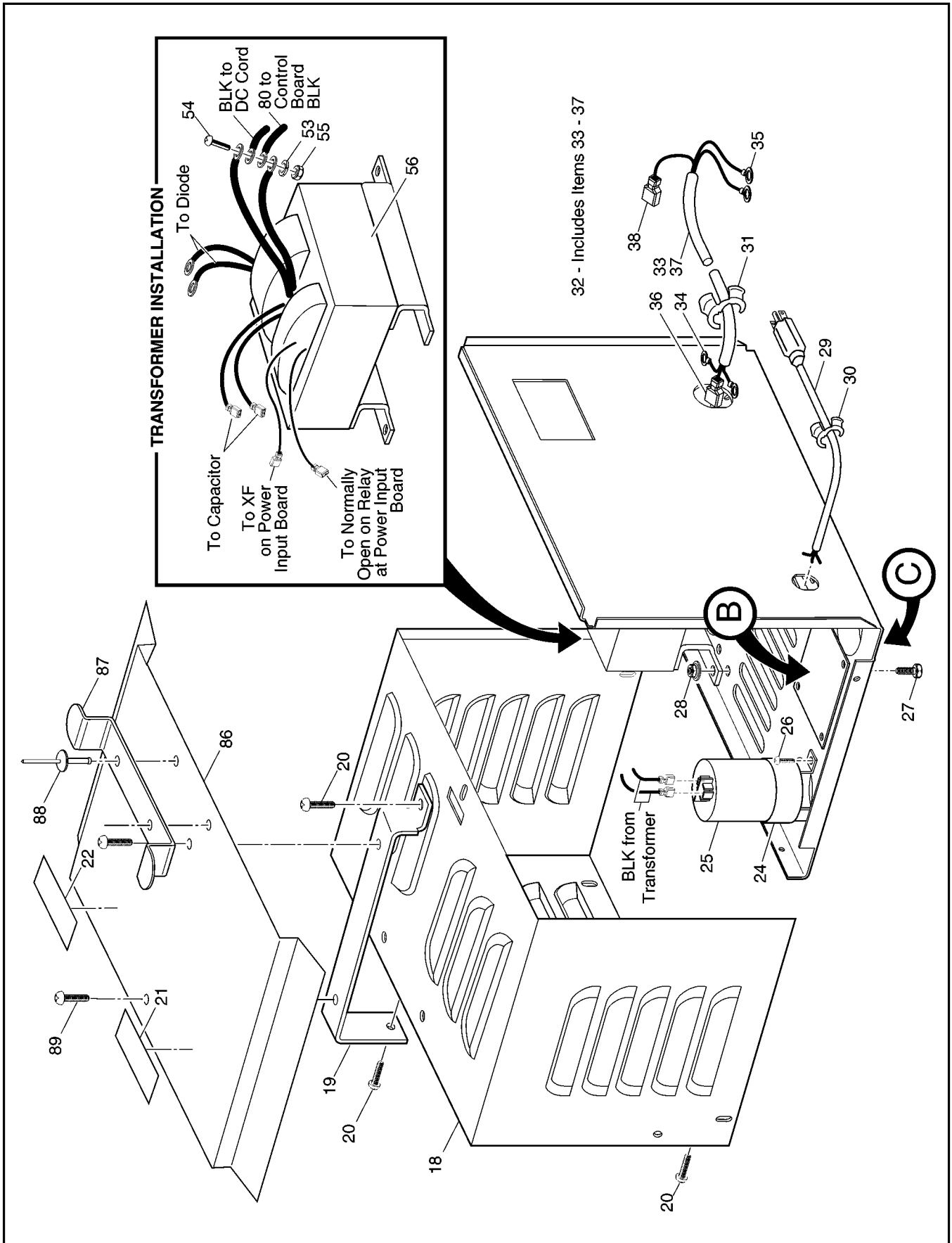
THE USE OF NON UL PARTS WILL VOID ANY UL LISTING.

When ordering parts, please specify the model and serial number of the product.

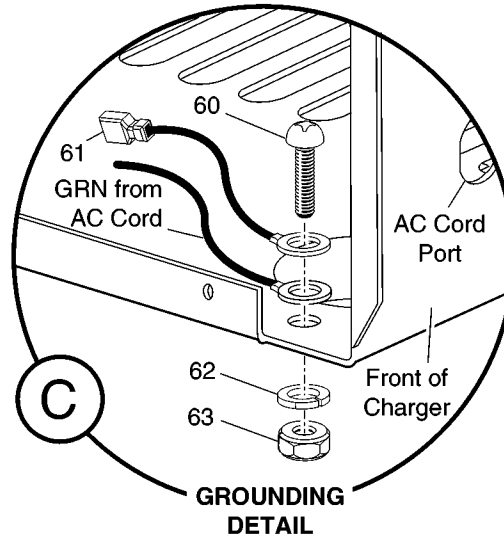
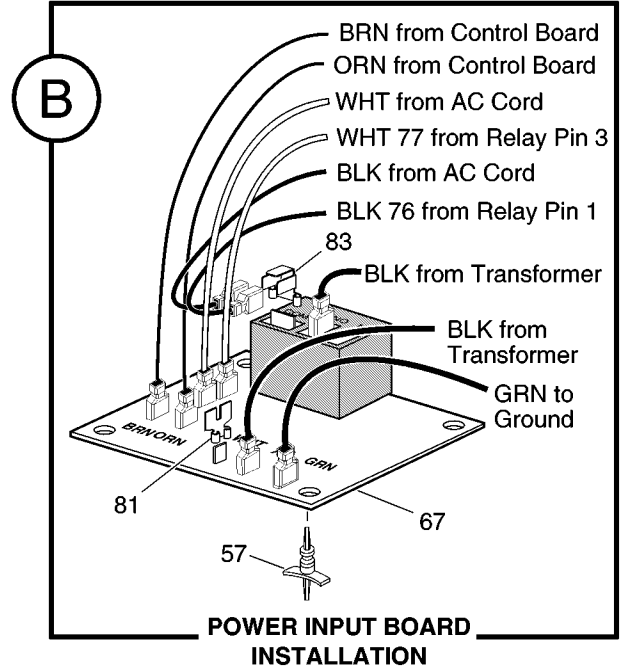
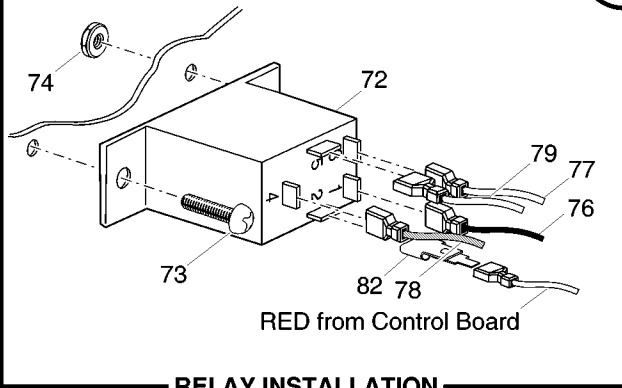
* Indicates a component that is not available as an individual part.

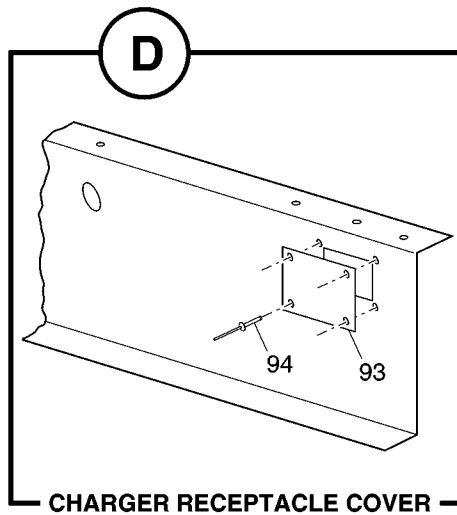
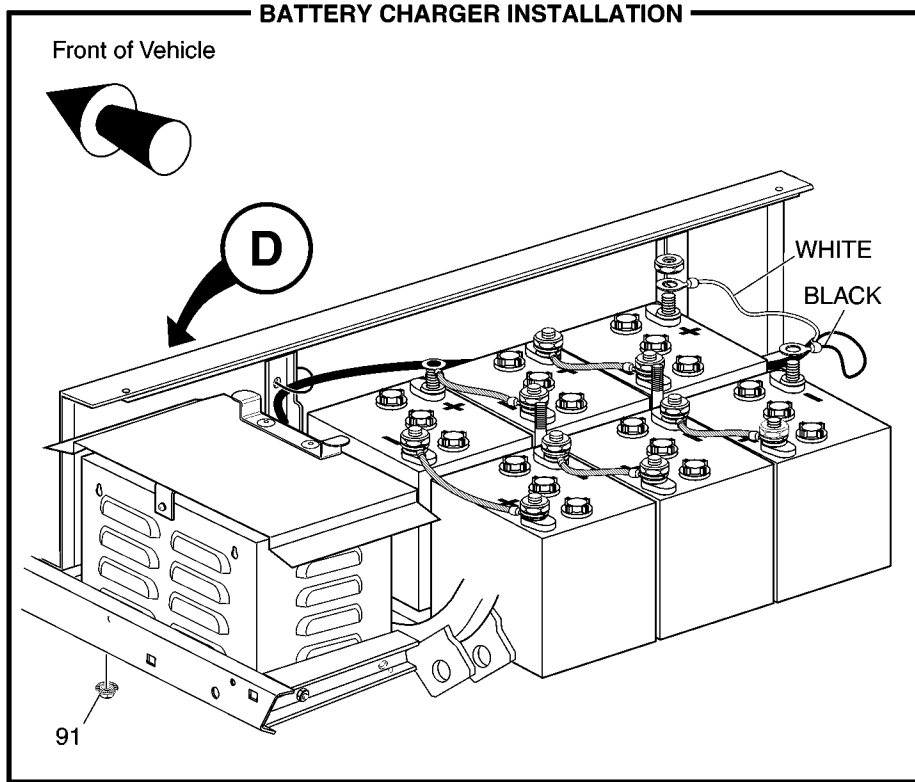
G** Indicates consult Customer Service Department for additional information.

ITEM	PART NO.	1	2	3	4	5	DESCRIPTION	QTY.
61	25977-G32						16 GA WIRE (GREEN 4" LG)	1
62	00565-G4						LOCK WASHER, #8	1
63	00526-G1						NUT, #8 - 32.....	1
64								
65	*						LABEL (POWERWISE™)	1
66	28126-G01						CONTROL BOARD (POWERWISE™).....	1
67	28126-G03						POWER INPUT BOARD (POWERWISE™)	1
68								
69	00565-G7						LOCK WASHER, 1/4"	2
70	00532-G2						NUT, 1/4 - 28.....	2
71								
72	71785-G01						LABEL (REMOVE BATTERY)	1



- Pin 1 - Wire 76 to Input Board "COM"
- Pin 2 - Tab Adapter 82, RED wire from Control Board
- Pin 3 - Wire 77 to Input Board "WHT"
- Pin 4 - Wire 78 to Heat Sink Clip
- Pin 5 - Wire 79 to DC Cord RED Wire





BATTERY CHARGER (ON BOARD)**Electric Vehicle**

THE USE OF NON UL PARTS WILL VOID ANY UL LISTING.

When ordering parts, please specify the model and serial number of the product.

* Indicates a component that is not available as an individual part.

G** Indicates consult Customer Service Department for additional information.

ITEM	PART NO.	1	2	3	4	5	DESCRIPTION	QTY.
1	28115-G06	POWERWISE™ CHARGER (ON BOARD) (INCLUDES ITEMS 3 - 83).....					1	
2								
3	*	CHASSIS					1	
4	00513-G6	SCREW, #8 - 18 X 1 3/4" LG					2	
5	00559-G4	WASHER, #8					2	
6	11572-G3	EXPANSION NUT					2	
7	28104-G01	HEAT SINK					1	
8	00138-G3	SCREW, #6 - 32 X 3/8" LG					2	
9	00559-G3	WASHER, #6					2	
10	00567-G3	LOCK WASHER, #6					2	
11	00525-G5	NUT, #6 - 32.....					2	
12	18488-G1	DIODE.....					2	
13	01005-G01	SCREW, #6 - 19 X 5/16" LG					3	
14	00559-G3	WASHER, #6					3	
15	28111-G01	SUPPORT SPACER.....					3	
16	28110-G01	ELECTRICAL CLIP.....					1	
17								
18	*	COVER					1	
19	28102-G01	HANDLE					1	
20	00614-G4	SCREW, #8 - 18 X 1/2" LG					6	
21	28136-G01	LABEL (VENTILATION).....					1	
22	28136-G02	LABEL (CORD CONDITION).....					1	
23								
24	26979-G01	CAPACITOR BRACKET					1	
25	28109-G01	CAPACITOR					1	
26	00969-G01	SCREW, #8 - 32 X 3/8" LG					3	
27	00414-G5	BOLT, 1/4 - 20 X 5/8" LG.....					3	
28	11027-G2	LOCK NUT, 1/4 - 20.....					3	
29	19388-G5	AC CORD					1	
30	13557-G2	STRAIN RELIEF (AC).....					1	

THE USE OF NON UL PARTS WILL VOID ANY UL LISTING.

When ordering parts, please specify the model and serial number of the product.

* Indicates a component that is not available as an individual part.

G** Indicates consult Customer Service Department for additional information.

ITEM	PART NO.	1	2	3	4	5	DESCRIPTION	QTY.
31	13557-G3						STRAIN RELIEF (DC)	1
32	73331-G06						DC CORD ASSEMBLY (INCLUDES ITEMS 33 - 37)	1
33	28108-G01						DC CORD	1
34	11343-G3						RING TERMINAL, 3/16"	2
35	11343-G1						RING TERMINAL, 5/16"	2
36	17064-G1						FEMALE TERMINAL	2
37	22476-G1						HEAT SHRINK TUBING	A/R
38								
39								
40	22009-G1						ISOLATION MOUNT	4
41	00559-G7						WASHER, 1/4"	4
42	00565-G7						LOCK WASHER, 1/4"	4
43	00532-G1						NUT, 1/4 - 20	4
44								
45	28105-G01						AMMETER	1
46	00984-G01						SCREW, #8 - 10 X 1/2" LG.	2
47	00559-G4						WASHER, #8	2
48	01003-G01						BRASS WASHER, #10	4
49	22589-G2						SHOULDER WASHER, #10	1
50	00771-G6						NYLON WASHER, #10	1
51	00528-G4						NUT, #10 - 32	3
52	28106-G01						50 AMP FUSE	1
53	00565-G5						LOCK WASHER, #10	4
54	00378-G4						SCREW, #10 - 24 X 1/2" LG.	2
55	00526-G3						NUT, #10 - 24	2
56	28103-G01						TRANSFORMER	1
57	27877-G01						SPACER SUPPORT	4
58	17618-G1						WIRE TIE	3
59								
60	00372-G3						SCREW, #8 - 32 X 3/8" LG.	1

BATTERY CHARGER (ON BOARD)**Electric Vehicle**

THE USE OF NON UL PARTS WILL VOID ANY UL LISTING.

When ordering parts, please specify the model and serial number of the product.

* Indicates a component that is not available as an individual part.

G** Indicates consult Customer Service Department for additional information.

ITEM	PART NO.	1	2	3	4	5	DESCRIPTION	QTY.
61	25977-G32						16 GA WIRE (GREEN 4")	1
62	00565-G4						LOCK WASHER, #8	1
63	00526-G1						NUT, #8 - 32.....	1
64								
65	*						LABEL (POWERWISE™)	1
66	28126-G01						CONTROL BOARD.....	1
67	28126-G03						POWER INPUT BOARD.....	1
68								
69	00565-G7						LOCK WASHER, 1/4"	2
70	00532-G2						NUT, 1/4 - 28.....	2
71								
72	21971-G4						RELAY	1
73	00138-G4						SCREW, #6 - 32 X 1/2" LG	2
74	14390-G9						LOCK NUT, #6 - 32	2
75								
76	25977-G38						16 GA WIRE (BLACK 4") (from Relay 1 to Power Input Board "COM")	1
77	25977-G37						16 GA WIRE (WHITE 5") (from Relay 3 to Power Input Board "WHT").....	1
78	25978-G161						18 GA WIRE (BLUE 6") (from Relay 4 to Heat Sink clip).....	1
79	25978-G162						18 GA WIRE (YELLOW 6") (from Relay 5 to DC Cord "RED").....	1
80	25978-G163						18 GA WIRE (BLACK 7") (from Transformer S2/S3 to Control Module "Black")	1
81	17902-G1						TAB ADAPTER (on Power Input Board "WHT" w/ 77 & AC Cord WHT)	1
82	28305-G01						TERMINAL ADAPTER (on Relay 2 w/ Control Board RED).....	1
83	27285-G01						TERMINAL ADAPTER (on Relay "COM" w/ 76 & AC Cord BLK).....	1
84								
85	71968-G01						SHIELD ASSEMBLY (INCLUDES ITEMS 86 - 88).....	1
86	71967-G01						SHIELD	1
87	22045-G01						CORD HOLDER	1
88	10570-G01						RIVET,.....	2
89	00106-G6						SCREW, #12 - 24 X 3/4" LG.....	2

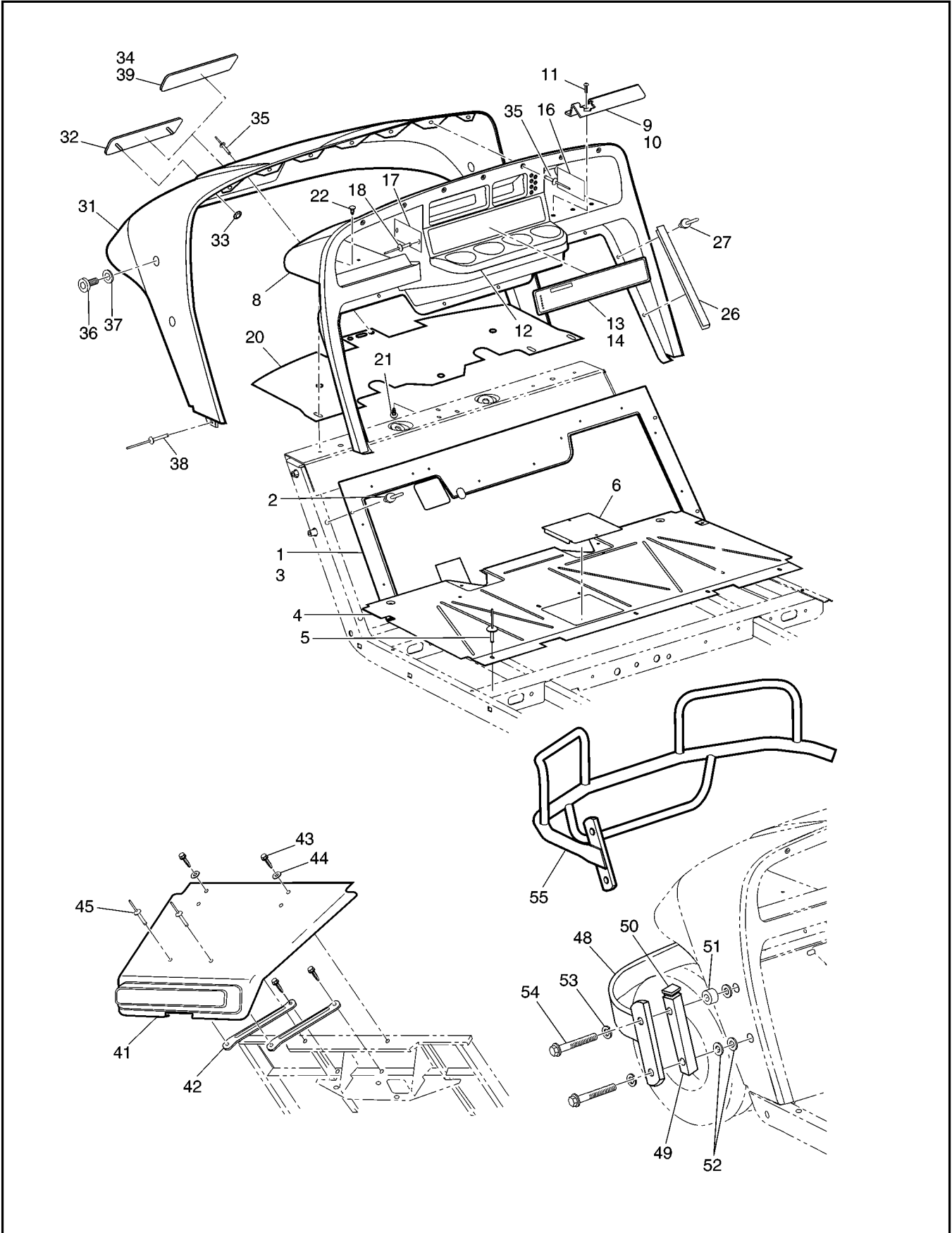
THE USE OF NON UL PARTS WILL VOID ANY UL LISTING.

When ordering parts, please specify the model and serial number of the product.

* Indicates a component that is not available as an individual part.

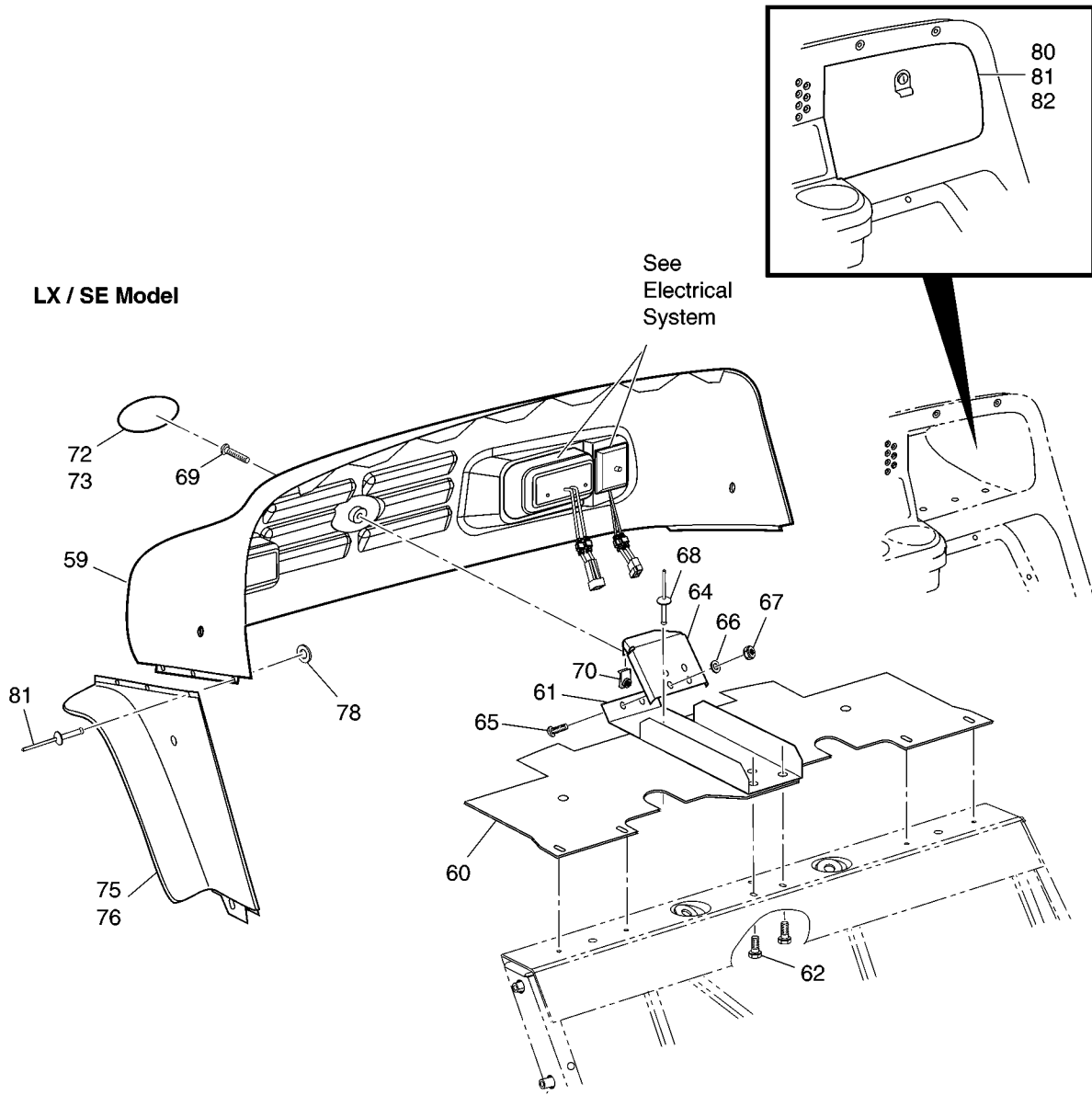
G** Indicates consult Customer Service Department for additional information.

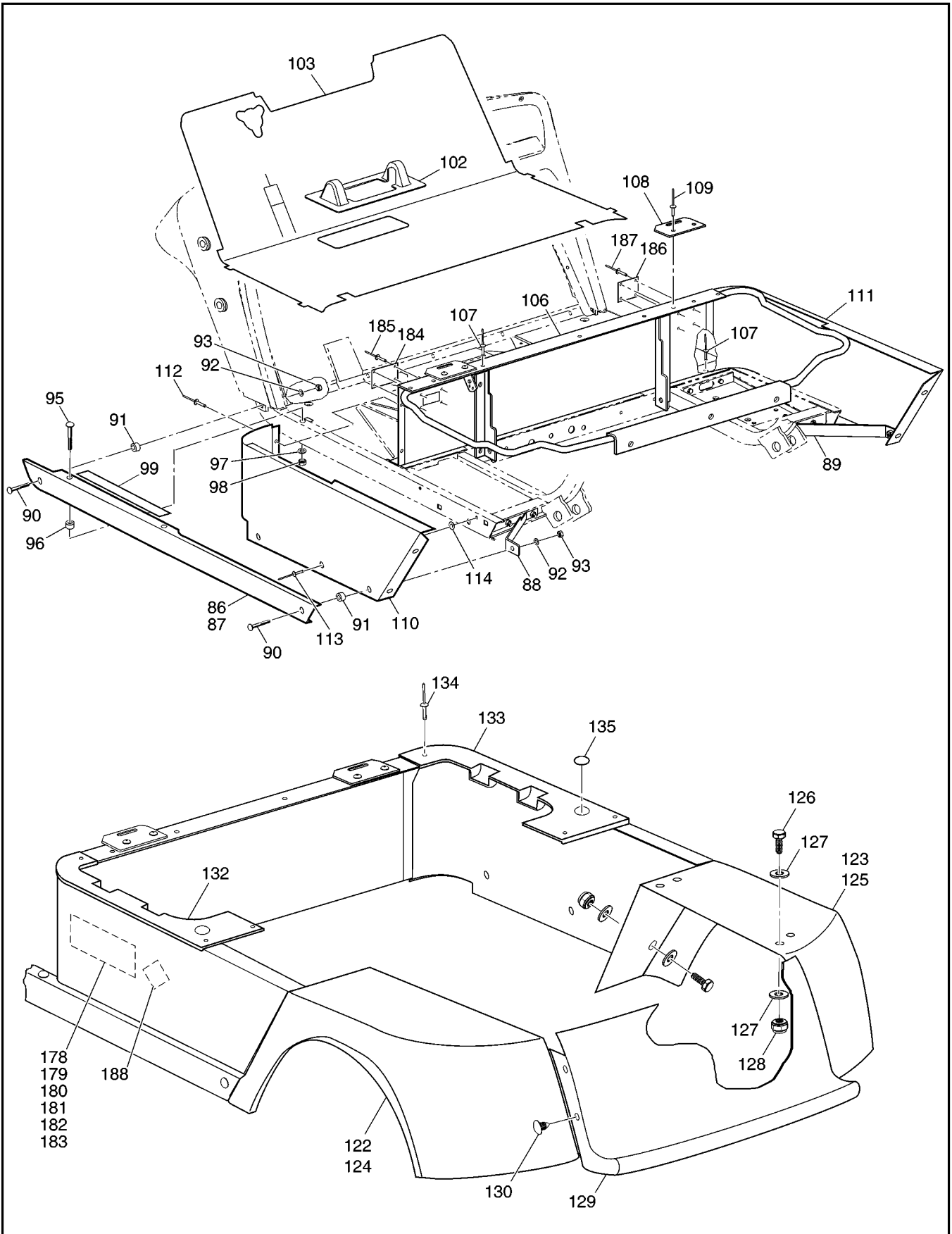
ITEM	PART NO.	1	2	3	4	5	DESCRIPTION	QTY.
90								
91	11027-G2						LOCK NUT, 1/4 - 20	4
92								
93	73173-G01						COVER PLATE	1
94	14601-G10						RIVET, 5/32" X 7/16" LG	4

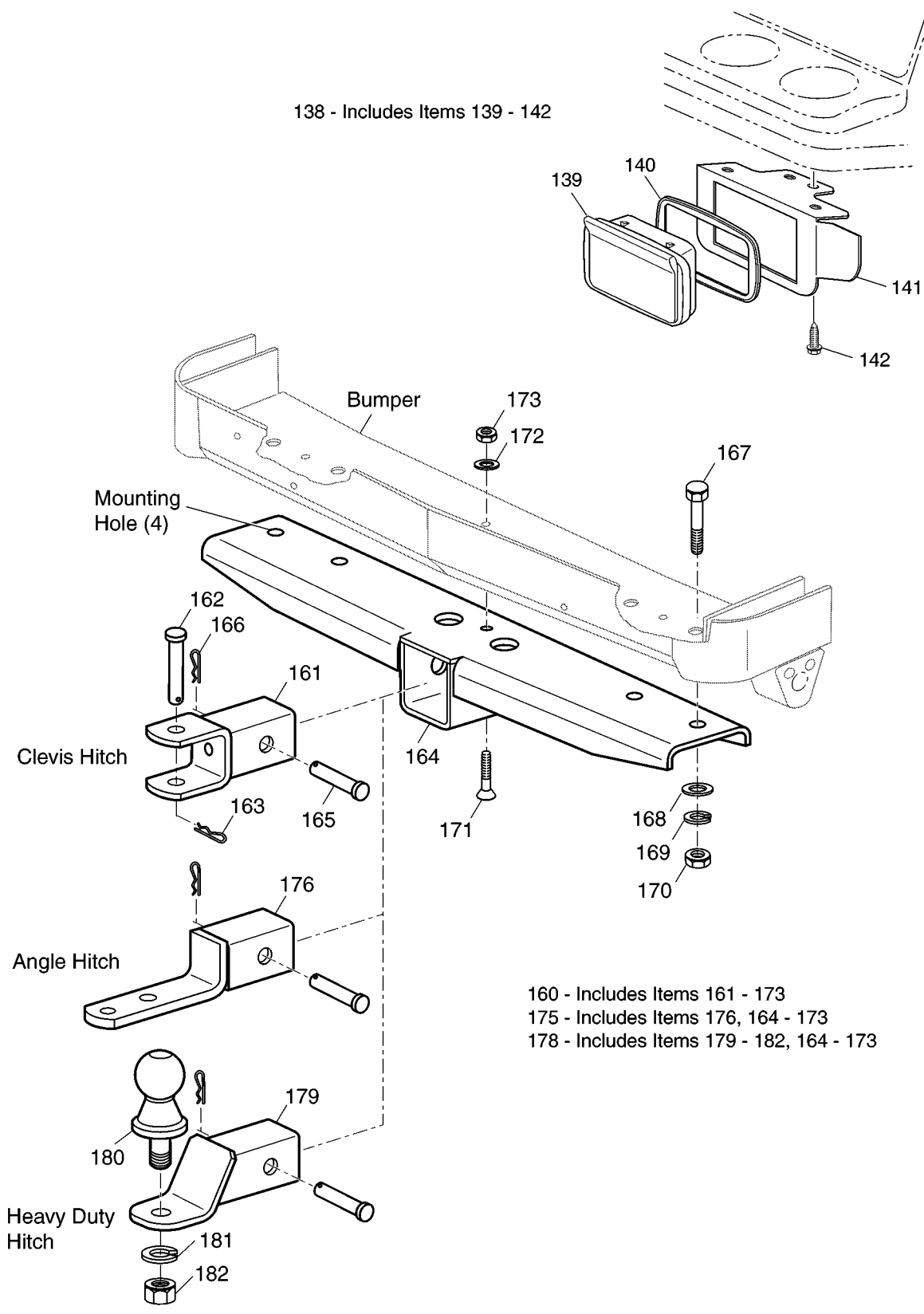


LX / SE Model

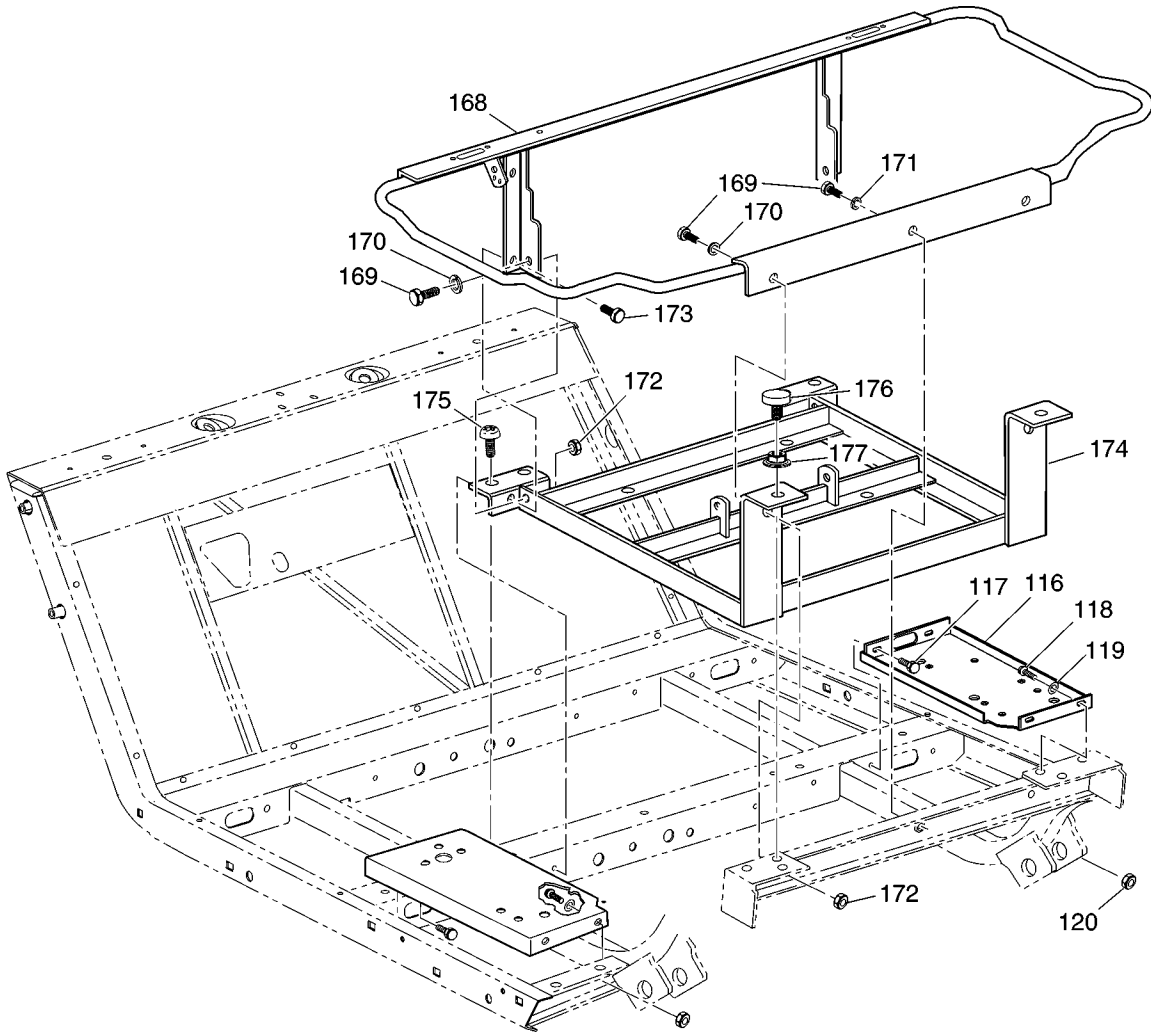
See
Electrical
System







- 160 - Includes Items 161 - 173
- 175 - Includes Items 176, 164 - 173
- 178 - Includes Items 179 - 182, 164 - 173



When ordering parts, please specify the model and serial number of the product.

* Indicates a component that is not available as an individual part.

G** Indicates consult Customer Service Department for additional information.

ITEM	PART NO.	1 2 3 4 5	DESCRIPTION	QTY.
1	70662-G01		UPPER FLOORPAN (LATE PRODUCTION)	1
2	14601-G11		RIVET, 3/16" X 9/16" LG	9
3	71510-G01		UPPER FLOORPAN (EARLY PRODUCTION)	1
4	70451-G01		LOWER FLOORPAN.....	1
5	14601-G11		RIVET, 3/16" X 9/16" LG	7
6	70452-G01		ACCESS COVER.....	1
7				
8	71151-G01		INSTRUMENT PANEL ASSEMBLY (INCLUDES ITEMS 9 - 12)	1
9	71153-G01		DEFLECTOR (PASSENGER SIDE).....	1
10	71154-G01		DEFLECTOR (DRIVER SIDE)	1
11	00614-G5		SCREW, #8 - 18 X 5/8" LG.....	6
12	71158-G01		INSTRUMENT PANEL INSERT (FOUR CUP)	1
13	71179-G02		LABEL (SAFETY) (TEXT)	1
14	74409-G01		LABEL (SAFETY) (PICTOGRAPH).....	1
15				
16	*		SERIAL NUMBER PLATE.....	1
17	*		CAPACITY PLATE	1
18	01041-G01		RIVET, 5/32" X 7/8" LG	4
19				
20	71413-G01		SPLASH PANEL.....	1
21	16816-G2		RATCHET FASTENER, 1/4" X 3/4" LG.....	1
22	16816-G2		RATCHET FASTENER, 1/4" X 3/4" LG.....	4
23				
24				
25				
26	71115-G01		VINYL TRIM	2
27	71055-G01		RIVET, 3/16" X 1" LG	10
28				
29				
30				

When ordering parts, please specify the model and serial number of the product.

* Indicates a component that is not available as an individual part.

G** Indicates consult Customer Service Department for additional information.

ITEM	PART NO.	1 2 3 4 5	DESCRIPTION	QTY.
31	71051-G**		COWL	1
32	71037-G02		NAMEPLATE (E-Z-GO).....	1
33	12064-G3		PUSHNUT, 3/16"	2
34	74403-G01		NAMEPLATE (CUSHMAN)	1
35	71055-G01		RIVET, 3/16" X 1" LG	9
36	71056-G01		BOLT, 5/16 - 18 X 5/8" LG.....	4
37	00570-G2		WASHER, 5/16"	4
38	14601-G13		RIVET, 5/32" X 9/16" LG	2
39	26947-G01		NAMEPLATE (JACOBSEN).....	1
40				
41	27166-G02		FRONT SHIELD.....	1
42	71015-G01		FRONT SHIELD BRACE.....	2
43	01038-G01		SCREW, 1/4 - 20 X 1/2" LG	4
44	16469-G7		WASHER, 1/4"	2
45	01057-G01		RIVET, KTR, 1/4" X 1" LG	2
46				
47				
48	74040-G01		FRONT BUMPER.....	1
49	74037-G01		SPACER TUBE	2
50	19859-G1		END CAP, 3/4"	2
51	75048-G01		SPACER, 1/2"	2
52	00570-G2		WASHER, 5/16"	6
53	00905-G8		LOCK WASHER, 5/16".....	4
54	01035-G02		BOLT, 5/16 - 18 X 2 1/2" LG.....	4
55	74265-G01		BUMPER (LX / SE)	1
56				
57				
58				
59	71219-G01		COWL (LX / SE).....	1
60	71413-G02		SPLASH PANEL.....	1

When ordering parts, please specify the model and serial number of the product.

* Indicates a component that is not available as an individual part.

G** Indicates consult Customer Service Department for additional information.

ITEM	PART NO.	1 2 3 4 5	DESCRIPTION	QTY.
61	71101-G01		COWL SUPPORT BRACKET	1
62	71102-G02		SELF TAPPING SCREW, 1/4 - 20 X 1/2" LG	3
63				
64	71462-G01		COWL SUPPORT BRACE.....	1
65	00740-G4		SCREW, #10 - 32 X 1/2" LG	2
66	00559-G5		WASHER, #10.....	2
67	00921-G8		LOCK NUT, #10 - 32	2
68	71055-G02		RIVET, 3/16" X 1 1/8" LG	1
69	16705-G9		SCREW, 1/4 - 20 X 1 1/4" LG	1
70	14776-G1		RETAINER NUT ('J' TYPE), 1/4 - 20.....	1
71				
72	71289-G01		NAMEPLATE (E-Z-GO) (OVAL).....	1
73	74401-G01		NAMEPLATE (CUSHMAN) (OVAL)	1
74				
75	71214-G01		FENDER FLARE (DRIVER SIDE).....	1
76	71214-G02		FENDER FLARE (PASSENGER SIDE)	1
77	71045-G01		RIVET, 5/32 X 3/4" LG.....	6
78	00559-G4		WASHER, #8.....	6
79				
80	75459-G01		GLOVE BOX DOORS (BOTH SIDES).....	1
81	75459-G02		GLOVE BOX DOOR (DRIVER SIDE)	1
82	75459-G03		GLOVE BOX DOOR (PASSENGER SIDE).....	1
83				
84				
85				
86	71439-G01		ROCKER PANEL (DRIVER SIDE)	1
87	71439-G02		ROCKER PANEL (PASSENGER SIDE)	1
88	71440-G01		BRACE (DRIVER SIDE).....	1
89	71440-G02		BRACE (PASSENGER SIDE)	1
90	00789-G2		SCREW, #10 - 24 X 1 1/4" LG	4

When ordering parts, please specify the model and serial number of the product.

* Indicates a component that is not available as an individual part.

G** Indicates consult Customer Service Department for additional information.

ITEM	PART NO.	1 2 3 4 5	DESCRIPTION	QTY.
91	19247-G3		SPACER, 9/32"	4
92	00660-G5		WASHER, #10.....	4
93	11098-G7		LOCK NUT, #10 - 24	4
94				
95	16705-G1		SCREW, 1/4 - 20 X 1" LG	4
96	23726-G2		SPACER, 1/4"	4
97	00559-G7		WASHER, 1/4"	4
98	14390-G4		LOCK NUT, 1/4 - 20	4
99	71764-G01		SILL PLATE TREAD.....	2
100				
101				
102	70135-G01		PEDAL PIVOT COVER.....	1
103	70048-G06		FLOORMAT.....	1
104				
105				
106	71379-G**		SEAT WRAP PANEL.....	1
107	10570-G10		RIVET, 5/32" X 9/16" LG	8
108	71609-G01		SEAT HINGE PLATE.....	2
109	10570-G11		RIVET, 3/16" X 3/4" LG	4
110	71674-G**		SIDE PANEL (DRIVER SIDE)	1
111	71674-G**		SIDE PANEL (PASSENGER SIDE)	1
112	10570-G10		RIVET, 5/32" X 9/16" LG	4
113	10570-G12		RIVET, 1/4" X 1/2" LG	4
114	16469-G7		WASHER, 1/4"	4
115				
116	70244-G02		SPLASH PANEL.....	2
117	00715-G2		BOLT, 5/16 - 18 X 13/16" LG.....	4
118	00438-G8		BOLT, 5/16 - 18 X 1" LG.....	4
119	00559-G8		WASHER, 5/16"	4
120	11098-G6		LOCK NUT, 5/16 - 18	4

When ordering parts, please specify the model and serial number of the product.

* Indicates a component that is not available as an individual part.

G** Indicates consult Customer Service Department for additional information.

ITEM	PART NO.	1 2 3 4 5	DESCRIPTION	QTY.
121				
122	71586-G01		FENDER (DRIVER SIDE)	1
123	71586-G02		FENDER (PASSENGER SIDE).....	1
124	71586-G03		FENDER WITH TAILLIGHT (DRIVER SIDE)	1
125	71586-G04		FENDER WITH TAILLIGHT (PASSENGER SIDE)	1
126	00414-G7		BOLT, 1/4 - 20 X 7/8" LG.....	12
127	00559-G7		WASHER, 1/4"	24
128	14390-G4		LOCK NUT, 1/4 - 20	12
129	71587-G01		REAR PANEL.....	1
130	71055-G01		RIVET, 3/16" X 1" LG	4
131				
132	71588-G01		SEAT FILLER PANEL (DRIVER SIDE)	1
133	71588-G02		SEAT FILLER PANEL (PASSENGER SIDE).....	1
134	10570-G10		RIVET, 5/32" X 9/16" LG	6
135	20271-G3		HOLE PLUG, 2" (VEHICLES WITHOUT TOP)	2
136				
137				
138	75109-G02		ASH TRAY KIT (INCLUDES ITEMS 139 - 142)	1
139	27731-G01		ASH TRAY.....	1
140	27736-G01		GASKET	1
141	75108-G01		BRACKET.....	1
142	00100-G4		SCREW, #10 - 16 X 1/2" LG.....	4
143				
144	74270-G07		CLEVIS HITCH KIT (INCLUDES ITEMS 161 - 173)	1
145	74338-G01		CLEVIS HITCH.....	1
146	14443-G7		CLEVIS PIN, 1/2" X 2 1/2" LG	1
147	19314-G1		COTTER PIN, 2 1/2" LG.....	1
148	74348-G01		HITCH RECEIVER	1
149	21317-G01		CLEVIS PIN, 5/8" X 3" LG	1
150	21683-G1		COTTER PIN, 15/32" X 2 11/16" LG	1

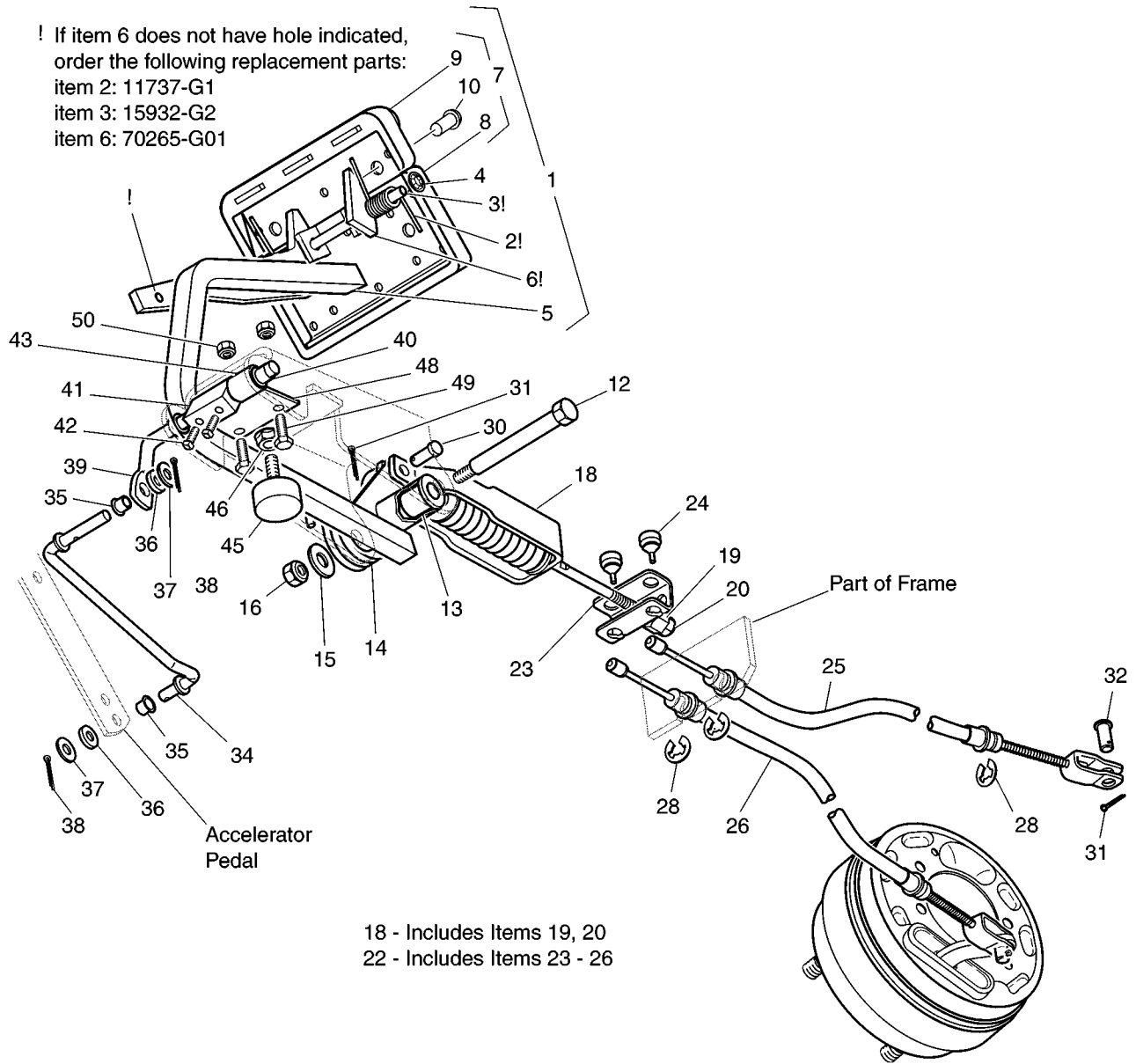
When ordering parts, please specify the model and serial number of the product.
 * Indicates a component that is not available as an individual part.
 G** Indicates consult Customer Service Department for additional information.

ITEM	PART NO.	1	2	3	4	5	DESCRIPTION	QTY.
151	00463-G4						BOLT, 7/16 - 14 X 1 1/2" LG	4
152	00922-G3						WASHER, 7/16"	4
153	00566-G2						LOCK WASHER, 7/16"	4
154	00734-G1						LOCK NUT, 7/16 - 14.....	4
155	00198-G8						SCREW, 5/16 - 18 X 1" LG.....	1
156	00569-G2						WASHER, 5/16"	1
157	11098-G6						LOCK NUT, 5/16 - 18.....	1
158								
159	74270-G05						ANGLE HITCH KIT (INCLUDES ITEMS 176 AND 164 - 173)	1
160	74339-G01						ANGLE HITCH	1
161								
162	74270-G03						HEAVY DUTY HITCH KIT (INCLUDES ITEMS 179 - 182 AND 164 - 173)	1
163	74351-G01						HEAVY DUTY HITCH.....	1
164	31757-G1						BALL, 1 7/8"	1
165	00566-G6						LOCK WASHER, 3/4"	1
166	00702-G11						NUT, 3/4 - 16	1
167								
168	70494-G01						SEAT FRAME.....	1
169	00438-G8						BOLT, 5/16 - 18 X 1" LG.....	5
170	00559-G8						WASHER, 5/16"	4
171	00565-G8						LOCK WASHER, 5/16".....	1
172	11098-G6						LOCK NUT, 5/16 - 18	4
173	00715-G2						BOLT, 5/16 - 18 X 13/16" LG.....	2
174	70046-G01						BATTERY RACK	1
175	70200-G01						SCREW, 3/8 - 16 X 1/4" LG	2
176	70113-G01						ADJUSTABLE BUMPER.....	2
177	11027-G1						LOCK NUT, 5/16 - 18	2
178	35062-G01						DECAL (WORKHORSE®).....	2
179	35430-G04						DECAL (1000).....	2
180	35430-G03						DECAL (1000LX)	2

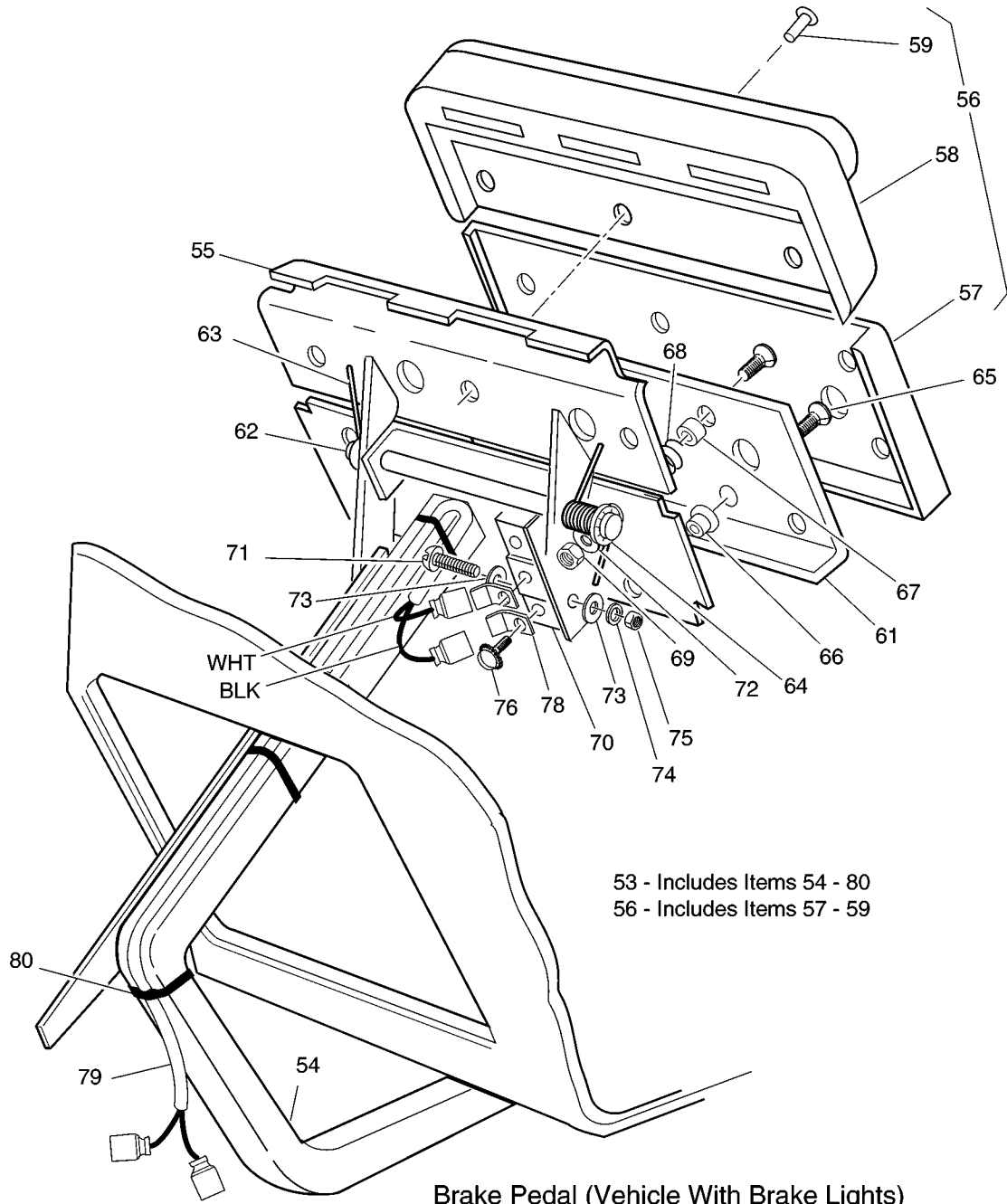
When ordering parts, please specify the model and serial number of the product.
 * Indicates a component that is not available as an individual part.
 G** Indicates consult Customer Service Department for additional information.

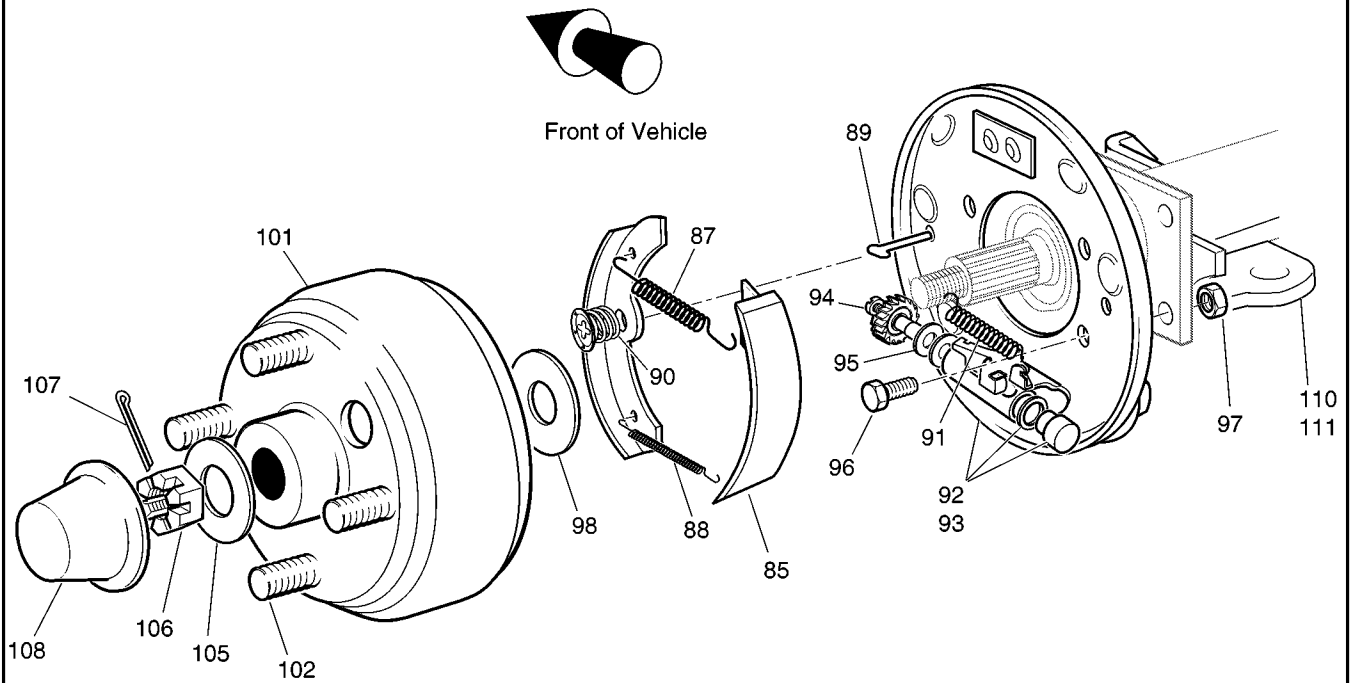
ITEM	PART NO.	1 2 3 4 5	DESCRIPTION	QTY.
181	74407-G01		DECAL (COMMANDER™)	2
182	74416-G04		DECAL (2100).....	2
183	74416-G03		DECAL (2100 SE)	2
184	73173-G01		COVER PLATE (ON-BOARD CHARGER MODELS ONLY).....	1
185	14601-G10		RIVET, 5/32" X 7/16" LG	4
186	*		PLATE UL (EE)	1
187	10570-G9		RIVET, 1/8" X 11/32" LG.....	4
188	35216-G01		DECAL (EE)	2

! If item 6 does not have hole indicated,
order the following replacement parts:
item 2: 11737-G1
item 3: 15932-G2
item 6: 70265-G01



18 - Includes Items 19, 20
22 - Includes Items 23 - 26





- 82 - Includes Items 84 - 92
- 83 - Includes Items 84-91, 93
- 84 - Includes Items 85
- 86 - Includes Items 87 - 91
- 92 - Includes Items 94, 95
- 93 - Includes Items 94, 95
- 100 - Includes Items 101, 102

When ordering parts, please specify the model and serial number of the product.

* Indicates a component that is not available as an individual part.

G** Indicates consult Customer Service Department for additional information.

ITEM	PART NO.	1 2 3 4 5	DESCRIPTION	QTY.
1	70612-G01		BRAKE PEDAL ASSEMBLY (WITHOUT BRAKE LIGHTS) (INCLUDES ITEMS 2 - 10)	1
2	70681-G01		TORSION SPRING	2
3	70682-G01		PIVOT PIN.....	1
4	12064-G1		PUSHNUT, 5/16"	1
5	*		BRAKE PEDAL.....	1
6	70611-G01		PARK BRAKE PEDAL.....	1
7	70274-G01		BRAKE/PARK BRAKE PEDAL PAD KIT (INCLUDES ITEMS 8 - 10).....	1
8	*		SERVICE BRAKE PAD	1
9	*		PARK BRAKE PEDAL PAD.....	1
10	15766-G1		OVAL RIVET, 3/16" X 3/8" LG	9
11				
12	70582-G01		SHOULDER BOLT, 3/8 - 16 X 4" LG.....	1
13	70581-G01		FLANGED BUSHING	2
14	70676-G01		TORSION SPRING	1
15	00643-G1		WASHER, 3/8"	1
16	11098-G5		LOCK NUT, 3/8 - 16	1
17				
18	70272-G04		COMPENSATOR ASSEMBLY (INCLUDES ITEMS 19, 20).....	1
19	00963-G01		SPHERICAL NUT, 5/16 - 24.....	1
20	11098-G9		LOCK NUT, 5/16 - 24.....	1
21				
22	70716-G05		EQUALIZER AND BRAKE CABLE ASSEMBLY (INCLUDES ITEMS 23-26)	1
23	28082-G01		EQUALIZER BRACKET	1
24	28083-G01		BRAKE COMPENSATOR BUMPER	2
25	*		BRAKE CABLE (DRIVER SIDE)	1
26	*		BRAKE CABLE (PASSENGER SIDE).....	1
27				
28	12305-G1		RETAINING RING.....	4
29				

When ordering parts, please specify the model and serial number of the product.
 * Indicates a component that is not available as an individual part.
 G** Indicates consult Customer Service Department for additional information.

ITEM	PART NO.	1 2 3 4 5	DESCRIPTION	QTY.
30	10386-G3		CLEVIS PIN, 5/16" X 1" LG.....	3
31	10387-G3		COTTER PIN, 3/32" X 3/4" LG.....	3
32	14443-G2		CLEVIS PIN, 5/16" X 3/4" LG.....	2
33				
34	70601-G01		KICK-OFF LINK	1
35	17838-G1		NYLON BUSHING.....	2
36	20835-G1		TEFLON WASHER, 3/8"	2
37	00559-G8		WASHER, 5/16"	2
38	10387-G3		COTTER PIN, 3/32" X 3/4" LG.....	2
39	70098-G01		KICK-OFF CAM PIVOT.....	1
40	10097-G6		FLANGED BEARING	2
41	70587-G01		KICK-OFF CAM.....	1
42	71215-G01		SETSCREW, 1/4 - 20 X 1/2" LG	2
43	14134-G4		SPACER.....	1
44				
45	70113-G01		ADJUSTABLE BUMPER.....	1
46	11027-G1		LOCK NUT, 5/16 - 18	1
47				
48	70080-G01		CATCH BRACKET	1
49	00414-G6		BOLT, 1/4 - 20 X 3/4" LG.....	2
50	00891-G2		LOCK NUT, 1/4 - 20	2
51				
52				
53	70690-G01		BRAKE PEDAL ASSEMBLY (WITH BRAKE LIGHTS) (INCLUDES ITEMS 54 - 80)	1
54	*		BRAKE PEDAL.....	1
55	70611-G01		PARK BRAKE PEDAL	1
56	70274-G01		BRAKE/PARK BRAKE PEDAL PAD KIT (INCLUDES ITEMS 57 - 59)	1
57	*		SERVICE BRAKE PAD	1
58	*		PARK BRAKE PAD	1

When ordering parts, please specify the model and serial number of the product.

* Indicates a component that is not available as an individual part.

G** Indicates consult Customer Service Department for additional information.

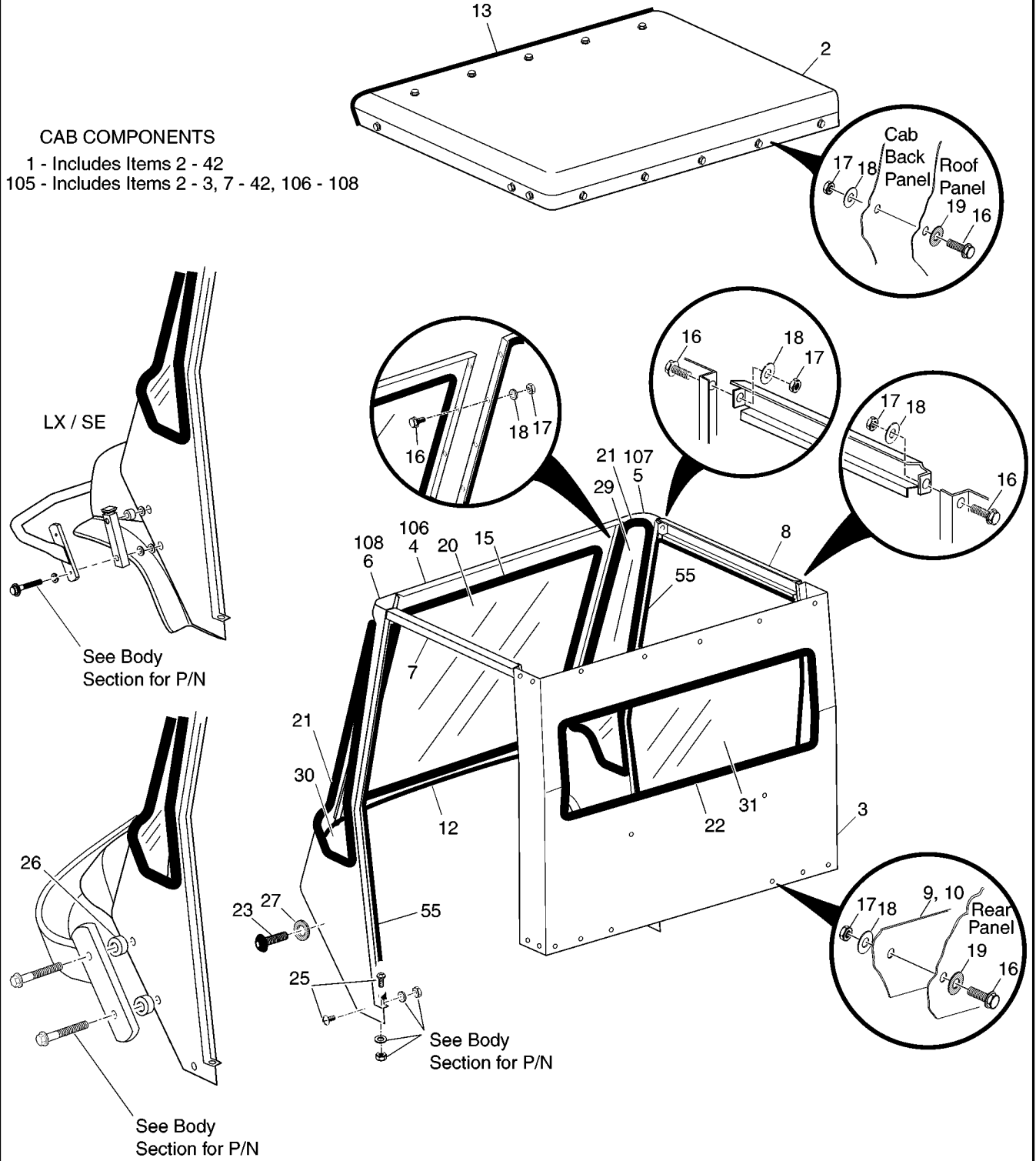
ITEM	PART NO.	1	2	3	4	5	DESCRIPTION	QTY.
59	15766-G1						OVAL RIVET, 3/16" x 3/8" LG.....	9
60								
61	70258-G02						SERVICE BRAKE PEDAL PLATE.....	1
62	70682-G01						PIVOT PIN.....	1
63	70681-G01						TORSION SPRING	2
64	12064-G1						PUSHNUT, 5/16"	1
65	00737-G8						SCREW, #10 - 24 X 1" LG.....	4
66	00739-G1						RUBBER NUT, #10 - 24	2
67	22362-G3						BRAKE PEDAL STANDOFF	2
68	27137-G01						CONICAL SPRING.....	2
69	11098-G7						LOCK NUT, #10 - 24.....	2
70	10606-G8						MICRO SWITCH	1
71	00957-G1						SCREW, #6 - 32 X 1 1/4" LG.....	2
72	00559-G5						WASHER, #10.....	2
73	00559-G3						WASHER, #6.....	4
74	00565-G3						LOCK WASHER, #6.....	2
75	00525-G5						NUT, #6 - 32	2
76	13514-G1						SCREW AND LOCK WASHER, #6	2
77								
78	14628-G1						FASTON TAB	2
79	24605-G1						WIRE HARNESS (BRAKE LIGHT).....	1
80	17618-G1						WIRE TIE.....	3
81								
82	70793-G01						BRAKE ASSEMBLY (DRIVER SIDE) (INCLUDES ITEMS 84 - 95).....	1
83	70793-G02						BRAKE ASSEMBLY (PASSENGER SIDE) (INCLUDES ITEMS 84 - 95)	1
84	70794-G01						BRAKE SHOE KIT (INCLUDES ITEM 85)	2
85	*						BRAKE SHOE.....	2
86	27944-G01						BRAKE SPRING KIT (INCLUDES ITEMS 87 - 91)	2
87	*						UPPER SPRING	1
88	*						LOWER SPRING	1

When ordering parts, please specify the model and serial number of the product.
 * Indicates a component that is not available as an individual part.
 G** Indicates consult Customer Service Department for additional information.

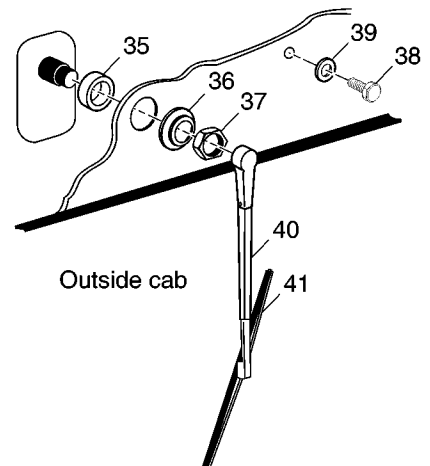
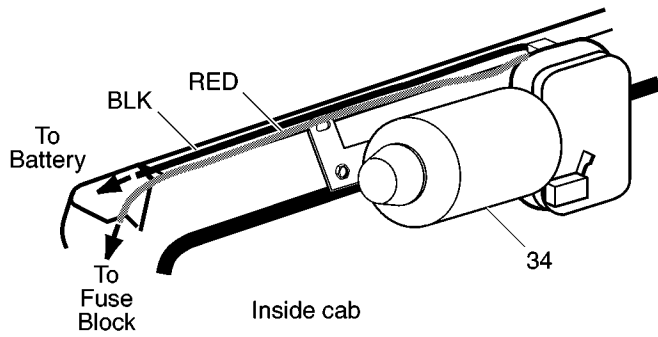
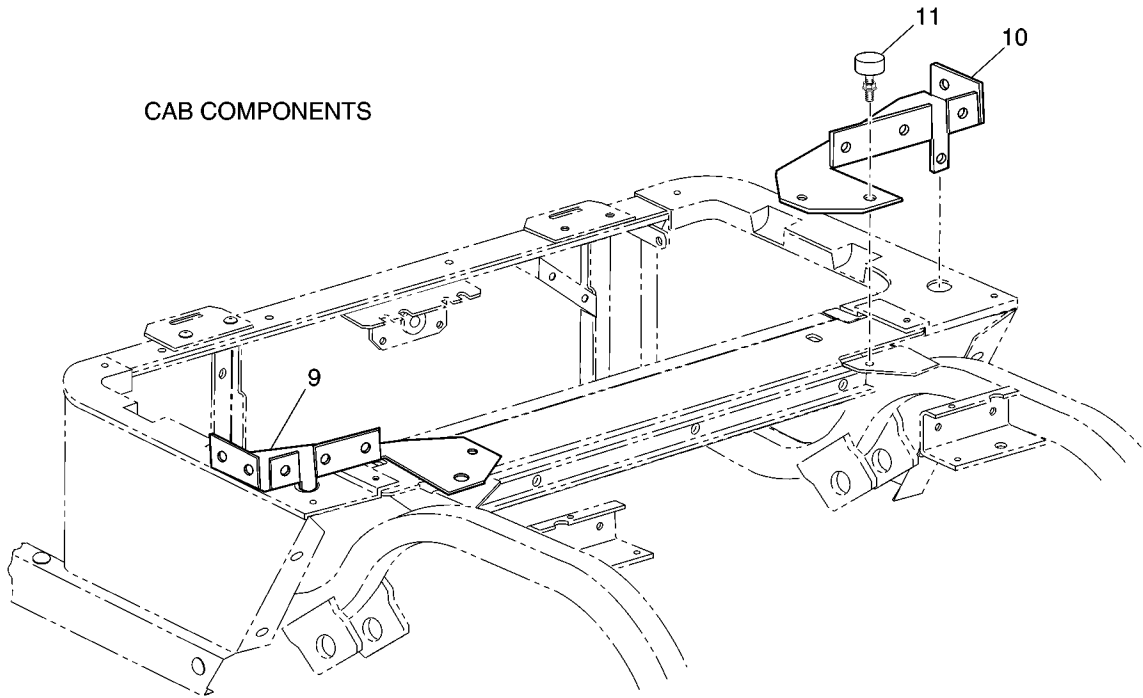
ITEM	PART NO.	1	2	3	4	5	DESCRIPTION	QTY.
89	*						PIN	2
90	*						CUP AND SPRING	2
91	*						ADJUSTER SPRING.....	1
92	72582-G01						BRAKE ADJUSTER KIT (DRIVER SIDE) (INCLUDES ITEMS 94, 95).....	1
93	72582-G02						BRAKE ADJUSTER KIT (PASSENGER SIDE) (INCL. ITEMS 94, 95)	1
94	*						ADJUSTER	1
95	*						TEFLON WASHER	2
96	17083-G2						BOLT, 5/16 - 24 X 1" LG.....	8
97	15126-G1						LOCK NUT, 5/16 - 24	8
98	15485-G1						INNER BRAKE DRUM WASHER	2
99								
100	19186-G1						BRAKE DRUM ASSEMBLY (INCLUDES ITEMS 101 - 102)	2
101	*						BRAKE DRUM.....	1
102	19862-G1						LUG BOLT, 1/2 - 20	4
103								
104								
105	15487-G1						WASHER, 1 3/8" O.D. X 21/32"	2
106	15483-G1						SLOTTED NUT, 5/8 - 18.....	2
107	10387-G1						COTTER PIN, 1/8" X 1 1/2" LG.....	2
108	74175-G01						SPINDLE CAP	2
109								
110	72036-G02						BRAKE CABLE BRACKET (PASSENGER SIDE)	1
111	72237-G02						BRAKE CABLE BRACKET (DRIVER SIDE).....	1

CAB COMPONENTS

1 - Includes Items 2 - 42
105 - Includes Items 2 - 3, 7 - 42, 106 - 108



CAB COMPONENTS



Front of Vehicle

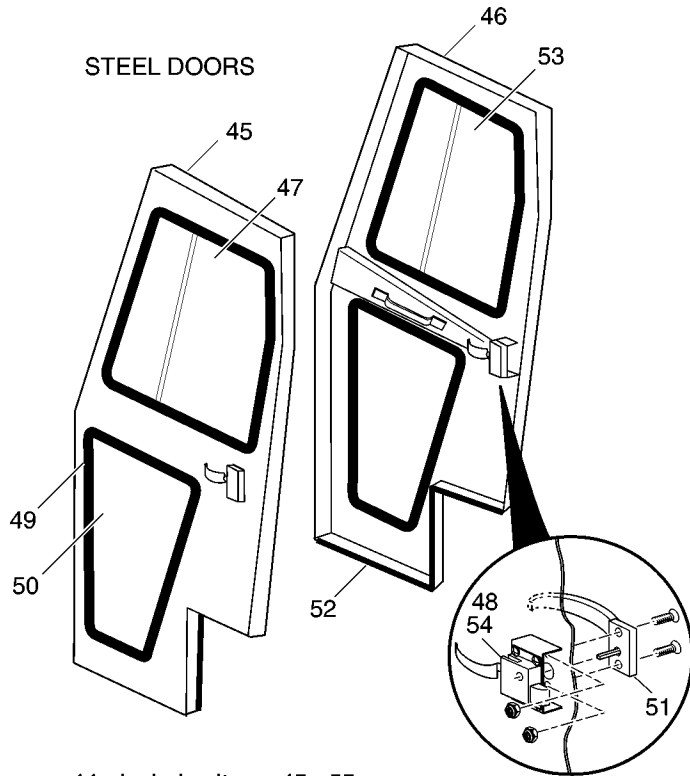


WINDSHIELD WIPER COMPONENTS

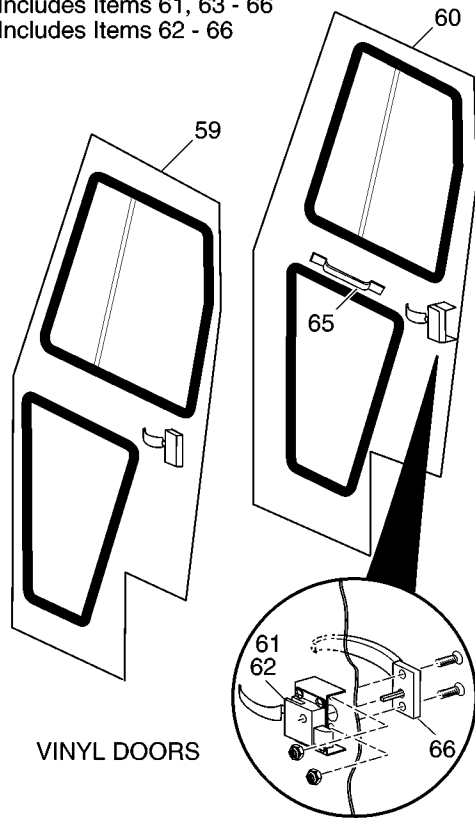
33 - Includes Items 34 - 42

34 - Includes Items 35 - 39

STEEL DOORS

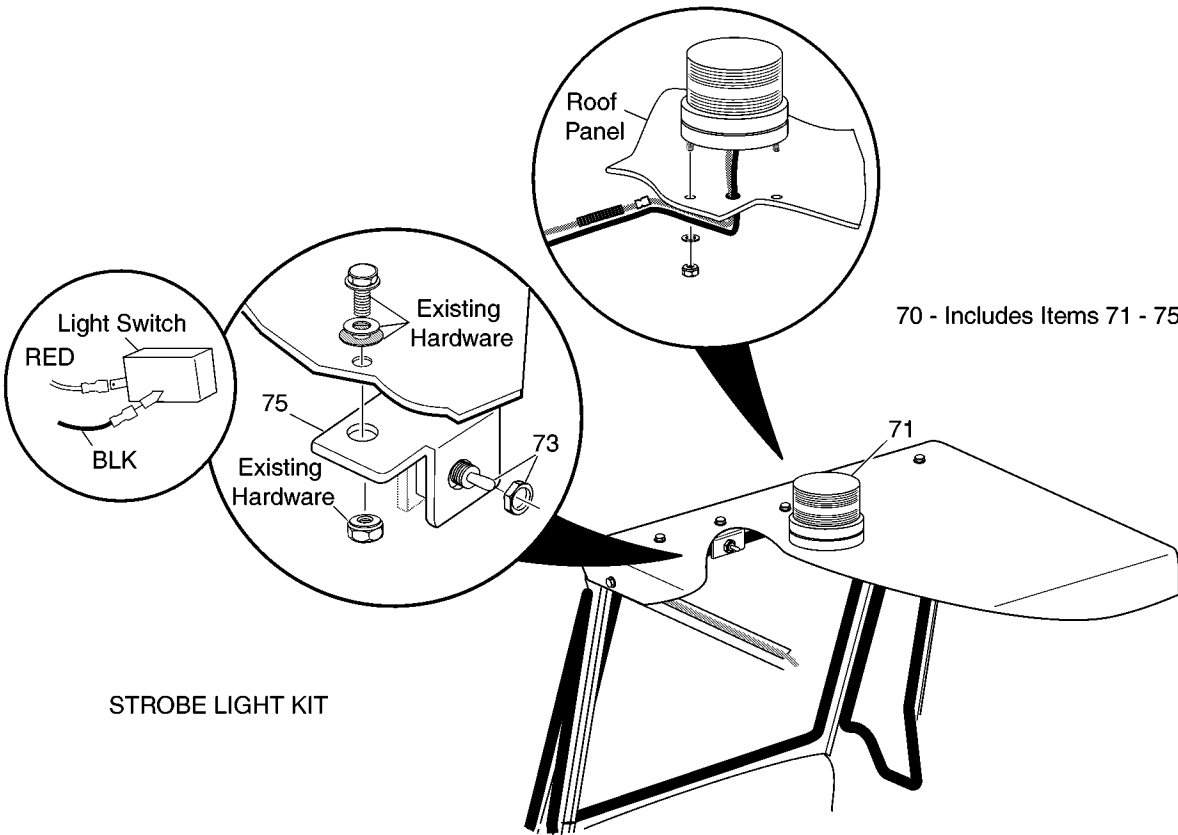


- 58 - Includes Items 59 - 66
- 59 - Includes Items 61, 63 - 66
- 60 - Includes Items 62 - 66



- 44 - Includes Items 45 - 55
- 45 - Includes Items 47 - 52
- 46 - Includes Items 49 - 54

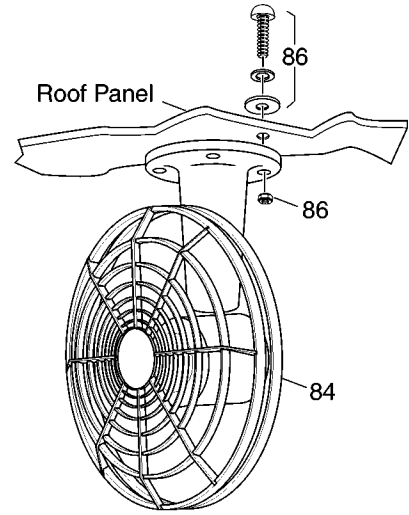
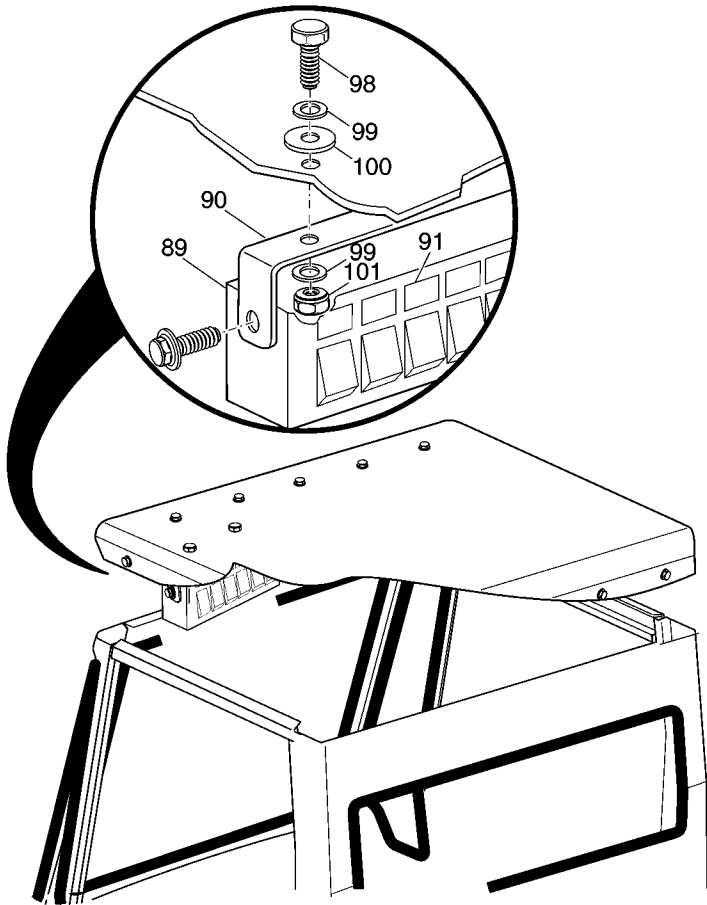
VINYL DOORS



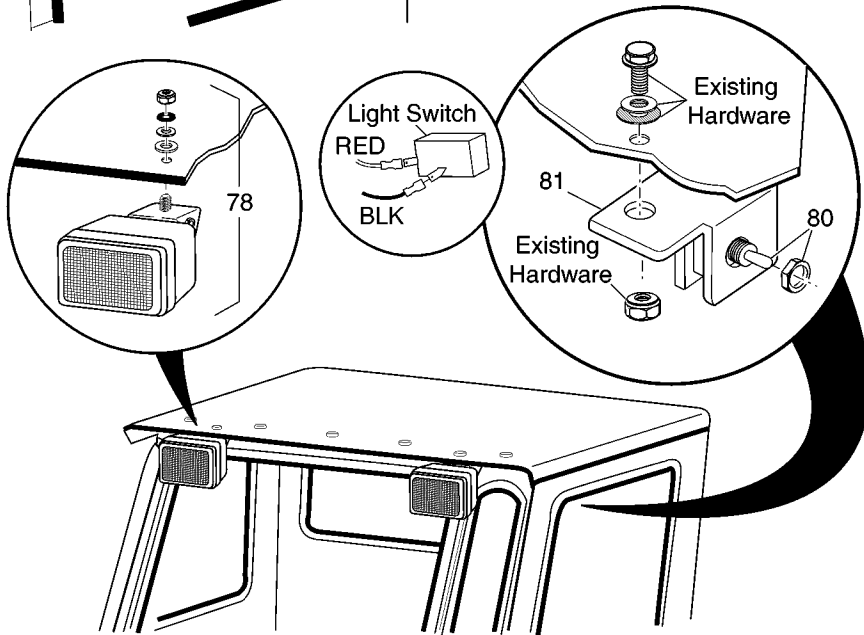
- 70 - Includes Items 71 - 75

STROBE LIGHT KIT

SWITCH PANEL KIT
88 - Includes Items 89 - 103



DEFROSTER / COOLING FAN KIT
83 - Includes Items 84 - 86



WORKLIGHT KIT
77 - Includes Items 78 - 81

Replacement parts may be obtained from Curtis Tractor Cab Inc., 111 Higgins Street, Worcester, MA 01606. Telephone (508) 853-2200, or FAX (508) 854-3377.

* Indicates a component that is not available as an individual part.

ITEM	PART NO.	1 2 3 4 5	DESCRIPTION	QTY.
1	74300-G0*		STEEL CAB KIT (WITHOUT DOORS) (INCLUDES ITEMS 2 - 42).....	1
2	74300-G0*A		ROOF PANEL	1
3	74300-G0*B		REAR PANEL	1
4	74300-G0*C		WINDSHIELD PANEL.....	1
5	74300-G0*D		FRONT CORNER PANEL (PASSENGER SIDE).....	1
6	74300-G0*E		FRONT CORNER PANEL (DRIVER SIDE)	1
7	74300-G0*F		RECEIVER (DRIVER SIDE)	1
8	74300-G0*G		RECEIVER (PASSENGER SIDE).....	1
9	74300-G0*H		LOWER MOUNTING BRACKET (DRIVER SIDE).....	1
10	74300-G0*I		LOWER MOUNTING BRACKET (PASSENGER SIDE)	1
11	70113-G01		ADJUSTABLE BUMPER.....	2
12	1P004A		FRONT PANEL COWL SEAL GASKET (85" LG)	1
13	1P004D		ROOF TRIM (50")	1
14				
15	6E03		FRONT WINDSHIELD MOUNTING GASKET.....	1
16	6E03A		BOLT, 3/8-16 X 7/8"LG.....	44
17	6E03B		LOCK NUT, 3/8-16.....	44
18	6E03C		WASHER, 3/8"	44
19	6E03D		NYLON WASHER, 3/8".....	26
20	6E03E		FRONT WINDSHIELD GLASS	1
21	6E03H		FRONT CORNER PANEL MOUNTING GASKET	2
22	6E03J		REAR PANEL WINDOW MOUNTING GASKET	1
23	6E03S		ALLEN BUTTON HEAD BOLT.....	4
24				
25	6E03U		BOLT, 1/4-20 X 1 1/2"LG.....	4
26	6E03V		NYLON SPACER, 1/4"	4
27	6E03W		WASHER, 5/16"	4
28				
29	6E05A		FRONT CORNER PANEL WINDOW (PASSENGER SIDE).....	1
30	6E05B		FRONT CORNER PANEL WINDOW (DRIVER SIDE)	1

Replacement parts may be obtained from Curtis Tractor Cab Inc., 111 Higgins Street, Worcester, MA 01606. Telephone (508) 853-2200, or FAX (508) 854-3377.

* Indicates a component that is not available as an individual part.

ITEM	PART NO.	1	2	3	4	5	DESCRIPTION	QTY.
31	6E05C						REAR PANEL WINDOW	1
32								
33	74244-G01						WINDSHIELD WIPER KIT (INCLUDES ITEMS 34 - 42)	1
34	9PWM85						WIPER MOTOR (INCLUDES ITEMS 35 - 39)	1
35	*						SPACER	1
36	*						SHAFT COVER (SEAL)	1
37	*						NUT	1
38	*						BOLT	1
39	*						WASHER	1
40	9PWA						WIPER ARM	1
41	9PWB						WINDSHIELD WIPER BLADE	1
42	9E003						ELECTRICAL HARDWARE KIT (NOT ILLUSTRATED)	1
43								
44	74301-G0*						STEEL DOOR KIT (INCLUDES ITEMS 45 - 55)	1
45	74301-G0*A						STEEL DOOR (DRIVER SIDE) (INCLUDES ITEMS 47 - 52)	1
46	74301-G0*B						STEEL DOOR (PASSENGER SIDE) (INCLUDES ITEMS 49 - 54)	1
47	6E05D						SLIDING DOOR WINDOW ASSEMBLY (DRIVER SIDE)	1
48	9DHSL						INSIDE DOOR LATCH (DRIVER SIDE)	1
49	6E03P						LOWER DOOR WINDOW MOUNTING GASKET	1
50	6E05F						LOWER DOOR WINDOW	1
51	9DHOS1						OUTSIDE DOOR HANDLE (KEY LOCKING)	2
52	1P004B						LOWER DOOR SEAL GASKET (43" LG)	1
53	6E05E						SLIDING DOOR WINDOW ASSEMBLY (PASSENGER SIDE)	1
54	9DHSLR						INSIDE DOOR LATCH (PASSENGER SIDE)	1
55	1P004C						DOOR SEAL GASKET (123" LG)	2
56	9P001A						REPLACEMENT DOOR HINGE KIT (NOT ILLUSTRATED)	A/R
57								
58	74242-G01						VINYL DOOR KIT (INCLUDES ITEMS 59 - 66)	1
59	9DVK-L						VINYL DOOR (DRIVER SIDE) (INCLUDES ITEMS 61, 63 - 66)	1
60	9DVK-R						VINYL DOOR (PASSENGER SIDE) (INCLUDES ITEMS 62 - 66)	1

Replacement parts may be obtained from Curtis Tractor Cab Inc., 111 Higgins Street, Worcester, MA 01606. Telephone (508) 853-2200, or FAX (508) 854-3377.

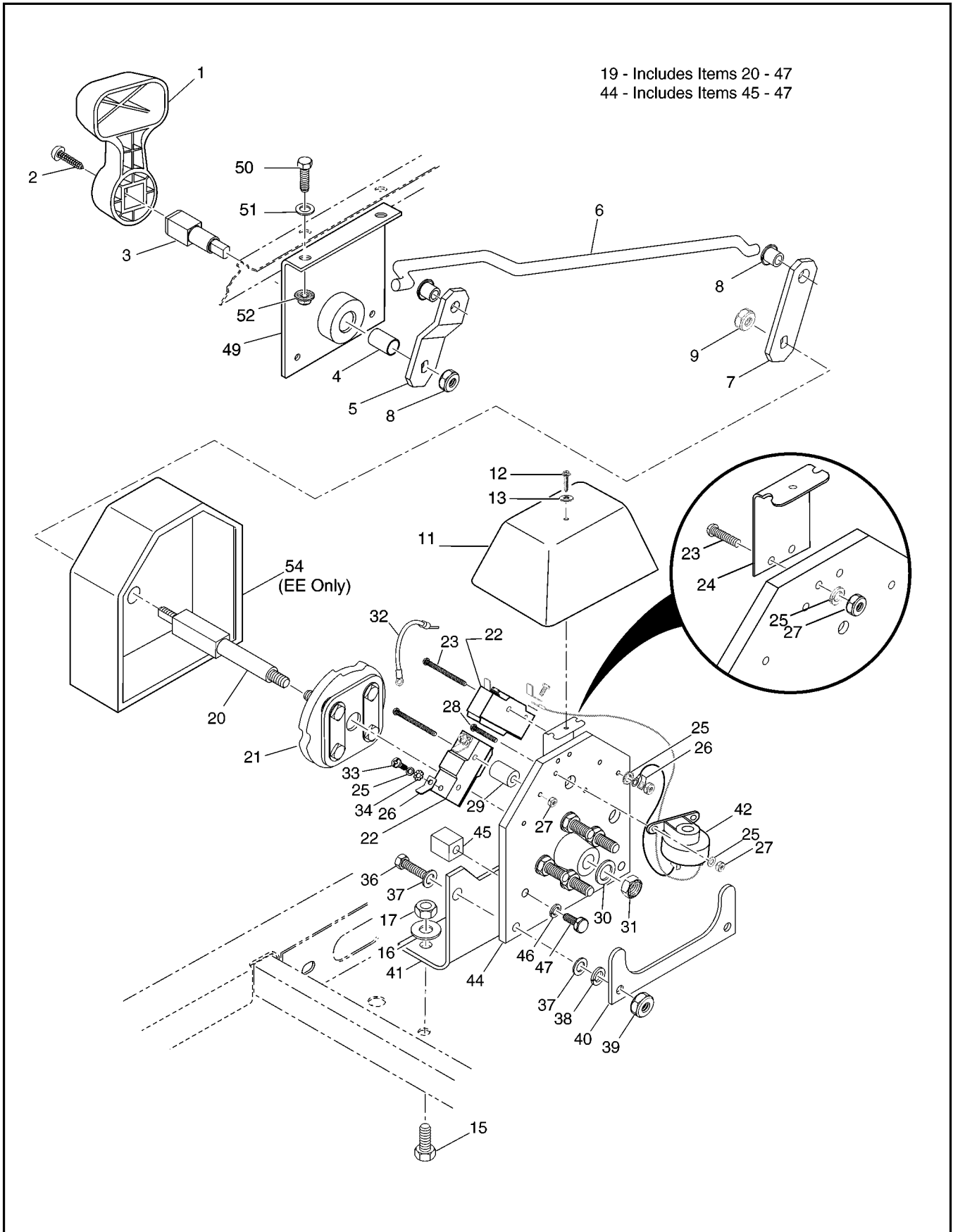
* Indicates a component that is not available as an individual part.

ITEM	PART NO.	1 2 3 4 5	DESCRIPTION	QTY.
61	9DHSL		INSIDE DOOR LATCH (DRIVER SIDE).....	1
62	9DHSLR		INSIDE DOOR LATCH (PASSENGER SIDE)	1
63	9DCK		DOOR CHECK (NOT ILLUSTRATED).....	1
64	9DSTK1		DOOR STRIKER (NOT ILLUSTRATED).....	1
65	9DGH1		DOOR GRAB HANDLE.....	1
66	9DHOS1		OUTSIDE DOOR HANDLE (KEY LOCKING)	1
67	9PSSH		REPLACEMENT DOOR HINGE (DRIVER SIDE) (NOT ILLUSTRATED).....	1
68	9PSSHR		REPLACEMENT DOOR HINGE (PASSENGER SIDE) (NOT ILLUSTRATED) ..	1
69				
70	74245-G01		STROBE LIGHT KIT (INCLUDES ITEMS 71 - 75).....	1
71	9PSLRL		STROBE LENS.....	1
72	9E001		ELECTRICAL HARDWARE KIT (NOT ILLUSTRATED)	1
73	9E002		TOGGLE SWITCH.....	1
74	9PSLRB		REPLACEMENT BULB (NOT ILLUSTRATED)	1
75	9PB001		BRACKET.....	1
76				
77	74247-G01		WORK LIGHT KIT (INCLUDES ITEMS 78 - 81)	1
78	9LW1A		WORK LIGHT (INCLUDES HARDWARE).....	2
79	9E001		ELECTRICAL HARDWARE KIT (NOT ILLUSTRATED)	1
80	9E002		TOGGLE SWITCH.....	1
81	9PB001		BRACKET.....	1
82				
83	74248-G01		DEFROSTER / COOLING FAN KIT (INCLUDES ITEMS 84 - 86)	1
84	9PDF		FAN.....	1
85	9E001		ELECTRICAL HARDWARE KIT (NOT ILLUSTRATED)	1
86	9PFHK		HARDWARE KIT	1
87				
88	74250-G01		SWITCH PANEL KIT (INCLUDES ITEMS 89 - 103)	1
89	9PSF1-001		SWITCH PANEL	1
90	9PSF1-002		MOUNTING BRACKET AND HARDWARE.....	1

Replacement parts may be obtained from Curtis Tractor Cab Inc., 111 Higgins Street, Worcester, MA 01606. Telephone (508) 853-2200, or FAX (508) 854-3377.

* Indicates a component that is not available as an individual part.

ITEM	PART NO.	1	2	3	4	5	DESCRIPTION	QTY.
91	9PSF1-003						ADHESIVE LABELS.....	1
92	9PSF1-004						3 AMP FUSE (NOT ILLUSTRATED)	2
93	9PSF1-005						5 AMP FUSE (NOT ILLUSTRATED)	3
94	9PSF1-006						7.5 AMP FUSE (NOT ILLUSTRATED)	1
95	9PSF1-007						FLEX LOOM, 5/8" X 10' LG (NOT ILLUSTRATED).....	1
96	9PSF1-008						4-WAY BASE TIE (NOT ILLUSTRATED)	6
97	9PSF1-009						WIRE TIE (NOT ILLUSTRATED).....	14
98	9PSF1-010						BOLT, 1/4 - 20 X 7/8" LG	2
99	9PSF1-011						WASHER, 1/4"	4
100	9PSF1-012						NYLON WASHER, 1/4"	2
101	9PSF1-013						LOCK NUT, 1/4-20.....	2
102	9PSF1-014						10 GA WIRE (RED, 8" LG) (NOT ILLUSTRATED).....	1
103	9PSF1-015						10 GA WIRE (BLACK, 8" LG) (NOT ILLUSTRATED).....	1
104								
105	74294-G0*						STEEL CAB KIT (WITHOUT DOORS) (LX / SE) (INCLUDES ITEMS 2 - 3, 7 - 42, 106 - 108)	1
106	74294-G0*C						WINDSHIELD PANEL.....	1
107	74294-G0*D						FRONT CORNER PANEL (PASSENGER SIDE)	1
108	74294-G0*E						FRONT CORNER PANEL (DRIVER SIDE).....	1



THE USE OF NON UL PARTS WILL VOID ANY UL LISTING.

When ordering parts, please specify the model and serial number of the product.

* Indicates a component that is not available as an individual part.

G** Indicates consult Customer Service Department for additional information.

ITEM	PART NO.	1 2 3 4 5	DESCRIPTION	QTY.
1	71205-G01		DIRECTION SELECTOR HANDLE	1
2	00740-G4		SCREW, #10 - 32 X 1/2" LG.	1
3	70233-G01		DIRECTION SELECTOR SHAFT.....	1
4	25664-G2		BUSHING.....	1
5	70334-G01		OFFSET SHIFT LINKAGE ARM	1
6	70313-G01		LINKAGE ROD.....	1
7	70232-G03		SHIFT LINKAGE ARM	1
8	22754-G3		BUSHING.....	2
9	14390-G1		LOCK NUT, 3/8 - 24	2
10				
11	73049-G01		COVER	1
12	00114-G6		SCREW, 1/4 - 14 x 3/4" LG.....	1
13	16469-G7		WASHER, 1/4"	1
14				
15	00438-G6		BOLT, 5/16 - 18 X 3/4" LG.....	2
16	00571-G2		WASHER, 5/16"	2
17	11098-G6		LOCK NUT, 5/16 - 18	2
18				
19	73036-G01		DIRECTION SELECTOR ASSEMBLY (INCLUDES ITEMS 20 - 47)	1
20	73027-G01		DIRECTION SELECTOR SHAFT	1
21	12835-G1		CAM.....	1
22	10606-G2		MICRO SWITCH.....	2
23	00139-G8		SCREW, #6 - 32 X 2" LG.....	4
24	73048-G01		COVER BRACKET	1
25	00565-G3		LOCK WASHER, #6	8
26	14628-G1		FASTON TAB.....	4
27	00525-G5		NUT, #6 - 32.....	8
28	00138-G6		SCREW, #6 - 32 X 3/4" LG.....	3
29	12806-G1		SPACER	4
30	00560-G1		WASHER, 3/8"	1

DIRECTION SELECTOR**Electric Vehicle**

THE USE OF NON UL PARTS WILL VOID ANY UL LISTING.

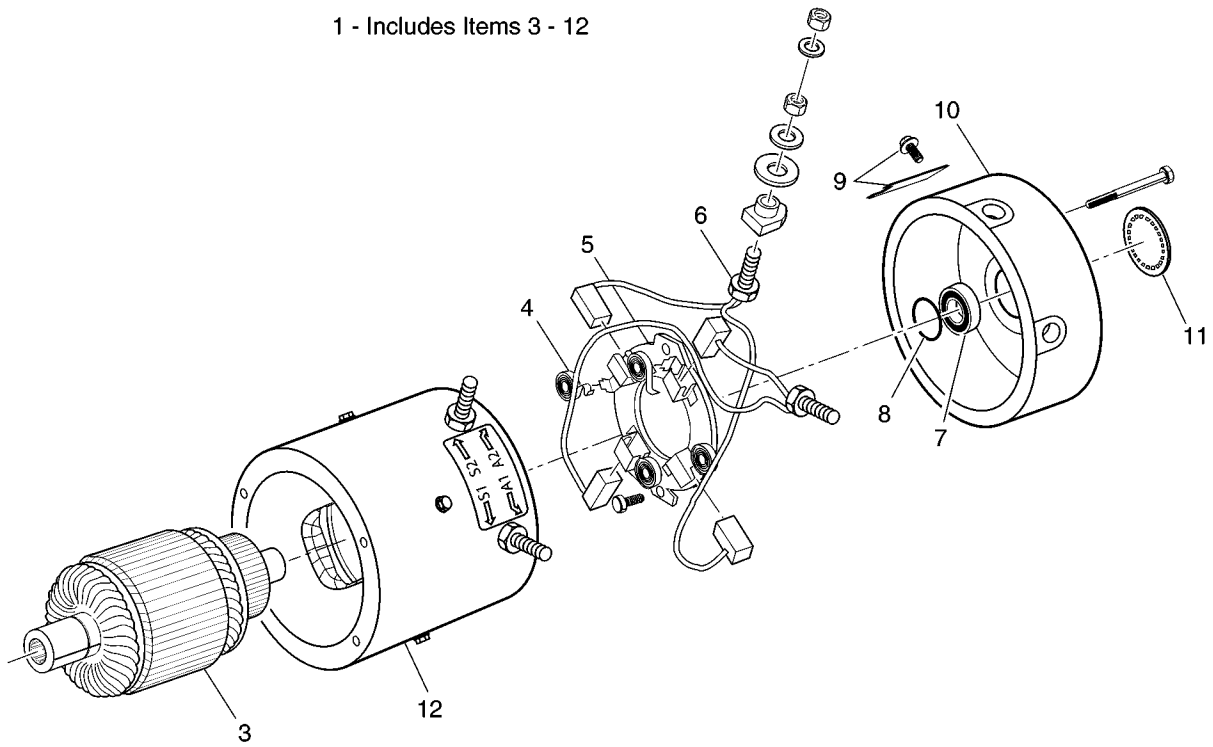
When ordering parts, please specify the model and serial number of the product.

* Indicates a component that is not available as an individual part.

G** Indicates consult Customer Service Department for additional information.

ITEM	PART NO.	1	2	3	4	5	DESCRIPTION	QTY.
31	14390-G1						LOCK NUT, 3/8 - 24	2
32	25978-G37						18 GA WIRE (RED 6")	1
33	*						SCREW.....	4
34	00567-G3						LOCK WASHER, #6	4
35								
36	00414-G8						BOLT, 1/4 - 20 X 1" LG.....	2
37	00559-G7						WASHER, 1/4"	4
38	00565-G7						LOCK WASHER, 1/4"	2
39	00532-G1						NUT, 1/4 - 20.....	2
40	15461-G1						SUPPORT BRACKET.....	1
41	73031-G01						DIRECTION SELECTOR MOUNTING BRACKET	1
42	73290-G02						REVERSE WARNING BUZZER	1
43								
44	14651-G1						CONTACT BOARD ASSEMBLY (INCLUDES ITEMS 45 - 47)	1
45	24940-G1						STOP.....	2
46	00565-G7						LOCK WASHER, 1/4".....	2
47	00414-G6						BOLT, 1/4 - 20 X 3/4" LG.	2
48								
49	70444-G01						BRACKET	1
50	28272-G01						BOLT, 1/4 - 20 X 5/8" LG	2
51	00559-G7						WASHER, 1/4"	2
52	11027-G2						LOCK NUT, 1/4 - 20	2

1 - Includes Items 3 - 12



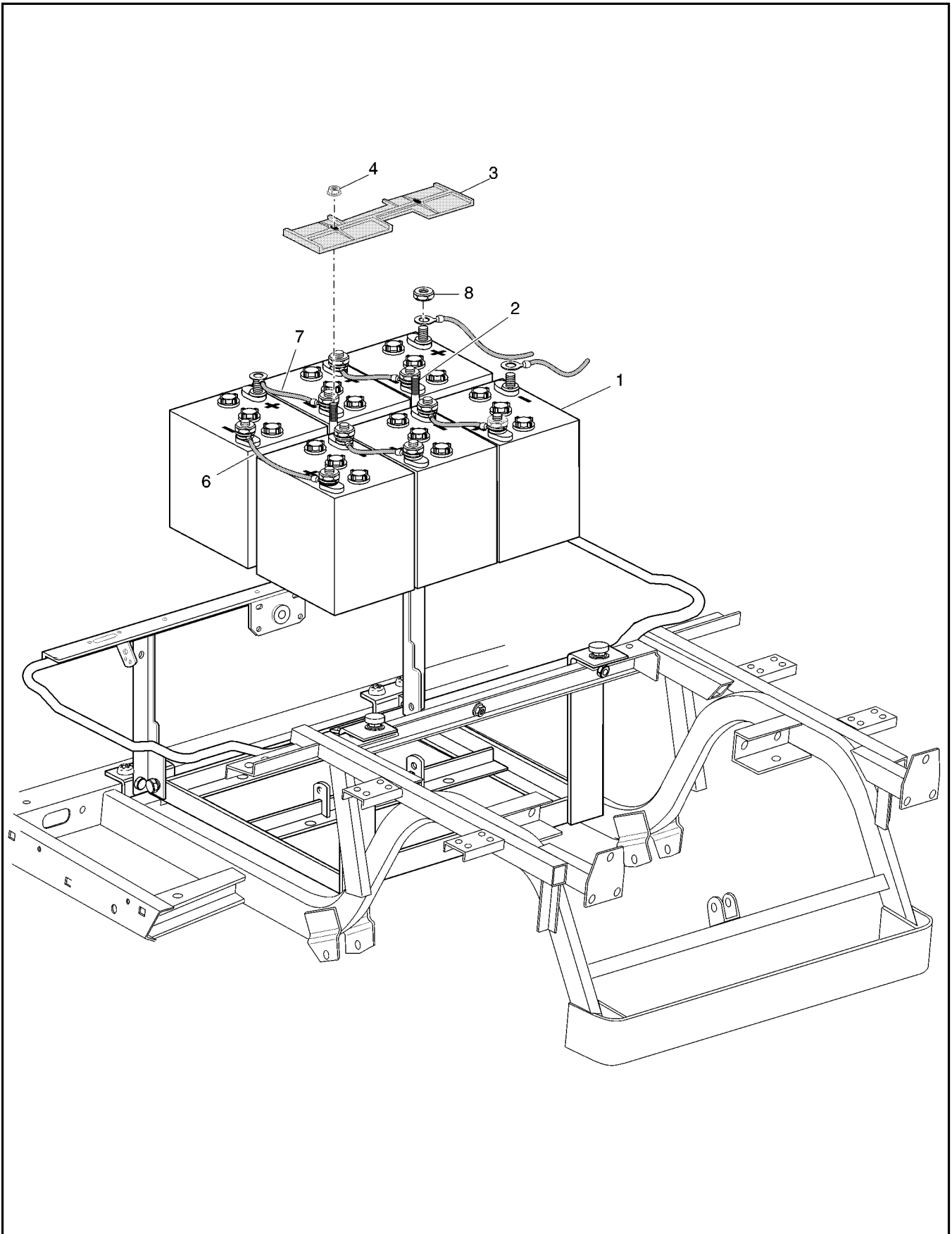
THE USE OF NON UL PARTS WILL VOID ANY UL LISTING.

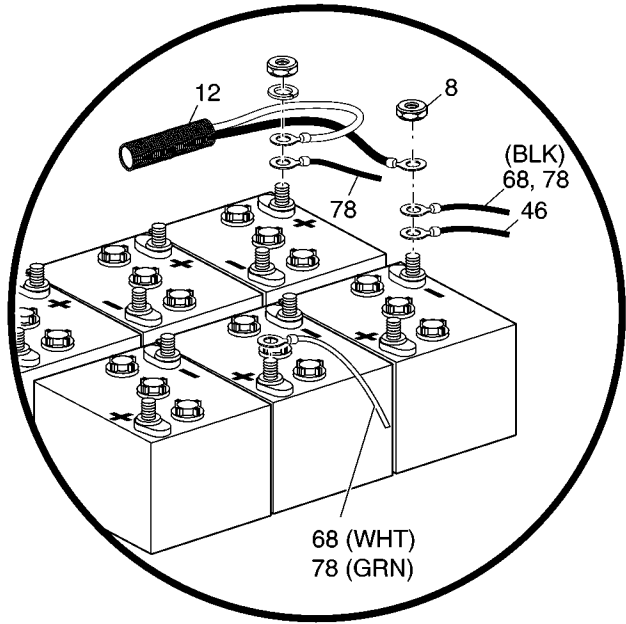
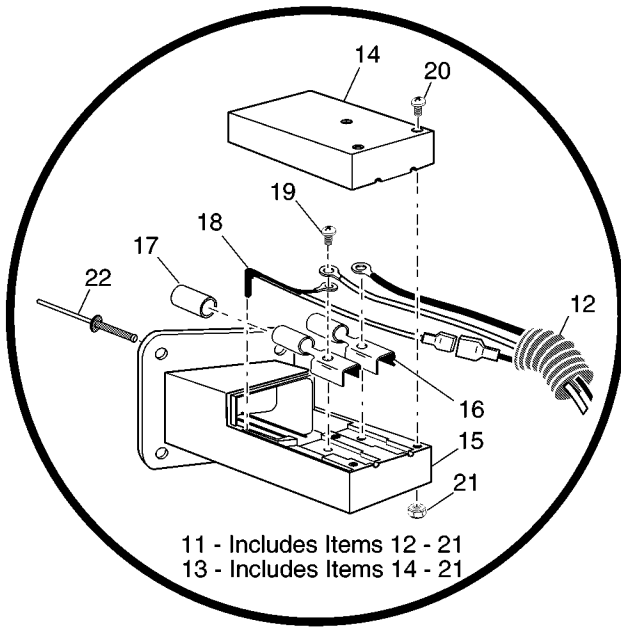
When ordering parts, please specify the model and serial number of the product.

* Indicates a component that is not available as an individual part.

G** Indicates consult Customer Service Department for additional information.

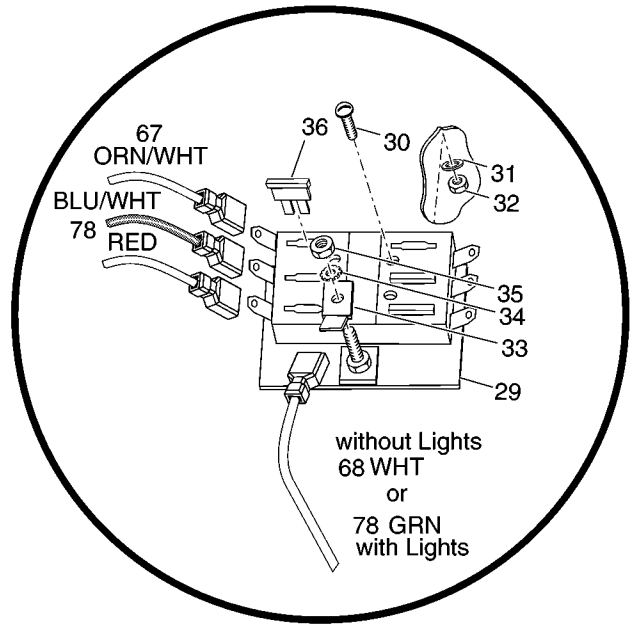
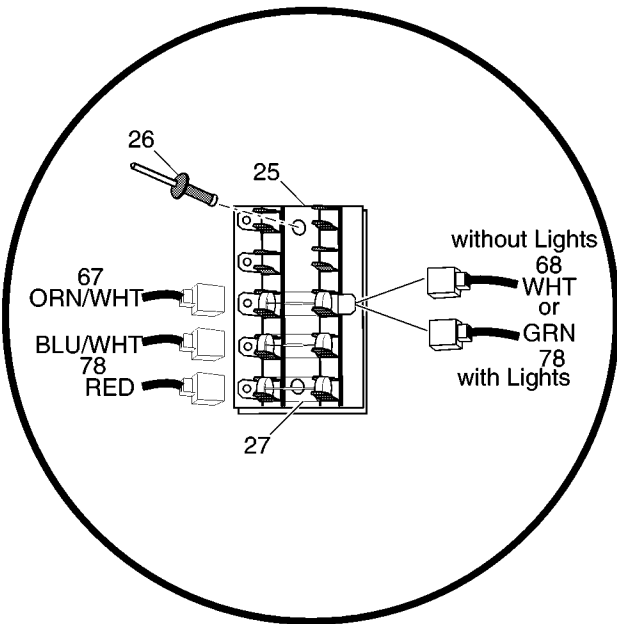
ITEM	PART NO.	1	2	3	4	5	DESCRIPTION	QTY.	
1	73124-G02	MOTOR (SERIES, FLEET SPEED) (INCLUDES ITEMS 3 - 12)							1
2									
3	73120-G01	ARMATURE							1
4	73120-G03	BRUSH SPRING							4
5	73120-G15	BRUSH PLATE AND BOX							1
6	73120-G25	BRUSH REPLACEMENT KIT (INCLUDES HARDWARE)							1
7	73120-G07	BEARING							1
8	73120-G06	SNAP RING							1
9	73120-G09	COVER PLATE AND SCREW							1
10	73120-G08	COVER COMMUTATOR END							1
11	73120-G16	CAP							1
12	73120-G29	FRAME AND FIELD COIL (G02 MOTOR) (INCLUDES HARDWARE)							1

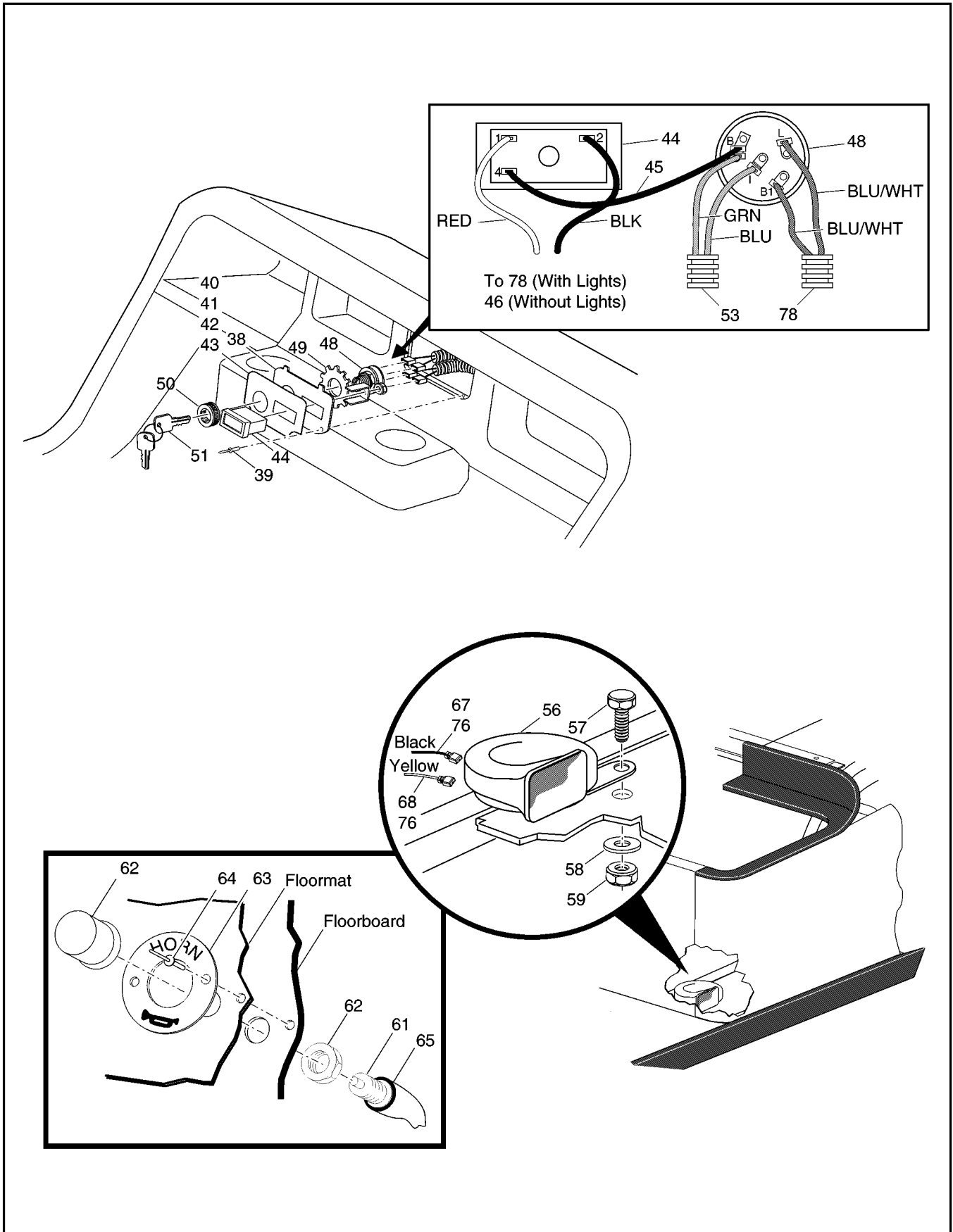


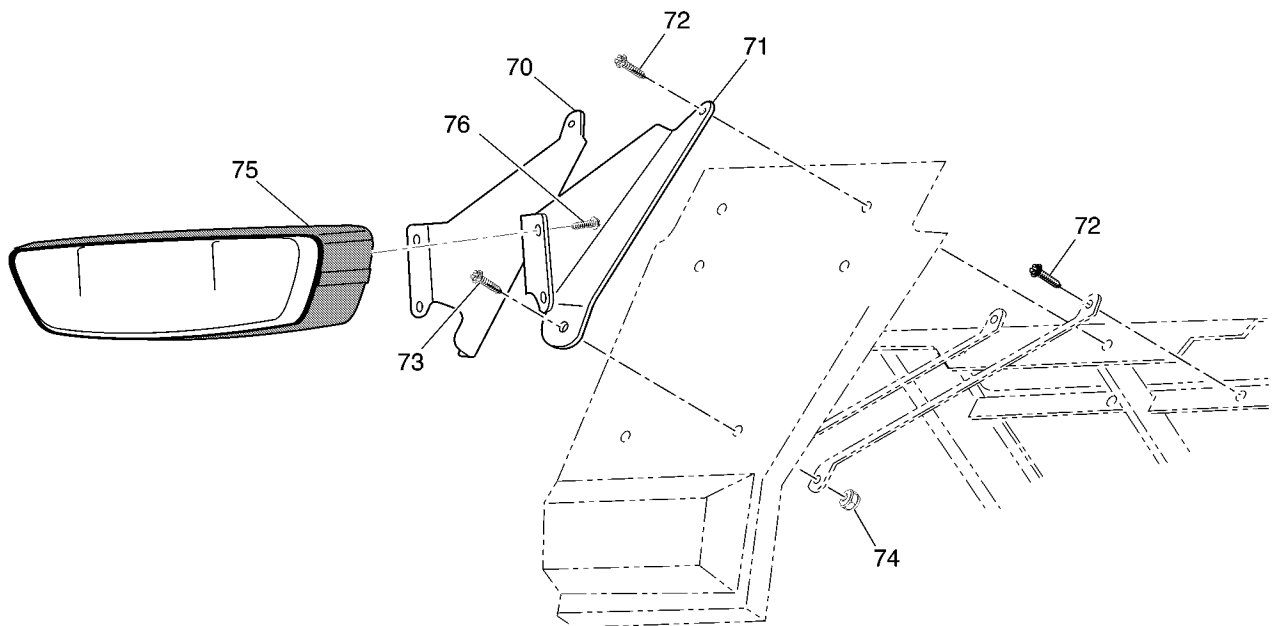
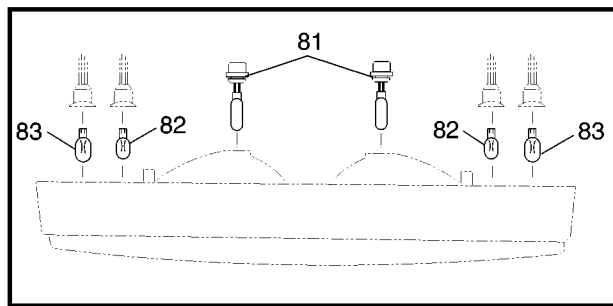
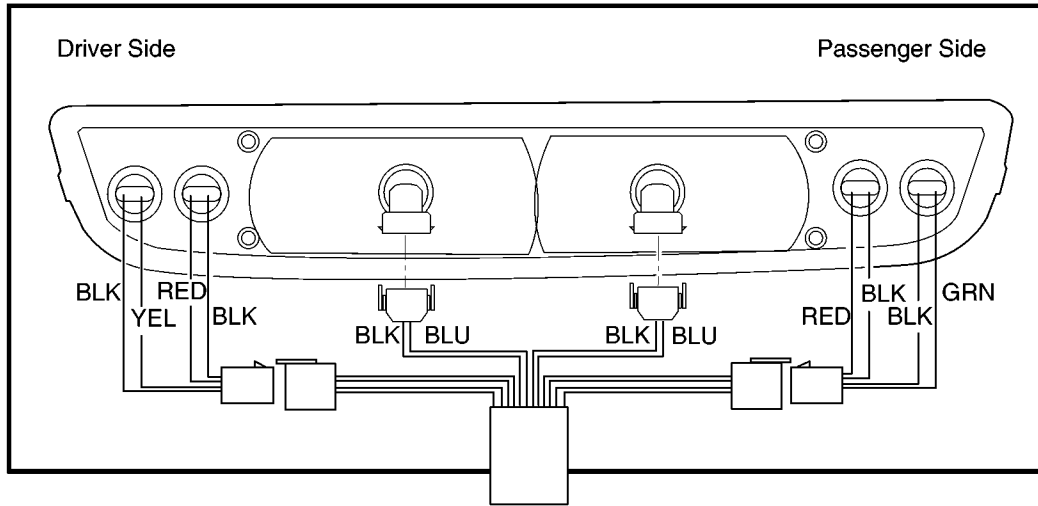


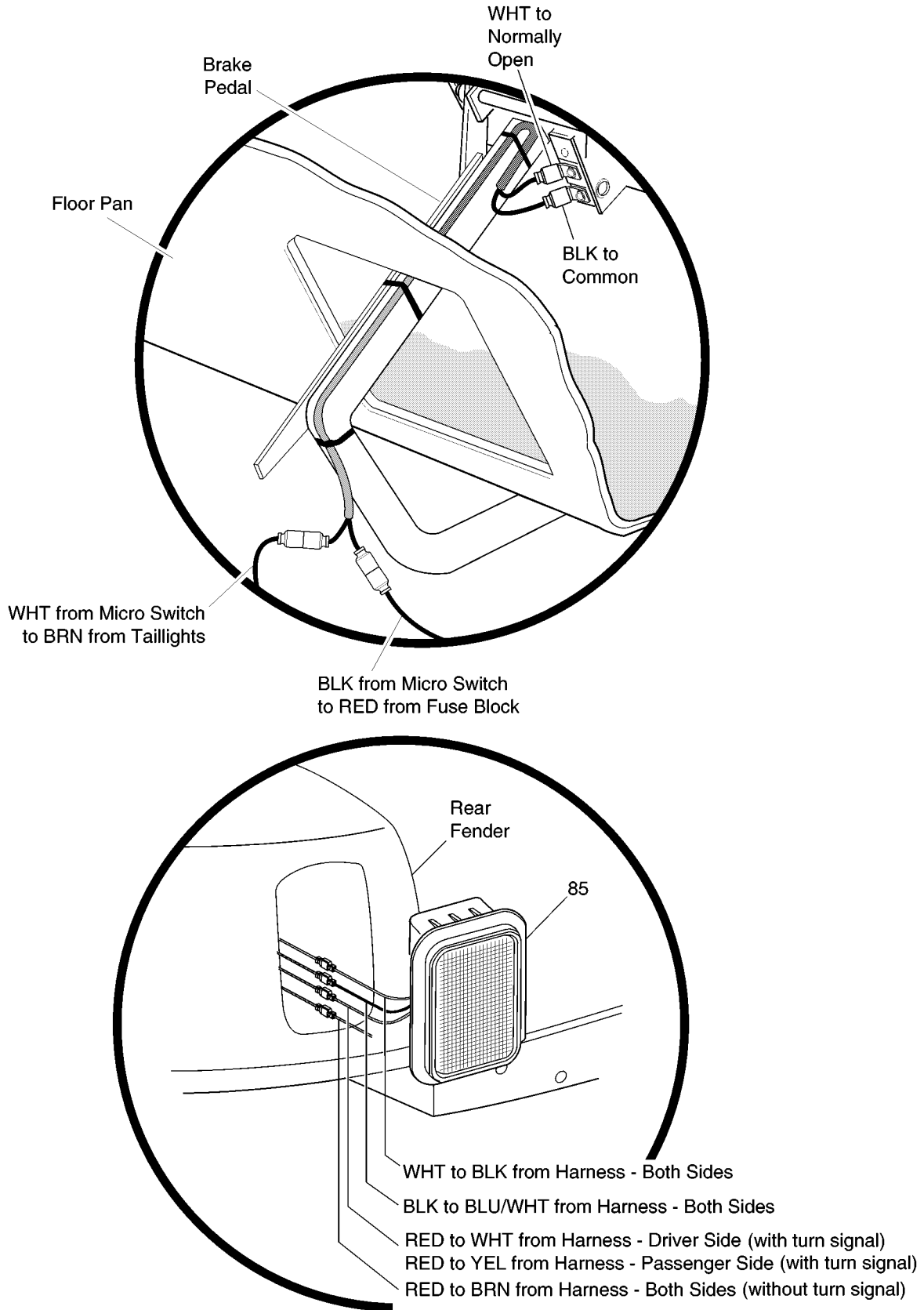
1000 / 2100

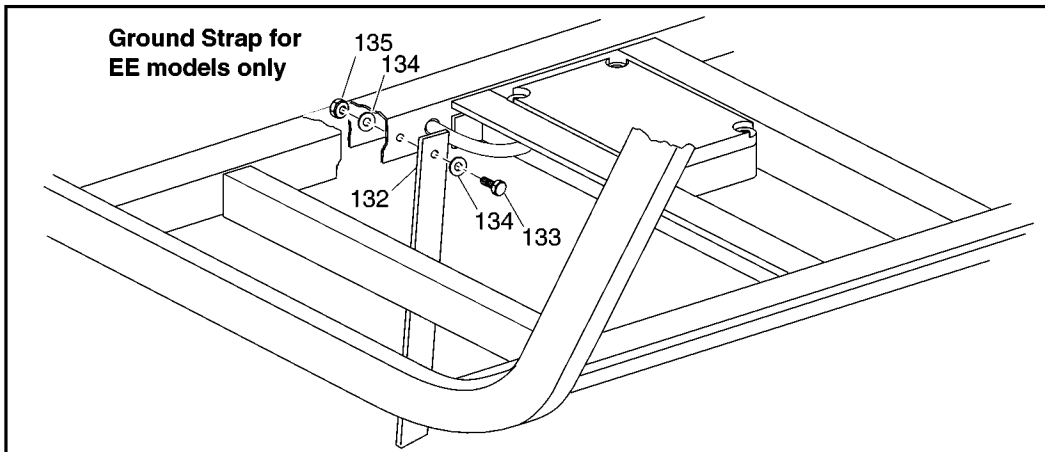
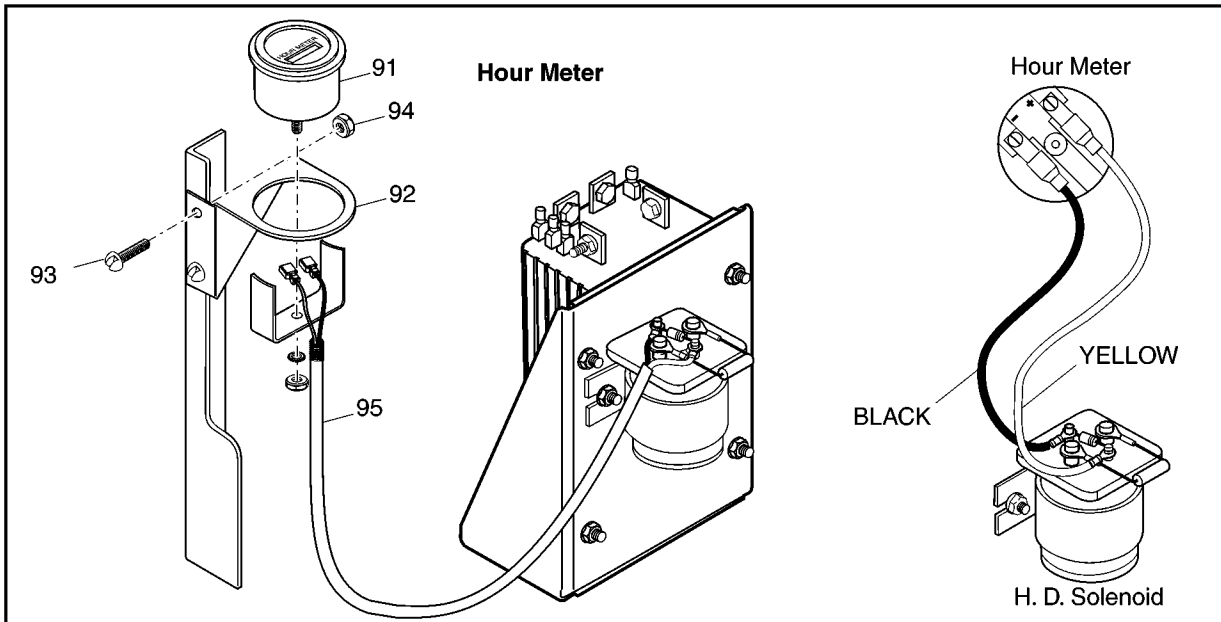
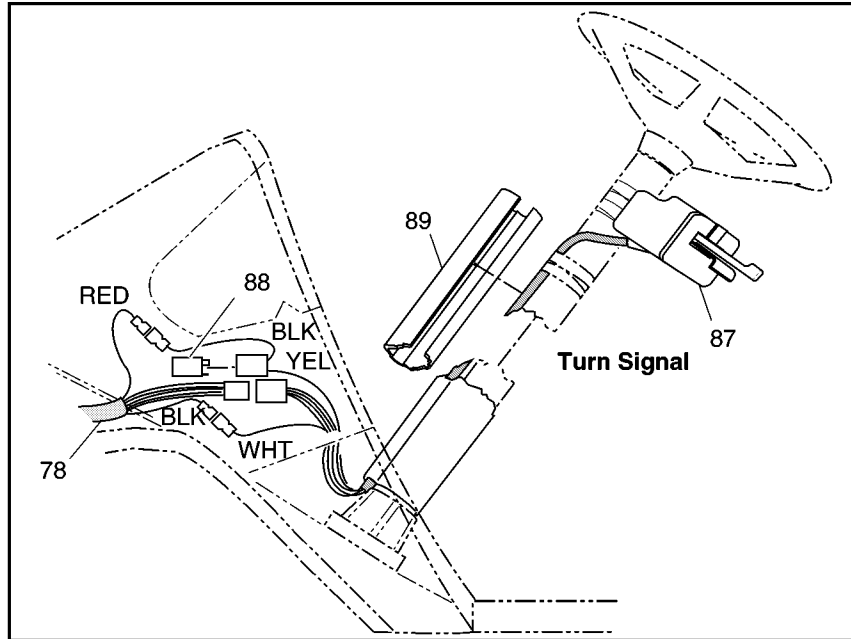
1000 LX / 2100 SE



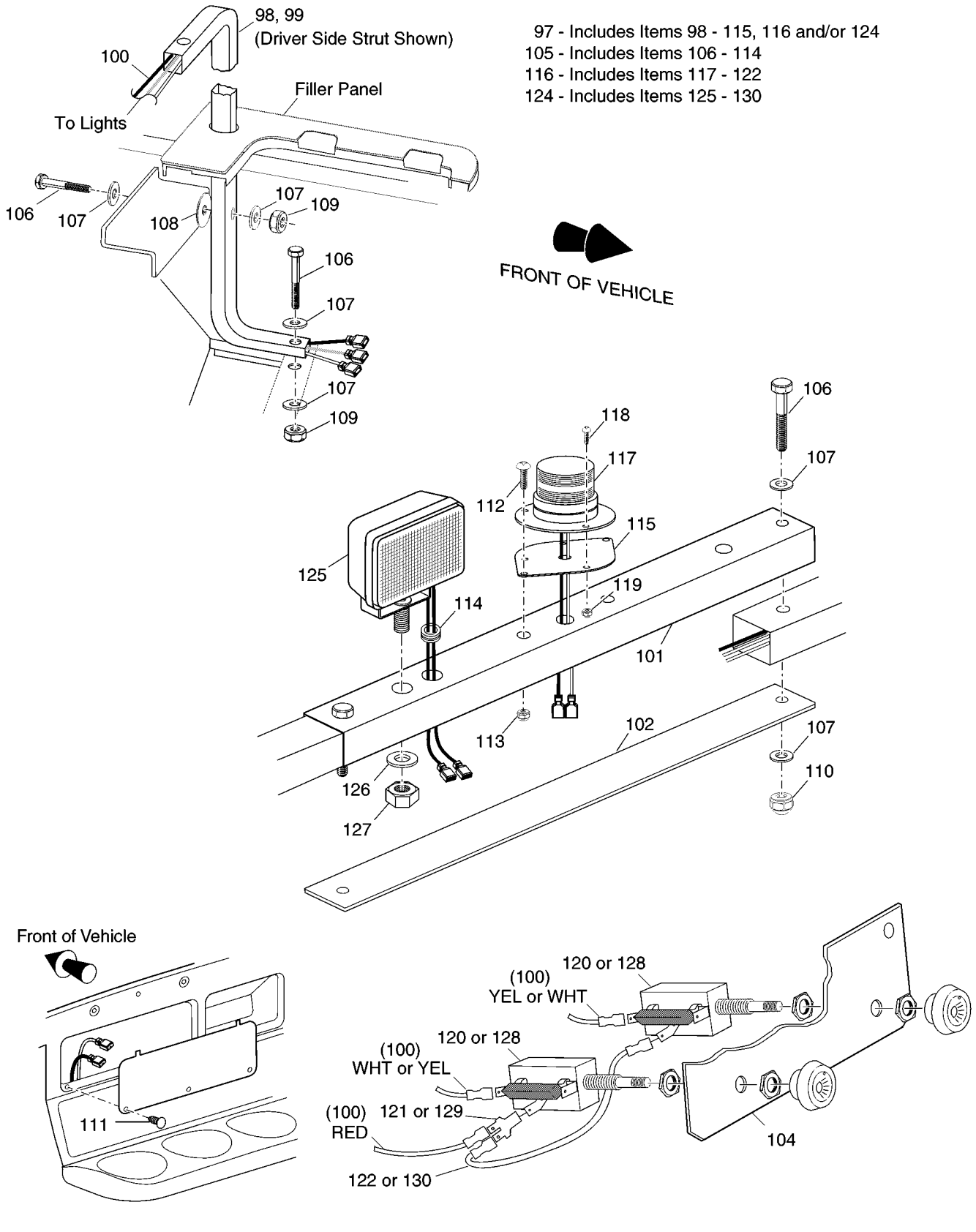


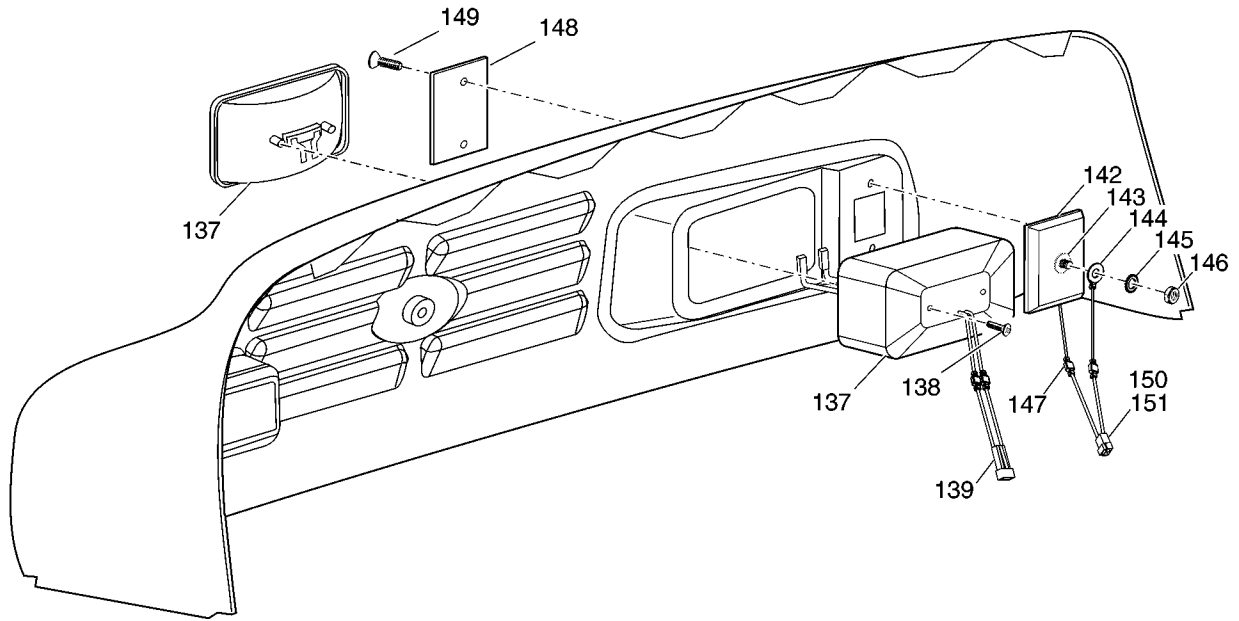






Work And Strobe Lights





ELECTRICAL SYSTEM**Electric Vehicle**

THE USE OF NON UL PARTS WILL VOID ANY UL LISTING.

When ordering parts, please specify the model and serial number of the product.

* Indicates a component that is not available as an individual part.

G** Indicates consult Customer Service Department for additional information.

ITEM	PART NO.	1 2 3 4 5	DESCRIPTION	QTY.
1	XXXXX-G**		BATTERY (6 VOLT).....	6
2	70121-G01		HOLD DOWN BOLT	2
3	70045-G01		BATTERY RETAINER	1
4	11027-G1		LOCK NUT, 5/16 - 18	2
5				
6	25972-G32		6 GA WIRE (BLACK 10 1/2")	1
7	25972-G40		6 GA WIRE (BLACK 6")	4
8	00702-G2		NUT, 5/16 - 18	12
9				
10				
11	73063-G01		CHARGER WIRE HARNESS/RECEPTACLE ASSEMBLY (PORTABLE CHARGER) (INCLUDES ITEMS 12 - 21)	1
12	73082-G01		CHARGER HARNESS.....	1
13	73051-G01		WIRE HARNESS (CHARGER RECEPTACLE)(INCLUDES ITEMS 14 - 21)	1
14	73051-G03		RECEPTACLE COVER	1
15	73051-G04		RECEPTACLE BOTTOM	1
16	73051-G05		FEMALE CONTACT	2
17	73051-G06		INSULATOR SLEEVE	1
18	73051-G18		REED SWITCH	1
19	73051-G08		SCREW, #10 - 32 X 1/2" LG. (BRASS, BINDING HEAD)	2
20	73051-G09		SCREW, #6 - 32 X 1 3/4" LG. (STAINLESS STEEL)	3
21	73051-G10		LOCK NUT, #6-32	3
22	14601-G10		RIVET, 5/32" X 7/16" LG	4
23	17618-G1		WIRE TIE (NOT ILLUSTRATED)	3
24				
25	22674-G1		FUSE BLOCK.....	1
26	71010-G01		RIVET, 5/32" X 3/8" LG	2
27	18392-G1		FUSE, 15 AMP	3
28				
29	35211-G01		FUSE BLOCK.....	1

THE USE OF NON UL PARTS WILL VOID ANY UL LISTING.

When ordering parts, please specify the model and serial number of the product.

* Indicates a component that is not available as an individual part.

G** Indicates consult Customer Service Department for additional information.

ITEM	PART NO.	1	2	3	4	5	DESCRIPTION	QTY.
30	00379-G2						SCREW, #10 - 24 X 1 1/4" LG	2
31	00559-G5						WASHER, #10.....	2
32	14390-G10						LOCK NUT, #10 - 24	2
33	12914-G1						FASTON TAB	1
34	00567-G5						LOCK WASHER, #10.....	1
35	00526-G4						NUT, #10 - 32.....	1
36	35212-G01						FUSE, 15 AMP	3
37								
38	73030-G**						INSTRUMENT PANEL PLATE INSERT	1
39	33623-G02						DRIVE RIVET, 3/16 X 3/8" LG.....	2
40	71181-G01						DECAL (WITH LIGHTS).....	1
41	71181-G02						DECAL (WITHOUT LIGHTS)	1
42	71129-G01						DECAL (WITH LIGHTS AND STATE OF CHARGE METER)	1
43	71123-G01						DECAL (WITHOUT LIGHTS, WITH STATE OF CHARGE METER).....	1
44	33636-G01						STATE OF CHARGE METER	1
45	25978-G74						18 GA WIRE (RED 6")	1
46	74018-G01						STATE OF CHARGE METER HARNESS.....	1
47								
48	33639-G**						IGNITION SWITCH (WITH LIGHTS)	1
49	00568-G6						LOCK WASHER, 3/4"	1
50	17137-G1						FACE NUT, 3/4 - 20.....	1
51	17063-G1						IGNITION KEY (SET).....	A/R
52								
53	73041-G01						IGNITION SWITCH HARNESS.....	1
54	17618-G1						WIRE TIE (NOT ILLUSTRATED)	1
55								
56	32860-G1						HORN.....	1
57	00414-G5						BOLT, 1/4 - 20 X 5/8" LG.....	1
58	00559-G8						WASHER, 5/16"	1
59	00891-G2						LOCK NUT, 1/4 - 20	1

ELECTRICAL SYSTEM**Electric Vehicle**

THE USE OF NON UL PARTS WILL VOID ANY UL LISTING.

When ordering parts, please specify the model and serial number of the product.

* Indicates a component that is not available as an individual part.

G** Indicates consult Customer Service Department for additional information.

ITEM	PART NO.	1 2 3 4 5	DESCRIPTION	QTY.
60				
61	17318-G1		HORN SWITCH (INCLUDES ITEM 62)	1
62	17318-G2		BUTTON AND NUT	1
63	19233-G1		HORN SWITCH PLATE.....	1
64	71055-G01		RIVET, 3/16 X 1" LG (STAINLESS STEEL)	2
65	27068-G01		HORN SWITCH BOOT	1
66				
67	73214-G01		WIRE HARNESS (HORN).....	1
68	73213-G01		WIRE HARNESS.....	1
69				
70	74236-G01		LIGHT BAR MOUNTING BRACKET (PASSENGER SIDE)	1
71	74236-G02		LIGHT BAR MOUNTING BRACKET (DRIVER SIDE)	1
72	01038-G01		SCREW, 1/4 - 20 X 1/2" LG.....	4
73	00414-G6		BOLT, 1/4 - 20 X 3/4" LG.....	2
74	11027-G2		LOCK NUT, 1/4 - 20	2
75	74001-G01		LIGHT BAR	1
76	00114-G6		SCREW, 1/4 - 14 X 3/4" LG.....	4
77				
78	73043-G01		WIRE HARNESS (ACCESSORY).....	1
79	17618-G1		WIRE TIE (NOT ILLUSTRATED)	10
80				
81	74004-G01		HEADLIGHT BULB (REPLACEMENT)	A/R
82	74005-G01		MARKER LIGHT BULB (REPLACEMENT).....	A/R
83	74006-G01		TURN LIGHT BULB (REPLACEMENT)	A/R
84				
85	32739-G2		STOP/TAIL LIGHT	2
86				
87	17867-G1		TURN SIGNAL (WITH MOUNTING HARDWARE)	1
88	21640-G1		FLASHER	1
89	20965-G3		STEERING COLUMN COVER.....	1

THE USE OF NON UL PARTS WILL VOID ANY UL LISTING.

When ordering parts, please specify the model and serial number of the product.

* Indicates a component that is not available as an individual part.

G** Indicates consult Customer Service Department for additional information.

ITEM	PART NO.	1	2	3	4	5	DESCRIPTION	QTY.
90								
91	21573-G1						HOUR METER	1
92	74019-G01						BRACKET	1
93	00150-G4						SCREW, #10 - 24 X 1/2" LG	2
94	11098-G7						NUT, #10 - 24	2
95	75117-G02						WIRE HARNESS (HOUR METER)	1
96								
97	75354-G0*						WORK LIGHT BAR WITH LIGHTS	1
98	75352-G01						STRUT (PASSENGER SIDE)	1
99	75352-G02						STRUT (DRIVER SIDE)	1
100	75346-G01						WIRE HARNESS (WORK LIGHT)	1
101	75353-G01						BRACE	1
102	75363-G01						COVER PLATE	1
103	75430-G01						SWITCH HARNESS	1
104	71077-G**						LIGHT SWITCH PLATE	1
105	75365-G01						HARDWARE KIT (INCLUDES ITEMS 106 - 114)	1
106	00685-G7						BOLT, 5/16 - 18 X 1 3/4" LG	6
107	00660-G8						WASHER, 5/16"	12
108	15121-G1						WASHER, 3/8" X 1 1/4"	2
109	11098-G6						LOCK NUT, 5/16 - 18	4
110	00918-G3						ACORN NUT, 5/16 - 18	2
111	33623-G02						DRIVE RIVET, 3/16" X 3/8" LG	3
112	16705-G3						SCREW, 1/4 - 20 X 3/4" LG	2
113	14390-G4						LOCK NUT, 1/4 - 20	2
114	20367-G01						GROMMET	2
115	33201-G02						STROBE LIGHT MOUNT (USED ONLY WITH STROBE LIGHT)	1
116	20385-G2						STROBE LIGHT KIT (INCLUDES ITEMS 117 - 122)	1
117	20394-G1						STROBE LIGHT	1
118	00379-G4						SCREW, #10 - 24 x 1/2" LG	3
119	11098-G7						LOCK NUT, #10 - 24	3

ELECTRICAL SYSTEM**Electric Vehicle**

THE USE OF NON UL PARTS WILL VOID ANY UL LISTING.

When ordering parts, please specify the model and serial number of the product.

* Indicates a component that is not available as an individual part.

G** Indicates consult Customer Service Department for additional information.

ITEM	PART NO.	1	2	3	4	5	DESCRIPTION	QTY.
120	17317-G1						LIGHT SWITCH.....	2
121	17902-G1						TAB ADAPTER.....	1
122	20053-G1						16 GA WIRE (RED 5 3/8").....	1
123								
124	20383-G2						WORK LIGHT KIT (INCLUDES ITEMS 125-130).....	1
125	20209-G2						WORK LIGHT (RECTANGULAR)	2
126	00566-G3						LOCK WASHER, 1/2"	2
127	00533-G1						NUT, 1/2 - 13	2
128	17317-G1						LIGHT SWITCH.....	2
129	17902-G1						TAB ADAPTER.....	1
130	20053-G1						16 GA WIRE (RED 5 3/8").....	1
131								
132	35213-G02						GROUND STRAP, 16" (EE ONLY).....	1
133	00426-G8						BOLT, 3/8 - 16 X 1" LG	1
134	00560-G1						WASHER, 3/8"	2
135	11098-G4						LOCK NUT, 3/8 - 16	1
136								
137	20209-G3						HEADLIGHT (RECTANGULAR) (INCLUDES ITEM 138) (LX / SE).....	2
138	00906-G6						SCREW, #10 - 16 X 1" LG	2
139	74055-G01						JUMPER.....	2
140								
141	20570-G3						TURN SIGNAL LIGHT ASSEMBLY (INCLUDES ITEMS 142 - 147) (LX / SE) ...	2
142	20574-G3						TURN SIGNAL LIGHT	1
143	00660-G7						WASHER, 1/4"	1
144	20606-G1						WIRE ASSEMBLY	1
145	00567-G7						LOCK WASHER, 1/4"	1
146	00532-G1						NUT, 1/4 - 20.....	1
147	18995-G1						PUSH-ON MALE TERMINAL	1
148	20574-G5						LENS, AMBER	1
149	00118-G5						SCREW, #6 - 18 X 5/8" LG.....	2

THE USE OF NON UL PARTS WILL VOID ANY UL LISTING.

When ordering parts, please specify the model and serial number of the product.

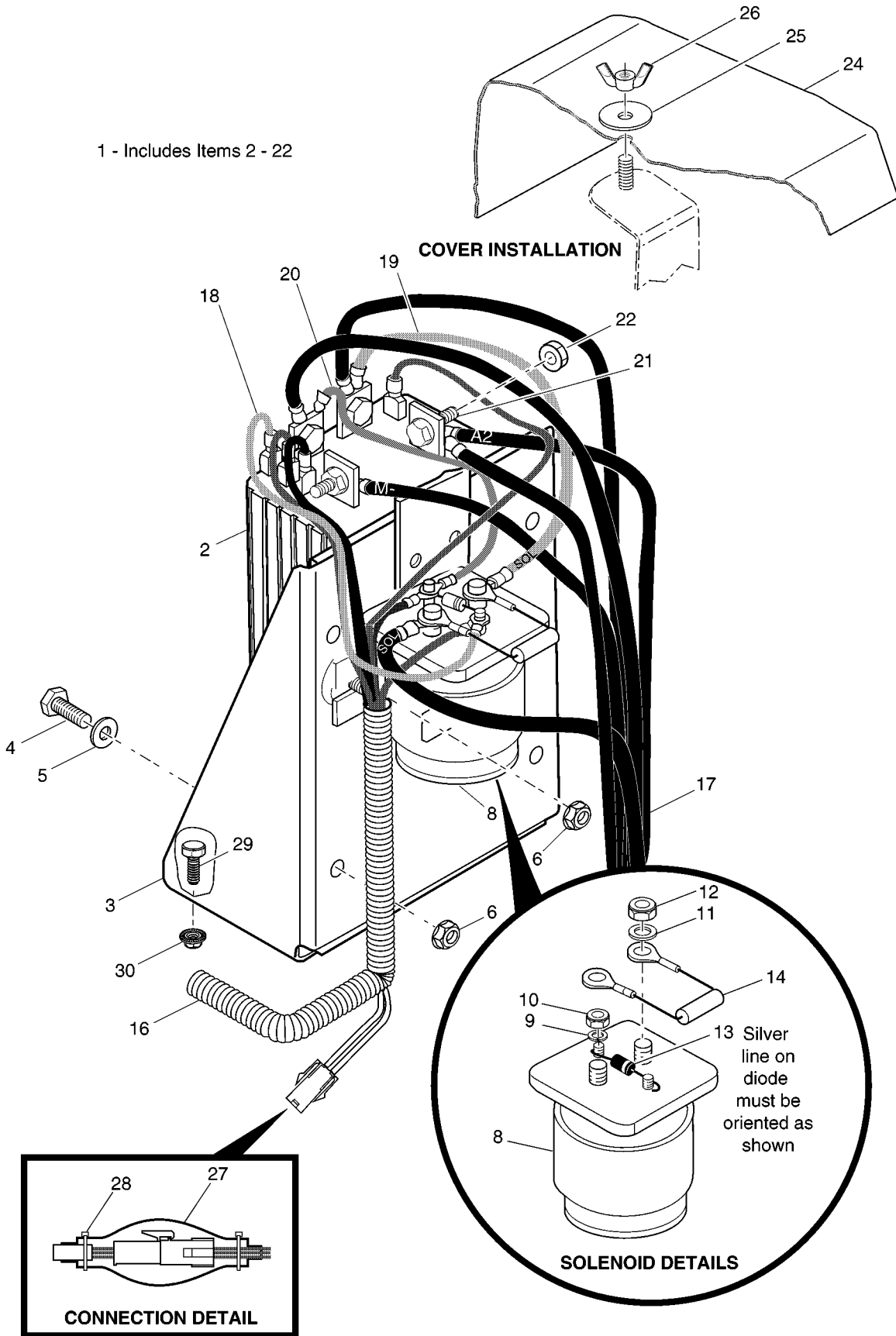
* Indicates a component that is not available as an individual part.

G** Indicates consult Customer Service Department for additional information.

ITEM	PART NO.	1 2 3 4 5 DESCRIPTION	QTY.
150	74056-G01	JUMPER, RED/BLACK (PASSENGER SIDE)	1
151	74056-G02	JUMPER, GREEN/BLACK (DRIVER SIDE)	1

1 - Includes Items 2 - 22

COVER INSTALLATION



THE USE OF NON UL PARTS WILL VOID ANY UL LISTING.

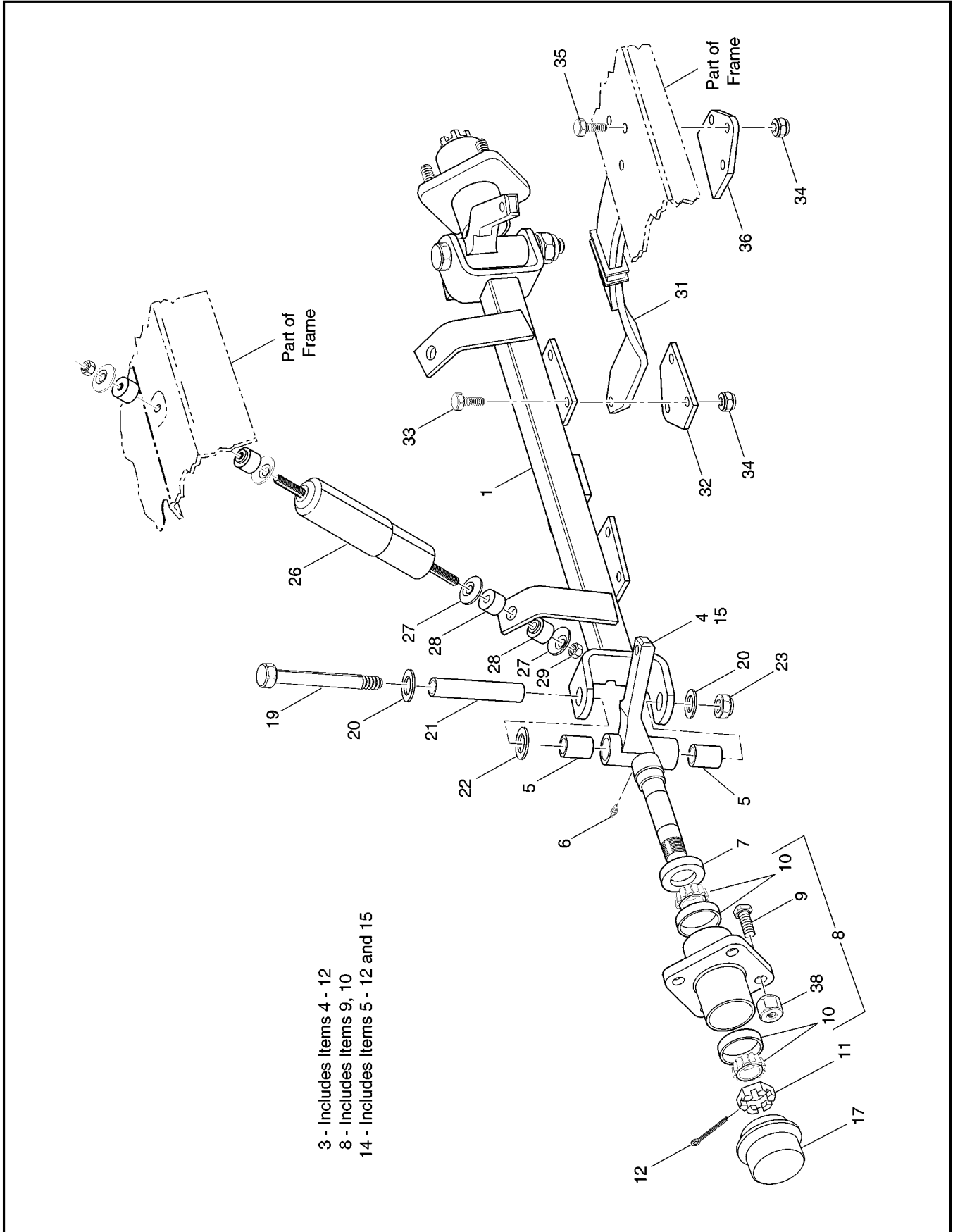
When ordering parts, please specify the model and serial number of the product.

* Indicates a component that is not available as an individual part.

G** Indicates consult Customer Service Department for additional information.

ITEM	PART NO.	1 2 3 4 5	DESCRIPTION	QTY.
1	73055-G04		ELECTRONIC SPEED CONTROL ASSEMBLY (INCLUDES ITEMS 2 - 22)	1
2	73060-G01		ELECTRONIC SPEED CONTROLLER.....	1
3	74014-G01		CONTROLLER MOUNT	1
4	00414-G5		BOLT, 1/4 - 20 X 5/8" LG.	4
5	00559-G7		WASHER, 1/4"	2
6	11027-G2		LOCK NUT, 1/4 - 20.....	6
7				
8	20468-G1		SOLENOID (INCLUDES ITEMS 9 - 12)	1
9	*		LOCK WASHER, #10.....	2
10	*		NUT, #10 - 32	2
11	*		WASHER, 5/16"	2
12	*		NUT, 5/16 - 24	2
13	30353-G1		DIODE, 3 AMP.....	1
14	21764-G1		RESISTOR	1
15				
16	73095-G02		WIRE HARNESS (CONTROL - HD).....	1
17	73269-G01		WIRE HARNESS (POWER).....	1
18	25978-G88		18 GA WIRE (RED 9").....	1
19	25972-G83		6 GA WIRE (BLACK 9", SOL - B+).....	1
20	25978-G10		18 GA WIRE(BLACK 6", SOL - B-).....	1
21	00270-G5		BOLT, 5/16 - 18 X 5/8" LG.	4
22	11027-G1		LOCK NUT, 5/16 - 18.....	4
23				
24	23723-G2		COVER	1
25	16469-G1		WASHER, 1/4"	1
26	14419-G1		WING NUT, 1/4 - 20	1
27	28326-G02		GELTEK STRIP.....	1
28	17618-G1		WIRE TIE	2
29	00414-G5		BOLT, 1/4 - 20 X 5/8" LG.....	4
30	11027-G2		LOCK NUT, 1/4 - 20	4

FRONT SUSPENSION (EARLY PRODUCTION) Electric Vehicle



Electric Vehicle FRONT SUSPENSION (EARLY PRODUCTION)

When ordering parts, please specify the model and serial number of the product.

* Indicates a component that is not available as an individual part.

G** Indicates consult Customer Service Department for additional information.

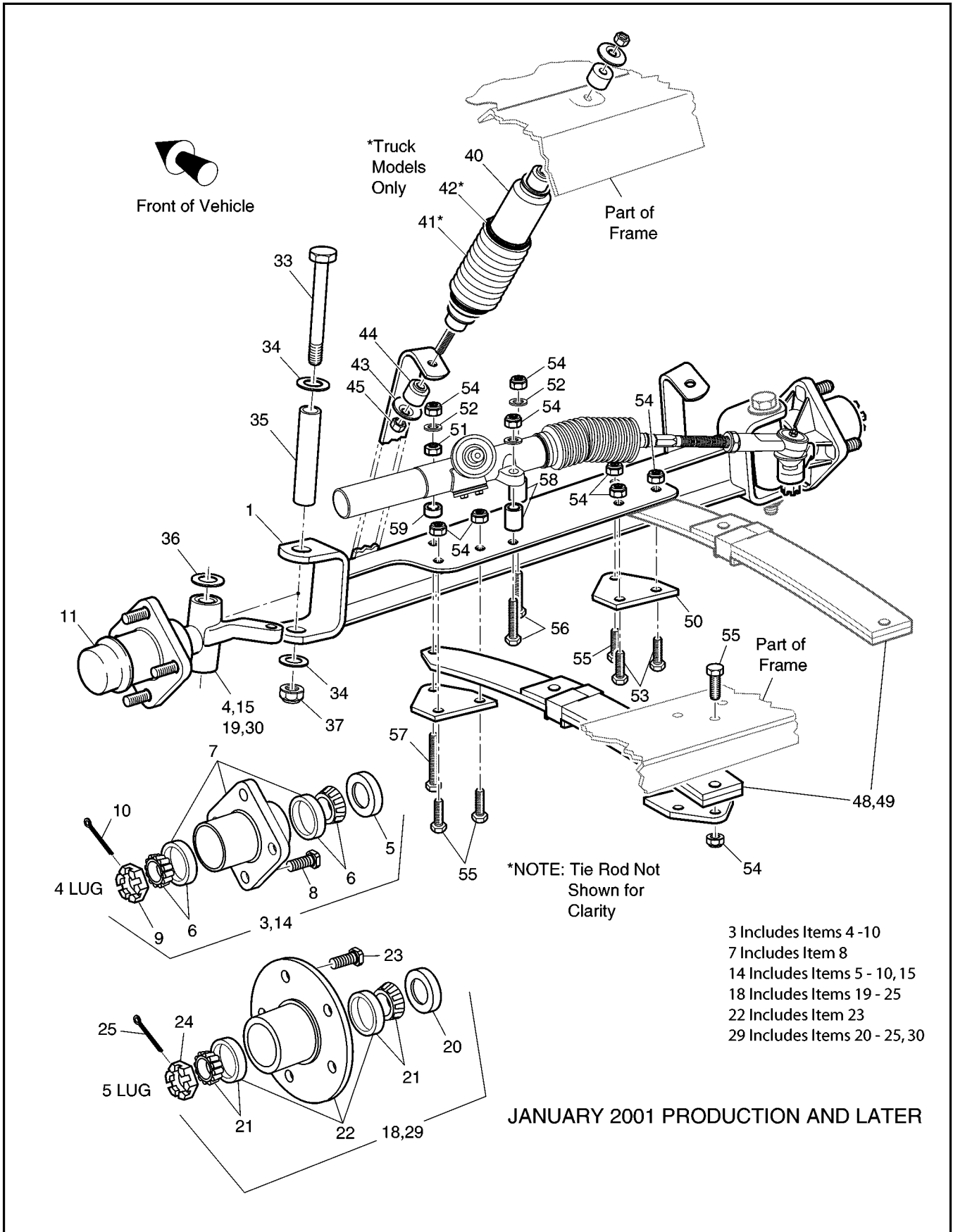
ITEM	PART NO.	1 2 3 4 5	DESCRIPTION	QTY.
1	70536-G01		FRONT AXLE.....	1
2				
3	70220-G01		SPINDLE ASSEMBLY (DRIVER SIDE) (INCLUDES ITEMS 4 - 12).....	1
4	*		SPINDLE (DRIVER SIDE).....	1
5	16623-G1		BEARING	2
6	10389-G3		GREASE FITTING, STRAIGHT	1
7	25146-G1		GREASE SEAL	1
8	19932-G1		WHEEL HUB ASSEMBLY (INCLUDES ITEMS 9, 10)	1
9	19862-G1		LUG BOLT, 1/2 - 20 X 1 7/32" LG.....	4
10	50892-G1		BEARING AND RACE ASSEMBLY (COMPLETE)	2
11	12093-G1		SLOTTED NUT, 1 - 14.....	1
12	00798-G8		COTTER PIN, 5/32" X 1 3/4" LG	1
13				
14	70221-G01		SPINDLE ASSEMBLY (PASSENGER SIDE) (INCLUDES ITEMS 5 - 12, 15) ...	1
15	*		SPINDLE (PASSENGER SIDE)	1
16				
17	12091-G2		SPINDLE CAP	2
18				
19	01040-G01		KING PIN, 1/2 - 13 X 5" LG.....	2
20	00571-G5		WASHER, 1/2"	4
21	70328-G01		KING PIN TUBE.....	2
22	16982-G1		THRUST WASHER, 7/8".....	2
23	14390-G6		LOCK NUT, 1/2 - 13	2
24				
25				
26	70324-G01		SHOCK ABSORBER	2
27	10435-G1		SHOCK ABSORBER WASHER.....	8
28	10194-G1		RUBBER SHOCK ABSORBER BUSHING	8
29	00532-G6		NUT, 3/8 - 24	4
30				

FRONT SUSPENSION (EARLY PRODUCTION) Electric Vehicle

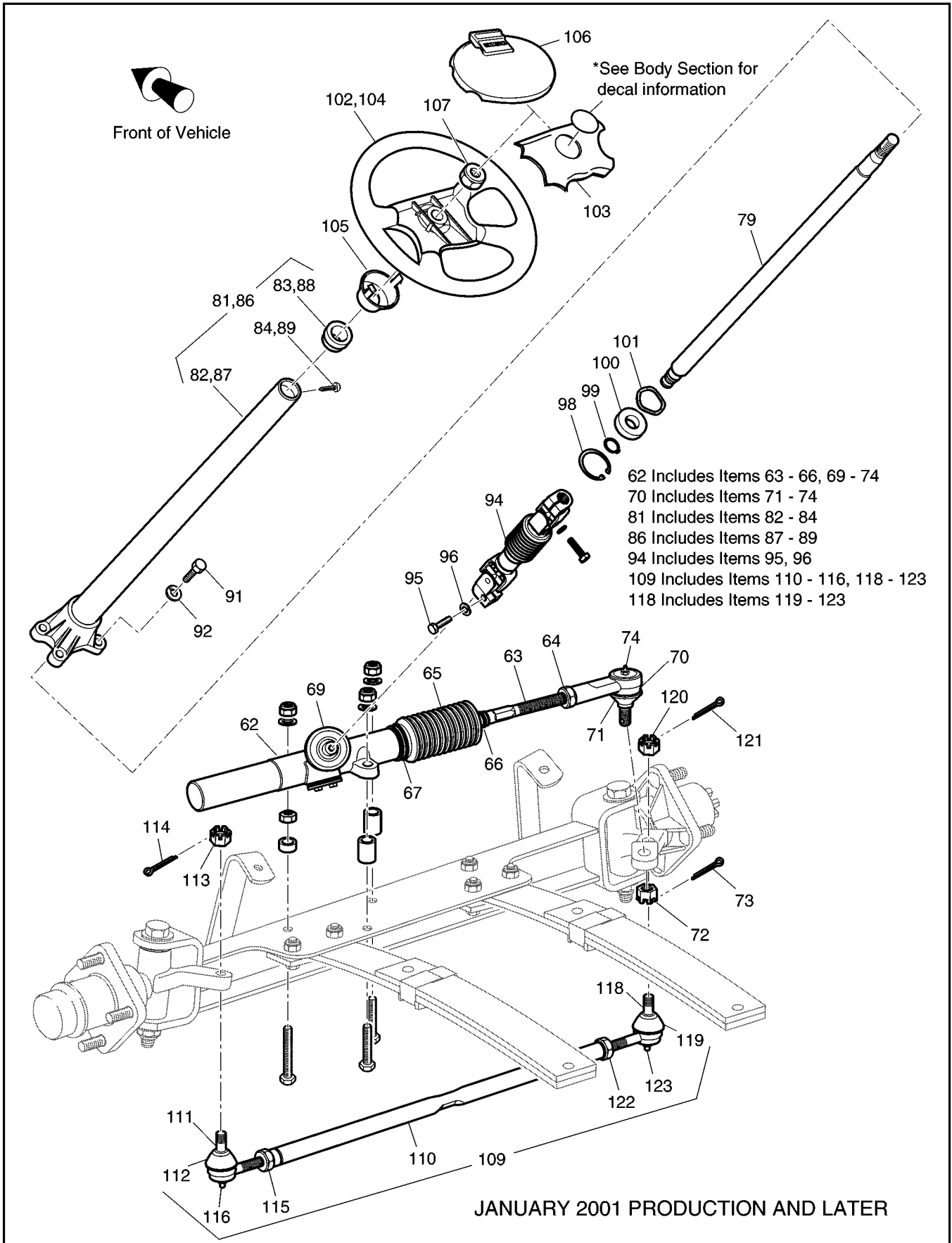
When ordering parts, please specify the model and serial number of the product.
 * Indicates a component that is not available as an individual part.
 G** Indicates consult Customer Service Department for additional information.

ITEM	PART NO.	1	2	3	4	5	DESCRIPTION	QTY.
31	70049-G01						LEAF SPRING	2
32	70540-G02						SPRING PLATE	2
33	00463-G4						BOLT, 7/16 - 14 X 1 1/2" LG	6
34	00734-G1						LOCK NUT, 7/16 - 14	12
35	00463-G6						BOLT, 7/16 - 14 X 1 3/4" LG	6
36	70163-G02						SPRING PLATE	2
37								
38	14723-G1						LUG NUT, 1/2 - 20.....	8

Electric Vehicle FRONT SUSPENSION (EARLY PRODUCTION)



Electric Vehicle FRONT SUSPENSION/STEERING (JAN. 2001)



FRONT SUSPENSION/STEERING (JAN. 2001) Electric Vehicle

When ordering parts, please specify the model and serial number of the product.

* Indicates a component that is not available as an individual part.

G** Indicates consult Customer Service Department for additional information.

ITEM	PART NO.	1 2 3 4 5	DESCRIPTION	QTY.
1	70744-G01		FRONT AXLE.....	1
2				
3	70672-G01		SPINDLE AND HUB ASSEMBLY, 4 LUG (PASSENGER SIDE) (INCLUDES ITEMS 4 - 10)	1
4	70672-G02		SPINDLE ASSEMBLY (PASSENGER SIDE)	1
5	25146-G1		GREASE SEAL	1
6	50892-G1		ROLLER BEARING AND RACE ASSEMBLY	2
7	70895-G01		WHEEL HUB ASSEMBLY WITH RACES, 4 LUG (INCLUDES ITEM 8)	1
8	19862-G1		LUG BOLT, 1/2 - 20 X 1 7/32" LG.....	4
9	12093-G1		SLOTTED NUT, 1 - 14.....	1
10	00798-G8		COTTER PIN, 5/32" X 1 3/4" LG	1
11	12091-G2		SPINDLE CAP.....	2
12				
13				
14	70673-G01		SPINDLE AND HUB ASSEMBLY, 4 LUG (DRIVER SIDE) (INCLUDES ITEMS 5 - 10, 15)	1
15	70673-G02		SPINDLE ASSEMBLY (DRIVER SIDE).....	1
16				
17				
18	70796-G01		SPINDLE AND HUB ASSEMBLY, 5 LUG (PASSENGER SIDE) (INCLUDES ITEMS 19 - 25)	1
19	70672-G02		SPINDLE ASSEMBLY (PASSENGER SIDE)	1
20	12092-G1		GREASE SEAL	1
21	50892-G1		ROLLER BEARING AND RACE ASSEMBLY	2
22	70772-G01		WHEEL HUB ASSEMBLY WITH RACES, 5 LUG (INCLUDES ITEM 23).....	1
23	30143-G1		LUG BOLT, 1/2 - 20 X 1 7/32" LG.....	5
24	12093-G1		SLOTTED NUT, 1 - 14.....	1
25	00798-G8		COTTER PIN, 5/32" X 1 3/4" LG	1
26				
27				
28				

Electric Vehicle FRONT SUSPENSION/STEERING (JAN. 2001)

When ordering parts, please specify the model and serial number of the product.

* Indicates a component that is not available as an individual part.

G** Indicates consult Customer Service Department for additional information.

ITEM	PART NO.	1 2 3 4 5	DESCRIPTION	QTY.
29	70797-G01		SPINDLE AND HUB ASSEMBLY, 5 LUG (DRIVER SIDE) (INCLUDES ITEMS 20 - 25, 30)	1
30	70673-G02		SPINDLE ASSEMBLY (DRIVER SIDE).....	1
31				
32				
33	00407-G6		BOLT, 1/2 - 13 X 6" LG.....	2
34	00560-G3		WASHER, 1/2"	4
35	70745-G01		KING PIN TUBE.....	2
36	70754-G01		THRUST WASHER (STAINLESS STEEL).....	2
37	14390-G6		LOCK NUT, 1/2 - 13	2
38				
39				
40	15707-G1		SHOCK ABSORBER	2
41	70509-G01		SHOCK ABSORBER BOOT	2
42	31539-G1		WIRE TIE	4
43	10435-G1		SHOCK ABSORBER WASHER.....	8
44	10194-G1		RUBBER SHOCK ABSORBER BUSHING	8
45	00532-G6		NUT, 3/8 - 24	4
46				
47				
48	70597-G02		LEAF SPRING	2
49	70664-G02		LEAF SPRING (HEAVY DUTY)	2
50	70163-G02		SPRING PLATE	4
51	00532-G7		NUT, 7/16 - 14	1
52	00560-G2		FLAT WASHER, 7/16".....	4
53	00463-G4		BOLT, 7/16 - 14 X 1 1/2" LG.....	2
54	00734-G1		LOCK NUT, 7/16 - 14	12
55	00463-G6		BOLT, 7/16 - 14 X 1 3/4" LG.....	9
56	00464-G6		BOLT, 7/16 - 14 X 2 3/4" LG.....	2
57	01068-G01		BOLT, 7/16 - 14 X 3 1/2" LG.....	1

FRONT SUSPENSION/STEERING (JAN. 2001)

Electric Vehicle

When ordering parts, please specify the model and serial number of the product.

* Indicates a component that is not available as an individual part.

G** Indicates consult Customer Service Department for additional information.

ITEM	PART NO.	1 2 3 4 5	DESCRIPTION	QTY.
58	70667-G02		SPACER.....	2
59	70667-G03		SPACER (SHORT).....	1
60				
61				
62	70602-G01		RACK AND PINION UNIT (COMPLETE) (INCLUDES ITEMS 63 - 66, 69 - 74).	1
63	70694-G01		RACK EXTENSION.....	1
64	*		JAM NUT, 1/2" - 20.....	1
65	70675-G01		RACK BOOT	1
66	17618-G1		WIRE TIE.....	1
67	12416-G2		WIRE TIE	1
68				
69	70638-G01		PINION SEAL.....	1
70	70695-G01		RACK BALL JOINT (INCLUDES ITEMS 71 - 74).....	1
71	50641-G1		RUBBER BOOT	1
72	50209-G2		SLOTTED NUT, 7/16 - 20.....	1
73	10387-G2		COTTER PIN, 3/32" X 1" LG.....	1
74	10389-G3		GREASE FITTING, STRAIGHT	1
75				
76				
77				
78				
79	70607-G01		STEERING SHAFT	1
80				
81	70758-G03		STEERING COLUMN KIT (INCLUDES ITEMS 82 - 84).....	1
82	70610-G01		STEERING COLUMN.....	1
83	28569-G01		STEERING COLUMN BUSHING	1
84	01022-G01		SCREW, #6 - 20 X 5/16" LG.....	1
85				
86	70758-G04		STEERING COLUMN KIT (HORN) (INCLUDES ITEMS 87 - 89).....	1
87	70610-G02		STEERING COLUMN.....	1

Electric Vehicle FRONT SUSPENSION/STEERING (JAN. 2001)

When ordering parts, please specify the model and serial number of the product.

* Indicates a component that is not available as an individual part.

G** Indicates consult Customer Service Department for additional information.

ITEM	PART NO.	1 2 3 4 5	DESCRIPTION	QTY.
88	28569-G01		STEERING COLUMN BUSHING	1
89	01022-G01		SCREW, #6 - 20 X 5/16" LG.....	1
90				
91	01006-G01		BOLT, 3/8 - 16 X 1 1/4" LG WITH PATCHLOCK	4
92	00879-G1		LOCK WASHER, 3/8".....	4
93				
94	70580-G01		INTERMEDIATE SHAFT (INCLUDES ITEMS 95, 96).....	1
95	01055-G01		BOLT, M8 X 1 1/4" LG	2
96	00565-G8		LOCK WASHER, 5/16".....	2
97				
98	70751-G01		RETAINING RING (INTERNAL).....	1
99	70888-G01		RETAINING RING (EXTERNAL).....	1
100	15112-G1		BALL BEARING	1
101	70887-G01		WAVE WASHER	1
102	71146-G01		STEERING WHEEL	1
103	71147-G01		STEERING WHEEL COVER	1
104	71948-G01		STEERING WHEEL	1
105	71949-G01		HUB COVER.....	1
106	71950-G01		CLIPBOARD	1
107	14390-G2		LOCK NUT, 5/8 - 18	1
108				
109	20788-G2		TIE ROD ASSEMBLY (INCLUDES ITEMS 110 - 116, 118 - 123)	1
110	70583-G03		THREADED TUBE WITH FLAT	1
111	27205-G01		TIE ROD END (LEFT HAND THREAD) (INCLUDES ITEMS 112 - 114)	1
112	50641-G1		RUBBER BOOT	1
113	50209-G2		SLOTTED NUT, 7/16 - 20.....	1
114	10387-G2		COTTER PIN, 3/32" X 1" LG.....	1
115	18434-G3		JAM NUT, 9/16 - 18 (LEFT HAND THREAD)	1
116	10389-G3		GREASE FITTING, STRAIGHT	1
117				

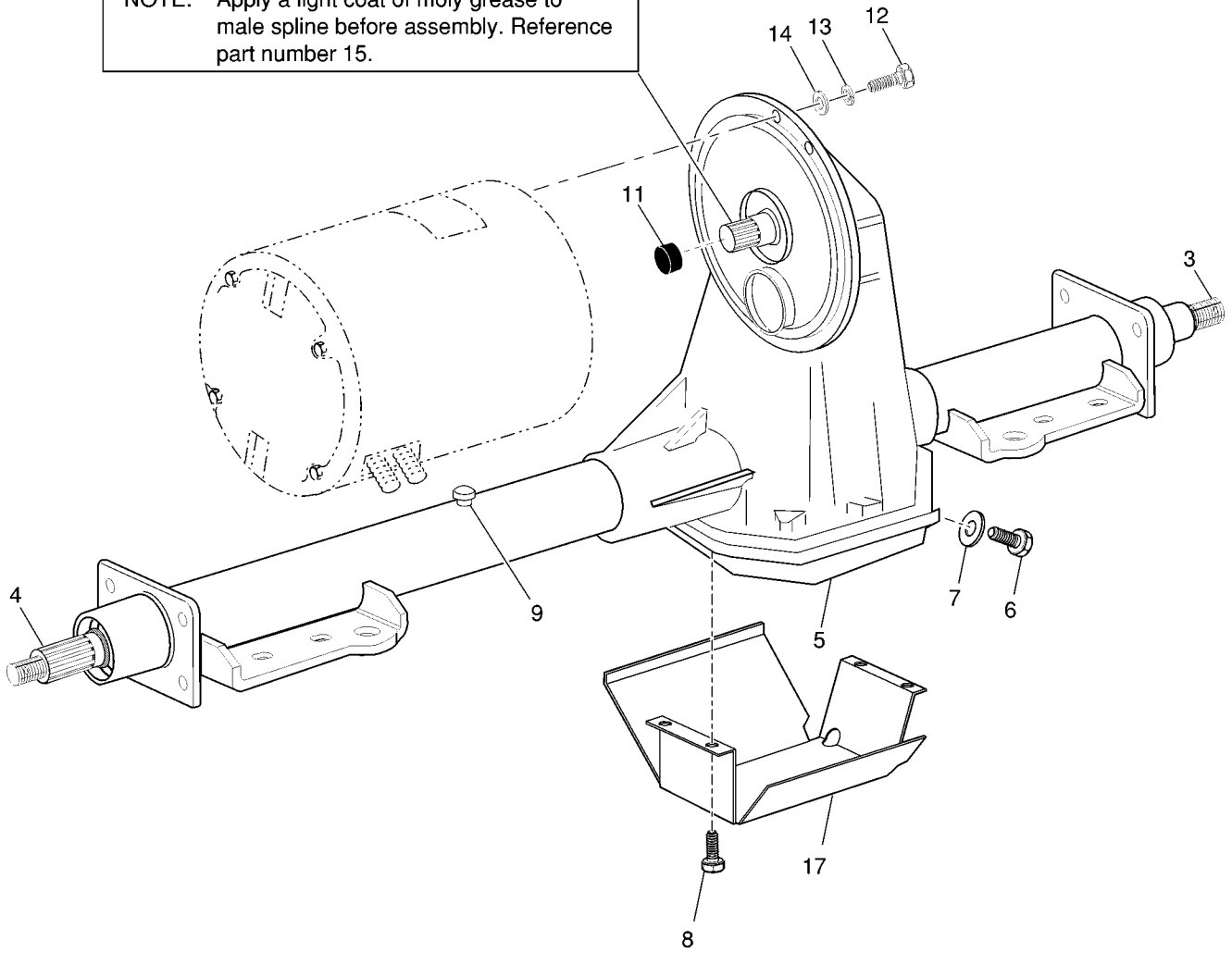
FRONT SUSPENSION/STEERING (JAN. 2001) Electric Vehicle

When ordering parts, please specify the model and serial number of the product.
 * Indicates a component that is not available as an individual part.
 G** Indicates consult Customer Service Department for additional information.

ITEM	PART NO.	1	2	3	4	5	DESCRIPTION	QTY.
118	27205-G02						TIE ROD END (RIGHT HAND THREAD) (INCLUDES ITEMS 119 - 123)	1
119	50641-G1						RUBBER BOOT	1
120	50209-G2						SLOTTED NUT, 7/16 - 20.....	1
121	10387-G2						COTTER PIN, 3/32" X 1" LG.....	1
122	18434-G4						JAM NUT, 9/16 - 18 (RIGHT HAND THREAD).....	1
123	10389-G3						GREASE FITTING, STRAIGHT	1

- 1 - Includes Items 3 - 9
- 2 - Includes Items 3 - 9

NOTE: Apply a light coat of moly grease to male spline before assembly. Reference part number 15.



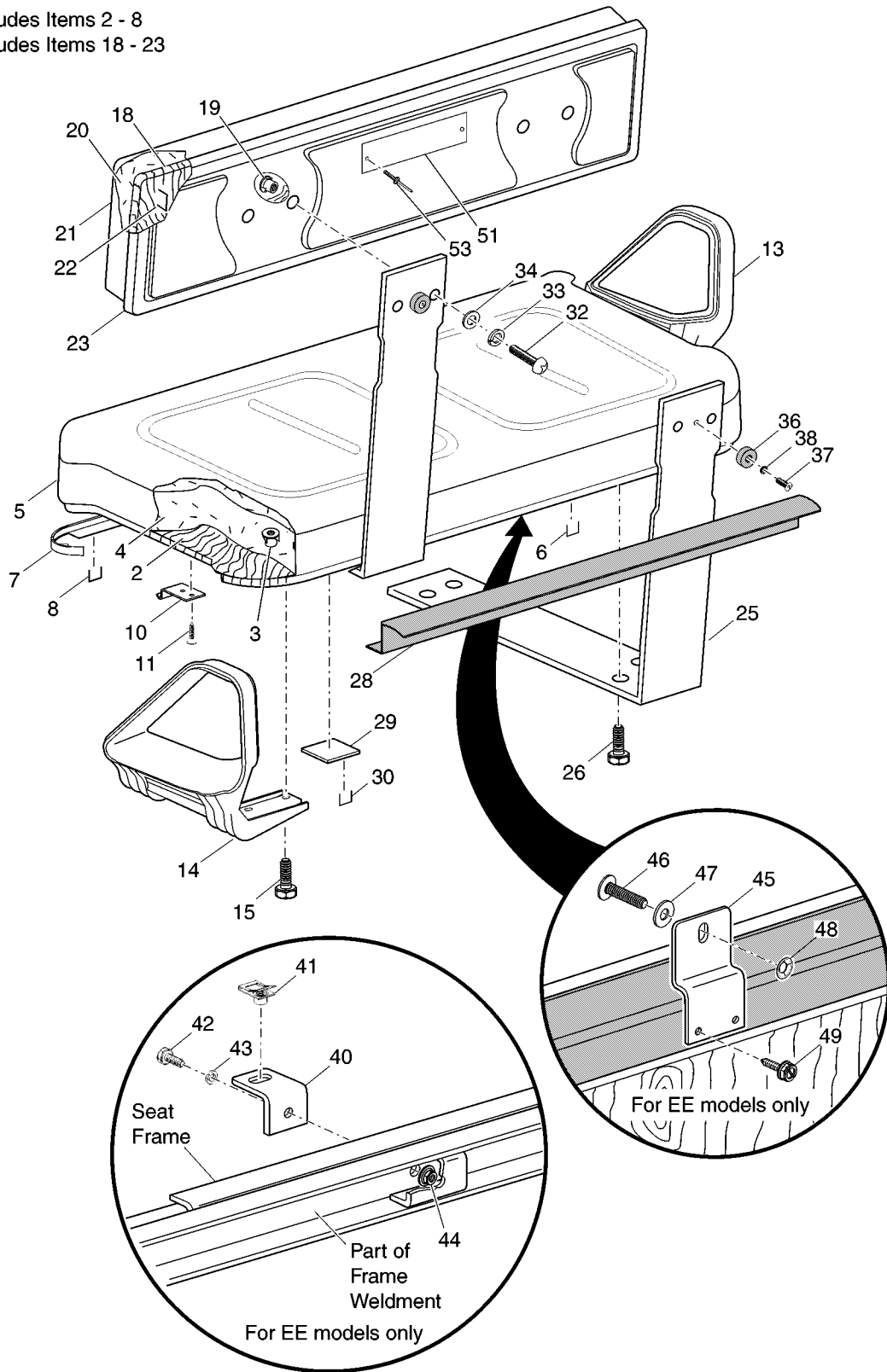
THE USE OF NON UL PARTS WILL VOID ANY UL LISTING.
 When ordering parts, please specify the model and serial number of the product.
 * Indicates a component that is not available as an individual part.
 G** Indicates consult Customer Service Department for additional information.

ITEM	PART NO.	1 2 3 4 5	DESCRIPTION	QTY.
1	73176-G01		REAR AXLE ASSEMBLY, 12.44:1 (INCLUDES ITEMS 3 - 9).....	1
2	73176-G02		REAR AXLE ASSEMBLY 14.78:1 (INCLUDES ITEMS 3 - 9)	1
3	20377-G12		AXLE SHAFT (PASSENGER SIDE)	1
4	20377-G11		AXLE SHAFT (DRIVER SIDE).....	1
5	25228-G1		DIFFERENTIAL COVER	1
6	25226-G1		FILL/CHECK PLUG	1
7	25227-G1		WASHER	1
8	15558-G1		SCREW, 5/16 - 18 X 3/4" LG.....	10
9	73050-G01		VENT	1
10				
11	24261-G1		BUMPER SPLINE	1
12	00797-G2		BOLT, 1/4 - 20 X 1 1/4" LG.....	3
13	00565-G7		LOCK WASHER, 1/4"	3
14	00559-G7		WASHER, 1/4"	3
15	28095-G01		MOLY LUBE, 2 OZ.....	AR
16				
17	25353-G1		DIFFERENTIAL GUARD.....	1

When ordering parts, please specify the model and serial number of the product.
 * Indicates a component that is not available as an individual part.
 G** Indicates consult Customer Service Department for additional information.

ITEM	PART NO.	1 2 3 4 5	DESCRIPTION	QTY.
1	70324-G01		SHOCK ABSORBER	2
2	10435-G1		SHOCK ABSORBER WASHER.....	8
3	10194-G1		RUBBER SHOCK ABSORBER BUSHING	8
4	00532-G6		NUT, 3/8 - 24	4
5				
6	74207-G01		LEAF SPRING (HEAVY DUTY)	2
7	72618-G02		"U" BOLT, 3/8 - 16	4
8	00560-G1		WASHER, 3/8"	8
9	11098-G5		LOCK NUT, 3/8 - 16	8
10				
11	70289-G02		SPACER.....	4
12	70291-G01		RUBBER BUSHING.....	12
13	70290-G01		SHACKLE PLATE	4
14	00429-G4		BOLT, 3/8 - 16 X 3 1/2" LG.....	4
15	11098-G5		LOCK NUT, 3/8 - 16	4
16				
17	14158-G1		SHOULDER BOLT, 3/8 - 16 X 3 1/4" LG.....	2
18	12262-G1		LOCK NUT, 3/8 - 16	2

1 - Includes Items 2 - 8
17 - Includes Items 18 - 23



When ordering parts, please specify the model and serial number of the product.
 * Indicates a component that is not available as an individual part.
 G** Indicates consult Customer Service Department for additional information.

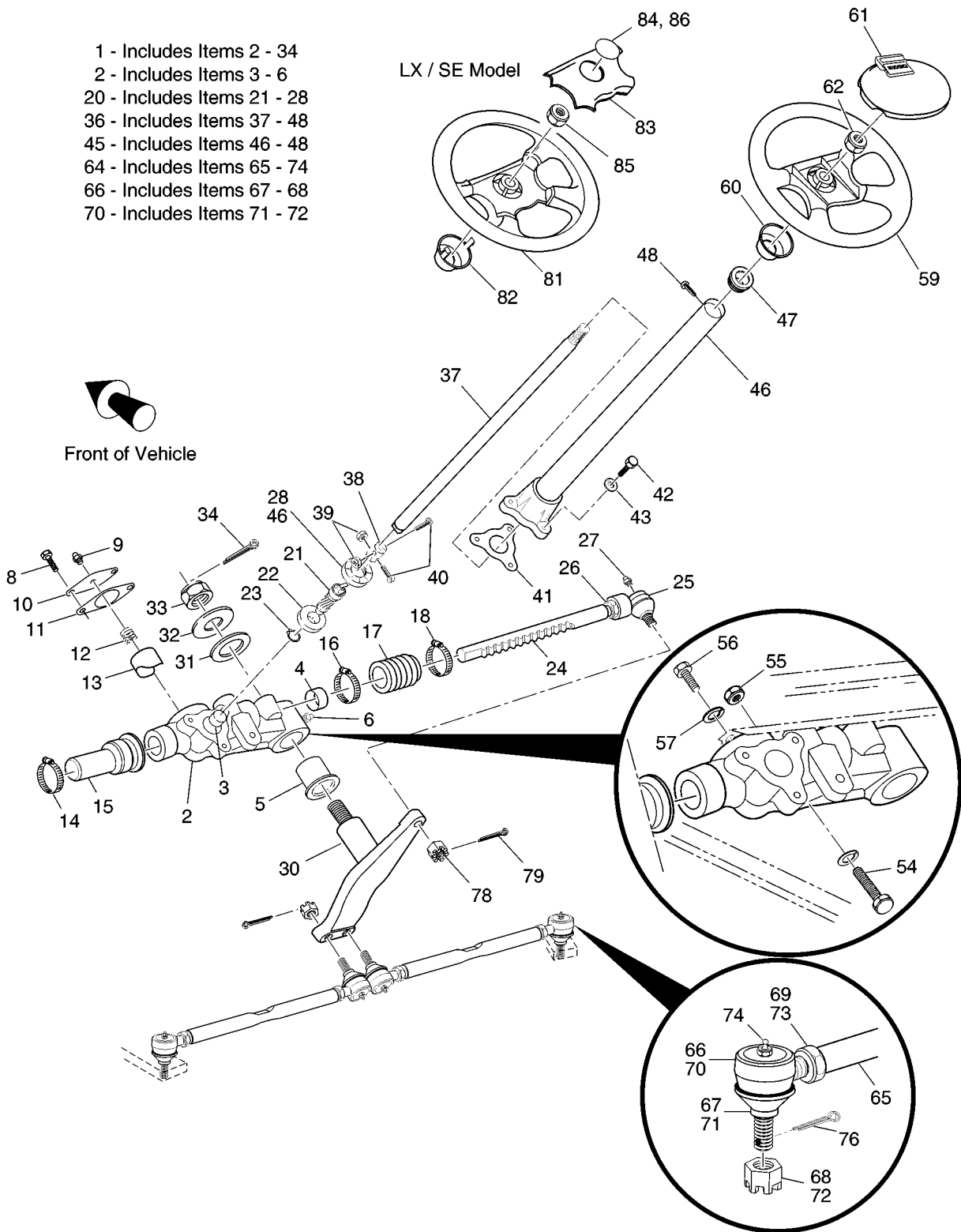
ITEM	PART NO.	1 2 3 4 5	DESCRIPTION	QTY.
1	71664-G**		SEAT BOTTOM ASSEMBLY (INCLUDES ITEMS 2 - 8)	1
2	*		PLYWOOD BASE	1
3	*		TEE NUT, 1/4 - 20.....	16
4	*		FOAM	1
5	71602-G**		VINYL SEAT BOTTOM COVER	1
6	*		FLAT STAPLES	A/R
7	71012-G01		VINYL TRIM (SEAT BOTTOM).....	1
8	*		FLAT STAPLES	A/R
9				
10	71610-G01		SEAT HINGE.....	2
11	00720-G08		SCREW, #12 - 14 X 1" LG.	6
12				
13	71701-G01		HIP RESTRAINT (PASSENGER SIDE)	1
14	71702-G01		HIP RESTRAINT (DRIVER SIDE)	1
15	71204-G01		BOLT, 1/4 - 20 X 1" LG.....	8
16				
17	27546-G**		SEAT BACK ASSEMBLY (INCLUDES ITEMS 18 - 23)	1
18	*		PLYWOOD SEAT BACK.....	1
19	*		TEE NUT, 1/4 - 20.....	4
20	*		FOAM	1
21	18144-G**		VINYL SEAT BACK COVER	1
22	*		FLAT STAPLES	A/R
23	18868-G3		PLASTIC SEAT BACK COVER	1
24				
25	71662-G01		SEAT BACK SUPPORT BRACKET	2
26	71204-G01		BOLT, 1/4 - 20 X 7/8" LG.....	8
27				
28	71762-G01		SEAL	1
29	17074-G1		BUMPER.....	2
30	*		FLAT STAPLES.....	A/R

When ordering parts, please specify the model and serial number of the product.
 * Indicates a component that is not available as an individual part.
 G** Indicates consult Customer Service Department for additional information.

ITEM	PART NO.	1	2	3	4	5	DESCRIPTION	QTY.
31								
32	16705-G1						SCREW, 1/4 - 20 X 1" LG.....	4
33	00565-G7						LOCK WASHER, 1/4".....	4
34	00559-G7						WASHER, 1/4".....	4
35								
36	13728-G1						RUBBER BUMPER.....	2
37	00106-G6						SELF THREADING SCREW, #12 - 24 X 3/4" LG.....	2
38	00559-G5						WASHER, #10.....	2
39								
40	74221-G01						SEAT LOCK ANGLE (EE ONLY).....	1
41	01024-G01						"U" TYPE NUT (EE ONLY).....	1
42	XXXXX-XX						BOLT (SEE ELECTRICAL SYSTEM).....	X
43	XXXXX-XX						WASHER (SEE ELECTRICAL SYSTEM).....	X
44	XXXXX-XX						NUT (SEE ELECTRICAL SYSTEM).....	X
45	74220-G01						LATCH SUPPORT BRACKET (EE ONLY).....	1
46	01023-G01						TORX SCREW 5/16-18 X 1" LG (EE ONLY).....	1
47	00559-G8						WASHER, 5/16" (EE ONLY).....	1
48	18315-G1						SELF-LOCKING FASTENER, 5/16" (EE ONLY).....	1
49	00114-G6						SCREW, 1/4 - 14 X 3/4" LG (EE ONLY).....	2
50								
51	71211-G02						PLATE / LABEL (600 LB) (INCLUDES ITEM 52).....	1
52	71517-G02						LABEL (600 LB).....	1
53	14601-G1						RIVET, 3/16" X 13/16" LG.....	2

FOR STEERING PRODUCTION AFTER JAN. 2001
SEE 'FRONT SUSPENSION/STEERING (JAN. 2001)

- 1 - Includes Items 2 - 34
- 2 - Includes Items 3 - 6
- 20 - Includes Items 21 - 28
- 36 - Includes Items 37 - 48
- 45 - Includes Items 46 - 48
- 64 - Includes Items 65 - 74
- 66 - Includes Items 67 - 68
- 70 - Includes Items 71 - 72



When ordering parts, please specify the model and serial number of the product.

* Indicates a component that is not available as an individual part.

G** Indicates consult Customer Service Department for additional information.

ITEM	PART NO.	1	2	3	4	5	DESCRIPTION	QTY.
1	70314-G02						STEERING BOX ASSEMBLY (COMPLETE) (INCLUDES ITEMS 2 - 34)	1
2	75364-G01						STEERING HOUSING (INCLUDES ITEMS 3 - 6).....	1
3	*						SLEEVE BEARING	1
4	*						SLEEVE BEARING	1
5	*						FLANGED BEARING	1
6	10389-G3						GREASE FITTING, STRAIGHT	1
7								
8	00426-G6						BOLT, 3/8 - 16 X 3/4" LG	2
9	18456-G1						GREASE FITTING, 90°	1
10	70177-G01						RACK GUIDE COVER	1
11	70225-G01						GASKET	1
12	70178-G01						COMPRESSION SPRING	1
13	70179-G01						RACK GUIDE	1
14	11391-G1						CLAMP, 1 1/4"	1
15	70041-G01						RACK COVER.....	1
16	11391-G1						CLAMP, 1 1/4"	1
17	70183-G01						BELLOWS	1
18	11391-G5						CLAMP, 3/4"	1
19								
20	70299-G01						STEERING GEAR KIT (INCLUDES ITEMS 21 - 28).....	1
21	70297-G01						GEAR PINION.....	1
22	15112-G1						BALL BEARING	1
23	70190-G01						EXTERNAL RETAINING RING	1
24	70298-G01						STEERING RACK	1
25	70192-G01						RACK BALL END	1
26	00532-G8						NUT, 7/16 - 20	1
27	18456-G1						GREASE FITTING, 90°	1
28	70466-G01						RETAINER	1
29								
30	70184-G01						IDLER.....	1

When ordering parts, please specify the model and serial number of the product.

* Indicates a component that is not available as an individual part.

G** Indicates consult Customer Service Department for additional information.

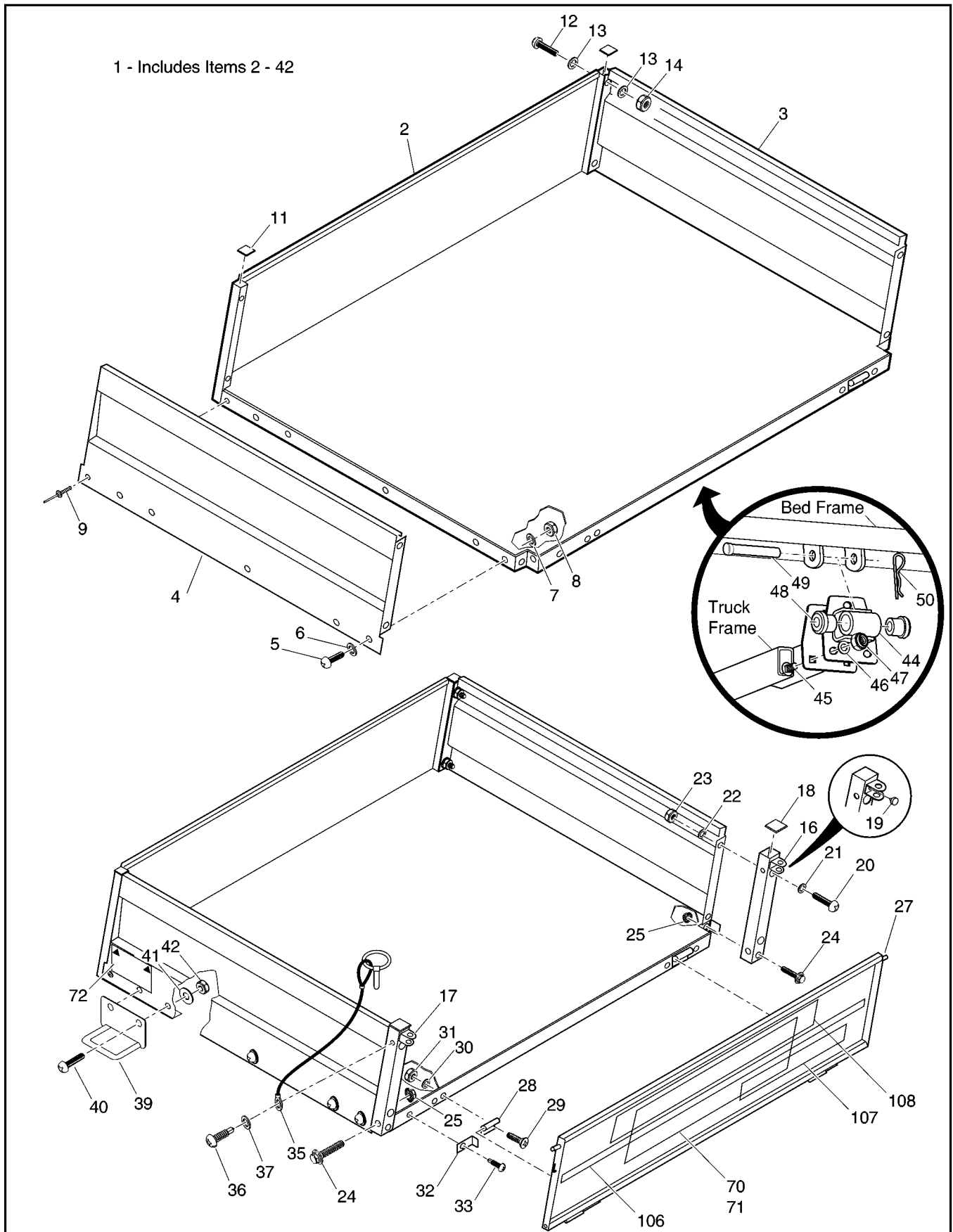
ITEM	PART NO.	1 2 3 4 5	DESCRIPTION	QTY.
31	70216-G01		THRUST WASHER, 1 1/2"	1
32	70195-G01		THRUST WASHER, 7/8"	1
33	00734-G6		LOCK NUT, 7/8 - 9.....	1
34	00798-G8		COTTER PIN, 5/32" X 1 3/4" LG	1
35				
36	70360-G01		STEERING SHAFT/COLUMN KIT (INCLUDES ITEMS 37 - 48)	1
37	14322-G3		STEERING SHAFT.....	1
38	70558-G01		COUPLING.....	1
39	00550-G1		LOCK NUT, 1/4 - 20.....	2
40	70227-G01		BOLT, 1/4 - 20 X 7/8" LG	2
41	70223-G01		GASKET	1
42	01034-G01		BOLT, 3/8 - 16 X 1 1/2" LG WITH PATCHLOCK	3
43	00878-G1		LOCK WASHER, 3/8".....	3
44	70466-G01		RETAINER.....	1
45	28633-G01		STEERING COLUMN KIT (INCLUDES ITEMS 46 - 48)	1
46	*		STEERING COLUMN	1
47	28569-G01		STEERING COLUMN BUSHING (LATE PRODUCTION).....	1
48	01022-G01		SCREW, #6 - 20 X 5/16" LG	1
49				
50	17161-G1		BUSHING AND SEAL KIT (INCLUDES ITEMS 51, 52) (EARLY PRODUCTION)	1
51	*		STEERING COLUMN BUSHING	1
52	*		SHAFT SEAL.....	1
53				
54	00470-G4		BOLT, 7/16 - 20 X 2 1/2" LG	1
55	00734-G3		LOCK NUT, 7/16 - 20	1
56	01033-G01		BOLT, 7/16 - 14 X 1 1/4" LG WITH PATCHLOCK	2
57	00566-G2		LOCK WASHER, 7/16".....	3
58				
59	71948-G01		STEERING WHEEL	1

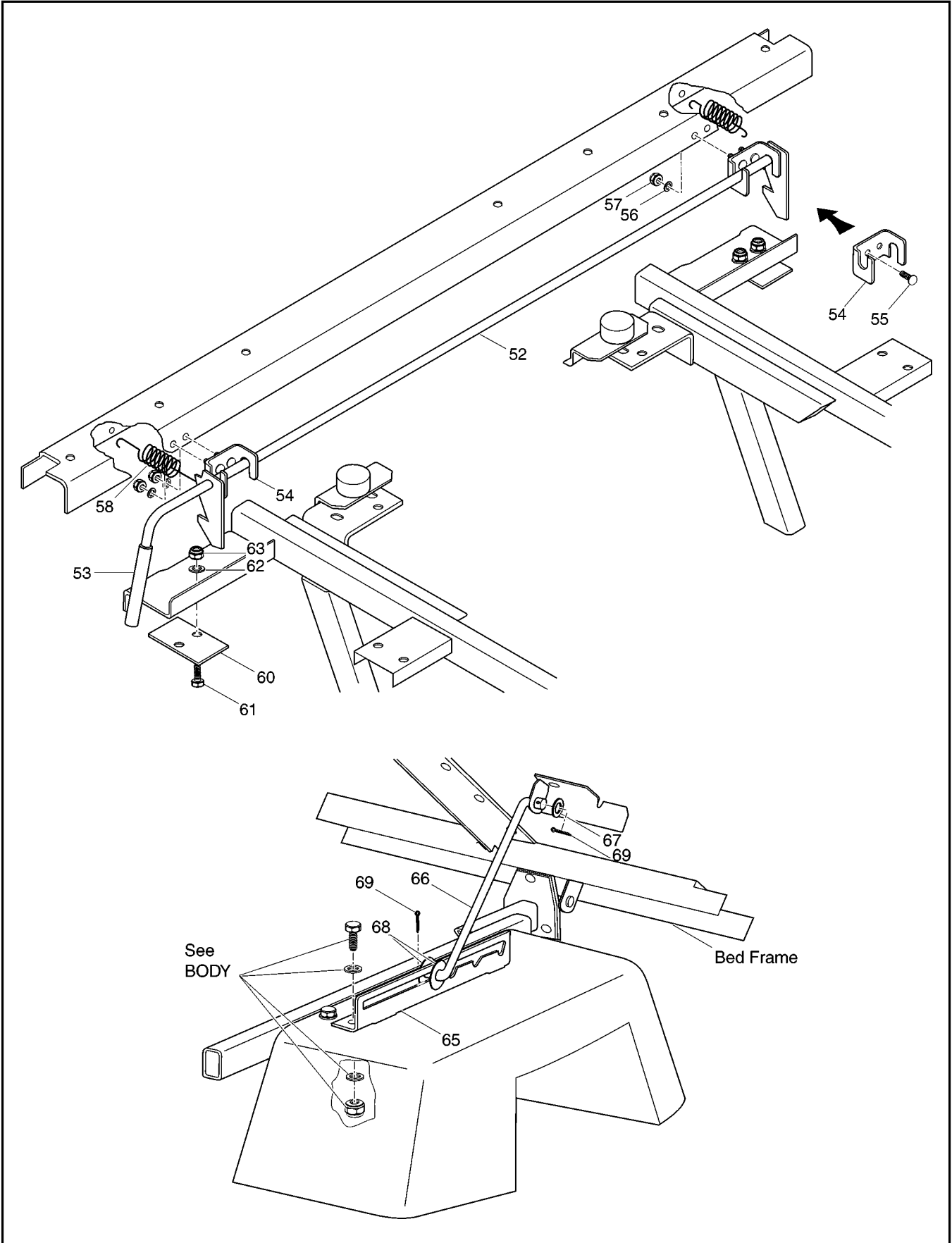
When ordering parts, please specify the model and serial number of the product.

* Indicates a component that is not available as an individual part.

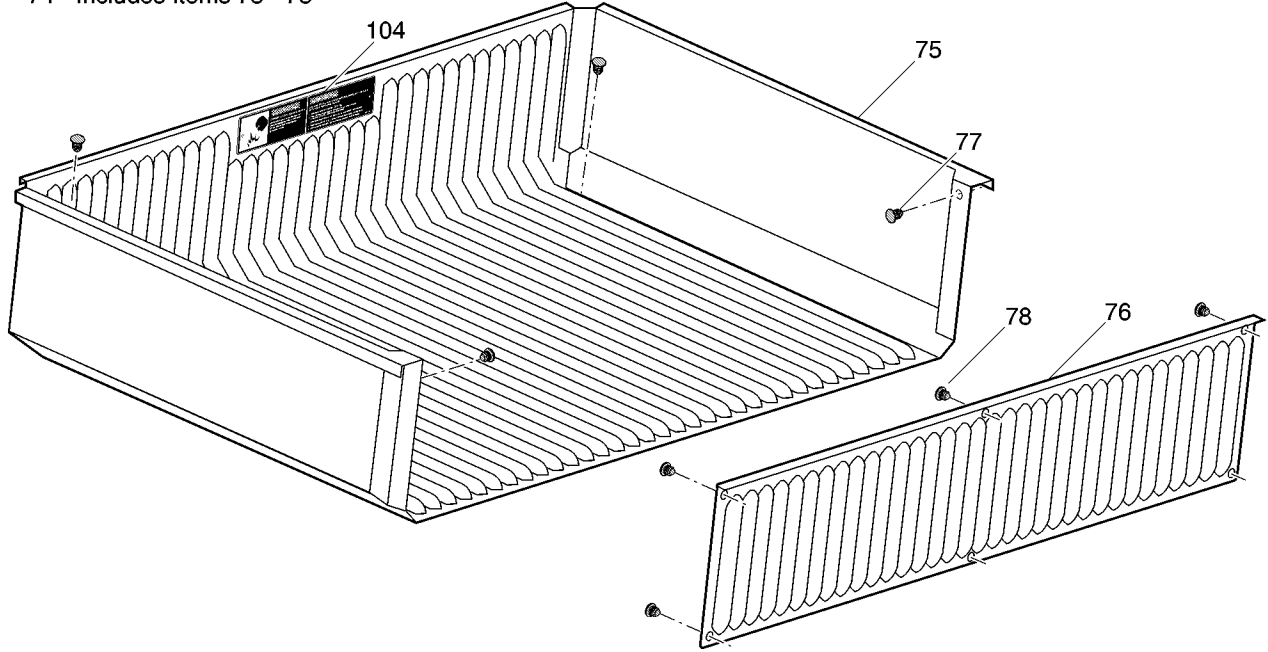
G** Indicates consult Customer Service Department for additional information.

ITEM	PART NO.	1 2 3 4 5	DESCRIPTION	QTY.
60	71949-G01		HUB.....	1
61	71950-G01		CLIPBOARD	1
62	14390-G2		LOCK NUT, 5/8 - 18	1
63				
64	70074-G01		TIE ROD ASSEMBLY (INCLUDES ITEMS 65 - 74).....	2
65	70583-G02		THREADED TUBE WITH FLAT	1
66	27205-G01		TIE ROD END (LEFT HAND THREAD) (INCLUDES ITEMS 67 - 68).....	1
67	50641-G1		RUBBER BOOT	1
68	50209-G2		SLOTTED NUT, 7/16 - 20.....	1
69	18434-G3		JAM NUT, 9/16 - 18 (LEFT HAND THREAD)	1
70	27205-G02		TIE ROD END (RIGHT HAND THREAD) (INCLUDES ITEMS 71 - 72).....	1
71	50641-G1		RUBBER BOOT	1
72	50209-G2		SLOTTED NUT, 7/16 - 20.....	1
73	18434-G4		JAM NUT, 9/16 - 18 (RIGHT HAND THREAD).....	1
74	10389-G3		GREASE FITTING, STRAIGHT	2
75				
76	10387-G2		COTTER PIN, 3/32" X 1" LG.....	2
77				
78	50209-G2		SLOTTED NUT, 7/16 - 20	1
79	10387-G2		COTTER PIN, 3/32" X 1" LG.....	1
80				
81	71146-G01		STEERING WHEEL	1
82	71949-G01		HUB.....	1
83	71147-G01		COVER	1
84	71047-G01		DECAL (E-Z-GO)	1
85	14390-G2		LOCK NUT, 5/8 - 18	1
86	74405-G01		DECAL (CUSHMAN).....	1

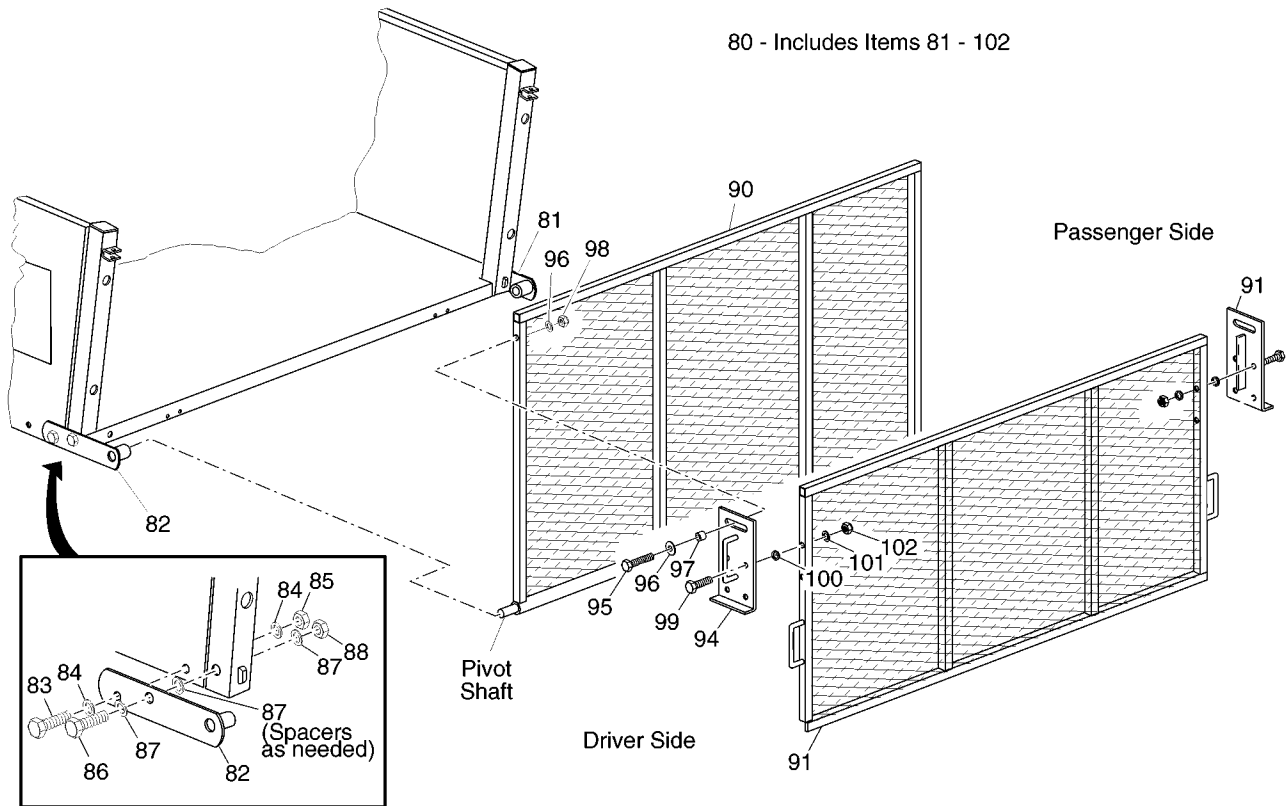




74 - Includes Items 75 - 78



80 - Includes Items 81 - 102



When ordering parts, please specify the model and serial number of the product.

* Indicates a component that is not available as an individual part.

G** Indicates consult Customer Service Department for additional information.

ITEM	PART NO.	1	2	3	4	5	DESCRIPTION	QTY.
1	71711-G03						TRUCK BED ASSEMBLY, 40" (MANUAL DUMP) (INCLUDES ITEMS 2 - 42)...	1
2	71719-G01						BED FRAME, 40"	1
3	71714-G01						SIDE PANEL, 40" (PASSENGER SIDE).....	1
4	71714-G02						SIDE PANEL, 40" (DRIVER SIDE)	1
5	16705-G3						SCREW, 1/4 - 20 X 3/4" LG.....	8
6	00915-G1						BONDED WASHER, 1/4"	8
7	00559-G7						WASHER, 1/4"	8
8	14390-G4						LOCK NUT, 1/4 - 20.....	8
9	14601-G8						RIVET, 3/8" X 7/16" LG. (ALUMINUM)	2
10								
11	71717-G01						END CAP, 1"	2
12	16705-G6						SCREW, 1/4 - 20 X 1 3/4" LG.....	4
13	00915-G1						BONDED WASHER, 1/4"	8
14	14390-G4						LOCK NUT, 1/4 - 20.....	4
15								
16	71837-G01						POST (PASSENGER SIDE)	1
17	71837-G02						POST (DRIVER SIDE).....	1
18	71718-G01						END CAP, 1 1/2"	2
19	71838-G01						RUBBER BUMPER	2
20	16705-G3						SCREW, 1/4 - 20 X 3/4" LG.....	4
21	00915-G1						BONDED WASHER, 1/4"	4
22	00559-G7						WASHER, 1/4"	4
23	14390-G4						LOCK NUT, 1/4 - 20.....	4
24	13437-G8						LOCK SCREW, 3/8-16 X 2" LG.	4
25	11027-G5						LOCK NUT, 3/8 - 16.....	4
26								
27	71732-G01						TAILGATE	1
28	27666-G01						HINGE	2
29	01002-G08						SCREW, 1/4 - 20 X 1" LG.....	4
30	00559-G7						WASHER, 1/4"	4

TRUCK BED, MANUAL LIFT**Electric Vehicle**

When ordering parts, please specify the model and serial number of the product.

* Indicates a component that is not available as an individual part.

G** Indicates consult Customer Service Department for additional information.

ITEM	PART NO.	1	2	3	4	5	DESCRIPTION	QTY.
31	14390-G4						LOCK NUT, 1/4 - 20.....	4
32	71748-G01						TAILGATE KEEPER	1
33	16705-G3						SCREW, 1/4 - 20 X 3/4" LG.....	1
34								
35	71083-G01						TAILGATE CABLE	2
36	00106-G6						SELF THREADING SCREW, #12 - 24 X 3/4" LG.....	2
37	00915-G1						BONDED WASHER, 1/4"	2
38								
39	71794-G01						LIFT HANDLE	1
40	00976-G08						SCREW, 5/16 - 18 X 1" LG.....	2
41	00559-G8						WASHER, 5/16"	2
42	11098-G6						LOCK NUT, 5/16 - 18.....	2
43								
44	70396-G01						BED PIVOT	2
45	00764-G2						CARRIAGE BOLT, 5/16 - 18 X 1" LG.....	6
46	00559-G8						WASHER, 5/16"	6
47	11098-G6						LOCK NUT, 5/16 - 18	6
48	70291-G01						FLANGED BUSHING.....	4
49	21682-G1						CLEVIS PIN, 1/2" X 2 7/8" LG.....	2
50	21683-G1						COTTER PIN, 15/32" X 2 11/16" LG.....	2
51								
52	71831-G01						BED LATCH	1
53	71704-G01						HANDLE GRIP	1
54	71827-G01						LATCH BRACKET.....	2
55	01014-G03						CARRIAGE BOLT, 1/4 - 20 X 3/4" LG	4
56	00559-G7						WASHER, 1/4"	4
57	14390-G4						LOCK NUT, 1/4 - 20	4
58	71707-G02						EXTENSION SPRING.....	2
59								
60	71766-G01						CATCH BRACKET	2

When ordering parts, please specify the model and serial number of the product.

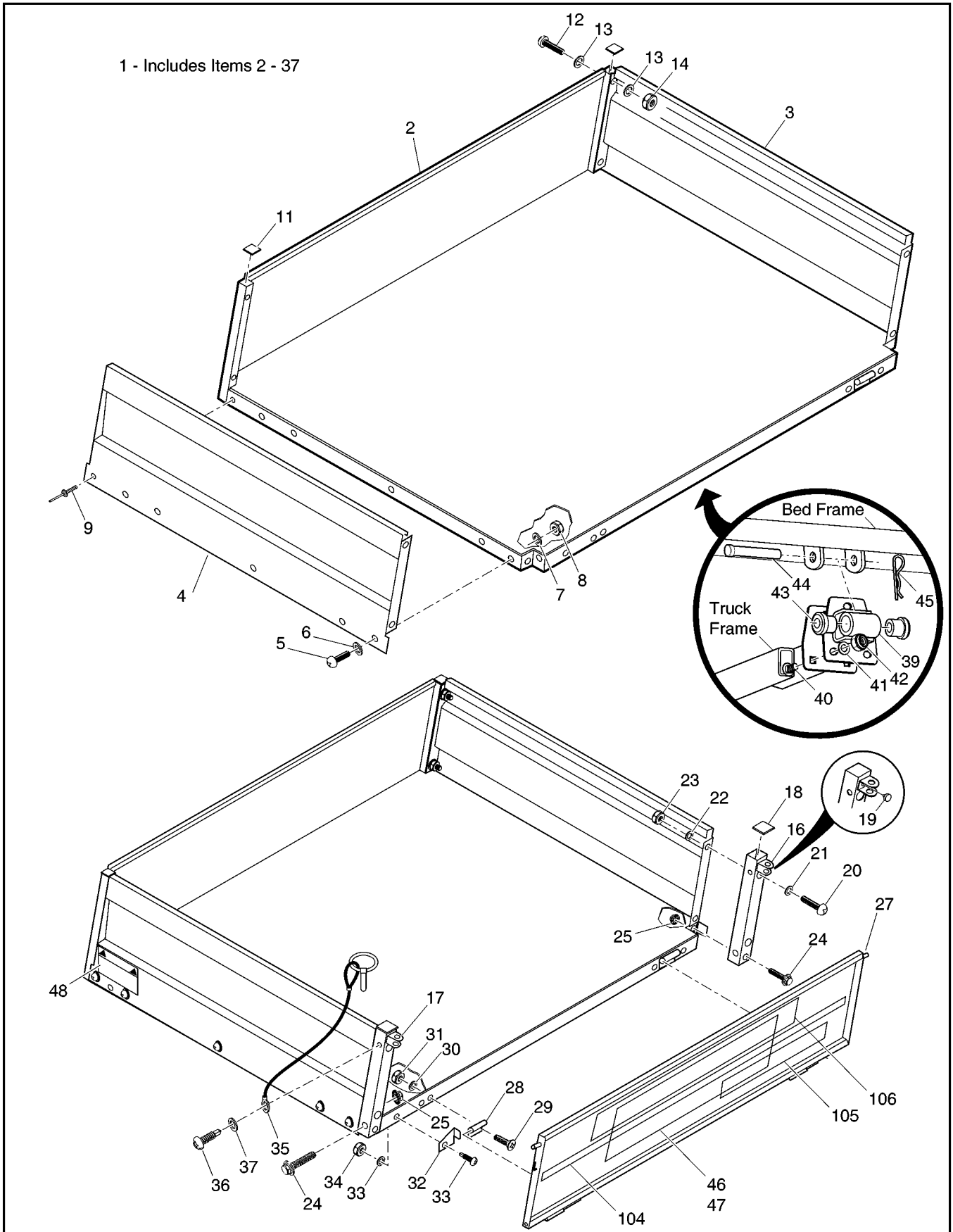
* Indicates a component that is not available as an individual part.

G** Indicates consult Customer Service Department for additional information.

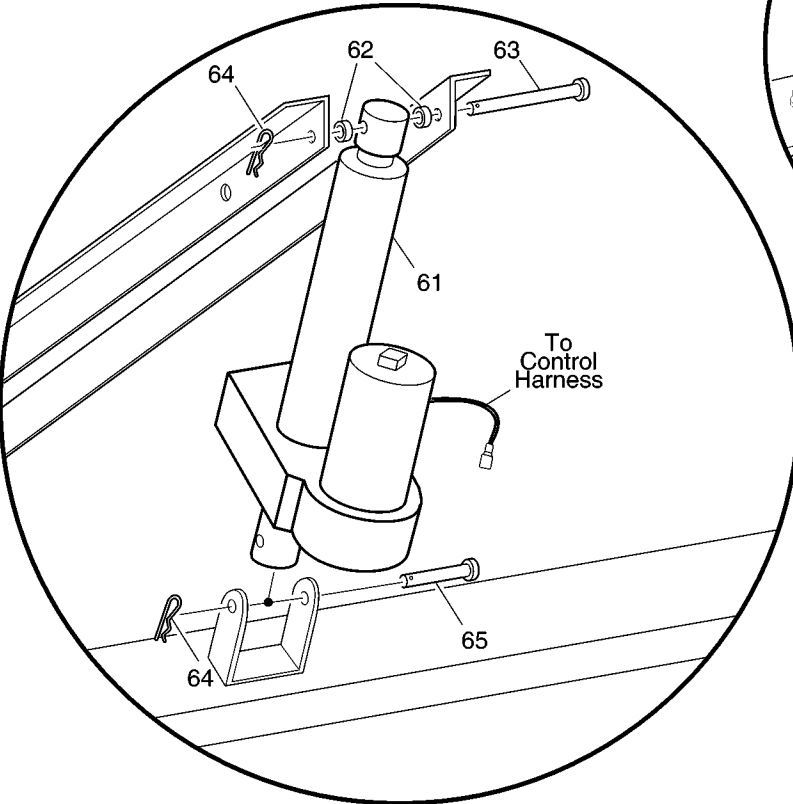
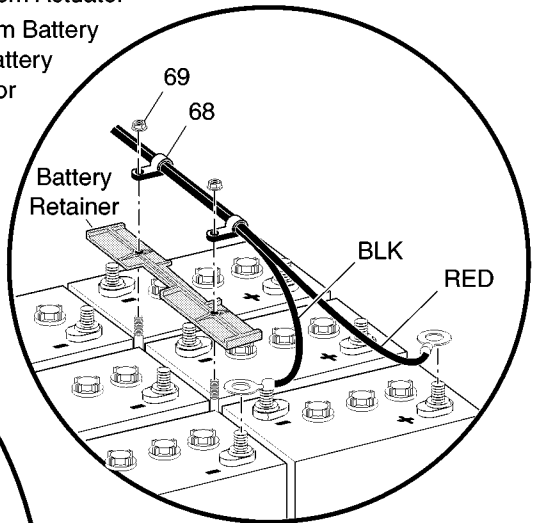
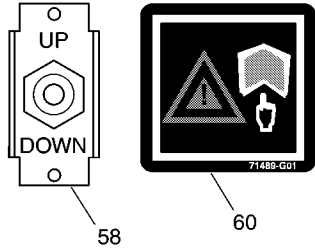
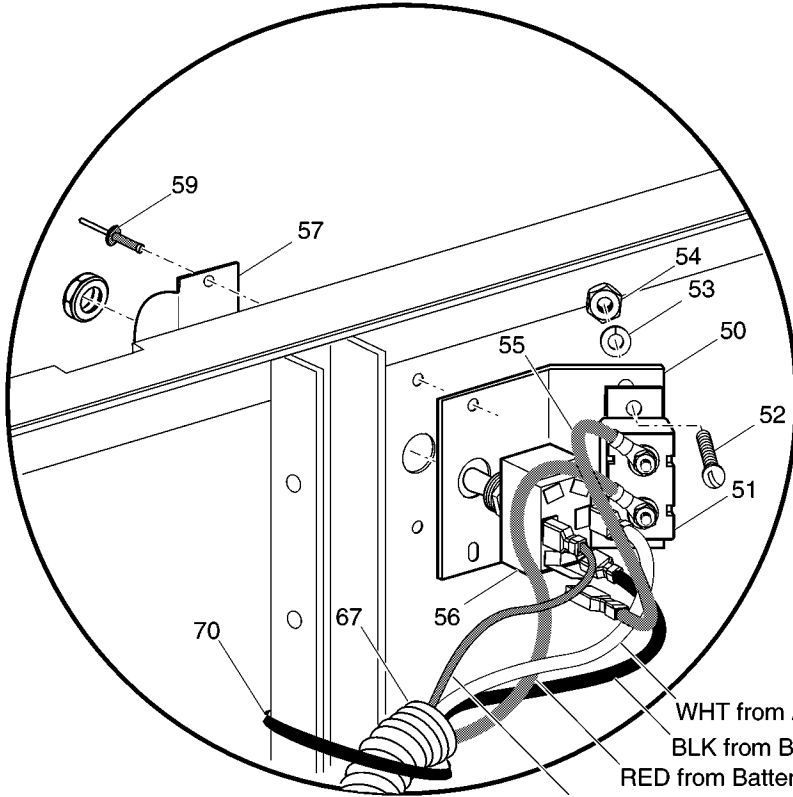
ITEM	PART NO.	1 2 3 4 5	DESCRIPTION	QTY.
61	00414-G6		BOLT, 1/4 - 20 X 3/4" LG.....	4
62	00559-G7		WASHER, 1/4"	4
63	14390-G4		LOCK NUT, 1/4 - 20	4
64				
65	71673-G01		PROP BRACKET	1
66	71657-G01		PROP ROD	1
67	00560-G3		WASHER, 1/2"	1
68	15121-G1		WASHER, 3/8"	2
69	10387-G3		COTTER PIN, 3/32" X 3/4" LG.....	2
70	71901-G01		DECAL (E-Z-GO)	1
71	74411-G01		DECAL (CUSHMAN).....	1
72	71771-G01		LABEL (TILT WARNING)	1
73				
74	74035-G03		BED LINER KIT (INCLUDES ITEMS 75 - 78).....	1
75	74234-G01		BED LINER, 40"	1
76	74235-G01		TAILGATE LINER	1
77	18436-G1		RIVET, 1/4" X 3/4" LG.....	4
78	14601-G10		RIVET, 3/16" X 3/8" LG.....	6
79				
80	28334-G01		RAMP KIT (INCLUDES ITEMS 81 - 102)	1
81	28331-G01		RAMP SUPPORT (PASSENGER SIDE)	1
82	28331-G02		RAMP SUPPORT (DRIVER SIDE).....	1
83	00438-G8		BOLT, 5/16 - 18 X 1" LG	2
84	00559-G8		WASHER, 5/16".....	4
85	11098-G6		LOCK NUT, 5/16 - 18.....	2
86	00428-G6		BOLT, 3/8 - 16 X 2 3/4" LG	2
87	00562-G1		WASHER, 3/8"	6
88	11098-G5		LOCK NUT, 3/8 - 16.....	2
89				
90	20264-G1		UPPER RAMP	1

When ordering parts, please specify the model and serial number of the product.
 * Indicates a component that is not available as an individual part.
 G** Indicates consult Customer Service Department for additional information.

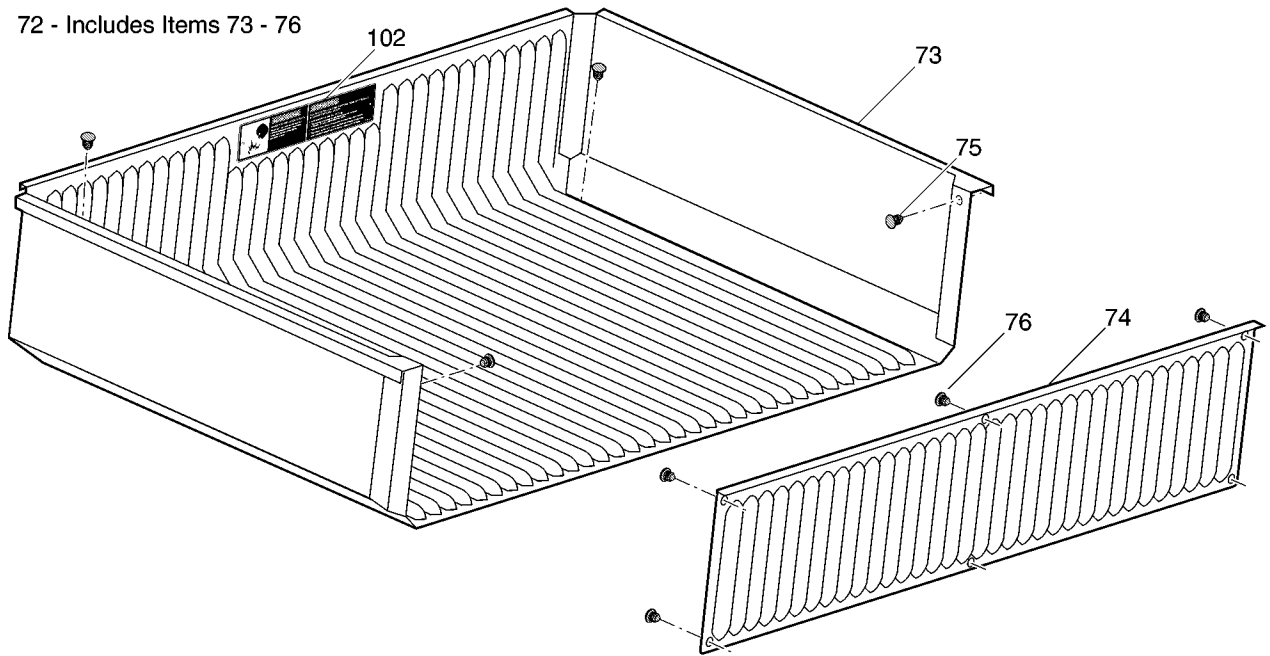
ITEM	PART NO.	1	2	3	4	5	DESCRIPTION	QTY.
91	20257-G2						LOWER RAMP	1
92								
93	20252-G1						PIVOT (PASSENGER SIDE)	1
94	20252-G2						PIVOT (DRIVER SIDE).....	1
95	00427-G8						BOLT, 3/8 - 16 X 2" LG	2
96	00562-G1						WASHER, 3/8"	4
97	20275-G1						PIVOT SPACER	2
98	11098-G5						LOCK NUT, 3/8-16.....	2
99	00439-G6						BOLT, 5/16 - 18 X 1 3/4" LG	4
100	00569-G2						WASHER, 5/16"	4
101	00559-G8						WASHER, 5/16"	4
102	11098-G6						LOCK NUT, 5/16 - 18.....	4
103								
104	71517-G02						SAFETY LABEL	1
105								
106	71789-G01						DECAL, STRIPE	1
107	71848-G01						DECAL (ELECTRIC HAULER)	1
108	71791-G01						DECAL (JACOBSEN)	1



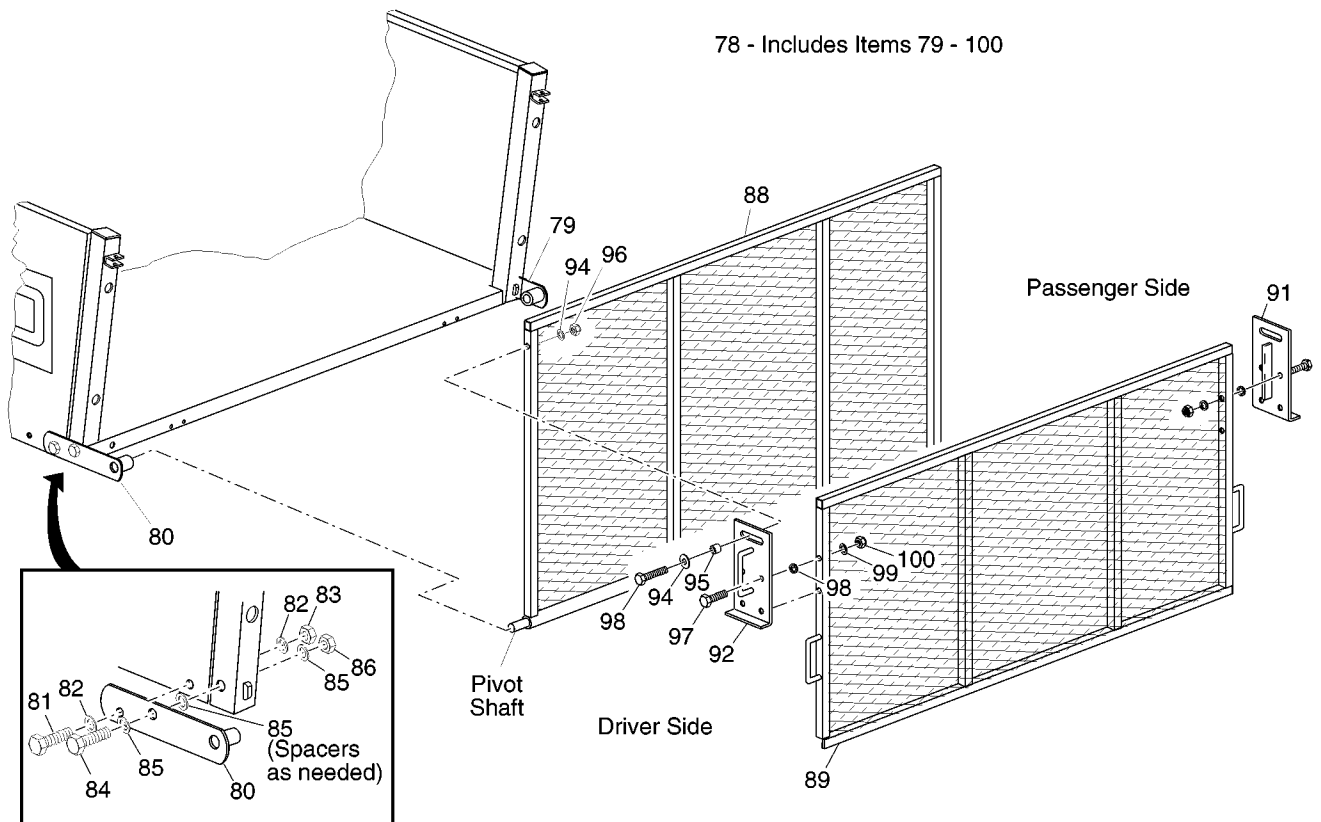
49 - Includes Items 50 - 70



72 - Includes Items 73 - 76



78 - Includes Items 79 - 100



When ordering parts, please specify the model and serial number of the product.

* Indicates a component that is not available as an individual part.

G** Indicates consult Customer Service Department for additional information.

ITEM	PART NO.	1	2	3	4	5	DESCRIPTION	QTY.
1	71711-G01						TRUCK BED ASSEMBLY, 40" (ELECTRIC DUMP) (INCLUDES ITEMS 2-37)..	1
2	71719-G01						BED FRAME, 40"	1
3	71714-G01						SIDE PANEL, 40" (PASSENGER SIDE).....	1
4	71714-G02						SIDE PANEL, 40" (DRIVER SIDE)	1
5	16705-G3						SCREW, 1/4 - 20 X 3/4" LG.....	10
6	00915-G1						BONDED WASHER, 1/4"	10
7	00559-G7						WASHER, 1/4"	10
8	14390-G4						LOCK NUT, 1/4 - 20.....	10
9	14601-G8						RIVET, 3/8" X 7/16" LG.....	2
10								
11	71717-G01						END CAP, 1"	2
12	16705-G6						SCREW, 1/4 - 20 X 1 3/4" LG.....	4
13	00915-G1						BONDED WASHER, 1/4"	8
14	14390-G4						LOCK NUT, 1/4 - 20.....	4
15								
16	71837-G01						POST (PASSENGER SIDE)	1
17	71837-G02						POST (DRIVER SIDE).....	1
18	71718-G01						END CAP, 1 1/2"	2
19	71838-G01						RUBBER BUMPER	2
20	16705-G3						SCREW, 1/4 - 20 X 3/4" LG.....	4
21	00915-G1						BONDED WASHER, 1/4"	4
22	00559-G7						WASHER, 1/4"	4
23	14390-G4						LOCK NUT, 1/4 - 20.....	4
24	13437-G8						LOCK SCREW, 3/8 - 16 X 2" LG.	4
25	11027-G5						LOCK NUT, 3/8 - 16.....	4
26								
27	71732-G01						TAILGATE	1
28	27666-G01						HINGE	2
29	01002-G08						SCREW, 1/4 - 20 X 1" LG.....	4
30	00559-G7						WASHER, 1/4"	4

TRUCK BED, ELECTRIC LIFT**Electric Vehicle**

When ordering parts, please specify the model and serial number of the product.

* Indicates a component that is not available as an individual part.

G** Indicates consult Customer Service Department for additional information.

ITEM	PART NO.	1	2	3	4	5	DESCRIPTION	QTY.
31	14390-G4						LOCK NUT, 1/4 - 20.....	4
32	71748-G01						TAILGATE KEEPER	1
33	16705-G3						SCREW, 1/4 - 20 X 3/4" LG.....	1
34								
35	71083-G01						TAILGATE CABLE	2
36	00106-G6						SELF THREADING SCREW, #12 - 24 X 3/4" LG.....	2
37	00915-G1						BONDED WASHER, 1/4"	2
38								
39	70396-G01						BED PIVOT	2
40	00764-G1						CARRIAGE BOLT, 5/16 - 18 X 3/4" LG.....	6
41	00559-G8						WASHER, 5/16"	6
42	11098-G6						LOCK NUT, 5/16 - 18	6
43	70291-G01						FLANGED BUSHING.....	4
44	21682-G1						CLEVIS PIN, 1/2" X 2 7/8" LG.....	2
45	21683-G1						COTTER PIN, 15/32" X 2 11/16".....	2
46	71901-G01						DECAL (E-Z-GO)	1
47	74411-G01						DECAL (CUSHMAN).....	1
48	71771-G01						LABEL (TILT WARNING)	1
49	74052-G02						ELECTRIC DUMP KIT (INCLUDES ITEMS 50 - 70)	1
50	74165-G01						CIRCUIT BREAKER MOUNTING BRACKET	1
51	21320-G4						CIRCUIT BREAKER, 15 AMP	1
52	00150-G4						SCREW, #10 - 24 X 1/2" LG.....	2
53	00565-G5						LOCK WASHER, #10	2
54	00526-G3						NUT, #10 - 24.....	2
55	25976-G14						14 GA WIRE (RED 5").....	1
56	27680-G01						TOGGLE SWITCH.....	1
57	27447-G01						TOGGLE GUARD.....	1
58	27446-G01						LABEL.....	1
59	10570-G9						RIVET, 1/8" X 11/32" LG.....	2
60	71489-G01						SAFETY DECAL	

When ordering parts, please specify the model and serial number of the product.

* Indicates a component that is not available as an individual part.

G** Indicates consult Customer Service Department for additional information.

ITEM	PART NO.	1	2	3	4	5	DESCRIPTION	QTY.
61	27612-G03						ELECTRIC ACTUATOR	1
62	27613-G01						SPACER	2
63	14443-G10						CLEVIS PIN, 1/2" X 2 27/32" LG.	1
64	21683-G1						COTTER PIN, 2 11/16" LG	2
65	14443-G11						CLEVIS PIN, 1/2" X 1 3/4" LG	1
66								
67	74054-G01						WIRE HARNESS	1
68	11845-G3						CABLE CLIP, 11/16"	2
69	00532-G3						NUT, 5/16 - 18.....	2
70	17618-G1						WIRE TIE.....	8
71								
72	74035-G03						BED LINER KIT (INCLUDES ITEMS 73 - 76).....	1
73	74234-G01						BED LINER, 40"	1
74	74235-G01						TAILGATE LINER	1
75	18436-G1						RIVET, 1/4" X 3/4" LG.....	4
76	14601-G10						RIVET, 3/16" X 3/8" LG.....	6
77								
78	28334-G01						RAMP KIT (INCLUDES ITEMS 79 - 100)	1
79	28331-G01						RAMP SUPPORT (PASSENGER SIDE)	1
80	28331-G02						RAMP SUPPORT (DRIVER SIDE).....	1
81	00438-G8						BOLT, 5/16 - 18 X 1" LG	2
82	00559-G8						WASHER, 5/16"	4
83	11098-G6						LOCK NUT, 5/16 - 18.....	2
84	00428-G6						BOLT, 3/8-16 X 2 3/4" LG	2
85	00562-G1						WASHER, 3/8"	6
86	11098-G5						LOCK NUT, 3/8 - 16.....	2
87								
88	20264-G1						UPPER RAMP	1
89	20257-G2						LOWER RAMP	1
90								

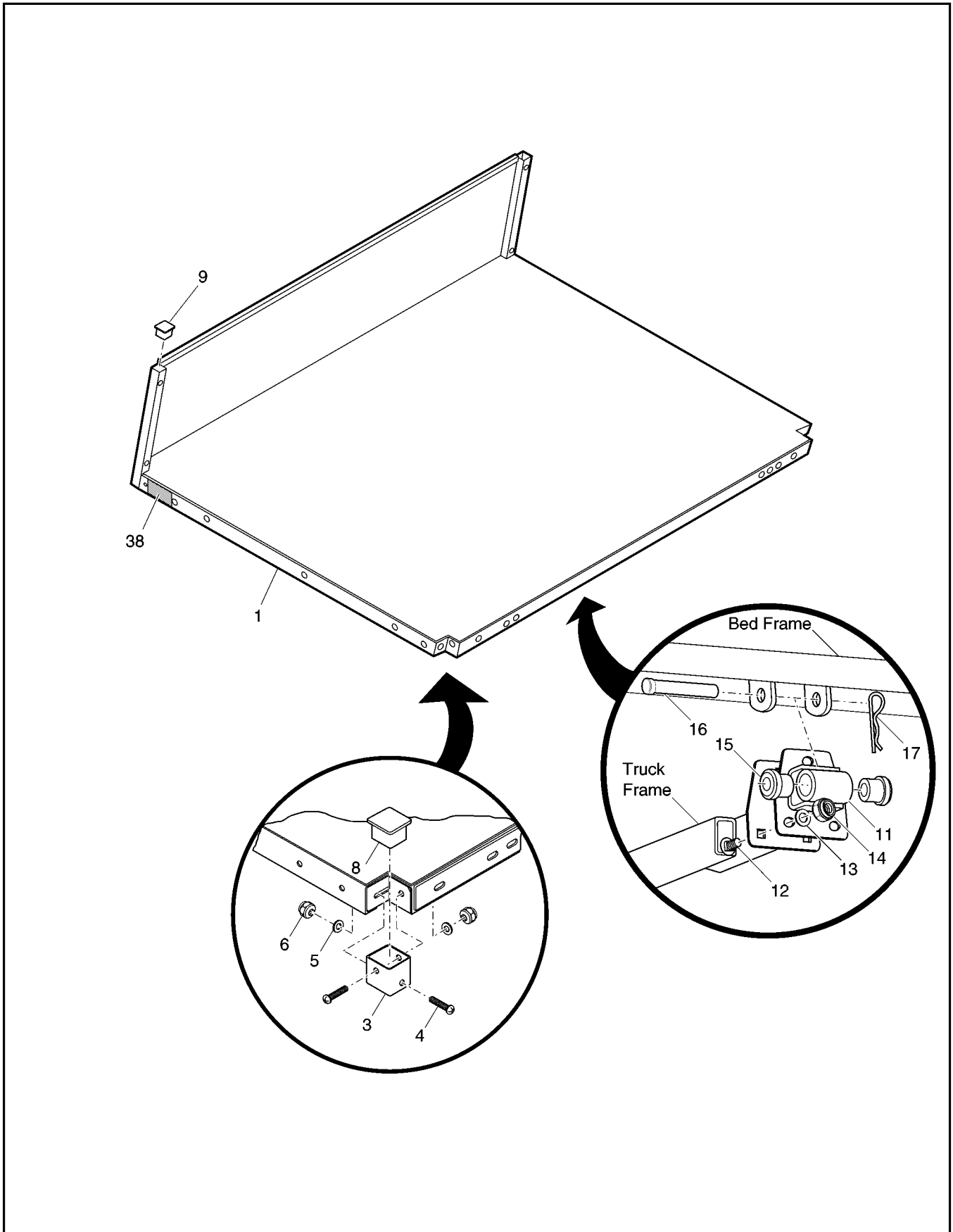
TRUCK BED, ELECTRIC LIFT**Electric Vehicle**

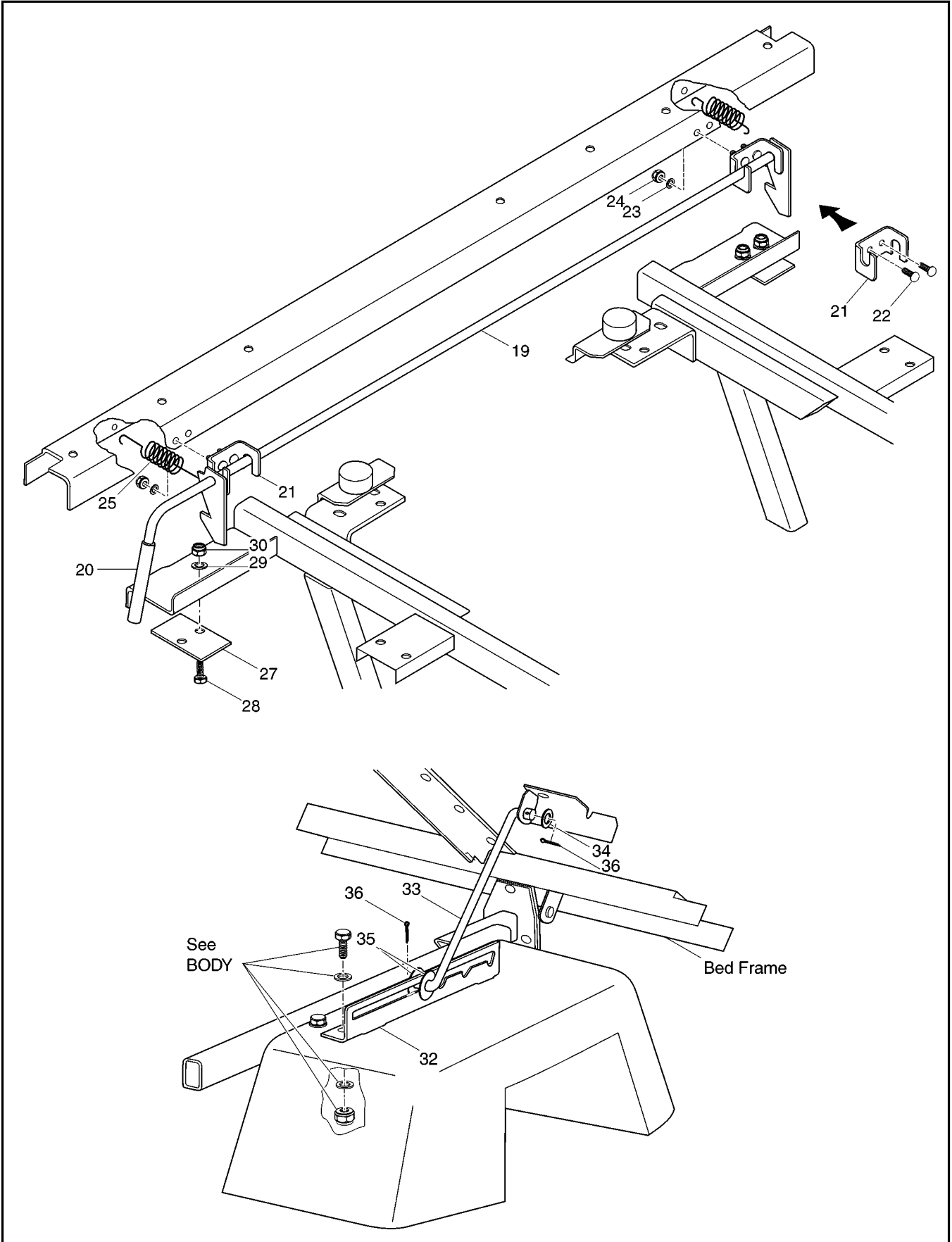
When ordering parts, please specify the model and serial number of the product.

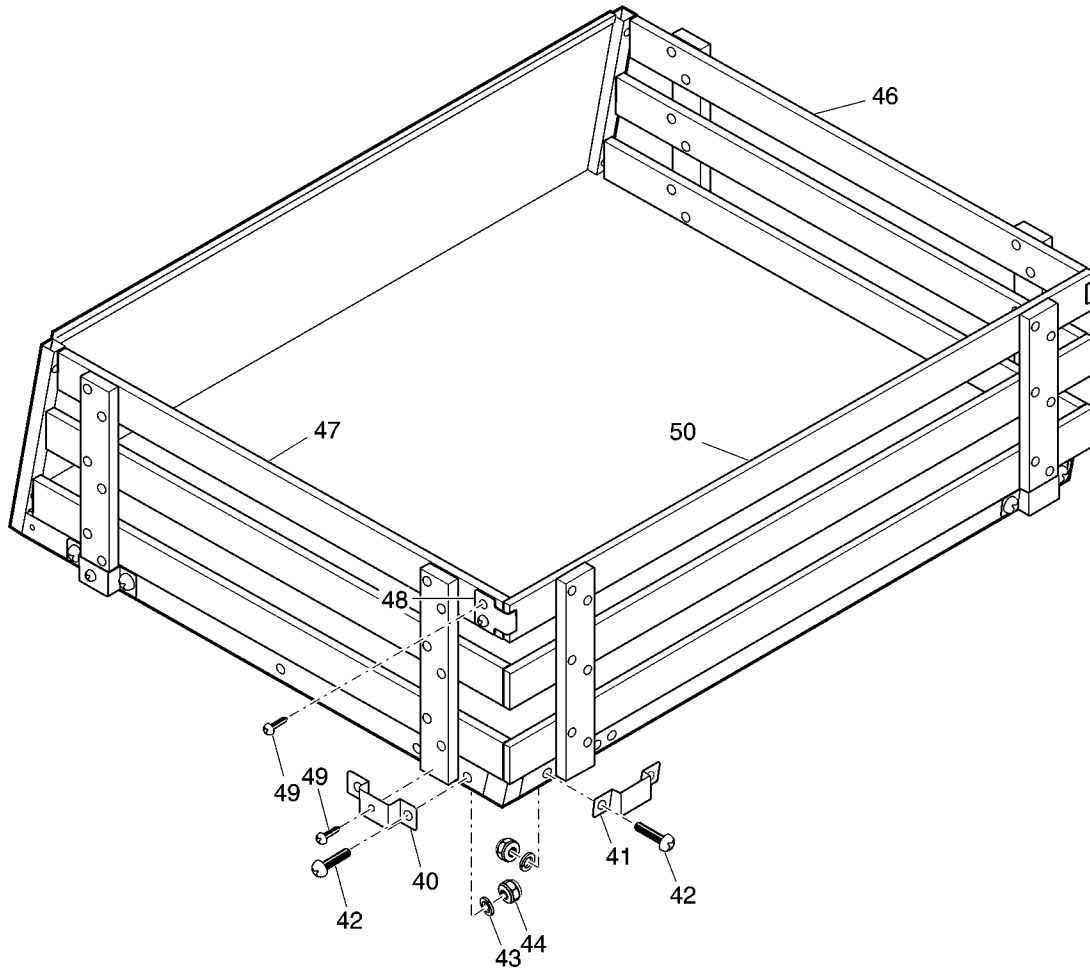
* Indicates a component that is not available as an individual part.

G** Indicates consult Customer Service Department for additional information.

ITEM	PART NO.	1	2	3	4	5	DESCRIPTION	QTY.
91	20252-G1						PIVOT (PASSENGER SIDE)	1
92	20252-G2						PIVOT (DRIVER SIDE).....	1
93	00427-G8						BOLT, 3/8 - 16 X 2" LG	2
94	00562-G1						WASHER, 3/8"	4
95	20275-G1						PIVOT SPACER	2
96	11098-G5						LOCK NUT, 3/8-16.....	2
97	00439-G6						BOLT, 5/16-18 X 1 3/4" LG	4
98	00569-G2						WASHER, 5/16"	4
99	00559-G8						WASHER, 5/16"	4
100	11098-G6						LOCK NUT, 5/16 - 18.....	4
101								
102	71517-G02						SAFETY LABEL	1
103								
104	71789-G01						DECAL, STRIPE	1
105	71848-G01						DECAL (ELECTRIC HAULER)	1
106	71791-G01						DECAL (JACOBSEN)	1







When ordering parts, please specify the model and serial number of the product.

* Indicates a component that is not available as an individual part.

G** Indicates consult Customer Service Department for additional information.

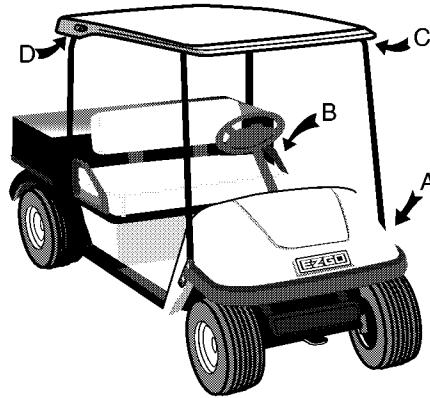
ITEM	PART NO.	1 2 3 4 5	DESCRIPTION	QTY.
1	71719-G01		FLAT BED	1
2				
3	71772-G01		CORNER TUBE	2
4	00762-G8		SCREW, 5/16 - 18 X 2" LG.	4
5	00559-G8		WASHER, 5/16"	4
6	00550-G3		LOCK NUT, 5/16 - 18	4
7				
8	71718-G01		END CAP, 1 1/2"	2
9	71717-G01		END CAP, 1"	2
10				
11	70396-G01		BED PIVOT	2
12	00764-G2		CARRIAGE BOLT, , 5/16 - 18 X 1" LG.	6
13	00559-G8		WASHER, 5/16"	6
14	11098-G6		LOCK NUT, 5/16 - 18	6
15	70291-G01		FLANGED BUSHING	4
16	21682-G1		CLEVIS PIN, 1/2" X 2 7/8" LG.....	2
17	21683-G1		COTTER PIN, 15/32" X 2 11/16"	2
18				
19	71831-G01		BED LATCH	1
20	71704-G01		HANDLE GRIP	1
21	71827-G01		LATCH BRACKET	2
22	01014-G03		CARRIAGE BOLT, 1/4 - 20 X 3/4" LG	4
23	00559-G7		WASHER, 1/4"	4
24	14390-G4		LOCK NUT, 1/4 - 20	4
25	71707-G02		EXTENSION SPRING.....	2
26				
27	71766-G01		CATCH BRACKET	2
28	00414-G6		BOLT, 1/4 - 20 X 3/4" LG.....	4
29	00559-G7		WASHER, 1/4"	4
30	14390-G4		LOCK NUT, 1/4 - 20	4

TRUCK BED, FLAT & CARGO

Electric Vehicle

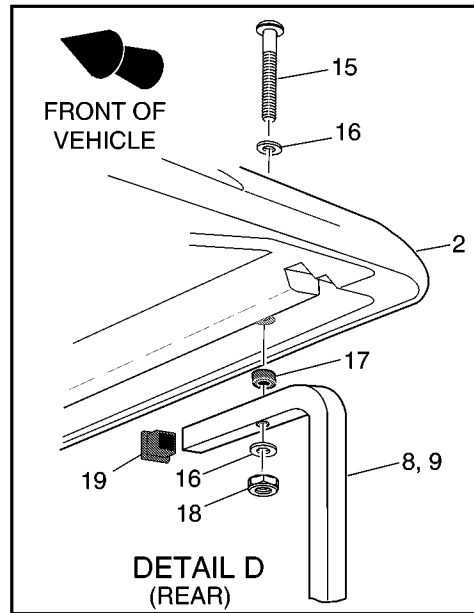
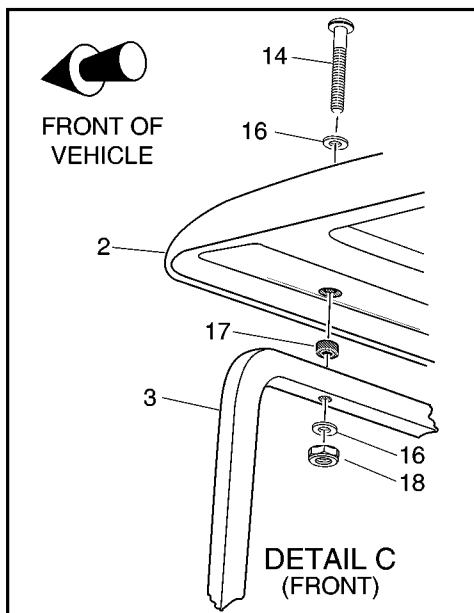
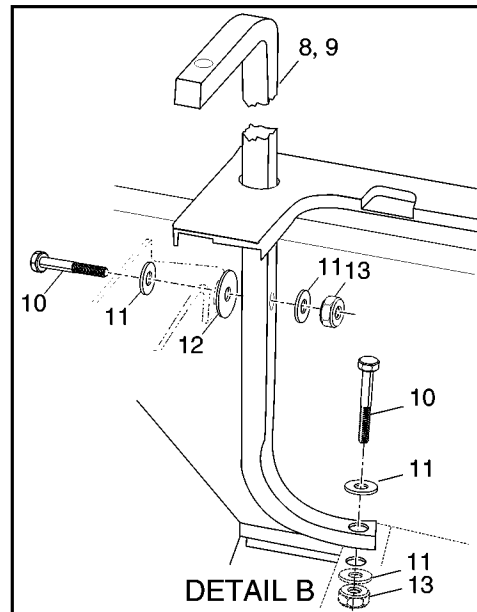
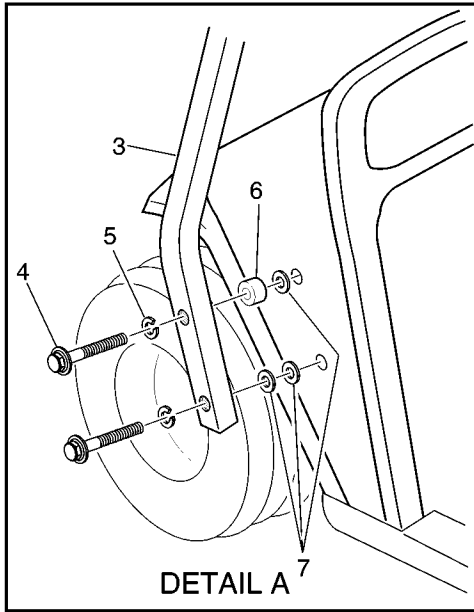
When ordering parts, please specify the model and serial number of the product.
 * Indicates a component that is not available as an individual part.
 G** Indicates consult Customer Service Department for additional information.

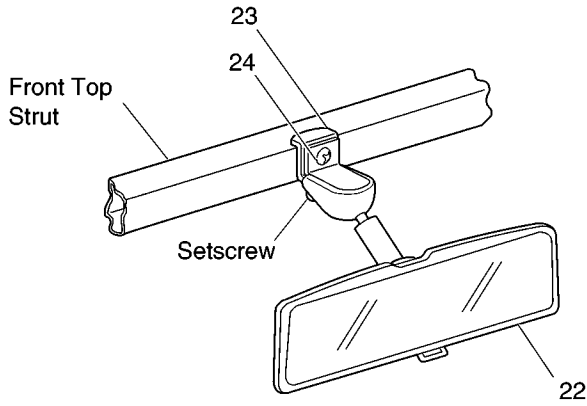
ITEM	PART NO.	1	2	3	4	5	DESCRIPTION	QTY.
31								
32	71673-G01						PROP BRACKET	1
33	71657-G01						PROP ROD	1
34	00560-G3						WASHER, 1/2"	1
35	15121-G1						WASHER, 3/8"	2
36	10387-G3						COTTER PIN, 3/32" X 3/4" LG.....	2
37								
38	71777-G01						DECAL (WARNING).....	1
39								
40	74157-G01						SIDE RAIL SUPPORT	4
41	74161-G01						BACK RAIL SUPPORT	2
42	16705-G3						SCREW, 1/4-20 X 3/4" LG.	12
43	00559-G7						WASHER, 1/4"	12
44	14390-G4						NUT, 1/4-20	12
45								
46	74167-G01						SIDE CARGO RACK, 40" (PASSENGER SIDE)	1
47	74167-G02						SIDE CARGO RACK, 40" (DRIVER SIDE)	1
48	74079-G01						TAILGATE RETAINER BRACKET	2
49	00666-G6						SCREW, #10 - 12 X 3/4" LG.	8
50	74162-G03						REAR CARGO RACK.....	1



SUN TOP

1 - Includes Items 2 - 19

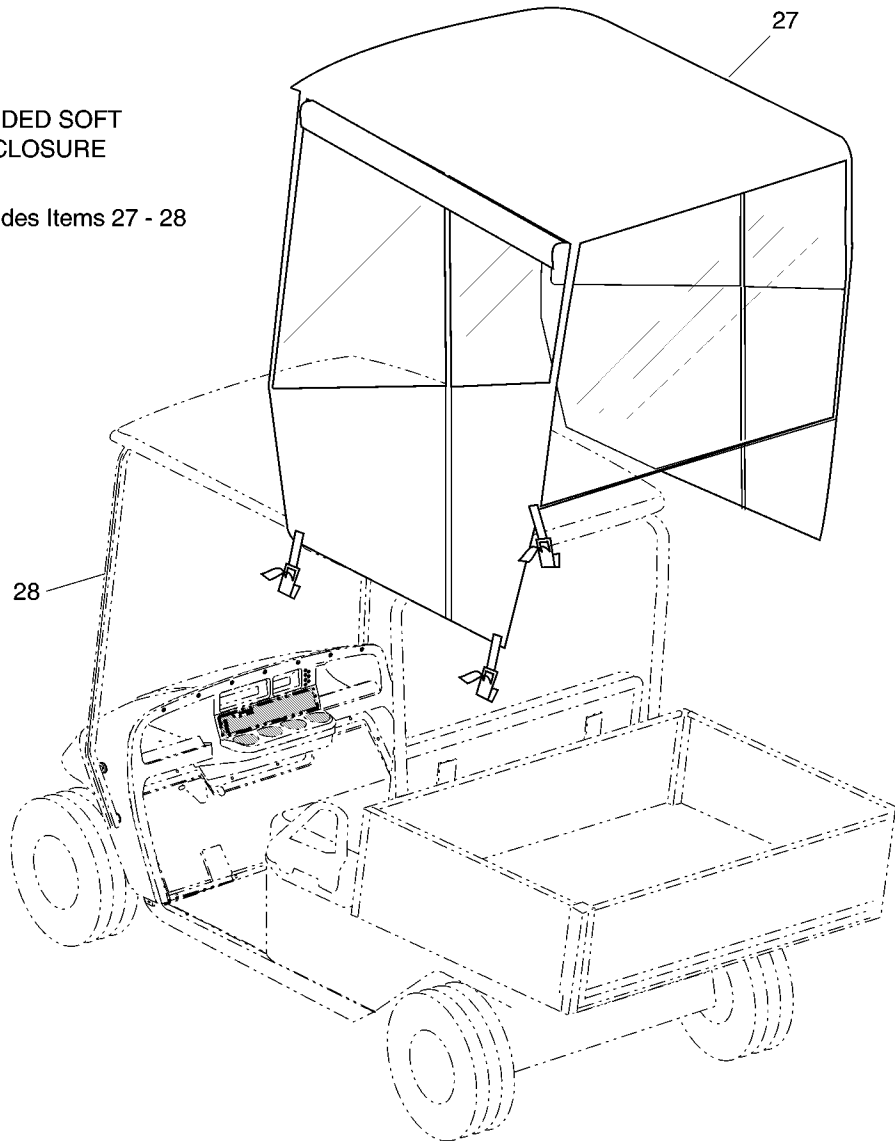


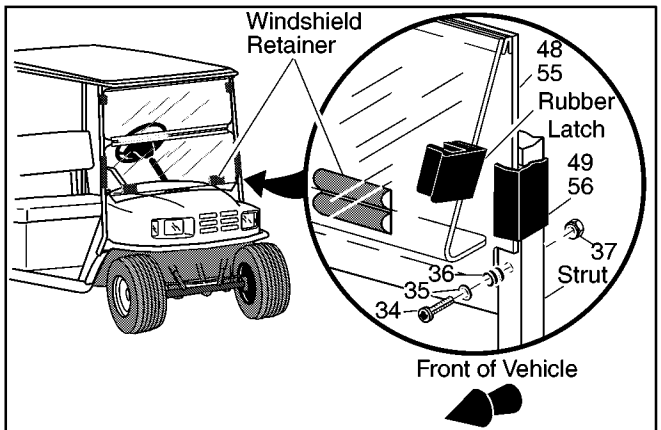
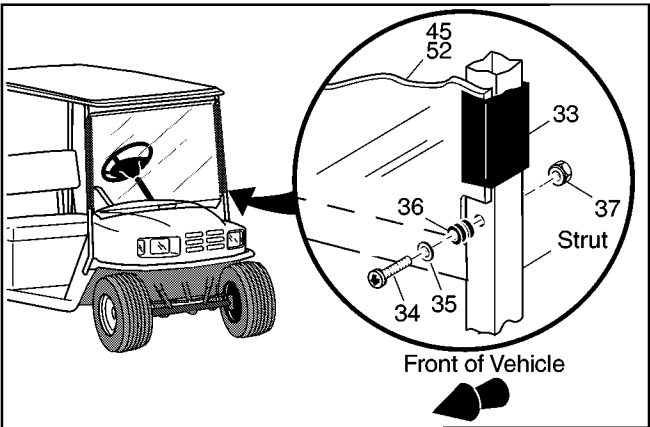
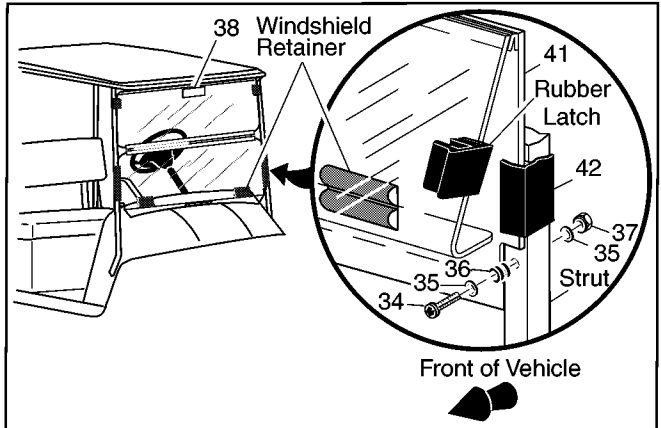
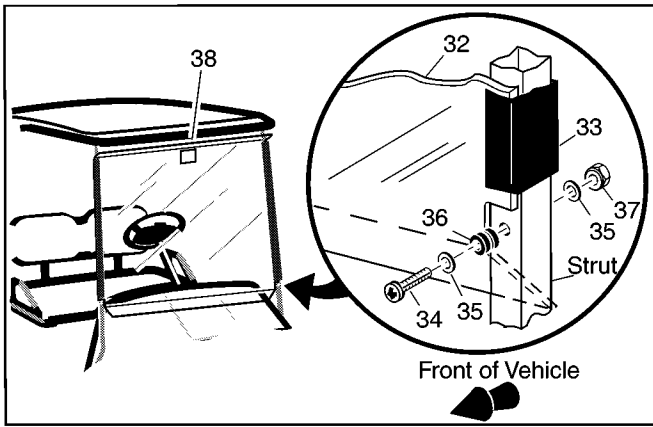


REAR VIEW MIRROR

21 - Includes Items 22 - 24

3-SIDED SOFT ENCLOSURE
26 - Includes Items 27 - 28





When ordering parts, please specify the model and serial number of the product.

* Indicates a component that is not available as an individual part.

G** Indicates consult Customer Service Department for additional information.

ITEM	PART NO.	1 2 3 4 5	DESCRIPTION	QTY.
1	75350-G02		SUN TOP KIT (INCLUDES ITEMS 2 - 19)	1
2	27069-G07		SUN TOP.....	1
3	75045-G01		FRONT STRUT	1
4	01035-G01		BOLT, 5/16 - 18 X 2 1/4" LG	4
5	00905-G8		LOCK WASHER, 5/16".....	4
6	75048-G01		SPACER, 1/2".....	2
7	00570-G2		WASHER, 5/16".....	6
8	75343-G01		REAR STRUT (PASSENGER SIDE).....	1
9	75343-G02		REAR STRUT (DRIVER SIDE)	1
10	00439-G6		BOLT, 5/16 - 18 X 1 3/4" LG	4
11	00571-G2		WASHER, 5/16".....	8
12	15121-G1		WASHER, 3/8".....	2
13	11098-G6		LOCK NUT, 5/16 - 18.....	4
14	00753-G5		SCREW, 1/4 - 20 X 2" LG (STAINLESS STEEL)	2
15	00753-G6		SCREW, 1/4 - 20 X 2 1/4" LG (STAINLESS STEEL)	2
16	00559-G7		WASHER, 1/4".....	8
17	75051-G01		SPACER.....	4
18	00891-G2		LOCK NUT, 1/4 - 20.....	4
19	19853-G1		END CAP, 1".....	2
20				
21	19528-G2		REAR VIEW MIRROR KIT (REQUIRES SUN TOP) (INCLUDES ITEMS 22 - 24)	1
22	19496-G1		REAR VIEW MIRROR.....	1
23	19502-G2		SUPPORT BRACKET	1
24	19527-G1		SCREW, #8 - 32 X 5/8" LG (STAINLESS STEEL)	1
25				
26	75367-G03		3-SIDED SOFT ENCLOSURE (REQUIRES SUN TOP) (INCL ITEMS 27 - 28)	1
27	*		ENCLOSURE	1
28	*		VELCRO.....	AR
29				

WEATHER PROTECTION

Electric Vehicle

Replacement parts for the windshield may be obtained from Eagle Parts, Inc. 1811 Wilkinson Rd. Augusta, GA 30904. Telephone (706) 729-9911 or FAX (706) 729-9955

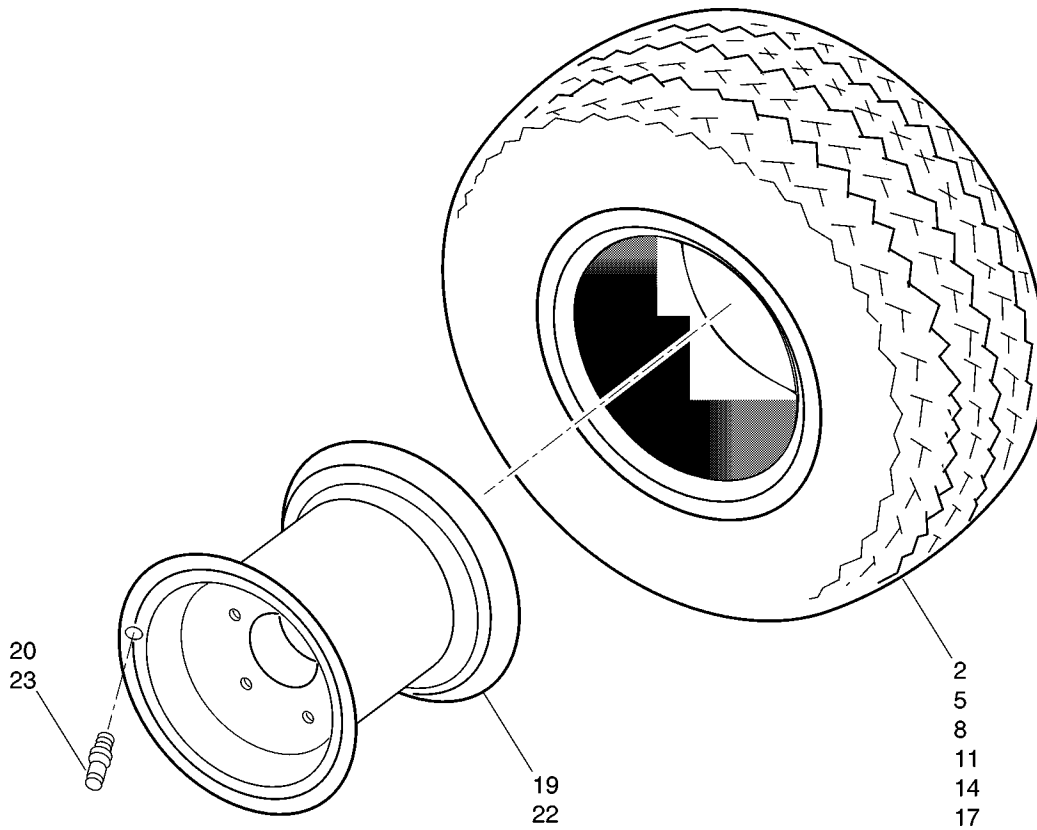
* Indicates a component that is not available as an individual part.

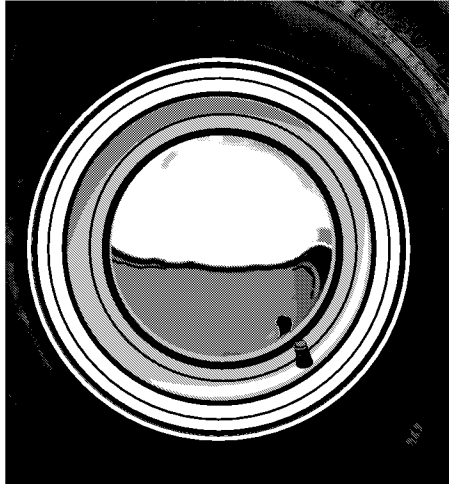
G** Indicates consult Customer Service Department for additional information.

ITEM	PART NO.	1	2	3	4	5	DESCRIPTION	QTY.
30								
31	75524-G01						WINDSHIELD KIT (FULL (1000) (INCLUDES ITEMS 32 - 38).....	1
32	EGWFX03						WINDSHIELD (FULL).....	1
33	EGWHC12						SASH, 26" LG.....	2
34	EGWHS12						BOLT, 1/4 - 20 X 1 3/4" LG. (STAINLESS STEEL).....	2
35	EGWHW12						WASHER, 1/4" (STAINLESS STEEL)	4
36	EGWHG13						RUBBER GROMMET	2
37	EGWHN12						LOCK NUT, 1/4 - 20 (STAINLESS STEEL)	2
38	EGWHL14						SAFETY LABEL	1
39								
40	75525-G01						WINDSHIELD KIT (SPLIT) (1000) (INCLUDES ITEMS 41, 42, 34 - 38).....	1
41	EGWSX03						WINDSHIELD (SPLIT).....	1
42	EGWHC10						SASH, 12" LG.....	2
43								
44	71966-G03						WINDSHIELD KIT (FULL) (1000LX) (INCLUDES ITEMS 45, 33 - 37)	1
45	71960-G01						WINDSHIELD (FULL).....	1
46								
47	71966-G04						WINDSHIELD KIT (SPLIT) (1000LX) (INCLUDES ITEMS 48, 49, 34 - 37)	1
48	71961-G01						WINDSHIELD (SPLIT).....	1
49	EGWHC10						SASH, 12" LG.....	2
50								
51	71966-G01						WINDSHIELD KIT (FULL (1000LX) (INCLUDES ITEMS 52, 33 - 37).....	1
52	71954-G01						WINDSHIELD (FULL) (LEXAN).....	1
53								
54	71966-G02						WINDSHIELD KIT (SPLIT) (1000LX) (INCLUDES ITEMS 55, 56, 34 - 37)	1
55	71955-G01						WINDSHIELD (SPLIT) (LEXAN)	1
56	EGWHC10						SASH, 12" LG.....	2

- 1 - Includes Items 2, 19, 20
- 4 - Includes Items 5, 19, 20
- 7 - Includes Items 8, 19, 20
- 10 - Includes Items 11, 19, 20
- 13 - Includes Items 14, 22, 23
- 16 - Includes Items 17, 22, 23

Tire design may vary by Part Number

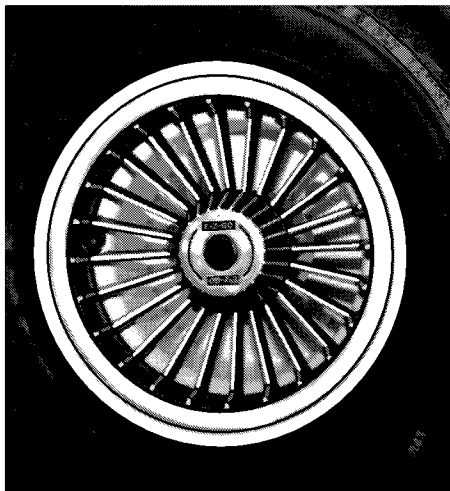




6"CHROME HUBCAP
27



8"CHROME HUBCAP
26



GOLD / SILVER SPOKE HUBCAP
28, 29

WHEELS AND TIRES**Electric Vehicle**

When ordering parts, please specify the model and serial number of the product.

* Indicates a component that is not available as an individual part.

G** Indicates consult Customer Service Department for additional information.

ITEM	PART NO.	1 2 3 4 5	DESCRIPTION	QTY.
1	27772-G01		WHEEL AND TIRE ASSEMBLY, LINKS (INCLUDES ITEMS 2, 19, 20)	A/R
2	27772-G05		CARLISLE TIRE (LINKS 18 X 8.5 - 8, 4 PLY RATED).....	A/R
3				
4	27772-G03		WHEEL AND TIRE ASSEMBLY, TURF SAVER (INCLUDES ITEMS 5, 19, 20) ..	A/R
5	27772-G07		CARLISLE TIRE (TURF SAVER 18 X 8.5 - 8, 4 PLY RATED)	A/R
6				
7	27772-G09		WHEEL AND TIRE ASSEMBLY, LINKS (INCLUDES ITEMS 8, 19, 20)	A/R
8	27772-G10		CARLISLE TIRE (LINKS 18 X 8.5 - 8, 4 PLY RATED).....	A/R
9				
10	27775-G01		WHEEL AND TIRE ASSEMBLY, USA TRAIL (INCLUDES ITEMS 11, 19, 20) ...	A/R
11	27775-G02		CARLISLE TIRE (USA TRAIL 6 PLY 18.5 X 8.5 - 8, LOAD RANGE C)	A/R
12				
13	27784-G02		WHEEL AND TIRE ASSEMBLY, USA TRAIL (INCLUDES ITEMS 14, 22, 23) ...	A/R
14	27784-G04		CARLISLE TIRE (USA TRAIL 18.5 X 5.7 - 8, LOAD RANGE C).....	A/R
15				
16	35154-G03		WHEEL AND TIRE ASSEMBLY, FOAM FILLED USA TRAIL (INCLUDES ITEMS 17, 22, 23).....	A/R
17	27784-G01		CARLISLE TIRE (USA TRAIL 18.5 X 5.7 - 8).....	A/R
18				
19	15169-G2		WHEEL RIM (4 LUG).....	A/R
20	11657-G1		VALVE STEM.....	A/R
21				
22	33678-G01		WHEEL RIM (4 LUG).....	A/R
23	26482-G01		VALVE STEM (METAL).....	A/R
24				
25	14913-G*		8" CHROME HUBCAP (OPTIONAL).....	A/R
26	16042-G*		6" CHROME HUBCAP (OPTIONAL).....	A/R
27	19241-G*		GOLD SPOKE HUBCAP (OPTIONAL)	A/R
28	19241-G*		SILVER SPOKE HUBCAP (OPTIONAL).....	A/R

SPECIALTY PRODUCTS

SPECIALTY PRODUCTS

SPECIALTY PRODUCTS

SPECIAL TOOLS	PART NO.
BATTERY MAINTENANCE KIT	25587-G01
SEAL INSTALLATION TOOL (REAR AXLE SHAFT SEAL).....	18739-G1
BATTERY SET DISCHARGER, 36 VOLT, 75 AMP	28251-G01
CURRENT INDICATOR.....	16489-G2
DIGITAL MULTI-METER.....	27481-G01
CRIMPING TOOL	27765-G01
SLIDE HAMMER (AXLE/HUB REMOVAL)	15947-G1
SLIDE HAMMER (AXLE REMOVAL ONLY)	18753-G1

PAINT

.6 OUNCE BRUSH ON PAINT - HUNTER GREEN.....	28432-G02
.6 OUNCE BRUSH ON PAINT - INDUSTRIAL YELLOW	28432-G03
12 OUNCE SPRAY - HUNTER GREEN	28140-G09
12 OUNCE SPRAY - INDUSTRIAL YELLOW	28140-G14

PERFORMANCE PRODUCTS

FORMULA 40 VINYL-COAT® - WHITE.....	28166-G01
PLEXUS® CLEANER, 7 OUNCE (FOR WINDSHIELDS).....	28433-G01
PLEXUS® CLEANER, 13 OUNCE (FOR WINDSHIELDS).....	28433-G02
BATTERY PROTECTOR, 14 OUNCE SPRAY	75500-G01
WHITE LITHIUM GREASE, 14 OUNCE SPRAY	75502-G01
PENETRANT/LUBRICANT, 15 OUNCE SPRAY	75503-G01
MULTI-PURPOSE CLEANER & DEGREASER, 14 OUNCE SPRAY.....	75504-G01
MULTI-PURPOSE HAND CLEANER, 32 OUNCE LIQUID.....	75505-G01
BATTERY CLEANER, 32 OUNCE WITH TRIGGER SPRAYER	75506-G01
BIO-DEGRADABLE CLEANER, 32 OUNCE WITH TRIGGER SPRAYER	75507-G01
MULTI-PURPOSE VALUE PACK.....	75508-G01
• BATTERY PROTECTOR, 4 OUNCE SPRAY	
• PENETRANT/LUBRICANT, 4 OUNCE SPRAY	
• WHITE LITHIUM GREASE, 4 OUNCE SPRAY	
• CARBURETOR & CHOKE CLEANER, 4 OUNCE SPRAY	

ACCESSORIES

ACCESSORIES LISTING

ACCESSORIES

ACCESSORIES LISTING	KIT NO.	
ASHTRAY KIT	75109-G02	See BODY
BALL HITCH KIT	75326-G02	See BODY
CLEVIS HITCH KIT	75327-G02	See BODY
CHROME HUB CAP 8"	14913-G*	See WHEELS AND TIRES
CHROME HUB CAP 6"	16042-G*	See WHEELS AND TIRES
DEFROSTER/COOLING FAN	74248-G01	See CAB
DOOR SET	74301-G0*	See CAB
DOOR SET (VINYL)	74242-G01	See CAB
ELECTRIC DUMP KIT	74052-G02	See TRUCKBED
GLOVE BOX DOOR	75459-G0*	See BODY
HOUR METER KIT	75113-G02	See ELECTRICAL SYSTEM
INSIDE MIRROR	27924-G01	See WEATHER PROTECTION
INSTRUMENT/SWITCH PANEL	74250-G01	See CAB
RAMP	28334-G01	See TRUCKBED
REAR VIEW MIRROR KIT	19528-G2	See WEATHER PROTECTION
SOFT ENCLOSURE	75367-G01	See WEATHER PROTECTION
STEEL CAB, W/O DOORS (1000 LX)	74294-G0*	See CAB
STEEL CAB, W/O DOORS (1000)	74300-G0*	See CAB
STROBE LIGHT	74245-G01	See CAB
SUN TOP KIT	75350-G02	See WEATHER PROTECTION
TURN SIGNAL KIT	75107-G02	See ELECTRICAL SYSTEM
GOLD SPOKE WHEEL COVERS	19241-G*	See WHEELS AND TIRES
SILVER SPOKE WHEEL COVERS	19241-G*	See WHEELS AND TIRES
WINDSHIELD (FULL) (1000)	75524-G01	See WEATHER PROTECTION
WINDSHIELD (SPLIT) (1000)	75525-G01	See WEATHER PROTECTION
WINDSHIELDS (1000 LX)	71966-G0*	See WEATHER PROTECTION
WINDSHIELD WIPER	74244-G01	See CAB
WORK LIGHTS	74247-G01	See CAB
WORK LIGHT BAR WITH LIGHTS	71354-G04	See ELECTRICAL SYSTEM
WORK LIGHT BAR WITH STROBE	71354-G05	See ELECTRICAL SYSTEM
WORK LIGHT BAR WITH LIGHTS AND STROBE	71354-G06	See ELECTRICAL SYSTEM



Texttron Golf, Turf & Specialty Products.
P.O. Box 388 Augusta, Georgia 30903-0388 USA
Inside USA Phone: 1-800-241-5855, FAX: 1-800-448-8124
Outside USA Phone: 010-1-706-798-4311, FAX: 010-1-706-771-4609

Copyrighted Material
This manual may not be reproduced in whole or
in part without the express permission of
Texttron Golf, Turf & Specialty Products
Technical Communications Department