



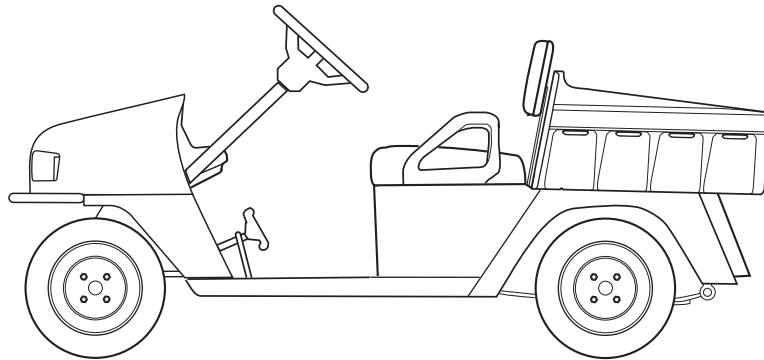
A Textron Company



614280



SERVICE PARTS MANUAL



ELECTRIC POWERED UTILITY VEHICLES

ISSUED: DECEMBER 2009

REVISED: MAY 2012

SERVICE PARTS MANUAL

ELECTRIC UTILITY VEHICLES

E-Z-GO VEHICLES

ST 400

BAD BOY BUGGY VEHICLES

LD

STARTING MODEL YEAR 2009

DISCLAIMER: The E-Z-GO Division of Textron Inc. (E-Z-GO) reserves the right to incorporate engineering and design changes to products in this Manual, without obligation to include these changes on units leased/sold previously.

The information contained in this Manual may be revised periodically E-Z-GO, and therefore is subject to change without notice.

E-Z-GO DISCLAIMS LIABILITY FOR ERRORS IN THIS MANUAL, and E-Z-GO SPECIFICALLY DISCLAIMS LIABILITY FOR INCIDENTAL AND CONSEQUENTIAL DAMAGES RESULTING FROM THE USE OF THE INFORMATION AND MATERIALS IN THIS MANUAL.

CUSTOMER SERVICE DEPARTMENT IN USA PHONE: 1-800-241-5855, FAX: 1-800-448-8124

OUTSIDE USA PHONE: 001-706-798-4311, FAX: 001-706-771-4609

GENERAL INFORMATION

To obtain a copy of the limited warranty applicable to the vehicle, call or write a local Distributor, authorized Branch or the Warranty Department with vehicle serial number and manufacturer code.

The use of non Original Equipment Manufacturer (OEM) parts may void the warranty.

Overfilling of batteries may void the warranty.

BATTERY PROLONGED STORAGE

All batteries will self discharge over time. The rate of self discharge varies depending on the ambient temperature and the age and condition of the batteries.

A fully charged battery will not freeze in winter temperatures unless the temperature falls below -75° F (-60° C).

As with all electric vehicles, the batteries must be checked and recharged as required or at a minimum of 30 day intervals.

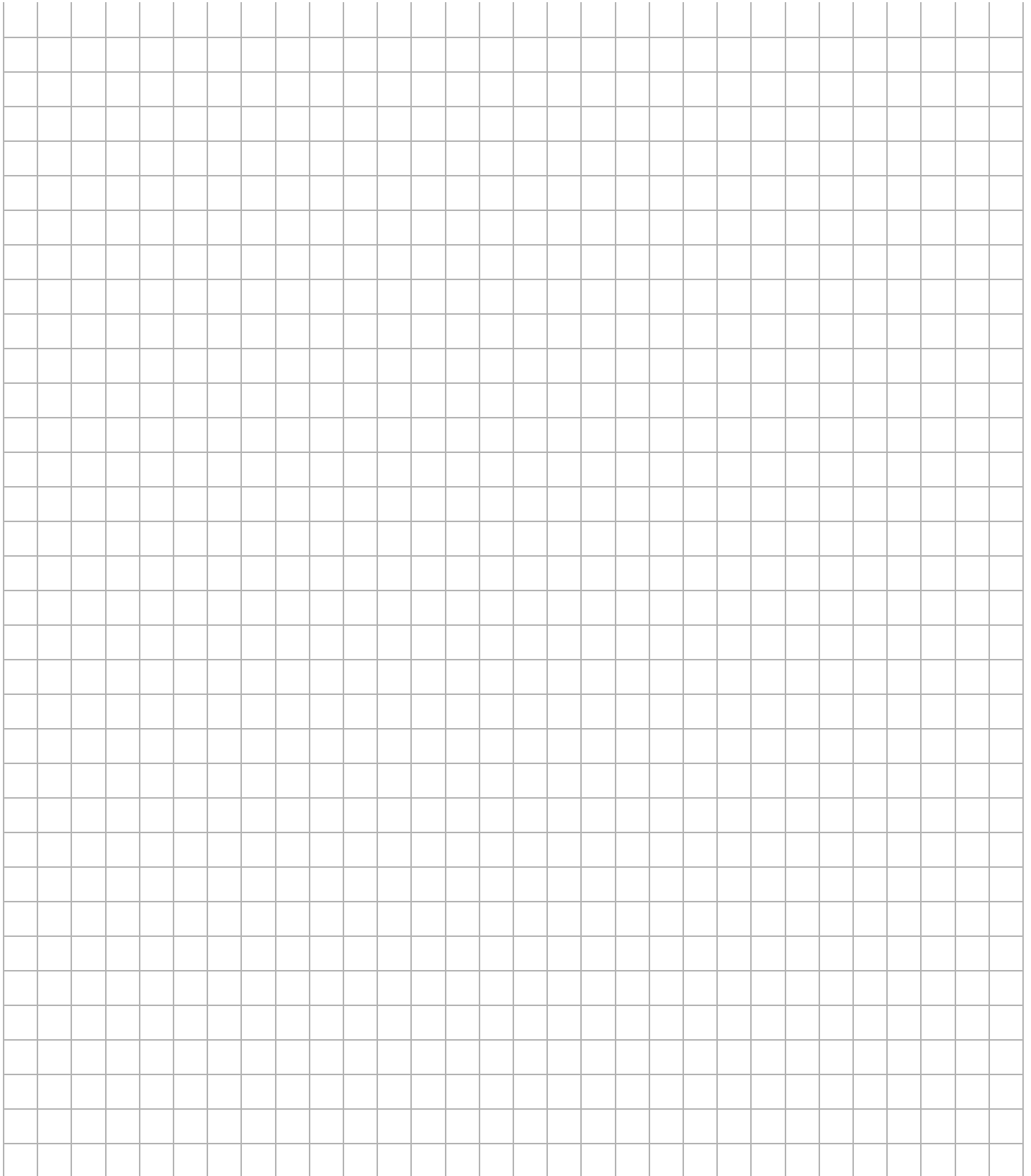
TABLE OF CONTENTS

SECTION	Page No.
HOW TO USE THE SERVICE PARTS MANUAL	vii
ACCELERATOR PEDAL ASSEMBLY	A - 1
• Pedal Cover	
• Pedal Box Assembly	
• Accelerator Pedal Assembly	
BATTERY CHARGER	B - 1
• 48V Lester	
• 48V Delta-Q	
BODY - FRONT	C - 1
• Front Bumper	
• Front Splash Shield	
• Cowl	
• Nameplate	
• Instrument Panel	
• Rocker Panels	
• Rear Body	
• Seat Support	
BRAKES - MECHANICAL	D - 1
• Brake Pedal Pad	
• Brake Pedal	
• Brake Cable	
• Brake Drum Assembly	
CAB	F - 1
• Steel Cab	
• Steel Doors	
• Vinyl Doors	
• Wiper Motor	
• Strobe Light	
• Work Light	
• Defroster / Cooling Fan	
ELECTRICAL SYSTEM - MAIN COMPONENTS	G - 1
• Main Harness	
• Horn	
• Hour Meter	
• Fuse Block	
• Turn Signal	
• Headlights / Tail Lights	
• Key Switch	
• Direction Selector	
• Ground Strap	
• Work Light Bar / Strobe	
ELECTRONIC SPEED CONTROL - PDS	H - 5
• Electronic Speed Controller	
• Solenoid	
• Tow Switch Assembly	
• Diagnostic Label	
• Service Kit	
FRONT SUSPENSION - STEERING	J - 1
• Strut	
• Spindle	
• Steering Box	
• Steering Column	
• Steering Wheel	

TABLE OF CONTENTS

SECTION	Page No.
MOTOR	K - 1
• Armature	
• Brush Replacement Kit	
• Speed Sensor	
REAR AXLE	L - 1
• Axle Shaft	
• Axle Tube	
• Oil Check Plug	
REAR SUSPENSION	M - 1
• Shocks	
• Leaf Spring	
• Shackles	
SEATING	L - 1
• Seat Bottom	
• Seat Back	
• Hip Restraints	
• Seat Back Support	
• Seat Bottom, Rear Facing Seat	
TRUCK BED - PLASTIC	P - 1
• Bed	
• Electric Dump	
TRUCK BED - METAL	Q - 1
• Metal Bed	
• Tail Gate	
WEATHER PROTECTION	R - 1
• Sun Top	
• Windshield	
• 3 Sided Enclosure	
WHEELS AND TIRES	S - 1
• Tires	
• Wheels	
• Lug Nuts	
WINCH	T - 1
• Winch Kit	
• Solenoid	
• Drum Assembly	
• 12V Motor	
• Wire Rope	

NOTES

A large grid of graph paper for taking notes, consisting of 20 columns and 30 rows of small squares.

NOTES

A large grid of graph paper for taking notes, consisting of 20 columns and 30 rows of small squares.

HOW TO USE THE SERVICE PARTS MANUAL

This manual is divided into several sections:

- GENERAL INFORMATION
- ILLUSTRATED PARTS BREAKDOWN
- APPENDIX

The first section, GENERAL INFORMATION, contains the following information:

- WARRANTY INFORMATION
- GENERAL INDEX
- HOW TO USE THE SERVICE PARTS MANUAL

The second section, ILLUSTRATED PARTS BREAKDOWN, contains illustrations and parts lists for all systems of your vehicle.

The third section, APPENDIX, contains a listing of specialty products and accessories.

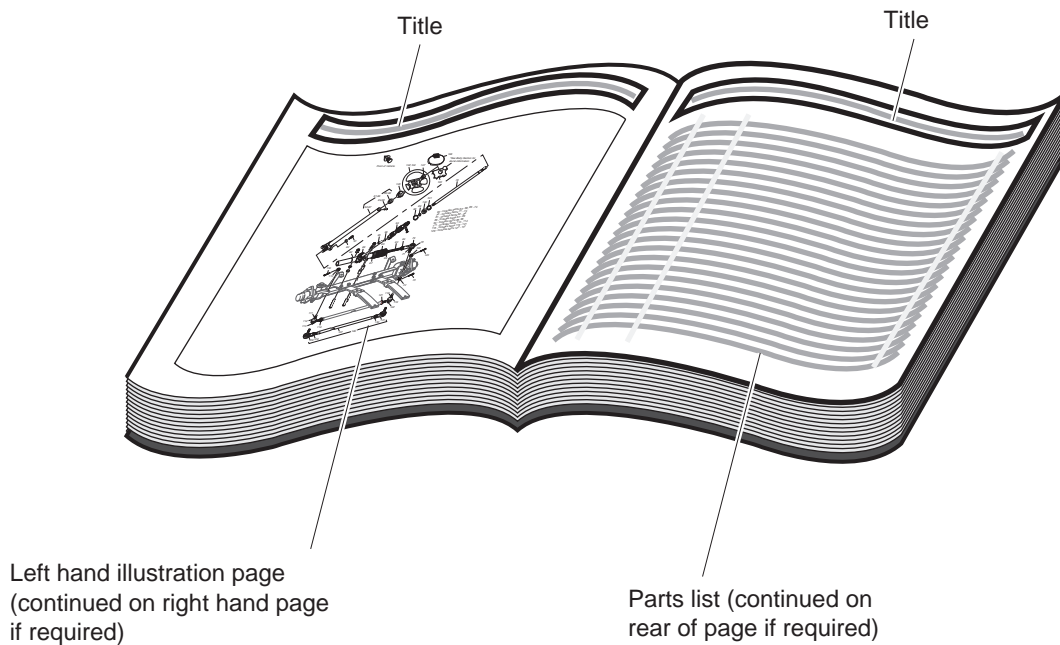
USE OF THE MANUAL

To use this manual, consult the GENERAL INDEX to locate the information or illustration required.

Introduction of some revisions varies due to supply of components; therefore, it is possible that various combinations of components may be found that are not directly reflected by each illustration. Consult the illustration that best suits your situation and then contact the Service Parts Department. It is important that the serial number of your vehicle and its model number be supplied to Service Parts when ordering any replacement components.

Locate the serial number plate (see BODY located in the Illustrated Parts Breakdown section of this manual for its location) and note the complete number shown on the plate.

HOW TO USE THE SERVICE PARTS MANUAL



1. WHEN THE PART NUMBER IS NOT KNOWN

- Determine the function and application of the part required. Turn to the General Index and select the most appropriate title.
- Turn to the page number indicated and locate the desired part on the illustration.
- From the illustration, obtain the item number assigned to the desired part. Refer to the accompanying description for specific information regarding the part.

2. IF YOU KNOW THE PART NUMBER

- Locate the part number or description in the appropriate column on the parts list page.

NOTE: It is suggested that you confirm that the part selected is correct by verifying it with the pictorial representation on the illustrated page.

Should an asterisk (*) appear in the part number column on the parts list page, read upwards until a part number is found. The part number is the lowest assembly sold by Service Parts and the asterisk (*) indicates that the part depicted is not available for purchase.

NOTE: Descriptions are indented under the assembly that they are used on. That assembly is, in turn listed under the assembly that it is used on. This process is repeated until the highest final assembly is reached.

To facilitate the maintenance and repair of the vehicle, a Technician's Repair and Service Manual is available from the Service Parts Department.

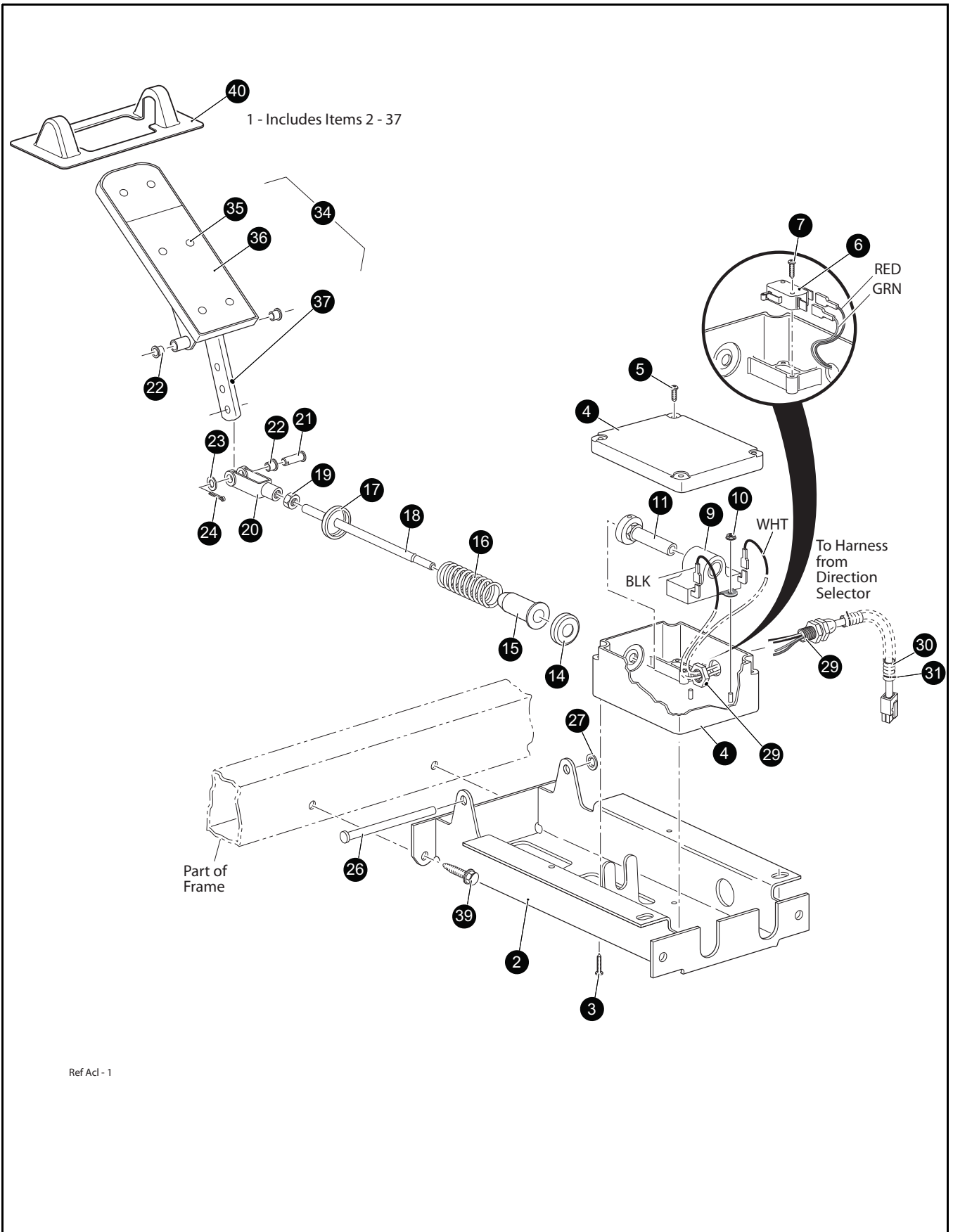
HOW TO USE THE SERVICE PARTS MANUAL

3. COLOR CODE FOR BODY COMPONENTS

The last two digits of the part number for the body part will denote the color code, locate the part number for the cowl, rear body, seat pod, side panel or seat wrap then locate your color in the list below, replace the last ** or XX with the two digit color code.

<u>CODE #</u>	<u>DESCRIPTION</u>	<u>CODE #</u>	<u>DESCRIPTION</u>
01	NO PAINT	53	MOSSY OAK NEW BREAK UP - DIPPED
02	SPECIAL COLOR	54	MOSSY OAK OBSESSION - DIPPED
05	JACOBSEN ORANGE	55	REALTREE ADVANTAGE MAX 4 - DIPPED
06	LIGHT GOLD PEARL	56	REALTREE HARDWOOD BROWN - DIPPED
07	SILVER PEARL METALIC	57	REALTREE AP HOT PINK - DIPPED
11	BLACK	58	BLACK / SILVER MARBLE - DIPPED
12	EMERALD GREEN PEARL	59	RED / SILVER MARBLE - DIPPED
13	CLOUD GREY	60	HOT PINK / SILVER MARBLE - DIPPED
14	VIPER BLUE METALLIC	61	REALTREE AP
19	PATRIOT BLUE PEARL	62	REALTREE MAX 4
20	INFERNO RED METALLIC	63	MOSSY OAK BREAKUP
23	ADVANTAGE CLASSIC CAMO	64	MOSSY OAK TREESTAND
24	NATURAL	65	REALTREE APG
25	VIVID NEW HOLLAND BLUE	66	REALTREE MAX 1
26	STEEL BLUE PEARL	67	REALTREE AP PINK
27	BRIGHT SILVER METALLIC	68	REALTREE AP - DIPPED
29	PRIMER ONLY		
30	HD ADVANTAGE CAMO		
31	METALLIC CHARCOAL		
32	LIGHT ALMOND PEARL		
33	TIMBERLINE GREEN		
34	DEEP MOLTEN RED		
35	SAFETY YELLOW		
36	CHAMPAGNE BEIGE		
37	HUNTER GREEN		
38	BRIGHT WHITE		
39	FLAME RED		
40	BLACK		
41	ELECTRIC BLUE		
42	PLATINUM		
43	BURGUNDY		
44	ALMOND		
45	BLACK		
46	FLAME RED		
47	BURLINGTON GREEN		
48	BLACK		
49	FLAME RED		
50	RECON GREEN		
51	SUNBURST ORANGE		
52	BRITISH RACING GREEN		

ACCELERATOR



When ordering parts, please specify the model and serial number of the product.

* Indicates a component that is not available as an individual part.

G** Indicates consult Customer Service Department for additional information.

ITEM	PART NO.	1 2 3 4 5	DESCRIPTION	QTY.
1	<u>73333G11</u>		PEDAL BOX ASSEMBLY (INCLUDES ITEMS 2 - 37)	1
2	<u>70116G02</u>		ACCELERATOR PEDAL BRACKET.....	1
3	<u>01051G01</u>		SCREW, #8 - 16 X 1/2" LG.	4
4	<u>25853G01</u>		PEDAL BOX AND COVER	1
5	<u>00684G6</u>		SCREW, #8 - 32 X 3/4" LG.	2
6	<u>25861G02</u>		MICRO SWITCH.....	1
7	<u>01050G01</u>		SCREW, #4 - 20 X 5/8" LG	2
8				
9	<u>25854G01</u>		INDUCTIVE THROTTLE SENSOR	1
10	<u>00983G01</u>		SELF THREADING NUT, 3/16"	2
11	<u>602484</u>		PLUNGER.....	1
12				
13				
14	<u>17677G1</u>		SPRING RETAINER, 1/2"	1
15	<u>17979G1</u>		BUSHING.....	1
16	<u>73046G01</u>		COMPRESSION SPRING	1
17	<u>17677G2</u>		SPRING RETAINER, 3/8"	1
18	<u>73332G01</u>		ACCELERATOR ROD	1
19	<u>00532G4</u>		LOCK NUT, 5/16 - 24.....	1
20	<u>10385G4</u>		CLEVIS YOKE (ADJUSTABLE).....	1
21	<u>10386G3</u>		CLEVIS PIN, 5/16" X 1" LG	1
22	<u>17838G1</u>		NYLON BUSHING	3
23	<u>17255G1</u>		TEFLON WASHER, 5/16"	1
24	<u>10387G3</u>		COTTER PIN, 3/32" X 3/4" LG	1
25				
26	<u>74432G01</u>		PEDAL PIVOT PIN	1
27	<u>12064G6</u>		PUSH NUT.....	1
28				
29	<u>25879G08</u>		WIRING HARNESS (PEDAL BOX ASSEMBLY)	1
30	<u>17313G1</u>		LOOM FLEX, 3/8" X 6" LG (BULK)	1

ACCELERATOR

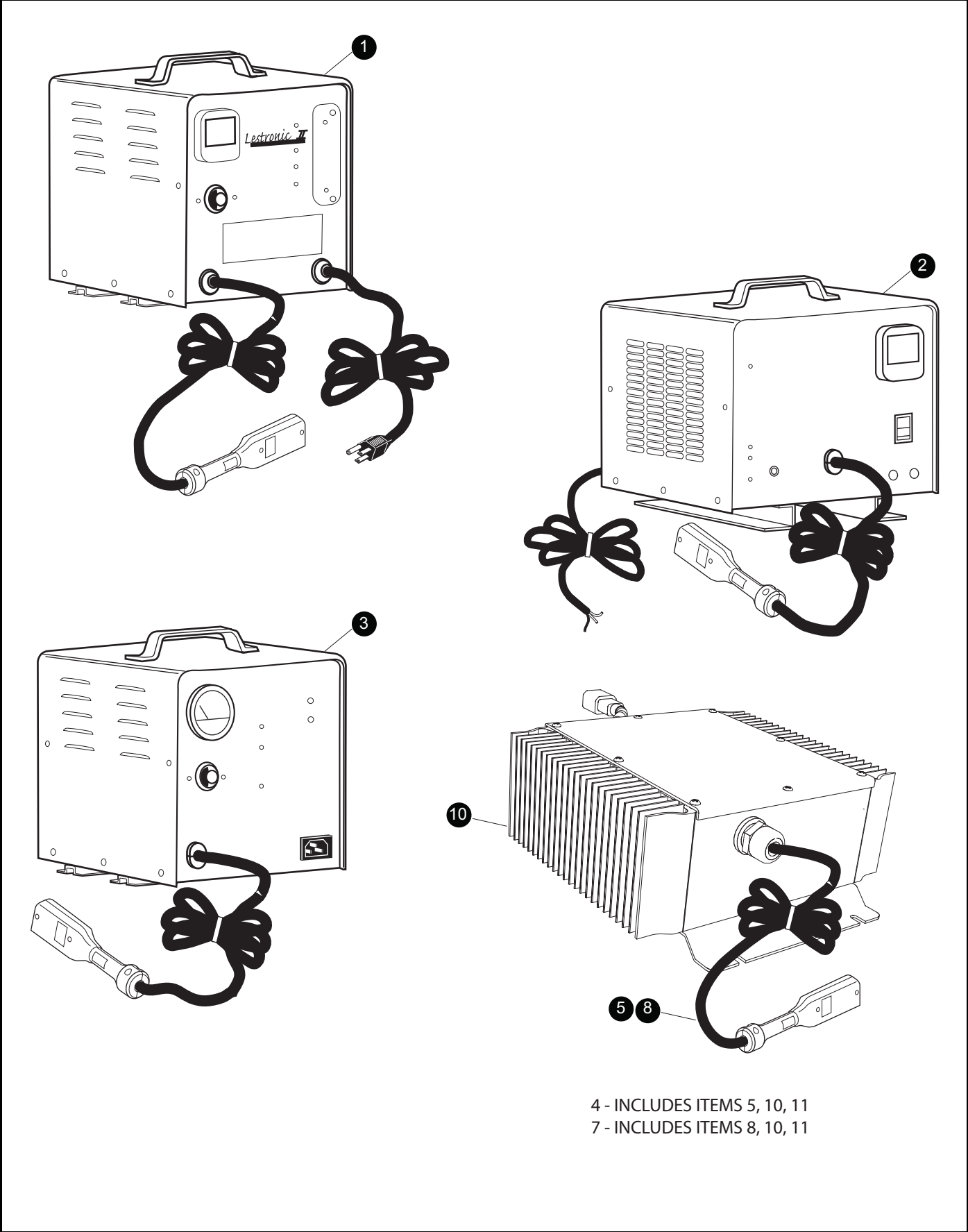
When ordering parts, please specify the model and serial number of the product.

* Indicates a component that is not available as an individual part.

G** Indicates consult Customer Service Department for additional information.

ITEM	PART NO.	1	2	3	4	5	DESCRIPTION	QTY.
31	<u>17618G1</u>						NYLON CLAMP.....	2
32								
33								
34	<u>25799G03</u>						ACCELERATOR PEDAL ASSEMBLY (INCLUDES ITEMS 35 - 37).....	1
35	16409G01						OVAL RIVET, 15/32"	6
36	<u>27512G01</u>						ACCELERATOR PEDAL PAD.....	1
37	<u>70125G04</u>						ACCELERATOR PEDAL.....	1
38								
39	<u>00715G2</u>						BOLT, 5/16 - 18 X 13/16" LG	4
40	<u>70135G01</u>						PEDAL PIVOT COVER.....	1

BATTERY CHARGER



4 - INCLUDES ITEMS 5, 10, 11
7 - INCLUDES ITEMS 8, 10, 11

BATTERY CHARGER

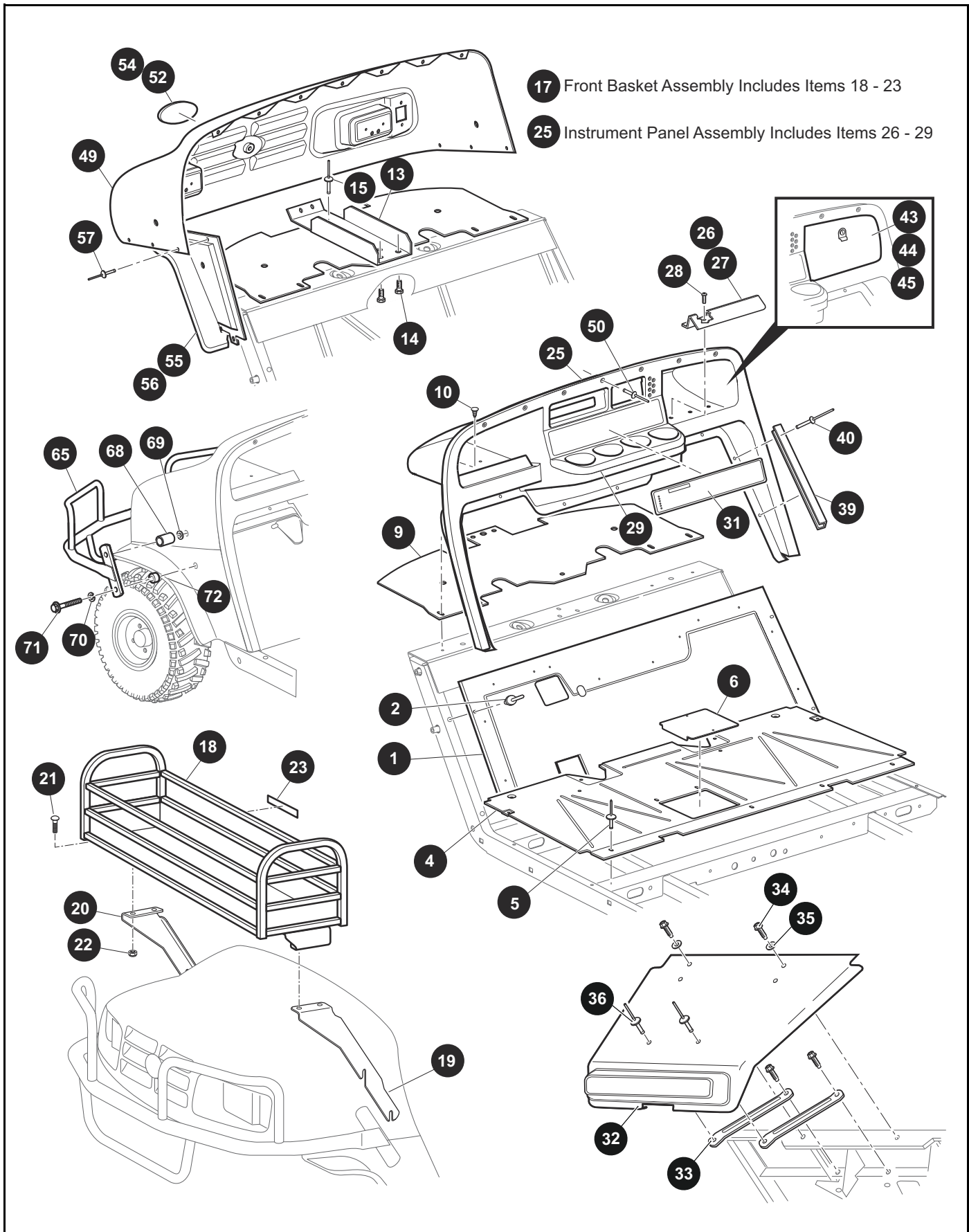
When ordering parts, please specify the model and serial number of the product.

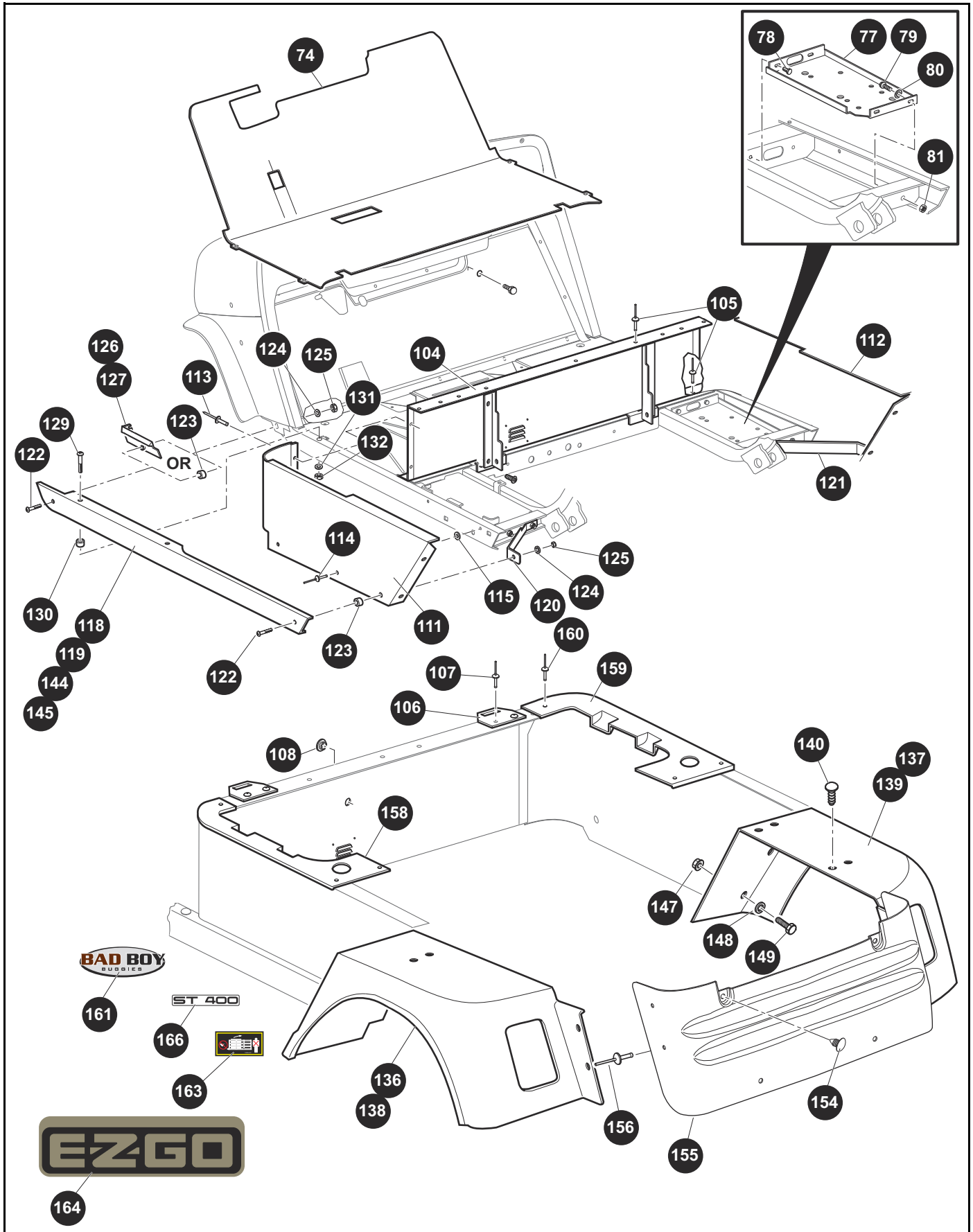
* Indicates a component that is not available as an individual part.

*** Indicates consult Customer Service Department for additional information.

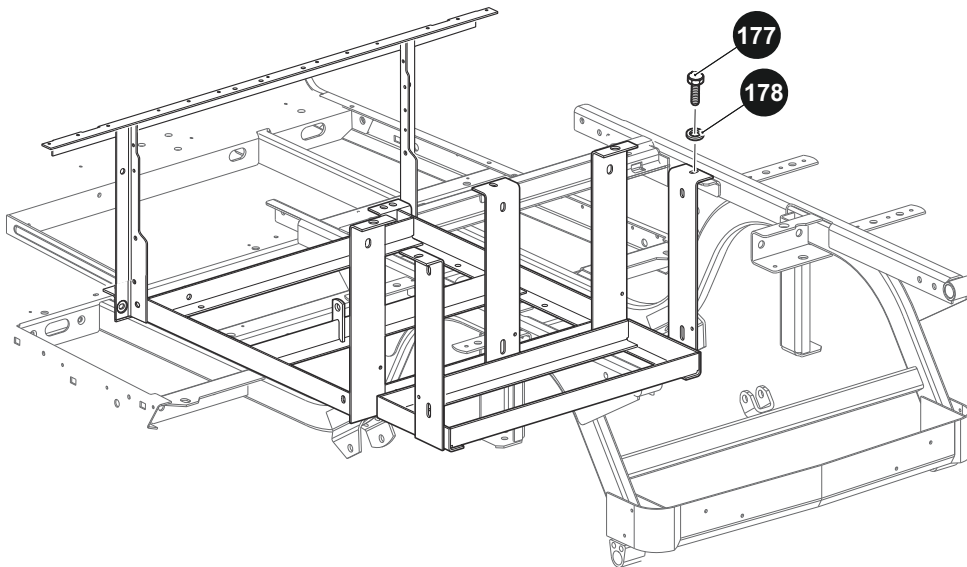
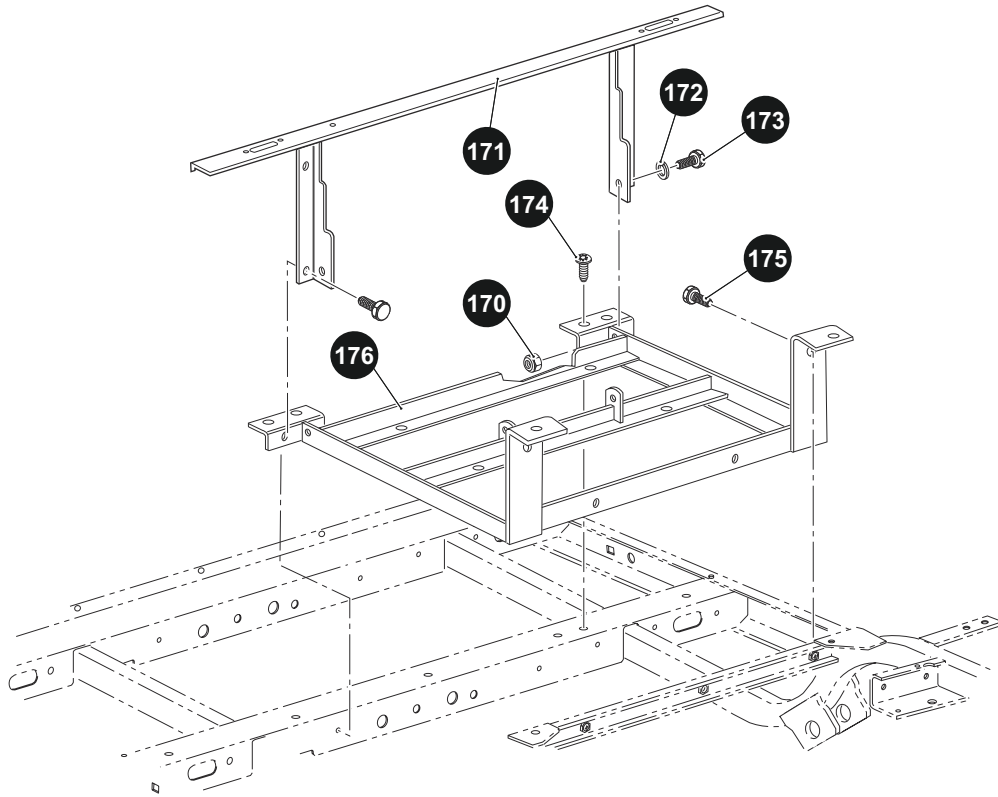
ITEM	PART NO.	1 2 3 4 5	DESCRIPTION	QTY.
1	<u>28435G03</u>		48V LESTER BATTERY CHARGER	1
2	<u>28435G01</u>		48V LESTER BATTERY CHARGER WITH SWITCHABLE INPUT	1
3	<u>28435G05</u>		48V LESTER BATTERY CHARGER CE APPROVED	1
			<p>For service or replacement parts, contact: Lester Electrical 625 West "A" Street Lincoln, NE 68522</p> <p>Phone: (402) 477-8988, FAX: (402) 474-1769</p> <p>Always provide the following information when requesting information or ordering replacement parts:</p> <p>Model Number: Serial Number: (stamped into housing)</p>	
4	<u>600341G03</u>		48V DELTA-Q BATTERY CHARGER WITH 10' DC CORD (INCLUDES ITEMS 5, 10 & 11)	1
5	600436G02		48V DC CABLE ASSEMBLY	1
6				
7	<u>600341G04</u>		48V DELTA-Q BATTERY CHARGER WITH 18' DC CORD (INCLUDES ITEMS 8, 10 & 11)	1
8	600436G04		48V DC CABLE ASSEMBLY	1
9				
10	<u>600340G02</u>		48V DELTA-Q CHARGER	1
11	600432G01		AC POWER CORD (NOT SHOWN).....	1

BODY



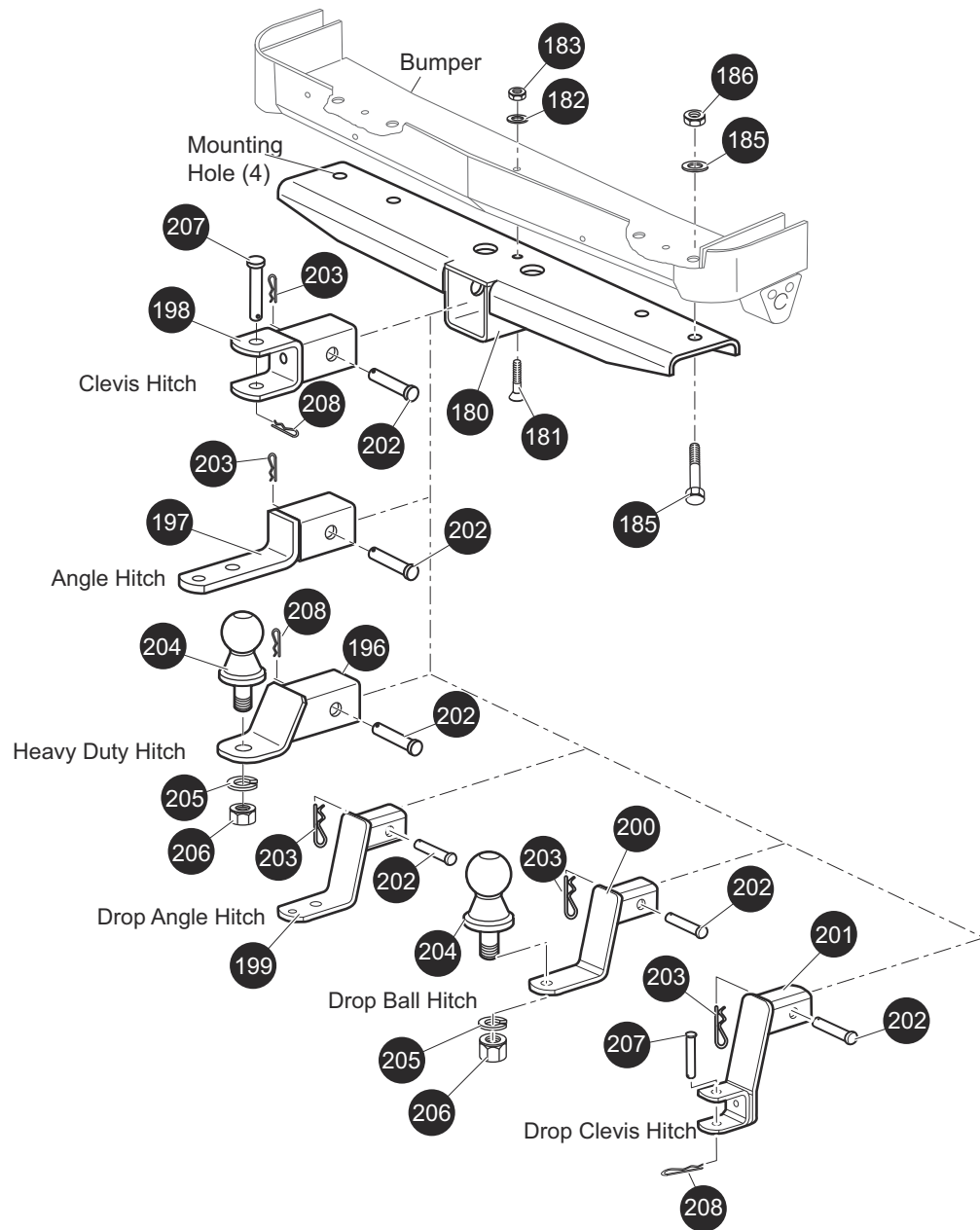


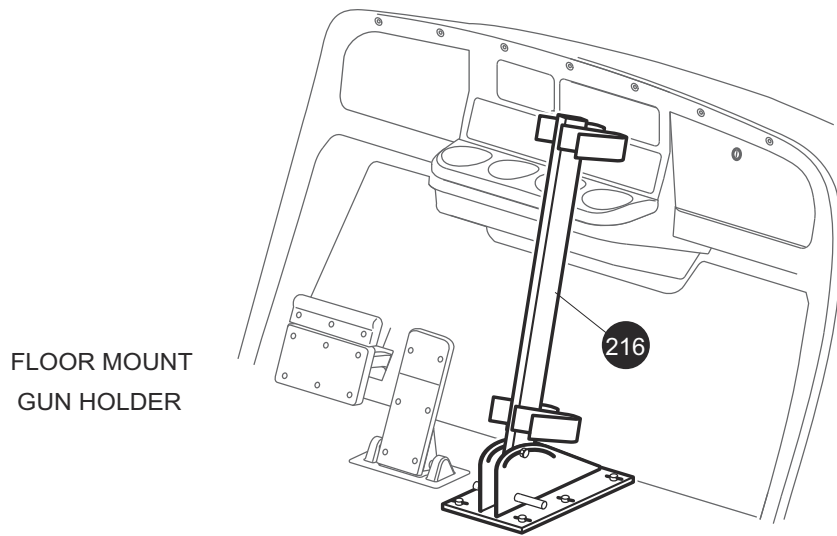
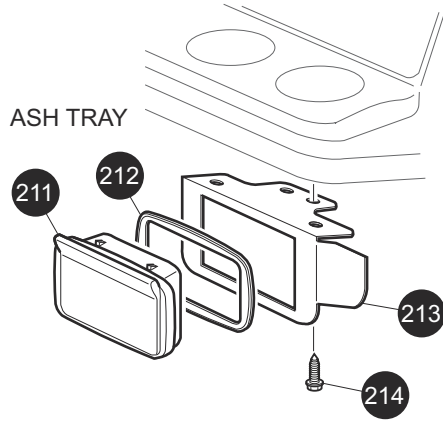
BODY



HITCHES

- 190 HEAVY DUTY HITCH KIT INCLUDES ITEMS 196, 202 - 206
- 191 ANGLE HITCH KIT INCLUDES ITEMS 197, 202, 203, 207, 208
- 192 CLEVIS HITCH KIT INCLUDES ITEMS 198, 202, 203, 207, 208
- 193 DROP ANGLE HITCH KIT INCLUDES ITEMS 199, 202, 203
- 194 DROP BALL HITCH KIT INCLUDES ITEMS 200, 202 - 206
- 195 DROP CLEVIS HITCH KIT INCLUDES ITEMS 201, 202, 203, 207, 208





When ordering parts, please specify the model and serial number of the product.

* Indicates a component that is not available as an individual part.

*** Indicates consult Customer Service Department for additional information.

ITEM	PART NO.	1 2 3 4 5	DESCRIPTION	QTY.
1	70662-G01		UPPER FLOORPAN	1
2	<u>14601G11</u>		RIVET, 3/16" X 9/16" LG (ALUMINUM).....	9
3				
4	<u>70451G01</u>		LOWER FLOORPAN	1
5	<u>14601G11</u>		RIVET, 3/16" X 9/16" LG (ALUMINUM).....	7
6	<u>70452G01</u>		ACCESS COVER.....	1
7				
8				
9	<u>71413G01</u>		SPLASH PANEL	1
10	<u>16816G2</u>		RATCHET FASTENER, 1/4" X 3/4" LG.....	4
11				
12				
13	<u>71101G02</u>		COWL SUPPORT BRACKET	1
14	<u>71102G02</u>		SELF TAPPING SCREW, 1/4 - 20 X 1/2" LG.....	3
15	<u>71055G01</u>		RIVET, 3/16" X 1 1/8" LG (ALUMINUM).....	1
16				
17	74521G02		FRONT BASKET ASSEMBLY (INCLUDES ITEMS 18 - 23).....	1
18	<u>74523G01</u>		FRONT BASKET	1
19	<u>74522G01</u>		BASKET MOUNTING BRACKET (DRIVER SIDE)	1
20	<u>74522G02</u>		BASKET MOUNTING BRACKET (PASSENGER SIDE).....	1
21	00725G1		CARRIAGE BOLT, 3/8 - 16 X 1" LG (STAINLESS STEEL)	4
22	<u>00891G1</u>		LOCK NUT, 3/8 - 16.....	4
23	<u>71931G01</u>		LABEL, FRONT BASKET (WARNING)	1
24				
25	<u>71151G03</u>		INSTRUMENT PANEL ASSEMBLY (INCLUDES ITEMS 26 - 29)	1
26	<u>71153G01</u>		DEFLECTOR (PASSENGER SIDE)	1
27	<u>71154G01</u>		DEFLECTOR (DRIVER SIDE).....	1
28	<u>00614G5</u>		SCREW, #8 - 18 X 5/8" LG.....	4
29	<u>71158G01</u>		INSTRUMENT PANEL INSERT (FOUR CUP)	1
30				
31	<u>601781</u>		LABEL (SAFETY).....	1

BODY

When ordering parts, please specify the model and serial number of the product.

* Indicates a component that is not available as an individual part.

*** Indicates consult Customer Service Department for additional information.

ITEM	PART NO.	1 2 3 4 5	DESCRIPTION	QTY.
32	<u>27166G04</u>		FRONT SHIELD.....	1
33	<u>70725G02</u>		FRONT SHIELD BRACE	2
34	<u>01038G01</u>		HEX WASHER HEAD SCREW, 1/4-20 X .68 LG	4
35	<u>16469G1</u>		FENDER WASHER, .25 I.D. X 1.25 O.D.	2
36	<u>01057G01</u>		KTR RIVET, 1/4" X 1" LG	2
37				
38				
39	<u>71115G01</u>		VINYL TRIM.....	2
40	<u>71055G01</u>		RIVET, 3/16" X 1" LG (ALUMINUM).....	10
41				
42				
43	<u>75459G01</u>		GLOVE BOX DOORS (BOTH SIDES).....	1
44	<u>75459G02</u>		GLOVE BOX DOOR (DRIVER SIDE).....	1
45	<u>75459G03</u>		GLOVE BOX DOOR (PASSENGER SIDE)	1
46				
47				
48				
49	71468GXX		COWL (See COLOR CODE in HOW TO USE Section of Manual).....	1
50	<u>71055G01</u>		RIVET, 3/16" X 1" LG (ALUMINUM).....	7
51				
52	<u>605434</u>		OVAL NAMEPLATE (E-Z-GO)	1
53				
54	<u>617803</u>		OVAL NAMEPLATE (BAD BOY BUGGIES)	1
55	<u>71338G01</u>		FENDER FLARE (DRIVER SIDE)	1
56	<u>71338G02</u>		FENDER FLARE (PASSENGER SIDE).....	1
57	<u>71055G01</u>		RIVET, 3/16" X 1" LG (ALUMINUM).....	6
58				
59				
60				
61				
62				

When ordering parts, please specify the model and serial number of the product.

* Indicates a component that is not available as an individual part.

*** Indicates consult Customer Service Department for additional information.

ITEM	PART NO.	1 2 3 4 5	DESCRIPTION	QTY.
63				
64				
65	<u>74265G02</u>		BUMPER.....	1
66				
67				
68	<u>75048G04</u>		SPACER, 1"	2
69	<u>00570G2</u>		WASHER, 5/16"	2
70	<u>00905G8</u>		LOCK WASHER, 5/16"	4
71	<u>01035G02</u>		BOLT, 5/16 - 18 X 2 1/2" LG.....	4
72	<u>75048G01</u>		SPACER.....	2
73				
74	<u>70663-G04</u>		FLOOR MAT	1
75				
76				
77	<u>70244G03</u>		SPLASH PANEL	2
78	<u>00715G2</u>		BOLT, 5/16 - 18 X13/16" LG.....	4
79	<u>00438G8</u>		BOLT, 5/16 - 18 X 1" LG.....	4
80	00559G8		WASHER, 5/16"	4
81	11098G6		LOCK NUT, 5/16 - 18 (STAINLESS STEEL).....	4
82				
83				
84				
85				
86				
87				
88				
89				
90				
91				
92				
93				

BODY

When ordering parts, please specify the model and serial number of the product.

* Indicates a component that is not available as an individual part.

*** Indicates consult Customer Service Department for additional information.

ITEM	PART NO.	1	2	3	4	5	DESCRIPTION	QTY.
94								
95								
96								
97								
98								
99								
100								
101								
102								
103								
104	609143GXX						SEAT WRAP W/LOUVERS (See COLOR CODE in HOW TO USE Section) .	1
105	<u>10570G10</u>						RIVET, 5/32" X 9/16" LG (STAINLESS STEEL)	8
106	<u>71609G01</u>						SEAT HINGE PLATE	2
107	<u>10570G11</u>						RIVET, 3/16" X 3/4" LG (STAINLESS STEEL)	4
108	<u>20271G9</u>						HOLE PLUG	1
109								
110								
111	609168G1XX						SIDE PANEL (DRIVER) (See COLOR CODE in HOW TO USE Section).....	1
112	609168G2XX						SIDE PANEL (PASSENGER) (See COLOR CODE in HOW TO USE Section)	1
113	<u>10570G10</u>						RIVET, 5/32" X 9/16" LG (STAINLESS STEEL)	4
114	10570G12						RIVET, 1/4" X 9/16" LG (ALUMINUM)	4
115	<u>16469G1</u>						WASHER, 1/4"	4
116								
117								
118	<u>71439G03</u>						ROCKER PANEL (DRIVER SIDE) (ST 400)	1
119	<u>71439G04</u>						ROCKER PANEL (PASSENGER SIDE) (ST 400).....	1
120	<u>71440G03</u>						BRACE (DRIVER SIDE).....	1
121	<u>71440G04</u>						BRACE (PASSENGER SIDE)	1
122	<u>00789G2</u>						SCREW, #10 - 24 X 1 1/4" LG	4
123	<u>23726G2</u>						SPACER, 1/4"	4
124	<u>00660G5</u>						WASHER, #10 (STAINLESS STEEL).....	4

When ordering parts, please specify the model and serial number of the product.

* Indicates a component that is not available as an individual part.

*** Indicates consult Customer Service Department for additional information.

ITEM	PART NO.	1 2 3 4 5	DESCRIPTION	QTY.
125	<u>14390G10</u>		LOCK NUT, #10 - 24	4
126	<u>71424G01</u>		SPACER (DRIVER SIDE)	1
127	<u>71424G02</u>		SPACER (PASSENGER SIDE).....	1
128				
129	<u>16705G1</u>		SCREW, 1/4 - 20 X 1" LG (STAINLESS STEEL).....	4
130	<u>23726G2</u>		SPACER, 1/4"	4
131	<u>00559G7</u>		WASHER, 1/4"	4
132	<u>14390G4</u>		LOCK NUT, 1/4 - 20	4
133				
134				
135				
136	<u>74893G01</u>		FENDER (DRIVER SIDE) (ST 400).....	1
137	<u>74893G02</u>		FENDER (PASSENGER SIDE) (ST 400)	1
138	<u>74893G03</u>		FENDER W/TAIL LIGHT OPENING (DRIVER SIDE)(ST 400).....	1
139	<u>74893G04</u>		FENDER W/TAIL LIGHT OPENING (PASSENGER SIDE)(ST400)	1
140	<u>16816G2</u>		RATCHET FASTENER, 1/4" X 3/4" LG.....	10
141				
142				
143				
144	<u>617867</u>		ROCKER PANEL, DRIVER SIDE (BBB).....	1
145	<u>617870</u>		ROCKER PANEL, PASSENGER SIDE (BBB).....	1
146				
147	<u>14390G4</u>		LOCK NUT, 1/4 - 20	4
148	<u>00642G7</u>		WASHER, 1/4"	8
149	<u>00414G6</u>		BOLT, 1/4 - 20 X 3/4" LG.....	4
150				
151				
152				
153				
154	<u>16816G2</u>		RATCHET FASTENER, 1/4" X 3/4" LG.....	8
155	<u>74890G01</u>		REAR PANEL (ST 400).....	1

BODY

When ordering parts, please specify the model and serial number of the product.

* Indicates a component that is not available as an individual part.

*** Indicates consult Customer Service Department for additional information.

ITEM	PART NO.	1 2 3 4 5	DESCRIPTION	QTY.
156	<u>71055G01</u>		RIVET, 3/16" X 1" LG (ALUMINUM)	4
157				
158	<u>74891G01</u>		SEAT FILLER PANEL (DRIVER SIDE)	1
159	<u>74891G02</u>		SEAT FILLER PANEL (PASSENGER SIDE).....	1
160	<u>10570G10</u>		RIVET, 5/32" X 9/16" LG (STAINLESS STEEL)	6
161	<u>617806</u>		LABEL (BAD BOY BUGGIES).....	2
162				
163	<u>74099G01</u>		LABEL (TILT WARNING).....	2
164	<u>620312</u>		LABEL (E-Z-GO, LARGE)	2
165				
166	<u>620323</u>		LABEL (ST 400)	2
167				
168				
169				
170	11098G6		LOCK NUT, 5/16 - 18.....	2
171	<u>70441G01</u>		SEAT FRAME	1
172	00559G8		WASHER, 5/16".....	2
173	00438G6		BOLT, 5/16 - 18 X 3/4" LG	2
174	<u>70200G01</u>		SCREW, 3/8 - 16 X 1/4" LG.....	2
175	<u>00715G2</u>		BOLT, 5/16 - 18 X 13/16" LG	4
176	<u>70046G02</u>		BATTERY RACK	1
177	00438G6		BOLT, 5/16 - 18 X 3/4" LG	3
178	<u>00565G8</u>		WASHER, 5/16".....	3
179				
180	<u>74348G02</u>		HITCH RECEIVER	1
181	<u>00198G8</u>		BOLT, 5/16 - 18 X 1" LG	1
182	00559G8		WASHER, 5/16".....	1
183	11098G6		LOCK NUT, 5/16 - 18 (STAINLESS STEEL)	1
184	<u>00463G4</u>		BOLT, 7/16 - 14 X 1 1/2" LG	4
185	<u>00922G3</u>		WASHER, 7/16".....	4
186	<u>00734G1</u>		LOCK NUT, 7/16 - 14.....	4

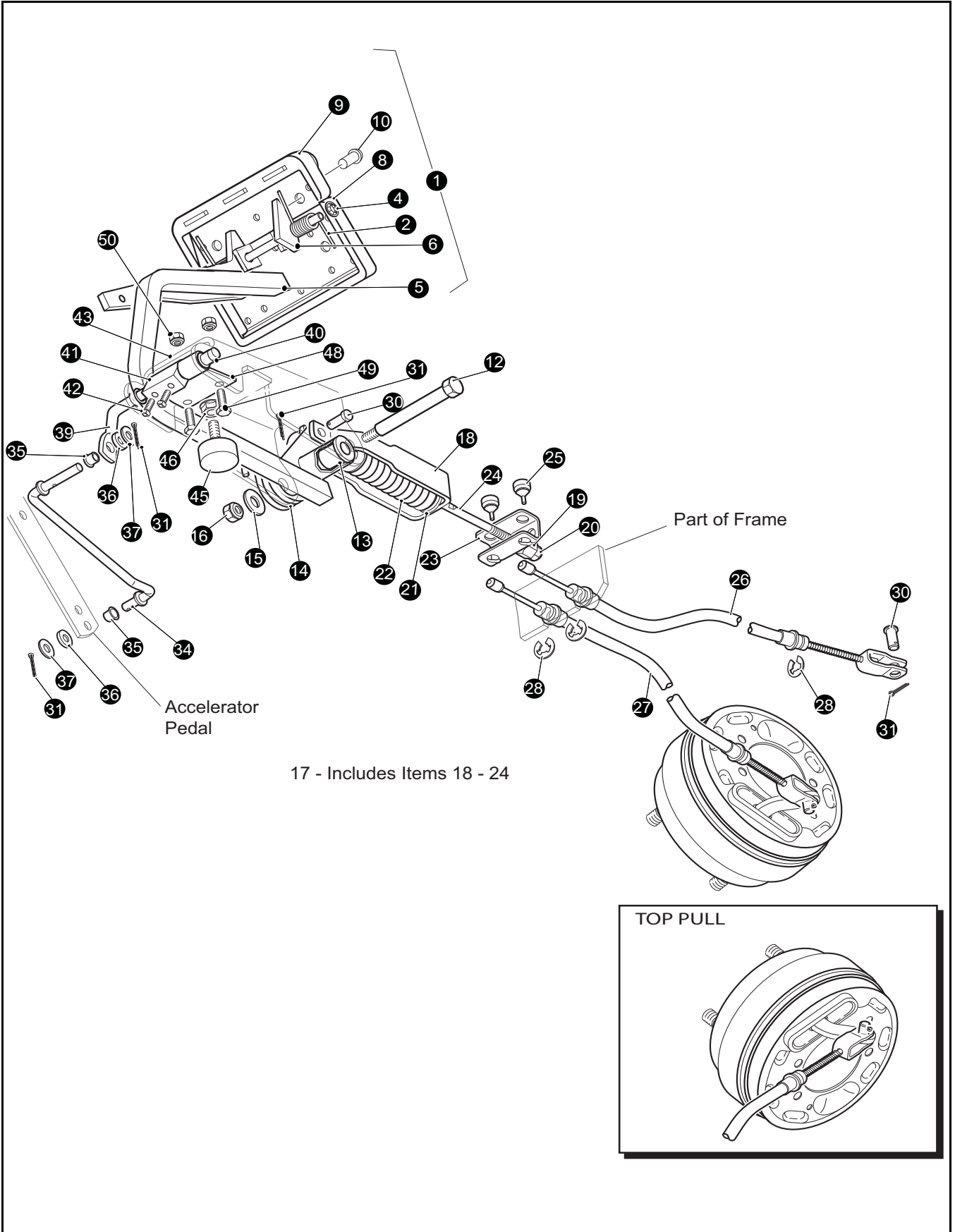
When ordering parts, please specify the model and serial number of the product.

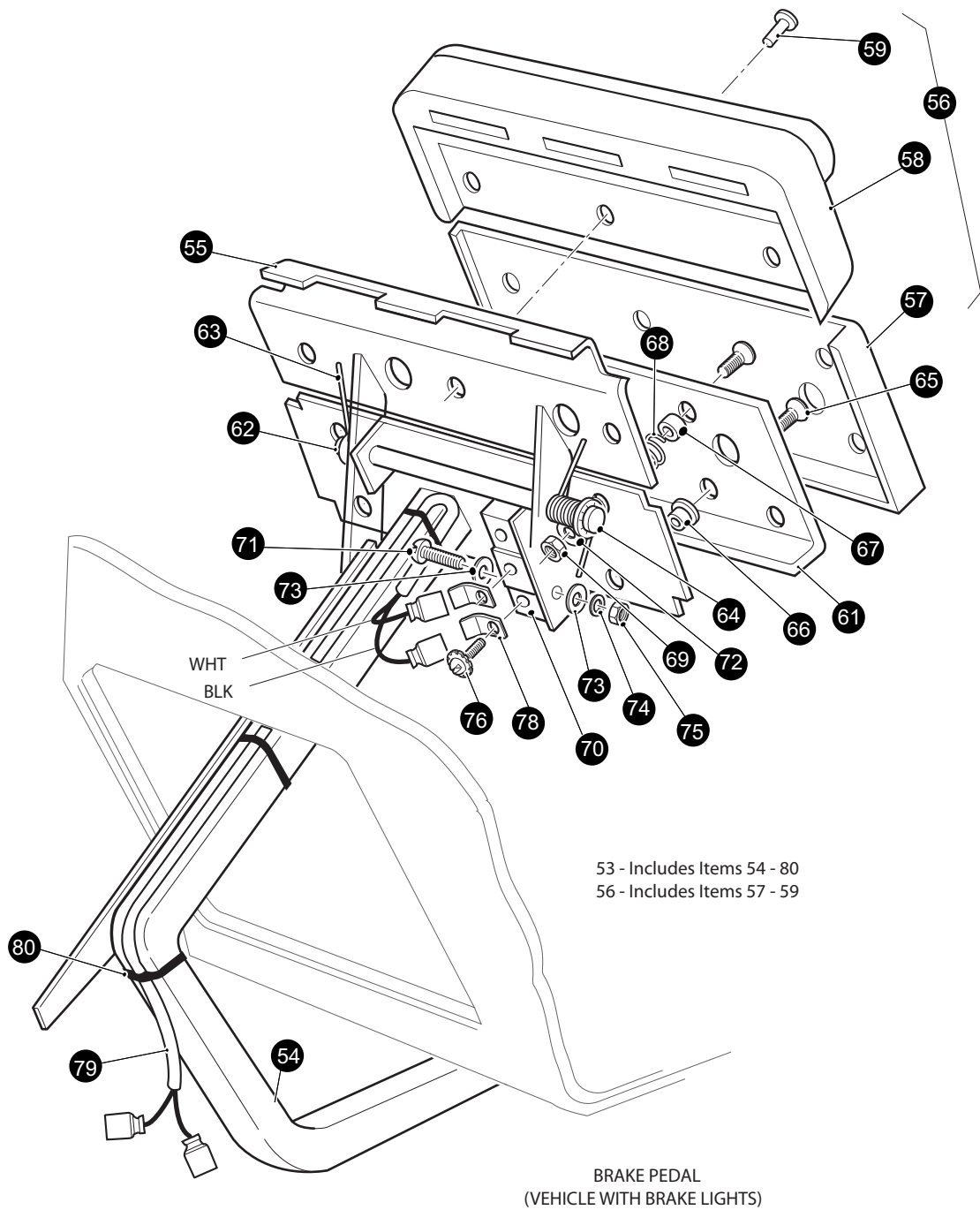
* Indicates a component that is not available as an individual part.

*** Indicates consult Customer Service Department for additional information.

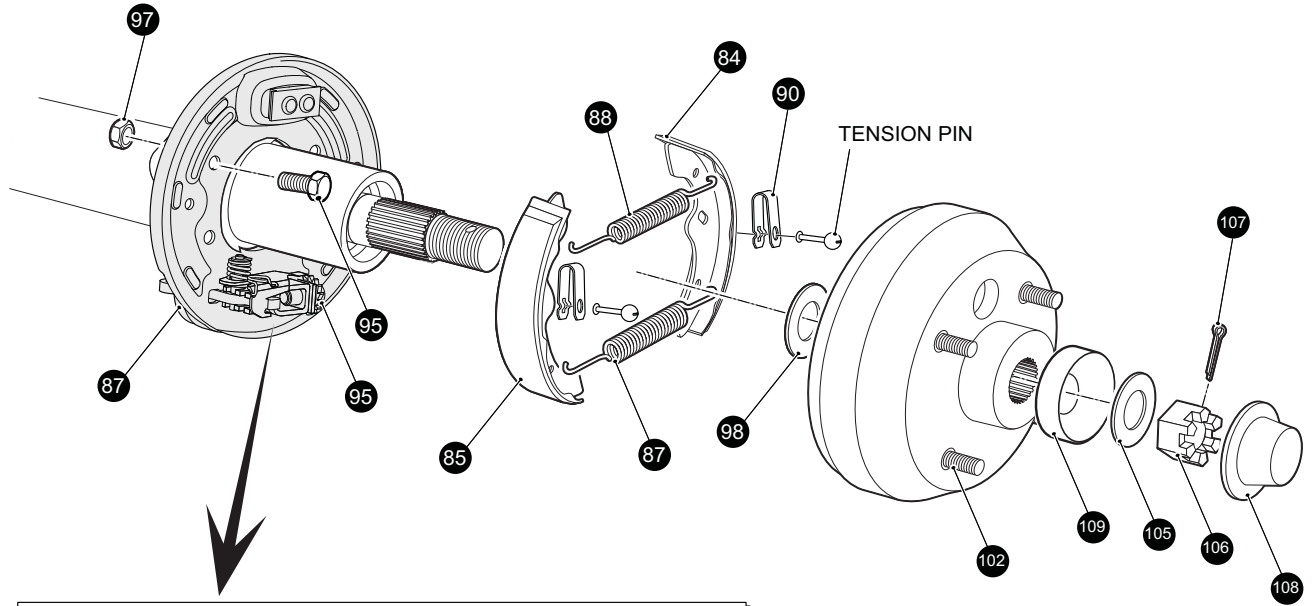
ITEM	PART NO.	1 2 3 4 5	DESCRIPTION	QTY.
187				
188				
189				
190	<u>74492G02</u>		HEAVY DUTY BALL HITCH KIT (INCLUDES ITEMS 196, 202-206)	1
191	<u>74492G04</u>		ANGLE HITCH KIT (INCLUDES ITEMS 197, 202, 203, 207, 208).....	1
192	<u>74492G06</u>		CLEVIS HITCH KIT (INCLUDES ITEMS 198, 202, 203, 207, 208)	1
193	<u>74492G08</u>		DROP ANGLE HITCH KIT (INCLUDES ITEMS 199, 202, 203)	1
194	<u>74492G10</u>		DROP BALL HITCH KIT (INCLUDES ITEMS 200, 202-206).....	1
195	<u>74492G12</u>		DROP CLEVIS HITCH KIT (INCLUDES ITEMS 201, 202, 203, 207, 208).....	1
196	<u>74351G02</u>		HEAVY DUTY HITCH	1
197	<u>74339G02</u>		ANGLE HITCH.....	1
198	<u>74338G02</u>		CLEVIS HITCH	1
199	<u>74489G02</u>		DROP ANGLE HITCH.....	1
200	<u>74491G02</u>		DROP BALL HITCH.....	1
201	<u>74495G02</u>		DROP CLEVIS HITCH.....	1
202	<u>21317G01</u>		CLEVIS PIN, 5/8" X 3" LG.....	1
203	<u>21683G1</u>		COTTER PIN, 15/32" X 2 11/16" LG.....	1
204	<u>31757G1</u>		HITCH BALL, 1 7/8"	1
205	<u>00566G6</u>		LOCK WASHER, 3/4"	1
206	<u>00702G11</u>		NUT, 3/4 - 16.....	1
207	<u>14443G7</u>		CLEVIS PIN, 1/2" X 2 1/2" LG.....	1
208	<u>19314G1</u>		COTTER PIN, 2 1/2" LG	1
209				
210				
211	<u>27731G01</u>		ASH TRAY	1
212	<u>27736G01</u>		GASKET.....	1
213	<u>75108G02</u>		BRACKET	1
214	<u>00100G4</u>		SCREW, #10 - 16 X 1/2" LG	4
215				
216	<u>74365G01</u>		GUN HOLDER (Includes all mounting hardware).....	1
217				

BRAKES - MECHANICAL

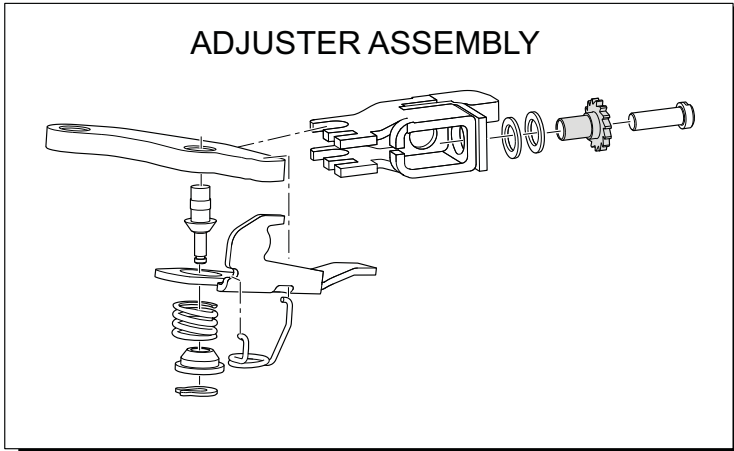




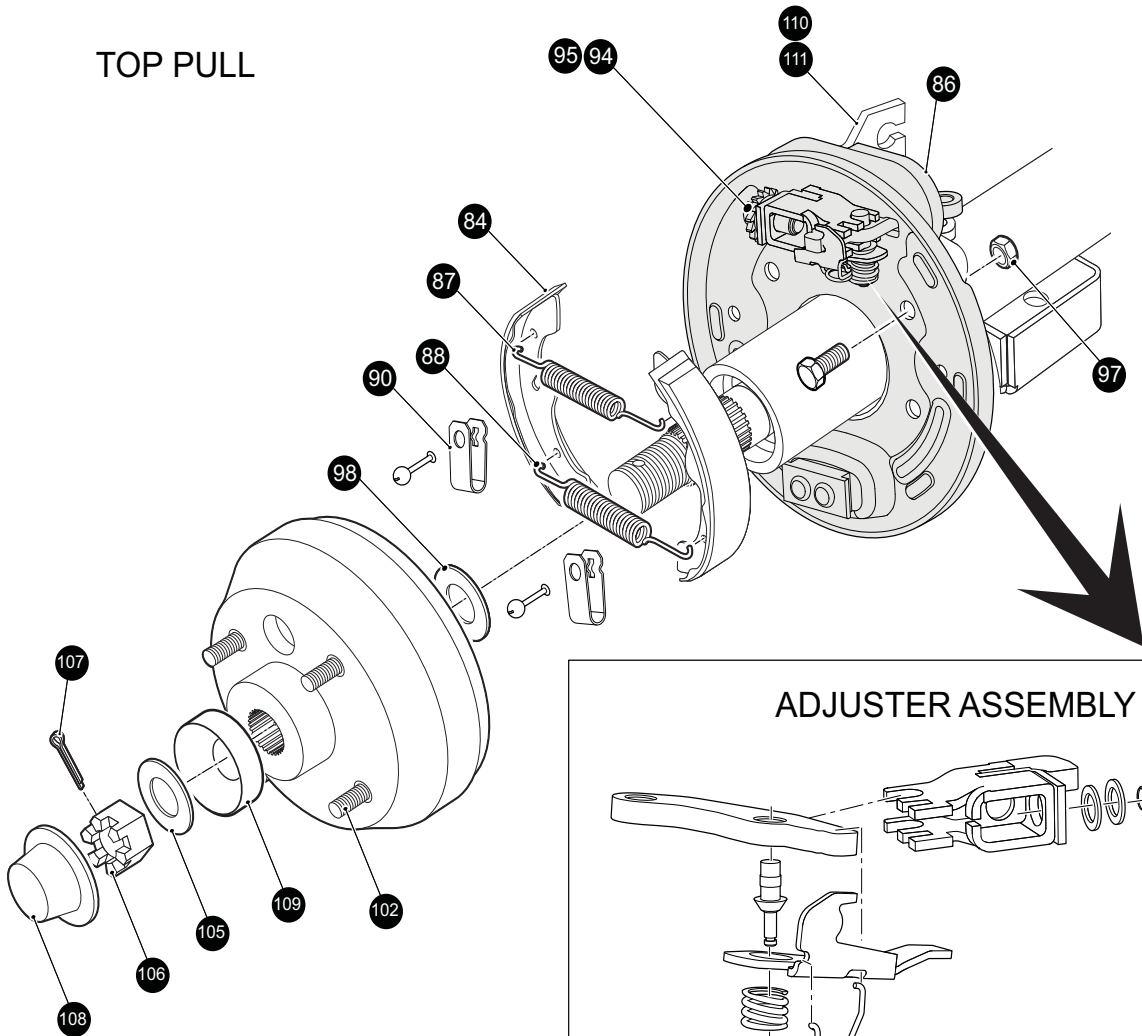
BOTTOM PULL



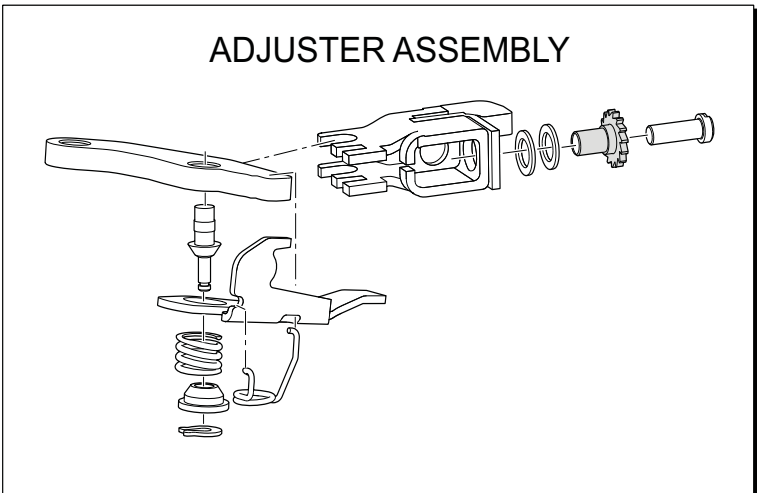
ADJUSTER ASSEMBLY



TOP PULL



ADJUSTER ASSEMBLY



BRAKES - MECHANICAL

THE USE OF NON U.L. PARTS WILL VOID ANY U.L. LISTING.

When ordering parts, please specify the model and serial number of the product.

* Indicates a component that is not available as an individual part.

G** Indicates consult Customer Service Department for additional information.

ITEM	PART NO.	1 2 3 4 5	DESCRIPTION	QTY.
1	<u>70612G02</u>		BRAKE PEDAL ASSEMBLY (WITHOUT BRAKE LIGHTS) (INCLUDES ITEMS 2 - 10).....	1
2	<u>70681G01</u>		TORSION SPRING.....	2
3	<u>70682G01</u>		PIVOT PIN.....	1
4	<u>01071G01</u>		PUSHNUT, 5/16".....	1
5	<u>70259G02</u>		BRAKE PEDAL.....	1
6	<u>70611G02</u>		PARK BRAKE PEDAL.....	1
7				
8	<u>70257G01</u>		SERVICE BRAKE PAD.....	1
9	<u>70256G01</u>		PARK BRAKE PEDAL PAD.....	1
10	<u>16409G01</u>		OVAL RIVET, 3/16" X 3/8" LG.....	9
11				
12	<u>70582G01</u>		SHOULDER BOLT, 3/8 - 16 X 4" LG.....	1
13	<u>70581G01</u>		FLANGED BUSHING.....	2
14	<u>70676G01</u>		TORSION SPRING.....	1
15	<u>00643G1</u>		WASHER, 3/8".....	1
16	<u>11098G5</u>		LOCK NUT, 3/8 - 16.....	1
17	<u>612558</u>		COMPENSATOR ASSEMBLY (INCLUDES ITEMS 18 - 24).....	1
18	<u>27330G01</u>		BRAKE YOKE.....	1
19	<u>00963G01</u>		SPHERICAL NUT, 5/16 - 24.....	1
20	<u>11098G9</u>		LOCK NUT, 5/16 - 24.....	1
21	<u>15121G1</u>		WASHER 5/16.....	1
22	<u>23463G1</u>		COMPRESSION SPRING.....	1
23	<u>28082G01</u>		EQUALIZER BRACKET.....	1
24	<u>612557</u>		BRAKE COMPENSATOR LINK ROAD.....	1
25	<u>28083G01</u>		BRAKE COMPENSATOR BUMPER.....	2
26	<u>624700</u>		BRAKE CABLE (DRIVER SIDE).....	1
27	<u>624698</u>		BRAKE CABLE (PASSENGER SIDE).....	1
28	<u>01111G01</u>		RETAINING RING, 13/32" (STAINLESS STEEL).....	4
29				

BRAKES - MECHANICAL

THE USE OF NON U.L. PARTS WILL VOID ANY U.L. LISTING.

When ordering parts, please specify the model and serial number of the product.

* Indicates a component that is not available as an individual part.

G** Indicates consult Customer Service Department for additional information.

ITEM	PART NO.	1 2 3 4 5	DESCRIPTION	QTY.
30	<u>10386G3</u>		CLEVIS PIN, 5/16" X 1" LG	3
31	<u>10387G3</u>		COTTER PIN, 3/32" X 3/4" LG	5
32	<u>12416G2</u>		NYLON WEDGE LOCK CLAMP (NOT ILLUSTRATED)	AR
33	<u>01038G01</u>		SWAGEFORM SCREW, 1/4 - 20 (NOT ILLUSTRATED)	1
34	<u>70601G01</u>		KICK-OFF LINK.....	1
35	<u>17838G1</u>		NYLON BUSHING.....	2
36	<u>20835G1</u>		TEFLON WASHER, 3/8"	2
37	00559G8		WASHER, 5/16"	2
38				
39	<u>70098G01</u>		KICK-OFF CAM PIVOT	1
40	<u>10097G6</u>		FLANGED BEARING	2
41	<u>70587G01</u>		KICK-OFF CAM.....	1
42	<u>71215G01</u>		SETSCREW, 1/4 - 20 X 1/2" LG.....	2
43	<u>14134G4</u>		SPACER	1
44				
45	<u>70113G01</u>		ADJUSTABLE BUMPER	1
46	<u>11027G1</u>		LOCK NUT, 5/16 - 18	1
47				
48	<u>70080G02</u>		CATCH BRACKET	1
49	<u>00414G6</u>		BOLT, 1/4 - 20 X 3/4" LG	2
50	14390G04		LOCK NUT, 1/4 - 20	2
51				
52				
53	70690G02		BRAKE PEDAL ASSEMBLY (WITH BRAKE LIGHTS) (INCLUDES ITEMS 54 - 80).....	1
54	<u>70686G02</u>		BRAKE PEDAL.....	1
55	<u>70611G02</u>		PARK BRAKE PEDAL	1
56				
57	<u>70257G01</u>		SERVICE BRAKE PAD	1
58	<u>70256G01</u>		PARK BRAKE PAD	1

BRAKES - MECHANICAL

THE USE OF NON U.L. PARTS WILL VOID ANY U.L. LISTING.
 When ordering parts, please specify the model and serial number of the product.
 * Indicates a component that is not available as an individual part.
 G** Indicates consult Customer Service Department for additional information.

ITEM	PART NO.	1	2	3	4	5	DESCRIPTION	QTY.
59	<u>16409G1</u>						OVAL RIVET, 3/16" x 3/8" LG	9
60								
61	<u>70258G03</u>						SERVICE BRAKE PEDAL PLATE	1
62	<u>70682G01</u>						PIVOT PIN	1
63	<u>70681G01</u>						TORSION SPRING	2
64	<u>01071G01</u>						PUSHNUT, 5/16"	2
65	<u>00737G8</u>						SCREW, #10 - 24 X 1" LG	4
66	<u>00739G1</u>						RUBBER NUT, #10 - 24.....	2
67	<u>74535G01</u>						BRAKE PEDAL STANDOFF	2
68	<u>27137G01</u>						CONICAL SPRING	2
69	<u>14390G10</u>						LOCK NUT, #10 - 24.....	2
70	10606G8						MICRO SWITCH.....	1
71	<u>00645G2</u>						SCREW, #6 - 32 X 1 1/4" LG	2
72	<u>00559G5</u>						WASHER, #10	2
73	<u>00559G3</u>						WASHER, #6	4
74	<u>00565G3</u>						LOCK WASHER, #6	2
75	<u>00525G5</u>						NUT, #6 - 32.....	2
76	<u>13514G1</u>						SCREW AND LOCK WASHER, #6.....	2
77								
78	<u>14628G1</u>						FASTON TAB.....	2
79	<u>24605G1</u>						WIRE HARNESS (BRAKE LIGHT).....	1
80	<u>17618G1</u>						WIRE TIE	2
81								
82	<u>612189</u>						BRAKE ASSEMBLY (DRIVER SIDE) (INCLUDES ITEMS 84 - 88, 90, 95)....	1
83	<u>612211</u>						BRAKE ASSEMBLY (PASSENGER SIDE) (INCLUDES ITEMS 84 - 88 & 90,94)	1
84	<u>612412</u>						BRAKE SHOE.....	2
85	612411						BRAKE SHOE.....	2
86	<u>612413</u>						DUST COVER	1
87	612415						UPPER SPRING.....	1

BRAKES - MECHANICAL

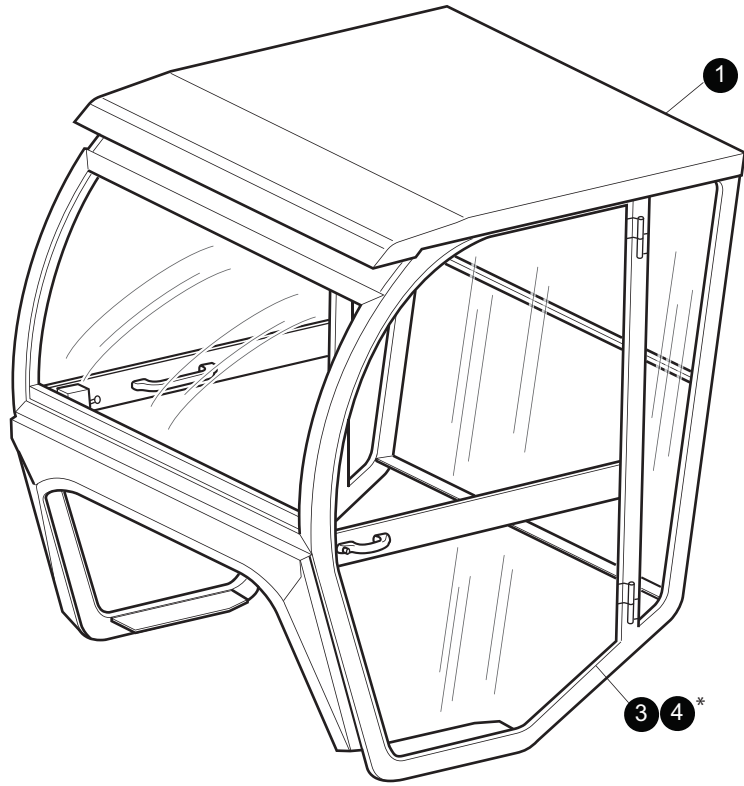
THE USE OF NON U.L. PARTS WILL VOID ANY U.L. LISTING.

When ordering parts, please specify the model and serial number of the product.

* Indicates a component that is not available as an individual part.

G** Indicates consult Customer Service Department for additional information.

ITEM	PART NO.	1	2	3	4	5	DESCRIPTION	QTY.
88	612414						LOWER SPRING	1
89								
90	612416						SHOE CLAMP	2
91								
92								
93								
94	<u>612418</u>						ADJUSTER	1
95	<u>612417</u>						ADJUSTER	1
96	<u>17083G2</u>						BOLT, 5/16 - 24 X 1" LG	8
97	<u>15126G1</u>						LOCK NUT, 5/16 - 24	8
98	<u>21809G1</u>						INNER BRAKE DRUM WASHER, 1 5/16" OD X 1" ID X 1/32"	2
99								
100	<u>21807G1</u>						BRAKE DRUM ASSEMBLY (INCLUDES ITEMS 101 - 102).....	2
101	<u>20947G1</u>						BRAKE DRUM	1
102	<u>19862G2</u>						LUG BOLT, 1/2 - 20 X 1 3/16" LG	4
103								
104								
105	<u>21830G1</u>						WASHER, 1 3/8" O.D. X 21/32"	2
106	<u>612928</u>						SLOTTED NUT, 5/8 -18.....	2
107	<u>10387G1</u>						COTTER PIN, 1/8" X 1 1/2" LG	2
108	<u>74175G01</u>						SPINDLE CAP	2
109	<u>607033</u>						SPINDLE CAP ADAPTER.....	2
110	<u>608200</u>						BRAKE CABLE BRACKET (PASSENGER SIDE).....	1
111	<u>608201</u>						BRAKE CABLE BRACKET (DRIVER SIDE)	1



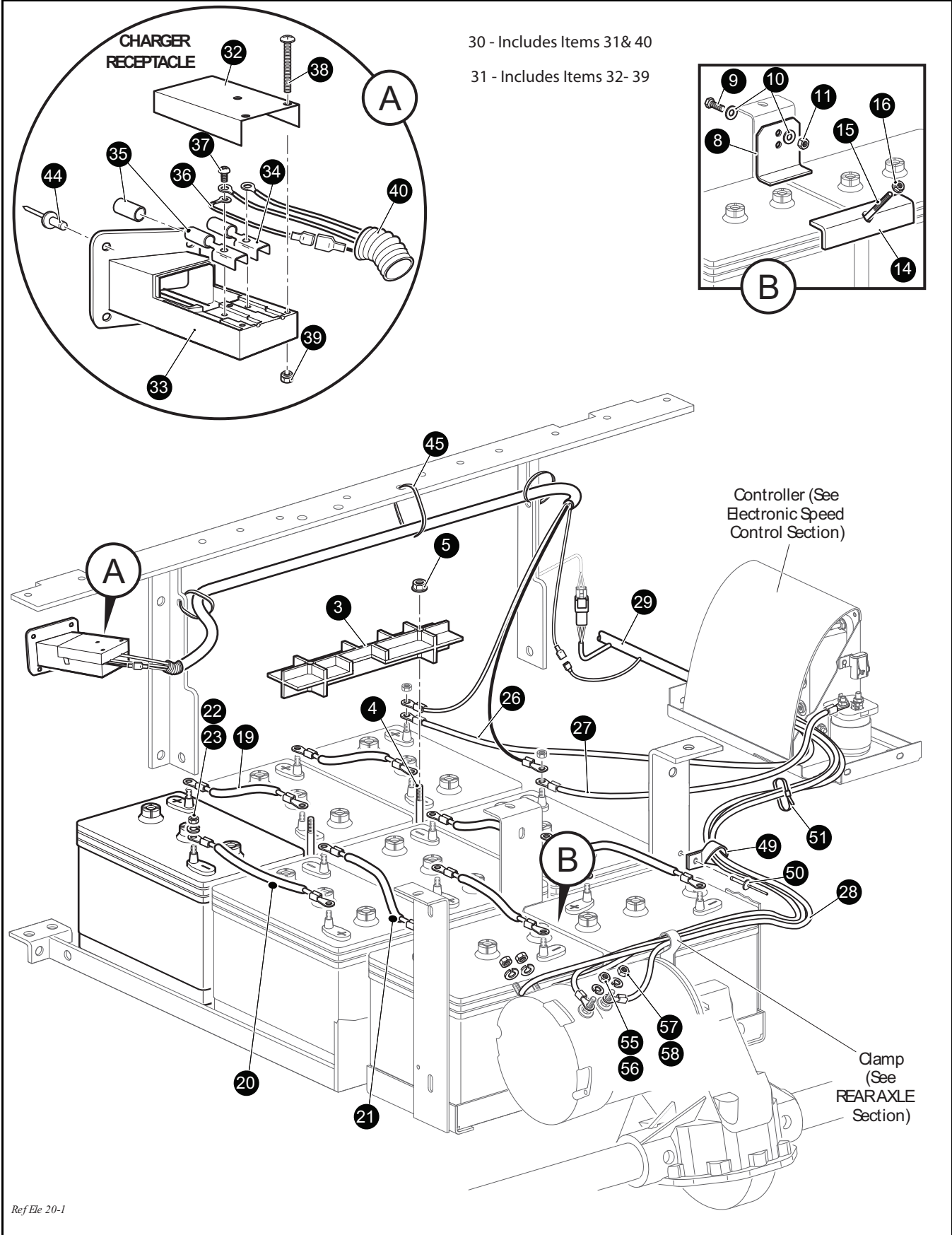
CAB

*Steel Doors Shown

THE USE OF NON U.L. PARTS WILL VOID ANY U.L. LISTING.
 When ordering parts, please specify the model and serial number of the product.
 * Indicates a component that is not available as an individual part.
 G** Indicates consult Customer Service Department for additional information.

ITEM	PART NO.	1 2 3 4 5	DESCRIPTION	QTY.
1	72684G**		STEEL CAB (WITHOUT DOORS) REPLACEMENT PARTS AND ACCESSORIES MAY BE OBTAINED FROM CURTIS CAB, INC. 72684G01 - STEEL CAB (WITHOUT DOORS) TAN 72684G02 - STEEL CAB (WITHOUT DOORS) WHITE 72684G03 - STEEL CAB (WITHOUT DOORS) OTHER	1
2	<u>75855G01</u>		VINYL DOOR KIT.....	1
3	75856G**		STEEL DOOR KIT..... 75856G01 - STEEL DOORS TAN 75856G03 - STEEL DOORS OTHER	1
<p>ForCab replacementparts and accessories, contact Curtis Cab at: Curtis Cab, Inc. 111 Higgins Street, Worcester, Massachusetts, 01606. Tel.: 508-853-2200. Toll free: 800-343-7676. www.curtiscab.com</p>				

ELECTRICAL



Where applicable, THE USE OF NON UL PARTS WILL VOID ANY UL LISTING.

When ordering parts, please specify the model and serial number of the product.

* Indicates a component that is not available as an individual part.

G** Indicates consult Customer Service Department for additional information.

ITEM	PART NO.	1 2 3 4 5	DESCRIPTION	QTY.
1	72824G01		6 VOLT BATTERY	8
2				
3	612867		BATTERY RETAINER	1
4	01101G01		HOLD DOWN BOLT (STAINLESS STEEL).....	2
5	11027G1		LOCK NUT, 5/16 - 18	2
6				
7				
8	73218G02		BATTERY RETAINER ANGLE	1
9	00438G6		BOLT, 5/16 - 18 X 3/4" LG	1
10	00559G8		WASHER, 5/16"	2
11	11098G6		LOCK NUT, 5/16 - 18	1
12				
13				
14	11841G1		BATTERY RETAINER ANGLE INNER.....	1
15	01087G01		HOLD DOWN BOLT (STAINLESS STEEL).....	1
16	11027G1		LOCK NUT, 5/16 - 18	1
17				
18				
19	25971G18		4 GA WIRE (BATTERY INTERCONNECT, BLACK, 6")	2
20	25971G13		4 GA WIRE (BATTERY INTERCONNECT, BLACK, 10 1/2")	1
21	25971G14		4 GA WIRE (BATTERY INTERCONNECT, BLACK, 15")	4
22	00565G8		LOCK WASHER, 5/16"	16
23	00702G2		NUT, 5/16 - 18	16
24				
25				
26	25971G15		4 GA WIRE (BATTERY +, BLACK, 17")	1
27	25971G16		4 GA WIRE (BATTERY -, BLACK, 19")	5
28	74659G01		POWER HARNESS	1
29	74649G01		CONTROL HARNESS	1

ELECTRICAL

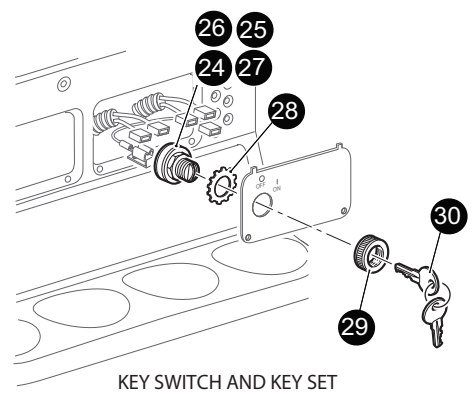
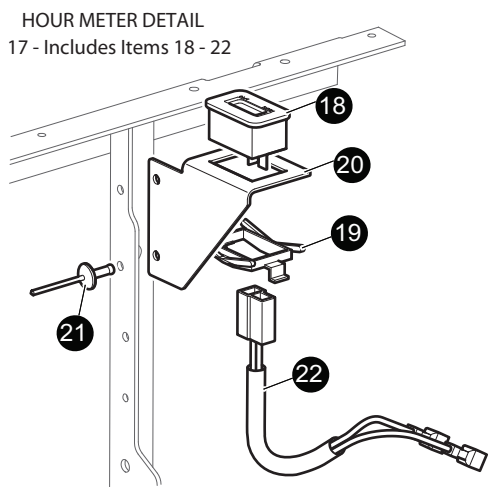
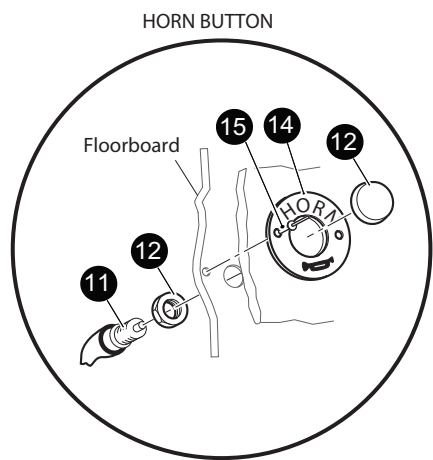
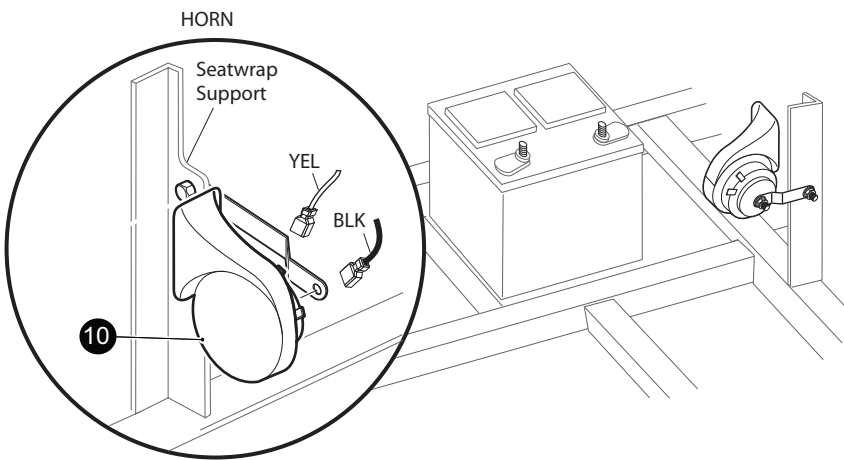
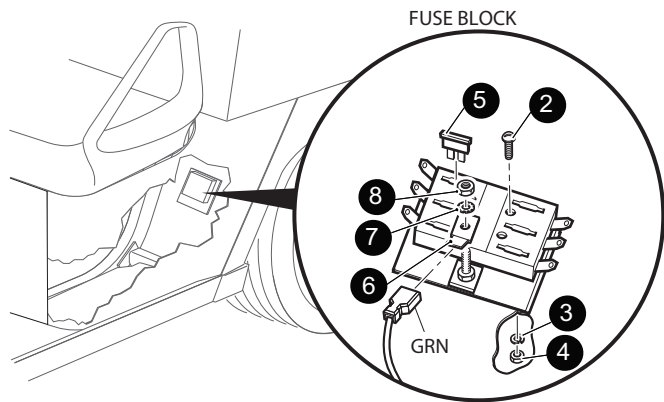
Where applicable, THE USE OF NON UL PARTS WILL VOID ANY UL LISTING.

When ordering parts, please specify the model and serial number of the product.

* Indicates a component that is not available as an individual part.

G** Indicates consult Customer Service Department for additional information.

ITEM	PART NO.	1 2 3 4 5	DESCRIPTION	QTY.
30	609670		CHARGER RECEPTABLE AND HARNESS ASSEMBLY (INCLUDES ITEMS 31- 40).....	1
31	73051G30		CHARGER RECEPTACLE ASSEMBLY (INCLUDES ITEMS 32 - 39)	1
32	73051G21		RECEPTACLE COVER.....	1
33	73051G22		RECEPTACLE BOTTOM	1
34	73051G23		FEMALE CONNECTOR.....	1
35	73051G24		FEMALE CONNECTOR WITH INSULATOR SLEEVE.....	1
36	25978G25		18 GA WIRE (RED 9").....	1
37	73051G08		SCREW, #10 - 32 X 1/2" LG (BRASS)	2
38	73051G09		SCREW, #6 - 32 X 1 3/4" LG (STAINLESS STEEL)	3
39	73051G10		LOCK NUT, #6 - 32	3
40	609654		WIRE HARNESS (CHARGER).....	1
41				
42				
43				
44	14601-G10		RIVET, 3/16" X 1" LG (ALUMINUM).....	4
45	17618-G1		WIRE TIE	3
46				
47				
48				
49	27327-G02		CABLE CLAMP	1
50	10570-G11		RIVET, 3/16" X 3/4" LG (STAINLESS STEEL)	1
51	17618-G1		WIRE TIE	8
52				
53				
54				
55	00993-G01		LOCK WASHER, 5/16" (SILICON BRONZE).....	2
56	28418-G01		NUT, 5/16 - 18 (BRASS).....	2
57	00993-G02		LOCK WASHER, 1/4" (SILICON BRONZE).....	2
58	28418-G02		NUT, 1/4 - 20 (BRASS).....	2



Ref Ele 20-2

Where applicable, THE USE OF NON UL PARTS WILL VOID ANY UL LISTING.

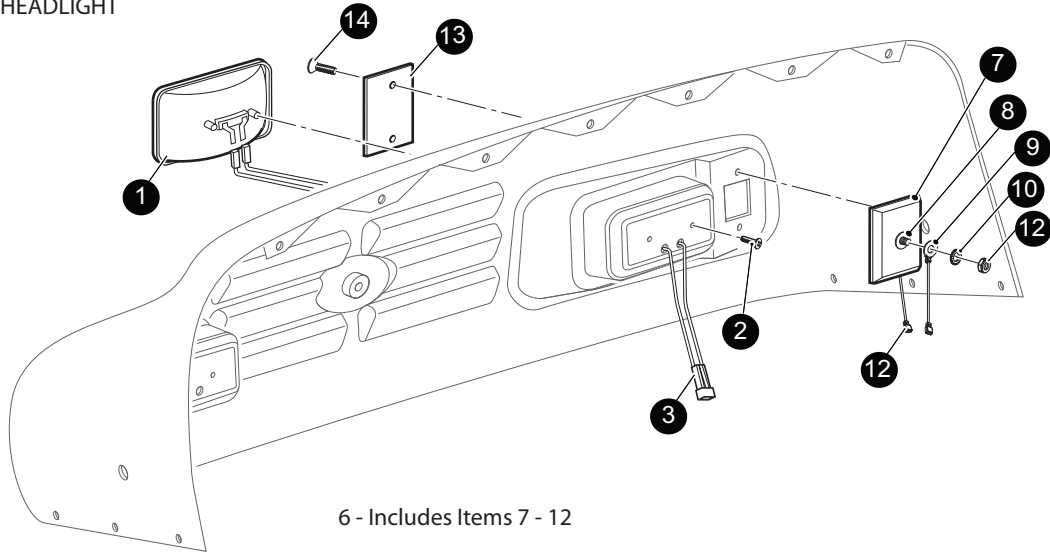
When ordering parts, please specify the model and serial number of the product.

* Indicates a component that is not available as an individual part.

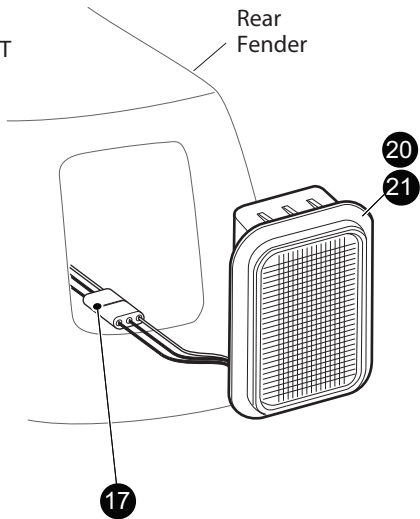
G** Indicates consult Customer Service Department for additional information.

ITEM	PART NO.	1 2 3 4 5	DESCRIPTION	QTY.
1	35211G01		FUSE BLOCK (6 POSITION)	1
2	00379G2		SCREW, #10 - 24 X 1 1/4" LG.....	2
3	00559G5		WASHER, #10.....	2
4	14390G10		LOCK NUT, #10 - 24	2
5	35212G01		FUSE, 15 AMP	AR
6	12914G1		PUSH ON MALE TERMINAL	1
7	00567G5		LOCK WASHER, #10	1
8	00526G4		NUT, #10 - 32	1
9				
10	32860G2		HORN.....	1
11	17318G1		HORN SWITCH.....	1
12	17318G2		HORN SWITCH CAP AND NUT	1
13	27068G01		HORN SWITCH BOOT	1
14	19233G1		HORN SWITCH PLATE.....	1
15	71055G01		RIVET, 3/16" X 1" LG (ALUMINUM).....	2
16				
17	74914G02		HOUR METER KIT (INCLUDES ITEMS 18 - 22).....	1
18	620133		HOUR METER.....	1
19	74696G01		HOUR METER RETAINER CLIP	1
20	74716G02		HOUR METER BRACKET	1
21	10570G11		RIVET, 3/16" X 3/4" LG (STAINLESS STEEL).....	2
22	74908G01		WIRE HARNESS (HOUR METER).....	1
23				
24	17421G1		KEY SWITCH KIT (W/O LIGHTS - STANDARD - WITH HARDWARE).....	1
25	33639G02		KEY SWITCH (WITHOUT LIGHTS - NON STANDARD)	1
26	33639G03		KEY SWITCH (WITH LIGHTS - INDIVIDUALLY KEYED).....	1
27	33639G**		KEY SWITCH (WITH LIGHTS)	1
28	00568G6		LOCK WASHER, 3/4".....	1
29	17137G1		FACE NUT, 3/4 - 20.....	1
30	17063G1		KEY (SET).....	1

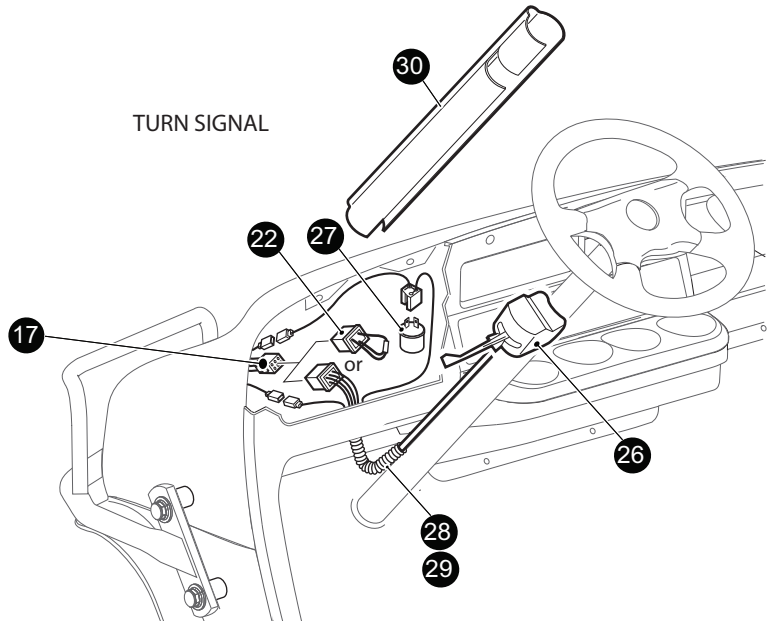
HEADLIGHT



TAILLIGHT



TURN SIGNAL



Ref Ele 20-3

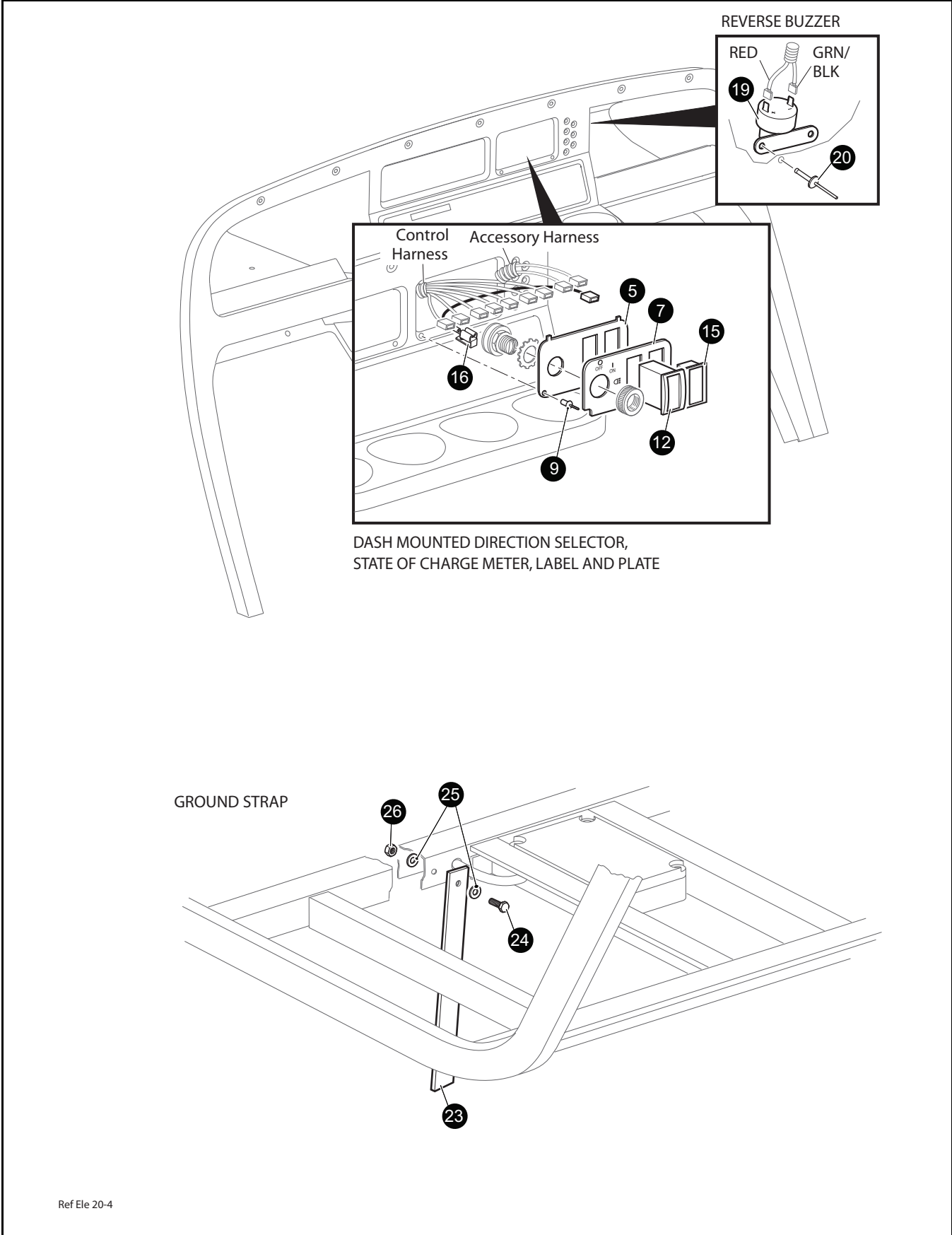
Where applicable, THE USE OF NON UL PARTS WILL VOID ANY UL LISTING.

When ordering parts, please specify the model and serial number of the product.

* Indicates a component that is not available as an individual part.

G** Indicates consult Customer Service Department for additional information.

ITEM	PART NO.	1 2 3 4 5	DESCRIPTION	QTY.
1	22523G1		HEADLIGHT (RECTANGULAR) (INCLUDES ITEM 2)	2
2	00906G6		SCREW, #10 - 16 X 1" LG	2
3	74337G01		JUMPER WIRE (HEADLIGHT)	2
4				
5				
6	20570G3		TURN SIGNAL LIGHT (INCLUDES ITEMS 7 - 12)	2
7	20574G3		TURN SIGNAL LIGHT	1
8	00660G7		WASHER, 1/4" (STAINLESS STEEL).....	1
9	20606G1		WIRE.....	1
10	00567G7		LOCK WASHER, 1/4"	1
11	00532G1		NUT, 1/4 - 20.....	1
12	18995G1		PUSH-ON MALE TERMINAL	1
13	20574G5		LENS, AMBER	1
14	00118G5		SCREW, #6 - 18 X 5/8" LG.....	2
15				
16				
17	74651G01		WIRE HARNESS (ACCESSORY).....	1
18				
19				
20	32739G2		TAILLIGHT (WITH SEALED CONNECTORS)	2
21	21759G1		TAILLIGHT BULB	AR
22	75711G01		TAILLIGHT JUMPER PLUG (FOR VEHICLE W/OUT TURN SGL)	1
23				
24				
25	75107G02		TURN SIGNAL KIT (INCLUDES ITEMS 26 - 30).....	1
26	17867G1		TURN SIGNAL (WITH MOUNTING HARDWARE).....	1
27	21640G1		TURN SIGNAL FLASHER.....	1
28	32307G3		FLEX LOOM, 3/8" X 8" LG.....	1
29	17618G1		WIRE TIE	2
30	20965G3		STEERING COLUMN COVER	1



Ref Ele 20-4

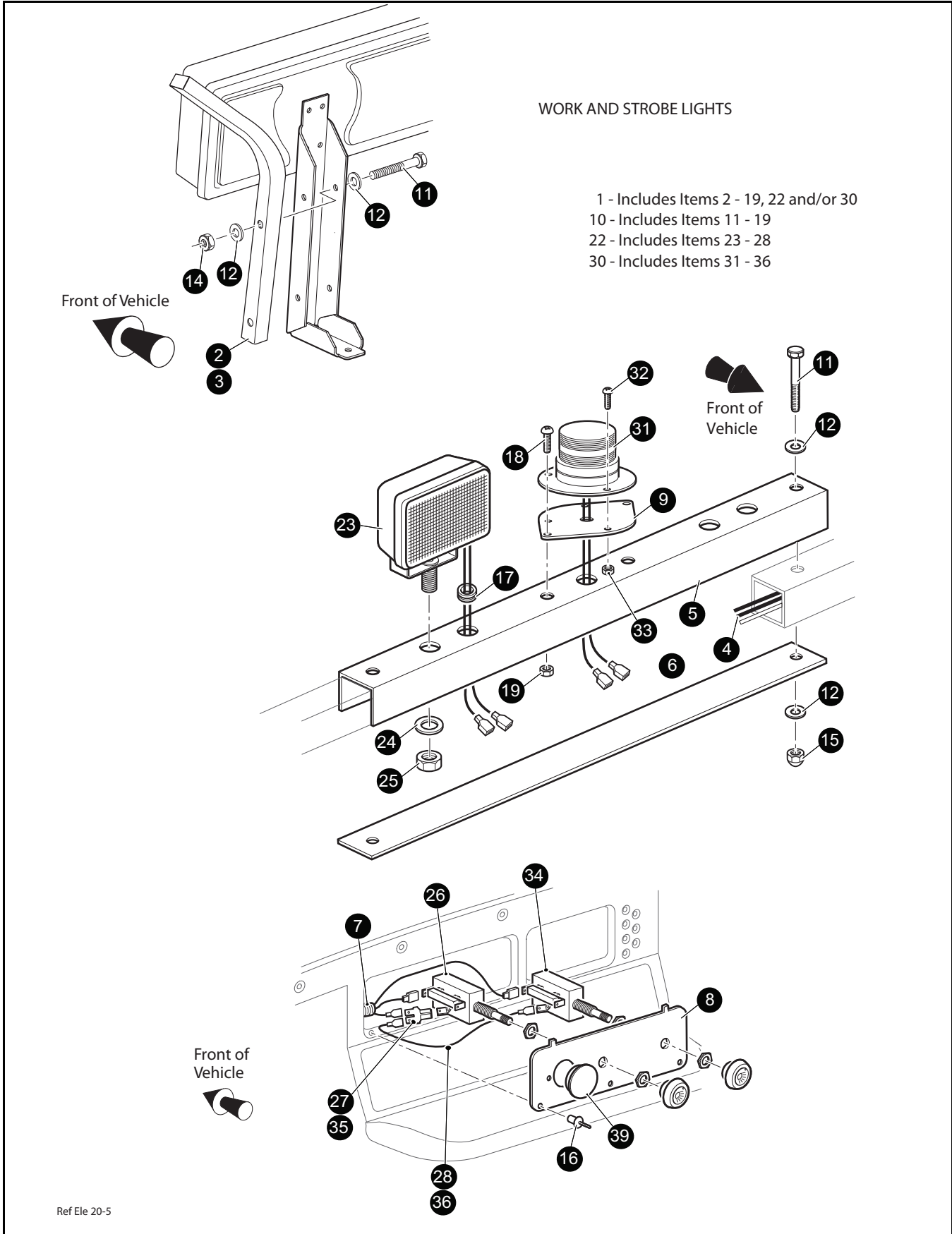
Where applicable, THE USE OF NON UL PARTS WILL VOID ANY UL LISTING.

When ordering parts, please specify the model and serial number of the product.

* Indicates a component that is not available as an individual part.

G** Indicates consult Customer Service Department for additional information.

ITEM	PART NO.	1	2	3	4	5	DESCRIPTION	QTY.
1								
2								
3								
4								
5	73030G06						PLATE (KEY SWITCH, DIRECTION SELECTOR, CHARGE METER)	1
6								
7	74322G01						LABEL (KEY SWITCH WITH LIGHTS, DIRECTION SELECTOR, CHARGE METER)	1
8								
9	33623G02						DRIVE RIVET, 3/16" X 3/8" LG	2
10								
11								
12	74323G01						DIRECTION SELECTOR SWITCH (DASH MOUNTED).....	1
13								
14								
15	33636G05						STATE OF CHARGE METER (VERTICAL)	1
16	25978G74						18 GA WIRE (RED 6").....	1
17								
18								
19	73290G02						REVERSE WARNING BUZZER (CONTINUOUS TONE)	1
20	01041G01						RIVET, 1/8" X 13/16" LG	2
21								
22								
23	35213G02						GROUND STRAP, 16" (EE ONLY)	1
24	00426G8						BOLT, 3/8 - 16 X 1" LG	1
25	00560G1						WASHER, 3/8"	2
26	11098G4						LOCK NUT, 3/8 - 16	1



Where applicable, THE USE OF NON UL PARTS WILL VOID ANY UL LISTING.

When ordering parts, please specify the model and serial number of the product.

* Indicates a component that is not available as an individual part.

G** Indicates consult Customer Service Department for additional information.

ITEM	PART NO.	1	2	3	4	5	DESCRIPTION	QTY.
1	71323-G**						WORK LIGHT BAR WITH LIGHTS AND/OR STROBE (INCLUDES ITEMS 2 - 19, 22 AND/OR 30).....	1
2	75838G03						STRUT (DRIVER SIDE).....	1
3	75838G04						STRUT (PASSENGER SIDE)	1
4	75346G01						WIRE HARNESS (WORK LIGHT)	1
5	71294G02						BRACE.....	1
6	71293G02						COVER PLATE	1
7	75430G01						SWITCH HARNESS	1
8	73522G**						CONSOLE INSERT PLATE	1
9	33201G03						STROBE LIGHT MOUNT (USED ONLY WITH STROBE LIGHT)	1
10	75365G01						HARDWARE KIT (INCLUDES ITEMS 11 - 19)	1
11	00685G7						BOLT, 5/16 - 18 X 1 3/4" LG	6
12	00660G8						WASHER, 5/16".....	12
13	15121G1						WASHER, 3/8" X 1 1/4".....	2
14	01109G01						LOCK NUT, 5/16 - 18	4
15	00918G3						ACORN NUT, 5/16 - 18	2
16	33623G02						DRIVE RIVET, 3/16" X 3/8" LG.....	3
17	20367G1						GROMMET.....	2
18	16705G3						SCREW, 1/4 - 20 X 3/4" LG.....	2
19	14390G4						LOCK NUT, 1/4 - 20	2
20								
21								
22	20383G2						WORK LIGHT KIT (INCLUDES ITEMS 23 - 28).....	1
23	20209G2						WORK LIGHT (RECTANGULAR)	2
24	00566G3						LOCK WASHER, 1/2".....	2
25	00533G1						NUT, 1/2 - 13	2
26	17317G1						LIGHT SWITCH.....	1
27	17902G1						TAB ADAPTER.....	1
28	20053G1						16 GA WIRE (RED 5 3/8").....	1
29								

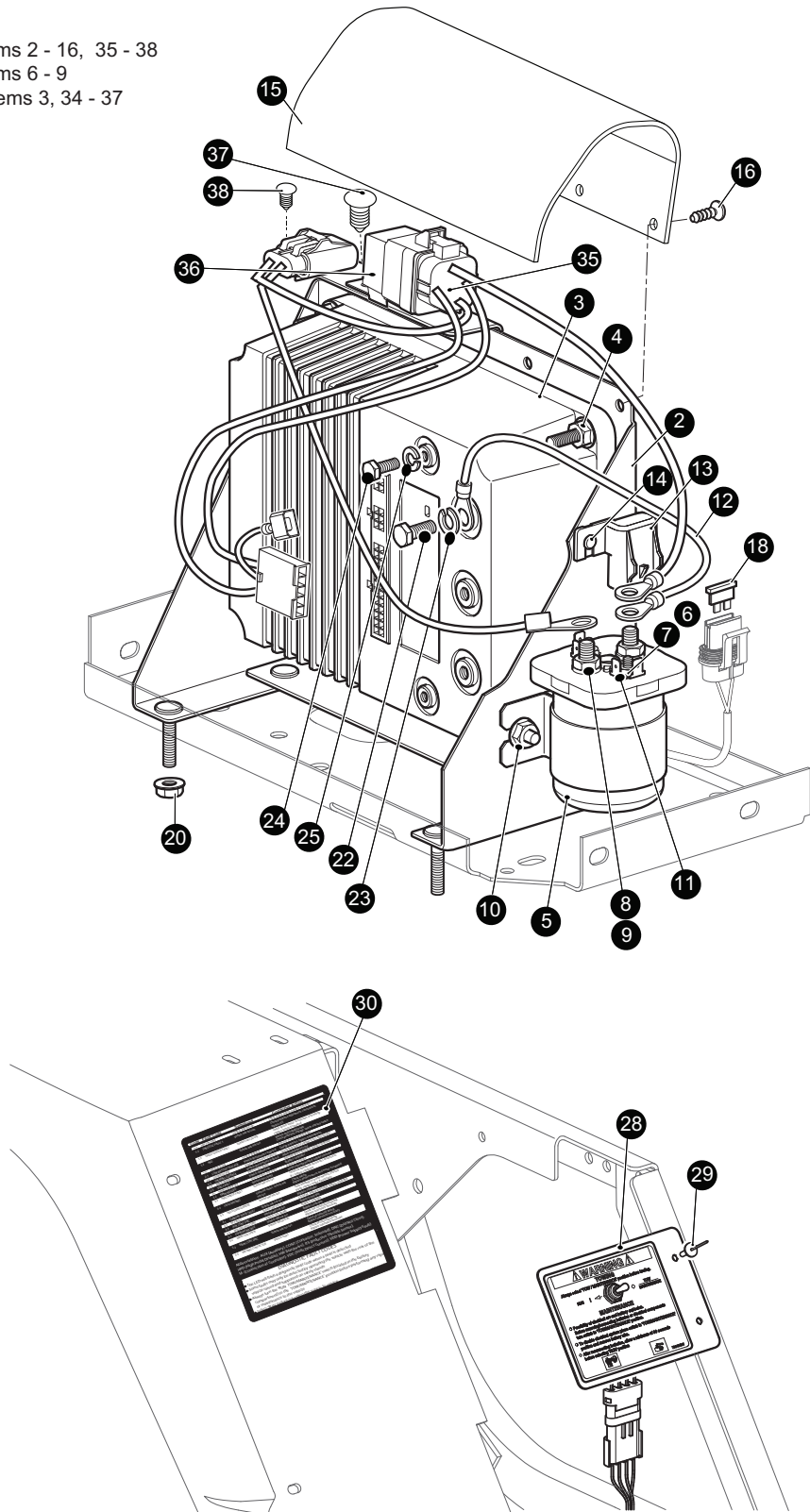
ELECTRICAL

Where applicable, THE USE OF NON UL PARTS WILL VOID ANY UL LISTING.
 When ordering parts, please specify the model and serial number of the product.
 * Indicates a component that is not available as an individual part.
 G** Indicates consult Customer Service Department for additional information.

ITEM	PART NO.	1	2	3	4	5	DESCRIPTION	QTY.
30	20385G3						STROBE LIGHT KIT (INCLUDES ITEMS 31 - 36)	1
31	20394G4						STROBE LIGHT	1
32	00379G4						SCREW, #10 - 24 x 1/2" LG	3
33	14390G10						LOCK NUT, #10 - 24	3
34	17317G1						LIGHT SWITCH.....	1
35	17902G1						TAB ADAPTER.....	1
36	20053G1						16 GA WIRE (RED 5 3/8").....	1
37								
38								
39	20271G10						HOLE PLUG.....	1

ELECTRONIC SPEED CONTORL - PDS

- 1 - Includes Items 2 - 16, 35 - 38
- 5 - Includes Items 6 - 9
- 33 - Includes Items 3, 34 - 37



ELECTRONIC SPEED CONTORL - PDS

Where applicable, THE USE OF NON UL PARTS WILL VOID ANY UL LISTING.

When ordering parts, please specify the model and serial number of the product.

* Indicates a component that is not available as an individual part.

G** Indicates consult Customer Service Department for additional information.

ITEM	PART NO.	1	2	3	4	5	DESCRIPTION	QTY.	
1	<u>73348-G04</u>	ELECTRONIC SPEED CONTROL ASSEMBLY (INCLUDES ITEMS 2 - 16, 31 - 34)							1
2	<u>73351-G01</u>	CONTROLLER MOUNT							1
3	<u>611173</u>	ELECTRONIC SPEED CONTROLLER							1
4	<u>11027-G2</u>	LOCK NUT, 1/4 - 20							4
5	<u>73231-G01</u>	SOLENOID (INCLUDES ITEMS 6 - 9).....							1
6	*	LOCK WASHER, #10							2
7	*	NUT, #10 - 32							2
8	*	LOCK WASHER, 5/16"							2
9	*	JAM NUT, 5/16 - 24							2
10	<u>11027-G2</u>	LOCK NUT, 1/4 - 20							2
11	<u>73446-G01</u>	FASTON TAB, 90°							4
12	<u>25971-G17</u>	4 GA WIRE (BLACK 9").....							1
13	<u>73499-G01</u>	IN-LINE FUSE COVER							1
14	<u>15058-G1</u>	RIVET, 3/16" X 7/16" LG (ALUMINUM)							1
15	<u>73523-G01</u>	COVER							1
16	<u>16816-G1</u>	RATCHET FASTENER, 1/4" X 9/16" LG							4
17									
18	<u>35212-G05</u>	FUSE, 7.5 AMP							1
19									
20	<u>11027-G2</u>	LOCK NUT, 1/4 - 20							4
21									
22	<u>73296-G01</u>	BOLT, 8MM X 16MM LG.....							3
23	<u>00993-G01</u>	LOCK WASHER, 5/16" (SILICON BRONZE).....							3
24	<u>73346-G01</u>	BOLT, 6MM X 1 X 12MM LG							2
25	<u>00993-G02</u>	LOCK WASHER, 1/4" (SILICON BRONZE).....							2
26									
27									
28	<u>611153</u>	TOW- SWITCH ASSEMBLY							1
29	<u>71055-G01</u>	RIVET, 3/16" X 1" LG (ALUMINUM).....							2

ELECTRONIC SPEED CONTORL - PDS

Where applicable, THE USE OF NON UL PARTS WILL VOID ANY UL LISTING.

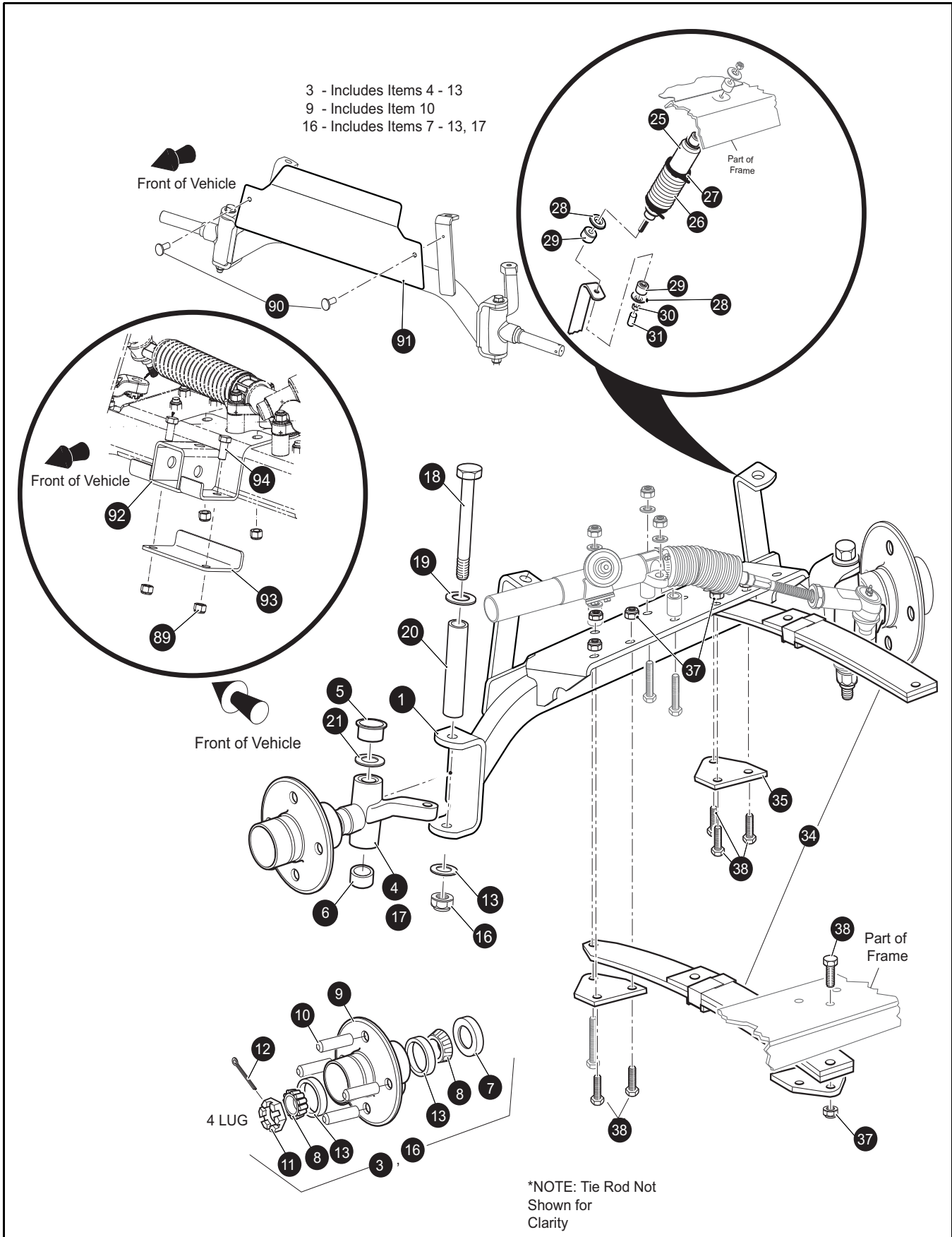
When ordering parts, please specify the model and serial number of the product.

* Indicates a component that is not available as an individual part.

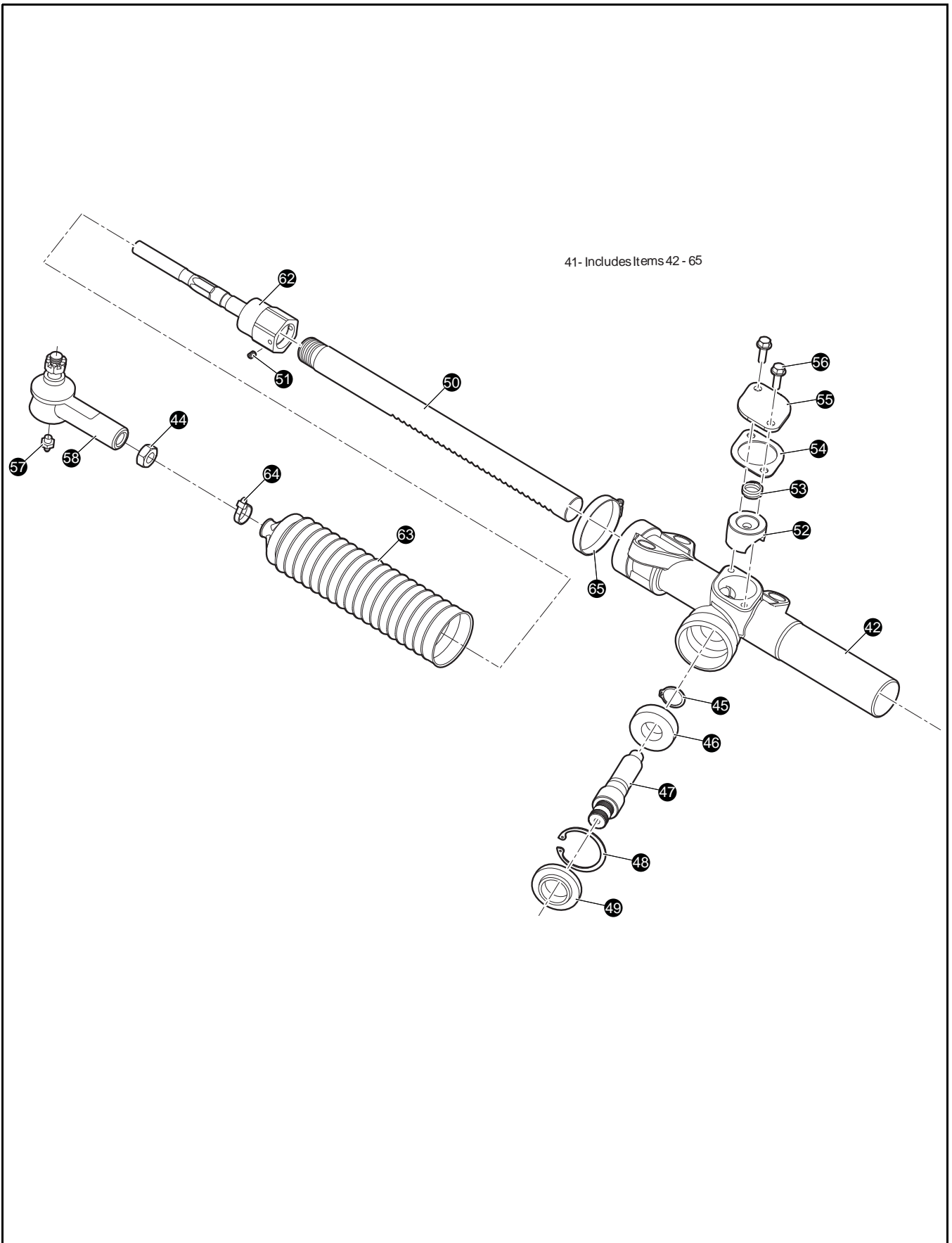
G** Indicates consult Customer Service Department for additional information.

ITEM	PART NO.	1 2 3 4 5	DESCRIPTION	QTY.
30	<u>73398-G01</u>		DIAGNOSTIC LABEL (FAULT CODE)	1
31				
32				
33	<u>615551</u>		SPEED CONTROLLER SERVICE KIT (includes items 3, 34 - 37)	
34	<u>17618G1</u>		NYLON WIRE TIE (not shown).....	2
35	608931		WALKAWAY RELAY HARNESS ASSEMBLY (inclueds item 36)	1
36	<u>604110</u>		RELAY	1
37	<u>16816-G5</u>		RIVET, 0.18 X 0.55	1
38	<u>16816-G2</u>		RIVET, 0.25 X 0.88	1

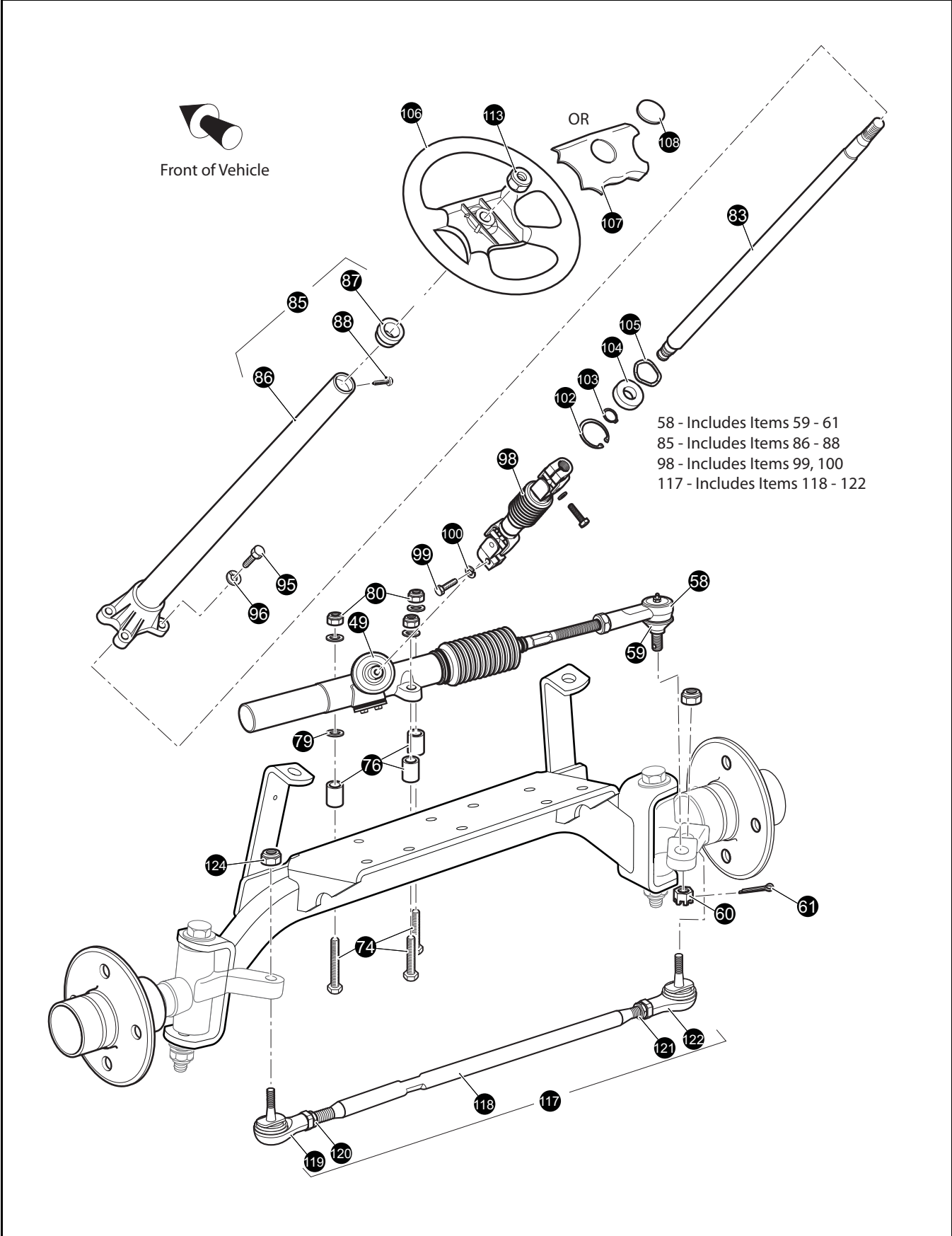
FRONT SUSPENSION/STEERING



FRONT SUSPENSION/STEERING



FRONT SUSPENSION/STEERING



FRONT SUSPENSION/STEERING

THE USE OF NON U.L. PARTS WILL VOID ANY U.L. LISTING.

When ordering parts, please specify the model and serial number of the product.

* Indicates a component that is not available as an individual part.

G** Indicates consult Customer Service Department for additional information.

ITEM	PART NO.	1 2 3 4 5	DESCRIPTION	QTY.
1	<u>606989</u>		FRONT AXLE	1
2				
3	<u>70930G02</u>		SPINDLE AND HUB ASSEMBLY, 4 LUG (PASSENGER SIDE) (INCLUDES ITEMS 4 - 13).....	1
4	<u>70802G01</u>		SPINDLE ASSEMBLY (PASSENGER SIDE)	1
5	<u>70648G01</u>		FLANGED BEARING.....	1
6	<u>70749G01</u>		BEARING.....	1
7	<u>25146G1</u>		GREASE SEAL.....	1
8	<u>11750G2</u>		ROLLER BEARING AND RACE ASSEMBLY.....	2
9	<u>74332G01</u>		WHEEL HUB	1
10	<u>34117G02</u>		BOLT, 1/2 - 20 X 2"	4
11	<u>12093G1</u>		SLOTTED NUT, 1 - 14	1
12	<u>00798G8</u>		COTTER PIN, 5/32" X 1 3/4" LG	1
13	<u>51141G1</u>		RACE BEARING.....	2
14				
15				
16	<u>70931G02</u>		SPINDLE AND HUB ASSEMBLY, 4 LUG (DRIVER SIDE) (INCLUDES ITEMS 5 - 13 & 17)	1
17	<u>70803G01</u>		SPINDLE ASSEMBLY (DRIVER SIDE)	1
18	<u>00407G6</u>		BOLT, 1/2 - 13 X 6" LG	2
19	<u>00560G3</u>		WASHER, 1/2"	4
20	<u>70745G01</u>		KING PIN TUBE	2
21	<u>70754G01</u>		THRUST WASHER (STAINLESS STEEL).....	2
22	<u>14390G6</u>		LOCK NUT, 1/2 - 13	2
23				
24				
25	<u>76419G01</u>		SHOCK ABSORBER.....	2
26	<u>70509G01</u>		SHOCK ABSORBER BOOT	2
27	<u>31539G1</u>		NYLON CLAMP.....	4
28	<u>10435G1</u>		SHOCK ABSORBER WASHER.....	8
29	<u>10194G1</u>		RUBBER SHOCK ABSORBER BUSHING	8

FRONT SUSPENSION/STEERING

THE USE OF NON U.L. PARTS WILL VOID ANY U.L. LISTING.
 When ordering parts, please specify the model and serial number of the product.
 * Indicates a component that is not available as an individual part.
 G** Indicates consult Customer Service Department for additional information.

ITEM	PART NO.	1	2	3	4	5	DESCRIPTION	QTY.
30	<u>00532G6</u>						NUT, 3/8 - 24	4
31	<u>10044G01</u>						VINYL CAP	2
32								
33								
34	<u>70990G03</u>						FRONT CANT LEAF SPRING	2
35	<u>70163G03</u>						SPRING PLATE	4
36								
37	<u>00734G1</u>						LOCK NUT, 7/16 - 14	12
38	<u>00463G6</u>						BOLT, 7/16 - 14 X 1 5/8" LG	12
39								
40								
41	<u>70964G01</u>						RACK AND PINION UNIT (COMPLETE) (INCLUDES ITEMS 42 - 65)	1
42	<u>70965G01</u>						STEERING RACK COVER & BEARING	1
43								
44	*						JAM NUT, 1/2 - 20.....	1
45	<u>70750G01</u>						RETAINING RING (EXTERNAL)	1
46	<u>15112G1</u>						BALL BEARING	1
47	<u>70603G01</u>						PINION.....	1
48	<u>70751G01</u>						RETAINING RING (INTERNAL)	1
49	<u>70638G01</u>						SEAL PINION	1
50	<u>70604G01</u>						RACK STEERING.....	1
51	<u>01053G01</u>						SCREW, 10- 32.....	1
52	<u>70590G01</u>						RACK LOADER	1
53	<u>70666G01</u>						SPRING COMPRESSION	1
54	<u>70645G01</u>						GASKET RACK LOADER.....	1
55	<u>70591G01</u>						COVER RACK LOADER	1
56	<u>71102G01</u>						SCREW, 1/4 - 20.....	2
57	<u>10389G3</u>						GREASE FITTING, STRAIGHT	1
58	<u>70695G01</u>						RACK BALL JOINT (INCLUDES ITEMS 59 - 61)	1
59	<u>50641G1</u>						RUBBER BOOT	1

FRONT SUSPENSION/STEERING

THE USE OF NON U.L. PARTS WILL VOID ANY U.L. LISTING.

When ordering parts, please specify the model and serial number of the product.

* Indicates a component that is not available as an individual part.

G** Indicates consult Customer Service Department for additional information.

ITEM	PART NO.	1 2 3 4 5	DESCRIPTION	QTY.
60	<u>50209G2</u>		SLOTTED NUT, 7/16 - 20.....	1
61	<u>10387G2</u>		COTTER PIN, 3/32" X 3/4" LG	1
62	74694G01		ROD END (INNER).....	1
63	<u>70961G01</u>		RACK BOOT	1
64	<u>12416G2</u>		NYLON CLAMP	1
65	<u>11391G8</u>		WIRE TIE	1
66				
67				
68				
69				
70				
71				
72				
73				
74	<u>00464G6</u>		BOLT, 7/16 - 14 X 2 3/4" LG	3
75				
76	<u>70667G02</u>		SPACER.....	3
77				
78				
79	<u>00560G2</u>		FLAT WASHER, 1/2"	6
80	<u>00734G1</u>		LOCK NUT, 7/16 - 14	3
81				
82				
83	<u>70607G01</u>		STEERING SHAFT	1
84				
85	<u>70758G05</u>		STEERING COLUMN KIT (INCLUDES ITEMS 86 - 88)	1
86	<u>70610G03</u>		STEERING COLUMN	1
87	<u>28569G01</u>		STEERING COLUMN BUSHING.....	1
88	<u>01022G01</u>		SCREW, #6 - 20 X 5/16" LG	1
89	<u>00734G1</u>		LOCK NUT, 7/16 - 14	4

FRONT SUSPENSION/STEERING

THE USE OF NON U.L. PARTS WILL VOID ANY U.L. LISTING.
 When ordering parts, please specify the model and serial number of the product.
 * Indicates a component that is not available as an individual part.
 G** Indicates consult Customer Service Department for additional information.

ITEM	PART NO.	1	2	3	4	5	DESCRIPTION	QTY.
90	<u>15058G1</u>						RIVET	2
91	<u>605642</u>						STEERING RACK COVER	1
92	<u>604559</u>						WELDMENT, WINCH RECEIVER	1
93	<u>604572</u>						PL, WINCH RECEIVER RETAINER.....	1
94	<u>00462G8</u>						SCREW, HEXAGON HEAD 7/16 - 14	4
95	<u>01006G01</u>						BOLT, 3/8 - 16 X 1 1/4" LG WITH PATCHLOCK	4
96	<u>00879G1</u>						LOCK WASHER, 3/8"	4
97								
98	<u>70580G01</u>						INTERMEDIATE SHAFT (INCLUDES ITEMS 99, 100).....	1
99	<u>01055G01</u>						BOLT, M8 X 1 1/4" LG	2
100	<u>00565G8</u>						LOCK WASHER, 5/16"	2
101								
102	<u>70751G01</u>						RETAINING RING (INTERNAL)	1
103	<u>70888G01</u>						RETAINING RING (EXTERNAL).....	1
104	<u>15112G1</u>						BALL BEARING	1
105	<u>70887G01</u>						WAVE WASHER.....	1
106	<u>602980</u>						STEERING WHEEL	1
107	<u>71147G01</u>						STEERING WHEEL COVER	1
108	<u>605435</u>						LABEL (E-Z-GO)	1
109								
110								
111								
112								
113	<u>14390G2</u>						LOCK NUT, 5/8 - 18	1
114								
115								
116								
117	<u>70876G02</u>						TIE ROD ASSEMBLY (INCLUDES ITEMS 118 - 122)	1
118	<u>70897G02</u>						THREADED ROD (24" LG).....	1
119	<u>70902G01</u>						TIE ROD END (LEFT HAND THREADS)	1

FRONT SUSPENSION/STEERING

THE USE OF NON U.L. PARTS WILL VOID ANY U.L. LISTING.

When ordering parts, please specify the model and serial number of the product.

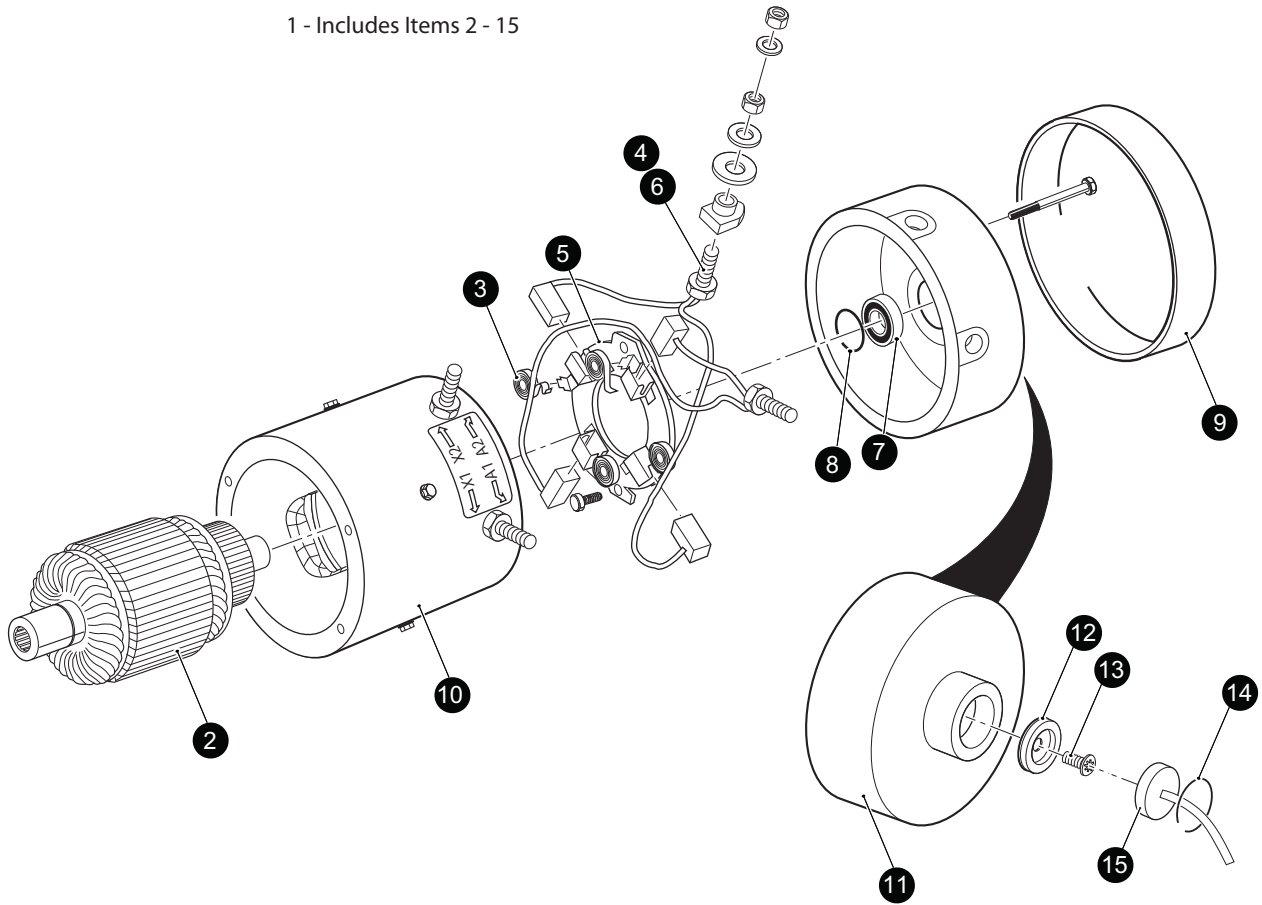
* Indicates a component that is not available as an individual part.

G** Indicates consult Customer Service Department for additional information.

ITEM	PART NO.	1 2 3 4 5	DESCRIPTION	QTY.
120	<u>01069G01</u>		JAM NUT, M12 X 1.25-05 (LEFT HAND THREADS).....	1
121	<u>70902G02</u>		TIE ROD END (RIGHT HAND THREADS).....	1
122	<u>01069G02</u>		JAM NUT, M12 X 1.25-05 (RIGHT HAND THREADS)	1
123				
124	<u>00734G1</u>		LOCK NUT, 7/16 - 14	2

MOTOR

1 - Includes Items 2 - 15



THE USE OF NON U.L. PARTS WILL VOID ANY U.L. LISTING.

When ordering parts, please specify the model and serial number of the product.

* Indicates a component that is not available as an individual part.

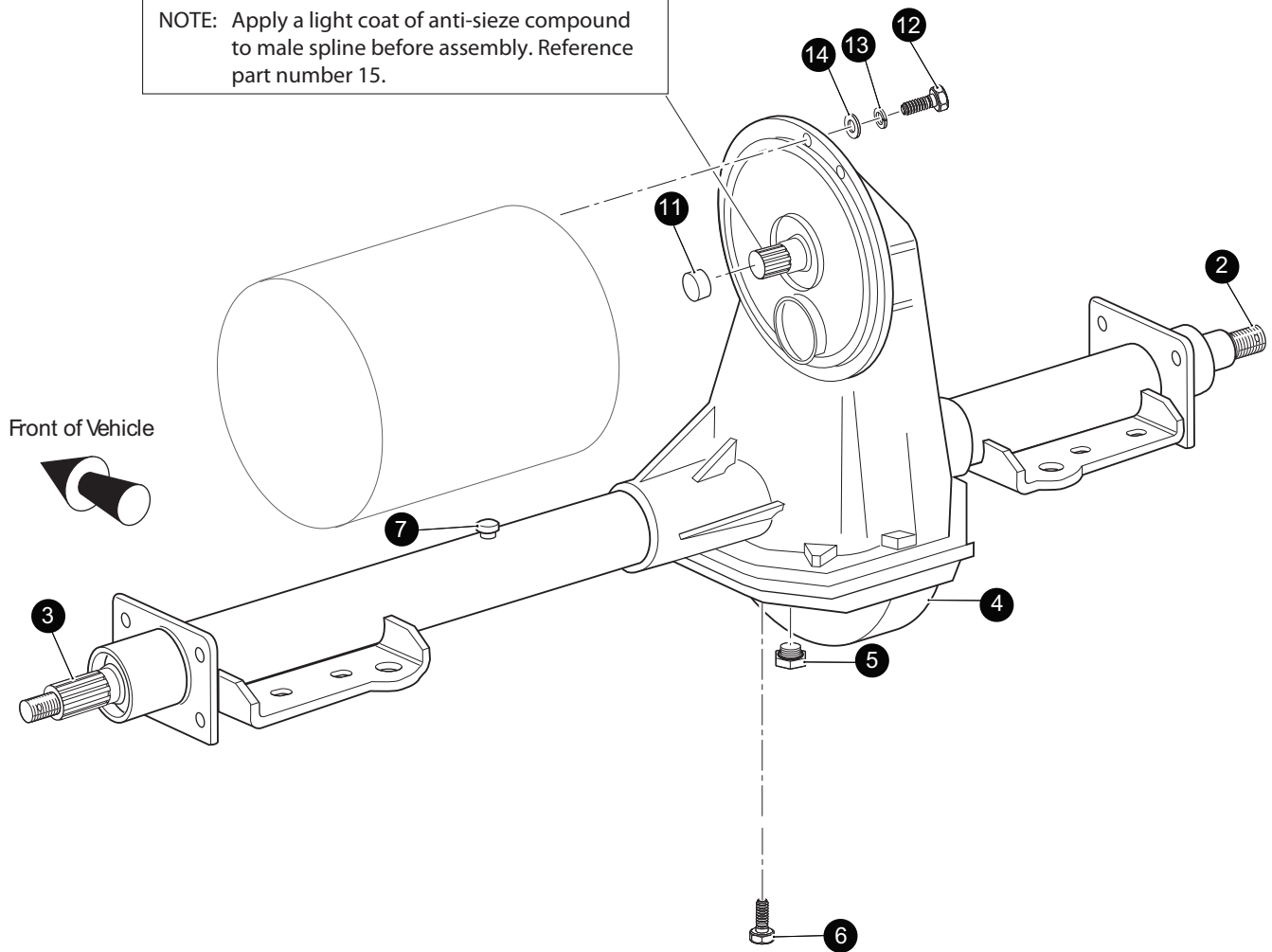
G** Indicates consult Customer Service Department for additional information.

ITEM	PART NO.	1	2	3	4	5	DESCRIPTION	QTY.
1	<u>73291G04</u>						MOTOR (SEPARATELY EXCITED) (PDS) (INCLUDES ITEMS 2 - 15).....	1
2	<u>73120G36</u>						ARMATURE	1
3	<u>73120G38</u>						BRUSH SPRING.....	8
4	<u>73120G39</u>						BRUSH	1
5	<u>73120G40</u>						BRUSH BOX.....	1
6	<u>73120G41</u>						BRUSH REPLACEMENT KIT (INCLUDES HARDWARE)	1
7	<u>73120G07</u>						BEARING	1
8	<u>73120G06</u>						SNAP RING	1
9	<u>73120G43</u>						HEADBAND	1
10	<u>73120G37</u>						FRAME AND FIELD COIL (INCLUDES HARDWARE).....	1
11	<u>73120G42</u>						COVER COMMUTATOR END	1
12	<u>73328G01</u>						MAGNET.....	1
13	<u>01037G02</u>						SCREW, #10 - 32 X 1/2" LG	1
14	<u>73277G01</u>						RETAINING RING.....	1
15	<u>73327G04</u>						SPEED SENSOR.....	1

REAR AXLE

1 - Includes Items 2 - 7

NOTE: Apply a light coat of anti-sieze compound to male spline before assembly. Reference part number 15.



Ref Rax

REAR AXLE

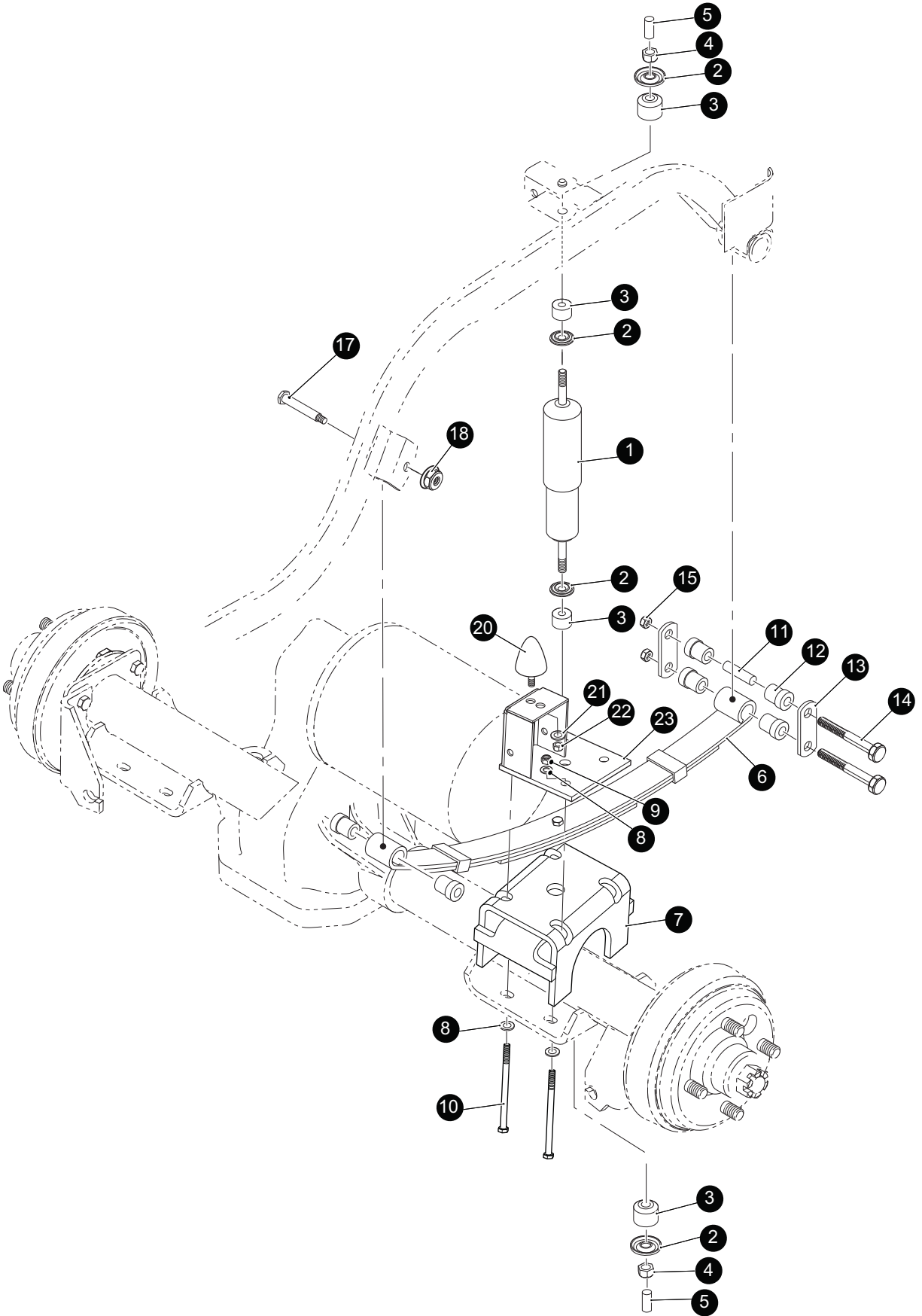
When ordering parts, please specify the model and serial number of the product.

* Indicates a component that is not available as an individual part.

*** Indicates consult Customer Service Department for additional information.

ITEM	PART NO.	1 2 3 4 5	DESCRIPTION	QTY.
1	<u>74612G01</u>		REAR AXLE ASSEMBLY 14.76:1 (INCLUDES ITEMS 2 - 7).....	1
2	<u>20377G12</u>		AXLE SHAFT (PASSENGER SIDE).....	1
3	<u>20377G11</u>		AXLE SHAFT (DRIVER SIDE)	1
4	*		DIFFERENTIAL COVER	1
5	<u>28610G01</u>		FILL PLUG WITH 'O' RING	1
6	<u>15558G1</u>		BOLT, 5/16 - 18 X 3/4" LG	10
7	<u>73050G01</u>		VENT	1
8				
9				
10				
11	<u>24261G1</u>		SPLINE BUMPER.....	1
12	<u>00797G2</u>		BOLT, 1/4 - 20 X 1 1/4" LG.....	3
13	<u>00664G7</u>		LOCK WASHER, 1/4"	3
14	<u>01110G01</u>		FLAT WASHER, 1/4"	3
15	*		ANTI-SIEZE COMPOUND	AR

REAR SUSPENSION



REAR SUSPENSION

When ordering parts, please specify the model and serial number of the product.

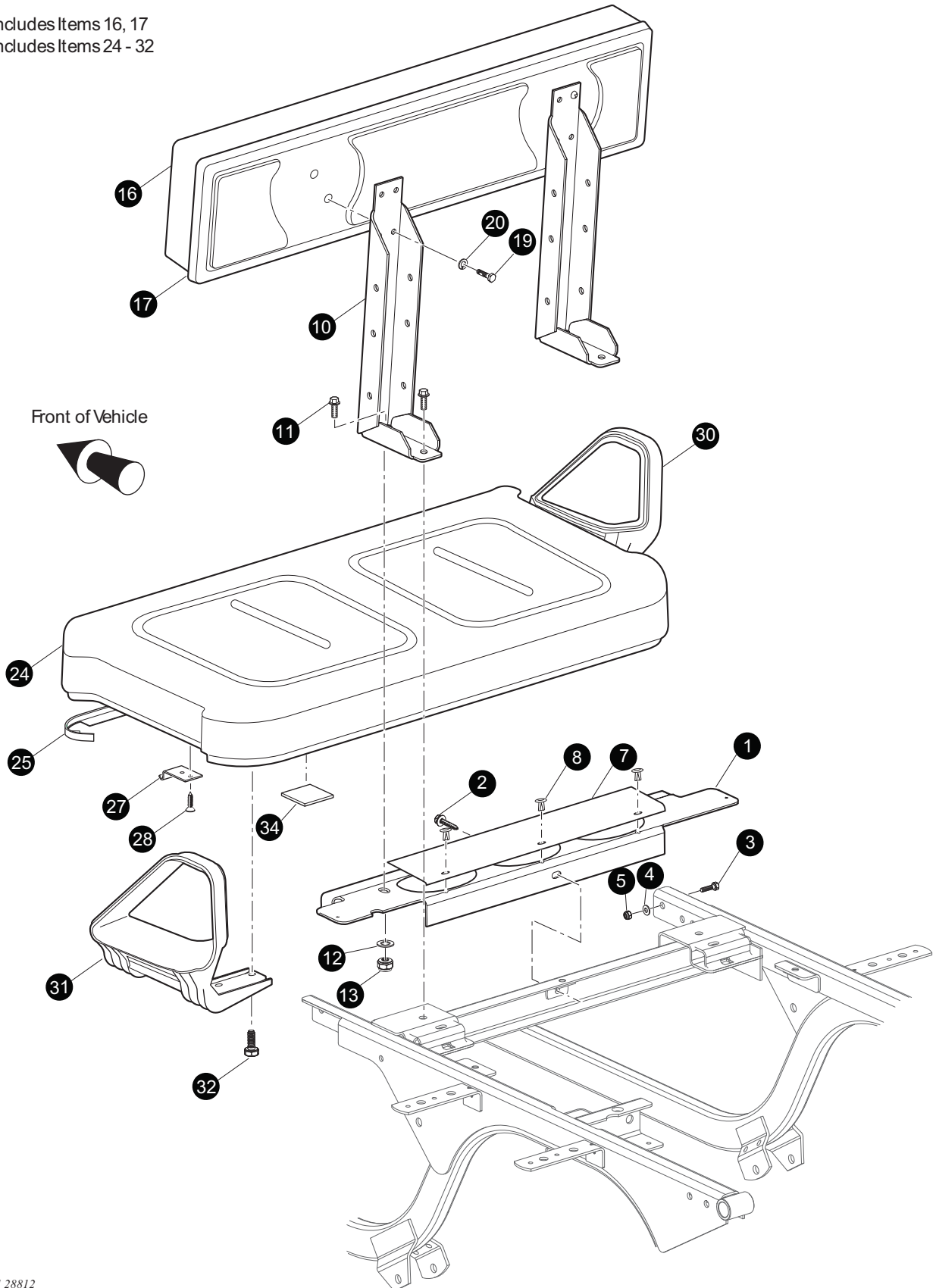
* Indicates a component that is not available as an individual part.

*** Indicates consult Customer Service Department for additional information.

ITEM	PART NO.	1 2 3 4 5	DESCRIPTION	QTY.
1	76418G1		SHOCK ABSORBER	2
2	<u>10435G1</u>		SHOCK ABSORBER WASHER.....	8
3	<u>10194G1</u>		RUBBER SHOCK ABSORBER BUSHING.....	8
4	<u>00532G6</u>		NUT, 3/8 - 24	4
5	<u>10044G01</u>		VINYL CAP	4
6	74207G3		LEAF SPRING	2
7	<u>620740</u>		LIFT BRACKET	2
8	<u>00560G1</u>		WASHER, 3/8"	16
9	<u>11098G5</u>		LOCK NUT, 3/8 - 16	8
10	<u>00430G12</u>		BOLT HEX HEAD, 3/8 - 16	8
11	<u>70289G02</u>		SPACER.....	4
12	<u>70291G01</u>		RUBBER BUSHING.....	12
13	<u>70290G02</u>		SHACKLE PLATE	4
14	<u>00665G9</u>		BOLT, 3/8 - 16 X 3 1/2" LG (STAINLESS STEEL)	4
15	<u>11098G5</u>		LOCK NUT, 3/8 - 16	4
16				
17	<u>14158G1</u>		SHOULDER BOLT, 3/8 - 16 X 3 1/4" LG.....	2
18	<u>12262G1</u>		LOCK NUT, 3/8 - 16	2
19				
20	<u>70492G01</u>		RUBER BUMPER	2
21	<u>00968G01</u>		LOCK WASHER, M10.....	2
22	<u>00974G01</u>		NUT, M10 X 1.0.....	2
23	<u>72360G02</u>		MOUNTING PLATE, SHOCK DRIVER SIDE.....	1
24	<u>72360G01</u>		MOUNTING PLATE, SHOCK PASSENGER SIDE (NOT SHOWN)	1

SEATING

15 - Includes Items 16, 17
23 - Includes Items 24 - 32



Ref Sea 4-1 28812

When ordering parts, please specify the model and serial number of the product.

* Indicates a component that is not available as an individual part.

*** Indicates consult Customer Service Department for additional information.

ITEM	PART NO.	1 2 3 4 5	DESCRIPTION	QTY.
1	<u>74971-G01</u>		SEAT BACK SUPPORT	1
2	<u>00715-G2</u>		BOLT, 5/16 - 18 X 13/16" LG.....	1
3	<u>00438-G8</u>		BOLT, 5/16 - 18 X 3/4" LG.....	2
4	<u>00642-G8</u>		WASHER, 5/16"	2
5	11098-G6		LOCK NUT, 5/16 - 18	2
6				
7	<u>71263-G01</u>		ACCESS COVER.....	1
8	<u>18436-G1</u>		DRIVE RIVET.....	3
9				
10	<u>75900-G02</u>		SEAT BACK SUPPORT BRACKET	2
11	<u>01006-G01</u>		BOLT, 3/8 - 16 X 1 1/4" LG.....	4
12	<u>00643-G1</u>		WASHER, 3/8"	2
13	<u>11098-G5</u>		LOCK NUT, 3/8 - 16	2
14				
15	71274-G**		SEAT BACK ASSEMBLY (INCLUDES ITEMS 16, 17)	1
16	18144-G**		VINYL SEAT BACK COVER	1
17	<u>74889-G01</u>		PLASTIC SEAT BACK COVER (BLACK)	1
18				
19	<u>605056</u>		SCREW, HEX HEAD 1/4 - 20 X 1"W/PTCHLOC	4
20	<u>00664-G7</u>		LOCK WASHER, 1/4"	4
21				
22				
23	71611-G**		SEAT BOTTOM ASSEMBLY (INCLUDES ITEMS 24 - 32).....	1
24	71602-G**		VINYL SEAT BOTTOM COVER	1
25	<u>71012-G01</u>		VINYL TRIM (SEAT BOTTOM).....	1
26				
27	<u>71610-G01</u>		SEAT HINGE	2
28	<u>00720-G08</u>		SCREW, #12 - 14 X 1" LG.	6
29				

SEATING

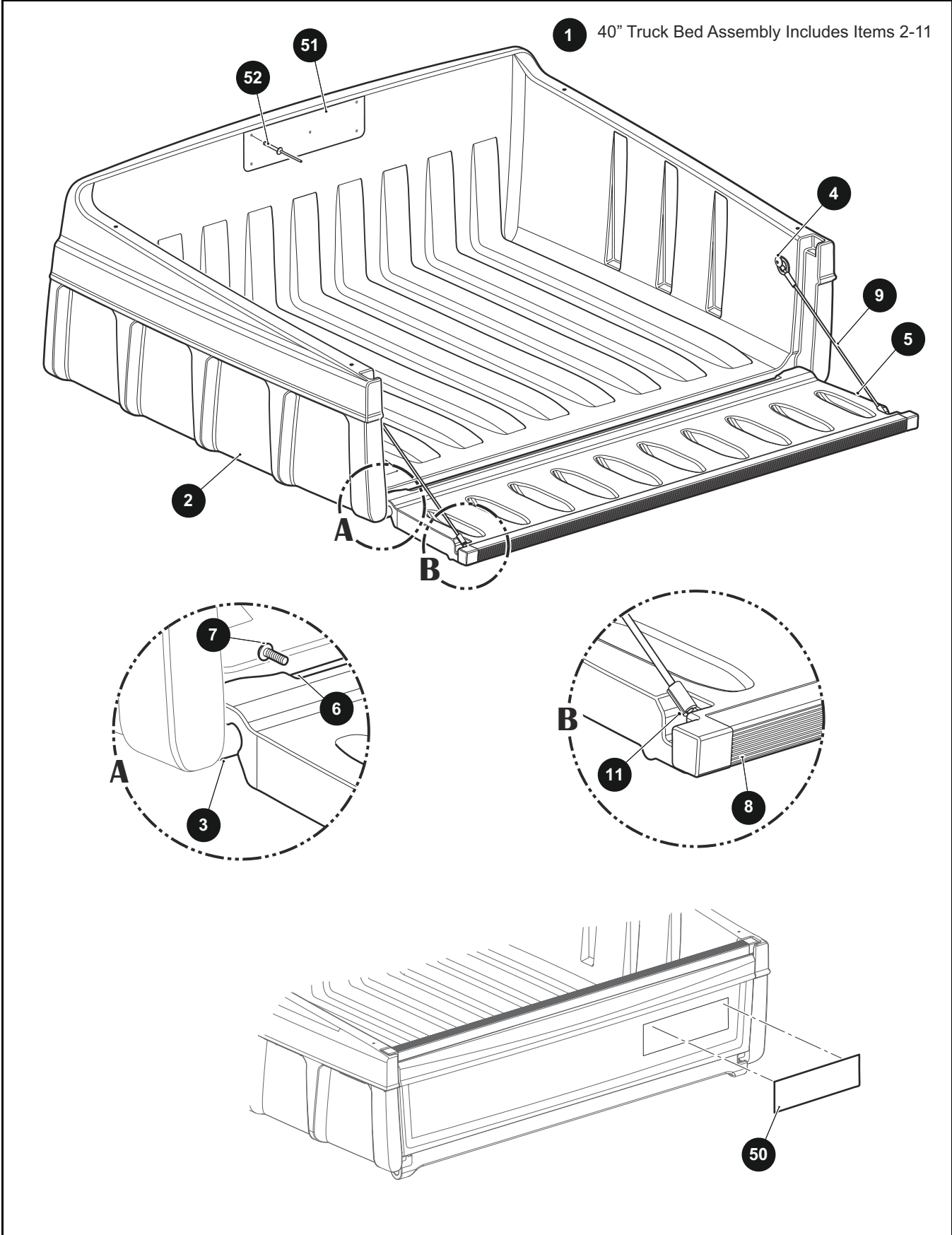
When ordering parts, please specify the model and serial number of the product.

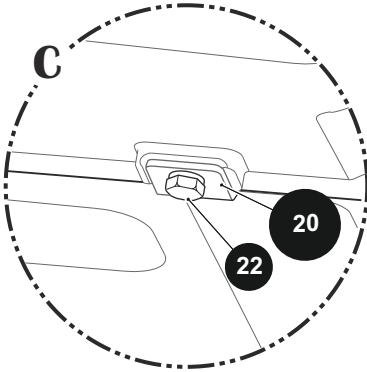
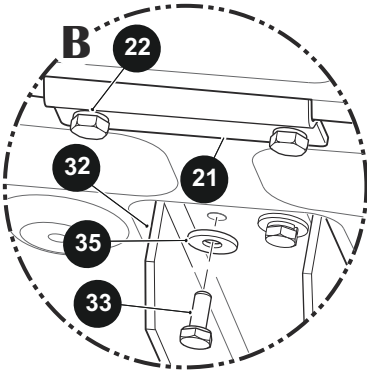
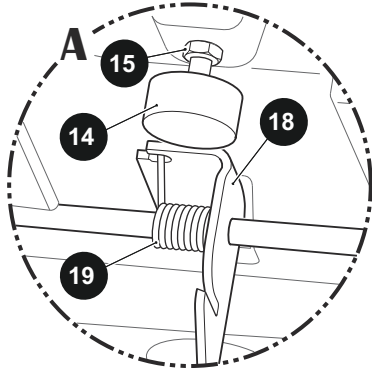
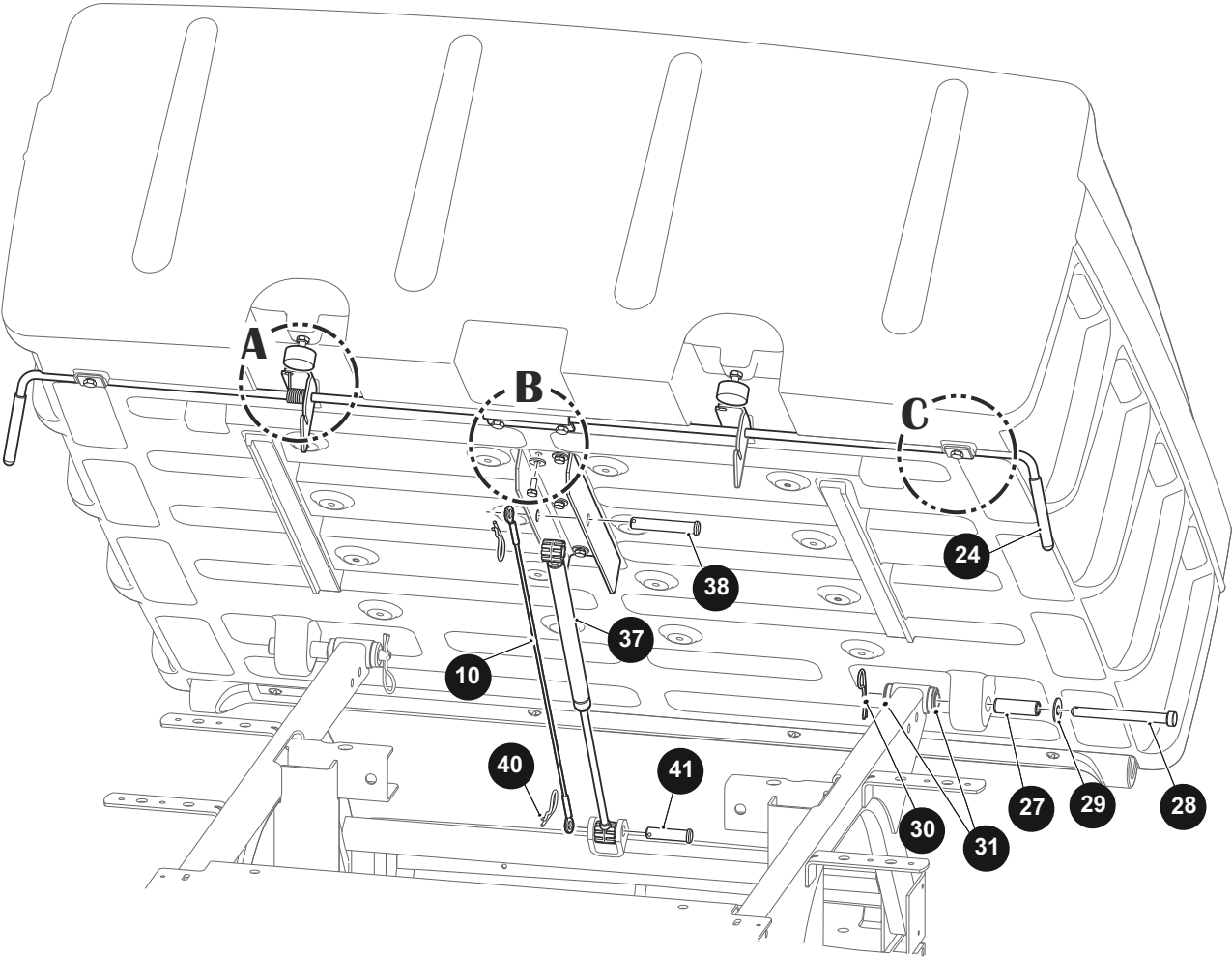
* Indicates a component that is not available as an individual part.

*** Indicates consult Customer Service Department for additional information.

ITEM	PART NO.	1	2	3	4	5	DESCRIPTION	QTY.
30	<u>71701-G01</u>						HIP RESTRAINT (PASSENGER SIDE).....	1
31	<u>71702-G01</u>						HIP RESTRAINT (DRIVER SIDE)	1
32	71204-G01						BOLT, 1/4 - 20 X 7/8" LG.	8
33								
34	<u>17074-G1</u>						BUMPER	2

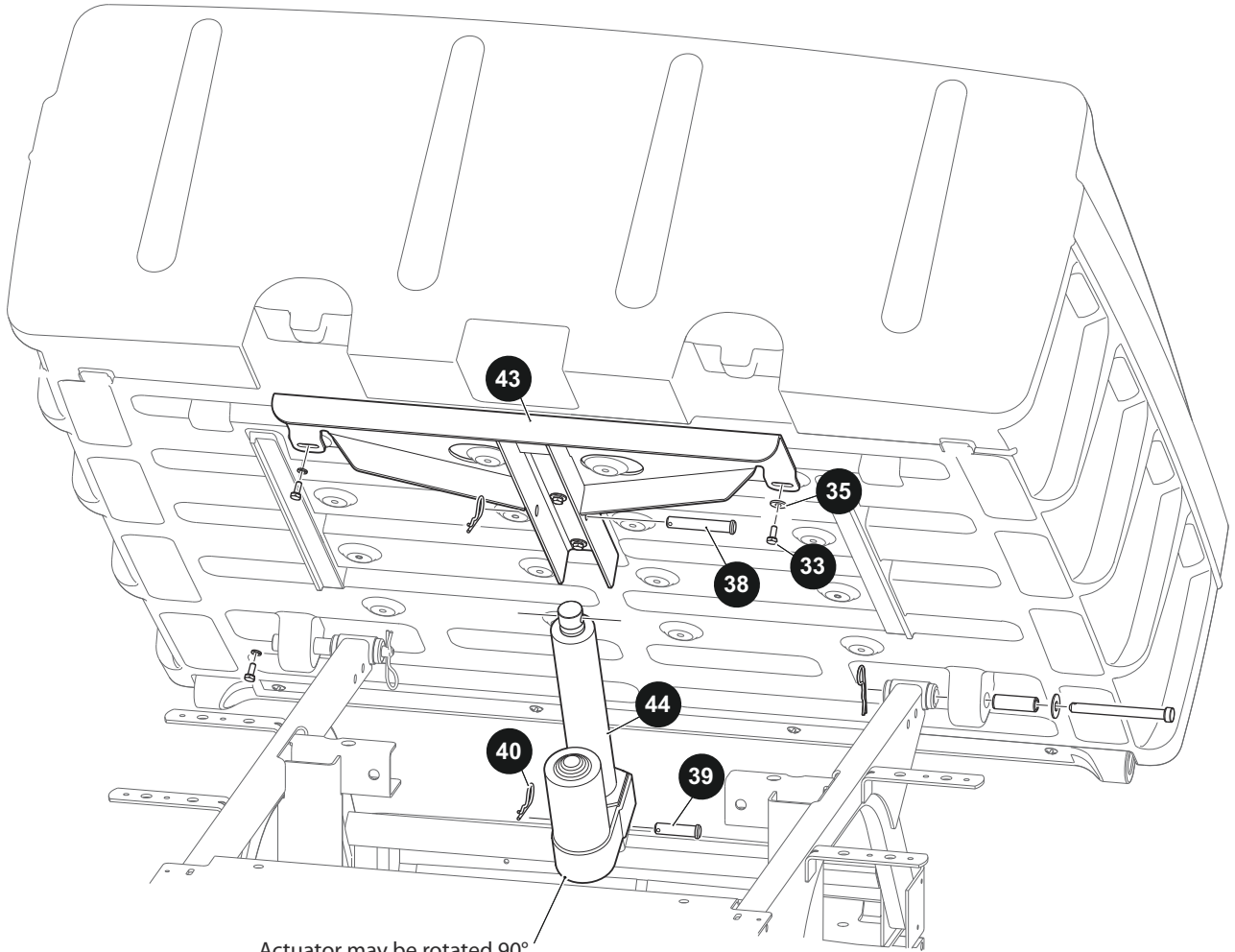
TRUCK BED - PLASTIC





Ref Tbp 21-2

TRUCK BED - PLASTIC



Actuator may be rotated 90°
on some models

Ref Tbp 21-3

TRUCK BED - METAL

When ordering parts, please specify the model and serial number of the product.

* Indicates a component that is not available as an individual part.

*** Indicates consult Customer Service Department for additional information.

ITEM	PART NO.	1 2 3 4 5	DESCRIPTION	QTY.
1	<u>73451G01</u>		BED ASSEMBLY, 40" (INCLUDES ITEMS 2 -11)	1
2	<u>73447G01</u>		PLASTIC BED, 40"	1
3	<u>73454G01</u>		PIVOT SHAFT	2
4	<u>73460G01</u>		SHOULDER BOLT, 1/4 - 20 X 3/4" LG	2
5	<u>73448G01</u>		TAILGATE	1
6	<u>73450G01</u>		BOWED ANGLE	1
7	<u>16705G2</u>		SCREW, 1/4 - 20 X 5/8" LG (STAINLESS STEEL)	4
8	<u>73449G01</u>		EXTRUSION CHANNEL	1
9	<u>73455G01</u>		TAILGATE CABLE	2
10	<u>602904</u>		BED TETHER CABLE ASSEMBLY	1
11	<u>00415G2</u>		SCREW, 1/4 - 20 X 5/8" LG (STAINLESS STEEL)	2
12				
13				
14	<u>70113G01</u>		ADJUSTABLE RUBBER BUMPER.....	2
15	<u>11027G1</u>		LOCK NUT, 5/16 - 18	2
16				
17				
18	<u>74962G01</u>		BED LATCH	1
19	<u>71538G01</u>		LATCH TORSION SPRING	1
20	<u>71099G02</u>		KEEPER PLATE	2
21	<u>71477G02</u>		RETAINER BRACKET	1
22	<u>01118G01</u>		SCREW, 1/4 - 20 X 5/8" LG	4
23				
24	<u>71704G01</u>		HANDLE GRIP.....	2
25				
26				
27	<u>71570G01</u>		BUSHING.....	2
28	<u>71571G01</u>		CLEVIS PIN	2
29	<u>00571G5</u>		WASHER, 1/2"	2
30	<u>21683G1</u>		COTTER PIN	2
31	<u>70291G01</u>		BUSHING.....	4

TRUCK BED - PLASTIC

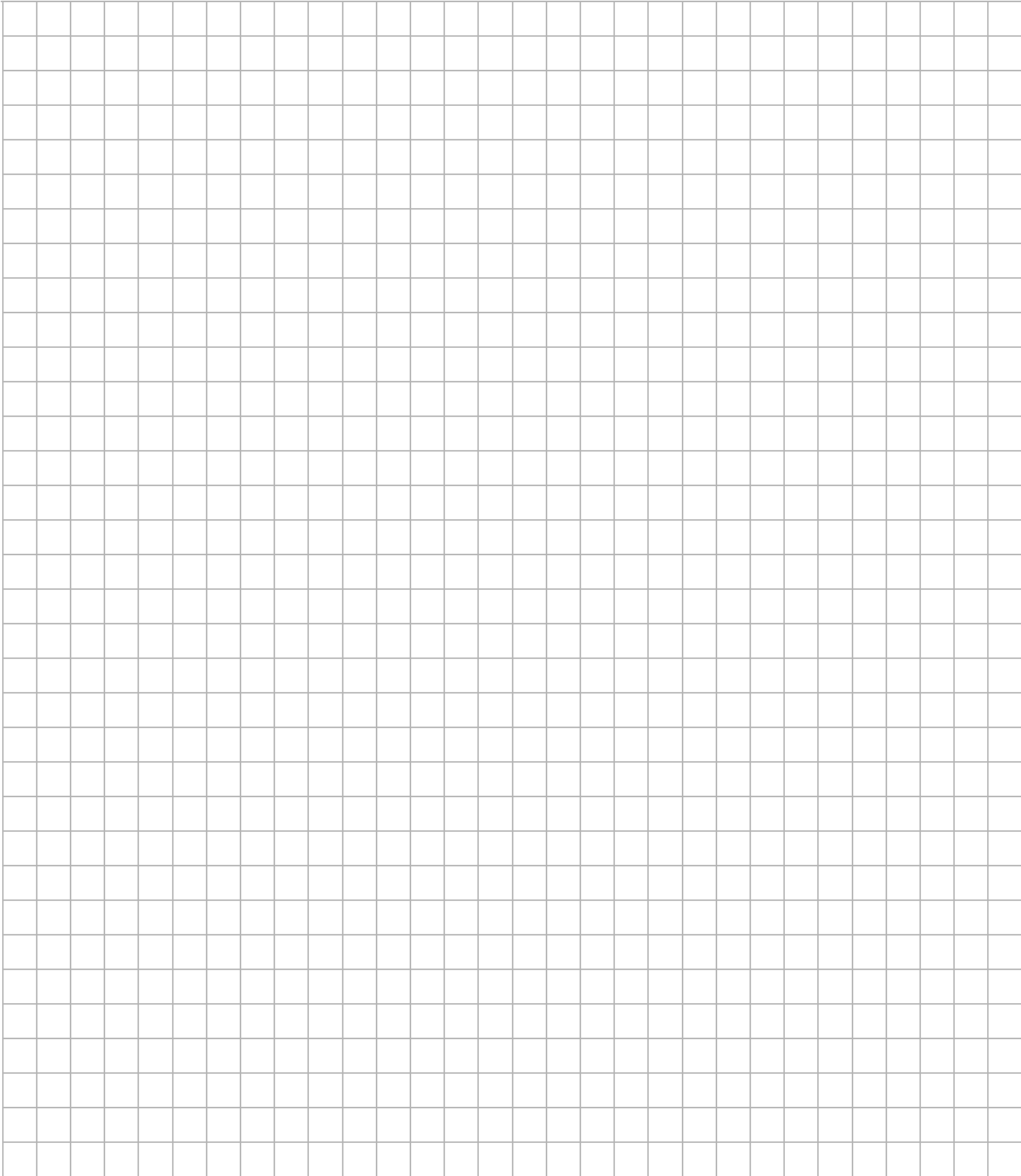
When ordering parts, please specify the model and serial number of the product.

* Indicates a component that is not available as an individual part.

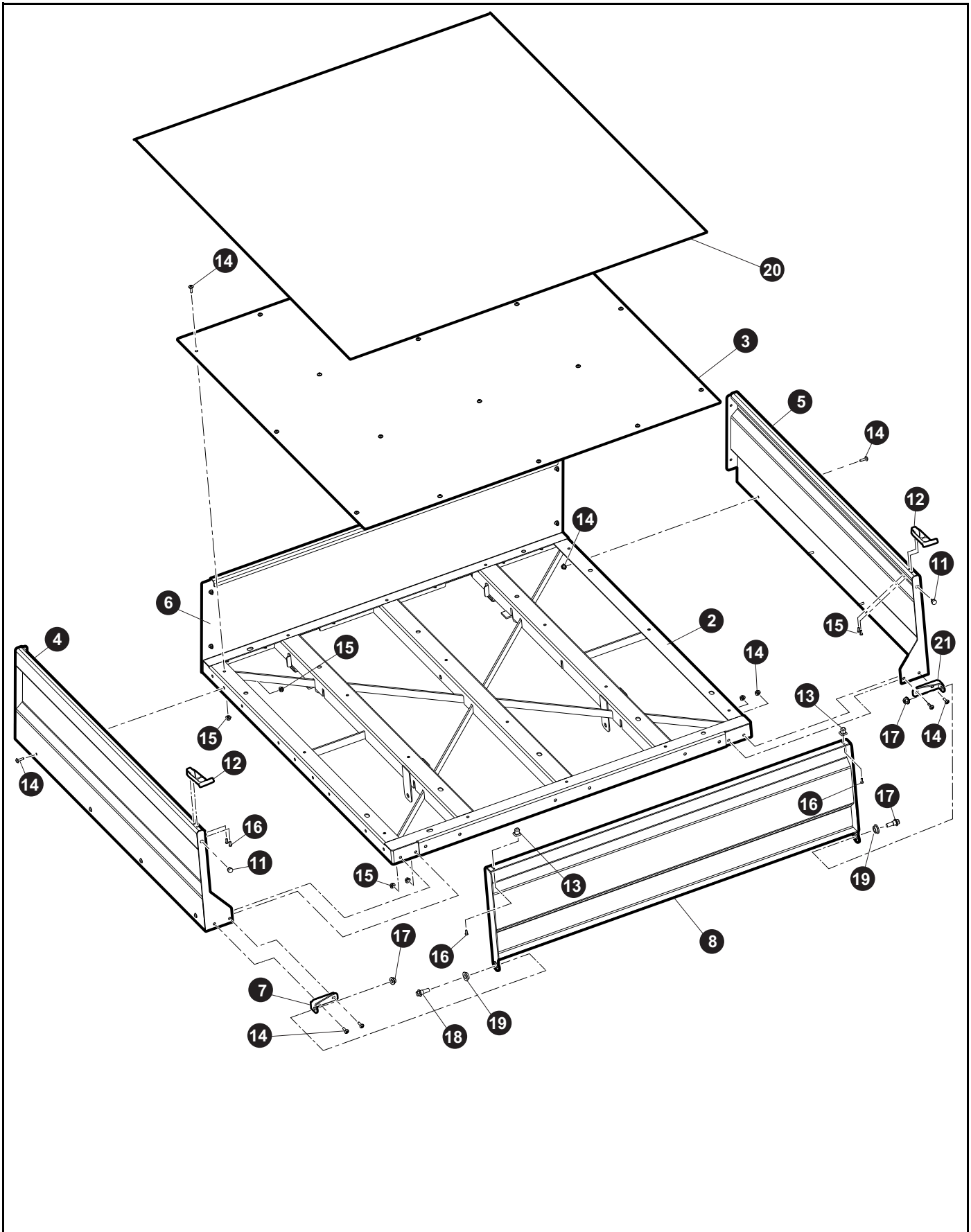
*** Indicates consult Customer Service Department for additional information.

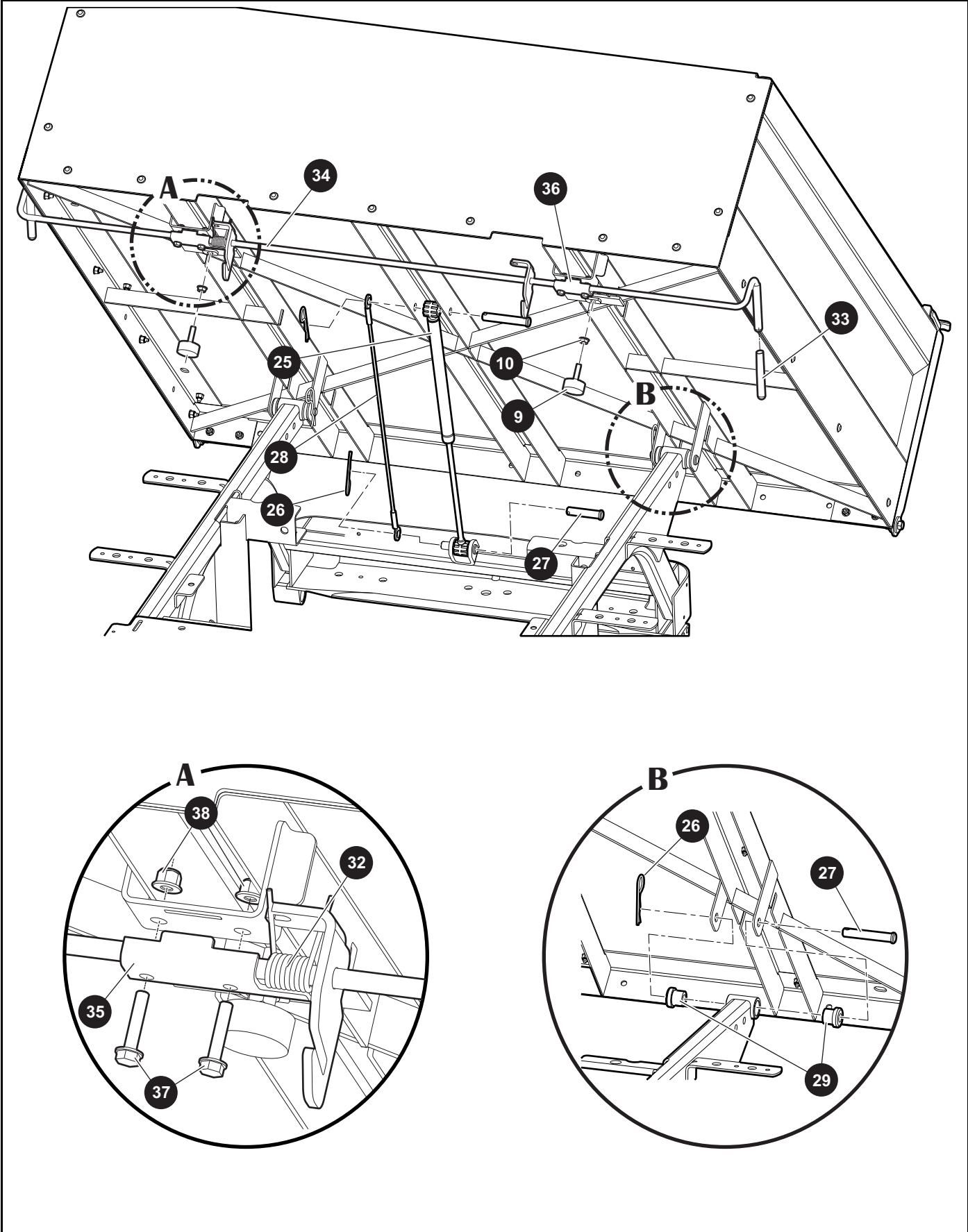
ITEM	PART NO.	1 2 3 4 5	DESCRIPTION	QTY.
32	<u>71569G02</u>		SPRING CHANNEL.....	1
33	<u>01118G01</u>		SCREW, 1/4 - 20 X 5/8" LG.....	6
34				
35	<u>00642G7</u>		WASHER, 1/4".....	6
36				
37	<u>71537G02</u>		GAS SPRING	2
38	<u>14443G10</u>		CLEVIS PIN, 1/2" X 2 27/32" LG	2
39	<u>14443G11</u>		CLEVIS PIN, 1/2" X 1 3/4" LG	1
40	<u>21683G1</u>		COTTER PIN,	2
41	<u>14443G12</u>		CLEVIS PIN, 1/2" X 2 11/50"	1
42				
43	<u>71547G02</u>		OUTRIGGER CHANNEL.....	1
44	<u>27612G02</u>		ELECTRIC ACTUATOR, 12 VOLT, 1500 LBS.....	1
45				
46				
47				
48				
49				
50	606109		SERIAL PLATE.....	1
51	<u>74821G01</u>		LOAD BED DECAL	1
52	<u>71055G01</u>		RIVET	5
53				
54				
55				
56				
57				
58				
59				
60				

Notes:

A large grid of graph paper for taking notes. The grid consists of 20 columns and 28 rows of squares. It is currently empty.

TRUCK BED - METAL





TRUCK BED - METAL

When ordering parts, please specify the model and serial number of the product.

* Indicates a component that is not available as an individual part.

*** Indicates consult Customer Service Department for additional information.

ITEM	PART NO.	1 2 3 4 5	DESCRIPTION	QTY.
1	615610		STEEL-ALLUMINIUM BED ASSEMBLY (INCLUDES ITEMS 1 -20)	1
2	614759		BED FRAME WELDMENT	1
3	615599		DECK PLATE STEEL BED	1
4	614799		SIDE PANEL LEFT HAND	1
5	614801		SIDE PANEL RIGHT HAND	1
6	620833		PANEL FRONT	1
7	614785		TAILGATE BRACKET LEFT HAND	1
8	614796		TAILGATE	1
9	<u>70113G01</u>		ADJUSTABLE RUBBER, BUMPER	2
10	<u>11027G1</u>		LOCK NUT FLANGED 5/16 -18	2
11	<u>28083G01</u>		BRAKE COMPENSATOR, BUMPER	2
12	<u>612976</u>		LATCH ASSEMBLY	2
13	<u>612977</u>		LATCH KEEPER	2
14	614781		SCREW M6 X 25	41
15	<u>601476</u>		LOCK NUT M6 - 1	41
16	<u>612957</u>		SCREW 10 - 24 X .500	6
17	<u>606279</u>		NUT M10 - 1.25	2
18	<u>606235</u>		BOLT M10 - 1.25 X 20	2
19	615048		BUSHING	2
20	615611		MAT	1
21	615092		TAILGATE BRACKET RIGHT HAND	1
22				
23				
24				
25	<u>71537G02</u>		GAS SPRING	1
26	<u>21683G1</u>		COTTER PIN	4
27	<u>14443G12</u>		CLEVIS PIN	4
28	<u>602904</u>		CABLE ASSEMBLY	1
29	<u>70291G01</u>		FLANGED BUSHING URETHANE	4
30				
31				

TRUCK BED - METAL

When ordering parts, please specify the model and serial number of the product.

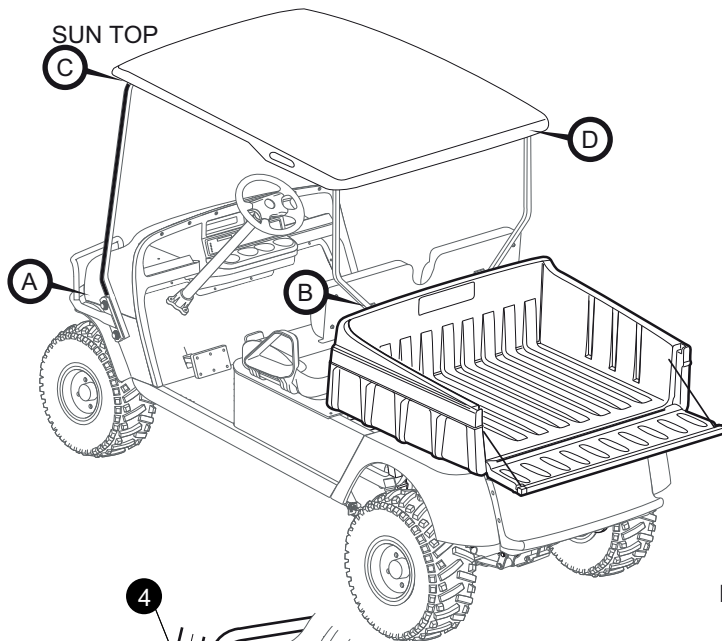
* Indicates a component that is not available as an individual part.

*** Indicates consult Customer Service Department for additional information.

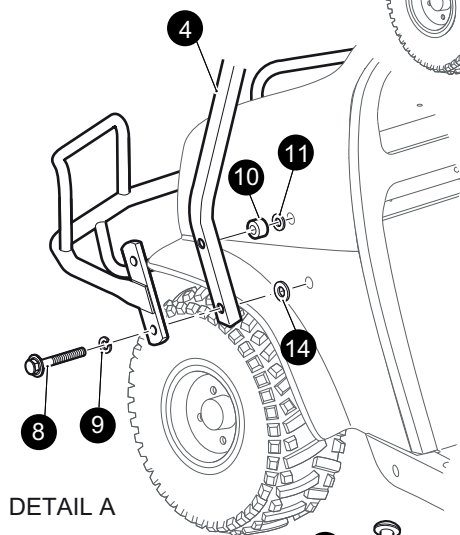
ITEM	PART NO.	1 2 3 4 5	DESCRIPTION	QTY.
32	<u>71538G01</u>		TORSION SPRING, BED LATCH	1
33	<u>71704G01</u>		HANDLE GRIP	2
34	<u>607072</u>		BED LATCH	1
35	614788		LATCH CLAMP RIGHT HAND	1
36	614789		LATCH CLAMP LEFT HAND	1
37	<u>606421</u>		BOLT M6 - 1 X 30	4
38	<u>601476</u>		LOCK NUT M6 - 1	4

WEATHER PROTECTION

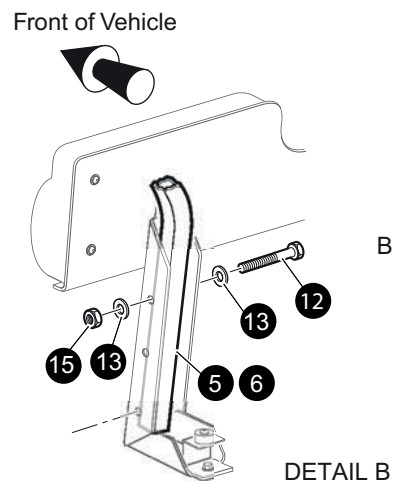
SUN TOP CAP (CAMO)



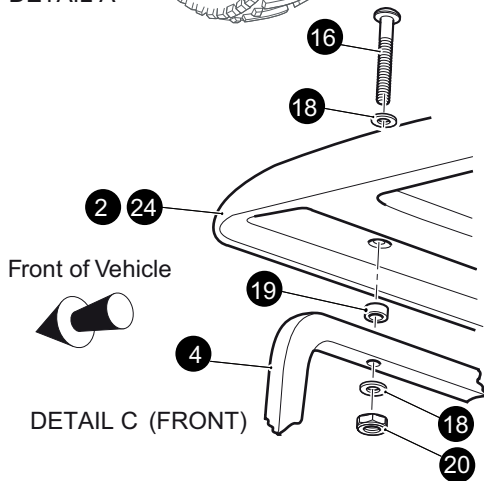
- 1 - Includes Items 2 - 21
- 3 - Includes Items 4 - 21
- 7 - Includes Items 8 - 21



DETAIL A

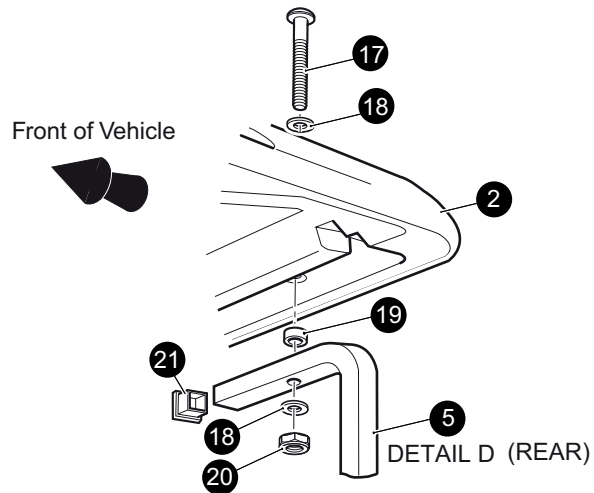


DETAIL B



Front of Vehicle

DETAIL C (FRONT)

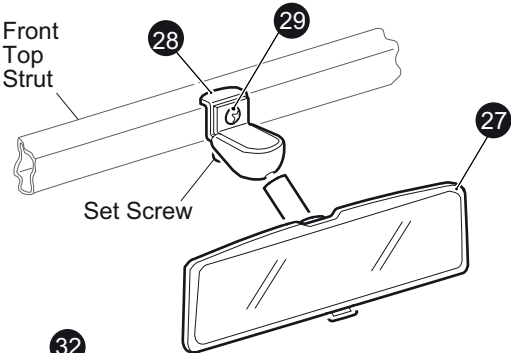


Front of Vehicle

DETAIL D (REAR)

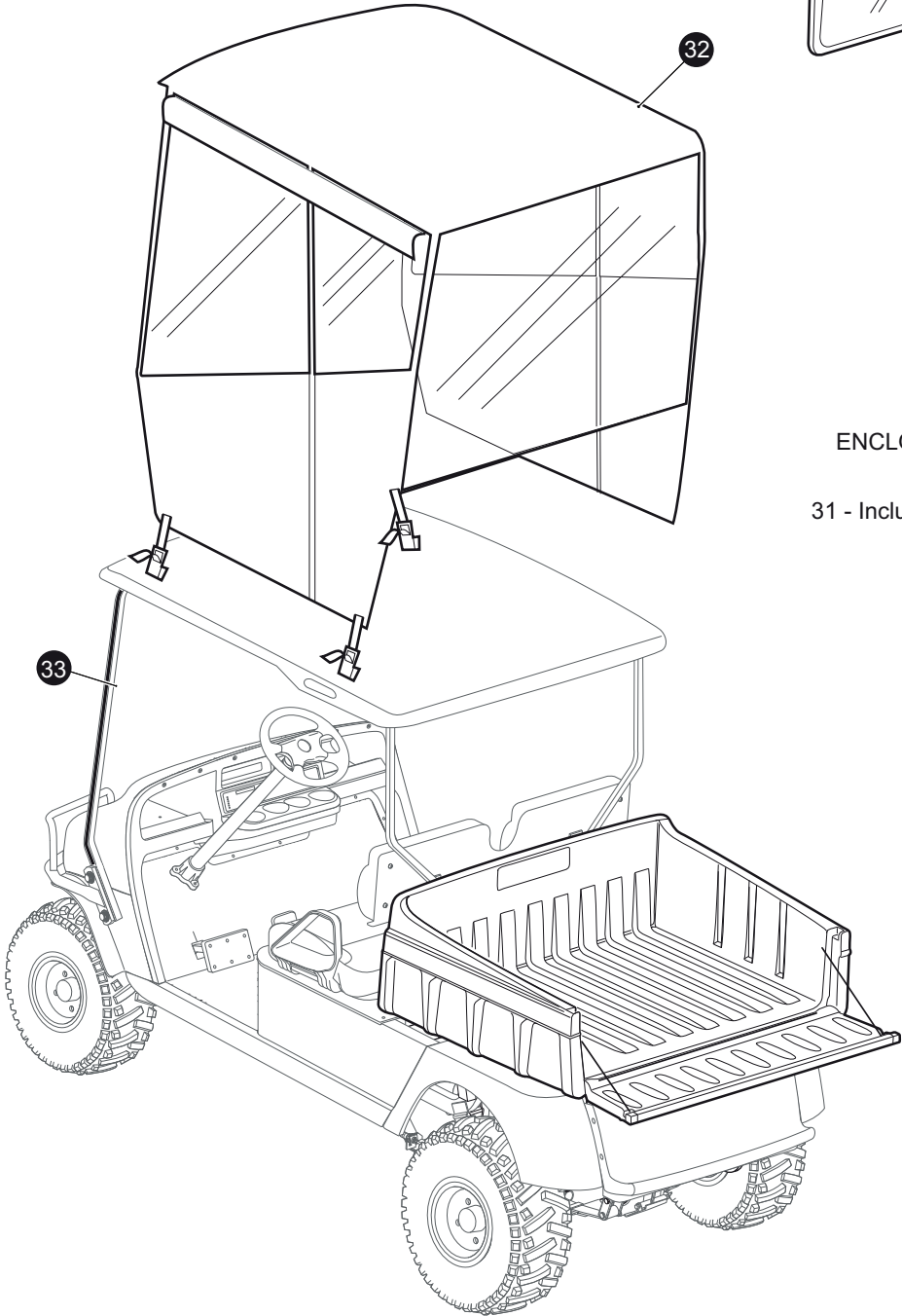
REAR VIEW MIRROR

26 - Includes Items 27 - 29



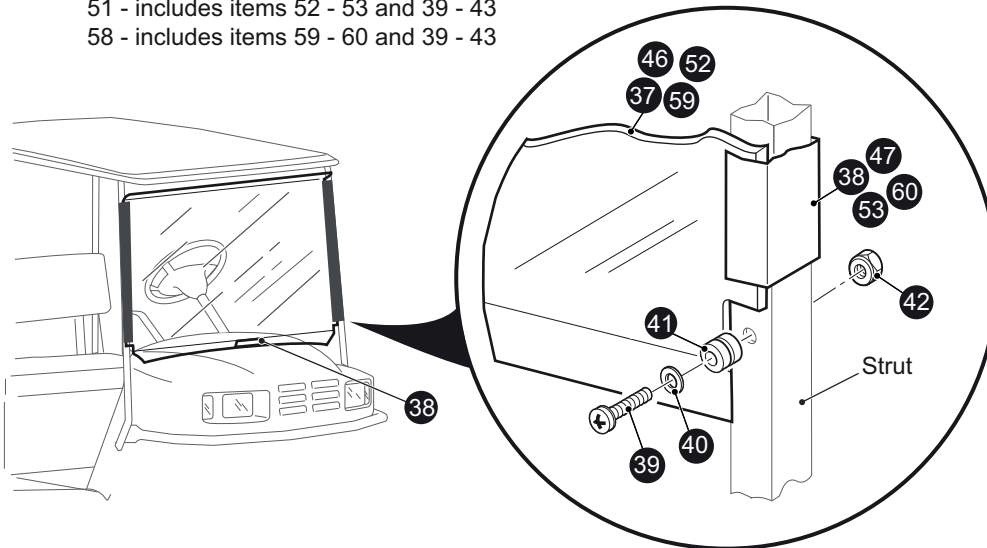
ENCLOSURE

31 - Includes Items 32, 33

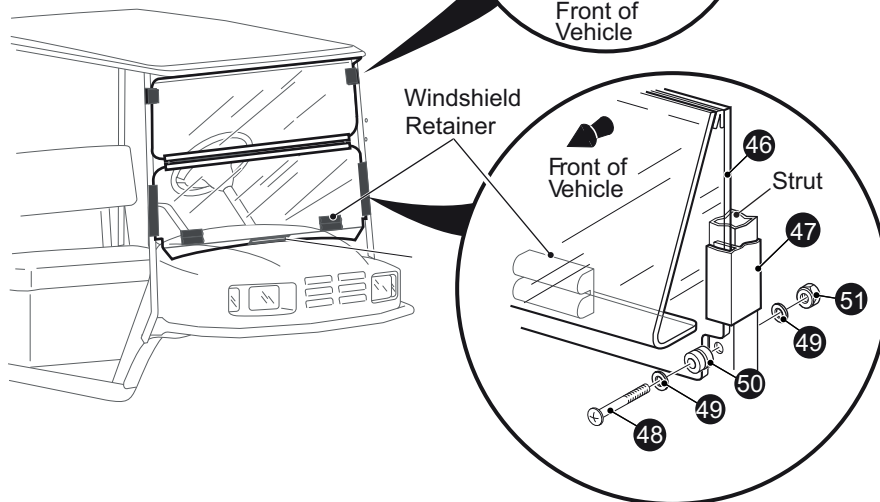
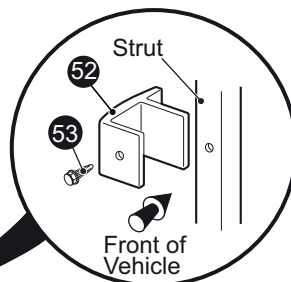


WEATHER PROTECTION

- 36 - includes items 37 - 43
- 45 - includes items 46 - 47 and 39 - 43
- 51 - includes items 52 - 53 and 39 - 43
- 58 - includes items 59 - 60 and 39 - 43



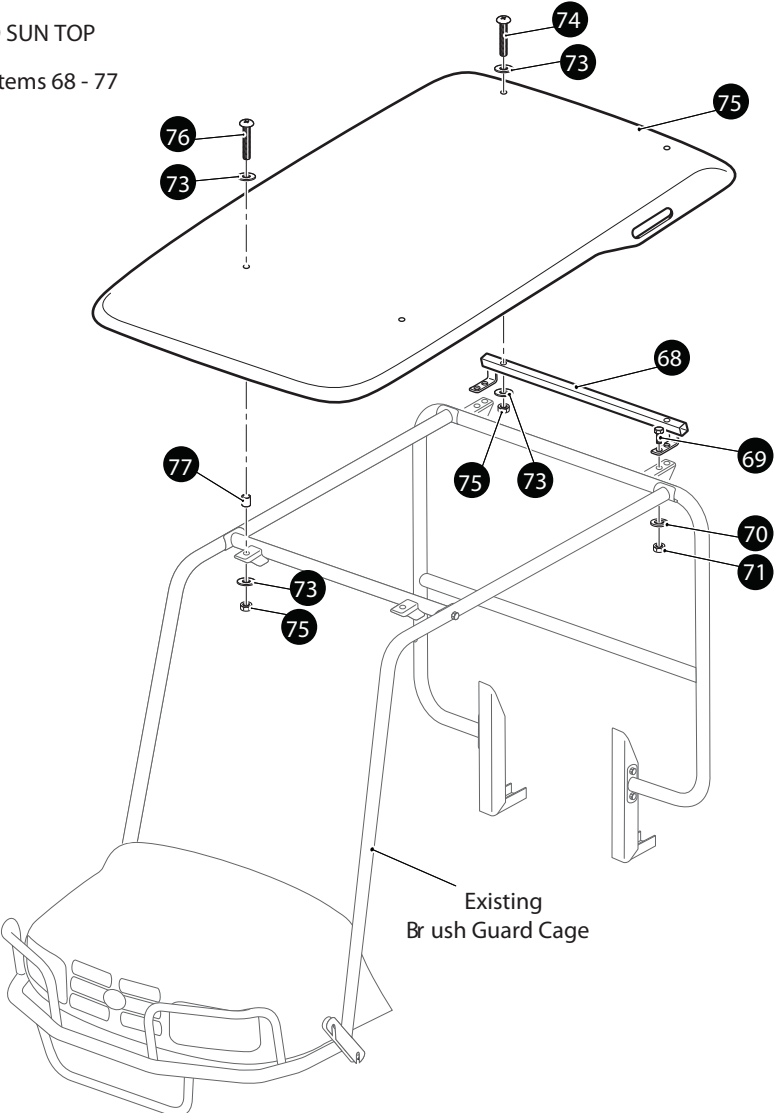
Front of Vehicle



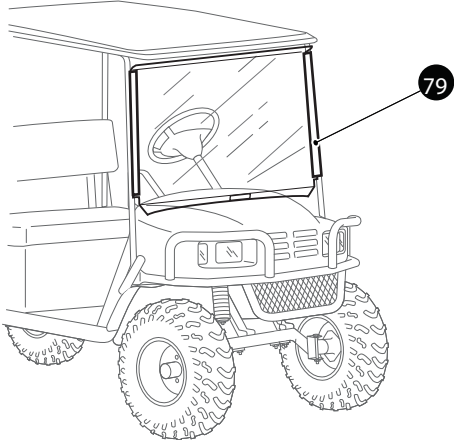
Front of Vehicle



BRUSHGUARD SUN TOP
67 - Includes Items 68 - 77



BRUSHGUARD WINDSHIELD



WEATHER PROTECTION

When ordering parts, please specify the model and serial number of the product.

* Indicates a component that is not available as an individual part.

*** Indicates consult Customer Service Department for additional information.

ITEM	PART NO.	1 2 3 4 5	DESCRIPTION	QTY.
1	75040G**		SUN TOP KIT (INCLUDES ITEMS 2 -21)	1
2	2706G0*		SUN TOP	1
3	<u>75044G06</u>		HARDWARE KIT (INCLUDES ITEMS 4 - 21)	1
4	<u>75045G05</u>		FRONT STRUT	1
5	<u>75838G03</u>		REAR STRUT (DRIVER SIDE)	1
6	7583-G04		REAR STRUT (PASSENGER SIDE).....	1
7	7546-G01		FASTENING HARDWARE KIT (INCLUDES ITEMS 8 - 21)	1
8	<u>00440G2</u>		HEX HEAD BOLT, 5/16 - 18 X 2 1/4" LG	4
9	<u>00905G8</u>		LOCK WASHER, 5/16"	4
10	<u>75048G01</u>		SPACER, 1/2"	2
11	<u>00570G2</u>		FLAT WASHER, 5/16"	6
12	<u>00685G7</u>		HEX HEAD BOLT, 5/16 - 18 X 1 3/4" LG	4
13	<u>01110G03</u>		FLAT WASHER, 5/16"	8
14	00559G08		FLAT WASHER 5/6"	4
15	11099G06		LOCK NUT (PLASTIC).....	4
16	<u>00753G5</u>		MACHINE TRUSS HEAD PHILLIP SCREW, 1/4 - 20 X 2" LG ...	2
17	00753G6		MACHINE TRUSS HEAD PHILLIP SCREW, 1/4 - 20 X 2 1/4" LG	2
18	<u>01110G01</u>		FLAT WASHER, 1/4"	8
19	<u>75051G01</u>		PLASTIC SPACER.....	4
20	00891G2		LOCK NUT, 1/4 - 20	4
21	<u>19853G1</u>		END CAP, 1"	2
22				
23				
24				
25				
26	<u>19528G2</u>		REAR VIEW MIRROR KIT (INCLUDES ITEMS 27 - 29)	1
27	<u>19496G1</u>		REAR VIEW MIRROR	1
28	19502G2		SUPPORT BRACKET.....	1
29	<u>19527G1</u>		PAN HEAD SCREW, #8 - 32 X 5/8" LG	1
30				
31	75367G**		3 SIDED SOFT ENCLOSURE KIT (INCLUDES ITEMS 32 - 33)	1

WEATHER PROTECTION

When ordering parts, please specify the model and serial number of the product.

* Indicates a component that is not available as an individual part.

*** Indicates consult Customer Service Department for additional information.

ITEM	PART NO.	1 2 3 4 5	DESCRIPTION	QTY.
32	*		ENCLOSURE	1
33	*		VELCRO	AR
34				
35				
36	<u>71966G01</u>		WINDSHIELD KIT (FULL)(REQUIRES SUN TOP KIT) (INCLUDES ITEMS 37- 43).....	1
37	<u>71954G01</u>		WINDSHIELD (FULL) (LEXAN).....	1
38	<u>75528G01</u>		SASH, 26" LG.....	2
39	71956G03		SCREW, 1/4 - 20 X 1 3/4" LG (STAINLESS STEEL)	2
40	71956G04		WASHER, 1/4" (STAINLESS STEEL)	4
41	71956G06		RUBBER GROMMET	2
42	<u>71956G05</u>		LOCK NUT, 1/4 - 20 (STAINLESS STEEL)	2
43	71963G01		SAFETY LABEL (NOT ILLUSTRATED)	1
44				
45	71966G02		WINDSHIELD KIT (FOLD DOWN) (REQUIRES SUN TOP KIT) (INCLUDES ITEMS 46 - 47 AND 39 - 43).....	1
46	623903		FLIP WINDSHIELD (LEXAN)	1
47	<u>75528G02</u>		SASH, 12" LG.....	2
48				
49				
50				
51	<u>71966G03</u>		WINDSHIELD KIT (FULL) (REQUIRES SUN TOP KIT) (INCLUDES ITEMS 52 - 53 AND 39 - 43).....	1
52	<u>71960G01</u>		WINDSHIELD (FULL).....	1
53	<u>75528G01</u>		SASH, 26" LG.....	2
54				
55				
56				
57				
58	<u>71966G04</u>		WINDSHIELD KIT (FOLD DOWN)(REQUIRES SUN TOP KIT) (INCLUDES ITEMS 59 - 60 AND 39 - 43).....	1
59	<u>617544</u>		SPORT WINDSHIELD.....	1
60	<u>75528G02</u>		SASH, 12" LG	2

WEATHER PROTECTION

When ordering parts, please specify the model and serial number of the product.

* Indicates a component that is not available as an individual part.

*** Indicates consult Customer Service Department for additional information.

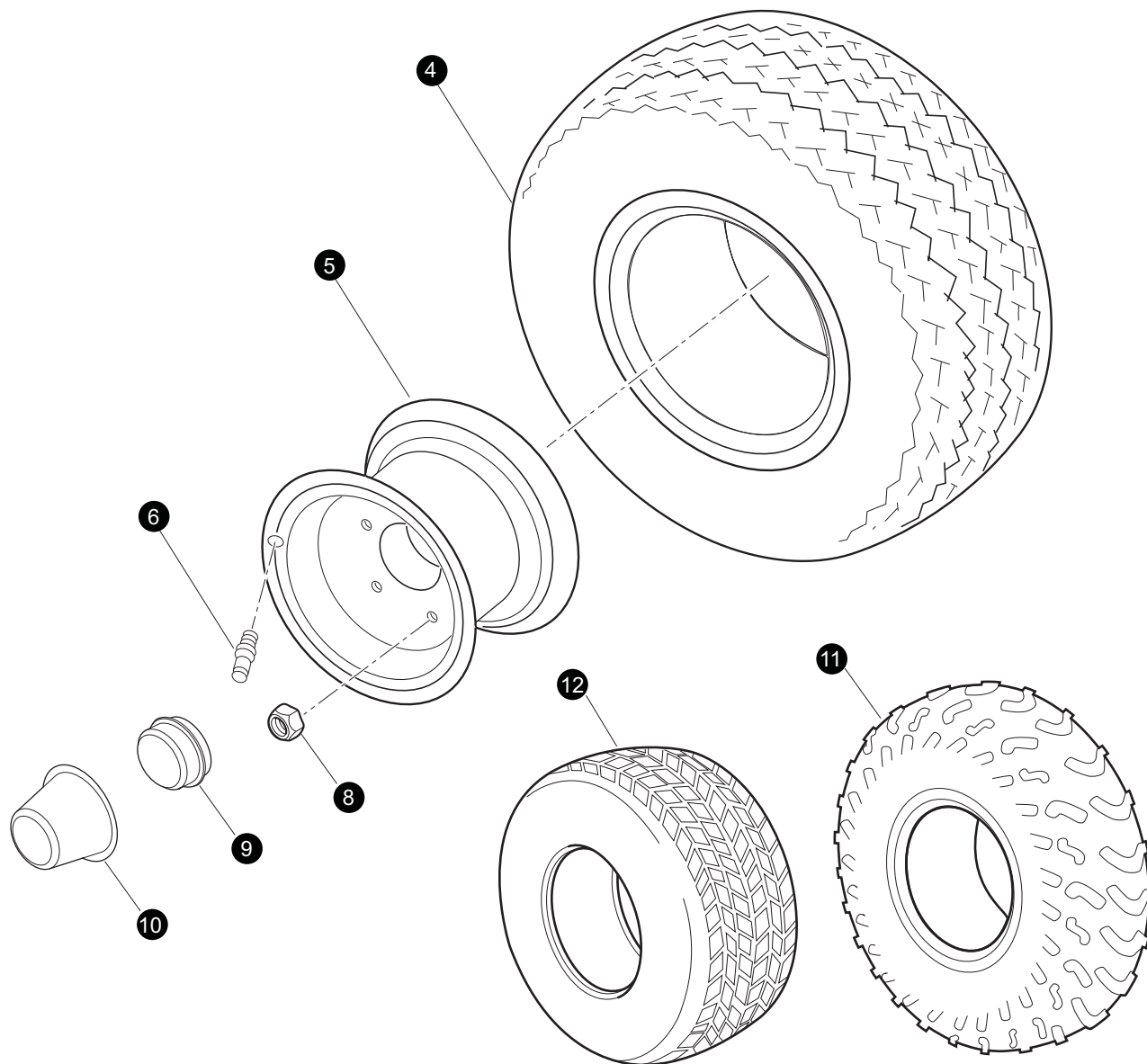
ITEM	PART NO.	1	2	3	4	5	DESCRIPTION	QTY.
61								
62								
63								
64								
65								
66								
67	<u>74496G04</u>						SUN TOP KIT (WITH BRUSH GUARD) (INCLUDES ITEMS 68 - 77)	1
68	<u>74466G03</u>						MOUNTING BRACKET.....	1
69	<u>00270G5</u>						HEX HEAD BOLT, 5/16 - 18 X 5/8" LG	4
70	<u>00565G8</u>						LOCK WASHER, 5/16"	4
71	<u>00532G3</u>						HEX NUT, 5/16 - 18.....	4
72	<u>74497G01</u>						SUN TOP	1
73	<u>00559G7</u>						FLAT WASHER, 1/4"	8
74	<u>00753G6</u>						MACHINE TRUSS HEAD PHILIP SCREW, 1/4 - 20 X 2 1/4" LG	2
75	<u>00891G2</u>						LOCK NUT, 1/4 - 20 (STAINLESS STEEL).....	4
76	<u>00753G7</u>						MACHINE TRUSS HEAD PHILIP SCREW, 1/4 - 20 X 2 1/2" LG	2
77	<u>74469G01</u>						SPACER.....	2
78								
79	<u>74542G01</u>						WINDSHIELD KIT (WITH BRUSH GUARD) (Replacement Parts available from Eagle Parts, 706-790-6687)	1

WHEELS AND TIRES

1 - Includes Items 4, 5, 6

2 - Includes Items 4, 5, 6

(Style of tire may differ from tire shown)



WHEELS AND TIRES

When ordering parts, please specify the model and serial number of the product.

* Indicates a component that is not available as an individual part.

*** Indicates consult Customer Service Department for additional information.

ITEM	PART NO.	1 2 3 4 5	DESCRIPTION	QTY.
1	<u>28630-G04</u>		TIRE & WHEEL ASSEMBLY (DRIVER SIDE) (INCLUDES ITEM 4, 5, 6)	1
2	<u>28630-G05</u>		TIRE & WHEEL ASSEMBLY (PASSENGER SIDE) (INCLUDES ITEM 4, 5, 6)	1
3				
4	<u>28630-G01</u>		TIRE, 22 X 9 - 10	1
5	<u>15172-G02</u>		WHEEL RIM (4 LUG)	1
6	<u>11657-G1</u>		VALVE STEM.....	1
7				
8	<u>14723-G1</u>		LUG NUT, 1/2-20.....	A/R
9	<u>12091-G2</u>		SPINDLE CAP	1
10	74175-G1		DUST CAP	1
11	605624		TIRE, 20 X 10 - 10 TURF SAVER (OPTIONAL)	1
12	607253		TIRE, 22 X 11 - 10 TERRA TRAC (OPTIONAL)	1

SPECIALTY PRODUCTS

SPECIALTY PRODUCTS

SPECIALTY PRODUCTS

SPECIAL TOOLS	PART NO.
BATTERY MAINTENANCE KIT	25587-G01
SEAL INSTALLATION TOOL (REAR AXLE SHAFT SEAL)	18739-G1
BATTERY SET DISCHARGER, 36 VOLT, 75 AMP	28251-G01
CURRENT INDICATOR	16489-G2
DIGITAL MULTI-METER	27481-G01
CRIMPING TOOL	27765-G01
SLIDE HAMMER (AXLE/HUB REMOVAL)	15947-G1
SLIDE HAMMER (AXLE REMOVAL ONLY)	18753-G1

TOUCH UP PAINT	PART NO.
PEN 3 OUNCE (89 ML) - HUNTER GREEN	28432-G02
PEN 3 OUNCE (89 ML) - CHAMPAGNE BEIGE	28432-G01
PEN 3 OUNCE (89 ML) - WHITE	28432-G05
PEN 3 OUNCE (89 ML) - INDUSTRIAL YELLOW	28432-G03
PEN 3 OUNCE (89 ML) - ORANGE	28432-G04
PEN 3 OUNCE (89 ML) - STEEL BLUE PEARL	28432-G**
PEN 3 OUNCE (89 ML) - CAMOUFLAGE PAINT (THREE PENS)	75831-G01
AEROSOL 12 OUNCE (360 ML) - HUNTER GREEN	28140-G09
AEROSOL 12 OUNCE (360 ML) - CHAMPAGNE BEIGE	28140-G15
AEROSOL 12 OUNCE (360 ML) - WHITE	28140-G03
AEROSOL 12 OUNCE (360 ML) - INDUSTRIAL YELLOW	28140-G14
AEROSOL 12 OUNCE (360 ML) - ORANGE	28140-G13
AEROSOL 12 OUNCE (360 ML) - STEEL BLUE PEARL	28140-G**

MAINTENANCE PRODUCTS	PART NO.
FORMULA 40 VINYL-COAT® - WHITE	28166-G01
PLEXUS® CLEANER, 7 OUNCE (210 ML) (FOR WINDSHIELDS)	28433-G01
PLEXUS® CLEANER, 13 OUNCE (380 ML) (FOR WINDSHIELDS)	28433-G02
BATTERY PROTECTOR, 14 OUNCE (410 ML) SPRAY	75500-G01
WHITE LITHIUM GREASE, 14 OUNCE (410 ML) SPRAY	75502-G01
PENETRANT/LUBRICANT, 15 OUNCE (440 ML) SPRAY	75503-G01
MULTI-PURPOSE CLEANER & DEGREASER, 14 OUNCE (410 ML) SPRAY	75504-G01
MULTI-PURPOSE HAND CLEANER, 32 OUNCE (950 ML) LIQUID	75505-G01

SPECIALTY PRODUCTS

BATTERY CLEANER, 32 OUNCE (950 ML) WITH TRIGGER SPRAYER	75506-G01
BIO-DEGRADABLE CLEANER, 32 OUNCE (950 ML) WITH TRIGGER SPRAYER	75507-G01
MULTI-PURPOSE VALUE PACK.....	75508-G01
• BATTERY PROTECTOR, 4 OUNCE (120 ML) SPRAY	
• PENETRANT/LUBRICANT, 4 OUNCE (120 ML) SPRAY	
• WHITE LITHIUM GREASE, 4 OUNCE (120 ML) SPRAY	
• CARBURETOR & CHOKE CLEANER, 4 OUNCE (120 ML) SPRAY	

SPECIALTY PRODUCTS

Notes: _____

OPTIONS/ACCESSORIES

OPTIONS/ACCESSORIES

ITEM	KIT NO.	COMMENTS
ACCESSORIES LISTING		
	KIT NO.	
ASHTRAY KIT	75109-G04	See BODY
BALL HITCH KIT	74492-G01	See BODY
CLEVIS HITCH KIT	74492-G05	See BODY
DEFROSTER/COOLING FAN	74248-G01	See CAB
DOOR SET	75856-G0*	See CAB
DOOR SET (VINYL)	75855-G01	See CAB
ELECTRIC DUMP KIT	74658-G05	See TRUCKBED
GLOVE BOX DOOR	75456-G0*	See BODY
HOUR METER KIT	74914-G02	See ELECTRICAL SYSTEM
INSIDE MIRROR	27924-G01	See WEATHER PROTECTION
INSTRUMENT/SWITCH PANEL	74250-G01	See CAB
REAR VIEW MIRROR KIT	19528-G2	See WEATHER PROTECTION
SOFT ENCLOSURE	75367-G**	See WEATHER PROTECTION
STEEL CAB, W/O DOORS	72684-G0*	See CAB
STROBE LIGHT	74245-G01	See CAB
SUN TOP KIT	75040-G**	See WEATHER PROTECTION
TURN SIGNAL KIT	606933	See ELECTRICAL SYSTEM
WINDSHIELDS	71966-G0*	See WEATHER PROTECTION
WINDSHIELD WIPER	74244-G01	See CAB
WORK LIGHTS	74247-G01	See CAB
WORK LIGHT BAR WITH LIGHTS	71323-G04	See ELECTRICAL SYSTEM
WORK LIGHT BAR WITH STROBE	71323-G05	See ELECTRICAL SYSTEM
WORK LIGHT BAR WITH LIGHTS AND STROBE	71323-G06	See ELECTRICAL SYSTEM



A Textron Company

E-Z-GO Division of Textron Inc.,
1451 Marvin Griffin Road, Augusta, Georgia 30906 - 3852 USA

TO CONTACT US...

North America:

**Technical Assistance & Warranty
Service Parts**

Phone: 1-800-774-3946, FAX: 1-800-448-8124

Phone: 1-888-GET-E-Z-GO (1-888-438-3946), FAX: 1-800-752-6175

International:

Phone: 001-706-798-4311, FAX: 001-706-771-4609

ISO 9001
ISO 14001

BUREAU VERITAS
Certification



Copyrighted Material
This manual may not be reproduced in whole or
in part without the express permission of
E-Z-GO Division of Textron Inc.
Technical Communications Department