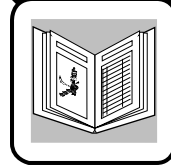


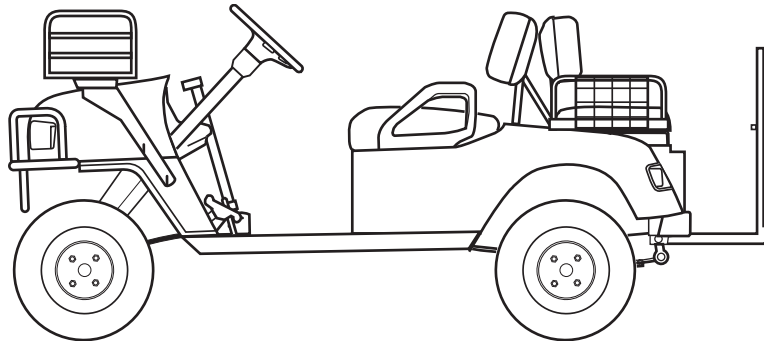
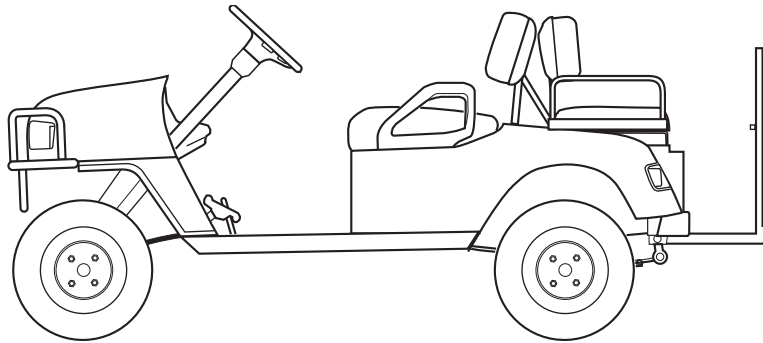
600115G01



A Textron Company



SERVICE PARTS MANUAL



GASOLINE POWERED UTILITY VEHICLE

ISSUED SEPTEMBER 2005 REVISED DEC 2008

SERVICE PARTS MANUAL

GASOLINE POWERED UTILITY VEHICLE

CLAYS CAR

CLAYS CAR CARB

ST SPORT 2+2

ST SPORT 2+2 CARB

ST CUSTOM

STARTING MODEL YEAR 2005

DISCLAIMER: The E-Z-GO Division of Textron Inc. reserves the right to incorporate engineering and design changes to products in this Manual, without obligation to include these changes on units leased/sold previously.

The information contained in this Manual may be revised periodically by the E-Z-GO Division, and therefore is subject to change without notice.

The E-Z-GO Division DISCLAIMS LIABILITY FOR ERRORS IN THIS MANUAL, and the E-Z-GO Division SPECIFICALLY DISCLAIMS LIABILITY FOR INCIDENTAL AND CONSEQUENTIAL DAMAGES resulting from the use of the information and materials in this Manual.

CUSTOMER SERVICE DEPARTMENT IN USA PHONE: 1-800-241-5855 FAX: 1-800-448-8124

OUTSIDE USA PHONE: 001-706-798-4311, FAX: 001-706-771-4609

E-Z-GO DIVISION OF TEXTRON, INC., 1451 MARVIN GRIFFIN RD., AUGUSTA, GEORGIA USA 30906

NOTES

To obtain a copy of the limited warranty applicable to the vehicle, call or write a local Distributor, authorized Branch or the Warranty Department with vehicle serial number and manufacturer code.

The use of non Original Equipment Manufacturer (OEM) parts may void the warranty.

Overfilling of batteries may void the warranty.

BATTERY PROLONGED STORAGE

All batteries will self discharge over time. The rate of self discharge varies depending on the ambient temperature and the age and condition of the batteries.

A fully charged battery will not freeze in winter temperatures unless the temperature falls below -75° F (-60° C).

As with all electric vehicles, the batteries must be checked and recharged as required or at a minimum of 30 day intervals.

TABLE OF CONTENTS

SECTION	Page No.
HOW TO USE THE SERVICE PARTS MANUAL	v
ILLUSTRATED PARTS BREAKDOWN	vii
ACCELERATOR	A-1
AIR FILTER	B-1
BODY	C-1
BRAKES	D-1
CARBURETOR AND CHOKE	E-1
CLUTCH	F-1
DIRECTION SELECTOR	G-1
ELECTRICAL SYSTEM	H-1
ENGINE AND MUFFLER	J-1
ENGINE MOUNTING	K-1
FRONT SUSPENSION	L-1
FUEL SYSTEM	M-1
REAR AXLE	N-1
REAR SUSPENSION	P-1
SEATING	Q-1
STARTER / GENERATOR	R-1
STEERING	S-1
WEATHER PROTECTION	T-1
WHEELS AND TIRES	U-1
SPECIALTY PRODUCTS	APPENDIX A-1
OPTIONS AND ACCESSORIES	APPENDIX B-1

TABLE OF CONTENTS

Notes:

HOW TO USE THE SERVICE PARTS MANUAL

This manual is divided into several sections:

- GENERAL INFORMATION
- ILLUSTRATED PARTS BREAKDOWN
- APPENDIX

The first section, GENERAL INFORMATION, contains the following information:

- WARRANTY INFORMATION
- GENERAL INDEX
- HOW TO USE THE SERVICE PARTS MANUAL

The second section, ILLUSTRATED PARTS BREAKDOWN, contains illustrations and parts lists for all systems of your vehicle.

The third section, APPENDIX, contains a listing of specialty products and accessories.

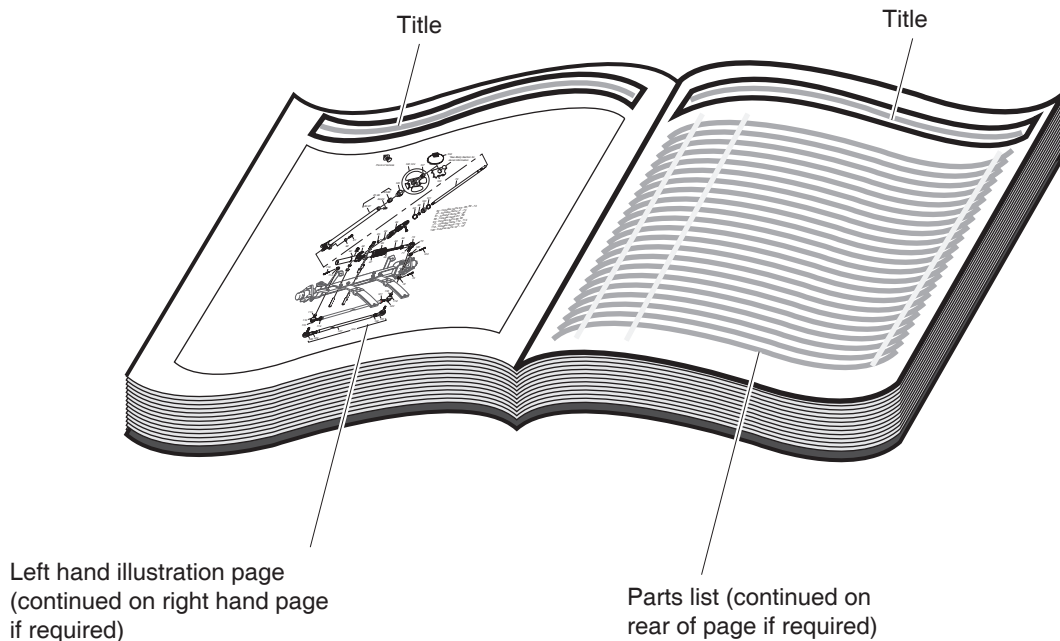
USE OF THE MANUAL

To use this manual, consult the GENERAL INDEX to locate the information or illustration required.

Introduction of some revisions varies due to supply of components; therefore, it is possible that various combinations of components may be found that are not directly reflected by each illustration. Consult the illustration that best suits your situation and then contact the Service Parts Department. It is important that the serial number of your vehicle and its model number be supplied to Service Parts when ordering any replacement components.

Locate the serial number plate (see BODY located in the Illustrated Parts Breakdown section of this manual for its location) and note the complete number shown on the plate.

HOW TO USE THE SERVICE PARTS MANUAL



1. WHEN THE PART NUMBER IS NOT KNOWN

- Determine the function and application of the part required. Turn to the General Index and select the most appropriate title.
- Turn to the page number indicated and locate the desired part on the illustration.
- From the illustration, obtain the item number assigned to the desired part. Refer to the accompanying description for specific information regarding the part.

2. IF YOU KNOW THE PART NUMBER

- Locate the part number or description in the appropriate column on the parts list page.

NOTE: It is suggested that you confirm that the part selected is correct by verifying it with the pictorial representation on the illustrated page.

Should an asterisk (*) appear in the part number column on the parts list page, read upwards until a part number is found. The part number is the lowest assembly sold by Service Parts and the asterisk (*) indicates that the part depicted is not available for purchase.

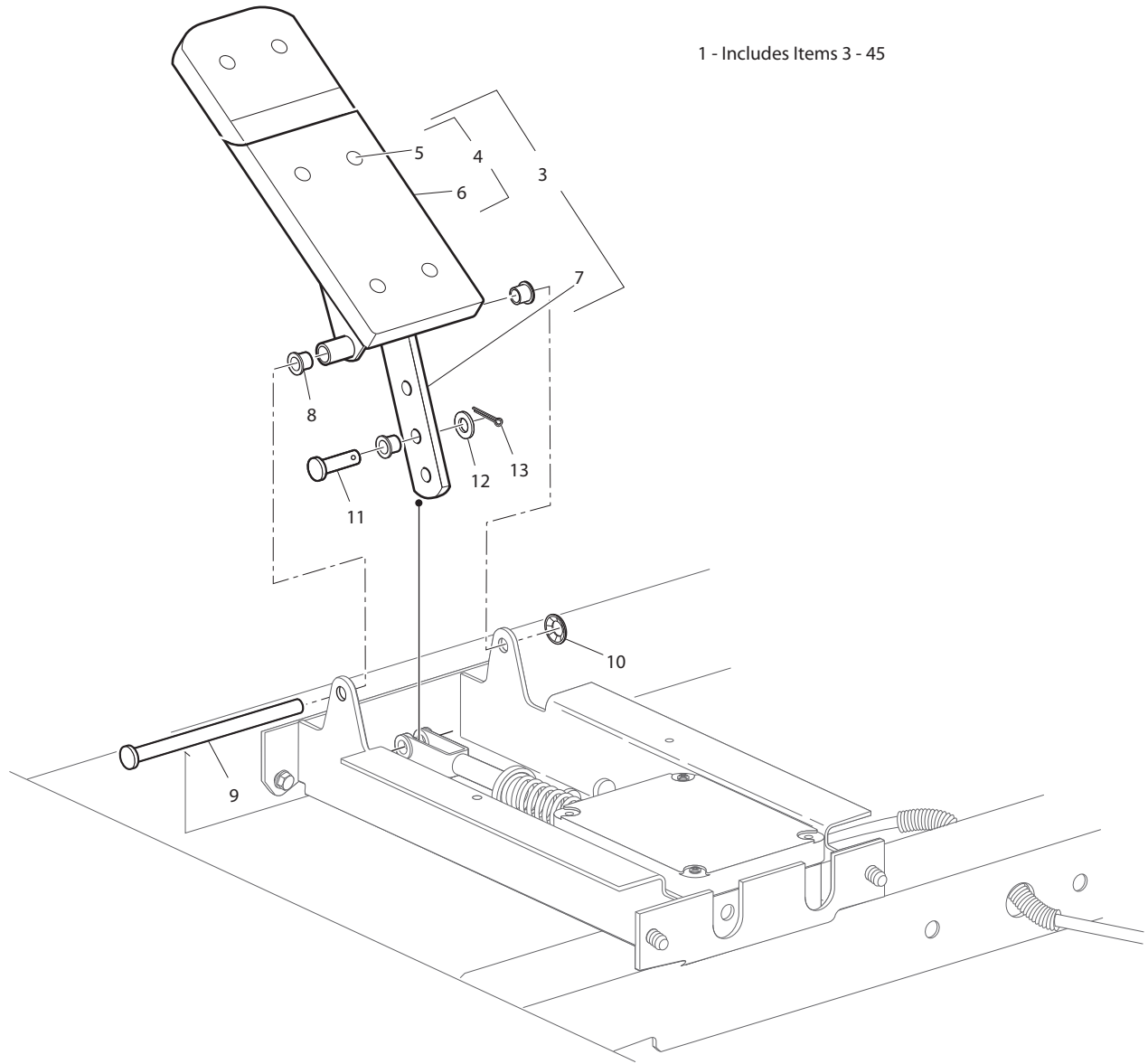
NOTE: Descriptions are indented under the assembly that they are used on. That assembly is, in turn listed under the assembly that it is used on. This process is repeated until the highest final assembly is reached.

To facilitate the maintenance and repair of the vehicle, a Technician's Repair and Service Manual is available from the Service Parts Department.

ILLUSTRATED PARTS BREAKDOWN

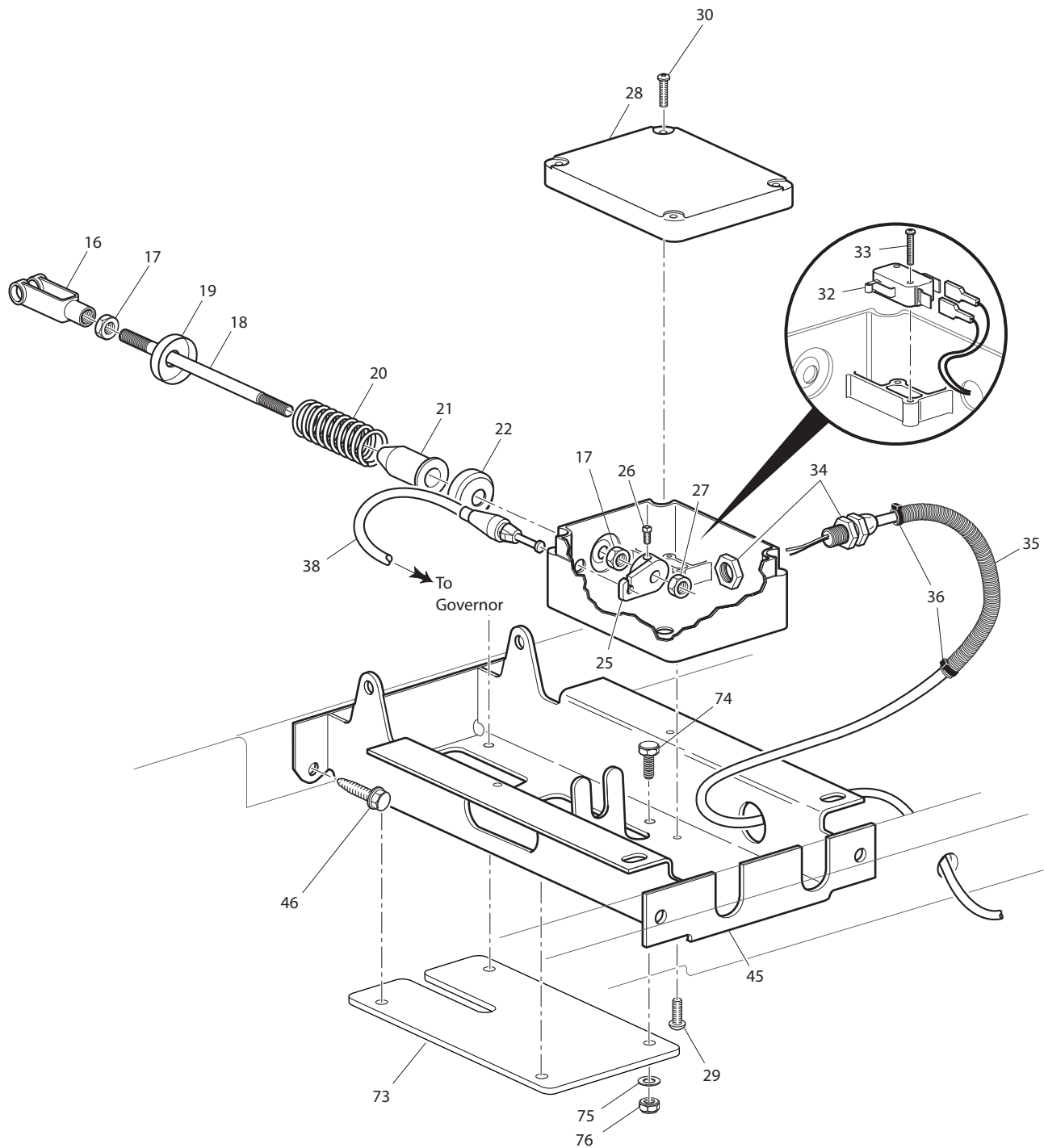
ILLUSTRATED PARTS BREAKDOWN

ACCELERATOR



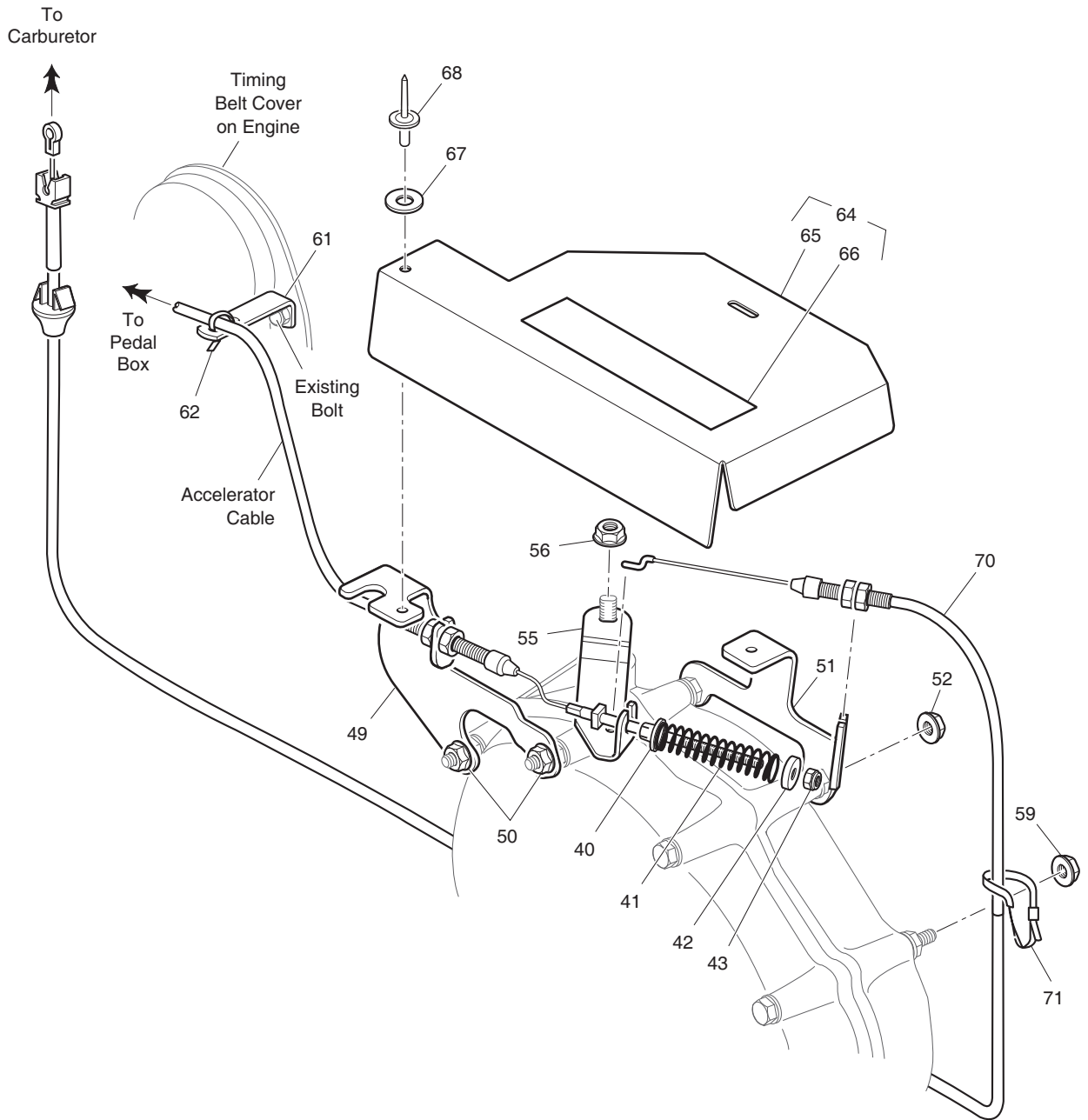
Ref Acl 11-1

ACCELERATOR



Ref Acl 11-2

ACCELERATOR



Ref Acl 11-3

ACCELERATOR

When ordering parts, please specify the model and serial number of the product.

* Indicates a component that is not available as an individual part.

G** Indicates consult Customer Service Department for additional information.

ITEM	PART NO.	1 2 3 4 5	DESCRIPTION	QTY.
1	<u>72717-G04</u>		PEDAL BOX ASSEMBLY (INCLUDES ITEMS 3 - 45)	1
2				
3	<u>25799-G03</u>		ACCELERATOR PEDAL ASSEMBLY (INCLUDES ITEMS 4 - 7).....	1
4	<u>27844-G01</u>		ACCELERATOR PEDAL PAD KIT (INCLUDES ITEMS 5 - 6).....	1
5	<u>15766-G1</u>		OVAL RIVET, 3/16" X 7/16" LG	6
6	<u>27512-G01</u>		ACCELERATOR PEDAL PAD	1
7	*		ACCELERATOR PEDAL	1
8	<u>17838-G1</u>		NYLON BUSHING	3
9	<u>74432-G01</u>		PEDAL PIVOT PIN	1
10	<u>12064-G6</u>		PUSH NUT, 9/32"	1
11	<u>10386-G3</u>		CLEVIS PIN, 5/16" X 13/16" LG	1
12	<u>17255-G1</u>		TEFLON WASHER, 5/16"	1
13	<u>10387-G3</u>		COTTER PIN, 3/32" X 3/4" LG	1
14				
15				
16	<u>10385-G4</u>		CLEVIS YOKE (ADJUSTABLE).....	1
17	<u>00532-G4</u>		NUT, 5/16 - 24	2
18	<u>72072-G01</u>		ACCELERATOR ROD	1
19	<u>17677-G2</u>		SPRING RETAINER, 3/8"	1
20	<u>73046-G01</u>		COMPRESSION SPRING	1
21	<u>17979-G1</u>		ACCELERATOR ROD BUSHING	1
22	<u>17677-G1</u>		SPRING RETAINER, 1/2"	1
23				
24				
25	<u>72716-G01</u>		MICRO SWITCH CAM	1
26	<u>00487-G3</u>		SETSCREW, 1/4 - 20 X 3/8" LG	1
27	<u>15126-G1</u>		LOCK NUT, 5/16 - 24	1
28	<u>25853-G03</u>		PEDAL BOX AND COVER	1
29	<u>01051-G01</u>		SCREW, #8 - 16 X 1/2" LG	4
30	<u>00684-G6</u>		SCREW, #8 - 32 X 3/4" LG (STAINLESS STEEL).....	2

ACCELERATOR

When ordering parts, please specify the model and serial number of the product.

* Indicates a component that is not available as an individual part.

G** Indicates consult Customer Service Department for additional information.

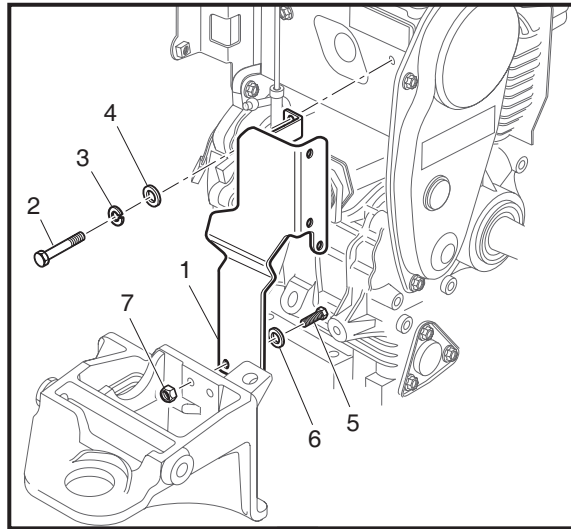
ITEM	PART NO.	1	2	3	4	5	DESCRIPTION	QTY.
31								
32	<u>25861-G01</u>						MICRO SWITCH.....	1
33	<u>01050-G01</u>						SCREW, #4 - 20 X 5/8" LG	2
34	<u>72201-G04</u>						WIRE HARNESS (PEDAL BOX)	1
35	<u>17313-G1</u>						FLEX LOOM (BULK).....	AR
36	<u>17618-G1</u>						WIRE TIE	2
37								
38	<u>72713-G01</u>						ACCELERATOR CABLE	1
39								
40	<u>72706-G01</u>						ACCELERATOR CABLE BUSHING	1
41	<u>72707-G01</u>						COMPRESSION SPRING	1
42	<u>25727-G02</u>						CUP WASHER, 1/5"	1
43	<u>00734-G5</u>						LOCK NUT, #10 - 32.....	1
44								
45	70116-G02						ACCELERATOR PEDAL BRACKET.....	1
46	<u>00715-G2</u>						BOLT, 5/16 - 18 X 4/5" LG	4
47	<u>70135-G01</u>						PEDAL PIVOT COVER.....	1
48								
49	<u>72701-G02</u>						ACCELERATOR CABLE MOUNTING BRACKET	1
50	26830-G01						LOCK NUT, M8 X 1.25 MM	2
51	<u>72703-G02</u>						THROTTLE CABLE MOUNTING BRACKET	1
52	26830-G01						LOCK NUT, M8 X 1.25 MM	2
53								
54								
55	<u>72708-G01</u>						GOVERNOR ARM	1
56	26830-G01						LOCK NUT, M8 X 1.25 MM	1
57								
58								
59	26830-G01						LOCK NUT, M8 X 1.25 MM	1
60								

ACCELERATOR

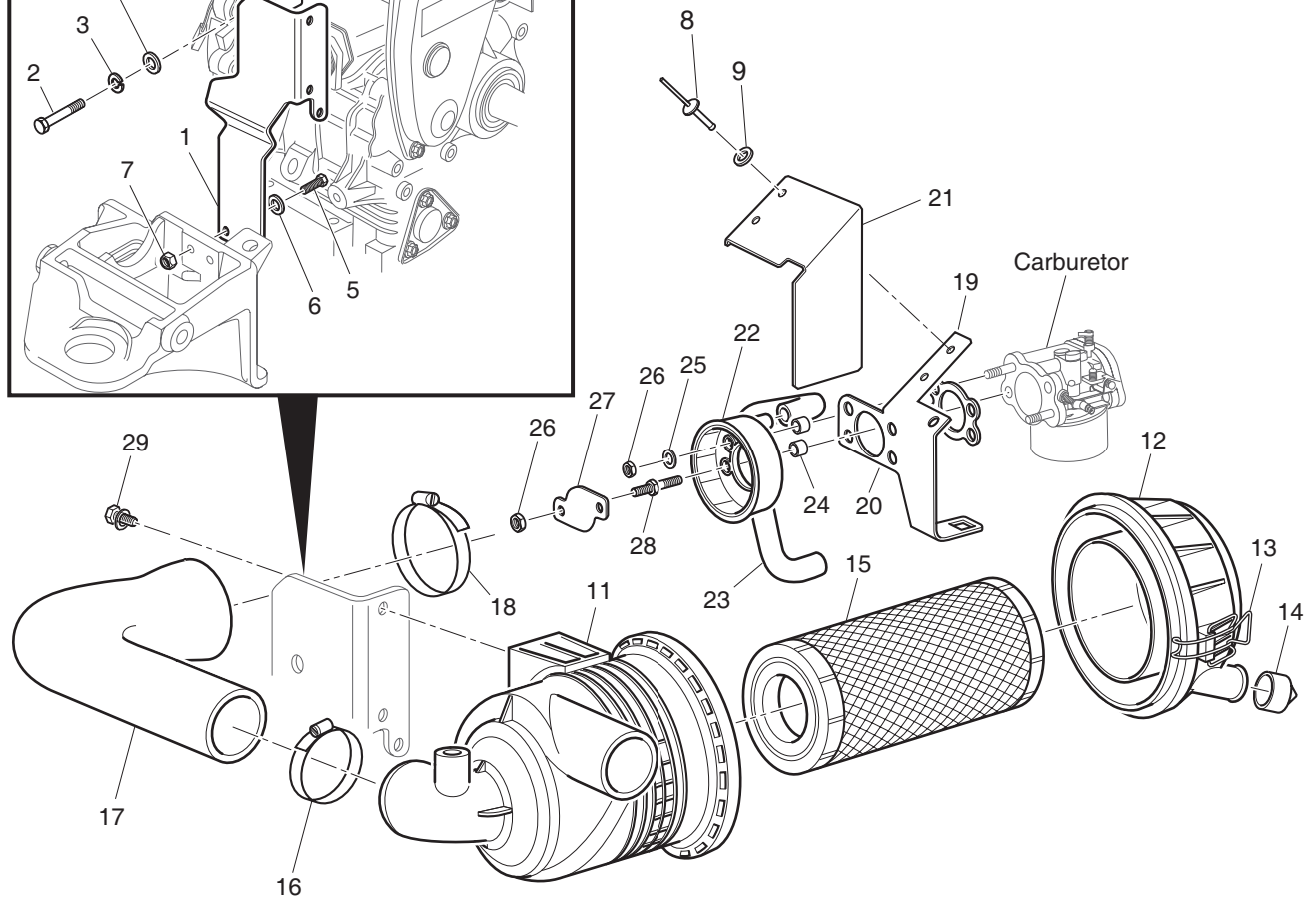
When ordering parts, please specify the model and serial number of the product.
 * Indicates a component that is not available as an individual part.
 G** Indicates consult Customer Service Department for additional information.

ITEM	PART NO.	1 2 3 4 5	DESCRIPTION	QTY.
61	<u>72701-G02</u>		ACCELERATOR CABLE BRACKET	1
62	<u>17618-G1</u>		WIRE TIE	1
63				
64	74457-G02		GOVERNOR COVER/DECAL ASSEMBLY (INCLUDES ITEMS 65, 66).....	1
65	<u>72705-G02</u>		GOVERNOR COVER	1
66	<u>24880-G1</u>		LABEL (WARNING - GOVERNOR).....	1
67	<u>00915-G1</u>		BONDED WASHER, 1/4"	2
68	<u>14601-G11</u>		RIVET, 3/16" X 9/16" LG (ALUMINUM).....	2
69				
70	<u>72714-G01</u>		THROTTLE CABLE.....	1
71	<u>17618-G1</u>		WIRE TIE	1
72				
73	<u>75546-G01</u>		PEDAL GUARD.....	1
74	<u>00414-G6</u>		BOLT 1/4 - 20 X 3/4" LG.....	4
75	<u>01110-G01</u>		WASHER, 1/4" (STAINLESS STEEL)	4
76	<u>00654-G2</u>		LOCK NUT, 1/4 - 20 (STAINLESS STEEL)	4

AIR FILTER



10 - Includes Items 11 - 15



Front of Vehicle



AIR FILTER

THE USE OF NON U.L. PARTS WILL VOID ANY U.L. LISTING.

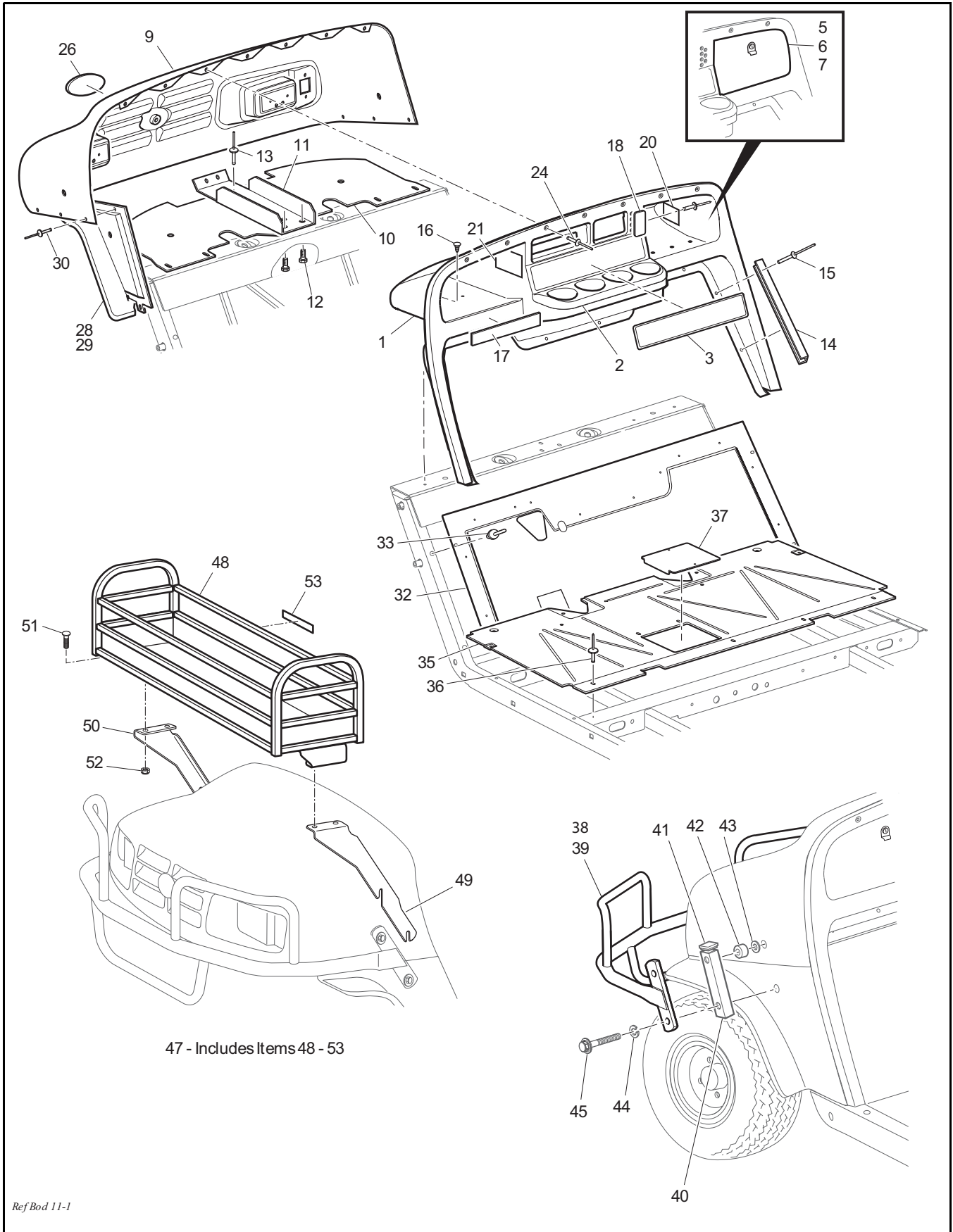
When ordering parts, please specify the model and serial number of the product.

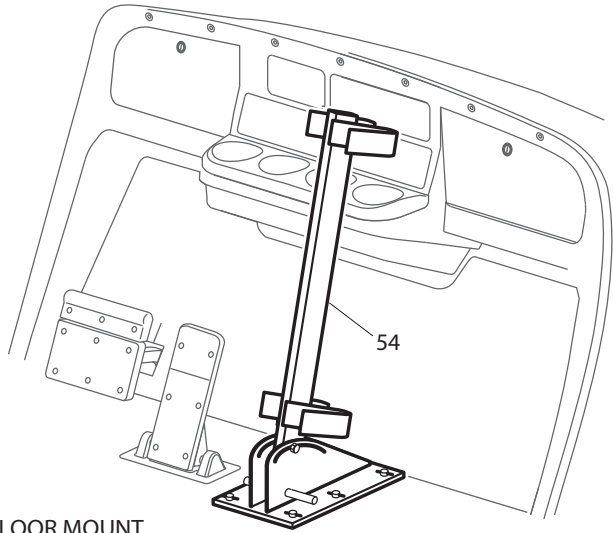
* Indicates a component that is not available as an individual part.

G** Indicates consult Customer Service Department for additional information.

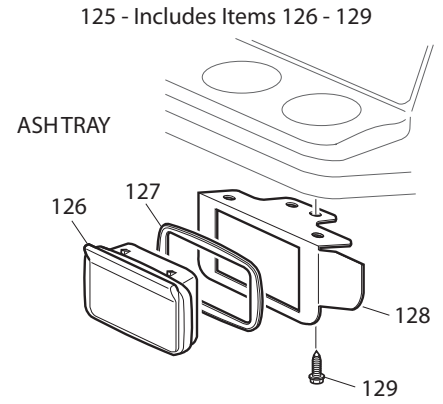
ITEM	PART NO.	1 2 3 4 5	DESCRIPTION	QTY.
1	<u>75878-G02</u>		AIR FILTER BRACKET (CABLE ACTUATED CARBURETOR)	1
2	<u>12547-G3</u>		BOLT, M6 X 1MM X 20MM LG	1
3	<u>00664-G7</u>		LOCK WASHER, 1/4".....	1
4	<u>00559-G7</u>		WASHER, 1/4"	1
5	<u>00415-G2</u>		BOLT, 1/4 - 20 X 1 1/4" LG	2
6	<u>00559-G7</u>		WASHER, 1/4"	2
7	<u>14390-G4</u>		LOCK NUT, 1/4 - 20	2
8	<u>14601-G11</u>		RIVET	2
9	<u>00915-G1</u>		BONDED WASHER	2
10	<u>72607-G01</u>		AIR CLEANER CANISTER ASSEMBLY (INCLUDES ITEMS 11 - 14)	1
11	<u>72598-G01</u>		AIR CLEANER CANISTER	1
12	<u>72599-G01</u>		AIR CLEANER COVER.....	1
13	<u>72604-G01</u>		AIR CLEANER LATCH.....	2
14	<u>28462-G01</u>		AIR CLEANER DUST COLLECTOR.....	1
15	<u>28463-G01</u>		AIR CLEANER ELEMENT	1
16	<u>11391-G7</u>		HOSE CLAMP	1
17	<u>72592-G01</u>		HOSE (AIR FILTER TO CARBURETOR)	1
18	<u>11391-G6</u>		HOSE CLAMP	2
19	<u>26727-G01</u>		CARBURETOR GASKET.....	2
20	<u>74498-G02</u>		CHOKE / THROTTLE BRACKET.....	1
21	<u>74499-G02</u>		CHOKE / THROTTLE COVER.....	1
22	<u>72591-G01</u>		CARBURETOR ADAPTER	1
23	<u>72151-G01</u>		PCV HOSE.....	1
24	<u>23726-G11</u>		CARBURETOR MOUNTING SPACER.....	4
25	<u>00664-G7</u>		WASHER, 1/4"	2
26	<u>13632-G1</u>		NUT, M6 X 1.....	4
27	<u>72605-G01</u>		CARBURETOR BAFFLE.....	1
28	<u>72514-G01</u>		STUD.....	2
29	<u>25532-G1</u>		BOLT AND WASHER, M8 X 1.25 X 18 MM.....	2

BODY



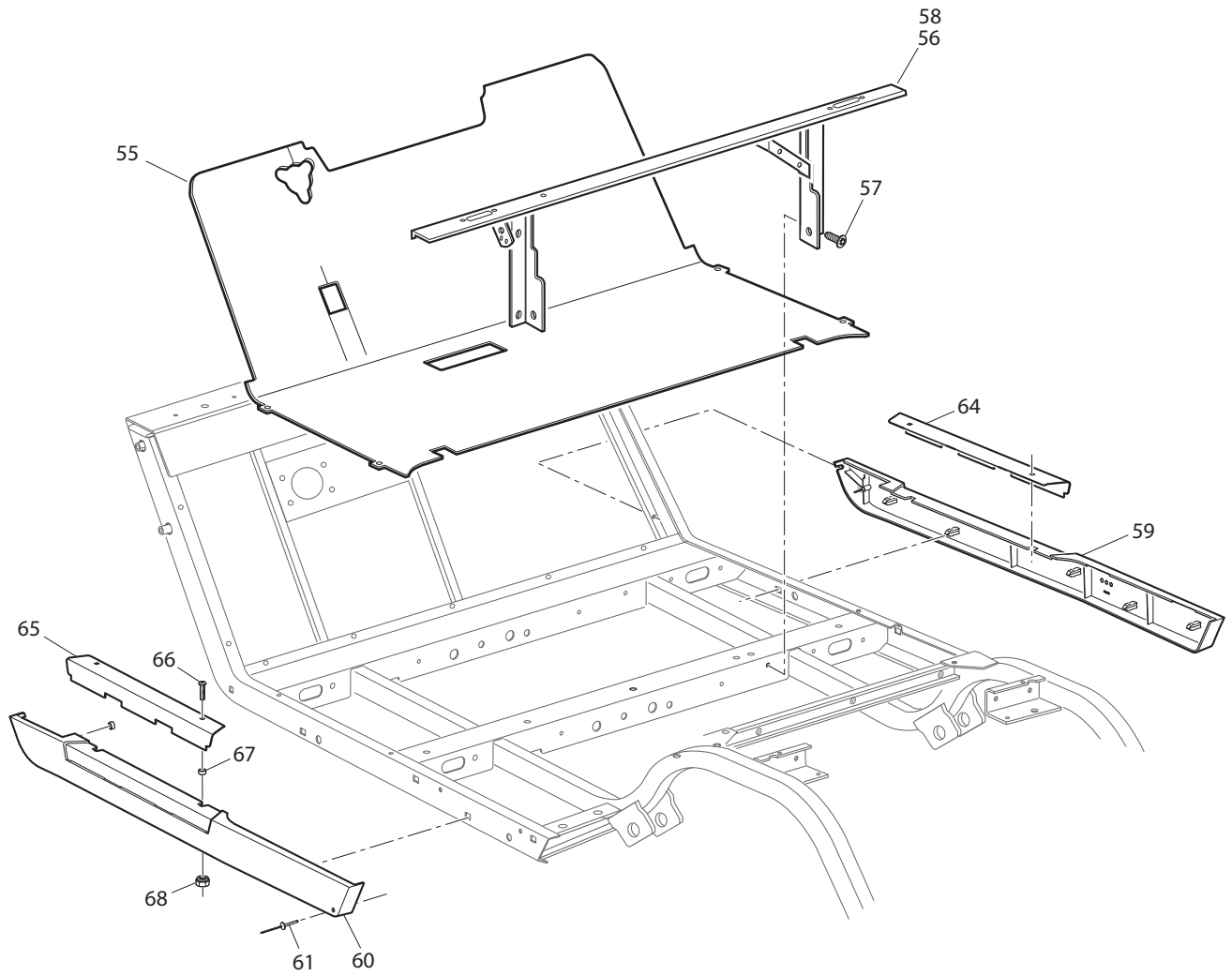


FLOOR MOUNT
GUN HOLDER



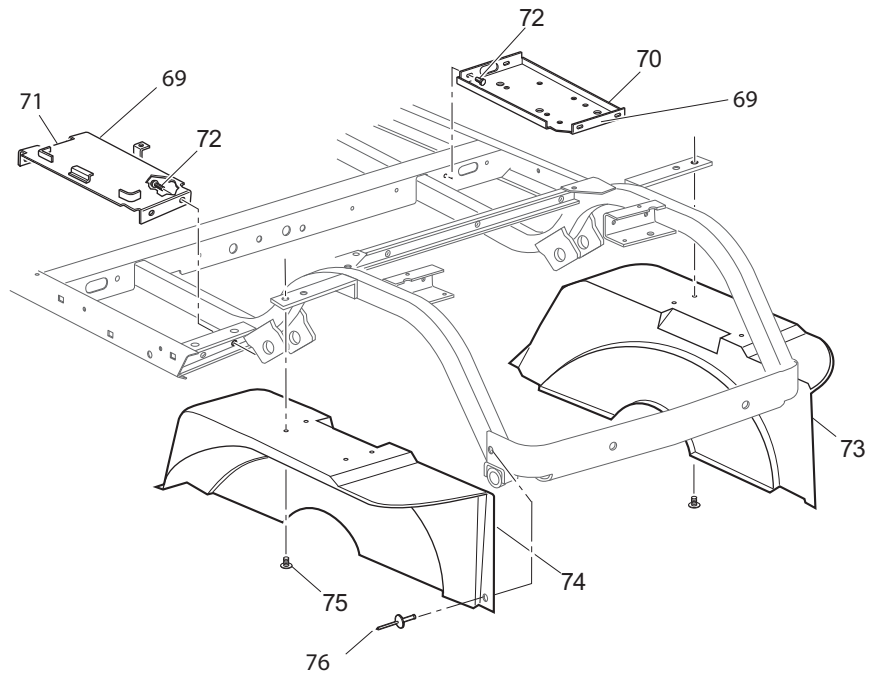
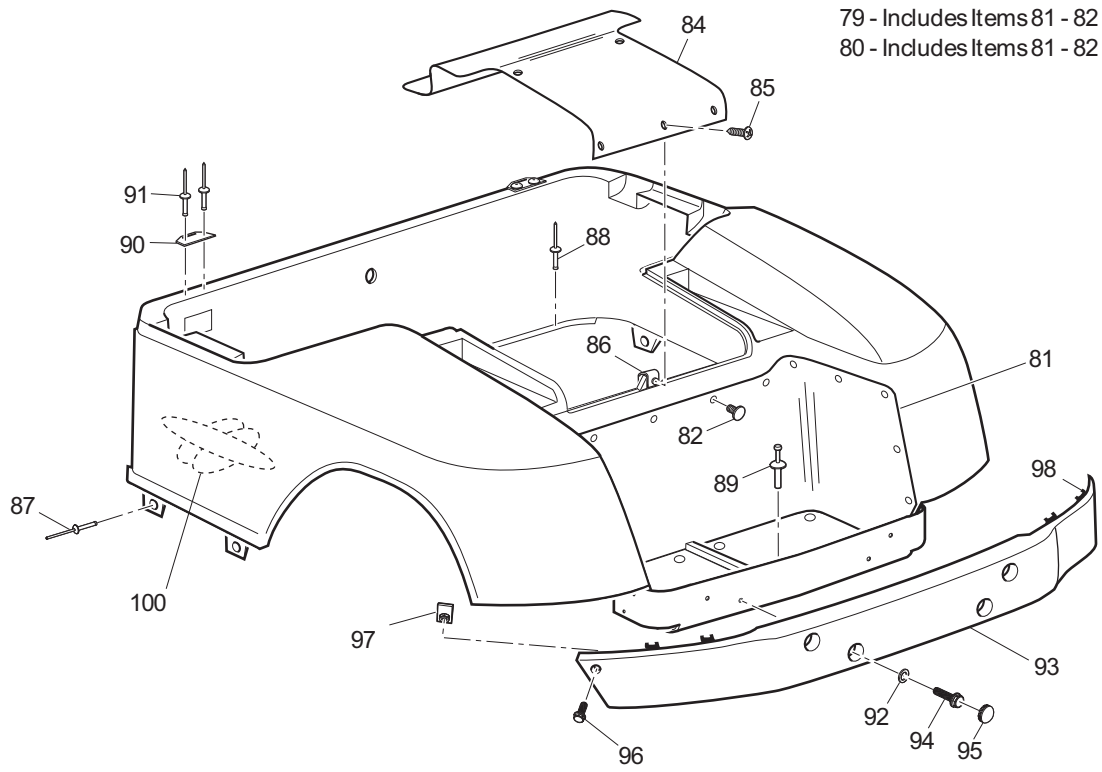
125 - Includes Items 126 - 129

ASHTRAY

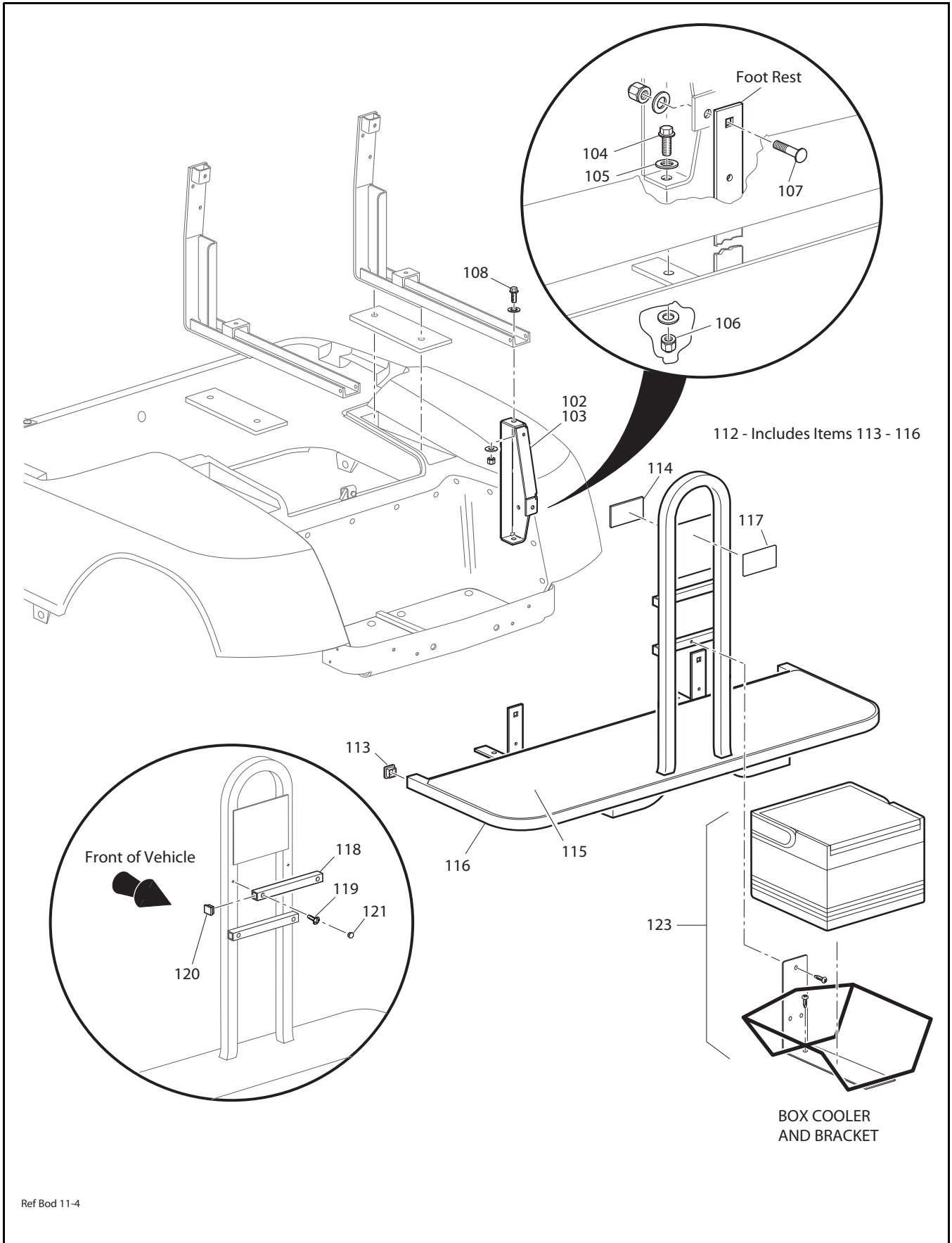


Ref Bod 11-2

BODY



RefBod 11-3



Ref Bod 11-4

BODY

THE USE OF NON U.L. PARTS WILL VOID ANY U.L. LISTING.

When ordering parts, please specify the model and serial number of the product.

* Indicates a component that is not available as an individual part.

G** Indicates consult Customer Service Department for additional information.

ITEM	PART NO.	1 2 3 4 5	DESCRIPTION	QTY.
1	<u>71151-G03</u>		INSTRUMENT PANEL ASSEMBLY	1
2	<u>71158-G01</u>		INSTRUMENT PANEL INSERT (FOUR CUP)	1
3	<u>27826-G01</u>		LABEL (SAFETY)	1
4				
5	<u>75459-G01</u>		GLOVE BOX DOORS (BOTH SIDES)	1
6	<u>75459-G02</u>		GLOVE BOX DOOR (DRIVER SIDE)	1
7	<u>75459-G03</u>		GLOVE BOX DOOR (PASSENGER SIDE)	1
8				
9	606534-G**		COWL..... 606534G002....ST COWL SPECIAL COLOR 606534G005....ST COWL FRONT JAC ORANGE 606534G006....ST COWL FRONT LIGHT GOLD PEARL 606534G007....ST COWL SILVER PEARL METAL 606534G011....ST COWL BLACK PAINT 606534G012....ST COWL EMERALD GREEN PEARL 606534G013....ST COWL CLOUD GREY 606534G014....ST COWL VIPER BLUE METAL 606534G019....ST COWL PATRIOT BLUE PEARL 606534G020....ST COWL INFERNO RED METAL 606534G023....ST COWL ADV CLASSICE CAMO 606534G024....ST COWL FRONT NATURAL 606534G025....ST COWL FRONT NEW HOLLAND BLUE 606534G026....ST COWL FRONT STEEL BLUE PEARL 606534G027....ST COWL BRIGHT SILVER METAL 606534G029....ST COWL PRIME 606534G030....ST COWL HD ADV CAMO 606534G031....ST COWL FRONT METALLIC CHARCOAL 606534G033....ST COWL TIMERLINE GREEN 606534G034....ST COWL DEEP MOLTEN RED 606534G035....ST COWL SAFETY YELLOW 606534G036....ST COWL CAMPAGNE BEIGE TEXT 606534G037....ST COWL HUNTER GREEN 606534G038....ST COWL BRIGHT WHITE 606534G039....ST COWL FLAME RED 606534G040....ST COWL BLACK 606534G041....ST COWL ELECTRIC BLUE 606534G042....ST COWL PLATINUM 606534G043....ST COWL BURGUNDY ON CH BG 606534G044....ST COWL ALMOND 606534G046....ST COWL BURGANDY ON BLACK 606534G047....ST COWL BURLINGTON GREEN 606534G048....ST COWL BLACK ON CHAM BEIGE 606534G049....ST COWL RED ON CHAM BEIGE	1

THE USE OF NON U.L. PARTS WILL VOID ANY U.L. LISTING.
 When ordering parts, please specify the model and serial number of the product.
 * Indicates a component that is not available as an individual part.
 G** Indicates consult Customer Service Department for additional information.

ITEM	PART NO.	1 2 3 4 5	DESCRIPTION	QTY.
10	<u>71413-G01</u>		SPLASH PANEL.....	1
11	<u>71101-G01</u>		COWL SUPPORT BRACKET	1
12	<u>71102-G02</u>		BOLT, 1/4 - 20 X 1/2" LG	3
13	<u>71055-G02</u>		RIVET, 3/16" X 1 1/8" LG (ALUMINUM).....	1
14	<u>71115-G01</u>		VINYL TRIM	2
15	<u>71055-G01</u>		RIVET, 3/16" X 1" LG (ALUMINUM).....	10
16	<u>16816-G2</u>		RATCHET FASTENER, 1/4" X 3/4" LG	4
17	<u>74443-G01</u>		LABEL (ANTI-ROLLBACK)	1
18	<u>35968-G01</u>		LABEL (TEE HOLDER COVER).....	1
19				
20	*		SERIAL NUMBER PLATE	1
21	*		CAPACITY PLATE.....	1
22				
23				
24	<u>71055-G01</u>		RIVET, 3/16" X 1" LG (ALUMINUM).....	10
25				
26	<u>74813-G01</u>		NAMEPLATE (E-Z-GO) (OVAL)	1
27				
28	<u>71338-G01</u>		FENDER FLARE (DRIVER SIDE).....	1
29	<u>71338-G02</u>		FENDER FLARE (PASSENGER SIDE)	1
30	<u>71055-G01</u>		RIVET, 3/16" X 1" LG (ALUMINUM).....	6
31				
32	<u>71510-G01</u>		UPPER FLOORPAN (FRAME MOUNTED STEERING).....	1
33	<u>14601-G11</u>		RIVET, 3/16" X 9/16" LG (ALUMINUM).....	9
34				
35	<u>70451-G01</u>		LOWER FLOORPAN.....	1
36	<u>14601-G11</u>		RIVET, 3/16" X 9/16" LG (ALUMINUM).....	7
37	<u>70452-G01</u>		ACCESS COVER.....	1
38	604891		3 BAR CHROME BRUSH GUARD (ST CUSTOM).....	1

BODY

THE USE OF NON U.L. PARTS WILL VOID ANY U.L. LISTING.

When ordering parts, please specify the model and serial number of the product.

* Indicates a component that is not available as an individual part.

G** Indicates consult Customer Service Department for additional information.

ITEM	PART NO.	1 2 3 4 5	DESCRIPTION	QTY.
39	<u>74265-G02</u>		BUMPER	1
40	<u>74037-G01</u>		SPACER TUBE	2
41	<u>19859-G1</u>		END CAP, 3/4"	2
42	<u>75048-G01</u>		SPACER, 1/2"	2
43	<u>00570-G2</u>		WASHER, 5/16"	6
44	<u>00905-G8</u>		LOCK WASHER, 5/16"	4
45	<u>01035-G02</u>		BOLT, 5/16 - 18 X 2 1/2" LG	4
46				
47	<u>74521-G02</u>		FRONT BASKET ASSEMBLY (INCLUDES ITEMS 48 - 53)	1
48	<u>74523-G01</u>		FRONT BASKET	1
49	<u>74522-G01</u>		BASKET MOUNTING BRACKET (DRIVER SIDE)	1
50	<u>74522-G02</u>		BASKET MOUNTING BRACKET (PASSENGER SIDE)	1
51	<u>00725-G1</u>		CARRIAGE BOLT, 3/8 - 16 X 1" LG (STAINLESS STEEL)	4
52	<u>00891-G1</u>		LOCK NUT, 3/8 - 16	4
53	<u>71931-G01</u>		LABEL, FRONT BASKET (WARNING)	1
54	<u>74365-G01</u>		GUN HOLDER, FLOOR MOUNT	1
55	<u>70048-G06</u>		FLOORMAT WITH HORN HOLES (1/8")	1
56	<u>70440-G03</u>		SEAT FRAME (FOR SINGLE CABLE DIRECTION SELECTOR)	1
57	<u>00715-G2</u>		BOLT, 5/16 - 18 X 4/5" LG	2
58	<u>70440-G04</u>		SEAT FRAME (ST CUSTOM)	1
59	<u>71501-G01</u>		ROCKER PANEL (PASSENGER SIDE)	1
60	<u>71502-G01</u>		ROCKER PANEL (DRIVER SIDE)	1
61	<u>15058-G6</u>		RIVET, 3/16" X 15/16" LG (ALUMINUM)	4
62				
63				
64	<u>71507-G01</u>		SILL PLATE (PASSENGER SIDE)	1
65	<u>71507-G02</u>		SILL PLATE (DRIVER SIDE)	1
66	<u>16705-G1</u>		SCREW, 1/4 - 20 X 1" LG (STAINLESS STEEL)	4
67	<u>23726-G4</u>		SPACER, 5/16"	4
68	<u>00891-G2</u>		LOCK NUT, 1/4 - 20 (STAINLESS STEEL)	4

THE USE OF NON U.L. PARTS WILL VOID ANY U.L. LISTING.
 When ordering parts, please specify the model and serial number of the product.
 * Indicates a component that is not available as an individual part.
 G** Indicates consult Customer Service Department for additional information.

ITEM	PART NO.	1 2 3 4 5	DESCRIPTION	QTY.
69	<u>70244-G03</u>		SPLASH PANEL (ST CUSTOM)	2
70	<u>70244-G02</u>		SPLASH PANEL.....	1
71	<u>70245-G01</u>		BATTERY TRAY.....	1
72	<u>00715-G2</u>		BOLT, 5/16 - 18 X 4/5" LG	8
73	<u>71551-G01</u>		FENDER LINER, EXTENDED (PASSENGER SIDE).....	1
74	<u>71552-G01</u>		FENDER LINER, EXTENDED (DRIVER SIDE).....	1
75	<u>16816-G2</u>		RATCHET FASTENER, 1/4" X 3/4" LG	8
76	<u>14601-G17</u>		RIVET.....	2
77				
78				
79	<u>71912-G4**</u>		REAR BODY (WITHOUT TAILLIGHTS) (INCLUDES ITEMS 81, 82)	1
80	<u>71334-G0**</u>		REAR BODY (WITH TAILLIGHTS) (INCLUDES ITEMS 81, 82).....	1
81	<u>71318-G01</u>		BAGWELL LINER.....	1
82	<u>16816-G1</u>		RATCHET FASTENER, 1/4" X 9/16" LG	26
83				
84	<u>71320-G01</u>		ACCESS PANEL	1
85	<u>01107-G01</u>		SCREW, #8 X 3/8" LG (STAINLESS STEEL)	5
86	<u>71364-G02</u>		"J" CLIP	1
87	<u>10570-G12</u>		RIVET, 1/4" X 9/16" LG (ALUMINUM).....	4
88	<u>10570-G10</u>		RIVET, 5/32" X 9/16" LG (STAINLESS STEEL)	6
89	<u>18436-G1</u>		PLASTIC DRIVE RIVET, 1/4" X 3/4" LG	2
90	<u>71609-G01</u>		SEAT HINGE PLATE.....	2
91	<u>10570-G11</u>		RIVET, 3/16" X 3/4" LG (STAINLESS STEEL)	4
92	<u>00571-G2</u>		WASHER, 5/16"	4
93	<u>71456-G01</u>		NOTCHED REAR BUMPER	1
94	<u>71398-G01</u>		BOLT, 1/4 - 20 X 1 1/4" LG	4
95	<u>71455-G01</u>		BUMPER PLUG	4
96	<u>71102-G01</u>		BOLT, 1/4 - 20 x 11/16" LG.....	2
97	<u>71554-G01</u>		J-TYPE NUT RETAINER, 1/4 - 20.....	2
98	<u>71457-G01</u>		BUMPER STAY	4

BODY

THE USE OF NON U.L. PARTS WILL VOID ANY U.L. LISTING.

When ordering parts, please specify the model and serial number of the product.

* Indicates a component that is not available as an individual part.

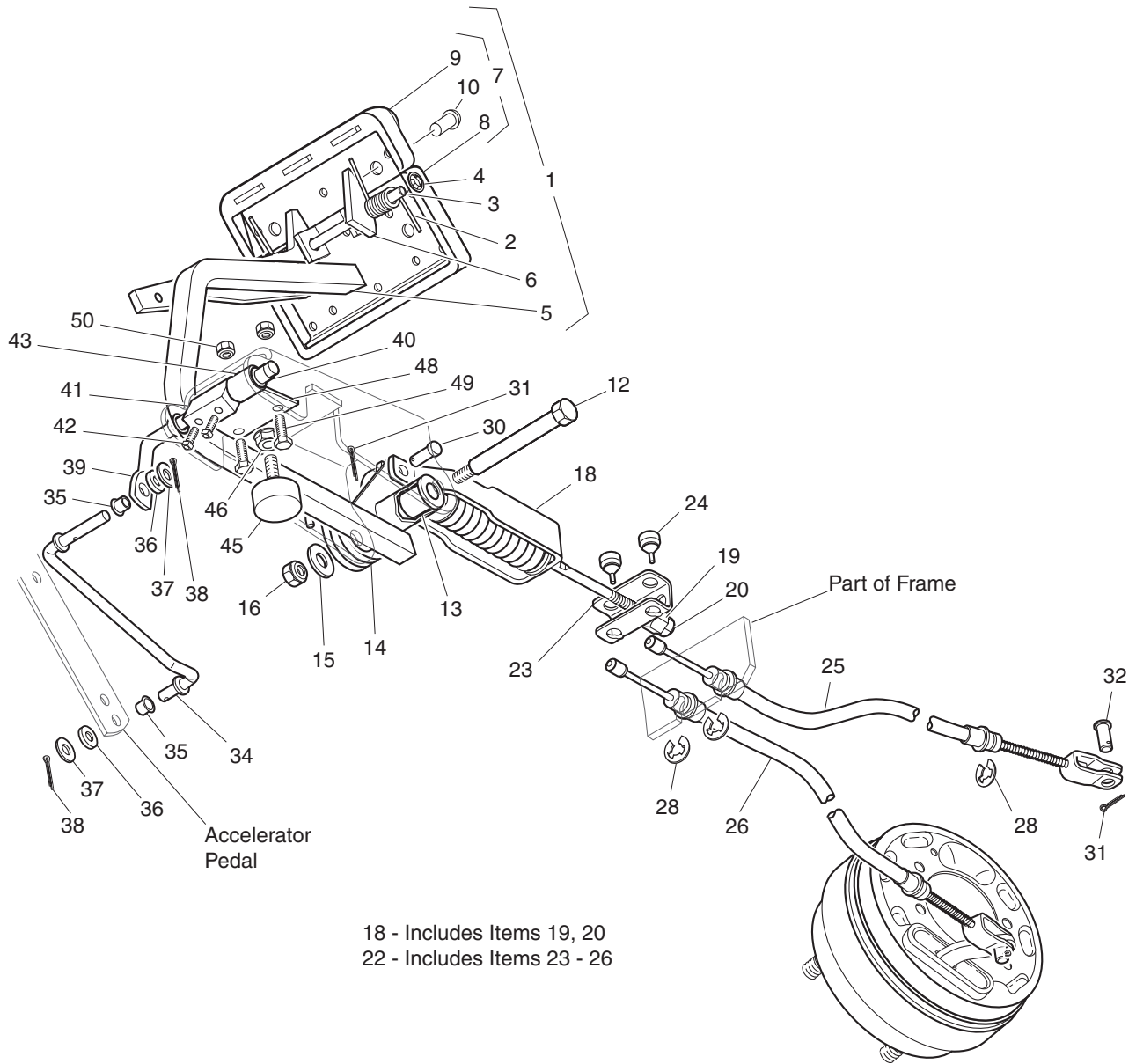
G** Indicates consult Customer Service Department for additional information.

ITEM	PART NO.	1 2 3 4 5	DESCRIPTION	QTY.
99				
100	<u>74532-G01</u>		LABEL (CLAYS CAR).....	2
101				
102	<u>74126-G01</u>		VERTICAL FRAME SUPPORT (PASSENGER SIDE).....	1
103	<u>74126-G02</u>		VERTICAL FRAME SUPPORT (DRIVER SIDE).....	1
104	<u>00427-G6</u>		BOLT, 3/8 - 16 X 1 1/2" LG.....	2
105	<u>00560-G1</u>		WASHER, 3/8".....	10
106	<u>11098-G5</u>		LOCK NUT, 3/8 - 16.....	10
107	<u>00769-G2</u>		CARRIAGE BOLT, 3/8 - 16 X 1 1/4" LG.....	2
108	<u>00426-G8</u>		BOLT, 3/8 - 16 X 1" LG.....	2
109				
110				
111				
112	<u>70361-G01</u>		FOOTREST ASSEMBLY (INCLUDES ITEMS 113 - 116).....	1
113	<u>19853-G1</u>		END CAP, 1".....	2
114	<u>74074-G01</u>		LABEL (WARNING).....	1
115	<u>70362-G01</u>		FLOORMAT.....	1
116	<u>70633-G01</u>		FOOTREST.....	1
117	<u>71093-G01</u>		LABEL (LOAD BED LIMIT WARNING).....	1
118	<u>75268-G01</u>		SUPPORT TUBE.....	2
119	<u>606882</u>		SELF THREADING SCREW, #12 - 24 X 3/4" LG.....	4
120	<u>19859-G1</u>		END CAP, 3/4".....	4
121	<u>20271-G2</u>		HOLE PLUG, 1/2".....	4
122				
123	<u>71048-G01</u>		BOX COOLER AND BRACKET (INCLUDES HARDWARE).....	1
124				
125	<u>75109-G02</u>		ASH TRAY KIT (INCLUDES ITEMS 126 - 129).....	1
126	<u>27731-G01</u>		ASH TRAY.....	1
127	<u>27736-G01</u>		GASKET.....	1
128	<u>75108-G02</u>		BRACKET.....	1

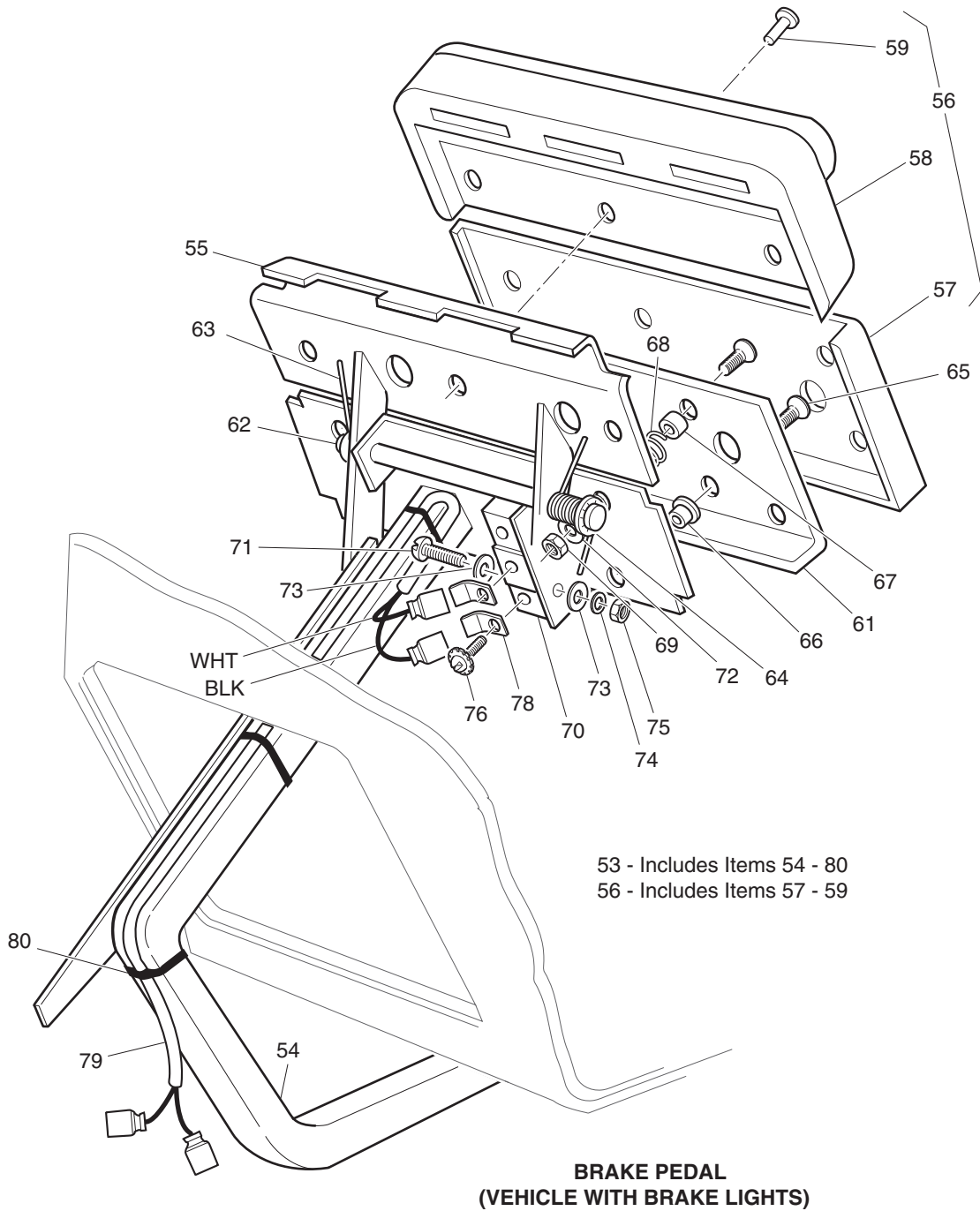
THE USE OF NON U.L. PARTS WILL VOID ANY U.L. LISTING.
 When ordering parts, please specify the model and serial number of the product.
 * Indicates a component that is not available as an individual part.
 G** Indicates consult Customer Service Department for additional information.

ITEM	PART NO.	1 2 3 4 5 DESCRIPTION	QTY.
129	<u>00100-G4</u>	SCREW, #10 - 16 X 1/2" LG	4
130			
131	<u>74533-G01</u>	GUN HOLDER (SWIVEL MOUNT) (NOT ILLUSTRATED)	1

BRAKES

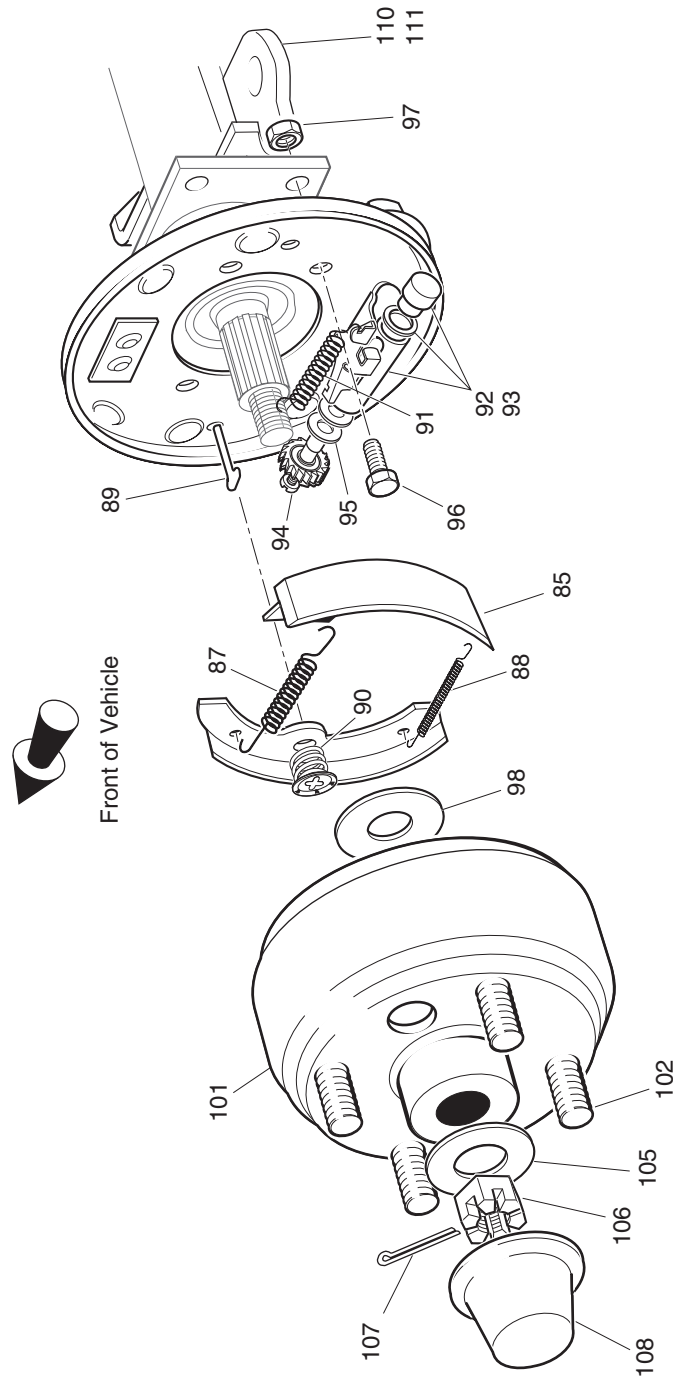


Ref Brk 6-1



Ref Brk 6-2

BRAKES



- 82 - Includes Items 84 - 92
- 83 - Includes Items 84 - 93
- 84 - Includes Items 85
- 86 - Includes Items 87 - 91
- 92 - Includes Items 94, 95
- 93 - Includes Items 94, 95
- 100 - Includes Items 101, 102

Ref Brk 6-3

BRAKES

THE USE OF NON U.L. PARTS WILL VOID ANY U.L. LISTING.

When ordering parts, please specify the model and serial number of the product.

* Indicates a component that is not available as an individual part.

G** Indicates consult Customer Service Department for additional information.

ITEM	PART NO.	1 2 3 4 5	DESCRIPTION	QTY.
1	<u>70612-G02</u>		BRAKE PEDAL ASSEMBLY (WITHOUT BRAKE LIGHTS) (INCLUDES ITEMS 2 - 10).....	1
2	<u>70681-G01</u>		TORSION SPRING.....	2
3	<u>70682-G01</u>		PIVOT PIN.....	1
4	<u>01071-G01</u>		PUSHNUT, 5/16".....	1
5	*		BRAKE PEDAL.....	1
6	<u>70611-G02</u>		PARK BRAKE PEDAL.....	1
7	<u>70274-G01</u>		BRAKE/PARK BRAKE PEDAL PAD KIT (INCLUDES ITEMS 8 - 10).....	1
8	*		SERVICE BRAKE PAD.....	1
9	*		PARK BRAKE PEDAL PAD.....	1
10	<u>15766-G1</u>		OVAL RIVET, 3/16" X 3/8" LG.....	9
11				
12	<u>70582-G01</u>		SHOULDER BOLT, 3/8 - 16 X 4" LG.....	1
13	<u>70581-G01</u>		FLANGED BUSHING.....	2
14	<u>70676-G01</u>		TORSION SPRING.....	1
15	<u>00643-G1</u>		WASHER, 3/8".....	1
16	<u>11098-G5</u>		LOCK NUT, 3/8 - 16.....	1
17				
18	<u>70272-G04</u>		COMPENSATOR ASSEMBLY (INCLUDES ITEMS 19, 20).....	1
19	<u>00963-G01</u>		SPHERICAL NUT, 5/16 - 24.....	1
20	<u>11098-G9</u>		LOCK NUT, 5/16 - 24.....	1
21				
22	<u>70969-G03</u>		EQUALIZER AND BRAKE CABLE ASSEMBLY (INCLUDES ITEMS 23 - 26)....	1
23	<u>28082-G01</u>		EQUALIZER BRACKET.....	1
24	<u>28083-G01</u>		BRAKE COMPENSATOR BUMPER.....	2
25	*		BRAKE CABLE (DRIVER SIDE).....	1
26	*		BRAKE CABLE (PASSENGER SIDE).....	1
27				
28	<u>01111-G01</u>		RETAINING RING, S.S.....	4
29				

BRAKES

THE USE OF NON U.L. PARTS WILL VOID ANY U.L. LISTING.

When ordering parts, please specify the model and serial number of the product.

* Indicates a component that is not available as an individual part.

G** Indicates consult Customer Service Department for additional information.

ITEM	PART NO.	1 2 3 4 5	DESCRIPTION	QTY.
30	<u>10386-G3</u>		CLEVIS PIN, 5/16" X 1" LG	3
31	<u>10387-G3</u>		COTTER PIN, 3/32" X 3/4" LG	3
32	<u>14443-G2</u>		CLEVIS PIN, 5/16" X 3/4" LG	2
33				
34	<u>70601-G01</u>		KICK-OFF LINK.....	1
35	<u>17838-G1</u>		NYLON BUSHING.....	2
36	<u>20835-G1</u>		TEFLON WASHER, 3/8"	2
37	00559-G8		WASHER, 5/16"	2
38	<u>10387-G3</u>		COTTER PIN, 3/32" X 3/4" LG	2
39	<u>70098-G01</u>		KICK-OFF CAM PIVOT	1
40	<u>10097-G6</u>		FLANGED BEARING	2
41	<u>70587-G01</u>		KICK-OFF CAM.....	1
42	<u>71215-G01</u>		SETSCREW, 1/4 - 20 X 1/2" LG.....	2
43	<u>14134-G4</u>		SPACER	1
44				
45	<u>70113-G01</u>		ADJUSTABLE BUMPER	1
46	<u>11027-G1</u>		LOCK NUT, 5/16 - 18	1
47				
48	<u>70080-G02</u>		CATCH BRACKET	1
49	<u>00414-G6</u>		BOLT, 1/4 - 20 X 3/4" LG	2
50	<u>00891-G2</u>		LOCK NUT, 1/4 - 20	2
51				
52				
53	70690-G02		BRAKE PEDAL ASSEMBLY (WITH BRAKE LIGHTS) (INCLUDES ITEMS 54 - 80).....	1
54	*		BRAKE PEDAL.....	1
55	<u>70611-G02</u>		PARK BRAKE PEDAL	1
56	70274-G01		BRAKE/PARK BRAKE PEDAL PAD KIT (INCLUDES ITEMS 57 - 59).....	1
57	*		SERVICE BRAKE PAD	1
58	*		PARK BRAKE PAD.....	1

BRAKES

THE USE OF NON U.L. PARTS WILL VOID ANY U.L. LISTING.

When ordering parts, please specify the model and serial number of the product.

* Indicates a component that is not available as an individual part.

G** Indicates consult Customer Service Department for additional information.

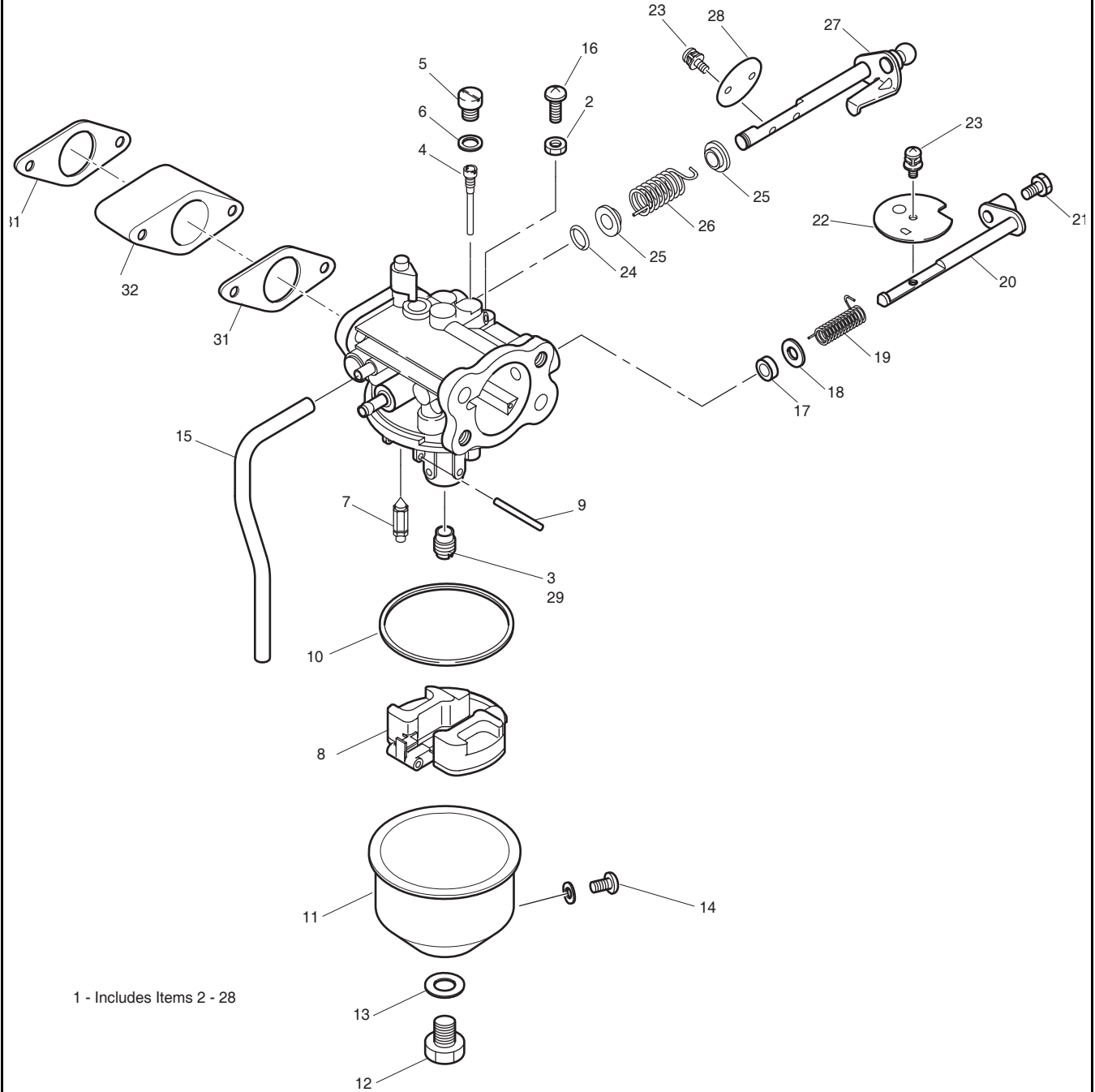
ITEM	PART NO.	1	2	3	4	5	DESCRIPTION	QTY.
59	<u>15766-G1</u>						OVAL RIVET, 3/16" x 3/8" LG	9
60								
61	<u>70258-G03</u>						BRAKE PEDAL PLATE	1
62	<u>70682-G01</u>						PIVOT PIN	1
63	<u>70681-G01</u>						TORSION SPRING	2
64	<u>01071-G01</u>						PUSHNUT, 5/16"	1
65	<u>00737-G8</u>						SCREW, #10 - 24 X 1" LG	4
66	<u>00739-G1</u>						RUBBER NUT, #10 - 24	2
67	<u>74536-G01</u>						BRAKE PEDAL STANDOFF	2
68	<u>27137-G01</u>						CONICAL SPRING	2
69	<u>14390-G10</u>						LOCK NUT, #10 - 24	2
70	<u>10606-G8</u>						MICRO SWITCH	1
71	<u>00957-G1</u>						SCREW, #6 - 32 X 1 1/4" LG	2
72	<u>00559-G5</u>						WASHER, #10	2
73	<u>00559-G3</u>						WASHER, #6	4
74	<u>00565-G3</u>						LOCK WASHER, #6	2
75	<u>00525-G5</u>						NUT, #6 - 32	2
76	<u>13514-G1</u>						SCREW AND LOCK WASHER, #6	2
77								
78	<u>14628-G1</u>						FASTON TAB	2
79	<u>24605-G1</u>						WIRE HARNESS (BRAKE LIGHT)	1
80	<u>17618-G1</u>						WIRE TIE	3
81								
82	<u>70998-G01</u>						BRAKE ASSEMBLY (DRIVER SIDE) (INCLUDES ITEMS 84 - 92)	1
83	<u>70998-G02</u>						BRAKE ASSEMBLY (PASSENGER SIDE) (INCL. ITEMS 84 - 91, 93)	1
84	<u>70794-G01</u>						BRAKE SHOE KIT (INCLUDES ITEM 85)	2
85	*						BRAKE SHOE	2
86	<u>27944-G01</u>						BRAKE SPRING KIT (INCLUDES ITEMS 87 - 91)	2
87	*						UPPER SPRING	1
88	*						LOWER SPRING	1

BRAKES

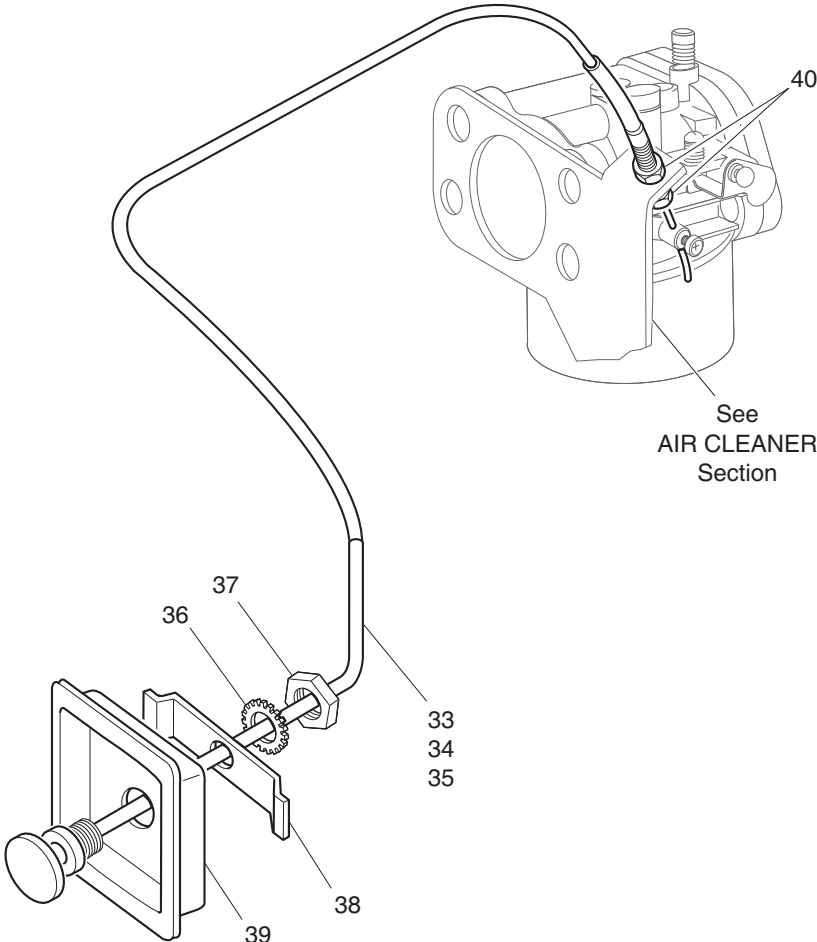
THE USE OF NON U.L. PARTS WILL VOID ANY U.L. LISTING.
 When ordering parts, please specify the model and serial number of the product.
 * Indicates a component that is not available as an individual part.
 G** Indicates consult Customer Service Department for additional information.

ITEM	PART NO.	1	2	3	4	5	DESCRIPTION	QTY.
89	*						PIN	2
90	*						CUP AND SPRING	2
91	*						ADJUSTER SPRING.....	1
92	<u>72582-G01</u>						BRAKE ADJUSTER KIT (DRIVER SIDE) (INCLUDES ITEMS 94, 95)	1
93	<u>72582-G02</u>						BRAKE ADJUSTER KIT (PASSENGER SIDE) (INCL ITEMS 94, 95).....	1
94	*						ADJUSTER	1
95	*						TEFLON WASHER.....	2
96	<u>17083-G2</u>						BOLT, 5/16 - 24 X 1" LG	8
97	<u>15126-G1</u>						LOCK NUT, 5/16 - 24	8
98	<u>21809-G1</u>						INNER BRAKE DRUM WASHER, 1 5/16" OD X 1" ID X 1/32"	2
99								
100	<u>21807-G2</u>						BRAKE DRUM ASSEMBLY (INCLUDES ITEMS 101 - 102).....	2
101	*						BRAKE DRUM.....	1
102	<u>19862-G1</u>						LUG BOLT, 1/2 - 20.....	4
103								
104	<u>24939-G2</u>						SPINDLE CAP ADAPTER.....	2
105	<u>21830-G1</u>						OUTER BRAKE DRUM WASHER	2
106	<u>00518-G8</u>						SLOTTED NUT, 3/4 - 16.....	2
107	<u>10387-G1</u>						COTTER PIN, 1/8" X 1 1/2" LG.....	2
108	<u>12091-G2</u>						SPINDLE CAP.....	2
109								
110	<u>75870-G04</u>						BRAKE CABLE BRACKET (PASSENGER SIDE).....	1
111	<u>75870-G03</u>						BRAKE CABLE BRACKET (DRIVER SIDE)	1

CARBURETOR AND CHOKE



CARBURETOR AND CHOKE



Ref Cac 2-2

CARBURETOR AND CHOKE

Where applicable, THE USE OF NON UL PARTS WILL VOID ANY UL LISTING.
 When ordering parts, please specify the model and serial number of the product.
 * Indicates a component that is not available as an individual part.
 G** Indicates consult Customer Service Department for additional information.

ITEM	PART NO.	1 2 3 4 5	DESCRIPTION	QTY.
1	<u>72840-G02</u>		CARBURETOR (FOR VEHICLES ORIGINALLY EQUIPPED WITH 350cc (EH35C)) (INCLUDES ITEMS 2 - 28)	1
2	72310-G01		NUT.....	1
3	26646-G05		MAIN JET (#82)	1
4	<u>26649-G05</u>		PILOT JET (#42).....	1
5	<u>26841-G01</u>		PLUG	1
6	<u>72306-G01</u>		GASKET	1
7	<u>72578-G01</u>		NEEDLE VALVE	1
8	26648-G01		FLOAT	1
9	<u>26840-G01</u>		FLOAT PIN	1
10	<u>26843-G01</u>		FLOAT BOWL GASKET	1
11	<u>26844-G01</u>		FLOAT CHAMBER	1
12	<u>26839-G01</u>		BOWL SCREW	1
13	26838-G01		BOWL GASKET	1
14	72579-G01		DRAIN SCREW	1
15	<u>26650-G01</u>		VENT TUBE.....	2
16	72317-G01		SCREW.....	1
17	<u>26755-G01</u>		BUSHING.....	1
18	26756-G01		COLLAR.....	1
19	<u>26757-G01</u>		SPRING, CHOKE RETURN	1
20	72315-G01		CHOKE SHAFT ASSY	1
21	72314-G01		SCREW.....	1
22	*		CHOKE VALVE.....	1
23	<u>72313-G01</u>		SCREW.....	3
24	26750-G01		OV RING.....	1
25	<u>26751-G01</u>		COLLAR.....	2
26	<u>26752-G01</u>		THROTTLE RETURN SPRING	1
27	<u>26753-G01</u>		THROTTLE SHAFT ASSY.....	1
28	<u>26748-G01</u>		THROTTLE VALVE	1
29	26646-G04		MAIN JET (#78) (FOR ELEVATIONS OF 5000 FT - 10000 FT)	1

CARBURETOR AND CHOKE

Where applicable, THE USE OF NON UL PARTS WILL VOID ANY UL LISTING.

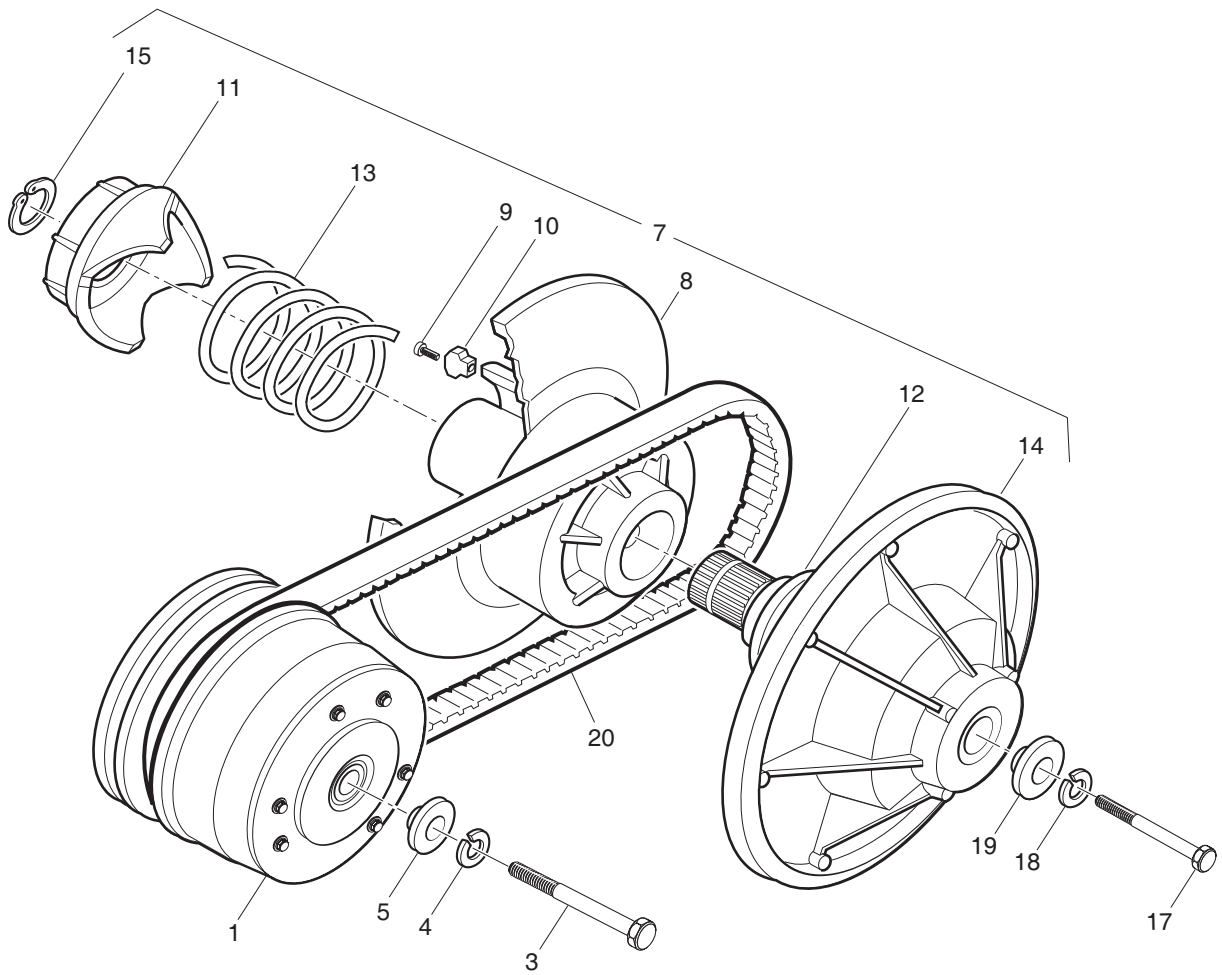
When ordering parts, please specify the model and serial number of the product.

* Indicates a component that is not available as an individual part.

G** Indicates consult Customer Service Department for additional information.

ITEM	PART NO.	1 2 3 4 5	DESCRIPTION	QTY.
30				
31	<u>26726-G01</u>		CARBURETOR MOUNT GASKET	2
32	<u>72883-G01</u>		CARBURETOR INSULATOR (FOR FUJI ENGINE EH35C).....	1
33	<u>25693-G04</u>		CHOKE CABLE (22 1/4" LG WITH NUTS)	1
34	72401-G01		CHOKE CABLE (60 1/4" LG WITH NUTS)	1
35	72401-G02		CHOKE CABLE (31 1/2" LG WITH NUTS)	1
36	<u>00568-G4</u>		LOCK WASHER, 9/16".....	1
37	<u>00545-G4</u>		JAM NUT, 9/16 - 18.....	1
38	<u>72155-G02</u>		RETAINER	1
39	<u>72154-G01</u>		CHOKE CABLE ADAPTER.....	1
40	<u>00544-G4</u>		JAM NUT, 5/16 - 24.....	2

CLUTCH



Ref Clt 11

CLUTCH

THE USE OF NON U.L. PARTS WILL VOID ANY U.L. LISTING.

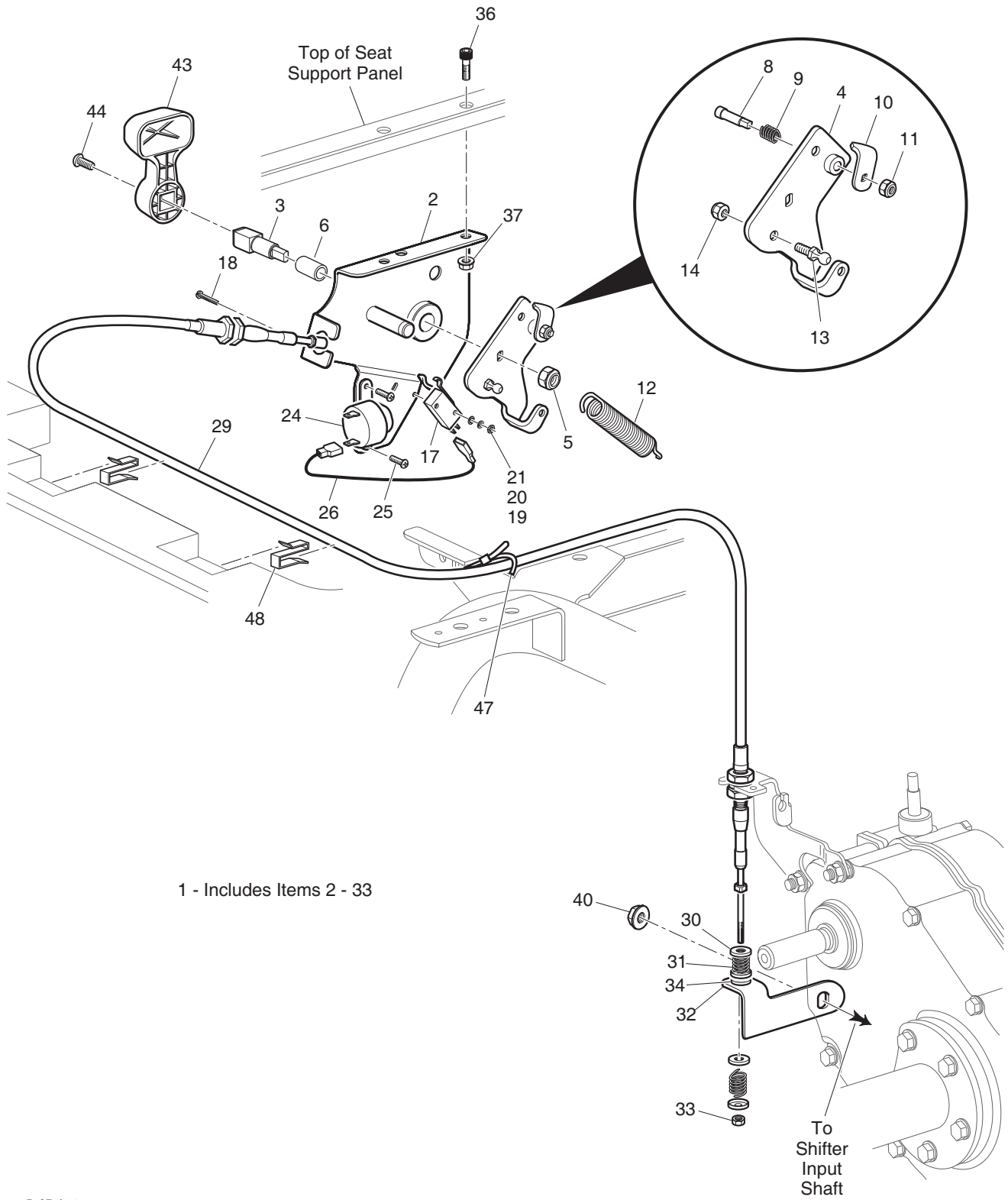
When ordering parts, please specify the model and serial number of the product.

* Indicates a component that is not available as an individual part.

G** Indicates consult Customer Service Department for additional information.

ITEM	PART NO.	1 2 3 4 5	DESCRIPTION	QTY.
1	<u>26952-G01</u>		DRIVE CLUTCH	1
2				
3	<u>00473-G9</u>		BOLT, 7/16 - 20 X 6 1/2" LG	1
4	<u>00566-G2</u>		LOCK WASHER, 7/16".....	1
5	<u>25757-G1</u>		PILOT WASHER	1
6				
7	<u>26301-G03</u>		DRIVEN CLUTCH ASSEMBLY (INCLUDES ITEMS 8 - 15).....	1
8	*		MOVABLE SHEAVE (INCLUDES ITEMS 9 -10)	1
9	<u>00979-G01</u>		SCREW, #10 - 24 X 7/8" LG	3
10	<u>72324-G01</u>		RAMP BUTTON	3
11	*		CAM.....	1
12	<u>24600-G1</u>		SPACER, 1 1/2"	1
13	<u>26304-G01</u>		COMPRESSION SPRING	1
14	*		SHEAVE AND POST	1
15	<u>27270-G01</u>		HEAVY DUTY RETAINING RING	1
16				
17	<u>00441-G8</u>		BOLT, 5/16 - 18 X 4" LG	1
18	<u>00565-G8</u>		LOCK WASHER, 5/16".....	1
19	<u>25756-G1</u>		RETAINING WASHER	1
20	<u>72328-G01</u>		DRIVE BELT (SEVERE DUTY).....	1

DIRECTION SELECTOR



DIRECTION SELECTOR

THE USE OF NON U.L. PARTS WILL VOID ANY U.L. LISTING.

When ordering parts, please specify the model and serial number of the product.

* Indicates a component that is not available as an individual part.

G** Indicates consult Customer Service Department for additional information.

ITEM	PART NO.	1	2	3	4	5	DESCRIPTION	QTY.
1	<u>72721-G01</u>						DIRECTION SELECTOR ASSEMBLY (INCLUDES ITEMS 2 - 33)	1
2	<u>72737-G02</u>						DIRECTION SELECTOR BRACKET	1
3	<u>70233-G01</u>						DIRECTION SELECTOR SHAFT	1
4	<u>72738-G01</u>						DIRECTION SELECTOR CAM.....	1
5	<u>14390-G1</u>						LOCK NUT, 3/8 - 24.....	1
6	<u>25664-G2</u>						BUSHING.....	1
7								
8	<u>72724-G01</u>						NEUTRAL LOCK PIN	1
9	<u>72733-G01</u>						COMPRESSION SPRING, 3/8" X 5/8" LG	1
10	<u>72729-G01</u>						NEUTRAL LOCK LATCH.....	1
11	<u>00734-G2</u>						LOCK NUT, 1/4 - 28.....	1
12	<u>28574-G01</u>						EXTENSION SPRING	1
13	<u>72732-G01</u>						BALL STUD, 1/4"	1
14	<u>00734-G5</u>						LOCK NUT, #10 - 32.....	1
15								
16								
17	<u>72736-G01</u>						MICRO SWITCH.....	1
18	<u>01062-G01</u>						SCREW, #4 - 40 X 1" LG.....	2
19	<u>00559-G1</u>						WASHER, #4	2
20	<u>00565-G1</u>						LOCK WASHER, #4	2
21	<u>00526-G2</u>						NUT, #4 - 40	2
22								
23								
24	<u>73290-G03</u>						REVERSE WARNING BUZZER	1
25	<u>01063-G01</u>						SCREW, #6 - 32 X 3/8" LG.....	2
26	<u>25978-G345</u>						18 GA WIRE (RED 7")	1
27								
28								
29	<u>72734-G01</u>						SHIFTER CABLE.....	1
30	<u>25727-G01</u>						CUP WASHER, 1/4"	4

DIRECTION SELECTOR

THE USE OF NON U.L. PARTS WILL VOID ANY U.L. LISTING.

When ordering parts, please specify the model and serial number of the product.

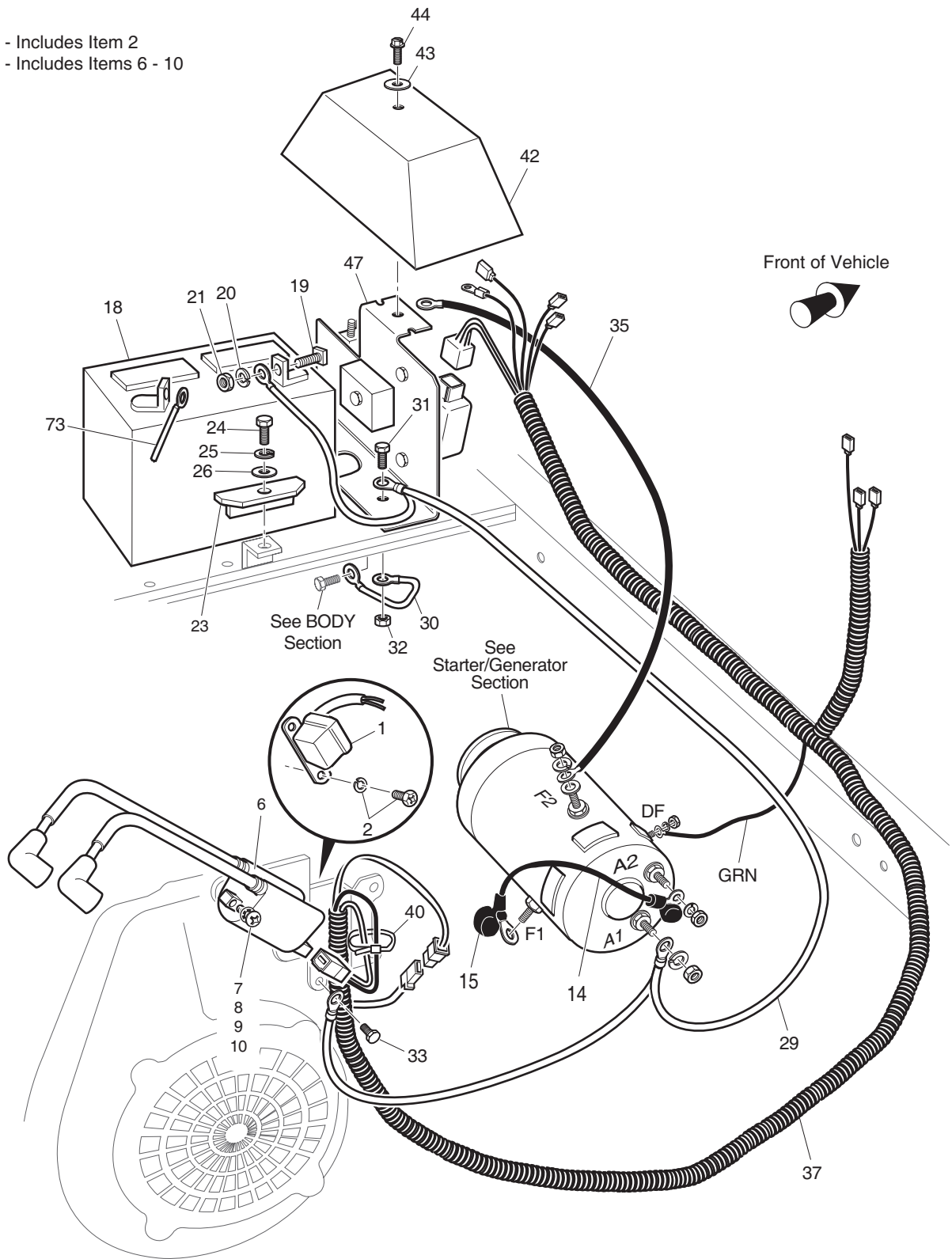
* Indicates a component that is not available as an individual part.

G** Indicates consult Customer Service Department for additional information.

ITEM	PART NO.	1 2 3 4 5	DESCRIPTION	QTY.
31	<u>72735-G01</u>		COMPRESSION SPRING, 19/32" X 1" LG	2
32	<u>74455-G01</u>		SHIFTER ARM WITH BUSHING	1
33	<u>00734-G5</u>		LOCK NUT, #10 - 32.....	1
34	<u>22754-G4</u>		BUSHING, FLIP LOK, .250.....	1
35				
36	<u>70227-G01</u>		SCREW, 1/4 - 20 X 7/8" LG	2
37	<u>11027-G2</u>		LOCK NUT, 1/4 - 20	2
38				
39				
40	26830-G01		LOCK NUT, M8 X 1.25 MM.....	1
41				
42				
43	<u>71205-G01</u>		DIRECTION SELECTOR HANDLE.....	1
44	<u>00740-G4</u>		SCREW, #10 - 32 X 1/2" LG (STAINLESS STEEL).....	1
45				
46				
47	<u>17618-G1</u>		WIRE TIE	1
48	<u>01072-G01</u>		CABLE CLIP.....	2

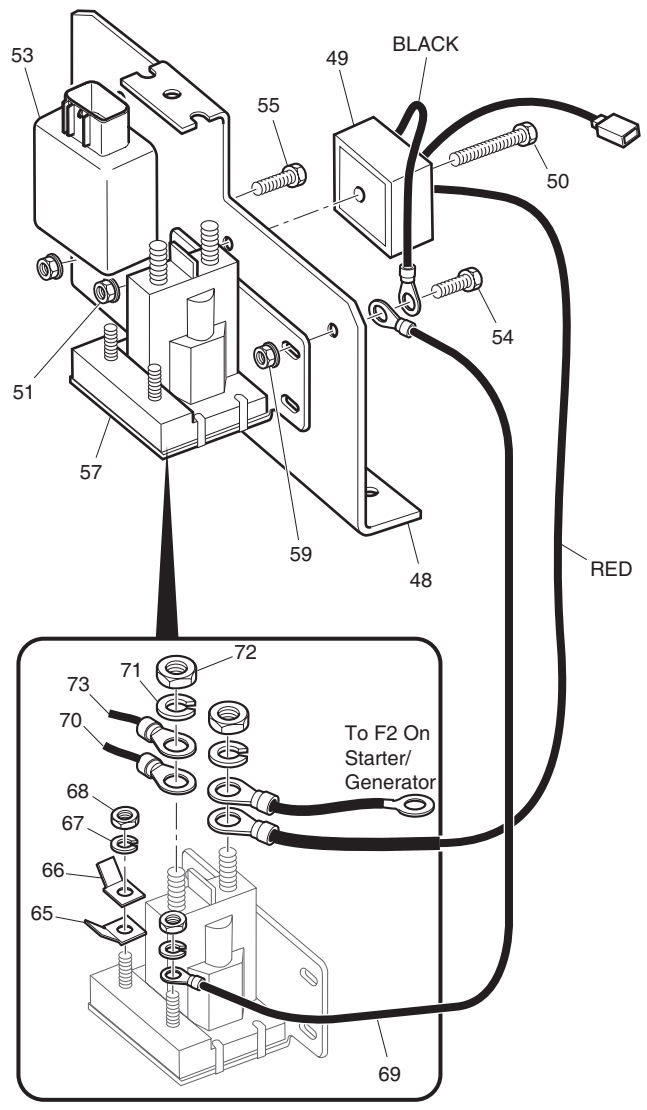
ELECTRICAL SYSTEM

- 1 - Includes Item 2
- 5 - Includes Items 6 - 10



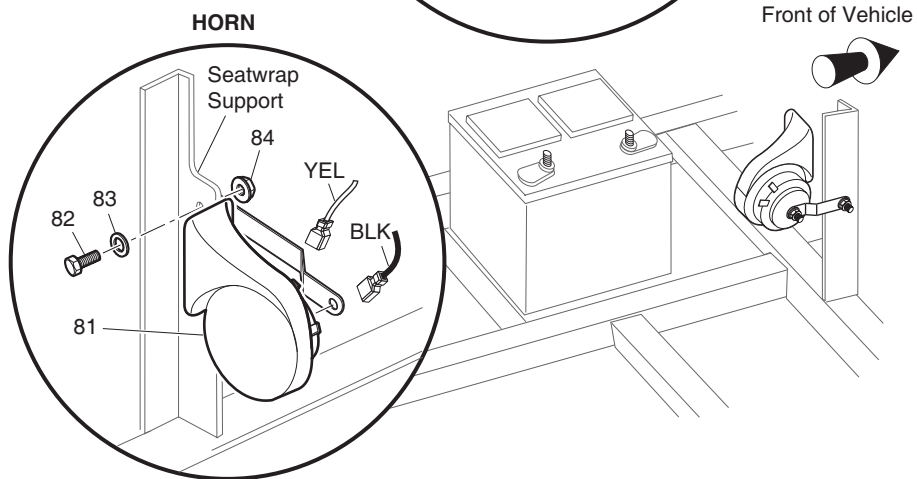
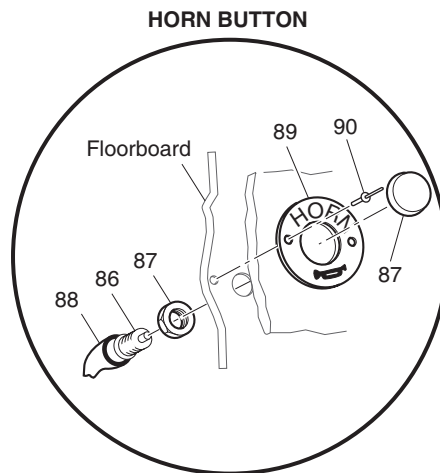
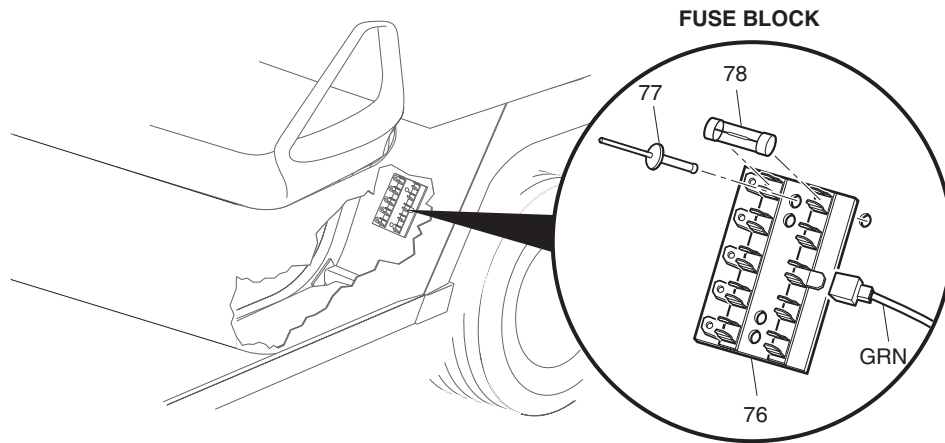
Ref Ele 2-1

47 - Includes Items 48 - 72

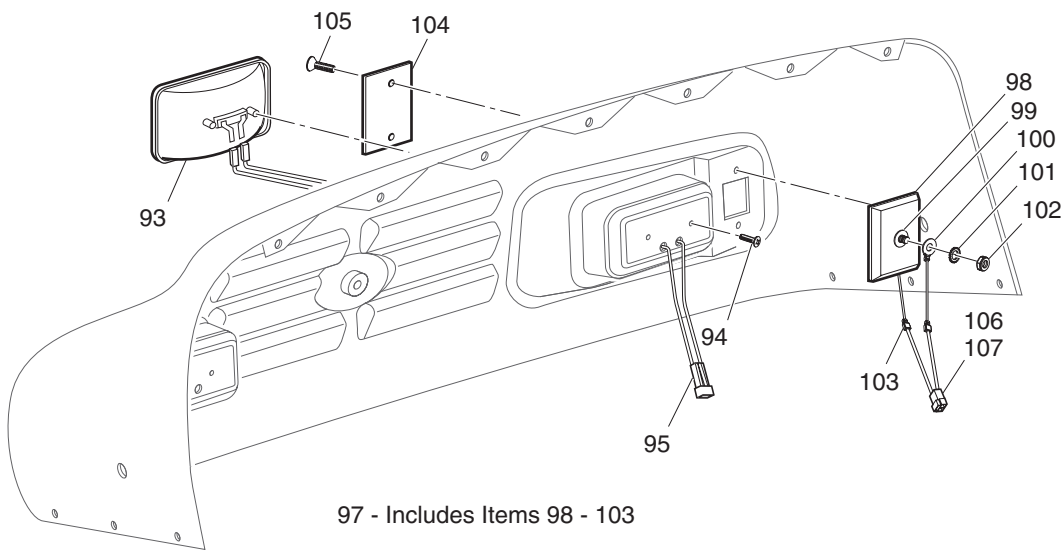


Ref Ele 2-2

ELECTRICAL SYSTEM

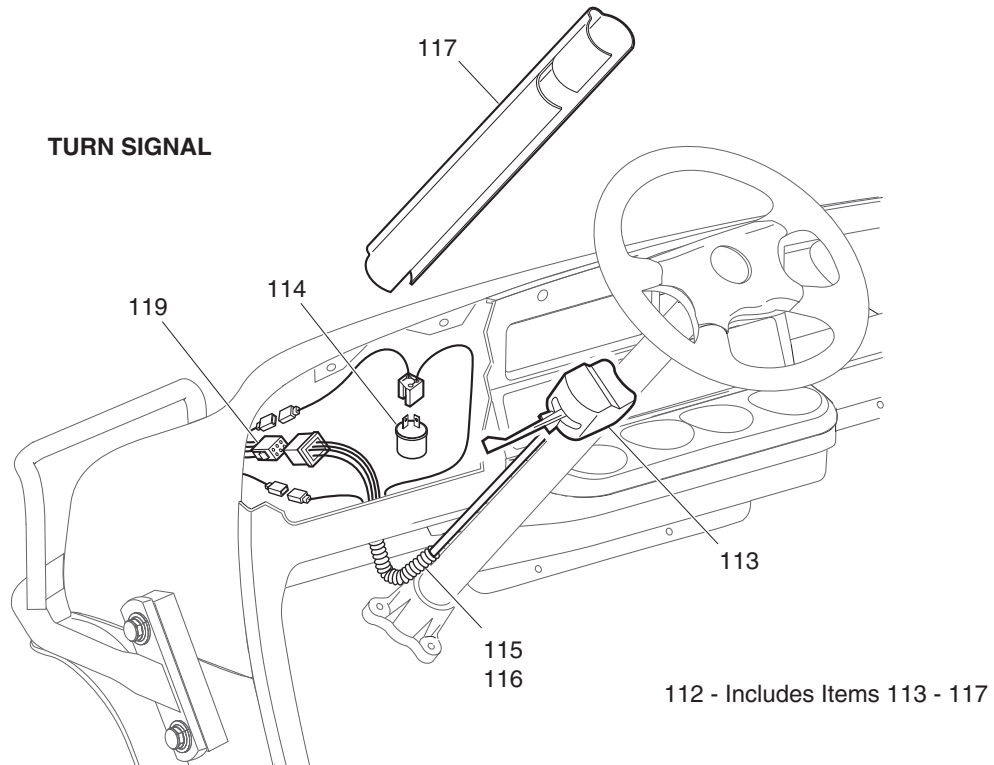
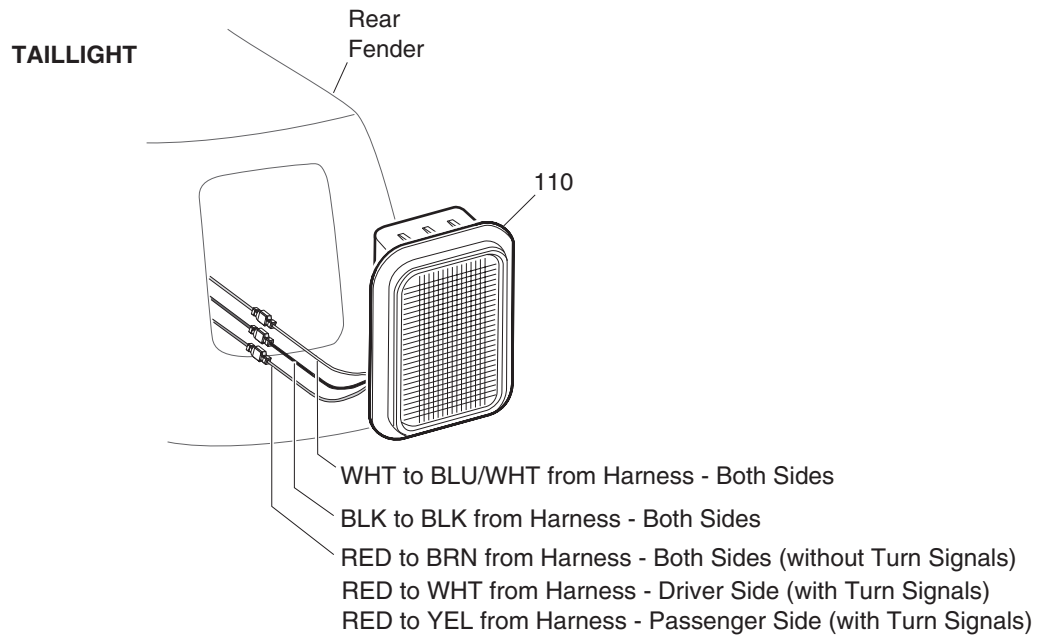


Ref Ele 11-3



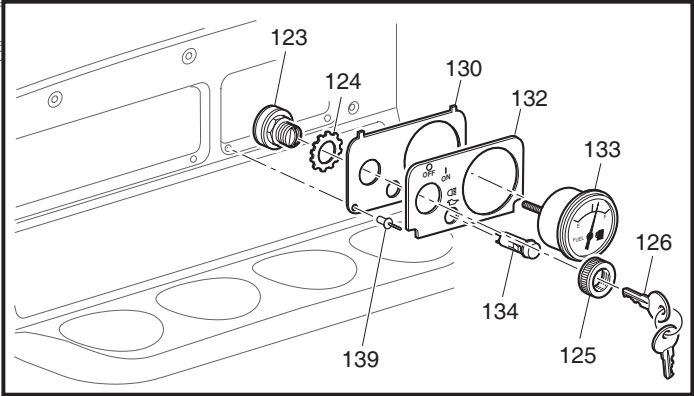
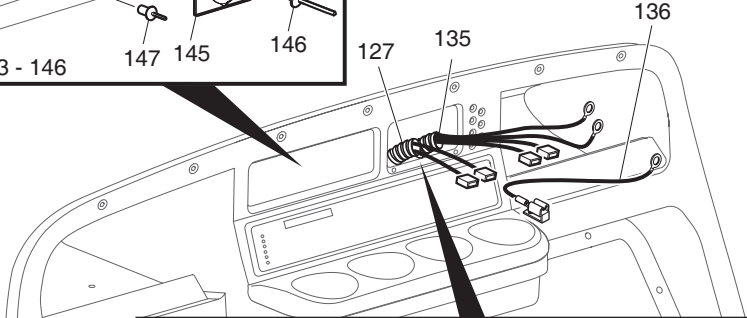
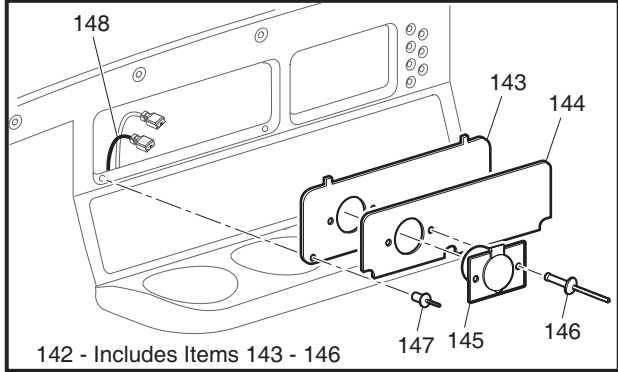
Ref Ele 11-4

ELECTRICAL SYSTEM



Ref Ele 11-5

CONSOLE INSERT PLATE (WITH POWER OUTLET SHOWN)

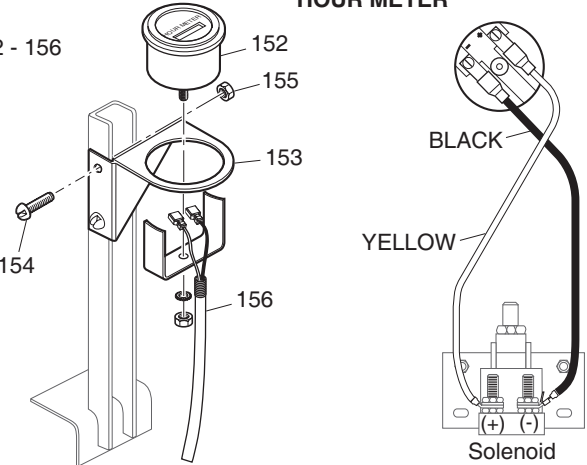


KEY SWITCH, INDICATOR LIGHT(S), AND FUEL GAUGE

HOUR METER

151 - Includes Items 152 - 156

Front of Vehicle



Ref Ele 11-6

ELECTRICAL SYSTEM

THE USE OF NON UL PARTS WILL VOID ANY UL LISTING.

When ordering parts, please specify the model and serial number of the product.

* Indicates a component that is not available as an individual part.

G** Indicates consult Customer Service Department for additional information.

ITEM	PART NO.	1	2	3	4	5	DESCRIPTION	QTY.
1	<u>26651-G02</u>						IGNITION PICKUP ASSEMBLY (INCLUDES ITEM 2)	1
2	<u>26707-G01</u>						BOLT AND WASHER ASSEMBLY, M5 X 0.8 X 10 MM LG	1
3								
4								
5	<u>26652-G01</u>						IGNITION COIL ASSEMBLY (INCLUDES ITEMS 6 - 10)	1
6	*						IGNITION COIL.....	1
7	*						SPACER	1
8	*						LOCK WASHER	1
9	*						NUT.....	1
10	*						SCREW.....	1
11	<u>13632-G1</u>						NUT, M6 X 1.....	2
12								
13								
14	<u>25887-G01</u>						6 GA WIRE (BLACK 6", F1 - A2).....	1
15	<u>25682-G1</u>						TERMINAL COVER	3
16								
17								
18	24775-G*						BATTERY, 12V	1
19	<u>00962-G1</u>						BOLT, 5/16 - 18 X 1 1/4" LG	2
20	<u>00993-G01</u>						LOCK WASHER, 5/16" (SILICON BRONZE).....	2
21	<u>00994-G01</u>						NUT, 5/16 - 18 (SILICON BRONZE)	2
22								
23	<u>72101-G02</u>						BATTERY HOLD DOWN	1
24	00438-G6						BOLT, 5/16 - 18 X 3/4" LG	1
25	<u>00565-G8</u>						LOCK WASHER, 5/16".....	1
26	<u>00571-G2</u>						WASHER, 5/16" (STAINLESS STEEL).....	1
27								
28								
29	<u>27044-G03</u>						GROUND CABLE.....	1
30	<u>25976-G19</u>						14 GA WIRE (BLACK 6")	1

ELECTRICAL SYSTEM

THE USE OF NON UL PARTS WILL VOID ANY UL LISTING.
 When ordering parts, please specify the model and serial number of the product.
 * Indicates a component that is not available as an individual part.
 G** Indicates consult Customer Service Department for additional information.

ITEM	PART NO.	1	2	3	4	5	DESCRIPTION	QTY.
31	00438-G6						BOLT, 5/16 - 18 X 3/4" LG	2
32	<u>11027-G1</u>						LOCK NUT, 5/16 - 18	2
33	<u>26676-G01</u>						FLANGED BOLT, M6 X 1 X 23 MM LG	1
34								
35	<u>25972-G85</u>						6 GA WIRE (BLACK 23", F2 - SOL)	1
36								
37	<u>74938-G01</u>						WIRE HARNESS (CONTROL)	1
38								
39								
40	<u>17618-G1</u>						WIRE TIE	AR
41								
42	<u>73049-G01</u>						COVER	1
43	<u>16469-G1</u>						WASHER, 1/4"	1
44	<u>00114-G6</u>						SCREW, 1/4 - 14 X 3/4" LG	1
45								
46								
47	<u>72909-G01</u>						ELECTRICAL PLATE ASSEMBLY (INCLUDES ITEMS 48 - 73)	1
48	<u>73057-G01</u>						BRACKET	1
49	<u>27739-G01</u>						VOLTAGE REGULATOR	1
50	<u>00415-G2</u>						BOLT, 1/4 - 20 X 1 1/4" LG	1
51	<u>11027-G2</u>						LOCK NUT, 1/4 - 20	1
52								
53	<u>72872-G01</u>						IGNITOR	1
54	00414-G8						BOLT, 1/4 - 20 X 1" LG	1
55	<u>00414-G5</u>						BOLT, 1/4 - 20 X 5/8" LG	1
56								
57	<u>27153-G01</u>						SOLENOID	1
58								
59	<u>11027-G2</u>						LOCK NUT, 1/4 - 20	3
60								

ELECTRICAL SYSTEM

THE USE OF NON UL PARTS WILL VOID ANY UL LISTING.

When ordering parts, please specify the model and serial number of the product.

* Indicates a component that is not available as an individual part.

G** Indicates consult Customer Service Department for additional information.

ITEM	PART NO.	1	2	3	4	5	DESCRIPTION	QTY.
61								
62								
63								
64								
65	<u>73446-G01</u>						FASTON TAB, 90°	1
66	<u>73446-G01</u>						FASTON TAB, #10 X 1/4"	1
67	<u>00565-G5</u>						LOCK WASHER, #10	2
68	<u>00526-G4</u>						NUT, #10 - 32	2
69	<u>25978-G56</u>						18 GA WIRE (BLACK 5 3/4")	1
70	600418-G01						IN-LINE FUSE HOLDER	1
71	<u>00565-G8</u>						LOCK WASHER, 5/16"	2
72	<u>00544-G4</u>						NUT, 5/16 - 24	2
73								
74								
75								
76	<u>22674-G1</u>						FUSE BLOCK.....	1
77	<u>01041-G01</u>						RIVET, 1/8" X 13/16" LG	2
78	<u>18392-G1</u>						15 AMP FUSE	3
79								
80								
81	<u>32860-G1</u>						HORN.....	1
82	<u>00414-G5</u>						BOLT, 1/4 - 20 x 5/8" LG.....	1
83	<u>00559-G7</u>						WASHER, 1/4" (STAINLESS STEEL).....	1
84	<u>00891-G2</u>						LOCK NUT, 1/4 - 20 (STAINLESS STEEL)	1
85								
86	<u>17318-G1</u>						HORN SWITCH.....	1
87	<u>17318-G2</u>						HORN SWITCH CAP AND NUT	1
88	<u>27068-G01</u>						HORN SWITCH BOOT	1
89	19233-G1						HORN SWITCH LABEL	1
90	<u>71055-G01</u>						RIVET, 3/16" X 1" LG (ALUMINUM)	2

ELECTRICAL SYSTEM

THE USE OF NON UL PARTS WILL VOID ANY UL LISTING.

When ordering parts, please specify the model and serial number of the product.

* Indicates a component that is not available as an individual part.

G** Indicates consult Customer Service Department for additional information.

ITEM	PART NO.	1	2	3	4	5	DESCRIPTION	QTY.
91								
92								
93	<u>20209-G3</u>						HEADLIGHT (INCLUDES ITEM 94).....	2
94	<u>00906-G6</u>						SCREW, #10 - 16 X 1" LG.....	2
95	<u>74337-G01</u>						JUMPER WIRE (HEADLIGHT)	2
96								
97	<u>20570-G3</u>						TURN SIGNAL LIGHT ASSEMBLY (INCLUDES ITEMS 98 - 103)	2
98	<u>20574-G3</u>						TURN SIGNAL LIGHT	1
99	<u>00660-G7</u>						WASHER, 1/4" (STAINLESS STEEL)	1
100	<u>20606-G1</u>						WIRE ASSEMBLY	1
101	<u>00567-G7</u>						LOCK WASHER, 1/4"	1
102	<u>00532-G1</u>						NUT, 1/4 - 20	1
103	<u>18995-G1</u>						PUSH-ON TERMINAL (MALE)	1
104	<u>20574-G5</u>						LENS, AMBER	1
105	<u>00118-G5</u>						SCREW, #6 - 18 X 5/8" LG	2
106	<u>74056-G01</u>						TURN SIGNAL JUMPER, RED/BLACK (PASSENGER SIDE).....	1
107	<u>74056-G02</u>						TURN SIGNAL JUMPER, GREEN/BLACK (DRIVER SIDE)	1
108								
109								
110	<u>32739-G2</u>						TAILLIGHT ASSEMBLY (COMPLETE).....	2
111								
112	<u>75107-G01</u>						TURN SIGNAL KIT (INCLUDES ITEMS 113 - 117).....	1
113	<u>17867-G1</u>						TURN SIGNAL (WITH MOUNTING HARDWARE) (INCLUDES ITEM 114)	1
114	<u>21640-G1</u>						TURN SIGNAL FLASHER.....	1
115	<u>32307-G3</u>						FLEX LOOM, 3/8 X 8" LG.....	1
116	<u>17618-G1</u>						WIRE TIE	2
117	<u>20965-G3</u>						STEERING COLUMN COVER	1
118								
119	<u>72228-G01</u>						WIRE HARNESS (ACCESSORY).....	1
120								

ELECTRICAL SYSTEM

THE USE OF NON UL PARTS WILL VOID ANY UL LISTING.

When ordering parts, please specify the model and serial number of the product.

* Indicates a component that is not available as an individual part.

G** Indicates consult Customer Service Department for additional information.

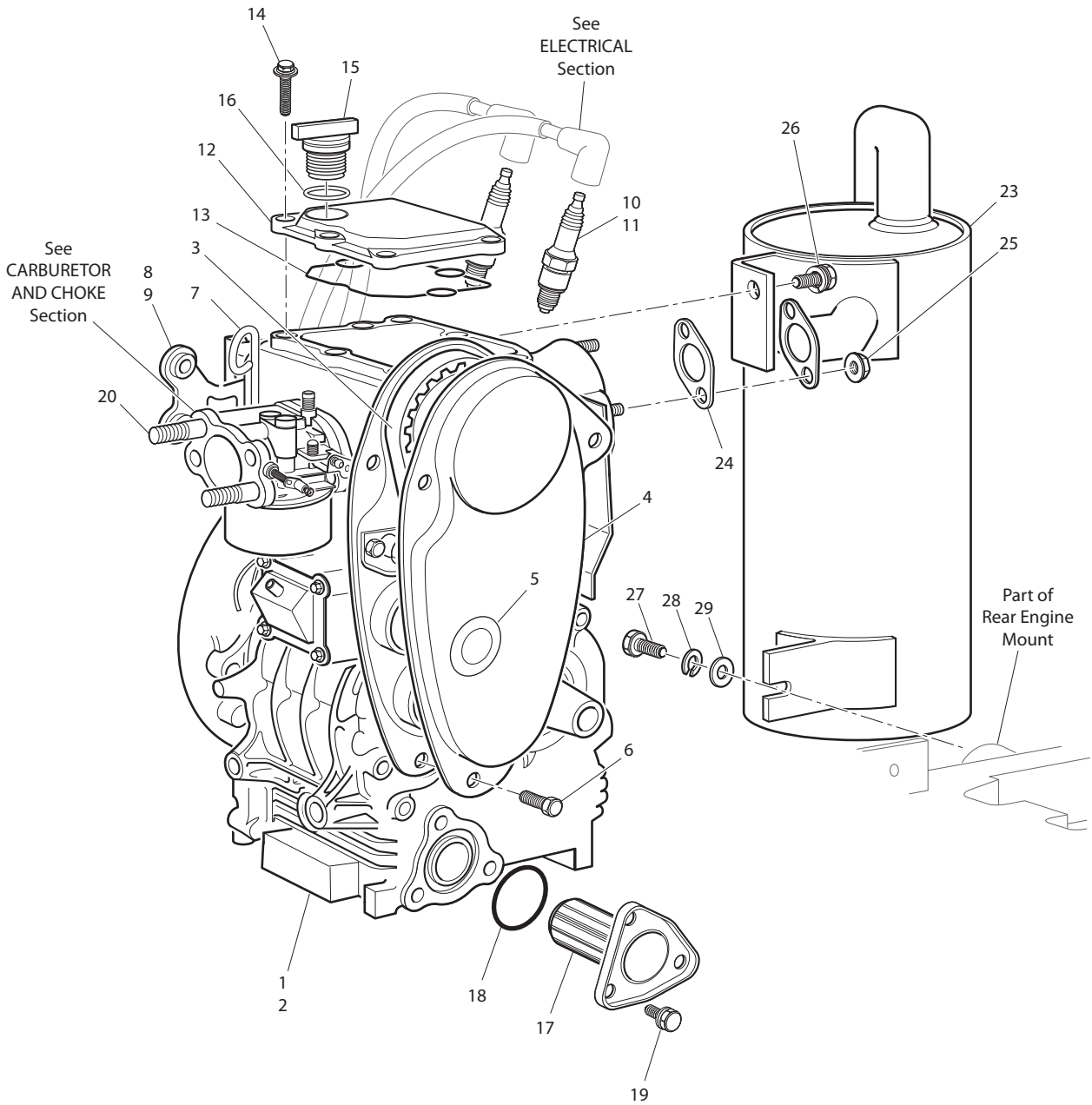
ITEM	PART NO.	1 2 3 4 5	DESCRIPTION	QTY.
121				
122				
123	33639-G03		IGNITION SWITCH (WITH LIGHTS, INDIVIDUALLY KEYPED).....	1
124	<u>00568-G6</u>		LOCK WASHER, 3/4".....	1
125	17137-G1		FACE NUT, 3/4 - 20	1
126	<u>17063-G1</u>		IGNITION KEY	1
127	<u>73041-G01</u>		WIRE HARNESS (KEY SWITCH).....	1
128				
129				
130	73030-G04		PLATE (FUEL GAUGE AND OIL LIGHT)	1
131				
132	<u>71131-G01</u>		LABEL (OIL LIGHT AND FUEL GAUGE WITH HEADLIGHTS)	1
133	<u>21553-G1</u>		FUEL GAUGE	1
134	<u>23474-G1</u>		INDICATOR LIGHT	1
135	<u>74311-G01</u>		HARNESS (OIL LIGHT/FUEL GAUGE)	1
136	<u>25978-G122</u>		18 GA WIRE (RED 6").....	1
137				
138				
139	33623-G02		DRIVE RIVET, 3/16" X 3/8" LG	2
140				
141				
142	74444-G01		CONSOLE INSERT ASSEMBLY (INCLUDES ITEMS 143 - 146)	1
143	<u>71077-G03</u>		CONSOLE INSERT PLATE.....	1
144	<u>35966-G01</u>		LABEL (CONSOLE INSERT PLATE)	1
145	<u>71078-G01</u>		POWER OUTLET (12 VOLT)	1
146	<u>14601-G10</u>		RIVET, 3/16" X 7/16" LG (ALUMINUM)	2
147	<u>33623-G01</u>		DRIVE RIVET, 3/16" X 3/8" LG	3
148	<u>71081-G01</u>		WIRE HARNESS (POWER OUTLET)	1
149				
150				

ELECTRICAL SYSTEM

THE USE OF NON UL PARTS WILL VOID ANY UL LISTING.
 When ordering parts, please specify the model and serial number of the product.
 * Indicates a component that is not available as an individual part.
 G** Indicates consult Customer Service Department for additional information.

ITEM	PART NO.	1	2	3	4	5	DESCRIPTION	QTY.
151	75114-G02						HOUR METER KIT (INCLUDES ITEMS 152 - 156).....	1
152	<u>21573-G1</u>						HOUR METER.....	1
153	<u>74019-G02</u>						HOUR METER BRACKET.....	1
154	<u>00379-G4</u>						SCREW, #10 - 24 X 1/2" LG.....	2
155	<u>14390-G10</u>						LOCK NUT, #10 - 24.....	2
156	<u>75117-G01</u>						WIRE HARNESS (HOUR METER).....	1

ENGINE AND MUFFLER



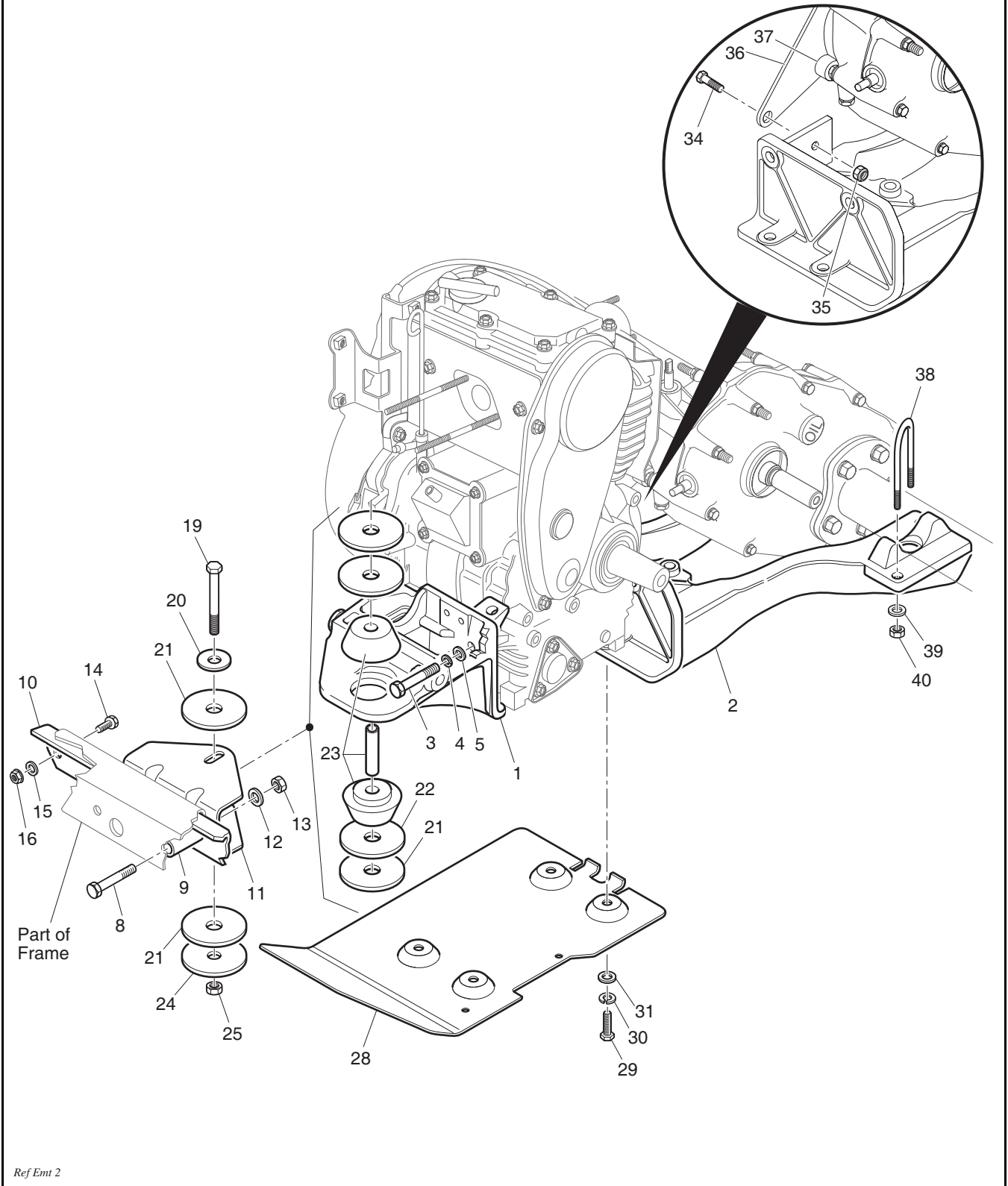
Ref Emf 2

ENGINE AND MUFFLER

Where applicable, THE USE OF NON UL PARTS WILL VOID ANY UL LISTING.
 When ordering parts, please specify the model and serial number of the product.
 * Indicates a component that is not available as an individual part.
 G** Indicates consult Customer Service Department for additional information.

ITEM	PART NO.	1 2 3 4 5	DESCRIPTION	QTY.
1	72845-G01		ENGINE (FOR VEHICLES ORIGINALLY EQUIPPED WITH 295cc (EH29C) (INCLUDES ITEMS 3 - 9, 12 - 22)	1
2	<u>72846-G02</u>		ENGINE (FOR VEHICLES ORIGINALLY EQUIPPED WITH 350cc (EH35C) (INCLUDES ITEMS 3 - 8, 10 - 20, 23)	1
3	<u>26626-G01</u>		TIMING BELT.....	1
4	<u>72908-G01</u>		TIMING BELT COVER.....	1
5	<u>26631-G01</u>		TIMING BELT COVER GROMMET	1
6	<u>26678-G01</u>		BOLT, M6 X 1 X 12 MM LG.....	3
7	<u>605910</u>		DIP STICK (10 DEGREES)	1
8	72885-G01		IGNITION COIL BRACKET (295cc).....	1
9	<u>72869-G01</u>		IGNITION COIL BRACKET (350cc).....	1
10	<u>72867-G02</u>		SPARK PLUG (NGK B?P? or ?K?R4ES - RESISTOR) (295cc).....	2
11	72867-G01		SPARK PLUG (NGK B?P? or ?K?R5ES - RESISTOR) (350cc).....	2
12	<u>72848-G01</u>		VALVE COVER	1
13	<u>72876-G01</u>		VALVE COVER GASKET	1
14	<u>26676-G01</u>		FLANGED BOLT, M6 X 1 X 23 MM LG.....	6
15	<u>26601-G01</u>		OIL FILLER CAP.....	1
16	26720-G01		OIL FILLER 'O' RING.....	1
17	<u>26591-G01</u>		OIL FILTER	1
18	<u>26710-G01</u>		OIL FILTER 'O' RING.....	1
19	<u>26680-G01</u>		BOLT AND WASHER, M6 X 1 X 12 MM LG	3
20	<u>72307-G01</u>		STUD, M6 X 1 X 115MM LG.....	2
21				
22				
23	<u>74829-G01</u>		MUFFLER	1
24	25531-G01		EXHAUST GASKET	1
25	*		NUT	2
26	<u>25532-G1</u>		BOLT AND WASHER, M8 X 1.25 X 18 MM LG	1
27	<u>00438-G8</u>		BOLT, 5/16 - 18 X 1" LG	1
28	<u>00565-G8</u>		LOCK WASHER, 5/16".....	1
29	<u>00642-G8</u>		WASHER, 5/16"	1

ENGINE MOUNTING



Ref Emt 2

ENGINE MOUNTING

Where applicable, THE USE OF NON UL PARTS WILL VOID ANY UL LISTING.

When ordering parts, please specify the model and serial number of the product.

* Indicates a component that is not available as an individual part.

G** Indicates consult Customer Service Department for additional information.

ITEM	PART NO.	1 2 3 4 5	DESCRIPTION	QTY.
1	<u>72010-G01</u>		FRONT ENGINE MOUNT	1
2	<u>72011-G01</u>		REAR ENGINE MOUNT	1
3	<u>00463-G4</u>		BOLT, 7/16 - 14 X 1 1/2" LG	4
4	<u>00566-G2</u>		LOCK WASHER, 7/16".....	4
5	<u>00922-G3</u>		WASHER, 7/16"	4
6				
7				
8	<u>00428-G6</u>		BOLT, 3/8 - 16 X 2 3/4" LG	2
9	<u>72016-G01</u>		SPACER.....	2
10	<u>70269-G01</u>		CROSSMEMBER BRACE	1
11	<u>72253-G01</u>		MOUNT BRACKET	1
12	<u>00643-G1</u>		WASHER, 3/8"	2
13	<u>11098-G5</u>		LOCK NUT, 3/8 - 16	2
14	<u>00438-G7</u>		BOLT, 5/16 - 18 X 7/8" LG	2
15	<u>01110-G03</u>		WASHER, 5/16" (STAINLESS STEEL).....	2
16	<u>01109-G01</u>		LOCK NUT, 5/16 - 18 (STAINLESS STEEL)	2
17				
18				
19	<u>00430-G4</u>		BOLT, 3/8 - 16 X 4 1/2" LG	1
20	<u>15121-G1</u>		WASHER, 3/8"	1
21	<u>72050-G01</u>		PLASTIC WASHER, 2 1/4" OD X 5/8" ID X 1/8"	4
22	<u>72051-G01</u>		WASHER, 2 1/2" OD X 5/8" ID X 1/8"	2
23	<u>72015-G01</u>		ISOLATION MOUNT	1
24	<u>72051-G02</u>		WASHER, 3/8"	1
25	<u>11098-G5</u>		LOCK NUT, 3/8 - 16	1
26				
27				
28	<u>70527-G01</u>		ENGINE GUARD.....	1
29	<u>00463-G4</u>		BOLT, 7/16 - 14 X 1 1/2" LG	4
30	<u>00566-G2</u>		LOCK WASHER, 7/16".....	4

ENGINE MOUNTING

Where applicable, THE USE OF NON UL PARTS WILL VOID ANY UL LISTING.

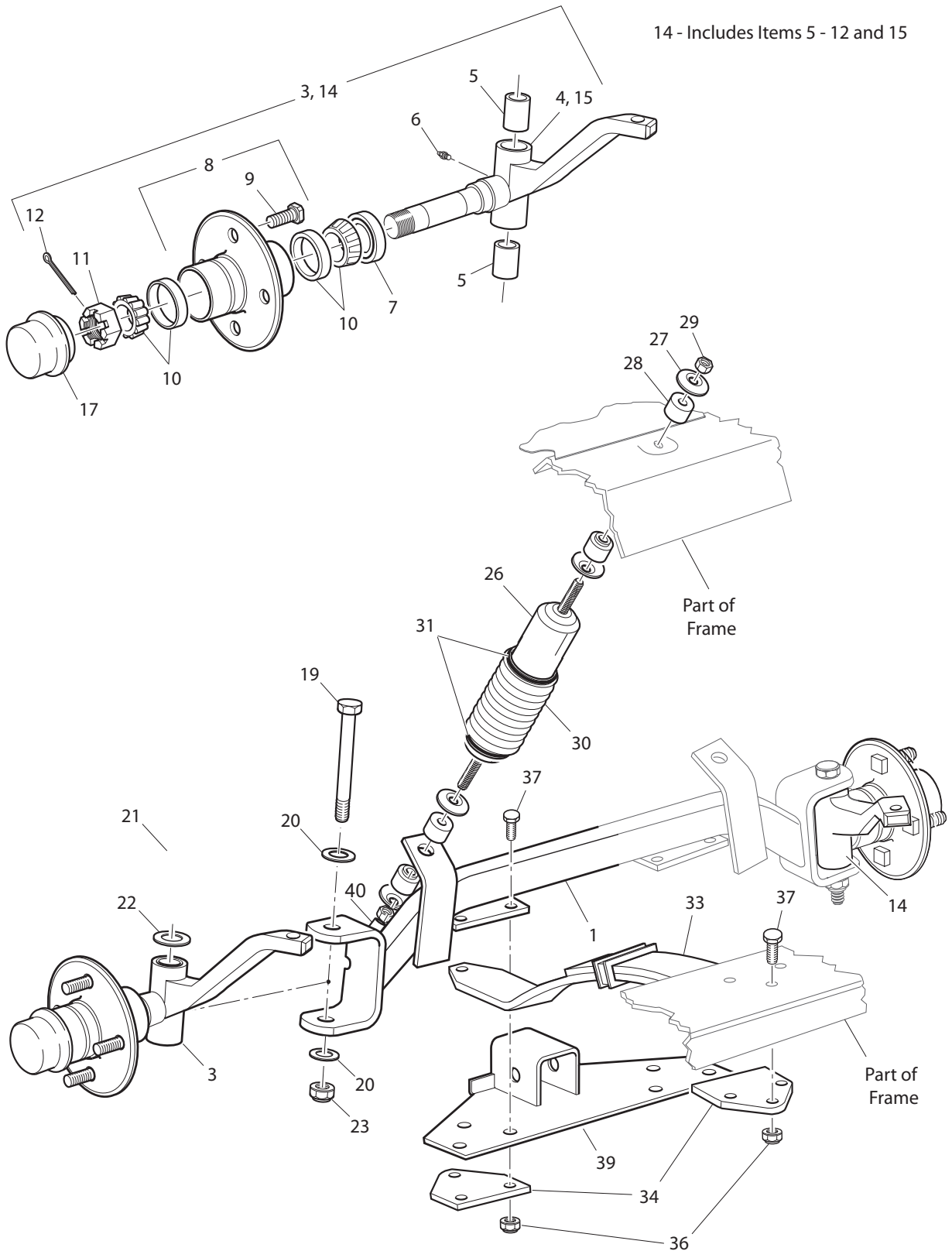
When ordering parts, please specify the model and serial number of the product.

* Indicates a component that is not available as an individual part.

G** Indicates consult Customer Service Department for additional information.

ITEM	PART NO.	1 2 3 4 5	DESCRIPTION	QTY.
31	<u>00922-G3</u>		WASHER, 7/16"	4
32				
33				
34	<u>00439-G2</u>		BOLT, 5/16 - 18 X 1 1/8" LG	1
35	11098-G6		LOCK NUT, 5/16 - 18 (STAINLESS STEEL)	1
36	<u>72017-G02</u>		STRAP, DIFFERENTIAL - GAS MED/TXT	1
37	<u>75048-G01</u>		SPACER.....	1
38	<u>72035-G01</u>		'U' BOLT, 7/16 - 14 X 3 7/16" X 3 9/16" LG.....	2
39	<u>00922-G3</u>		WASHER, 7/16"	4
40	<u>00734-G1</u>		LOCK NUT, 7/16 - 14	4

FRONT SUSPENSION



Ref Fsp 10

FRONT SUSPENSION

Where applicable, THE USE OF NON UL PARTS WILL VOID ANY UL LISTING.
 When ordering parts, please specify the model and serial number of the product.
 * Indicates a component that is not available as an individual part.
 G** Indicates consult Customer Service Department for additional information.

ITEM	PART NO.	1 2 3 4 5	DESCRIPTION	QTY.
1	<u>70515-G01</u>		FRONT AXLE	1
2				
3	<u>70535-G03</u>		SPINDLE ASSEMBLY (DRIVER SIDE) (INCLUDES ITEMS 4 - 12).....	1
4	*		SPINDLE (DRIVER SIDE)	1
5	<u>16623-G1</u>		BEARING	2
6	<u>10389-G3</u>		GREASE FITTING, STRAIGHT	1
7	<u>25146-G1</u>		GREASE SEAL	1
8	<u>35886-G01</u>		WHEEL HUB ASSEMBLY WITH RACES (INCLUDES ITEMS 9)	1
9	<u>19862-G1</u>		LUG BOLT, 1/2 - 20 X 1 3/16" LG	4
10	<u>50892-G1</u>		BEARING AND RACE ASSEMBLY (COMPLETE)	2
11	12093-G1		SLOTTED NUT, 1 - 14	1
12	<u>00798-G8</u>		COTTER PIN, 5/32" X 1 3/4" LG	1
13				
14	70534-G03		SPINDLE ASSEMBLY (PASSENGER SIDE) (INCL ITEMS 5 - 12, 15)	1
15	*		SPINDLE (PASSENGER SIDE).....	1
16				
17	<u>12091-G2</u>		SPINDLE CAP	2
18				
19	<u>01040-G01</u>		BOLT, 1/2 - 13 X 5" LG	2
20	<u>00571-G5</u>		WASHER, 1/2"	4
21	<u>70328-G01</u>		KING PIN TUBE	2
22	<u>16982-G1</u>		THRUST WASHER, 7/8"	2
23	<u>14390-G6</u>		LOCK NUT, 1/2 - 13	2
24				
25				
26	<u>70630-G01</u>		SHOCK ABSORBER.....	2
27	<u>10435-G1</u>		SHOCK ABSORBER WASHER.....	8
28	<u>10194-G1</u>		RUBBER BUSHING	8
29	<u>00532-G6</u>		NUT, 3/8 - 24	4
30	<u>70509-G01</u>		SHOCK ABSORBER BOOT	2

FRONT SUSPENSION

Where applicable, THE USE OF NON UL PARTS WILL VOID ANY UL LISTING.

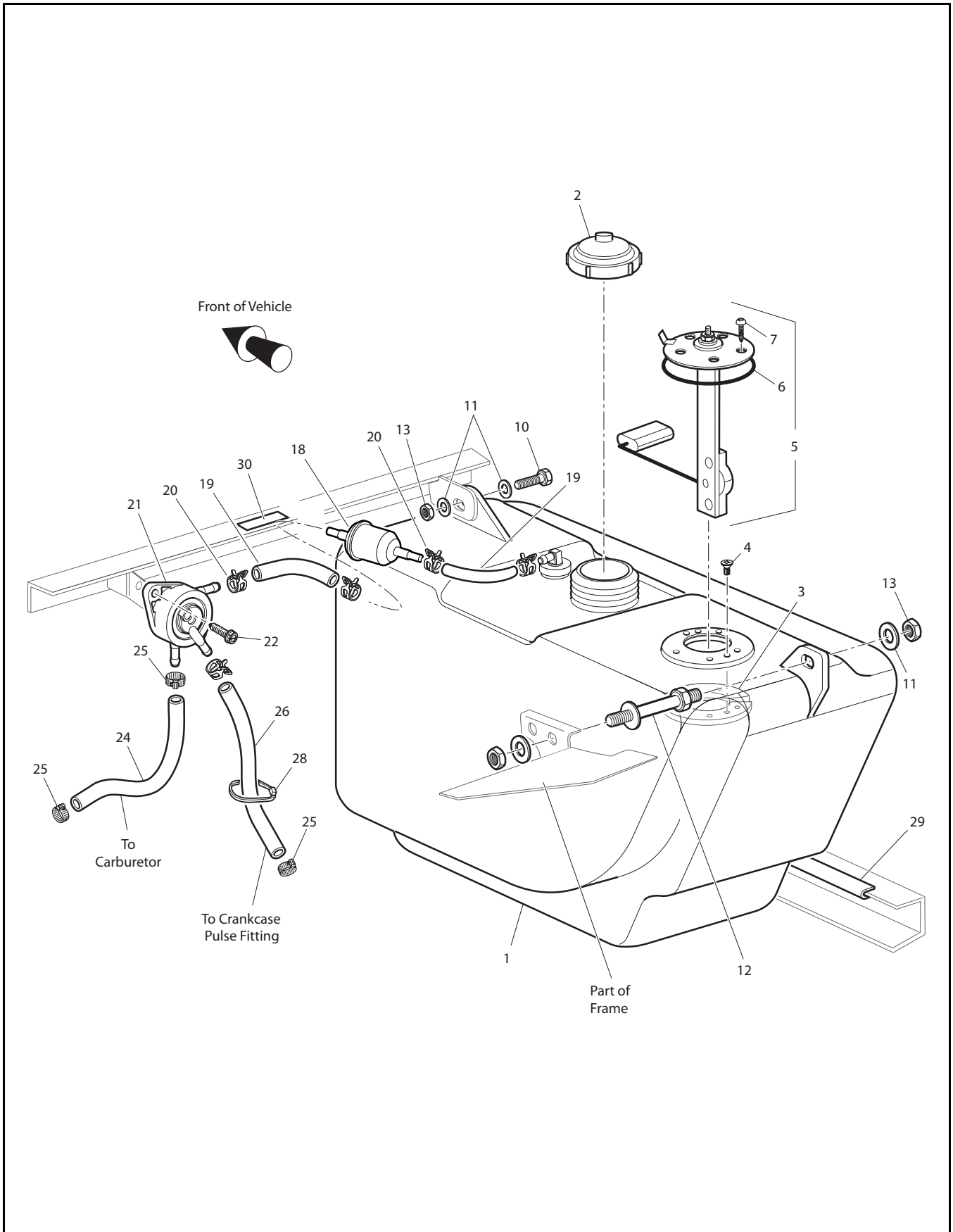
When ordering parts, please specify the model and serial number of the product.

* Indicates a component that is not available as an individual part.

G** Indicates consult Customer Service Department for additional information.

ITEM	PART NO.	1 2 3 4 5	DESCRIPTION	QTY.
31	<u>31539-G1</u>		WIRE TIE	4
32				
33	<u>70422-G01</u>		LEAF SPRING (HEAVY DUTY).....	2
34	<u>70163-G03</u>		SPRING PLATE	4
35				
36	<u>00734-G1</u>		LOCK NUT, 7/16 - 14	16
37	<u>00463-G11</u>		BOLT, 7/16 - 14 X 1 3/4" LG	12
38				
39	<u>74255-G01</u>		WINCH RECEIVER.....	1
40	<u>10044-G01</u>		VINYL CAP	2

FUEL SYSTEM



FUELSYSTEM - CALIFORNIA REQUIREMENT

Where applicable, THE USE OF NON UL PARTS WILL VOID ANY UL LISTING.

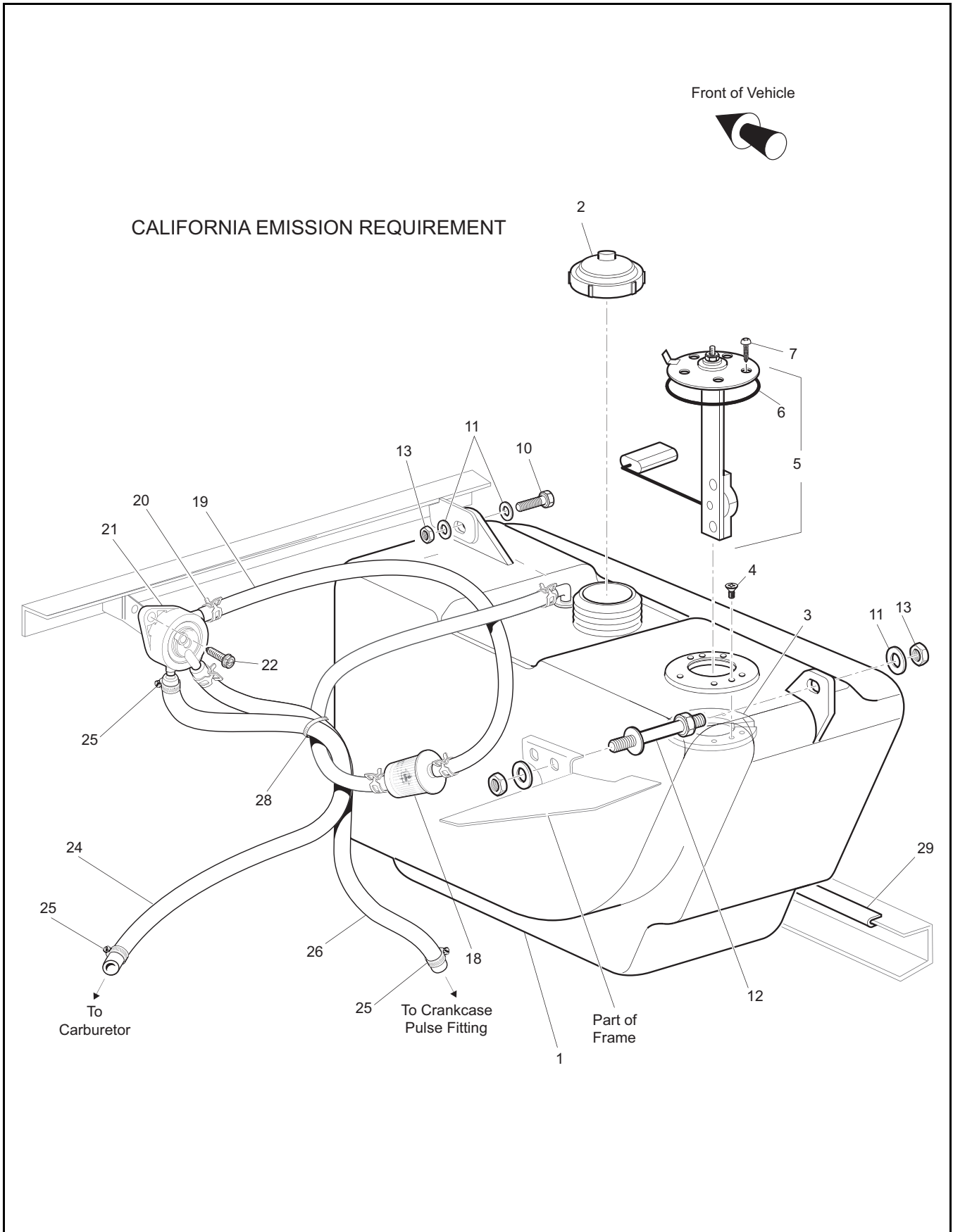
When ordering parts, please specify the model and serial number of the product.

* Indicates a component that is not available as an individual part.

G** Indicates consult Customer Service Department for additional information.

ITEM	PART NO.	1	2	3	4	5	DESCRIPTION	QTY.
1	<u>72092-G02</u>						FUEL TANK (FOR ELECTRIC FUEL GAUGE).....	1
2	<u>72282-G01</u>						FUEL TANK CAP.....	1
3	<u>72229-G01</u>						FUEL LEVEL SENDER ADAPTER.....	1
4	<u>72230-G01</u>						SCREW, #6 - 32 X 1/2" LG.....	2
5	<u>20048-G2</u>						FUEL LEVEL SENDER (ELEC. FUEL GAUGE) (INCLUDES ITEMS 6, 7)	1
6	*						GASKET	1
7	<u>72232-G01</u>						SCREW, #10 - 32 x 3/4" LG.....	5
8								
9								
10	<u>00438-G8</u>						BOLT, 5/16 - 18 X 1" LG.....	1
11	<u>00559-G8</u>						WASHER, 5/16"	4
12	<u>70483-G01</u>						SPACER.....	1
13	<u>11098-G6</u>						LOCK NUT, 5/16 - 18 (STAINLESS STEEL).....	3
14								
15								
16								
17								
18	<u>72084-G01</u>						FUEL FILTER.....	1
19	<u>17470-G1</u>						FUEL SYSTEM TUBING, 1/4" ID X 1/2" OD X 3 1/4" LG (BULK).....	2
20	<u>18292-G1</u>						CLAMP.....	5
21	<u>72873-G01</u>						FUEL PUMP.....	1
22	<u>00114-G6</u>						SCREW, 1/4 - 14 X 3/4" LG.....	2
23								
24	<u>17470-G1</u>						FUEL SYSTEM TUBING, 1/4" ID X 1/2" OD X 16" LG (BULK)	A/R
25	<u>11391-G4</u>						HOSE CLAMP, 1/4"	3
26	<u>27184-G01</u>						TUBING, 1/4" ID X 1/2" OD X 16" LG (BULK).....	A/R
27								
28	<u>17618-G1</u>						WIRE TIE	3
29	<u>22280-G1</u>						VINYL TRIM, 6 1/4" LG (BULK)	A/R

FUELSYSTEM - CALIFORNIA REQUIREMENT



FUELSYSTEM - CALIFORNIA REQUIREMENT

Where applicable, THE USE OF NON UL PARTS WILL VOID ANY UL LISTING.

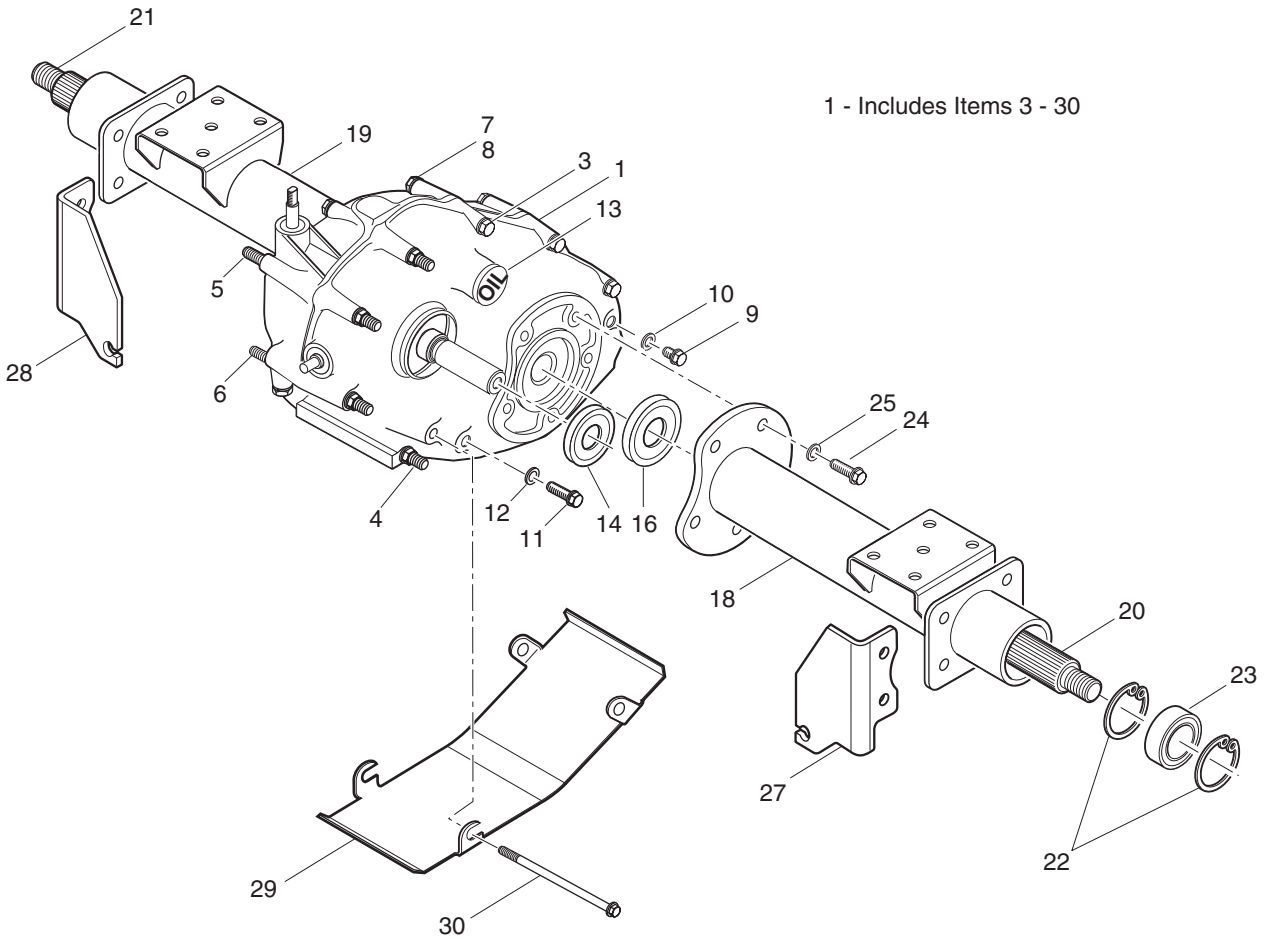
When ordering parts, please specify the model and serial number of the product.

* Indicates a component that is not available as an individual part.

G** Indicates consult Customer Service Department for additional information.

ITEM	PART NO.	1	2	3	4	5	DESCRIPTION	QTY.
1	<u>72092-G02</u>						FUEL TANK (FOR ELECTRIC FUEL GAUGE).....	1
2	<u>72282-G01</u>						FUEL TANK CAP.....	1
3	72229-G01						FUEL LEVEL SENDER ADAPTER.....	1
4	<u>72230-G01</u>						SCREW, #6 - 32 X 1/2" LG.....	2
5	<u>20048-G2</u>						FUEL LEVEL SENDER (ELEC. FUEL GAUGE) (INCLUDES ITEMS 6, 7)	1
6	*						GASKET	1
7	<u>72232-G01</u>						SCREW, #10 - 32 x 3/4" LG.....	5
8								
9								
10	<u>00438-G8</u>						BOLT, 5/16 - 18 X 1" LG.....	1
11	00559-G8						WASHER, 5/16"	4
12	<u>70483-G01</u>						SPACER.....	1
13	11098-G6						LOCK NUT, 5/16 - 18 (STAINLESS STEEL).....	3
14								
15								
16								
17								
18	<u>72084-G01</u>						FUEL FILTER.....	1
19	608014						FUEL SYSTEM TUBING, 1/4" ID X 1/2" OD X 3 1/4" LG (BULK).....	AR
20	<u>18292-G1</u>						CLAMP.....	5
21	<u>72873-G01</u>						FUEL PUMP.....	1
22	<u>00114-G6</u>						SCREW, 1/4 - 14 X 3/4" LG.....	2
23								
24	608014						FUEL SYSTEM TUBING, 1/4" ID X 1/2" OD X 16" LG (BULK)	A/R
25	<u>11391-G4</u>						HOSE CLAMP, 1/4"	3
26	<u>27184-G01</u>						TUBING, 1/4" ID X 1/2" OD X 16" LG (BULK).....	A/R
27								
28	<u>17618-G1</u>						WIRE TIE	3
29	<u>22280-G1</u>						VINYL TRIM, 6 1/4" LG (BULK)	A/R

REAR AXLE



Ref Rax 11

REAR AXLE

THE USE OF NON U.L. PARTS WILL VOID ANY U.L. LISTING.

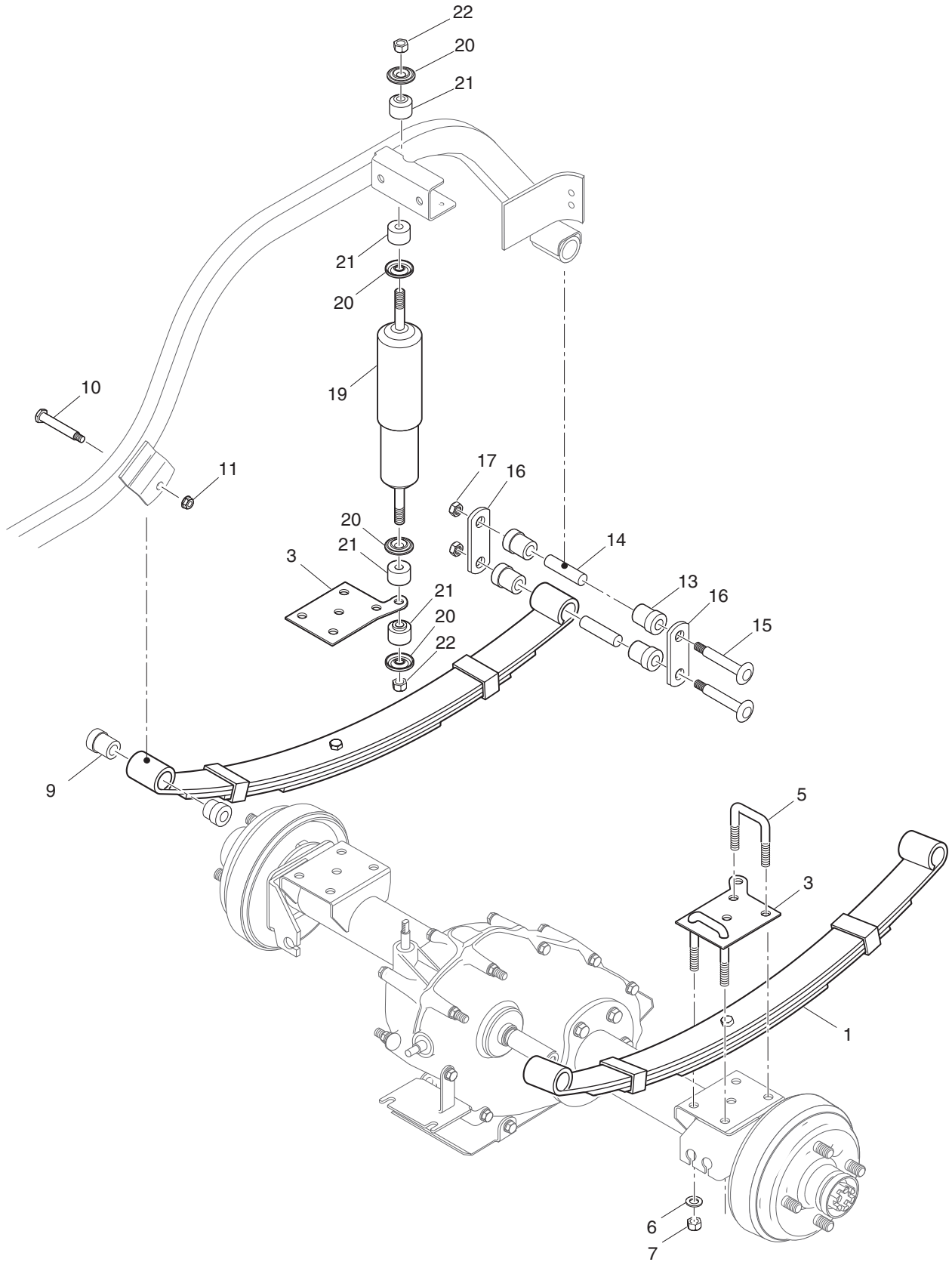
When ordering parts, please specify the model and serial number of the product.

* Indicates a component that is not available as an individual part.

G** Indicates consult Customer Service Department for additional information.

ITEM	PART NO.	1 2 3 4 5	DESCRIPTION	QTY.
1	<u>74545-G01</u>		REAR AXLE ASSEMBLY (13.32:1) (INCLUDES ITEMS 3 - 30).....	1
2				
3	<u>26823-G01</u>		FLANGED BOLT, M8 X 1.25 X 100 MM LG	7
4	<u>26824-G01</u>		FLANGED BOLT, M8 X 1.25 X 110 MM LG	1
5	<u>72053-G01</u>		FLANGED BOLT, M8 X 1.25 X 120 MM LG	1
6	<u>72052-G01</u>		FLANGED BOLT, M8 X 1.25 X 130 MM LG	1
7	<u>26826-G01</u>		LOCK WASHER, 8 MM	4
8	<u>26827-G01</u>		NUT, M8 X 1.25 MM	4
9	<u>26768-G01</u>		OIL CHECK PLUG.....	1
10	<u>26769-G01</u>		GASKET, 8 MM	1
11	<u>26770-G01</u>		OIL DRAIN PLUG	1
12	<u>26771-G01</u>		GASKET, 14 MM	1
13	<u>26772-G01</u>		OIL FILLER PLUG	1
14	<u>26761-G01</u>		INPUT SHAFT SEAL	1
15				
16	<u>26766-G01</u>		AXLE SHAFT SEAL.....	2
17				
18	<u>72058-G01</u>		AXLE TUBE (DRIVER SIDE).....	1
19	<u>72059-G01</u>		AXLE TUBE (PASSENGER SIDE)	1
20	<u>72056-G01</u>		AXLE SHAFT (DRIVER SIDE).....	1
21	<u>72057-G01</u>		AXLE SHAFT (PASSENGER SIDE).....	1
22	<u>26814-G01</u>		RETAINING RING	4
23	<u>26811-G01</u>		BALL BEARING	2
24	<u>72260-G01</u>		FLANGED BOLT, M10 X 1.5 X 23 MM LG	10
25	<u>26828-G01</u>		WASHER, 10 MM	10
26				
27	*****		BRAKE CABLE BRACKET (SEE BRAKES SECTION)	1
28	*****		BRAKE CABLE BRACKET (SEE BRAKES SECTION)	1
29	<u>72349-G02</u>		DIFFERENTIAL SKID PLATE	1
30	<u>72053-G01</u>		FLANGED BOLT, M8 X 1.25 X 120 MM LG	2

REAR SUSPENSION



Ref Rsp 11

REAR SUSPENSION

THE USE OF NON U.L. PARTS WILL VOID ANY U.L. LISTING.

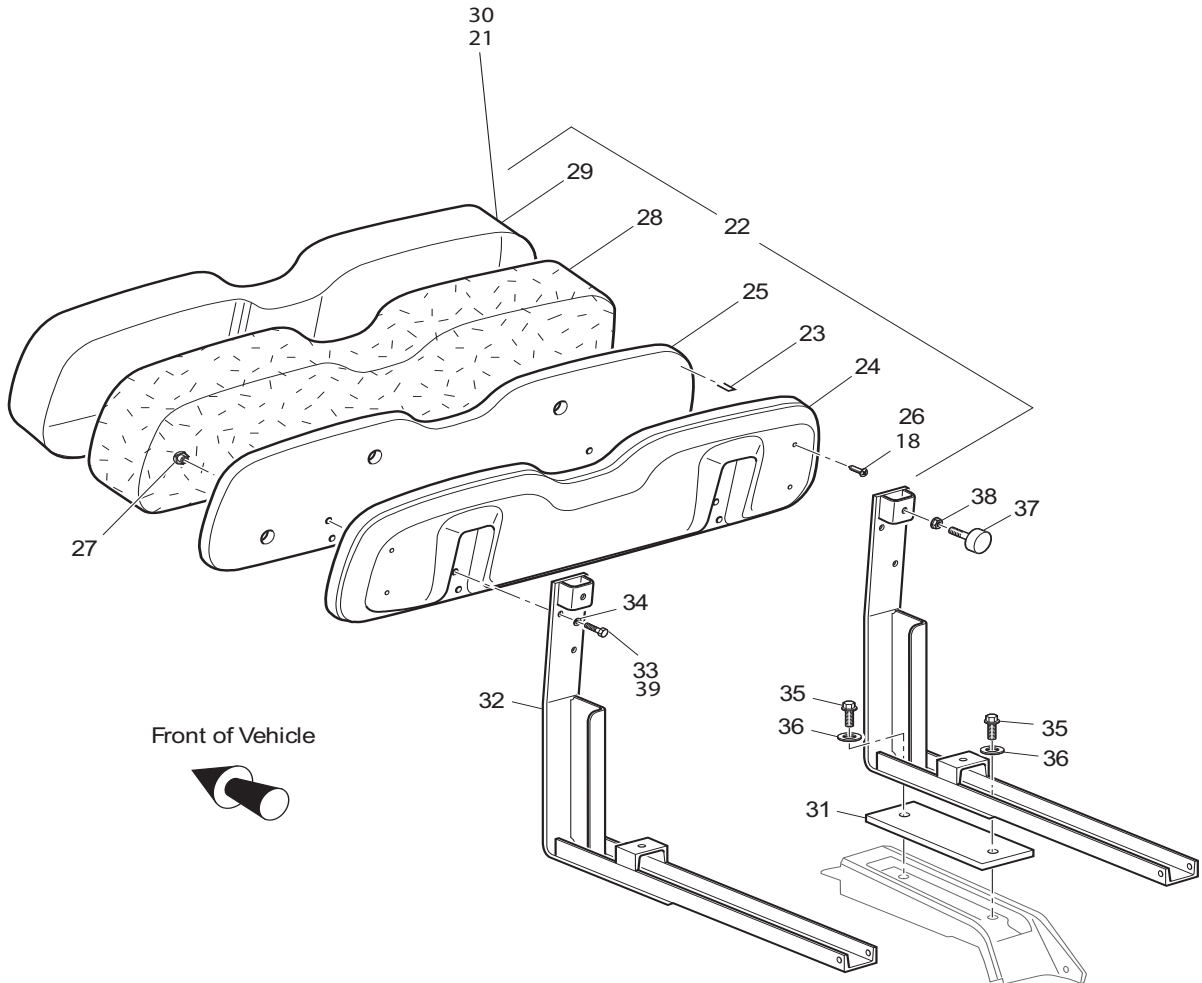
When ordering parts, please specify the model and serial number of the product.

* Indicates a component that is not available as an individual part.

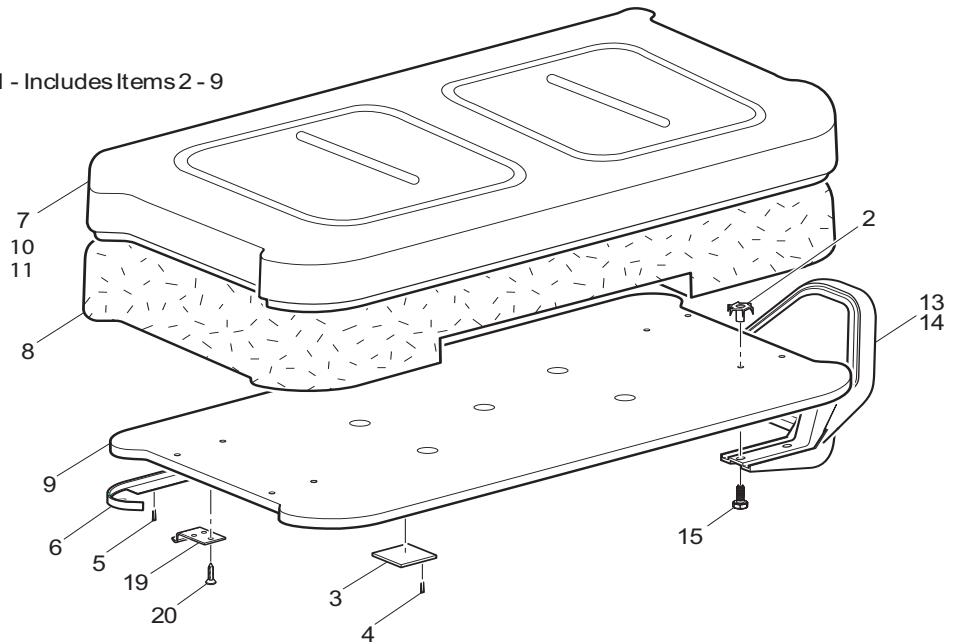
G** Indicates consult Customer Service Department for additional information.

ITEM	PART NO.	1 2 3 4 5	DESCRIPTION	QTY.
1	<u>74207-G01</u>		HEAVY DUTY LEAF SPRING.....	2
2				
3	<u>72357-G02</u>		SPRING PLATE	2
4				
5	72618-G02		'U' BOLT, 3/8 - 16 X 2" X 2 1/8" LG	4
6	<u>00560-G1</u>		WASHER, 3/8"	8
7	<u>11098-G5</u>		LOCK NUT, 3/8 - 16	8
8				
9	<u>70291-G01</u>		FLANGED BUSHING	4
10	<u>14158-G1</u>		SHOULDER BOLT, 3/8 - 16 X 3 1/4" LG	2
11	<u>12262-G1</u>		LOCK NUT, 3/8 - 16	2
12				
13	<u>70291-G01</u>		FLANGED BUSHING	8
14	<u>70289-G02</u>		SPACER.....	4
15	<u>00665-G9</u>		BOLT, 3/8 - 16 X 3 1/2" LG (STAINLESS STEEL).....	4
16	<u>70290-G02</u>		SHACKLE PLATE	4
17	<u>11098-G5</u>		LOCK NUT, 3/8 - 16	4
18				
19	<u>76418-G01</u>		SHOCK ABSORBER.....	2
20	<u>10435-G1</u>		SHOCK ABSORBER WASHER.....	8
21	<u>10194-G1</u>		RUBBER BUSHING	8
22	<u>00532-G6</u>		NUT, 3/8 - 24.....	4

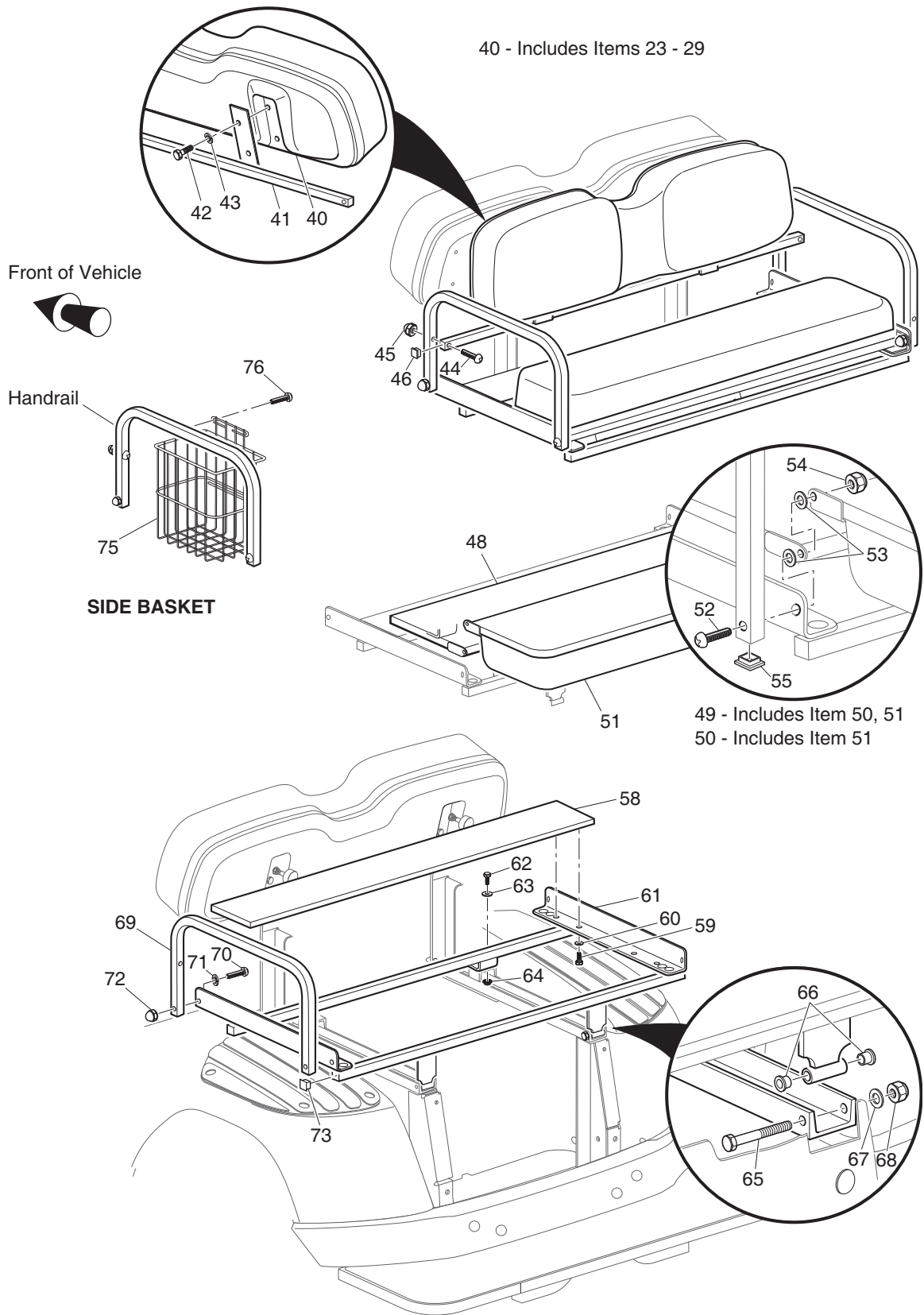
SEATING



1 - Includes Items 2 - 9



Ref Sea 11-1



Ref Sea 11-2

SEATING

THE USE OF NON U.L. PARTS WILL VOID ANY U.L. LISTING.

When ordering parts, please specify the model and serial number of the product.

* Indicates a component that is not available as an individual part.

G** Indicates consult Customer Service Department for additional information.

ITEM	PART NO.	1 2 3 4 5	DESCRIPTION	QTY.
1	71611-G**		SEAT BOTTOM ASSEMBLY (INCLUDES ITEMS 2 - 9)	1
2	*		TEE NUT.....	8
3	<u>17074-G1</u>		RUBBER PAD.....	2
4	*		FLAT STAPLE.....	110
5	*		FLAT STAPLE.....	46
6	<u>71012-G01</u>		VINYL TRIM (SEAT BOTTOM).....	1
7	71602-G**		VINYL SEAT BOTTOM COVER	1
8	*		FOAM PADDING (SEAT BOTTOM).....	1
9	*		SEAT BOTTOM (WOOD).....	1
10	604912-G**		TWO TONE VINYL SEAT BOTTOM	1
11	<u>604906</u>		SEAT BOTTOM (ST CUSTOM)	1
12				
13	<u>71701-G01</u>		HIP RESTRAINT (PASSENGER SIDE)	1
14	<u>71702-G01</u>		HIP RESTRAINT (DRIVER SIDE).....	1
15	71204-G01		BOLT, 1/4 - 20 X 1" LG (STAINLESS STEEL).....	8
16				
17				
18	607535		TORX HEAD SCREW	4
19	<u>71610-G01</u>		SEAT HINGE	2
20	<u>00720-G08</u>		SCREW, #12 - 14 X 1" LG (STAINLESS STEEL)	4
21	<u>604908</u>		SEAT BACK (ST CUSTOM)	1
22	71751-G**		SEAT BACK ASSEMBLY (INCLUDES ITEMS 23 - 29).....	1
23	*		FLAT STAPLE	95
24	71752-G01		PLASTIC SEAT BACK COVER	1
25	*		SEAT BACK (WOOD)	1
26	<u>01107-G01</u>		SCREW, #8 X 3/8" LG (STAINLESS STEEL)	4
27	*		TEE NUT.....	4
28	*		FOAM PADDING (SEAT BACK)	1
29	71753-G**		VINYL SEAT BACK COVER	1
30	604916-G**		TWO TONE VINYL SEAT BACK.....	1

SEATING

THE USE OF NON U.L. PARTS WILL VOID ANY U.L. LISTING.

When ordering parts, please specify the model and serial number of the product.

* Indicates a component that is not available as an individual part.

G** Indicates consult Customer Service Department for additional information.

ITEM	PART NO.	1 2 3 4 5	DESCRIPTION	QTY.
31	<u>70364-G01</u>		SPACER.....	2
32	<u>74111-G01</u>		SEAT BACK SUPPORT	2
33	<u>00661-G8</u>		BOLT, 1/4 - 20 X 1" LG (STAINLESS STEEL).....	4
34	<u>00664-G7</u>		LOCK WASHER, 1/4" (STAINLESS STEEL)	4
35	<u>01006-G02</u>		BOLT, 3/8 - 16 X 1 1/2" LG	4
36	<u>00560-G1</u>		WASHER, 3/8"	4
37	<u>70113-G01</u>		ADJUSTABLE BUMPER	2
38	<u>11027-G1</u>		LOCK NUT, 5/16 - 18	2
39	<u>605056</u>		SCREW 1/4 - 20 X 1"	4
40	<u>71751-G**</u>		SEAT BACK ASSEMBLY (INCLUDES ITEMS 23 - 29).....	1
41	<u>75258-G01</u>		SEAT BACK SUPPORT	1
42	<u>00661-G8</u>		BOLT, 1/4 - 20 X 1" LG (STAINLESS STEEL).....	4
43	<u>00664-G7</u>		LOCK WASHER, 1/4" (STAINLESS STEEL)	4
44	<u>16705-G6</u>		SCREW, 1/4 - 20 X 1 3/4" LG (STAINLESS STEEL)	2
45	<u>00520-G1</u>		ACORN NUT, 1/4 - 20	2
46	<u>75261-G01</u>		END PLUG, 3/4"	2
47				
48	<u>71062-G01</u>		BED ASSEMBLY	1
49	<u>71063-G**</u>		SEAT BOTTOM ASSEMBLY (INCLUDES ITEM 50, 51).....	1
50	<u>75197-G**</u>		SEAT BOTTOM (INCLUDES ITEM 51)	1
51	<u>75252-G**</u>		VINYL SEAT BOTTOM COVER.....	1
52	<u>00762-G4</u>		SCREW, 5/16 - 18 X 1 1/2" LG (STAINLESS STEEL)	2
53	<u>17255-G1</u>		TEFLON WASHER, 5/16"	4
54	<u>00891-G3</u>		LOCK NUT, 5/16 - 18 (STAINLESS STEEL)	2
55	<u>19859-G1</u>		END CAP, 3/4".....	4
56				
57				
58	<u>71060-G01</u>		BED FRONT (INCLUDES MAT).....	1
59	<u>00661-G6</u>		BOLT, 1/4 - 20 X 3/4" LG (STAINLESS STEEL).....	4
60	<u>00664-G7</u>		WASHER, 5/16"	4

SEATING

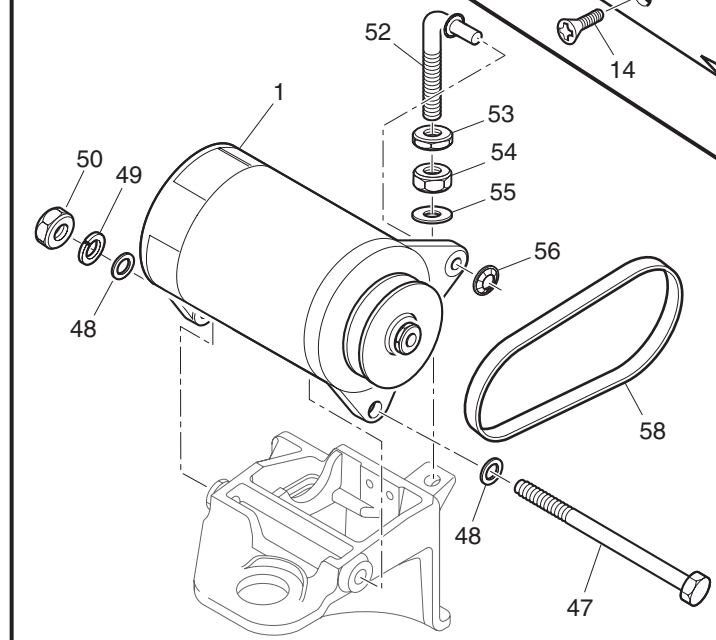
THE USE OF NON U.L. PARTS WILL VOID ANY U.L. LISTING.
 When ordering parts, please specify the model and serial number of the product.
 * Indicates a component that is not available as an individual part.
 G** Indicates consult Customer Service Department for additional information.

ITEM	PART NO.	1 2 3 4 5	DESCRIPTION	QTY.
61	<u>75193-G01</u>		SUPPORT FRAME.....	1
62	<u>00438-G8</u>		BOLT, 5/16 - 18 X 1" LG	2
63	00559-G8		WASHER, 5/16"	2
64	<u>00654-G3</u>		LOCK NUT, 5/16 - 18	2
65	<u>00440-G4</u>		BOLT, 5/16 - 18 X 2 1/2" LG	2
66	<u>17838-G1</u>		NYLON BUSHING.....	4
67	00559-G8		WASHER, 5/16"	2
68	<u>00654-G3</u>		LOCK NUT, 5/16 - 18 (STAINLESS STEEL)	2
69	<u>75196-G01</u>		HANDRAIL	2
70	<u>00762-G2</u>		SCREW, 5/16 - 18 X 1 1/4" LG (STAINLESS STEEL)	2
71	<u>00664-G8</u>		LOCK WASHER, 5/16" (STAINLESS STEEL)	2
72	<u>00520-G3</u>		ACORN NUT, 5/16 - 18	2
73	<u>75261-G02</u>		END CAP, 1".....	4
74				
75	<u>75460-G01</u>		SIDE BASKET (BLACK).....	2
76	<u>00106-G6</u>		SELF THREADING SCREW, #12 - 24 X 3/4" LG	4

STARTER / GENERATOR

- 1 - Includes Items 2 - 43
- 2 - Includes Items 3 - 5
- 9 - Includes Items 10 - 13
- 17 - Includes Items 18 - 23
- 25 - Includes Items 26 - 28
- 32 - Includes Items 33 - 37
- 40 - Includes Items 41 - 43

STARTER/GENERATOR MOUNTING



Ref Sig 11

STARTER / GENERATOR

THE USE OF NON U.L. PARTS WILL VOID ANY U.L. LISTING.

When ordering parts, please specify the model and serial number of the product.

* Indicates a component that is not available as an individual part.

G** Indicates consult Customer Service Department for additional information.

ITEM	PART NO.	1	2	3	4	5	DESCRIPTION	QTY.	
1	27066-G02	STARTER / GENERATOR (INCLUDES ITEMS 2 - 43)							1
2	<u>26870-G01</u>	ARMATURE (INCLUDES ITEMS 3 - 5)							1
3	26871-G01	REAR BALL BEARING							1
4	<u>26872-G01</u>	FRONT BALL BEARING							1
5	<u>26873-G01</u>	BEARING HOLDER							1
6									
7									
8	<u>26875-G01</u>	FIELD COIL							1
9	<u>26876-G01</u>	INSULATING BRUSH ASSEMBLY ('F') (INCLUDES ITEMS 10 - 13)							2
10	*	NUT							2
11	*	LOCK WASHER.....							2
12	*	WASHER.....							2
13	*	INSULATOR.....							1
14	26877-G01	POLE CORE SETSCREW.....							4
15	<u>26878-G01</u>	FRONT COVER.....							1
16	27879-G01	REAR COVER							1
17	<u>26880-G01</u>	TERMINAL ASSEMBLY ('A') (INCLUDES ITEMS 18 - 23)							2
18	*	TERMINAL							2
19	*	INSULATOR.....							2
20	*	INSULATOR.....							2
21	*	WASHER.....							4
22	*	LOCK WASHER.....							4
23	*	NUT							4
24									
25	<u>26881-G01</u>	BRUSH HOLDER ASSEMBLY (INCLUDES ITEMS 26 - 28)							1
26	<u>26658-G01</u>	BRUSH.....							4
27	<u>26882-G01</u>	BRUSH SPRING							4
28	<u>26883-G01</u>	BRUSH CONNECTOR.....							2
29									
30	<u>26884-G01</u>	KEY.....							1

STARTER / GENERATOR

THE USE OF NON U.L. PARTS WILL VOID ANY U.L. LISTING.

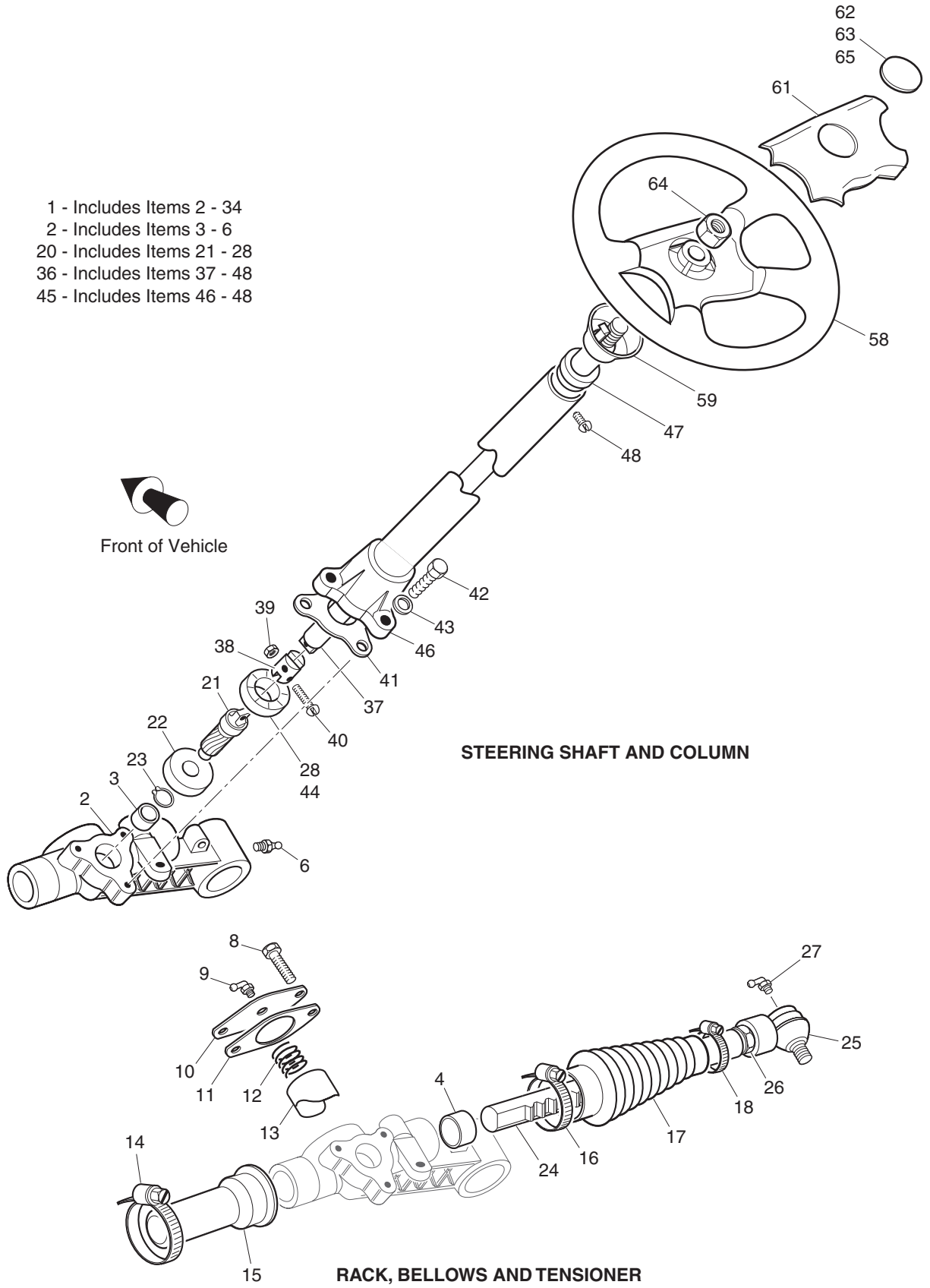
When ordering parts, please specify the model and serial number of the product.

* Indicates a component that is not available as an individual part.

G** Indicates consult Customer Service Department for additional information.

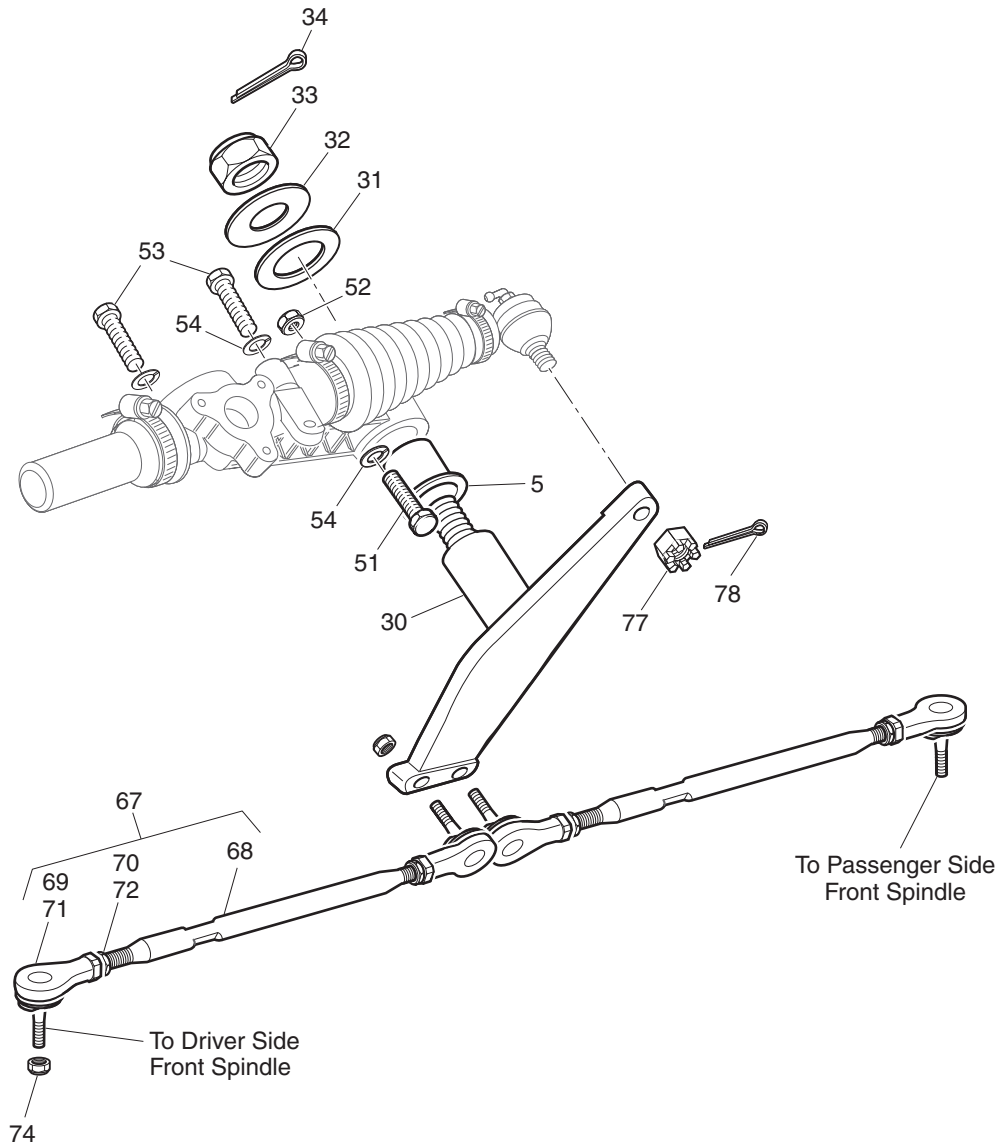
ITEM	PART NO.	1	2	3	4	5	DESCRIPTION	QTY.
31	*						PULLEY	1
32	<u>26886-G01</u>						BRUSH AND PULLEY HARDWARE KIT (INCLUDES ITEMS 33 - 37).....	1
33	*						NUT	1
34	*						LOCK WASHER.....	1
35	*						SCREW	3
36	*						SCREW	4
37	*						SCREW	2
38	<u>26887-G01</u>						BRUSH 1 COVER.....	3
39	<u>26888-G01</u>						BRUSH 2 COVER.....	2
40	<u>26889-G01</u>						HOUSING HARDWARE KIT (INCLUDES ITEMS 41 - 43).....	2
41	*						BOLT	2
42	*						LOCK WASHER.....	2
43	*						WASHER.....	2
44								
45								
46								
47	<u>00938-G4</u>						BOLT, 1/2 - 13 X 8" LG	1
48	<u>00560-G3</u>						WASHER, 1/2"	2
49	<u>00566-G3</u>						LOCK WASHER, 1/2".....	1
50	<u>00533-G1</u>						NUT, 1/2 - 13.....	1
51								
52	<u>28617-G01</u>						STARTER / GENERATOR ADJUSTER.....	1
53	<u>00544-G5</u>						JAM NUT, 3/8 - 16.....	1
54	00532-G5						NUT, 3/8 - 16.....	1
55	<u>00560-G1</u>						WASHER, 3/8"	1
56	12064-G4						PUSH NUT, 5/16"	1
57								
58	<u>26414-G01</u>						STARTER / GENERATOR BELT	1

STEERING



Ref Str 10-1

IDLER, TIE RODS AND MOUNTING



Ref Str 10-2

STEERING

Where applicable, THE USE OF NON UL PARTS WILL VOID ANY UL LISTING.

When ordering parts, please specify the model and serial number of the product.

* Indicates a component that is not available as an individual part.

G** Indicates consult Customer Service Department for additional information.

ITEM	PART NO.	1 2 3 4 5	DESCRIPTION	QTY.
1	<u>70723-G02</u>		STEERING BOX ASSEMBLY (COMPLETE) (INCLUDES ITEMS 2 - 34)	1
2	<u>70175-G01</u>		STEERING HOUSING (INCLUDES ITEMS 3 - 6)	1
3	*		SLEEVE BEARING	1
4	*		SLEEVE BEARING	1
5	*		FLANGED BEARING	1
6	<u>10389-G3</u>		GREASE FITTING, STRAIGHT	1
7				
8	<u>00426-G6</u>		BOLT, 3/8 - 16 X 3/4" LG	2
9	<u>18456-G1</u>		GREASE FITTING, 90°	1
10	<u>70177-G01</u>		RACK GUIDE COVER	1
11	<u>70225-G01</u>		GASKET	1
12	<u>70178-G01</u>		COMPRESSION SPRING	1
13	<u>70179-G01</u>		RACK GUIDE	1
14	<u>11391-G1</u>		HOSE CLAMP, 1 5/16"	1
15	<u>70041-G01</u>		RACK COVER	1
16	<u>11391-G1</u>		HOSE CLAMP, 1 5/16"	1
17	<u>70183-G01</u>		BELLOWS	1
18	<u>11391-G5</u>		HOSE CLAMP, 13/16"	1
19				
20	<u>70724-G01</u>		STEERING GEAR KIT (INCLUDES ITEMS 21 - 28)	1
21	<u>70717-G01</u>		GEAR PINION	1
22	<u>15112-G1</u>		BALL BEARING	1
23	<u>70190-G01</u>		EXTERNAL RETAINING RING	1
24	<u>70718-G01</u>		STEERING RACK	1
25	<u>70192-G01</u>		RACK BALL END	1
26	<u>00532-G8</u>		JAM NUT, 7/16 - 20	1
27	<u>18456-G1</u>		GREASE FITTING, 90°	1
28	<u>70466-G01</u>		RETAINER	1
29				
30	<u>70184-G01</u>		IDLER	1

STEERING

Where applicable, THE USE OF NON UL PARTS WILL VOID ANY UL LISTING.

When ordering parts, please specify the model and serial number of the product.

* Indicates a component that is not available as an individual part.

G** Indicates consult Customer Service Department for additional information.

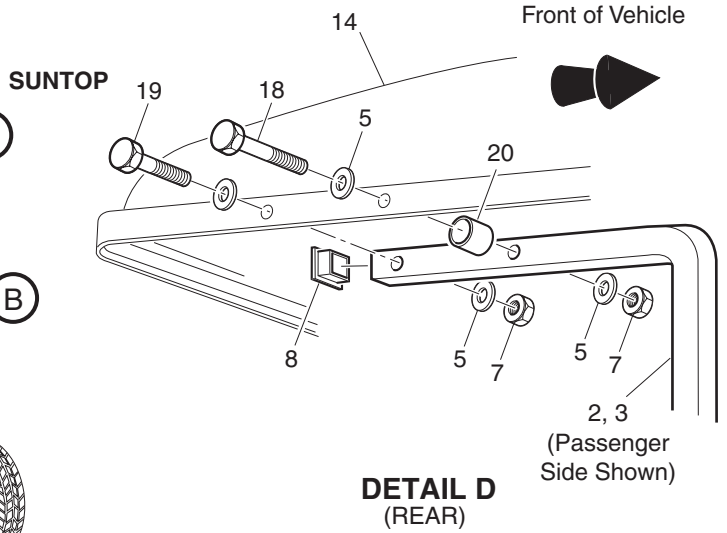
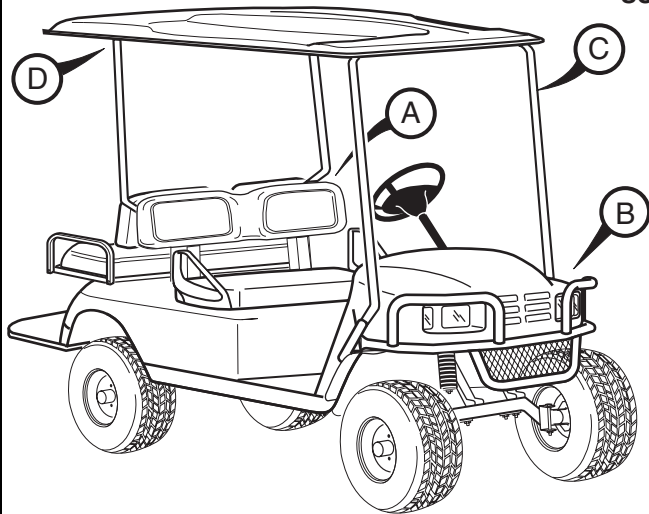
ITEM	PART NO.	1	2	3	4	5	DESCRIPTION	QTY.
31	<u>70216-G01</u>						THRUST WASHER, 1 1/2"	1
32	<u>70195-G01</u>						THRUST WASHER, 7/8"	1
33	<u>00734-G6</u>						LOCK NUT, 7/8 - 9.....	1
34	<u>00798-G8</u>						COTTER PIN, 5/32" X 1 3/4" LG	1
35								
36	<u>70360-G01</u>						STEERING SHAFT/COLUMN KIT (INCLUDES ITEMS 37 - 48)	1
37	<u>14322-G6</u>						STEERING SHAFT.....	1
38	<u>70558-G01</u>						COUPLING	1
39	<u>00550-G1</u>						LOCK NUT, 1/4 - 20.....	2
40	<u>70227-G01</u>						SCREW, 1/4 - 20 X 7/8" LG.....	2
41	<u>70223-G01</u>						GASKET	1
42	<u>01034-G01</u>						BOLT, 3/8 - 16 X 1 1/4" LG WITH PATCHLOCK.....	3
43	<u>00878-G1</u>						LOCK WASHER, 3/8"	3
44	<u>70466-G01</u>						RETAINER.....	1
45	<u>28633-G01</u>						STEERING COLUMN KIT (INCLUDES ITEMS 46 - 48).....	1
46	*						STEERING COLUMN	1
47	<u>28569-G01</u>						STEERING COLUMN BUSHING	1
48	<u>01022-G01</u>						SCREW, #6 - 20 X 5/16" LG	1
49								
50								
51	<u>00470-G4</u>						BOLT, 7/16 - 20 X 2 1/2" LG	1
52	<u>00734-G3</u>						LOCK NUT, 7/16 - 20.....	1
53	<u>01033-G01</u>						BOLT, 7/16 - 14 X 1 1/4" LG WITH PATCHLOCK	2
54	<u>00566-G2</u>						LOCK WASHER, 7/16".....	3
55								
56								
57								
58	<u>602979</u>						STEERING WHEEL	1
59								
60								

STEERING

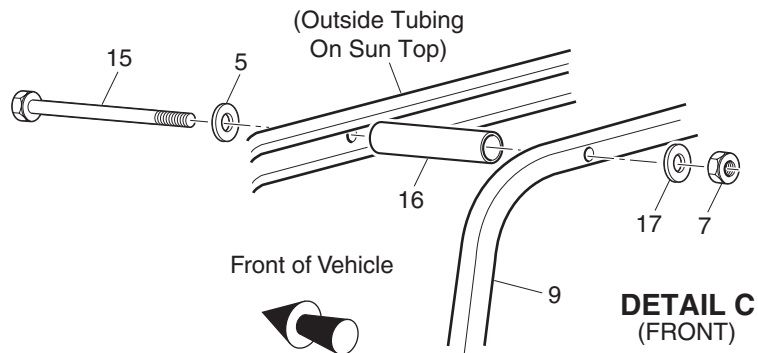
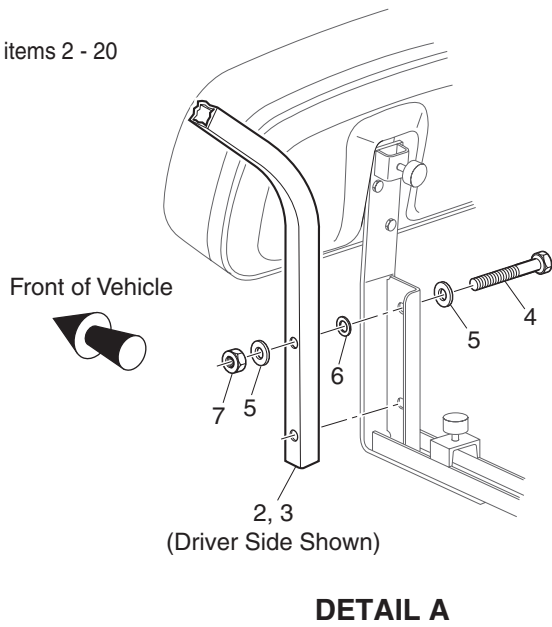
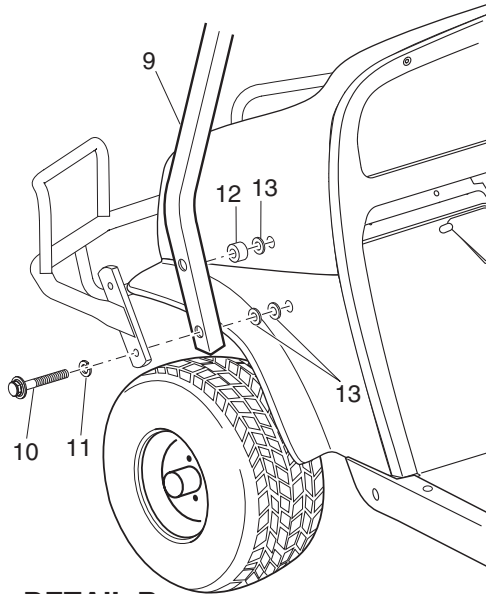
Where applicable, THE USE OF NON UL PARTS WILL VOID ANY UL LISTING.
 When ordering parts, please specify the model and serial number of the product.
 * Indicates a component that is not available as an individual part.
 G** Indicates consult Customer Service Department for additional information.

ITEM	PART NO.	1 2 3 4 5	DESCRIPTION	QTY.
61	<u>71147-G01</u>		COVER.....	1
62	<u>71047-G01</u>		LABEL (E-Z-GO)	1
63	74405-G01		LABEL (CUSHMAN).....	1
64	<u>14390-G2</u>		LOCK NUT, 5/8 - 18	1
65				
66				
67	<u>70904-G04</u>		TIE ROD ASSEMBLY (INCLUDES ITEMS 68 - 72).....	2
68	<u>70855-G03</u>		THREADED ROD (10 1/8" LG).....	1
69	<u>70902-G01</u>		TIE ROD END (LEFT HAND THREADS)	1
70	<u>01069-G01</u>		JAM NUT, M12 X 1.25-05 (LEFT HAND THREADS)	1
71	<u>70902-G02</u>		TIE ROD END (RIGHT HAND THREADS).....	1
72	<u>01069-G02</u>		JAM NUT, M12 X 1.25-05 (RIGHT HAND THREADS).....	1
73				
74	<u>00734-G1</u>		LOCK NUT, 7/16 - 14	4
75				
76				
77	<u>50209-G2</u>		CASTELLATED NUT, 7/16 - 20	1
78	<u>10387-G2</u>		COTTER PIN, 3/32" X 1" LG	1

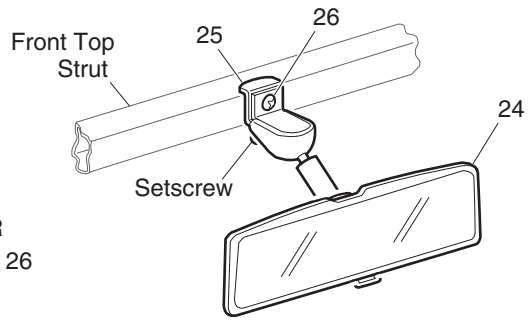
WEATHER PROTECTION



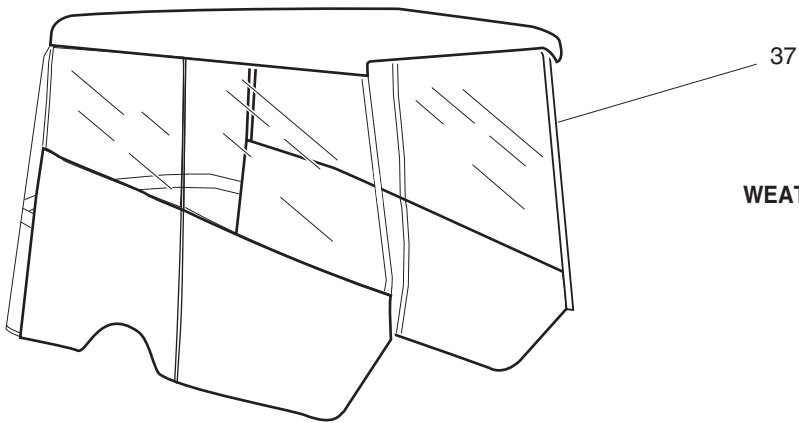
1 - Includes items 2 - 20



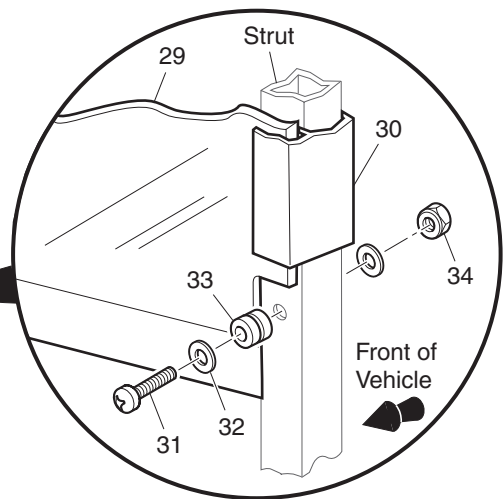
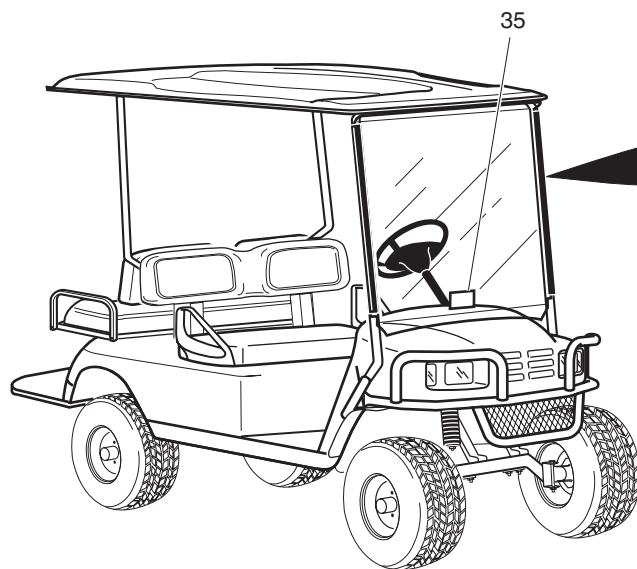
Ref Wea 11-1



REAR VIEW MIRROR
23 - Includes Items 24 - 26



WEATHER ENCLOSURE



28 - Includes Items 29 - 35

Ref Wea 11-2

WEATHER PROTECTION

THE USE OF NON U.L. PARTS WILL VOID ANY U.L. LISTING.

When ordering parts, please specify the model and serial number of the product.

* Indicates a component that is not available as an individual part.

G** Indicates consult Customer Service Department for additional information.

ITEM	PART NO.	1 2 3 4 5	DESCRIPTION	QTY.
1	<u>75123-G01</u>		SUN TOP KIT (INCLUDES ITEMS 2 - 20)	1
2	<u>75074-G01</u>		REAR STRUT (DRIVER SIDE).....	1
3	<u>75074-G02</u>		REAR STRUT (PASSENGER SIDE)	1
4	<u>00665-G5</u>		BOLT, 3/8 - 16 X 1 3/4" LG (STAINLESS STEEL)	4
5	<u>00679-G1</u>		WASHER, 3/8" (STAINLESS STEEL).....	18
6	<u>00771-G5</u>		NYLON WASHER, 3/8.....	4
7	<u>00891-G5</u>		LOCK NUT, 3/8 - 16.....	10
8	<u>19853-G1</u>		END CAP, 1"	2
9	<u>75125-G01</u>		FRONT STRUT.....	1
10	<u>00440-G2</u>		BOLT, 5/16 - 18 X 2 1/4" LG	4
11	<u>00905-G8</u>		LOCK WASHER, 5/16"	4
12	<u>75048-G01</u>		SPACER, 1/2"	2
13	<u>00879-G1</u>		LOCK WASHER, 3/8"	4
14	<u>27604-G01</u>		SUN TOP	1
15	<u>00674-G8</u>		BOLT, 3/8 - 16 X 5" LG (STAINLESS STEEL)	2
16	<u>18716-G1</u>		SPACER	2
17	<u>00653-G1</u>		WASHER, 3/8" (STAINLESS STEEL).....	2
18	<u>00665-G3</u>		BOLT, 3/8 - 16 X 2 1/2" LG (STAINLESS STEEL)	2
19	<u>00665-G6</u>		BOLT, 3/8 - 16 X 2" LG (STAINLESS STEEL)	2
20	<u>24647-G1</u>		SPACER, 1/4"	2
21				
22				
23	<u>19528-G2</u>		REAR VIEW MIRROR KIT (INCLUDES ITEMS 24 - 26)	1
24	<u>19496-G1</u>		REAR VIEW MIRROR	1
25	<u>19502-G2</u>		SUPPORT BRACKET.....	1
26	<u>19527-G1</u>		SCREW, #8 - 32 X 5/8" LG (STAINLESS STEEL).....	1
27				
28	<u>71966-G01</u>		WINDSHIELD KIT (LEXAN) (REQUIRES SUN TOP KIT) (INCLUDES ITEMS 29 - 35).....	1
29	*		WINDSHIELD	1

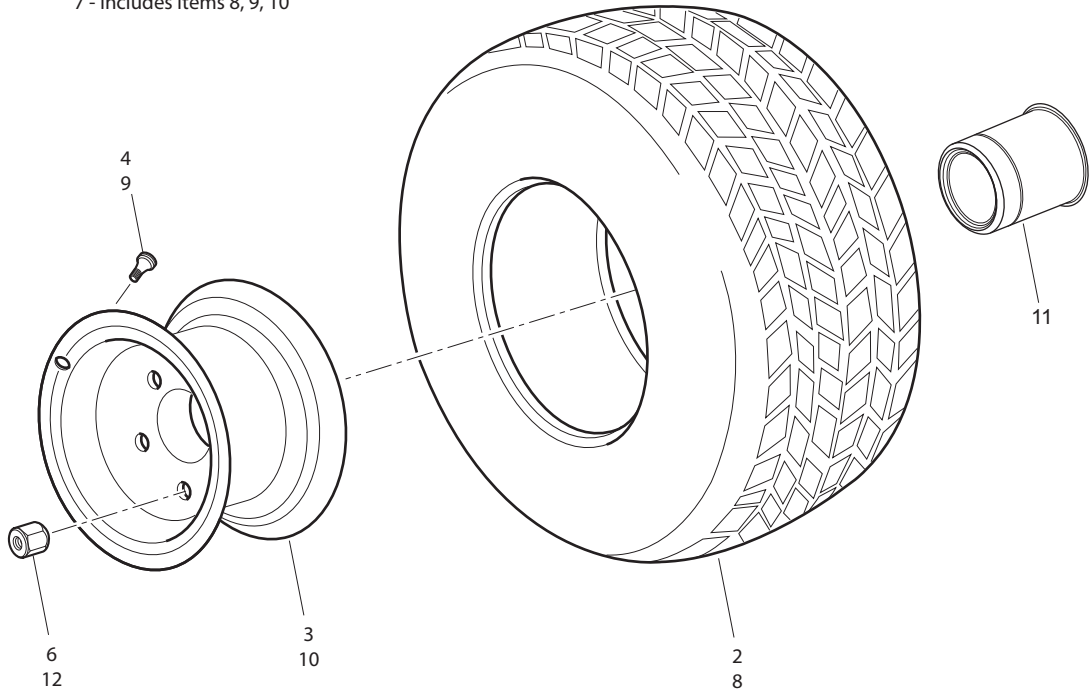
WEATHER PROTECTION

THE USE OF NON U.L. PARTS WILL VOID ANY U.L. LISTING.
 When ordering parts, please specify the model and serial number of the product.
 * Indicates a component that is not available as an individual part.
 G** Indicates consult Customer Service Department for additional information.

ITEM	PART NO.	1	2	3	4	5	DESCRIPTION	QTY.
30	110-035A						SASH, 26" LG	2
31	110-072A						SCREW, 1/4 - 20 X 1 3/4" LG (STAINLESS STEEL).....	2
32	110-072B						WASHER, 1/4" (STAINLESS STEEL).....	4
33	<u>110-072C</u>						RUBBER GROMMET	2
34	010-072D						LOCK NUT, 1/4 - 20 (STAINLESS STEEL).....	2
35	110-066						LABEL (SAFETY)	1
36								
37	<u>75492-G01</u>						WEATHER ENCLOSURE (3 SIDED)	1
Replacement Parts for items 30-35 may be obtained from: Eagle Parts, Inc 1811 Wilkinson Rd. Augusta, GA 30904 Telephone (706) 729-9911 Fax (706) 729-9955								

WHEELS AND TIRES

1 - Includes Items 2, 3, 4
7 - Includes Items 8, 9, 10



(Style of tire may differ from tire shown)

Ref Whl 11

WHEELS AND TIRES

When ordering parts, please specify the model and serial number of the product.
 * Indicates a component that is not available as an individual part.
 G** Indicates consult Customer Service Department for additional information.

ITEM	PART NO.	1	2	3	4	5	DESCRIPTION	QTY.
1	<u>28442-G03</u>						WHEEL AND TIRE ASSEMBLY (INCLUDES ITEMS 2, 3, 4)	AR
2	<u>28442-G02</u>						TIRE, 20 X 10 - 10 TURF SAVER®	1
3	<u>15172-G02</u>						WHEEL RIM, BLACK (4 LUG)	1
4	<u>11657-G1</u>						VALVE STEM	1
5								
6	<u>14723-G1</u>						LUG NUT, 1/2 -20	AR
7	608915						WHEEL ASSEMBLY (INCLUDES ITEM 8, 9, 10)	AR
8	<u>606141</u>						TERRA TRAC TIRE	1
9	<u>604915</u>						VALVE STEM	1
10	<u>604927</u>						WHEEL - POLISHED SPOKED	1
11	<u>604929</u>						CENTER CAP	AR
12	601354						NUT, LUG	AR

WHEELS AND TIRES

SPECIALTY PRODUCTS

SPECIALTY PRODUCTS

SPECIALTY PRODUCTS

SPECIAL TOOLS	PART NO.
HIGH RESISTANCE SPARK PLUG WIRE SET	26733-G02
CLUTCH PULLER (DRIVE)	19779-G2
FLYWHEEL PULLER	27111-G01
CURRENT INDICATOR	16489-G2
DIGITAL MULTI-METER	27481-G01
TUBELESS TIRE REPAIR KIT	606009
TIRE PLUGGER REFIL PACK (50/BOX)	606831

TOUCH UP PAINT	PART NO.
PEN 3 OUNCE (89 ML) - HUNTER GREEN	28432-G02
PEN 3 OUNCE (89 ML) - CHAMPAGNE BEIGE	28432-G01
PEN 3 OUNCE (89 ML) - WHITE	28432-G05
PEN 3 OUNCE (89 ML) - INDUSTRIAL YELLOW	28432-G03
PEN 3 OUNCE (89 ML) - ORANGE	28432-G04
PEN 3 OUNCE (89 ML) - STEEL BLUE PEARL	28432-G24
PEN 3 OUNCE (89 ML) - OLIVE GREEN	28432-G**
PEN 3 OUNCE (89 ML) - CAMOUFLAGE PAINT (THREE PENS)	75831-G01
AEROSOL 12 OUNCE (360 ML) - HUNTER GREEN	28140-G09
AEROSOL 12 OUNCE (360 ML) - CHAMPAGNE BEIGE	28140-G15
AEROSOL 12 OUNCE (360 ML) - INDUSTRIAL YELLOW	28140-G14

MAINTENANCE PRODUCTS	PART NO.
PLEXUS® CLEANER, 13 OUNCE (380 ML) (FOR WINDSHIELDS)	28433-G02
BATTERY PROTECTOR, 14 OUNCE (410 ML) SPRAY	27619-G02
E-Z-GO ALLSURFACE CLEANER	606311
E-Z-GO FIBERGLASS/PLASTIC RESTORER	606313
WIND SHIELD AND PLASTIC PROTECTOR	606314
64 OZ HAND CLEANER	607636
4 OZ HAND CLEANER	607637

OPTIONS/ACCESSORIES

OPTIONS/ACCESSORIES

OPTIONS/ACCESSORIES

ITEM	KIT NO.	COMMENTS
ASHTRAY KIT	75109-G02	See BODY
BOX COOLER AND BRACKET KIT	71048-G01	See BODY
DIFFERENTIAL GUARD	72347-G01	See REAR AXLE
FRONT BASKET	74521-G02	See BODY
GLOVE BOX DOOR	75459-G0*	See BODY
GUN HOLDER (FLOOR MOUNT)	74365-G01	See BODY
GUN HOLDER (SWIVEL MOUNT)	74533-G01	See BODY
HOUR METER KIT	75114-G02	See ELECTRICAL SYSTEM
REAR VIEW MIRROR KIT	19528-G2	See WEATHER PROTECTION
SOFT ENCLOSURE	75492-G01	See WEATHER PROTECTION
SUN TOP KIT	75123-G01	See WEATHER PROTECTION
TURN SIGNAL KIT	75107-G01	See ELECTRICAL SYSTEM
WINDSHIELD (POLYCARBONATE)	71966-G01	See WEATHER PROTECTION
TIRE DOMINATOR 20X11-10	605316	Wheels and Tires
PATHFINDER TIRE, BRUSHED WHEEL LH	605355	Wheels and Tires
PATHFINDER TIRE, BRUSHED WHEEL RH	605356	Wheels and Tires
V-STEM-BRUSHED SPOKED WHEEL	605351	Wheels and Tires
DOMINATOR - POLISHED WHEEL	605319	Wheels and Tires
DOMINATOR - BRUSHED WHEEL	605320	Wheels and Tires
CHROME CENTER CAP - SPOKED WHEEL	604929	Wheels and Tires
NUT, LUG-CHROME	605310	Wheels and Tires
V-STEM-POLISHED SPOKED WHEEL	605311	Wheels and Tires
PATHFINDER TIRE 22X11-10	604928	Wheels and Tires
PATHFINDER TIRE, POLISHED WHEEL LH	604930	Wheels and Tires
PATHFINDER TIRE, POLISHED WHEEL RH	605228	Wheels and Tires
WHEEL INSTL FRT/RR 20X9X10 STRYKER	605664	Wheels and Tires
SEAT BTM COVER FRONT/REAR W/PIPPING	604912GXXXX	Seating
SEAT BACK FRNT/RR COVER - W/PIPPING	604916GXXXX	Seating
VINYL CVR-SEAT BTM CC W/PIPPING	604920GXXXX	Seating
SEAT BOTTOM CONV-CARR W/PIPPING	605372GXXXX	Seating
SEAT BACK CUST W/PIPPING	605373GXXXX	Seating
SEAT BOTTOM FRONT W/PIPPING	605374GXXXX	Seating

OPTIONS/ACCESSORIES

ITEM	KIT NO.	COMMENTS
SEAT BOTTOM REAR W/PIPPING.....	605375GXXX.....	Seating

OPTIONS/ACCESSORIES



A Textron Company

E-Z-GO Division Of Textron, Inc.,
1451 Marvin Griffin Road, Augusta, Georgia USA 30906-3852

TO CONTACT US

North America:

Technical Assistance & Warranty Phone: 1-800-774-3946, FAX: 1-800-448-8124
Service Parts Phone: 1-888-GET-EZGO (1-888-438-3946), FAX: 1-800-752-6175

International:

Phone: 001-706-798-4311, FAX: 001-706-771-4609

Certified ISO 9001 / ISO 14001 by



Copyrighted Material
This manual may not be reproduced in whole or
in part without the express permission of
E-Z-GO Division of Textron, Inc.
Technical Communications Department