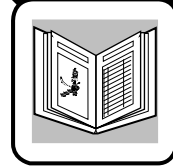
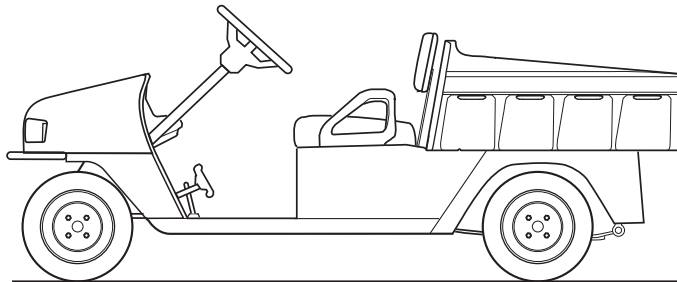


620384



CUSHMAN[®]
A Textron Company

SERVICE PARTS MANUAL



GASOLINE POWERED UTILITY VEHICLES

ISSUED APRIL 2008

REVISED AUGUST 2009

SERVICE PARTS MANUAL

GASOLINE POWERED UTILITY VEHICLE

CLAYS CAR

CLAYS CAR CARB

ST SPORT 2+2

ST SPORT 2+2 CARB

ST CUSTOM CARB

STARTING MODEL YEAR 2008

DISCLAIMER: The E-Z-GO Division of Textron Inc. reserves the right to incorporate engineering and design changes to products in this Manual, without obligation to include these changes on units leased/sold previously.

The information contained in this Manual may be revised periodically by the E-Z-GO Division, and therefore is subject to change without notice.

The E-Z-GO Division DISCLAIMS LIABILITY FOR ERRORS IN THIS MANUAL, and the E-Z-GO Division SPECIFICALLY DISCLAIMS LIABILITY FOR INCIDENTAL AND CONSEQUENTIAL DAMAGES resulting from the use of the information and materials in this Manual.

CUSTOMER SERVICE DEPARTMENT IN USA PHONE: 1-800-241-5855 FAX: 1-800-448-8124

OUTSIDE USA PHONE: 001-706-798-4311, FAX: 001-706-771-4609

GENERAL INFORMATION

To obtain a copy of the limited warranty applicable to the vehicle, call or write a local Distributor, authorized Branch or the Warranty Department with vehicle serial number and manufacturer code.

The use of non Original Equipment Manufacturer (OEM) parts may void the warranty.

Overfilling of batteries may void the warranty.

BATTERY PROLONGED STORAGE

All batteries will self discharge over time. The rate of self discharge varies depending on the ambient temperature and the age and condition of the batteries.

A fully charged battery will not freeze in winter temperatures unless the temperature falls below -75° F (-60° C).

As with all electric vehicles, the batteries must be checked and recharged as required or at a minimum of 30 day intervals.

TABLE OF CONTENTS

SECTION	Page No.
HOW TO USE THE SERVICE PARTS MANUAL	v
ILLUSTRATED PARTS BREAKDOWN	vii
ACCELERATOR	A-1
• Pedal Box Assembly	
• Actuator Pedal Assembly	
• Governor Cover/Decal	
AIR FILTER	B-1
• Air Cleaner	
BODY	C-1
• Instrument Panel Assembly	
• Cowl	
• Front Bracket Assembly	
• Rear Body	
• Foot Rest Assembly	
BRAKES	D-1
• Brake Pedal Assembly	
• Brake Drum Assembly	
CARBURETOR AND CHOKE	E-1
• Carburetor	
• Choke Cable	
CLUTCH	F-1
• Drive Clutch	
• Driven Clutch Assembly	
DIRECTION SELECTOR	G-1
• Direction Selector Handle	
ELECTRICAL SYSTEM	H-1
• Battery	
• Ground Cable	
• Electrical Plate Assembly	
• Horn	
ENGINE AND MUFFLER	J-1
• Engine	
• Muffler	
ENGINE MOUNTING	K-1
• Front Engine Mount	

TABLE OF CONTENTS

• Engine Pan Mount	
• Iso Mount	
FRONT SUSPENSION	L-1
• Front Axle	
• Spindle Assembly	
• Shock Absorber	
FUEL SYSTEM	M-1
• CARB Fuel Tank Assembly	
• Fuel Pump	
• Carbon Canister	
REAR AXLE	N-1
• Axle Tube	
• Axle Shaft	
REAR SUSPENSION	P-1
• Heavy Duty Leaf Spring	
• Flanged Bushing	
SEATING	Q-1
• Seat Bottom Assembly	
• Seat Back Assembly	
STARTER / GENERATOR	R-1
• Insulating Brush Assembly	
• Starter/Generator Adjuster	
STEERING	S-1
• Steering Shaft	
• Steering Column	
• Tie Rod Assembly	
WEATHER PROTECTION	T-1
• Sun Top Kit	
• Windshield Kit	
WHEELS AND TIRES	U-1
SPECIALTY PRODUCTS	APPENDIX A-1
OPTIONS AND ACCESSORIES	APPENDIX B-1

HOW TO USE THE SERVICE PARTS MANUAL

This manual is divided into several sections:

- GENERAL INFORMATION
- ILLUSTRATED PARTS BREAKDOWN
- APPENDIX

The first section, GENERAL INFORMATION, contains the following information:

- WARRANTY INFORMATION
- GENERAL INDEX
- HOW TO USE THE SERVICE PARTS MANUAL

The second section, ILLUSTRATED PARTS BREAKDOWN, contains illustrations and parts lists for all systems of your vehicle.

The third section, APPENDIX, contains a listing of specialty products and accessories.

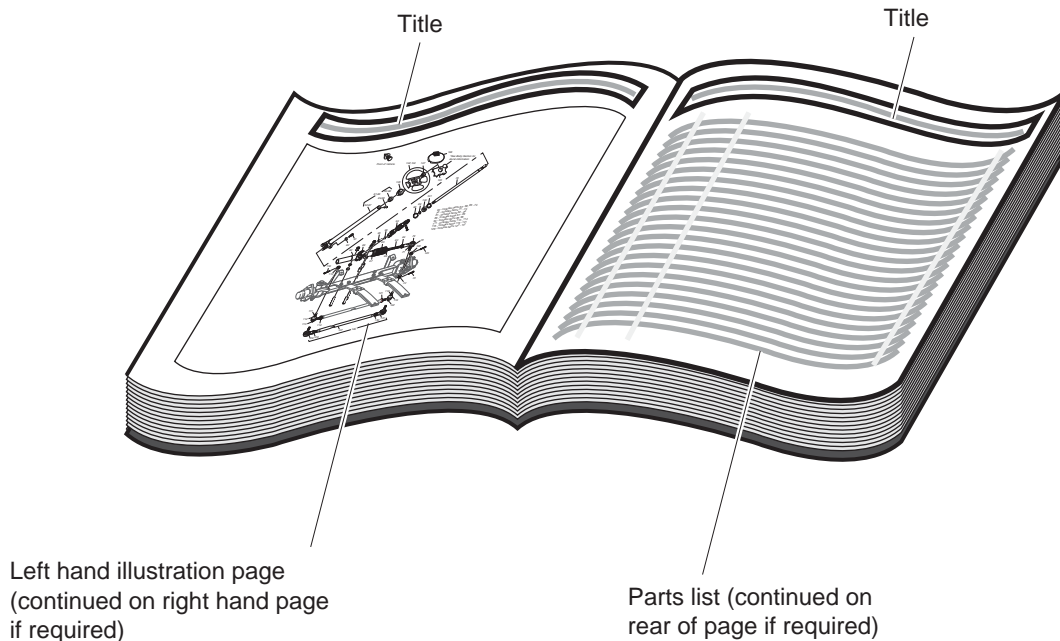
USE OF THE MANUAL

To use this manual, consult the GENERAL INDEX to locate the information or illustration required.

Introduction of some revisions varies due to supply of components; therefore, it is possible that various combinations of components may be found that are not directly reflected by each illustration. Consult the illustration that best suits your situation and then contact the Service Parts Department. It is important that the serial number of your vehicle and its model number be supplied to Service Parts when ordering any replacement components.

Locate the serial number plate (see BODY located in the Illustrated Parts Breakdown section of this manual for its location) and note the complete number shown on the plate.

HOW TO USE THE SERVICE PARTS MANUAL



1. WHEN THE PART NUMBER IS NOT KNOWN

- Determine the function and application of the part required. Turn to the General Index and select the most appropriate title.
- Turn to the page number indicated and locate the desired part on the illustration.
- From the illustration, obtain the item number assigned to the desired part. Refer to the accompanying description for specific information regarding the part.

2. IF YOU KNOW THE PART NUMBER

- Locate the part number or description in the appropriate column on the parts list page.

NOTE: It is suggested that you confirm that the part selected is correct by verifying it with the pictorial representation on the illustrated page.

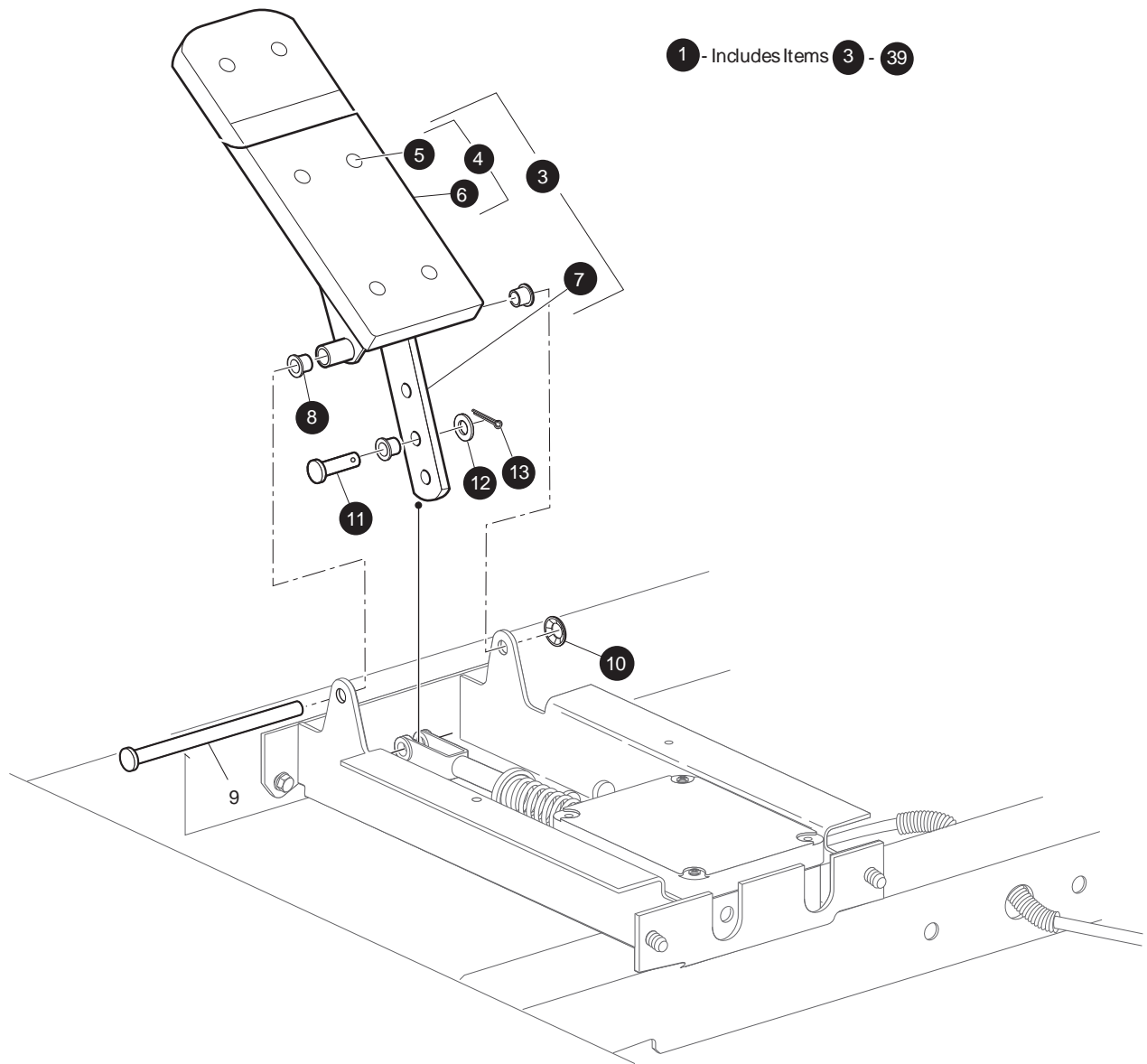
Should an asterisk (*) appear in the part number column on the parts list page, read upwards until a part number is found. The part number is the lowest assembly sold by Service Parts and the asterisk (*) indicates that the part depicted is not available for purchase.

NOTE: Descriptions are indented under the assembly that they are used on. That assembly is, in turn listed under the assembly that it is used on. This process is repeated until the highest final assembly is reached.

To facilitate the maintenance and repair of the vehicle, a Technician's Repair and Service Manual is available from the Service Parts Department.

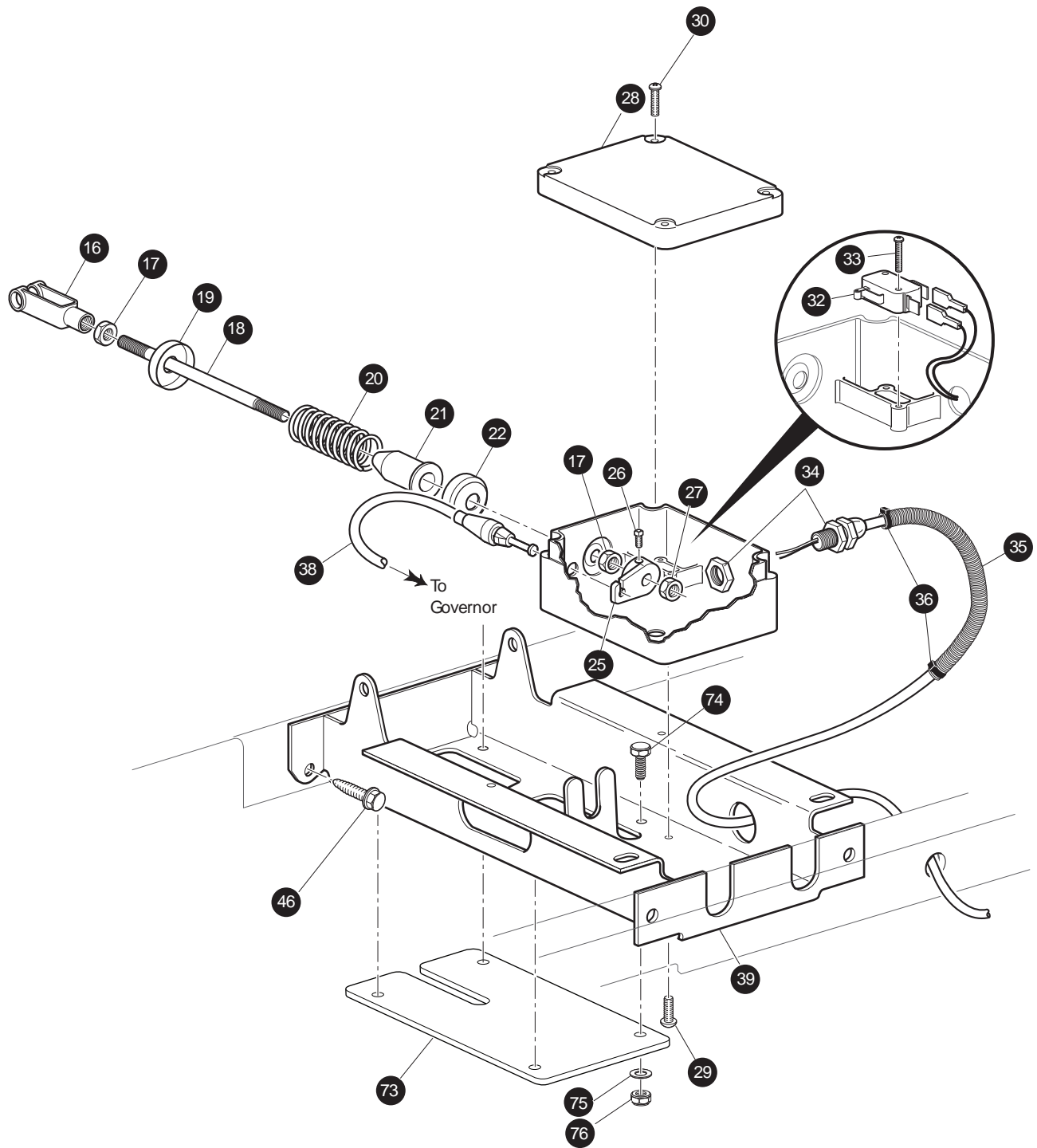
ILLUSTRATED PARTS BREAKDOWN

ACCELERATOR



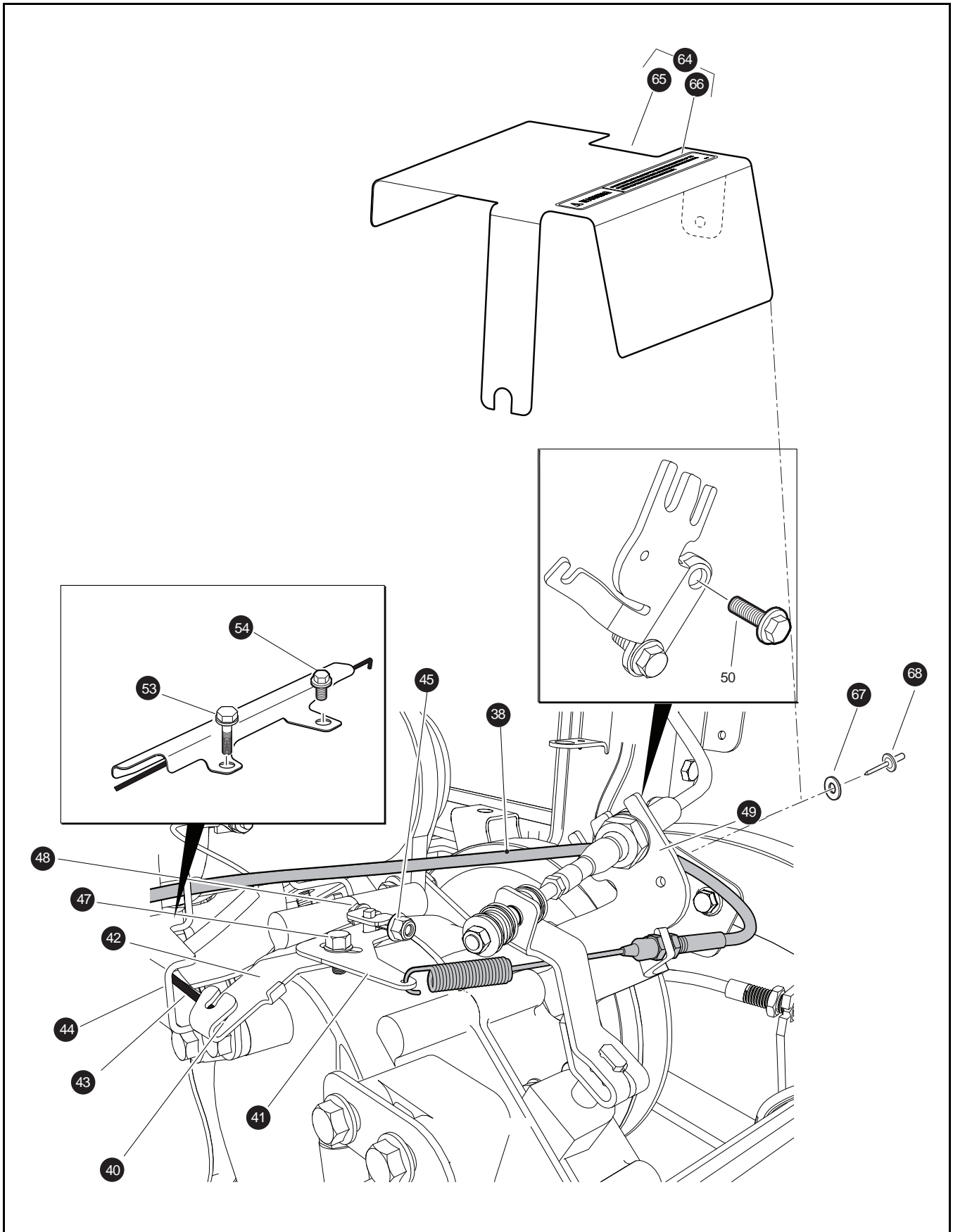
Ref Acl 11-1

ACCELERATOR



Ref Act 11-2

ACCELERATOR



ACCELERATOR

When ordering parts, please specify the model and serial number of the product.

* Indicates a component that is not available as an individual part.

G** Indicates consult Customer Service Department for additional information.

ITEM	PART NO.	1 2 3 4 5	DESCRIPTION	QTY.
1	<u>606990</u>		PEDAL BOX ASSEMBLY (INCLUDES ITEMS 3 - 39)	1
2				
3	<u>25799-G03</u>		ACCELERATOR PEDAL ASSEMBLY (INCLUDES ITEMS 4 - 7).....	1
4	<u>27844-G01</u>		ACCELERATOR PEDAL PAD KIT (INCLUDES ITEMS 5 - 6).....	1
5	<u>16409-G1</u>		OVAL RIVET, 3/16" X 7/16" LG.....	6
6	<u>27512-G01</u>		ACCELERATOR PEDAL PAD	1
7	*		ACCELERATOR PEDAL	1
8	<u>17838-G1</u>		NYLON BUSHING	3
9	<u>74432-G01</u>		PEDAL PIVOT PIN	1
10	<u>12064-G6</u>		PUSH NUT, 9/32".....	1
11	<u>10386-G3</u>		CLEVIS PIN, 5/16" X 13/16" LG	1
12	<u>17255-G1</u>		TEFLON WASHER, 5/16".....	1
13	<u>10387-G3</u>		COTTER PIN, 3/32" X 3/4" LG	1
14				
15				
16	<u>10385-G4</u>		CLEVIS YOKE (ADJUSTABLE).....	1
17	<u>00532-G4</u>		NUT, 5/16 - 24.....	2
18	<u>72072-G01</u>		ACCELERATOR ROD	1
19	<u>17677-G2</u>		SPRING RETAINER, 3/8"	1
20	<u>73046-G01</u>		COMPRESSION SPRING	1
21	<u>17979-G1</u>		ACCELERATOR ROD BUSHING	1
22	<u>17677-G1</u>		SPRING RETAINER, 1/2"	1
23				
24				
25	<u>72716-G01</u>		MICRO SWITCH CAM.....	1
26	<u>00487-G3</u>		SETSCREW, 1/4 - 20 X 3/8" LG.	1
27	<u>15126-G1</u>		LOCK NUT, 5/16 - 24.....	1
28	<u>25853-G03</u>		PEDAL BOX AND COVER	1
29	<u>01051-G01</u>		SCREW, #8 - 16 X 1/2" LG.	4
30	<u>00684-G6</u>		SCREW, #8 - 32 X 3/4" LG (STAINLESS STEEL).....	2

ACCELERATOR

When ordering parts, please specify the model and serial number of the product.

* Indicates a component that is not available as an individual part.

G** Indicates consult Customer Service Department for additional information.

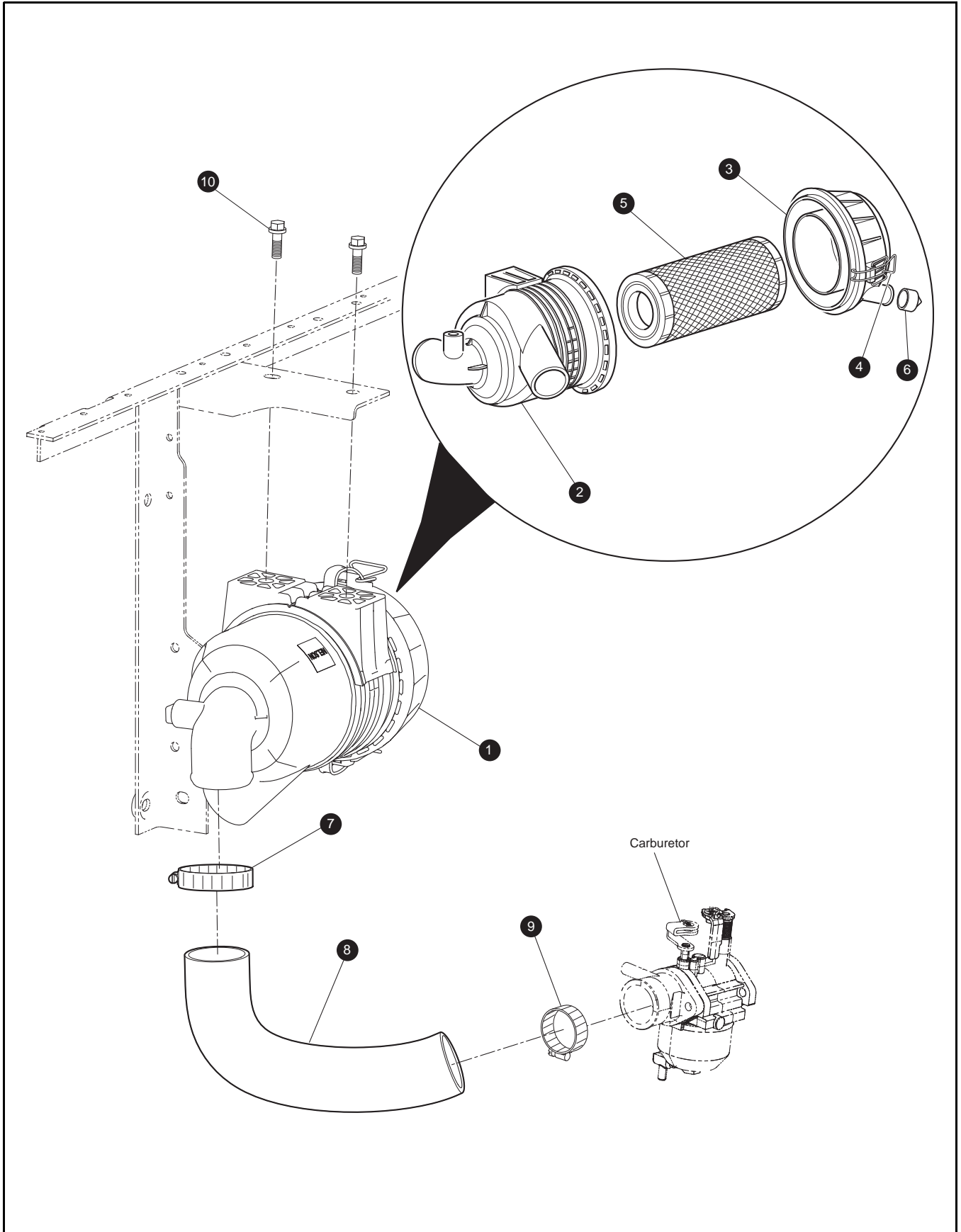
ITEM	PART NO.	1	2	3	4	5	DESCRIPTION	QTY.
31								
32	<u>25861-G01</u>						MICRO SWITCH.....	1
33	<u>01050-G01</u>						SCREW, #4 - 20 X 5/8" LG	2
34	<u>72201-G04</u>						WIRE HARNESS (PEDAL BOX)	1
35	<u>17313-G1</u>						FLEX LOOM (BULK).....	AR
36	<u>17618-G1</u>						WIRE TIE	2
37								
38	<u>608608</u>						ACCELERATOR CABLE	1
39	<u>70116-G02</u>						ACCELERATOR PEDAL BRACKET.....	1
40	<u>606283</u>						GOVERNOR LEVER BUSHING	1
41	<u>606083</u>						UPPER GOVERNOR BRACKET	1
42	<u>606005</u>						LOWER GOVERNOR BRACKET	1
43	<u>606284</u>						GOVERNOR ROD	1
44	<u>603890</u>						GOVERNOR ROD GUARD	1
45	<u>450452</u>						NUT, M6 - 1.0	
46	<u>00715-G2</u>						BOLT, 5/16 - 18 X 4/5" LG	4
47	<u>606265</u>						BOLT, M6 - 1 X 12	1
48	<u>606421</u>						BOLT, M6 - 1 X 30	1
49	<u>606074</u>						GOVERNOR CABLE/DIRECTION SELECTOR BRACKET	1
50	<u>606256</u>						BOLT M10 - 1.25 X 25.....	2
51	<u>72703-G02</u>						THROTTLE CABLE MOUNTING BRACKET	1
52	<u>26830-G01</u>						LOCK NUT, M8 X 1.25 MM	2
53	<u>606264</u>						BOLT, M6 - 1 X 20	1
54	<u>606262</u>						BOLT, M8 - 1 X 20	1
55								
56								
57								
58								
59								
60								

ACCELERATOR

When ordering parts, please specify the model and serial number of the product.
 * Indicates a component that is not available as an individual part.
 G** Indicates consult Customer Service Department for additional information.

ITEM	PART NO.	1 2 3 4 5	DESCRIPTION	QTY.
61				
62				
63				
64	607035		GOVERNOR COVER/DECAL ASSEMBLY (INCLUDES ITEMS 65, 66).....	1
65	<u>606199</u>		GOVERNOR COVER	1
66	<u>608527</u>		LABEL (WARNING - GOVERNOR).....	1
67	<u>00915-G1</u>		BONDED WASHER, 1/4"	2
68	<u>14601-G11</u>		RIVET, 3/16" X 9/16" LG (ALUMINUM).....	2
69				
70				
71	<u>17618-G1</u>		WIRE TIE	1
72				
73	<u>75546-G01</u>		PEDAL GUARD.....	1
74	<u>00414-G6</u>		BOLT 1/4 - 20 X 3/4" LG.....	4
75	<u>01110-G01</u>		WASHER, 1/4" (STAINLESS STEEL)	4
76	<u>00654-G2</u>		LOCK NUT, 1/4 - 20 (STAINLESS STEEL)	4

AIR FILTER



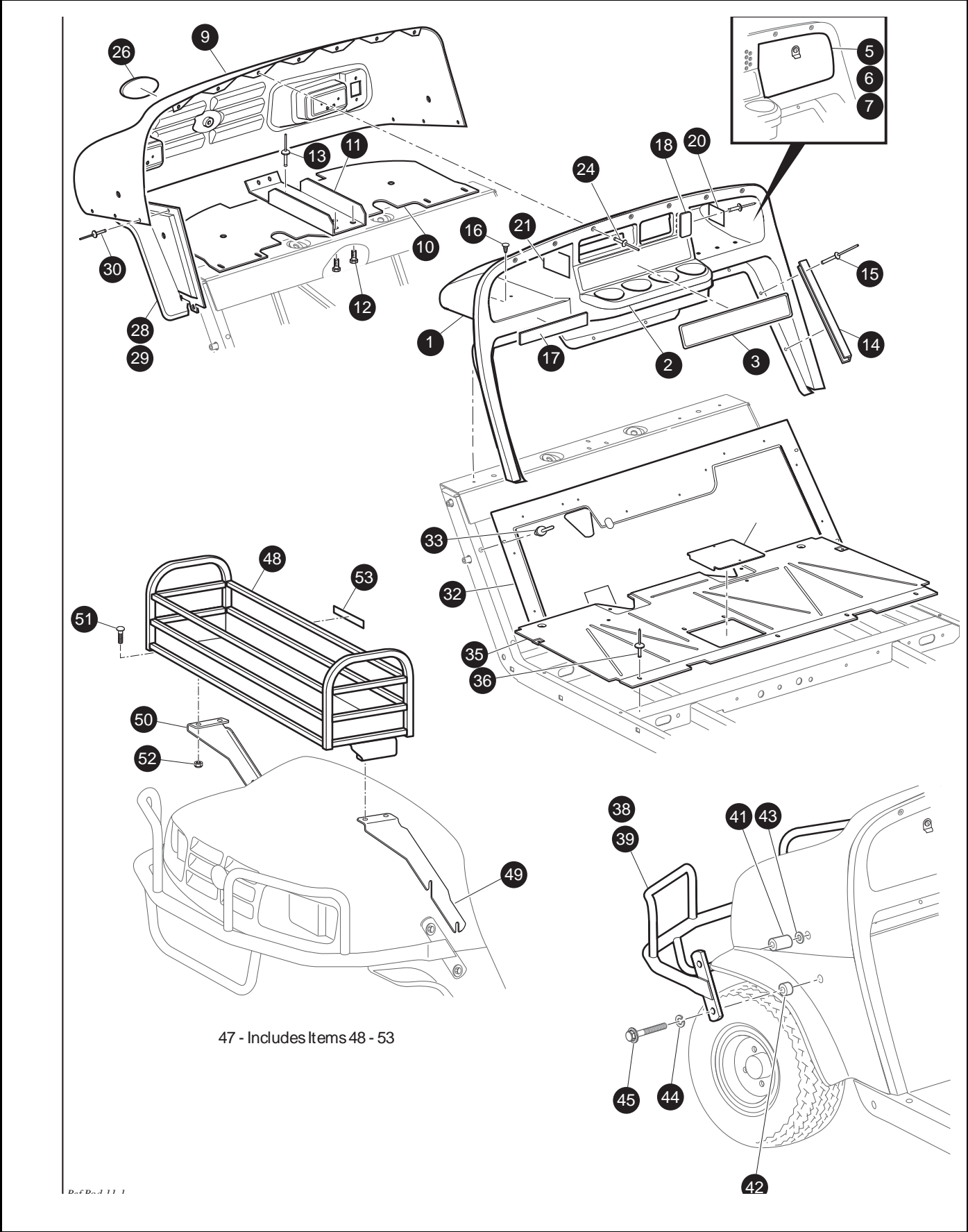
When ordering parts, please specify the model and serial number of the product.

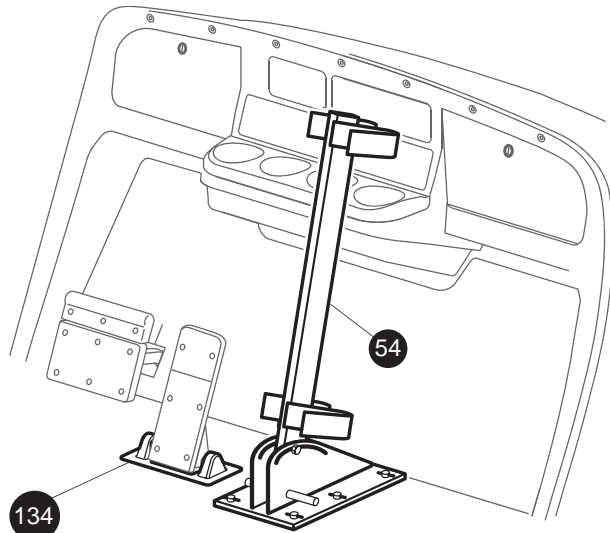
* Indicates a component that is not available as an individual part.

*** Indicates consult Customer Service Department for additional information.

ITEM	PART NO.	1 2 3 4 5	DESCRIPTION	QTY.
1	<u>606952</u>		AIR CLEANER (INCLUDES ITEMS 2 - 6)	1
2	607269		BODY & BRACKET ASSEMBLY	1
3	<u>72599G01</u>		AIR CLEANER COVER	1
4	<u>72604G01</u>		AIR CLEANER CLIP	2
5	<u>28463G01</u>		AIR FILTER	1
6	<u>28462G01</u>		VALVE DUST EJECTOR	1
7	<u>11391G7</u>		HOSE CLAMP	1
8	<u>607950</u>		HOSE	1
9	<u>11391G1</u>		HOSE CLAMP	1
10	<u>25532G1</u>		BOLT AND WASHER, M8 X 1.25 X 18 MM	2

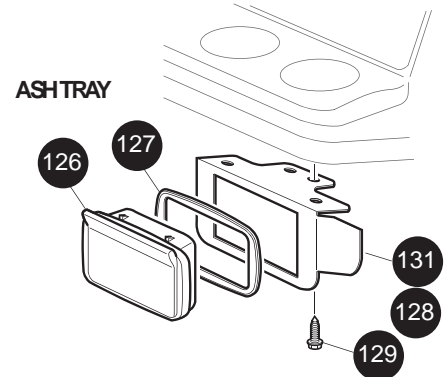
BODY



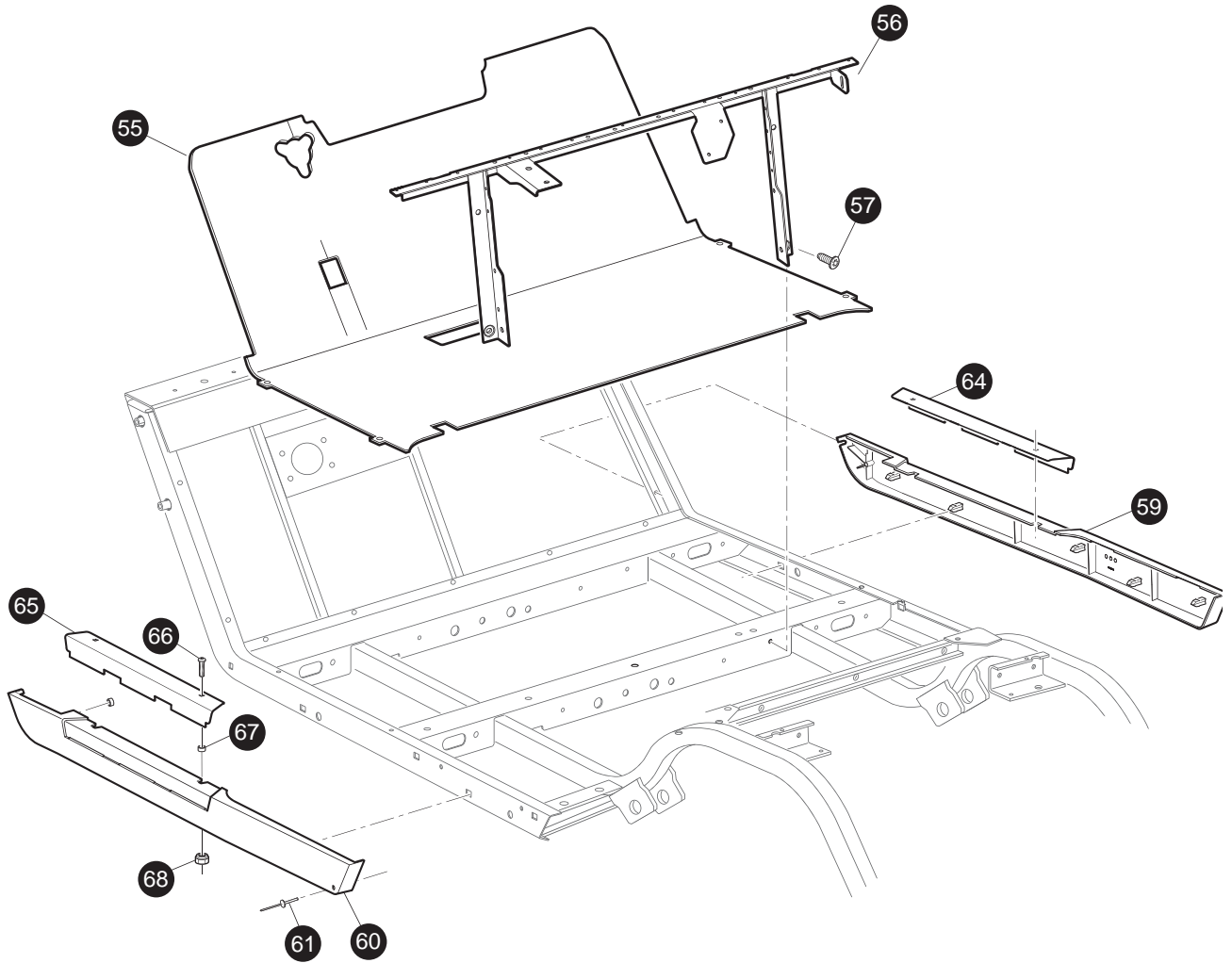


134
FLOORMOUNT
GUN HOLDER

125 - Includes Items 126 - 129
130 - Includes Items 126 - 127, 129, 131

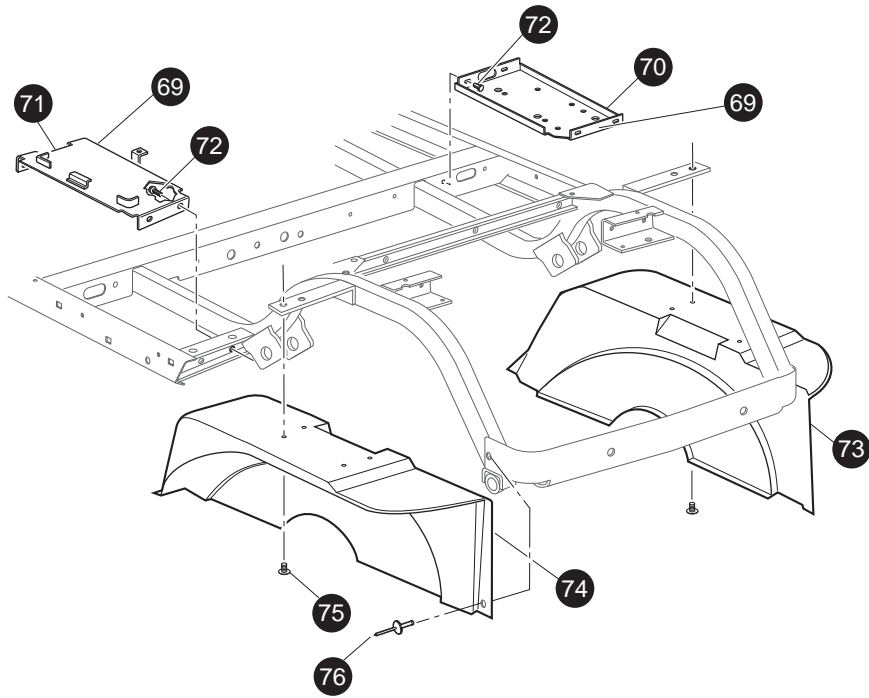
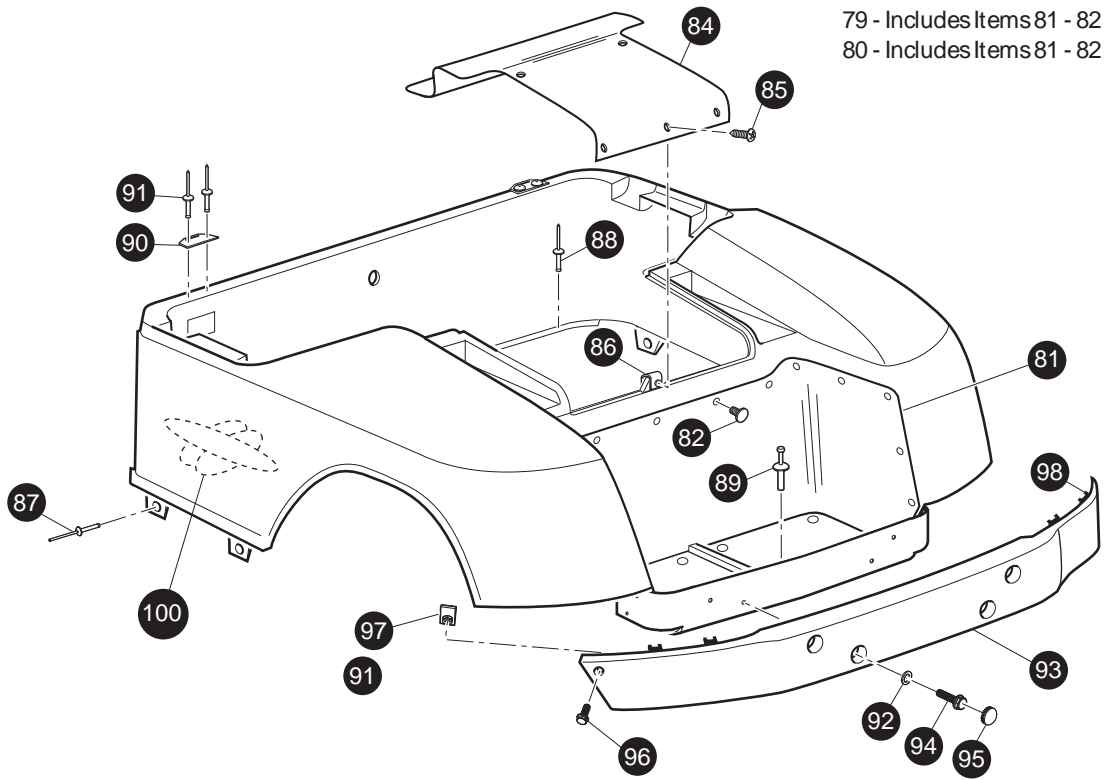


ASHTRAY

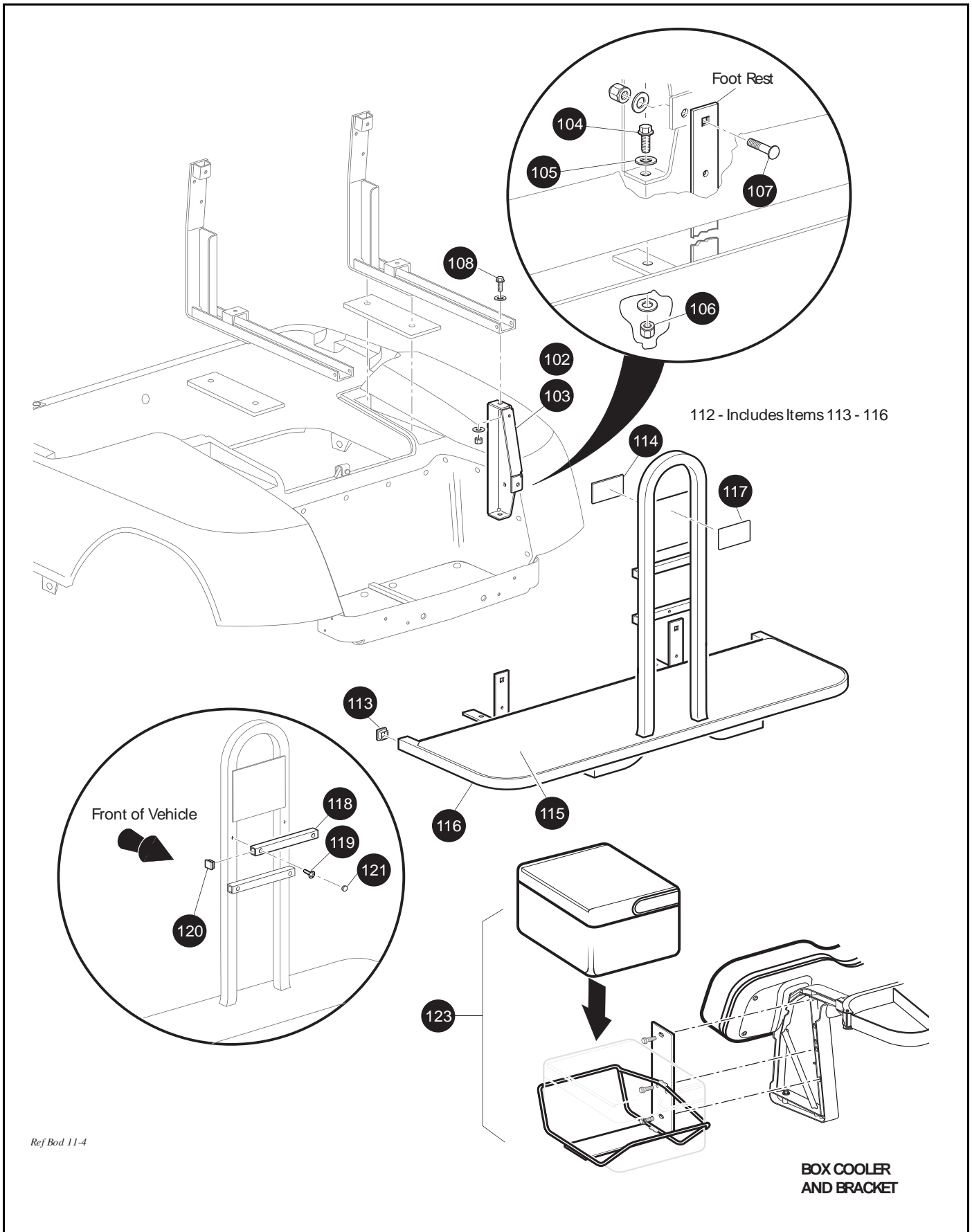


ref Bod 11-2

BODY



RefBod 11-3



Ref Bod 11-4

BODY

When ordering parts, please specify the model and serial number of the product.

* Indicates a component that is not available as an individual part.

*** Indicates consult Customer Service Department for additional information.

ITEM	PART NO.	1 2 3 4 5	DESCRIPTION	QTY.
1	<u>71151G03</u>		INSTRUMENT PANEL ASSEMBLY	1
2	<u>27169G01</u>		INSTRUMENT PANEL INSERT (FOUR CUP)	1
3	<u>35962G01</u>		LABEL (SAFETY)	1
4				
5	<u>75459G01</u>		GLOVE BOX DOORS (BOTH SIDES)	1
6	<u>75459G02</u>		GLOVE BOX DOOR (DRIVER SIDE)	1
7	<u>75459G03</u>		GLOVE BOX DOOR (PASSENGER SIDE)	1
8				
9	<u>606534G**</u>		COWL	1
10	<u>71413G01</u>		SPLASH PANEL	1
11	<u>71101G02</u>		COWL SUPPORT BRACKET	1
12	<u>71102G02</u>		BOLT, 1/4 - 20 X 1/2" LG	3
13	<u>71055G01</u>		RIVET, 3/16" X 1 1/8" LG (ALUMINUM)	1
14	<u>71115G01</u>		VINYL TRIM	2
15	<u>71055G01</u>		RIVET, 3/16" X 1" LG (ALUMINUM)	10
16	<u>16816G2</u>		RATCHET FASTENER, 1/4" X 3/4" LG	4
17	<u>74443G01</u>		LABEL (ANTI-ROLLBACK)	1
18	<u>35968G01</u>		LABEL (TEE HOLDER COVER)	1
19				
20	*		SERIAL NUMBER PLATE	1
21	*		CAPACITY PLATE	1
22				
23				
24	<u>71055G01</u>		RIVET, 3/16" X 1" LG (ALUMINUM)	7
25				
26	<u>74813G01</u>		NAMEPLATE (E-Z-GO) (OVAL)	1
27				
28	<u>71338G01</u>		FENDER FLARE (DRIVER SIDE)	1
29	<u>71338G02</u>		FENDER FLARE (PASSENGER SIDE)	1
30	<u>71055G01</u>		RIVET, 3/16" X 1" LG (ALUMINUM)	14
31				

When ordering parts, please specify the model and serial number of the product.

* Indicates a component that is not available as an individual part.

*** Indicates consult Customer Service Department for additional information.

ITEM	PART NO.	1 2 3 4 5	DESCRIPTION	QTY.
32	<u>71510G01</u>		UPPER FLOORPAN (FRAME MOUNTED STEERING).....	1
33	<u>14601G11</u>		RIVET, 3/16" X 9/16" LG (ALUMINUM).....	9
34				
35	<u>70451G01</u>		LOWER FLOORPAN	1
36	<u>14601G11</u>		RIVET, 3/16" X 9/16" LG (ALUMINUM).....	7
37	<u>70452G01</u>		ACCESS COVER.....	1
38	604891		3 BAR CHROME BRUSH GUARD (ST CUSTOM).....	1
39	<u>74265G02</u>		BUMPER.....	1
40				
41	75058G04		SPACER 1"	2
42	<u>75048G01</u>		SPACER, 1/2"	2
43	<u>00570G2</u>		WASHER, 5/16"	2
44	<u>00905G8</u>		LOCK WASHER, 5/16"	4
45	<u>01035G02</u>		BOLT, 5/16 - 18 X 2 1/2" LG.....	4
46				
47	<u>74521G02</u>		FRONT BASKET ASSEMBLY (INCLUDES ITEMS 48 - 53).....	1
48	<u>74523G01</u>		FRONT BASKET	1
49	<u>74522G01</u>		BASKET MOUNTING BRACKET (DRIVER SIDE)	1
50	<u>74522G02</u>		BASKET MOUNTING BRACKET (PASSENGER SIDE)	1
51	00725G1		CARRIAGE BOLT, 3/8 - 16 X 1" LG (STAINLESS STEEL)	4
52	<u>00891G1</u>		LOCK NUT, 3/8 - 16.....	4
53	<u>71931G01</u>		LABEL, FRONT BASKET (WARNING)	1
54	<u>74365G01</u>		GUN HOLDER, FLOOR MOUNT.....	1
55	<u>70048G06</u>		FLOORMAT WITH HORN HOLES (1/8").....	1
56	<u>605694</u>		SEAT FRAME	1
57	<u>00715G2</u>		BOLT, 5/16 - 18 X 4/5" LG.....	2
58				
59	<u>71501G01</u>		ROCKER PANEL (PASSENGER SIDE)	1
60	<u>71502G01</u>		ROCKER PANEL (DRIVER SIDE).....	1
61	<u>15058G6</u>		RIVET, 3/16" X 15/16" LG (ALUMINUM).....	4
62				

BODY

When ordering parts, please specify the model and serial number of the product.

* Indicates a component that is not available as an individual part.

*** Indicates consult Customer Service Department for additional information.

ITEM	PART NO.	1	2	3	4	5	DESCRIPTION	QTY.
63								
64	71507G01						SILL PLATE (PASSENGER SIDE)	1
65	<u>71507G02</u>						SILL PLATE (DRIVER SIDE).....	1
66	<u>16705G1</u>						SCREW, 1/4 - 20 X 1" LG (STAINLESS STEEL)	4
67	<u>23726G4</u>						SPACER, 5/16"	4
68	14390G04						LOCK NUT, 1/4 - 20 (PLASTIC INSERT)	4
69	<u>70244G03</u>						SPLASH PANEL.....	2
70								
71	<u>600496</u>						BATTERY TRAY	1
72	<u>00715G2</u>						BOLT, 5/16 - 18 X 4/5" LG	8
73	71551G01						FENDER LINER, EXTENDED (PASSENGER SIDE).....	1
74	<u>71552G01</u>						FENDER LINER, EXTENDED (DRIVER SIDE)	1
75	<u>16816G2</u>						RATCHET FASTENER, 1/4" X 3/4" LG	8
76	14601G17						RIVET	2
77								
78								
79	71330G5**						REAR BODY (WITHOUT TAILLIGHTS) (INCLUDES ITEMS 81, 82)	1
80	71330G6**						REAR BODY (WITH TAILLIGHTS) (INCLUDES ITEMS 81, 82).....	1
81	71318G01						BAGWELL LINER	1
82	<u>16816G1</u>						RATCHET FASTENER, 1/4" X 9/16" LG.....	26
83								
84	<u>71320G01</u>						ACCESS PANEL	1
85	<u>01107G01</u>						SCREW, #8 X 3/8" LG (STAINLESS STEEL).....	5
86	<u>71364G02</u>						"J" CLIP	1
87	10570G12						RIVET, 1/4" X 9/16" LG (ALUMINUM)	4
88	<u>10570G10</u>						RIVET, 5/32" X 9/16" LG (STAINLESS STEEL)	6
89	<u>18436G1</u>						PLASTIC DRIVE RIVET, 1/4" X 3/4" LG.....	2
90	<u>71609G01</u>						SEAT HINGE PLATE	2
91	<u>10570G11</u>						RIVET, 3/16" X 3/4" LG (STAINLESS STEEL)	4
92	<u>00571G2</u>						WASHER, 5/16"	2
93	71456G01						NOTCHED REAR BUMPER	1

When ordering parts, please specify the model and serial number of the product.

* Indicates a component that is not available as an individual part.

*** Indicates consult Customer Service Department for additional information.

ITEM	PART NO.	1 2 3 4 5	DESCRIPTION	QTY.
94	71398G01		BOLT, 1/4 - 20 X 1 1/4" LG.....	2
95	<u>71455G01</u>		BUMPER PLUG.....	4
96	<u>71102G01</u>		BOLT, 1/4 - 20 x 11/16" LG.....	2
97	<u>71554G01</u>		J-TYPE NUT RETAINER, 1/4 - 20.....	2
98	<u>71457G01</u>		BUMPER STAY.....	4
99				
100	<u>74532G01</u>		LABEL (CLAYS CAR).....	2
101				
102	<u>74126G01</u>		VERTICAL FRAME SUPPORT (PASSENGER SIDE).....	1
103	<u>74126G02</u>		VERTICAL FRAME SUPPORT (DRIVER SIDE).....	1
104	<u>00427G6</u>		BOLT, 3/8 - 16 X 1 1/2" LG.....	2
105	<u>00560G1</u>		WASHER, 3/8".....	14
106	<u>11098G5</u>		LOCK NUT, 3/8 - 16.....	6
107	<u>00769G2</u>		CARRIAGE BOLT, 3/8 - 16 X 1 1/4" LG.....	2
108	<u>00426G8</u>		BOLT, 3/8 - 16 X 1" LG.....	2
109				
110				
111				
112	<u>70361G03</u>		FOOTREST ASSEMBLY (INCLUDES ITEMS 113 - 116).....	1
113	<u>19853G1</u>		END CAP, 1".....	2
114	<u>71929G01</u>		LABEL (WARNING).....	1
115	<u>70362G01</u>		FLOORMAT.....	1
116	<u>70633G01</u>		FOOTREST.....	1
117	<u>74132G01</u>		LABEL (LOAD BED LIMIT WARNING).....	1
118	<u>75268G01</u>		SUPPORT TUBE.....	2
119	606682		SELF THREADING SCREW, #12 - 24 X 3/4" LG.....	2
120	<u>19859G1</u>		END CAP, 3/4".....	2
121	<u>20271G2</u>		HOLE PLUG, 1/2".....	4
122				
123	<u>75344G01</u>		BOX COOLER AND BRACKET (INCLUDES HARDWARE).....	1
124				

BODY

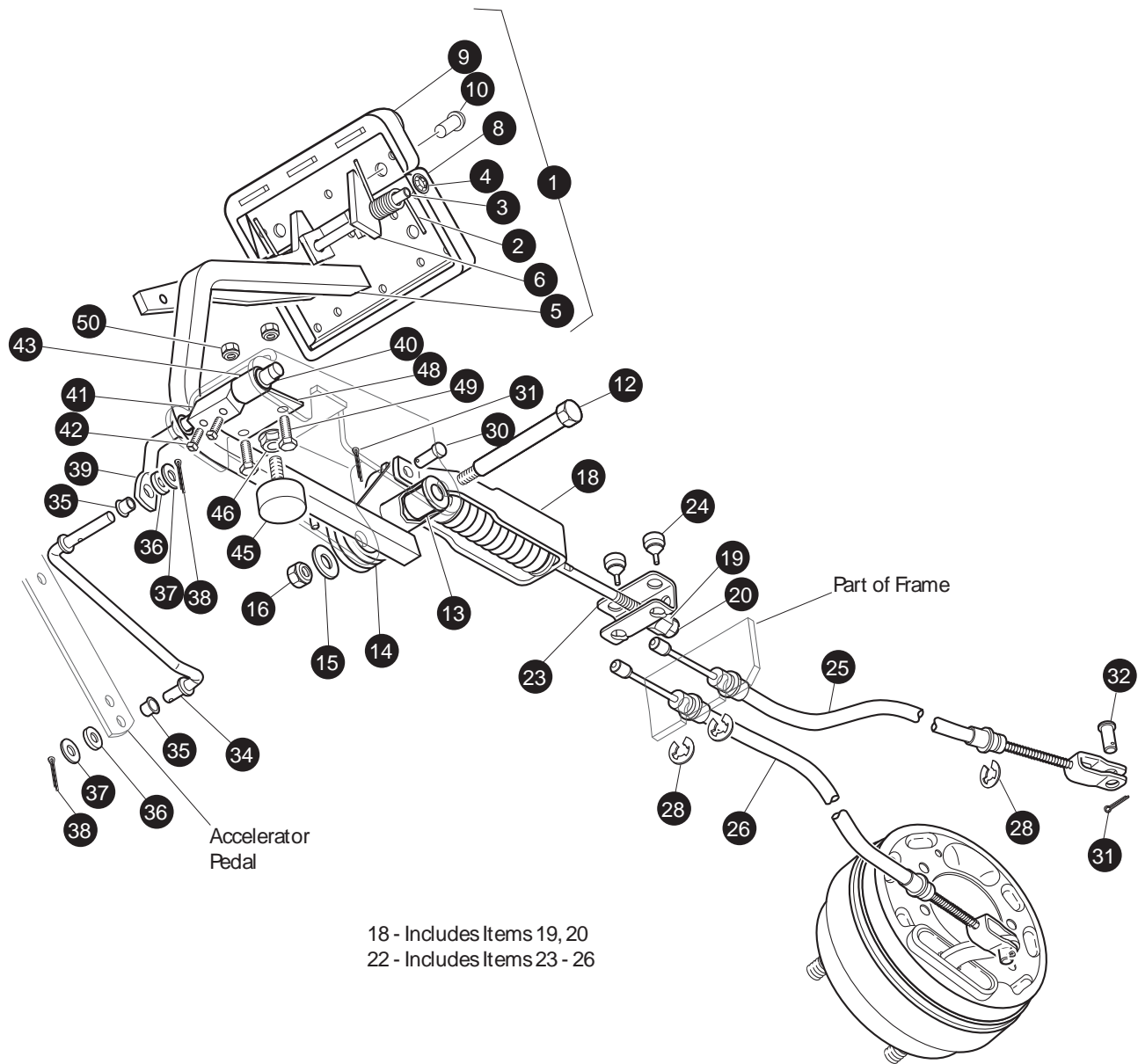
When ordering parts, please specify the model and serial number of the product.

* Indicates a component that is not available as an individual part.

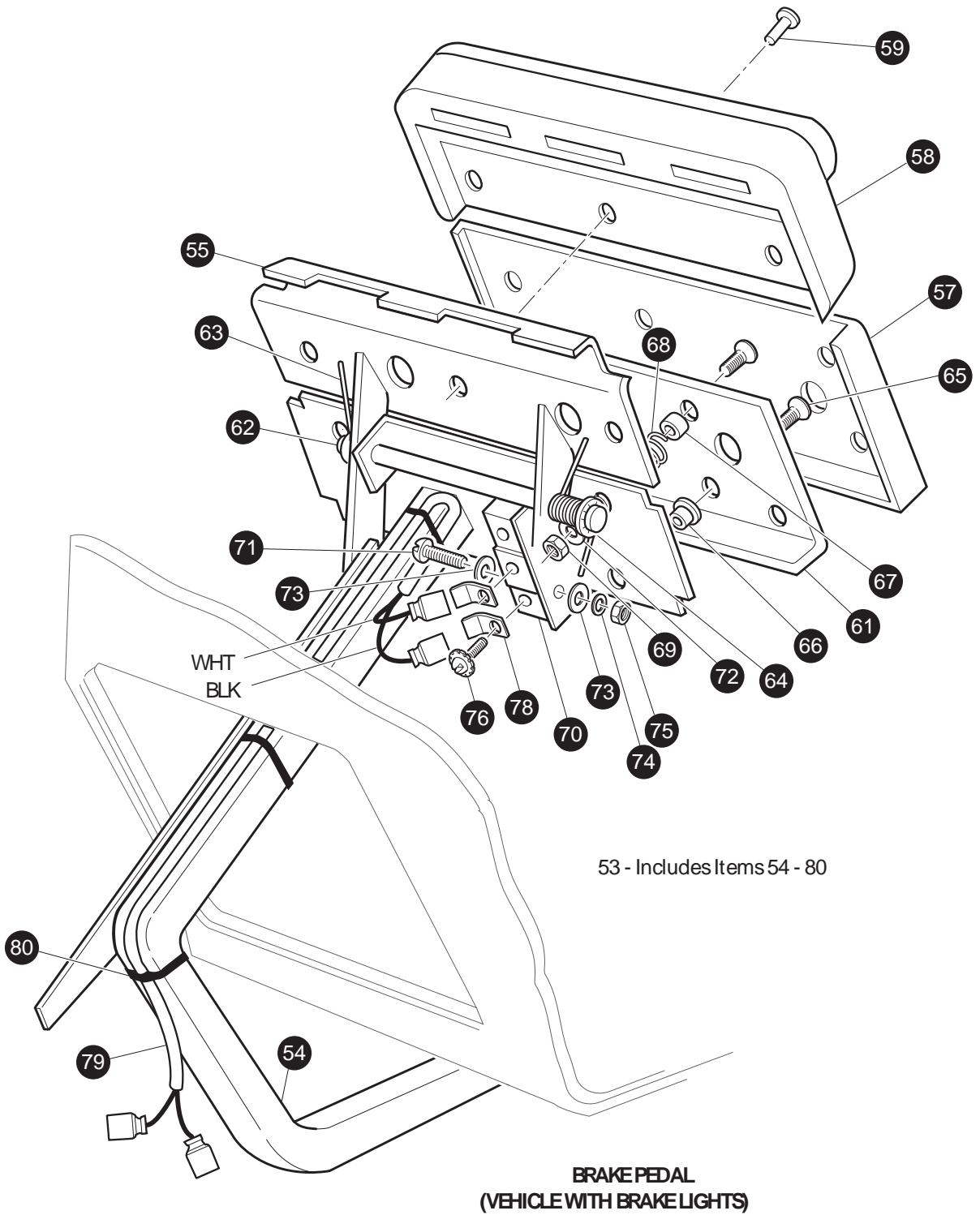
*** Indicates consult Customer Service Department for additional information.

ITEM	PART NO.	1	2	3	4	5	DESCRIPTION	QTY.
125	75109G02						ASH TRAY KIT (INCLUDES ITEMS 126 - 129)	1
126	27731G01						ASH TRAY	1
127	27736G01						GASKET.....	1
128	<u>75108G02</u>						BRACKET	1
129	<u>00100G4</u>						SCREW, #10 - 16 X 1/2" LG	4
130	75109G01						ASH TRAY KIT (INCLUDES ITEMS 126 - 127, 129, 131)	1
131	<u>75108G02</u>						BRACKET (E-COAT)	1
132								
133	<u>74533G01</u>						GUN HOLDER (SWIVEL MOUNT) (NOT ILLUSTRATED)	1
134	<u>70135G01</u>						PEDAL PIVOT COVER	1

BRAKES

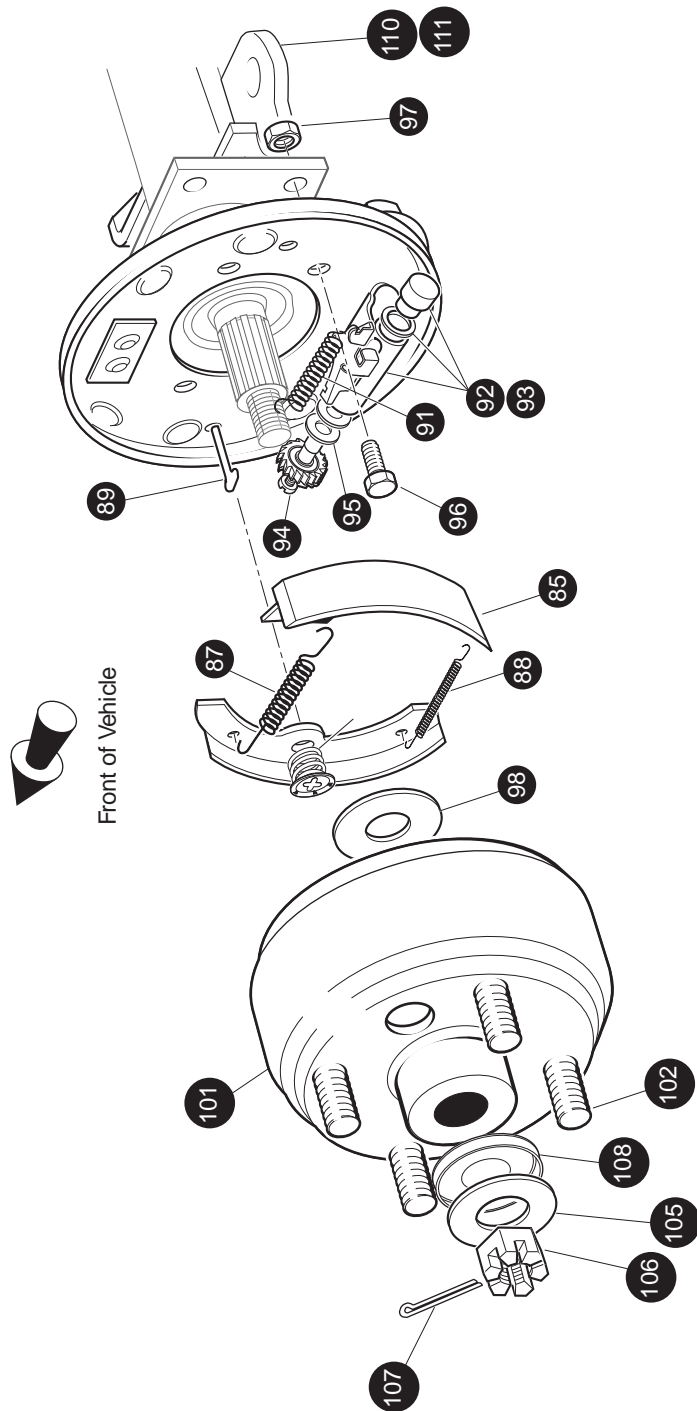


Ref Brk 6-1



Ref Brk 6-2

BRAKES



- 82 - Includes Items 84 - 92
- 83 - Includes Items 84 - 93
- 84 - Includes Items 85
- 86 - Includes Items 87 - 91
- 92 - Includes Items 94, 95
- 93 - Includes Items 94, 95
- 100 - Includes Items 101, 102

Ref Brk 6-3

When ordering parts, please specify the model and serial number of the product.

* Indicates a component that is not available as an individual part.

*** Indicates consult Customer Service Department for additional information.

ITEM	PART NO.	1 2 3 4 5	DESCRIPTION	QTY.
1	<u>70612G02</u>		BRAKE PEDAL ASSEMBLY (WITHOUT BRAKE LIGHTS) (INCLUDES ITEMS 2 - 10)	1
2	<u>70681G01</u>		TORSION SPRING.....	2
3	<u>70682G01</u>		PIVOT PIN.....	1
4	<u>01071G01</u>		PUSHNUT, 5/16"	1
5	<u>70259G02</u>		BRAKE PEDAL.....	1
6	<u>70611G02</u>		PARK BRAKE PEDAL	1
7				
8	<u>70257G01</u>		SERVICE BRAKE PAD.....	1
9	<u>70256G01</u>		PARK BRAKE PEDAL PAD	1
10	<u>16409G1</u>		OVAL RIVET, 3/16" X 3/8" LG	9
11				
12	<u>70582G01</u>		SHOULDER BOLT, 3/8 - 16 X 4" LG.....	1
13	<u>70581G01</u>		FLANGED BUSHING	2
14	<u>70676G01</u>		TORSION SPRING	1
15	<u>00643G1</u>		WASHER, 3/8"	1
16	<u>11098G5</u>		LOCK NUT, 3/8 - 16	1
17				
18	<u>70272G04</u>		COMPENSATOR ASSEMBLY (INCLUDES ITEMS 19, 20).....	1
19	<u>00963G01</u>		SPHERICAL NUT, 5/16 - 24	1
20	<u>11098G9</u>		LOCK NUT, 5/16 - 24.....	1
21				
22	<u>70969G03</u>		EQUALIZER AND BRAKE CABLE ASSEMBLY (INCLUDES ITEMS 23 - 26)	1
23	<u>28082G01</u>		EQUALIZER BRACKET	1
24	<u>28083G01</u>		BRAKE COMPENSATOR BUMPER	2
25	*		BRAKE CABLE (DRIVER SIDE)	1
26	*		BRAKE CABLE (PASSENGER SIDE).....	1
27				
28	<u>01111G01</u>		RETAINING RING, S.S.	4
29				
30	<u>10386G3</u>		CLEVIS PIN, 5/16" X 1" LG.....	3

BRAKES

When ordering parts, please specify the model and serial number of the product.

* Indicates a component that is not available as an individual part.

*** Indicates consult Customer Service Department for additional information.

ITEM	PART NO.	1 2 3 4 5	DESCRIPTION	QTY.
31	<u>10387G3</u>		COTTER PIN, 3/32" X 3/4" LG	3
32	<u>14443G2</u>		CLEVIS PIN, 5/16" X 3/4" LG	2
33				
34	<u>70601G01</u>		KICK-OFF LINK.....	1
35	<u>17838G1</u>		NYLON BUSHING.....	2
36	<u>20835G1</u>		TEFLON WASHER, 3/8"	2
37	00559G8		WASHER, 5/16".....	2
38	<u>10387G3</u>		COTTER PIN, 3/32" X 3/4" LG	2
39	<u>70098G01</u>		KICK-OFF CAM PIVOT	1
40	<u>10097G6</u>		FLANGED BEARING	2
41	<u>70587G01</u>		KICK-OFF CAM.....	1
42	<u>71215G01</u>		SETSCREW, 1/4 - 20 X 1/2" LG.....	2
43	<u>14134G4</u>		SPACER	1
44				
45	<u>70113G01</u>		ADJUSTABLE BUMPER	1
46	<u>11027G1</u>		LOCK NUT, 5/16 - 18.....	1
47				
48	<u>70080G02</u>		CATCH BRACKET	1
49	<u>00414G6</u>		BOLT, 1/4 - 20 X 3/4" LG	2
50	<u>14390G4</u>		LOCK NUT, 1/4 - 20.....	2
51				
52				
53	70690G02		BRAKE PEDAL ASSEMBLY (WITH BRAKE LIGHTS) (INCLUDES ITEMS 54 - 80).....	1
54	<u>70686G02</u>		BRAKE PEDAL	1
55	<u>70611G02</u>		PARK BRAKE PEDAL.....	1
56				
57	<u>70257G01</u>		SERVICE BRAKE PAD	1
58	<u>70256G01</u>		PARK BRAKE PAD	1
59	<u>16409G1</u>		OVAL RIVET, 3/16" x 3/8" LG	9
60				
61	<u>70258G03</u>		BRAKE PEDAL PLATE	1

When ordering parts, please specify the model and serial number of the product.

* Indicates a component that is not available as an individual part.

*** Indicates consult Customer Service Department for additional information.

ITEM	PART NO.	1 2 3 4 5	DESCRIPTION	QTY.
62	<u>70682G01</u>		PIVOT PIN.....	1
63	<u>70681G01</u>		TORSION SPRING.....	2
64	<u>01071G01</u>		PUSHNUT, 5/16"	1
65	<u>00737G8</u>		SCREW, #10 - 24 X 1" LG.....	4
66	<u>00739G1</u>		RUBBER NUT, #10 - 24	2
67	<u>74535G01</u>		BRAKE PEDAL STANDOFF.....	2
68	<u>27137G01</u>		CONICAL SPRING.....	2
69	<u>14390G10</u>		LOCK NUT, #10 - 24.....	2
70	10606G8		MICRO SWITCH	1
71	<u>00957G1</u>		SCREW, #6 - 32 X 1 1/4" LG.....	2
72	<u>00559G5</u>		WASHER, #10	2
73	<u>00559G3</u>		WASHER, #6	4
74	<u>00565G3</u>		LOCK WASHER, #6	2
75	<u>00525G5</u>		NUT, #6 - 32	2
76	<u>13514G1</u>		SCREW AND LOCK WASHER, #6	2
77				
78	<u>14628G1</u>		FASTON TAB.....	2
79	<u>24605G1</u>		WIRE HARNESS (BRAKE LIGHT).....	1
80	<u>17618G1</u>		WIRE TIE.....	2
81				
82	<u>70998G01</u>		BRAKE ASSEMBLY (DRIVER SIDE) (INCLUDES ITEMS 84 - 92).....	1
83	<u>70998G02</u>		BRAKE ASSEMBLY (PASSENGER SIDE) (INCL. ITEMS 84 - 91, 93).....	1
84	70794G01		BRAKE SHOE KIT (INCLUDES ITEM 85)	2
85	*		BRAKE SHOE.....	2
86	<u>27944G01</u>		BRAKE SPRING KIT (INCLUDES ITEMS 87 - 91)	2
87	*		UPPER SPRING	1
88	*		LOWER SPRING	1
89	*		PIN	2
90	*		CUP AND SPRING	2
91	*		ADJUSTER SPRING	1
92	<u>72582G01</u>		BRAKE ADJUSTER KIT (DRIVER SIDE) (INCLUDES ITEMS 94, 95)....	1

BRAKES


When ordering parts, please specify the model and serial number of the product.

* Indicates a component that is not available as an individual part.

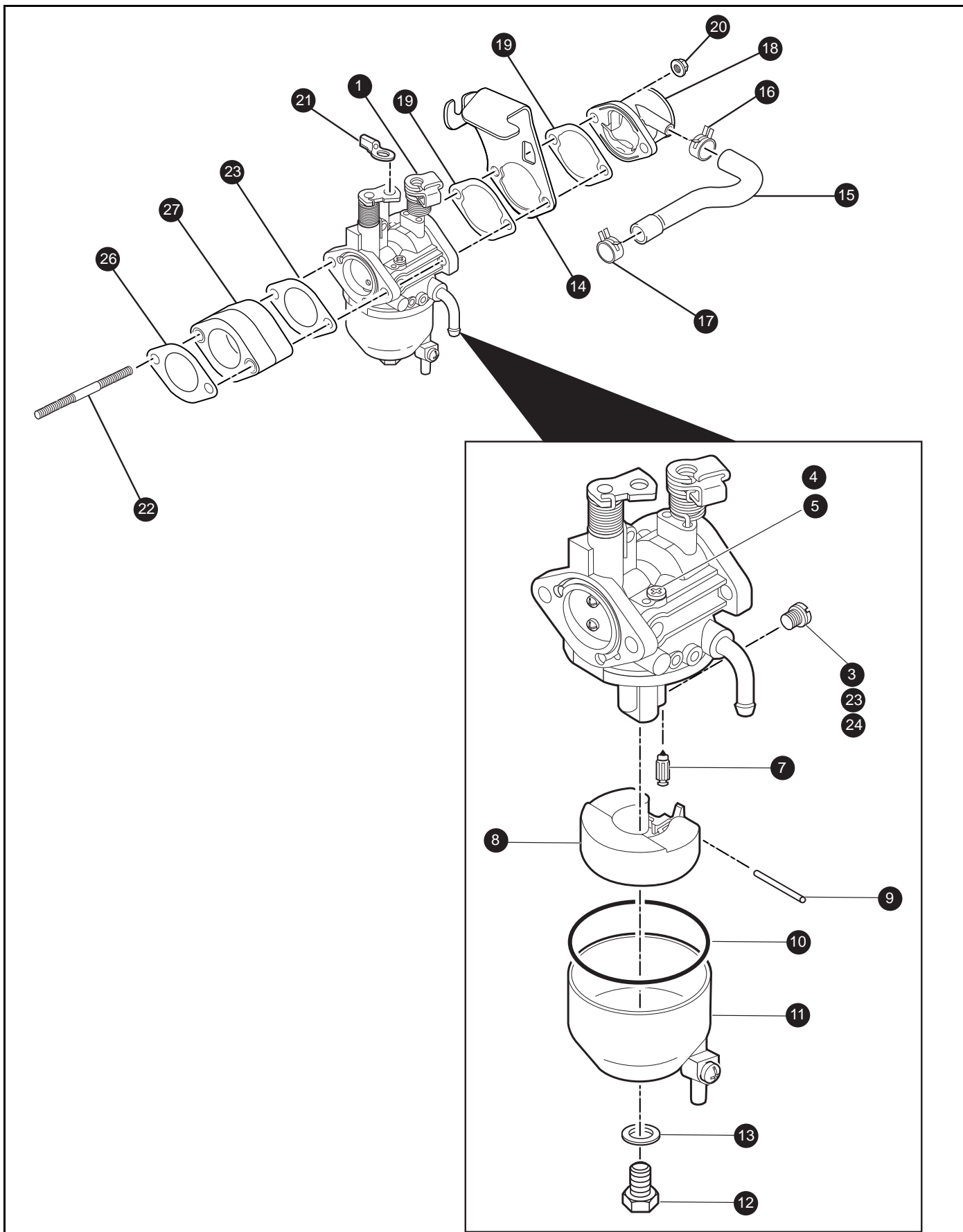
*** Indicates consult Customer Service Department for additional information.

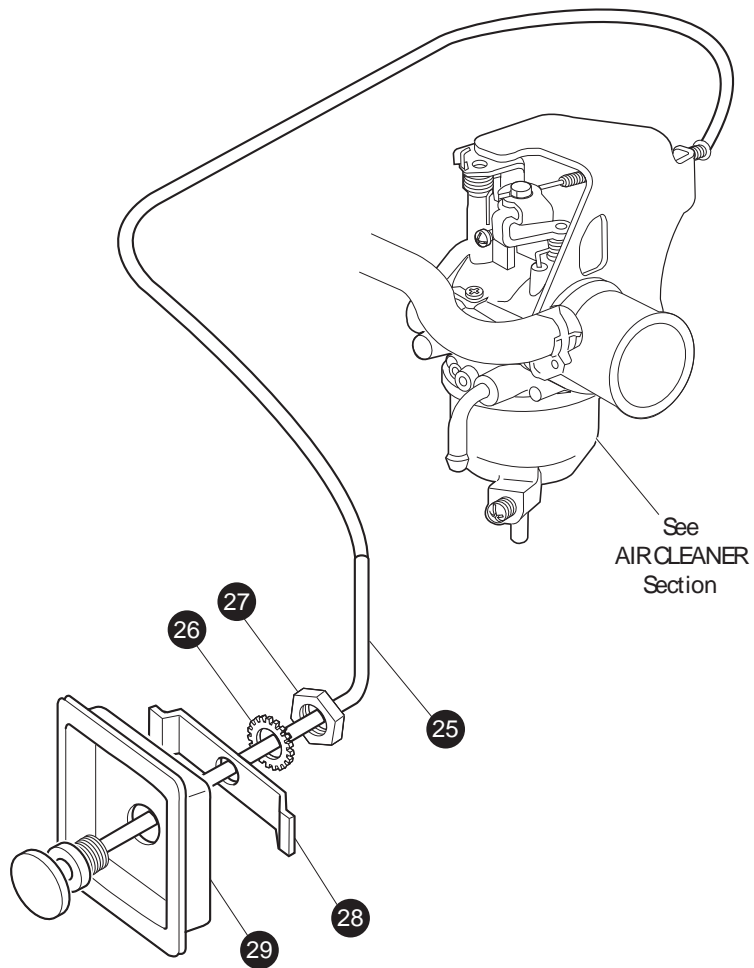
ITEM	PART NO.	1	2	3	4	5	DESCRIPTION	QTY.
93	<u>72582G02</u>						BRAKE ADJUSTER KIT (PASSENGER SIDE) (INCL ITEMS 94, 95).....	1
94	*						ADJUSTER.....	1
95	*						TEFLON WASHER.....	2
96	<u>17083G2</u>						BOLT, 5/16 - 24 X 1" LG	8
97	<u>15126G1</u>						LOCK NUT, 5/16 - 24.....	8
98	<u>21809G1</u>						INNER BRAKE DRUM WASHER, 1 5/16" OD X 1" ID X 1/32"	2
99								
100	<u>21807G2</u>						BRAKE DRUM ASSEMBLY (INCLUDES ITEMS 101 - 102).....	2
101	*						BRAKE DRUM	1
102	<u>19862G1</u>						LUG BOLT, 1/2 - 20.....	4
103								
104	<u>24939G2</u>						SPINDLE CAP ADAPTER.....	2
105	<u>606945</u>						OUTER BRAKE DRUM WASHER	2
106	<u>606403</u>						SLOTTED NUT, 3/4 - 16.....	2
107	<u>10387G1</u>						COTTER PIN, 1/8" X 1 1/2" LG	2
108	<u>607033</u>						SPINDLE CAP.....	2
109								
110	<u>608200</u>						BRAKE CABLE BRACKET (PASSENGER SIDE).....	1
111	<u>608201</u>						BRAKE CABLE BRACKET (DRIVER SIDE)	1

Notes:

A large grid of graph paper, consisting of 20 columns and 30 rows of small squares, intended for taking notes.

CARBURETOR AND CHOKE





Ref Cac 2-2

CARBURETOR AND CHOKE

When ordering parts, please specify the model and serial number of the product.

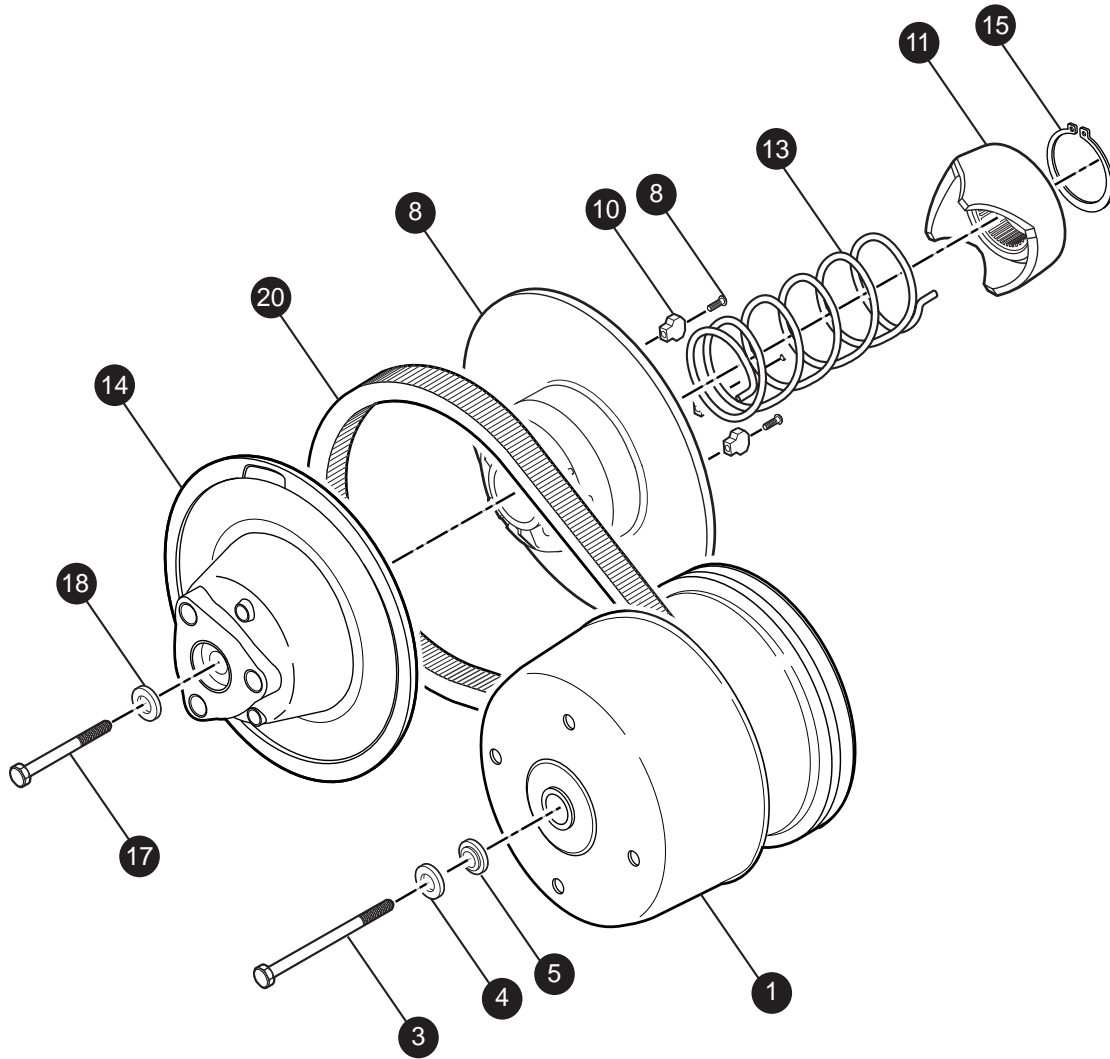
* Indicates a component that is not available as an individual part.

*** Indicates consult Customer Service Department for additional information.

ITEM	PART NO.	1 2 3 4 5	DESCRIPTION	QTY.
1	<u>607955</u>		CARBURETOR (INCLUDES ITEMS 3 - 22).....	1
2				
3	<u>607956</u>		MAIN JET (#106)	1
4	<u>607957</u>		PILOT JET (#52)	1
5	<u>603585</u>		PLUG	1
6				
7	<u>603586</u>		NEEDLE VALVE.....	1
8	<u>603587</u>		FLOAT.....	1
9	<u>603588</u>		FLOAT PIN.....	1
10	<u>603589</u>		FLOAT BOWL GASKET.....	1
11	<u>603590</u>		FLOAT CHAMBER.....	1
12	<u>603592</u>		BOWL SCREW	1
13	<u>603591</u>		BOWL GASKET	1
14	<u>603583</u>		CHOKE BRACKET	1
15	<u>603598</u>		BREATHER TUBE	1
16	<u>603596</u>		CLAMP, INTAKE TUBE.....	1
17	<u>603597</u>		CLAMP CYLINDER HEAD TUBE	1
18	<u>603594</u>		INTAKE TUBE.....	1
19	<u>603593</u>		CHOKE GASKET.....	2
20	<u>603595</u>		NUT, M6 X 1.0.....	2
21	<u>608023</u>		THROTTLE ROD ATTACHMENT BUSHING.....	1
22	<u>603584</u>		STUD BOLT	2
23	<u>607684</u>		MAIN JET (#102) (FOR ELEVATIONS OF 6000 FT - 10000 FT).....	1
24	<u>607983</u>		MAIN JET (#104) (FOR ELEVATIONS OF 3000 FT - 6000 FT).....	1
25	<u>605868</u>		CHOKE CABLE (SWB)	1
26	<u>00568G4</u>		LOCK WASHER, 9/16"	1
27	<u>00545G4</u>		JAM NUT, 9/16 - 18	1
28	<u>72155G01</u>		RETAINER.....	1
29	<u>72154G01</u>		CHOKE CABLE ADAPTER	1

CLUTCH

7 - Includes items 8 to 15



When ordering parts, please specify the model and serial number of the product.

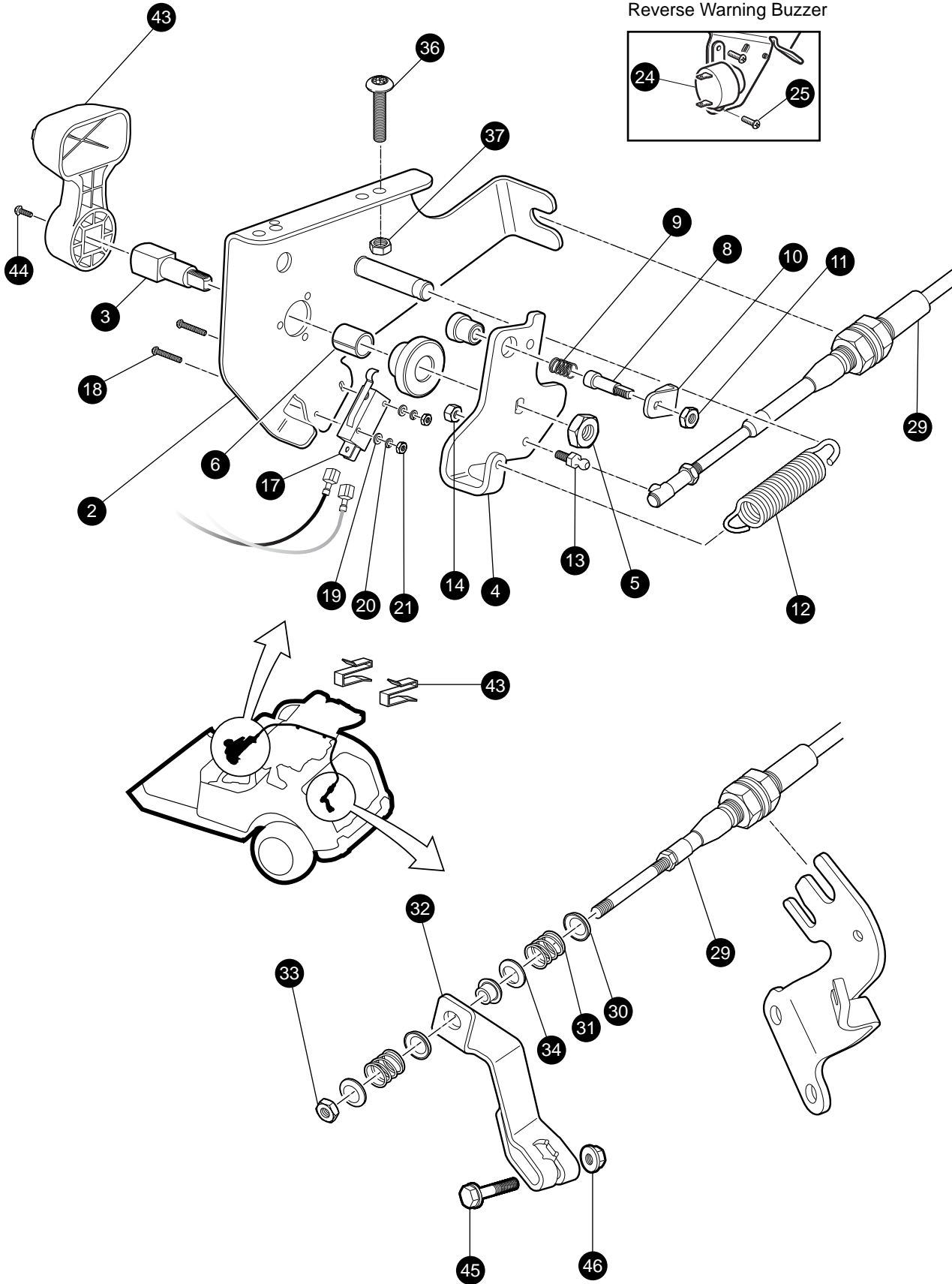
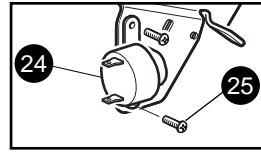
* Indicates a component that is not available as an individual part.

*** Indicates consult Customer Service Department for additional information.

ITEM	PART NO.	1 2 3 4 5	DESCRIPTION	QTY.
1	<u>602000</u>		DRIVE CLUTCH	1
2				
3	<u>606245</u>		BOLT, M12 - 1.25 X 160MM LG	1
4	<u>606239</u>		WASHER, M12	1
5	<u>606230</u>		WASHER	1
6				
7	602001		DRIVEN CLUTCH ASSEMBLY (INCLUDES ITEMS 8 - 15)	1
8	*		MOVABLE SHEAVE	1
9	<u>608210</u>		SCREW, M4 X 25.....	3
10	<u>608204</u>		RAMP BUTTON	3
11	*		CAM.....	1
12				
13	608209		COMPRESSION SPRING	1
14	*		SHEAVE AND POST	1
15	<u>608211</u>		HEAVY DUTY RETAINING RING.....	1
16				
17	<u>606243</u>		BOLT, M12 - 1.25 X 120MM LG	1
18	<u>606239</u>		WASHER, M12	1
19				
20	<u>606136</u>		DRIVE BELT	1

DIRECTION SELECTOR

Reverse Warning Buzzer



DIRECTION SELECTOR

When ordering parts, please specify the model and serial number of the product.

* Indicates a component that is not available as an individual part.

*** Indicates consult Customer Service Department for additional information.

ITEM	PART NO.	1 2 3 4 5	DESCRIPTION	QTY.
1	<u>603614</u>		DIRECTION SELECTOR ASSEMBLY (INCLUDES ITEMS 2 - 33)	1
2	<u>606077</u>		DIRECTION SELECTOR BRACKET.....	1
3	<u>70233G01</u>		DIRECTION SELECTOR SHAFT.....	1
4	<u>603700</u>		DIRECTION SELECTOR CAM.....	1
5	<u>14390G1</u>		LOCK NUT, 3/8 - 24.....	1
6	<u>25664G2</u>		BUSHING	1
7				
8	<u>72724G01</u>		NEUTRAL LOCK PIN	1
9	<u>72733G01</u>		COMPRESSION SPRING, 3/8" X 5/8" LG	1
10	<u>72729G01</u>		NEUTRAL LOCK LATCH.....	1
11	<u>00734G2</u>		LOCK NUT, 1/4 - 28.....	1
12	<u>28574G01</u>		EXTENSION SPRING	1
13	<u>72732G01</u>		BALL STUD, 1/4"	1
14	<u>00734G5</u>		LOCK NUT, #10 - 32.....	1
15				
16				
17	<u>72736G01</u>		MICRO SWITCH	1
18	<u>01062G01</u>		SCREW, #4 - 40 X 1" LG.....	2
19	<u>00559G1</u>		WASHER, #4	2
20	<u>00565G1</u>		LOCK WASHER, #4	2
21	<u>00526G2</u>		NUT, #4 - 40	2
22				
23				
24	<u>73290G03</u>		REVERSE WARNING BUZZER.....	1
25	<u>01063G01</u>		SCREW, #6 - 32 X 3/8" LG.....	2
26	<u>25978G345</u>		18 GA WIRE (RED 7").....	1
27				
28				
29	<u>602891</u>		SHIFTER CABLE	1
30	<u>25727G01</u>		CUP WASHER, 1/4"	4
31	<u>72735G01</u>		COMPRESSION SPRING, 19/32" X 1" LG	2

DIRECTION SELECTOR

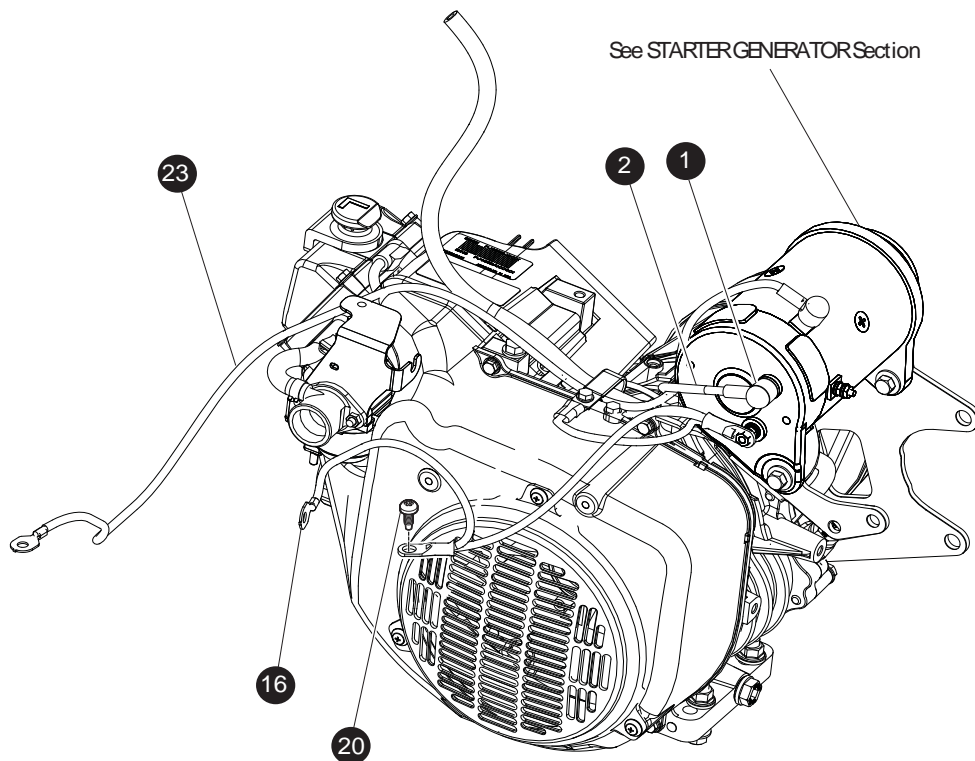
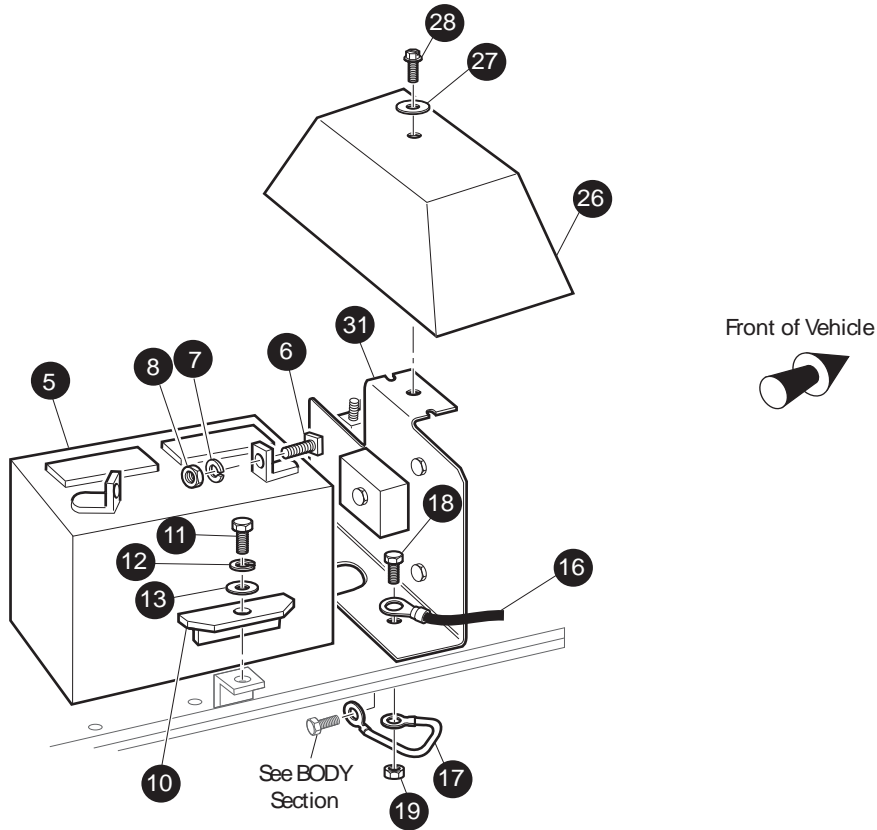
When ordering parts, please specify the model and serial number of the product.

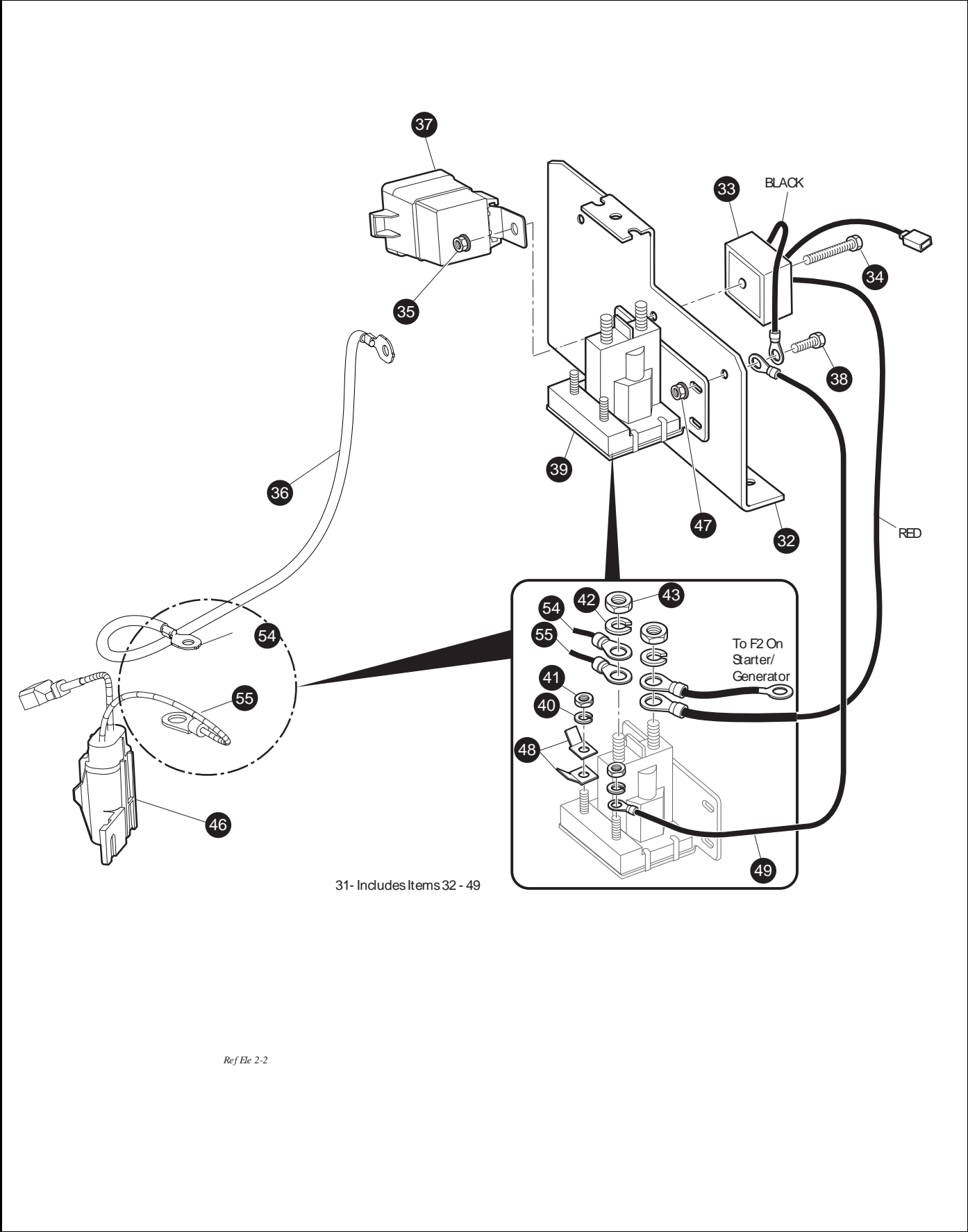
* Indicates a component that is not available as an individual part.

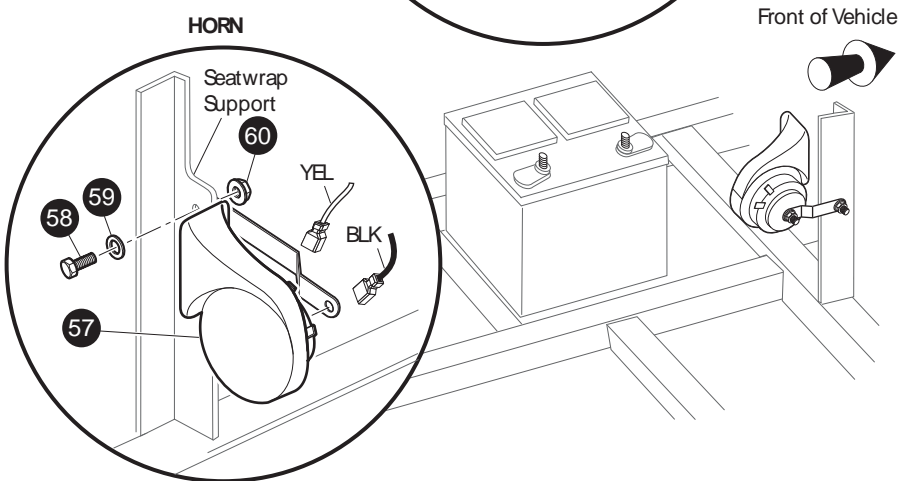
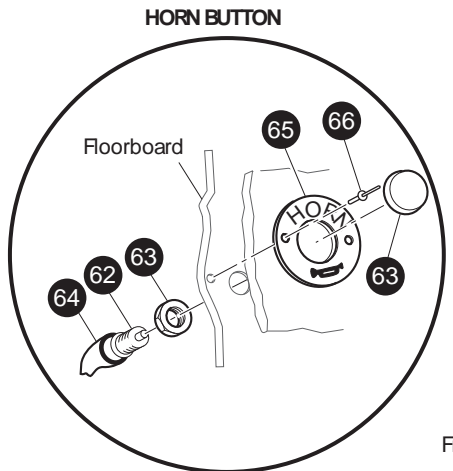
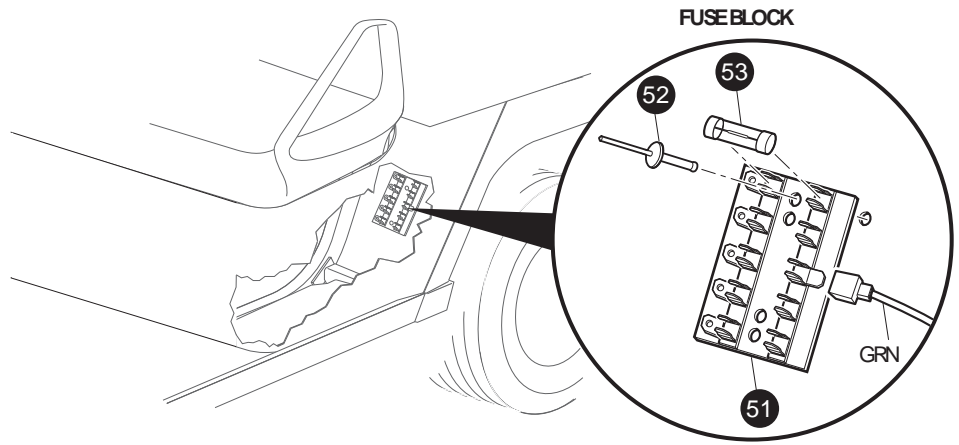
*** Indicates consult Customer Service Department for additional information.

ITEM	PART NO.	1	2	3	4	5	DESCRIPTION	QTY.
32	<u>74455G01</u>						SHIFTER ARM WITH BUSHING	1
33	<u>00734G5</u>						LOCK NUT, #10 - 32	1
34	<u>22754G4</u>						BUSHING, FLIP LOK, .250	1
35								
36	<u>70227G01</u>						SCREW, 1/4 - 20 X 7/8" LG.....	2
37	<u>11027G2</u>						LOCK NUT, 1/4 - 20.....	2
38								
39								
40	<u>26830G01</u>						LOCK NUT, M8 X 1.25 MM	1
41								
42								
43	<u>71205G01</u>						DIRECTION SELECTOR HANDLE	1
44	<u>00740G4</u>						SCREW, #10 - 32 X 1/2" LG (STAINLESS STEEL)	1
45	<u>606421</u>						BOLT	1
46	<u>450452</u>						NUT	1
47	<u>17618G1</u>						WIRE TIE.....	1
48	<u>01072G01</u>						CABLE CLIP.....	2

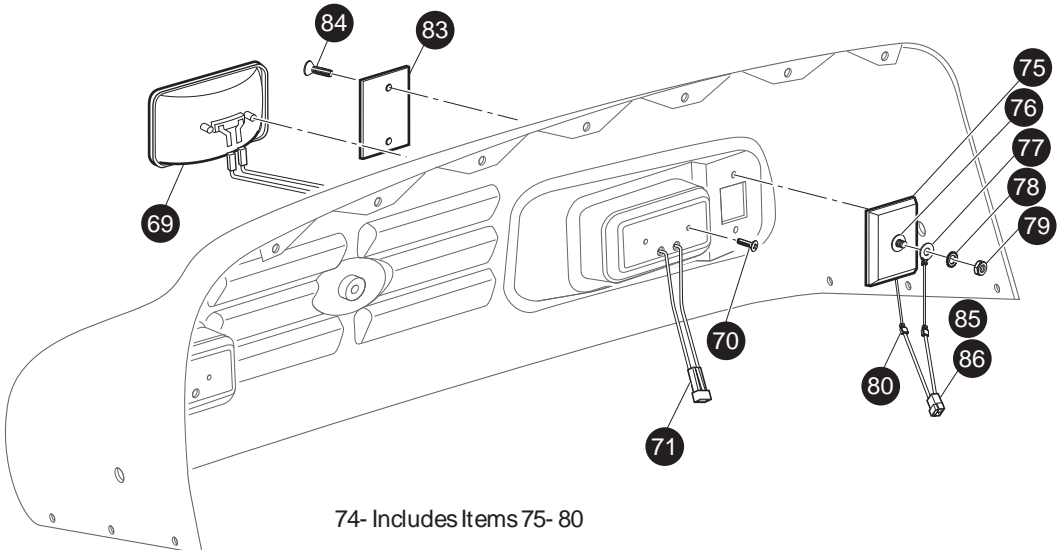
ELECTRICAL SYSTEM







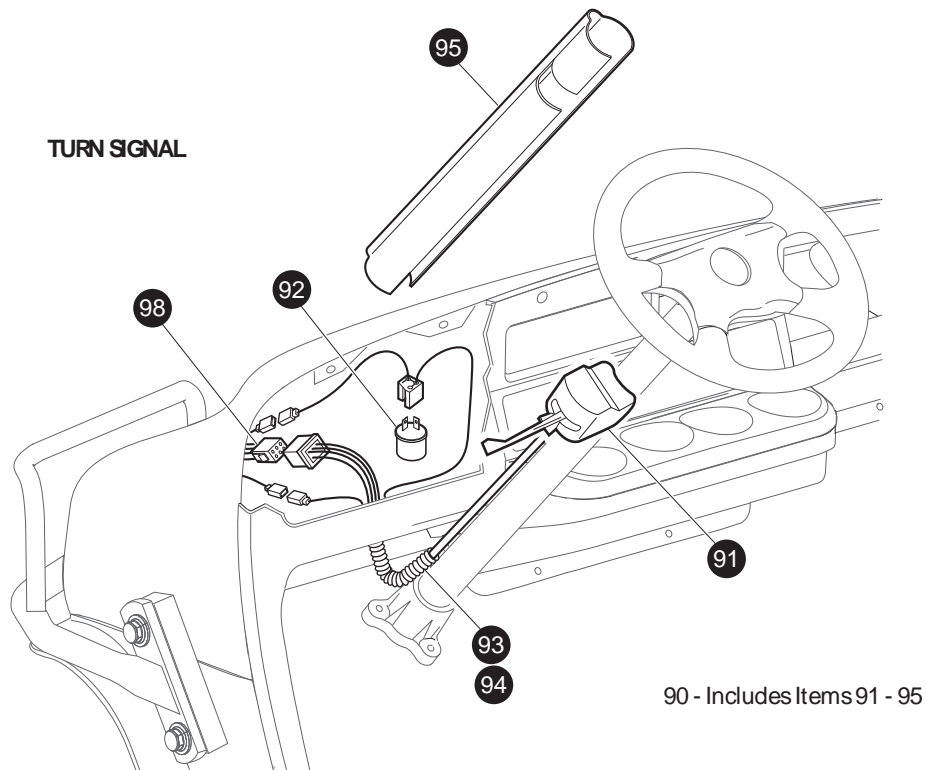
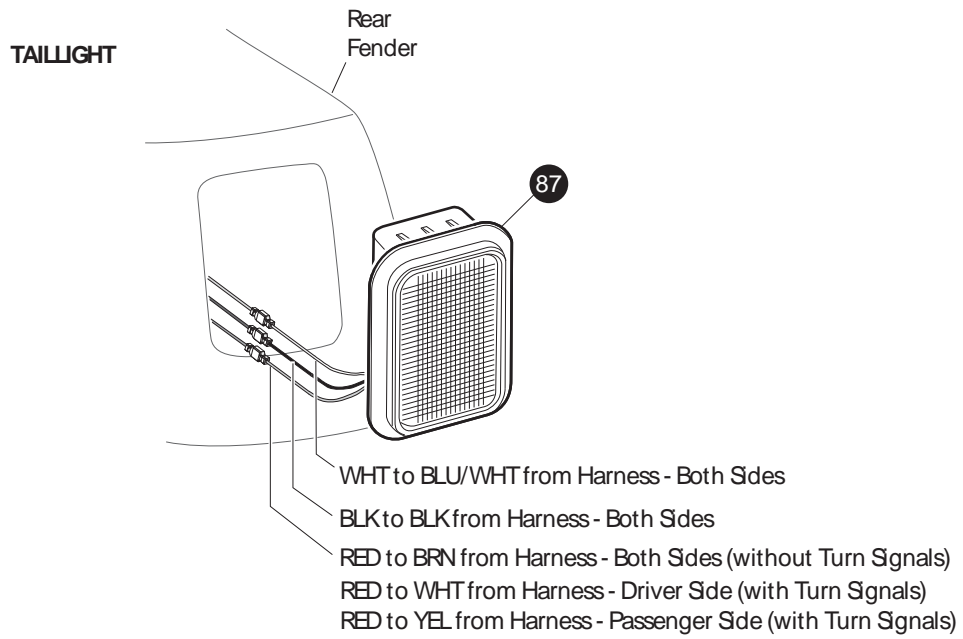
Ref Ele 11-3



74- Includes Items 75- 80

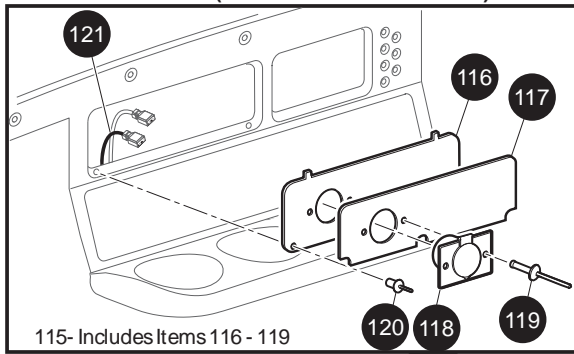
Ref Ele 11-4

ELECTRICAL SYSTEM

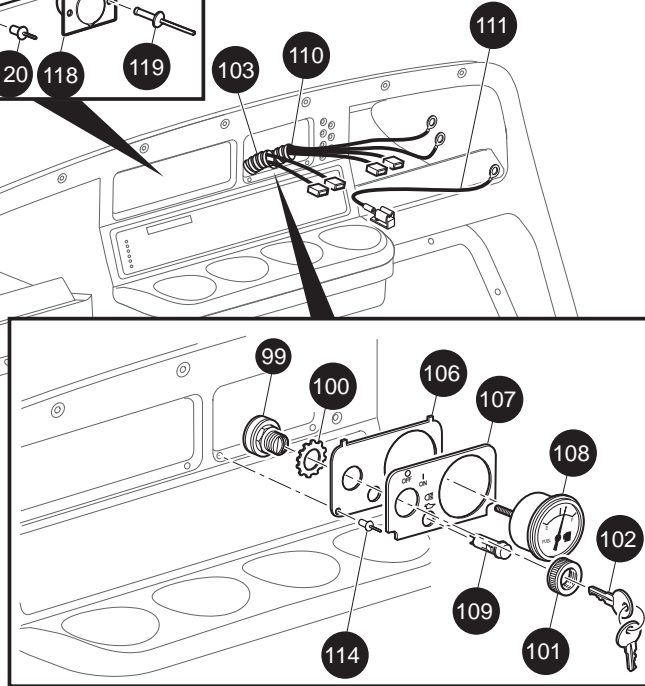


Ref Ele 11-5

CONSOLE INSERT PLATE (WITH POWER OUTLET SHOWN)

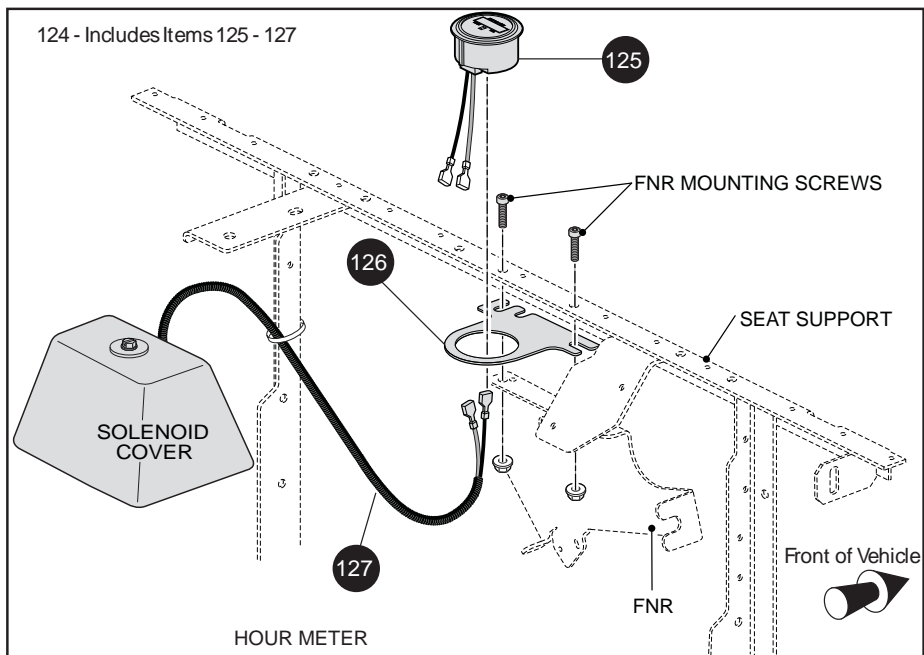


Front of Vehicle



KEY SWITCH, INDICATOR LIGHT(S), AND FUEL GAUGE

124 - Includes Items 125 - 127



Ref Ele 11-6

Front of Vehicle



ELECTRICAL SYSTEM

When ordering parts, please specify the model and serial number of the product.

* Indicates a component that is not available as an individual part.

*** Indicates consult Customer Service Department for additional information.

ITEM	PART NO.	1 2 3 4 5	DESCRIPTION	QTY.
1	<u>607053</u>		6 GA WIRE (BLACK 6", F1 - A2).....	1
2	<u>25682G1</u>		TERMINAL COVER.....	3
3				
4				
5	24775G*		BATTERY, 12V	1
6	*		BOLT, 5/16 - 18 X 1 1/4" LG.....	2
7	*		LOCK WASHER, 5/16" (SILICON BRONZE).....	2
8	*		NUT, 5/16 - 18 (SILICON BRONZE)	2
9				
10	<u>72101G02</u>		BATTERY HOLD DOWN	1
11	00438G6		BOLT, 5/16 - 18 X 3/4" LG	3
12	<u>00565G8</u>		LOCK WASHER, 5/16"	1
13	<u>00571G2</u>		WASHER, 5/16" (STAINLESS STEEL)	1
14				
15				
16	<u>27044G03</u>		GROUND CABLE.....	1
17	<u>25976G19</u>		14 GA WIRE (BLACK 6").....	1
18	00438G6		BOLT, 5/16 - 18 X 3/4" LG	2
19	<u>11027G1</u>		LOCK NUT, 5/16 - 18.....	2
20	<u>26676G01</u>		FLANGED BOLT	1
21				
22				
23	<u>25972G85</u>		6 GA WIRE (BLACK 23", F2 - SOL).....	1
24	<u>605560</u>		WIRE HARNESS (CONTROL).....	1
25	<u>17618G1</u>		WIRE TIE (NOT ILLUSTRATED)	AR
26	<u>73049G01</u>		COVER FNR	1
27	<u>16469G1</u>		WASHER, 1/4".....	1
28	<u>00114G6</u>		SCREW, 1/4 - 14 X 3/4" LG.....	1
29				
30				
31	<u>605563</u>		ELECTRICAL PLATE ASSEMBLY (INCLUDES ITEMS 32 - 49)	1

ELECTRICAL SYSTEM

When ordering parts, please specify the model and serial number of the product.

* Indicates a component that is not available as an individual part.

*** Indicates consult Customer Service Department for additional information.

ITEM	PART NO.	1 2 3 4 5	DESCRIPTION	QTY.
32	<u>73057G01</u>		BRACKET.....	1
33	<u>27739G01</u>		VOLTAGE REGULATOR.....	1
34	<u>00415G4</u>		BOLT, 1/4 - 20 X 1 1/4" LG.....	1
35	<u>11027G2</u>		LOCK NUT, 1/4 - 20.....	1
36	<u>25972G33</u>		WIRE ASSEMBLY 6 GA.....	1
37	<u>603282</u>		RELAY.....	1
38	00661G08		BOLT, 1/4 - 20 X 1" LG.....	1
39	<u>27153G01</u>		SOLENOID.....	1
40	*		LOCK WASHER, #10.....	2
41	*		NUT, #10 - 32.....	2
42	*		LOCK WASHER, 5/16".....	2
43	*		NUT, 5/16 - 24.....	2
44				
45				
46	600418G01		FUSE HOLDER ASSEMBLY.....	1
47	<u>11027G2</u>		LOCK NUT, 1/4 - 20.....	1
48	<u>73446G01</u>		FASTON TAB, 90°.....	2
49	<u>25978G56</u>		18 GA WIRE (BLACK 5 3/4").....	1
50				
51	<u>22674G1</u>		FUSE BLOCK.....	1
52	<u>01041G01</u>		RIVET, 1/8" X 13/16" LG.....	2
53	<u>18392G1</u>		15 AMP FUSE.....	3
54	<u>25972G33</u>		#6 GA WIRE ASSEMBLY.....	1
55	<u>20216G1</u>		16 GA WIRE (RED).....	1
56				
57	<u>32860G1</u>		HORN.....	1
58	<u>00414G5</u>		BOLT, 1/4 - 20 x 5/8" LG.....	1
59	<u>00559G7</u>		WASHER, 1/4" (STAINLESS STEEL).....	1
60	<u>14390G4</u>		LOCK NUT, 1/4 - 20.....	1
61				
62	<u>17318G1</u>		HORN SWITCH.....	1

ELECTRICAL SYSTEM

When ordering parts, please specify the model and serial number of the product.

* Indicates a component that is not available as an individual part.

*** Indicates consult Customer Service Department for additional information.

ITEM	PART NO.	1 2 3 4 5	DESCRIPTION	QTY.
63	<u>17318G2</u>		HORN SWITCH CAP AND NUT	1
64	<u>27068G01</u>		HORN SWITCH BOOT	1
65	19233G1		HORN SWITCH LABEL.....	1
66	<u>71055G01</u>		RIVET, 3/16" X 1" LG (ALUMINUM)	2
67				
68				
69	22523G01		HEADLIGHT (INCLUDES ITEM 70).....	2
70	<u>00906G6</u>		SCREW, #10 - 16 X 1" LG	4
71	<u>74337G01</u>		JUMPER WIRE (HEADLIGHT)	2
72				
73				
74	<u>20570G3</u>		TURN SIGNAL LIGHT ASSEMBLY (INCLUDES ITEMS 75 - 80).....	2
75	<u>20574G3</u>		TURN SIGNAL LIGHT	1
76	<u>00660G7</u>		WASHER, 1/4" (STAINLESS STEEL).....	1
77	<u>20606G1</u>		WIRE ASSEMBLY.....	1
78	<u>00567G7</u>		LOCK WASHER, 1/4"	1
79	<u>00532G1</u>		NUT, 1/4 - 20.....	1
80	<u>18995G1</u>		PUSH-ON TERMINAL (MALE)	1
81				
82				
83	<u>20574G4</u>		LENS, AMBER	1
84	<u>00118G5</u>		SCREW, #6 - 18 X 5/8" LG.....	4
85	<u>74056G01</u>		TURN SIGNAL JUMPER, RED/BLACK (PASSENGER SIDE)	1
86	<u>74056G02</u>		TURN SIGNAL JUMPER, GREEN/BLACK (DRIVER SIDE).....	1
87	<u>32739G2</u>		TAILLIGHT ASSEMBLY (COMPLETE)	2
88				
89				
90	606887		TURN SIGNAL KIT (INCLUDES ITEMS 91 - 95).....	1
91	<u>17867G1</u>		TURN SIGNAL (WITH MOUNTING HARDWARE) (INCLUDES ITEM 106)	1
92	<u>21640G1</u>		TURN SIGNAL FLASHER.....	1
93	<u>32307G3</u>		FLEX LOOM, 3/8 X 8" LG	1

ELECTRICAL SYSTEM

When ordering parts, please specify the model and serial number of the product.

* Indicates a component that is not available as an individual part.

*** Indicates consult Customer Service Department for additional information.

ITEM	PART NO.	1 2 3 4 5	DESCRIPTION	QTY.
94	<u>17618G1</u>		WIRE TIE.....	2
95	<u>20965G3</u>		STEERING COLUMN COVER.....	1
96				
97				
98	<u>606045</u>		WIRE HARNESS (ACCESSORY)	1
99	<u>33639G01</u>		IGNITION SWITCH (WITH LIGHTS, INDIVIDUALLY KEYPED).....	1
100	<u>00568G6</u>		LOCK WASHER, 3/4"	1
101	<u>17137G1</u>		FACE NUT, 3/4 - 20.....	1
102	<u>17063G1</u>		IGNITION KEY	1
103	<u>605639</u>		WIRE HARNESS (KEY SWITCH).....	1
104				
105				
106	<u>73030G04</u>		PLATE (FUEL GAUGE AND OIL LIGHT)	1
107	<u>71131G01</u>		LABEL (OIL LIGHT AND FUEL GAUGE WITH HEADLIGHTS)	1
108	<u>21553G1</u>		FUEL GAUGE	1
109	<u>23474G1</u>		INDICATOR LIGHT	1
110	<u>74311G01</u>		HARNESS (OIL LIGHT/FUEL GAUGE).....	1
111	<u>25978G122</u>		18 GA WIRE (RED 6")	1
112				
113				
114	<u>33623G02</u>		DRIVE RIVET, 3/16" X 3/8" LG	2
115	<u>74693G01</u>		CONSOLE INSERT ASSEMBLY (INCLUDES ITEMS 116 - 119)	1
116	<u>73522G03</u>		CONSOLE INSERT PLATE.....	1
117	<u>35962G01</u>		LABEL (CONSOLE INSERT PLATE)	1
118	<u>71078G01</u>		POWER OUTLET (12 VOLT)	1
119	<u>14601G10</u>		RIVET, 3/16" X 7/16" LG (ALUMINUM)	2
120	<u>33623G02</u>		DRIVE RIVET, 3/16" X 3/8" LG	3
121	<u>71081G01</u>		WIRE HARNESS (POWER OUTLET)	1
122				
123				
124	<u>607285</u>		HOUR METER KIT (INCLUDES ITEMS 125 - 127).....	1

ELECTRICAL SYSTEM

When ordering parts, please specify the model and serial number of the product.

* Indicates a component that is not available as an individual part.

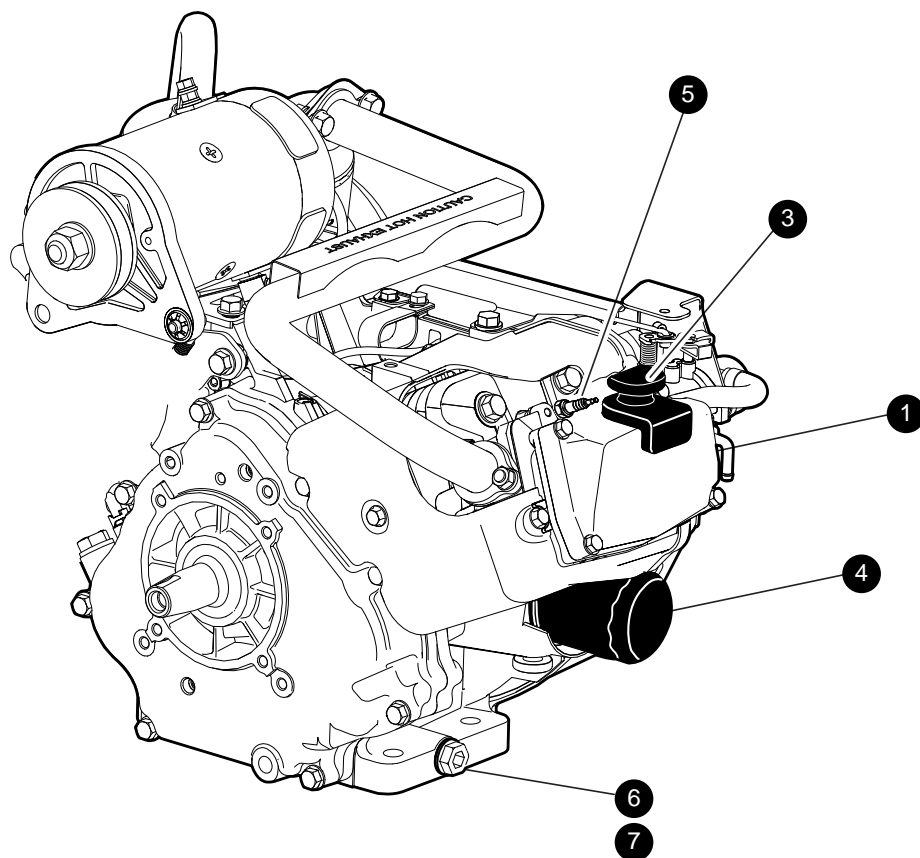
*** Indicates consult Customer Service Department for additional information.

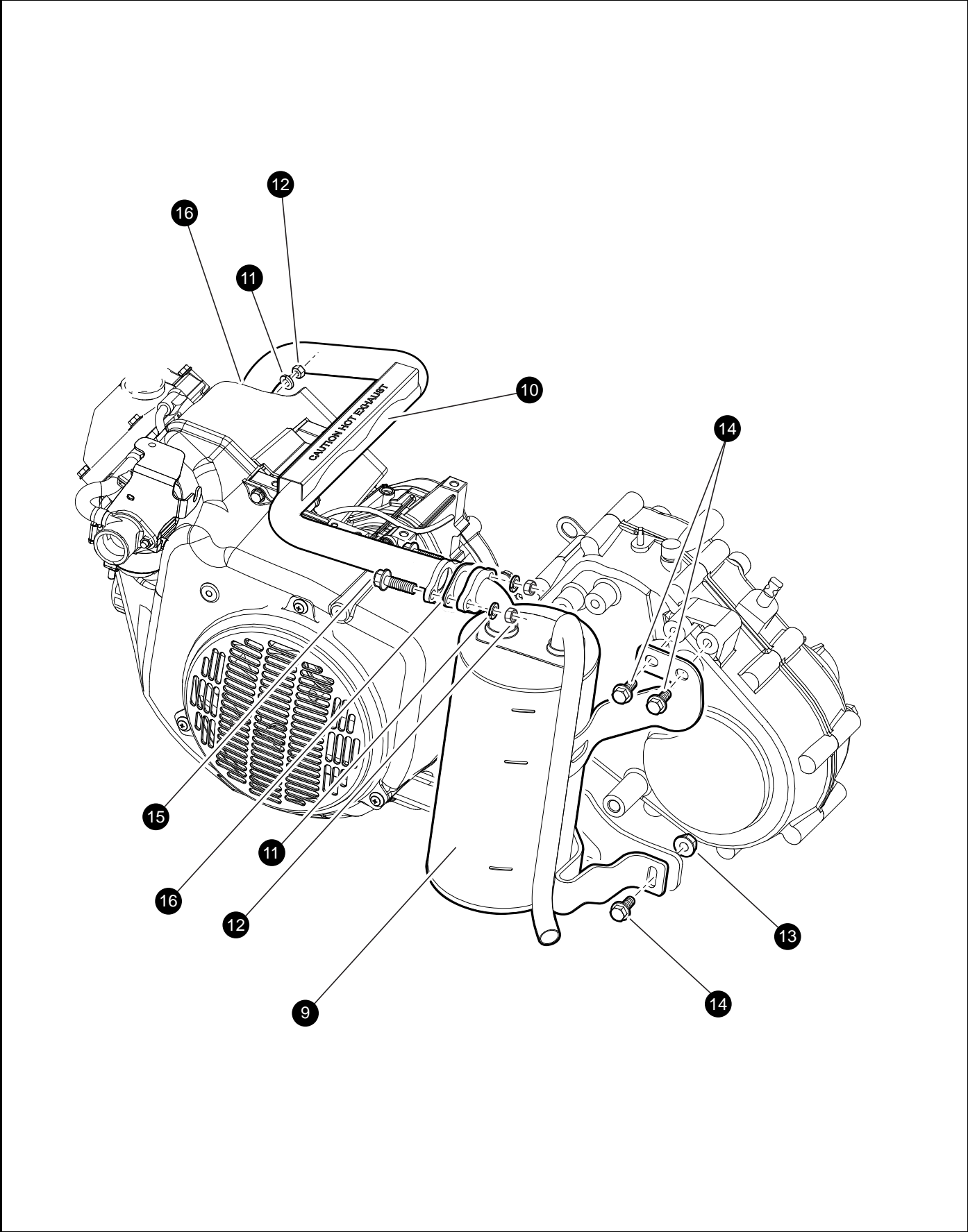
ITEM	PART NO.	1	2	3	4	5	DESCRIPTION	QTY.
125	<u>603720</u>						HOUR METER	1
126	<u>603721</u>						HOUR METER BRACKET	1
127	<u>606254</u>						WIRE HARNESS (HOUR METER).....	1

Notes:

A large rectangular area filled with a grid of small squares, typical of graph paper. The grid consists of approximately 28 columns and 32 rows of squares, providing a space for handwritten notes.

ENGINE AND MUFFLER





ENGINE AND MUFFLER

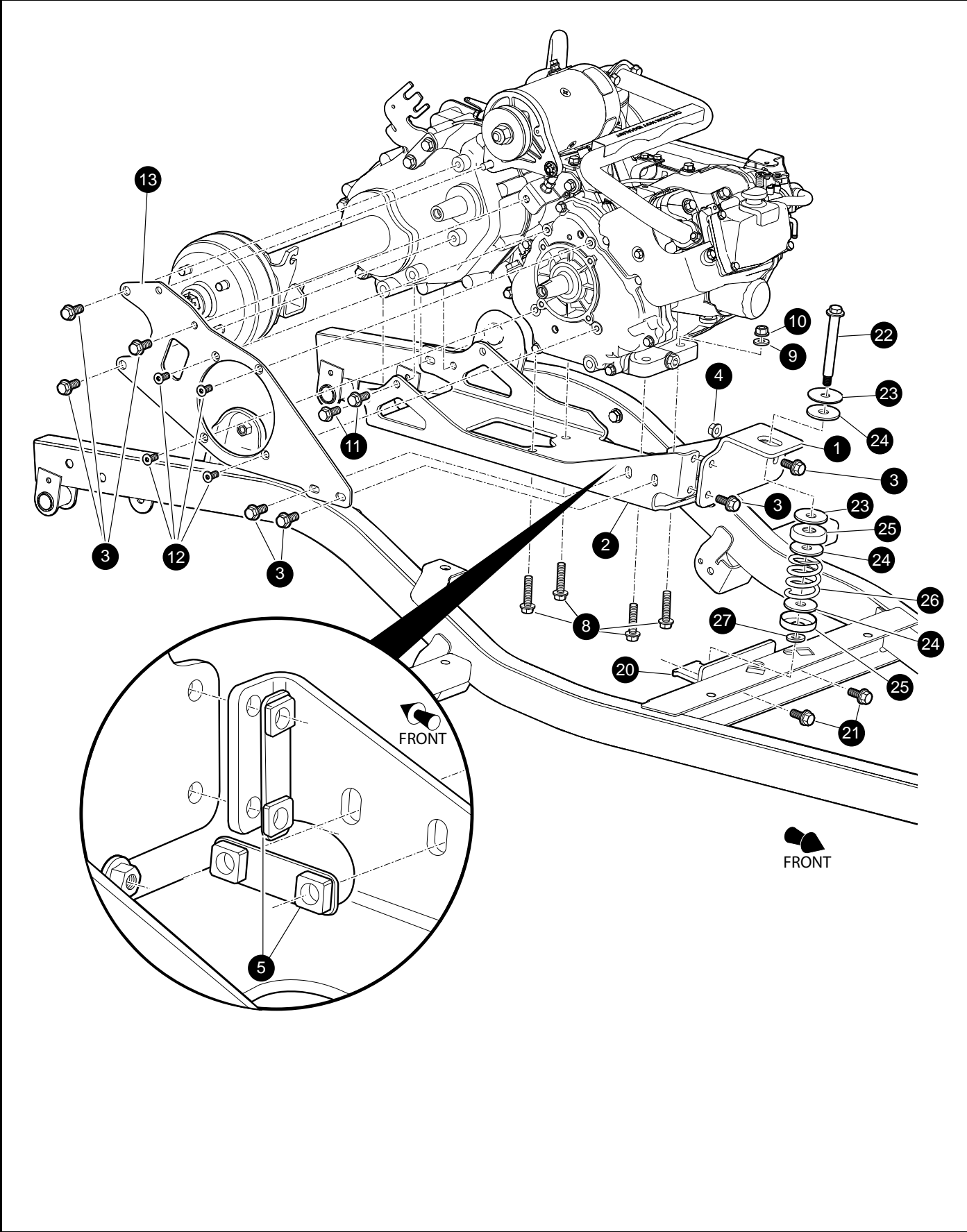
When ordering parts, please specify the model and serial number of the product.

* Indicates a component that is not available as an individual part.

*** Indicates consult Customer Service Department for additional information.

ITEM	PART NO.	1 2 3 4 5	DESCRIPTION	QTY.
1	<u>607154</u>		ENGINE, GAS, 13HP, NON-GOLF	1
2				
3	<u>606391</u>		DIP STICK	1
4	<u>607454</u>		OIL FILTER	1
5	<u>607462</u>		SPARK PLUG (BPR2ES)	1
6	<u>603557</u>		OIL DRAIN PLUG	1
7	<u>603562</u>		'O' RING, 16MM.....	1
8				
9	606984		MUFFLER	1
10	<u>606982</u>		EXHAUST PIPE	1
11	<u>606272</u>		WASHER, 8MM.....	4
12	<u>606267</u>		NUT, M8 X 1.25	4
13	<u>606279</u>		NUT, M10 - 1.25	1
14	<u>606256</u>		BOLT, M10 - 1.25 X 25	3
15	<u>602330</u>		BOLT, M8 - 1.25 X 30	2
16	<u>603599</u>		EXHAUST GASKET	2

ENGINE MOUNTING



ENGINE MOUNTING

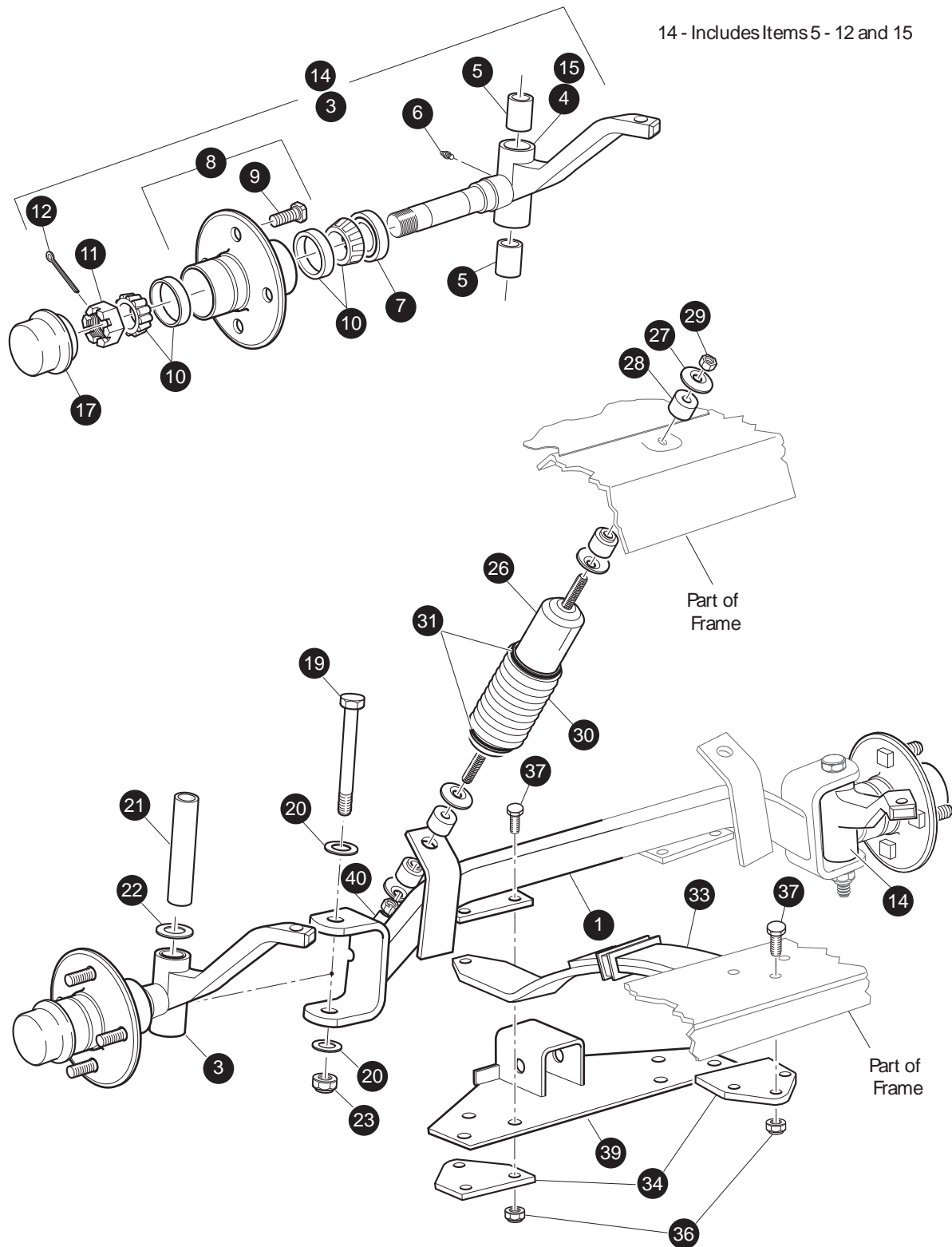
When ordering parts, please specify the model and serial number of the product.

* Indicates a component that is not available as an individual part.

*** Indicates consult Customer Service Department for additional information.

ITEM	PART NO.	1 2 3 4 5	DESCRIPTION	QTY.
1	<u>606007</u>		FRONT ENGINE MOUNT	1
2	<u>603101</u>		ENGINE PAN MOUNT	1
3	<u>606256</u>		BOLT, M10 - 1.25 X 25.....	10
4	<u>606279</u>		NUT, M10 - 1.25.....	1
5	<u>606096</u>		NUT PLATE.....	2
6				
7				
8	<u>606259</u>		BOLT,	4
9	<u>603823</u>		FLAT WASHER, M10 X 22 - 2.5	4
10	<u>606279</u>		NUT, M10 - 1.25.....	4
11	<u>608020</u>		BOLT, M10 - 1.25 X 34.....	4
12	<u>606246</u>		FLAT HEAD SCREW, T40	4
13	<u>602146</u>		DIFFERENTIAL PLATE	1
14				
15				
16				
17				
18				
19				
20	603683		ISO MOUNT.....	1
21	<u>603799</u>		BOLT, M10 -1.0 X 25.....	2
22	<u>607299</u>		BOLT, M10 - 1.5	1
23	<u>607297</u>		RUBBER WASHER	2
24	<u>607298</u>		DELTRIN WASHER	3
25	<u>24939G2</u>		CAP ADAPTER.....	2
26	<u>606166</u>		COMPRESSION SPRING	1
27	<u>604066</u>		WASHER, M10 - 10.5 X 30.....	1

FRONT SUSPENSION



Ref Fsp 10

FRONT SUSPENSION

When ordering parts, please specify the model and serial number of the product.

* Indicates a component that is not available as an individual part.

*** Indicates consult Customer Service Department for additional information.

ITEM	PART NO.	1 2 3 4 5	DESCRIPTION	QTY.
1	<u>70515G01</u>		FRONT AXLE.....	1
2				
3	<u>70535G03</u>		SPINDLE ASSEMBLY (DRIVER SIDE) (INCLUDES ITEMS 4 - 12)	1
4	*		SPINDLE (DRIVER SIDE).....	1
5	<u>16623G1</u>		BEARING	2
6	<u>10389G3</u>		GREASE FITTING, STRAIGHT	1
7	<u>25146G1</u>		GREASE SEAL	1
8	<u>35886G01</u>		WHEEL HUB ASSEMBLY WITH RACES (INCLUDES ITEMS 9).....	1
9	<u>19862G1</u>		LUG BOLT, 1/2 - 20 X 1 3/16" LG	4
10	<u>50892G1</u>		BEARING AND RACE ASSEMBLY (COMPLETE).....	2
11	12093G1		SLOTTED NUT, 1 - 14.....	1
12	<u>00798G8</u>		COTTER PIN, 5/32" X 1 3/4" LG	1
13				
14	70534G03		SPINDLE ASSEMBLY (PASSENGER SIDE) (INCL ITEMS 5 - 12, 15)	1
15	*		SPINDLE (PASSENGER SIDE)	1
16				
17	<u>12091G2</u>		SPINDLE CAP	2
18				
19	<u>01040G01</u>		BOLT, 1/2 - 13 X 5" LG.....	2
20	<u>00571G5</u>		WASHER, 1/2"	4
21	<u>70328G01</u>		KING PIN TUBE.....	2
22	<u>16982G1</u>		THRUST WASHER, 7/8".....	2
23	<u>14390G6</u>		LOCK NUT, 1/2 - 13	2
24				
25				
26	<u>70630G01</u>		SHOCK ABSORBER	2
27	<u>10435G1</u>		SHOCK ABSORBER WASHER.....	8
28	<u>10194G1</u>		RUBBER BUSHING	8
29	<u>00532G6</u>		NUT, 3/8 - 24	4
30	<u>70509G01</u>		SHOCK ABSORBER BOOT	2
31	<u>31539G1</u>		WIRE TIE	4

FRONT SUSPENSION

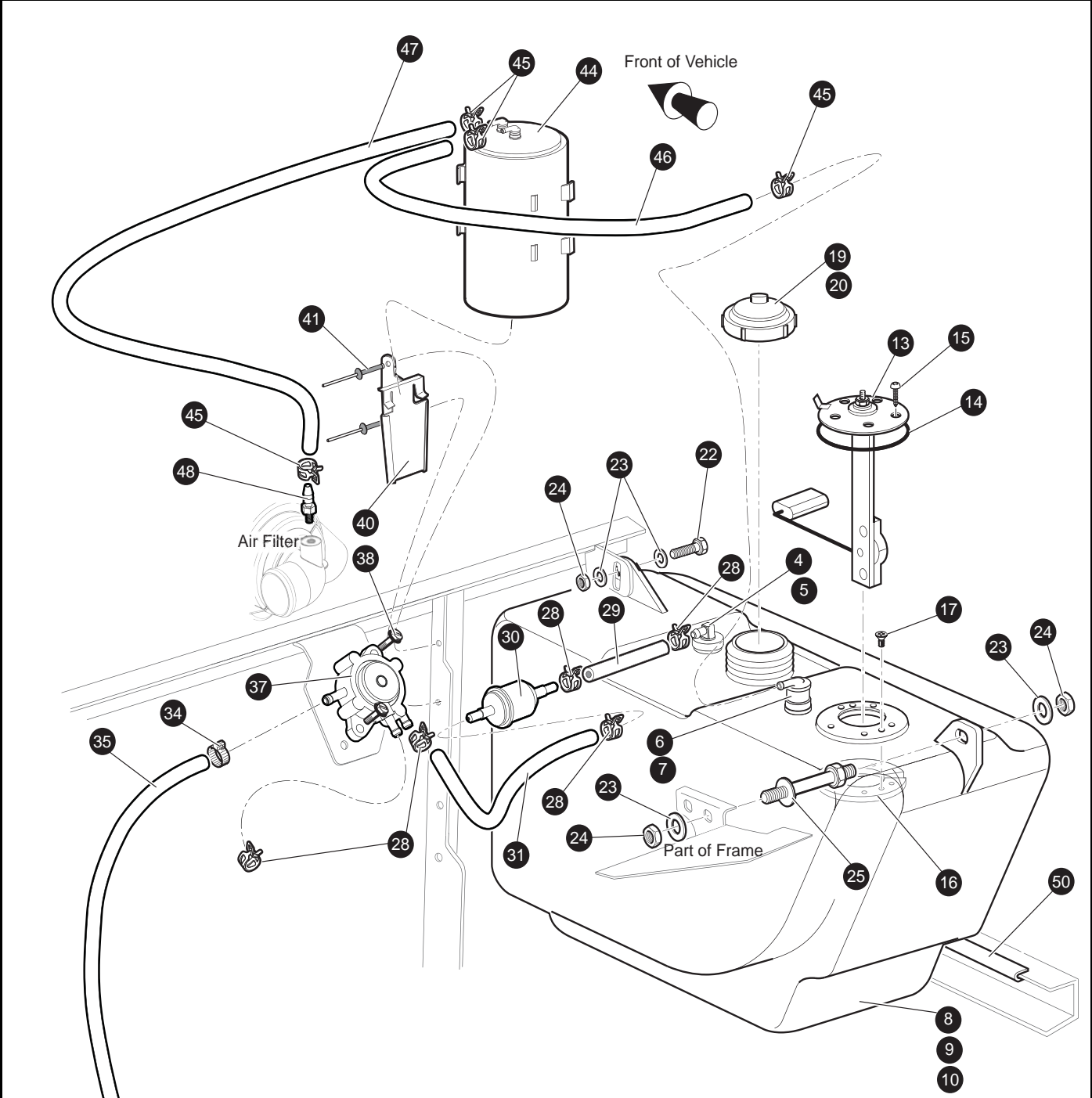
When ordering parts, please specify the model and serial number of the product.

* Indicates a component that is not available as an individual part.

*** Indicates consult Customer Service Department for additional information.

ITEM	PART NO.	1 2 3 4 5	DESCRIPTION	QTY.
32				
33	<u>70422G01</u>		LEAF SPRING (HEAVY DUTY).....	2
34	<u>70163G03</u>		SPRING PLATE.....	4
35				
36	<u>00734G1</u>		LOCK NUT, 7/16 - 14.....	16
37	<u>00463G11</u>		BOLT, 7/16 - 14 X 1 3/4" LG.....	12
38				
39	<u>74255G01</u>		WINCH RECEIVER.....	1
40	<u>10044G01</u>		VINYL CAP.....	2

FUEL SYSTEM



- 2 Carb Fuel Tank Assembly for Fuel Level Sending Unit includes items 4 - 8
- 11 Fuel Tank Assembly includes items 4, 5 & 9
- 12 Fuel Tank Assembly for Fuel Level Sending Unit includes items 4, 5 & 10
- 13 Fuel Level Sending Unit includes items 14 & 15
- 52 Nylon Clamp not shown

FUEL SYSTEM

When ordering parts, please specify the model and serial number of the product.

* Indicates a component that is not available as an individual part.

*** Indicates consult Customer Service Department for additional information.

ITEM	PART NO.	1 2 3 4 5	DESCRIPTION	QTY.
1				
2	<u>620182</u>		CARB FUEL TANK ASSEMBLY (use with sending unit) (inc items 4 - 8)	1
3				
4	<u>70988G01</u>		SIPHON TUBE GROMMET	1
5	<u>18287G3</u>		SIPHON TUBE ASSEMBLY	1
6	<u>606068</u>		ROLLOVER VALVE GROMMET	1
7	<u>606067</u>		ROLLOVER VALVE	1
8	<u>607479</u>		CARB STANDARD FUEL TANK	1
9	<u>605701</u>		STANDARD FUEL TANK	1
10	<u>605523</u>		STANDARD FUEL TANK FOR USE WITH SENDING UNIT	1
11	<u>605521</u>		FUEL TANK ASSEMBLY (includes items 4, 5 & 9)	1
12	<u>605704</u>		FUEL TANK ASSEMBLY (use with sending unit) (inc items 4, 5 & 10)	1
13	<u>20048G2</u>		FUEL LEVEL SENDING UNIT (includes items 14 & 15)	1
14	*		GASKET	1
15	*		STAINLESS STEEL HEX HEAD SCREW WITH SEALANT, #10 - 32 X 1/2	5
16	<u>72229G01</u>		FUEL TANK ADAPTER.....	1
17	<u>72230G01</u>		FLAT HEAD PHILLIPS SCREW, #6 - 32 X .50	2
18				
19	<u>72282G01</u>		FUEL FILL CAP	1
20	<u>606211</u>		CARB FUEL FILL CAP	1
21				
22	<u>00438G8</u>		HEX HEAD BOLT, 5/16 - 18 X 1	1
23	<u>00559G8</u>		FLAT WASHER, 5/16	4
24	<u>11098G6</u>		LOCK NUT, 5/16 - 18	3
25	<u>70483G01</u>		SPACER BOLT, 5/16 - 18.....	1
26				
27				
28	<u>18292G1</u>		HOSE CLAMP, .50 DIAMETER	5
29	<u>607007</u>		FUEL SYSTEM HOSE, 3.25"	1
30	<u>72084G01</u>		FUEL LINE FILTER.....	1
31	<u>606969</u>		FUEL SYSTEM HOSE, 8".....	1

FUEL SYSTEM

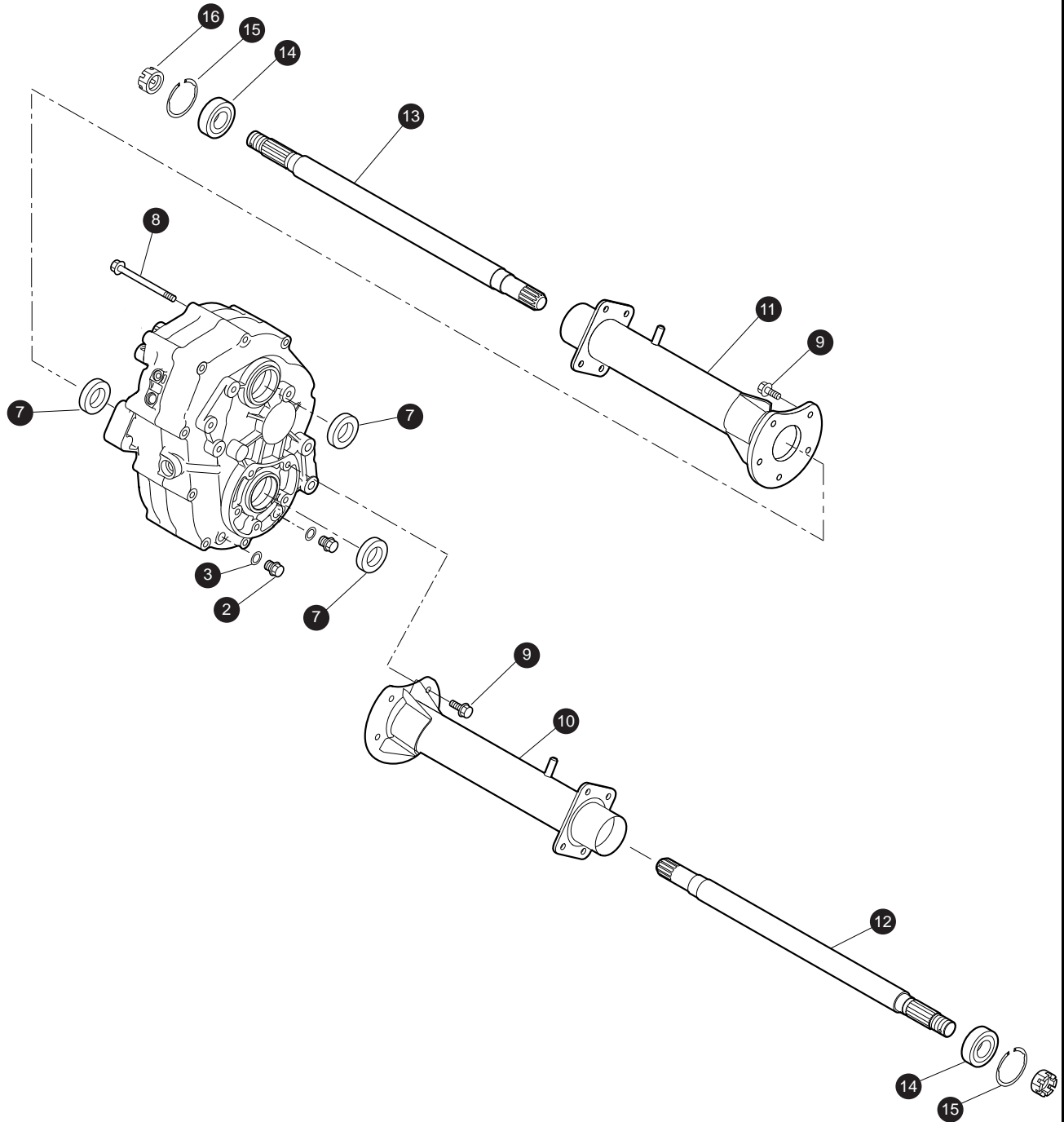
When ordering parts, please specify the model and serial number of the product.

* Indicates a component that is not available as an individual part.

*** Indicates consult Customer Service Department for additional information.

ITEM	PART NO.	1	2	3	4	5	DESCRIPTION	QTY.
32								
33								
34	<u>11391G4</u>						HOSE CLAMP, .25 - .63 DIA	2
35	<u>604597</u>						CARB FUEL SYSTEM HOSE, 26.00 LONG.....	1
36								
37	<u>602061</u>						FUEL PUMP	1
38	<u>00114G6</u>						HEX WASHER HEAD SLOTTED TAPPING SCREW, 1/4 - 14 X .75.....	2
39								
40	<u>606310</u>						CARBON CANNISTER MOUNTING BRACKET (CARB ONLY)	1
41	<u>10570G11</u>						RIVET, 3/16 DIA X .70 (CARB ONLY)	2
42								
43								
44	<u>606071</u>						CARBON CANNISTER (CARB ONLY6)	1
45	<u>606963</u>						HOSE CLAMP, .41 DIA (CARB ONLY).....	4
46	<u>607546</u>						LOW PRESSURE FUEL HOSE, 3/16 I.D. X 17"	1
47	<u>606966</u>						LOW PRESSURE FUEL HOSE, 3/16 I.D. X 34"	1
48	<u>606404</u>						HOSE TO AIR FILTER FITTING, .156 I.D. WITH 1/8 - 27 NPT (CARB ONLY)	1
49								
50	<u>32372G6</u>						BLACK TRIM, 6.25 LONG	1
51								
52	<u>17618G1</u>						NYLON CLAMP.....	2
53	<u>604589</u>						CARB LABEL (NOT SHOWN IN ILLUSTRATION)	1

REAR AXLE



REAR AXLE

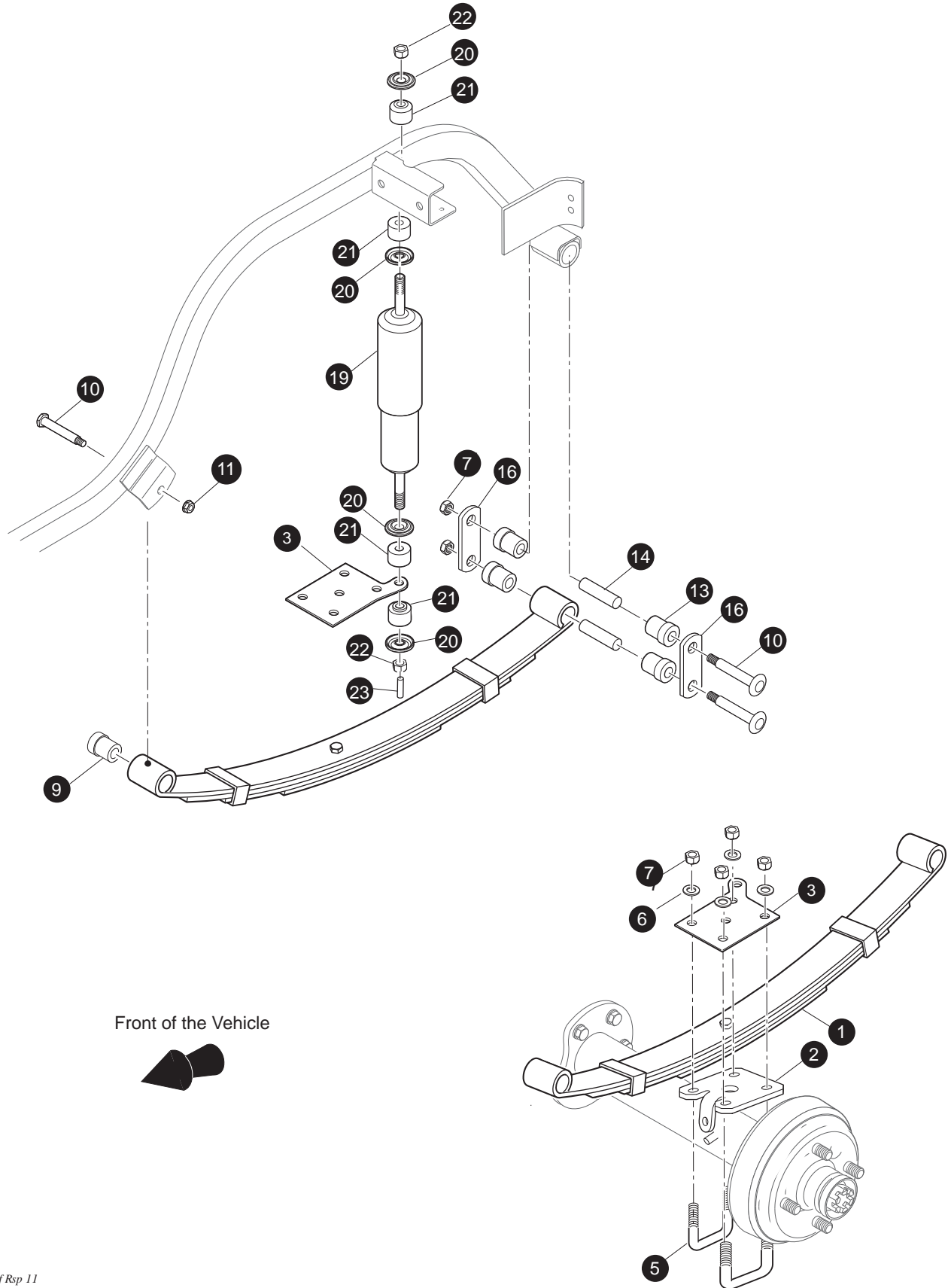
When ordering parts, please specify the model and serial number of the product.

* Indicates a component that is not available as an individual part.

*** Indicates consult Customer Service Department for additional information.

ITEM	PART NO.	1 2 3 4 5	DESCRIPTION	QTY.
1	605891		REAR AXLE	1
2	<u>26770G01</u>		OIL DRAIN PLUG	2
3	<u>26771G01</u>		GASKET	2
4				
5				
6				
7	<u>72259G01</u>		OIL SEAL 28 X 47 X 9	3
8	<u>26823G01</u>		FLANGE BOLT M8 X 1.25 X 100	10
9	<u>72260G01</u>		FLANGE BOLT M10 X 1.5 X 23	10
10	<u>607940</u>		AXLE TUBE (PASSENGER SIDE)	1
11	<u>607939</u>		AXLE TUBE (DRIVER SIDE)	1
12	607988		AXLE SHAFT (PASSENGER SIDE)	1
13	607987		AXLE SHAFT (DRIVER SIDE)	1
14	<u>26811G01</u>		BALL BEARING	2
15	26814G01		SNAP RING	2
16	<u>606403</u>		SLOTTED NUT	2

REAR SUSPENSION



Ref Rsp 11

REAR SUSPENSION

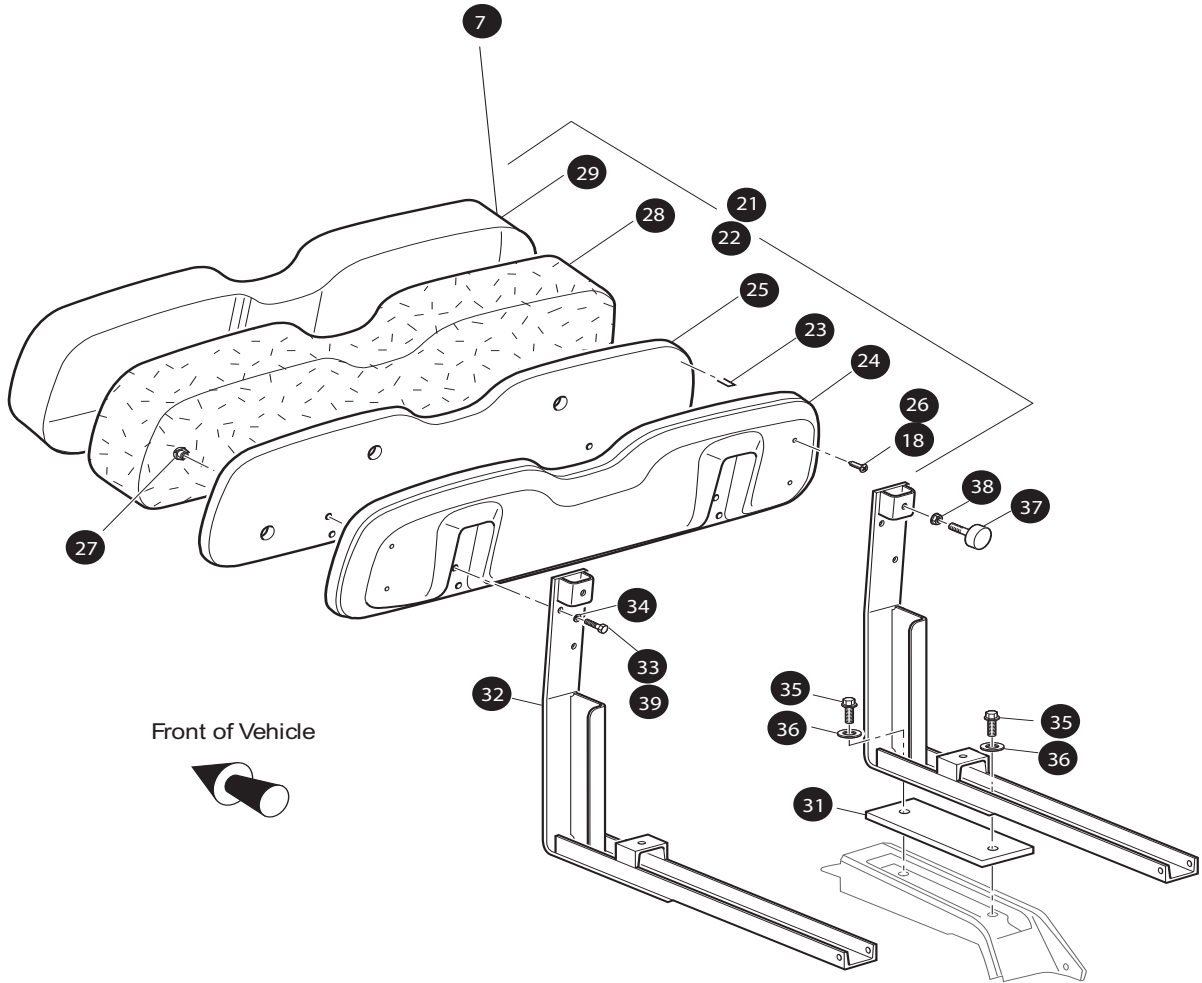
When ordering parts, please specify the model and serial number of the product.

* Indicates a component that is not available as an individual part.

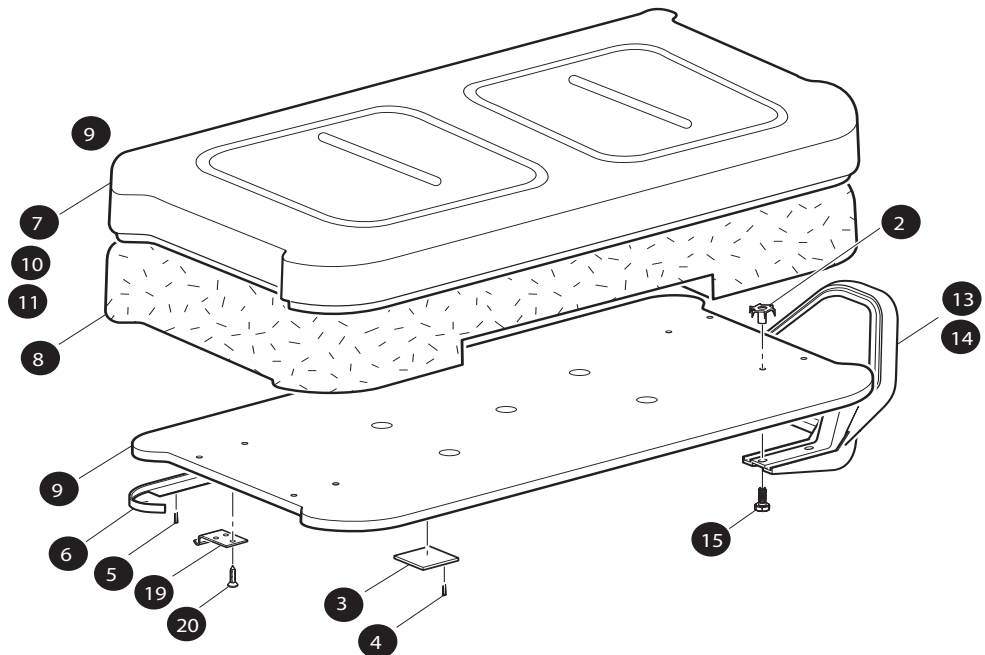
*** Indicates consult Customer Service Department for additional information.

ITEM	PART NO.	1 2 3 4 5	DESCRIPTION	QTY.
1	<u>605721</u>		HEAVY DUTY LEAF SPRING.....	2
2	<u>605955</u>		BRACKET, AXLE HIGH	2
3	<u>605977</u>		SPRING PLATE	2
4				
5	<u>32195G3</u>		'U' BOLT, 3/8 - 16 X 2" X 2 1/8" LG.....	4
6	<u>00643G1</u>		WASHER, 3/8"	10
7	<u>11098G5</u>		LOCK NUT, 3/8 - 16	12
8				
9	<u>605445</u>		FLANGED BUSHING.....	2
10	<u>00665G9</u>		SHOULDER BOLT, 3/8 - 16 X 3 1/4" LG.....	6
11	<u>12262G1</u>		LOCK NUT, 3/8 - 16	2
12				
13	<u>70291G01</u>		FLANGED BUSHING.....	8
14	<u>70289G02</u>		SPACER.....	4
15				
16	<u>70290G02</u>		SHACKLE PLATE	4
17				
18				
19	<u>70248G01</u>		SHOCK ABSORBER	2
20	<u>10435G1</u>		SHOCK ABSORBER WASHER.....	8
21	<u>10194G1</u>		RUBBER BUSHING.....	8
22	<u>00532G6</u>		NUT, 3/8 - 24.....	4
23	<u>10044G01</u>		VINYL CAP	2

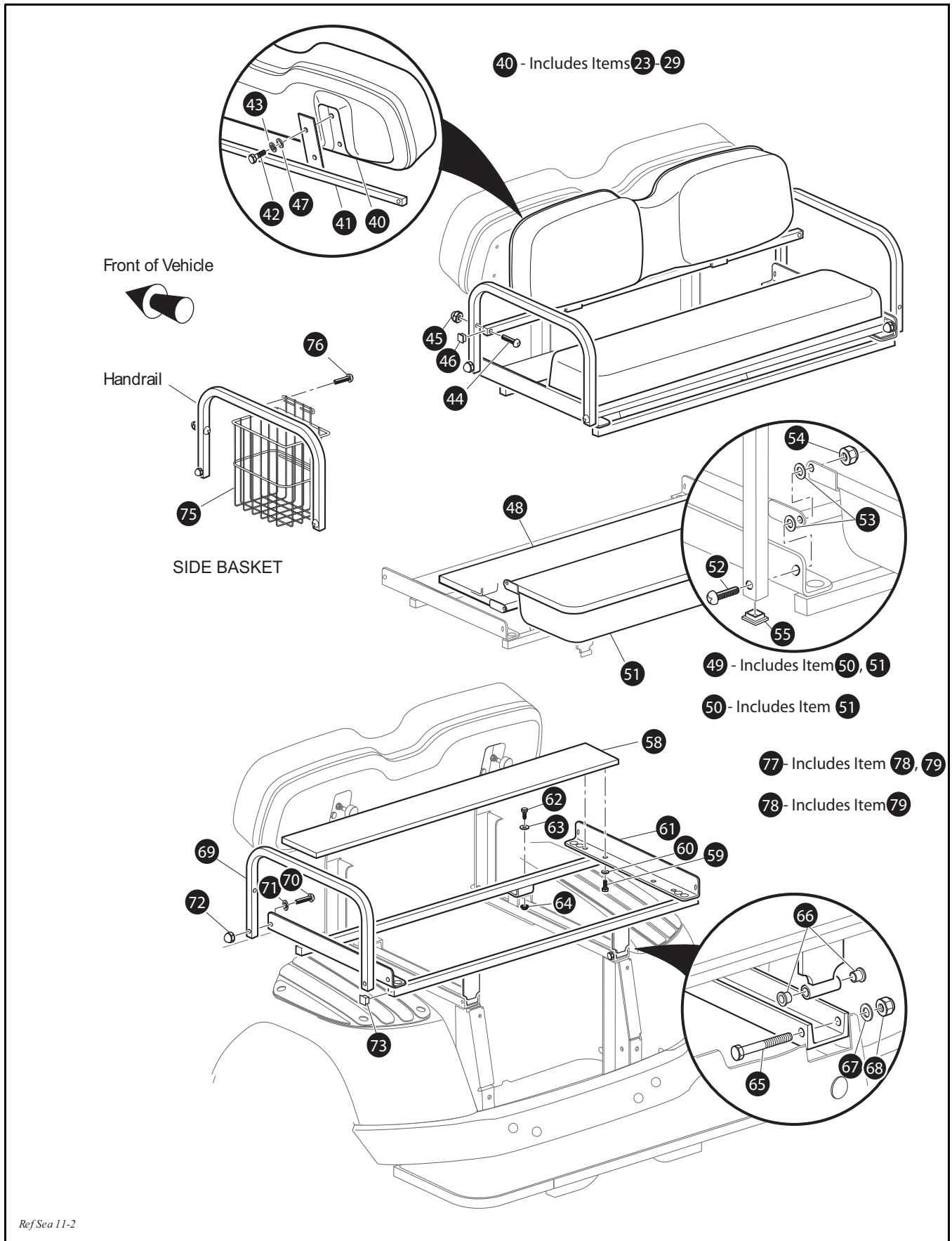
SEATING



1 - Includes Items 2 - 9



Ref Sea 11-1



Ref Sea 11-2

SEATING

When ordering parts, please specify the model and serial number of the product.

* Indicates a component that is not available as an individual part.

*** Indicates consult Customer Service Department for additional information.

ITEM	PART NO.	1 2 3 4 5	DESCRIPTION	QTY.
1	71611-G**		SEAT BOTTOM ASSEMBLY (INCLUDES ITEMS 2 - 9)	1
2	*		TEE NUT	8
3	<u>17074-G1</u>		RUBBER PAD	2
4	*		FLAT STAPLE	110
5	*		FLAT STAPLE	46
6	<u>71012-G01</u>		VINYL TRIM (SEAT BOTTOM)	1
7	71602-G**		VINYL SEAT BOTTOM COVER	1
8	*		FOAM PADDING (SEAT BOTTOM).....	1
9	*		SEAT BOTTOM (WOOD).....	1
10	604912-G**		TWO TONE VINYL SEAT BOTTOM	1
11	<u>604906</u>		SEAT BOTTOM (ST CUSTOM).....	1
12				
13	<u>71701-G01</u>		HIP RESTRAINT (PASSENGER SIDE)	1
14	<u>71702-G01</u>		HIP RESTRAINT (DRIVER SIDE).....	1
15	71204-G01		BOLT, 1/4 - 20 X 1" LG (STAINLESS STEEL).....	8
16				
17				
18	607535		TORX HEAD SCREW	4
19	<u>71610-G01</u>		SEAT HINGE	2
20	<u>00720-G08</u>		SCREW, #12 - 14 X 1" LG (STAINLESS STEEL)	4
21	<u>604908</u>		SEAT BACK ASSEMBLY (INCLUDES 18, 23-25, 27,28 & 30)	1
22	71751-G**		SEAT BACK ASSEMBLY (INCLUDES ITEMS 23 - 29).....	1
23	*		FLAT STAPLE	95
24	71752-G01		PLASTIC SEAT BACK COVER	1
25	*		SEAT BACK (WOOD)	1
26	<u>01107-G01</u>		SCREW, #8 X 3/8" LG (STAINLESS STEEL)	4
27	*		TEE NUT	4
28	*		FOAM PADDING (SEAT BACK)	1
29	71753-G**		VINYL SEAT BACK COVER	1
30	604916-G**		TWO TONE VINYL SEAT BACK	1
31	<u>70364-G01</u>		SPACER	2

When ordering parts, please specify the model and serial number of the product.

* Indicates a component that is not available as an individual part.

*** Indicates consult Customer Service Department for additional information.

ITEM	PART NO.	1 2 3 4 5	DESCRIPTION	QTY.
32	<u>74111-G01</u>		SEAT BACK SUPPORT	2
33	<u>00661-G8</u>		BOLT, 1/4 - 20 X 1" LG (STAINLESS STEEL)	4
34	<u>00664-G7</u>		LOCK WASHER, 1/4" (STAINLESS STEEL)	4
35	<u>01006-G02</u>		BOLT, 3/8 - 16 X 1 1/2" LG.....	4
36	<u>00560-G1</u>		WASHER, 3/8"	4
37	<u>70113-G01</u>		ADJUSTABLE BUMPER.....	2
38	<u>11027-G1</u>		LOCK NUT, 5/16 - 18	2
39	<u>605056</u>		SCREW 1/4 - 20 X 1"	4
40	71751-G**		SEAT BACK ASSEMBLY (INCLUDES ITEMS 23 - 29)	1
41	<u>75258-G01</u>		SEAT BACK SUPPORT	1
42	<u>00661-G8</u>		BOLT, 1/4 - 20 X 1" LG (STAINLESS STEEL)	4
43	<u>00664-G7</u>		LOCK WASHER, 1/4" (STAINLESS STEEL)	4
44	16705-G13		SCREW, 1/4 - 20 X 1.875 LG (STAINLESS STEEL)	2
45	<u>00520-G1</u>		ACORN NUT, 1/4 - 20	2
46	<u>75261-G01</u>		END PLUG, 3/4"	2
47	<u>01110-G01</u>		FLAT WASHER 1/4"	4
48	<u>71061-G02</u>		BED ASSEMBLY	1
49	71063-G**		SEAT BOTTOM ASSEMBLY (INCLUDES ITEM 50, 51)	1
50	75197-G**		SEAT BOTTOM (INCLUDES ITEM 51)	1
51	75252-G**		VINYL SEAT BOTTOM COVER	1
52	<u>00762-G6</u>		SCREW, 5/16 - 18 X 1 1/2" LG (STAINLESS STEEL)	2
53	<u>17255-G1</u>		TEFLON WASHER, 5/16"	4
54	<u>00891-G3</u>		LOCK NUT, 5/16 - 18 (STAINLESS STEEL)	2
55	<u>19859-G1</u>		END CAP, 3/4"	4
56				
57				
58	<u>71060-G01</u>		BED FRONT (INCLUDES MAT)	1
59	<u>00661-G6</u>		BOLT, 1/4 - 20 X 3/4" LG (STAINLESS STEEL)	4
60	<u>00664-G7</u>		WASHER, 5/16"	4
61	<u>75193-G01</u>		SUPPORT FRAME	1
62	<u>00438-G8</u>		BOLT, 5/16 - 18 X 1" LG.....	2

SEATING

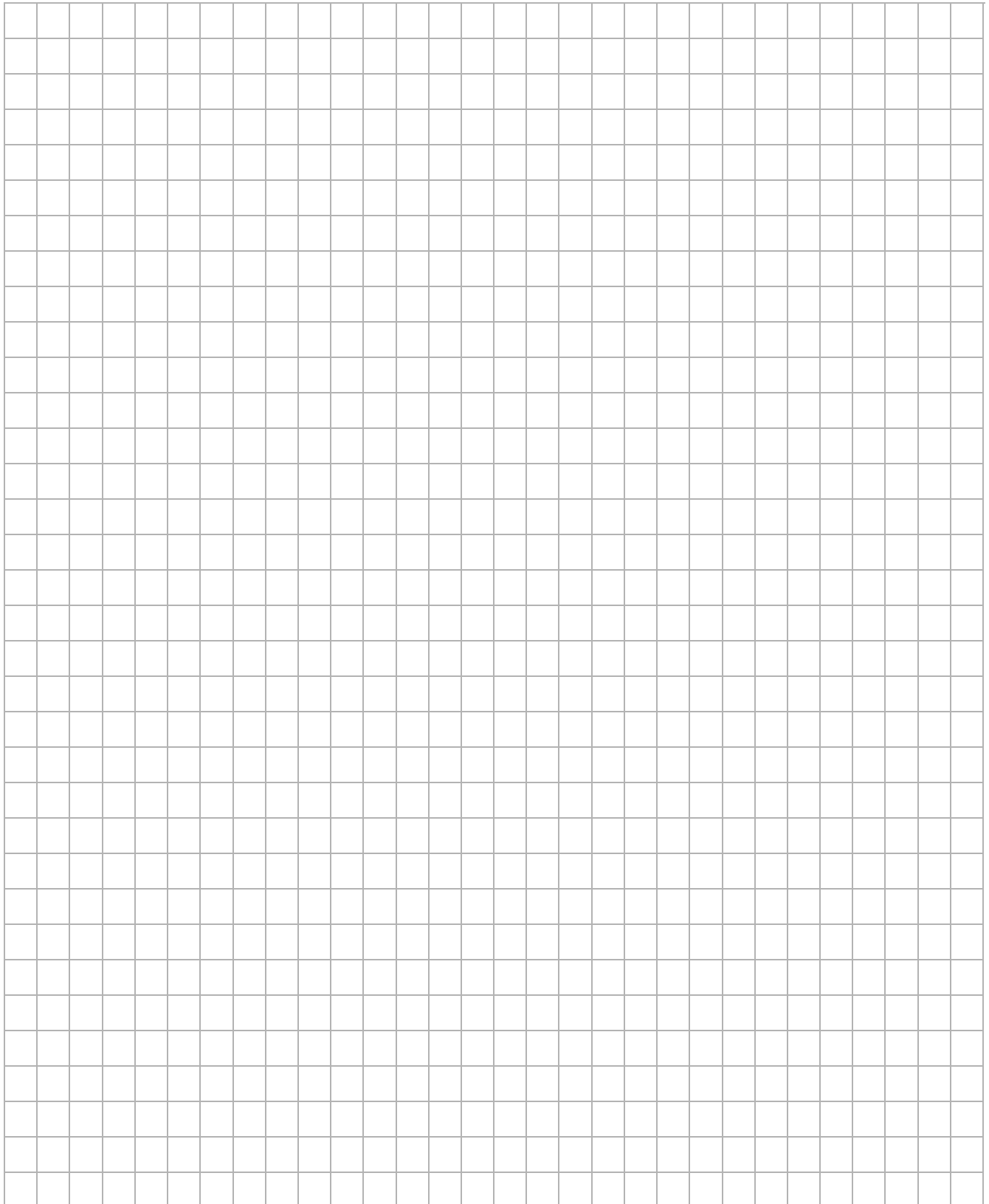
When ordering parts, please specify the model and serial number of the product.

* Indicates a component that is not available as an individual part.

*** Indicates consult Customer Service Department for additional information.

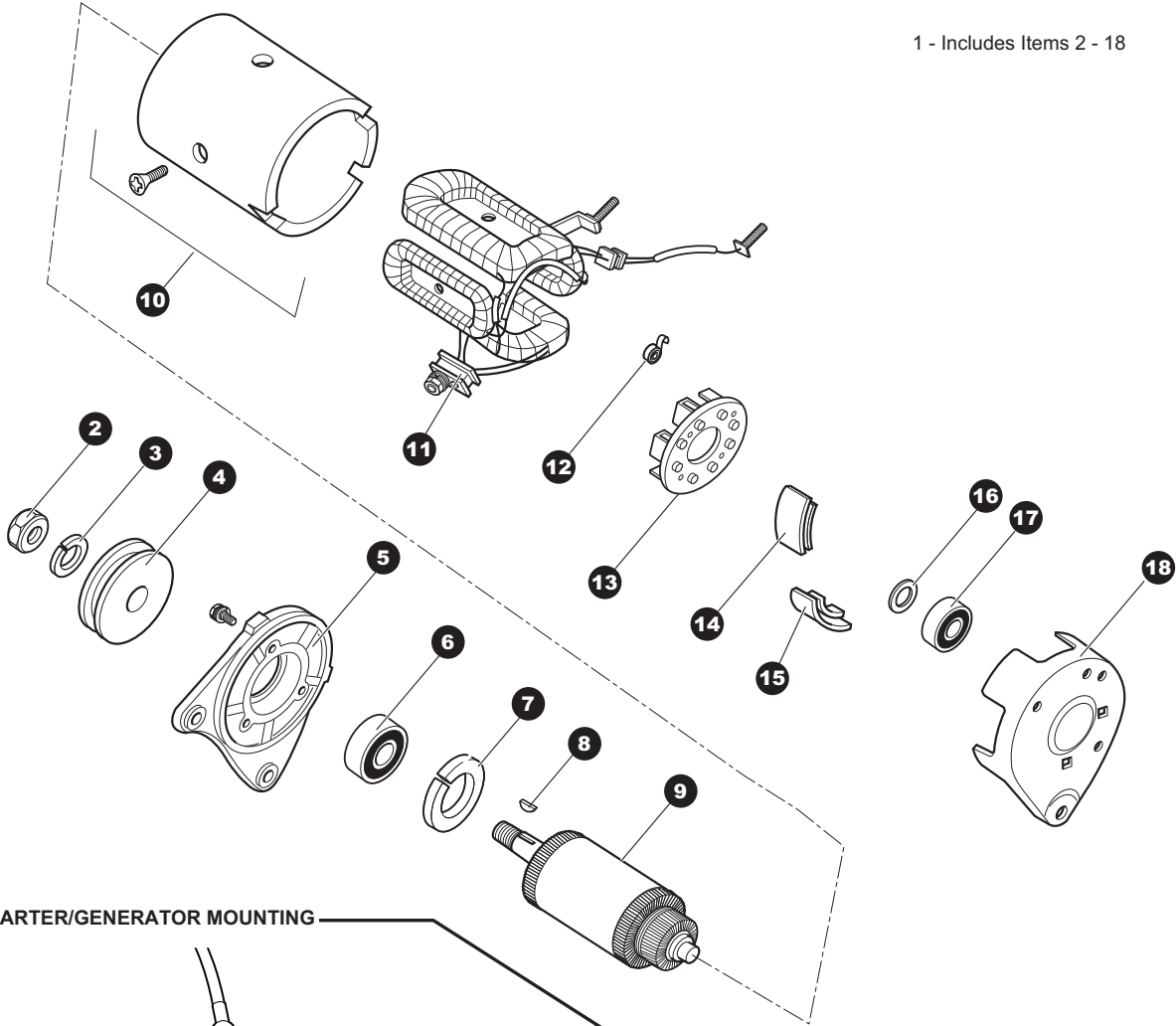
ITEM	PART NO.	1	2	3	4	5	DESCRIPTION	QTY.
63	00559-G8						WASHER, 5/16"	2
64	<u>00891-G3</u>						LOCK NUT, 5/16 - 18.....	2
65	00272-G4						BOLT, 5/16 - 18 X 2 1/2" LG	2
66	<u>17838-G1</u>						NYLON BUSHING	4
67	00559-G8						WASHER, 5/16"	2
68	<u>00891-G3</u>						LOCK NUT, 5/16 - 18 (STAINLESS STEEL)	2
69	<u>75196-G01</u>						HANDRAIL	2
70	<u>00762-G2</u>						SCREW, 5/16 - 18 X 1 1/4" LG (STAINLESS STEEL)	2
71	<u>00664-G8</u>						LOCK WASHER, 5/16" (STAINLESS STEEL).....	2
72	<u>00520-G3</u>						ACORN NUT, 5/16 - 18	2
73	<u>75261-G02</u>						END CAP, 1"	4
74								
75	<u>75460-G01</u>						SIDE BASKET (BLACK).....	2
76	<u>00106-G6</u>						SELF THREADING SCREW, #12 - 24 X 3/4" LG.....	4
77	<u>604922</u>						SEAT BOTTOM ASSEMBLY (INCLUDES ITEM 78, 79).....	1
78	<u>604921</u>						SEAT BOTTOM (INCLUDES 79)	1
79	<u>604920-G0102</u>						VINYL SEAT BOTTOM COVER	1

Notes:

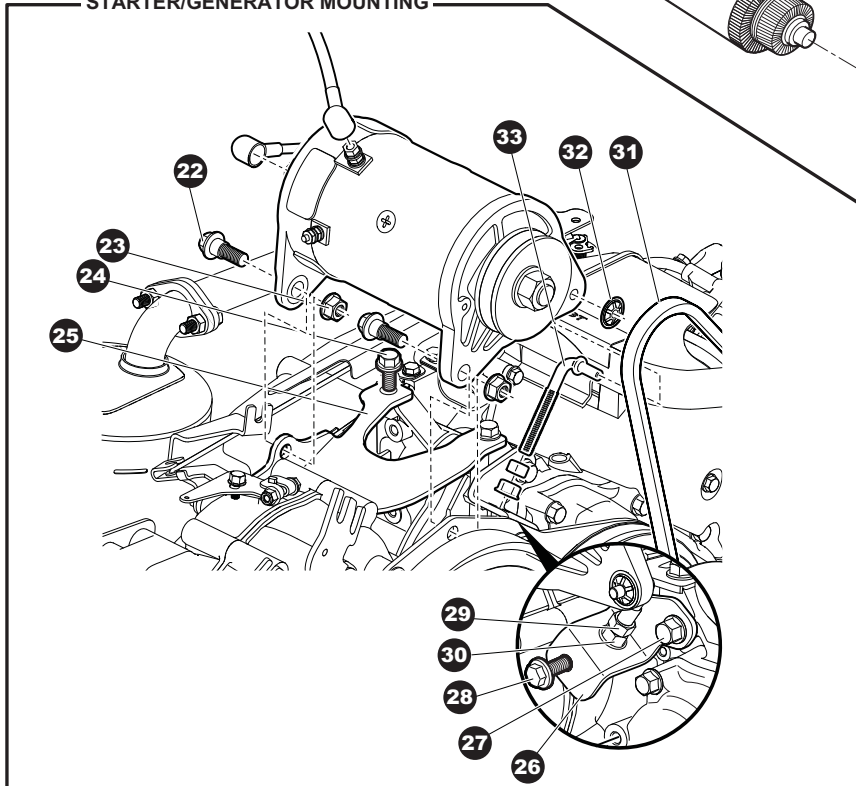
A large grid of graph paper for taking notes, consisting of 20 columns and 30 rows of small squares.

STARTER / GENERATOR

1 - Includes Items 2 - 18



STARTER/GENERATOR MOUNTING



STARTER / GENERATOR

When ordering parts, please specify the model and serial number of the product.

* Indicates a component that is not available as an individual part.

*** Indicates consult Customer Service Department for additional information.

ITEM	PART NO.	1 2 3 4 5	DESCRIPTION	QTY.
1	612028		STARTER / GENERATOR (INCLUDES 2 - 18)	1
2	<u>612029</u>		NUT	1
3	<u>612030</u>		LOCKWASHER	1
4	612031		PULLEY	1
5	<u>612032</u>		FRONT COVER	1
6	<u>612033</u>		BEARING	1
7	<u>612034</u>		RETAINING RING	1
8	<u>612035</u>		KEY	1
9	<u>612036</u>		ARMATURE ASSEMBLY	1
10	<u>612037</u>		FRAME & FIELD ASSEMBLY	1
11	<u>612038</u>		BRUSH LEAD & TERMINAL SERVICE PKG.....	1
12	<u>612039</u>		BRUSH SPRING	1
13	<u>612040</u>		BRUSH BOX ASSEMBLY	1
14	<u>612041</u>		BRUSH 1 COVER	2
15	<u>612042</u>		BRUSH 2 COVER	2
16	<u>612043</u>		WAVY WASHER.....	1
17	<u>612044</u>		BEARING	1
18	<u>612045</u>		REAR COVER.....	1
19				
20				
21				
22	<u>606235</u>		BOLT, HXFL SHLDR - M10 - 1.25 X 20	2
23	<u>606279</u>		NUT, M10 - 1.25.....	2
24	<u>606261</u>		BOLT, M8 - 1.25 X 20.....	3
25	<u>602141</u>		STARTER / GENERATOR BRACKET	1
26	<u>602145</u>		TENSIONER BRACKET	1
27	<u>606261</u>		BOLT, M8 - 1.25 X 20.....	1
28	<u>606256</u>		BOLT, M10 - 1.25 X 25.....	1
29	<u>606255</u>		NUT, M10 - 1.25.....	1
30	<u>606274</u>		NUT, M10 - 1.25.....	1
31	<u>606138</u>		STARTER / GENERATOR BELT	1

STARTER / GENERATOR

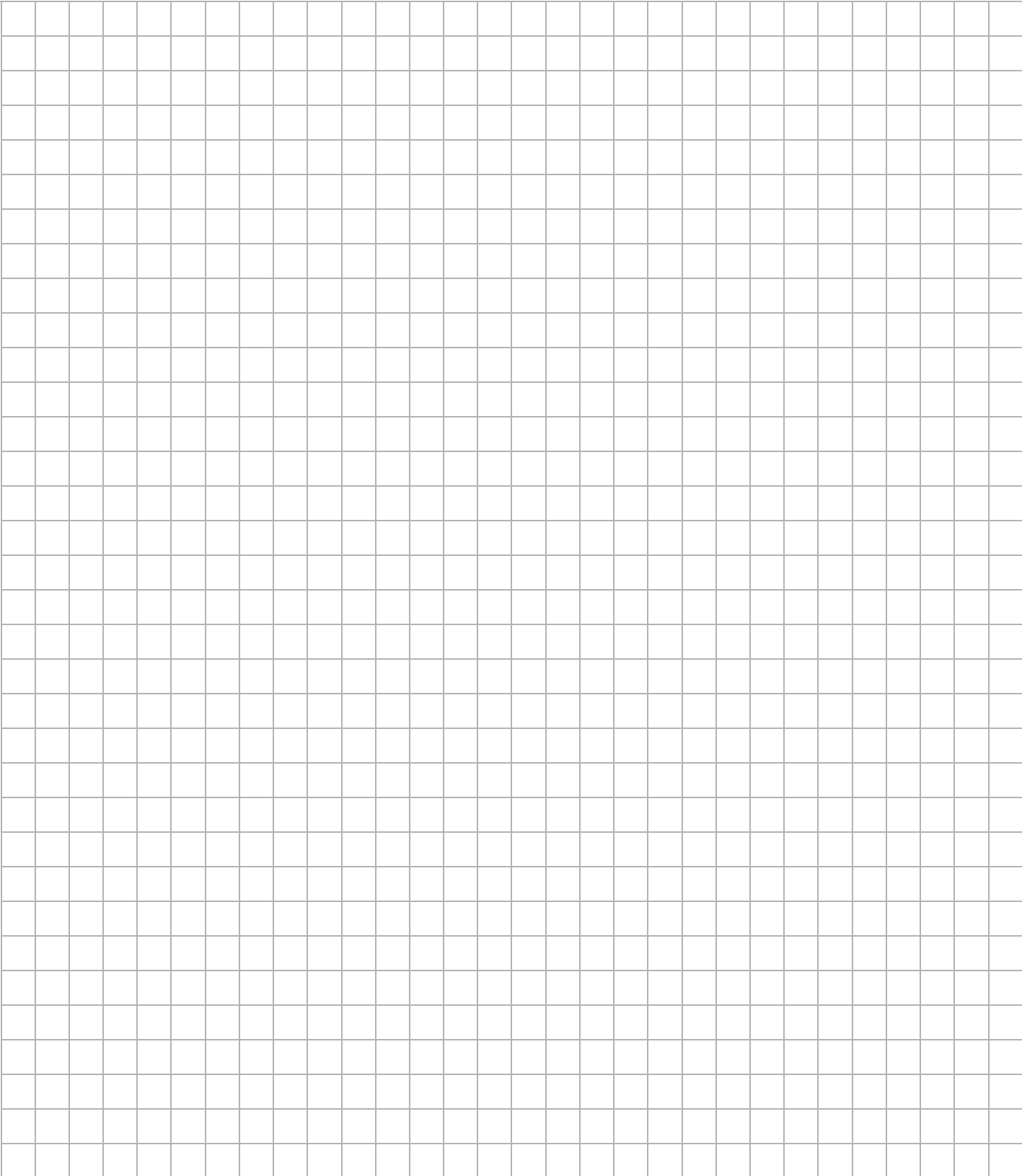
When ordering parts, please specify the model and serial number of the product.

* Indicates a component that is not available as an individual part.

*** Indicates consult Customer Service Department for additional information.

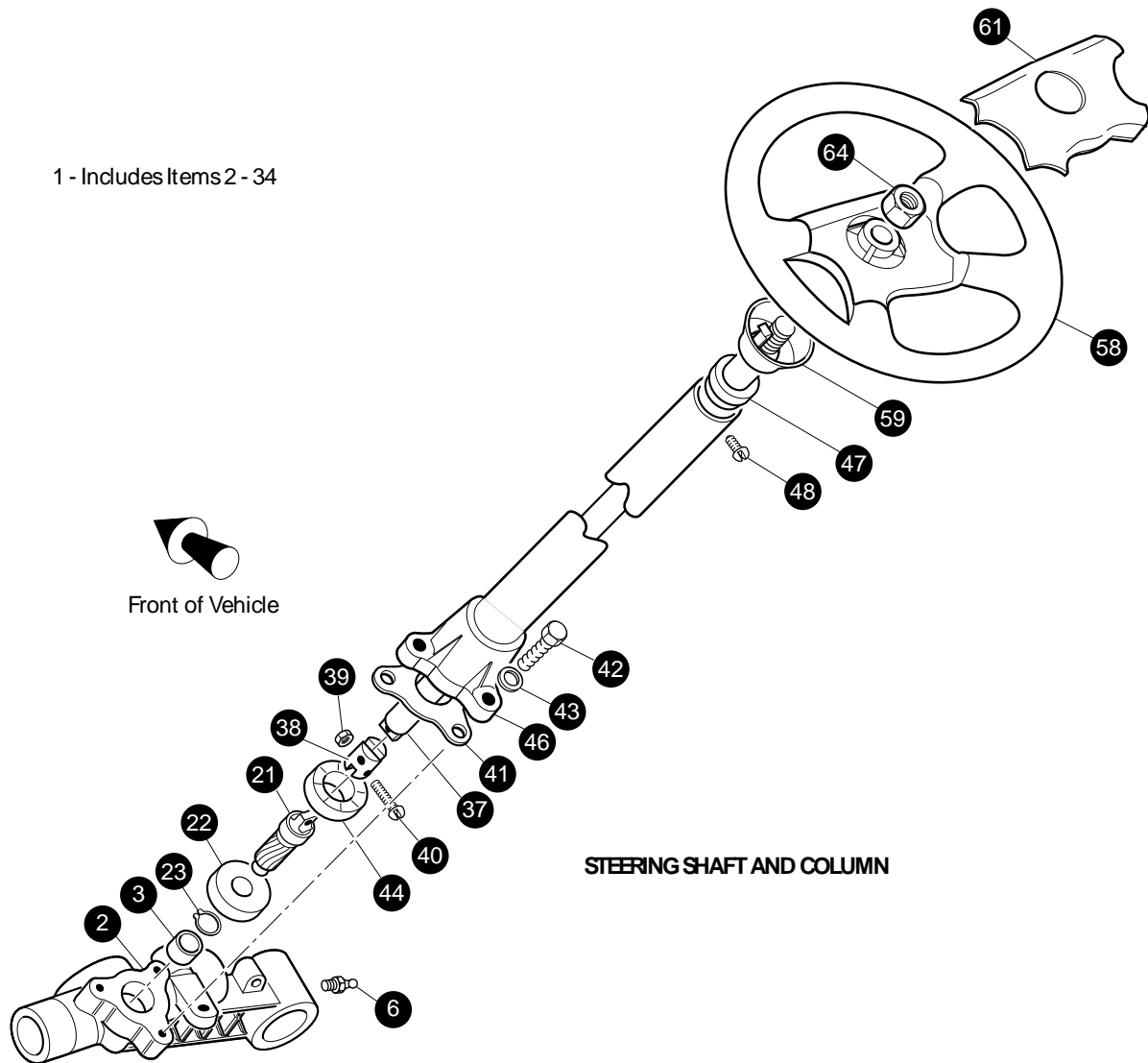
ITEM	PART NO.	1 2 3 4 5	DESCRIPTION	QTY.
32	<u>12064G6</u>		PUSH NUT, 5/16"	1
33	606236		TENSIONER BOLT	1

Notes:

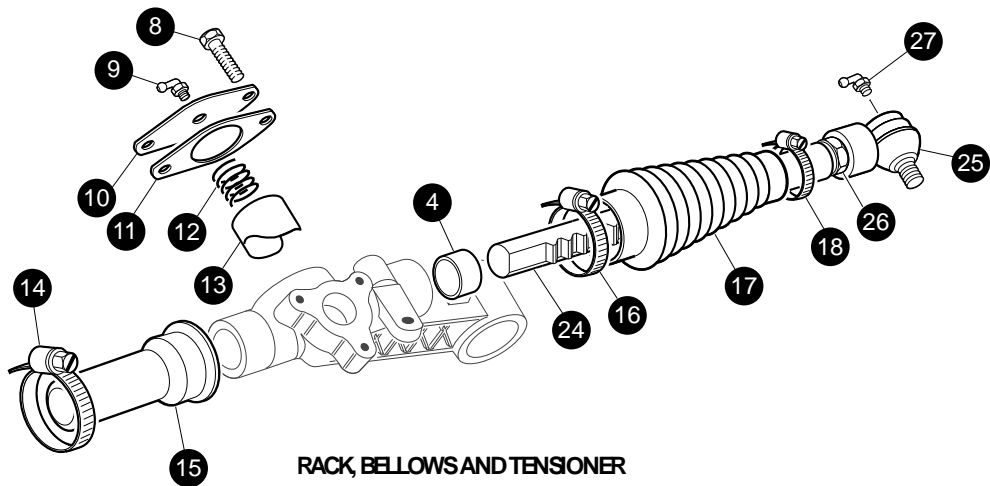


STEERING

1 - Includes Items 2 - 34



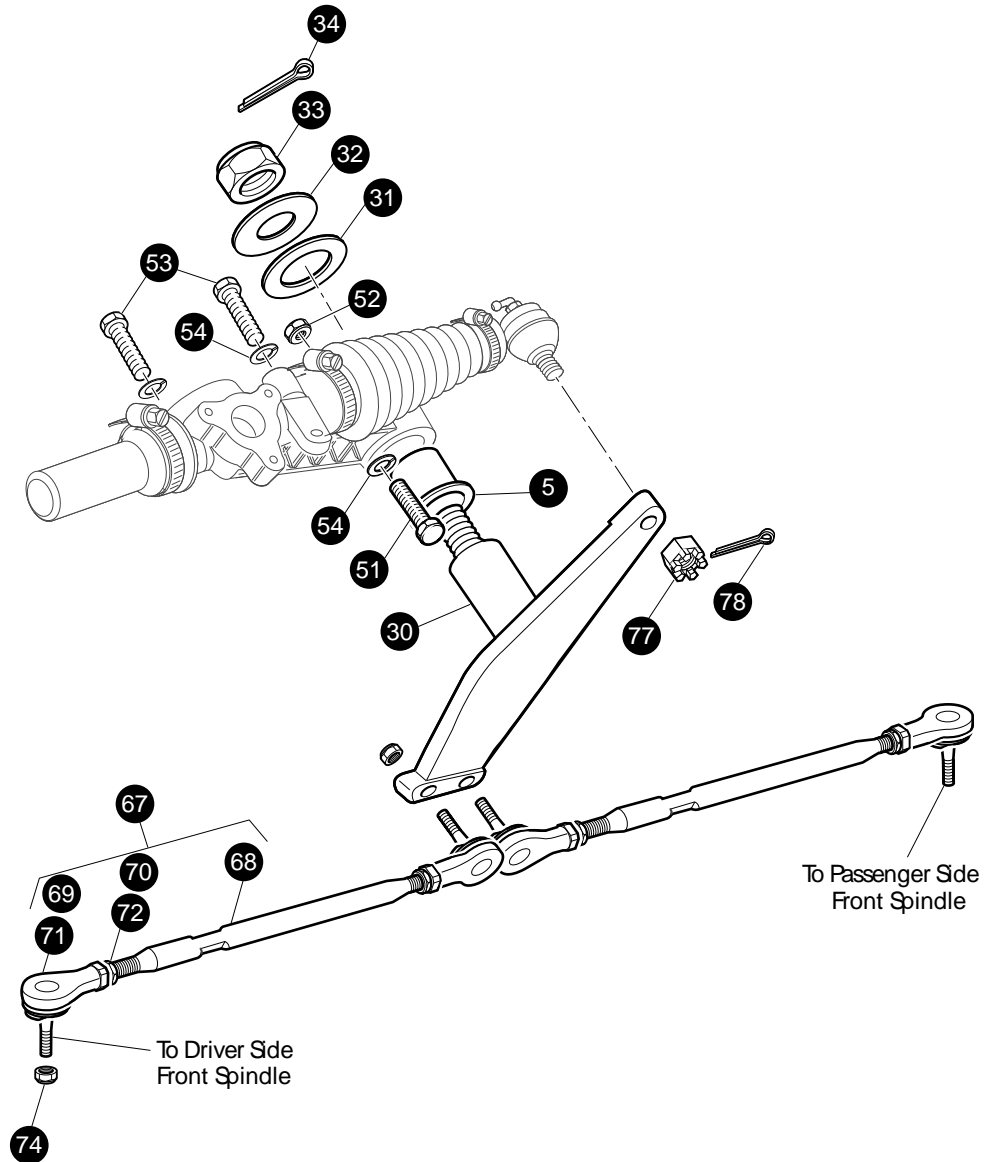
STEERING SHAFT AND COLUMN



RACK, BELLOWS AND TENSIONER

Ref Str 10-1

IDLER, TIE RODS AND MOUNTING



Ref Str 10-2

STEERING

When ordering parts, please specify the model and serial number of the product.

* Indicates a component that is not available as an individual part.

*** Indicates consult Customer Service Department for additional information.

ITEM	PART NO.	1 2 3 4 5	DESCRIPTION	QTY.
1	<u>70723G01</u>		STEERING BOX ASSEMBLY (COMPLETE) (INCLUDES ITEMS 2 - 34).....	1
2				
3	<u>70215G01</u>		SLEEVE BEARING	1
4	<u>70188G01</u>		SLEEVE BEARING	1
5	<u>70185G01</u>		FLANGED BEARING	1
6	<u>10389G3</u>		GREASE FITTING, STRAIGHT	1
7				
8	<u>00426G6</u>		BOLT, 3/8 - 16 X 3/4" LG.....	2
9	<u>18456G1</u>		GREASE FITTING, 90°	1
10	<u>70177G01</u>		RACK GUIDE COVER	1
11	<u>70225G01</u>		GASKET.....	1
12	<u>70178G01</u>		COMPRESSION SPRING	1
13	<u>70179G01</u>		RACK GUIDE	1
14	<u>11391G1</u>		HOSE CLAMP, 1 5/16"	1
15	<u>70041G01</u>		RACK COVER	1
16	<u>11391G1</u>		HOSE CLAMP, 1 5/16"	1
17	<u>70183G01</u>		BELLOWS.....	1
18	<u>11391G5</u>		HOSE CLAMP, 13/16"	1
19				
20				
21	<u>70717G01</u>		GEAR PINION.....	1
22	<u>15112G1</u>		BALL BEARING	1
23	<u>70190G01</u>		EXTERNAL RETAINING RING.....	1
24	<u>70718G01</u>		STEERING RACK.....	1
25	<u>70192G01</u>		RACK BALL END.....	1
26	<u>00532G8</u>		JAM NUT, 7/16 - 20	1
27	<u>18456G1</u>		GREASE FITTING, 90°	1
28				
29				
30	<u>70184G01</u>		IDLER.....	1
31	<u>70216G01</u>		THRUST WASHER, 1 1/2"	1

When ordering parts, please specify the model and serial number of the product.

* Indicates a component that is not available as an individual part.

*** Indicates consult Customer Service Department for additional information.

ITEM	PART NO.	1 2 3 4 5	DESCRIPTION	QTY.
32	70195G01		THRUST WASHER, 7/8"	1
33	<u>00734G6</u>		LOCK NUT, 7/8 - 9.....	1
34	<u>00798G8</u>		COTTER PIN, 5/32" X 1 3/4" LG	1
35				
36				
37	<u>14322G6</u>		STEERING SHAFT	1
38	<u>70558G01</u>		COUPLING	1
39	<u>00550G1</u>		LOCK NUT, 1/4 - 20	2
40	<u>70227G01</u>		SCREW, 1/4 - 20 X 7/8" LG	2
41	<u>70223G01</u>		GASKET.....	1
42	<u>01034G01</u>		BOLT, 3/8 - 16 X 1 1/4" LG WITH PATCHLOCK	3
43	<u>00878G1</u>		LOCK WASHER, 3/8"	3
44	70466G01		RETAINER	1
45				
46	<u>70721G01</u>		STEERING COLUMN	1
47	<u>28569G01</u>		STEERING COLUMN BUSHING.....	1
48	<u>01022G01</u>		SCREW, #6 - 20 X 5/16" LG	1
49				
50				
51	<u>00470G4</u>		BOLT, 7/16 - 20 X 2 1/2" LG.....	1
52	<u>00734G3</u>		LOCK NUT, 7/16 - 20	1
53	<u>01033G01</u>		BOLT, 7/16 - 14 X 1 1/4" LG WITH PATCHLOCK	2
54	<u>00566G2</u>		LOCK WASHER, 7/16"	3
55				
56				
57				
58	<u>602980</u>		STEERING WHEEL.....	1
59				
60				
61	<u>71147G01</u>		COVER	1
62				

STEERING

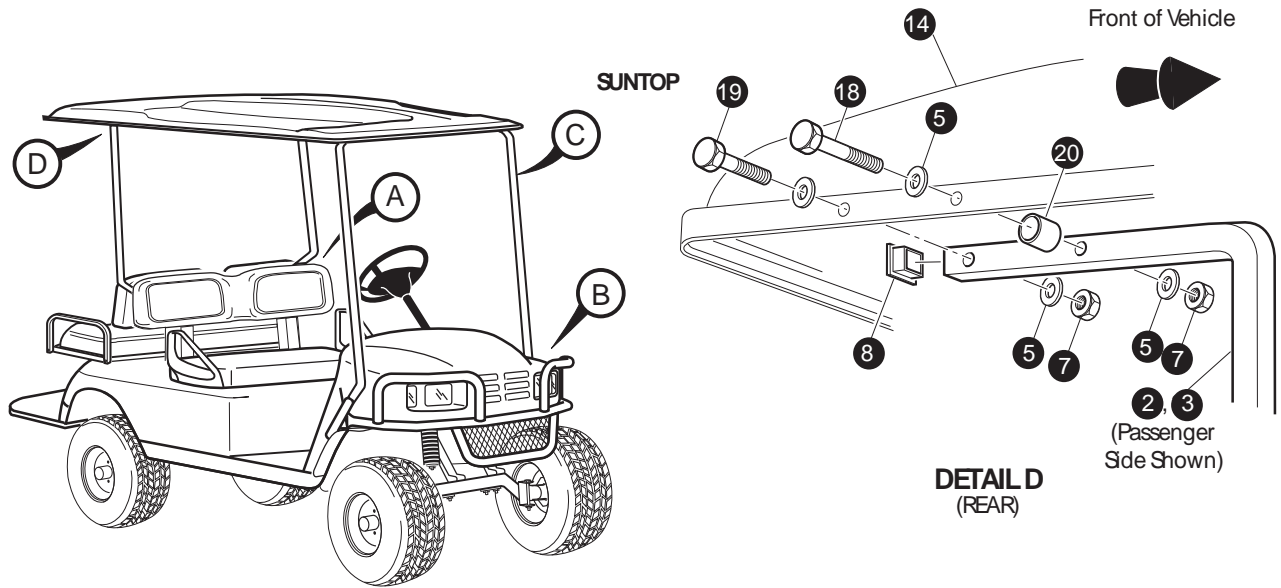
When ordering parts, please specify the model and serial number of the product.

* Indicates a component that is not available as an individual part.

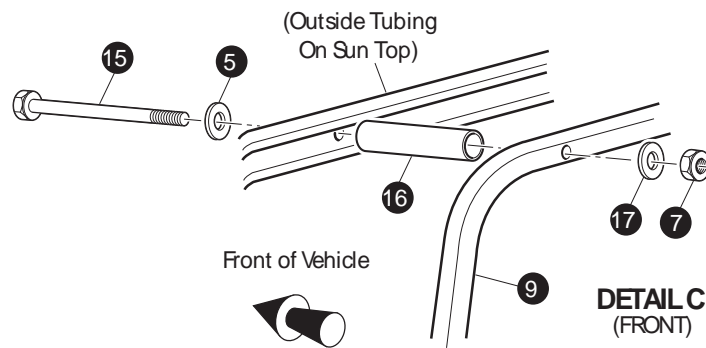
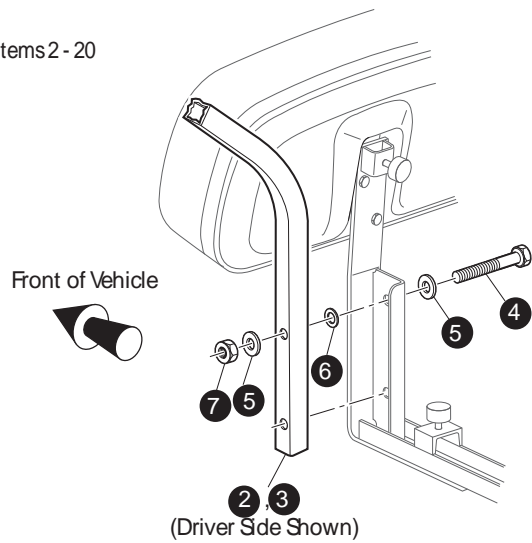
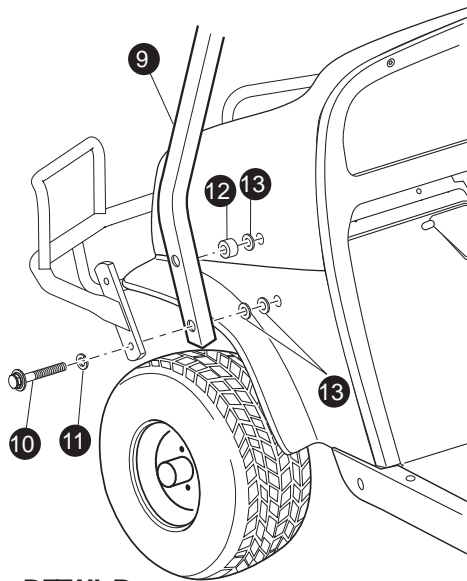
*** Indicates consult Customer Service Department for additional information.

ITEM	PART NO.	1	2	3	4	5	DESCRIPTION	QTY.
63								
64	<u>14390G2</u>						LOCK NUT, 5/8 - 18.....	1
65								
66								
67	<u>70904G04</u>						TIE ROD ASSEMBLY (INCLUDES ITEMS 68 - 72)	2
68	<u>70855G03</u>						THREADED ROD (10 1/8" LG).....	1
69	<u>70902G01</u>						TIE ROD END (LEFT HAND THREADS)	1
70	<u>01069G01</u>						JAM NUT, M12 X 1.25-05 (LEFT HAND THREADS).....	1
71	<u>70902G02</u>						TIE ROD END (RIGHT HAND THREADS)	1
72	<u>01069G02</u>						JAM NUT, M12 X 1.25-05 (RIGHT HAND THREADS)	1
73								
74	<u>00734G1</u>						LOCK NUT, 7/16 - 14.....	4
75								
76								
77	<u>50209G2</u>						CASTELLATED NUT, 7/16 - 20	1
78	<u>10387G2</u>						COTTER PIN, 3/32" X 1" LG	1

WEATHER PROTECTION



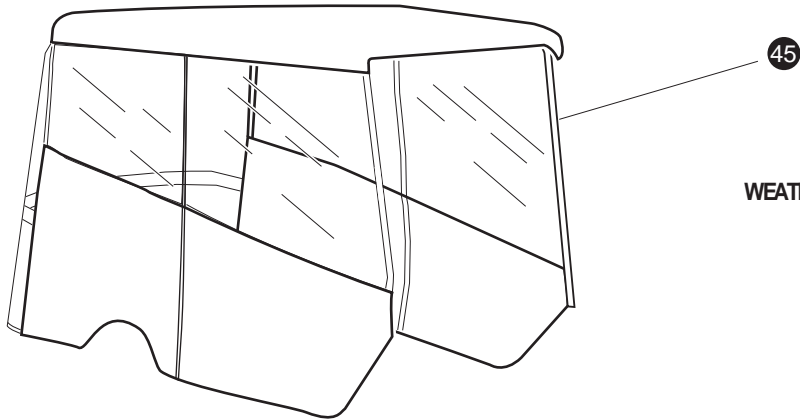
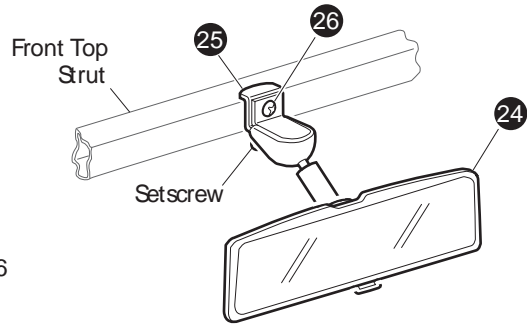
1 - Includes items 2 - 20



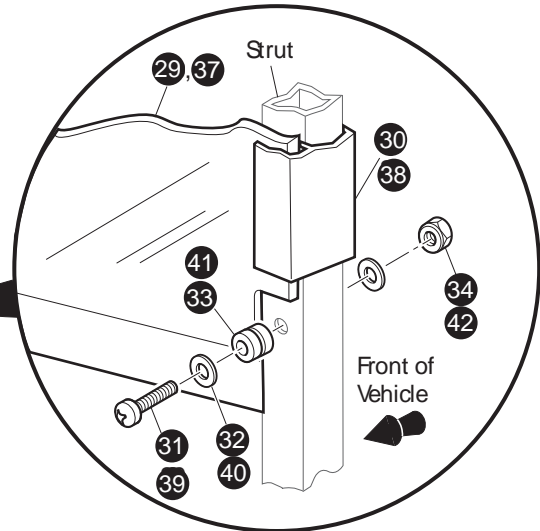
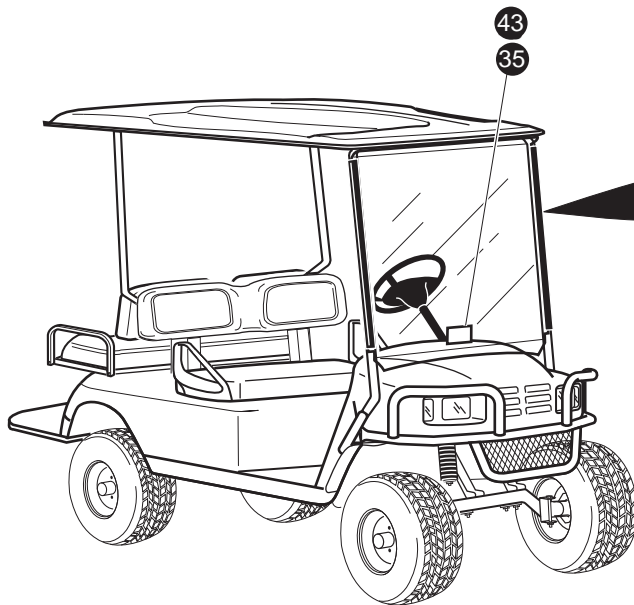
Ref Wea 11-1

WEATHER PROTECTION

REAR VIEW MIRROR
23 - Includes Items 24 - 26



WEATHER ENCLOSURE



28 - Includes Items 29 - 35

Ref Wea 11-2

WEATHER PROTECTION

THE USE OF NON U.L. PARTS WILL VOID ANY U.L. LISTING.

When ordering parts, please specify the model and serial number of the product.

* Indicates a component that is not available as an individual part.

G** Indicates consult Customer Service Department for additional information.

ITEM	PART NO.	1 2 3 4 5	DESCRIPTION	QTY.
1	<u>75123-G01</u>		SUN TOP KIT (INCLUDES ITEMS 2 - 20)	1
2	<u>75074-G01</u>		REAR STRUT (DRIVER SIDE).....	1
3	<u>75074-G02</u>		REAR STRUT (PASSENGER SIDE)	1
4	<u>00665-G5</u>		BOLT, 3/8 - 16 X 1 3/4" LG (STAINLESS STEEL)	4
5	<u>00679-G1</u>		WASHER, 3/8" (STAINLESS STEEL).....	18
6	<u>00771-G5</u>		NYLON WASHER, 3/8.....	4
7	<u>00891-G5</u>		LOCK NUT, 3/8 - 16.....	10
8	<u>19853-G1</u>		END CAP, 1"	2
9	<u>75125-G01</u>		FRONT STRUT.....	1
10	<u>00440-G2</u>		BOLT, 5/16 - 18 X 2 1/4" LG	4
11	<u>00905-G8</u>		LOCK WASHER, 5/16"	4
12	<u>75048-G01</u>		SPACER, 1/2"	2
13	<u>00879-G1</u>		LOCK WASHER, 3/8"	4
14	<u>27604-G01</u>		SUN TOP	1
15	<u>00674-G8</u>		BOLT, 3/8 - 16 X 5" LG (STAINLESS STEEL)	2
16	<u>18716-G1</u>		SPACER	2
17	<u>00653-G1</u>		WASHER, 3/8" (STAINLESS STEEL).....	2
18	<u>00665-G3</u>		BOLT, 3/8 - 16 X 2 1/2" LG (STAINLESS STEEL)	2
19	<u>00665-G6</u>		BOLT, 3/8 - 16 X 2" LG (STAINLESS STEEL)	2
20	<u>24647-G1</u>		SPACER, 1/4"	2
21				
22				
23	<u>19528-G2</u>		REAR VIEW MIRROR KIT (INCLUDES ITEMS 24 - 26)	1
24	<u>19496-G1</u>		REAR VIEW MIRROR	1
25	<u>19502-G2</u>		SUPPORT BRACKET.....	1
26	<u>19527-G1</u>		SCREW, #8 - 32 X 5/8" LG (STAINLESS STEEL).....	1
27				
28	<u>71966-G04</u>		WINDSHIELD KIT (LEXAN) (REQUIRES SUN TOP KIT) (INCLUDES ITEMS 29 - 35).....	1
29	*		WINDSHIELD	1

WEATHER PROTECTION

THE USE OF NON U.L. PARTS WILL VOID ANY U.L. LISTING.

When ordering parts, please specify the model and serial number of the product.

* Indicates a component that is not available as an individual part.

G** Indicates consult Customer Service Department for additional information.

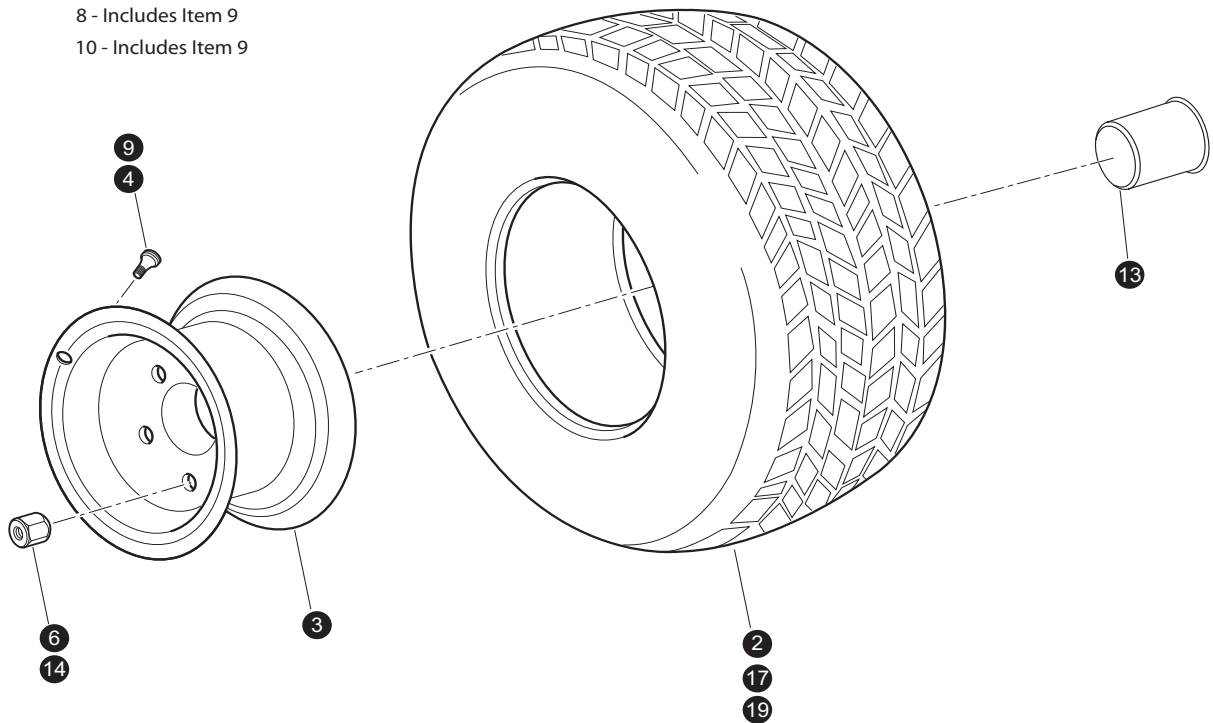
ITEM	PART NO.	1	2	3	4	5	DESCRIPTION	QTY.
30	110-035A						SASH, 26" LG	2
31	110-072A						SCREW, 1/4 - 20 X 1 3/4" LG (STAINLESS STEEL).....	2
32	110-072B						WASHER, 1/4" (STAINLESS STEEL).....	4
33	<u>110-072C</u>						RUBBER GROMMET	2
34	010-072D						LOCK NUT, 1/4 - 20 (STAINLESS STEEL).....	2
35	110-066						LABEL (SAFETY)	1
36	<u>75524-G03</u>						WINDSHIELD KIT FLAT (INCLUDES ITEMS 37 - 44).....	1
37	E4WFX03						WINDSHIELD (4 CADDY)	1
38	EGWHC12						SASH, 26" LG	2
39	EGWHS12						STAINLESS STEEL SCREW, 1/4-20 X1 3/4" LG	2
40	EGWHW12						STAINLESS STEEL WASHER, 1/4"	4
41	EGWHG13						RUBBER GROMMET	2
42	EGWHN12						STAINLESS STEEL LOCK NUT, 1/4 - 20	2
43	EGWHL14						SAFETY LABEL.....	1
44								
45	<u>75492-G01</u>						WEATHER ENCLOSURE (3 SIDED)	1
<p>Replacement Parts for items 30-35 may be obtained from:</p> <p>Eagle Parts, Inc 1811 Wilkinson Rd. Augusta, GA 30904 Telephone (706) 729-9911 Fax (706) 729-9955</p>								

WHEELS AND TIRES

1 - Includes Items 2, 3, 4

8 - Includes Item 9

10 - Includes Item 9



(Style of tire may differ from tire shown)

Ref Whl 11

WHEELS AND TIRES

When ordering parts, please specify the model and serial number of the product.
 * Indicates a component that is not available as an individual part.
 G** Indicates consult Customer Service Department for additional information.

ITEM	PART NO.	1 2 3 4 5	DESCRIPTION	QTY.
1	<u>28442-G03</u>		WHEEL AND TIRE ASSEMBLY (INCLUDES ITEMS 2, 3, 4).....	AR
2	<u>28442-G02</u>		TIRE, 20 X 10 - 10 TURF SAVER®.....	1
3	<u>15172-G02</u>		WHEEL RIM, BLACK (4 LUG).....	1
4	<u>11657-G1</u>		VALVE STEM.....	1
5				
6	<u>14723-G1</u>		LUG NUT, 1/2 -20.....	AR
7				
8	<u>74842-G03</u>		WHEEL AND TIRE ASSEMBLY LH (BLK) (INCLUDES ITEM 9).....	AR
9	012007		VALVE STEM.....	1
10	<u>74842-G04</u>		WHEEL AND TIRE ASSEMBLY RH (BLK) (INCLUDES ITEM 9).....	AR
11				
12	<u>605228</u>		POLISHED WHEEL AND RIGHT PATHFINDER TIRE.....	AR
13	<u>604929</u>		CENTER CAP.....	1
14	601354		LUG NUT.....	4
15	<u>604930</u>		POLISHED WHEEL AND LEFT PATHFINDER TIRE.....	AR
16	<u>28630-G04</u>		TIRE & WHEEL ASSY LH (FRONT & REAR) (BLK).....	2
17	<u>28630-G01</u>		TIRE 22 X 9 -10 STRYKER.....	2
18	<u>28630-G05</u>		TIRE & WHEEL ASSY RH (FRONT & REAR) (BLK).....	2
19	<u>28630-G01</u>		TIRE 22 X 9 -10 STRYKER.....	2

Notes:

A large grid of graph paper, consisting of 20 columns and 30 rows of small squares, intended for taking notes.

SPECIALTY PRODUCTS

SPECIALTY PRODUCTS

SPECIAL TOOLS	PART NO.
HIGH RESISTANCE SPARK PLUG WIRE SET	26733-G02
CLUTCH PULLER (DRIVE)	19779-G2
FLYWHEEL PULLER	27111-G01
CURRENT INDICATOR	16489-G2
DIGITAL MULTI-METER	27481-G01
TUBELESS TIRE REPAIR KIT	606009
TIRE PLUGGER REFIL PACK (50/BOX)	606831

TOUCH UP PAINT	PART NO.
PEN 3 OUNCE (89 ML) - HUNTER GREEN	28432-G02
PEN 3 OUNCE (89 ML) - CHAMPAGNE BEIGE	28432-G01
PEN 3 OUNCE (89 ML) - WHITE	28432-G05
PEN 3 OUNCE (89 ML) - INDUSTRIAL YELLOW	28432-G03
PEN 3 OUNCE (89 ML) - ORANGE	28432-G04
PEN 3 OUNCE (89 ML) - STEEL BLUE PEARL	28432-G24
PEN 3 OUNCE (89 ML) - OLIVE GREEN	28432-G**
PEN 3 OUNCE (89 ML) - CAMOUFLAGE PAINT (THREE PENS)	75831-G01
AEROSOL 12 OUNCE (360 ML) - HUNTER GREEN	28140-G09
AEROSOL 12 OUNCE (360 ML) - CHAMPAGNE BEIGE	28140-G15
AEROSOL 12 OUNCE (360 ML) - INDUSTRIAL YELLOW	28140-G14

MAINTENANCE PRODUCTS	PART NO.
PLEXUS® CLEANER, 13 OUNCE (380 ML) (FOR WINDSHIELDS)	28433-G02
BATTERY PROTECTOR, 14 OUNCE (410 ML) SPRAY	27619-G02
E-Z-GO ALLSURFACE CLEANER	606311
E-Z-GO FIBERGLASS/PLASTIC RESTORER	606313
WIND SHIELD AND PLASTIC PROTECTOR	606314
64 OZ HAND CLEANER	607636
4 OZ HAND CLEANER	607637

OPTIONS/ACCESSORIES

OPTIONS/ACCESSORIES

ITEM	KIT NO.	SECTION
ASHTRAY KIT	75109G02	See BODY
BOX COOLER AND BRACKET KIT	71048G01	See BODY
DIFFERENTIAL GUARD	72347G01	See REAR AXLE
FRONT BASKET	74521G02	See BODY
GLOVE BOX DOOR	75459G0*	See BODY
GUN HOLDER (FLOOR MOUNT)	74365G01	See BODY
GUN HOLDER (SWIVEL MOUNT)	74533G01	See BODY
HOUR METER KIT	75114G02	See ELECTRICAL SYSTEM
REAR VIEW MIRROR KIT	19528G2	See WEATHER PROTECTION
SOFT ENCLOSURE	75492G01	See WEATHER PROTECTION
SUN TOP KIT	75123G01	See WEATHER PROTECTION
TURN SIGNAL KIT	75107G01	See ELECTRICAL SYSTEM
WINDSHIELD (POLYCARBONATE)	71966G01	See WEATHER PROTECTION
TIRE DOMINATOR 20X11-10	605316	Wheels and Tires
PATHFINDER TIRE, BRUSHED WHEEL LH	605355	Wheels and Tires
PATHFINDER TIRE, BRUSHED WHEEL RH	605356	Wheels and Tires
V-STEM-BRUSHED SPOKED WHEEL	605351	Wheels and Tires
DOMINATOR - POLISHED WHEEL	605319	Wheels and Tires
DOMINATOR - BRUSHED WHEEL	605320	Wheels and Tires
CHROME CENTER CAP - SPOKED WHEEL	604929	Wheels and Tires
NUT, LUG-CHROME	605310	Wheels and Tires
V-STEM-POLISHED SPOKED WHEEL	605311	Wheels and Tires
PATHFINDER TIRE 22X11-10	604928	Wheels and Tires
PATHFINDER TIRE, POLISHED WHEEL LH	604930	Wheels and Tires
PATHFINDER TIRE, POLISHED WHEEL RH	605228	Wheels and Tires
WHEEL INSTL FRT/RR 20X9X10 STRYKER	605664	Wheels and Tires
SEAT BTM COVER FRONT/REAR W/PIPPING	604912GXXXX	Seating
SEAT BACK FRNT/RR COVER - W/PIPPING	604916GXXXX	Seating
VINYL CVR-SEAT BTM CC W/PIPPING	604920GXXXX	Seating
SEAT BOTTOM CONV-CARR W/PIPPING	605372GXXXX	Seating
SEAT BACK CUST W/PIPPING	605373GXXXX	Seating
SEAT BOTTOM FRONT W/PIPPING	605374GXXXX	Seating

OPTIONS/ACCESSORIES

ITEM	KIT NO.	SECTION
SEAT BOTTOM REAR W/PIPPING.....	605375GXXXX.....	Seating
RED BBODY FLAME W/LNR W/LGT INSTL.....	74862G139.....	Body
WHITE FLIP FLOP ON RED SEAT INSTL.....	71040G29.....	Seating
WHITE ON RED CONV. CARRIER INSTL.....	74852G11.....	Seating
MOD-CE MARK W/CE KIT.....	606431	
WHEEL ASSEMBLY - TERRA TRAC.....	608915.....	Wheels and Tires - CLAYS CAR
WHEEL ASSEMBLY - TERRA TRAC.....	608915.....	Wheels and Tires - CLAYS CAR, CARB
WHEEL ASSEMBLY - TERRA TRAC.....	608915.....	Wheels and Tires - SPORT 2+2 G
WHEEL ASSEMBLY - TERRA TRAC.....	608915.....	Wheels and Tires - SPORT 2+2 G CARB

OPTIONS/ACCESSORIES



A Textron Company

E-Z-GO Division Of Textron, Inc.,
1451 Marvin Griffin Road, Augusta, Georgia USA 30906-3852

TO CONTACT US

North America:

Technical Assistance & Warranty Phone: 1-800-774-3946, FAX: 1-800-448-8124
Service Parts Phone: 1-888-GET-EZGO (1-888-438-3946), FAX: 1-800-752-6175

International:

Phone: 001-706-798-4311, FAX: 001-706-771-4609

Certified ISO 9001 / ISO 14001 by



Copyrighted Material
This manual may not be reproduced in whole or
in part without the express permission of
E-Z-GO Division of Textron, Inc.
Technical Communications Department