



A Textron Company

Express S4

Service Parts Manual

SERVICE PARTS MANUAL

GASOLINE EFI POWERED UTILITY VEHICLE

EXPRESS S4

STARTING MID-MODEL YEAR 2019

Never modify the vehicle in any way that will alter the weight distribution of the vehicle, decrease its stability or increase the speed beyond the factory specifications. Such modifications can cause serious personal injury or death. Textron Specialized Vehicles prohibits and dis-claims responsibility for any such modifications or any other alteration which would adversely affect the safety of the vehicle. TSV reserves the right to incorporate engineering and design changes to products in this manual, without obligation to include these changes on units sold previously.

The information contained in this manual may be revised periodically by TSV, and therefore is subject to change without notice.

TSV DISCLAIMS LIABILITY FOR ERRORS IN THIS MANUAL, and SPECIFICALLY DISCLAIMS LIABILITY FOR INCIDENTAL AND CONSEQUENTIAL DAMAGES resulting from the use of the information and materials in this manual.

These are the original instructions as defined by 2006/42/EC.

TO CONTACT US:

Textron Specialized Vehicles, Inc.
1451 Marvin Griffin Road
Augusta, Georgia, USA 30906-3852

NORTH AMERICA:

Technical Assistance & Warranty PHONE: 1-800-774-3946, FAX: 1-800-448-8124

Service Parts PHONE: 1-888-438-3946, FAX: 1-800-752-6175

International: PHONE: 001-706-798-4311, FAX: 001-706-771-4609

GENERAL INFORMATION

To obtain a copy of the limited warranty applicable to the vehicle, call or write a local Distributor, authorized Branch or the Warranty Department with vehicle serial number and manufacturer code.

The use of non Original Equipment Manufacturer (OEM) approved parts may void the warranty.

Tampering with or adjusting the governor to permit vehicle to operate at above factory specifications will void the vehicle warranty.

When servicing engines, all adjustments and replacement components must be per original vehicle specifications in order to maintain the United States of America Federal and State emission certification applicable at the time of manufacture.

BATTERY PROLONGED STORAGE

All batteries will self discharge over time. The rate of self discharge varies depending on the ambient temperature and the age and condition of the batteries.

A fully charged battery will not freeze in winter temperatures unless the temperature falls below -75° F (-60° C).

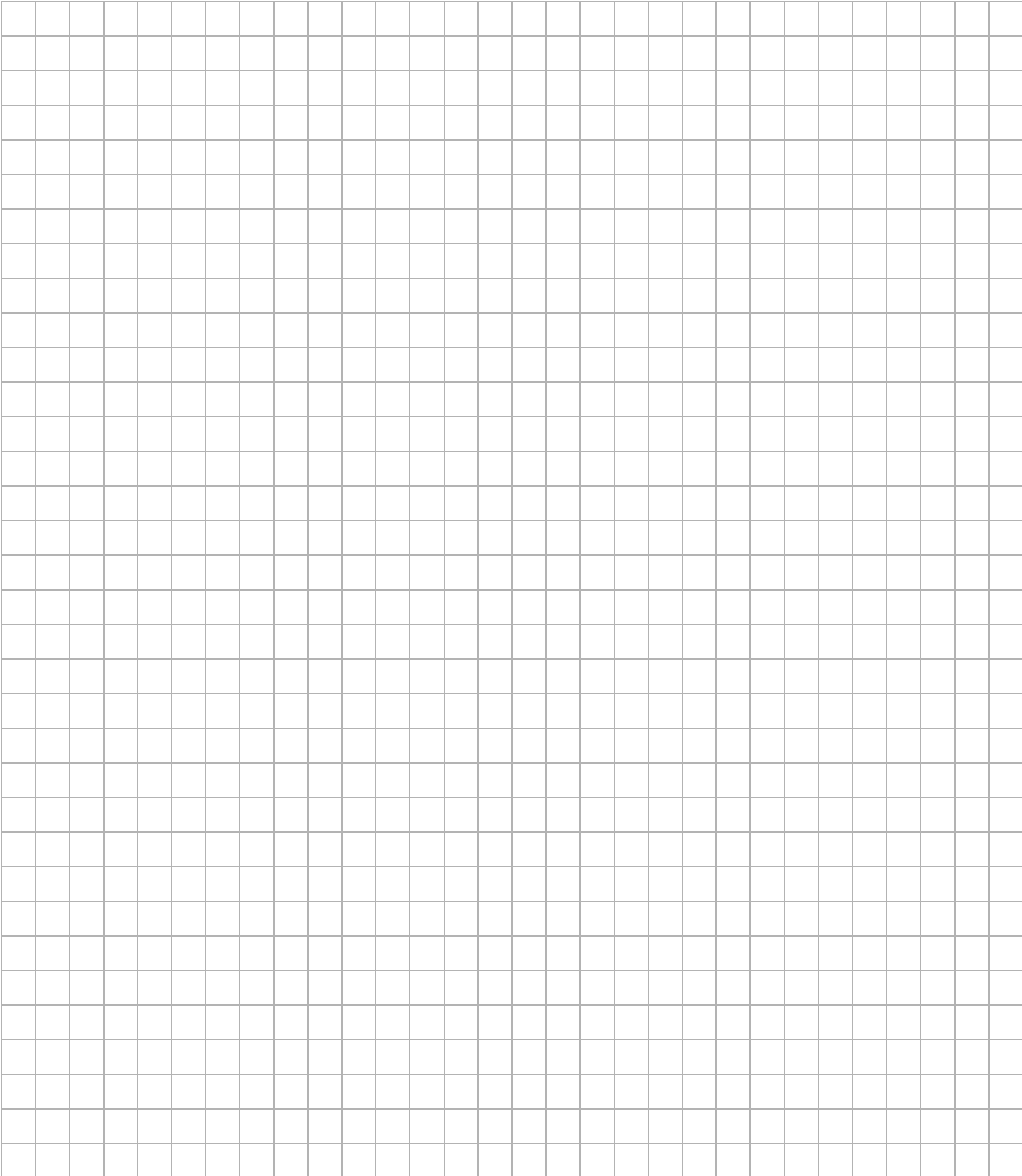
BATTERY DISPOSAL

Lead-acid batteries are recyclable. Return whole scrap batteries to distributor, manufacturer or lead smelter for recycling. For neutralized spills, place residue in acid-resistant containers with absorbent material, sand or earth and dispose of in accordance with local, state and federal regulations for acid and lead compounds. Contact local and/or state environmental officials regarding disposal information.

TABLE OF CONTENTS

| SECTION | Page No. |
|--|-----------------|
| HOW TO USE THE SERVICE PARTS MANUAL..... | V |
| ACCELERATOR..... | A - 1 |
| AIR FILTER..... | B - 1 |
| BODY..... | C - 1 |
| BRAKES..... | D - 1 |
| CLUTCH..... | E - 1 |
| DIRECTION SELECTOR..... | F - 1 |
| ELECTRICAL..... | G - 1 |
| ENGINE AND MUFFLER..... | H - 1 |
| ENGINE MOUNTING..... | J - 1 |
| FRONT SUSPENSION AND STEERING..... | K - 1 |
| FUEL SYSTEM..... | L - 1 |
| REAR AXLE..... | M - 1 |
| REAR SUSPENSION..... | N - 1 |
| SEATING..... | P - 1 |
| STARTER/GENERATOR..... | R - 1 |
| WEATHER PROTECTION..... | S - 1 |
| WHEELS AND TIRES..... | T - 1 |
| DECALS AND LABELS..... | U - 1 |

NOTES



HOW TO USE THE SERVICE PARTS MANUAL

This manual is divided into several sections:

- GENERAL INFORMATION
- ILLUSTRATED PARTS BREAKDOWN

The first section, GENERAL INFORMATION, contains the following information:

- WARRANTY INFORMATION
- TABLE OF CONTENT
- HOW TO USE THE SERVICE PARTS MANUAL

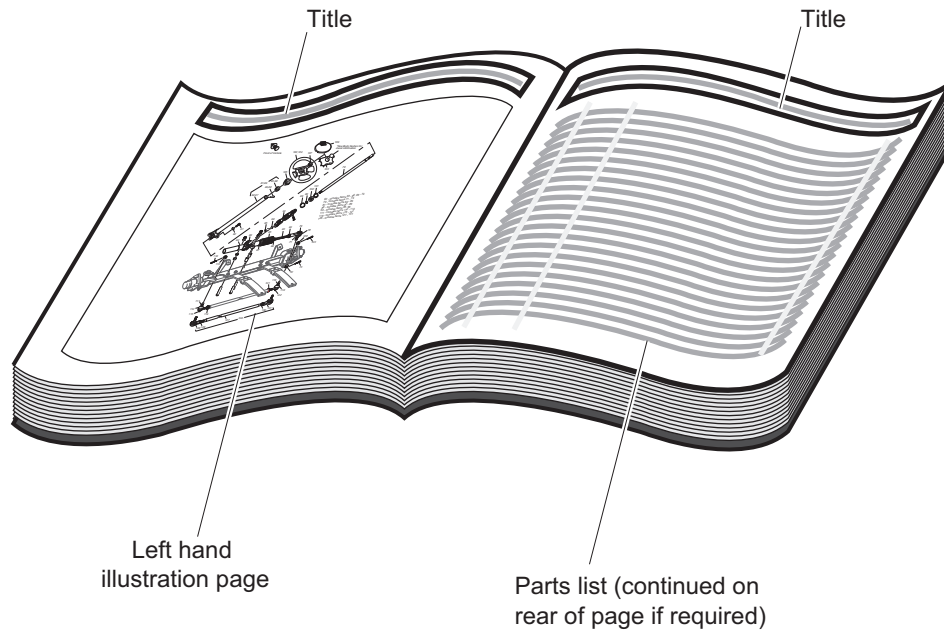
The second section, ILLUSTRATED PARTS BREAKDOWN, contains illustrations and parts lists for all systems of your vehicle.

USE OF THE MANUAL

To use this manual, consult the TABLE OF CONTENTS to locate the information or illustration required.

Introduction of some revisions varies due to supply of components; therefore, it is possible that various combinations of components may be found that are not directly reflected by each illustration. Consult the illustration that best suits your situation and then contact the Service Parts Department. It is important that the serial number or VIN of your vehicle and the model name be supplied to Service Parts when ordering any replacement components.

HOW TO USE THE SERVICE PARTS MANUAL



1. WHEN THE PART NUMBER IS NOT KNOWN

- Determine the function and application of the part required. Turn to the Table of Content and select the most appropriate title.
- Turn to the page number indicated and locate the desired part on the illustration.
- From the illustration, obtain the item number assigned to the desired part. Refer to the accompanying description for specific information regarding the part.

2. IF YOU KNOW THE PART NUMBER

- Locate the part number or description in the appropriate column on the parts list page.

NOTE: It is suggested that you confirm that the part selected is correct by verifying it with the pictorial representation on the illustrated page.

Should an asterisk (*) appear in the part number column on the parts list page, read upwards until a part number is found. The part number is the lowest assembly sold by Service Parts and the asterisk (*) indicates that the part depicted is not available for purchase.

NOTE: Descriptions are indented under the assembly that they are used on. That assembly is, in turn listed under the assembly that it is used on. This process is repeated until the highest final assembly is reached.

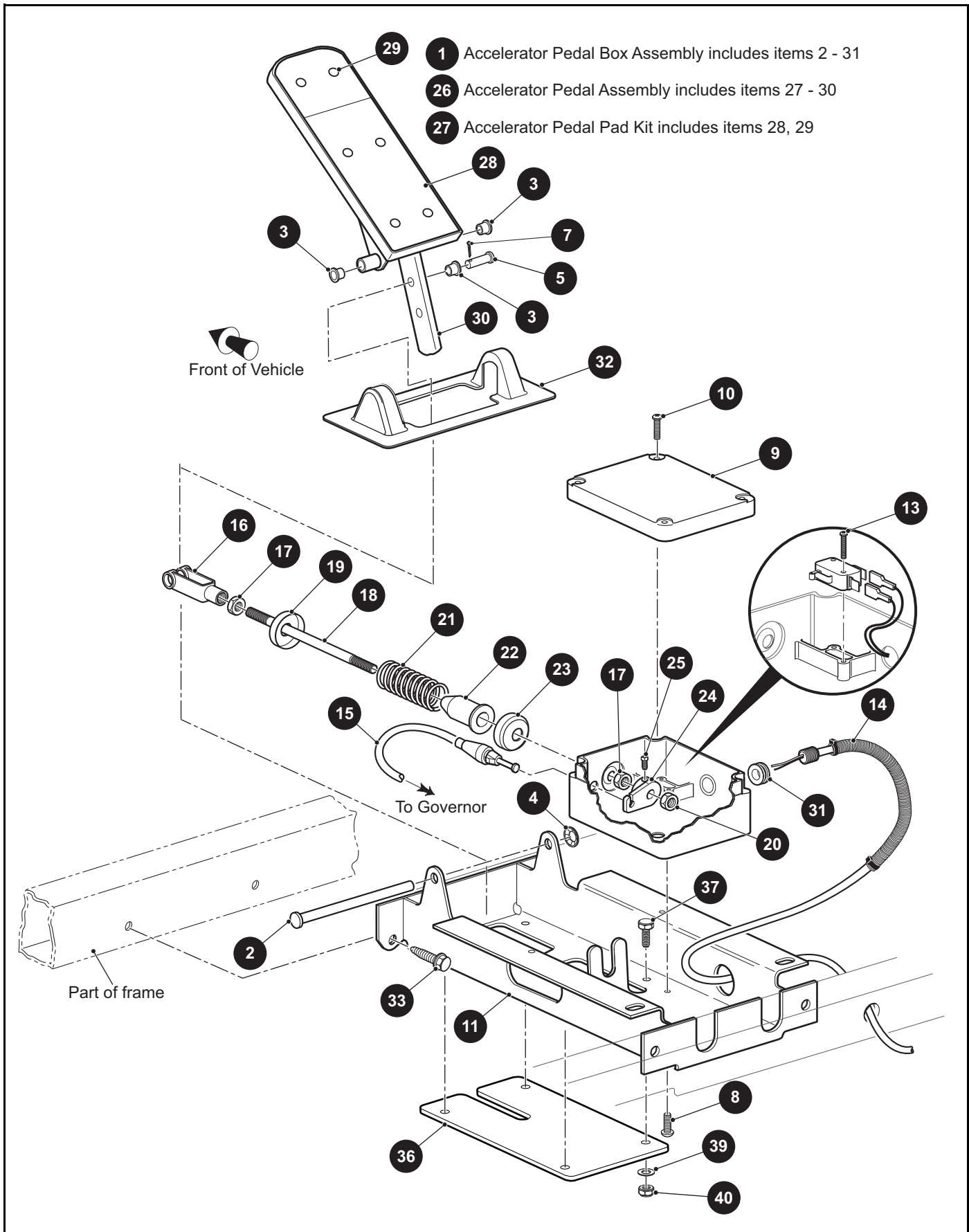
To facilitate the maintenance and repair of the vehicle, a Repair and Service Manual is available from the Service Parts Department.

3. COLOR CODE FOR BODY COMPONENTS

The last two digits of the part number for the body part will denote the color code, locate the part number for the cowl, rear body, seat pod, side panel or seat wrap then locate your color in the list below, replace the last ** or XX with the two digit color code.

| <u>CODE #</u> | <u>DESCRIPTION</u> |
|----------------------|---------------------------|
| 02 | SPECIAL COLOR |
| 11 | BLACK |
| 19 | PATRIOT BLUE PEARL |
| 20 | INFERNO RED METALLIC |
| 26 | STEEL BLUE PEARL |
| 31 | METALLIC CHARCOAL |
| 35 | SAFETY YELLOW |
| 36 | IVORY |
| 37 | FOREST GREEN |
| 38 | BRIGHT WHITE |
| 39 | FLAME RED |
| 41 | ELECTRIC BLUE |
| 42 | PLATINUM |
| 43 | BURGUNDY |
| 44 | ALMOND |
| 51 | SUNBURST ORANGE |
| 52 | BRITISH RACING GREEN |
| 69 | MONSTER GREEN |
| 74 | BARLEY GOLD |
| 75 | OASIS GREEN |
| 76 | JAVA BROWN |
| 79 | JACOBSEN ORANGE 172 |
| A5 | OCEAN BLUE |

ACCELERATOR



THE USE OF NON U.L. PARTS WILL VOID ANY U.L. LISTING.

When ordering parts, please specify the model and serial number of the product.

* Indicates a component that is not available as an individual part.

*** Indicates consult Customer Service Department for additional information.

| ITEM | PART NO. | 1 2 3 4 5 | DESCRIPTION | QTY. |
|------|------------------|-----------|--|------|
| 1 | 660444 | | Accelerator Pedal Box Assembly (Includes Items 2 - 31) | 1 |
| 2 | <u>74432G01</u> | | Pedal Pivot Pin | 1 |
| 3 | <u>17838G1</u> | | Nyliner Bushing | 3 |
| 4 | <u>12064G6</u> | | Push Nut..... | 1 |
| 5 | <u>10386G3</u> | | Clevis Pin, 5/16" x 13/16" | 1 |
| 6 | | | | |
| 7 | <u>10387G3</u> | | Cotter Pin, 3/32" x 3/4" | 1 |
| 8 | <u>01051G01</u> | | Pan Head Phillips Screw, #8 - 16 x 1/2" Lg | 4 |
| 9 | <u>25853G03</u> | | Pedal Box and Cover..... | 1 |
| 10 | <u>00684G6</u> | | Truss Head Phillips Screw, #8 - 16 x 1/2" Lg..... | 2 |
| 11 | <u>652241G03</u> | | Accelerator Pedal Bracket..... | 1 |
| 12 | | | | |
| 13 | <u>01050G02</u> | | Pan Head Torx Screw, #4 - 20 x 5/8" Lg..... | 2 |
| 14 | <u>658940</u> | | Pedal Box Harness..... | 1 |
| 15 | <u>608608</u> | | Accelerator Cable | 1 |
| 16 | 10385G4 | | Clevis Yoke | 1 |
| 17 | <u>00532G4</u> | | Hex Nut, 5/16" - 24 | 2 |
| 18 | 72072G01 | | Accelerator Rod..... | 1 |
| 19 | <u>17677G2</u> | | Spring Retainer..... | 1 |
| 20 | <u>15126G1</u> | | Lock Nut, 5/16" - 24..... | 1 |
| 21 | <u>73046G01</u> | | Compression Spring | 1 |
| 22 | <u>17979G1</u> | | Accelerator Rod Bushing..... | 1 |
| 23 | <u>17677G1</u> | | Spring Retainer..... | 1 |
| 24 | <u>72716G01</u> | | Cam (Micro Switch) | 1 |
| 25 | <u>00487G3</u> | | Socket Head Screw, 1/4" - 20 x 3/8" Lg..... | 1 |
| 26 | <u>25799G03</u> | | Accelerator Pedal Assembly (Includes Items 27 - 30) | 1 |
| 27 | <u>27844G01</u> | | Accelerator Pedal Pad Kit (Includes Items 28, 29)..... | 1 |
| 28 | <u>27512G01</u> | | Pedal Pad | 1 |
| 29 | <u>15766G1</u> | | Oval Rivet, 3/8" x 15/32" Lg..... | 6 |
| 30 | * | | Accelerator Pedal..... | 1 |
| 31 | <u>654645</u> | | Grommet (Rubber) | 1 |

ACCELERATOR

THE USE OF NON U.L. PARTS WILL VOID ANY U.L. LISTING.

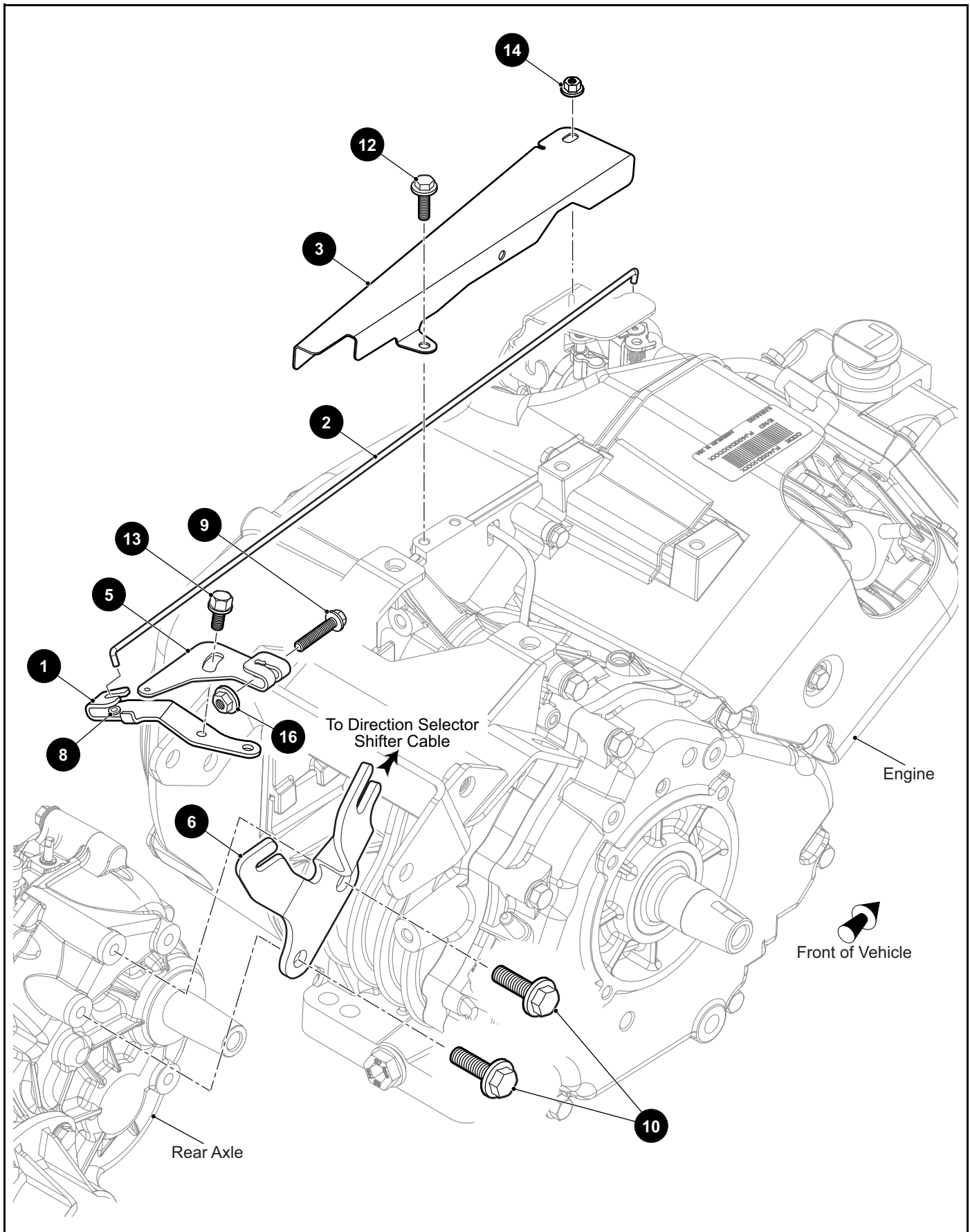
When ordering parts, please specify the model and serial number of the product.

* Indicates a component that is not available as an individual part.

*** Indicates consult Customer Service Department for additional information.

| ITEM | PART NO. | 1 | 2 | 3 | 4 | 5 | DESCRIPTION | QTY. |
|------|------------------|---|---|---|---|---|--|------|
| 32 | <u>70135G01</u> | | | | | | Pedal Pivot Cover..... | 1 |
| 33 | <u>00715G2</u> | | | | | | Hex Washer Head Bolt, 5/16" - 18 x 3/4" Lg..... | 4 |
| 34 | | | | | | | | |
| 35 | | | | | | | | |
| 36 | <u>652780G03</u> | | | | | | Pedal Guard | 1 |
| 37 | <u>00414G6</u> | | | | | | Hex Head Bolt, 1/4" - 20 x 3/4" Lg, Grade 5..... | 4 |
| 38 | | | | | | | | |
| 39 | <u>01110G01</u> | | | | | | Flat Washer (SS), 1/4" | 4 |
| 40 | <u>00654G2</u> | | | | | | Lock Nut (SS), 1/4" - 20..... | 4 |
| 41 | | | | | | | | |
| 42 | <u>17618G1</u> | | | | | | Nylon Clamp, 8" Lg (Not Illustrated) | 3 |

ACCELERATOR



THE USE OF NON U.L. PARTS WILL VOID ANY U.L. LISTING.

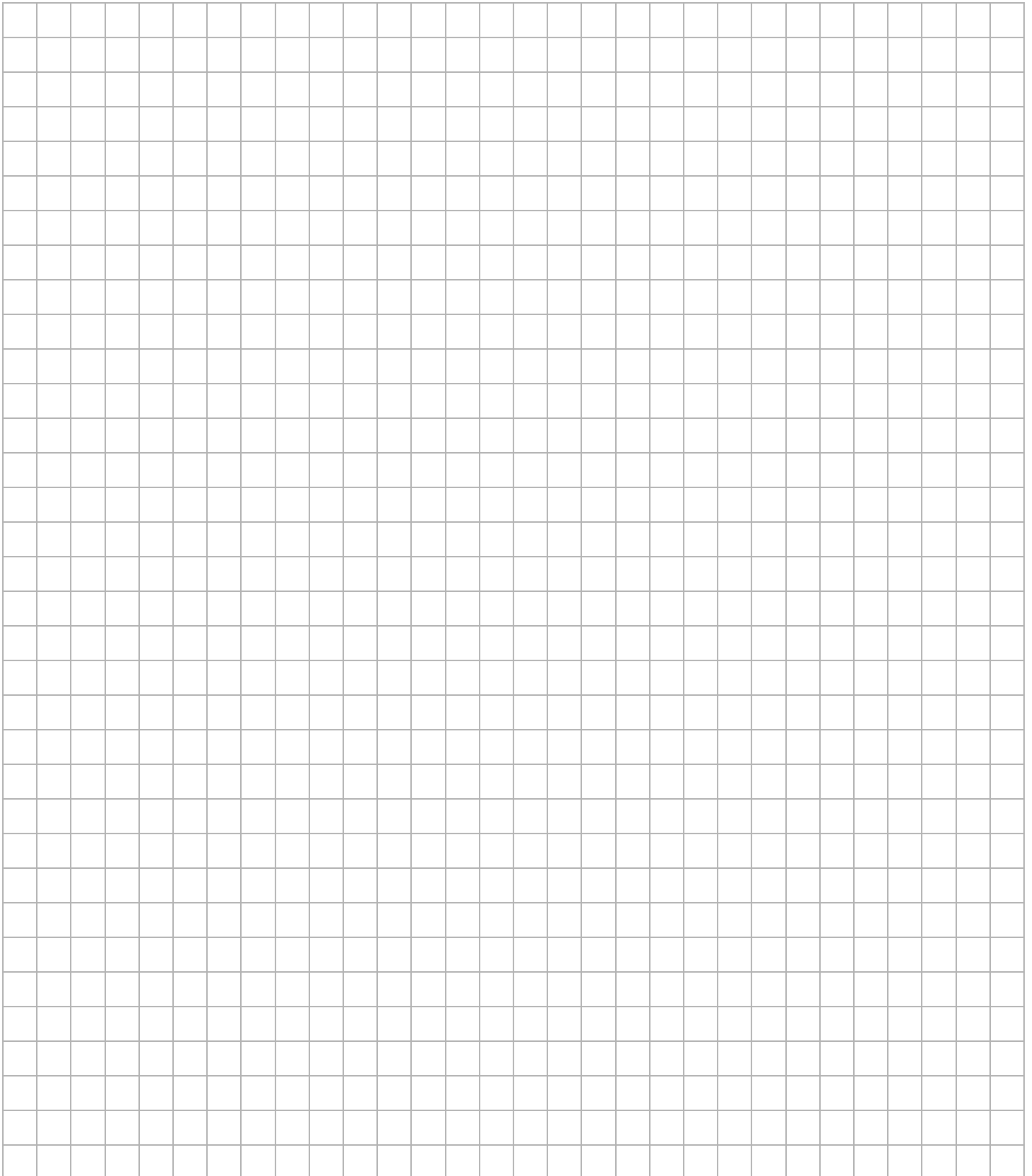
When ordering parts, please specify the model and serial number of the product.

* Indicates a component that is not available as an individual part.

*** Indicates consult Customer Service Department for additional information.

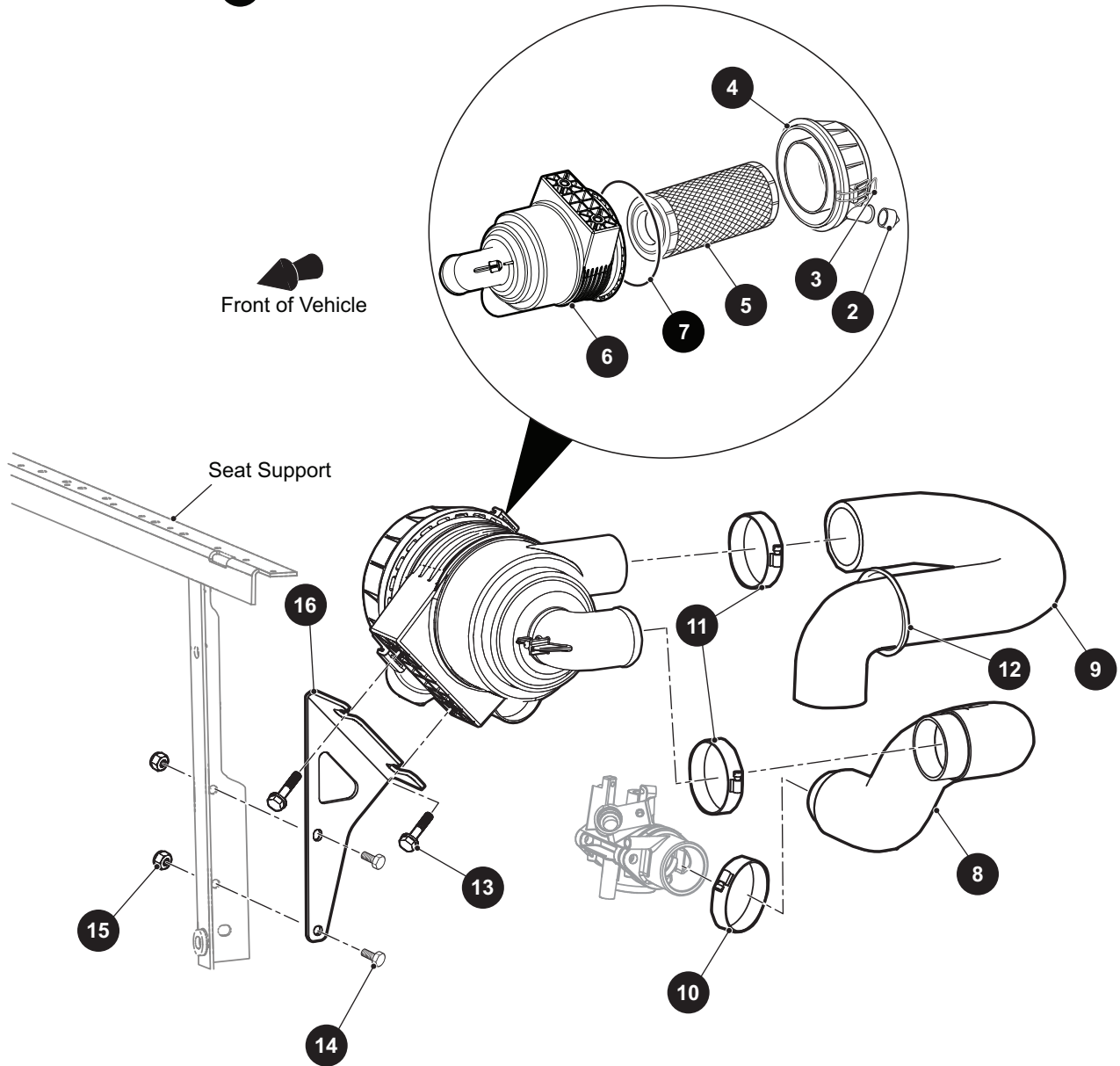
| ITEM | PART NO. | 1 2 3 4 5 | DESCRIPTION | QTY. |
|------|-----------------|-----------|---|------|
| 1 | <u>606005</u> | | Governor Bracket (Lower)..... | 1 |
| 2 | <u>606284</u> | | Governor Link Rod..... | 1 |
| 3 | <u>660005</u> | | Governor Rod Guard..... | 1 |
| 4 | | | | |
| 5 | <u>606083</u> | | Governor Bracket (Upper)..... | 1 |
| 6 | <u>632936</u> | | Governor Cable / Direction Selector Bracket..... | 1 |
| 7 | | | | |
| 8 | <u>606283</u> | | Governor Lever Bushing..... | 1 |
| 9 | <u>606421</u> | | Flanged Hex Head Bolt, M6 - 1 x 30mm Lg, Grade 8.8..... | 1 |
| 10 | <u>606256</u> | | Flanged Hex Head Bolt, M10 - 1.25 x 25mm Lg, Grade 8.8..... | 2 |
| 11 | | | | |
| 12 | <u>606264</u> | | Flanged Hex Head Bolt, M6 - 1 x 20mm Lg, Grade 8.8..... | 1 |
| 13 | <u>73876G01</u> | | Flanged Hex Head Bolt, M6 - 1 x 12mm Lg, Grade 8.8..... | 1 |
| 14 | <u>601476</u> | | Lock Nut, M6 - 1..... | 1 |
| 15 | | | | |
| 16 | <u>450452</u> | | Flanged Hex Nut, M6 - 1..... | 1 |

Notes:

A large grid for taking notes, consisting of many small squares. The grid is 30 columns wide and 35 rows high, providing a structured area for writing down information.

AIR FILTER

1 Air Filter Assembly includes items 2 - 7



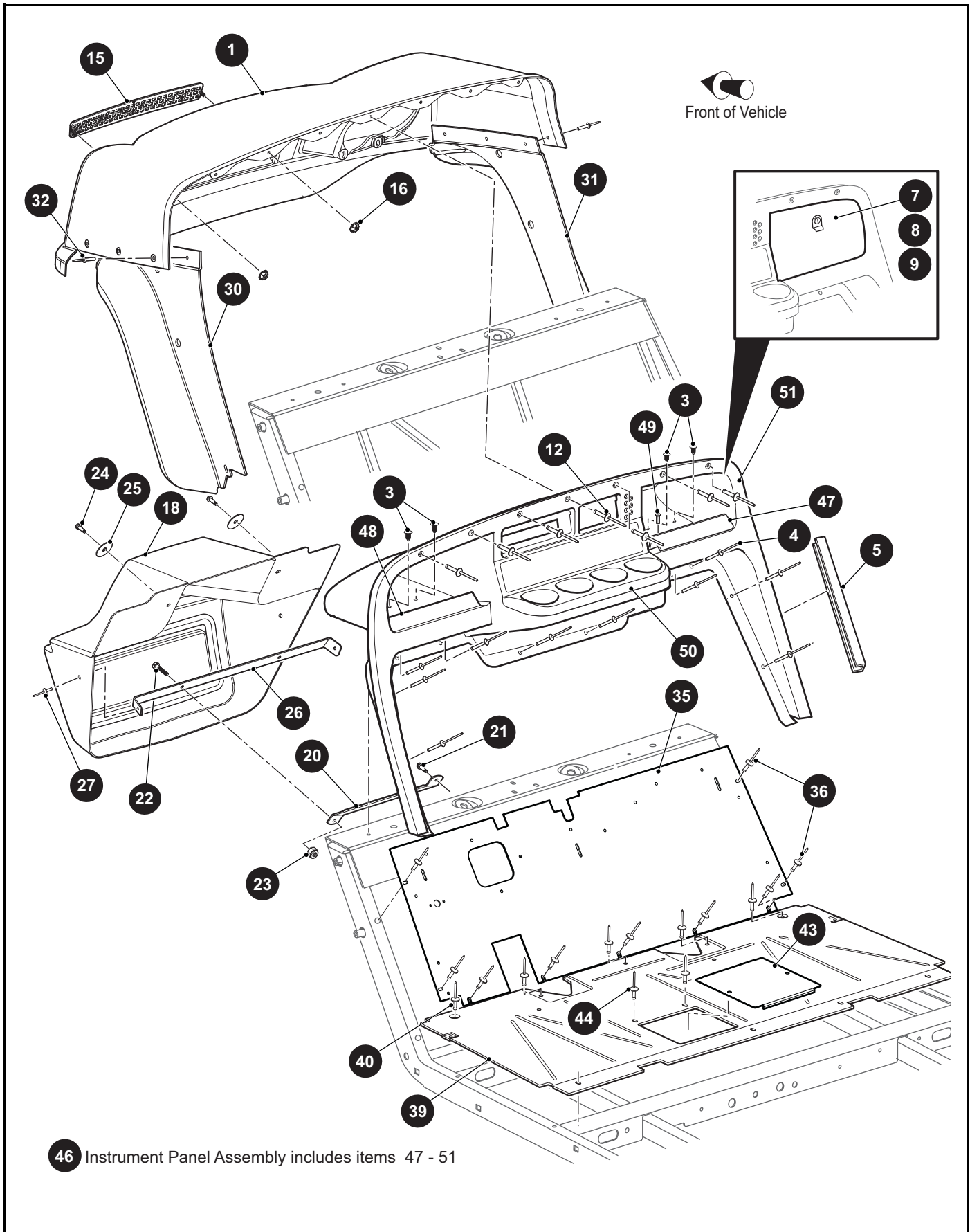
THE USE OF NON U.L. PARTS WILL VOID ANY U.L. LISTING.

When ordering parts, please specify the model and serial number of the product.

* Indicates a component that is not available as an individual part.

*** Indicates consult Customer Service Department for additional information.

| ITEM | PART NO. | 1 2 3 4 5 | DESCRIPTION | QTY. |
|------|-----------------|-----------|--|------|
| 1 | 688989 | | Air Filter Assembly (Includes Items 2 - 7)..... | 1 |
| 2 | <u>28462G01</u> | | Dust Ejector Valve | 1 |
| 3 | <u>72604G01</u> | | Air Cleaner Clip | 2 |
| 4 | 691746 | | Air Cleaner Cover | 1 |
| 5 | <u>28463G01</u> | | Air Filter | 1 |
| 6 | 689988 | | Air Cleaner Housing | 1 |
| 7 | 689987 | | Air Cleaner Seal | 1 |
| 8 | <u>601910</u> | | Air Filter Tube..... | 1 |
| 9 | <u>661661</u> | | Intake Extension Hose | 1 |
| 10 | <u>11391G5</u> | | Hose Clamp, .81" | 1 |
| 11 | <u>11391G7</u> | | Hose Clamp, 1.56" | 2 |
| 12 | <u>12416G2</u> | | Nylon Clamp, 11.8" Lg | 1 |
| 13 | <u>606261</u> | | Flanged Hex Head Bolt, M8 - 1.25 x 20mm Lg, Grade 8.8..... | 2 |
| 14 | <u>00414G7</u> | | Hex Head Bolt, 1/4" - 20 x 7/8" Lg, Grade 5 | 2 |
| 15 | <u>14390G4</u> | | Lock Nut, 1/4" - 20 | 2 |
| 16 | <u>659142</u> | | Air Cleaner Mounting Bracket | 1 |



THE USE OF NON U.L. PARTS WILL VOID ANY U.L. LISTING.

When ordering parts, please specify the model and serial number of the product.

* Indicates a component that is not available as an individual part.

*** Indicates consult Customer Service Department for additional information.

| ITEM | PART NO. | 1 2 3 4 5 | DESCRIPTION | QTY. |
|------|-----------------|-----------|--|------|
| 1 | 613036G0XX | | Cowl (See COLOR CODES in HOW TO USE Section)..... | 1 |
| 2 | | | | |
| 3 | <u>16816G2</u> | | Ratchet Fastener, 1/4" x .887" Lg..... | 4 |
| 4 | <u>71055G01</u> | | Rivet (Aluminum), 3/16" x .985" Lg | 10 |
| 5 | <u>71115G01</u> | | Trim (Vinyl)..... | 1 |
| 6 | | | | |
| 7 | <u>75459G01</u> | | Glove Box Doors (Both Sides)..... | 1 |
| 8 | <u>75459G02</u> | | Glove Box Door (Driver Side)..... | 1 |
| 9 | <u>75459G03</u> | | Glove Box Door (Passenger Side)..... | 1 |
| 10 | | | | |
| 11 | | | | |
| 12 | <u>71055G01</u> | | Rivet (Aluminum), 3/16" x .985" Lg | 7 |
| 13 | | | | |
| 14 | | | | |
| 15 | <u>617643</u> | | Cowl Grill Cover | 1 |
| 16 | <u>71597G01</u> | | Self Threading Nut, 5mm x 10mm x 15mm | 2 |
| 17 | | | | |
| 18 | <u>613273</u> | | Front Fascia | 1 |
| 19 | | | | |
| 20 | <u>654276</u> | | Front Fascia Mounting Brace | 1 |
| 21 | <u>01038G01</u> | | Hex Washer Head Swageform Screw, 1/4" - 20 x .70" Lg | 1 |
| 22 | <u>00414G6</u> | | Hex Head Bolt, 1/4" - 20 x 1/2" Lg, Grade 5 | 1 |
| 23 | <u>14390G4</u> | | Lock Nut, 1/4" - 20 | 1 |
| 24 | <u>01038G01</u> | | Hex Washer Head Swageform Screw, 1/4" - 20 x .70" Lg | 2 |
| 25 | <u>16469G1</u> | | Fender Washer | 2 |
| 26 | <u>654275</u> | | Front Fascia Mounting Bracket | 1 |
| 27 | <u>15058G1</u> | | Rivet (Aluminum), 3/16" x .450" Lg | 2 |
| 28 | | | | |
| 29 | | | | |
| 30 | <u>614378</u> | | Fender Flare (Driver Side) | 1 |
| 31 | <u>613274</u> | | Fender Flare (Passenger Side)..... | 1 |

BODY

THE USE OF NON U.L. PARTS WILL VOID ANY U.L. LISTING.

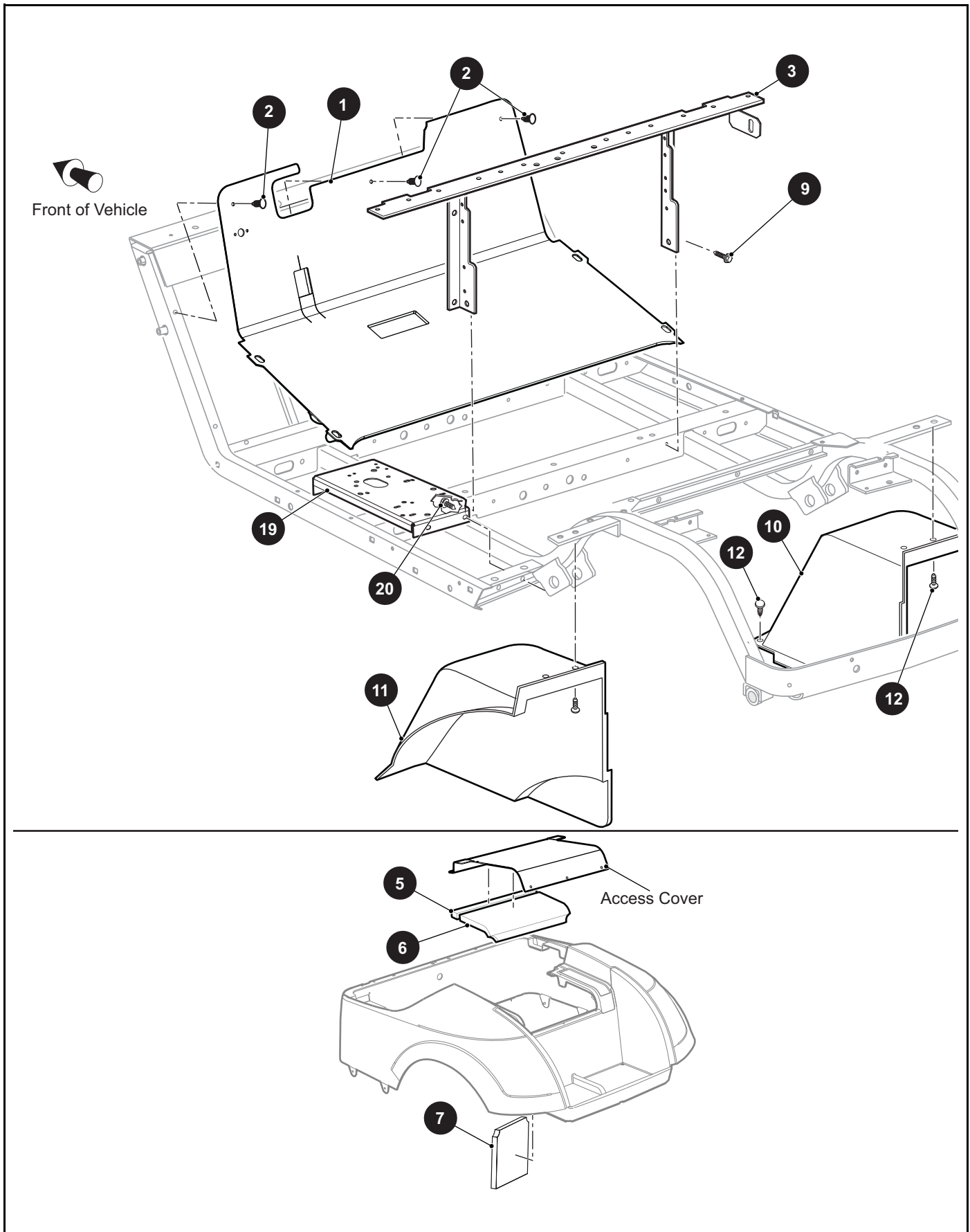
When ordering parts, please specify the model and serial number of the product.

* Indicates a component that is not available as an individual part.

*** Indicates consult Customer Service Department for additional information.

| ITEM | PART NO. | 1 | 2 | 3 | 4 | 5 | DESCRIPTION | QTY. |
|------|-----------------|---|---|---|---|---|--|------|
| 32 | <u>71055G01</u> | | | | | | Rivet (Aluminum), 3/16" x 1.118" Lg..... | 3 |
| 33 | | | | | | | | |
| 34 | | | | | | | | |
| 35 | <u>641260</u> | | | | | | Upper Floor Panel | 1 |
| 36 | <u>14601G11</u> | | | | | | Rivet (Aluminum), 3/16" x .575" Lg..... | 9 |
| 37 | | | | | | | | |
| 38 | | | | | | | | |
| 39 | <u>70451G01</u> | | | | | | Lower Floor Panel | 1 |
| 40 | <u>14601G11</u> | | | | | | Rivet (Aluminum), 3/16" x .575" Lg..... | 5 |
| 41 | | | | | | | | |
| 42 | | | | | | | | |
| 43 | <u>70452G01</u> | | | | | | Access Cover | 1 |
| 44 | <u>14601G11</u> | | | | | | Rivet (Aluminum), 3/16" x .575" Lg..... | 2 |
| 45 | | | | | | | | |
| 46 | <u>71151G03</u> | | | | | | Instrument Panel Assembly (Includes Items 47 - 51) | 1 |
| 47 | <u>71153G01</u> | | | | | | Deflector (Passenger Side)..... | 1 |
| 48 | <u>71154G01</u> | | | | | | Deflector (Driver Side)..... | 1 |
| 49 | 00614G3 | | | | | | Pan Head Phillips Screw, #8 - 15 x 3/8" Lg..... | 4 |
| 50 | <u>71158G01</u> | | | | | | Instrument Panel Insert (Four Cup)..... | 1 |
| 51 | 71152G01 | | | | | | Instrument Panel | 1 |

BODY



THE USE OF NON U.L. PARTS WILL VOID ANY U.L. LISTING.

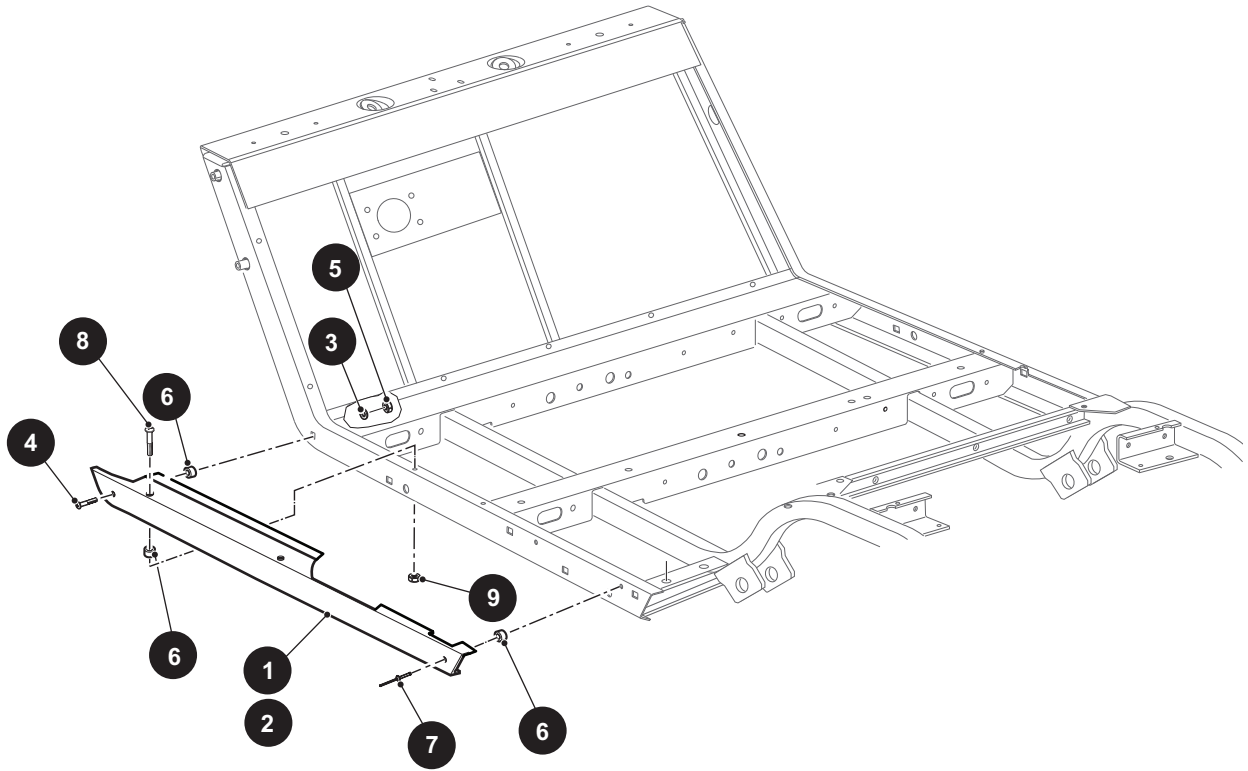
When ordering parts, please specify the model and serial number of the product.

* Indicates a component that is not available as an individual part.

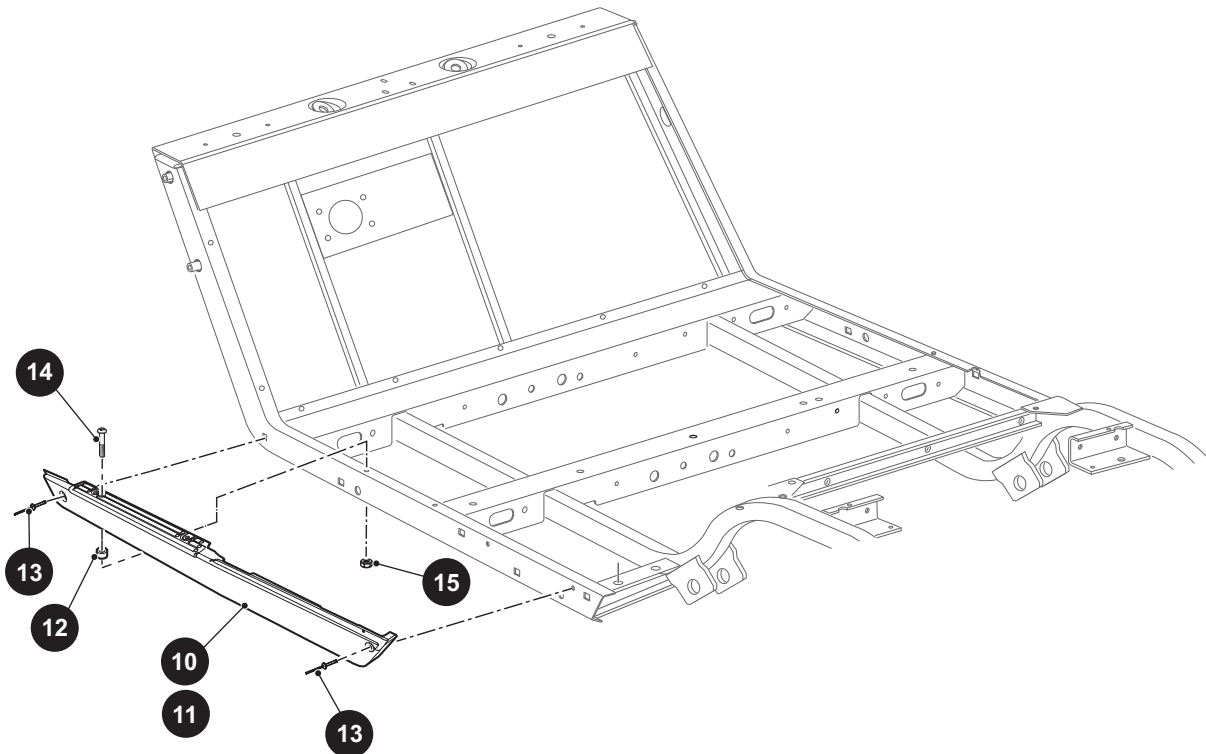
*** Indicates consult Customer Service Department for additional information.

| ITEM | PART NO. | 1 2 3 4 5 | DESCRIPTION | QTY. |
|------|------------------|-----------|---|------|
| 1 | <u>637535G02</u> | | Floormat with Horn Holes..... | 1 |
| 2 | <u>16816G1</u> | | Ratchet Rivet, .25" x .72" | 3 |
| 3 | <u>659143</u> | | Seat Frame | 1 |
| 4 | | | | |
| 5 | <u>659357</u> | | Sound Treatment, Small (Access Cover)..... | 1 |
| 6 | <u>657950</u> | | Sound Treatment, Large (Access Cover)..... | 1 |
| 7 | <u>657953</u> | | Sound Treatment (Rear Body) | 1 |
| 8 | | | | |
| 9 | <u>00715G2</u> | | Hex Washer Head Screw, 5/16" - 18 x .8" Lg..... | 2 |
| 10 | <u>635054G02</u> | | Fender Liner (Passenger Side)..... | 1 |
| 11 | <u>635054G01</u> | | Fender Liner (Driver Side)..... | 1 |
| 12 | <u>16816G2</u> | | Ratchet Fastener, 1/4" x .887" Lg | 4 |
| 13 | | | | |
| 14 | | | | |
| 15 | | | | |
| 16 | | | | |
| 17 | | | | |
| 18 | | | | |
| 19 | <u>70244G05</u> | | Splash Panel..... | 1 |
| 20 | <u>00715G2</u> | | Hex Washer Head Screw, 5/16" - 18 x .8" Lg..... | 4 |

FOR VEHICLES MANUFACTURED BEFORE JUNE 02, 2019



FOR VEHICLES MANUFACTURED AFTER JUNE 02, 2019



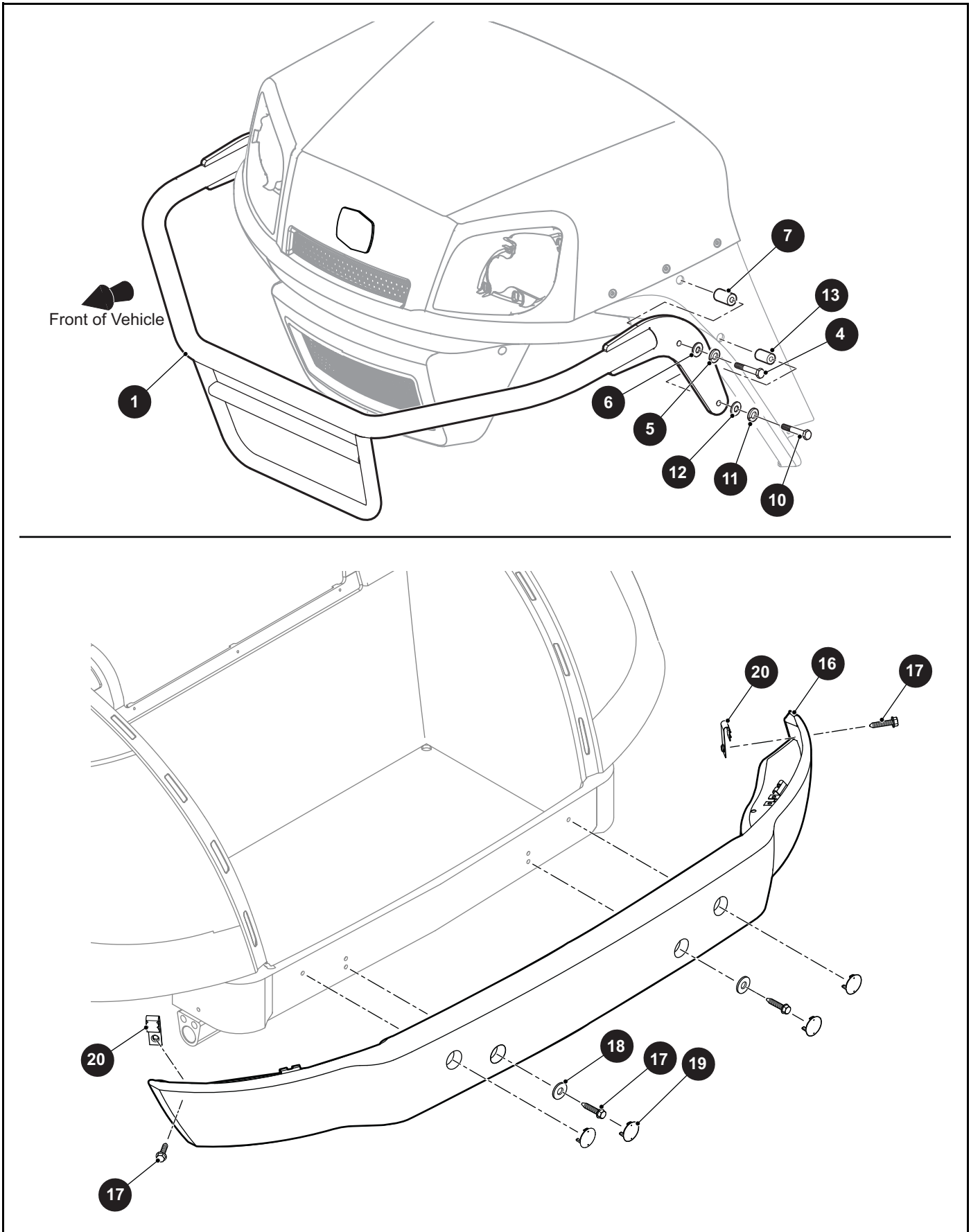
THE USE OF NON U.L. PARTS WILL VOID ANY U.L. LISTING.

When ordering parts, please specify the model and serial number of the product.

* Indicates a component that is not available as an individual part.

*** Indicates consult Customer Service Department for additional information.

| ITEM | PART NO. | 1 2 3 4 5 | DESCRIPTION | QTY. |
|---|------------------|-----------|--|------|
| FOR VEHICLES MANUFACTURED BEFORE JUNE 02, 2019 | | | | |
| 1 | <u>639948G01</u> | | Rocker Panel (Driver Side) | 1 |
| 2 | <u>639948G02</u> | | Rocker Panel (Passenger Side)..... | 1 |
| 3 | <u>00660G5</u> | | Flat Washer, #10 | 2 |
| 4 | <u>00789G2</u> | | Truss Head Phillips Screw #10 - 24 x 1.25" Lg | 2 |
| 5 | <u>14390G10</u> | | Lock Nut, #10 - 24..... | 2 |
| 6 | <u>23726G4</u> | | Spacer, 0.25"..... | 4 |
| 7 | <u>15058G6</u> | | Rivet (Aluminum), 3/16" | 1 |
| 8 | <u>634161</u> | | Flanged Button Head Torx Bolt, M6 - 1 x 30mm Lg | 2 |
| 9 | <u>601476</u> | | Lock Nut, 1/4" - 20 | 2 |
| FOR VEHICLES MANUFACTURED AFTER JUNE 02, 2019 | | | | |
| 10 | 689928G01 | | Rocker Panel (Driver Side) | 1 |
| 11 | 689928G02 | | Rocker Panel (Passenger Side)..... | 1 |
| 12 | <u>23726G4</u> | | Spacer, 0.25"..... | 2 |
| 13 | <u>15058G6</u> | | Rivet (Aluminum), 3/16" | 2 |
| 14 | <u>645323</u> | | Button Head Torx Hexalobular Screw, M6 - 1 x 23.4mm Lg | 2 |
| 15 | <u>601476</u> | | Lock Nut, M6 - 1..... | 2 |



THE USE OF NON U.L. PARTS WILL VOID ANY U.L. LISTING.

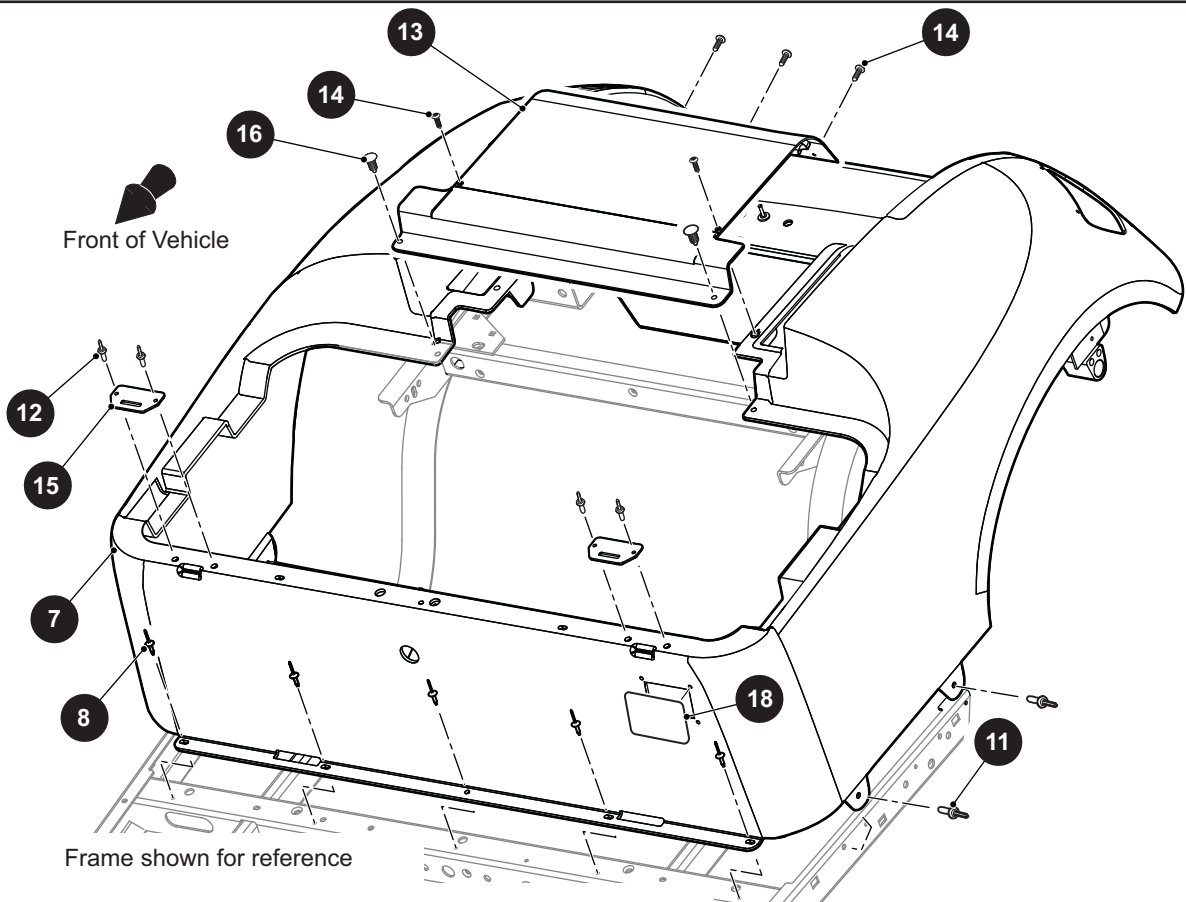
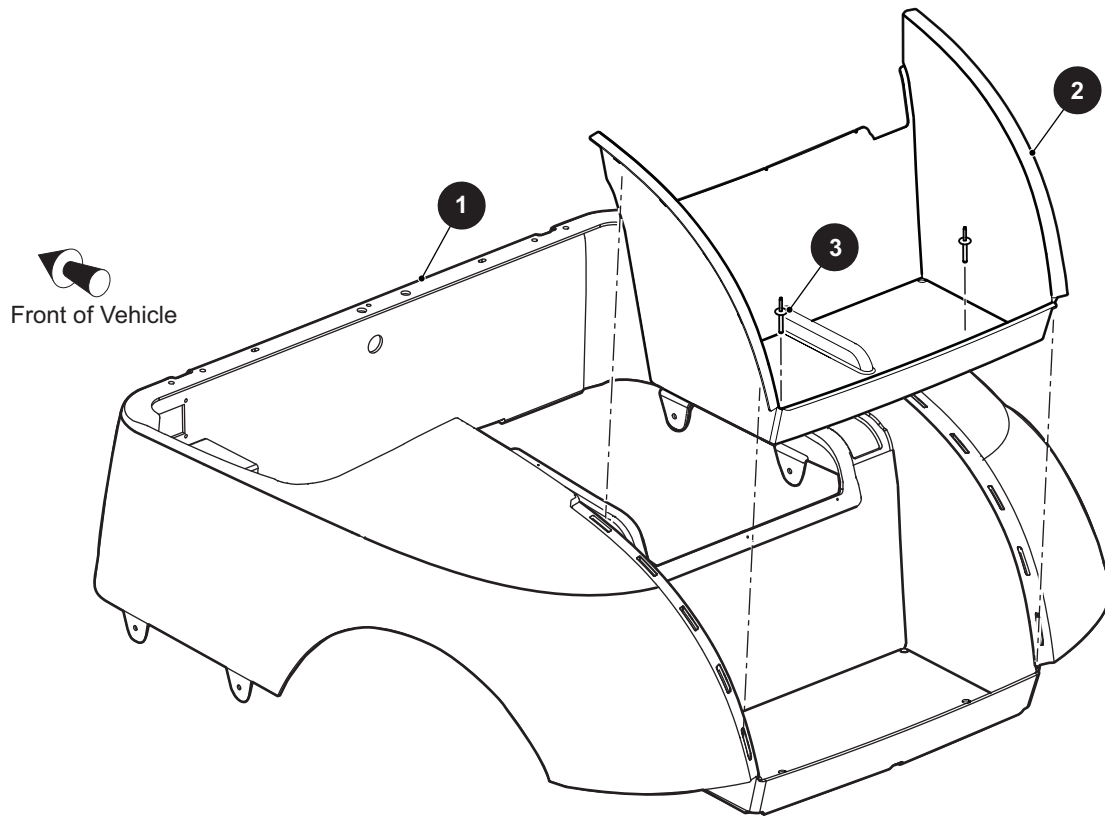
When ordering parts, please specify the model and serial number of the product.

* Indicates a component that is not available as an individual part.

*** Indicates consult Customer Service Department for additional information.

| ITEM | PART NO. | 1 2 3 4 5 | DESCRIPTION | QTY. |
|------|-----------------|-----------|--|------|
| 1 | 617620 | | Brushguard | 1 |
| 2 | | | | |
| 3 | | | | |
| 4 | <u>00440G6</u> | | Hex Head Bolt, 5/16" - 18 x 2 3/4" Lg, Grade 5 | 2 |
| 5 | <u>00565G8</u> | | Lock Washer, 5/16" | 2 |
| 6 | 00559G8 | | Flat Washer, 5/16" | 2 |
| 7 | <u>75048G02</u> | | Spacer, 1.31" Lg..... | 2 |
| 8 | | | | |
| 9 | | | | |
| 10 | <u>00440G2</u> | | Hex Head Bolt, 5/16" - 18 x 2 1/4" Lg, Grade 5 | 2 |
| 11 | <u>00565G8</u> | | Lock Washer, 5/16" | 2 |
| 12 | 00559G8 | | Flat Washer, 5/16" | 2 |
| 13 | <u>75048G04</u> | | Spacer, 1" Lg..... | 2 |
| 14 | | | | |
| 15 | | | | |
| 16 | <u>71451G02</u> | | Rear Bumper..... | 1 |
| 17 | <u>71102G01</u> | | Hex Head Bolt, 1/4" - 20 x 3/4" Lg, Grade 5 | 4 |
| 18 | <u>00571G2</u> | | Flat Washer, 5/16" | 2 |
| 19 | <u>71455G01</u> | | Bumper Plug | 4 |
| 20 | <u>71554G01</u> | | J-Type Nut Retainer, 1/4" - 20..... | 2 |

BODY



THE USE OF NON U.L. PARTS WILL VOID ANY U.L. LISTING.

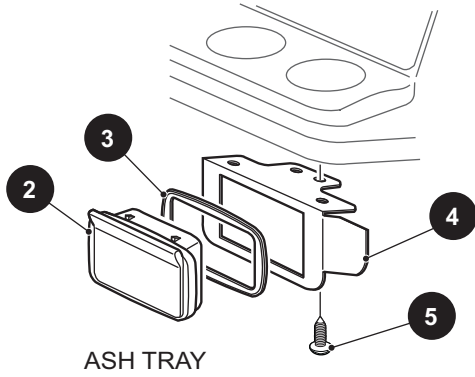
When ordering parts, please specify the model and serial number of the product.

* Indicates a component that is not available as an individual part.

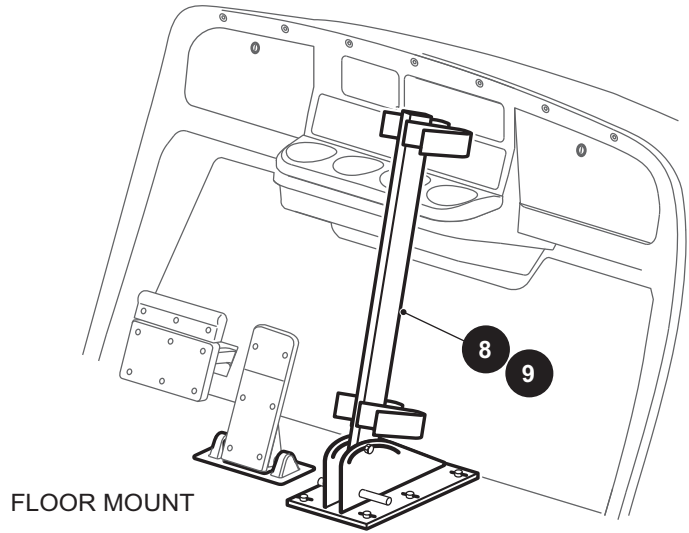
*** Indicates consult Customer Service Department for additional information.

| ITEM | PART NO. | 1 2 3 4 5 | DESCRIPTION | QTY. |
|------|-----------------|-----------|---|------|
| 1 | 625272G1XX | | Rear Body (without Taillights) (See COLOR CODE in HOW TO USE section) | 1 |
| 2 | <u>624374</u> | | Bagwell Liner..... | 1 |
| 3 | <u>633917</u> | | Rivet (Plastic)..... | 2 |
| 4 | | | | |
| 5 | | | | |
| 6 | | | | |
| 7 | 625272G0XX | | Rear Body (with Taillights) (See COLOR CODE in HOW TO USE section) | 1 |
| 8 | <u>10570G10</u> | | Rivet (SS), 5/32" x .55" Lg | 5 |
| 9 | | | | |
| 10 | | | | |
| 11 | 10570G12 | | Rivet (Aluminum), .257" x .556" Lg | 4 |
| 12 | <u>10570G11</u> | | Rivet (SS), 5/32" x .70" Lg | 2 |
| 13 | <u>71320G01</u> | | Access Panel | 1 |
| 14 | <u>01107G01</u> | | Pan Head Torx Screw (SS), #8 x .63" Lg | 5 |
| 15 | <u>71609G01</u> | | Seat Hinge Plate | 1 |
| 16 | <u>16816G2</u> | | Ratchet Rivet, .25" x .887" | 2 |
| 17 | | | | |
| 18 | <u>666066</u> | | Charger Receptacle Cover..... | 1 |

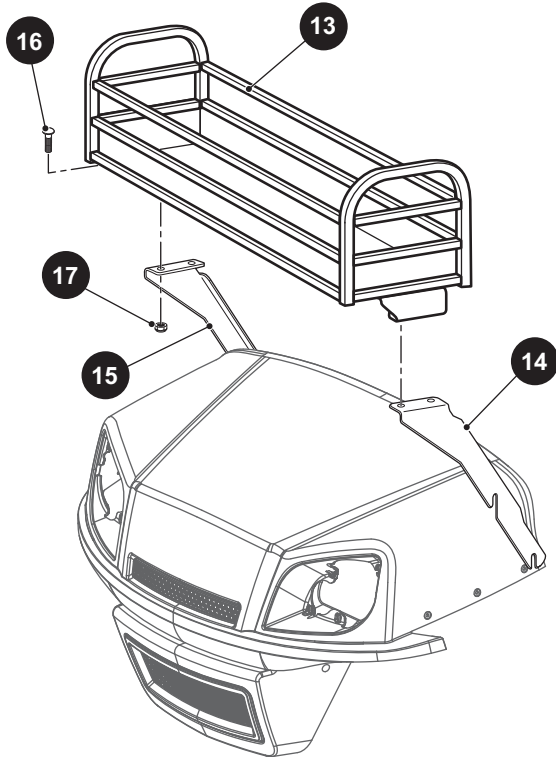
1 Ash Tray Kit includes items 2 - 5



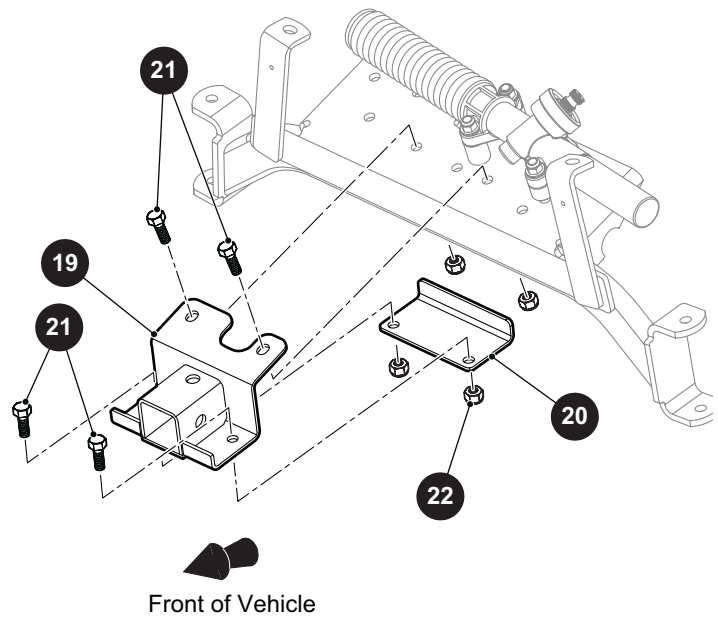
ASH TRAY



FLOOR MOUNT
GUN HOLDER



12 Front Basket Assembly includes items 13 - 17



Front of Vehicle

THE USE OF NON U.L. PARTS WILL VOID ANY U.L. LISTING.

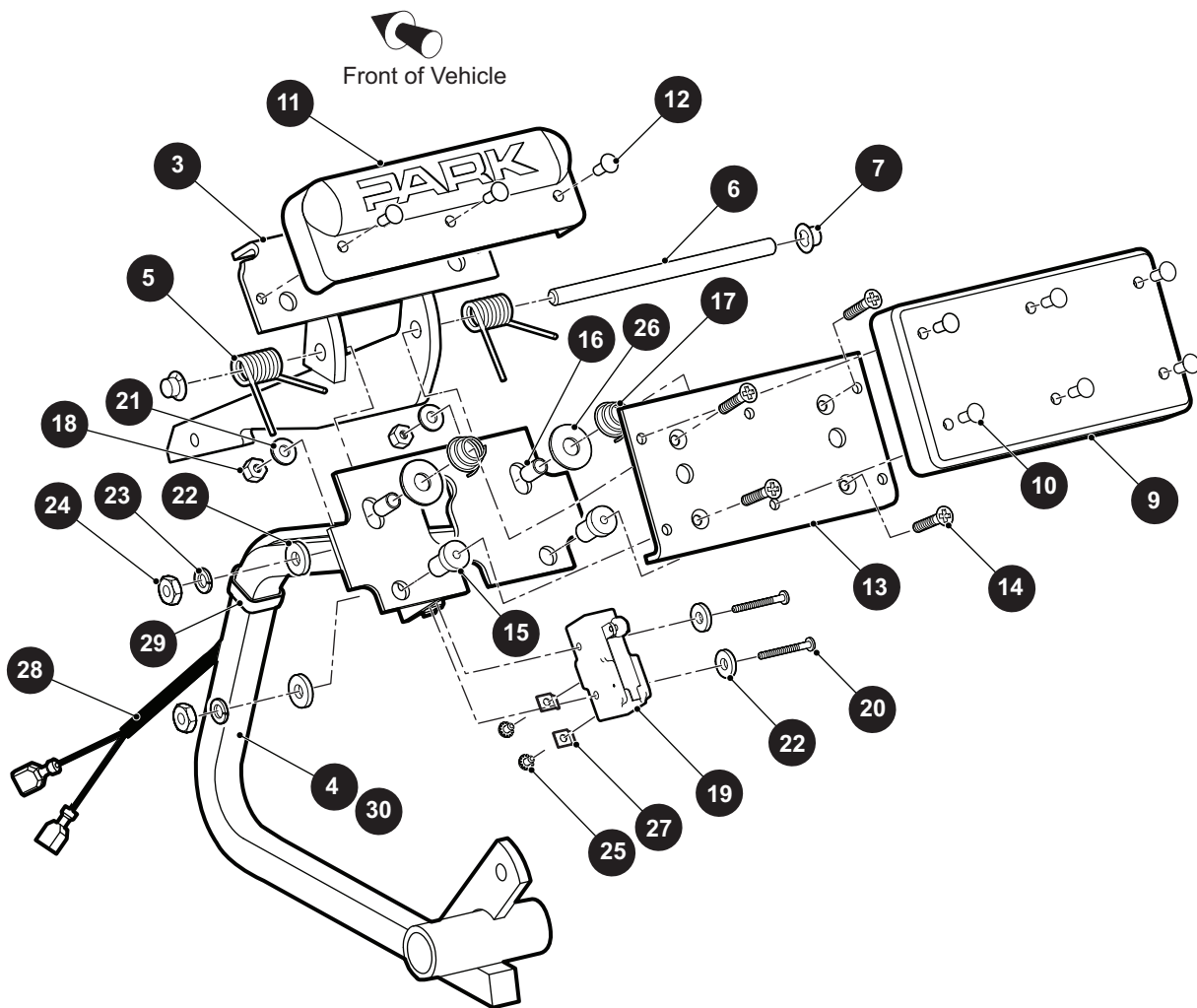
When ordering parts, please specify the model and serial number of the product.

* Indicates a component that is not available as an individual part.

*** Indicates consult Customer Service Department for additional information.

| ITEM | PART NO. | 1 2 3 4 5 | DESCRIPTION | QTY. |
|------|-----------------|-----------|--|------|
| 1 | <u>75109G04</u> | | Ash Tray Kit (Includes Items 2 - 5)..... | 1 |
| 2 | 27731G01 | | Ash Tray | 1 |
| 3 | 27736G01 | | Gasket | 1 |
| 4 | <u>75108G02</u> | | Bracket | 1 |
| 5 | <u>00106G6</u> | | Pan Head Phillips Self Tapping Screw, #12 - 24 x .75" Lg | 4 |
| 6 | | | | |
| 7 | | | | |
| 8 | <u>74365G01</u> | | Gun Holder, Floor Mount..... | 1 |
| 9 | <u>74533G01</u> | | Gun Holder (Swivel Mount)..... | 1 |
| 10 | | | | |
| 11 | | | | |
| 12 | <u>74521G02</u> | | Front Basket Assembly (Includes Items 13 - 17)..... | 1 |
| 13 | <u>74523G01</u> | | Front Basket | 1 |
| 14 | <u>74522G01</u> | | Basket Mounting Bracket (Driver Side) | 1 |
| 15 | <u>74522G02</u> | | Basket Mounting Bracket (Passenger Side)..... | 1 |
| 16 | <u>00769G2</u> | | Round Head Carriage Bolt (SS), 3/8" - 16 x 1 1/4" Lg, Grade 5..... | 4 |
| 17 | <u>11098G5</u> | | Lock Nut, 3/8" - 16 | 4 |
| 18 | | | | |
| 19 | <u>635202</u> | | Winch Receiver | 1 |
| 20 | <u>604572</u> | | Winch Receiver Retainer Plate | 1 |
| 21 | <u>00462G8</u> | | Hex Head Bolt, 7/16" - 14 x 1" Lg | 4 |
| 22 | <u>00734G1</u> | | Lock Nut, 7/16" - 14 | 4 |

- 1 Brake Pedal Assembly (without Brake Lights) includes items 3 - 12
- 2 Brake Pedal Assembly (with Brake Lights) includes items 3, 5 - 30



BRAKES

THE USE OF NON U.L. PARTS WILL VOID ANY U.L. LISTING.

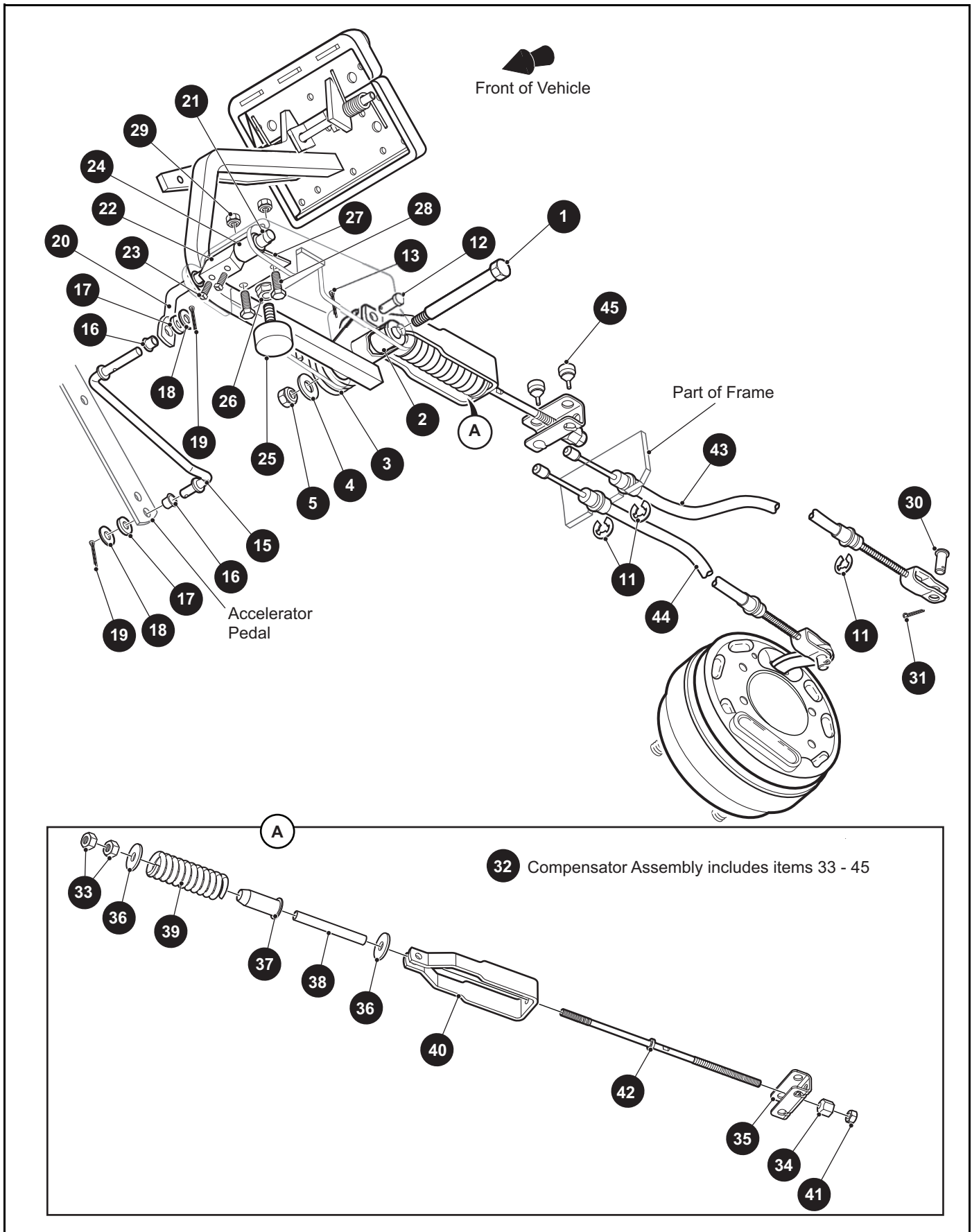
When ordering parts, please specify the model and serial number of the product.

* Indicates a component that is not available as an individual part.

*** Indicates consult Customer Service Department for additional information.

| ITEM | PART NO. | 1 2 3 4 5 | DESCRIPTION | QTY. |
|------|------------------|-----------|---|------|
| 1 | <u>70612G02</u> | | Brake Pedal Assembly (without Lights) (Includes Items 3 - 12) | 1 |
| 2 | 70690G02 | | Brake Pedal Assembly (with Lights) (Includes Items 3, 5 - 30) | 1 |
| 3 | <u>652253G03</u> | | Park Brake Pedal..... | 1 |
| 4 | <u>652251G03</u> | | Brake Pedal (without Lights)..... | 1 |
| 5 | <u>70681G01</u> | | Torsion Spring..... | 2 |
| 6 | <u>70682G01</u> | | Pivot Pin | 1 |
| 7 | <u>658825</u> | | Push Nut, 5/16" - 24 | 2 |
| 8 | | | | |
| 9 | <u>70257G01</u> | | Service Brake Pad..... | 1 |
| 10 | <u>16409G1</u> | | Oval Rivet, .375" x .468" Lg..... | 6 |
| 11 | <u>70256G01</u> | | Park Brake Pedal Pad | 1 |
| 12 | <u>16409G1</u> | | Oval Rivet, .375" x .468" Lg..... | 3 |
| 13 | <u>652820</u> | | Service Brake Pedal Plate | 1 |
| 14 | <u>00737G8</u> | | Flat Head Phillips Screw, #10 - 24 x .875" Lg, Grade 5..... | 4 |
| 15 | <u>00739G1</u> | | Rubber Well Nut, #10 - 24 | 2 |
| 16 | <u>652355</u> | | Brake Pedal Spacer..... | 2 |
| 17 | <u>27137G01</u> | | Conical Spring | 2 |
| 18 | <u>14390G10</u> | | Lock Nut, #10 - 24 | 2 |
| 19 | 10606G8 | | Micro Switch | 1 |
| 20 | <u>00645G2</u> | | Pan Head Phillips Screw, #6 - 32 x 1 1/4" Lg | 1 |
| 21 | <u>00559G5</u> | | Flat Washer, #10..... | 2 |
| 22 | <u>00559G3</u> | | Flat Washer, #6..... | 2 |
| 23 | <u>00565G3</u> | | Lock Washer, #6 | 1 |
| 24 | <u>00525G5</u> | | Lock Nut, #6 - 32 | 1 |
| 25 | <u>13514G1</u> | | Limit Switch Screw, #6 - 32 x .22" Lg | 1 |
| 26 | <u>00642G8</u> | | Flat Washer, 5/16" | 2 |
| 27 | <u>14628G1</u> | | Faston Tab..... | 1 |
| 28 | <u>24605G1</u> | | Wire Harness (Brake Light) | 1 |
| 29 | <u>17618G1</u> | | Wire Tie | 2 |
| 30 | <u>652791G03</u> | | Brake Pedal (with Lights)..... | 1 |

BRAKES



THE USE OF NON U.L. PARTS WILL VOID ANY U.L. LISTING.

When ordering parts, please specify the model and serial number of the product.

* Indicates a component that is not available as an individual part.

*** Indicates consult Customer Service Department for additional information.

| ITEM | PART NO. | 1 2 3 4 5 | DESCRIPTION | QTY. |
|------|-----------------|-----------|---|------|
| 1 | <u>70582G01</u> | | Shoulder Bolt (SS), 3/8" - 16 x 3.406" Lg..... | 1 |
| 2 | <u>70581G01</u> | | Flanged Bushing, .1.062" O.D. x .795" I.D..... | 2 |
| 3 | <u>70676G01</u> | | Torsion Spring | 1 |
| 4 | <u>00643G1</u> | | Lock Washer, 3/8" | 1 |
| 5 | <u>11098G5</u> | | Lock Nut, 3/8" - 16 | 1 |
| 6 | <u>01038G01</u> | | Hex Washer Head Bolt, 1/4" - 20 x .7" Lg (Not Illustrated)..... | 1 |
| 7 | <u>12416G2</u> | | Nylon Wedge Lock Clamp (Not Illustrated)..... | 3 |
| 8 | | | | |
| 9 | | | | |
| 10 | | | | |
| 11 | <u>01111G01</u> | | Retaining Ring (SS), Dia. .8"..... | 4 |
| 12 | <u>10386G3</u> | | Clevis Pin, .438" x .938" Lg..... | 1 |
| 13 | <u>10387G3</u> | | Cotter Pin, .094" x .75" Lg..... | 1 |
| 14 | | | | |
| 15 | <u>70601G01</u> | | Kick-off Link..... | 1 |
| 16 | <u>17838G1</u> | | Nylon Bushing, .37" O.D. x .31" I.D..... | 2 |
| 17 | <u>20835G1</u> | | Teflon Washer, 3/8" | 2 |
| 18 | <u>00559G8</u> | | Flat Washer, 5/16" | 2 |
| 19 | <u>10387G3</u> | | Cotter Pin, .094" x .75" Lg..... | 2 |
| 20 | <u>70098G01</u> | | Kick-off Cam Pivot..... | 1 |
| 21 | <u>10097G6</u> | | Flanged Bearing..... | 2 |
| 22 | <u>70587G01</u> | | Kick-off Cam..... | 1 |
| 23 | <u>71215G01</u> | | Set Screw with Patch Lock, 1/4" - 20 x 1/2" Lg..... | 2 |
| 24 | <u>14134G4</u> | | Spacer, .76" O.D. x .395" I.D. x 1.25" Lg | 1 |
| 25 | <u>70113G01</u> | | Adjustable Bumper..... | 1 |
| 26 | <u>11027G1</u> | | Lock Nut, 5/16 - 18" | 1 |
| 27 | <u>70080G02</u> | | Catch Bracket..... | 1 |
| 28 | <u>00414G6</u> | | Hex Head Bolt, 1/4" - 20 x 3/4" Lg, Grade 5 | 2 |
| 29 | <u>14390G4</u> | | Lock Nut (SS), 1/4" - 20 | 2 |
| 30 | <u>10386G3</u> | | Clevis Pin, .438" x .938" Lg..... | 1 |
| 31 | <u>10387G3</u> | | Cotter Pin, .094" x .75" Lg..... | 1 |

BRAKES

THE USE OF NON U.L. PARTS WILL VOID ANY U.L. LISTING.

When ordering parts, please specify the model and serial number of the product.

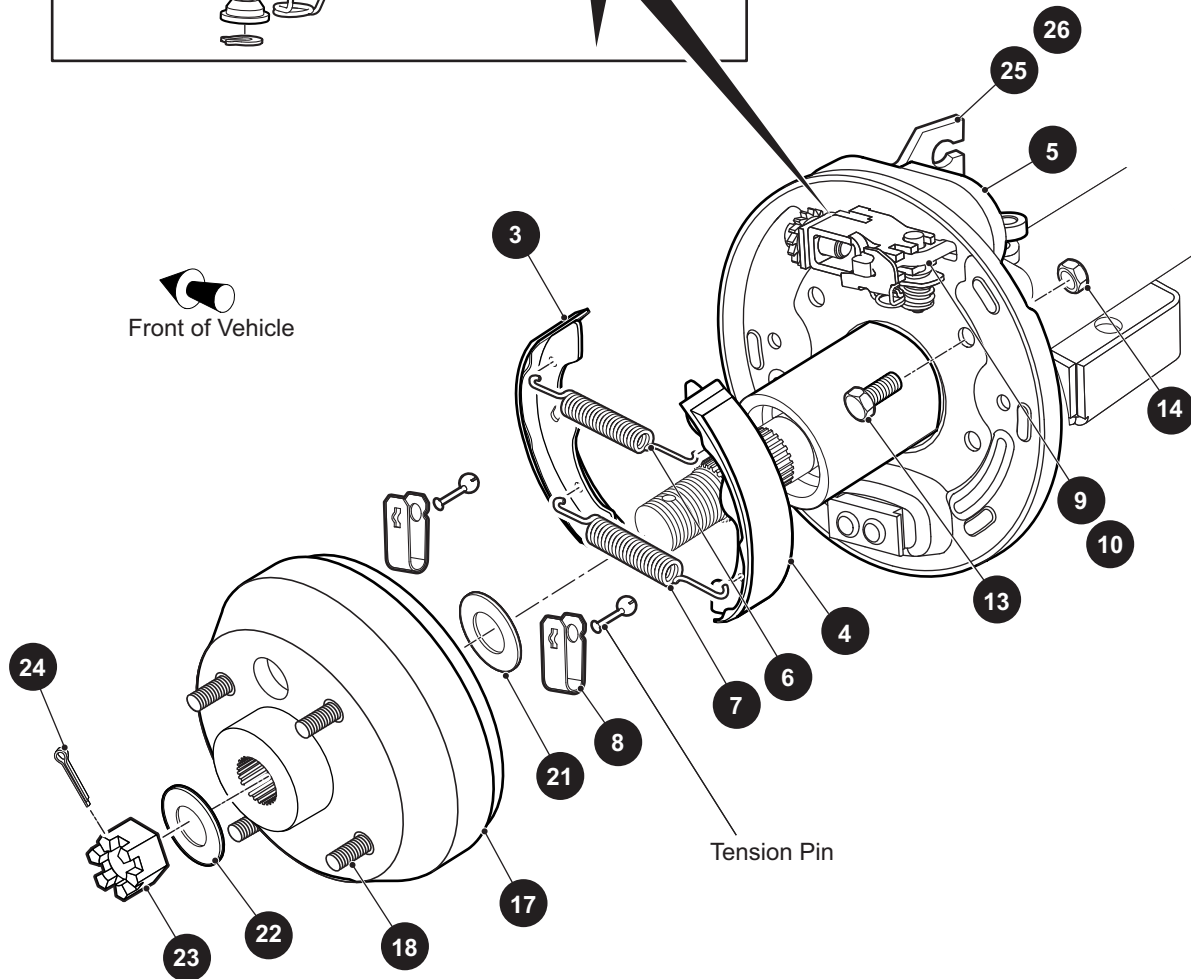
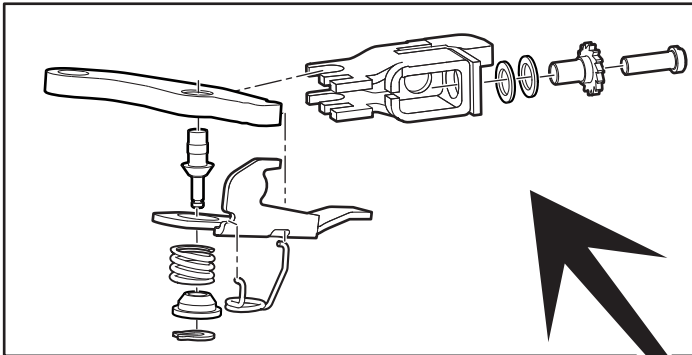
* Indicates a component that is not available as an individual part.

*** Indicates consult Customer Service Department for additional information.

| ITEM | PART NO. | 1 2 3 4 5 | DESCRIPTION | QTY. |
|------|-----------------|-----------|--|------|
| 32 | 654667 | | Compensator Assembly (Includes Items 33 - 45)..... | 1 |
| 33 | <u>00532G4</u> | | Hex Nut, 1/4" - 20..... | 2 |
| 34 | <u>629486</u> | | Spherical Hex Nut, 5/16" - 24..... | 1 |
| 35 | <u>28082G01</u> | | Equalizer Bracket..... | 1 |
| 36 | <u>15121G1</u> | | Flat Washer, 5/16"..... | 2 |
| 37 | <u>17979G1</u> | | Accelerator Rod Bushing, .464" I.D. x 1" O.D. x 2" Lg..... | 1 |
| 38 | <u>23061G2</u> | | Tube..... | 1 |
| 39 | <u>23463G1</u> | | Compression Spring..... | 1 |
| 40 | <u>652256</u> | | Brake Yoke..... | 1 |
| 41 | <u>11098G9</u> | | Hex Lock Nut, 5/16" - 24..... | 1 |
| 42 | <u>612557</u> | | Compensator Link Rod..... | 1 |
| 43 | <u>624690</u> | | Brake Cable (Driver Side)..... | 1 |
| 44 | <u>624703</u> | | Brake Cable (Passenger Side)..... | 1 |
| 45 | <u>28083G01</u> | | Brake Compensator Bumper..... | 2 |
| 46 | | | | |
| 47 | <u>17618G1</u> | | Nylon Clamp, 8" Lg (Not Illustrated)..... | 1 |

BRAKES

- 1 Brake Assembly (Driver Side) includes items 3 - 9
- 2 Brake Assembly (Passenger Side) includes items 3 - 8, 10
- 16 Brake Drum Assembly includes items 17, 18



BRAKES

THE USE OF NON U.L. PARTS WILL VOID ANY U.L. LISTING.

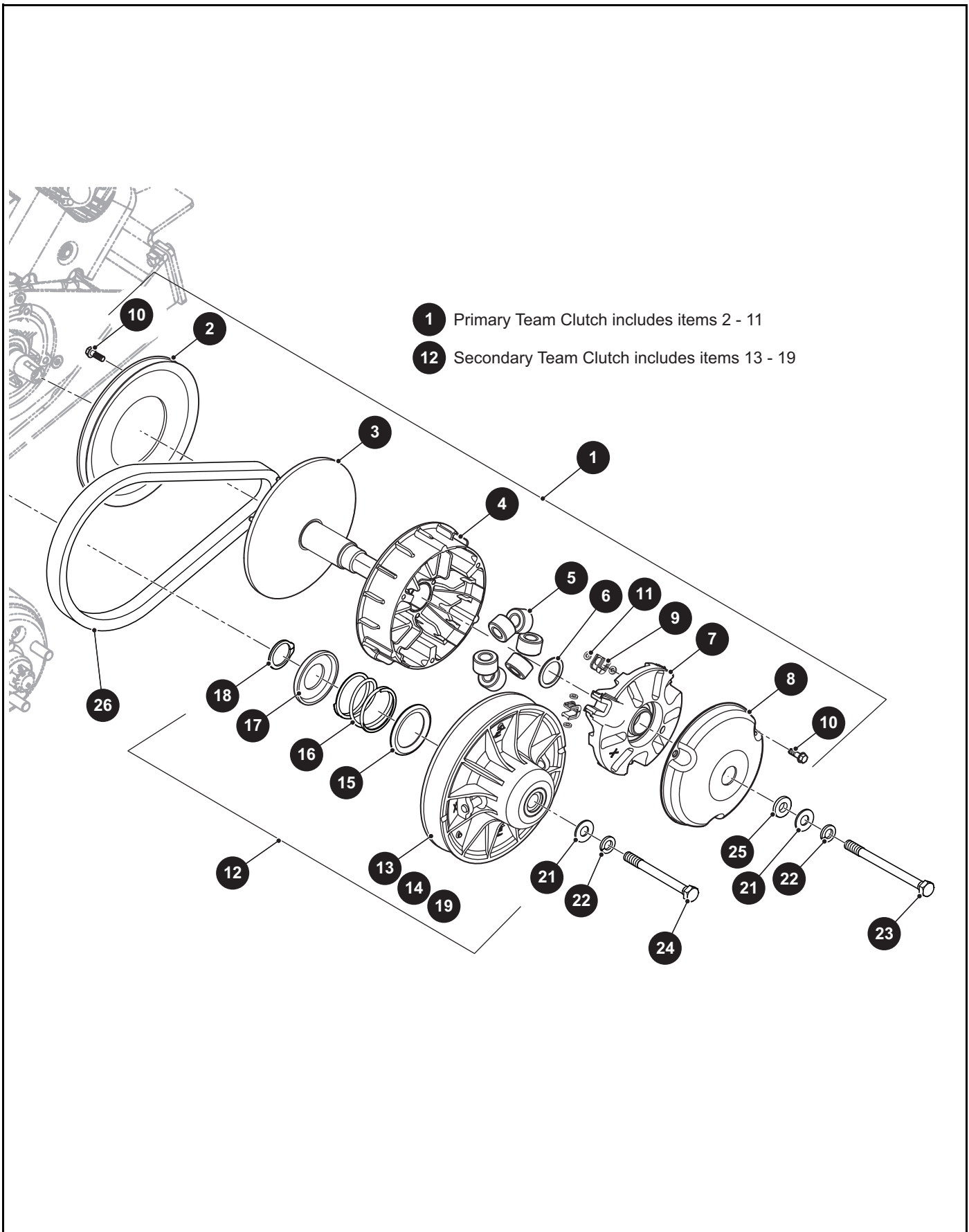
When ordering parts, please specify the model and serial number of the product.

* Indicates a component that is not available as an individual part.

*** Indicates consult Customer Service Department for additional information.

| ITEM | PART NO. | 1 2 3 4 5 | DESCRIPTION | QTY. |
|------|----------------|-----------|---|------|
| 1 | <u>612189</u> | | Brake Assembly (Driver Side) (Includes Items 3 - 9) | 1 |
| 2 | <u>612211</u> | | Brake Assembly (Passenger Side) (Includes Items 3 - 8, 10)..... | 1 |
| 3 | <u>612411</u> | | Brake Shoe, Leading | 1 |
| 4 | <u>612412</u> | | Brake Shoe, Trailing | 1 |
| 5 | <u>612413</u> | | Dust Cover..... | 1 |
| 6 | <u>612415</u> | | Brake Spring, Top | 1 |
| 7 | <u>612414</u> | | Brake Spring, Bottom | 1 |
| 8 | <u>612416</u> | | Shoe Clamp | 2 |
| 9 | <u>612418</u> | | Gear Adjuster (Driver Side) | 1 |
| 10 | <u>612417</u> | | Gear Adjuster (Passenger Side)..... | 1 |
| 11 | | | | |
| 12 | | | | |
| 13 | <u>17083G2</u> | | Hex Head Bolt, 5/16" - 24 x 1" Lg, Grade 8 | 4 |
| 14 | <u>15126G1</u> | | Lock Nut, 5/16" - 24 | 4 |
| 15 | | | | |
| 16 | <u>21807G2</u> | | Brake Drum Assembly (Includes Items 17, 18)..... | 1 |
| 17 | <u>20947G1</u> | | Brake Drum | 1 |
| 18 | <u>19862G2</u> | | Lug Bolt, 1/2" - 20 X 1.718" Lg | 4 |
| 19 | | | | |
| 20 | | | | |
| 21 | <u>21809G1</u> | | Flat Washer (Inner Wheel Rim), .984" x 1.31" x .031" | 1 |
| 22 | <u>606945</u> | | Brake Drum Washer..... | 1 |
| 23 | <u>612928</u> | | Slotted Hex Nut, 3/4" - 16 | 1 |
| 24 | <u>10387G1</u> | | Cotter Pin, 5/32" x 1 3/4" Lg..... | 1 |
| 25 | <u>652248</u> | | Brake Cable Bracket (Passenger Side) | 1 |
| 26 | <u>652249</u> | | Brake Cable Bracket (Driver Side)..... | 1 |

CLUTCH



THE USE OF NON U.L. PARTS WILL VOID ANY U.L. LISTING.

When ordering parts, please specify the model and serial number of the product.

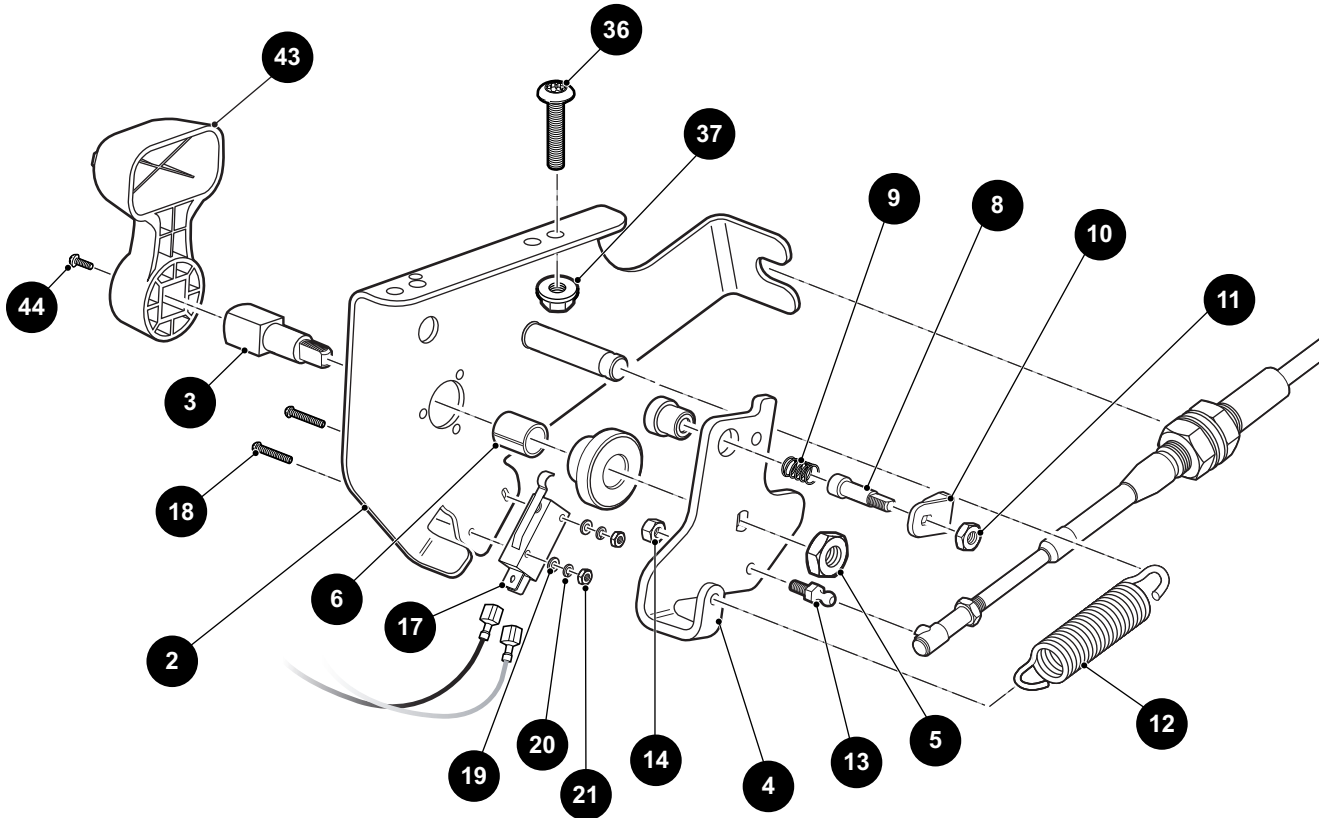
* Indicates a component that is not available as an individual part.

*** Indicates consult Customer Service Department for additional information.

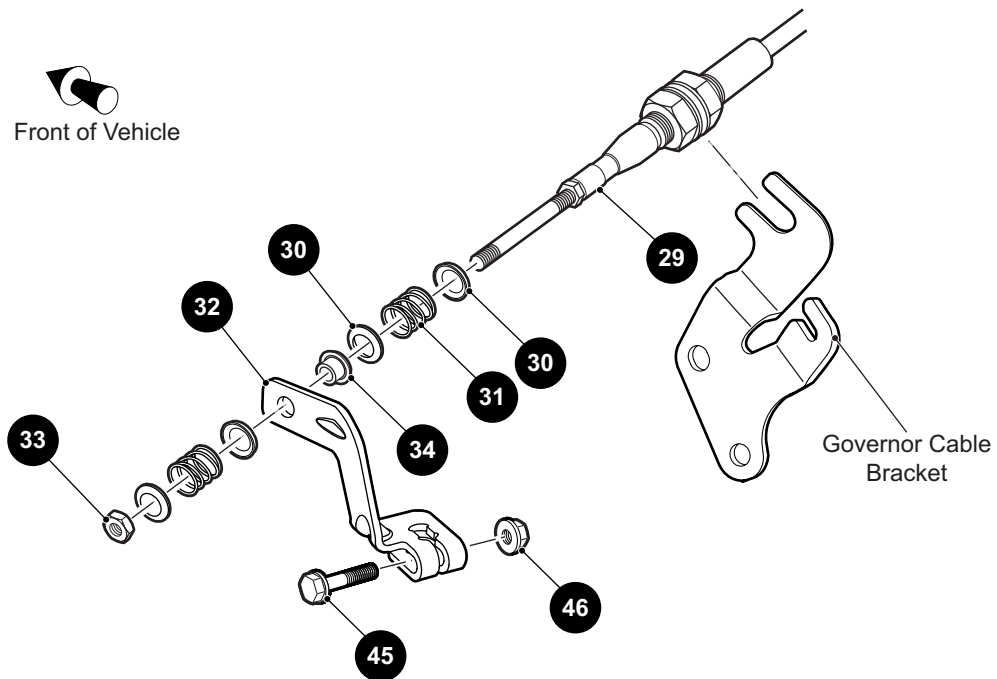
| ITEM | PART NO. | 1 2 3 4 5 | DESCRIPTION | QTY. |
|------|----------------|-----------|---|------|
| 1 | 672688 | | Primary Team Clutch (Includes Items 2 - 11) | 1 |
| 2 | <u>619333</u> | | Primary Starter Pulley, 195 | 1 |
| 3 | * | | Stationary Assembly | 1 |
| 4 | * | | Moveable Primary Assembly | 1 |
| 5 | <u>624112</u> | | Shift Roller Assembly | 6 |
| 6 | <u>619337</u> | | Shim, 39.5mm x 31.75mm | 1 |
| 7 | <u>644303</u> | | Primary Spider Assembly | 1 |
| 8 | * | | Primary Dust Cover Assembly | 1 |
| 9 | <u>644305</u> | | Torque Primary Button | 6 |
| 10 | <u>619332</u> | | Hex Washer Head Bolt, 1/4" - 20 x 3/4" Lg. | 7 |
| 11 | <u>644306</u> | | Torque Primary Plug | 6 |
| 12 | <u>623949</u> | | Secondary Team Clutch (Includes Items 13 - 19) | 1 |
| 13 | * | | Secondary Stationary, 9.5 | 1 |
| 14 | * | | Moveable Secondary, 9.5 | 1 |
| 15 | <u>619327</u> | | Inner Retainer Spring | 1 |
| 16 | <u>624111</u> | | Compression Spring | 1 |
| 17 | <u>619329</u> | | Outer Spring Retainer | 1 |
| 18 | <u>652515</u> | | External Retainer Ring | 1 |
| 19 | <u>619331</u> | | Thrust Washer, 1 53" x 1 83" x 1" | 1 |
| 20 | | | | |
| 21 | <u>606239</u> | | Conical Washer, M12 | 2 |
| 22 | <u>00566G3</u> | | Lock Washer (Spring Type), 3/8" | 2 |
| 23 | <u>606245</u> | | Hex Head Bolt, M12 - 1.25 x 160mm Lg, Grade 8.8 | 1 |
| 24 | <u>606243</u> | | Hex Head Bolt, M12 - 1.25 x 120mm Lg, Grade 8.8 | 1 |
| 25 | <u>606230</u> | | Clutch Washer, 27.5 Dia. O.D. x 13.06 Dia. I.D. | 1 |
| 26 | <u>618630</u> | | Drive Belt | 1 |

DIRECTION SELECTOR

1 Direction Selector Assembly includes items 2 - 34



Front of Vehicle



DIRECTION SELECTOR

THE USE OF NON U.L. PARTS WILL VOID ANY U.L. LISTING.

When ordering parts, please specify the model and serial number of the product.

* Indicates a component that is not available as an individual part.

*** Indicates consult Customer Service Department for additional information.

| ITEM | PART NO. | 1 2 3 4 5 | DESCRIPTION | QTY. |
|------|-----------------|-----------|--|------|
| 1 | <u>606173</u> | | Direction Selector Assembly (Includes Items 2 - 34)..... | 1 |
| 2 | <u>606077</u> | | Direction Selector Bracket | 1 |
| 3 | <u>70233G01</u> | | Direction Selector Shaft..... | 1 |
| 4 | <u>603700</u> | | Direction Selector Cam..... | 1 |
| 5 | <u>14390G1</u> | | Lock Nut, 3/8" - 24 | 1 |
| 6 | <u>25664G2</u> | | Bushing, 1/2" x .750" Lg | 1 |
| 7 | | | | |
| 8 | <u>72724G01</u> | | Neutral Lock Pin | 1 |
| 9 | <u>72733G01</u> | | Compression Spring | 1 |
| 10 | <u>72729G01</u> | | Neutral Lock Latch..... | 1 |
| 11 | <u>00734G2</u> | | Lock Nut, 1/4" - 28 | 1 |
| 12 | <u>28574G01</u> | | Extension Spring | 1 |
| 13 | <u>72732G01</u> | | Ball Stud, #10 - 32 | 1 |
| 14 | <u>00734G5</u> | | Lock Nut, #10 - 32 | 1 |
| 15 | | | | |
| 16 | | | | |
| 17 | <u>72736G01</u> | | Micro Switch | 1 |
| 18 | <u>01062G01</u> | | Round Head Screw, #4 - 40 x 1" Lg | 2 |
| 19 | <u>00559G1</u> | | Flat Washer, #4..... | 2 |
| 20 | <u>00565G1</u> | | Lock Washer, #4 | 2 |
| 21 | <u>00526G2</u> | | Hex Nut, #4 - 40 | 2 |
| 22 | | | | |
| 23 | | | | |
| 24 | | | | |
| 25 | | | | |
| 26 | | | | |
| 27 | | | | |
| 28 | | | | |
| 29 | <u>605807</u> | | Shifter Cable..... | 1 |
| 30 | <u>25727G01</u> | | Cup Washer, 1/4"..... | 4 |
| 31 | <u>72735G01</u> | | Compression Spring..... | 2 |

DIRECTION SELECTOR

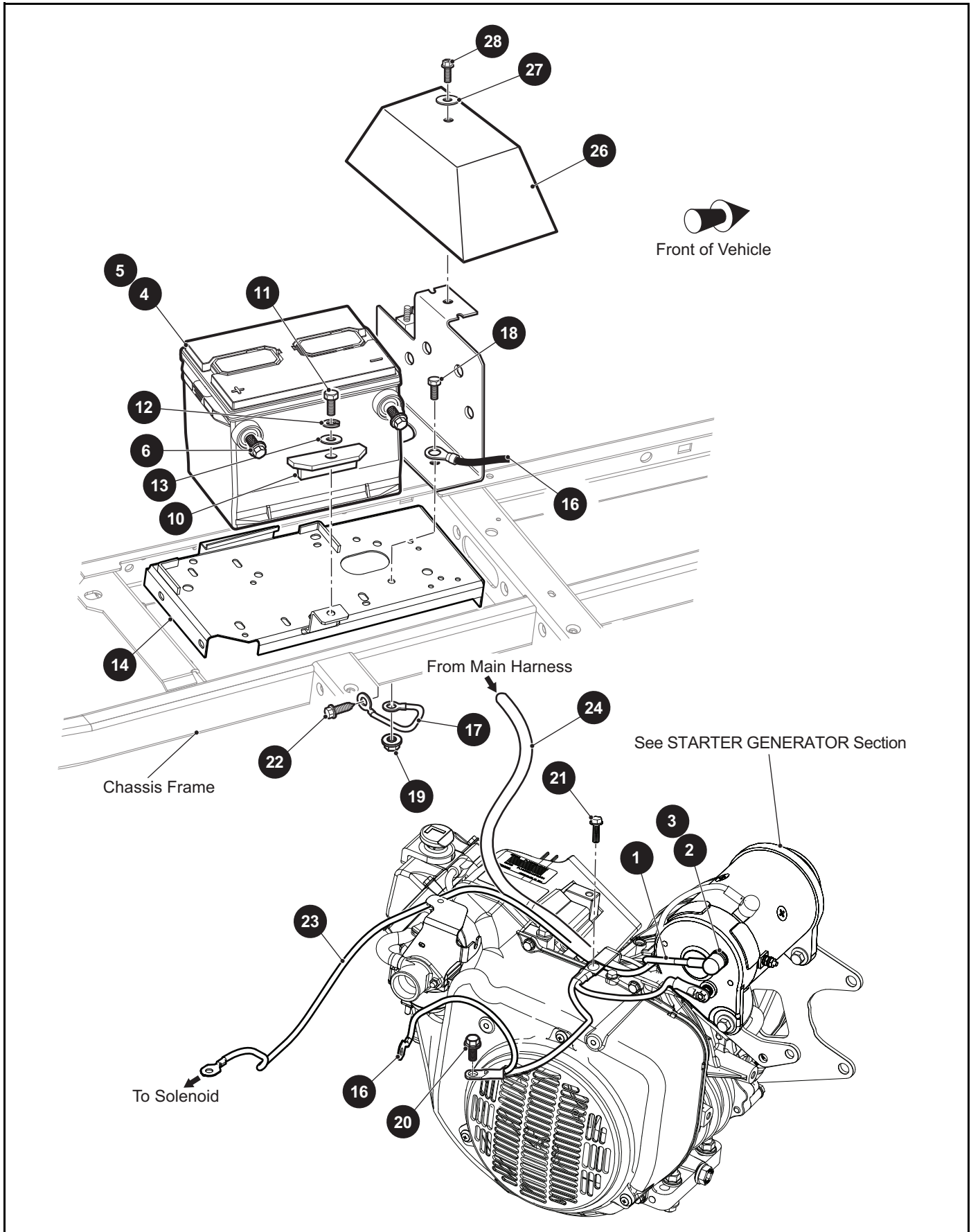
THE USE OF NON U.L. PARTS WILL VOID ANY U.L. LISTING.

When ordering parts, please specify the model and serial number of the product.

* Indicates a component that is not available as an individual part.

*** Indicates consult Customer Service Department for additional information.

| ITEM | PART NO. | 1 | 2 | 3 | 4 | 5 | DESCRIPTION | QTY. |
|------|-----------------|---|---|---|---|---|---|------|
| 32 | <u>632891</u> | | | | | | Pivot Bracket..... | 1 |
| 33 | <u>00734G5</u> | | | | | | Lock Nut, #10 - 32..... | 1 |
| 34 | <u>22754G4</u> | | | | | | Bushing (Flip Lok), .250"..... | 1 |
| 35 | | | | | | | | |
| 36 | <u>70227G01</u> | | | | | | Socket Head Bolt, 1/4" - 20 x 7/8" Lg, Grade 8..... | 2 |
| 37 | <u>11027G2</u> | | | | | | Flanged Lock Nut, 1/4" - 20..... | 2 |
| 38 | | | | | | | | |
| 39 | | | | | | | | |
| 40 | | | | | | | | |
| 41 | | | | | | | | |
| 42 | <u>31539G1</u> | | | | | | Nylon Clamp, 15.5" Lg (Not Illustrated)..... | 2 |
| 43 | <u>71205G01</u> | | | | | | Direction Selector Handle..... | 1 |
| 44 | <u>01037G02</u> | | | | | | Pan Head Torx Screw, #10 - 32 x 1/2" Lg..... | 1 |
| 45 | <u>606421</u> | | | | | | Flanged Hex Head Bolt, M6 - 1 x 30mm Lg, Grade 8.8..... | 1 |
| 46 | <u>450452</u> | | | | | | Hex Nut, M6 - 1..... | 1 |



THE USE OF NON U.L. PARTS WILL VOID ANY U.L. LISTING.

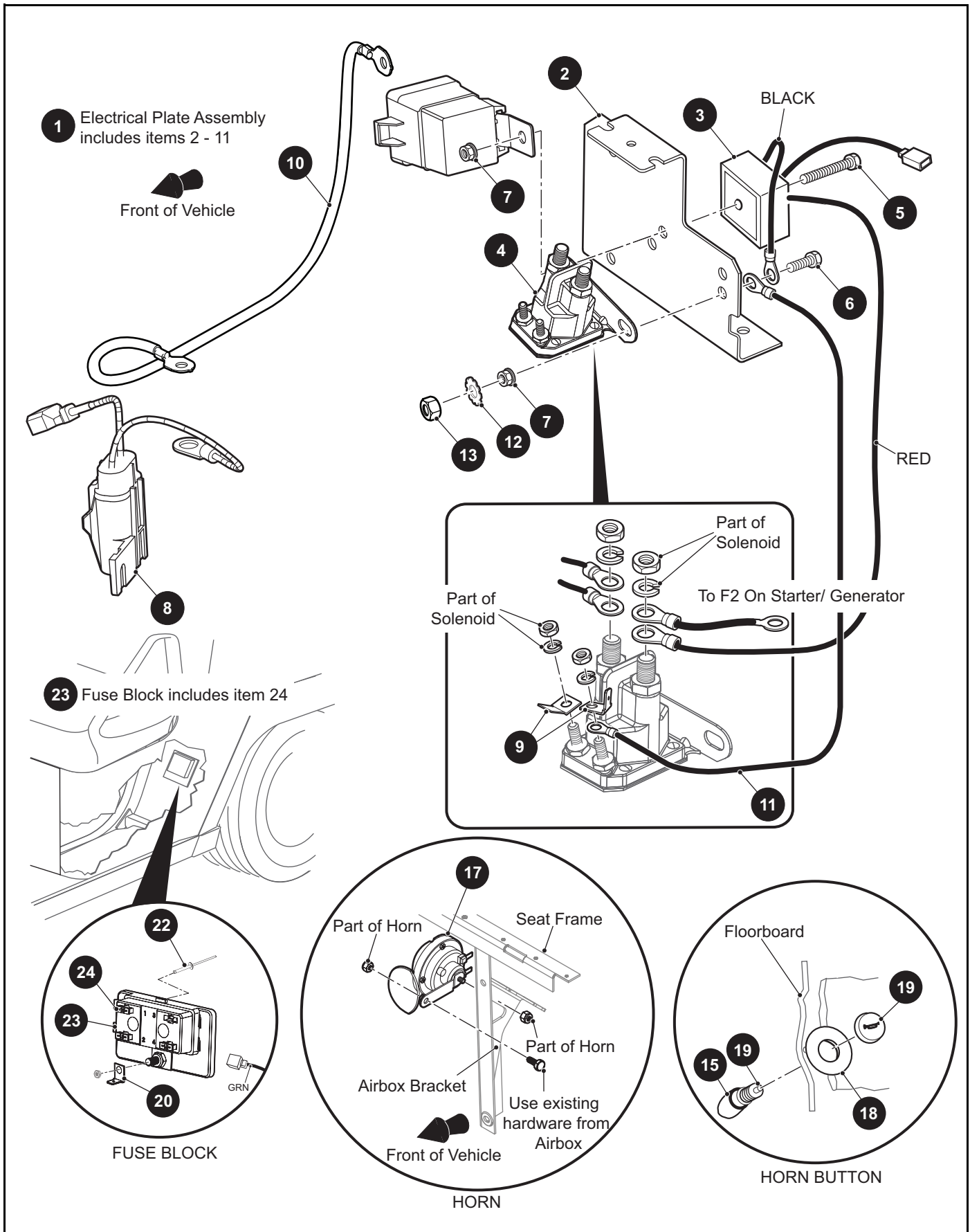
When ordering parts, please specify the model and serial number of the product.

* Indicates a component that is not available as an individual part.

*** Indicates consult Customer Service Department for additional information.

| ITEM | PART NO. | 1 2 3 4 5 | DESCRIPTION | QTY. |
|------|------------------|-----------|---|------|
| 1 | <u>607053</u> | | #6 GA Wire (Black 6", F1 - A2)..... | 1 |
| 2 | <u>25682G01</u> | | Terminal Cover | 3 |
| 3 | <u>25682G01</u> | | Terminal Cover (For CE Vehicles)..... | 2 |
| 4 | <u>638433</u> | | Battery, 12V..... | 1 |
| 5 | <u>637484</u> | | Battery, 12V, HD..... | 1 |
| 6 | <u>640488</u> | | Battery Bolt | 2 |
| 7 | 663593 | | Relay, 12V (Not Illustrated) | 1 |
| 8 | <u>636455G13</u> | | Fuse, 15Amp (Not Illustrated) | 1 |
| 9 | <u>636455G12</u> | | Fuse, 10Amp (Not Illustrated) | 1 |
| 10 | <u>72101G02</u> | | Battery Hold Down | 1 |
| 11 | 00438G6 | | Hex Head Bolt, 5/16" - 18 x 3/4" Lg, Grade 5 | 1 |
| 12 | <u>00565G8</u> | | Lock Washer, 5/16" | 1 |
| 13 | <u>00571G2</u> | | Flat Washer (SS), 5/16" | 1 |
| 14 | 652441G03 | | Battery Tray..... | 1 |
| 15 | | | | |
| 16 | <u>645191</u> | | Battery/Engine Ground Cable | 1 |
| 17 | <u>25976G19</u> | | #14 GA Wire (Black 6") | 1 |
| 18 | 00438G6 | | Hex Head Bolt, 5/16" - 18 x 3/4" Lg, Grade 5 | 2 |
| 19 | <u>11027G1</u> | | Flanged Lock Nut, 5/16" - 18 | 2 |
| 20 | <u>26676G01</u> | | Flanged Hex Head Bolt, M6 - 1 x 23mm Lg..... | 1 |
| 21 | <u>606264</u> | | Flanged Hex Head Bolt, M6 - 1 x 20mm Lg, Grade 8.8..... | 1 |
| 22 | <u>00715G2</u> | | Hex Washer Head Screw, 5/16" - 18 x .875" Lg | 4 |
| 23 | <u>607103</u> | | #6 GA Wire, 42" Lg | 1 |
| 24 | 695052 | | Main Harness | 1 |
| 25 | | | | |
| 26 | <u>73049G01</u> | | Direction Selector Cover | 1 |
| 27 | <u>16469G1</u> | | Fender Washer, 1/4" | 1 |
| 28 | <u>00114G6</u> | | Hex Washer Head Slotted Tapping Screw, 1/4" - 14 x 3/4" LG | 1 |
| 29 | 608772 | | #6AWG Wire (Blue) (For CE vehicles) (Not Illustrated) | 1 |
| 30 | 625757 | | #6AWG Wire (Blue) (Solenoid - F2) (For CE Vehicles) (Not Illustrated) | 1 |

ELECTRICAL



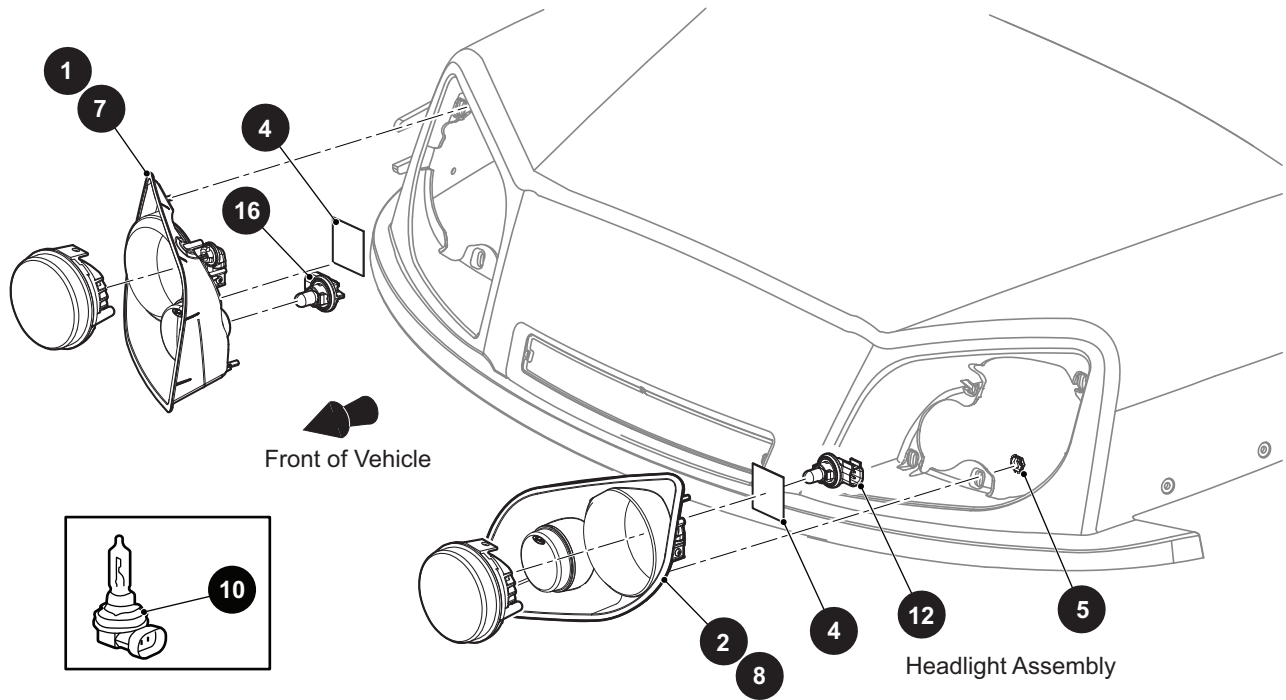
THE USE OF NON U.L. PARTS WILL VOID ANY U.L. LISTING.

When ordering parts, please specify the model and serial number of the product.

* Indicates a component that is not available as an individual part.

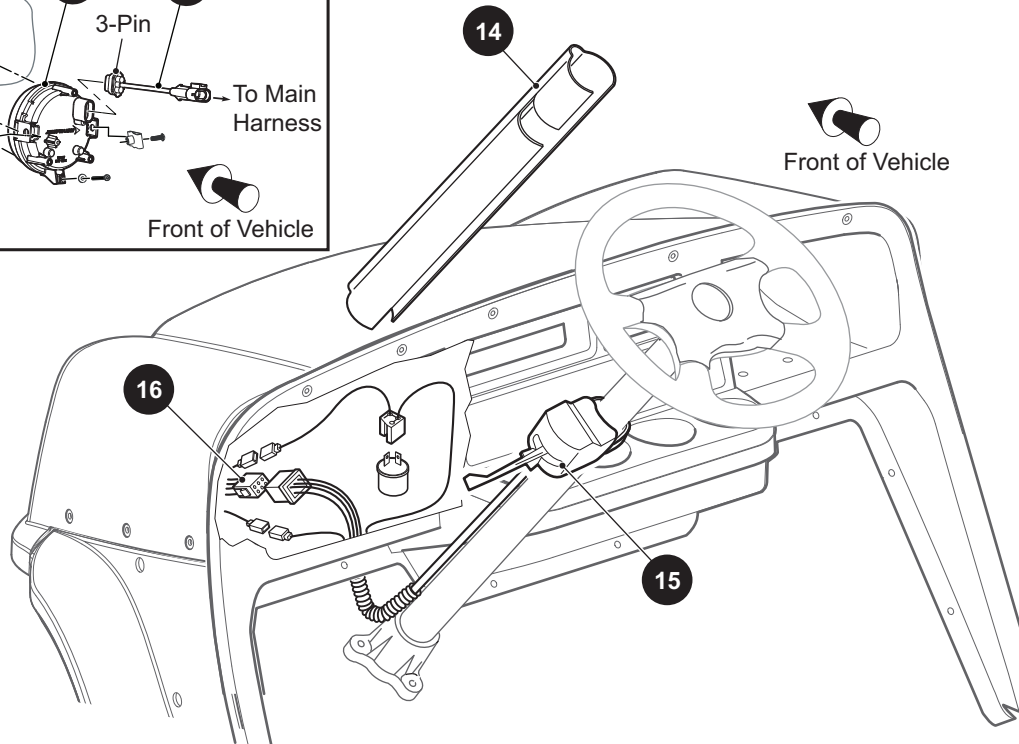
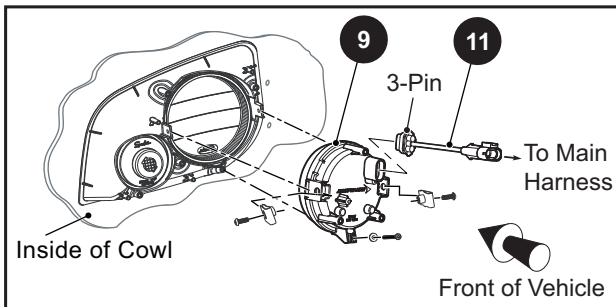
*** Indicates consult Customer Service Department for additional information.

| ITEM | PART NO. | 1 2 3 4 5 | DESCRIPTION | QTY. |
|------|------------------|-----------|---|------|
| 1 | 660446 | | Electrical Plate Assembly (Includes Items 2 - 11) | 1 |
| 2 | <u>73057G02</u> | | Bracket | 1 |
| 3 | <u>27739G01</u> | | Voltage Regulator | 1 |
| 4 | <u>663716</u> | | Solenoid..... | 1 |
| 5 | <u>303459</u> | | Hex Head Bolt, 1/4" - 20 x 1 1/2" Lg, Grade 5..... | 1 |
| 6 | <u>00661G8</u> | | Hex Head Bolt (SS), 1/4" - 20 x 1" Lg..... | 1 |
| 7 | <u>11027G2</u> | | Flanged Lock Nut, 1/4" - 20..... | 2 |
| 8 | <u>658683</u> | | Electrical Plate Harness | 1 |
| 9 | <u>73446G01</u> | | Faston Tab, 90°..... | 2 |
| 10 | <u>645190</u> | | #6 GA Wire Assembly..... | 1 |
| 11 | <u>25978G56</u> | | #18 GA Wire Assembly (Black)..... | 1 |
| 12 | <u>00567G7</u> | | Lock Washer (External Tooth Type) | 1 |
| 13 | <u>00532G1</u> | | Hex Nut, 1/4" - 20..... | 1 |
| 14 | | | | |
| 15 | <u>27068G01</u> | | Horn Switch Boot | 1 |
| 16 | | | | |
| 17 | 32860G01 | | Horn | 1 |
| 18 | <u>608397</u> | | Horn Plate | 1 |
| 19 | <u>17318G1</u> | | Horn Switch..... | 1 |
| 20 | <u>73446G01</u> | | Faston Tab | 1 |
| 21 | | | | |
| 22 | <u>15058G6</u> | | Rivet, (Aluminum), 3/16" x .937" Lg | 2 |
| 23 | <u>676066G01</u> | | Fuse Block (Includes Item 24)..... | 1 |
| 24 | 636455G23 | | Fuse, 15A | 3 |



7 LED Headlight Assembly (Passenger Side) includes item 9

8 LED Headlight Assembly (Driver Side) includes item 9



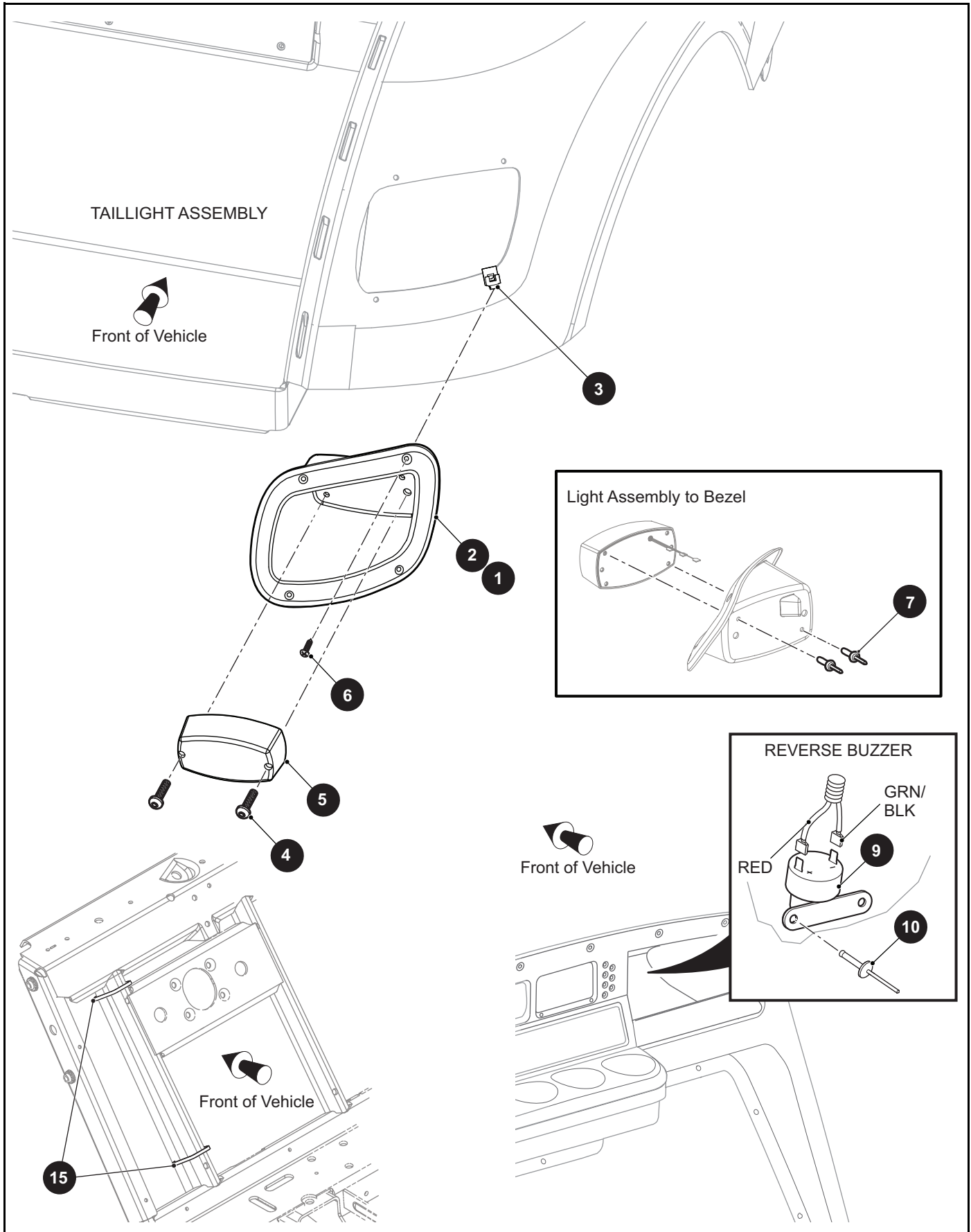
THE USE OF NON U.L. PARTS WILL VOID ANY U.L. LISTING.

When ordering parts, please specify the model and serial number of the product.

* Indicates a component that is not available as an individual part.

*** Indicates consult Customer Service Department for additional information.

| ITEM | PART NO. | 1 2 3 4 5 | DESCRIPTION | QTY. |
|------|------------------|-----------|--|------|
| 1 | <u>644876</u> | | Headlight Assembly (Passenger Side)..... | 1 |
| 2 | <u>644877</u> | | Headlight Assembly (Driver Side) | 1 |
| 3 | | | | |
| 4 | <u>71781G02</u> | | Vinyl Tape..... | 1 |
| 5 | <u>71597G01</u> | | Self Threading Nut, 5mm x 10mm x 15mm..... | 4 |
| 6 | | | | |
| 7 | <u>659008</u> | | LED Headlight Assembly (Passenger Side) (Includes Item 9)..... | 1 |
| 8 | <u>659009</u> | | LED Headlight Assembly (Driver Side) (Includes Item 9)..... | 1 |
| 9 | <u>651411G03</u> | | LED Headlight | 1 |
| 10 | <u>619100</u> | | Headlight Bulb..... | 1 |
| 11 | <u>654465</u> | | Jumper Harness, Led Headlight..... | 1 |
| 12 | <u>619102</u> | | Turn Signal Assembly Bulb | 1 |
| 13 | | | | |
| 14 | <u>20965G3</u> | | Steering Column Cover..... | 1 |
| 15 | <u>611810</u> | | Turn Signal Switch Assembly | 1 |
| 16 | <u>645193</u> | | Accessory Harness | 1 |



THE USE OF NON U.L. PARTS WILL VOID ANY U.L. LISTING.

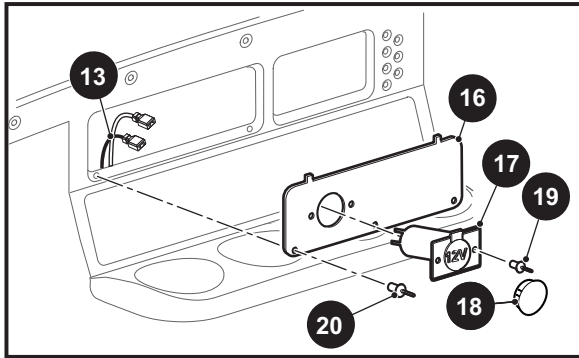
When ordering parts, please specify the model and serial number of the product.

* Indicates a component that is not available as an individual part.

*** Indicates consult Customer Service Department for additional information.

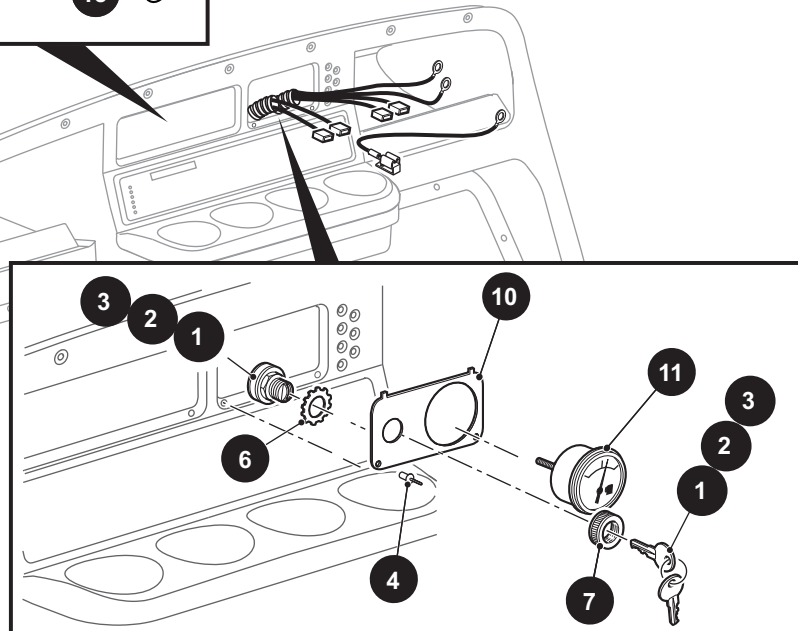
| ITEM | PART NO. | 1 2 3 4 5 | DESCRIPTION | QTY. |
|------|-----------------|-----------|--|------|
| 1 | <u>74371G01</u> | | Taillight Bezel (Driver Side)..... | 1 |
| 2 | <u>74371G02</u> | | Taillight Bezel (Passenger Side) | 1 |
| 3 | <u>71364G02</u> | | J-Type Nut, #8..... | 4 |
| 4 | <u>00513G4</u> | | Pan Head Phillips Screw, #8 - 18 x 3/4" Lg..... | 2 |
| 5 | <u>22288G1</u> | | Taillight Assembly..... | 1 |
| 6 | <u>71425G01</u> | | Flat Head Phillips Tapping Screw, #8 - 18 x 3/4" Lg..... | 4 |
| 7 | <u>14601G11</u> | | Rivet (Aluminum), 3/16" x 9/16" | 2 |
| 8 | | | | |
| 9 | <u>73290G03</u> | | Buzzer..... | 1 |
| 10 | <u>01041G01</u> | | Rivet, 5/32" | 2 |
| 11 | | | | |
| 12 | | | | |
| 13 | <u>74248G01</u> | | Defroster/Cooling Fan (Not Illustrated) | 1 |
| 14 | | | | |
| 15 | <u>31539G1</u> | | Nylon Clamp, 15.5" Lg | 5 |

CONSOLE INSERT PLATE

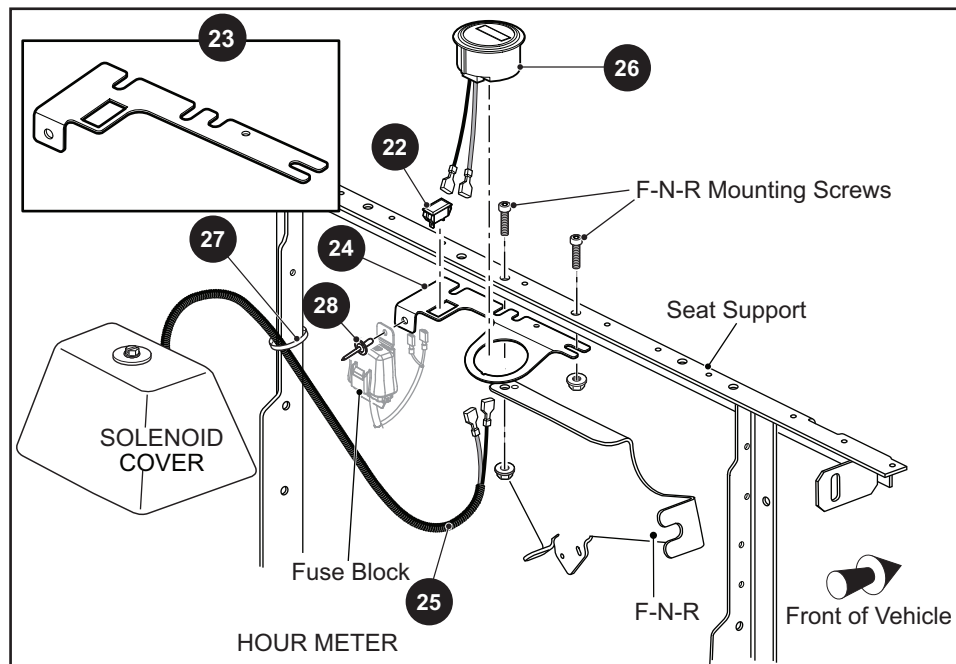


- 9 Gauge Plate (Fuel Gauge with Lights) includes items 10, 11
- 14 Console Insert Assembly includes items 16, 18
- 15 Console Insert Assembly includes items 16 - 19

Front of Vehicle



KEY SWITCH, INDICATOR LIGHT(S), AND FUEL GAUGE



THE USE OF NON U.L. PARTS WILL VOID ANY U.L. LISTING.

When ordering parts, please specify the model and serial number of the product.

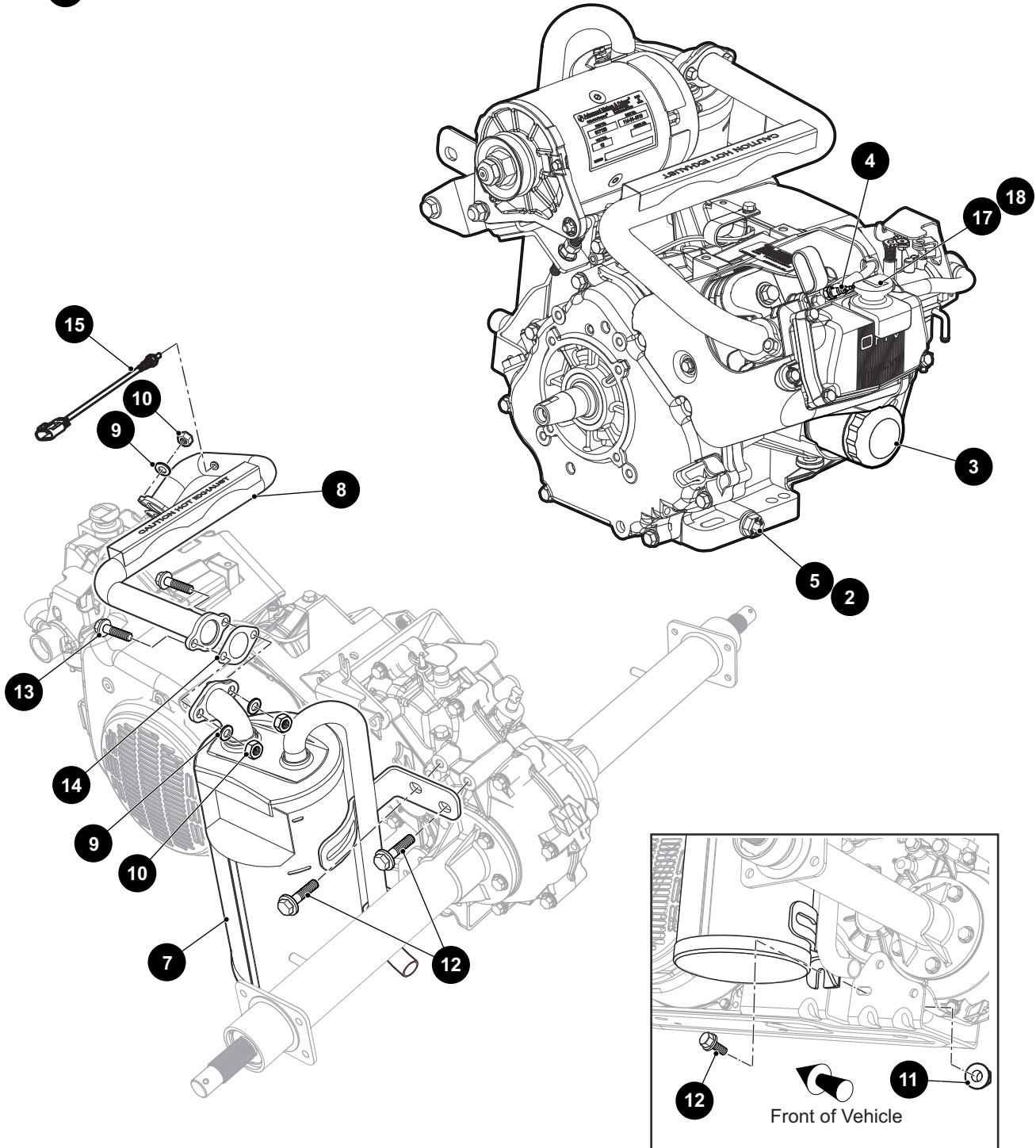
* Indicates a component that is not available as an individual part.

*** Indicates consult Customer Service Department for additional information.

| ITEM | PART NO. | 1 2 3 4 5 | DESCRIPTION | QTY. |
|------|-----------------|-----------|---|------|
| 1 | <u>33639G01</u> | | Ignition Switch (with Light) | 1 |
| 2 | <u>33639G02</u> | | Ignition Switch (with Light, Group Key) | 1 |
| 3 | 33639G03 | | Ignition Switch (with Light, Individual) | 1 |
| 4 | 33623G02 | | Drive Rivet, 3/16" x 3/8" Lg | 2 |
| 5 | | | | |
| 6 | <u>00568G6</u> | | Lock Washer (External Tooth Type), 3/4" | 1 |
| 7 | 17137G1 | | Face Nut, 3/4" - 20 | 1 |
| 8 | | | | |
| 9 | 656282G06 | | Gauge Plate (Fuel Gauge with Lights) (Includes Items 10, 11)..... | 1 |
| 10 | <u>73030G14</u> | | Console Insert Plate | 1 |
| 11 | <u>648247</u> | | Fuel Level Gauge | 1 |
| 12 | | | | |
| 13 | <u>645194</u> | | Wire Harness (Power Outlet) | 1 |
| 14 | 74693G03 | | Console Insert Assembly (Includes Items 16, 18)..... | 1 |
| 15 | 74693G04 | | Console Insert Assembly (Includes Items 16 - 19)..... | 1 |
| 16 | <u>73522G03</u> | | Console Insert Plate | 1 |
| 17 | <u>71078G01</u> | | Power Outlet (12V) | 1 |
| 18 | <u>20271G10</u> | | Plug | 1 |
| 19 | <u>14601G10</u> | | Rivet (Aluminum), 5/32" | 2 |
| 20 | 33623G02 | | Drive Rivet, 3/16" x 3/8" Lg | 3 |
| 21 | | | | |
| 22 | <u>659101</u> | | Malfunction Indicator Light | 1 |
| 23 | <u>659085</u> | | Fuse Bracket (For Vehicles without Hour Meter) | 1 |
| 24 | <u>662631</u> | | Fuse Bracket (For Vehicles with Hour Meter) | 1 |
| 25 | 664689 | | Hour Meter Harness | 1 |
| 26 | <u>617074</u> | | Hour Meter | 1 |
| 27 | <u>17618G1</u> | | Nylon Clamp..... | 2 |
| 28 | <u>71055G01</u> | | Rivet, 3/16" Dia. | 1 |

ENGINE AND MUFFLER

1 EFI Engine, 13.5 HP includes items 2 - 5



ENGINE AND MUFFLER

THE USE OF NON U.L. PARTS WILL VOID ANY U.L. LISTING.

When ordering parts, please specify the model and serial number of the product.

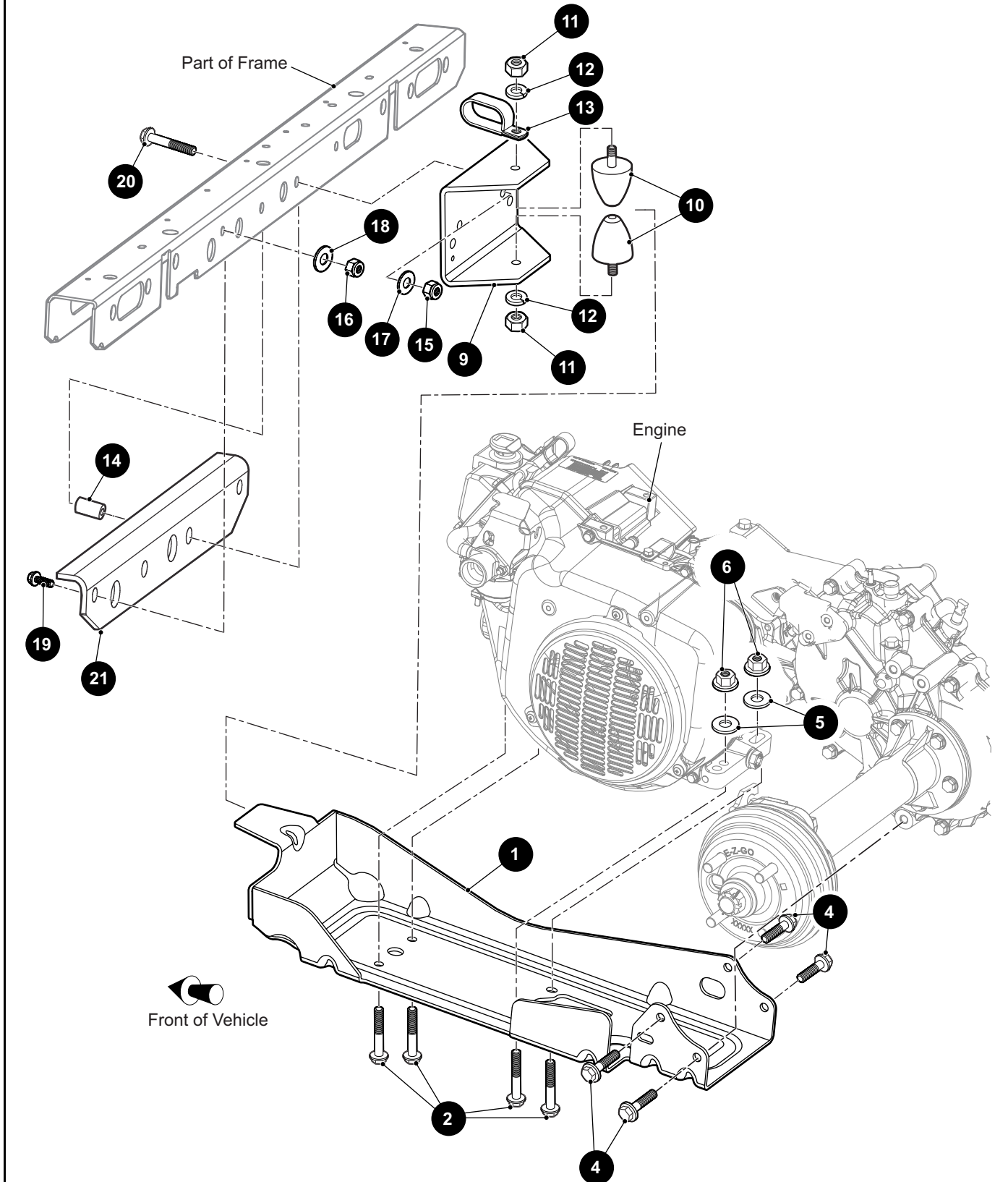
* Indicates a component that is not available as an individual part.

*** Indicates consult Customer Service Department for additional information.

| ITEM | PART NO. | 1 2 3 4 5 | DESCRIPTION | QTY. |
|------|---------------|-----------|---|------|
| 1 | <u>658237</u> | | EFI Engine, 13.5 HP (Includes Items 2 - 5)..... | 1 |
| 2 | <u>603562</u> | | O-Ring, 16mm | 1 |
| 3 | <u>607454</u> | | Oil Filter | 1 |
| 4 | <u>607462</u> | | Spark Plug | 1 |
| 5 | <u>603557</u> | | Oil Drain Plug | 1 |
| 6 | | | | |
| 7 | 695386 | | Muffler | 1 |
| 8 | <u>657450</u> | | Exhaust Manifold..... | 1 |
| 9 | <u>606272</u> | | Lock Washer, 8mm | 4 |
| 10 | <u>606267</u> | | Hex Jam Nut, M8 - 1.25 | 4 |
| 11 | <u>606279</u> | | Flanged Hex Nut, M10 - 1.25 | 1 |
| 12 | <u>606256</u> | | Flanged Hex Head Bolt, M10 - 1.25 x 25mm Lg, Grade 8.8..... | 3 |
| 13 | <u>602330</u> | | Flanged Hex Head Bolt, M8 - 1.25 x 30mm Lg, Grade 8.8..... | 2 |
| 14 | <u>603599</u> | | Exhaust Gasket..... | 2 |
| 15 | <u>657449</u> | | Oxygen Sensor | 1 |
| 16 | | | | |
| 17 | 689936G01 | | Oil Dip Stick (For Low Suspension Vehicles) | 1 |
| 18 | 689936G02 | | Oil Dip Stick (For High Suspension Vehicles) | 1 |

ENGINE MOUNTING

8 Front Mount Bracket Assembly includes items 9 - 13



ENGINE MOUNTING

THE USE OF NON U.L. PARTS WILL VOID ANY U.L. LISTING.

When ordering parts, please specify the model and serial number of the product.

* Indicates a component that is not available as an individual part.

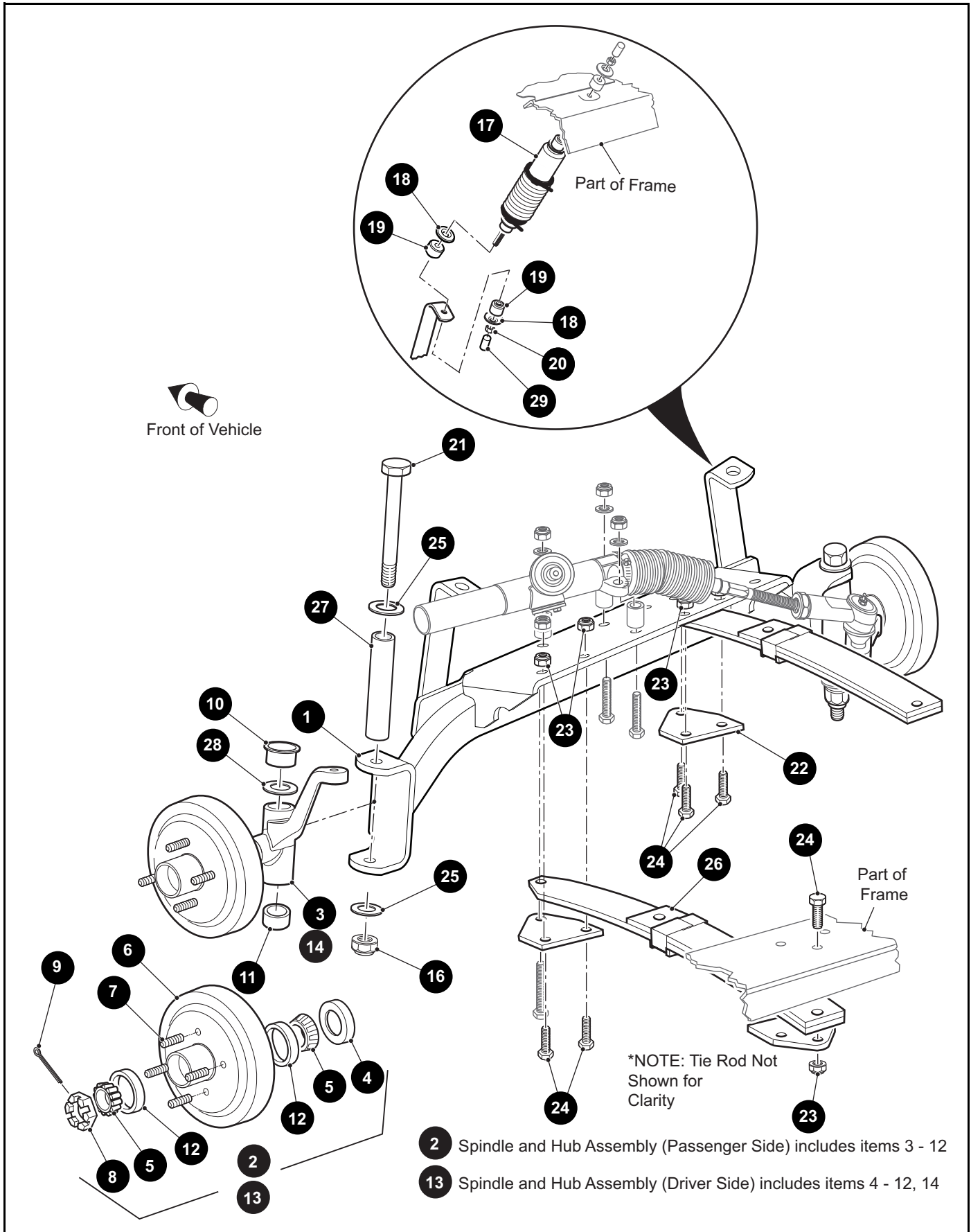
*** Indicates consult Customer Service Department for additional information.

| ITEM | PART NO. | 1 2 3 4 5 | DESCRIPTION | QTY. |
|------|-----------------|-----------|--|------|
| 1 | <u>630776</u> | | Engine Pan | 1 |
| 2 | <u>606259</u> | | Flanged Hex Head Bolt, M10 - 1.25 x 45mm Lg, Grade 8.8 | 4 |
| 3 | | | | |
| 4 | <u>606256</u> | | Flanged Hex Head Bolt, M10 - 1.25 x 25mm Lg, Grade 8.8 | 4 |
| 5 | <u>603823</u> | | Flat Washer, M10 | 4 |
| 6 | <u>606279</u> | | Flanged Hex Nut, M10 - 1.25 | 4 |
| 7 | | | | |
| 8 | <u>662794</u> | | Front Mount Bracket Assembly (Includes Items 9 - 13) | 1 |
| 9 | <u>10000283</u> | | Front Mount Bracket | 1 |
| 10 | <u>605757</u> | | Rubber Bumper | 2 |
| 11 | <u>00974G01</u> | | Hex Nut, M10 - 1.5 | 2 |
| 12 | <u>608654</u> | | Lock Washer, 10mm | 2 |
| 13 | <u>692754</u> | | Tube Clamp (Wide), 1" | 1 |
| 14 | <u>72016G01</u> | | Tube Spacer | 2 |
| 15 | <u>11098G5</u> | | Lock Nut, 3/8" - 16 | 2 |
| 16 | <u>01109G01</u> | | Lock Nut, 5/16" - 18 | 2 |
| 17 | <u>00643G1</u> | | Flat Washer, 3/8" | 2 |
| 18 | <u>00559G8</u> | | Flat Washer, 5/16" | 2 |
| 19 | <u>00438G7</u> | | Hex Head Bolt, 5/16" - 18 x 7/8" Lg, Grade 5 | 2 |
| 20 | <u>00428G8</u> | | Hex Head Bolt, 3/8" - 16 x 2.75" Lg | 2 |
| 21 | <u>652247</u> | | Cross-member Brace | 1 |

Notes:

A large grid of graph paper consisting of 28 columns and 38 rows, intended for taking notes. The grid is empty.

FRONT SUSPENSION AND STEERING



2 Spindle and Hub Assembly (Passenger Side) includes items 3 - 12

13 Spindle and Hub Assembly (Driver Side) includes items 4 - 12, 14

FRONT SUSPENSION AND STEERING

THE USE OF NON U.L. PARTS WILL VOID ANY U.L. LISTING.

When ordering parts, please specify the model and serial number of the product.

* Indicates a component that is not available as an individual part.

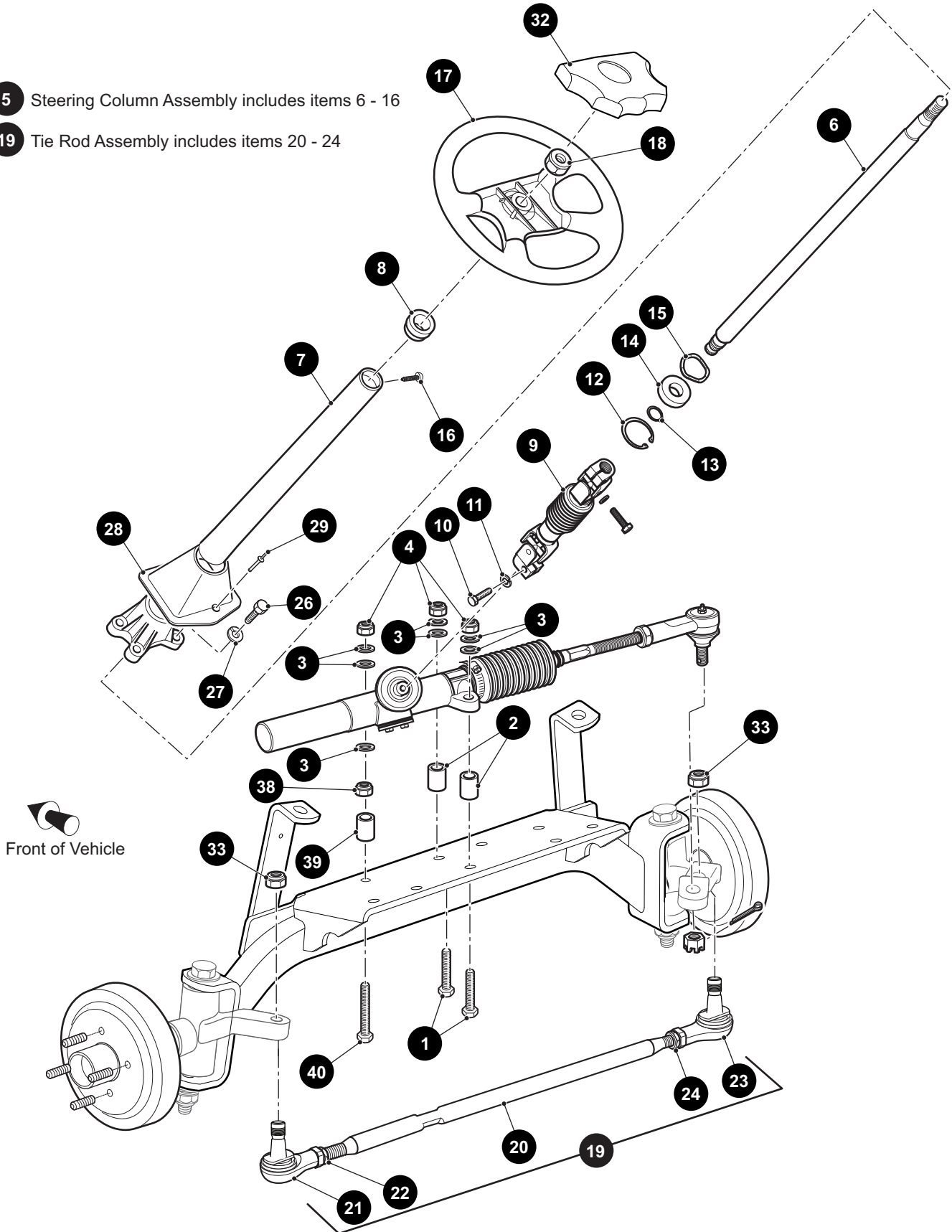
*** Indicates consult Customer Service Department for additional information.

| ITEM | PART NO. | 1 2 3 4 5 | DESCRIPTION | QTY. |
|------|-----------------|-----------|--|------|
| 1 | <u>633795</u> | | Front Axle | 1 |
| 2 | <u>70930G02</u> | | Spindle and Hub Assembly (Passenger Side) (Includes Items 3 - 12)..... | 1 |
| 3 | <u>70802G01</u> | | Spindle Assembly (Passenger Side) | 1 |
| 4 | <u>25146G1</u> | | Grease Seal..... | 1 |
| 5 | <u>11750G2</u> | | Roller Bearing and Race Assembly | 2 |
| 6 | <u>74332G01</u> | | Wheel Hub | 1 |
| 7 | <u>36038G01</u> | | Drive Flange Stud..... | 4 |
| 8 | <u>12093G1</u> | | Castle Nut, 1" - 14 | 1 |
| 9 | <u>00798G8</u> | | Cotter Pin, 5/32" x 1 3/4" Lg | 1 |
| 10 | <u>632925</u> | | Flanged Bushing..... | 1 |
| 11 | <u>632926</u> | | Bushing Sleeve..... | 1 |
| 12 | <u>51141G1</u> | | Race Bearing..... | 2 |
| 13 | <u>70931G02</u> | | Spindle and Hub Assembly (Driver Side) (Includes Items 4 - 12, 14) | 1 |
| 14 | <u>70803G01</u> | | Spindle Assembly (Driver Side) | 1 |
| 15 | | | | |
| 16 | <u>14390G6</u> | | Lock Nut, 1/2" - 13 | 1 |
| 17 | <u>76419G01</u> | | Shock Absorber..... | 2 |
| 18 | <u>10435G1</u> | | Shock Absorber Washer | 4 |
| 19 | <u>10194G1</u> | | Rubber Bushing | 4 |
| 20 | <u>00532G6</u> | | Hex Nut, 3/8" - 24..... | 2 |
| 21 | <u>00407G6</u> | | King Pin Bolt, 1/2" - 13 x 6" Lg, Grade 5..... | 1 |
| 22 | <u>652258</u> | | Spring Plate..... | 4 |
| 23 | <u>00734G1</u> | | Lock Nut, 7/16" - 14 | 11 |
| 24 | <u>00463G11</u> | | Hex Head Bolt, 7/16" - 14 x 1 3/4" Lg, Grade 5 | 11 |
| 25 | <u>00560G3</u> | | Flat Washer, 1/2" | 2 |
| 26 | <u>70990G03</u> | | Leaf Spring..... | 2 |
| 27 | <u>70745G01</u> | | King Pin Tube..... | 1 |
| 28 | <u>70754G01</u> | | Thrust Washer, (SS), 1" | 1 |
| 29 | <u>10044G01</u> | | Vinyl Cap..... | 2 |

FRONT SUSPENSION AND STEERING

5 Steering Column Assembly includes items 6 - 16

19 Tie Rod Assembly includes items 20 - 24



FRONT SUSPENSION AND STEERING

THE USE OF NON U.L. PARTS WILL VOID ANY U.L. LISTING.

When ordering parts, please specify the model and serial number of the product.

* Indicates a component that is not available as an individual part.

*** Indicates consult Customer Service Department for additional information.

| ITEM | PART NO. | 1 2 3 4 5 | DESCRIPTION | QTY. |
|------|-----------------|-----------|--|------|
| 1 | <u>00464G8</u> | | Hex Head Bolt, 7/16" - 14 x 2 3/4" Lg, Grade 5 | 2 |
| 2 | <u>70667G02</u> | | Spacer, 1.21" | 2 |
| 3 | <u>00560G2</u> | | Flat Washer, 7/16" | 7 |
| 4 | <u>00734G1</u> | | Lock Nut, 7/16" - 14 | 3 |
| 5 | <u>70758G05</u> | | Steering Column Kit (Includes Items 6 - 16) | 1 |
| 6 | <u>70607G01</u> | | Steering Shaft | 1 |
| 7 | <u>70610G03</u> | | Steering Column | 1 |
| 8 | <u>28569G01</u> | | Steering Column Bushing | 1 |
| 9 | <u>70580G01</u> | | Intermediate Shaft | 1 |
| 10 | <u>01055G01</u> | | Hex Head Bolt, M8 - 1.25 x 1.18" Lg, Grade 5 | 1 |
| 11 | <u>00565G8</u> | | Lock Washer, 5/16" | 1 |
| 12 | <u>70751G01</u> | | Retaining Ring (Internal) | 1 |
| 13 | <u>70888G01</u> | | Retaining Ring (External) | 1 |
| 14 | <u>15112G1</u> | | Ball Bearing | 1 |
| 15 | <u>70887G01</u> | | Wave Washer | 1 |
| 16 | <u>01022G01</u> | | Hex Washer Head Screw, #6 - 20 x 5/16" Lg | 1 |
| 17 | <u>602980</u> | | Steering Wheel (Premium) | 1 |
| 18 | <u>14390G2</u> | | Lock Nut, 5/8" - 18 | 1 |
| 19 | <u>70876G02</u> | | Tie Rod Assembly (Includes Items 20 - 24) | 1 |
| 20 | <u>70897G02</u> | | Threaded Rod, 24" Lg | 1 |
| 21 | <u>70902G01</u> | | Tie Rod End (Left Hand Threads) | 1 |
| 22 | <u>01069G01</u> | | Jam Nut, M12 x 1.25 (Left Hand Threads) | 1 |
| 23 | <u>70902G02</u> | | Tie Rod End (Right Hand Threads) | 1 |
| 24 | <u>01069G02</u> | | Jam Nut, M12 x 1.25 (Right Hand Threads) | 1 |
| 25 | | | | |
| 26 | <u>01006G01</u> | | Hex Washer Head Bolt, 3/8" - 16 x 1 1/4" Lg | 4 |
| 27 | <u>00879G1</u> | | Lock Washer, 3/8" | 4 |
| 28 | <u>70997G01</u> | | Steering Column Base Cover | 1 |
| 29 | <u>71055G01</u> | | Rivet (Aluminum), 3/16" Dia | 1 |
| 30 | | | | |
| 31 | | | | |

FRONT SUSPENSION AND STEERING

THE USE OF NON U.L. PARTS WILL VOID ANY U.L. LISTING.

When ordering parts, please specify the model and serial number of the product.

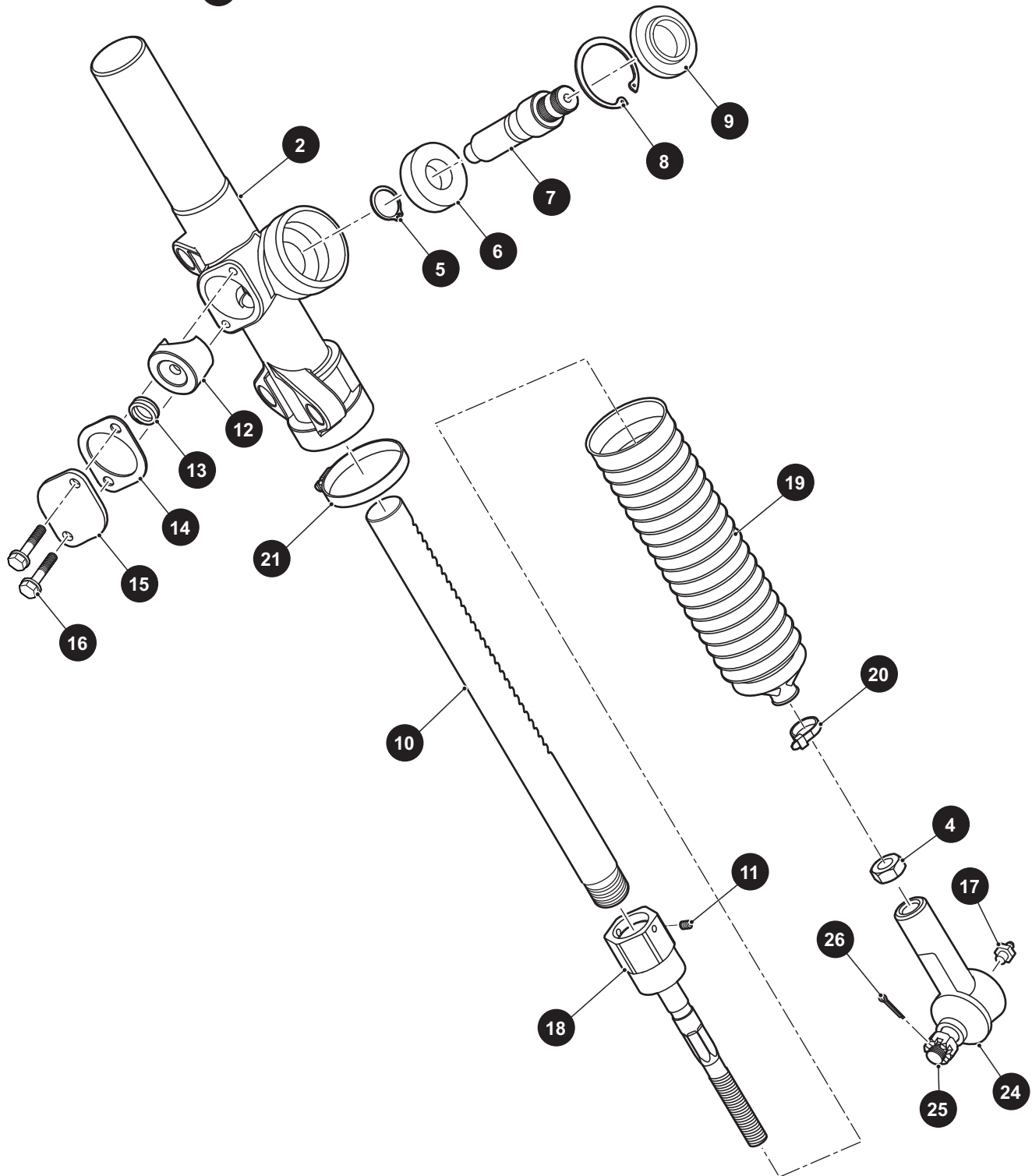
* Indicates a component that is not available as an individual part.

*** Indicates consult Customer Service Department for additional information.

| ITEM | PART NO. | 1 2 3 4 5 | DESCRIPTION | QTY. |
|------|-----------------|-----------|--|------|
| 32 | <u>71147G01</u> | | Steering Wheel Cover | 1 |
| 33 | <u>00734G1</u> | | Lock Nut, 7/16" - 14 | 2 |
| 34 | | | | |
| 35 | | | | |
| 36 | | | | |
| 37 | | | | |
| 38 | <u>00532G7</u> | | Hex Nut, 7/16" - 14 | 1 |
| 39 | <u>70667G04</u> | | Spacer, 1" O.D x .469" I.D. x .69" Lg | 1 |
| 40 | <u>01068G01</u> | | Hex Head Bolt, 7/16" - 14 x 3.5" Lg, Grade 5 | 1 |

FRONT SUSPENSION AND STEERING

- 1 Rack and Pinion Unit includes items 2 - 23
- 23 Tie Rod End (Outer) includes items 24 - 25



FRONT SUSPENSION AND STEERING

THE USE OF NON U.L. PARTS WILL VOID ANY U.L. LISTING.

When ordering parts, please specify the model and serial number of the product.

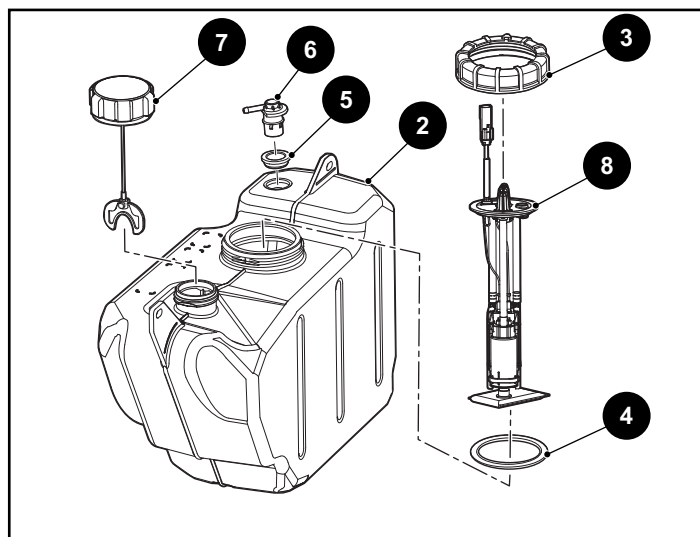
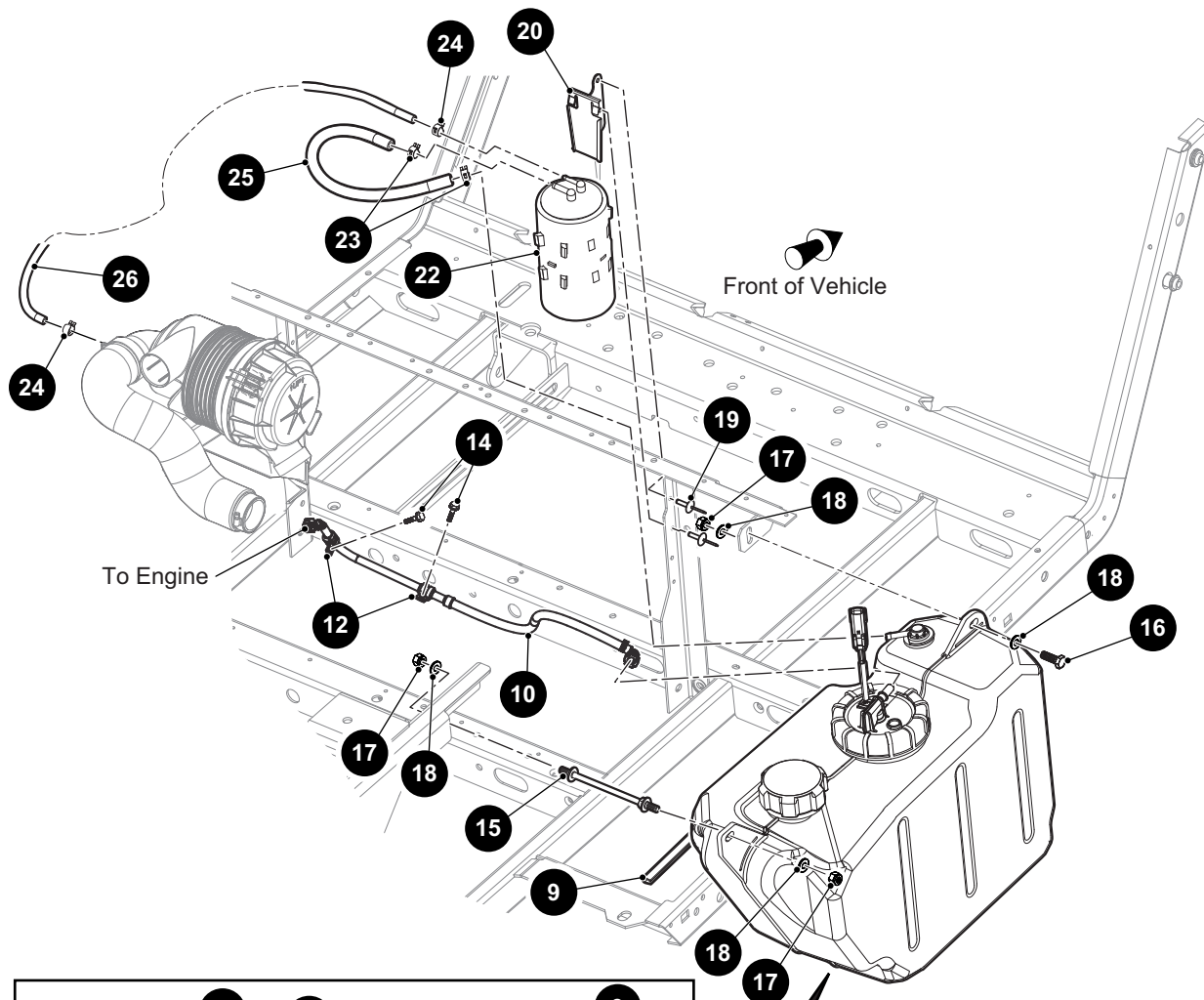
* Indicates a component that is not available as an individual part.

*** Indicates consult Customer Service Department for additional information.

| ITEM | PART NO. | 1 2 3 4 5 | DESCRIPTION | QTY. |
|------|-----------------|-----------|---|------|
| 1 | <u>70964G01</u> | | Rack and Pinion Unit (Includes Items 2 - 23)..... | 1 |
| 2 | <u>70965G01</u> | | Steering Rack Cover and Bearing..... | 1 |
| 3 | | | | |
| 4 | * | | Jam Nut, 1/2" - 20..... | 1 |
| 5 | <u>70750G01</u> | | Retaining Ring (External) | 1 |
| 6 | <u>15112G1</u> | | Ball Bearing | 1 |
| 7 | <u>70603G01</u> | | Pinion..... | 1 |
| 8 | <u>70751G01</u> | | Retaining Ring (Internal)..... | 1 |
| 9 | <u>70638G01</u> | | Seal (Pinion) | 1 |
| 10 | <u>70604G01</u> | | Steering Rack..... | 1 |
| 11 | * | | Set Screw, #10 - 32 x .25" Lg | 1 |
| 12 | <u>70590G01</u> | | Rack Loader | 1 |
| 13 | <u>70666G01</u> | | Compression Spring | 1 |
| 14 | <u>70645G01</u> | | Gasket (Rack Loader Cover)..... | 1 |
| 15 | <u>652259</u> | | Cover (Rack Loader) | 1 |
| 16 | <u>71102G01</u> | | Hex Washer Head Bolt, 1/4" - 20 x 11/16" Lg, Grade 5..... | 2 |
| 17 | <u>10389G3</u> | | Grease Fitting (Straight) | 1 |
| 18 | <u>70694G01</u> | | Rod End (Inner) | 1 |
| 19 | <u>70961G01</u> | | Rack Boot..... | 1 |
| 20 | <u>12416G2</u> | | Nylon Clamp, 11.8" Lg..... | 1 |
| 21 | <u>11391G8</u> | | Hose Clamp, 1.81"..... | 1 |
| 22 | | | | |
| 23 | <u>70695G01</u> | | Tie Rod End (Outer) (Includes Items 24 - 25)..... | 1 |
| 24 | <u>50641G1</u> | | Grommet..... | 1 |
| 25 | * | | Hex Slotted Nut, 7/16" - 20 | 1 |
| 26 | <u>10387G2</u> | | Cotter Pin, 3/32" X 1" | 1 |

FUEL SYSTEM

- 1 Fuel Tank Assembly includes items 2 - 8
- 21 Carbon Canister Assembly includes items 22 - 26



FUEL SYSTEM

THE USE OF NON U.L. PARTS WILL VOID ANY U.L. LISTING.

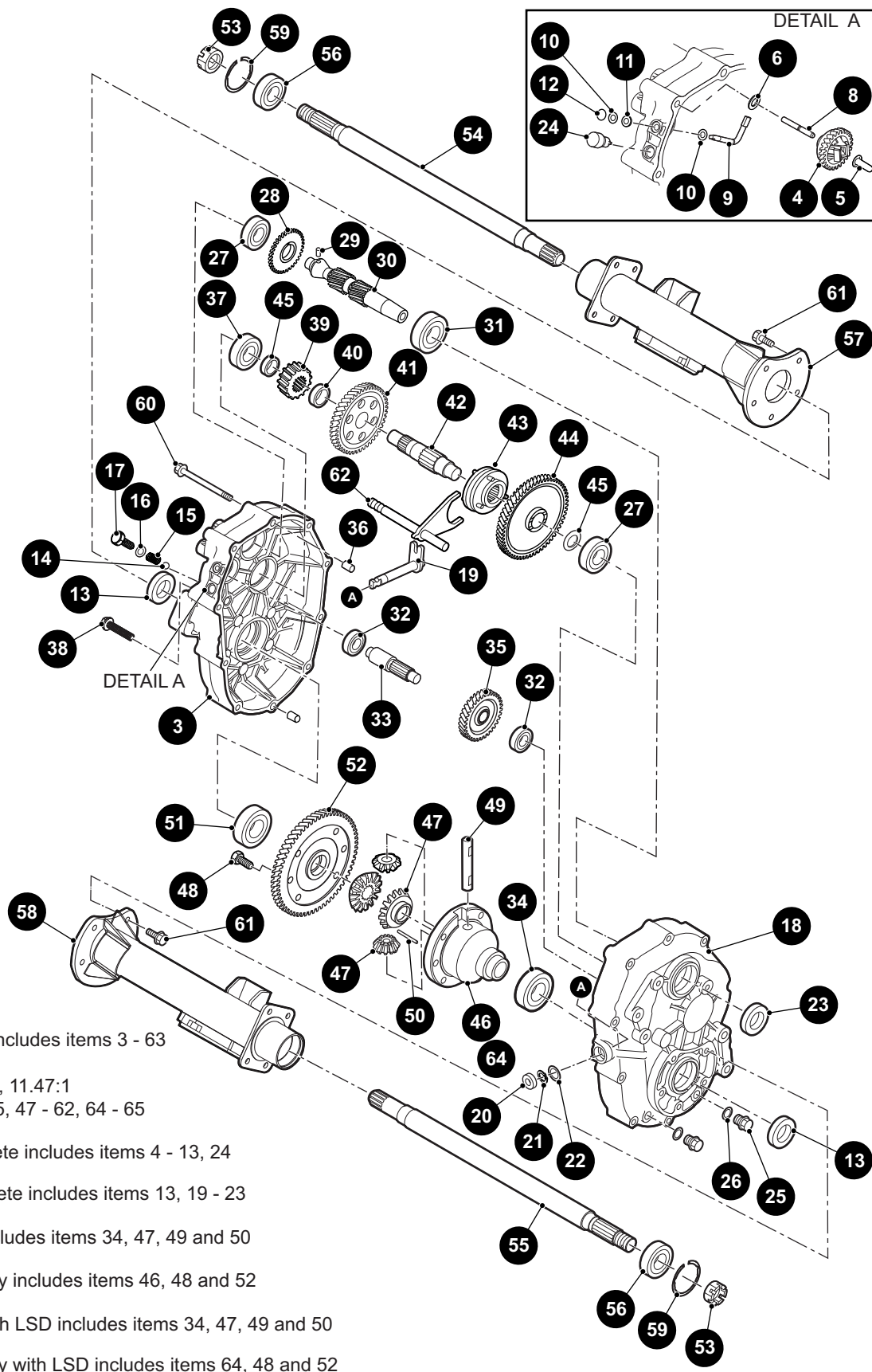
When ordering parts, please specify the model and serial number of the product.

* Indicates a component that is not available as an individual part.

*** Indicates consult Customer Service Department for additional information.

| ITEM | PART NO. | 1 2 3 4 5 | DESCRIPTION | QTY. |
|------|-----------------|-----------|---|------|
| 1 | <u>646825</u> | | Fuel Tank Assembly (with Sender Unit) (Includes Items 2 - 8)..... | 1 |
| 2 | 646306 | | Fuel Tank | 1 |
| 3 | <u>646837</u> | | Fuel Pump Lid | 1 |
| 4 | <u>646838</u> | | Seal | 1 |
| 5 | <u>647810</u> | | Grommet..... | 1 |
| 6 | <u>647809</u> | | Rollover Valve..... | 1 |
| 7 | 670898 | | Fuel Cap | 1 |
| 8 | <u>646353</u> | | Fuel Pump with Sender Assembly | 1 |
| 9 | <u>32372G6</u> | | Vinyl Trim, 6.25" Lg | 1 |
| 10 | 666351 | | Fuel Hose Assembly | 1 |
| 11 | | | | |
| 12 | 664747 | | Tube Clamp, .5" | 2 |
| 13 | <u>602409</u> | | Barrel Clip, M6 - 1 (Not Illustrated)..... | 2 |
| 14 | <u>606264</u> | | Flanged Hex Head Bolt, M6 - 1 x 20mm Lg, Grade 8.8 | 2 |
| 15 | <u>70483G01</u> | | Spacer, 5/16" - 18 | 1 |
| 16 | <u>00438G8</u> | | Hex Head Bolt, 5/16" - 18 x 1" Lg, Grade 5 | 1 |
| 17 | 11098G6 | | Lock Nut, 5/16" - 18 | 3 |
| 18 | 00559G8 | | Flat Washer, 5/16"..... | 4 |
| 19 | <u>14601G11</u> | | Rivet (Aluminum), 3/16" x 9/16" Lg | 2 |
| 20 | <u>606310</u> | | Carbon Canister Mounting Bracket..... | 1 |
| 21 | 662807 | | Carbon Canister Assembly (Includes Items 22 - 26) | 1 |
| 22 | 10006822 | | Carbon Canister | 1 |
| 23 | <u>18292G1</u> | | Tube Clamp, 1/2" O.D | 2 |
| 24 | <u>606963</u> | | Tube Clamp, 3/16" I.D | 2 |
| 25 | <u>27184G14</u> | | Fuel System Tube, 13" Lg | 1 |
| 26 | <u>662608</u> | | Hose, 3/16" I.D. x 37" Lg | 1 |

REAR AXLE



- 1 Rear Axle, 11.47:1 includes items 3 - 63
- 2 Rear Axle With LSD, 11.47:1 includes items 3 - 45, 47 - 62, 64 - 65
- 3 Axle Case L Complete includes items 4 - 13, 24
- 18 Axle Case R Complete includes items 13, 19 - 23
- 46 Differential Case includes items 34, 47, 49 and 50
- 63 Differential Assembly includes items 46, 48 and 52
- 64 Differential Case with LSD includes items 34, 47, 49 and 50
- 65 Differential Assembly with LSD includes items 64, 48 and 52

THE USE OF NON U.L. PARTS WILL VOID ANY U.L. LISTING.

When ordering parts, please specify the model and serial number of the product.

* Indicates a component that is not available as an individual part.

*** Indicates consult Customer Service Department for additional information.

| ITEM | PART NO. | 1 2 3 4 5 | DESCRIPTION | QTY. |
|------|-----------------|-----------|---|------|
| 1 | <u>670468</u> | | Rear Axle, 11.47:1 (Includes Items 3 - 63) | 1 |
| 2 | <u>670470</u> | | Rear Axle with LSD, 11.47:1 (Includes Items 3 - 45, 47 - 62, 64 - 65) | 1 |
| 3 | <u>639859</u> | | Axle Case L Complete (Includes Items 4 - 13, 24) | 1 |
| 4 | <u>665887</u> | | Governor Gear | 1 |
| 5 | <u>639689</u> | | Governor Sleeve | 1 |
| 6 | <u>607904</u> | | Flat Washer | 1 |
| 7 | | | | |
| 8 | <u>639698</u> | | Governor Gear Shaft..... | 1 |
| 9 | <u>639707</u> | | Governor Shaft..... | 1 |
| 10 | <u>639736</u> | | Flat Washer, 6mm | 2 |
| 11 | <u>607911</u> | | Oil Seal, 6 x 10 x 2.5mm | 1 |
| 12 | <u>607913</u> | | Retaining Ring, E5 | 1 |
| 13 | <u>639738</u> | | Oil Seal, 24 x 40 x 9mm | 2 |
| 14 | <u>26818G01</u> | | Steel Ball | 1 |
| 15 | <u>26819G01</u> | | Spring | 1 |
| 16 | <u>26831G01</u> | | Gasket, 10 | 1 |
| 17 | <u>26820G01</u> | | Flanged Hex Head Bolt, M10 - 1.25 x 12mm Lg | 1 |
| 18 | <u>639865</u> | | Axle Case R Complete (Includes Items 13, 19 - 23) | 1 |
| 19 | <u>639746</u> | | Select Shaft..... | 1 |
| 20 | <u>607915</u> | | Oil Seal, 13 x 22 x 5mm | 1 |
| 21 | <u>607916</u> | | Snap Ring, 13mm | 1 |
| 22 | <u>607917</u> | | Spacer, 13 x 1mm | 1 |
| 23 | <u>640093</u> | | Oil Seal, 28 x 47 x 9mm | 1 |
| 24 | <u>607919</u> | | Air Breather | 1 |
| 25 | <u>639747</u> | | Oil Drain Plug | 2 |
| 26 | <u>639748</u> | | Gasket, 14mm | 2 |
| 27 | <u>26785G01</u> | | Ball Bearing (6204)..... | 2 |
| 28 | <u>665888</u> | | Governor Gear,34..... | 1 |
| 29 | <u>607920</u> | | Pin, 6 X 12L..... | 1 |
| 30 | <u>639750</u> | | Input Shaft | 1 |
| 31 | <u>607922</u> | | Ball Bearing (62/28)..... | 1 |

REAR AXLE

THE USE OF NON U.L. PARTS WILL VOID ANY U.L. LISTING.

When ordering parts, please specify the model and serial number of the product.

* Indicates a component that is not available as an individual part.

*** Indicates consult Customer Service Department for additional information.

| ITEM | PART NO. | 1 | 2 | 3 | 4 | 5 | DESCRIPTION | QTY. |
|------|-----------------|---|---|---|---|---|---|------|
| 32 | <u>639868</u> | | | | | | Ball Bearing (TMB202)..... | 2 |
| 33 | <u>639755</u> | | | | | | Counter Shaft..... | 1 |
| 34 | <u>640744</u> | | | | | | Ball Bearing (6006) | 1 |
| 35 | <u>639758</u> | | | | | | Gear, 34 | 1 |
| 36 | <u>639869</u> | | | | | | Knock Pipe..... | 2 |
| 37 | <u>639760</u> | | | | | | Ball Bearing (6304) | 2 |
| 38 | <u>639768</u> | | | | | | Flanged Hex Head Bolt, M8 - 1.25 x 40mm Lg..... | 1 |
| 39 | <u>639769</u> | | | | | | Gear, 17 | 1 |
| 40 | <u>28689G01</u> | | | | | | Collar, 24 x 7.5mm | 1 |
| 41 | <u>639771</u> | | | | | | Gear, 52 | 1 |
| 42 | <u>670697</u> | | | | | | Center Shaft..... | 1 |
| 43 | <u>639774</u> | | | | | | Clutch Pin..... | 1 |
| 44 | <u>670696</u> | | | | | | Gear, 61 | 1 |
| 45 | <u>639797</u> | | | | | | Spacer, 20 x 2mm | 2 |
| 46 | <u>639872</u> | | | | | | Differential Case (Includes Items 34, 47, 49 and 50)..... | 1 |
| 47 | <u>639800</u> | | | | | | Differential Pair Gear..... | 1 |
| 48 | <u>26808G01</u> | | | | | | Hex Head Bolt, M10 - 1.25 x 26mm Lg | 6 |
| 49 | <u>28723G01</u> | | | | | | Differential Shaft..... | 1 |
| 50 | <u>28697G01</u> | | | | | | Spring Pin, 4 x 40L..... | 1 |
| 51 | <u>639801</u> | | | | | | Ball Bearing (6007) | 1 |
| 52 | <u>640739</u> | | | | | | Gear, 60 Complete (Includes Item 51)..... | 1 |
| 53 | <u>607938</u> | | | | | | Castle Nut, M22 - 1.5 | 2 |
| 54 | <u>639876</u> | | | | | | Axle Shaft L Complete (Includes Item 56)..... | 1 |
| 55 | <u>639881</u> | | | | | | Axle Shaft R Complete (Includes Item 56) | 1 |
| 56 | <u>639836</u> | | | | | | Ball Bearing (6205DD)..... | 2 |
| 57 | <u>607939</u> | | | | | | Axle Case L Complete | 1 |
| 58 | <u>607940</u> | | | | | | Axle Case R Complete..... | 1 |
| 59 | <u>26814G01</u> | | | | | | Snap Ring, 52mm | 2 |
| 60 | <u>639839</u> | | | | | | Flanged Hex Head Bolt, M8 - 1.25 x 60mm Lg..... | 9 |
| 61 | <u>639840</u> | | | | | | Flanged Hex Head Bolt, M10 - 1.25 x 25mm Lg..... | 10 |
| 62 | <u>639844</u> | | | | | | Shift Shaft Complete | 1 |

THE USE OF NON U.L. PARTS WILL VOID ANY U.L. LISTING.

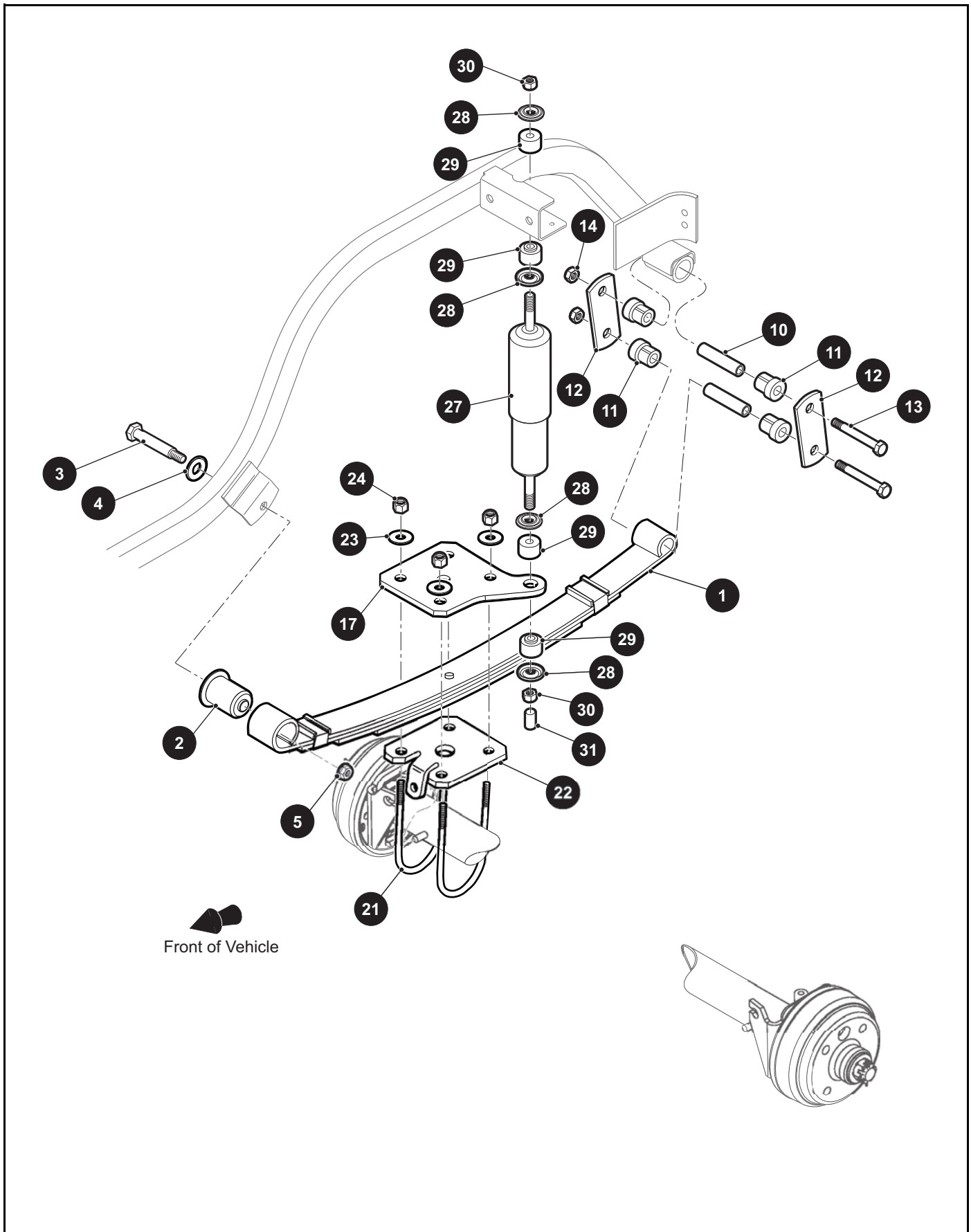
When ordering parts, please specify the model and serial number of the product.

* Indicates a component that is not available as an individual part.

*** Indicates consult Customer Service Department for additional information.

| ITEM | PART NO. | 1 2 3 4 5 | DESCRIPTION | QTY. |
|------|---------------|-----------|---|------|
| 63 | <u>639847</u> | | Differential Assembly (Includes Items 46, 48 and 52)..... | 1 |
| 64 | 640098 | | Differential Case with LSD (Includes Items 34, 47, 49 and 50)..... | 1 |
| 65 | <u>639847</u> | | Differential Assembly with LSD (Includes Items 64, 48 and 52) | 1 |

REAR SUSPENSION



REAR SUSPENSION

THE USE OF NON U.L. PARTS WILL VOID ANY U.L. LISTING.

When ordering parts, please specify the model and serial number of the product.

* Indicates a component that is not available as an individual part.

*** Indicates consult Customer Service Department for additional information.

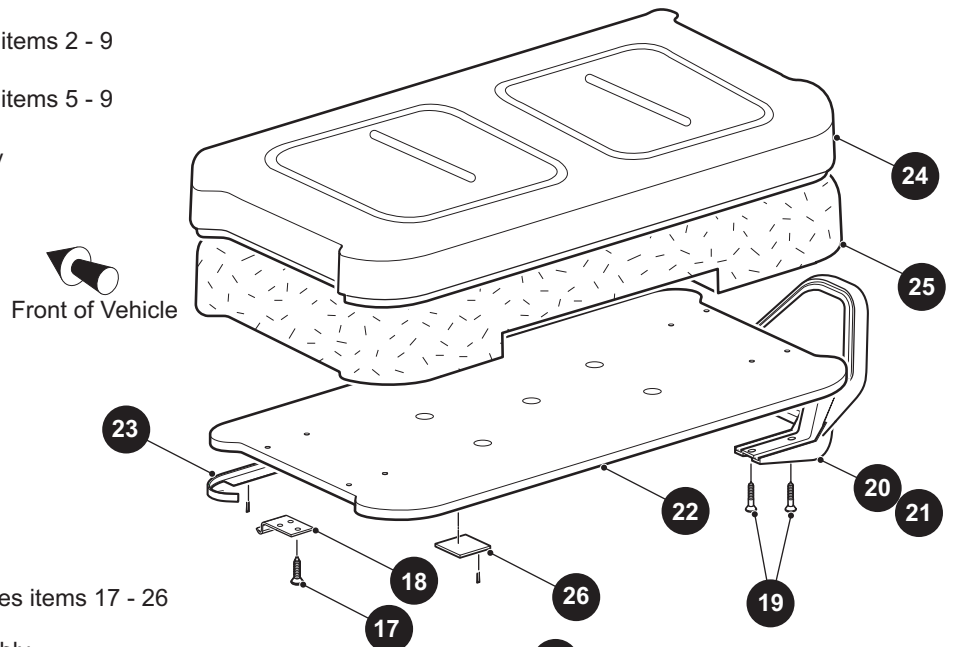
| ITEM | PART NO. | 1 2 3 4 5 | DESCRIPTION | QTY. |
|------|-----------------|-----------|---|------|
| 1 | <u>605721</u> | | Leaf Spring | 1 |
| 2 | <u>605445</u> | | Leaf Spring Bushing, Front | 1 |
| 3 | <u>00665G9</u> | | Hex Head Bolt (SS), 3/8" - 16 x 3 1/2" Lg | 1 |
| 4 | <u>00643G1</u> | | Flat Washer, .41 I.D. x 1.0 O.D. x .06 | 1 |
| 5 | <u>12262G1</u> | | Flanged Lock Nut, 3/8" - 16 | 1 |
| 6 | | | | |
| 7 | | | | |
| 8 | | | | |
| 9 | | | | |
| 10 | <u>70289G02</u> | | Split Spacer (Steel) | 2 |
| 11 | <u>624030</u> | | Flanged Bushing | 4 |
| 12 | <u>652245</u> | | Shackle Plate | 2 |
| 13 | <u>00665G9</u> | | Hex Head Bolt (SS), 3/8" - 16 x 3 1/2" Lg | 2 |
| 14 | <u>11098G5</u> | | Lock Nut, 3/8" - 16 | 2 |
| 15 | | | | |
| 16 | | | | |
| 17 | <u>605977</u> | | Rear Suspension Plate | 1 |
| 18 | | | | |
| 19 | | | | |
| 20 | | | | |
| 21 | <u>32195G3</u> | | U-Bolt, 3/8" - 16 x 5" x 2.875" x 2" | 2 |
| 22 | <u>652580</u> | | Rear Suspension Plate | 1 |
| 23 | <u>00643G1</u> | | Flat Washer, .41 I.D. x 1.0 O.D. x .06 | 4 |
| 24 | <u>11098G5</u> | | Lock Nut, 3/8" - 16 | 4 |
| 25 | | | | |
| 26 | | | | |
| 27 | <u>642085</u> | | Shock Absorber..... | 2 |
| 28 | <u>10435G1</u> | | Shock Absorber Washer | 4 |
| 29 | <u>10194G1</u> | | Rubber Shock Bushing | 4 |
| 30 | <u>00532G6</u> | | Hex Nut, 3/8" - 24..... | 2 |
| 31 | <u>10044G01</u> | | Vinyl Cap..... | 1 |

SEATING

1 Seat Back Assembly includes items 2 - 9

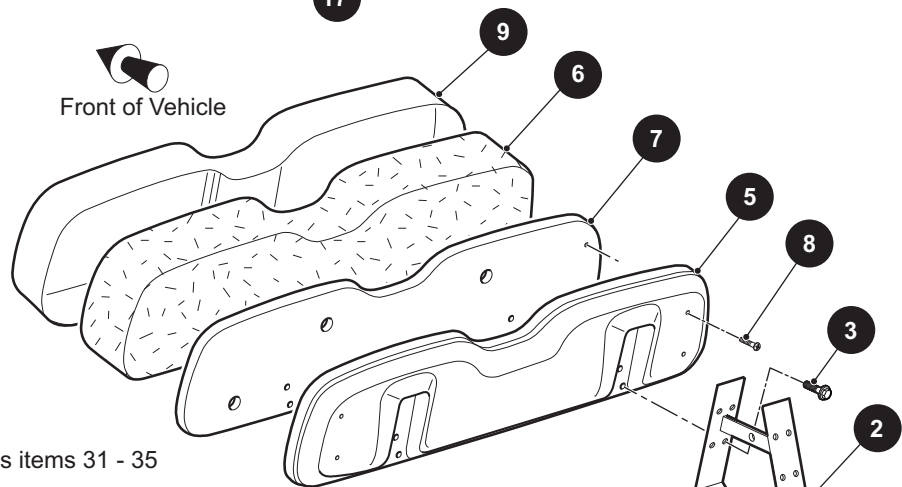
4 Seat Back Assembly includes items 5 - 9

10 Premium Seat Back Assembly includes items 2 - 3, 11

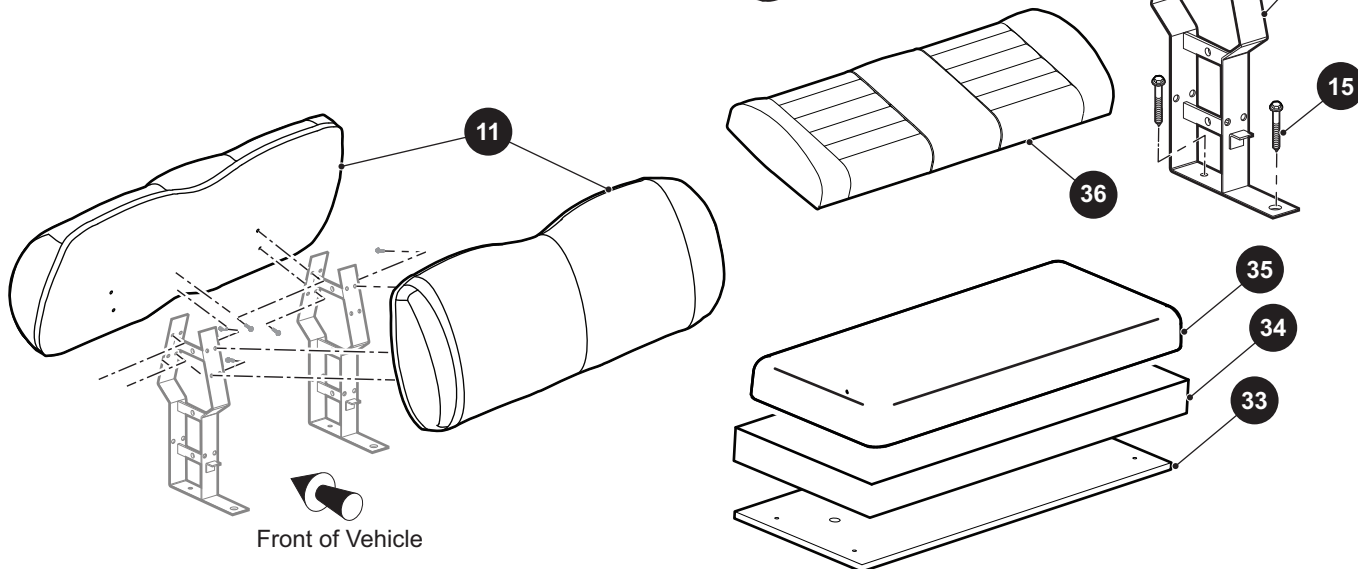


16 Seat Bottom Assembly includes items 17 - 26

27 Premium Seat Bottom Assembly includes items 17 - 21, 24



30 Flip Seat Bottom Assembly includes items 31 - 35



THE USE OF NON U.L. PARTS WILL VOID ANY U.L. LISTING.

When ordering parts, please specify the model and serial number of the product.

* Indicates a component that is not available as an individual part.

*** Indicates consult Customer Service Department for additional information.

| ITEM | PART NO. | 1 2 3 4 5 | DESCRIPTION | QTY. |
|------|-----------------|-----------|---|------|
| 1 | *** | | Seat Back Assembly (Includes Items 2 - 9)..... 10000522G0114 Gray/Black 10000522G0122 White/Beige 632818G01 Oyster 632818G03 Tan 632818G04 Gray 632818G06 Black | 1 |
| 2 | <u>634178</u> | | Support Weldment..... | 1 |
| 3 | <u>71204G01</u> | | Hex Washer Head Bolt with Patch Lock, 1/4" - 20 x .875" Lg | 4 |
| 4 | *** | | Seat Back Assembly (Includes Items 5 - 9)..... 10000520G0114 Gray/Black 10000520G0122 White/Beige 71751G03 Oyster 71751G04 Tan 71751G02 Gray 71751G07 Black | 2 |
| 5 | <u>71752G01</u> | | Cover (Plastic)..... | 1 |
| 6 | <u>71754G01</u> | | Padding (Foam) | 1 |
| 7 | <u>645021</u> | | Base Assembly | 1 |
| 8 | <u>01107G01</u> | | Pan Head Torx Screw, #8 x .63" Lg..... | 4 |
| 9 | *** | | Vinyl Cover..... 10004901G14 Gray/Black 10000417G22 White/Beige 71753G02 Gray 71753G03 Oyster 71753G04 Tan 71753G07 Black | 1 |
| 10 | *** | | Premium Seat Back Assembly (Includes Items 2 - 3, 11)..... 692961G18 Mushroom 692961G21 Premium Black | 1 |
| 11 | *** | | Seat Back Assembly..... 654084G18 Mushroom 654084G21 Premium Black | 2 |
| 12 | | | | |
| 13 | | | | |
| 14 | | | | |
| 15 | <u>01006G01</u> | | Hex Washer Head Thread Forming Screw, 3/8" - 16 x 1.25" Lg | 2 |
| 16 | *** | | Seat Bottom Assembly (Includes Items 17 - 26)..... 629269G0101 Oyster 629269G0103 Tan 629269G0104 Gray | 1 |

SEATING

THE USE OF NON U.L. PARTS WILL VOID ANY U.L. LISTING.

When ordering parts, please specify the model and serial number of the product.

* Indicates a component that is not available as an individual part.

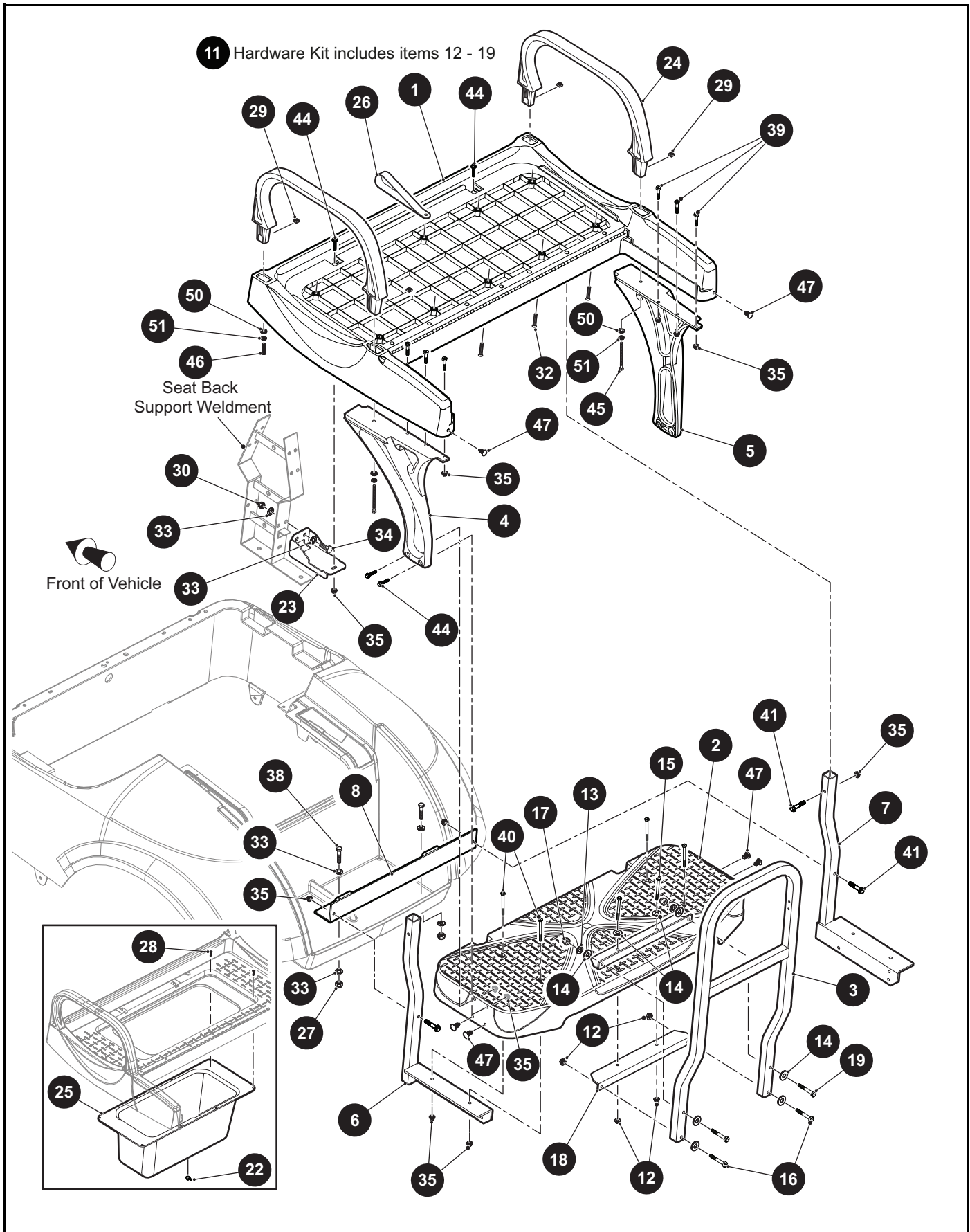
*** Indicates consult Customer Service Department for additional information.

| ITEM | PART NO. | 1 | 2 | 3 | 4 | 5 | DESCRIPTION | QTY. |
|------|-----------------|---|---|---|---|---|--|------|
| | | | | | | | 629269G0106 Black 629269G3022 White/Beige 629269G3014 Gray/Black | |
| 17 | <u>00720G08</u> | | | | | | Flat Head Phillips Tapping Screw, #12 - 14 x 1" Lg..... | 6 |
| 18 | <u>71610G01</u> | | | | | | Seat Hinge | 2 |
| 19 | <u>615417</u> | | | | | | Button Head Torx Bolt, M10 - 1.5 x 25mm Lg | 4 |
| 20 | <u>617644</u> | | | | | | Hip Restraint (Passenger Side)..... | 1 |
| 21 | <u>617645</u> | | | | | | Hip Restraint (Driver Side) | 1 |
| 22 | <u>645492</u> | | | | | | Base..... | 1 |
| 23 | <u>71012G01</u> | | | | | | Trim (Polypropylene)..... | 1 |
| 24 | *** | | | | | | Vinyl Cover..... 71602G02 Gray 71602G03 Oyster 71602G04 Tan 71602G06 Black 10000416G22 White/Beige 10004900G14 Gray/Black 654085G18 Mushroom 654085G21 Premium Black | 1 |
| 25 | <u>71603G02</u> | | | | | | Padding (Foam) | 1 |
| 26 | <u>17074G1</u> | | | | | | Soiling Slab | 2 |
| 27 | *** | | | | | | Premium Seat Bottom Assembly (Includes Items 17 - 21, 24) | 1 |
| | | | | | | | 629269G2818 Mushroom 629269G2821 Premium Black | |
| 28 | | | | | | | | |
| 29 | | | | | | | | |
| 30 | *** | | | | | | Flip Seat Bottom Assembly (Includes Items 31 - 35)..... | 1 |
| | | | | | | | 699321G01 Oyster 699321G03 Tan 699321G04 Gray 699321G06 Black 699321G14 Gray/Black 699321G22 White/Beige | |
| 31 | | | | | | | | |
| 32 | | | | | | | | |
| 33 | 669061 | | | | | | Seat Bottom | 1 |
| 34 | 699297 | | | | | | Seat Bottom (Foam)..... | 1 |

THE USE OF NON U.L. PARTS WILL VOID ANY U.L. LISTING.
 When ordering parts, please specify the model and serial number of the product.
 * Indicates a component that is not available as an individual part.
 *** Indicates consult Customer Service Department for additional information.

| ITEM | PART NO. | 1 2 3 4 5 DESCRIPTION | QTY. |
|------|----------|---|------|
| 35 | *** | Seat Bottom (Vinyl)..... 615646 Oyster 615647 Tan 617892 Gray 615648 Black 10004899G14 Gray/Black 10000413G22 White/Beige | 1 |
| 36 | *** | Flip Seat Bottom Assembly (Premium) 600082G18 Mushroom 600082G21 Premium Black | 1 |

SEATING



THE USE OF NON U.L. PARTS WILL VOID ANY U.L. LISTING.

When ordering parts, please specify the model and serial number of the product.

* Indicates a component that is not available as an individual part.

*** Indicates consult Customer Service Department for additional information.

| ITEM | PART NO. | 1 2 3 4 5 | DESCRIPTION | QTY. |
|------|-----------------|-----------|---|------|
| 1 | 10007752 | | Seat Base Assembly | 1 |
| 2 | 10007792 | | Footrest | 1 |
| 3 | 10007798 | | Grab Bar | 1 |
| 4 | 10007789G01 | | Seat Base Support (Driver Side) | 1 |
| 5 | 10007789G02 | | Seat Base Support (Passenger Side) | 1 |
| 6 | 10007791G01 | | Footrest Support (Driver Side) | 1 |
| 7 | 10007791G02 | | Footrest Support (Passenger Side) | 1 |
| 8 | 10007795 | | Bumper Support | 1 |
| 9 | | | | |
| 10 | | | | |
| 11 | 10008507 | | Hardware Kit (Includes Items 12 - 19) | 1 |
| 12 | 10007945 | | Flanged Hex Nut, 1/4" - 20 | 4 |
| 13 | 10014523 | | Lock Washer, 1/4" | 2 |
| 14 | 10014524 | | Flat Washer, 1/4" | 8 |
| 15 | 10014521 | | Hex Head Bolt, 1/4" - 20 x 3 1/4" Lg, Grade 5 | 2 |
| 16 | 10014520 | | Hex Head Bolt, 1/4" - 20 x 2" Lg, Grade 5 | 2 |
| 17 | 10014522 | | Acorn Nut, 1/4" - 20 | 2 |
| 18 | 10014518 | | Grab Bar Support Clamp | 2 |
| 19 | 10014519 | | Hex Head Bolt, 1/4" - 20 x 1 3/4" Lg, Grade 5 | 2 |
| 20 | | | | |
| 21 | | | | |
| 22 | 10001207 | | Rubber Pull Plug | 1 |
| 23 | 10000073 | | Flip Seat Support Bracket | 2 |
| 24 | 699419 | | Hip Restraint | 2 |
| 25 | 699428 | | Plastic Bucket | 1 |
| 26 | <u>617402</u> | | Seat Strap | 1 |
| 27 | <u>11098G5</u> | | Lock Nut, 3/8" - 16 | 2 |
| 28 | <u>71425G01</u> | | Tapping Screw, #8 - 18 x 3/4" Lg | 8 |
| 29 | 697319 | | Square Nut (SS), 1/4" - 20 | 4 |
| 30 | <u>11098G5</u> | | Lock Nut, 3/8" - 16 | 4 |
| 31 | | | | |

SEATING

THE USE OF NON U.L. PARTS WILL VOID ANY U.L. LISTING.

When ordering parts, please specify the model and serial number of the product.

* Indicates a component that is not available as an individual part.

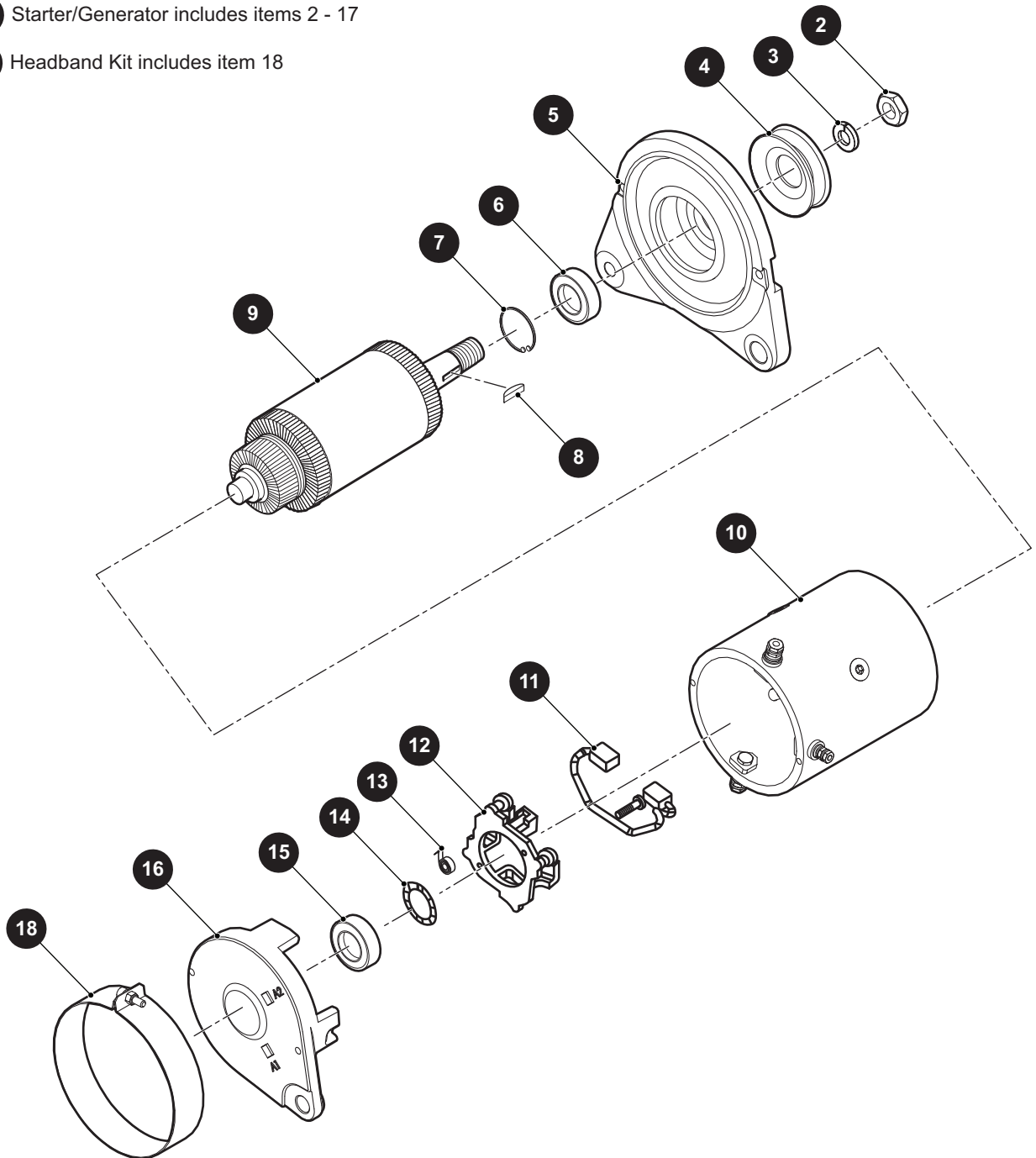
*** Indicates consult Customer Service Department for additional information.

| ITEM | PART NO. | 1 | 2 | 3 | 4 | 5 | DESCRIPTION | QTY. |
|------|-----------------|---|---|---|---|---|---|------|
| 32 | <u>00205-G4</u> | | | | | | Flat Head Phillips Screw, 1/4" - 20 x 1 1/2" Lg | 10 |
| 33 | <u>614221</u> | | | | | | Flat Washer, 3/8", Grade 8 | 12 |
| 34 | <u>00427G2</u> | | | | | | Hex Head Bolt, 3/8" - 16 x 1 1/4" Lg..... | 4 |
| 35 | 10007945 | | | | | | Flanged Hex Nut, 1/4" - 20 | 20 |
| 36 | | | | | | | | |
| 37 | | | | | | | | |
| 38 | <u>00427G6</u> | | | | | | Hex Head Bolt, 3/8" - 16 x 1 1/4" Lg, Grade 5..... | 2 |
| 39 | 10007944 | | | | | | Hex Head Bolt, 1/4" - 20 x 1 1/4" Lg..... | 6 |
| 40 | 652326 | | | | | | Hex Head Bolt, 1/4" - 20 x 2 3/4" Lg, Grade 5..... | 4 |
| 41 | 10008129 | | | | | | Hex Head Bolt, 1/4" - 20 x 2" Lg, Grade 5..... | 4 |
| 42 | | | | | | | | |
| 43 | | | | | | | | |
| 44 | 10008132 | | | | | | Hex Head Bolt, 1/4" - 20 x 1 1/4" Lg, Grade 5..... | 6 |
| 45 | 400128J | | | | | | Hex Head Bolt, 1/4" - 20 x 3 1/2" Lg..... | 2 |
| 46 | <u>00415G2</u> | | | | | | Hex Head Bolt, 1/4" - 20 x 2" Lg..... | 2 |
| 47 | <u>16816G1</u> | | | | | | Ratchet Rivet, .25" x .680"..... | 6 |
| 48 | | | | | | | | |
| 49 | | | | | | | | |
| 50 | <u>00559G7</u> | | | | | | Flat Washer, 1/4" | 4 |
| 51 | 446130 | | | | | | Lock Washer (Heavy), 1/4" | 4 |

STARTER GENERATOR

1 Starter/Generator includes items 2 - 17

17 Headband Kit includes item 18

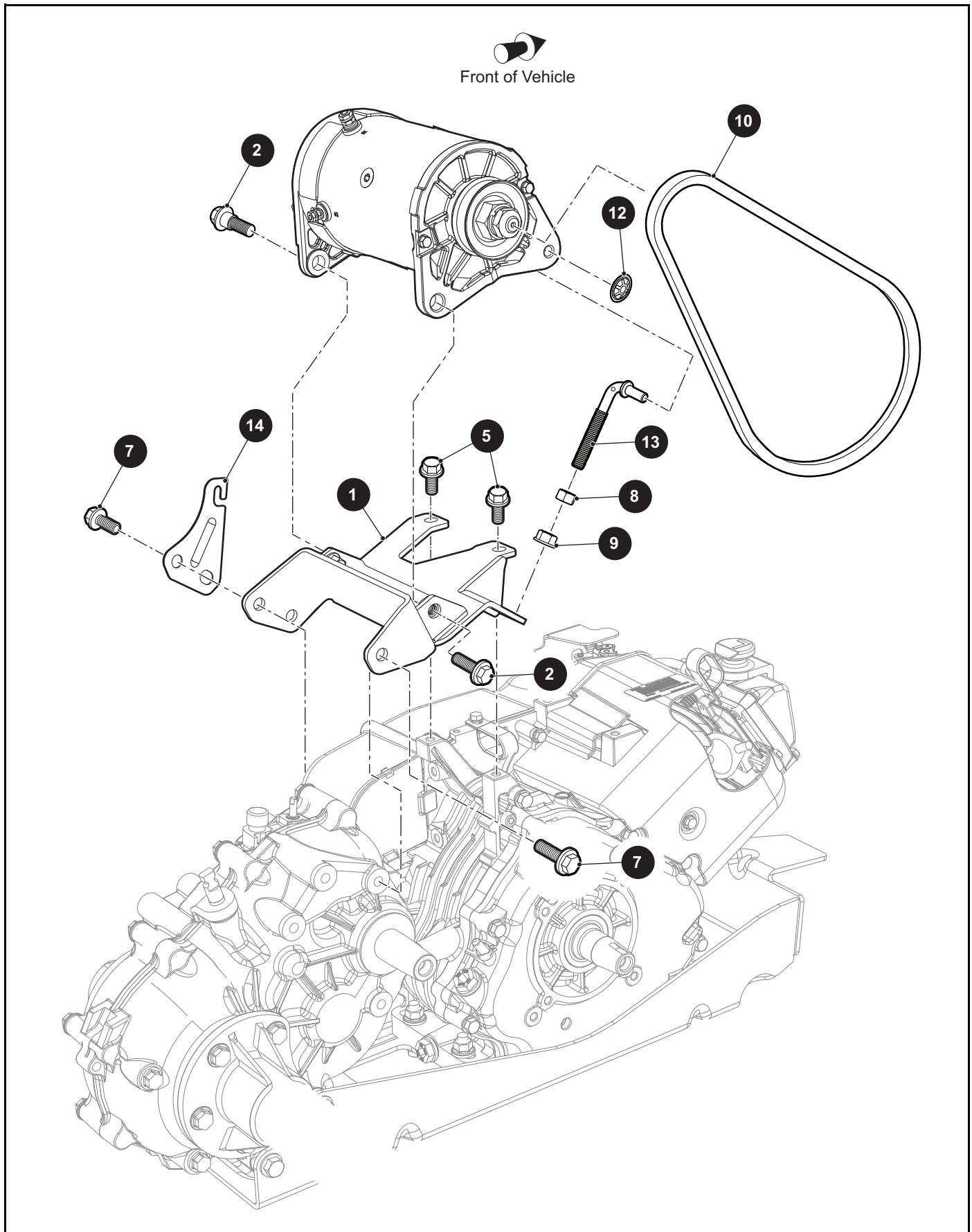


STARTER GENERATOR

THE USE OF NON U.L. PARTS WILL VOID ANY U.L. LISTING.
 When ordering parts, please specify the model and serial number of the product.
 * Indicates a component that is not available as an individual part.
 *** Indicates consult Customer Service Department for additional information.

| ITEM | PART NO. | 1 2 3 4 5 | DESCRIPTION | QTY. |
|------|---------------|-----------|---|------|
| 1 | <u>660379</u> | | Starter/Generator (Includes Items 2 - 17) | 1 |
| 2 | <u>612029</u> | | Hex Nut..... | 1 |
| 3 | <u>612030</u> | | Lock Washer..... | 1 |
| 4 | <u>625716</u> | | Pulley, 2.5" O.D. | 1 |
| 5 | <u>654715</u> | | Drive End Head | 1 |
| 6 | <u>612033</u> | | Bearing | 1 |
| 7 | <u>612034</u> | | Retaining Ring | 1 |
| 8 | <u>612035</u> | | Woodruff Key | 1 |
| 9 | <u>612036</u> | | Armature Assembly | 1 |
| 10 | <u>654716</u> | | Frame and Field Assembly | 1 |
| 11 | <u>612038</u> | | Brush Lead and Terminal Package..... | 1 |
| 12 | <u>654717</u> | | Brush Box Assembly..... | 1 |
| 13 | <u>656659</u> | | Brush Spring..... | 4 |
| 14 | <u>612043</u> | | Wavy Washer | 1 |
| 15 | <u>612044</u> | | Bearing | 1 |
| 16 | <u>612045</u> | | Commutator End Head..... | 1 |
| 17 | <u>658172</u> | | Headband Kit (Includes Item 18) | 1 |
| 18 | <u>654718</u> | | Head Band | 1 |

STARTER GENERATOR

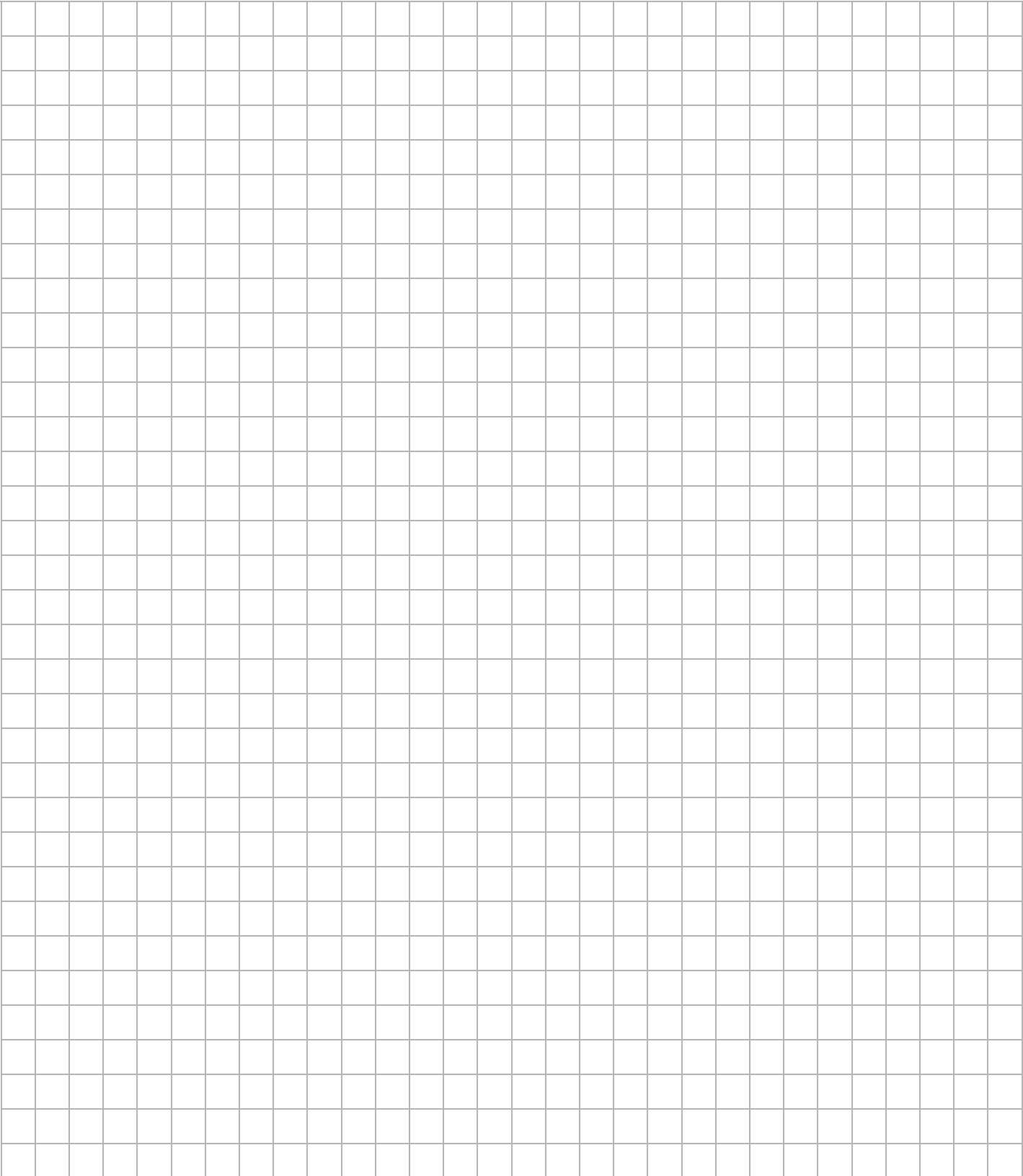


STARTER GENERATOR

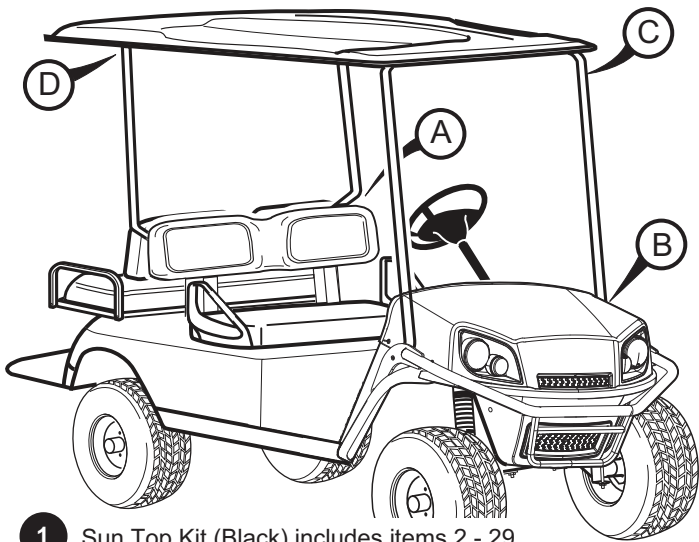
THE USE OF NON U.L. PARTS WILL VOID ANY U.L. LISTING.
 When ordering parts, please specify the model and serial number of the product.
 * Indicates a component that is not available as an individual part.
 *** Indicates consult Customer Service Department for additional information.

| ITEM | PART NO. | 1 2 3 4 5 | DESCRIPTION | QTY. |
|------|----------------|-----------|---|------|
| 1 | <u>631972</u> | | Starter/Generator Support Bracket | 1 |
| 2 | <u>606235</u> | | Flanged Hex Head Bolt, M10 - 1.25 x 20mm Lg..... | 2 |
| 3 | | | | |
| 4 | | | | |
| 5 | <u>606261</u> | | Flanged Hex Head Bolt, M8 - 1.25 x 20mm Lg, Grade 8.8..... | 2 |
| 6 | | | | |
| 7 | <u>606256</u> | | Flanged Hex Head Bolt, M10 - 1.25 x 25mm Lg, Grade 8.8..... | 3 |
| 8 | <u>606255</u> | | Hex Jam Nut, M10 - 1.25 | 1 |
| 9 | <u>606274</u> | | Flanged Hex Nut, M10 - 1.25 | 1 |
| 10 | <u>630587</u> | | Starter/Generator Belt | 1 |
| 11 | | | | |
| 12 | <u>12064G6</u> | | Push Nut, 5/16" | 1 |
| 13 | <u>629763</u> | | Tensioner Bolt | 1 |
| 14 | <u>660001</u> | | Accelerator Cable Guide Bracket..... | 1 |

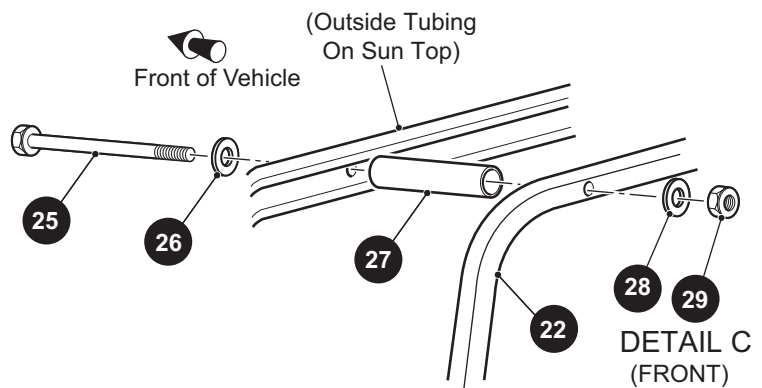
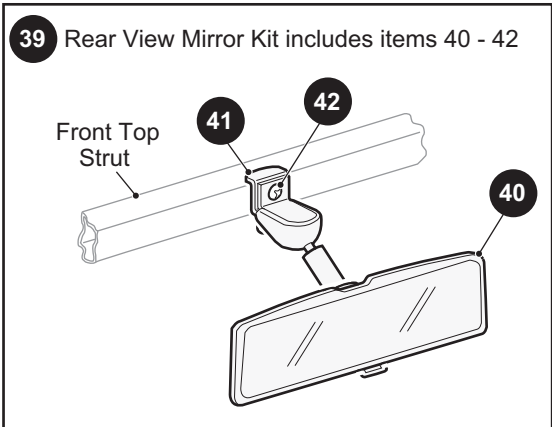
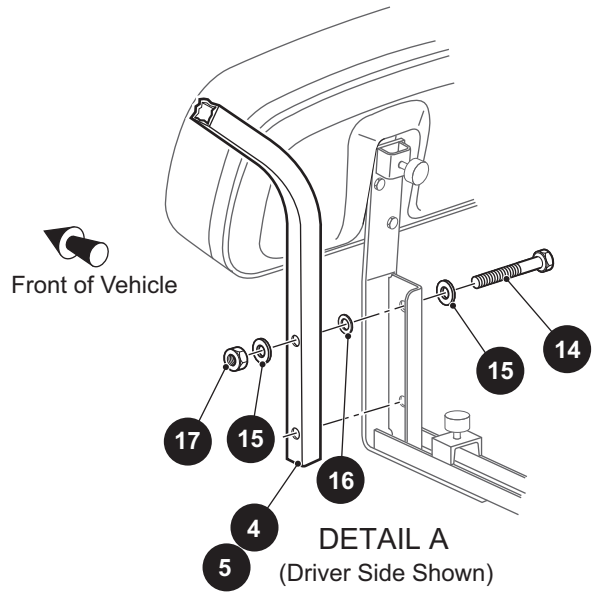
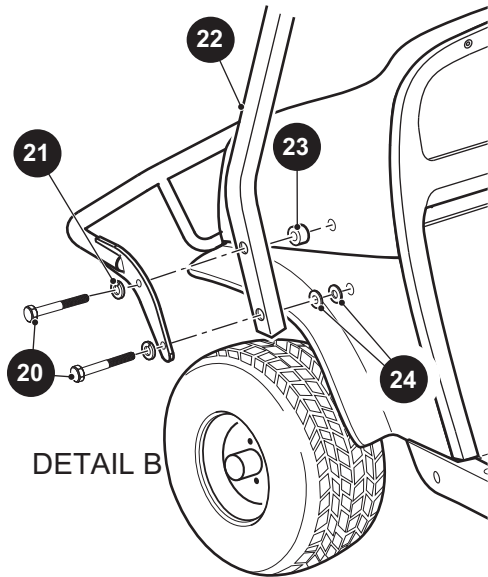
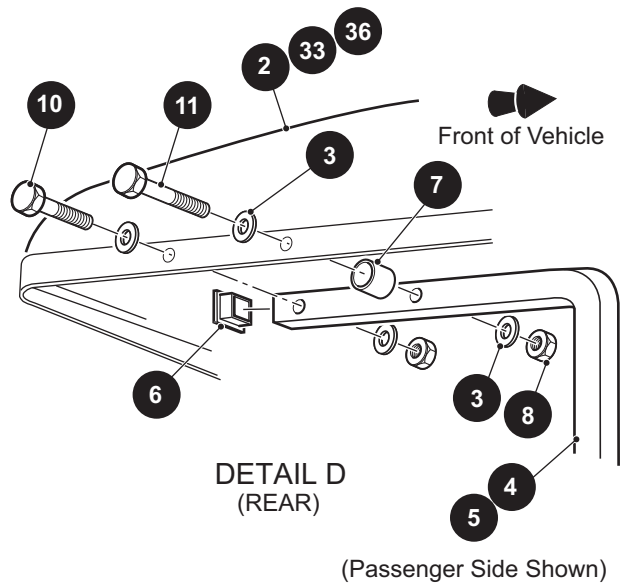
Notes:



WEATHER PROTECTION



- 1** Sun Top Kit (Black) includes items 2 - 29
- 32** Sun Top Kit (White) includes items 3 - 29, 33
- 35** Sun Top Kit (Tan) includes items 3 - 29, 36



WEATHER PROTECTION

THE USE OF NON U.L. PARTS WILL VOID ANY U.L. LISTING.

When ordering parts, please specify the model and serial number of the product.

* Indicates a component that is not available as an individual part.

*** Indicates consult Customer Service Department for additional information.

| ITEM | PART NO. | 1 2 3 4 5 | DESCRIPTION | QTY. |
|------|-----------------|-----------|--|------|
| 1 | <u>606260</u> | | Sun Top Kit (Black), 80" Lg (Includes Items 2 - 29)..... | 1 |
| 2 | <u>606937</u> | | Sun Top | 1 |
| 3 | <u>00679G1</u> | | Flat Washer (SS), 3/8" | 4 |
| 4 | <u>602743</u> | | Rear Strut (Driver Side) | 1 |
| 5 | <u>602741</u> | | Rear Strut (Passenger Side) | 1 |
| 6 | <u>19853G1</u> | | End Cap, 1 Sq" | 1 |
| 7 | <u>24647G1</u> | | Spacer, 1/4" | 1 |
| 8 | <u>00891G5</u> | | Lock Nut, 3/8" - 16..... | 2 |
| 9 | | | | |
| 10 | <u>00665G6</u> | | Hex Head Bolt (SS), 3/8" - 16 x 2" Lg..... | 1 |
| 11 | <u>00665G3</u> | | Hex Head Bolt (SS), 3/8" - 16 x 2 1/2" Lg..... | 1 |
| 12 | | | | |
| 13 | | | | |
| 14 | <u>00665G5</u> | | Hex Head Bolt (SS), 3/8" - 16 x 1 3/4" Lg..... | 2 |
| 15 | <u>00679G1</u> | | Flat Washer (SS), 3/8" | 4 |
| 16 | <u>00771G5</u> | | Nylon Washer, 3/8" | 2 |
| 17 | <u>00891G5</u> | | Lock Nut, 3/8" - 16..... | 2 |
| 18 | | | | |
| 19 | | | | |
| 20 | <u>00440G2</u> | | Hex Head Bolt, 5/16" - 18 x 2 1/4" Lg, Grade 5..... | 2 |
| 21 | <u>00565G8</u> | | Lock Washer, 5/16"..... | 2 |
| 22 | <u>75125G01</u> | | Front Strut..... | 1 |
| 23 | <u>75048G01</u> | | Spacer, 1/2" | 1 |
| 24 | <u>00879G1</u> | | Flat Washer, 3/8" | 2 |
| 25 | <u>00674G8</u> | | Hex Head Bolt, 3/8" - 16 x 5" Lg..... | 1 |
| 26 | <u>00679G1</u> | | Flat Washer (SS), 3/8" | 1 |
| 27 | <u>18716G1</u> | | Spacer | 1 |
| 28 | <u>00653G1</u> | | Flat Washer (SS), 3/8" | 1 |
| 29 | <u>00891G5</u> | | Lock Nut, 3/8" - 16..... | 1 |
| 30 | | | | |
| 31 | | | | |

WEATHER PROTECTION

THE USE OF NON U.L. PARTS WILL VOID ANY U.L. LISTING.

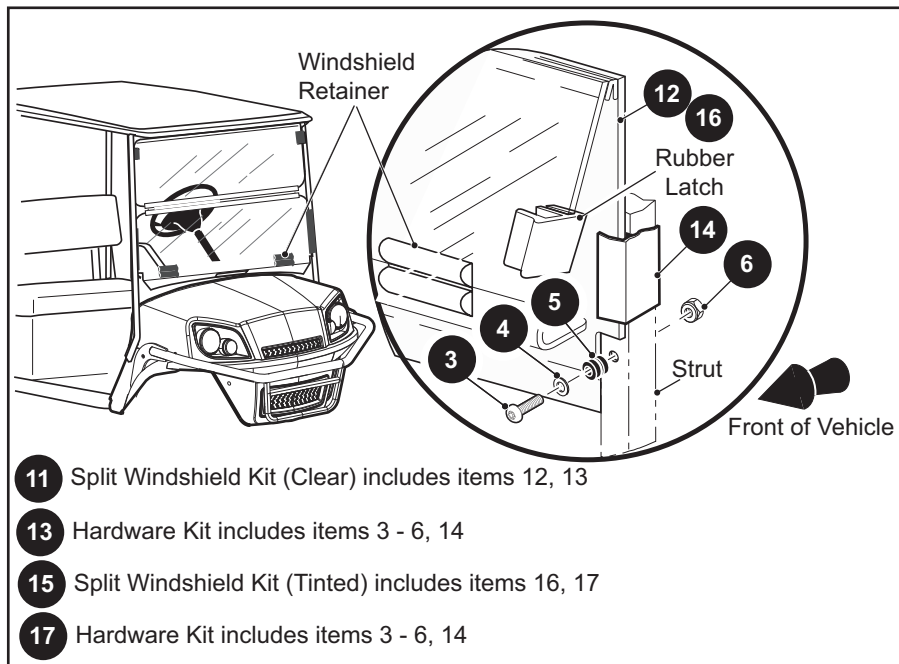
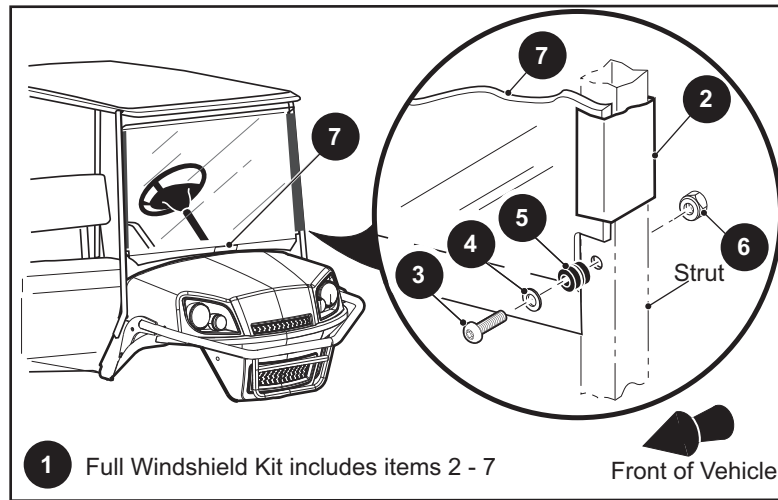
When ordering parts, please specify the model and serial number of the product.

* Indicates a component that is not available as an individual part.

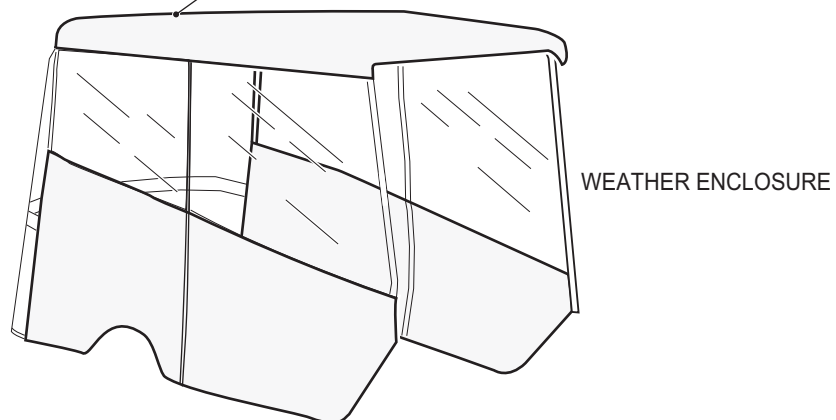
*** Indicates consult Customer Service Department for additional information.

| ITEM | PART NO. | 1 | 2 | 3 | 4 | 5 | DESCRIPTION | QTY. |
|------|-----------------|---|---|---|---|---|--|------|
| 32 | <u>603119</u> | | | | | | Sun Top Kit (White), 80" Lg (Includes Items 3 - 29, 33)..... | 1 |
| 33 | <u>27604G01</u> | | | | | | Sun Top | 1 |
| 34 | | | | | | | | |
| 35 | <u>603120</u> | | | | | | Sun Top Kit (Tan), 80" Lg (Includes 3 - 29, 36)..... | 1 |
| 36 | <u>602672</u> | | | | | | Sun Top | 1 |
| 37 | | | | | | | | |
| 38 | | | | | | | | |
| 39 | <u>19528G2</u> | | | | | | Rear View Mirror Kit (Includes Items 40 - 42)..... | 1 |
| 40 | <u>19496G1</u> | | | | | | Mirror..... | 1 |
| 41 | <u>19502G2</u> | | | | | | Support Bracket | 1 |
| 42 | <u>19527G1</u> | | | | | | Pan Head Screw, #8 - 32 x 5/8" Lg | 1 |

WEATHER PROTECTION



19 **20** **21** **22** **23** **24** **25** **26** **27** **28** **29** **30**



WEATHER PROTECTION

THE USE OF NON U.L. PARTS WILL VOID ANY U.L. LISTING.

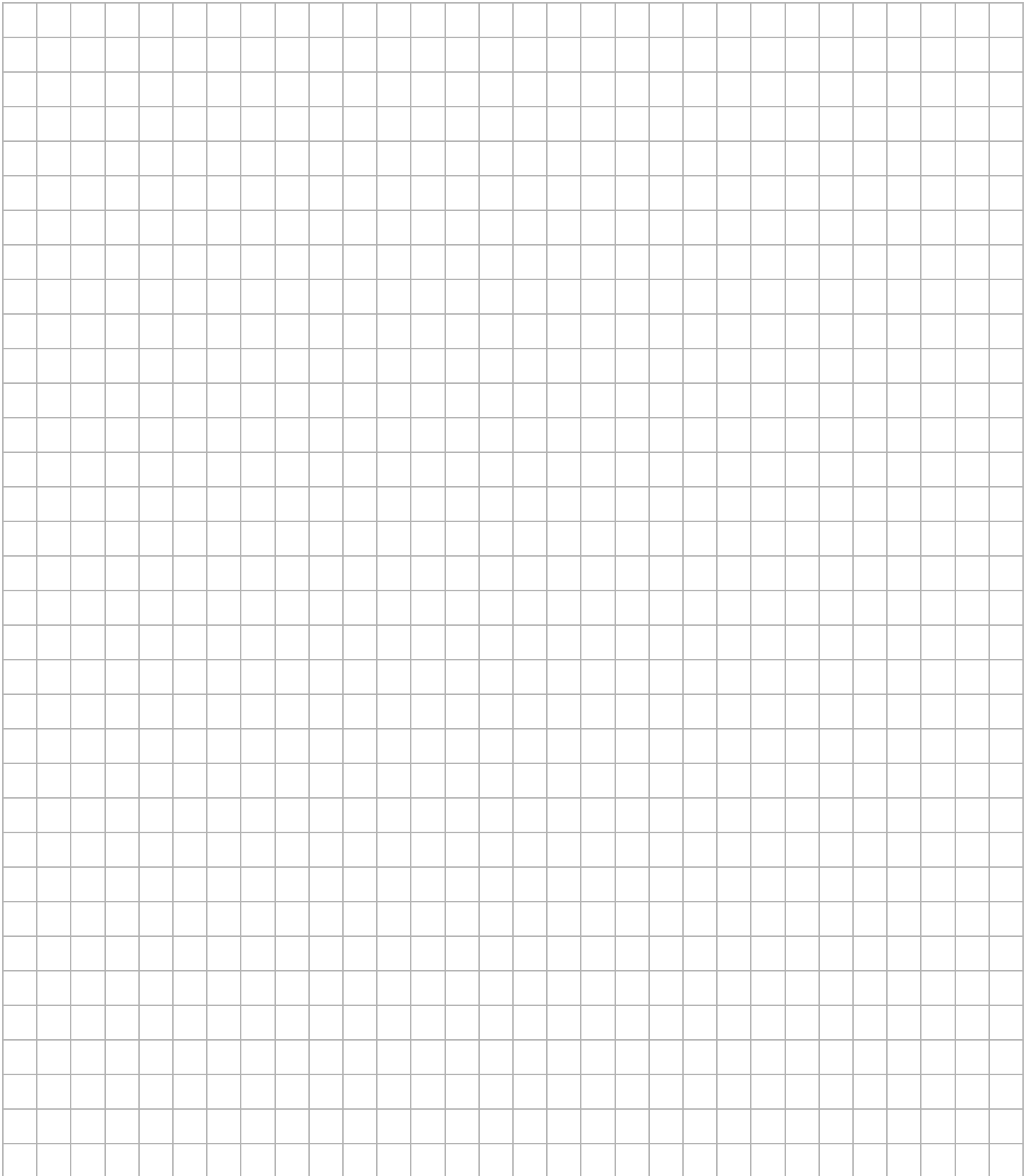
When ordering parts, please specify the model and serial number of the product.

* Indicates a component that is not available as an individual part.

*** Indicates consult Customer Service Department for additional information.

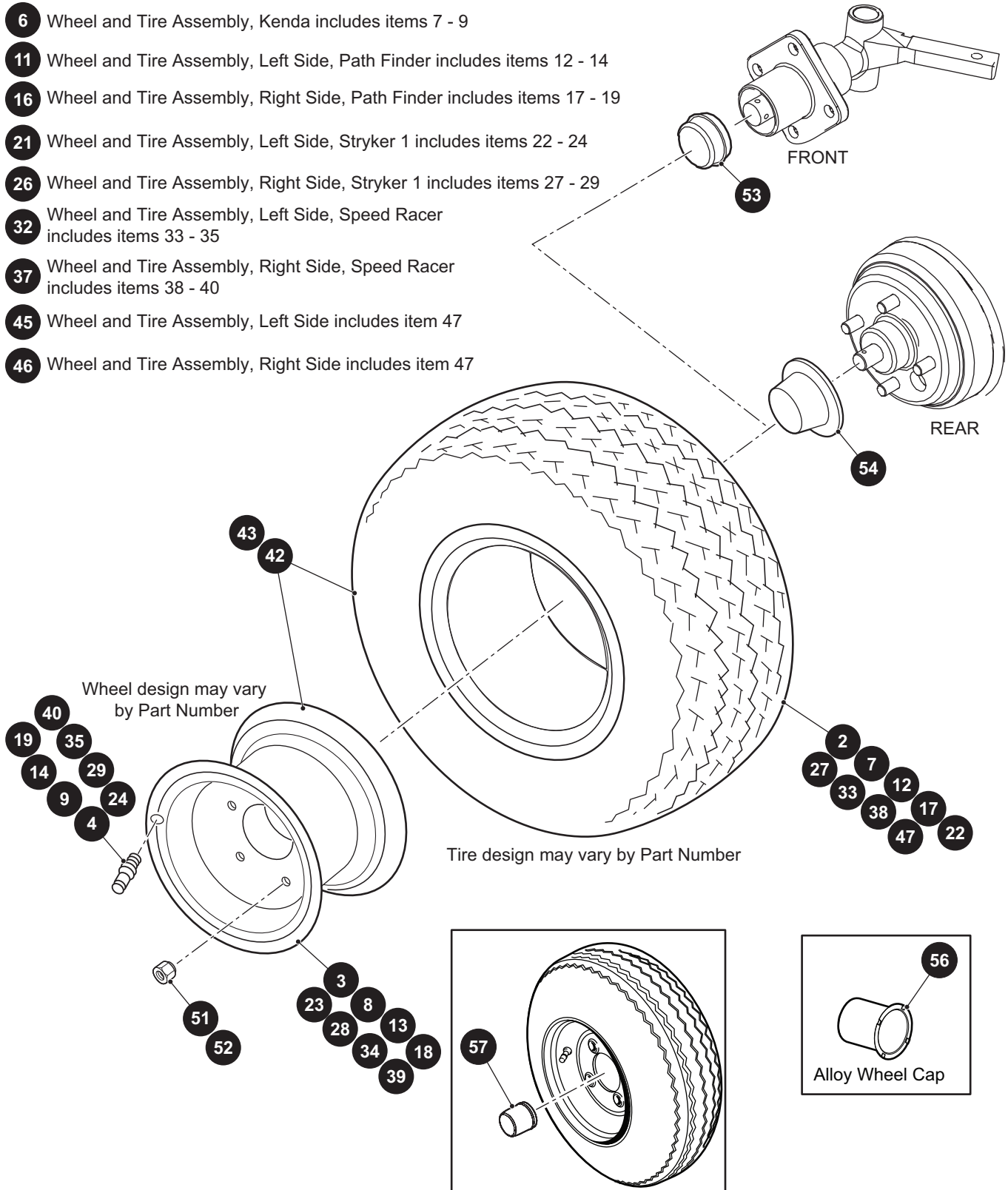
| ITEM | PART NO. | 1 2 3 4 5 | DESCRIPTION | QTY. |
|------|-----------------|-----------|---|------|
| 1 | <u>71966G03</u> | | Full Windshield Kit (Includes Items 2 - 7)..... | 1 |
| 2 | <u>615662</u> | | Sash, 26" Lg | 2 |
| 3 | * | | Hex Head Bolt (SS), 1/4" - 20 x 1 3/4" Lg..... | 2 |
| 4 | * | | Flat Washer (SS), 1/4" | 4 |
| 5 | * | | Rubber Grommet..... | 2 |
| 6 | * | | Lock Nut (SS), 1/4" - 20..... | 2 |
| 7 | <u>71960G01</u> | | Full Windshield | 1 |
| 8 | | | | |
| 9 | <u>601379</u> | | Rear View Mirror Kit (Not Illustrated) | 1 |
| 10 | | | | |
| 11 | <u>71966G05</u> | | Split Windshield Kit (Clear) (Includes Items 12, 13)..... | 1 |
| 12 | <u>630012</u> | | Split Windshield (Clear) | 1 |
| 13 | <u>71956G05</u> | | Hardware Kit (Includes Items 3 - 6, 14) | 1 |
| 14 | <u>615661</u> | | Sash, 12" Lg..... | 2 |
| 15 | <u>71966G06</u> | | Split Windshield Kit (Tinted) (Includes Items 16, 17) | 1 |
| 16 | <u>630013</u> | | Split Windshield (Tinted)..... | 1 |
| 17 | <u>71956G05</u> | | Hardware Kit (Includes Items 3 - 6, 14) | 1 |
| 18 | | | | |
| 19 | <u>605119</u> | | Weather Enclosure (Tan) | 1 |
| 20 | <u>605120</u> | | Weather Enclosure (Oyster)..... | 1 |
| 21 | <u>605121</u> | | Weather Enclosure (Hunter Green) | 1 |
| 22 | <u>605122</u> | | Weather Enclosure (Pacific Blue) | 1 |
| 23 | <u>605123</u> | | Weather Enclosure (Capri)..... | 1 |
| 24 | <u>605125</u> | | Weather Enclosure (Hemlock Tweed)..... | 1 |
| 25 | <u>605126</u> | | Weather Enclosure (Burgundy)..... | 1 |
| 26 | <u>605127</u> | | Weather Enclosure (Linen Tweed)..... | 1 |
| 27 | <u>605128</u> | | Weather Enclosure (Tuscan)..... | 1 |
| 28 | <u>605130</u> | | Weather Enclosure (Charcoal Tweed) | 1 |
| 29 | <u>605131</u> | | Weather Enclosure (Jockey Red) | 1 |
| 30 | <u>605132</u> | | Weather Enclosure (Mediterranean Blue)..... | 1 |
| 31 | | | | |

Notes:

A large grid of graph paper for taking notes, consisting of 20 columns and 25 rows of small squares.

WHEELS AND TIRES

- 1 Wheel and Tire Assembly, Kenda includes items 2 - 4
- 6 Wheel and Tire Assembly, Kenda includes items 7 - 9
- 11 Wheel and Tire Assembly, Left Side, Path Finder includes items 12 - 14
- 16 Wheel and Tire Assembly, Right Side, Path Finder includes items 17 - 19
- 21 Wheel and Tire Assembly, Left Side, Stryker 1 includes items 22 - 24
- 26 Wheel and Tire Assembly, Right Side, Stryker 1 includes items 27 - 29
- 32 Wheel and Tire Assembly, Left Side, Speed Racer includes items 33 - 35
- 37 Wheel and Tire Assembly, Right Side, Speed Racer includes items 38 - 40
- 45 Wheel and Tire Assembly, Left Side includes item 47
- 46 Wheel and Tire Assembly, Right Side includes item 47



WHEELS AND TIRES

THE USE OF NON U.L. PARTS WILL VOID ANY U.L. LISTING.

When ordering parts, please specify the model and serial number of the product.

* Indicates a component that is not available as an individual part.

*** Indicates consult Customer Service Department for additional information.

| ITEM | PART NO. | 1 2 3 4 5 | DESCRIPTION | QTY. |
|------|-----------------|-----------|--|------|
| 1 | <u>652263</u> | | Wheel and Tire Assembly, Kenda (Includes Items 2 - 4)..... | 1 |
| 2 | <u>652986</u> | | Tire, 20" x 8" - 10"..... | 1 |
| 3 | <u>643934</u> | | Wheel, 10" x 6"..... | 1 |
| 4 | <u>643948</u> | | Valve Stem | 1 |
| 5 | | | | |
| 6 | <u>652392</u> | | Wheel and Tire Assembly, Kenda (Includes Items 7 - 9)..... | 1 |
| 7 | <u>652992</u> | | Tire, 205/65..... | 1 |
| 8 | <u>643934</u> | | Wheel, 10" x 6"..... | 1 |
| 9 | <u>643948</u> | | Valve Stem | 1 |
| 10 | | | | |
| 11 | <u>604930</u> | | Wheel and Tire Assembly, Left Side, Path Finder (Includes Items 12 - 14) | 1 |
| 12 | <u>604928</u> | | Tire, 22" x 11" | 1 |
| 13 | <u>604927</u> | | Wheel, 10" x 7" | 1 |
| 14 | <u>604915</u> | | Valve Stem | 1 |
| 15 | | | | |
| 16 | <u>605228</u> | | Wheel and Tire Assembly, Right Side, Path Finder (Includes Items 17 - 19)... | 1 |
| 17 | <u>604928</u> | | Tire, 22" x 11" | 1 |
| 18 | <u>604927</u> | | Wheel, 10" x 7" | 1 |
| 19 | <u>604915</u> | | Valve Stem | 1 |
| 20 | | | | |
| 21 | <u>28630G04</u> | | Wheel and Tire Assembly, Left Side, Stryker 1 (Includes Items 22 - 24) | 1 |
| 22 | <u>28630G01</u> | | Tire..... | 1 |
| 23 | <u>15172G02</u> | | Wheel | 1 |
| 24 | <u>11657G1</u> | | Valve Stem | 1 |
| 25 | | | | |
| 26 | <u>28630G05</u> | | Wheel and Tire Assembly, Right Side, Stryker 1 (Includes Items 27 - 29) | 1 |
| 27 | <u>28630G01</u> | | Tire..... | 1 |
| 28 | <u>15172G02</u> | | Wheel | 1 |
| 29 | <u>11657G1</u> | | Valve Stem | 1 |
| 30 | | | | |
| 31 | | | | |

WHEELS AND TIRES

THE USE OF NON U.L. PARTS WILL VOID ANY U.L. LISTING.

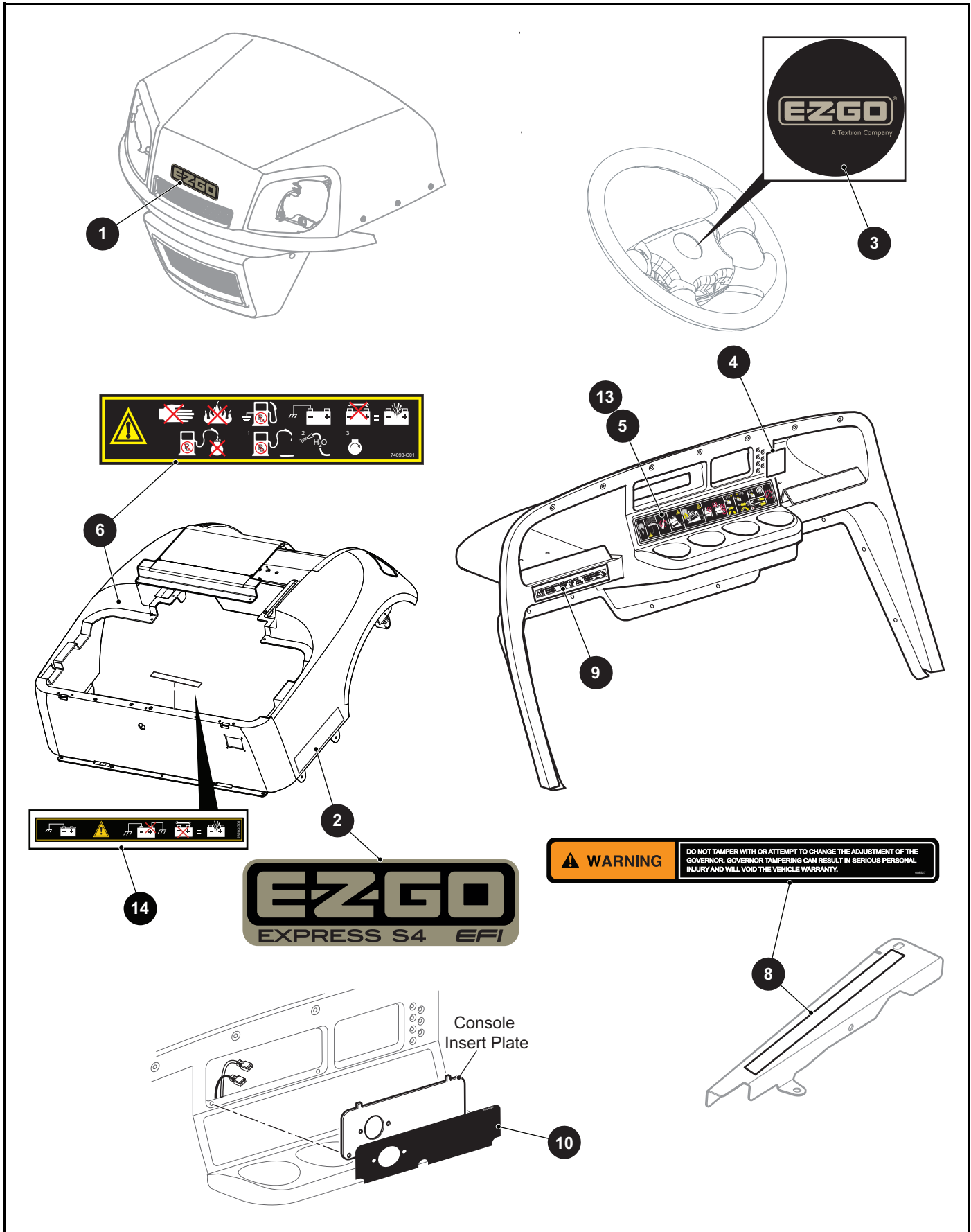
When ordering parts, please specify the model and serial number of the product.

* Indicates a component that is not available as an individual part.

*** Indicates consult Customer Service Department for additional information.

| ITEM | PART NO. | 1 2 3 4 5 | DESCRIPTION | QTY. |
|------|-----------------|-----------|---|------|
| 32 | <u>606240</u> | | Wheel and Tire Assembly, Left Side, Speed Racer (Includes Items 33 - 35) .. | 1 |
| 33 | <u>606139</u> | | Tire, 18" x 10 x 10" | 1 |
| 34 | <u>606152</u> | | Wheel, 10" x 7" | 1 |
| 35 | <u>604915</u> | | Valve Stem | 1 |
| 36 | | | | |
| 37 | <u>606179</u> | | Wheel and Tire Assembly, Right Side, Speed Racer (Includes Items 38 - 40) | 1 |
| 38 | <u>606139</u> | | Tire, 18" x 10 x 10" | 1 |
| 39 | <u>606152</u> | | Wheel, 10" x 7" | 1 |
| 40 | <u>604915</u> | | Valve Stem | 1 |
| 41 | | | | |
| 42 | 671955G01 | | Wheel and Tire Assembly, Left Side | 1 |
| 43 | 671955G02 | | Wheel and Tire Assembly, Right Side..... | 1 |
| 44 | | | | |
| 45 | <u>74842G03</u> | | Wheel and Tire Assembly, Left Side (Includes Item 47) | 1 |
| 46 | <u>74842G04</u> | | Wheel and Tire Assembly, Right Side (Includes Item 47)..... | 1 |
| 47 | <u>74842G05</u> | | Tire, 20" x 11" - 10" | 1 |
| 48 | | | | |
| 49 | | | | |
| 50 | | | | |
| 51 | <u>605310</u> | | Lug Nut (Chrome)..... | 4 |
| 52 | <u>14723G1</u> | | Lug Nut, 1/2" - 20..... | 4 |
| 53 | <u>12091G2</u> | | Spindle Cap | 1 |
| 54 | <u>74175G01</u> | | Dust Cap..... | 1 |
| 55 | | | | |
| 56 | <u>601353</u> | | Alloy Wheel Cap | 1 |
| 57 | <u>608910</u> | | Diamond Wheel Cap | 1 |

DECALS AND LABELS



DECALS AND LABELS

THE USE OF NON U.L. PARTS WILL VOID ANY U.L. LISTING.

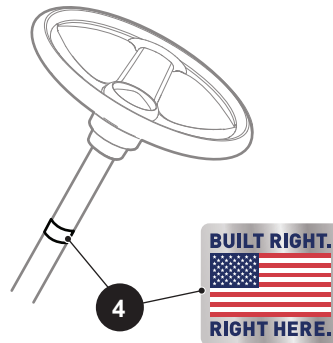
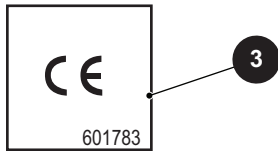
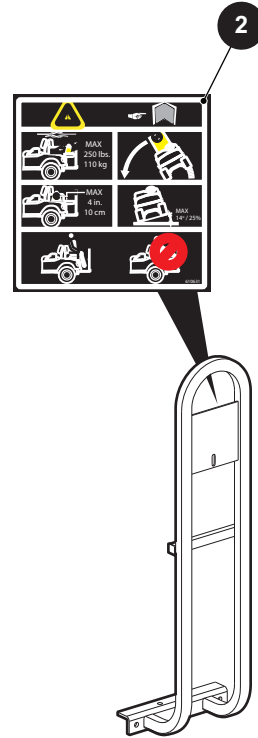
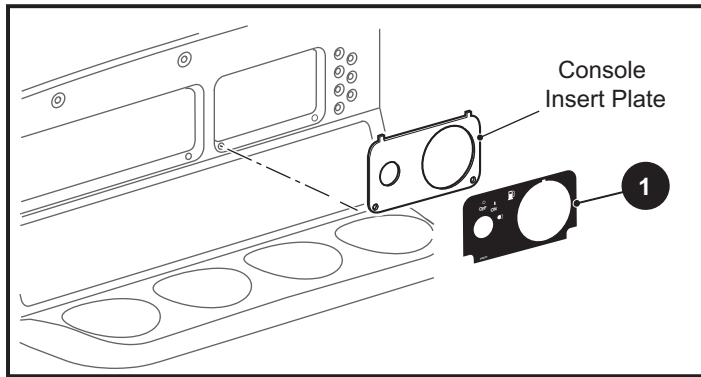
When ordering parts, please specify the model and serial number of the product.

* Indicates a component that is not available as an individual part.

*** Indicates consult Customer Service Department for additional information.

| ITEM | PART NO. | 1 2 3 4 5 | DESCRIPTION | QTY. |
|------|-----------------|-----------|--|------|
| 1 | <u>619206</u> | | E-Z-GO Cowl Decal | 1 |
| 2 | <u>690347</u> | | Express S4 Side Decal | 1 |
| 3 | <u>605435</u> | | Steering Wheel Decal | 1 |
| 4 | <u>35968G01</u> | | T-Holder Cover Decal..... | 1 |
| 5 | <u>601781</u> | | Safety Label | 1 |
| 6 | <u>74093G01</u> | | Engine Warning Label..... | 1 |
| 7 | | | | |
| 8 | <u>608527</u> | | Governor Warning Label | 1 |
| 9 | <u>74443G01</u> | | Anti-rollback Decal | 1 |
| 10 | <u>35966G03</u> | | Ball Holder Decal | 1 |
| 11 | | | | |
| 12 | | | | |
| 13 | 625743 | | Safety and Operation Label (For CE Vehicles) | 1 |
| 14 | <u>28203G01</u> | | Battery Warning Decal (For CE Vehicles) | 1 |

DECALS AND LABELS



DECALS AND LABELS

THE USE OF NON U.L. PARTS WILL VOID ANY U.L. LISTING.

When ordering parts, please specify the model and serial number of the product.

* Indicates a component that is not available as an individual part.

*** Indicates consult Customer Service Department for additional information.

| ITEM | PART NO. | 1 2 3 4 5 | DESCRIPTION | QTY. |
|------|---------------|-----------|--|------|
| 1 | <u>648855</u> | | Console, Lights, Fuel Decal | 1 |
| 2 | <u>610631</u> | | Clays Bed Decal..... | 1 |
| 3 | <u>601783</u> | | CE Symbol Decal (For CE Vehicles)..... | 1 |
| 4 | 685698 | | MADE IN USA Decal..... | 1 |
| 5 | <u>608822</u> | | Governor Decal (For CE Vehicles)..... | 1 |



A Textron Company

Textron Specialized Vehicles, Inc.,
1451 Marvin Griffin Road
Augusta, Georgia 30906 - 3852 USA

CONTACT INFORMATION

North America:

Technical Assistance & Warranty Phone: 1-800-774-3946, FAX: 1-800-448-8124
Service Parts Phone: 1-888-438-3946, FAX: 1-800-752-6175

International: Phone: 001-706-798-4311, FAX: 001-706-771-4609

Owner's Guides and Repair Manuals
are available from a local Distributor, an authorized Branch,
Parts & Accessories Department or at www.shop.txtsv.com/shop-ezgo

Copyrighted Material
This manual may not be reproduced in whole or
in part without the express permission of
Textron Specialized Vehicles
Technical Publications Department