



A Textron Company

Express S6

Service Parts Manual

SERVICE PARTS MANUAL

GASOLINE EFI POWERED UTILITY VEHICLE

EXPRESS S6

STARTING MID-MODEL YEAR 2019

Never modify the vehicle in any way that will alter the weight distribution of the vehicle, decrease its stability or increase the speed beyond the factory specifications. Such modifications can cause serious personal injury or death. Textron Specialized Vehicles prohibits and dis-claims responsibility for any such modifications or any other alteration which would adversely affect the safety of the vehicle.

TSV reserves the right to incorporate engineering and design changes to products in this manual, without obligation to include these changes on units sold previously.

The information contained in this manual may be revised periodically by TSV, and therefore is subject to change without notice.

TSV DISCLAIMS LIABILITY FOR ERRORS IN THIS MANUAL, and SPECIFICALLY DISCLAIMS LIABILITY FOR INCIDENTAL AND CONSEQUENTIAL DAMAGES resulting from the use of the information and materials in this manual.

These are the original instructions as defined by 2006/42/EC.

TO CONTACT US:

Textron Specialized Vehicles, Inc.
1451 Marvin Griffin Road
Augusta, Georgia, USA 30906-3852

NORTH AMERICA:

Technical Assistance & Warranty PHONE: 1-800-774-3946, FAX: 1-800-448-8124

Service Parts PHONE: 1-888-438-3946, FAX: 1-800-752-6175

International: PHONE: 001-706-798-4311, FAX: 001-706-771-4609

GENERAL INFORMATION

To obtain a copy of the limited warranty applicable to the vehicle, call or write a local Distributor, authorized Branch or the Warranty Department with vehicle serial number and manufacturer code.

The use of non Original Equipment Manufacturer (OEM) approved parts may void the warranty.

Tampering with or adjusting the governor to permit vehicle to operate at above factory specifications will void the vehicle warranty.

When servicing engines, all adjustments and replacement components must be per original vehicle specifications in order to maintain the United States of America Federal and State emission certification applicable at the time of manufacture.

BATTERY PROLONGED STORAGE

All batteries will self discharge over time. The rate of self discharge varies depending on the ambient temperature and the age and condition of the batteries.

A fully charged battery will not freeze in winter temperatures unless the temperature falls below -75° F (-60° C).

BATTERY DISPOSAL

Lead-acid batteries are recyclable. Return whole scrap batteries to distributor, manufacturer or lead smelter for recycling. For neutralized spills, place residue in acid-resistant containers with absorbent material, sand or earth and dispose of in accordance with local, state and federal regulations for acid and lead compounds. Contact local and/or state environmental officials regarding disposal information.

TABLE OF CONTENTS

SECTION	Page No.
HOW TO USE THE SERVICE PARTS MANUAL	V
ACCELERATOR	A - 1
AIR FILTER	B - 1
BODY	C - 1
BRAKES	D - 1
CLUTCH	E - 1
DIRECTION SELECTOR	F - 1
ELECTRICAL	G - 1
ENGINE AND MUFFLER	H - 1
ENGINE MOUNTING	J - 1
FRONT SUSPENSION AND STEERING	K - 1
FUEL SYSTEM	L - 1
REAR AXLE	M - 1
REAR SUSPENSION	N - 1
SEATING	P - 1
STARTER/GENERATOR	R - 1
TRUCK BED	S - 1
WEATHER PROTECTION	T - 1
WHEELS AND TIRES	U - 1
DECALS AND LABELS	V - 1

NOTES



HOW TO USE THE SERVICE PARTS MANUAL

This manual is divided into several sections:

- GENERAL INFORMATION
- ILLUSTRATED PARTS BREAKDOWN

The first section, GENERAL INFORMATION, contains the following information:

- WARRANTY INFORMATION
- TABLE OF CONTENTS
- HOW TO USE THE SERVICE PARTS MANUAL

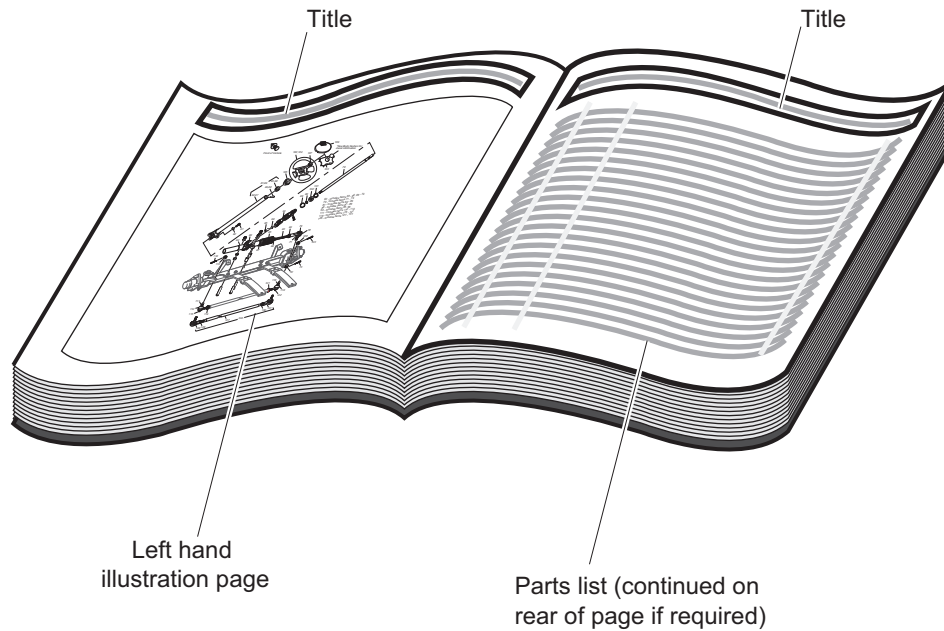
The second section, ILLUSTRATED PARTS BREAKDOWN, contains illustrations and parts lists for all systems of your vehicle.

USE OF THE MANUAL

To use this manual, consult the TABLE OF CONTENTS to locate the information or illustration required.

Introduction of some revisions varies due to supply of components; therefore, it is possible that various combinations of components may be found that are not directly reflected by each illustration. Consult the illustration that best suits your situation and then contact the Service Parts Department. It is important that the serial number or VIN of your vehicle and the model name be supplied to Service Parts when ordering any replacement components.

HOW TO USE THE SERVICE PARTS MANUAL



1. WHEN THE PART NUMBER IS NOT KNOWN

- Determine the function and application of the part required. Turn to the Table of Content and select the most appropriate title.
- Turn to the page number indicated and locate the desired part on the illustration.
- From the illustration, obtain the item number assigned to the desired part. Refer to the accompanying description for specific information regarding the part.

2. IF YOU KNOW THE PART NUMBER

- Locate the part number or description in the appropriate column on the parts list page.

NOTE: It is suggested that you confirm that the part selected is correct by verifying it with the pictorial representation on the illustrated page.

Should an asterisk (*) appear in the part number column on the parts list page, read upwards until a part number is found. The part number is the lowest assembly sold by Service Parts and the asterisk (*) indicates that the part depicted is not available for purchase.

NOTE: Descriptions are indented under the assembly that they are used on. That assembly is, in turn listed under the assembly that it is used on. This process is repeated until the highest final assembly is reached.

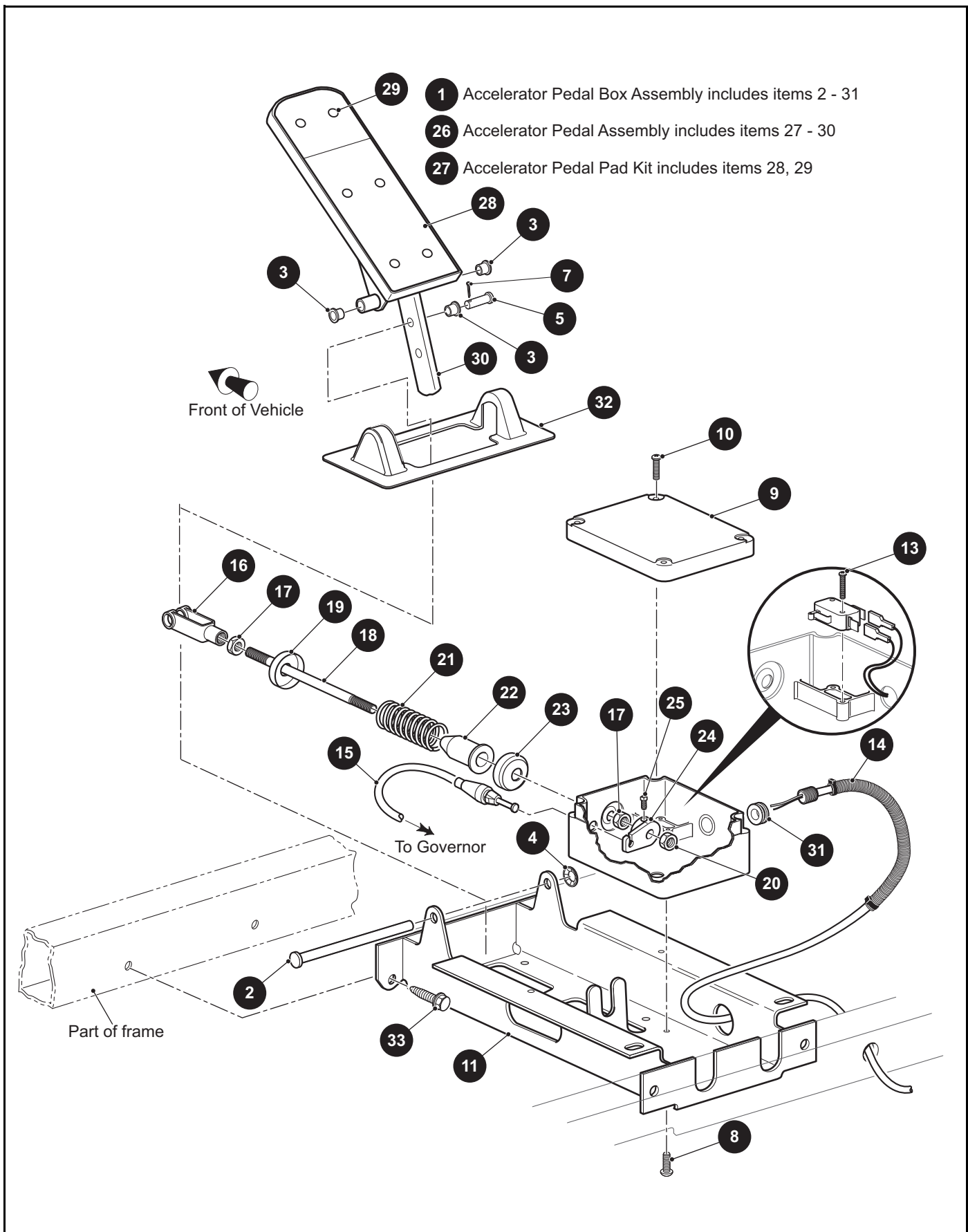
To facilitate the maintenance and repair of the vehicle, a Repair and Service Manual is available from the Service Parts Department.

3. COLOR CODE FOR BODY COMPONENTS

The last two digits of the part number for the body part will denote the color code, locate the part number for the cowl, rear body, seat pod, side panel or seat wrap then locate your color in the list below, replace the last ** or XX with the two digit color code.

<u>CODE #</u>	<u>DESCRIPTION</u>
02	SPECIAL COLOR
11	BLACK
19	PATRIOT BLUE PEARL
20	INFERNO RED METALLIC
26	STEEL BLUE PEARL
31	METALLIC CHARCOAL
35	SAFETY YELLOW
36	IVORY
37	FOREST GREEN
38	BRIGHT WHITE
39	FLAME RED
41	ELECTRIC BLUE
42	PLATINUM
43	BURGUNDY
44	ALMOND
51	SUNBURST ORANGE
52	BRITISH RACING GREEN
69	MONSTER GREEN
74	BARLEY GOLD
75	OASIS GREEN
76	JAVA BROWN
79	JACOBSEN ORANGE
A5	OCEAN GRAY

ACCELERATOR



THE USE OF NON U.L. PARTS WILL VOID ANY U.L. LISTING.

When ordering parts, please specify the model and serial number of the product.

* Indicates a component that is not available as an individual part.

*** Indicates consult Customer Service Department for additional information.

ITEM	PART NO.	1 2 3 4 5	DESCRIPTION	QTY.
1	660447		Accelerator Pedal Box Assembly (Includes Items 2 - 31)	1
2	<u>74432G01</u>		Pedal Pivot Pin	1
3	<u>17838G1</u>		Nyliner Bushing	3
4	<u>12064G6</u>		Push Nut.....	1
5	<u>10386G3</u>		Clevis Pin, 5/16" x 13/16"	1
6				
7	<u>10387G3</u>		Cotter Pin, 3/32" x 3/4"	1
8	<u>01051G01</u>		Pan Head Phillips Screw, #8 - 16 x 1/2" Lg	4
9	<u>25853G03</u>		Pedal Box and Cover.....	1
10	<u>00684G6</u>		Truss Head Phillips Screw, #8 - 16 x 1/2" Lg.....	2
11	<u>652241G03</u>		Accelerator Pedal Bracket.....	1
12				
13	<u>01050G02</u>		Pan Head Torx Screw, #4 - 20 x 5/8" Lg.....	2
14	<u>658940</u>		Pedal Box Harness.....	1
15	<u>608618</u>		Accelerator Cable	1
16	10385G4		Clevis Yoke	1
17	<u>00532G4</u>		Hex Nut, 5/16" - 24	2
18	72072G01		Accelerator Rod.....	1
19	<u>17677G2</u>		Spring Retainer.....	1
20	<u>15126G1</u>		Lock Nut, 5/16" - 24	1
21	<u>73046G01</u>		Compression Spring	1
22	<u>17979G1</u>		Accelerator Rod Bushing.....	1
23	<u>17677G1</u>		Spring Retainer.....	1
24	<u>72716G01</u>		Cam (Micro Switch)	1
25	<u>00487G3</u>		Socket Head Screw, 1/4" - 20 x 3/8" Lg.....	1
26	<u>25799G03</u>		Accelerator Pedal Assembly (Includes Items 27 - 30).....	1
27	<u>27844G01</u>		Accelerator Pedal Pad Kit (Includes Items 28, 29).....	1
28	<u>27512G01</u>		Pedal Pad	1
29	<u>15766G1</u>		Oval Rivet, 3/8" x 15/32" Lg.....	6
30	*		Accelerator Pedal.....	1
31	<u>654645</u>		Grommet (Rubber)	1

ACCELERATOR

THE USE OF NON U.L. PARTS WILL VOID ANY U.L. LISTING.

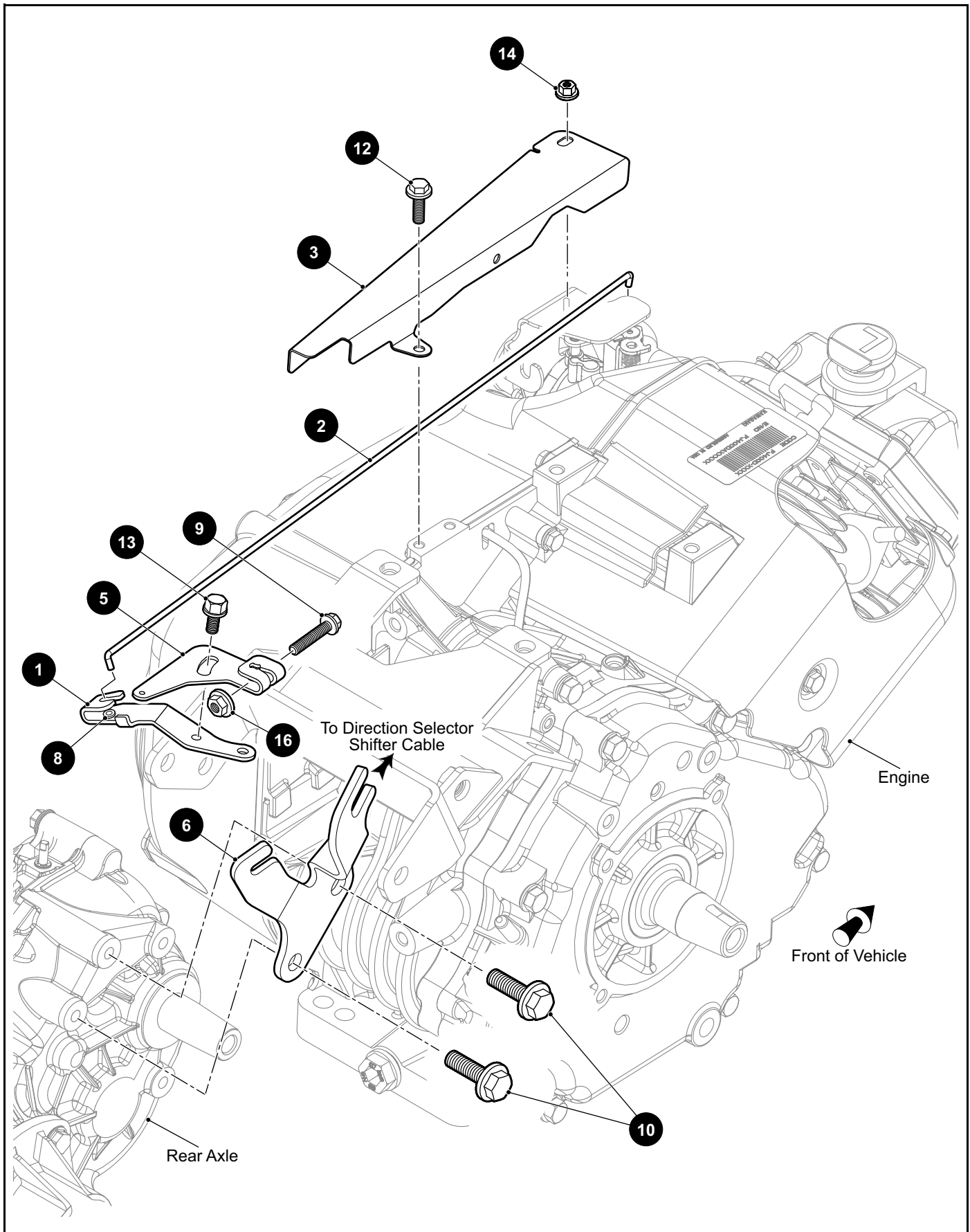
When ordering parts, please specify the model and serial number of the product.

* Indicates a component that is not available as an individual part.

*** Indicates consult Customer Service Department for additional information.

ITEM	PART NO.	1 2 3 4 5	DESCRIPTION	QTY.
32	<u>70135G01</u>		Pedal Pivot Cover	1
33	<u>00715G2</u>		Hex Washer Head Screw, 5/16" - 18 x 3/4" Lg	4
34				
35	<u>17618G1</u>		Nylon Clamp, 8" Lg (Not Illustrated)	3

ACCELERATOR



THE USE OF NON U.L. PARTS WILL VOID ANY U.L. LISTING.

When ordering parts, please specify the model and serial number of the product.

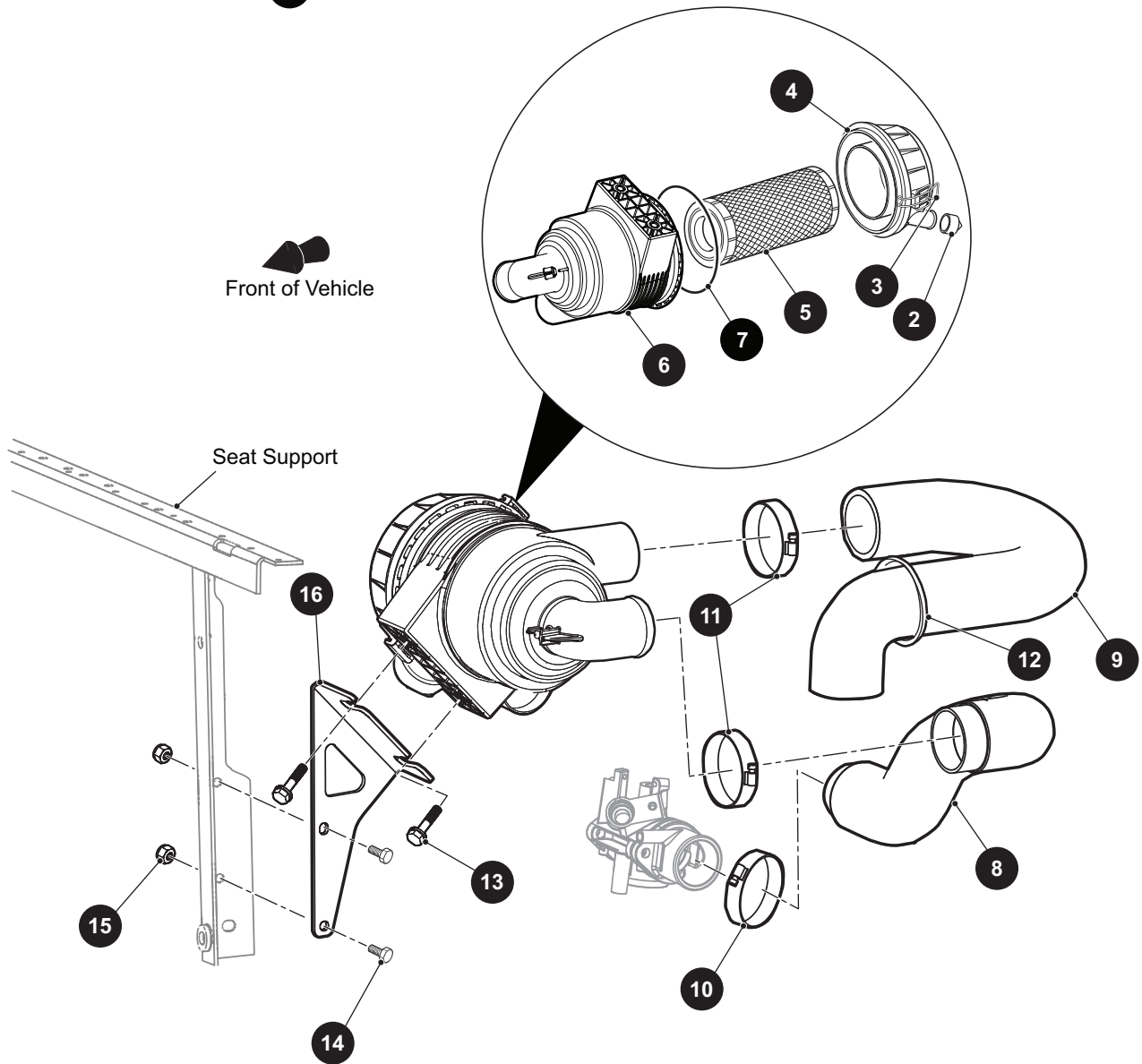
* Indicates a component that is not available as an individual part.

*** Indicates consult Customer Service Department for additional information.

ITEM	PART NO.	1 2 3 4 5	DESCRIPTION	QTY.
1	<u>606005</u>		Governor Bracket (Lower).....	1
2	<u>606284</u>		Governor Link Rod	1
3	<u>660005</u>		Governor Rod Guard.....	1
4				
5	<u>606083</u>		Governor Bracket (Upper).....	1
6	<u>632936</u>		Governor Cable / Direction Selector Bracket	1
7				
8	<u>606283</u>		Governor Lever Bushing	1
9	<u>606421</u>		Flanged Hex Head Bolt, M6 - 1 x 30mm Lg, Grade 8.8	1
10	<u>606256</u>		Flanged Hex Head Bolt, M10 - 1.25 x 25mm Lg, Grade 8.8	2
11				
12	<u>606264</u>		Flanged Hex Head Bolt, M6 - 1 x 20mm Lg, Grade 8.8	1
13	<u>73876G01</u>		Flanged Hex Head Bolt, M6 - 1 x 12mm Lg, Grade 8.8	1
14	<u>601476</u>		Lock Nut, M6 - 1	1
15				
16	<u>450452</u>		Flanged Hex Nut, M6 - 1	1

AIR FILTER

1 Air Filter Assembly includes items 2 - 7



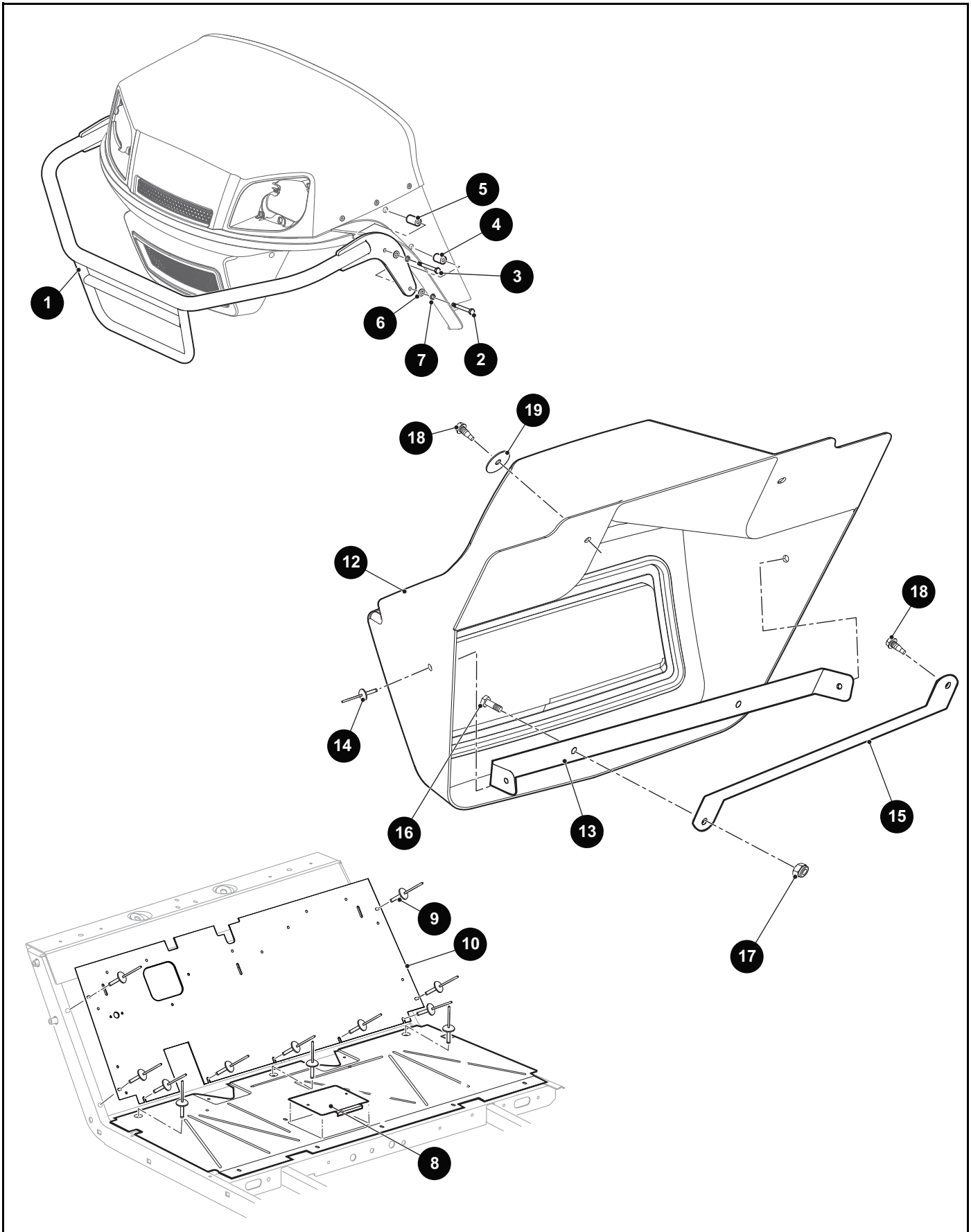
THE USE OF NON U.L. PARTS WILL VOID ANY U.L. LISTING.

When ordering parts, please specify the model and serial number of the product.

* Indicates a component that is not available as an individual part.

*** Indicates consult Customer Service Department for additional information.

ITEM	PART NO.	1 2 3 4 5	DESCRIPTION	QTY.
1	688989		Air Filter Assembly (Includes Items 2 - 7).....	1
2	<u>28462G01</u>		Dust Ejector Valve	1
3	<u>72604G01</u>		Air Cleaner Clip	2
4	691746		Air Cleaner Cover	1
5	<u>28463G01</u>		Air Filter	1
6	689988		Air Cleaner Housing	1
7	689987		Air Cleaner Seal	1
8	<u>601910</u>		Air Filter Tube.....	1
9	<u>661661</u>		Intake Extension Hose	1
10	<u>11391G5</u>		Hose Clamp, .81"	1
11	<u>11391G7</u>		Hose Clamp, 1.56"	2
12	<u>12416G2</u>		Nylon Clamp, 11.8" Lg	1
13	<u>606261</u>		Flanged Hex Head Bolt, M8 - 1.25 x 20mm Lg, Grade 8.8.....	2
14	<u>00414G7</u>		Hex Head Bolt, 1/4" - 20 x 7/8" Lg, Grade 5	2
15	<u>14390G4</u>		Lock Nut, 1/4" - 20	2
16	<u>659142</u>		Air Cleaner Mounting Bracket	1



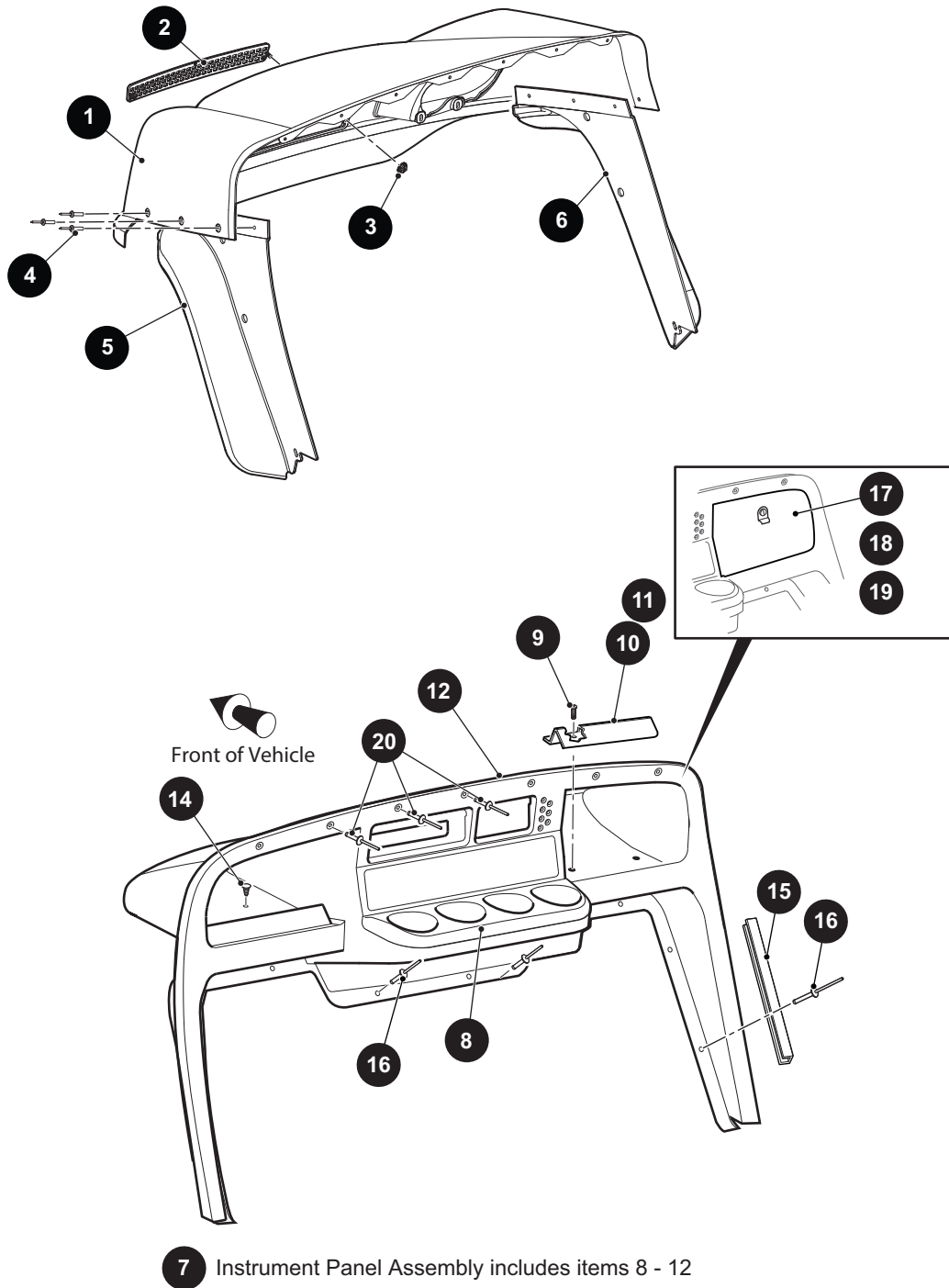
THE USE OF NON U.L. PARTS WILL VOID ANY U.L. LISTING.

When ordering parts, please specify the model and serial number of the product.

* Indicates a component that is not available as an individual part.

*** Indicates consult Customer Service Department for additional information.

ITEM	PART NO.	1 2 3 4 5	DESCRIPTION	QTY.
1	617620		Brushguard.....	1
2	<u>00440G2</u>		Hex Head Bolt, 5/16" - 18 x 2 1/4" Lg, Grade 5	2
3	<u>00440G6</u>		Hex Head Bolt, 5/16" - 18 x 2 3/4" Lg, Grade 5	2
4	<u>75048G04</u>		Spacer, .328" x .75" x 1" Lg	2
5	<u>75048G02</u>		Spacer, .328" x .75" x 1.31" Lg	2
6	00559G8		Flat Washer (Narrow), 5/16".....	4
7	<u>00565G8</u>		Lock Washer, 5/16"	4
8	<u>70452G01</u>		Access Cover	1
9	<u>14601G11</u>		Rivet (Aluminum), 3/16" x 9/16" Lg	16
10	<u>641260</u>		Upper Floor Panel.....	1
11				
12	<u>613273</u>		Front Fascia	1
13	<u>654275</u>		Front Fascia Bracket.....	1
14	<u>15058G1</u>		Rivet (Aluminum Black), 3/16" x .45"	2
15	654276		Front Fascia Brace	2
16	<u>00414G6</u>		Hex Head Bolt, 1/4" - 20 Lg, Grade 5	2
17	<u>14390G4</u>		Lock Nut, 1/4" - 20	2
18	<u>01038G01</u>		Hex Washer Head Bolt, 1/4" - 20 x .700" Lg	4
19	<u>16469G1</u>		Fender Washer, 1 1/4" O.D. x 9/32" I.D.	2



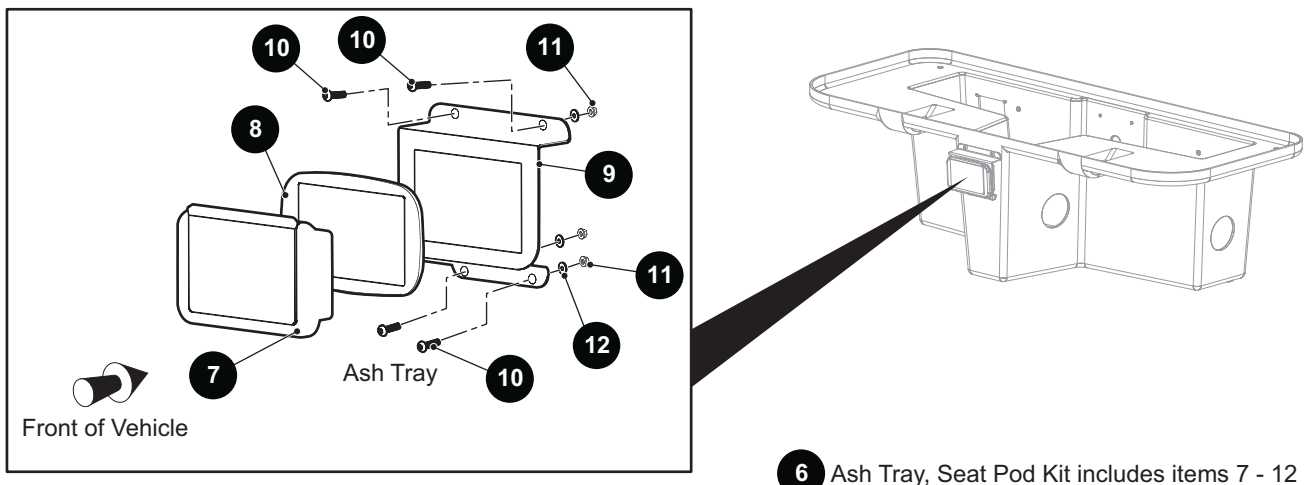
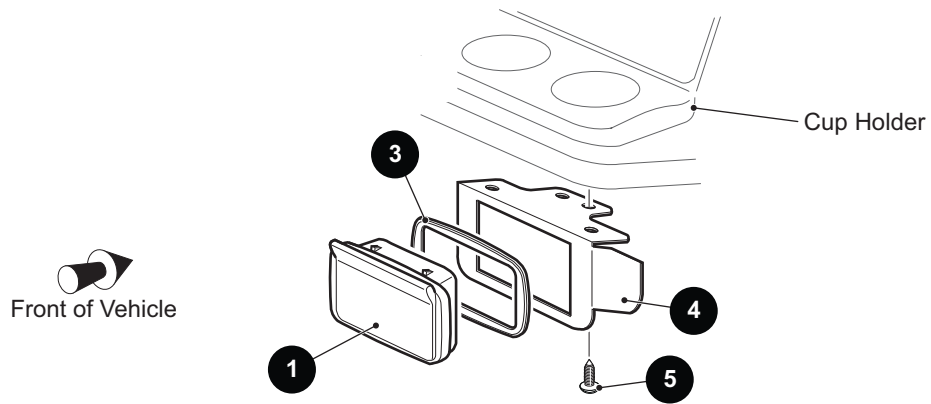
THE USE OF NON U.L. PARTS WILL VOID ANY U.L. LISTING.

When ordering parts, please specify the model and serial number of the product.

* Indicates a component that is not available as an individual part.

*** Indicates consult Customer Service Department for additional information.

ITEM	PART NO.	1 2 3 4 5	DESCRIPTION	QTY.
1	613036G0**		Cowl (See HOW TO USE Section for COLOR CODES)	1
2	<u>617643</u>		Grill Cover	1
3	<u>71597G01</u>		Self Threading Nut, 5mm x 10mm x 15mm.....	2
4	<u>71055G01</u>		Rivet, 3/16" x 1" Lg	6
5	<u>614378</u>		Fender Flare (Driver Side)	1
6	<u>613274</u>		Fender Flare (Passenger Side).....	1
7	<u>71151G03</u>		Instrument Panel Assembly (Includes Items 8 - 12).....	1
8	<u>71158G01</u>		Cup Holder Insert	1
9	00614G3		Pan Head Phillips Screw, #8 - 18 x 5/8" Lg	4
10	<u>71153G01</u>		Ball Deflector (Passenger Side)	1
11	<u>71154G01</u>		Ball Deflector (Driver Side)	1
12	71152G01		Instrument Panel	1
13				
14	<u>16816G2</u>		Ratchet Rivet, .25" x .887"	2
15	<u>71115G01</u>		Vinyl Trim	2
16	<u>71055G01</u>		Rivet (Aluminum), 3/16" x 1" Lg	10
17	<u>75459G01</u>		Glove Box (Driver/Passenger Side).....	1
18	<u>75459G02</u>		Glove Box (Driver Side)	1
19	<u>75459G03</u>		Glove Box (Passenger Side).....	1
20	<u>71055G01</u>		Rivet (Aluminum), 3/16" x 1" Lg	7



THE USE OF NON U.L. PARTS WILL VOID ANY U.L. LISTING.

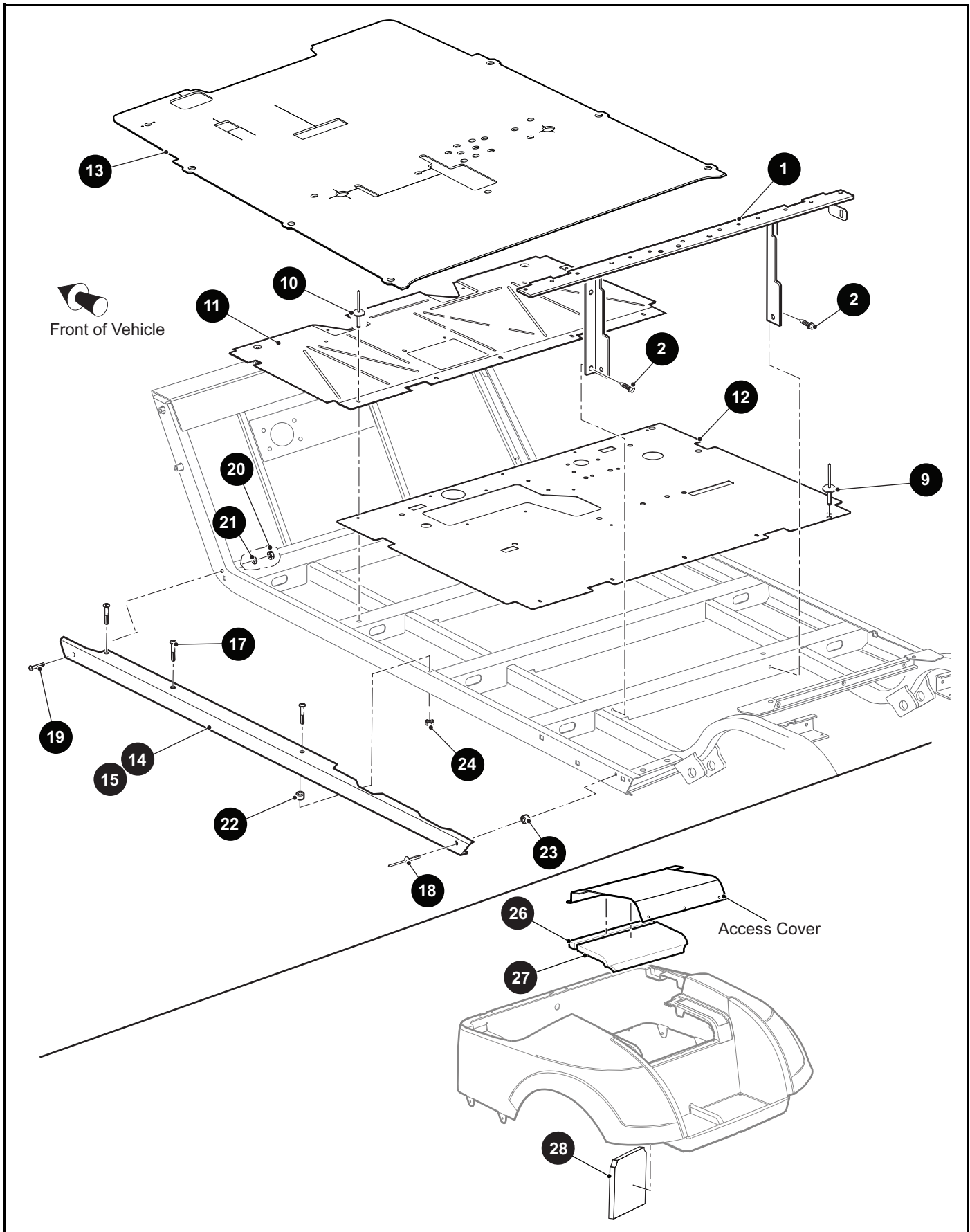
When ordering parts, please specify the model and serial number of the product.

* Indicates a component that is not available as an individual part.

*** Indicates consult Customer Service Department for additional information.

ITEM	PART NO.	1 2 3 4 5	DESCRIPTION	QTY.
1	27731G01		Ash Tray	1
2				
3	27736G01		Gasket.....	1
4	<u>75108G02</u>		Bracket.....	1
5	<u>00106G6</u>		Pan Head Phillips Screw, #12 - 14 x .75" Lg.....	4
6	632412		Ash Tray, Seat Pod Kit (Includes Items 7 - 12)	1
7	27731G01		Ash Tray	1
8	27736G01		Gasket	1
9	631079		Bracket	1
10	<u>601326</u>		Button Head Torx Bolt, M6 - 1 x 20mm Lg.....	4
11	<u>601476</u>		Flanged Lock Nut, M6	4
12	<u>16469G1</u>		Fender Washer, 9/32" I.D x 1 1/4" O.D.....	4

BODY



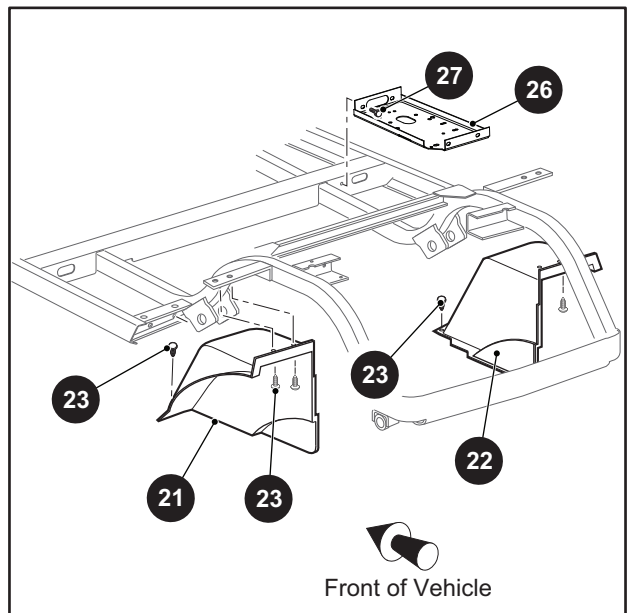
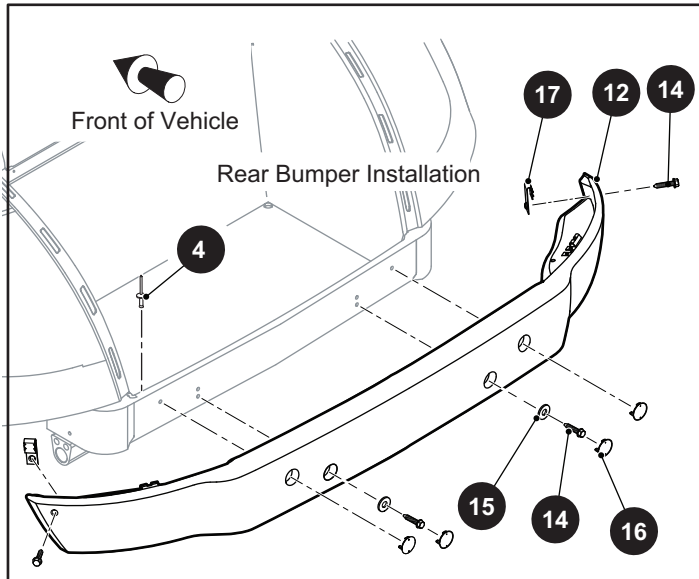
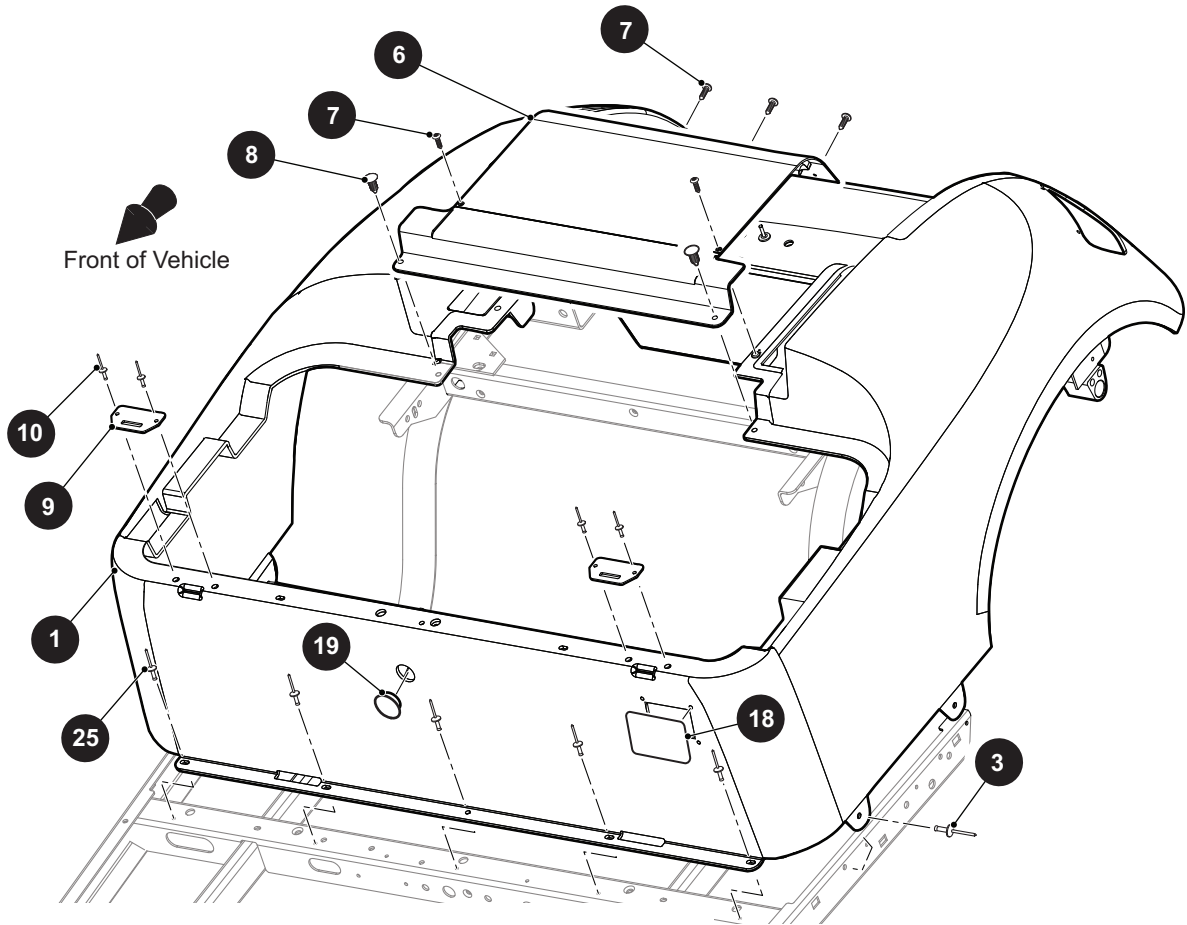
THE USE OF NON U.L. PARTS WILL VOID ANY U.L. LISTING.

When ordering parts, please specify the model and serial number of the product.

* Indicates a component that is not available as an individual part.

*** Indicates consult Customer Service Department for additional information.

ITEM	PART NO.	1 2 3 4 5	DESCRIPTION	QTY.
1	<u>659143</u>		Seat Frame	1
2	<u>00715G2</u>		Hex Washer Head Screw, 5/16" - 18 x.875 " Lg	2
3				
4				
5				
6				
7				
8				
9	<u>10570G10</u>		Domed Rivet (SS), 5/32" x 9/16" Lg	10
10	<u>14601G11</u>		Rivet (Aluminum), 3/16" x 9/16" Lg	5
11	<u>70451G01</u>		Lower Floor Panel	1
12	<u>648840</u>		Rear Floor Panel	1
13	<u>652149G01</u>		Floormat	1
14	<u>618888</u>		Rocker Panel (Driver Side)	1
15	<u>618889</u>		Rocker Panel (Passenger Side)	1
16				
17	<u>634161</u>		Flanged Button Head Torx Bolt, M6 - 1 x 30mm Lg	3
18	<u>15058G6</u>		Rivet (Aluminum), 3/16" x .95" Lg	1
19	<u>00789G2</u>		Truss Head Phillips Screw (SS), #10 - 24 x 1 - 1/4" Lg.....	1
20	<u>14390G10</u>		Lock Nut, #10 - 24.....	1
21	<u>00660G5</u>		Flat Washer, #10	1
22	<u>23726G4</u>		Spacer, 5/16".....	3
23	<u>23726G4</u>		Spacer, 5/16".....	1
24	<u>601476</u>		Flanged Lock Nut, M6	3
25				
26	<u>659357</u>		Sound Treatment, Small (Access Cover).....	1
27	<u>657950</u>		Sound Treatment, Large (Access Cover).....	1
28	<u>657953</u>		Sound Treatment (Rear Body)	1



THE USE OF NON U.L. PARTS WILL VOID ANY U.L. LISTING.

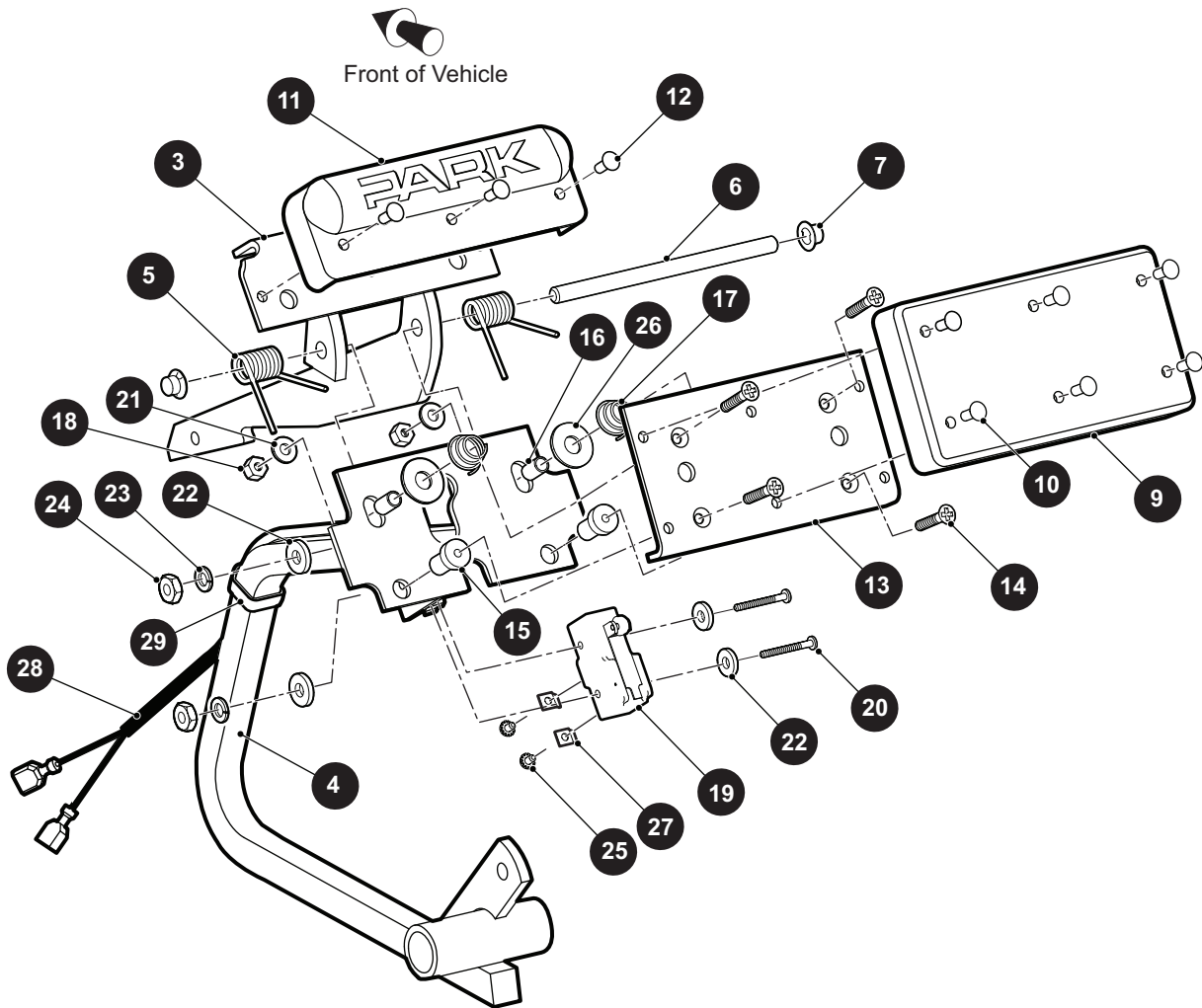
When ordering parts, please specify the model and serial number of the product.

* Indicates a component that is not available as an individual part.

*** Indicates consult Customer Service Department for additional information.

ITEM	PART NO.	1 2 3 4 5	DESCRIPTION	QTY.
1	625272G1XX		Rear Body (with Taillights)..... (See HOW TO USE Section for COLOR CODES)	1
2				
3	10570G12		Rivet (Aluminum), .257" x .556" Lg	2
4	<u>633917</u>		Rivet (Plastic)	2
5				
6	<u>71320G01</u>		Access Panel	1
7	<u>01107G01</u>		Pan Head Torx Screw (SS), #8 x .63" Lg	5
8	<u>16816G2</u>		Ratchet Rivet, .25" x .887"	2
9	<u>71609G01</u>		Seat Hinge Plate	2
10	<u>10570G11</u>		Rivet (SS), 5/32" x .70" Lg	4
11				
12	<u>71451G02</u>		Rear Bumper.....	1
13				
14	<u>71102G01</u>		Hex Head Bolt, 1/4" - 20 x 3/4" Lg, Grade 5	4
15	<u>00571G2</u>		Flat Washer, 5/16"	2
16	<u>71455G01</u>		Bumper Plug	4
17	<u>71554G01</u>		J Type Nut Retainer, 1/4" - 20	2
18	<u>666066</u>		Cover Plate	1
19	<u>71316G01</u>		Plug	1
20				
21	<u>635054G02</u>		Fender Liner (Passenger Side).....	1
22	<u>635054G01</u>		Fender Liner (Driver Side).....	1
23	<u>16816G2</u>		Ratchet Fastener, 1/4" x .887" Lg	4
24				
25	<u>10570G10</u>		Rivet (SS), 5/32" x .55" Lg	5
26	<u>70244G05</u>		Battery Tray (Passenger Side).....	1
27	<u>00715G2</u>		Hex Washer Head Screw, 5/16" - 18 x .8" Lg	4

1 Brake Pedal Assembly (With Brake Lights) includes items 3 - 29



BRAKES

THE USE OF NON U.L. PARTS WILL VOID ANY U.L. LISTING.

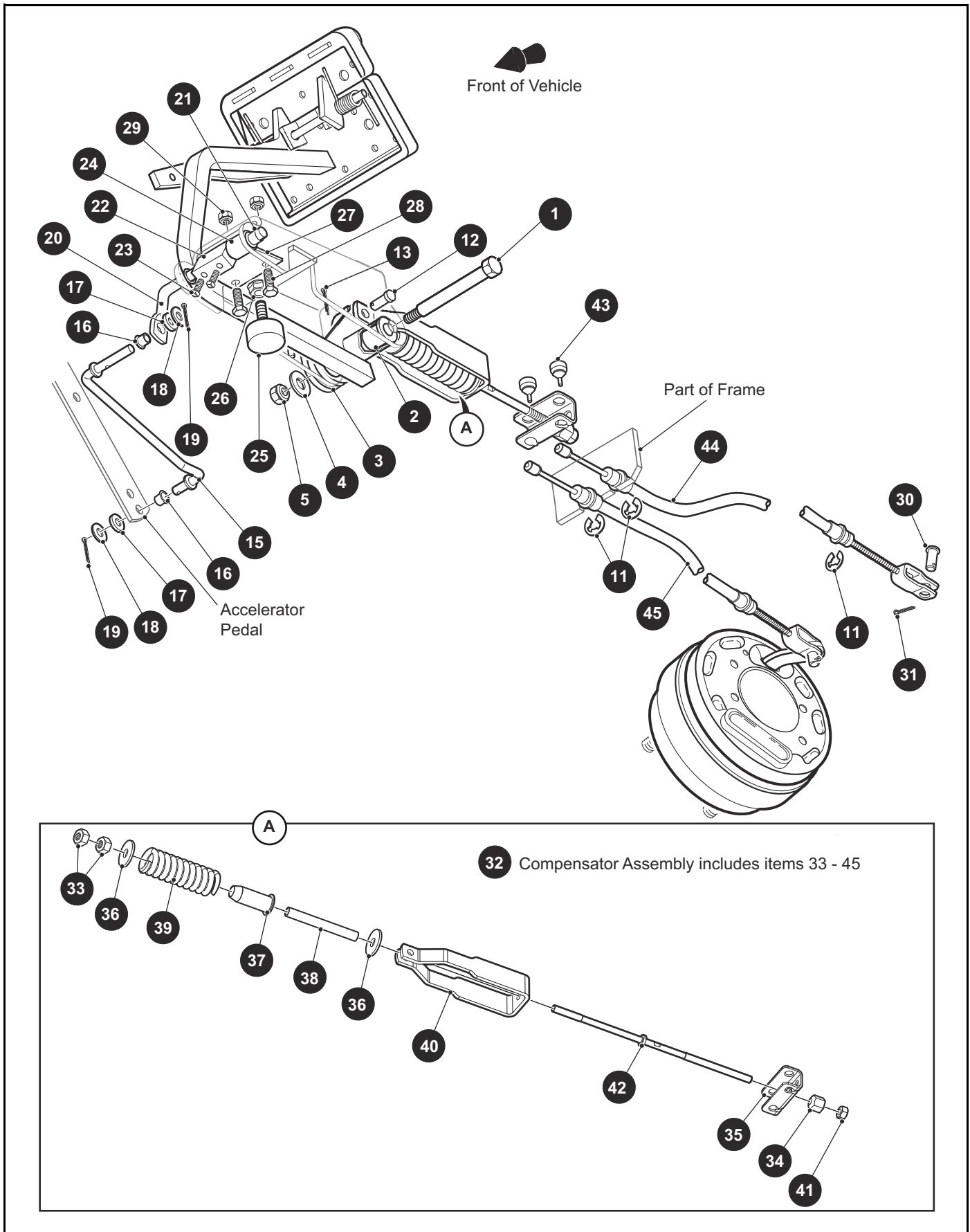
When ordering parts, please specify the model and serial number of the product.

* Indicates a component that is not available as an individual part.

*** Indicates consult Customer Service Department for additional information.

ITEM	PART NO.	1 2 3 4 5	DESCRIPTION	QTY.
1	70690G02		Brake Pedal Assembly (With Brake Lights) (Includes Items 3 - 29).....	1
2				
3	<u>652253G03</u>		Park Brake Pedal.....	1
4	<u>652791G03</u>		Brake Pedal.....	1
5	<u>70681G01</u>		Torsion Spring.....	2
6	<u>70682G01</u>		Pivot Pin.....	1
7	<u>658825</u>		Push Nut, 5/16" - 24.....	2
8				
9	<u>70257G01</u>		Service Brake Pad.....	1
10	<u>16409G1</u>		Oval Rivet, .375" x .468" Lg.....	6
11	<u>70256G01</u>		Park Brake Pedal Pad.....	1
12	<u>16409G1</u>		Oval Rivet, .375" x .468" Lg.....	3
13	<u>652820</u>		Service Brake Pedal Plate.....	1
14	<u>00737G8</u>		Flat Head Phillips Screw, #10 - 24 x .875" Lg.....	4
15	<u>00739G1</u>		Rubber Well Nut, #10 - 24.....	2
16	<u>652355</u>		Brake Pedal Spacer.....	2
17	<u>27137G01</u>		Conical Spring.....	2
18	<u>14390G10</u>		Lock Nut, #10 - 24.....	2
19	10606G8		Micro Switch.....	1
20	<u>00645G2</u>		Pan Head Phillips Screw, #6 - 32 x 1.25" Lg.....	2
21	<u>00559G5</u>		Flat Washer, #10.....	2
22	<u>00559G3</u>		Flat Washer, #6.....	2
23	<u>00565G3</u>		Lock Washer, #6.....	2
24	<u>00525G5</u>		Lock Nut, #6 - 32.....	2
25	<u>13514G1</u>		Pan Head Phillips Screw with Internal Tooth Lock Washer, #6 - 32 x .22" Lg.....	2
26	<u>00642G8</u>		Flat Washer, 5/16".....	2
27	<u>14628G1</u>		Faston Tab.....	2
28	<u>24605G1</u>		Wire Harness (Brake Light).....	1
29	<u>17618G1</u>		Wire Tie.....	2

BRAKES



THE USE OF NON U.L. PARTS WILL VOID ANY U.L. LISTING.

When ordering parts, please specify the model and serial number of the product.

* Indicates a component that is not available as an individual part.

*** Indicates consult Customer Service Department for additional information.

ITEM	PART NO.	1 2 3 4 5	DESCRIPTION	QTY.
1	<u>70582G01</u>		Shoulder Bolt (SS), 1/2" x 3/8" - 16 x 3.406" Lg.....	1
2	<u>70581G01</u>		Flanged Bushing, .1.062" O.D. x .795" I.D.....	2
3	<u>70676G01</u>		Torsion Spring	1
4	<u>00643G1</u>		Lock Washer, 3/8"	1
5	<u>11098G5</u>		Lock Nut, 3/8" - 16	1
6	<u>01038G01</u>		Hex Washer Head Swageform Screw, 1/4" - 20 x .7" Lg (Not Illustrated).....	3
7	<u>12416G2</u>		Nylon Wedge Lock Clamp (Not Illustrated).....	6
8				
9				
10				
11	<u>01111G01</u>		Retaining Ring (SS), Dia .8"	4
12	<u>10386G3</u>		Clevis Pin, .438" x .938" Lg.....	1
13	<u>10387G3</u>		Cotter Pin, .094" x .75" Lg.....	1
14				
15	<u>70601G01</u>		Kick-off Link.....	1
16	<u>17838G1</u>		Nylon Bushing, .37" O.D. x .31" I.D.....	2
17	<u>20835G1</u>		Teflon Washer, 3/8"	2
18	<u>00559G8</u>		Flat Washer, 5/16"	2
19	<u>10387G3</u>		Cotter Pin, .094" x .75" Lg.....	2
20	<u>70098G01</u>		Kick-off Cam Pivot.....	1
21	<u>10097G6</u>		Flanged Bearing.....	2
22	<u>70587G01</u>		Kick-off Cam.....	1
23	<u>71215G01</u>		Set Screw with Patch Lock, 1/4" - 20 x .5" Lg	2
24	<u>14134G4</u>		Spacer, .76" O.D. x .395" I.D. x 1.25" Lg	1
25	<u>70113G01</u>		Adjustable Bumper.....	1
26	<u>11027G1</u>		Lock Nut, 5/16" - 18	1
27	<u>70080G02</u>		Catch Bracket.....	1
28	<u>00414G6</u>		Hex Head Bolt, 1/4" - 20 x .25" Lg, Grade 5	2
29	<u>14390G4</u>		Lock Nut (SS), 1/4" - 20	2
30	<u>10386G3</u>		Clevis Pin, .438" x .938" Lg.....	1
31	<u>10387G3</u>		Cotter Pin, .094" x .75" Lg.....	1

BRAKES

THE USE OF NON U.L. PARTS WILL VOID ANY U.L. LISTING.

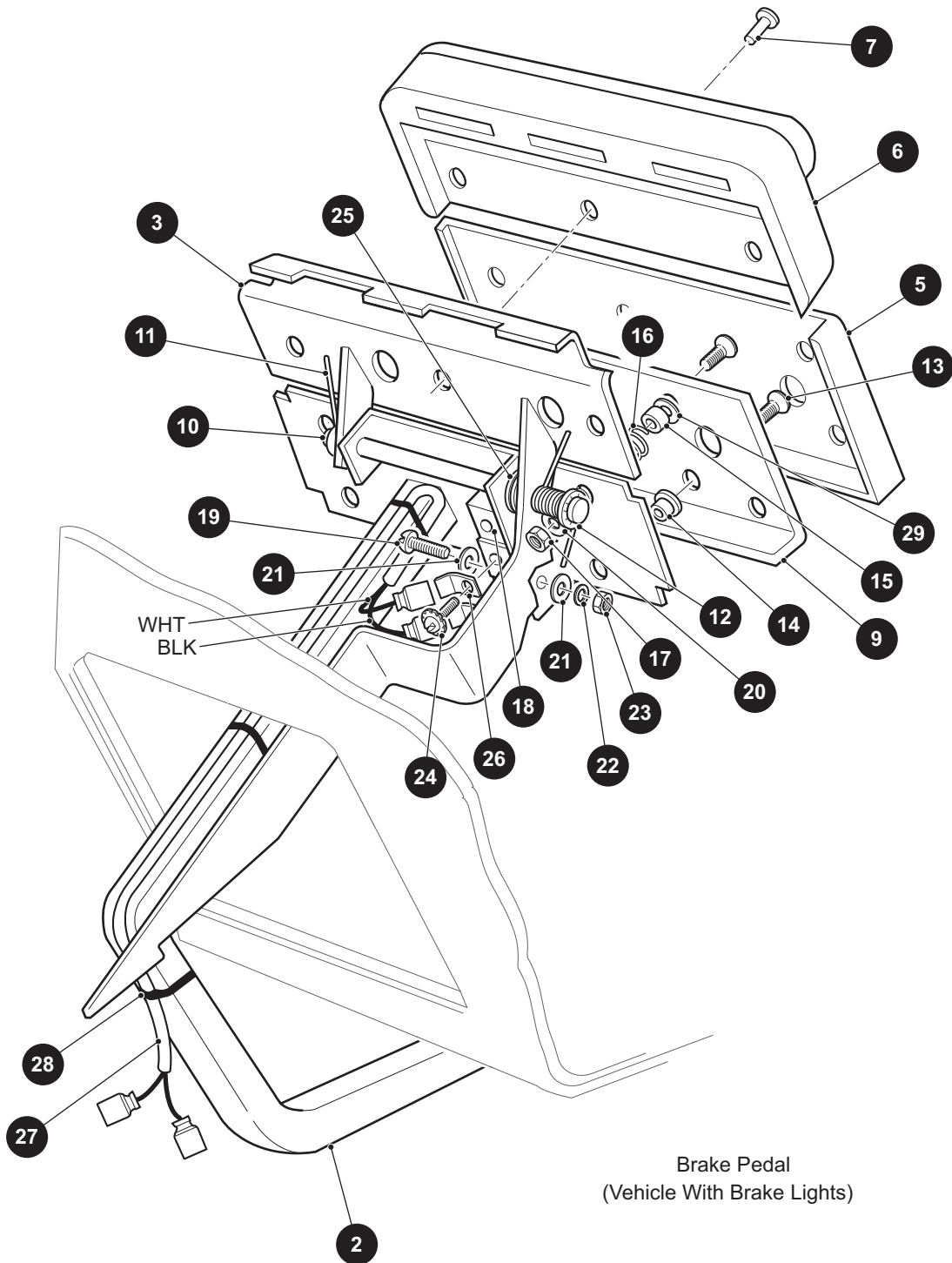
When ordering parts, please specify the model and serial number of the product

* Indicates a component that is not available as an individual part.

*** Indicates consult Customer Service Department for additional information.

ITEM	PART NO.	1	2	3	4	5	DESCRIPTION	QTY.
32	654665						Compensator Assembly (Includes Items 33 - 45).....	1
33	<u>00532G4</u>						Hex Nut, 1/4" - 20.....	2
34	<u>629486</u>						Spherical Hex Nut, 5/16" - 24.....	1
35	<u>28082G01</u>						Equalizer Bracket.....	1
36	<u>15121G1</u>						Flat Washer, 5/16".....	2
37	<u>17979G1</u>						Accelerator Rod Bushing, .464" I.D. x 1" O.D. x 2" Lg.....	1
38	<u>23061G2</u>						Tube.....	1
39	<u>23463G1</u>						Compression Spring.....	1
40	<u>652256</u>						Brake Yoke.....	1
41	<u>11098G9</u>						Hex Lock Nut, 5/16" - 24.....	1
42	<u>612557</u>						Compensator Link Rod.....	1
43	<u>28083G01</u>						Brake Compensator Bumper.....	2
44	<u>624695</u>						Brake Cable (Driver Side), 65.06" Lg.....	1
45	<u>624696</u>						Brake Cable (Passenger Side), 74.81" Lg.....	1
46								
47	<u>17618G1</u>						Nylon Clamp, 8" Lg (Not Illustrated).....	1

1 Brake Pedal Assembly (With Brake Lights) includes items 2 - 29



THE USE OF NON U.L. PARTS WILL VOID ANY U.L. LISTING.

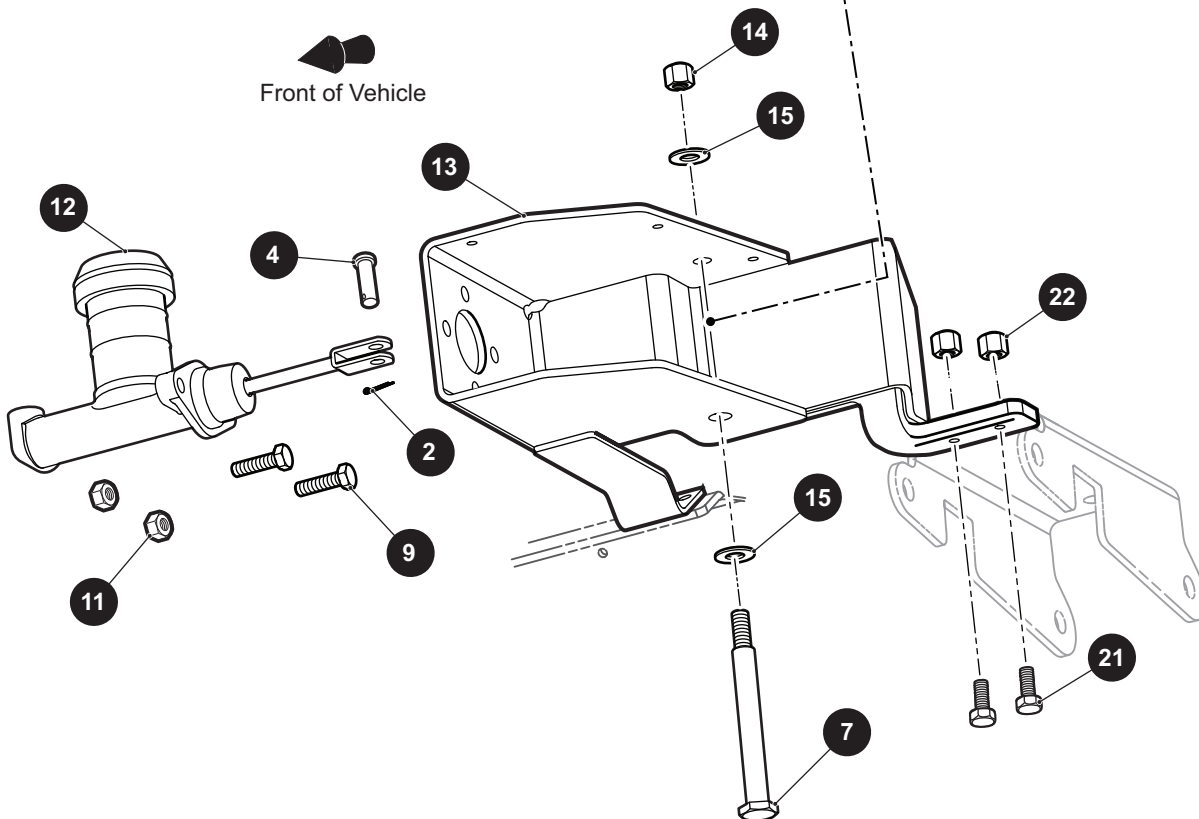
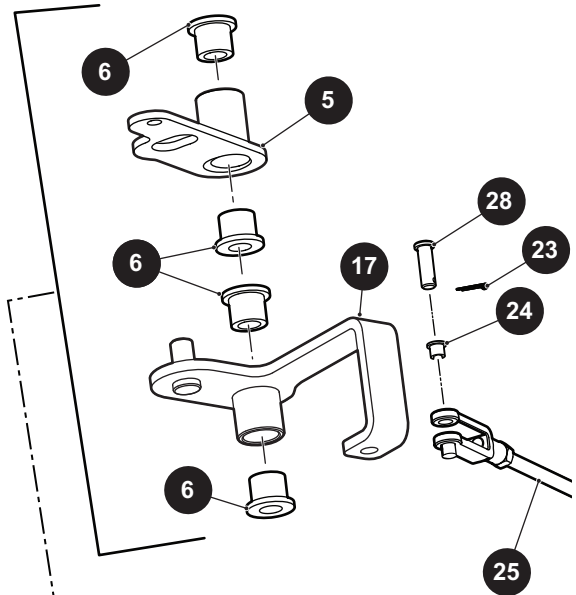
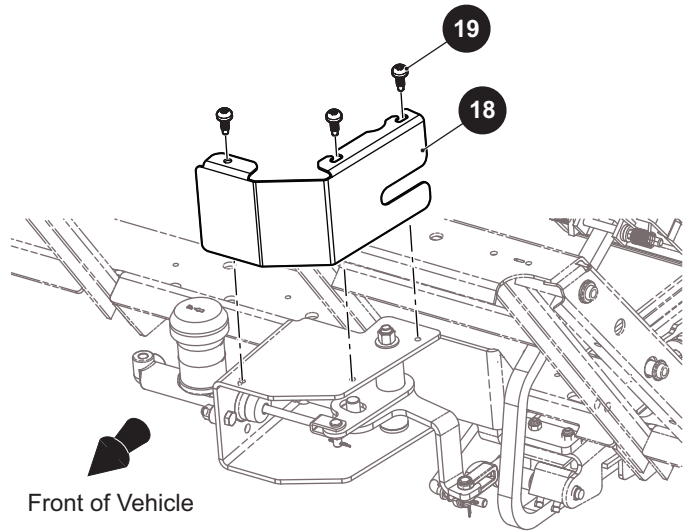
When ordering parts, please specify the model and serial number of the product.

* Indicates a component that is not available as an individual part.

*** Indicates consult Customer Service Department for additional information.

ITEM	PART NO.	1 2 3 4 5	DESCRIPTION	QTY.
1	<u>74874G01</u>		Brake Pedal Assembly (With Brake Lights) (Includes Items 2 - 29).....	1
2	<u>74870G01</u>		Brake Pedal	1
3	<u>641760</u>		Park Brake Pedal.....	1
4				
5	<u>70257G01</u>		Brake Pad	1
6	<u>70256G01</u>		Park Brake Pad	1
7	<u>16409G1</u>		Oval Rivet, 3/16" x 15/32" Lg.....	9
8				
9	<u>70258G03</u>		Brake Pedal Plate	1
10	<u>70682G01</u>		Parking Brake Pedal Pin.....	1
11	<u>70681G01</u>		Torsion Spring.....	2
12	<u>658825</u>		Pushnut, 5/16"	2
13	<u>00737G8</u>		Phillips Flat Head Machine Screw, #10 - 24 x 1" Lg	4
14	<u>00739G1</u>		Rubber Nut, #10 - 24	2
15	<u>652355</u>		Brake Pedal Spacer.....	2
16	<u>27137G01</u>		Conical Spring	2
17	<u>14390G10</u>		Lock Nut, #10 - 24	2
18	10606G8		Limit Switch (3 Pole).....	1
19	<u>00645G2</u>		Phillips Pan Head Machine Screw, #6 - 32 x 1 1/4" Lg.....	2
20	<u>00559G5</u>		Flat Washer, #10.....	2
21	<u>00559G3</u>		Flat Washer, #6.....	4
22	<u>00565G3</u>		Lock Washer, #6	2
23	<u>00525G5</u>		Hex Nut, #6 - 32	2
24	<u>13514G1</u>		Phillips Pan Head Machine Screw, #6 - 32 x 7/32" Lg.....	2
25	<u>20835G1</u>		Teflon Washer, 3/8".....	2
26	<u>14628G1</u>		Faston Tab	2
27	<u>24605G1</u>		Wire Harness (Brake Light)	1
28	<u>17618G1</u>		Wire Tie	3
29	<u>00642G8</u>		Flat Washer, #4.....	2

1 Front Disc Brake Actuator Assembly includes items 2 - 17



THE USE OF NON U.L. PARTS WILL VOID ANY U.L. LISTING.

When ordering parts, please specify the model and serial number of the product.

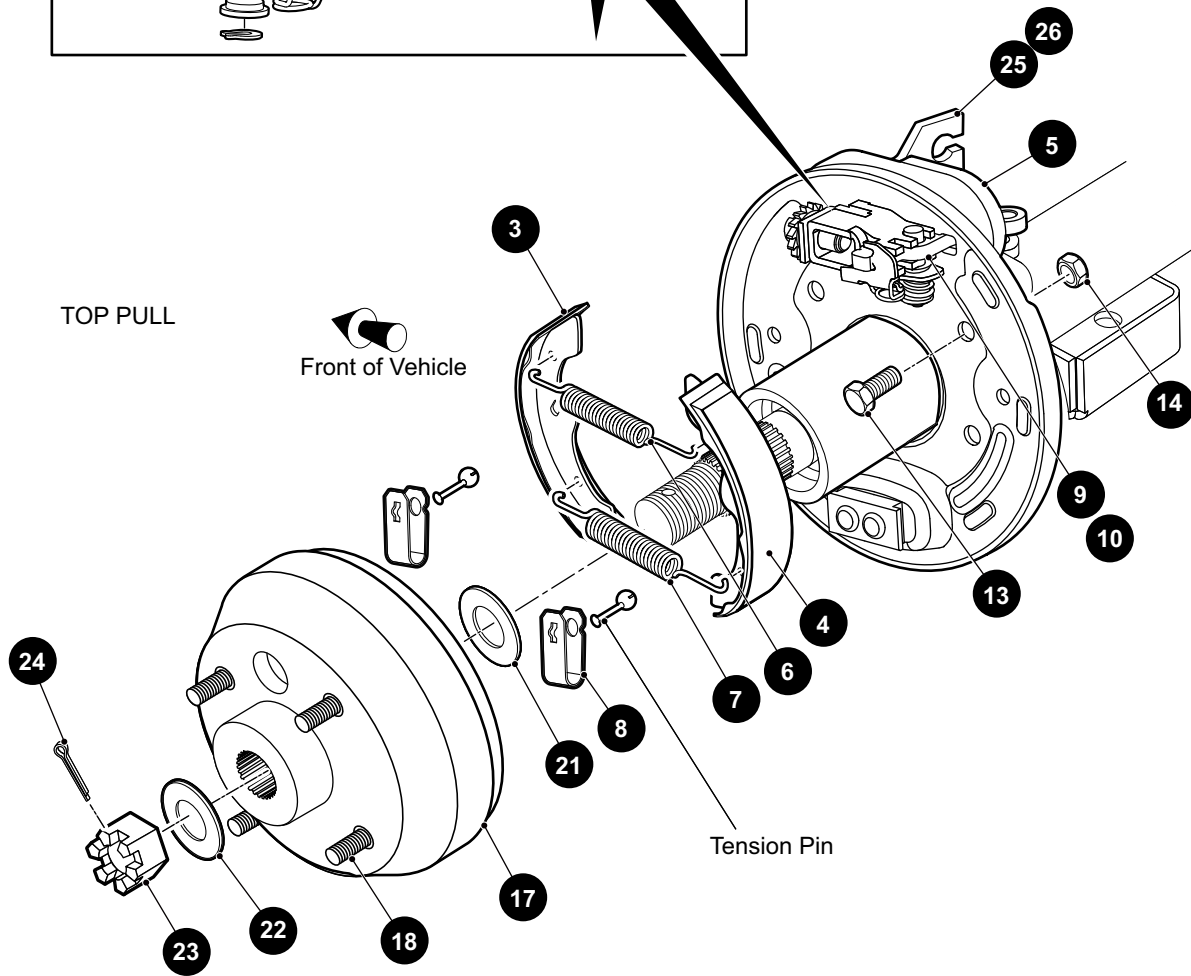
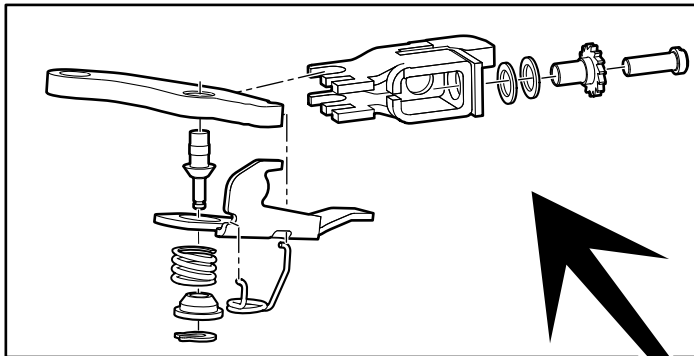
* Indicates a component that is not available as an individual part.

*** Indicates consult Customer Service Department for additional information.

ITEM	PART NO.	1 2 3 4 5	DESCRIPTION	QTY.
1	<u>608706</u>		Front Disc Brake Actuator Assembly (Includes Items 2 - 17)	1
2	<u>10387G3</u>		Cotter Pin, 3/32" x 3/4" Lg	1
3				
4	<u>10386G3</u>		Clevis Pin, 5/16" x 1" Lg	1
5	<u>608122</u>		Upper Actuator Pivot Bracket	1
6	<u>70581G02</u>		Acetal Bushing, .79" O.D. x .5" I.D. x .75" Lg	4
7	<u>74711G01</u>		Actuator Pivot Bolt, 3/4" - 16 x 3/4" Lg	1
8				
9	<u>00439G1</u>		Hex Head Bolt, 1/2" - 13 x 6" Lg, Grade 5	2
10				
11	<u>11098G6</u>		Lock Nut, 5/16" - 18	2
12	<u>887364</u>		Master Cylinder	1
13	<u>612706</u>		Master Cylinder Mount Weldment	1
14	<u>11098G5</u>		Lock Nut, 3/8" - 16	1
15	<u>00679G1</u>		Lock Washer (SS), 3/8"	2
16				
17	<u>641826</u>		Lower Actuator Pivot.....	1
18	<u>612704</u>		Actuator Assembly Cover.....	1
19	<u>01038G01</u>		Hex Washer Head Swageform Screw, 1/4" - 20 x .7" Lg	3
20				
21	<u>00414G6</u>		Hex Head Bolt, 1/4" - 20 x 3/4" Lg. Grade 5	2
22	<u>14390G4</u>		Lock Nut, 1/4" - 20	2
23	<u>10387G3</u>		Cotter Pin, .094" x .75" Lg.....	2
24	<u>17838G1</u>		Nylon Bushing, .37" O.D. x .31" I.D.....	2
25	<u>608943</u>		Actuator Linkage	1
26	<u>00771G5</u>		Flat Washer, 3/8" (Not Illustrated)	1
27				
28	<u>10386G3</u>		Clevis Pin, 5/16" x 13/16" Lg.....	2

BRAKES

- 1 Brake Assembly (Driver Side) includes items 3 - 9
- 2 Brake Assembly (Passenger Side) includes items 3 - 8, 10
- 16 Brake Drum Assembly includes items 17, 18



BRAKES

THE USE OF NON U.L. PARTS WILL VOID ANY U.L. LISTING.

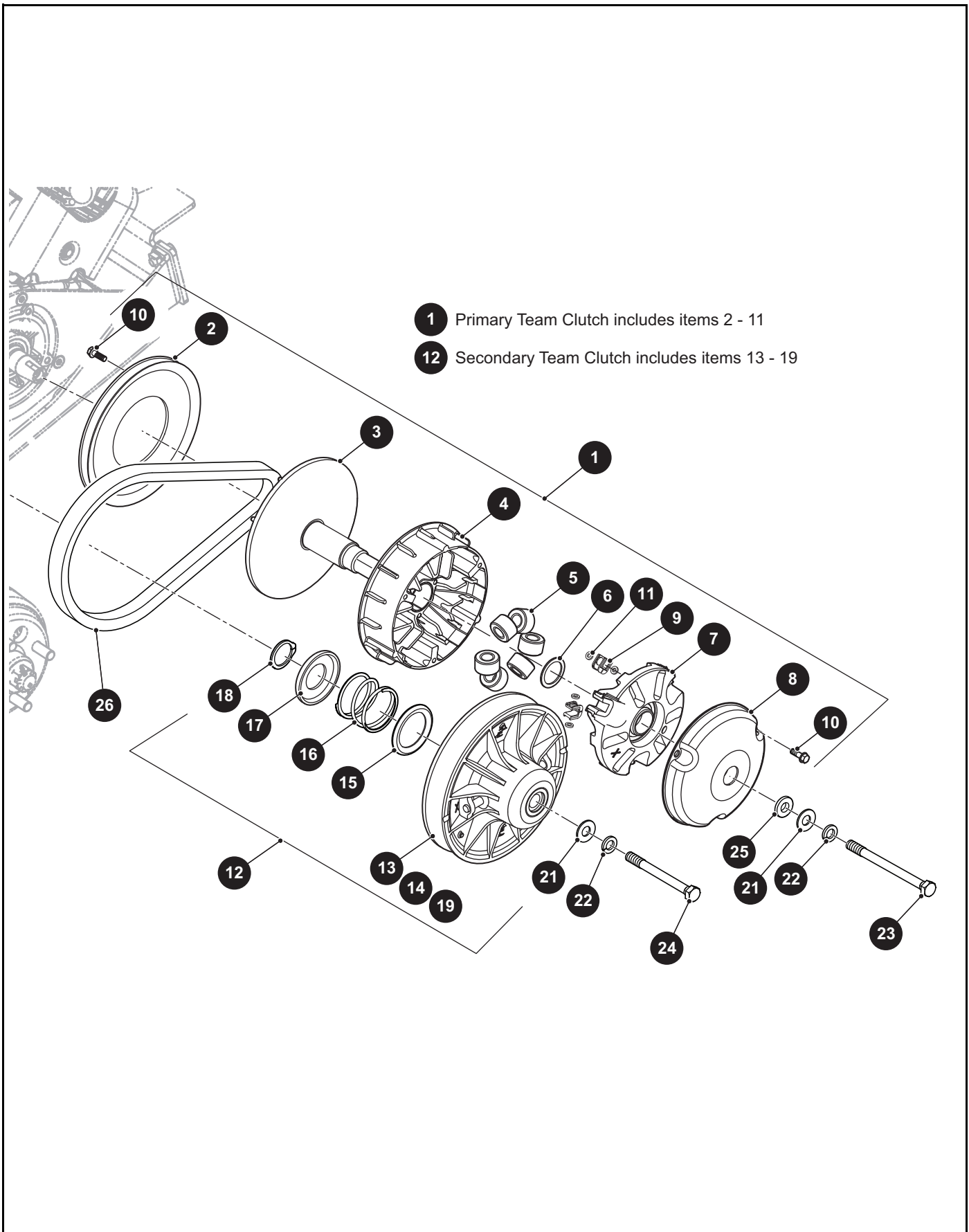
When ordering parts, please specify the model and serial number of the product.

* Indicates a component that is not available as an individual part.

*** Indicates consult Customer Service Department for additional information.

ITEM	PART NO.	1 2 3 4 5	DESCRIPTION	QTY.
1	<u>612189</u>		Brake Assembly (Driver Side) (Includes Items 3 - 9)	1
2	<u>612211</u>		Brake Assembly (Passenger Side) (Includes Items 3 - 8, 10).....	1
3	<u>612411</u>		Brake Shoe, Leading	1
4	<u>612412</u>		Brake Shoe, Trailing	1
5	<u>612413</u>		Dust Cover.....	1
6	<u>612415</u>		Brake Spring, Top	1
7	<u>612414</u>		Brake Spring, Bottom	1
8	<u>612416</u>		Shoe Clamp.....	2
9	<u>612418</u>		Gear Adjuster (Driver Side)	1
10	<u>612417</u>		Gear Adjuster (Passenger Side).....	1
11				
12				
13	<u>17083G2</u>		Hex Head Bolt, 5/16" - 24 x 1" Lg, Grade 8	4
14	<u>15126G1</u>		Lock Nut, 5/16" - 24	4
15				
16	<u>21807G2</u>		Brake Drum Assembly (Includes Items 17, 18).....	1
17	<u>20947G1</u>		Brake Drum	1
18	<u>19862G2</u>		Lug Bolt, 1/2" - 20 x 1.718" Lg.....	4
19				
20				
21	<u>21809G1</u>		Flat Washer (Inner Wheel Rim), .984" x 1.312" x .031"	1
22	<u>606945</u>		Flat Washer (Brake Drum), O.D 1.752" x I.D .898"	1
23	<u>613172</u>		Slotted Hex Nut, 3/4" - 16	1
24	<u>10387G1</u>		Cotter Pin, 5/32" x 1 3/4" Lg.....	1
25	<u>652248</u>		Brake Cable Bracket (Passenger Side)	1
26	<u>652249</u>		Brake Cable Bracket (Driver Side).....	1

CLUTCH



THE USE OF NON U.L. PARTS WILL VOID ANY U.L. LISTING.

When ordering parts, please specify the model and serial number of the product.

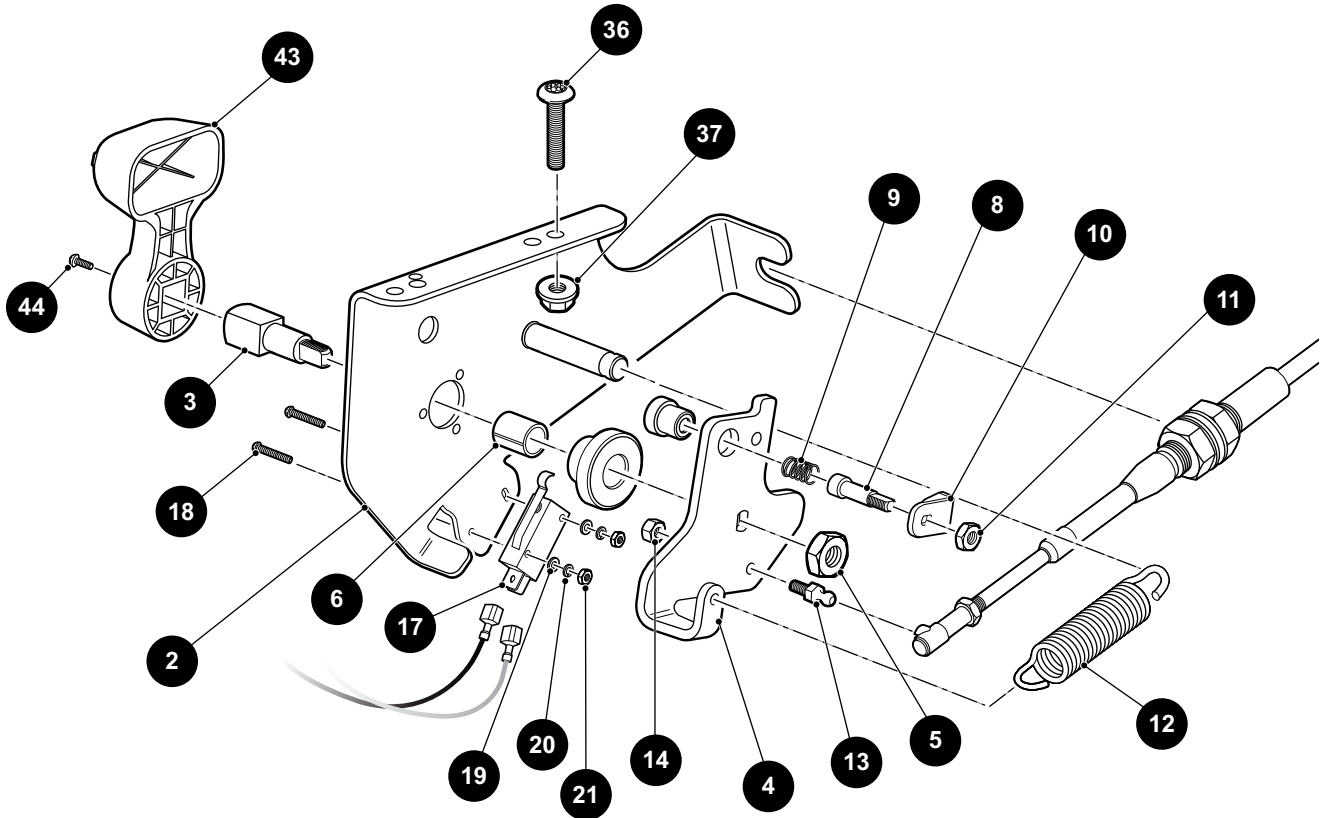
* Indicates a component that is not available as an individual part.

*** Indicates consult Customer Service Department for additional information.

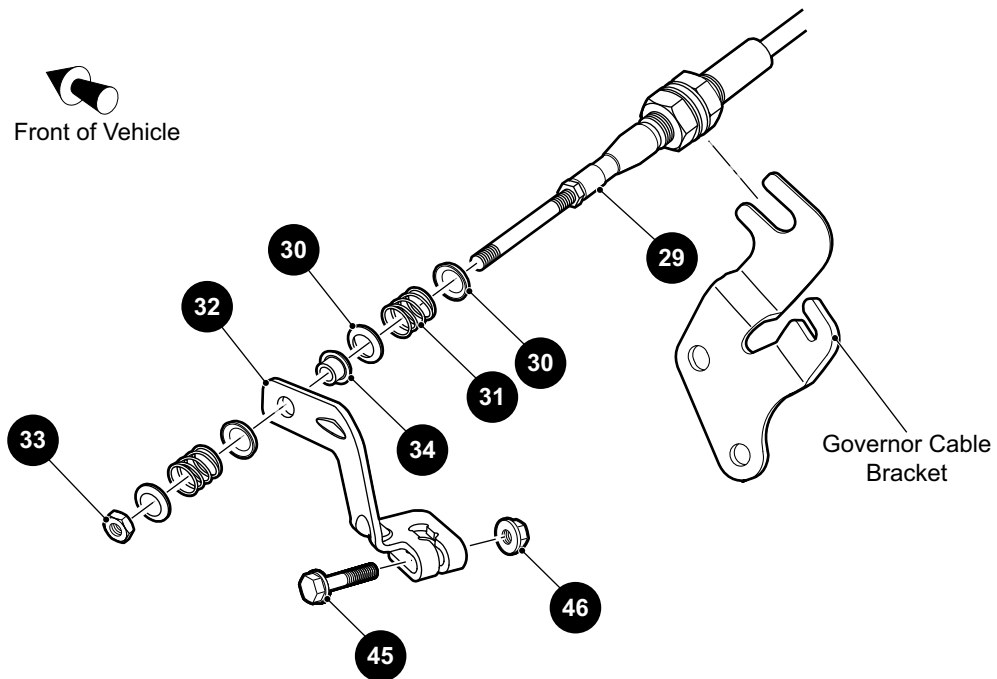
ITEM	PART NO.	1 2 3 4 5	DESCRIPTION	QTY.
1	672688		Primary Team Clutch (Includes Items 2 - 11)	1
2	<u>619333</u>		Primary Starter Pulley, 195	1
3	*		Stationary Assembly	1
4	*		Moveable Primary Assembly	1
5	<u>624112</u>		Shift Roller Assembly	6
6	<u>619337</u>		Shim, 39.5mm x 31.75mm	1
7	<u>644303</u>		Primary Spider Assembly	1
8	*		Primary Dust Cover Assembly	1
9	<u>644305</u>		Torque Primary Button	6
10	<u>619332</u>		Hex Washer Head Bolt, 1/4" - 20 x 3/4" Lg	7
11	<u>644306</u>		Torque Primary Plug	6
12	<u>623949</u>		Secondary Team Clutch (Includes Items 13 - 19)	1
13	*		Secondary Stationary, 9.5	1
14	*		Moveable Secondary, 9.5	1
15	<u>619327</u>		Inner Retainer Spring	1
16	<u>624111</u>		Compression Spring	1
17	<u>619329</u>		Outer Spring Retainer	1
18	<u>652515</u>		External Retainer Ring	1
19	<u>619331</u>		Thrust Washer, 1 53" x 1 83" x 1"	1
20				
21	<u>606239</u>		Conical Washer, M12	2
22	<u>00566G3</u>		Lock Washer (Spring Type), 3/8"	2
23	<u>606245</u>		Hex Head Bolt, M12 - 1.25 x 160mm Lg, Grade 8.8	1
24	<u>606243</u>		Hex Head Bolt, M12 - 1.25 x 120mm Lg, Grade 8.8	1
25	<u>606230</u>		Clutch Washer, 27.5 Dia. O.D. x 13.06 Dia. I.D.	1
26	<u>618630</u>		Drive Belt	1

DIRECTION SELECTOR

1 Direction Selector Assembly includes items 2 - 34



Front of Vehicle



DIRECTION SELECTOR

THE USE OF NON U.L. PARTS WILL VOID ANY U.L. LISTING.

When ordering parts, please specify the model and serial number of the product.

* Indicates a component that is not available as an individual part.

*** Indicates consult Customer Service Department for additional information.

ITEM	PART NO.	1 2 3 4 5	DESCRIPTION	QTY.
1	<u>605999</u>		Direction Selector Assembly (Includes Items 2 - 34).....	1
2	<u>603627</u>		Direction Selector Bracket	1
3	<u>606266</u>		Direction Selector Shaft.....	1
4	<u>603700</u>		Direction Selector Cam.....	1
5	<u>14390G1</u>		Lock Nut, 3/8" - 24	1
6	<u>25664G2</u>		Bushing, 1/2" x .750" Lg	1
7				
8	<u>72724G01</u>		Neutral Lock Pin	1
9	<u>72733G01</u>		Compression Spring	1
10	<u>72729G01</u>		Neutral Lock Latch.....	1
11	<u>00734G2</u>		Lock Nut, 1/4" - 28	1
12	<u>28574G01</u>		Extension Spring	1
13	<u>72732G01</u>		Ball Stud, #10 - 32	1
14	<u>00734G5</u>		Lock Nut, #10 - 32	1
15				
16				
17	<u>72736G01</u>		Micro Switch	1
18	<u>01062G01</u>		Round Head Screw, #4 - 40 x 1" Lg	2
19	<u>00559G1</u>		Flat Washer, #4.....	2
20	<u>00565G1</u>		Lock Washer, #4	2
21	<u>00526G2</u>		Hex Nut, #4 - 40	2
22				
23				
24				
25				
26				
27				
28				
29	<u>605809</u>		Shifter Cable	1
30	<u>25727G01</u>		Cup Washer, 1/4".....	4
31	<u>72735G01</u>		Compression Spring	2

DIRECTION SELECTOR

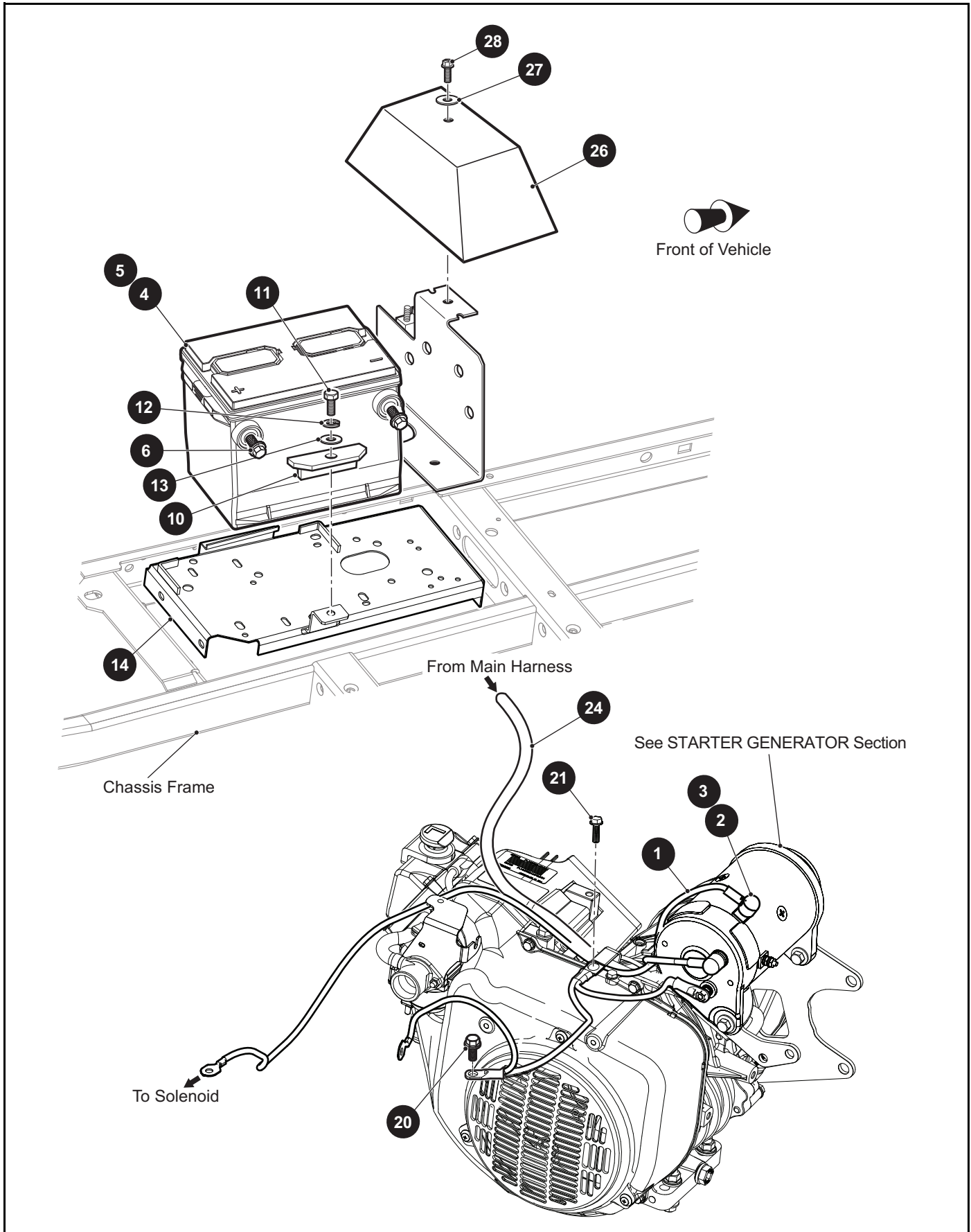
THE USE OF NON U.L. PARTS WILL VOID ANY U.L. LISTING.

When ordering parts, please specify the model and serial number of the product.

* Indicates a component that is not available as an individual part.

*** Indicates consult Customer Service Department for additional information.

ITEM	PART NO.	1	2	3	4	5	DESCRIPTION	QTY.
32	<u>632891</u>						Pivot Bracket.....	1
33	<u>00734G5</u>						Lock Nut, #10 - 32.....	1
34	<u>22754G4</u>						Bushing (Flip Lok), .250".....	1
35								
36	<u>70227G01</u>						Socket Head Bolt, 1/4" - 20 x 7/8" Lg, Grade 8.....	2
37	<u>11027G2</u>						Flanged Lock Nut, 1/4" - 20.....	2
38								
39								
40								
41								
42	<u>31539G1</u>						Nylon Clamp, 15.5" Lg (Not Illustrated).....	1
43	<u>71205G01</u>						Direction Selector Handle.....	1
44	<u>01037G02</u>						Pan Head Torx Screw, #10 - 32 x 1/2" Lg.....	1
45	<u>606421</u>						Flanged Hex Head Bolt, M6 - 1 x 30mm Lg, Grade 8.8.....	1
46	<u>450452</u>						Hex Nut, M6 - 1.....	1



THE USE OF NON U.L. PARTS WILL VOID ANY U.L. LISTING.

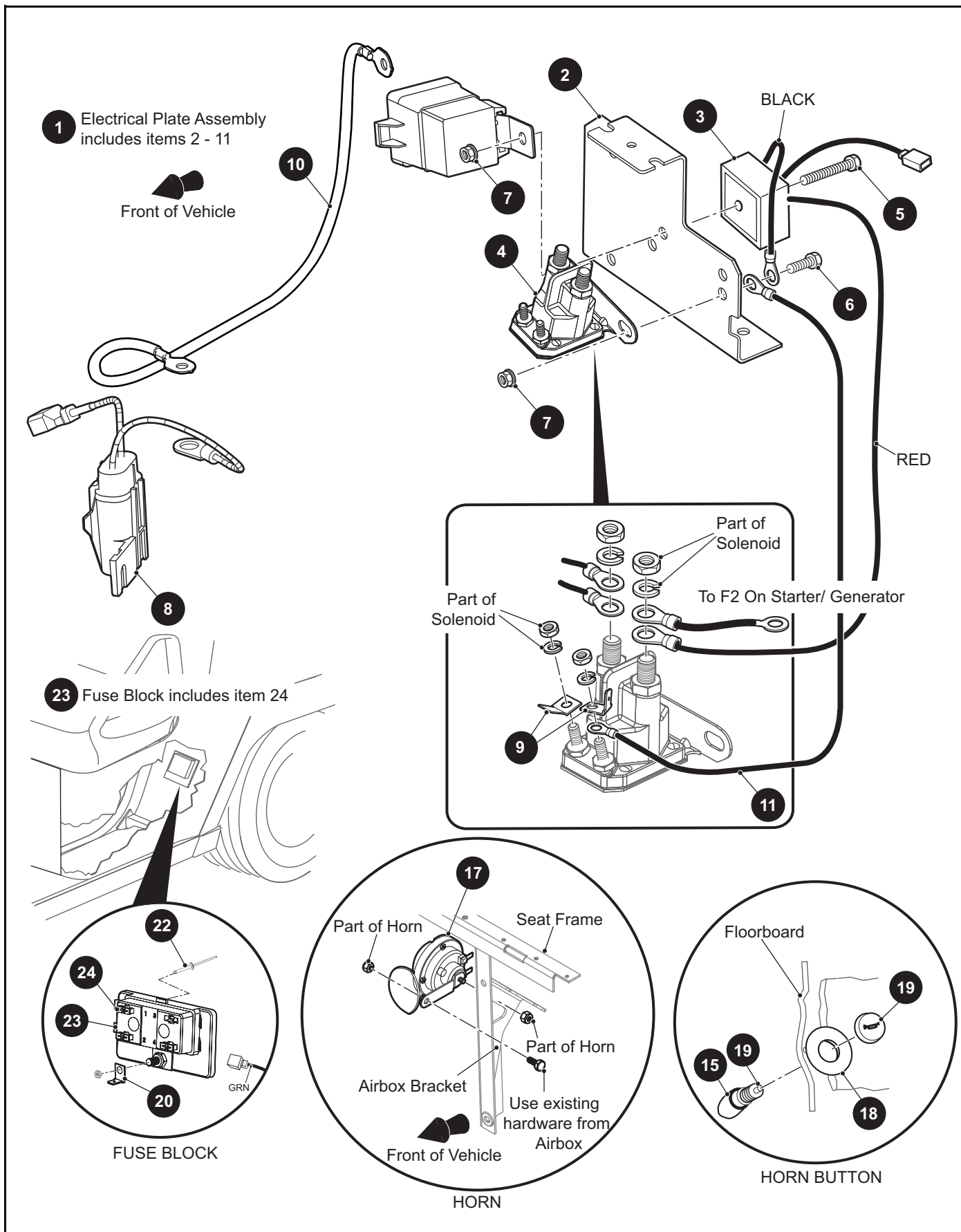
When ordering parts, please specify the model and serial number of the product.

* Indicates a component that is not available as an individual part.

*** Indicates consult Customer Service Department for additional information.

ITEM	PART NO.	1 2 3 4 5	DESCRIPTION	QTY.
1	<u>607103</u>		#6 GA Wire, 42" Lg	1
2	<u>25682G01</u>		Terminal Cover	3
3	<u>25682G01</u>		Terminal Cover (For CE Vehicles).....	2
4	<u>638433</u>		Battery, 12V.....	1
5	<u>637484</u>		Battery, 12V, HD.....	1
6	<u>640488</u>		Battery Bolt	2
7				
8				
9				
10	<u>72101G02</u>		Battery Hold Down	1
11	00438G6		Hex Head Bolt, 5/16" - 18 x 3/4" Lg, Grade 5	1
12	<u>00565G8</u>		Lock Washer, 5/16"	1
13	<u>00571G2</u>		Flat Washer (SS), 5/16"	1
14	652441G03		Battery Tray.....	1
15				
16				
17				
18				
19				
20	<u>00715G2</u>		Hex Washer Head Screw, 5/16" - 18 x .875" Lg	4
21	<u>606264</u>		Flanged Hex Head Bolt, M6 - 1 x 20mm Lg, Grade 8.8	1
22				
23				
24	<u>659015</u>		Main Harness	1
25				
26	<u>73049G01</u>		Direction Selector Cover	1
27	<u>16469G1</u>		Fender Washer, 1/4"	1
28	<u>00114G6</u>		Hex Washer Head Slotted Tapping Screw, 1/4" - 14 x 3/4" Lg.....	1
29	608772		#6AWG Wire (Blue) (For CE vehicles) (Not Illustrated)	1
30	625757		#6AWG Wire (Blue) (Solenoid - F2) (For CE Vehicles) (Not Illustrated)	1

ELECTRICAL



THE USE OF NON U.L. PARTS WILL VOID ANY U.L. LISTING.

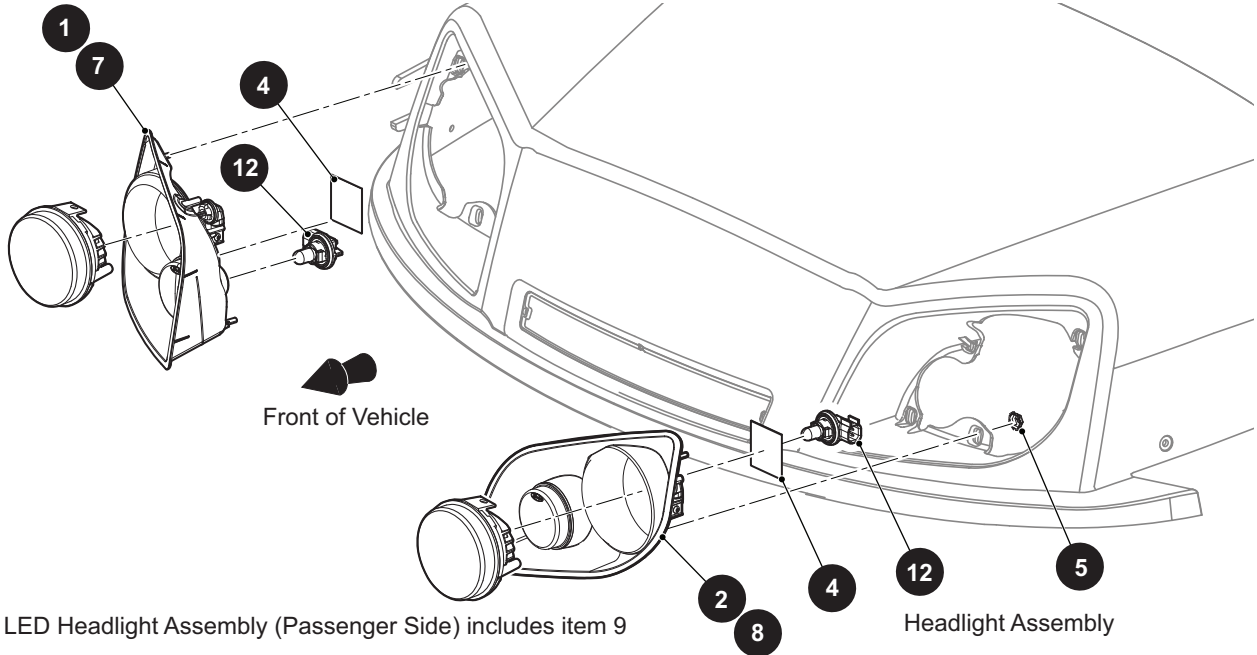
When ordering parts, please specify the model and serial number of the product.

* Indicates a component that is not available as an individual part.

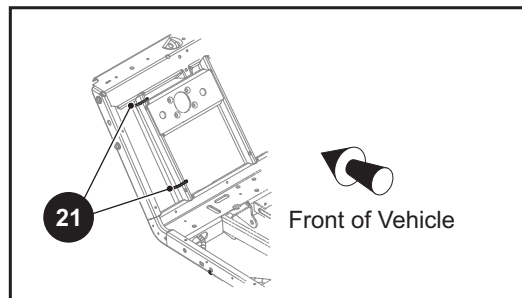
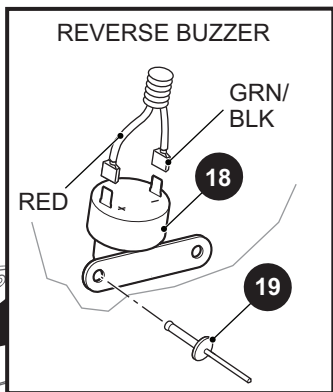
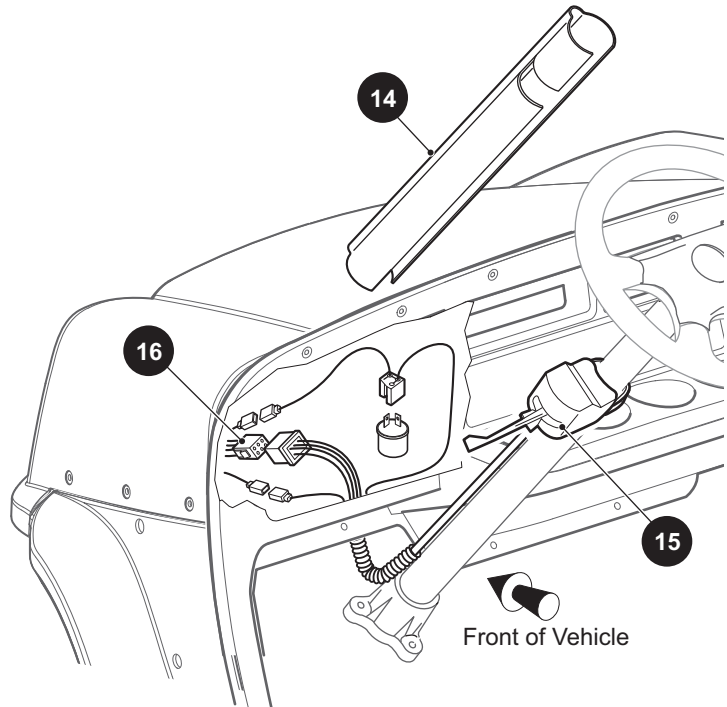
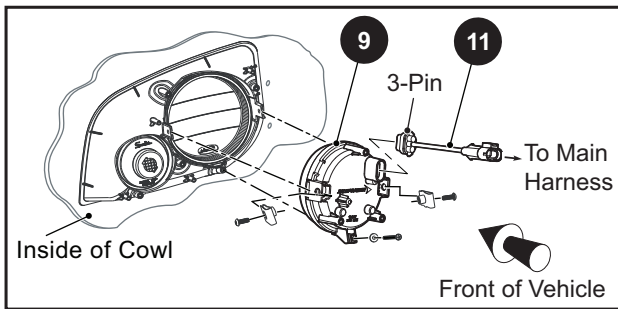
*** Indicates consult Customer Service Department for additional information.

ITEM	PART NO.	1 2 3 4 5	DESCRIPTION	QTY.
1	660446		Electrical Plate Assembly (Includes Items 2 - 11)	1
2	<u>73057G02</u>		Bracket	1
3	<u>27739G01</u>		Voltage Regulator	1
4	<u>663716</u>		Solenoid.....	1
5	<u>303459</u>		Hex Head Bolt, 1/4" - 20 x 1 1/2" Lg, Grade 5.....	1
6	<u>00661G8</u>		Hex Head Bolt (SS), 1/4" - 20 x 1" Lg.....	1
7	<u>11027G2</u>		Flanged Lock Nut, 1/4" - 20.....	2
8	<u>658683</u>		Electrical Plate Harness	1
9	<u>73446G01</u>		Faston Tab, 90°.....	2
10	<u>645190</u>		#6 GA Wire Assembly.....	1
11	<u>25978G56</u>		#18 GA Wire Assembly (Black).....	1
12				
13				
14				
15	<u>27068G01</u>		Horn Switch Boot	1
16				
17	32860G01		Horn	1
18	<u>608397</u>		Horn Plate	1
19	<u>17318G1</u>		Horn Switch.....	1
20	<u>73446G01</u>		Faston Tab	1
21				
22	<u>15058G6</u>		Rivet, (Aluminum), 3/16" x .937" Lg	2
23	<u>676066G01</u>		Fuse Block (Includes Item 24).....	1
24	636455G23		Fuse, 15A	3

ELECTRICAL



- 7 LED Headlight Assembly (Passenger Side) includes item 9
- 8 LED Headlight Assembly (Driver Side) includes item 9



THE USE OF NON U.L. PARTS WILL VOID ANY U.L. LISTING.

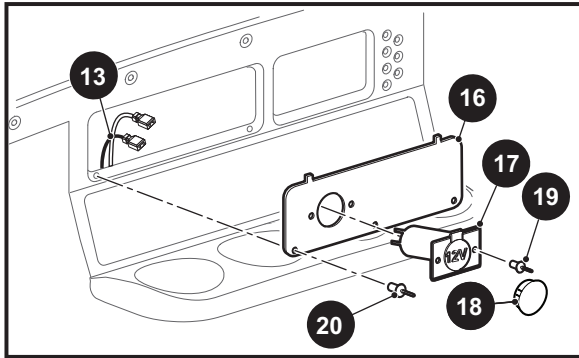
When ordering parts, please specify the model and serial number of the product.

* Indicates a component that is not available as an individual part.

*** Indicates consult Customer Service Department for additional information.

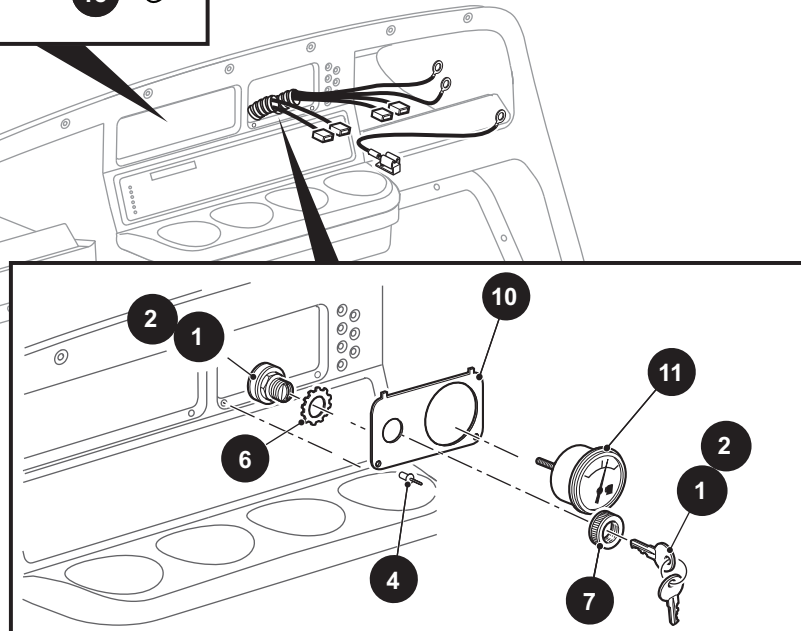
ITEM	PART NO.	1 2 3 4 5	DESCRIPTION	QTY.
1	<u>644876</u>		Headlight Assembly (Passenger Side).....	1
2	<u>644877</u>		Headlight Assembly (Driver Side)	1
3				
4	<u>71781G02</u>		Vinyl Tape.....	1
5	<u>71597G01</u>		Self Threading Nut, 5mm x 10mm x 15mm.....	4
6				
7	<u>659008</u>		LED Headlight Assembly (Passenger Side) (Includes Item 9).....	1
8	<u>659009</u>		LED Headlight Assembly (Driver Side) (Includes Item 9).....	1
9	<u>651411G03</u>		LED Headlight	1
10				
11	<u>654465</u>		Jumper Harness, LED Headlight.....	1
12	<u>619102</u>		Turn Signal Assembly Bulb	2
13				
14	<u>20965G3</u>		Steering Column Cover.....	1
15	<u>611810</u>		Turn Signal Switch Assembly	1
16	<u>645200</u>		Accessory Harness	1
17				
18	<u>73290G03</u>		Buzzer	1
19	<u>01041G01</u>		Rivet, 5/32"	2
20				
21	<u>31539G1</u>		Nylon Clamp, 15.5" Lg	5

CONSOLE INSERT PLATE

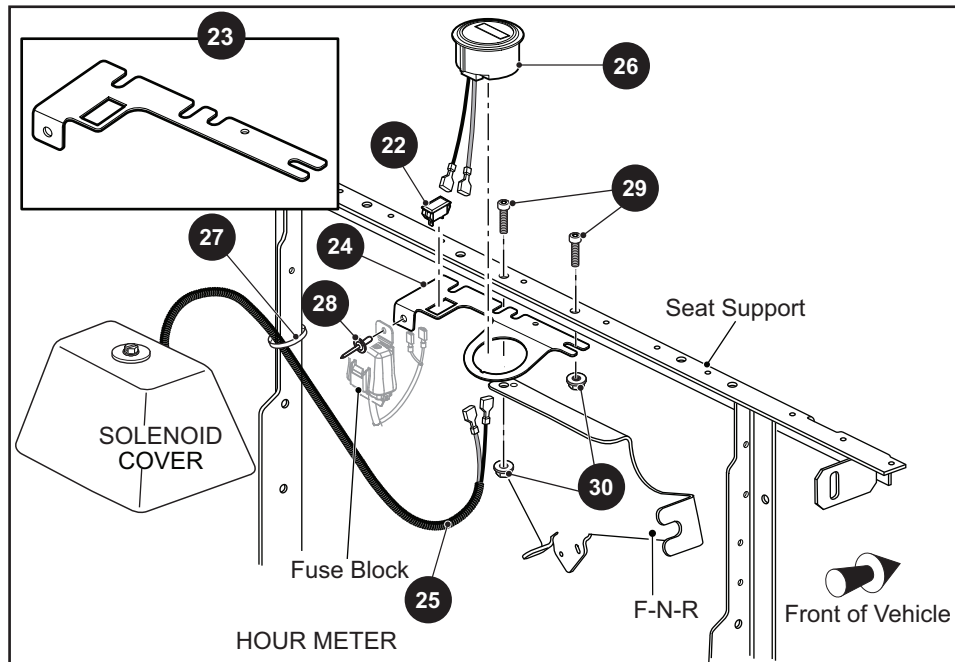


- 9 Gauge Plate (Fuel Gauge with Lights) includes items 10, 11
- 14 Console Insert Assembly includes items 16, 18
- 15 Console Insert Assembly includes items 16 - 19

Front of Vehicle



KEY SWITCH, INDICATOR LIGHT(S), AND FUEL GAUGE



THE USE OF NON U.L. PARTS WILL VOID ANY U.L. LISTING.

When ordering parts, please specify the model and serial number of the product.

* Indicates a component that is not available as an individual part.

*** Indicates consult Customer Service Department for additional information.

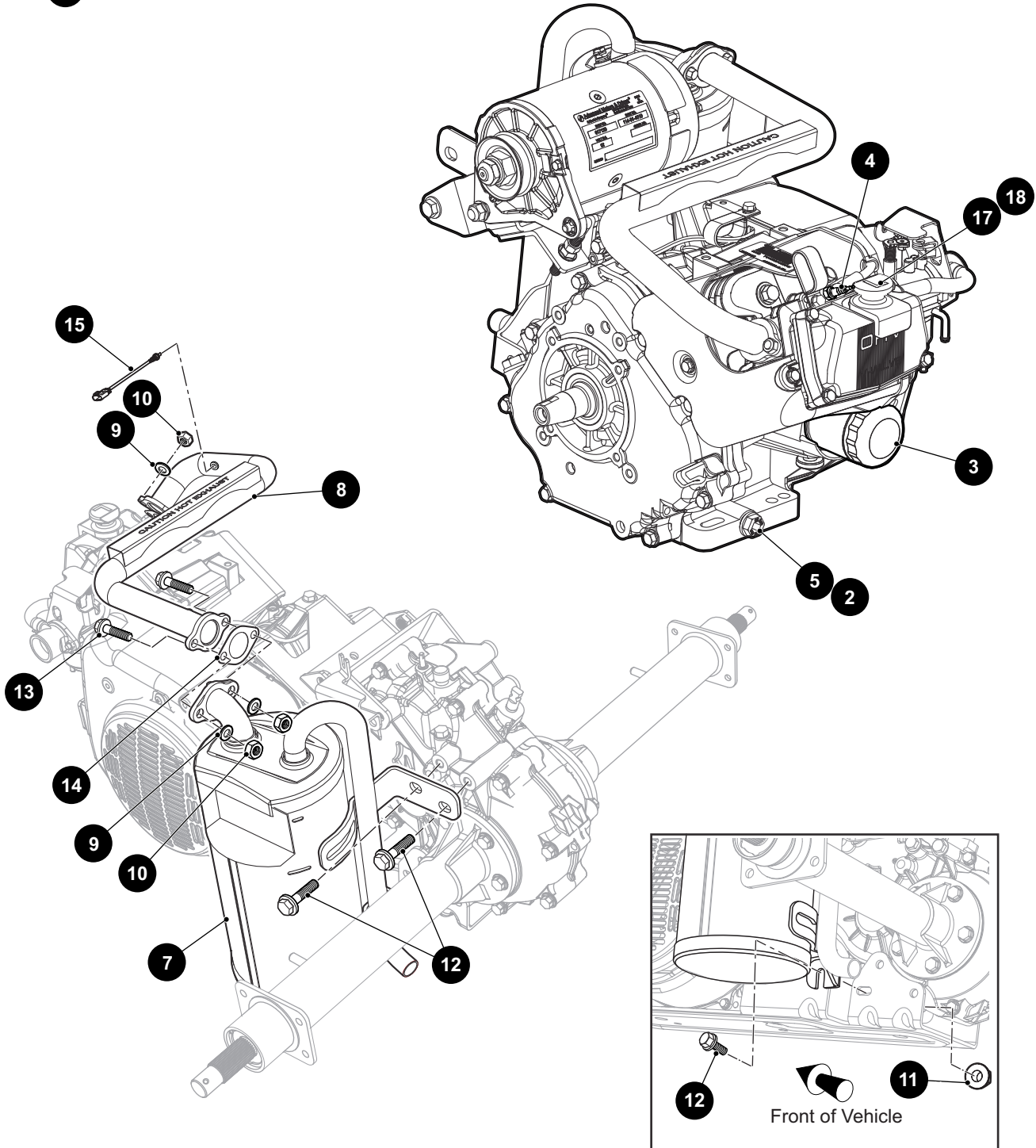
ITEM	PART NO.	1 2 3 4 5	DESCRIPTION	QTY.
1	<u>33639G01</u>		Ignition Switch (with Light)	1
2	33639G03		Ignition Switch (with Light, Individual)	1
3				
4	33623G02		Drive Rivet, 3/16" x 3/8" Lg	2
5				
6	<u>00568G6</u>		Lock Washer (External Tooth Type), 3/4"	1
7	17137G1		Face Nut, 3/4" - 20	1
8				
9	656282G06		Gauge Plate (Fuel Gauge with Lights) (Includes Items 10, 11).....	1
10	<u>73030G14</u>		Console Insert Plate	1
11	<u>648247</u>		Fuel Level Gauge	1
12				
13	<u>645201</u>		Wire Harness (Power Outlet)	1
14	74693G03		Console Insert Assembly (Includes Items 16, 18).....	1
15	74693G04		Console Insert Assembly (Includes Items 16 - 19).....	1
16	<u>73522G03</u>		Console Insert Plate	1
17	<u>71078G01</u>		Power Outlet (12V)	1
18	<u>20271G10</u>		Plug	1
19	<u>14601G10</u>		Rivet (Aluminum), 5/32"	2
20	33623G02		Drive Rivet, 3/16" x 3/8" Lg	3
21				
22	<u>659101</u>		Malfunction Indicator Light	1
23	<u>659085</u>		Fuse Bracket (For Vehicles without Hour Meter)	1
24	<u>662631</u>		Fuse Bracket (For Vehicles with Hour Meter)	1
25	664689		Hour Meter Harness	1
26	<u>617074</u>		Hour Meter	1
27	<u>17618G1</u>		Nylon Clamp.....	2
28	<u>71055G01</u>		Rivet, 3/16" Dia.	1
29	<u>70227G01</u>		Socket Head Cap Screw, 1/4" - 20 x 7/8" Lg, Grade 8.....	2
30	<u>11027G2</u>		Lock Nut, 1/4" - 20	2

Notes:

A large grid of graph paper with 28 columns and 28 rows, intended for taking notes. The grid is composed of thin black lines forming a uniform pattern of squares.

ENGINE AND MUFFLER

1 EFI Engine, 13.5 HP includes items 2 - 5



ENGINE AND MUFFLER

THE USE OF NON U.L. PARTS WILL VOID ANY U.L. LISTING.

When ordering parts, please specify the model and serial number of the product.

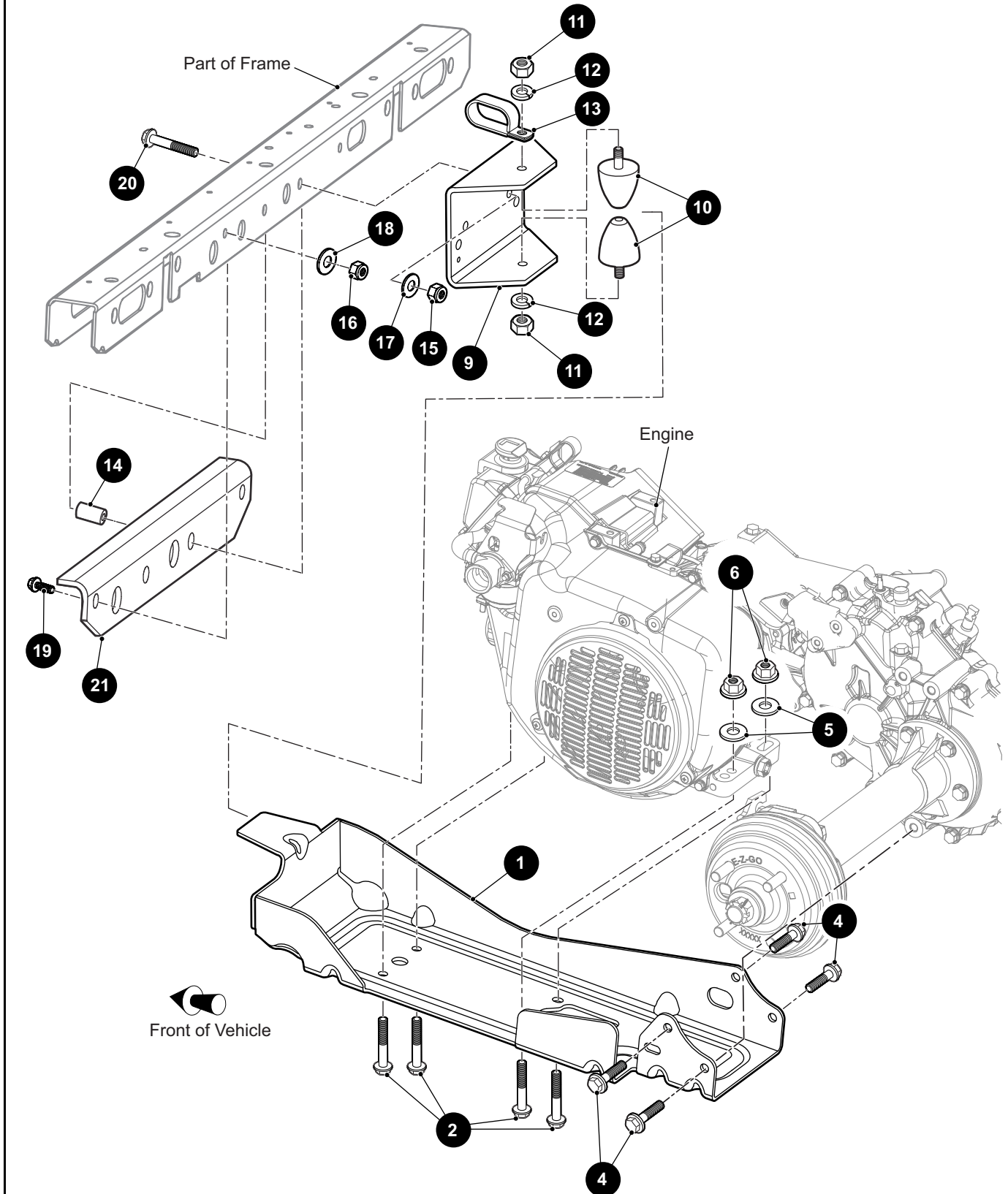
* Indicates a component that is not available as an individual part.

*** Indicates consult Customer Service Department for additional information.

ITEM	PART NO.	1 2 3 4 5	DESCRIPTION	QTY.
1	<u>658237</u>		EFI Engine, 13.5 HP (Includes Items 2 - 5).....	1
2	<u>603562</u>		O-Ring, 16mm	1
3	<u>607454</u>		Oil Filter	1
4	<u>607462</u>		Spark Plug	1
5	<u>603557</u>		Oil Drain Plug	1
6				
7	695386		Muffler	1
8	<u>657450</u>		Exhaust Manifold.....	1
9	<u>606272</u>		Lock Washer, 8mm	4
10	<u>606267</u>		Hex Jam Nut, M8 - 1.25	4
11	<u>606279</u>		Flanged Hex Nut, M10 - 1.25	1
12	<u>606256</u>		Flanged Hex Head Bolt, M10 - 1.25 x 25mm Lg, Grade 8.8.....	3
13	<u>602330</u>		Flanged Hex Head Bolt, M8 - 1.25 x 30mm Lg, Grade 8.8.....	2
14	<u>603599</u>		Exhaust Gasket.....	2
15	<u>657449</u>		Oxygen Sensor	1
16				
17	689936G01		Oil Dip Stick (For Low Suspension Vehicles)	1
18	689936G02		Oil Dip Stick (For High Suspension Vehicles)	1

ENGINE MOUNTING

8 Front Mount Bracket Assembly includes items 9 - 13



ENGINE MOUNTING

THE USE OF NON U.L. PARTS WILL VOID ANY U.L. LISTING.

When ordering parts, please specify the model and serial number of the product.

* Indicates a component that is not available as an individual part.

*** Indicates consult Customer Service Department for additional information.

ITEM	PART NO.	1 2 3 4 5	DESCRIPTION	QTY.
1	<u>630776</u>		Engine Pan	1
2	<u>606259</u>		Flanged Hex Head Bolt, M10 - 1.25 x 45mm Lg, Grade 8.8	4
3				
4	<u>606256</u>		Flanged Hex Head Bolt, M10 - 1.25 x 25mm Lg, Grade 8.8	4
5	<u>603823</u>		Flat Washer, M10	4
6	<u>606279</u>		Flanged Hex Nut, M10 - 1.25	4
7				
8	<u>662794</u>		Front Mount Bracket Assembly (Includes Items 9 - 13)	1
9	<u>10000283</u>		Front Mount Bracket	1
10	<u>605757</u>		Rubber Bumper	2
11	<u>00974G01</u>		Hex Nut, M10 - 1.5	2
12	<u>608654</u>		Lock Washer, 10mm	2
13	<u>692754</u>		Tube Clamp (Wide), 1"	1
14	<u>72016G01</u>		Tube Spacer	2
15	<u>11098G5</u>		Lock Nut, 3/8" - 16	2
16	<u>01109G01</u>		Lock Nut, 5/16" - 18	2
17	<u>00643G1</u>		Flat Washer, 3/8"	2
18	<u>00559G8</u>		Flat Washer, 5/16"	2
19	<u>00438G7</u>		Hex Head Bolt, 5/16" - 18 x 7/8" Lg, Grade 5	2
20	<u>00428G8</u>		Hex Head Bolt, 3/8" - 16 x 2.75" Lg	2
21	<u>652247</u>		Cross-member Brace	1

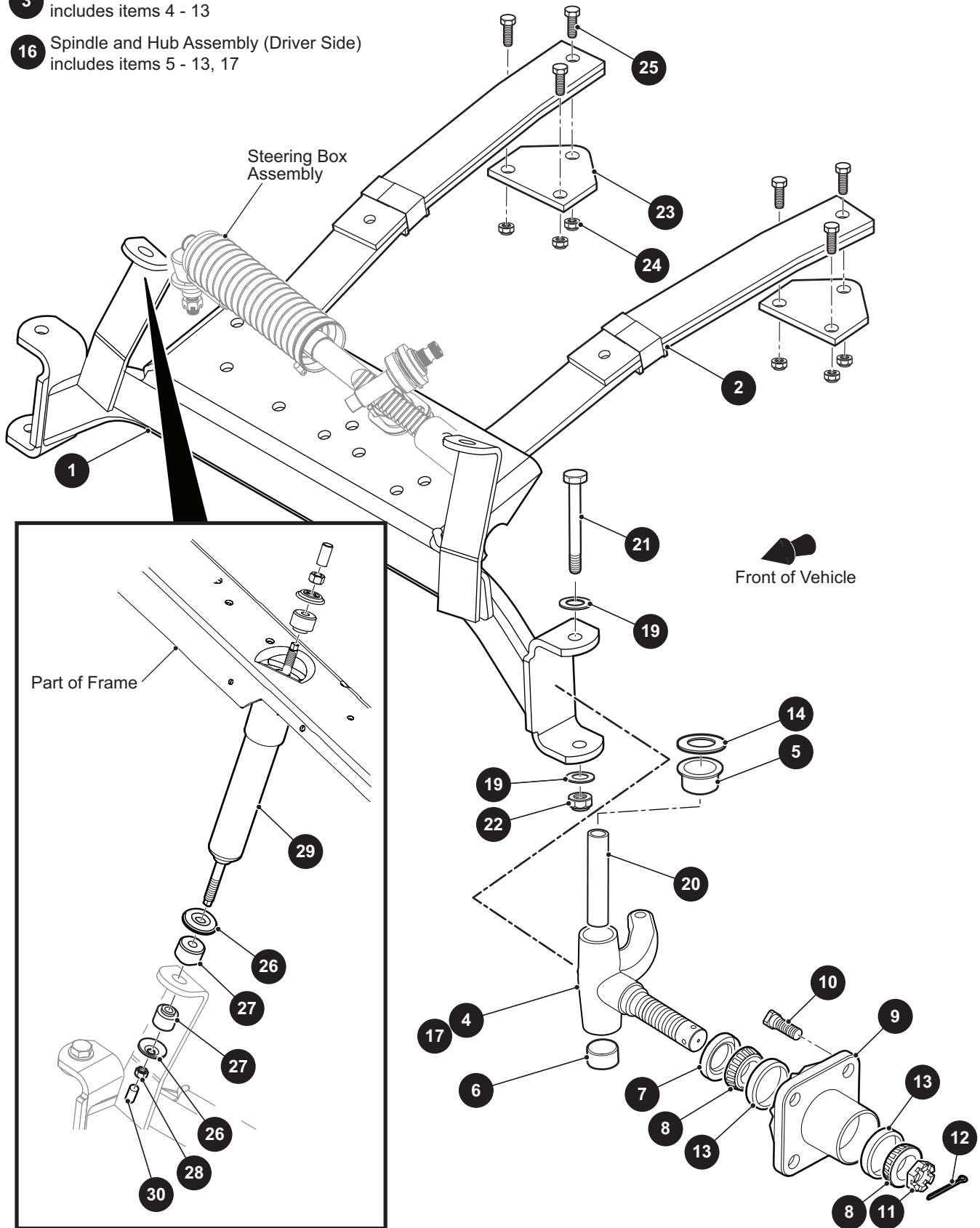
Notes:

Large grid area for notes.

FRONT SUSPENSION AND STEERING

3 Spindle and Hub Assembly, 4 Lug (Passenger Side)
includes items 4 - 13

16 Spindle and Hub Assembly (Driver Side)
includes items 5 - 13, 17



FRONT SUSPENSION AND STEERING

THE USE OF NON U.L. PARTS WILL VOID ANY U.L. LISTING.

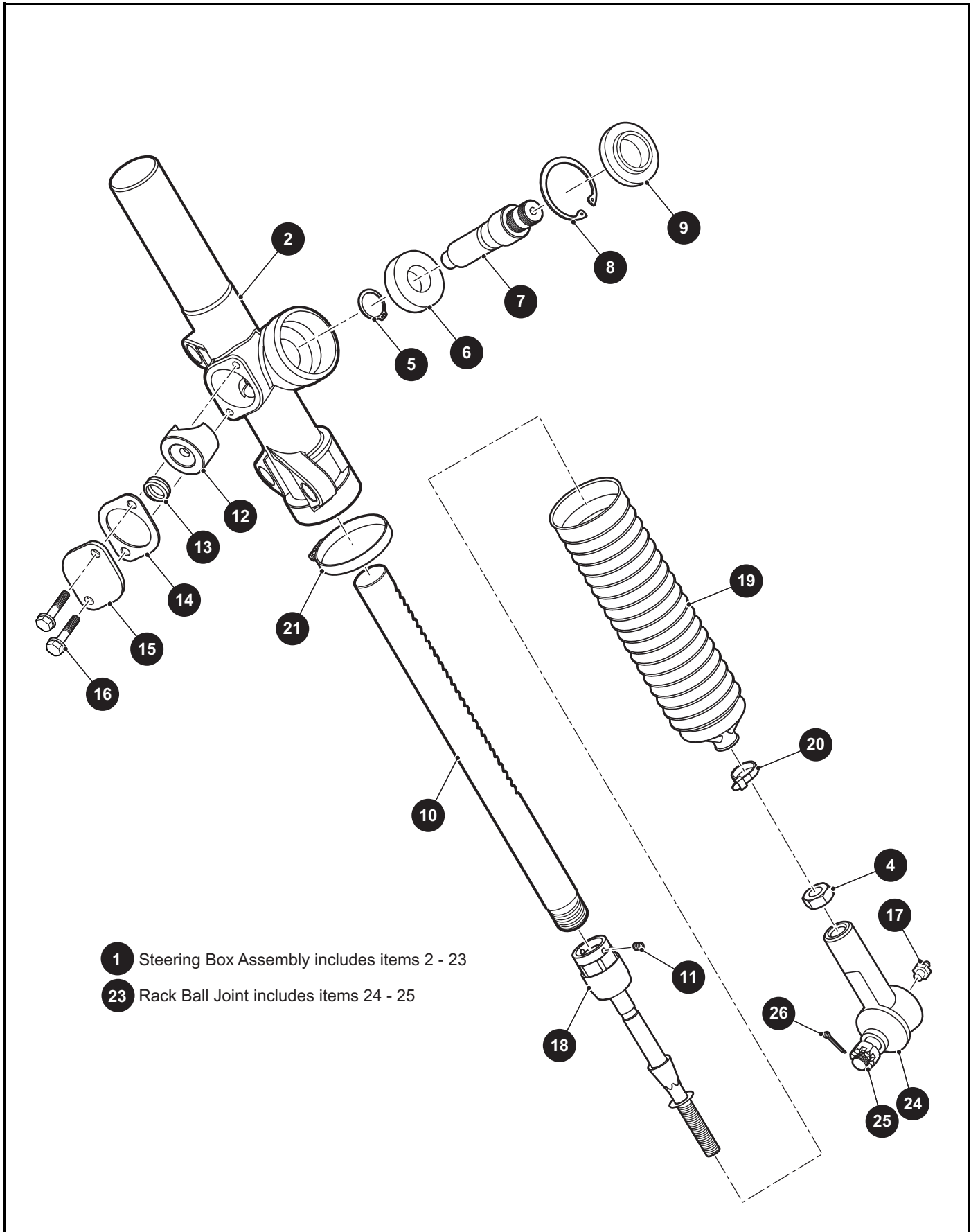
When ordering parts, please specify the model and serial number of the product.

* Indicates a component that is not available as an individual part.

*** Indicates consult Customer Service Department for additional information.

ITEM	PART NO.	1 2 3 4 5	DESCRIPTION	QTY.
1	<u>602512</u>		Front Axle	1
2	<u>70989G03</u>		Leaf Spring	2
3	<u>70673G03</u>		Spindle and Hub Assembly, 4 Lug (Passenger Side) (Includes Items 4 - 13)..	1
4	<u>70742G02</u>		Spindle Assembly	1
5	<u>632925</u>		Flanged Bushing, O.D 35MM x I.D 25MM	1
6	<u>632926</u>		Bearing, O.D 28MM	1
7	<u>25146G1</u>		Grease Seal	1
8	<u>11750G2</u>		Roller Bearing and Race Assembly	2
9	<u>70589G01</u>		Wheel Hub	1
10	<u>19862G1</u>		Wheel Hub Bolt, 1/2" - 20 x 1.218" Lg	4
11	12093G1		Slotted Nut, #1 - 14	1
12	<u>00798G8</u>		Cotter Pin, 5/32" x 1 3/4" Lg	1
13	<u>51141G1</u>		Race Bearing	2
14	<u>70754G01</u>		Thrust Washer (SS), 1.3"	1
15				
16	<u>70942G03</u>		Spindle and Hub Assembly, 4 Lug (Driver Side) (Includes Items 5 - 13, 17) ...	1
17	70940G02		Spindle Assembly	1
18				
19	<u>00560G3</u>		Flat Washer, 1/2"	2
20	<u>70745G01</u>		King Pin Tube, 4.36" Lg	1
21	<u>00407G6</u>		Hex Head Bolt, 1/2" - 13 x 6" Lg, Grade 5	1
22	<u>14390G6</u>		Lock Nut, 1/2" - 13	1
23	<u>652258</u>		Spring Plate	2
24	<u>00734G1</u>		Lock Nut, 7/16" - 14	6
25	<u>00463G11</u>		Hex Head Bolt, 7/16" - 14 x 1 1/2" Lg, Grade 5	6
26	<u>10435G1</u>		Shock Absorber Washer	4
27	<u>10194G1</u>		Rubber Shock Absorber Bushing	4
28	<u>00532G6</u>		Hex Nut, 1/4" - 20	2
29	<u>76419G01</u>		Shock Absorber	2
30	<u>10044G01</u>		Vinyl Cap	2

FRONT SUSPENSION AND STEERING



FRONT SUSPENSION AND STEERING

THE USE OF NON U.L. PARTS WILL VOID ANY U.L. LISTING.

When ordering parts, please specify the model and serial number of the product.

* Indicates a component that is not available as an individual part.

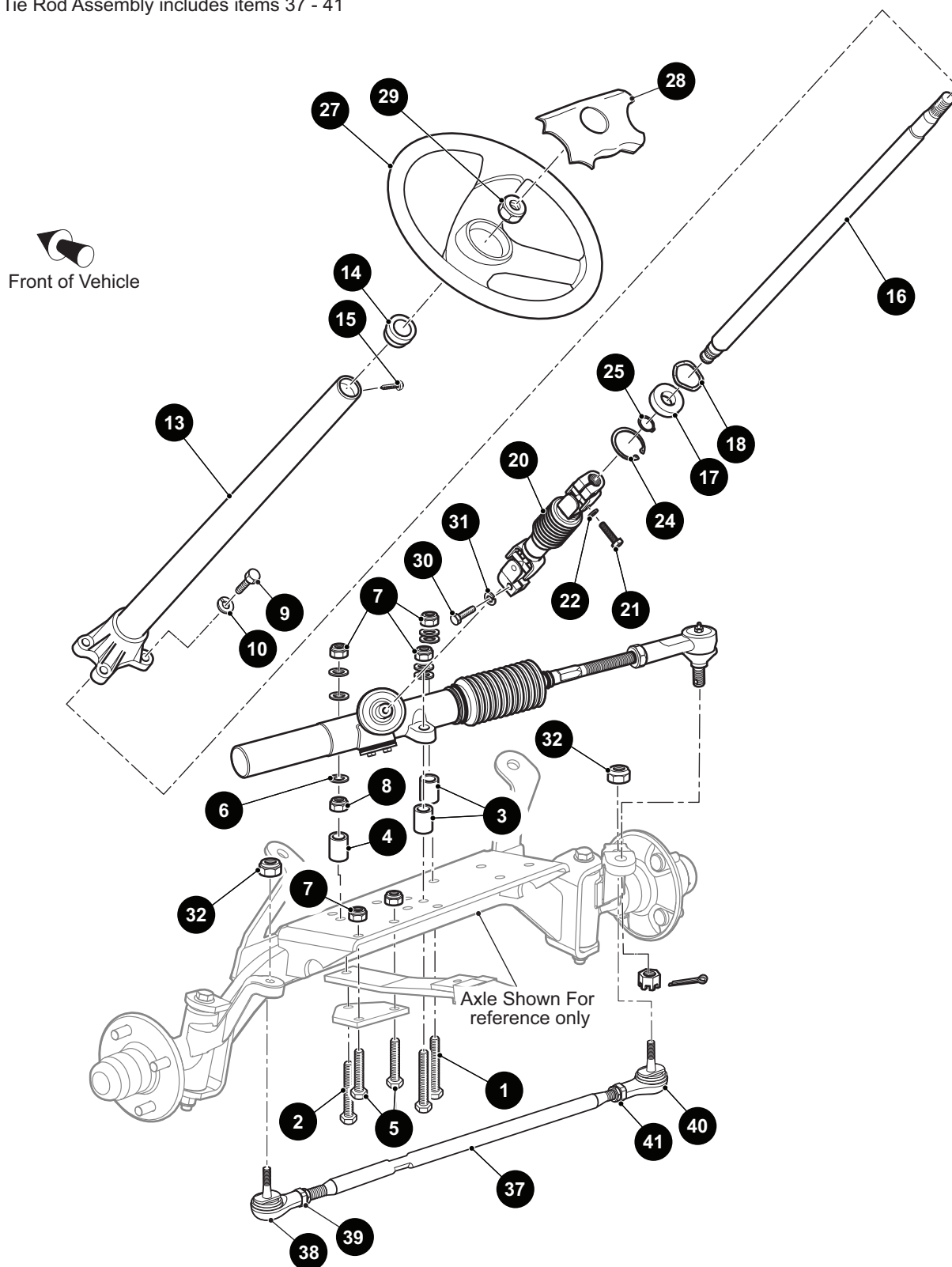
*** Indicates consult Customer Service Department for additional information.

ITEM	PART NO.	1 2 3 4 5	DESCRIPTION	QTY.
1	<u>70964G01</u>		Steering Box Assembly (Includes Items 2 - 23)	1
2	<u>70965G01</u>		Steering Rack Cover and Bearing	1
3				
4	*		Jam Nut, 1/2" - 20	1
5	<u>70750G01</u>		Retaining Ring (External)	1
6	<u>15112G1</u>		Ball Bearing, O.D 1.65" x I.D .78"	1
7	<u>70603G01</u>		Pinion	1
8	<u>70751G01</u>		Retaining Ring (Internal).....	1
9	<u>70638G01</u>		Seal (Pinion)	1
10	<u>70604G01</u>		Steering Rack	1
11	*		Set Screw, #10 - 32 x .25" Lg	1
12	<u>70590G01</u>		Rack Loader	1
13	<u>70666G01</u>		Compression Spring	1
14	<u>70645G01</u>		Gasket (Rack Loader Cover).....	1
15	<u>652259</u>		Cover (Rack Loader)	1
16	<u>71102G01</u>		Hex Washer Head Bolt, 1/4" - 20 x 11/16" Lg, Grade 5	2
17	<u>10389G3</u>		Grease Fitting (Straight)	1
18	<u>74602G01</u>		Rod End (Inner)	1
19	<u>70961G01</u>		Rack Boot	1
20	<u>12416G2</u>		Nylon Clamp, 10" Lg.....	1
21	<u>11391G8</u>		Hose Clamp, 1.81".....	1
22				
23	<u>70695G01</u>		Tie Rod End (Outer) (Includes Items 24 - 25).....	1
24	<u>50641G1</u>		Grommet	1
25	<u>50209G02</u>		Hex Slotted Nut, 7/16" - 20	1
26	<u>10387G2</u>		Cotter Pin, 3/32" x 1"	1

FRONT SUSPENSION AND STEERING

12 Steering Column Kit includes items 13 - 25

36 Tie Rod Assembly includes items 37 - 41



FRONT SUSPENSION AND STEERING

THE USE OF NON U.L. PARTS WILL VOID ANY U.L. LISTING.

When ordering parts, please specify the model and serial number of the product.

* Indicates a component that is not available as an individual part.

*** Indicates consult Customer Service Department for additional information.

ITEM	PART NO.	1 2 3 4 5	DESCRIPTION	QTY.
1	<u>00464G6</u>		Hex Head Bolt, 7/16" - 14 x 2 3/4" Lg, Grade 5	2
2	<u>01068G01</u>		Hex Head Bolt, 7/16" - 14 x 3.5" Lg, Grade 5	1
3	<u>70667G02</u>		Spacer, O.D, 1" X I.D .46" x 1.2" Lg	2
4	<u>70667G04</u>		Spacer, O.D 1" X I.D .46" x .69" Lg	1
5	<u>00463G11</u>		Hex Head Bolt, 7/16" - 14 x 1 1/2" Lg, Grade 5	2
6	<u>00560G2</u>		Flat Washer, 7/16"	7
7	<u>00734G1</u>		Lock Nut, 7/16" - 14	3
8	<u>00532G7</u>		Hex Nut, 1/4" - 20	1
9	<u>01006G01</u>		Hex Washer Head Bolt, 3/8" - 16 x 1 1/4" Lg	4
10	<u>00879G1</u>		Lock Washer, 3/8"	4
11				
12	<u>70758G05</u>		Steering Column Assembly (Includes Items 13 - 25)	1
13	<u>70610G03</u>		Steering Column	1
14	<u>28569G01</u>		Steering Column Bushing	1
15	<u>01022G01</u>		Hex Washer Head Bolt, #6 - 20 x 5/16" Lg	1
16	<u>70607G01</u>		Steering Shaft	1
17	<u>15112G1</u>		Ball Bearing, O.D 1.65" x I.D .78"	1
18	<u>70887G01</u>		Wave Washer	1
19				
20	<u>70580G01</u>		Intermediate Shaft	1
21	<u>01055G01</u>		Hex Head Bolt, M8 - 1.25 x 1.18" Lg, Grade 5	1
22	<u>00565G8</u>		Lock Washer, 5/16"	1
23				
24	<u>70751G01</u>		Retaining Ring (Internal)	1
25	<u>70888G01</u>		Retaining Ring (External)	1
26				
27	<u>602980</u>		Steering Wheel, Premium	1
28	<u>71147G01</u>		Steering Wheel Cover	1
29	<u>14390G2</u>		Lock Nut, 5/8" - 18	1
30	<u>01055G01</u>		Hex Head Bolt, M8 - 1.25 x 1.18" Lg, Grade 5	1
31	<u>00565G8</u>		Lock Washer, 5/16"	1

FRONT SUSPENSION AND STEERING

THE USE OF NON U.L. PARTS WILL VOID ANY U.L. LISTING.

When ordering parts, please specify the model and serial number of the product.

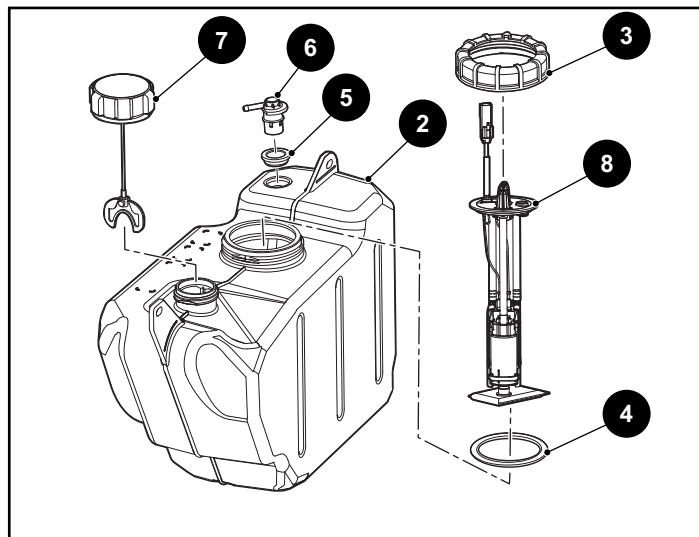
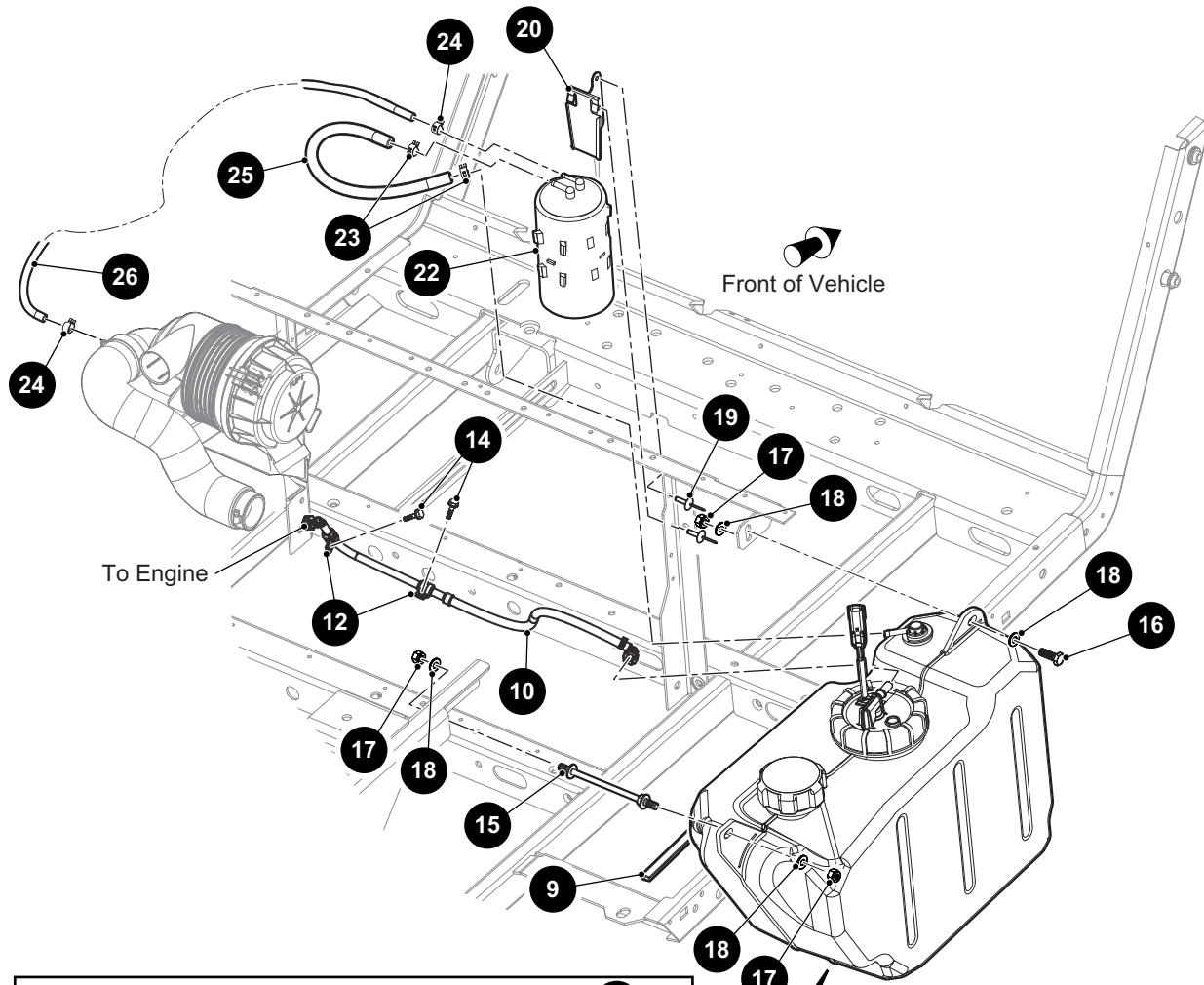
* Indicates a component that is not available as an individual part.

*** Indicates consult Customer Service Department for additional information.

ITEM	PART NO.	1 2 3 4 5	DESCRIPTION	QTY.
32	<u>00734G1</u>		Lock Nut, 7/16" - 14	2
33				
34				
35				
36	<u>74604G01</u>		Tie Rod Assembly 29.44" Lg (Includes Items 37 - 41).....	1
37	<u>74603G01</u>		Threaded Rod (27" Lg)	1
38	<u>70902G01</u>		Tie Rod End (Left Hand Threads)	1
39	<u>01069G01</u>		Jam Nut, M12 x 1.25 - 05 (Left Hand Threads).....	1
40	<u>70902G02</u>		Tie Rod End (Right Hand Threads).....	1
41	<u>01069G02</u>		Jam Nut, M12 x 1.25 - 05 (Right Hand Threads)	1

FUEL SYSTEM

- 1 Fuel Tank Assembly includes items 2 - 8
- 21 Carbon Canister Assembly includes items 22 - 26



FUEL SYSTEM

THE USE OF NON U.L. PARTS WILL VOID ANY U.L. LISTING.

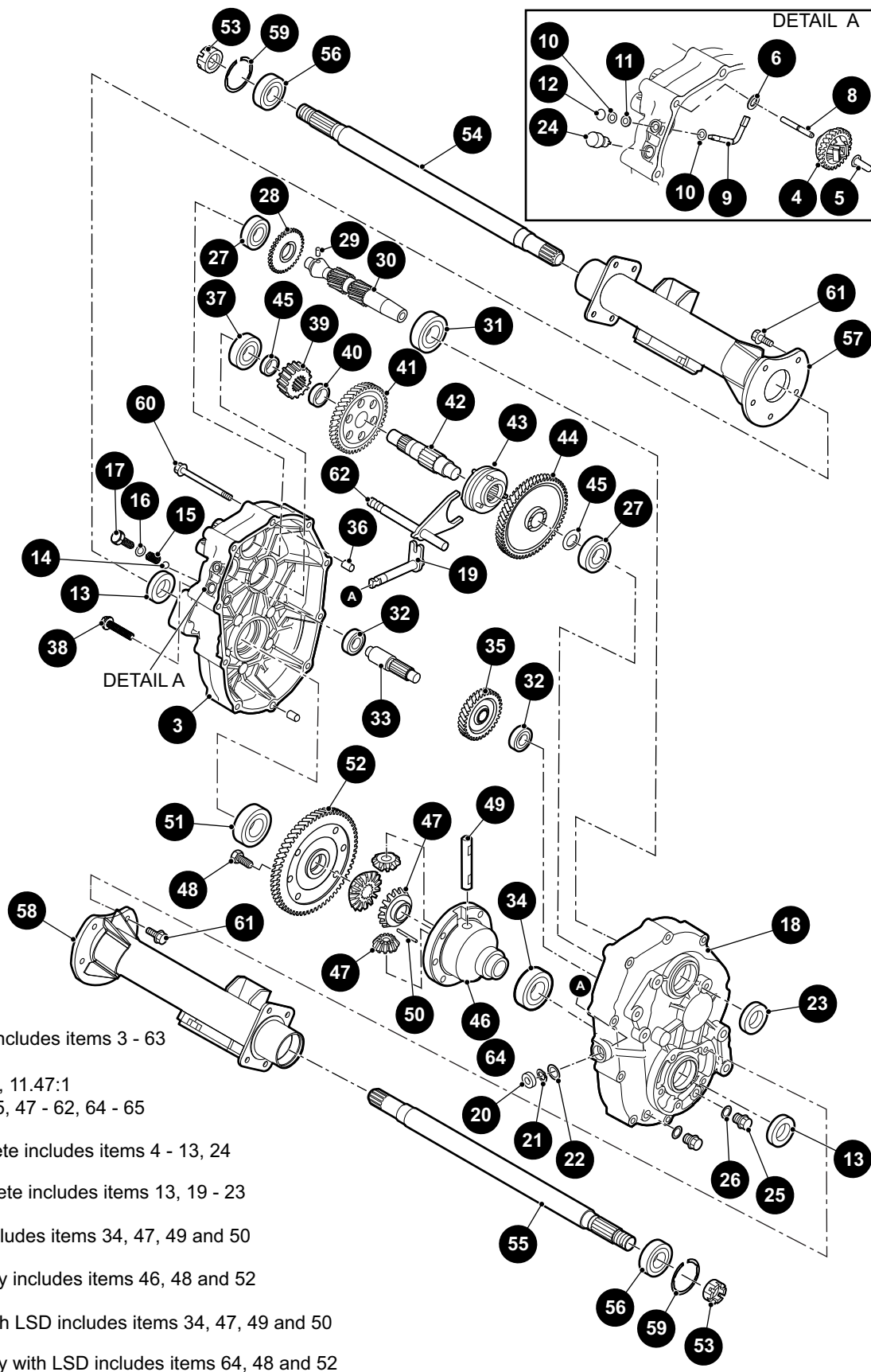
When ordering parts, please specify the model and serial number of the product.

* Indicates a component that is not available as an individual part.

*** Indicates consult Customer Service Department for additional information.

ITEM	PART NO.	1 2 3 4 5	DESCRIPTION	QTY.
1	<u>646825</u>		Fuel Tank Assembly (with Sender Unit) (Includes Items 2 - 8).....	1
2	646306		Fuel Tank	1
3	<u>646837</u>		Fuel Pump Lid	1
4	<u>646838</u>		Seal	1
5	<u>647810</u>		Grommet.....	1
6	<u>647809</u>		Rollover Valve.....	1
7	670898		Fuel Cap	1
8	<u>646353</u>		Fuel Pump with Sender Assembly	1
9	<u>32372G6</u>		Vinyl Trim, 6.25" Lg	1
10	666351		Fuel Hose Assembly	1
11				
12	664747		Tube Clamp, .5"	2
13	<u>602409</u>		Barrel Clip, M6 - 1 (Not Illustrated).....	2
14	<u>606264</u>		Flanged Hex Head Bolt, M6 - 1 x 20mm Lg, Grade 8.8	2
15	<u>70483G01</u>		Spacer, 5/16" - 18	1
16	<u>00438G8</u>		Hex Head Bolt, 5/16" - 18 x 1" Lg, Grade 5	1
17	11098G6		Lock Nut, 5/16" - 18	3
18	00559G8		Flat Washer, 5/16"	4
19	<u>14601G11</u>		Rivet (Aluminum), 3/16" x 9/16" Lg	2
20	<u>606310</u>		Carbon Canister Mounting Bracket	1
21	662807		Carbon Canister Assembly (Includes Items 22 - 26)	1
22	10006822		Carbon Canister	1
23	<u>18292G1</u>		Tube Clamp, 1/2" O.D	2
24	<u>606963</u>		Tube Clamp, 3/16" I.D	2
25	<u>27184G14</u>		Fuel System Tube, 13" Lg	1
26	<u>662608</u>		Hose, 3/16" I.D. x 37" Lg	1

REAR AXLE



- 1 Rear Axle, 11.47:1 includes items 3 - 63
- 2 Rear Axle With LSD, 11.47:1 includes items 3 - 45, 47 - 62, 64 - 65
- 3 Axle Case L Complete includes items 4 - 13, 24
- 18 Axle Case R Complete includes items 13, 19 - 23
- 46 Differential Case includes items 34, 47, 49 and 50
- 63 Differential Assembly includes items 46, 48 and 52
- 64 Differential Case with LSD includes items 34, 47, 49 and 50
- 65 Differential Assembly with LSD includes items 64, 48 and 52

THE USE OF NON U.L. PARTS WILL VOID ANY U.L. LISTING.

When ordering parts, please specify the model and serial number of the product.

* Indicates a component that is not available as an individual part.

*** Indicates consult Customer Service Department for additional information.

ITEM	PART NO.	1 2 3 4 5	DESCRIPTION	QTY.
1	<u>670468</u>		Rear Axle, 11.47:1 (Includes Items 3 - 63)	1
2	<u>670470</u>		Rear Axle with LSD, 11.47:1 (Includes Items 3 - 45, 47 - 62, 64 - 65)	1
3	<u>639859</u>		Axle Case L Complete (Includes Items 4 - 13, 24)	1
4	<u>665887</u>		Governor Gear	1
5	<u>639689</u>		Governor Sleeve	1
6	<u>607904</u>		Flat Washer	1
7				
8	<u>639698</u>		Governor Gear Shaft.....	1
9	<u>639707</u>		Governor Shaft.....	1
10	<u>639736</u>		Flat Washer, 6mm	2
11	<u>607911</u>		Oil Seal, 6 x 10 x 2.5mm	1
12	<u>607913</u>		Retaining Ring, E5	1
13	<u>639738</u>		Oil Seal, 24 x 40 x 9mm	2
14	<u>26818G01</u>		Steel Ball	1
15	<u>26819G01</u>		Spring	1
16	<u>26831G01</u>		Gasket, 10	1
17	<u>26820G01</u>		Flanged Hex Head Bolt, M10 - 1.25 x 12mm Lg	1
18	<u>639865</u>		Axle Case R Complete (Includes Items 13, 19 - 23)	1
19	<u>639746</u>		Select Shaft.....	1
20	<u>607915</u>		Oil Seal, 13 x 22 x 5mm	1
21	<u>607916</u>		Snap Ring, 13mm	1
22	<u>607917</u>		Spacer, 13 x 1mm	1
23	<u>640093</u>		Oil Seal, 28 x 47 x 9mm	1
24	<u>607919</u>		Air Breather	1
25	<u>639747</u>		Oil Drain Plug	2
26	<u>639748</u>		Gasket, 14mm	2
27	<u>26785G01</u>		Ball Bearing (6204).....	2
28	<u>665888</u>		Governor Gear,34.....	1
29	<u>607920</u>		Pin, 6 X 12L.....	1
30	<u>639750</u>		Input Shaft	1
31	<u>607922</u>		Ball Bearing (62/28).....	1

REAR AXLE

THE USE OF NON U.L. PARTS WILL VOID ANY U.L. LISTING.

When ordering parts, please specify the model and serial number of the product.

* Indicates a component that is not available as an individual part.

*** Indicates consult Customer Service Department for additional information.

ITEM	PART NO.	1	2	3	4	5	DESCRIPTION	QTY.
32	<u>639868</u>						Ball Bearing (TMB202).....	2
33	<u>639755</u>						Counter Shaft.....	1
34	<u>640744</u>						Ball Bearing (6006)	1
35	<u>639758</u>						Gear, 34	1
36	<u>639869</u>						Knock Pipe.....	2
37	<u>639760</u>						Ball Bearing (6304)	2
38	<u>639768</u>						Flanged Hex Head Bolt, M8 - 1.25 x 40mm Lg.....	1
39	<u>639769</u>						Gear, 17	1
40	<u>28689G01</u>						Collar, 24 x 7.5mm	1
41	<u>639771</u>						Gear, 52	1
42	<u>670697</u>						Center Shaft.....	1
43	<u>639774</u>						Clutch Pin.....	1
44	<u>670696</u>						Gear, 61	1
45	<u>639797</u>						Spacer, 20 x 2mm	2
46	<u>639872</u>						Differential Case (Includes Items 34, 47, 49 and 50).....	1
47	<u>639800</u>						Differential Pair Gear.....	1
48	<u>26808G01</u>						Hex Head Bolt, M10 - 1.25 x 26mm Lg	6
49	<u>28723G01</u>						Differential Shaft.....	1
50	<u>28697G01</u>						Spring Pin, 4 x 40L.....	1
51	<u>639801</u>						Ball Bearing (6007)	1
52	<u>640739</u>						Gear, 60 Complete (Includes Item 51).....	1
53	<u>607938</u>						Castle Nut, M22 - 1.5	2
54	<u>639876</u>						Axle Shaft L Complete (Includes Item 56).....	1
55	<u>639881</u>						Axle Shaft R Complete (Includes Item 56).....	1
56	<u>639836</u>						Ball Bearing (6205DD).....	2
57	<u>607939</u>						Axle Case L Complete	1
58	<u>607940</u>						Axle Case R Complete.....	1
59	<u>26814G01</u>						Snap Ring, 52mm	2
60	<u>639839</u>						Flanged Hex Head Bolt, M8 - 1.25 x 60mm Lg.....	9
61	<u>639840</u>						Flanged Hex Head Bolt, M10 - 1.25 x 25mm Lg.....	10
62	<u>639844</u>						Shift Shaft Complete	1

THE USE OF NON U.L. PARTS WILL VOID ANY U.L. LISTING.

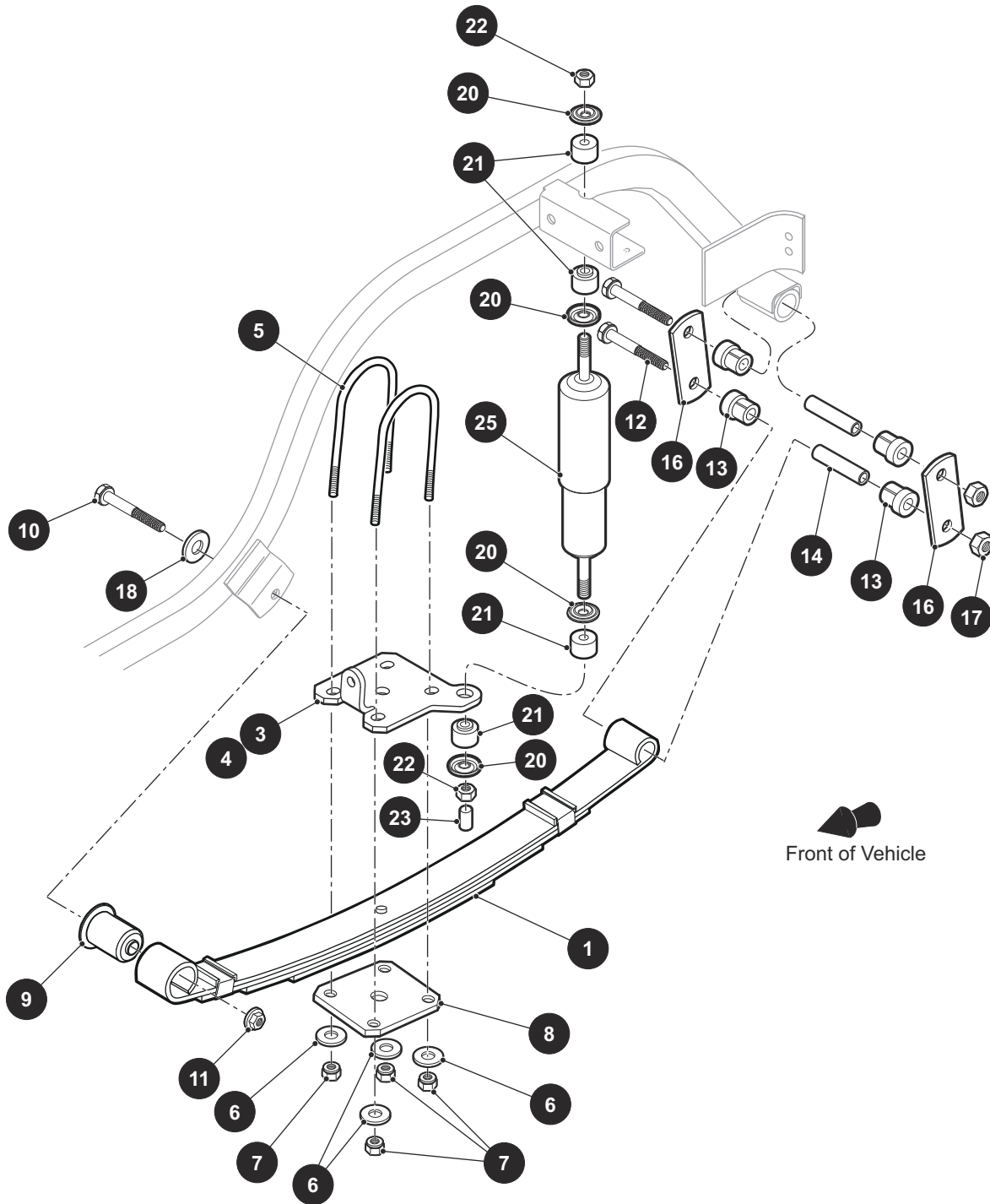
When ordering parts, please specify the model and serial number of the product.

* Indicates a component that is not available as an individual part.

*** Indicates consult Customer Service Department for additional information.

ITEM	PART NO.	1 2 3 4 5 DESCRIPTION	QTY.
63	<u>639847</u>	Differential Assembly (Includes Items 46, 48 and 52).....	1
64	640098	Differential Case with LSD (Includes Items 34, 47, 49 and 50).....	1
65	<u>639847</u>	Differential Assembly with LSD (Includes Items 64, 48 and 52)	1

REAR SUSPENSION



REAR SUSPENSION

THE USE OF NON U.L. PARTS WILL VOID ANY U.L. LISTING.

When ordering parts, please specify the model and serial number of the product.

* Indicates a component that is not available as an individual part.

*** Indicates consult Customer Service Department for additional information.

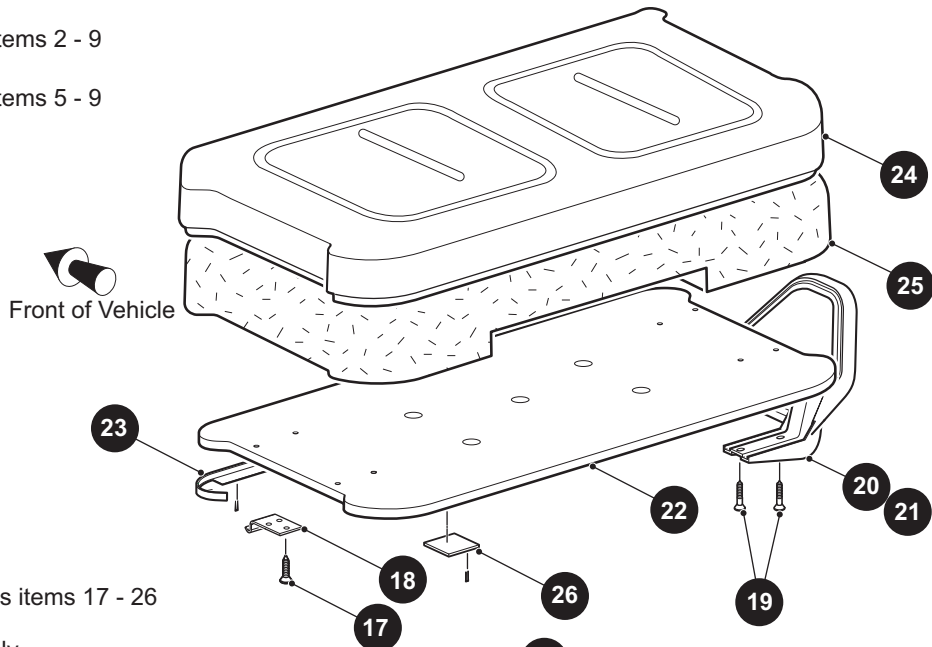
ITEM	PART NO.	1 2 3 4 5	DESCRIPTION	QTY.
1	<u>605722</u>		Leaf Spring.....	1
2				
3	<u>605938</u>		Axle Bracket (Driver Side).....	1
4	<u>605958</u>		Axle Bracket (Passenger Side).....	1
5	<u>32195G3</u>		U Bolt, 3/8" - 16 x 2" x 2 1/8" Lg.....	2
6	<u>00643G1</u>		Flat Washer, 3/8".....	4
7	<u>11098G5</u>		Lock Nut, 3/8" - 16	4
8	<u>652246</u>		Rear Suspension Plate	1
9	<u>605445</u>		Front Spring Bushing	1
10	<u>00665G9</u>		Shoulder Bolt, 3/8" - 16 x 3 1/4" Lg	1
11	<u>12262G1</u>		Flanged Lock Nut, 3/8" - 16	1
12	<u>00665G9</u>		Shoulder Bolt, 3/8" - 16 x 3 1/4" Lg	2
13	<u>624030</u>		Flanged Bushing	4
14	<u>70289G02</u>		Split Steel Spacer.....	2
15				
16	<u>604961</u>		Shackle Plate	2
17	<u>11098G5</u>		Lock Nut, 3/8" - 16	2
18	<u>00643G1</u>		Flat Washer, 3/8".....	1
19				
20	<u>10435G1</u>		Shock Absorber Washer, .406" I.D. x 1.25" O.D.	4
21	<u>10194G1</u>		Rubber Bushing	4
22	<u>00532G6</u>		Hex Nut, 3/8" - 24.....	2
23	<u>10044G01</u>		Vinyl Cap.....	1
24				
25	<u>642085</u>		Shock Absorber.....	2

SEATING

1 Seat Back Assembly includes items 2 - 9

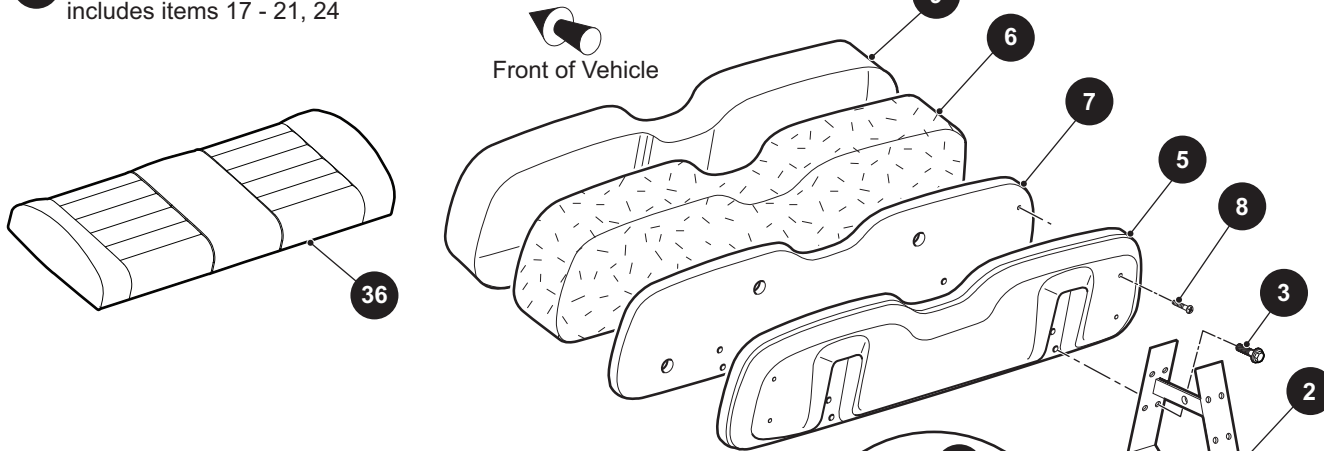
4 Seat Back Assembly includes items 5 - 9

10 Premium Seat Back Assembly includes items 2 - 3, 11

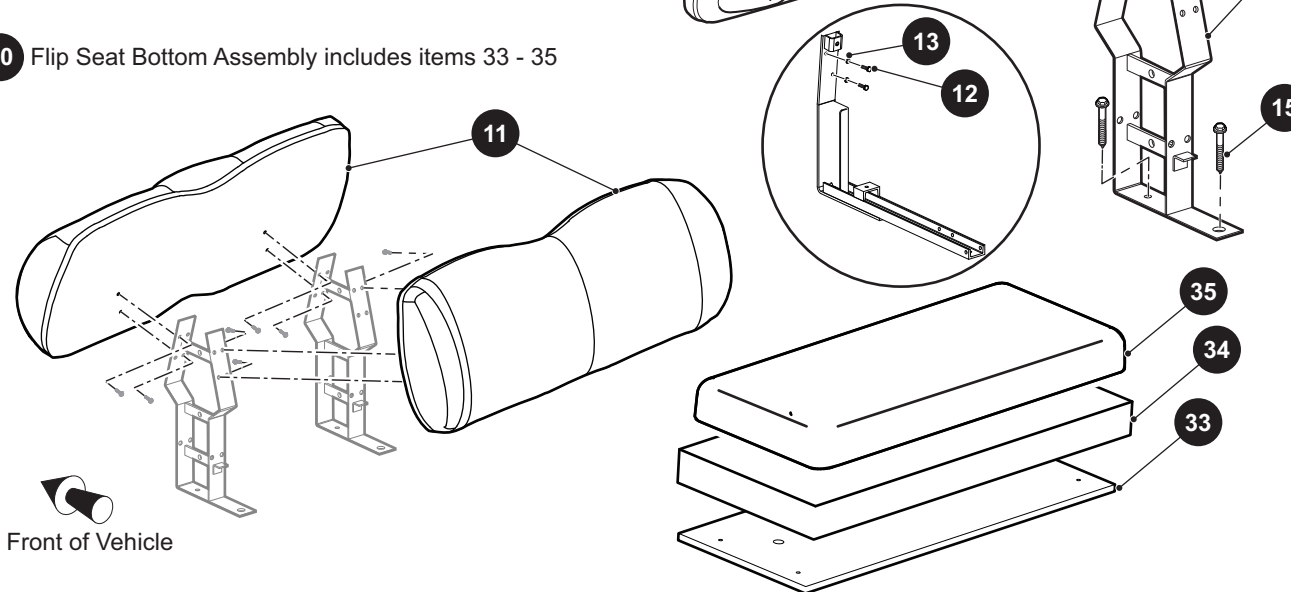


16 Seat Bottom Assembly includes items 17 - 26

27 Premium Seat Bottom Assembly includes items 17 - 21, 24



30 Flip Seat Bottom Assembly includes items 33 - 35



THE USE OF NON U.L. PARTS WILL VOID ANY U.L. LISTING.

When ordering parts, please specify the model and serial number of the product.

* Indicates a component that is not available as an individual part.

*** Indicates consult Customer Service Department for additional information.

ITEM	PART NO.	1 2 3 4 5	DESCRIPTION	QTY.
1	***		Seat Back Assembly (Includes Items 2 - 9)..... 632818G01 Oyster 632818G03 Tan 632818G04 Gray 632818G06 Black 10000522G0114 Gray/Black 10000522G0122 White/Beige	1
2	<u>634178</u>		Support Weldment.....	1
3	<u>71204G01</u>		Hex Washer Head Bolt With Patch Lock, 1/4" - 20 x .875" Lg.....	4
4	***		Seat Back Assembly (Includes Items 5 - 9) 71751G03 Oyster 71751G04 Tan 71751G02 Gray 71751G07 Black 10000520G0114 Gray/Black 10000520G0122 White/Beige	2
5	<u>71752G01</u>		Cover (Plastic).....	1
6	<u>71754G01</u>		Padding (Foam)	1
7	<u>645021</u>		Base Assembly	1
8	<u>01107G01</u>		Pan Head Torx Screw, #8 x .63" Lg.....	4
9	***		Vinyl Cover..... 71753G02 Gray 71753G03 Oyster 71753G04 Tan 71753G07 Black 10004901G14 Gray/Black 10000417G22 White/Beige	1
10	***		Premium Seat Back Assembly (Includes Items 2 - 3, 11) 692961G18 Mushroom 692961G21 Premium Black	1
11	***		Seat Back Assembly..... 654084G18 Mushroom 654084G21 Premium Black	2
12	<u>00661G8</u>		Hex Head Bolt, 1/4" - 20 x 1/2" Lg	4
13	<u>00664G7</u>		Lock Washer (SS), 0.255".....	4
14				
15	<u>01006G01</u>		Hex Washer Head Thread Forming Screw, 3/8" - 16 x 1.25" Lg.....	2
16	***		Seat Bottom Assembly (Includes Items 17 - 26) 629269G0101 Oyster 629269G0103 Tan 629269G0104 Gray	1

SEATING

THE USE OF NON U.L. PARTS WILL VOID ANY U.L. LISTING.

When ordering parts, please specify the model and serial number of the product

* Indicates a component that is not available as an individual part.

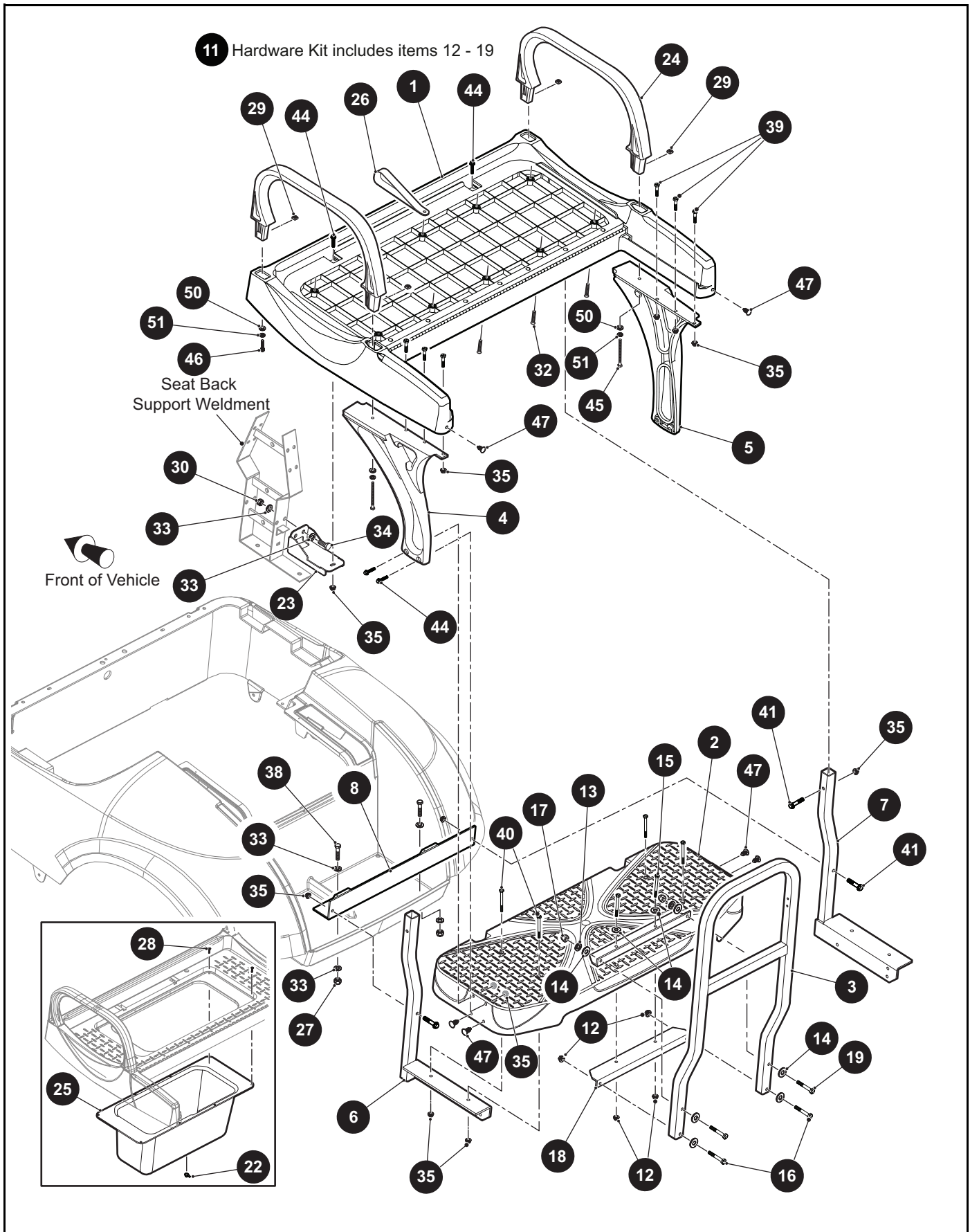
*** Indicates consult Customer Service Department for additional information.

ITEM	PART NO.	1	2	3	4	5	DESCRIPTION	QTY.
							629269G0106 Black 629269G3014 Gray/Black 629269G3022 White/Beige	
17	<u>00720G08</u>						Flat Head Phillips Tapping Screw, #12 - 14 x 1" Lg.....	6
18	<u>71610G01</u>						Seat Hinge	2
19	<u>615417</u>						Button Head Torx Bolt, M10 - 1.5 x 25mm Lg	4
20	<u>617644</u>						Hip Restraint (Passenger Side).....	1
21	<u>617645</u>						Hip Restraint (Driver Side)	1
22	<u>645492</u>						Base.....	1
23	<u>71012G01</u>						Trim (Polypropylene).....	1
24	***						Vinyl Cover..... 71602G02 Gray 71602G03 Oyster 71602G04 Tan 71602G06 Black 10004900G14 Gray/Black 10000416G22 White/Beige 654085G18 Mushroom 654085G21 Premium Black	1
25	<u>71603G02</u>						Padding (Foam)	1
26	<u>17074G1</u>						Soiling Slab	2
27	***						Premium Seat Bottom Assembly (Includes Items 17 - 21, 24)	1
							629269G2818 Mushroom 629269G2821 Black	
28								
29								
30	***						Flip Seat Bottom Assembly (Includes Item 33 - 35).....	1
							699321G01 Oyster 699321G03 Tan 699321G04 Gray 699321G06 Black 699321G14 Gray/Black 699321G22 White/Beige	
31								
32								
33	669061						Seat Bottom	1
34	699297						Seat Bottom (Foam).....	1

THE USE OF NON U.L. PARTS WILL VOID ANY U.L. LISTING.
 When ordering parts, please specify the model and serial number of the product.
 * Indicates a component that is not available as an individual part.
 *** Indicates consult Customer Service Department for additional information.

ITEM	PART NO.	1 2 3 4 5 DESCRIPTION	QTY.
35	***	Seat Bottom (Vinyl)..... 615646 Oyster 615647 Tan 617892 Gray 615648 Black 10004899G14 Gray/Black 10000413G22 White/Beige	1
36	***	Flip Seat Bottom Assembly (Premium) 600082G18 Mushroom 600082G21 Black	1

SEATING



THE USE OF NON U.L. PARTS WILL VOID ANY U.L. LISTING.

When ordering parts, please specify the model and serial number of the product.

* Indicates a component that is not available as an individual part.

*** Indicates consult Customer Service Department for additional information.

ITEM	PART NO.	1 2 3 4 5	DESCRIPTION	QTY.
1	10007752		Seat Base Assembly	1
2	10007792		Footrest	1
3	10007798		Grab Bar	1
4	10007789G01		Seat Base Support (Driver Side)	1
5	10007789G02		Seat Base Support (Passenger Side)	1
6	10007791G01		Footrest Support (Driver Side)	1
7	10007791G02		Footrest Support (Passenger Side)	1
8	10007795		Bumper Support	1
9				
10				
11	10008507		Hardware Kit (Includes Items 12 - 19)	1
12	10007945		Flanged Hex Nut, 1/4" - 20	4
13	10014523		Lock Washer, 1/4"	2
14	10014524		Flat Washer, 1/4"	8
15	10014521		Hex Head Bolt, 1/4" - 20 x 3 1/4" Lg, Grade 5	2
16	10014520		Hex Head Bolt, 1/4" - 20 x 2" Lg, Grade 5	2
17	10014522		Acorn Nut, 1/4" - 20	2
18	10014518		Grab Bar Support Clamp	2
19	10014519		Hex Head Bolt, 1/4" - 20 x 1 3/4" Lg, Grade 5	2
20				
21				
22	10001207		Rubber Pull Plug	1
23	10000073		Flip Seat Support Bracket	2
24	699419		Hip Restraint	2
25	699428		Plastic Bucket	1
26	<u>617402</u>		Seat Strap	1
27	<u>11098G5</u>		Lock Nut, 3/8" - 16	2
28	<u>71425G01</u>		Tapping Screw, #8 - 18 x 3/4" Lg	8
29	697319		Square Nut (SS), 1/4" - 20	4
30	<u>11098G5</u>		Lock Nut, 3/8" - 16	4
31				

SEATING

THE USE OF NON U.L. PARTS WILL VOID ANY U.L. LISTING.

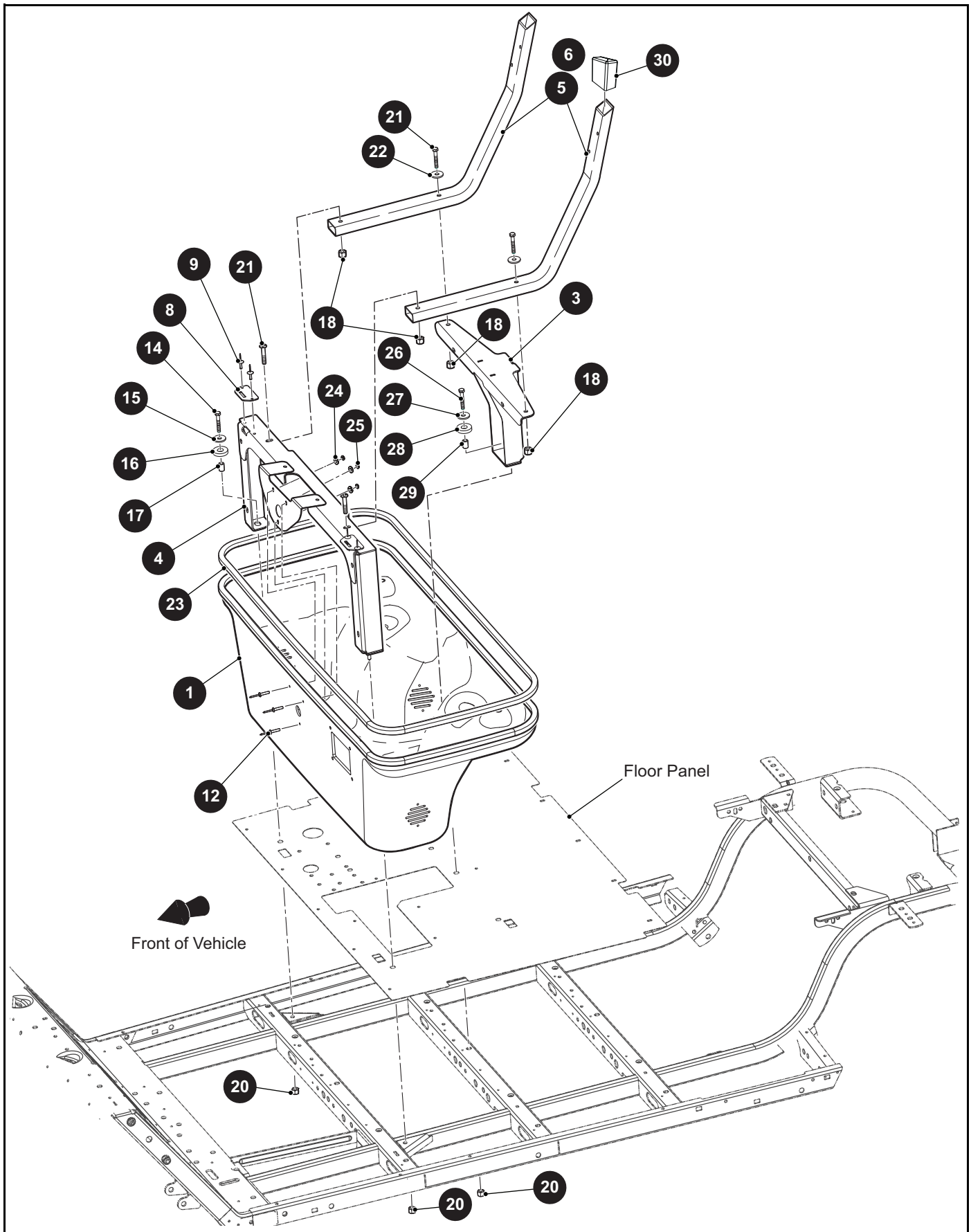
When ordering parts, please specify the model and serial number of the product

* Indicates a component that is not available as an individual part.

*** Indicates consult Customer Service Department for additional information.

ITEM	PART NO.	1	2	3	4	5	DESCRIPTION	QTY.
32	<u>00205-G4</u>						Flat Head Phillips Screw, 1/4" - 20 x 1 1/2" Lg	10
33	<u>614221</u>						Flat Washer, 3/8", Grade 8	12
34	<u>00427G2</u>						Hex Head Bolt, 3/8" - 16 x 1 1/4" Lg.....	4
35	10007945						Flanged Hex Nut, 1/4" - 20	20
36								
37								
38	<u>00427G6</u>						Hex Head Bolt, 3/8" - 16 x 1 1/4" Lg, Grade 5.....	2
39	10007944						Hex Head Bolt, 1/4" - 20 x 1 1/4" Lg.....	6
40	652326						Hex Head Bolt, 1/4" - 20 x 2 3/4" Lg, Grade 5.....	4
41	10008129						Hex Head Bolt, 1/4" - 20 x 2" Lg, Grade 5.....	4
42								
43								
44	10008132						Hex Head Bolt, 1/4" - 20 x 1 1/4" Lg, Grade 5.....	6
45	400128J						Hex Head Bolt, 1/4" - 20 x 3 1/2" Lg.....	2
46	<u>00415G2</u>						Hex Head Bolt, 1/4" - 20 x 2" Lg.....	2
47	<u>16816G1</u>						Ratchet Rivet, .25" x .680".....	6
48								
49								
50	<u>00559G7</u>						Flat Washer, 1/4"	4
51	446130						Lock Washer (Heavy), 1/4"	4

SEATING



THE USE OF NON U.L. PARTS WILL VOID ANY U.L. LISTING.

When ordering parts, please specify the model and serial number of the product.

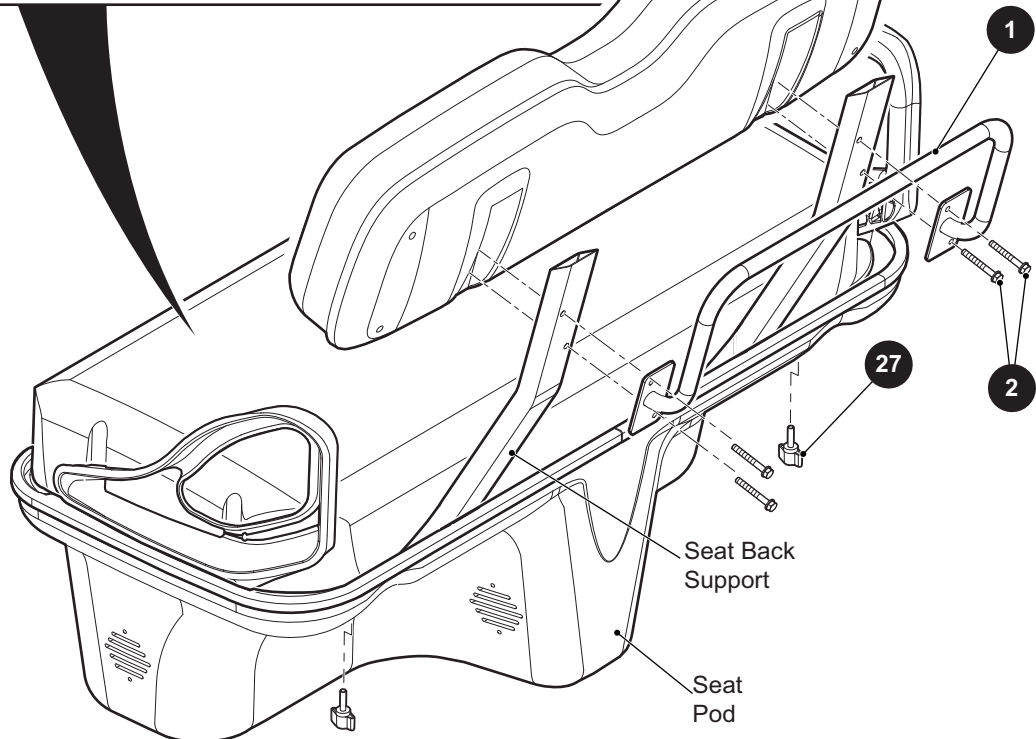
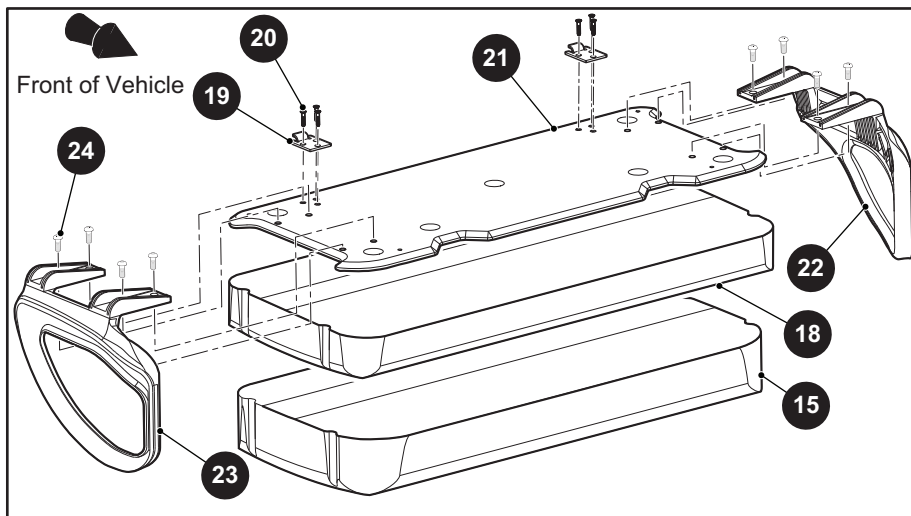
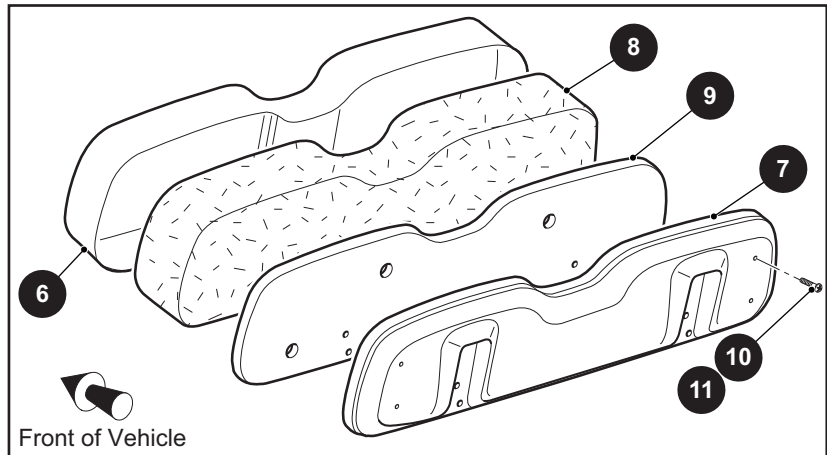
* Indicates a component that is not available as an individual part.

*** Indicates consult Customer Service Department for additional information.

ITEM	PART NO.	1 2 3 4 5	DESCRIPTION	QTY.
1	648313G**		Seat Pod (See HOW TO USE Section for COLOR CODES).....	1
2				
3	<u>657681</u>		Rear Seat Support Weldment	1
4	<u>654767</u>		Seat Support Weldment.....	1
5	<u>648523</u>		Seat Back Support Tube (For Vehicles Manufactured Before August 17, 2019)	2
6	694377		Seat Back Support Tube (For Vehicles Manufactured After August 17, 2019).....	2
7				
8	<u>71609G01</u>		Hinge Plate.....	2
9	<u>10570G11</u>		Rivet (SS), 3/16" x .70" Lg	4
10				
11				
12	<u>71055G01</u>		Rivet (Aluminum), 3/16" x 1" Lg	3
13				
14	00439G8		Hex Head Bolt (SS), 5/16" - 18 x 2" Lg, Grade 5	2
15	<u>00675G1</u>		Flat Washer (SS), .398" I.D. x 1.25" O.D. x .115" Lg	2
16	<u>71883G01</u>		Flat Washer (Rubber), .625" I.D. x 1.50" O.D. x .312" Lg	2
17	<u>23726G9</u>		Spacer, .312" I.D. x .562" O.D. x .750" Lg	2
18	11098G6		Lock Nut, 5/16" - 18	4
19				
20	11098G6		Lock Nut, 5/16" - 18	3
21	<u>00439G6</u>		Hex Head Bolt, 5/16" - 18 x 1.75" Lg, Grade 5	4
22	<u>00560G1</u>		Flat Washer, 3/8	4
23	<u>32805G6</u>		Trim, 118" Lg.....	1
24	<u>00660G5</u>		Flat Washer, #10	3
25	<u>01110G01</u>		Flat Washer, 1/4".....	3
26	00439G8		Hex Head Bolt (SS), 5/16" - 18 x 2" Lg, Grade 5	1
27	<u>00675G1</u>		Flat Washer (SS), .398" I.D. x 1.25" O.D. x .115" Lg	1
28	<u>71883G01</u>		Flat Washer (Rubber), .625" I.D. x 1.50" O.D. x .312" Lg	1
29	<u>23726G9</u>		Spacer, .312" I.D. x .562" O.D. x .750" Lg	1
30	697694		Tube Cap	2

SEATING

- 4 Seat Back Assembly includes items 6 - 9, 11
- 5 Seat Back Assembly includes items 6 - 10
- 13 Seat Bottom Assembly includes items 15 - 24



THE USE OF NON U.L. PARTS WILL VOID ANY U.L. LISTING.

When ordering parts, please specify the model and serial number of the product.

* Indicates a component that is not available as an individual part.

*** Indicates consult Customer Service Department for additional information.

ITEM	PART NO.	1 2 3 4 5	DESCRIPTION	QTY.
1	<u>71632G01</u>		Hand Grip Weldment.....	1
2	<u>71204G02</u>		Hex Washer Head Bolt with Patch Lock, 1/4" - 20 x 2" Lg.....	4
3				
4	***		Seat Back Assembly (Includes Item 6 - 9, 11)..... 71751G02 Gray 71751G03 Oyster 71751G04 Tan 71751G07 Black 71751G05 Special	2
5	***		Seat Back Assembly (Includes Item 6 - 10) 10000520G0114 Gray/Black 10000520G0122 White/Beige	2
6	***		Vinyl Seat Back Cover 71753G02 Gray 71753G03 Oyster 71753G04 Tan 71753G07 Black 71753G05 Special 10004901G14 Gray/Black 10000417G22 White/Beige	1
7	<u>71752G01</u>		Rear Seat Back Cover.....	1
8	<u>71754G01</u>		Seat Back Padding	1
9	<u>645021</u>		Seat Back Base	1
10	<u>648271</u>		Pan Head Torx Screw (SS), #8 - 15 x 1" Lg	4
11	<u>01107G01</u>		Pan Head Torx Screw (SS), #8 x .63" Lg.....	4
12				
13	***		Seat Bottom Assembly (Includes Item 15 - 24)..... 629269G1701 Oyster 629269G1703 Tan 629269G1704 Gray 629269G1706 Black 629269G1708 Custom Solid 629269G3114 Gray/Black 629269G3122 White/Beige	1
14				
15	***		Vinyl Seat Cover..... 71624G03 Oyster 71624G04 Tan 71624G02 Gray 71624G07 Black 71624G05 Custom Solid	1

SEATING

THE USE OF NON U.L. PARTS WILL VOID ANY U.L. LISTING.

When ordering parts, please specify the model and serial number of the product

* Indicates a component that is not available as an individual part.

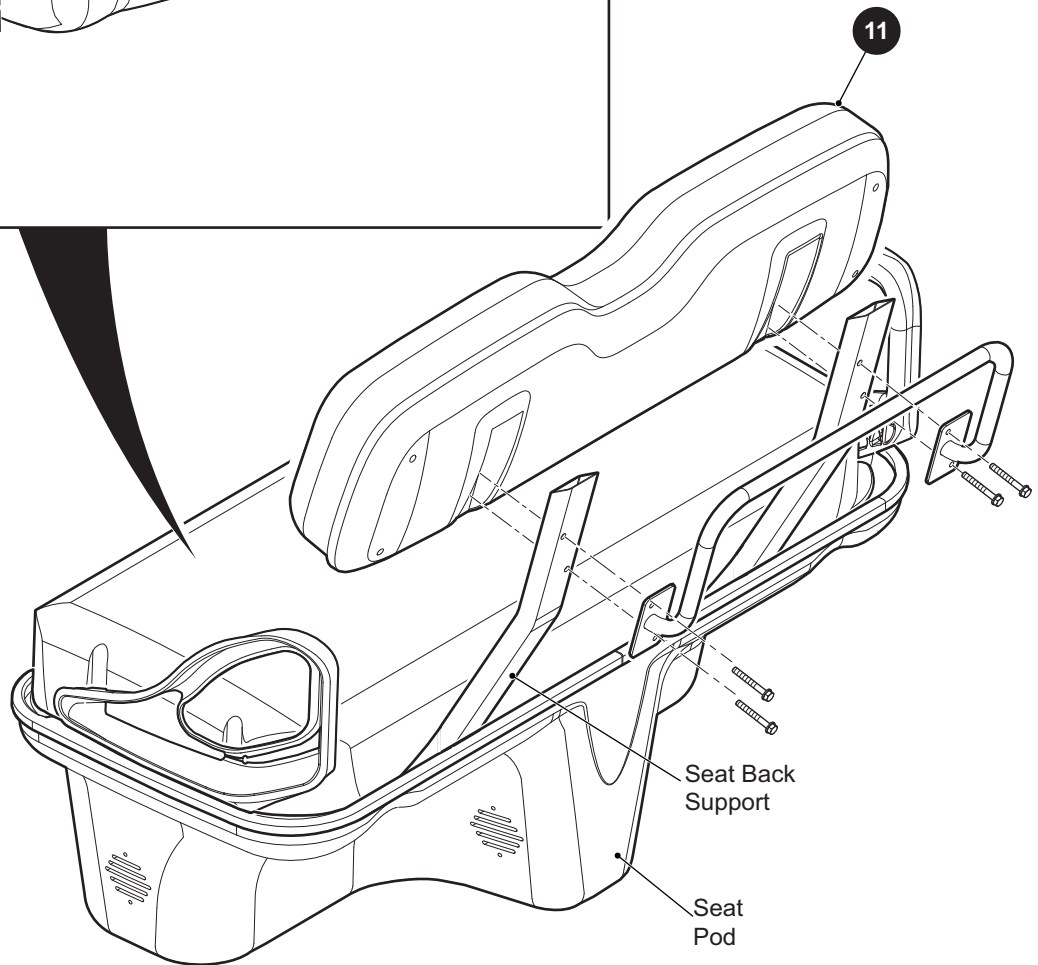
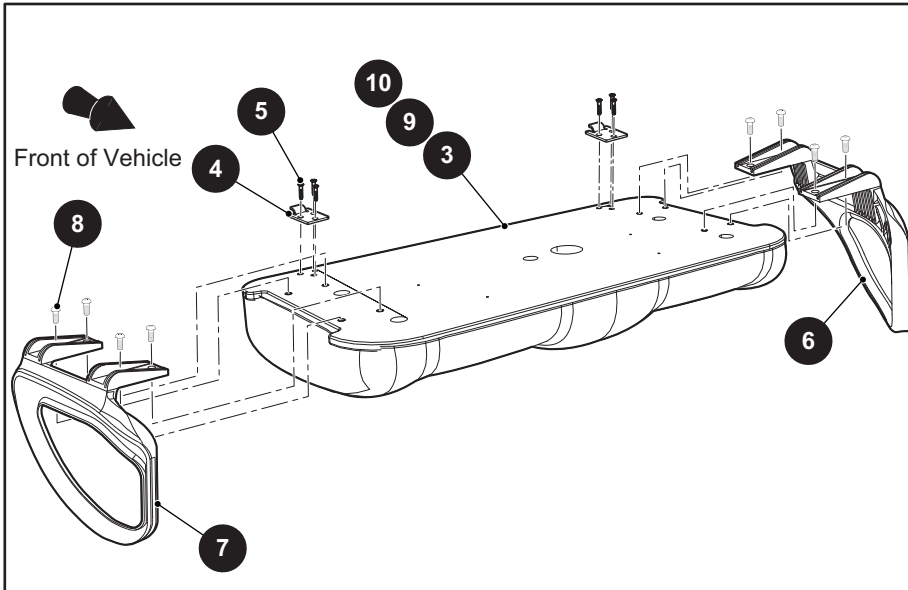
*** Indicates consult Customer Service Department for additional information.

ITEM	PART NO.	1	2	3	4	5	DESCRIPTION	QTY.
16							10000415G14 Gray/Black	
17							10004898G22 White/Beige	
18	<u>71625G01</u>						Seat Bottom Padding	1
19	<u>71610G01</u>						Seat Hinge	2
20	<u>00720G08</u>						Flat Head Phillips Screw, #12 -14 x 1" Lg	6
21	<u>649851</u>						Seat Bottom Base	1
22	<u>617645</u>						Hip Restraint (Driver Side)	1
23	<u>617644</u>						Hip Restraint (Passenger Side).....	1
24	<u>615417</u>						Button Head Torx Bolt, M10 - 1.5 x 25mm Lg	8
25								
26								
27	70864G01						T-knob Stud, 1/4" - 20 x 1" Lg.....	2

SEATING

1 Premium Seat Bottom Assembly includes items 3 - 8

2 Premium Seat Bottom Assembly includes items 4 - 9



THE USE OF NON U.L. PARTS WILL VOID ANY U.L. LISTING.

When ordering parts, please specify the model and serial number of the product.

* Indicates a component that is not available as an individual part.

*** Indicates consult Customer Service Department for additional information.

ITEM	PART NO.	1 2 3 4 5	DESCRIPTION	QTY.
1	***		Premium Seat Bottom Assembly (Includes Items 3 - 8)..... 629269G2818 Mushroom 629269G2821 Premium Black	1
2	***		Premium Seat Bottom Assembly (Includes Items 4 - 9)..... 629269G2518 Mushroom 629269G2521 Premium Black	1
3	***		Premium Seat Bottom Assembly 654085G18 Mushroom 654085G21 Premium Black	1
4	<u>71610G01</u>		Seat Hinge.....	2
5	<u>00720G08</u>		Flat Head Phillips Screw, #12 -14 x 1" Lg.....	6
6	<u>617645</u>		Hip Restraint (Driver Side).....	1
7	<u>617644</u>		Hip Restraint (Passenger Side).....	1
8	<u>615417</u>		Button Head Torx Bolt, M10 - 1.5 x 25mm Lg.....	8
9	***		Premium Seat Bottom Assembly 693086G18 Mushroom 693086G21 Premium Black	1
10	***		Premium Seat Bottom Assembly..... 600082G18 Mushroom 600082G21 Premium Black	1
11	***		Premium Seat Back Assembly 654084G18 Mushroom 654084G21 Premium Black	1

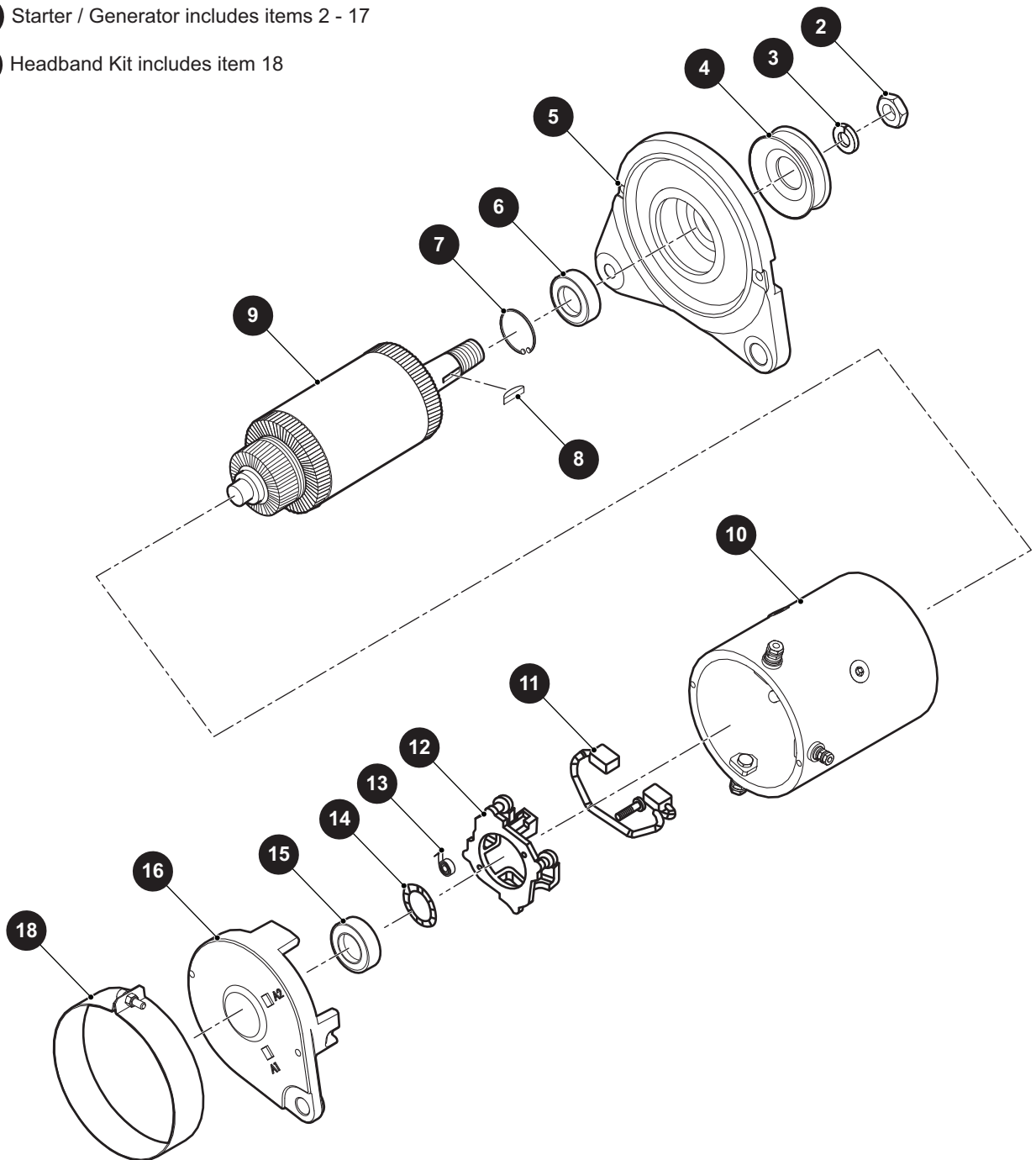
Notes:

A large grid of graph paper, consisting of approximately 30 columns and 30 rows of small squares, intended for taking notes.

STARTER GENERATOR

1 Starter / Generator includes items 2 - 17

17 Headband Kit includes item 18

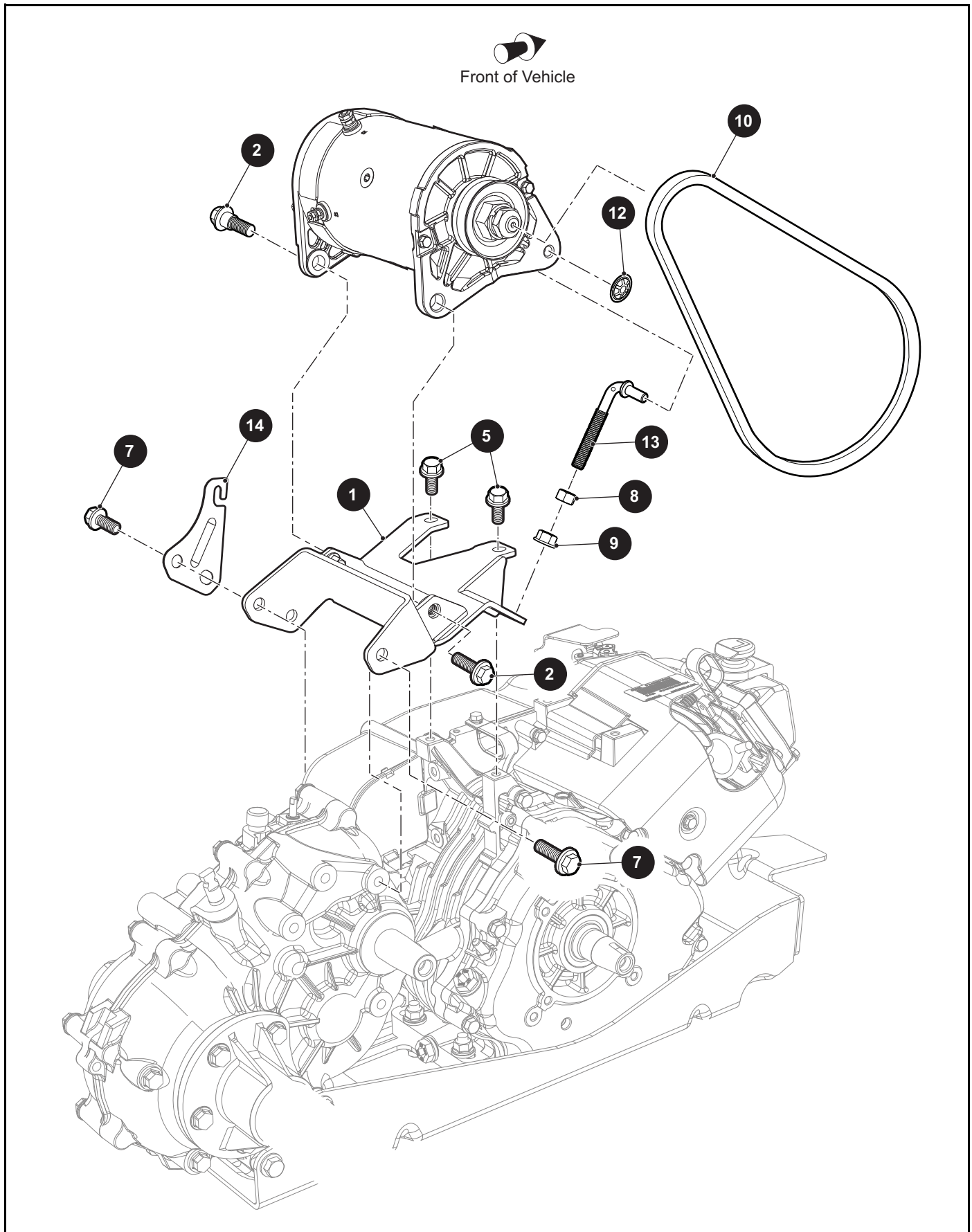


STARTER GENERATOR

THE USE OF NON U.L. PARTS WILL VOID ANY U.L. LISTING.
 When ordering parts, please specify the model and serial number of the product.
 * Indicates a component that is not available as an individual part.
 *** Indicates consult Customer Service Department for additional information.

ITEM	PART NO.	1 2 3 4 5	DESCRIPTION	QTY.
1	<u>660379</u>		Starter/Generator (Includes Items 2 - 17)	1
2	<u>612029</u>		Hex Nut.....	1
3	<u>612030</u>		Lock Washer.....	1
4	<u>625716</u>		Pulley, 2.5" O.D.	1
5	<u>654715</u>		Drive End Head	1
6	<u>612033</u>		Bearing	1
7	<u>612034</u>		Retaining Ring	1
8	<u>612035</u>		Woodruff Key	1
9	<u>612036</u>		Armature Assembly	1
10	<u>654716</u>		Frame and Field Assembly	1
11	<u>612038</u>		Brush Lead and Terminal Package.....	1
12	<u>654717</u>		Brush Box Assembly.....	1
13	<u>656659</u>		Brush Spring	4
14	<u>612043</u>		Wavy Washer	1
15	<u>612044</u>		Bearing	1
16	<u>612045</u>		Commutator End Head.....	1
17	<u>658172</u>		Headband Kit (Includes Item 18).....	1
18	<u>654718</u>		Head Band	1

STARTER GENERATOR



STARTER GENERATOR

THE USE OF NON U.L. PARTS WILL VOID ANY U.L. LISTING.

When ordering parts, please specify the model and serial number of the product.

* Indicates a component that is not available as an individual part.

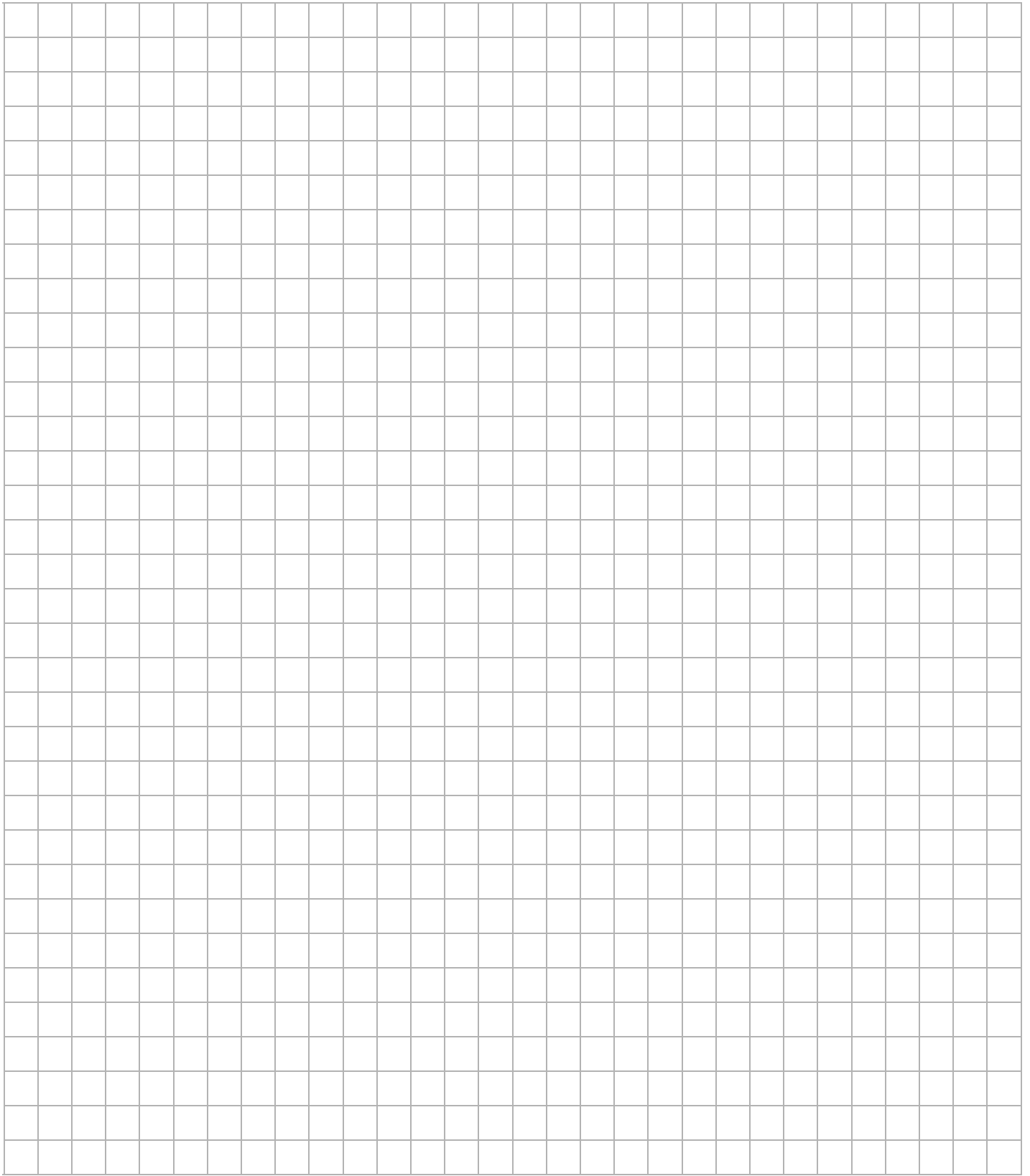
*** Indicates consult Customer Service Department for additional information.

ITEM	PART NO.	1 2 3 4 5	DESCRIPTION	QTY.
1	<u>631972</u>		Starter/Generator Support Bracket	1
2	<u>606235</u>		Flanged Hex Head Bolt, M10 - 1.25 x 20mm Lg.....	2
3				
4				
5	<u>606261</u>		Flanged Hex Head Bolt, M8 - 1.25 x 20mm Lg, Grade 8.8.....	2
6				
7	<u>606256</u>		Flanged Hex Head Bolt, M10 - 1.25 x 25mm Lg, Grade 8.8.....	3
8	<u>606255</u>		Hex Jam Nut, M10 - 1.25	1
9	<u>606274</u>		Flanged Hex Nut, M10 - 1.25	1
10	<u>630587</u>		Starter/Generator Belt	1
11				
12	<u>12064G6</u>		Push Nut, 5/16"	1
13	<u>629763</u>		Tensioner Bolt	1
14	<u>660001</u>		Accelerator Cable Guide Bracket.....	1

Notes:

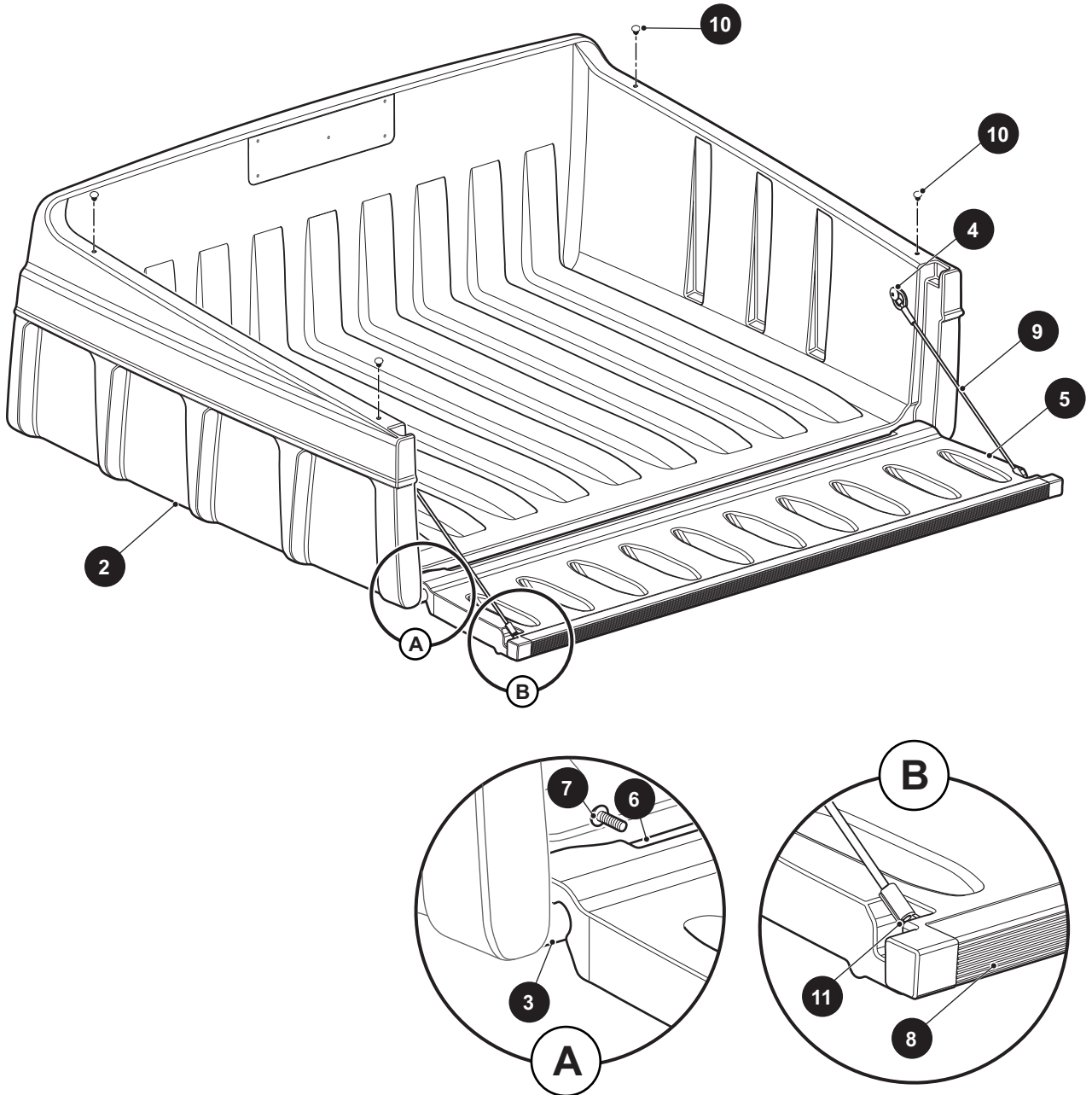
A large grid area for taking notes, consisting of 30 columns and 30 rows of empty squares. The grid is used for recording technical information or observations.

Notes:

A large grid of graph paper, approximately 28 columns wide and 35 rows high, intended for taking notes. The grid is empty.

TRUCK BED

1 Bed Assembly includes items 2 - 11



THE USE OF NON U.L. PARTS WILL VOID ANY U.L. LISTING.

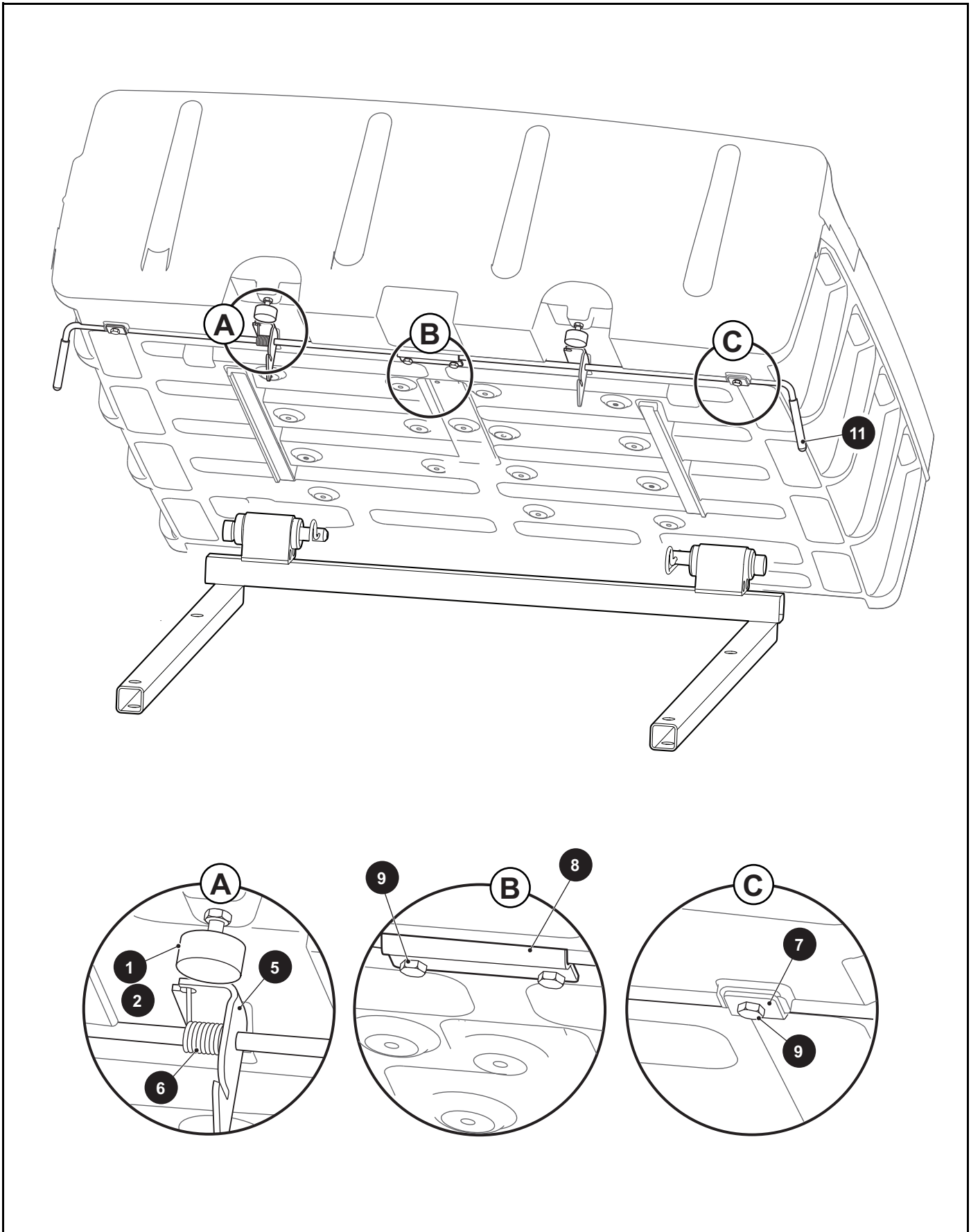
When ordering parts, please specify the model and serial number of the product.

* Indicates a component that is not available as an individual part.

*** Indicates consult Customer Service Department for additional information.

ITEM	PART NO.	1 2 3 4 5	DESCRIPTION	QTY.
1	<u>72647G01</u>		Bed Assembly (Includes Items 2 -11).....	1
2	72648G01		Plastic Bed, 36"	1
3	<u>73454G01</u>		Pivot Shaft	2
4	<u>73460G01</u>		Shoulder Bolt, .350" Dia x 1/4" - 20 x 3/4" Lg	2
5	<u>72649G01</u>		Tailgate	1
6	<u>73450G01</u>		Bowed Angle.....	1
7	<u>16705G2</u>		Pan Head Phillips Screw (SS), 1/4" - 20 x 5/8" Lg	4
8	<u>73449G01</u>		Tailgate Cap.....	1
9	73455G02		Tailgate Cable	1
10	<u>16816G5</u>		Ratchet Rivet, .187 x .550	4
11	<u>00415G2</u>		Hex Head Bolt, 1/4" - 20 x 1 1/4" Lg, Grade 5.....	2

TRUCK BED



THE USE OF NON U.L. PARTS WILL VOID ANY U.L. LISTING.

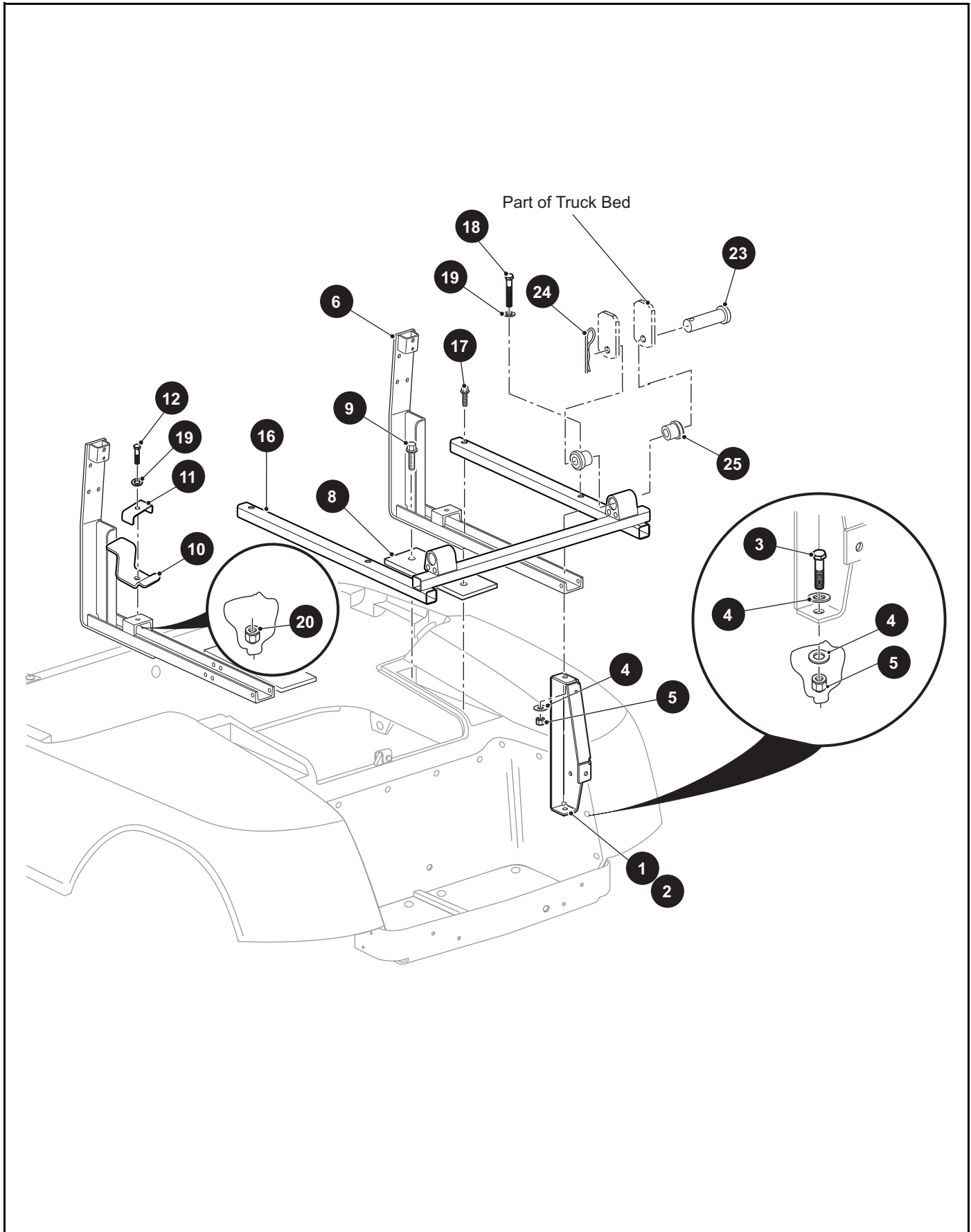
When ordering parts, please specify the model and serial number of the product.

* Indicates a component that is not available as an individual part.

*** Indicates consult Customer Service Department for additional information.

ITEM	PART NO.	1 2 3 4 5	DESCRIPTION	QTY.
1	<u>70113G01</u>		Adjustable Rubber Bumper	2
2	<u>11027G1</u>		Lock Nut, 5/16" - 18	2
3				
4				
5	<u>607072</u>		Bed Latch	1
6	<u>71538G01</u>		Latch Torsion Spring	1
7	<u>652442G03</u>		Keeper Plate	2
8	<u>652440G03</u>		Retainer Bracket	1
9	<u>01118G01</u>		Hex Head Bolt with Patch Lock, 1/4" - 20 x 5/8" Lg, Grade 5	4
10				
11	<u>71704G01</u>		Handle Grip	2

TRUCK BED



THE USE OF NON U.L. PARTS WILL VOID ANY U.L. LISTING.

When ordering parts, please specify the model and serial number of the product.

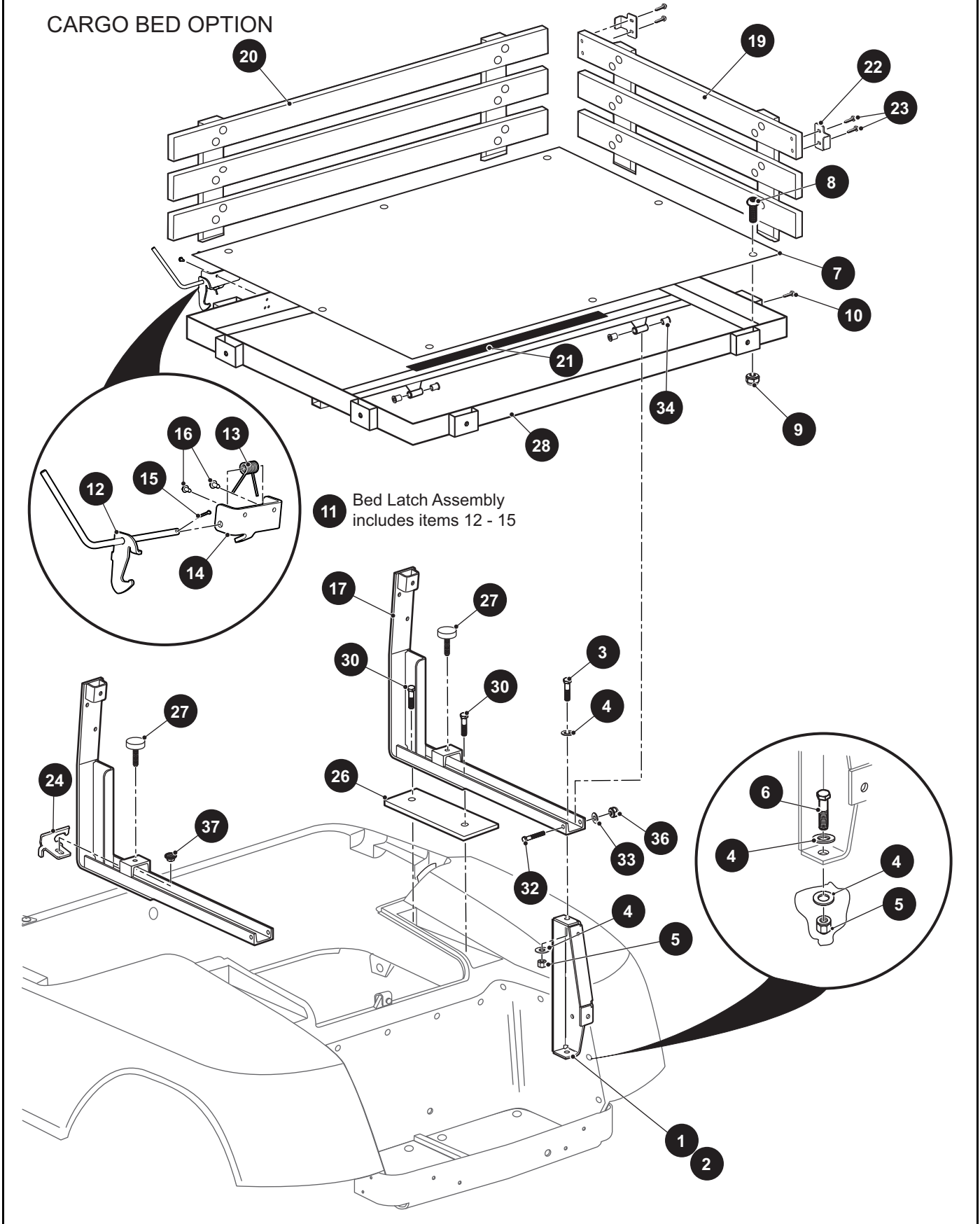
* Indicates a component that is not available as an individual part.

*** Indicates consult Customer Service Department for additional information.

ITEM	PART NO.	1 2 3 4 5	DESCRIPTION	QTY.
1	<u>74126G01</u>		Rear Support Frame (Driver Side)	1
2	<u>74126G02</u>		Rear Support Frame (Passenger Side)	1
3	<u>00427G4</u>		Hex Head Bolt, 3/8" - 16 X 1 1/2" Lg, Grade 5	2
4	<u>00560G1</u>		Flat Washer, 3/8"	6
5	<u>11098G5</u>		Lock Nut, 3/8" - 16	4
6	685520		Seat Support Weldment	2
7				
8	<u>70364G01</u>		Spacer	2
9	<u>01006G02</u>		Hex Washer Head Bolt, 3/8" - 16 X 1 1/2" Lg	2
10	<u>606167</u>		Front Bed Support	2
11	<u>607093</u>		Bed Support Bracket	2
12	<u>00439G1</u>		Hex Head Bolt, 5/16" - 18 X 1 1/8" Lg, Grade 5	2
13				
14				
15				
16	<u>635380</u>		Bed Frame	1
17	<u>01075G02</u>		Hex Washer Head Bolt, 3/8" - 16 X 2.5" Lg	2
18	<u>00665G8</u>		Hex Head Bolt (SS), 3/8" - 16 X 2" Lg	2
19	00559G8		Flat Washer, 5/16"	4
20	11098G6		Lock Nut, 3/8" - 16	2
21				
22				
23	<u>71571G01</u>		Clevis Pin	2
24	<u>21683G1</u>		Cotter Pin, 5/32" X 2 13/16"	2
25	<u>624030</u>		Flanged Bushing	4

TRUCK BED

CARGO BED OPTION



THE USE OF NON U.L. PARTS WILL VOID ANY U.L. LISTING.

When ordering parts, please specify the model and serial number of the product.

* Indicates a component that is not available as an individual part.

*** Indicates consult Customer Service Department for additional information.

ITEM	PART NO.	1 2 3 4 5	DESCRIPTION	QTY.
1	<u>74126G01</u>		Rear Support Frame (Driver Side)	1
2	<u>74126G02</u>		Rear Support Frame (Passenger Side).....	1
3	<u>00426G8</u>		Hex Head Bolt, 3/16" - 16 x 1" Lg, Grade 5	2
4	<u>00560G1</u>		Flat Washer, 3/8"	8
5	<u>11098G5</u>		Lock Nut, 3/8" - 16	4
6	<u>00427G4</u>		Hex Head Bolt, 3/8" - 16 x 1 1/2" Lg, Grade 5	2
7	<u>655936</u>		Cargo Deckboard	1
8	<u>16705G9</u>		Truss Head Phillips Screw (SS), 1/4" - 20 x 1 1/4" Lg.....	8
9	<u>14390G4</u>		Lock Nut, 1/4" - 20	8
10	00666G6		Truss Head Thread Forming Screw (SS), #10 - 12 x 3/4" Lg.....	6
11	72913G01		Bed Latch Assembly (Includes Items 12 - 15).....	1
12	<u>72912G01</u>		Bed Latch	1
13	<u>70681G01</u>		Torsion Spring.....	1
14	<u>74509G01</u>		Pivot Bracket	1
15	<u>10387G3</u>		Cotter Pin.....	1
16	<u>00100G6</u>		Hex Washer Self Tapping Screw, #10 - 16 x 3/4" Lg.....	2
17	685520		Seat Support Weldment.....	2
18				
19	<u>34280G01</u>		Cargo Rack, 30.5"	2
20	<u>34280G02</u>		Cargo Rack, 43"	2
21	23052G1		Weather Stripping	1
22	<u>74079G02</u>		Tailgate Retainer Bracket.....	4
23	00666G6		Truss Head Thread Forming Screw (SS), #10 - 12 x 3/4" Lg.....	8
24	<u>72914G01</u>		Latch Tab Bracket (Passenger Side).....	1
25				
26	<u>70364G01</u>		Spacer Plate.....	2
27	<u>70113G01</u>		Adjustable Rubber Bumper	2
28	<u>635862</u>		Cargo Deck Weldment	1
29				
30	<u>01006G01</u>		Hex Washer Head Thread Forming Screw, 3/8" - 16 x 1 1/4" Lg.....	4
31				

TRUCK BED

THE USE OF NON U.L. PARTS WILL VOID ANY U.L. LISTING.

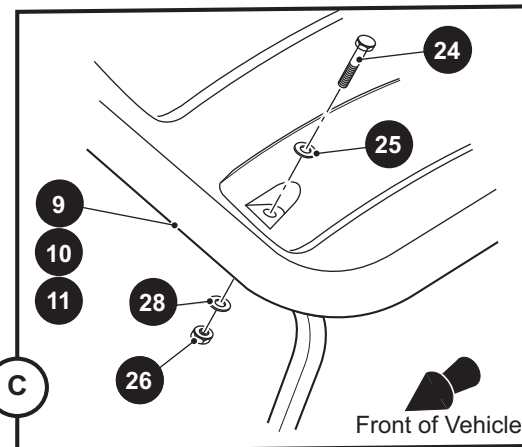
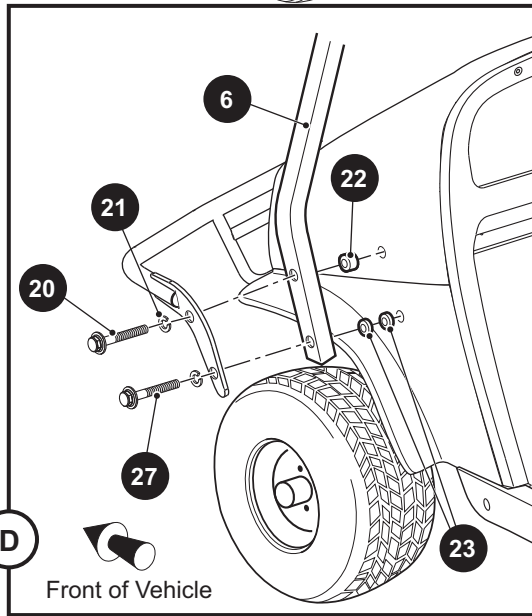
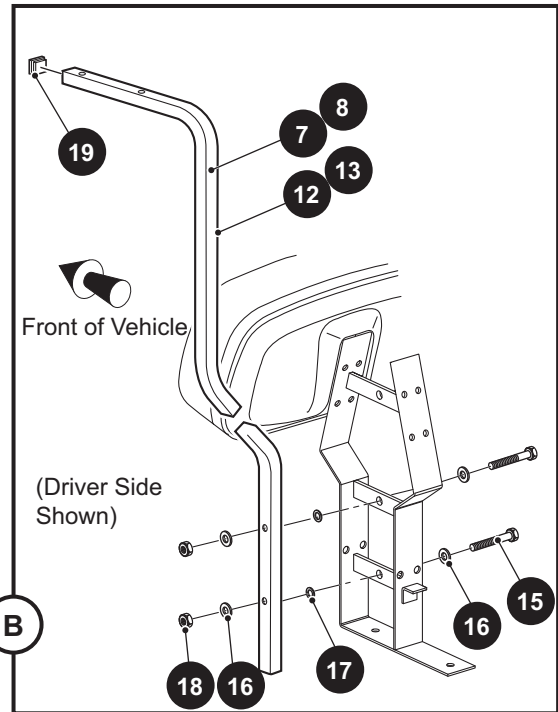
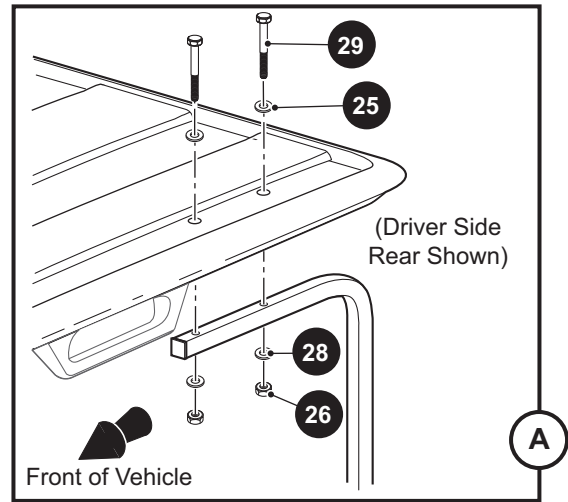
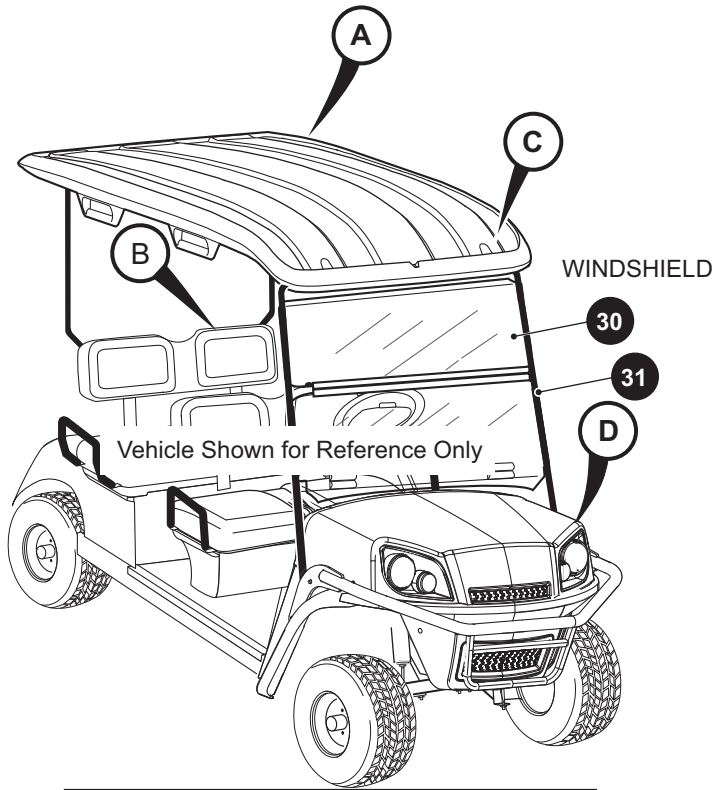
When ordering parts, please specify the model and serial number of the product.

* Indicates a component that is not available as an individual part.

*** Indicates consult Customer Service Department for additional information.

ITEM	PART NO.	1 2 3 4 5	DESCRIPTION	QTY.
32	<u>00440G4</u>		Hex Head Bolt, 5/16" 18 x 1 1/4" Lg	2
33	00559G8		Flat Washer, 5/16"	2
34	<u>17838G1</u>		Nyliner Bushing	4
35				
36	11098G6		Lock Nut, 5/16" - 18	2
37	<u>11027G1</u>		Flanged Lock Nut, 5/16" - 18	4

WEATHER PROTECTION



- 1 Sun Top Kit, Black includes items 6 - 9, 14
- 2 Sun Top Kit, White includes items 6 - 8, 10, 14
- 3 Sun Top Kit, White includes items 6, 10, 12 - 14
- 4 Sun Top Kit, Black includes items 6, 9, 12 - 14
- 5 Sun Top Kit, Tan includes items 6, 11 - 14
- 14 Sun Top Hardware Kit includes items 15 - 29

WEATHER PROTECTION

THE USE OF NON U.L. PARTS WILL VOID ANY U.L. LISTING.

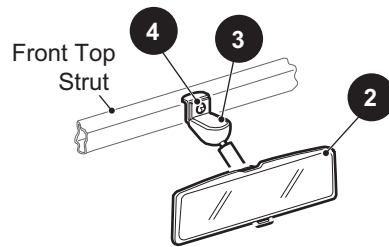
When ordering parts, please specify the model and serial number of the product.

* Indicates a component that is not available as an individual part.

*** Indicates consult Customer Service Department for additional information.

ITEM	PART NO.	1 2 3 4 5	DESCRIPTION	QTY.
1	<u>607305</u>		Sun Top Kit, Black (Includes Items 6 - 9, 14)	1
2	<u>607581</u>		Sun Top Kit, White (Includes Items 6 - 8, 10, 14).....	1
3	<u>617947</u>		Sun Top Kit, White (Includes Items 6, 10, 12 - 14).....	1
4	<u>617950</u>		Sun Top Kit, Black (Includes Items 6, 9, 12 - 14)	1
5	<u>643404</u>		Sun Top Kit, Tan (Includes Items 6, 11 - 14).....	1
6	<u>75488G01</u>		Front Support.....	1
7	<u>75487G02</u>		Rear Support (Driver Side).....	1
8	<u>75487G01</u>		Rear Support (Passenger Side)	1
9	<u>607258</u>		Sun Top, Black.....	1
10	<u>607580</u>		Sun Top, White	1
11	<u>643212</u>		Sun Top, Tan.....	1
12	<u>617943</u>		Rear Support (Driver Side).....	1
13	<u>617942</u>		Rear Support (Passenger Side)	1
14	<u>608138</u>		Sun Top Hardware Kit (Includes Items 15 - 29).....	1
15	<u>00665G5</u>		Hex Head Bolt (SS), 3/8" - 16 x 1" Lg	4
16	<u>00679G1</u>		Flat Washer (SS), 3/8"	8
17	<u>00771G5</u>		Nylon Washer, 3/8".....	4
18	<u>00891G5</u>		Lock Nut, 3/8" - 16	4
19	<u>19853G1</u>		End Cap, 1" Sq	2
20	<u>01035G02</u>		Hex Washer Head Bolt, 5/16" - 18 x 2 1/2" Lg, Grade 5	2
21	<u>00565G8</u>		Lock Washer, 5/16"	4
22	<u>75048G01</u>		Spacer, 1/2".....	2
23	<u>00879G1</u>		Flat Washer, 3/8"	4
24	<u>00685G10</u>		Hex Head Bolt, 5/16" - 18 x 2.75" Lg	2
25	<u>00907G2</u>		Flat Washer (SS), 5/16"	6
26	11098G6		Lock Nut, 5/16" - 18	6
27	<u>00440G2</u>		Hex Head Bolt, 5/16" - 18 x 2 1/4" Lg, Grade 5	2
28	<u>00660G8</u>		Flat Washer (SS), 5/16"	6
29	<u>00685G11</u>		Hex Head Bolt (SS), 5/16" - 18 x 3 1/4" Lg	4
30	<u>607255</u>		Windshield Kit (Includes Item 31).....	1
31	<u>615661</u>		Sash, 12"	2

1 Rear View Mirror Kit includes items 2 - 4



REAR VIEW MIRROR

WEATHER PROTECTION

THE USE OF NON U.L. PARTS WILL VOID ANY U.L. LISTING.

When ordering parts, please specify the model and serial number of the product.

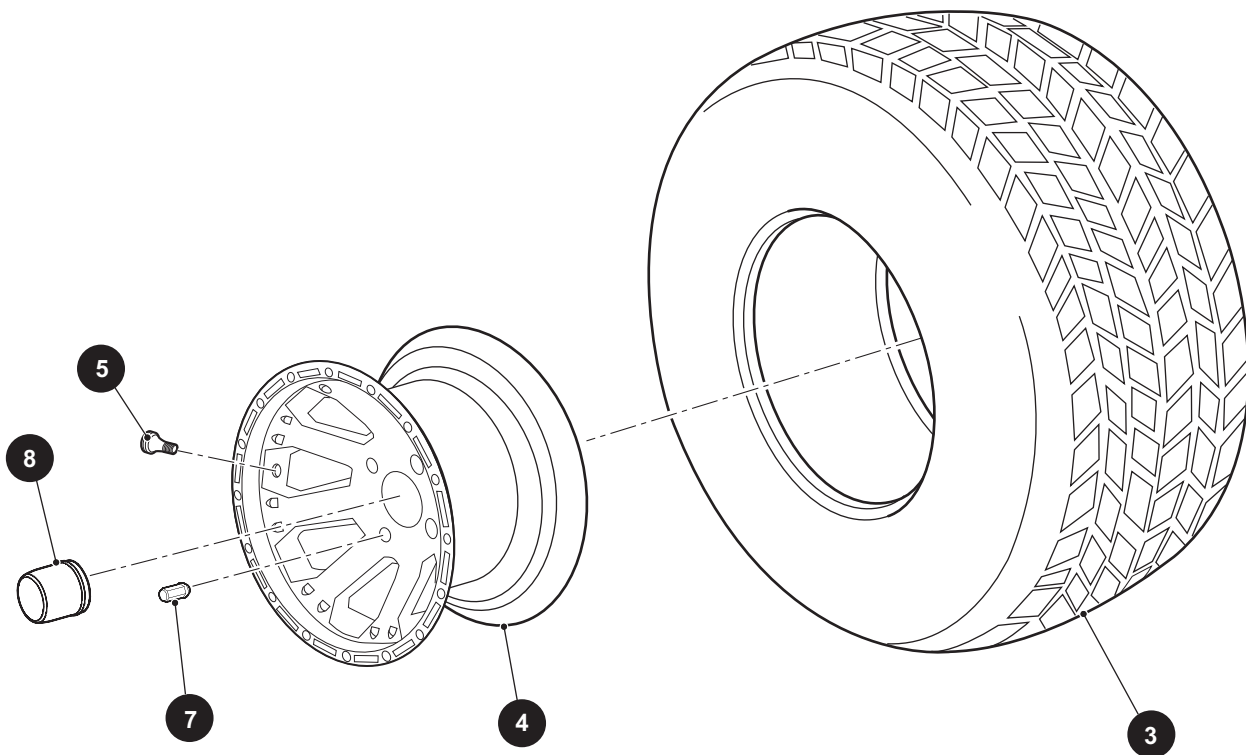
* Indicates a component that is not available as an individual part.

*** Indicates consult Customer Service Department for additional information.

ITEM	PART NO.	1 2 3 4 5	DESCRIPTION	QTY.
1	<u>19528G2</u>		Rear View Mirror Kit (Includes Items 2 - 4)	1
2	<u>19496G1</u>		Rear View Mirror.....	1
3	19502G2		Support Bracket.....	1
4	<u>19527G1</u>		Pan Head Screw, # 8 - 32 x 5/8" LG.....	1
5				
6	<u>601379</u>		Rear View Mirror (Five Panel Kit) (Not Illustrated)	1

WHEELS AND TIRES

- 1 Wheel and Tire Assembly, Speedracer, Driver Side includes items 3 - 5
- 2 Wheel and Tire Assembly, Speedracer, Passenger Side includes items 3 - 5



(Style of tire may differ from tire shown)

WHEELS AND TIRES

THE USE OF NON U.L. PARTS WILL VOID ANY U.L. LISTING.

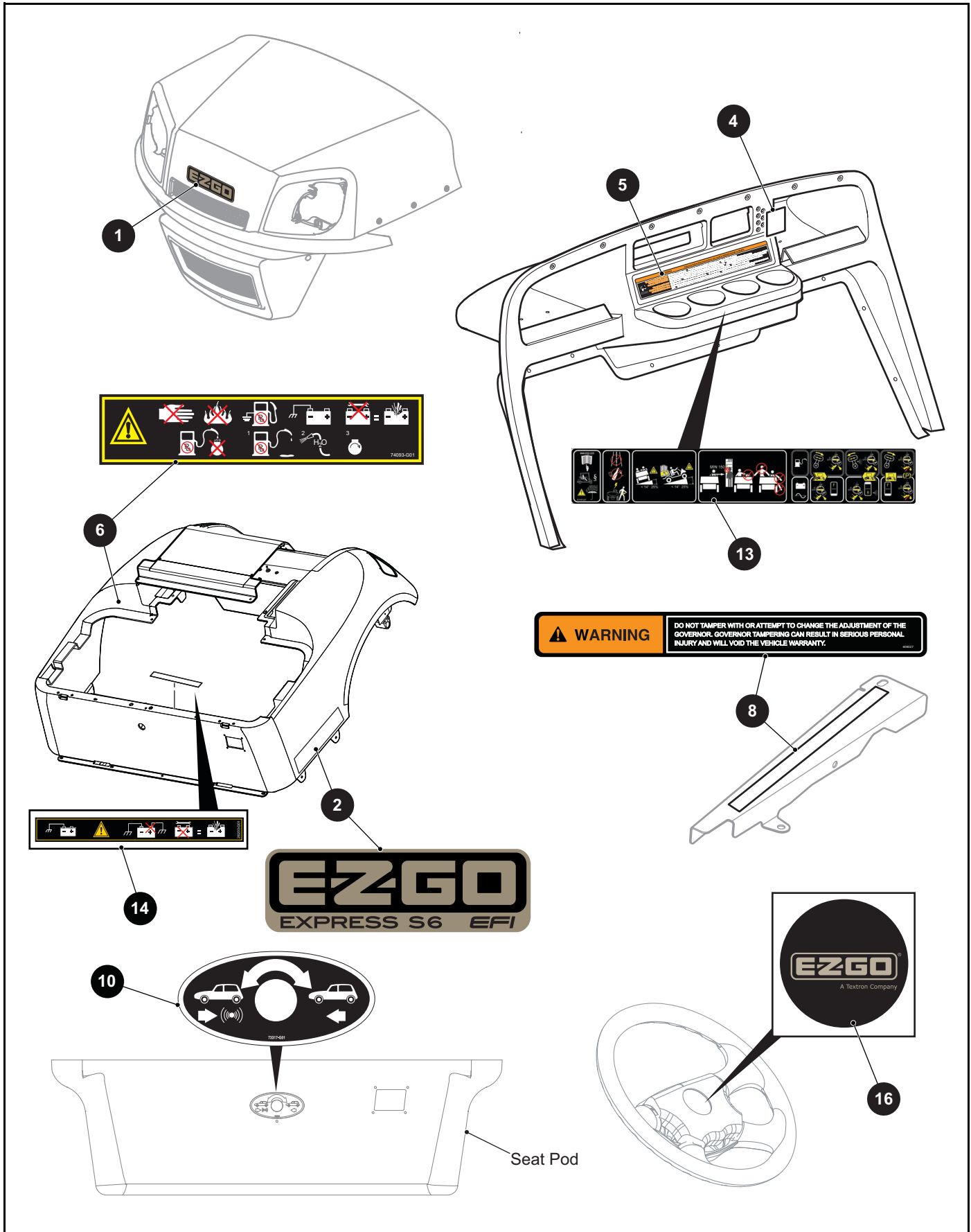
When ordering parts, please specify the model and serial number of the product.

* Indicates a component that is not available as an individual part.

*** Indicates consult Customer Service Department for additional information.

ITEM	PART NO.	1 2 3 4 5	DESCRIPTION	QTY.
1	<u>606240</u>		Wheel and Tire Assembly, Speedracer, Driver Side (Includes Items 3 - 5).....	1
2	<u>606179</u>		Wheel and Tire Assembly, Speedracer, Passenger Side (Includes Items 3 - 5)	1
3	<u>606139</u>		Tire, 10 x 7	1
4	<u>606152</u>		Rim	1
5	<u>604915</u>		Valve Stem	1
6				
7	<u>605310</u>		Lug Nut, 1/2" - 20	4
8	<u>608910</u>		Diamond Wheel Cap	1

DECALS AND LABELS



DECALS AND LABELS

THE USE OF NON U.L. PARTS WILL VOID ANY U.L. LISTING.

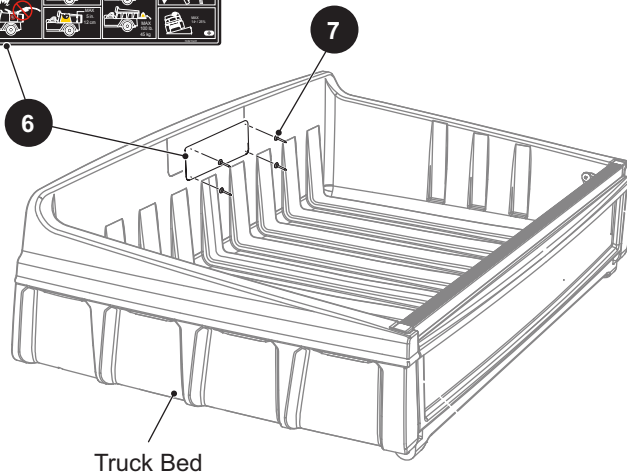
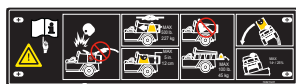
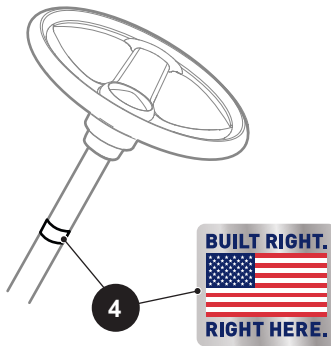
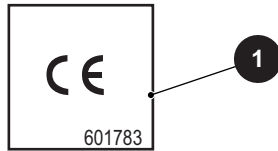
When ordering parts, please specify the model and serial number of the product.

* Indicates a component that is not available as an individual part.

*** Indicates consult Customer Service Department for additional information.

ITEM	PART NO.	1 2 3 4 5	DESCRIPTION	QTY.
1	<u>619206</u>		E-Z-GO Cowl Decal	1
2	<u>690348</u>		Express S6 Side Decal	1
3				
4	<u>35968G01</u>		T-Holder Cover Decal.....	1
5	<u>608465</u>		Safety Label	1
6	<u>74093G01</u>		Engine Warning Label.....	1
7				
8	<u>608527</u>		Governor Warning Label.....	1
9				
10	<u>73317G01</u>		FNR Decal (European).....	1
11				
12				
13	<u>614121</u>		Safety and Operation Label (For CE Vehicles)	1
14	<u>28203G01</u>		Battery Warning Decal (For CE Vehicles)	1
15				
16	<u>605435</u>		Steering Wheel Decal	1

DECALS AND LABELS



DECALS AND LABELS

THE USE OF NON U.L. PARTS WILL VOID ANY U.L. LISTING.

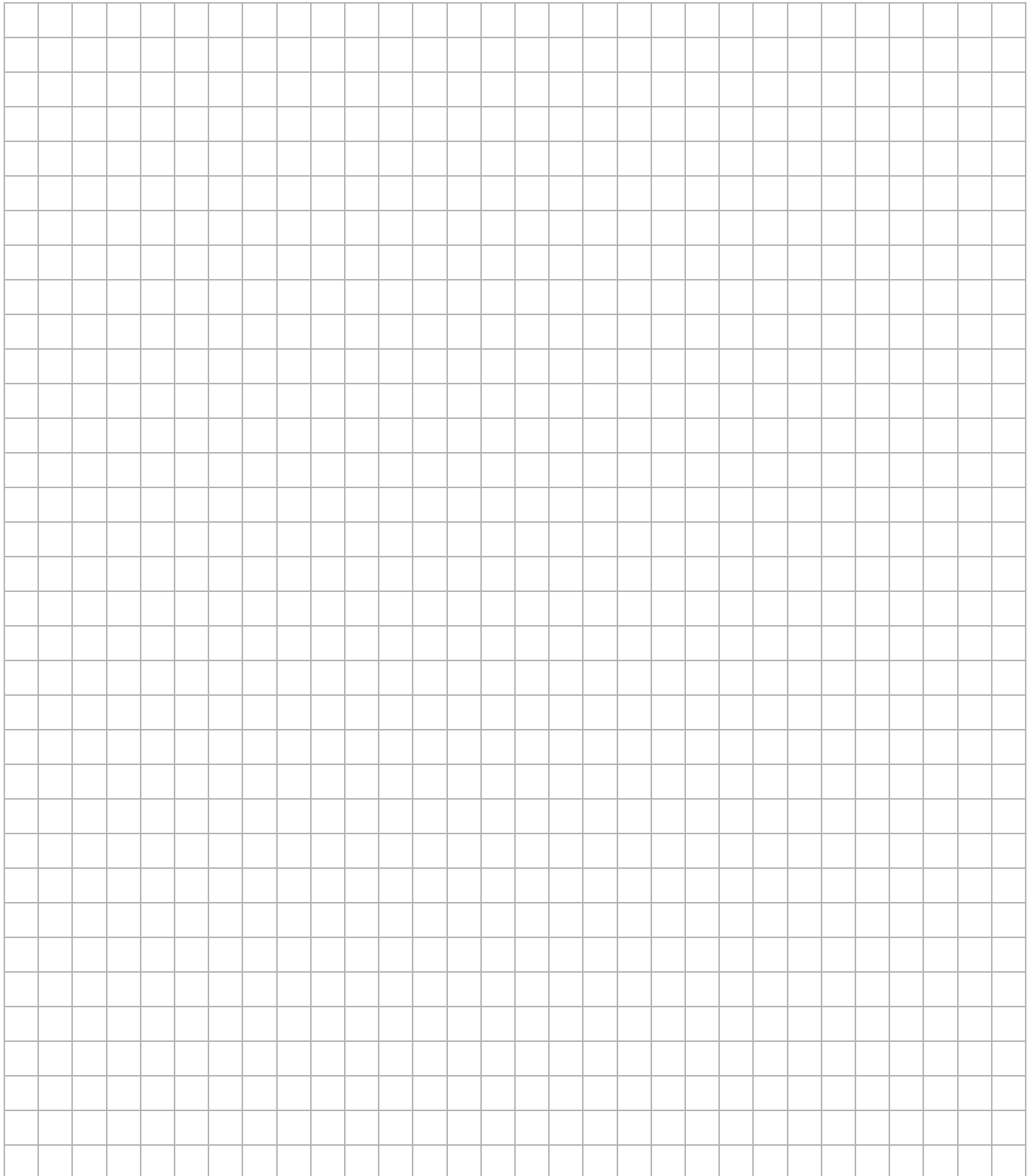
When ordering parts, please specify the model and serial number of the product.

* Indicates a component that is not available as an individual part.

*** Indicates consult Customer Service Department for additional information.

ITEM	PART NO.	1 2 3 4 5	DESCRIPTION	QTY.
1	<u>601783</u>		CE Symbol Decal (For CE Vehicles).....	1
2	<u>608822</u>		Governor Decal (For CE Vehicles).....	1
3				
4	685698		MADE IN USA Decal.....	1
5				
6	<u>74821G01</u>		Load Bed Decal, 500 lbs.....	1
7	<u>71055G01</u>		Rivet, 3/16" x 1" Lg.....	4

Notes:





A Textron Company

Textron Specialized Vehicles, Inc.,
1451 Marvin Griffin Road
Augusta, Georgia 30906 - 3852 USA

CONTACT INFORMATION

North America:

Technical Assistance & Warranty Phone: 1-800-774-3946, FAX: 1-800-448-8124
Service Parts Phone: 1-888-438-3946, FAX: 1-800-752-6175

International: Phone: 001-706-798-4311, FAX: 001-706-771-4609

Owner's Guides and Repair Manuals
are available from a local Distributor, an authorized Branch,
Parts & Accessories Department or at www.shop.txtsv.com/shop-ezgo

Copyrighted Material
This manual may not be reproduced in whole or
in part without the express permission of
Textron Specialized Vehicles
Technical Publications Department