



A Textron Company

RXV Freedom

Service Parts Manual

689388 - T
ISSUED MARCH 2019

REVISED FEBRUARY 2021

SERVICE PARTS MANUAL

GASOLINE EFI POWERED GOLF CAR

RXV FREEDOM

STARTING MID-MODEL YEAR 2019

Never modify the vehicle in any way that will alter the weight distribution of the vehicle, decrease its stability or increase the speed beyond the factory specifications. Such modifications can cause serious personal injury or death. Textron Specialized Vehicles prohibits and dis-claims responsibility for any such modifications or any other alteration which would adversely affect the safety of the vehicle. TSV reserves the right to incorporate engineering and design changes to products in this manual, without obligation to include these changes on units sold previously.

The information contained in this manual may be revised periodically by TSV, and therefore is subject to change without notice. TSV DISCLAIMS LIABILITY FOR ERRORS IN THIS MANUAL, and SPECIFICALLY DISCLAIMS LIABILITY FOR INCIDENTAL AND CONSEQUENTIAL DAMAGES resulting from the use of the information and materials in this manual. These are the original instructions as defined by 2006/42/EC.

TO CONTACT US:

Textron Specialized Vehicles, Inc.
1451 Marvin Griffin Road
Augusta, Georgia, USA 30906-3852

NORTH AMERICA:

Technical Assistance & Warranty PHONE: 1-800-774-3946, FAX: 1-800-448-8124
Service Parts PHONE: 1-888-438-3946, FAX: 1-800-752-6175
International: PHONE: 001-706-798-4311, FAX: 001-706-771-4609

GENERAL INFORMATION

To obtain a copy of the limited warranty applicable to the vehicle, call or write a local Distributor, authorized Branch or the Warranty Department with vehicle serial number and manufacturer code.

The use of non Original Equipment Manufacturer (OEM) approved parts may void the warranty.

Tampering with or adjusting the governor to permit vehicle to operate at above factory specifications will void the vehicle warranty.

When servicing engines, all adjustments and replacement components must be per original vehicle specifications in order to maintain the United States of America Federal and State emission certification applicable at the time of manufacture.

BATTERY PROLONGED STORAGE

All batteries will self discharge over time. The rate of self discharge varies depending on the ambient temperature and the age and condition of the batteries.

A fully charged battery will not freeze in winter temperatures unless the temperature falls below -75° F (-60° C).

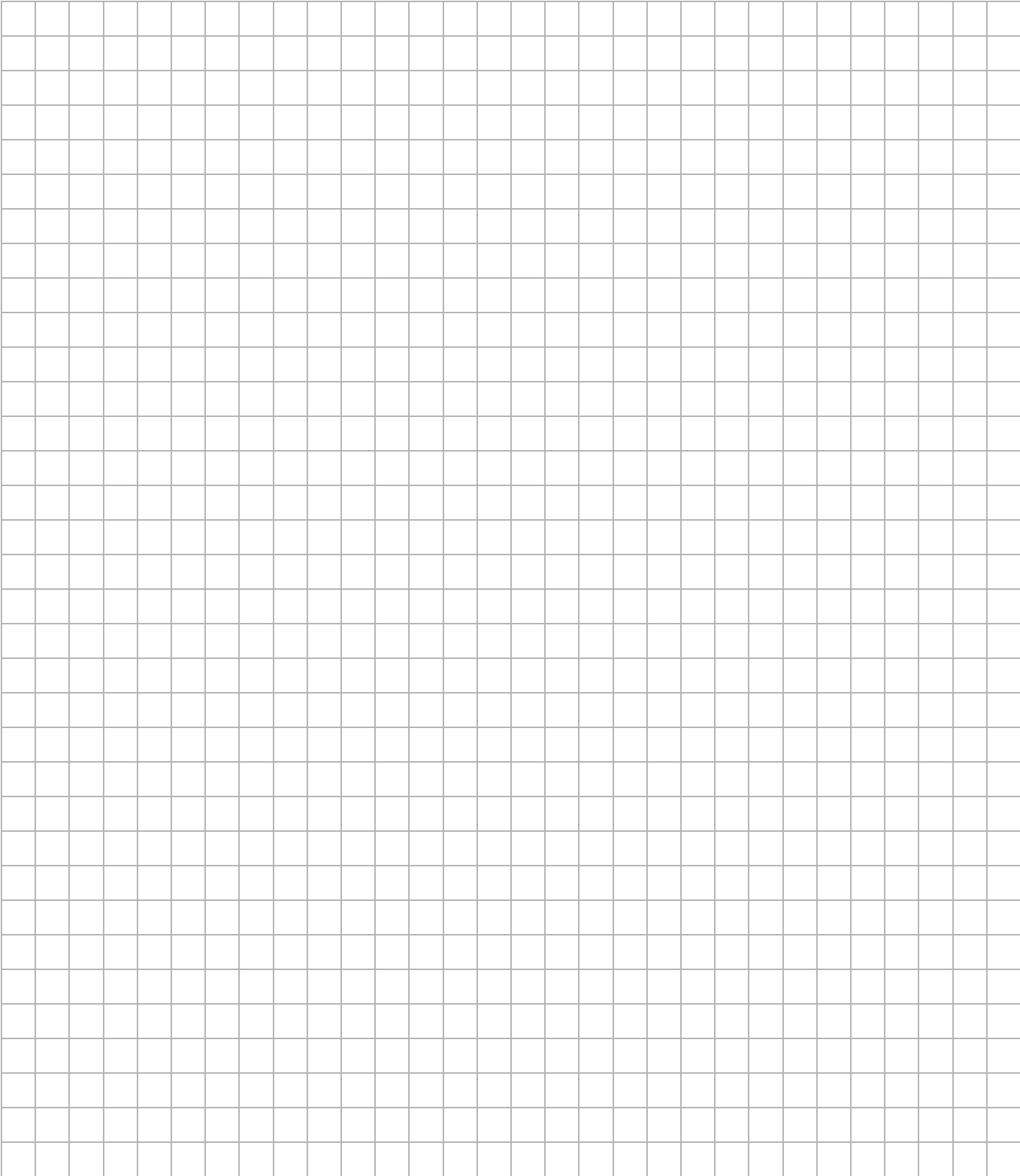
BATTERY DISPOSAL

Lead-acid batteries are recyclable. Return whole scrap batteries to distributor, manufacturer or lead smelter for recycling. For neutralized spills, place residue in acid-resistant containers with absorbent material, sand or earth and dispose of in accordance with local, state and federal regulations for acid and lead compounds. Contact local and/or state environmental officials regarding disposal information.

TABLE OF CONTENTS

SECTION	Page No.
HOW TO USE THE SERVICE PARTS MANUAL	V
ACCELERATOR	A - 1
AIR FILTER	B - 1
BODY	C - 1
BRAKES	D - 1
CLUTCH	E - 1
DIRECTION SELECTOR	F - 1
ELECTRICAL SYSTEM	G - 1
ENGINE AND MUFFLER	H - 1
ENGINE MOUNTING	J - 1
FRAME	K - 1
FRONT SUSPENSION AND STEERING	L - 1
FUEL SYSTEM	M - 1
REAR AXLE	N - 1
REAR SUSPENSION	P - 1
SEATING AND BASKET	R - 1
STARTER GENERATOR	S - 1
TOWBAR	T - 1
WEATHER PROTECTION	U - 1
WHEELS AND TIRES	V - 1
DECALS AND LABELS	W - 1

NOTES



HOW TO USE THE SERVICE PARTS MANUAL

This manual is divided into several sections:

- GENERAL INFORMATION
- ILLUSTRATED PARTS BREAKDOWN

The first section, GENERAL INFORMATION, contains the following information:

- WARRANTY INFORMATION
- TABLE OF CONTENT
- HOW TO USE THE SERVICE PARTS MANUAL

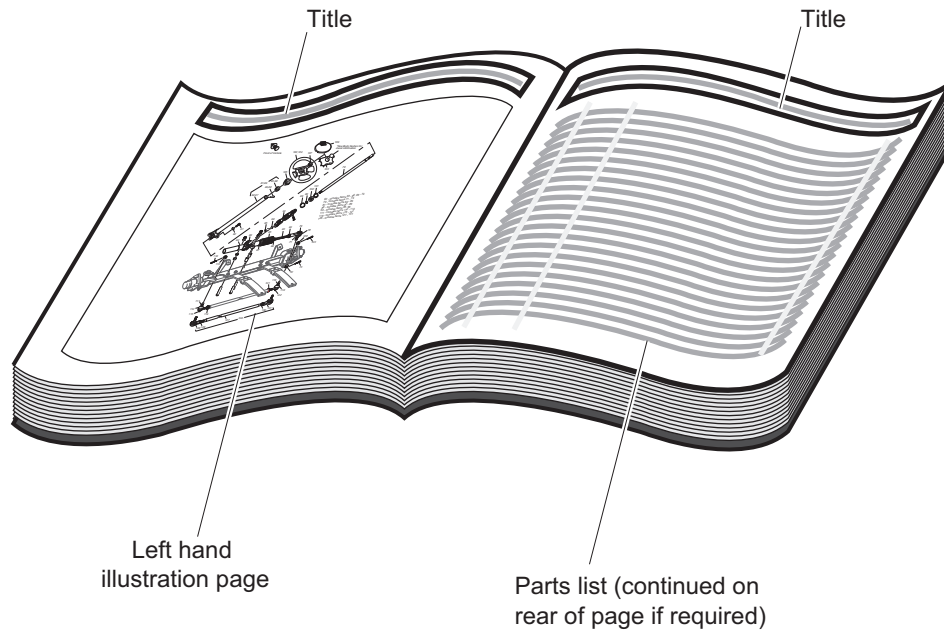
The second section, ILLUSTRATED PARTS BREAKDOWN, contains illustrations and parts lists for all systems of your vehicle.

USE OF THE MANUAL

To use this manual, consult the TABLE OF CONTENTS to locate the information or illustration required.

Introduction of some revisions varies due to supply of components; therefore, it is possible that various combinations of components may be found that are not directly reflected by each illustration. Consult the illustration that best suits your situation and then contact the Service Parts Department. It is important that the serial number or VIN of your vehicle and the model name be supplied to Service Parts when ordering any replacement components.

HOW TO USE THE SERVICE PARTS MANUAL



1. WHEN THE PART NUMBER IS NOT KNOWN

- Determine the function and application of the part required. Turn to the Table of Content and select the most appropriate title.
- Turn to the page number indicated and locate the desired part on the illustration.
- From the illustration, obtain the item number assigned to the desired part. Refer to the accompanying description for specific information regarding the part.

2. IF YOU KNOW THE PART NUMBER

- Locate the part number or description in the appropriate column on the parts list page.

NOTE: It is suggested that you confirm that the part selected is correct by verifying it with the pictorial representation on the illustrated page.

Should an asterisk (*) appear in the part number column on the parts list page, read upwards until a part number is found. The part number is the lowest assembly sold by Service Parts and the asterisk (*) indicates that the part depicted is not available for purchase.

NOTE: Descriptions are indented under the assembly that they are used on. That assembly is, in turn listed under the assembly that it is used on. This process is repeated until the highest final assembly is reached.

To facilitate the maintenance and repair of the vehicle, a Repair and Service Manual is available from the Service Parts Department.

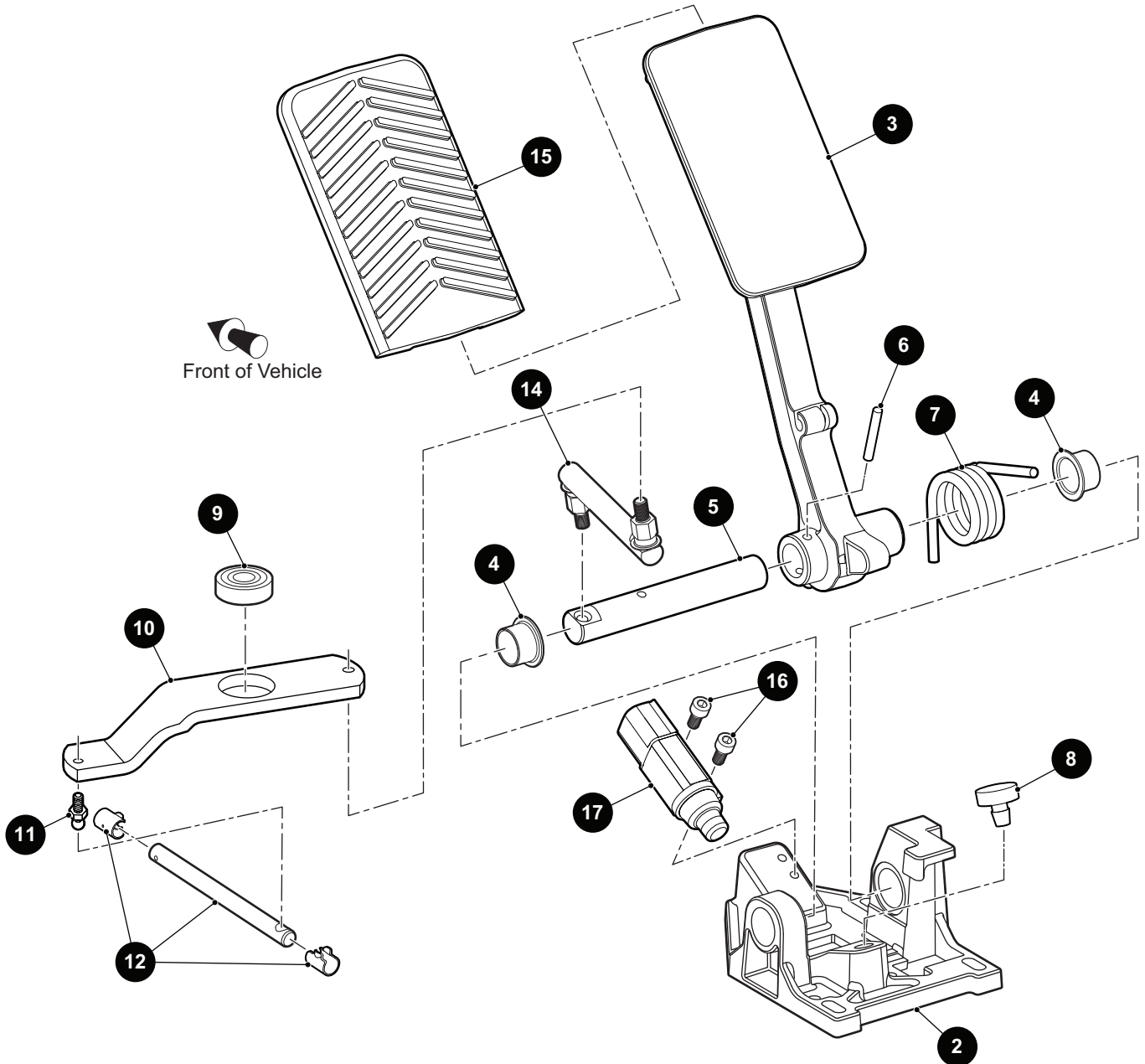
3. COLOR CODE FOR BODY COMPONENTS

The last two digits of the part number for the body part will denote the color code, locate the part number for the cowl, rear body, seat pod, side panel or seat wrap then locate your color in the list below, replace the last ** or XX with the two digit color code.

<u>CODE #</u>	<u>DESCRIPTION</u>
02	SPECIAL COLOR
11	BLACK
19	PATRIOT BLUE PEARL
20	INFERNO RED METALLIC
26	STEEL BLUE PEARL
31	METALLIC CHARCOAL
36	IVORY
37	FOREST GREEN
38	BRIGHT WHITE
39	FLAME RED
41	ELECTRIC BLUE
42	PLATINUM
43	BURGUNDY
44	ALMOND
51	SUNBURST ORANGE
52	BRITISH RACING GREEN
74	BARLEY GOLD
75	OASIS GREEN
76	JAVA BROWN
A5	OCEAN GRAY

ACCELERATOR

1 Accelerator Pedal Assembly includes items 2 - 17



THE USE OF NON U.L. PARTS WILL VOID ANY U.L. LISTING.

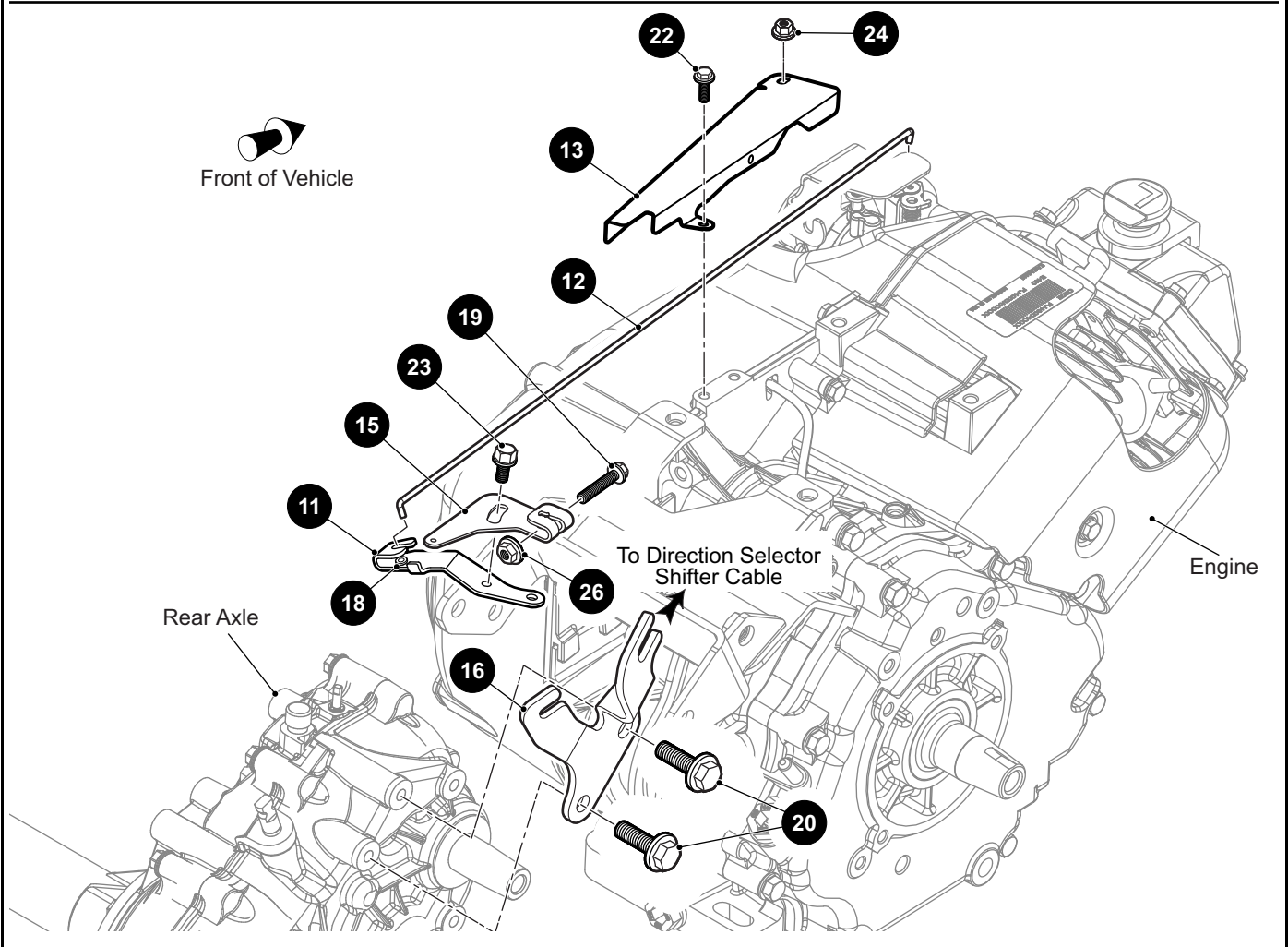
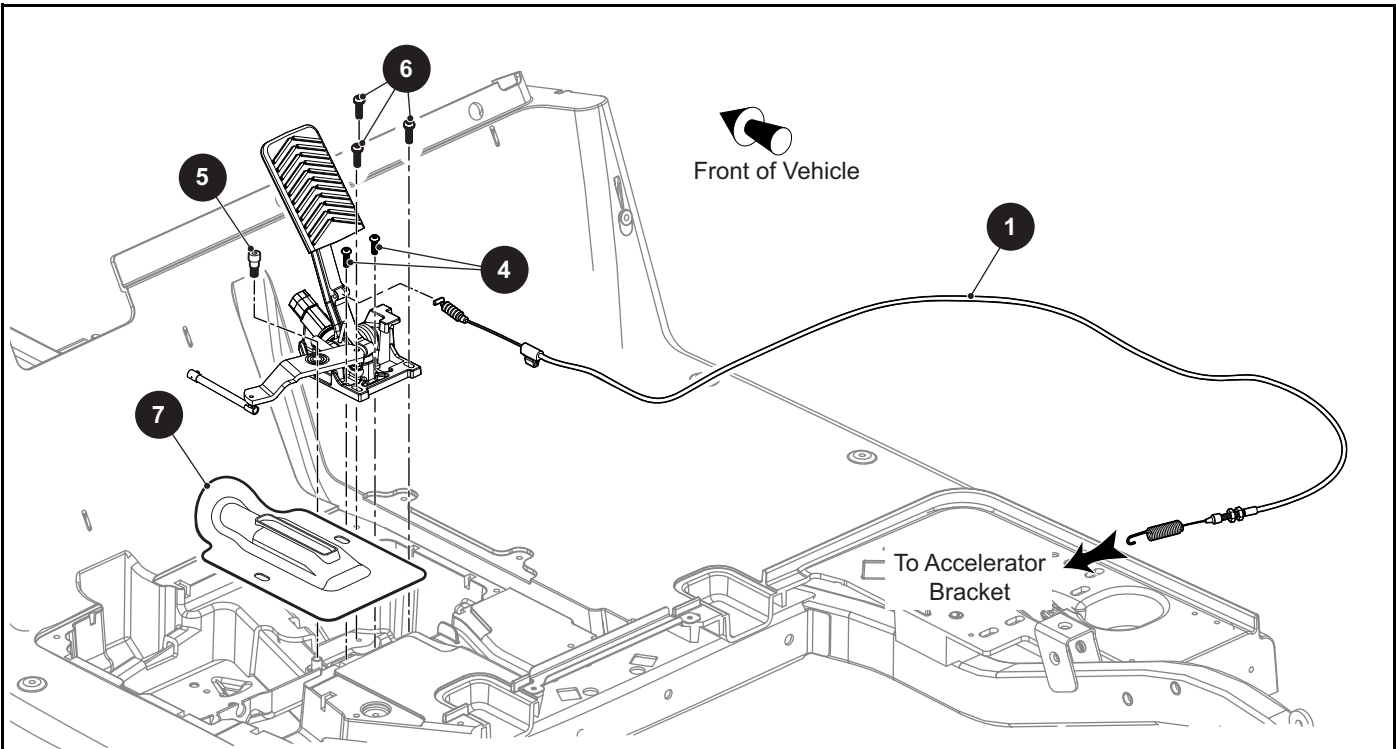
When ordering parts, please specify the model and serial number of the product.

* Indicates a component that is not available as an individual part.

*** Indicates consult Customer Service Department for additional information.

ITEM	PART NO.	1 2 3 4 5	DESCRIPTION	QTY.
1	<u>653202</u>		Accelerator Pedal Assembly (Includes Items 2 - 17).....	1
2	*		Pedal Bracket	1
3	*		Pedal	1
4	*		Flanged Bushing, 16mm x 12mm	2
5	*		Pivot Shaft, 16mm	1
6	<u>600683</u>		Spirol Pin (Heavy Duty), 4mm x 26mm	1
7	*		Torsion Spring, 4.5mm Dia	1
8	<u>604097</u>		Rebound Bumper	1
9	<u>603808</u>		Ball Bearing	1
10	<u>600702</u>		Bell crank Arm	1
11	<u>604475</u>		Ball Stud, 6mm Dia.....	1
12	668945		Linkage Rod Saddle Clip Assembly.....	1
13				
14	<u>603816</u>		Ball Joint Rod Assembly	1
15	<u>610529</u>		Pedal Cover.....	1
16	<u>620030</u>		Socket Head Bolt, M5 - .8 x 15mm Lg.....	2
17	<u>612889</u>		Pedal Switch.....	1

ACCELERATOR



THE USE OF NON U.L. PARTS WILL VOID ANY U.L. LISTING.

When ordering parts, please specify the model and serial number of the product.

* Indicates a component that is not available as an individual part.

*** Indicates consult Customer Service Department for additional information.

ITEM	PART NO.	1 2 3 4 5	DESCRIPTION	QTY.
1	<u>609850</u>		Accelerator Cable.....	1
2				
3				
4	<u>608290</u>		Pan Head Phillips Screw, #10 - 16 x 3/4" Lg.....	2
5	<u>604536</u>		Socket Head Shoulder Bolt, M8 - 1.25 x 20mm Lg.....	1
6	<u>649803</u>		Pan Head Torx Screw, M6 - 2.65 x 25mm Lg.....	3
7	<u>614393</u>		Pedal Insert.....	1
8				
9				
10				
11	<u>606005</u>		Governor Bracket (Lower).....	1
12	<u>606284</u>		Governor Link Rod.....	1
13	<u>660005</u>		Governor Guard Bracket.....	1
14				
15	<u>606083</u>		Governor Bracket (Upper).....	1
16	<u>632936</u>		Governor Cable/Direction Selector Bracket.....	1
17				
18	<u>606283</u>		Governor Lever Bushing.....	1
19	<u>606421</u>		Flanged Hex Head Bolt, M6 - 1 x 30mm Lg, Grade 8.8.....	1
20	<u>606256</u>		Flanged Hex Head Bolt, M10 - 1.25 x 25mm Lg, Grade 8.8.....	2
21				
22	<u>606264</u>		Flanged Hex Head Bolt, M6 - 1 x 20mm Lg, Grade 8.8.....	1
23	<u>73876G01</u>		Flanged Hex Head Bolt, M6 - 1 x 12mm Lg, Grade 8.8.....	1
24	<u>601476</u>		Lock Nut M6 - 1.....	1
25				
26	<u>450452</u>		Flanged Hex Nut, M6 - 1.....	1

Notes:

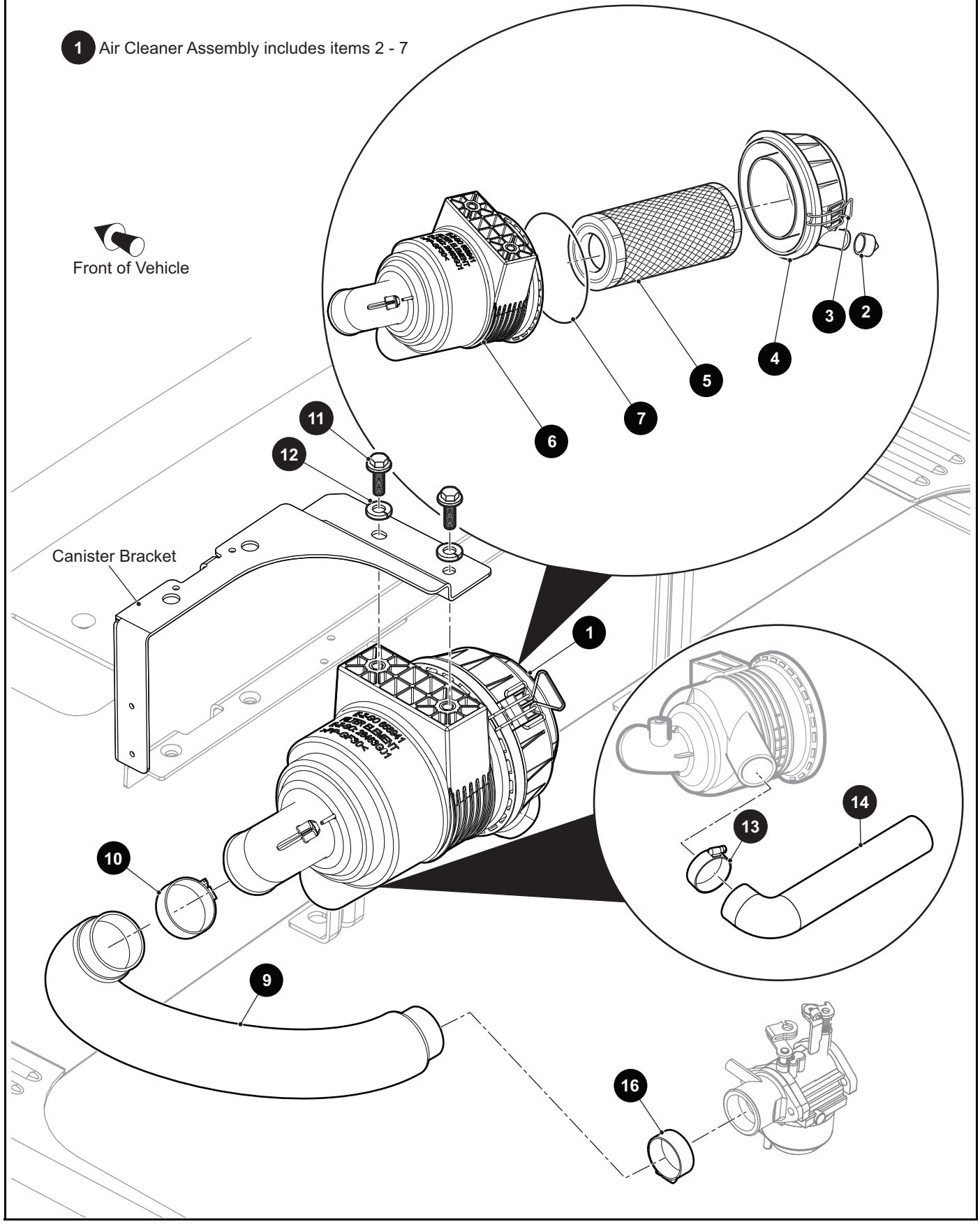
A large grid area for taking notes, consisting of approximately 32 columns and 30 rows of small squares.

AIR FILTER

1 Air Cleaner Assembly includes items 2 - 7

Front of Vehicle

Canister Bracket



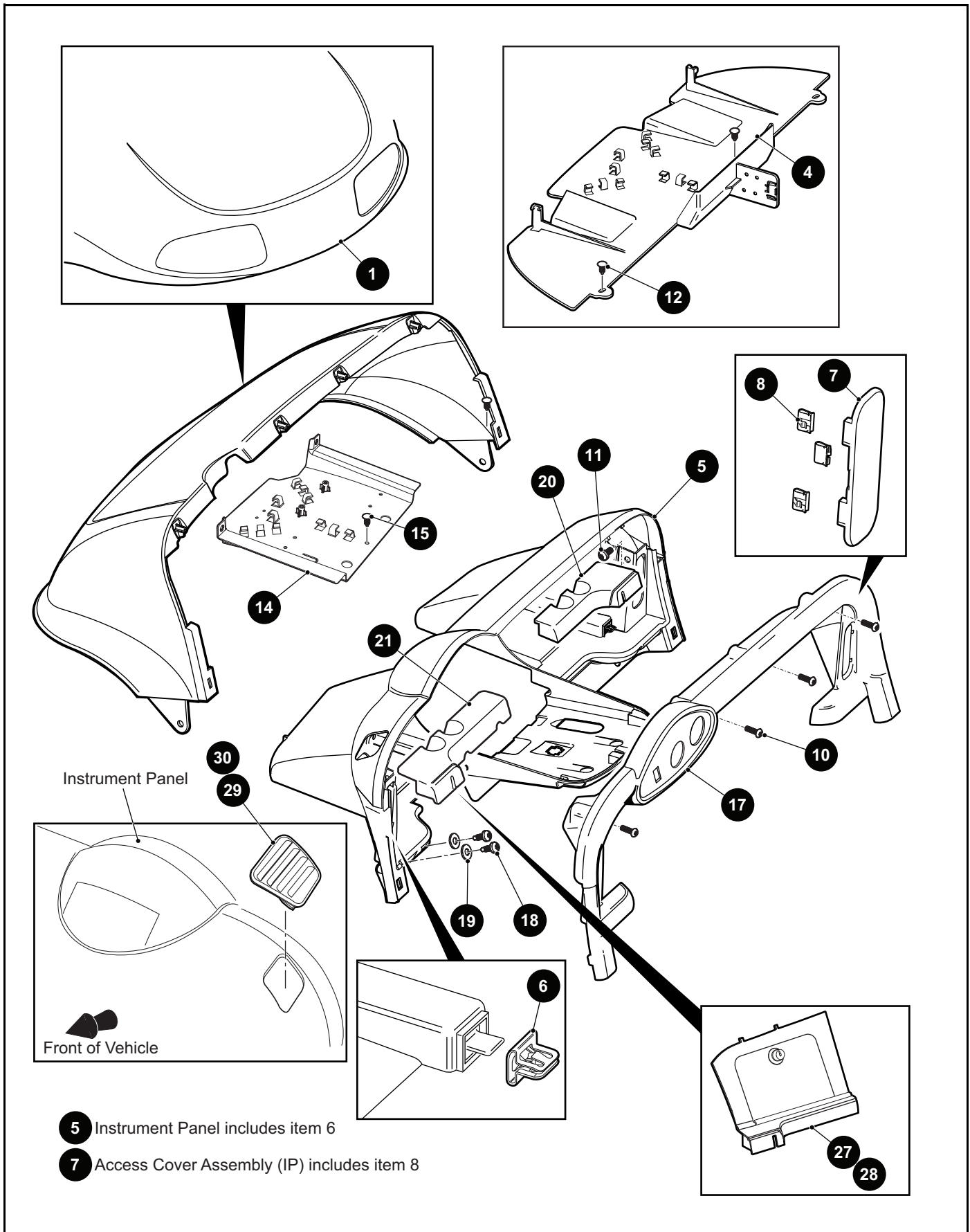
THE USE OF NON U.L. PARTS WILL VOID ANY U.L. LISTING.

When ordering parts, please specify the model and serial number of the product.

* Indicates a component that is not available as an individual part.

*** Indicates consult Customer Service Department for additional information.

ITEM	PART NO.	1 2 3 4 5	DESCRIPTION	QTY.
1	688989		Air Cleaner Assembly (Includes Items 2 - 7)	1
2	<u>28462G01</u>		Dust Ejector Valve	1
3	<u>72604G01</u>		Air Cleaner Clip	2
4	691746		Air Cleaner Cover	1
5	<u>28463G01</u>		Air Filter	1
6	689988		Air Cleaner Housing	1
7	689987		Air Cleaner Seal	1
8				
9	<u>601910</u>		Air Filter Hose, 14" Lg	1
10	<u>11391G7</u>		Hose Clamp, 1.56"	1
11	<u>606261</u>		Flanged Hex Head Bolt, M8 - 1.25 x 20mm Lg, Grade 8.8	2
12	<u>606272</u>		Lock Washer, 8mm	2
13	<u>11391G7</u>		Hose Clamp, 1.56"	1
14	<u>661663</u>		Intake Extension Hose	1
15	<u>12416G2</u>		Nylon Clamp, 15.5" Lg (Not Illustrated)	1
16	<u>11391G5</u>		Hose Clamp, .81"	1



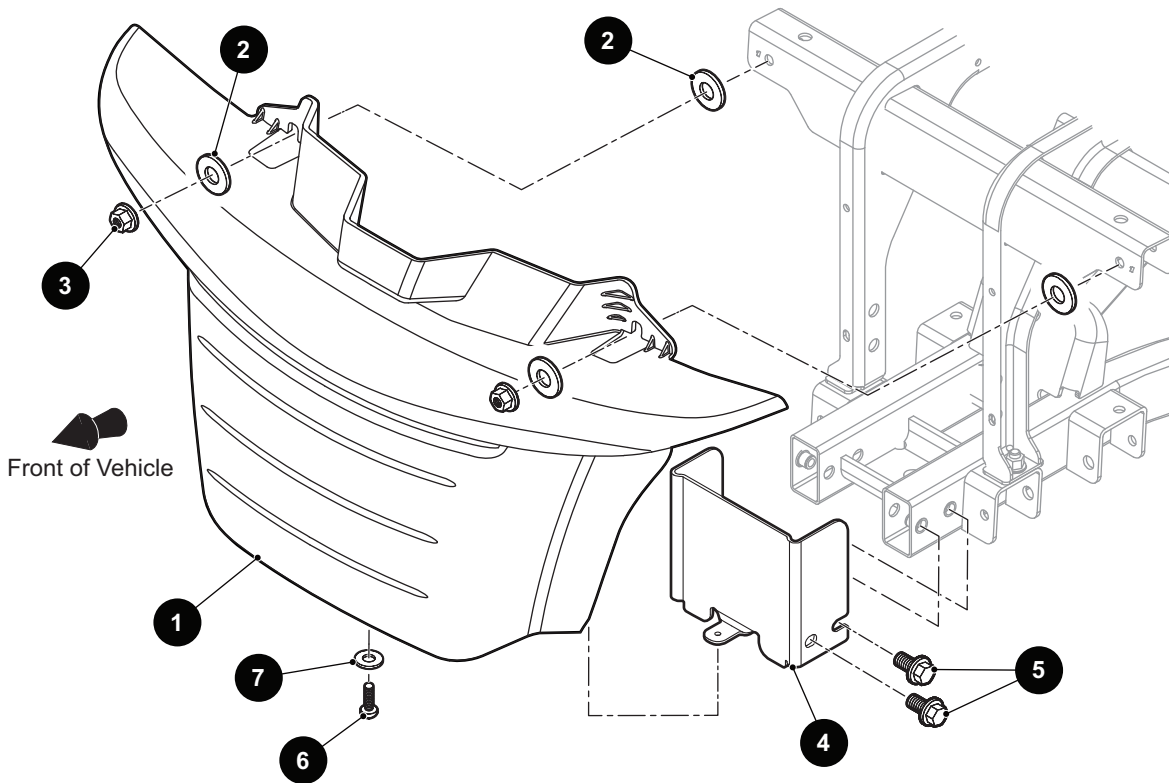
THE USE OF NON U.L. PARTS WILL VOID ANY U.L. LISTING.

When ordering parts, please specify the model and serial number of the product.

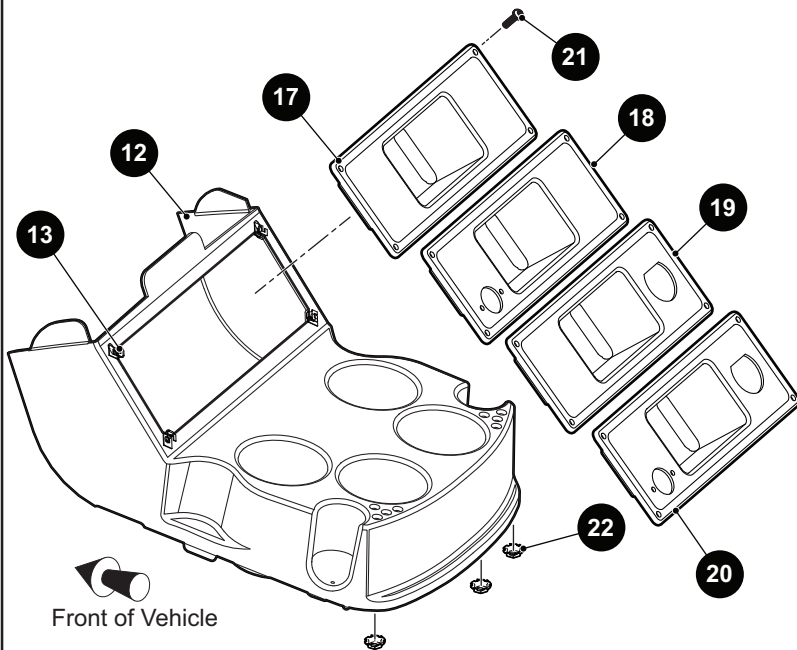
* Indicates a component that is not available as an individual part.

*** Indicates consult Customer Service Department for additional information.

ITEM	PART NO.	1 2 3 4 5	DESCRIPTION	QTY.
1	645759G01XX		Cowl with Lights (See HOW TO USE Section for COLOR CODES)	1
2				
3				
4	<u>601634</u>		Front Splash Guard (For Vehicles Manufactured Before July 21, 2019).....	1
5	<u>602387</u>		Instrument Panel (Includes Item 6)	1
6	<u>602184</u>		Spring Clip	4
7	<u>602388</u>		Access Cover Assembly (IP) (Includes Item 8)	1
8	<u>602100</u>		U-clip	3
9				
10	<u>649803</u>		Pan Head Torx Screw, M6 - 2.65 x 25mm Lg.....	4
11	<u>70200G01</u>		Truss Head Torx Bolt, 3/8" - 16 x 3/4" Lg	2
12	<u>16816G2</u>		Ratchet Rivet, .25" x .887" (For Vehicles Manufactured Before July 21, 2019)	3
13				
14	683595		Front Component Mount Plate (For Vehicles Manufactured After July 21, 2019)	1
15	<u>16816G2</u>		Ratchet Rivet, .25" x .887" (For Vehicles Manufactured After July 21, 2019) ..	1
16				
17	<u>608864</u>		Instrument Panel Trim (Opening For Key Switch, SOC and Light Switch).....	1
18	<u>602572</u>		Pan Head Taptite Bolt, M10 - 1.5 x 25mm Lg, Grade 8.8	4
19	<u>604066</u>		Flat Washer, M10	4
20	<u>600241</u>		Ball Holder Insert (Passenger Side).....	1
21	<u>600243</u>		Ball Holder Insert (Driver Side)	1
22				
23				
24				
25				
26				
27	<u>607131</u>		Glove Box (Passenger Side).....	1
28	<u>607533</u>		Glove Box (Driver Side)	1
29	<u>602993</u>		Grommet (Driver Side) (Used for Vehicles without Sun Top)	1
30	<u>602994</u>		Grommet (Passenger Side) (Used for Vehicles without Sun Top)	1

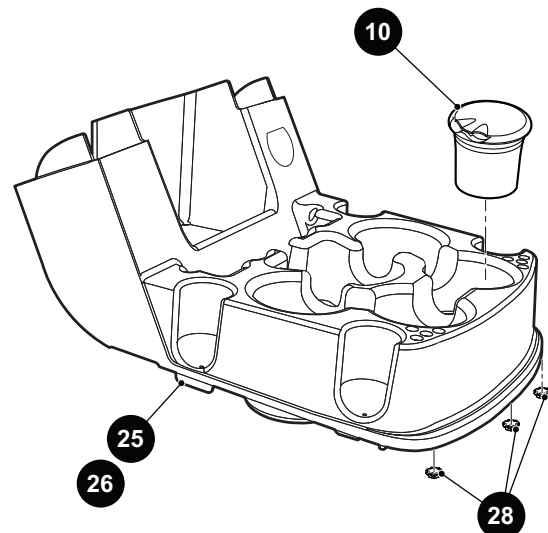


11 Cup Holder Assembly includes item 12, 13



23 Center Console, Base Assembly includes item 25

24 Center Console, USB Assembly includes item 26



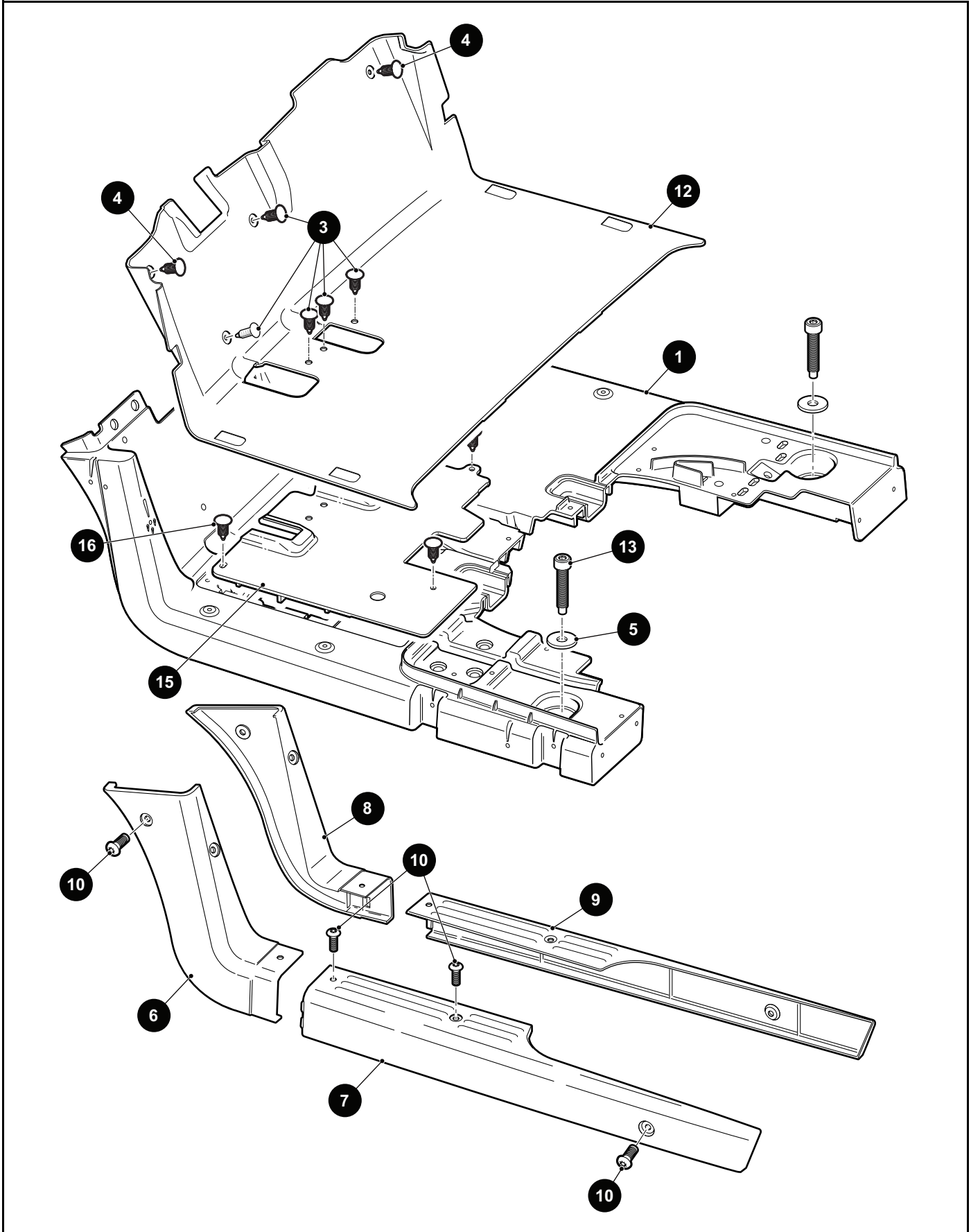
THE USE OF NON U.L. PARTS WILL VOID ANY U.L. LISTING.

When ordering parts, please specify the model and serial number of the product.

* Indicates a component that is not available as an individual part.

*** Indicates consult Customer Service Department for additional information.

ITEM	PART NO.	1 2 3 4 5	DESCRIPTION	QTY.
1	<u>656325</u>		Front Fascia	1
2	<u>604066</u>		Flat Washer, M10	4
3	<u>600525</u>		Lock Nut, M10 - 1.5.....	2
4	<u>641628</u>		Bumper Attachment Bracket	1
5	<u>603799</u>		Flanged Hex Head Bolt, M10 - 1.5 x 25mm Lg, Grade 8.8.....	4
6	<u>646348</u>		Thread Forming Screw, 1/4" - 20 x 1" Lg	1
7	<u>646345</u>		Flat Washer, 1/4"	1
8				
9				
10	<u>603725</u>		Ashtray	1
ITEMS 11 - 22: FOR VEHICLES MANUFACTURED BEFORE JULY 21, 2019				
11	<u>644117</u>		Cup Holder Assembly (Includes Items 12, 13).....	1
12	<u>640706</u>		Center Console.....	1
13	<u>71364G02</u>		J-type Speed Nut, #8.....	4
14				
15				
16				
17	<u>638348G01</u>		Center Compartment.....	1
18	<u>638348G02</u>		Center Compartment (Opening For 12V).....	1
19	<u>638348G07</u>		Center Compartment (Opening For USB).....	1
20	<u>638348G08</u>		Center Compartment (Opening For 12V and USB)	1
21	<u>608290</u>		Pan Head Phillips Screw, #10 - 16 x 3/4" Lg.....	4
22	<u>71597G01</u>		Self Threading Nut, .226"	3
ITEMS 23 - 28: FOR VEHICLES MANUFACTURED AFTER JULY 21, 2019				
23	<u>686696G01</u>		Center Console, Base Assembly (Includes Item 25).....	1
24	<u>686696G02</u>		Center Console, USB Assembly (Includes Item 26).....	1
25	<u>694334G01</u>		Center Console, Base	1
26	<u>694334G02</u>		Center Console, USB	1
27				
28	<u>71597G01</u>		Self Threading Nut, .226"	3



THE USE OF NON U.L. PARTS WILL VOID ANY U.L. LISTING.

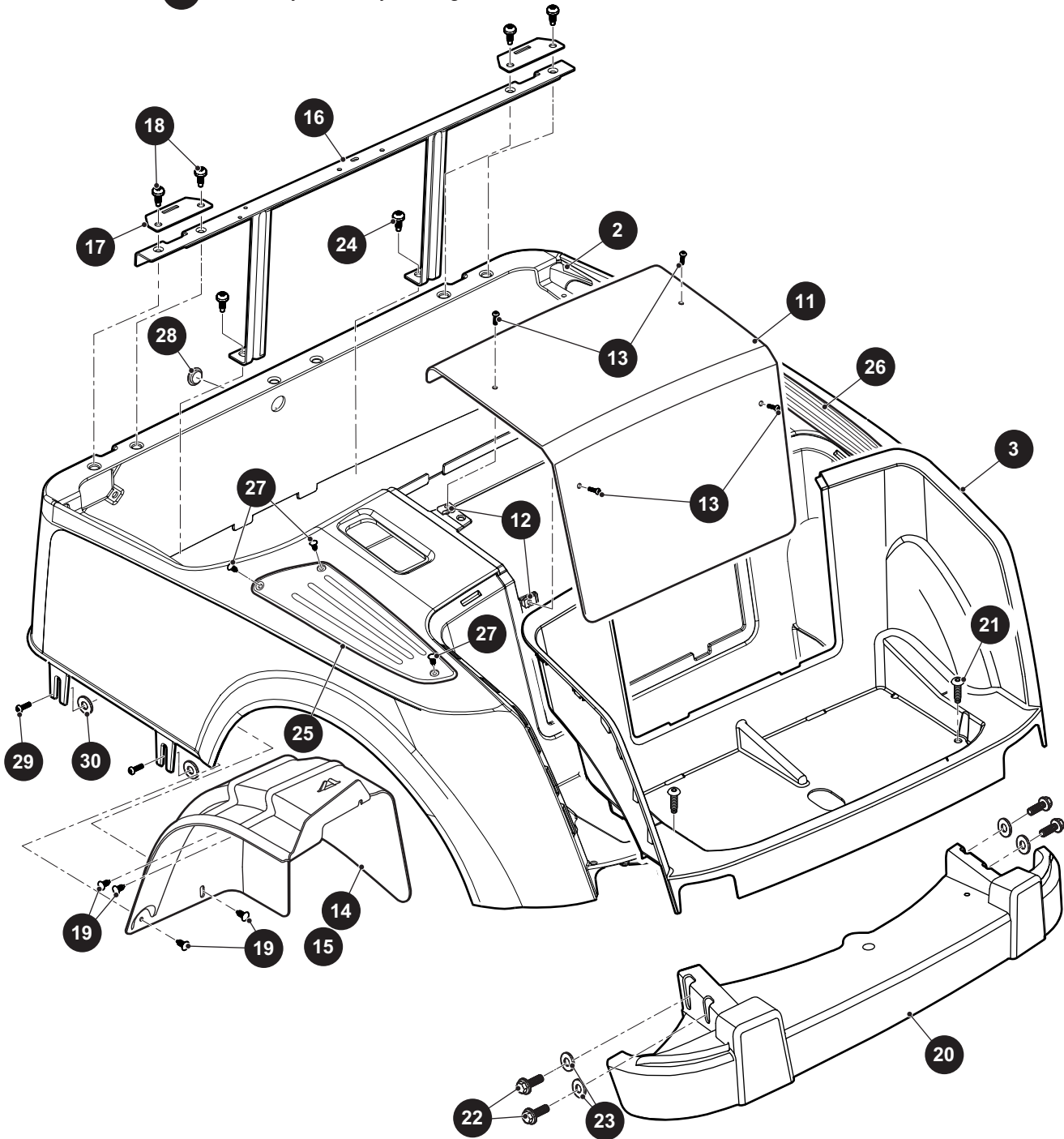
When ordering parts, please specify the model and serial number of the product.

* Indicates a component that is not available as an individual part.

*** Indicates consult Customer Service Department for additional information.

ITEM	PART NO.	1 2 3 4 5	DESCRIPTION	QTY.
1	<u>600225</u>		Floorboard.....	1
2				
3	<u>16816G2</u>		Ratchet Rivet, .25" x .887"	5
4	<u>16816G1</u>		Ratchet Rivet, .25" x .680"	2
5	<u>604066</u>		Flat Washer, M10	2
6	<u>601257</u>		Upper Rocker Panel (Driver Side).....	1
7	<u>600253</u>		Lower Rocker Panel (Driver Side).....	1
8	<u>601258</u>		Upper Rocker Panel (Passenger Side).....	1
9	<u>600257</u>		Lower Rocker Panel (Passenger Side).....	1
10	<u>649804</u>		Button Head Torx Screw, M8 - 3.5 x 30mm Lg.....	6
11				
12	<u>603707</u>		Floormat (Horn Attachment).....	1
13	<u>602020</u>		Socket Head Torx Bolt, M10 - 1.5 x 50mm Lg, Grade 8.8.....	2
14				
15	<u>605277</u>		Pedal Cover Plate	1
16	<u>16816G2</u>		Ratchet Rivet, .25" x .887"	4

1 Rear Body Assembly with Lights includes items 2, 3



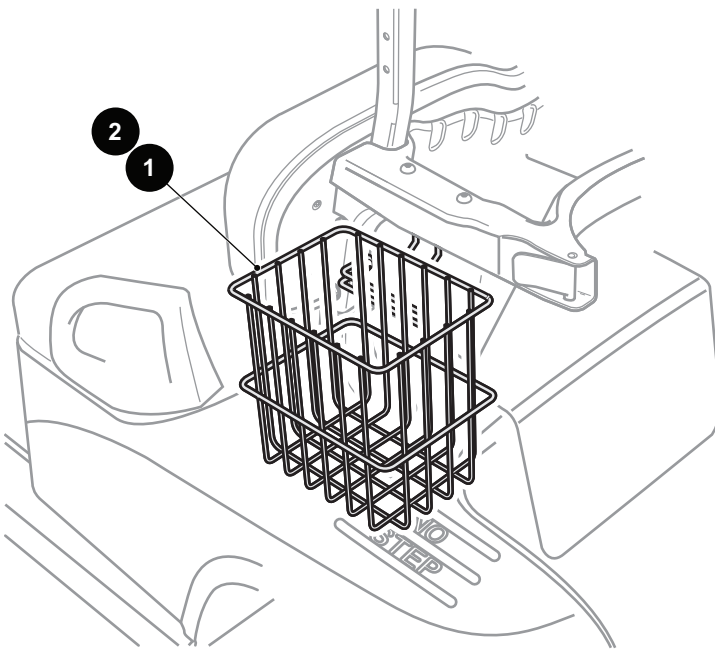
THE USE OF NON U.L. PARTS WILL VOID ANY U.L. LISTING.

When ordering parts, please specify the model and serial number of the product.

* Indicates a component that is not available as an individual part.

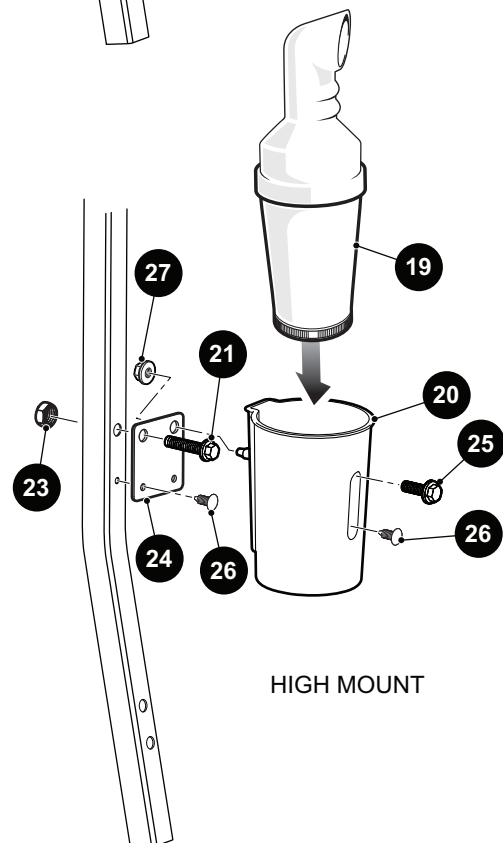
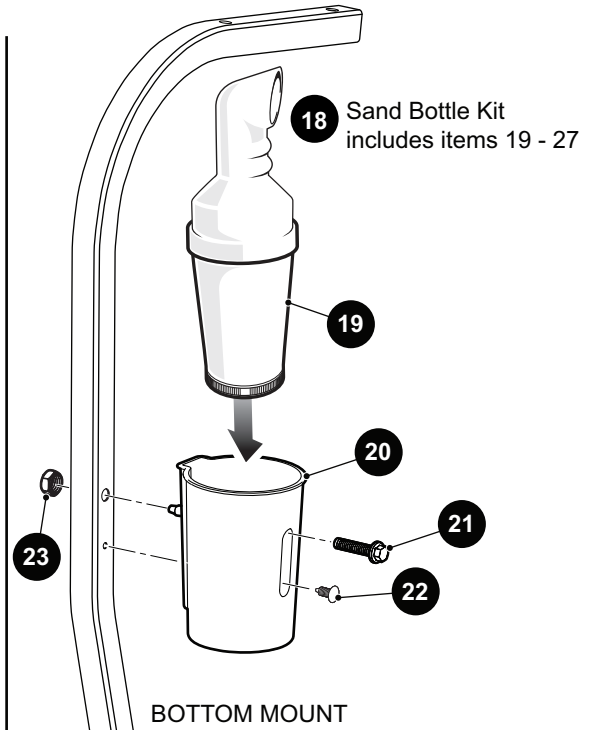
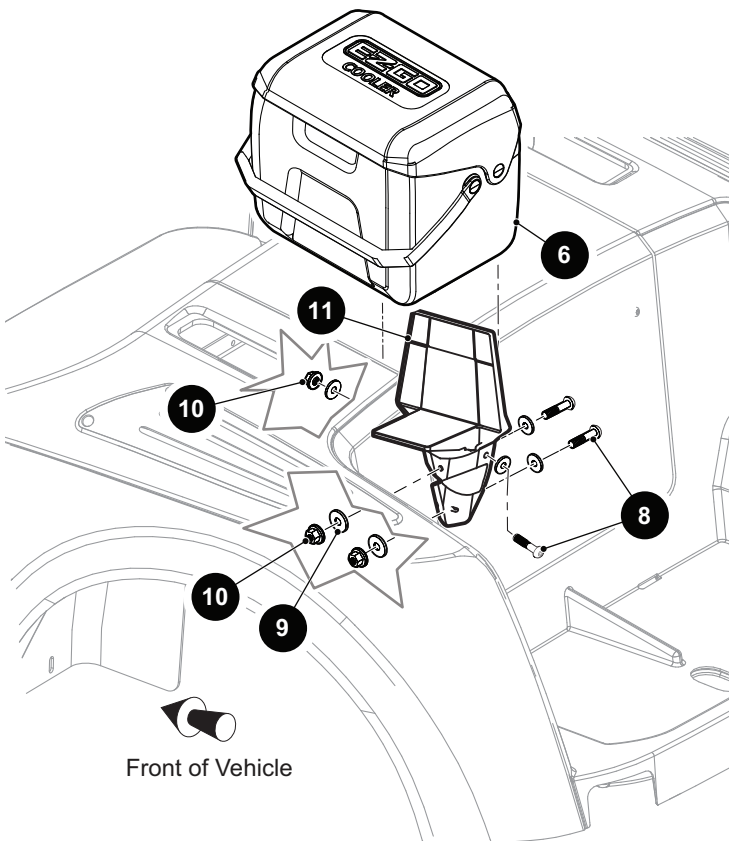
*** Indicates consult Customer Service Department for additional information.

ITEM	PART NO.	1 2 3 4 5	DESCRIPTION	QTY.
1	650353G01XX		Rear Body Assembly with Lights (Includes Items 2, 3) (See HOW TO USE Section for COLOR CODES)	1
2	650311G00XX		Body	1
3	<u>650254</u>		Bagwell Liner	1
4				
5				
6				
7				
8				
9				
10				
11	<u>650443</u>		Access Cover	1
12	<u>602409</u>		Barrel Clip, M6 - 1	4
13	<u>601326</u>		Button Head Torx Bolt, M6 - 1 x 20mm Lg, Grade 8.8	4
14	<u>601621</u>		Rear Splash Guard (Driver Side)	1
15	<u>601622</u>		Rear Splash Guard (Passenger Side).....	1
16	<u>601921</u>		Front Seat Support Assembly	1
17	<u>602558</u>		Seat Hinge Plate	1
18	<u>602572</u>		Pan Head Taptite Bolt, M10 - 1.5 x 25mm Lg, Grade 8.8	2
19	<u>16816G2</u>		Ratchet Rivet, .25" x .887"	4
20	689702		Rear Bumper.....	1
21	<u>649804</u>		Button Head Torx Screw, M8 - 3.50 x 30mm Lg.....	2
22	<u>603799</u>		Flanged Hex Head Bolt, M10 - 1.5 x 25mm Lg, Grade 8.8	4
23	<u>00643G1</u>		Flat Washer, 3/8"	4
24	<u>602572</u>		Pan Head Taptite Bolt, M10 - 1.5 x 25mm Lg, Grade 8.8	2
25	<u>639807G01</u>		Scuff Guard (Driver Side).....	1
26	<u>639807G02</u>		Scuff Guard (Passenger Side)	1
27	<u>16816G5</u>		Ratchet Rivet, .187" x .550"	3
28	<u>71316G01</u>		Plug.....	1
29	<u>649804</u>		Button Head Torx Screw, M8 - 3.5 x 30mm Lg.....	4
30	<u>604066</u>		Flat Washer, M10	4



5 Beverage Cooler Kit includes items 6 - 11

7 Hardware Kit includes items 8 - 10



THE USE OF NON U.L. PARTS WILL VOID ANY U.L. LISTING.

When ordering parts, please specify the model and serial number of the product.

* Indicates a component that is not available as an individual part.

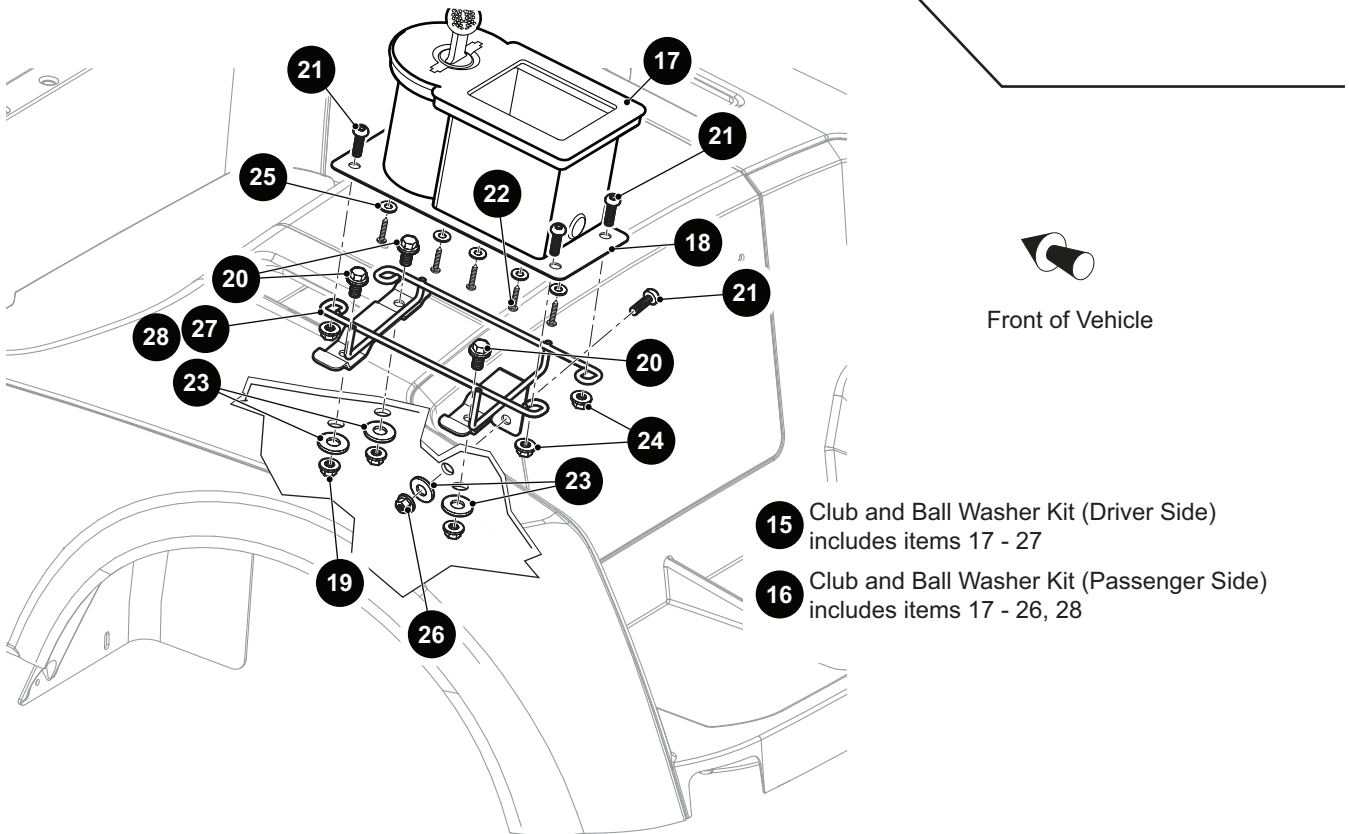
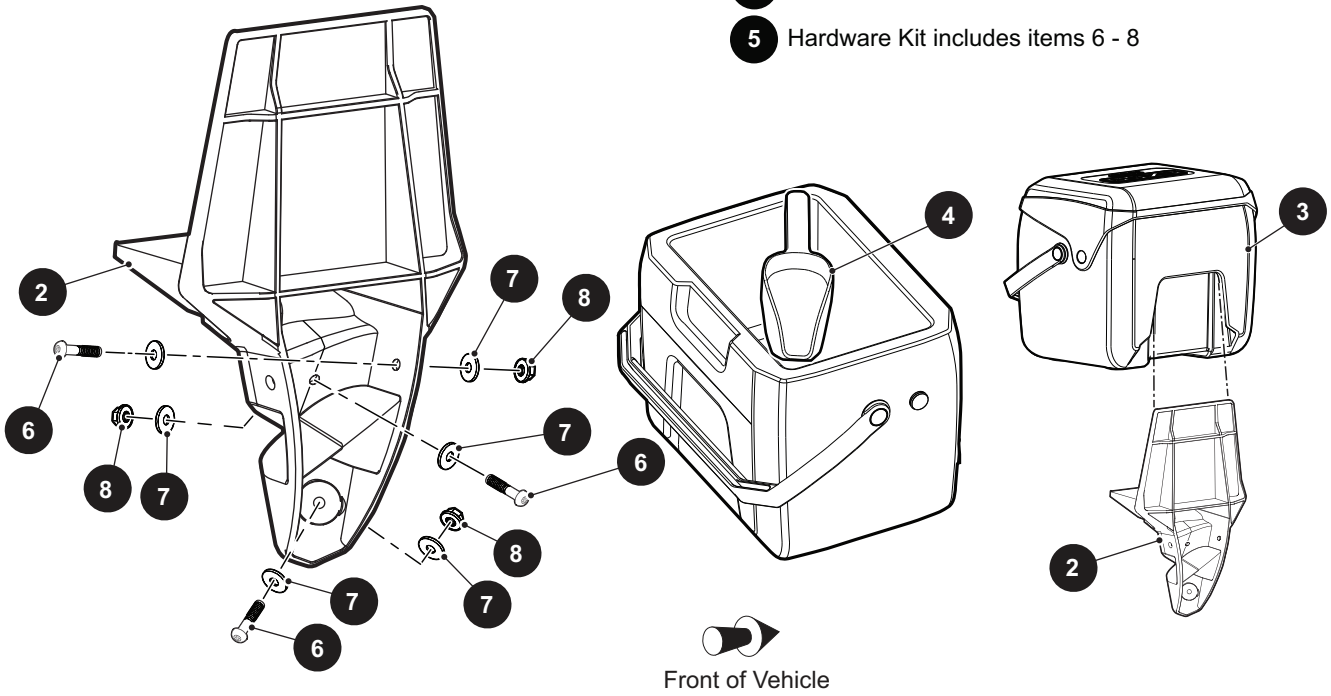
*** Indicates consult Customer Service Department for additional information.

ITEM	PART NO.	1 2 3 4 5	DESCRIPTION	QTY.
1	<u>603846</u>		Side Basket (Driver Side).....	1
2	<u>603702</u>		Side Basket (Passenger Side)	1
3				
4				
5	<u>689255</u>		Beverage Cooler Kit (Includes Items 6 - 11)	1
6	<u>658503</u>		Beverage Cooler.....	1
7	<u>689269</u>		Hardware Kit (Includes Items 8 - 10).....	1
8	*		Truss Head Bolt, M6 x 1.....	3
9	*		Flat Washer, M6 x 18	6
10	*		Lock Nut, M6 x 1	3
11	<u>689244</u>		Universal Bracket	1
12				
13				
14				
15				
16				
17				
18	<u>614179</u>		Sand Bottle Kit (Includes Items 19 - 27).....	1
19	600612		Sand Bottle	1
20	<u>28660G01</u>		Sand Bottle Holder	1
21	<u>603800</u>		Flanged Hex Head Bolt, M10 - 1.5 x 50mm Lg, Grade 8.8	1
22	<u>16816G2</u>		Ratchet Rivet, .25" x .887".....	1
23	<u>800706</u>		Lock Nut, M10 - 1.5	1
24	647797		Bracket	1
25	<u>603799</u>		Flanged Hex Head Bolt, M10 - 1.5 x 25mm Lg, Grade 8.8	1
26	<u>16816G2</u>		Ratchet Rivet, .25" x .887" Lg.....	2
27	<u>600525</u>		Lock Nut, M10 - 1.5	1

BODY

1 Sand Bucket Kit includes items 2 - 8

5 Hardware Kit includes items 6 - 8



15 Club and Ball Washer Kit (Driver Side) includes items 17 - 27

16 Club and Ball Washer Kit (Passenger Side) includes items 17 - 26, 28

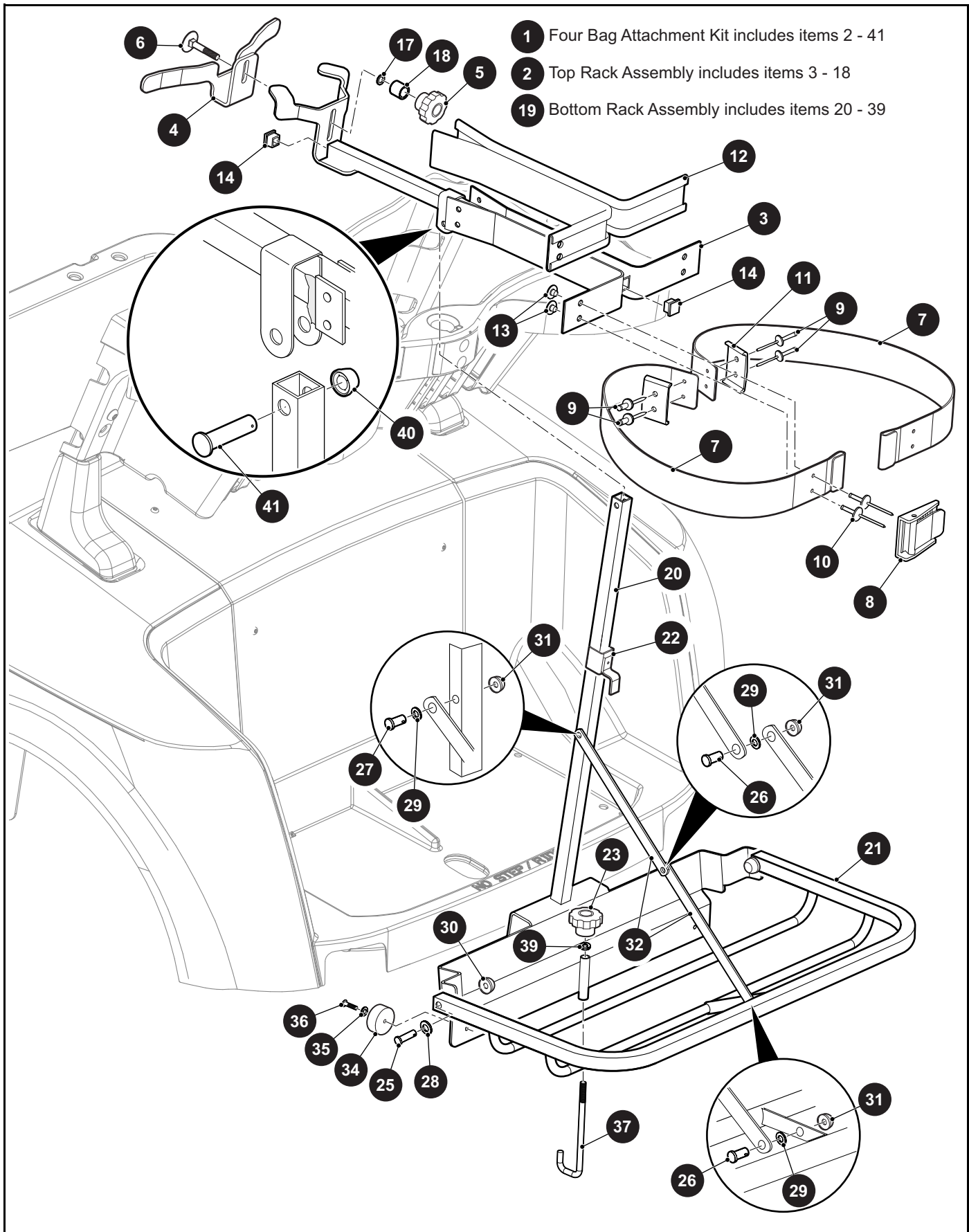
THE USE OF NON U.L. PARTS WILL VOID ANY U.L. LISTING.

When ordering parts, please specify the model and serial number of the product.

* Indicates a component that is not available as an individual part.

*** Indicates consult Customer Service Department for additional information.

ITEM	PART NO.	1 2 3 4 5	DESCRIPTION	QTY.
1	<u>689254</u>		Sand Bucket Kit (Includes Items 2 - 8).....	1
2	<u>689244</u>		Universal Bracket	1
3	<u>662248</u>		Sand Bucket	1
4	<u>74848G01</u>		Scoop	1
5	<u>689269</u>		Hardware Kit (Includes Items 6 - 8).....	1
6	*		Truss Head Torx Bolts, M6 - 1 x 30mm Lg	3
7	*		Flat Washer, M6 - 30	6
8	*		Hex Lock Nuts, M6 - 1.....	3
9				
10				
11				
12				
13				
14				
15	<u>643092</u>		Club and Ball Washer Kit (Driver Side) (Includes Items 17 - 27)	1
16	<u>643094</u>		Club and Ball Washer Kit (Passenger Side) (Includes Items 17 - 26, 28)	1
17	<u>603836</u>		Club and Ball Washer	1
18	<u>604384</u>		Club and Ball Washer Plate.....	1
19	<u>606274</u>		Flanged Hex Nut, M10 - 1.25	3
20	<u>606256</u>		Flanged Hex Head Bolt, M10 - 1.25 x 25mm Lg, Grade 8.8	3
21	<u>600530</u>		Button Head Torx Bolt, M10 - 1.5 x 25mm Lg, Grade 8.8.....	5
22	<u>608732</u>		Pan Head Phillips Screw, M8	5
23	<u>608520</u>		Flat Washer, M10.....	4
24	<u>600525</u>		Lock Nut, M10 - 1.5	4
25	<u>608747</u>		Flat Washer, M6 x 1.5.....	5
26	<u>614974</u>		Torque Nut, M10 - 1.5.....	1
27	<u>643091</u>		Mounting Bracket (Driver Side)	1
28	<u>643093</u>		Mounting Bracket (Passenger Side).....	1



THE USE OF NON U.L. PARTS WILL VOID ANY U.L. LISTING.

When ordering parts, please specify the model and serial number of the product.

* Indicates a component that is not available as an individual part.

*** Indicates consult Customer Service Department for additional information.

ITEM	PART NO.	1 2 3 4 5	DESCRIPTION	QTY.
1	<u>646547</u>		Four Bag Attachment Kit (Includes Items 2 - 41)	1
2	<u>646557</u>		Top Rack Assembly (Includes Items 3 - 18)	1
3	<u>646556</u>		Top Mount Rack	1
4	608939		Under Mount Bracket	1
5	<u>75337G01</u>		Knob, 5/16" - 18	1
6	00724G5		Elevator Bolt, 5/16" - 18 x 2" Lg	1
7	<u>17641G1</u>		Strap (Four Bag Rack)	2
8	<u>16920G1</u>		Strap Retainer Assembly.....	2
9	<u>17226G1</u>		Rivet, .255" x .246".....	4
10	<u>15058G1</u>		Rivet (Aluminum), .191"X .183".....	4
11	<u>16610G1</u>		Anchor Plate.....	2
12	14643G3		Vinyl Extrusion	2
13	<u>16935G1</u>		Tee Nut.....	4
14	<u>19859G1</u>		Tube Cap, 3/4" Sq.....	2
15	<u>17618G1</u>		Nylon Clamp, 8" Lg (Not Illustrated).....	2
16	<u>14382G7</u>		Strip (Noise Suppressor) (Not Illustrated)	2
17	<u>00567G8</u>		Lock Washer (External Tooth Type), 5/16"	1
18	<u>75048G04</u>		Spacer.....	1
19	<u>647152</u>		Bottom Rack Assembly (Includes Items 20 - 39).....	1
20	*		Lower Mount	1
21	*		Four Bag Bottom Assembly.....	1
22	*		Latch Assembly	1
23	*		Knob, 5/16" - 18	1
24	*		Vinyl Shrink Tubing (Not Illustrated).....	1
25	*		Clevis Pin, 3/8" x 1.25".....	2
26	*		Clevis Pin, 5/16" x .625".....	2
27	*		Clevis Pin, 5/16" x 1.25".....	1
28	*		Flat Washer, 3/8"	2
29	*		Flat Washer, 5/16"	3
30	*		Cap Nut (Black), 3/8"	2
31	*		Cap Nut (Plastic), 5/16".....	3

BODY

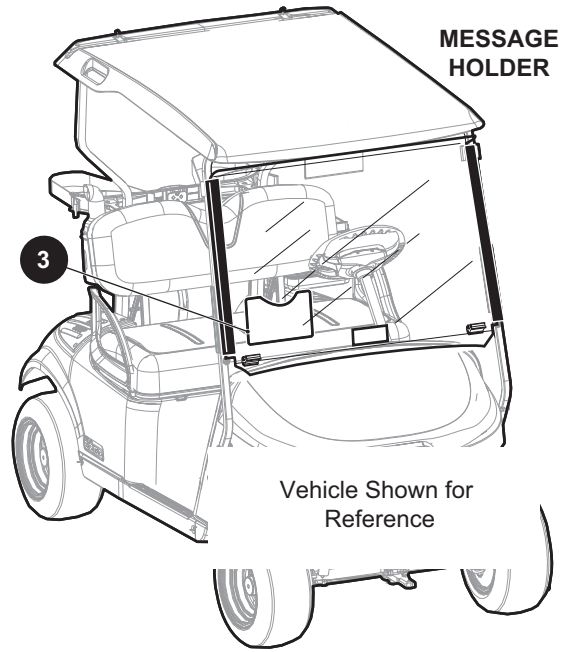
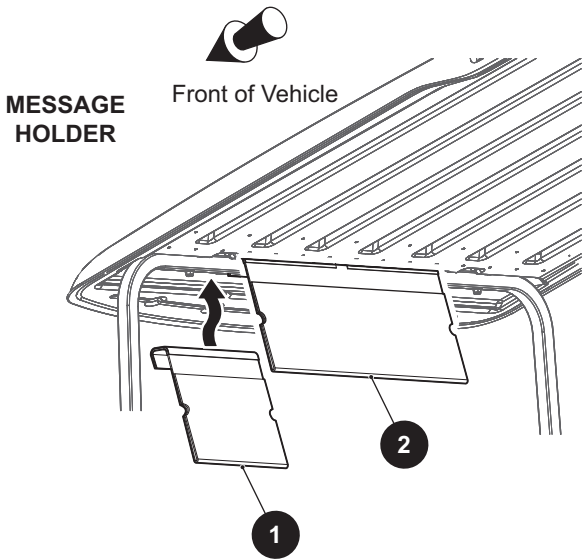
THE USE OF NON U.L. PARTS WILL VOID ANY U.L. LISTING.

When ordering parts, please specify the model and serial number of the product.

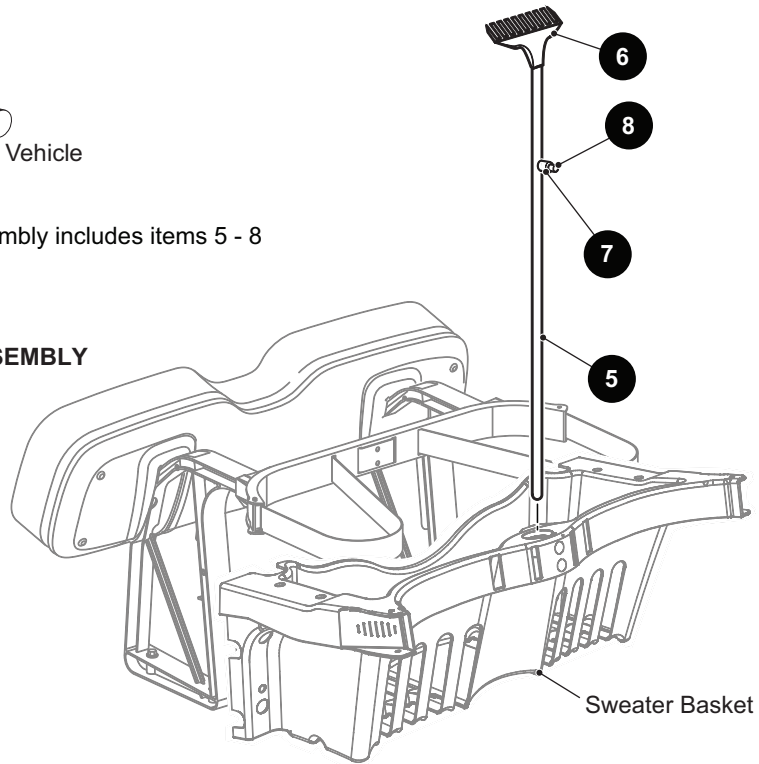
* Indicates a component that is not available as an individual part.

*** Indicates consult Customer Service Department for additional information.

ITEM	PART NO.	1	2	3	4	5	DESCRIPTION	QTY.
32	*						Brace	2
33	*						Nylon Clamp, 8" Lg (Not Illustrated)	1
34	*						Rubber Bumper	2
35	*						Flat Washer, #10.....	2
36	*						Rivet, 3/16 x 13/16"	2
37	*						Retainer Rod	1
38								
39	*						Lock Washer, 5/16".....	1
40	<u>28129G01</u>						Cap Nut (Plastic), 5/16".....	1
41	<u>17651G2</u>						Clevis Pin, 5/16" x 1.25"	1



RAKE ASSEMBLY



THE USE OF NON U.L. PARTS WILL VOID ANY U.L. LISTING.

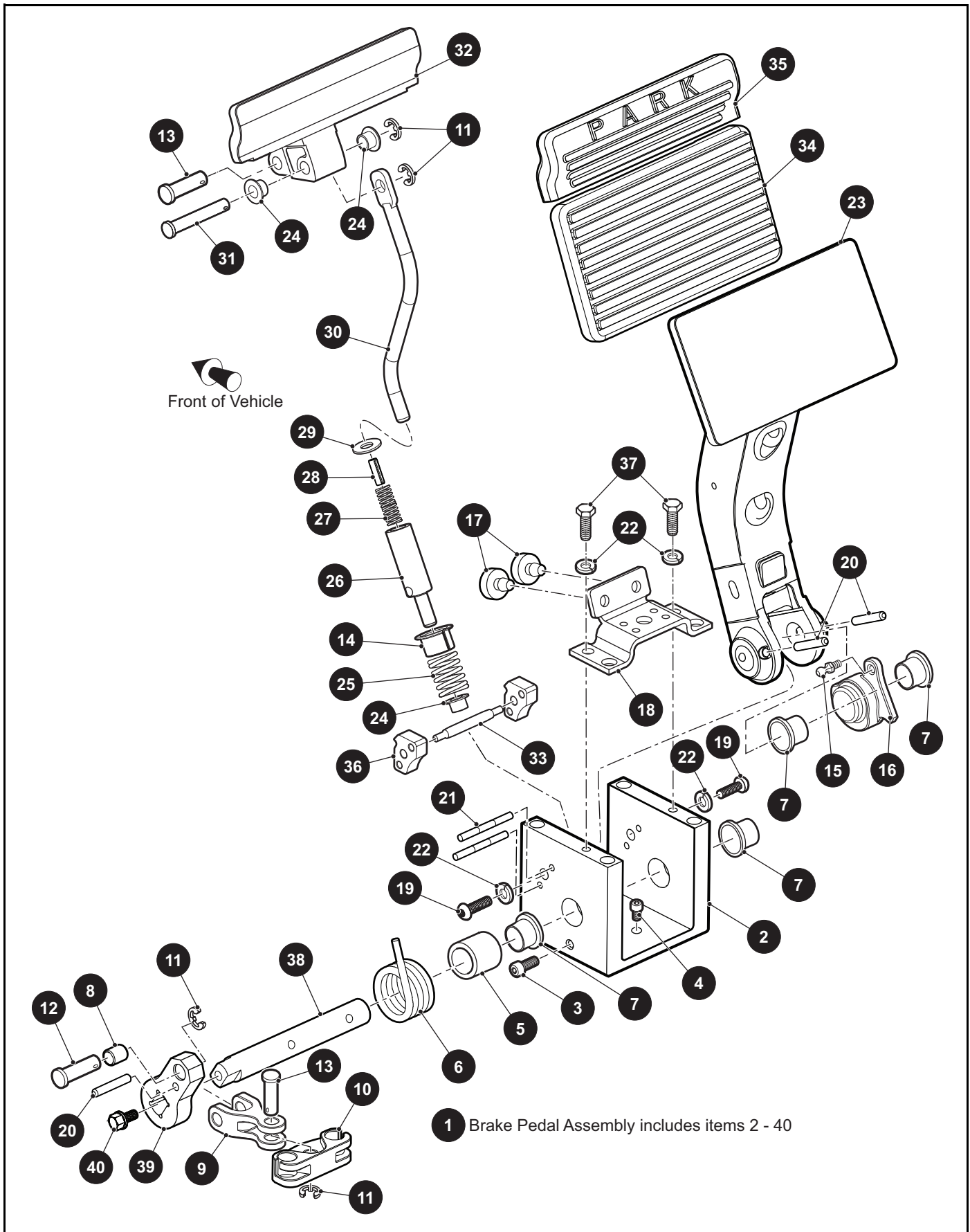
When ordering parts, please specify the model and serial number of the product.

* Indicates a component that is not available as an individual part.

*** Indicates consult Customer Service Department for additional information.

ITEM	PART NO.	1 2 3 4 5	DESCRIPTION	QTY.
1	<u>609308</u>		Message Holder (Single).....	1
2	<u>617613</u>		Message Holder (Double).....	1
3	695349		Message Holder (Mounted on Windshield).....	1
4	<u>14735G1</u>		Rake Assembly (Includes Items 5 - 8).....	1
5	<u>14736G2</u>		Rake Handle.....	1
6	<u>14737G1</u>		Rake.....	1
7	<u>14934G1</u>		Spacer.....	1
8	<u>00130G8</u>		Round Head Phillips Wood Screw, #10 - 13 x 1" Lg.....	1

BRAKES



THE USE OF NON U.L. PARTS WILL VOID ANY U.L. LISTING.

When ordering parts, please specify the model and serial number of the product.

* Indicates a component that is not available as an individual part.

*** Indicates consult Customer Service Department for additional information.

ITEM	PART NO.	1 2 3 4 5	DESCRIPTION	QTY.
1	<u>653204</u>		Brake Pedal Assembly (Includes Items 2 - 40)	1
2	*		Brake Arm Mount.....	1
3	*		Socket Head Bolt, M5 - .8 x 15mm Lg.....	1
4	*		Socket Head Bolt, M4 - .7 x 10mm Lg.....	1
5	*		Spacer (Torsion Spring).....	1
6	*		Torsion Spring, 4.5mm Dia	1
7	*		Flanged Bushing, 16mm x 12mm	4
8	*		Bush Sleeve (Split), 8mm x 12mm	1
9	<u>604459</u>		Cable Pull Clip	1
10	<u>604458</u>		Equalizer.....	1
11	<u>601835</u>		E-ring, 8mm	4
12	<u>601895</u>		Clevis Pin, 8mm x 27mm	1
13	<u>601894</u>		Clevis Pin, 8mm x 21.5mm.....	2
14	*		Flanged Bushing, 16mm x 12mm	1
15	*		Ball Stud, 6mm Dia.....	1
16	*		Multi Latch Cam.....	1
17	<u>604097</u>		Rebound Bumper	2
18	<u>609226</u>		Bracket	1
19	*		Button Head Torx Bolt, M6 - 1 x 20mm Lg.....	2
20	*		Spirol Pin, 5mm x 30mm	3
21	<u>600683</u>		Spirol Pin (Heavy Duty), 4mm x 26mm	4
22	*		Lock Washer, 6mm	4
23	*		Pedal (Black)	1
24	*		Flanged Bush (Plastic), 8mm	3
25	*		Compression Spring	1
26	*		Latch Release Pin	1
27	*		Compression Spring, Engage.....	1
28	*		Roll Pin, 5mm x 16mm	1
29	*		Flat Washer, M4.....	1
30	*		Park Brake Pushrod	1
31	*		Clevis Pin, 8mm x 45mm.....	1

BRAKES

THE USE OF NON U.L. PARTS WILL VOID ANY U.L. LISTING.

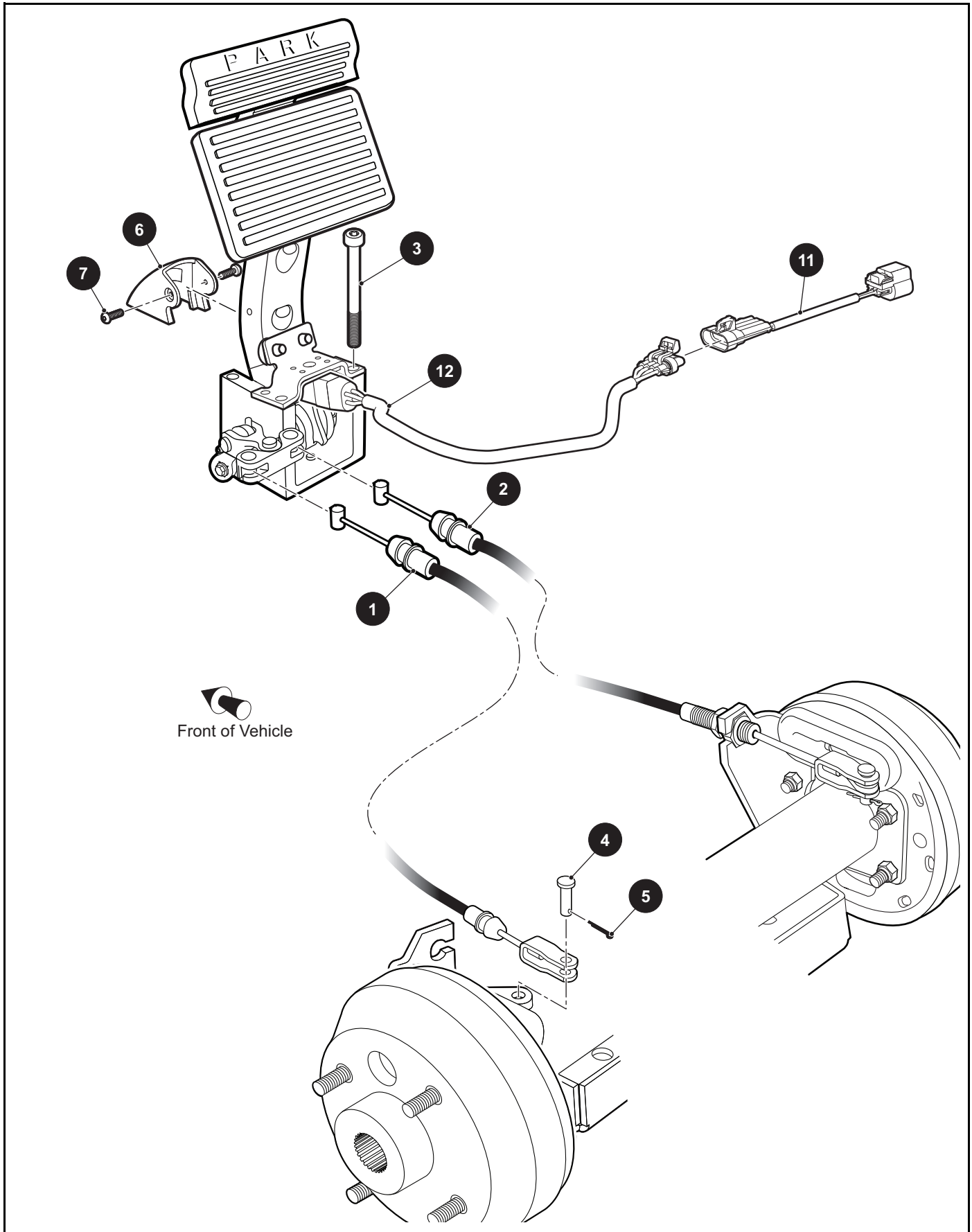
When ordering parts, please specify the model and serial number of the product.

* Indicates a component that is not available as an individual part.

*** Indicates consult Customer Service Department for additional information.

ITEM	PART NO.	1	2	3	4	5	DESCRIPTION	QTY.
32	626156						Park Brake Pad.....	1
33	*						Solid Pin, 4mm x 57mm	1
34	<u>610471</u>						Brake Pedal Cover.....	1
35	<u>610635</u>						Park Brake Pedal Cover.....	1
36	*						Latch Ratchet.....	2
37	<u>613231</u>						Flanged Hex Head Bolt, M6 - 1 x 20mm Lg, Grade 8.8.....	2
38	*						Pivot Shaft.....	1
39	626146						Brake Cable Arm.....	1
40	<u>606265</u>						Flanged Hex Head Bolt, M6 - 1 x 12mm Lg, Grade 8.8.....	1

BRAKES



BRAKES

THE USE OF NON U.L. PARTS WILL VOID ANY U.L. LISTING.

When ordering parts, please specify the model and serial number of the product.

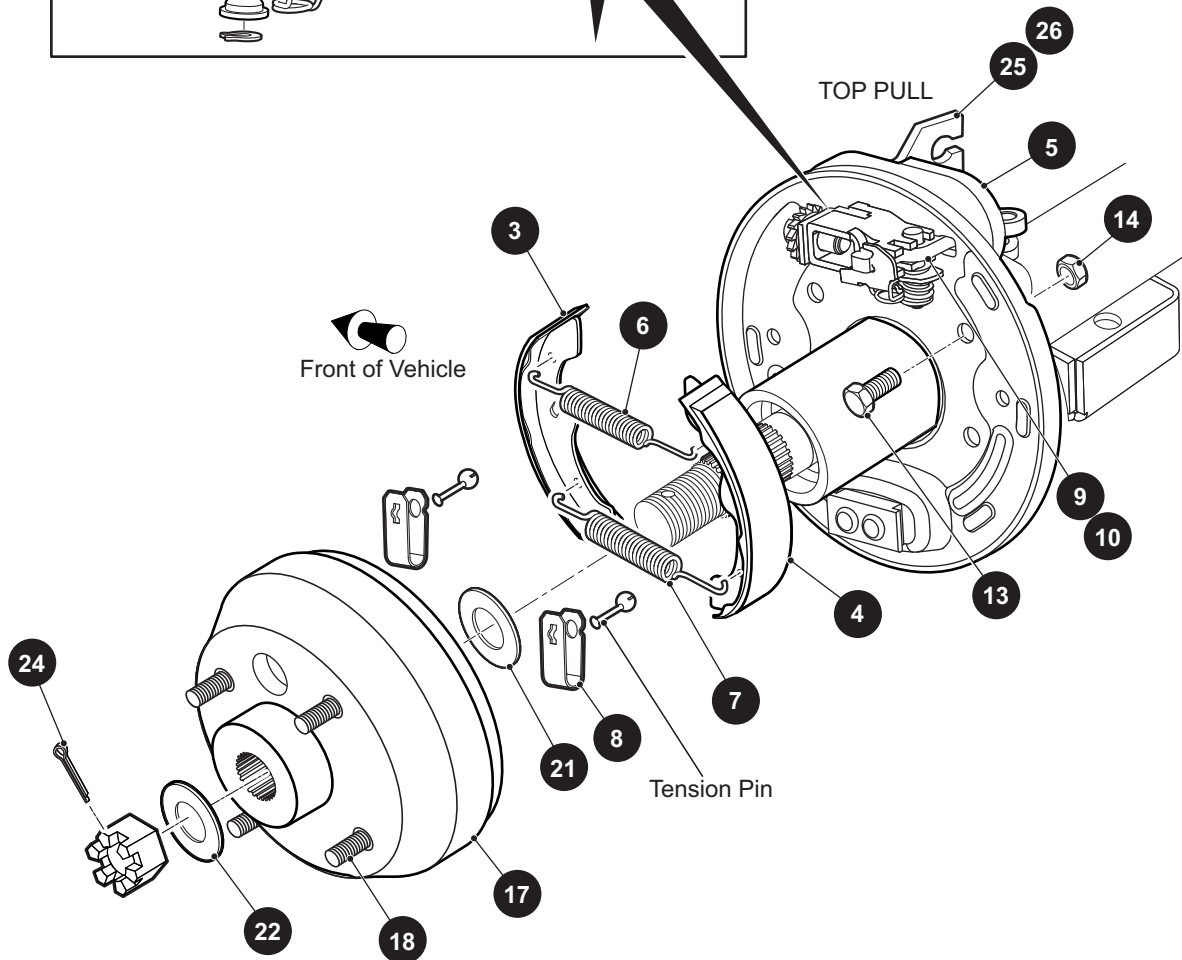
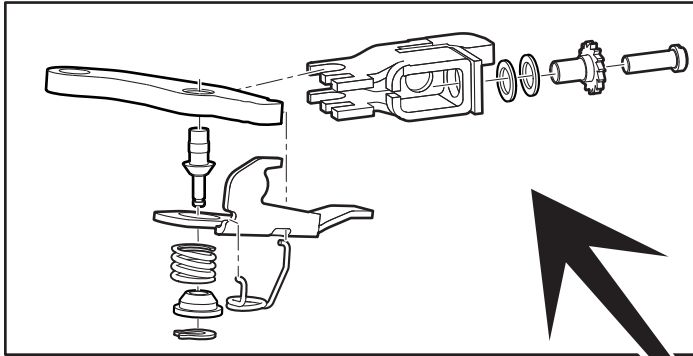
* Indicates a component that is not available as an individual part.

*** Indicates consult Customer Service Department for additional information.

ITEM	PART NO.	1 2 3 4 5	DESCRIPTION	QTY.
1	<u>611373</u>		Brake Cable (Driver Side)	1
2	<u>612519</u>		Brake Cable (Passenger Side).....	1
3	<u>605254</u>		Socket Head Bolt, M8 - 1.25 x 90mm Lg	4
4	<u>10386G3</u>		Clevis Pin, 5/16" x .940"	1
5	<u>10387G3</u>		Cotter Pin, .094" x 3/4" Lg.....	1
6	<u>605688</u>		Brake Pedal Cover	1
7	<u>600543</u>		Button Head Torx Bolt, M4 - .75 x 12mm Lg	2
8	<u>17618G1</u>		Nylon Clamp, 8" Lg (Not Illustrated).....	1
9				
10				
11	<u>609181</u>		Brake Light Jumper Harness.....	1
12	<u>607605</u>		Brake and Accelerator Pedal Switch	1

BRAKES

- 1 Brake Assembly (Driver Side) includes items 3 - 9
- 2 Brake Assembly (Passenger Side) includes items 3 - 8, 10
- 16 Brake Drum Assembly includes items 17, 18



BRAKES

THE USE OF NON U.L. PARTS WILL VOID ANY U.L. LISTING.

When ordering parts, please specify the model and serial number of the product.

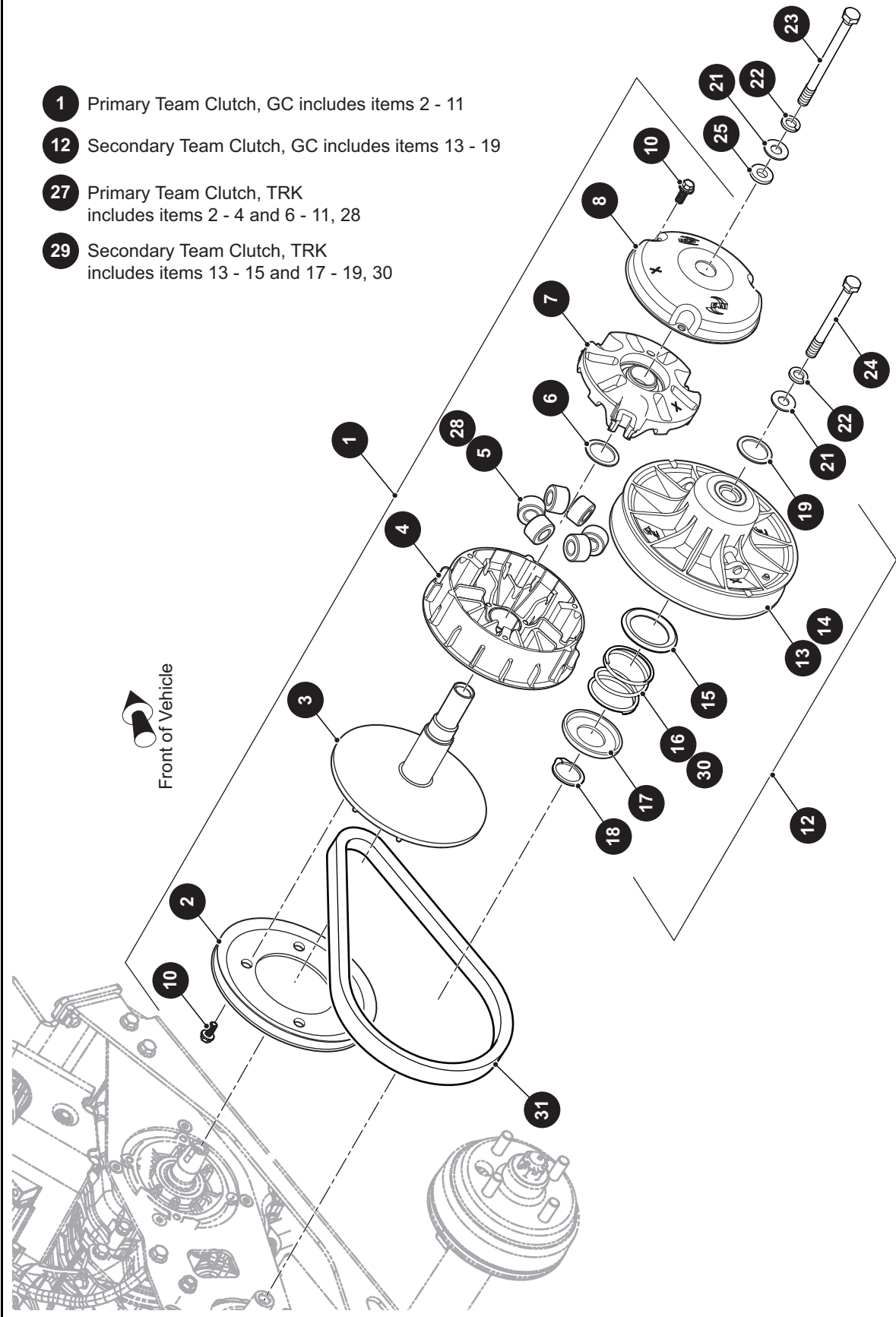
* Indicates a component that is not available as an individual part.

*** Indicates consult Customer Service Department for additional information.

ITEM	PART NO.	1 2 3 4 5	DESCRIPTION	QTY.
1	<u>612189</u>		Brake Assembly (Driver Side) (includes items 3 - 9)	1
2	<u>612211</u>		Brake Assembly (Passenger Side) (includes items 3 - 8, 10)	1
3	<u>612411</u>		Brake Shoe, Leading	1
4	<u>612412</u>		Brake Shoe, Trailing	1
5	<u>612413</u>		Dust Cover.....	1
6	<u>612415</u>		Brake Spring, Top	1
7	<u>612414</u>		Brake Spring, Bottom	1
8	<u>612416</u>		Shoe Clamp	2
9	<u>612418</u>		Gear Adjuster (Driver Side)	1
10	<u>612417</u>		Gear Adjuster (Passenger Side)	1
11				
12				
13	<u>17083G2</u>		Hex Head Bolt, 5/16" - 24 x 1" Lg, Grade 8	4
14	<u>15126G1</u>		Lock Nut, 5/16" - 24	4
15				
16	<u>21807G2</u>		Brake Drum Assembly (includes items 17, 18)	1
17	<u>20947G1</u>		Brake Drum	1
18	<u>19862G2</u>		Lug Bolt, 1/2" - 20 x 1.718" Lg.....	4
19				
20				
21	<u>21809G1</u>		Flat Washer (Inner Wheel Rim), 1.31" O.D. x .98" I.D	1
22	<u>606945</u>		Flat Washer (Brake Drum), 1.75" O.D. x .886" I.D	1
23				
24	<u>10387G1</u>		Cotter Pin, 5/32" x 1 3/4" Lg.....	1
25	<u>652248</u>		Brake Cable Bracket (Passenger Side)	1
26	<u>610096</u>		Brake Cable Bracket (Driver Side)	1

CLUTCH

- 1 Primary Team Clutch, GC includes items 2 - 11
- 12 Secondary Team Clutch, GC includes items 13 - 19
- 27 Primary Team Clutch, TRK includes items 2 - 4 and 6 - 11, 28
- 29 Secondary Team Clutch, TRK includes items 13 - 15 and 17 - 19, 30



THE USE OF NON U.L. PARTS WILL VOID ANY U.L. LISTING.

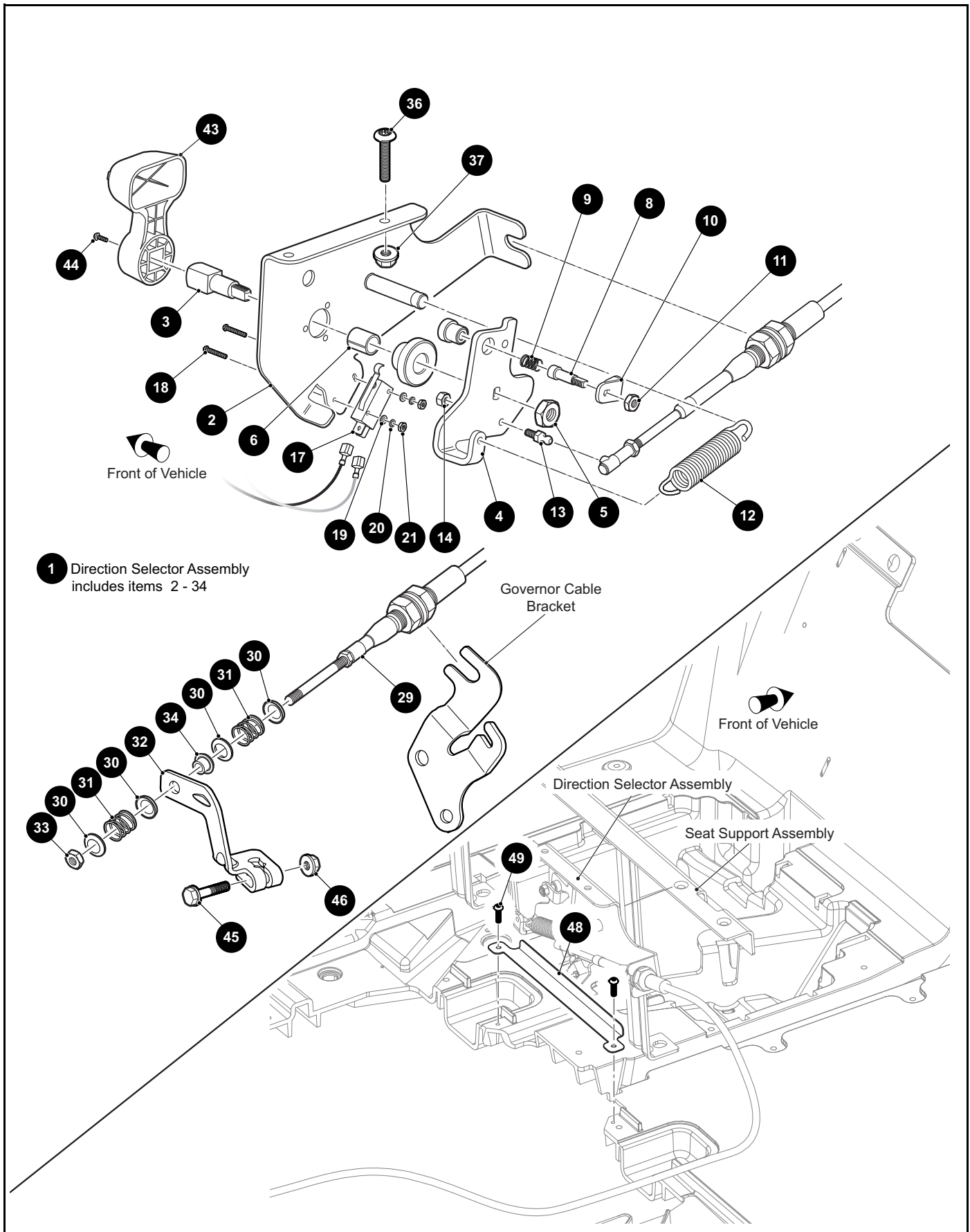
When ordering parts, please specify the model and serial number of the product.

* Indicates a component that is not available as an individual part.

*** Indicates consult Customer Service Department for additional information.

ITEM	PART NO.	1 2 3 4 5	DESCRIPTION	QTY.
1	<u>672686</u>		Primary Team Clutch, GC (Includes items 2 - 11)	1
2	<u>619333</u>		Primary Starter Pulley.....	1
3	<u>619334</u>		Stationary Assembly	1
4	<u>619335</u>		Moveable Primary Assembly	1
5	<u>619336</u>		Shift Roller Assembly.....	6
6	<u>619337</u>		Shim, 39.5mm x 31.75mm	1
7	<u>644303</u>		Primary Spider Assembly	1
8	<u>619339</u>		Primary Dust Cover Assembly.....	1
9	<u>644305</u>		Torque Primary Button (Not Illustrated)	1
10	<u>619332</u>		Hex Washer Head Bolt, 1/4" - 20 x 3/4" Lg.....	7
11	<u>644306</u>		Torque Button Plug (Not Illustrated)	6
12	<u>644300</u>		Secondary Team Clutch, GC (Includes items 13 - 19)	1
13	*		Secondary Stationary Clutch	1
14	*		Moveable Secondary Clutch.....	1
15	<u>619327</u>		Inner Retainer Spring	1
16	<u>644304</u>		Compression Spring	1
17	<u>619329</u>		Outer Spring Retainer.....	1
18	<u>619330</u>		Retainer Ring.....	1
19	<u>619331</u>		Thrust Washer, 1.530" x 1.830" x 1"	1
20				
21	<u>606239</u>		Conical Washer, M12	2
22	<u>00566G3</u>		Lock Washer (Spring Type), 3/8".....	2
23	<u>606245</u>		Hex Head Bolt, M12 - 1.25 x 160mm Lg, Grade 8.8	1
24	<u>606243</u>		Hex Head Bolt, M12 - 1.25 x 120mm Lg, Grade 8.8	1
25	<u>606230</u>		Clutch Washer, 27.5 Dia. O.D x 13.06 Dia. I.D	1
26				
27	<u>672688</u>		Primary Team Clutch, TRK (Includes items 2 - 4 and 6 - 11, 28)	1
28	<u>624112</u>		Shift Roller Assembly.....	6
29	<u>623949</u>		Secondary Team Clutch, TRK (Includes Items 13 - 15 and 17- 19, 30)	1
30	<u>624111</u>		Compression Spring	1
31	<u>618630</u>		Drive Belt.....	1

DIRECTION SELECTOR



DIRECTION SELECTOR

THE USE OF NON U.L. PARTS WILL VOID ANY U.L. LISTING.

When ordering parts, please specify the model and serial number of the product.

* Indicates a component that is not available as an individual part.

*** Indicates consult Customer Service Department for additional information.

ITEM	PART NO.	1 2 3 4 5	DESCRIPTION	QTY.
1	<u>608161</u>		Direction Selector Assembly (Includes Items 2 - 34).....	1
2	<u>603627</u>		Direction Selector Bracket	1
3	<u>608150</u>		Direction Selector Shaft.....	1
4	<u>603700</u>		Direction Selector Cam.....	1
5	<u>14390G1</u>		Lock Nut, 3/8" - 24	1
6	<u>25664G2</u>		Bushing, 1/2" x .750" Lg	1
7				
8	<u>72724G01</u>		Neutral Lock Pin	1
9	<u>72733G01</u>		Compression Spring	1
10	<u>72729G01</u>		Neutral Lock Latch.....	1
11	<u>00734G2</u>		Lock Nut, 1/4" - 28	1
12	<u>28574G01</u>		Extension Spring	1
13	<u>72732G01</u>		Ball Stud, #10 - 32	1
14	<u>00734G5</u>		Lock Nut, #10 - 32	1
15				
16				
17	<u>72736G01</u>		Micro Switch	1
18	<u>01062G01</u>		Round Head Screw, #4 - 40 x 1" Lg	2
19	<u>00559G1</u>		Flat Washer, #4.....	2
20	<u>00565G1</u>		Lock Washer, #4	2
21	<u>00526G2</u>		Hex Nut, #4 - 40	2
22				
23				
24				
25				
26				
27				
28				
29	<u>603615</u>		Shifter Cable	1
30	<u>25727G01</u>		Cup Washer, 1/4".....	4
31	<u>72735G01</u>		Compression Spring.....	2

DIRECTION SELECTOR

THE USE OF NON U.L. PARTS WILL VOID ANY U.L. LISTING.

When ordering parts, please specify the model and serial number of the product.

* Indicates a component that is not available as an individual part.

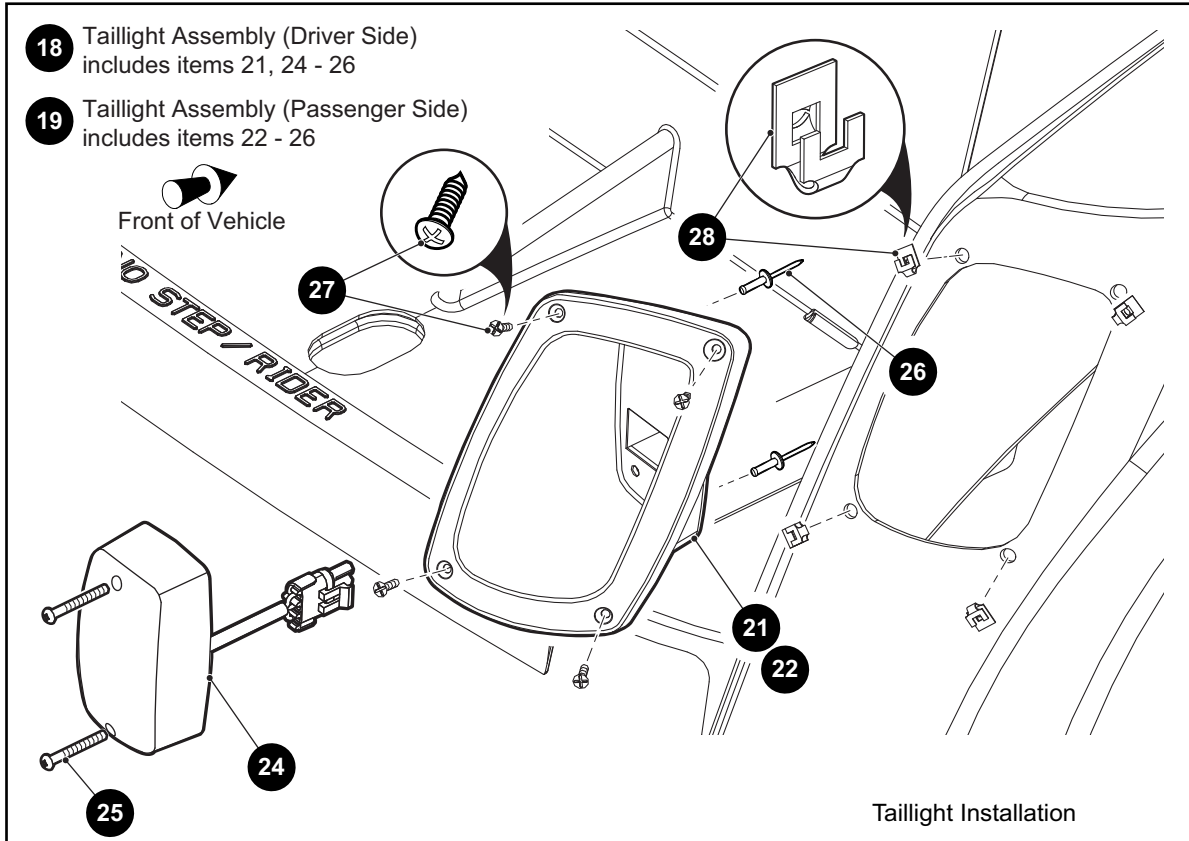
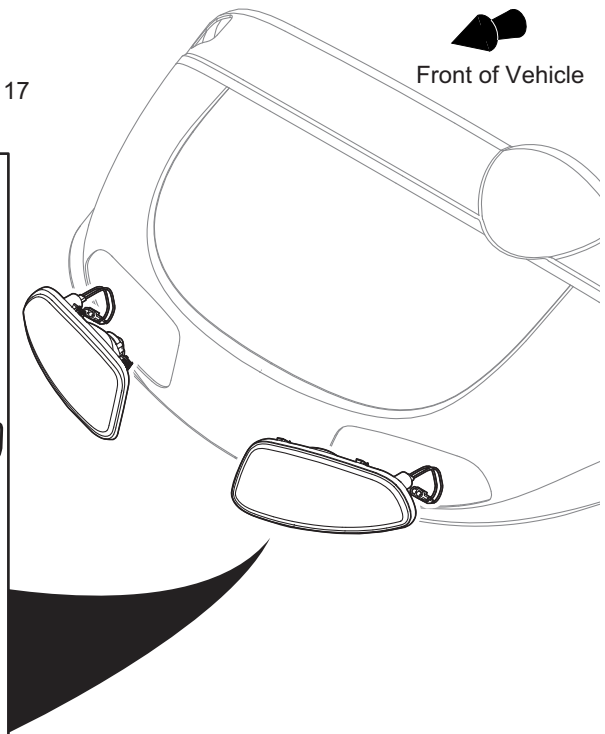
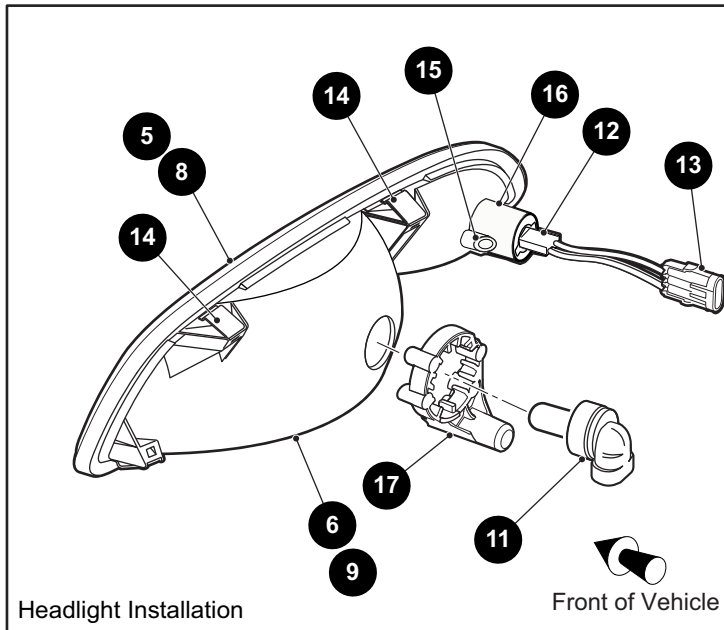
*** Indicates consult Customer Service Department for additional information.

ITEM	PART NO.	1	2	3	4	5	DESCRIPTION	QTY.
32	<u>632891</u>						Pivot Bracket.....	1
33	<u>00734G5</u>						Lock Nut, #10 - 32.....	1
34	<u>22754G4</u>						Bushing (Flip Lok), .250".....	1
35								
36	<u>601326</u>						Button Head Torx Bolt, M6 - 1 x 20mm Lg, Grade 8.8.....	2
37	<u>450452</u>						Hex Nut, M6 - 1	2
38								
39								
40								
41								
42								
43	<u>71205G01</u>						Direction Selector Handle.....	1
44	<u>01037G02</u>						Pan Head Phillips Screw, #10 - 32 x 1/2" Lg.....	1
45	<u>606421</u>						Flanged Hex Head Bolt, M6 - 1 x 30mm Lg, Grade 8.8	1
46	<u>450452</u>						Hex Nut, M6 - 1	1
47								
48	<u>628573</u>						Body Support.....	1
49	<u>608290</u>						Self Tapping Screw, #10 - 16 x 3/4" Lg.....	2

Notes:

Grid area for notes

- 1 Headlight Assembly (Driver Side) includes items 5, 6, 11 - 17
- 2 Headlight Assembly (Passenger Side) includes items 8, 9, 11 - 17



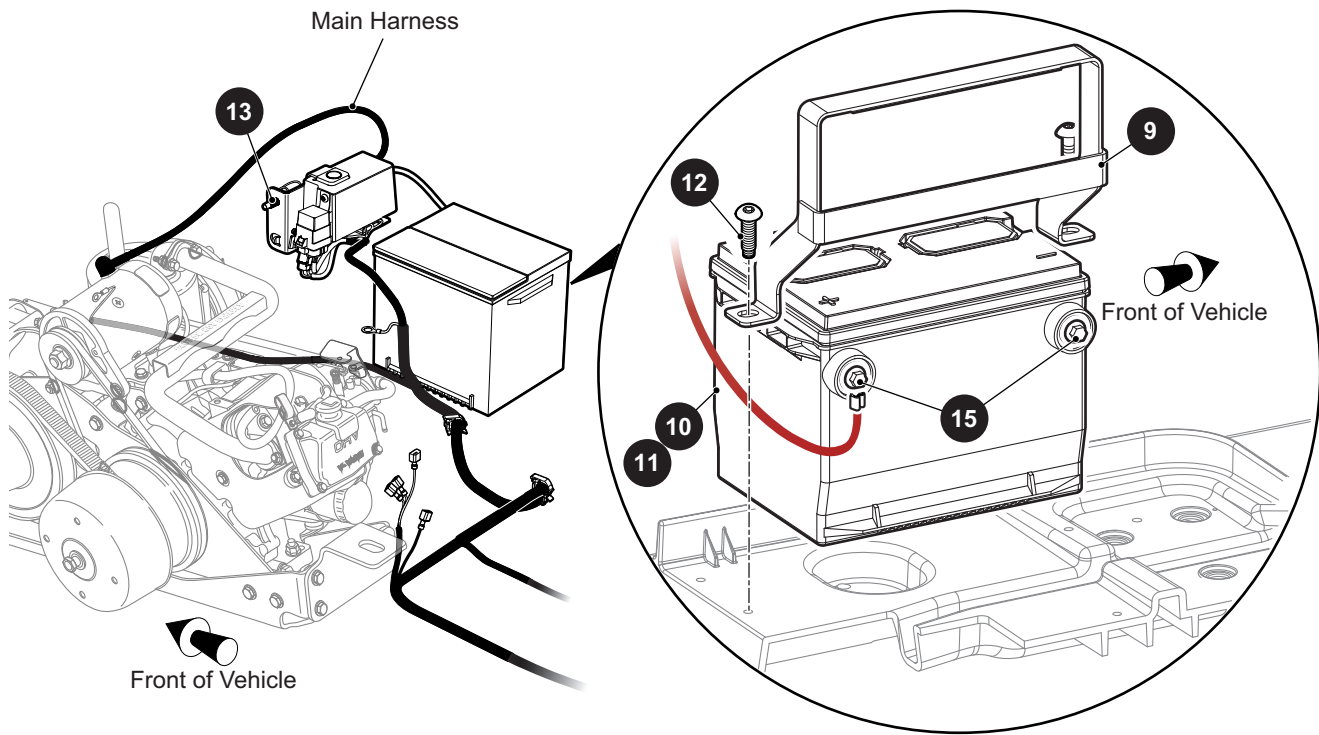
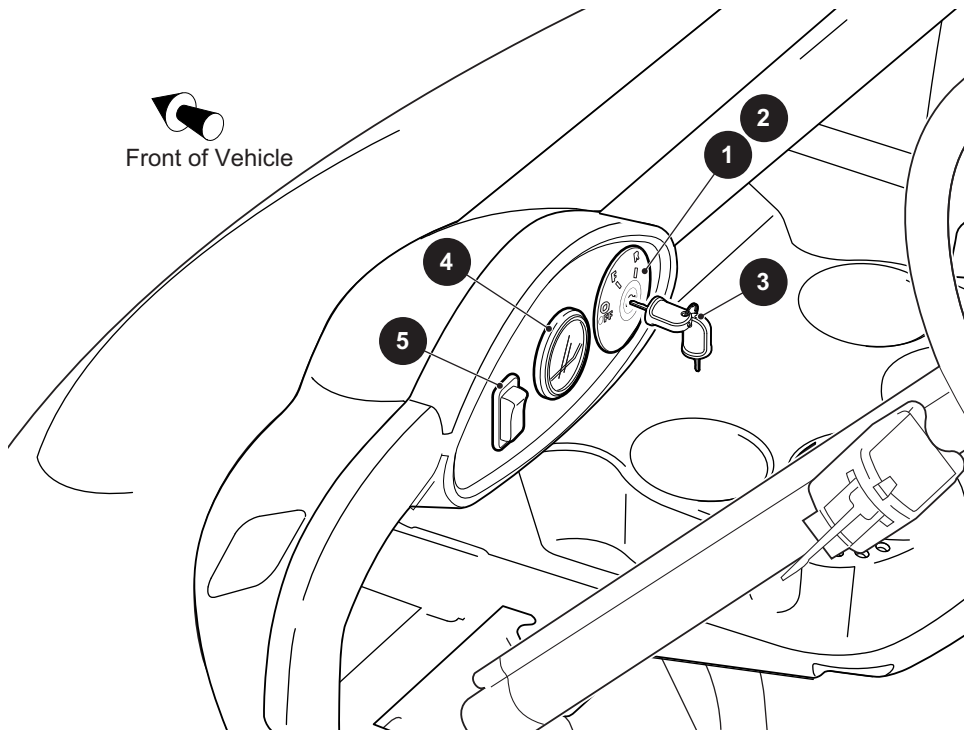
THE USE OF NON U.L. PARTS WILL VOID ANY U.L. LISTING.

When ordering parts, please specify the model and serial number of the product.

* Indicates a component that is not available as an individual part.

*** Indicates consult Customer Service Department for additional information.

ITEM	PART NO.	1 2 3 4 5	DESCRIPTION	QTY.
1	<u>607439</u>		Headlight Assembly (Driver Side) (Includes Items 5, 6, 11 - 17).....	1
2	<u>607438</u>		Headlight Assembly (Passenger Side) (Includes Items 8, 9, 11 - 17)	1
3				
4				
5	<u>607452</u>		Gasket (Driver Side)	1
6	<u>607436</u>		Headlight (Driver Side)	1
7				
8	<u>607437</u>		Headlight Gasket (Passenger Side)	1
9	<u>607435</u>		Headlight (Passenger Side).....	1
10				
11	<u>74004G01</u>		Headlight Bulb	1
12	<u>676687</u>		Front Turn Signal Bulb	1
13	<u>607487</u>		Wiring Harness (Turn Signal Lamp)	1
14	<u>607434</u>		Headlight Clip	4
15	<u>608328</u>		Button Head Torx Screw (Plastite), M3 - 1.3 x 14mm Lg.....	1
16	<u>608322</u>		Headlight Retainer.....	1
17	<u>615459</u>		Anti Rotation Collar.....	1
18	<u>648672G01</u>		Taillight Assembly (Driver Side) (Includes Item 21, 24 - 26).....	1
19	<u>648672G02</u>		Taillight Assembly (Passenger Side) (Includes Item 22 - 26).....	1
20				
21	<u>639815G01</u>		Bezel (Driver Side)	1
22	<u>639815G02</u>		Bezel (Passenger Side)	1
23				
24	<u>639816</u>		Taillight.....	1
25	<u>00513G4</u>		Pan Head Phillips Screw, #8 - 18 x 3/4" Lg	2
26	<u>14601G11</u>		Rivet (Aluminum), 3/16" x 9/16"	2
27	<u>71425G01</u>		Tapping Screw, #8 - 18 x 3/4" Lg.....	4
28	<u>71364G02</u>		J-type Nut, #8.....	4



THE USE OF NON U.L. PARTS WILL VOID ANY U.L. LISTING.

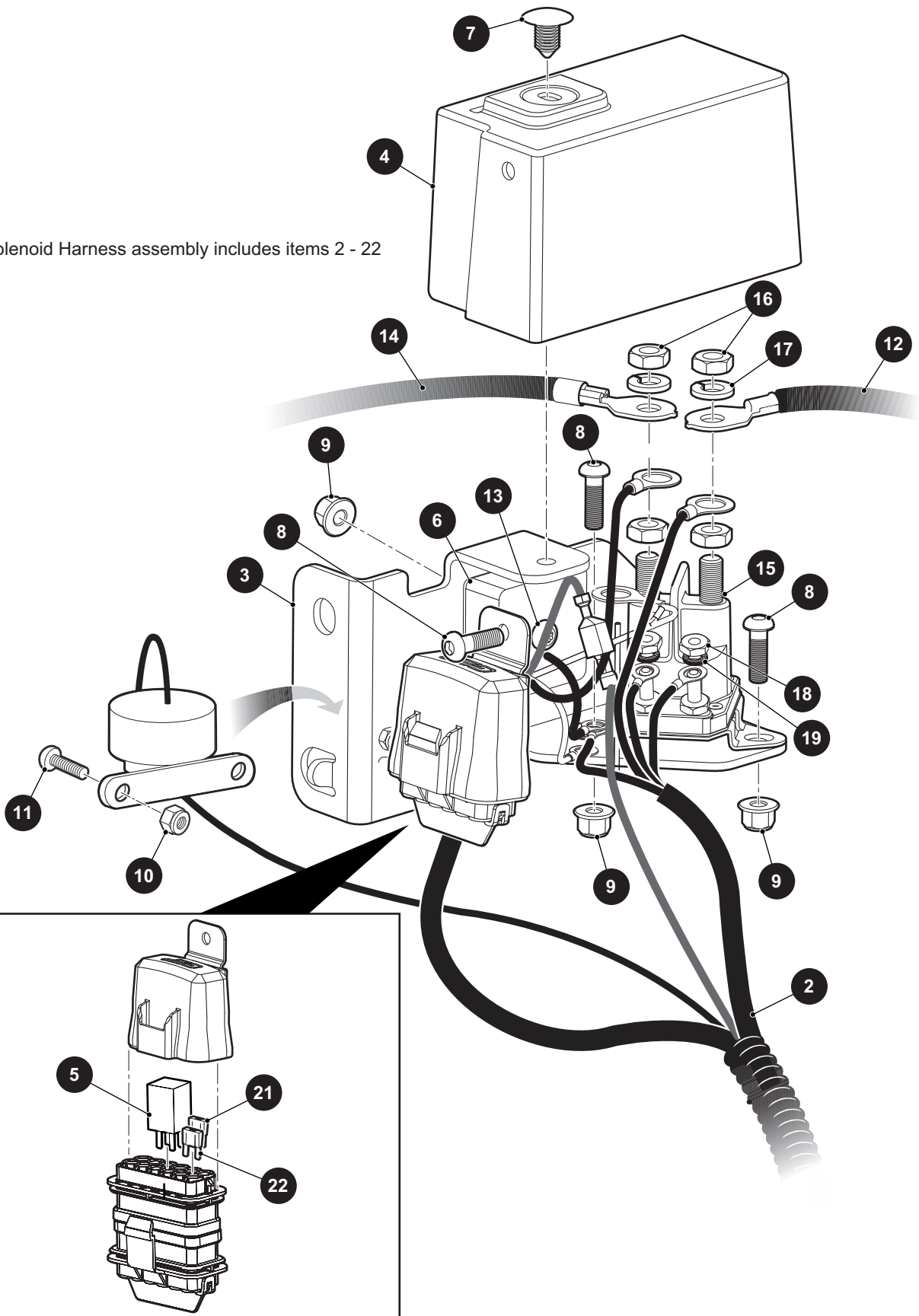
When ordering parts, please specify the model and serial number of the product.

* Indicates a component that is not available as an individual part.

*** Indicates consult Customer Service Department for additional information.

ITEM	PART NO.	1 2 3 4 5	DESCRIPTION	QTY.
1	<u>611284</u>		Keyswitch	1
2	<u>609696</u>		Keyswitch and Key Set (Unique).....	1
3	<u>611282</u>		Key Set (Common).....	1
4	<u>612314</u>		Fuel Meter	1
5	<u>604019</u>		Headlight Switch	1
6				
7				
8				
9	643145		Battery Tie Down.....	1
10	<u>637484</u>		Battery, 12V.....	1
11	<u>638433</u>		Battery (Heavy Duty), 12V	1
12	<u>649804</u>		Button Head Torx Screw, M8 - 3.50 x 30mm Lg.....	2
13	<u>602572</u>		Pan Head Taptite Bolt, M10 - 1.5 x 25mm Lg, Grade 8.8	2
14				
15	<u>640488</u>		Battery Bolt (Side Terminal)	2

1 Solenoid Harness assembly includes items 2 - 22



THE USE OF NON U.L. PARTS WILL VOID ANY U.L. LISTING.

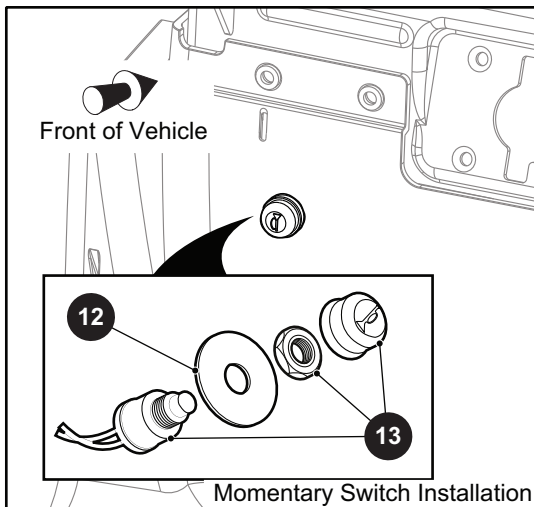
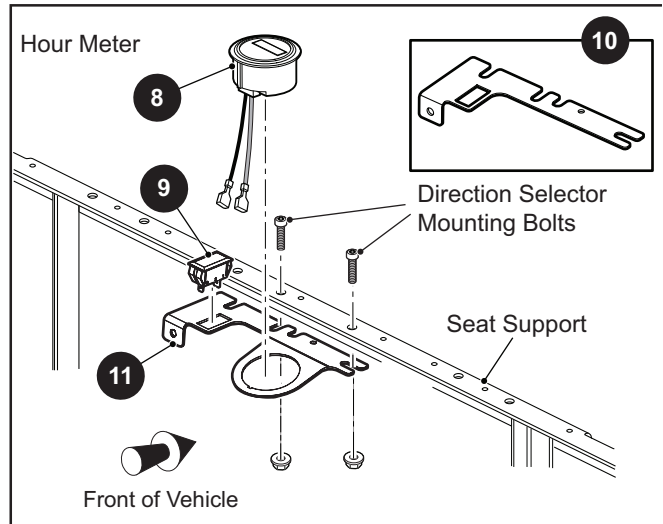
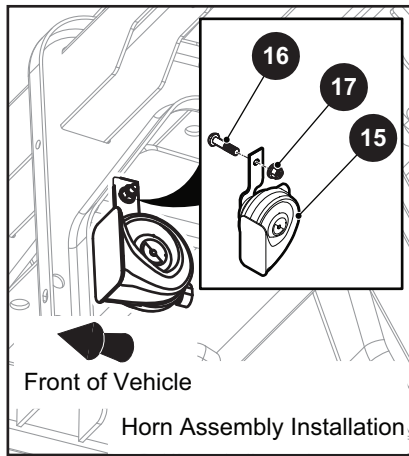
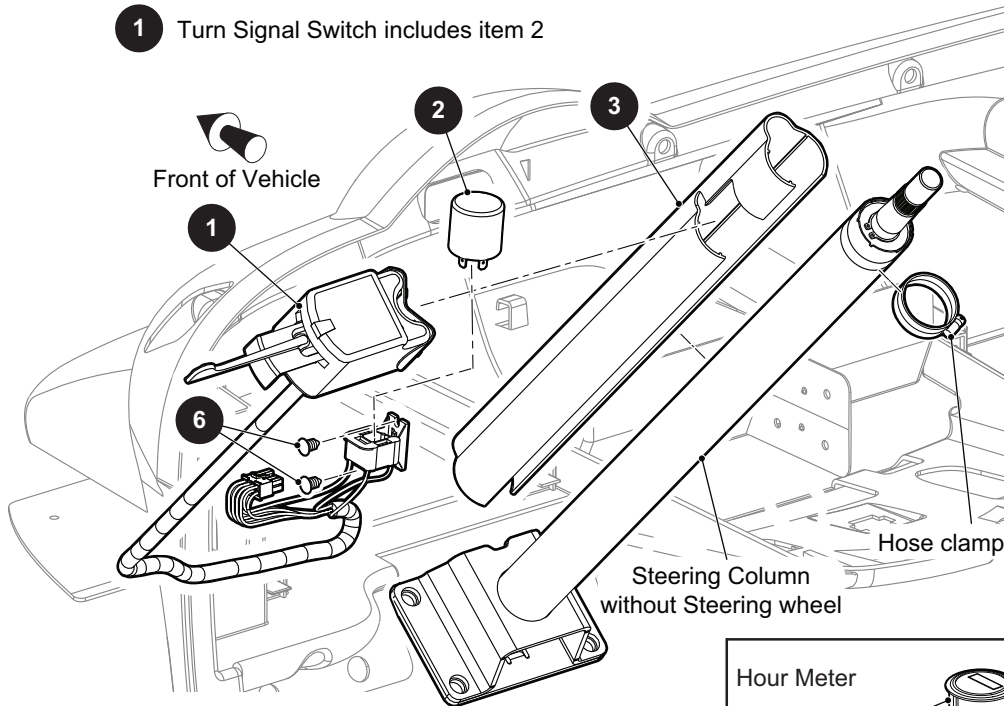
When ordering parts, please specify the model and serial number of the product.

* Indicates a component that is not available as an individual part.

*** Indicates consult Customer Service Department for additional information.

ITEM	PART NO.	1 2 3 4 5	DESCRIPTION	QTY.
1	<u>659007</u>		Solenoid Harness Assembly (Includes Items 2 - 22).....	1
2	659006		Main Harness	1
3	<u>615349</u>		Solenoid Bracket	1
4	<u>603390</u>		Solenoid Cover	1
5	663593		Relay, 12V	1
6	<u>27739G01</u>		Voltage Regulator	1
7	<u>16816G1</u>		Ratchet Rivet, .25" x .680".....	1
8	<u>601326</u>		Button Head Torx Bolt, M6 - 1 x 20mm Lg, Grade 8.8.....	3
9	<u>601476</u>		Lock Nut, M6 - 1	4
10	<u>602053</u>		Lock Nut, M4 - .7	3
11	<u>600543</u>		Button Head Torx Bolt, M4 - .75 x 12mm Lg, Grade 8.8.....	3
12	<u>645209</u>		#6 GA Wire Assembly (B+ / Sol).....	1
13	<u>602063</u>		Button Head Torx Bolt, M6 - 1 x 40mm Lg.....	1
14	<u>603874</u>		6 AWG Wire Assembly, Black (Sol - F2).....	1
15	613322		Solenoid Base, 14V	1
16	<u>00544G4</u>		Hex Jam Nut, 5/16" - 24	2
17	<u>00565G8</u>		Lock Washer, 5/16".....	2
18	<u>00526G4</u>		Hex Nut, #10 - 32	2
19	<u>00565G5</u>		Lock Washer, #10	2
20	<u>646246</u>		3A Diode, #10 Ring (Not Illustrated).....	1
21	<u>636455G12</u>		Fuse, 10A	1
22	<u>636455G13</u>		Fuse, 15A	1

1 Turn Signal Switch includes item 2



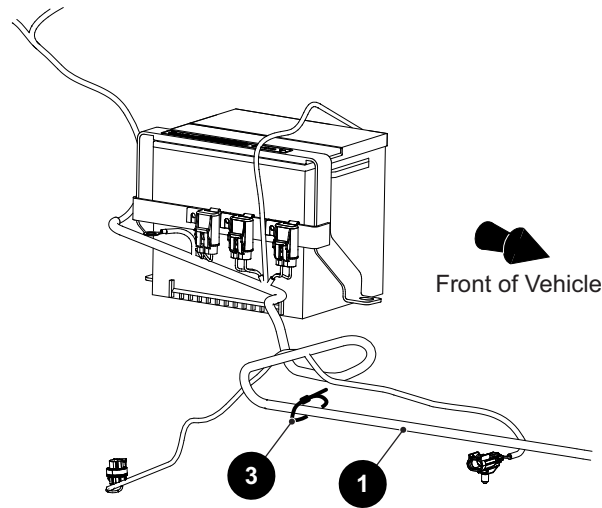
THE USE OF NON U.L. PARTS WILL VOID ANY U.L. LISTING.

When ordering parts, please specify the model and serial number of the product.

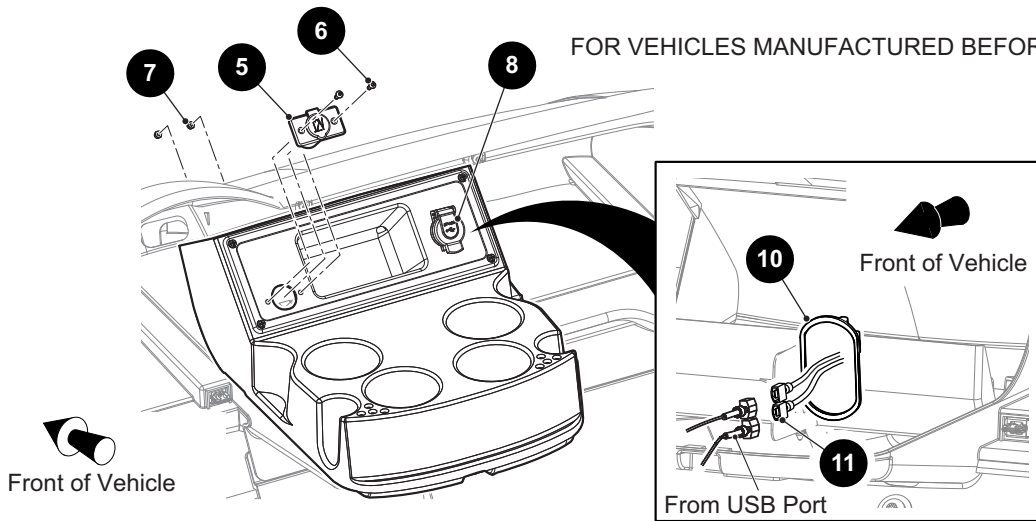
* Indicates a component that is not available as an individual part.

*** Indicates consult Customer Service Department for additional information.

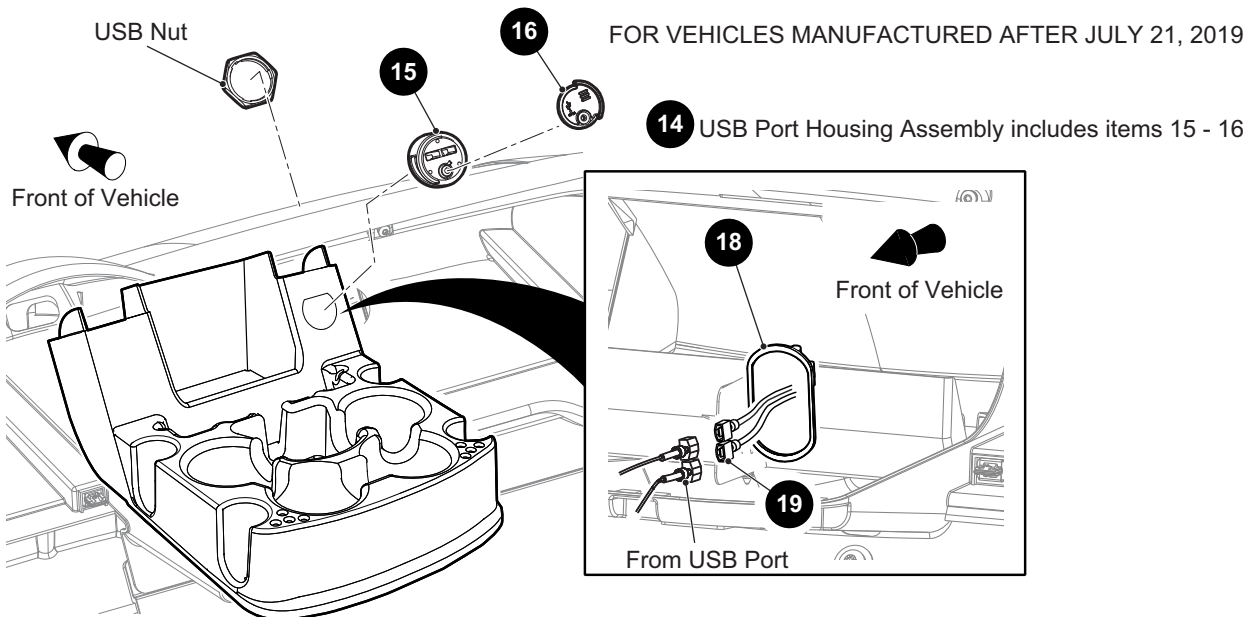
ITEM	PART NO.	1 2 3 4 5	DESCRIPTION	QTY.
1	<u>604511</u>		Turn Signal Switch (Includes Item 2)	1
2	<u>604367</u>		Flasher Unit.....	1
3	<u>20965G3</u>		Steering Column Cover.....	1
4	<u>19344G1</u>		Vinyl Tape, 40mm (Not Illustrated).....	1
5				
6	<u>16816G5</u>		Ratchet Rivet, .187" x .550"	2
7	<u>31539G1</u>		Nylon Clamp, 15.5" Lg (Not Illustrated).....	1
8	<u>617074</u>		Hour Meter	1
9	<u>659101</u>		Malfunction Indicator Light	1
10	<u>659085</u>		Fuse Bracket (For Vehicles without Hour Meter)	11
11	<u>662631</u>		Fuse Bracket (For Vehicles with Hour Meter)	11
12	<u>608397</u>		Horn Plate	1
13	<u>17318G1</u>		Momentary Switch.....	1
14				
15	<u>604196</u>		Horn Assembly.....	1
16	<u>601326</u>		Button Head Torx Bolt, M6 - 1 x 20mm Lg, Grade 8.8	1
17	<u>601476</u>		Lock Nut, M6 - 1.....	1



FOR VEHICLES MANUFACTURED BEFORE JULY 21, 2019



FOR VEHICLES MANUFACTURED AFTER JULY 21, 2019



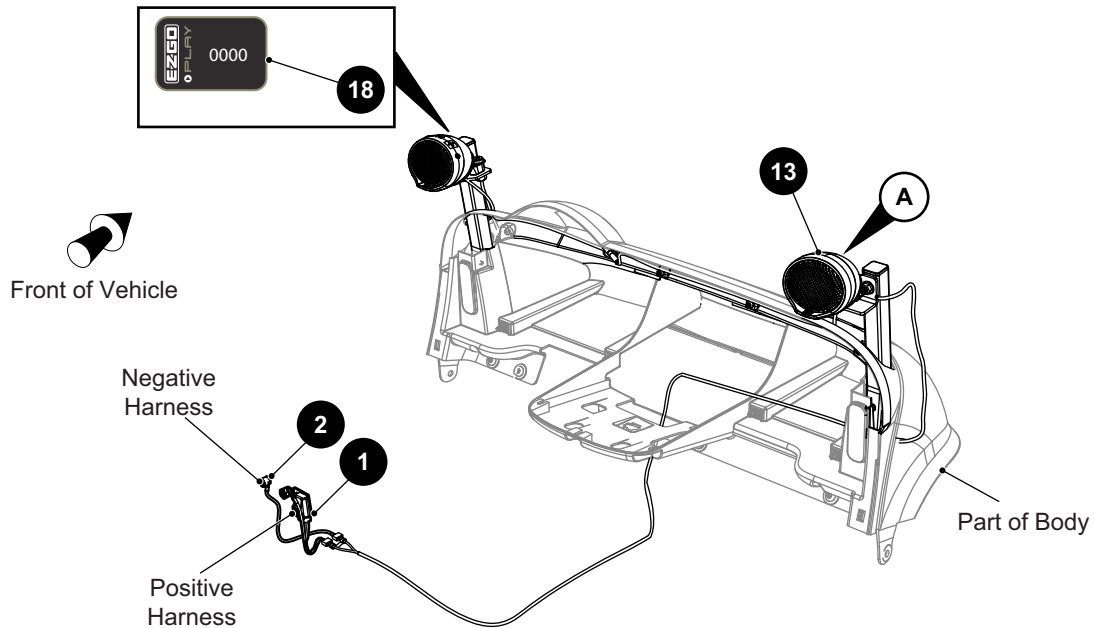
THE USE OF NON U.L. PARTS WILL VOID ANY U.L. LISTING.

When ordering parts, please specify the model and serial number of the product.

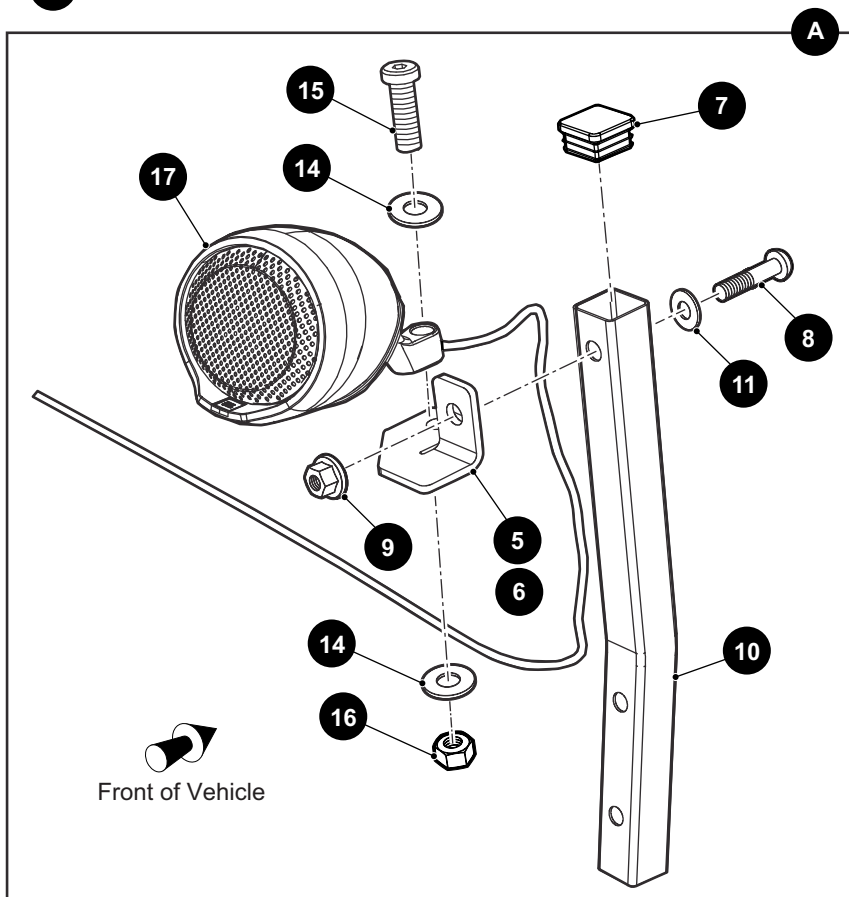
* Indicates a component that is not available as an individual part.

*** Indicates consult Customer Service Department for additional information.

ITEM	PART NO.	1 2 3 4 5	DESCRIPTION	QTY.
1	<u>645208</u>		Accessory Harness	1
2	<u>01072G01</u>		Cable Clip (Not Illustrated)	3
3	<u>17618G1</u>		Nylon Clamp, 8" Lg	3
4				
			ITEMS 5 - 11: FOR VEHICLES MANUFACTURED BEFORE JULY 21, 2019	
5	<u>71078G01</u>		12V Power Outlet	1
6	<u>600543</u>		Button Head Torx Screw, M4 - .75 x 12mm Lg, Grade 8.8	2
7	<u>602053</u>		Lock Nut, M4 - .7	2
8	<u>651901</u>		12V USB Port	1
9				
10	<u>17618G1</u>		Nylon Clamp, 7" Lg	5
11	645210		USB Harness	1
12				
13				
			ITEMS 14 - 19: FOR VEHICLES MANUFACTURED AFTER JULY 21, 2019	
14	<u>639384</u>		USB Port Housing Assembly (Includes Items 15 - 16)	1
15	639383		USB Port Housing	1
16	639382		USB Port Lid	1
17				
18	<u>17618G1</u>		Nylon Clamp, 7" Lg	5
19	645210		USB Harness	1
20				
21				
22	<u>670675G01</u>		GPS Display Unit, 7" (Not Illustrated)	1
23	670675G02W		GPS Display Unit, 10" (Not Illustrated)	1



- 3** Speaker Assembly Mounting, Driver Side includes items 5, 7 - 11
- 4** Speaker Assembly Mounting, Passenger Side includes items 6 - 11
- 12** Bluetooth Speakers Assembly includes items 13 - 18
- 13** Bluetooth Speaker (Parent) includes items 14 - 16



THE USE OF NON U.L. PARTS WILL VOID ANY U.L. LISTING.

When ordering parts, please specify the model and serial number of the product.

* Indicates a component that is not available as an individual part.

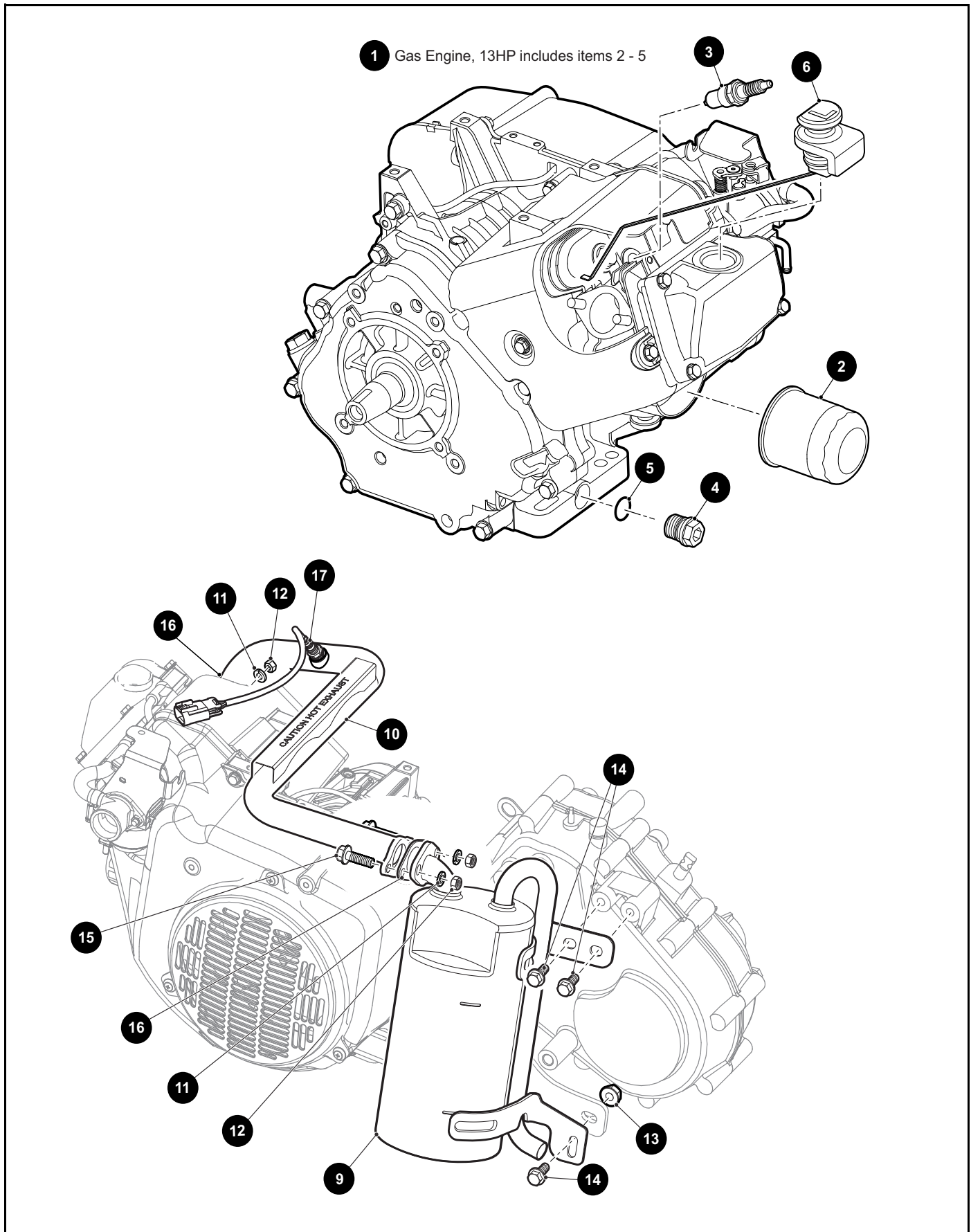
*** Indicates consult Customer Service Department for additional information.

ITEM	PART NO.	1 2 3 4 5	DESCRIPTION	QTY.
1	697532		Speaker Harness (Positive)	1
2	697533		Speaker Harness (Negative).....	1
3	697232		Speaker Assembly Mounting, Driver Side (Includes Items 5, 7 - 11).....	1
4	697231		Speaker Assembly Mounting, Passenger Side (Includes Items 6 - 11).....	1
5	690335G01		Speaker Bracket (Driver Side).....	1
6	690335G02		Speaker Bracket (Passenger Side)	1
7	<u>620634</u>		End Cap.....	1
8	<u>600527</u>		Button Head Torx Bolt, M10 - 1.5 x 60 mm Lg.....	1
9	<u>600525</u>		Lock Nut, M10 - 1.5	1
10	<u>648473</u>		Front Mirror Mount Strut	1
11	<u>603823</u>		Flat Washer	1
12	692171		Bluetooth Speakers Assembly (Includes Items 13 - 18).....	1
13	690350		Bluetooth Speaker (Parent) (Includes Items 14 - 16)	1
14	*		Flat Washer, 1/2" - 13.....	2
15	*		Socket Head Cap Screw, 1/2" -13 x 1 1/2" Lg.....	1
16	*		Lock Nut, 1/2" - 13	1
17	692906		Bluetooth Speaker (Child)	1
18	692795		Bluetooth Speaker Decal.....	1

Notes:

A large grid of graph paper for taking notes, consisting of 30 columns and 30 rows of small squares.

ENGINE AND MUFFLER



ENGINE AND MUFFLER

THE USE OF NON U.L. PARTS WILL VOID ANY U.L. LISTING.

When ordering parts, please specify the model and serial number of the product.

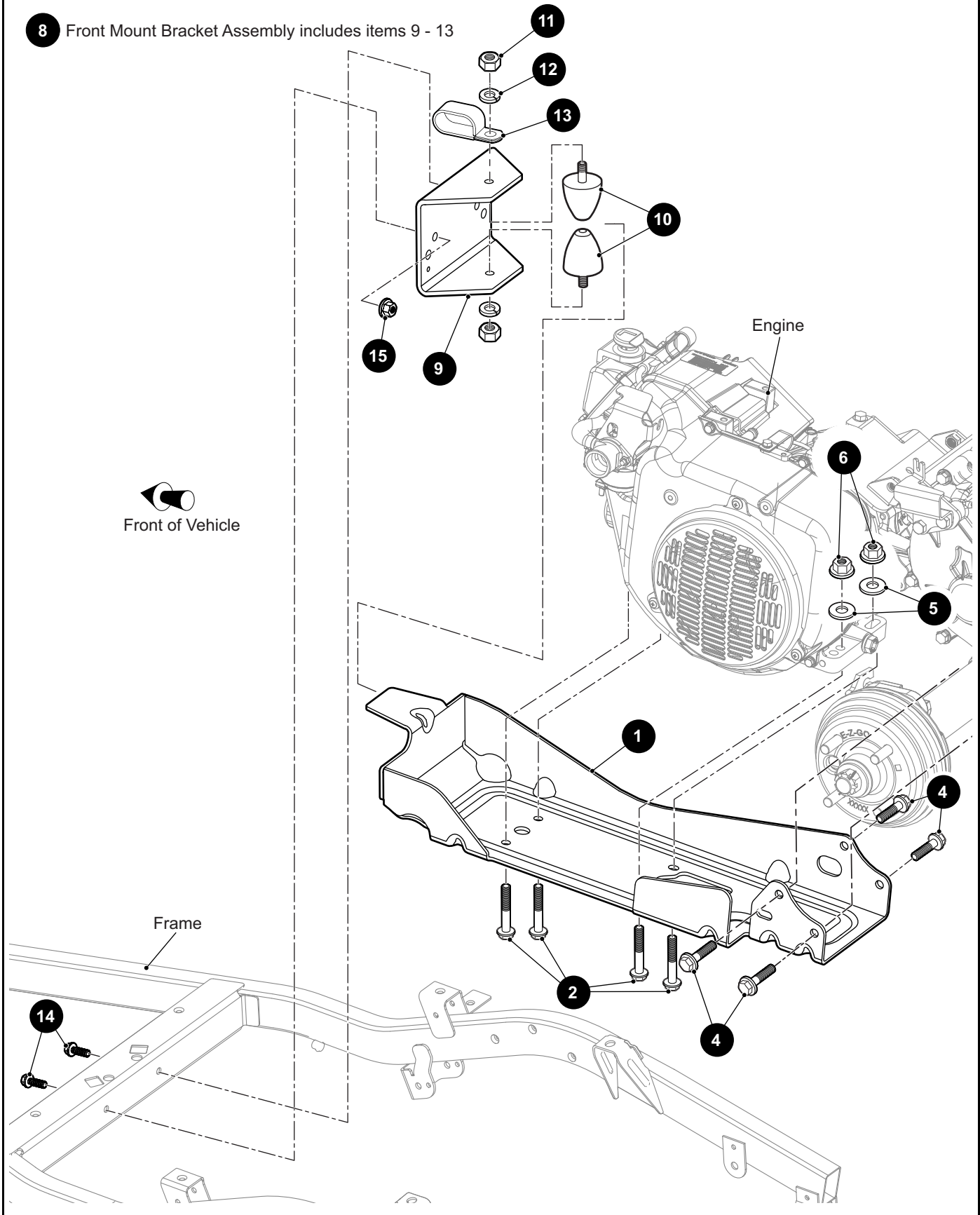
* Indicates a component that is not available as an individual part.

*** Indicates consult Customer Service Department for additional information.

ITEM	PART NO.	1 2 3 4 5	DESCRIPTION	QTY.
1	<u>658237</u>		Gas Engine, 13HP (Includes Items 2 - 5).....	1
2	<u>607454</u>		Oil Filter	1
3	<u>607462</u>		Spark Plug.....	1
4	<u>603557</u>		Oil Drain Plug	3
5	<u>603562</u>		O-ring, 16mm.....	3
6	689936G01		Dip Stick.....	1
7				
8				
9	695386		Muffler	1
10	<u>657450</u>		Exhaust Pipe.....	1
11	<u>606272</u>		Lock Washer, 8mm	4
12	<u>606267</u>		Hex Jam Nut, M8 x 1.25.....	4
13	<u>606279</u>		Flanged Hex Nut, M10 - 1.25.....	1
14	<u>606256</u>		Flanged Hex Head Bolt, M10 - 1.25 x 25mm Lg, Grade 8.8.....	3
15	<u>602330</u>		Flanged Hex Head Bolt, M8 - 1.25 x 30mm Lg, Grade 8.8.....	2
16	<u>603599</u>		Exhaust Gasket.....	2
17	<u>657449</u>		Oxygen Sensor	1

ENGINE MOUNTING

8 Front Mount Bracket Assembly includes items 9 - 13



ENGINE MOUNTING

THE USE OF NON U.L. PARTS WILL VOID ANY U.L. LISTING.

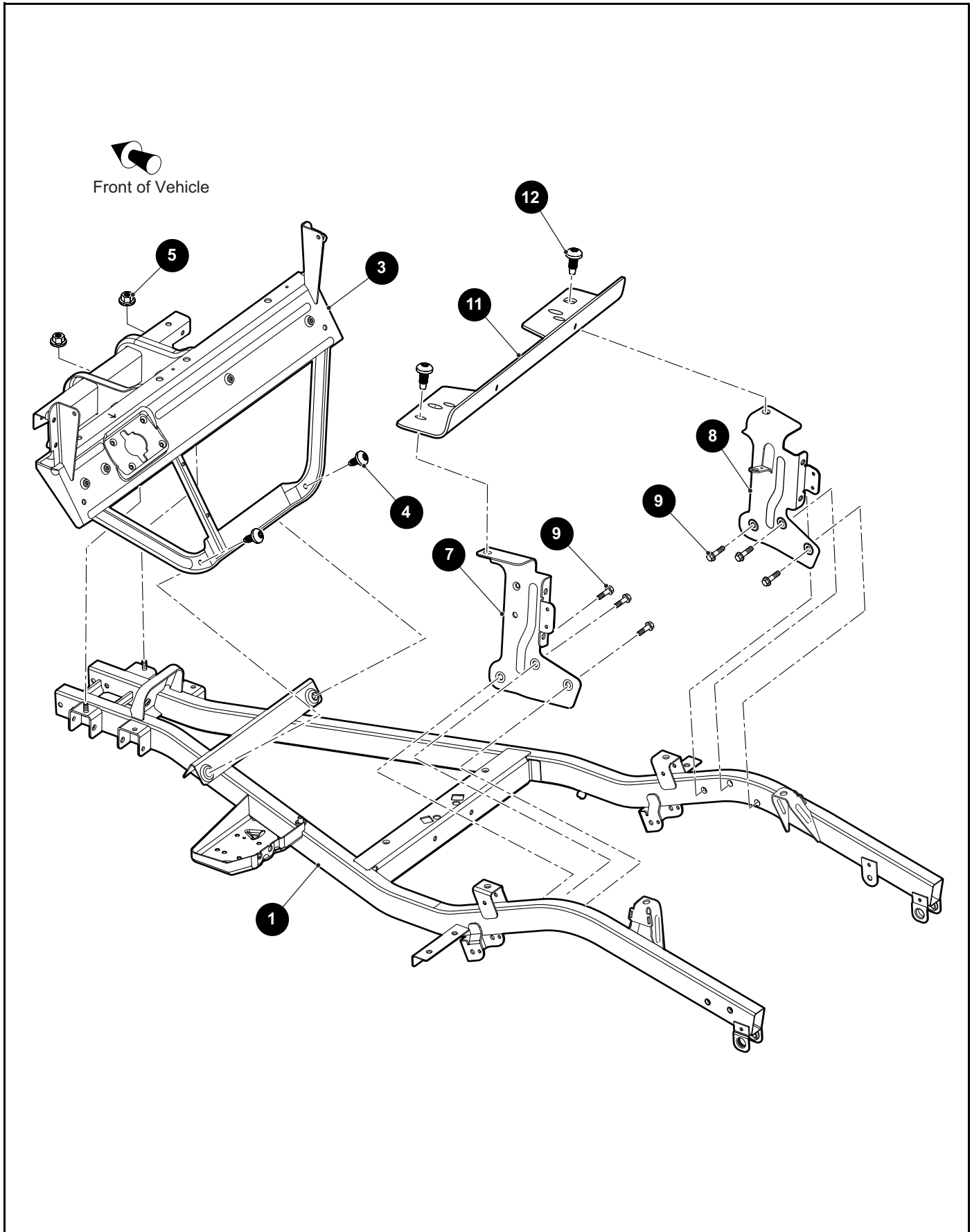
When ordering parts, please specify the model and serial number of the product.

* Indicates a component that is not available as an individual part.

*** Indicates consult Customer Service Department for additional information.

ITEM	PART NO.	1 2 3 4 5	DESCRIPTION	QTY.
1	<u>630776</u>		Engine Pan	1
2	<u>606259</u>		Flanged Hex Head Bolt, M10 - 1.25 x 45mm Lg, Grade 8.8	4
3				
4	<u>606256</u>		Flanged Hex Head Bolt, M10 - 1.25 x 25mm Lg, Grade 8.8	4
5	<u>603823</u>		Flat Washer, M10 x 22mm x 2.5mm	4
6	<u>606279</u>		Flanged Hex Nut, M10 - 1.25	4
7				
8	662794		Front Mount Bracket Assembly (Includes Items 9 - 13)	1
9	10000283		Front Mount Bracket	1
10	<u>605757</u>		Rubber Bumper	2
11	<u>00974G01</u>		Hex Nut, M10 - 1.5	2
12	<u>608654</u>		Lock Washer (Split), 10mm	2
13	<u>692754</u>		Tube Clamp	1
14	<u>603799</u>		Flanged Hex Head Bolt, M10 - 1.5 x 25mm Lg, Grade 8.8	2
15	<u>600525</u>		Flanged Lock Nut, M10 - 1.5	2

FRAME



THE USE OF NON U.L. PARTS WILL VOID ANY U.L. LISTING.

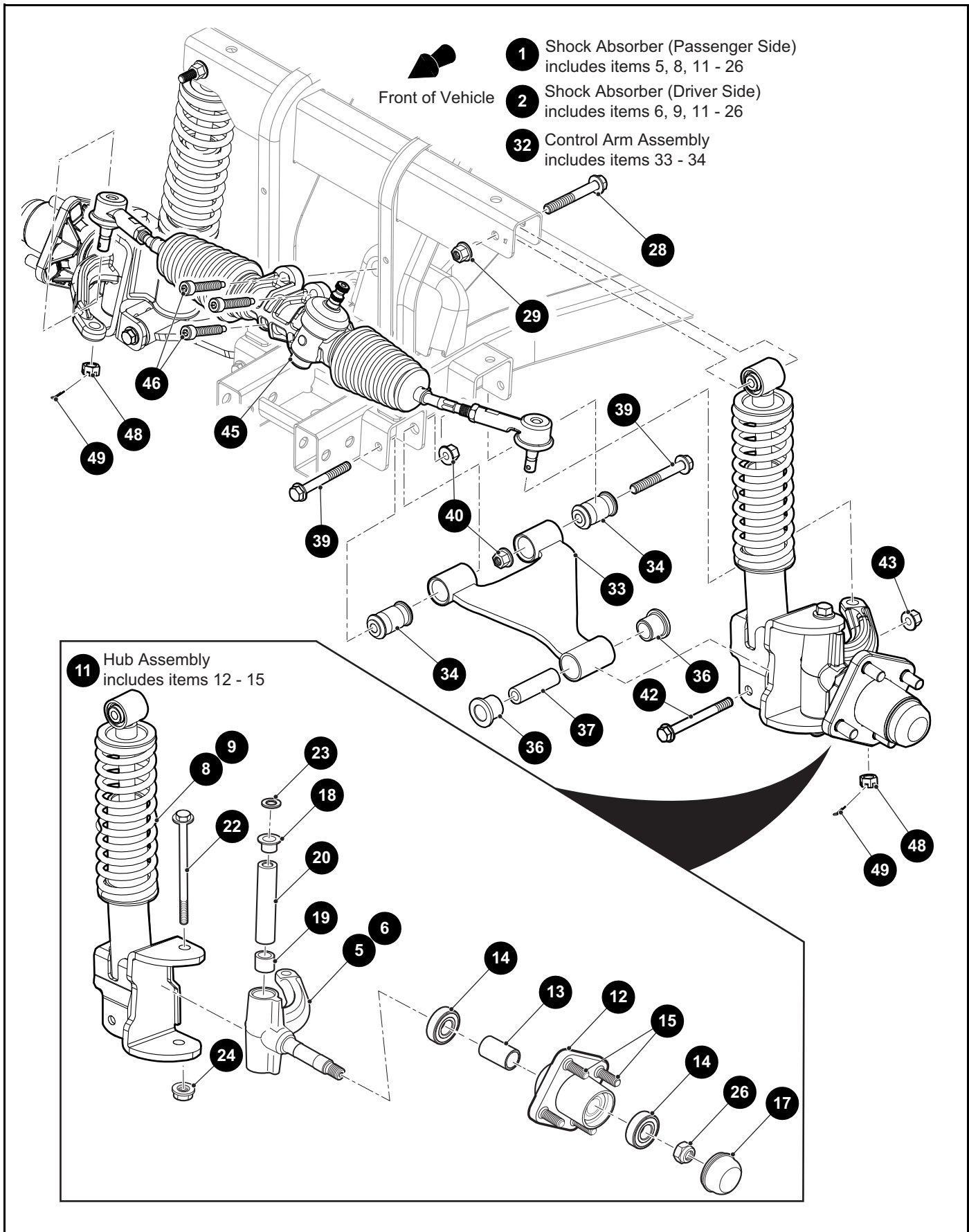
When ordering parts, please specify the model and serial number of the product.

* Indicates a component that is not available as an individual part.

*** Indicates consult Customer Service Department for additional information.

ITEM	PART NO.	1 2 3 4 5	DESCRIPTION	QTY.
1	<u>657280G05</u>		Frame Weldment, P/coat	1
2				
3	<u>614597</u>		Instrument Panel Support Weldment	1
4	<u>602572</u>		Pan Head Taptite Bolt, M10 - 1.5 x 25mm Lg, Grade 8.8	2
5	<u>600525</u>		Flanged Lock Nut, M10 - 1.5.....	2
6				
7	<u>600218</u>		Seat Support Bracket (Driver Side).....	1
8	<u>613187</u>		Seat Support Bracket (Passenger Side)	1
9	<u>603799</u>		Flanged Hex Head Bolt, M10 - 1.5 x 25mm Lg, Grade 8.8.....	3
10				
11	<u>601275</u>		Seat Support Brace.....	1
12	<u>602572</u>		Pan Head Taptite Bolt, M10 - 1.5 x 25mm Lg, Grade 8.8	2

FRONT SUSPENSION AND STEERING



FRONT SUSPENSION AND STEERING

THE USE OF NON U.L. PARTS WILL VOID ANY U.L. LISTING.

When ordering parts, please specify the model and serial number of the product.

* Indicates a component that is not available as an individual part.

*** Indicates consult Customer Service Department for additional information.

ITEM	PART NO.	1 2 3 4 5	DESCRIPTION	QTY.
1	<u>663321</u>		Shock Absorber (Passenger Side) (Includes Items 5, 8, 11 - 26)	1
2	<u>663303</u>		Shock Absorber (Driver Side) (Includes Items 6, 9, 11 - 26)	1
3				
4				
5	<u>611271</u>		Spindle (Passenger Side)	1
6	<u>607413</u>		Spindle (Driver Side)	1
7				
8	<u>655529</u>		Strut (Passenger Side)	1
9	<u>655526</u>		Strut (Driver Side)	1
10				
11	<u>609603</u>		Hub Assembly (Includes Items 12 - 15)	1
12	<u>602340</u>		Hub	1
13	<u>602342</u>		Bearing Spacer, 28mm O.D. x 22mm I.D. x 46.7mm Lg	1
14	<u>602341</u>		Ball Bearing, 47mm O.D. x 20mm I.D. x 14mm	2
15	<u>19862G1</u>		Wheel Bolt, 1/2" - 20 x 1.218" Lg	4
16				
17	<u>12091G2</u>		Spindle Cap	1
18	<u>632925</u>		Flanged Bushing	1
19	<u>632926</u>		Flanged Sleeve	1
20	<u>614034</u>		Kingpin Tube	1
21				
22	<u>620380</u>		Flanged Hex Head Bolt, M12 - 1.25 x 145mm Lg	1
23	<u>601920</u>		Thrust Washer (SS), 35mm O.D. x 26mm I.D. x 2.5mm Lg	1
24	<u>600549</u>		Lock Nut, M12 - 1.25	1
25				
26	<u>615109</u>		Lock Nut, M16 - 2	1
27				
28	<u>602415</u>		Flanged Hex Head Bolt, M10 - 1.5 x 80mm Lg	1
29	<u>600525</u>		Lock Nut, M10 - 1.5	1
30				
31				

FRONT SUSPENSION AND STEERING

THE USE OF NON U.L. PARTS WILL VOID ANY U.L. LISTING.

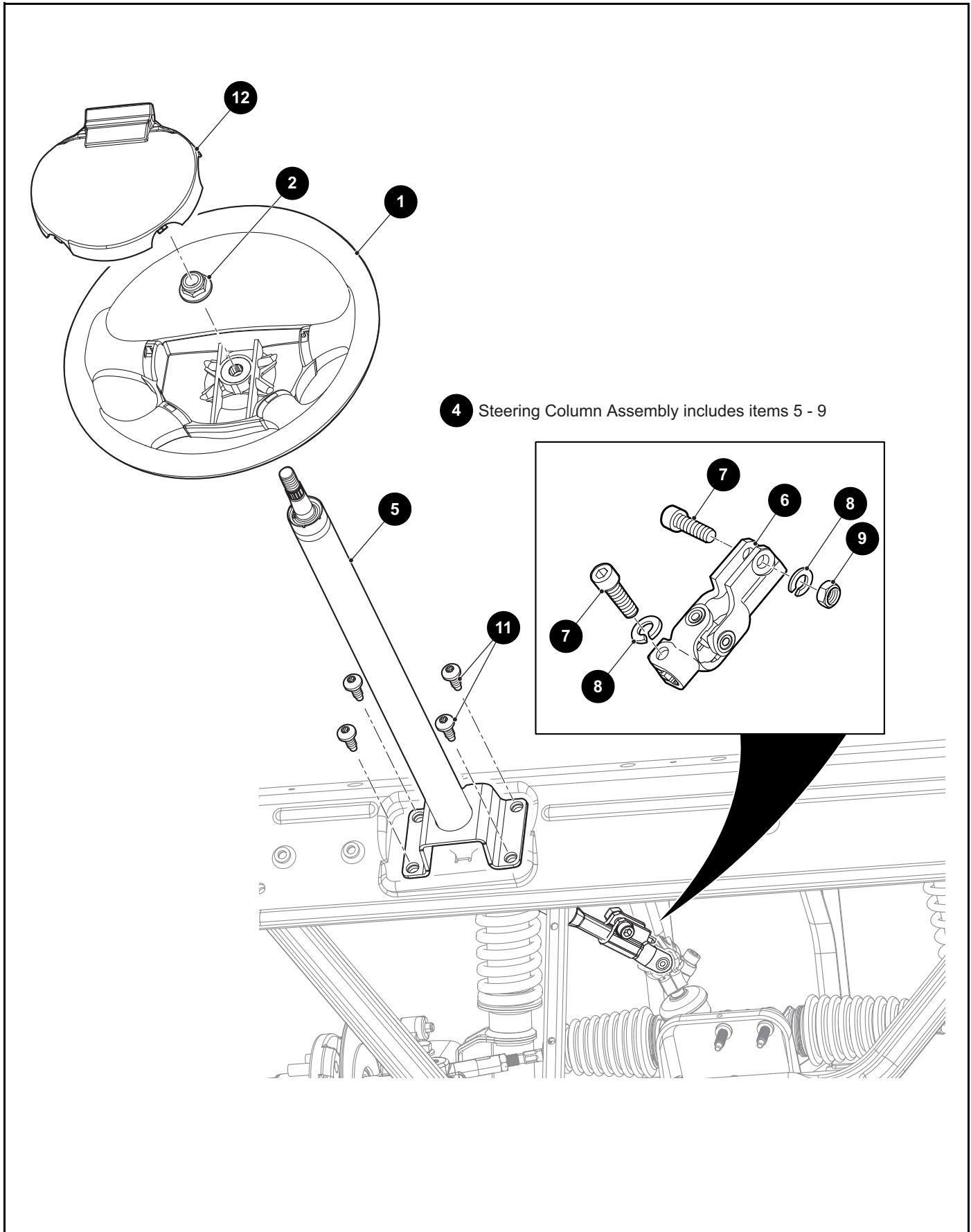
When ordering parts, please specify the model and serial number of the product.

* Indicates a component that is not available as an individual part.

*** Indicates consult Customer Service Department for additional information.

ITEM	PART NO.	1	2	3	4	5	DESCRIPTION	QTY.
32	<u>608089</u>						Control Arm Assembly (Includes Items 33 - 34)	1
33	608090						Control Arm	1
34	<u>608086</u>						Mounting Sleeve (Rubber)	2
35								
36	<u>601340</u>						Control Arm Bushing.....	2
37	<u>602085</u>						Control Arm Carrier Tube.....	2
38								
39	<u>602415</u>						Flanged Hex Head Bolt, M10 - 1.5 x 80mm Lg	2
40	<u>600525</u>						Lock Nut, M10 - 1.5	2
41								
42	<u>601754</u>						Flanged Hex Head Bolt, M10 - 1.5 x 100mm Lg	1
43	<u>600525</u>						Lock Nut, M10 - 1.5	1
44								
45	<u>618329</u>						Steering Rack Assembly.....	1
46	<u>602020</u>						Socket Head Bolt, M10 - 1.5 x 50mm Lg, Grade 8.8.....	3
47								
48	<u>608005</u>						Castle Nut (SS), M12 - 1.25	2
49	<u>10387G2</u>						Cotter Pin, .094" x 1"	2

FRONT SUSPENSION AND STEERING



FRONT SUSPENSION AND STEERING

THE USE OF NON U.L. PARTS WILL VOID ANY U.L. LISTING.

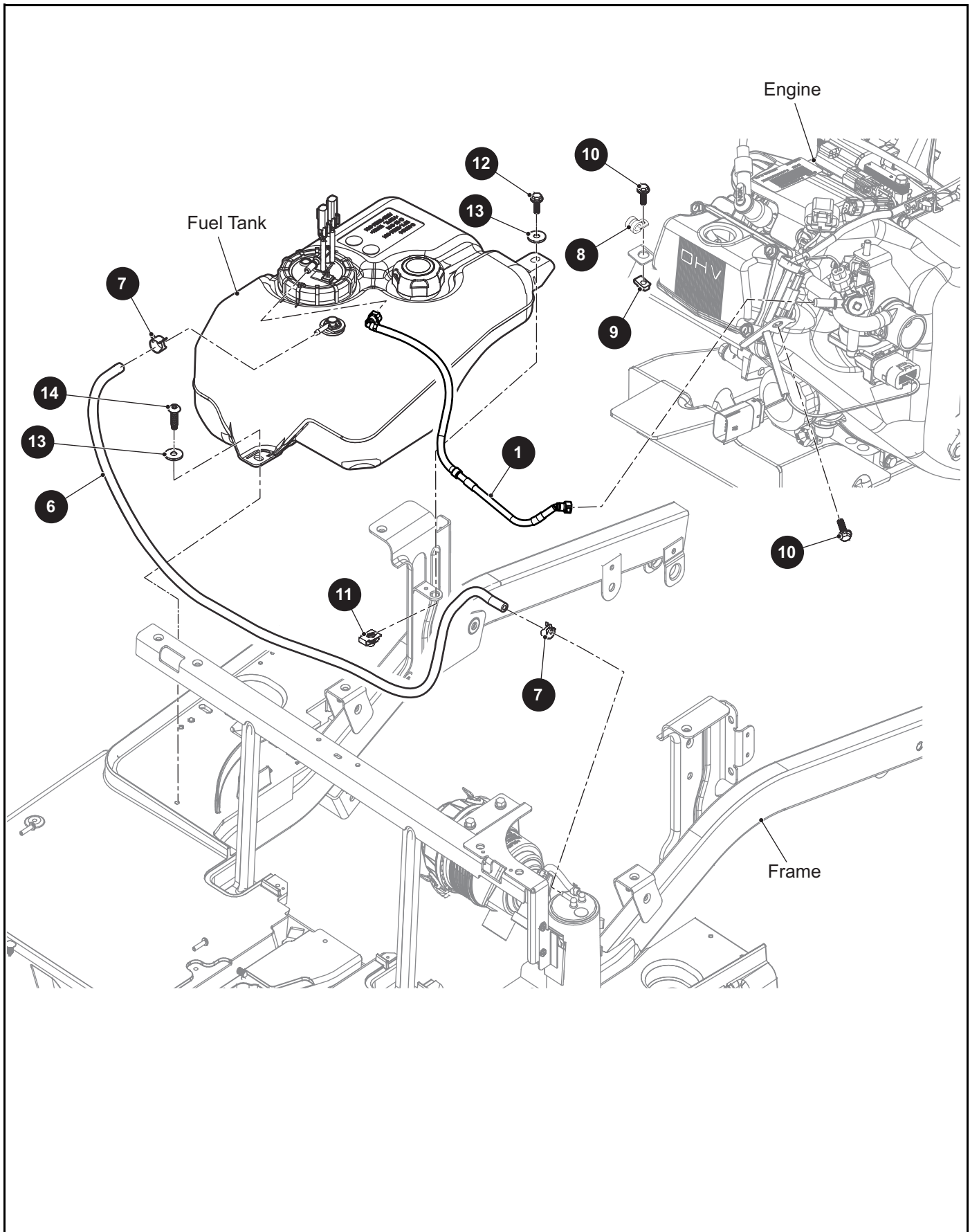
When ordering parts, please specify the model and serial number of the product.

* Indicates a component that is not available as an individual part.

*** Indicates consult Customer Service Department for additional information.

ITEM	PART NO.	1 2 3 4 5	DESCRIPTION	QTY.
1	<u>602980</u>		Steering Wheel.....	1
2	10013991		Lock Nut, M16 - 2.....	1
3				
4	<u>600333</u>		Steering Column Assembly (Includes Items 5 - 9).....	1
5	<u>608117</u>		Steering Column	1
6	<u>608114</u>		Steering Yoke	1
7	<u>608653</u>		Socket Head Bolt, M10 - 1.5 x 35mm Lg.....	2
8	<u>608654</u>		Lock Washer, 10.5mm	2
9	<u>608655</u>		Hex Nut, M10 - 1.5	1
10				
11	<u>602572</u>		Pan Head Taptite Bolt, M10 - 1.5 x 25mm Lg, Grade 8.8	4
12	<u>607925</u>		Scorecard Holder	1

FUEL SYSTEM



FUEL SYSTEM

THE USE OF NON U.L. PARTS WILL VOID ANY U.L. LISTING.

When ordering parts, please specify the model and serial number of the product.

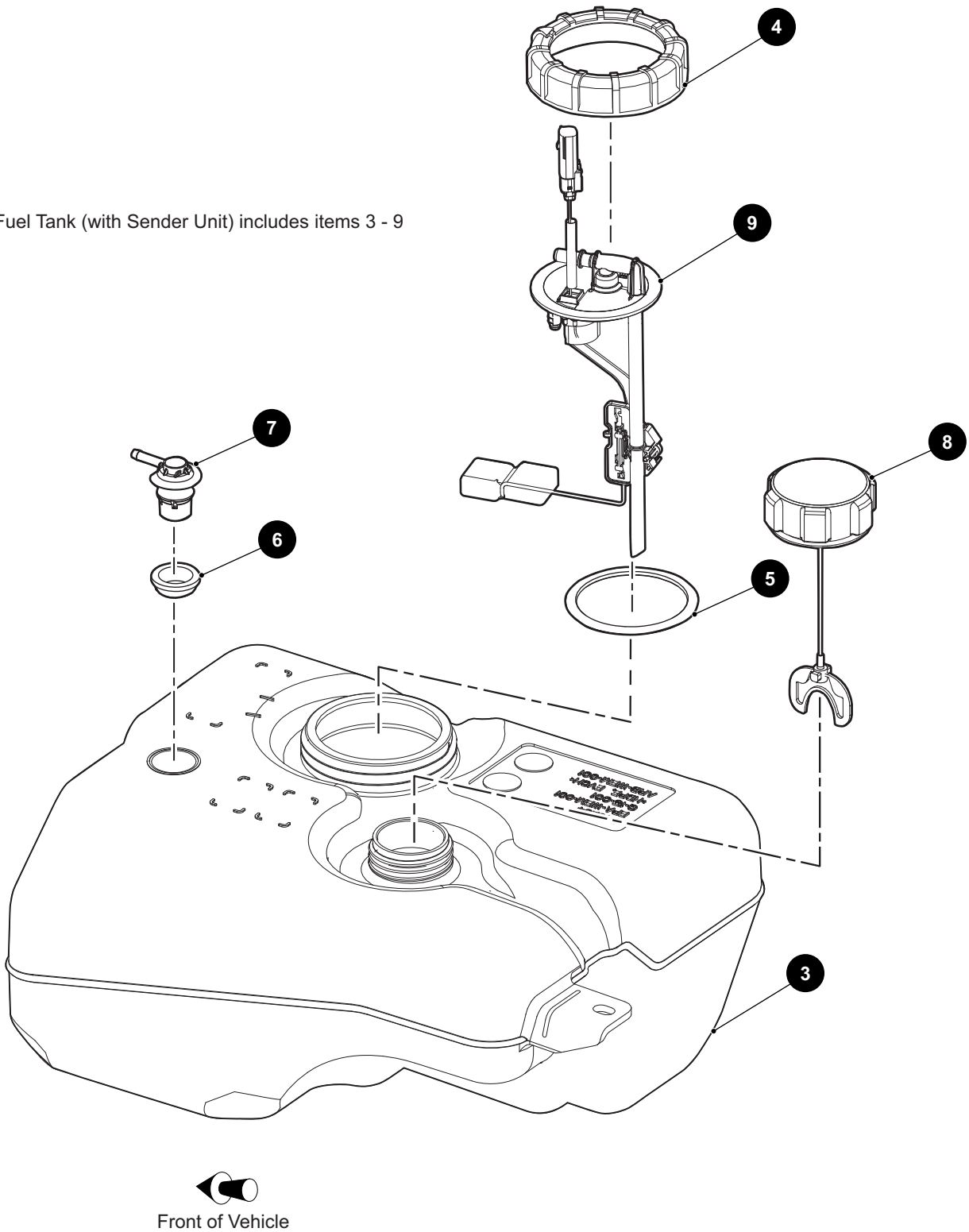
* Indicates a component that is not available as an individual part.

*** Indicates consult Customer Service Department for additional information.

ITEM	PART NO.	1 2 3 4 5	DESCRIPTION	QTY.
1	666351		Fuel Hose	1
2				
3				
4				
5				
6	<u>27184G05</u>		Fuel Tube, .25 I.D x .5 O.D x 42" Lg	1
7	<u>18292G1</u>		Tubing Clamp	1
8	664747		Tubing Clamp, .5"	2
9	<u>602409</u>		Barrel Clip, M6 - 1	2
10	<u>606264</u>		Flanged Hex Head Bolt, M6 - 1 x 20mm Lg, Grade 8.8	2
11	<u>603818</u>		Barrel Clip, M10 - 1.5	1
12	<u>603799</u>		Flanged Hex Head Bolt, M10 - 1.5 x 25mm Lg, Grade 8.8	1
13	<u>604066</u>		Flat Washer, M10	2
14	<u>649804</u>		Button Head Torx Screw, M8 - 3.5 x 30mm Lg.....	1

FUEL SYSTEM

1 Fuel Tank (with Sender Unit) includes items 3 - 9



FUEL SYSTEM

THE USE OF NON U.L. PARTS WILL VOID ANY U.L. LISTING.

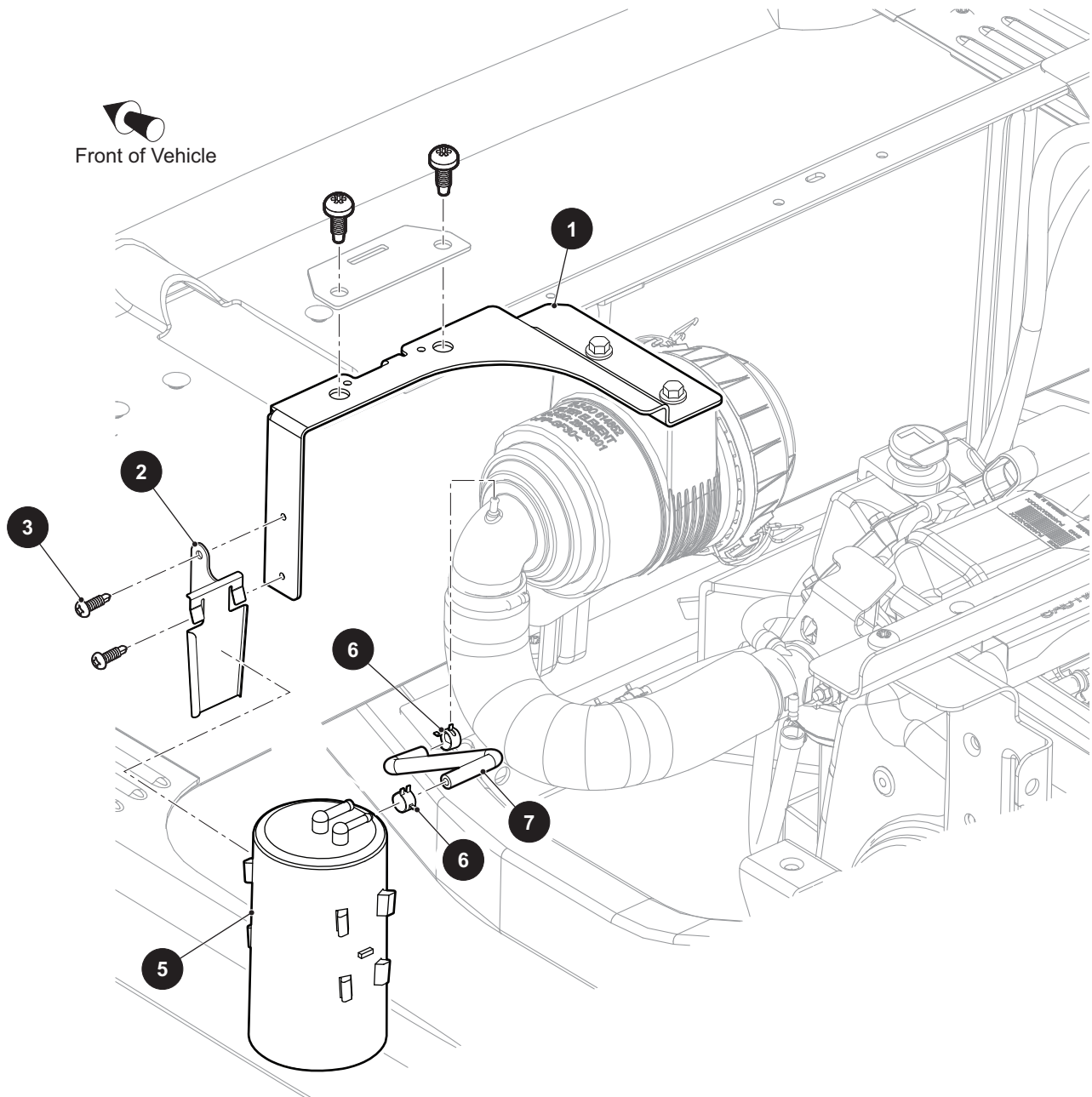
When ordering parts, please specify the model and serial number of the product.

* Indicates a component that is not available as an individual part.

*** Indicates consult Customer Service Department for additional information.

ITEM	PART NO.	1 2 3 4 5	DESCRIPTION	QTY.
1	<u>646833</u>		Fuel Tank (with Sender Unit) (Includes Items 3 - 9)	1
2				
3	646284		Fuel Tank	1
4	<u>646837</u>		Fuel Pump Lid	1
5	<u>646838</u>		Mason Jar Seal.....	1
6	<u>647810</u>		Rollover Valve Grommet.....	1
7	<u>647809</u>		Rollover Valve.....	1
8	670898		Fuel Tank Cap (Ratchet).....	1
9	<u>646358</u>		Fuel Pickup with Sender Assembly	1

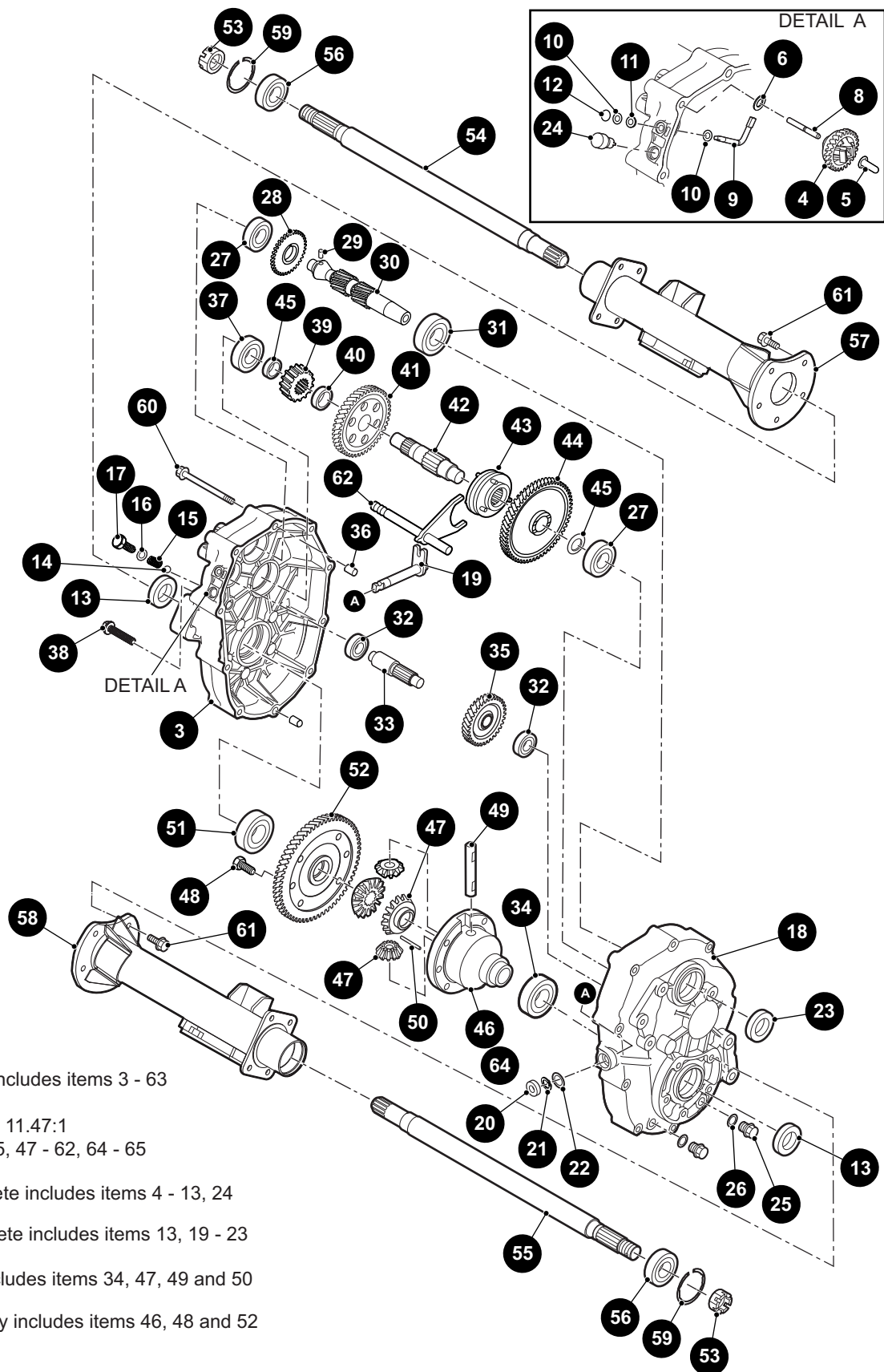
4 Carbon Canister Assembly includes items 5 - 7



THE USE OF NON U.L. PARTS WILL VOID ANY U.L. LISTING.
 When ordering parts, please specify the model and serial number of the product.
 * Indicates a component that is not available as an individual part.
 *** Indicates consult Customer Service Department for additional information.

ITEM	PART NO.	1 2 3 4 5	DESCRIPTION	QTY.
1	<u>659882</u>		Canister Bracket.....	1
2	<u>606310</u>		Canister Mounting Bracket.....	1
3	<u>00106G6</u>		Pan Head Phillips Screw, #12 - 24 x 3/4" Lg.....	2
4	662808		Carbon Canister Assembly (Includes Items 5 - 7).....	1
5	10006822		Carbon Canister	1
6	<u>606963</u>		Hose Clamp, 3/16" I.D.....	2
7	692912		Hose, 3/16" I.D.....	1

REAR AXLE



- 1** Rear Axle, 11.47:1 includes items 3 - 63
- 2** Rear Axle with LSD, 11.47:1 includes items 3 - 45, 47 - 62, 64 - 65
- 3** Axle Case L Complete includes items 4 - 13, 24
- 18** Axle Case R Complete includes items 13, 19 - 23
- 46** Differential Case includes items 34, 47, 49 and 50
- 63** Differential Assembly includes items 46, 48 and 52

THE USE OF NON U.L. PARTS WILL VOID ANY U.L. LISTING.

When ordering parts, please specify the model and serial number of the product.

* Indicates a component that is not available as an individual part.

*** Indicates consult Customer Service Department for additional information.

ITEM	PART NO.	1 2 3 4 5	DESCRIPTION	QTY.
1	<u>670468</u>		Rear Axle, 11.47:1 (Includes Items 3 - 63)	1
2				
3	<u>639859</u>		Axle Case L Complete (Includes Items 4 - 13, 24)	1
4	<u>665887</u>		Governor Gear	1
5	<u>639689</u>		Governor Sleeve	1
6	<u>607904</u>		Flat Washer	1
7				
8	<u>639698</u>		Governor Gear Shaft.....	1
9	<u>639707</u>		Governor Shaft.....	1
10	<u>639736</u>		Flat Washer, 6mm	2
11	<u>607911</u>		Oil Seal, 6 x 10 x 2.5mm	1
12	<u>607913</u>		Retaining Ring, E5	1
13	<u>639738</u>		Oil Seal, 24 x 40 x 9mm	2
14	<u>26818G01</u>		Steel Ball	1
15	<u>26819G01</u>		Spring	1
16	<u>26831G01</u>		Gasket, 10	1
17	<u>26820G01</u>		Flanged Hex Head Bolt, M10 - 1.25 x 12mm Lg	1
18	<u>639865</u>		Axle Case R Complete (Includes Items 13, 19 - 23)	1
19	<u>639746</u>		Select Shaft.....	1
20	<u>607915</u>		Oil Seal, 13 x 22 x 5mm	1
21	<u>607916</u>		Snap Ring, 13mm	1
22	<u>607917</u>		Spacer, 13 x 1mm	1
23	<u>640093</u>		Oil Seal, 28 x 47 x 9mm	1
24	<u>607919</u>		Air Breather	1
25	<u>639747</u>		Oil Drain Plug	2
26	<u>639748</u>		Gasket, 14mm	2
27	<u>26785G01</u>		Ball Bearing (6204).....	2
28	<u>665888</u>		Governor Gear,34.....	1
29	<u>607920</u>		Pin, 6 x 12L.....	1
30	<u>639750</u>		Input Shaft	1
31	<u>607922</u>		Ball Bearing (62/28).....	1

REAR AXLE

THE USE OF NON U.L. PARTS WILL VOID ANY U.L. LISTING.

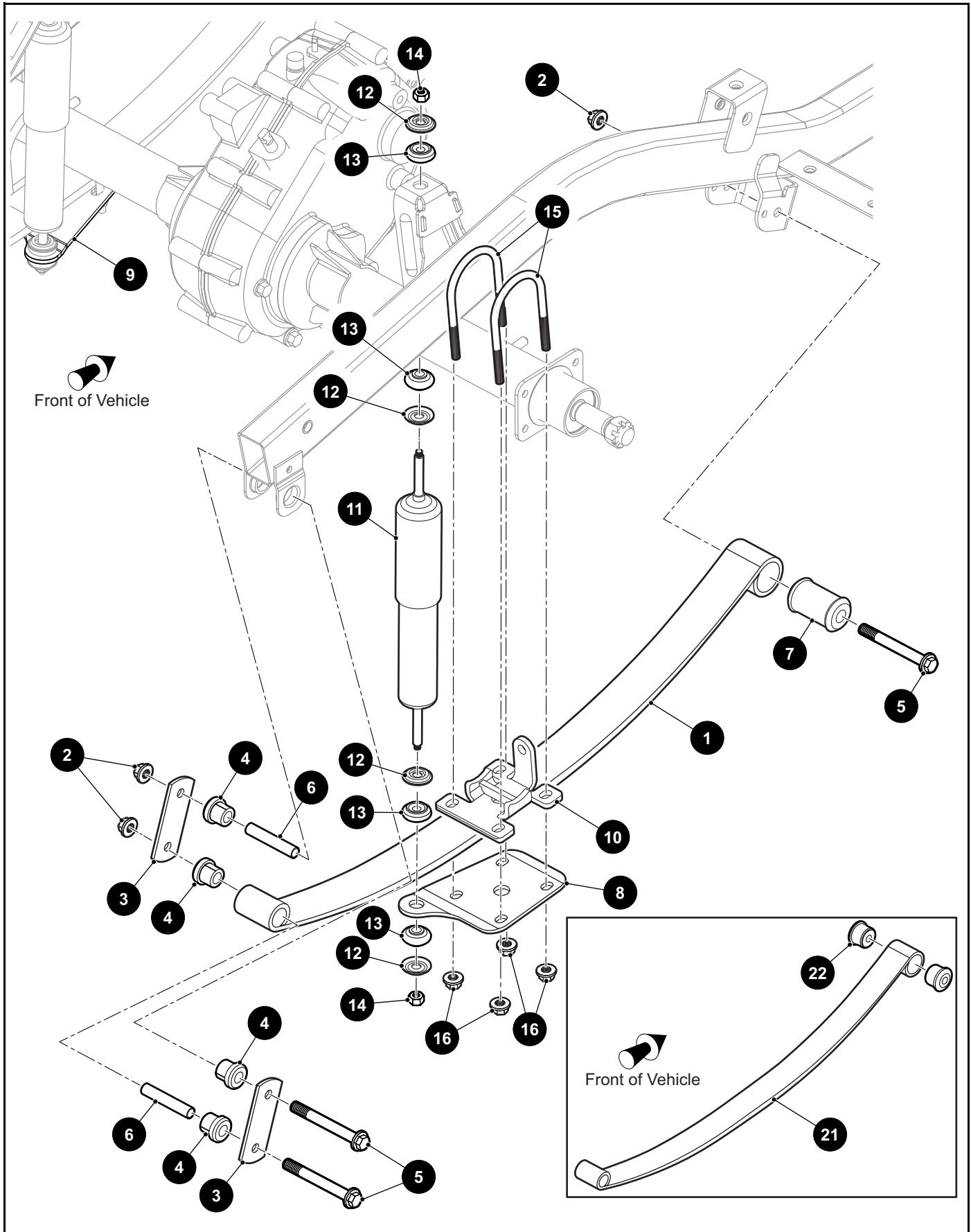
When ordering parts, please specify the model and serial number of the product.

* Indicates a component that is not available as an individual part.

*** Indicates consult Customer Service Department for additional information.

ITEM	PART NO.	1	2	3	4	5	DESCRIPTION	QTY.
32	<u>639868</u>						Ball Bearing (TMB202)	2
33	<u>639755</u>						Counter Shaft	1
34	<u>640744</u>						Ball Bearing (6006)	1
35	<u>639758</u>						Gear, 34.....	1
36	<u>639869</u>						Knock Pipe	2
37	<u>639760</u>						Ball Bearing (6304).....	2
38	<u>639768</u>						Flanged Hex Head Bolt, M8 - 1.25 x 40mm Lg	1
39	<u>639769</u>						Gear, 17.....	1
40	<u>28689G01</u>						Collar, 24 x 7.5mm	1
41	<u>639771</u>						Gear, 52.....	1
42	<u>670697</u>						Center Shaft	1
43	<u>639774</u>						Clutch Pin	1
44	<u>670696</u>						Gear, 61.....	1
45	<u>639797</u>						Spacer, 20 x 2mm	2
46	<u>639872</u>						Differential Case (Includes Items 34, 47, 49 and 50).....	1
47	<u>639800</u>						Differential Pair Gear.....	1
48	<u>26808G01</u>						Hex Head Bolt, M10 - 1.25 x 26mm Lg.....	6
49	<u>28723G01</u>						Differential Shaft.....	1
50	<u>28697G01</u>						Spring Pin, 4 x 40L.....	1
51	<u>639801</u>						Ball Bearing (6007)	1
52	<u>640739</u>						Gear, 60 Complete (Includes Item 51).....	1
53	<u>607938</u>						Castle Nut, M22 - 1.5	2
54	<u>639876</u>						Axle Shaft L Complete (Includes Item 56).....	1
55	<u>639881</u>						Axle Shaft R Complete (Includes Item 56)	1
56	<u>639836</u>						Ball Bearing (6205DD).....	2
57	<u>607939</u>						Axle Case L Complete.....	1
58	<u>607940</u>						Axle Case R Complete	1
59	<u>26814G01</u>						Snap Ring, 52mm.....	2
60	<u>639839</u>						Flanged Hex Head Bolt, M8 - 1.25 x 60mm Lg	9
61	<u>639840</u>						Flanged Hex Head Bolt, M10 - 1.25 x 25mm Lg	10
62	<u>639844</u>						Shift Shaft Complete	1
63	<u>639847</u>						Differential Assembly (Includes Items 46, 48 and 52)	1

REAR SUSPENSION



REAR SUSPENSION

THE USE OF NON U.L. PARTS WILL VOID ANY U.L. LISTING.

When ordering parts, please specify the model and serial number of the product.

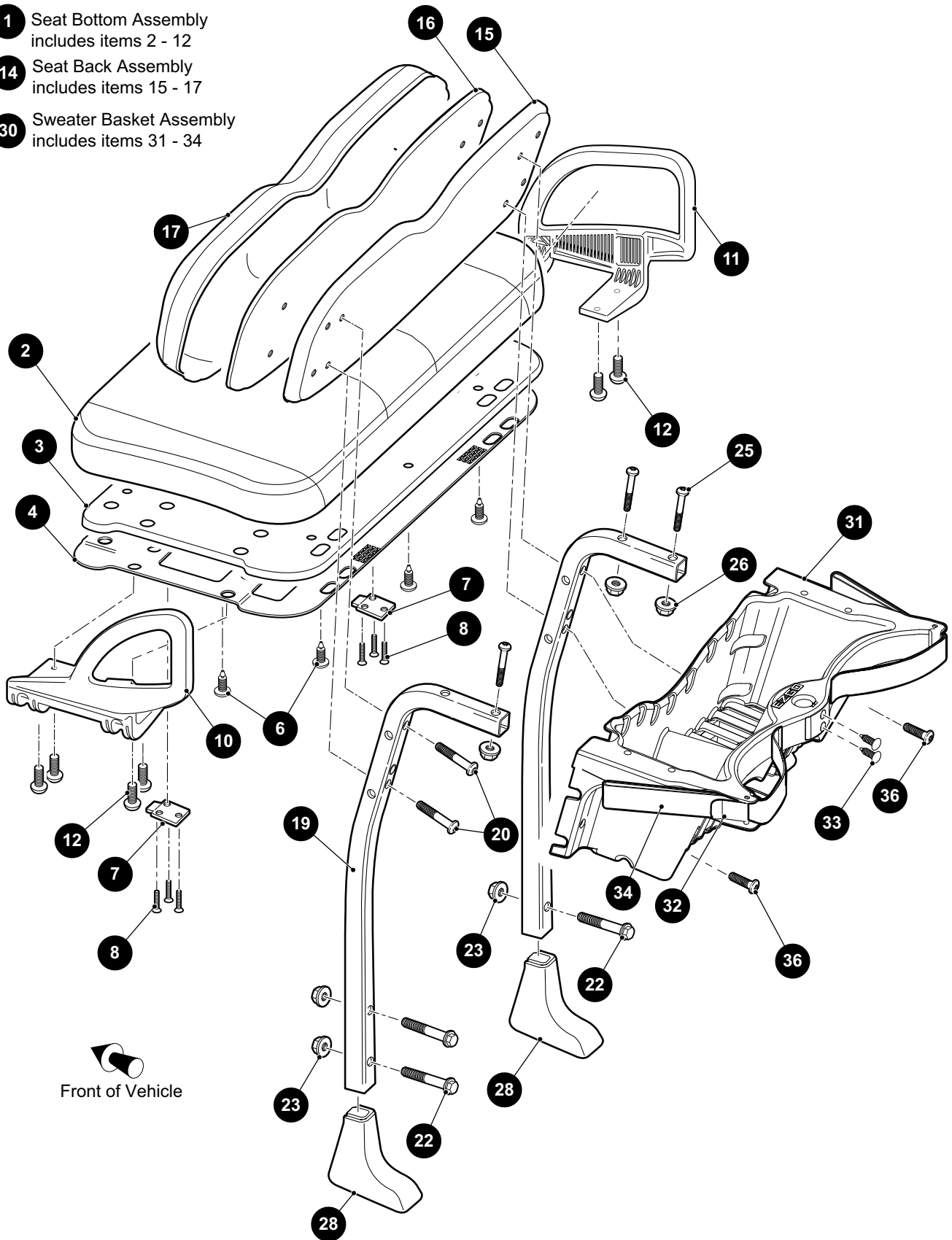
* Indicates a component that is not available as an individual part.

*** Indicates consult Customer Service Department for additional information.

ITEM	PART NO.	1 2 3 4 5	DESCRIPTION	QTY.
1	<u>625709</u>		Leaf Spring.....	1
2	<u>614974</u>		Flanged Hex Nut, M10 - 1.5.....	3
3	<u>652245</u>		Shackle Plate	2
4	<u>624030</u>		Flanged Bushing	4
5	<u>601754</u>		Flanged Hex Head Bolt, M10 - 1.5 x 100mm Lg.....	3
6	<u>620161</u>		Split Spacer (Steel)	3
7	<u>605684</u>		Spring Bushing.....	1
8	<u>625658</u>		Shock Mount Plate (Passenger Side)	1
9	<u>625657</u>		Shock Mount Plate (Driver Side).....	1
10	<u>626422</u>		Axle Support Bracket	1
11	<u>76418G01</u>		Shock Absorber.....	2
12	<u>10435G1</u>		Shock Absorber Washer, .406" x 1.25" x .22"	4
13	<u>10194G1</u>		Rubber Bushing	4
14	<u>00532G6</u>		Hex Nut, 3/8" - 24.....	2
15	<u>632103</u>		U-bolt, 68mm Dia x 45mm x 110mm Lg.....	2
16	<u>600525</u>		Lock Nut, M10 - 1.5.....	4
17				
18				
19				
20				
21	<u>604494</u>		Heavy Duty Leaf Spring	1
22	<u>620160</u>		Flanged Bushing (Urethane).....	2

SEATING AND BASKET

- 1 Seat Bottom Assembly
includes items 2 - 12
- 14 Seat Back Assembly
includes items 15 - 17
- 30 Sweater Basket Assembly
includes items 31 - 34



SEATING AND BASKET

THE USE OF NON U.L. PARTS WILL VOID ANY U.L. LISTING.

When ordering parts, please specify the model and serial number of the product.

* Indicates a component that is not available as an individual part.

*** Indicates consult Customer Service Department for additional information.

ITEM	PART NO.	1 2 3 4 5	DESCRIPTION	QTY.
1	***		Seat Bottom Assembly (Includes Items 2 - 12) 629269G1502 Stone Beige 629269G1501 Oyster 629269G1506 Black 629269G1504 Gray	1
2	***		Vinyl and Foam Seat Bottom 644819G02 Stone Beige 644819G01 Oyster 644819G06 Black 644819G04 Gray	1
3	<u>644351</u>		Wooden Base Assembly.....	1
4	<u>602551</u>		Cover Plate.....	1
5				
6	<u>16816G2</u>		Ratchet Rivet, .25" x .887".....	4
7	<u>71610G01</u>		Seat Hinge.....	1
8	<u>00720G08</u>		Flat Head Phillips Tapping Screw, #12 - 14 x 1" Lg.....	3
9				
10	<u>617645</u>		Hip Restraint (Driver Side).....	1
11	<u>617644</u>		Hip Restraint (Passenger Side).....	1
12	<u>615417</u>		Button Head Torx Bolt, M10 - 1.5 x 25mm Lg.....	4
13				
14	***		Seat Back Assembly (Includes Items 15 - 17)..... 641897G0002 Stone Beige 641897G0001 Oyster 641897G0006 Black 641897G0004 Gray	1
15	<u>605529</u>		Cover (Plastic) (Black).....	1
16	<u>644268</u>		Base Assembly.....	1
17	***		Vinyl Cover and Foam 644820G02 Stone Beige 644820G01 Oyster 644820G06 Black 644820G04 Gray	1
18				
19	<u>602413</u>		Seat Back Support Strut.....	2
20	<u>600527</u>		Button Head Torx Bolt, M10 - 1.5 x 60mm Lg, Grade 8.8.....	4
21				

SEATING AND BASKET

THE USE OF NON U.L. PARTS WILL VOID ANY U.L. LISTING.

When ordering parts, please specify the model and serial number of the product.

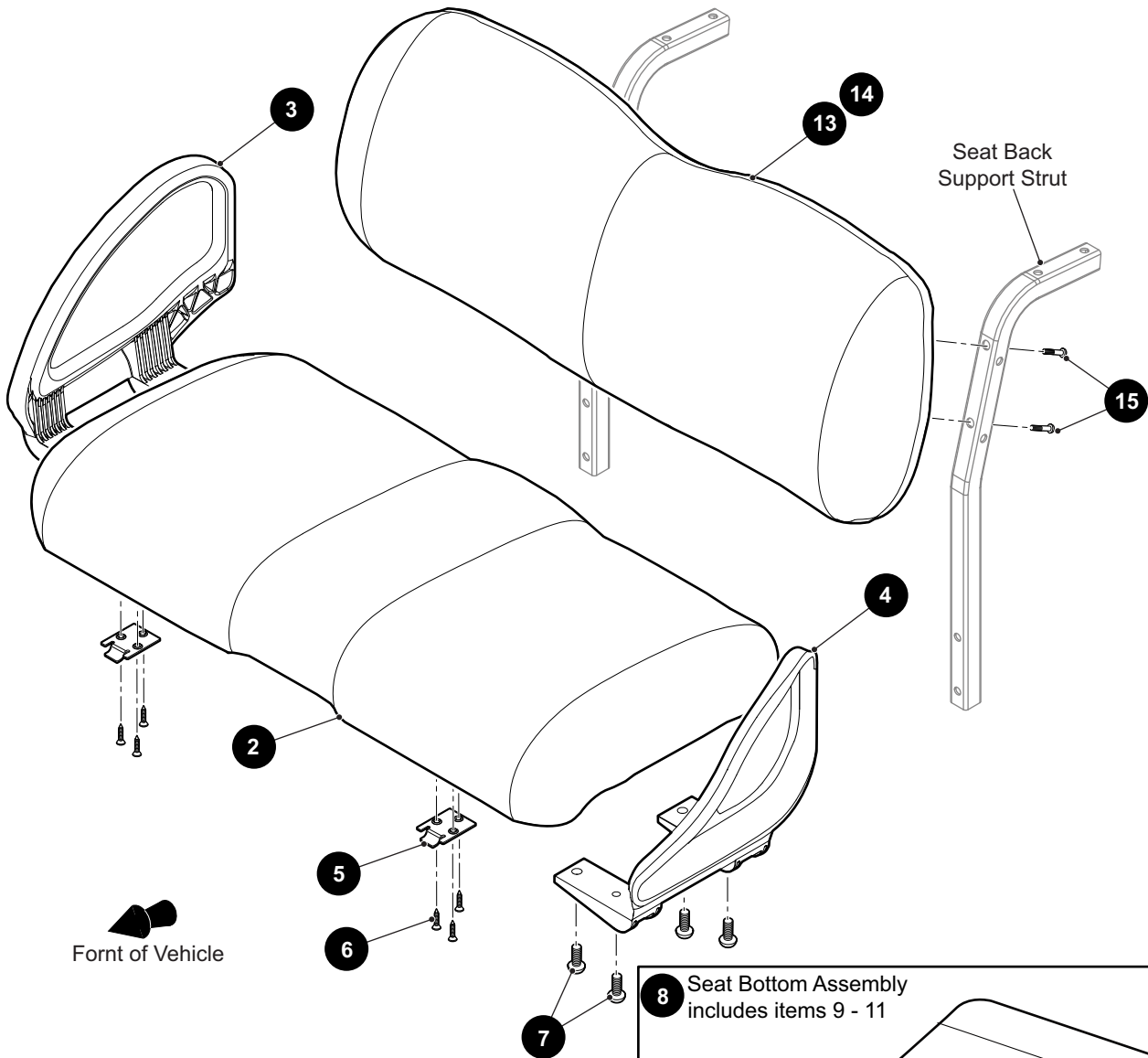
* Indicates a component that is not available as an individual part.

*** Indicates consult Customer Service Department for additional information.

ITEM	PART NO.	1	2	3	4	5	DESCRIPTION	QTY.
22	<u>603800</u>						Flanged Hex Head Bolt, M10 - 1.5 x 50mm Lg, Grade 8.8	4
23	<u>600525</u>						Flanged Lock Nut, M10 - 1.5	4
24								
25	<u>600527</u>						Button Head Torx Bolt, M10 - 1.5 x 60mm Lg, Grade 8.8.....	4
26	<u>600525</u>						Lock Nut, M10 - 1.5	4
27								
28	<u>645088</u>						Seat Back Support Strut Cover	2
29								
30	<u>602742</u>						Sweater Basket Assembly (Includes Items 31 - 34)	1
31	*						Sweater Basket	1
32	<u>608051</u>						Clamp (Bagrack)	2
33	<u>16816G1</u>						Ratchet Rivet, .25" x .680"	2
34	604102						Bag Strap	1
35								
36	<u>600530</u>						Button Head Torx Bolt, M10 - 1.5 x 25mm Lg, Grade 8.8.....	2

SEATING AND BASKET

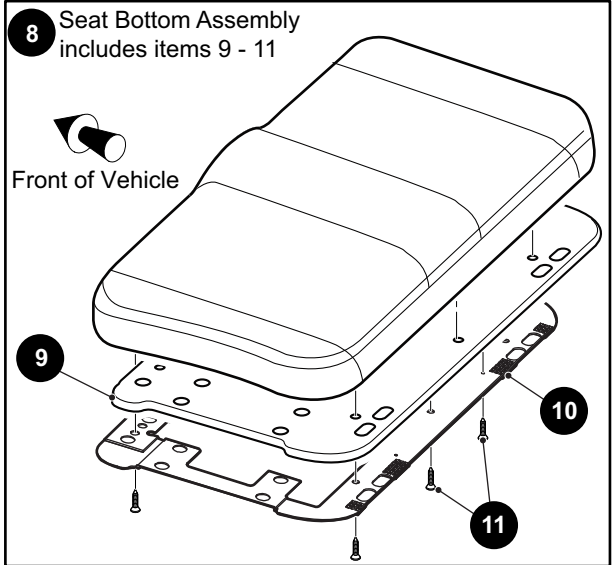
For Vehicles With Premium Seat Option



Front of Vehicle

1 Seat Bottom Assembly includes items 2 - 7

12 Seat Bottom Assembly includes items 3 - 8



8 Seat Bottom Assembly includes items 9 - 11

Front of Vehicle

SEATING AND BASKET

THE USE OF NON U.L. PARTS WILL VOID ANY U.L. LISTING.

When ordering parts, please specify the model and serial number of the product.

* Indicates a component that is not available as an individual part.

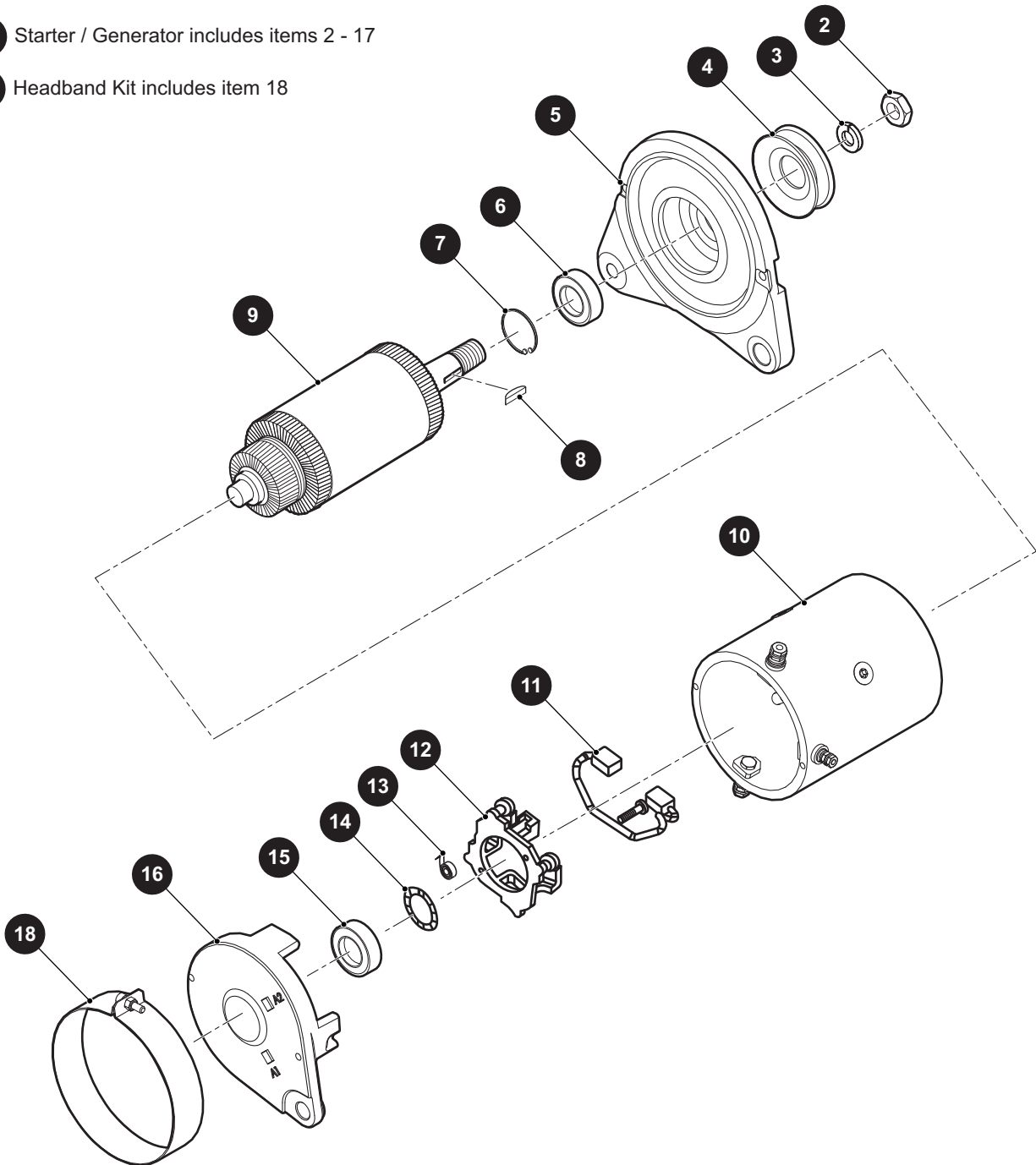
*** Indicates consult Customer Service Department for additional information.

ITEM	PART NO.	1 2 3 4 5	DESCRIPTION	QTY.
1	***		Seat Bottom Assembly (Includes Items 2 - 7) 629269G1617 Light Beige	1
2	***		Seat Bottom Cover 647267G17 Light Beige	1
3	<u>617644</u>		Hip Restraint (Passenger Side)	1
4	<u>617645</u>		Hip Restraint (Driver Side).....	1
5	<u>71610G01</u>		Seat Hinge	2
6	<u>00720G08</u>		Phillips Head Tapping Screw, #12 -14 x 1" Lg	6
7	<u>615417</u>		Button Head Torx Bolt, M10 - 1.5 x 25mm Lg.....	8
8	***		Seat Bottom (Includes Items 9 - 11)..... 686148G18 Mushroom 686148G19 Gray 686148G20 Custom 686148G21 Black 686148G23 Charcoal 686148G24 Oyster 686148G25 White	1
9	605502		Wooden Base Assembly	1
10	602551		Cover Plate	1
11	<u>16816G2</u>		Ratchet Rivet, .25" x .887"	4
12	***		Seat Bottom Assembly (Includes Items 3 - 8) 629269G1618 Mushroom 629269G1619 Gray 629269G1620 Custom 629269G1621 Black 629269G1623 Charcoal 629269G1624 Oyster 629269G1625 White	1
13	***		Seat Back Assembly 647282G17 Light Beige	1
14	***		Seat Back Assembly 686149G18 Mushroom 686149G19 Gray 686149G20 Custom 686149G21 Black 686149G23 Charcoal 686149G24 Oyster 686149G25 White	1
15	<u>600527</u>		Button Head Torx Bolt, M10 - 1.5 x 60mm Lg	4

STARTER AND GENERATOR

1 Starter / Generator includes items 2 - 17

17 Headband Kit includes item 18



STARTER AND GENERATOR

THE USE OF NON U.L. PARTS WILL VOID ANY U.L. LISTING.

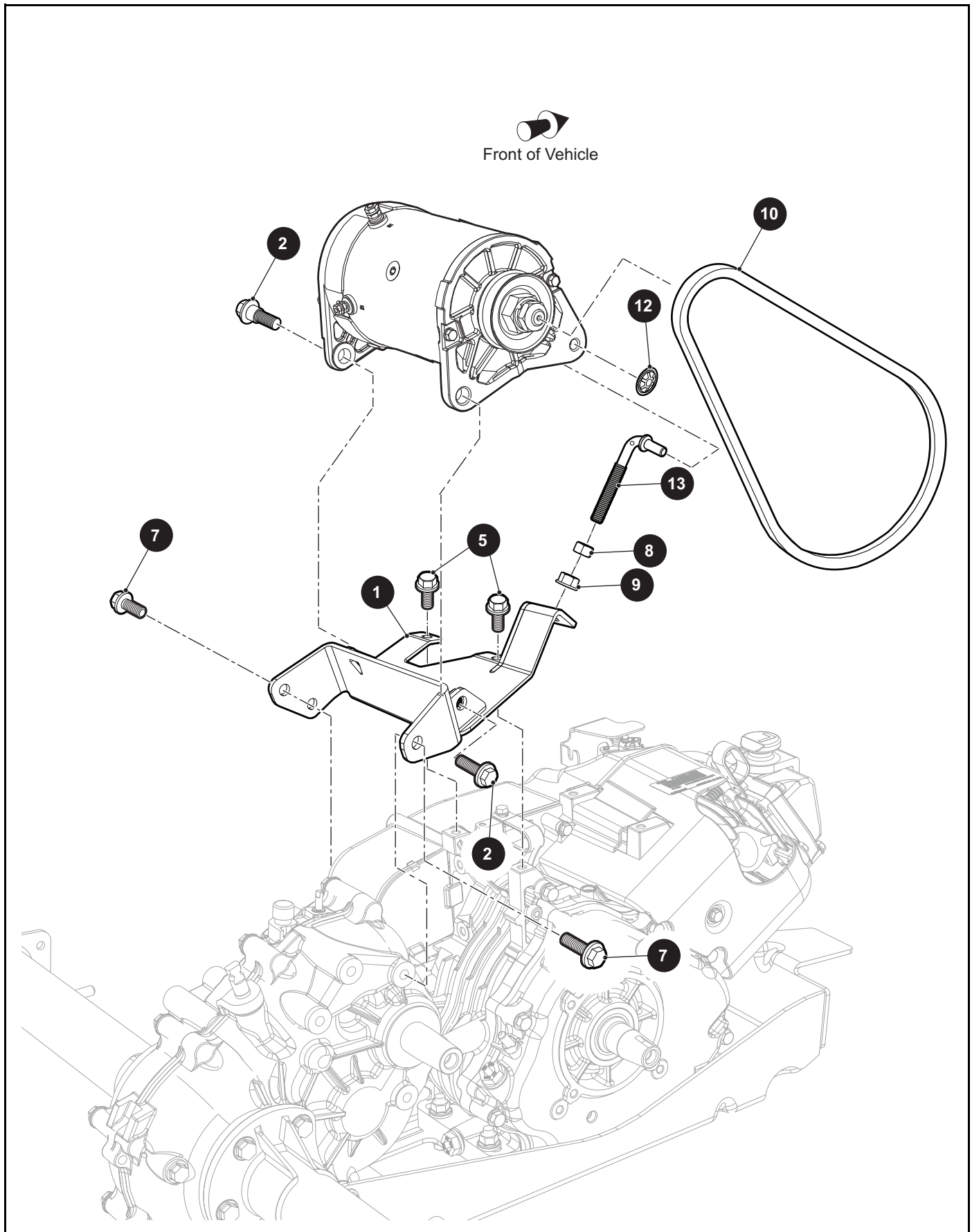
When ordering parts, please specify the model and serial number of the product.

* Indicates a component that is not available as an individual part.

*** Indicates consult Customer Service Department for additional information.

ITEM	PART NO.	1 2 3 4 5	DESCRIPTION	QTY.
1	<u>660379</u>		Starter / Generator (Includes Items 2 - 17)	1
2	<u>612029</u>		Hex Nut.....	1
3	<u>612030</u>		Lock Washer.....	1
4	<u>625716</u>		Pulley, 2.5" O.D.	1
5	<u>654715</u>		Drive End Head	1
6	<u>612033</u>		Bearing	1
7	<u>612034</u>		Retaining Ring	1
8	<u>612035</u>		Woodruff Key	1
9	<u>612036</u>		Armature Assembly	1
10	<u>654716</u>		Frame And Field Assembly.....	1
11	<u>612038</u>		Brush Lead And Terminal Package	1
12	<u>654717</u>		Brush Box Assembly.....	1
13	<u>656659</u>		Brush Spring	4
14	<u>612043</u>		Wavy Washer	1
15	<u>612044</u>		Bearing	1
16	<u>612045</u>		Commutator End Head.....	1
17	<u>658172</u>		Headband Kit (Includes Item 18).....	1
18	<u>654718</u>		Headband.....	1

STARTER AND GENERATOR



STARTER AND GENERATOR

THE USE OF NON U.L. PARTS WILL VOID ANY U.L. LISTING.

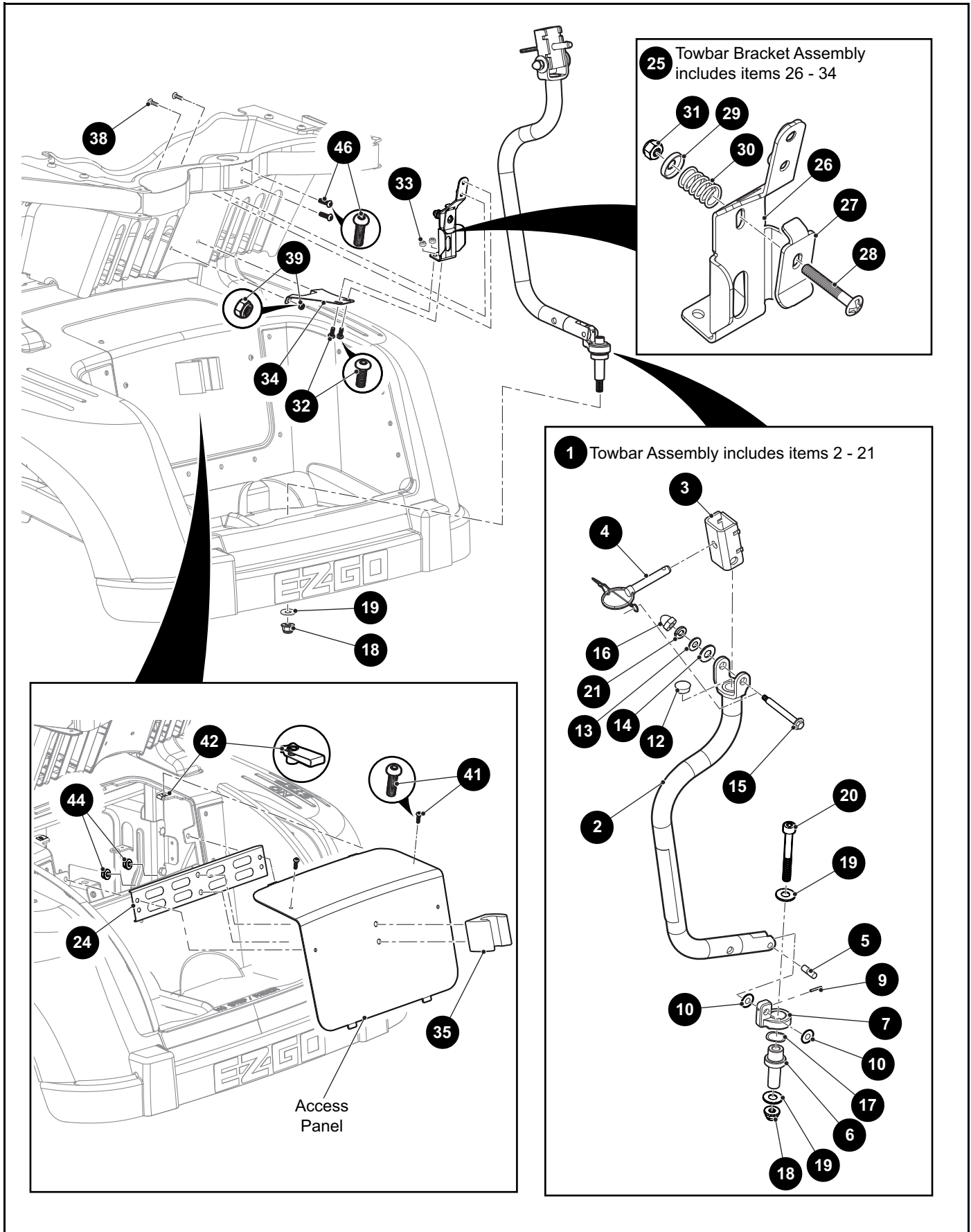
When ordering parts, please specify the model and serial number of the product.

* Indicates a component that is not available as an individual part.

*** Indicates consult Customer Service Department for additional information.

ITEM	PART NO.	1 2 3 4 5	DESCRIPTION	QTY.
1	699755		Starter/Generator Support Bracket	1
2	<u>606235</u>		Flanged Hex Head Bolt, M10 - 1.25 x 20mm Lg.....	2
3				
4				
5	<u>606261</u>		Flanged Hex Head Bolt, M8 - 1.25 x 20mm Lg, Grade 8.8.....	2
6				
7	<u>606256</u>		Flanged Hex Head Bolt, M10 - 1.25 x 25mm Lg, Grade 8.8.....	3
8	<u>606255</u>		Hex Jam Nut, M10 - 1.25	1
9	<u>606274</u>		Flanged Hex Nut, M10 - 1.25	1
10	<u>630587</u>		Starter/Generator Belt	1
11				
12	<u>12064G6</u>		Push Nut, 5/16"	1
13	<u>629763</u>		Tensioner Bolt	1

TOWBAR



THE USE OF NON U.L. PARTS WILL VOID ANY U.L. LISTING.

When ordering parts, please specify the model and serial number of the product.

* Indicates a component that is not available as an individual part.

*** Indicates consult Customer Service Department for additional information.

ITEM	PART NO.	1 2 3 4 5	DESCRIPTION	QTY.
1	<u>635818</u>		Towbar Assembly (Includes Items 2 - 21)	1
2	<u>635820</u>		Towbar	1
3	<u>635461</u>		Coupling Weldment	1
4	<u>685471</u>		Hitch Pin Assembly (Short).....	1
5	<u>75360G01</u>		Pivot Pin	1
6	<u>602990</u>		Pivot.....	1
7	<u>625458</u>		Swivel	1
8				
9	<u>608793</u>		Spirol Pin, 3mm x 22mm	1
10	<u>75340G01</u>		Flat Washer (Delrin), M10.....	2
11				
12	<u>20271G6</u>		Plug, .875" Dia	1
13	<u>00560G1</u>		Flat Washer, 3/8"	1
14	<u>00571G5</u>		Flat Washer, 5/16"	1
15	<u>14158G1</u>		Shoulder Bolt, 1/2" x 3/8" - 16 x 2 3/4" Lg.....	1
16	<u>15717G5</u>		Acorn Nut, 3/8" - 16	1
17	<u>603341</u>		Wavy Washer, M32.....	1
18	<u>625748</u>		Lock Nut, M12 - 1.25	1
19	<u>603182</u>		Flat Washer, M12.....	2
20	<u>603384</u>		Socket Head Bolt, M12 - 1.25 x 100mm Lg.....	1
21	<u>00566G1</u>		Spring Lock Washer, 7/16"	1
22				
23				
24	<u>641228</u>		Support Channel	1
25	<u>641381</u>		Towbar Bracket Assembly (Includes Items 26 - 34)	1
26	<u>641380</u>		Socket Weldment	1
27	<u>641546</u>		Retention Clip	1
28	<u>16705G6</u>		Truss Head Phillips Screw (SS), 1/4" - 20 x 1.75" Lg	1
29	<u>25727G01</u>		Cup Washer, .687" . x .265" I.D	1
30	<u>72735G01</u>		Compression Spring	1
31	<u>14390G4</u>		Lock Nut (SS), 1/4" - 20	1

TOWBAR

THE USE OF NON U.L. PARTS WILL VOID ANY U.L. LISTING.

When ordering parts, please specify the model and serial number of the product.

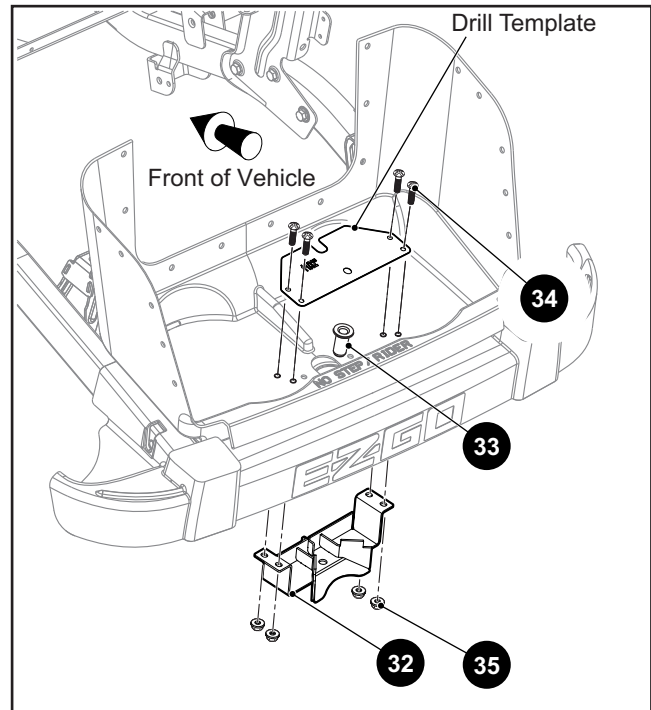
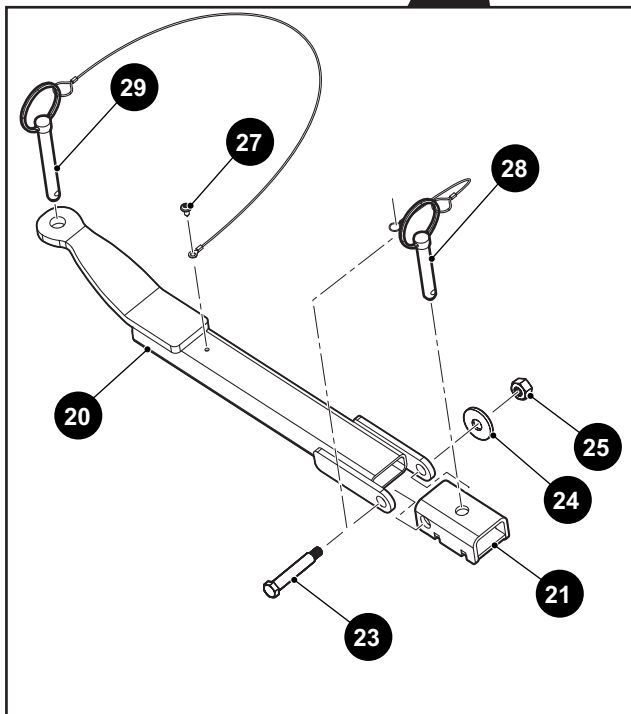
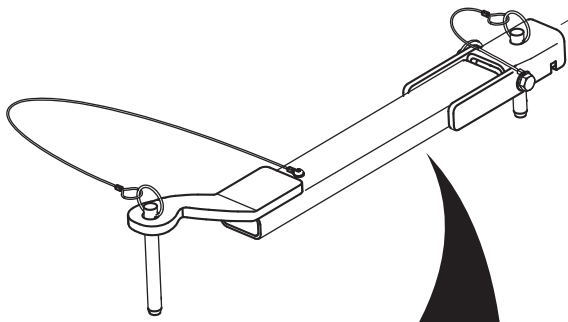
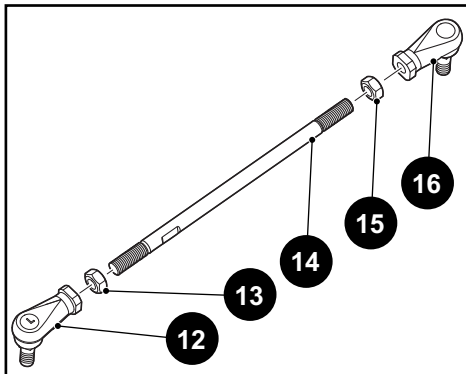
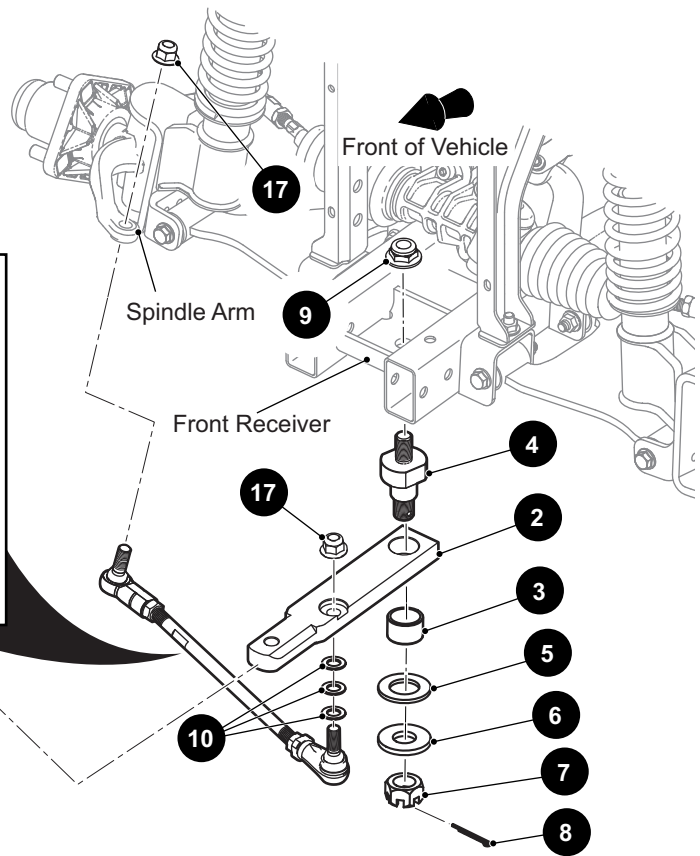
* Indicates a component that is not available as an individual part.

*** Indicates consult Customer Service Department for additional information.

ITEM	PART NO.	1	2	3	4	5	DESCRIPTION	QTY.
32	<u>16705G2</u>						Pan Head Phillips Screw (SS), 1/4" - 20 x 5/8" Lg	2
33	<u>14390G4</u>						Lock Nut (SS), 1/4" - 20	2
34	<u>641402</u>						Towbar Support Bracket.....	1
35	<u>603020</u>						Towbar Retainer	1
36								
37								
38	<u>16705G2</u>						Pan Head Phillips Screw (SS), 1/4" - 20 x 5/8" Lg.....	2
39	<u>14390G4</u>						Lock Nut (SS), 1/4" - 20	2
40								
41	<u>601326</u>						Button Head Torx Bolt, M6 - 1 x 20mm Lg.....	2
42	<u>602409</u>						Barrel Clip, M6 - 1.....	2
43								
44	<u>600525</u>						Flanged Lock Nut, M10 - 1.5	2
45								
46	<u>601326</u>						Button Head Torx Bolt, M6 - 1 x 20mm Lg.....	2

TOWBAR

- 1 Towbar Front Assembly includes items 2 - 17
- 11 Tie Rod Assembly includes items 12 - 16
- 19 Towbar Assembly (Semi Permanent) includes items 20 - 30



THE USE OF NON U.L. PARTS WILL VOID ANY U.L. LISTING.

When ordering parts, please specify the model and serial number of the product.

* Indicates a component that is not available as an individual part.

*** Indicates consult Customer Service Department for additional information.

ITEM	PART NO.	1 2 3 4 5	DESCRIPTION	QTY.
1	670614		Towbar Front Assembly (Includes Items 2 - 17).....	1
2	670611		Front Pivot Bar.....	1
3	<u>75307G01</u>		Bearing.....	1
4	<u>635464</u>		Pivot Bolt.....	1
5	<u>75309G01</u>		Thrust Bearing 1.75" . x 1" I.D.....	1
6	<u>75342G01</u>		Flat Washer, 1.75" . x .78" I.D.....	1
7	<u>00518G8</u>		Castle Nut, 3/4" - 16.....	1
8	<u>10387G1</u>		Cotter Pin, 5/32" x 1 3/4" Lg.....	1
9	<u>601709</u>		Lock Nut, M16 - 2.....	1
10	<u>00560G2</u>		Flat Washer, 7/16".....	3
11	<u>646856</u>		Tie Rod Assembly (Includes Items 12 - 16).....	1
12	<u>643610</u>		Tie Rod End, LH.....	1
13	<u>624962</u>		Hex Nut, M12 - 1.75.....	1
14	<u>644116</u>		Towbar.....	1
15	<u>615414</u>		Hex Nut, M12 - 1.75.....	1
16	<u>614436</u>		Tie Rod End.....	1
17	<u>617787</u>		Flanged Lock Nut, M12 - 1.75.....	2
18				
19	<u>635736</u>		Towbar Assembly (Semi Permanent) (Includes Items 20 - 30).....	1
20	<u>635428</u>		Tongue Weldment.....	1
21	<u>635461</u>		Coupling Weldment.....	1
22				
23	<u>14158G1</u>		Shoulder Bolt, 1/2" x 3/8" - 16 x 2 3/4" Lg.....	1
24	<u>00571G5</u>		Flat Washer, 5/16".....	1
25	<u>11098G5</u>		Lock Nut, 3/8" - 16.....	1
26				
27	<u>637563</u>		Self Tapping Screw, M4.8 - 1.6 x 14mm Lg.....	1
28	685471		Hitch Pin Assembly (Short).....	1
29	<u>641171</u>		Hitch Pin Assembly (Long).....	1
30				
31				

TOWBAR

THE USE OF NON U.L. PARTS WILL VOID ANY U.L. LISTING.

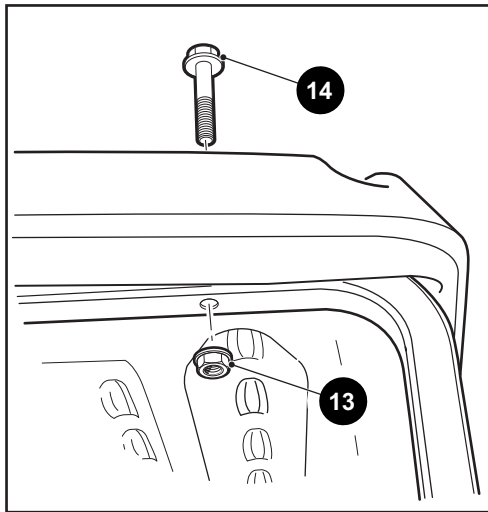
When ordering parts, please specify the model and serial number of the product.

* Indicates a component that is not available as an individual part.

*** Indicates consult Customer Service Department for additional information.

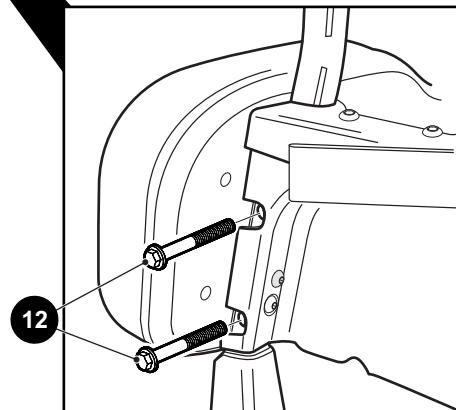
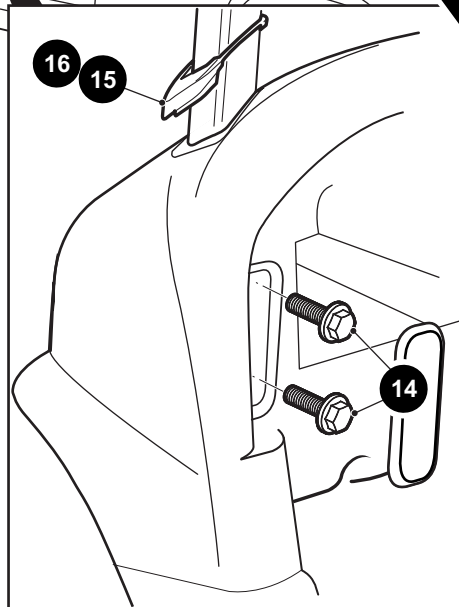
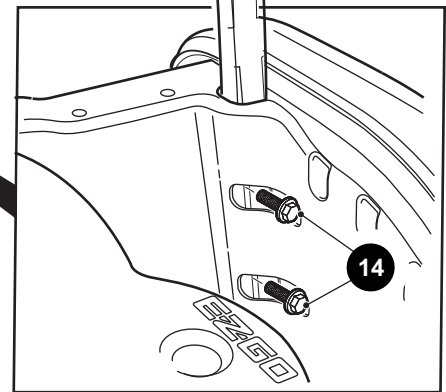
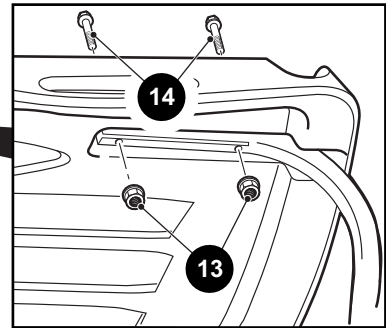
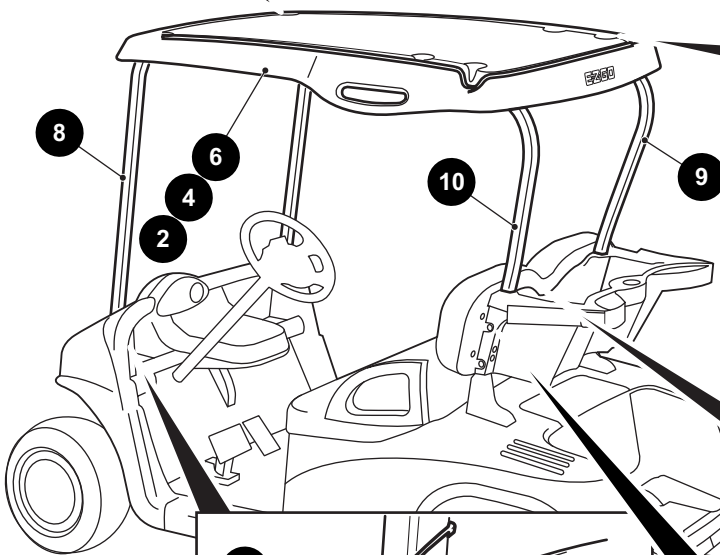
ITEM	PART NO.	1 2 3 4 5	DESCRIPTION	QTY.
32	691744		Towbar Receiver Weldment.....	1
33	<u>635442</u>		Towbar Bushing	1
34	<u>628635</u>		Button Head Bolt, M8 - 1.25 x 30mm Lg	4
35	<u>645956</u>		Flanged Hex Nut, M8 - 1.25	4

WEATHER PROTECTION



- 1** Sun Top Kit, Stone Beige includes items 2, 19
- 3** Sun Top Kit, Oyster includes items 4, 19
- 5** Sun Top Kit, Black includes items 6, 7
- 7** Sun Top Strut Kit includes items 8 - 11

- 11** Sun Top Hardware Kit includes items 12 - 16
- 19** Sun Top Strut Kit includes items 8 - 10, 20
- 20** Sun Top Hardware Kit includes items 12 - 16



WEATHER PROTECTION

THE USE OF NON U.L. PARTS WILL VOID ANY U.L. LISTING.

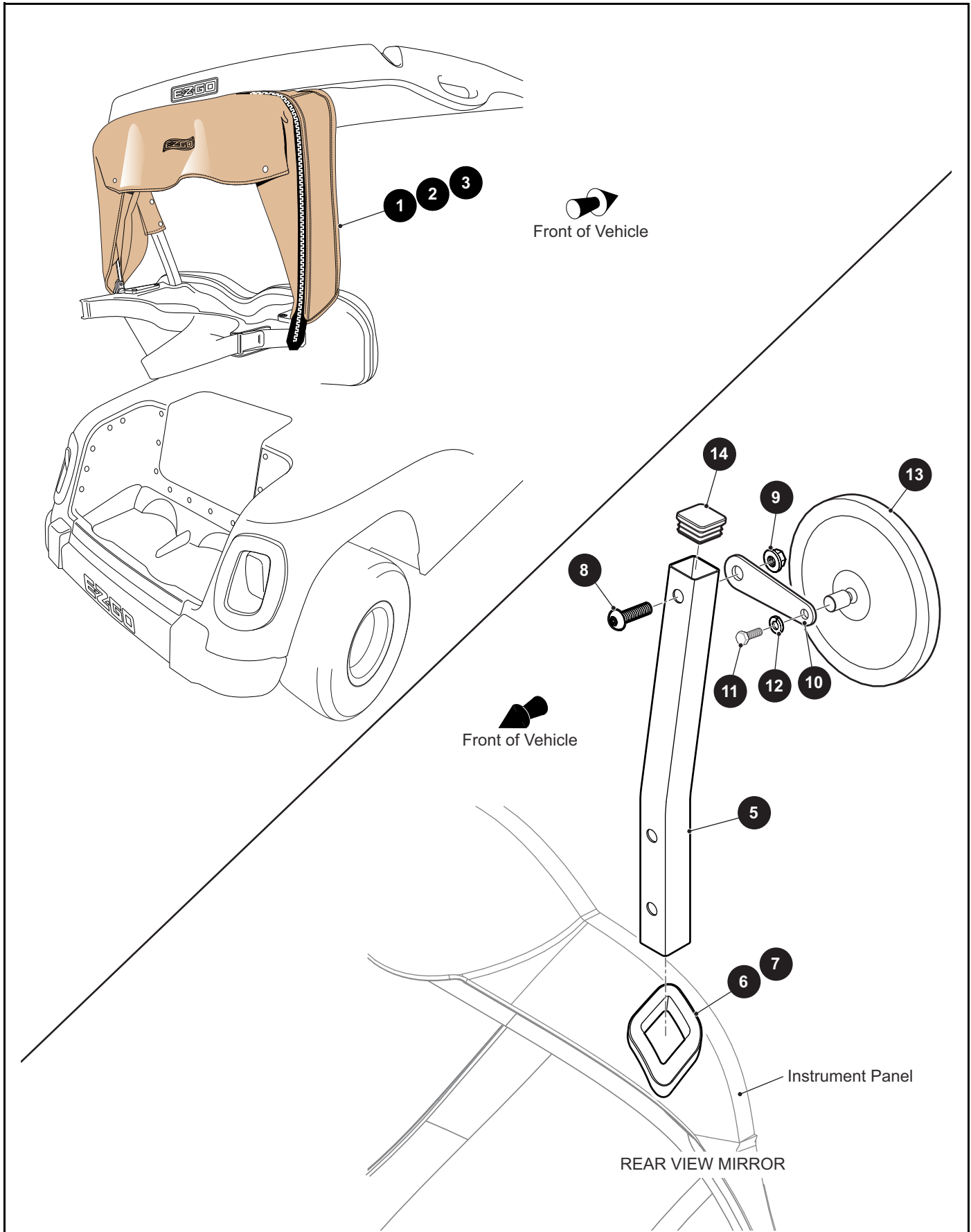
When ordering parts, please specify the model and serial number of the product.

* Indicates a component that is not available as an individual part.

*** Indicates consult Customer Service Department for additional information.

ITEM	PART NO.	1 2 3 4 5	DESCRIPTION	QTY.
1	610766		Sun Top Kit, Stone Beige (Includes Items 2, 19).....	1
2	<u>608198</u>		Sun Top	1
3	610767		Sun Top Kit, Oyster (Includes Items 4, 19).....	1
4	<u>608015</u>		Sun Top	1
5	<u>613233</u>		Sun Top Kit, Black (Includes Item 6, 7)	1
6	<u>613227</u>		Sun Top	1
7	608677		Sun Top Strut Kit (Includes Items 8 - 11)	1
8	<u>603203</u>		Front Strut	1
9	<u>614310</u>		Rear Strut (Passenger Side).....	1
10	<u>614309</u>		Rear Strut (Driver Side).....	1
11	<u>607013</u>		Sun Top Hardware Kit (Includes Items 12 - 16)	1
12	<u>602415</u>		Flanged Hex Head Bolt, M10 - 1.5 x 80mm Lg	4
13	<u>600525</u>		Flanged Lock Nut, M10 - 1.5	10
14	<u>603800</u>		Flanged Hex Head Bolt, M10 - 1.5 x 50mm Lg, Grade 8.8	10
15	<u>602770</u>		Grommet (Driver Side)	1
16	<u>602992</u>		Grommet (Passenger Side).....	1
17				
18				
19	<u>620880</u>		Sun Top Strut Kit (Includes Items 8 - 10, 20).....	1
20	<u>610763</u>		Sun Top Hardware Kit (includes items 12 - 16).....	1
21				
22	<u>664522G02</u>		GPS Mounting System (Not Illustrated)	1

WEATHER PROTECTION



WEATHER PROTECTION

THE USE OF NON U.L. PARTS WILL VOID ANY U.L. LISTING.

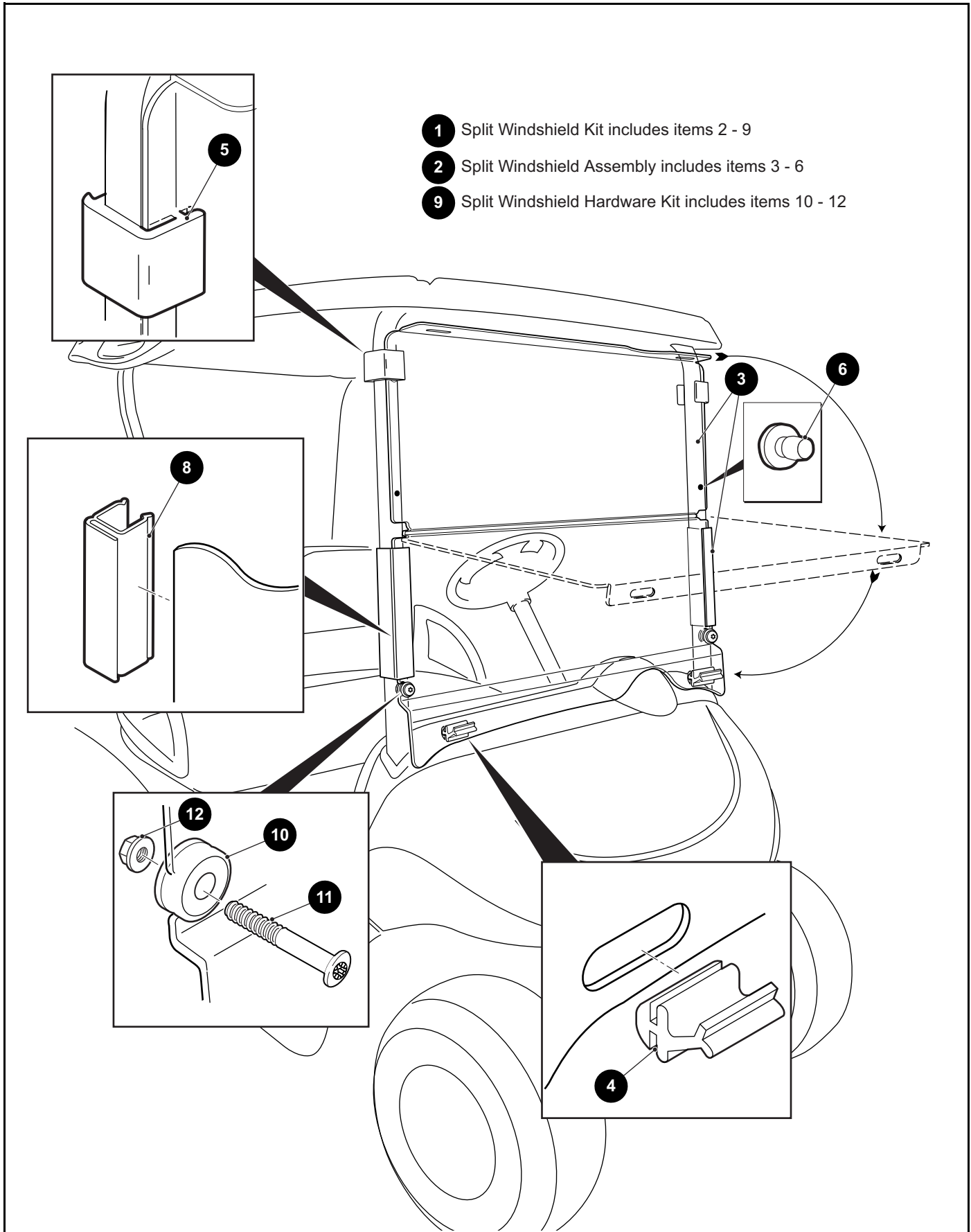
When ordering parts, please specify the model and serial number of the product.

* Indicates a component that is not available as an individual part.

*** Indicates consult Customer Service Department for additional information.

ITEM	PART NO.	1 2 3 4 5	DESCRIPTION	QTY.
1	<u>614267</u>		Bag Cover Kit, Stone Beige	1
2	<u>614268</u>		Bag Cover Kit, Oyster	1
3	<u>619020</u>		Bag Cover Kit, Black	1
4				
5	<u>648473</u>		Strut	1
6	<u>602770</u>		Strut Grommet (Driver Side)	1
7	<u>602992</u>		Strut Grommet (Passenger Side).....	1
8	<u>600527</u>		Button Head Torx Bolt, M10 - 1.5 x 6mm Lg	1
9	<u>600525</u>		Lock Nut, M10 - 1.5.....	1
10	<u>648528</u>		Mirror Bracket.....	1
11	*		Hex Head Bolt, 1/4" - 20 x 5/8" Lg	1
12	*		Lock Washer, 1/4"	1
13	<u>74202G01</u>		Round Mirror	1
14	<u>620634</u>		End Cap	1

WEATHER PROTECTION



WEATHER PROTECTION

THE USE OF NON U.L. PARTS WILL VOID ANY U.L. LISTING.

When ordering parts, please specify the model and serial number of the product.

* Indicates a component that is not available as an individual part.

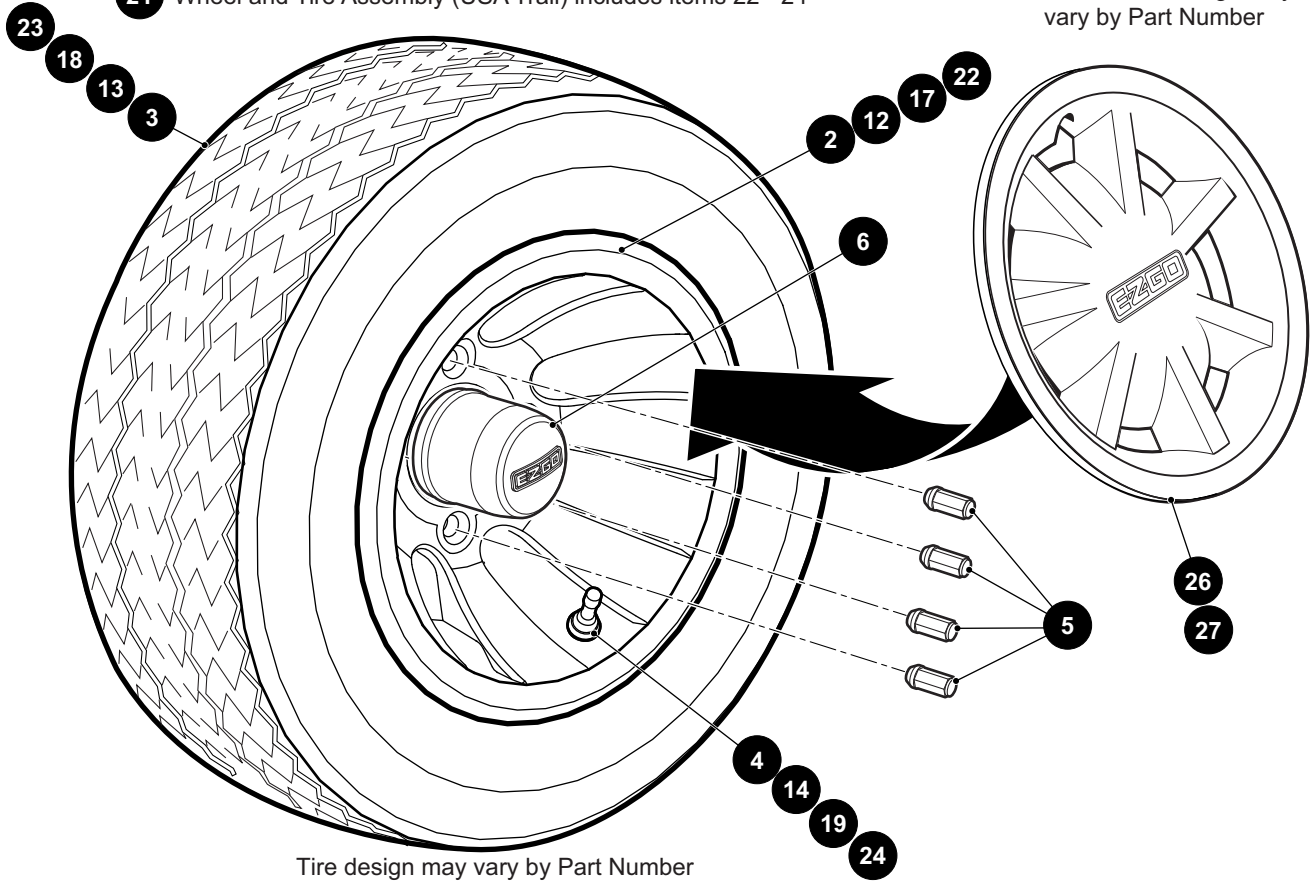
*** Indicates consult Customer Service Department for additional information.

ITEM	PART NO.	1 2 3 4 5	DESCRIPTION	QTY.
FOR VEHICLES MANUFACTURED BEFORE 27SEP2020				
1	<u>606584</u>		Split Windshield Kit (Includes Items 2 - 9).....	1
2	<u>606623</u>		Split Windshield Assembly (Includes Items 3 - 6).....	1
3	<u>603738</u>		Split Windshield.....	1
4	<u>603201</u>		Lower Windshield Latch	2
5	<u>603198</u>		Upper Windshield Latch	2
6	<u>604115</u>		Windshield Isolator	2
7				
8	<u>613136</u>		Windshield Attachment Sash, 10".....	2
9	668122		Split Windshield Hardware Kit (Includes Items 10 - 12)	1
10	<u>604116</u>		Grommet	2
11	<u>600527</u>		Button Head Torx Bolt, M10 - 1.5 x 60mm Lg	2
12	<u>600525</u>		Lock Nut, M10 - 1.5.....	2
FOR VEHICLES MANUFACTURED AFTER 27SEP2020				
1	10009762		Split Windshield Kit (Includes Items 2 - 9).....	1
2	<u>606623</u>		Split Windshield Assembly (Includes Items 3 - 6).....	1
3	<u>603738</u>		Split Windshield.....	1
4	<u>603201</u>		Lower Windshield Latch	2
5	<u>603198</u>		Upper Windshield Latch	2
6	<u>604115</u>		Windshield Isolator	2
7				
8	10009146		Windshield Attachment Sash, 9".....	2
9	668122		Split Windshield Hardware Kit (Includes Items 10 - 12)	1
10	<u>604116</u>		Grommet	2
11	<u>600527</u>		Button Head Torx Bolt, M10 - 1.5 x 60mm Lg	2
12	<u>600525</u>		Lock Nut, M10 - 1.5.....	2

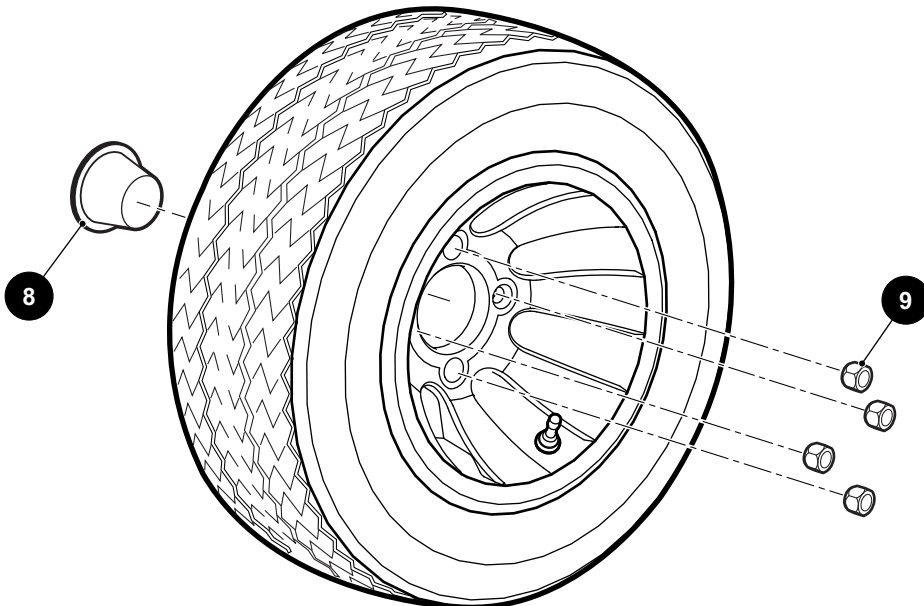
WHEELS AND TIRES

- 1** Wheel and Tire Assembly (Machine Alloy) includes items 2 - 4
- 11** Wheel and Tire Assembly (Hole-N-One) includes items 12 - 14
- 16** Wheel and Tire Assembly (Links) includes items 17 - 19
- 21** Wheel and Tire Assembly (USA Trail) includes items 22 - 24

Wheel cover design may vary by Part Number



Tire design may vary by Part Number



WHEELS AND TIRES

THE USE OF NON U.L. PARTS WILL VOID ANY U.L. LISTING.

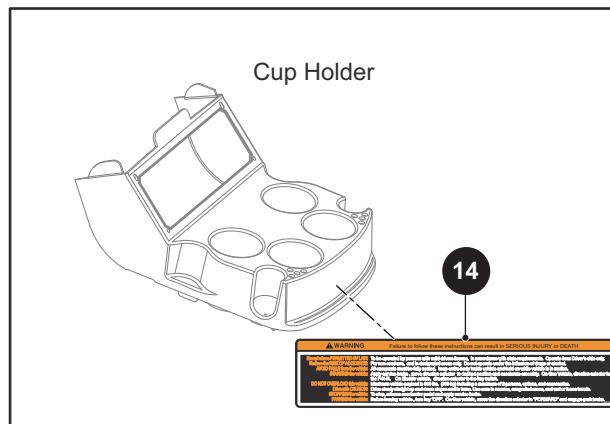
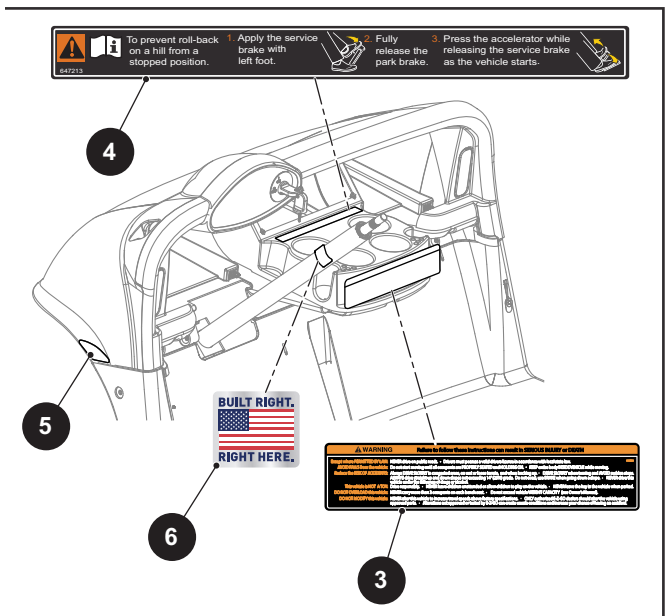
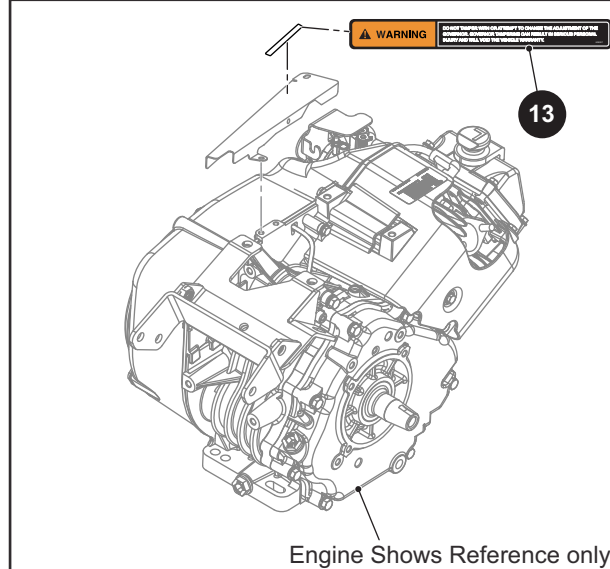
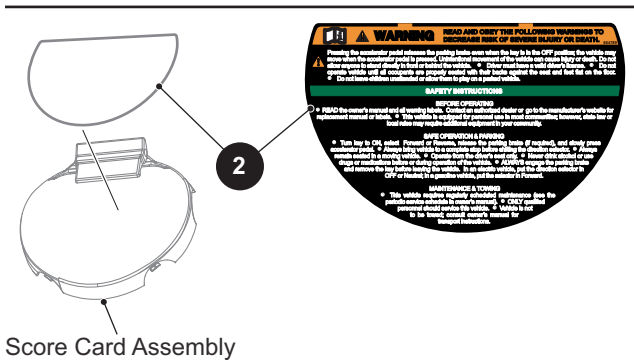
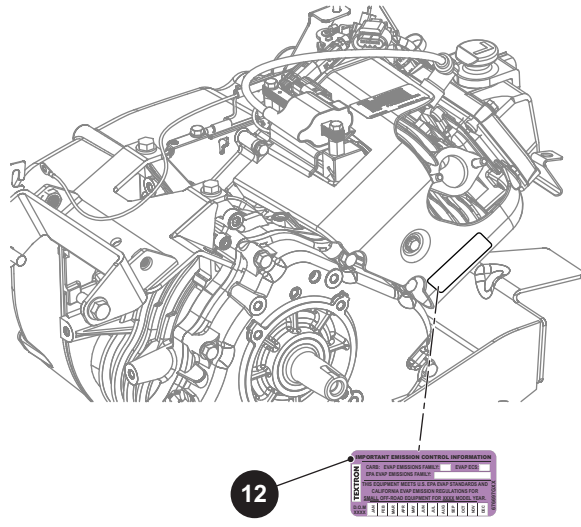
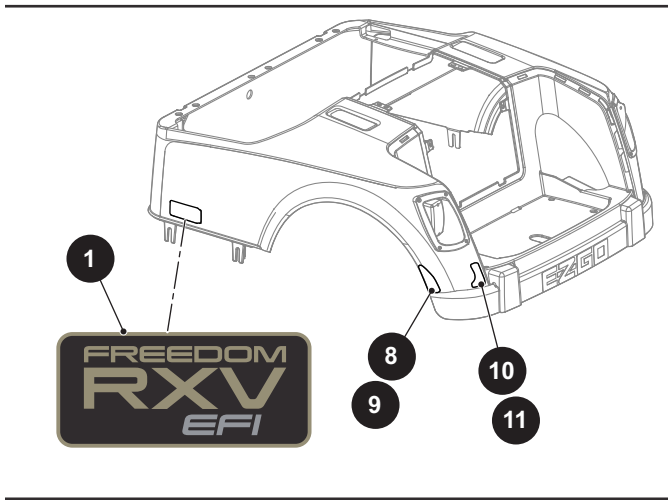
When ordering parts, please specify the model and serial number of the product.

* Indicates a component that is not available as an individual part.

*** Indicates consult Customer Service Department for additional information.

ITEM	PART NO.	1 2 3 4 5	DESCRIPTION	QTY.
1	<u>647042</u>		Wheel and Tire Assembly (Machine Alloy) (Includes Items 2 - 4)	1
2	<u>653593</u>		Wheel, 10"	1
3	<u>647044</u>		Tire (Kenda), 205/50 - 10"	1
4	<u>604915</u>		Valve Stem (Chrome)	1
5	<u>605310</u>		Lug Nut (Chrome)	4
6	<u>652122</u>		Wheel Cap (Chrome)	1
7				
8	<u>74175G01</u>		Dust Cap	1
9	<u>14723G1</u>		Lug Nut, 1/2" - 20	4
10				
11	<u>612772</u>		Wheel and Tire Assembly (Hole-N-One) (Includes Items 12 - 14)	1
12	<u>612770</u>		Wheel, 8"	1
13	<u>612771</u>		Tire (Kenda).....	1
14	<u>11657G2</u>		Valve Stem	1
15				
16	<u>28757G01</u>		Wheel and Tire Assembly (Links) (Includes Items 17 - 19).....	1
17	<u>28759G01</u>		Wheel (White).....	1
18	<u>28764G01</u>		Tire (Carlisle).....	1
19	<u>11657G2</u>		Valve Stem	1
20				
21	<u>28842G01</u>		Wheel and Tire Assembly (USA Trail) (Includes Items 22 - 24)	1
22	<u>28759G01</u>		Wheel (White).....	1
23	<u>28764G08</u>		Tire (Carlisle).....	1
24	<u>11657G2</u>		Valve Stem	1
25				
26	<u>665149</u>		Wheel Cover (Metallic Gold)	1
27	<u>665144</u>		Wheel Cover (Metallic Silver).....	1

DECALS AND LABELS



DECALS AND LABELS

THE USE OF NON U.L. PARTS WILL VOID ANY U.L. LISTING.

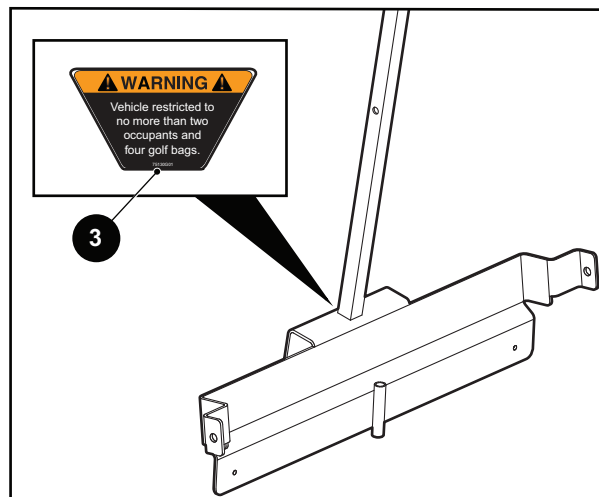
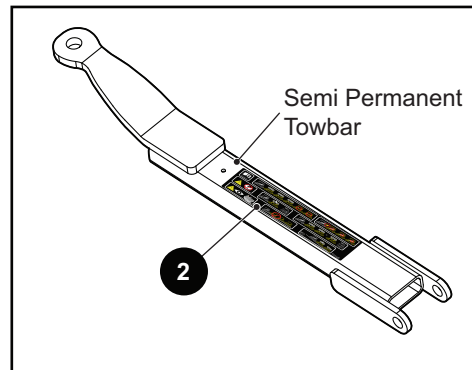
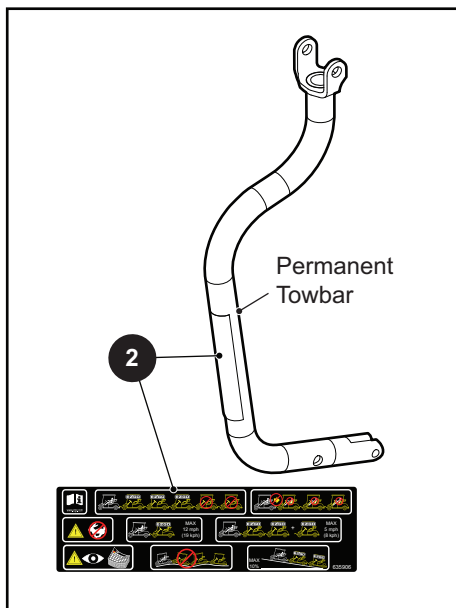
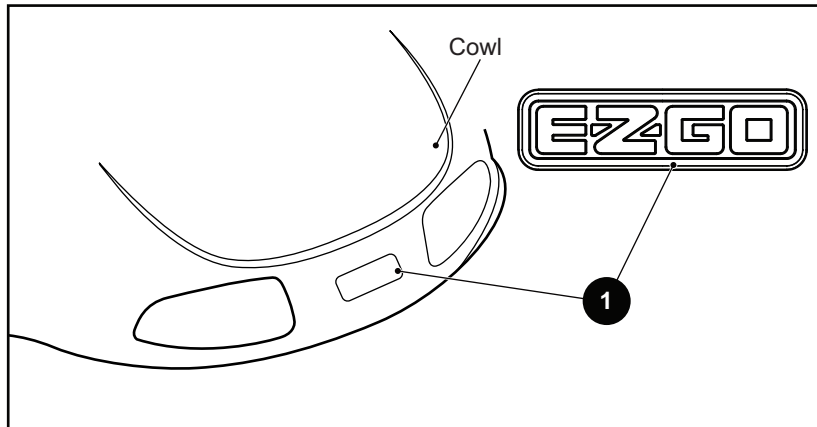
When ordering parts, please specify the model and serial number of the product.

* Indicates a component that is not available as an individual part.

*** Indicates consult Customer Service Department for additional information.

ITEM	PART NO.	1 2 3 4 5	DESCRIPTION	QTY.
1	<u>690341</u>		RXV Freedom Side Decal	1
2	664789		Steering Wheel Decal	1
3	<u>608528</u>		Warning Label	1
4	<u>647213</u>		Anti - Rollback Decal.....	1
5	<u>608991</u>		Yellow Reflector	1
6	685698		MADE IN USA Decal.....	1
7				
8	<u>608993</u>		Side Reflector (Red) (Driver Side)	1
9	<u>608996</u>		Side Reflector (Red) (Passenger Side).....	1
10	<u>625246</u>		Rear Reflex Reflector (Red) (Driver Side).....	1
11	<u>625244</u>		Rear Reflex Reflector (Red) (Passenger Side).....	1
12				
13	<u>608527</u>		Governor Warning Label	1
14	<u>608522</u>		Warning Instructions Label.....	1

DECALS AND LABELS



DECALS AND LABELS

THE USE OF NON U.L. PARTS WILL VOID ANY U.L. LISTING.

When ordering parts, please specify the model and serial number of the product.

* Indicates a component that is not available as an individual part.

*** Indicates consult Customer Service Department for additional information.

ITEM	PART NO.	1 2 3 4 5	DESCRIPTION	QTY.
1	10011930		E-Z-GO Name Plate (Platinum)	1
2	<u>635906</u>		Towbar Warning Label	2
3	75130G01		Warning Label	1

DECALS AND LABELS

THE USE OF NON U.L. PARTS WILL VOID ANY U.L. LISTING.

When ordering parts, please specify the model and serial number of the product.

* Indicates a component that is not available as an individual part.

*** Indicates consult Customer Service Department for additional information.

ITEM	PART NO.	1 2 3 4 5	DESCRIPTION	QTY.
1	<u>614043</u>		Instrument Panel Warning Label.....	1
2	<u>614044</u>		Steering Wheel Decal	1
3	<u>601783</u>		CE Label	1
4				
5	<u>608818</u>		Negative Ground Decal, CE.....	1
6				
7	<u>612214</u>		Towbar Decal	1
8	<u>608822</u>		Governor Decal.....	1



A Textron Company

Textron Specialized Vehicles, Inc.,
1451 Marvin Griffin Road
Augusta, Georgia 30906 - 3852 USA

CONTACT INFORMATION

North America:

Technical Assistance & Warranty Phone: 1-800-774-3946, FAX: 1-800-448-8124
Service Parts Phone: 1-888-438-3946, FAX: 1-800-752-6175

International: Phone: 001-706-798-4311, FAX: 001-706-771-4609

Owner's Guides and Repair Manuals
are available from a local Distributor, an authorized Branch,
Parts & Accessories Department or at www.shop.txtsv.com/shop-ezgo

Copyrighted Material
This manual may not be reproduced in whole or
in part without the express permission of
Textron Specialized Vehicles
Technical Publications Department