



A Textron Company

Gasoline Service Parts Manual



625479-BM

ISSUED SEP 2011

REVISED JUNE 2019

SERVICE PARTS MANUAL

GASOLINE POWERED UTILITY VEHICLE

EXPRESS S4

EXPRESS L4

STARTING MODEL YEAR 2012

DISCLAIMER: The E-Z-GO Division of Textron Inc. (E-Z-GO) reserves the right to incorporate engineering and design changes to products in this Manual, without obligation to include these changes on units leased/sold previously.

The information contained in this Manual may be revised periodically E-Z-GO, and therefore is subject to change without notice.

E-Z-GO DISCLAIMS LIABILITY FOR ERRORS IN THIS MANUAL, and E-Z-GO SPECIFICALLY DISCLAIMS LIABILITY FOR INCIDENTAL AND CONSEQUENTIAL DAMAGES RESULTING FROM THE USE OF THE INFORMATION AND MATERIALS IN THIS MANUAL.

TO CONTACT US

NORTH AMERICA:

TECHNICAL ASSISTANCE & WARRANTY PHONE: 1-800-774-3946, FAX: 1-800-448-8124

SERVICE PARTS PHONE: 1-888-GET-EZGO (1-888-438-3946), FAX: 1-800-752-6175

INTERNATIONAL: PHONE: 001-706-798-4311, FAX: 001-706-771-4609

E-Z-GO DIVISION OF TEXTRON INC., 1451 MARVIN GRIFFIN RD., AUGUSTA, GEORGIA USA 30906-3852

GENERAL INFORMATION

To obtain a copy of the limited warranty applicable to the vehicle, call or write a local Distributor, authorized Branch or the Warranty Department with vehicle serial number and manufacturer code.

The use of non Original Equipment Manufacturer (OEM) parts may void the warranty.

Overfilling of batteries may void the warranty.

BATTERY PROLONGED STORAGE

All batteries will self discharge over time. The rate of self discharge varies depending on the ambient temperature and the age and condition of the batteries.

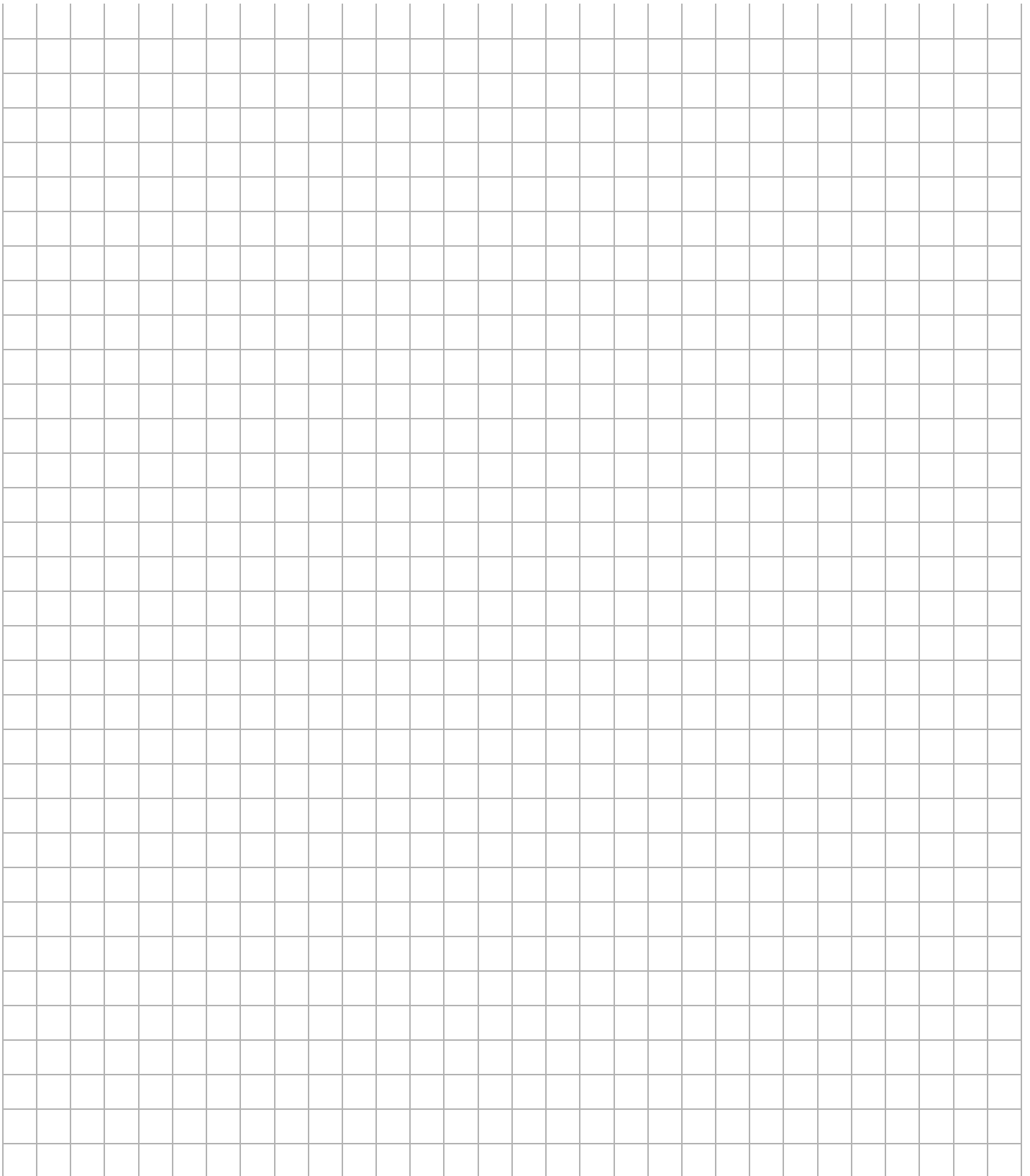
A fully charged battery will not freeze in winter temperatures unless the temperature falls below -75° F (-60° C).

As with all electric vehicles, the batteries must be checked and recharged as required or at a minimum of 30 day intervals.

TABLE OF CONTENTS

SECTION	Page No.
HOW TO USE THE SERVICE PARTS MANUAL	vii
ACCELERATOR	A-1
AIR FILTER	B-1
BODY	C-1
BRAKES - MECHANICAL	D-1
CARBURETOR AND CHOKE	E-1
CLUTCH	F-1
DIRECTION SELECTOR	G-1
ELECTRICAL SYSTEM	H-1
ENGINE AND MUFFLER	J-1
ENGINE MOUNTING	K-1
FRONT SUSPENSION AND STEERING	L-1
FUEL SYSTEM	M-1
REAR AXLE	N-1
REAR SUSPENSION	P-1
SEATING	Q-1
STARTER / GENERATOR	R-1
WEATHER PROTECTION	S-1
WHEELS AND TIRES	T-1

NOTES



HOW TO USE THE SERVICE PARTS MANUAL

This manual is divided into several sections:

- GENERAL INFORMATION
- ILLUSTRATED PARTS BREAKDOWN
- APPENDIX

The first section, GENERAL INFORMATION, contains the following information:

- WARRANTY INFORMATION
- GENERAL INDEX
- HOW TO USE THE SERVICE PARTS MANUAL

The second section, ILLUSTRATED PARTS BREAKDOWN, contains illustrations and parts lists for all systems of your vehicle.

The third section, APPENDIX, contains a listing of specialty products and accessories.

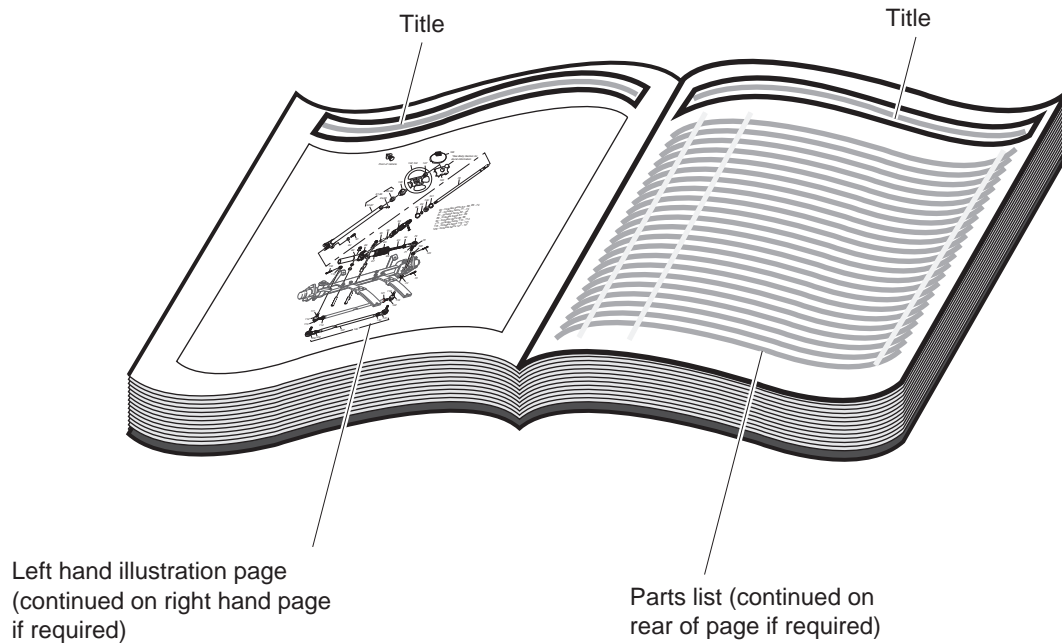
USE OF THE MANUAL

To use this manual, consult the GENERAL INDEX to locate the information or illustration required.

Introduction of some revisions varies due to supply of components; therefore, it is possible that various combinations of components may be found that are not directly reflected by each illustration. Consult the illustration that best suits your situation and then contact the Service Parts Department. It is important that the serial number of your vehicle and its model number be supplied to Service Parts when ordering any replacement components.

Locate the serial number plate (see BODY located in the Illustrated Parts Breakdown section of this manual for its location) and note the complete number shown on the plate.

HOW TO USE THE SERVICE PARTS MANUAL



1. WHEN THE PART NUMBER IS NOT KNOWN

- Determine the function and application of the part required. Turn to the General Index and select the most appropriate title.
- Turn to the page number indicated and locate the desired part on the illustration.
- From the illustration, obtain the item number assigned to the desired part. Refer to the accompanying description for specific information regarding the part.

2. IF YOU KNOW THE PART NUMBER

- Locate the part number or description in the appropriate column on the parts list page.

NOTE: It is suggested that you confirm that the part selected is correct by verifying it with the pictorial representation on the illustrated page.

Should an asterisk (*) appear in the part number column on the parts list page, read upwards until a part number is found. The part number is the lowest assembly sold by Service Parts and the asterisk (*) indicates that the part depicted is not available for purchase.

NOTE: Descriptions are indented under the assembly that they are used on. That assembly is, in turn listed under the assembly that it is used on. This process is repeated until the highest final assembly is reached.

To facilitate the maintenance and repair of the vehicle, a Technician's Repair and Service Manual is available from the Service Parts Department.

HOW TO USE THE SERVICE PARTS MANUAL

3. COLOR CODE FOR BODY COMPONENTS

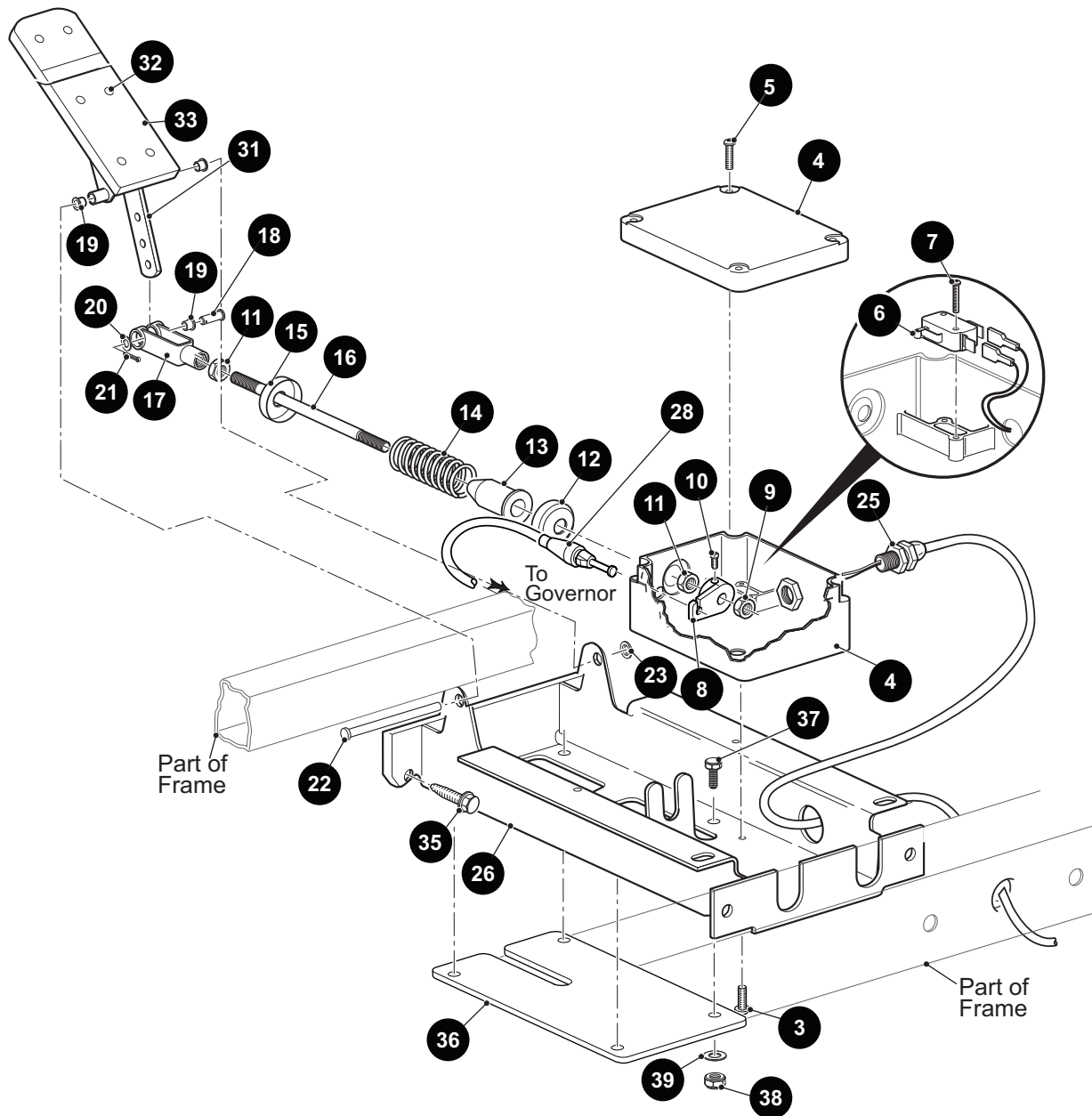
The last two digits of the part number for the body part will denote the color code, locate the part number for the cowl, rear body, seat pod, side panel or seat wrap then locate your color in the list below, replace the last ** or XX with the two digit color code.

<u>CODE #</u>	<u>DESCRIPTION</u>	<u>CODE #</u>	<u>DESCRIPTION</u>
01	NO PAINT	53	MOSSY OAK NEW BREAK UP - DIPPED
02	SPECIAL COLOR	54	MOSSY OAK OBSESSION - DIPPED
05	JACOBSEN ORANGE	55	REALTREE ADVANTAGE MAX 4 - DIPPED
06	LIGHT GOLD PEARL	56	REALTREE HARDWOOD BROWN - DIPPED
07	SILVER PEARL METALIC	57	REALTREE AP HOT PINK - DIPPED
11	BLACK	58	BLACK / SILVER MARBLE - DIPPED
12	EMERALD GREEN PEARL	59	RED / SILVER MARBLE - DIPPED
13	CLOUD GRAY	60	HOT PINK / SILVER MARBLE - DIPPED
14	VIPER BLUE METALLIC	61	REALTREE AP
19	PATRIOT BLUE PEARL	62	REALTREE MAX 4
20	INFERNO RED METALLIC	63	MOSSY OAK BREAKUP
23	ADVANTAGE CLASSIC CAMO	64	MOSSY OAK TREESTAND
24	NATURAL	65	REALTREE APG
25	VIVID NEW HOLLAND BLUE	66	REALTREE MAX 1
26	STEEL BLUE PEARL	67	REALTREE AP PINK
27	BRIGHT SILVER METALLIC	68	REALTREE AP - DIPPED
29	PRIMER ONLY	69	MONSTER GREEN
30	HD ADVANTAGE CAMO		
31	METALLIC CHARCOAL		
32	LIGHT ALMOND PEARL		
33	TIMBERLINE GREEN		
34	DEEP MOLTEN RED		
35	SAFETY YELLOW		
36	IVORY		
37	FOREST GREEN		
38	BRIGHT WHITE		
39	FLAME RED		
40	BLACK		
41	ELECTRIC BLUE		
42	PLATINUM		
43	BURGUNDY		
44	ALMOND		
45	BLACK		
46	BURGUNDY		
47	BURLINGTON GREEN		
48	BLACK		
49	FLAME RED		
50	RECON GREEN		
51	SUNBURST ORANGE		
52	BRITISH RACING GREEN		

ACCELERATOR

1 PEDAL BOX ASSEMBLY Includes Items 3 - 33

30 ACCELERATOR PEDAL ASSEMBLY Includes Items 31 - 33

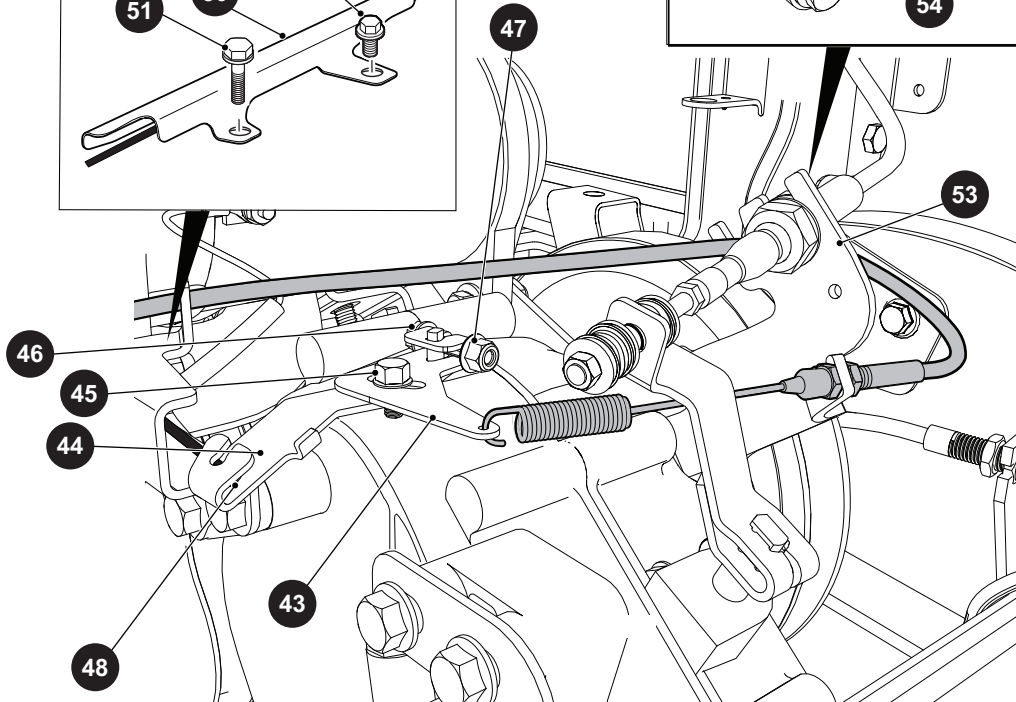
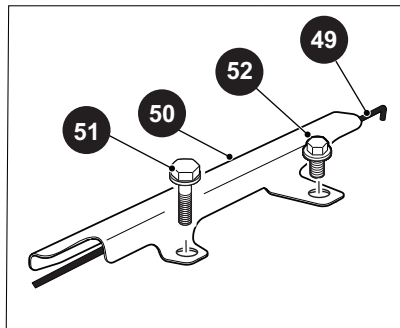
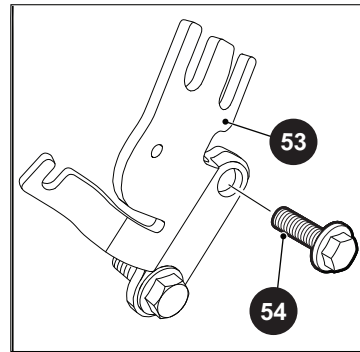
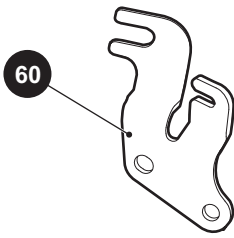


WARNING

DO NOT TAMPER WITH OR ATTEMPT TO CHANGE THE ADJUSTMENT OF THE GOVERNOR. GOVERNOR TAMPERING CAN RESULT IN SERIOUS PERSONAL INJURY AND WILL VOID THE VEHICLE WARRANTY.

56

FOR VEHICLES
MANUFACTURED
FROM APRIL 2014



Differential

ACCELERATOR

When ordering parts, please specify the model and serial number of the product.

* Indicates a component that is not available as an individual part.

*** Indicates consult Customer Service Department for additional information.

ITEM	PART NO.	1 2 3 4 5	DESCRIPTION	QTY.
1	<u>606990</u>		PEDAL BOX ASSEMBLY, SWB (INCLUDES ITEMS 3 - 28, 30 - 33).....	1
2				
3	<u>01051G01</u>		SCREW, #8 - 16 X 1/2" LG	4
4	<u>25853G03</u>		PEDAL BOX AND COVER.....	1
5	<u>00684G6</u>		HEX HEAD BOLT (SS), #8 - 32 X 3/4" LG	2
6	<u>25861G01</u>		MICRO SWITCH	1
7	<u>01050G01</u>		PAN HEAD TORX SCREW, #4 - 20 X 5/8" LG	2
8	<u>72716G01</u>		MICRO SWITCH CAM	1
9	<u>15126G1</u>		LOCK NUT, 5/16" - 24	1
10	<u>00487G3</u>		SETSCREW, 1/4" - 20 X 3/8" LG	1
11	<u>00532G4</u>		HEX NUT, 5/16" - 24	2
12	<u>17677G1</u>		SPRING RETAINER	1
13	<u>17979G1</u>		ACCELERATOR ROD BUSHING	1
14	<u>73046G01</u>		COMPRESSION SPRING	1
15	<u>17677G2</u>		SPRING RETAINER	1
16	<u>72072G01</u>		ACCELERATOR ROD	1
17	<u>10385G4</u>		CLEVIS YOKE (ADJUSTABLE)	1
18	<u>10386G3</u>		CLEVIS PIN, 5/16" X 13/16" LG.....	1
19	<u>17838G1</u>		NYLON BUSHING	3
20	<u>17255G1</u>		TEFLON WASHER, 5/16"	1
21	<u>10387G3</u>		COTTER PIN, 3/32" X 3/4" LG.....	1
22	<u>74432G01</u>		PEDAL PIVOT PIN.....	1
23	<u>12064G6</u>		PUSH NUT, 9/32"	1
24				
25	<u>72201G04</u>		WIRE HARNESS (PEDAL BOX).....	1
26	<u>652241G03</u>		ACCELERATOR PEDAL BRACKET	1
27				
28	<u>608608</u>		ACCELERATOR CABLE, SWB	1
29				
30	<u>25799G03</u>		ACCELERATOR PEDAL ASSEMBLY (INCLUDES ITEMS 31- 33)	1
31	<u>27844G01</u>		ACCELERATOR PEDAL).....	1

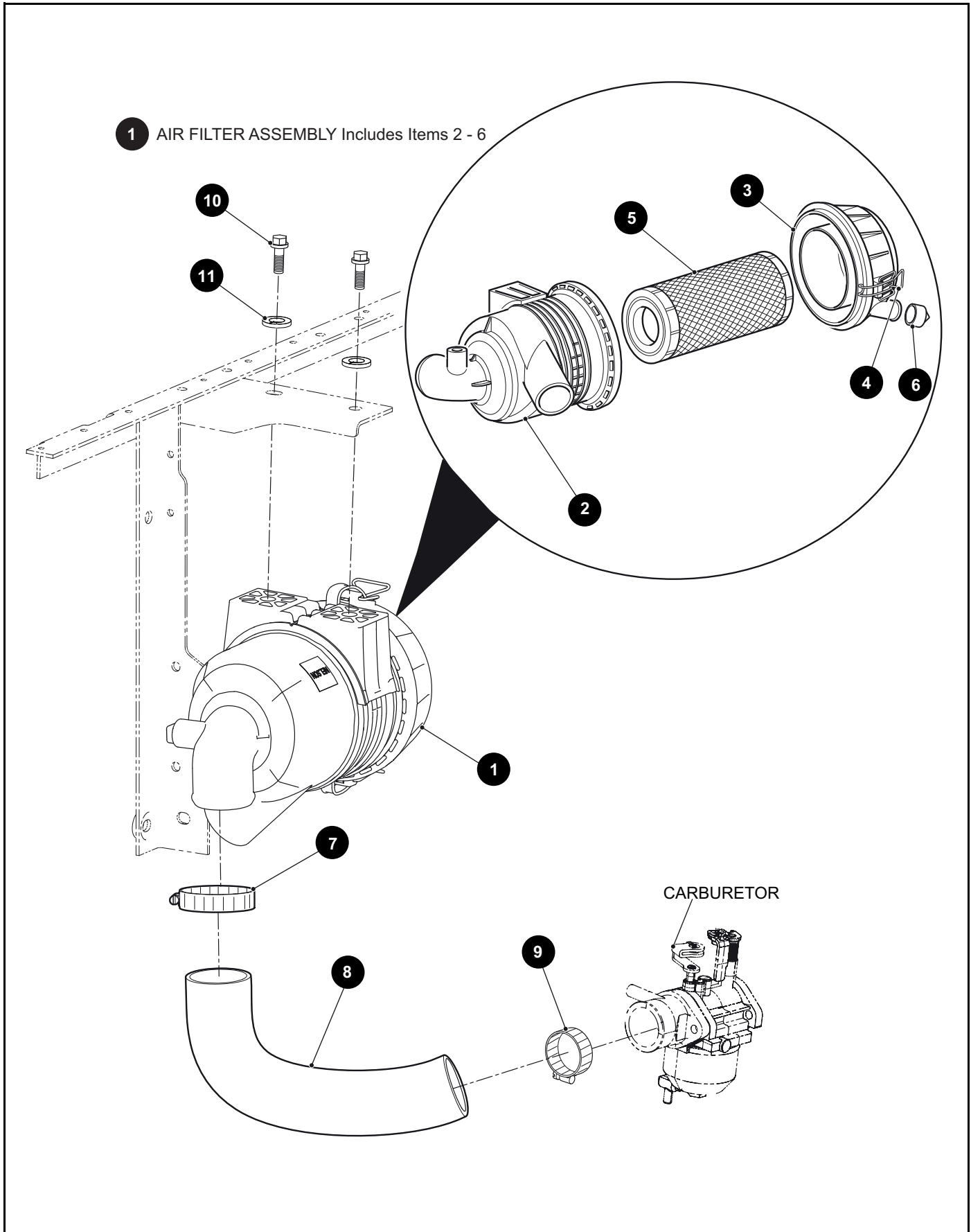
When ordering parts, please specify the model and serial number of the product.

* Indicates a component that is not available as an individual part.

*** Indicates consult Customer Service Department for additional information.

ITEM	PART NO.	1 2 3 4 5	DESCRIPTION	QTY.
32	<u>16409G1</u>		OVAL RIVET, 3/16" X 7/16" LG	6
33	<u>27512-G01</u>		ACCELERATOR PEDAL PAD	1
34				
35	<u>00715G2</u>		HEX HEAD BOLT, 5/16" -18 X 4/5" LG	4
36	<u>652780G03</u>		PLATE, BRACKET	1
37	<u>00414G6</u>		HEX HEAD BOLT, 1/4" - 20 x 3/4" LG	4
38	<u>00654G2</u>		STAINLESS STEEL HEX NUT, 3/8" - 16	4
39	<u>01110G01</u>		FLAT WASHER, 1/4"	4
40				
41				
42				
43	<u>606083</u>		UPPER GOVERNOR BRACKET	1
44	<u>606005</u>		LOWER GOVERNOR BRACKET	1
45	<u>73876G01</u>		HEX HEAD BOLT, M6 - 1 X 12MM LG	1
46	<u>606421</u>		HEX HEAD BOLT, M6 - 1 X 30MM LG	1
47	<u>450452</u>		HEX NUT, M6 - 1	1
48	<u>606283</u>		GOVERNOR LEVER BUSHING	1
49	<u>606284</u>		GOVERNOR ROD	1
50	<u>603890</u>		GOVERNOR ROD GUARD	1
51	<u>606264</u>		HEX HEAD BOLT, M6 - 1 X 20MM LG	1
52	<u>606262</u>		HEX HEAD BOLT, M8 - 1.25 X 16MM LG	1
53	<u>606074</u>		GOVERNOR CABLE / DIRECTION SELECTOR BRACKET	1
54	<u>606256</u>		HEX HEAD BOLT, M10 - 1.25 X 16MM LG	2
55				
56	<u>608527</u>		GOVERNOR WARNING DECAL	1
57				
58				
59	<u>17618G1</u>		NYLON CLAMP	2
60	<u>632936</u>		GOVERNOR CABLE / DIRECTION SELECTOR BRACKET (FOR VEHICLES MANUFACTURED FROM APRIL 2014)	1

AIR FILTER



AIR FILTER

When ordering parts, please specify the model and serial number of the product.

* Indicates a component that is not available as an individual part.

*** Indicates consult Customer Service Department for additional information.

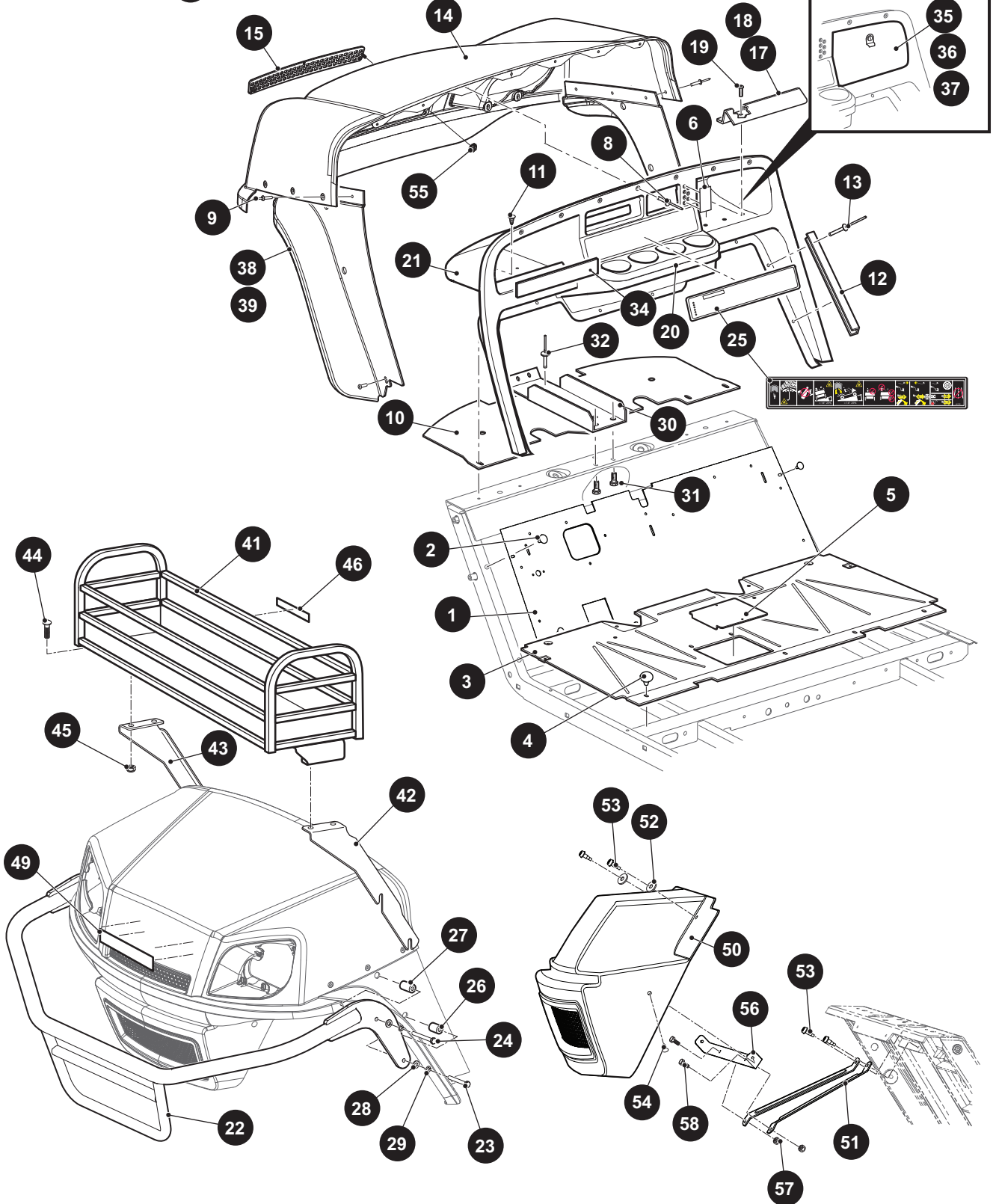
ITEM	PART NO.	1 2 3 4 5	DESCRIPTION	QTY.
1	<u>658941</u>		AIR FILTER ASSEMBLY (INCLUDES ITEMS 2 - 6)	1
2	<u>659139</u>		AIR CLEANER BODY.....	1
3	<u>658957</u>		AIR CLEANER COVER.....	1
4	<u>72604G01</u>		AIR CLEANER CLIP.....	2
5	<u>28463G01</u>		AIR FILTER	1
6	<u>28462G01</u>		DUST EJECTOR VALVE	1
7	<u>11391G7</u>		HOSE CLAMP.....	1
8	<u>601910</u>		HOSE, 14" LONG	1
9	<u>11391G1</u>		HOSE CLAMP.....	1
10	606271		BOLT M8 - 1.25 X 20	2
11	<u>606272</u>		LOCK WASHER, 8 MM.....	2

Notes:

A large grid of graph paper, consisting of 28 columns and 32 rows of small squares, intended for taking notes.

BODY

16 INSTRUMENT PANEL ASSEMBLY includes items 17 - 21



40 FRONT BASKET ASSEMBLY includes items 41 - 46

When ordering parts, please specify the model and serial number of the product.

* Indicates a component that is not available as an individual part.

*** Indicates consult Customer Service Department for additional information.

ITEM	PART NO.	1 2 3 4 5	DESCRIPTION	QTY.
1	<u>641260</u>		UPPER FLOORPAN (AXLE MOUNTED STEERING).....	1
2	<u>14601G11</u>		RIVET (ALUMINUM), 3/16" X 9/16" LG	9
3	<u>70451G01</u>		LOWER FLOORPAN	1
4	<u>14601G11</u>		RIVET (ALUMINUM), 3/16" X 9/16" LG	7
5	<u>70452G01</u>		ACCESS COVER.....	1
6	<u>35968G01</u>		T-HOLDER COVER	1
7				
8	<u>71055G01</u>		RIVET (ALUMINUM), 3/16" X 1 1/8" LG	7
9	<u>71055G01</u>		RIVET (ALUMINUM), 3/16" X 1 1/8" LG	6
10	<u>71413G01</u>		SPLASH PANEL.....	1
11	<u>16816G2</u>		RATCHET FASTENER, 1/4" X 3/4" LG.....	5
12	<u>71115G01</u>		VINYL TRIM	2
13	<u>71055G01</u>		RIVET (ALUMINUM), 3/16" X 1 1/8" LG	10
14	613036GXXX		COWL	1
15	<u>617643</u>		GRILL COVER	1
16	<u>71151G03</u>		INSTRUMENT PANEL ASSEMBLY (INCLUDES ITEMS 17 - 21).....	1
17	<u>71153G01</u>		DEFLECTOR (PASSENGER SIDE).....	1
18	<u>71154G01</u>		DEFLECTOR (DRIVER SIDE).....	1
19	00614G3		PAN HEAD PHILLIPS SCREW, #8 - 15 X 3/8" LG.....	4
20	<u>71158G01</u>		INSTRUMENT PANEL INSERT (FOUR CUP)	1
21	71152G01		INSTRUMENT PANEL.....	1
22	617620		BRUSHGUARD.....	1
23	<u>00440G2</u>		HEX HEAD BOLT, 5/16" - 8 X 2 1/4" LG	2
24	<u>00440G6</u>		HEX HEAD BOLT, 5/16" -18 X 2 3/4" LG	2
25	<u>601781</u>		WARNING DECAL	1
26	<u>75048G04</u>		SPACER, 1" LONG	2
27	<u>75048G02</u>		SPACER, 1.3"	2
28	00559G8		FLAT WASHER, 5/16".....	4
29	<u>00565G8</u>		LOCK WASHER, 5/16"	4
30	<u>71101G02</u>		COWL SUPPORT BRACKET	1
31	<u>71102G02</u>		SELF TAPPING SCREW, 1/4" - 20 X 1/2" LG	3

BODY

When ordering parts, please specify the model and serial number of the product.

* Indicates a component that is not available as an individual part.

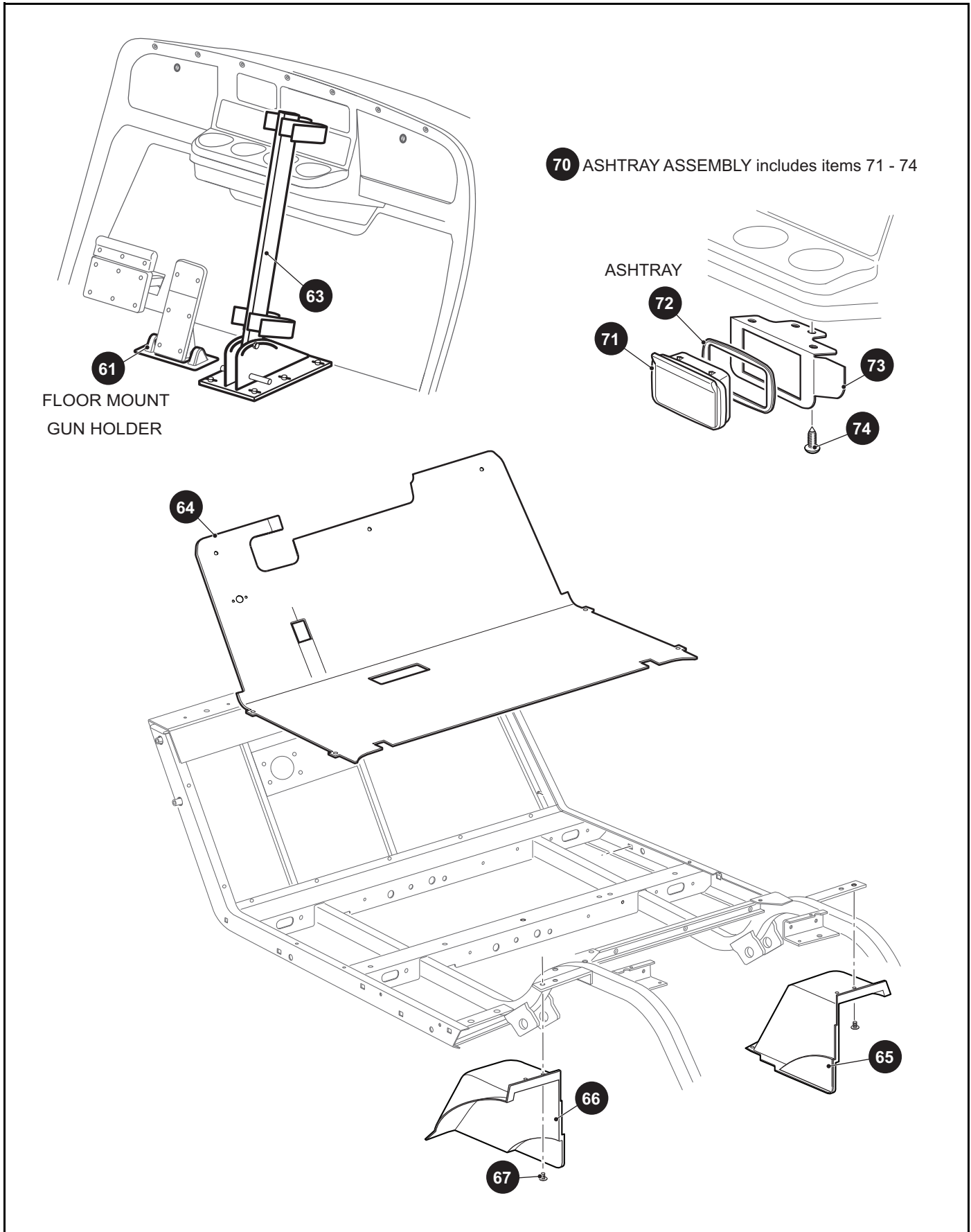
*** Indicates consult Customer Service Department for additional information.

ITEM	PART NO.	1	2	3	4	5	DESCRIPTION	QTY.
32	<u>71055G01</u>						RIVET, 3/16" X 1 1/8" LG.....	1
33								
34	<u>74443G01</u>						ANTI-ROLLBACK LABEL.....	1
35	<u>75459G01</u>						GLOVE BOX DOORS (BOTH SIDES).....	1
36	<u>75459G02</u>						GLOVE BOX DOOR (DRIVER SIDE).....	1
37	<u>75459G03</u>						GLOVE BOX DOOR (PASSENGER SIDE).....	1
38	<u>614378</u>						FENDER FLARE (DRIVER SIDE).....	1
39	<u>613274</u>						FENDER FLARE (PASSENGER SIDE).....	1
40	<u>74521G02</u>						FRONT BASKET ASSEMBLY (INCLUDES ITEMS 41 - 46).....	1
41	<u>74523G01</u>						FRONT BASKET.....	1
42	<u>74522G01</u>						BASKET MOUNTING BRACKET (DRIVER SIDE).....	1
43	<u>74522G02</u>						BASKET MOUNTING BRACKET (PASSENGER SIDE).....	1
44	<u>00769G2</u>						CARRIAGE BOLT (SS), 3/8" - 16 X 1.25" LG.....	4
45	<u>11098G5</u>						LOCK NUT, 3/8" - 16.....	4
46	<u>71931G01</u>						FRONT BASKET WARNING LABEL.....	1
47								
48								
49	<u>619206</u>						E-Z-GO COWL DECAL.....	1
50	<u>613273</u>						FRONT FASCIA.....	1
51	<u>70725G02</u>						FRONT SHIELD BRACE.....	2
52	<u>16469G1</u>						FENDER WASHER, 9/32".....	2
53	<u>01038G01</u>						SWAGEFORM SCREW, 1/4" - 20 X .7" LG.....	4
54	<u>15058G1</u>						RIVET (ALUMINUM), 3/16".....	2
55	<u>71597G01</u>						SELF THREADING NUT, 5MM X 10MM X 15MM.....	2
56	<u>618653</u>						FASCIA BRACKET.....	1
57	<u>14390G4</u>						HEX NUT, 1/4" - 20.....	2
58	<u>00414G6</u>						HEX HEAD BOLT, 1/4" - 20 X 3/4" LG.....	2
59								
60								

Notes:

A large grid area for taking notes, consisting of approximately 20 columns and 45 rows of small squares.

BODY



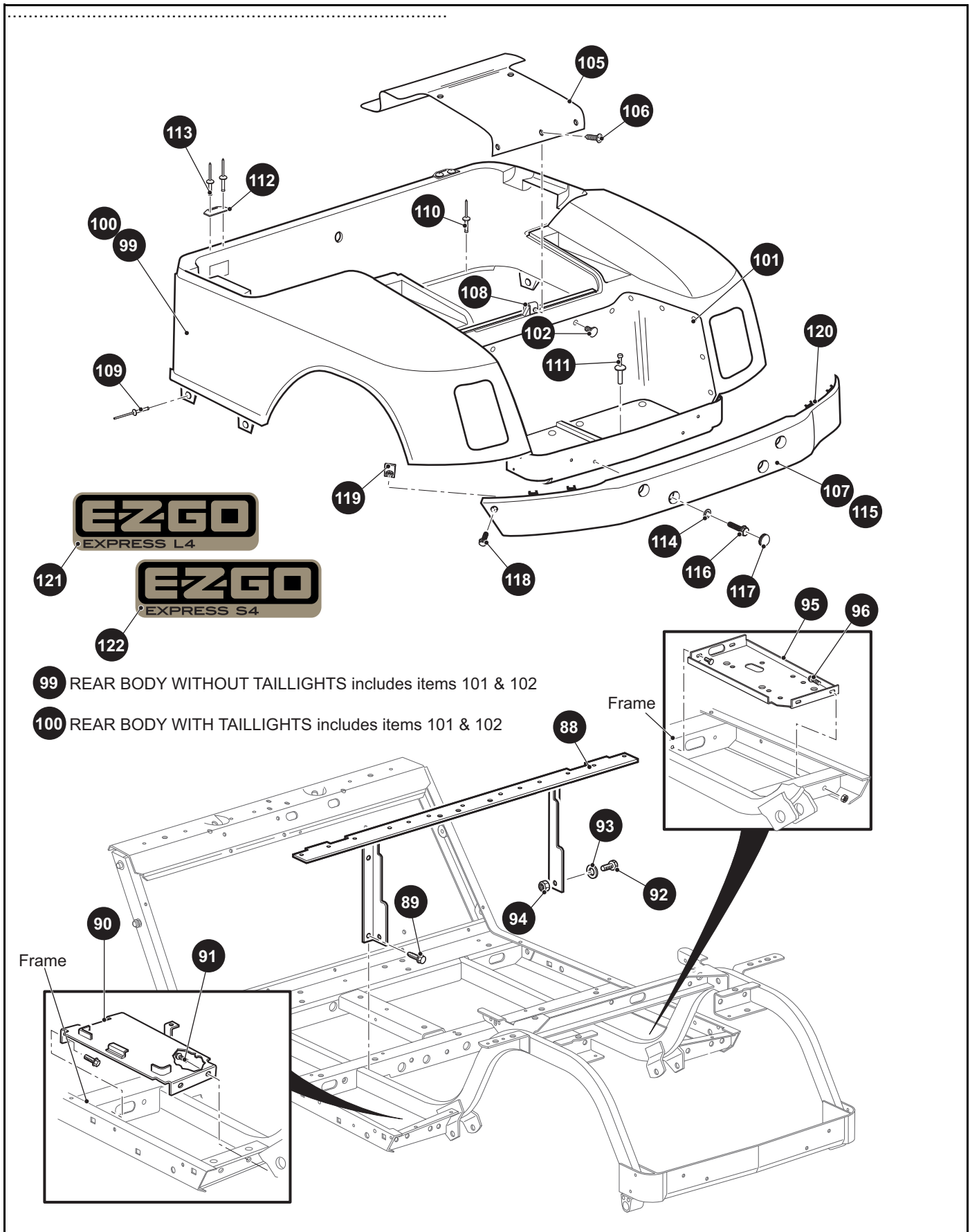
When ordering parts, please specify the model and serial number of the product.

* Indicates a component that is not available as an individual part.

*** Indicates consult Customer Service Department for additional information.

ITEM	PART NO.	1 2 3 4 5	DESCRIPTION	QTY.
61	<u>70135G01</u>		PEDAL PIVOT COVER.....	1
62	<u>74248G01</u>		DEFROSTER/COOLING FAN KIT (NOT ILLUSTRATED).....	1
63	<u>74365G01</u>		GUN HOLDER, FLOOR MOUNT.....	1
64	<u>637535G02</u>		FLOORMAT WITH HORN HOLES	1
65	<u>635054G02</u>		FENDER LINER (PASSENGER SIDE).....	1
66	<u>635054G01</u>		FENDER LINER (DRIVER SIDE)	1
67	<u>16816G2</u>		RATCHET FASTENER, 1/4" X 3/4" LG.....	8
68				
69				
70	<u>75109G04</u>		ASH TRAY KIT (INCLUDES ITEMS 71 - 74)	1
71	<u>27731G01</u>		ASH TRAY	1
72	<u>27736G01</u>		GASKET	1
73	<u>75108G02</u>		BRACKET.....	1
74	<u>00106G6</u>		PAN HEAD PHILLIPS SCREW, #12 - 14 X .75" LG.....	4
75				
76	<u>74533G01</u>		GUN HOLDER (SWIVEL MOUNT) (NOT ILLUSTRATED).....	1
77				
78				
79				
80				
81				
82				
83				
84				
85				
86				
87				

BODY



When ordering parts, please specify the model and serial number of the product.

* Indicates a component that is not available as an individual part.

*** Indicates consult Customer Service Department for additional information.

ITEM	PART NO.	1 2 3 4 5	DESCRIPTION	QTY.
88	<u>605694</u>		SEAT FRAME	1
89	<u>00715G2</u>		HEX HEAD BOLT, 5/16" - 18 X 13/16" LG	2
90	<u>652441G03</u>		BATTERY RACK	1
91	<u>00715G2</u>		HEX HEAD BOLT, 5/16" - 18 X 13/16" LG	2
92	00438G6		HEX HEAD BOLT, 5/16" - 18 X 3/4" LG	2
93	00559G8		FLAT WASHER, 5/16"	2
94	11098G6		LOCK NUT (SS), 5/16" - 18	2
95	<u>70244G05</u>		SPLASH PANEL.....	1
96	<u>00715G2</u>		HEX HEAD BOLT, 5/16" - 18 X 13/16" LG	4
97				
98				
99	71912G4**		REAR BODY (WITHOUT TAILLIGHTS) (INCLUDES ITEMS 101 & 102).....	1
100	71331G0**		REARY BODY (WITH TAILLIGHTS) (INCLUDES ITEMS 101 & 102).....	1
101	71318G01		BAGWELL LINER.....	1
102	<u>16816G1</u>		RATCHET FASTENER, 1/4" X 9/16" LG	20
103				
104				
105	<u>71320G01</u>		ACCESS PANEL.....	1
106	<u>01107G01</u>		PAN HEAD TORX SCREW (SS), #8 X 3/8" LG	5
107	<u>71451G02</u>		REAR BUMPER.....	1
108	<u>71364G02</u>		"J" CLIP.....	1
109	10570G12		RIVET (ALUMINUM), 1/4" X 9/16" LG	2
110	<u>10570G10</u>		RIVET (SS), 5/32" X 9/16" LG.....	5
111	<u>18436G1</u>		PLASTIC DRIVE RIVET, 1/4" X 3/4" LG	2
112	<u>71609G01</u>		SEAT HINGE PLATE.....	2
113	<u>10570G11</u>		RIVET (SS), 3/16" X 3/4" LG.....	4
114	<u>00571G2</u>		FLAT WASHER, 5/16"	2
115	71456G01		NOTCHED REAR BUMPER	1
116	<u>71102G01</u>		HEX HEAD BOLT, 1/4" - 20 X 3/4" LG	4
117	<u>71455G01</u>		BUMPER PLUG	4
118	<u>71102G01</u>		HEX HEAD BOLT, 1/4" - 20 X 3/4" LG	2

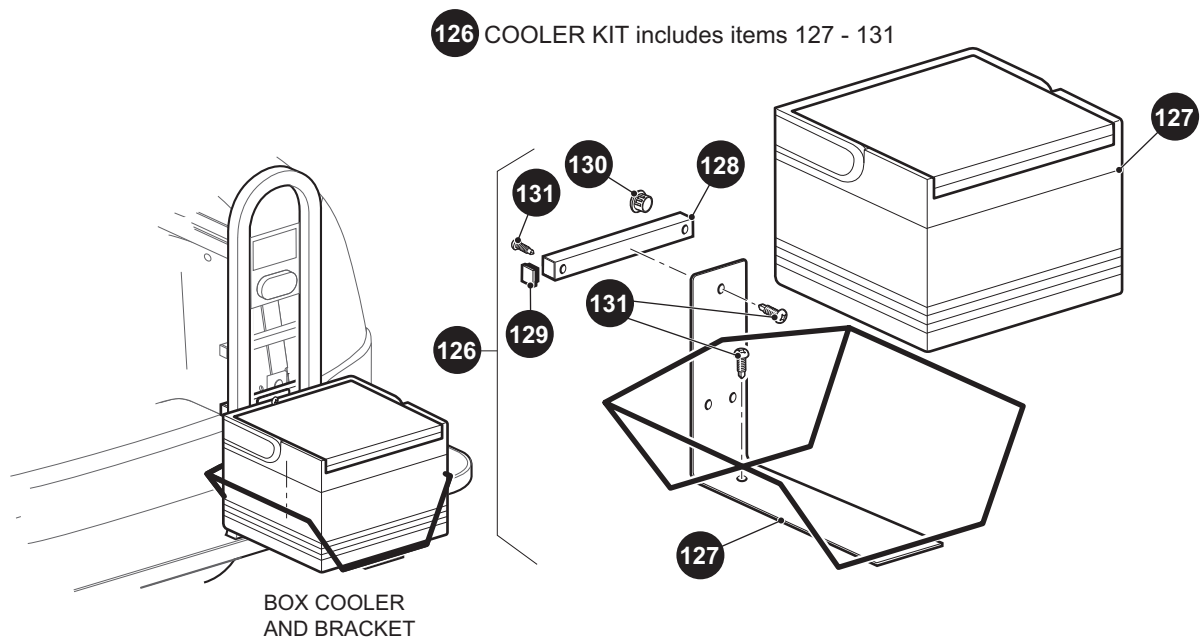
BODY

When ordering parts, please specify the model and serial number of the product.

* Indicates a component that is not available as an individual part.

*** Indicates consult Customer Service Department for additional information.

ITEM	PART NO.	1 2 3 4 5	DESCRIPTION	QTY.
119	<u>71554G01</u>		J-TYPE NUT RETAINER, 1/4" - 20	2
120	<u>71457G01</u>		BUMPER STAY	4
121	<u>619186</u>		E-Z-GO EXPRESS L4 DECAL	2
122	<u>619184</u>		E-Z-GO EXPRESS S4 DECAL.....	2
123				
124				
125				



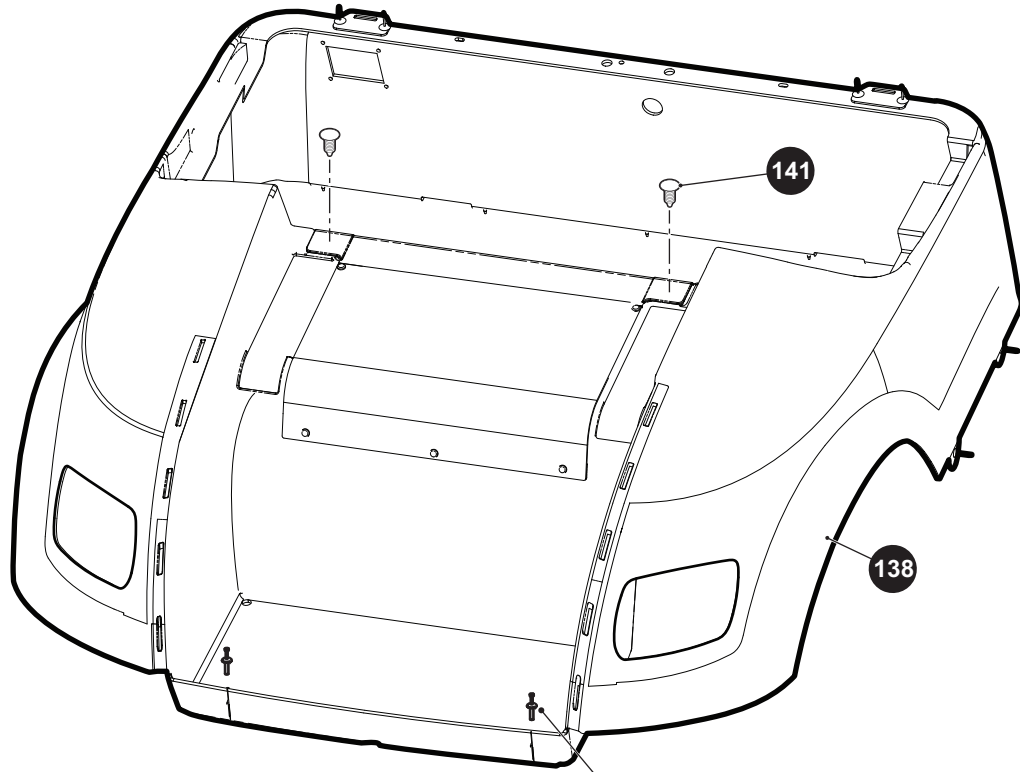
When ordering parts, please specify the model and serial number of the product.

* Indicates a component that is not available as an individual part.

*** Indicates consult Customer Service Department for additional information.

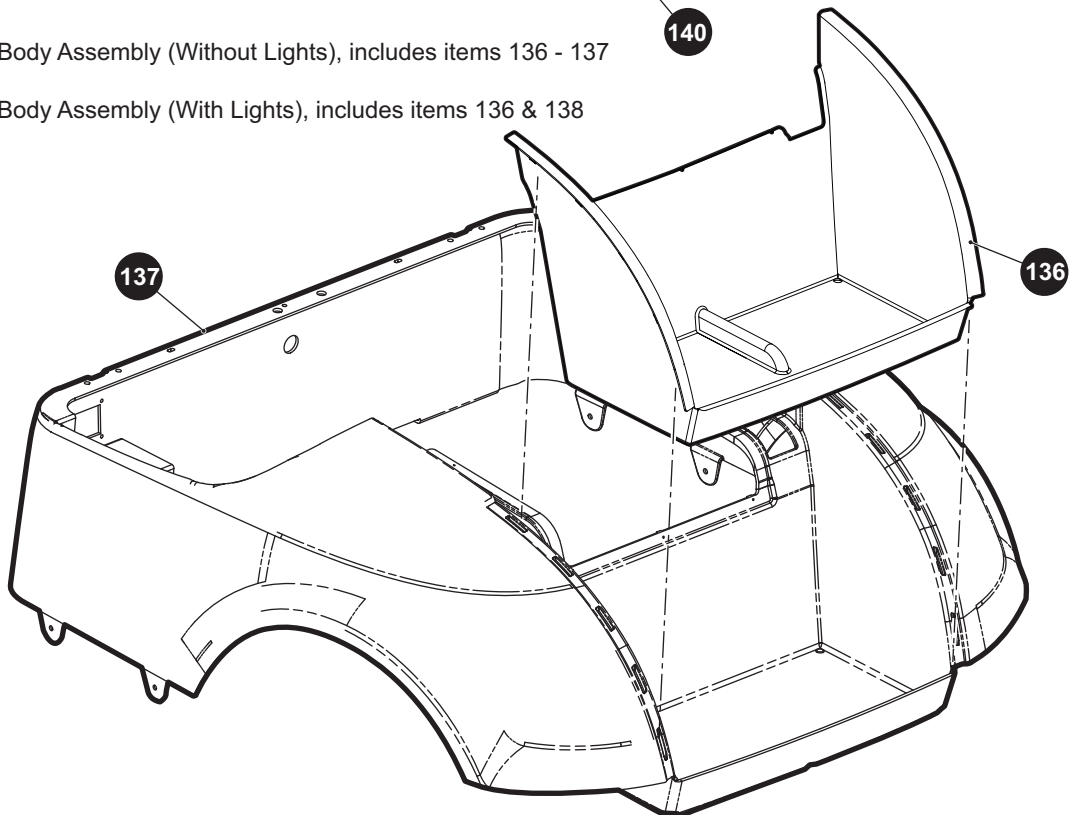
ITEM	PART NO.	1 2 3 4 5	DESCRIPTION	QTY.
126	<u>74581G01</u>		COOLER KIT (INCLUDES ITEMS 127 - 131).....	1
127	<u>71048G01</u>		COOLER & BRACKET KIT (INCLUDES HARDWARE)	1
128	<u>75268G01</u>		SUPPORT TUBE	1
129	<u>19859G1</u>		END CAP, 3/4"	2
130	<u>20271G2</u>		HOLE PLUG, 1/2"	2
131	<u>00106G6</u>		PAN HEAD PHILLIPS SELF DRILLING SCREW, #12 - 24 X 3/4" LG	4
132				
133				

VEHICLES MANUFACTURED FROM MARCH 2014



134 Rear Body Assembly (Without Lights), includes items 136 - 137

135 Rear Body Assembly (With Lights), includes items 136 & 138



When ordering parts, please specify the model and serial number of the product.

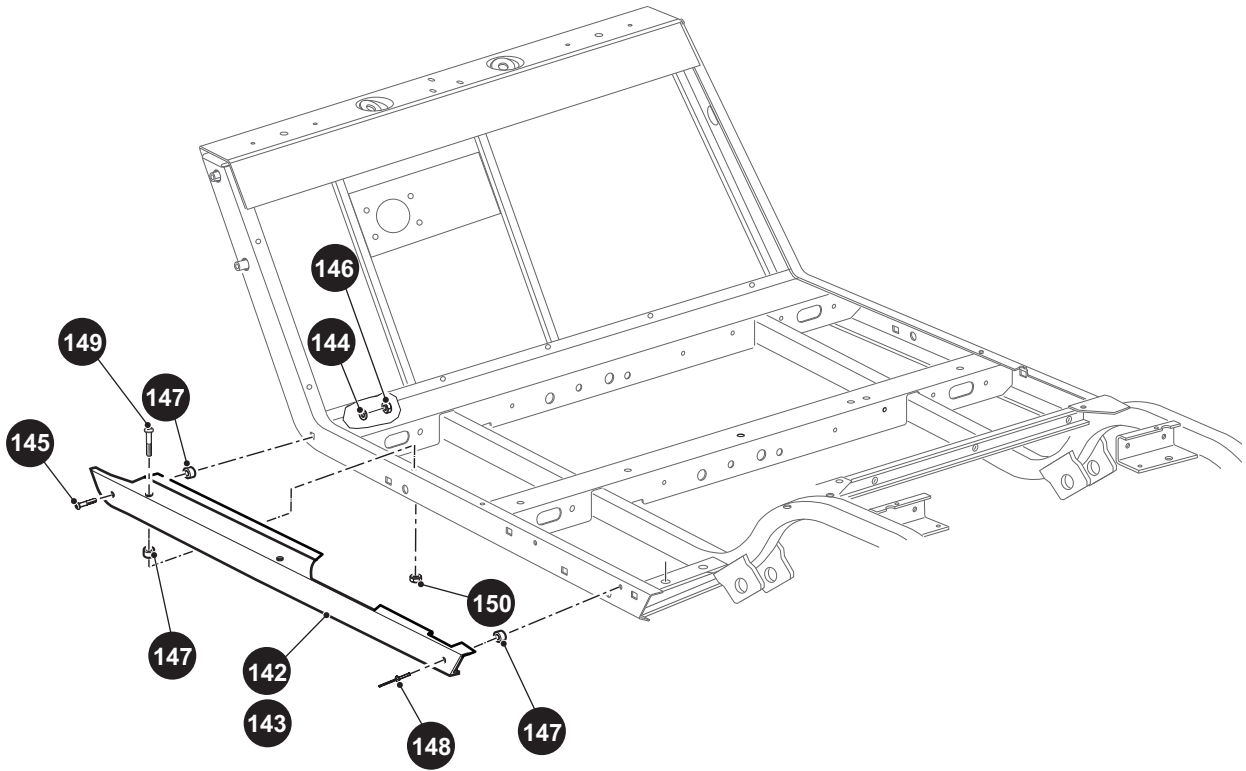
* Indicates a component that is not available as an individual part.

*** Indicates consult Customer Service Department for additional information.

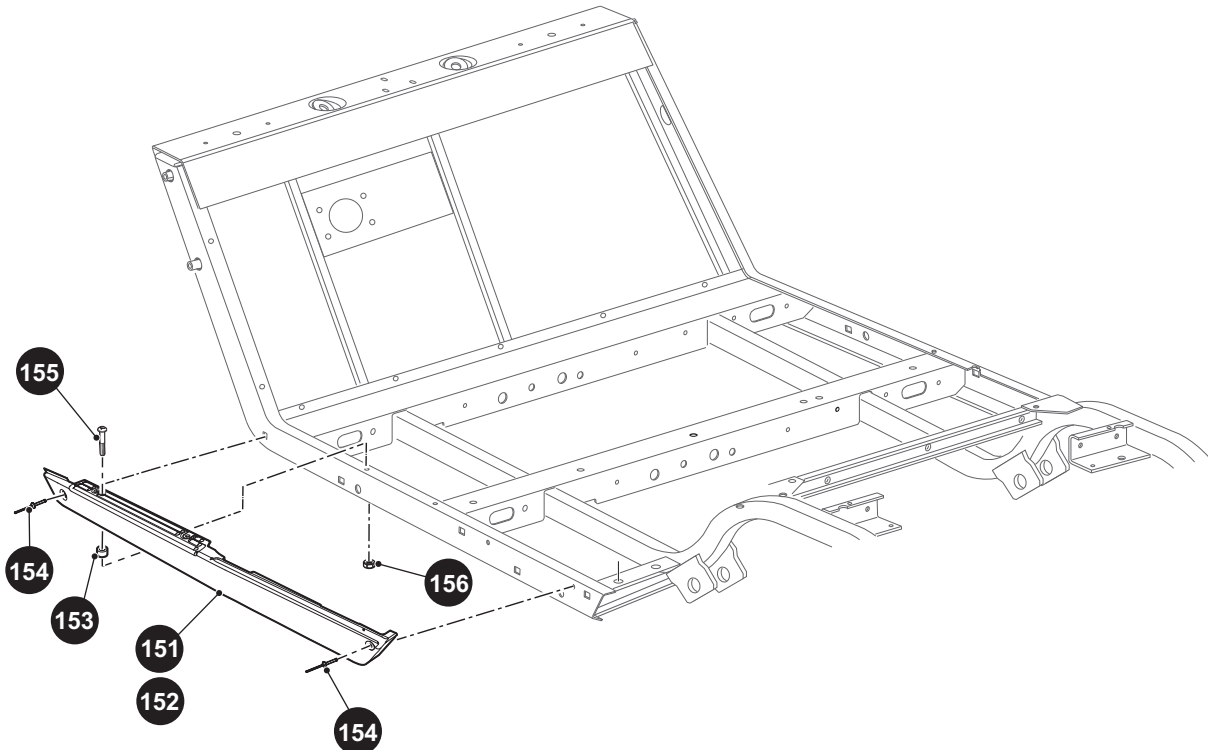
ITEM	PART NO.	1 2 3 4 5	DESCRIPTION	QTY.
134	625272G0XX		REAR BODY ASSEMBLY (WITHOUT LIGHTS) (INCLUDES ITEMS 136-137) (See COLOR CODE in HOW TO USE section) (FOR VEHICLES MANUFACTURED FROM MARCH 2014).....	1
135	625272G1XX		REAR BODY ASSEMBLY (WITH LIGHTS) (INCLUDES ITEMS 136 & 138) (See COLOR CODE in HOW TO USE section) (FOR VEHICLES MANUFACTURED FROM MARCH 2014).....	1
136	<u>624374</u>		BAGWELL LINER (FOR VEHICLES MANUFACTURED FROM MARCH 2014).....	1
137	619752G0XX		REAR BODY (WITHOUT LIGHTS) (See COLOR CODE in HOW TO USE section) (FOR VEHICLES MANUFACTURED FROM MARCH 2014)	1
138	619752G1XX		REAR BODY (WITH LIGHTS) (See COLOR CODE in HOW TO USE section) (FOR VEHICLES MANUFACTURED FROM MARCH 2014)	1
139				
140	<u>633917</u>		RIVET (FOR VEHICLES MANUFACTURED FROM MARCH 2014).....	2
141	<u>16816G2</u>		RATCHET RIVET, .25" X .887" (FOR VEHICLES MANUFACTURED FROM MARCH 2014).....	2

BODY

FOR VEHICLES MANUFACTURED BEFORE JUNE 02, 2019



FOR VEHICLES MANUFACTURED AFTER JUNE 02, 2019



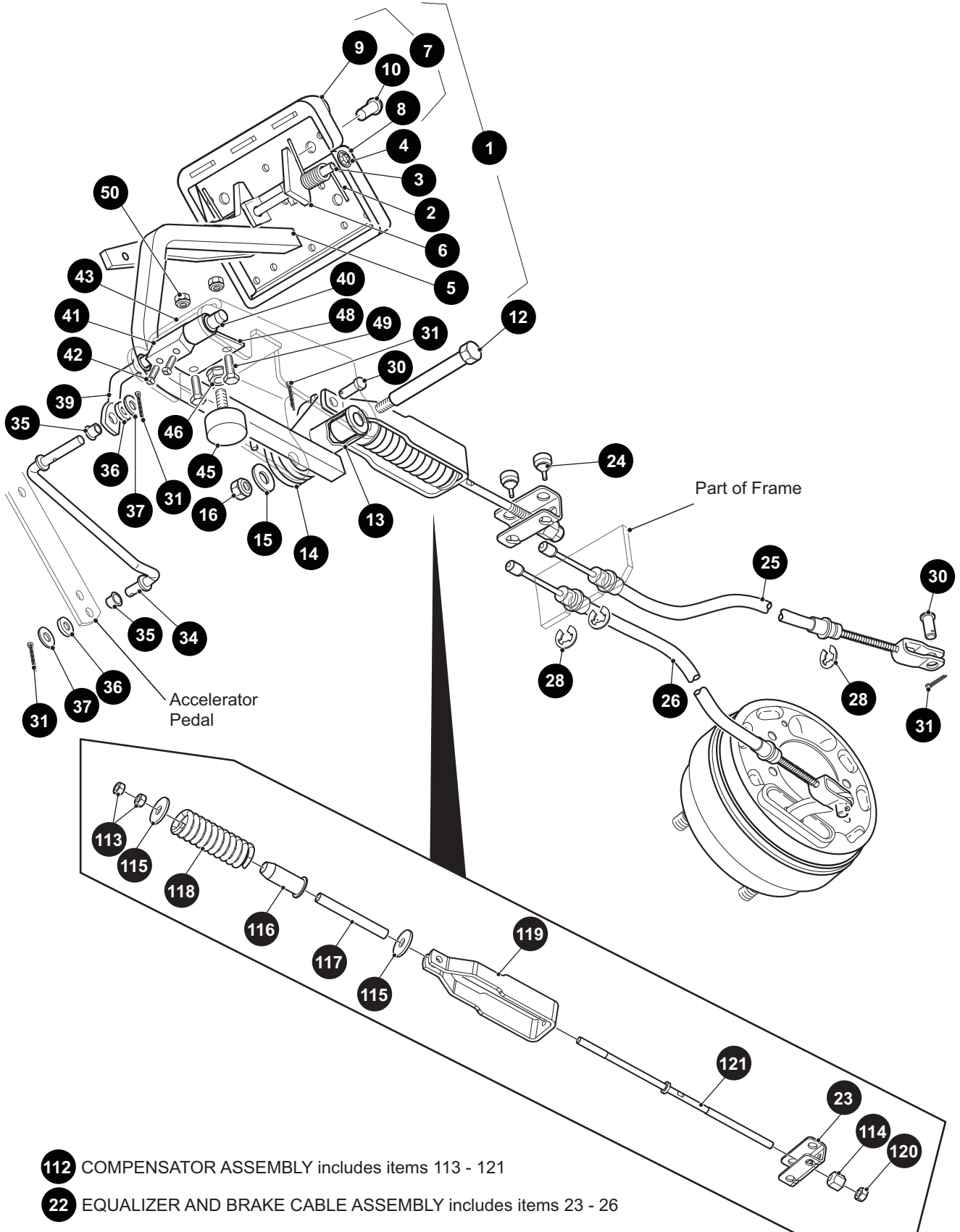
When ordering parts, please specify the model and serial number of the product.

* Indicates a component that is not available as an individual part.

*** Indicates consult Customer Service Department for additional information.

ITEM	PART NO.	1 2 3 4 5	DESCRIPTION	QTY.
FOR VEHICLES MANUFACTURED BEFORE JUNE 02, 2019				
142	<u>639948G01</u>		ROCKER PANEL (DRIVER SIDE).....	1
143	<u>639948G02</u>		ROCKER PANEL (PASSENGER SIDE)	1
144	<u>00660G5</u>		FLAT WASHER, #10	2
145	<u>00789G2</u>		TRUSS HEAD PHILLIPS SCREW #10 - 24 X 1.25" LG	2
146	<u>14390G10</u>		LOCK NUT, #10 - 24	2
147	<u>23726G4</u>		SPACER, 0.25"	4
148	<u>15058G6</u>		RIVET (ALUMINUM), 3/16"	1
149	<u>16705G1</u>		TRUSS HEAD SCREW (SS), 1/4" - 20 X 1" LG	2
150	<u>14390G4</u>		LOCK NUT, 1/4" - 20	2
FOR VEHICLES MANUFACTURED AFTER JUNE 02, 2019				
151	689928G01		ROCKER PANEL (DRIVER SIDE).....	1
152	689928G02		ROCKER PANEL (PASSENGER SIDE)	1
153	<u>23726G4</u>		SPACER, 0.25"	2
154	<u>15058G6</u>		RIVET (ALUMINUM), 3/16"	2
155	<u>645323</u>		BUTTON HEAD TORX HEXALOBULAR SCREW, M6 - 1 X 23.4MM LG	2
156	<u>601476</u>		LOCK NUT, M6 - 1	2

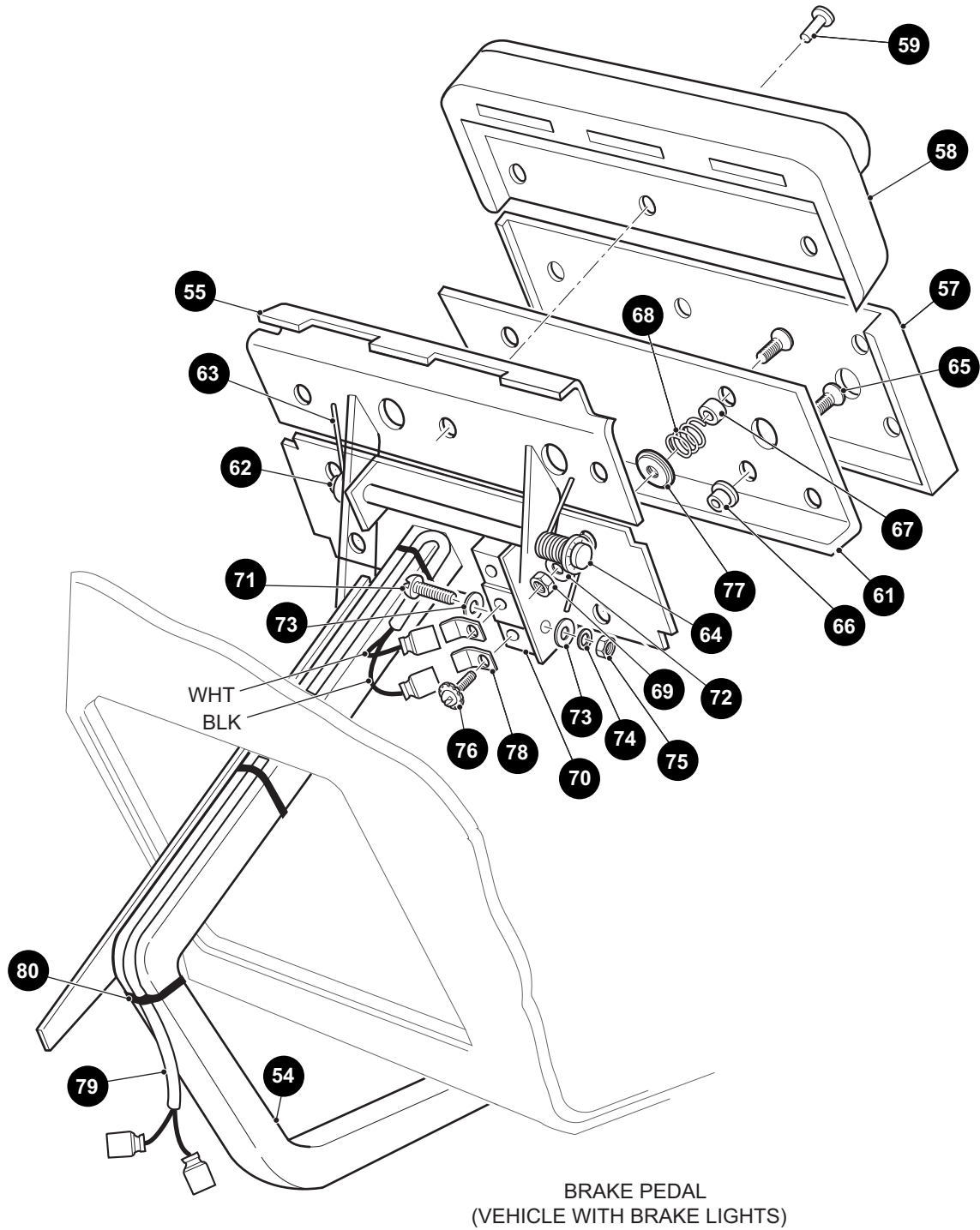
BRAKES



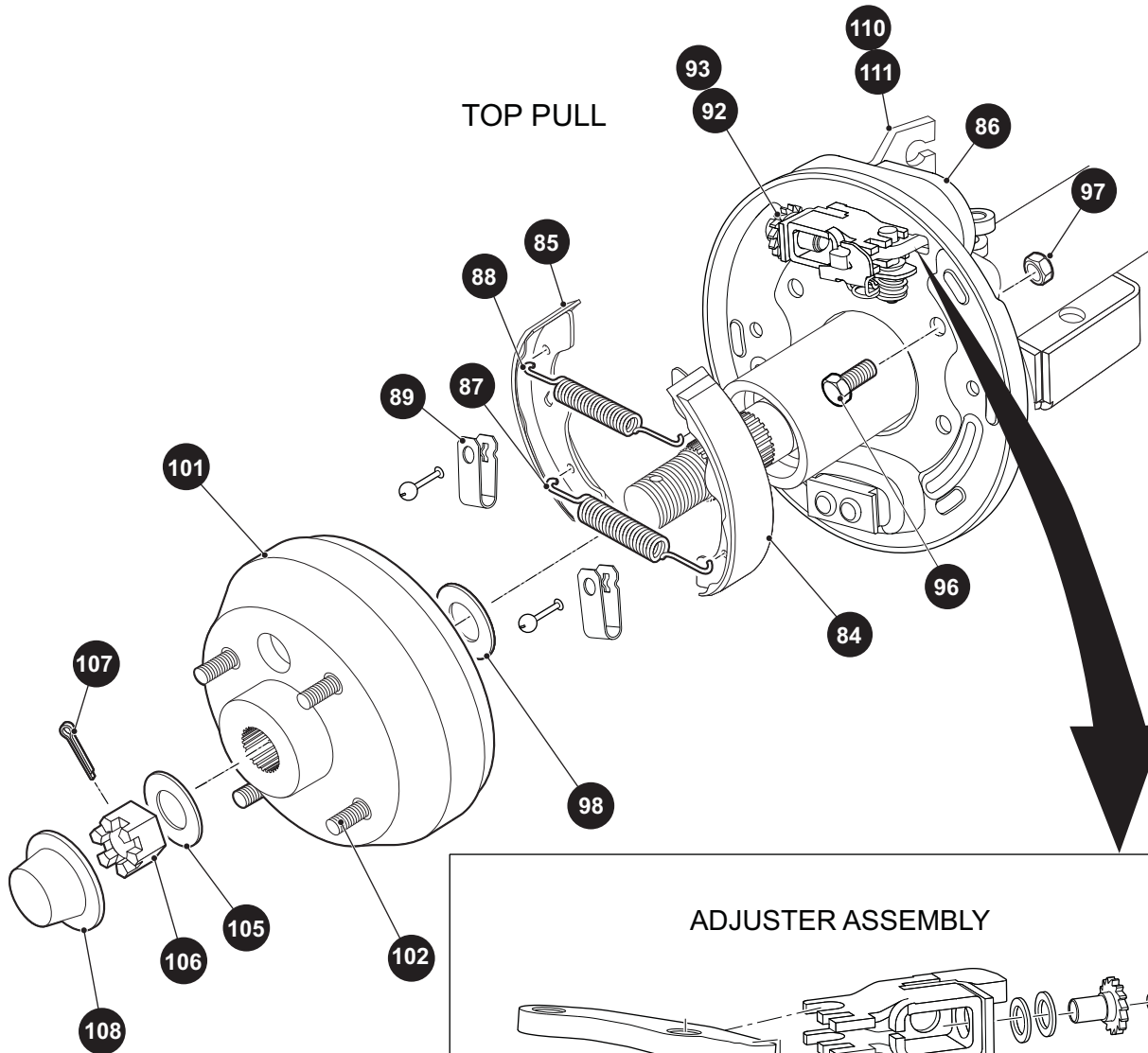
112 COMPENSATOR ASSEMBLY includes items 113 - 121

22 EQUALIZER AND BRAKE CABLE ASSEMBLY includes items 23 - 26

53 BRAKE PEDAL ASSEMBLY (WITH BRAKE LIGHTS) includes items 54 - 80

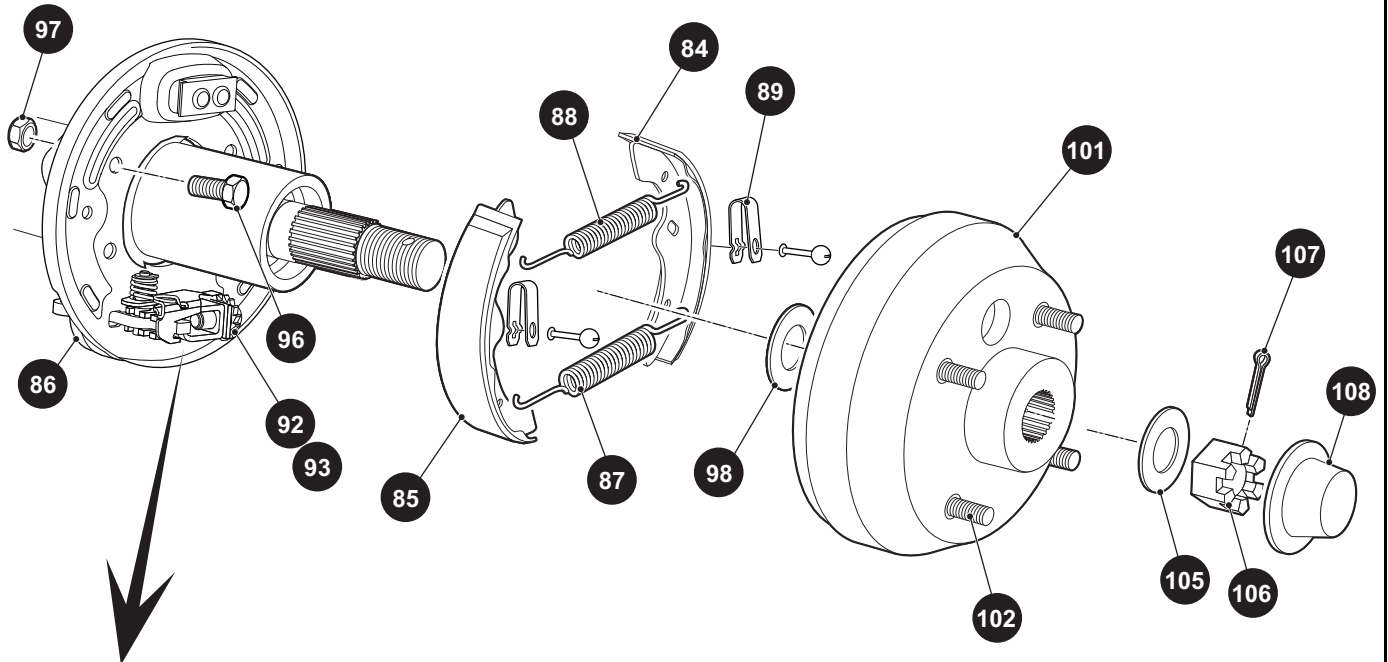


BRAKES

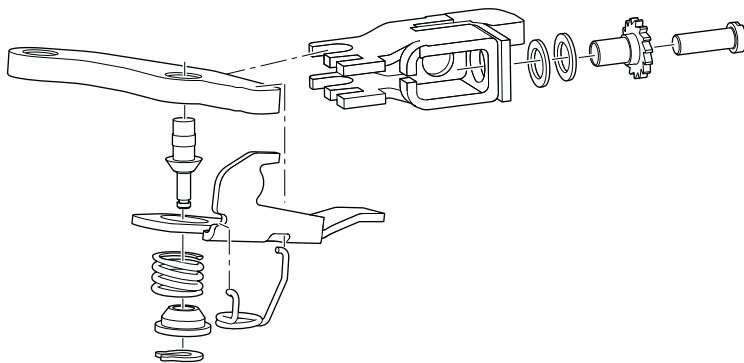


- 82 BRAKE ASSEMBLY DRIVER SIDE includes items 84 - 89, 92
- 83 BRAKE ASSEMBLY PASSENGER SIDE includes items 84 - 89, 93
- 100 BRAKE DRUM ASSEMBLY includes items 101 - 102

BOTTOM PULL



ADJUSTER ASSEMBLY



- 82** BRAKE ASSEMBLY DRIVER SIDE includes items 84 - 89, 92
- 83** BRAKE ASSEMBLY PASSENGER SIDE includes items 84 - 89, 93
- 100** BRAKE DRUM ASSEMBLY includes items 101 - 102

BRAKES

When ordering parts, please specify the model and serial number of the product.

* Indicates a component that is not available as an individual part.

*** Indicates consult Customer Service Department for additional information.

ITEM	PART NO.	1 2 3 4 5	DESCRIPTION	QTY.
1	<u>70612G02</u>		BRAKE PEDAL ASSEMBLY (WITHOUT BRAKE LIGHTS) (INCLUDES ITEMS 2 - 10).....	1
2	<u>70681G01</u>		TORSION SPRING	2
3	<u>70682G01</u>		PIVOT PIN	1
4	<u>658825</u>		PUSHNUT, 5/16"	1
5	<u>652251G03</u>		BRAKE PEDAL	1
6	<u>652253G03</u>		PARK BRAKE PEDAL.....	1
7				
8	<u>70257G01</u>		SERVICE BRAKE PAD	1
9	<u>70256G01</u>		PARK BRAKE PEDAL PAD.....	1
10	<u>16409G1</u>		OVAL RIVET, 3/16" X 3/8" LG	9
11				
12	<u>70582G01</u>		SHOULDER BOLT, 3/8 - 16 X 4" LG (STAINLESS STEEL).....	1
13	<u>70581G01</u>		FLANGED BUSHING	2
14	<u>70676G01</u>		TORSION SPRING	1
15	<u>00643G1</u>		FLAT WASHER, 3/8"	1
16	<u>11098G5</u>		LOCK NUT, 3/8 - 16.....	1
17				
18	<u>12416G2</u>		NYLON WEDGE LOCK CLAMP (NOT ILLUSTRATED)	3
19				
20				
21				
22	<u>624714</u>		EQUALIZER AND BRAKE CABLE ASSEMBLY (INCLUDES ITEMS 23 - 26)	1
23	<u>28082G01</u>		EQUALIZER BRACKET	1
24	<u>28083G01</u>		BRAKE COMPENSATOR BUMPER.....	2
25	<u>624690</u>		BRAKE CABLE (DRIVER SIDE).....	1
26	<u>624703</u>		BRAKE CABLE (PASSENGER SIDE)	1
27				
28	<u>01111G01</u>		RETAINING RING, 13/32" (STAINLESS STEEL).....	4
29				
30	<u>10386G3</u>		CLEVIS PIN, 5/16" X 13/16" LG	3
31	<u>10387G3</u>		COTTER PIN, 3/32" X 3/4" LG	5

When ordering parts, please specify the model and serial number of the product.

* Indicates a component that is not available as an individual part.

*** Indicates consult Customer Service Department for additional information.

ITEM	PART NO.	1 2 3 4 5	DESCRIPTION	QTY.
32				
33				
34	<u>70601G01</u>		KICK-OFF LINK	1
35	<u>17838G1</u>		NYLON BUSHING	2
36	<u>20835G1</u>		TEFLON WASHER, 3/8"	2
37	00559G8		FLAT WASHER, 5/16"	2
38				
39	<u>70098G01</u>		KICK-OFF CAM PIVOT.....	1
40	<u>10097G6</u>		FLANGED BEARING	2
41	<u>70587G01</u>		KICK-OFF CAM	1
42	<u>71215G01</u>		SETSCREW, 1/4 - 20 X 1/2" LG	2
43	<u>14134G4</u>		SPACER.....	1
44				
45	<u>70113G01</u>		ADJUSTABLE BUMPER.....	1
46	<u>11027G1</u>		LOCK NUT, 5/16 - 18	1
47				
48	<u>70080G02</u>		CATCH BRACKET	1
49	<u>00414G6</u>		BOLT, 1/4 - 20 X 3/4" LG.....	2
50	<u>14390G4</u>		LOCK NUT, 1/4 - 20 (STAINLESS STEEL).....	2
51				
52				
53	70690G02		BRAKE PEDAL ASSEMBLY (WITH BRAKE LIGHTS) (INCLUDES ITEMS 54 - 80)	1
54	<u>652791G03</u>		BRAKE PEDAL.....	1
55	<u>652253G03</u>		PARK BRAKE PEDAL	1
56				
57	<u>70257G01</u>		SERVICE BRAKE PAD.....	1
58	<u>70256G01</u>		PARK BRAKE PAD.....	1
59	<u>16409G1</u>		OVAL RIVET, 3/16" x 7/16" LG	9
60				
61	<u>652820</u>		BRAKE PEDAL PLATE.....	1

BRAKES

When ordering parts, please specify the model and serial number of the product.

* Indicates a component that is not available as an individual part.

*** Indicates consult Customer Service Department for additional information.

ITEM	PART NO.	1	2	3	4	5	DESCRIPTION	QTY.
62	<u>70682G01</u>						PIVOT PIN	1
63	<u>70681G01</u>						TORSION SPRING	2
64	<u>658825</u>						PUSHNUT, 5/16"	1
65	<u>00737G8</u>						SCREW, #10 - 24 X 7/8" LG	4
66	<u>00739G1</u>						RUBBER NUT, #10 - 24	2
67	<u>652355</u>						BRAKE PEDAL SPACER	2
68	<u>27137G01</u>						CONICAL SPRING	2
69	<u>14390G10</u>						LOCK NUT, #10 - 24	2
70	<u>10606G8</u>						MICRO SWITCH	1
71	<u>00645-G2</u>						BOLT, #6 - 32 X 1 1/4" LG	2
72	<u>00559G5</u>						FLAT WASHER, #10	2
73	<u>00559G3</u>						FLAT WASHER, #6	4
74	<u>00565G3</u>						LOCK WASHER, #6	2
75	<u>00525G5</u>						NUT, #6 - 32	2
76	<u>13514G1</u>						SCREW AND LOCK WASHER, #6	2
77	<u>00642-G8</u>						FLAT WASHER, 5/16"	2
78	<u>14628G1</u>						FASTON TAB	2
79	<u>24605G1</u>						WIRE HARNESS (BRAKE LIGHT)	1
80	<u>17618G1</u>						WIRE TIE	4
81								
82	<u>612211</u>						BRAKE ASSEMBLY (DRIVER SIDE) (INCLUDES ITEMS 84 - 92, 92)	1
83	<u>612189</u>						BRAKE ASSEMBLY (PASSENGER SIDE) (INCLUDES ITEMS 84 - 91, 93)	1
84	<u>612411</u>						BRAKE SHOE L	2
85	<u>612412</u>						BRAKE SHOE T	2
86	<u>612413</u>						DUST COVER	2
87	<u>612415</u>						BRAKE SPRING	1
88	<u>612414</u>						BRAKE SPRING	1
89	<u>612416</u>						SHOE CLAMP	2
90								
91								
92	<u>612418</u>						GEAR ADJUSTER	1

BRAKES

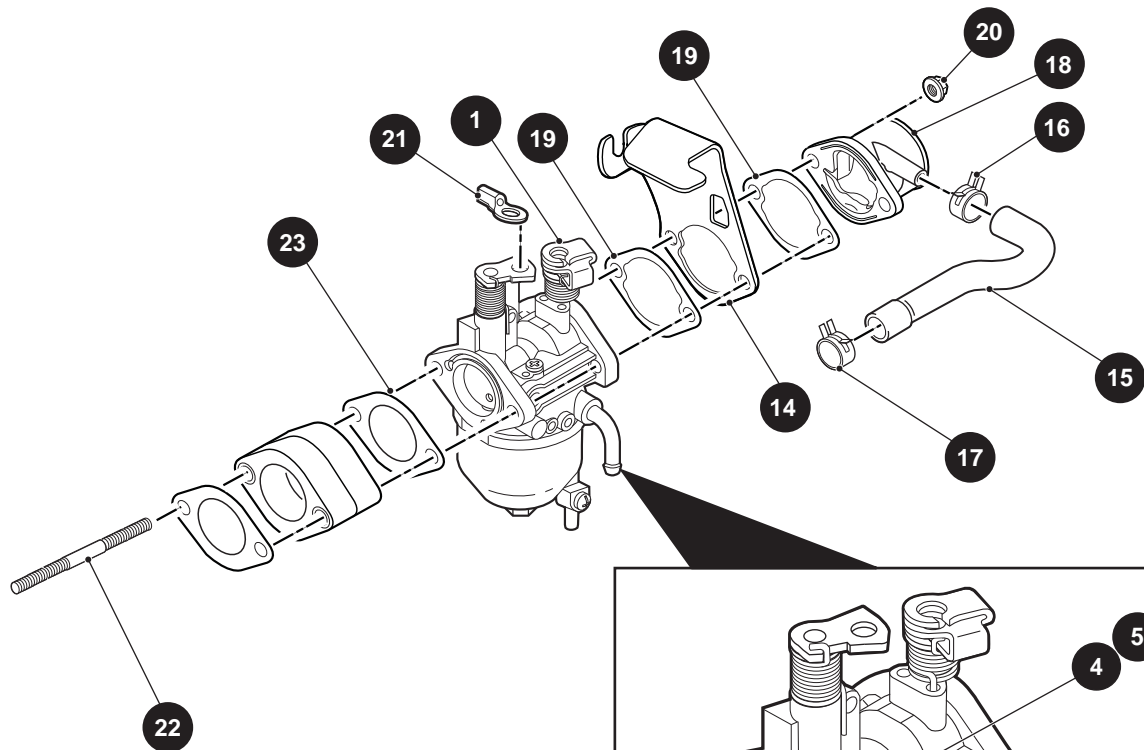
When ordering parts, please specify the model and serial number of the product.

* Indicates a component that is not available as an individual part.

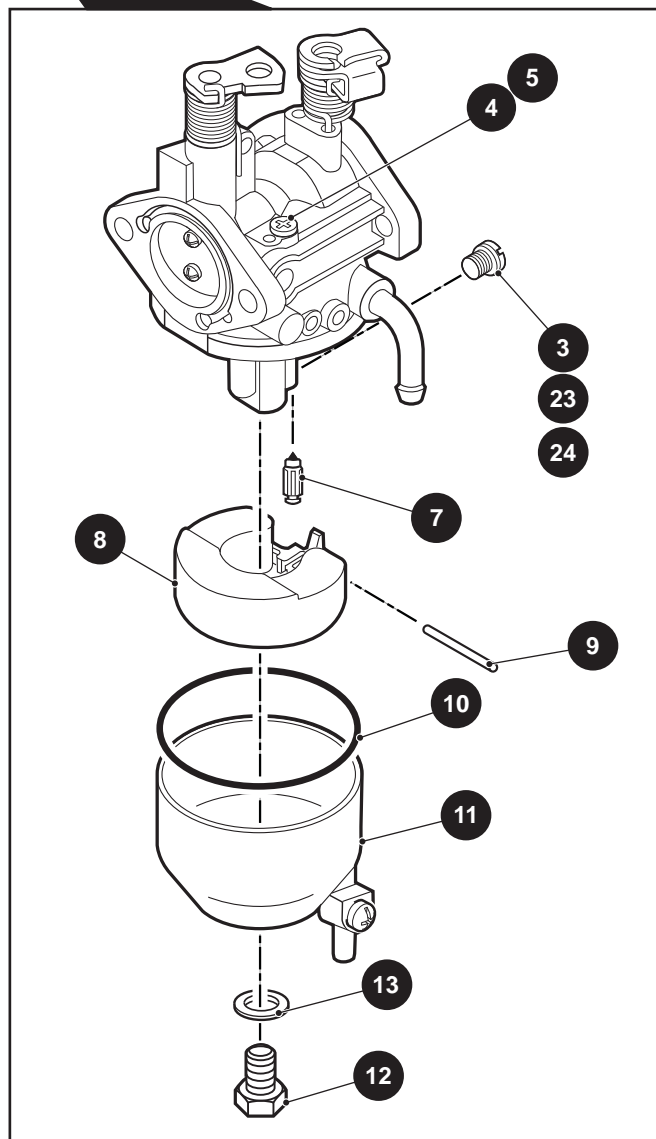
*** Indicates consult Customer Service Department for additional information.

ITEM	PART NO.	1 2 3 4 5	DESCRIPTION	QTY.
93	<u>612417</u>		GEAR ADJUSTER	1
94				
95				
96	<u>17083G2</u>		BOLT, 5/16 - 24 X 1" LG.....	8
97	<u>15126G1</u>		LOCK NUT, 5/16 - 24	8
98	<u>21809G1</u>		INNER BRAKE DRUM WASHER, 1 5/16" OD X 1" ID X 1/32".....	2
99				
100	<u>21807G2</u>		BRAKE DRUM ASSEMBLY (INCLUDES ITEMS 101 - 102)	2
101	*		BRAKE DRUM.....	1
102	<u>19862G2</u>		LUG BOLT, 1/2 - 20 X 1 3/16" LG.....	4
103				
104				
105	<u>606945</u>		OUTER BRAKE DRUM WASHER.....	2
106	<u>606403</u>		SLOTTED NUT, M22 X 1.5	2
107	<u>10387G1</u>		COTTER PIN, 1/8" X 1 1/2" LG.....	2
108	<u>74175G01</u>		DUST CAP	2
109				
110	<u>652248</u>		BRAKE CABLE BRACKET (PASSENGER SIDE)	1
111	<u>652249</u>		BRAKE CABLE BRACKET (DRIVER SIDE).....	1
112	<u>612558</u>		COMPENSATOR ASSEMBLY (INCLUDES ITEMS 113 - 121).....	1
113	<u>00532G4</u>		HEX NUT.....	2
114	<u>629486</u>		HEX NUT, 5/16 - 24	1
115	<u>15121G1</u>		FLAT WASHER - 5/16	2
116	<u>17979G1</u>		ACCELERATOR ROD BUSHING.....	1
117	<u>23061G2</u>		TUBE	1
118	<u>23463G1</u>		COMPRESSION SPRING.....	1
119	<u>652256</u>		BRAKE YOKE	1
120	<u>11098G9</u>		HEX LOCK NUT, 5/16 - 24	1
121	<u>612557</u>		COMPENSATOR LINK ROD.....	1

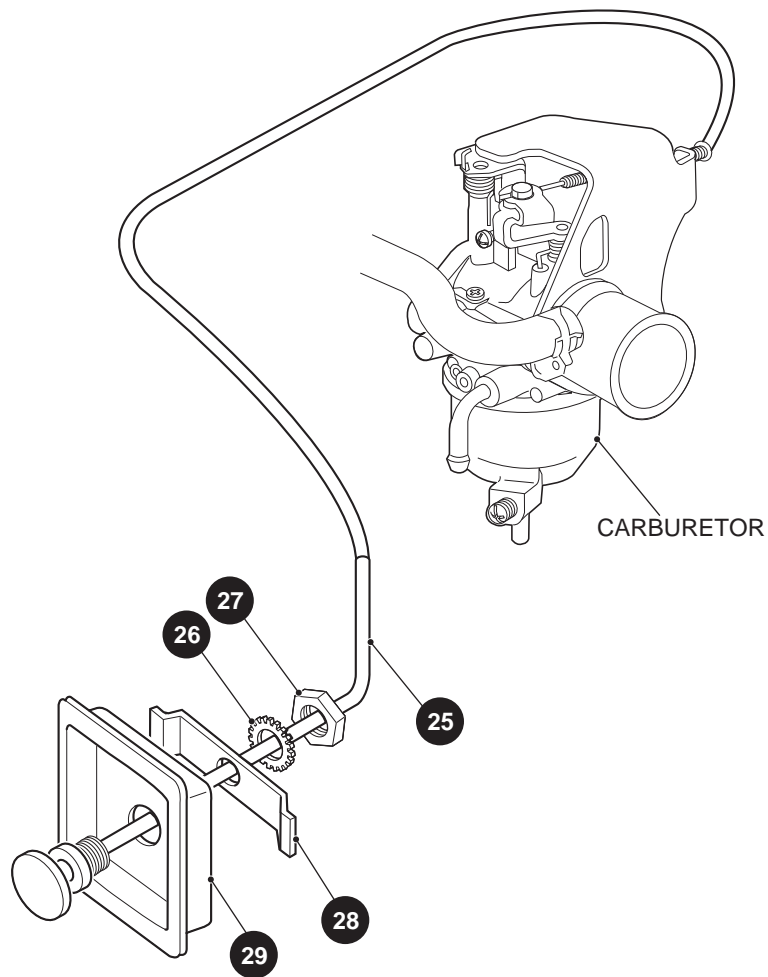
CARBURETOR AND CHOKE



1 CARBURETOR Includes Items 3 - 22



CARBURETOR AND CHOKE



CARBURETOR AND CHOKE


When ordering parts, please specify the model and serial number of the product.

* Indicates a component that is not available as an individual part.

*** Indicates consult Customer Service Department for additional information.

ITEM	PART NO.	1 2 3 4 5	DESCRIPTION	QTY.
1	<u>607955</u>		CARBURETOR (INCLUDES ITEMS 3 - 22).....	1
2				
3	<u>607956</u>		MAIN JET (#106)	1
4	<u>607957</u>		PILOT JET (#52)	1
5	<u>603585</u>		PLUG	1
6				
7	<u>603586</u>		NEEDLE VALVE.....	1
8	<u>603587</u>		FLOAT.....	1
9	<u>603588</u>		FLOAT PIN.....	1
10	<u>603589</u>		FLOAT BOWL GASKET.....	1
11	<u>603590</u>		FLOAT CHAMBER.....	1
12	<u>603592</u>		BOWL SCREW	1
13	<u>603591</u>		BOWL GASKET	1
14	<u>603583</u>		CHOKE BRACKET	1
15	<u>603598</u>		BREATHER TUBE	1
16	<u>603596</u>		CLAMP, INTAKE TUBE.....	1
17	<u>603597</u>		CLAMP CYLINDER HEAD TUBE	1
18	<u>603594</u>		INTAKE TUBE.....	1
19	<u>603593</u>		CHOKE GASKET.....	2
20	<u>603595</u>		NUT, M6 X 1.0.....	2
21	<u>608023</u>		THROTTLE ROD ATTACHMENT BUSHING.....	1
22	<u>603584</u>		STUD BOLT, 6 X 105	2
23	<u>607684</u>		MAIN JET (#102) (FOR ELEVATIONS OF 6000 FT - 10000 FT).....	1
24	607983		MAIN JET (#104) (FOR ELEVATIONS OF 3000 FT - 6000 FT).....	1
25	<u>605868</u>		CHOKE CABLE (SWB)	1
26	<u>00568G4</u>		LOCK WASHER, 9/16"	1
27	<u>00545G4</u>		JAM NUT, 9/16 - 18	1
28	<u>72155G02</u>		RETAINER.....	1
29	<u>72154G01</u>		CHOKE CABLE ADAPTER.....	1

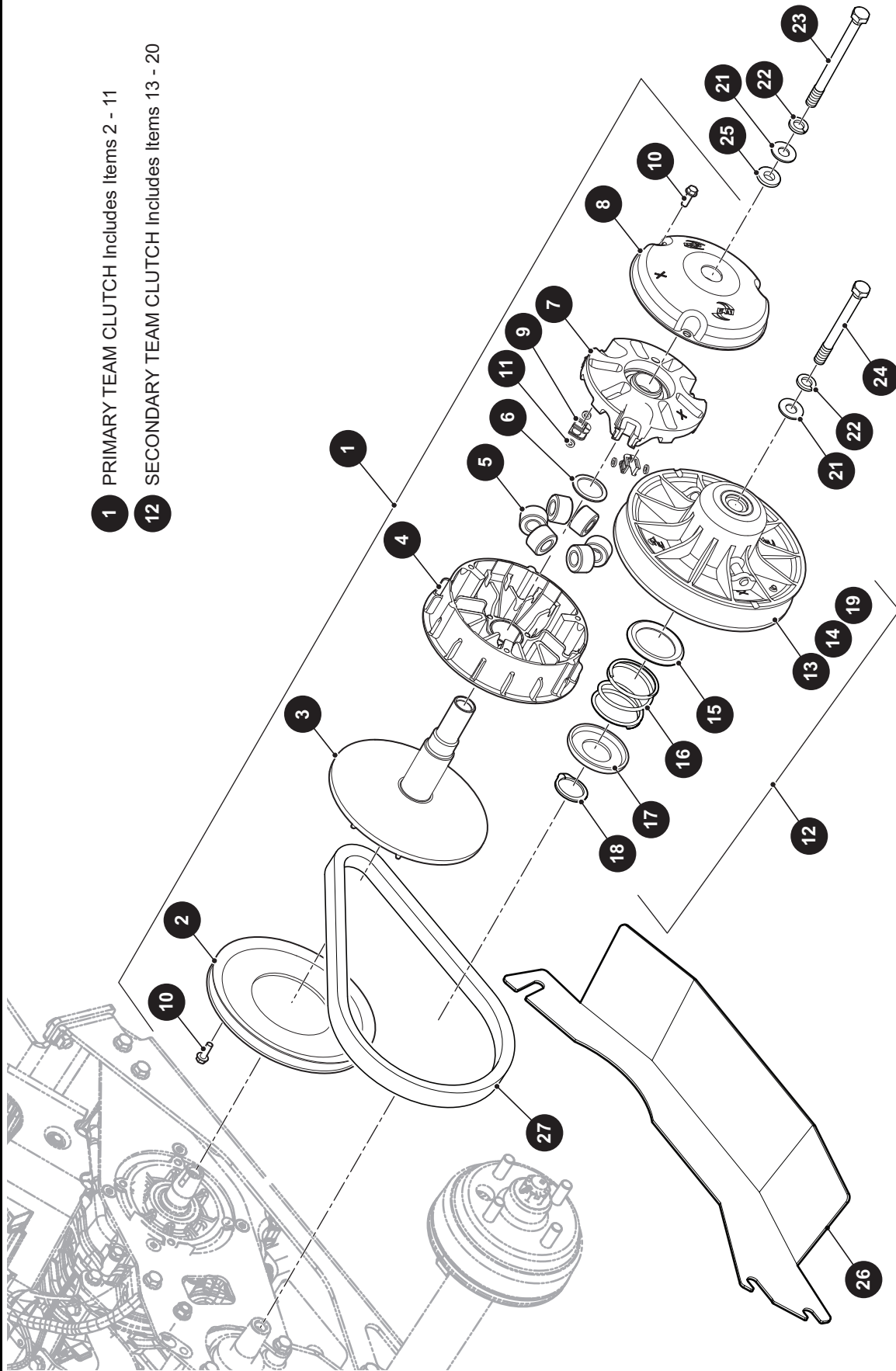
Notes:

A large grid of graph paper for taking notes. The grid consists of 20 columns and 30 rows of small squares, providing a structured area for handwritten notes.

CLUTCH

1 PRIMARY TEAM CLUTCH Includes Items 2 - 11

12 SECONDARY TEAM CLUTCH Includes Items 13 - 20



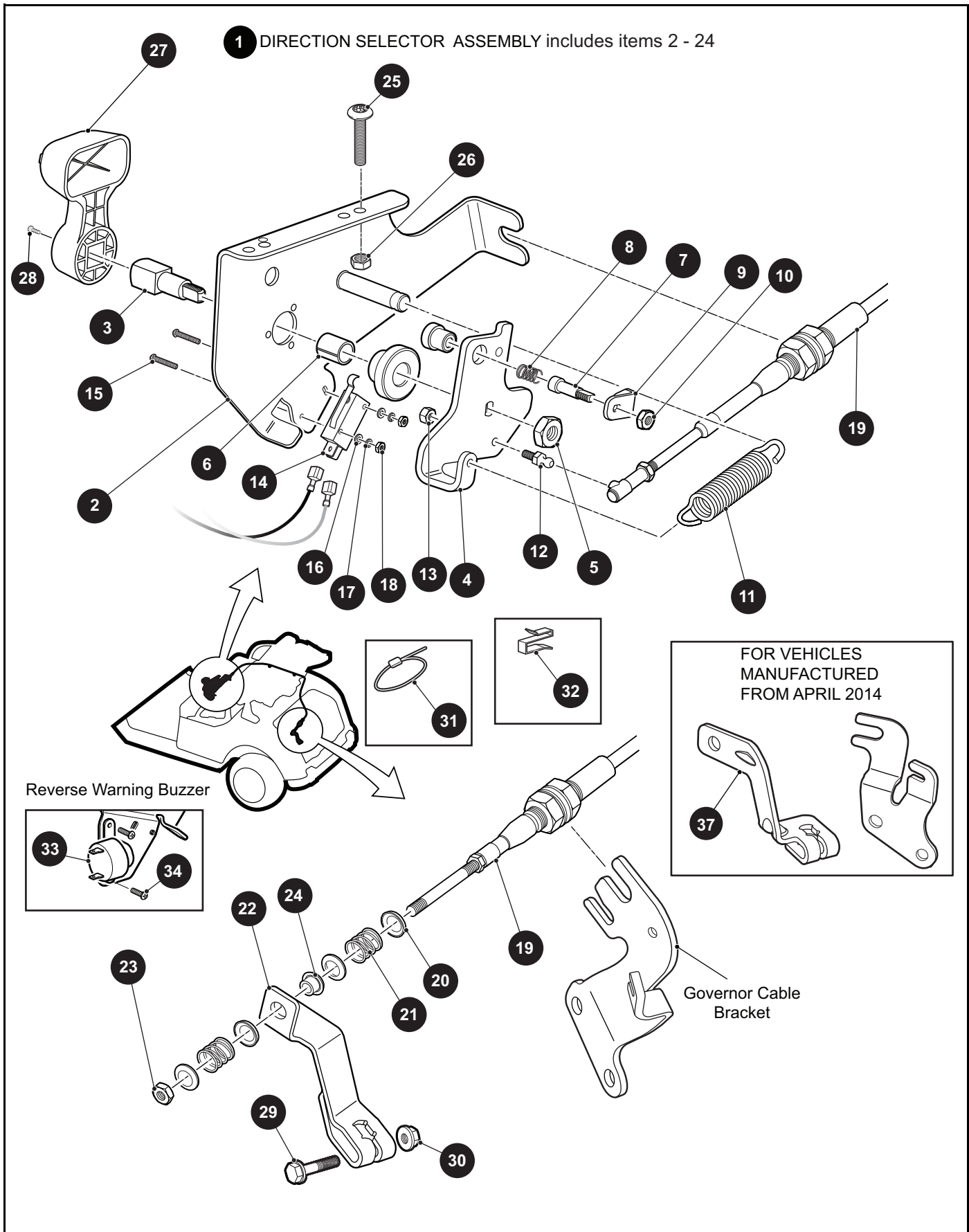
When ordering parts, please specify the model and serial number of the product.

* Indicates a component that is not available as an individual part.

*** Indicates consult Customer Service Department for additional information.

ITEM	PART NO.	1 2 3 4 5	DESCRIPTION	QTY.
1	672688		PRIMARY TEAM CLUTCH (INCLUDES ITEMS 2 - 11).....	1
2	<u>619333</u>		PRIMARY STARTER PULLY, 195 - SVC.....	1
3	*		STATIONARY ASSEMBLY	1
4	*		MOVEABLE PRIMARY ASSEMBLY.....	1
5	<u>624112</u>		SHIFT ROLLER ASSEMBLY	6
6	<u>619337</u>		SHIM, 39 5MM X 31 75MM	1
7	<u>644303</u>		PRIMARY SPIDER ASSEMBLY	1
8	*		PRIMARY DUST COVER ASSEMBLY	1
9	<u>644305</u>		BUTTON, TORQUE PRIMARY	6
10	<u>619332</u>		HEX WASHER HEAD BOLT, 1/4" - 20 X 3/4" LG	7
11	<u>644306</u>		PLUG, TORQUE PRIMARY	6
12	<u>623949</u>		SECONDARY TEAM CLUTCH (INCLUDES ITEMS 13 - 20)	1
13	*		SECONDARY STATIONARY, 9.5	1
14	*		MOVEABLE SECONDARY, 9.5.....	1
15	<u>619327</u>		INNER RETAINER SPRING.....	1
16	<u>624111</u>		COMPRESSION SPRING, 2.70" O.D.	1
17	<u>619329</u>		OUTER SPRING RETAINER	1
18	<u>619330</u>		RETAINER RING.....	1
19	<u>619331</u>		THRUST WASHER, 1 53" x 1 83" x 1"	1
20				
21	<u>606239</u>		CONICAL WASHER, M12.....	2
22	<u>00566G3</u>		LOCK WASHER (SPRING TYPE), 3/8"	2
23	<u>606245</u>		HEX HEAD BOLT, M12 - 1 25 X 160MM LG.....	1
24	<u>606243</u>		HEX HEAD BOLT, M12 - 1 25 X 120MM LG.....	1
25	<u>606230</u>		CLUTCH WASHER, 27 5MM O.D. X 13 06MM I.D.	1
26	<u>605950</u>		CLUTCH BELT SHIELD	1
27	<u>618630</u>		DRIVE BELT	1

DIRECTION SELECTOR



DIRECTION SELECTOR

When ordering parts, please specify the model and serial number of the product.

* Indicates a component that is not available as an individual part.

*** Indicates consult Customer Service Department for additional information.

ITEM	PART NO.	1 2 3 4 5	DESCRIPTION	QTY.
1	<u>606173</u>		DIRECTION SELECTOR ASSEMBLY (INCLUDES ITEMS 2 - 24)	1
2	<u>606077</u>		DIRECTION SELECTOR BRACKET.....	1
3	<u>70233G01</u>		DIRECTION SELECTOR SHAFT.....	1
4	<u>603700</u>		DIRECTION SELECTOR CAM.....	1
5	<u>14390G1</u>		LOCK NUT, 3/8" - 24	1
6	<u>25664G2</u>		BUSHING, 1/2" X .75" LG	1
7	<u>72724G01</u>		NEUTRAL LOCK PIN	1
8	<u>72733G01</u>		COMPRESSION SPRING, 3/8" X 5/8" LG	1
9	<u>72729G01</u>		NEUTRAL LOCK LATCH.....	1
10	<u>00734G2</u>		LOCK NUT, 1/4" - 28	1
11	<u>28574G01</u>		EXTENSION SPRING	1
12	<u>72732G01</u>		BALL STUD, 1/4".....	1
13	<u>00734G5</u>		LOCK NUT, #10 - 32.....	1
14	<u>72736G01</u>		MICRO SWITCH	1
15	<u>01062G01</u>		SLOTTED MACHINED SCREW, #4 - 40 X 1" LG	2
16	<u>00559G1</u>		FLAT WASHER, #4	2
17	<u>00565G1</u>		LOCK WASHER, #4	2
18	<u>00526G2</u>		HEX NUT, #4 - 40	2
19	<u>605807</u>		DIRECTION SELECTOR CABLE.....	1
20	<u>25727G01</u>		CUP WASHER, 1/4"	4
21	<u>72735G01</u>		COMPRESSION SPRING, 19/32" X 1" LG	2
22	<u>632891</u>		PIVOT BRACKET	1
23	<u>00734G5</u>		LOCK NUT, #10 - 32.....	1
24	<u>22754G4</u>		FLIP LOK BUSHING, .250	1
25	<u>70227G01</u>		SOCKET HEAD SCREW, 1/4" - 20 X 7/8" LG	2
26	<u>11027G2</u>		LOCK NUT, 1/4" - 20.....	2
27	<u>71205G01</u>		DIRECTION SELECTOR HANDLE	1
28	<u>01037G02</u>		PAN HEAD TORX SCREW, #10 - 32 X 1/2" LG	1
29	<u>606421</u>		HEX HEAD BOLT, M6 - 1 X 30MM LG.....	1
30	<u>450452</u>		HEX NUT, M6 -1.....	1
31	<u>31539G1</u>		NYLON CLAMP, 15.5" LG.....	2

DIRECTION SELECTOR

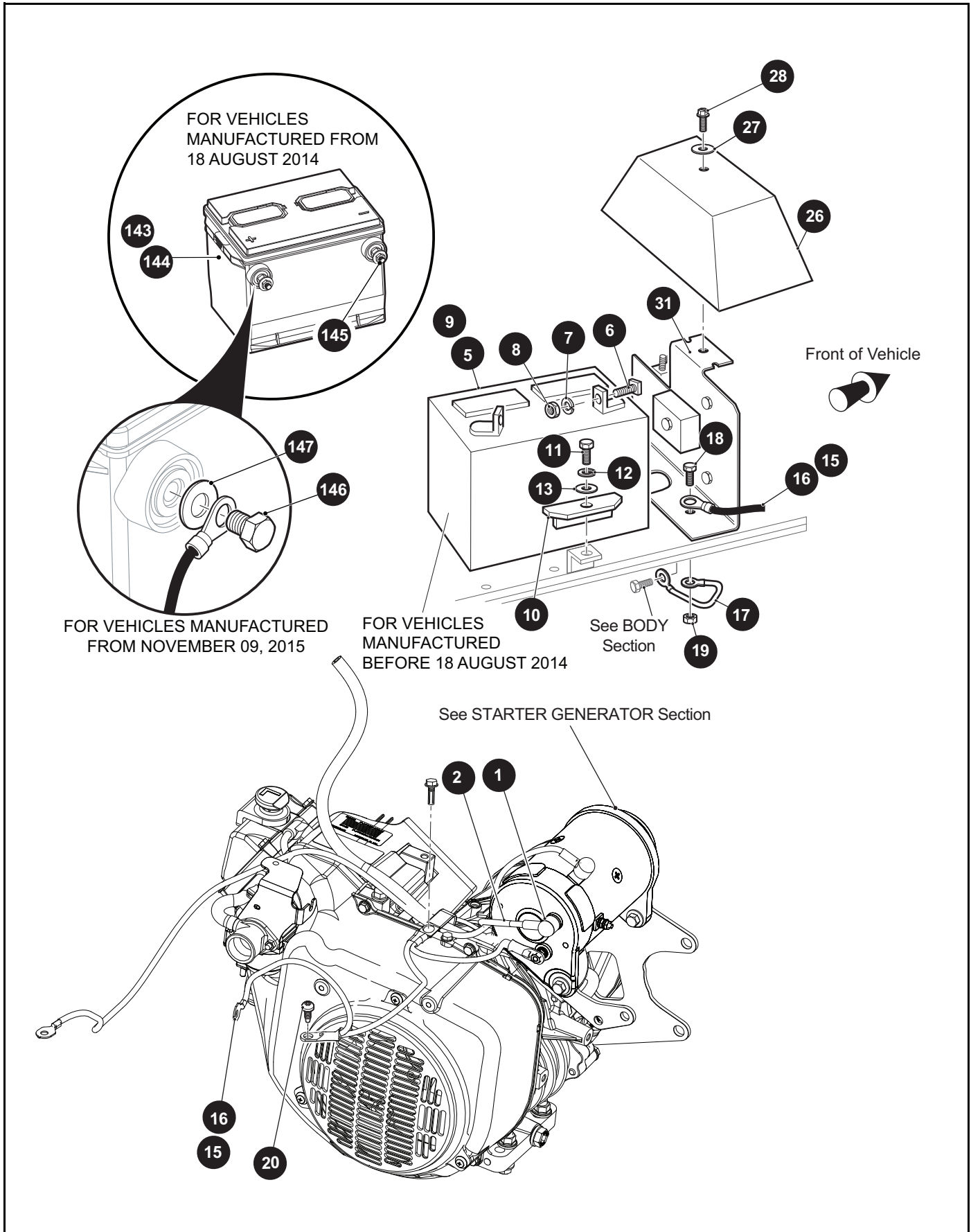
When ordering parts, please specify the model and serial number of the product.

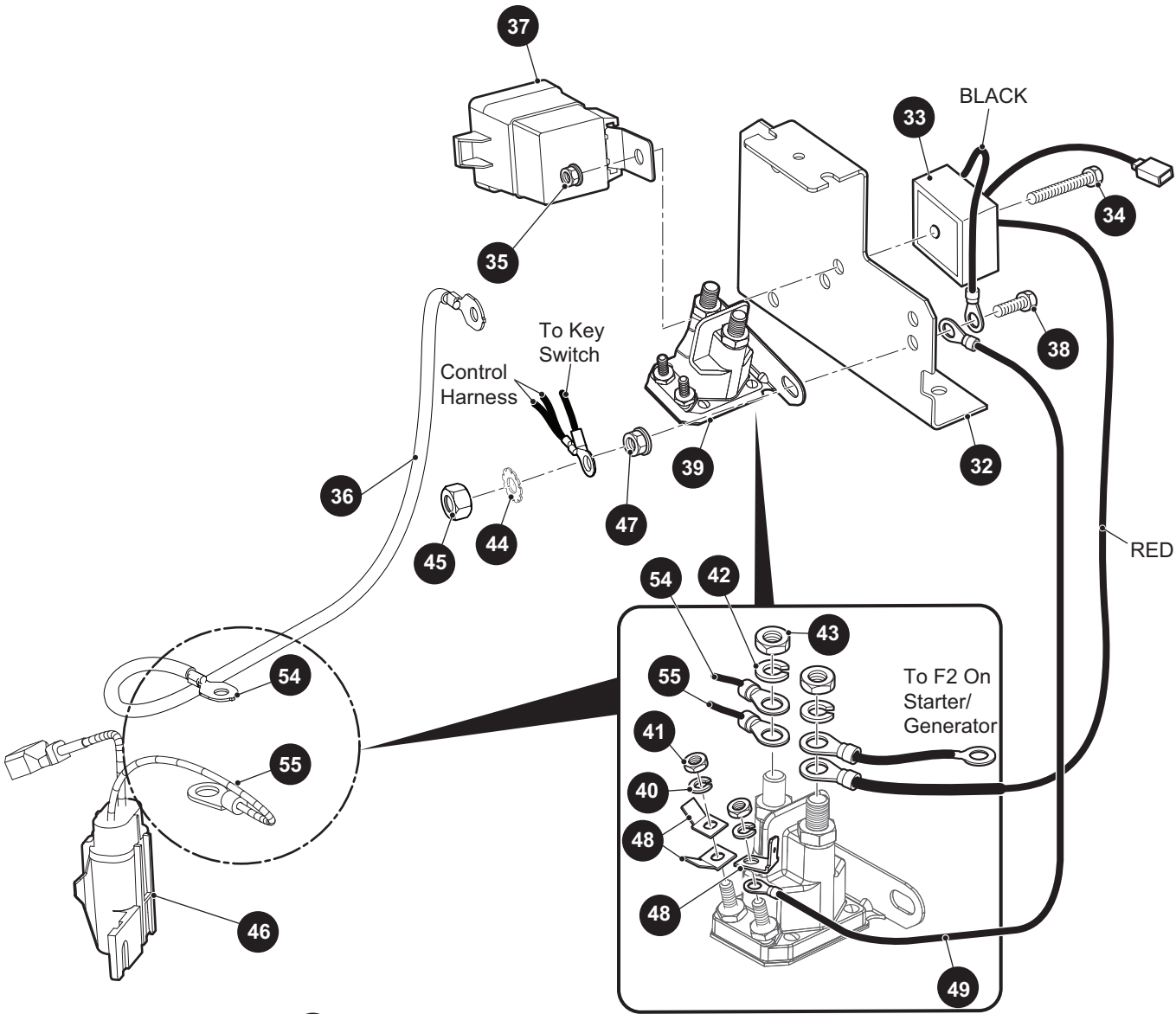
* Indicates a component that is not available as an individual part.

*** Indicates consult Customer Service Department for additional information.

ITEM	PART NO.	1 2 3 4 5	DESCRIPTION	QTY.
32	<u>01072G01</u>		CABLE CLIP.....	1
33	<u>73290G03</u>		REVERSE WARNING BUZZER.....	1
34	<u>01063G01</u>		TAPTITE THREAD SCREW, #6 - 32 X 3/8" LG	2
35	<u>25978G345</u>		18 GA WIRE (RED) (NOT ILLUSTRATED), 7" LG	1
36				
37	<u>632891</u>		DIRECTION SELECTOR PIVOT BRACKET (FOR VEHICLES MANUFACTURED FROM APRIL 2014)	1

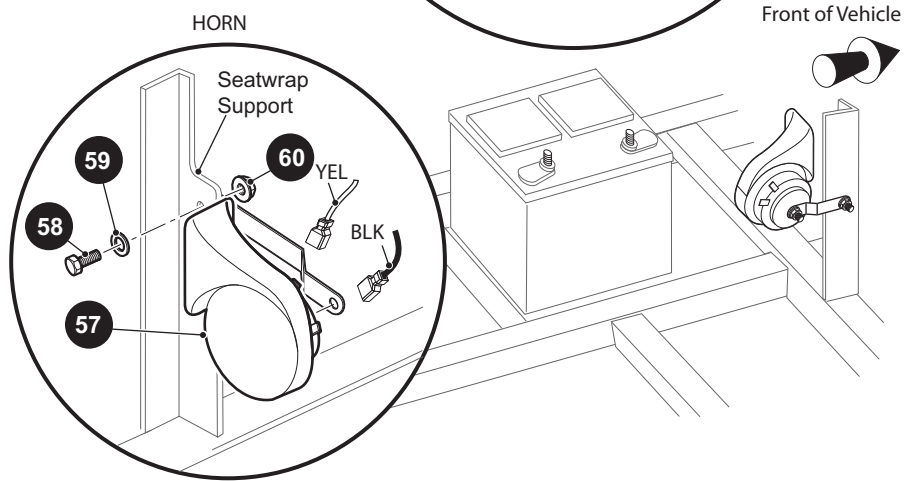
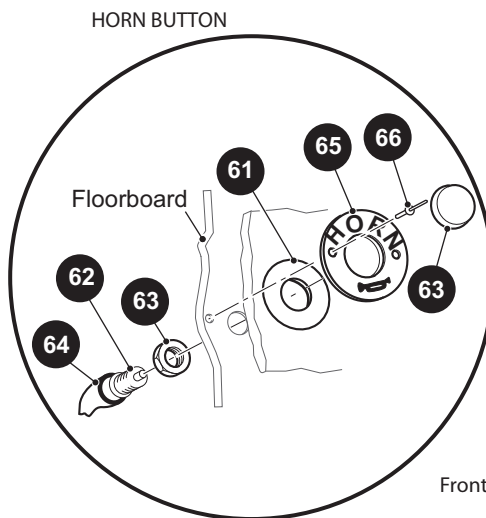
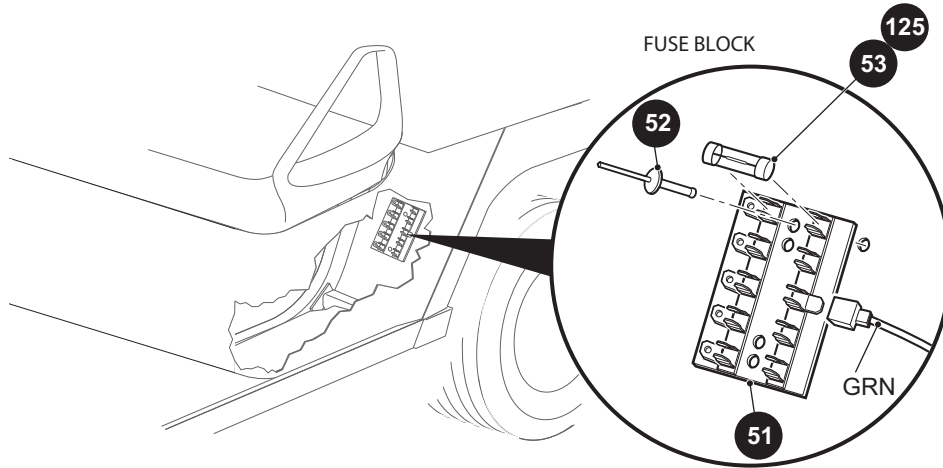
ELECTRICAL SYSTEM



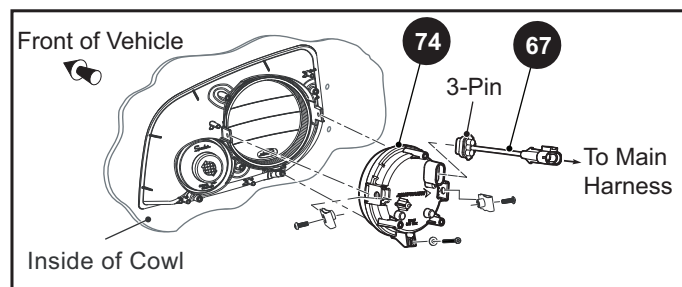
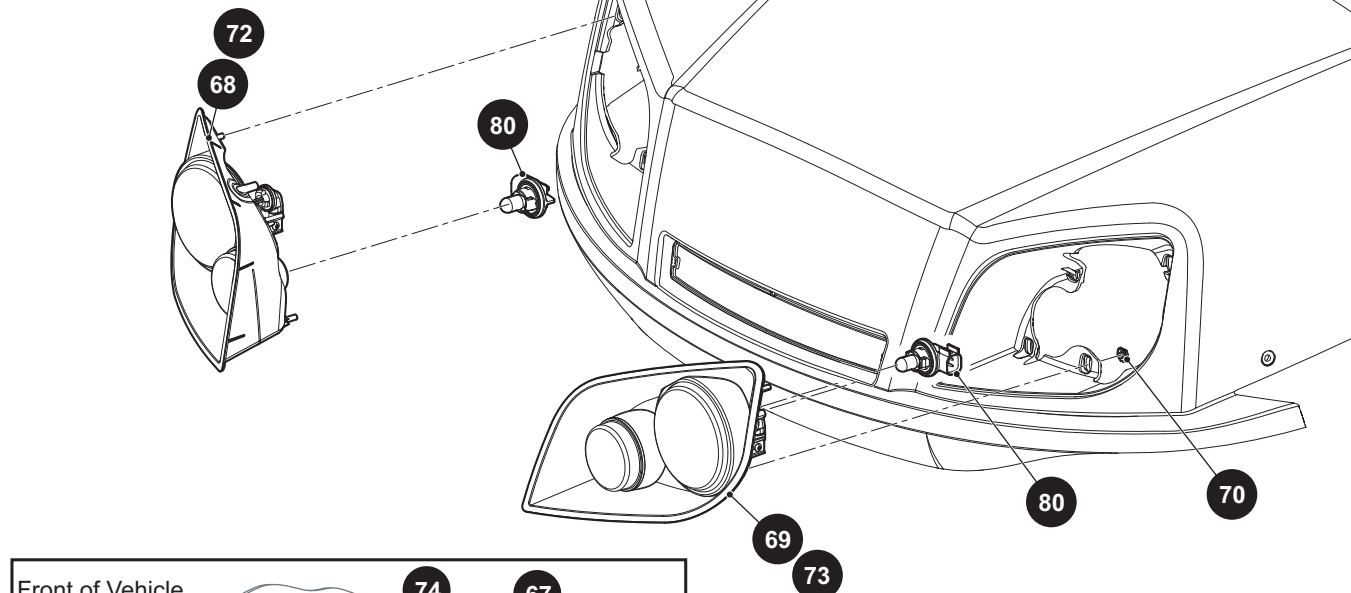


31 ELECTRICAL PLATE ASSEMBLY includes items 32 - 43 and 46 - 49

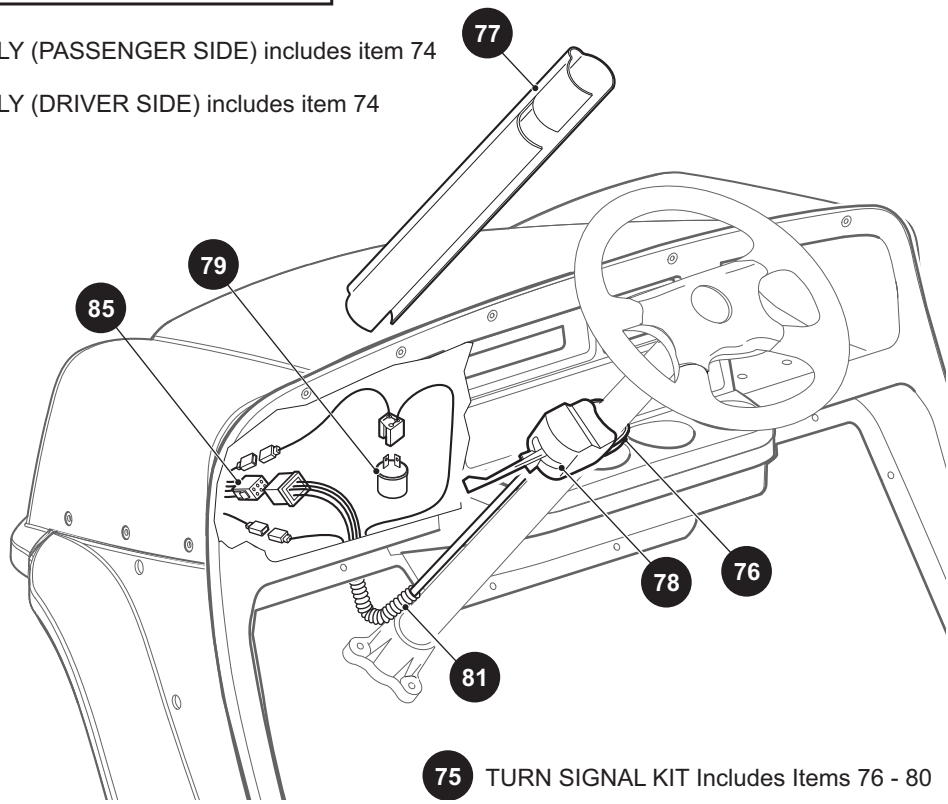
ELECTRICAL SYSTEM



HEAD LIGHT AND TURN SIGNAL



- 72** LED HEADLIGHT ASSEMBLY (PASSENGER SIDE) includes item 74
- 73** LED HEADLIGHT ASSEMBLY (DRIVER SIDE) includes item 74

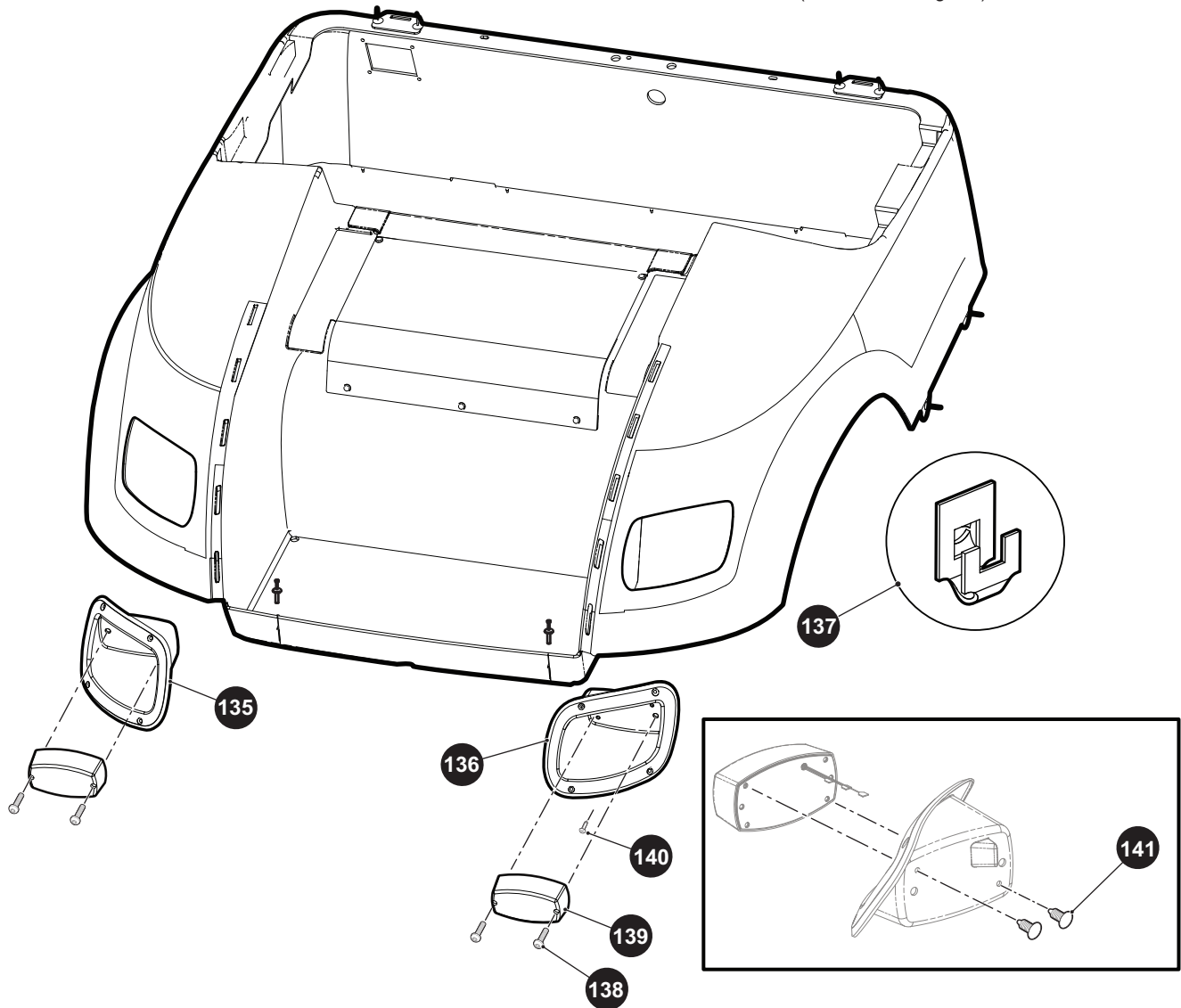
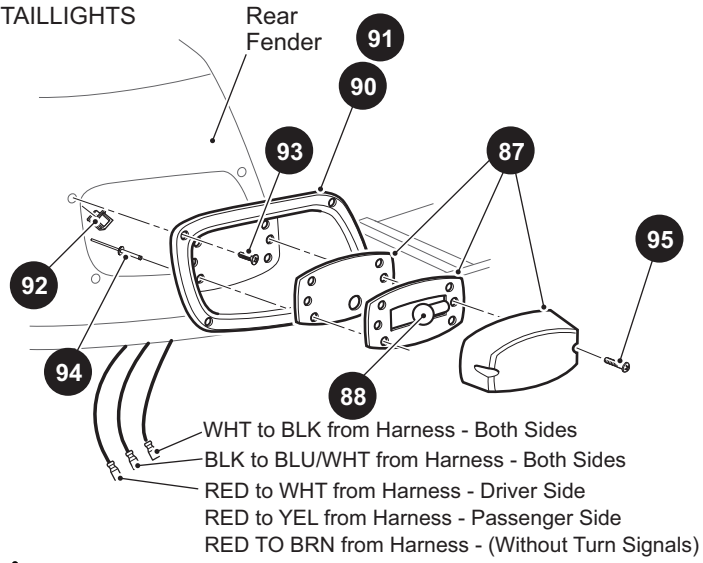


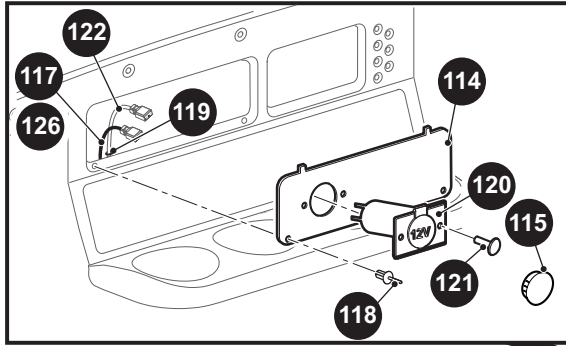
- 75** TURN SIGNAL KIT Includes Items 76 - 80

ELECTRICAL SYSTEM

TAILLIGHTS

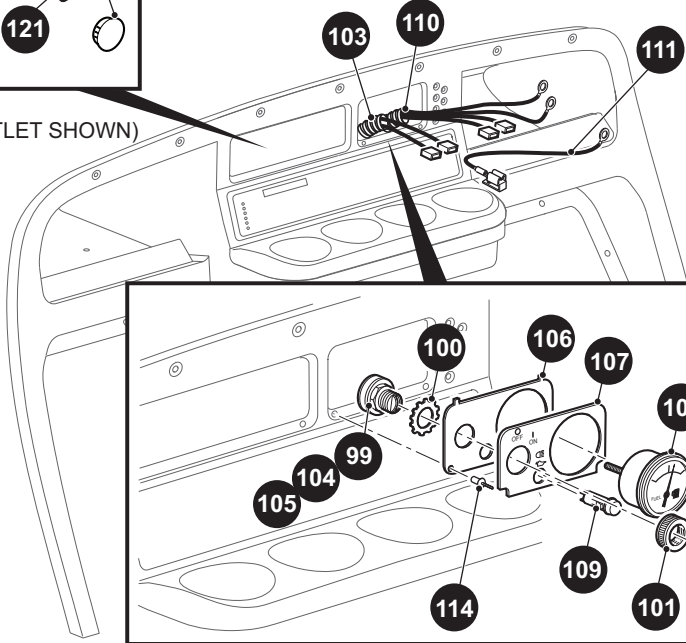
Rear Fender





- 112 CONSOLE PLATE WITHOUT OUTLET includes items 113, 118
- 113 CONSOLE INSERT ASSY WITH PLUG includes items 114, 115
- 116 12 V OUTLET KIT includes items 117 - 121, 126
- 123 POWER OUTLET 12V includes items 117 - 119, 124 - 126
- 124 CONSOLE INSERT ASSY WITH POWER OUTLET includes items 114, 120 - 121

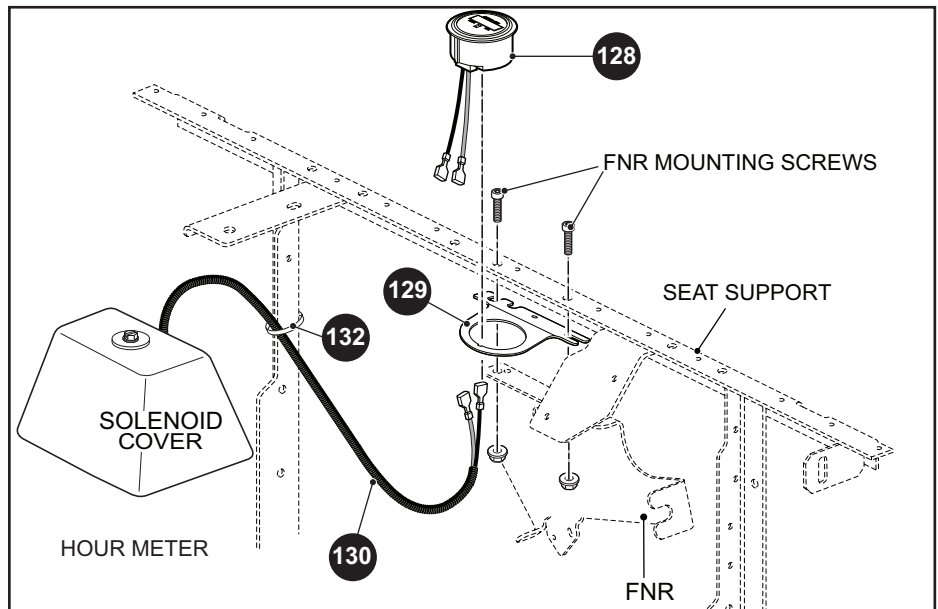
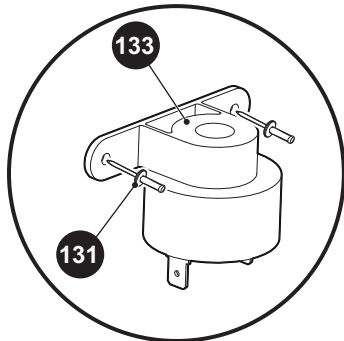
CONSOLE INSERT PLATE (WITH POWER OUTLET SHOWN)



KEY SWITCH, INDICATOR LIGHT(S), AND FUEL GAUGE



- 127 HOUR METER KIT includes items 128 - 129



ELECTRICAL SYSTEM

When ordering parts, please specify the model and serial number of the product.

* Indicates a component that is not available as an individual part.

*** Indicates consult Customer Service Department for additional information.

ITEM	PART NO.	1 2 3 4 5	DESCRIPTION	QTY.
1	<u>607053</u>		6 GA WIRE (BLACK 6", F1 - A2)	1
2	<u>25682G01</u>		TERMINAL COVER.....	3
3				
4				
5	<u>24775G1</u>		BATTERY, 12V (FOR VEHICLES MANUFACTURED BEFORE 18 AUGUST 2014)	1
6	*		BOLT, 5/16" - 18 X 1 1/4" LG	2
7	*		LOCK WASHER (SILICON BRONZE), 5/16".....	2
8	*		NUT (SILICON BRONZE), 5/16" - 18.....	2
9	<u>600497</u>		BATTERY, 12V, HD (FOR VEHICLES MANUFACTURED BEFORE 18 AUGUST 2014)	1
10	<u>72101G02</u>		BATTERY HOLD DOWN	1
11	<u>00438G6</u>		HEX HEAD BOLT, 5/16" - 18 X 3/4" LG.....	3
12	<u>00565G8</u>		LOCK WASHER, 5/16" - 18.....	1
13	<u>00571G2</u>		FLAT WASHER (SS), 5/16"	1
14				
15	<u>645191</u>		GROUND CABLE (FOR VEHICLES MANUFACTURED FROM NOVEMBER 09, 2015).....	1
16	<u>27044G03</u>		GROUND CABLE	1
17	<u>25976G19</u>		14 GA WIRE (BLACK 6").....	1
18	<u>00438G6</u>		HEX HEAD BOLT, 5/16" - 18 X 3/4" LG.....	2
19	<u>11027G1</u>		LOCK NUT, 5/16" - 18	2
20	<u>26676G01</u>		HEX HEAD FLANGED BOLT, M6 X 1.0 X 23 MM LG	1
21				
22	<u>610428</u>		BATTERY BOLT EXTENDER (NOT ILLUSTRATED).....	1
23				
24	<u>605560</u>		WIRE HARNESS (CONTROL).....	1
25	<u>17618G1</u>		WIRE TIE (NOT ILLUSTRATED).....	AR
26	<u>73049G01</u>		COVER (DIRECTION SELECTOR)	1
27	<u>16469G1</u>		FENDER WASHER, 1/4"	1
28	<u>00114G6</u>		HEX HEAD BOLT, 1/4" - 14 X 3/4" LG.....	1
29				
30				
31	<u>605563</u>		ELECTRICAL PLATE ASSEMBLY (INCLUDES ITEMS 32 - 43, 46 - 49).....	1
32	<u>73057G02</u>		BRACKET	1

ELECTRICAL SYSTEM

When ordering parts, please specify the model and serial number of the product.

* Indicates a component that is not available as an individual part.

*** Indicates consult Customer Service Department for additional information.

ITEM	PART NO.	1 2 3 4 5	DESCRIPTION	QTY.
33	<u>27739G01</u>		VOLTAGE REGULATOR	1
34	<u>303459</u>		HEX HEAD BOLT, 1/4" - 20 X 1 1/2" LG.....	1
35	<u>11027G2</u>		LOCK NUT, 1/4" - 20	1
36	<u>645190</u>		WIRE ASSEMBLY 6 AWG	1
37	<u>603282</u>		RELAY	1
38	<u>00661G8</u>		HEX HEAD BOLT, 1/4" - 20 X 1" LG.....	1
39	<u>612813</u>		SOLENOID	1
40	*		LOCK WASHER, #10.....	2
41	*		NUT, #10 - 32	2
42	*		LOCK WASHER, 5/16"	2
43	*		NUT, 5/16" - 24"	2
44	<u>00567G7</u>		LOCK WASHER (EXTERNAL TOOTH TYPE), 1/4"	1
45	<u>00532G1</u>		LOCK NUT, 1/4" - 20	1
46	600418G01		FUSE HOLDER ASSEMBLY	1
47	<u>11027G2</u>		LOCK NUT, 1/4" - 20	1
48	<u>73446G01</u>		FASTON TAB, 90°	3
49	<u>25978G56</u>		18 GA WIRE (BLACK 5 3/4").....	1
50				
51	<u>22674G1</u>		FUSE BLOCK	1
52	<u>01041G01</u>		BULBEX RIVET, 5/32" DIA.....	2
53	<u>18392G1</u>		15 AMP FUSE	3
54	<u>645190</u>		#6 GA WIRE ASSEMBLY	1
55	<u>20216G1</u>		16 GA WIRE (RED).....	1
56				
57	<u>32860G1</u>		HORN.....	1
58	<u>00414G5</u>		HEX HEAD BOLT, 1/4" - 20 X 5/8" LG	1
59	<u>00559G7</u>		FLAT WASHER (SS), 1/4".....	1
60	<u>14390G4</u>		LOCK NUT, 1/4" - 20	1
61	<u>608397</u>		HORN PLATE	1
62	<u>17318G1</u>		HORN SWITCH	1
63	<u>17318G2</u>		HORN SWITCH CAP AND NUT	1
64	<u>27068G01</u>		HORN SWITCH BOOT	1
65	19233G1		HORN SWITCH LABEL	1

ELECTRICAL SYSTEM

When ordering parts, please specify the model and serial number of the product.

* Indicates a component that is not available as an individual part.

*** Indicates consult Customer Service Department for additional information.

ITEM	PART NO.	1	2	3	4	5	DESCRIPTION	QTY.
66	<u>71055G01</u>						RIVET (ALUMINUM), 3/16" X 1" LG.....	2
67	<u>654465</u>						JUMPER HARNESS, LED HEADLIGHT	2
68	<u>614497</u>						PASSENGER SIDE HEADLIGHT ASSEMBLY	1
69	<u>614501</u>						DRIVER SIDE HEADLIGHT ASSEMBLY	1
70	<u>71597G01</u>						SELFTHRADING NUT	8
71	<u>71781G02</u>						VINYL TAPE	2
72	<u>659008</u>						LED HEADLIGHT ASSEMBLY (PASSENGER SIDE) (INCLUDES ITEM 74) .	1
73	<u>659009</u>						LED HEADLIGHT ASSEMBLY (DRIVER SIDE) (INCLUDES ITEM 74).....	1
74	<u>651411G03</u>						LED HEADLIGHT.....	1
75	<u>622712</u>						TURN SIGNAL KIT (INCLUDES ITEMS 76 - 81)	1
76	<u>17618G1</u>						NYLON CLAMP	2
77	<u>20965G3</u>						STEERING COLUMN COVER	1
78	<u>611810</u>						TURN SIGNAL SWITCH ASSEMBLY (INCLUDES ITEM 79).....	1
79	<u>21640G1</u>						TURN SIGNAL FLASHER	1
80	<u>619102</u>						TURN SIGNAL ASSEMBLY BULB.....	2
81	<u>32307G3</u>						FLEX ZIP LOOM, 3/8"	1
82								
83								
84								
85	<u>645193</u>						WIRE HARNESS, LONG (ACCESSORY) (FOR VEHICLES MANUFACTURED FROM NOVEMBER 09, 2015)	1
86								
87	<u>22288G1</u>						COMPLETE TAIL LIGHT ASSEMBLY (INCLUDES ITEM 13)	2
88	<u>21759G1</u>						TAILLIGHT BULB.....	1
89								
90	<u>74371G01</u>						BEZEL (DRIVER SIDE).....	1
91	<u>74371G02</u>						BEZEL (PASSENGER SIDE)	1
92	<u>71364G02</u>						J - CLIP.....	8
93	<u>71425G01</u>						FLAT HEAD PHILLIPS TAPPING SCREW, #8 - 18 X .75" LG	8
94	<u>14601G11</u>						RIVET (ALUMINUM), 3/16" X 9/16" LG.....	4
95	<u>00513G4</u>						PAN HEAD SCREW, #8 - 18 X 1 1/2" LG.....	4
96	<u>00439G1</u>						HEX HEAD BOLT, 5/16" - 18 1 1/8" LG (NOT ILLUSTRATED).....	1
97	<u>75048G01</u>						SPACER, .328" X .75" X .50" (NOT ILLUSTRATED)	1
98	<u>619092</u>						WIRE HARNESS, LONG (ACCESSORY).....	1

ELECTRICAL SYSTEM

When ordering parts, please specify the model and serial number of the product.

* Indicates a component that is not available as an individual part.

*** Indicates consult Customer Service Department for additional information.

ITEM	PART NO.	1 2 3 4 5	DESCRIPTION	QTY.
99	<u>33639G01</u>		IGNITION SWITCH	1
100	<u>00568G6</u>		LOCK WASHER, 3/4"	1
101	17137G1		FACE NUT, 3/4" - 20	1
102	<u>17063G1</u>		IGNITION KEY	1
103	<u>605639</u>		WIRE HARNESS (KEY SWITCH).....	1
104	<u>33639G02</u>		IGNITION SWITCH (GROUP KEY)	1
105	33639G03		IGNITION SWITCH (WITH LIGHTS)	1
106	73030G04		CONSOLE INSERT PLATE (FUEL GAUGE AND OIL LIGHT)	1
107	<u>71131G01</u>		LABEL (OIL LIGHT AND FUEL GAUGE WITH HEADLIGHTS).....	1
108	<u>21553G1</u>		FUEL GAUGE	1
109	<u>23474G1</u>		INDICATOR LIGHT	1
110	<u>74311G01</u>		HARNESS (OIL LIGHT/FUEL GAUGE)	1
111	<u>25978G122</u>		18 GA WIRE (RED 6")	1
112	71079G08		CONSOLE PLATE WITHOUT OUTLET (INCLUDES ITEMS 113, 118)	1
113	<u>74693G02</u>		CONSOLE INSERT ASSY, W/PLUG (INCLUDES ITEMS 114, 115).....	1
114	<u>73522G03</u>		CONSOLE PLATE (E-COAT).....	1
115	<u>20271G10</u>		HOLE PLUG, 1"	1
116	71079G10		12 V OUTLET KIT (INCLUDES ITEMS 117 - 122, 126).....	1
117	<u>71081G01</u>		WIRE HARNESS, POWER OUTLET 12V	1
118	33623G02		DRIVE RIVET, .188"	3
119	<u>17618G1</u>		NYLON CLAMP.....	5
120	<u>71078G01</u>		POWER OUTLET, 12V	1
121	<u>14601G10</u>		RIVET (ALUMINIUM), 5/32"	2
122	<u>35212G01</u>		FUSE, AUTOMTIVE ATC TYPE, 15A.....	1
123	71079G11		POWER OUTLET 12V (INCLUDES ITEMS 117 -119, 124 - 126).....	1
124	<u>74693G01</u>		CONSOLE INSERT ASSY (INCLUDES ITEMS 114, 120 - 121)	1
125	18392G01		GLASS FUSE, 3AG - 15AMP	1
126	<u>645194</u>		WIRE HARNESS, POWER OUTLET 12V (FOR VEHICLES MANUFACTURED FROM NOVEMBER 09, 2015)	1
127	607284		HOUR METER KIT (INCLUDES ITEMS 128 - 129).....	1
128	<u>617074</u>		HOUR METER	1
129	<u>635649</u>		HOUR METER BRACKET.....	1
130	664689		WIRE HARNESS (HOUR METER).....	1
131	<u>01041G01</u>		BULBEX RIVET, 5/32" DIA.....	2

ELECTRICAL SYSTEM

When ordering parts, please specify the model and serial number of the product.

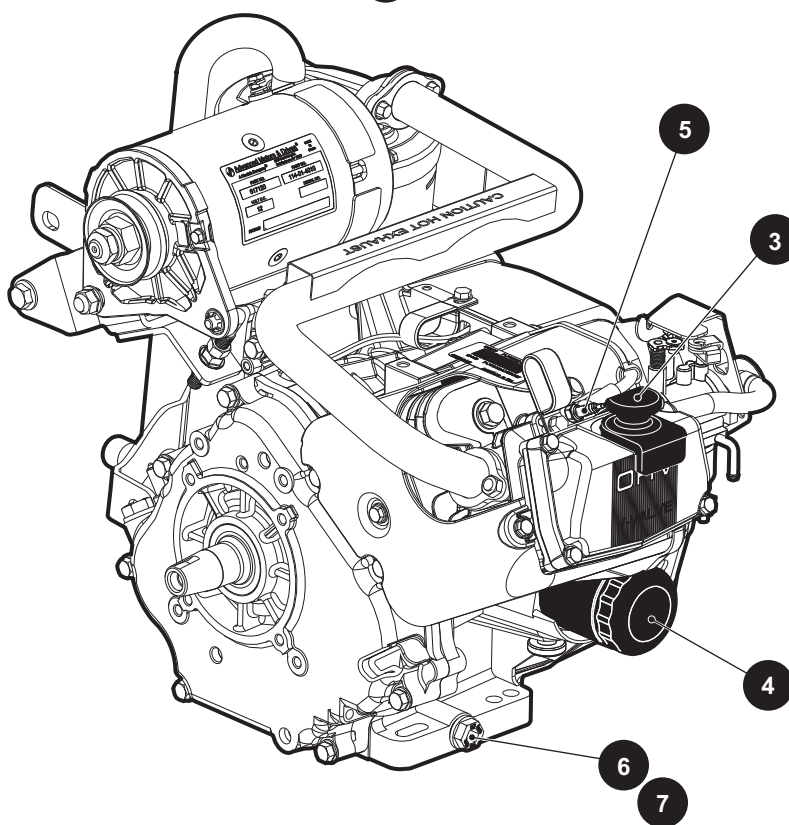
* Indicates a component that is not available as an individual part.

*** Indicates consult Customer Service Department for additional information.

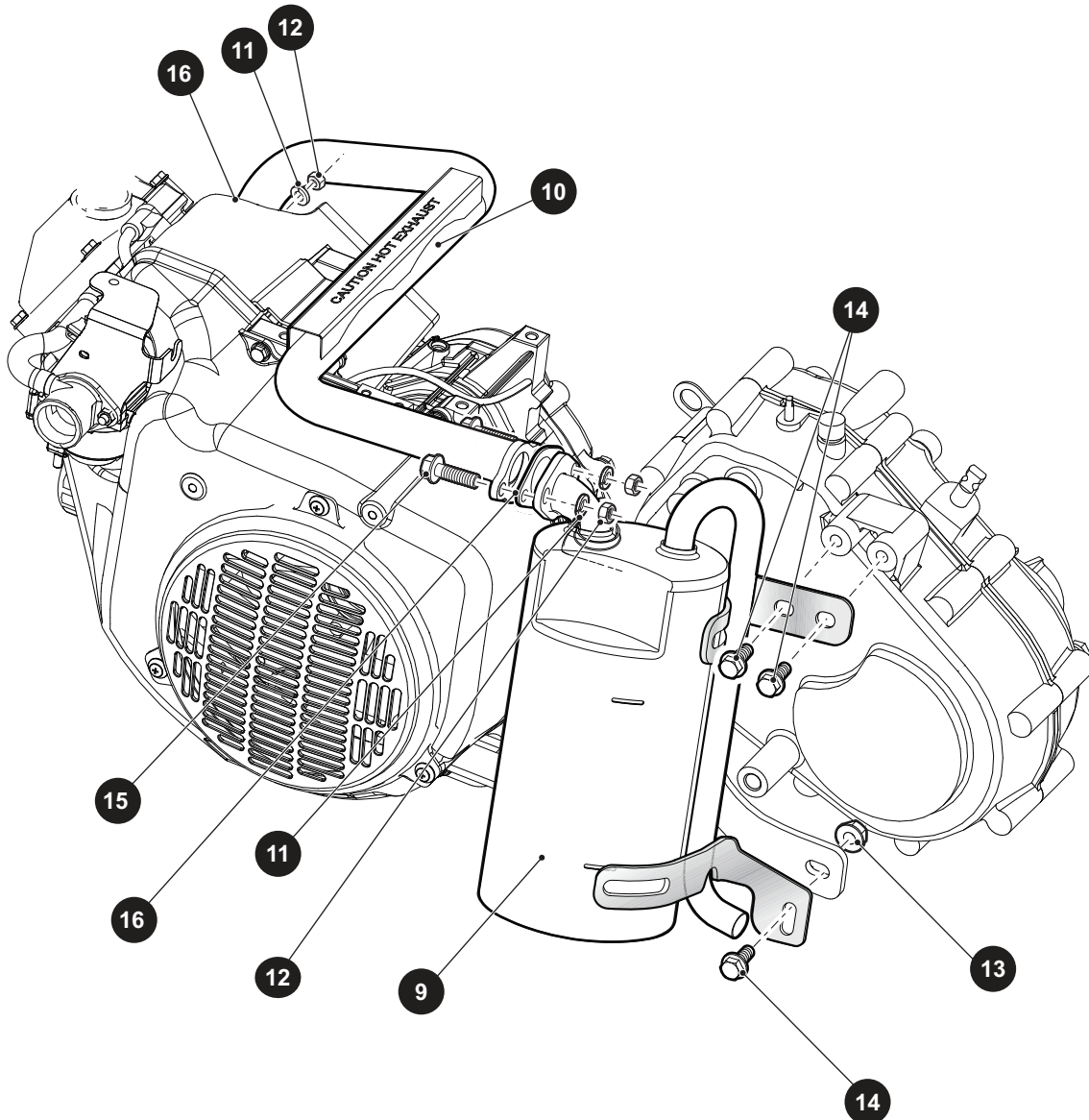
ITEM	PART NO.	1 2 3 4 5	DESCRIPTION	QTY.
132	<u>31539G1</u>		NYLON CLAMP 15.5" (NOT ILLUSTRATED).....	AR
133	<u>73290G03</u>		CONTINUOUS TONE BUZZER.....	1
134	11098G6		LOCK NUT, 5/16" - 18 (NOT ILLUSTRATED)	1
135	<u>625251</u>		BEZEL, TAILLIGHT (DRIVER SIDE) (FOR VEHICLES MANUFACTURED FROM MARCH 2014)	1
136	<u>625252</u>		BEZEL, TAILLIGHT (PASSENGER SIDE) (FOR VEHICLES MANUFACTURED FROM MARCH 2014)	1
137	<u>71364G02</u>		"J" TYPE NUT, #8 (FOR VEHICLES MANUFACTURED FROM MARCH 2014)	8
138	<u>00513G4</u>		PAN HEAD PHILLIPS SCREW, #8 X 1.5" LG (FOR VEHICLES MANUFACTURED FROM MARCH 2014)	4
139	<u>22288G1</u>		TAILLIGHT ASSEMBLY (FOR VEHICLES MANUFACTURED FROM MARCH 2014)	2
140	<u>71425G01</u>		TAPPING SCREW, #8 - 18 X .75" LG (FOR VEHICLES MANUFACTURED FROM MARCH 2014)	8
141	<u>14601G11</u>		RIVET, 3/16" X 9/16" (FOR VEHICLES MANUFACTURED FROM MARCH 2014)	2
142				
143	<u>637484</u>		BATTERY, 12V (FOR VEHICLES MANUFACTURED FROM 18 AUGUST 2014).....	1
144	<u>638433</u>		BATTERY, 12V HD (FOR VEHICLES MANUFACTURED FROM 18 AUGUST 2014).....	1
145	<u>610428</u>		BATTERY BOLT EXTENDER (FOR VEHICLES MANUFACTURED FROM 18 AUGUST 2014).....	2
146	<u>651336</u>		BATTERY BOLT (FOR VEHICLES MANUFACTURED FROM NOVEMBER 09, 2015).....	2
147	<u>614221</u>		FLAT WASHER, 3/8" (FOR VEHICLES MANUFACTURED FROM NOVEMBER 09, 2015).....	2
148	<u>645200</u>		WIRE HARNESS, LONG (ACCESSORY) (NOT ILLUSTRATED) (FOR VEHICLES MANUFACTURED FROM NOVEMBER 09, 2015)	1

ENGINE AND MUFFLER

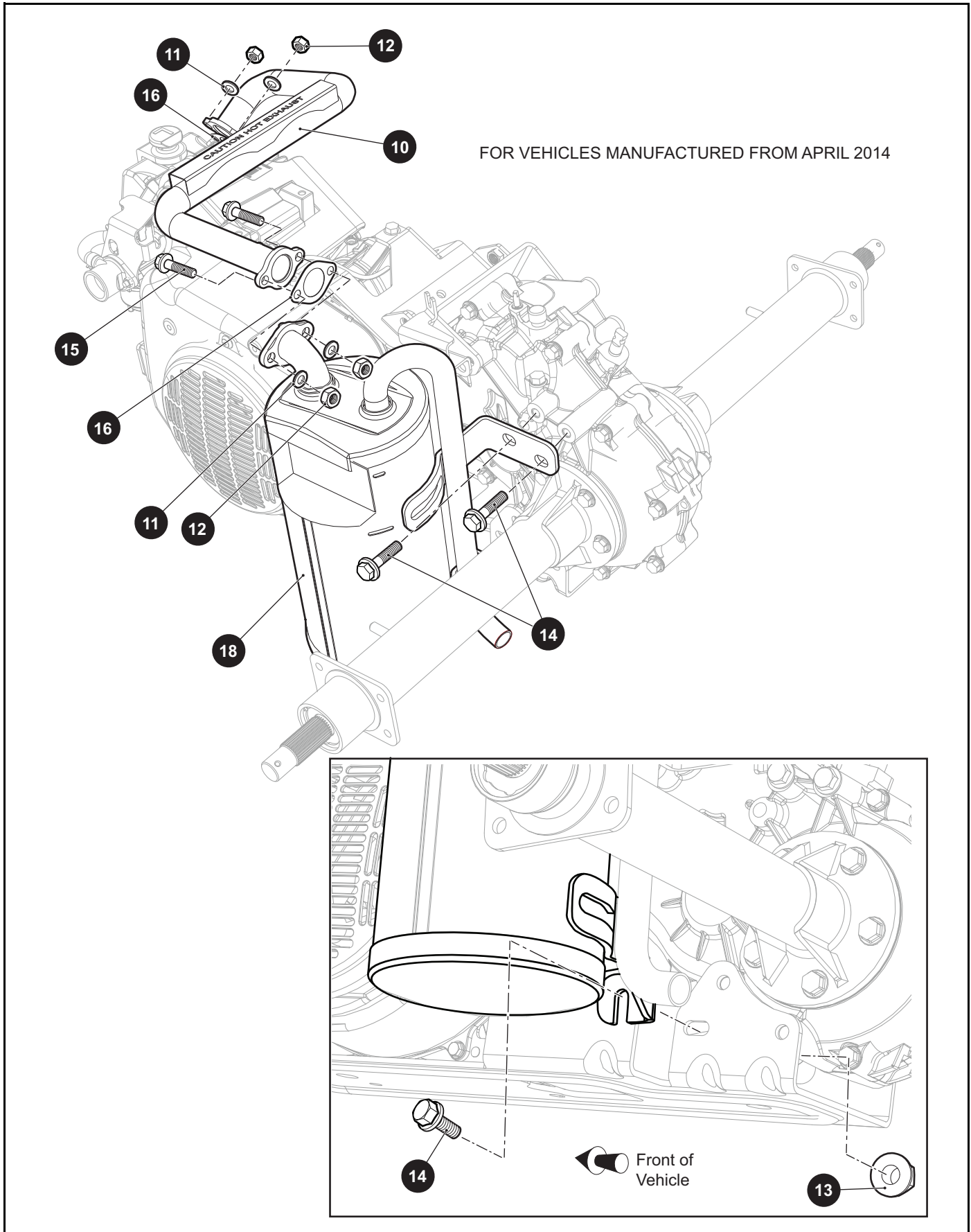
1 GAS ENGINE includes items 4 - 7



ENGINE AND MUFFLER



ENGINE AND MUFFLER



ENGINE AND MUFFLER

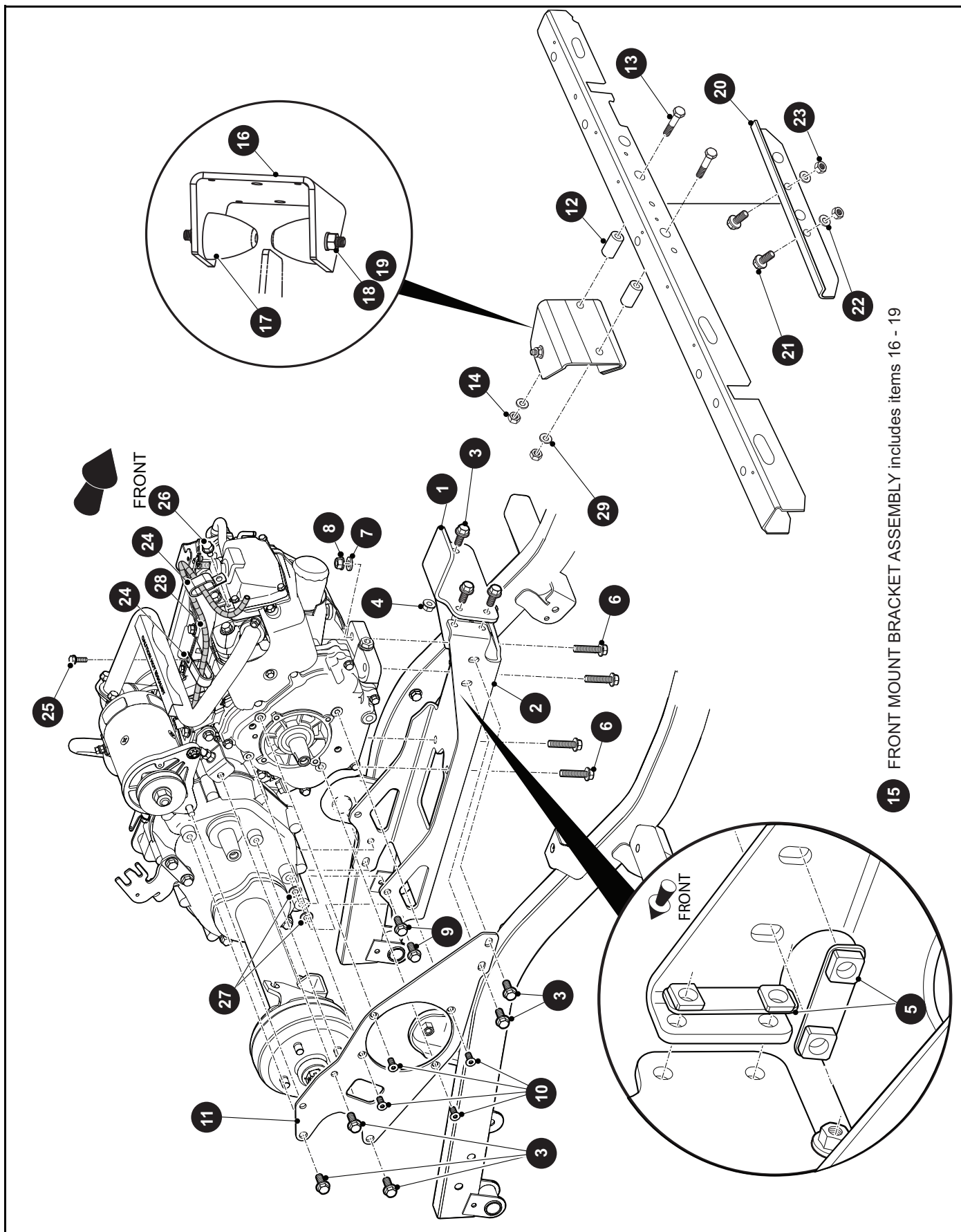
When ordering parts, please specify the model and serial number of the product.

* Indicates a component that is not available as an individual part.

*** Indicates consult Customer Service Department for additional information.

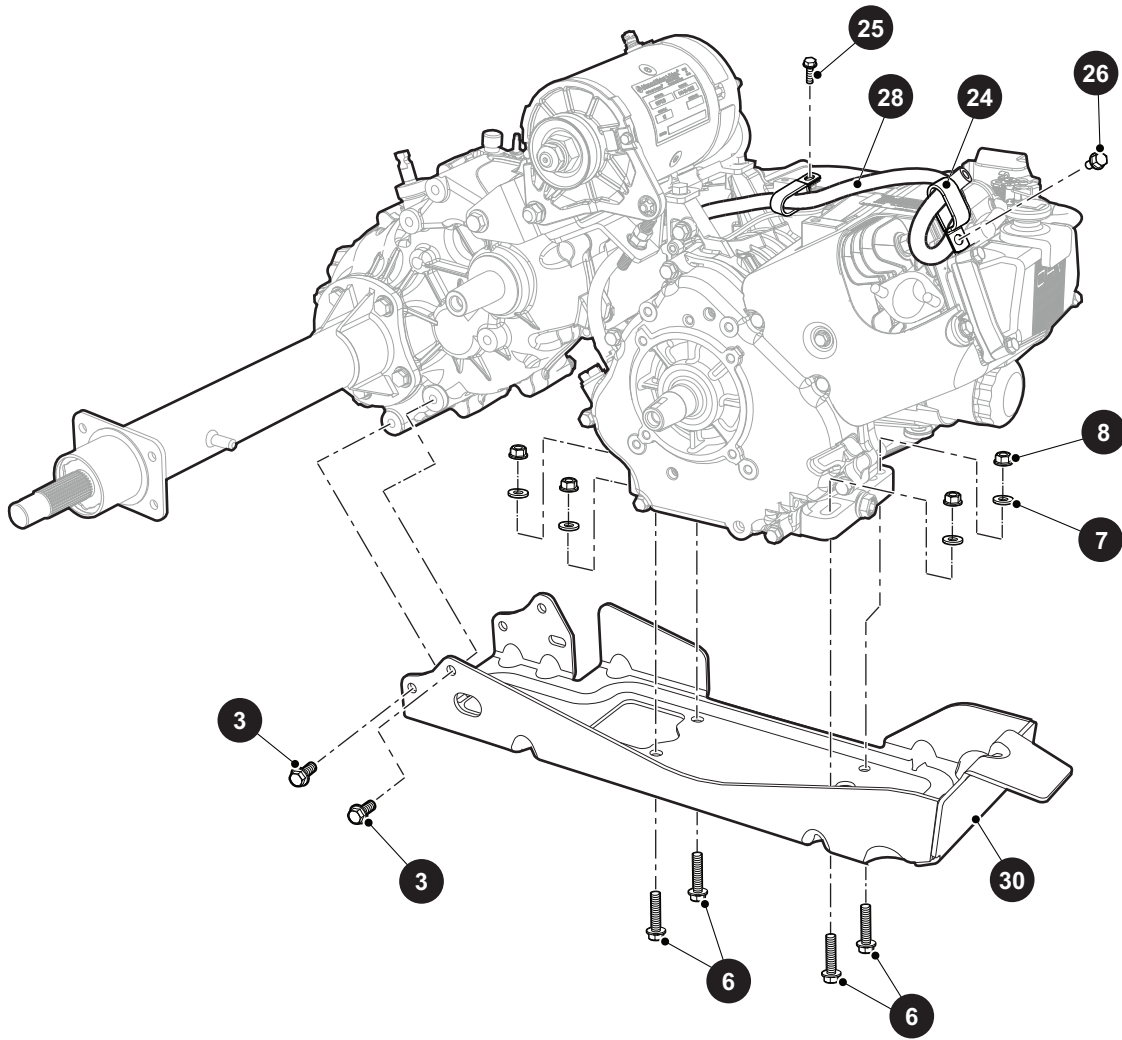
ITEM	PART NO.	1 2 3 4 5	DESCRIPTION	QTY.
1	<u>633740</u>		ENGINE, GAS, 13HP, NON-GOLF (INCLUDES ITEMS 3 - 7)	1
2				
3	<u>606391</u>		DIP STICK, HIGH	1
4	<u>607454</u>		OIL FILTER	1
5	<u>607462</u>		SPARK PLUG (BPR2ES)	1
6	<u>603557</u>		OIL DRAIN PLUG	1
7	<u>603562</u>		'O' RING, 16MM.....	1
8				
9	<u>612266</u>		MUFFLER	1
10	<u>606982</u>		EXHAUST PIPE	1
11	<u>606272</u>		LOCK WASHER, 8MM.....	4
12	<u>606267</u>		HEX NUT, M8 X 1.25	4
13	<u>606279</u>		HEX NUT, M10 - 1.25.....	1
14	<u>606256</u>		HEX HEAD BOLT, M10 - 1.25 X 25MM LG.....	3
15	<u>602330</u>		HEX HEAD BOLT, M8 - 1.25 X 30MM LG.....	2
16	<u>603599</u>		EXHAUST GASKET.....	2
17				
18	<u>630970</u>		MUFFLER (FOR VEHICLES MANUFACTURED FROM APRIL 2014)	1

ENGINE MOUNTING



15 FRONT MOUNT BRACKET ASSEMBLY includes items 16 - 19

FOR VEHICLES MANUFACTURED FROM APRIL 2014



ENGINE MOUNTING

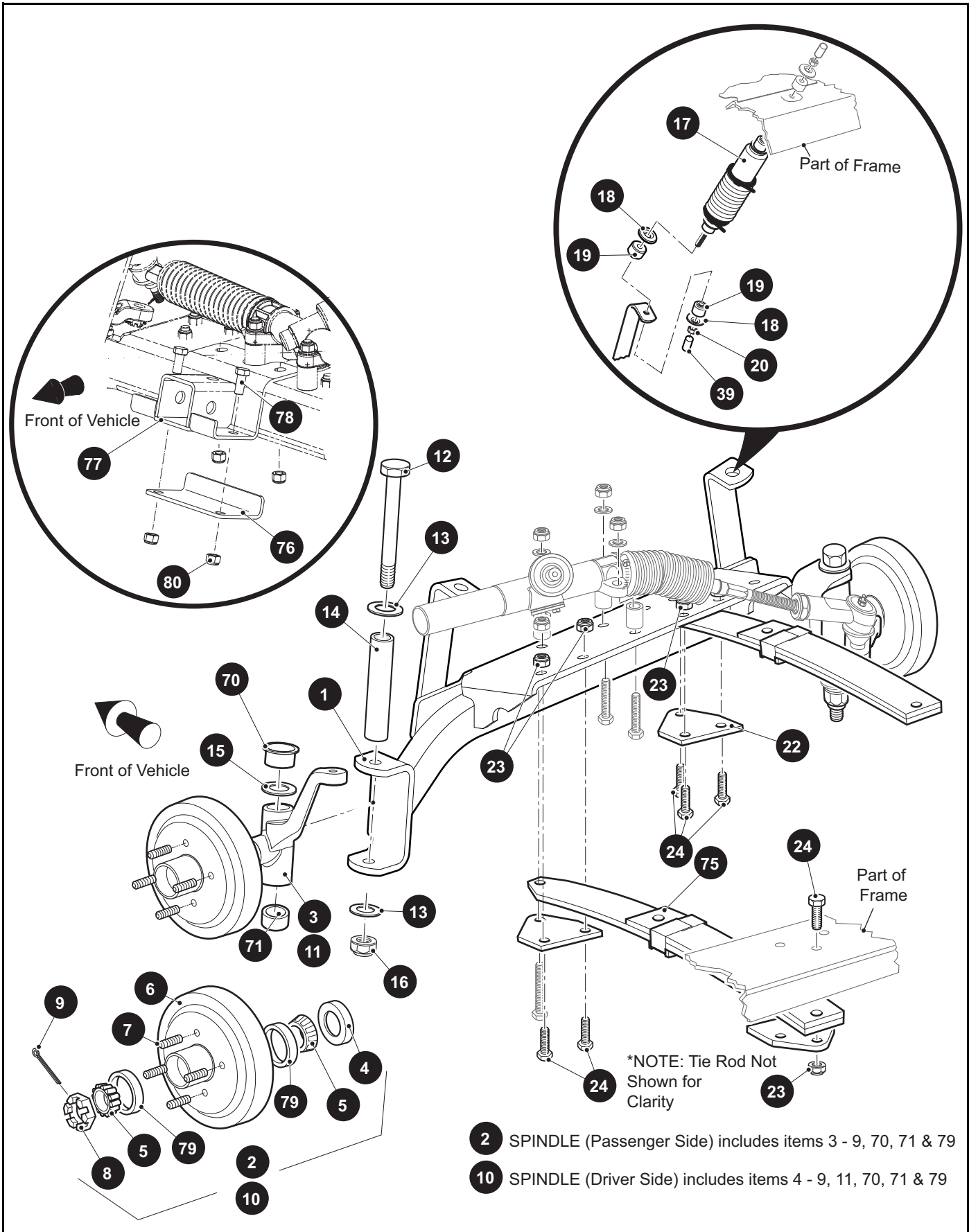
When ordering parts, please specify the model and serial number of the product.

* Indicates a component that is not available as an individual part.

*** Indicates consult Customer Service Department for additional information.

ITEM	PART NO.	1 2 3 4 5	DESCRIPTION	QTY.
1	<u>606007</u>		FRONT ENGINE MOUNT	1
2	<u>603101</u>		ENGINE PAN MOUNT	1
3	<u>606256</u>		BOLT, M10 - 1.25 X 25	8
4	<u>606279</u>		NUT, M10 - 1.25	1
5	<u>606096</u>		NUT PLATE	2
6	<u>606259</u>		BOLT, M10 - 1.25 X 45	4
7	<u>603823</u>		FLAT WASHER, M10 X 22 - 2.5	4
8	<u>606279</u>		NUT, M10 - 1.25	4
9	<u>608020</u>		BOLT, M10 - 1.25 X 34	4
10	<u>606246</u>		FLAT HEAD SCREW, 5/16" X 4"	4
11	<u>602146</u>		DIFFERENTIAL PLATE	1
12	<u>72016G01</u>		TUBE SPACER	2
13	<u>00428G8</u>		HEX HEAD 3/8 - 16 X 2.75"	2
14	<u>11098G5</u>		PLASTIC INSERT LOCK NUT, 3/8-16"	2
15	<u>627627</u>		FRONT MOUNT BRACKET ASSEMBLY (INCLUDES ITEMS 16 - 19).....	1
16	<u>625345</u>		FRONT MOUNT BRACKET	1
17	<u>605757</u>		RUBBER BUMPER.....	2
18	<u>00974G01</u>		HEX NUT, M10 X 1.5	2
19	<u>608654</u>		SPLIT LOCK WASHER, 10MM.....	2
20	<u>652247</u>		CROSSMEMBER BRACE.....	1
21	<u>00438G7</u>		SCREW, CAP HEX HEAD 5/16 - 18 UNC.....	2
22	<u>00559G8</u>		FLAT WASHER, 5/16"	2
23	<u>01109G01</u>		PLASTIC INSERT LOCK NUT, 5/16-18 UNC-2B.....	2
24	<u>606962</u>		TUBE CLAMP, DBL - 0.72	2
25	<u>606264</u>		BOLT, HXFL M6 - 1 X 20	1
26	<u>73876G01</u>		BOLT, HXFL M6 - 1 X 12	1
27	<u>00560G2</u>		B TYPE NARROW FLAT WASHER, 7/16" X .25.....	2
28	<u>27184G12</u>		TUBE, (FUEL SYSTEM).....	1
29	<u>00643G1</u>		FLAT WASHER, 3/8 X 1.0 X .063.....	2
30	<u>630776</u>		ENGINE PAN (FOR VEHICLES MANUFACTURED FROM APRIL 2014)	1

FRONT SUSPENSION AND STEERING



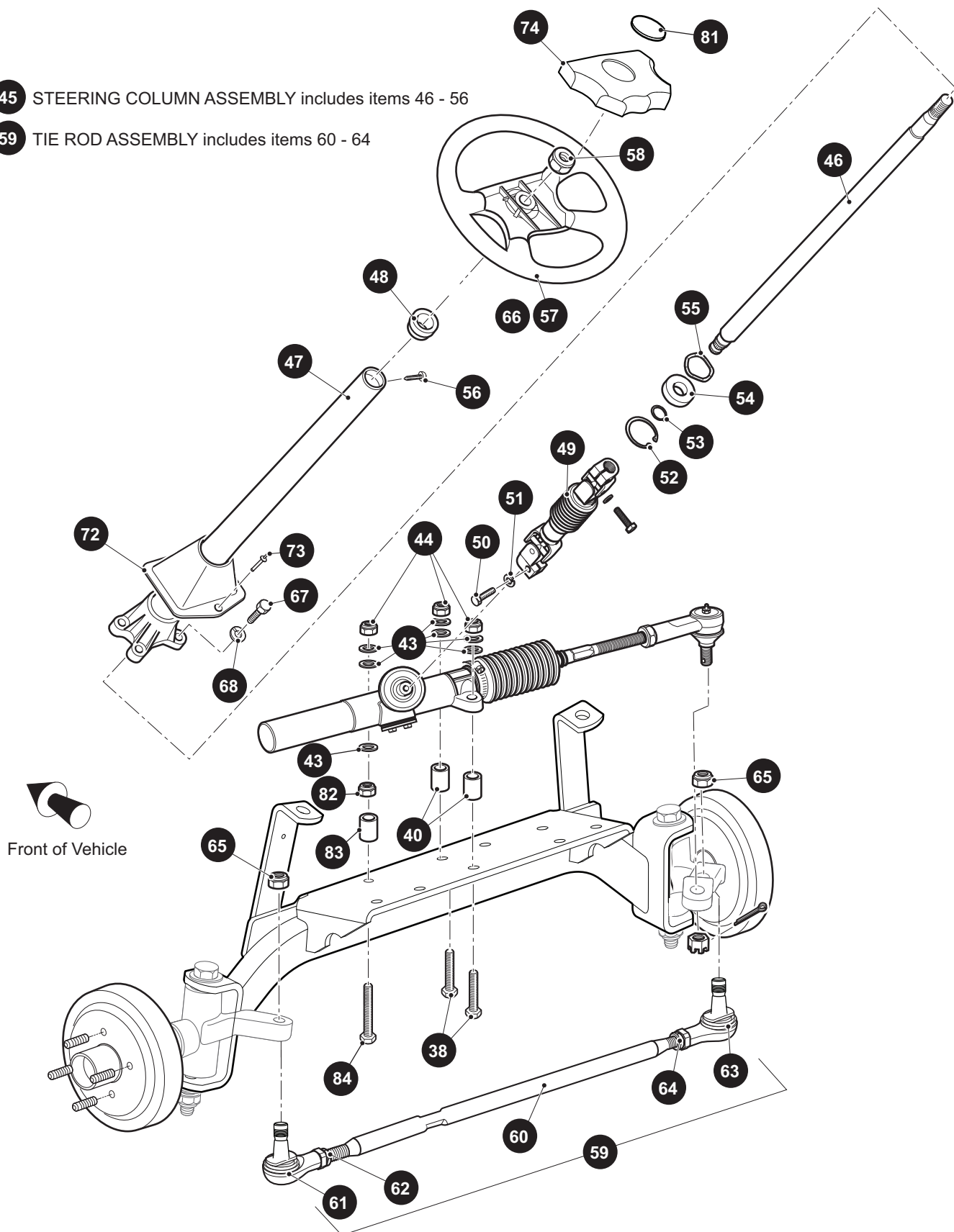
- 2 SPINDLE (Passenger Side) includes items 3 - 9, 70, 71 & 79
- 10 SPINDLE (Driver Side) includes items 4 - 9, 11, 70, 71 & 79

*NOTE: Tie Rod Not Shown for Clarity

FRONT SUSPENSION AND STEERING

45 STEERING COLUMN ASSEMBLY includes items 46 - 56

59 TIE ROD ASSEMBLY includes items 60 - 64



FRONT SUSPENSION AND STEERING

When ordering parts, please specify the model and serial number of the product.

* Indicates a component that is not available as an individual part.

*** Indicates consult Customer Service Department for additional information.

ITEM	PART NO.	1 2 3 4 5	DESCRIPTION	QTY.
1	652823		FRONT AXLE	1
2	<u>70930G02</u>		SPINDLE AND HUB ASSEMBLY (PASSENGER SIDE) (INCLUDES ITEMS 3 - 9, 70, 71 & 79)	1
3	<u>70802G01</u>		SPINDLE ASSEMBLY (PASSENGER SIDE)	1
4	<u>25146G1</u>		GREASE SEAL	1
5	<u>11750G2</u>		ROLLER BEARING AND RACE ASSEMBLY	2
6	<u>74332G01</u>		WHEEL HUB	1
7	<u>36038G01</u>		DRIVE FLANGE STUD	4
8	<u>12093G1</u>		CASTLE NUT, 1" - 14.....	1
9	<u>00798G8</u>		COTTER PIN, 5/32" X 1 3/4" LG.....	1
10	<u>70931G02</u>		SPINDLE AND HUB ASSEMBLY (DRIVER SIDE) (INCLUDES ITEMS 4 - 9, 11, 70, 71 & 79).....	1
11	<u>70803G01</u>		SPINDLE ASSEMBLY (DRIVER SIDE)	1
12	<u>00407G6</u>		KING PIN BOLT, 1/2" - 13 X 6" LG	2
13	<u>00560G3</u>		FLAT WASHER, 1/2"	4
14	<u>70745G01</u>		KING PIN TUBE	2
15	<u>70754G01</u>		THRUST WASHER, 1" (SS).....	2
16	<u>14390G6</u>		LOCK NUT, 1/2" - 13	2
17	<u>76419G01</u>		SHOCK ABSORBER	2
18	<u>10435G1</u>		SHOCK ABSORBER WASHER	8
19	<u>10194G1</u>		RUBBER BUSHING	8
20	<u>00532G6</u>		HEX NUT, 1/4" - 20.....	4
21				
22	<u>652258</u>		SPRING PLATE.....	4
23	<u>00734G1</u>		LOCK NUT, 7/16" - 14	11
24	<u>00463G11</u>		HEX HEAD BOLT, 7/16" - 14 X 1 3/4" LG.....	11
25				
26				
27				
28				
29				
30				

FRONT SUSPENSION AND STEERING

When ordering parts, please specify the model and serial number of the product.

* Indicates a component that is not available as an individual part.

*** Indicates consult Customer Service Department for additional information.

ITEM	PART NO.	1 2 3 4 5	DESCRIPTION	QTY.
31				
32				
33				
34				
35				
36				
37				
38	<u>00464G8</u>		HEX HEAD BOLT, 7/16" - 14 X 2 3/4" LG	2
39	<u>10044G01</u>		VINYL CAP.....	4
40	<u>70667G02</u>		SPACER, 1" O.D. X .46" I.D. X 1.2" LG	2
41				
42				
43	<u>00560G2</u>		FLAT WASHER, 7/16".....	7
44	<u>00734G1</u>		LOCK NUT, 7/16" - 14.....	3
45	<u>70758G05</u>		STEERING COLUMN KIT (INCLUDES ITEMS 46 - 56).....	1
46	<u>70607G01</u>		STEERING SHAFT.....	1
47	<u>70610G03</u>		STEERING COLUMN.....	1
48	<u>28569G01</u>		STEERING COLUMN BUSHING	1
49	<u>70580G01</u>		INTERMEDIATE SHAFT	1
50	<u>01055G01</u>		HEX HEAD BOLT, M8 X 1.25 - 1.18" LG	1
51	<u>00565G8</u>		LOCK WASHER, 5/16"	1
52	<u>70751G01</u>		RETAINING RING (INTERNAL)	1
53	<u>70888G01</u>		RETAINING RING (EXTERNAL)	1
54	<u>15112G1</u>		BALL BEARING	1
55	<u>70887G01</u>		WAVE WASHER.....	1
56	<u>01022G01</u>		HEX HEAD BOLT, #6 - 20 X 5/16" LG	1
57	<u>602980</u>		STEERING WHEEL (PREMIUM).....	1
58	<u>14390G2</u>		LOCK NUT, 5/8" - 18.....	1
59	<u>70876G02</u>		TIE ROD ASSEMBLY (INCLUDES ITEMS 60 - 64).....	1
60	<u>70897G02</u>		THREADED ROD (24" LG)	1
61	<u>70902G01</u>		TIE ROD END (LEFT HAND THREADS)	1

FRONT SUSPENSION AND STEERING

When ordering parts, please specify the model and serial number of the product.

* Indicates a component that is not available as an individual part.

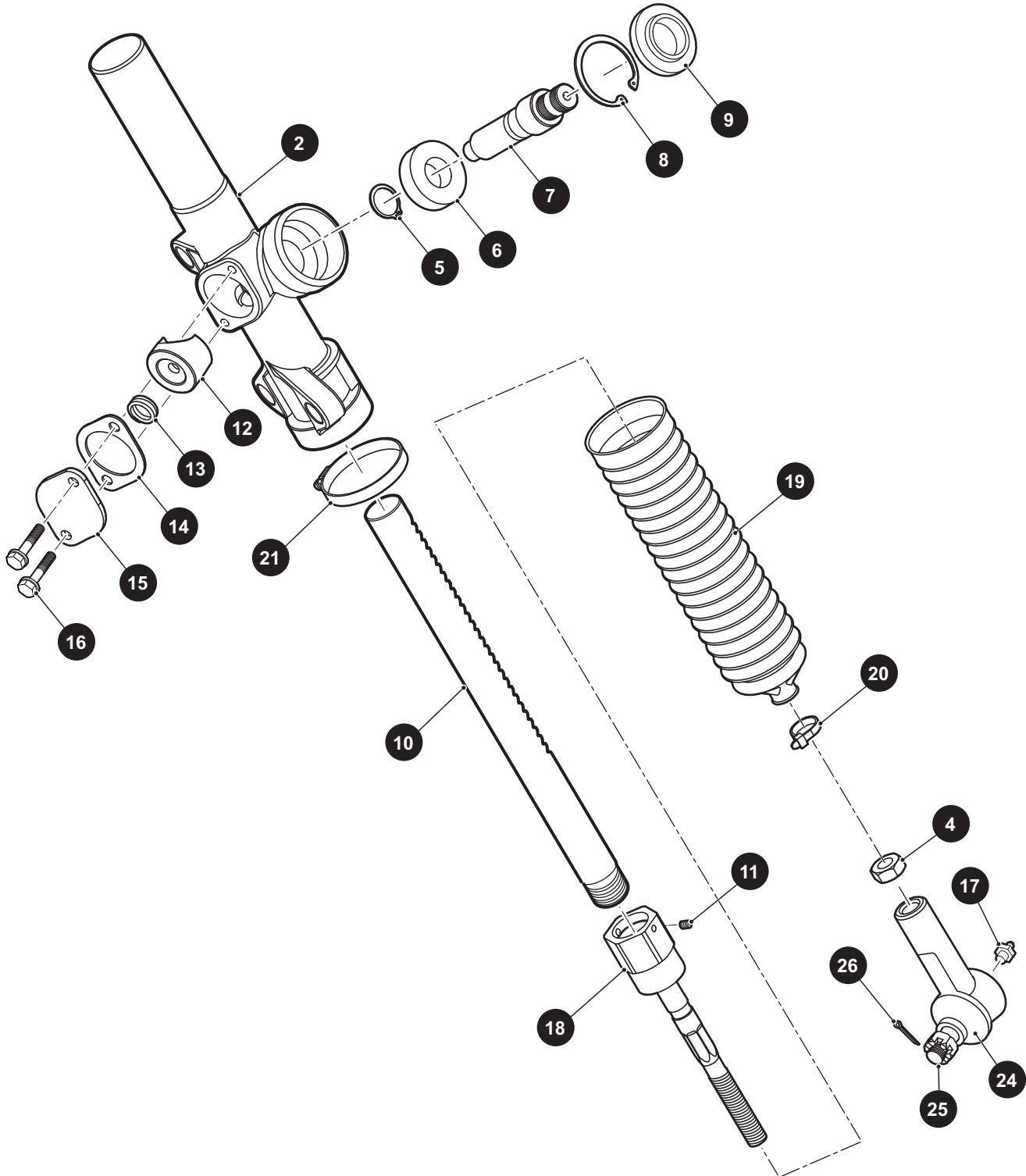
*** Indicates consult Customer Service Department for additional information.

ITEM	PART NO.	1	2	3	4	5	DESCRIPTION	QTY.
62	<u>01069G01</u>						JAM NUT, M12 X 1.25 - 05 (LEFT HAND THREADS).....	1
63	<u>70902G02</u>						TIE ROD END (RIGHT HAND THREADS).....	1
64	<u>01069G02</u>						JAM NUT, M12 X 1.25 - 05 (RIGHT HAND THREADS)	1
65	<u>00734G1</u>						LOCK NUT, 7/16" - 14	2
66	<u>602979</u>						STEERING WHEEL.....	1
67	<u>01006G01</u>						HEX WASHER HEAD BOLT, 3/8" - 16 X 1 1/4" LG	4
68	<u>00879G1</u>						LOCK WASHER, 3/8"	4
69								
70	<u>632925</u>						FLANGED BUSHING, 25MM I.D. X 28MM O.D. X 18MM LG	1
71	<u>632926</u>						BUSHING SLEEVE.....	1
72	<u>70997G01</u>						STEERING COLUMN BASE COVER	1
73	<u>71055G01</u>						RIVET, 3/16" DIA	1
74	<u>71147G01</u>						STEERING WHEEL COVER.....	1
75	<u>70990G03</u>						CANTILEVER LEAF SPRING	2
76	<u>604572</u>						WINCH RECEIVER RETAINER PALTE	1
77	<u>635202</u>						WINCH RECEIVER WELDMENT	1
78	<u>00462G8</u>						HEX HEAD BOLT, 7/16" - 14 X 1" LG.....	4
79	<u>51141G1</u>						RACE BEARING	2
80	<u>00734G1</u>						LOCKNUT, 7/16" - 14	4
81	<u>605435</u>						STEERING WHEEL DECAL.....	1
82	<u>00532G7</u>						HEX NUT, 1/4" - 20	1
83	<u>70667G04</u>						SPACER, 1" O.D X .469" I.D. X .69" LG.....	1
84	<u>01068G01</u>						HEX HEAD BOLT, 7/16" - 14 X 3.5" LG.....	1

FRONT SUSPENSION AND STEERING

1 RACK AND PINION UNIT includes items 2 - 23

23 RACK BALL JOINT includes items 24 - 25



FRONT SUSPENSION AND STEERING

When ordering parts, please specify the model and serial number of the product.

* Indicates a component that is not available as an individual part.

*** Indicates consult Customer Service Department for additional information.

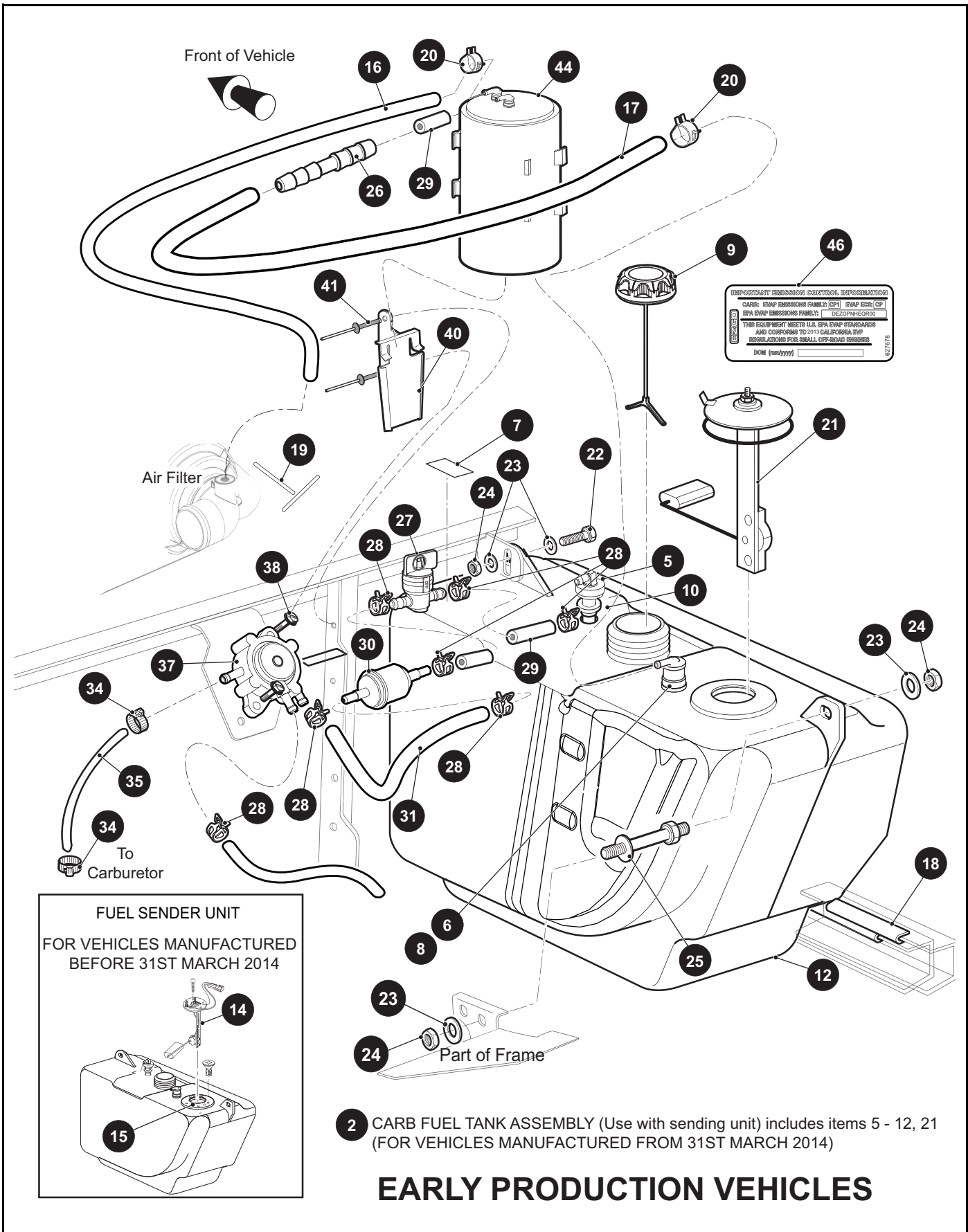
ITEM	PART NO.	1 2 3 4 5	DESCRIPTION	QTY.
1	<u>70964G01</u>		RACK AND PINION UNIT (INCLUDES ITEMS 2 - 23)	1
2	<u>70965G01</u>		STEERING RACK COVER & BEARING	1
3				
4	*		JAM NUT, 1/2" - 20	1
5	<u>70750G01</u>		RETAINING RING (EXTERNAL)	1
6	<u>15112G1</u>		BALL BEARING	1
7	<u>70603G01</u>		PINION	1
8	<u>70751G01</u>		RETAINING RING (INTERNAL)	1
9	<u>70638G01</u>		SEAL (PINION)	1
10	<u>70604G01</u>		STEERING RACK	1
11	*		SET SCREW, #10 - 32 X .25" LG	1
12	<u>70590G01</u>		RACK LOADER	1
13	<u>70666G01</u>		COMPRESSION SPRING	1
14	<u>70645G01</u>		GASKET (RACK LOADER COVER)	1
15	<u>652259</u>		COVER (RACK LOADER)	1
16	<u>71102G01</u>		HEX WASHER HEAD BOLT, 1/4" - 20 X 11/16" LG	2
17	<u>10389G3</u>		GREASE FITTING (STRAIGHT)	1
18	<u>74694G01</u>		ROD END (INNER)	1
19	<u>70961G01</u>		RACK BOOT	1
20	<u>12416G2</u>		NYLON CLAMP, 10"	1
21	<u>11391G8</u>		HOSE CLAMP, 1.81"	1
22				
23	<u>70695G01</u>		TIE ROD END (OUTER) (INCLUDES ITEMS 24 - 25)	1
24	<u>50641G1</u>		GROMMET	1
25	<u>50209G2</u>		HEX SLOTTED NUT, 7/16" - 20	1
26	<u>10387G2</u>		COTTER PIN, 3/32" X 1"	1

FRONT SUSPENSION AND STEERING

Notes:

A large, empty grid area for taking notes, consisting of approximately 25 columns and 30 rows of small squares.

FUEL SYSTEM



FUEL SYSTEM

When ordering parts, please specify the model and serial number of the product.

* Indicates a component that is not available as an individual part.

*** Indicates consult Customer Service Department for additional information.

ITEM	PART NO.	1 2 3 4 5	DESCRIPTION	QTY.
1				
2	<u>645034</u>		CARB FUEL TANK ASSEMBLY (USE WITH SENDING UNIT) (INCLUDES ITEMS 5 - 12, 21) (FOR VEHICLES MANUFACTURED FROM 31ST MARCH 2014)	1
3				
4				
5	<u>18287G3</u>		SIPHON TUBE ASSEMBLY	1
6	<u>606068</u>		ROLLOVER VALVE GROMMET	1
7	<u>625826</u>		EPA FUEL TANK LABEL	1
8	<u>606067</u>		ROLLOVER VALVE	1
9	<u>633423</u>		FUEL TANK CAP (RATCHET).....	1
10	<u>70988G01</u>		SIPHON TUBE GROMMET.....	1
11				
12	*		NON FLUOR FUEL TANK (WITH SENDER UNIT)	1
13				
14	<u>20048G2</u>		FUEL LEVEL SENDER	1
15	<u>72229G01</u>		FUEL TANK ADAPTER	1
16	<u>606966</u>		LOW PRESSURE FUEL HOSE, 3/16" I.D. X 3/8" O.D. X 34" LG (CARB)	1
17	<u>607546</u>		LOW PRESSURE FUEL HOSE, 3/16" I.D. X 3/8" O.D. X 17" LG (CARB)	1
18	<u>32372G6</u>		BLACK TRIM, 6.25" LG	1
19	<u>17618G1</u>		NYLON CLAMP	2
20	<u>606963</u>		TUBING CLAMP, 3/16" I.D.....	2
21	<u>633024G02</u>		PRESS FIT FUEL SENDER	1
22	<u>00438G8</u>		HEX HEAD BOLT, 5/16" - 18 X 1" LG	1
23	<u>00559G8</u>		FLAT WASHER, 5/16"	4
24	<u>11098G6</u>		LOCK NUT, 5/16" - 18	3
25	<u>70483G01</u>		SPACER BOLT, 5/16" - 18	1
26	<u>615346</u>		HOSE REDUCER, 1/4" I.D X 3/16"	1
27	<u>611181</u>		FUEL SHUT-OFF VALVE	1
28	<u>18292G1</u>		HOSE CLAMP, .50" DIAMETER	8
29	<u>615350</u>		FUEL SYSTEM HOSE, 6.35" I.D X12.7" O.D X 2" LONG	3
30	<u>72084G01</u>		FUEL LINE FILTER	1

FUEL SYSTEM

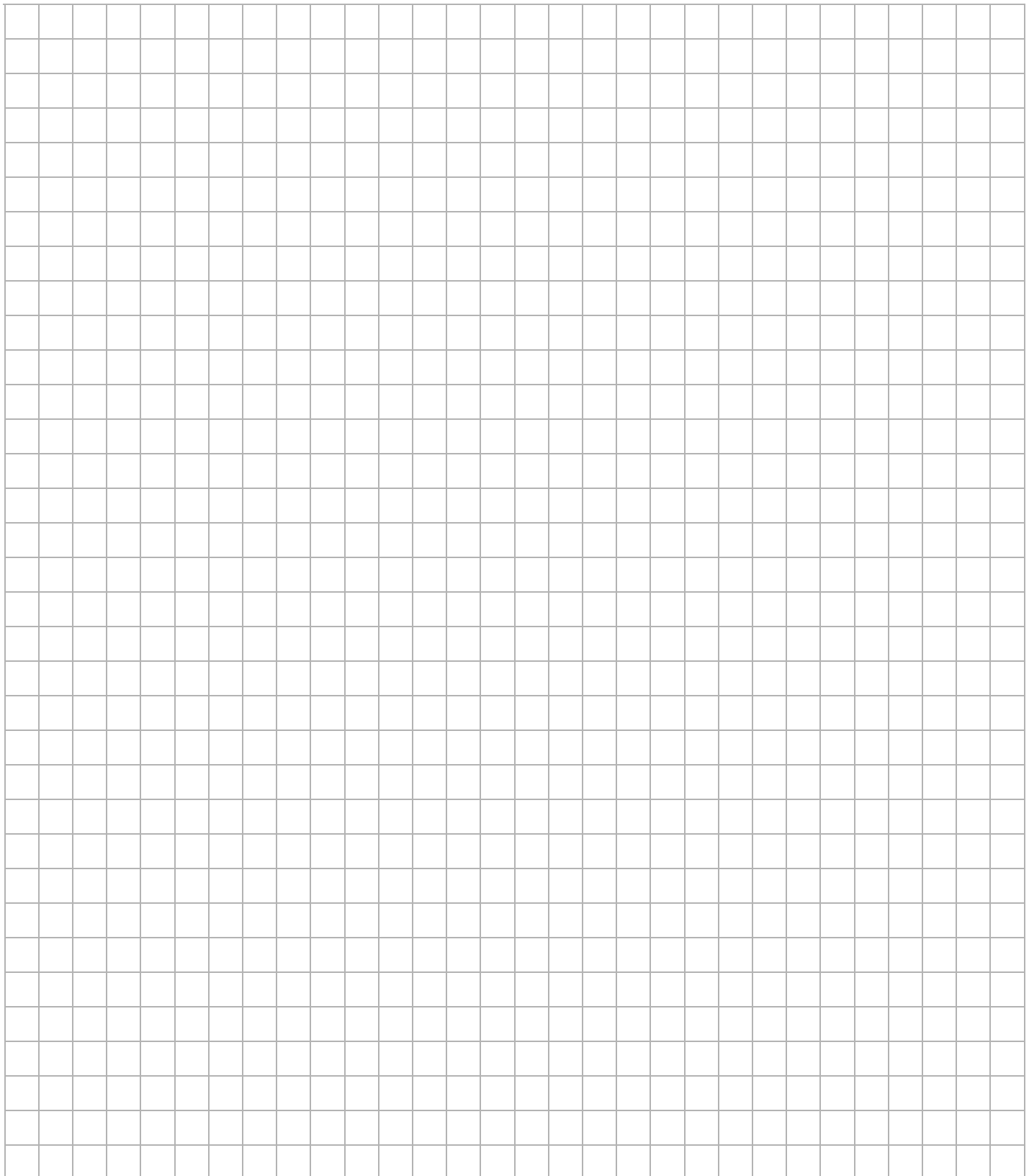
When ordering parts, please specify the model and serial number of the product.

* Indicates a component that is not available as an individual part.

*** Indicates consult Customer Service Department for additional information.

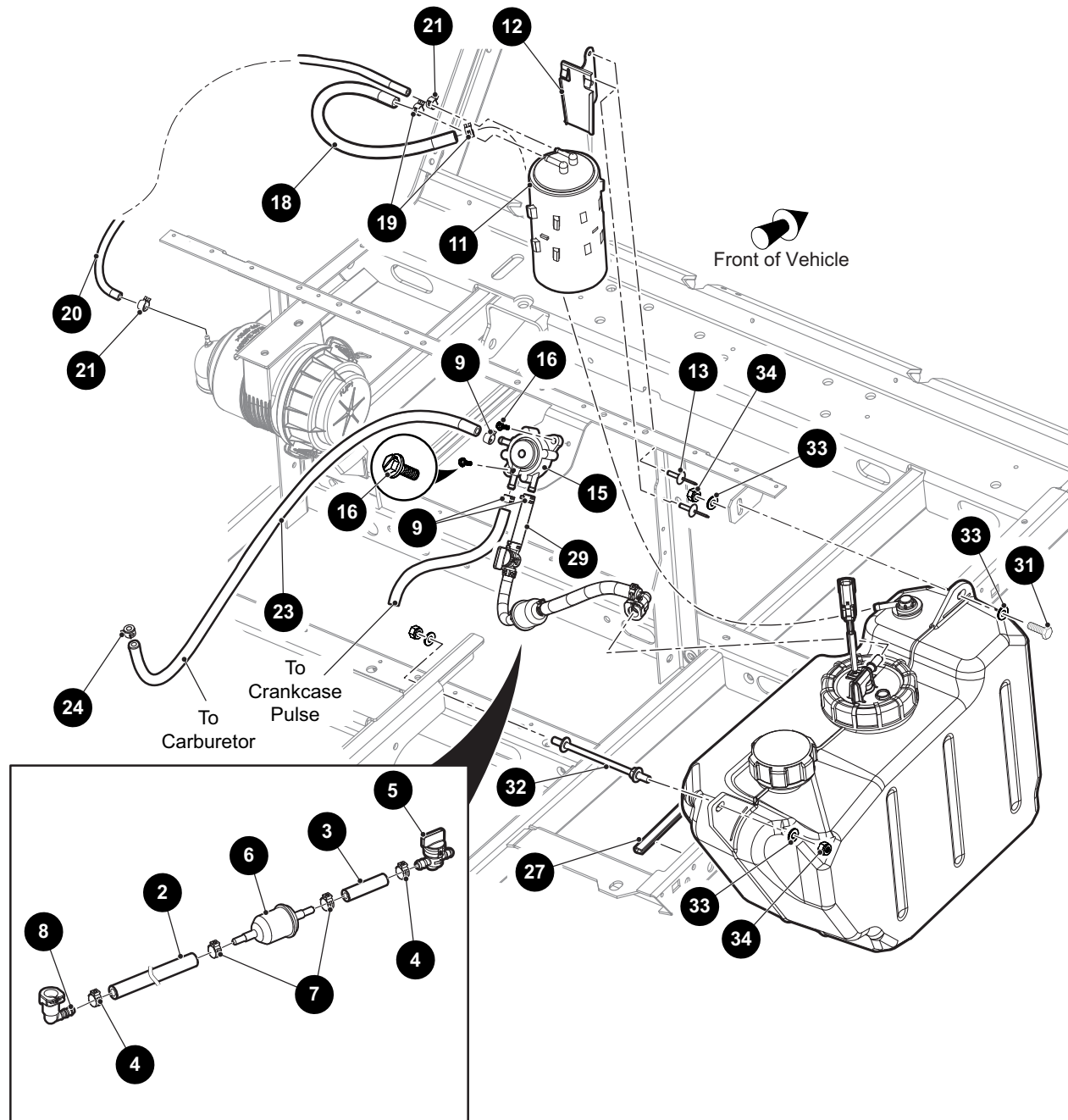
ITEM	PART NO.	1 2 3 4 5	DESCRIPTION	QTY.
31	<u>606969</u>		FUEL SYSTEM HOSE, .25" I.D. X .50" O.D. X 8" LG	1
32				
33				
34	<u>11391G4</u>		HOSE CLAMP, .25" - .63" DIA.....	2
35	<u>604597</u>		CARB FUEL SYSTEM HOSE, .25" I.D. X.50" O.D. X 26" LG	1
36				
37	<u>602061</u>		FUEL PUMP	1
38	<u>00114G6</u>		HEX WASHER HEAD SLOTTED TAPPING SCREW, 1/4" - 14 X .75" LG	2
39				
40	<u>606310</u>		CARBON CANISTER MOUNTING BRACKET	1
41	<u>10570G11</u>		RIVET, 3/16" DIA X .70.....	2
42				
43				
44	<u>606071</u>		CARBON CANISTER	1
45				
46	627678		EVAP LABEL	1

Notes:

A large grid of graph paper for taking notes, consisting of 28 columns and 30 rows of small squares. The grid is intended for handwritten notes.

FUEL SYSTEM

1 FUEL LINE ASSEMBLY includes items 2 - 8



LATE PRODUCTION VEHICLES

FUEL SYSTEM

When ordering parts, please specify the model and serial number of the product.

* Indicates a component that is not available as an individual part.

*** Indicates consult Customer Service Department for additional information.

ITEM	PART NO.	1 2 3 4 5	DESCRIPTION	QTY.
1	<u>649515</u>		FUEL LINE ASSEMBLY (INCLUDES ITEMS 2 - 8)	1
2	649570		HOSE, .312" I.D. X .562" O.D. X 9" LG	1
3	<u>615350</u>		HOSE, 2" LG	1
4	<u>649873</u>		CLAMP, 1/2" O.D.	2
5	<u>611181</u>		SHUT-OFF VALVE.....	1
6	<u>72084G01</u>		FUEL FILTER	1
7	<u>649874</u>		CLAMP, 9/16" O.D.	2
8	649577		CONNECTOR, 5/16" I.D.	1
9	<u>18292G1</u>		CLAMP, 1/2" O.D.	3
10				
11	<u>606071</u>		CARBON CANISTER.....	1
12	<u>606310</u>		CANISTER BRACKET	1
13	<u>10570G11</u>		RIVET (SS), 3/16" X .70"	2
14				
15	<u>602061</u>		FUEL PUMP.....	1
16	<u>00114G6</u>		HEX WASHER HEAD BOLT, 1/4" - 10 X 3/4" LG	2
17				
18	<u>27184G14</u>		FUEL SYSTEM TUBE.....	1
19	<u>18292G1</u>		CLAMP, 1/2" O.D.	2
20	<u>606966</u>		HOSE, 3/16" I.D. X 34" LG.....	1
21	<u>606963</u>		CLAMP, 3/16" I.D.	2
22				
23	<u>604597</u>		FUEL HOSE, 26" LG.....	1
24	<u>18292G1</u>		CLAMP, 1/2" O.D.	1
25				
26	<u>17618G1</u>		NYLON CLAMP, 7" LG (NOT ILLUSTRATED).....	2
27	<u>32372G6</u>		VINYL TRIM, 6.25" LG	1
28				
29	<u>615350</u>		FUEL HOSE, 2" LG.....	1
30				
31	<u>00438G8</u>		HEX HEAD BOLT, 5/16" - 18 X 5/8" LG	1

FUEL SYSTEM

When ordering parts, please specify the model and serial number of the product.

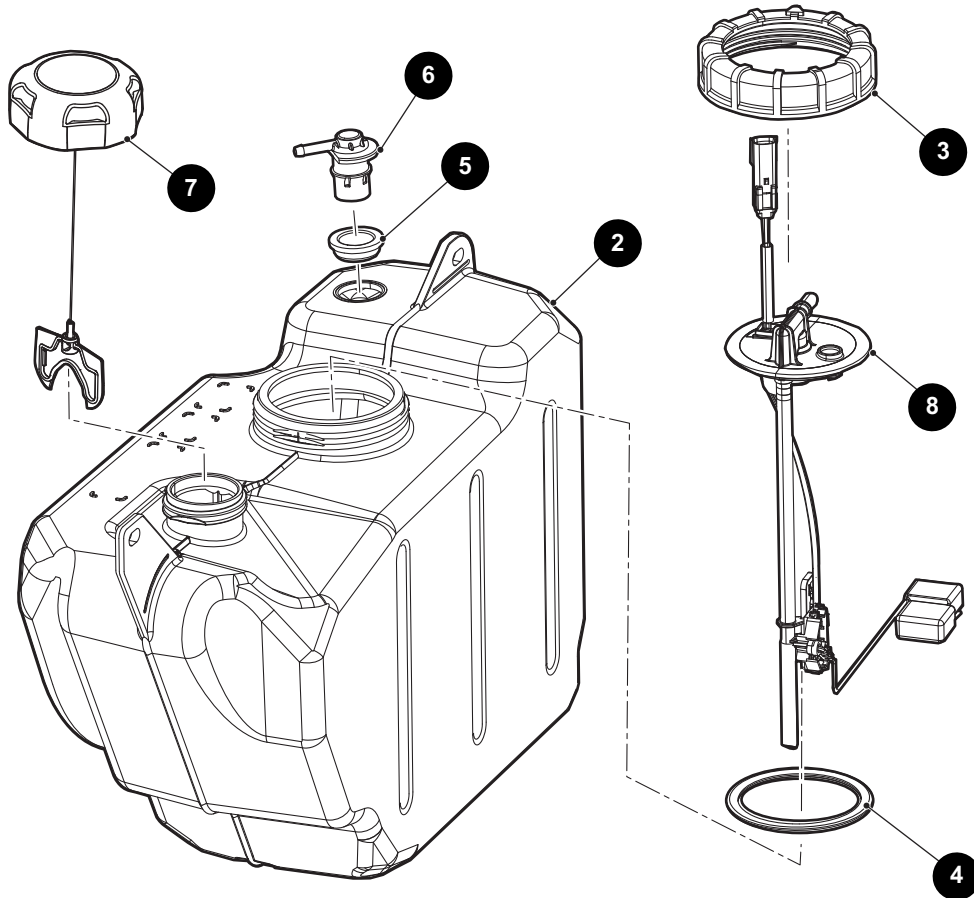
* Indicates a component that is not available as an individual part.

*** Indicates consult Customer Service Department for additional information.

ITEM	PART NO.	1 2 3 4 5	DESCRIPTION	QTY.
32	<u>70483G01</u>		SPACER	1
33	00559G8		FLAT WASHER, 5/16"	4
34	11098G6		LOCK NUT, 5/16" - 18	3

FUEL SYSTEM

- 1** FUEL TANK ASSEMBLY (WITH SENDER UNIT)
includes items 2 - 8



LATE PRODUCTION VEHICLES

FUEL SYSTEM

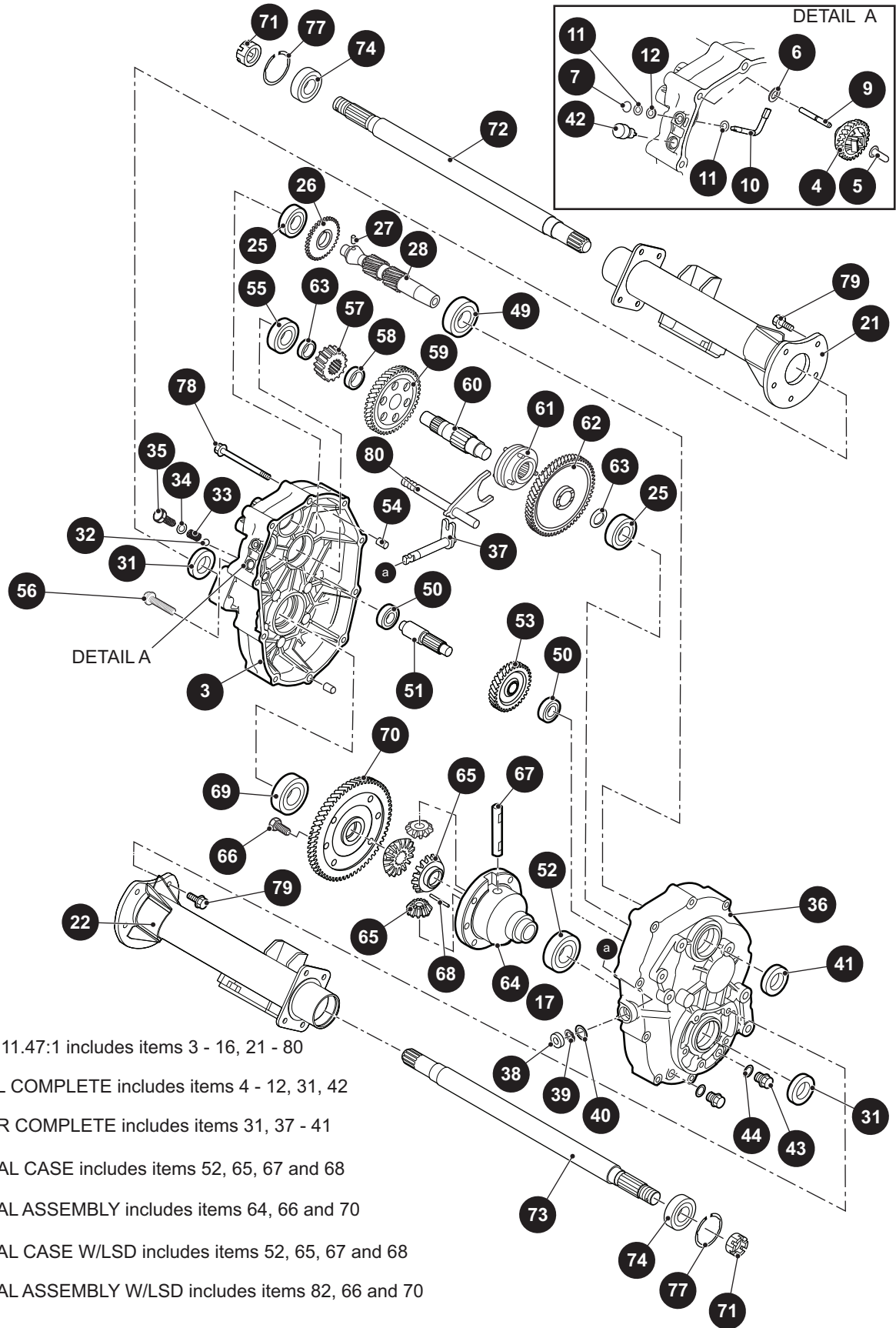
When ordering parts, please specify the model and serial number of the product.

* Indicates a component that is not available as an individual part.

*** Indicates consult Customer Service Department for additional information.

ITEM	PART NO.	1 2 3 4 5	DESCRIPTION	QTY.
1	<u>656139</u>		FUEL TANK ASSEMBLY (WITH SENDER UNIT) (INCLUDES ITEMS 2 - 8) ..	1
2	646306		FUEL TANK	1
3	<u>646837</u>		CAP	1
4	<u>646838</u>		SEAL.....	1
5	<u>647810</u>		GROMMET	1
6	<u>647809</u>		ROLLOVER VALVE	1
7	670898		FUEL CAP	1
8	<u>656144</u>		FUEL PICKUP WITH SENDER ASSEMBLY	1

REAR AXLE



- 1 REAR AXLE, 11.47:1 includes items 3 - 16, 21 - 80
- 3 AXLE CASE L COMPLETE includes items 4 - 12, 31, 42
- 36 AXLE CASE R COMPLETE includes items 31, 37 - 41
- 64 DIFFERENTIAL CASE includes items 52, 65, 67 and 68
- 16 DIFFERENTIAL ASSEMBLY includes items 64, 66 and 70
- 17 DIFFERENTIAL CASE W/LSD includes items 52, 65, 67 and 68
- 18 DIFFERENTIAL ASSEMBLY W/LSD includes items 82, 66 and 70
- 2 REAR AXLE W/LSD, 11.47:1 includes items 3 - 12, 17 - 63, 65 - 80

REAR AXLE

When ordering parts, please specify the model and serial number of the product.

* Indicates a component that is not available as an individual part.

*** Indicates consult Customer Service Department for additional information.

ITEM	PART NO.	1 2 3 4 5	DESCRIPTION	QTY.
1	<u>670468</u>		REAR AXLE, 11.47:1 (INCLUDES ITEMS 3 - 16, 21 - 80)	1
2	<u>670470</u>		REAR AXLE W/LSD, 11.47:1 (INCLUDES ITEMS 3 - 12, 17 - 63, 65 - 80)....	1
3	<u>639859</u>		AXLE CASE L COMPLETE (INCLUDES ITEMS 4 - 12, 31, 42)	1
4	<u>665887</u>		GOVERNOR GEAR	1
5	<u>639689</u>		GOVERNOR SLEEVE	1
6	<u>607904</u>		FLAT WASHER	1
7	<u>607913</u>		RETAINING RING E5	1
8				
9	<u>639698</u>		GOVERNOR GEAR SHAFT	1
10	<u>639707</u>		GOVERNOR SHAFT	1
11	<u>639736</u>		FLAT WASHER, 6MM	2
12	<u>607911</u>		OIL SEAL, 6 x 10 x 2.5 MM.....	1
13				
14				
15				
16	<u>639847</u>		DIFFERENTIAL ASSEMBLY (INCLUDES ITEMS 64, 66 AND 70)	1
17	<u>640098</u>		DIFFERENTIAL CASE W/LSD (INCLUDES ITEMS 52, 65, 67 AND 68)	1
18	<u>639847</u>		DIFFERENTIAL ASSEMBLY W/LSD (INCLUDES ITEMS 17, 66 AND 70).....	1
19				
20				
21	<u>607939</u>		AXLE CASE L COMPLETE	1
22	<u>607940</u>		AXLE CASE R COMPLETE	1
23				
24				
25	<u>26785G01</u>		BALL BEARING (6204)	2
26	<u>665888</u>		GOVERNOR GEAR, 34	1
27	<u>607920</u>		PIN, 6 x 12L.....	1
28	<u>639750</u>		INPUT SHAFT	1
29				
30				

REAR AXLE

When ordering parts, please specify the model and serial number of the product.

* Indicates a component that is not available as an individual part.

*** Indicates consult Customer Service Department for additional information.

ITEM	PART NO.	1	2	3	4	5	DESCRIPTION	QTY.
31	<u>639738</u>						OIL SEAL, 24 x 40 x 9MM	2
32	<u>26818G01</u>						STEEL BALL	1
33	<u>26819G01</u>						SPRING	1
34	<u>26831G01</u>						GASKET, 10	1
35	<u>26820G01</u>						FLANGED HEX HEAD BOLT, M10 x 1.25 x 12 MM LG.....	1
36	<u>639865</u>						AXLE CASE R COMPLETE (INCLUDES ITEMS 31, 37 - 41)	1
37	<u>639746</u>						SELECT SHAFT	1
38	607915						OIL SEAL, 13 x 22 x 5MM	1
39	<u>607916</u>						SNAP RING, 13MM	1
40	<u>607917</u>						SPACER, 13 x 1MM	1
41	<u>640093</u>						OIL SEAL, 28 x 47 x 9MM	1
42	<u>607919</u>						AIR BREATHER	1
43	<u>639747</u>						OIL DRAIN PLUG	2
44	<u>639748</u>						GASKET, 14MM.....	2
45								
46								
47								
48								
49	<u>607922</u>						BALL BEARING (62/28).....	1
50	<u>639868</u>						BALL BEARING (TMB202)	2
51	<u>639755</u>						COUNTER SHAFT.....	1
52	<u>640744</u>						BALL BEARING (6006).....	1
53	<u>639758</u>						GEAR, 34	1
54	<u>639869</u>						KNOCK PIPE	2
55	<u>639760</u>						BALL BEARING (6304).....	2
56	<u>639768</u>						FLANGED HEX HEAD BOLT, M8 - 1.25 X 40MM LG.....	1
57	<u>639769</u>						GEAR, 17	1
58	<u>28689G01</u>						COLLAR, 24 x 7.5MM.....	1
59	<u>639771</u>						GEAR, 52.....	1
60	<u>670697</u>						CENTER SHAFT.....	1
61	<u>639774</u>						CLUTCH PIN.....	1

REAR AXLE

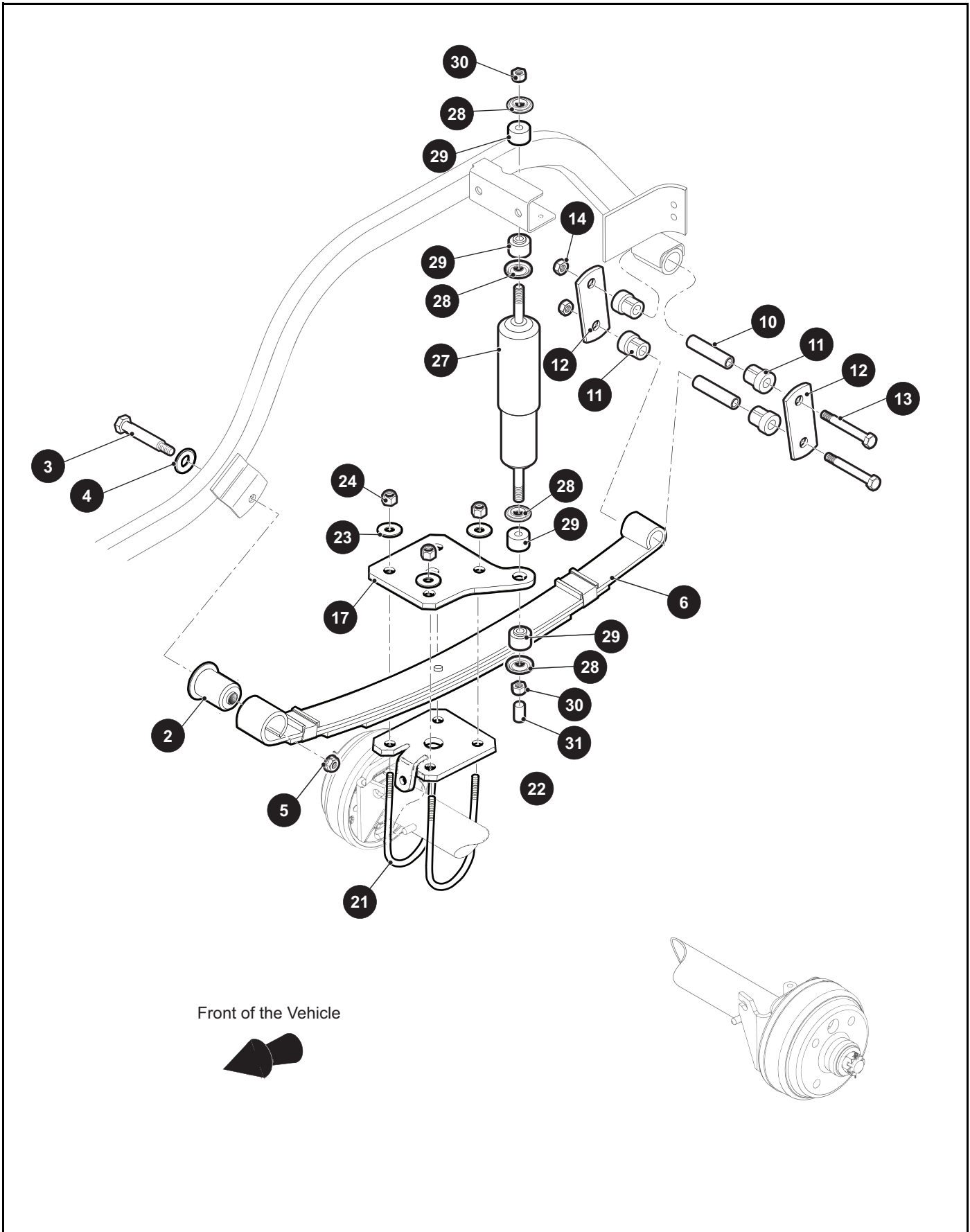
When ordering parts, please specify the model and serial number of the product.

* Indicates a component that is not available as an individual part.

*** Indicates consult Customer Service Department for additional information.

ITEM	PART NO.	1 2 3 4 5	DESCRIPTION	QTY.
62	<u>670696</u>		GEAR, 61	1
63	<u>639797</u>		SPACER, 20 x 2MM	2
64	<u>639872</u>		DIFFERENTIAL CASE (INCLUDES ITEMS 52, 65, 67 AND 68)	1
65	<u>639800</u>		DIFFERENTIAL PAIR GEAR	1
66	<u>26808G01</u>		HEX HEAD BOLT, M10 x 1.25 x 26 MM LG.....	6
67	<u>28723G01</u>		DIFFERENTIAL SHAFT	1
68	<u>28697G01</u>		SPRING PIN, 4 x 40L	1
69	<u>639801</u>		BALL BEARING (6007)	1
70	<u>640739</u>		GEAR, 60 COMPLETE (INCLUDES ITEM 69).....	1
71	607938		CASTLED NUT, M22 - 1.5	2
72	<u>639876</u>		AXLE SHAFT L COMPLETE (INCLUDES ITEM 74).....	1
73	<u>639881</u>		AXLE SHAFT R COMPLETE (INCLUDES ITEM 74)	1
74	<u>639836</u>		BALL BEARING (6205DD).....	2
75				
76				
77	26814G01		SNAP RING, 52MM	2
78	<u>639839</u>		FLANGED HEX HEAD BOLT, M8 x 1.25 x 60MM LG	9
79	<u>639840</u>		FLANGED HEX HEAD BOLT, M10 x 1.25 x 25MM LG	10
80	<u>639844</u>		SHIFT SHAFT COMPLETE.....	1

REAR SUSPENSION



REAR SUSPENSION

When ordering parts, please specify the model and serial number of the product.

* Indicates a component that is not available as an individual part.

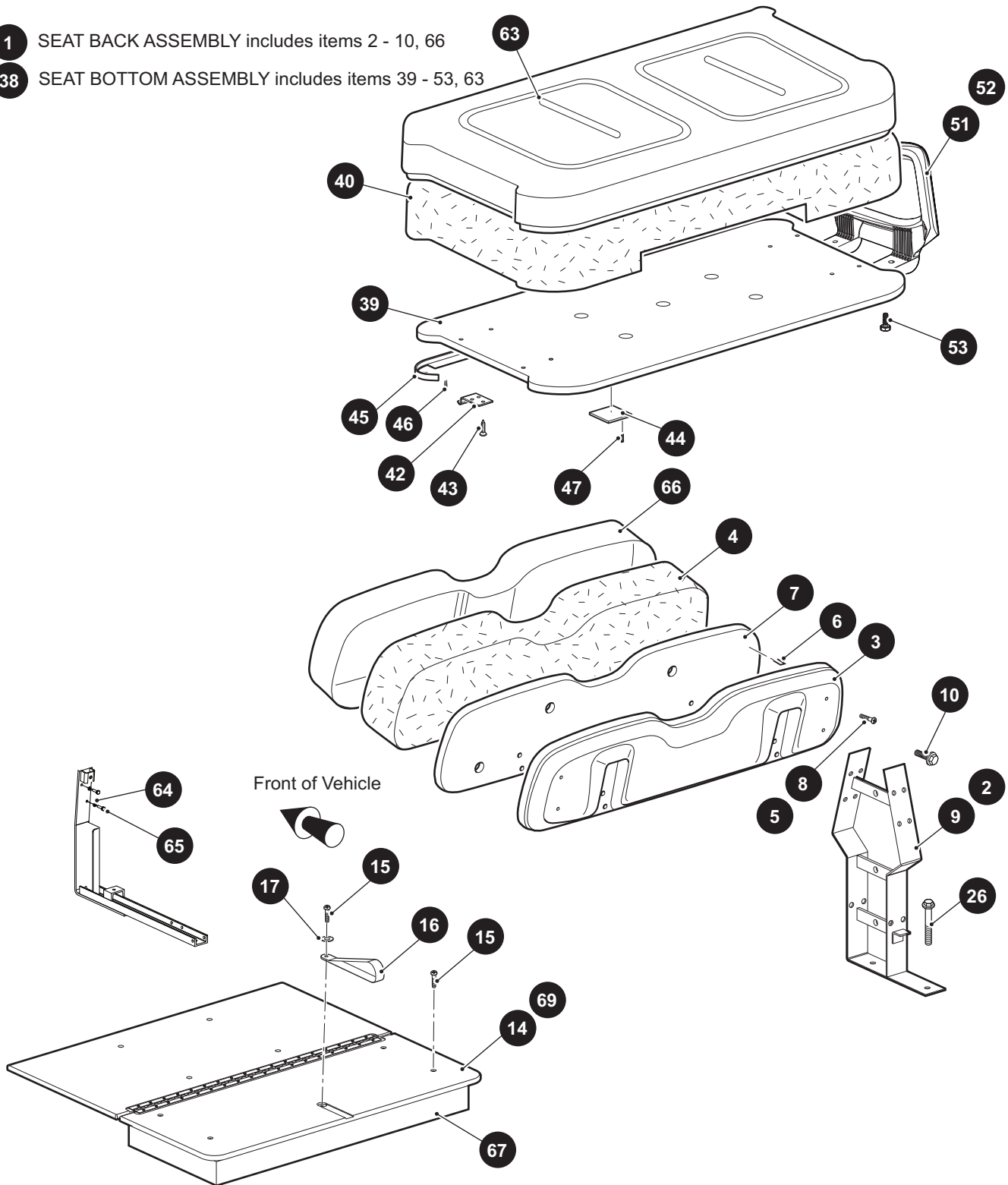
*** Indicates consult Customer Service Department for additional information.

ITEM	PART NO.	1 2 3 4 5	DESCRIPTION	QTY.
1				
2	<u>605445</u>		LEAF SPRING BUSHING, FRONT.....	2
3	<u>00665G9</u>		HEX HEAD BOLT (SS), 3/8" - 16 X 3.5 LG.....	2
4	<u>00643G1</u>		FLAT WASHER, .411 I.D. X 1.00 O.D. X .06	2
5	<u>12262G1</u>		FLANGED LOCK NUT, 3/8" - 16.....	2
6	<u>605721</u>		HEAVY DUTY LEAF SPRING	2
7				
8				
9				
10	<u>70289G02</u>		SPLIT STEEL SPACER	4
11	<u>624030</u>		FLANGED BUSHING.....	8
12	<u>652245</u>		SHACKLE PLATE	4
13	<u>00665G9</u>		HEX HEAD BOLT (SS), 3/8" - 16 X 3.5 LG.....	4
14	<u>11098G5</u>		LOCK NUT, 3/8" - 16.....	4
15				
16				
17	<u>605977</u>		REAR SUSPENSION PLATE	2
18				
19				
20				
21	<u>32195G3</u>		U-BOLT, 3/8" - 16 X 5" X 2.875" X 2"	4
22	<u>652580</u>		REAR SUSPENSION PLATE	2
23	<u>00643G1</u>		FLAT WASHER, .411 I.D. X 1.00 O.D. X .06	8
24	<u>11098G5</u>		LOCK NUT, 3/8" - 16.....	8
25				
26				
27	<u>642085</u>		SHOCK ABSORBER.....	2
28	<u>10435G1</u>		SHOCK ABSORBER WASHER.....	8
29	<u>10194G1</u>		RUBBER SHOCK BUSHING	8
30	<u>00532G6</u>		HEX NUT, 3/8" - 24	4
31	<u>10044G01</u>		VINYL CAP.....	2

SEATING

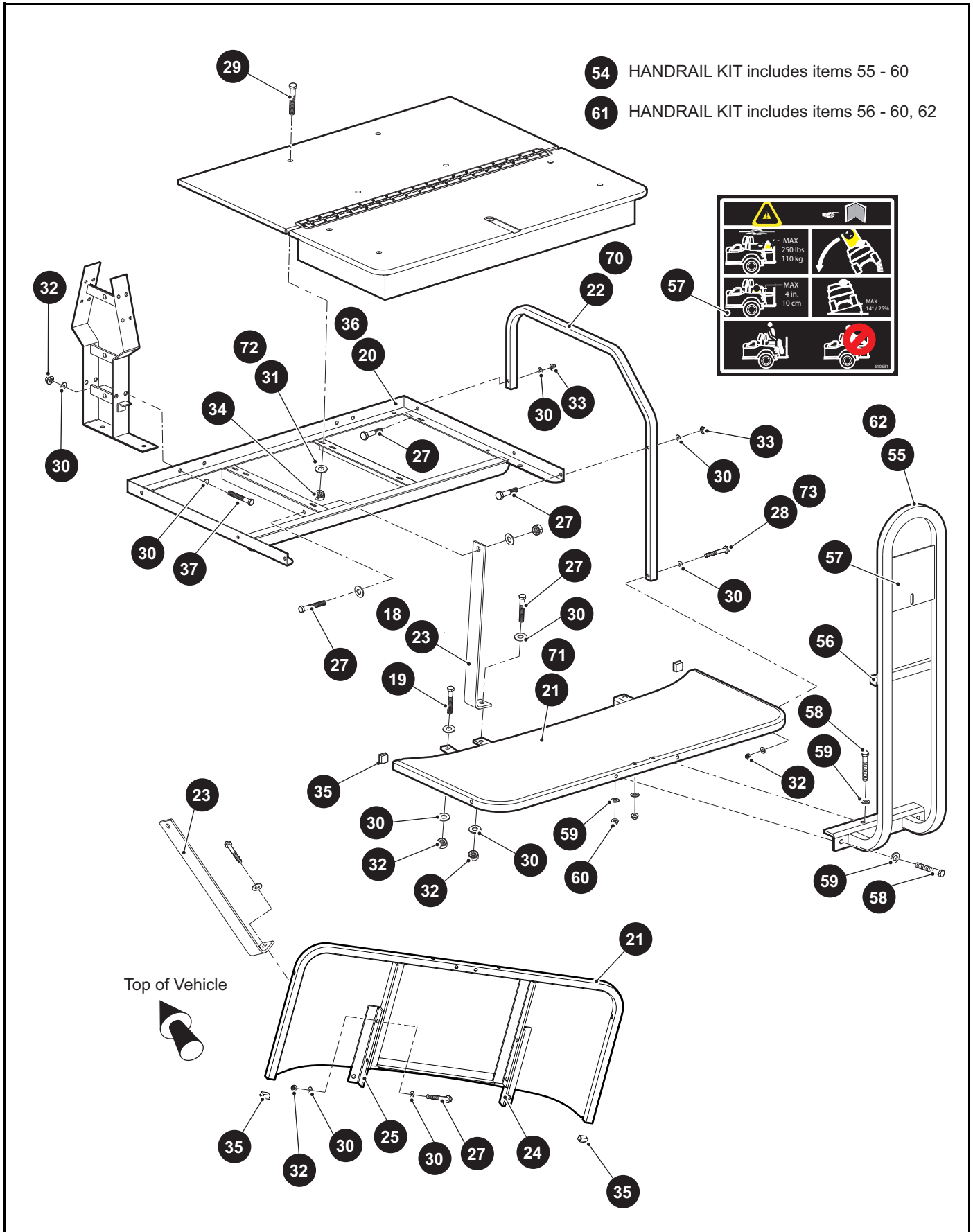
1 SEAT BACK ASSEMBLY includes items 2 - 10, 66

38 SEAT BOTTOM ASSEMBLY includes items 39 - 53, 63



12 FLIP FLOP SEAT BOTTOM ASSEMBLY includes items 14 - 17, 67

68 FLIP FLOP SEAT BOTTOM ASSEMBLY includes items 15 - 17, 67, 69



SEATING

When ordering parts, please specify the model and serial number of the product.

* Indicates a component that is not available as an individual part.

*** Indicates consult Customer Service Department for additional information.

ITEM	PART NO.	1	2	3	4	5	DESCRIPTION	QTY.
1	***	SEAT BACK ASSEMBLY (INCLUDES ITEMS 2 - 10, 66)					1	
							71751G02 GRAY	
							71751G03 OYSTER	
							71751G04 TAN	
							71751G07 BLACK	
							604908 WHITE/BLUE	
							604907 WHITE/RED	
							71751G06 BROWN	
							620794 WHITE/YELLOW	
							620796 GRAY/BLACK	
							606828 RED/BLACK	
							615838 WHITE/BLACK	
							615837 OYSTER/GARNET	
2	631478	SEAT BACK SUPPORT (FOR VEHICLES MANUFACTURED FROM MARCH 2014).....					1	
3	71752G01	SEAT BACK REAR COVER					1	
4	<u>71754G01</u>	FOAM PADDING.....					1	
5	607535	PAN HEAD TORX SCREW, #8 - 20 X .63" LG (FOR VEHICLES MANUFACTURED FROM MARCH 2014).....					4	
6	<u>23222G1</u>	FLAT STAPLE					95	
7	<u>645021</u>	SEAT BACK BASE.....					1	
8	<u>01107G01</u>	PAN HEAD SCREW, #8 - 20 X .63" LG					4	
9	<u>615730</u>	SEAT BACK SUPPORT					2	
10	71204G01	HEX HEAD BOLT, 1/4" - 20 X .86" LG					8	
11								
12	***	FLIP FLOP SEAT BOTTOM ASSEMBLY (INCLUDES ITEMS 14 - 17, 67).....					1	
							621027 TAN	
							621026 OYSTER	
							621031 WHITE/BLUE	
							621036 BLACK	
							621032 WHITE/RED	
							621034 WHITE/YELLOW	
							621035 GRAY/BLACK	
							617895 GRAY	
							617897 BROWN	
13								
14	<u>617137</u>	DECK BOARD ASSEMBLY					1	
15	<u>16705G1</u>	HEX HEAD SCREW (SS), 1/4" - 20 X 1" LG					5	
16	<u>617402</u>	SEAT STRAP					1	
17	<u>00559G7</u>	FLAT WASHER, 1/4"					1	

When ordering parts, please specify the model and serial number of the product.

* Indicates a component that is not available as an individual part.

*** Indicates consult Customer Service Department for additional information.

ITEM	PART NO.	1 2 3 4 5	DESCRIPTION	QTY.
18	<u>634174</u>		SEAT FRAME SUPPORT (FOR VEHICLES MANUFACTURED FROM MARCH 2014).....	2
19	<u>00427G6</u>		HEX HEAD BOLT, 3/8" - 16 X 1 1/4" LG (FOR VEHICLES MANUFACTURED FROM MARCH 2014).....	2
20	<u>615712</u>		SEAT FRAME WELDMENT	1
21	<u>615714</u>		FOOTREST WELDMENT	1
22	<u>615729</u>		ARMREST, REAR SEAT.....	2
23	<u>615713</u>		SEAT FRAME SUPPORT	2
24	<u>615728</u>		FOOTREST BRACKET (PASSENGER SIDE).....	1
25	<u>615727</u>		FOOTREST BRACKET (DRIVER SIDE)	1
26	<u>01006G01</u>		HEX HEAD BOLT, 3/8" - 16 X 1.25" LG	4
27	<u>00427G4</u>		HEX HEAD BOLT, 3/8" - 16 X 1.5" LG	16
28	<u>00429G2</u>		HEX HEAD BOLT, 3/8" - 16 X 3.25" LG	2
29	<u>16705G9</u>		HEX HEAD BOLT (SS), 1/4" - 20 X 1.25" LG	4
30	<u>614221</u>		FLAT WASHER, 3/8".....	32
31	<u>01110G01</u>		FLAT WASHER, 1/4".....	4
32	<u>11098G5</u>		PLASTIC LOCK NUT, 3/8" - 16.....	14
33	<u>11027G5</u>		FLANGED LOCK NUT, 3/8" - 16.....	4
34	<u>14390G4</u>		PLASTIC LOCK NUT, 1/4" - 20.....	4
35	<u>19853G1</u>		SQUARE CAP TUBE, 1".....	2
36	<u>634180</u>		SEAT FRAME WELDMENT (FOR VEHICLES MANUFACTURED FROM MARCH 2014).....	1
37	<u>00427G2</u>		HEX HEAD BOLT, 3/8" - 49 X 1.25" LG (FOR VEHICLES MANUFACTURED FROM MARCH 2014).....	4
38	***		SEAT BOTTOM ASSEMBLY (INCLUDES ITEMS 39 - 53, 63)	1
			629269G0103 TAN	
			629269G0101 OYSTER	
			629269G0104 GRAY	
			629269G0106 BLACK	
			629269G0107 BROWN	
			629269G0111 WHITE/RED	
			629269G0109 WHITE/BLUE	
			629269G0113 WHITE/YELLOW	
			629269G0114 GRAY/BLACK	
39	<u>645492</u>		SEAT BOTTOM (WOOD)	1

SEATING

When ordering parts, please specify the model and serial number of the product.

* Indicates a component that is not available as an individual part.

*** Indicates consult Customer Service Department for additional information.

ITEM	PART NO.	1	2	3	4	5	DESCRIPTION	QTY.
40	<u>71603G02</u>						FOAM PADDING (SEAT BOTTOM).....	1
41								
42	<u>71610G01</u>						SEAT HINGE.....	2
43	<u>00720G08</u>						HEX HEAD BOLT (SS), #12 - 14 X 1" LG.....	6
44	<u>17074G1</u>						RUBBER PAD	2
45	<u>71012G01</u>						VINYL TRIM (SEAT BOTTOM)	1
46	<u>23222G1</u>						FLAT STAPLE	110
47	<u>23223G1</u>						FLAT STAPLE	36
48								
49								
50								
51	<u>617644</u>						HIP RESTRAINT (PASSENGER SIDE).....	1
52	<u>617645</u>						HIP RESTRAINT (DRIVER SIDE)	1
53	<u>615417</u>						BUTTON HEAD TORX BOLT, M10 - 1.5 X 25" LG	8
54	<u>617901</u>						HANDRAIL KIT, FLIP-FLOP SEAT (INCLUDES ITEMS 55 - 60)	1
55	<u>615721</u>						FOOTREST HANDLE WELDMENT	1
56	<u>19859G1</u>						SQUARE CAP TUBE, 3/4"	2
57	<u>610631</u>						DECAL	1
58	<u>00427G8</u>						HEX HEAD BOLT, 3/8" - 16 X 2" LG	4
59	<u>614221</u>						FLAT WASHER, 3/8".....	8
60	<u>11098G5</u>						PLASTIC LOCK NUT, 3/8" - 16.....	4
61	<u>634184</u>						HANDRAIL KIT, FLIP-FLOP SEAT (INCLUDES ITEMS 56 - 60, 62) (FOR VEHICLES MANUFACTURED FROM MARCH 2014).....	1
62	<u>631485</u>						FOOTREST WELDMENT	1
63	***						VINYL SEAT BOTTOM COVER..... 604912G0103 WHITE/RED 604912G0102 WHITE/BLUE 604912G0108 WHITE/YELLOW 604912G0704 GRAY/BLACK 71602G02 GRAY 71602G03 OYSTER 71602G04 TAN 71602G06 BLACK 71602G07 BROWN 71602G05 NSC 604912G0304 RED/BLACK	1

When ordering parts, please specify the model and serial number of the product.

* Indicates a component that is not available as an individual part.

*** Indicates consult Customer Service Department for additional information.

ITEM	PART NO.	1 2 3 4 5	DESCRIPTION	QTY.
			604912G0104 WHITE/BLACK 604912G0506 OYSTER/GARNET	
64	<u>00664G7</u>		LOCK WASHER, 1/4"	4
65	<u>00661G8</u>		HEX HEAD BOLT, 1/4" - 20 X 1" LG	4
66	***		VINYL SEAT BACK COVER..... 71753G03 OYSTER 71753G04 TAN 71753G07 BLACK 604916G0103 WHITE/RED 71753G02 GRAY 71753G06 BROWN 604916G0102 WHITE/BLUE 604916G0704 GRAY/BLACK 604916G0108 WHITE/YELLOW 604916G0304 RED/BLACK 604916G0104 WHITE/BLACK 604916G0506 OYSTER/GARNET	1
67	***		FLIP FLOP VINYL SEAT BOTTOM COVER	1
			611126 WHITE/RED 611125 WHITE/BLUE 611127 WHITE/YELLOW 611137 GRAY/BLACK 617892 GRAY 615646 OYSER 615648 BLACK 617893 BROWN 615647 TAN 611130 WHITE/BLACK 611135 RED/BLACK 611136 WHITE/BLACK	
68	***		FLIP FLOP SEAT BOTTOM ASSEMBLY (INCLUDES ITEMS 15 - 17, 67, 69) (FOR VEHICLES MANUFACTURED FROM MARCH 2014).....	1
			628058G01 OYSTER 628058G03 TAN 628058G04 GRAY 628058G06 BLACK 628058G07 BROWN 628058G09 WHITE/BLUE 628058G10 RED/BLACK 628058G11 WHITE/RED 628058G12 WHITE/BLACK 628058G13 WHITE/YELLOW 628058G14 GRAY/BLACK 628058G15 OYSTER/GARNET	
69	<u>634190</u>		DECK BOARD ASSEMBLY (FOR VEHICLES MANUFACTURED FROM MARCH 2014)	1

SEATING

When ordering parts, please specify the model and serial number of the product.

* Indicates a component that is not available as an individual part.

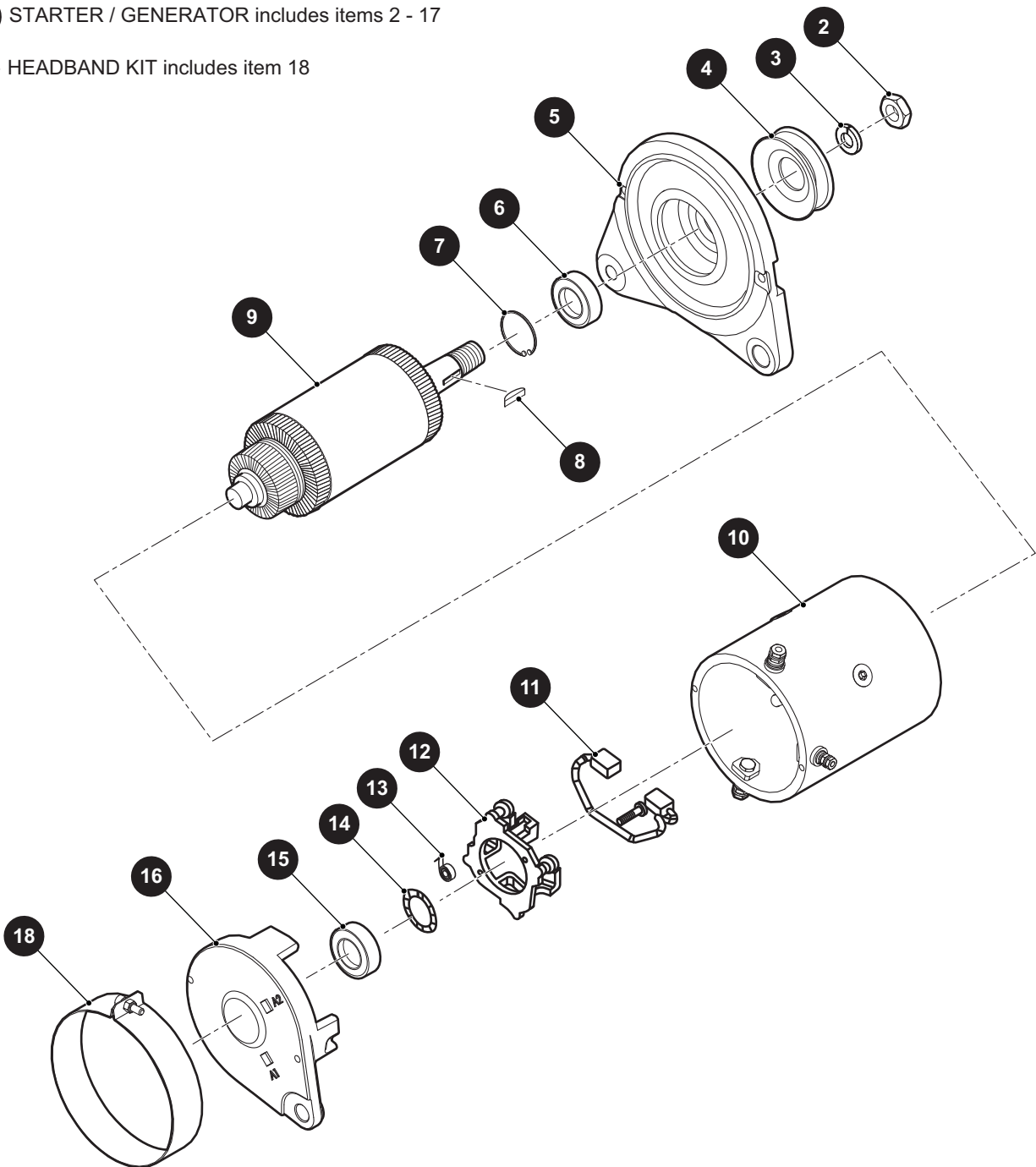
*** Indicates consult Customer Service Department for additional information.

ITEM	PART NO.	1	2	3	4	5	DESCRIPTION	QTY.
70	<u>634175</u>						REAR SEAT ARM REST (FOR VEHICLES MANUFACTURED FROM MARCH 2014)	2
71	<u>634179</u>						FOOTREST WELDMENT (FOR VEHICLES MANUFACTURED FROM MARCH 2014)	1
72	<u>00559G7</u>						FLAT WASHER, 1/4" (FOR VEHICLES MANUFACTURED FROM MARCH 2014)	4
73	<u>00428G8</u>						HEX HEAD BOLT, 3/8" - 16 X 2.25" LG (FOR VEHICLES MANUFACTURED FROM MARCH 2014)	2

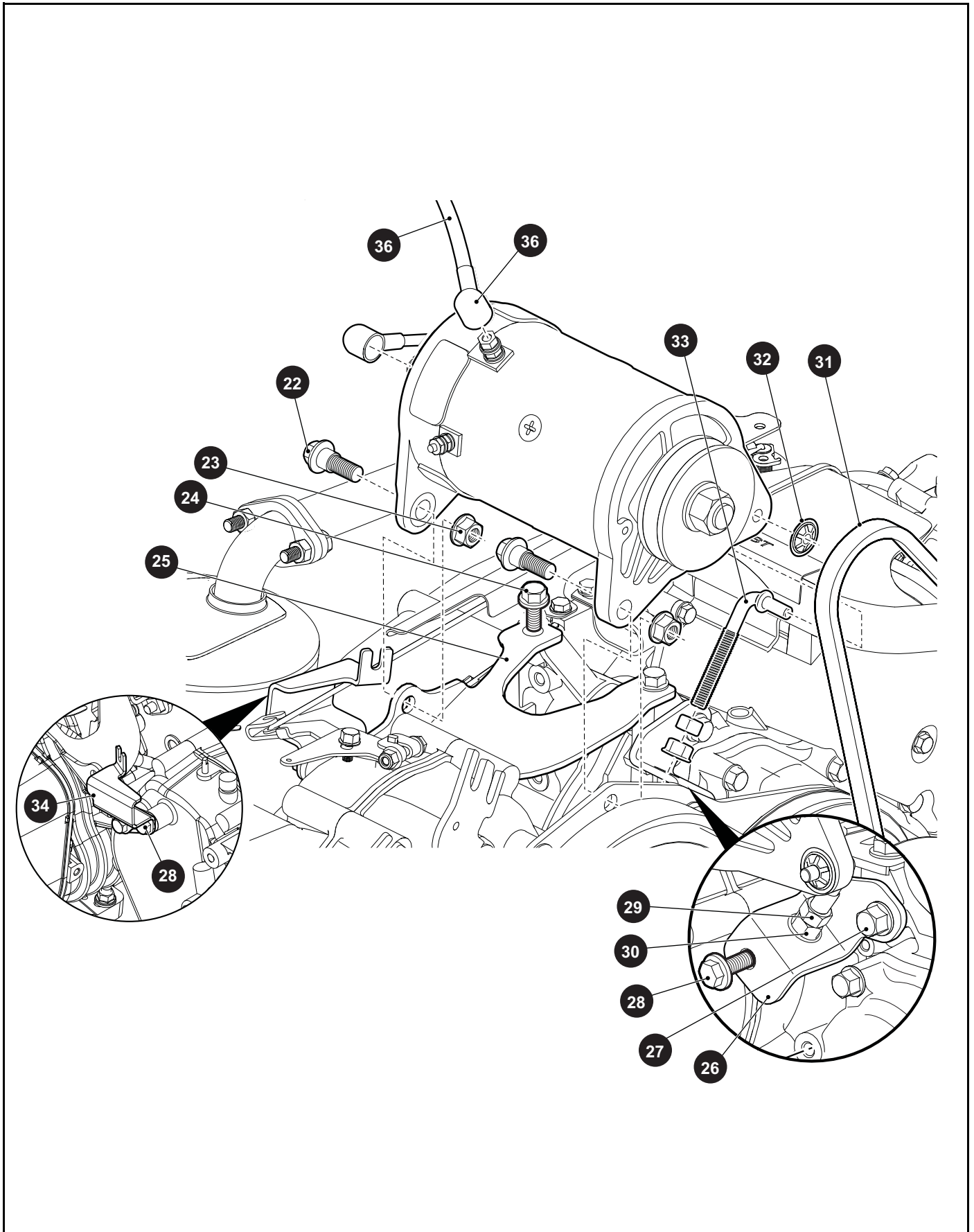
STARTER GENERATOR

1 STARTER / GENERATOR includes items 2 - 17

17 HEADBAND KIT includes item 18

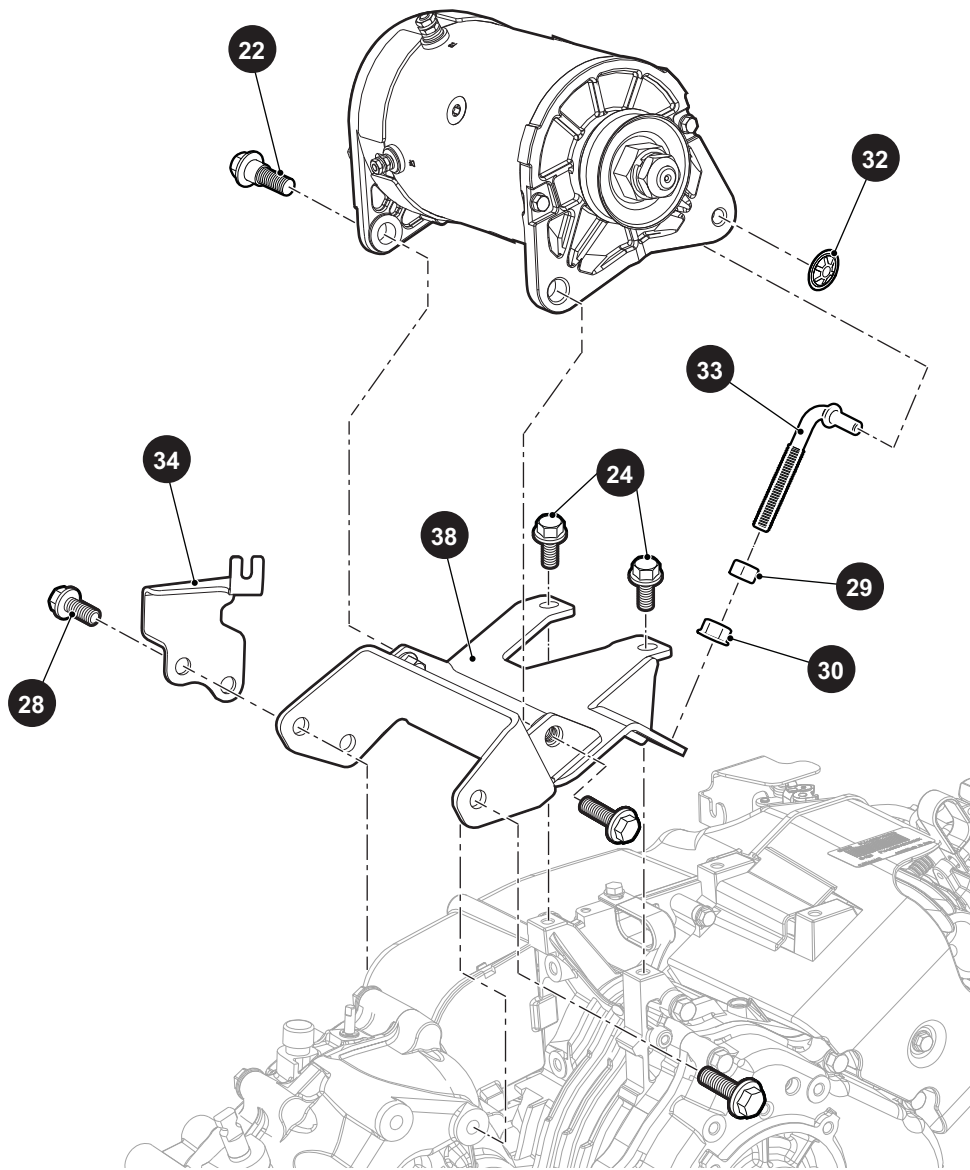


STARTER GENERATOR



STARTER GENERATOR

FOR VEHICLES MANUFACTURED FROM APRIL 2014



STARTER GENERATOR

When ordering parts, please specify the model and serial number of the product.

* Indicates a component that is not available as an individual part.

*** Indicates consult Customer Service Department for additional information.

ITEM	PART NO.	1 2 3 4 5	DESCRIPTION	QTY.
1	<u>660379</u>		STARTER / GENERATOR (INCLUDES ITEMS 2 - 17)	1
2	<u>612029</u>		HEX NUT	1
3	<u>612030</u>		LOCK WASHER	1
4	<u>625716</u>		PULLEY, 2.5" O.D.	1
5	<u>654715</u>		DRIVE END HEAD	1
6	<u>612033</u>		BEARING	1
7	<u>612034</u>		RETAINING RING	1
8	<u>612035</u>		WOODRUFF KEY	1
9	<u>612036</u>		ARMATURE ASSEMBLY	1
10	<u>654716</u>		FRAME AND FIELD ASSEMBLY	1
11	<u>612038</u>		BRUSH LEAD AND TERMINAL PACKAGE	1
12	<u>654717</u>		BRUSH BOX ASSEMBLY	1
13	<u>656659</u>		BRUSH SPRING	4
14	<u>612043</u>		WAVY WASHER	1
15	<u>612044</u>		BEARING	1
16	<u>612045</u>		COMMUTATOR END HEAD	1
17	<u>658172</u>		HEADBAND KIT (INCLUDES ITEM 18)	1
18	<u>654718</u>		HEADBAND	1
19				
20				
21				
22	<u>606235</u>		HEX HEAD SHOULDER BOLT, M10 - 1.25 X 20	2
23	<u>606279</u>		NUT, M10 - 1.25	2
24	<u>606261</u>		BOLT, M8 - 1.25 X 20MM LG	2
25	<u>602141</u>		STARTER / GENERATOR BRACKET	1
26	<u>602145</u>		TENSIONER BRACKET	1
27	<u>606261</u>		BOLT, M8 - 1.25 X 20MM LG	1
28	<u>606256</u>		BOLT, M10 - 1.25 X 25MM LG	1
29	<u>606255</u>		NUT, M10 - 1.25	1
30	<u>606274</u>		NUT, M10 - 1.25	1
31	<u>630587</u>		STARTER / GENERATOR BELT	1

STARTER GENERATOR

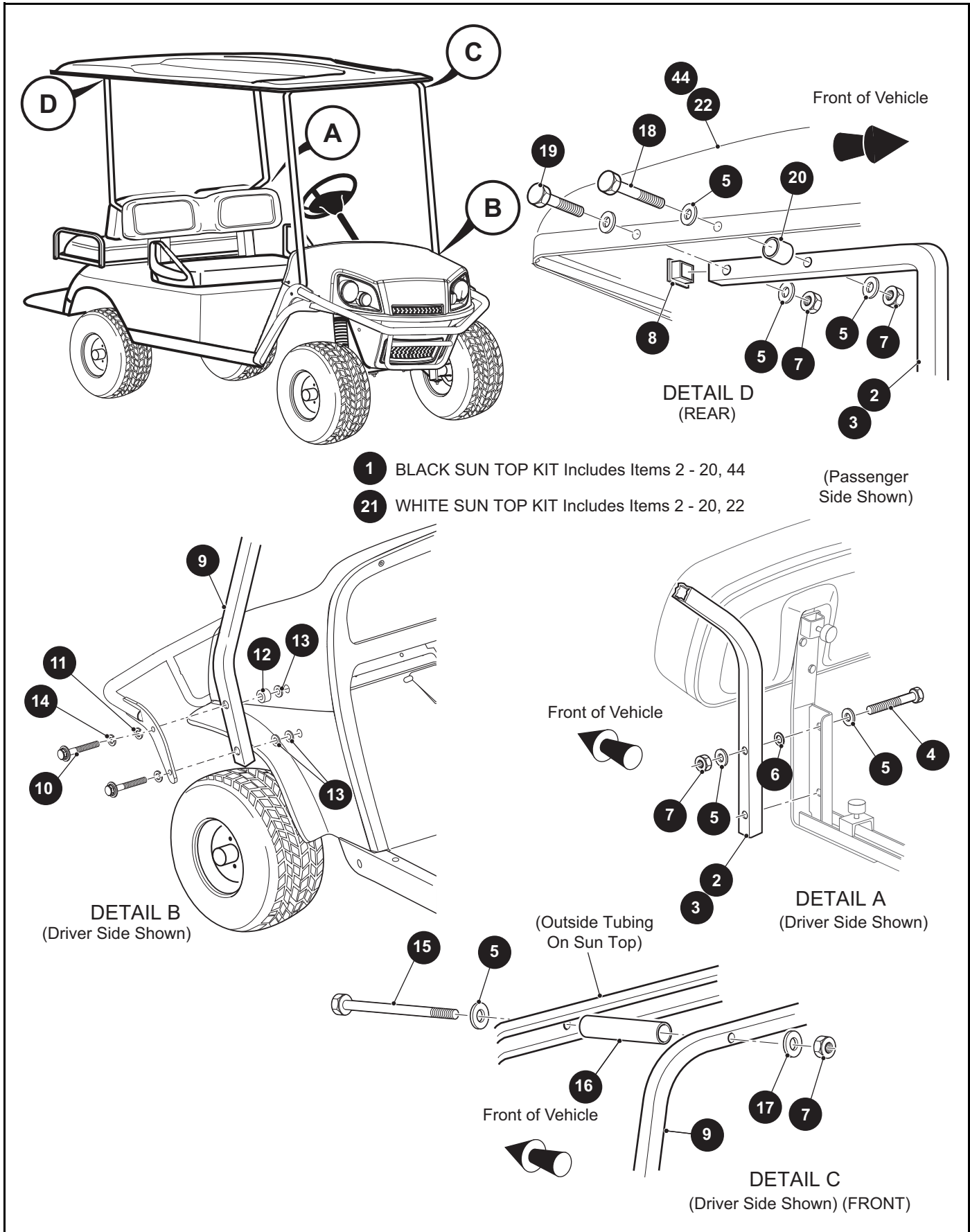
When ordering parts, please specify the model and serial number of the product.

* Indicates a component that is not available as an individual part.

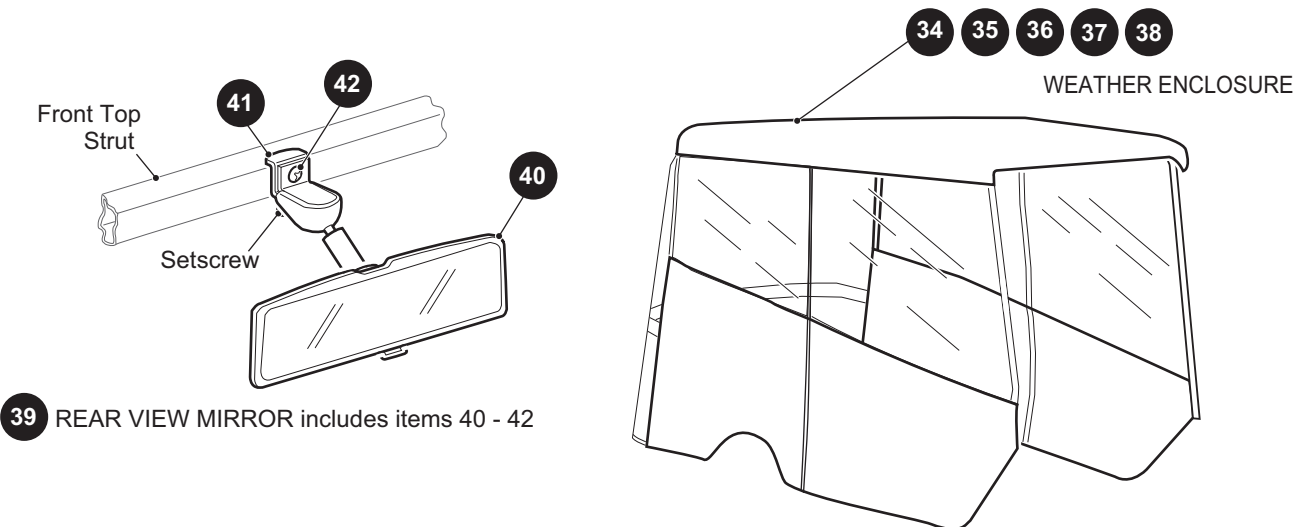
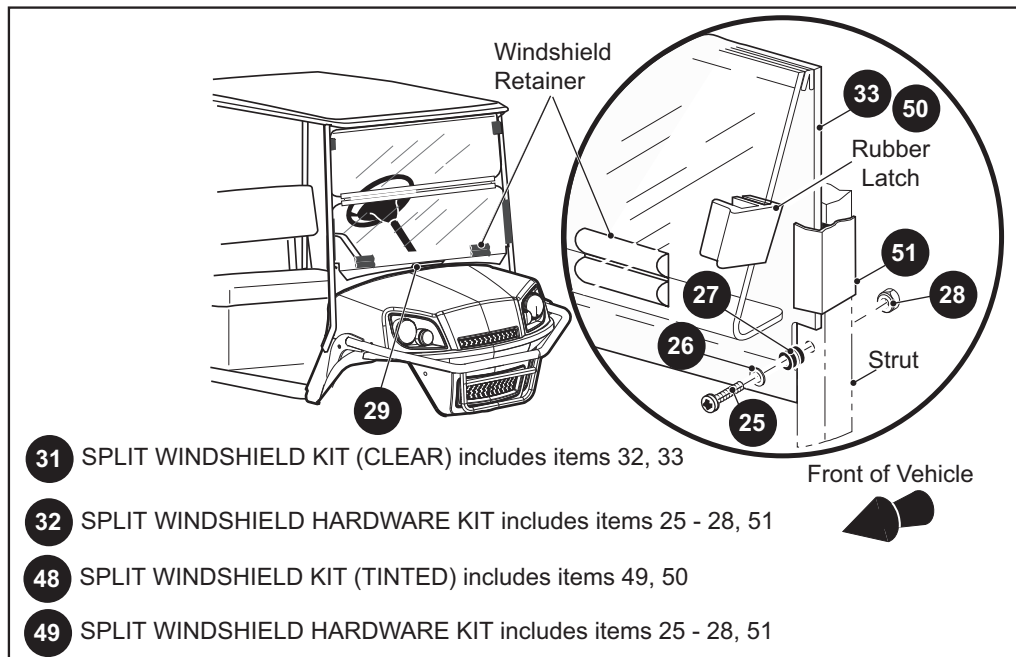
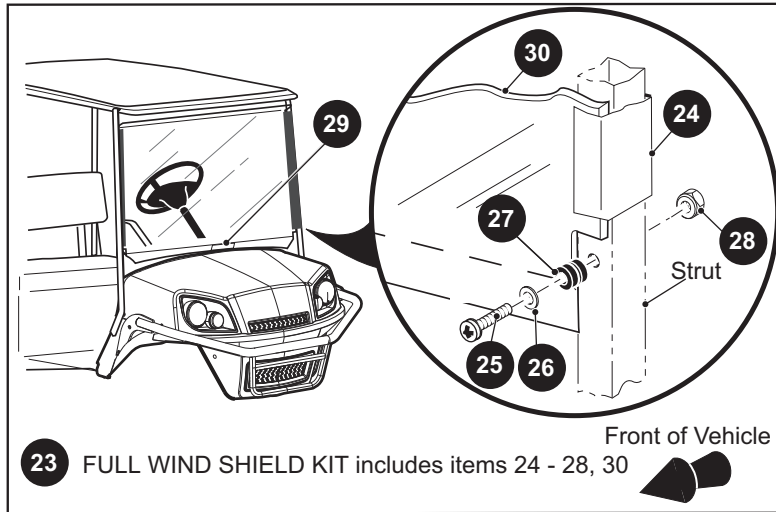
*** Indicates consult Customer Service Department for additional information.

ITEM	PART NO.	1 2 3 4 5	DESCRIPTION	QTY.
32	<u>12064G6</u>		PUSH NUT, 5/16"	1
33	<u>629763</u>		TENSIONER BOLT.....	1
34	<u>603884</u>		CABLE GUIDE BRACKET	1
35				
36	<u>607103</u>		WIRE ASSEMBLY, 6 AWG, 42" LG	1
37	<u>25682G01</u>		RUBBER BOOT	3
38	<u>631972</u>		STARTER / GENERATOR SUPPORT BRACKET (FOR VEHICLES MANUFACTURED FROM APRIL 2014)	1

WEATHER PROTECTION



WEATHER PROTECTION



WEATHER PROTECTION

When ordering parts, please specify the model and serial number of the product.

* Indicates a component that is not available as an individual part.

*** Indicates consult Customer Service Department for additional information.

ITEM	PART NO.	1 2 3 4 5	DESCRIPTION	QTY.
1	<u>606260</u>		BLACK SUN TOP KIT, 80"LG (INCLUDES ITEMS 2 - 20, 44).....	1
2	<u>602743</u>		REAR STRUT (DRIVER SIDE).....	1
3	<u>602741</u>		REAR STRUT (PASSENGER SIDE)	1
4	<u>00665G5</u>		HEX HEAD BOLT (SS), 3/8" - 16 X 1 3/4" LG.....	4
5	<u>00679G1</u>		FLAT WASHER (SS), 3/8"	18
6	<u>00771G5</u>		NYLON WASHER, 3/8".....	4
7	<u>00891G5</u>		LOCK NUT, 3/8" - 16.....	10
8	<u>19853G1</u>		END CAP, 1"	2
9	75125G01		FRONT STRUT	1
10	<u>00440G2</u>		HEX HEAD BOLT, 5/16" - 18 X 2 1/4" LG.	4
11	<u>00565G8</u>		LOCK WASHER, 5/16"	4
12	<u>75048G01</u>		SPACER, 1/2"	2
13	<u>00879G1</u>		LOCK WASHER, 3/8"	4
14	00559G8		LOCK WASHER, 5/16"	4
15	00674G8		HEX HEAD BOLT (SS), 3/8" - 16 X 5" LG	2
16	<u>18716G1</u>		SPACER.....	2
17	<u>00653G1</u>		FLAT WASHER (SS), 3/8".....	2
18	00665G3		HEX HEAD BOLT (SS), 3/8" - 16 X 2 1/2" LG.....	2
19	<u>00665G6</u>		HEX HEAD BOLT (SS), 3/8" - 16 X 2" LG	2
20	24647G1		SPACER, 1/4"	2
21	<u>603119</u>		WHITE SUN TOP KIT, 80" LG (INCLUDES ITEMS 2 - 20, 22).....	1
22	<u>27604G01</u>		SUN TOP, WHITE	1
23	<u>71966G03</u>		FULL WINDSHIELD KIT (INCLUDES ITEMS 24 - 28, 30).....	1
24	<u>615662</u>		SASH, 26" LG.	2
25	*		HEX HEAD BOLT (SS), 1/4" - 20 X 1 3/4" LG.....	2
26	*		FLAT WASHER (SS), 1/4".....	2
27	*		RUBBER GROMMET	2
28	*		LOCK NUT (SS), 1/4" - 20	2
29	71963G01		SAFETY LABEL.....	1
30	<u>71960G01</u>		FULL WINDSHIELD	1

WEATHER PROTECTION

When ordering parts, please specify the model and serial number of the product.

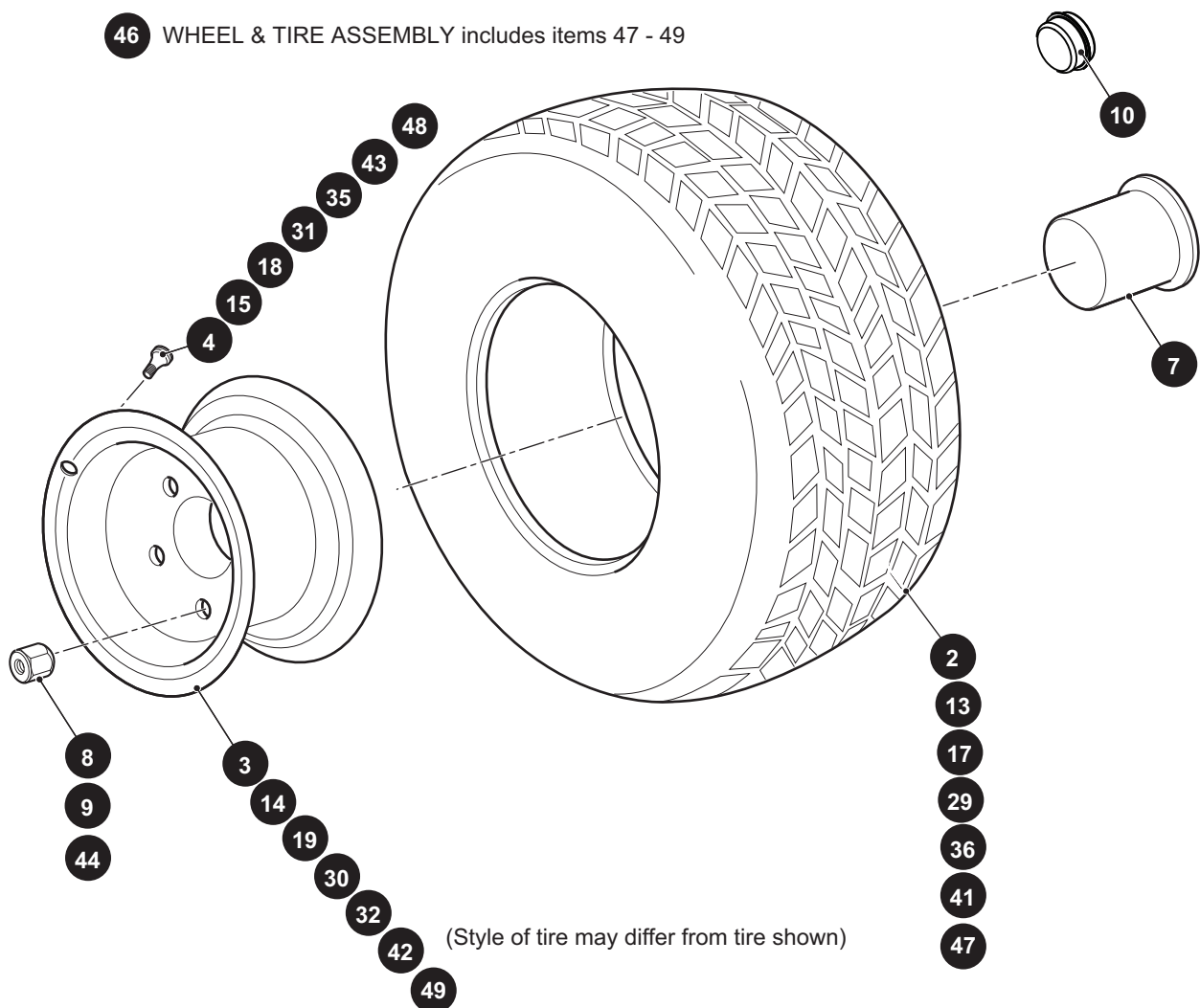
* Indicates a component that is not available as an individual part.

*** Indicates consult Customer Service Department for additional information.

ITEM	PART NO.	1 2 3 4 5	DESCRIPTION	QTY.
31	<u>71966G05</u>		SPLIT WINDSHIELD KIT (CLEAR) (INCLUDES ITEMS 32, 33).....	1
32	<u>71956G05</u>		SPLIT WINDSHIELD HARDWARE KIT (INCLUDES ITEMS 25 - 28, 51).....	2
33	<u>630012</u>		SPLIT WINDSHIELD (CLEAR)	1
34	<u>624829</u>		BLACK WEATHER ENCLOSURE (3 SIDED) (REQUIRES SUN TOP KIT)....	1
35	<u>624830</u>		GRAY WEATHER ENCLOSURE (3 SIDED) (REQUIRES SUN TOP KIT).....	1
36	<u>624831</u>		GREEN WEATHER ENCLOSURE (3 SIDED) (REQUIRES SUN TOP KIT)...	1
37	<u>624832</u>		WHITE WEATHER ENCLOSURE (3 SIDED) (REQUIRES SUN TOP KIT)	1
38	<u>624833</u>		TAN WEATHER ENCLOSURE (3 SIDED) (REQUIRES SUN TOP KIT).....	1
39	<u>19528G2</u>		REAR VIEW MIRROR KIT (INCLUDES ITEMS 40 - 42).....	1
40	<u>19496G1</u>		REAR VIEW MIRROR.....	1
41	19502G2		SUPPORT BRACKET	1
42	<u>19527G1</u>		HEX HEAD BOLT (SS), #8 - 32 X 5/8" LG	1
43				
44	<u>606937</u>		BLACK SUN TOP.....	1
45				
46				
47				
48	<u>71966G06</u>		SPLIT WINDSHIELD KIT (TINTED) (INCLUDES ITEMS 49, 50).....	1
49	<u>71956G05</u>		SPLIT WINDSHIELD HARDWARE KIT (INCLUDES ITEMS 25 - 28, 51).....	1
50	<u>630013</u>		SPLIT WINDSHIELD (TINTED)	1
51	<u>615661</u>		SASH, 12" LG	2

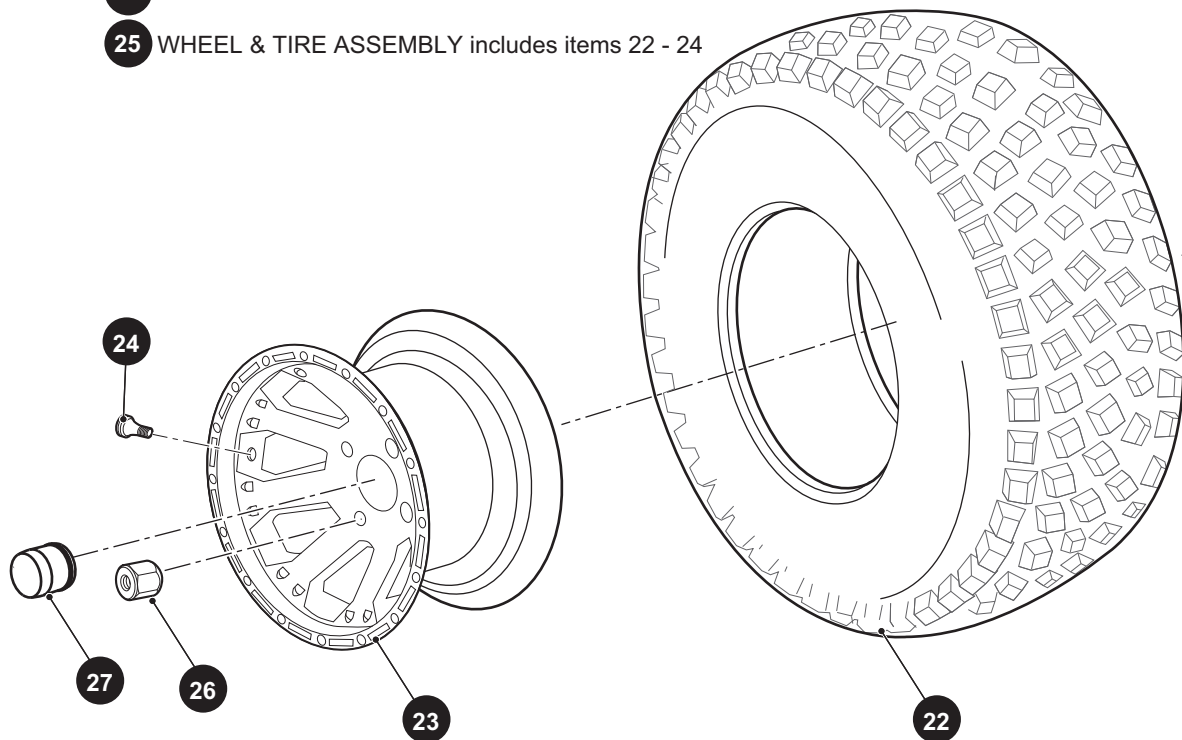
WHEELS AND TIRES

- 1 TERRA TRAC ASSEMBLY includes items 2 - 4
- 11 WHEEL & TIRE ASSEMBLY includes items 13 - 15
- 12 WHEEL & TIRE ASSEMBLY includes items 13 - 15
- 16 WHEEL & TIRE ASSEMBLY includes items 17 - 19
- 20 WHEEL & TIRE ASSEMBLY includes items 17 - 19
- 28 WHEEL & TIRE ASSEMBLY includes items 29 - 31
- 33 WHEEL & TIRE ASSEMBLY includes items 29, 31 - 32
- 34 WHEEL & TIRE ASSEMBLY includes items 35
- 37 WHEEL & TIRE ASSEMBLY includes items 35
- 40 WHEEL & TIRE ASSEMBLY includes items 41 - 43
- 45 WHEEL & TIRE ASSEMBLY includes items 47 - 49
- 46 WHEEL & TIRE ASSEMBLY includes items 47 - 49



21 WHEEL & TIRE ASSEMBLY includes items 22 - 24

25 WHEEL & TIRE ASSEMBLY includes items 22 - 24



(Style of tire may differ from tire shown)

WHEELS AND TIRES

When ordering parts, please specify the model and serial number of the product.

* Indicates a component that is not available as an individual part.

*** Indicates consult Customer Service Department for additional information.

ITEM	PART NO.	1 2 3 4 5	DESCRIPTION	QTY.
1	<u>608914</u>		TERRA TRAC, 10", FRONT AND REAR (INCLUDES ITEMS 2, 3, 4) (FOR VEHICLES MANUFACTURED BEFORE MAY 19, 2018).....	AR
2	<u>606141</u>		TIRE, 22 X 11 X 10 TERRA TRAC.....	1
3	<u>604927</u>		WHEEL - POLISHED SPOKED, 10 X 7, (4 LUG).....	1
4	<u>604915</u>		VALVE STEM - CHROME.....	1
5				
6				
7	<u>601353</u>		WHEEL CAP.....	AR
8	<u>605310</u>		LUG NUT, 1/2" - 20.....	AR
9	<u>14723G1</u>		LUG NUT, 1/2" - 20.....	AR
10	<u>12091G2</u>		SPINDLE CAP.....	2
11	<u>28630G04</u>		WHEEL AND TIRES ASSEMBLY (DRIVER SIDE) (INCLUDES ITEM 13, 14, 15)	AR
12	<u>28630G05</u>		WHEEL AND TIRES ASSEMBLY (PASSENGER SIDE) (INCLUDES ITEM 13, 14, 15)	AR
13	<u>28630G01</u>		TIRE, 22 X 9 X 10 STRYKER	1
14	<u>15172G02</u>		WHEEL RIM (BLACK, 4 LUG)	AR
15	<u>11657G1</u>		VALVE STEM	1
16	<u>605228</u>		WHEEL AND TIRES ASSEMBLY (PASSENGER SIDE) (INCLUDES ITEM 17, 18, 19)	AR
17	<u>604928</u>		PATHFINDER TIRE 22 X 11	1
18	<u>604915</u>		VALVE STEM.....	1
19	<u>604927</u>		WHEEL - POLISHED SPOKED.....	1
20	<u>604930</u>		WHEEL AND TIRES ASSEMBLY (DRIVER SIDE) (INCLUDES ITEM 17, 18, 19)	AR
21	<u>606240</u>		SPEEDRACER TIRE AND WHEEL, 10 X 7, (DRIVER SIDE) (INCLUDES 22- 24) (MUST USE ITEM 26 LUG NUTS, ORDER SEPARATELY)	AR
22	<u>606139</u>		SPEEDRACER, 10 X 7.....	1
23	<u>606152</u>		WHEEL, 10" DIAMOND FINISHED WHEEL.....	1
24	<u>604915</u>		VALVE STEM, CHROME	1
25	<u>606179</u>		SPEEDRACER TIRE AND WHEEL, 10 X 7, (PASSENGER SIDE) (INCLUD- -ES 22-24) (MUST USE ITEM 26 LUG NUTS, ORDER SEPARATELY)	AR
26	<u>605310</u>		LUG NUT, 1/2" - 20.....	4
27	<u>608910</u>		DIAMOND WHEEL CAP.....	1

WHEELS AND TIRES

When ordering parts, please specify the model and serial number of the product.

* Indicates a component that is not available as an individual part.

*** Indicates consult Customer Service Department for additional information.

ITEM	PART NO.	1 2 3 4 5	DESCRIPTION	QTY.
28	<u>28442G03</u>		WHEEL AND TIRES ASSEMBLY, REAR (INCLUDES ITEMS 29 -31) (FOR VEHICLES MANUFACTURED UNTIL 14OCT2016)	AR
29	<u>28442G02</u>		TIRE	1
30	<u>15172G02</u>		WHEEL RIM (BLACK, 4 LUG).....	AR
31	<u>11657G1</u>		VALVE STEM.....	1
32	<u>15172G01</u>		WHEEL RIM (BLACK, 4 LUG).....	AR
33	<u>28442G01</u>		WHEEL AND TIRES ASSEMBLY, FRONT (INCLUDES ITEMS 29, 31, 32) (FOR VEHICLES MANUFACTURED UNTIL 14OCT2016)	AR
34	<u>74842G03</u>		WHEEL AND TIRE ASSEMBLY LH, TRAIL WOLF (BLK) (INCLUDES ITEMS 35 - 36)	AR
35				
36	<u>74842G05</u>		TIRE	1
37	<u>74842G04</u>		WHEEL AND TIRE ASSEMBLY RH, TRAIL WOLF (BLK) (INCLUDES ITEMS 35).....	AR
38				
39				
40	<u>652263</u>		WHEEL AND TIRE ASSEMBLY (INCLUDES ITEMS 41 - 43) (FOR VEHICLES MANUFACTURED FROM 15OCT2016)	AR
41	<u>652986</u>		KENDA TIRE, K500, 20 X 8 - 10, 6PLY	1
42	<u>643934</u>		WHEEL, 10 X 6	1
43	<u>643948</u>		VALVE STEM.....	1
44	<u>14723G1</u>		LUG NUT, 1/2" - 20	AR
45	671955G01		DESERT EAGLE WHEEL AND TIRE ASSEMBLY, DRIVER SIDE (INCLUDES ITEMS 47 - 49)	AR
46	671955G02		DESERT EAGLE WHEEL AND TIRE ASSEMBLY, PASSENGER SIDE (INCLUDES ITEMS 47 - 49)	AR
47	<u>671459</u>		TIRE, 23 X 10 - 14.....	1
48	<u>604915</u>		CHROME VALVE STEM.....	1
49	<u>670078</u>		WHEEL, 14 X 7	1



A Textron Company

E-Z-GO Division of Textron Inc.,
1451 Marvin Griffin Road, Augusta, Georgia 30906 - 3852 USA

TO CONTACT US...

North America:

Technical Assistance & Warranty Phone: 1-800-774-3946, FAX: 1-800-448-8124

Service Parts Phone: 1-888-GET-E-Z-GO (1-888-438-3946), FAX: 1-800-752-6175

International: Phone: 001-706-798-4311, FAX: 001-706-771-4609

Service Parts Manuals, as well as Repair and Service Manuals
are available from a local Distributor, an authorized Branch,
Genuine E-Z-GO Parts & Accessories Department or at www.shopezgo.com.

Copyrighted Material
This manual may not be reproduced in whole or
in part without the express permission of
E-Z-GO Division of Textron Inc.
Technical Communications Department