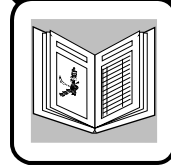


611856



A Textron Company



SERVICE PARTS MANUAL



GASOLINE POWERED PERSONNEL CARRIERS

ISSUED JANUARY 2009

REVISED MARCH 2012

SERVICE PARTS MANUAL

GASOLINE POWERED PERSONNEL CARRIERS AND GOLF CARS

ST SHUTTLE 4

ST SHUTTLE 6

STARTING MODEL YEAR 2009

DISCLAIMER: The E-Z-GO Division of Textron Inc. reserves the right to incorporate engineering and design changes to products in this Manual, without obligation to include these changes on units leased/sold previously.

The information contained in this Manual may be revised periodically by the E-Z-GO Division, and therefore is subject to change without notice.

The E-Z-GO Division DISCLAIMS LIABILITY FOR ERRORS IN THIS MANUAL, and the E-Z-GO Division SPECIFICALLY DISCLAIMS LIABILITY FOR INCIDENTAL AND CONSEQUENTIAL DAMAGES resulting from the use of the information and materials in this Manual.

CUSTOMER SERVICE DEPARTMENT IN USA PHONE: 1-800-241-5855 FAX: 1-800-448-8124

OUTSIDE USA PHONE: 001-706-798-4311, FAX: 001-706-771-4609

E-Z-GO DIVISION OF TEXTRON, INC., MARVIN GRIFFIN RD., AUGUSTA, GEORGIA USA 30906

NOTES

To obtain a copy of the limited warranty applicable to the vehicle, call or write a local Distributor, authorized Branch or the Warranty Department with vehicle serial number and manufacturer code.

The use of non Original Equipment Manufacturer (OEM) parts may void the warranty.

Overfilling of batteries may void the warranty.

BATTERY PROLONGED STORAGE

All batteries will self discharge over time. The rate of self discharge varies depending on the ambient temperature and the age and condition of the batteries.

A fully charged battery will not freeze in winter temperatures unless the temperature falls below -75° F (-60° C).

As with all electric vehicles, the batteries must be checked and recharged as required or at a minimum of 30 day intervals.

TABLE OF CONTENTS

SECTION	Page No.
HOW TO USE THE SERVICE PARTS MANUAL	V
ACCELERATOR	A-1
• Pedal Cover	
• Pedal Box Assembly	
• Accelerator Pedal Assembly	
AIR FILTER	B-1
• Air Cleaner Element	
• Air Filter Housing	
• Air Cleaner Hose	
BODY	C-1
• Front Bumper	
• Front Splash Shield	
• Cowl	
• Instrument Panel	
• Rocker Panels	
• Rear Body	
• Seat Support	
BRAKES - MECHANICAL	D-1
• Brake Pedal Pad	
• Brake Pedal	
• Brake Cable	
• Brake Drum Assembly	
CARBURETOR	E-1
• Carburetor	
• Main Jet	
• Choke Cable	
CLUTCH	F-1
• Drive Clutch	
• Driven Clutch	
DIRECTION SELECTOR	G-1
• Push/Pull Shifter Cable	
• Compression Spring	
• Neutral Lock Bracket	
ELECTRICAL SYSTEM	H-1
• Main Harness	
• Battery	
• Hour Meter	
• Ground Cable	
• Turn Signal	
• Headlight	
• Key Switch	
• Tail Lights	
ENGINE AND MUFFLER	J-1
• Engine	
• Muffler	
• Oil Dip Stick	
• Oil Filter	

TABLE OF CONTENTS

SECTION	Page No.
ENGINE MOUNTING	K-1
• Engine Pan Mount	
• Front Engine Mount	
FRONT SUSPENSION AND STEERING	L-1
• Strut	
• Spindle	
• Steering Box	
• Steering Column	
• Steering Wheel	
FUEL SYSTEM	M-1
• Fuel Tank	
• Pulse Line	
REAR AXLE	N-1
• Axle Shaft	
• Axle Tube	
• Oil Check Plug	
REAR SUSPENSION	P-1
• Shocks	
• Leaf Spring	
• Shackles	
SEATING -	Q-1
• Seat Bottom	
• Seat Back	
• Hip Restraints	
• Seat Back Support	
• Seat Bottom, Rear Facing Seat	
STARTER / GENERATOR	R-1
• Starter	
• Starter Belt	
• Starter Tensioner	
CARGO BED	S-1
• WOOD STAKE	
• PLASTIC BED	
WEATHER PROTECTION	T-1
• Sun Top	
• Windshield	
WHEELS AND TIRES	U-1
• Tire & Wheel Assembly	
• Lug Nuts	
SPECIALTY PRODUCT	APPENDIX A-1
OPTIONS/ACCESSORIES	APPENDIX B-1

HOW TO USE THE SERVICE PARTS MANUAL

This manual is divided into several sections:

GENERAL INFORMATION

- TABLE OF CONTENTS
- HOW TO USE THE SERVICE PARTS MANUAL

ILLUSTRATED PARTS BREAKDOWN

- Contains illustrations and parts lists for all systems of the vehicle.

USE OF THE MANUAL

To use this manual, consult the TABLE OF CONTENTS (page iii) to locate the information or illustration required.

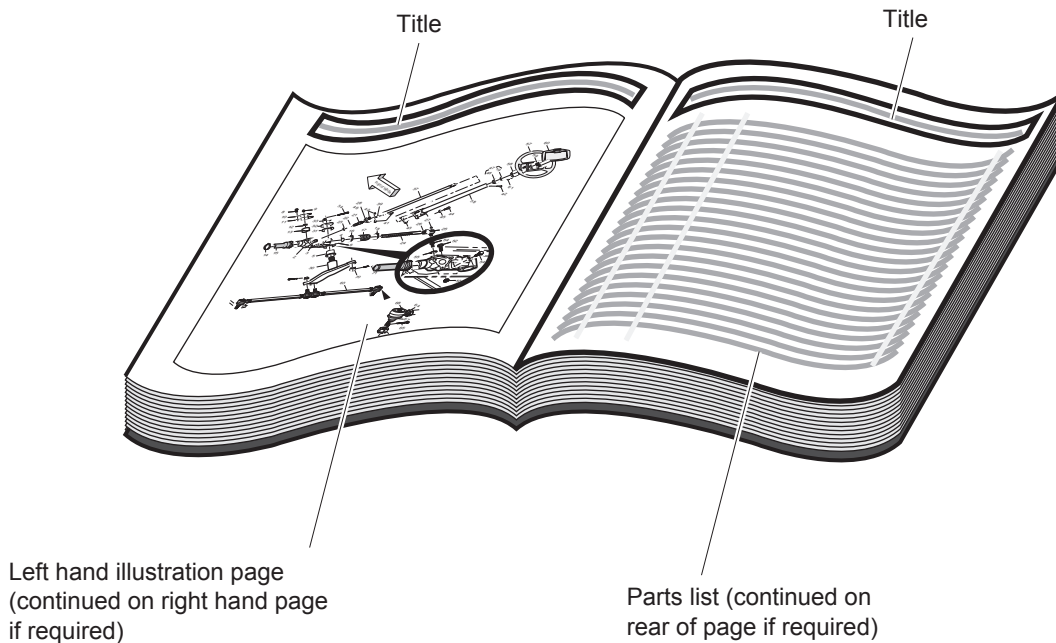
Introduction of some revisions varies due to supply of components; therefore, it is possible that various combinations of components may be found that are not directly reflected by each illustration. Consult the illustration that best suits your situation. Locate the serial number. It is important that the serial number of your vehicle and its model number be supplied to Service Parts when ordering any replacement components.

SERIAL NUMBER LOCATION

Three serial number and manufacture date code labels are on the vehicle. One is placed on the steering column, the second is located on the frame member under the front splash shield on the driver side and the third is located on the passenger side frame rail at the rear of the vehicle.

In order to obtain correct components for the vehicle, the manufacture date code, serial number and vehicle model must be provided when ordering service parts.

HOW TO USE THE SERVICE PARTS MANUAL



1. WHEN THE PART NUMBER IS NOT KNOWN

- Determine the function and application of the part required. Turn to the TABLE OF CONTENTS and select the most appropriate component description.
- Turn to the page number indicated and locate the part description in the parts list. Read the full accompanying description for specific information regarding the part that was not shown in the index.
- From the parts list, obtain the item number assigned to it and confirm that the part selected is correct by verifying it with the pictorial representation on the illustrated page.

Should an asterisk (*) appear in the part number column on the parts list page, read upwards until a part number is found. The part number is the lowest assembly sold by Service Parts. The asterisk (*) indicates that the part depicted is not available for purchase.

NOTE: Descriptions are indented under the assembly that they are used on. That assembly is, in turn listed under the assembly that it is used on. This process is repeated until the highest final assembly is reached.

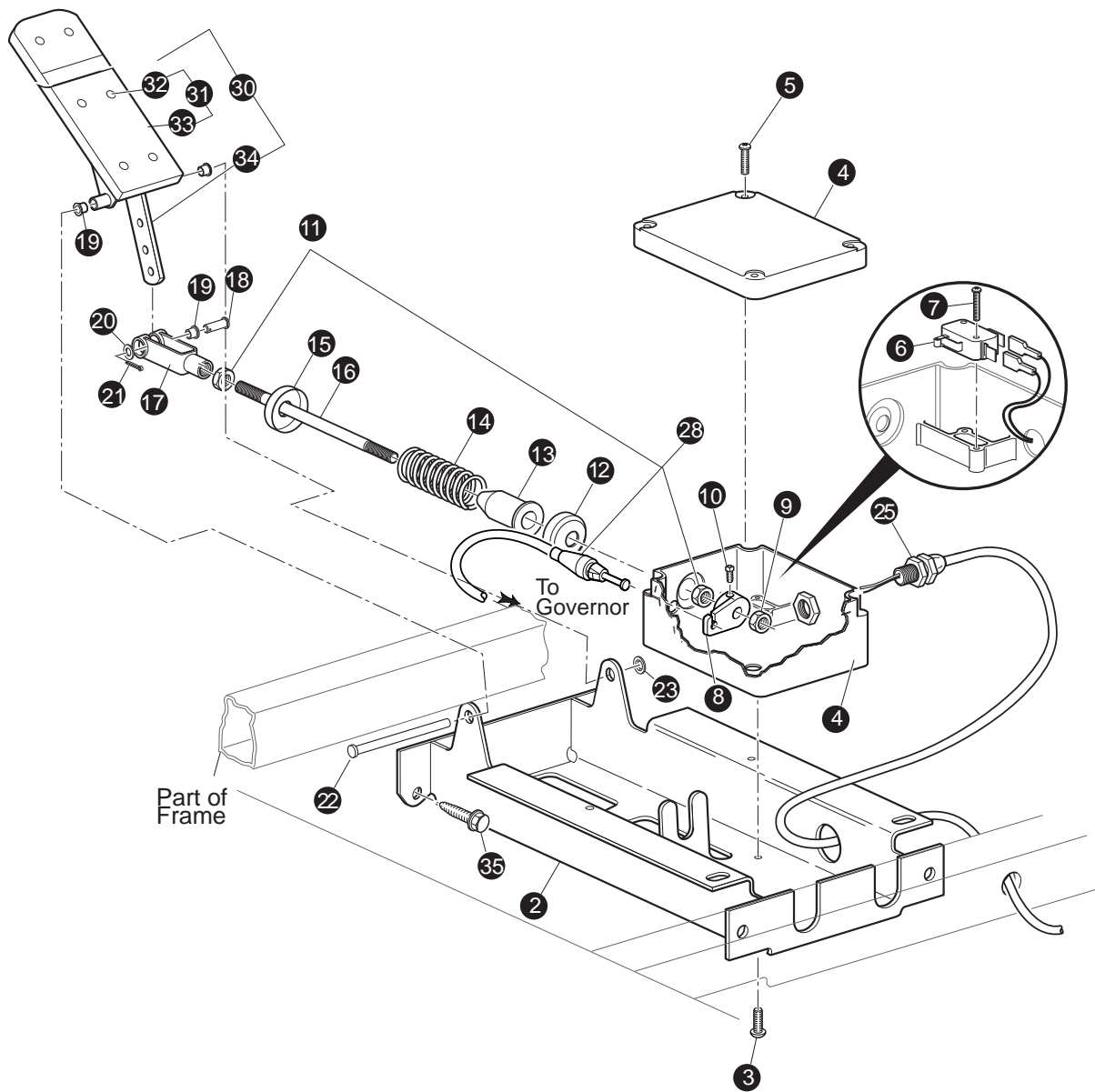
To facilitate the maintenance and repair of the vehicle, a Technician's Repair and Service Manual is available from the Service Parts Department.

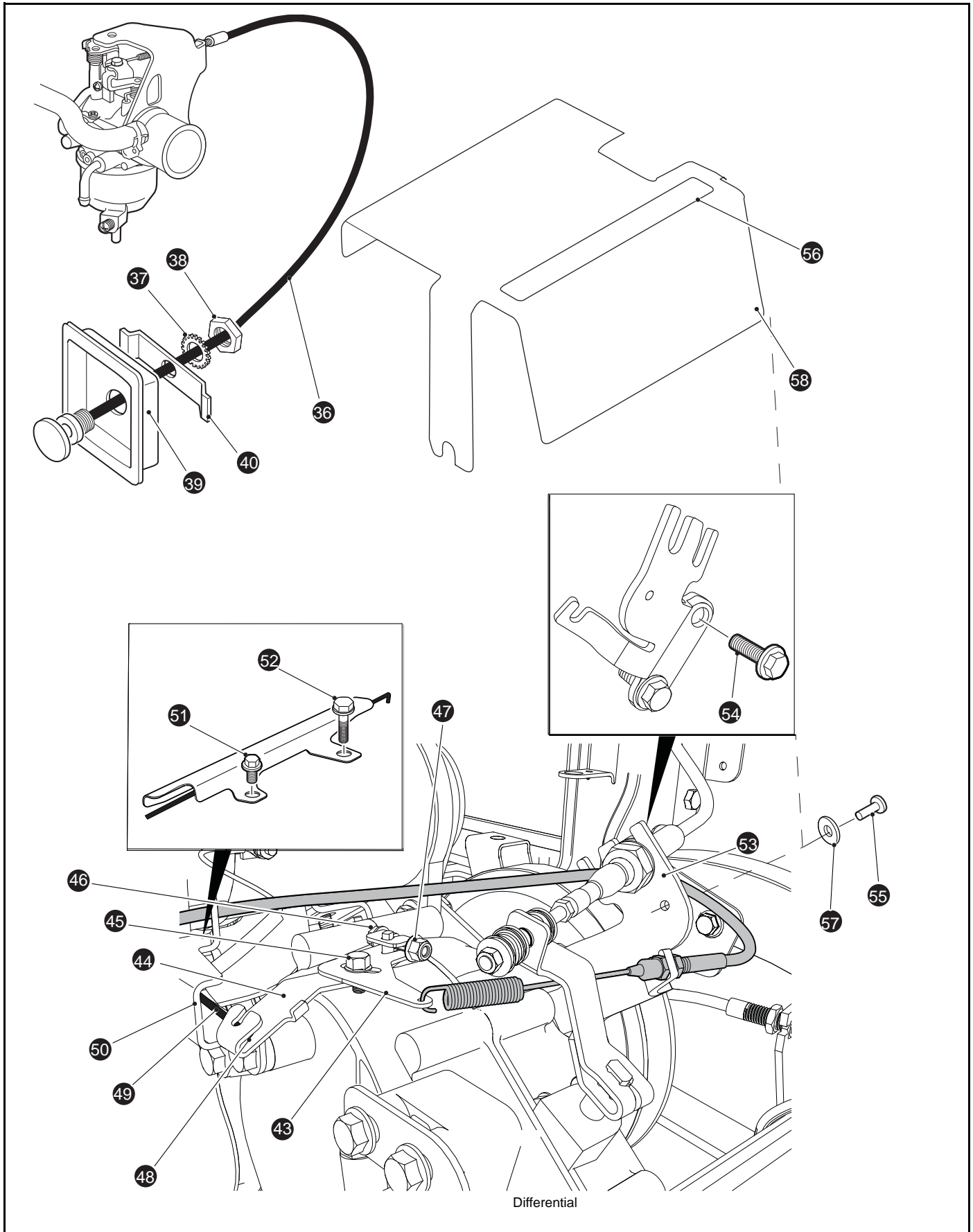
ILLUSTRATED PARTS BREAKDOWN

ILLUSTRATED PARTS BREAKDOWN

ACCELERATOR AND CHOKE

1 - Includes Items 3 - 34





ACCELERATOR AND CHOKE

When ordering parts, please specify the model and serial number of the product.

* Indicates a component that is not available as an individual part.

*** Indicates consult Customer Service Department for additional information.

ITEM	PART NO.	1	2	3	4	5	DESCRIPTION	QTY.
1	<u>606992</u>						PEDAL BOX ASSEMBLY (INCLUDES ITEMS 2 - 34	1
2	<u>70116G02</u>						ACCELERATOR PEDAL BRACKET	1
3	<u>01051G01</u>						SCREW, #8 - 16 X 1/2" LG	4
4	<u>25853G03</u>						PEDAL BOX AND COVER	1
5	<u>00684G6</u>						SCREW, #8 - 32 X 3/4" LG (STAINLESS STEEL)	2
6	<u>25861G01</u>						MICRO SWITCH	1
7	<u>01050G01</u>						SCREW, #4 - 20 X 5/8" LG	2
8	<u>72716G01</u>						MICRO SWITCH CAM	1
9	<u>15126G1</u>						LOCK NUT, 5/16 - 24	1
10	<u>00487G3</u>						SETSCREW, 1/4 - 20 X 3/8" LG	1
11	<u>00532G4</u>						NUT, 5/16 - 24	2
12	<u>17677G1</u>						SPRING RETAINER	1
13	<u>17979G1</u>						ACCELERATOR ROD BUSHING	1
14	<u>73046G01</u>						COMPRESSION SPRING	1
15	<u>17677G2</u>						SPRING RETAINER	1
16	<u>72072G01</u>						ACCELERATOR ROD	1
17	<u>10385G4</u>						CLEVIS YOKE (ADJUSTABLE)	1
18	<u>10386G3</u>						CLEVIS PIN, 5/16" X 13/16" LG	1
19	<u>17838G1</u>						NYLON BUSHING	3
20	<u>17255G1</u>						TEFLON WASHER, 5/16"	1
21	<u>10387G3</u>						COTTER PIN, 3/32" X 3/4" LG	1
22	<u>74432G01</u>						PEDAL PIVOT PIN	1
23	<u>12064G6</u>						PUSH NUT, 9/32"	1
24	<u>12730G1</u>						WHEEL BEARING GREASE (NOT ILLUSTRATED)	A/R
25	<u>72201G04</u>						WIRE HARNESS (PEDAL BOX)	1
26								
27								
28	<u>608618</u>						ACCELERATOR CABLE	1
29								
30	<u>25799G03</u>						ACCELERATOR PEDAL ASSEMBLY (INCLUDES ITEMS 31- 33)	1
31	<u>27844G01</u>						ACCELERATOR PEDAL PAD KIT (INCLUDES ITEMS 32- 33)	1

ACCELERATOR AND CHOKE

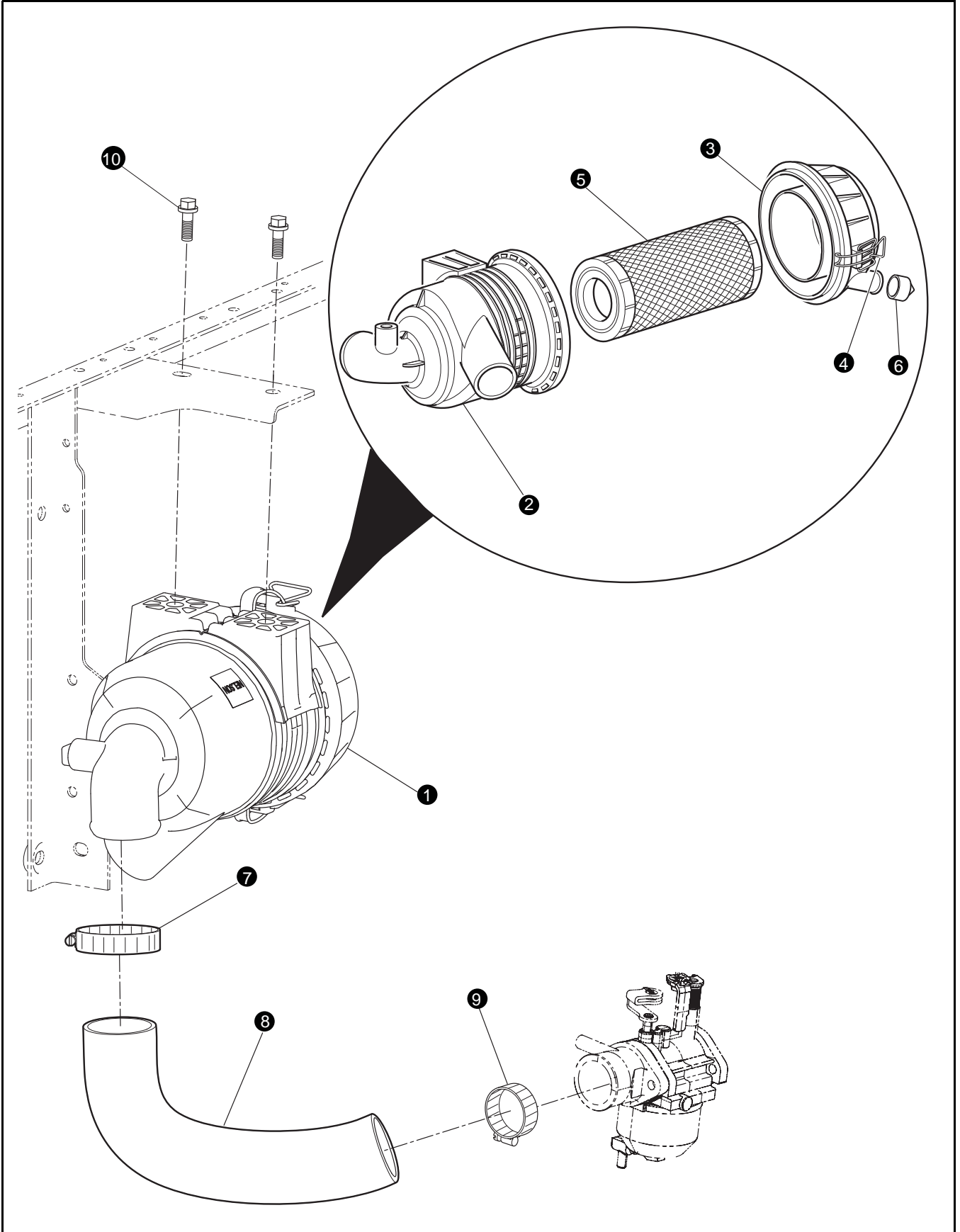
When ordering parts, please specify the model and serial number of the product.

* Indicates a component that is not available as an individual part.

*** Indicates consult Customer Service Department for additional information.

ITEM	PART NO.	1 2 3 4 5	DESCRIPTION	QTY.
32	<u>16409G1</u>		OVAL RIVET, 3/16" X 7/16" LG	6
33	<u>27512-G01</u>		ACCELERATOR PEDAL PAD	1
34	*		ACCELERATOR PEDAL	
35	<u>00715G2</u>		BOLT, 5/16 -18 X 4/5" LG.....	4
36	<u>605795</u>		CHOKE CABLE ASSY (TS - 4, TS - 6).....	1
37	<u>00568G4</u>		LOCK WASHER, 9/16"	1
38	<u>00545G4</u>		JAM NUT, 9/16 - 18.....	1
39	<u>72154G01</u>		CHOKE CABLE ADAPTER.....	1
40	<u>72155G02</u>		RETAINER	1
41				
42				
43	<u>606083</u>		UPPER GOVERNOR BRACKET.....	1
44	<u>606005</u>		LOWER GOVERNOR BRACKET	1
45	<u>606265</u>		BOLT, M6 - 1 X 12.....	1
46	<u>606421</u>		BOLT, M6 - 1 X 30.....	1
47	<u>450452</u>		NUT, M6 - 1.0.....	1
48	<u>606283</u>		GOVERNOR LEVER BUSHING	1
49	<u>606284</u>		GOVERNOR ROD	1
50	<u>603890</u>		GOVERNOR ROD GUARD	1
51	<u>606264</u>		BOLT, M6 - 1 X 20.....	1
52	<u>606262</u>		BOLT, M8 - 1.25 X 16.....	1
53	<u>606074</u>		GOVERNOR CABLE / DIRECTION SELECTOR BRACKET	1
54	<u>606256</u>		BOLT, M10 - 1.25 X 16.....	2
55	<u>14601G11</u>		RIVET.....	1
56	<u>608527</u>		GOVERNOR WARNING DECAL.....	1
57	<u>00915G1</u>		WASHER	1
58	<u>606199</u>		GOVERNOR COVER	1
59	<u>17618G1</u>		NYLON CLAMP	2

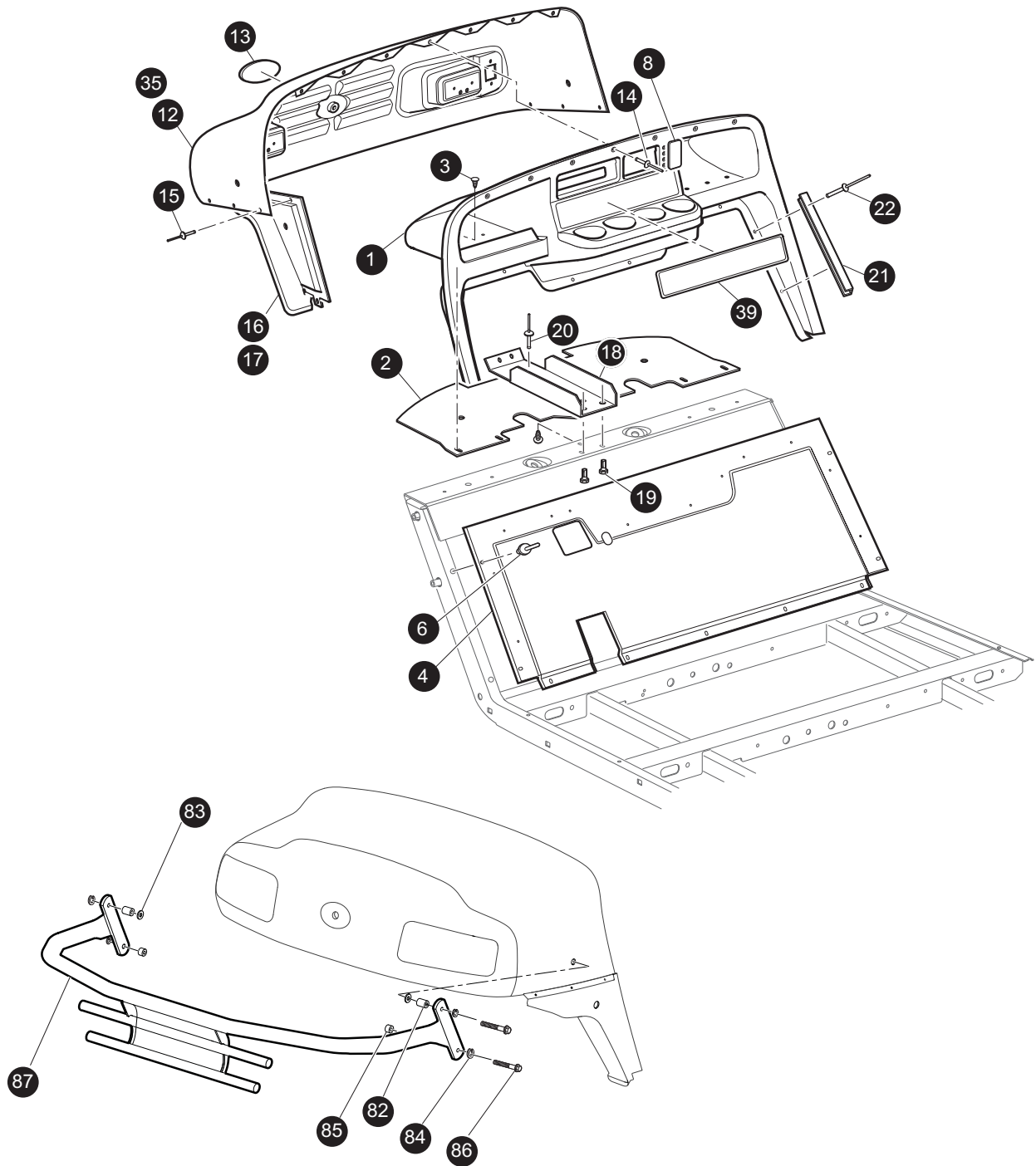
AIR FILTER



THE USE OF NON U.L. PARTS WILL VOID ANY U.L. LISTING.
 When ordering parts, please specify the model and serial number of the product.
 * Indicates a component that is not available as an individual part.
 G** Indicates consult Customer Service Department for additional information.

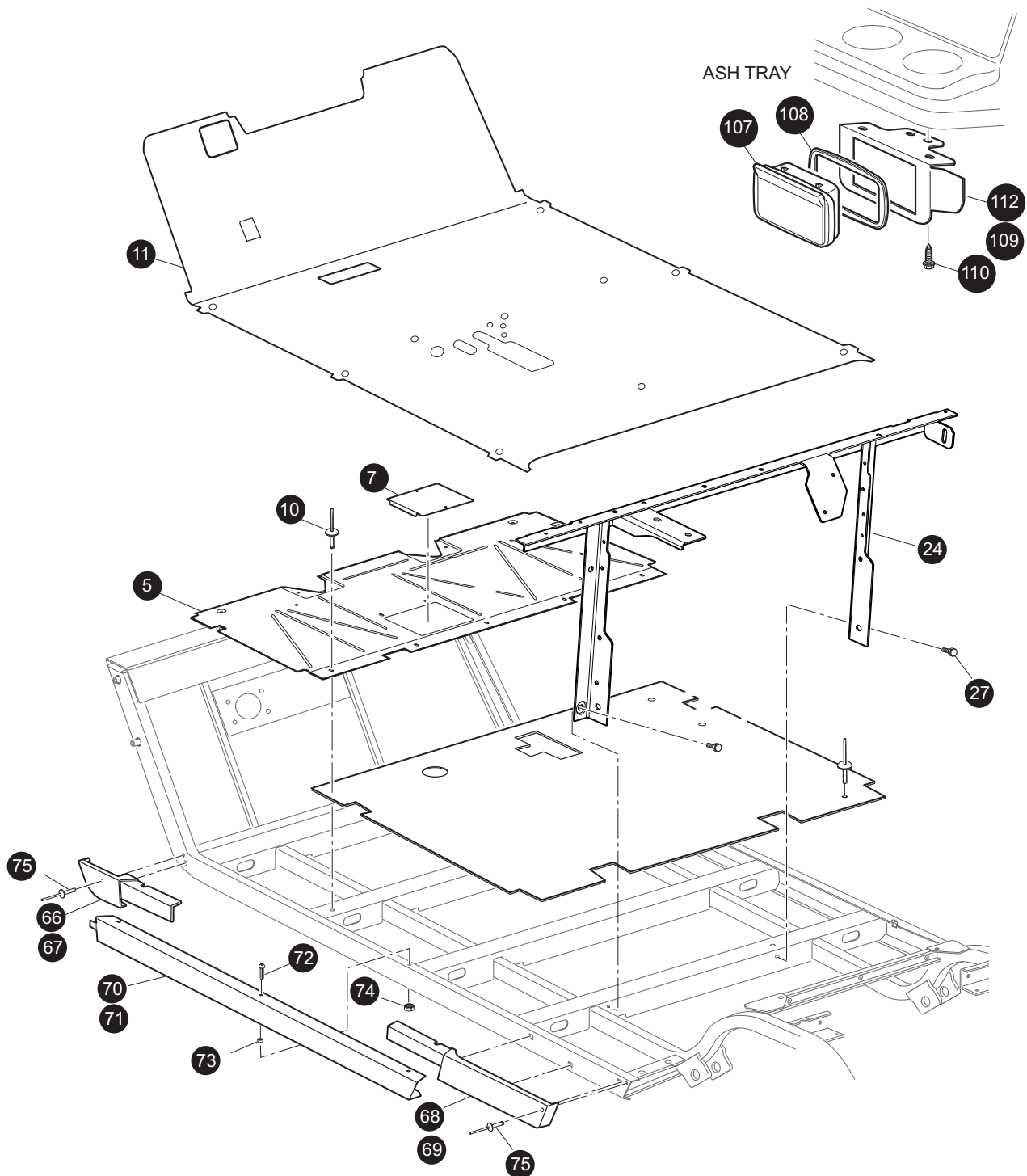
ITEM	PART NO.	1 2 3 4 5	DESCRIPTION	QTY.
1	<u>606952</u>		AIR CLEANER (INCLUDES ITEMS 2 - 6).....	1
2	607269		BODY & BRACKET ASSEMBLY	1
3	<u>72599G01</u>		AIR CLEANER COVER	1
4	<u>72604G01</u>		AIR CLEANER CLIP	2
5	<u>28463G01</u>		AIR FILTER	1
6	<u>28462G01</u>		VALVE DUST EJECTOR	1
7	<u>11391G7</u>		HOSE CLAMP	1
8	<u>607950</u>		HOSE	1
9	<u>11391G1</u>		HOSE CLAMP	1
10	<u>25532G1</u>		BOLT AND WASHER, M8 X 1.25 X 18 MM	2

BODY



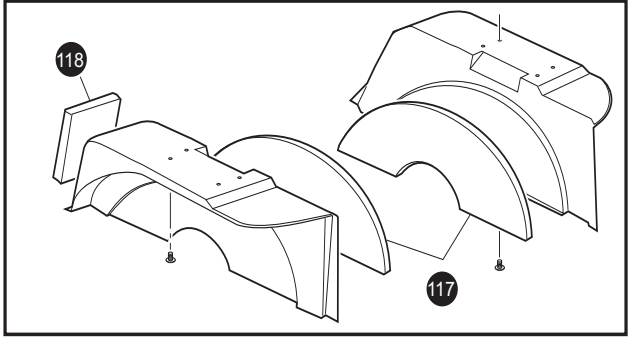
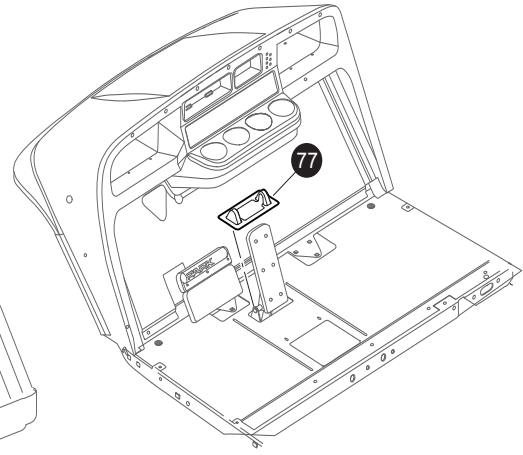
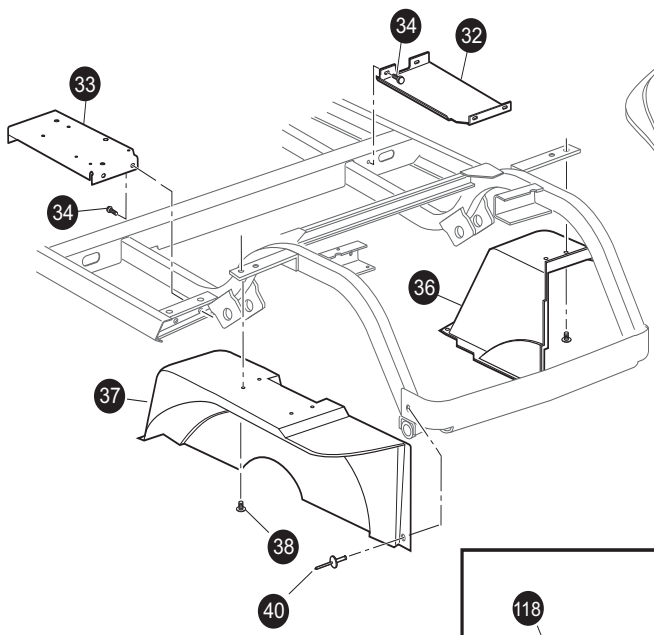
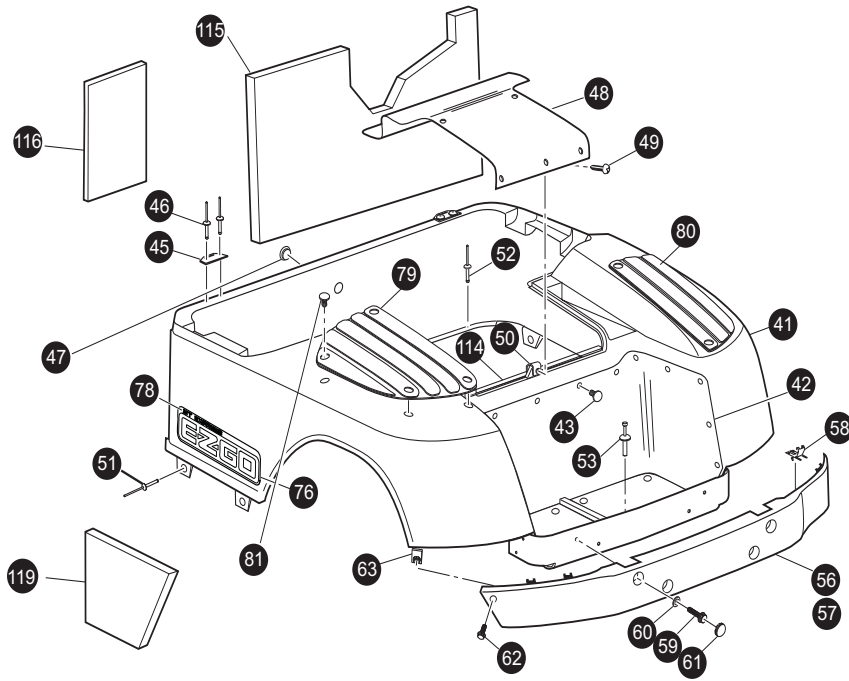
106 - Includes Items 107 - 110

111 - Includes Items 107 - 108, 110, 112

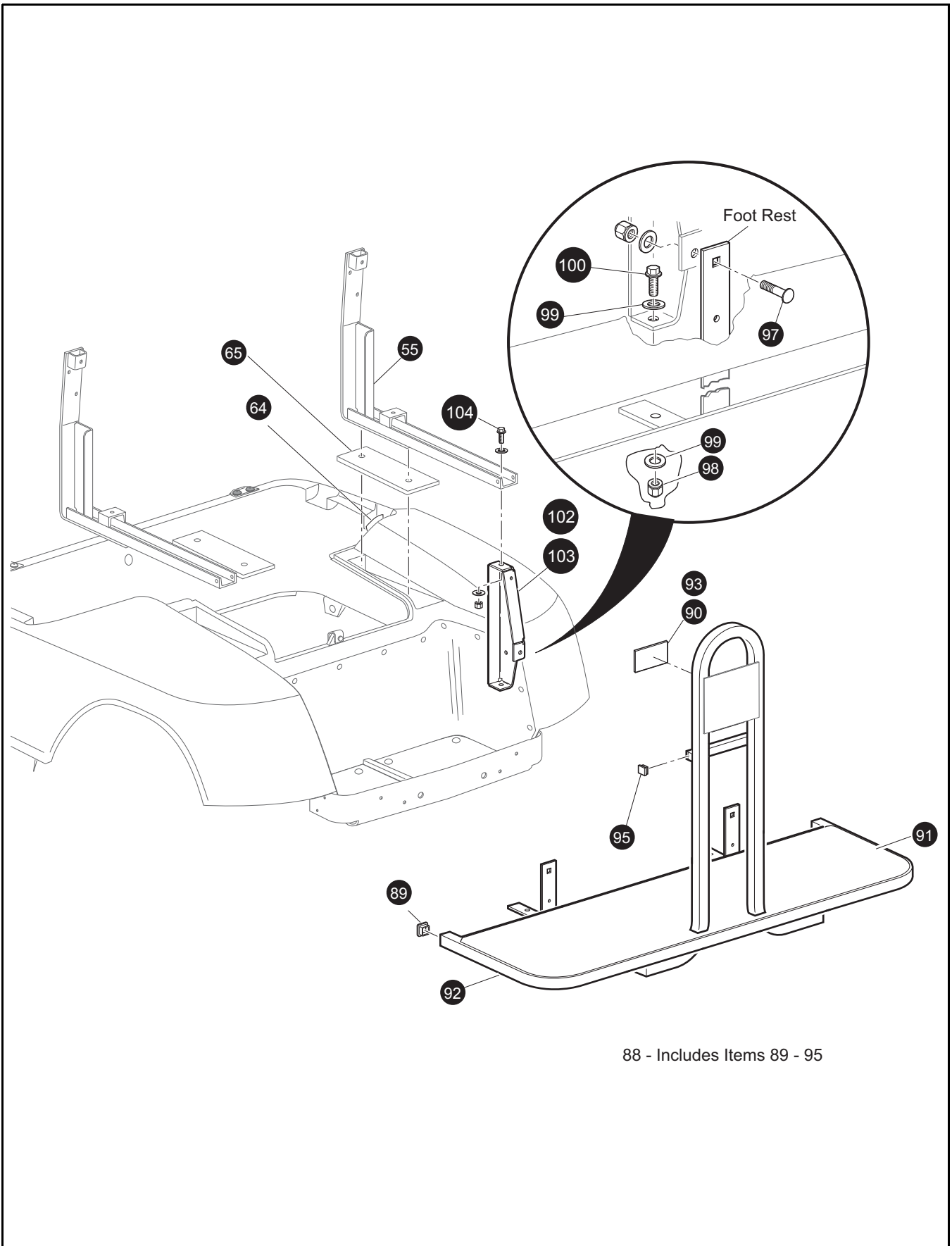


Ref Bod 7-2

BODY



Ref Bod 7-3



88 - Includes Items 89 - 95

BODY

THE USE OF NON U.L. PARTS WILL VOID ANY U.L. LISTING.
 When ordering parts, please specify the model and serial number of the product.
 * Indicates a component that is not available as an individual part.
 G** Indicates consult Customer Service Department for additional information.

ITEM	PART NO.	1 2 3 4 5	DESCRIPTION	QTY.
1	<u>71151G03</u>		INSTRUMENT PANEL ASSEMBLY	1
2	<u>71413G01</u>		SPLASH PANEL.....	1
3	<u>16816G2</u>		RATCHET FASTENER, 1/4" X 3/4" LG	5
4	<u>70662G01</u>		UPPER FLOORPAN.....	1
5	<u>70451G01</u>		LOWER FLOORPAN.....	1
6	<u>14601G11</u>		RIVET, 3/16" X 9/16" LG (ALUMINUM).....	16
7	<u>70452G01</u>		ACCESS COVER.....	1
8	<u>35968G01</u>		LABEL (TEE HOLDER COVER).....	1
9	<u>70823G01</u>		REAR FLOORPAN	1
10	<u>10570G10</u>		RIVET, 5/32" X 9/16" LG (STAINLESS STEEL)	5
11	<u>70995G02</u>		FLOORMAT W/HORN HOLES.....	1
12	<u>606534G0xx</u>		COWL.....	1
13	<u>74183G01</u>		NAMEPLATE (E-Z-GO) (OVAL)	1
14	<u>71055G01</u>		RIVET, 3/16" X 1" LG	7
15	<u>71055G01</u>		RIVET, 3/16" X 1" LG	6
16	<u>71338G01</u>		FENDER FLARE (DRIVER SIDE).....	1
17	<u>71338G02</u>		FENDER FLARE (PASSENGER SIDE)	1
18	<u>71101G02</u>		COWL SUPPORT BRACKET	1
19	<u>71102G02</u>		SELF TAPPING SCREW, 1/4 - 20 X 1/2" LG	3
20	<u>71055G01</u>		RIVET, 3/16" X 1 1/8" LG	1
21	<u>71115G01</u>		VINYL TRIM	2
22	<u>71055G01</u>		RIVET, 3/16" X 1" LG	10
23	<u>00571G2</u>		WASHER, 5/16 (WITHOUT SUN TOP).....	2
24	<u>605694</u>		SEAT FRAME.....	1
25				
26	<u>00715G2</u>		BOLT, 5/16 - 18 X 13/16" LG	2
27				
28				
29				
30				

THE USE OF NON U.L. PARTS WILL VOID ANY U.L. LISTING.
 When ordering parts, please specify the model and serial number of the product.
 * Indicates a component that is not available as an individual part.
 G** Indicates consult Customer Service Department for additional information.

ITEM	PART NO.	1 2 3 4 5	DESCRIPTION	QTY.
31				
32	<u>70244G03</u>		SPLASH PAN (PASSENGER SIDE)	1
33	<u>70244G03</u>		SPLASH PAN (DRIVER SIDE).....	1
34	<u>00715G2</u>		BOLT, 5/16 - 18 X 13/16" LG	8
35	71090GXX		COWL.....	1
36	608124		FENDER LINER (PASSENGER SIDE)	1
37	<u>608125</u>		FENDER LINER (DRIVER SIDE).....	1
38	<u>16816-G2</u>		RATCHET FASTENER, 1/4" X 3/4" LG	8
39	<u>601781</u>		CONSOL PICTOGRAM LABEL	1
40	14601G17		RIVET	2
41	71912G**		REAR BODY ASSEMBLY (W/OUT TAILLIGHTS) (INCLUDES ITEMS 42, 43)..	1
42	71318G01		BAGWELL LINER	1
43	<u>16816G1</u>		RATCHET FASTENER, 1/4" X 9/16" LG	20
44				
45	<u>71609G01</u>		HINGE PLATE	2
46	<u>10570G11</u>		RIVET, 3/16" X 3/4" LG (STAINLESS STEEL)	4
47	<u>71316G01</u>		PLUG.....	1
48	<u>71320G01</u>		ACCESS PANEL	1
49	<u>01107G01</u>		SCREW, #8 X 5/8" LG	5
50	<u>71364G02</u>		'J' CLIP	1
51	10570G12		RIVET, 1/4" X 9/16" LG (ALUMINUM).....	4
52	<u>10570G10</u>		RIVET, 5/32" X 9/16" LG (STAINLESS STEEL)	6
53	<u>18436G1</u>		PLASTIC DRIVE RIVET, 1/4" X 9/16" LG	2
54				
55	<u>74111G01</u>		SEAT SUPPORT	2
56	<u>71451G02</u>		REAR BUMPER ASSEMBLY (INCLUDES ITEMS 69 & 70).....	1
57	*		REAR BUMPER.....	1
58	*		STAY	1
59	71398G01		BOLT, 1/4 - 20 X 1 1/4" LG	4
60	<u>00571G2</u>		WASHER, 5/16"	4

BODY

THE USE OF NON U.L. PARTS WILL VOID ANY U.L. LISTING.

When ordering parts, please specify the model and serial number of the product.

* Indicates a component that is not available as an individual part.

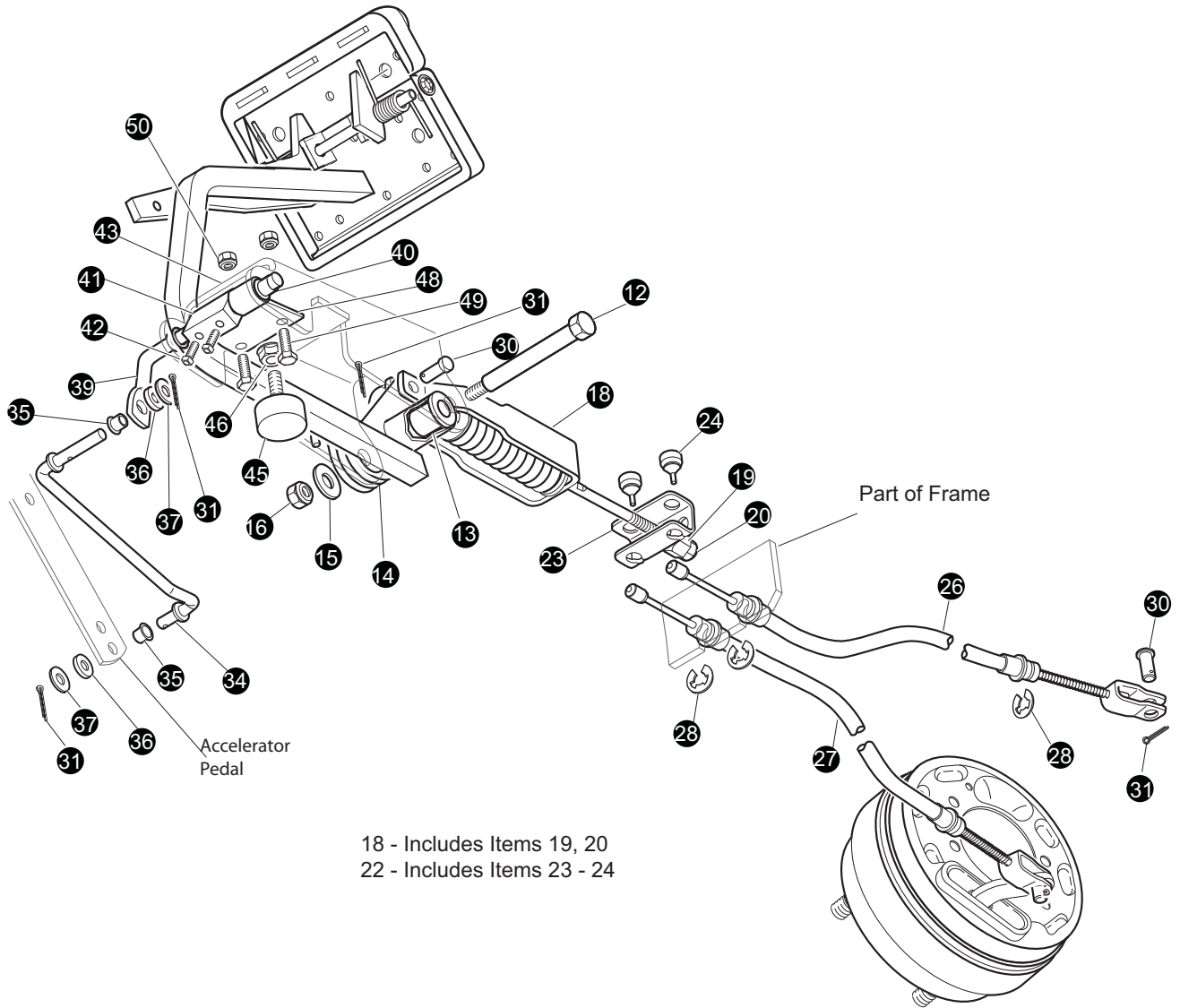
G** Indicates consult Customer Service Department for additional information.

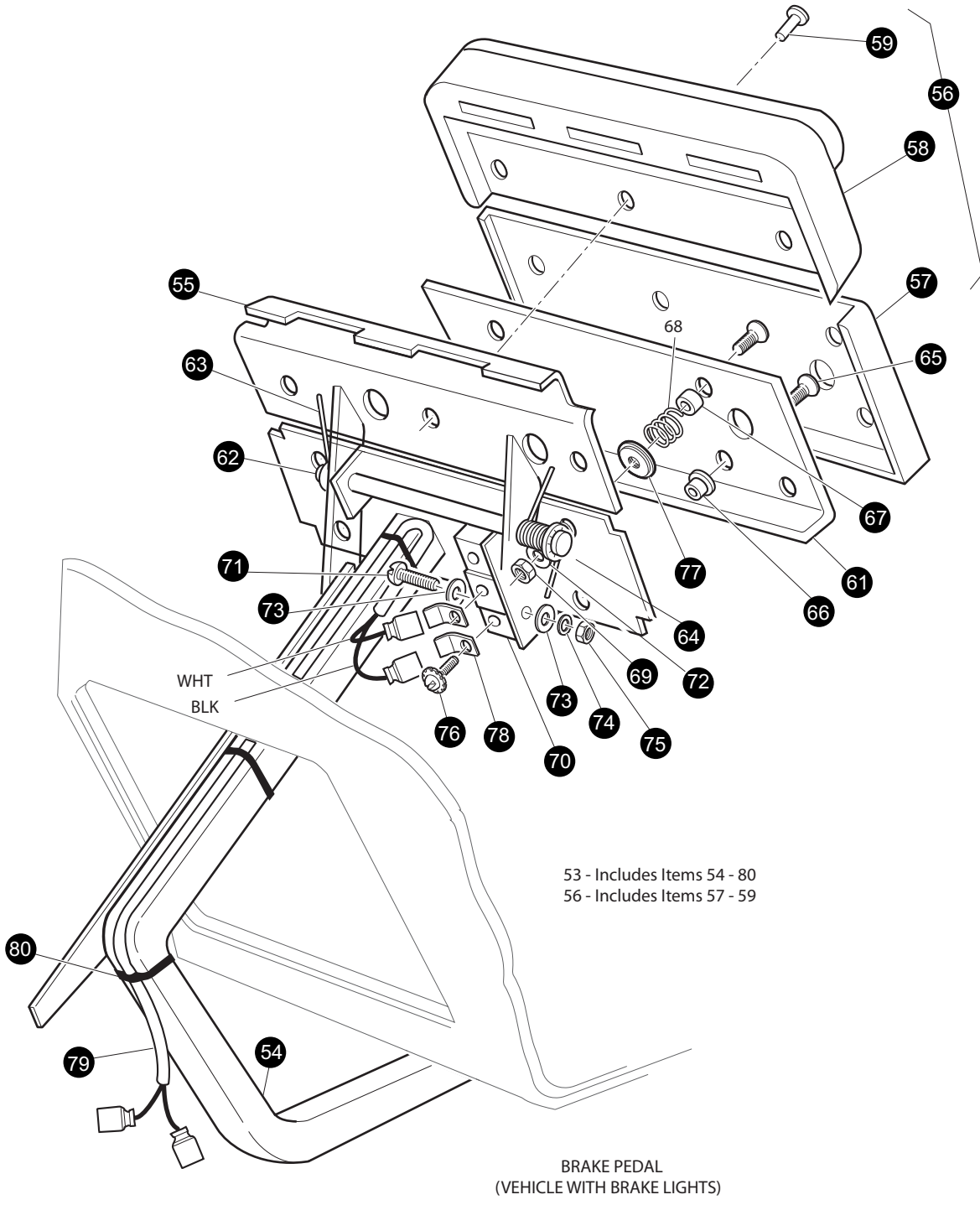
ITEM	PART NO.	1 2 3 4 5	DESCRIPTION	QTY.
61	<u>71455G01</u>		BUMPER PLUG	4
62	<u>71102G03</u>		BOLT, 1/4 - 20 x 11/16" LG	2
63	<u>71554G01</u>		J-TYPE NUT RETAINER, 1/4 - 20.....	2
64	<u>74093G01</u>		LABEL (WARNING).....	1
65	<u>70364G01</u>		SPACER.....	2
66	<u>71642G01</u>		ROCKER PANEL (FRONT, DRIVER SIDE)	1
67	<u>71642G02</u>		ROCKER PANEL (FRONT, PASSENGER SIDE).....	1
68	<u>71643G01</u>		ROCKER PANEL (REAR, DRIVER SIDE)	1
69	<u>71643G02</u>		ROCKER PANEL (REAR, PASSENGER SIDE).....	1
70	<u>71641G01</u>		SILL PLATE (PASSENGER SIDE).....	1
71	<u>71641G02</u>		SILL PLATE (DRIVER SIDE).....	1
72	<u>16705G1</u>		SCREW, 1/4 - 20 X 1" LG (STAINLESS STEEL)	6
73	<u>23726G4</u>		SPACER, 5/16".....	6
74	<u>14390G4</u>		LOCK NUT, 1/4 - 20	6
75	<u>15058G6</u>		RIVET, 3/16" X 15/16" LG (ALUMINUM).....	4
76	<u>620312</u>		E-Z-GO LOGO LARGE LABEL	2
77	<u>70135G01</u>		PEDAL PIVOT COVER	1
78	<u>608431</u>		LABEL (ST EXPRESS)	2
79	<u>75126G01</u>		FENDER SCUFFGUARD (DRIVER SIDE)	1
80	<u>75126G02</u>		FENDER SCUFFGUARD (PASSENGER SIDE).....	1
81	<u>16816G2</u>		RATCHET FASTENER, 1/4" x 3/4 " LG.....	8
82	<u>75048G04</u>		SPACER, 1".....	2
83	<u>00570G2</u>		WASHER, 5/16.....	2
84	<u>00905G8</u>		LOCK WASHER.....	4
85	<u>75048G01</u>		SPACER.....	2
86	<u>01035G02</u>		BOLT 5/16 - 18 X 2.50.....	4
87	604659		BRUSH GUARD.....	1
88	<u>70361G03</u>		FOOTREST ASSEMBLY (INCLUDES 89 - 95).....	1
89	<u>19853G1</u>		END CAP, 1"	2
90	<u>71929G01</u>		LABEL (WARNING)	1

THE USE OF NON U.L. PARTS WILL VOID ANY U.L. LISTING.
 When ordering parts, please specify the model and serial number of the product.
 * Indicates a component that is not available as an individual part.
 G** Indicates consult Customer Service Department for additional information.

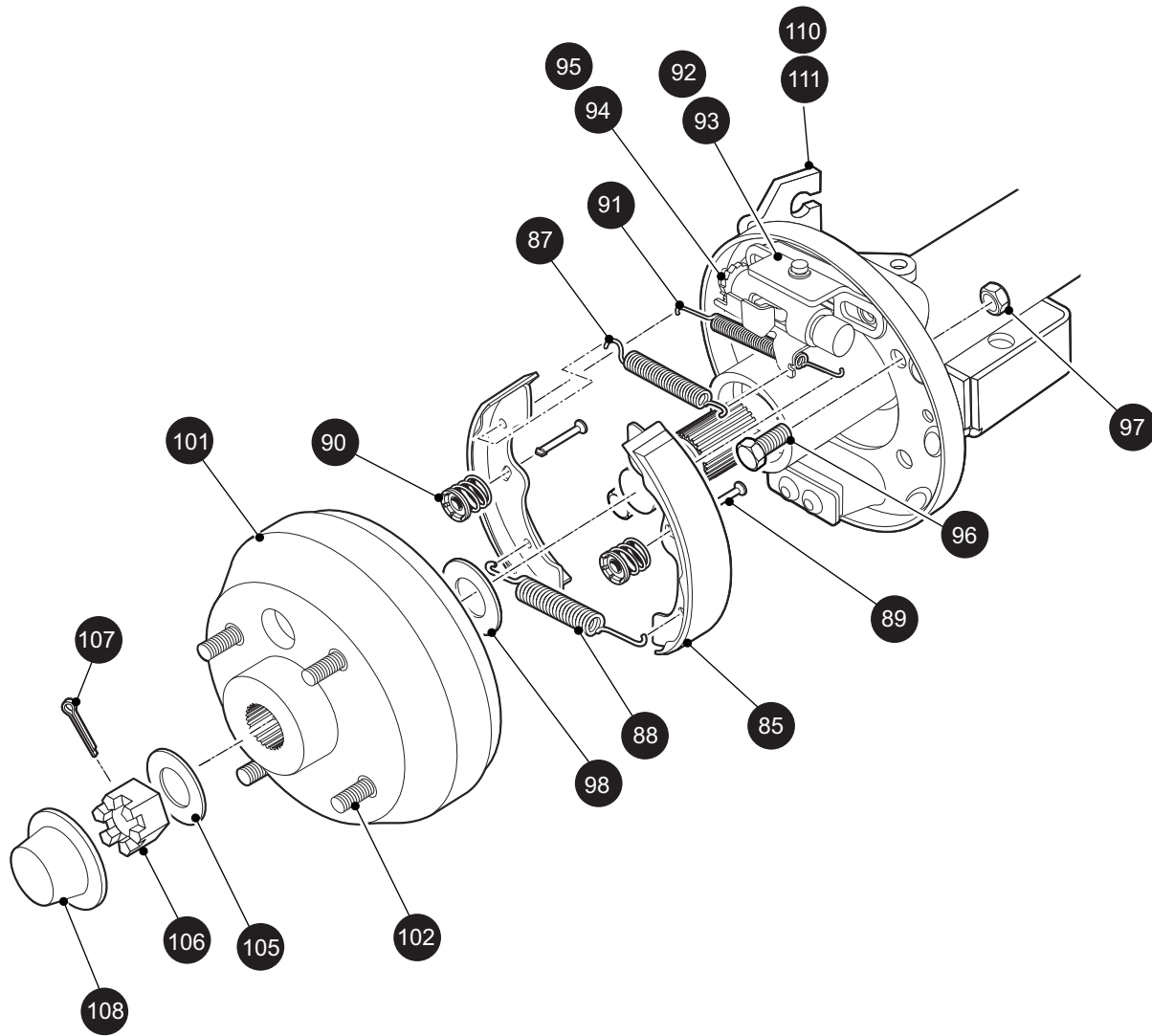
ITEM	PART NO.	1 2 3 4 5	DESCRIPTION	QTY.
91	<u>70362G01</u>		FLOORMAT	1
92	<u>70633G01</u>		FOOTREST	1
93	<u>610631</u>		LABEL (WARNING) (CLAYS CAR).....	1
94				
95	<u>19859G1</u>		END CAP, 3/4	2
96				
97	<u>00769G2</u>		CARRIAGE BO-LT, 3/8 - 16 X 1 1/4" LG	2
98	<u>11098G5</u>		LOCK NUT, 3/8 - 16	6
99	<u>00560G1</u>		WASHER, 3/8"	14
100	<u>00427G4</u>		BOLT, 3/8 - 16 X 1 - 3/4.....	2
101				
102	<u>74126G01</u>		VERTICAL FRAME SUPPORT (PASSENGER SIDE)	1
103	<u>74126G02</u>		VERTICAL FRAME SUPPORT (DRIVER SIDE).....	1
104	<u>00426G8</u>		BOLT, 3/8 - 16 X 1" LG	2
105				
106	<u>75109G02</u>		ASH TRAY KIT (INCLUDES ITEMS 107 - 110).....	1
107	<u>27731G01</u>		ASH TRAY	1
108	<u>27736G01</u>		GASKET	1
109	<u>75108G02</u>		BRACKET	1
110	<u>00100G4</u>		SCREW, #10 - 16 x 1/2" LG.....	4
111	<u>75109G01</u>		ASH TRAY KIT (INCLUDES ITEMS (107-108, 110,112)	1
112	<u>75108G02</u>		BRACKET (E-COAT)	1
113				
114	<u>22744G1</u>		BAGWELL NOISE SUPPRESSOR	1
115	<u>606248</u>		SEAT WRAP FOAM	1
116	<u>72549G01</u>		SEATWRAP NOISE SUPPRESSOR	1
117	<u>72548G01</u>		FENDER NOISE SUPPRESSOR	2
118	<u>72551G01</u>		FENDER NOISE SUPPRESSOR (DRIVER SIDE, FRONT).....	1
119	<u>72552G01</u>		SEATWRAP NOISE SUPPRESSOR (DRIVER SIDE, SIDE).....	1

BRAKES - MECHANICAL





BRAKES - MECHANICAL



- 82 - Includes Items 84 - 92, 94, 95
- 83 - Includes Items 84 - 91, 93 - 95
- 84 - Includes Items 85
- 86 - Includes Items 87 - 91
- 92 - Includes Items 94, 95
- 93 - Includes Items 94, 95
- 100 - Includes Items 101, 102

BRAKES - MECHANICAL

THE USE OF NON U.L. PARTS WILL VOID ANY U.L. LISTING.
 When ordering parts, please specify the model and serial number of the product.
 * Indicates a component that is not available as an individual part.
 G** Indicates consult Customer Service Department for additional information.

ITEM	PART NO.	1 2 3 4 5	DESCRIPTION	QTY.
1				
2				
3				
4				
5				
6				
7				
8				
9				
10				
11				
12	<u>70582G01</u>		SHOULDER BOLT, 3/8 - 16 X 4" LG (STAINLESS STEEL).....	1
13	<u>70581G01</u>		FLANGED BUSHING	2
14	<u>70676G01</u>		TORSION SPRING	1
15	<u>00643G1</u>		WASHER, 3/8"	1
16	<u>11098G5</u>		LOCK NUT, 3/8 - 16	1
17				
18	<u>70272G04</u>		COMPENSATOR ASSEMBLY (INCLUDES ITEMS 19, 20).....	1
19	<u>00963G01</u>		SPHERICAL NUT, 5/16 - 24	1
20	<u>11098G9</u>		LOCK NUT, 5/16 - 24	1
21				
22	<u>70969G06</u>		EQUALIZER AND BRAKE CABLE ASSEMBLY (INCLUDES ITEMS 23-24).....	1
23	<u>28082G01</u>		EQUALIZER BRACKET	1
24	<u>28083G01</u>		BRAKE COMPENSATOR BUMPER.....	2
25				
26	<u>70968G08</u>		BRAKE CABLE 58.31"	1
27	<u>70968G09</u>		BRAKE CABLE 68.00"	1
28	<u>01111G01</u>		RETAINING RING, 13/32" (STAINLESS STEEL).....	4
29				
30	<u>10386G3</u>		CLEVIS PIN, 5/16" X 13/16" LG	3

BRAKES - MECHANICAL

THE USE OF NON U.L. PARTS WILL VOID ANY U.L. LISTING.

When ordering parts, please specify the model and serial number of the product.

* Indicates a component that is not available as an individual part.

G** Indicates consult Customer Service Department for additional information.

ITEM	PART NO.	1 2 3 4 5	DESCRIPTION	QTY.
31	<u>10387G3</u>		COTTER PIN, 3/32" X 3/4" LG	5
32				
33				
34	<u>70601G01</u>		KICK-OFF LINK.....	1
35	<u>17838G1</u>		NYLON BUSHING.....	2
36	<u>20835G1</u>		TEFLON WASHER, 3/8"	2
37	00559G8		WASHER, 5/16"	2
38				
39	<u>70098G01</u>		KICK-OFF CAM PIVOT.....	1
40	<u>10097G6</u>		FLANGED BEARING	2
41	<u>70587G01</u>		KICK-OFF CAM.....	1
42	<u>71215G01</u>		SETSCREW, 1/4 - 20 X 1/2" LG.....	2
43	<u>14134G4</u>		SPACER.....	1
44				
45	<u>70113G01</u>		ADJUSTABLE BUMPER	1
46	<u>11027G1</u>		LOCK NUT, 5/16 - 18	1
47				
48	<u>70080G02</u>		CATCH BRACKET	1
49	<u>00414G6</u>		BOLT, 1/4 - 20 X 3/4" LG	2
50	<u>14390G4</u>		LOCK NUT, 1/4 - 20 (STAINLESS STEEL)	2
51				
52				
53	70690G02		BRAKE PEDAL ASSEMBLY (WITH BRAKE LIGHTS) (INCLUDES ITEMS 54 - 80).....	1
54	*		BRAKE PEDAL.....	1
55	<u>70611G02</u>		PARK BRAKE PEDAL	1
56	70274G01		BRAKE/PARK BRAKE PEDAL PAD KIT (INCLUDES ITEMS 57 - 59).....	1
57	*		SERVICE BRAKE PAD	1
58	*		PARK BRAKE PAD.....	1
59	<u>16409G1</u>		OVAL RIVET, 3/16" x 7/16" LG.....	9

BRAKES - MECHANICAL

THE USE OF NON U.L. PARTS WILL VOID ANY U.L. LISTING.

When ordering parts, please specify the model and serial number of the product.

* Indicates a component that is not available as an individual part.

G** Indicates consult Customer Service Department for additional information.

ITEM	PART NO.	1	2	3	4	5	DESCRIPTION	QTY.
60								
61	<u>70258G03</u>						BRAKE PEDAL PLATE	1
62	<u>70682G01</u>						PIVOT PIN	1
63	<u>70681G01</u>						TORSION SPRING	2
64	<u>01071G01</u>						PUSHNUT, 5/16"	1
65	<u>00737G8</u>						SCREW, #10 - 24 X 7/8" LG	4
66	<u>00739G1</u>						RUBBER NUT, #10 - 24	2
67	<u>74535G01</u>						BRAKE PEDAL STANDOFF	2
68	<u>27137G01</u>						CONICAL SPRING	2
69	<u>14390G10</u>						LOCK NUT, #10 - 24	2
70	10606G8						MICRO SWITCH	1
71	<u>00645-G2</u>						BOLT, #6 - 32 X 1 1/4" LG	2
72	<u>00559G5</u>						WASHER, #10	2
73	<u>00559G3</u>						WASHER, #6	4
74	<u>00565G3</u>						LOCK WASHER, #6	2
75	<u>00525G5</u>						NUT, #6 - 32	2
76	<u>13514G1</u>						SCREW AND LOCK WASHER, #6	2
77	<u>00642-G8</u>						WASHER - 5/16"	2
78	<u>14628G1</u>						FASTON TAB	2
79	<u>24605G1</u>						WIRE HARNESS (BRAKE LIGHT)	1
80	<u>17618G1</u>						WIRE TIE	4
81								
82	<u>70998G01</u>						BRAKE ASSEMBLY (DRIVER SIDE) (INCLUDES ITEMS 84 - 92, 94, 95)	1
83	<u>70998G02</u>						BRAKE ASSEMBLY (PASSENGER SIDE) (INCLUDES ITEMS 84 - 91, 93 - 95)	1
84	70794G01						BRAKE SHOE KIT (INCLUDES ITEM 85)	2
85	*						BRAKE SHOE	2
86	<u>27944G01</u>						BRAKE SPRING KIT (INCLUDES ITEMS 87 - 91)	2
87	*						UPPER SPRING	1
88	*						LOWER SPRING	1

BRAKES - MECHANICAL

THE USE OF NON U.L. PARTS WILL VOID ANY U.L. LISTING.

When ordering parts, please specify the model and serial number of the product.

* Indicates a component that is not available as an individual part.

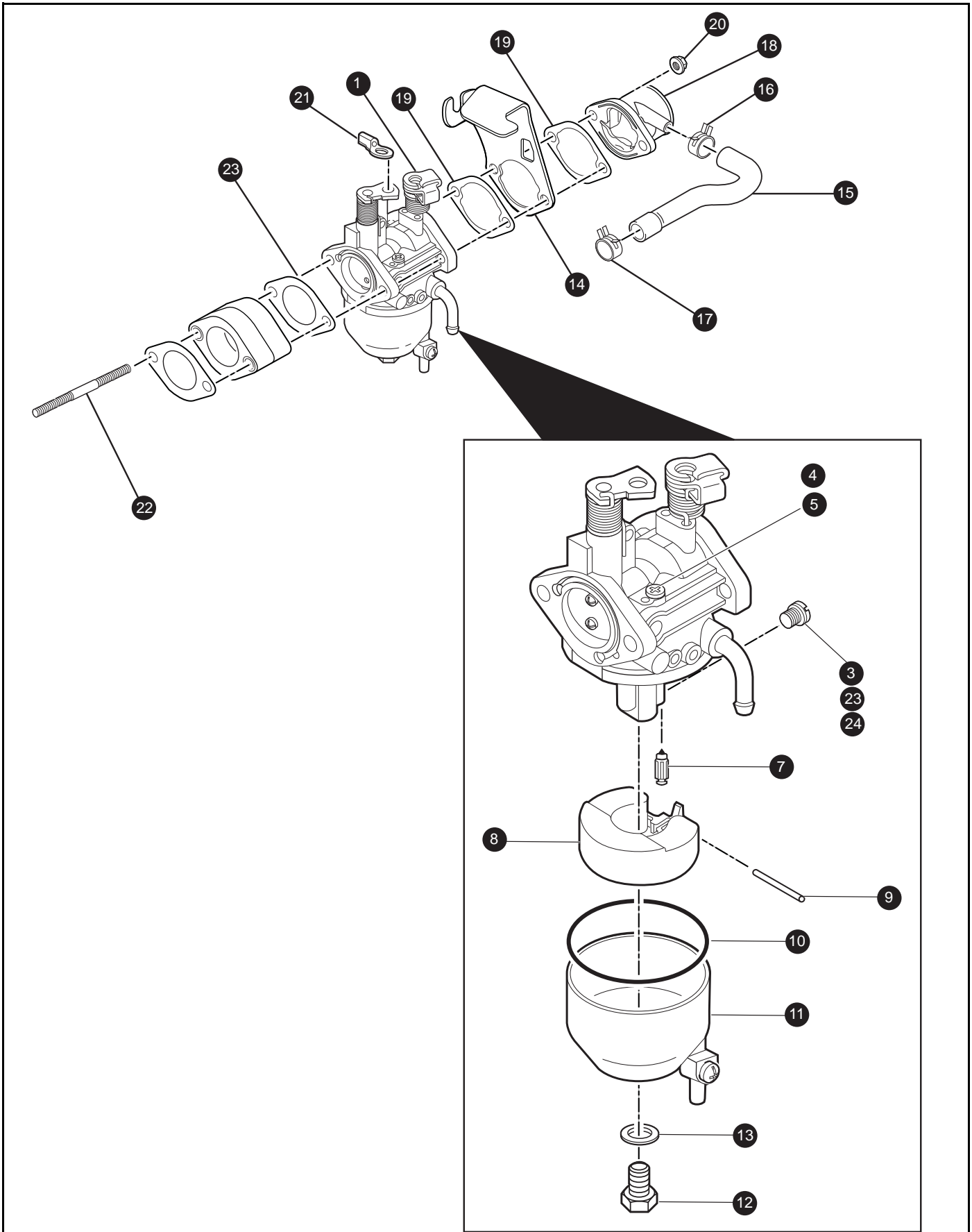
G** Indicates consult Customer Service Department for additional information.

ITEM	PART NO.	1	2	3	4	5	DESCRIPTION	QTY.
89	*						PIN	2
90	*						CUP AND SPRING	2
91	*						ADJUSTER SPRING.....	1
92	<u>72582G01</u>						BRAKE ADJUSTER KIT (DRIVER SIDE) (INCLUDES ITEMS 94, 95)	1
93	<u>72582G02</u>						BRAKE ADJUSTER KIT (PASSENGER SIDE) (INCL. ITEMS 94, 95).....	1
94	*						ADJUSTER	1
95	*						TEFLON WASHER.....	2
96	<u>17083G2</u>						BOLT, 5/16 - 24 X 1" LG	8
97	<u>15126G1</u>						LOCK NUT, 5/16 - 24	8
98	<u>21809G1</u>						INNER BRAKE DRUM WASHER, 1 5/16" OD X 1" ID X 1/32"	2
99								
100	<u>21807G2</u>						BRAKE DRUM ASSEMBLY (INCLUDES ITEMS 101 - 102).....	2
101	*						BRAKE DRUM.....	1
102	<u>19862G2</u>						LUG BOLT, 1/2 - 20 X 1 3/16" LG	4
103								
104								
105	<u>606945</u>						OUTER BRAKE DRUM WASHER	2
106	<u>606403</u>						SLOTTED NUT, M22 X 1.5	2
107	<u>10387G1</u>						COTTER PIN, 1/8" X 1 1/2" LG.....	2
108	<u>74175G01</u>						SPINDLE CAP.....	2
109								
110	<u>608200</u>						BRAKE CABLE BRACKET (PASSENGER SIDE).....	1
111	<u>608201</u>						BRAKE CABLE BRACKET (DRIVER SIDE)	1

Notes:

A large grid of graph paper, consisting of 20 columns and 30 rows of small squares, intended for taking notes.

CARBURETOR



When ordering parts, please specify the model and serial number of the product.

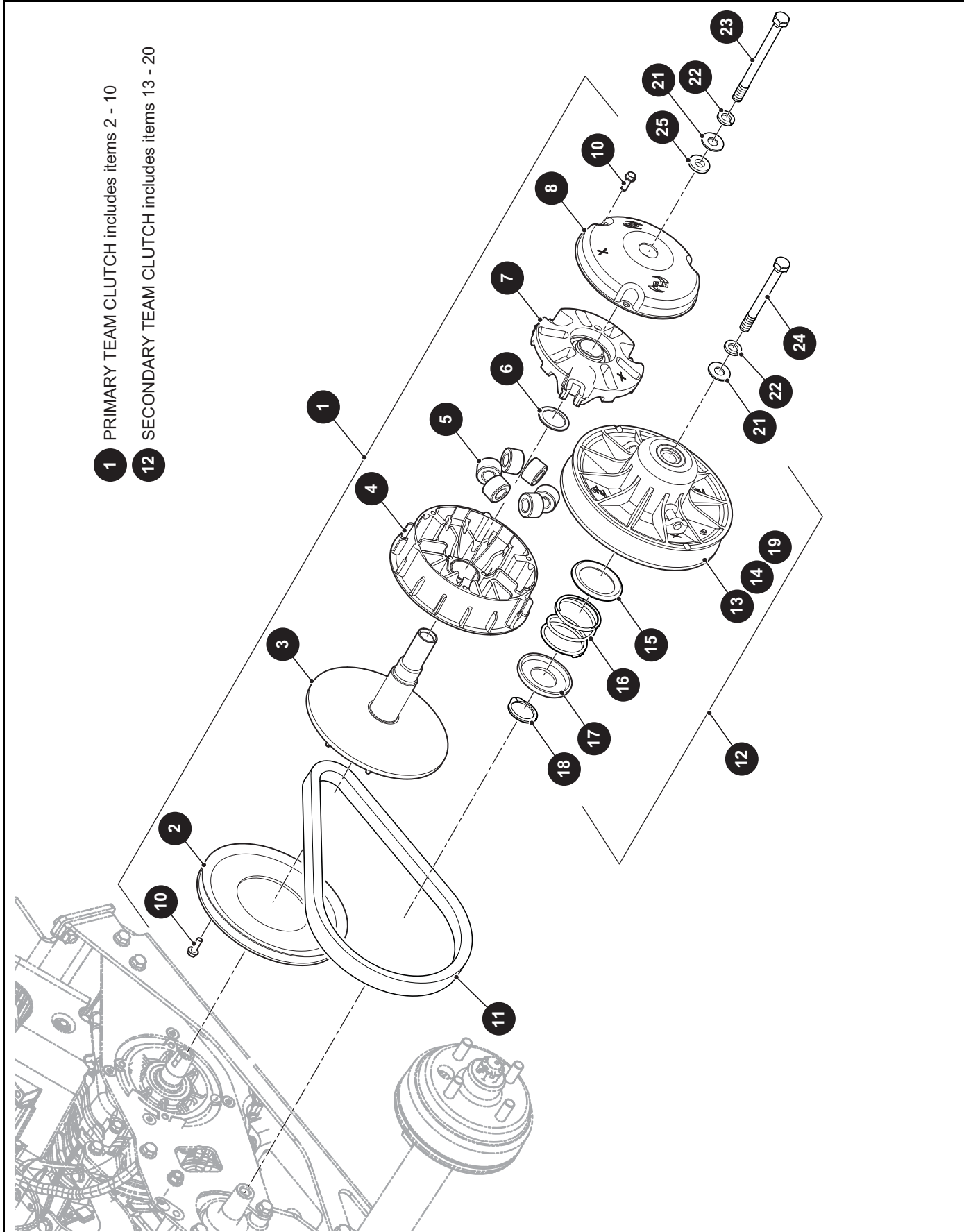
* Indicates a component that is not available as an individual part.

*** Indicates consult Customer Service Department for additional information.

ITEM	PART NO.	1 2 3 4 5	DESCRIPTION	QTY.
1	<u>607955</u>		CARBURETOR (INCLUDES ITEMS 3 - 22)	1
2				
3	<u>607956</u>		MAIN JET (#106).....	1
4	<u>607957</u>		PILOT JET (#52)	1
5	<u>603585</u>		PLUG.....	1
6				
7	<u>603586</u>		NEEDLE VALVE	1
8	<u>603587</u>		FLOAT	1
9	<u>603588</u>		FLOAT PIN	1
10	<u>603589</u>		FLOAT BOWL GASKET	1
11	<u>603590</u>		FLOAT CHAMBER	1
12	<u>603592</u>		BOWL SCREW.....	1
13	<u>603591</u>		BOWL GASKET	1
14	<u>603583</u>		CHOKE BRACKET.....	1
15	<u>603598</u>		BREATHER TUBE.....	1
16	<u>603596</u>		CLAMP, INTAKE TUBE	1
17	<u>603597</u>		CLAMP CYLINDER HEAD TUBE	1
18	<u>603594</u>		INTAKE TUBE	1
19	<u>603593</u>		CHOKE GASKET	2
20	<u>603595</u>		NUT, M6 X 1.0	2
21	<u>608023</u>		THROTTLE ROD ATTACHMENT BUSHING	1
22	<u>603584</u>		STUD BOLT.....	2
23	<u>607684</u>		MAIN JET (#102) (FOR ELEVATIONS OF 6000 FT - 10000 FT)	1
24	607983		MAIN JET (#104) (FOR ELEVATIONS OF 3000 FT - 6000 FT)	1

CLUTCH

- 1 PRIMARY TEAM CLUTCH includes items 2 - 10
- 12 SECONDARY TEAM CLUTCH includes items 13 - 20



When ordering parts, please specify the model and serial number of the product.

* Indicates a component that is not available as an individual part.

*** Indicates consult Customer Service Department for additional information.

ITEM	PART NO.	1 2 3 4 5	DESCRIPTION	QTY.
1	<u>623948</u>		PRIMARY TEAM CLUTCH (Includes items 2 - 10).....	1
2	<u>619333</u>		PRIMARY STARTER PULLY, 195 - SVC.....	1
3	<u>619334</u>		STATIONARY ASSEMBLY	1
4	<u>619335</u>		MOVEABLE PRIMARY ASSEMBLY	1
5	<u>624112</u>		SHIFT ROLLER ASSEMBLY.....	6
6	<u>619337</u>		SHIM, 39.5 X 31.75	1
7	<u>619338</u>		PRIMARY SPIDER ASSEMBLY	1
8	<u>619339</u>		PRIMARY DUST COVER ASSEMBLY.....	1
9				
10	<u>619332</u>		BOLT, 1/4 - 20 X.75	7
11	<u>618630</u>		DRIVE BELT	1
12	<u>623949</u>		SECONDARY TEAM CLUTCH (Includes items 13 - 20)	1
13	*		SECONDARY STATIONARY, 9.5.....	1
14	*		MOVEABLE SECONDARY, 9.5.....	1
15	<u>619327</u>		INNER RETAINER SPRING.....	1
16	<u>624111</u>		COMPRESSION SPRING, 2.70 OD.....	1
17	<u>619329</u>		OUTER SPRING RETAINER	1
18	<u>619330</u>		RETAINER RING.....	1
19	<u>619331</u>		THRUST WASHER, 1.530 x 1.830 x 1.....	1
20				
21	<u>606239</u>		CONICAL WASHER, M12	2
22	<u>00566G3</u>		SPRING TYPE LOCK WASHER	2
23	<u>606245</u>		HEX BOLT, M12 - 1.25 X 160	1
24	<u>606243</u>		HEX BOLT, M12 - 1.25 X 120	1
25	<u>606230</u>		CLUTCH WASHER.....	1

DIRECTION SELECTOR

Where applicable, THE USE OF NON UL PARTS WILL VOID ANY UL LISTING.

When ordering parts, please specify the model and serial number of the product.

* Indicates a component that is not available as an individual part.

G** Indicates consult Customer Service Department for additional information.

ITEM	PART NO.	1 2 3 4 5	DESCRIPTION	QTY.
1	<u>608184</u>		DIRECTION SELECTOR CABLE ASSEMBLY (INCLUDES ITEMS 16, 23-26, 33-34)	1
2	<u>605999</u>		DIRECTION SELECTOR ASSEMBLY (INCLUDES ITEMS 4, 6, 7-21, 23-33) ...	1
3				
4	<u>603627</u>		DIRECTION SELECTOR BRACKET WITH BUSHING (INCLUDES ITEM 9)	1
5				
6	<u>606266</u>		DIRECTION SELECTOR SHAFT	1
7	<u>603700</u>		DIRECTION SELECTOR CAM	1
8	<u>14390G1</u>		LOCK NUT, 3/8 - 24	1
9	*		BUSHING	1
10	<u>72724G01</u>		NEUTRAL LOCK PIN	1
11	<u>72733G01</u>		COMPRESSION SPRING, 3/8" X 5/8" LG	1
12	<u>72729G01</u>		NEUTRAL LOCK BRACKET	1
13	<u>00734G2</u>		LOCK NUT, 1/4 - 28	1
14	<u>28574G01</u>		EXTENSION SPRING	1
15	<u>72732G01</u>		BALL STUD, 1/4"	1
16	<u>00734G5</u>		LOCK NUT, #10 - 32	1
17	<u>72736G01</u>		MICRO SWITCH	1
18	<u>01062G01</u>		SCREW, #4 - 40 X 1" LG	2
19	<u>00559G1</u>		WASHER, #4	2
20	<u>00565G1</u>		LOCK WASHER, #4	2
21	<u>00526G2</u>		NUT, #4 - 40	2
22				
23	<u>605809</u>		PUSH / PULL SHIFTER CABLE	1
24	<u>25727G01</u>		CUP WASHER, 1/4"	4
25	<u>72735G01</u>		COMPRESSION SPRING, 19/32" X 1" LG	2
26	<u>71055G01</u>		RIVET	3
27	<u>70227G01</u>		SCREW, 1/4 - 20 X 7/8" LG	2
28	<u>11027G2</u>		LOCK NUT, 1/4 - 20	2
29	<u>71205G01</u>		DIRECTION SELECTOR HANDLE	1

DIRECTION SELECTOR

Where applicable, THE USE OF NON UL PARTS WILL VOID ANY UL LISTING.

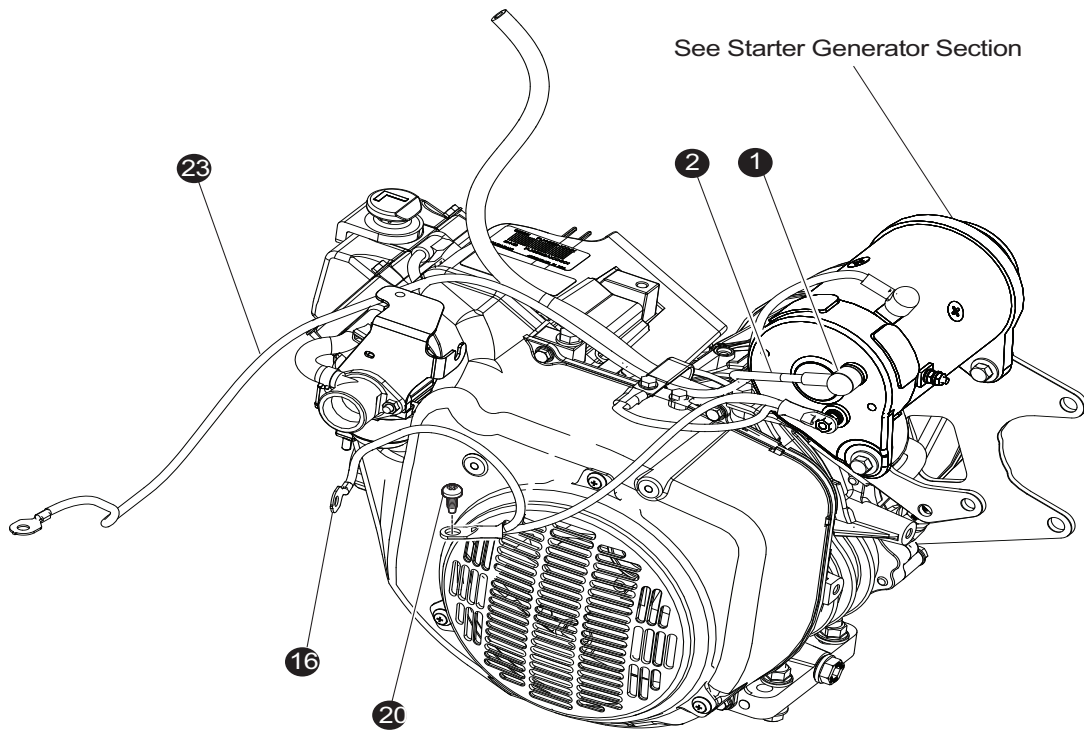
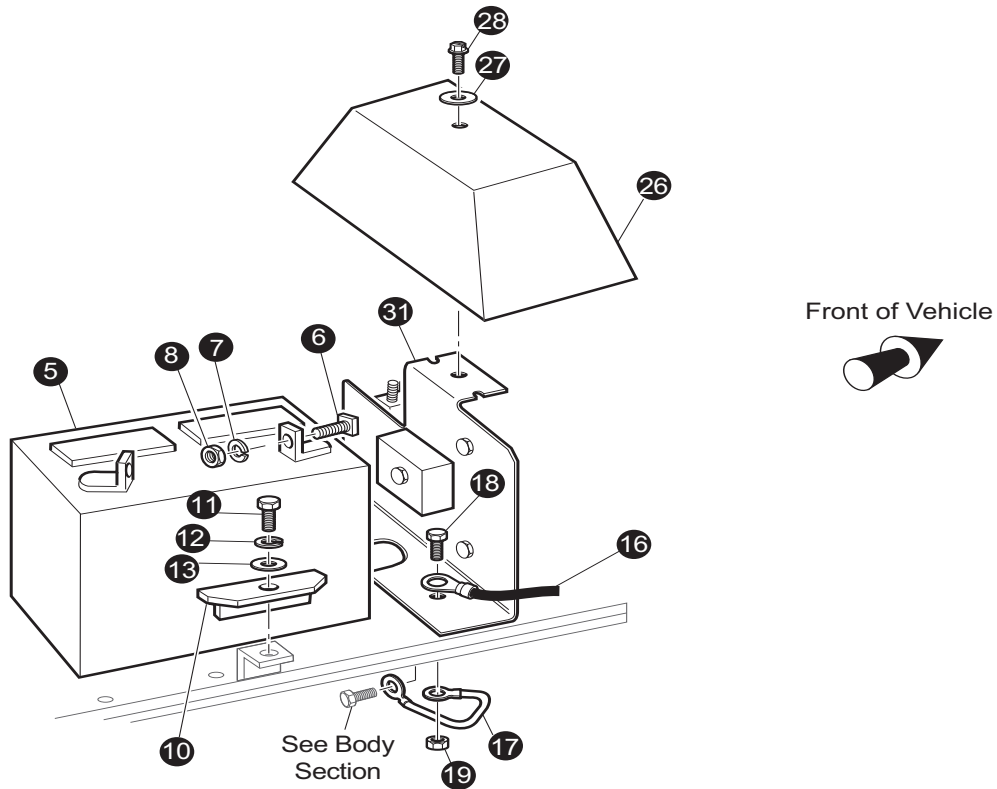
When ordering parts, please specify the model and serial number of the product.

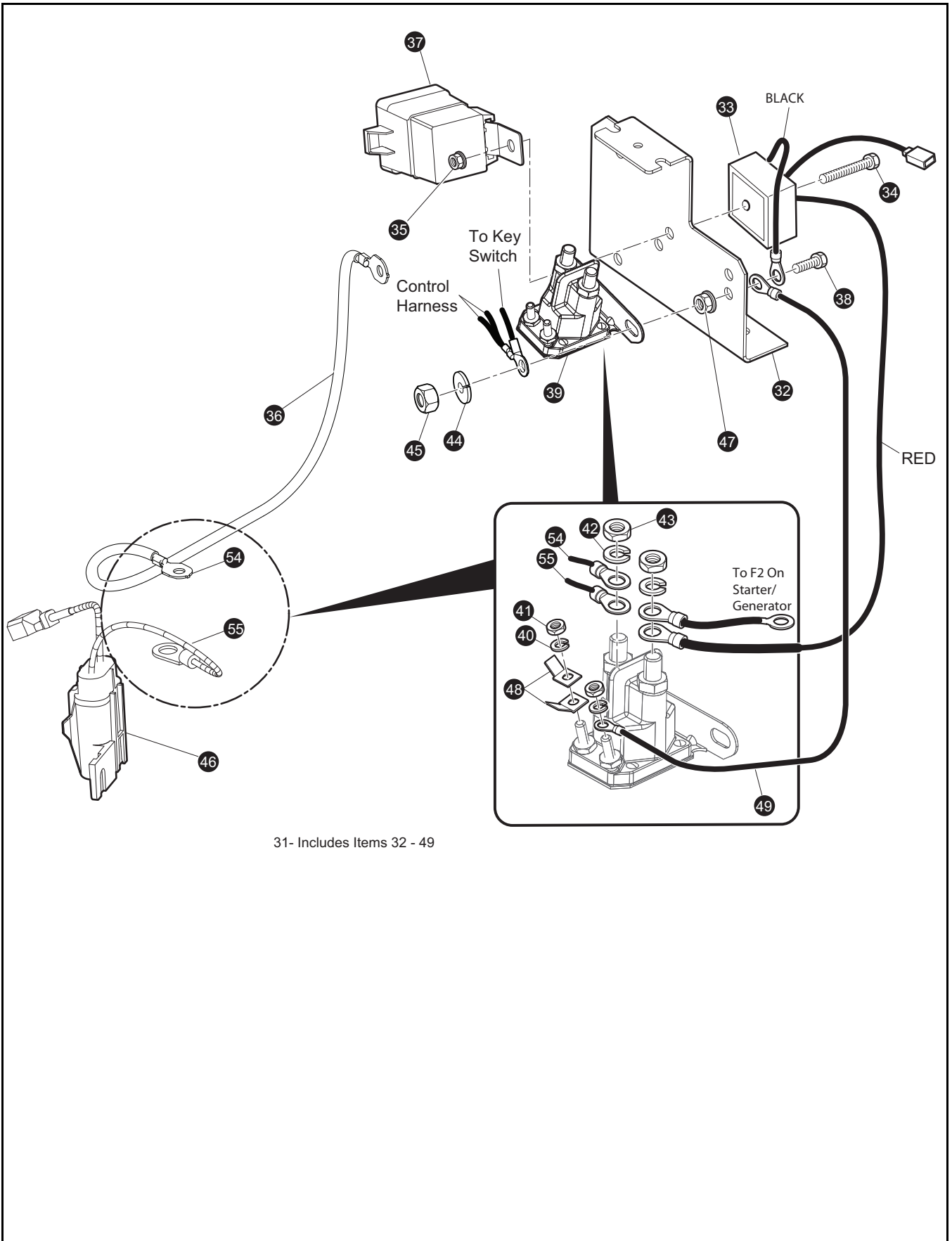
* Indicates a component that is not available as an individual part.

G** Indicates consult Customer Service Department for additional information.

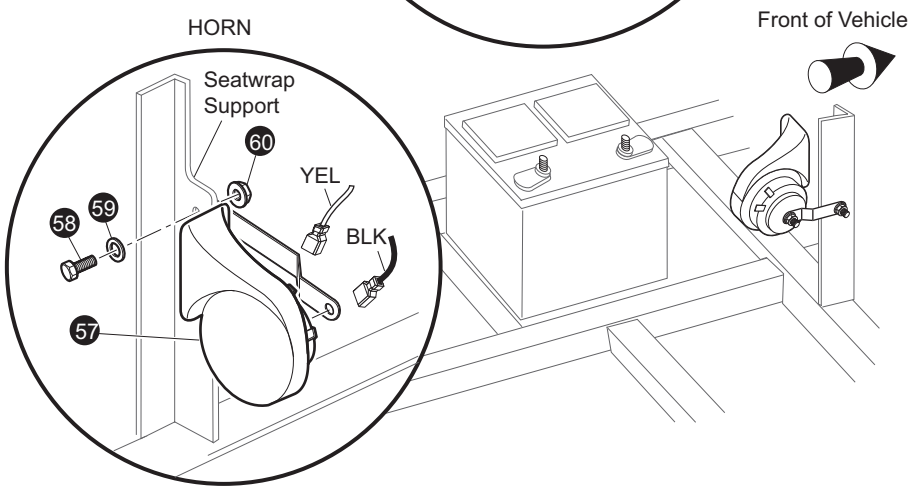
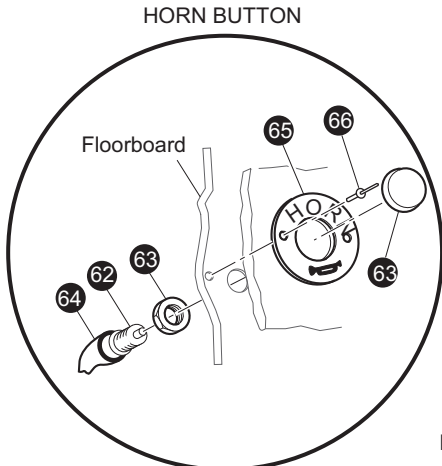
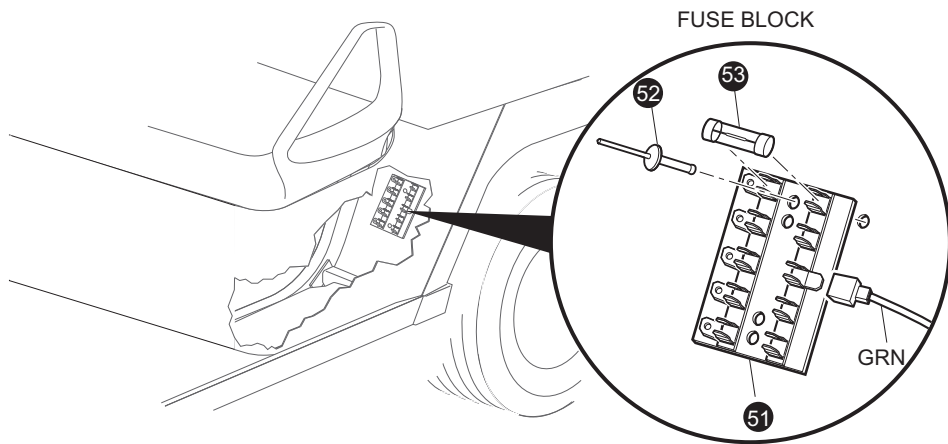
ITEM	PART NO.	1 2 3 4 5	DESCRIPTION	QTY.
30	<u>00740G4</u>		SCREW, #10 - 32 X 1/2" LG (STAINLESS STEEL)	1
31	<u>606421</u>		BOLT, M6 - 1.00 X 30	1
32	<u>450452</u>		NUT, M6 - 1.00	1
33	<u>606014</u>		BRACKET	1
34	*		BUSHING, FLIP LOK, 0.25	1
35				
36	<u>605869</u>		MOUNTING BRACKET	1

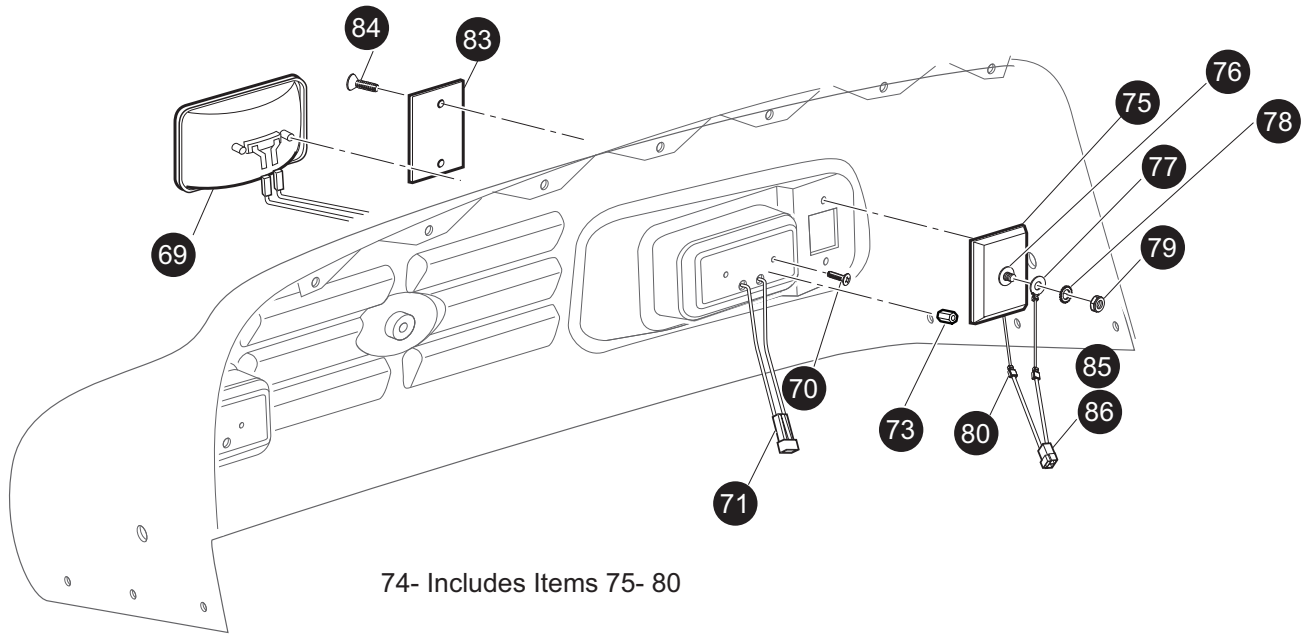
ELECTRICAL SYSTEM



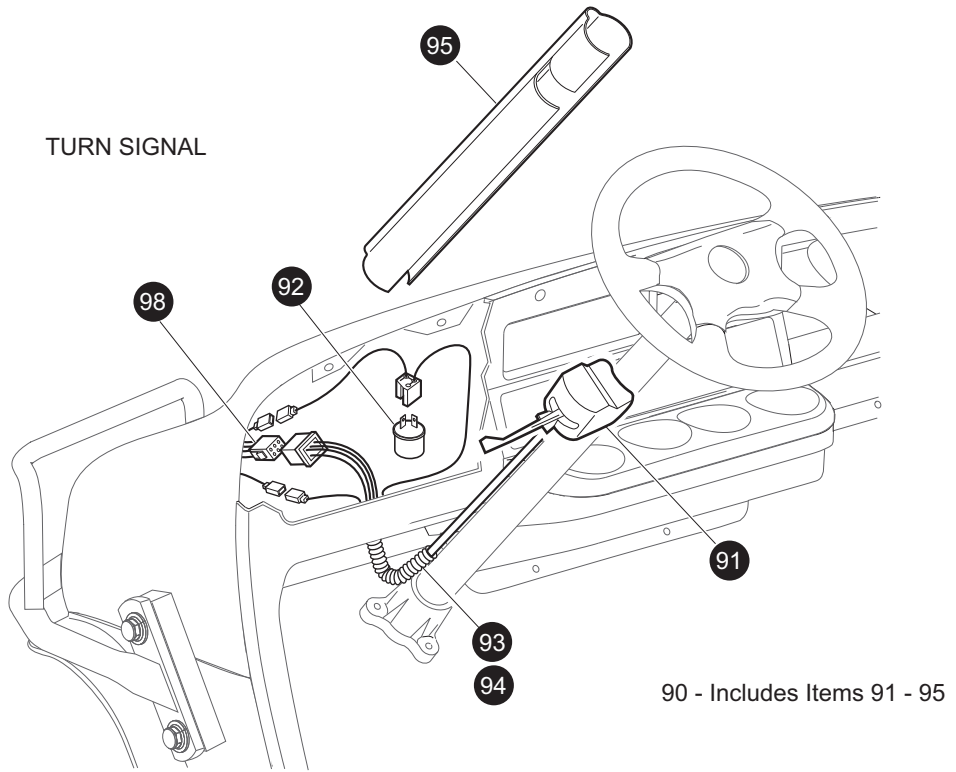
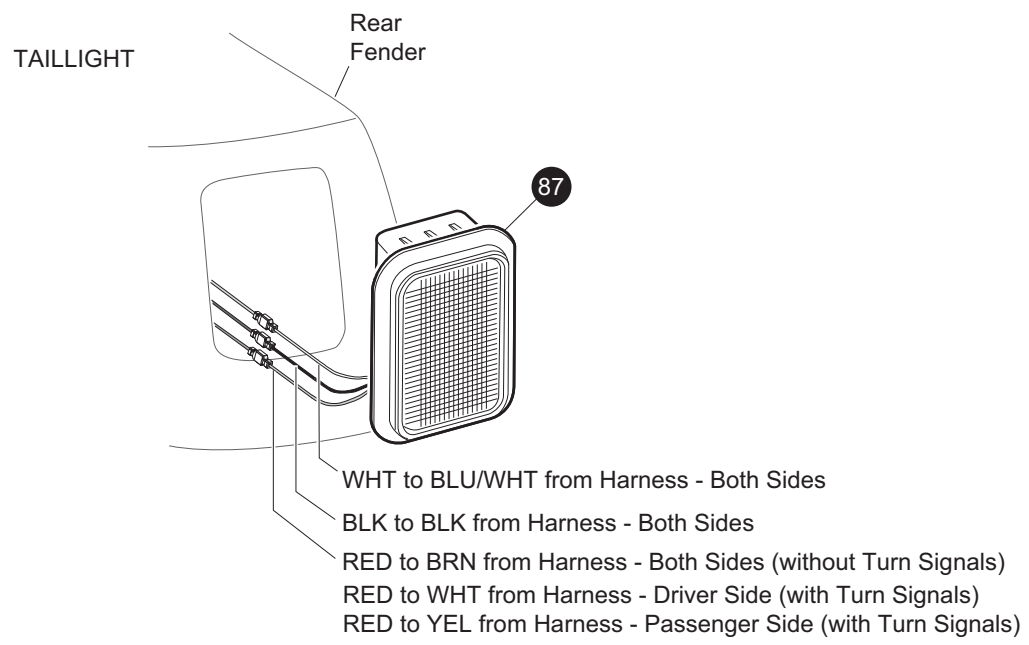


ELECTRICAL SYSTEM

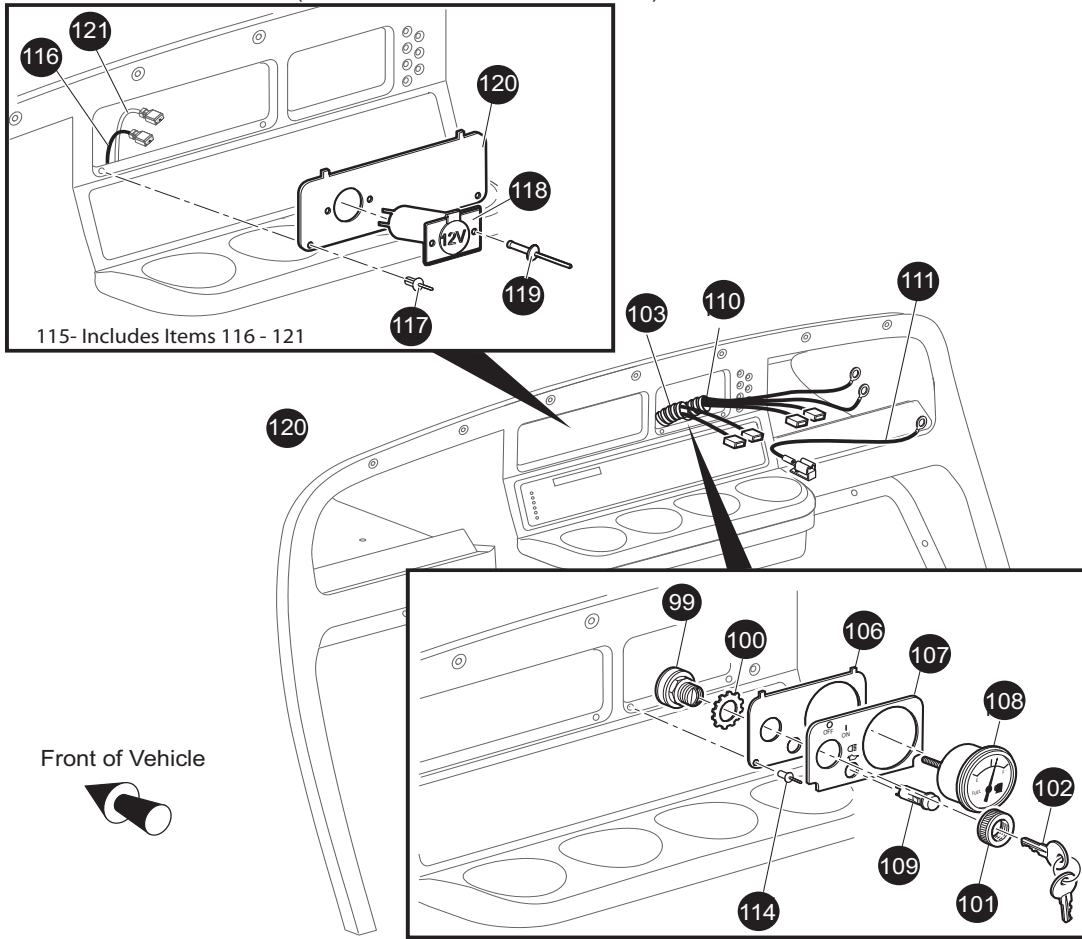




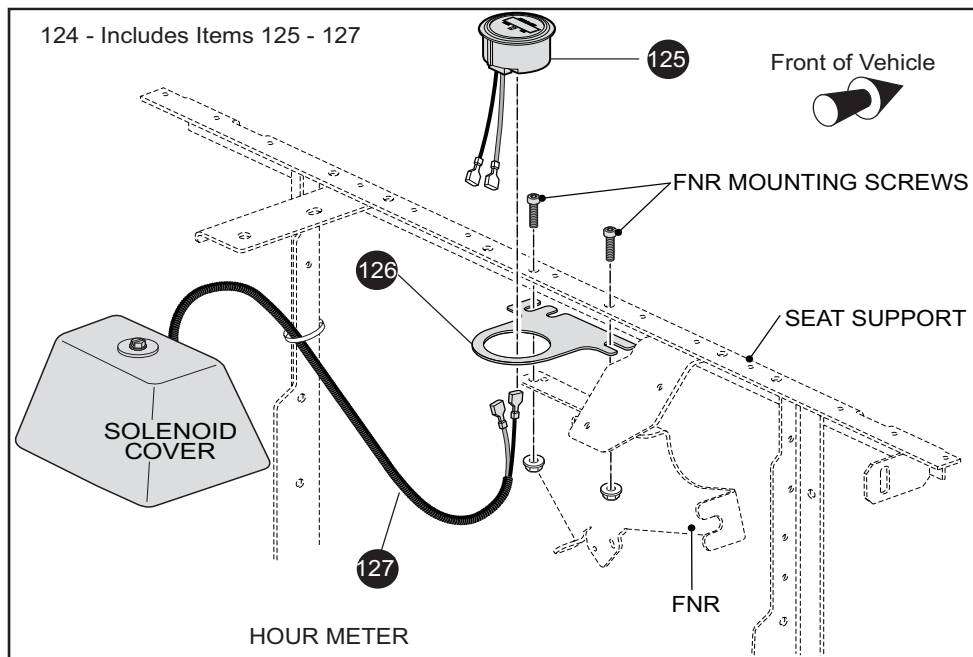
ELECTRICAL SYSTEM



CONSOLE INSERT PLATE (WITH POWER OUTLET SHOWN)



KEY SWITCH, INDICATOR LIGHT(S), AND FUEL GAUGE



ELECTRICAL SYSTEM

THE USE OF NON UL PARTS WILL VOID ANY UL LISTING.

When ordering parts, please specify the model and serial number of the product.

* Indicates a component that is not available as an individual part.

G** Indicates consult Customer Service Department for additional information.

ITEM	PART NO.	1 2 3 4 5	DESCRIPTION	QTY.
1	<u>607053</u>		6 GA WIRE (BLACK 6", F1 - A2).....	1
2	<u>25682G01</u>		TERMINAL COVER	3
3				
4				
5	24775G*		BATTERY, 12V	1
6	*		BOLT, 5/16 - 18 X 1 1/4" LG.....	2
7	*		LOCK WASHER, 5/16" (SILICON BRONZE)	2
8	*		NUT, 5/16 - 18 (SILICON BRONZE).....	2
9				
10	<u>72101G02</u>		BATTERY HOLD DOWN.....	1
11	00438G6		BOLT, 5/16 - 18 X 3/4" LG	3
12	<u>00565G8</u>		LOCK WASHER, 5/16".....	1
13	<u>00571G2</u>		WASHER, 5/16" (STAINLESS STEEL).....	1
14				
15				
16	<u>27044G03</u>		GROUND CABLE.....	1
17	<u>25976G19</u>		14 GA WIRE (BLACK 6")	1
18	00438G6		BOLT, 5/16 - 18 X 3/4" LG	2
19	<u>11027G1</u>		LOCK NUT, 5/16 - 18	2
20	<u>26676G01</u>		FLANGED BOLT	1
21				
22				
23	<u>607103</u>		6 GA WIRE (42" LONG).....	1
24	<u>605777</u>		WIRE HARNESS (CONTROL).....	1
25	<u>17618G1</u>		WIRE TIE (NOT ILLUSTRATED)	AR
26	<u>73049G01</u>		COVER FNR	1
27	<u>16469G1</u>		WASHER, 1/4"	1
28	<u>00114G6</u>		SCREW, 1/4 - 14 X 3/4" LG.....	1
29				
30				

ELECTRICAL SYSTEM

THE USE OF NON UL PARTS WILL VOID ANY UL LISTING.
 When ordering parts, please specify the model and serial number of the product.
 * Indicates a component that is not available as an individual part.
 G** Indicates consult Customer Service Department for additional information.

ITEM	PART NO.	1 2 3 4 5	DESCRIPTION	QTY.
31	<u>605563</u>		ELECTRICAL PLATE ASSEMBLY (INCLUDES ITEMS 32 - 49)	1
32	<u>73057G01</u>		BRACKET	1
33	<u>27739G01</u>		VOLTAGE REGULATOR	1
34	<u>00415G4</u>		BOLT, 1/4 - 20 X 1 1/4" LG.....	1
35	<u>11027G2</u>		LOCK NUT, 1/4 - 20	1
36	<u>25972G33</u>		WIRE ASSEMBLY 6 GA	1
37	<u>603282</u>		RELAY	1
38	<u>00661G8</u>		BOLT, 1/4 - 20 X 1" LG.....	1
39	<u>612813</u>		SOLENOID	1
40	*		LOCK WASHER, #10	2
41	*		NUT, #10 - 32	2
42	*		LOCK WASHER, 5/16"	2
43	*		NUT, 5/16 - 24	2
44	<u>00664G7</u>		LOCK WASHER - SS - .255/.263	1
45	<u>00532G1</u>		NUT, 1/4 - 20	1
46	600418G01		FUSE HOLDER ASSEMBLY	1
47	<u>11027G2</u>		LOCK NUT, 1/4 - 20	1
48	<u>73446G01</u>		FASTON TAB, 90°	2
49	<u>25978G56</u>		18 GA WIRE (BLACK 5 3/4").....	1
50				
51	<u>22674G1</u>		FUSE BLOCK.....	1
52	<u>01041G01</u>		RIVET, 1/8" X 13/16" LG	2
53	<u>18392G1</u>		15 AMP FUSE	3
54	<u>25972G33</u>		#6 GA WIRE ASSEMBLY	1
55	<u>20216G1</u>		16 GA WIRE (RED).....	1
56				
57	<u>32860G1</u>		HORN	1
58	<u>00414G5</u>		BOLT, 1/4 - 20 x 5/8" LG.....	1
59	<u>00559G7</u>		WASHER, 1/4" (STAINLESS STEEL)	1
60	<u>14390G4</u>		LOCK NUT, 1/4 - 20	1

ELECTRICAL SYSTEM

THE USE OF NON UL PARTS WILL VOID ANY UL LISTING.

When ordering parts, please specify the model and serial number of the product.

* Indicates a component that is not available as an individual part.

G** Indicates consult Customer Service Department for additional information.

ITEM	PART NO.	1 2 3 4 5	DESCRIPTION	QTY.
61				
62	<u>17318G1</u>		HORN SWITCH.....	1
63	<u>17318G2</u>		HORN SWITCH CAP AND NUT	1
64	<u>27068G01</u>		HORN SWITCH BOOT	1
65	19233G1		HORN SWITCH LABEL	1
66	<u>71055G01</u>		RIVET, 3/16" X 1" LG (ALUMINUM)	2
67				
68				
69	22523G01		HEADLIGHT (INCLUDES ITEM 70).....	2
70	<u>00906G6</u>		SCREW, #10 - 16 X 1" LG	4
71	<u>74337G01</u>		JUMPER WIRE (HEADLIGHT)	2
72				
73	<u>605953</u>		SPACER.....	4
74	<u>20570G3</u>		TURN SIGNAL LIGHT ASSEMBLY (INCLUDES ITEMS 75 - 80).....	2
75	<u>20574G3</u>		TURN SIGNAL LIGHT	1
76	<u>00660G7</u>		WASHER, 1/4" (STAINLESS STEEL).....	1
77	<u>20606G1</u>		WIRE ASSEMBLY	1
78	<u>00567G7</u>		LOCK WASHER, 1/4"	1
79	<u>00532G1</u>		NUT, 1/4 - 20.....	1
80	<u>18995G1</u>		PUSH-ON TERMINAL (MALE).....	1
81				
82				
83	<u>20574G4</u>		LENS, AMBER	1
84	<u>00118G5</u>		SCREW, #6 - 18 X 5/8" LG.....	4
85	<u>74056G01</u>		TURN SIGNAL JUMPER, RED/BLACK (PASSENGER SIDE)	1
86	<u>74056G02</u>		TURN SIGNAL JUMPER, GREEN/BLACK (DRIVER SIDE)	1
87	<u>32739G2</u>		TAILLIGHT ASSEMBLY (COMPLETE)	2
88				
89				
90	606887		TURN SIGNAL KIT (INCLUDES ITEMS 91 - 95).....	1

ELECTRICAL SYSTEM

THE USE OF NON UL PARTS WILL VOID ANY UL LISTING.

When ordering parts, please specify the model and serial number of the product.

* Indicates a component that is not available as an individual part.

G** Indicates consult Customer Service Department for additional information.

ITEM	PART NO.	1	2	3	4	5	DESCRIPTION	QTY.
91	<u>17867G1</u>						TURN SIGNAL (WITH MOUNTING HARDWARE) (INCLUDES ITEM 106).	1
92	<u>21640G1</u>						TURN SIGNAL FLASHER.....	1
93	<u>32307G3</u>						FLEX LOOM, 3/8 X 8" LG.....	1
94	<u>17618G1</u>						WIRE TIE.....	2
95	<u>20965G3</u>						STEERING COLUMN COVER.....	1
96								
97								
98	<u>606046</u>						WIRE HARNESS (ACCESSORY).....	1
99	<u>33639G01</u>						IGNITION SWITCH (WITH LIGHTS).....	1
100	<u>00568G6</u>						LOCK WASHER, 3/4".....	1
101	<u>17137G1</u>						FACE NUT, 3/4 - 20.....	1
102	<u>17063G1</u>						IGNITION KEY.....	1
103	<u>605866</u>						WIRE HARNESS (KEY SWITCH).....	1
104								
105								
106	<u>73030G04</u>						PLATE (FUEL GAUGE AND OIL LIGHT).....	1
107	<u>71127G01</u>						LABEL (OIL LIGHT AND FUEL GAUGE WITH HEADLIGHTS).....	1
108	<u>21553G1</u>						FUEL GAUGE.....	1
109	<u>23474G1</u>						INDICATOR LIGHT.....	1
110	<u>74311G01</u>						HARNESS (OIL LIGHT/FUEL GAUGE).....	1
111	<u>25978G122</u>						18 GA WIRE (RED 6").....	1
112								
113								
114	<u>33623G02</u>						DRIVE RIVET, 3/16" X 3/8" LG.....	2
115	<u>612143</u>						POWER OUTLET 12V (INCLUDES ITEMS 116 - 121).....	1
116	<u>612107</u>						WIRE HARNESS, POWER OUTLET 12V.....	1
117	<u>33623G02</u>						RIVET, BLACK PLATIC.....	3
118	<u>71078G01</u>						OUTLET, POWER 12V.....	1
119	<u>14601G10</u>						RIVET, ALUMINIUM 5/32.....	2
120	<u>73522G03</u>						CONSOLE PLATE (E-COAT).....	1

ELECTRICAL SYSTEM

THE USE OF NON UL PARTS WILL VOID ANY UL LISTING.

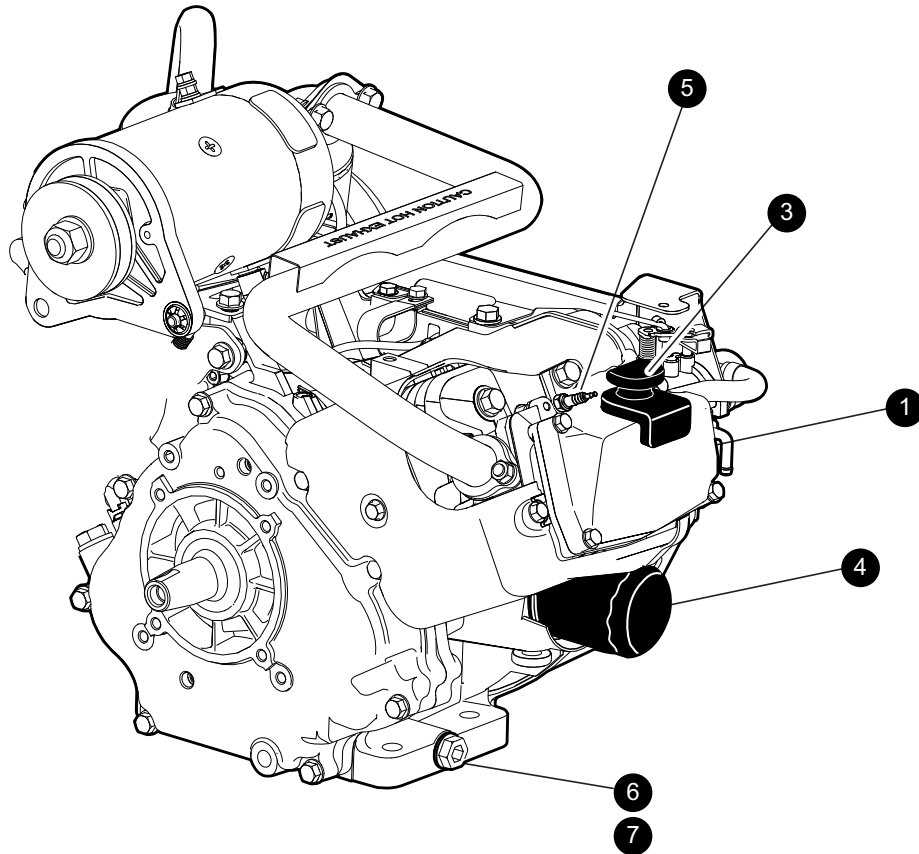
When ordering parts, please specify the model and serial number of the product.

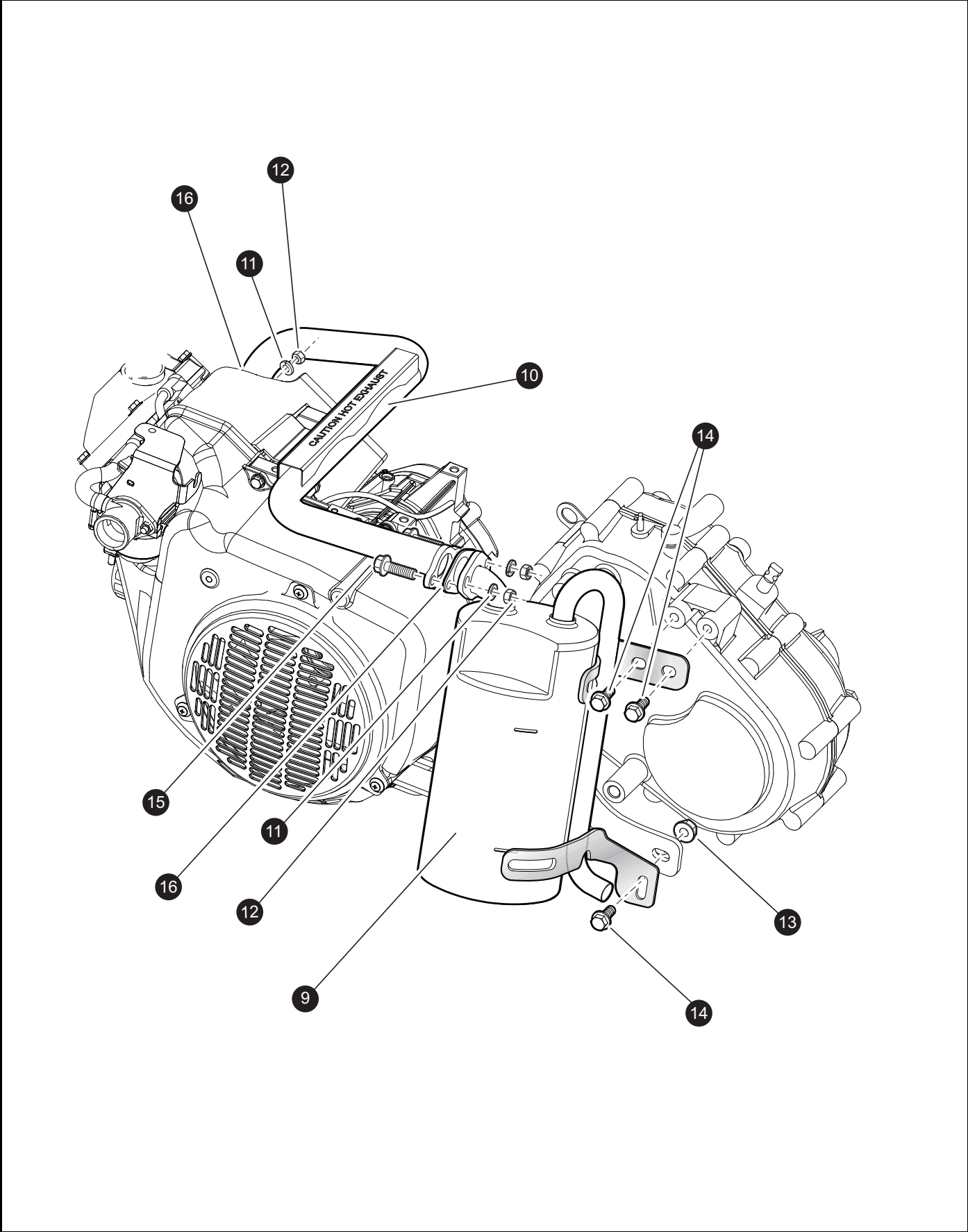
* Indicates a component that is not available as an individual part.

G** Indicates consult Customer Service Department for additional information.

ITEM	PART NO.	1 2 3 4 5	DESCRIPTION	QTY.
121	<u>35212G01</u>		FUSE, AUTOMTIVE ATC TYPE, 15A	1
122				
123				
124	<u>607285</u>		HOUR METER KIT (INCLUDES ITEMS 125 - 127).....	1
125	<u>617074</u>		HOUR METER.....	1
126	<u>603721</u>		HOUR METER BRACKET.....	1
127	<u>606254</u>		WIRE HARNESS (HOUR METER).....	1
128	<u>31539G1</u>		NYLON CLAMP 15.5" (NOT ILLUSTRATED)	AR
129	<u>73290G03</u>		CONT TONE POTTED BUZZER (NOT SHOWN).....	1

ENGINE AND MUFFLER





ENGINE AND MUFFLER

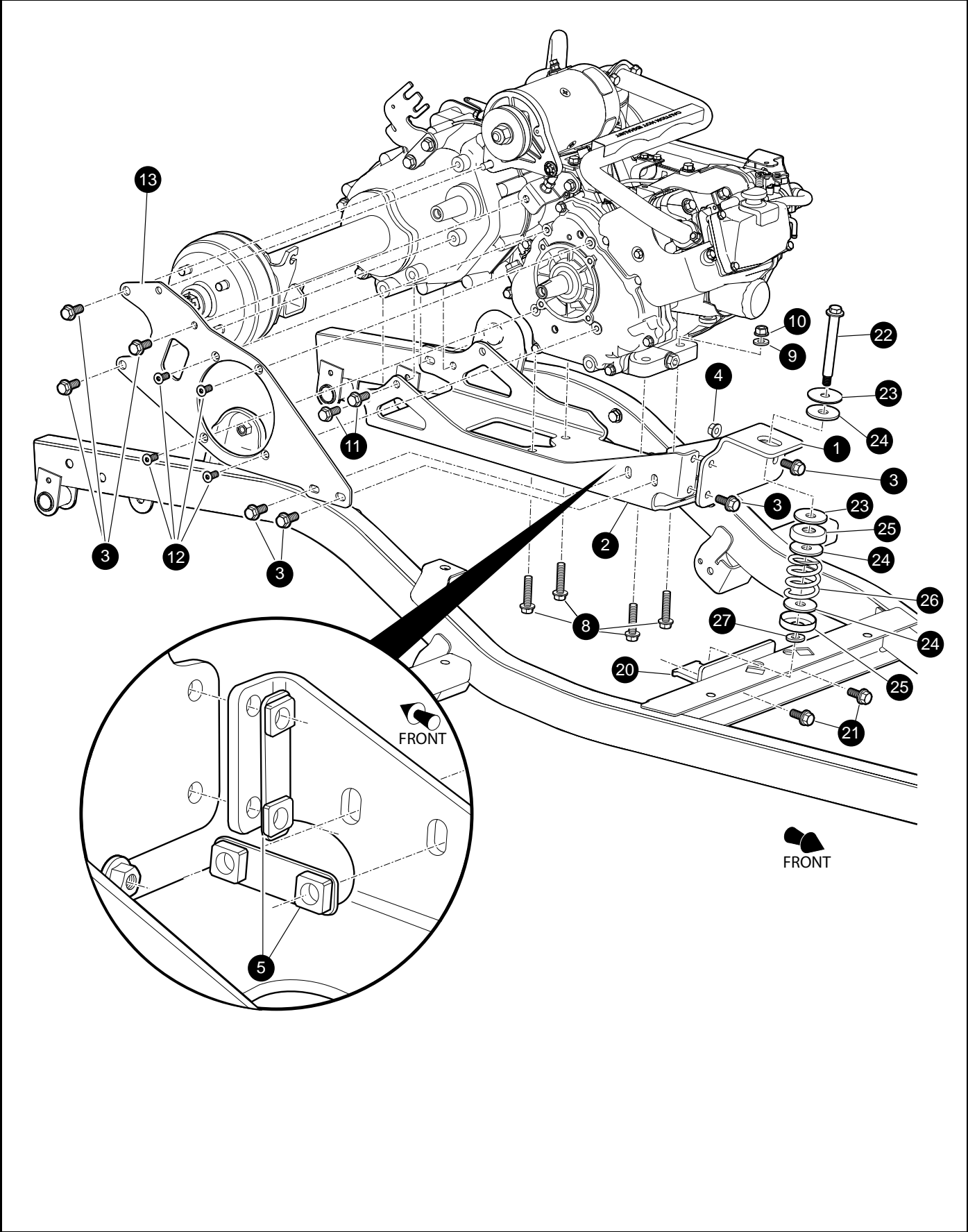
When ordering parts, please specify the model and serial number of the product.

* Indicates a component that is not available as an individual part.

*** Indicates consult Customer Service Department for additional information.

ITEM	PART NO.	1 2 3 4 5	DESCRIPTION	QTY.
1	<u>607154</u>		ENGINE, GAS, 13HP, NON-GOLF	1
2				
3	<u>606391</u>		DIP STICK	1
4	<u>607454</u>		OIL FILTER	1
5	<u>607462</u>		SPARK PLUG (BPR2ES)	1
6	<u>603557</u>		OIL DRAIN PLUG	1
7	<u>603562</u>		'O' RING, 16MM	1
8				
9	<u>612266</u>		MUFFLER	1
10	<u>606982</u>		EXHAUST PIPE	1
11	<u>606272</u>		WASHER, 8MM	4
12	<u>606267</u>		NUT, M8 X 1.25	4
13	<u>606279</u>		NUT, M10 - 1.25	1
14	<u>606256</u>		BOLT, M10 - 1.25 X 25	3
15	<u>602330</u>		BOLT, M8 - 1.25 X 30	2
16	<u>603599</u>		EXHAUST GASKET	2

ENGINE MOUNTING



ENGINE MOUNTING

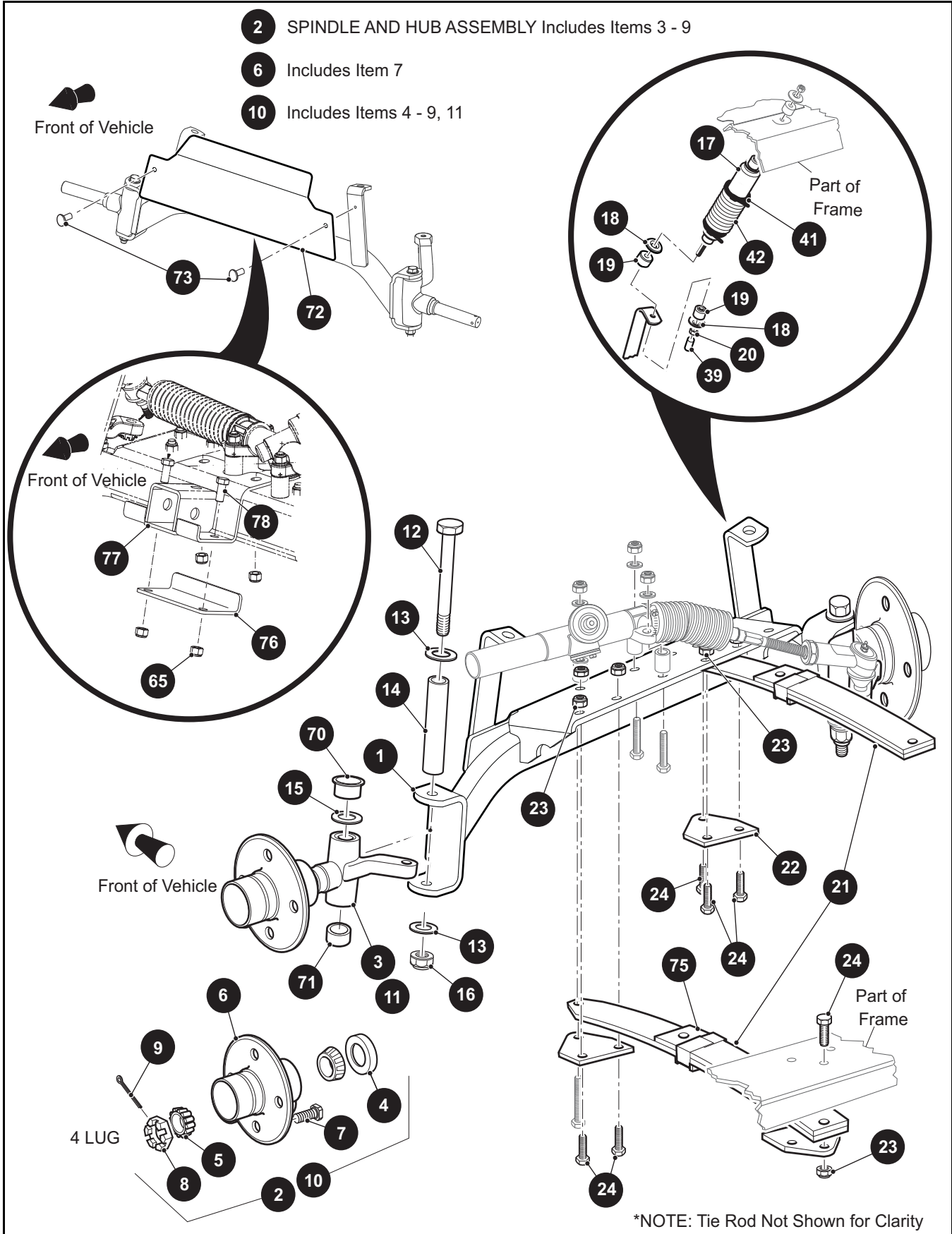
When ordering parts, please specify the model and serial number of the product.

* Indicates a component that is not available as an individual part.

*** Indicates consult Customer Service Department for additional information.

ITEM	PART NO.	1 2 3 4 5	DESCRIPTION	QTY.
1	<u>606007</u>		FRONT ENGINE MOUNT	1
2	<u>603101</u>		ENGINE PAN MOUNT	1
3	<u>606256</u>		BOLT, M10 - 1.25 X 25.....	10
4	<u>606279</u>		NUT, M10 - 1.25.....	1
5	<u>606096</u>		NUT PLATE.....	2
6				
7				
8	<u>606259</u>		BOLT,	4
9	<u>603823</u>		FLAT WASHER, M10 X 22 - 2.5	4
10	<u>606279</u>		NUT, M10 - 1.25.....	4
11	<u>608020</u>		BOLT, M10 - 1.25 X 34.....	4
12	<u>606246</u>		FLAT HEAD SCREW, T40	4
13	<u>602146</u>		DIFFERENTIAL PLATE	1
14				
15				
16				
17				
18				
19				
20	603683		ISO MOUNT.....	1
21	<u>603799</u>		BOLT, M10 -1.0 X 25.....	2
22	<u>607299</u>		BOLT, M10 - 1.5	1
23	<u>607297</u>		RUBBER WASHER	2
24	<u>607298</u>		DELFIN WASHER	3
25	<u>24939G2</u>		CAP ADAPTER.....	2
26	<u>606166</u>		COMPRESSION SPRING	1
27	<u>604066</u>		WASHER, M10 - 10.5 X 30.....	1

FRONT SUSPENSION/STEERING



FRONT SUSPENSION/STEERING

Where applicable, THE USE OF NON UL PARTS WILL VOID ANY UL LISTING.

When ordering parts, please specify the model and serial number of the product.

* Indicates a component that is not available as an individual part.

G** Indicates consult Customer Service Department for additional information.

ITEM	PART NO.	1 2 3 4 5	DESCRIPTION	QTY.
1	<u>606989</u>		FRONT AXLE	1
2	<u>70930-G01</u>		SPINDLE AND HUB ASSEMBLY, 4 LUG (PASSENGER SIDE) (INCLUDES ITEMS 3 - 9).....	1
3	<u>70802-G01</u>		SPINDLE ASSEMBLY (PASSENGER SIDE).....	1
4	<u>25146-G1</u>		GREASE SEAL.....	1
5	<u>11750-G2</u>		ROLLER BEARING AND RACE ASSEMBLY.....	2
6	<u>35886-G01</u>		WHEEL HUB ASSEMBLY WITH RACES, 4 LUG (INCLUDES ITEM 7)	1
7	<u>19862-G1</u>		LUG BOLT, 1/2 - 20 X 1 7/32" LG.....	4
8	12093-G1		HEX SLOTTED NUT, 17/32.....	1
9	<u>00798-G8</u>		COTTER PIN, 5/32" X 1 3/4" LG	1
10	<u>70931-G01</u>		SPINDLE AND HUB ASSEMBLY, 4 LUG (DRIVER SIDE) (INCLUDES ITEMS 4 - 9, 11).....	1
11	<u>70803-G01</u>		SPINDLE ASSEMBLY (DRIVER SIDE)	1
12	<u>00407-G6</u>		HEX HEAD BOLT, 1/2 - 13 X 6" LG.....	2
13	<u>00560-G3</u>		FLAT WASHER, 3/8"	4
14	<u>70745-G01</u>		KING PIN TUBE	2
15	<u>70754-G01</u>		THRUST WASHER, 1" (STAINLESS STEEL).....	2
16	<u>14390-G6</u>		LOCK NUT, 1/2 - 13	2
17	<u>76419-G01</u>		SHOCK ABSORBER.....	2
18	<u>10435-G1</u>		SHOCK AWASHER.....	8
19	<u>10194-G1</u>		RUBBER BUSHING	8
20	<u>00532-G6</u>		HEX NUT, 1/4 - 20.....	4
21	<u>70664-G03</u>		LEAF SPRING (HEAVY DUTY)	2
22	<u>70163-G03</u>		SPRING PLATE	4
23	<u>00734-G1</u>		LOCK NUT, 7/16 - 14	12
24	<u>00463-G11</u>		HEX HEAD BOLT, 7/16 - 14 X 1 1/2" LG.....	12
25	<u>70964-G01</u>		RACK AND PINION UNIT (COMPLETE) (INCLUDES ITEMS 26 - 37)	1
26	*		STEERING BOX INSTALLATION TAG.....	1
27	<u>70694-G01</u>		RACK EXTENSION	1
28	*		JAM NUT, 1/2 - 20.....	1
29	<u>70961-G01</u>		RACK BOOT.....	1

FRONT SUSPENSION/STEERING

Where applicable, THE USE OF NON UL PARTS WILL VOID ANY UL LISTING.

When ordering parts, please specify the model and serial number of the product.

* Indicates a component that is not available as an individual part.

G** Indicates consult Customer Service Department for additional information.

ITEM	PART NO.	1 2 3 4 5	DESCRIPTION	QTY.
30	<u>12416-G2</u>		WIRE TIE	1
31	<u>11391-G8</u>		CLAMP, 1 13/16 - 2 3/8"	1
32	<u>70638-G01</u>		PINION SEAL	1
33	<u>70695-G01</u>		RACK BALL JOINT (INCLUDES ITEMS 34 -37)	1
34	<u>50641-G1</u>		RUBBER BOOT	1
35	<u>50209-G2</u>		HEX SLOTTED NUT, 7/16 - 20	1
36	<u>10387-G2</u>		GREASE FITTING, STRAIGHT	1
37	<u>10389-G3</u>		COTTER PIN, 3/32" X 1" LG	1
38	<u>00464-G6</u>		HEX HEAD BOLT, 7/16 - 14 X 2 3/4" LG	3
39	<u>10044G01</u>		VINYL CAP	2
40	<u>70667-G02</u>		SPACER	3
41	<u>31539G1</u>		NYLON CLAMP	4
42	<u>70509G01</u>		SHOCK ABSORBER BOOT	2
43	<u>00560-G2</u>		FLAT WASHER, 7/16"	6
44	<u>00734-G1</u>		LOCK NUT, 7/16 - 14	3
45	<u>70607-G01</u>		STEERING SHAFT	1
46	<u>70758-G05</u>		STEERING COLUMN KIT (INCLUDES ITEMS 47,48 & 69)	1
47	<u>70610-G03</u>		STEERING COLUMN	1
48	<u>28569-G01</u>		STEERING COLUMN BUSHING	1
49	<u>70580-G01</u>		INTERMEDIATE SHAFT (INCLUDES ITEMS 50, 51)	1
50	<u>01055-G01</u>		HEX BOLT, M8 X 1.25 - 05	1
51	<u>00565-G8</u>		LOCK WASHER, 5/16"	1
52	<u>70751-G01</u>		RETAINING RING (INTERNAL)	1
53	<u>70888-G01</u>		RETAINING RING (EXTERNAL)	1
54	<u>15112-G1</u>		BALL BEARING	1
55	<u>70887-G01</u>		WAVE WASHER	1
56	<u>602980</u>		STEERING WHEEL PREMIUM (OPTIONAL)	1
57				
58	<u>14390-G2</u>		LOCK NUT, 5/8 - 18	1
59	<u>70876-G02</u>		TIE ROD ASSEMBLY (INCLUDES ITEMS 60 - 64)	1

FRONT SUSPENSION/STEERING

Where applicable, THE USE OF NON UL PARTS WILL VOID ANY UL LISTING.

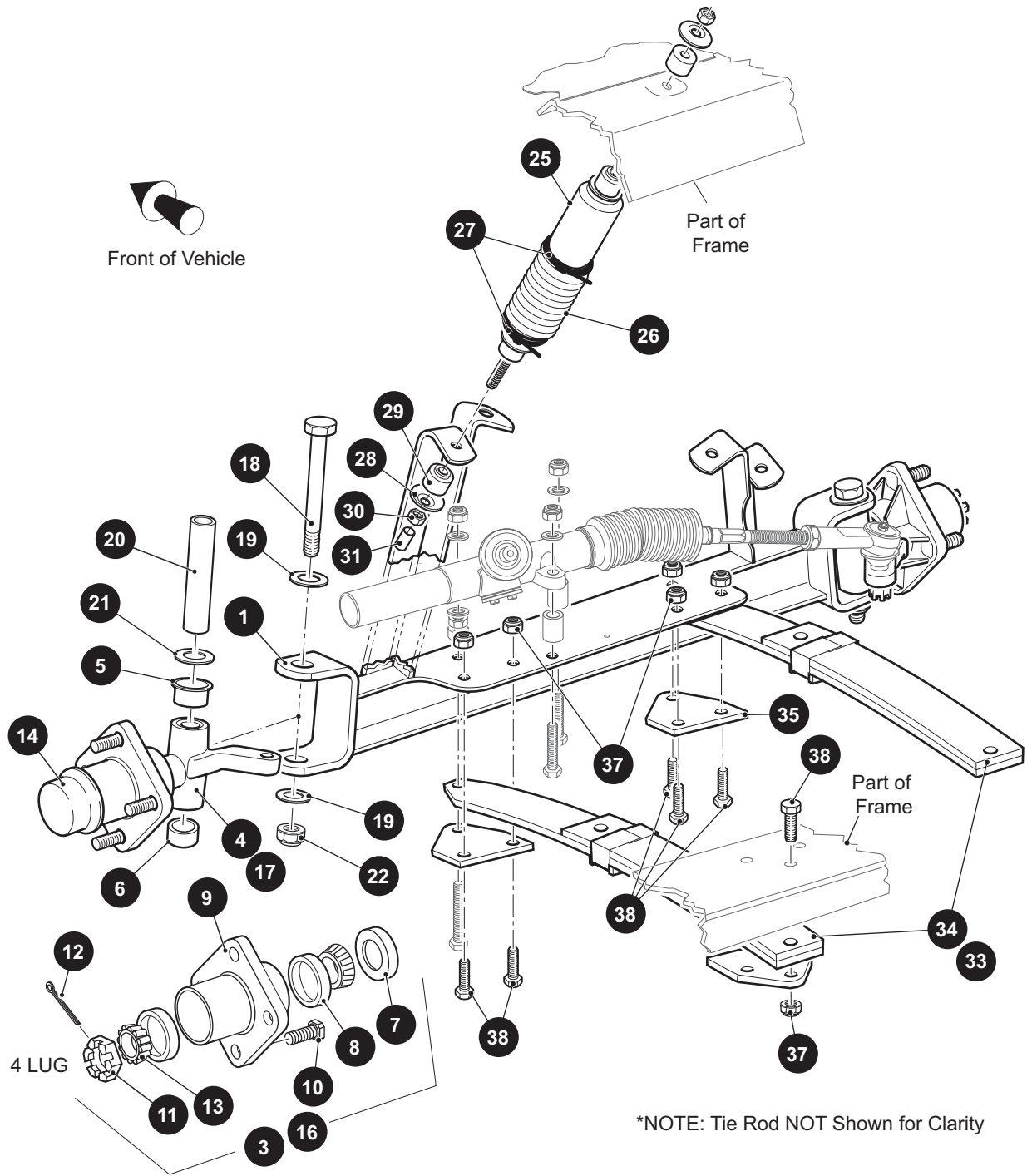
When ordering parts, please specify the model and serial number of the product.

* Indicates a component that is not available as an individual part.

G** Indicates consult Customer Service Department for additional information.

ITEM	PART NO.	1	2	3	4	5	DESCRIPTION	QTY.
60	<u>70897-G02</u>						THREADED ROD (24" LG).....	1
61	<u>70902-G01</u>						TIE ROD END (LEFT HAND THREADS)	1
62	<u>01069-G01</u>						JAM NUT, M12 X 1.25 - 05 (LEFT HAND THREADS).....	1
63	<u>70902-G02</u>						TIE ROD END (RIGHT HAND THREADS).....	1
64	<u>01069-G02</u>						JAM NUT, M12 X 1.25 - 05 (RIGHT HAND THREADS)	1
65	<u>00734-G1</u>						LOCK NUT, 7/16 - 14	2
66	<u>602979</u>						STEERING WHEEL	1
67	<u>01006-G01</u>						HEX WAHSER HEAD BOLT, 3/8 - 16 x 1 1/4" LG.....	4
68	00879 -G1						LOCK WASHER, 3/8".....	4
69	<u>01022-G01</u>						HEX HEAD SCREW #6 - 20 x 5/16" LG.....	1
70	<u>70648-G01</u>						FLANGED BEARING	1
71	<u>70749-G01</u>						BEARING	1
72	<u>605642</u>						STEERING RACK COVER	1
73	<u>15058-G1</u>						RIVET	2
74	<u>71147-G01</u>						STEERING WHEEL COVER	1
75	<u>70990-G03</u>						SPRING FRONT CANT LEAF	2
76	<u>604572</u>						PL, WINCH RECEIVER RETAINER.....	4
77	<u>604559</u>						WELDMENT, WINCH RECEIVER.....	3
78	<u>00462-G8</u>						HEX HEAD SCREW, 7/16 - 14.....	4
79	<u>605435</u>						STEERING WHEEL DECAL	1

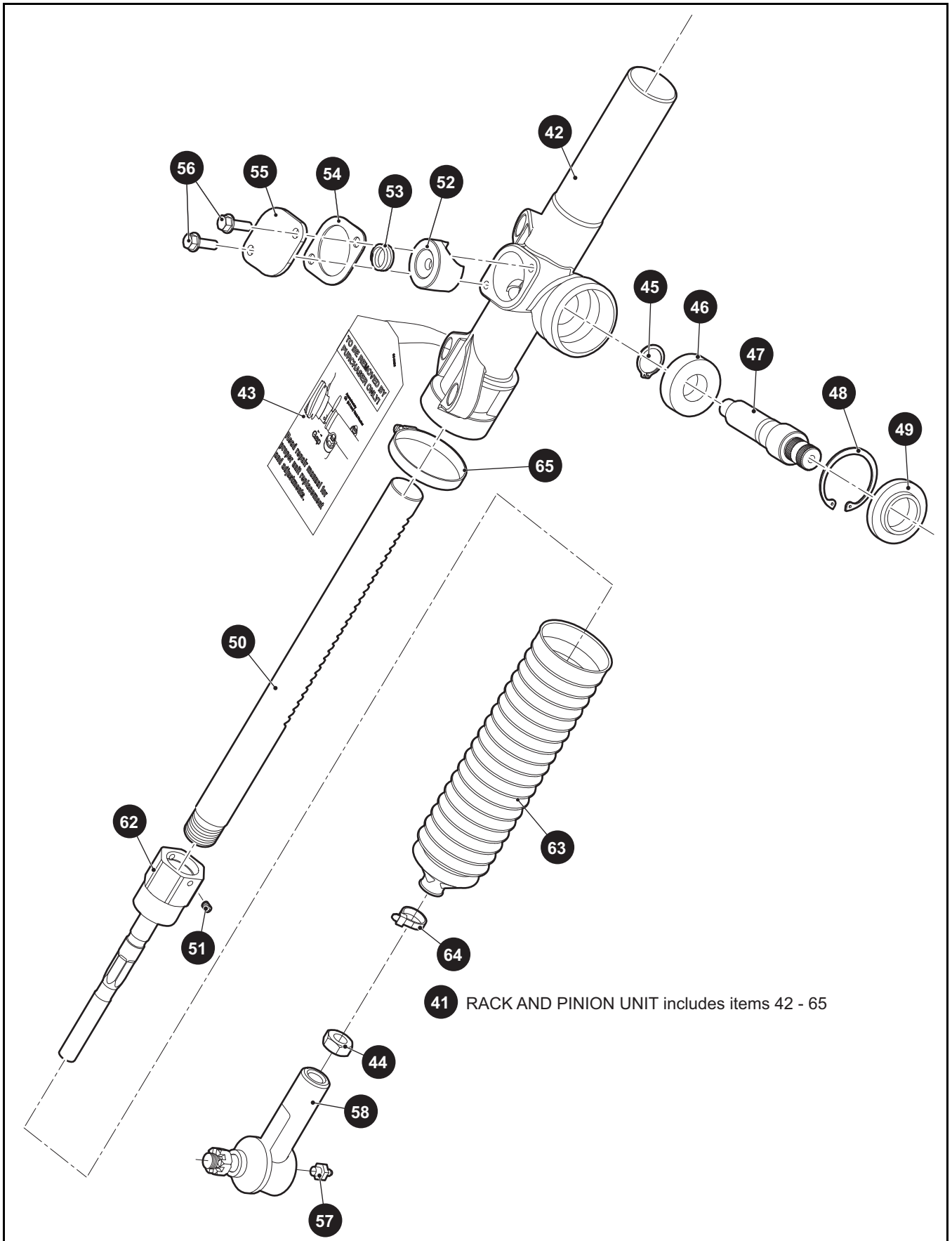
FRONT SUSPENSION/STEERING EXPRESS II



3 PASSENGER SIDE SPINDLE AND HUB ASSEMBLY includes items 4 - 13

16 DRIVER SIDE SPINDLE AND HUB ASSEMBLY includes items 5 - 13, 17

FRONT SUSPENSION/STEERING EXPRESS II



FRONT SUSPENSION/STEERING EXPRESS II

Where applicable, THE USE OF NON UL PARTS WILL VOID ANY UL LISTING.

When ordering parts, please specify the model and serial number of the product.

* Indicates a component that is not available as an individual part.

G** Indicates consult Customer Service Department for additional information.

ITEM	PART NO.	1 2 3 4 5	DESCRIPTION	QTY.
1	<u>602512</u>		FRONT AXLE	1
2				
3	<u>70942G03</u>		SPINDLE AND HUB ASSEMBLY, 4 LUG (PASSENGER SIDE) (INCLUDES ITEMS 4 - 13).....	1
4	<u>70940G02</u>		SPINDLE ASSEMBLY (PASSENGER SIDE).....	1
5	<u>70648G01</u>		BEARING.....	1
6	<u>70749G01</u>		BEARING, DP4	1
7	<u>25146G1</u>		GREASE SEAL.....	1
8	<u>51141G1</u>		RACE BEARING.....	2
9	<u>70589G01</u>		WHEEL HUB ASSEMBLY WITH RACES, 4 LUG	1
10	<u>19862G1</u>		LUG BOLT, 1/2 - 20 X 1 7/32" LG	4
11	<u>12093G1</u>		SLOTTED NUT, 1 - 14	1
12	<u>00798G8</u>		COTTER PIN, 5/32" X 1 3/4" LG	1
13	<u>11750G2</u>		ROLLER BEARING	2
14	<u>12091G2</u>		SPINDLE CAP	2
15				
16	<u>70673G03</u>		SPINDLE AND HUB ASSEMBLY, 4 LUG (DRIVER SIDE) (INCLUDES ITEMS 5 - 13 & 17)	1
17	<u>70742G02</u>		SPINDLE ASSEMBLY (DRIVER SIDE)	1
18	<u>00407G6</u>		HEX HEAD BOLT, 1/2 - 13 X 16" LG.....	2
19	<u>00560G3</u>		FLAT WASHER, 1/2".....	4
20	<u>70745G01</u>		KING PIN TUBE	2
21	<u>70754G01</u>		THRUST WASHER (STAINLESS STEEL).....	2
22	<u>14390G6</u>		LOCK NUT, 1/2 - 13	2
23				
24				
25	<u>76419G01</u>		SHOCK ABSORBER.....	2
26	<u>70509G01</u>		SHOCK ABSORBER BOOT	2
27	<u>31539G1</u>		NYLON CLAMP.....	4
28	<u>10435G1</u>		SHOCK ABSORBER WASHER.....	8
29	<u>10194G1</u>		SHOCK ABSORBER RUBBER BUSHING	8

FRONT SUSPENSION/STEERING EXPRESS II

Where applicable, THE USE OF NON UL PARTS WILL VOID ANY UL LISTING.

When ordering parts, please specify the model and serial number of the product.

* Indicates a component that is not available as an individual part.

G** Indicates consult Customer Service Department for additional information.

ITEM	PART NO.	1 2 3 4 5	DESCRIPTION	QTY.
30	<u>00532G6</u>		NUT, 3/8 - 24	4
31	<u>10044G01</u>		VINYL CAP	2
32				
33	<u>70664G03</u>		LEAF SPRING (HEAVY DUTY)	2
34	<u>70989G03</u>		LEAF SPRING (HEAVY DUTY) (SEE PART NUMBER ON SPRING).....	2
35	<u>70163G03</u>		SPRING PLATE	4
36				
37	<u>00734G1</u>		LOCK NUT, 7/16 - 14	11
38	<u>00463G11</u>		HEX HEAD BOLT, 7/16 -14"	11
39				
40				
41	<u>74605G01</u>		RACK AND PINION UNIT (COMPLETE) (INCLUDES ITEMS 42 - 65)	1
42	<u>70965G01</u>		STEERING RACK COVER & BEARING	1
43	*		STEERING BOX INSTALLATION TAG	1
44	*		JAM NUT, 1/2 - 20.....	1
45	<u>70750G01</u>		RETAINING RING (EXTERNAL)	1
46	<u>15112G1</u>		BALL BEARING	1
47	<u>70603G01</u>		PINION.....	1
48	<u>70751G01</u>		RETAINING RING (INTERNAL)	1
49	<u>70638G01</u>		PINION SEAL	1
50	<u>70604G01</u>		STEERING RACK.....	1
51	<u>01053G01</u>		SET SCREW. 1# 10-32	1
52	<u>70590G01</u>		LOADER RACK	1
53	<u>70666G01</u>		COMPRESSION SPRING	1
54	<u>70645G01</u>		RACK LOADER GASKET.....	1
55	<u>70591G01</u>		RACK LOADER COVER	1
56	<u>71102G01</u>		HEX CAP SCREW 1/4 - 20.....	2
57	<u>10389G3</u>		STRAIGHT GREASE FITTING.....	1
58	<u>70695G01</u>		BALL JOINT RACK (INCLUDES ITEMS 59 - 61)	1
59	<u>50641G1</u>		RUBBER BOOT	1

FRONT SUSPENSION/STEERING EXPRESS II

Where applicable, THE USE OF NON UL PARTS WILL VOID ANY UL LISTING.

When ordering parts, please specify the model and serial number of the product.

* Indicates a component that is not available as an individual part.

G** Indicates consult Customer Service Department for additional information.

ITEM	PART NO.	1 2 3 4 5	DESCRIPTION	QTY.
60	<u>50209G2</u>		SLOTTED NUT, 7/16 - 20.....	1
61	<u>10387G2</u>		COTTER PIN, 3/32" X 1" LG	1
62	<u>74602G01</u>		ROD END (INNER).....	1
63	<u>70961G01</u>		BOOT RACK.....	1
64	<u>12416G2</u>		WIRE TIE	1
65	<u>11391G8</u>		WIRE TIE	1
66				
67	<u>00464G6</u>		HEX HEAD BOLT, 7/16 - 14 X 2 3/4" LG.....	2
68	<u>01068G01</u>		HEX HEAD BOLT, 7/16 - 14 X 3 1/2" LG.....	1
69	<u>70667G02</u>		SPACER	2
70	<u>70667G03</u>		SPACER (SHORT)	1
71	<u>00532G6</u>		HEX NUT, 1/4 - 20.....	1
72	<u>00560G2</u>		FLAT WASHER, 7/16"	7
73	<u>00734G1</u>		LOCK NUT, 7/16 - 14	3
74				
75				
76	<u>70758G05</u>		STEERING COLUMN KIT (INCLUDES ITEMS 77 - 88)	1
77	<u>70610G03</u>		STEERING COLUMN	1
78	<u>28569G01</u>		STEERING COLUMN BUSHING.....	1
79	<u>01022G01</u>		HEX WASHER HEAD SCREW, #6 - 20 X 5/16" LG	1
80	<u>70607G01</u>		STEERING SHAFT.....	1
81	<u>70580G01</u>		INTERMEDIATE SHAFT.....	1
82	<u>01055G01</u>		CAP SCREW, M8 X 1 1/4" LG	2
83	<u>00565G8</u>		LOCK WASHER, 5/16"	1
84				
85	<u>70751G01</u>		RETAINING RING (INTERNAL)	1
86	<u>70888G01</u>		RETAINING RING (EXTERNAL)	1
87	<u>15112G1</u>		BALL BEARING	1
88	<u>70887G01</u>		WAVE WASHER	1
89	<u>602980</u>		STEERING WHEEL PREMIUM (OPTIONAL).....	1

FRONT SUSPENSION/STEERING EXPRESS II

Where applicable, THE USE OF NON UL PARTS WILL VOID ANY UL LISTING.

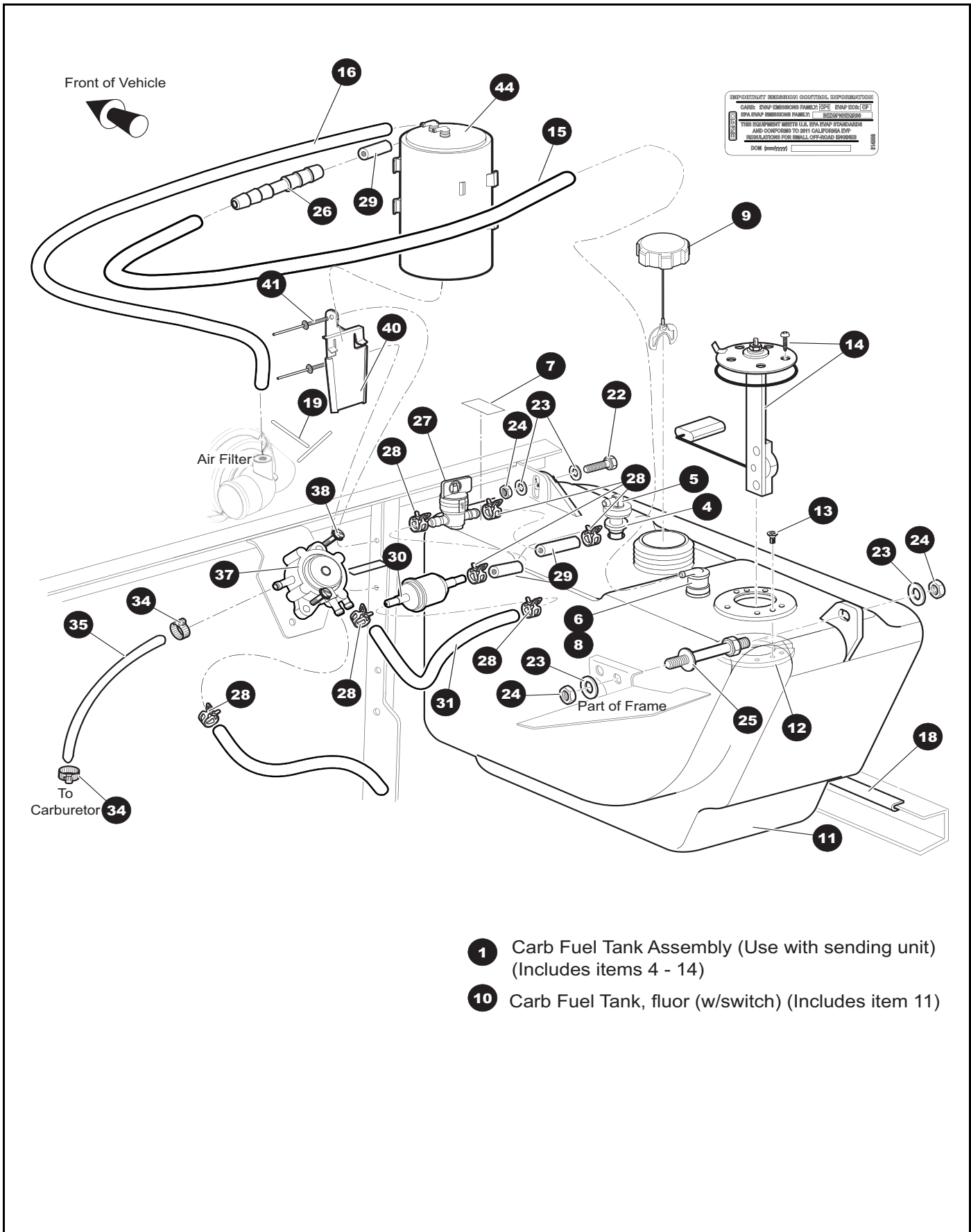
When ordering parts, please specify the model and serial number of the product.

* Indicates a component that is not available as an individual part.

G** Indicates consult Customer Service Department for additional information.

ITEM	PART NO.	1 2 3 4 5	DESCRIPTION	QTY.
90	<u>607925</u>		SCORECARD HOLDER	1
91	<u>602979</u>		STEERING WHEEL	1
92	<u>01006G01</u>		HEX HEAD BOLT, 3/8 - 16 X 1 1/4" LG WITH PATCHLOCK	4
93	<u>00879G1</u>		LOCK WASHER, 3/8"	4
94	<u>608529</u>		DECAL, WARNING STEERING WHEEL	1
95				
96	<u>14390G2</u>		LOCK NUT, 5/8 - 18	1
97				
98	<u>70876G02</u>		TIE ROD ASSEMBLY (INCLUDES ITEMS 99, 102 - 105)	1
99	<u>70897G02</u>		THREADED ROD	1
100	<u>70604G01</u>		TIE ROD ASSEMBLY (INCLUDES ITEMS 101 - 105)	1
101	<u>74603G01</u>		THREADED ROD (24" LG)	1
102	<u>70902G01</u>		TIE ROD END (LEFT HAND THREADS)	1
103	<u>01069G01</u>		JAM NUT, M12 X 1.25-05 (LEFT HAND THREADS)	1
104	<u>70902G02</u>		TIE ROD END (RIGHT HAND THREADS)	1
105	<u>01069G02</u>		JAM NUT, M12 X 1.25-05 (RIGHT HAND THREADS)	1
106	<u>00734G1</u>		LOCK NUT, 7/16 - 14	2

FUEL SYSTEM



FUEL SYSTEM

When ordering parts, please specify the model and serial number of the product.

* Indicates a component that is not available as an individual part.

*** Indicates consult Customer Service Department for additional information.

ITEM	PART NO.	1 2 3 4 5	DESCRIPTION	QTY.
1	<u>620181</u>		CARB FUEL TANK ASSEMBLY (Use with sending unit) (Includes items 4 - 14)	1
2				
3				
4	<u>70988G01</u>		SIPHON TUBE GROMMET	1
5	<u>18287G3</u>		SIPHON TUBE ASSEMBLY	1
6	<u>606068</u>		ROLLOVER VALVE GROMMET	1
7	<u>617886</u>		EPA FUEL TANK LABEL	1
8	<u>606067</u>		ROLLOVER VALVE	1
9	<u>617885</u>		FUEL TANK CAP (RATCHET).....	1
10	<u>607479</u>		CARB FUEL TANK, FLUOR (W/SWITCH) (Includes item 11).....	1
11	<u>618669</u>		FUEL TANK, W/ SENDER UNIT	1
12	<u>72229G01</u>		FUEL TANK ADAPTER	1
13	<u>72230G01</u>		FLAT HEAD MACHINE SCREW	2
14	<u>20048G2</u>		FUEL LEVEL SENDER	1
15	<u>607546</u>		LOW PRESSURE FUEL HOSE, 3/16 I.D. X 3/8 O.D. X 17.00 LONG (CARB)	1
16	<u>606966</u>		LOW PRESSURE FUEL HOSE, 3/16 I.D. X 3/8 O.D. X 34.00 LONG (CARB)	1
17				
18	<u>32372G6</u>		BLACK TRIM, 6.25 LONG	1
19	<u>17618G1</u>		NYLON CLAMP	2
20				
21				
22	<u>00438G8</u>		HEX HEAD BOLT, 5/16 - 18 X 1	1
23	<u>00559G8</u>		FLAT WASHER, 5/16	4
24	<u>11098G6</u>		LOCK NUT, 5/16 - 18	3
25	<u>70483G01</u>		SPACER BOLT, 5/16 - 18.....	1
26	<u>615346</u>		HOSE REDUCER-ID 1/4 X 3/16	1
27	<u>611181</u>		FUEL SHUT-OFF VALVE.....	1
28	<u>18292G1</u>		HOSE CLAMP,.50 DIAMETER	7
29	<u>615350</u>		FUEL SYSTEM HOSE 2.00"	3
30	<u>72084G01</u>		FUEL LINE FILTER.....	1
31	<u>606969</u>		FUEL SYSTEM HOSE,.25 I.D. X.50 O.D. X 8.00 LONG	1

FUEL SYSTEM

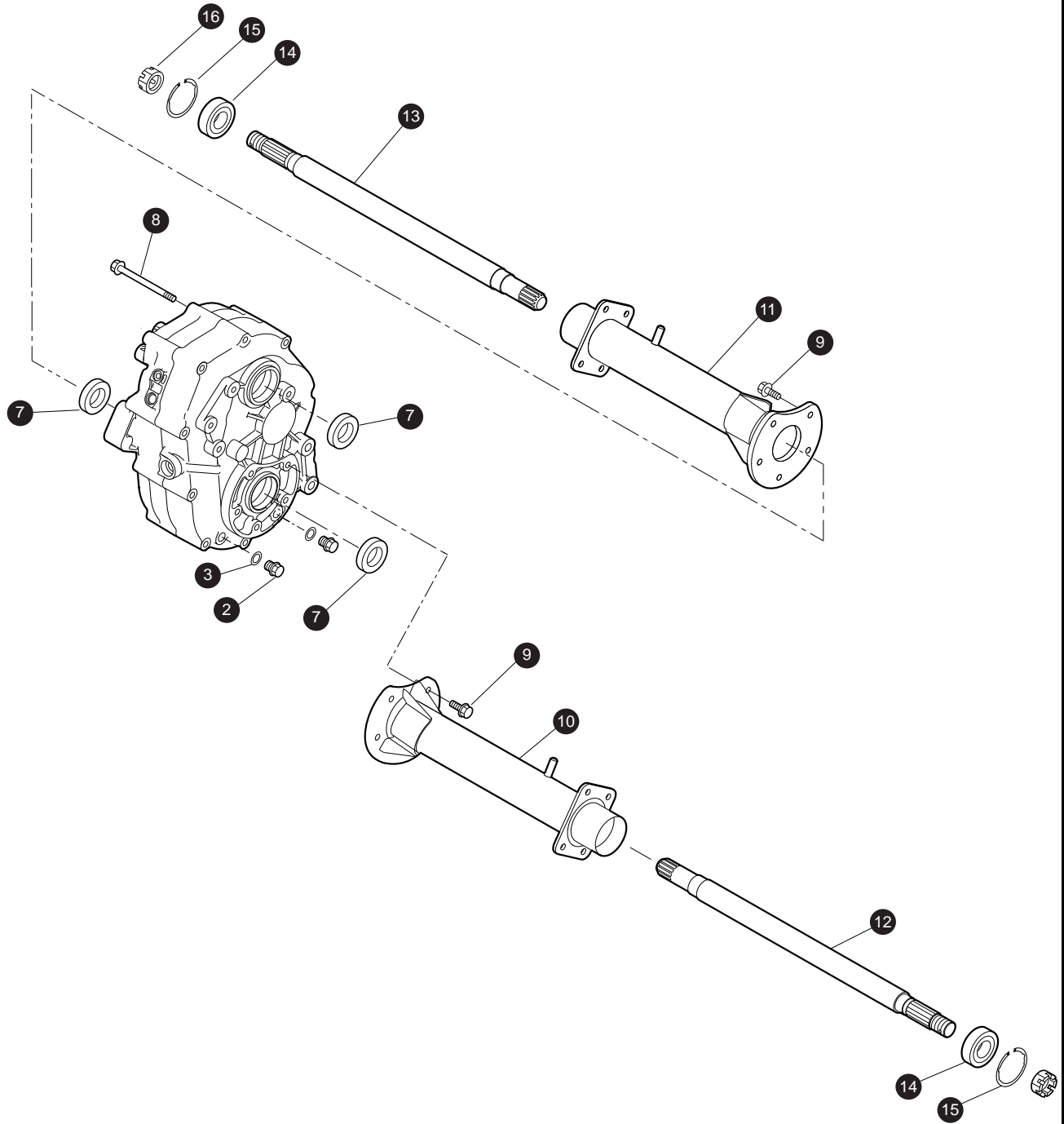
When ordering parts, please specify the model and serial number of the product.

* Indicates a component that is not available as an individual part.

*** Indicates consult Customer Service Department for additional information.

ITEM	PART NO.	1	2	3	4	5	DESCRIPTION	QTY.
32								
33								
34	<u>11391G4</u>						HOSE CLAMP, .25 - .63 DIA	2
35	<u>604597</u>						CARB FUEL SYSTEM HOSE,.25 I.D. X.50 O.D. X 26.00 LONG	1
36								
37	<u>602061</u>						FUEL PUMP	1
38	<u>00114G6</u>						HEX WASHER HEAD SLOTTED TAPPING SCREW, 1/4 - 14 X .75.....	2
39								
40	<u>606310</u>						CARBON CANISTER MOUNTING BRACKET (CARB ONLY).....	1
41	<u>10570G11</u>						RIVET, 3/16 DIA X .70 (CARB ONLY)	2
42								
43								
44	<u>606071</u>						CARBON CANISTER (CARB ONLY)	1

REAR AXLE



REAR AXLE

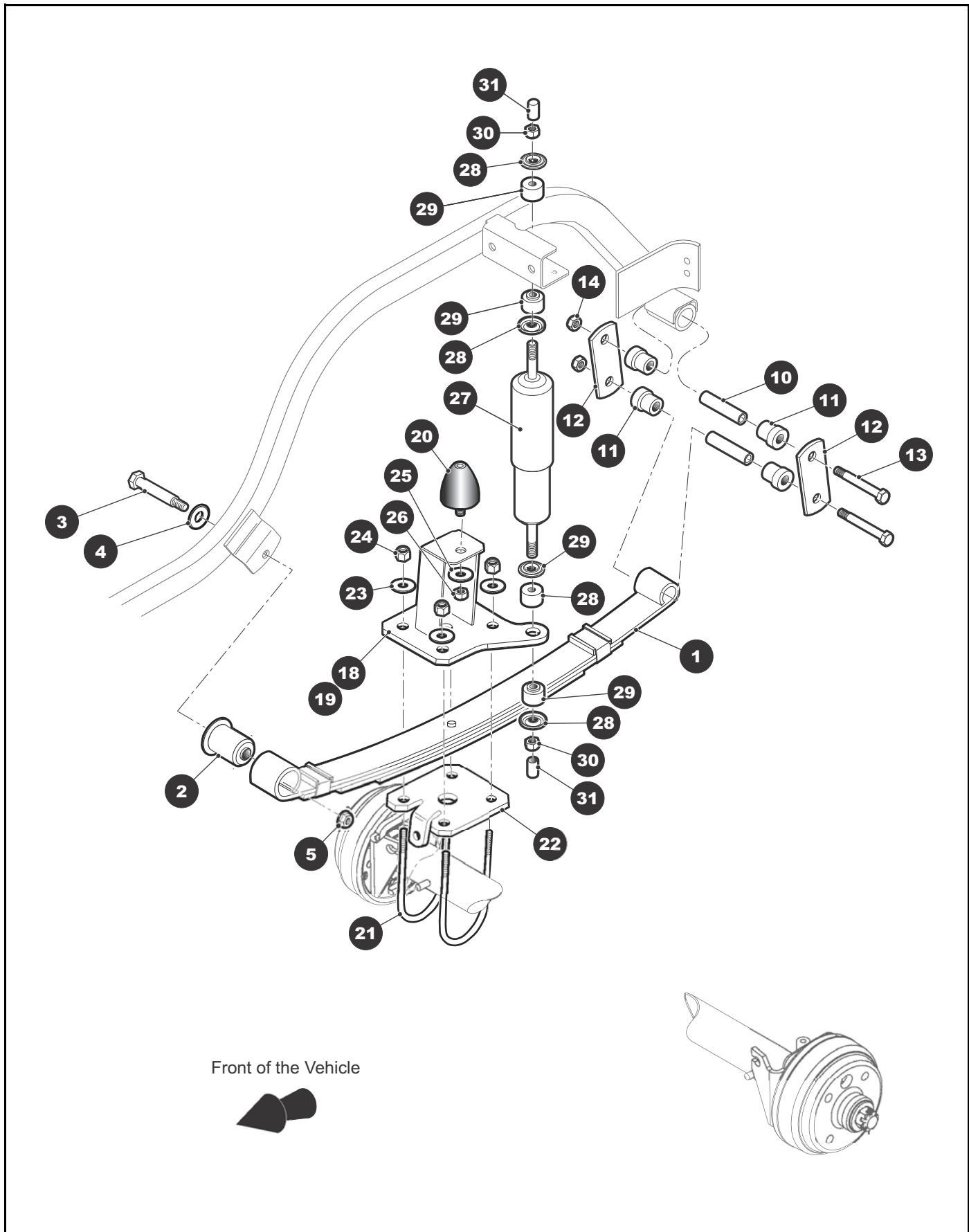
When ordering parts, please specify the model and serial number of the product.

* Indicates a component that is not available as an individual part.

*** Indicates consult Customer Service Department for additional information.

ITEM	PART NO.	1 2 3 4 5	DESCRIPTION	QTY.
1	605891		REAR AXLE	1
2	<u>26770G01</u>		OIL DRAIN PLUG	2
3	<u>26771G01</u>		GASKET	2
4				
5				
6				
7	<u>72259G01</u>		OIL SEAL 28 X 47 X 9	3
8	<u>26823G01</u>		FLANGE BOLT M8 X 1.25 X 100	10
9	<u>72260G01</u>		FLANGE BOLT M10 X 1.5 X 23	10
10	<u>607940</u>		AXLE TUBE (PASSENGER SIDE)	1
11	<u>607939</u>		AXLE TUBE (DRIVER SIDE)	1
12	607988		AXLE SHAFT (PASSENGER SIDE)	1
13	607987		AXLE SHAFT (DRIVER SIDE)	1
14	<u>26811G01</u>		BALL BEARING	2
15	26814G01		SNAP RING	2
16	<u>606403</u>		SLOTTED NUT	2

REAR SUSPENSION



REAR SUSPENSION

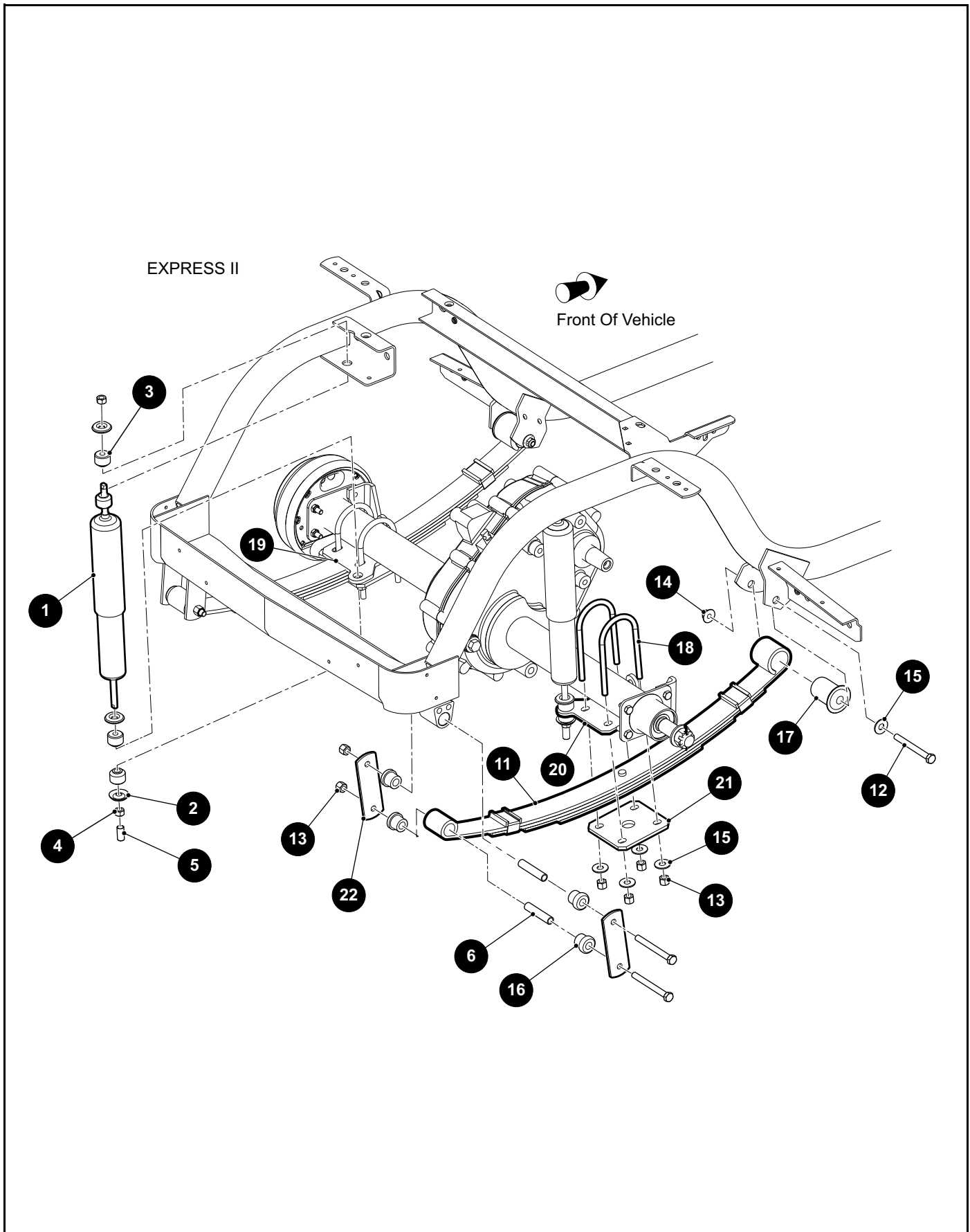
When ordering parts, please specify the model and serial number of the product.

* Indicates a component that is not available as an individual part.

*** Indicates consult Customer Service Department for additional information.

ITEM	PART NO.	1 2 3 4 5	DESCRIPTION	QTY.
1	<u>605722</u>		HEAVY DUTY LEAF SPRING.....	2
2	<u>605445</u>		LEAF SPRING BUSHING, FRONT	2
3	<u>00665G9</u>		HEX HEAD BOLT, SS 3/8 - 16 X 3.5 LG.....	2
4	<u>00643G1</u>		FLAT WASHER, .411 I.D. X 1.00 O.D. X .06	2
5	<u>12262G1</u>		FLANGED LOCK NUT, 3/8 - 16	2
6				
7				
8				
9				
10	<u>70289G02</u>		SPLIT STEEL SPACER	4
11	<u>70291G01</u>		FLANGED URETHANE BUSHING	8
12	<u>70290G02</u>		SHACKLE PLATE	4
13	<u>00665G9</u>		HEX HEAD BOLT, SS 3/8 - 16 X 3.5 LG.....	4
14	<u>11098G5</u>		LOCK NUT, 3/8 - 16	4
15				
16				
17				
18	<u>606090</u>		SPRING PLATE, DRIVER SIDE	1
19	<u>606091</u>		SPRING PLATE, PASSENGER SIDE.....	1
20	<u>70492G01</u>		RUBBER BUMPER.....	2
21	<u>32195G3</u>		U-BOLT	4
22	<u>605955</u>		REAR SUSPENSION PLATE	2
23	<u>00643G1</u>		FLAT WASHER, .411 I.D. X 1.00 O.D. X .06	8
24	<u>11098G5</u>		LOCK NUT, 3/8 - 16	8
25	<u>00968G01</u>		LOCK WASHER, M10.....	2
26	<u>00974G01</u>		HEX NUT, M10.....	2
27	<u>70248G01</u>		SHOCK ABSORBER	2
28	<u>10435G1</u>		SHOCK ABSORBER WASHER.....	8
29	<u>10194G1</u>		RUBBER SHOCK BUSHING	8
30	<u>00532G6</u>		HEX NUT, 3/8 - 24.....	4
31	<u>10044G01</u>		VINYL CAP	4

REAR SUSPENSION - EXPRESS II



REAR SUSPENSION - EXPRESS II

When ordering parts, please specify the model and serial number of the product.

* Indicates a component that is not available as an individual part.

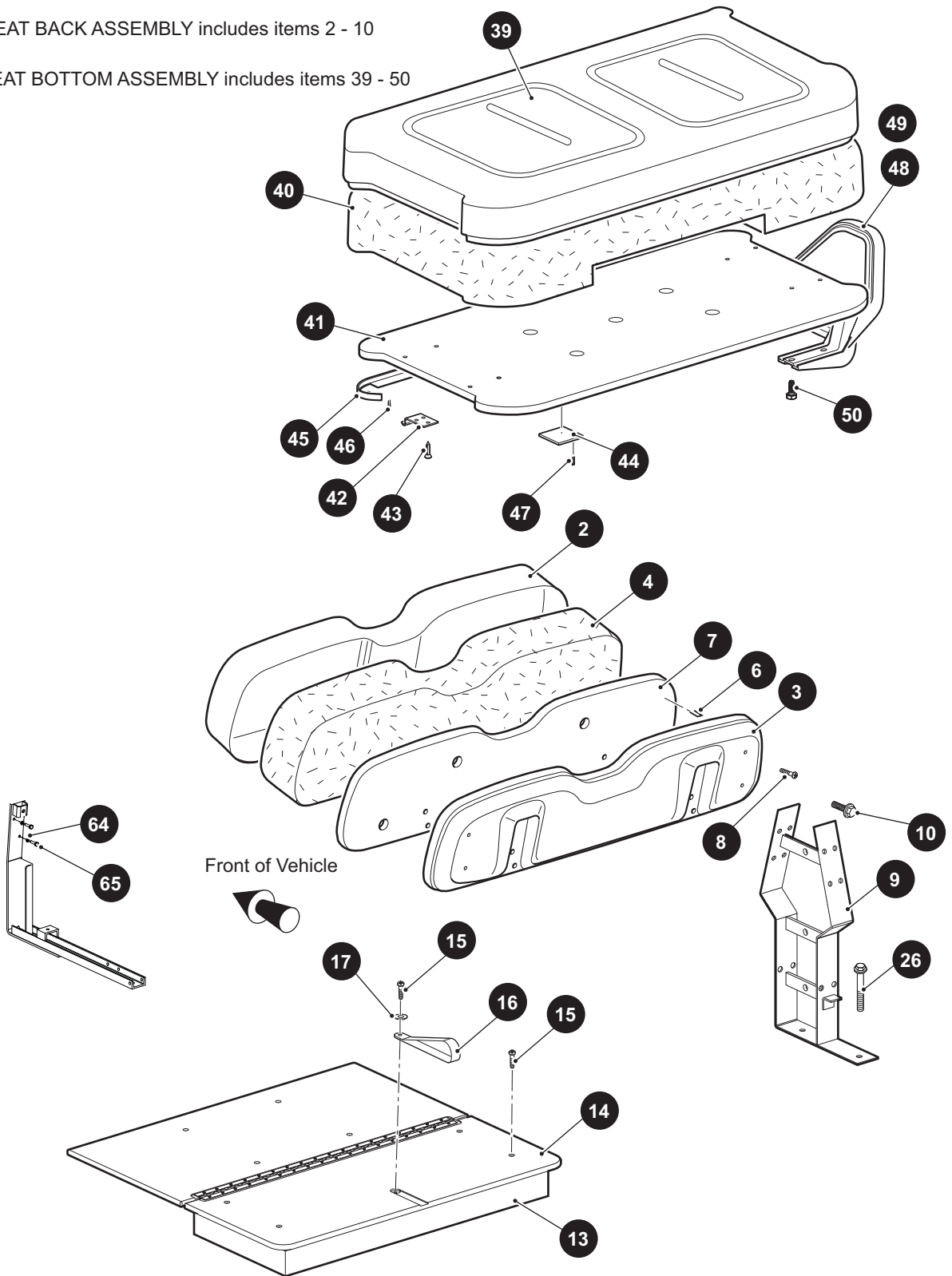
*** Indicates consult Customer Service Department for additional information.

ITEM	PART NO.	1 2 3 4 5	DESCRIPTION	QTY.
1	<u>70248G01</u>		SHOCK ABSORBER	2
2	<u>10435G1</u>		SHOCK ABSORBER WASHER.....	8
3	<u>10194G1</u>		SHOCK ABSORBER BUSHING	8
4	<u>00532G6</u>		HEXAGONAL NUT, 1/4" - 20	4
5	<u>10044G01</u>		VINYL CAP	2
6	<u>70289G02</u>		STEEL SPACER	4
7				
8				
9				
10				
11	<u>605722</u>		HEAVY DUTY LEAF SPRING.....	2
12	<u>00665G9</u>		HEX HEAD BOLT, 3/8" - 16 X 1	6
13	<u>11098G5</u>		LOCK NUT, 3/8"	12
14	<u>12262G1</u>		FLANGED LOCK NUT, 3/8" - 16.....	2
15	<u>00643G1</u>		FLAT WASHER, 3/8" TO 1"	10
16	<u>70291G01</u>		FLANGED URETHANE BUSHING	8
17	<u>605445</u>		LEAF SPRING BUSHING, FRONT	2
18	<u>32195G3</u>		U-BOLT	4
19	<u>605938</u>		AXLE BRACKET DRIVER SIDE	1
20	<u>605958</u>		AXLE BRACKET PASSENGER SIDE	1
21	<u>605956</u>		REAR SUSPENSION PLATE	2
22	<u>604961</u>		SHACKLE PLATE	4

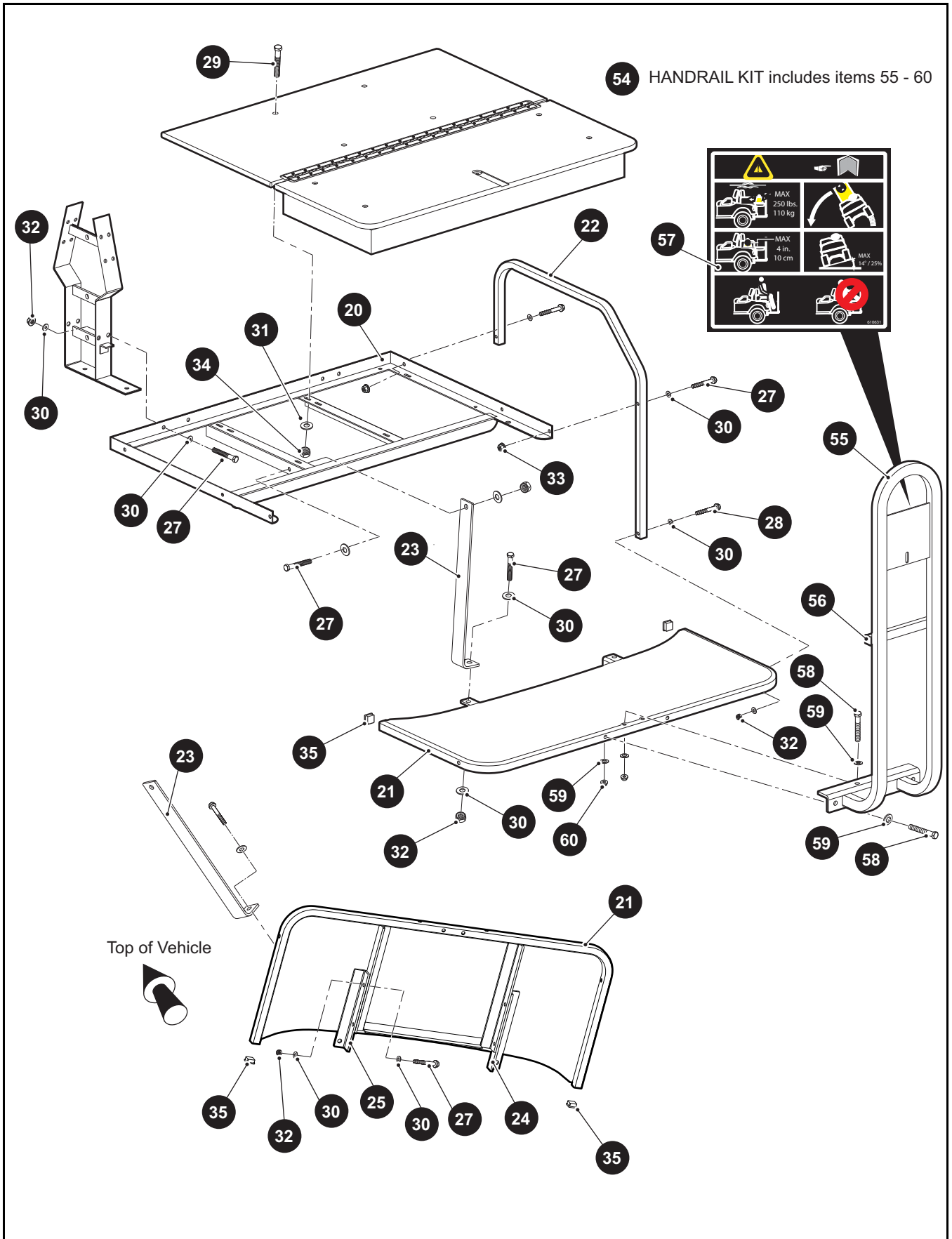
SEATING

1 SEAT BACK ASSEMBLY includes items 2 - 10

38 SEAT BOTTOM ASSEMBLY includes items 39 - 50



12 FLIP FLOP SEAT BOTTOM ASSEMBLY includes items 13 - 17



SEATING

THE USE OF NON U.L. PARTS WILL VOID ANY U.L. LISTING.

When ordering parts, please specify the model and serial number of the product.

* Indicates a component that is not available as an individual part.

G** Indicates consult Customer Service Department for additional information.

ITEM	PART NO.	1	2	3	4	5	DESCRIPTION	QTY.
1	***	SEAT BACK ASSEMBLY (INCLUDES ITEMS 2 - 10).....					1	
		606828	RED/BLACK					
		71751G03	OYSTER					
		71751G04	TAN					
		71751G07	BLACK					
		604908	WHITE/BLUE					
		604907	WHITE/RED					
2	***	VINYL SEAT BACK COVER.....					1	
		71753G03	OYSTER					
		71753G04	TAN					
		71753G07	BLACK					
		604916G0103	WHITE/RED					
		604916G0102	WHITE/BLUE					
		604916G0304	RED/BLACK					
3	71752G01	SEAT BACK REAR COVER					1	
4	<u>71754G01</u>	FOAM PADDING					1	
5								
6	23222G01	FLAT STAPLE, 3/8" X 3/8"					95	
7	<u>76414G01</u>	SEAT BACK (WOOD).....					1	
8	<u>01107G01</u>	PAN HEAD SCREW, #8 X .63" LG					4	
9	<u>615730</u>	SEAT BACK SUPPORT.....					2	
10	71204G01	SCREW, 1/4 - 20 X 1" LG					8	
11								
12	***	FLIP FLOP SEAT BOTTOM ASSEMBLY (INCLUDES ITEMS 13 - 17)					1	
		621027	TAN					
		621026	OYSTER					
		621031	WHITE/BLUE					
		621036	BLACK					
		621032	WHITE/RED					
		621033	RED/BLACK					
13	***	VINYL FLIP FLOP SEAT BOTTOM COVER					1	
		615646	OYSTER					
		615647	TAN					
		615648	BLACK					
		611126	WHITE/RED					
		611125	WHITE/BLUE					
		611135	RED/BLACK					
14	<u>617137</u>	DECK BOARD ASSEMBLY					1	
15	<u>16705G1</u>	STAINLESS SCREW, 1/4 - 20 X 1" LG					5	

THE USE OF NON U.L. PARTS WILL VOID ANY U.L. LISTING.
 When ordering parts, please specify the model and serial number of the product.
 * Indicates a component that is not available as an individual part.
 G** Indicates consult Customer Service Department for additional information.

ITEM	PART NO.	1 2 3 4 5	DESCRIPTION	QTY.
16	<u>617402</u>		SEAT STRAP.....	1
17	<u>00559G7</u>		FLAT WASHER, 1/4"	1
18				
19				
20	<u>615712</u>		SEAT FRAME WELDMENT	1
21	<u>615714</u>		FOOTREST WELDMENT	1
22	<u>615729</u>		ARMREST, REAR SEAT	2
23	<u>615713</u>		SEAT FRAME SUPPORT	2
24	<u>615728</u>		FOOTREST BRACKET, PASSENGER SIDE.....	1
25	<u>615727</u>		FOOTREST BRACKET, DRIVER SIDE	1
26	<u>01006G01</u>		HEX HEAD SCREW, 3/8 X 1.25	4
27	<u>00427G4</u>		HEX HEAD SCREW, 3/8 - 16 X 1.5	16
28	<u>00429G2</u>		HEX HEAD SCREW, 3/8 - 16 X 3.25	2
29	<u>16705G9</u>		SCREW SS, 1/4 - 20 X 1.25.....	4
30	<u>614221</u>		FLAT WASHER, 318	32
31	<u>01110G01</u>		FLAT WASHER, 1/4	4
32	<u>11098G5</u>		PLASTIC LOCK NUT, 3/8 - 16	14
33	<u>11027G5</u>		FLANGED LOCK NUT, 3/8 - 16	4
34	<u>14390G4</u>		PLASTIC LOCK NUT, 1/4 - 20	4
35	<u>19853G1</u>		SQUARE CAP TUBE, 1"	2
36				
37				
38	***		SEAT BOTTOM ASSEMBLY (INCLUDES ITEMS 39 - 50)..... 71611G07 TAN 71611G05 OYSTER 71611G35 RED ON BLACK 71611G17 BLACK 608714 WHITE/RED 71611G36 WHITE/BLUE	1
39	***		VINYL SEAT BOTTOM COVER 71602G03 OYSTER 71602G04 TAN 71602G06 BLACK 604912G0102 WHITE/BLUE	1

SEATING

THE USE OF NON U.L. PARTS WILL VOID ANY U.L. LISTING.

When ordering parts, please specify the model and serial number of the product.

* Indicates a component that is not available as an individual part.

G** Indicates consult Customer Service Department for additional information.

ITEM	PART NO.	1	2	3	4	5	DESCRIPTION	QTY.
							604912G0304 RED/BLACK 604912G0103 WHITE/RED	
40	<u>71603G02</u>						FOAM PADDING (SEAT BOTTOM).....	1
41	<u>76411G01</u>						SEAT BOTTOM (WOOD).....	1
42	<u>71610G01</u>						SEAT HINGE	2
43	<u>00720G08</u>						SCREW, #12 - 14 X 1" LG (STAINLESS STEEL).....	6
44	<u>17074G1</u>						RUBBER PAD	2
45	<u>71012G01</u>						VINYL TRIM (SEAT BOTTOM).....	1
46	<u>23222G1</u>						FLAT STAPLE, 3/8" x 3/8".....	110
47	<u>23223G1</u>						FLAT STAPLE, 3/8" x 3/8".....	36
48	<u>71702G01</u>						HIP RESTRAINT (DRIVER SIDE)	1
49	<u>71701G01</u>						HIP RESTRAINT (PASSENGER SIDE).....	1
50	<u>71204G01</u>						BOLT, 1/4 - 20 X 1" LG (STAINLESS STEEL)	8
51								
52								
53								
54	<u>617901</u>						HANDRAIL KIT, FLIP-FLOP SEAT (INCLUDES ITEMS 55 - 60).....	1
55	<u>615721</u>						FOOTREST HANDLE WELDMENT	1
56	<u>19859G1</u>						SQUARE CAP TUBE, 3/4"	2
57	<u>610631</u>						WARNING DECAL.....	1
58	<u>00427G8</u>						HEX HEAD SCREW, 3/8 - 16 X 2.0.....	4
59	<u>614221</u>						FLAT WASHER, 3/8.....	8
60	<u>11098G5</u>						PLASTIC LOCK NUT, 3/8 - 16.....	4
61								
62								
63								
64	<u>00664G7</u>						LOCK WASHER, 1/4.....	4
65	<u>00661G8</u>						SCREW, 1/4 - 20 X 1.....	4

SEATING

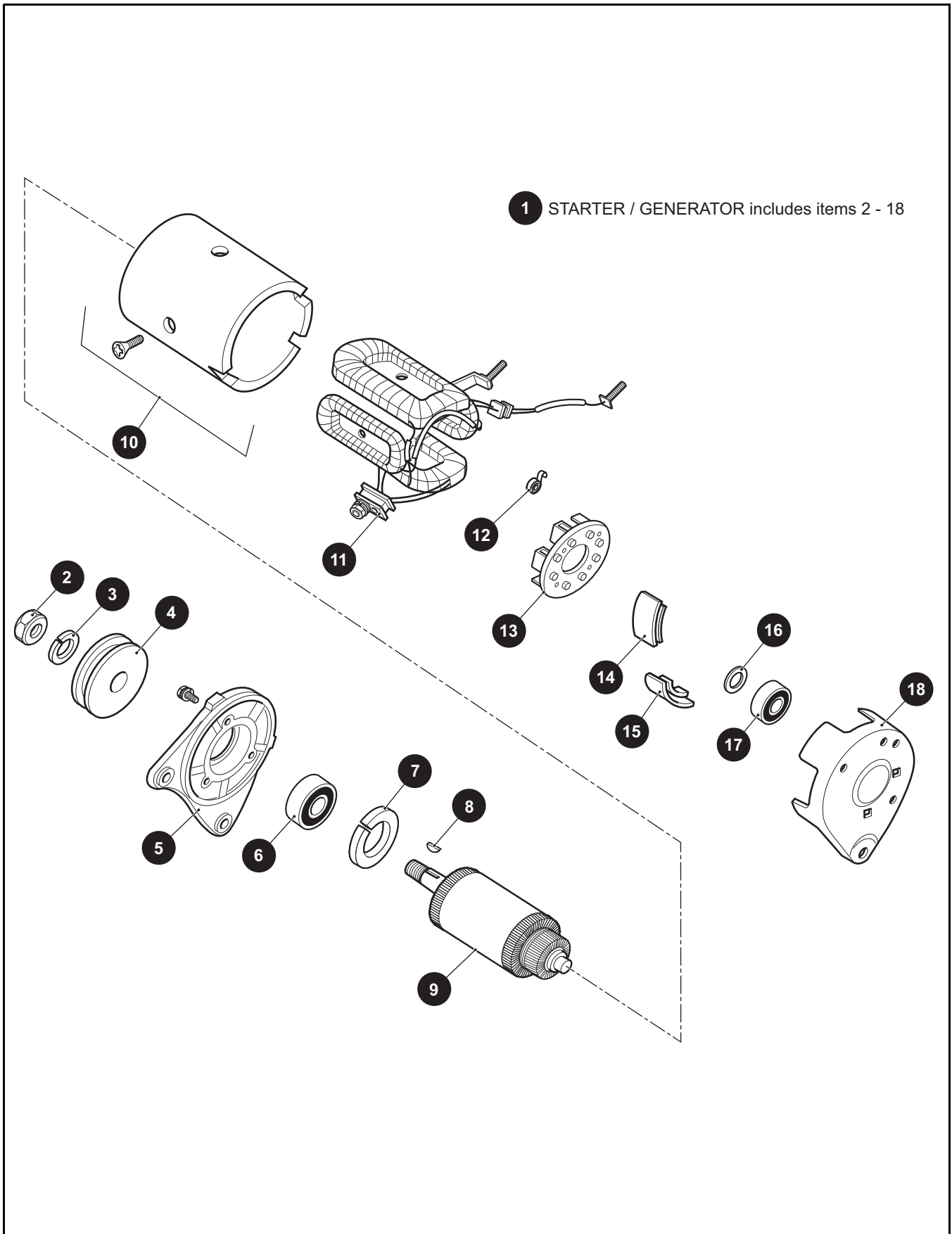
THE USE OF NON U.L. PARTS WILL VOID ANY U.L. LISTING.
 When ordering parts, please specify the model and serial number of the product.
 * Indicates a component that is not available as an individual part.
 G** Indicates consult Customer Service Department for additional information.

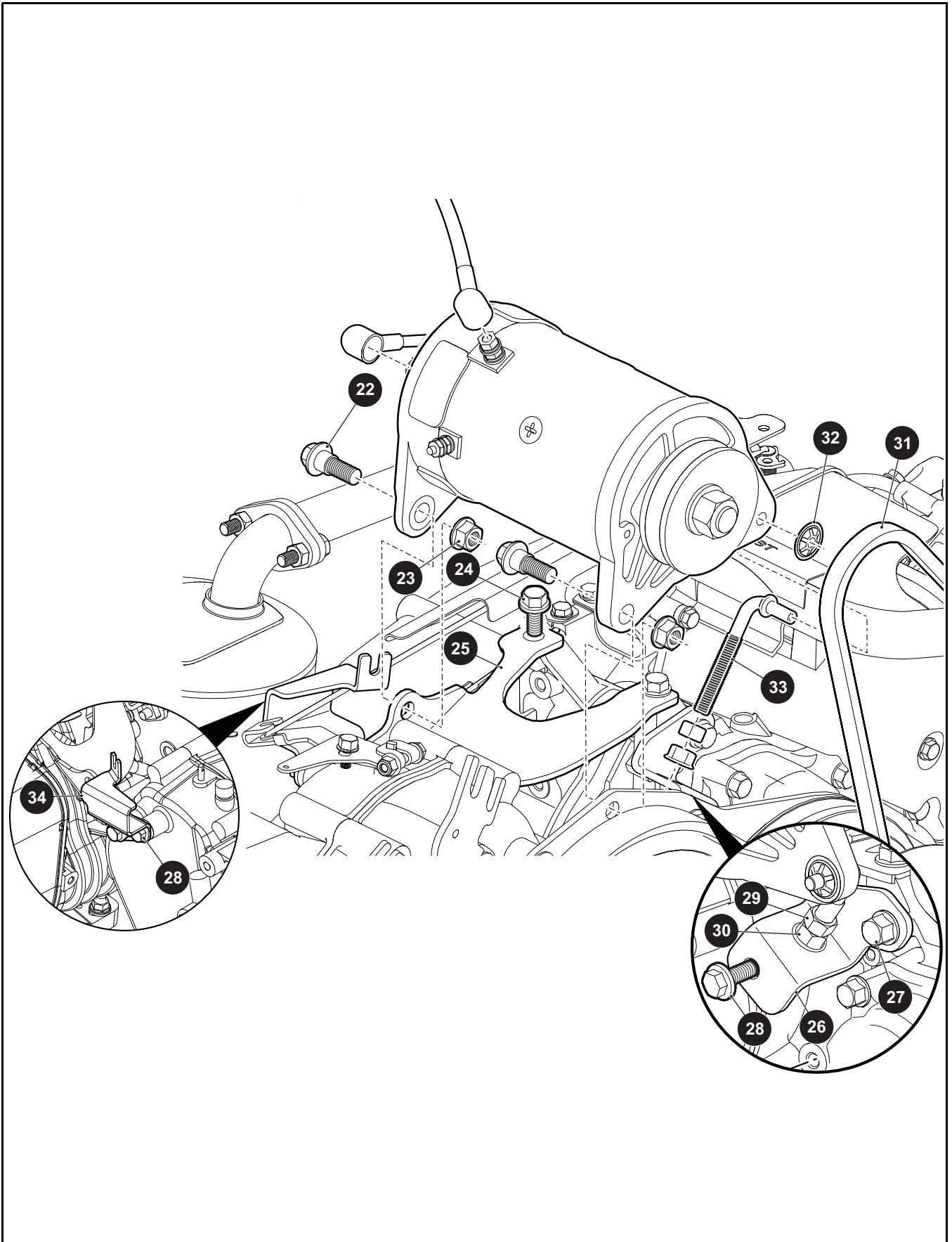
ITEM	PART NO.	1 2 3 4 5	DESCRIPTION	QTY.
1	***		SEAT BOTTOM ASSEMBLY (INCLUDES ITEMS 2 - 8) 71888G07 BLACK 71888G13 RED/BLACK 71888G14 WHITE/BLUE 71888G04 TAN 71888G01 OYSTER 608707 WHITE/RED	1
2	***		VINYL SEAT BOTTOM COVER) 71624G07 BLACK 604912G0304 RED/BLACK 604912G0102 WHITE/BLUE 71624G04 TAN 71624G03 WHITE/BLUE 604912G0103 WHITE/RED	1
3	<u>71625G01</u>		SEAT BOTTOM FOAM PADDING	1
4	<u>76416G01</u>		PLYWOOD BASE ASSEMBLY	1
5	<u>71701G01</u>		HIP RESTRAINT, PASSENGER SIDE	1
6	<u>71702G01</u>		HIP RESTRAINT, DRIVER SIDE	1
7	<u>23222G1</u>		STAPLE, 3/8" x 3/8"	110
8	71204G01		SCREW, 1/4 - 20 X 1" LG	8
9				
10	***		SEAT BACK ASSEMBLY (INCLUDES ITEMS 11 - 17, 20)..... 71757G07 BLACK 71751G04 TAN 71751G03 OYSTER 606828 RED/BLACK 604908 WHITE/BLUE 604907 WHITE/RED	1
11	***		VINYL SEAT BACK COVER 71753G07 BLACK 71753G04 TAN 71753G03 OYSTER 604916G0304 RED/BLACK 604916G0102 WHITE/BLUE 604916G0103 WHITE/RED	1
12				
13	71752G01		PLASTIC SEAT BACK REAR COVER	1
14	<u>71754G01</u>		SEAT BACK, FOAM PADDING.....	1
15	<u>76414G01</u>		WOOD BASE ASSEMBLY.....	1

THE USE OF NON U.L. PARTS WILL VOID ANY U.L. LISTING.
 When ordering parts, please specify the model and serial number of the product.
 * Indicates a component that is not available as an individual part.
 G** Indicates consult Customer Service Department for additional information.

ITEM	PART NO.	1	2	3	4	5	DESCRIPTION	QTY.
16	<u>23222G1</u>						STAPLE, 3/8" x 3/8"	95
17	<u>01107G01</u>						PAN HEAD SCREW, #8 X .63" LG	4
18								
19								
20	607535						PAN HEAD SCREW, #8 X .88" LG	4
21								
22								
23								
24	620216G0**						SEAT POD ASSEMBLY (INCLUDES ITEMS 25 - 38).....	1
25	70836G0**						SEAT POD	1
26	<u>71868G01</u>						SEAT BACK SUPPORT WELDMENT	2
27	<u>32805G6</u>						BLACK TRIM	1
28	00439G8						SCREW, 5/16 - 18 X 2	3
29	<u>00675G1</u>						FLAT WASHER.....	5
30	<u>71883G01</u>						RUBBER WASHER	3
31	<u>23726G9</u>						SPACER	3
32	<u>00976G06</u>						SCREW, 5/16 - 18 X.75	2
33	<u>71599G01</u>						VENT PLUG.....	4
34	<u>00427G8</u>						SCREW, 3/8 - 16 X 2	2
35	11098G6						LOCK NUT.....	5
36	<u>15717G5</u>						NUT, 3/8 - 16.....	2
37	<u>23726G4</u>						SPACER	2
38	27731G01						ASHTRAY, FLUSH MOUNTED PLASTIC.....	1
39	<u>71632G01</u>						HANDGRIP WELDMENT	1
40	<u>71204G02</u>						SCREW, 1/4 - 20 X 1" LG.....	4

STARTER / GENERATOR





STARTER / GENERATOR

THE USE OF NON U.L. PARTS WILL VOID ANY U.L. LISTING.

When ordering parts, please specify the model and serial number of the product.

* Indicates a component that is not available as an individual part.

G** Indicates consult Customer Service Department for additional information.

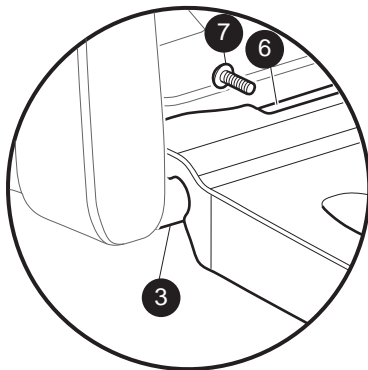
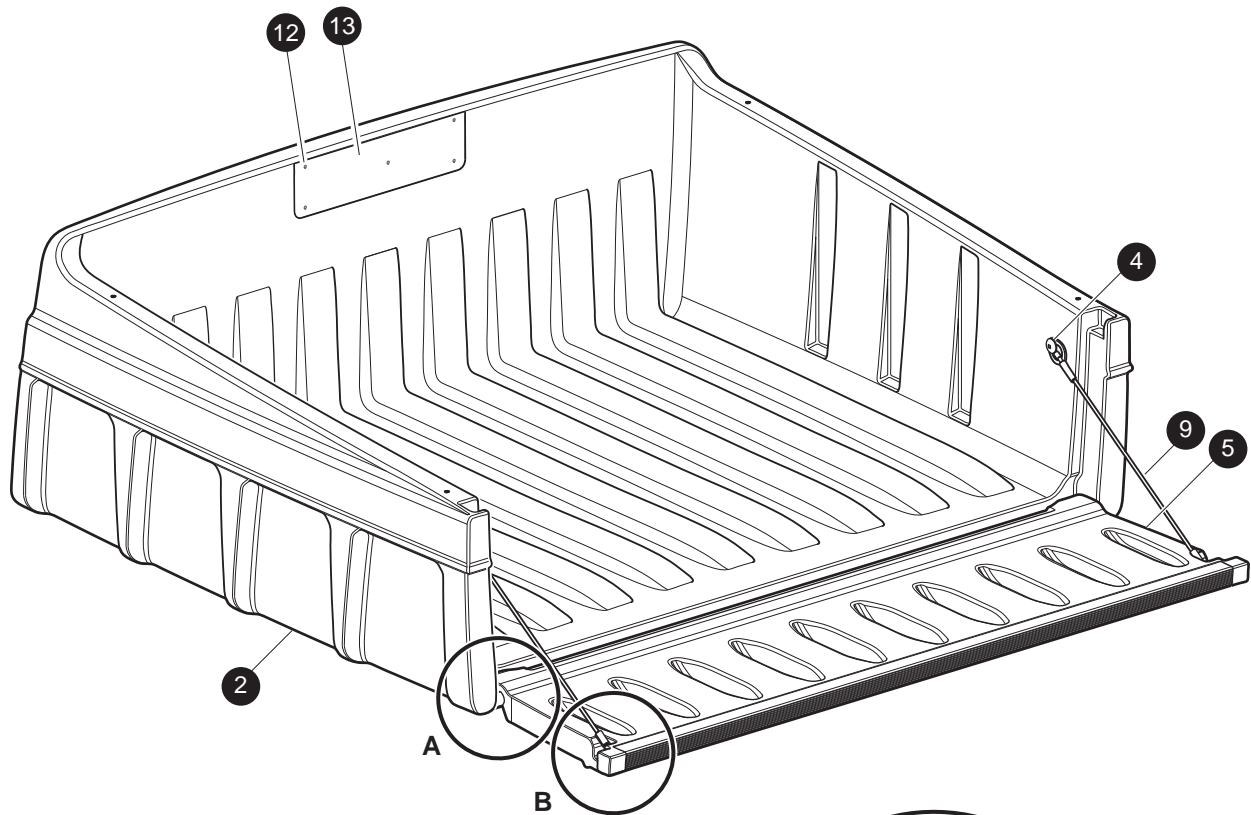
ITEM	PART NO.	1 2 3 4 5	DESCRIPTION	QTY.
1	<u>617120</u>		STARTER / GENERATOR (INCLUDES 2 - 18).....	1
2	<u>612029</u>		NUT.....	1
3	<u>612030</u>		LOCKWASHER	1
4	<u>617172</u>		PULLEY	1
5	<u>612032</u>		FRONT COVER.....	1
6	<u>612033</u>		BEARING.....	1
7	<u>612034</u>		RETAINING RING.....	1
8	<u>612035</u>		KEY.....	1
9	<u>612036</u>		ARMATURE ASSEMBLY	1
10	<u>612037</u>		FRAME & FIELD ASSEMBLY.....	1
11	<u>612038</u>		BRUSH LEAD & TERMINAL PKG.....	1
12	<u>612039</u>		BRUSH SPRING.....	1
13	<u>612040</u>		BRUSH BOX ASSEMBLY.....	1
14	<u>612041</u>		BRUSH 1 COVER.....	2
15	<u>612042</u>		BRUSH 2 COVER.....	2
16	<u>612043</u>		WAVY WASHER	1
17	<u>612044</u>		BEARING.....	1
18	<u>612045</u>		REAR COVER	1
19				
20				
21				
22	<u>606235</u>		BOLT, HXFL SHLDR - M10 - 1.25 X 20.....	2
23	<u>606279</u>		NUT, M10 - 1.25	2
24	<u>606261</u>		BOLT, M8 - 1.25 X 20	3
25	<u>602141</u>		STARTER / GENERATOR BRACKET.....	1
26	<u>602145</u>		TENSIONER BRACKET	1
27	<u>606261</u>		BOLT, M8 - 1.25 X 20	1
28	<u>606256</u>		BOLT, M10 - 1.25 X 25	9
29	<u>606255</u>		NUT, M10 - 1.25	1
30	<u>606274</u>		NUT, M10 - 1.25	1

STARTER / GENERATOR

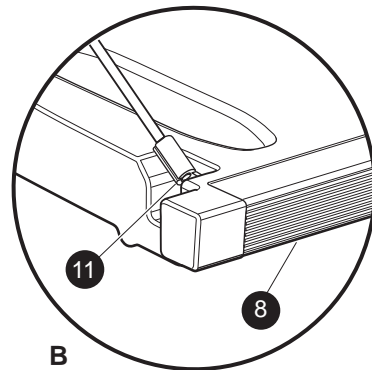
THE USE OF NON U.L. PARTS WILL VOID ANY U.L. LISTING.
 When ordering parts, please specify the model and serial number of the product.
 * Indicates a component that is not available as an individual part.
 G** Indicates consult Customer Service Department for additional information.

ITEM	PART NO.	1 2 3 4 5	DESCRIPTION	QTY.
31	<u>16548G1</u>		STARTER / GENERATOR BELT	1
32	<u>12064G6</u>		PUSH NUT, 5/16"	1
33	<u>625705</u>		TENSIONER BOLT	1
34	<u>603884</u>		CABLE GUIDE BRACKET	1

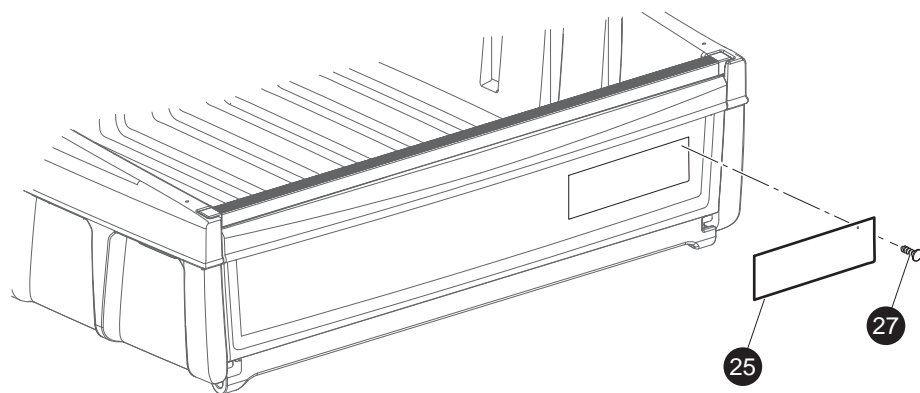
CARGO BED

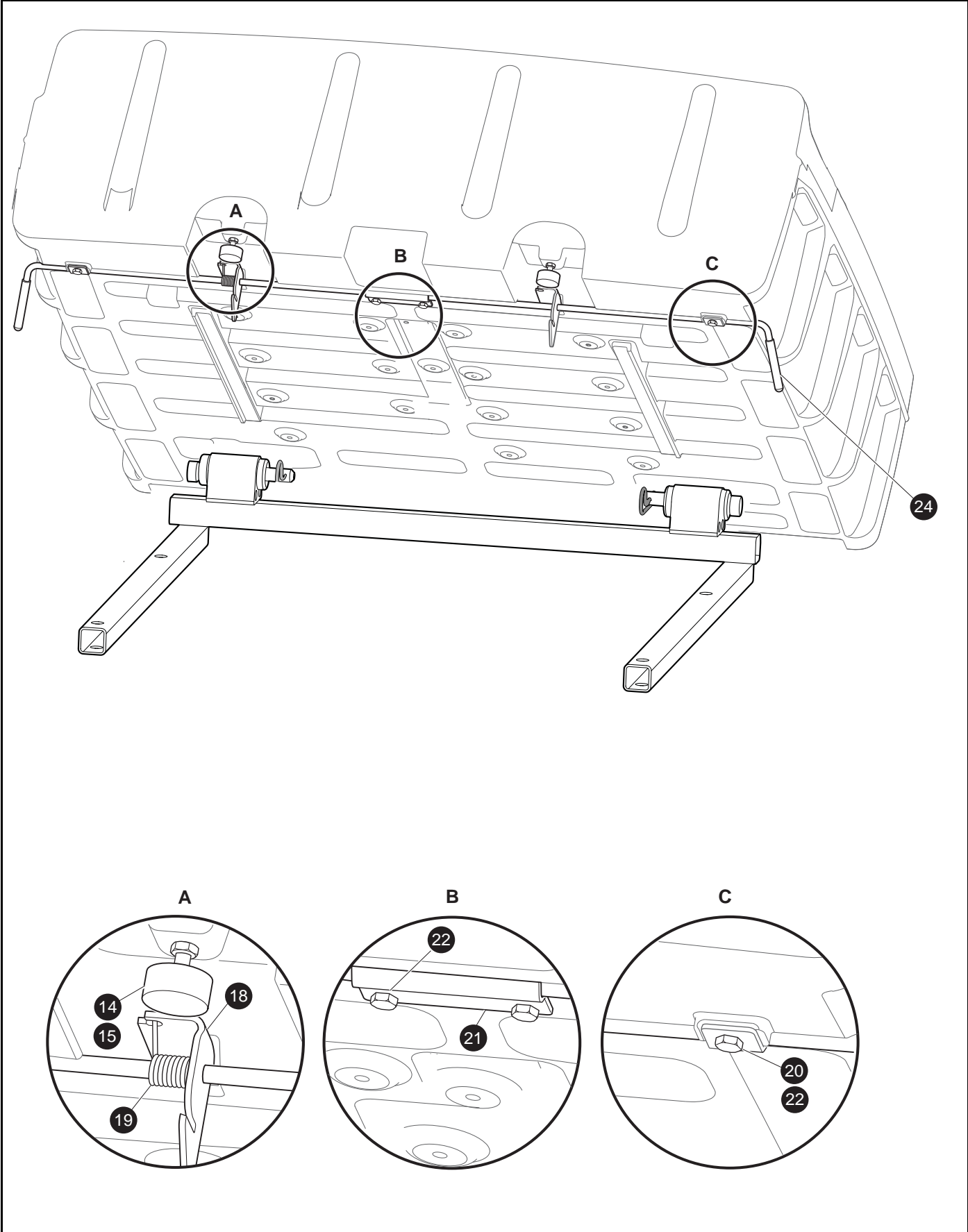


A

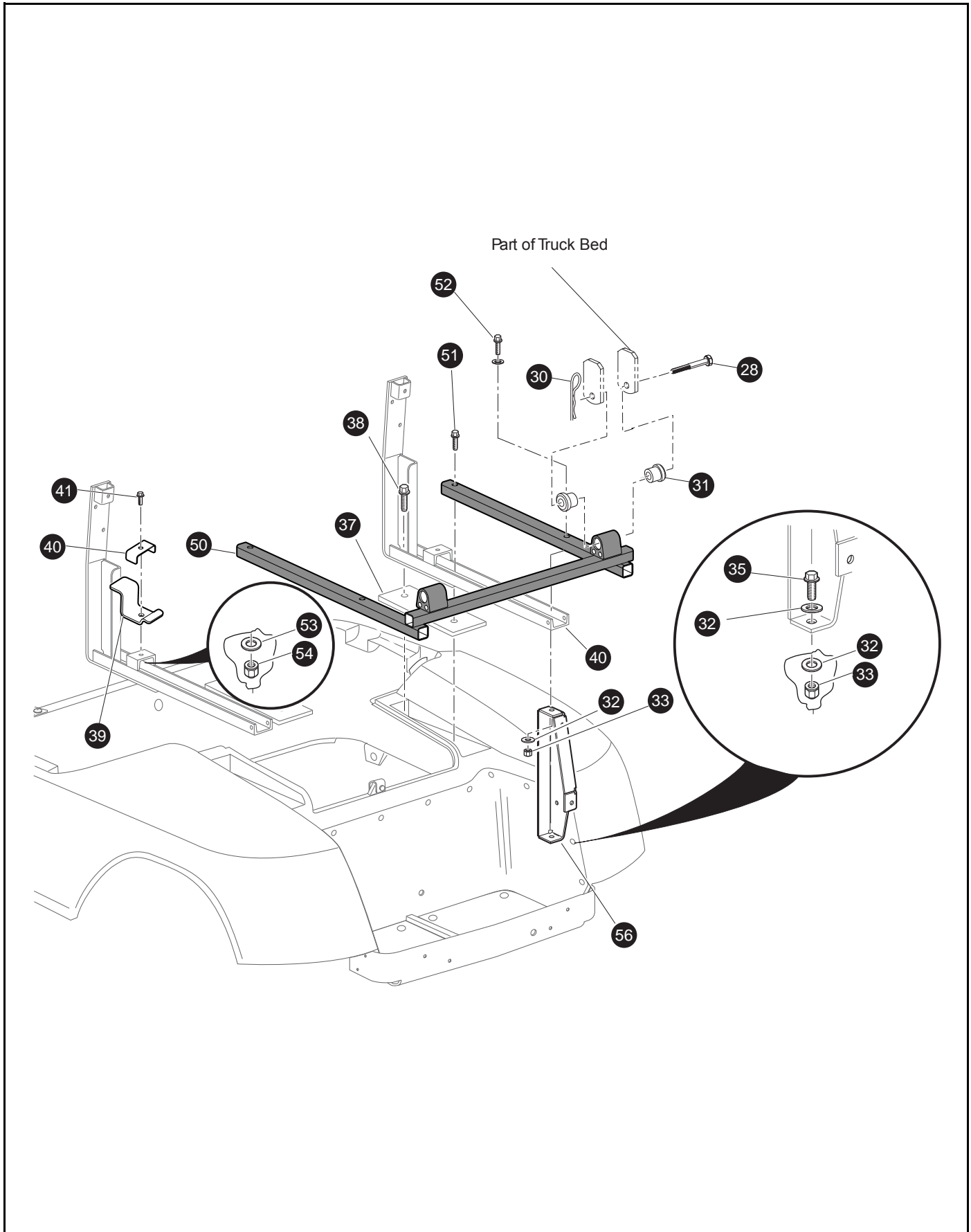


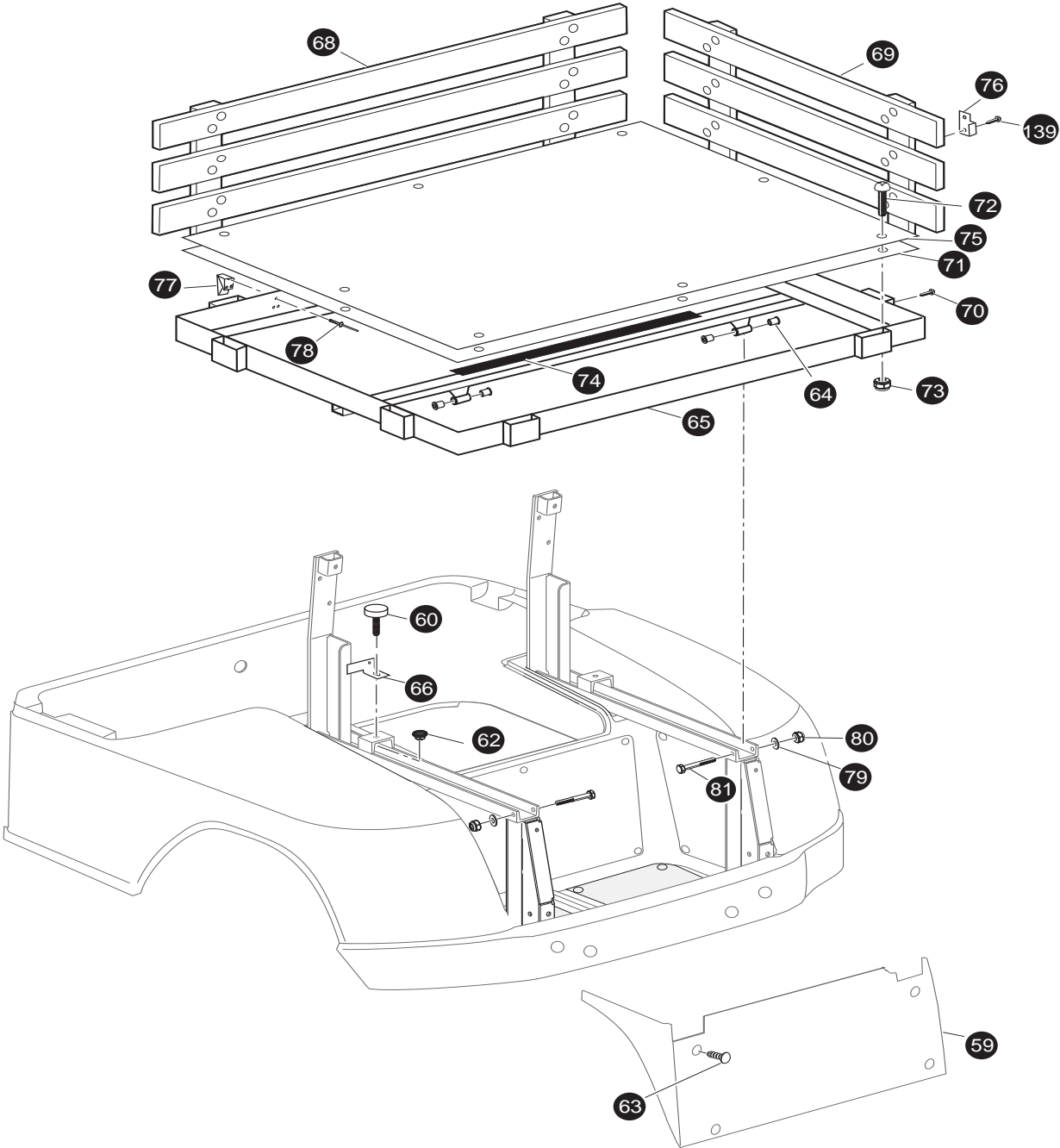
B





CARGO BED





CARGO BED

When ordering parts, please specify the model and serial number of the product.

* Indicates a component that is not available as an individual part.

*** Indicates consult Customer Service Department for additional information.

ITEM	PART NO.	1 2 3 4 5	DESCRIPTION	QTY.
1	<u>72647G01</u>		BED ASSEMBLY (INCLUDES ITEMS 2 -11).....	1
2	<u>72648G01</u>		PLASTIC BED, 36"	1
3	<u>73454G01</u>		PIVOT SHAFT.....	2
4	<u>73460G01</u>		SHOULDER BOLT, 1/4 - 20 X 3/4" LG.....	2
5	<u>72649G01</u>		TAILGATE	1
6	<u>73450G01</u>		BOWED ANGLE	1
7	<u>16705G2</u>		SCREW, 1/4 - 20 X 5/8" LG (STAINLESS STEEL).....	4
8	<u>73449G01</u>		EXTRUSION CHANNEL.....	1
9	<u>73455G02</u>		TAILGATE CABLE	1
10				
11	<u>00415G2</u>		SCREW, 1/4 - 20 X 1 1/4" LG	2
12	<u>74821G01</u>		LOAD BED DECAL	1
13	<u>71055G01</u>		RIVET	5
14	<u>70113G01</u>		ADJUSTABLE RUBBER BUMPER	2
15	<u>11027G1</u>		LOCK NUT, 5/16 - 18.....	2
16				
17				
18	<u>74962G01</u>		BED LATCH.....	1
19	<u>71538G01</u>		LATCH TORSION SPRING	1
20	<u>71099G02</u>		KEEPER PLATE	2
21	<u>71477G02</u>		RETAINER BRACKET.....	1
22	<u>01118G01</u>		SCREW, 1/4 - 20 X 5/8" LG.....	4
23				
24	<u>71704G01</u>		HANDLE GRIP	2
25			
26			E-Z-GO LABEL.....	1
27				
28	<u>71571G01</u>		CLEVIS PIN.....	2
29				
30	<u>21683G1</u>		COTTER PIN.....	2
31	<u>70291G01</u>		BUSHING	4

When ordering parts, please specify the model and serial number of the product.

* Indicates a component that is not available as an individual part.

*** Indicates consult Customer Service Department for additional information.

ITEM	PART NO.	1 2 3 4 5	DESCRIPTION	QTY.
32	00560G01		FLAT WASHER	8
33	<u>11098G5</u>		LOCK NUT	4
34				
35	<u>00427G4</u>		SCREW 38/ - 16.....	2
36				
37	<u>70364G01</u>		SPACER.....	2
38	<u>01006G02</u>		SCREW.....	2
39	<u>606167</u>		FRONT BED SUPPORT	2
40	<u>607093</u>		BED SUPPORT BRACKET	2
41	<u>00439G1</u>		SCREW 5/16 - 18.....	2
42				
43				
44				
45	<u>74111G01</u>		SEAT SUPPORT.....	2
46				
47				
48				
49				
50	<u>606112</u>		BED FRAME	1
51	<u>01075G01</u>		SCREW.....	2
52	<u>00427G8</u>		SCREW, 5/8 - 16"	2
53	00559G8		FLAT WASHER	2
54	11098G6		LOCK NUT	2
55				
56	<u>74126G02</u>		REAR SUPPORT FRAME (PASSENGER SIDE)	1
57				
58				
59	<u>74149G01</u>		PANEL.....	1
60	<u>70113G01</u>		ADJUSTABLE RUBBER BUMPER.....	2
61				
62	<u>11027G1</u>		LOCK NUT, 5/16 - 18.....	4

CARGO BED

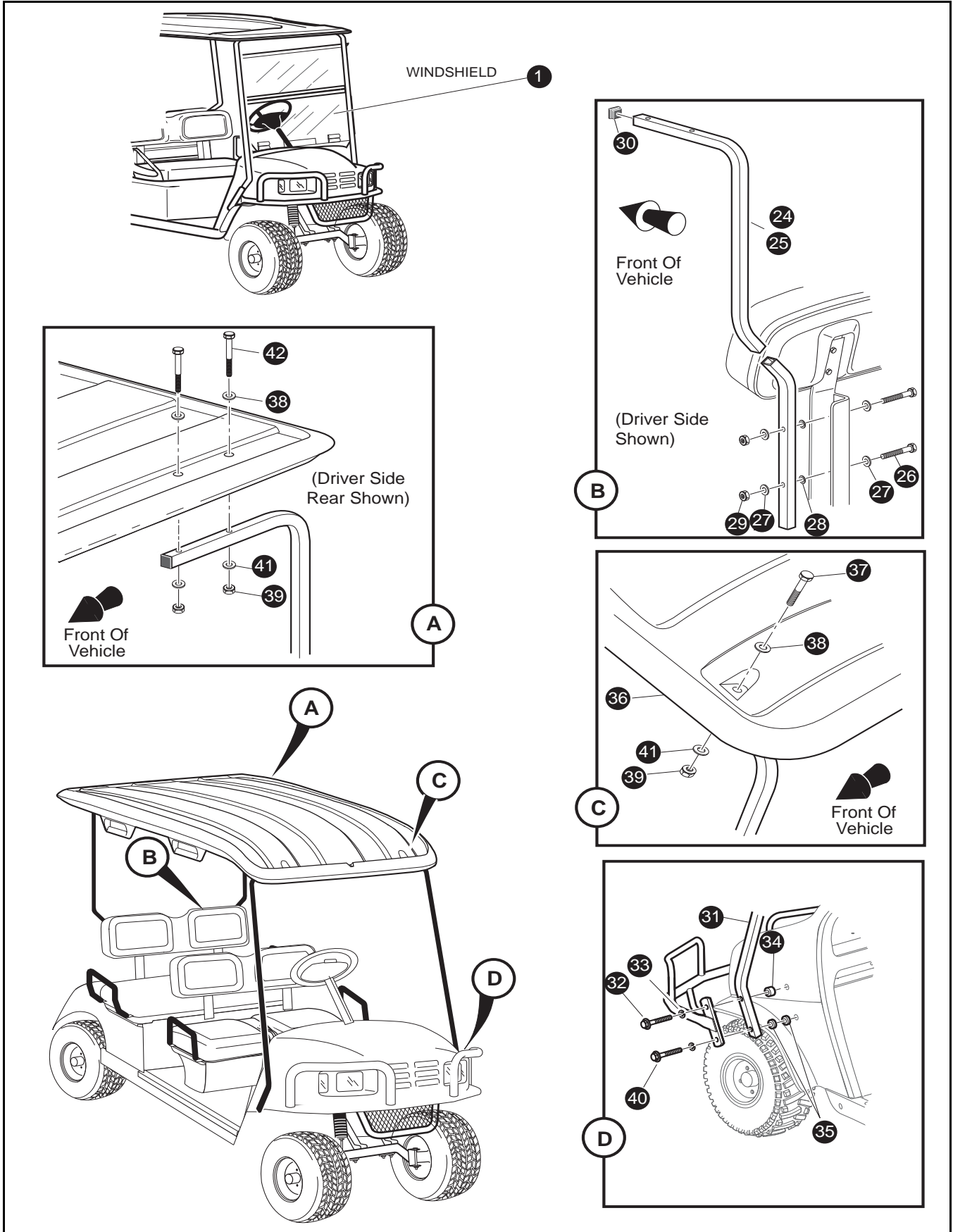
When ordering parts, please specify the model and serial number of the product.

* Indicates a component that is not available as an individual part.

*** Indicates consult Customer Service Department for additional information.

ITEM	PART NO.	1	2	3	4	5	DESCRIPTION	QTY.
63	<u>16816G2</u>						RIVET	4
64	<u>17838G1</u>						NYLON BUSHING	4
65	<u>74080G01</u>						CARGO DECK	1
66	<u>72914G01</u>						HOLD DOWN BRACKET	1
67								
68	<u>34280G02</u>						FRONT/REAR CARGO RACK	2
69	<u>34280G01</u>						SIDE CARGO RACK	2
70	00666G6						SCREW, #10 - 12 X 3/4" LG (STAINLESS STEEL)	10
71	<u>74082G01</u>						STEEL DECK	1
72	16705G3						SCREW, 1/4 - 20 X 3/4" LG (STAINLESS STEEL)	8
73	<u>14390G4</u>						LOCK NUT, 1/4 - 20.....	8
74	23052G1						NOISE SUPPRESSOR	1
75	<u>74097G01</u>						CARGO BED MAT.....	1
76	<u>74079G02</u>						TAILGATE RETAINER BRACKET	2
77	72913G01						LATCH	1
78	<u>00100G6</u>						RIVET, 5/32" X 9/16" LG (STAINLESS STEEL)	2
79	00559G8						WASHER, 5/16".....	2
80	11098G6						LOCK NUT, 5/16 - 18 (STAINLESS STEEL)	2
81	<u>00440G4</u>						BOLT, 5/16 - 18 X 2 1/2" LG	2

WEATHER PROTECTION



WEATHER PROTECTION

THE USE OF NON U.L. PARTS WILL VOID ANY U.L. LISTING.
 When ordering parts, please specify the model and serial number of the product.
 * Indicates a component that is not available as an individual part.
 G** Indicates consult Customer Service Department for additional information.

ITEM	PART NO.	1 2 3 4 5	DESCRIPTION	QTY.
1	<u>607255</u>		WINDSHIELD KIT	1
2				
3				
4				
5				
6				
7				
8				
9				
10				
11				
12				
13	<u>607305</u>		SUN TOP KIT (INCLUDES ITEMS 24 - 42)	1
14				
15				
16				
17				
18				
19				
20				
21				
22				
23	<u>608138</u>		SUN TOP KIT (INCLUDES ITEMS 24 -42)	1
24	<u>75487G02</u>		REAR SUPPORT (DRIVER SIDE)	1
25	<u>75487G01</u>		REAR SUPPORT (PASSENGER SIDE).....	1
26	<u>00665G5</u>		BOLT, 3/8 - 16 X 1 3/4" LG (STAINLESS STEEL)	4
27	<u>00679G1</u>		WASHER, 3/8" (STAINLESS STEEL).....	8
28	<u>00771G5</u>		NYLON WASHER, 3/8".....	4
29	<u>00891G5</u>		LOCK NUT, 3/8 - 16.....	4
30	<u>19853-G1</u>		END CAP, 1"	2

WEATHER PROTECTION

THE USE OF NON U.L. PARTS WILL VOID ANY U.L. LISTING.

When ordering parts, please specify the model and serial number of the product.

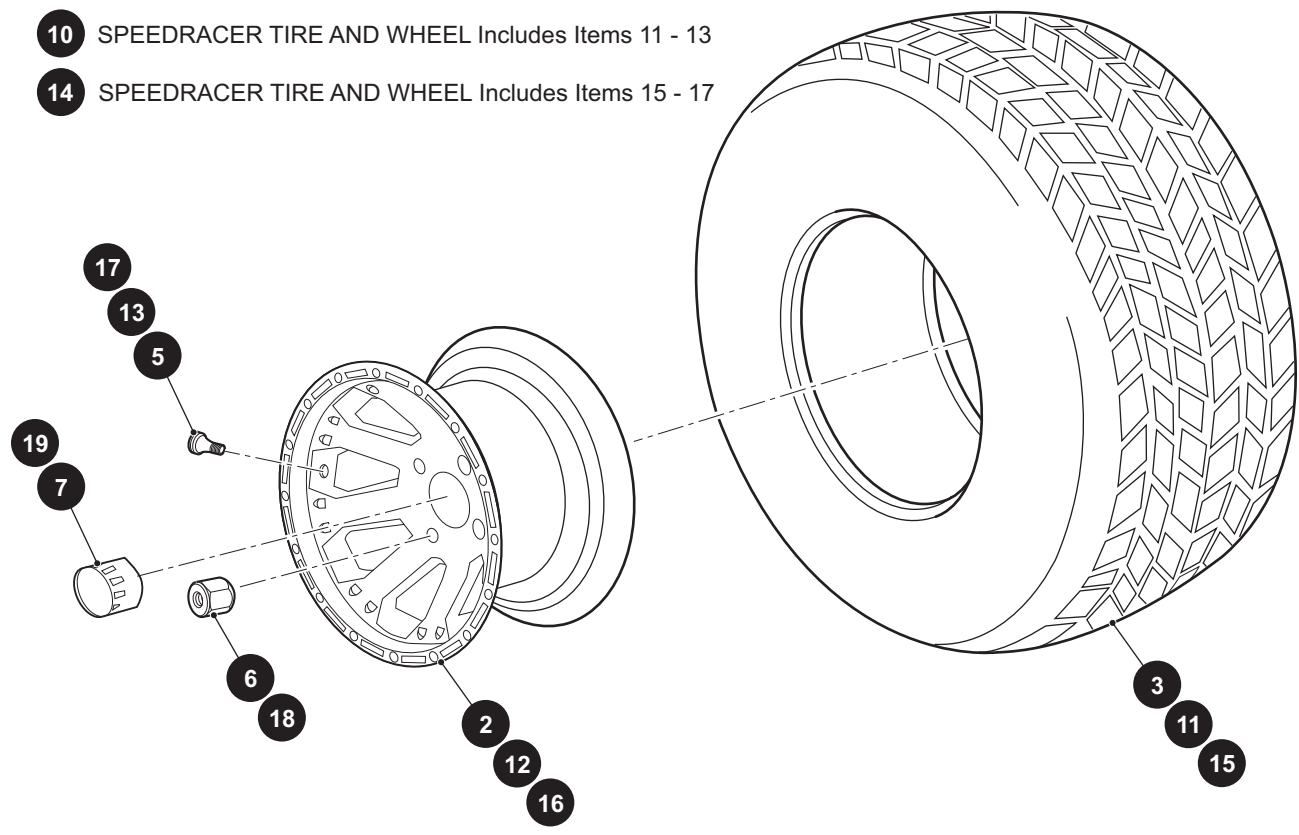
* Indicates a component that is not available as an individual part.

G** Indicates consult Customer Service Department for additional information.

ITEM	PART NO.	1 2 3 4 5	DESCRIPTION	QTY.
31	<u>75488G01</u>		FRONT SUPPORT	1
32	<u>01035G02</u>		BOLT, 5/16 - 18 X 2 1/2" LG.....	2
33	<u>00905G8</u>		LOCK WASHER, 5/16"	4
34	<u>75048G01</u>		SPACER, 1/2"	2
35	<u>00879G1</u>		LOCK WASHER, 3/8"	4
36	<u>74374G01</u>		SUN TOP	1
37	<u>00685G10</u>		SCREW,.....	2
38	<u>00907G2</u>		WASHER, 5/16"	6
39	11098G6		LOCK NUT, 5/16 - 18	6
40	<u>00440G2</u>		BOLT, 5/16 - 18 X 2 1/4" LG.....	2
41	<u>00660G8</u>		WASHER, 5/16"	6
42	<u>00685G11</u>		BOLT, 5/16 - 18 X 3 1/4" LG.....	4

WHEELS AND TIRES

- 1 TERRA TRAC TIRE AND WHEEL ASSEMBLY Includes Items 2 - 5
- 10 SPEEDRACER TIRE AND WHEEL Includes Items 11 - 13
- 14 SPEEDRACER TIRE AND WHEEL Includes Items 15 - 17



(Style of tire may differ from tire shown)

WHEELS AND TIRES

Where applicable, THE USE OF NON UL PARTS WILL VOID ANY UL LISTING.
 When ordering parts, please specify the model and serial number of the product.
 * Indicates a component that is not available as an individual part.
 G** Indicates consult Customer Service Department for additional information.

ITEM	PART NO.	1 2 3 4 5	DESCRIPTION	QTY.
1	<u>607252</u>		TERRA TRAC TIRE AND WHEEL ASSEMBLY	AR
2	<u>606149</u>		WHEEL, 12" DIAMOND FINISH	1
3	<u>606142</u>		TERRA TRAC TIRE 23 x 10.5 x 12	1
4				
5	<u>604915</u>		VALVE STEM.....	1
6	<u>606925</u>		LUG NUT.....	AR
7	<u>606835</u>		CENTER CAP	1
8				
9				
10	<u>606240</u>		SPEEDRACER TIRE AND WHEEL, 10X7, DRIVER SIDE (INCLUDES 11-13) (MUST USE ITEM 18 LUG NUTS & ITEM 19 WHEEL CAP, ORDER SEPARATELY)	2
11	<u>606139</u>		SPEED RACER, 10X7 DRIVER SIDE.....	1
12	<u>606152</u>		WHEEL, 10" DIAMOND FINISHED WHEEL	1
13	<u>604915</u>		VALVE STEM, CHROME	1
14	<u>606179</u>		SPEEDRACER TIRE AND WHEEL, 10X7, PASSENGER SIDE (INCLUDES 15-17) (MUST USE ITEM 18 LUG NUTS & ITEM 19 WHEEL CAP, ORDER SEPARATELY).....	2
15	<u>606139</u>		SPEED RACER, 10X7 DRIVER SIDE.....	1
16	<u>606152</u>		WHEEL, 10 " DIAMOND FINISHED WHEEL	1
17	<u>604915</u>		VALVE STEM, CHROME	1
18	<u>606925</u>		DIAMOND LUG NUTS	4
19	<u>608910</u>		DIAMOND WHEEL CAP	1

SPECIALTY PRODUCTS

SPECIALTY PRODUCTS

SPECIAL TOOLS	PART NO.
HIGH RESISTANCE SPARK PLUG WIRE SET	26733G02
CLUTCH PULLER (DRIVE)	19779G2
FLYWHEEL PULLER	27111G01
CURRENT INDICATOR	16489G2
DIGITAL MULTI-METER	27481G01
TUBELESS TIRE REPAIR KIT	606009
TIRE PLUGGER REFIL PACK (50/BOX)	606831

TOUCH UP PAINT	PART NO.
PEN 3 OUNCE (89 ML) - HUNTER GREEN	28432G02
PEN 3 OUNCE (89 ML) - CHAMPAGNE BEIGE	28432G01
PEN 3 OUNCE (89 ML) - WHITE	28432G05
PEN 3 OUNCE (89 ML) - INDUSTRIAL YELLOW	28432G03
PEN 3 OUNCE (89 ML) - ORANGE	28432G04
PEN 3 OUNCE (89 ML) - STEEL BLUE PEARL	28432G24
PEN 3 OUNCE (89 ML) - OLIVE GREEN	28432G**
PEN 3 OUNCE (89 ML) - CAMOUFLAGE PAINT (THREE PENS)	75831G01
AEROSOL 12 OUNCE (360 ML) - HUNTER GREEN	28140G09
AEROSOL 12 OUNCE (360 ML) - CHAMPAGNE BEIGE	28140G15
AEROSOL 12 OUNCE (360 ML) - INDUSTRIAL YELLOW	28140G14

MAINTENANCE PRODUCTS	PART NO.
PLEXUS® CLEANER, 13 OUNCE (380 ML) (FOR WINDSHIELDS)	28433G02
BATTERY PROTECTOR, 14 OUNCE (410 ML) SPRAY	27619G02
E-Z-GO ALLSURFACE CLEANER	606311
E-Z-GO FIBERGLASS/PLASTIC RESTORER	606313
WIND SHIELD AND PLASTIC PROTECTOR	606314
64 OZ HAND CLEANER	607636
4 OZ HAND CLEANER	607637

OPTIONS/ACCESSORIES

OPTIONS/ACCESSORIES

ITEM	KIT NO.	SECTION
ASHTRAY KIT	75109G01	See BODY
ASHTRAY KIT	75109G02	See BODY
BALL HITCH KIT	74492G02	See BODY
HOUR METER KIT	607285	See ELECTRICAL SYSTEM
REAR VIEW MIRROR KIT	19528G2	See WEATHER PROTECTION
SOFT ENCLOSURE	75367G0*	See WEATHER PROTECTION
SUN TOP KIT	607581	See WEATHER PROTECTION
SUN TOP KIT	607305	See WEATHER PROTECTION
TURN SIGNAL KIT	75107G02	See ELECTRICAL SYSTEM
GOLD SPOKE WHEEL COVERS	19241G*	See WHEELS AND TIRES
SILVER SPOKE WHEEL COVERS	19241G*	See WHEELS AND TIRES
WINDSHIELD (FULL)	607255	See WEATHER PROTECTION
FRONT SHIELD WITH WINCH RECIEVER MOUNT	605676	See STEERING SECTION
WOOD STAKE BED RED/BLK	608279	See CARGO BED
PLASTIC BED, RED/BLK	608280	See CARGO BED
CONV CARRIER WHITE/BLUE	608281	See SEATING
WOODSIDE BED WHITE/BLUE	608282	
PLASTIC BED WHITE/BLUE	608283	



A Textron Company

E-Z-GO Division Of Textron, Inc.,
1451 Marvin Griffin Road, Augusta, Georgia USA 30906-3852

TO CONTACT US

North America:

Technical Assistance & Warranty Phone: 1-800-774-3946, FAX: 1-800-448-8124
Service Parts Phone: 1-888-GET-EZGO (1-888-438-3946), FAX: 1-800-752-6175

International:

Phone: 001-706-798-4311, FAX: 001-706-771-4609

Certified ISO 9001 / ISO 14001 by



Copyrighted Material
This manual may not be reproduced in whole or
in part without the express permission of
E-Z-GO Division of Textron, Inc.
Technical Communications Department