



A Textron Company

# Gasoline Service Parts Manual



# 625477

**ISSUED SEP 2011**

**REVISED SEP 2015**



# SERVICE PARTS MANUAL

## GASOLINE POWERED UTILITY VEHICLE

### TERRAIN 1500

### STARTING MODEL YEAR 2012

DISCLAIMER: The E-Z-GO Division of Textron Inc. (E-Z-GO) reserves the right to incorporate engineering and design changes to products in this Manual, without obligation to include these changes on units leased/sold previously.

The information contained in this Manual may be revised periodically E-Z-GO, and therefore is subject to change without notice.

E-Z-GO DISCLAIMS LIABILITY FOR ERRORS IN THIS MANUAL, and E-Z-GO SPECIFICALLY DISCLAIMS LIABILITY FOR INCIDENTAL AND CONSEQUENTIAL DAMAGES RESULTING FROM THE USE OF THE INFORMATION AND MATERIALS IN THIS MANUAL.

#### **TO CONTACT US**

#### **NORTH AMERICA:**

**TECHNICAL ASSISTANCE & WARRANTY PHONE: 1-800-774-3946, FAX: 1-800-448-8124**

**SERVICE PARTS PHONE: 1-888-GET-EZGO (1-888-438-3946), FAX: 1-800-752-6175**

**INTERNATIONAL: PHONE: 001-706-798-4311, FAX: 001-706-771-4609**

**E-Z-GO DIVISION OF TEXTRON INC., 1451 MARVIN GRIFFIN RD., AUGUSTA, GEORGIA USA 30906-3852**

## GENERAL INFORMATION

To obtain a copy of the limited warranty applicable to the vehicle, call or write a local Distributor, authorized Branch or the Warranty Department with vehicle serial number and manufacturer code.

The use of non Original Equipment Manufacturer (OEM) parts may void the warranty.

Overfilling of batteries may void the warranty.

### BATTERY PROLONGED STORAGE

All batteries will self discharge over time. The rate of self discharge varies depending on the ambient temperature and the age and condition of the batteries.

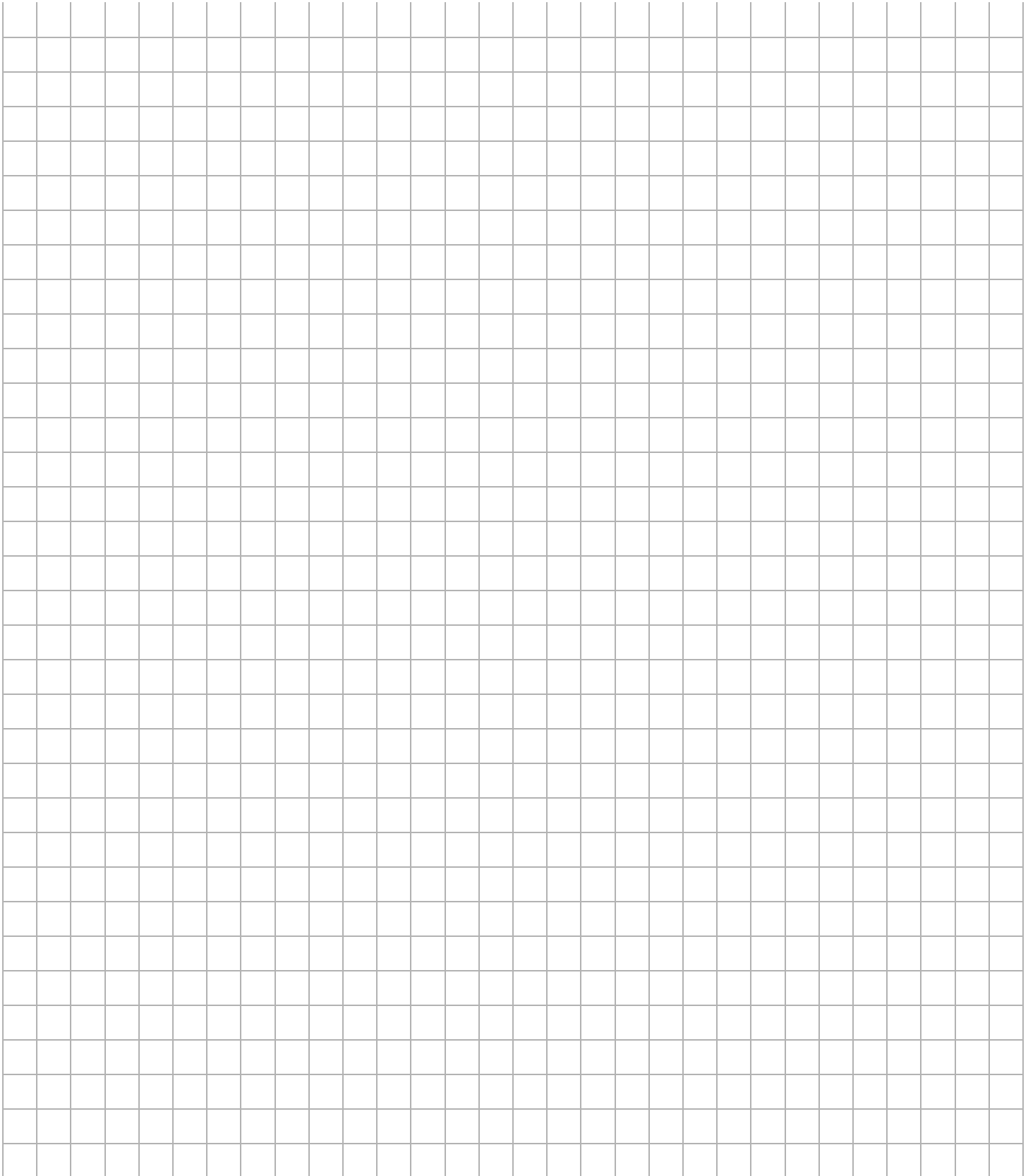
A fully charged battery will not freeze in winter temperatures unless the temperature falls below  $-75^{\circ}\text{F}$  ( $-60^{\circ}\text{C}$ ).

As with all electric vehicles, the batteries must be checked and recharged as required or at a minimum of 30 day intervals.

# TABLE OF CONTENTS

| <b>SECTION</b>                            | <b>Page No.</b> |
|---|-----------------|
| HOW TO USE THE SERVICE PARTS MANUAL ..... | v               |
| ACCELERATOR .....                         | A-1             |
| AIR FILTER .....                          | B-1             |
| BODY .....                                | C-1             |
| BRAKES .....                              | D-1             |
| PARK BRAKE .....                          | E-1             |
| CLUTCH .....                              | F-1             |
| DIRECTION SELECTOR .....                  | G-1             |
| ELECTRICAL SYSTEM .....                   | H-1             |
| ENGINE .....                              | J-1             |
| FRONT SUSPENSION AND STEERING .....       | K-1             |
| FUEL SYSTEM .....                         | L-1             |
| REAR AXLE .....                           | M-1             |
| REAR SUSPENSION .....                     | N-1             |
| ROPS .....                                | P-1             |
| SEATING .....                             | Q-1             |
| STARTER / GENERATOR .....                 | R-1             |
| TRUCK BED (METAL) .....                   | S-1             |
| TRUCK BED (PLASTIC) .....                 | S-7             |
| WEATHER PROTECTION .....                  | T-1             |
| WHEELS AND TIRES .....                    | U-1             |

# NOTES



# HOW TO USE THE SERVICE PARTS MANUAL

This manual is divided into several sections:

- GENERAL INFORMATION
- ILLUSTRATED PARTS BREAKDOWN
- APPENDIX

The first section, GENERAL INFORMATION, contains the following information:

- WARRANTY INFORMATION
- GENERAL INDEX
- HOW TO USE THE SERVICE PARTS MANUAL

The second section, ILLUSTRATED PARTS BREAKDOWN, contains illustrations and parts lists for all systems of your vehicle.

The third section, APPENDIX, contains a listing of specialty products and accessories.

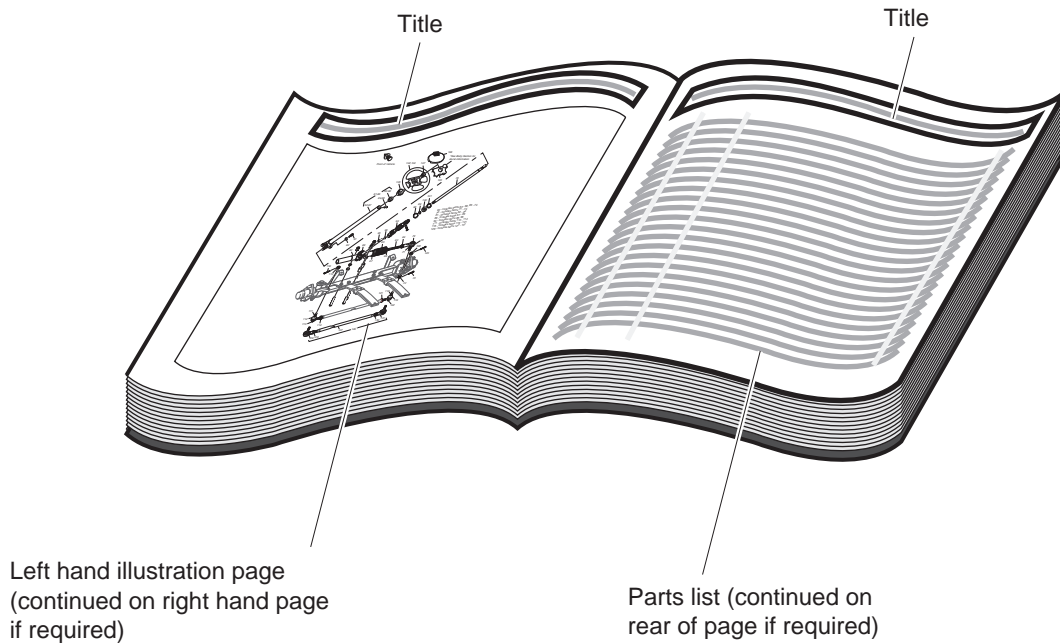
## USE OF THE MANUAL

To use this manual, consult the GENERAL INDEX to locate the information or illustration required.

Introduction of some revisions varies due to supply of components; therefore, it is possible that various combinations of components may be found that are not directly reflected by each illustration. Consult the illustration that best suits your situation and then contact the Service Parts Department. It is important that the serial number of your vehicle and its model number be supplied to Service Parts when ordering any replacement components.

Locate the serial number plate (see BODY located in the Illustrated Parts Breakdown section of this manual for its location) and note the complete number shown on the plate.

# HOW TO USE THE SERVICE PARTS MANUAL



## 1. WHEN THE PART NUMBER IS NOT KNOWN

- Determine the function and application of the part required. Turn to the General Index and select the most appropriate title.
- Turn to the page number indicated and locate the desired part on the illustration.
- From the illustration, obtain the item number assigned to the desired part. Refer to the accompanying description for specific information regarding the part.

## 2. IF YOU KNOW THE PART NUMBER

- Locate the part number or description in the appropriate column on the parts list page.

NOTE: It is suggested that you confirm that the part selected is correct by verifying it with the pictorial representation on the illustrated page.

Should an asterisk (\*) appear in the part number column on the parts list page, read upwards until a part number is found. The part number is the lowest assembly sold by Service Parts and the asterisk (\*) indicates that the part depicted is not available for purchase.

NOTE: Descriptions are indented under the assembly that they are used on. That assembly is, in turn listed under the assembly that it is used on. This process is repeated until the highest final assembly is reached.

**To facilitate the maintenance and repair of the vehicle, a Technician's Repair and Service Manual is available from the Service Parts Department.**



# HOW TO USE THE SERVICE PARTS MANUAL

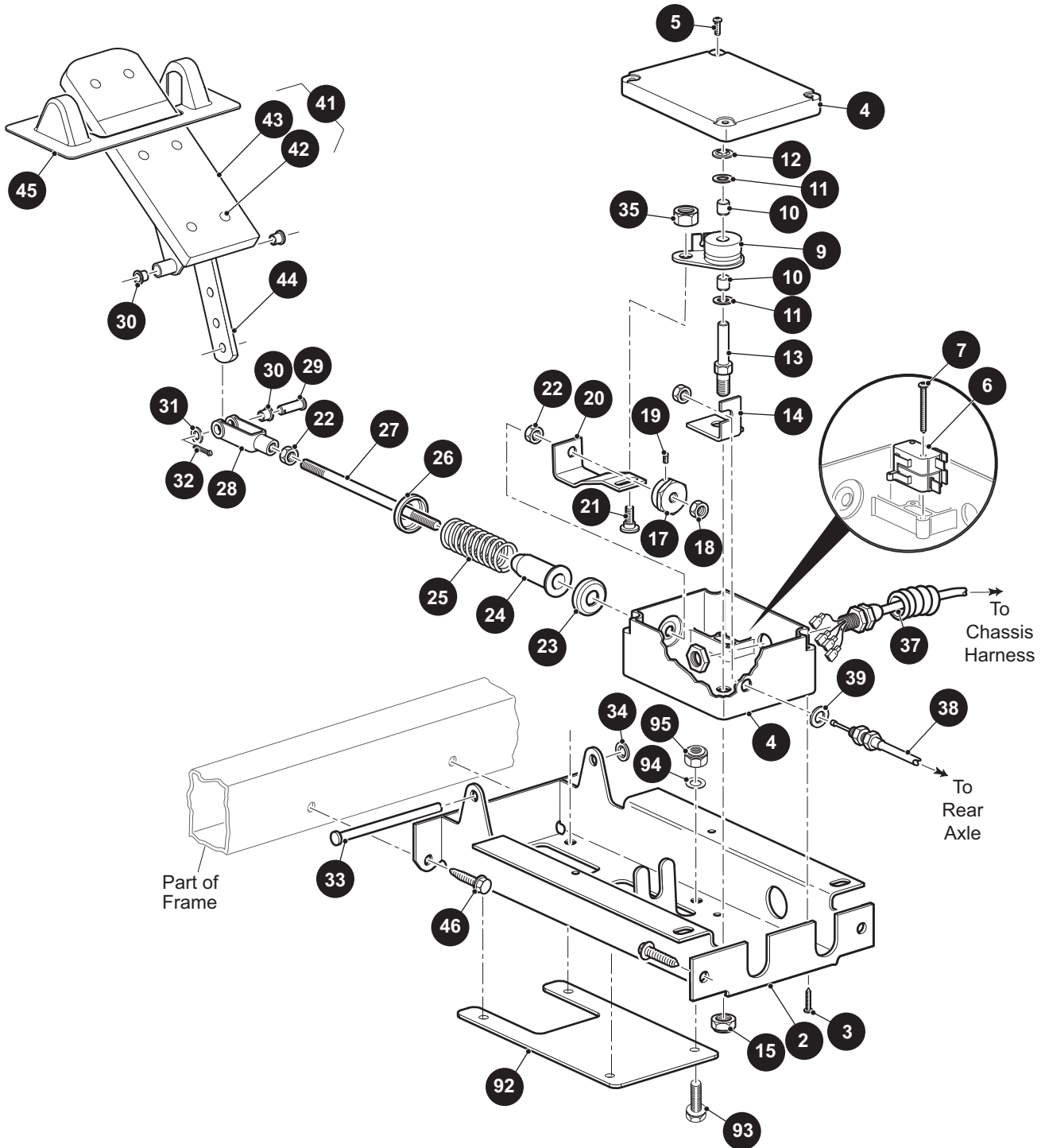
## 3. COLOR CODE FOR BODY COMPONENTS

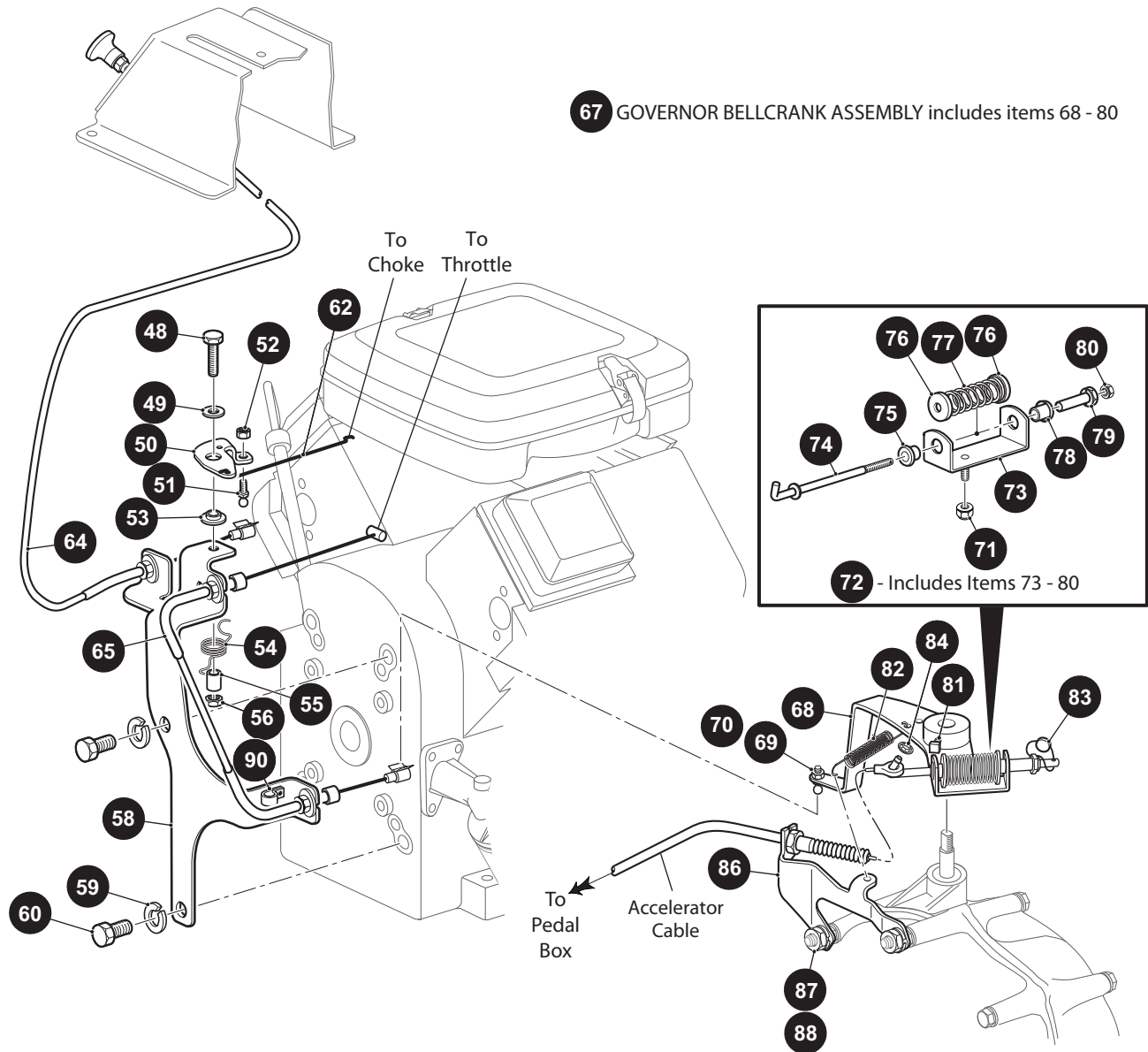
The last two digits of the part number for the body part will denote the color code, locate the part number for the cowl, rear body, seat pod, side panel or seat wrap then locate your color in the list below, replace the last \*\* or XX with the two digit color code.

| <u>CODE #</u> | <u>DESCRIPTION</u>     | <u>CODE #</u> | <u>DESCRIPTION</u>                |
|---------------|------------------------|---------------|-----------------------------------|
| 01            | NO PAINT               | 53            | MOSSY OAK NEW BREAK UP - DIPPED   |
| 02            | SPECIAL COLOR          | 54            | MOSSY OAK OBSESSION - DIPPED      |
| 05            | JACOBSEN ORANGE        | 55            | REALTREE ADVANTAGE MAX 4 - DIPPED |
| 06            | LIGHT GOLD PEARL       | 56            | REALTREE HARDWOOD BROWN - DIPPED  |
| 07            | SILVER PEARL METALIC   | 57            | REALTREE AP HOT PINK - DIPPED     |
| 11            | BLACK                  | 58            | BLACK / SILVER MARBLE - DIPPED    |
| 12            | EMERALD GREEN PEARL    | 59            | RED / SILVER MARBLE - DIPPED      |
| 13            | CLOUD GRAY             | 60            | HOT PINK / SILVER MARBLE - DIPPED |
| 14            | VIPER BLUE METALLIC    | 61            | REALTREE AP                       |
| 19            | PATRIOT BLUE PEARL     | 62            | REALTREE MAX 4                    |
| 20            | INFERNO RED METALLIC   | 63            | MOSSY OAK BREAKUP                 |
| 23            | ADVANTAGE CLASSIC CAMO | 64            | MOSSY OAK TREESTAND               |
| 24            | NATURAL                | 65            | REALTREE APG                      |
| 25            | VIVID NEW HOLLAND BLUE | 66            | REALTREE MAX 1                    |
| 26            | STEEL BLUE PEARL       | 67            | REALTREE AP PINK                  |
| 27            | BRIGHT SILVER METALLIC | 68            | REALTREE AP - DIPPED              |
| 29            | PRIMER ONLY            |               |                                   |
| 30            | HD ADVANTAGE CAMO      |               |                                   |
| 31            | METALLIC CHARCOAL      |               |                                   |
| 32            | LIGHT ALMOND PEARL     |               |                                   |
| 33            | TIMBERLINE GREEN       |               |                                   |
| 34            | DEEP MOLTEN RED        |               |                                   |
| 35            | SAFETY YELLOW          |               |                                   |
| 36            | IVORY                  |               |                                   |
| 37            | FOREST GREEN           |               |                                   |
| 38            | BRIGHT WHITE           |               |                                   |
| 39            | FLAME RED              |               |                                   |
| 40            | BLACK                  |               |                                   |
| 41            | ELECTRIC BLUE          |               |                                   |
| 42            | PLATINUM               |               |                                   |
| 43            | BURGUNDY               |               |                                   |
| 44            | ALMOND                 |               |                                   |
| 45            | BLACK                  |               |                                   |
| 46            | FLAME RED              |               |                                   |
| 47            | BURLINGTON GREEN       |               |                                   |
| 48            | BLACK                  |               |                                   |
| 49            | FLAME RED              |               |                                   |
| 50            | RECON GREEN            |               |                                   |
| 51            | SUNBURST ORANGE        |               |                                   |
| 52            | BRITISH RACING GREEN   |               |                                   |

# ACCELERATOR

- 1 PEDAL BOX ASSEMBLY includes items 2 - 44
- 40 ACCELERATOR PEDAL ASSEMBLY includes items 41 - 44
- 41 ACCELERATOR PEDAL PAD KIT includes items 42, 43





# ACCELERATOR

When ordering parts, please specify the model and serial number of the product.

\* Indicates a component that is not available as an individual part.

\*\*\* Indicates consult Customer Service Department for additional information.

| ITEM | PART NO. | 1 2 3 4 5 | DESCRIPTION  | QTY. |
|------|----------|-----------|--|------|
| 1    | 75765G03 |           | PEDAL BOX ASSEMBLY (INCLUDES ITEMS 2 - 44) .....           | 1    |
| 2    | 70116G02 |           | ACCELERATOR PEDAL BRACKET .....                            | 1    |
| 3    | 01051G01 |           | PAN HEAD SCREW, #8 - 16 X 1/2" LG .....                    | 4    |
| 4    | 25853G02 |           | PEDAL BOX AND COVER .....                                  | 1    |
| 5    | 00684G6  |           | TRUSS HEAD SCREW, #8 - 32 X 3/4" LG (STAINLESS STEEL)..... | 2    |
| 6    | 75652G01 |           | MICRO SWITCH .....   | 1    |
| 7    | 01050G02 |           | PAN HEAD SCREW, #4 - 20 X 1 1/8" LG .....                  | 2    |
| 8    |          |           |  |      |
| 9    | 72066G01 |           | CONTROL ARM.....   | 1    |
| 10   | 23860G1  |           | BEARING .....  | 2    |
| 11   | 24621G1  |           | NYLON WASHER, 5/16".....                                   | 2    |
| 12   | 12064G1  |           | PUSH NUT, 5/16" .....                                      | 1    |
| 13   | 25768G01 |           | PIVOT ROD .....  | 1    |
| 14   | 72199G01 |           | PIVOT BRACKET .....  | 1    |
| 15   | 14390G1  |           | LOCK NUT, 3/8 - 24 .....                                   | 1    |
| 16   |          |           |  |      |
| 17   | 72198G03 |           | MICRO SWITCH CAM.....                                      | 1    |
| 18   | 15126G1  |           | LOCK NUT, 5/16 - 24 .....                                  | 1    |
| 19   | 00487G3  |           | SET SCREW, 1/4 - 20 X 3/8" LG .....                        | 1    |
| 20   | 72074G01 |           | CONTROL ARM LINK.....                                      | 1    |
| 21   | 72225G01 |           | SHOULDER BOLT, #10 - 24 X 11/16" LG .....                  | 1    |
| 22   | 00532G4  |           | LOCK NUT, 5/16 - 24 .....                                  | 2    |
| 23   | 17677G1  |           | SPRING RETAINER, 1/2" .....                                | 1    |
| 24   | 17979G1  |           | ACCELERATOR ROD BUSHING .....                              | 1    |
| 25   | 73046G01 |           | COMPRESSION SPRING, 3/8" .....                             | 1    |
| 26   | 17677G2  |           | SPRING RETAINER .....                                      | 1    |
| 27   | 72072G01 |           | ACCELERATOR ROD .....                                      | 1    |
| 28   | 10385G4  |           | CLEVIS YOKE (ADJUSTABLE).....                              | 1    |
| 29   | 10386G3  |           | CLEVIS PIN, 5/16" X 13/16" LG.....                         | 1    |
| 30   | 17838G1  |           | NYLON BUSHING .....  | 3    |
| 31   | 17255G1  |           | TEFLON WASHER, 5/16" .....                                 | 1    |

# ACCELERATOR

When ordering parts, please specify the model and serial number of the product.

\* Indicates a component that is not available as an individual part.

\*\*\* Indicates consult Customer Service Department for additional information.

| ITEM | PART NO. | 1 2 3 4 5 | DESCRIPTION   | QTY. |
|------|----------|-----------|---|------|
| 32   | 10387G3  |           | COTTER PIN, 3/32" X 3/4" LG .....                         | 1    |
| 33   | 70134G01 |           | PEDAL PIVOT PIN .....                                     | 1    |
| 34   | 00986G01 |           | PUSH NUT, 5/16" .....                                     | 1    |
| 35   | 14390G10 |           | LOCK NUT, #10 - 24.....                                   | 1    |
| 36   |          |           |   |      |
| 37   | 35679G02 |           | WIRE HARNESS (PEDAL BOX) .....                            | 1    |
| 38   | 75639G01 |           | ACCELERATOR CABLE .....                                   | 1    |
| 39   | 00559G8  |           | FLAT WASHER, 5/16" .....                                  | 1    |
| 40   | 25799G03 |           | ACCELERATOR PEDAL ASSEMBLY (INCLUDES ITEMS 41 - 44) ..... | 1    |
| 41   | 27844G01 |           | ACCELERATOR PEDAL PAD KIT (INCLUDES ITEMS 42 - 43) .....  | 1    |
| 42   | 15766G1  |           | OVAL RIVET, 3/16" X 3/8" LG .....                         | 6    |
| 43   | 27512G01 |           | ACCELERATOR PEDAL PAD .....                               | 1    |
| 44   | *        |           | ACCELERATOR PEDAL.....                                    | 1    |
| 45   | 70135G01 |           | PEDAL PIVOT COVER.....                                    | 1    |
| 46   | 00715G2  |           | BOLT, 5/16 - 18 X 13/16" LG.....                          | 4    |
| 47   |          |           |   |      |
| 48   | 00415G2  |           | BOLT, 1/4 - 20 X 1 1/4" LG.....                           | 1    |
| 49   | 00559G7  |           | FLAT WASHER, 1/4" .....                                   | 1    |
| 50   | 75679G01 |           | CHOKE PIVOT LEVER.....                                    | 1    |
| 51   | 15944G1  |           | BALL JOINT .....  | 1    |
| 52   | 00734G5  |           | LOCK NUT, #10 - 32 .....                                  | 1    |
| 53   | 75677G01 |           | BUSHING.....  | 1    |
| 54   | 23577G1  |           | TORSION SPRING .....                                      | 1    |
| 55   | 23726G7  |           | SPACER, 9/16" .....                                       | 1    |
| 56   | 14390G4  |           | LOCK NUT, 1/4 - 20 .....                                  | 1    |
| 57   |          |           |   |      |
| 58   | 75651G01 |           | CHOKE AND GOVERNOR CABLE BRACKET .....                    | 1    |
| 59   | 00566G2  |           | LOCK WASHER, 7/16" .....                                  | 2    |
| 60   | 00462G7  |           | BOLT, 7/16 - 14 X 7/8" LG.....                            | 2    |
| 61   |          |           |   |      |
| 62   | 75650G01 |           | CHOKE LINK .....  | 1    |

# ACCELERATOR

When ordering parts, please specify the model and serial number of the product.

\* Indicates a component that is not available as an individual part.

\*\*\* Indicates consult Customer Service Department for additional information.

| ITEM | PART NO. | 1 2 3 4 5 | DESCRIPTION  | QTY. |
|------|----------|-----------|--|------|
| 63   |          |           |  |      |
| 64   | 75712G01 |           | CHOKE CABLE .....  | 1    |
| 65   | 75675G01 |           | GOVERNOR CABLE.....  | 1    |
| 66   |          |           |  |      |
| 67   | 75682G01 |           | GOVERNOR BELLCRANK ASSEMBLY (INCLUDES ITEMS 68 - 80) ..... | 1    |
| 68   | 75681G01 |           | GOVERNOR BELLCRANK.....                                    | 1    |
| 69   | 15944G1  |           | BALL JOINT .....   | 1    |
| 70   | 00734G5  |           | LOCK NUT, #10 - 32 .....                                   | 1    |
| 71   | 14390G4  |           | LOCK NUT, 1/4 - 20 .....                                   | 1    |
| 72   | 22751G2  |           | GOVERNOR BRACKET ASSEMBLY (INCLUDES ITEMS 73 - 80) .....   | 1    |
| 73   | 22752G1  |           | GOVERNOR BRACKET.....                                      | 1    |
| 74   | 25274G1  |           | GOVERNOR ROD.....  | 1    |
| 75   | 22754G2  |           | BUSHING .....  | 1    |
| 76   | 25661G01 |           | CUP WASHER .....   | 2    |
| 77   | 23578G1  |           | COMPRESSION SPRING .....                                   | 1    |
| 78   | 22754G2  |           | BUSHING .....  | 1    |
| 79   | 23859G1  |           | GOVERNOR ADJUSTER.....                                     | 1    |
| 80   | 00526G4  |           | HEX NUT, #10 - 32 .....                                    | 1    |
| 81   | 00491G4  |           | SET SCREW, 1/4 - 20 X 1/2" LG.....                         | 2    |
| 82   | 25738G01 |           | SPRING.....  | 1    |
| 83   | 25286G1  |           | SAFETY SEAL, 3/8" .....                                    | 1    |
| 84   | 12064G3  |           | PUSH NUT, 3/16" .....                                      | 1    |
| 85   |          |           |  |      |
| 86   | 25653G01 |           | ACCELERATOR CABLE BRACKET .....                            | 1    |
| 87   | 26826G01 |           | LOCK WASHER, 8 MM .....                                    | 2    |
| 88   | 26827G01 |           | DIFFERENTIAL NUT, M8 X 1.25 MM.....                        | 2    |
| 89   |          |           |  |      |
| 90   | 75832G01 |           | WIRE AND TUBE RETAINER, 3/8" CAPACITY .....                | 1    |
| 91   |          |           |  |      |
| 92   | 612487   |           | BACKING PLATE .....  | 1    |
| 93   | 00414G6  |           | BOLT, 1/4 - 20 X 3/4" LG .....                             | 4    |

When ordering parts, please specify the model and serial number of the product.

\* Indicates a component that is not available as an individual part.

\*\*\* Indicates consult Customer Service Department for additional information.

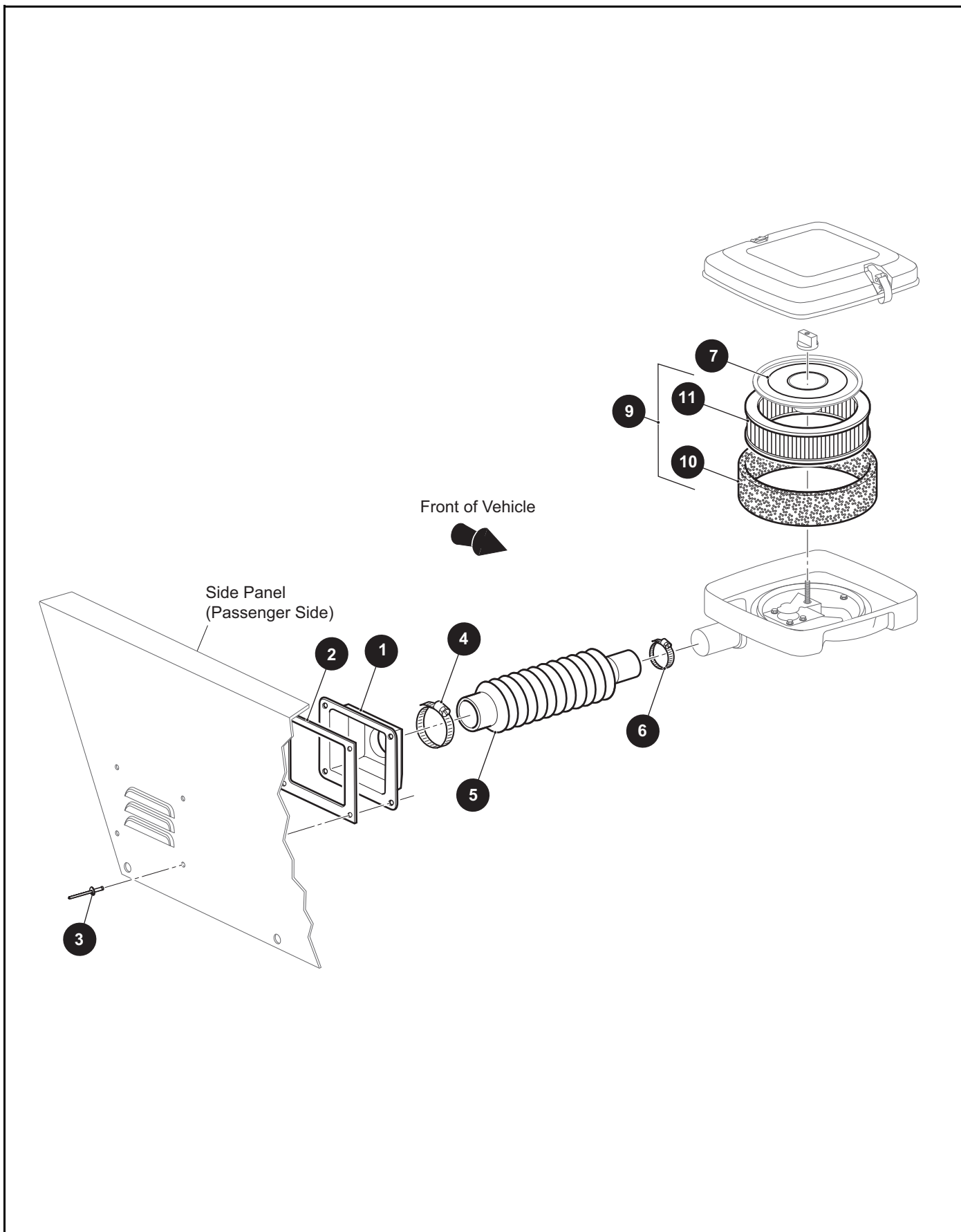
| ITEM | PART NO. | 1 2 3 4 5 | DESCRIPTION                               | QTY. |
|------|----------|-----------|---|------|
| 94   | 00559G7  |           | FLAT WASHER, 1/4" .....                   | 4    |
| 95   | 00654G2  |           | LOCK NUT, 1/4 - 20 (STAINLESS STEEL)..... | 4    |







# AIR FILTER



# AIR FILTER

When ordering parts, please specify the model and serial number of the product.

\* Indicates a component that is not available as an individual part.

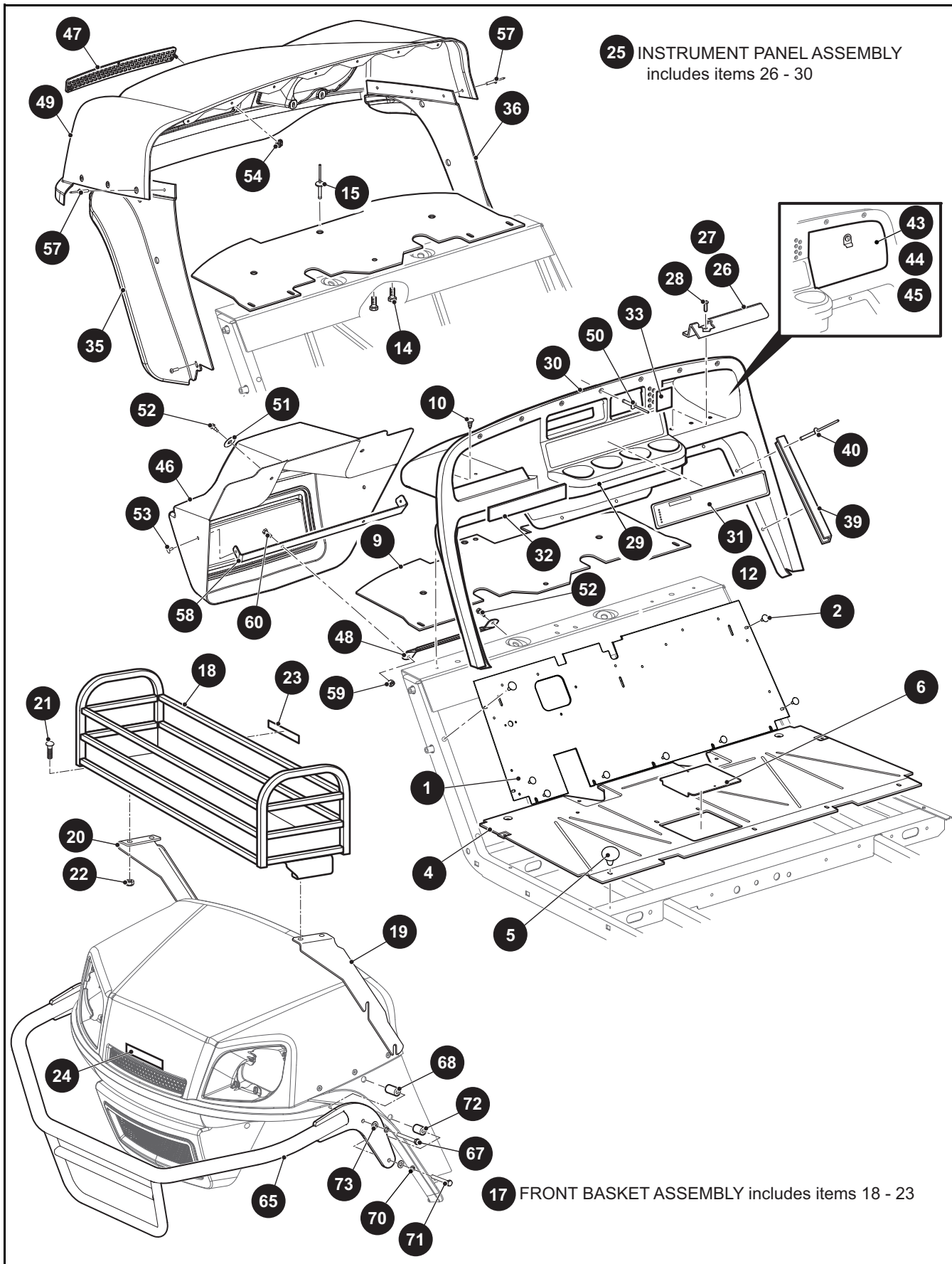
\*\*\* Indicates consult Customer Service Department for additional information.

| ITEM | PART NO. | 1 2 3 4 5 | DESCRIPTION   | QTY. |
|------|----------|-----------|---|------|
| 1    | 72416G01 |           | INLET ADAPTER.....  | 1    |
| 2    | 72415G01 |           | GASKET.....   | 1    |
| 3    | 71055G01 |           | RIVET, 3/16" X 1" LG (ALUMINUM).....                                  | 4    |
| 4    | 11391G2  |           | HOSE CLAMP, 2 1/16".....  | 1    |
| 5    | 72527G01 |           | HOSE.....   | 1    |
| 6    | 11391G5  |           | HOSE CLAMP, 13/16".....   | 1    |
| 7    | 74485G01 |           | AIR FILTER ASSY LABEL.....  | 1    |
| 8    |          |           |   |      |
| 9    | 5050     |           | PRE-CLEANER AND AIR CLEANER CARTRIDGE<br>(INCLUDES ITEMS 10, 11)..... | 1    |
| 10   | 272490   |           | PRE-CLEANER.....  | 1    |
| 11   | 394018   |           | AIR CLEANER CARTRIDGE.....  | 1    |





# BODY



When ordering parts, please specify the model and serial number of the product.

\* Indicates a component that is not available as an individual part.

\*\*\* Indicates consult Customer Service Department for additional information.

| ITEM | PART NO. | 1 2 3 4 5 | DESCRIPTION  | QTY. |
|------|----------|-----------|--|------|
| 1    | 637534   |           | UPPER FLOORPAN .....                                     | 1    |
| 2    | 14601G11 |           | RIVET (ALUMINUM), 3/16" X 9/16" LG .....                 | 9    |
| 3    |          |           |  |      |
| 4    | 70451G01 |           | LOWER FLOORPAN .....                                     | 1    |
| 5    | 14601G11 |           | RIVET (ALUMINUM), 3/16" X 9/16" LG .....                 | 7    |
| 6    | 70452G01 |           | ACCESS COVER.....  | 1    |
| 7    |          |           |  |      |
| 8    |          |           |  |      |
| 9    | 71413G01 |           | SPLASH PANEL .....                                       | 1    |
| 10   | 16816G2  |           | RATCHET FASTENER, 1/4" X 3/4" LG.....                    | 4    |
| 11   |          |           |  |      |
| 12   | 625743   |           | SAFETY AND OPERATION LABEL, CE .....                     | 1    |
| 13   |          |           |  |      |
| 14   | 71102G02 |           | SELF TAPPING SCREW, 1/4" - 20 X 1/2" LG .....            | 3    |
| 15   | 71055G01 |           | RIVET (ALUMINUM), 3/16" X 1 1/8" LG .....                | 1    |
| 16   |          |           |  |      |
| 17   | 74521G02 |           | FRONT BASKET ASSEMBLY (INCLUDES ITEMS 18 - 23).....      | 1    |
| 18   | 74523G01 |           | FRONT BASKET .....                                       | 1    |
| 19   | 74522G01 |           | BASKET MOUNTING BRACKET (DRIVER SIDE) .....              | 1    |
| 20   | 74522G02 |           | BASKET MOUNTING BRACKET (PASSENGER SIDE) .....           | 1    |
| 21   | 00725G1  |           | CARRIAGE BOLT (SS), 3/8" - 16 X 1" LG.....               | 4    |
| 22   | 11098G5  |           | LOCK NUT, 3/8" - 16 .....                                | 4    |
| 23   | 71931G01 |           | LABEL, FRONT BASKET (WARNING) .....                      | 1    |
| 24   | 619206   |           | DECAL, E-Z-GO COWL.....                                  | 1    |
| 25   | 71151G01 |           | INSTRUMENT PANEL ASSEMBLY (INCLUDES ITEMS 26 - 30) ..... | 1    |
| 26   | 71153G01 |           | DEFLECTOR (PASSENGER SIDE) .....                         | 1    |
| 27   | 71154G01 |           | DEFLECTOR (DRIVER SIDE).....                             | 1    |
| 28   | 00614G5  |           | SELF TAPPING SCREW, #8 - 18 X 5/8" LG .....              | 4    |
| 29   | 71158G01 |           | INSTRUMENT PANEL INSERT (FOUR CUP) .....                 | 1    |
| 30   | 71152G01 |           | INSTRUMENT PANEL.....                                    | 1    |
| 31   | 601781   |           | LABEL (SAFETY).....                                      | 1    |

# BODY

When ordering parts, please specify the model and serial number of the product.

\* Indicates a component that is not available as an individual part.

\*\*\* Indicates consult Customer Service Department for additional information.

| ITEM | PART NO.  | 1 2 3 4 5 | DESCRIPTION   | QTY. |
|------|-----------|-----------|---|------|
| 32   | 74443G01  |           | LABEL (ANTI-ROLLBACK) .....                                 | 1    |
| 33   | 35968G01  |           | LABEL (T-HOLDER COVER) .....                                | 1    |
| 34   |           |           |   |      |
| 35   | 614378    |           | FENDER FLARE (DRIVER SIDE).....                             | 1    |
| 36   | 613274    |           | FENDER FLARE (PASSENGER SIDE) .....                         | 1    |
| 37   |           |           |   |      |
| 38   |           |           |   |      |
| 39   | 71115G01  |           | VINYL TRIM .....  | 2    |
| 40   | 71055G01  |           | RIVET (ALUMINUM), 3/16" X 1" LG.....                        | 10   |
| 41   |           |           |   |      |
| 42   |           |           |   |      |
| 43   | 75459G01  |           | GLOVE BOX DOORS (BOTH SIDES) .....                          | 1    |
| 44   | 75459G02  |           | GLOVE BOX DOOR (DRIVER SIDE) .....                          | 1    |
| 45   | 75459G03  |           | GLOVE BOX DOOR (PASSENGER SIDE).....                        | 1    |
| 46   | 613273    |           | FRONT FASCIA .....  | 1    |
| 47   | 617643    |           | COWL GRILL COVER.....                                       | 1    |
| 48   | 70725G02  |           | FRONT SHIELD BRACE .....                                    | 2    |
| 49   | 613036G** |           | COWL (See COLOR CODE in HOW TO USE Section of Manual) ..... | 1    |
| 50   | 71055G01  |           | RIVET (ALUMINUM), 3/16" X 1" LG.....                        | 7    |
| 51   | 16469G1   |           | FENDER WASHER, 9/32 .....                                   | 2    |
| 52   | 01038G01  |           | SWAGEFORM SCREW, 1/4" - 20 X 0.7" LG.....                   | 4    |
| 53   | 15058G1   |           | RIVET (ALUMINUM), 0.7/8" .....                              | 2    |
| 54   | 71597G01  |           | SELF THREADING NUT, 5 X 10 X 15MM.....                      | 2    |
| 55   |           |           |   |      |
| 56   |           |           |   |      |
| 57   | 71055G01  |           | RIVET (ALUMINUM), 3/16" X 1" LG.....                        | 6    |
| 58   | 618653    |           | FASCIA BRACKET .....  | 1    |
| 59   | 14390G4   |           | HEX NUT, 1/4" - 20.....                                     | 2    |
| 60   | 00414G6   |           | HEX HEAD BOLT, 1/4" - 20 X 3/4" LG.....                     | 2    |
| 61   |           |           |   |      |
| 62   |           |           |   |      |



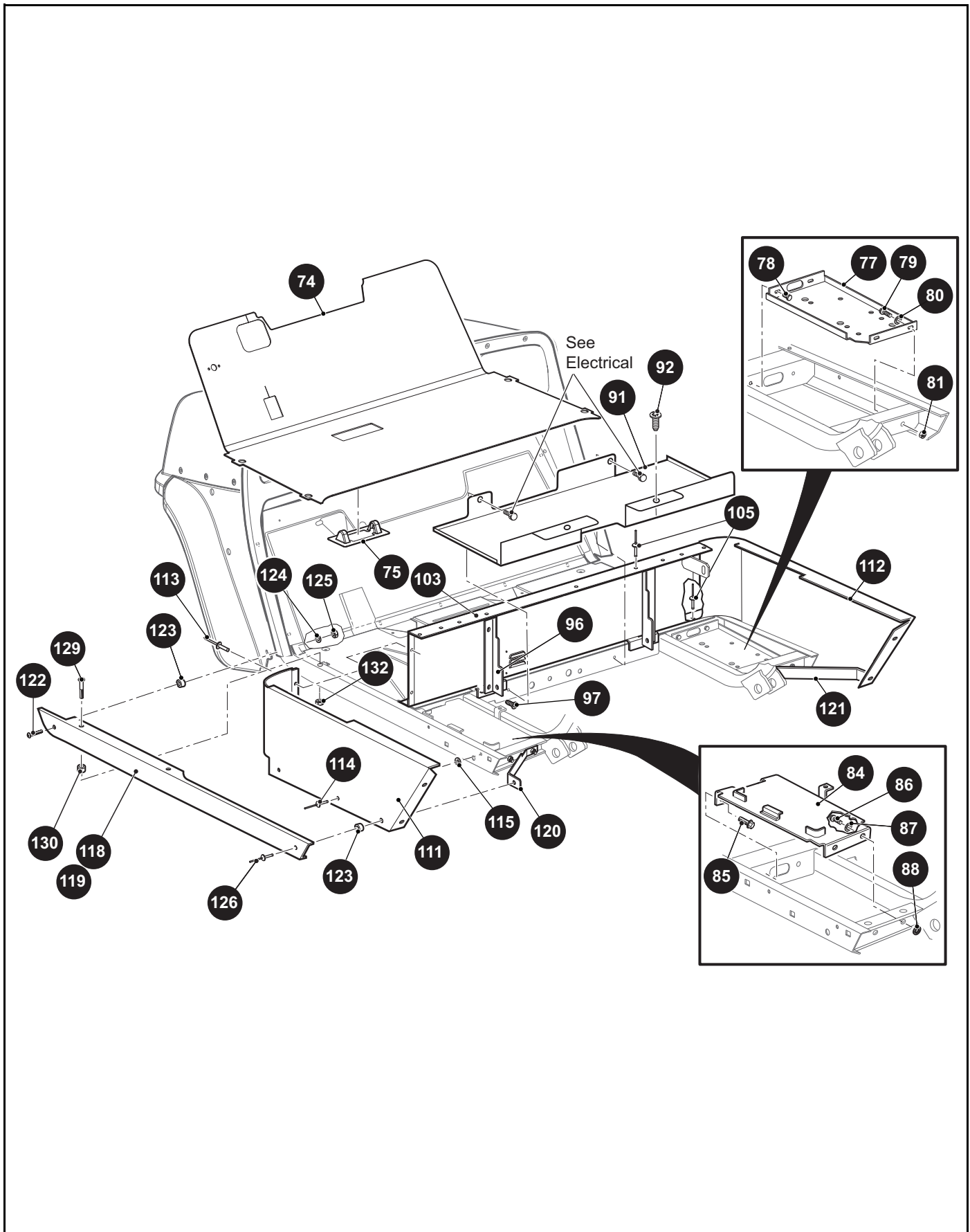
When ordering parts, please specify the model and serial number of the product.

\* Indicates a component that is not available as an individual part.

\*\*\* Indicates consult Customer Service Department for additional information.

| ITEM | PART NO. | 1 2 3 4 5 | DESCRIPTION                                 | QTY. |
|------|----------|-----------|---|------|
| 63   |          |           |   |      |
| 64   |          |           |   |      |
| 65   | 617620   |           | BRUSHGUARD.....                             | 1    |
| 66   |          |           |   |      |
| 67   | 00440G6  |           | CAP HEAD SCREW, 5/16" -18 X 2 3/4" LG.....  | 2    |
| 68   | 75048G02 |           | SPACER, 0.328" X 1.31".....                 | 2    |
| 69   |          |           |   |      |
| 70   | 00565G8  |           | LOCK WASHER, 5/16" .....                    | 4    |
| 71   | 00440G2  |           | HEX HEAD BOLT, 5/16" - 18 X 2 3/4" LG ..... | 4    |
| 72   | 75048G04 |           | SPACER, 0.328" X 0.75".....                 | 2    |
| 73   | 00559G8  |           | FLAT WASHER, 5/16".....                     | 4    |

# BODY



When ordering parts, please specify the model and serial number of the product.

\* Indicates a component that is not available as an individual part.

\*\*\* Indicates consult Customer Service Department for additional information.

| ITEM | PART NO.  | 1 2 3 4 5 | DESCRIPTION  | QTY. |
|------|-----------|-----------|--|------|
| 74   | 70663G06  |           | FLOORMAT WITH HORN HOLES .....   | 1    |
| 75   | 70135G01  |           | PEDAL PIVOT COVER.....   | 1    |
| 76   |           |           |  |      |
| 77   | 70244G03  |           | SPLASH PANEL .....   | 1    |
| 78   | 00715G2   |           | HEX HEAD BOLT, 5/16" - 18 X 4/5" LG .....                              | 4    |
| 79   | 00438G8   |           | HEX HEAD BOLT, 5/16" - 18 X 1" LG .....                                | 2    |
| 80   | 00559G8   |           | FLAT WASHER, 5/16".....  | 2    |
| 81   | 11098G6   |           | LOCK NUT (SS), 5/16" - 18 .....  | 2    |
| 82   |           |           |  |      |
| 83   |           |           |  |      |
| 84   | 600496    |           | BATTERY TRAY.....  | 1    |
| 85   | 00715G2   |           | HEX HEAD BOLT, 5/16" - 18 X 4/5" LG .....                              | AR   |
| 86   | 00438G6   |           | HEX HEAD BOLT, 5/16" - 18 X 3/4" LG .....                              | 3    |
| 87   | 00571G2   |           | FLAT WASHER, 5/16".....  | 1    |
| 88   | 00565G8   |           | LOCK WASHER, 5/16" .....   | 1    |
| 89   |           |           |  |      |
| 90   |           |           |  |      |
| 91   | 70629G01  |           | SPLASH PANEL .....   | 1    |
| 92   | 00106G6   |           | SELF THREADING SCREW, #12 - 24 X 3/4" LG .....                         | 2    |
| 93   |           |           |  |      |
| 94   |           |           |  |      |
| 95   |           |           |  |      |
| 96   | 70440G02  |           | SEAT FRAME .....   | 1    |
| 97   | 00715G2   |           | HEX HEAD BOLT, 5/16" - 18 X 4/5" LG .....                              | 2    |
| 98   |           |           |  |      |
| 99   |           |           |  |      |
| 100  |           |           |  |      |
| 101  |           |           |  |      |
| 102  |           |           |  |      |
| 103  | 609147G** |           | SEAT WRAP WITH LOUVERS<br>(See COLOR CODE in HOW TO USE Section) ..... | 1    |

# BODY

When ordering parts, please specify the model and serial number of the product.

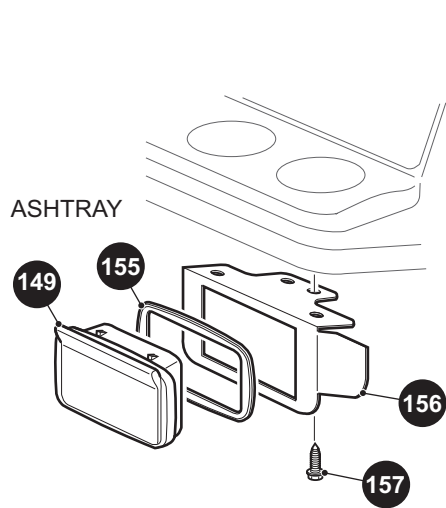
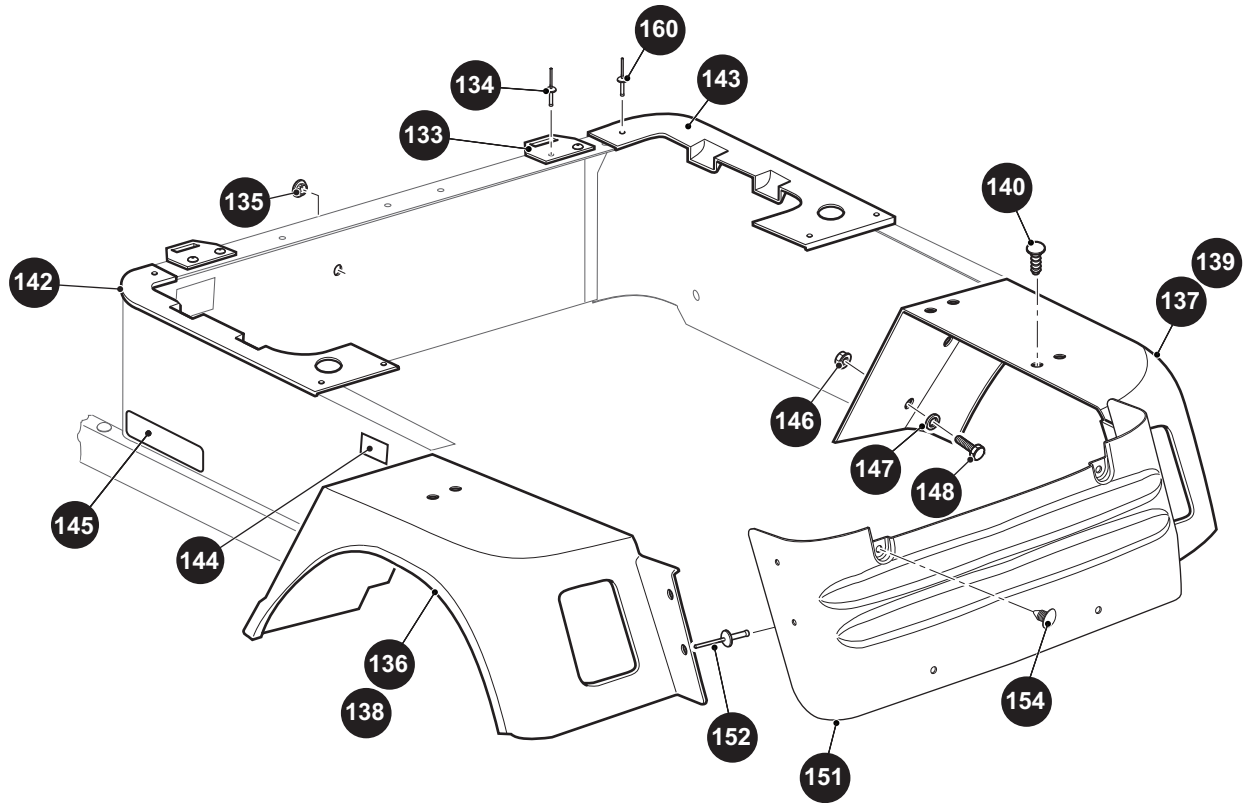
\* Indicates a component that is not available as an individual part.

\*\*\* Indicates consult Customer Service Department for additional information.

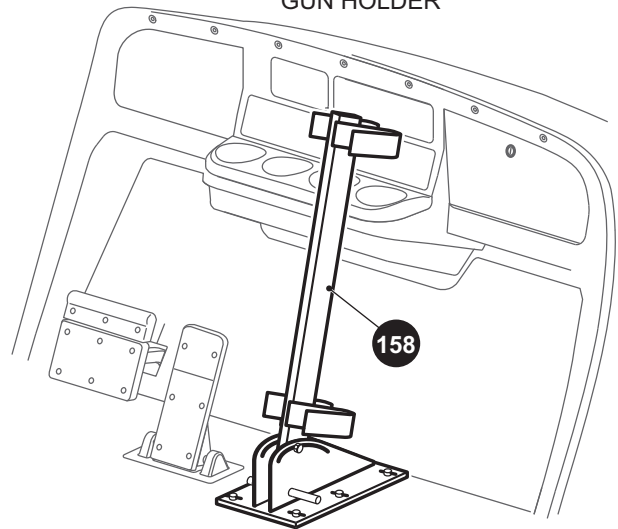
| ITEM | PART NO.   | 1 2 3 4 5 | DESCRIPTION  | QTY. |
|------|------------|-----------|--|------|
| 104  |            |           |  |      |
| 105  | 10570G10   |           | RIVET (SS), 5/32" X 9/16" LG .....                                       | 8    |
| 106  |            |           |  |      |
| 107  |            |           |  |      |
| 108  |            |           |  |      |
| 109  |            |           |  |      |
| 110  |            |           |  |      |
| 111  | 609168G1** |           | SIDE PANEL (DRIVER SIDE) (See COLOR CODE in HOW TO USE Section)          | 1    |
| 112  | 609168G2** |           | SIDE PANEL (PASSENGER SIDE) (See COLOR CODE in HOW TO USE Section) ..... | 1    |
| 113  | 10570G10   |           | RIVET (SS), 5/32" X 9/16" LG .....                                       | 4    |
| 114  | 10570G12   |           | RIVET (ALUMINUM), 1/4" X 9/16" LG.....                                   | 4    |
| 115  | 16469G1    |           | FENDER WASHER, 1/4" .....  | 4    |
| 116  |            |           |  |      |
| 117  |            |           |  |      |
| 118  | 618886     |           | ROCKER PANEL (DRIVER SIDE) .....   | 1    |
| 119  | 618885     |           | ROCKER PANEL (PASSENGER SIDE).....                                       | 1    |
| 120  | 71440G03   |           | BRACE (DRIVER SIDE).....   | 1    |
| 121  | 71440G04   |           | BRACE (PASSENGER SIDE) .....   | 1    |
| 122  | 00789G2    |           | PHILLIPS HEAD SCREW, #10 - 24 X 1 1/4" LG .....                          | 2    |
| 123  | 23726G4    |           | SPACER, 1/4" .....   | 4    |
| 124  | 00660G5    |           | FLAT WASHER (SS), #10 .....  | 2    |
| 125  | 14390G10   |           | LOCK NUT, #10 - 24.....  | 2    |
| 126  | 15058G6    |           | RIVET (ALUMINUM), 3/16" X 1 1/4" .....                                   | 2    |
| 127  |            |           |  |      |
| 128  |            |           |  |      |
| 129  | 16705G1    |           | PHILLIPS TRUSS HEADSCREW (SS), 1/4" - 20 X 1" LG .....                   | 4    |
| 130  | 23726G4    |           | SPACER, 1/4" .....   | 4    |
| 131  |            |           |  |      |
| 132  | 14390G4    |           | LOCK NUT, 1/4" - 20 .....  | 4    |



# BODY



FLOOR MOUNT  
GUN HOLDER



When ordering parts, please specify the model and serial number of the product.

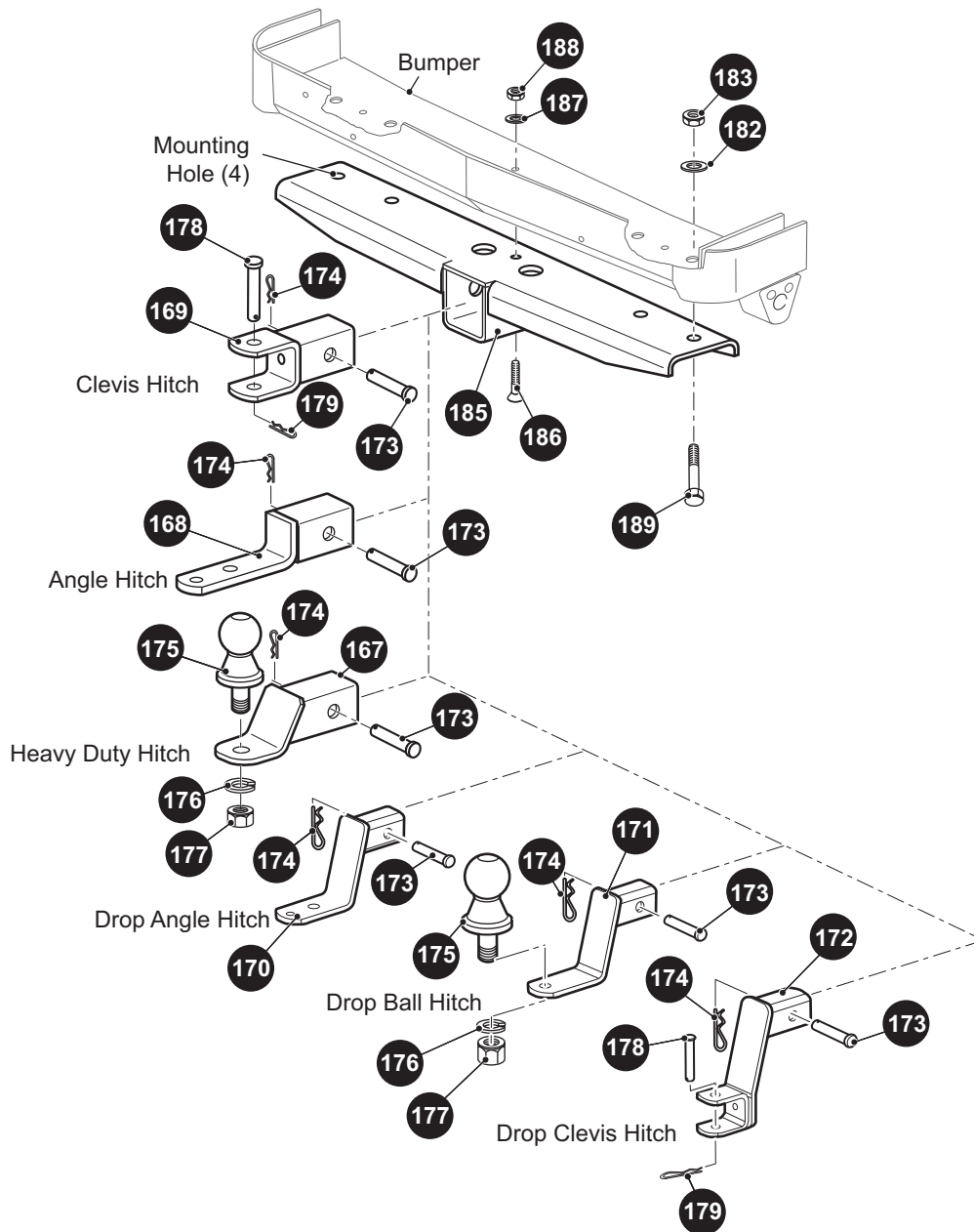
\* Indicates a component that is not available as an individual part.

\*\*\* Indicates consult Customer Service Department for additional information.

| ITEM | PART NO. | 1 2 3 4 5 | DESCRIPTION  | QTY. |
|------|----------|-----------|--|------|
| 133  | 71609G01 |           | SEAT HINGE PLATE .....                               | 2    |
| 134  | 10570G11 |           | RIVET (SS), 3/16" X 3/4" LG.....                     | 4    |
| 135  | 20271G02 |           | HOLE PLUG.....                                       | 1    |
| 136  | 74893G01 |           | FENDER (DRIVER SIDE).....                            | 1    |
| 137  | 74893G02 |           | FENDER (PASSENGER SIDE) .....                        | 1    |
| 138  | 74893G03 |           | FENDER WITH TAILLIGHT OPENING (DRIVER SIDE) .....    | 1    |
| 139  | 74893G04 |           | FENDER WITH TAILLIGHT OPENING (PASSENGER SIDE) ..... | 1    |
| 140  | 16816G2  |           | RATCHET FASTENER, 1/4" X 3/4" LG.....                | 10   |
| 141  |          |           |  |      |
| 142  | 74891G01 |           | SEAT FILLER PANEL (DRIVER SIDE).....                 | 1    |
| 143  | 74891G02 |           | SEAT FILLER PANEL (PASSENGER SIDE) .....             | 1    |
| 144  | 74099G01 |           | LABEL (TILT WARNING) .....                           | 2    |
| 145  | 619181   |           | DECAL, E-Z-GO LOGO .....                             | 2    |
| 146  | 14390G4  |           | LOCK NUT, 1/4" - 20 .....                            | 4    |
| 147  | 00642G7  |           | FLAT WASHER, 1/4" .....                              | 8    |
| 148  | 00414G6  |           | HEX HEAD BOLT, 1/4" - 20 X 3/4" LG .....             | 4    |
| 149  | 27731G01 |           | ASH TRAY .....                                       | 1    |
| 150  |          |           |  |      |
| 151  | 74890G01 |           | REAR PANEL.....                                      | 1    |
| 152  | 71055G01 |           | RIVET (ALUMINUM), 3/16" X 1" LG .....                | 4    |
| 153  |          |           |  |      |
| 154  | 16816G2  |           | RATCHET FASTENER, 1/4" X 3/4" LG.....                | 8    |
| 155  | 27736G01 |           | GASKET.....  | 1    |
| 156  | 75108G02 |           | BRACKET .....  | 1    |
| 157  | 00100G4  |           | SCREW, #10 - 16 X 1/2" LG .....                      | 4    |
| 158  | 74365G01 |           | GUN HOLDER REMOVABLE FLOOR MOUNT .....               | 1    |
| 159  |          |           |  |      |
| 160  | 10570G10 |           | RIVET (SS), 5/32" X 9/16" LG.....                    | 8    |

## HITCHES

- 161** HEAVY DUTY HITCH KIT includes items 167, 173 - 177
- 162** ANGLE HITCH KIT includes items 168, 173, 174
- 163** CLEVIS HITCH KIT includes items 169, 173, 174, 178, 179
- 164** DROP ANGLE HITCH KIT includes items 170, 173, 174
- 165** DROP BALL HITCH KIT includes items 171, 173 - 177
- 166** DROP CLEVIS HITCH KIT includes items 172, 173, 174, 178, 179





When ordering parts, please specify the model and serial number of the product.

\* Indicates a component that is not available as an individual part.

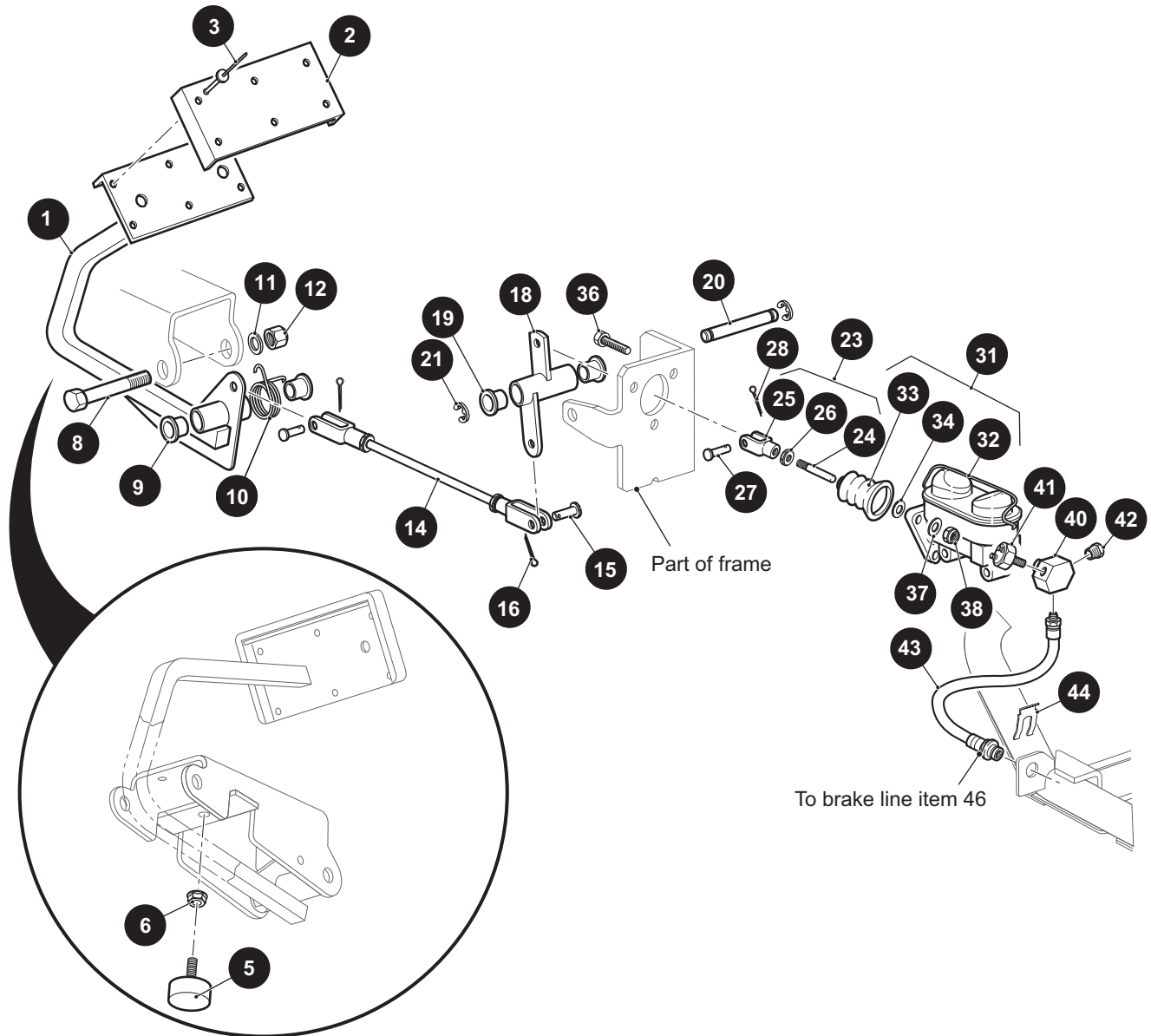
\*\*\* Indicates consult Customer Service Department for additional information.

| ITEM | PART NO. | 1 2 3 4 5 | DESCRIPTION   | QTY. |
|------|----------|-----------|---|------|
| 161  | 74492G02 |           | HEAVY DUTY BALL HITCH KIT (INCLUDES ITEMS 167, 173 - 177) .....     | 1    |
| 162  | 74492G04 |           | ANGLE HITCH KIT (INCLUDES ITEMS 168, 173, 174).....                 | 1    |
| 163  | 74492G06 |           | CLEVIS HITCH KIT (INCLUDES ITEMS 169, 173, 174, 178, 179) .....     | 1    |
| 164  | 74492G08 |           | DROP ANGLE HITCH KIT (INCLUDES ITEMS 170, 173, 174) .....           | 1    |
| 165  | 74492G10 |           | DROP BALL HITCH KIT (INCLUDES ITEMS 171, 173 - 177).....            | 1    |
| 166  | 74492G12 |           | DROP CLEVIS HITCH KIT (INCLUDES ITEMS 172, 173, 174, 178, 179)..... | 1    |
| 167  | 74351G02 |           | HEAVY DUTY HITCH.....   | 1    |
| 168  | 74339G02 |           | ANGLE HITCH .....   | 1    |
| 169  | 74338G02 |           | CLEVIS HITCH.....   | 1    |
| 170  | 74489G02 |           | DROP ANGLE HITCH .....  | 1    |
| 171  | 74491G02 |           | DROP BALL HITCH .....   | 1    |
| 172  | 74495G02 |           | DROP CLEVIS HITCH .....   | 1    |
| 173  | 21317G01 |           | CLEVIS PIN, 5/8" X 3" LG .....                                      | 1    |
| 174  | 21683G1  |           | COTTER PIN, 15/32" X 2 11/16" LG .....                              | 1    |
| 175  | 31757G1  |           | HITCH BALL, 1 7/8".....   | 1    |
| 176  | 00566G6  |           | LOCK WASHER, 3/4" .....   | 1    |
| 177  | 00702G11 |           | HEX NUT, 3/4" - 16.....   | 1    |
| 178  | 14443G10 |           | CLEVIS PIN, 1/2" X 3" LG .....                                      | 1    |
| 179  | 19314G1  |           | COTTER PIN, 2 1/2" LG.....  | 1    |
| 180  |          |           |   |      |
| 181  |          |           |   |      |
| 182  | 00922G3  |           | FLAT WASHER, 7/16".....   | 4    |
| 183  | 00734G1  |           | LOCK NUT, 7/16" - 14.....   | 4    |
| 184  |          |           |   |      |
| 185  | 74348G02 |           | HITCH RECEIVER.....   | 1    |
| 186  | 00198G8  |           | HEX HEAD BOLT, 5/16" - 18 X 1" LG .....                             | 1    |
| 187  | 00571G2  |           | FLAT WASHER, 5/16".....   | 1    |
| 188  | 11098G6  |           | LOCK NUT (SS), 5/16" - 18 .....                                     | 1    |
| 189  | 00463G4  |           | HEX HEAD BOLT, 7/16" - 14 X 1 1/2" LG .....                         | 4    |





# BRAKES



**23** PUSH ROD ASSEMBLY includes items 24 - 26

**31** MASTER CYLINDER KIT includes items 32 - 34

# BRAKES

When ordering parts, please specify the model and serial number of the product.

\* Indicates a component that is not available as an individual part.

\*\*\* Indicates consult Customer Service Department for additional information.

| ITEM | PART NO. | 1 2 3 4 5 | DESCRIPTION                                       | QTY. |
|------|----------|-----------|---|------|
| 1    | 75605G01 |           | BRAKE PEDAL .....                                 | 1    |
| 2    | 70257G01 |           | BRAKE PEDAL PAD .....                             | 1    |
| 3    | 14269G1  |           | RIVET, 3/16" X 1/2" LG .....                      | 6    |
| 4    |          |           |   |      |
| 5    | 70113G01 |           | ADJUSTABLE BUMPER.....                            | 1    |
| 6    | 11027G1  |           | LOCK NUT, 5/16" - 18.....                         | 1    |
| 7    |          |           |   |      |
| 8    | 70582G01 |           | SHOULDER BOLT (SS), 3/8" - 16 X 4" LG .....       | 1    |
| 9    | 70581G01 |           | FLANGED BUSHING, .5" X 1" LG .....                | 2    |
| 10   | 70676G01 |           | TORSION SPRING .....                              | 1    |
| 11   | 00643G1  |           | FLAT WASHER, 3/8" .....                           | 1    |
| 12   | 11098G5  |           | LOCK NUT, 3/8" - 16.....                          | 1    |
| 13   |          |           |   |      |
| 14   | 34124G02 |           | LINKAGE ROD.....                                  | 1    |
| 15   | 10386G3  |           | CLEVIS PIN, 5/16" X 13/16" LG.....                | 2    |
| 16   | 10387G3  |           | COTTER PIN, 3/32" X 3/4" LG.....                  | 2    |
| 17   |          |           |   |      |
| 18   | 75607G01 |           | BELL CRANK.....                                   | 1    |
| 19   | 70581G01 |           | FLANGED BUSHING, .5" X 1" LG .....                | 2    |
| 20   | 70410G02 |           | SHAFT, 5 1/2" LG.....                             | 1    |
| 21   | 01111G01 |           | RETAINING RING (SS), 13/32" .....                 | 2    |
| 22   |          |           |   |      |
| 23   | 30298G2  |           | PUSH ROD ASSEMBLY (INCLUDES ITEMS 24 - 26) .....  | 1    |
| 24   | 30293G2  |           | PUSH ROD, 3 1/8" LG.....                          | 1    |
| 25   | 21508G1  |           | CLEVIS YOKE .....                                 | 1    |
| 26   | 00544G6  |           | JAM NUT, 3/8" - 24 .....                          | 1    |
| 27   | 14443G3  |           | CLEVIS PIN, 5/16" X 1" LG.....                    | 1    |
| 28   | 10387G3  |           | COTTER PIN, 3/32" X 3/4" LG.....                  | 1    |
| 29   |          |           |   |      |
| 30   |          |           |   |      |
| 31   | 70643G02 |           | MASTER CYLINDER KIT (INCLUDES ITEMS 32 - 34)..... | 1    |

# BRAKES

When ordering parts, please specify the model and serial number of the product.

\* Indicates a component that is not available as an individual part.

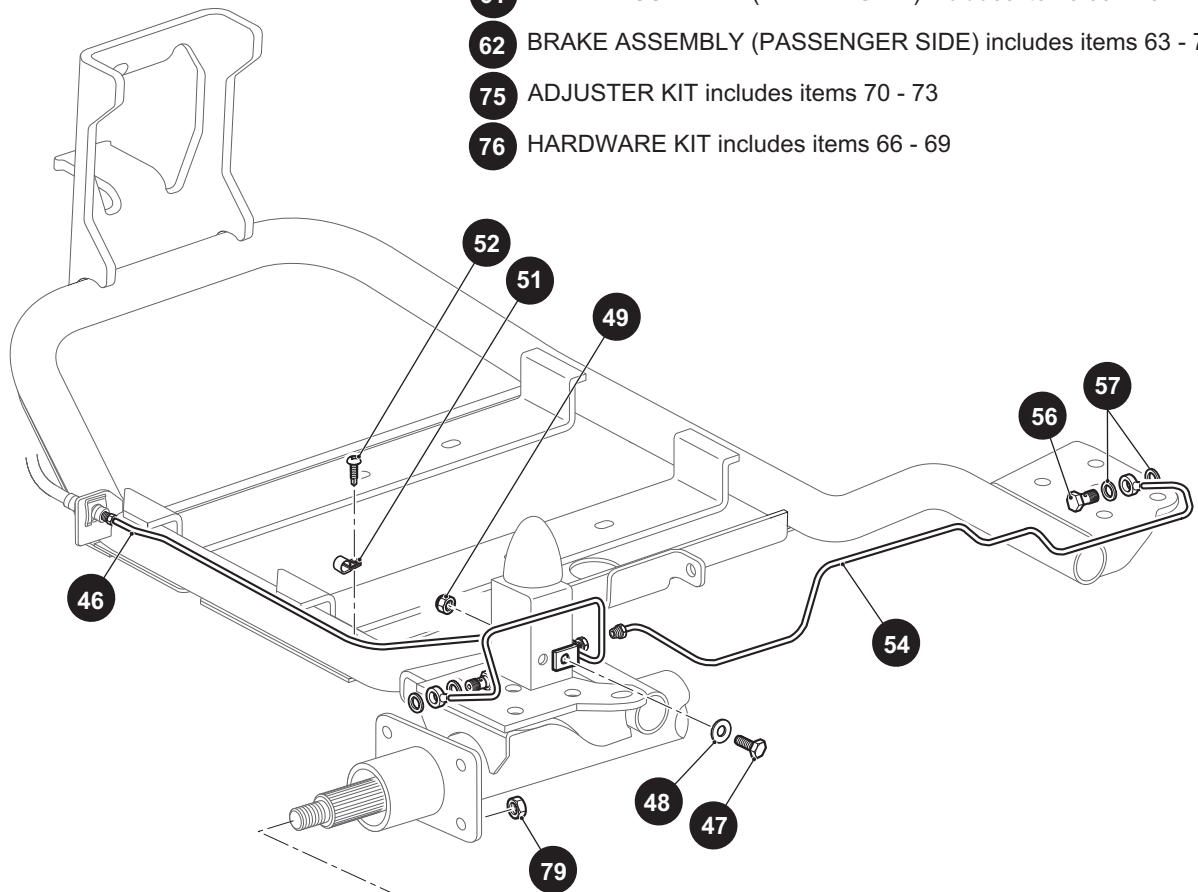
\*\*\* Indicates consult Customer Service Department for additional information.

| ITEM | PART NO. | 1 | 2 | 3 | 4 | 5 | DESCRIPTION                               | QTY. |
|------|----------|---|---|---|---|---|---|------|
| 32   | *        |   |   |   |   |   | MASTER CYLINDER .....                     | 1    |
| 33   | 32768G1  |   |   |   |   |   | MASTER CYLINDER BOOT .....                | 1    |
| 34   | 00675G1  |   |   |   |   |   | FLAT WASHER (SS), 3/8" .....              | 1    |
| 35   |          |   |   |   |   |   |   |      |
| 36   | 00427G4  |   |   |   |   |   | HEX HEAD BOLT, 3/8" - 16 X 1 1/2" LG..... | 3    |
| 37   | 00560G1  |   |   |   |   |   | FLAT WASHER, 3/8" .....                   | 3    |
| 38   | 11098G5  |   |   |   |   |   | LOCK NUT, 3/8" - 16 .....                 | 3    |
| 39   |          |   |   |   |   |   |   |      |
| 40   | 26469G01 |   |   |   |   |   | BRANCH TEE (MALE) .....                   | 1    |
| 41   | 21510G1  |   |   |   |   |   | BRAKE LIGHT SWITCH.....                   | 1    |
| 42   | 21503G1  |   |   |   |   |   | PLUG.....                                 | 1    |
| 43   | 75621G01 |   |   |   |   |   | FLEXIBLE BRAKE HOSE .....                 | 1    |
| 44   | 809137   |   |   |   |   |   | FLEXIBLE CLIP.....                        | 1    |
| 45   |          |   |   |   |   |   |   |      |

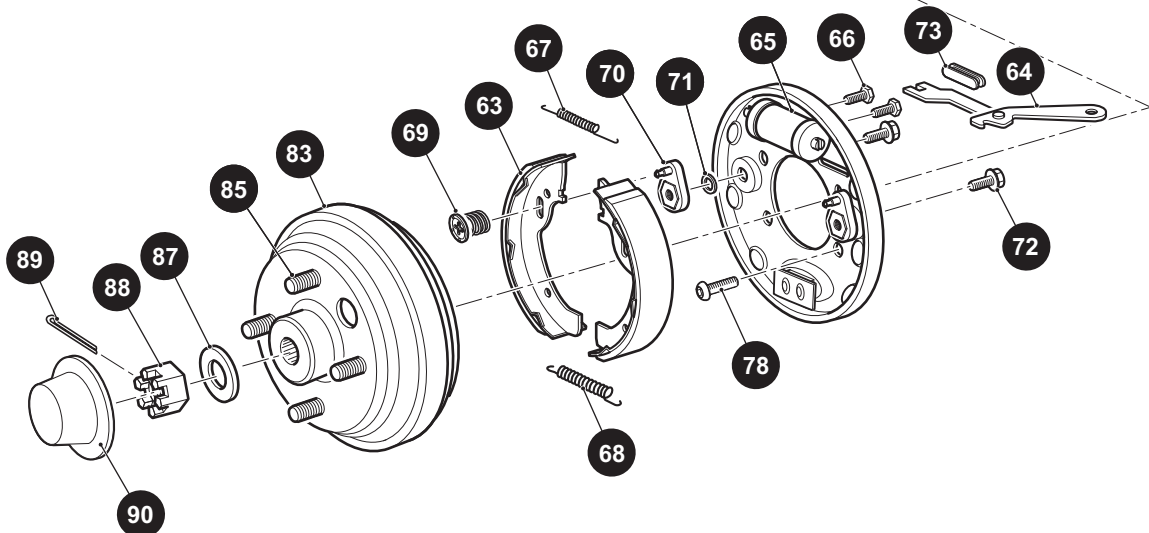


# BRAKES

- 61 BRAKE ASSEMBLY (DRIVER SIDE) includes items 63 - 73
- 62 BRAKE ASSEMBLY (PASSENGER SIDE) includes items 63 - 73
- 75 ADJUSTER KIT includes items 70 - 73
- 76 HARDWARE KIT includes items 66 - 69



- 83 BRAKE DRUM ASSEMBLY includes items 84 - 85





When ordering parts, please specify the model and serial number of the product.

\* Indicates a component that is not available as an individual part.

\*\*\* Indicates consult Customer Service Department for additional information.

| ITEM | PART NO. | 1 2 3 4 5 | DESCRIPTION  | QTY. |
|------|----------|-----------|--|------|
| 46   | 75644G01 |           | PRIMARY BRAKE LINE.....  | 1    |
| 47   | 00438G6  |           | HEX HEAD BOLT, 5/16" - 18 X 3/4" LG .....                      | 1    |
| 48   | 00559G8  |           | FLAT WASHER, 5/16" .....                                       | 1    |
| 49   | 01109G01 |           | LOCK NUT (SS), 5/16" - 18 .....                                | 1    |
| 50   |          |           |  |      |
| 51   | 11845G5  |           | INSULATED CABLE CLAMP, 3/8" .....                              | 1    |
| 52   | 00106G6  |           | SCREW, #12 - 24 X 3/4" LG .....                                | 1    |
| 53   |          |           |  |      |
| 54   | 75645G01 |           | SECONDARY BRAKE LINE .....                                     | 1    |
| 55   |          |           |  |      |
| 56   | 75683G01 |           | BANJO BOLT, 3/8" - 24 X 8/9" LG .....                          | 2    |
| 57   | 75684G01 |           | COPPER GASKET .....  | 4    |
| 58   |          |           |  |      |
| 59   |          |           |  |      |
| 60   |          |           |  |      |
| 61   | 75685G01 |           | BRAKE ASSEMBLY (DRIVER SIDE) (INCLUDES ITEMS 63 - 73).....     | 1    |
| 62   | 75685G02 |           | BRAKE ASSEMBLY (PASSENGER SIDE) (INCLUDES ITEMS 63 - 73) ..... | 1    |
| 63   | 75830G01 |           | BRAKE SHOE .....   | 2    |
| 64   | 75829G** |           | PARK BRAKE WHEEL LEVER .....                                   | 1    |
| 65   | 75828G01 |           | WHEEL CYLINDER.....  | 1    |
| 66   | *        |           | WHEEL CYLINDER BOLT.....                                       | 2    |
| 67   | *        |           | UPPER RETURN SPRING .....                                      | 1    |
| 68   | *        |           | LOWER RETURN SPRING.....                                       | 1    |
| 69   | *        |           | CUP AND SPRING.....  | 2    |
| 70   | *        |           | ADJUSTER.....  | 2    |
| 71   | *        |           | FLAT WASHER .....  | 2    |
| 72   | *        |           | HEX HEAD BOLT, 1/4" - 28 X 1/2" LG.....                        | 2    |
| 73   | *        |           | DUST COVER .....   | 1    |
| 74   |          |           |  |      |
| 75   | 75826G01 |           | ADJUSTER KIT (INCLUDES ITEMS 70 - 73).....                     | 1    |
| 76   | 75827G01 |           | HARDWARE KIT (INCLUDES ITEMS 66 - 69).....                     | 1    |

# BRAKES

When ordering parts, please specify the model and serial number of the product.

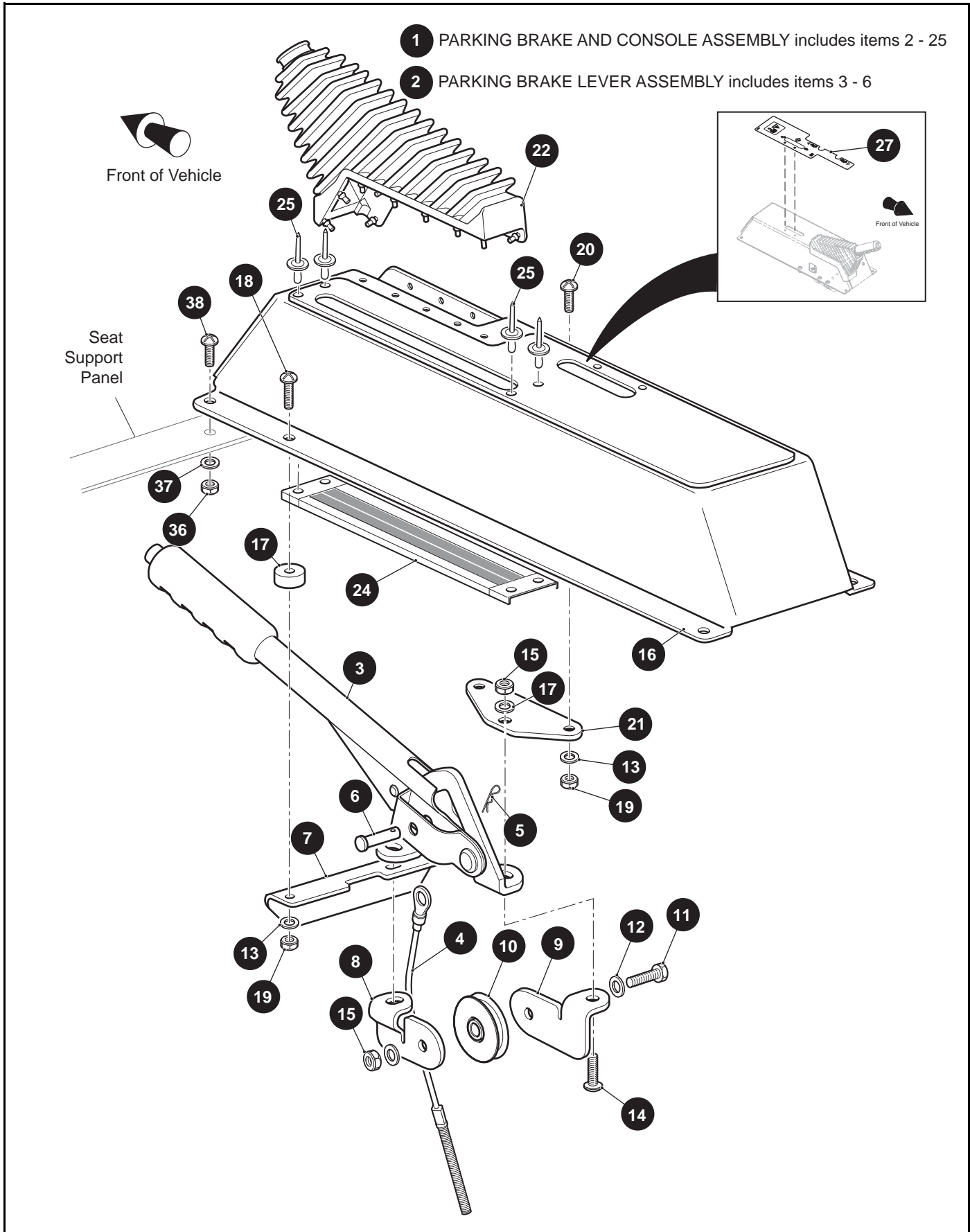
\* Indicates a component that is not available as an individual part.

\*\*\* Indicates consult Customer Service Department for additional information.

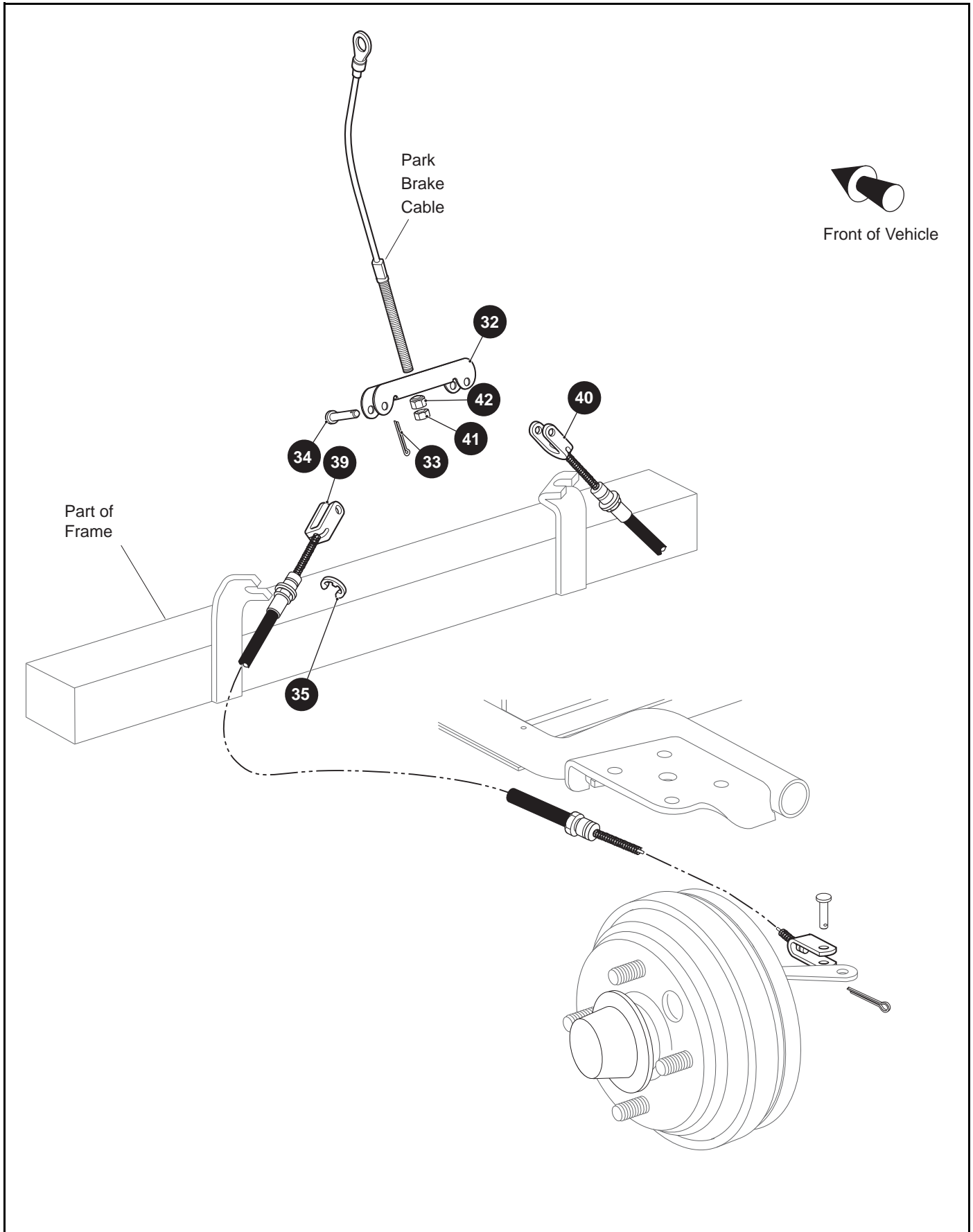
| ITEM | PART NO. | 1 | 2 | 3 | 4 | 5 | DESCRIPTION                                       | QTY. |
|------|----------|---|---|---|---|---|---|------|
| 77   |          |   |   |   |   |   |   |      |
| 78   | 631224   |   |   |   |   |   | SOCKET HEAD SCREW, 5/16" - 24 X 1" LG.....        | 8    |
| 79   | 15126G1  |   |   |   |   |   | LOCK NUT, 5/16" - 24 .....                        | 8    |
| 80   |          |   |   |   |   |   |   |      |
| 81   |          |   |   |   |   |   |   |      |
| 82   |          |   |   |   |   |   |   |      |
| 83   | 75573G01 |   |   |   |   |   | BRAKE DRUM ASSEMBLY (INCLUDES ITEMS 84 - 85)..... | 2    |
| 84   | *        |   |   |   |   |   | BRAKE DRUM .....                                  | 1    |
| 85   | 19862G2  |   |   |   |   |   | LUG BOLT, 1/2" - 20 X 1 11/16" LG .....           | 4    |
| 86   |          |   |   |   |   |   |   |      |
| 87   | 75586G01 |   |   |   |   |   | OUTER BRAKE DRUM WASHER .....                     | 2    |
| 88   | 00518G8  |   |   |   |   |   | SLOTTED NUT, 3/4" - 16.....                       | 2    |
| 89   | 10387G1  |   |   |   |   |   | COTTER PIN, 1/8" X 1 1/2" LG .....                | 2    |
| 90   | 74175G01 |   |   |   |   |   | SPINDLE CAP .....                                 | 2    |



# PARK BRAKE



# PARK BRAKE



# PARK BRAKE

When ordering parts, please specify the model and serial number of the product.

\* Indicates a component that is not available as an individual part.

\*\*\* Indicates consult Customer Service Department for additional information.

| ITEM | PART NO. | 1 | 2 | 3 | 4 | 5 | DESCRIPTION   | QTY. |
|------|----------|---|---|---|---|---|---|------|
| 1    | 75846G01 |   |   |   |   |   | PARK BRAKE AND CONSOLE (INCLUDES ITEMS 2 - 25).....       | 1    |
| 2    | 75791G03 |   |   |   |   |   | PARKING BRAKE LEVER ASSEMBLY (INCLUDES ITEMS 3 - 6) ..... | 1    |
| 3    | 75790G01 |   |   |   |   |   | PARKING BRAKE LEVER.....                                  | 1    |
| 4    | 75498G01 |   |   |   |   |   | PARKING BRAKE CABLE.....                                  | 1    |
| 5    | 75791G01 |   |   |   |   |   | R CLIP .....  | 1    |
| 6    | 75791G02 |   |   |   |   |   | COTTER PIN, 3/32" X 1" LG .....                           | 1    |
| 7    | 75594G01 |   |   |   |   |   | SUPPORT BRACKET.....                                      | 1    |
| 8    | 75769G01 |   |   |   |   |   | PULLEY MOUNT BRACKET (DRIVER SIDE).....                   | 1    |
| 9    | 75768G01 |   |   |   |   |   | PULLEY MOUNT BRACKET (PASSENGER SIDE) .....               | 1    |
| 10   | 75789G01 |   |   |   |   |   | PULLEY, 2" DIA .....                                      | 1    |
| 11   | 00439G4  |   |   |   |   |   | SCREW, 5/16 - 18 X 1 1/2" LG .....                        | 1    |
| 12   | 00559G8  |   |   |   |   |   | FLAT WASHER, 5/16".....                                   | 4    |
| 13   | 00559G7  |   |   |   |   |   | FLAT WASHER, 1/4".....                                    | 4    |
| 14   | 00976G08 |   |   |   |   |   | SCREW, 5/16 - 18 X 1" LG .....                            | 2    |
| 15   | 11098G6  |   |   |   |   |   | LOCK NUT, 5/16 - 18 (STAINLESS STEEL).....                | 3    |
| 16   | 75968G01 |   |   |   |   |   | CONSOLE COVER WELDMENT .....                              | 1    |
| 17   | 23726G12 |   |   |   |   |   | SPACER, 3/8" .....  | 2    |
| 18   | 16705G1  |   |   |   |   |   | SCREW, 1/4 - 20 X 1" LG (STAINLESS STEEL).....            | 2    |
| 19   | 14390G4  |   |   |   |   |   | LOCK NUT, 1/4 - 20 .....                                  | 4    |
| 20   | 16705G3  |   |   |   |   |   | SCREW, 1/4 - 20 X 3/4" LG (STAINLESS STEEL).....          | 2    |
| 21   | 75773G01 |   |   |   |   |   | SUPPORT PLATE.....  | 1    |
| 22   | 75821G01 |   |   |   |   |   | PARKING BRAKE BOOT .....                                  | 1    |
| 23   | 17618G1  |   |   |   |   |   | NYLON CLAMP (NOT ILLUSTRATED) .....                       | 1    |
| 24   | 75966G01 |   |   |   |   |   | BRUSH SEAL .....  | 1    |
| 25   | 10570G3  |   |   |   |   |   | RIVET, 1/8" DIA X 7/8" LG .....                           | 4    |
| 26   |          |   |   |   |   |   |   |      |
| 27   | 75970G01 |   |   |   |   |   | DECAL (CENTER CONSOLE).....                               | 1    |
| 28   |          |   |   |   |   |   |   |      |
| 29   |          |   |   |   |   |   |   |      |
| 30   |          |   |   |   |   |   |   |      |
| 31   |          |   |   |   |   |   |   |      |

# PARK BRAKE

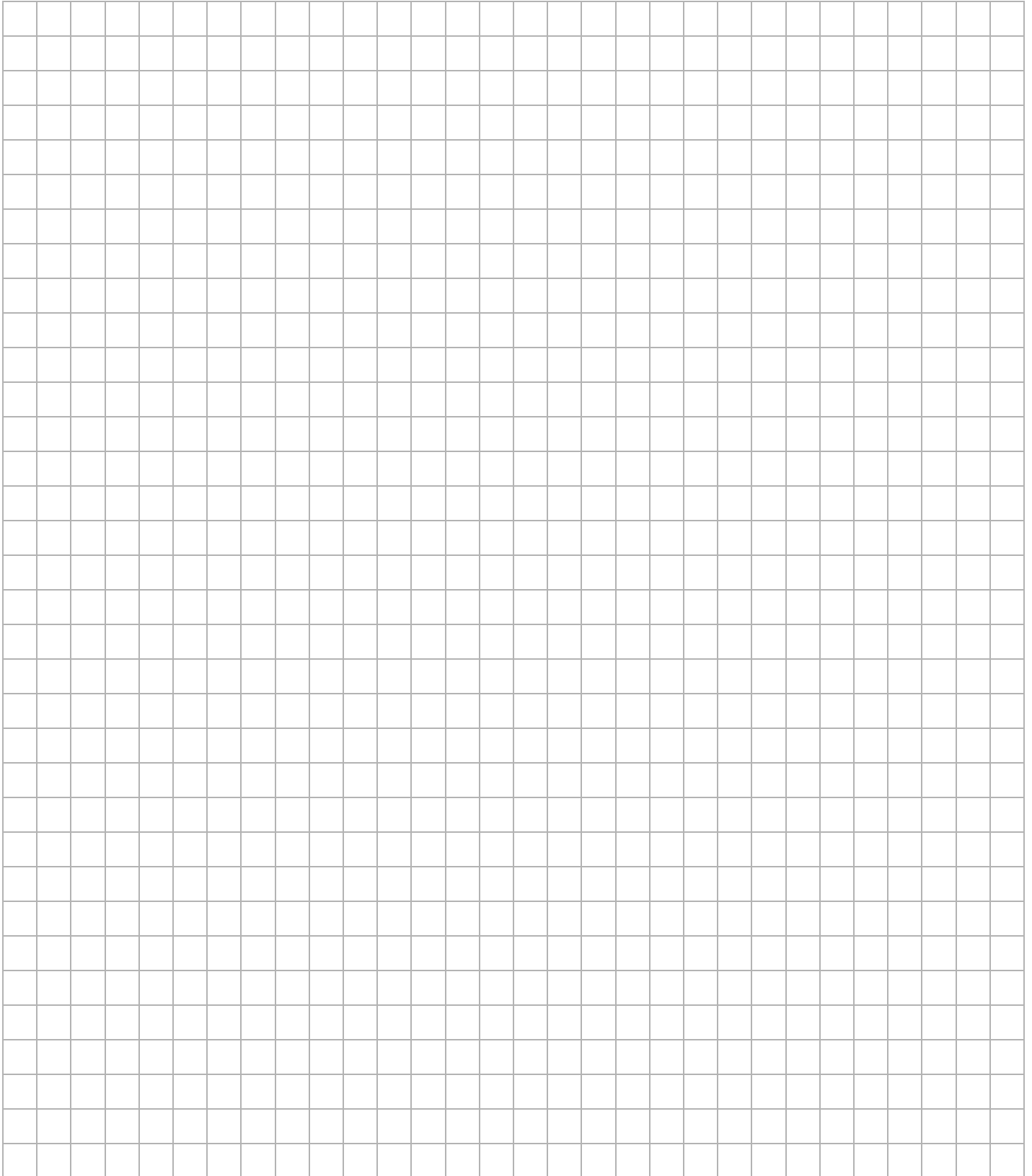
When ordering parts, please specify the model and serial number of the product.

\* Indicates a component that is not available as an individual part.

\*\*\* Indicates consult Customer Service Department for additional information.

| ITEM | PART NO. | 1 2 3 4 5 | DESCRIPTION                                       | QTY. |
|------|----------|-----------|---|------|
| 32   | 75499G01 |           | EQUALIZER.....                                    | 1    |
| 33   | 10387G3  |           | COTTER PIN, 3/32" X 3/4" LG.....                  | 2    |
| 34   | 14443G3  |           | CLEVIS PIN, 5/16" X 13/16" LG.....                | 2    |
| 35   | 01111G01 |           | RETAINING RING, 13/32" (STAINLESS STEEL).....     | 2    |
| 36   | 14390G4  |           | LOCK NUT, 1/4 - 20 .....                          | 4    |
| 37   | 00559G7  |           | FLAT WASHER, 1/4" .....                           | 4    |
| 38   | 16705G3  |           | SCREW, 1/4 - 20 X 3/4" LG (STAINLESS STEEL) ..... | 4    |
| 39   | 75595G01 |           | PARKING BRAKE CABLE (DRIVER SIDE).....            | 1    |
| 40   | 75595G02 |           | PARKING BRAKE CABLE (PASSENGER SIDE) .....        | 1    |
| 41   | 00544G4  |           | JAM NUT, 5/16 - 24.....                           | 1    |
| 42   | 629486   |           | SPHERICAL NUT, 5/16 - 24.....                     | 1    |
| 43   |          |           |   |      |
| 44   |          |           |   |      |
| 45   |          |           |   |      |
| 46   |          |           |   |      |
| 47   |          |           |   |      |
| 48   |          |           |   |      |
| 49   |          |           |   |      |
| 50   |          |           |   |      |
| 51   |          |           |   |      |
| 52   |          |           |   |      |
| 53   |          |           |   |      |
| 54   |          |           |   |      |
| 55   |          |           |   |      |
| 56   |          |           |   |      |
| 57   |          |           |   |      |
| 58   |          |           |   |      |
| 59   |          |           |   |      |
| 60   |          |           |   |      |

Notes:



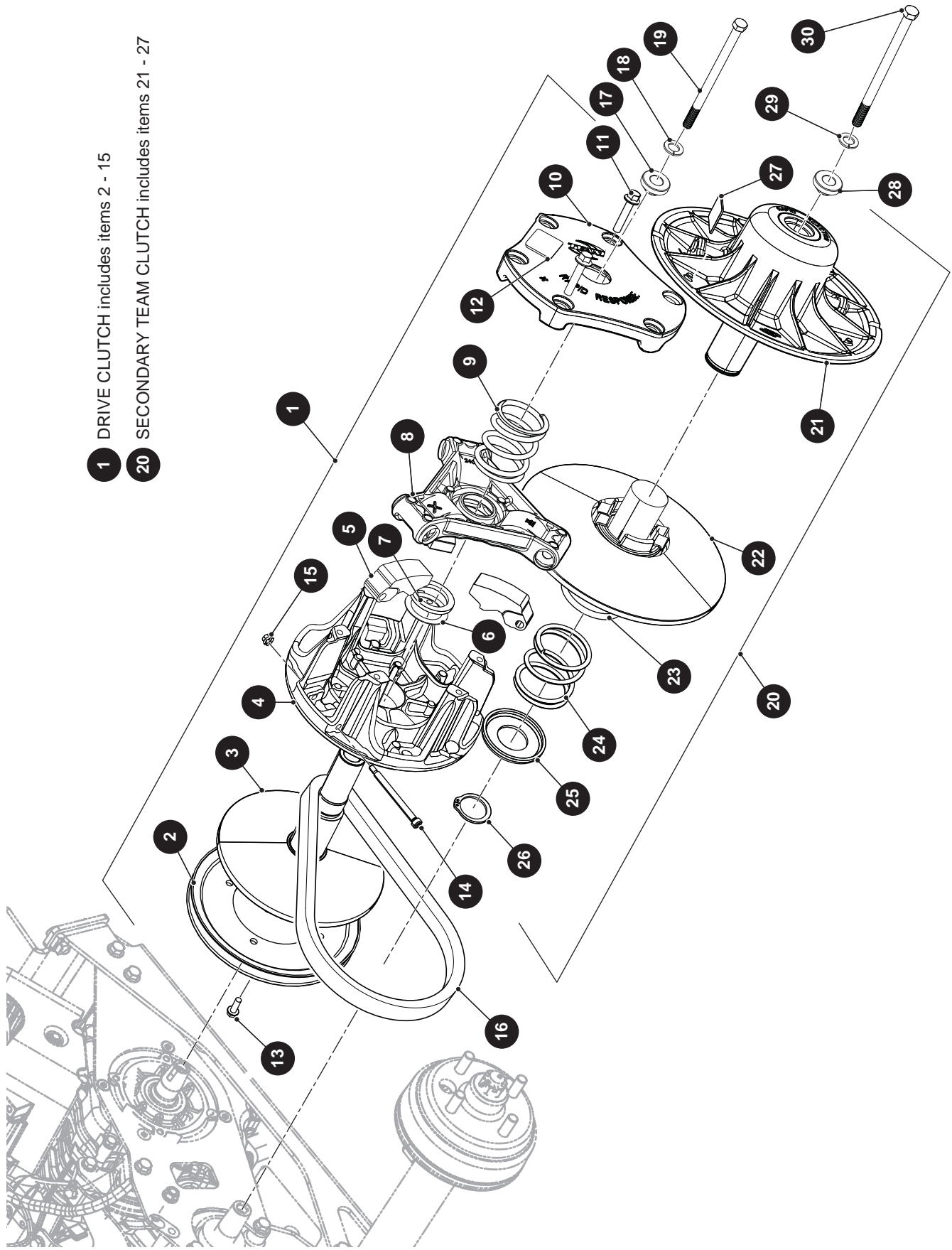




# CLUTCH

1 DRIVE CLUTCH includes items 2 - 15

20 SECONDARY TEAM CLUTCH includes items 21 - 27



When ordering parts, please specify the model and serial number of the product.

\* Indicates a component that is not available as an individual part.

\*\*\* Indicates consult Customer Service Department for additional information.

| ITEM | PART NO. | 1 2 3 4 5 | DESCRIPTION                                  | QTY. |
|------|----------|-----------|--|------|
| 1    | 626611   |           | DRIVE CLUTCH (INCLUDES ITEMS 2 - 15).....    | 1    |
| 2    | 619333   |           | PRIMARY STARTER PULLEY, 195 - SVC .....      | 1    |
| 3    | *        |           | STATIONARY ASSEMBLY .....                    | 1    |
| 4    | *        |           | MOVEABLE PRIMARY ASSEMBLY .....              | 1    |
| 5    | 628687   |           | CLUTCH WEIGHT.....                           | 3    |
| 6    | *        |           | SHIM, 1.630 X 1.330 .....                    | 1    |
| 7    | *        |           | SHIM, 1.225 X 1.750 X .154.....              | 1    |
| 8    | *        |           | PRIMARY SPIDER ASSEMBLY .....                | 1    |
| 9    | 628683   |           | COMPRESSION SPRING 2.0 OD .....              | 1    |
| 10   | *        |           | PRIMARY COVER ASSEMBLY .....                 | 1    |
| 11   | 628686   |           | HEX BOLT, 1/4" - 20 X 1.25" LG.....          | 6    |
| 12   | *        |           | DECAL PRIMARY .....                          | 1    |
| 13   | 619332   |           | HEX BOLT, 1/4" - 20 X 3/4" LG.....           | 4    |
| 14   | 628685   |           | HEX SHOULDER BOLT, 1/4" X 2 1/2" LG.....     | 3    |
| 15   | 619332   |           | HEX LOCK NUT, #10 - 24 .....                 | 3    |
| 16   | 625802   |           | DRIVE BELT .....                             | 1    |
| 17   | 606239   |           | CONICAL WASHER, M12 .....                    | 1    |
| 18   | 00566G2  |           | LOCK WASHER, 7/16" .....                     | 1    |
| 19   | 629495   |           | HEX BOLT, 7/16" - 20 X 7.00" LG .....        | 1    |
| 20   | 626612   |           | DRIVEN CLUTCH (INCLUDES ITEMS 21 - 27) ..... | 1    |
| 21   | *        |           | SECONDARY STATIONARY, 9.5.....               | 1    |
| 22   | *        |           | MOVEABLE SECONDARY, 9.5.....                 | 1    |
| 23   | 619327   |           | INNER RETAINER SPRING.....                   | 1    |
| 24   | 624111   |           | COMPRESSION SPRING, 2.70 OD.....             | 1    |
| 25   | 619329   |           | OUTER SPRING RETAINER .....                  | 1    |
| 26   | 619330   |           | RETAINER RING.....                           | 1    |
| 27   | *        |           | DECAL SECONDARY .....                        | 1    |
| 28   | 606230   |           | WASHER CLUTCH, 27 1/2".....                  | 1    |
| 29   | 00565G8  |           | LOCK WASHER, 5/16" .....                     | 1    |
| 30   | 629496   |           | HEX BOLT, 5/16" - 18 X 4.5" LG .....         | 1    |

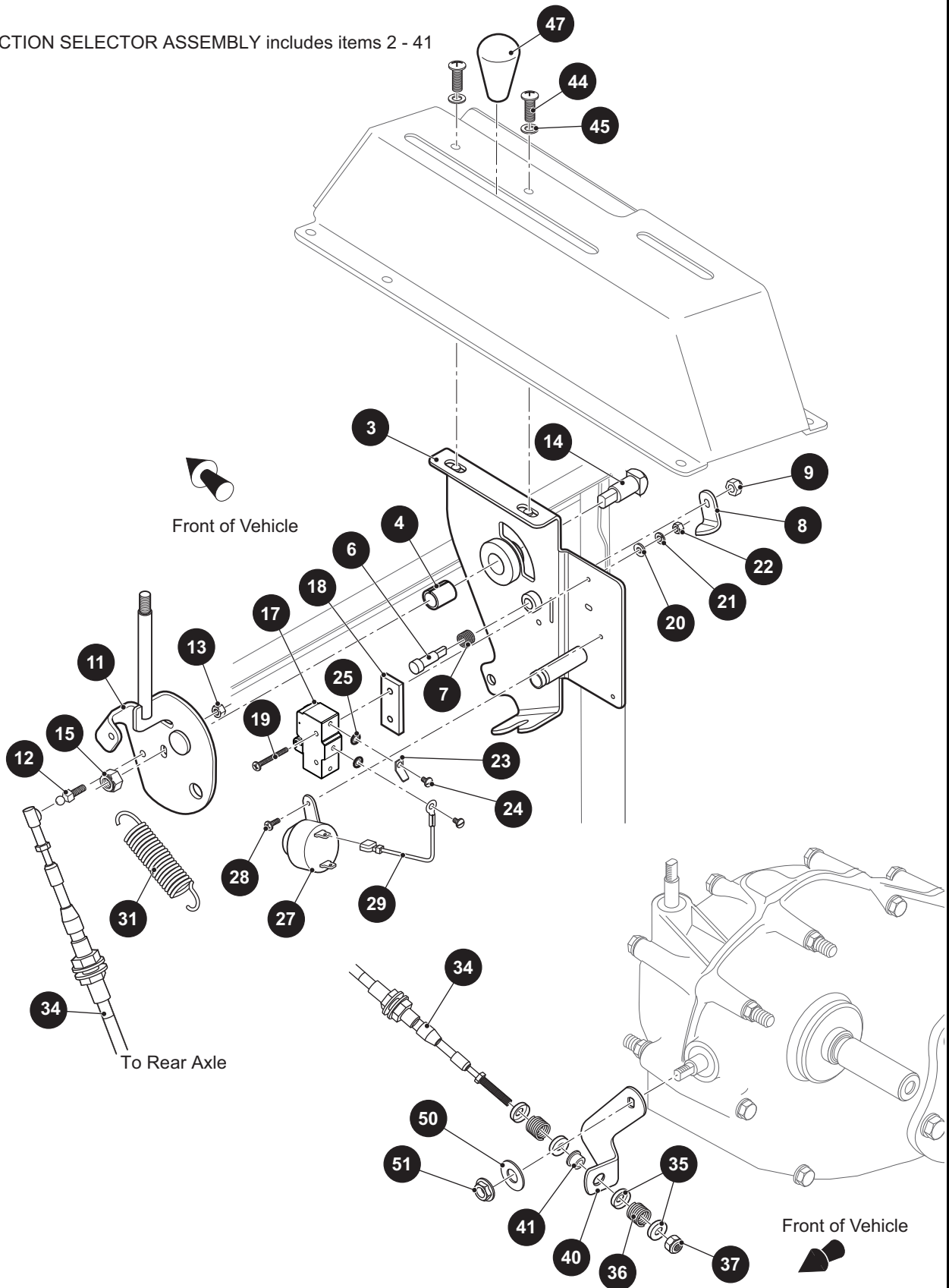
**Notes:**

A large grid of empty squares, approximately 30 columns wide and 35 rows high, intended for taking notes. The grid is composed of thin black lines forming a uniform pattern of squares.



# DIRECTION SELECTOR

1 DIRECTION SELECTOR ASSEMBLY includes items 2 - 41



# DIRECTION SELECTOR

When ordering parts, please specify the model and serial number of the product.

\* Indicates a component that is not available as an individual part.

\*\*\* Indicates consult Customer Service Department for additional information.

| ITEM | PART NO.  | 1 2 3 4 5 | DESCRIPTION   | QTY. |
|------|-----------|-----------|---|------|
| 1    | 75939G01  |           | DIRECTION SELECTOR ASSEMBLY (INCLUDES ITEMS 2 - 41) ..... |      |
| 2    |           |           |   |      |
| 3    | 75973G01  |           | SHIFTER BRACKET .....                                     | 1    |
| 4    | 25664G2   |           | BUSHING, 1/2" X 3/4" .....                                | 1    |
| 5    |           |           |   |      |
| 6    | 72724G01  |           | NEUTRAL LOCK PIN .....                                    | 1    |
| 7    | 72733G01  |           | COMPRESSION SPRING .....                                  | 1    |
| 8    | 72729G01  |           | NEUTRAL LOCK BRACKET .....                                | 1    |
| 9    | 00734G2   |           | LOCK NUT, 1/4" - 28 .....                                 | 1    |
| 10   |           |           |   |      |
| 11   | 75936G01  |           | DIRECTION SELECTOR CAM HANDLE .....                       | 1    |
| 12   | 72732G01  |           | BALL STUD, 1/4" .....                                     | 1    |
| 13   | 00734G5   |           | LOCK NUT, #10 - 32 .....                                  | 1    |
| 14   | 75937G01  |           | PIVOT SHAFT .....   | 1    |
| 15   | 14390G1   |           | LOCK NUT, 3/8" - 24 .....                                 | 1    |
| 16   |           |           |   |      |
| 17   | 10606G8   |           | MICRO SWITCH .....  | 1    |
| 18   | 627755    |           | SPACER, 3/4" .....  | 1    |
| 19   | 00645G02  |           | PAN HEAD PHILLIPS SCREW, #6 - 32 X 1 1/4" LG .....        | 2    |
| 20   | 00559G3   |           | FLAT WASHER, #6 .....                                     | 2    |
| 21   | 00565G3   |           | LOCK WASHER, #6 .....                                     | 2    |
| 22   | 00525G5   |           | HEX NUT, #6 - 32 .....                                    | 2    |
| 23   | 14628G1   |           | FASTON TAB, 5/16" X 5/16" .....                           | 1    |
| 24   | 13514G1   |           | LIMIT SWITCH SCREW, 6" - 32 X 7/32" LG .....              | 2    |
| 25   | 00567G3   |           | LOCK WASHER, #6 .....                                     | 2    |
| 26   |           |           |   |      |
| 27   | 73290G03  |           | BUZZER .....  | 1    |
| 28   | 01063G01  |           | SELF TAPPING SCREW, #6 - 32 X 3/8" LG .....               | 2    |
| 29   | 25978G234 |           | 18 GA WIRE (RED), 6" LG .....                             | 1    |
| 30   |           |           |   |      |
| 31   | 28574G01  |           | EXTENSION SPRING .....                                    | 1    |

# DIRECTION SELECTOR

When ordering parts, please specify the model and serial number of the product.

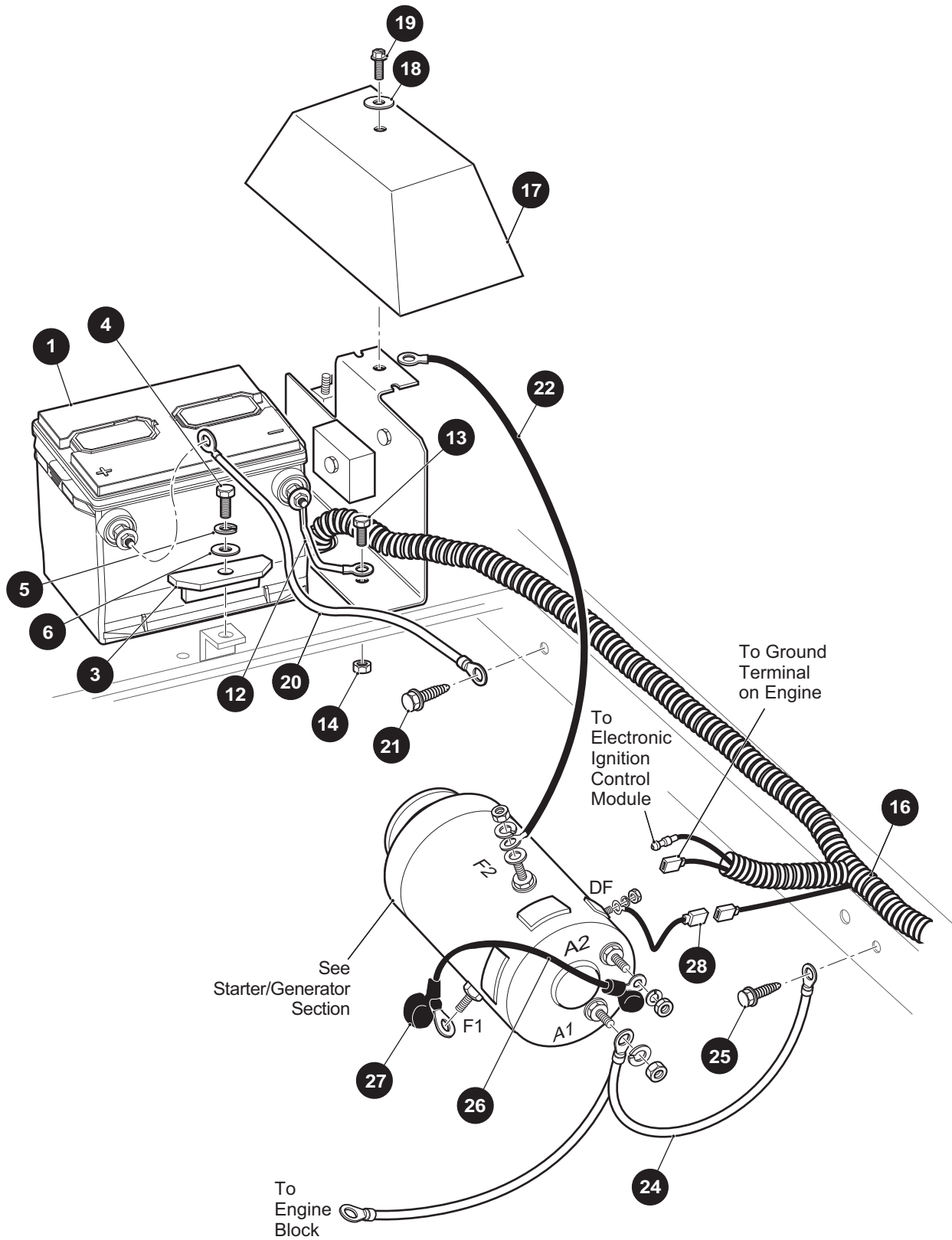
\* Indicates a component that is not available as an individual part.

\*\*\* Indicates consult Customer Service Department for additional information.

| ITEM | PART NO. | 1 | 2 | 3 | 4 | 5 | DESCRIPTION                                    | QTY. |
|------|----------|---|---|---|---|---|--|------|
| 32   |          |   |   |   |   |   |  |      |
| 33   |          |   |   |   |   |   |  |      |
| 34   | 72734G04 |   |   |   |   |   | DIRECTION SELECTOR CABLE .....                 | 1    |
| 35   | 25727G01 |   |   |   |   |   | CUP WASHER, 1/4" .....                         | 4    |
| 36   | 72735G01 |   |   |   |   |   | COMPRESSION SPRING .....                       | 2    |
| 37   | 00734G5  |   |   |   |   |   | LOCK NUT, #10 - 32 .....                       | 1    |
| 38   |          |   |   |   |   |   |  |      |
| 39   |          |   |   |   |   |   |  |      |
| 40   | 75940G01 |   |   |   |   |   | SHIFTER ARM.....                               | 1    |
| 41   | 22754G4  |   |   |   |   |   | BUSHING, .25" .....                            | 1    |
| 42   |          |   |   |   |   |   |  |      |
| 43   |          |   |   |   |   |   |  |      |
| 44   | 16705G2  |   |   |   |   |   | PAN HEAD SCREW (SS), 1/4" - 20 X 5/8" LG ..... | 2    |
| 45   | 00664G7  |   |   |   |   |   | LOCK WASHER (SS), 1/4" .....                   | 2    |
| 46   |          |   |   |   |   |   |  |      |
| 47   | 11989G1  |   |   |   |   |   | DIRECTION SELECTOR KNOB .....                  | 1    |
| 48   |          |   |   |   |   |   |  |      |
| 49   |          |   |   |   |   |   |  |      |
| 50   | 00559G8  |   |   |   |   |   | FLAT WASHER, 5/16" .....                       | 1    |
| 51   | 26830G01 |   |   |   |   |   | LOCK NUT, M8.....                              | 1    |







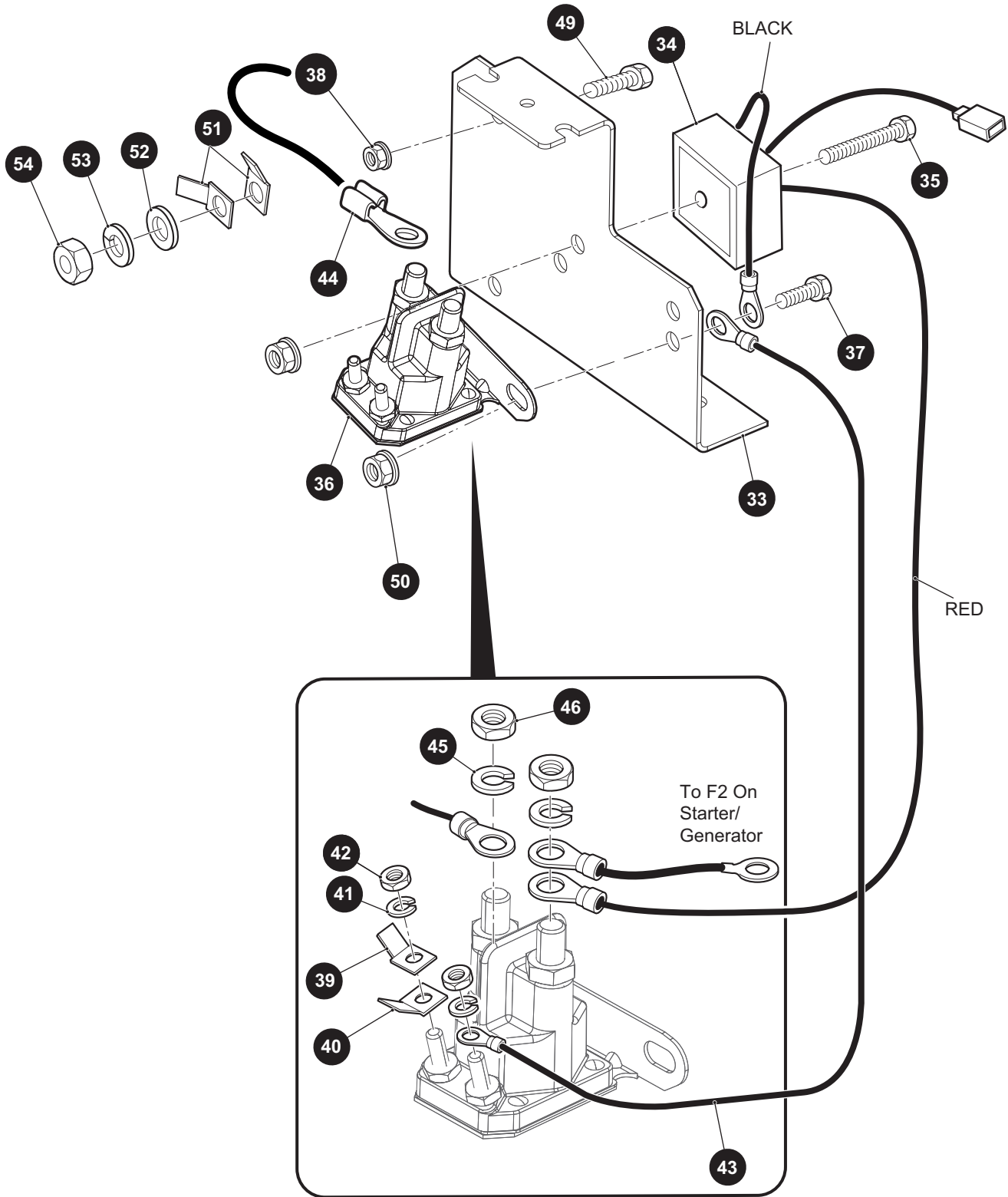
When ordering parts, please specify the model and serial number of the product.

\* Indicates a component that is not available as an individual part.

\*\*\* Indicates consult Customer Service Department for additional information.

| ITEM | PART NO.  | 1 2 3 4 5 | DESCRIPTION                                     | QTY. |
|------|-----------|-----------|---|------|
| 1    | 638433    |           | BATTERY, 12V .....                              | 1    |
| 2    |           |           |   |      |
| 3    | 72101G02  |           | BATTERY HOLD DOWN .....                         | 1    |
| 4    | 00438G6   |           | HEX HEAD BOLT, 5/16" - 18 X 3/4" LG .....       | 1    |
| 5    | 00565G8   |           | LOCK WASHER, 5/16" .....                        | 1    |
| 6    | 00571G2   |           | FLAT WASHER (SS), 5/16" .....                   | 1    |
| 7    |           |           |   |      |
| 8    | 619103    |           | HARNESS (ST480) (NOT ILLUSTRATED).....          | 1    |
| 9    | 75711G01  |           | JUMPER PLUG (TAILLIGHT) (NOT ILLUSTRATED) ..... | 1    |
| 10   |           |           |   |      |
| 11   |           |           |   |      |
| 12   | 28519G01  |           | BATTERY GROUND CABLE .....                      | 1    |
| 13   | 00438G6   |           | HEX HEAD BOLT, 5/16" - 18 X 3/4" LG .....       | 2    |
| 14   | 11027G1   |           | LOCK NUT, 5/16" - 18.....                       | 2    |
| 15   |           |           |   |      |
| 16   | 75899G01  |           | WIRE HARNESS (CHASSIS) .....                    | 1    |
| 17   | 73049G01  |           | COVER (DIRECTION SELECTOR).....                 | 1    |
| 18   | 16469G1   |           | FENDER WASHER, 1/4" .....                       | 1    |
| 19   | 00114G6   |           | HEX HEAD BOLT, 1/4" - 14 X 3/4" LG .....        | 1    |
| 20   | 11894G1   |           | 6 GA WIRE (BLACK 15") (B- GND) .....            | 1    |
| 21   | 00715G2   |           | HEX HEAD BOLT, 5/16" - 18 X 3/4" LG .....       | 2    |
| 22   | 25972G129 |           | 6 GA WIRE (BLACK 31") (F2 - SOL) .....          | 1    |
| 23   | 17618G1   |           | WIRE TIE (NOT ILLUSTRATED).....                 | AR   |
| 24   | 28520G02  |           | GROUND CABLE .....                              | 1    |
| 25   | 00965G01  |           | TAPPING SCREW, 1/4" - 20 X 3/4" LG .....        | 1    |
| 26   | 25887G01  |           | 6 GA WIRE (BLACK 6") (F1 - A2).....             | 1    |
| 27   | 25682G01  |           | TERMINAL COVER .....                            | 3    |
| 28   | 25977G90  |           | 16 GA WIRE (GREEN 12").....                     | 1    |
| 29   |           |           |   |      |
| 30   |           |           |   |      |
| 31   | 610428    |           | BATTERY BOLT EXTENDER (NOT ILLUSTRATED).....    | 2    |

32 ELECTRICAL PLATE ASSEMBLY includes items 33 - 54

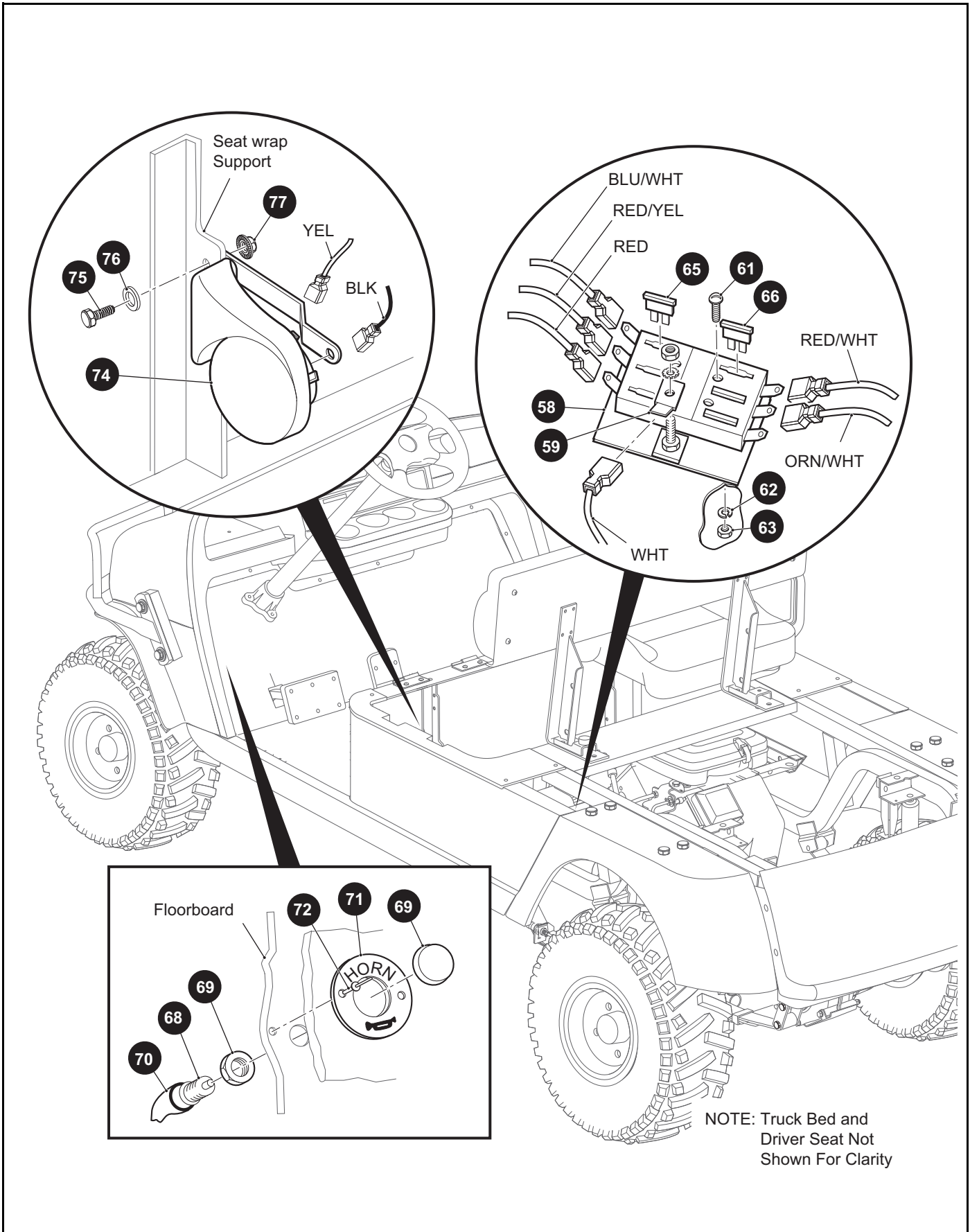


When ordering parts, please specify the model and serial number of the product.

\* Indicates a component that is not available as an individual part.

\*\*\* Indicates consult Customer Service Department for additional information.

| ITEM | PART NO. | 1 2 3 4 5 | DESCRIPTION   | QTY. |
|------|----------|-----------|---|------|
| 32   | 75638G01 |           | ELECTRICAL PLATE ASSEMBLY (INCLUDES ITEMS 33 - 54)..... | 1    |
| 33   | 73057G01 |           | BRACKET.....  | 1    |
| 34   | 27739G01 |           | VOLTAGE REGULATOR.....                                  | 1    |
| 35   | 00415G2  |           | HEX HEAD BOLT, 1/4" - 20 X 1 1/4" LG.....               | 1    |
| 36   | 612813   |           | SOLENOID.....   | 1    |
| 37   | 00414G5  |           | HEX HEAD BOLT, 1/4" - 20 X 5/8" LG.....                 | 1    |
| 38   | 11027G2  |           | LOCK NUT, 1/4" - 20.....                                | 2    |
| 39   | 73446G01 |           | FASTON TAB, 90°.....                                    | 1    |
| 40   | 12914G1  |           | FASTON TAB.....   | 1    |
| 41   | *        |           | LOCK WASHER, #10.....                                   | 2    |
| 42   | *        |           | HEX NUT, #10 - 32.....                                  | 2    |
| 43   | 25978G56 |           | 18 GA WIRE (BLACK 5 3/4") (SOL - GND).....              | 1    |
| 44   | 25972G33 |           | 6 GA WIRE (BLACK 24") (B+ - SOL).....                   | 1    |
| 45   | *        |           | LOCK WASHER, 5/16".....                                 | 2    |
| 46   | *        |           | HEX NUT, 5/16" - 24.....                                | 2    |
| 47   |          |           |   |      |
| 48   |          |           |   |      |
| 49   | 00661G8  |           | HEX HEAD BOLT, 1/4" - 20 X 1" LG.....                   | 1    |
| 50   | 11027G2  |           | LOCK NUT, 1/4" - 20.....                                | 1    |
| 51   | 12914G2  |           | FASTON TAB.....   | 2    |
| 52   | 00650G7  |           | FLAT WASHER, 1/4".....                                  | 1    |
| 53   | 00565G7  |           | LOCK WASHER, 1/4".....                                  | 1    |
| 54   | 00532G1  |           | HEX NUT, 1/4" - 20.....                                 | 1    |
| 55   |          |           |   |      |
| 56   |          |           |   |      |
| 57   |          |           |   |      |



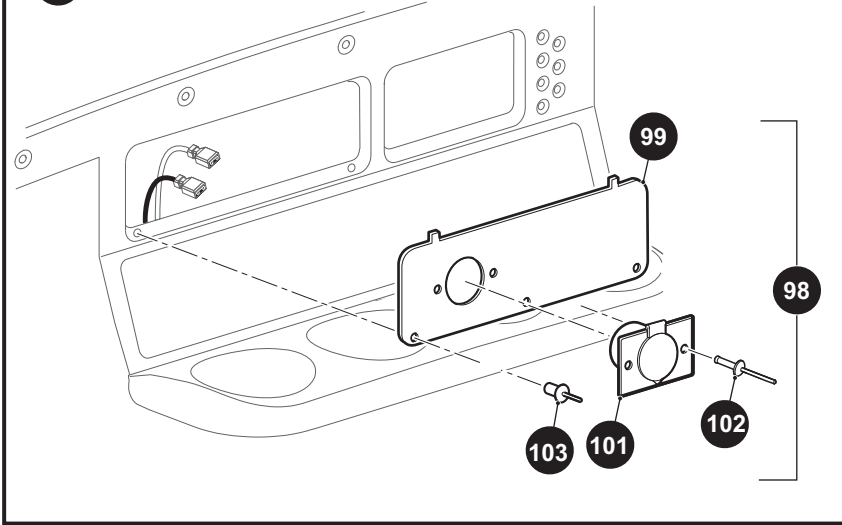
When ordering parts, please specify the model and serial number of the product.

\* Indicates a component that is not available as an individual part.

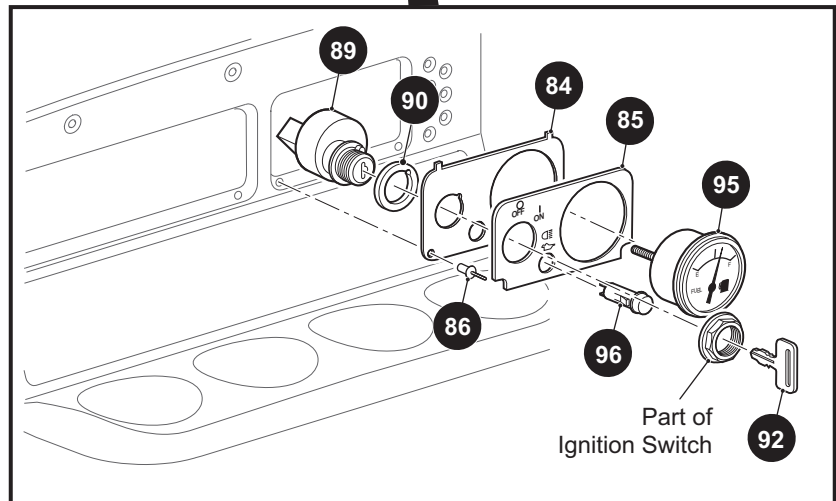
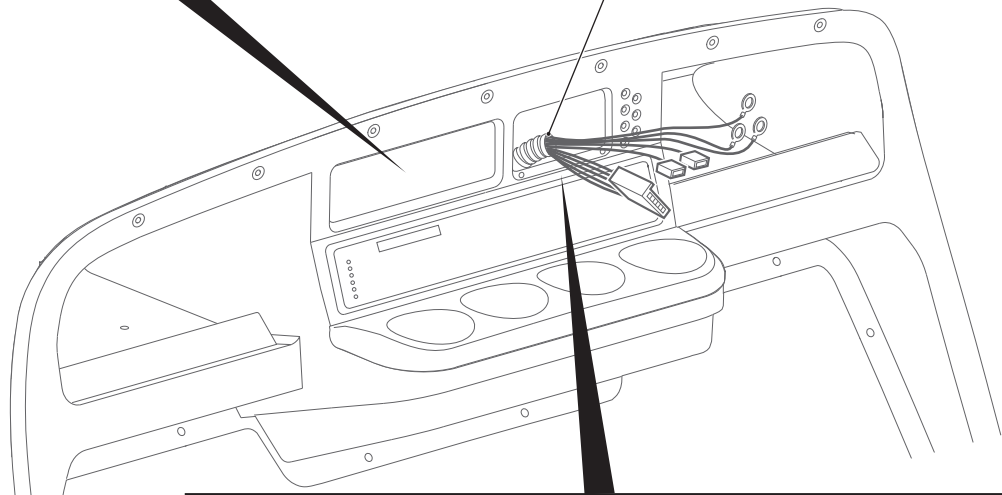
\*\*\* Indicates consult Customer Service Department for additional information.

| ITEM | PART NO. | 1 2 3 4 5 | DESCRIPTION   | QTY. |
|------|----------|-----------|---|------|
| 58   | 35211G01 |           | FUSE BLOCK .....                                    | 1    |
| 59   | 12914G1  |           | FASTON TAB .....                                    | 1    |
| 60   |          |           |   |      |
| 61   | 00379G2  |           | PAN HEAD PHILLIPS SCREW, #10 - 24 X 1 1/4" LG ..... | 2    |
| 62   | 00559G5  |           | LOCK WASHER, #10.....                               | 2    |
| 63   | 14390G10 |           | LOCK NUT, #10 - 24 .....                            | 2    |
| 64   |          |           |   |      |
| 65   | 35212G01 |           | FUSE, 15 AMP .....                                  | 4    |
| 66   | 35212G05 |           | FUSE, 7.5 AMP .....                                 | 1    |
| 67   |          |           |   |      |
| 68   | 17318G1  |           | HORN SWITCH .....                                   | 1    |
| 69   | 17318G2  |           | HORN SWITCH CAP AND NUT .....                       | 1    |
| 70   | 27068G01 |           | HORN SWITCH BOOT .....                              | 1    |
| 71   | 608397   |           | HORN SWITCH PLATE .....                             | 1    |
| 72   | 71055G01 |           | RIVET (ALUMINUM), 3/16" X 1" LG .....               | 2    |
| 73   |          |           |   |      |
| 74   | 32860G1  |           | HORN.....   | 1    |
| 75   | 00414G5  |           | HEX HEAD BOLT, 1/4" - 20 X 5/8" LG .....            | 1    |
| 76   | 00559G8  |           | FLAT WASHER, 5/16" .....                            | 1    |
| 77   | 14390G4  |           | LOCK NUT, 1/4" - 20 .....                           | 1    |
| 78   |          |           |   |      |
| 79   | 31539G1  |           | NYLON CLAMP (NOT ILLUSTRATED) .....                 | AR   |
| 80   |          |           |   |      |
| 81   |          |           |   |      |
| 82   |          |           |   |      |
| 83   |          |           |   |      |

**98** CONSOLE INSERT ASSEMBLY includes items 99 - 102



Wire Harness  
(Chassis)



Part of  
Ignition Switch

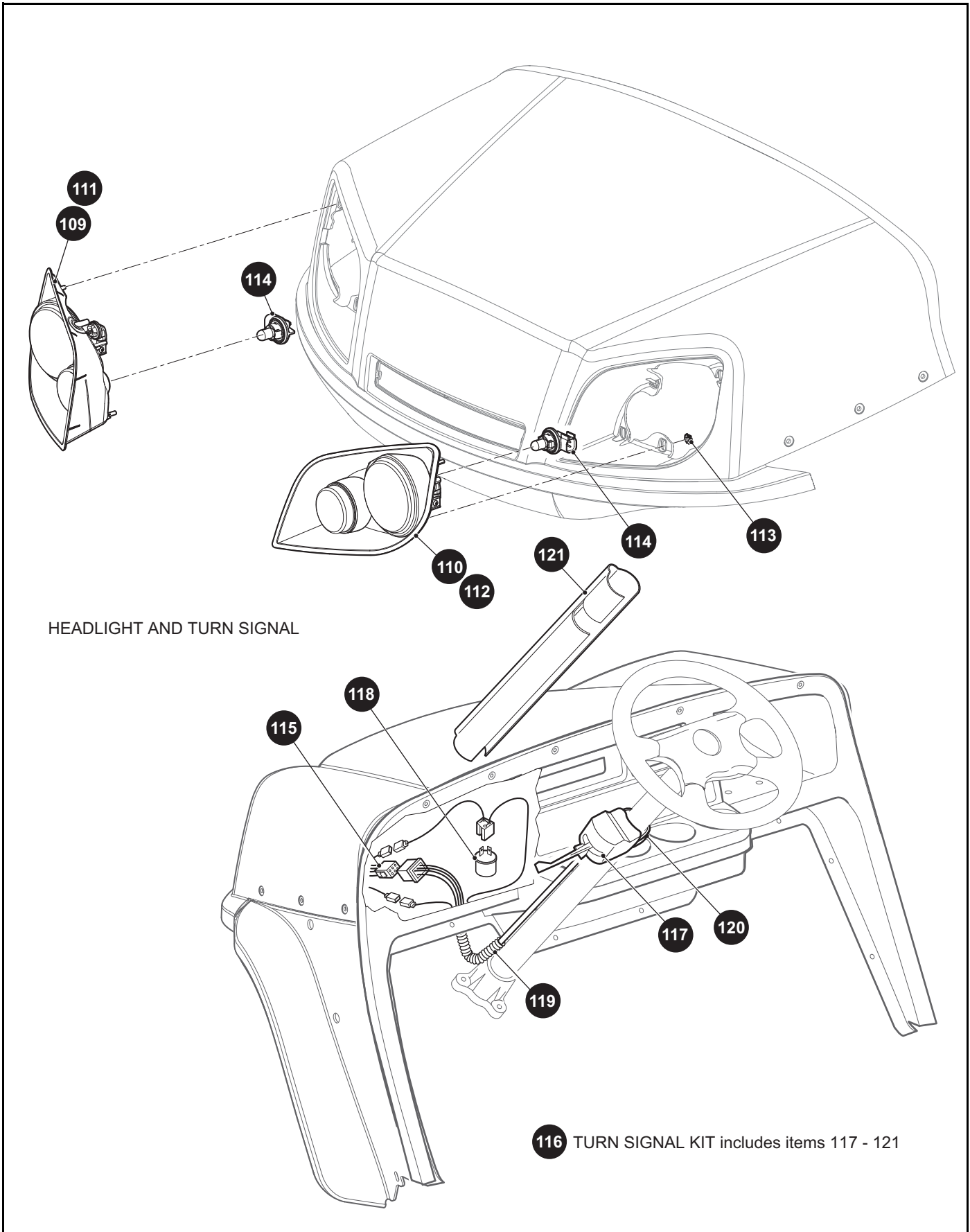


When ordering parts, please specify the model and serial number of the product.

\* Indicates a component that is not available as an individual part.

\*\*\* Indicates consult Customer Service Department for additional information.

| ITEM | PART NO. | 1 2 3 4 5 | DESCRIPTION   | QTY. |
|------|----------|-----------|---|------|
| 84   | 73030G07 |           | PLATE (FUEL GAUGE AND OIL LIGHT) .....                  | 1    |
| 85   | 75808G01 |           | LABEL (FUEL GAUGE AND LOW OIL WITH LIGHTS).....         | 1    |
| 86   | 33623G02 |           | RIVET, 3/16" X 3/8" .....                               | 2    |
| 87   |          |           |   |      |
| 88   |          |           |   |      |
| 89   | 75809G01 |           | IGNITION SWITCH AND KEY (INDIVIDUALLY KEYED) .....      | 1    |
| 90   | 75811G01 |           | IGNITION SWITCH SPACER .....                            | 1    |
| 91   |          |           |   |      |
| 92   | 75818G** |           | IGNITION KEY (ORDER BY 4 DIGIT NUMBER ON KEY) .....     | 1    |
| 93   |          |           |   |      |
| 94   |          |           |   |      |
| 95   | 21553G1  |           | FUEL GAUGE .....  | 1    |
| 96   | 23474G1  |           | INDICATOR LIGHT .....                                   | 1    |
| 97   |          |           |   |      |
| 98   | 74693G01 |           | CONSOLE INSERT ASSEMBLY (INCLUDES ITEMS 99 - 102) ..... | 1    |
| 99   | 73522G03 |           | CONSOLE PLATE .....                                     | 1    |
| 100  |          |           |   |      |
| 101  | 71078G01 |           | POWER OUTLET (12 V) .....                               | 1    |
| 102  | 14601G10 |           | RIVET (ALUMINUM), 3/16" X 7/16" .....                   | 2    |
| 103  | 33623G02 |           | DRIVE RIVET, 3/16" X 3/8" .....                         | 3    |
| 104  |          |           |   |      |
| 105  |          |           |   |      |
| 106  |          |           |   |      |
| 107  |          |           |   |      |
| 108  |          |           |   |      |



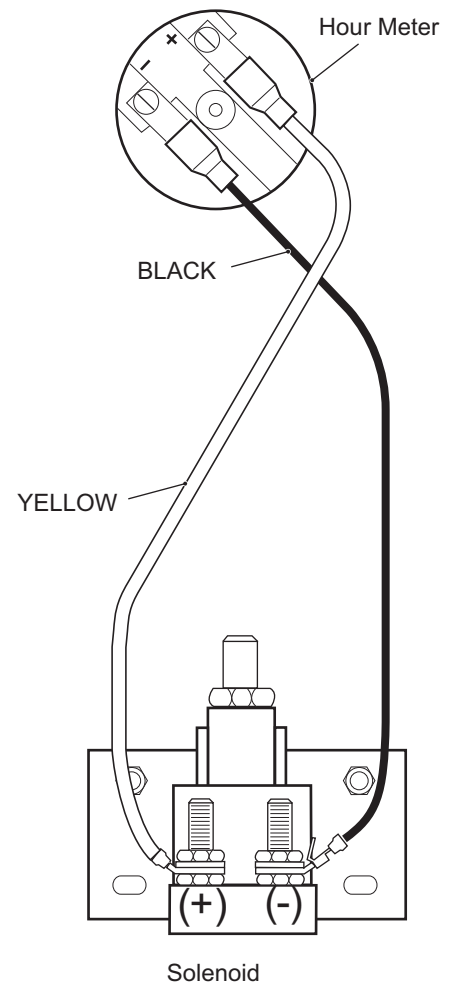
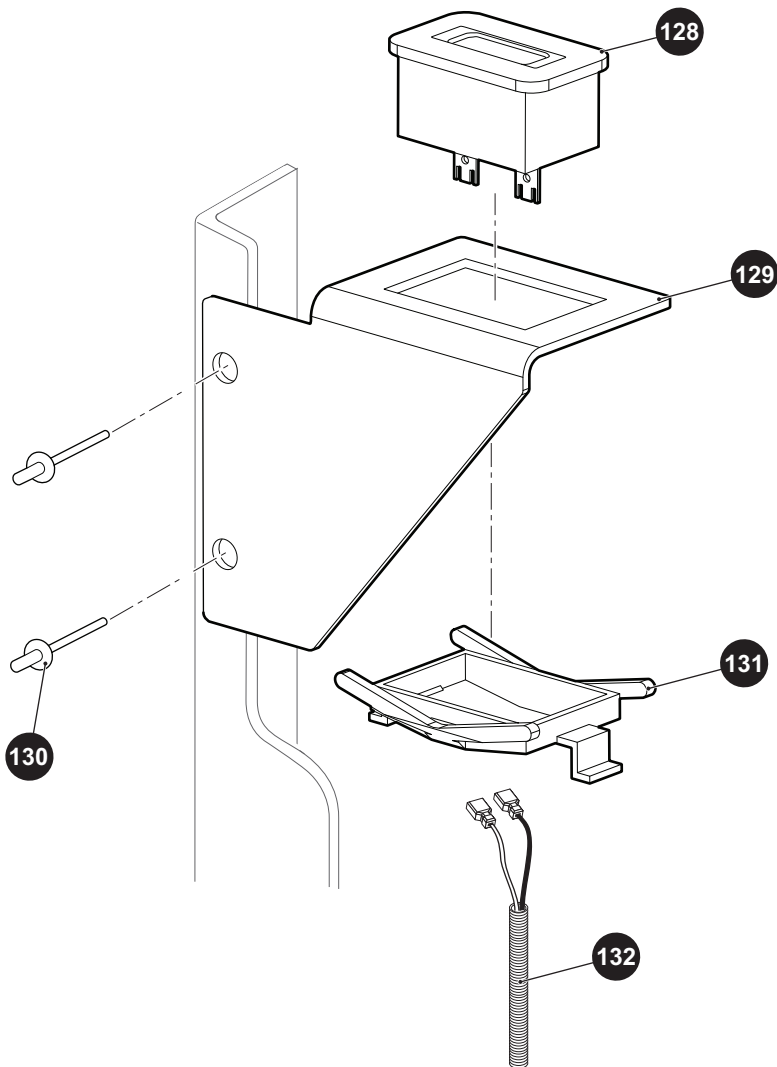
When ordering parts, please specify the model and serial number of the product.

\* Indicates a component that is not available as an individual part.

\*\*\* Indicates consult Customer Service Department for additional information.

| ITEM | PART NO. | 1 2 3 4 5 | DESCRIPTION   | QTY. |
|------|----------|-----------|---|------|
| 109  | 614497   |           | HEADLIGHT WITHOUT TURN SIGNAL (PASSENGER SIDE).....     | 1    |
| 110  | 614501   |           | HEADLIGHT WITHOUT TURN SIGNAL (DRIVER SIDE) .....       | 1    |
| 111  | 618556   |           | LED HEADLIGHT WITHOUT TURN SIGNAL (PASSENGER SIDE)..... | 1    |
| 112  | 618555   |           | LED HEADLIGHT WITHOUT TURN SIGNAL (DRIVER SIDE) .....   | 1    |
| 113  | 71597G01 |           | SELF THREADING NUT, 5MM X 10MM X 15MM .....             | 8    |
| 114  | 619102   |           | TURN SIGNAL BULB.....                                   | 2    |
| 115  | 606045   |           | WIRE HARNESS .....                                      | 1    |
| 116  | 622712   |           | TURN SIGNAL KIT (INCLUDES ITEMS 117 - 121).....         | 1    |
| 117  | 611810   |           | TURN SIGNAL SWITCH .....                                | 1    |
| 118  | 21640G1  |           | TURN SIGNAL FLASHER .....                               | 1    |
| 119  | 32307G3  |           | FLEX LOOM, 3/8" .....                                   | 1    |
| 120  | 17618G1  |           | NYLON CLAMP .....                                       | 2    |
| 121  | 20965G3  |           | STEERING COLUMN COVER .....                             | 1    |
| 122  |          |           |   |      |
| 123  |          |           |   |      |
| 124  |          |           |   |      |
| 125  |          |           |   |      |
| 126  |          |           |   |      |

**127** HOUR METER KIT includes items 128 - 132



When ordering parts, please specify the model and serial number of the product.

\* Indicates a component that is not available as an individual part.

\*\*\* Indicates consult Customer Service Department for additional information.

| ITEM | PART NO. | 1 2 3 4 5 | DESCRIPTION                                    | QTY. |
|------|----------|-----------|--|------|
| 127  | 75114G06 |           | HOUR METER KIT (INCLUDES ITEMS 128 - 132)..... | 1    |
| 128  | 74665G02 |           | HOUR METER .....                               | 1    |
| 129  | 74716G02 |           | HOUR METER BRACKET .....                       | 1    |
| 130  | 10570G11 |           | RIVET (SS), 3/16" X .70" LG .....              | 2    |
| 131  | 74696G01 |           | RETAINER CLIP .....                            | 1    |
| 132  | 75117G01 |           | WIRE HARNESS.....                              | 1    |



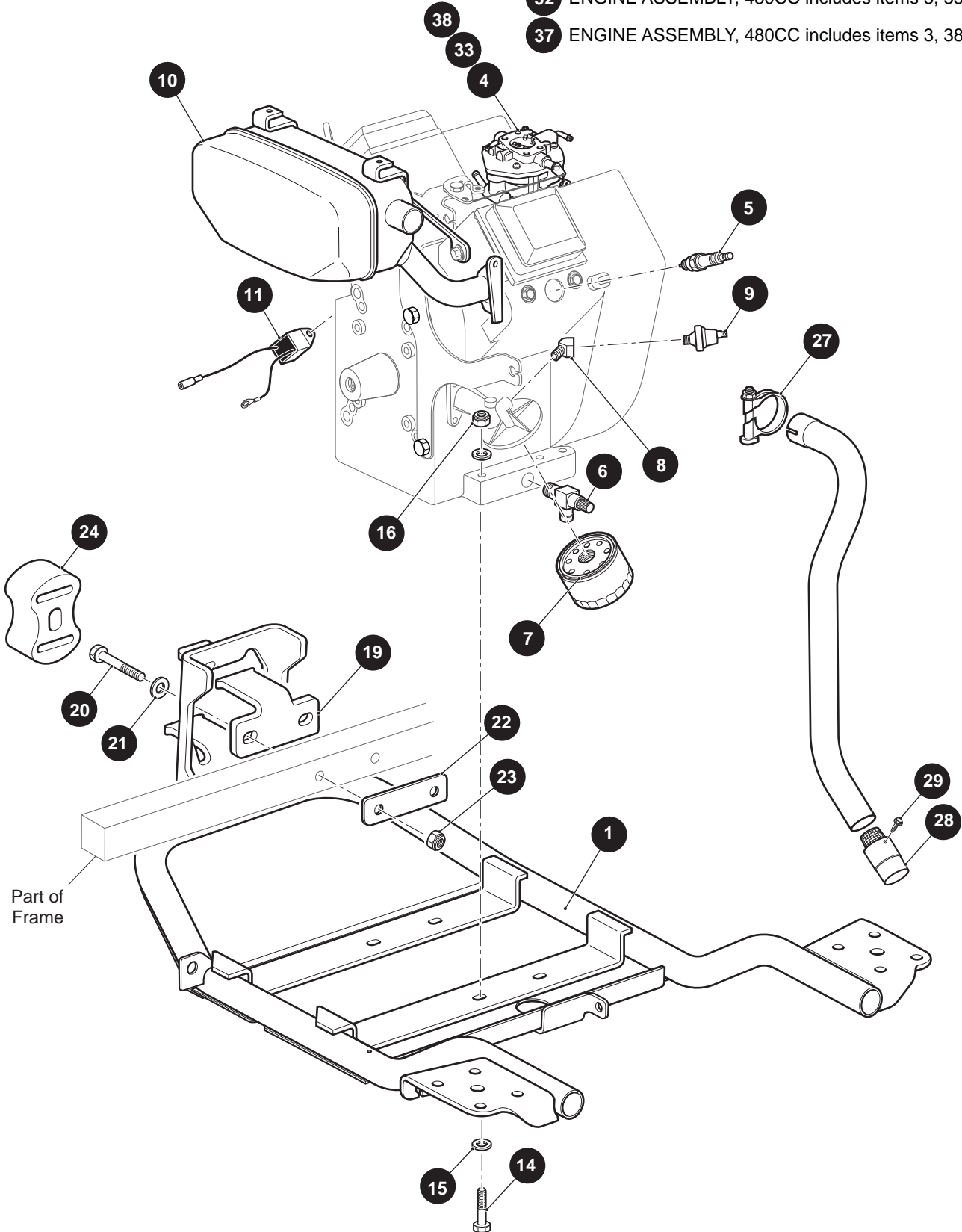


# ENGINE

3 ENGINE ASSEMBLY, 480CC includes items 4 - 11

32 ENGINE ASSEMBLY, 480CC includes items 3, 33

37 ENGINE ASSEMBLY, 480CC includes items 3, 38

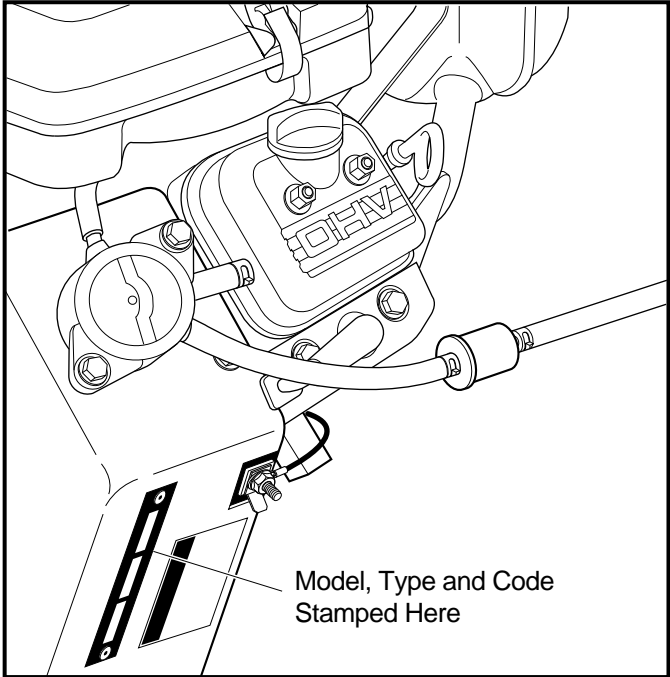




When ordering parts, please specify the model and serial number of the product.

\* Indicates a component that is not available as an individual part.

\*\*\* Indicates consult Customer Service Department for additional information.

| ITEM  | PART NO. | 1 2 3 4 5 | DESCRIPTION                                | QTY. |
|---|----------|-----------|--|------|
| 1   | 75843G01 |           | SUBFRAME .....                             | 1    |
| 2   |          |           |  |      |
| 3   | 75648G01 |           | ENGINE, 480CC (Includes Items 4 - 11)..... | 1    |
| 4   | 808979   |           | CARBURETOR.....                            | 1    |
| 5   | 491055   |           | SPARK PLUG (RC12YC) .....                  | 2    |
| 6   | 75814G01 |           | OIL DRAIN VALVE.....                       | 1    |
| 7   | 492932   |           | OIL FILTER.....                            | 1    |
| 8   | 75649G01 |           | 45° ELBOW, 1/8 NPT X 1/8 NPT.....          | 1    |
| 9   | 690233   |           | OIL PRESSURE SWITCH.....                   | 1    |
| 10  | 691562   |           | MUFFLER.....                               | 1    |
| 11  | 809093   |           | ELECTRONIC IGNITION CONTROL MODULE .....   | 1    |
| <p>For internal engine replacement parts, see an Authorized Briggs &amp; Stratton® Dealer. To locate the nearest dealer, see the dealer locator map at the web site <a href="http://www.briggsandstratton.com">www.briggsandstratton.com</a> or in the "Yellow Pages™" directory under "Engines, Gasoline", "Gasoline Engines", "Lawn Mowers" or similar category. The following information, located on the fan housing, must be provided when requesting information or ordering replacement parts:</p> <p>MODEL: _____ TYPE: _____ CODE: _____</p> |          |           |  |      |
|   |          |           |  |      |

# ENGINE

When ordering parts, please specify the model and serial number of the product.

\* Indicates a component that is not available as an individual part.

\*\*\* Indicates consult Customer Service Department for additional information.

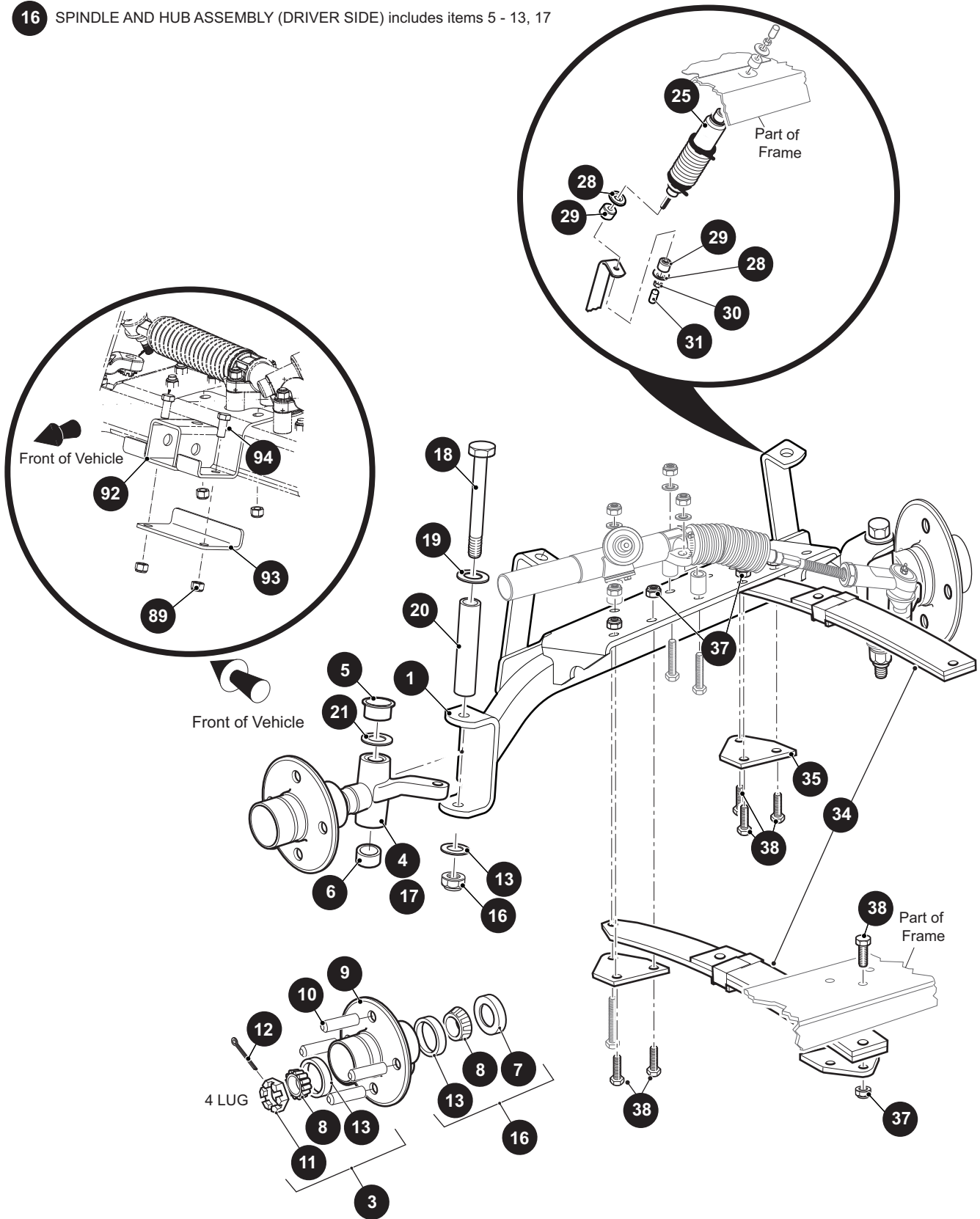
| ITEM | PART NO. | 1 | 2 | 3 | 4 | 5 | DESCRIPTION  | QTY. |
|------|----------|---|---|---|---|---|--|------|
| 12   |          |   |   |   |   |   |  |      |
| 13   |          |   |   |   |   |   |  |      |
| 14   | 00439G8  |   |   |   |   |   | BOLT, 5/16 - 18 X 2" LG .....  | 4    |
| 15   | 00559G8  |   |   |   |   |   | FLAT WASHER, 5/16" .....   | 8    |
| 16   | 11098G6  |   |   |   |   |   | LOCK NUT, 5/16 - 18.....   | 4    |
| 17   |          |   |   |   |   |   |  |      |
| 18   |          |   |   |   |   |   |  |      |
| 19   | 75569G01 |   |   |   |   |   | FRONT ENGINE MOUNTING BRACKET .....  | 1    |
| 20   | 00429G4  |   |   |   |   |   | BOLT, 3/8 - 16 X 3 1/2" LG .....   | 2    |
| 21   | 00560G1  |   |   |   |   |   | FLAT WASHER, 3/8" .....  | 2    |
| 22   | 75714G01 |   |   |   |   |   | PLATE WASHER.....  | 1    |
| 23   | 11098G5  |   |   |   |   |   | LOCK NUT, 3/8 - 16.....  | 2    |
| 24   | 75568G01 |   |   |   |   |   | ISOLATOR.....  | 1    |
| 25   |          |   |   |   |   |   |  |      |
| 26   | 75745G01 |   |   |   |   |   | EXHAUST PIPE (Includes Items 27 - 29).....   | 1    |
| 27   | *        |   |   |   |   |   | CLAMP.....   | 1    |
| 28   | *        |   |   |   |   |   | SPARK ARRESTOR .....   | 1    |
| 29   | 01022G01 |   |   |   |   |   | SCREW, #6 - 20 X 5/16" LG .....  | 1    |
| 30   |          |   |   |   |   |   |  |      |
| 31   |          |   |   |   |   |   |  |      |
| 32   | 75882G01 |   |   |   |   |   | ENGINE, 480CC (HIGH ALTITUDE 5,000 - 7,500 FT) (INCL ITEMS 3, 33....                 | 1    |
| 33   | 75859G01 |   |   |   |   |   | CARBURETOR HIGH ALTITUDE KIT (INCLUDES ITEMS 34, 35).....                            | 1    |
| 34   | 75865G01 |   |   |   |   |   | MAIN JET #86, (NOT SHOWN) .....  | 1    |
| 35   | 75861G01 |   |   |   |   |   | LABEL (HIGH ALTITUDE - 5,000 - 7,500 FT), (NOT SHOWN) .....                          | 1    |
| 36   |          |   |   |   |   |   |  |      |
| 37   | 75882G02 |   |   |   |   |   | 75882G02 ENGINE, 480CC (HIGH ALTITUDE 7,500 - 10,000 FT)<br>(INCL ITEMS 3, 38) ..... | 1    |
| 38   | 75859G02 |   |   |   |   |   | CARBURETOR HIGH ALTITUDE KIT (INCLUDES ITEMS 39, 40).....                            | 1    |
| 39   | 75865G02 |   |   |   |   |   | MAIN JET #84, (NOT SHOWN) .....  | 1    |
| 40   | 75863G01 |   |   |   |   |   | LABEL (HIGH ALTITUDE - 7,500 - 10,000 FT, (NOT SHOWN) .....                          | 1    |



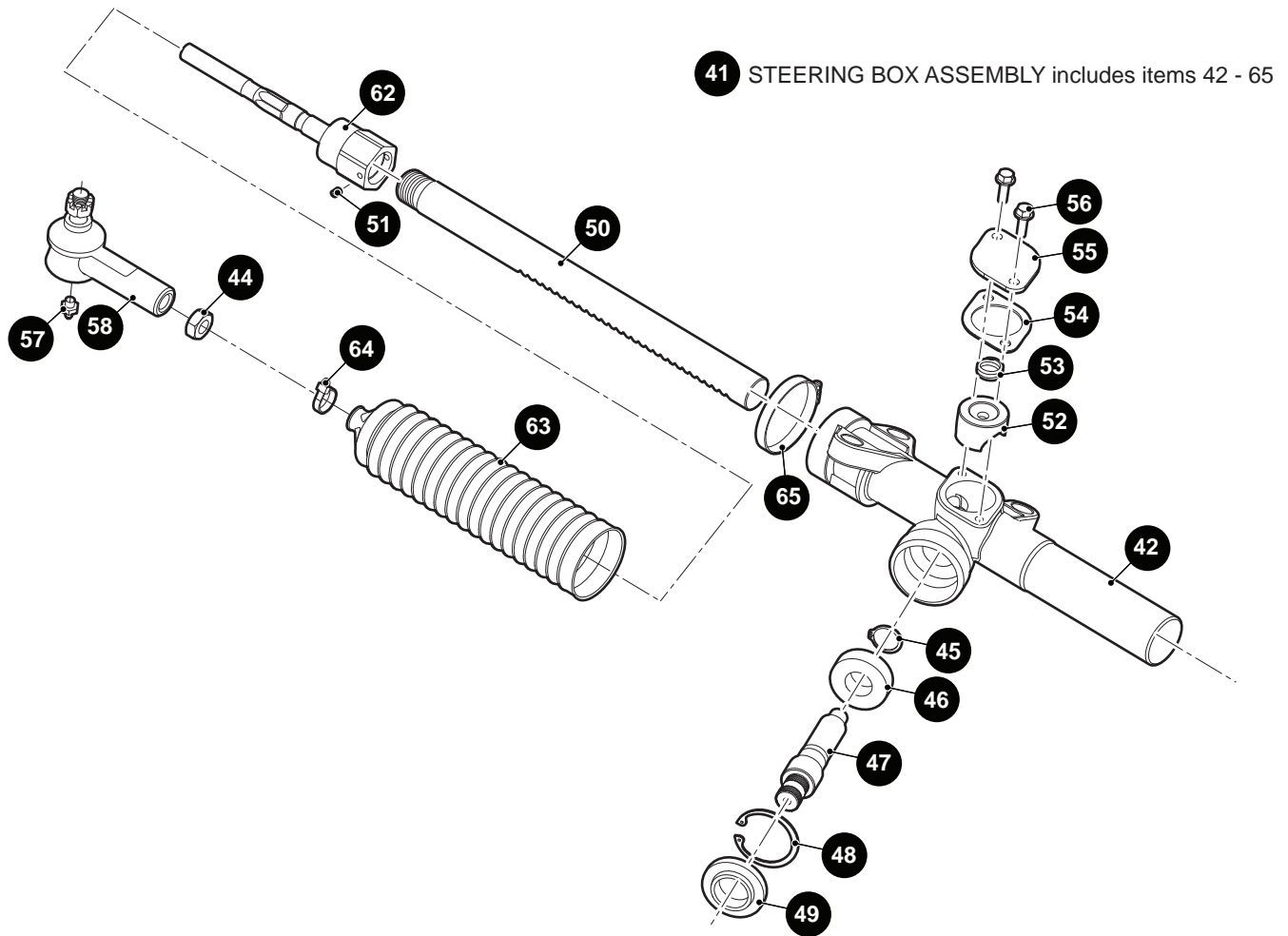
# FRONT SUSPENSION / STEERING

**3** SPINDLE AND HUB ASSEMBLY (PASSENGER SIDE) includes items 4 - 13

**16** SPINDLE AND HUB ASSEMBLY (DRIVER SIDE) includes items 5 - 13, 17

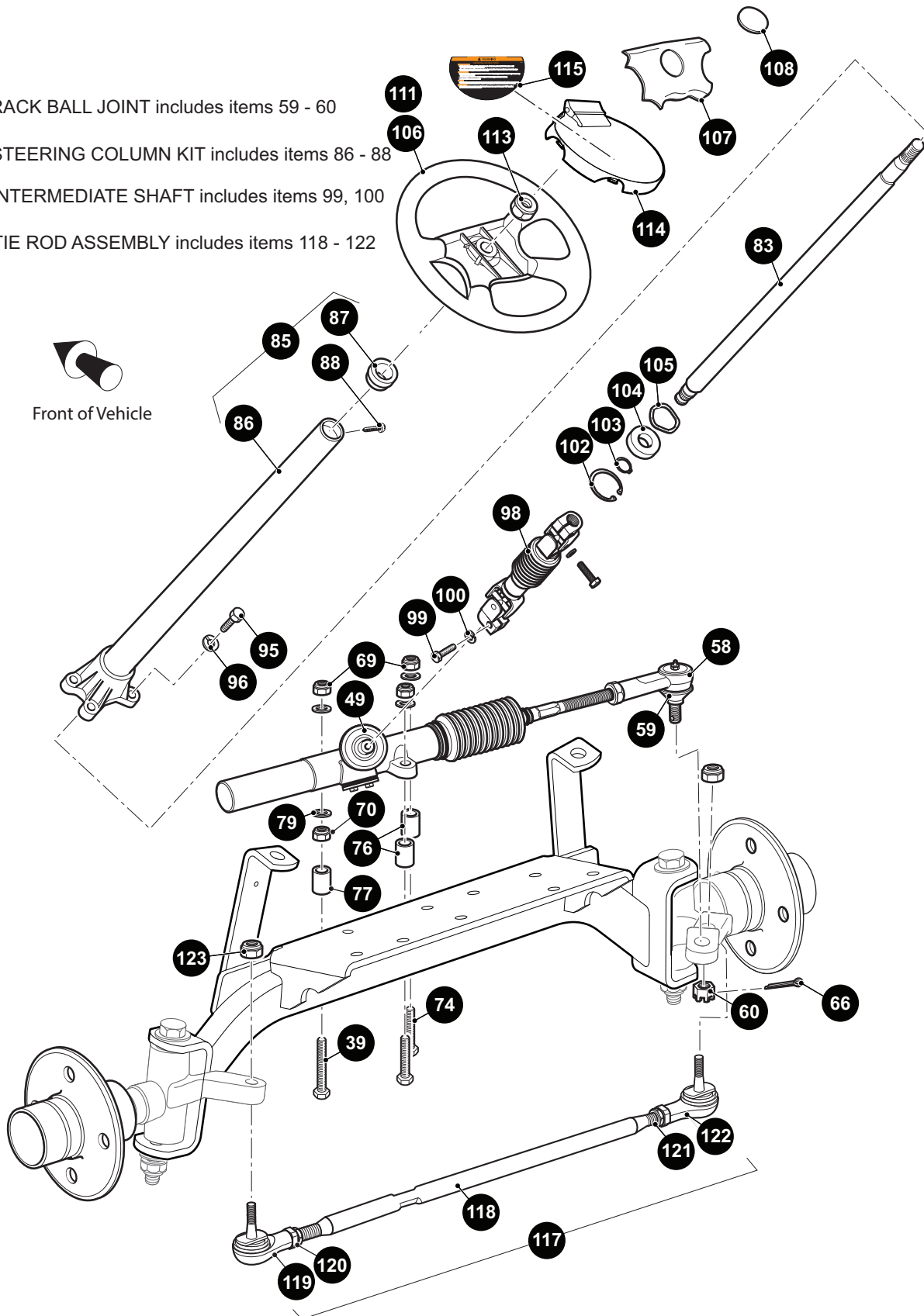


# FRONT SUSPENSION / STEERING



# FRONT SUSPENSION / STEERING

- 58 RACK BALL JOINT includes items 59 - 60
- 85 STEERING COLUMN KIT includes items 86 - 88
- 98 INTERMEDIATE SHAFT includes items 99, 100
- 117 TIE ROD ASSEMBLY includes items 118 - 122



# FRONT SUSPENSION / STEERING

When ordering parts, please specify the model and serial number of the product.

\* Indicates a component that is not available as an individual part.

\*\*\* Indicates consult Customer Service Department for additional information.

| ITEM | PART NO. | 1 2 3 4 5 | DESCRIPTION  | QTY. |
|------|----------|-----------|--|------|
| 1    | 633795   |           | FRONT AXLE.....  | 1    |
| 2    |          |           |  |      |
| 3    | 70930G01 |           | SPINDLE AND HUB ASSEMBLY, 4 LUG (PASSENGER SIDE)<br>(INCLUDES ITEMS 4 - 13) .....  | 1    |
| 4    | 70802G01 |           | SPINDLE ASSEMBLY (PASSENGER SIDE) .....  | 1    |
| 5    | 70648G01 |           | FLANGED BEARING .....  | 1    |
| 6    | 70749G01 |           | BEARING .....  | 1    |
| 7    | 25146G1  |           | GREASE SEAL .....  | 1    |
| 8    | 11750G2  |           | ROLLER BEARING AND RACE ASSEMBLY .....   | 2    |
| 9    | 74332G01 |           | WHEEL HUB .....  | 1    |
| 10   | 34117G02 |           | SCREW SET, 1/2" - 20 X 2" LG .....   | 4    |
| 11   | 12093G1  |           | SLOTTED NUT, 1" - 14.....  | 1    |
| 12   | 00798G8  |           | COTTER PIN, 5/32" X 1 3/4" LG .....  | 1    |
| 13   | 51141G1  |           | RACE BEARING .....   | 2    |
| 14   |          |           |  |      |
| 15   |          |           |  |      |
| 16   | 70931G01 |           | SPINDLE AND HUB ASSEMBLY, 4 LUG (DRIVER SIDE)<br>(INCLUDES ITEMS 5 - 13, 17) ..... | 1    |
| 17   | 70803G01 |           | SPINDLE ASSEMBLY (DRIVER SIDE) .....   | 1    |
| 18   | 00407G6  |           | HEX HEAD BOLT, 1/2" - 13 X 6" LG .....   | 2    |
| 19   | 00560G3  |           | FLAT WASHER, 1/2" .....  | 4    |
| 20   | 70745G01 |           | KING PIN TUBE .....  | 2    |
| 21   | 70754G01 |           | THRUST WASHER (SS).....  | 2    |
| 22   | 14390G6  |           | LOCK NUT, 1/2" - 13.....   | 2    |
| 23   |          |           |  |      |
| 24   |          |           |  |      |
| 25   | 76419G01 |           | SHOCK ABSORBER .....   | 2    |
| 26   |          |           |  |      |
| 27   |          |           |  |      |
| 28   | 10435G1  |           | SHOCK ABSORBER WASHER.....   | 8    |
| 29   | 10194G1  |           | RUBBER SHOCK ABSORBER BUSHING .....  | 8    |
| 30   | 00532G6  |           | HEX NUT, 1/4" - 20 .....   | 4    |

# FRONT SUSPENSION / STEERING

When ordering parts, please specify the model and serial number of the product.

\* Indicates a component that is not available as an individual part.

\*\*\* Indicates consult Customer Service Department for additional information.

| ITEM | PART NO. | 1 2 3 4 5 | DESCRIPTION   | QTY. |
|------|----------|-----------|---|------|
| 31   | 10044G01 |           | VINYL CAP.....  | 4    |
| 32   |          |           |   |      |
| 33   |          |           |   |      |
| 34   | 70990G03 |           | CANTILEVER LEAF SPRING .....                                  | 2    |
| 35   | 70163G03 |           | SPRING PLATE.....   | 4    |
| 36   |          |           |   |      |
| 37   | 00734G1  |           | LOCK NUT, 7/16" - 14 .....                                    | 11   |
| 38   | 00463G11 |           | HEX HEAD BOLT, 7/16" - 14 X 1 1/2" LG.....                    | 11   |
| 39   | 01068G01 |           | HEX HEAD BOLT, 7/16" - 14 X 3.5" LG.....                      | 1    |
| 40   |          |           |   |      |
| 41   | 70964G01 |           | STEERING BOX ASSEMBLY (COMPLETE) (INCLUDES ITEMS 42 - 65).... | 1    |
| 42   | 70965G01 |           | STEERING RACK COVER & BEARING .....                           | 1    |
| 43   |          |           |   |      |
| 44   | *        |           | JAM NUT, 1/2" - 20 .....                                      | 1    |
| 45   | 70750G01 |           | RETAINING RING (EXTERNAL) .....                               | 1    |
| 46   | 15112G1  |           | BALL BEARING .....  | 1    |
| 47   | 70603G01 |           | PINION.....   | 1    |
| 48   | 70751G01 |           | RETAINING RING (INTERNAL).....                                | 1    |
| 49   | 70638G01 |           | SEAL PINION.....  | 1    |
| 50   | 70604G01 |           | RACK STEERING.....  | 1    |
| 51   | *        |           | SOCKET HEAD SCREW, 10" - 32 X .25" LG .....                   | 1    |
| 52   | 70590G01 |           | RACK LOADER .....   | 1    |
| 53   | 70666G01 |           | SPRING COMPRESSION .....                                      | 1    |
| 54   | 70645G01 |           | GASKET RACK LOADER.....                                       | 1    |
| 55   | 70591G01 |           | COVER RACK LOADER.....  | 1    |
| 56   | 71102G01 |           | HEX HEAD BOLT, 1/4" - 20 X 3/4" LG .....                      | 2    |
| 57   | 10389G3  |           | GREASE FITTING, STRAIGHT .....                                | 1    |
| 58   | 70695G01 |           | TIE ROD END - OUTER (INCLUDES ITEMS 59, 60).....              | 1    |
| 59   | 50641G1  |           | GROMMET - TIE ROD END .....                                   | 1    |
| 60   | 50209G2  |           | SLOTTED NUT, 7/16" - 20.....                                  | 1    |
| 61   |          |           |   |      |



# FRONT SUSPENSION / STEERING

When ordering parts, please specify the model and serial number of the product.

\* Indicates a component that is not available as an individual part.

\*\*\* Indicates consult Customer Service Department for additional information.

| ITEM | PART NO. | 1 2 3 4 5 | DESCRIPTION                                       | QTY. |
|------|----------|-----------|---|------|
| 62   | 74694G01 |           | ROD END (INNER) .....                             | 1    |
| 63   | 70961G01 |           | RACK BOOT .....                                   | 1    |
| 64   | 12416G2  |           | NYLON CLAMP .....                                 | 1    |
| 65   | 11391G8  |           | WIRE TIE .....                                    | 1    |
| 66   | 10387G2  |           | COTTER PIN, 3/32" X 3/4" LG.....                  | 1    |
| 67   |          |           |   |      |
| 68   |          |           |   |      |
| 69   | 00734G1  |           | LOCK NUT, 7/16 - 14 .....                         | 3    |
| 70   | 00532G7  |           | HEX NUT, 1/4" - 20 .....                          | 1    |
| 71   |          |           |   |      |
| 72   |          |           |   |      |
| 73   |          |           |   |      |
| 74   | 00464G8  |           | HEX HEAD BOLT, 7/16" - 14 X 2 3/4" LG .....       | 2    |
| 75   |          |           |   |      |
| 76   | 70667G02 |           | SPACER, O.D 1" X I.D .46" X 1.2" LG .....         | 2    |
| 77   | 70667G04 |           | SPACER, O.D 1" X I.D .46" X .69" LG .....         | 1    |
| 78   |          |           |   |      |
| 79   | 00560G2  |           | FLAT WASHER, 1/2" .....                           | 7    |
| 80   |          |           |   |      |
| 81   |          |           |   |      |
| 82   |          |           |   |      |
| 83   | 70607G01 |           | STEERING SHAFT .....                              | 1    |
| 84   |          |           |   |      |
| 85   | 70758G05 |           | STEERING COLUMN KIT (INCLUDES ITEMS 86 - 88)..... | 1    |
| 86   | 70610G03 |           | STEERING COLUMN.....                              | 1    |
| 87   | 28569G01 |           | STEERING COLUMN BUSHING .....                     | 1    |
| 88   | 01022G01 |           | SCREW, #6 - 20 X 5/16" LG.....                    | 1    |
| 89   | 00734G1  |           | LOCK NUT, 7/16" - 14.....                         | 4    |
| 90   |          |           |   |      |
| 91   |          |           |   |      |
| 92   | 635202   |           | WINCH RECEIVER WELDMENT .....                     | 1    |

# FRONT SUSPENSION / STEERING

When ordering parts, please specify the model and serial number of the product.

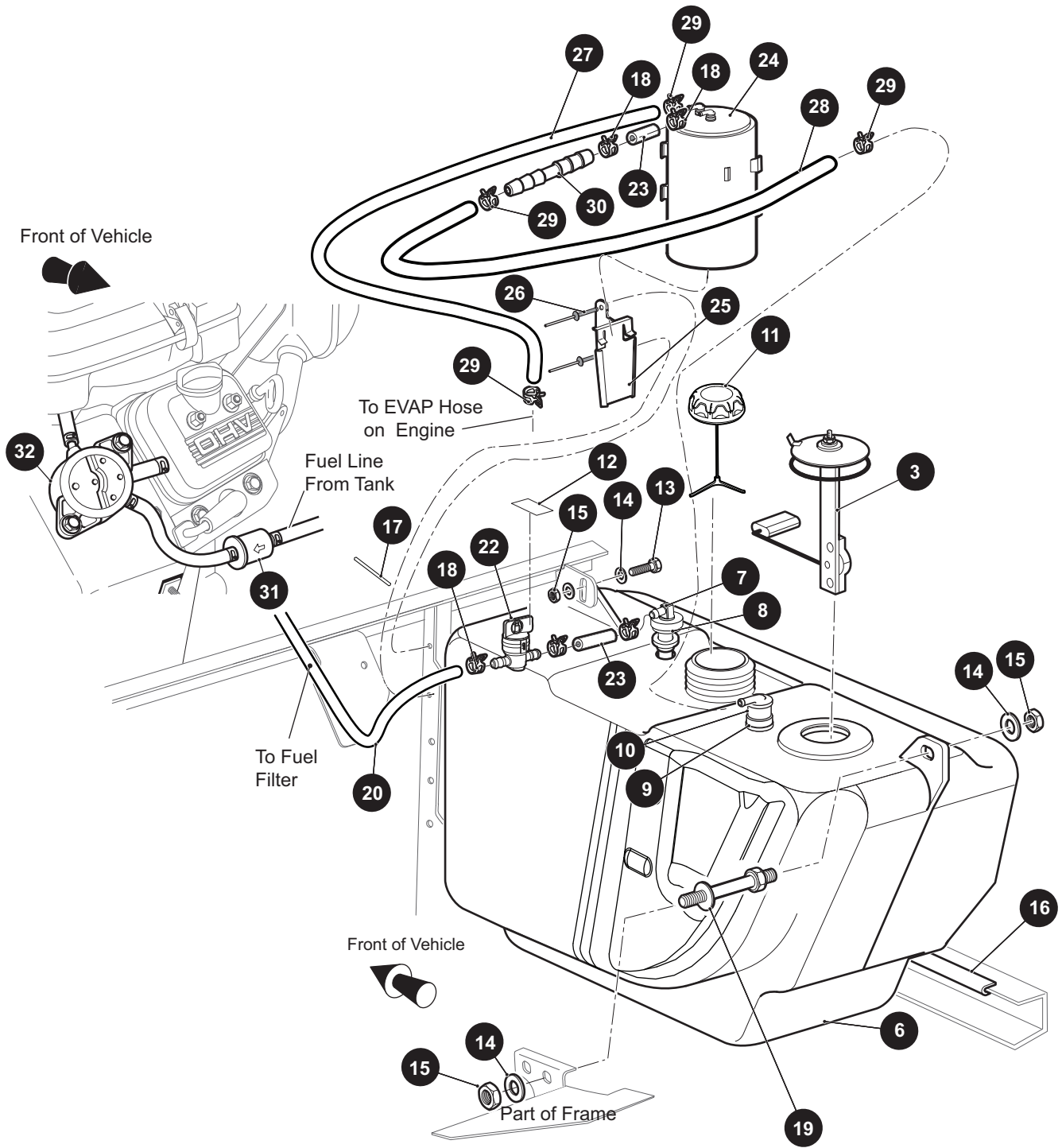
\* Indicates a component that is not available as an individual part.

\*\*\* Indicates consult Customer Service Department for additional information.

| ITEM | PART NO. | 1 2 3 4 5 | DESCRIPTION   | QTY. |
|------|----------|-----------|---|------|
| 93   | 604572   |           | WINCH RECEIVER RETAINER PLATE .....                 | 1    |
| 94   | 00462G8  |           | HEX HEAD BOLT, 7/16" - 14 .....                     | 4    |
| 95   | 01006G01 |           | HEX HEAD BOLT, 3/8" - 16 X 1 1/4" LG .....          | 4    |
| 96   | 00879G1  |           | LOCK WASHER, 3/8" .....                             | 4    |
| 97   |          |           |   |      |
| 98   | 70580G01 |           | INTERMEDIATE SHAFT (INCLUDES ITEMS 99, 100).....    | 1    |
| 99   | 01055G01 |           | METRIC BOLT, M8 - 1.25 X 30MM LG .....              | 2    |
| 100  | 00565G8  |           | LOCK WASHER, 5/16" .....                            | 2    |
| 101  |          |           |   |      |
| 102  | 70751G01 |           | RETAINING RING (INTERNAL) .....                     | 1    |
| 103  | 70888G01 |           | RETAINING RING (EXTERNAL).....                      | 1    |
| 104  | 15112G1  |           | BALL BEARING.....                                   | 1    |
| 105  | 70887G01 |           | WAVE WASHER.....                                    | 1    |
| 106  | 602980   |           | STEERING WHEEL, PREMIUM .....                       | 1    |
| 107  | 71147G01 |           | STEERING WHEEL COVER.....                           | 1    |
| 108  | 605435   |           | LABEL (E-Z-GO) .....                                | 1    |
| 109  |          |           |   |      |
| 110  |          |           |   |      |
| 111  | 602979   |           | STEERING WHEEL.....                                 | 1    |
| 112  |          |           |   |      |
| 113  | 14390G2  |           | LOCK NUT, 5/8" - 18 .....                           | 1    |
| 114  | 607925   |           | CLIPBOARD .....                                     | 1    |
| 115  | 608529   |           | STEERING WHEEL LABEL .....                          | 1    |
| 116  |          |           |   |      |
| 117  | 70876G02 |           | TIE ROD ASSEMBLY (INCLUDES ITEMS 118 - 122) .....   | 1    |
| 118  | 70897G02 |           | THREADED ROD (24" LG).....                          | 1    |
| 119  | 70902G01 |           | TIE ROD END (LEFT HAND THREADS) .....               | 1    |
| 120  | 01069G01 |           | JAM NUT, M12 X 1.25 - 05 (LEFT HAND THREADS).....   | 1    |
| 121  | 70902G02 |           | TIE ROD END (RIGHT HAND THREADS).....               | 1    |
| 122  | 01069G02 |           | JAM NUT, M12 X 1.25 - 05 (RIGHT HAND THREADS) ..... | 1    |
| 123  | 00734G1  |           | LOCK NUT, 7/16" - 14 .....                          | 2    |



# FUEL SYSTEM



**1** CARB FUEL TANK ASSEMBLY (WITH SWITCH) includes items 3, 6 - 12

# FUEL SYSTEM

When ordering parts, please specify the model and serial number of the product.

\* Indicates a component that is not available as an individual part.

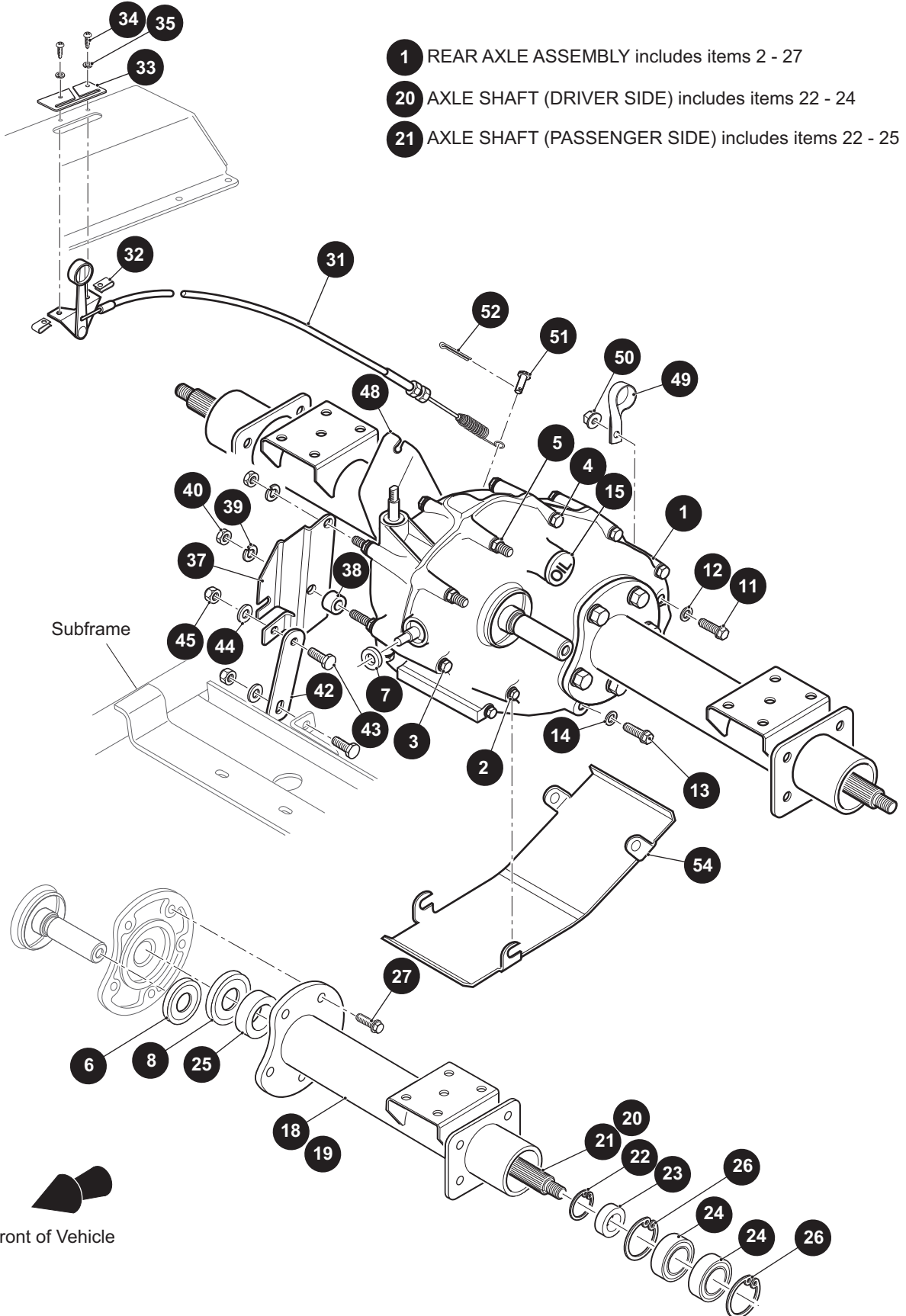
\*\*\* Indicates consult Customer Service Department for additional information.

| ITEM | PART NO.  | 1 2 3 4 5 | DESCRIPTION   | QTY. |
|------|-----------|-----------|---|------|
| 1    | 645034    |           | CARB FUEL TANK ASSEMBLY (WITH SWITCH)<br>(INCLUDES ITEMS 3, 6 - 12) ..... | 1    |
| 2    |           |           |   |      |
| 3    | 633024G02 |           | PRESS FIT FUEL SENDER .....   | 1    |
| 4    |           |           |   |      |
| 5    |           |           |   |      |
| 6    | 645023    |           | NON - FLUOR FUEL TANK (WITH SENDER UNIT).....                             | 1    |
| 7    | 18287G3   |           | SIPHON TUBE ASSEMBLY .....  | 1    |
| 8    | 70988G01  |           | SIPHON TUBE GROMMET .....   | 1    |
| 9    | 606068    |           | ROLLOVER VALVE GROMMET .....  | 1    |
| 10   | 606067    |           | ROLLOVER VALVE .....  | 1    |
| 11   | 633423    |           | FUEL TANK CAP (RATCHET).....  | 1    |
| 12   | 625826    |           | EPA FUEL TANK LABEL .....   | 1    |
| 13   | 00438G8   |           | HEX HEAD BOLT, 5/16" - 18 X 1" LG .....                                   | 1    |
| 14   | 00559G8   |           | FLAT WASHER, 5/16" .....  | 4    |
| 15   | 11098G6   |           | LOCK NUT, 5/16" - 18 .....  | 3    |
| 16   | 32372G6   |           | BLACK TRIM.....   | 1    |
| 17   | 17618G1   |           | NYLON CLAMP .....   | 2    |
| 18   | 18292G1   |           | CLAMP - TUBING .....  | 6    |
| 19   | 70483G01  |           | SPACER.....   | 1    |
| 20   | 604597    |           | FUEL HOSE, 26" .....  | 1    |
| 21   |           |           |   |      |
| 22   | 611181    |           | FUEL SHUT-OFF VALVE .....   | 1    |
| 23   | 615350    |           | FUEL HOSE 2" .....  | 2    |
| 24   | 606071    |           | CARBON CANISTER.....  | 1    |
| 25   | 606310    |           | CHARCOAL CANISTER BRACKET .....   | 1    |
| 26   | 10570G11  |           | RIVET, 3/16" X .70" - TYPE B - SS .....                                   | 2    |
| 27   | 615785    |           | TUBE HOSE, 609.6 MM .....   | 1    |
| 28   | 606964    |           | HOSE. 3/16" I.D. x 13" .....  | 1    |
| 29   | 606963    |           | TUBING CLAMP HOSE, 3/16" I.D. ....  | 4    |
| 30   | 615346    |           | HOSE REDUCER - I. D. 1/4" X 3/16.....                                     | 1    |
| 31   | 493629    |           | FUEL FILTER .....   | 1    |
| 32   | 808656    |           | FUEL PUMP.....  | 1    |





# REAR AXLE





# REAR AXLE

When ordering parts, please specify the model and serial number of the product.

\* Indicates a component that is not available as an individual part.

\*\*\* Indicates consult Customer Service Department for additional information.

| ITEM | PART NO. | 1 2 3 4 5 | DESCRIPTION   | QTY. |
|------|----------|-----------|---|------|
| 1    | 75945G01 |           | REAR AXLE (INCLUDES ITEMS 2 - 27) .....                   | 1    |
| 2    | 26823G01 |           | FLANGED BOLT, M8 X 1.25 X 100 MM LG .....                 | 5    |
| 3    | 26824G01 |           | FLANGED BOLT, M8 X 1.25 X 110 MM LG.....                  | 3    |
| 4    | 72052G01 |           | FLANGED BOLT, M8 X 1.25 X 130 MM LG .....                 | 1    |
| 5    | 28724G01 |           | FLANGED NUT, M8 X 1.25 .....                              | 9    |
| 6    | 26761G01 |           | INPUT SHAFT SEAL.....                                     | 1    |
| 7    | 26762G01 |           | SHIFTER SHAFT SEAL .....                                  | 1    |
| 8    | 28720G01 |           | AXLE SHAFT SEAL .....                                     | 2    |
| 9    |          |           |   |      |
| 10   |          |           |   |      |
| 11   | 26768G01 |           | OIL CHECK PLUG .....                                      | 1    |
| 12   | 26769G01 |           | GASKET, 8 MM .....  | 1    |
| 13   | 26770G01 |           | OIL DRAIN PLUG.....                                       | 1    |
| 14   | 26771G01 |           | GASKET, 14 MM .....                                       | 1    |
| 15   | 26772G01 |           | OIL FILLER PLUG.....                                      | 1    |
| 16   |          |           |   |      |
| 17   |          |           |   |      |
| 18   | 606468   |           | AXLE TUBE (DRIVER SIDE) .....                             | 1    |
| 19   | 606469   |           | AXLE TUBE (PASSENGER SIDE).....                           | 1    |
| 20   | 28701G01 |           | AXLE SHAFT (DRIVER SIDE) (INCLUDES ITEMS 22 - 24) .....   | 1    |
| 21   | 28702G01 |           | AXLE SHAFT (PASSENGER SIDE) (INCLUDES ITEMS 22 - 25)..... | 1    |
| 22   | 28707G01 |           | SNAP RING, 30 MM.....                                     | 1    |
| 23   | 28708G01 |           | COLLAR, 30 X 20 MM .....                                  | 1    |
| 24   | 28703G01 |           | BALL BEARING .....  | 2    |
| 25   | 28719G01 |           | SEAL COLLAR.....  | 1    |
| 26   | 28706G01 |           | SNAP RING, 55 MM .....                                    | 4    |
| 27   | 72260G01 |           | FLANGED BOLT, M10 X 1.5 X 23 MM LG .....                  | 10   |
| 28   |          |           |   |      |
| 29   |          |           |   |      |
| 30   |          |           |   |      |
| 31   | 75653G01 |           | DIFFERENTIAL LOCK CABLE (INCLUDES HARDWARE) .....         | 1    |

# REAR AXLE

When ordering parts, please specify the model and serial number of the product.

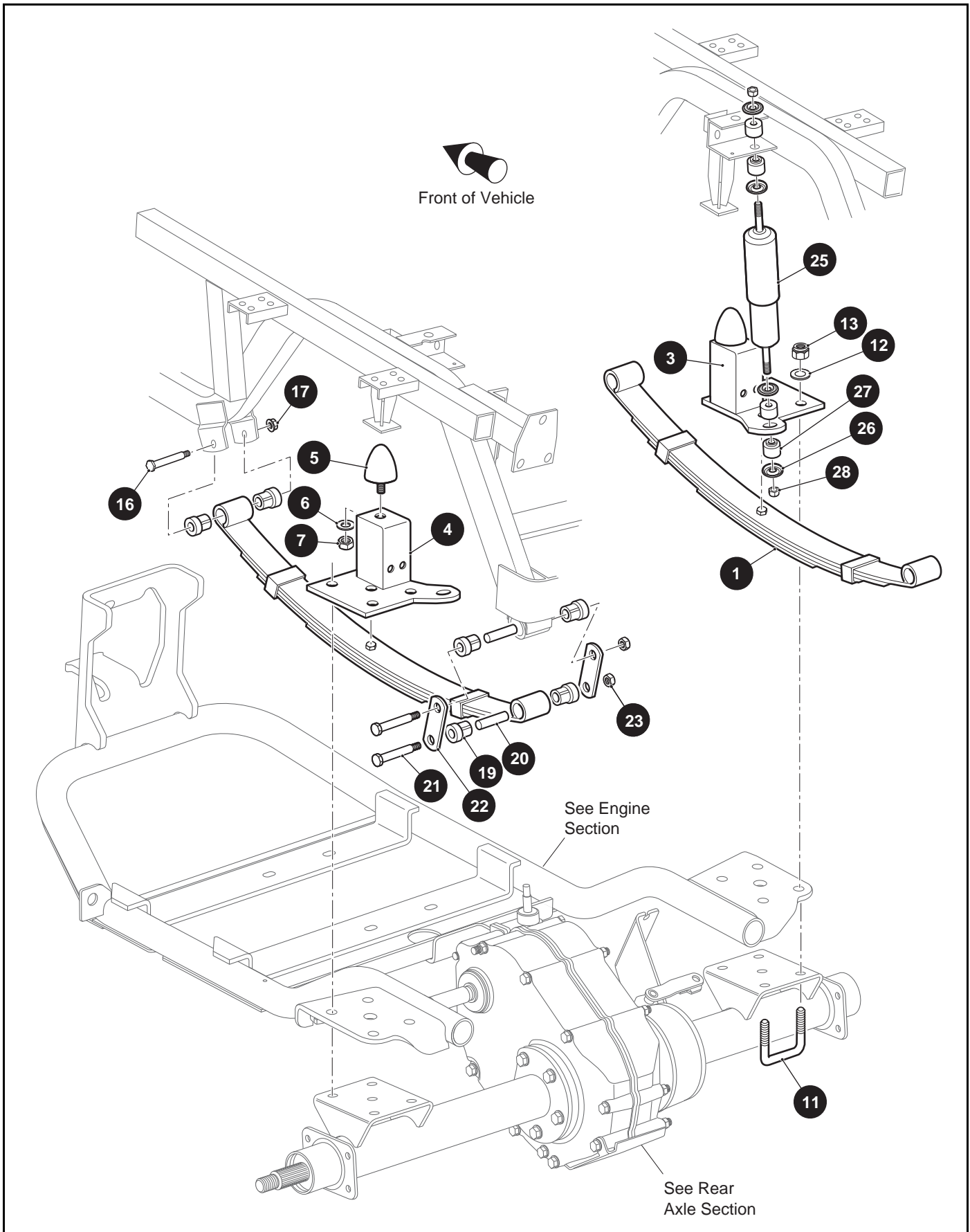
\* Indicates a component that is not available as an individual part.

\*\*\* Indicates consult Customer Service Department for additional information.

| ITEM | PART NO. | 1 2 3 4 5 | DESCRIPTION                                 | QTY. |
|------|----------|-----------|---|------|
| 32   | 635982   |           | SPEED NUT, #8 .....                         | 2    |
| 33   | 75697G01 |           | PLATE .....                                 | 1    |
| 34   | 18464G1  |           | SELF TAPPING SCREW, #8 - 18 X 7/8" LG ..... | 2    |
| 35   | 00565G4  |           | LOCK WASHER, #8 .....                       | 2    |
| 36   |          |           |   |      |
| 37   | 75941G01 |           | BRACKET .....                               | 1    |
| 38   | 75048G01 |           | SPACER, 1/2" .....                          | 1    |
| 39   | 26826G01 |           | LOCK WASHER, 8 MM .....                     | 2    |
| 40   | 26827G01 |           | HEX NUT, M8 X 1.25 MM .....                 | 2    |
| 41   |          |           |   |      |
| 42   | 75942G01 |           | DIFFERENTIAL LINK .....                     | 1    |
| 43   | 00426G8  |           | HEX HEAD BOLT, 3/8" - 16 X 1" LG .....      | 2    |
| 44   | 00560G1  |           | FLAT WASHER, 3/8" .....                     | 2    |
| 45   | 11098G5  |           | LOCK NUT, 3/8" - 16 .....                   | 2    |
| 46   |          |           |   |      |
| 47   |          |           |   |      |
| 48   | 75620G01 |           | DIFFERENTIAL LOCK CABLE BRACKET .....       | 1    |
| 49   | 75813G01 |           | CLAMP .....                                 | 1    |
| 50   | 26830G01 |           | LOCK NUT, M8 X 1.25 MM .....                | 1    |
| 51   | 10386G3  |           | CLEVIS PIN, 5/16" X 13/16" LG .....         | 1    |
| 52   | 10387G3  |           | COTTER PIN, 3/32" X 3/4" LG .....           | 1    |
| 53   |          |           |   |      |
| 54   | 72349G02 |           | DIFFERENTIAL SKID PLATE .....               | 1    |



# REAR SUSPENSION



# REAR SUSPENSION

When ordering parts, please specify the model and serial number of the product.

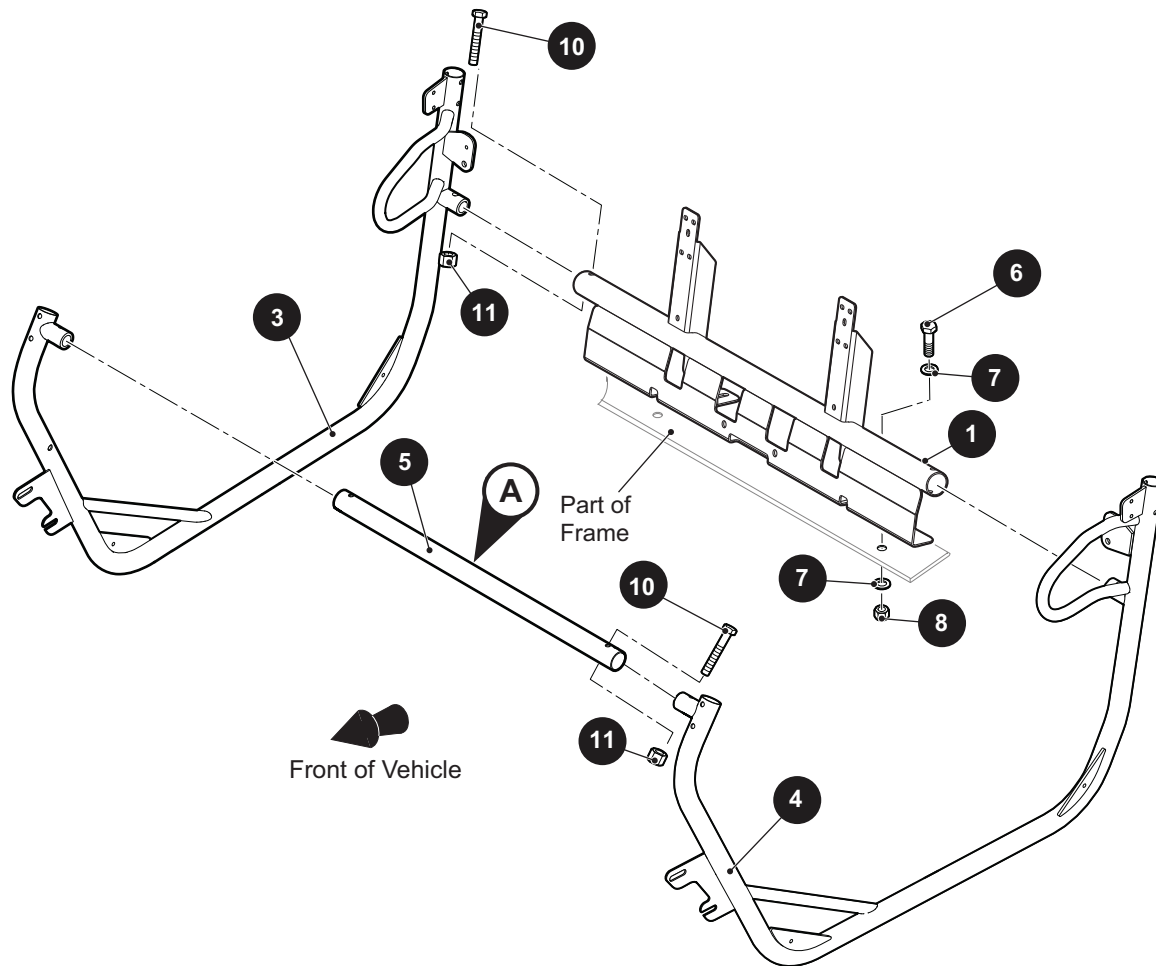
\* Indicates a component that is not available as an individual part.

\*\*\* Indicates consult Customer Service Department for additional information.

| ITEM | PART NO. | 1 2 3 4 5 | DESCRIPTION                                | QTY. |
|------|----------|-----------|--|------|
| 1    | 75721G01 |           | HEAVY DUTY LEAF SPRING.....                | 2    |
| 2    |          |           |  |      |
| 3    | 75565G02 |           | SHOCK/STOP MOUNT (PASSENGER SIDE) .....    | 1    |
| 4    | 75565G01 |           | SHOCK/STOP MOUNT (DRIVER SIDE).....        | 1    |
| 5    | 70492G01 |           | RUBBER BUMPER.....                         | 2    |
| 6    | 00968G01 |           | LOCK WASHER, 10 MM.....                    | 2    |
| 7    | 00974G01 |           | HEX NUT, M10 X 1.5 .....                   | 2    |
| 8    |          |           |  |      |
| 9    |          |           |  |      |
| 10   |          |           |  |      |
| 11   | 72618G01 |           | 'U' BOLT, 3/8" - 16 X 2" X 2 1/2" LG.....  | 4    |
| 12   | 00560G1  |           | FLAT WASHER, 3/8".....                     | 8    |
| 13   | 11098G5  |           | LOCK NUT, 3/8" - 16.....                   | 8    |
| 14   |          |           |  |      |
| 15   |          |           |  |      |
| 16   | 14158G1  |           | SHOULDER BOLT, 3/8" - 16 X 3 1/4" LG ..... | 2    |
| 17   | 12262G1  |           | LOCK NUT, 3/8" - 16.....                   | 2    |
| 18   |          |           |  |      |
| 19   | 624030   |           | FLANGED BUSHING .....                      | 12   |
| 20   | 70289G02 |           | SPLIT STEEL SPACER .....                   | 4    |
| 21   | 00429G4  |           | BOLT, 3/8" - 16 X 3 1/2" LG .....          | 4    |
| 22   | 70290G01 |           | SHACKLE PLATE .....                        | 4    |
| 23   | 11098G5  |           | LOCK NUT, 3/8" - 16.....                   | 4    |
| 24   |          |           |  |      |
| 25   | 76418G01 |           | SHOCK ABSORBER .....                       | 2    |
| 26   | 10435G1  |           | SHOCK ABSORBER WASHER.....                 | 8    |
| 27   | 10194G1  |           | RUBBER BUSHING.....                        | 8    |
| 28   | 00532G6  |           | HEX NUT, 3/8" - 24 .....                   | 4    |







**A**

**13**

This ROPS was tested in accordance with the requirements of ISO 3471 per ANSI/ROHVA 1

**CUSHMAN**

**EZGO**

A Textron Company 642582

Textron Specialized Vehicles  
1451 Menden Gaffin Rd  
Augusta, GA 30906  
USA

Test GVW: 700 kgs (1545 lbs)  
Vehicle Models:  
Hauler 900 and 1200 G, E, XG, XE  
Hauler Pro, Pro X, 4X4  
E-Z-GO Terrain 250 and 1000 G, E  
E-Z-GO Terrain 1500 G

**WARNING**

The protection offered by this ROPS will be impaired if it has been subjected to any modification or structural damage. This ROPS must be replaced after a rollover.



When ordering parts, please specify the model and serial number of the product.

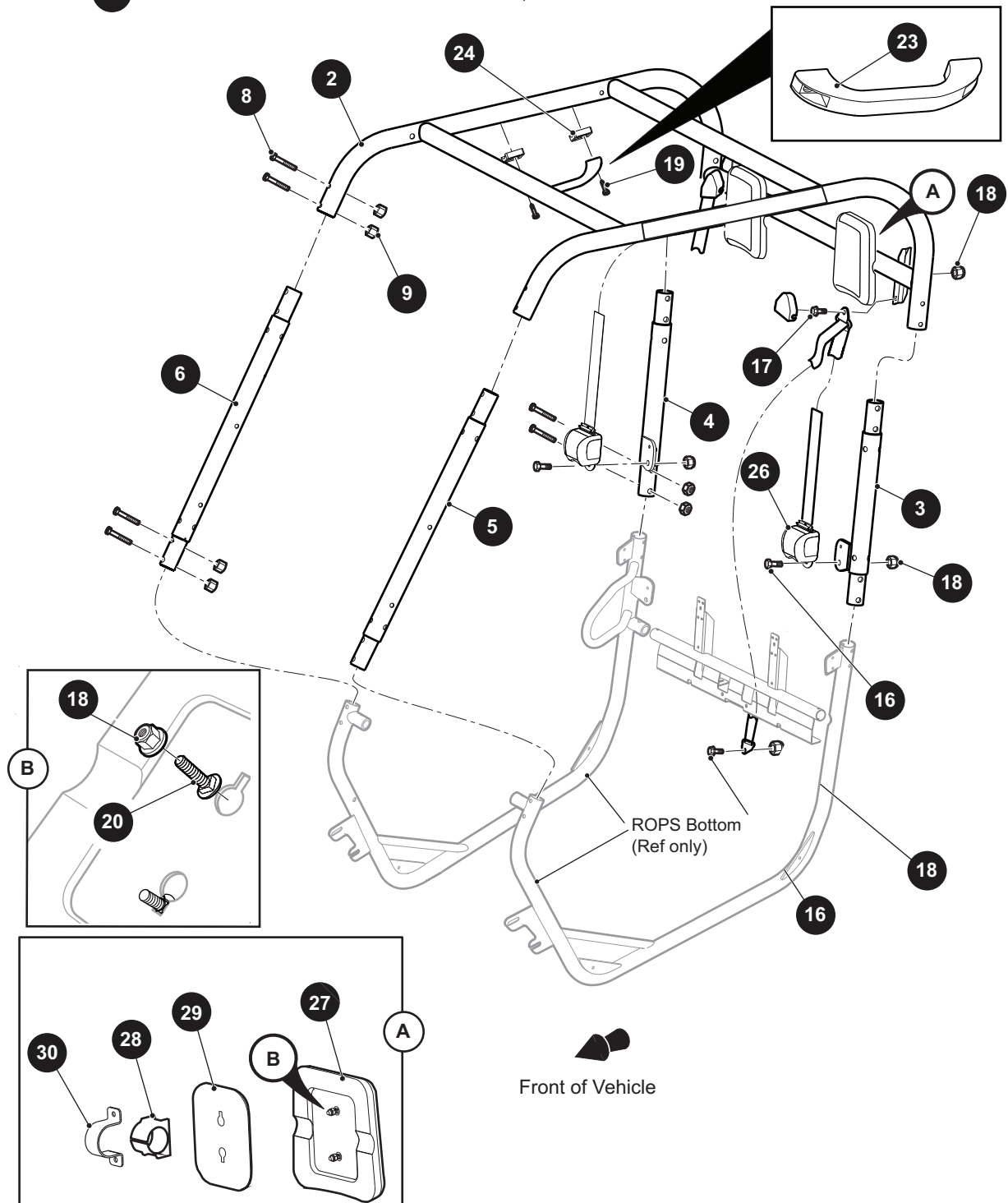
\* Indicates a component that is not available as an individual part.

\*\*\* Indicates consult Customer Service Department for additional information.

| ITEM | PART NO. | 1 2 3 4 5 | DESCRIPTION                                | QTY. |
|------|----------|-----------|--|------|
| 1    | 640293   |           | ROPS SEAT SUPPORT .....                    | 1    |
| 2    |          |           |  |      |
| 3    | 640183   |           | ROPS BOTTOM (PASSENGER SIDE).....          | 1    |
| 4    | 640182   |           | ROPS BOTTOM (DRIVER SIDE) .....            | 1    |
| 5    | 629023   |           | FRONT CROSSBAR TUBE .....                  | 1    |
| 6    | 00427G2  |           | HEX HEAD BOLT, 3/8" - 16 X 1 1/4" LG ..... | 4    |
| 7    | 00571G2  |           | FLAT WASHER, 5/16" .....                   | 8    |
| 8    | 11098G5  |           | LOCK NUT, 3/8" - 16 .....                  | 4    |
| 9    |          |           |  |      |
| 10   | 630642   |           | HEX HEAD BOLT, 3/8" - 16 X 2 1/2" LG ..... | 4    |
| 11   | 630643   |           | LOCK NUT, 3/8" - 16 .....                  | 4    |
| 12   |          |           |  |      |
| 13   | 642582   |           | ROPS CERTIFICATION DECAL.....              | 1    |

# ROPS

- 1 ROPS UPPER KIT includes items 2 - 7
- 7 ROPS UPPER HARDWARE KIT includes items 8 - 9
- 15 ROPS ACCESSORY HARDWARE KIT includes items 16 - 20
- 22 ROPS ACCESSORY KIT includes items 15, 23 - 30



When ordering parts, please specify the model and serial number of the product.

\* Indicates a component that is not available as an individual part.

\*\*\* Indicates consult Customer Service Department for additional information.

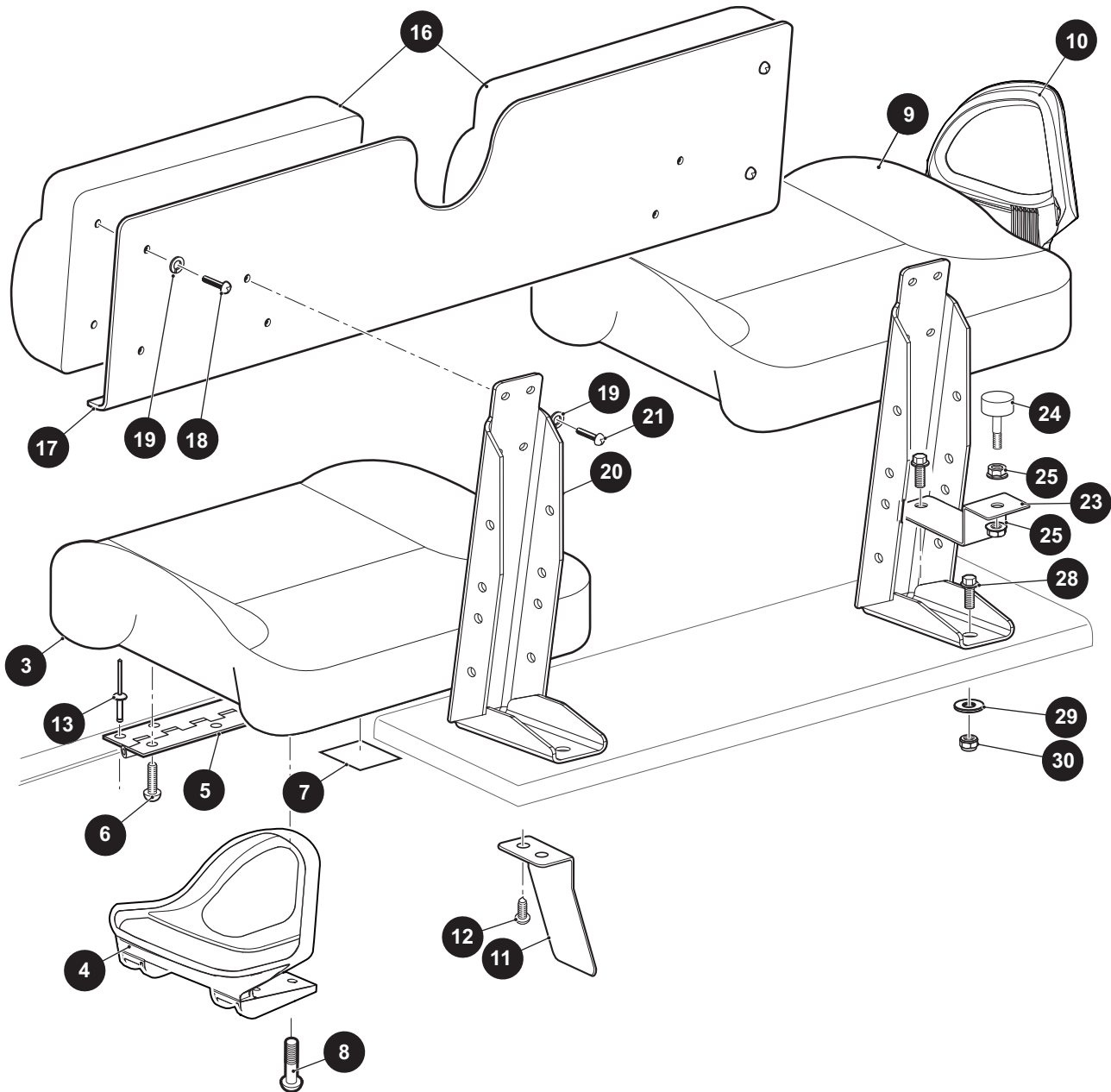
| ITEM | PART NO. | 1 2 3 4 5 | DESCRIPTION   | QTY. |
|------|----------|-----------|---|------|
| 1    | 631578   |           | ROPS UPPER KIT (INCLUDES ITEMS 2 - 7) .....               | 1    |
| 2    | 631576   |           | ROPS TOP WELDMENT.....                                    | 1    |
| 3    | 629080   |           | CONNECTOR REAR (DRIVER SIDE) .....                        | 1    |
| 4    | 629079   |           | CONNECTOR REAR (PASSENGER SIDE).....                      | 1    |
| 5    | 629082   |           | CONNECTOR FRONT (DRIVER SIDE).....                        | 1    |
| 6    | 629081   |           | CONNECTOR FRONT (PASSENGER SIDE) .....                    | 1    |
| 7    | 629328   |           | ROPS UPPER HARDWARE KIT (INCLUDES ITEMS 8 - 9).....       | 1    |
| 8    | 630642   |           | HEX HEAD BOLT, 3/8" - 16 X 2 1/2" LG .....                | 16   |
| 9    | 630643   |           | LOCK NUT, 3/8" - 16.....                                  | 16   |
| 10   |          |           |   |      |
| 11   |          |           |   |      |
| 12   |          |           |   |      |
| 13   |          |           |   |      |
| 14   |          |           |   |      |
| 15   | 640434   |           | ROPS ACCESSORY HARDWARE KIT (INCLUDES ITEMS 16 - 20)..... | 1    |
| 16   | 610753   |           | HEX HEAD BOLT, 7/16" - 20 X 1" LG .....                   | 4    |
| 17   | 609569   |           | HEX HEAD BOLT, 7/16" - 20 X 3/4" LG .....                 | 4    |
| 18   | 00734G3  |           | LOCK NUT, 7/16" - 20.....                                 | 8    |
| 19   | 612255   |           | PAN HEAD TORX SCREW, 12 - 14 X 1" LG .....                | 2    |
| 20   | 630763   |           | CARRIAGE BOLT (SS), 1/4" - 20 X .75" LG .....             | 4    |
| 21   |          |           |   |      |
| 22   | 640436   |           | ROPS ACCESSORIES KIT (INCLUDES ITEMS 15, 23 - 30).....    | 1    |
| 23   | 611774   |           | GRAB HANDLE .....   | 1    |
| 24   | 612254   |           | GRAB HANDLE MOUNT.....                                    | 2    |
| 25   | 629454   |           | SIDE DOOR NET (PAIR) (NOT ILLUSTRATED).....               | 1    |
| 26   | 635789   |           | SEAT BELT RETRACTOR .....                                 | 2    |
| 27   | 628577   |           | HEADREST .....  | 2    |
| 28   | 629642   |           | CLAMP GUARD .....   | 2    |
| 29   | 629666   |           | HEADREST PLATE .....                                      | 2    |
| 30   | 627786   |           | CLAMP .....   | 2    |





# SEATING

- 1 SEAT BOTTOM ASSEMBLY (DRIVER SIDE) includes items 3 - 8
- 2 SEAT BOTTOM ASSEMBLY (PASSENGER SIDE) includes items 5 - 10
- 15 SEAT BACK ASSEMBLY includes items 16 - 21



When ordering parts, please specify the model and serial number of the product.

\* Indicates a component that is not available as an individual part.

\*\*\* Indicates consult Customer Service Department for additional information.

| ITEM | PART NO.  | 1 2 3 4 5 | DESCRIPTION  | QTY. |
|------|-----------|-----------|--|------|
| 1    | 629269G** |           | SEAT BOTTOM (DRIVER SIDE) (INCLUDES ITEMS 3 - 8) .....<br>629269G0903 TAN<br>629269G0907 BROWN<br>629269G0905 WHITE<br>629269G0904 GRAY<br>629269G0906 BLACK     | 1    |
| 2    | 629269G** |           | SEAT BOTTOM (PASSENGER SIDE) (INCLUDES ITEMS 5 - 10) .....<br>629269G0803 TAN<br>629269G0807 BROWN<br>629269G0805 WHITE<br>629269G0804 GRAY<br>629269G0806 BLACK | 1    |
| 3    | 643996G** |           | SEAT BOTTOM CUSHION (DRIVER SIDE) .....<br>643996G01 TAN<br>643996G02 BROWN<br>643996G03 WHITE<br>643996G04 GRAY<br>643996G05 BLACK                              | 1    |
| 4    | 617645    |           | HIP RESTRAINT (DRIVER SIDE) .....  | 1    |
| 5    | 75847G01  |           | HINGE .....  | 1    |
| 6    | 16705G1   |           | TRUSS HEAD MACHINE SCREW (SS), 1/4" - 20 X 1" LG .....   | 8    |
| 7    | 17074G1   |           | RUBBER PAD .....   | 2    |
| 8    | 615417    |           | BUTTON HEAD TORX BOLT, M10 - 1.5 X 25MM LG .....   | 4    |
| 9    | 643991G** |           | SEAT BOTTOM CUSHION (PASSENGER SIDE) .....   | 1    |
| 10   | 617644    |           | HIP RESTRAINT (PASSENGER SIDE) .....   | 1    |
| 11   | 75848G01  |           | SEAT PROP .....  | 1    |
| 12   | 00114G6   |           | HEX HEAD TAPPING SCREW, #12 - 14 X 3/4" LG .....   | 2    |
| 13   | 10570G11  |           | RIVET (SS), 3/16" X 3/4" LG .....  | 8    |
| 14   |           |           |  |      |
| 15   | 75849G**  |           | SEAT BACK (INCLUDES ITEMS 16 - 21) .....<br>75849G01 TAN<br>75849G02 BROWN<br>75849G03 WHITE<br>75849G04 GRAY<br>75849G05 BLACK                                  | 1    |
| 16   | 75840G**  |           | SEAT BACK CUSHION .....<br>75840G01 TAN<br>75840G02 BROWN<br>75840G03 WHITE<br>75840G04 GRAY<br>75840G05 BLACK   | 2    |

# SEATING

When ordering parts, please specify the model and serial number of the product.

\* Indicates a component that is not available as an individual part.

\*\*\* Indicates consult Customer Service Department for additional information.

| ITEM | PART NO. | 1 | 2 | 3 | 4 | 5 | DESCRIPTION  | QTY. |
|------|----------|---|---|---|---|---|--|------|
| 17   | 75841G01 |   |   |   |   |   | SEAT BACK PLATE .....                              | 1    |
| 18   | 16705G3  |   |   |   |   |   | SCREW (SS), 1/4" - 20 X 3/4" LG.....               | 4    |
| 19   | 00664G7  |   |   |   |   |   | LOCK WASHER (SS), 1/4" .....                       | 8    |
| 20   | 646274   |   |   |   |   |   | SEAT BACK SUPPORT .....                            | 2    |
| 21   | 16705G1  |   |   |   |   |   | SCREW (SS), 1/4" - 20 X 1" LG.....                 | 4    |
| 22   |          |   |   |   |   |   |  |      |
| 23   | 74947G01 |   |   |   |   |   | BRACKET.....                                       | 2    |
| 24   | 70113G01 |   |   |   |   |   | ADJUSTABLE BUMPER .....                            | 2    |
| 25   | 11027G1  |   |   |   |   |   | LOCK NUT, 5/16" - 18 .....                         | 4    |
| 26   |          |   |   |   |   |   |  |      |
| 27   |          |   |   |   |   |   |  |      |
| 28   | 01006G01 |   |   |   |   |   | HEX HEAD WASHER SCREW, 3/8" - 16 X 1 1/4" LG ..... | 4    |
| 29   | 00560G1  |   |   |   |   |   | FLAT WASHER, 3/8" .....                            | 4    |
| 30   | 11098G5  |   |   |   |   |   | LOCK NUT, 3/8" - 16 .....                          | 4    |

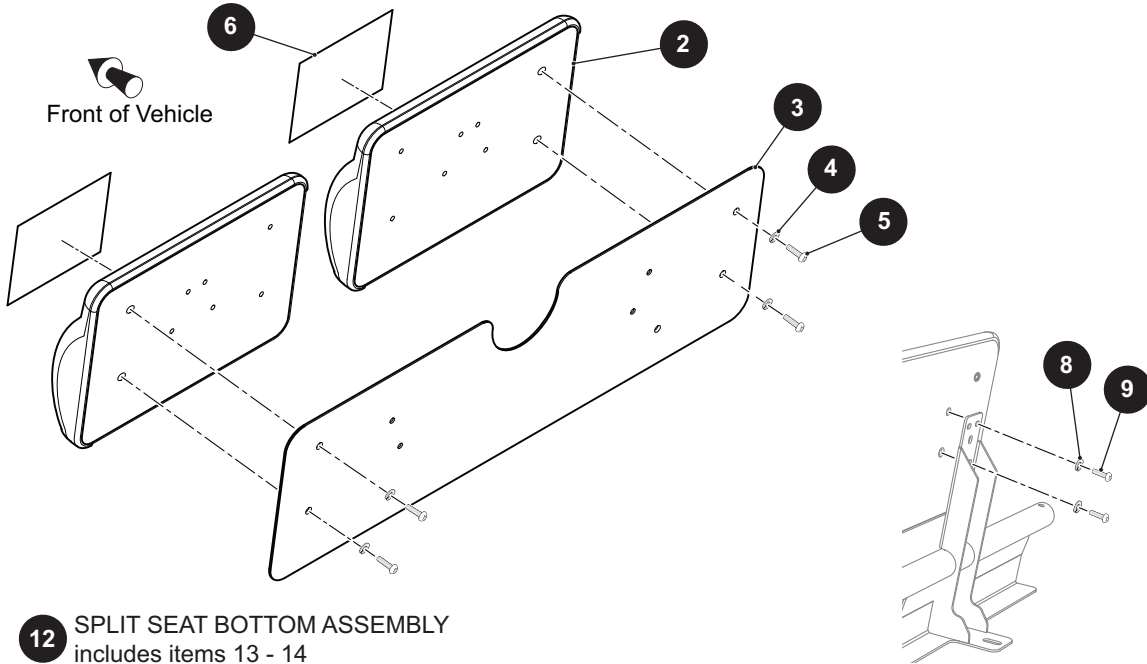


Notes:

A large grid of approximately 20 columns and 25 rows, intended for handwritten notes. The grid is empty and occupies most of the page's vertical space.

# SEATING

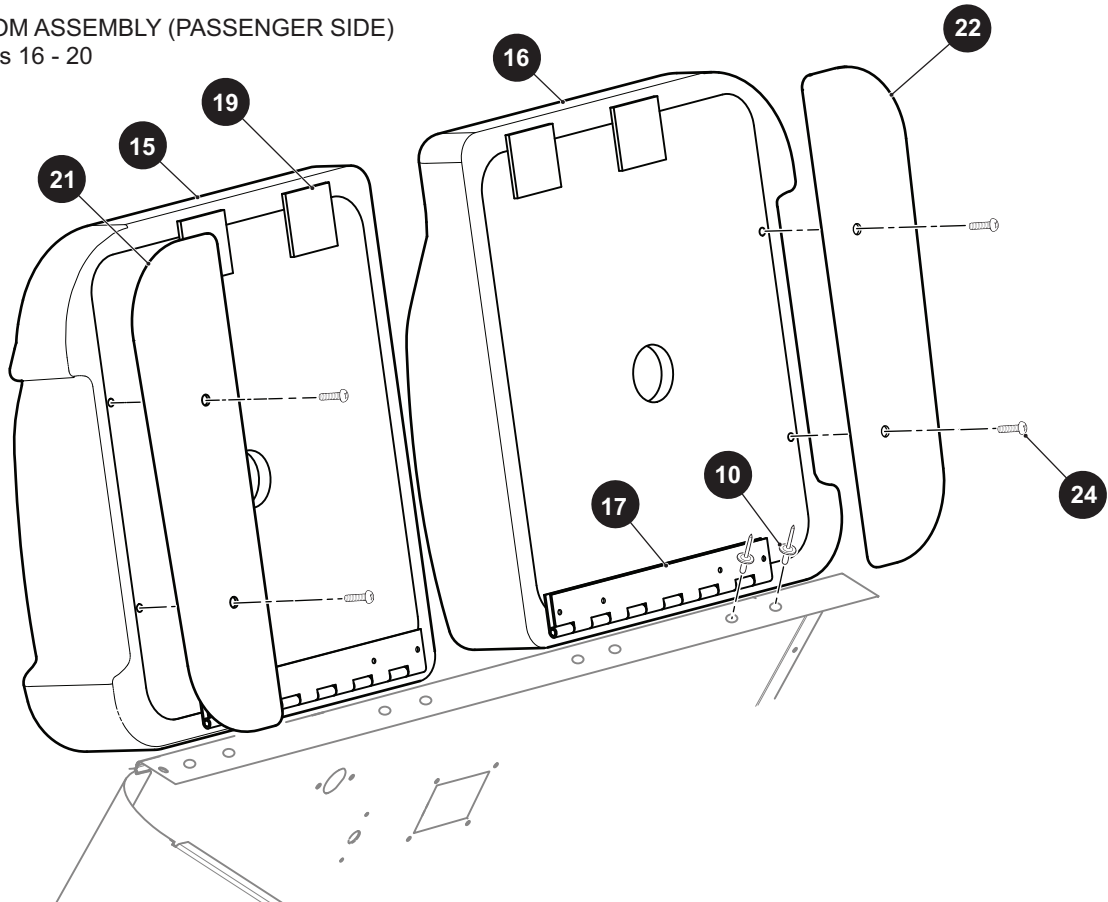
- 1** SEAT BACK ASSEMBLY includes items 2 - 6



- 12** SPLIT SEAT BOTTOM ASSEMBLY includes items 13 - 14

- 13** SEAT BOTTOM ASSEMBLY (DRIVER SIDE) includes items 15, 17 - 20

- 14** SEAT BOTTOM ASSEMBLY (PASSENGER SIDE) includes items 16 - 20



When ordering parts, please specify the model and serial number of the product.

\* Indicates a component that is not available as an individual part.

\*\*\* Indicates consult Customer Service Department for additional information.

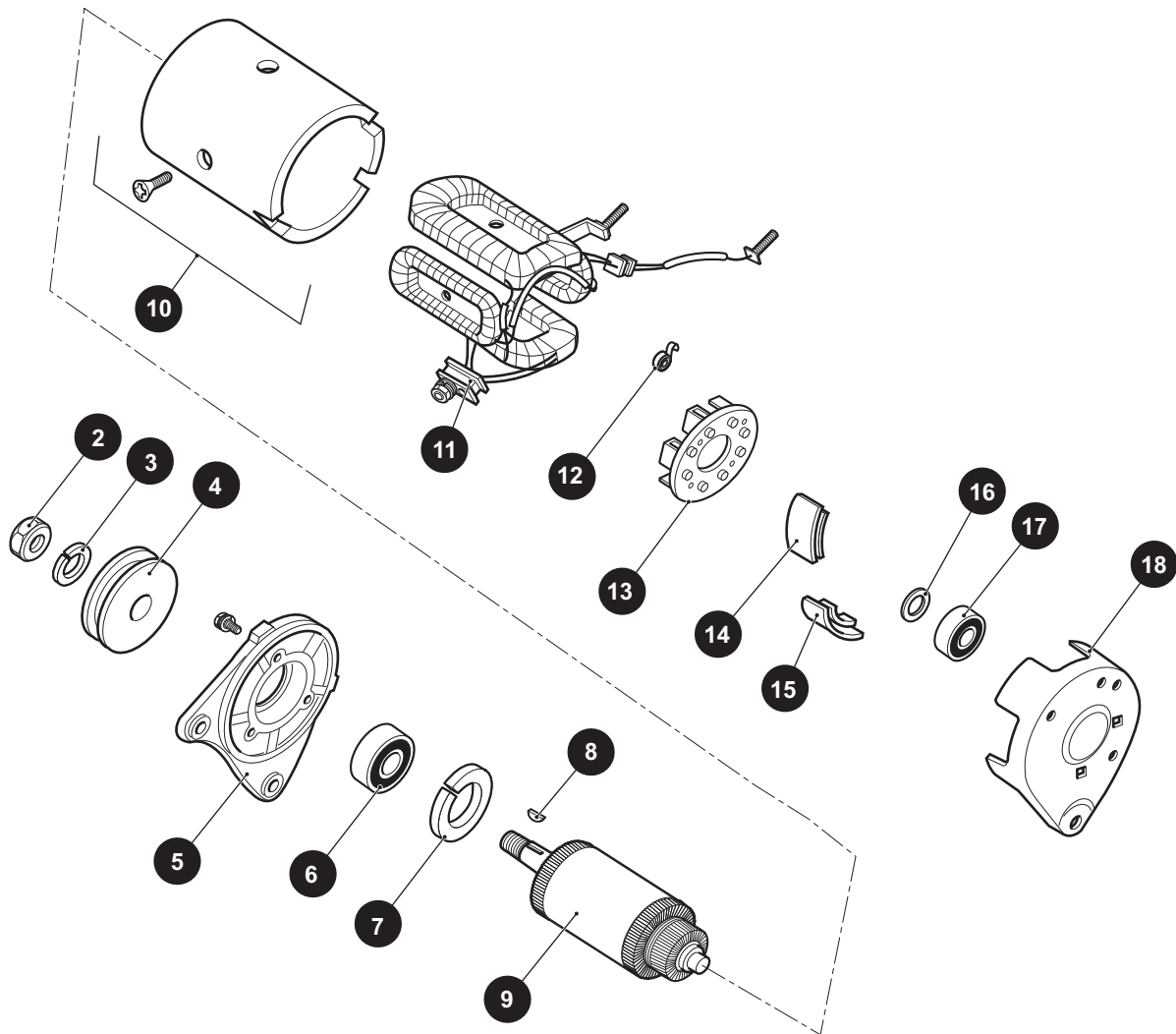
| ITEM | PART NO.  | 1 2 3 4 5 | DESCRIPTION   | QTY. |
|------|-----------|-----------|---|------|
| 1    | 626618G05 |           | SEAT BACK ASSEMBLY (INCLUDES ITEMS 2 - 6) .....                         | 1    |
| 2    | 75840G**  |           | SEAT BACK CUSHION .....   | 2    |
| 3    | 626607    |           | SEAT BACK PLATE.....  | 1    |
| 4    | 00664G7   |           | LOCK WASHER (SS), 1/4".....   | 4    |
| 5    | 16705G3   |           | TRUSS HEAD PHILLIPS SCREW (SS), 1/4" - 20 X 3/4" LG .....               | 4    |
| 6    | 27336G01  |           | WARINING DECAL .....  | 2    |
| 7    |           |           |   |      |
| 8    | 00664G7   |           | LOCK WASHER (SS), 1/4" .....  | 4    |
| 9    | 16705G1   |           | TRUSS HEAD PHILLIPS SCREW (SS), 1/4" - 20 X 1" LG.....                  | 4    |
| 10   | 10570G11  |           | RIVET, 3/16" X .70" .....   | 8    |
| 11   |           |           |   |      |
| 12   | 642838    |           | SPLIT SEAT BOTTOM ASSEMBLY (INCLUDES ITEMS 13 - 14).....                | 1    |
| 13   | 628111G05 |           | SEAT BOTTOM ASSEMBLY (DRIVER SIDE)<br>(INCLUDES ITEMS 15, 17 - 20)..... | 1    |
| 14   | 628112G05 |           | SEAT BOTTOM ASSEMBLY (PASSENGER SIDE)<br>(INCLUDES ITEMS 16 - 20).....  | 1    |
| 15   | 75833G**  |           | SEAT BOTTOM (DRIVER SIDE) .....   | 1    |
| 16   | 75834G**  |           | SEAT BOTTOM (PASSENGER SIDE).....                                       | 1    |
| 17   | 75847G01  |           | SEAT HINGE .....  | 1    |
| 18   | 16705G1   |           | TRUSS HEAD PHILLIPS SCREW (SS), 1/4" - 20 X 1" LG.....                  | 3    |
| 19   | 17074G1   |           | SOILING SLAB .....  | 2    |
| 20   | 23223G1   |           | STAPLE (NOT ILLUSTRATED).....   | 8    |
| 21   | 640674G01 |           | SEAT SIDE COVER (DRIVER SIDE) .....                                     | 1    |
| 22   | 640674G02 |           | SEAT SIDE COVER (PASSENGER SIDE).....                                   | 1    |
| 23   |           |           |   |      |
| 24   | 615417    |           | BUTTON HEAD TORX BOLT, M10 - 1.5 X 25MM LG .....                        | 4    |



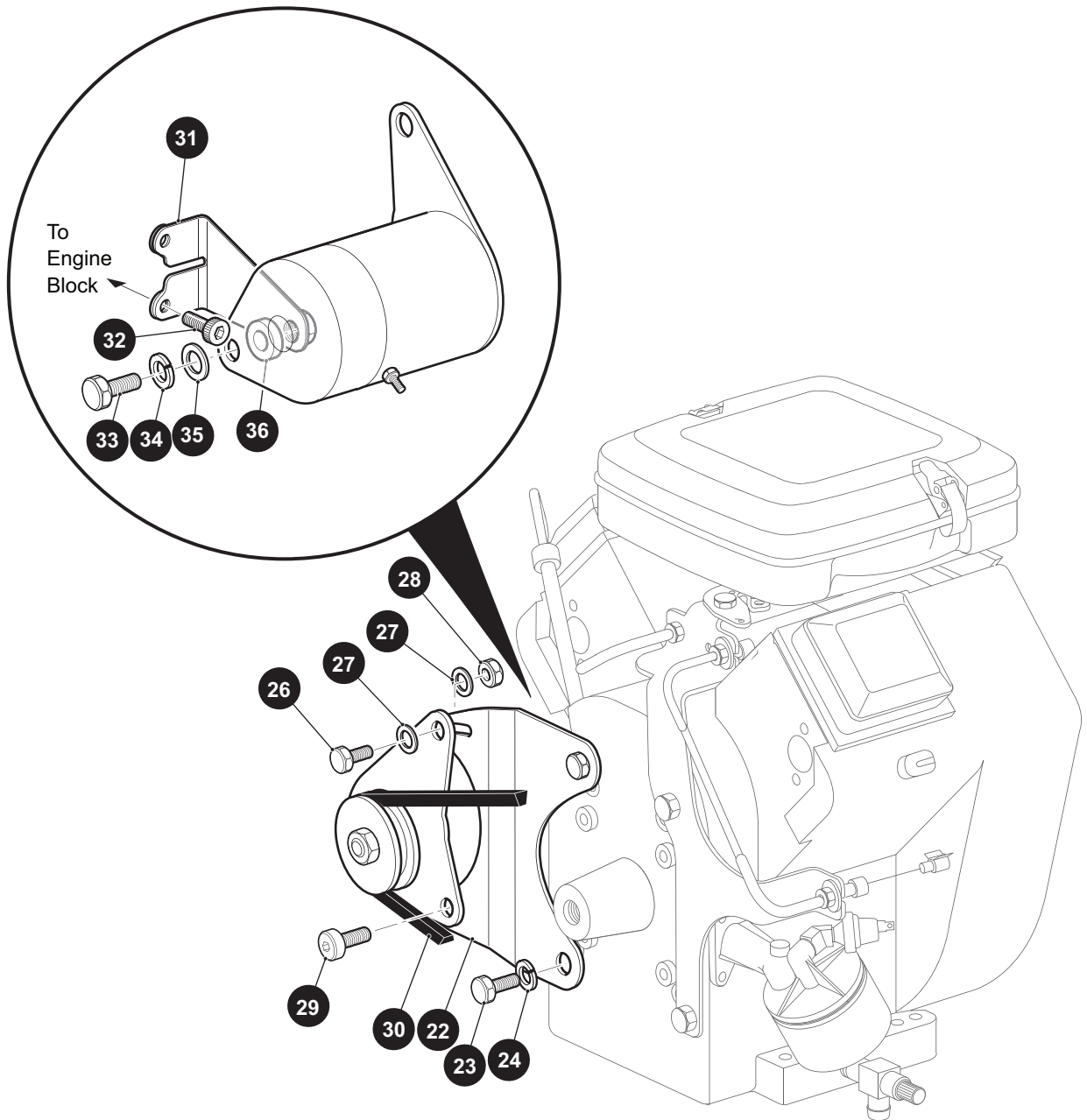


# STARTER / GENERATOR

1 STARTER / GENERATOR includes items 2 - 18



REAR VIEW



# STARTER / GENERATOR

When ordering parts, please specify the model and serial number of the product.

\* Indicates a component that is not available as an individual part.

\*\*\* Indicates consult Customer Service Department for additional information.

| ITEM | PART NO. | 1 | 2 | 3 | 4 | 5 | DESCRIPTION                                       | QTY. |
|------|----------|---|---|---|---|---|---|------|
| 1    | 625715   |   |   |   |   |   | STARTER / GENERATOR (INCLUDES ITEMS 2 - 18) ..... | 1    |
| 2    | 612029   |   |   |   |   |   | NUT .....   | 1    |
| 3    | 612030   |   |   |   |   |   | LOCK WASHER.....                                  | 1    |
| 4    | 625716   |   |   |   |   |   | PULLEY .....                                      | 1    |
| 5    | 612032   |   |   |   |   |   | FRONT COVER.....                                  | 1    |
| 6    | 612033   |   |   |   |   |   | BEARING .....                                     | 1    |
| 7    | 612034   |   |   |   |   |   | RETAINING RING.....                               | 1    |
| 8    | 612035   |   |   |   |   |   | KEY .....   | 1    |
| 9    | 612036   |   |   |   |   |   | ARMATURE ASSEMBLY .....                           | 1    |
| 10   | 612037   |   |   |   |   |   | FRAME & FIELD ASSEMBLY .....                      | 1    |
| 11   | 612038   |   |   |   |   |   | BRUSH LEAD & TERMINAL PKG .....                   | 1    |
| 12   | 612039   |   |   |   |   |   | BRUSH SPRING.....                                 | 4    |
| 13   | 612040   |   |   |   |   |   | BRUSH BOX ASSEMBLY .....                          | 1    |
| 14   | 612041   |   |   |   |   |   | BRUSH 1 COVER.....                                | 3    |
| 15   | 612042   |   |   |   |   |   | BRUSH 2 COVER.....                                | 2    |
| 16   | 612043   |   |   |   |   |   | WAVY WASHER .....                                 | 1    |
| 17   | 612044   |   |   |   |   |   | BEARING.....                                      | 1    |
| 18   | 612045   |   |   |   |   |   | REAR COVER .....                                  | 1    |
| 19   |          |   |   |   |   |   |   |      |
| 20   |          |   |   |   |   |   |   |      |
| 21   |          |   |   |   |   |   |   |      |
| 22   | 629335   |   |   |   |   |   | STARTER / GENERATOR BRACKET .....                 | 1    |
| 23   | 00462G7  |   |   |   |   |   | BOLT, 7/16 - 14 X 7/8" LG .....                   | 2    |
| 24   | 00566G2  |   |   |   |   |   | LOCK WASHER, 7/16" .....                          | 2    |
| 25   |          |   |   |   |   |   |   |      |
| 26   | 00439G2  |   |   |   |   |   | BOLT, 5/16 - 18 X 1 1/4" LG .....                 | 1    |
| 27   | 00559G8  |   |   |   |   |   | FLAT WASHER, 5/16" .....                          | 2    |
| 28   | 11098G6  |   |   |   |   |   | LOCK NUT, 5/16 - 18.....                          | 1    |
| 29   | 75792G01 |   |   |   |   |   | SCREW, 1/2 - 13 X 1 1/2" LG.....                  | 1    |
| 30   | 75690G01 |   |   |   |   |   | STARTER/GENERATOR BELT .....                      | 1    |
| 31   | 75706G01 |   |   |   |   |   | REAR STARTER BRACKET .....                        | 1    |



# STARTER / GENERATOR

When ordering parts, please specify the model and serial number of the product.

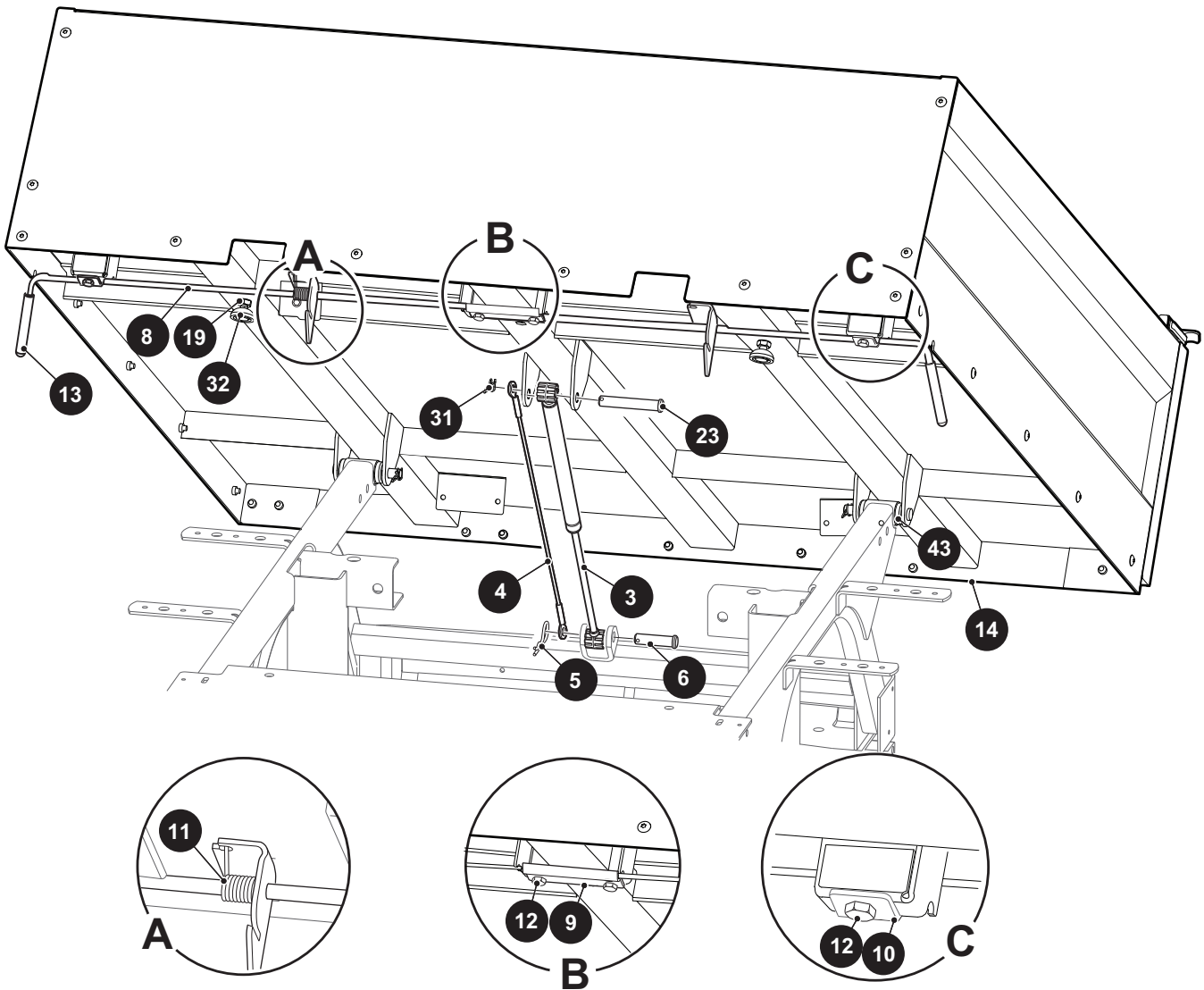
\* Indicates a component that is not available as an individual part.

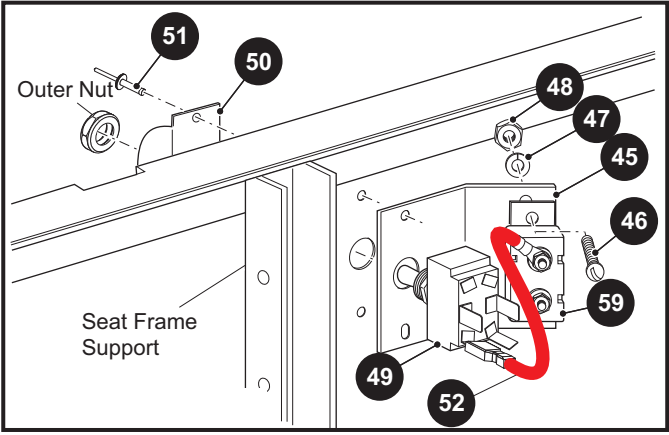
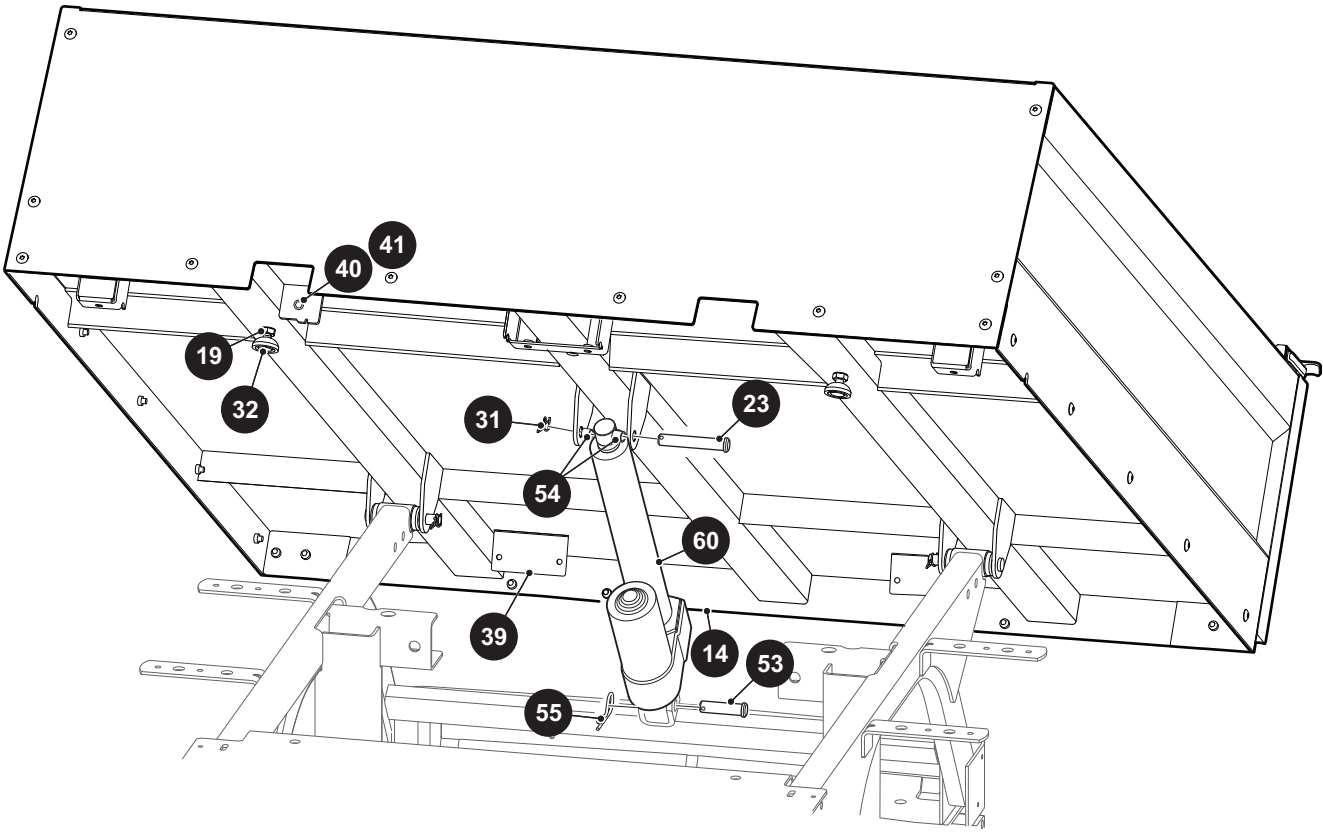
\*\*\* Indicates consult Customer Service Department for additional information.

| ITEM | PART NO. | 1 2 3 4 5 | DESCRIPTION                     | QTY. |
|------|----------|-----------|---------------------------------|------|
| 32   | 75746G01 |           | SCREW, M8 - 1.25 X 20MM LG..... | 2    |
| 33   | 00631G2  |           | BOLT, 1/2 - 13 X 2 1/4" LG..... | 1    |
| 34   | 00566G3  |           | LOCK WASHER, 1/2" .....         | 1    |
| 35   | 00560G3  |           | FLAT WASHER, 1/2" .....         | 1    |
| 36   | 75562G01 |           | SPACER.....                     | 1    |

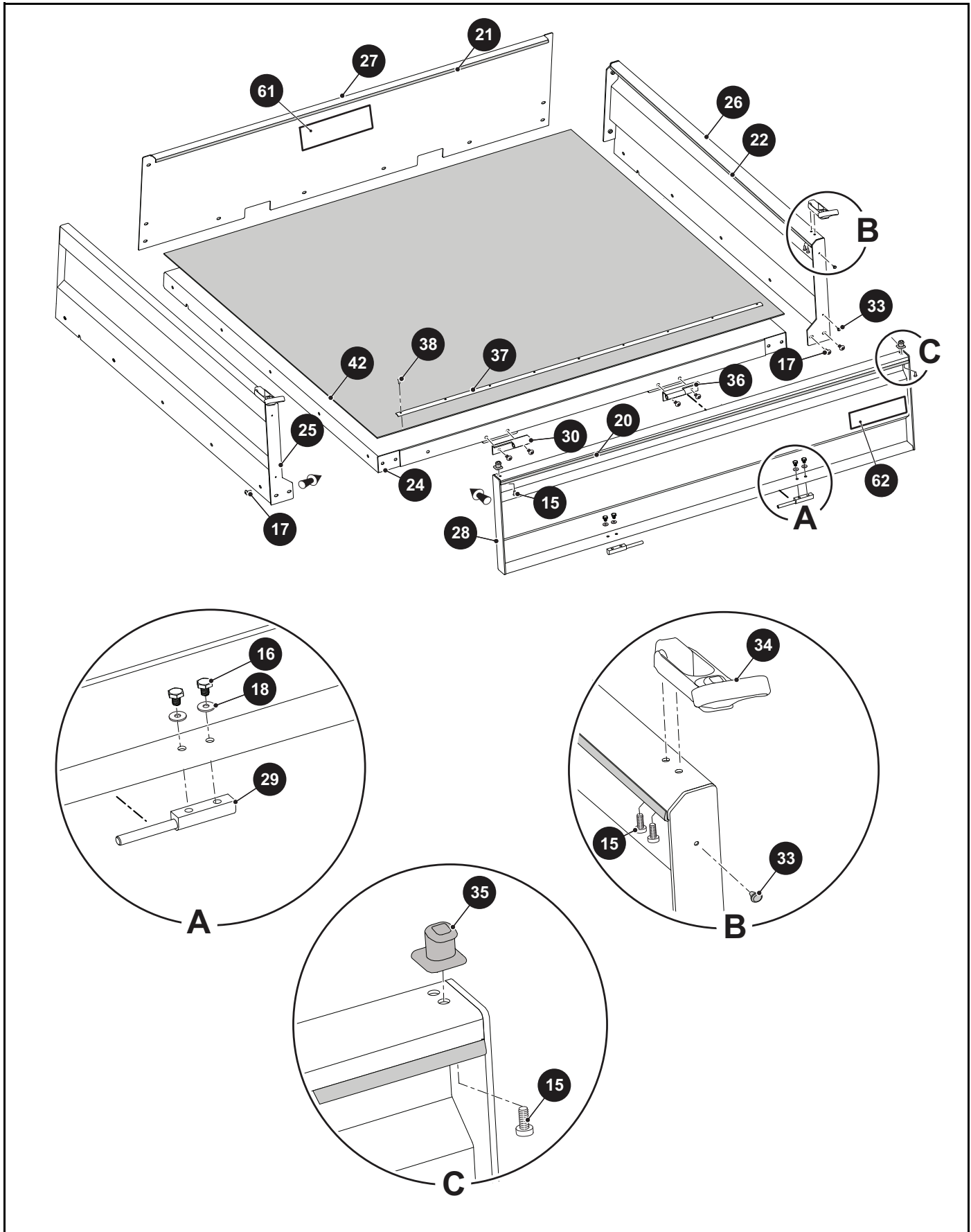
# TRUCK BED - METAL

- 1 ALUMINUM BED, ELECTRIC LIFT includes items 14, 43 - 60
- 2 ALUMINUM BED, MANUAL LIFT includes items 3 - 6, 14, 43
- 14 ALUMINUM BED, LARGE includes items 15 - 42





# TRUCK BED - METAL



# TRUCK BED - METAL

When ordering parts, please specify the model and serial number of the product.

\* Indicates a component that is not available as an individual part.

\*\*\* Indicates consult Customer Service Department for additional information.

| ITEM | PART NO. | 1 2 3 4 5 | DESCRIPTION  | QTY. |
|------|----------|-----------|--|------|
| 1    | 620482   |           | ALUMINUM BED, ELECTRIC LIFT (Includes Items 14, 43 - 60) ..... | 1    |
| 2    | 620481   |           | ALUMINUM BED, MANUAL LIFT (Includes Items 3 - 6, 14, 43) ..... | 1    |
| 3    | 71537G02 |           | GAS SPRING .....   | 1    |
| 4    | 602904   |           | TETHER CABLE ASSEMBLY .....                                    | 1    |
| 5    | 21683G1  |           | COTTER PIN.....  | 1    |
| 6    | 14443G12 |           | CLEVIS PIN, 1/2" x 2.22".....                                  | 1    |
| 7    | 620517   |           | LATCH INSTALLATION (includes items 8 - 13).....                | 1    |
| 8    | 74962G01 |           | LATCH BED .....  | 1    |
| 9    | 71477G02 |           | LATCH RETAINER BRACKET.....                                    | 1    |
| 10   | 71099G02 |           | LATCH KEEPER PLATE .....                                       | 2    |
| 11   | 71538G01 |           | LATCH TORSION SPRING .....                                     | 1    |
| 12   | 01118G01 |           | SCREW, 1/4-20UNC 2A X 5 X 8" .....                             | 4    |
| 13   | 71704G01 |           | HANDLE GRIP.....   | 2    |
| 14   | 612612   |           | ALUMINUM BED, LARGE (Includes Items 15 - 42) .....             | 1    |
| 15   | 612957   |           | PAN HEAD SCREW, 10 - 24 X 1/2" LG .....                        | 6    |
| 16   | *        |           | HEX HEAD BOLT, 1/4 - 20 X 3/8" LG .....                        | 4    |
| 17   | 612959   |           | TORX SCREW, 1/4 -20 X 1/2" .....                               | 28   |
| 18   | *        |           | FLAT WASHER, 1/4" .....  | 4    |
| 19   | *        |           | HEX NUT, 3/8 -16 .....   | 2    |
| 20   | *        |           | EDGE PROTECTOR .....   | 1    |
| 21   | *        |           | EDGE PROTECTOR .....   | 1    |
| 22   | *        |           | EDGE PROTECTOR .....   | 2    |
| 23   | 612965   |           | CLEVIS PIN .....   | 3    |
| 24   | *        |           | BED BOTTOM .....   | 1    |
| 25   | *        |           | SIDE PANEL (DRIVER SIDE).....                                  | 1    |
| 26   | *        |           | SIDE PANEL (PASSENGER SIDE) .....                              | 1    |
| 27   | *        |           | FRONT PANEL .....  | 1    |
| 28   | 612970   |           | TAILGATE WELDMENT .....  | 1    |
| 29   | 612971   |           | PIVOT PIN TAILGATE .....                                       | 2    |
| 30   | 612972   |           | TAILGATE HINGE,(DRIVER SIDE).....                              | 1    |
| 31   | 612973   |           | RUE PIVOT RING.....  | 3    |

# TRUCK BED - METAL

When ordering parts, please specify the model and serial number of the product.

\* Indicates a component that is not available as an individual part.

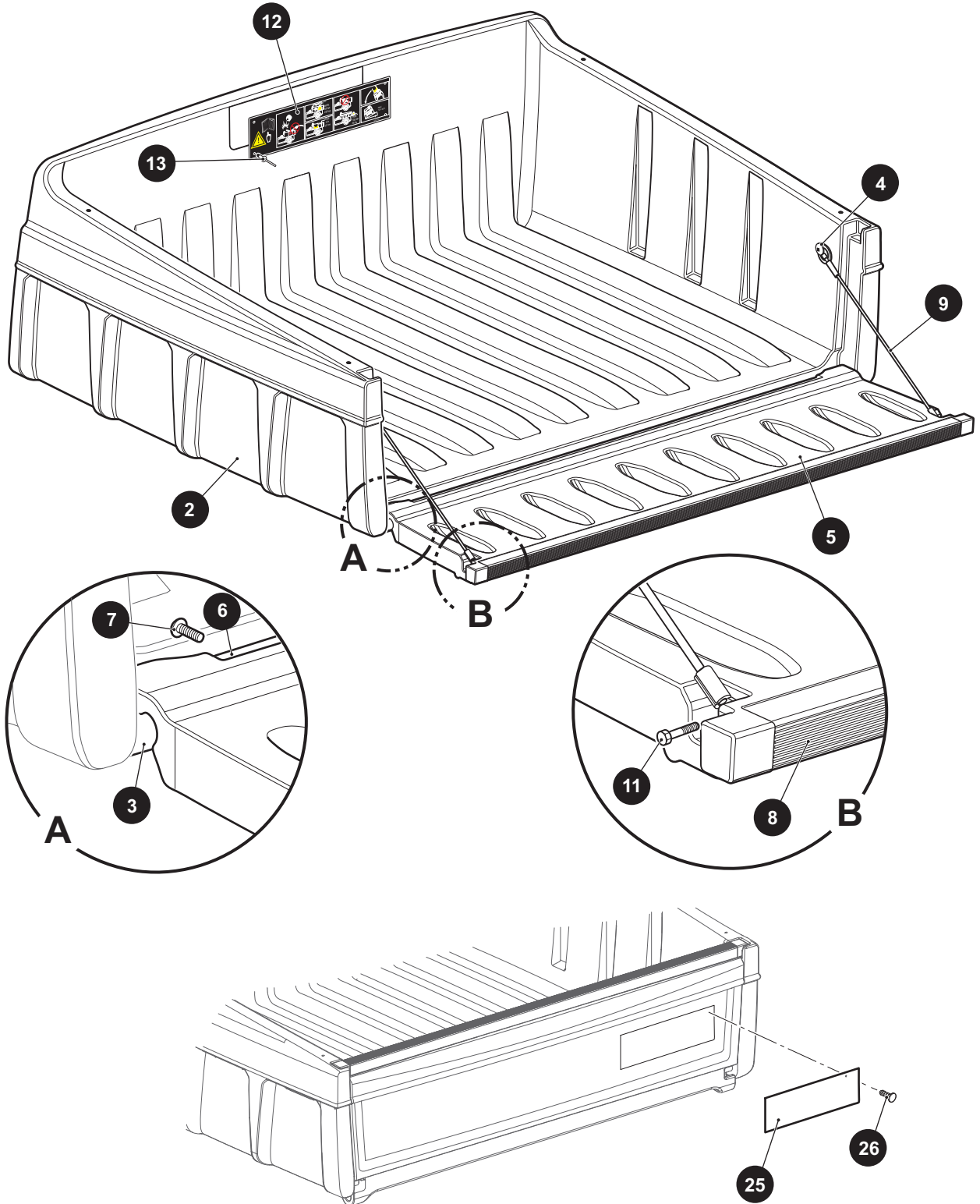
\*\*\* Indicates consult Customer Service Department for additional information.

| ITEM | PART NO. | 1 | 2 | 3 | 4 | 5 | DESCRIPTION                                    | QTY. |
|------|----------|---|---|---|---|---|--|------|
| 32   | 612974   |   |   |   |   |   | LEVELING PAD .....                             | 2    |
| 33   | *        |   |   |   |   |   | BUMPER INSERT,RUBBER .....                     | 4    |
| 34   | 612976   |   |   |   |   |   | DRAW LATCH ASSY .....                          | 2    |
| 35   | 612977   |   |   |   |   |   | DRAW LATCH KEEPER.....                         | 2    |
| 36   | 612978   |   |   |   |   |   | TAILGATE HINGE, (PASSENGER SIDE) .....         | 1    |
| 37   | 614440   |   |   |   |   |   | MAT RETAINER .....                             | 1    |
| 38   | *        |   |   |   |   |   | RIVET .....                                    | 9    |
| 39   | *        |   |   |   |   |   | HINGE SUPPORT .....                            | 2    |
| 40   | *        |   |   |   |   |   | NUT .....                                      | 2    |
| 41   | *        |   |   |   |   |   | BOLT .....                                     | 1    |
| 42   | *        |   |   |   |   |   | RUBBER MAT .....                               | 1    |
| 43   | 624030   |   |   |   |   |   | FLANGED BUSHING.....                           | 4    |
| 44   | 17618G1  |   |   |   |   |   | NYLON CLAMP (NOT SHOWN).....                   | 8    |
| 45   | 74165G02 |   |   |   |   |   | CIRCUIT BREAKER MOUNTING BRACKET .....         | 1    |
| 46   | 00150G4  |   |   |   |   |   | SCREW, #10 - 24 X 1/2" LG .....                | 2    |
| 47   | 00565G5  |   |   |   |   |   | LOCK WASHER, #10.....                          | 2    |
| 48   | 00526G3  |   |   |   |   |   | HEXAGONAL NUT, #10 - 24.....                   | 2    |
| 49   | 27680G01 |   |   |   |   |   | TOGGLE SWITCH .....                            | 1    |
| 50   | 27447G01 |   |   |   |   |   | TOGGLE GUARD ASSEMBLY .....                    | 1    |
| 51   | 10570G9  |   |   |   |   |   | RIVET, 1/8" X 11/32" LG (ALUMINUM) .....       | 2    |
| 52   | 25976G14 |   |   |   |   |   | 14 GA WIRE (RED 5") .....                      | 1    |
| 53   | 14443G11 |   |   |   |   |   | CLEVIS PIN, 1/2" X 1 3/4" LG.....              | 1    |
| 54   | 27613G01 |   |   |   |   |   | SPACER.....                                    | 2    |
| 55   | 21683G1  |   |   |   |   |   | COTTER PIN, 15/32" X 2 13/16" LG.....          | 1    |
| 56   | 74163G01 |   |   |   |   |   | DUMP HARNESS (48V) (NOT SHOWN).....            | 1    |
| 57   | 11845G3  |   |   |   |   |   | INSULATED CABLE CLAMP, 11/16" (NOT SHOWN)..... | 2    |
| 58   | 00532G3  |   |   |   |   |   | HEX NUT, 5/16 - 18 (NOT SHOWN).....            | 2    |
| 59   | 21320G3  |   |   |   |   |   | CIRCUIT BREAKER (30 AMP 12V).....              | 1    |
| 60   | 27612G02 |   |   |   |   |   | ELECTRIC ACTUATOR, 12V .....                   | 1    |
| 61   | 35980G02 |   |   |   |   |   | BED LOADER DECAL .....                         | 1    |
| 62   | 606405   |   |   |   |   |   | E-Z-GO NAMEPLATE .....                         | 1    |

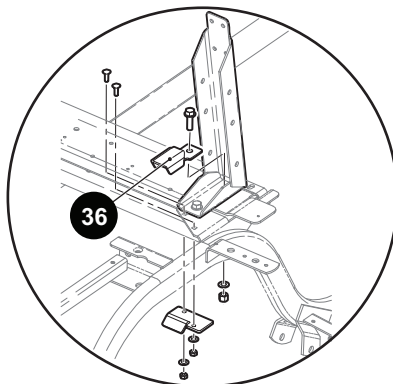
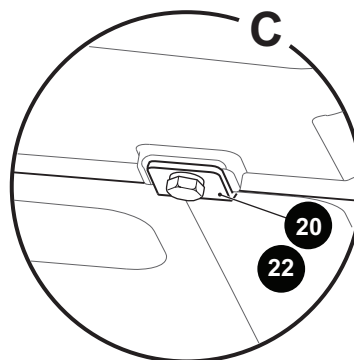
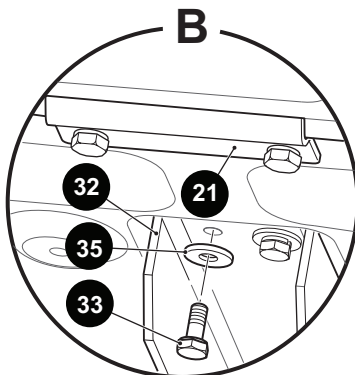
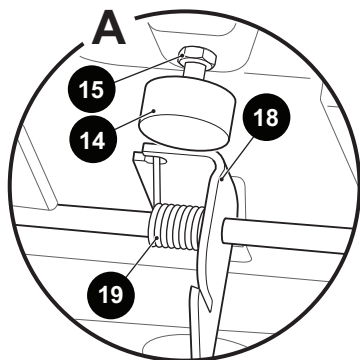
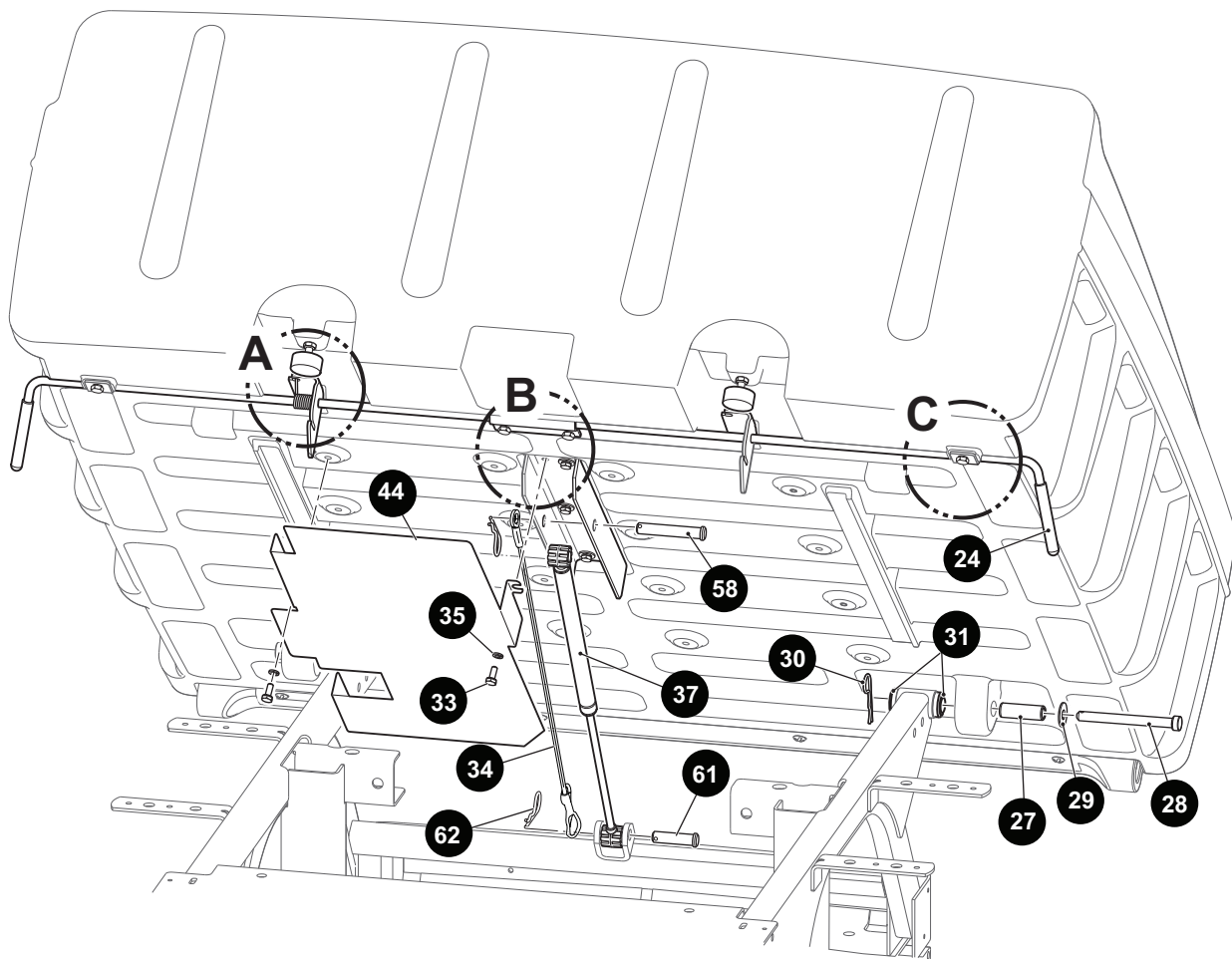


# TRUCK BED - PLASTIC

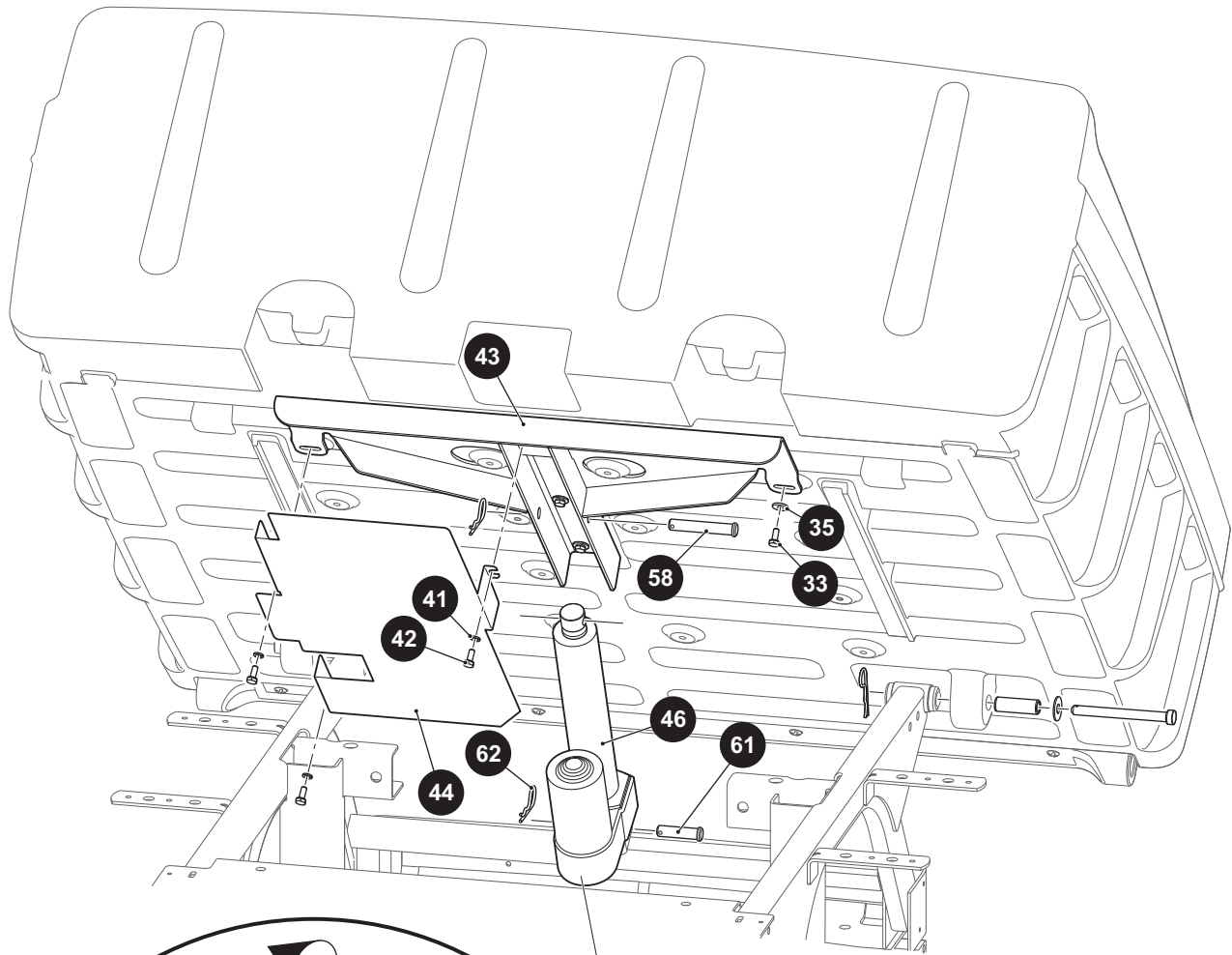
1 40" PLASTIC BED ASSEMBLY includes items 2 - 11



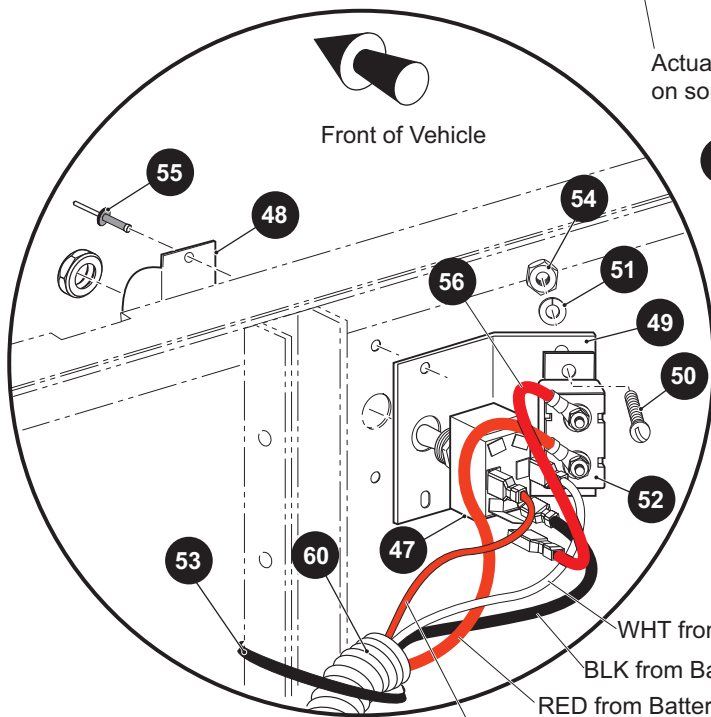




# TRUCK BED - PLASTIC

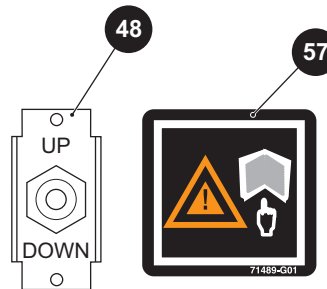


Actuator may be rotated 90° on some models



Front of Vehicle

45 ELECTRIC DUMP KIT includes items 46 - 62



WHT from Actuator

BLK from Battery

RED from Battery

RED from Actuator

# TRUCK BED - PLASTIC

When ordering parts, please specify the model and serial number of the product.

\* Indicates a component that is not available as an individual part.

\*\*\* Indicates consult Customer Service Department for additional information.

| ITEM | PART NO. | 1 2 3 4 5 | DESCRIPTION                                       | QTY. |
|------|----------|-----------|---|------|
| 1    | 73451G01 |           | BED ASSEMBLY, 40" (INCLUDES ITEMS 2 -11) .....    | 1    |
| 2    | *        |           | PLASTIC BED, 40" .....                            | 1    |
| 3    | 73454G01 |           | PIVOT SHAFT .....                                 | 2    |
| 4    | 73460G01 |           | SHOULDER BOLT, 1/4 - 20 X 3/4" LG .....           | 2    |
| 5    | 73455G01 |           | TAILGATE CABLE .....                              | 1    |
| 6    | 73450G01 |           | BOWED ANGLE .....                                 | 1    |
| 7    | 16705G2  |           | SCREW, 1/4 - 20 X 5/8" LG (STAINLESS STEEL) ..... | 4    |
| 8    | 73449G01 |           | TAILGATE CAP .....                                | 1    |
| 9    | 16818G5  |           | RATCHET FASTENER, .187 X .550.....                | 4    |
| 10   |          |           |   |      |
| 11   | 00415G2  |           | SCREW, 1/4 - 20 X 5/8" LG .....                   | 2    |
| 12   | 74821G01 |           | BED CAPACITY LABEL.....                           | 1    |
| 13   | 71055G01 |           | RIVET, 3/16" X 1" LG (ALUMINUM).....              | 5    |
| 14   | 70113G01 |           | ADJUSTABLE RUBBER BUMPER.....                     | 2    |
| 15   | 11027G1  |           | LOCK NUT, 5/16 - 18.....                          | 2    |
| 16   |          |           |   |      |
| 17   |          |           |   |      |
| 18   | 74962G01 |           | BED LATCH .....                                   | 1    |
| 19   | 71538G01 |           | LATCH TORSION SPRING .....                        | 1    |
| 20   | 71099G02 |           | PLATE, LATCH .....                                | 2    |
| 21   | 71477G02 |           | RETAINER BRACKET .....                            | 1    |
| 22   | 01118G01 |           | SCREW, 1/4 - 20 X 5/8" LG .....                   | 4    |
| 23   |          |           |   |      |
| 24   | 71704G01 |           | HANDLE GRIP.....                                  | 2    |
| 25   | 606405   |           | E-Z-GO NAMEPLATE LABEL.....                       | 1    |
| 26   | 16816G2  |           | RATCHET FASTNER.....                              | 4    |
| 27   | 71570G01 |           | BUSHING.....                                      | 2    |
| 28   | 71571G01 |           | CLEVIS PIN .....                                  | 2    |
| 29   | 00571G5  |           | FLAT WASHER, 1 1/4 X 7/16.....                    | 2    |
| 30   | 21683G1  |           | HAIR CLIP, 2.9 X .78 X .53 .....                  | 2    |
| 31   | 624030   |           | FLANGED BUSHING.....                              | 4    |

# TRUCK BED - PLASTIC

When ordering parts, please specify the model and serial number of the product.

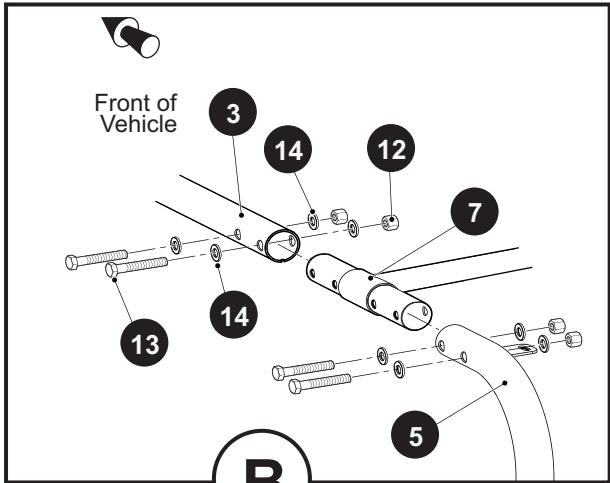
\* Indicates a component that is not available as an individual part.

\*\*\* Indicates consult Customer Service Department for additional information.

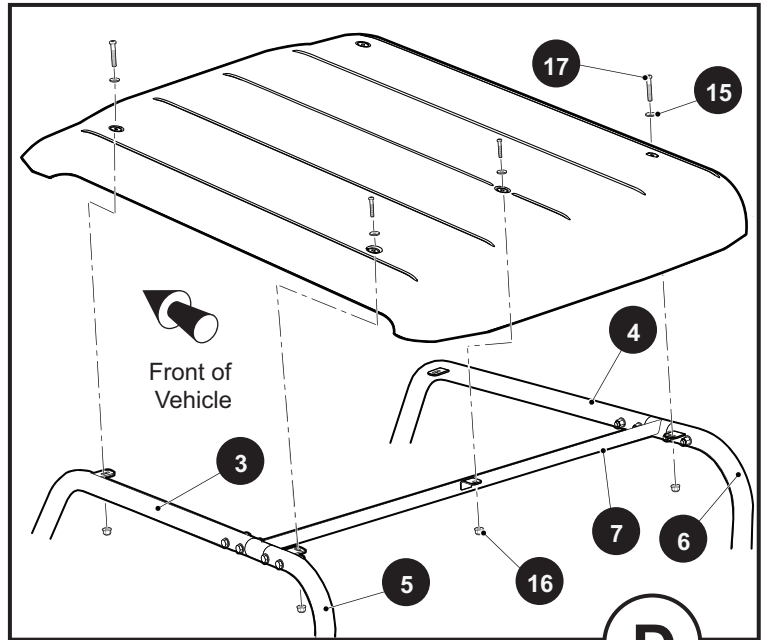
| ITEM | PART NO. | 1 2 3 4 5 | DESCRIPTION  | QTY. |
|------|----------|-----------|--|------|
| 32   | 71569G02 |           | SPRING CHANNEL.....                                  | 1    |
| 33   | 01118G01 |           | SCREW, 1/4 - 20 X 5/8" LG.....                       | 8    |
| 34   | 602904   |           | BED TETHER CABLE .....                               | 1    |
| 35   | 00642G7  |           | FLAT WASHER, 1/4" .....                              | 8    |
| 36   | 74947G01 |           | BRACKET, BUMPER.....                                 | 2    |
| 37   | 71537G02 |           | GAS SPRING .....                                     | 2    |
| 38   |          |           |  |      |
| 39   |          |           |  |      |
| 40   |          |           |  |      |
| 41   | 00642G7  |           | FLAT WASHER, 1/4" .....                              | 8    |
| 42   | 01118G01 |           | SCREW, 1/4 - 20 X 5/8" LG.....                       | 8    |
| 43   | 71547G02 |           | OUTRIGGER CHANNEL.....                               | 1    |
| 44   | 72339G02 |           | PLASTIC BED HEAT SHIELD (GASLONE VEHICLES ONLY)..... | 1    |
| 45   | 74164G01 |           | ELECTRIC DUMP KIT ( INCLUDES ITEMS 46 - 62 ).....    | 1    |
| 46   | 27612G02 |           | ELECTRIC ACTUATOR, 12 VOLT, 1500 LBS .....           | 1    |
| 47   | 27680G01 |           | TOGGLE SWITCH.....                                   | 1    |
| 48   | 27447G01 |           | TOGGLE GUARD .....                                   | 1    |
| 49   | 74165G02 |           | CIRCUIT BREAKER MOUNTING BRACKET.....                | 1    |
| 50   | 00150G4  |           | SCREW, 10 - 24 X 1/2" LG .....                       | 2    |
| 51   | 00565G5  |           | LOCK WASHER, #10.....                                | 2    |
| 52   | 21320G3  |           | CIRCUIT BREAKER 30A 12V.....                         | 1    |
| 53   | 17618G1  |           | WIRE TIE .....                                       | 8    |
| 54   | 00526G3  |           | HEX NUT, #10 - 24.....                               | 2    |
| 55   | 10570G9  |           | RIVET, 5/32 X .55.....                               | 2    |
| 56   | 25976G14 |           | 14 GA WIRE (RED 5") .....                            | 1    |
| 57   | 71489G01 |           | READ INSTRUCTIONS DECAL .....                        | 1    |
| 58   | 14443G10 |           | CLEVIS PIN, 1/2" X 2 27/32" LG.....                  | 1    |
| 59   | 27613G01 |           | SPACER.....  | 2    |
| 60   | 74613G01 |           | HARNESS.....   | 1    |
| 61   | 14443G11 |           | CLEVIS PIN, 1/2" X 1 7/8" LG.....                    | 1    |
| 62   | 21683G1  |           | HAIR CLIP .....                                      | 2    |



# WEATHER PROTECTION



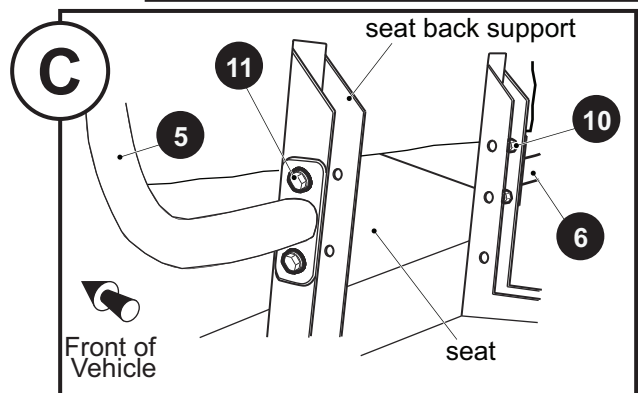
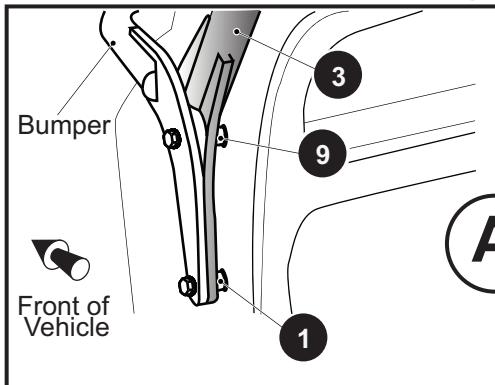
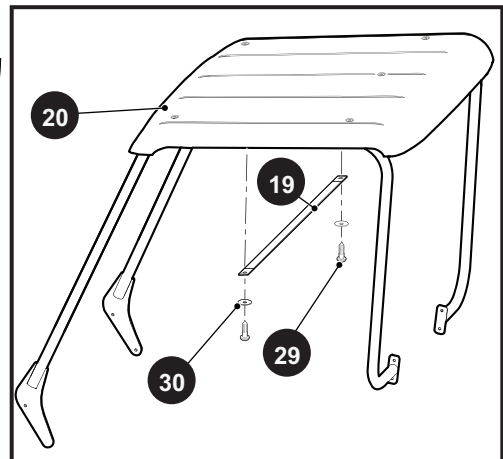
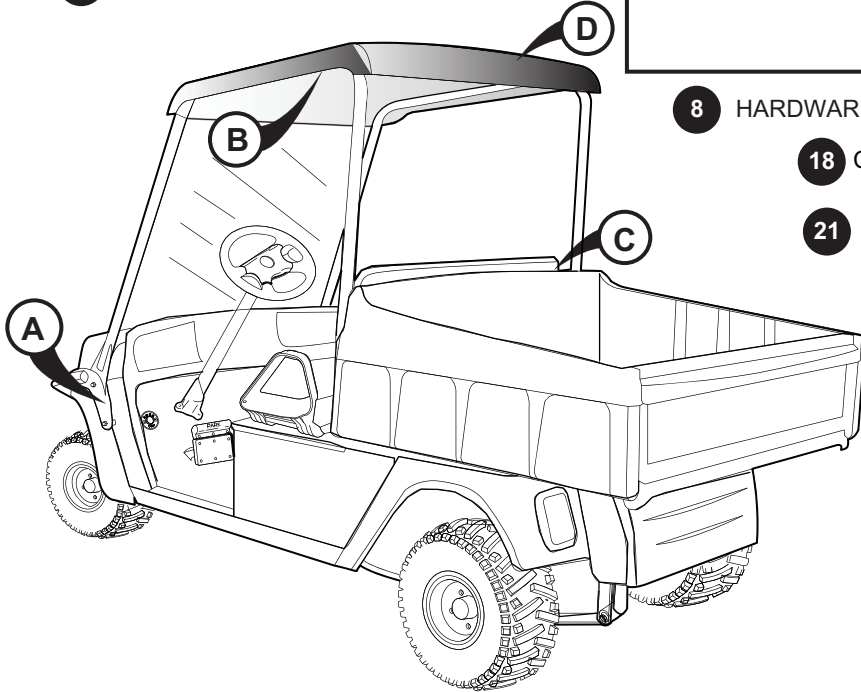
**2** CANOPY STRUTS KIT includes items 3 - 8

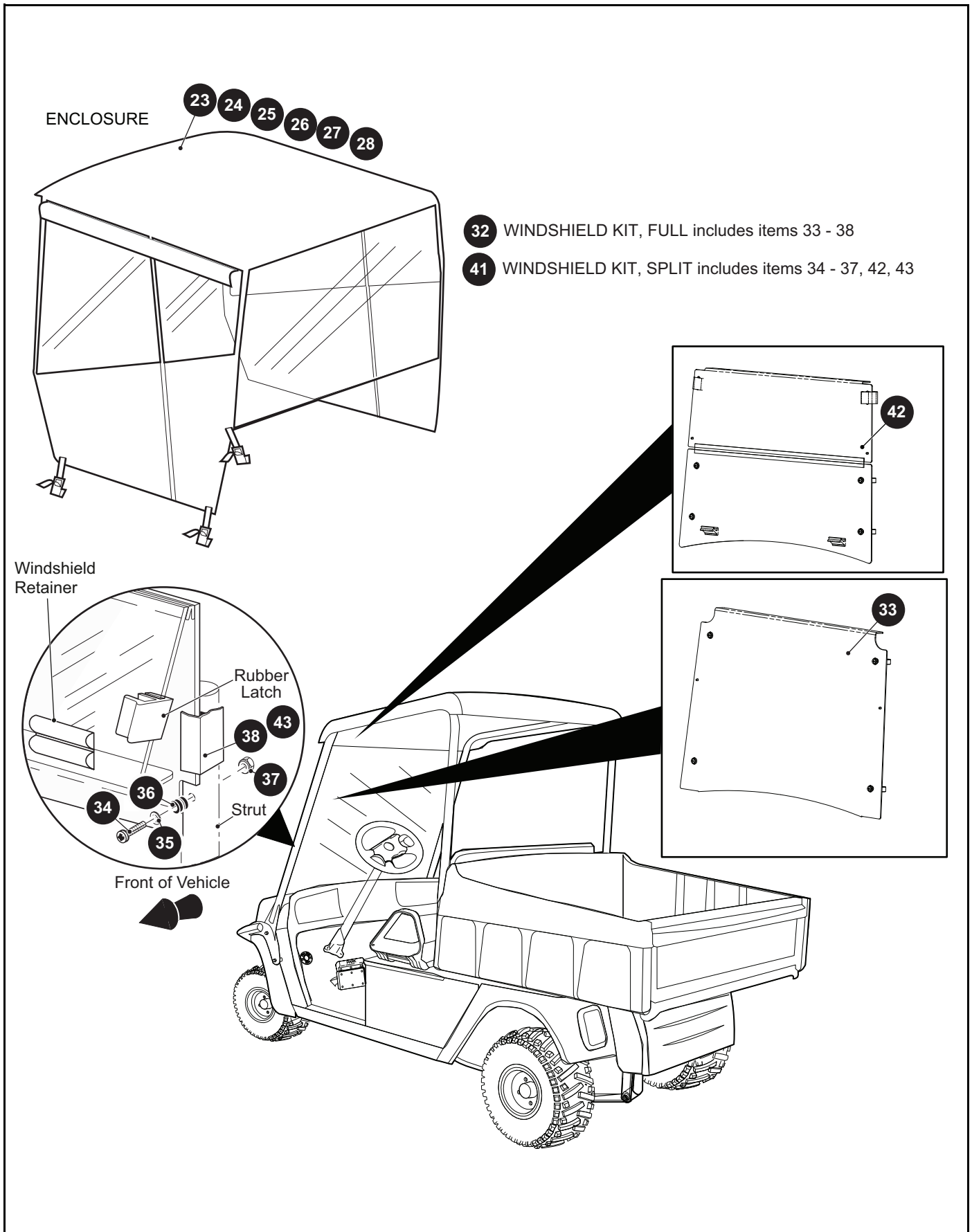


**8** HARDWARE KIT includes items 9 - 17

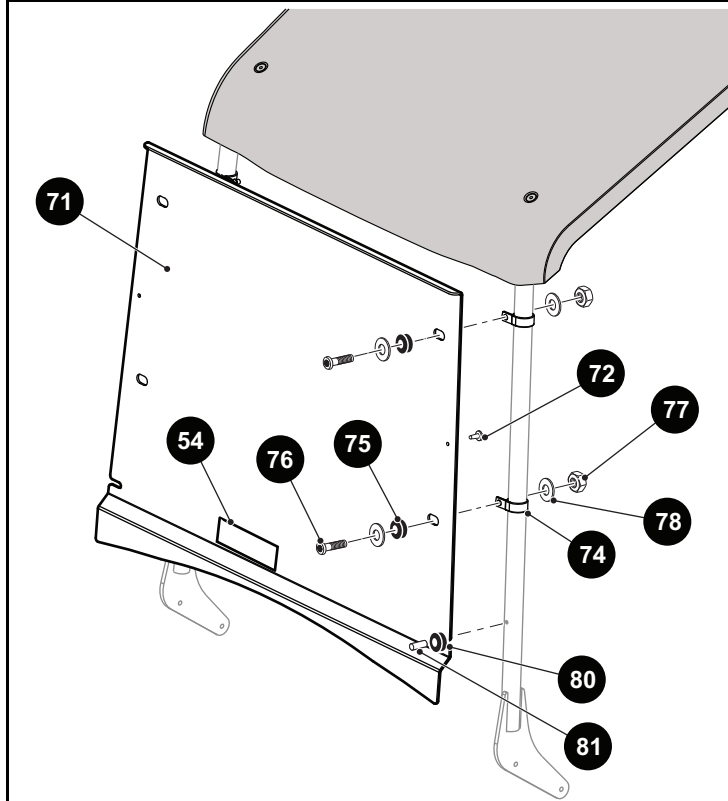
**18** CANOPY ASSEMBLY, REINFORCED (BLACK) includes items 19 - 21

**21** REINFORCED CANOPY HARDWARE KIT includes items 29, 30

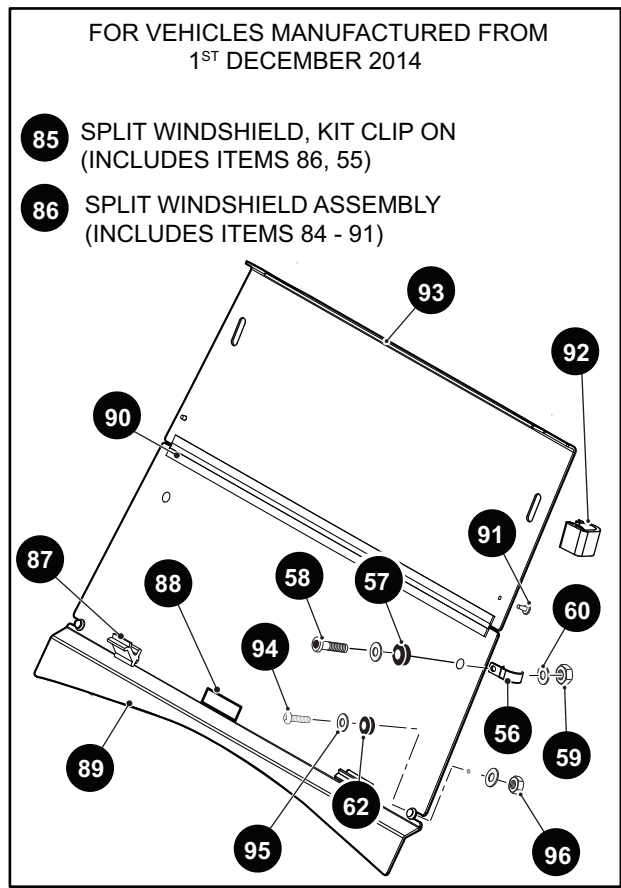




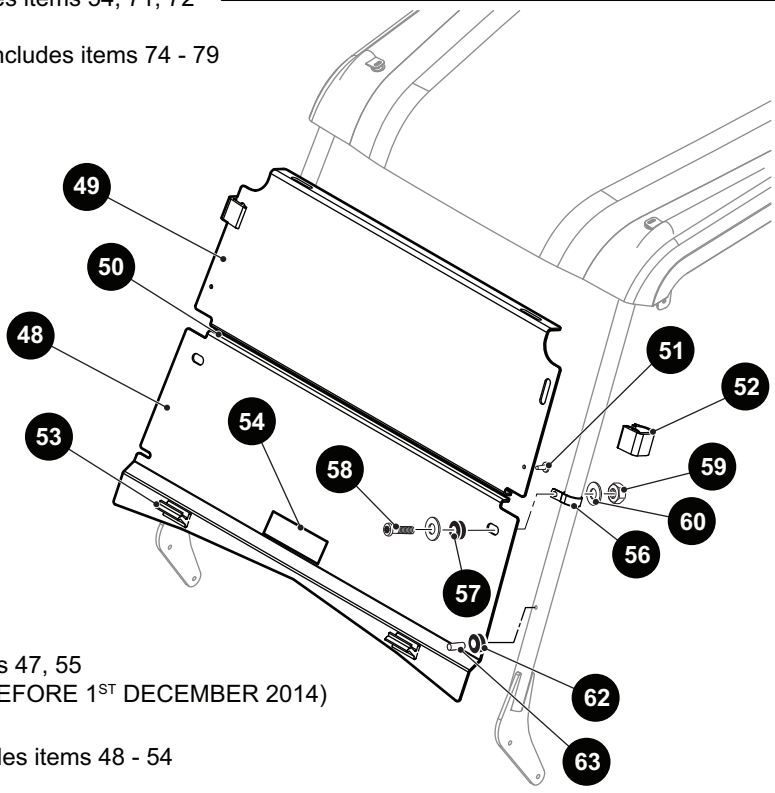
# WEATHER PROTECTION



- 69 FULL WINDSHIELD KIT includes items 70, 73
- 70 FULL WINDSHIELD ASSEMBLY includes items 54, 71, 72
- 73 FULL WINDSHIELD HARDWARE KIT includes items 74 - 79



- 85 SPLIT WINDSHIELD, KIT CLIP ON (INCLUDES ITEMS 86, 55)
- 86 SPLIT WINDSHIELD ASSEMBLY (INCLUDES ITEMS 84 - 91)



- 46 SPLIT WINDSHIELD KIT includes items 47, 55 (FOR VEHICLES MANUFACTURED BEFORE 1<sup>ST</sup> DECEMBER 2014)
- 47 SPLIT WINDSHIELD ASSEMBLY includes items 48 - 54
- 55 SPLIT WINDSHIELD HARDWARE KIT includes items 56 - 61, 92 - 94



# WEATHER PROTECTION

When ordering parts, please specify the model and serial number of the product.

\* Indicates a component that is not available as an individual part.

\*\*\* Indicates consult Customer Service Department for additional information.

| ITEM | PART NO.  | 1 2 3 4 5 | DESCRIPTION   | QTY. |
|------|-----------|-----------|---|------|
| 1    | 75048G01  |           | SPACER, 1/2" .....  | 2    |
| 2    | 638362    |           | CANOPY STRUTS KIT (INCLUDES ITEMS 3 - 8) .....                        | 1    |
| 3    | 638092G01 |           | CANOPY SUPPORT (DRIVER SIDE FRONT) .....                              | 1    |
| 4    | 638092G02 |           | CANOPY SUPPORT (PASSENGER SIDE FRONT).....                            | 1    |
| 5    | 626084    |           | CANOPY SUPPORT (DRIVER SIDE REAR).....                                | 1    |
| 6    | 626085    |           | CANOPY SUPPORT (PASSENGER SIDE REAR) .....                            | 1    |
| 7    | 617641    |           | CANOPY SUPPORT, CROSS TUBE .....                                      | 1    |
| 8    | 624119    |           | HARDWARE KIT (INCLUDES ITEMS 9 - 17) .....                            | 1    |
| 9    | 619586    |           | SPACER, 3/4" .....  | 2    |
| 10   | 11098G6   |           | LOCK NUT, 5/16" - 18.....   | 4    |
| 11   | 00438G7   |           | HEX HEAD BOLT, 5/16" - 18 X 7/8" LG .....                             | 4    |
| 12   | 11098G5   |           | LOCK NUT, 3/8" - 16.....  | 8    |
| 13   | 00428G2   |           | HEX HEAD BOLT, 3/8" - 16 X 2 1/4" LG .....                            | 8    |
| 14   | 00560G1   |           | FLAT WASHER, 3/8".....  | 16   |
| 15   | 00915G1   |           | BONDED SEAL WASHER, 1/4".....   | 5    |
| 16   | 601476    |           | LOCK NUT, M6 - 1 .....  | 5    |
| 17   | *         |           | TORX BOLT, M6 - 1 X 40MM LG .....                                     | 5    |
| 18   | 639612    |           | CANOPY ASSEMBLY, REINFORCED (BLACK)<br>(INCLUDES ITEMS 19 - 21) ..... | 1    |
| 19   | 639438    |           | REINFORCED CANOPY.....  | 1    |
| 20   | 639044    |           | CANOPY (BLACK) .....  | 1    |
| 21   | 639614    |           | REINFORCED CANOPY HARDWARE KIT (INCLUDES ITEMS 29, 30).               | 1    |
| 22   |           |           |   |      |
| 23   | 624831    |           | TOP ENCLOSURE (GREEN) .....   | 1    |
| 24   | 624830    |           | TOP ENCLOSURE (GRAY) .....  | 1    |
| 25   | 624832    |           | TOP ENCLOSURE (WHITE) .....   | 1    |
| 26   | 624829    |           | TOP ENCLOSURE (BLACK) .....   | 1    |
| 27   | 624833    |           | TOP ENCLOSURE (TAN).....  | 1    |
| 28   | *         |           | VELCRO .....  | AR   |
| 29   | 608290    |           | PHILLIPS HEAD SELF TAPPING SCREW, #10 - 16 X .72" LG .....            | 1    |
| 30   | 00559G4   |           | FLAT WASHER, O.D .45" X I.D .19" .....                                | 1    |

# WEATHER PROTECTION

When ordering parts, please specify the model and serial number of the product.

\* Indicates a component that is not available as an individual part.

\*\*\* Indicates consult Customer Service Department for additional information.

| ITEM | PART NO. | 1 2 3 4 5 | DESCRIPTION  | QTY. |
|------|----------|-----------|--|------|
| 31   |          |           |  |      |
| 32   | 71966G03 |           | FULL WINDSHIELD KIT (INCLUDES ITEMS 33 - 38).....  | 1    |
| 33   | 71960G01 |           | FULL WINDSHIELD.....   | 1    |
| 34   | *        |           | HEX HEAD BOLT, 1/4" - 20 X 1 3/4" LG.....  | 2    |
| 35   | *        |           | FLAT WASHER (SS), 1/4".....  | 2    |
| 36   | *        |           | RUBBER GROMMET.....  | 2    |
| 37   | *        |           | LOCK NUT (SS), 1/4" - 20.....  | 2    |
| 38   | 615662   |           | SASH, 26" LG.....  | 2    |
| 39   |          |           |  |      |
| 40   |          |           |  |      |
| 41   | 71966G04 |           | SPLIT WINDSHIELD KIT (INCLUDES ITEMS 34 - 37, 42, 43).....   | 1    |
| 42   | 617544   |           | SPORT WINDSHIELD.....  | 1    |
| 43   | 615661   |           | SASH, 12" LG.....  | 2    |
| 44   |          |           |  |      |
| 45   |          |           |  |      |
| 46   | 625932   |           | SPLIT WINDSHIELD KIT, CLIP - ON (INCLUDES ITEMS 47, 55)<br>(FOR VEHICLES MANUFACTURED BEFORE 1ST DECEMBER 2014)..... | 1    |
| 47   | 625930   |           | SPLIT WINDSHIELD ASSEMBLY (INCLUDES ITEMS 48 - 54).....  | 1    |
| 48   | 625898   |           | WINDSHIELD LOWER.....  | 1    |
| 49   | 625899   |           | WINDSHIELD UPPER.....  | 1    |
| 50   | 603705   |           | HINGE.....   | 1    |
| 51   | 604115   |           | GROMMET.....   | 2    |
| 52   | 619621   |           | UPPER LATCH.....   | 2    |
| 53   | 603201   |           | LOWER LATCH.....   | 2    |
| 54   | 71963G01 |           | WARNING DECAL.....   | 1    |
| 55   | 625928   |           | HARDWARE KIT, SPLIT WINDSHIELD<br>(INCLUDES ITEMS 56 - 61, 92 - 94).....   | 1    |
| 56   | 619078   |           | TUBE CLAMP, 1.5" DIA.....  | 2    |
| 57   | 604116   |           | FASTENER GROMMET.....  | 2    |
| 58   | 619082   |           | PAN HEAD BOLT, 3/8" - 16 X 1 1/2" LG.....  | 2    |
| 59   | 11098G5  |           | LOCK NUT, 3/8" - 16.....   | 2    |
| 60   | 306981   |           | FLAT WASHER, 3/8".....   | 4    |

# WEATHER PROTECTION

When ordering parts, please specify the model and serial number of the product.

\* Indicates a component that is not available as an individual part.

\*\*\* Indicates consult Customer Service Department for additional information.

| ITEM | PART NO. | 1 | 2 | 3 | 4 | 5 | DESCRIPTION  | QTY. |
|------|----------|---|---|---|---|---|--|------|
| 61   | 624785   |   |   |   |   |   | GROMMET ASSEMBLY, 1/4" (INCLUDES ITEMS 62, 63).....  | 2    |
| 62   | 624780   |   |   |   |   |   | GROMMET, 1/4" .....  | 1    |
| 63   | 624778   |   |   |   |   |   | SLEEVE, 1/4" .....   | 1    |
| 64   |          |   |   |   |   |   |  |      |
| 65   |          |   |   |   |   |   |  |      |
| 66   |          |   |   |   |   |   |  |      |
| 67   |          |   |   |   |   |   |  |      |
| 68   |          |   |   |   |   |   |  |      |
| 69   | 625931   |   |   |   |   |   | FULL WINDSHIELD KIT, CLIP - ON (INCLUDES ITEMS 70, 73) .....   | 1    |
| 70   | 625927   |   |   |   |   |   | FULL WINDSHIELD ASSEMBLY (INCLUDES ITEMS 54, 71, 72).....  | 1    |
| 71   | 625904   |   |   |   |   |   | FULL WINDSHIELD.....   | 1    |
| 72   | 604115   |   |   |   |   |   | GROMMET .....  | 2    |
| 73   | 625929   |   |   |   |   |   | HARDWARE KIT, FULL WINDSHIELD (INCLUDES ITEMS 74 - 79) .....   | 1    |
| 74   | 619078   |   |   |   |   |   | TUBE CLAMP, 1.5" DIA .....   | 4    |
| 75   | 604116   |   |   |   |   |   | FASTENER GROMMET .....   | 4    |
| 76   | 619082   |   |   |   |   |   | PAN HEAD BOLT, 3/8" - 16 X 1 1/2" LG .....   | 4    |
| 77   | 11098G5  |   |   |   |   |   | LOCK NUT, 3/8" - 16.....   | 4    |
| 78   | 306981   |   |   |   |   |   | FLAT WASHER, 3/8" .....  | 8    |
| 79   | 624785   |   |   |   |   |   | GROMMET ASSEMBLY, 1/4" (INCLUDES ITEMS 80, 81).....  | 2    |
| 80   | 624780   |   |   |   |   |   | GROMMET, 1/4" .....  | 1    |
| 81   | 624778   |   |   |   |   |   | SLEEVE, 1/4" .....   | 1    |
| 82   |          |   |   |   |   |   |  |      |
| 83   | 638372   |   |   |   |   |   | SPLIT WINDSHIELD KIT, CLIP ON (INCLUDES ITEMS 86, 55)<br>(FOR VEHICLES MANUFACTURED FROM 1ST DECEMBER 2014)..... | 1    |
| 84   | 638120   |   |   |   |   |   | SPLIT WINDSHIELD ASSEMBLY (INCLUDES ITEMS 87 - 91) .....   | 1    |
| 85   | 603201   |   |   |   |   |   | LOWER WINDSHIELD LATCH.....  | 2    |
| 86   | 71963G01 |   |   |   |   |   | DECAL .....  | 1    |
| 87   | 638054   |   |   |   |   |   | LOWER SPLIT WINDSHIELD .....   | 1    |
| 88   | 638070   |   |   |   |   |   | HINGE.....   | 1    |
| 89   | 604115   |   |   |   |   |   | GROMMET .....  | 2    |
| 90   | 61A9621  |   |   |   |   |   | UPPER WINDSHIELD LATCH.....  | 2    |

# WEATHER PROTECTION

When ordering parts, please specify the model and serial number of the product.

\* Indicates a component that is not available as an individual part.

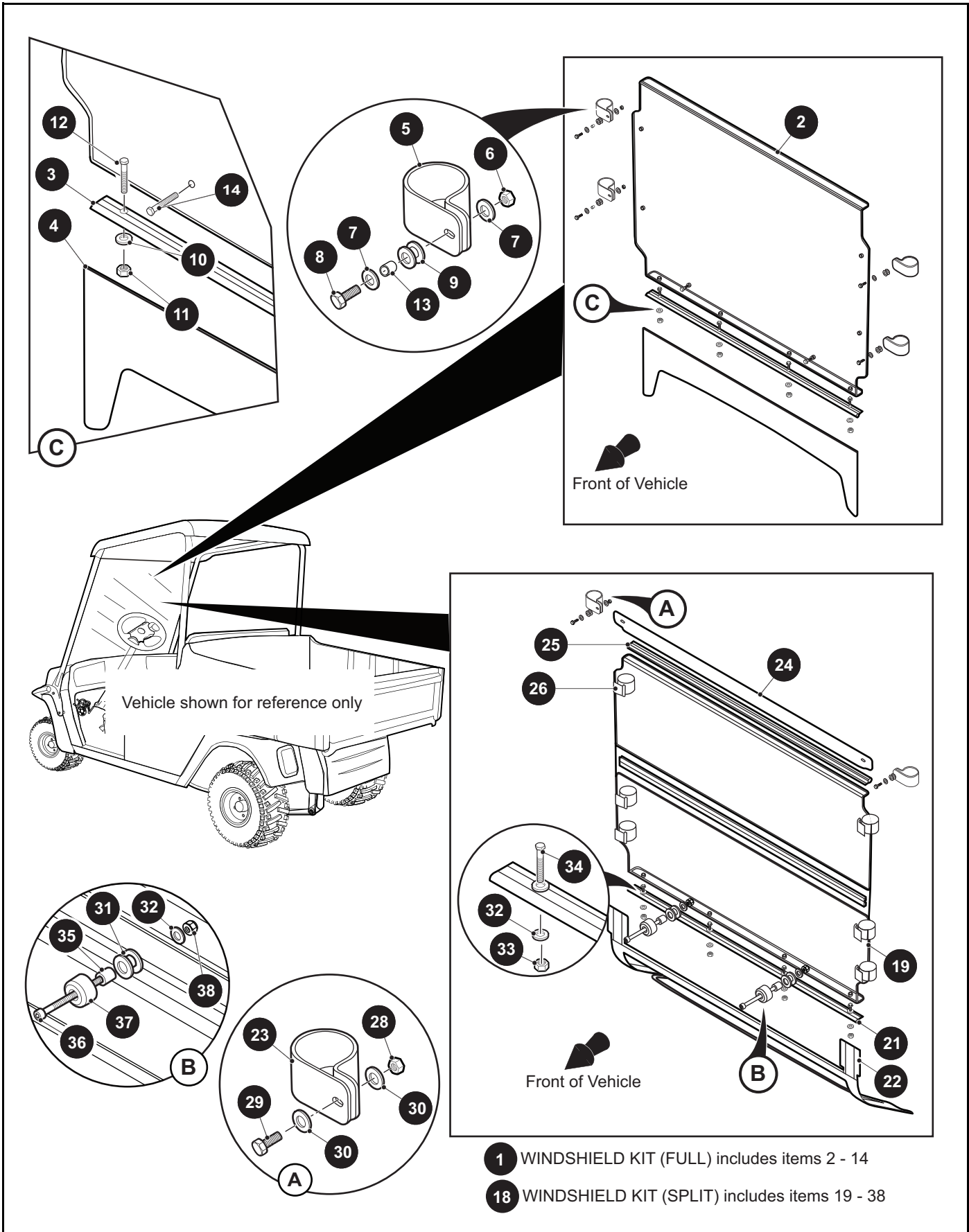
\*\*\* Indicates consult Customer Service Department for additional information.

| ITEM | PART NO. | 1 | 2 | 3 | 4 | 5 | DESCRIPTION  | QTY. |
|------|----------|---|---|---|---|---|--|------|
| 91   | 638053   |   |   |   |   |   | UPPER SPLIT WINDSHIELD.....                          | 1    |
| 92   | 00753G7  |   |   |   |   |   | TRUSS HEAD PHILLIPS SCREW, 1/4" - 20 X 2.5" LG ..... | 2    |
| 93   | 00650G7  |   |   |   |   |   | FLAT WASHER, 1/4" .....                              | 4    |
| 94   | 00550G1  |   |   |   |   |   | HEX NUT, 1/4" - 20.....                              | 2    |

**Notes:**

A large rectangular grid of graph paper with 28 columns and 28 rows, intended for taking notes.

# WEATHER PROTECTION



# WEATHER PROTECTION

When ordering parts, please specify the model and serial number of the product.

\* Indicates a component that is not available as an individual part.

\*\*\* Indicates consult Customer Service Department for additional information.

| ITEM | PART NO. | 1 2 3 4 5 | DESCRIPTION  | QTY. |
|------|----------|-----------|--|------|
| 1    | 627079   |           | WINDSHIELD KIT (FULL) (INCLUDES ITEMS 2 - 14) .....  | 1    |
| 2    | *        |           | WINDSHIELD .....                                     | 1    |
| 3    | *        |           | AWNING MOLDING (ALUMINUM).....                       | 1    |
| 4    | *        |           | TEXTILE SKIRT PLACEHOLDER.....                       | 1    |
| 5    | *        |           | PLASTIC CLAMP .....                                  | 4    |
| 6    | *        |           | HEX NUT.....   | 6    |
| 7    | *        |           | FLAT WASHER .....                                    | 12   |
| 8    | *        |           | HEX HEAD BOLT .....                                  | 4    |
| 9    | *        |           | WINDSHIELD GROMMET .....                             | 6    |
| 10   | *        |           | FLAT WASHER .....                                    | 8    |
| 11   | *        |           | HEX NUT.....   | 4    |
| 12   | *        |           | HEX HEAD BOLT .....                                  | 4    |
| 13   | *        |           | CRUSH SLEEVE .....                                   | 6    |
| 14   | *        |           | HEX HEAD BOLT .....                                  | 2    |
| 15   |          |           |  |      |
| 16   |          |           |  |      |
| 17   |          |           |  |      |
| 18   | 627080   |           | WINDSHIELD KIT (SPLIT) (INCLUDES ITEMS 19 - 38)..... | 1    |
| 19   | *        |           | WINDSHIELD .....                                     | 1    |
| 20   |          |           |  |      |
| 21   | *        |           | AWNING MOLDING (ALUMINUM).....                       | 1    |
| 22   | *        |           | TEXTILE SKIN PLACEHOLDER.....                        | 1    |
| 23   | *        |           | PLASTIC CLAMP .....                                  | 2    |
| 24   | *        |           | UPPER METAL SEAL .....                               | 1    |
| 25   | *        |           | UNIGRIP.....   | 1    |
| 26   | *        |           | TEXTILE STRAP .....                                  | 6    |
| 27   |          |           |  |      |
| 28   | *        |           | HEX NUT.....   | 2    |
| 29   | *        |           | HEX HEAD BOLT .....                                  | 2    |
| 30   | *        |           | FLAT WASHER .....                                    | 4    |
| 31   | *        |           | GROMMET .....  | 2    |

# WEATHER PROTECTION

When ordering parts, please specify the model and serial number of the product.

\* Indicates a component that is not available as an individual part.

\*\*\* Indicates consult Customer Service Department for additional information.

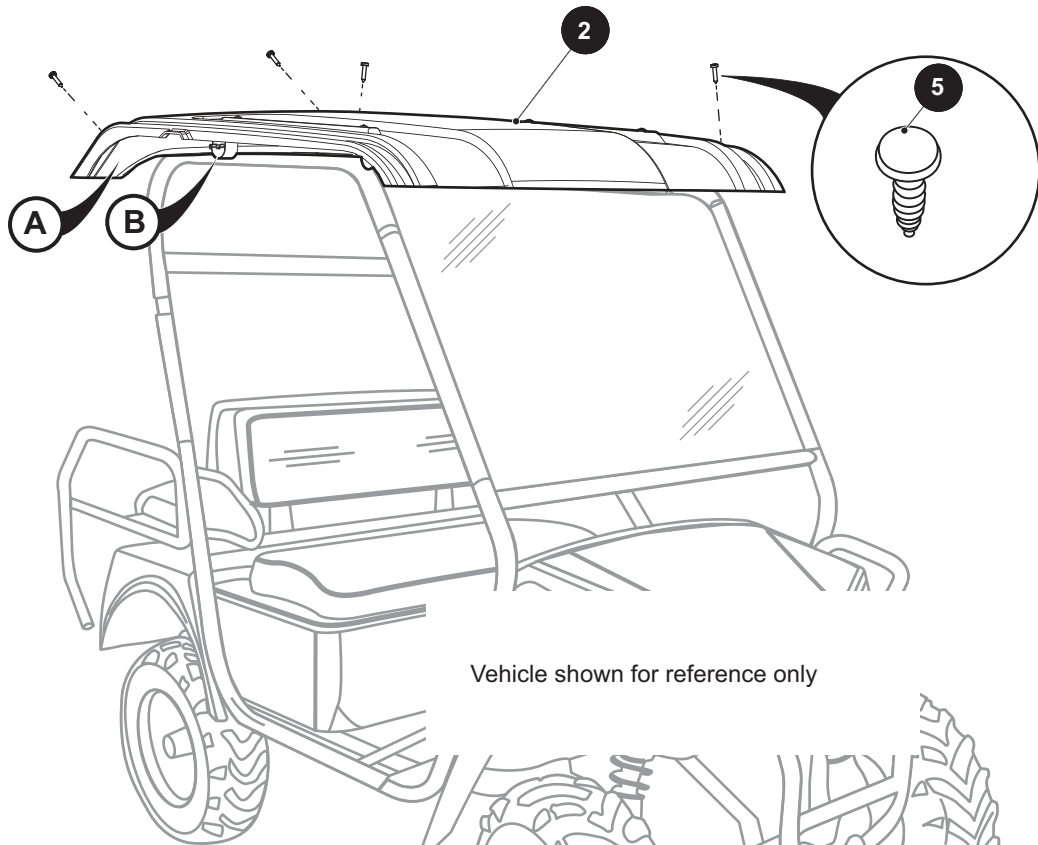
| ITEM | PART NO. | 1 | 2 | 3 | 4 | 5 | DESCRIPTION        | QTY. |
|------|----------|---|---|---|---|---|--------------------|------|
| 32   | *        |   |   |   |   |   | FLAT WASHER .....  | 10   |
| 33   | *        |   |   |   |   |   | HEX NUT .....      | 4    |
| 34   | *        |   |   |   |   |   | HEX HEAD BOLT..... | 4    |
| 35   | *        |   |   |   |   |   | CRUSH SLEEVE ..... | 2    |
| 36   | *        |   |   |   |   |   | HEX HEAD BOLT..... | 2    |
| 37   | *        |   |   |   |   |   | BUMPER.....        | 2    |
| 38   | *        |   |   |   |   |   | HEX NUT .....      | 2    |



Notes:

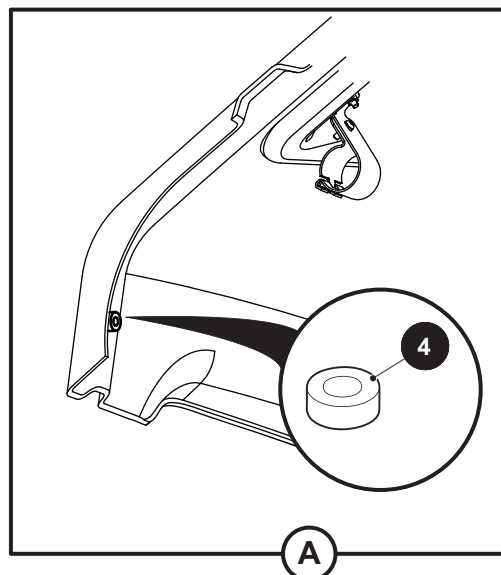
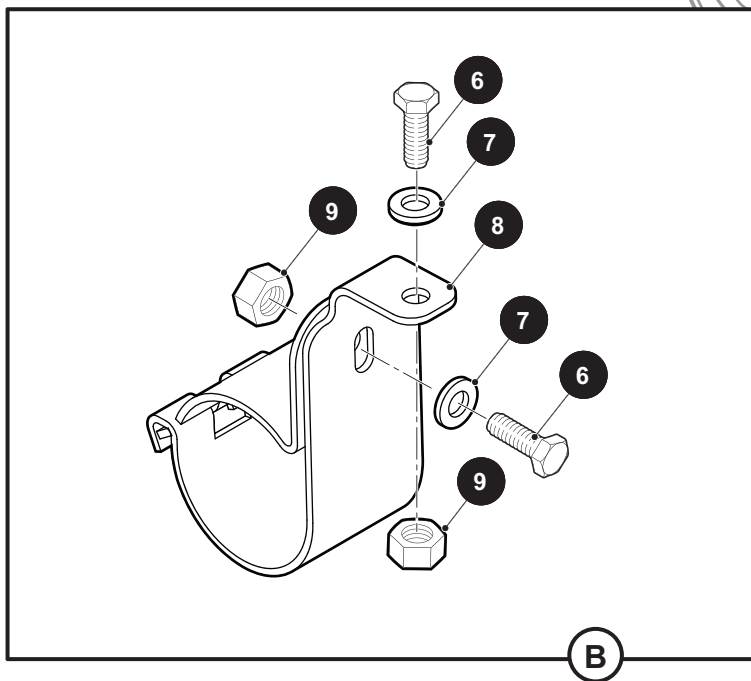
A large grid of empty squares for writing notes. The grid is composed of approximately 20 columns and 40 rows of small squares, providing a structured area for recording information.

# WEATHER PROTECTION



Vehicle shown for reference only

- 1 TOP CANOPY KIT includes items 2, 3
- 3 HARDWARE KIT includes items 4 - 9



# WEATHER PROTECTION

When ordering parts, please specify the model and serial number of the product.

\* Indicates a component that is not available as an individual part.

\*\*\* Indicates consult Customer Service Department for additional information.

| ITEM | PART NO. | 1 2 3 4 5 | DESCRIPTION                                | QTY. |
|------|----------|-----------|--|------|
| 1    | 628584   |           | TOP CANOPY KIT (INCLUDES ITEMS 2, 3) ..... | 1    |
| 2    | 627077   |           | TOP CANOPY .....                           | 1    |
| 3    | 628585   |           | HARDWARE KIT (INCLUDES ITEMS 4 - 9) .....  | 1    |
| 4    | *        |           | RUBBER SPACER.....                         | 4    |
| 5    | *        |           | CHRISTMAS TREE PUSH RIVET.....             | 4    |
| 6    | *        |           | HEX HEAD BOLT, M6 - 1 X 20MM LG.....       | 8    |
| 7    | *        |           | FLAT WASHER, 1/4" .....                    | 8    |
| 8    | *        |           | CLAMP (2 PIECE).....                       | 4    |
| 9    | *        |           | HEX NUT, M6 - 1.....                       | 8    |

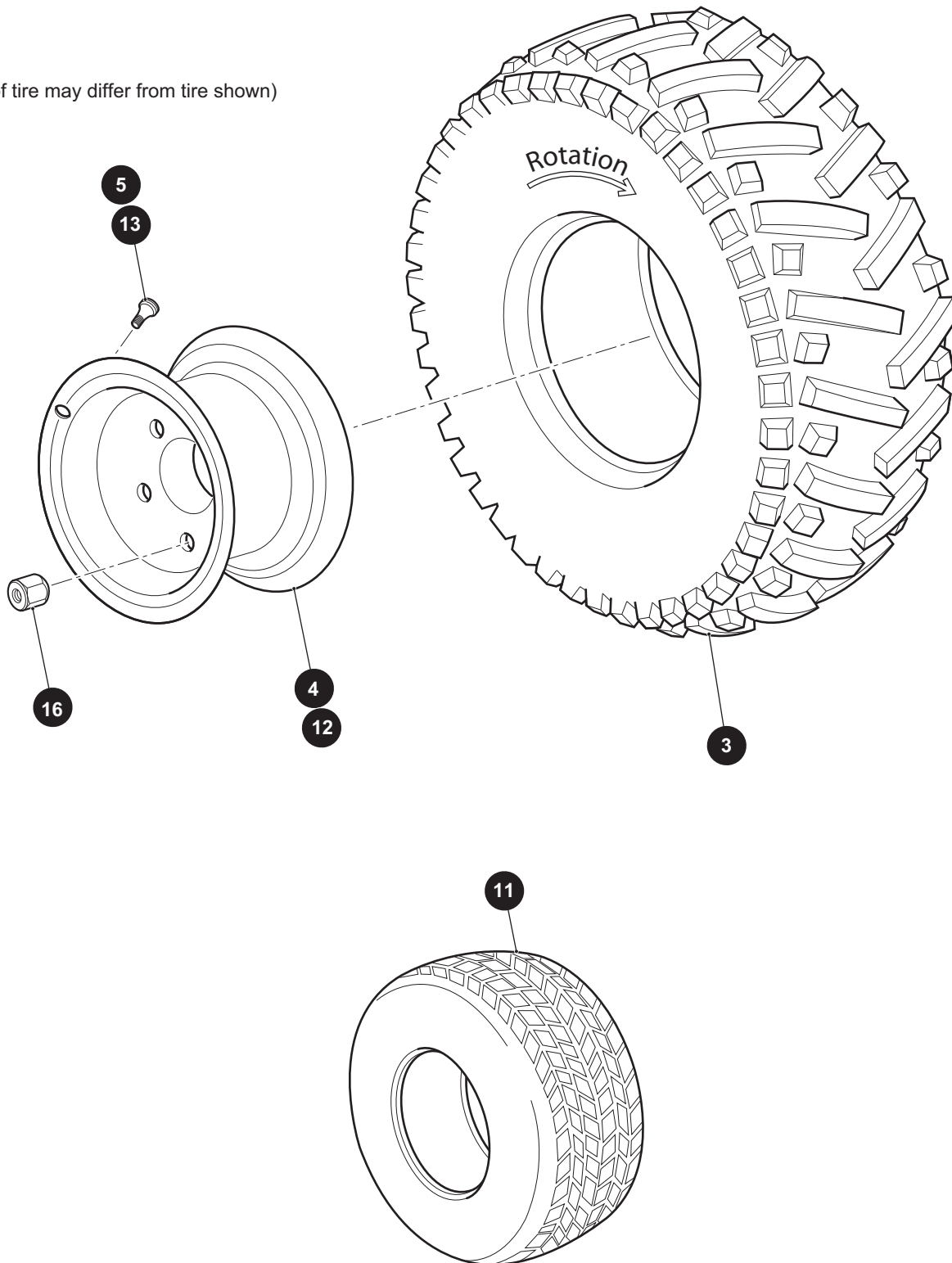




# WHEELS AND TIRES

- 1 BLACK WHEEL AND STRYKER® 1 TIRE ASSEMBLY (DRIVER SIDE) includes items 3, 4, 5
- 2 BLACK WHEEL AND STRYKER® 1 TIRE ASSEMBLY (PASSENGER SIDE) includes items 6, 4, 5
- 10 BLACK WHEEL AND TURF SAVER® TIRE ASSEMBLY includes items 11, 12, 13

(Style of tire may differ from tire shown)



# WHEELS AND TIRES

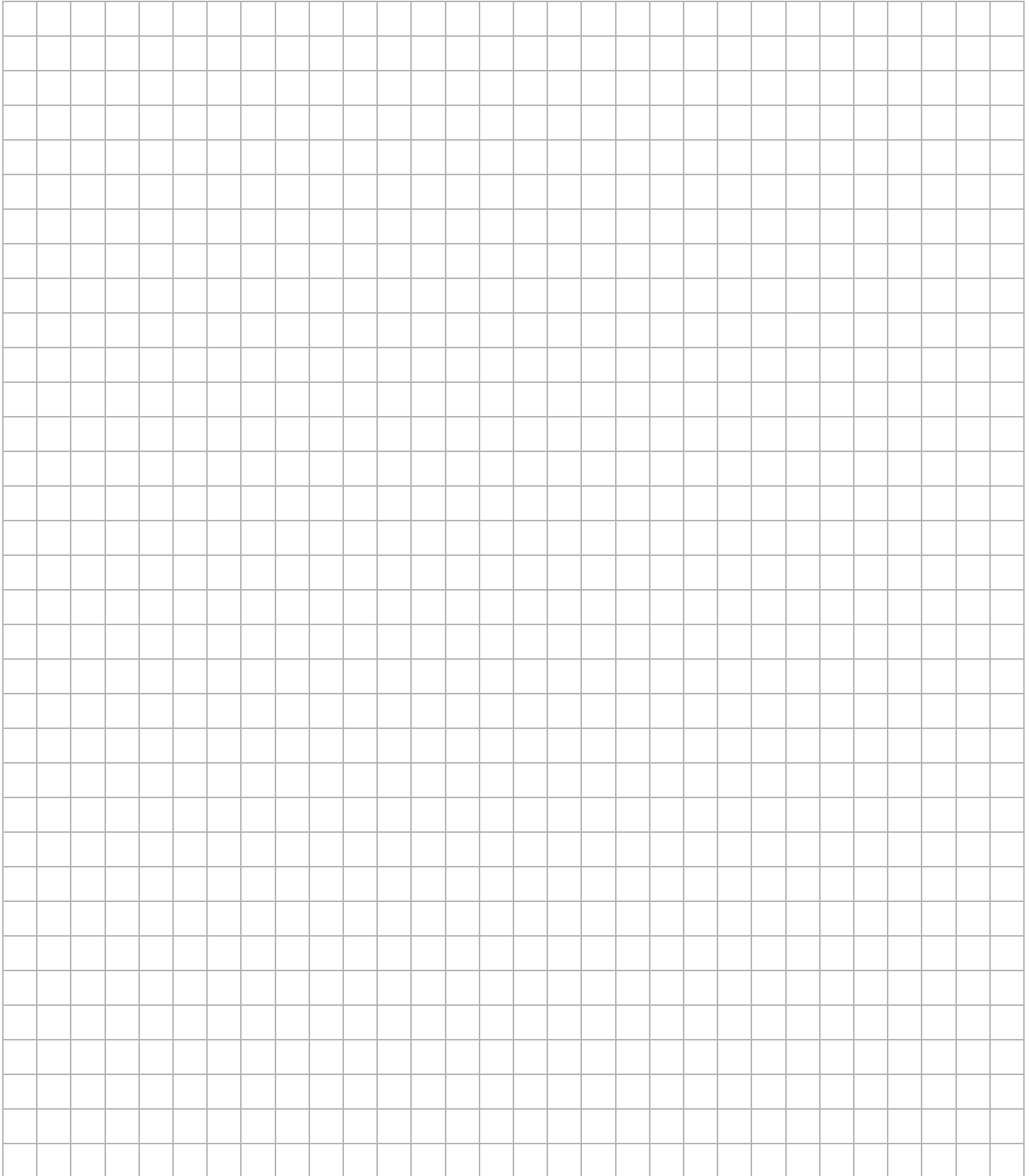
When ordering parts, please specify the model and serial number of the product.

\* Indicates a component that is not available as an individual part.

\*\*\* Indicates consult Customer Service Department for additional information.

| ITEM | PART NO. | 1 2 3 4 5 | DESCRIPTION  | QTY. |
|------|----------|-----------|--|------|
| 1    | 28630G04 |           | BLACK WHEEL AND STRYKER® 1 TIRE ASSEMBLY<br>(DRIVER SIDE) (Includes Items 3, 4, 5) .....   | AR   |
| 2    | 28630G05 |           | BLACK WHEEL AND STRYKER® 1 TIRE ASSEMBLY<br>(PASSENGER SIDE) (Includes Items 6, 4, 5)..... | AR   |
| 3    | 28630G01 |           | TIRE, 22 X 9 - 10 STRYKER® 1 .....   | 1    |
| 4    | 15172G02 |           | WHEEL RIM, BLACK (4 LUG).....  | 1    |
| 5    | 11657G1  |           | VALVE STEM.....  | 1    |
| 6    |          |           |  |      |
| 7    |          |           |  |      |
| 8    |          |           |  |      |
| 9    |          |           |  |      |
| 10   | 28442G03 |           | BLACK WHEEL AND TURF SAVER® TIRE ASSEMBLY<br>(Includes Items 11, 12, 13) .....             | AR   |
| 11   | 28442G02 |           | TIRE, 20 X 10 - 10 TURF SAVER® .....   | 1    |
| 12   | 15172G02 |           | WHEEL RIM, BLACK (4 LUG).....  | 1    |
| 13   | 11657G1  |           | VALVE STEM.....  | 1    |
| 14   |          |           |  |      |
| 15   |          |           |  |      |
| 16   | 14723G1  |           | LUG NUT, 1/2 - 20.....   | AR   |

## Notes:









A Textron Company

**E-Z-GO Division of Textron Inc.,**  
1451 Marvin Griffin Road, Augusta, Georgia 30906 - 3852 USA

**TO CONTACT US...**

North America:

**Technical Assistance & Warranty** Phone: 1-800-774-3946, FAX: 1-800-448-8124

**Service Parts** Phone: 1-888-GET-E-Z-GO (1-888-438-3946), FAX: 1-800-752-6175

International: Phone: 001-706-798-4311, FAX: 001-706-771-4609

Service Parts Manuals, as well as Repair and Service Manuals  
are available from a local Distributor, an authorized Branch,  
Genuine E-Z-GO Parts & Accessories Department or at [www.shopezgo.com](http://www.shopezgo.com).

Copyrighted Material  
This manual may not be reproduced in whole or  
in part without the express permission of  
E-Z-GO Division of Textron Inc.  
Technical Communications Department