



A Textron Company

S E R V I C E P A R T S
M A N U A L



HERITAGE

610718

ISSUED OCTOBER 2008

SERVICE PARTS MANUAL

GASOLINE POWERED PERSONAL USE VEHICLE

TXT HERITAGE

MODEL YEAR 2009

E-Z-GO Division of TEXTRON, Inc. reserves the right to incorporate engineering and design changes to products in this Manual, without obligation to include these changes on units leased/sold previously.

The information contained in this Manual may be revised periodically by the E-Z-GO Division, and therefore is subject to change without notice.

The E-Z-GO Division **DISCLAIMS LIABILITY FOR ERRORS IN THIS MANUAL**, and the E-Z-GO Division **SPECIFICALLY DISCLAIMS LIABILITY FOR INCIDENTAL AND CONSEQUENTIAL DAMAGES** resulting from the use of the information and materials in this Manual.

TO CONTACT US

NORTH AMERICA:

TECHNICAL ASSISTANCE & WARRANTY PHONE: 1-800-774-3946, FAX: 1-800-448-8124

SERVICE PARTS PHONE: 1-888-GET-EZGO (1-888-438-3946), FAX: 1-800-752-6175

INTERNATIONAL: PHONE: 001-706-798-4311, FAX: 001-706-771-4609

E-Z-GO DIVISION OF TEXTRON, INC., 1451 MARVIN GRIFFIN ROAD, AUGUSTA, GEORGIA USA 30906-3852

GENERAL INFORMATION

To obtain a copy of the limited warranty applicable to the vehicle, call or write a local Distributor, authorized Branch or the Warranty Department with vehicle serial number and manufacturer code.

The use of non Original Equipment Manufacturer (OEM) parts may void the warranty.

Tampering with or adjusting the governor to permit vehicle to operate at above factory specifications will void the vehicle warranty.

When servicing engines, all adjustments and replacement components must be per original vehicle specifications in order to maintain the United States of America Federal and State emission certification applicable at the time of manufacture.

BATTERY PROLONGED STORAGE

All batteries will self discharge over time. The rate of self discharge varies depending on the ambient temperature and the age and condition of the batteries.

A fully charged battery will not freeze in winter temperatures unless the temperature falls below -75° F (-60° C).

TABLE OF CONTENTS

SECTION	Page No.
HOW TO USE THE SERVICE PARTS MANUAL	v
ILLUSTRATED PARTS BREAKDOWN	vii
ACCELERATOR	A-1
• Pedal Box Assembly	
• Actuator Pedal Assembly	
• Governor Cover/Decal	
AIR FILTER	B-1
• Air Cleaner	
BODY	C-1
• Instrument Panel Assembly	
• Cowl	
• Front Bracket Assembly	
• Rear Body	
• Foot Rest Assembly	
BRAKES	D-1
• Brake Pedal Assembly	
• Brake Drum Assembly	
CARBURETOR AND CHOKE	E-1
• Carburetor	
• Choke Cable	
CLUTCH	F-1
• Drive Clutch	
• Driven Clutch Assembly	
DIRECTION SELECTOR	G-1
• Direction Selector Handle	
ELECTRICAL SYSTEM	H-1
• Battery	
• Ground Cable	
• Electrical Plate Assembly	
• Horn	
ENGINE AND MUFFLER	J-1
• Engine	
• Muffler	

TABLE OF CONTENTS

ENGINE MOUNTING	K-1
• Front Engine Mount	
• Engine Pan Mount	
• Iso Mount	
FRONT SUSPENSION AND STEERING.....	L-1
• Front Axle	
• Spindle Assembly	
• Shock Absorber	
• Steering Column	
• Tie Rod Assembly	
FUEL SYSTEM.....	N-1
• CARB Fuel Tank Assembly	
• Fuel Pump	
• Carbon Canister	
REAR AXLE	P-1
• Axle Tube	
• Axle Shaft	
REAR SUSPENSION.....	R-1
• Heavy Duty Leaf Spring	
• Flanged Bushing	
SEATING	S-1
• Seat Bottom Assembly	
• Seat Back Assembly	
STARTER / GENERATOR	T-1
• Insulating Brush Assembly	
• Starter/Generator Adjuster	
WEATHER PROTECTION	U-1
• Sun Top Kit	
• Windshield Kit	
WHEELS AND TIRES	W-1
SPECIALTY PRODUCTS.....	APPENDIX A-1

HOW TO USE THE SERVICE PARTS MANUAL

This manual is divided into several sections:

- GENERAL INFORMATION
- ILLUSTRATED PARTS BREAKDOWN
- APPENDIX

The first section, GENERAL INFORMATION, contains the following information:

- WARRANTY INFORMATION
- GENERAL INDEX
- HOW TO USE THE SERVICE PARTS MANUAL

The second section, ILLUSTRATED PARTS BREAKDOWN, contains illustrations and parts lists for all systems of your vehicle.

The third section, APPENDIX, contains a listing of specialty products and accessories.

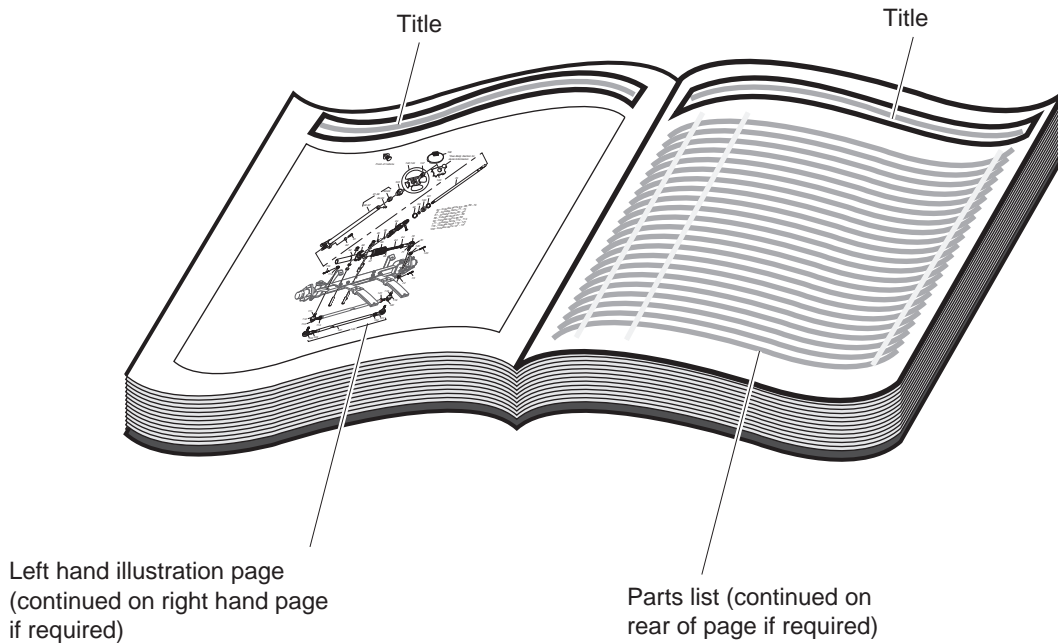
USE OF THE MANUAL

To use this manual, consult the GENERAL INDEX to locate the information or illustration required.

Introduction of some revisions varies due to supply of components; therefore, it is possible that various combinations of components may be found that are not directly reflected by each illustration. Consult the illustration that best suits your situation and then contact the Service Parts Department. It is important that the serial number of your vehicle and its model number be supplied to Service Parts when ordering any replacement components.

Locate the serial number plate (see BODY located in the Illustrated Parts Breakdown section of this manual for its location) and note the complete number shown on the plate.

HOW TO USE THE SERVICE PARTS MANUAL



1. WHEN THE PART NUMBER IS NOT KNOWN

- Determine the function and application of the part required. Turn to the General Index and select the most appropriate title.
- Turn to the page number indicated and locate the desired part on the illustration.
- From the illustration, obtain the item number assigned to the desired part. Refer to the accompanying description for specific information regarding the part.

2. IF YOU KNOW THE PART NUMBER

- Locate the part number or description in the appropriate column on the parts list page.

NOTE: It is suggested that you confirm that the part selected is correct by verifying it with the pictorial representation on the illustrated page.

Should an asterisk (*) appear in the part number column on the parts list page, read upwards until a part number is found. The part number is the lowest assembly sold by Service Parts and the asterisk (*) indicates that the part depicted is not available for purchase.

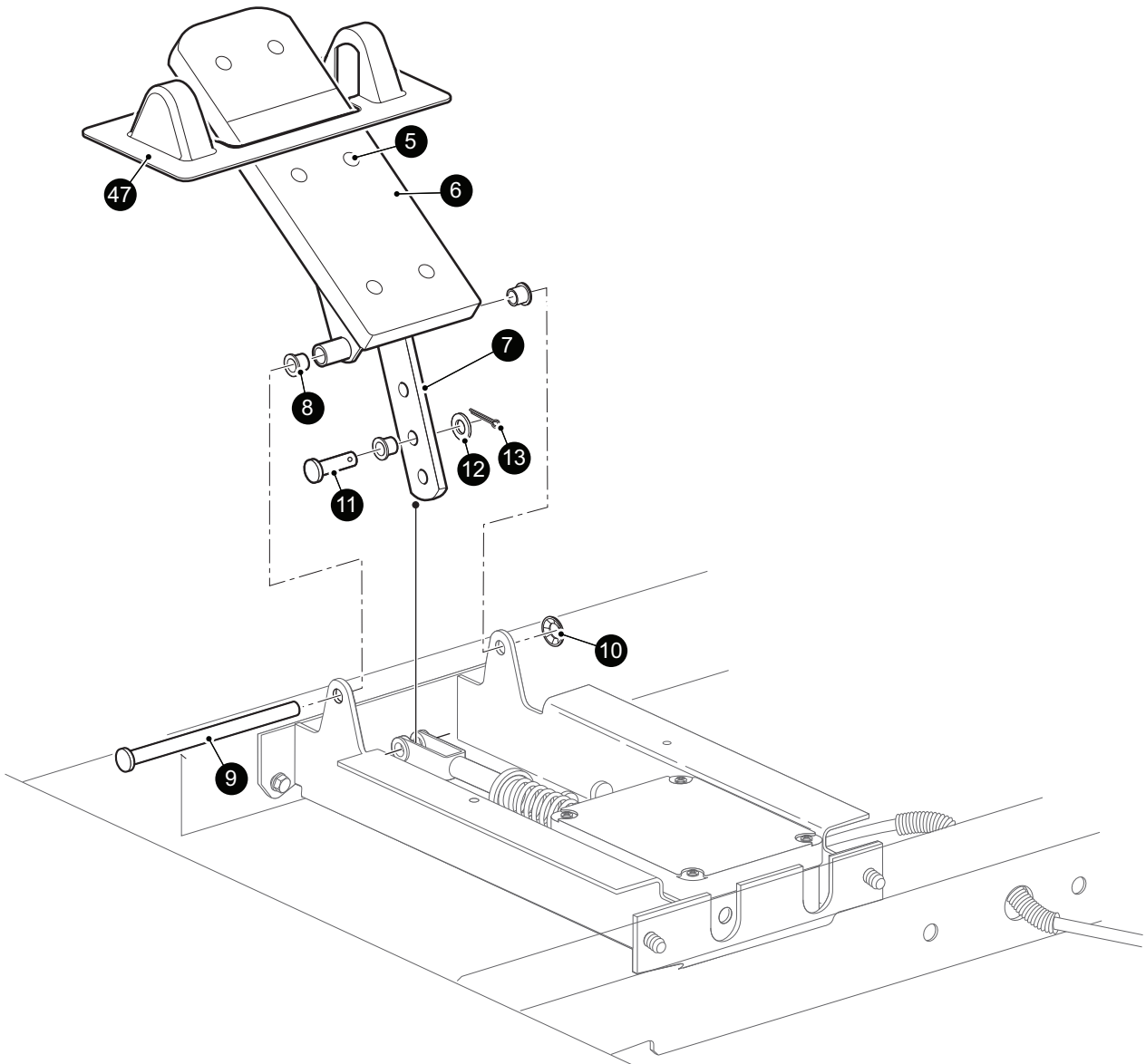
NOTE: Descriptions are indented under the assembly that they are used on. That assembly is, in turn listed under the assembly that it is used on. This process is repeated until the highest final assembly is reached.

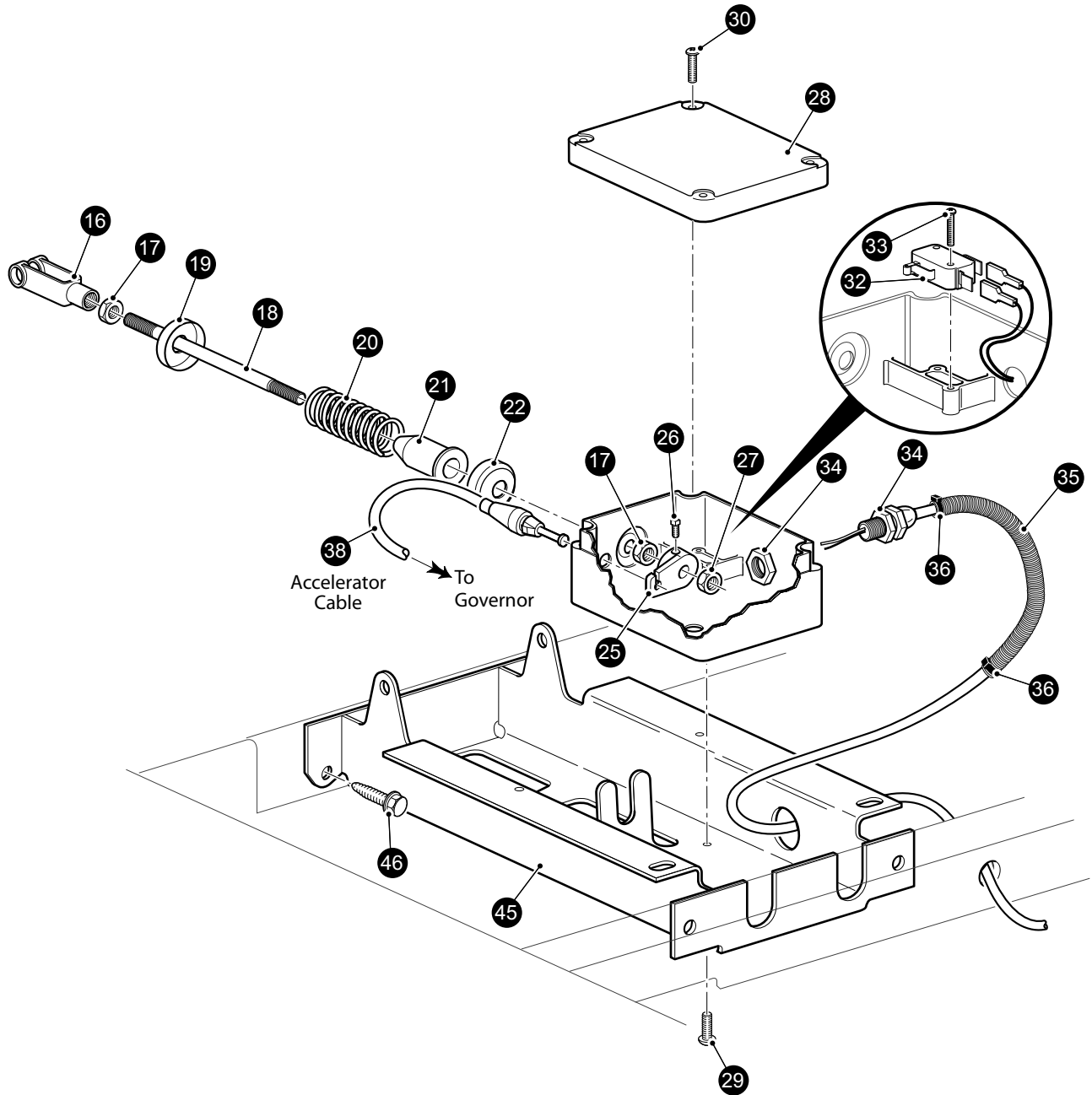
To facilitate the maintenance and repair of the vehicle, a Technician's Repair and Service Manual is available from the Service Parts Department.

ILLUSTRATED PARTS BREAKDOWN

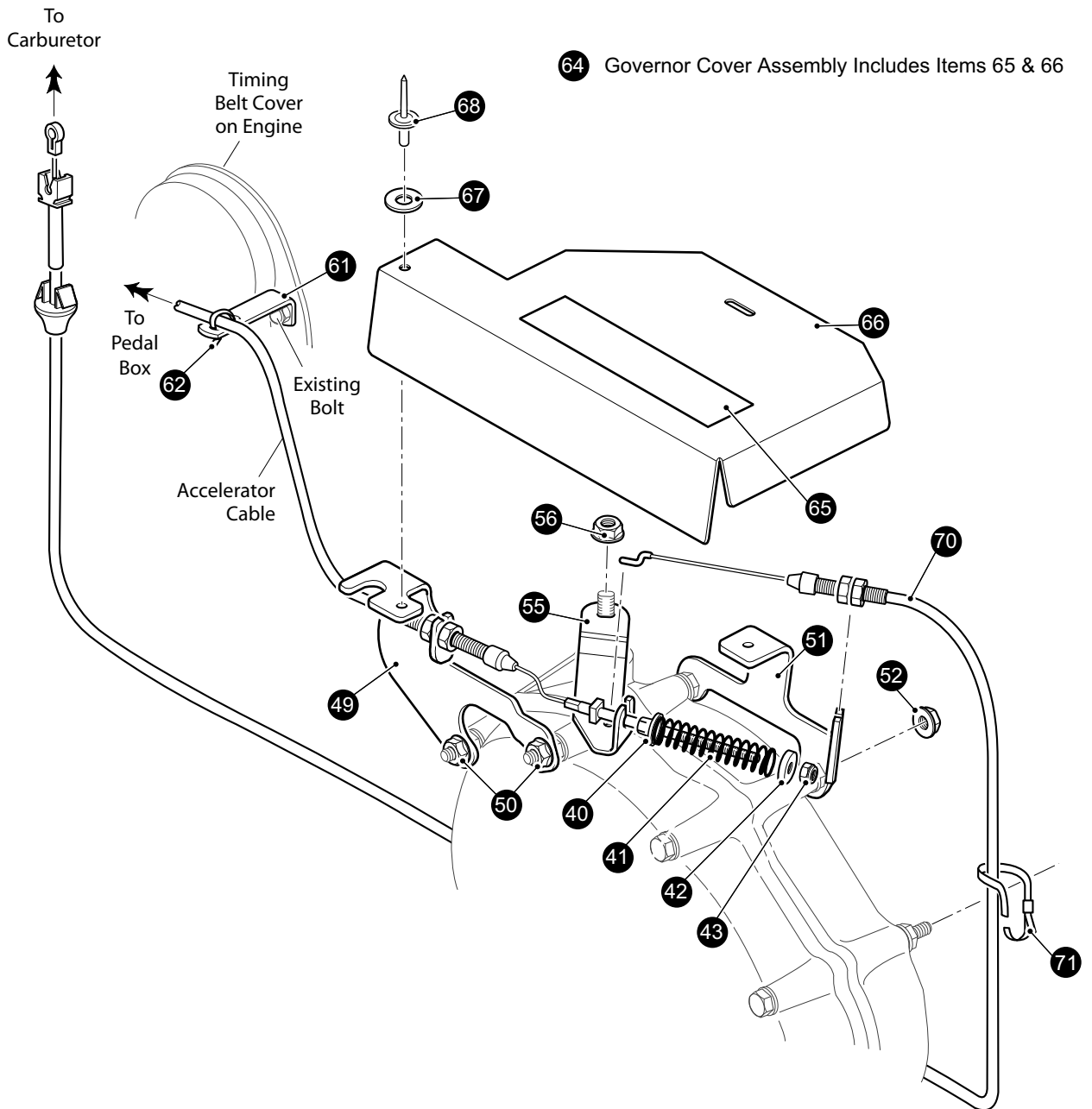
ACCELERATOR

- 1 Pedal Box Assembly Includes Items 3 - 45
- 3 Accelerator Pedal Assembly Includes Items 4 - 7
- 4 Accelerator Pedal Pad Kit Includes Items 5 & 6





ACCELERATOR



When ordering parts, please specify the model and serial number of the product.

* Indicates a component that is not available as an individual part.

*** Indicates consult Customer Service Department for additional information.

ITEM	PART NO.	1 2 3 4 5	DESCRIPTION	QTY.
1	<u>72717G04</u>		PEDAL BOX ASSEMBLY (INCLUDES ITEMS 3 - 45).....	1
2				
3	<u>25799G03</u>		ACCELERATOR PEDAL ASSEMBLY (INCLUDES ITEMS 4 - 7)	1
4	<u>27844G01</u>		ACCELERATOR PEDAL PAD KIT (INCLUDES ITEMS 5 - 6)	1
5	<u>15766G1</u>		OVAL RIVET, 3/16" X 7/16" LG	6
6	<u>27512G01</u>		ACCELERATOR PEDAL PAD	1
7	*		ACCELERATOR PEDAL.....	1
8	<u>17838G1</u>		NYLON BUSHING	3
9	<u>74432G01</u>		PEDAL PIVOT PIN	1
10	<u>12064G6</u>		PUSH NUT, 9/32"	1
11	<u>10386G3</u>		CLEVIS PIN, 5/16" X 13/16" LG	1
12	<u>17255G1</u>		TEFLON WASHER, 5/16"	1
13	<u>10387G3</u>		COTTER PIN, 3/32" X 3/4" LG	1
14				
15				
16	10385G4		CLEVIS YOKE (ADJUSTABLE).....	1
17	<u>00532G4</u>		NUT, 5/16 - 24	2
18	72072G01		ACCELERATOR ROD	1
19	<u>17677G2</u>		SPRING RETAINER, 3/8"	1
20	<u>73046G01</u>		COMPRESSION SPRING	1
21	<u>17979G1</u>		ACCELERATOR ROD BUSHING.....	1
22	<u>17677G1</u>		SPRING RETAINER, 1/2"	1
23				
24				
25	<u>72716G01</u>		MICRO SWITCH CAM	1
26	<u>00487G3</u>		SETSCREW, 1/4 - 20 X 3/8" LG	1
27	<u>15126G1</u>		LOCK NUT, 5/16 - 24.....	1
28	<u>25853G03</u>		PEDAL BOX AND COVER	1
29	<u>01051G01</u>		SCREW, #8 - 16 X 1/2" LG.....	4
30	<u>00684G6</u>		SCREW, #8 - 32 X 3/4" LG (STAINLESS STEEL)	2
31				

ACCELERATOR

When ordering parts, please specify the model and serial number of the product.

* Indicates a component that is not available as an individual part.

*** Indicates consult Customer Service Department for additional information.

ITEM	PART NO.	1	2	3	4	5	DESCRIPTION	QTY.
32	<u>25861G01</u>						MICRO SWITCH.....	1
33	<u>01050G01</u>						SCREW, #4 - 20 X 5/8" LG	2
34	<u>72201G04</u>						WIRE HARNESS (PEDAL BOX).....	1
35	<u>17313G1</u>						FLEX LOOM (BULK).....	AR
36	<u>17618G1</u>						WIRE TIE	2
37								
38	<u>72713G01</u>						ACCELERATOR CABLE.....	1
39								
40	<u>72706G01</u>						ACCELERATOR CABLE BUSHING	1
41	<u>72707G01</u>						COMPRESSION SPRING	1
42	<u>25727G02</u>						CUP WASHER, 3/16".....	1
43	<u>00734G5</u>						LOCK NUT, #10 - 32	1
44								
45	70116G02						ACCELERATOR PEDAL BRACKET.....	1
46	<u>00715G2</u>						BOLT, 5/16 - 18 X 13/16" LG	4
47	<u>70135G01</u>						PEDAL PIVOT COVER	1
48								
49	<u>72701G02</u>						ACCELERATOR CABLE MOUNTING BRACKET.....	1
50	26830G01						LOCK NUT, M8 X 1.25 MM	2
51	<u>72703G02</u>						THROTTLE CABLE MOUNTING BRACKET	1
52	26830G01						LOCK NUT, M8 X 1.25 MM	2
53								
54								
55	<u>72708G01</u>						GOVERNOR ARM.....	1
56	26830G01						LOCK NUT, M8 X 1.25 MM	1
57								
58								
59								
60								
61	<u>72055G01</u>						ACCELERATOR CABLE BRACKET	1
62	<u>17618G1</u>						WIRE TIE.....	1

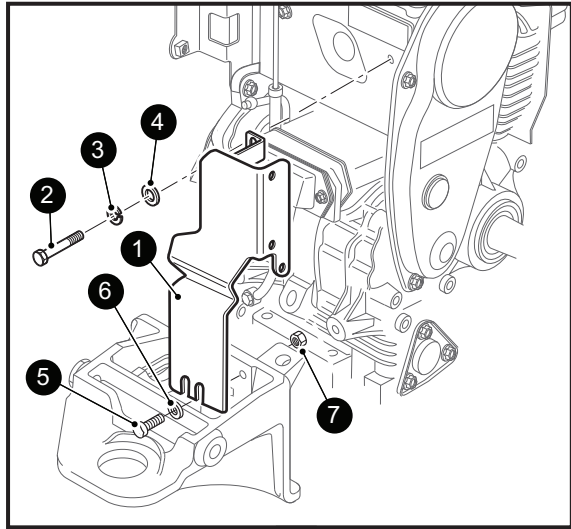
When ordering parts, please specify the model and serial number of the product.

* Indicates a component that is not available as an individual part.

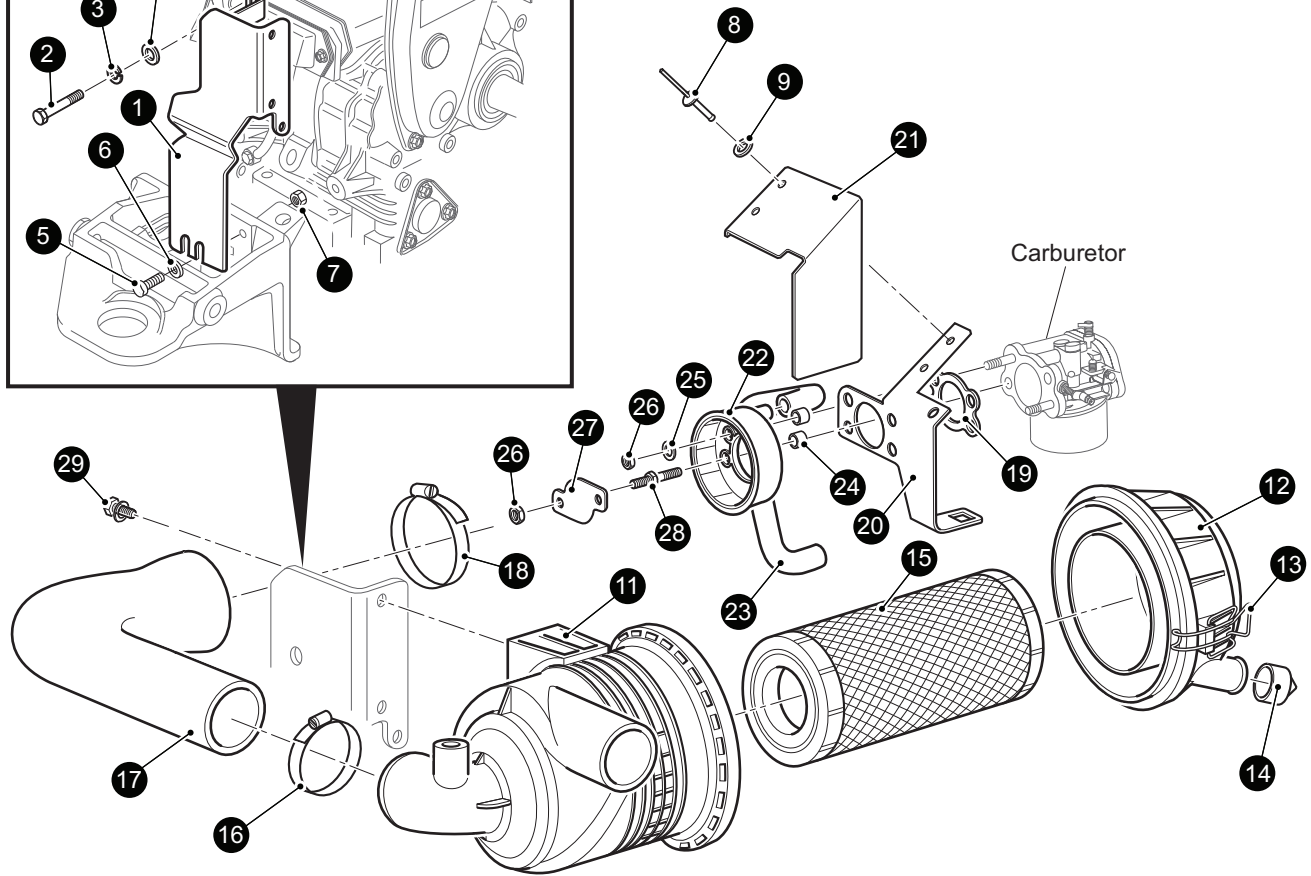
*** Indicates consult Customer Service Department for additional information.

ITEM	PART NO.	1 2 3 4 5	DESCRIPTION	QTY.
63				
64	74457G02		GOVERNOR COVER/LABEL ASSEMBLY (INCLUDES ITEMS 65, 66)	1
65	72705G01		GOVERNOR COVER.....	1
66	24880G01		LABEL (WARNING - GOVERNOR).....	1
67	<u>00915G1</u>		BONDED WASHER, 1/4"	2
68	<u>14601G11</u>		RIVET, 3/16" X 9/16" LG (ALUMINUM).....	2
69				
70	<u>72714G01</u>		THROTTLE CABLE	1
71	<u>17618G1</u>		WIRE TIE	1

AIR FILTER



10 Air Cleaner Canister Assembly Includes Items 11-15



Front of Vehicle

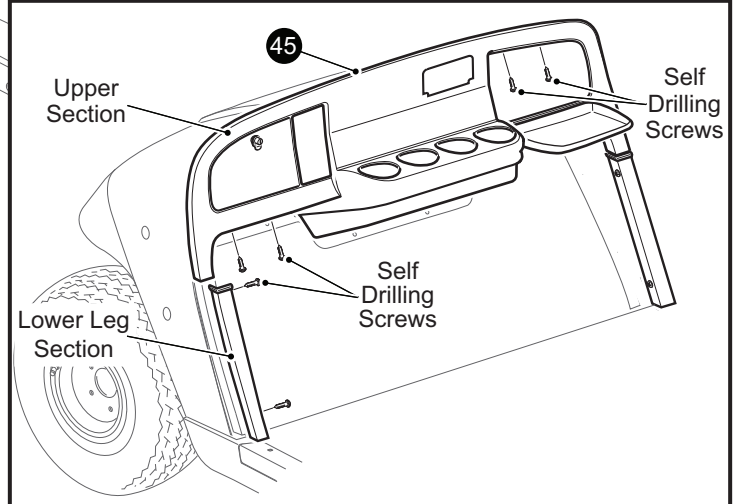
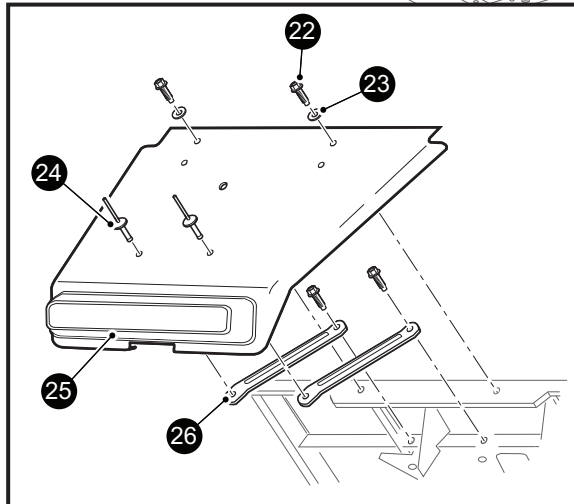
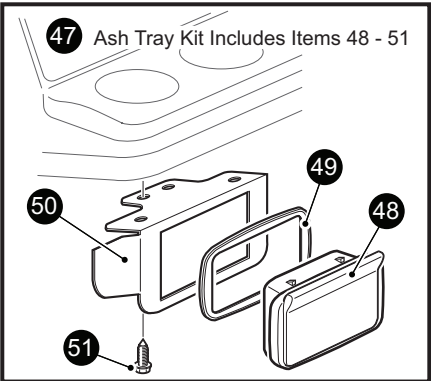
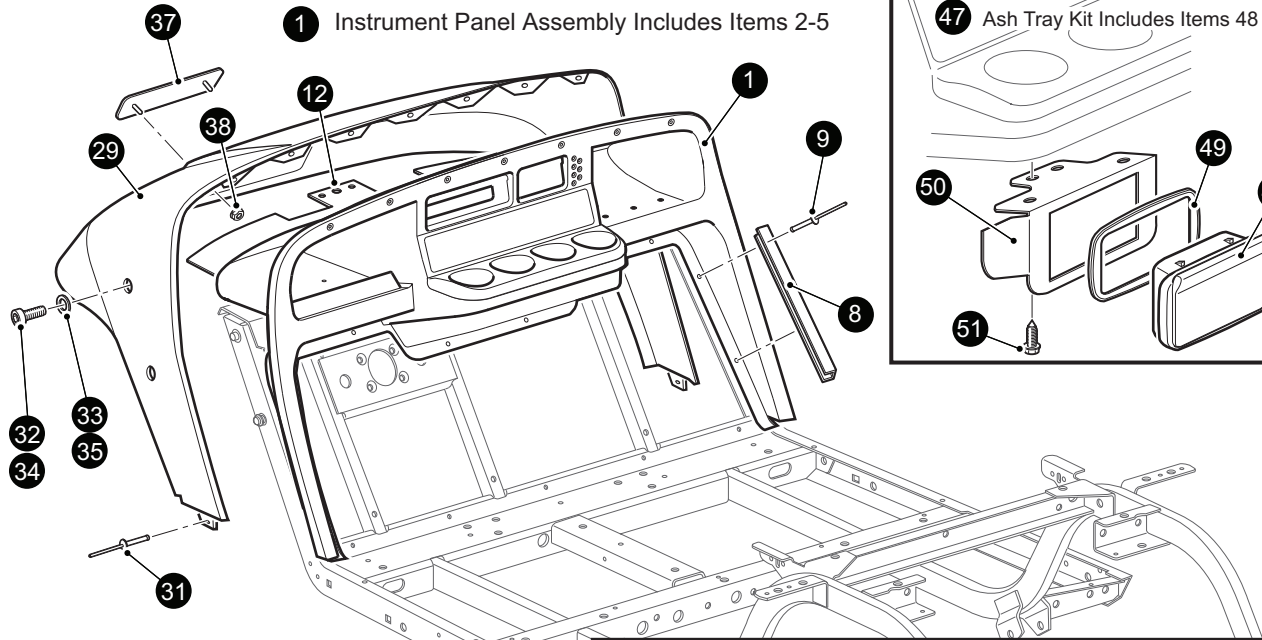
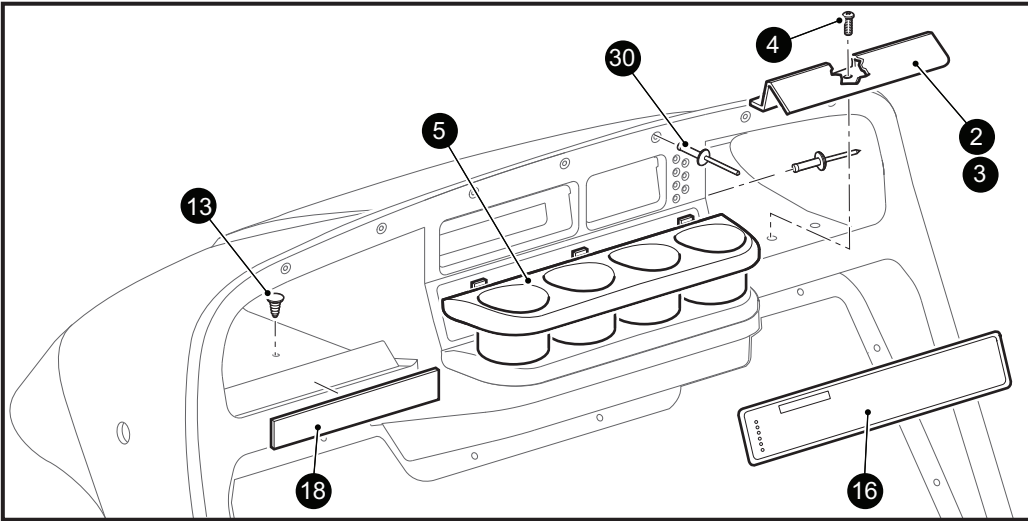


When ordering parts, please specify the model and serial number of the product.

* Indicates a component that is not available as an individual part.

*** Indicates consult Customer Service Department for additional information.

ITEM	PART NO.	1 2 3 4 5	DESCRIPTION	QTY.
1	<u>75878G02</u>		AIR FILTER BRACKET (CABLE ACTUATED CARBURETOR).....	1
2	<u>12547G3</u>		BOLT, M6 X 1MM X 20MM LG.....	1
3	<u>00664G7</u>		LOCK WASHER, 1/4".....	1
4	<u>00559G7</u>		WASHER, 1/4".....	1
5	<u>00415G2</u>		BOLT, 1/4 - 20 X 1 1/4" LG.....	2
6	<u>00559G7</u>		WASHER, 1/4".....	2
7	<u>14390G4</u>		LOCK NUT, 1/4 - 20.....	2
8	<u>14601G11</u>		RIVET.....	2
9	<u>00915G1</u>		BONDED WASHER.....	2
10	<u>72607G01</u>		AIR CLEANER CANISTER ASSEMBLY (INCLUDES ITEMS 11 - 15).....	1
11	<u>72598G01</u>		AIR CLEANER CANISTER.....	1
12	<u>72599G01</u>		AIR CLEANER COVER.....	1
13	<u>72604G01</u>		AIR CLEANER LATCH.....	2
14	<u>28462G01</u>		AIR CLEANER DUST COLLECTOR.....	1
15	<u>28463G01</u>		AIR CLEANER ELEMENT.....	1
16	<u>11391G7</u>		HOSE CLAMP.....	1
17	<u>72592G01</u>		HOSE (AIR FILTER TO CARBURETOR).....	1
18	<u>11391G6</u>		HOSE CLAMP.....	2
19	<u>26727G01</u>		CARBURETOR GASKET.....	2
20	<u>74498G02</u>		CHOKE / THROTTLE BRACKET.....	1
21	<u>604117</u>		CHOKE / THROTTLE COVER.....	1
22	<u>72591G01</u>		CARBURETOR ADAPTER.....	1
23	<u>72151G01</u>		PCV HOSE.....	1
24	<u>23726G11</u>		CARBURETOR MOUNTING SPACER.....	4
25	<u>00664G7</u>		WASHER, 1/4".....	2
26	<u>13632G1</u>		NUT, M6 X 1.....	4
27	<u>72605G01</u>		CARBURETOR BAFFLE.....	1
28	<u>72514G01</u>		STUD.....	2
29	<u>25532G1</u>		BOLT AND WASHER, M8 X 1.25 X 18 MM.....	2



When ordering parts, please specify the model and serial number of the product.

* Indicates a component that is not available as an individual part.

*** Indicates consult Customer Service Department for additional information.

ITEM	PART NO.	1 2 3 4 5	DESCRIPTION	QTY.
1	<u>71151G01</u>		INSTRUMENT PANEL ASSEMBLY (INCLUDES ITEMS 2 - 5)	1
2	<u>71153G01</u>		DEFLECTOR (PASSENGER SIDE)	1
3	<u>71154G01</u>		DEFLECTOR (DRIVER SIDE).....	1
4	<u>00614G5</u>		SCREW, #8 - 18 X 5/8" LG.....	6
5	<u>71158G01</u>		INSTRUMENT PANEL INSERT (4 CUP HOLDER)	1
6				
7				
8	<u>71115G01</u>		VINYL TRIM	2
9	<u>71055G01</u>		RIVET, 3/16" X 1" LG (ALUMINUM).....	10
10				
11				
12	<u>71413G01</u>		SPLASH PANEL	1
13	<u>16816G2</u>		RATCHET FASTENER, 1/4" X 3/4" LG.....	5
14				
15				
16	<u>608465</u>		LABEL (SAFETY).....	1
17				
18	<u>74443G01</u>		LABEL (ANTI-ROLLBACK)	1
19				
20				
21				
22	<u>01038G01</u>		BOLT, 1/4 - 20 X 11/16" LG	4
23	<u>16469G1</u>		WASHER, 1/4"	2
24	<u>01057G01</u>		RIVET, 1/4" X 1" LG	2
25	<u>27166G04</u>		FRONT SHIELD.....	1
26	<u>70725G02</u>		FRONT SHIELD BRACE	2
27				
28				
29	71051G**		COWL	1
30	<u>71055G01</u>		RIVET, 3/16" X 1" LG (ALUMINUM).....	9
31	<u>10570G11</u>		RIVET, 3/16" X 3/4" LG (STAINLESS STEEL).....	2

BODY

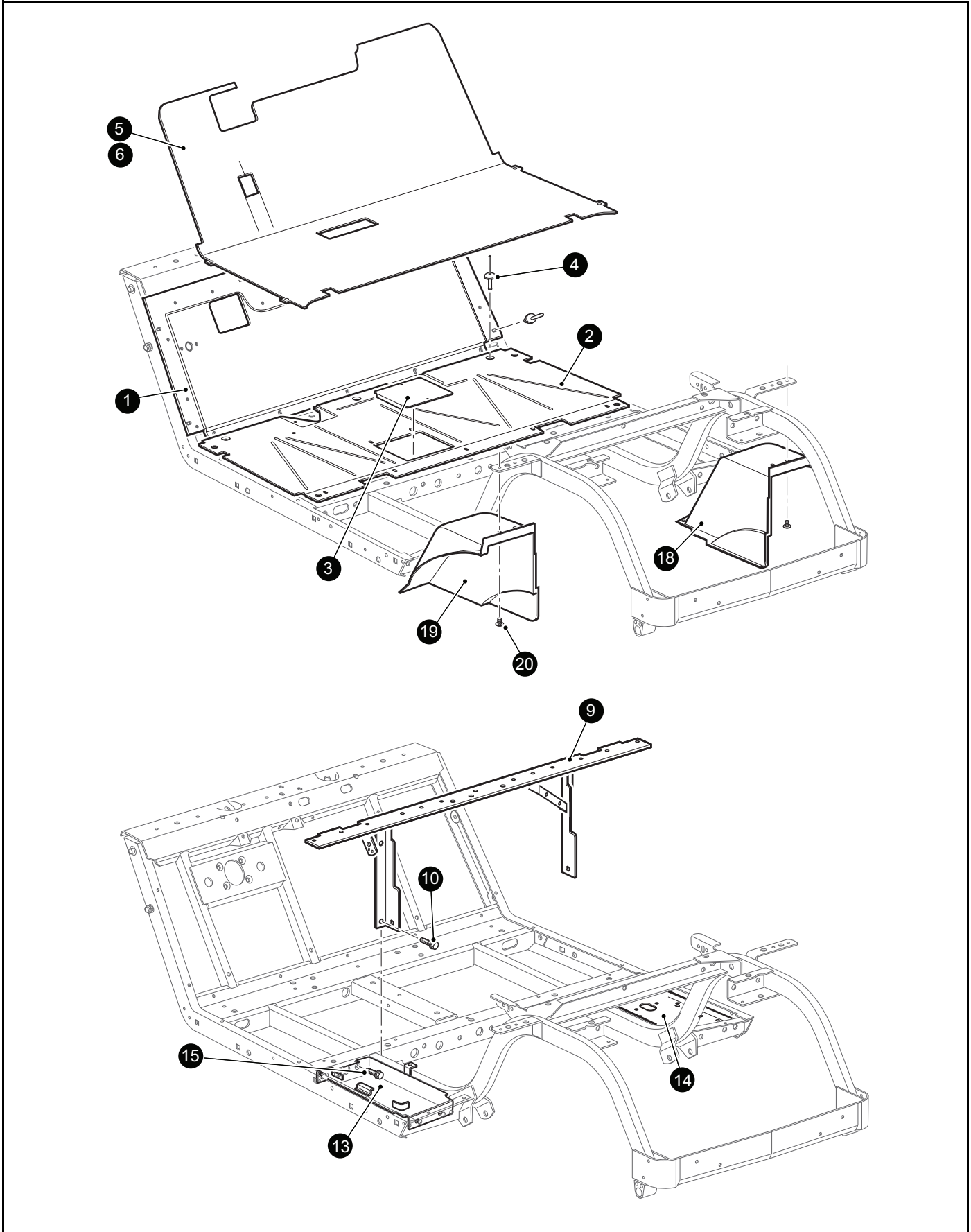
When ordering parts, please specify the model and serial number of the product.

* Indicates a component that is not available as an individual part.

*** Indicates consult Customer Service Department for additional information.

ITEM	PART NO.	1 2 3 4 5	DESCRIPTION	QTY.
32	<u>71056G01</u>		BOLT, 5/16 - 18 X 5/8" LG	4
33	<u>00570G2</u>		WASHER, 5/16	4
34	00438G6		BOLT, 5/16 - 18 X 3/4" LG (WITH TOP)	2
35	<u>00571G2</u>		WASHER, 5/16"	2
36				
37	<u>71037G02</u>		E-Z-GO NAMEPLATE (GOLD)	1
38	<u>71597G01</u>		NUT, SELF-THREADING, 5MM STUD x 10MM HEX.....	2
39				
40				
41				
42				
43				
44				
45	74239G01		INSTRUMENT PANEL WOODGRAIN APPLIQUE KIT	1
46				
47	75109G02		ASH TRAY KIT (INCLUDES ITEMS 48 - 51)	1
48	27731G01		ASH TRAY	1
49	27736G01		GASKET.....	1
50	<u>75108G02</u>		BRACKET	1
51	<u>00100G4</u>		SCREW, #10 - 16 X 1/2" LG	4
52				

BODY



When ordering parts, please specify the model and serial number of the product.

* Indicates a component that is not available as an individual part.

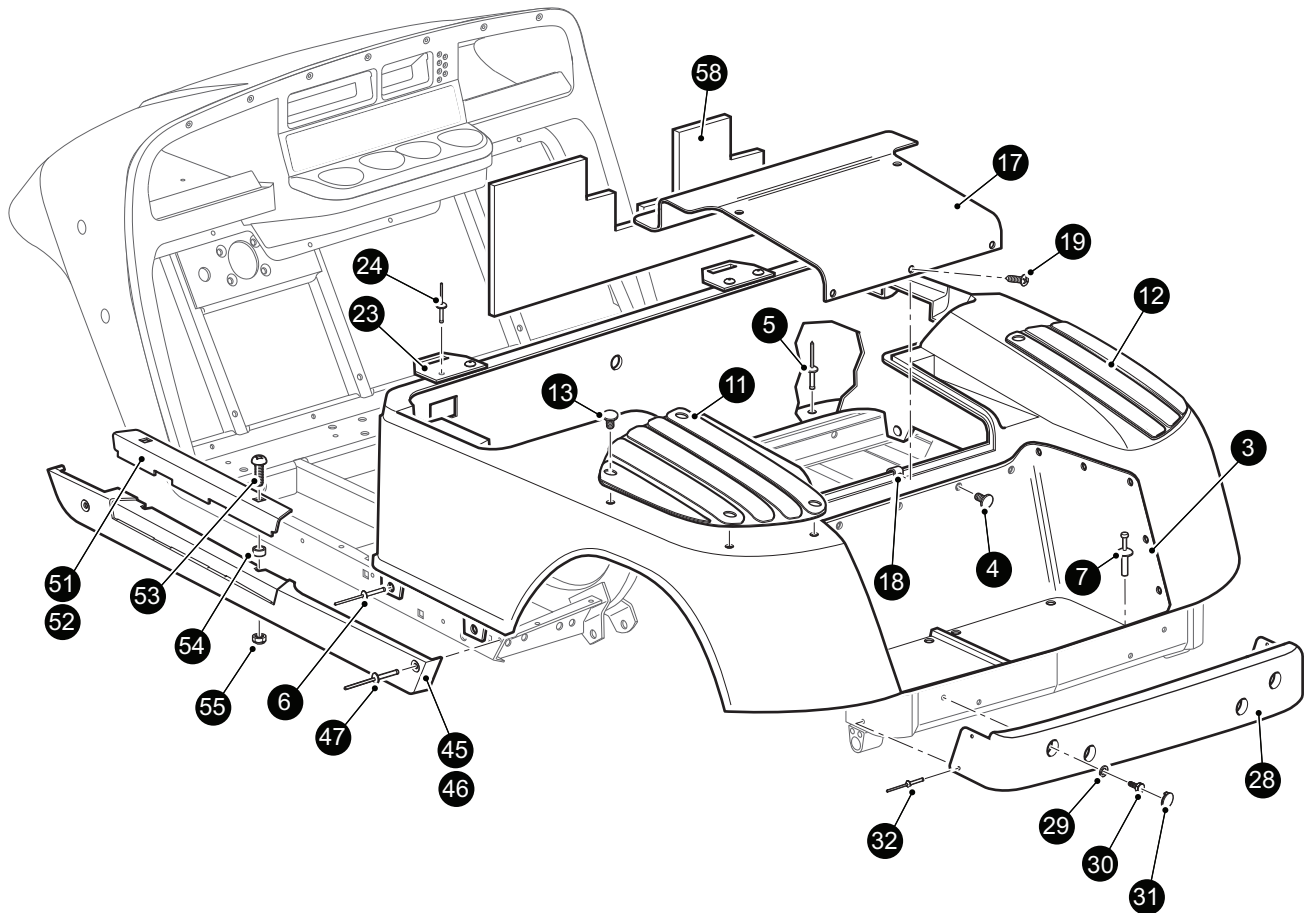
*** Indicates consult Customer Service Department for additional information.

ITEM	PART NO.	1 2 3 4 5	DESCRIPTION	QTY.
1	70662G01		UPPER FLOORPAN	1
2	<u>70451G01</u>		LOWER FLOORPAN	1
3	<u>70452G01</u>		ACCESS COVER.....	1
4	<u>14601G11</u>		RIVET, 3/16" X 9/16" LG (ALUMINUM).....	16
5	<u>70995G01</u>		FLOORMAT	1
6	<u>70995G02</u>		FLOORMAT WITH HORN HOLE	1
7				
8				
9	<u>70440G04</u>		SEAT FRAME	1
10	<u>00715G2</u>		BOLT, 5/16 - 18 X 4/5" LG.....	2
11				
12				
13	<u>600496</u>		BATTERY TRAY.....	1
14	<u>70244G03</u>		SPLASH PANEL	1
15	<u>00715G2</u>		BOLT, 5/16 - 18 X 4/5" LG.....	4
16				
17				
18	<u>71812G01</u>		FENDER LINER (PASSENGER SIDE).....	1
19	<u>71812G02</u>		FENDER LINER (DRIVER SIDE)	1
20	<u>16816G2</u>		RATCHET FASTENER, 1/4" X 3/4" LG.....	8

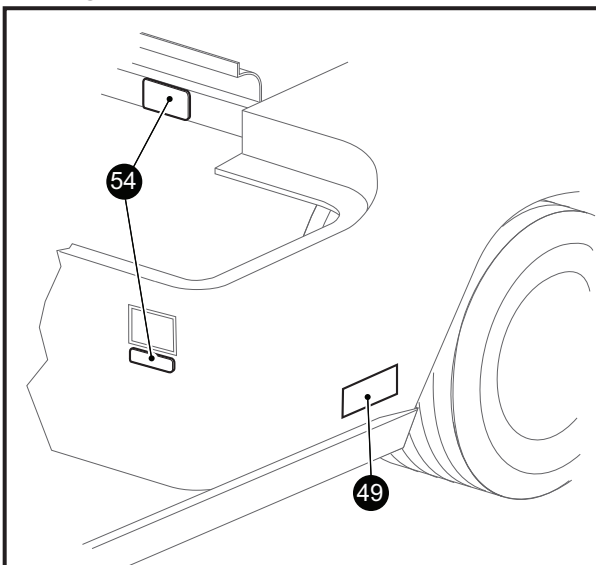
BODY

1 Rear Body Without Taillights Includes Items 3 & 4

2 Rear Body With Taillights Includes Items 3 & 4



LABELS



When ordering parts, please specify the model and serial number of the product.

* Indicates a component that is not available as an individual part.

*** Indicates consult Customer Service Department for additional information.

ITEM	PART NO.	1 2 3 4 5	DESCRIPTION	QTY.
1	71912G4**		REAR BODY (WITHOUT TAILLIGHTS) (INCLUDES ITEMS 3, 4).....	1
2	71334G0**		REAR BODY (WITH TAILLIGHTS) (INCLUDES ITEMS 3, 4)	1
3	71318G01		BAGWELL LINER.....	1
4	<u>16816G1</u>		RATCHET FASTENER, 1/4" X 9/16" LG	26
5	<u>10570G10</u>		RIVET, 5/32" X 9/16" LG (STAINLESS STEEL).....	6
6	10570G12		RIVET, 1/4" X 9/16" LG (ALUMINUM).....	4
7	<u>18436G1</u>		RIVET, 1/4" X 3/4" LG	2
8				
9				
10				
11	<u>75126G01</u>		FENDER SCUFFGUARD (DRIVER SIDE).....	1
12	<u>75126G02</u>		FENDER SCUFFGUARD (PASSENGER SIDE)	1
13	<u>16816G2</u>		RATCHET FASTENER, 1/4" X 3/4" LG.....	8
14				
15				
16				
17	<u>71320G01</u>		ACCESS PANEL.....	1
18	<u>71364G02</u>		'J' CLIP	1
19	<u>01107G01</u>		SCREW, #8 X 5/8" LG (STAINLESS STEEL)	5
20				
21				
22				
23	<u>71609G01</u>		SEAT HINGE PLATE	2
24	<u>10570G11</u>		RIVET, 3/16" X 3/4" LG (STAINLESS STEEL).....	4
25				
26				
27				
28	<u>71578G01</u>		REAR BUMPER.....	1
29	<u>00571G2</u>		WASHER, 5/16"	4
30	<u>71102G01</u>		BOLT, 1/4 - 20 X 3/4" LG.....	4
31	<u>71514G01</u>		BUMPER PLUG	4

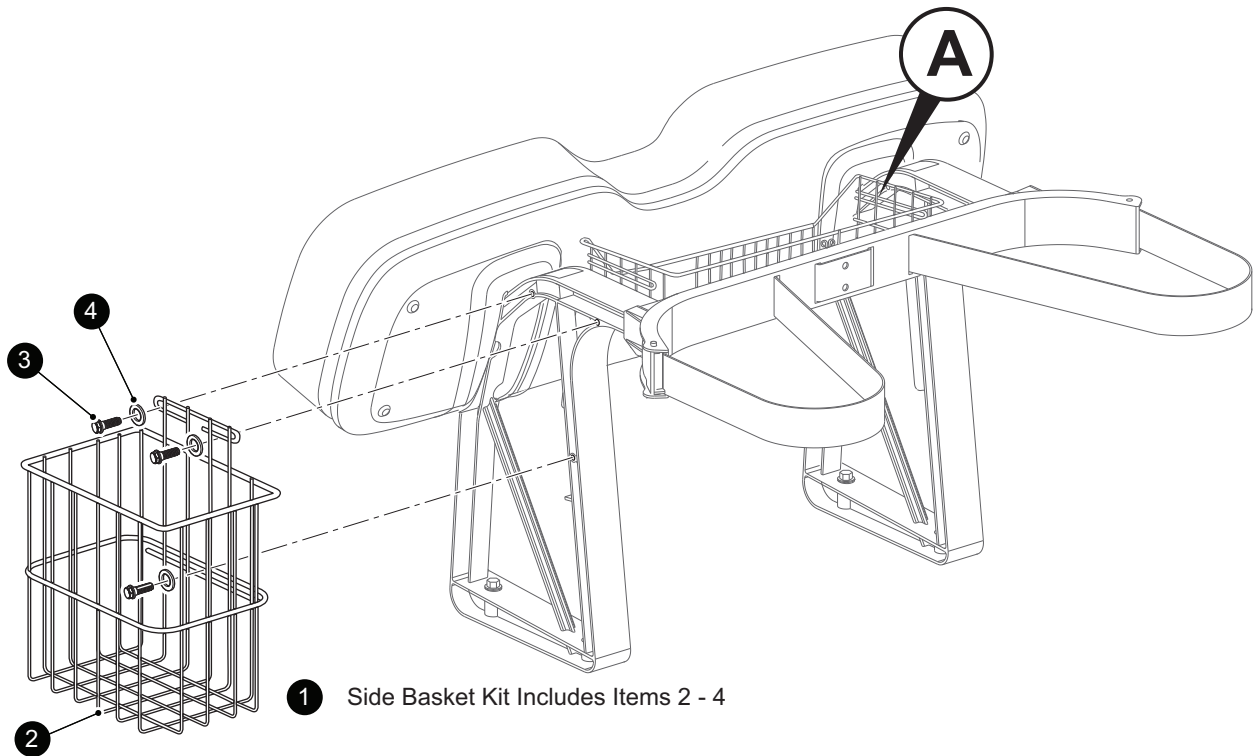
BODY

When ordering parts, please specify the model and serial number of the product.

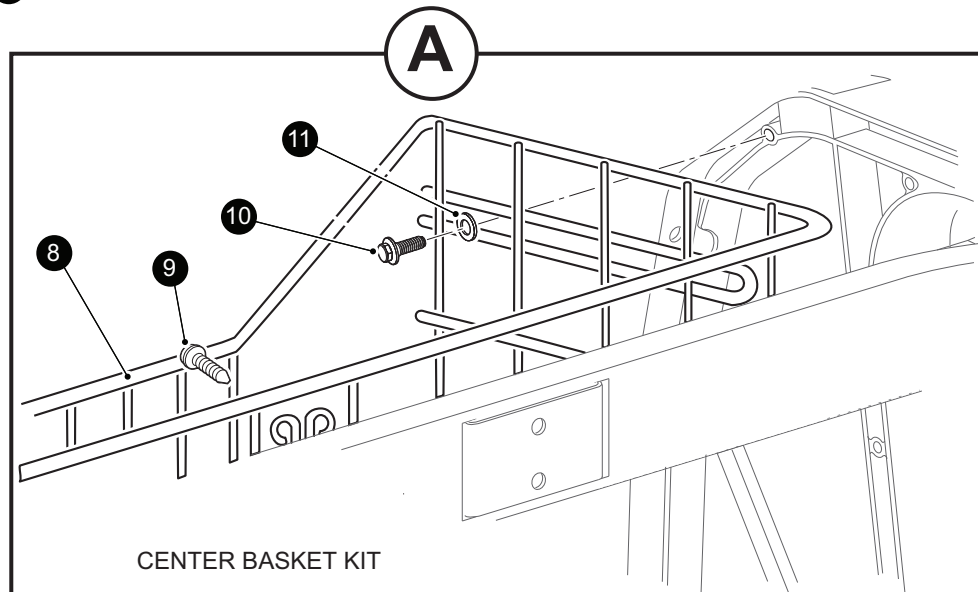
* Indicates a component that is not available as an individual part.

*** Indicates consult Customer Service Department for additional information.

ITEM	PART NO.	1	2	3	4	5	DESCRIPTION	QTY.
32	14601G17						RIVET, 3/16" X 9/16" LG (ALUMINUM)	4
33								
34								
35	<u>71501G01</u>						ROCKER PANEL (PASSENGER SIDE)	1
36	<u>71502G01</u>						ROCKER PANEL (DRIVER SIDE)	1
37	<u>15058G6</u>						RIVET, 3/16" X 15/16" LG (ALUMINUM)	4
38								
39								
40								
41	71507G01						SILL PLATE (PASSENGER SIDE)	1
42	<u>71507G02</u>						SILL PLATE (DRIVER SIDE)	1
43	<u>16705G1</u>						SCREW, 1/4 - 20 X 1" LG (STAINLESS STEEL)	4
44	<u>23726G4</u>						SPACER, 5/16"	4
45	<u>14390G4</u>						LOCK NUT, 1/4 - 20	4
46								
47								
48								
49	610709						HERITAGE SIDE DECAL	2
50								
51								
52								
53								
54	*						LABEL (SERIAL NUMBER)	1
55								
56								
57								
58	<u>74024G01</u>						SEAT WRAP MOUNTED NOISE SUPPRESSOR	1



7 Center Basket Kit Includes Items 8 - 11



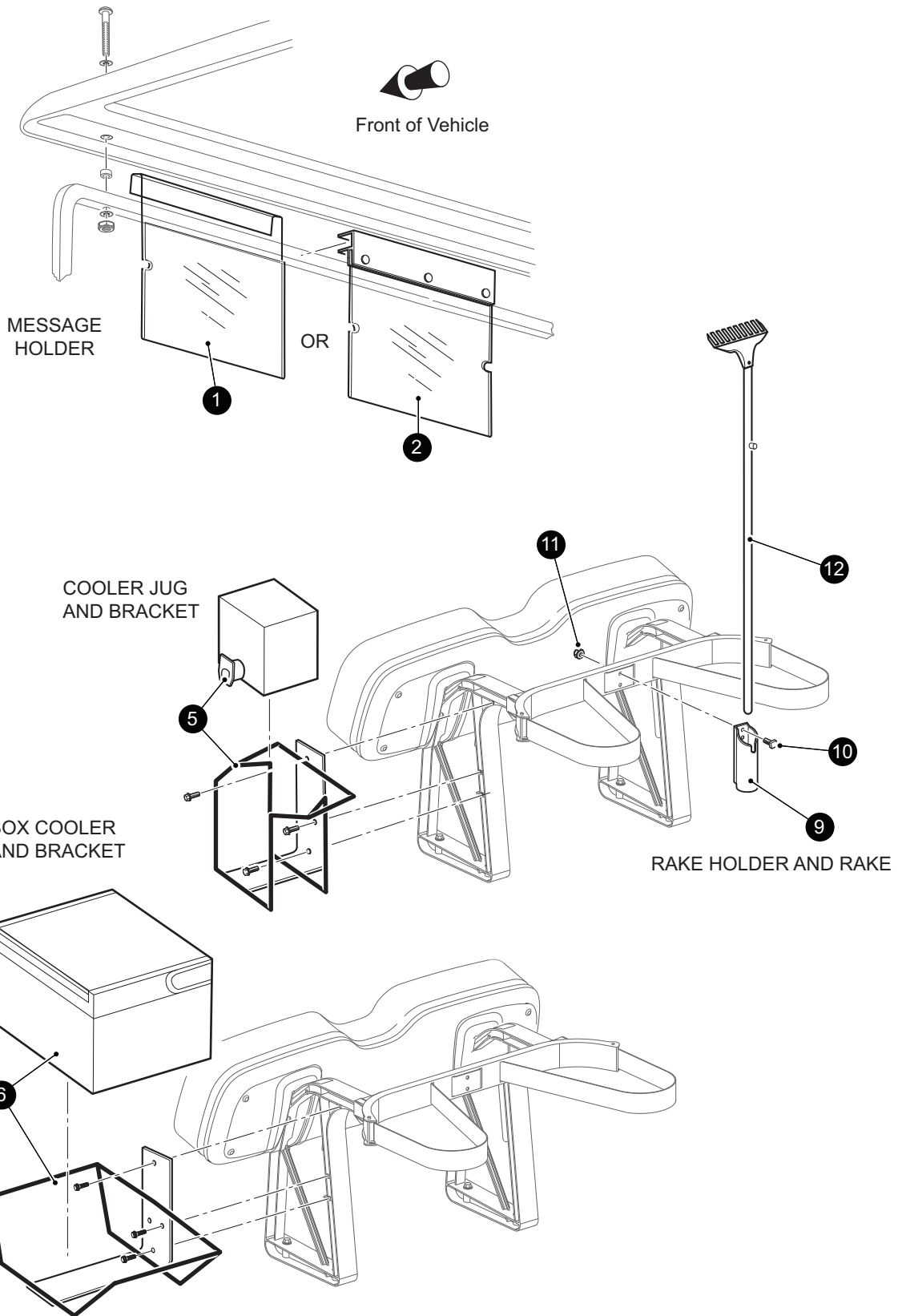
When ordering parts, please specify the model and serial number of the product.

* Indicates a component that is not available as an individual part.

*** Indicates consult Customer Service Department for additional information.

ITEM	PART NO.	1 2 3 4 5	DESCRIPTION	QTY.
1	75007G02		SIDE BASKET KIT (INCLUDES ITEMS 2 - 4)	1
2	<u>75460G01</u>		SIDE BASKET	1
3	<u>71102G01</u>		BOLT, 1/4 - 20 X 3/4" LG	3
4	<u>00793G2</u>		FLAT WASHER, 1/4" (STAINLESS STEEL)	3
5				
6				
7	<u>75003G02</u>		CENTER BASKET KIT (INCLUDES ITEMS 8 - 11)	1
8	75461G01		CENTER BASKET	1
9	<u>71102G01</u>		BOLT, 1/4 - 20 X 3/4" LG	2
10	<u>00793G2</u>		FLAT WASHER, 1/4" (STAINLESS STEEL)	2
11	<u>01105G01</u>		SCREW, #10 X 5/8" LG (STAINLESS STEEL)	2

BODY



When ordering parts, please specify the model and serial number of the product.

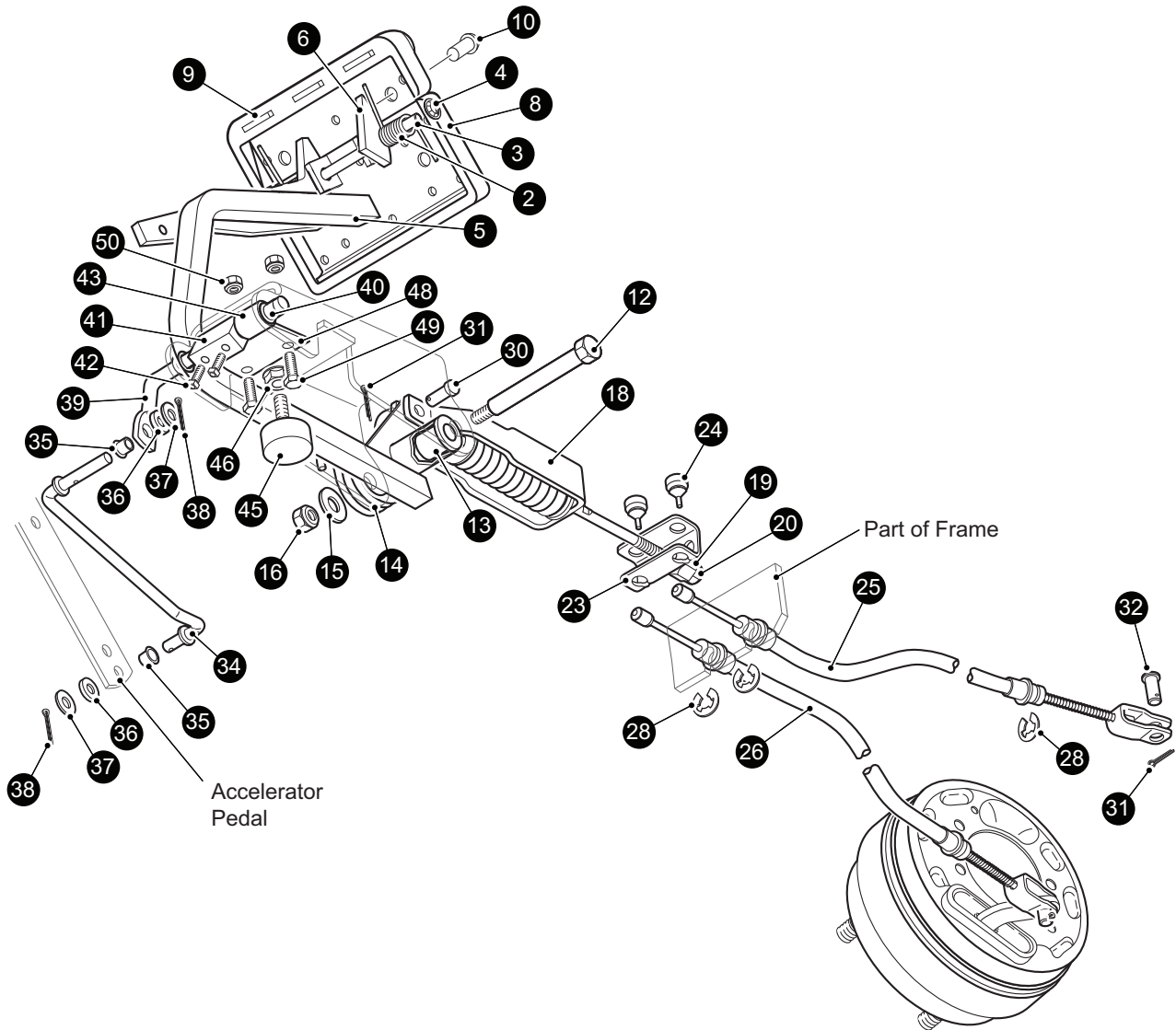
* Indicates a component that is not available as an individual part.

*** Indicates consult Customer Service Department for additional information.

ITEM	PART NO.	1 2 3 4 5	DESCRIPTION	QTY.
1	75509G01		MESSAGE HOLDER (ONE PIECE)	1
2	75496G01		MESSAGE HOLDER	1
3				
4				
5	<u>75495G01</u>		COOLER JUG AND BRACKET KIT.....	1
6	<u>75344G01</u>		BOX COOLER AND BRACKET KIT	1
7				
8				
9	<u>25885G01</u>		RAKE HOLDER	1
10	<u>00989G06</u>		SQUARE HEAD BOLT, 1/4 - 20 X 3/4" LG.....	2
11	<u>11027G2</u>		LOCK NUT, 1/4 - 20	2
12	<u>14735G1</u>		RAKE	1

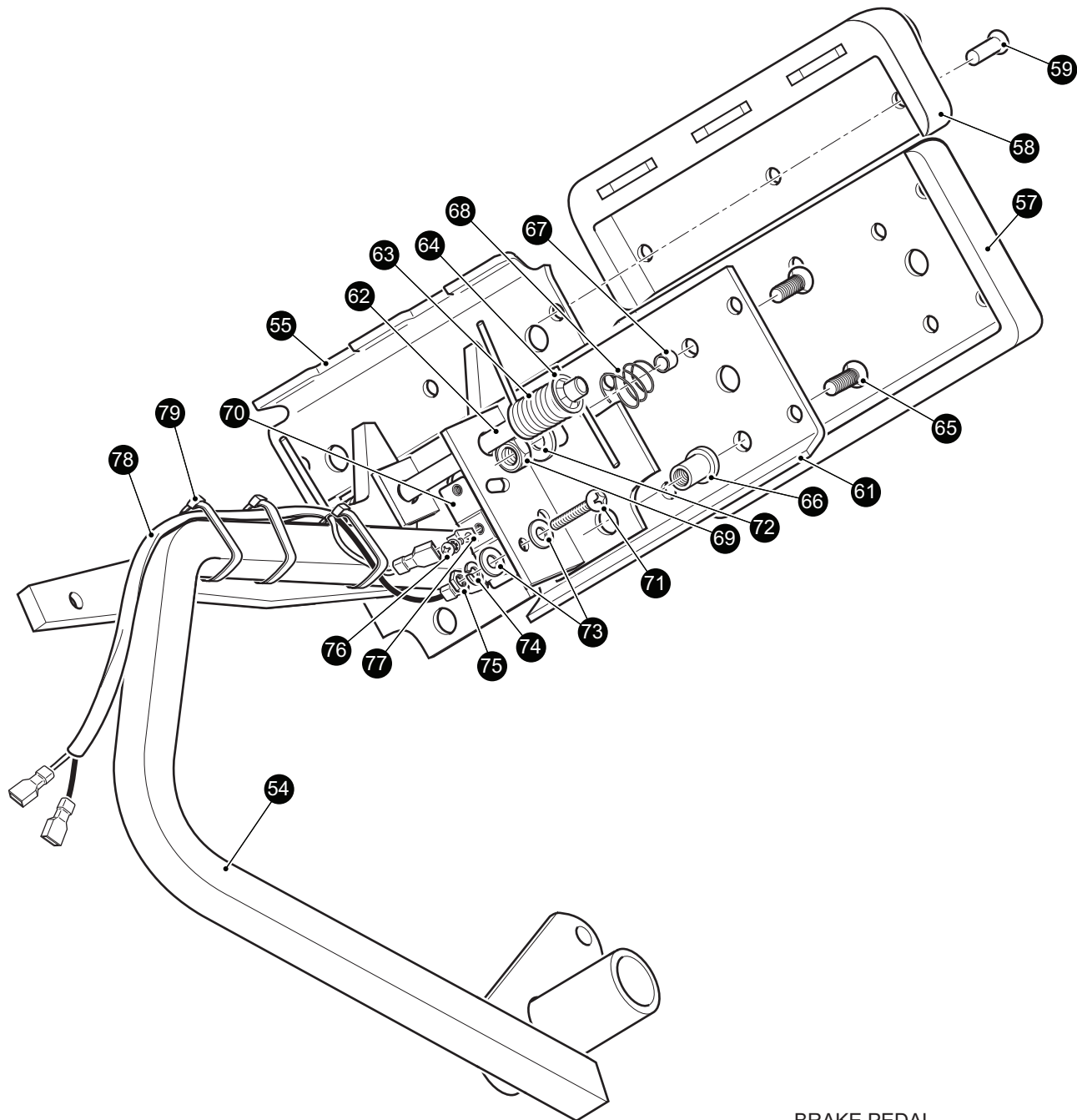
BRAKES

- 1 Brake Pedal Assembly Without Brake Lights Includes Items 2 - 10
- 7 Brake Pedal Pad Kit Includes Items 8 - 10
- 18 Compensator Assembly Includes Items 19 & 20
- 22 Equalizer and Brake Cable Assembly Includes Items 23 - 26



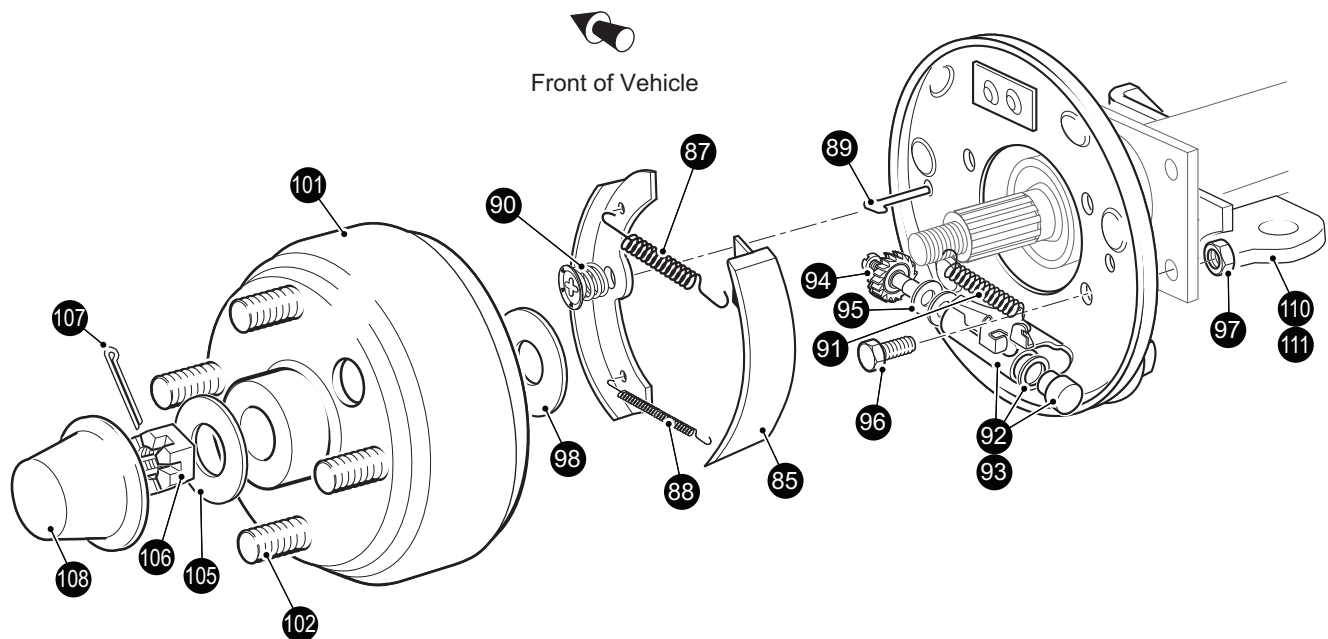
53 Brake Pedal Assembly With Brake Lights Includes Items 54 - 79

56 Brake Pedal Pad Kit Includes Items 57 - 59



BRAKE PEDAL
(VEHICLE WITH BRAKE LIGHTS)

BRAKES



- 82 Brake Assembly Driver Side Includes Items 84 - 92, 94 & 95
- 83 Brake Assembly Passenger Side Includes Items 84 - 91, 93 - 95
- 84 Brake Shoe Kit Includes Items 85
- 86 Brake Spring Kit Includes Items 87 - 91
- 92 Brake Adjuster Kit Includes Items 94 & 95
- 93 Brake Adjuster Kit Includes Items 94 & 95
- 100 Brake Drum Assembly Includes Items 101 & 102

When ordering parts, please specify the model and serial number of the product.

* Indicates a component that is not available as an individual part.

*** Indicates consult Customer Service Department for additional information.

ITEM	PART NO.	1 2 3 4 5	DESCRIPTION	QTY.
1	<u>70612G02</u>		BRAKE PEDAL ASSEMBLY (WITHOUT BRAKE LIGHTS) (INCLUDES ITEMS 2 - 10)	1
2	<u>70681G01</u>		TORSION SPRING.....	2
3	<u>70682G01</u>		PIVOT PIN.....	1
4	<u>01071G01</u>		PUSHNUT, 5/16"	2
5	*		BRAKE PEDAL.....	1
6	<u>70611G02</u>		PARK BRAKE PEDAL	1
7	<u>70274G01</u>		BRAKE/PARK BRAKE PEDAL PAD KIT (INCLUDES ITEMS 8 - 10).....	1
8	*		SERVICE BRAKE PAD	1
9	*		PARK BRAKE PEDAL PAD	1
10	<u>15766G1</u>		OVAL RIVET, 3/16" X 7/16" LG.....	9
11				
12	<u>70582G01</u>		SHOULDER BOLT, 3/8 - 16 X 4" LG (STAINLESS STEEL)	1
13	<u>70581G01</u>		FLANGED BUSHING.....	2
14	<u>70676G01</u>		TORSION SPRING	1
15	<u>00643G1</u>		WASHER, 3/8"	1
16	<u>11098G5</u>		LOCK NUT, 3/8 - 16	1
17				
18	<u>70272G04</u>		COMPENSATOR ASSEMBLY (INCLUDES ITEMS 19, 20).....	1
19	<u>00963G01</u>		SPHERICAL NUT, 5/16 - 24	1
20	<u>11098G9</u>		LOCK NUT, 5/16 - 24.....	1
21				
22	<u>70969G03</u>		EQUALIZER AND BRAKE CABLE ASSEMBLY (INCLUDES ITEMS 23 - 26)	1
23	<u>28082G01</u>		EQUALIZER BRACKET	1
24	<u>28083G01</u>		BRAKE COMPENSATOR BUMPER	2
25	*		BRAKE CABLE (DRIVER SIDE)	1
26	*		BRAKE CABLE (PASSENGER SIDE).....	1
27				
28	<u>01111G01</u>		RETAINING RING, 4/5" (STAINLESS STEEL).....	4
29				
30	<u>10386G3</u>		CLEVIS PIN, 5/16" X 13/16" LG.....	1

BRAKES

When ordering parts, please specify the model and serial number of the product.

* Indicates a component that is not available as an individual part.

*** Indicates consult Customer Service Department for additional information.

ITEM	PART NO.	1 2 3 4 5	DESCRIPTION	QTY.
31	<u>10387G3</u>		COTTER PIN, 3/32" X 3/4" LG	3
32	<u>14443G2</u>		CLEVIS PIN, 5/16" X 5/8" LG	2
33				
34	<u>70601G01</u>		KICK-OFF LINK.....	1
35	<u>17838G1</u>		NYLON BUSHING.....	2
36	<u>20835G1</u>		TEFLON WASHER, 3/8"	2
37	00559G8		WASHER, 5/16".....	2
38	<u>10387G3</u>		COTTER PIN, 3/32" X 3/4" LG	2
39	<u>70098G01</u>		KICK-OFF CAM PIVOT	1
40	<u>10097G6</u>		FLANGED BEARING	2
41	<u>70587G01</u>		KICK-OFF CAM.....	1
42	<u>71215G01</u>		SETSCREW, 1/4 - 20 X 1/2" LG.....	2
43	<u>14134G4</u>		SPACER	1
44				
45	<u>70113G01</u>		ADJUSTABLE BUMPER	1
46	<u>11027G1</u>		LOCK NUT, 5/16 - 18.....	1
47				
48	<u>70080G02</u>		CATCH BRACKET	1
49	<u>00414G6</u>		BOLT, 1/4 - 20 X 3/4" LG	2
50	<u>14390G4</u>		LOCK NUT, 1/4 - 20.....	2
51				
52				
53	70690G02		BRAKE PEDAL ASSEMBLY (WITH BRAKE LIGHTS) (INCLUDES ITEMS 54 - 79).....	1
54	*		BRAKE PEDAL	1
55	70611G02		PARK BRAKE PEDAL.....	1
56	70274G01		BRAKE/PARK BRAKE PEDAL PAD KIT (INCLUDES ITEMS 57 - 59).....	1
57	*		SERVICE BRAKE PAD.....	1
58	*		PARK BRAKE PAD.....	1
59	<u>15766G1</u>		OVAL RIVET, 3/16" x 7/16" LG	9
60				
61	70258G02		BRAKE PEDAL PLATE	1

When ordering parts, please specify the model and serial number of the product.

* Indicates a component that is not available as an individual part.

*** Indicates consult Customer Service Department for additional information.

ITEM	PART NO.	1 2 3 4 5	DESCRIPTION	QTY.
62	<u>70682G01</u>		PIVOT PIN.....	1
63	<u>70681G01</u>		TORSION SPRING.....	2
64	<u>12064G1</u>		PUSHNUT, 5/16"	1
65	<u>00737G8</u>		SCREW, #10 - 24 X 7/8" LG.....	4
66	<u>00739G1</u>		RUBBER NUT, #10 - 24	2
67	22362G3		BRAKE PEDAL STANDOFF.....	2
68	<u>27137G01</u>		CONICAL SPRING.....	2
69	11098G7		LOCK NUT, #10 - 24.....	2
70	10606G8		MICRO SWITCH	1
71	<u>00957G1</u>		BOLT, #6 - 32 X 1 1/4" LG	2
72	<u>00559G5</u>		WASHER, #10	2
73	<u>00559G3</u>		WASHER, #6.....	4
74	<u>00565G3</u>		LOCK WASHER, #6	2
75	<u>00525G5</u>		NUT, #6 - 32	2
76	<u>13514G1</u>		SCREW AND LOCK WASHER, #6 - 32 X 1/4" LG (BRASS).....	2
77	<u>14628G1</u>		PUSH ON MALE TERMINAL	2
78	<u>24605G1</u>		WIRE HARNESS (BRAKE LIGHT).....	1
79	<u>17618G1</u>		WIRE TIE.....	3
80				
81				
82	<u>70998G01</u>		BRAKE ASSEMBLY (DRIVER SIDE) (INCLUDES ITEMS 84 - 92, 94, 95)....	1
83	<u>70998G02</u>		BRAKE ASSEMBLY (PASSENGER SIDE) (INCLUDES ITEMS 84 - 91, 93 - 95)	1
84	70794G01		BRAKE SHOE KIT (INCLUDES ITEM 85)	2
85	*		BRAKE SHOE.....	2
86	<u>27944G01</u>		BRAKE SPRING KIT (INCLUDES ITEMS 87 - 91)	2
87	*		UPPER SPRING	1
88	*		LOWER SPRING	1
89	*		PIN	2
90	*		CUP AND SPRING	2
91	*		ADJUSTER SPRING	1

BRAKES

When ordering parts, please specify the model and serial number of the product.

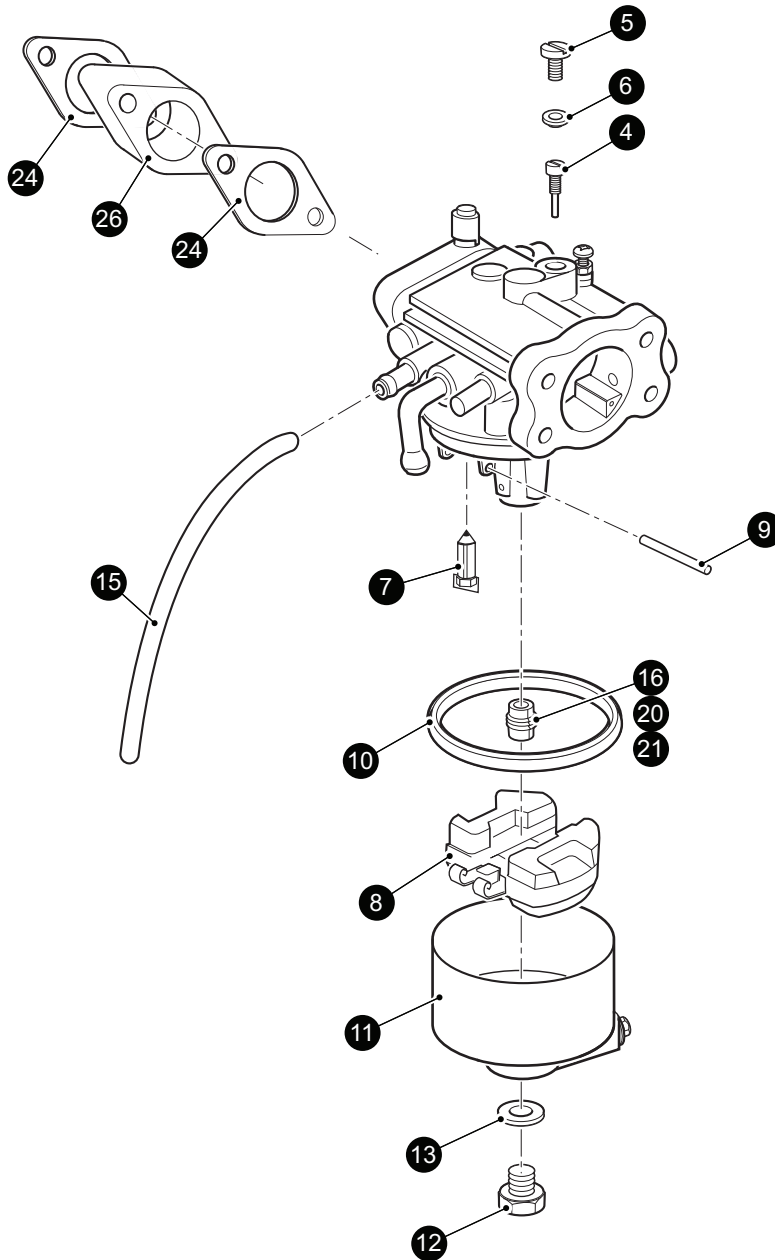
* Indicates a component that is not available as an individual part.

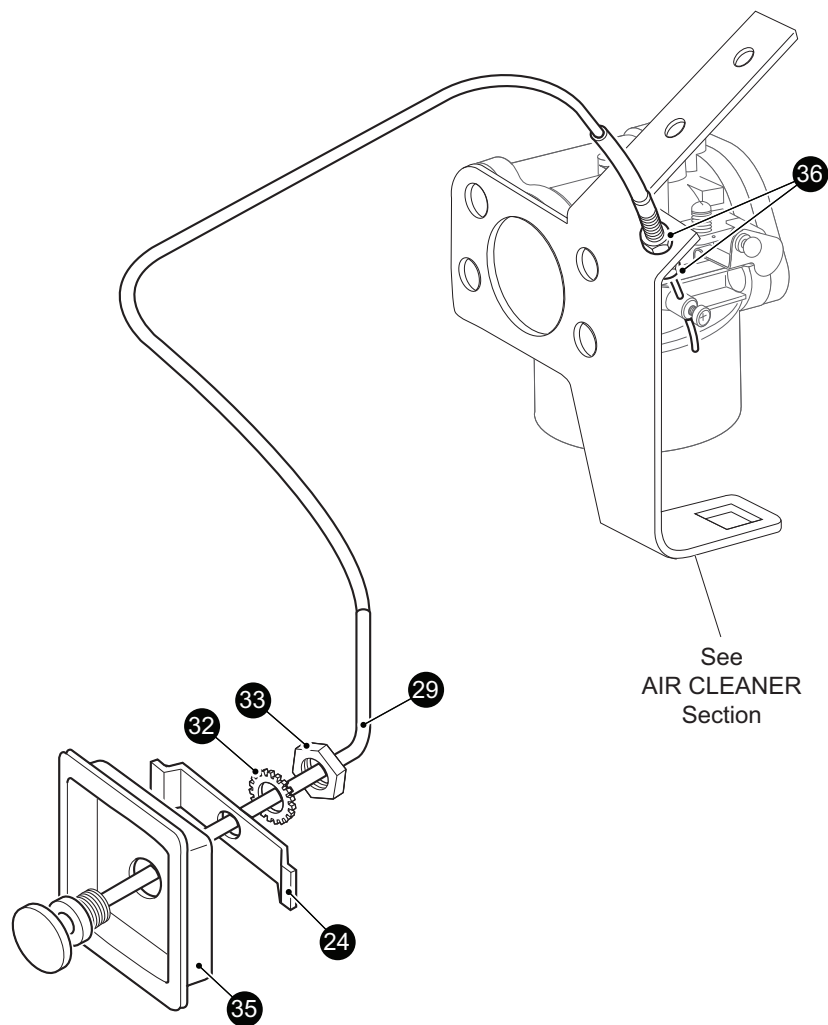
*** Indicates consult Customer Service Department for additional information.

ITEM	PART NO.	1	2	3	4	5	DESCRIPTION	QTY.
92	<u>72582G01</u>						BRAKE ADJUSTER KIT (DRIVER SIDE) (INCLUDES ITEMS 94, 95)	1
93	<u>72582G02</u>						BRAKE ADJUSTER KIT (PASSENGER SIDE) (INCLUDES ITEMS 94, 95)	1
94	*						ADJUSTER.....	1
95	*						TEFLON WASHER.....	2
96	<u>17083G2</u>						BOLT, 5/16 - 24 X 1" LG	8
97	<u>15126G1</u>						LOCK NUT, 5/16 - 24.....	8
98	<u>21809G1</u>						INNER BRAKE DRUM WASHER, 1 5/16" O.D. X 1" I.D. X 1/32"	2
99								
100	<u>21807G1</u>						BRAKE DRUM ASSEMBLY (INCLUDES ITEMS 101 - 102).....	2
101	*						BRAKE DRUM	1
102	<u>19862G1</u>						LUG BOLT, 1/2 - 20 X 1 3/16" LG	4
103								
104								
105	<u>21830G1</u>						OUTER BRAKE DRUM WASHER	2
106	<u>00518G8</u>						CASTELLATED NUT, 3/4 - 16	2
107	<u>10387G1</u>						COTTER PIN, 1/8" X 1 1/2" LG	2
108	<u>74175G01</u>						SPINDLE CAP.....	2
109								
110	<u>72036G01</u>						BRAKE CABLE BRACKET (PASSENGER SIDE).....	1
111	<u>72036G02</u>						BRAKE CABLE BRACKET (DRIVER SIDE)	1

CARBURETOR AND CHOKE

1 Carburetor Assembly Includes Items 4 - 16





CARBURETOR AND CHOKE

When ordering parts, please specify the model and serial number of the product.

* Indicates a component that is not available as an individual part.

*** Indicates consult Customer Service Department for additional information.

ITEM	PART NO.	1	2	3	4	5	DESCRIPTION	QTY.
1	<u>72840G02</u>						CARBURETOR, INCLUDES ITEMS 4 - 16	1
2								
3								
4	<u>26649G05</u>						PILOT JET (#46)	1
5	<u>26841G01</u>						PLUG	1
6	<u>72306G01</u>						GASKET	1
7	<u>72578G01</u>						NEEDLE VALVE	1
8	<u>26648G01</u>						FLOAT	1
9	<u>26840G01</u>						FLOAT PIN	1
10	<u>26843G01</u>						FLOAT BOWL GASKET	1
11	<u>26844G01</u>						FLOAT CHAMBER	1
12	<u>26839G01</u>						BOWL SCREW	1
13	<u>26838G01</u>						BOWL GASKET	1
14	<u>72579G01</u>						DRAIN SCREW	1
15	<u>26650G01</u>						VENT TUBE	1
16	<u>26646G29</u>						MAIN JET (#85)	1
17								
18								
19								
20	<u>26646G**</u>						MAIN JET (***) (FOR ELEVATIONS OF 3000 FT - 6000 FT)	1
21	<u>26646G**</u>						MAIN JET (***) (FOR ELEVATIONS OF 6000 FT - 10000 FT)	1
22								
23								
24	<u>26726G01</u>						CARBURETOR MOUNT GASKET	2
25								
26	<u>72854G01</u>						CARBURETOR INSULATOR	1
27								
28								
29	<u>25693G04</u>						CHOKE CABLE (22 1/4" LG WITH NUTS)	1
30								
31								

CARBURETOR AND CHOKE

When ordering parts, please specify the model and serial number of the product.

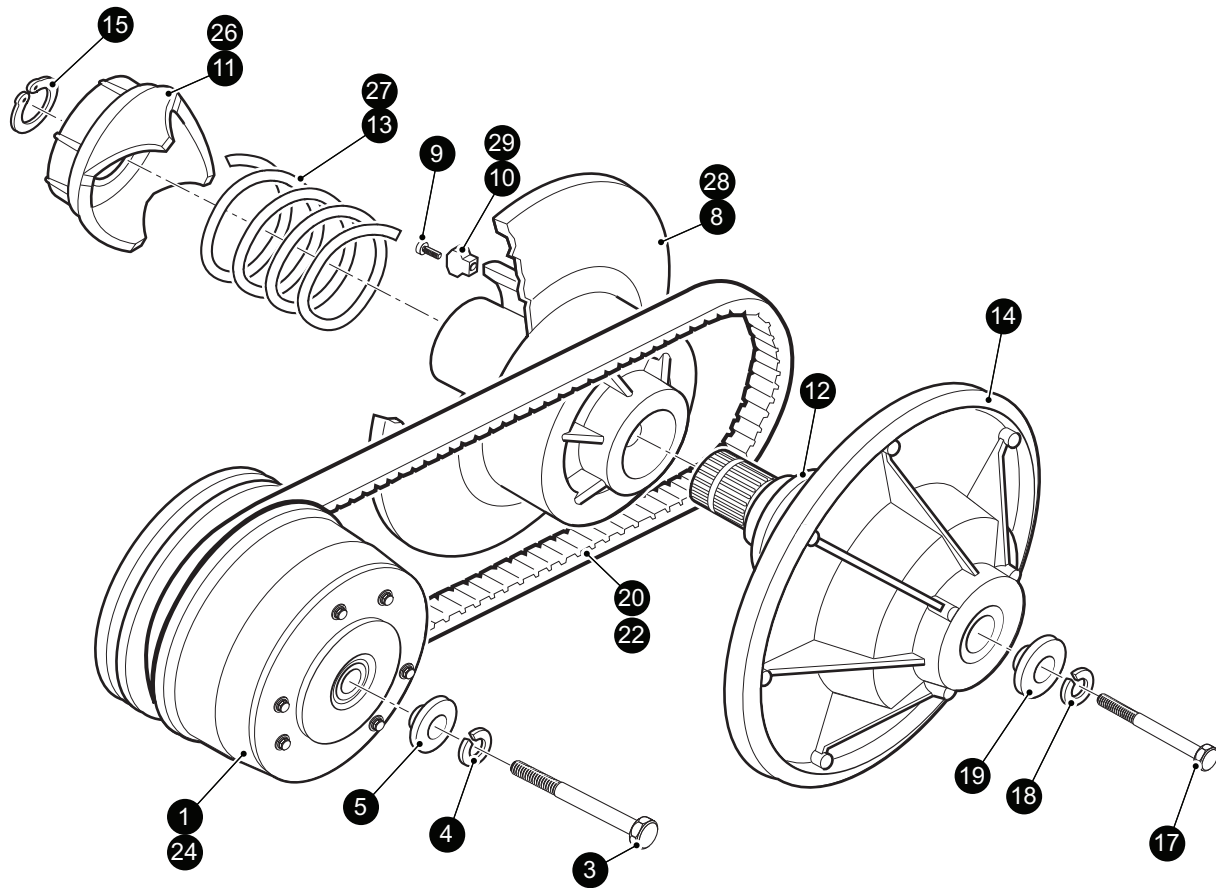
* Indicates a component that is not available as an individual part.

*** Indicates consult Customer Service Department for additional information.

ITEM	PART NO.	1 2 3 4 5	DESCRIPTION	QTY.
32	<u>00568G4</u>		LOCK WASHER, 9/16"	1
33	<u>00545G4</u>		JAM NUT, 9/16 - 18.....	1
34	<u>72155G01</u>		RETAINER	1
35	<u>72154G01</u>		CHOKE CABLE ADAPTER.....	1
36	<u>00544G4</u>		JAM NUT, 5/16 - 24.....	2

CLUTCH

- 7 Driven Clutch Assembly Includes Items 8 - 15
- 8 Moveable Sheave Assembly Includes Items 9 & 10
- 25 Driven Clutch Assembly Includes Items 9, 12, 14, 15 & 26 - 29
- 28 Moveable Sheave Assembly Includes Items 9 & 29



When ordering parts, please specify the model and serial number of the product.

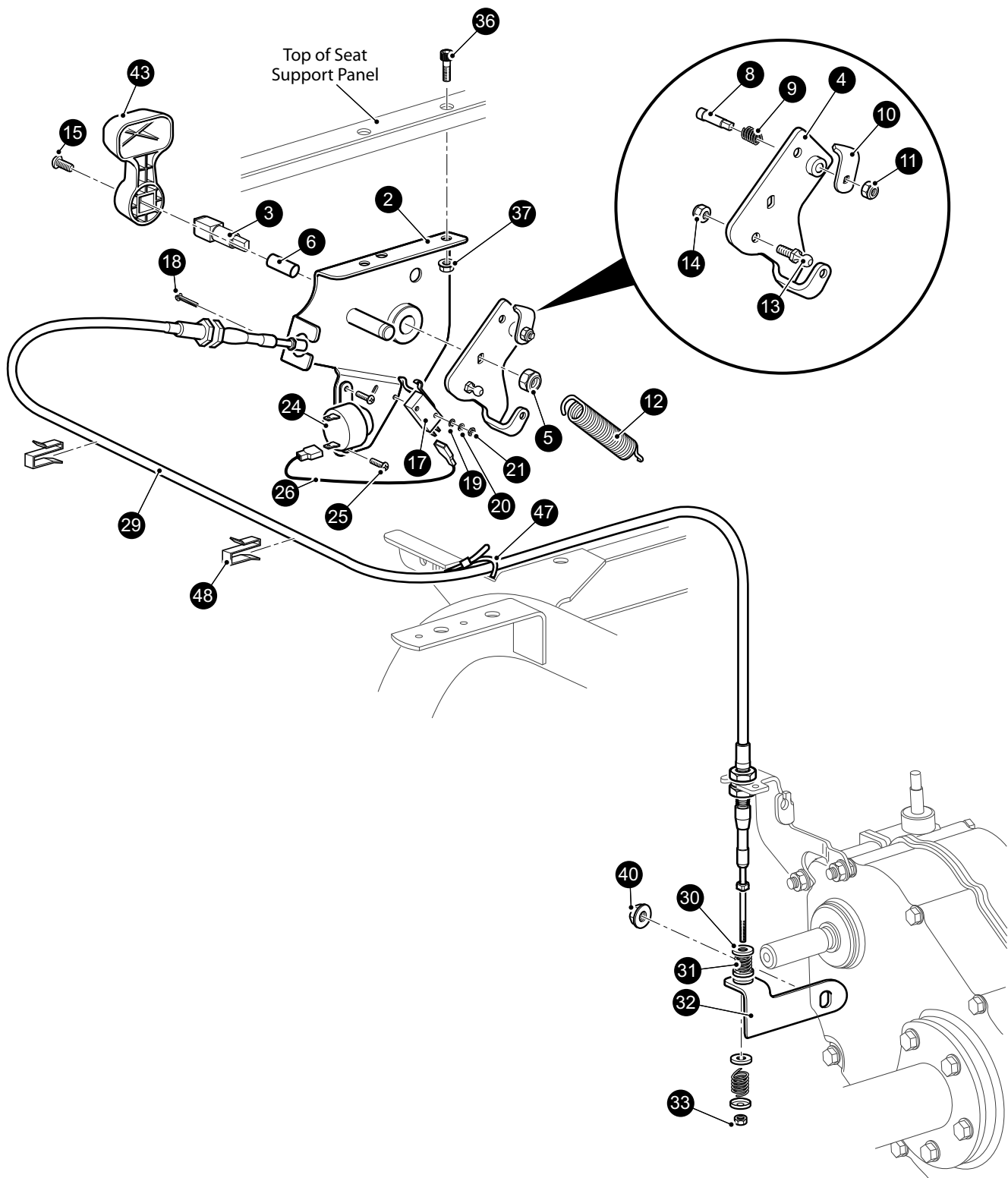
* Indicates a component that is not available as an individual part.

*** Indicates consult Customer Service Department for additional information.

ITEM	PART NO.	1 2 3 4 5	DESCRIPTION	QTY.
1	<u>26952G01</u>		DRIVE CLUTCH	1
2				
3	<u>00473G9</u>		BOLT, 7/16 - 20 X 6 1/2" LG.....	1
4	<u>00566G2</u>		LOCK WASHER, 7/16"	1
5	<u>25757G1</u>		PILOT WASHER	1
6				
7	<u>26301G02</u>		DRIVEN CLUTCH ASSEMBLY (INCLUDES ITEMS 8 - 15).....	1
8	*		MOVEABLE SHEAVE (INCLUDES ITEMS 9 -10).....	1
9	<u>00979G01</u>		SCREW, #10 - 24 X 7/8" LG	3
10	<u>26479G01</u>		RAMP BUTTON	3
11	*		CAM.....	1
12	<u>24600G1</u>		SPACER, 1 1/2"	1
13	<u>26304G01</u>		COMPRESSION SPRING	1
14	*		SHEAVE AND POST	1
15	<u>27270G01</u>		HEAVY DUTY RETAINING RING.....	1
16				
17	<u>00441G8</u>		BOLT, 5/16 - 18 X 4" LG.....	1
18	<u>00565G8</u>		LOCK WASHER, 5/16"	1
19	<u>25756G1</u>		RETAINING WASHER	1
20	<u>72054G01</u>		DRIVE BELT	1
21				
22	<u>72328G01</u>		DRIVE BELT (HIGH ALTITUDE).....	1
23				
24	<u>26952G01</u>		DRIVE CLUTCH (HIGH ALTITUDE)	1
25	<u>26301G03</u>		DRIVEN CLUTCH ASSEMBLY (HIGH ALTITUDE) (INCLUDES ITEMS 12, 14, 15, 26, 27, 28, 29).....	1
26	*		CAM.....	1
27	<u>26304G01</u>		COMPRESSION SPRING	1
28	*		MOVABLE SHEAVE (INCLUDES ITEMS 9, 29).....	1
29	<u>72324G01</u>		RAMP BUTTON, 4 CYCLE	3

DIRECTION SELECTOR

1 Direction Selector Assembly Includes Items 2 - 33



DIRECTION SELECTOR

When ordering parts, please specify the model and serial number of the product.

* Indicates a component that is not available as an individual part.

*** Indicates consult Customer Service Department for additional information.

ITEM	PART NO.	1 2 3 4 5	DESCRIPTION	QTY.
1	<u>72721G05</u>		DIRECTION SELECTOR ASSEMBLY (INCLUDES ITEMS 2 - 33)	1
2	<u>72737G02</u>		DIRECTION SELECTOR BRACKET WITH BUSHING	1
3	<u>70233G01</u>		DIRECTION SELECTOR SHAFT	1
4	<u>72738G01</u>		DIRECTION SELECTOR CAM.....	1
5	<u>14390G1</u>		LOCK NUT, 3/8 - 24.....	1
6	<u>25664G2</u>		BUSHING	1
7				
8	<u>72724G01</u>		NEUTRAL LOCK PIN	1
9	<u>72733G01</u>		COMPRESSION SPRING, 3/8" X 5/8" LG	1
10	<u>72729G01</u>		NEUTRAL LOCK BRACKET	1
11	<u>00734G2</u>		LOCK NUT, 1/4 - 28.....	1
12	<u>28574G01</u>		EXTENSION SPRING	1
13	<u>72732G01</u>		BALL STUD, 1/4"	1
14	<u>00734G5</u>		LOCK NUT, #10 - 32.....	1
15				
16				
17	<u>72736G01</u>		MICRO SWITCH	1
18	<u>01062G01</u>		SCREW, #4 - 40 X 1" LG	2
19	<u>00559G1</u>		WASHER, #4	2
20	<u>00565G1</u>		LOCK WASHER, #4	2
21	<u>00526G2</u>		NUT, #4 - 40	2
22				
23				
24	<u>73290G03</u>		REVERSE WARNING BUZZER.....	1
25	<u>01063G01</u>		SCREW, #6 - 32 X 3/8" LG.....	2
26	<u>25978G345</u>		18 GA WIRE (RED 7").....	1
27				
28				
29	<u>602891</u>		PUSH / PULL SHIFTER CABLE	1
30	<u>25727G01</u>		CUP WASHER, 1/4"	4
31	<u>72735G01</u>		COMPRESSION SPRING, 19/32" X 1" LG	2

DIRECTION SELECTOR

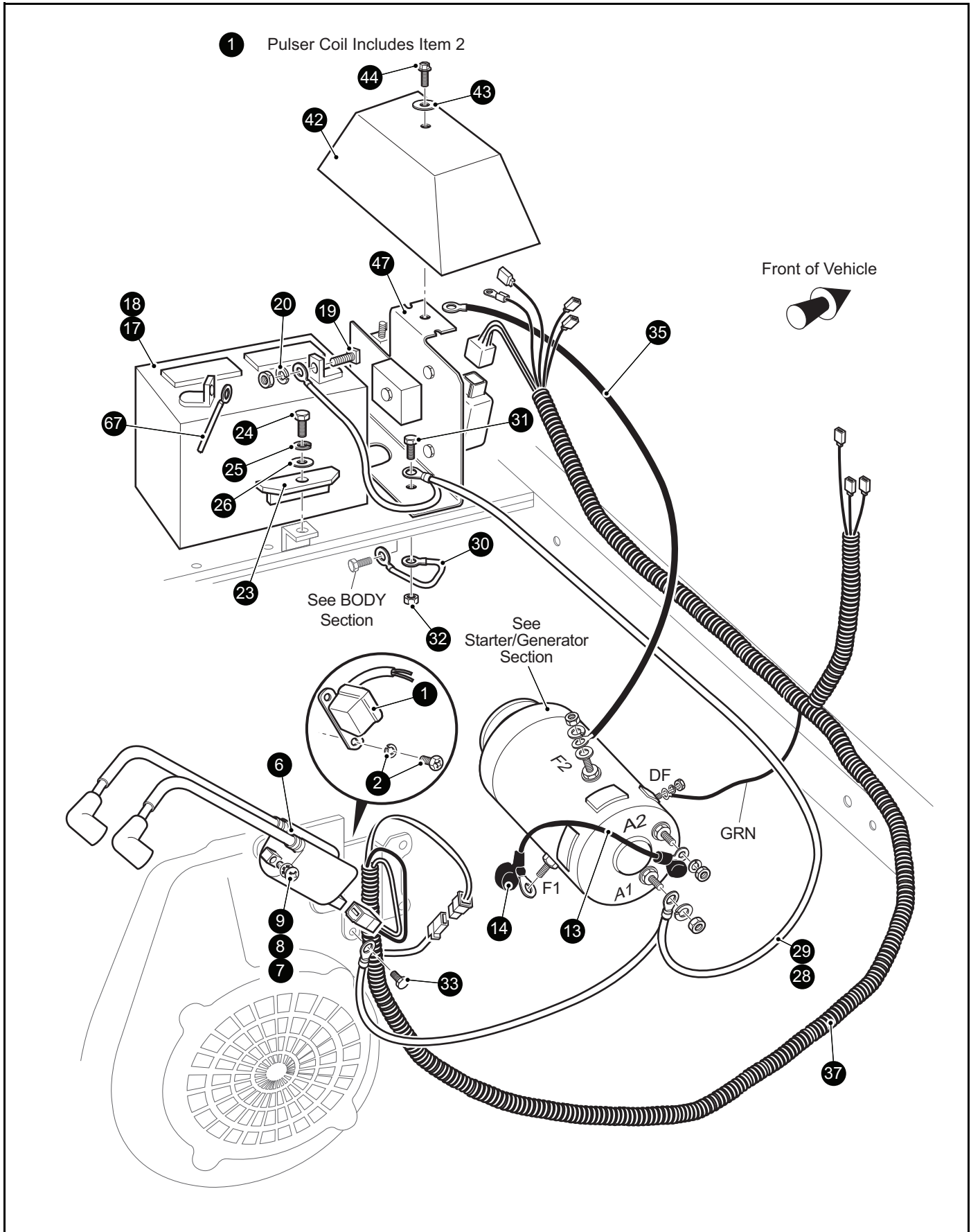
When ordering parts, please specify the model and serial number of the product.

* Indicates a component that is not available as an individual part.

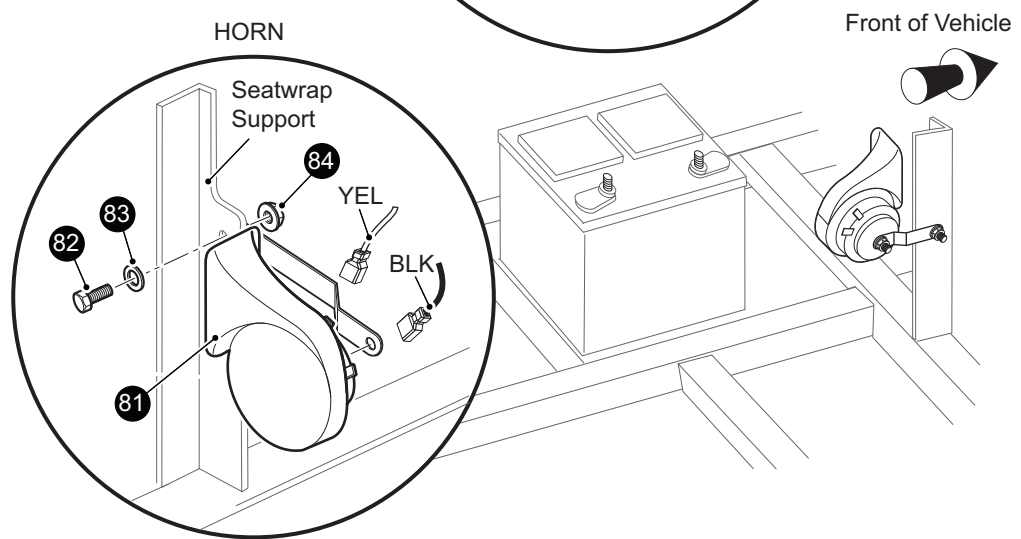
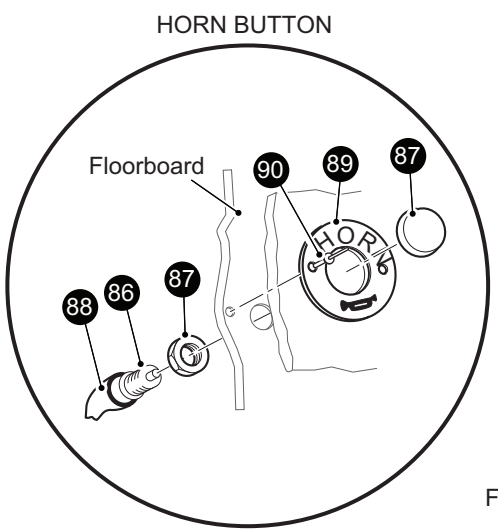
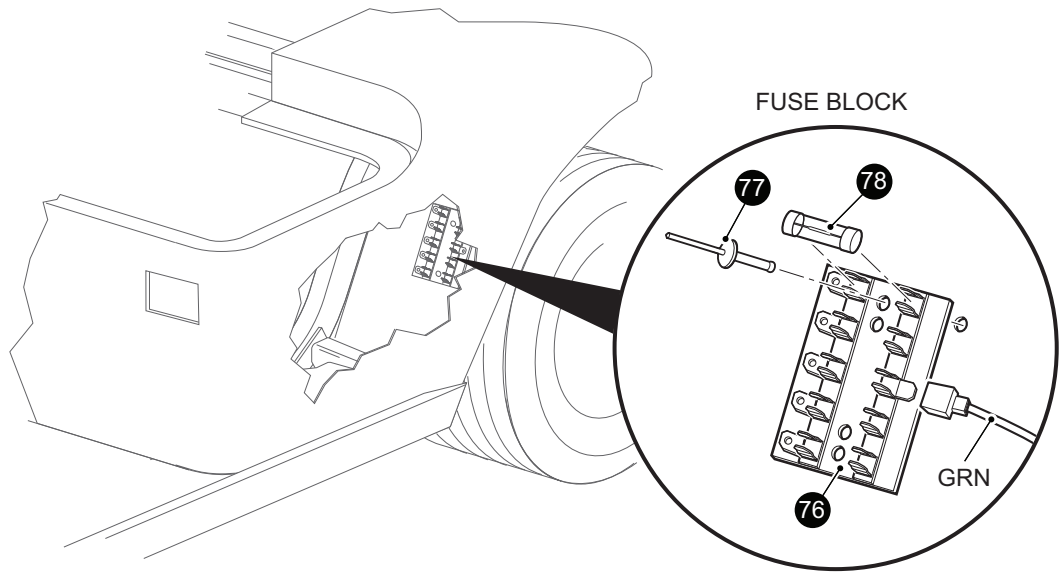
*** Indicates consult Customer Service Department for additional information.

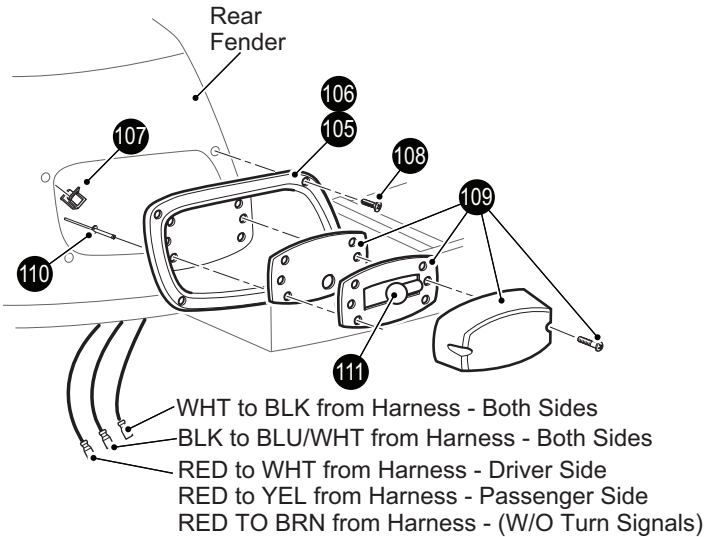
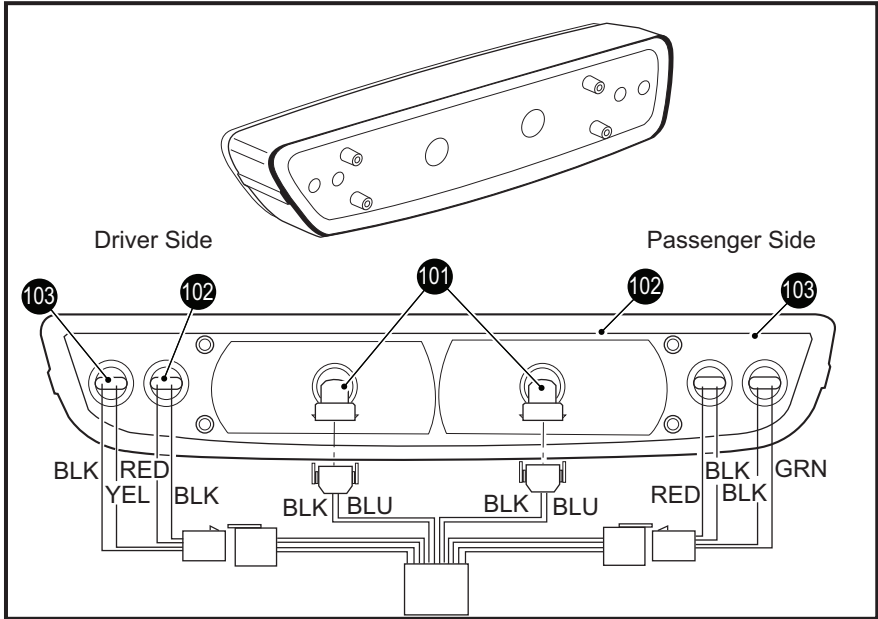
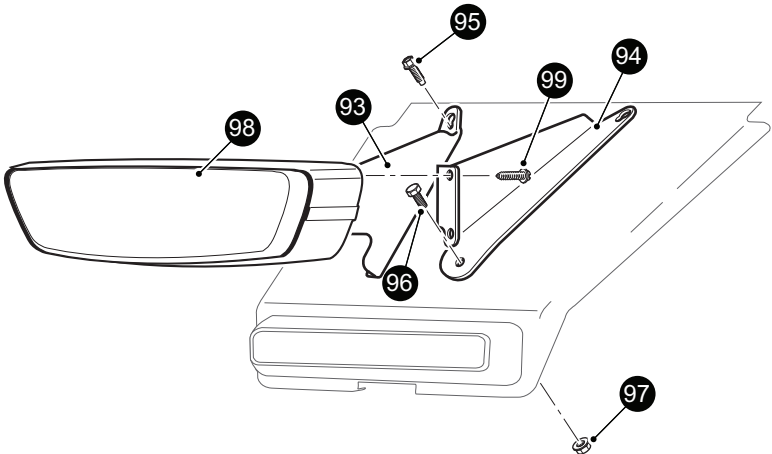
ITEM	PART NO.	1	2	3	4	5	DESCRIPTION	QTY.
32	<u>72730G01</u>						SHIFTER BRACKET WITH BUSHING	1
33	<u>00734G5</u>						LOCK NUT, #10 - 32	1
34								
35								
36	<u>70227G01</u>						SCREW, 1/4 - 20 X 7/8" LG.....	2
37	1102-G2						LOCK NUT, 1/4 - 20.....	2
38								
39								
40	26830G01						LOCK NUT, M8 X 1.25 MM	1
41								
42								
43	<u>71205G01</u>						DIRECTION SELECTOR HANDLE	1
44	<u>00740G4</u>						SCREW, #10 - 32 X 1/2" LG (STAINLESS STEEL)	1
45								
46								
47	<u>31539G1</u>						WIRE TIE.....	1
48	<u>01072G01</u>						CABLE CLIP	2

ELECTRICAL SYSTEM



ELECTRICAL SYSTEM

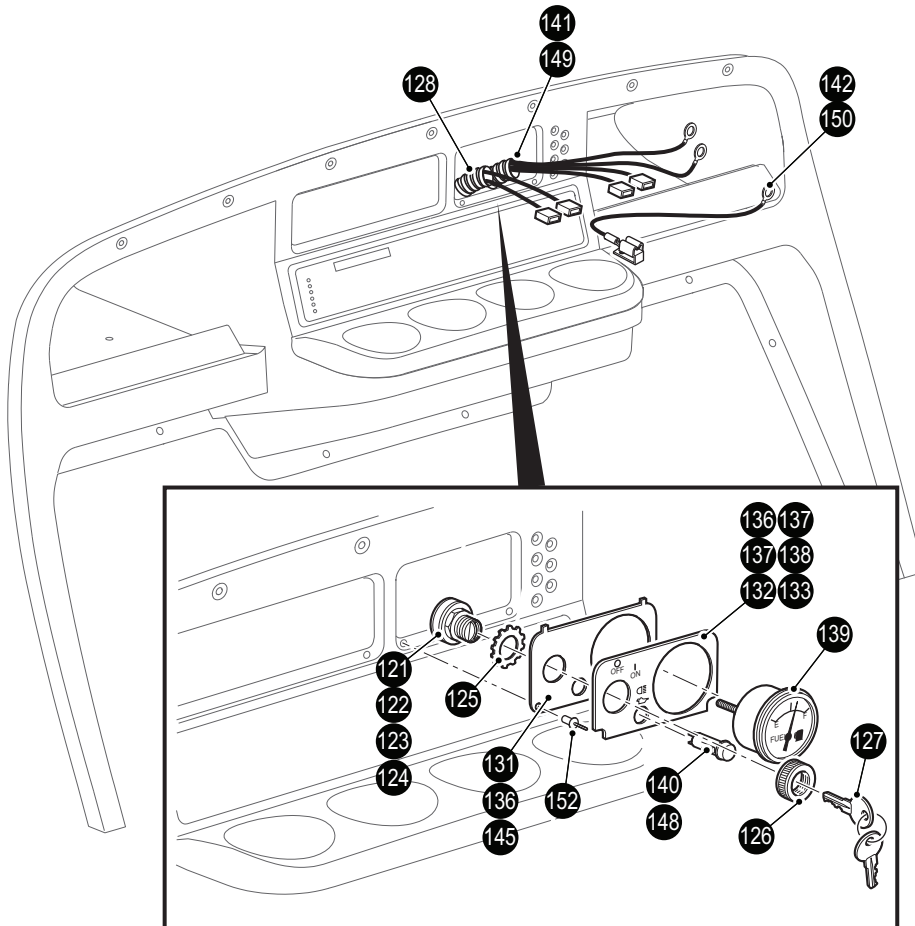
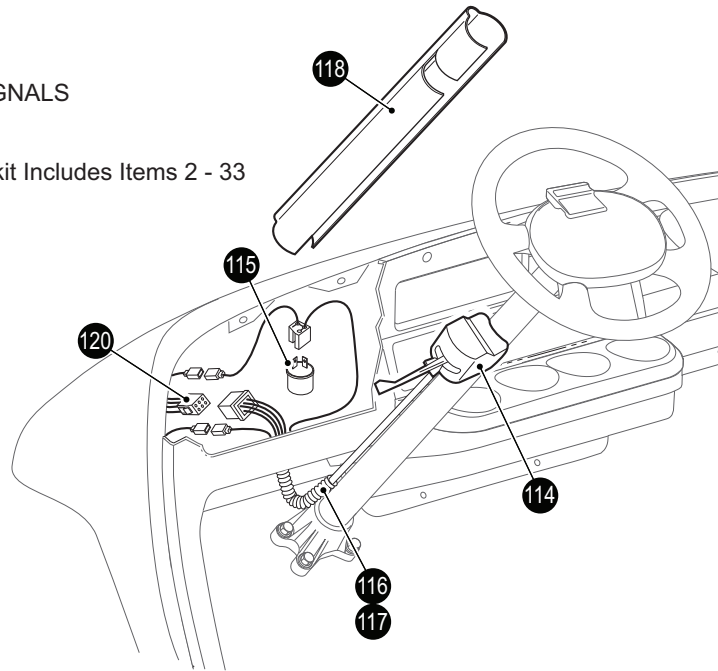




ELECTRICAL SYSTEM

TURN SIGNALS

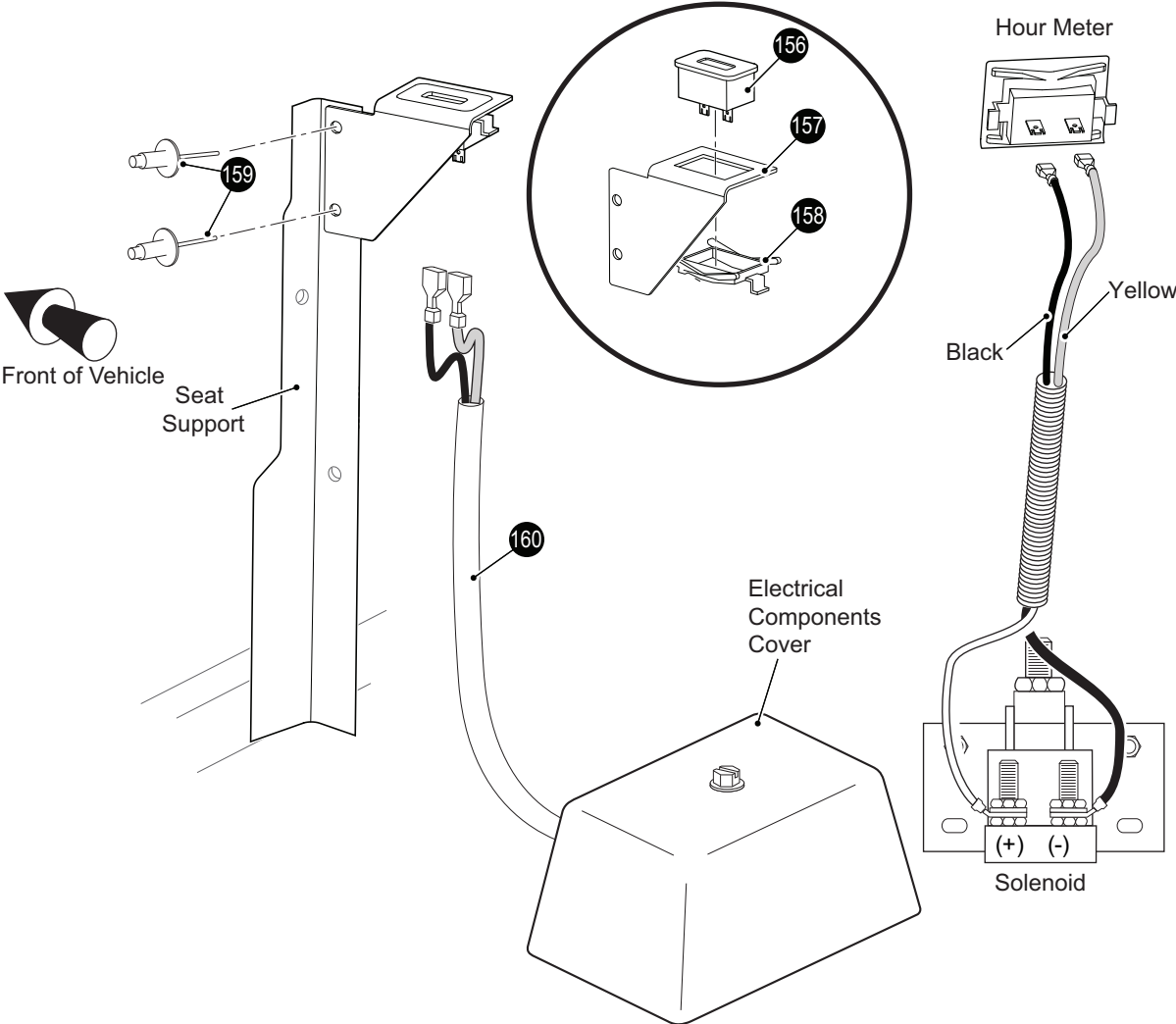
113 Turn Signal kit Includes Items 2 - 33



FUEL GAUGE, LOW OIL PRESSURE LIGHT, AND KEY SWITCH

HOUR METER

155 Hour Meter Kit Includes Items 114 - 118



ELECTRICAL SYSTEM

When ordering parts, please specify the model and serial number of the product.

* Indicates a component that is not available as an individual part.

*** Indicates consult Customer Service Department for additional information.

ITEM	PART NO.	1 2 3 4 5	DESCRIPTION	QTY.
1	<u>72865G01</u>		PULSER COIL (INCLUDES ITEM 2).....	1
2	<u>26707G01</u>		BOLT AND WASHER ASSEMBLY, M5 X 0.8 X 10 MM LG	2
3				
4				
5				
6	<u>72866G01</u>		IGNITION COIL, (INCL. SPARK PLUG WIRES)	1
7	*		FLAT WASHER	2
8	*		LOCK WASHER	2
9	<u>72871G01</u>		SCREW	2
10				
11				
12				
13	<u>25887G01</u>		6 GA WIRE (BLACK, 6", F1 - A2).....	1
14	<u>25682G1</u>		TERMINAL COVER.....	3
15				
16				
17	600597		BATTERY H.D (PROLINK).....	1
18	24775G*		BATTERY, 12V	1
19	<u>00962G1</u>		BOLT, 5/16 - 18 X 1 1/4" LG	2
20	<u>00993G01</u>		LOCK WASHER, 5/16" (SILICON BRONZE)	2
21	<u>00994G01</u>		NUT, 5/16 - 18 (SILICON BRONZE).....	2
22				
23	<u>72101G02</u>		BATTERY HOLD DOWN	1
24	00438G6		BOLT, 5/16 - 18 X 3/4" LG	1
25	<u>00565G8</u>		LOCK WASHER, 5/16"	1
26	<u>00571G2</u>		WASHER, 5/16"	1
27				
28	<u>601227</u>		BATTERY CABLE (-VE) (PROLINK).....	1
29	<u>27044G03</u>		GROUND CABLE	1
30	<u>25976G19</u>		14 GA WIRE (BLACK, 6").....	1
31	00438G6		BOLT, 5/16 - 18 X 3/4" LG	2

ELECTRICAL SYSTEM

When ordering parts, please specify the model and serial number of the product.

* Indicates a component that is not available as an individual part.

*** Indicates consult Customer Service Department for additional information.

ITEM	PART NO.	1 2 3 4 5	DESCRIPTION	QTY.
32	<u>11027G1</u>		LOCK NUT, 5/16 - 18	2
33	<u>26676G01</u>		FLANGED BOLT, M6 X 1 X 23 MM LG	1
34				
35	<u>25972G85</u>		6 GA WIRE (BLACK 23", F2 - SOL)	1
36				
37	<u>74938G01</u>		WIRE HARNESS (CONTROL) (EH292C & EH352C ENGINES)	1
38				
39				
40	<u>17618G1</u>		WIRE TIE	AR
41				
42	<u>73049G01</u>		COVER	1
43	<u>16469G1</u>		WASHER, 1/4"	1
44	<u>00114G6</u>		SCREW, 1/4 - 14 X 3/4" LG	1
45				
46				
47	<u>72909G01</u>		ELEC. PLATE ASSY (INCL. ITEMS 48 - 72)	1
	<u>72909G02</u>		ELECTRICAL PLATE ASSY (PROLINK)	1
48	<u>73057G01</u>		BRACKET	1
49	<u>27739G01</u>		VOLTAGE REGULATOR	1
50	2715-G01		SOLENOID	1
51	<u>00415G2</u>		BOLT, 1/4 - 20 X 1 1/4" LG	1
52	00414G8		BOLT, 1/4 - 20 X 1" LG	1
53	<u>11027G2</u>		LOCK NUT, 1/4 - 20.....	2
54				
55				
56	72872G01		IGNITOR.....	1
57	<u>00414G5</u>		BOLT, 1/4 - 20 X 5/8" LG	1
58	<u>11027G2</u>		LOCK NUT, 1/4 - 20.....	1
59				
60				
61				

ELECTRICAL SYSTEM

When ordering parts, please specify the model and serial number of the product.

* Indicates a component that is not available as an individual part.

*** Indicates consult Customer Service Department for additional information.

ITEM	PART NO.	1	2	3	4	5	DESCRIPTION	QTY.
62	<u>73446G01</u>						FASTON TAB, 90°.....	2
63	<u>00565G5</u>						LOCK WASHER, #10.....	2
64	<u>00526G4</u>						NUT, #10 - 32.....	2
65								
66								
67	<u>25978G56</u>						18 GA WIRE (BLACK, 5 3/4").....	1
68								
69	600418G01						IN-LINE FUSE HOLDER.....	1
70	<u>00565G8</u>						LOCK WASHER, 5/16".....	2
71	<u>00544G4</u>						JAM NUT, 5/16 - 24.....	2
72	<u>25972G33</u>						6 GA WIRE (BLACK, 24", B+ - SOL).....	1
73	<u>601226</u>						BATTERY CABLE (+VE) (PROLINK).....	1
74								
75								
76	<u>22674G1</u>						FUSE BLOCK.....	1
77	<u>01041G01</u>						RIVET, 1/8" X 13/16" LG.....	2
78	<u>18392G1</u>						15 AMP FUSE.....	3
79								
80								
81	<u>32860G1</u>						HORN.....	1
82	<u>00414G5</u>						BOLT, 1/4 - 20 x 5/8" LG.....	1
83	<u>00559G7</u>						WASHER, 5/16".....	1
84	<u>14390G4</u>						LOCK NUT, 1/4 - 20.....	1
85								
86	<u>17318G1</u>						HORN SWITCH.....	1
87	<u>17318G2</u>						HORN SWITCH CAP AND NUT.....	1
88	<u>27068G01</u>						HORN SWITCH BOOT.....	1
89	19233G1						HORN SWITCH LABEL.....	1
90	<u>71055G01</u>						RIVET, 3/16" X 1" LG (ALUMINUM).....	2
91								
92								

ELECTRICAL SYSTEM

When ordering parts, please specify the model and serial number of the product.

* Indicates a component that is not available as an individual part.

*** Indicates consult Customer Service Department for additional information.

ITEM	PART NO.	1 2 3 4 5	DESCRIPTION	QTY.
93	<u>74236G03</u>		HEADLIGHT MOUNT BRACKET (PASSENGER SIDE)	1
94	<u>74236G04</u>		HEADLIGHT MOUNT BRACKET (DRIVER SIDE)	1
95	<u>01038G01</u>		BOLT, 1/4 - 20 X 11/16" LG	2
96	0041-G6		BOLT, 1/4 - 20 X 3/4" LG	2
97	<u>11027G2</u>		LOCK NUT, 1/4 - 20	2
98	<u>74001G01</u>		HEADLIGHT AND TURN SIGNAL LIGHT	1
99	<u>00114G6</u>		SCREW, 1/4 - 14 X 3/4" LG	4
100				
101	<u>74004G01</u>		HEADLIGHT BULB	AR
102	<u>74005G01</u>		MARKER LIGHT BULB.....	AR
103	<u>74006G01</u>		TURN SIGNAL BULB.....	AR
104				
105	<u>74371G01</u>		BEZEL (DRIVER SIDE)	1
106	<u>74371G02</u>		BEZEL (PASSENGER SIDE).....	1
107	<u>71364G02</u>		'J' CLIP	8
108	<u>71425G01</u>		COUNTERSUNK SCREW, #8	8
109	<u>22288G2</u>		BRAKE / TAILLIGHT LAMP	1
110	<u>14601G11</u>		RIVET, 3/16" X 9/16" LG (ALUMINUM).....	4
111	<u>21759G1</u>		TAILLIGHT BULB.....	AR
112				
113	<u>75107G02</u>		TURN SIGNAL KIT (INCLUDES ITEMS 114 - 118)	1
114	<u>17867G1</u>		TURN SIGNAL (WITH MOUNTING HARDWARE) (INCLUDES ITEM 115)	1
115	<u>21640G1</u>		TURN SIGNAL FLASHER	1
116	<u>32307G3</u>		FLEX LOOM, 3/8 X 8" LG.....	1
117	<u>17618G1</u>		WIRE TIE.....	2
118	<u>20965G3</u>		STEERING COLUMN COVER.....	1
119				
120	<u>72228G01</u>		WIRE HARNESS (ACCESSORY)	1
121	<u>18602G1</u>		KEY SWITCH KIT (W/O LIGHTS - STANDARD - WITH HARDWARE).....	1
122	<u>17955G1</u>		KEY SWITCH (WITHOUT LIGHTS - NON STANDARD).....	1
123	<u>18027G1</u>		KEY SWITCH (WITHOUT LIGHTS - INDIVIDUALLY KEYED).....	1

ELECTRICAL SYSTEM

When ordering parts, please specify the model and serial number of the product.

* Indicates a component that is not available as an individual part.

*** Indicates consult Customer Service Department for additional information.

ITEM	PART NO.	1 2 3 4 5	DESCRIPTION	QTY.
124	33639G**		KEY SWITCH (WITH LIGHTS).....	1
125	<u>00568G6</u>		LOCK WASHER, 3/4"	1
126	17137G1		FACE NUT, 3/4 - 20	1
127	<u>17063G1</u>		KEY (SET)	1
128	<u>73041G01</u>		WIRE HARNESS (KEY SWITCH)	1
129				
130				
131	<u>73030G01</u>		PLATE (KEY SWITCH ONLY)	1
132	<u>71145G01</u>		LABEL (KEY SWITCH ONLY) WITHOUT HEADLIGHTS	1
133	<u>71181G01</u>		LABEL (KEY SWITCH ONLY) WITH HEADLIGHTS	1
134				
135				
136	73030G04		PLATE (FUEL GAUGE AND OIL LIGHT)	1
137	71127G01		LABEL (OIL LIGHT AND FUEL GAUGE W/O HEADLIGHTS).....	1
138	<u>71131G01</u>		LABEL (OIL LIGHT AND FUEL GAUGE WITH HEADLIGHTS).....	1
139	<u>21553G1</u>		FUEL GAUGE	1
140	<u>23474G1</u>		INDICATOR LIGHT.....	1
141	<u>74311G01</u>		WIRE HARNESS (OIL LIGHT/FUEL GAUGE).....	1
142	<u>25978G122</u>		18 GA WIRE (RED, 6" LG).....	1
143				
144				
145	73030G04		PLATE (LOW FUEL AND OIL LIGHT INDICATOR)	1
146	<u>71125G01</u>		LABEL (LOW FUEL AND OIL LIGHT W/O HEADLIGHTS)	1
147	<u>71183G01</u>		LABEL (LOW FUEL AND OIL LIGHT WITH HEADLIGHTS)	1
148	<u>23474G1</u>		INDICATOR LIGHT.....	2
149	<u>74311G01</u>		WIRE HARNESS (OIL LIGHT/FUEL LIGHT)	1
150	<u>25978G122</u>		18 GA WIRE (RED, 6" LG).....	1
151				
152	33623G02		DRIVE RIVET, 3/16" X 3/8" LG.....	2
153				
154				

ELECTRICAL SYSTEM

When ordering parts, please specify the model and serial number of the product.

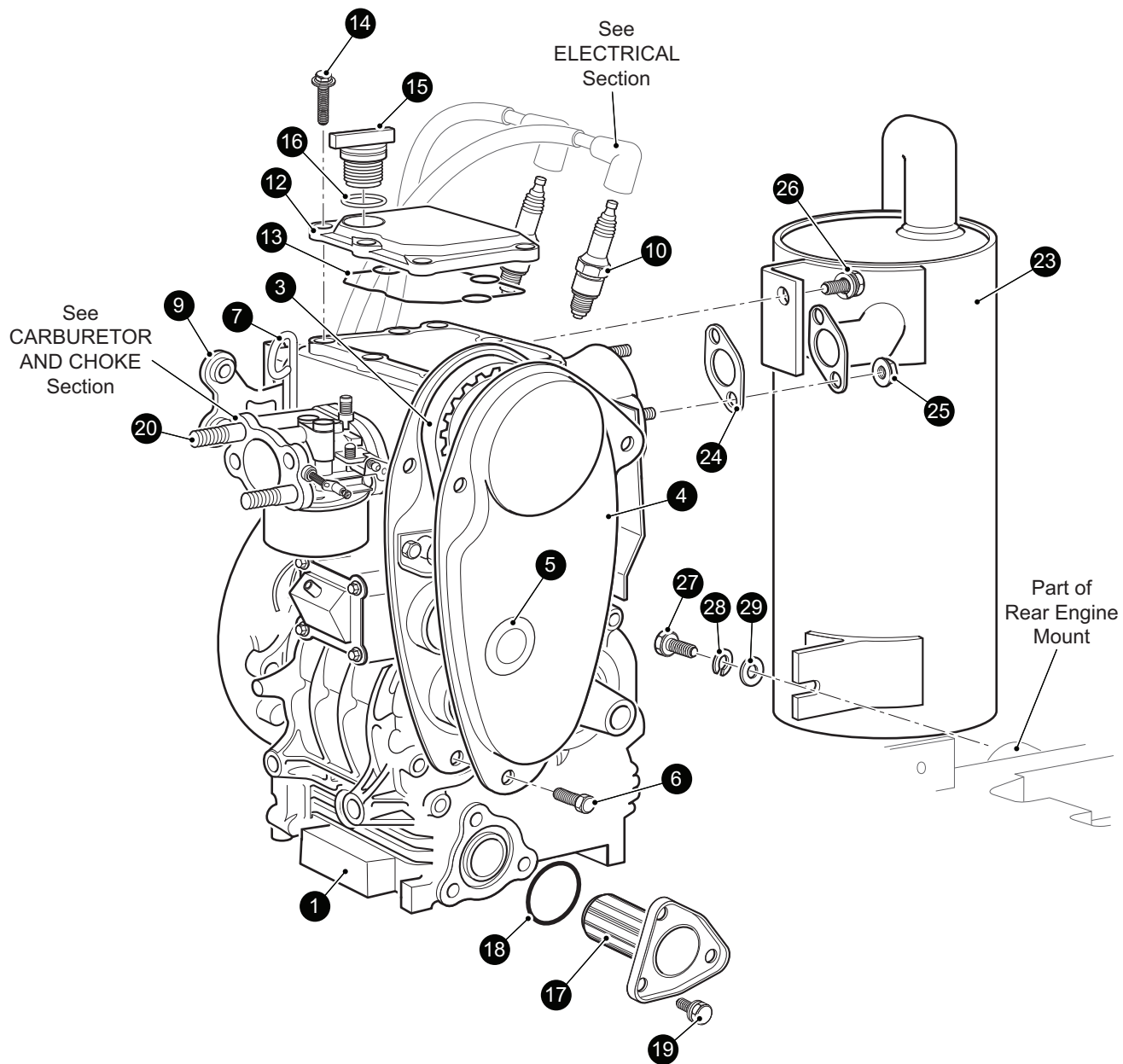
* Indicates a component that is not available as an individual part.

*** Indicates consult Customer Service Department for additional information.

ITEM	PART NO.	1 2 3 4 5	DESCRIPTION	QTY.
155	75114G02		HOUR METER KIT (INCLUDES ITEMS 156 - 160).....	1
156	<u>74665G02</u>		HOUR METER	1
157	<u>74716G01</u>		HOUR METER BRACKET	1
158	<u>74696G01</u>		RETAINER CLIP	1
159	<u>10570G11</u>		RIVET	2
160	<u>75117G01</u>		WIRE HARNESS (HOUR METER)	1

ENGINE 11 HP AND MUFFLER

1 Engine Assembly Includes Items 3 - 20



ENGINE 11 HP AND MUFFLER

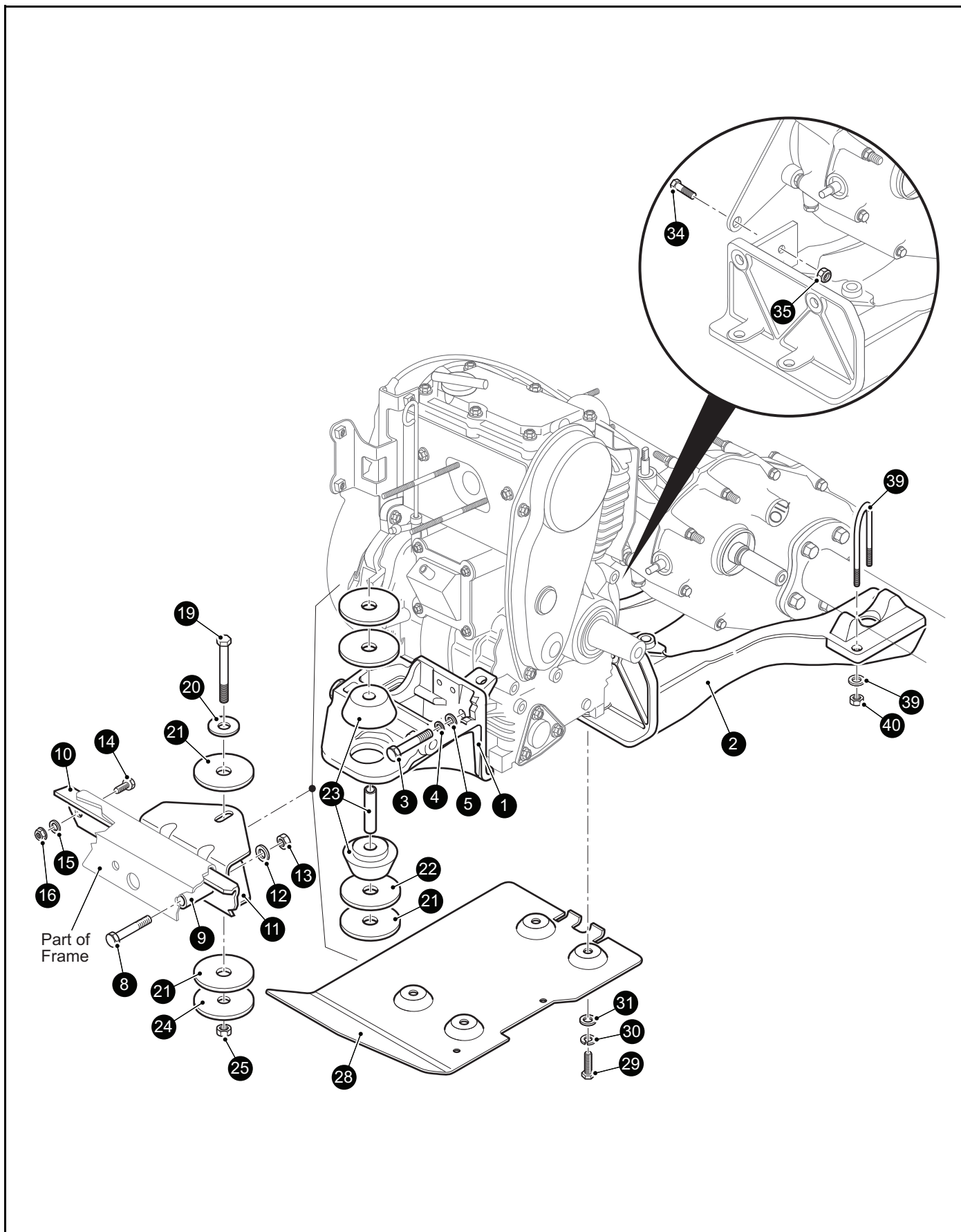
When ordering parts, please specify the model and serial number of the product.

* Indicates a component that is not available as an individual part.

*** Indicates consult Customer Service Department for additional information.

ITEM	PART NO.	1 2 3 4 5	DESCRIPTION	QTY.
1	<u>72846G02</u>		ENGINE (FOR VEHICLES ORIGINALLY EQUIPPED WITH 350cc (EH35C) (INCLUDES ITEMS 3 - 20)	1
2				
3	<u>26626G01</u>		TIMING BELT	1
4	<u>72908G01</u>		TIMING BELT COVER.....	1
5	<u>26631G01</u>		TIMING BELT COVER GROMMET	1
6	<u>26678G01</u>		BOLT, M6 X 1 X 12 MM LG	3
7	<u>72538G01</u>		DIP STICK	1
8				
9	<u>72869G01</u>		IGNITION COIL BRACKET	1
10	<u>72867G01</u>		SPARK PLUG (NGK BPR5ES).....	2
11				
12	<u>72848G01</u>		VALVE COVER	1
13	<u>72876G01</u>		VALVE COVER GASKET	1
14	<u>26676G01</u>		FLANGED BOLT, M6 X 1 X 23 MM LG	6
15	<u>26601G01</u>		OIL FILLER CAP	1
16	<u>26720G01</u>		OIL FILLER 'O' RING	1
17	<u>26591G01</u>		OIL FILTER.....	1
18	<u>26710G01</u>		OIL FILTER 'O' RING.....	1
19	<u>26680G01</u>		BOLT AND WASHER, M6 X 1 X 12 MM LG.....	3
20	<u>72307G01</u>		STUD, M6 X 1 X 115 MM LG.....	2
21				
22				
23	<u>74829G01</u>		MUFFLER	1
24	<u>25531G01</u>		EXHAUST GASKET.....	1
25	<u>72851G01</u>		FLANGE NUT, M8 X 1.25 MM	2
26	<u>25532G1</u>		BOLT AND WASHER, M8 X 1.25 X 18 MM LG	1
27	<u>00438G8</u>		BOLT, 5/16 - 18 X 1" LG.....	1
28	<u>00565G8</u>		LOCK WASHER, 5/16"	3
29	<u>00642G8</u>		WASHER, 5/16"	1

ENGINE MOUNTING



ENGINE MOUNTING

When ordering parts, please specify the model and serial number of the product.

* Indicates a component that is not available as an individual part.

*** Indicates consult Customer Service Department for additional information.

ITEM	PART NO.	1 2 3 4 5	DESCRIPTION	QTY.
1	<u>72010G01</u>		FRONT ENGINE MOUNT	1
2	<u>72011G01</u>		REAR ENGINE MOUNT	1
3	<u>00463G4</u>		BOLT, 7/16 - 14 X 1 1/2" LG.....	4
4	<u>00566G2</u>		LOCK WASHER, 7/16"	4
5	<u>00922G3</u>		WASHER, 7/16"	4
6				
7				
8	<u>00428G6</u>		BOLT, 3/8 - 16 X 2 3/4" LG.....	2
9	<u>72016G01</u>		SPACER.....	2
10	<u>70269G02</u>		CROSSMEMBER BRACE	1
11	<u>72044G02</u>		MOUNT BRACKET	1
12	<u>00643G1</u>		WASHER, 3/8"	2
13	<u>11098G5</u>		LOCK NUT, 3/8 - 16	2
14	<u>00438G7</u>		BOLT, 5/16 - 18 X 7/8" LG.....	2
15	<u>01110G03</u>		WASHER, 5/16" (STAINLESS STEEL).....	2
16	<u>01109G01</u>		LOCK NUT, 5/16 - 18 (STAINLESS STEEL).....	2
17				
18				
19	<u>00430G4</u>		BOLT, 3/8 - 16 X 4 1/2" LG.....	1
20	<u>15121G1</u>		WASHER, 3/8"	1
21	<u>72050G01</u>		PLASTIC WASHER, 2 1/4" OD X 5/8" ID X 1/8"	4
22	<u>72051G01</u>		WASHER, 2 1/2" OD X 5/8" ID X 1/8"	2
23	<u>72015G01</u>		ISOLATION MOUNT	1
24	<u>72051G02</u>		WASHER, 3/8"	1
25	<u>11098G5</u>		LOCK NUT, 3/8 - 16	1
26				
27				
28	<u>72719G03</u>		ENGINE GUARD	1
29	<u>00463G4</u>		BOLT, 7/16 - 14 X 1 1/2" LG.....	4
30	<u>00566G2</u>		LOCK WASHER, 7/16"	4
31	<u>00922G3</u>		WASHER, 7/16"	4

ENGINE MOUNTING

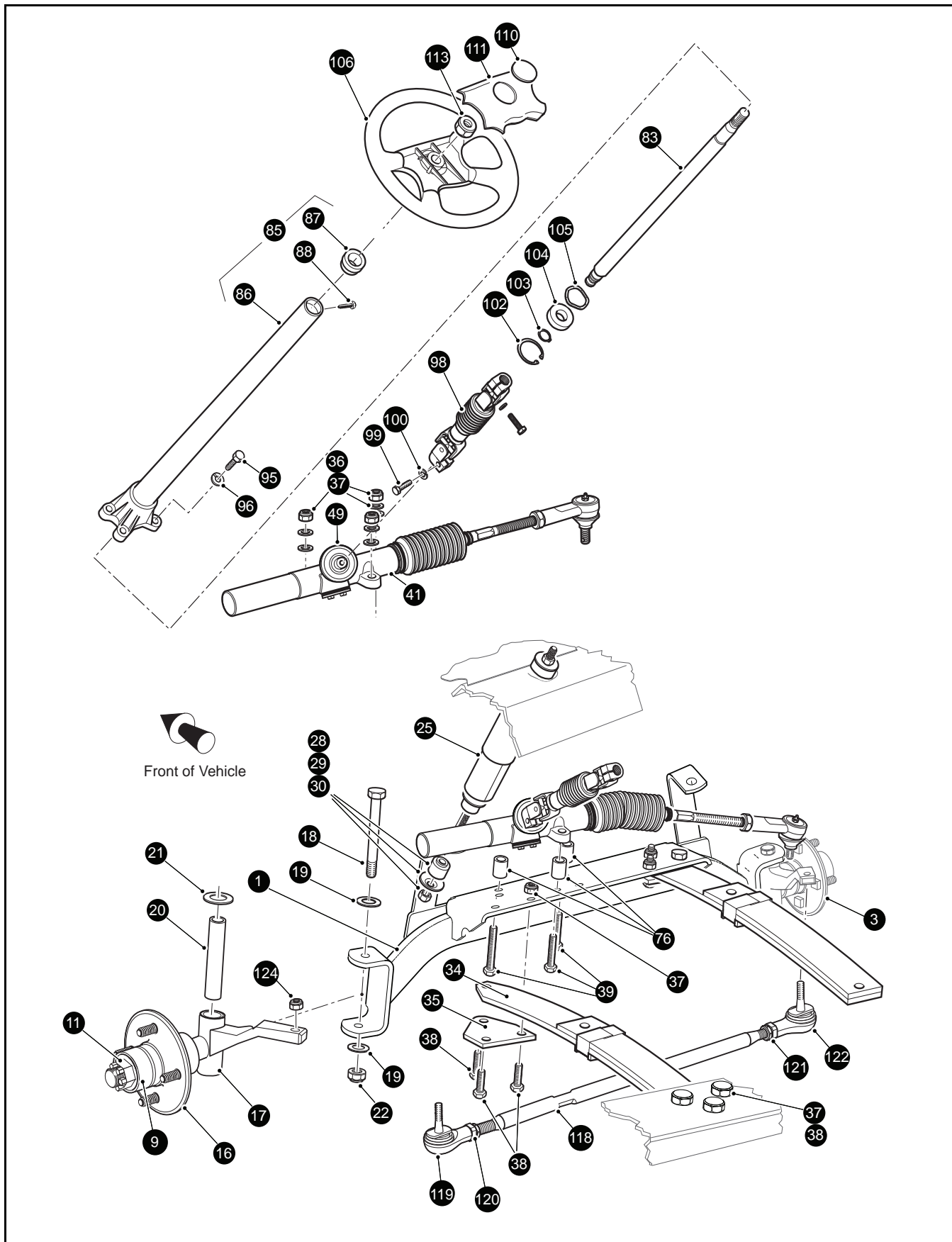
When ordering parts, please specify the model and serial number of the product.

* Indicates a component that is not available as an individual part.

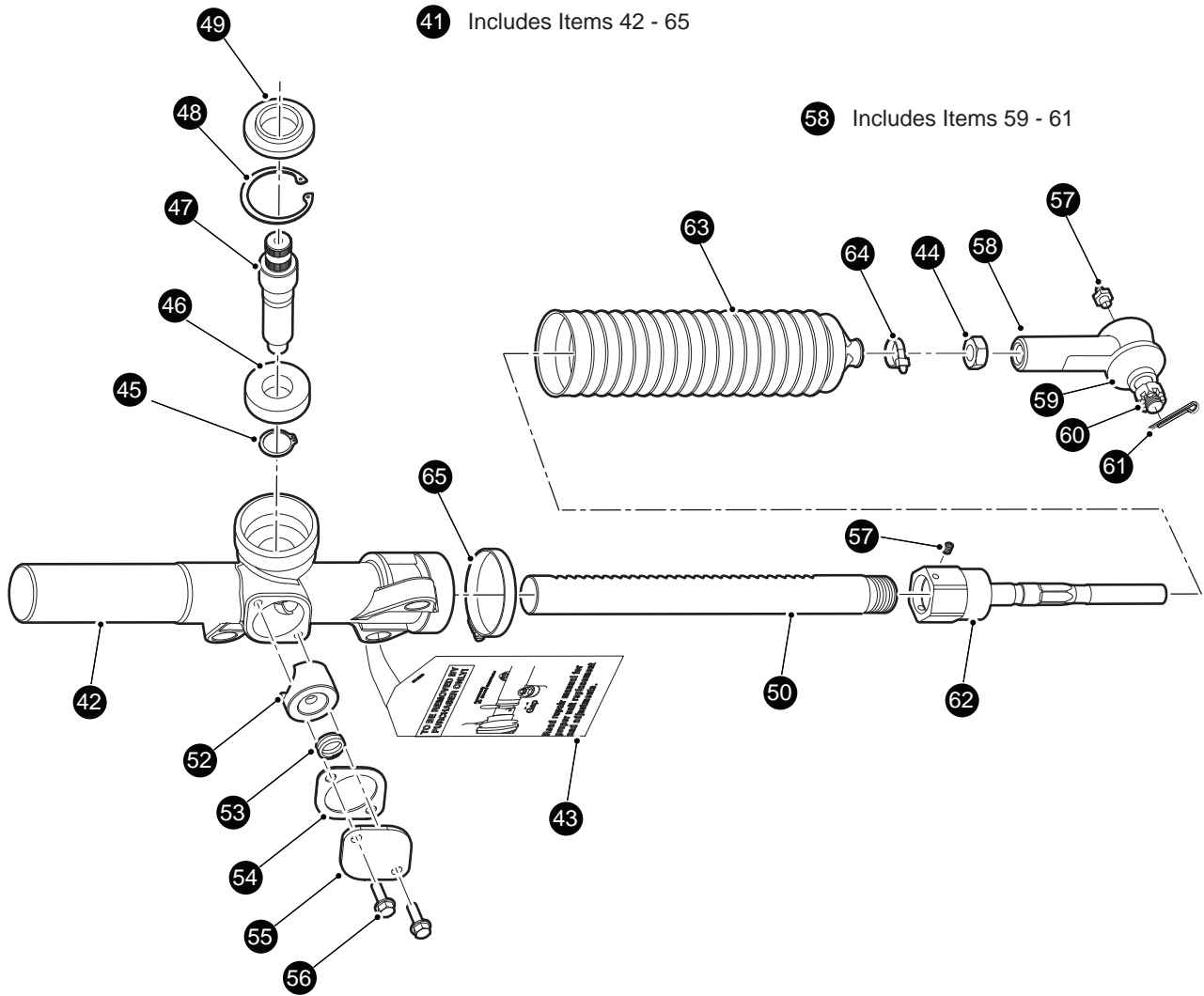
*** Indicates consult Customer Service Department for additional information.

ITEM	PART NO.	1	2	3	4	5	DESCRIPTION	QTY.
32								
33								
34	<u>00439G1</u>						BOLT, 5/16 - 18 X 1 1/8" LG	1
35	11098G6						LOCK NUT, 5/16 - 18 (STAINLESS STEEL)	1
36								
37								
38	<u>72035G01</u>						'U' BOLT, 7/16 - 14 X 3 7/16" X 3 9/16" LG.....	2
39	<u>00922G3</u>						WASHER, 7/16".....	4
40	<u>00734G1</u>						LOCK NUT, 7/16 - 14.....	4

FRONT SUSPENSION AND STEERING



FRONT SUSPENSION AND STEERING



FRONT SUSPENSION AND STEERING

Where applicable, THE USE OF NON UL PARTS WILL VOID ANY UL LISTING.

When ordering parts, please specify the model and serial number of the product.

* Indicates a component that is not available as an individual part.

G** Indicates consult Customer Service Department for additional information.

ITEM	PART NO.	1 2 3 4 5	DESCRIPTION	QTY.
1	<u>606989</u>		FRONT AXLE	1
2				
3	<u>70930G01</u>		SPINDLE AND HUB ASSEMBLY, 4 LUG (PASSENGER SIDE) (INCLUDES ITEMS 4 - 13).....	1
4	<u>70802G01</u>		SPINDLE ASSEMBLY (PASSENGER SIDE).....	1
5				
6				
7	<u>25146G1</u>		GREASE SEAL.....	1
8	<u>50892G1</u>		ROLLER BEARING AND RACE ASSEMBLY.....	2
9	<u>35586G01</u>		WHEEL HUB ASSEMBLY WITH RACES, 4 LUG (INCLUDES ITEM 10)	1
10	<u>19862-G1</u>		LUG BOLT, 1/2 - 20 X 1 7/32" LG.....	4
11	<u>12093G1</u>		SLOTTED NUT, 1 - 14	1
12	<u>00798G8</u>		COTTER PIN, 5/32" X 1 3/4" LG	1
13	<u>12091G2</u>		SPINDLE CAP	2
14				
15				
16	<u>70931G01</u>		SPINDLE AND HUB ASSEMBLY, 4 LUG (DRIVER SIDE) (INCLUDES ITEMS 5 - 13 & 17)	1
17	<u>70803G01</u>		SPINDLE ASSEMBLY (DRIVER SIDE)	1
18	<u>00407G6</u>		BOLT, 1/2 - 13 X 6" LG	2
19	<u>00560G3</u>		WASHER, 1/2"	4
20	<u>70745G01</u>		KING PIN TUBE	2
21	<u>70754G01</u>		THRUST WASHER (STAINLESS STEEL).....	2
22	<u>14390G6</u>		LOCK NUT, 1/2 - 13	2
23				
24				
25	<u>76419G01</u>		SHOCK ABSORBER.....	2
26				
27				
28	<u>10435G1</u>		SHOCK ABSORBER WASHER.....	8
29	<u>10194G1</u>		RUBBER SHOCK ABSORBER BUSHING	8

FRONT SUSPENSION AND STEERING

Where applicable, THE USE OF NON UL PARTS WILL VOID ANY UL LISTING.

When ordering parts, please specify the model and serial number of the product.

* Indicates a component that is not available as an individual part.

G** Indicates consult Customer Service Department for additional information.

ITEM	PART NO.	1 2 3 4 5	DESCRIPTION	QTY.
30	<u>00532G6</u>		NUT, 3/8 - 24	4
31				
32				
33				
34	<u>70664G03</u>		LEAF SPRING (HEAVY DUTY) (SEE PART NUMBER ON SPRING).....	2
35	<u>70163G03</u>		SPRING PLATE	4
36	<u>10435G1</u>		WASHER, 7/16.....	6
37	<u>00734G1</u>		LOCK NUT, 7/16 - 14	11
38	<u>00463G11</u>		BOLT, 7/16 - 14 X 1 3/4" LG	3
39	<u>00464G8</u>		BOLT, 7/16" - 14 X 3".....	3
40				
41	<u>70964G02</u>		RACK AND PINION UNIT (COMPLETE) (INCLUDES ITEMS 42 - 65)	1
42	<u>70965G01</u>		STEERING RACK COVER & BEARING	1
43	*		STEERING BOX INSTALLATION TAG.....	1
44	*		JAM NUT, 1/2 - 20.....	1
45	<u>70750G01</u>		RETAINING RING (EXTERNAL)	1
46	15115G1		BALL BEARING	1
47	<u>70603G01</u>		PINION.....	1
48	<u>70751G01</u>		RETAINING RING (INTERNAL)	1
49	<u>70638G01</u>		SEAL PINION	1
50	<u>70604G01</u>		RACK STEERING.....	1
51	01053G01		SCREW, 10- 32.....	1
52	<u>70590G01</u>		RACK LOADER	1
53	<u>70666G01</u>		SPRING COMPRESSION	1
54	<u>70645G01</u>		GASKET RACK LOADER.....	1
55	<u>70591G01</u>		COVER RACK LOADER	1
56	<u>71102G01</u>		SCREW, 1/4 - 20.....	2
57	<u>10389G3</u>		GREASE FITTING, STRAIGHT	1
58	<u>70695G01</u>		RACK BALL JOINT (INCLUDES ITEMS 59 - 61).....	1
59	<u>50641G1</u>		RUBBER BOOT	1

FRONT SUSPENSION AND STEERING

Where applicable, THE USE OF NON UL PARTS WILL VOID ANY UL LISTING.

When ordering parts, please specify the model and serial number of the product.

* Indicates a component that is not available as an individual part.

G** Indicates consult Customer Service Department for additional information.

ITEM	PART NO.	1	2	3	4	5	DESCRIPTION	QTY.
60	<u>50209G2</u>						SLOTTED NUT, 7/16 - 20.....	1
61	<u>10387G2</u>						COTTER PIN, 3/32" X 1" LG	1
62	74694G01						ROD END (INNER).....	1
63	<u>70961G01</u>						RACK BOOT	1
64	<u>12416G2</u>						WIRE TIE	1
65	<u>11391G8</u>						WIRE TIE	1
66								
67								
68								
69								
70								
71								
72								
73								
74								
75								
76	<u>70667G02</u>						SPACER.....	1
77								
78								
79								
80								
81								
82								
83	<u>70607G01</u>						STEERING SHAFT	1
84								
85	<u>70758G05</u>						STEERING COLUMN KIT (INCLUDES ITEMS 86 - 88)	1
86	<u>70610G03</u>						STEERING COLUMN	1
87	<u>28569G01</u>						STEERING COLUMN BUSHING.....	1
88	<u>01022G01</u>						SCREW, #6 - 20 X 5/16" LG	1
89								

FRONT SUSPENSION AND STEERING

Where applicable, THE USE OF NON UL PARTS WILL VOID ANY UL LISTING.

When ordering parts, please specify the model and serial number of the product.

* Indicates a component that is not available as an individual part.

G** Indicates consult Customer Service Department for additional information.

ITEM	PART NO.	1	2	3	4	5	DESCRIPTION	QTY.
90								
91								
92								
93								
94								
95	<u>01006G01</u>						BOLT, 3/8 - 16 X 1 1/4" LG WITH PATCHLOCK	4
96	<u>00879G1</u>						LOCK WASHER, 3/8".....	4
97								
98	<u>70580G01</u>						INTERMEDIATE SHAFT (INCLUDES ITEMS 99, 100).....	1
99	<u>01055G01</u>						BOLT, M8 X 1 1/4" LG.....	2
100	<u>00565G8</u>						LOCK WASHER, 5/16"	2
101								
102	<u>70751G01</u>						RETAINING RING (INTERNAL).....	1
103	<u>70888G01</u>						RETAINING RING (EXTERNAL).....	1
104	<u>15112G1</u>						BALL BEARING	1
105	<u>70887G01</u>						WAVE WASHER.....	1
106	<u>602979</u>						STEERING WHEEL	1
107								
108								
109								
110	<u>71047G01</u>						LABEL, E-Z-GO.....	1
111	<u>71147G01</u>						STEERING WHEEL COVER	1
112								
113	<u>14390G2</u>						LOCK NUT, 5/8 - 18	1
114	<u>607925</u>						CLIPBOARD.....	1
115	<u>608529</u>						WARNING LABEL	
116								
117	<u>74604G01</u>						TIE ROD ASSEMBLY (INCLUDES ITEMS 118 - 122)	1
118	<u>74603G01</u>						THREADED ROD (24" LG).....	1
119	<u>70902G01</u>						TIE ROD END (LEFT HAND THREADS)	1

FRONT SUSPENSION AND STEERING

Where applicable, THE USE OF NON UL PARTS WILL VOID ANY UL LISTING.
 When ordering parts, please specify the model and serial number of the product.
 * Indicates a component that is not available as an individual part.
 G** Indicates consult Customer Service Department for additional information.

ITEM	PART NO.	1	2	3	4	5	DESCRIPTION	QTY.
120	<u>01069G01</u>						JAM NUT, M12 X 1.25-05 (LEFT HAND THREADS).....	1
121	<u>70902G02</u>						TIE ROD END (RIGHT HAND THREADS).....	1
122	<u>01069G02</u>						JAM NUT, M12 X 1.25-05 (RIGHT HAND THREADS)	1
123								
124	<u>00734G1</u>						LOCK NUT, 7/16 - 14	2

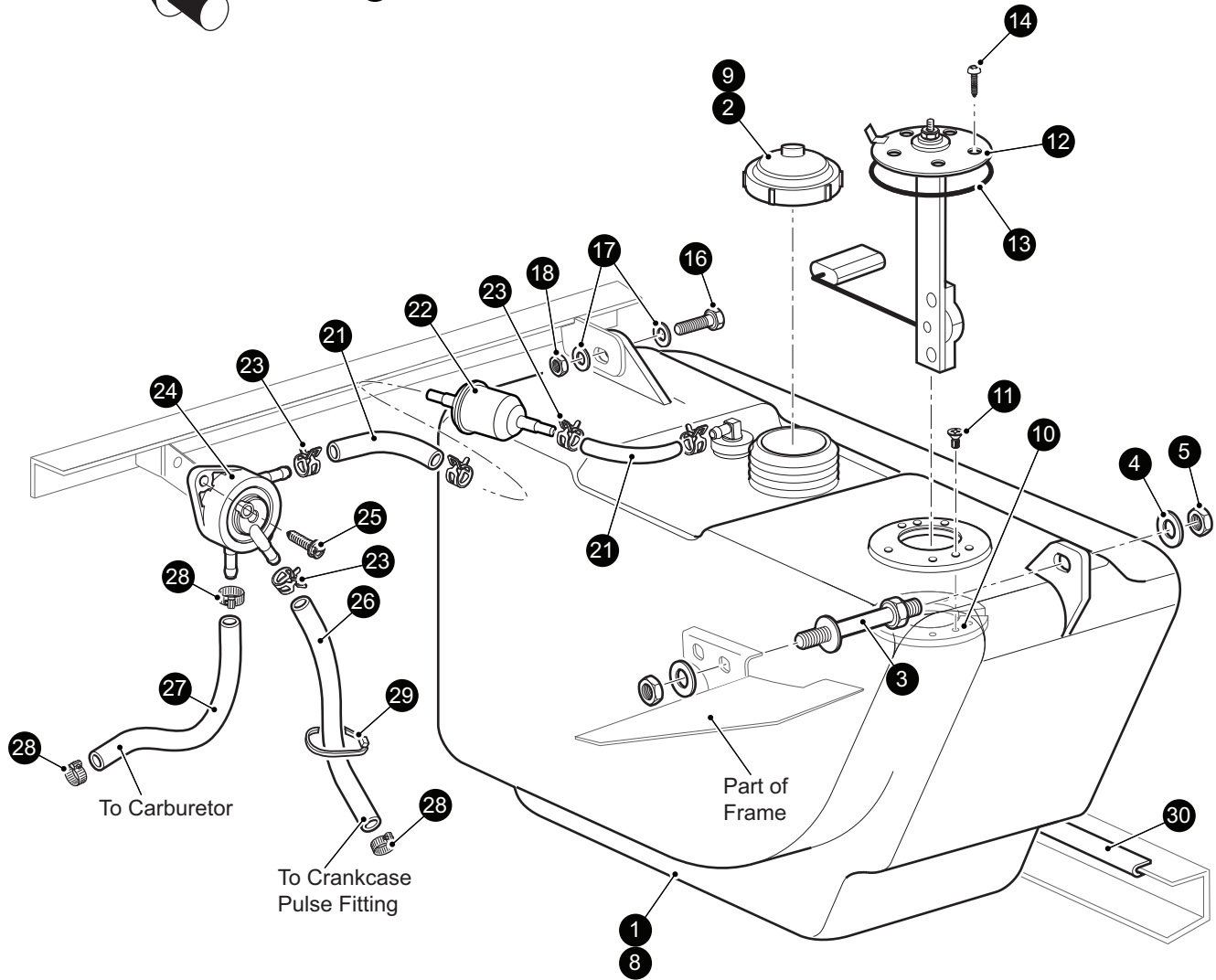
FUEL SYSTEM

Front of Vehicle



7 Fuel Tank Assembly Includes Items 8 - 14

12 Fuel Level Sender Includes Item 13



When ordering parts, please specify the model and serial number of the product.

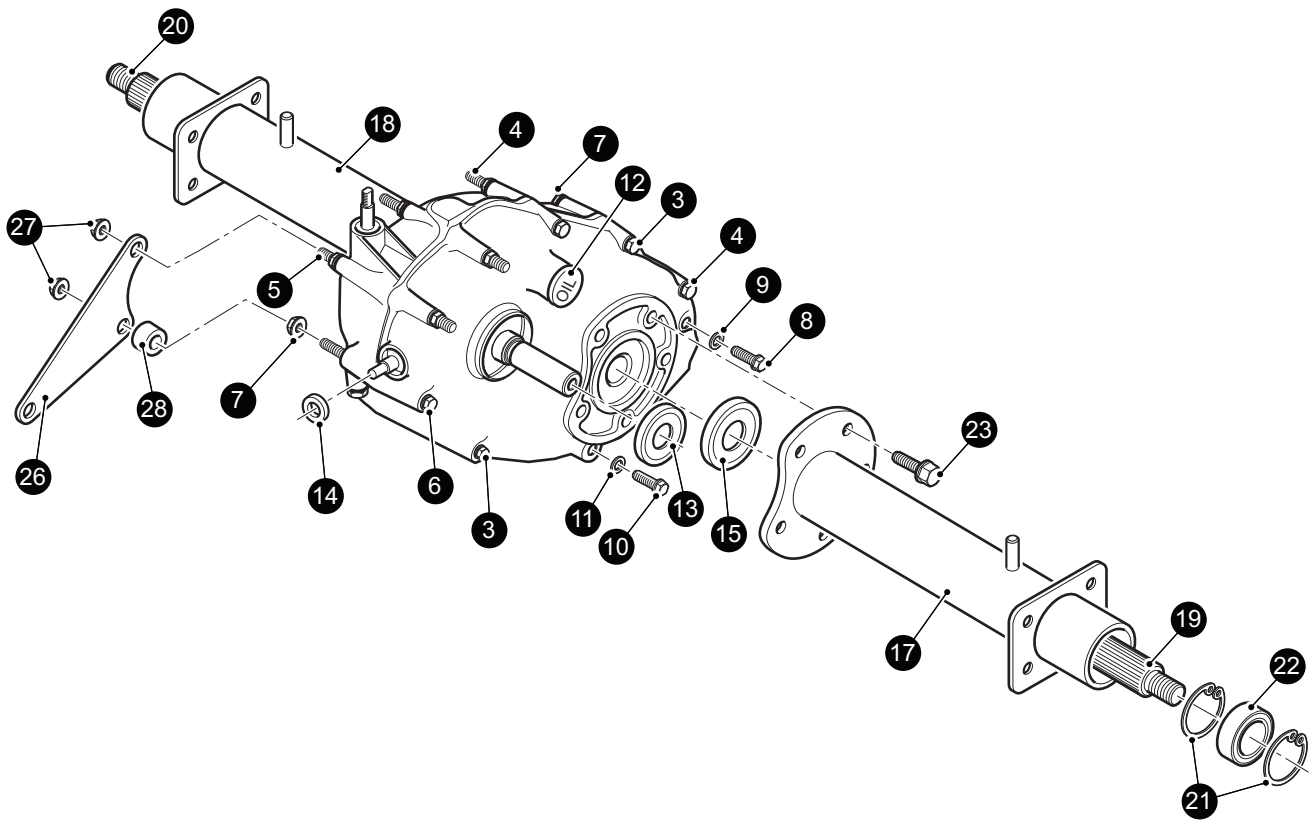
* Indicates a component that is not available as an individual part.

*** Indicates consult Customer Service Department for additional information.

ITEM	PART NO.	1 2 3 4 5	DESCRIPTION	QTY.
1	605521		FUEL TANK (FOR VEHICLES WITHOUT GAUGE)	1
2	<u>72282G01</u>		FUEL TANK CAP	1
3	70486G01		SPACER.....	1
4	00559G8		WASHER, 5/16"	2
5	<u>01109G01</u>		LOCK NUT, 5/16 - 18 (STAINLESS STEEL).....	2
6				
7	<u>605704</u>		FUEL TANK ASSEMBLY WITH LEVEL SWITCH (INCLUDES ITEMS 8-14) .	1
8	605523		FUEL TANK (FOR VEHICLES WITH FUEL GAUGE)	1
9	<u>72282G01</u>		FUEL TANK CAP.....	1
10	72229G01		FUEL LEVEL SENDER ADAPTER	1
11	<u>72230G01</u>		SCREW, #6 - 32 X 1/2" LG.....	2
12	<u>20048G2</u>		FUEL LEVEL SENDER (INCLUDES ITEM 13).....	1
13	*		GASKET.....	1
14	<u>72232G01</u>		SCREW WITH SEAL, #10 X 3/4" LG	5
15				
16	<u>00438G8</u>		BOLT, 5/16 - 18 X 1: LG	1
17	00559G8		WASHER, 5/16"	2
18	<u>01109G01</u>		LOCK NUT, 5/16 - 18 (STAINLESS STEEL).....	1
19				
20				
21	<u>17470G1</u>		LOW PRESSURE FUEL LINE (BULK)	4"
22	<u>72084G01</u>		FUEL LINE FILTER.....	1
23	<u>18292G1</u>		CLAMP.....	5
24	<u>72873G01</u>		FUEL PUMP.....	1
25	<u>00114G6</u>		SCREW, 1/4 - 14 X 3/4" LG	2
26	<u>27184G01</u>		LOW PRESSURE FUEL LINE (BULK)	26"
27	<u>17470G1</u>		LOW PRESSURE FUEL LINE (BULK)	26"
28	<u>11391G4</u>		HOSE CLAMP, 1/4".....	3
29	<u>17618G1</u>		WIRE TIE	3
30	<u>22280G1</u>		VINYL TRIM - BLACK (BULK)	7

REAR AXLE

1 Rear Axle Assembly Includes Items 3 - 23



REAR AXLE

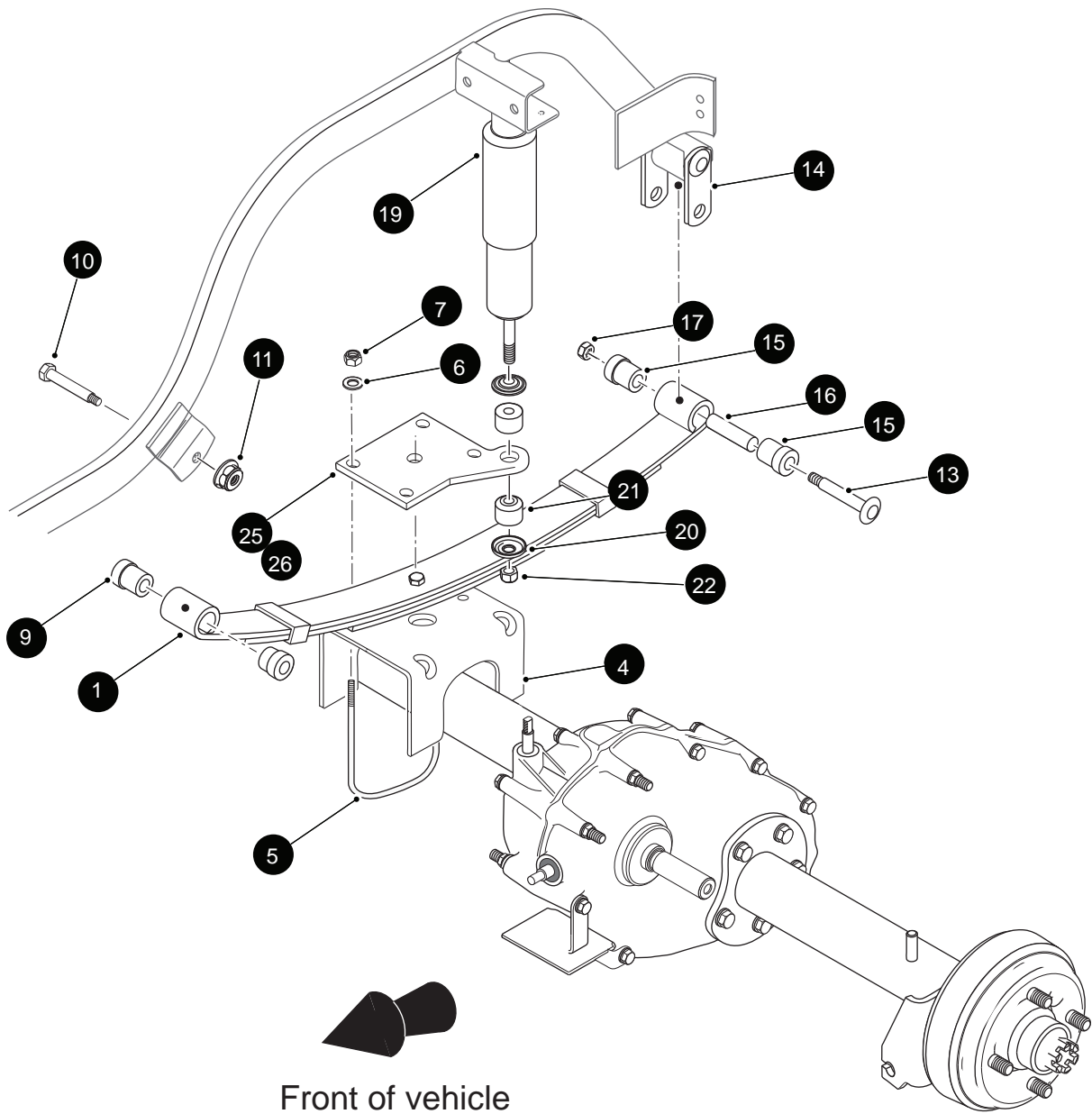
When ordering parts, please specify the model and serial number of the product.

* Indicates a component that is not available as an individual part.

*** Indicates consult Customer Service Department for additional information.

ITEM	PART NO.	1 2 3 4 5	DESCRIPTION	QTY.
1	72715G02		REAR AXLE, FREEDOM HP (10.67:1) (INCLUDES ITEMS 3 - 23).....	1
2				
3	<u>26823G01</u>		FLANGED BOLT, M8 X 1.25 X 100 MM LG	5
4	<u>26824G01</u>		FLANGED BOLT, M8 X 1.25 X 110 MM LG.....	2
5	*		BOLT, M8 X 1.25 X 146 MM LG	2
6	<u>72052G01</u>		FLANGED BOLT, M8 X 1.25 X 130 MM LG	1
7	72269G01		FLANGE NUT, M8 X 1.25 MM.....	12
8	<u>26768G01</u>		OIL CHECK PLUG	1
9	<u>26769G01</u>		GASKET, 8 MM	1
10	<u>26770G01</u>		OIL DRAIN PLUG.....	1
11	<u>26771G01</u>		GASKET, 14 MM	1
12	<u>26772G01</u>		OIL FILLER PLUG.....	1
13	<u>26761G01</u>		INPUT SHAFT SEAL.....	1
14	<u>26762G01</u>		SHIFTER SHAFT SEAL	1
15	<u>72259G01</u>		AXLE SHAFT SEAL	2
16				
17	<u>72115G01</u>		AXLE TUBE (DRIVER SIDE)	1
18	<u>72116G01</u>		AXLE TUBE (PASSENGER SIDE).....	1
19	<u>72056G01</u>		AXLE SHAFT (DRIVER SIDE)	1
20	72057G01		AXLE SHAFT (PASSENGER SIDE).....	1
21	26814G01		RETAINING RING	4
22	<u>26811G01</u>		BALL BEARING.....	2
23	<u>72260G01</u>		FLANGED BOLT, M10 X 1.5 X 23 MM LG	10
24				
25				
26	<u>72017G02</u>		AXLE BRACKET	1
27	26830G01		LOCK NUT, M8 X 1.25 MM.....	2
28	<u>75048G01</u>		SPACER, 1/2"	1

REAR SUSPENSION



REAR SUSPENSION

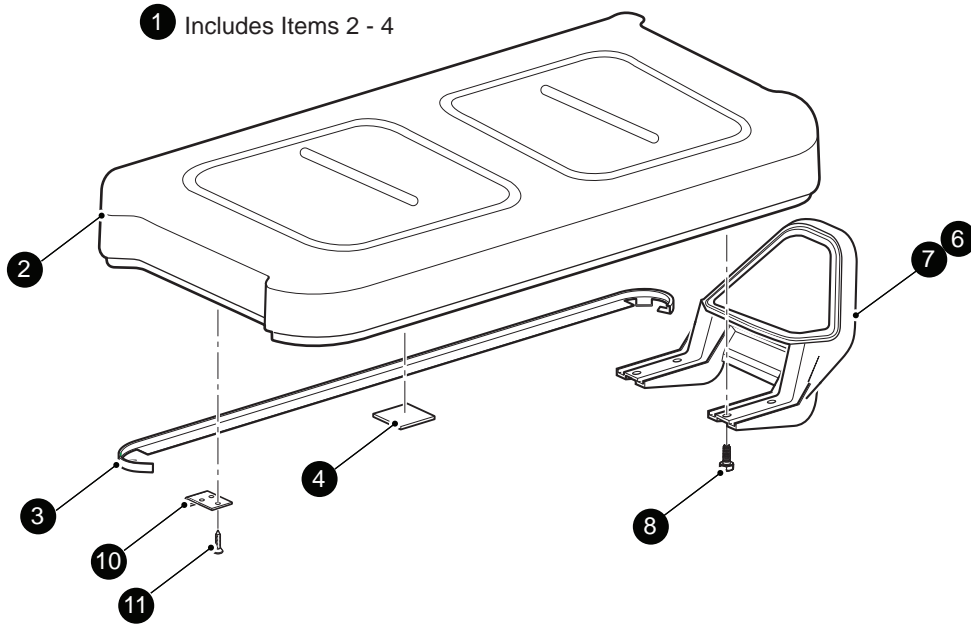
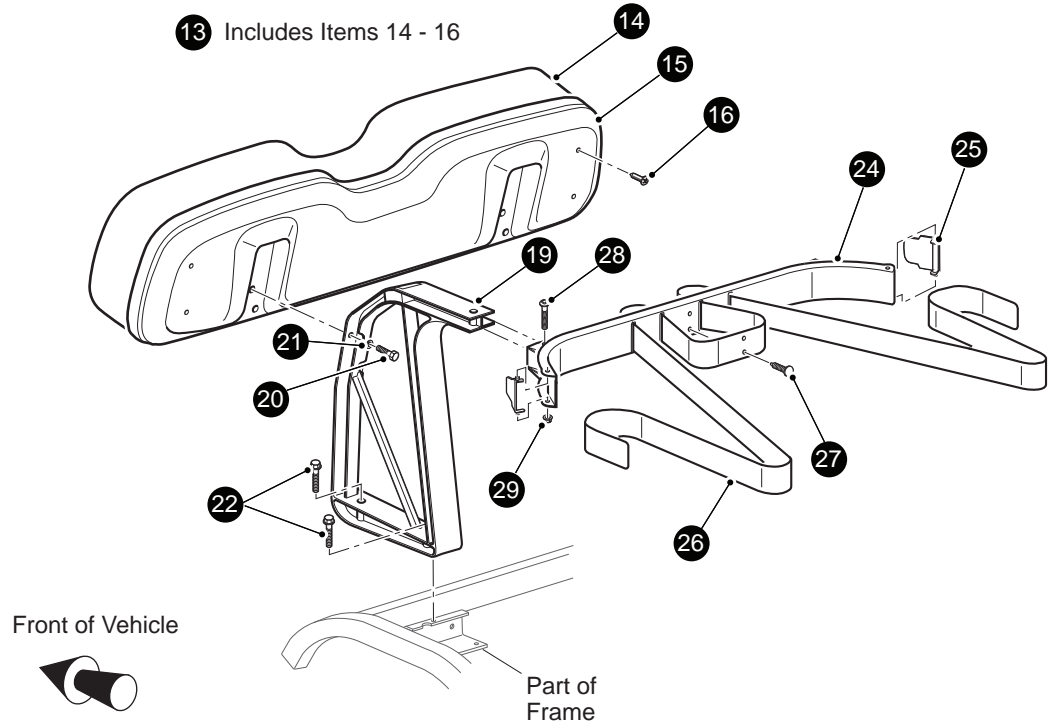
When ordering parts, please specify the model and serial number of the product.

* Indicates a component that is not available as an individual part.

*** Indicates consult Customer Service Department for additional information.

ITEM	PART NO.	1 2 3 4 5	DESCRIPTION	QTY.
1	<u>75721G01</u>		LEAF SPRING	2
2				
3				
4	605292		LIFT BRACKET	2
5	<u>32195G2</u>		'U' BOLT, 3/8 - 16 X 2" X 5 3/4" LG	4
6	<u>00571G2</u>		WASHER, 3/8"	8
7	<u>11098G5</u>		LOCK NUT, 3/8 - 16	8
8				
9	<u>70291G01</u>		FLANGED BUSHING	4
10	<u>14158G1</u>		SHOULDER BOLT, 3/8 - 16 x 3 1/4" LG	2
11	<u>12262G1</u>		LOCK NUT, 3/8 - 16	2
12				
13	<u>00665G9</u>		BOLT, 3/8 - 16 X 3 1/2" LG (STAINLESS STEEL)	4
14	<u>70290G02</u>		SHACKLE PLATE	4
15	<u>70291G01</u>		FLANGED BUSHING	8
16	<u>70289G02</u>		SPACER	4
17	<u>11098G5</u>		LOCK NUT, 3/8 - 16	4
18				
19	<u>76418G01</u>		SHOCK ABSORBER	2
20	<u>10435G1</u>		SHOCK ABSORBER WASHER	8
21	<u>10194G1</u>		RUBBER BUSHING	8
22	<u>00532G6</u>		NUT, 3/8 - 24	4
23				
24				
25	<u>75564G03</u>		SHOCK MOUNTING PLATE (PASSENGER SIDE)	1
26	<u>75564G04</u>		SHOCK MOUNTING PLATE (DRIVER SIDE)	1

SEATING AND BAG HOLDER



SEATING AND BAG HOLDER

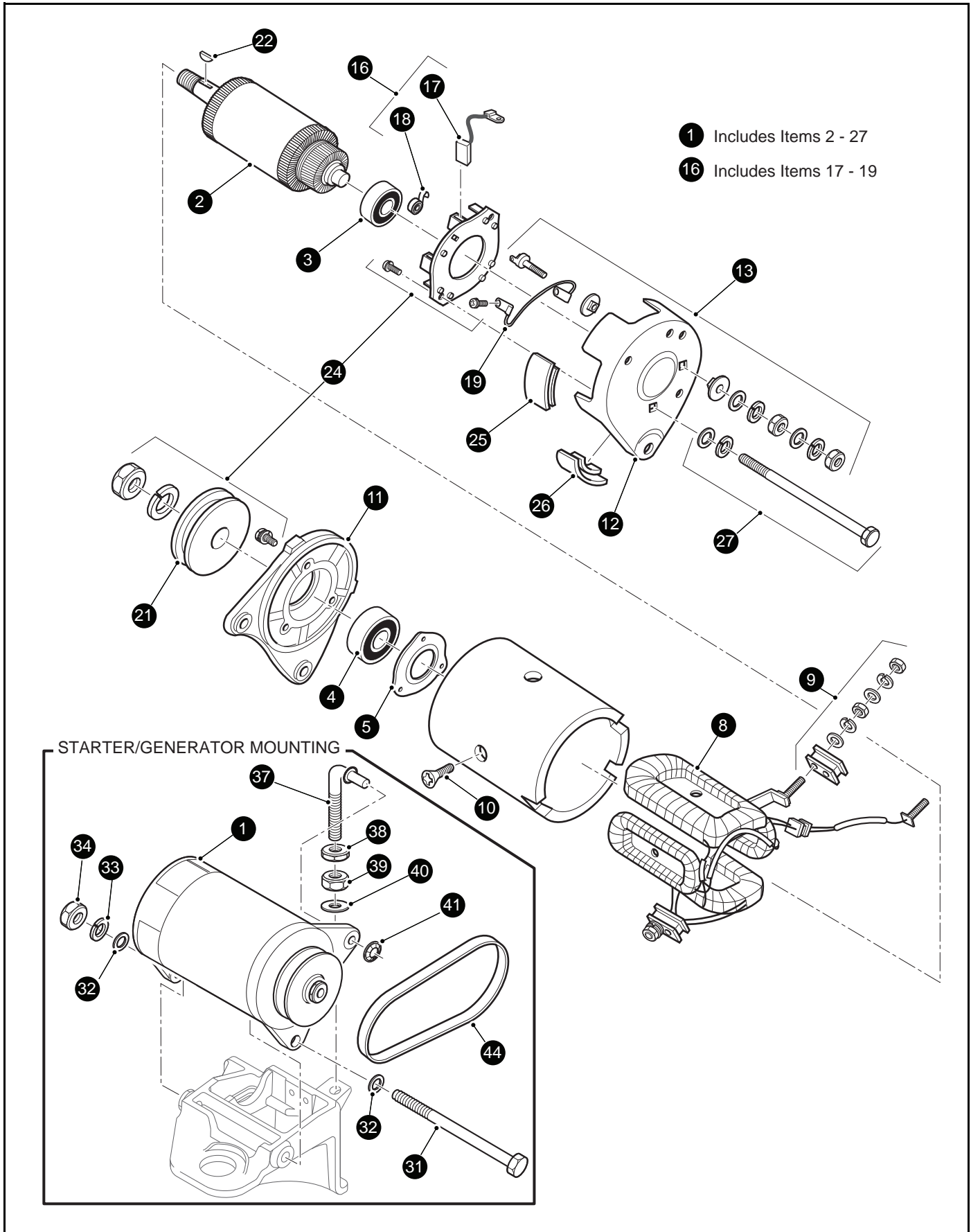
When ordering parts, please specify the model and serial number of the product.

* Indicates a component that is not available as an individual part.

*** Indicates consult Customer Service Department for additional information.

ITEM	PART NO.	1 2 3 4 5	DESCRIPTION	QTY.
1	71611G**		SEAT BOTTOM ASSEMBLY (INCLUDES ITEMS 2 - 4).....	1
2	71602G**		VINYL SEAT BOTTOM COVER	1
3	<u>71012G01</u>		VINYL TRIM (SEAT BOTTOM).....	1
4	<u>17074G1</u>		RUBBER PAD	2
5				
6	<u>71701G01</u>		HIP RESTRAINT (PASSENGER SIDE).....	1
7	<u>71702G01</u>		HIP RESTRAINT (DRIVER SIDE)	1
8	71204G01		BOLT, 1/4 - 20 X 7/8" LG.....	8
9				
10	<u>71610G01</u>		SEAT HINGE.....	2
11	<u>00720G08</u>		SCREW, #12 - 14 X 1" LG (STAINLESS STEEL).....	4
12				
13	71751G**		SEAT BACK ASSEMBLY (INCLUDES ITEMS 14 - 16)	1
14	71753G**		VINYL SEAT BACK COVER	1
15	71752G01		PLASTIC SEAT BACK COVER.....	1
16	<u>01107-G01</u>		SCREW, #8 X 5/8" LG (STAINLESS STEEL).....	4
17				
18				
19	<u>71811G03</u>		SEAT SUPPORT BRACKET.....	2
20	<u>00661G8</u>		BOLT, 1/4 - 20 X 1" LG (STAINLESS STEEL)	4
21	<u>00664G7</u>		LOCK WASHER, 1/4" (STAINLESS STEEL).....	4
22	<u>01075G01</u>		BOLT, 3/8 - 16 X 2 1/2" LG.....	4
23				
24	<u>71851G01</u>		BAG HOLDER BRACKET.....	1
25	<u>71856G01</u>		BAG RETAINER CLAMP	2
26	<u>71853G01</u>		BAG RETAINER STRAP.....	1
27	<u>16816G1</u>		RATCHET FASTENER, 1/4" X 9/16" LG.....	2
28	<u>01102G01</u>		CARRIAGE BOLT, 1/4 - 20 X 1 1/2" LG (STAINLESS STEEL).....	2
29	<u>11027G2</u>		LOCK NUT, 1/4 - 20	2

STARTER/ GENERATOR



STARTER/ GENERATOR

When ordering parts, please specify the model and serial number of the product.

* Indicates a component that is not available as an individual part.

*** Indicates consult Customer Service Department for additional information.

ITEM	PART NO.	1 2 3 4 5	DESCRIPTION	QTY.
1	<u>27065G01</u>		STARTER / GENERATOR (INCLUDES ITEMS 2 - 27)	1
2	<u>26870G01</u>		ARMATURE	1
3	<u>26871G01</u>		REAR BALL BEARING	1
4	<u>26872G01</u>		FRONT BALL BEARING	1
5	<u>26873G01</u>		BEARING HOLDER	1
6				
7				
8	<u>26875G01</u>		FIELD COIL	1
9	<u>26876G01</u>		INSULATING BRUSH ASSEMBLY ('F')	2
10	<u>26877G01</u>		POLE CORE SETSCREW	4
11	<u>26878G01</u>		FRONT COVER	1
12	<u>27879G01</u>		REAR COVER	1
13	<u>26880G01</u>		TERMINAL ASSEMBLY ('A')	2
14				
15				
16	<u>26881G01</u>		BRUSH HOLDER ASSEMBLY (INCLUDES ITEMS 17 - 19)	1
17	<u>26658G01</u>		BRUSH.....	4
18	<u>26882G01</u>		BRUSH SPRING.....	4
19	<u>26883G01</u>		BRUSH CONNECTOR	2
20				
21				
22	<u>26884G01</u>		KEY	1
23	<u>26885G01</u>		PULLEY.....	1
24	<u>26886G01</u>		BRUSH AND PULLEY HARDWARE KIT	1
25	<u>26887G01</u>		BRUSH 1 COVER	3
26	<u>26888G01</u>		BRUSH 2 COVER	2
27	<u>26889G01</u>		HOUSING HARDWARE KIT	2
28				
29				
30				
31	<u>00938G4</u>		BOLT, 1/2 - 13 X 8" LG.....	1

STARTER/ GENERATOR

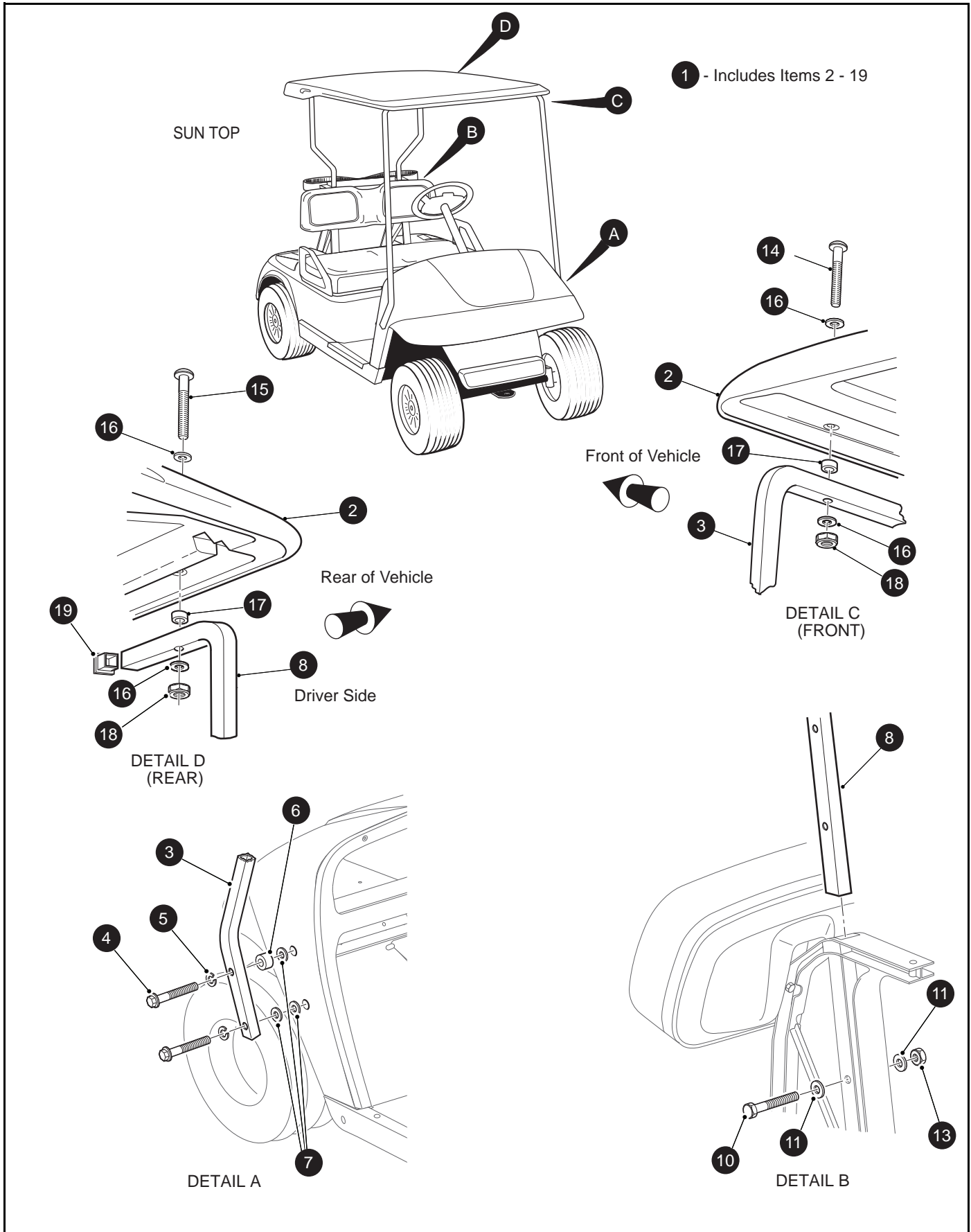
When ordering parts, please specify the model and serial number of the product.

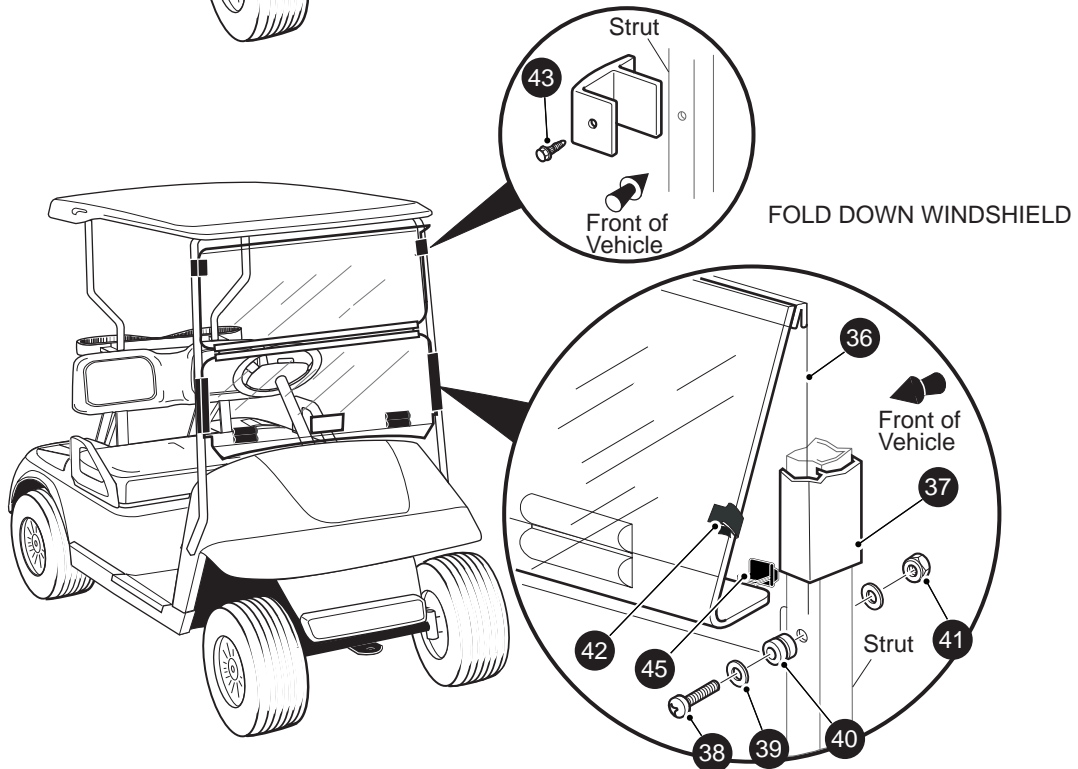
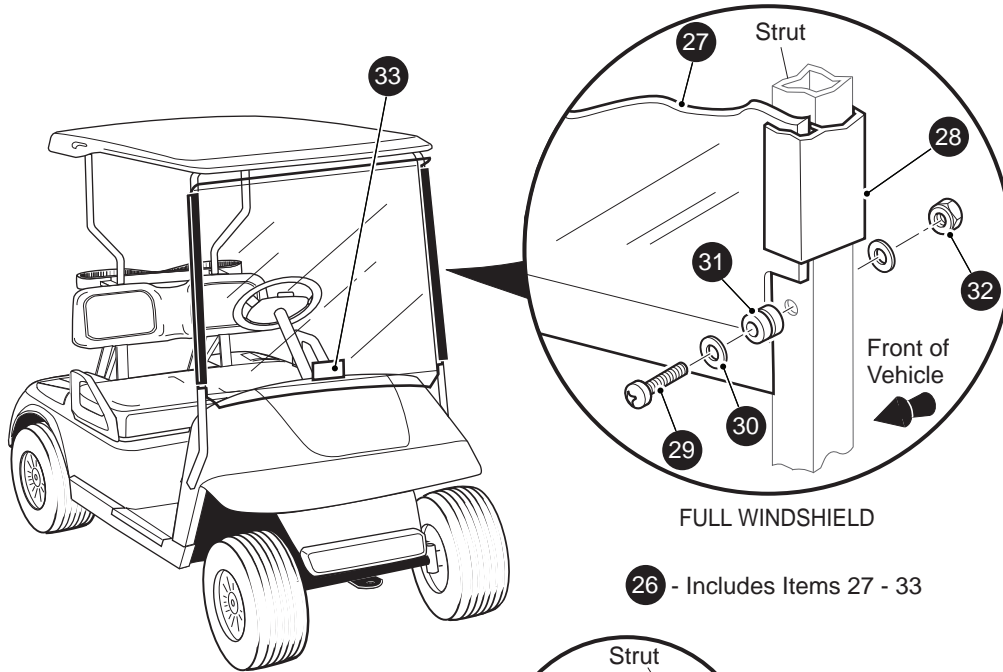
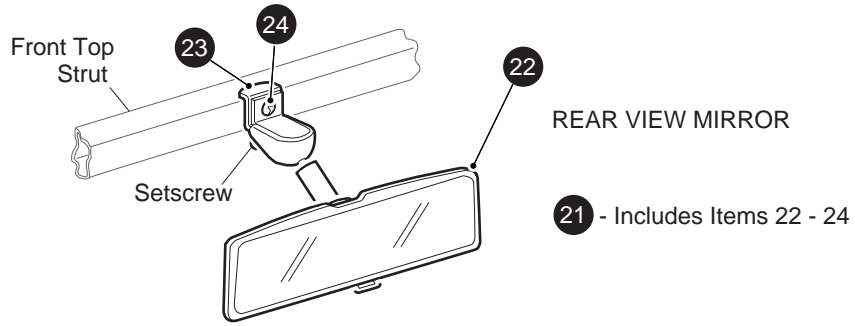
* Indicates a component that is not available as an individual part.

*** Indicates consult Customer Service Department for additional information.

ITEM	PART NO.	1 2 3 4 5	DESCRIPTION	QTY.
32	<u>00560G3</u>		WASHER, 1/2"	2
33	<u>00566G3</u>		LOCK WASHER, 1/2"	1
34	<u>00533G1</u>		NUT, 1/2 - 13	1
35				
36				
37	<u>28617G01</u>		STARTER / GENERATOR ADJUSTER.....	1
38	<u>00544G5</u>		JAM NUT, 3/8 - 16	1
39	00532G5		NUT, 3/8 - 16	1
40	<u>00560G1</u>		WASHER, 3/8"	1
41	12064G4		PUSH NUT, 5/16"	1
42				
43				
44	<u>26414G01</u>		STARTER / GENERATOR BELT	1

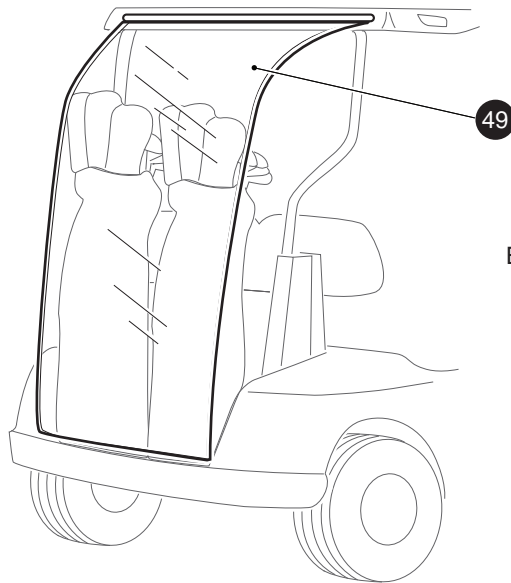
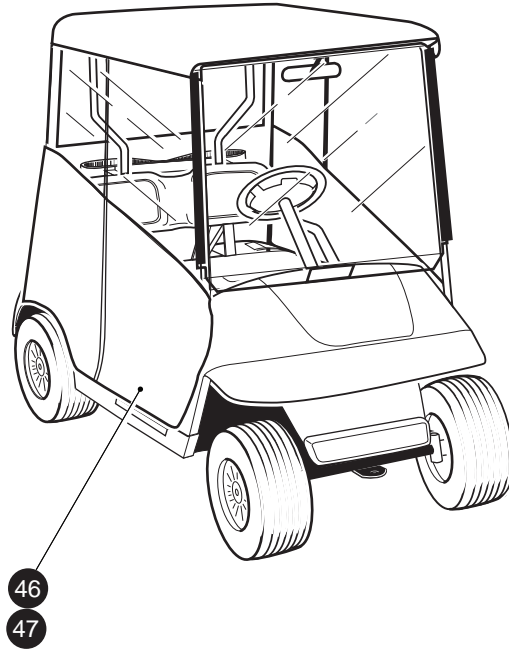
WEATHER PROTECTION





WEATHER PROTECTION

WEATHER ENCLOSURE



BAG AND RAIN CURTAIN

WEATHER PROTECTION

When ordering parts, please specify the model and serial number of the product.

* Indicates a component that is not available as an individual part.

*** Indicates consult Customer Service Department for additional information.

ITEM	PART NO.	1 2 3 4 5	DESCRIPTION	QTY.
			For service or replacement parts, contact: Eagle Parts, Inc. 1411 Marvin Griffin Rd. Augusta, GA 30906 Telephone (706) 790-6687 or FAX (706) 790-6066	
1	75040G**		SUN TOP KIT (GOLF CAR) (INCLUDES ITEMS 2 - 19)	1
2	27069G**		SUN TOP	1
3	<u>75045G01</u>		FRONT STRUT	1
4	<u>00440G2</u>		BOLT, 5/16 - 18 X 2 1/4" LG	4
5	00559G8		WASHER, 5/16"	4
6	<u>75048G01</u>		SPACER, 1/2"	2
7	<u>00570G2</u>		WASHER, 5/16"	6
8	75046G02		REAR STRUT	2
9				
10	<u>00685G7</u>		BOLT, 5/16 - 18 X 1 3/4" LG (STAINLESS STEEL)	4
11	<u>01110G03</u>		WASHER, 5/16" (STAINLESS STEEL)	8
12				
13	11098G6		LOCK NUT, 5/16 - 18 (STAINLESS STEEL)	4
14	<u>00753G5</u>		SCREW, 1/4 - 20 X 2" LG (STAINLESS STEEL)	2
15	00753G6		SCREW, 1/4 - 20 X 2 1/4" LG (STAINLESS STEEL)	2
16	<u>01110G01</u>		WASHER, 1/4" (STAINLESS STEEL)	8
17	<u>75051G01</u>		SPACER	4
18	00891G2		LOCK NUT, 1/4 - 20 (STAINLESS STEEL)	4
19	<u>19853G1</u>		END CAP, 1"	2
20				
21	<u>19528G2</u>		REAR VIEW MIRROR KIT (INCLUDES ITEMS 22 - 24)	1
22	<u>19496G1</u>		REAR VIEW MIRROR	1
23	<u>19502G3</u>		SUPPORT BRACKET	1
24	<u>19527G1</u>		SCREW, #8 - 32 X 5/8" LG (STAINLESS STEEL)	1
25				
26	<u>75524G01</u>		WINDSHIELD KIT (GOLF CAR) (INCLUDES ITEMS 27 - 33)	1

WEATHER PROTECTION

When ordering parts, please specify the model and serial number of the product.

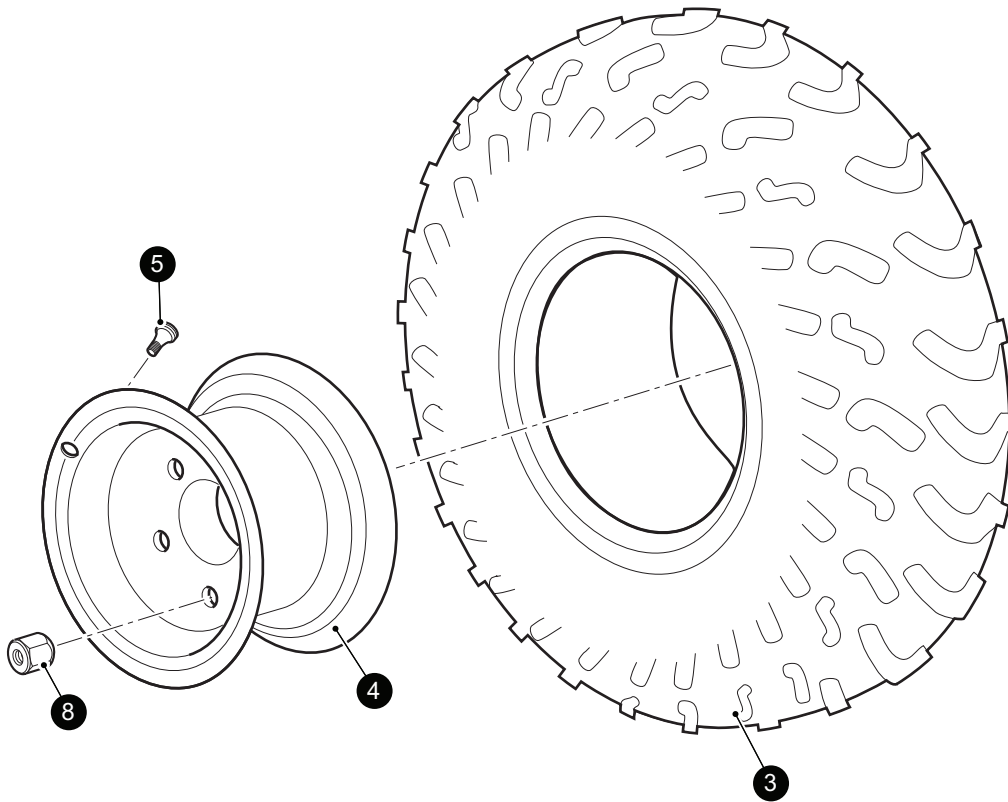
* Indicates a component that is not available as an individual part.

*** Indicates consult Customer Service Department for additional information.

ITEM	PART NO.	1	2	3	4	5	DESCRIPTION	QTY.
27	*						WINDSHIELD.....	1
28	EGWHC12						SASH, 26" LG	2
29	EGWHS12						SCREW, 1/4 - 20 X 1 3/4" LG (STAINLESS STEEL).....	2
30	EGWHW12						WASHER, 1/4" (STAINLESS STEEL).....	4
31	EGWHG13						RUBBER GROMMET	2
32	EGWHN12						LOCK NUT, 1/4 - 20 (STAINLESS STEEL).....	2
33	EGWHL14						LABEL (SAFETY).....	1
34								
35	74910G01						FOLD DOWN WINDSHIELD KIT (GOLF CAR) (INCLUDES ITEMS 36 - 45)	1
36	*						WINDSHIELD.....	1
37	110-032A						SASH, 12" LG	2
38	EGWHS12						SCREW, 1/4 - 20 X 1 3/4" LG (STAINLESS STEEL).....	2
39	EGWHW12						WASHER, 1/4" (STAINLESS STEEL).....	4
40	EGWHG13						RUBBER GROMMET	2
41	EGWHN12						LOCK NUT, 1/4 - 20 (STAINLESS STEEL).....	2
42	<u>110-055C</u>						TOP GRIP, 3/4" X 2"	2
43	136-008						TOP GRIP FASTENER.....	2
44	EGWHL14						LABEL (SAFETY).....	1
45	110-056C						BOTTOM GRIP	2
46	<u>75078G01</u>						WEATHER ENCLOSURE (3 SIDED) RECOMMENDED FOR VEHICLES WITH WINDSHIELDS	1
47	<u>75079G01</u>						WEATHER ENCLOSURE (4 SIDED) RECOMMENDED FOR VEHICLES WITHOUT WINDSHIELDS	1
48								
49	<u>75191G01</u>						BAG COVER AND RAIN CURTAIN KIT.....	1

WHEELS AND TIRES

- 1 Tire & Wheel Assembly, Driver Side Includes Items 3 - 5
- 2 Tire & Wheel Assembly, Passenger Side Includes Items 3 - 5



WHEELS AND TIRES

When ordering parts, please specify the model and serial number of the product.

* Indicates a component that is not available as an individual part.

*** Indicates consult Customer Service Department for additional information.

ITEM	PART NO.	1 2 3 4 5	DESCRIPTION	QTY.
1	<u>74842G03</u>		WHEEL AND TIRE ASSY (DRIVER SIDE) (INCLUDES ITEMS 3 - 5)	1
2	<u>74842G04</u>		WHEEL AND TIRE ASSY (PASSENGER SIDE) (INCLUDES ITEMS 3 - 5) ..	1
3	<u>74842G05</u>		TIRE, 21 X 11 - 10 TRAIL WOLF	1
4	1015239014		WHEEL RIM (BLACK, 4 LUG)	1
5	012007		VALVE STEM	1
6				
7				
8	<u>14723G1</u>		LUG NUT, 1/2 - 20	1

SPECIALTY PRODUCTS

SPECIALTY PRODUCTS

SPECIAL TOOLS	PART NO.
HIGH RESISTANCE SPARK PLUG WIRE SET	26733G02
CLUTCH PULLER (DRIVE)	19779G2
FLYWHEEL PULLER	27111G01
CURRENT INDICATOR	16489G2
DIGITAL MULTI-METER	27481G01
TUBELESS TIRE REPAIR KIT	606009
TIRE PLUGGER REFIL PACK (50/BOX)	606831

TOUCH UP PAINT	PART NO.
PEN 3 OUNCE (89 ML) - HUNTER GREEN	28432G02
PEN 3 OUNCE (89 ML) - CHAMPAGNE BEIGE	28432G01
PEN 3 OUNCE (89 ML) - WHITE	28432G05
PEN 3 OUNCE (89 ML) - INDUSTRIAL YELLOW	28432G03
PEN 3 OUNCE (89 ML) - ORANGE	28432G04
PEN 3 OUNCE (89 ML) - STEEL BLUE PEARL	28432G24
PEN 3 OUNCE (89 ML) - OLIVE GREEN	28432G**
PEN 3 OUNCE (89 ML) - CAMOUFLAGE PAINT (THREE PENS)	75831G01
AEROSOL 12 OUNCE (360 ML) - HUNTER GREEN	28140G09
AEROSOL 12 OUNCE (360 ML) - CHAMPAGNE BEIGE	28140G15
AEROSOL 12 OUNCE (360 ML) - INDUSTRIAL YELLOW	28140G14

MAINTENANCE PRODUCTS	PART NO.
PLEXUS® CLEANER, 13 OUNCE (380 ML) (FOR WINDSHIELDS)	28433G02
BATTERY PROTECTOR, 14 OUNCE (410 ML) SPRAY	27619G02
E-Z-GO ALLSURFACE CLEANER	606311
E-Z-GO FIBERGLASS/PLASTIC RESTORER	606313
WIND SHIELD AND PLASTIC PROTECTOR	606314
64 OZ HAND CLEANER	607636
4 OZ HAND CLEANER	607637



A Textron Company

E-Z-GO Division Of Textron Inc.,
1451 Marvin Griffin Road, Augusta, Georgia USA 30906-3852

TO CONTACT US

North America:

Technical Assistance & Warranty Phone: 1-800-774-3946, FAX: 1-800-448-8124
Service Parts Phone: 1-888-GET-EZGO (1-888-438-3946), FAX: 1-800-752-6175

International:

Phone: 001-706-798-4311, FAX: 001-706-771-4609

Certified ISO 9001 / ISO 14001 by



Copyrighted Material
This manual may not be reproduced in whole or
in part without the express permission of
E-Z-GO Division of Textron, Inc.
Technical Communications Department