

620383-AW



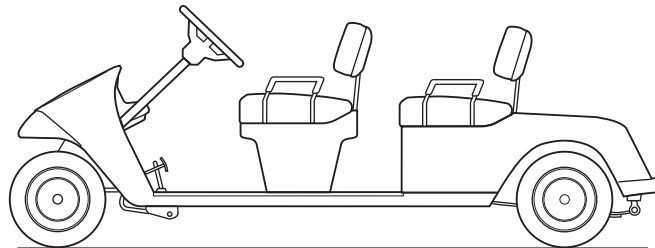
A Textron Company

CUSHMAN[®]

A Textron Company



SERVICE PARTS MANUAL



GASOLINE POWERED PERSONNEL CARRIERS AND GOLF CAR

ISSUED APRIL 2008

REVISED DECEMBER 2019

PARTS MANUAL

GASOLINE POWERED PERSONNEL CARRIER AND GOLF CAR

VEHICLE

TXT G5

Starting Model Year 2008

The E-Z-GO Division of TEXTRON Inc. reserves the right to incorporate engineering and design changes to products in this Manual, without obligation to include these changes on units leased/sold previously.

The information contained in this Manual may be revised periodically by the E-Z-GO Division, and therefore is subject to change without notice.

The E-Z-GO Division **DISCLAIMS LIABILITY FOR ERRORS IN THIS MANUAL**, and the E-Z-GO Division **SPECIFICALLY DISCLAIMS LIABILITY FOR INCIDENTAL AND CONSEQUENTIAL DAMAGES** resulting from the use of the information and materials in this Manual.

TO CONTACT US

NORTH AMERICA:

TECHNICAL ASSISTANCE & WARRANTY PHONE: 1-800-774-3946, FAX: 1-800-448-8124

SERVICE PARTS PHONE: 1-888-GET-EZGO (1-888-438-3946), FAX: 1-800-752-6175

INTERNATIONAL:

PHONE: 001-706-798-4311, FAX: 001-706-771-4609

E-Z-GO DIVISION OF TEXTRON, INC., 1451 MARVIN GRIFFIN ROAD, AUGUSTA, GEORGIA USA 30906-3852

NOTES

To obtain a copy of the limited warranty applicable to the vehicle, call or write a local distributor, E-Z-GO Branch or E-Z-GO Warranty Department with vehicle serial number and manufacturer code.

The use of non E-Z-GO parts may void the warranty.

Overfilling batteries may void the warranty.

BATTERY PROLONGED STORAGE

All batteries will self discharge over time. The rate of self discharge varies depending on the ambient temperature and the age and condition of the batteries.

A fully charged battery will not freeze in winter temperatures unless the temperature falls below -75° F (-60° C).

For winter storage, the batteries must be clean, fully charged and disconnected from any source of electrical drain, such as the battery charger. Disconnect the battery charger cable from the vehicle batteries when not charging.

As with all electric vehicles, the batteries must be checked and recharged as required or at a minimum of 30 day intervals.

Refer to the 'Prolonged Storage' section within the BATTERIES AND CHARGING section of this manual.

TABLE OF CONTENTS

SECTION	Page No.
HOW TO USE THE SERVICE PARTS MANUAL	V
ACCELERATOR	A-1
• Pedal Cover	
• Pedal Box Assembly	
• Accelerator Pedal Assembly	
AIR FILTER	B-1
• Air Cleaner Element	
• Air Filter Housing	
• Air Cleaner Hose	
BODY	C-1
• Front Bumper	
• Front Splash Shield	
• Cowl	
• Instrument Panel	
• Rocker Panels	
• Rear Body	
• Seat Support	
BRAKES - FRONT DISC	D-1
• Brake Pedal Pad	
• Brake Pedal	
• Brake Compensator Assembly	
• Spindle Calliper Disc Hub Assembly	
BRAKES - MECHANICAL	E-1
• Brake Pedal Pad	
• Brake Pedal	
• Brake Cable	
• Brake Drum Assembly	
CARBURETOR	F-1
• Carburetor	
• Main Jet	
• Choke Cable	
CLUTCH	G-1
• Drive Clutch	
• Driven Clutch	
DIRECTION SELECTOR	H-1
• Push/Pull Shifter Cable	
• Compression Spring	
• Neutral Lock Bracket	
ELECTRICAL SYSTEM	J-1
• Main Harness	
• Battery	
• Hour Meter	
• Ground Cable	
• Headlight	
• Key Switch	

TABLE OF CONTENTS

SECTION	Page No.
ENGINE AND MUFFLER	K-1
• Engine	
• Muffler	
• Oil Dip Stick	
• Oil Filter	
ENGINE MOUNTING	L-1
• Engine Pan Mount	
• Front Engine Mount	
FRONT SUSPENSION AND STEERING	M-1
• Strut	
• Spindle	
• Steering Box	
• Steering Column	
• Steering Wheel	
FUEL SYSTEM	N-1
• Fuel Tank	
• Pulse Line	
REAR AXLE	P-1
• Axle Shaft	
• Axle Tube	
• Oil Check Plug	
REAR SUSPENSION	Q-1
• Shocks	
• Leaf Spring	
• Shackles	
SEATING	R-1
• Seat Bottom	
• Seat Back	
• Hip Restraints	
• Seat Back Support	
• Seat Bottom, Rear Facing Seat	
STARTER / GENERATOR	S-1
• Starter	
• Starter Belt	
• Starter Tensioner	
WEATHER PROTECTION	T-1
• Sun Top	
• Windshield	
WHEELS AND TIRES	U-1
• Tire & Wheel Assembly	
• Lug Nuts	

HOW TO USE THE SERVICE PARTS MANUAL

This manual is divided into several sections:

GENERAL INFORMATION

- TABLE OF CONTENTS
- HOW TO USE THE SERVICE PARTS MANUAL

ILLUSTRATED PARTS BREAKDOWN

- Contains illustrations and parts lists for all systems of the vehicle.

USE OF THE MANUAL

To use this manual, consult the TABLE OF CONTENTS (page iii) to locate the information or illustration required.

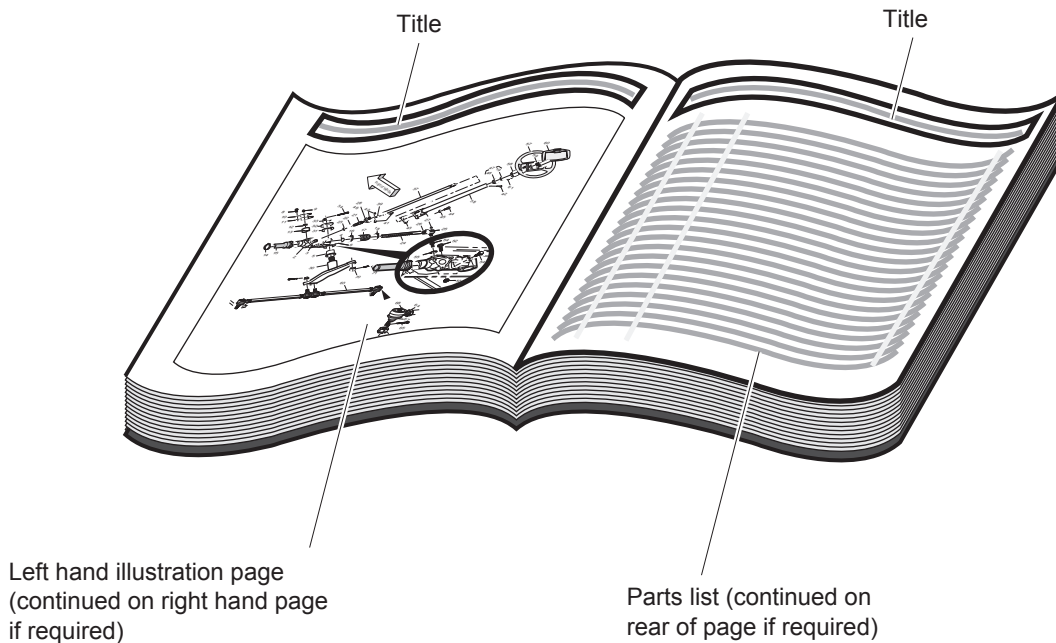
Introduction of some revisions varies due to supply of components; therefore, it is possible that various combinations of components may be found that are not directly reflected by each illustration. Consult the illustration that best suits your situation. Locate the serial number. It is important that the serial number of your vehicle and its model number be supplied to Service Parts when ordering any replacement components.

SERIAL NUMBER LOCATION

Three serial number and manufacture date code labels are on the vehicle. One is placed on the steering column, the second is located on the frame member under the front splash shield on the driver side and the third is located on the passenger side frame rail at the rear of the vehicle.

In order to obtain correct components for the vehicle, the manufacture date code, serial number and vehicle model must be provided when ordering service parts.

HOW TO USE THE SERVICE PARTS MANUAL



1. WHEN THE PART NUMBER IS NOT KNOWN

- Determine the function and application of the part required. Turn to the TABLE OF CONTENTS and select the most appropriate component description.
- Turn to the page number indicated and locate the part description in the parts list. Read the full accompanying description for specific information regarding the part that was not shown in the index.
- From the parts list, obtain the item number assigned to it and confirm that the part selected is correct by verifying it with the pictorial representation on the illustrated page.

Should an asterisk (*) appear in the part number column on the parts list page, read upwards until a part number is found. The part number is the lowest assembly sold by Service Parts. The asterisk (*) indicates that the part depicted is not available for purchase.

NOTE: Descriptions are indented under the assembly that they are used on. That assembly is, in turn listed under the assembly that it is used on. This process is repeated until the highest final assembly is reached.

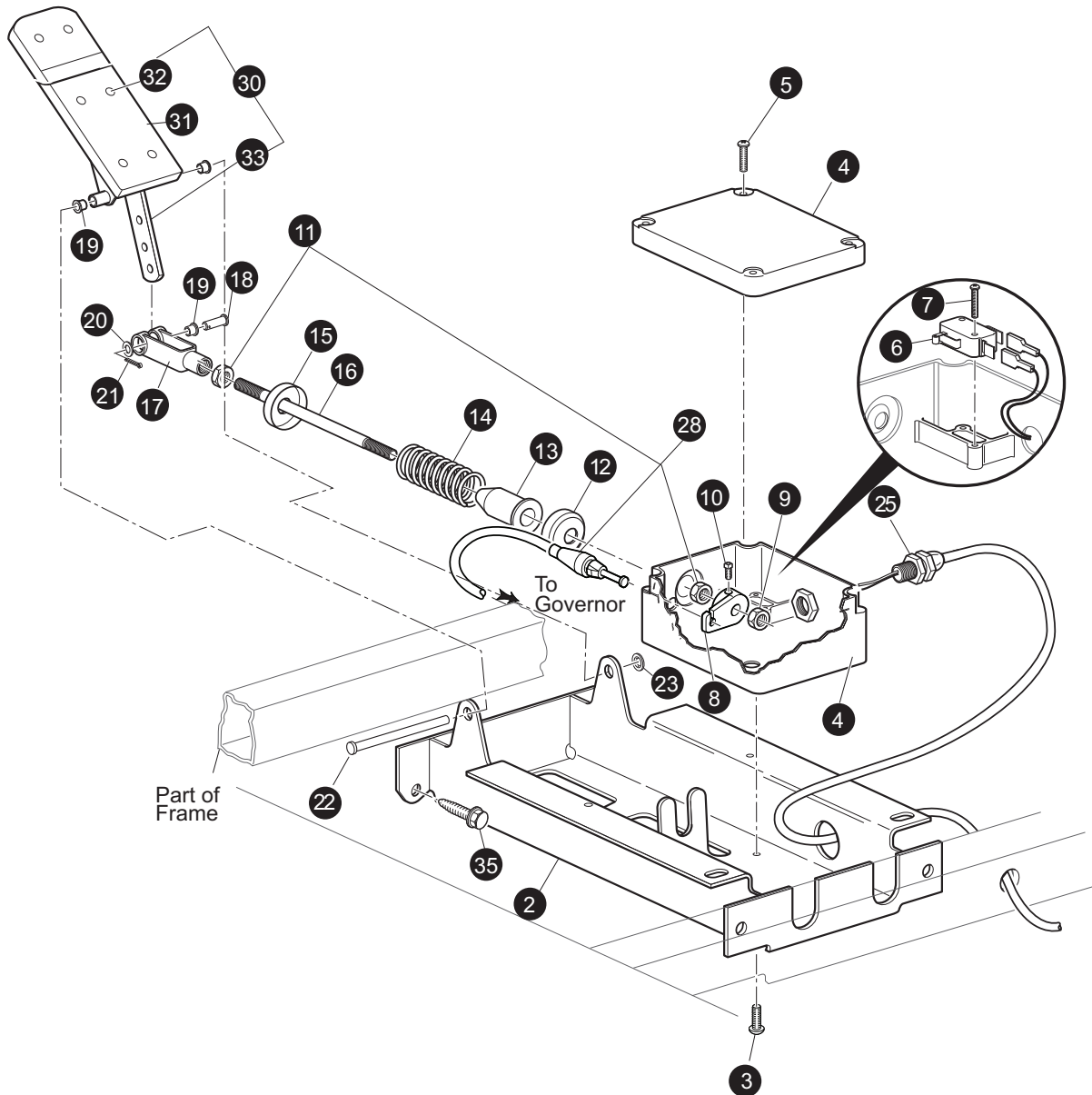
To facilitate the maintenance and repair of the vehicle, a Technician's Repair and Service Manual is available from the Service Parts Department.

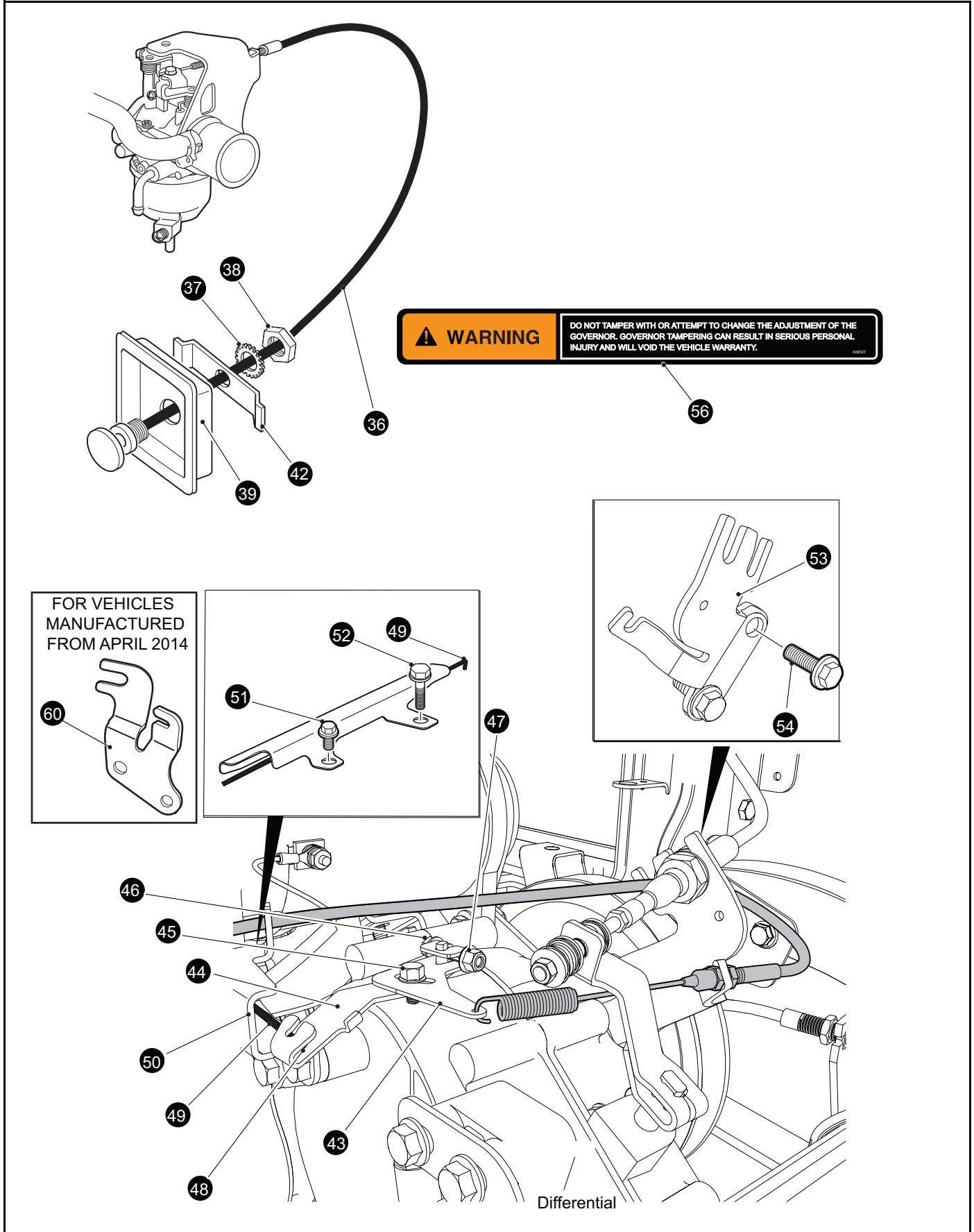
ILLUSTRATED PARTS BREAKDOWN

ILLUSTRATED PARTS BREAKDOWN

ACCELERATOR

1 - Includes Items 2 - 39





ACCELERATOR

When ordering parts, please specify the model and serial number of the product.

* Indicates a component that is not available as an individual part.

*** Indicates consult Customer Service Department for additional information.

ITEM	PART NO.	1 2 3 4 5	DESCRIPTION	QTY.
1	<u>606992</u>		PEDAL BOX ASSEMBLY (INCLUDES ITEMS 2 - 39).....	1
2	70116G02		ACCELERATOR PEDAL BRACKET	1
3	<u>01051G01</u>		PHILLIPS PAN HEAD SCREW, #8 - 16 X 1/2" LG	4
4	<u>25853G03</u>		PEDAL BOX AND COVER.....	1
5	<u>00684G6</u>		PHILLIPS TRUSS HEAD MACHINE SCREW (SS), #8 - 32 X 3/4" LG	2
6	<u>25861G01</u>		MICRO SWITCH	1
7	<u>01050G01</u>		PAN TORX HEAD TAPPING SCREW, #4 - 20 X 5/8" LG	2
8	<u>72716G01</u>		MICRO SWITCH CAM	1
9	<u>15126G1</u>		LOCK NUT, 5/16" - 24.....	1
10	<u>00487G3</u>		SETSCREW, 1/4" - 20 X 3/8" LG	1
11	<u>00532G4</u>		HEX NUT, 5/16" - 24	2
12	<u>17677G1</u>		SPRING RETAINER	1
13	<u>17979G1</u>		ACCELERATOR ROD BUSHING	1
14	<u>73046G01</u>		COMPRESSION SPRING	1
15	<u>17677G2</u>		SPRING RETAINER	1
16	72072G01		ACCELERATOR ROD	1
17	10385G4		CLEVIS YOKE (ADJUSTABLE)	1
18	<u>10386G3</u>		CLEVIS PIN, 5/16" X 13/16" LG.....	1
19	<u>17838G1</u>		NYLON BUSHING	3
20	<u>17255G1</u>		TEFLON WASHER, 5/16"	1
21	<u>10387G3</u>		COTTER PIN, 3/32" X 3/4" LG.....	1
22	<u>74432G01</u>		PEDAL PIVOT PIN.....	1
23	<u>12064G6</u>		PUSH NUT, 9/32"	1
24				
25	<u>72201G04</u>		WIRE HARNESS (PEDAL BOX).....	1
26				
27				
28	<u>608618</u>		ACCELERATOR CABLE.....	1
29				
30	<u>25799G03</u>		ACCELERATOR PEDAL ASSEMBLY (INCLUDES ITEMS 31- 33)	1
31	<u>27512G01</u>		ACCELERATOR PEDAL PAD	1

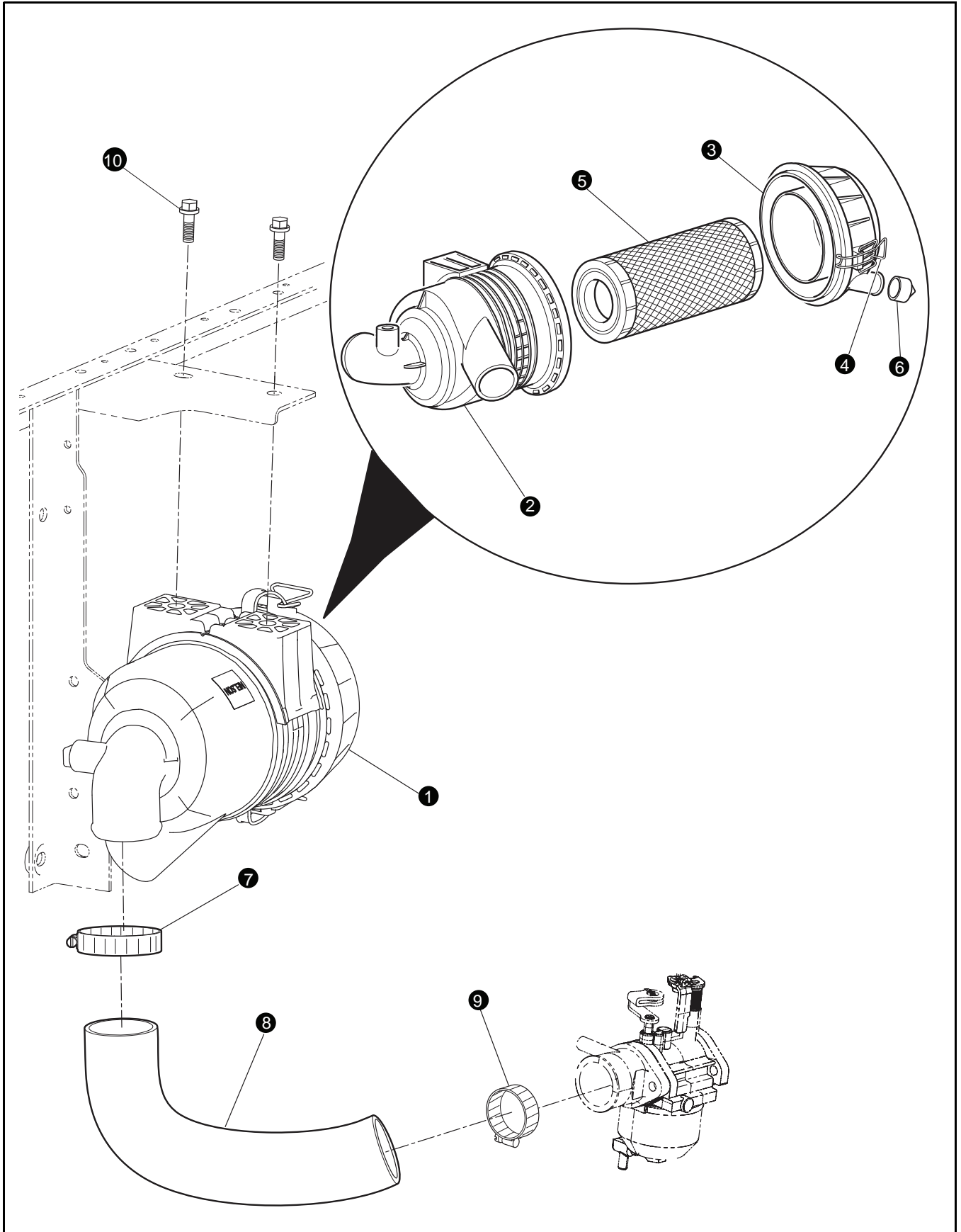
When ordering parts, please specify the model and serial number of the product.

* Indicates a component that is not available as an individual part.

*** Indicates consult Customer Service Department for additional information.

ITEM	PART NO.	1 2 3 4 5	DESCRIPTION	QTY.
32	<u>16409G1</u>		OVAL RIVET, 3/16" X 7/16" LG	6
33	652824		ACCELERATOR PEDAL.....	1
34				
35	<u>00715G2</u>		FLANGED HEX HEAD BOLT, 5/16" -18 X 4/5" LG.....	4
36	<u>605795</u>		CHOKE CABLE ASSY	1
37	<u>00568G4</u>		LOCK WASHER, 9/16"	1
38	<u>00545G4</u>		JAM NUT, 9/16" - 18.....	1
39	<u>72154G01</u>		CHOKE CABLE ADAPTER	1
40				
41				
42	<u>72155G01</u>		RETAINER	1
43	<u>606083</u>		UPPER GOVERNOR BRACKET.....	1
44	<u>606005</u>		LOWER GOVERNOR BRACKET	1
45	<u>606265</u>		FLANGE HEX HEAD BOLT, M6 - 1 X 12MM LG	1
46	<u>606421</u>		FLANGE HEX HEAD BOLT, M6 - 1 X 30MM LG	1
47	<u>450452</u>		HEX NUT, M6 - 1.....	1
48	<u>606283</u>		GOVERNOR LEVER BUSHING	1
49	<u>606284</u>		GOVERNOR ROD	1
50	<u>603890</u>		GOVERNOR ROD GUARD	1
51	<u>606264</u>		HEX HEAD BOLT, M6 - 1 X 20MM LG.....	1
52	<u>606262</u>		HEX HEAD BOLT, M8 - 1.25 X 16MM LG.....	1
53	<u>606074</u>		GOVERNOR CABLE / DIRECTION SELECTOR BRACKET	1
54	<u>606256</u>		HEX HEAD BOLT, M10 - 1.25 X 25MM LG.....	2
55				
56	<u>608527</u>		GOVERNOR WARNING DECAL.....	1
57				
58				
59	<u>17618G1</u>		NYLON CLAMP	2
60	<u>632936</u>		GOVERNOR CABLE / DIRECTION SELECTOR BRACKET (FOR VEHICLES MANUFACTURED FROM APRIL 2014)	1

AIRFILTER



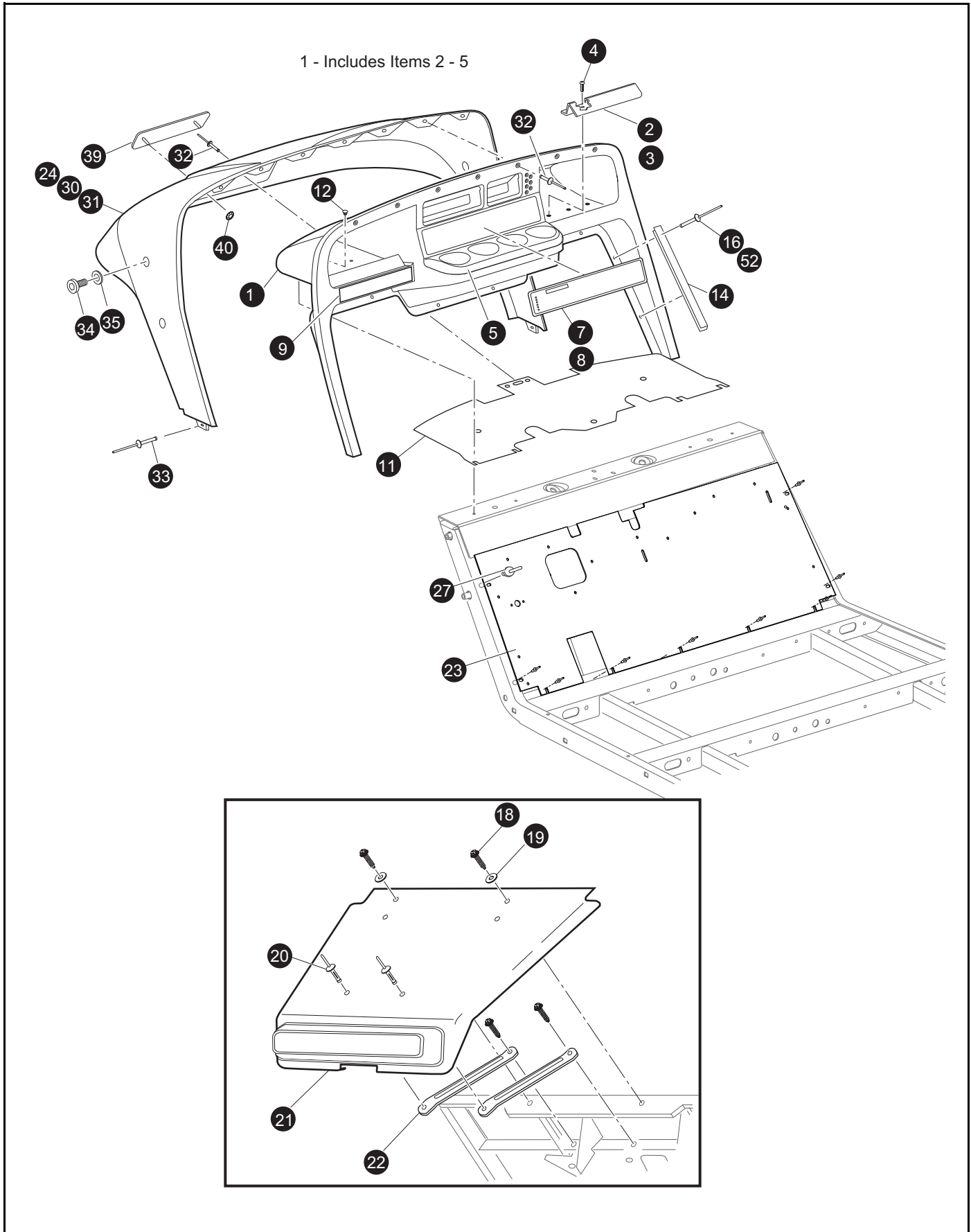
When ordering parts, please specify the model and serial number of the product.

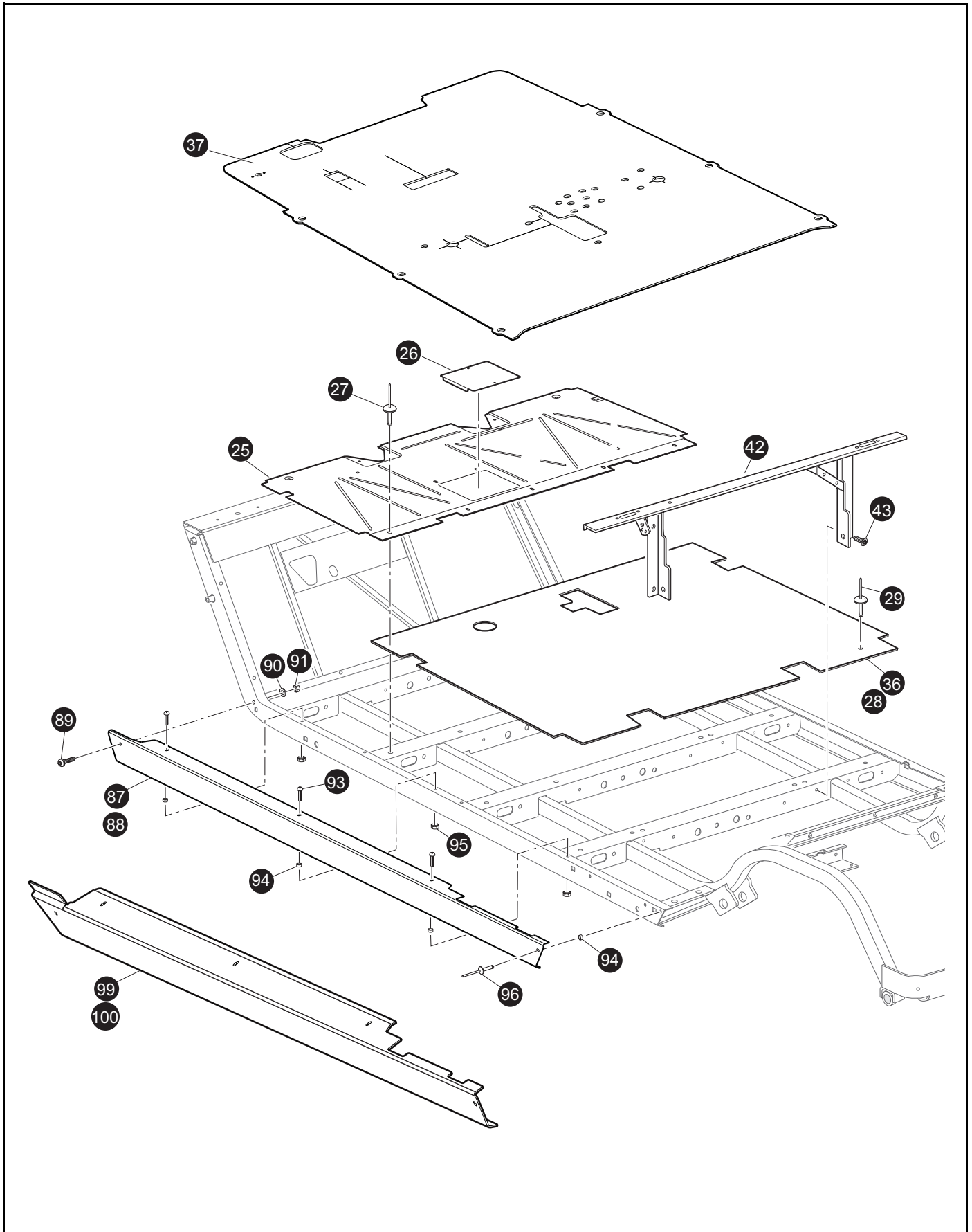
* Indicates a component that is not available as an individual part.

*** Indicates consult Customer Service Department for additional information.

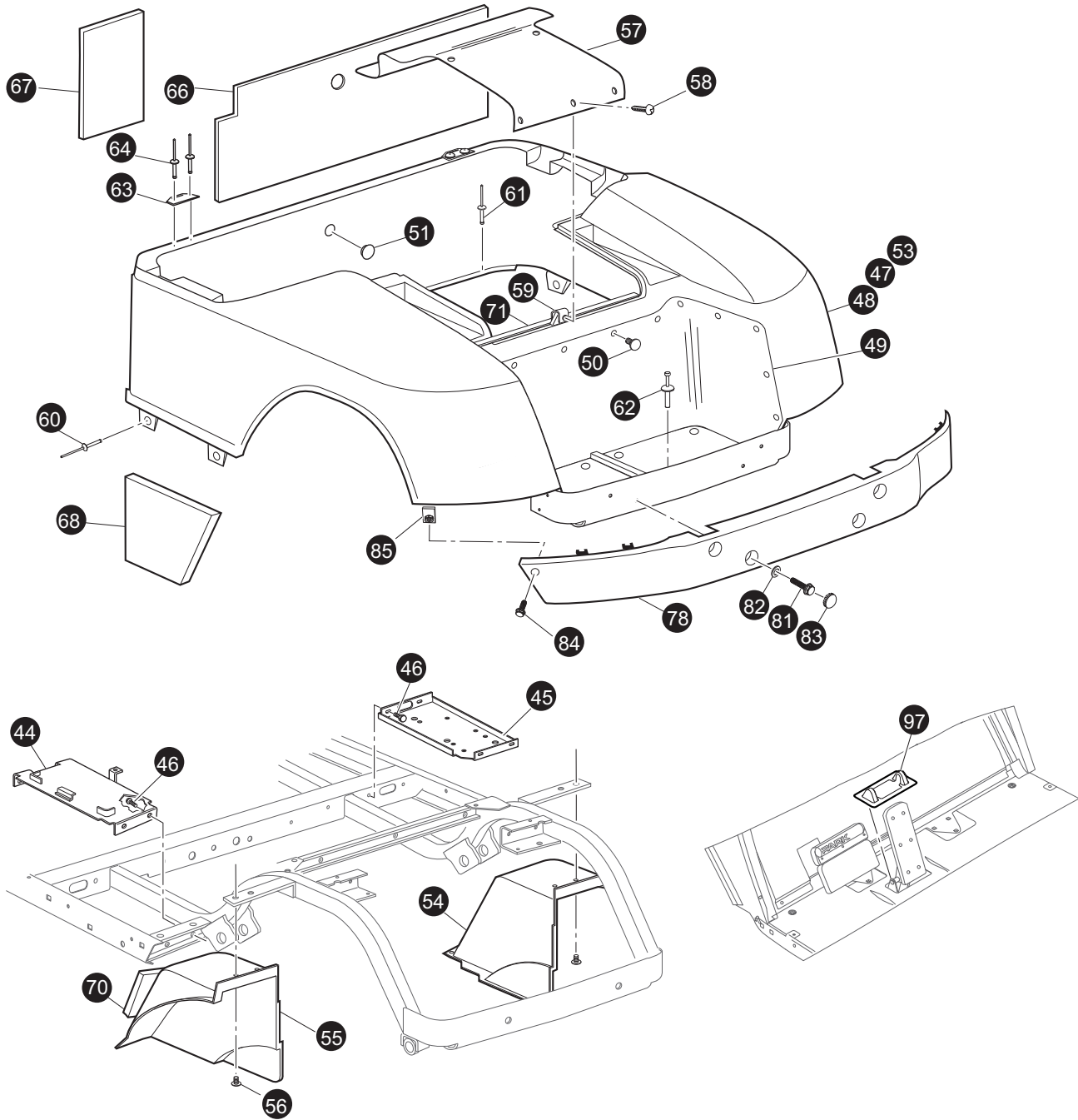
ITEM	PART NO.	1 2 3 4 5	DESCRIPTION	QTY.
1	<u>606952</u>		AIR CLEANER (INCLUDES ITEMS 2 - 6)	1
2	607269		BODY & BRACKET ASSEMBLY	1
3	<u>72599G01</u>		AIR CLEANER COVER	1
4	<u>72604G01</u>		AIR CLEANER CLIP	2
5	<u>28463G01</u>		AIR FILTER	1
6	<u>28462G01</u>		VALVE DUST EJECTOR	1
7	<u>11391G7</u>		HOSE CLAMP	1
8	<u>607950</u>		HOSE	1
9	<u>11391G1</u>		HOSE CLAMP	1
10	<u>25532G1</u>		BOLT AND WASHER, M8 X 1.25 X 18 MM	2

BODY





BODY



When ordering parts, please specify the model and serial number of the product.

* Indicates a component that is not available as an individual part.

*** Indicates consult Customer Service Department for additional information.

ITEM	PART NO.	1 2 3 4 5	DESCRIPTION	QTY.
1	<u>71151G01</u>		INSTRUMENT PANEL ASSEMBLY (INCLUDES ITEMS 2 - 5).....	1
2	<u>71153G01</u>		BALL DEFLECTOR (PASSENGER SIDE)	1
3	<u>71154G01</u>		BALL DEFLECTOR (DRIVER SIDE).....	1
4	<u>00614G5</u>		PAN HEAD PHILLIPS SCREW, #8 - 18 X 5/8" LG	6
5	<u>71158G01</u>		INSTRUMENT PANEL INSERT (4 CUP HOLDER).....	1
6				
7	<u>601781</u>		LABEL (SAFETY).....	1
8				
9	<u>74443G01</u>		LABEL (ANTI-ROLLBACK)	1
10				
11	<u>71413G01</u>		SPLASH PANEL.....	1
12	<u>16816G2</u>		RATCHET FASTENER, 1/4" X 3/4"	5
13				
14	<u>71115G01</u>		VINYL TRIM (SHUTTLE - QTY 2) (TG5 - QTY 1).....	2
15				
16	<u>71055G01</u>		RIVET (ALUMINUM), 3/16" X 1"	10
17				
18	<u>01038G01</u>		HEX HEAD BOLT, 1/4" - 20 X 11/16" LG	4
19	<u>16469G1</u>		FENDER WASHER, 1/4"	2
20	<u>01057G01</u>		RIVET, 1/4" X 3/4"	2
21	<u>27166G04</u>		FRONT SHIELD.....	1
22	<u>70725G01</u>		FRONT SHIELD BRACE	2
23	<u>637534</u>		UPPER FLOORPAN	1
24	619730G1**		COWL W/LIGHTS (FOR VEHICLES MANUFACTURED FROM MAR 2014).	1
25	<u>70451G01</u>		LOWER FLOORPAN	1
26	<u>70452G01</u>		ACCESS COVER.....	1
27	<u>14601G11</u>		RIVET (ALUMINUM), 3/16" X 9/16"	16
28	<u>70823G01</u>		REAR FLOORPAN.....	1
29	<u>10570G10</u>		RIVET (SS), 5/32" X 9/16"	5
30	619730G0**		COWL (FOR VEHICLES MANUFACTURED FROM MARCH 2014).....	1
31	71051G**		COWL	1

BODY

When ordering parts, please specify the model and serial number of the product.

* Indicates a component that is not available as an individual part.

*** Indicates consult Customer Service Department for additional information.

ITEM	PART NO.	1 2 3 4 5	DESCRIPTION	QTY.
32	<u>71055G01</u>		RIVET, 3/16" X 1"	9
33	<u>10570G11</u>		RIVET (SS), 3/16" X 3/4"	2
34	<u>71056G01</u>		TRUSS HEAD BOLT, 5/16 - 18 X 5/8" LG	4
35	<u>00570G2</u>		FLAT WASHER, 5/16"	4
36	<u>70823G01</u>		REAR FLOORPAN (HAND PARK BRAKE).....	1
37	<u>70668G02</u>		FLOORMAT, W/HORN HOLES	1
38				
39	<u>71037G02</u>		E-Z-GO NAMEPLATE (GOLD).....	1
40	<u>71597G01</u>		SELF THREADING NUT, 5 X 10 X 15MM.....	2
41				
42	<u>605694</u>		SEAT FRAME	1
43	<u>00715G2</u>		HEX HEAD BOLT, 5/16" - 18 X 4/5" LG.....	2
44	<u>652441G03</u>		BATTERY TRAY	1
45	<u>70244G03</u>		SPLASH PAN	1
46	<u>00715G2</u>		HEX HEAD BOLT, 5/16" - 18 X 4/5" LG.....	8
47	71912G6**		REAR BODY ASSEMBLY (W/OUT TAILLIGHTS) (INCLUDES ITEMS 49, 50)	1
48	71332G3**		REAR BODY ASSEMBLY (W/ TAILLIGHTS) (INCLUDES ITEMS 49, 50).....	1
49	71318G01		BAGWELL LINER	1
50	<u>16816G1</u>		RATCHET FASTENER, 1/4" X 9/16"	12
51	<u>71316G01</u>		PLUG.....	1
52	<u>71055G01</u>		RIVET (ALUMINUM), 3/16" X 1" (FOR VEHICLES MANUFACTURED FROM MARCH 2014)	7
53	625272G0XX		REAR BODY (FOR VEHICLES MANUFACTURED FROM MARCH 2014)....	1
54	<u>635054G02</u>		FENDER LINER (PASSENGER SIDE)	1
55	<u>635054G01</u>		FENDER LINER (DRIVER SIDE)	1
56	<u>16816G2</u>		RATCHET FASTENER, 1/4" X 3/4"	8
57	<u>71320G01</u>		ACCESS PANEL	1
58	<u>01107G01</u>		PAN HEAD TORX SCREW (SS), #8 X 3/8" LG.....	5
59	<u>71364G02</u>		'J' CLIP	1
60	10570G12		RIVET (ALUMINUM), 1/4" X 9/16".....	4
61	<u>10570G10</u>		RIVET, 5/32" X 9/16"	6
62	<u>18436G1</u>		RIVET (PLASTIC), 1/4" X 3/4".....	2

When ordering parts, please specify the model and serial number of the product.

* Indicates a component that is not available as an individual part.

*** Indicates consult Customer Service Department for additional information.

ITEM	PART NO.	1 2 3 4 5	DESCRIPTION	QTY.
63	<u>71609G01</u>		HINGE PLATE.....	2
64	<u>10570G11</u>		RIVET (SS), 3/16" X 3/4"	4
65				
66	<u>72112G01</u>		SEATWRAP NOISE SUPPRESSOR (LARGE)	1
67	<u>72549G01</u>		SEATWRAP NOISE SUPPRESSOR (SMALL).....	1
68	<u>72552G01</u>		SEATWRAP NOISE SUPPRESSOR (DRIVER SIDE - SIDE)	1
69	<u>72548G01</u>		FENDER NOISE SUPPRESSOR	2
70	<u>72551G01</u>		FENDER NOISE SUPPRESSOR (DRIVER SIDE - FRONT)	1
71	<u>22744G1</u>		BAGWELL NOISE SUPPRESSOR.....	1
72				
73				
74				
75				
76				
77				
78	<u>71451G02</u>		REAR BUMPER.....	1
79				
80				
81	<u>71102G01</u>		HEX HEAD BOLT, 1/4" - 20 X 1 1/4" LG	4
82	<u>00571G2</u>		FLAT WASHER, 5/16"	AR
83	<u>71455G01</u>		BUMPER PLUG	4
84	<u>71102G03</u>		HEX HEAD BOLT, 1/4 - 20 x 11/16" LG	2
85	<u>71554G01</u>		'J' TYPE NUT RETAINER, 1/4" - 20.....	2
86				
87	<u>618889</u>		ROCKER PANEL (DRIVER SIDE).....	1
88	<u>618888</u>		ROCKER PANEL (PASSENGER SIDE)	1
89	<u>00789G2</u>		PHILLIPS TRUSS HEAD SCREW, #10 - 24 X 1 1/4"LG	2
90	<u>00660G5</u>		FLAT WASHER, #10	2
91	<u>14390G10</u>		LOCK NUT, #10 - 24	2
92				
93	<u>16705G1</u>		PHILLIPS TRUSS HEAD SCREW (SS), 1/4" - 20 X 1" LG.....	6

BODY

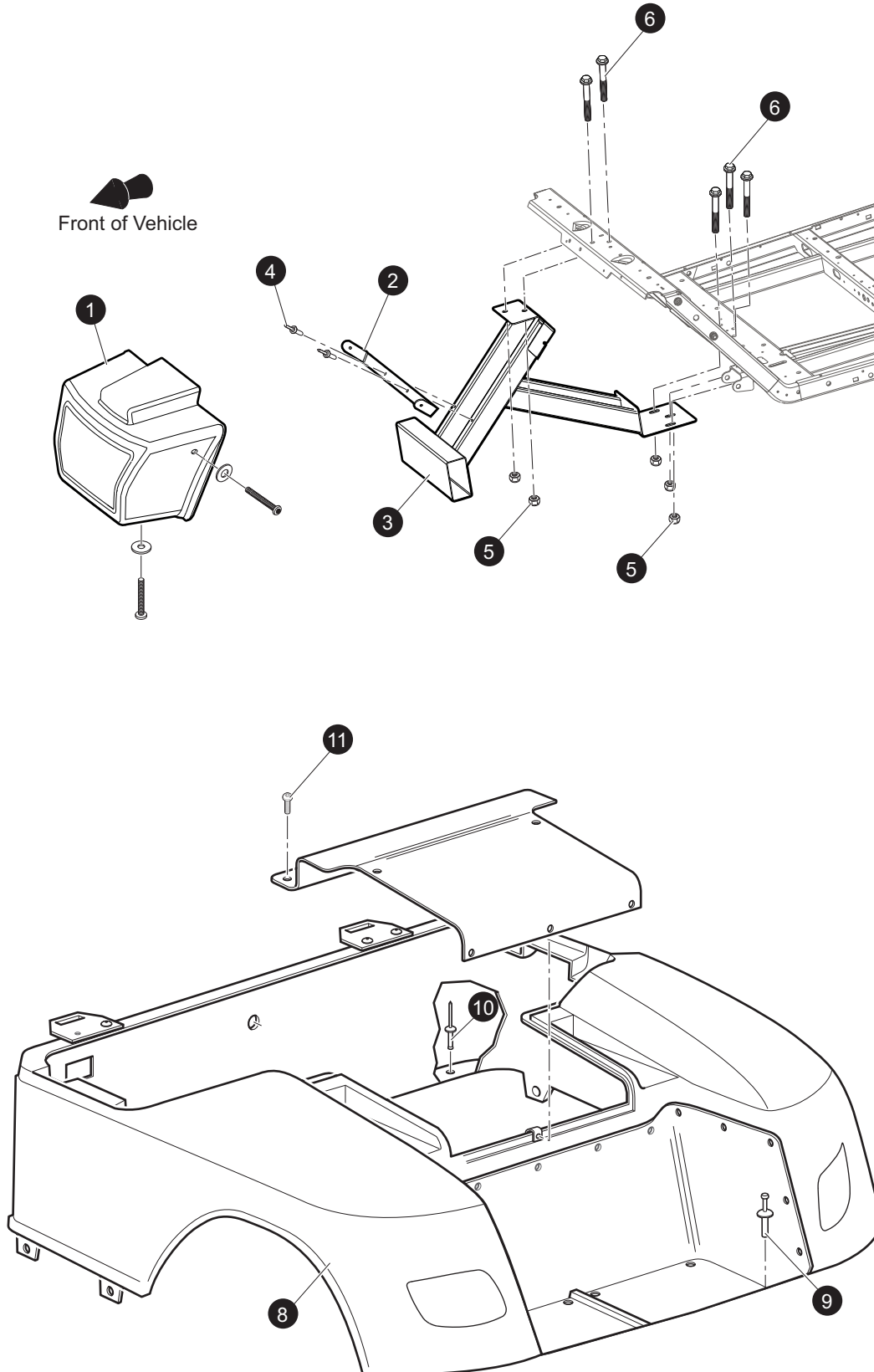
When ordering parts, please specify the model and serial number of the product.

* Indicates a component that is not available as an individual part.

*** Indicates consult Customer Service Department for additional information.

ITEM	PART NO.	1 2 3 4 5	DESCRIPTION	QTY.
94	<u>23726G4</u>		SPACER, 5/16"	8
95	<u>14390G4</u>		LOCK NUT, 1/4 - 20.....	6
96	<u>15058G6</u>		RIVET (ALUMINUM), 3/16" X 15/16".....	2
97	<u>70135G01</u>		PEDAL PIVOT COVER	1
98				
99	637361G01		ROCKER PANEL (DRIVER SIDE) (FOR VEHICLES MANUFACTURED FROM MARCH 2014)	1
100	637361G02		ROCKER PANEL (PASSENGER SIDE) (FOR VEHICLES MANUFACTURED FROM MARCH 2014)	1

VEHICLES MANUFACTURED FROM MARCH 2014



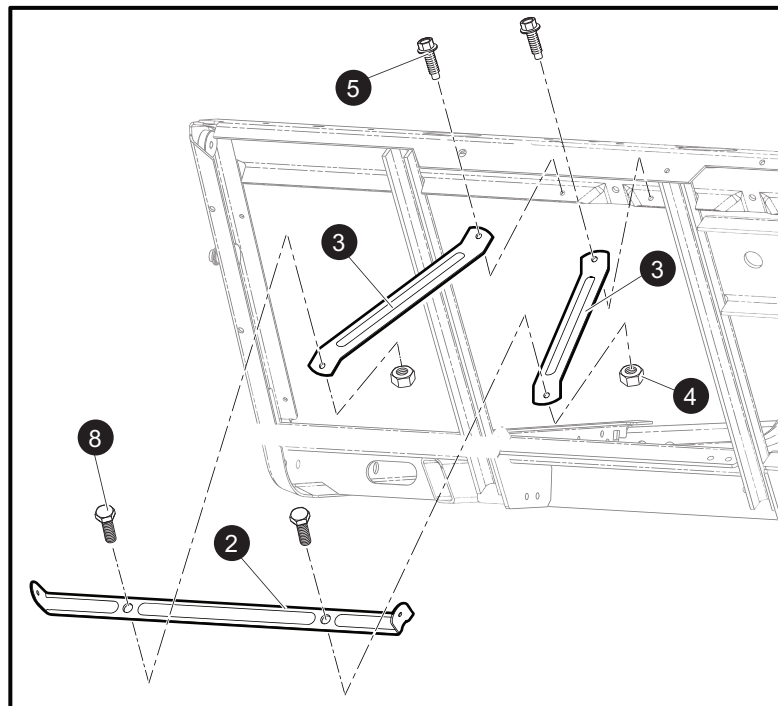
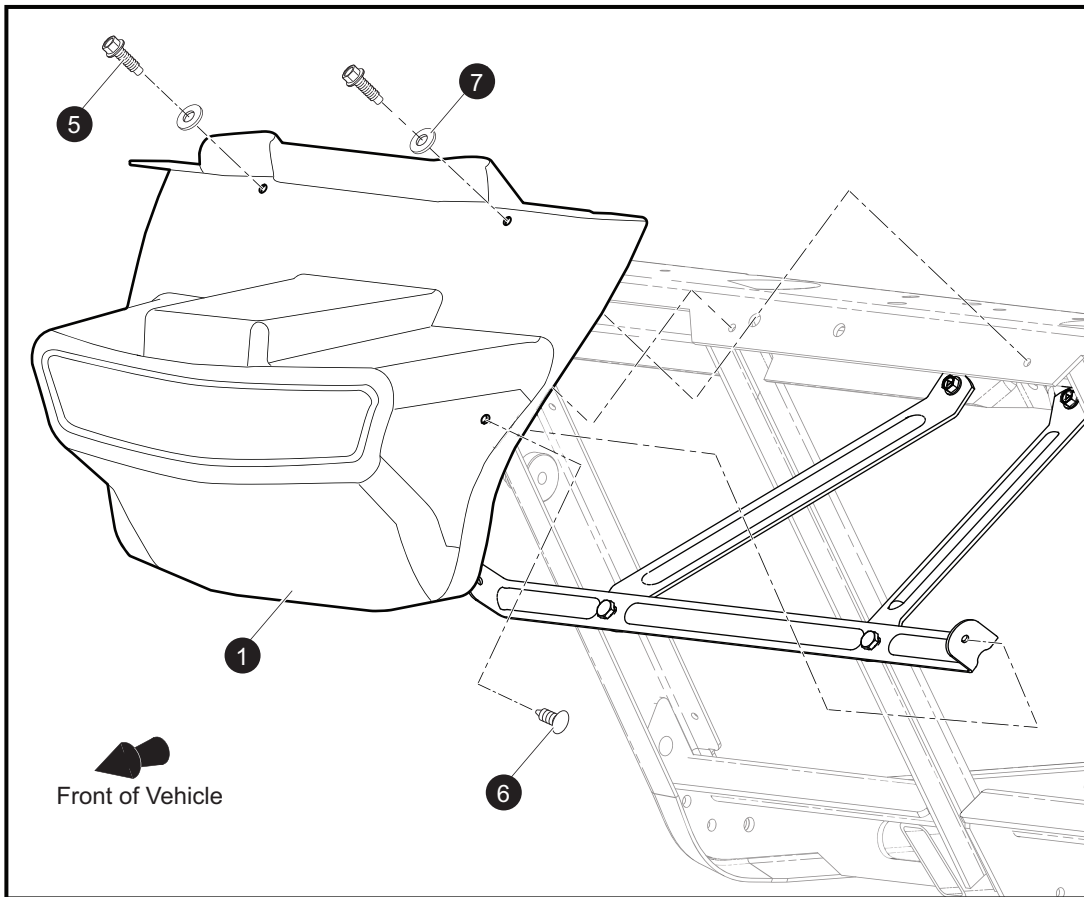
When ordering parts, please specify the model and serial number of the product.

* Indicates a component that is not available as an individual part.

*** Indicates consult Customer Service Department for additional information.

ITEM	PART NO.	1 2 3 4 5	DESCRIPTION	QTY.
1	<u>634329</u>		BUMPER ASSEMBLY (FOR VEHICLES MANUFACTURED FROM MARCH 2014).....	1
2	<u>625208</u>		BUMPER BRACE (FOR VEHICLES MANUFACTURED FROM MARCH 2014).....	1
3	<u>625202</u>		BUMPER SUPPORT WELDMENT (FOR VEHICLES MANUFACTURED FROM MARCH 2014).....	1
4	<u>71055G01</u>		RIVET, 3/16" X .985" (FOR VEHICLES MANUFACTURED FROM MARCH 2014).....	2
5	<u>00734G1</u>		LOCK NUT, 7/16" - 14 (FOR VEHICLES MANUFACTURED FROM MARCH 2014).....	5
6	<u>00463G11</u>		HEX HEAD BOLT, 7/16" - 14 X 1 5/8" LG (FOR VEHICLES MANUFACTURED FROM MARCH 2014).....	5
7				
8	<u>625272G1XX</u>		REAR BODY (FOR VEHICLES MANUFACTURED FROM MARCH 2014) ...	1
9	<u>633917</u>		PLASTIC DRIVE RIVET, .625" X 1" (FOR VEHICLES MANUFACTURED FROM MARCH 2014).....	2
10	<u>10570G10</u>		RIVET (SS), 5/32" X 9/16" (FOR VEHICLES MANUFACTURED FROM MARCH 2014).....	5
11	<u>16816G2</u>		RATCHET RIVET, .25" X .887" (FOR VEHICLES MANUFACTURED FROM MARCH 2014).....	2

VEHICLES MANUFACTURED FROM MARCH 2014



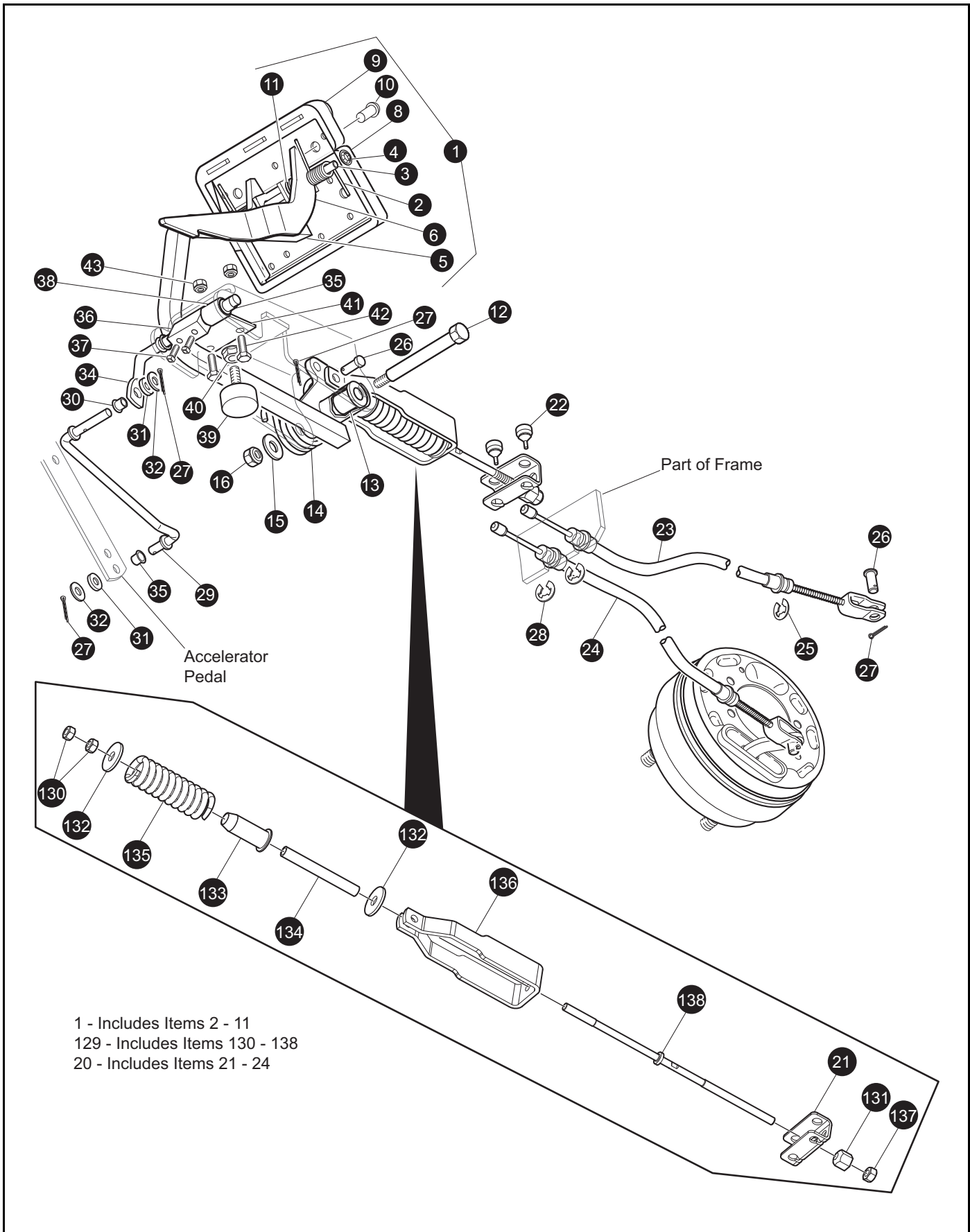
When ordering parts, please specify the model and serial number of the product.

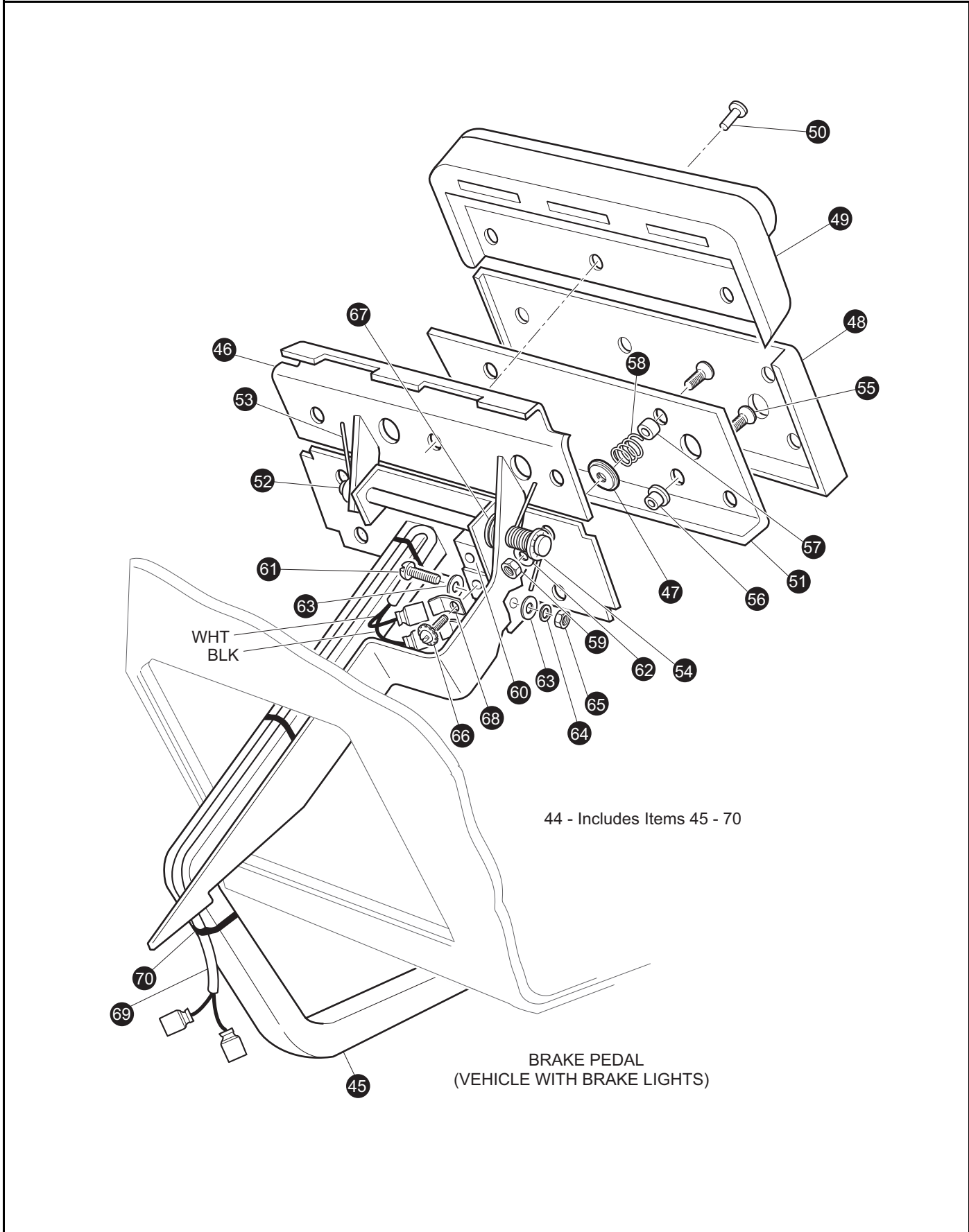
* Indicates a component that is not available as an individual part.

*** Indicates consult Customer Service Department for additional information.

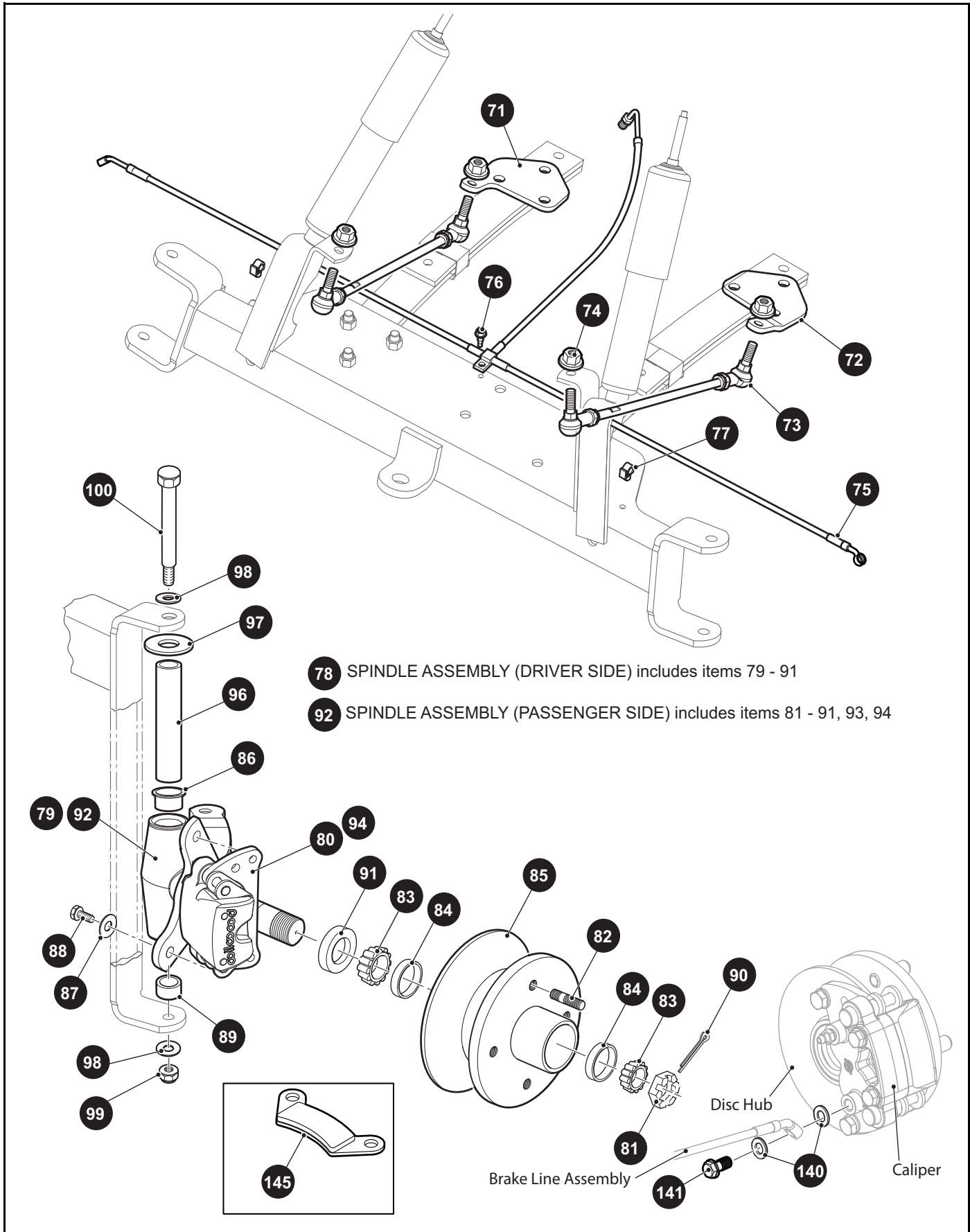
ITEM	PART NO.	1 2 3 4 5	DESCRIPTION	QTY.
1	<u>624607</u>		FRONT SHIELD (FOR VEHICLES MANUFACTURED FROM MARCH 2014).....	1
2	<u>627769</u>		SHIELD BRACKET (FOR VEHICLES MANUFACTURED FROM MARCH 2014).....	1
3	<u>70725G02</u>		FRONT SHIELD BRACE (FOR VEHICLES MANUFACTURED FROM MARCH 2014).....	2
4	<u>14390G4</u>		LOCK NUT, 1/4" - 20 (FOR VEHICLES MANUFACTURED FROM MARCH 2014).....	2
5	<u>01038G01</u>		SWAGEFORM SCREW, 1/4" - 20 X 11/16" LG (FOR VEHICLES MANUFACTURED FROM MARCH 2014).....	4
6	<u>15058G1</u>		RIVET, 3/16" X .45" (FOR VEHICLES MANUFACTURED FROM MARCH 2014).....	2
7	<u>16469G1</u>		FLAT WASHER, 1/4" (FOR VEHICLES MANUFACTURED FROM MARCH 2014).....	2
8	<u>00414G6</u>		HEX HEAD BOLT, 1/4" - 20 X 3/4" LG (FOR VEHICLES MANUFACTURED FROM MARCH 2014).....	2

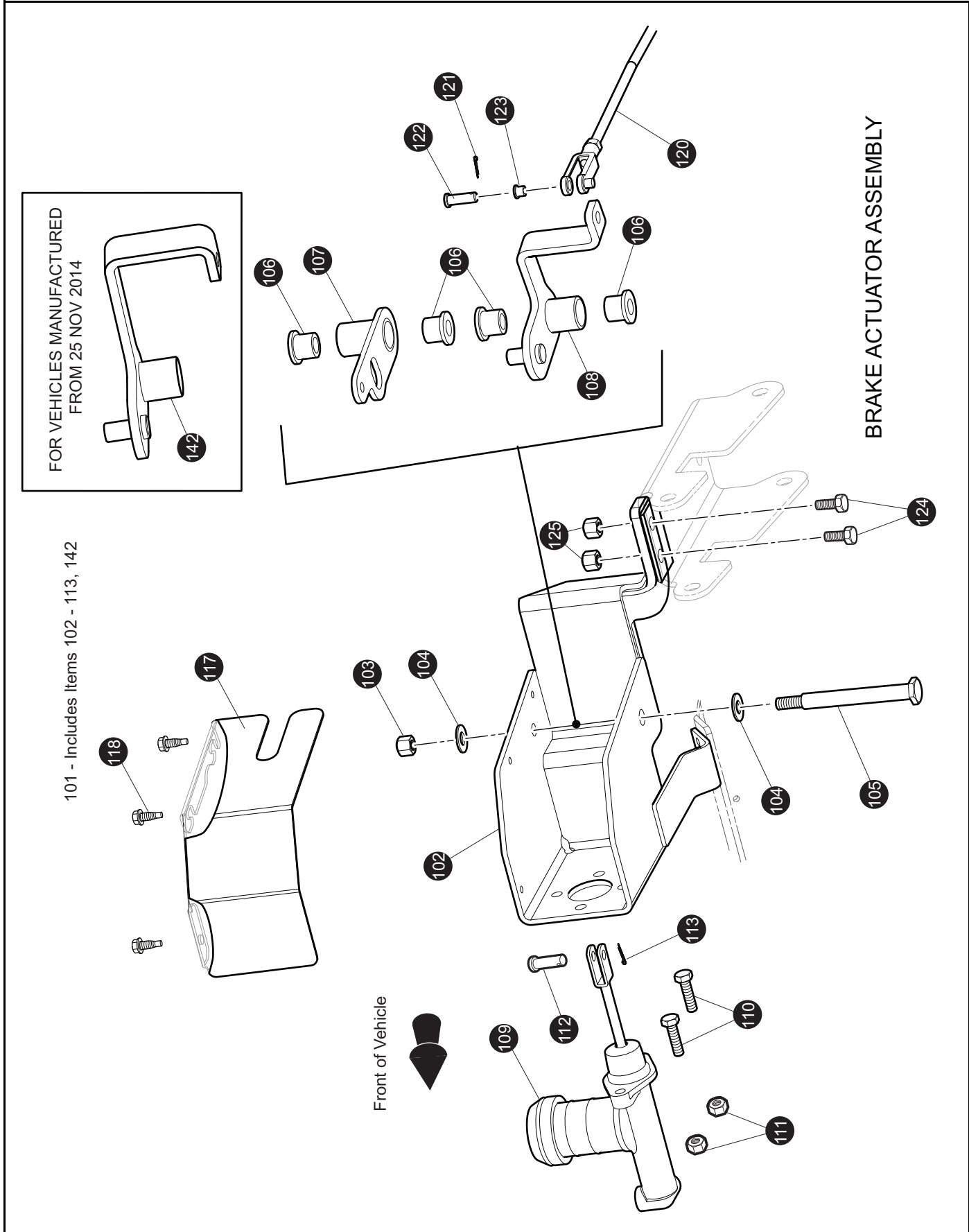
BRAKES - FRONT DISC





BRAKES - FRONT DISC





BRAKES - FRONT DISC

When ordering parts, please specify the model and serial number of the product.

* Indicates a component that is not available as an individual part.

*** Indicates consult Customer Service Department for additional information.

ITEM	PART NO.	1 2 3 4 5	DESCRIPTION	QTY.
1	<u>74723G01</u>		BRAKE PEDAL ASSEMBLY (WITHOUT BRAKE LIGHTS) (INCLUDES ITEMS 2 - 11)	1
2	<u>70681G01</u>		TORSION SPRING	2
3	<u>70682G01</u>		PIVOT PIN	1
4	<u>01071G01</u>		PUSHNUT, 5/16"	2
5	<u>74721G01</u>		BRAKE PEDAL	1
6	<u>641760</u>		PARK BRAKE PEDAL.....	1
7				
8	<u>70257G01</u>		BRAKE PAD.....	1
9	<u>70256G01</u>		PARK BRAKE PEDAL PAD.....	1
10	<u>16409G1</u>		OVAL RIVET, 3/16" X 15/32" LG	9
11	<u>20835G1</u>		TEFLON WASHER, 3/8"	2
12	<u>70582G01</u>		SHOULDER BOLT, 3/8" - 16 X 4" LG	1
13	<u>70581G01</u>		FLANGED BUSHING	2
14	<u>70676G01</u>		TORSION SPRING	1
15	<u>00643G1</u>		FLAT WASHER, 3/8"	1
16	<u>11098G5</u>		LOCK NUT, 3/8" - 16	1
17				
18	<u>12416G2</u>		NYLON WEDGE LOCK CLAMP (NOT ILLUSTRATED)	6
19				
20	<u>624713</u>		EQUALIZER AND BRAKE CABLE ASSEMBLY (INCLUDES ITEMS 21 - 24).....	1
21	<u>28082G01</u>		EQUALIZER BRACKET.....	1
22	<u>28083G01</u>		BRAKE COMPENSATOR BUMPER.....	2
23	<u>624695</u>		BRAKE CABLE (DRIVER SIDE).....	1
24	<u>624696</u>		BRAKE CABLE (PASSENGER SIDE)	1
25	<u>01111G01</u>		RETAINING RING (SS).	4
26	<u>10386G3</u>		CLEVIS PIN, 5/16" X 1"	5
27	<u>10387G3</u>		COTTER PIN, 3/32" X 3/4"	3
28				
29	<u>70601G01</u>		KICK-OFF LINK.....	1
30	<u>17838G1</u>		NYLON BUSHING.....	2

BRAKES - FRONT DISC

When ordering parts, please specify the model and serial number of the product.

* Indicates a component that is not available as an individual part.

*** Indicates consult Customer Service Department for additional information.

ITEM	PART NO.	1 2 3 4 5	DESCRIPTION	QTY.
31	<u>20835G1</u>		TEFLON WASHER, 3/8"	2
32	00559G8		FLAT WASHER, 5/16"	2
33				
34	<u>70098G01</u>		KICK-OFF CAM PIVOT.....	1
35	<u>10097G6</u>		FLANGED BEARING	2
36	<u>70587G01</u>		KICK-OFF CAM	1
37	<u>71215G01</u>		SETSCREW WITH PATCH LOCK, 1/4" - 20 X 1/2" LG	2
38	<u>14134G4</u>		SPACER, 1 1/4"	1
39	<u>70113G01</u>		ADJUSTABLE BUMPER.....	1
40	<u>11027G1</u>		LOCK NUT, 5/16" - 18.....	1
41	<u>70080G02</u>		CATCH BRACKET	1
42	<u>00414G6</u>		HEX HEAD BOLT, 1/4" - 20 X 1/2" LG	2
43	<u>14390G4</u>		LOCK NUT, 1/4" - 20.....	2
44	<u>74874G01</u>		BRAKE PEDAL ASSEMBLY (WITH BRAKE LIGHTS) (INCLUDES ITEMS 45 - 70)	1
45	<u>74870G01</u>		BRAKE PEDAL.....	1
46	<u>641760</u>		PARK BRAKE PEDAL	1
47	<u>00642G8</u>		FLAT WASHER, #4	2
48	<u>70257G01</u>		BRAKE PAD	1
49	<u>70256G01</u>		PARK BRAKE PAD.....	1
50	<u>16409G1</u>		OVAL RIVET, 3/16" X 15/32" LG	9
51	<u>70258G03</u>		BRAKE PEDAL PLATE.....	1
52	<u>70682G01</u>		PIVOT PIN.....	1
53	<u>70681G01</u>		TORSION SPRING.....	2
54	<u>01071G01</u>		PUSHNUT, 5/16"	2
55	<u>00737G8</u>		PHILLIPS PAN HEAD MACHINE SCREW, #10 - 24 X 1" LG	4
56	<u>00739G1</u>		RUBBER NUT, #10 - 24	2
57	<u>652355</u>		BRAKE PEDAL SPACER	2
58	<u>27137G01</u>		CONICAL SPRING	2
59	<u>14390G10</u>		LOCK NUT, #10 - 24.....	2
60	10606G8		MICRO SWITCH	1

BRAKES - FRONT DISC

When ordering parts, please specify the model and serial number of the product.

* Indicates a component that is not available as an individual part.

*** Indicates consult Customer Service Department for additional information.

ITEM	PART NO.	1	2	3	4	5	DESCRIPTION	QTY.
61	<u>00645G2</u>						PHILLIPS PAN HEAD MACHINE SCREW, #6 - 32 X 1 1/4" LG.....	2
62	<u>00559G5</u>						FLAT WASHER, #10.....	2
63	<u>00559G3</u>						FLAT WASHER, #6.....	4
64	<u>00565G3</u>						LOCK WASHER, #6.....	2
65	<u>00525G5</u>						HEX NUT, #6 - 32.....	2
66	<u>13514G1</u>						PHILLIPS PAN HEAD MACHINE SCREW, #6 - 32 X 7/32" LG.....	2
67	<u>20835G1</u>						TEFLON WASHER, 3/8".....	2
68	<u>14628G1</u>						FASTON TAB.....	2
69	<u>24605G1</u>						WIRE HARNESS (BRAKE LIGHT).....	1
70	<u>17618G1</u>						WIRE TIE.....	3
71	<u>74731G02</u>						SPRING PLATE (PASSENGER SIDE).....	1
72	<u>74731G01</u>						SPRING PLATE (DRIVER SIDE).....	1
73	<u>74730G01</u>						FOUR LINK ROD.....	2
74	<u>606279</u>						HEX NUT, M10 - 1.25.....	4
75	<u>630766</u>						BRAKE LINE.....	1
76	<u>01038G01</u>						SWAGEFORM SCREW WITH DOGPOINT, 1/4" - 20 X 1/2" LG.....	1
77	<u>74875G01</u>						WIRE RETAINER.....	2
78	<u>602281</u>						SPINDLE, CALIPER AND DISC HUB ASSEMBLY (DRIVER SIDE) (INCLUDES ITEMS 79 - 91).....	1
79	<u>602176</u>						DISC BRAKE SPINDLE (DRIVER SIDE).....	1
80	<u>633918G02</u>						CALIPER (DRIVER SIDE).....	1
81	<u>12093G1</u>						SLOTTED NUT, 1" - 14.....	1
82	<u>74864G01</u>						DRIVE FLANGE STUD.....	4
83	<u>11750G2</u>						ROLLER BEARING.....	2
84	<u>51141G1</u>						BEARING RACE.....	2
85	<u>630672</u>						DISC BRAKE HUB.....	1
86	<u>70648G01</u>						FLANGED BEARING.....	1
87	<u>00566G1</u>						LOCK WASHER, 3/8".....	2
88	<u>00426G8</u>						HEX HEAD BOLT, 3/8" - 16 X 1" LG.....	2
89	<u>70749G01</u>						BEARING.....	1
90	<u>00798G8</u>						COTTER PIN, 5/32" X 1 3/4".....	1
91	<u>25146G1</u>						GREASE SEAL.....	1

BRAKES - FRONT DISC

When ordering parts, please specify the model and serial number of the product.

* Indicates a component that is not available as an individual part.

*** Indicates consult Customer Service Department for additional information.

ITEM	PART NO.	1 2 3 4 5	DESCRIPTION	QTY.
92	<u>602288</u>		SPINDLE, CALIPER AND DISC HUB ASSEMBLY (PASSENGER SIDE) (INCLUDES ITEMS 81 - 91, 93, 94)	1
93	<u>602158</u>		DISC BRAKE SPINDLE (PASSENGER SIDE).....	1
94	<u>633918G01</u>		CALIPER (PASSENGER SIDE)	1
95	<u>74948G01</u>		DISC BRAKE SERVICE HUB (INCLUDES ITEMS 82 - 85, 91)	1
96	<u>70745G01</u>		KINGPIN TUBE	2
97	<u>70754G01</u>		THRUST WASHER (SS), .995" I.D. X 1.38" O.D.....	2
98	<u>00560G3</u>		FLAT WASHER, 1/2"	4
99	<u>14390G6</u>		LOCK NUT, 1/2" - 13	2
100	<u>00407G6</u>		HEX HEAD BOLT, 1/2" - 13 X 6" LG	2
101	<u>608706</u>		FRONT DISC BRAKE BRAKE ACTUATOR ASSEMBLY (INCLUDES ITEMS 102 - 113, 142).....	1
102	608661		MASTER CYLINDER MOUNT WELDMENT	1
103	<u>11098G5</u>		LOCKNUT, 3/8" - 16	1
104	<u>00679G1</u>		FLAT WASHER (SS), 3/8"	1
105	<u>74711G01</u>		ACTUATOR PIVOT BOLT, 3/8" - 16 X 4 1/2" LG	1
106	<u>70581G02</u>		ACETAL BUSHING.....	4
107	<u>608122</u>		UPPER ACTUATOR PIVOT	1
108	<u>608118</u>		LOWER ACTUATOR PIVOT (FOR VEHICLES MANUFACTURED BEFORE 25 NOV 2014).....	1
109	<u>887364</u>		MASTER CYLINDER	1
110	<u>00439G1</u>		HEX HEAD BOLT, 1/2" - 13 X 6" LG.....	2
111	11098G06		LOCKNUT, 5/16" - 18	2
112	<u>10386G3</u>		CLEVIS PIN, 5/16" X 1"	1
113	<u>10387G3</u>		COTTER PIN, 3/32" X 3/4"	1
114				
115	<u>00771G5</u>		FLAT WASHER, 3/8" (NOT ILLUSTRATED).....	1
116	<u>21504G1</u>		BRAKE FLUID (NOT ILLUSTRATED)	A/R
117	<u>612704</u>		ACTUATOR COVER	1
118	<u>01038G01</u>		SWAGEFORM SCREW WITH DOGPOINT, 1/4" - 20 X 1/2" LG	3
119				
120	<u>608943</u>		ACTUATOR LINKAGE	1

BRAKES - FRONT DISC

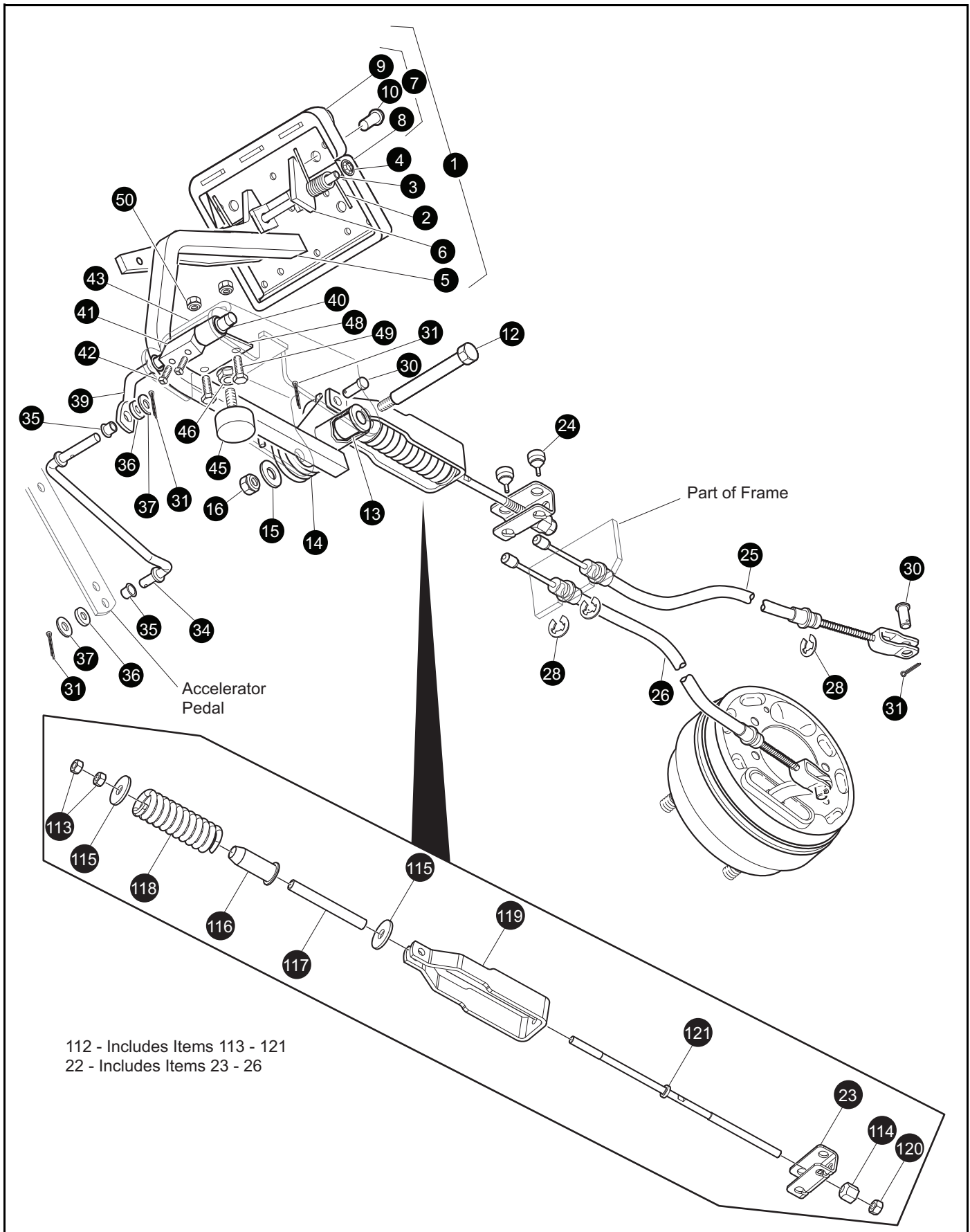
When ordering parts, please specify the model and serial number of the product.

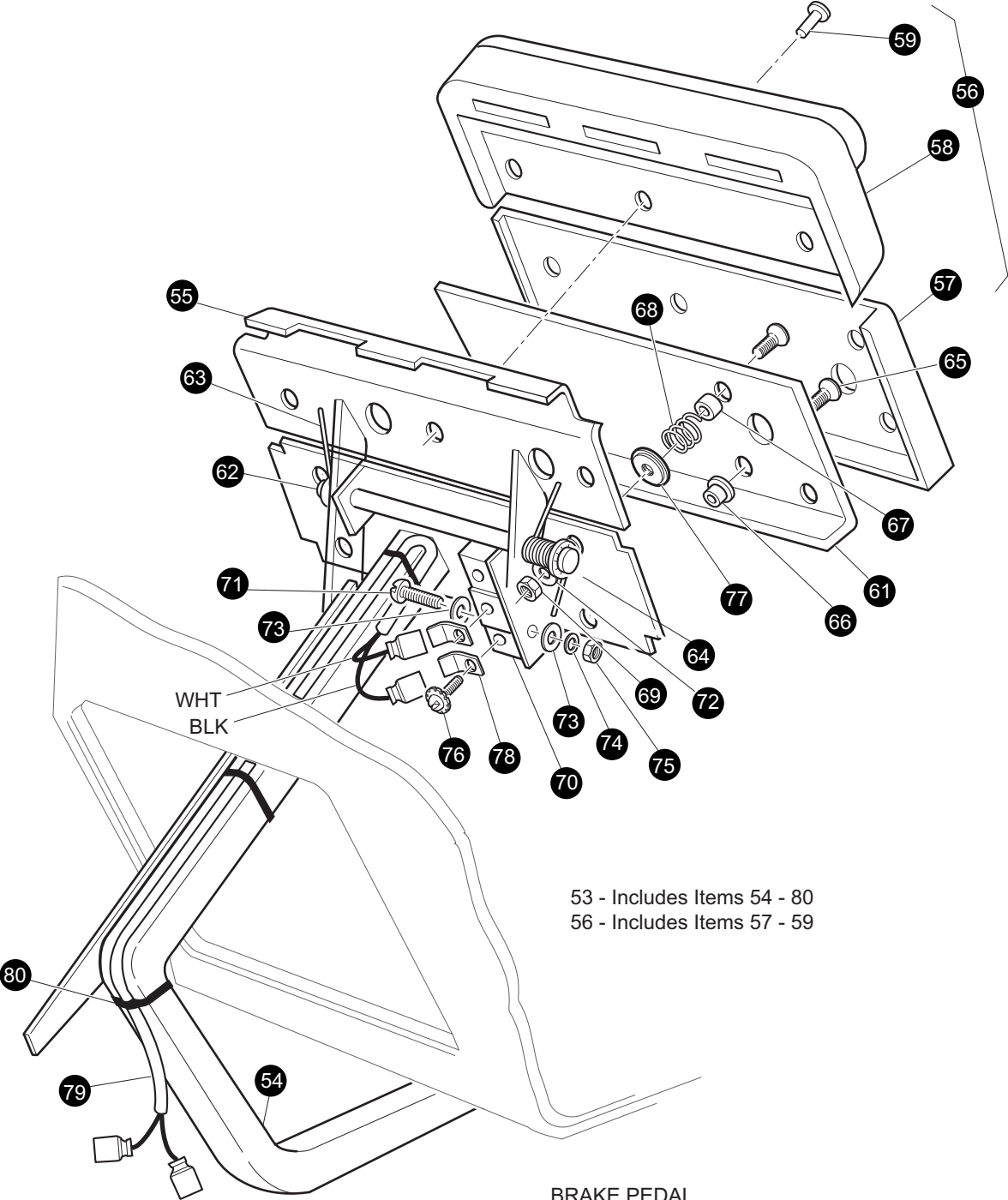
* Indicates a component that is not available as an individual part.

*** Indicates consult Customer Service Department for additional information.

ITEM	PART NO.	1	2	3	4	5	DESCRIPTION	QTY.
121	<u>10387G3</u>						COTTER PIN, 3/32" X 3/4"	2
122	<u>10386G3</u>						CLEVIS PIN, 5/16" X 1"	4
123	<u>17838G1</u>						NYLON BUSHING	4
124	<u>00414G6</u>						HEX HEAD BOLT, 1/4" - 20 X 1/2" LG.....	2
125	<u>14390G4</u>						LOCK NUT, 1/4" - 20	2
126	<u>74917G01</u>						DISC BRAKE PAD AND PIN KIT (SERVICES ONE CORNER) (INCLUDES ITEMS 127 - 128) (NOT ILLUSTRATED).....	1
127	*						BRAKE PADS (NOT ILLUSTRATED)	2
128	*						BRAKE PAD RETAINER PINS (NOT ILLUSTRATED)	2
129	<u>612558</u>						COMPENSATOR ASSEMBLY (INCLUDES ITEMS 130 - 138)	1
130	<u>00532G4</u>						HEX NUT, 1/4" - 20	2
131	<u>629486</u>						HEX NUT, 5/16" - 24	1
132	<u>15121G1</u>						FLAT WASHER, 5/16".....	2
133	<u>17979G1</u>						ACCELERATOR ROD BUSHING	1
134	<u>23061G2</u>						TUBE.....	1
135	<u>23463G1</u>						COMPRESSION SPRING	1
136	<u>27330G01</u>						BRAKE YOKE	1
137	<u>11098G9</u>						HEX LOCK NUT, 5/16" - 24	1
138	<u>612557</u>						COMPENSATOR LINK ROD	1
139								
140	<u>613293</u>						CRUSH WASHER, M10	4
141	<u>616459</u>						BANJO BOLT, M10 - 1 X 20" LG	2
142	641826						LOWER ACTUATOR PIVOT (FOR VEHICLES MANUFACTURED FROM 25 NOV 2014).....	1
143								
144								
145	<u>649167</u>						BRAKE PAD	2

BRAKES - MECHANICAL

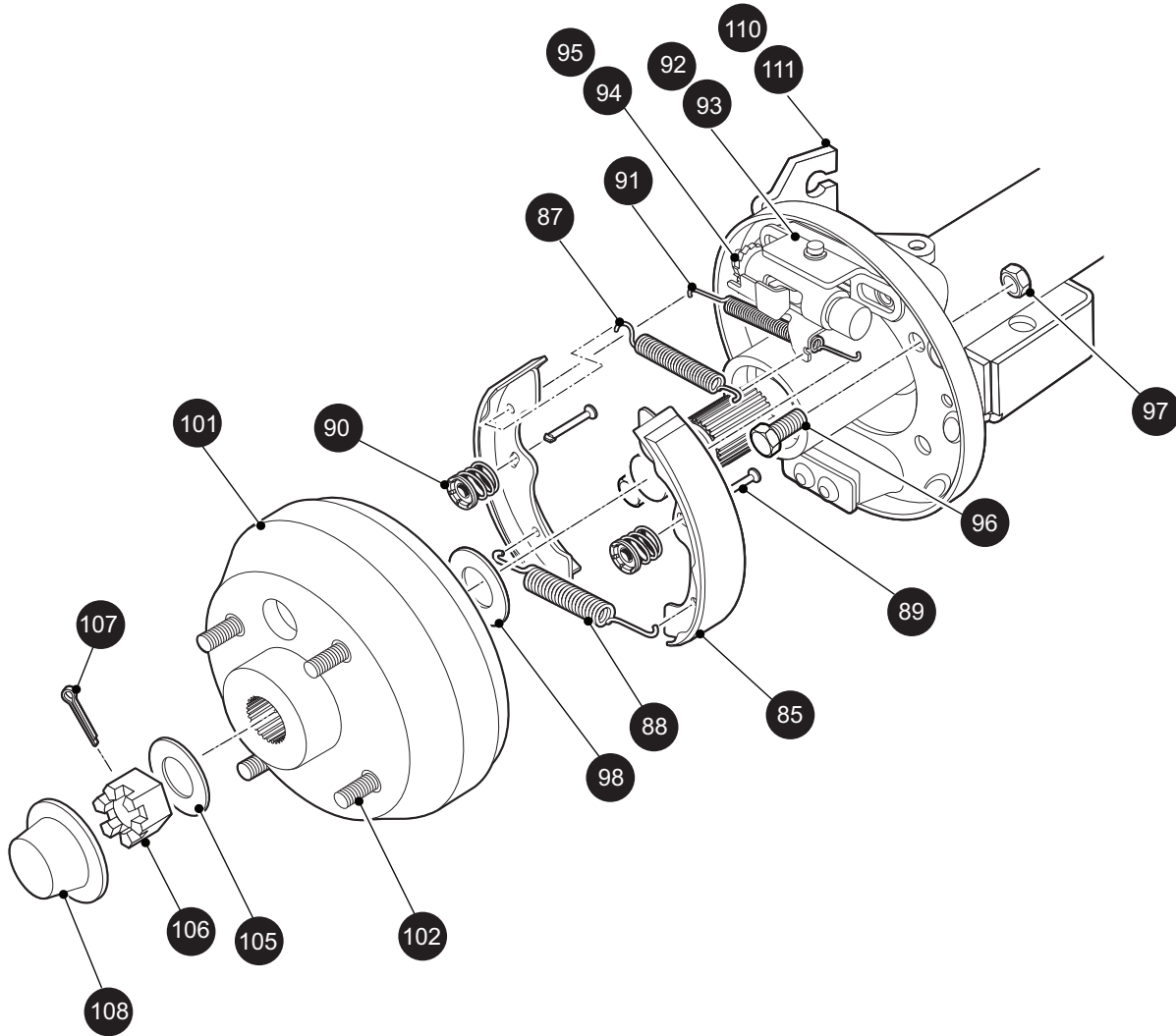




53 - Includes Items 54 - 80
56 - Includes Items 57 - 59

**BRAKE PEDAL
(VEHICLE WITH BRAKE LIGHTS)**

BRAKES - MECHANICAL



- 82 - Includes Items 84 - 92, 94, 95
- 83 - Includes Items 84 - 91, 93 - 95
- 84 - Includes Items 85
- 86 - Includes Items 87 - 91
- 92 - Includes Items 94, 95
- 93 - Includes Items 94, 95
- 100 - Includes Items 101, 102

BRAKES - MECHANICAL

When ordering parts, please specify the model and serial number of the product.

* Indicates a component that is not available as an individual part.

*** Indicates consult Customer Service Department for additional information.

ITEM	PART NO.	1 2 3 4 5	DESCRIPTION	QTY.
1	<u>70612G02</u>		BRAKE PEDAL ASSEMBLY (WITHOUT BRAKE LIGHTS) (INCLUDES ITEMS 2 - 10)	1
2	<u>70681G01</u>		TORSION SPRING.....	2
3	<u>70682G01</u>		PIVOT PIN.....	1
4	<u>01071G01</u>		PUSHNUT, 5/16"	2
5	<u>652251G03</u>		BRAKE PEDAL.....	1
6	<u>652253G03</u>		PARK BRAKE PEDAL	1
7	<u>70274G01</u>		BRAKE/PARK BRAKE PEDAL PAD KIT (INCLUDES ITEMS 8 - 10).....	1
8	*		SERVICE BRAKE PAD	1
9	*		PARK BRAKE PEDAL PAD.....	1
10	<u>15766G1</u>		OVAL RIVET, 3/16" X 7/16" LG	9
11				
12	<u>70582G01</u>		SHOULDER BOLT (SS), 3/8" - 16 X 4" LG	1
13	<u>70581G01</u>		FLANGED BUSHING.....	2
14	<u>70676G01</u>		TORSION SPRING	1
15	<u>00643G1</u>		WASHER, 3/8"	1
16	<u>11098G5</u>		LOCK NUT, 3/8" - 16.....	1
17				
18				
19	<u>12416G2</u>		NYLON WEDGE LOCK CLAMP (NOT ILLUSTRATED).....	6
20				
21				
22	<u>624714</u>		EQUALIZER AND BRAKE CABLE ASSEMBLY (INCLUDES ITEMS 23 - 26)	1
23	<u>28082G01</u>		EQUALIZER BRACKET	1
24	<u>28083G01</u>		BRAKE COMPENSATOR BUMPER	2
25	<u>624695</u>		BRAKE CABLE DRIVER SIDE.....	1
26	<u>624696</u>		BRAKE CABLE PASSENGER SIDE	1
27				
28	<u>01111G01</u>		RETAINING RING (SS), 13/32"	4
29				
30	<u>10386G3</u>		CLEVIS PIN, 5/16" X 13/16" LG.....	3

BRAKES - MECHANICAL

When ordering parts, please specify the model and serial number of the product.

* Indicates a component that is not available as an individual part.

*** Indicates consult Customer Service Department for additional information.

ITEM	PART NO.	1 2 3 4 5	DESCRIPTION	QTY.
31	<u>10387G3</u>		COTTER PIN, 3/32" X 3/4" LG	5
32				
33				
34	<u>70601G01</u>		KICK-OFF LINK.....	1
35	<u>17838G1</u>		NYLON BUSHING	2
36	<u>20835G1</u>		TEFLON WASHER, 3/8"	2
37	00559G8		WASHER, 5/16"	2
38				
39	<u>70098G01</u>		KICK-OFF CAM PIVOT	1
40	<u>10097G6</u>		FLANGED BEARING	2
41	<u>70587G01</u>		KICK-OFF CAM.....	1
42	<u>71215G01</u>		SETSCREW, 1/4" - 20 X 1/2" LG	2
43	<u>14134G4</u>		SPACER	1
44				
45	<u>70113G01</u>		ADJUSTABLE BUMPER	1
46	<u>11027G1</u>		LOCK NUT, 5/16" - 18	1
47				
48	<u>70080G02</u>		CATCH BRACKET.....	1
49	<u>00414G6</u>		BOLT, 1/4" - 20 X 3/4" LG	2
50	<u>14390G4</u>		LOCK NUT (SS), 1/4 - 20	2
51				
52				
53	70690G02		BRAKE PEDAL ASSEMBLY (WITH BRAKE LIGHTS) (INCLUDES ITEMS 54 - 80).....	1
54	*		BRAKE PEDAL	1
55	<u>641748</u>		PARK BRAKE PEDAL.....	1
56	70274G01		BRAKE/PARK BRAKE PEDAL PAD KIT (INCLUDES ITEMS 57 - 59)	1
57	*		SERVICE BRAKE PAD.....	1
58	*		PARK BRAKE PAD.....	1
59	<u>16409G1</u>		OVAL RIVET, 3/16" x 7/16" LG	9
60				
61	<u>70258G03</u>		BRAKE PEDAL PLATE	1

BRAKES - MECHANICAL

When ordering parts, please specify the model and serial number of the product.

* Indicates a component that is not available as an individual part.

*** Indicates consult Customer Service Department for additional information.

ITEM	PART NO.	1 2 3 4 5	DESCRIPTION	QTY.
62	<u>70682G01</u>		PIVOT PIN.....	1
63	<u>70681G01</u>		TORSION SPRING.....	2
64	<u>01071G01</u>		PUSHNUT, 5/16"	1
65	<u>00737G8</u>		SCREW, #10 - 24 X 7/8" LG.....	4
66	<u>00739G1</u>		RUBBER NUT, #10 - 24	2
67	<u>652355</u>		BRAKE PEDAL SPACER	2
68	<u>27137G01</u>		CONICAL SPRING	2
69	<u>14390G10</u>		LOCK NUT, #10 - 24.....	2
70	10606G8		MICRO SWITCH	1
71	<u>00645-G2</u>		SCREW, #6 - 32 X 1 1/4" LG.....	2
72	<u>00559G5</u>		WASHER, #10	2
73	<u>00559G3</u>		WASHER, #6.....	4
74	<u>00565G3</u>		LOCK WASHER, #6	2
75	<u>00525G5</u>		NUT, #6 - 32	2
76	<u>13514G1</u>		SCREW AND LOCK WASHER, #6	2
77	<u>00642-G8</u>		WASHER - 5/16"	2
78	<u>14628G1</u>		FASTON TAB.....	2
79	<u>24605G1</u>		WIRE HARNESS (BRAKE LIGHT).....	1
80	<u>17618G1</u>		WIRE TIE.....	4
81				
82	<u>70998G01</u>		BRAKE ASSEMBLY (DRIVER SIDE) (INCLUDES ITEMS 84 - 92, 94, 95)....	1
83	<u>70998G02</u>		BRAKE ASSEMBLY (PASSENGER SIDE) (INCLUDES ITEMS 84 - 91, 93 - 95)	1
84	70794G01		BRAKE SHOE KIT (INCLUDES ITEM 85).....	2
85	*		BRAKE SHOE.....	2
86	<u>27944G01</u>		BRAKE SPRING KIT (INCLUDES ITEMS 87 - 91)	2
87	*		UPPER SPRING	1
88	*		LOWER SPRING	1
89	*		PIN	2
90	*		CUP AND SPRING	2
91	*		ADJUSTER SPRING	1

BRAKES - MECHANICAL

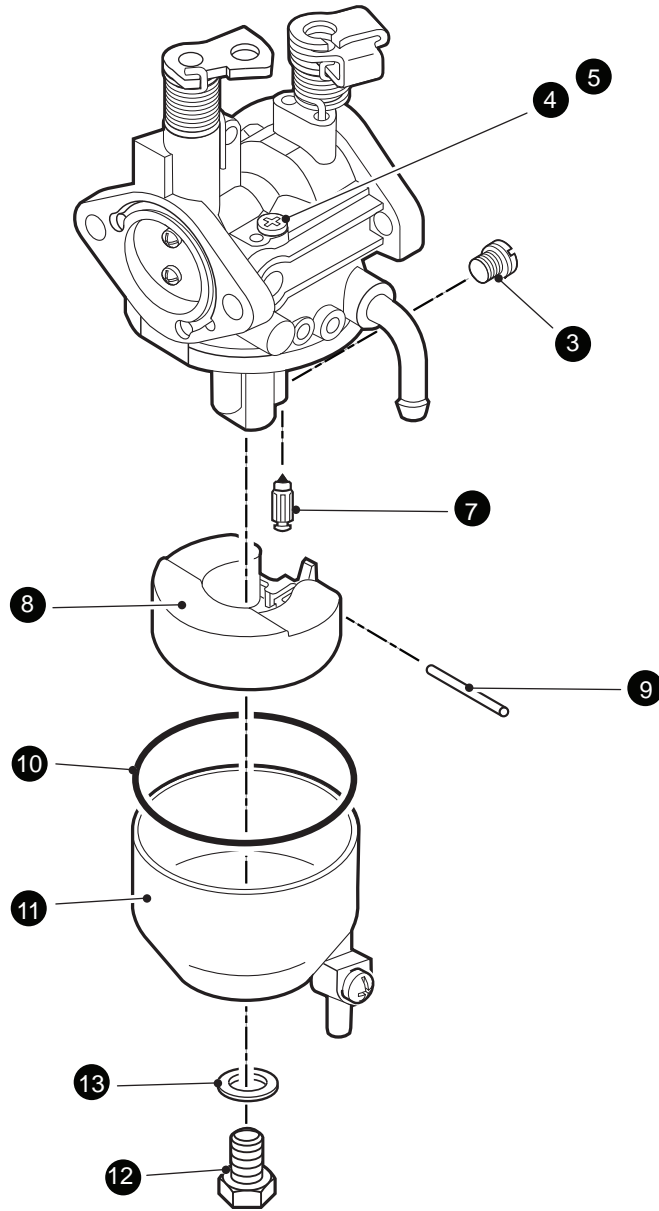
When ordering parts, please specify the model and serial number of the product.

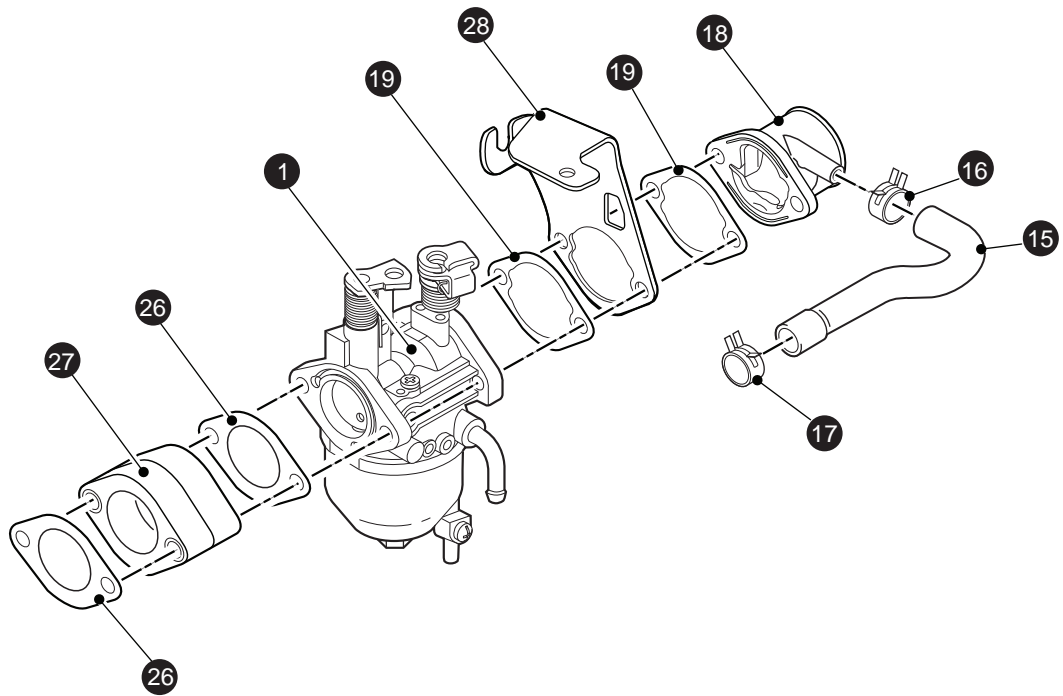
* Indicates a component that is not available as an individual part.

*** Indicates consult Customer Service Department for additional information.

ITEM	PART NO.	1	2	3	4	5	DESCRIPTION	QTY.
92	<u>72582G01</u>						BRAKE ADJUSTER KIT (DRIVER SIDE) (INCLUDES ITEMS 94 - 95) ...	1
93	<u>72582G02</u>						BRAKE ADJUSTER KIT (PASSENGER SIDE) (INCLUDES ITEMS 94 - 95)	1
94	*						ADJUSTER.....	1
95	*						TEFLON WASHER.....	2
96	<u>17083G2</u>						BOLT, 5/16" - 24 X 1" LG	8
97	<u>15126G1</u>						LOCK NUT, 5/16" - 24	8
98	<u>21809G1</u>						INNER BRAKE DRUM WASHER, 1 5/16" OD X 1" ID X 1/32"	2
99								
100	<u>21807G2</u>						BRAKE DRUM ASSEMBLY (INCLUDES ITEMS 101 - 102)	2
101	*						BRAKE DRUM	1
102	<u>19862G2</u>						LUG BOLT, 1/2" - 20 X 1 3/16" LG	4
103								
104								
105	<u>606945</u>						OUTER BRAKE DRUM WASHER	2
106	<u>606403</u>						SLOTTED NUT, M22 X 1.5.....	2
107	<u>10387G1</u>						COTTER PIN, 1/8" X 1 1/2" LG	2
108	<u>74175G01</u>						SPINDLE CAP.....	2
109								
110	<u>652248</u>						BRAKE CABLE BRACKET (PASSENGER SIDE).....	1
111	<u>652249</u>						BRAKE CABLE BRACKET (DRIVER SIDE)	1
112	<u>612558</u>						COMPENSATOR ASSEMBLY (INCLUDES ITEMS 113 - 121)	1
113	<u>00532G4</u>						HEX NUT	2
114	<u>629486</u>						HEX NUT, 5/16" - 24	1
115	<u>15121G1</u>						FLAT WASHER, 5/16".....	2
116	<u>17979G1</u>						ACCELERATOR ROD BUSHING	1
117	<u>23061G2</u>						TUBE.....	1
118	<u>23463G1</u>						COMPRESSION SPRING	1
119	<u>27330G01</u>						BRAKE YOKE	1
120	<u>11098G9</u>						HEX LOCK NUT, 5/16" - 24	1
121	<u>612557</u>						COMPENSATOR LINK ROD	1

CARBURETOR





CARBURETOR

THE USE OF NON U.L. PARTS WILL VOID ANY U.L. LISTING.

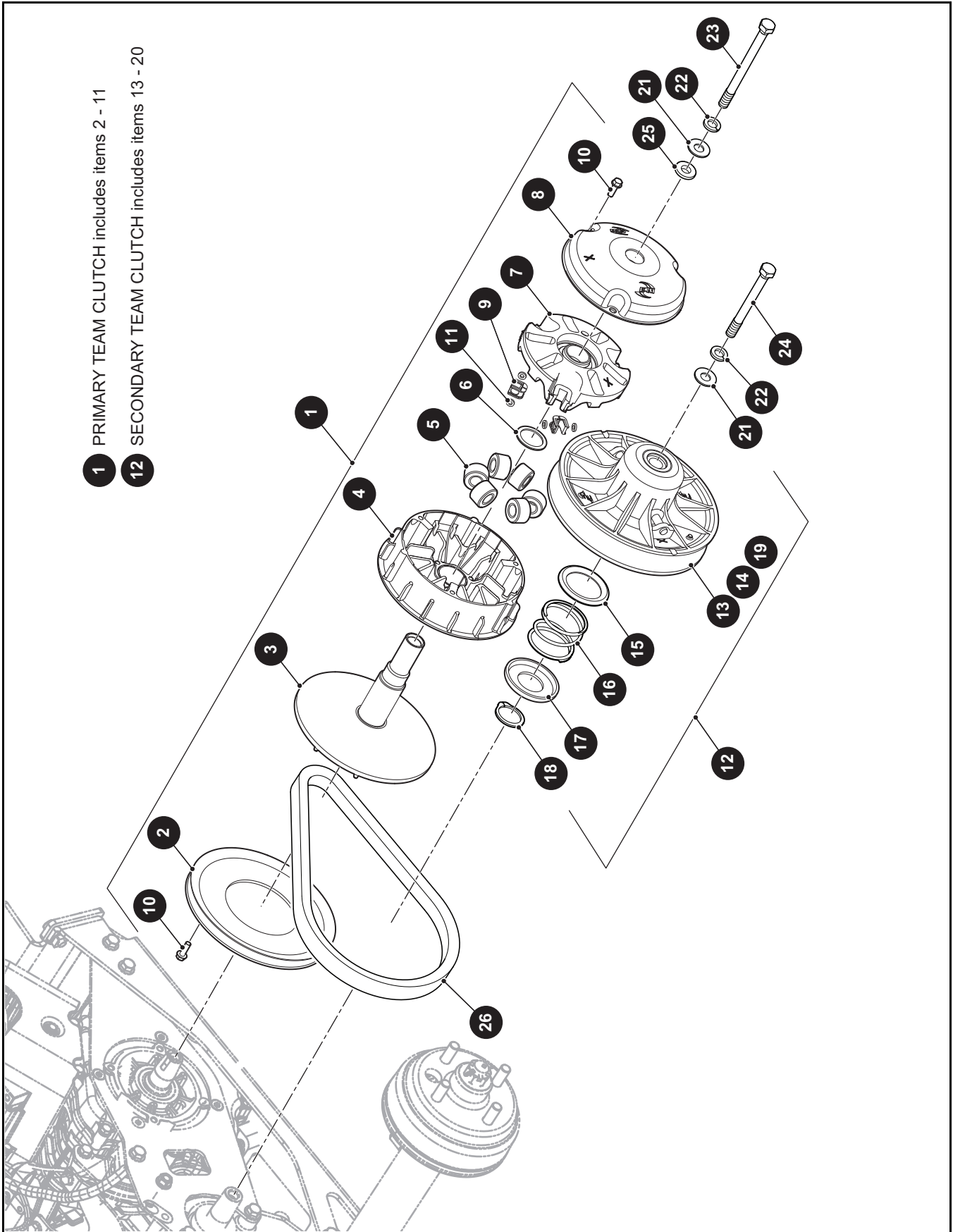
When ordering parts, please specify the model and serial number of the product.

* Indicates a component that is not available as an individual part.

G** Indicates consult Customer Service Department for additional information.

ITEM	PART NO.	1 2 3 4 5	DESCRIPTION	QTY.
1	<u>607954</u>		CARBURETOR (INCLUDES ITEMS 3 - 21).....	1
2				
3	<u>607683</u>		MAIN JET (#104)	1
4	<u>608021</u>		PILOT JET (#44).....	1
5	<u>603585</u>		PLUG	1
6				
7	<u>603586</u>		NEEDLE VALVE	1
8	<u>603587</u>		FLOAT.....	1
9	<u>603588</u>		FLOAT PIN.....	1
10	<u>603589</u>		FLOAT BOWL GASKET	1
11	<u>603590</u>		FLOAT CHAMBER.....	1
12	<u>603592</u>		BOWL SCREW	1
13	<u>603591</u>		BOWL GASKET	1
14				
15	<u>603598</u>		BREATHER TUBE	1
16	<u>603596</u>		CLAMP, INTAKE TUBE.....	1
17	<u>603597</u>		CLAMP CYLINDER HEAD TUBE	1
18	<u>603594</u>		INTAKE TUBE.....	1
19	<u>603593</u>		CHOKE GASKET.....	2
20	<u>603595</u>		NUT, M6 X 1.0.....	2
21	<u>608023</u>		THROTTLE ROD ATTACHMENT BUSHING.....	1
22				
23	<u>607684</u>		MAIN JET (#102) (FOR ELEVATIONS OF 3000 FT - 6000 FT).....	1
24	<u>607685</u>		MAIN JET (#100) (FOR ELEVATIONS OF 6000 FT - 10000 FT).....	1
25				
26	<u>603580</u>		CARBURETOR MOUNT GASKET.....	2
27	<u>603581</u>		CARBURETOR INSULATOR	1

CLUTCH

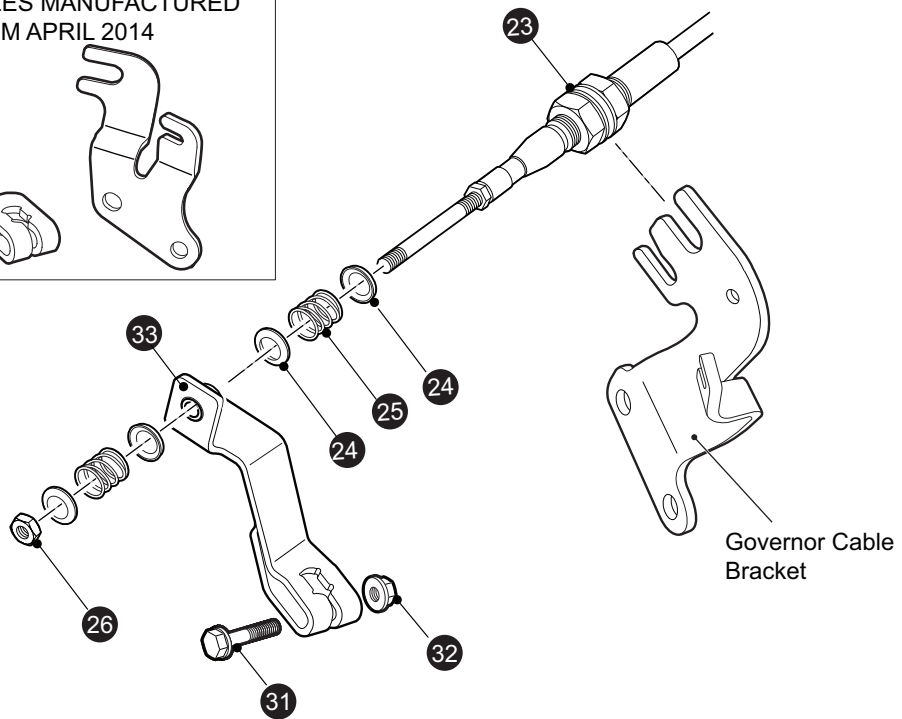
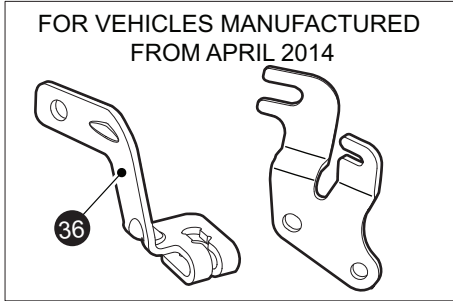
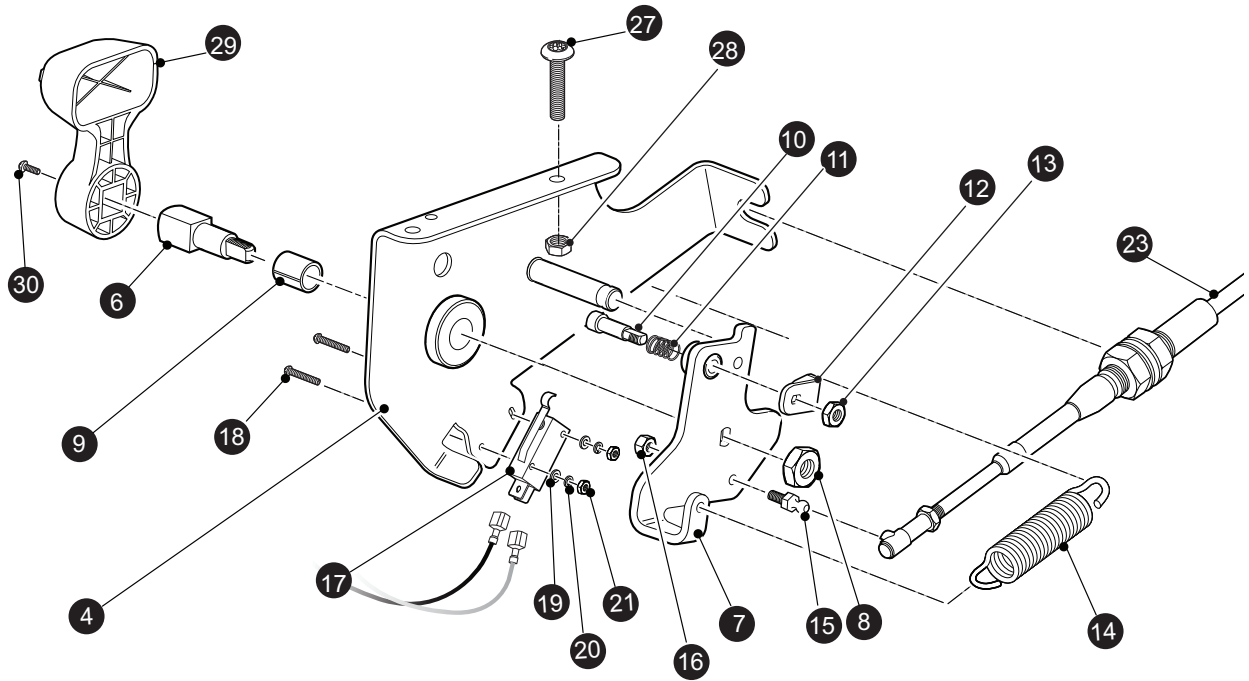


Where applicable, THE USE OF NON UL PARTS WILL VOID ANY UL LISTING.
 When ordering parts, please specify the model and serial number of the product.
 * Indicates a component that is not available as an individual part.
 G** Indicates consult Customer Service Department for additional information.

ITEM	PART NO.	1 2 3 4 5	DESCRIPTION	QTY.
1	<u>644301</u>		PRIMARY TEAM CLUTCH (Includes items 2 - 11)	1
2	<u>619333</u>		PRIMARY STARTER PULLY, 195 - SVC	1
3	<u>619334</u>		STATIONARY ASSEMBLY	1
4	<u>619335</u>		MOVEABLE PRIMARY ASSEMBLY	1
5	<u>624112</u>		SHIFT ROLLER ASSEMBLY	6
6	<u>619337</u>		SHIM, 39.5 X 31.75.....	1
7	<u>644303</u>		PRIMARY SPIDER ASSEMBLY	1
8	<u>619339</u>		PRIMARY DUST COVER ASSEMBLY	1
9	<u>644305</u>		BUTTON	6
10	<u>619332</u>		BOLT, 1/4 - 20 X.75.....	7
11	<u>644306</u>		PLUG	6
12	<u>623949</u>		SECONDARY TEAM CLUTCH (Includes items 13 - 20).....	1
13	*		SECONDARY STATIONARY, 9.5	1
14	*		MOVEABLE SECONDARY, 9.5	1
15	<u>619327</u>		INNER RETAINER SPRING	1
16	<u>624111</u>		COMPRESSION SPRING, 2.70 OD	1
17	<u>619329</u>		OUTER SPRING RETAINER.....	1
18	<u>619330</u>		RETAINER RING	1
19	<u>619331</u>		THRUST WASHER, 1.530 x 1.830 x 1	1
20				
21	<u>606239</u>		CONICAL WASHER, M12.....	2
22	<u>00566G3</u>		SPRING TYPE LOCK WASHER.....	2
23	<u>606245</u>		HEX BOLT, M12 - 1.25 X 160.....	1
24	<u>606243</u>		HEX BOLT, M12 - 1.25 X 120.....	1
25	<u>606230</u>		CLUTCH WASHER	1
26	<u>618630</u>		DRIVE BELT	1

DIRECTION SELECTOR

2 - includes Items (4, 6, 7 - 21, 23 - 33)



DIRECTION SELECTOR

Where applicable, THE USE OF NON UL PARTS WILL VOID ANY UL LISTING.

When ordering parts, please specify the model and serial number of the product.

* Indicates a component that is not available as an individual part.

G** Indicates consult Customer Service Department for additional information.

ITEM	PART NO.	1 2 3 4 5	DESCRIPTION	QTY.
1				
2	<u>605999</u>		DIRECTION SELECTOR ASSEMBLY (INCLUDES ITEMS 4, 6, 7-21, 23-33) ...	1
3				
4	608830		DIRECTION SELECTOR BRACKET WITH BUSH (INCLUDES ITEM 9)	1
5				
6	<u>606266</u>		DIRECTION SELECTOR SHAFT	1
7	<u>603700</u>		DIRECTION SELECTOR CAM	1
8	<u>14390G1</u>		LOCK NUT, 3/8" - 24.....	1
9	*		BUSHING	1
10	<u>72724G01</u>		NEUTRAL LOCK PIN	1
11	<u>72733G01</u>		COMPRESSION SPRING, 3/8" X 5/8" LG	1
12	<u>72729G01</u>		NEUTRAL LOCK BRACKET	1
13	<u>00734G2</u>		LOCK NUT, 1/4" - 28.....	1
14	<u>28574G01</u>		EXTENSION SPRING	1
15	<u>72732G01</u>		BALL STUD, 1/4"	1
16	<u>00734G5</u>		LOCK NUT, #10 - 32	1
17	<u>72736G01</u>		MICRO SWITCH.....	1
18	<u>01062G01</u>		ROUND HEAD SLOTTED SCREW, #4 - 40 X 1" LG	2
19	<u>00559G1</u>		FLAT WASHER, #4.....	2
20	<u>00565G1</u>		LOCK WASHER, #4	2
21	<u>00526G2</u>		HEX NUT, #4 - 40	2
22				
23	<u>605809</u>		PUSH / PULL SHIFTER CABLE.....	1
24	<u>25727G01</u>		CUP WASHER, 1/4"	4
25	<u>72735G01</u>		COMPRESSION SPRING, 19/32" X 1" LG	2
26	<u>00734G5</u>		LOCK NUT, #10 - 32	1
27	<u>70227G01</u>		SOCKET HEAD CAPSCREW, 1/4" - 20 X 7/8" LG	2
28	<u>11027G2</u>		LOCK NUT, 1/4" - 20	2
29	<u>71205G01</u>		DIRECTION SELECTOR HANDLE.....	1
30	<u>00740G4</u>		TRUSS HEAD PHILLIPS SCREW (SS), #10 - 32 X 1/2" LG	1

DIRECTION SELECTOR

Where applicable, THE USE OF NON UL PARTS WILL VOID ANY UL LISTING.

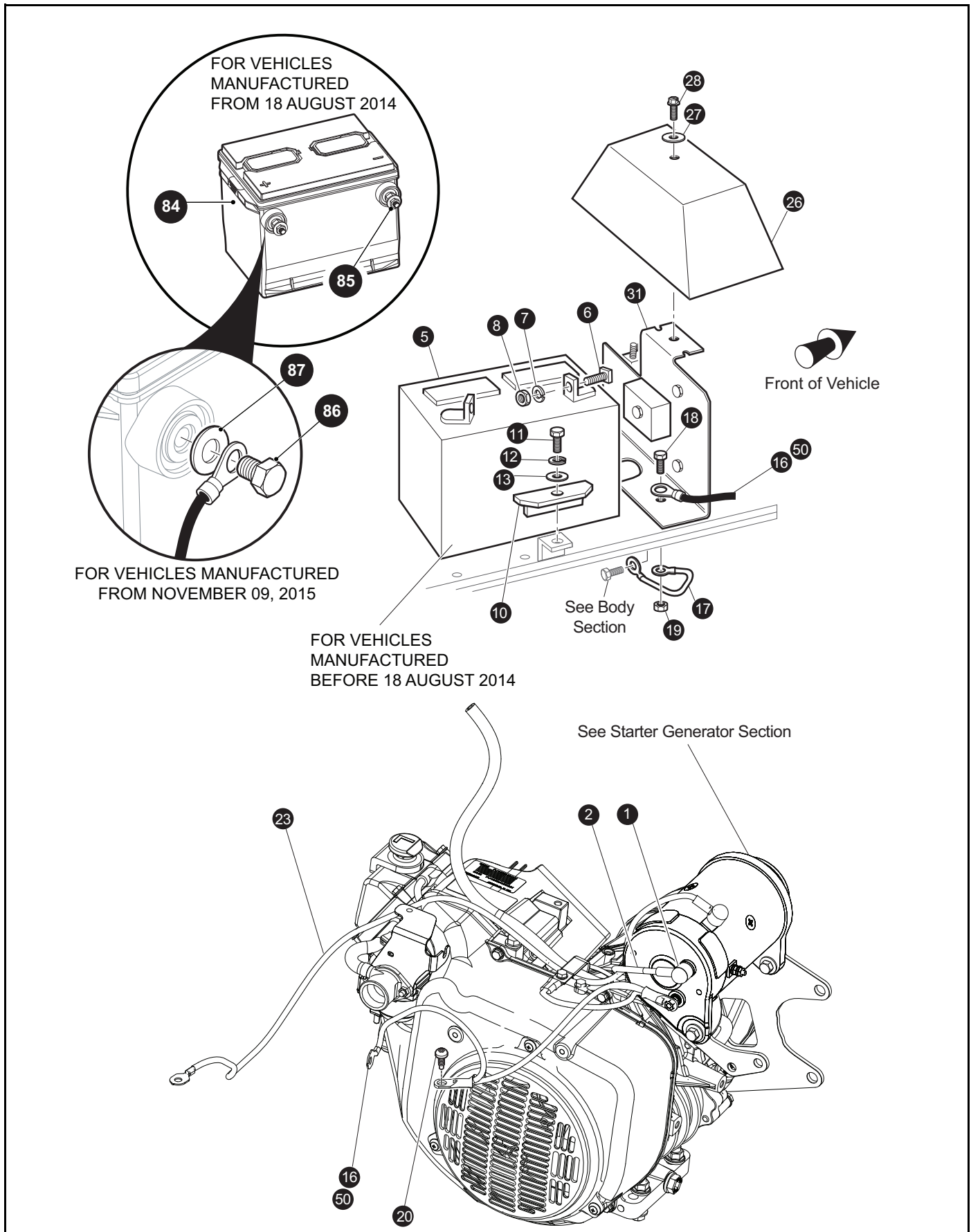
When ordering parts, please specify the model and serial number of the product.

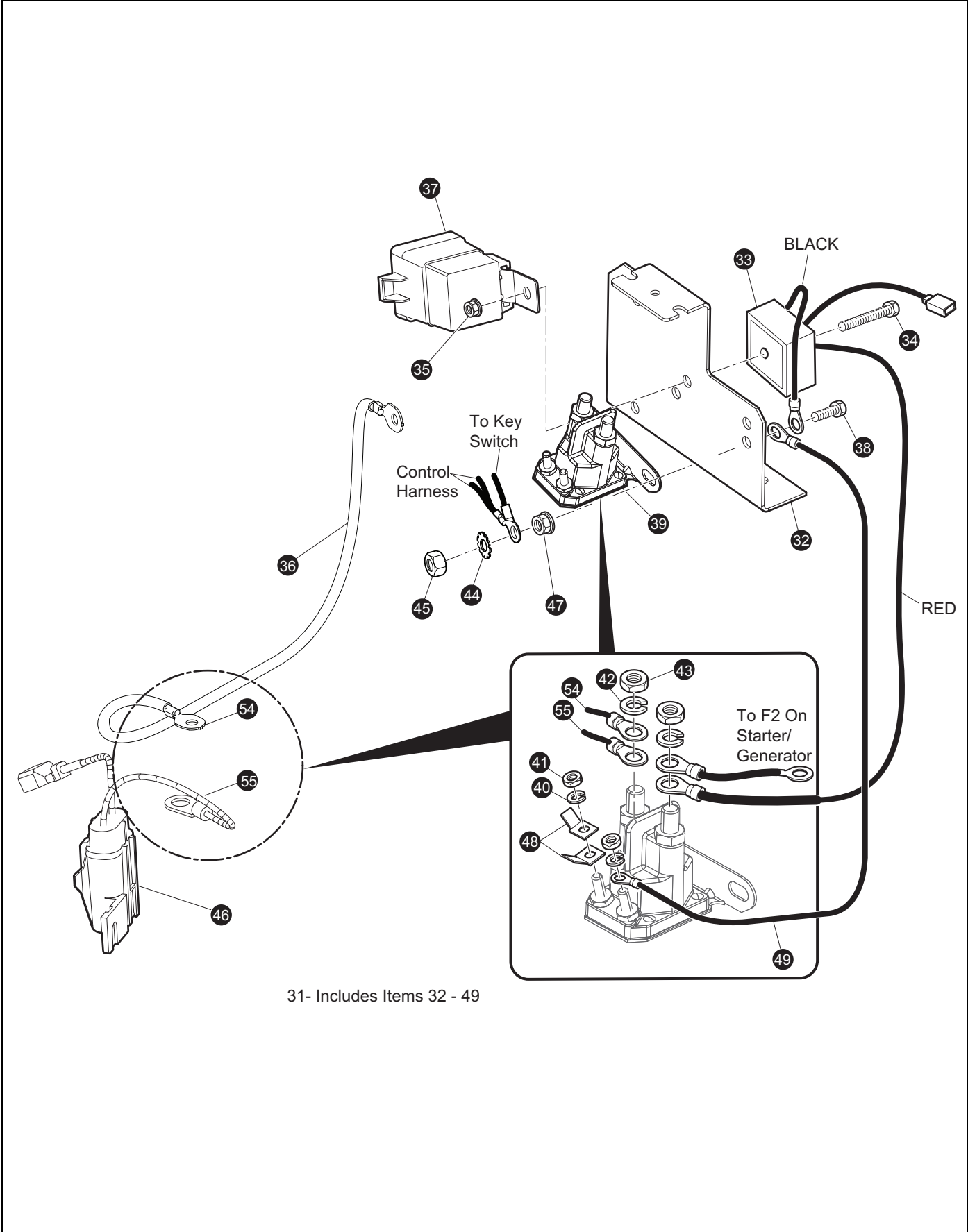
* Indicates a component that is not available as an individual part.

G** Indicates consult Customer Service Department for additional information.

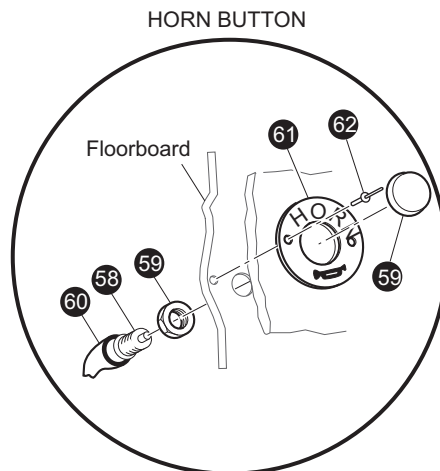
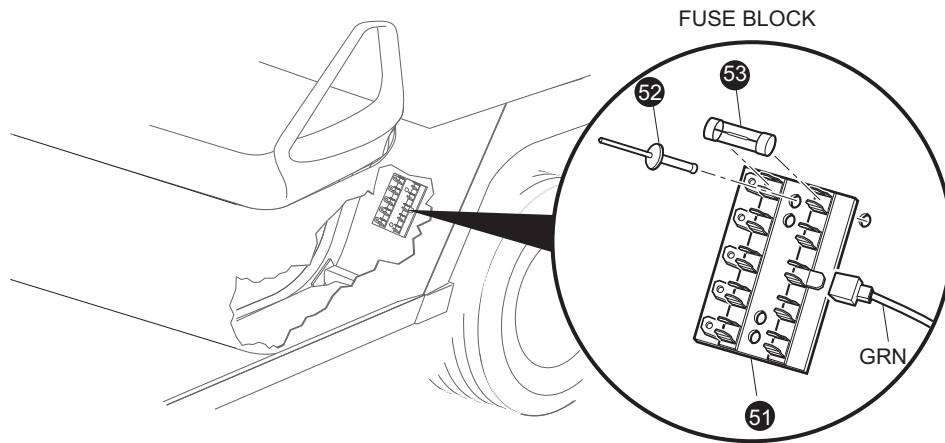
ITEM	PART NO.	1 2 3 4 5	DESCRIPTION	QTY.
31	<u>606421</u>		HEX HEAD BOLT, M6 - 1 X 30MM LG	1
32	<u>450452</u>		HEX NUT, M6 - 1	1
33	<u>608832</u>		SHIFTER ARM (INCLUDES ITEM 34)	1
34	*		BUSHING, FLIP LOK, 0.25	1
35				
36	<u>632891</u>		DIRECTION SELECTOR PIVOT BRACKET (FOR VEHICLES MANUFACTURED FROM APRIL 2014).....	1

ELECTRICAL SYSTEM

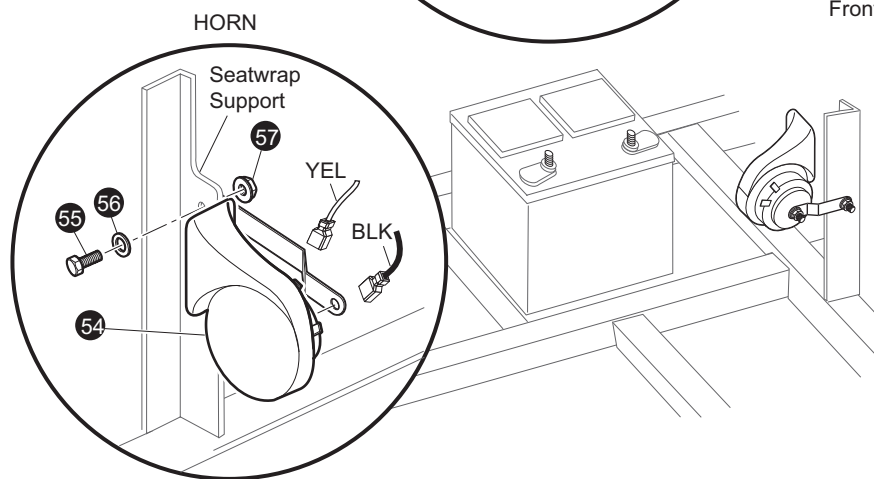


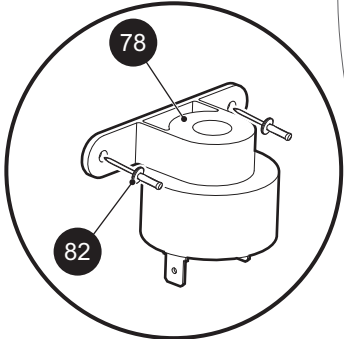
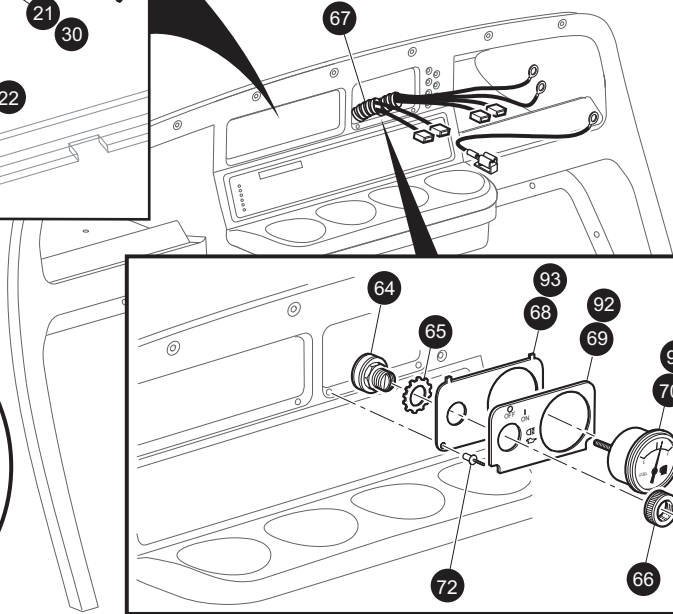
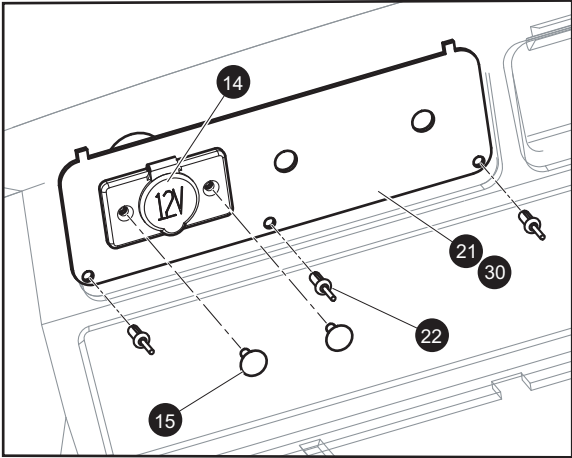


31- Includes Items 32 - 49

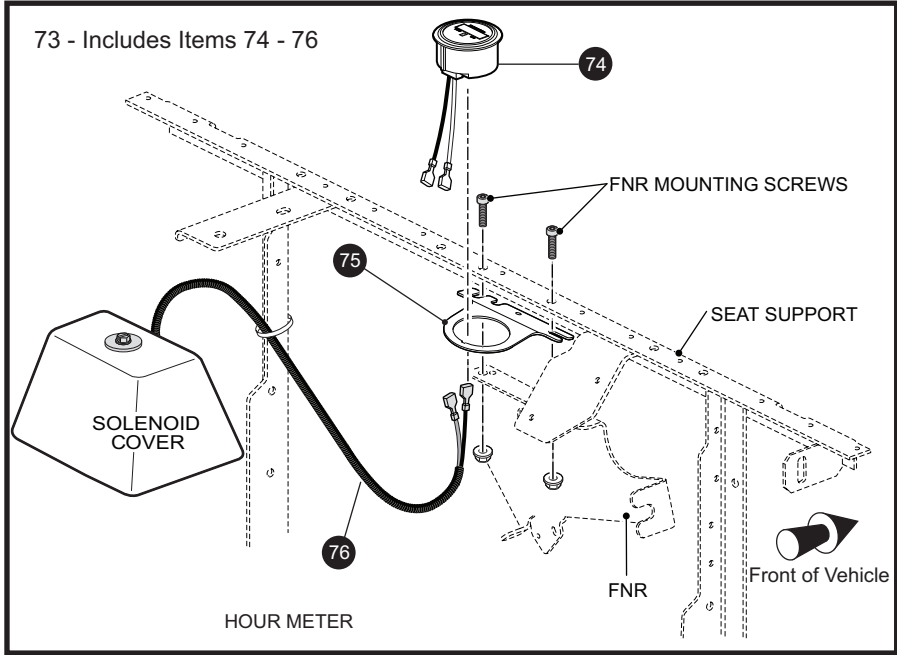


Front of Vehicle





KEY SWITCH, INDICATOR LIGHT(S), AND FUEL GAUGE



ELECTRICAL SYSTEM

When ordering parts, please specify the model and serial number of the product.

* Indicates a component that is not available as an individual part.

*** Indicates consult Customer Service Department for additional information.

ITEM	PART NO.	1 2 3 4 5	DESCRIPTION	QTY.
1	<u>607053</u>		6 GA WIRE (BLACK 6", F1 - A2)	1
2	<u>25682G01</u>		TERMINAL COVER.....	3
3				
4				
5	<u>24775G1</u>		BATTERY, 12V (FOR VEHICLES MANUFACTURED BEFORE 18 AUGUST 2014)	1
6	*		BOLT, 5/16" - 18 X 1 1/4" LG	2
7	*		LOCK WASHER (SILICON BRONZE), 5/16".....	2
8	*		NUT (SILICON BRONZE), 5/16" - 18.....	2
9				
10	<u>72101G02</u>		BATTERY HOLD DOWN	1
11	00438G6		HEX HEAD BOLT, 5/16" - 18 X 3/4" LG.....	3
12	<u>00565G8</u>		LOCK WASHER, 5/16"	1
13	<u>00571G2</u>		WASHER (SS), 5/16"	1
14	<u>71078G01</u>		12V POWER OUTLET (FOR VEHICLES MANUFACTURED FROM NOVEMBER 09, 2015).....	1
15	<u>14601G10</u>		RIVET, 5/32" X .075" (FOR VEHICLES MANUFACTURED FROM NOVEMBER 09, 2015).....	2
16	<u>27044G03</u>		GROUND CABLE.....	1
17	<u>25976G19</u>		14 GA WIRE (BLACK 6").....	1
18	00438G6		HEX HEAD BOLT, 5/16" - 18 X 3/4" LG.....	2
19	<u>11027G1</u>		LOCK NUT, 5/16" - 18	2
20	<u>26676G01</u>		FLANGED BOLT.....	1
21	<u>74693G01</u>		CONSOLE INSERT WITH POWER OUTLET (FOR VEHICLES MANUFACTURED FROM NOVEMBER 09, 2015).....	1
22	33623G02		DRIVE RIVET, 3/16" (FOR VEHICLES MANUFACTURED FROM NOVEMBER 09, 2015).....	3
23	<u>607103</u>		6 GA WIRE (42" LONG)	1
24	<u>605777</u>		WIRE HARNESS (CONTROL).....	1
25	<u>17618G1</u>		WIRE TIE (NOT ILLUSTRATED).....	AR
26	<u>73049G01</u>		COVER FNR	1
27	<u>16469G1</u>		FENDER WASHER, 1/4"	1
28	<u>00114G6</u>		HEX WASHER HEAD TAPPING SCREW, 1/4" - 14 X 3/4" LG.....	1

ELECTRICAL SYSTEM

When ordering parts, please specify the model and serial number of the product.

* Indicates a component that is not available as an individual part.

*** Indicates consult Customer Service Department for additional information.

ITEM	PART NO.	1 2 3 4 5	DESCRIPTION	QTY.
29	<u>645201</u>		12V POWER OUTLET HARNESS, 6AWG (NOT ILLUSTRATED) (FOR VEHICLES MANUFACTURED FROM NOVEMBER 09, 2015)	1
30	<u>73522G03</u>		CONSOLE INSERT (FOR VEHICLES MANUFACTURED FROM NOVEMBER 09, 2015)	1
31	<u>605563</u>		ELECTRICAL PLATE ASSEMBLY (INCLUDES ITEMS 32 - 49)	1
32	<u>73057G01</u>		BRACKET.....	1
33	<u>27739G01</u>		VOLTAGE REGULATOR	1
34	<u>00415G4</u>		HEX HEAD BOLT, 1/4" - 20 X 1 1/4" LG.....	1
35	<u>11027G2</u>		LOCK NUT, 1/4" - 20	1
36	<u>25972G33</u>		WIRE ASSEMBLY 6 GA	1
37	<u>603282</u>		RELAY	1
38	<u>00661G8</u>		HEX HEAD BOLT (SS), 1/4" - 20 X 1" LG	1
39	<u>612813</u>		SOLENOID	1
40	*		LOCK WASHER, #10.....	2
41	*		NUT, #10 - 32	2
42	*		LOCK WASHER, 5/16"	2
43	*		NUT, 5/16" - 24.....	2
44	<u>00567G7</u>		LOCK WASHER (EXTERNAL TOOTH TYPE), 1/4"	1
45	<u>00532G1</u>		HEX NUT, 1/4" - 20	1
46	600418G01		FUSE HOLDER ASSEMBLY	1
47	<u>11027G2</u>		LOCK NUT, 1/4" - 20	1
48	<u>73446G01</u>		FASTON TAB, 90°	2
49	<u>25978G56</u>		18 GA WIRE (BLACK 5 3/4").....	1
50	<u>645191</u>		GROUND CABLE (FOR VEHICLES MANUFACTURED FROM NOVEMBER 09, 2015).....	1
51	<u>22674G1</u>		FUSE BLOCK	1
52	<u>01041G01</u>		RIVET, 1/8" X 13/16" LG	2
53	<u>18392G1</u>		15 AMP FUSE	3
54	<u>32860G1</u>		HORN.....	1
55	<u>00414G5</u>		HEX HEAD BOLT, 1/4" - 20 x 5/8" LG.....	1
56	<u>00559G7</u>		FLAT WASHER (SS), 1/4".....	1
57	<u>14390G4</u>		LOCK NUT, 1/4" - 20	1

ELECTRICAL SYSTEM

When ordering parts, please specify the model and serial number of the product.

* Indicates a component that is not available as an individual part.

*** Indicates consult Customer Service Department for additional information.

ITEM	PART NO.	1 2 3 4 5	DESCRIPTION	QTY.
58	<u>17318G1</u>		HORN SWITCH.....	1
59	<u>17318G2</u>		HORN SWITCH CAP AND NUT.....	1
60	<u>27068G01</u>		HORN SWITCH BOOT.....	1
61	19233G1		HORN SWITCH LABEL.....	1
62	<u>71055G01</u>		ALUMINUM RIVET, 3/16" X 1" LG	2
63	606021		WIRE HARNESS (ACCESSORY).....	1
64	<u>18602G1</u>		IGNITION SWITCH (WITH LIGHTS, INDIVIDUALLY KEYED)	1
65	<u>00568G6</u>		LOCK WASHER, 3/4".....	1
66	17137G1		FACE NUT, 3/4" - 20.....	1
67	<u>605866</u>		WIRE HARNESS (KEY SWITCH)	1
68	73030G04		PLATE (FUEL GAUGE AND OIL LIGHT)	1
69	71127G01		LABEL (OIL LIGHT AND FUEL GAUGE WITH HEADLIGHTS)	1
70	<u>21553G1</u>		FUEL GAUGE.....	1
71				
72	33623G02		DRIVE RIVET, 3/16" X 3/8" LG.....	2
73	<u>607285</u>		HOUR METER KIT (INCLUDES ITEMS 74 - 76)	1
74	<u>617074</u>		HOUR METER.....	1
75	<u>635649</u>		HOUR METER BRACKET	1
76	<u>606254</u>		WIRE HARNESS (HOUR METER).....	1
77	<u>31539G1</u>		NYLON CLAMP 15.5" (NOT ILLUSTRATED).....	AR
78	<u>73290G03</u>		CONTINUOUS TONE POTTED BUZZER.....	1
79	11098G6		LOCK NUT, 5/16" - 18 (NOT ILLUSTRATED)	1
80	<u>75048G01</u>		SPACER, .328" X .75" X .50" (NOT ILLUSTRATED)	1
81	<u>00439G1</u>		HEX HEAD BOLT, 5/16" - 18 X 1 1/8" LG (NOT ILLUSTRATED)	1
82	<u>01041G01</u>		BULBEX RIVET, 5/32" DIA.....	2
83	<u>645200</u>		WIRE HARNESS (ACCESSORY) (NOT ILLUSTRATED) (FOR VEHICLES MANUFACTURED FROM NOVEMBER 09, 2015).....	1
84	<u>637484</u>		BATTERY, 12V (FOR VEHICLES MANUFACTURED FROM 18AUGUST2014)	1
85	<u>610428</u>		BATTERY BOLT EXTENDER (FOR VEHICLES MANUFACTURED FROM 18AUG2014)	2
86	<u>651336</u>		BATTERY BOLT (FOR VEHICLES MANUFACTURED FROM NOVEMBER 09, 2015).....	2

ELECTRICAL SYSTEM

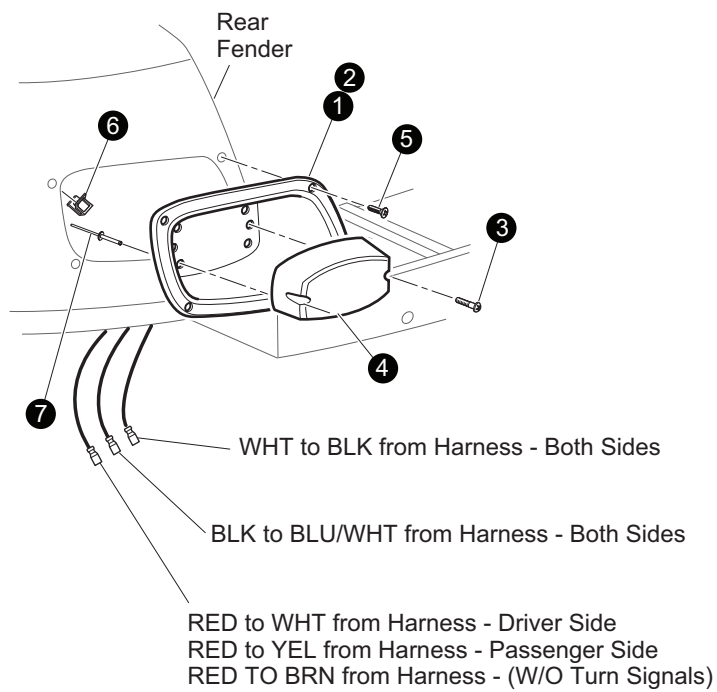
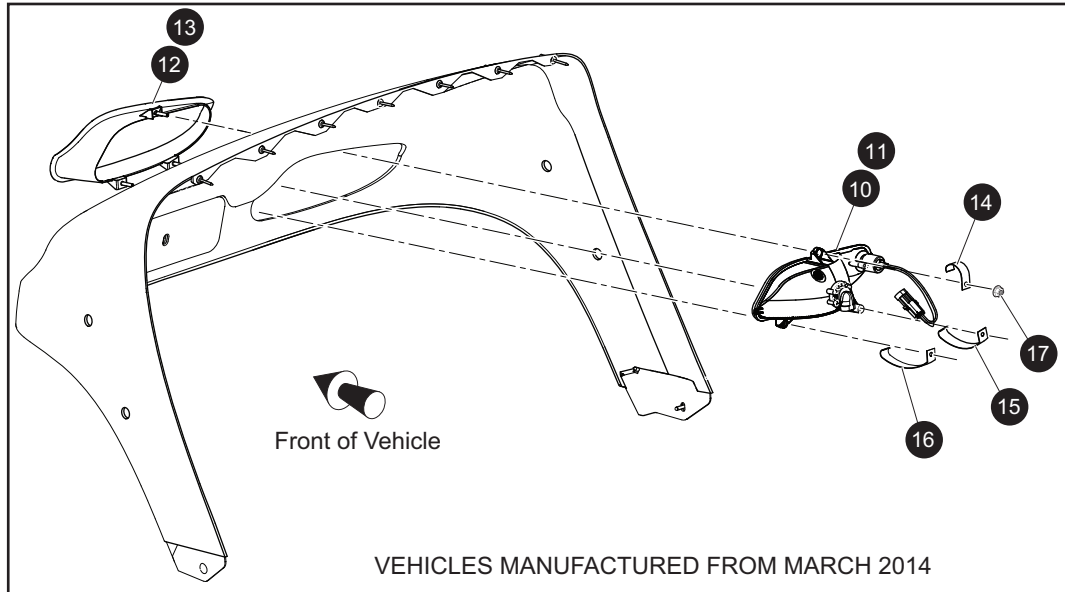
When ordering parts, please specify the model and serial number of the product.

* Indicates a component that is not available as an individual part.

*** Indicates consult Customer Service Department for additional information.

ITEM	PART NO.	1 2 3 4 5	DESCRIPTION	QTY.
87	<u>614221</u>		FLAT WASHER, 3/8" (FOR VEHICLES MANUFACTURED FROM NOVEMBER 09, 2015)	2
88				
89				
90	<u>25978G122</u>		18AWG WIRE (FUEL GAUGE) (NOT ILLUSTRATED).....	1
91	<u>648247</u>		FUEL LEVEL GAUGE	1
92	648854		CONSOLE DECAL	1
93	<u>73030G14</u>		CONSOLE PLATE	1

ELECTRICAL SYSTEM



ELECTRICAL SYSTEM

When ordering parts, please specify the model and serial number of the product.

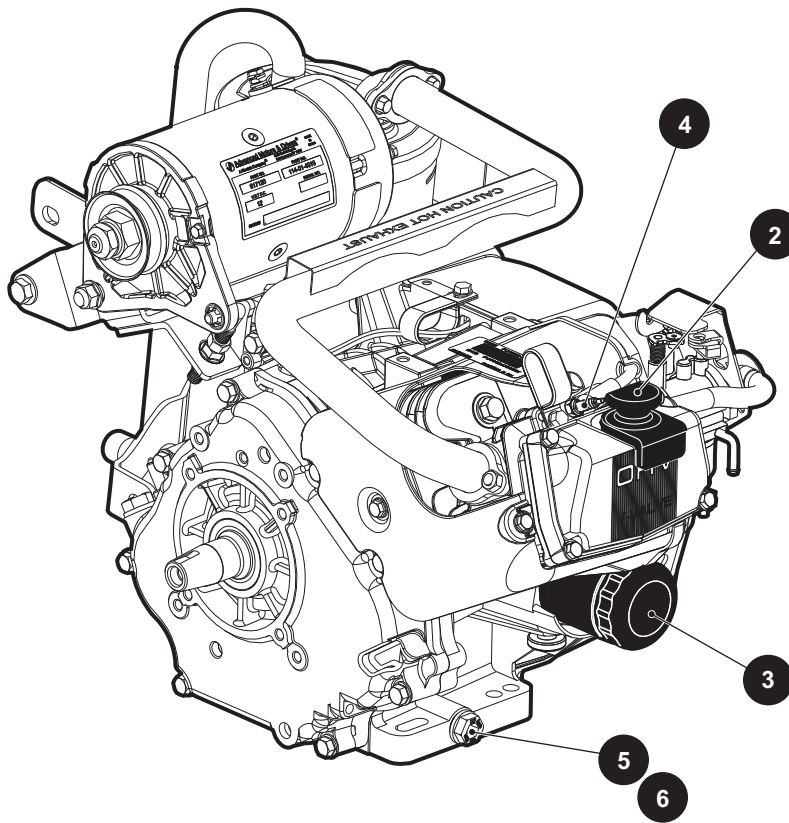
* Indicates a component that is not available as an individual part.

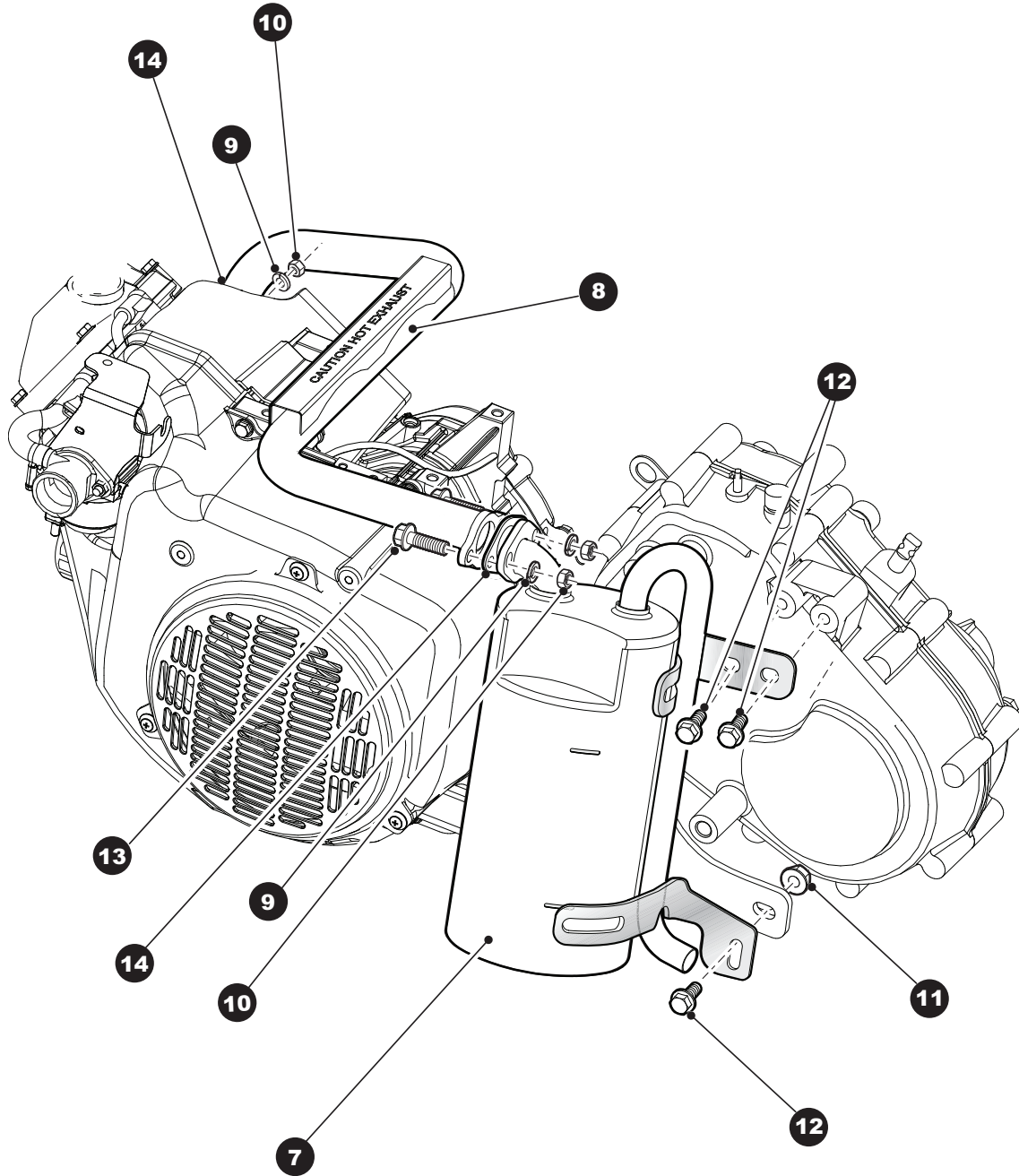
*** Indicates consult Customer Service Department for additional information.

ITEM	PART NO.	1 2 3 4 5	DESCRIPTION	QTY.
1	<u>625251</u>		BEZEL, TAILLIGHT (DRIVER SIDE).....	1
2	<u>625252</u>		BEZEL, TAILLIGHT (PASSENGER SIDE)	1
3	<u>00513G4</u>		PAN HEAD PHILLIPS SCREW, #8 X 1.5" LG.....	4
4	<u>22288G1</u>		TAILLIGHT ASSEMBLY	2
5	<u>71425G01</u>		TAPPING SCREW, #8 - 18 X .75" LG.....	8
6	<u>71364G02</u>		'J' CLIP.....	8
7	<u>14601G11</u>		RIVET (ALUMINUM), 3/16" X 9/16"	4
8				
9				
10	<u>602928</u>		HEADLIGHT ASSEMBLY (DRIVER SIDE) (FOR VEHICLES MANUFACTURED FROM MARCH 2014).....	1
11	<u>603328</u>		HEADLIGHT ASSEMBLY (PASSENGER SIDE) (FOR VEHICLES MANUFACTURED FROM MARCH 2014).....	1
12	<u>625280</u>		BEZEL, HEADLIGHT (DRIVER SIDE) (FOR VEHICLES MANUFACTURED FROM MARCH 2014).....	1
13	<u>625281</u>		BEZEL, HEADLIGHT (PASSENGER SIDE) (FOR VEHICLES MANUFACTURED FROM MARCH 2014).....	1
14	<u>626275</u>		CLIP ((FOR VEHICLES MANUFACTURED FROM MARCH 2014)	1
15	<u>626276</u>		CLIP ((FOR VEHICLES MANUFACTURED FROM MARCH 2014)	1
16	<u>626277</u>		CLIP ((FOR VEHICLES MANUFACTURED FROM MARCH 2014)	1
17	<u>71597G01</u>		SELF THREADING NUT, 5 X 10MM (FOR VEHICLES MANUFACTURED FROM MARCH 2014).....	6

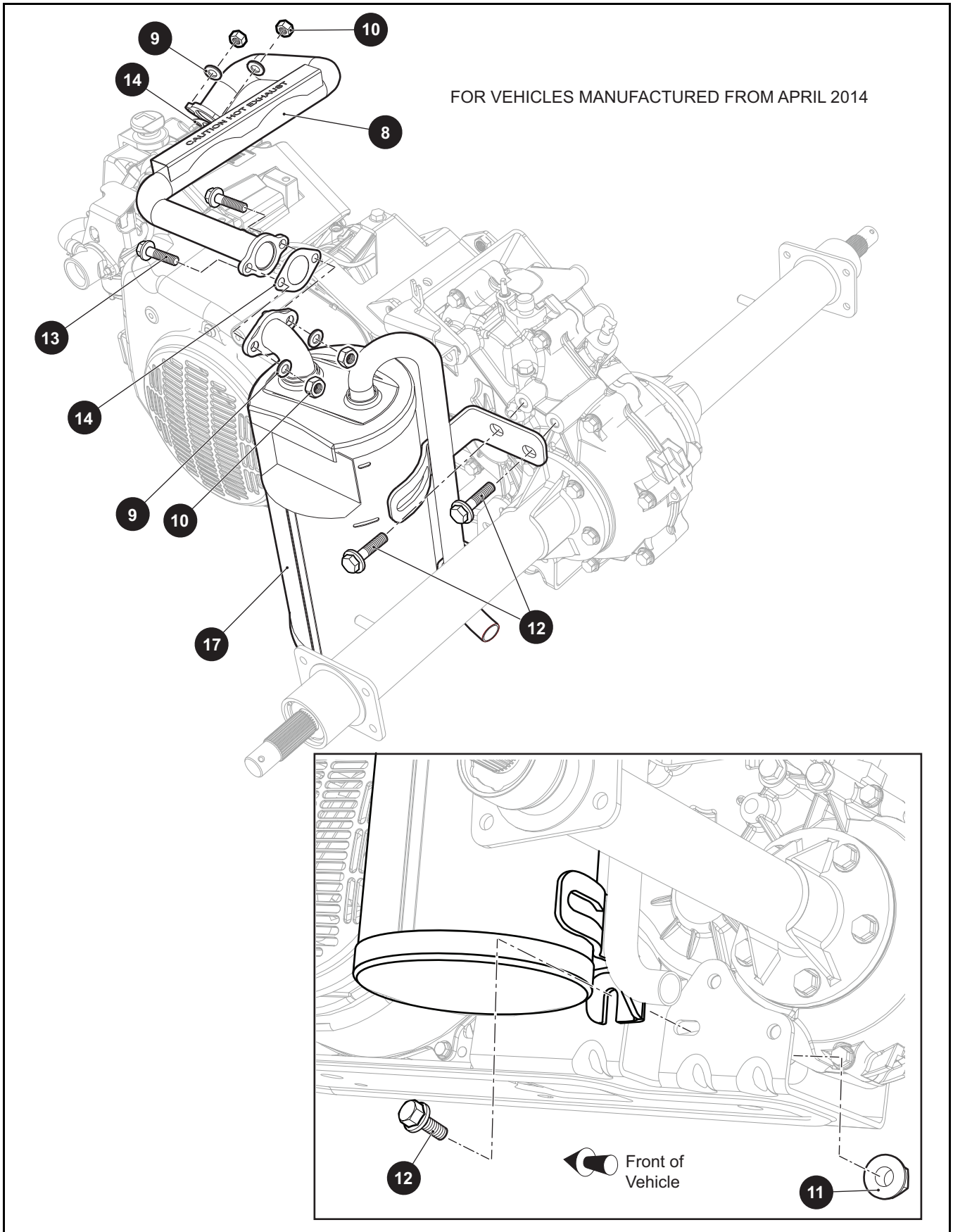
ENGINE AND MUFFLER

1 GAS ENGINE, 13 HP includes items 3 - 6





ENGINE AND MUFFLER

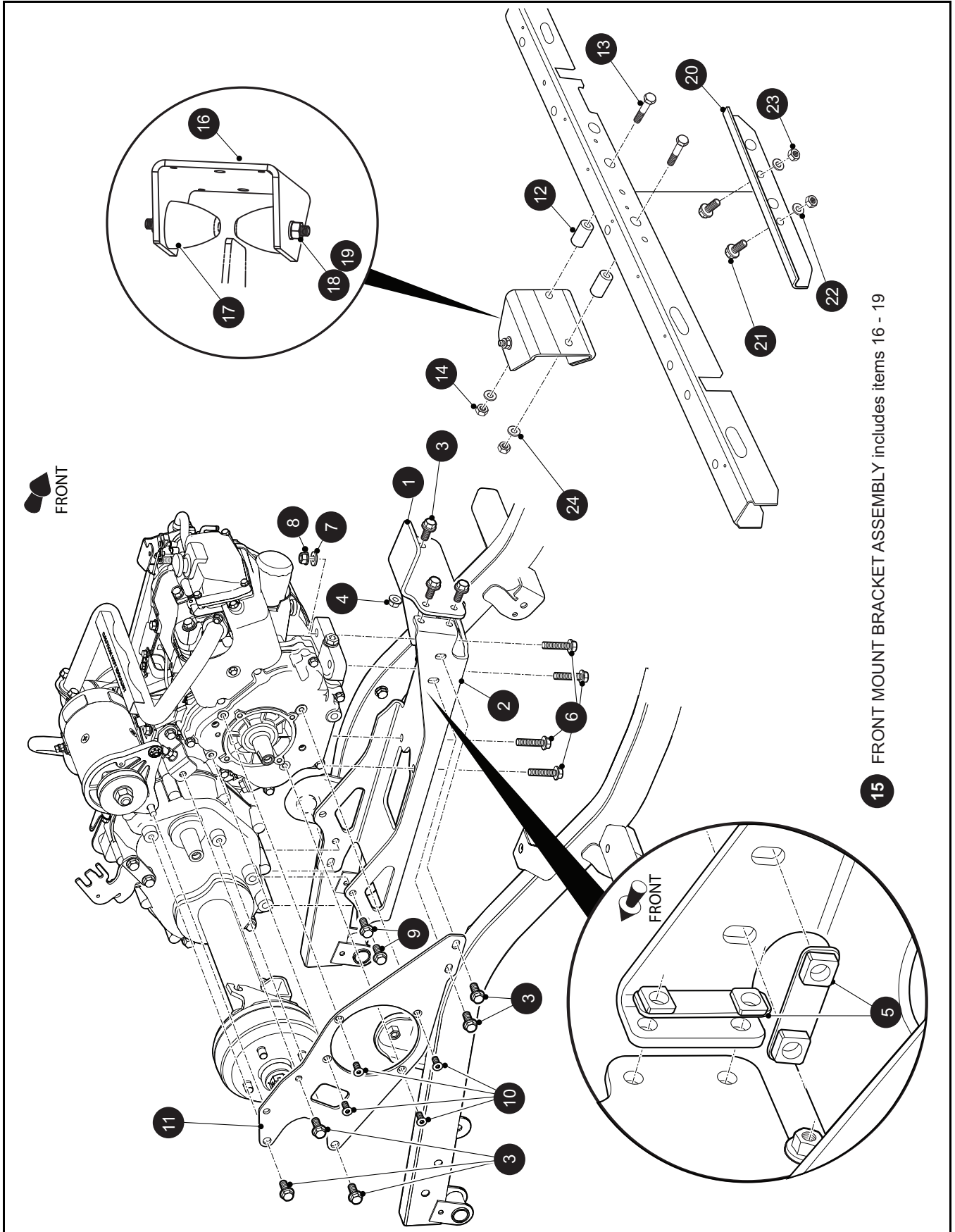


ENGINE AND MUFFLER

Where applicable, THE USE OF NON UL PARTS WILL VOID ANY UL LISTING.
 When ordering parts, please specify the model and serial number of the product.
 * Indicates a component that is not available as an individual part.
 G** Indicates consult Customer Service Department for additional information.

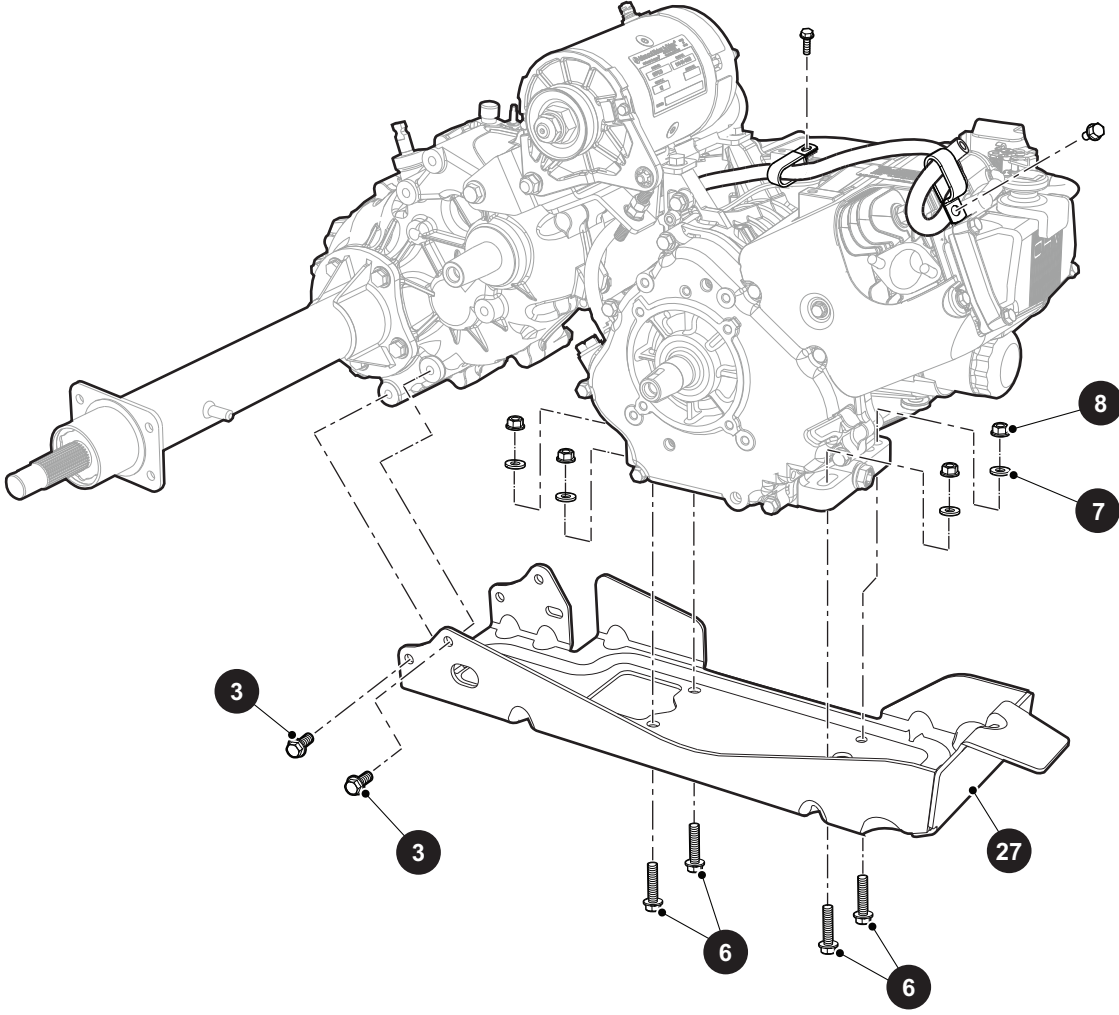
ITEM	PART NO.	1 2 3 4 5	DESCRIPTION	QTY.
1	<u>633740</u>		ENGINE, GAS, 13HP, NON-GOLF (INCLUDES ITEMS 3 - 6).....	1
2	<u>606390</u>		DIP STICK.....	1
3	<u>607454</u>		OIL FILTER.....	1
4	<u>607462</u>		SPARK PLUG (BPR2ES).....	1
5	<u>603557</u>		OIL DRAIN PLUG.....	1
6	<u>603562</u>		'O' RING, 16MM.....	1
7	<u>612266</u>		MUFFLER.....	1
8	<u>606982</u>		EXHAUST PIPE.....	1
9	<u>606272</u>		WASHER, 8MM.....	4
10	<u>606267</u>		NUT, M8 X 1.25.....	4
11	<u>606279</u>		NUT, M10 - 1.25.....	1
12	<u>606256</u>		BOLT, M10 - 1.25 X 25.....	3
13	<u>602330</u>		BOLT, M8 - 1.25 X 30.....	2
14	<u>603599</u>		EXHAUST GASKET.....	2
15				
16				
17	<u>630970</u>		MUFFLER (FOR VEHICLES MANUFACTURED FROM APRIL 2014).....	1

ENGINE MOUNTING



15 FRONT MOUNT BRACKET ASSEMBLY includes items 16 - 19

FOR VEHICLES MANUFACTURED FROM APRIL 2014



ENGINE MOUNTING

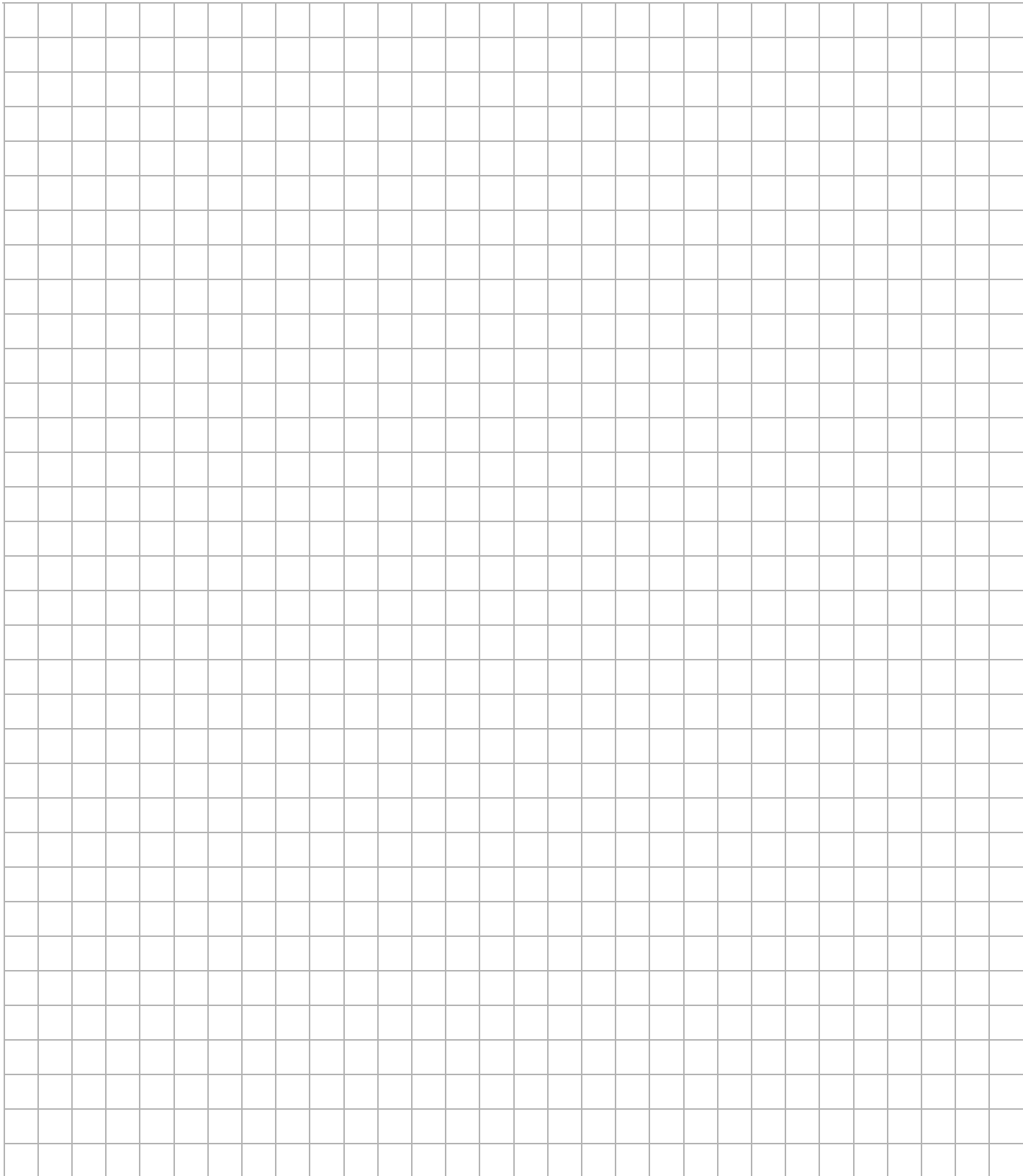
Where applicable, THE USE OF NON UL PARTS WILL VOID ANY UL LISTING.

When ordering parts, please specify the model and serial number of the product.

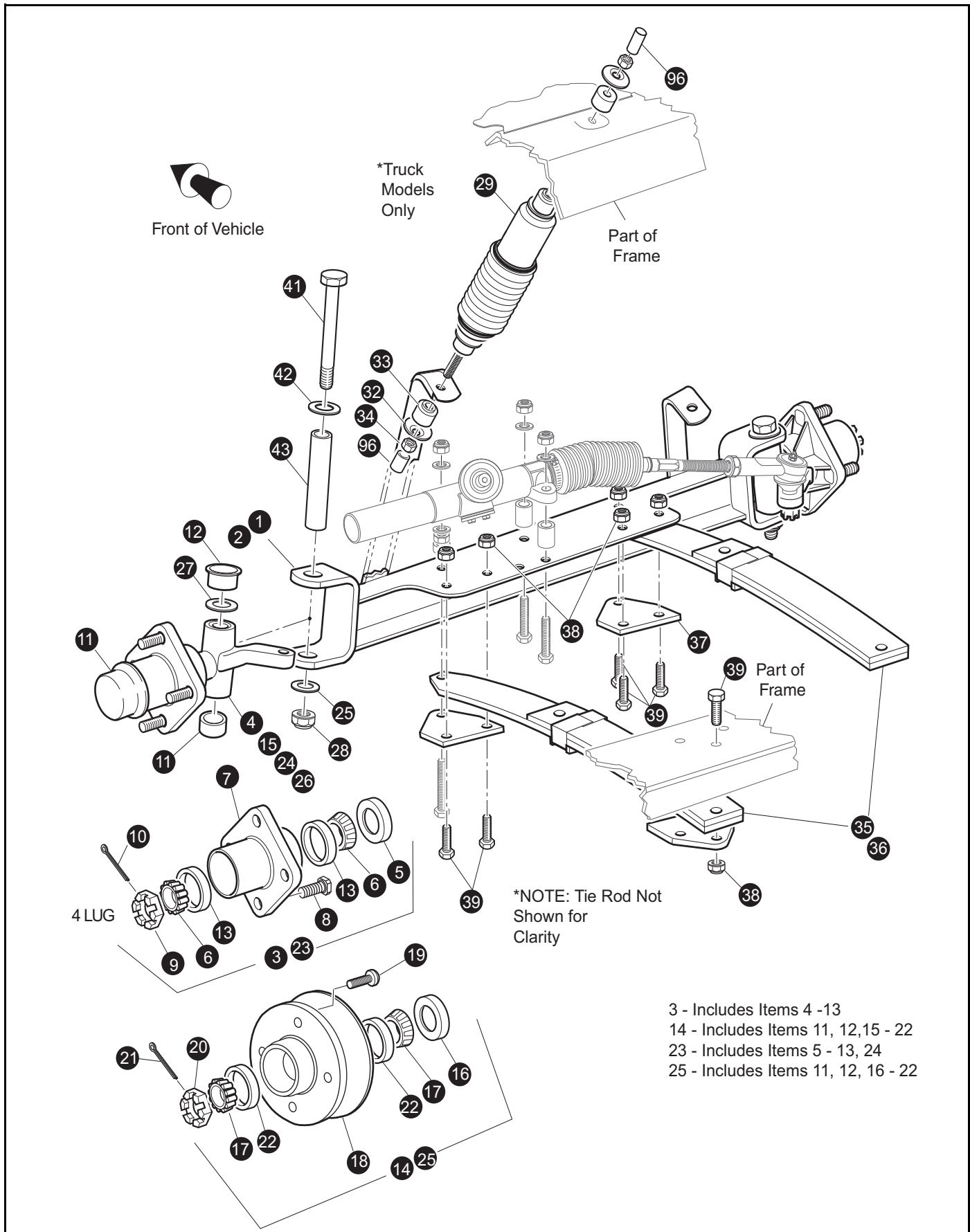
* Indicates a component that is not available as an individual part.

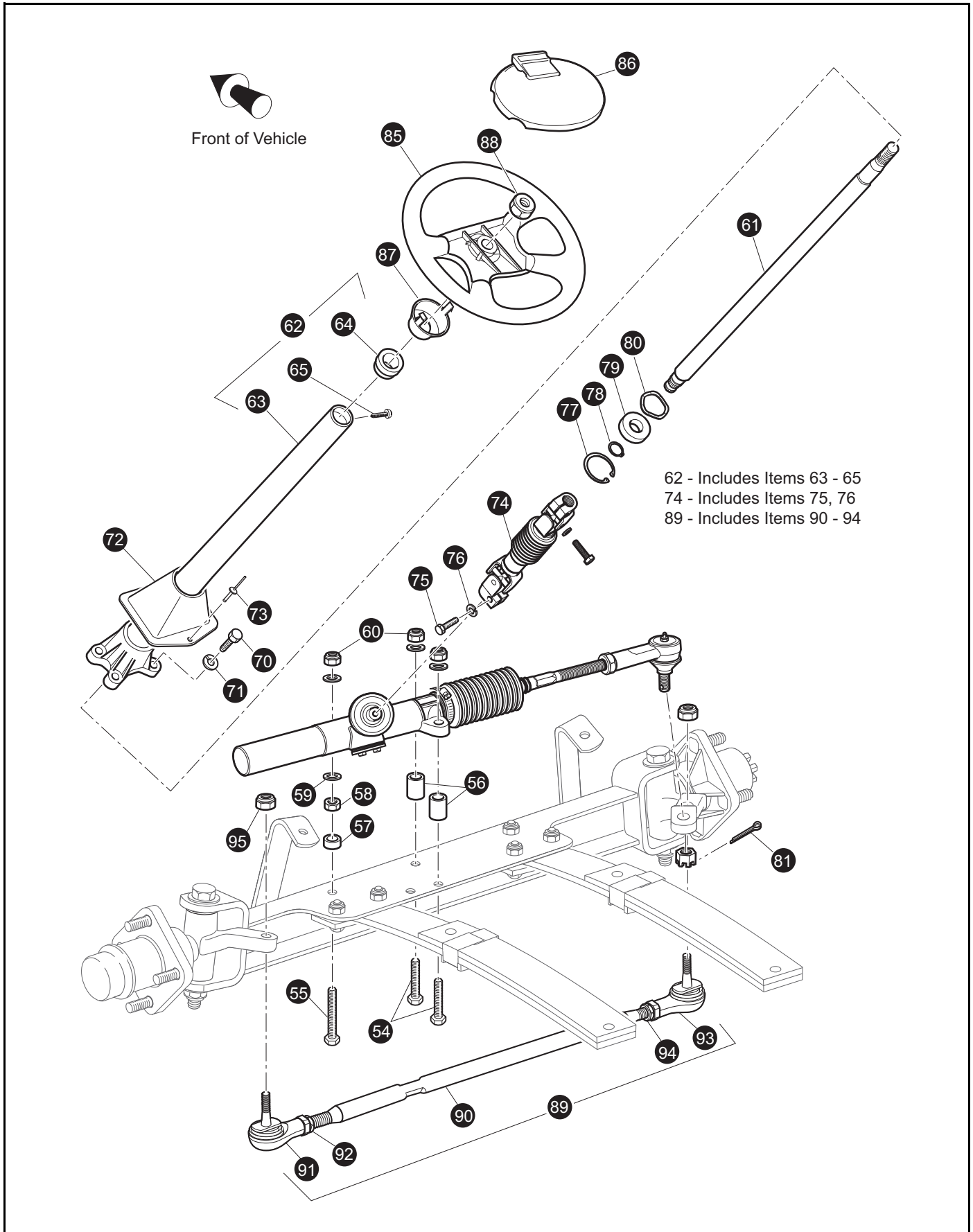
G** Indicates consult Customer Service Department for additional information.

ITEM	PART NO.	1 2 3 4 5	DESCRIPTION	QTY.
1	<u>606007</u>		FRONT ENGINE MOUNT	1
2	<u>603101</u>		ENGINE PAN MOUNT	1
3	<u>606256</u>		BOLT, M10 - 1.25 X 25	8
4	<u>606279</u>		NUT, M10 - 1.25	1
5	<u>606096</u>		NUT PLATE	2
6	<u>606259</u>		BOLT, M10 - 1.25 X 45	4
7	<u>603823</u>		FLAT WASHER, M10 X 22 - 2.5.....	4
8	<u>606279</u>		NUT, M10 - 1.25	4
9	<u>608020</u>		BOLT, M10 - 1.25 X 34	4
10	<u>606246</u>		FLAT HEAD SCREW, T40.....	4
11	<u>602146</u>		DIFFERENTIAL PLATE.....	1
12	<u>72016G01</u>		TUBE SPACER	2
13	<u>00428G8</u>		HEX HEAD 3/8 - 16, UNC X 2.75.....	2
14	<u>11098G5</u>		PLASTIC INSERT LOCK NUT 3/8 - 16	2
15	<u>627627</u>		FRONT MOUNT BRACKET ASSEMBLY (INCLUDES ITEMS 16 - 19)	1
16	<u>625345</u>		FRONT MOUNT BRACKET	1
17	<u>605757</u>		RUBBER BUMPER.....	2
18	<u>00974G01</u>		HEX - NUT	2
19	<u>608654</u>		SPLIT LOCK WASHER, 10MM.....	2
20	<u>70269G02</u>		CROSSMEMBER BRACE	1
21	<u>00438G7</u>		SCREW, CAP HEX HEAD 5/16 - 18 UNC	2
22	<u>00559G8</u>		FLAT WASHER	2
23	<u>01109G01</u>		PLASTIC INSERT LOCK NUT	2
24	<u>00643G1</u>		FLAT WASHER	2
25				
26				
27	<u>630776</u>		ENGINE PAN (FOR VEHICLES MANUFACTURED FROM APRIL 2014).....	1



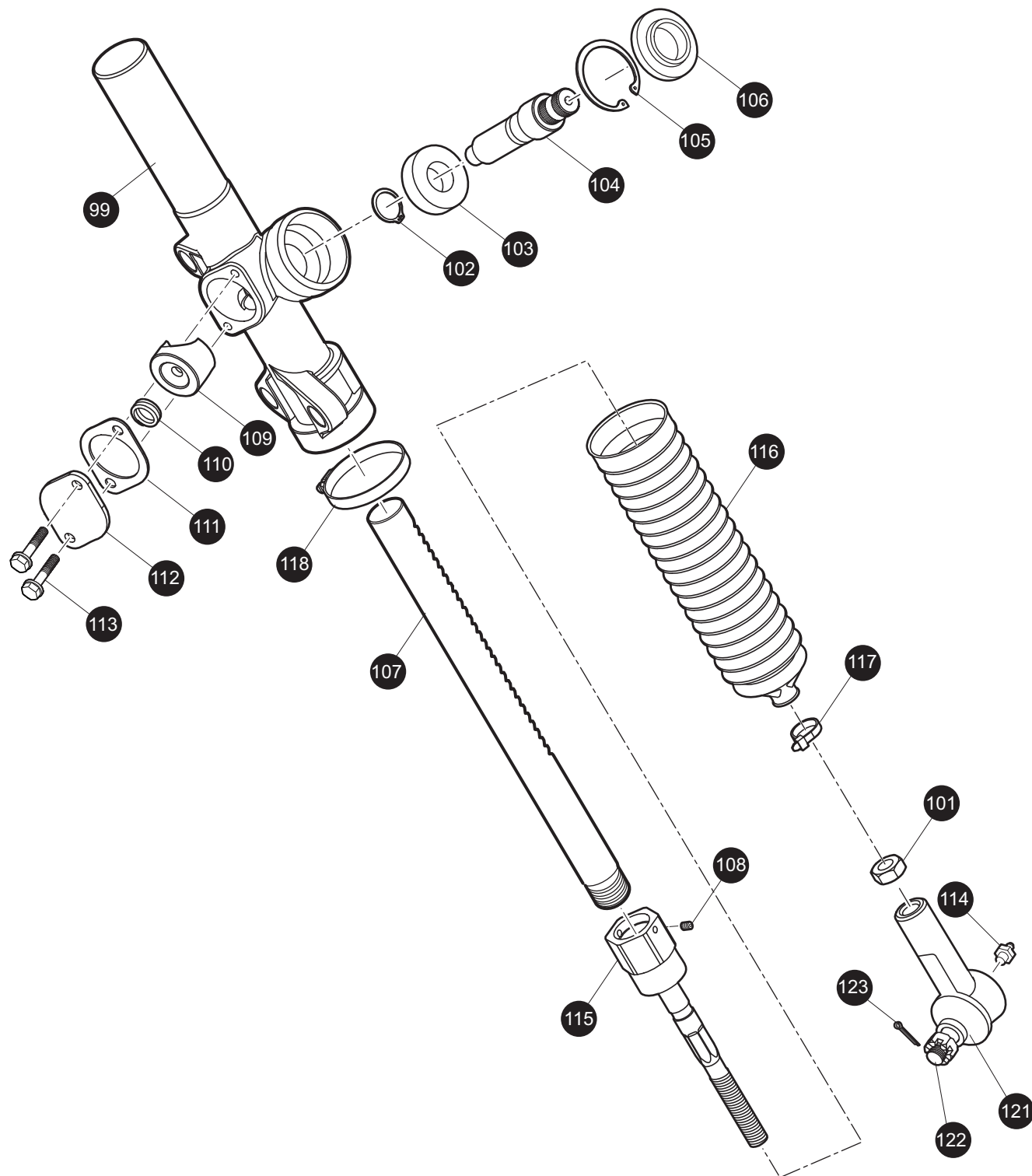
FRONT SUSPENSION / STEERING





FRONT SUSPENSION / STEERING

98 - Includes Items 99 - 120
120- Includes Items 121 - 122



FRONT SUSPENSION / STEERING

When ordering parts, please specify the model and serial number of the product.

* Indicates a component that is not available as an individual part.

*** Indicates consult Customer Service Department for additional information.

ITEM	PART NO.	1 2 3 4 5	DESCRIPTION	QTY.
1	652822		FRONT AXLE.....	1
2	<u>602327</u>		FRONT AXLE WITH FRONT DISC BRAKES.....	1
3	<u>70942G03</u>		SPINDLE AND HUB ASSEMBLY, 4 LUG (PASSENGER SIDE) (INCLUDES ITEMS 4 - 13).....	1
4	70940G02		SPINDLE ASSEMBLY (PASSENGER SIDE).....	1
5	<u>25146G1</u>		GREASE SEAL.....	1
6	<u>11750G2</u>		ROLLER BEARING.....	2
7	<u>70589G01</u>		WHEEL HUB ASSEMBLY WITH RACES, 4 LUG.....	1
8	<u>19862G1</u>		LUG BOLT, 1/2" - 20 X 1 3/16" LG.....	4
9	12093G1		CASTELLATED NUT, 1" - 14.....	1
10	<u>00798G8</u>		COTTER PIN, 5/32" X 1 3/4" LG.....	1
11	<u>632926</u>		SLEEVE BUSHING.....	1
12	<u>632925</u>		FLANGED BUSHING.....	1
13	<u>51141G1</u>		BEARING RACE.....	2
14	<u>602288</u>		SPINDLE AND HUB ASSEMBLY WITH FRONT DISC BRAKES (PASSENGER SIDE)(INCLUDES ITEMS 11, 12, 15 - 22).....	1
15	<u>602158</u>		SPINDLE ASSEMBLY (PASSENGER SIDE).....	1
16	<u>25146G1</u>		GREASE SEAL.....	1
17	<u>11750G2</u>		ROLLER BEARING.....	2
18	<u>630672</u>		WHEEL HUB ASSEMBLY.....	1
19	<u>74864G01</u>		DRIVE FLANGE STUD, 1.5".....	4
20	12093G1		CASTELLATED NUT, 1" - 14.....	1
21	<u>00798G8</u>		COTTER PIN, 5/32" X 1 3/4" LG.....	1
22	<u>51141G1</u>		BEARING RACE.....	2
23	<u>70673G03</u>		SPINDLE AND HUB ASSEMBLY, 4 LUG (DRIVER SIDE) (INCLUDES ITEMS 5 - 13, 24).....	1
24	<u>70673G04</u>		SPINDLE ASSEMBLY (DRIVER SIDE).....	1
25	<u>602281</u>		SPINDLE AND HUB ASSEMBLY, WITH FRONT DISC BRAKES (DRIVER SIDE)(INCLUDES ITEMS 11, 12, 16 - 22, 26).....	1
26	<u>602176</u>		SPINDLE ASSEMBLY (DRIVER SIDE).....	1
27	<u>70754G01</u>		THRUST WASHER (SS), 1".....	2
28	<u>14390G6</u>		LOCK NUT, 1/2" - 13.....	2

FRONT SUSPENSION / STEERING

When ordering parts, please specify the model and serial number of the product.

* Indicates a component that is not available as an individual part.

*** Indicates consult Customer Service Department for additional information.

ITEM	PART NO.	1 2 3 4 5	DESCRIPTION	QTY.
29	<u>76419G01</u>		SHOCK ABSORBER.....	2
30				
31				
32	<u>10435G1</u>		SHOCK ABSORBER WASHER.....	8
33	<u>10194G1</u>		RUBBER BUSHING.....	8
34	<u>00532G6</u>		HEX NUT, 3/8" - 24.....	4
35				
36	<u>70664G03</u>		LEAF SPRING (HEAVY DUTY) (SEE PART NUMBER ON SPRING).....	2
37	<u>652258</u>		SPRING PLATE.....	4
38	<u>00734G1</u>		LOCK NUT, 7/16" - 14.....	11
39	<u>00463G11</u>		HEX HEAD BOLT, 7/16" - 14 X 1 3/4" LG.....	11
40				
41	<u>00407G6</u>		HEX HEAD BOLT, 1/2" - 13 X 6" LG.....	2
42	<u>00560G3</u>		FLAT WASHER, 1/2".....	4
43	<u>70745G01</u>		KING PIN TUBE.....	2
44				
45				
46				
47				
48				
49				
50				
51				
52				
53				
54	<u>00464G8</u>		HEX HEAD BOLT, 7/16" - 14 X 2 3/4" LG.....	2
55	<u>01068G01</u>		HEX HEAD BOLT, 7/16" - 14 X 3 1/2" LG.....	1
56	<u>70667G02</u>		SPACER, 1.21" LG.....	2
57	<u>70667G04</u>		STEERING HOUSING SPACER.....	1
58	<u>00532G7</u>		HEX NUT, 7/16" - 14.....	1
59	<u>00560G2</u>		FLAT WASHER, 7/16".....	7

FRONT SUSPENSION / STEERING

When ordering parts, please specify the model and serial number of the product.

* Indicates a component that is not available as an individual part.

*** Indicates consult Customer Service Department for additional information.

ITEM	PART NO.	1 2 3 4 5	DESCRIPTION	QTY.
60	<u>00734G1</u>		LOCK NUT, 7/16" - 14.....	3
61	<u>70607G01</u>		STEERING SHAFT.....	1
62	<u>70758G06</u>		STEERING COLUMN KIT (INCLUDES ITEMS 63 - 65).....	1
63	<u>70610G03</u>		STEERING COLUMN.....	1
64	<u>28569G01</u>		STEERING COLUMN BUSHING.....	1
65	<u>01022G01</u>		HEX WASHER HEAD SCREW, #6 - 20 X 5/16" LG.....	1
66	<u>70758G08</u>		STEERING COLUMN KIT (HORN) (INCLUDES ITEMS 67 - 69).....	1
67	<u>70610G04</u>		STEERING COLUMN.....	1
68	<u>28569G01</u>		STEERING COLUMN BUSHING.....	1
69	<u>01022G01</u>		HEX WASHER HEAD SCREW, #6 - 20 X 5/16" LG.....	1
70	<u>01006G01</u>		HEX WASHER HEAD BOLT, 3/8" - 16 X 1 1/4" LG.....	4
71	<u>00879G1</u>		LOCK WASHER, 3/8".....	4
72	<u>70997G01</u>		COVER.....	1
73	<u>71055G01</u>		RIVET (ALUMINUM), 3/16" X 1" LG.....	1
74	<u>70580G01</u>		INTERMEDIATE SHAFT (INCLUDES ITEMS 75, 76).....	1
75	<u>01055G01</u>		HEX HEAD BOLT, M8 X 1.25 - 6G.....	2
76	<u>00565G8</u>		LOCK WASHER, 5/16".....	2
77	<u>70751G01</u>		RETAINING RING (INTERNAL).....	1
78	<u>70888G01</u>		RETAINING RING (EXTERNAL).....	1
79	<u>15112G1</u>		BALL BEARING.....	1
80	<u>70887G01</u>		WAVE WASHER.....	1
81	<u>10387G2</u>		COTTER PIN, 3/32" X 1" LG.....	1
82				
83				
84				
85	<u>602979</u>		STEERING WHEEL.....	1
86	<u>607925</u>		CLIPBOARD.....	1
87	<u>71949G01</u>		HUB COVER.....	1
88	<u>14390G2</u>		LOCK NUT, 5/8" - 18.....	1
89	<u>70876G02</u>		TIE ROD ASSEMBLY (INCLUDES ITEMS 90 - 94).....	1
90	<u>70897G02</u>		THREADED ROD (24" LG).....	1

FRONT SUSPENSION / STEERING

When ordering parts, please specify the model and serial number of the product.

* Indicates a component that is not available as an individual part.

*** Indicates consult Customer Service Department for additional information.

ITEM	PART NO.	1 2 3 4 5	DESCRIPTION	QTY.
91	<u>70902G01</u>		TIE ROD END (LEFT HAND THREADS)	1
92	<u>01069G01</u>		JAM NUT, M12 X 1.25 - 05 (LEFT HAND THREADS).....	1
93	<u>70902G02</u>		TIE ROD END (RIGHT HAND THREADS).....	1
94	<u>01069G02</u>		JAM NUT, M12 X 1.25 - 05 (RIGHT HAND THREADS)	1
95	<u>00734G1</u>		LOCK NUT, 7/16" - 14	2
96	<u>10044G01</u>		VINYL CAP	4
97				
98	<u>70964G01</u>		RACK AND PINION UNIT (INCLUDES ITEMS 99 - 120).....	1
99	<u>70965G01</u>		STEERING RACK COVER & BEARING	1
100				
101	*		JAM NUT, 1/2" - 20	1
102	<u>70750G01</u>		RETAINING RING (EXTERNAL)	1
103	<u>15112G1</u>		BALL BEARING	1
104	<u>70603G01</u>		PINION.....	1
105	<u>70751G01</u>		RETAINING RING (INTERNAL).....	1
106	<u>70638G01</u>		SEAL (PINION)	1
107	<u>70604G01</u>		STEERING RACK.....	1
108	*		SET SCREW, #10 - 32 X .25" LG	1
109	<u>70590G01</u>		RACK LOADER	1
110	<u>70666G01</u>		COMPRESSION SPRING	1
111	<u>70645G01</u>		GASKET (RACK LOADER COVER).....	1
112	<u>652259</u>		COVER (RACK LOADER)	1
113	<u>71102G01</u>		HEX WASHER HEAD BOLT, 1/4" - 20 X 11/16" LG.....	2
114	<u>10389G3</u>		GREASE FITTING (STRAIGHT).....	1
115	<u>74694G01</u>		ROD END (INNER).....	1
116	<u>70961G01</u>		RACK BOOT	1
117	<u>12416G2</u>		NYLON CLAMP, 10"	1
118	<u>11391G8</u>		HOSE CLAMP, 1.81".....	1
119				
120	<u>70695G01</u>		TIE ROD END (OUTER) (INCLUDES ITEMS 121 - 122).....	1
121	<u>50641G1</u>		GROMMET	1

FRONT SUSPENSION / STEERING

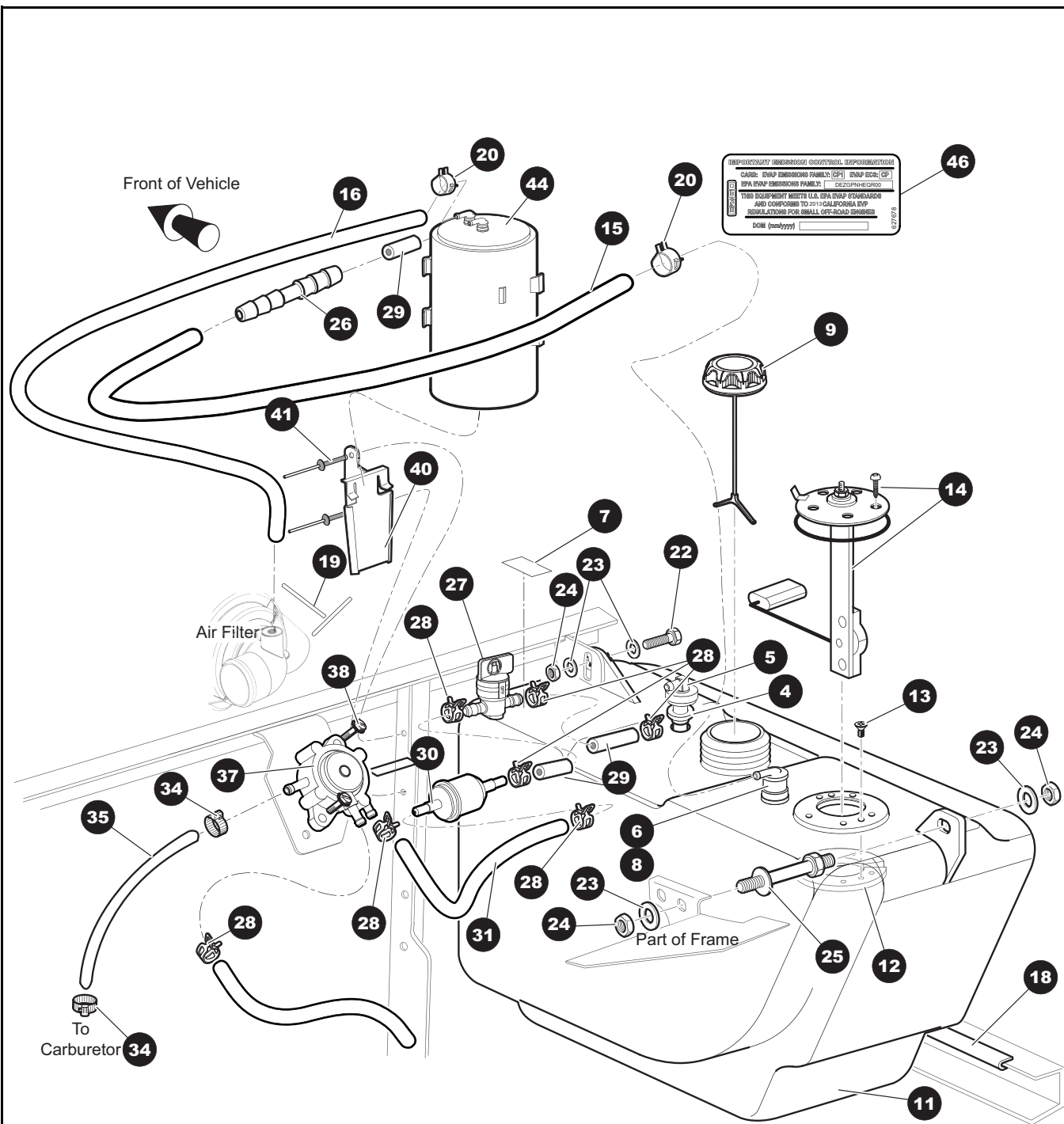
When ordering parts, please specify the model and serial number of the product.

* Indicates a component that is not available as an individual part.

*** Indicates consult Customer Service Department for additional information.

ITEM	PART NO.	1 2 3 4 5	DESCRIPTION	QTY.
122	<u>50209G2</u>		HEX SLOTTED NUT, 7/16" - 20.....	1
123	<u>10387G2</u>		COTTER PIN, 3/32" X 1"	1

FUEL SYSTEM



- 1 CARB FUEL TANK ASSEMBLY (Use with sending unit) includes items 4 - 14
- 10 CARB FUEL TANK, FLOUR (w/switch) includes item 11

EARLY PRODUCTION VEHICLES

When ordering parts, please specify the model and serial number of the product.

* Indicates a component that is not available as an individual part.

*** Indicates consult Customer Service Department for additional information.

ITEM	PART NO.	1 2 3 4 5	DESCRIPTION	QTY.
1	<u>645034</u>		CARB FUEL TANK ASSEMBLY (Use with sending unit) (INCLUDES ITEMS 4 - 14)	1
2				
3				
4	<u>70988G01</u>		SIPHON TUBE GROMMET.....	1
5	<u>18287G3</u>		SIPHON TUBE ASSEMBLY	1
6	<u>606068</u>		ROLLOVER VALVE GROMMET	1
7	617886		EPA FUEL TANK LABEL	1
8	<u>606067</u>		ROLLOVER VALVE	1
9	<u>633423</u>		FUEL TANK CAP (RATCHET).....	1
10	*		CARB FUEL TANK, FLUOR (W/SWITCH) (INCLUDES ITEM 11)	1
11	*		FUEL TANK, W/ SENDER UNIT	1
12	72229G01		FUEL TANK ADAPTER.....	1
13	<u>72230G01</u>		FLAT HEAD MACHINE SCREW	2
14	<u>20048G2</u>		FUEL LEVEL SENDER.....	1
15	<u>607546</u>		LOW PRESSURE FUEL HOSE, 3/16" I.D. X 3/8" O.D. X 17.00 LONG (CARB)	1
16	<u>606966</u>		LOW PRESSURE FUEL HOSE, 3/16" I.D. X 3/8" O.D. X 34.00 LONG (CARB)	1
17				
18	<u>32372G6</u>		BLACK TRIM, 6.25" LONG	1
19	<u>17618G1</u>		NYLON CLAMP	2
20	<u>606963</u>		TUBING CLAMP, 3/16" I.D.....	2
21				
22	<u>00438G8</u>		HEX HEAD BOLT, 5/16" - 18 X 1 LG	1
23	00559G8		FLAT WASHER, 5/16"	4
24	11098G6		LOCK NUT, 5/16" - 18.....	3
25	<u>70483G01</u>		SPACER, 5/16" - 18	1
26	<u>615346</u>		HOSE REDUCER - ID 1/4" X 3/16"	1
27	<u>611181</u>		FUEL SHUT-OFF VALVE	1
28	<u>18292G1</u>		HOSE CLAMP,.50 DIAMETER	8
29	<u>615350</u>		FUEL SYSTEM HOSE 2.00"	3
30	<u>72084G01</u>		FUEL LINE FILTER	1

FUEL SYSTEM

When ordering parts, please specify the model and serial number of the product.

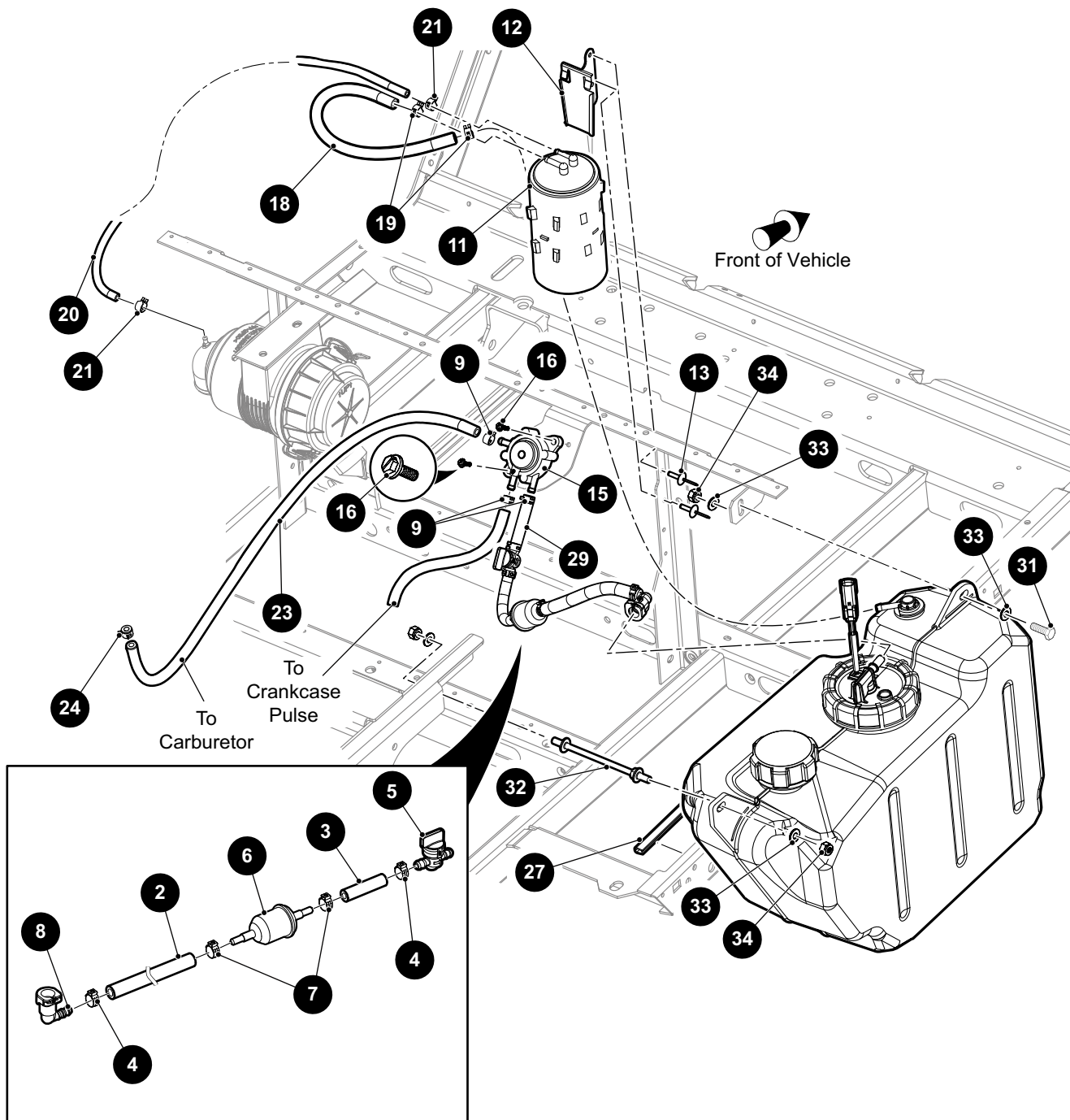
* Indicates a component that is not available as an individual part.

*** Indicates consult Customer Service Department for additional information.

ITEM	PART NO.	1 2 3 4 5	DESCRIPTION	QTY.
31	<u>606969</u>		FUEL SYSTEM HOSE, .25 I.D. X.50 O.D. X 8.00 LONG.....	1
32				
33				
34	<u>11391G4</u>		HOSE CLAMP, .25 - .63 DIA	2
35	<u>604597</u>		CARB FUEL SYSTEM HOSE, .25 I.D. X.50 O.D. X 26.00 LONG.....	1
36				
37	<u>602061</u>		FUEL PUMP	1
38	<u>00114G6</u>		HEX WASHER HEAD SLOTTED TAPPING SCREW, 1/4" - 14 X .75 LG.....	2
39				
40	<u>606310</u>		CARBON CANISTER MOUNTING BRACKET (CARB ONLY).....	1
41	<u>10570G11</u>		RIVET, 3/16" DIA X .70 (CARB ONLY)	2
42				
43				
44	<u>606071</u>		CARBON CANISTER (CARB ONLY)	1
45				
46	627678		EVAP LABEL	1

FUEL SYSTEM

1 FUEL LINE ASSEMBLY includes items 2 - 8



LATE PRODUCTION VEHICLES

When ordering parts, please specify the model and serial number of the product.

* Indicates a component that is not available as an individual part.

*** Indicates consult Customer Service Department for additional information.

ITEM	PART NO.	1 2 3 4 5	DESCRIPTION	QTY.
1	<u>649515</u>		FUEL LINE ASSEMBLY (INCLUDES ITEMS 2 - 8)	1
2	649570		HOSE, .312" I.D. X .562" O.D. X 9" LG	1
3	<u>615350</u>		HOSE, 2" LG	1
4	<u>649873</u>		CLAMP, 1/2" O.D.	2
5	<u>611181</u>		SHUT-OFF VALVE.....	1
6	<u>72084G01</u>		FUEL FILTER	1
7	<u>649874</u>		CLAMP, 9/16" O.D.	2
8	649577		CONNECTOR, 5/16" I.D.	1
9	<u>18292G1</u>		CLAMP, 1/2" O.D.	3
10				
11	<u>606071</u>		CARBON CANISTER.....	1
12	<u>606310</u>		CANISTER BRACKET	1
13	<u>10570G11</u>		RIVET (SS), 3/16" X .70"	2
14				
15	<u>602061</u>		FUEL PUMP.....	1
16	<u>00114G6</u>		HEX WASHER HEAD BOLT, 1/4" - 10 X 3/4" LG	2
17				
18	<u>27184G14</u>		FUEL SYSTEM TUBE.....	1
19	<u>18292G1</u>		CLAMP, 1/2" O.D.	2
20	<u>606966</u>		HOSE, 3/16" I.D. X 34" LG.....	1
21	<u>606963</u>		CLAMP, 3/16" I.D.	2
22				
23	<u>604597</u>		FUEL HOSE, 26" LG.....	1
24	<u>18292G1</u>		CLAMP, 1/2" O.D.	1
25				
26	<u>17618G1</u>		NYLON CLAMP, 7" LG (NOT ILLUSTRATED).....	2
27	<u>32372G6</u>		VINYL TRIM, 6.25" LG	1
28				
29	<u>615350</u>		FUEL HOSE, 2" LG.....	1
30				
31	<u>00438G8</u>		HEX HEAD BOLT, 5/16" - 18 X 5/8" LG	1

FUEL SYSTEM

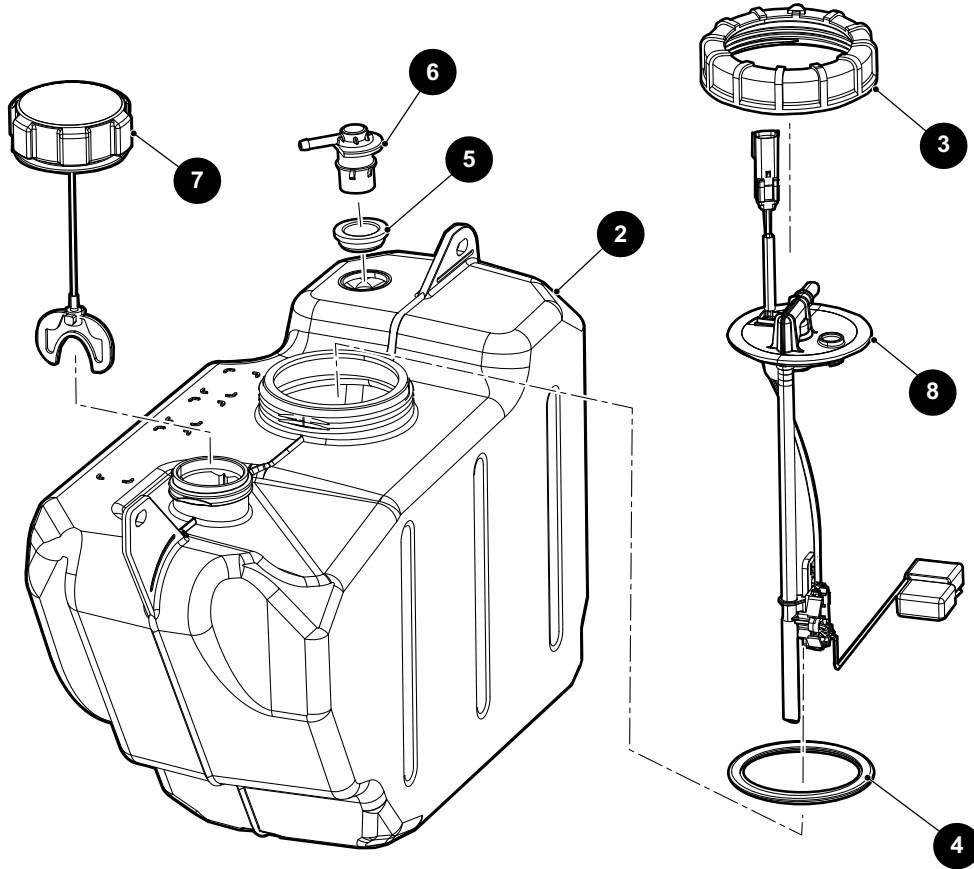
When ordering parts, please specify the model and serial number of the product.

* Indicates a component that is not available as an individual part.

*** Indicates consult Customer Service Department for additional information.

ITEM	PART NO.	1 2 3 4 5	DESCRIPTION	QTY.
32	<u>70483G01</u>		SPACER	1
33	00559G8		FLAT WASHER, 5/16"	4
34	11098G6		LOCK NUT, 5/16" - 18	3

- 1** FUEL TANK ASSEMBLY (WITH SENDER UNIT)
includes items 2 - 8



LATE PRODUCTION VEHICLES

When ordering parts, please specify the model and serial number of the product.

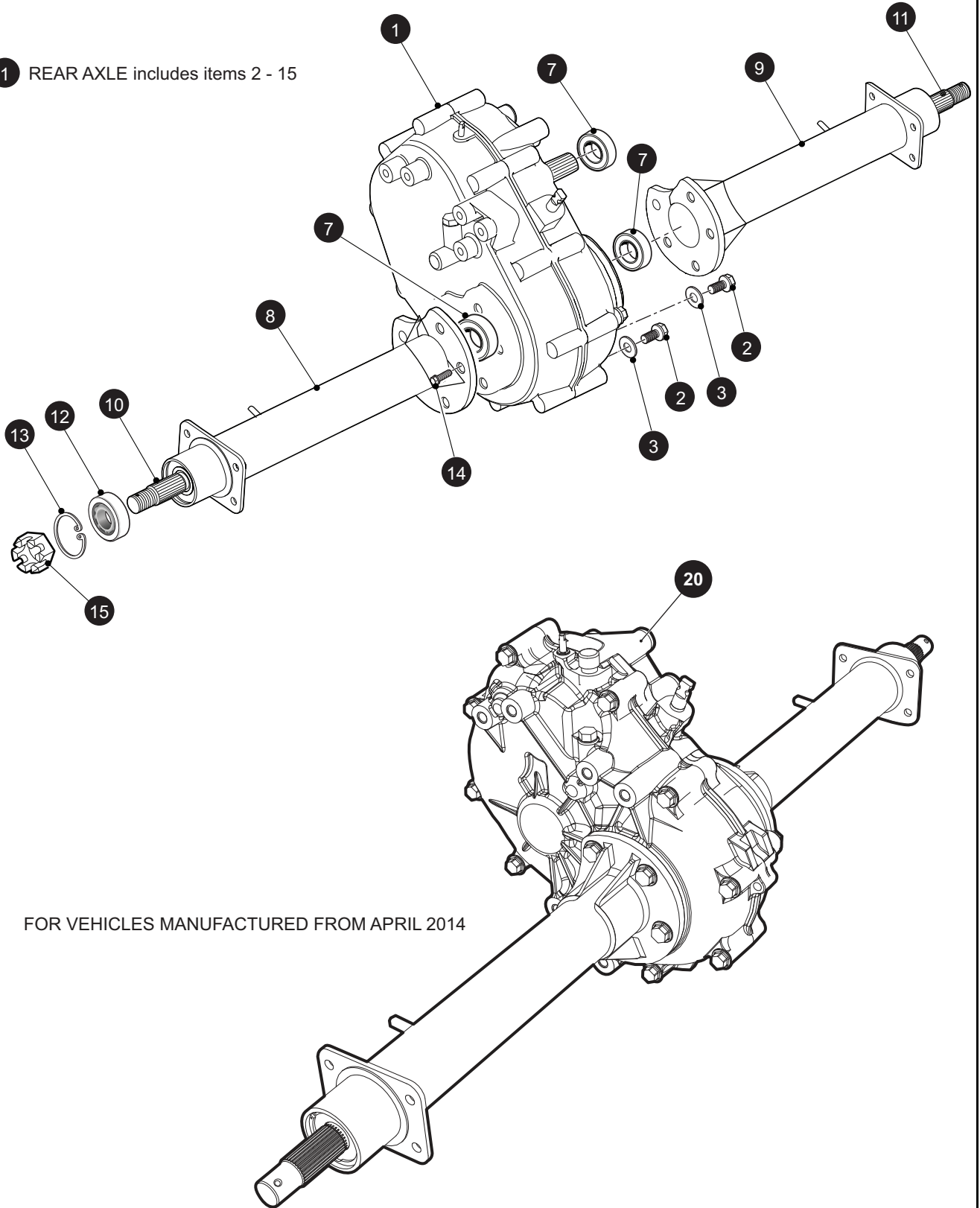
* Indicates a component that is not available as an individual part.

*** Indicates consult Customer Service Department for additional information.

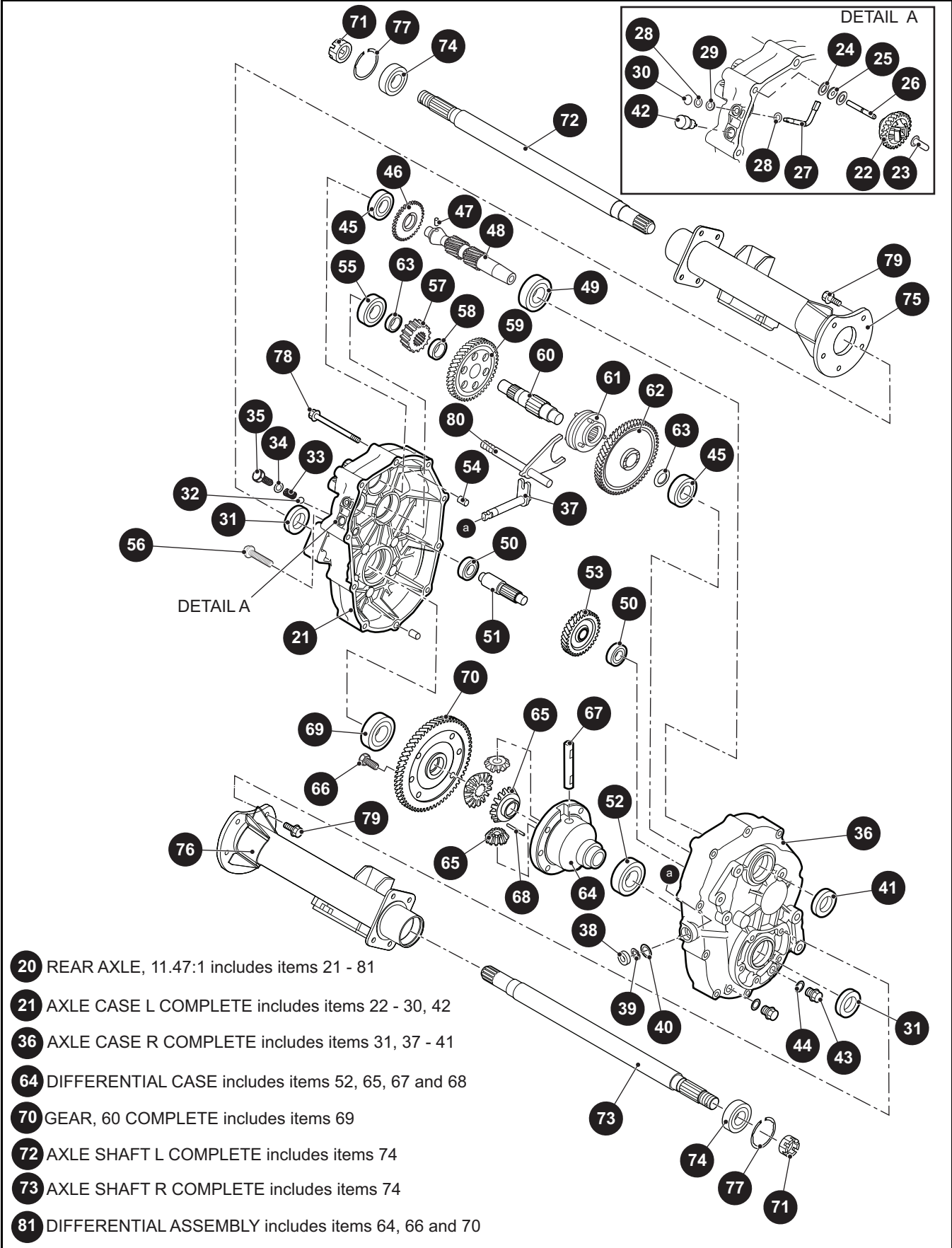
ITEM	PART NO.	1 2 3 4 5	DESCRIPTION	QTY.
1	<u>646823</u>		FUEL TANK ASSEMBLY (WITH SENDER UNIT) (INCLUDES ITEMS 2 - 8) ..	1
2	646306		FUEL TANK	1
3	<u>646837</u>		CAP	1
4	<u>646838</u>		SEAL.....	1
5	<u>647810</u>		GROMMET	1
6	<u>647809</u>		ROLLOVER VALVE	1
7	<u>635688</u>		FUEL CAP	1
8	<u>646351</u>		FUEL PICKUP WITH SENDER ASSEMBLY	1

REAR AXLE

1 REAR AXLE includes items 2 - 15



FOR VEHICLES MANUFACTURED FROM APRIL 2014



- 20 REAR AXLE, 11.47:1 includes items 21 - 81
- 21 AXLE CASE L COMPLETE includes items 22 - 30, 42
- 36 AXLE CASE R COMPLETE includes items 31, 37 - 41
- 64 DIFFERENTIAL CASE includes items 52, 65, 67 and 68
- 70 GEAR, 60 COMPLETE includes items 69
- 72 AXLE SHAFT L COMPLETE includes items 74
- 73 AXLE SHAFT R COMPLETE includes items 74
- 81 DIFFERENTIAL ASSEMBLY includes items 64, 66 and 70

REAR AXLE

Where applicable, THE USE OF NON UL PARTS WILL VOID ANY UL LISTING.

When ordering parts, please specify the model and serial number of the product.

* Indicates a component that is not available as an individual part.

G** Indicates consult Customer Service Department for additional information.

ITEM	PART NO.	1 2 3 4 5	DESCRIPTION	QTY.
1	<u>627891</u>		REAR AXLE, (INCLUDES ITEMS 2 - 15)	1
2	<u>26770G01</u>		OIL CHECK PLUG.....	2
3	<u>26771G01</u>		GASKET, 14 MM.....	2
4				
5				
6				
7	<u>72259G01</u>		OIL SEAL 28 X 47 X 9 MM	3
8	<u>607939</u>		AXLE TUBE (DRIVER SIDE).....	1
9	<u>607940</u>		AXLE TUBE (PASSENGER SIDE)	1
10	<u>607945</u>		AXLE SHAFT (DRIVER SIDE)	1
11	<u>607946</u>		AXLE SHAFT (PASSENGER SIDE)	1
12	<u>26811G01</u>		BALL BEARING	2
13	<u>26814G01</u>		RETAINING RING, 52 MM	2
14	<u>72260G01</u>		FLANGED BOLT, M10 X 1.5 X 23MM LG.....	10
15	<u>606403</u>		SLOTTED NUT, M22 X 1.5.....	2
16				
17				
18				
19				
20	<u>632513</u>		REAR AXLE, 11.47:1 (INCLUDES ITEMS 21 - 81) (FOR VEHICLES MANUFACTURED FROM APRIL 2014).....	1
21	<u>639859</u>		AXLE CASE L COMPLETE (INCLUDES ITEMS 22 - 30, 42)	1
22	<u>639686</u>		GOVERNOR GEAR	1
23	<u>639689</u>		GOVERNOR SLEEVE	1
24	<u>607904</u>		FLAT WASHER	2
25	<u>607905</u>		THRUST BEARING.....	1
26	<u>639698</u>		GOVERNOR GEAR SHAFT	1
27	<u>639707</u>		GOVERNOR SHAFT.....	1
28	<u>639736</u>		FLAT WASHER, 6MM	2
29	<u>607911</u>		OIL SEAL, 6 x 10 x 2.5 MM.....	1

REAR AXLE

Where applicable, THE USE OF NON UL PARTS WILL VOID ANY UL LISTING.

When ordering parts, please specify the model and serial number of the product.

* Indicates a component that is not available as an individual part.

G** Indicates consult Customer Service Department for additional information.

ITEM	PART NO.	1	2	3	4	5	DESCRIPTION	QTY.
30	<u>607913</u>						RETAINING RING E5.....	1
31	<u>639738</u>						OIL SEAL, 24 x 40 x 9MM.....	2
32	<u>26818G01</u>						STEEL BALL.....	1
33	<u>26819G01</u>						SPRING	1
34	<u>26831G01</u>						GASKET, 10.....	1
35	<u>26820G01</u>						FLANGED HEX HEAD BOLT, M10 x 1.25 x 12 MM LG	1
36	<u>639865</u>						AXLE CASE R COMPLETE (INCLUDES ITEMS 31, 37 - 41).....	1
37	<u>639746</u>						SELECT SHAFT.....	1
38	607915						OIL SEAL, 13 x 22 x 5MM.....	1
39	<u>607916</u>						SNAP RING, 13MM	1
40	<u>607917</u>						SPACER, 13 x 1MM	1
41	<u>640093</u>						OIL SEAL, 28 x 47 x 9MM.....	1
42	<u>607919</u>						AIR BREATHER	1
43	<u>639747</u>						OIL DRAIN PLUG	2
44	<u>639748</u>						GASKET, 14MM.....	2
45	<u>26785G01</u>						BALL BEARING (6204).....	2
46	<u>607921</u>						GOVERNOR GEAR, 34.....	1
47	<u>607920</u>						PIN, 6 x 12L	1
48	<u>639750</u>						INPUT SHAFT	1
49	<u>607922</u>						BALL BEARING (62/28).....	1
50	<u>639868</u>						BALL BEARING (TMB202).....	2
51	<u>639755</u>						COUNTER SHAFT	1
52	<u>640744</u>						BALL BEARING (6006).....	1
53	<u>639758</u>						GEAR, 34.....	1
54	<u>639869</u>						KNOCK PIPE	2
55	<u>639760</u>						BALL BEARING (6304).....	2
56	<u>639768</u>						FLANGED HEX HEAD BOLT, M8 - 1.25 X 40MM LG	1
57	<u>639769</u>						GEAR, 17.....	1
58	<u>28689G01</u>						COLLAR, 24 x 7.5MM.....	1
59	<u>639771</u>						GEAR, 52.....	1

REAR AXLE

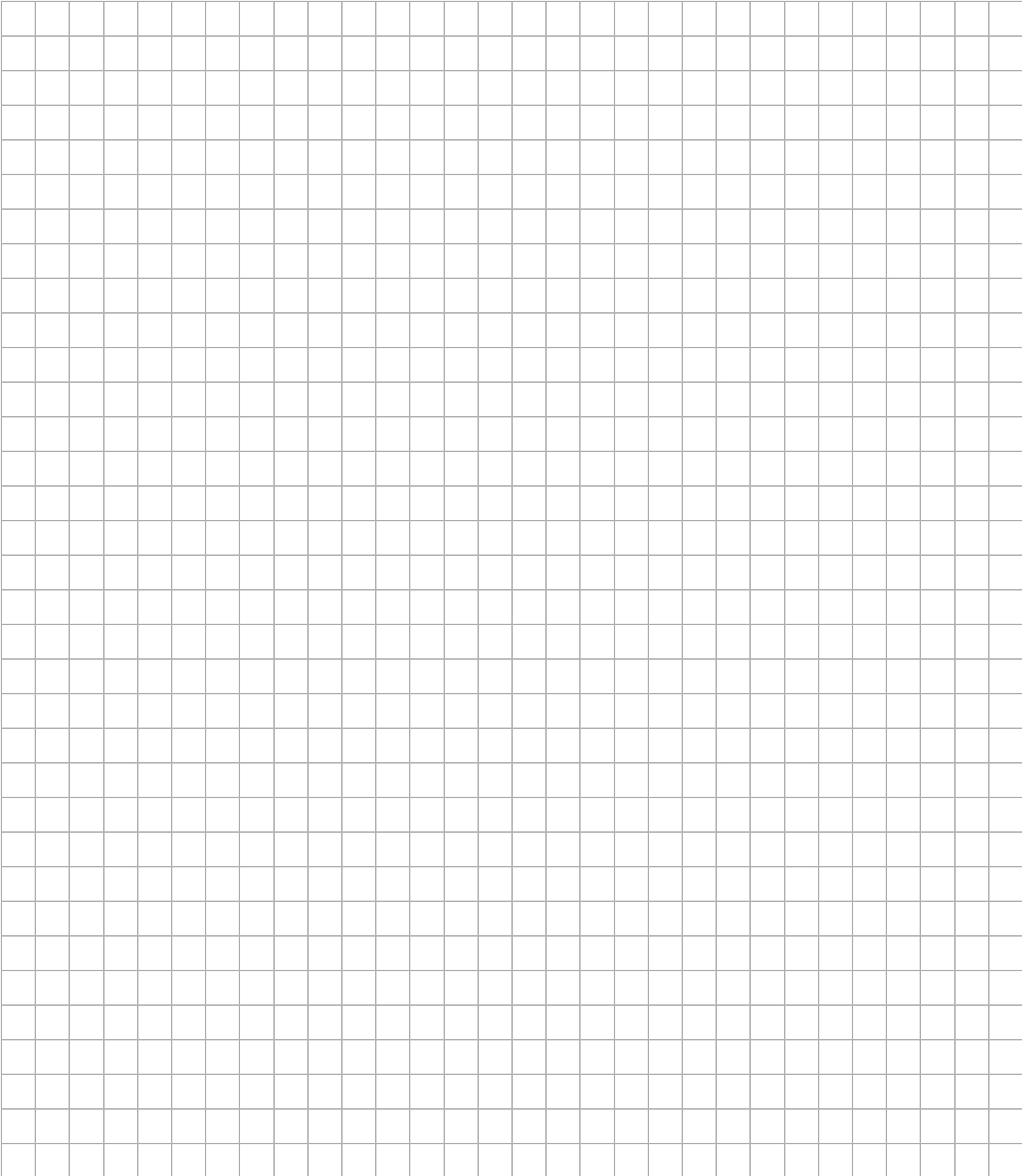
Where applicable, THE USE OF NON UL PARTS WILL VOID ANY UL LISTING.

When ordering parts, please specify the model and serial number of the product.

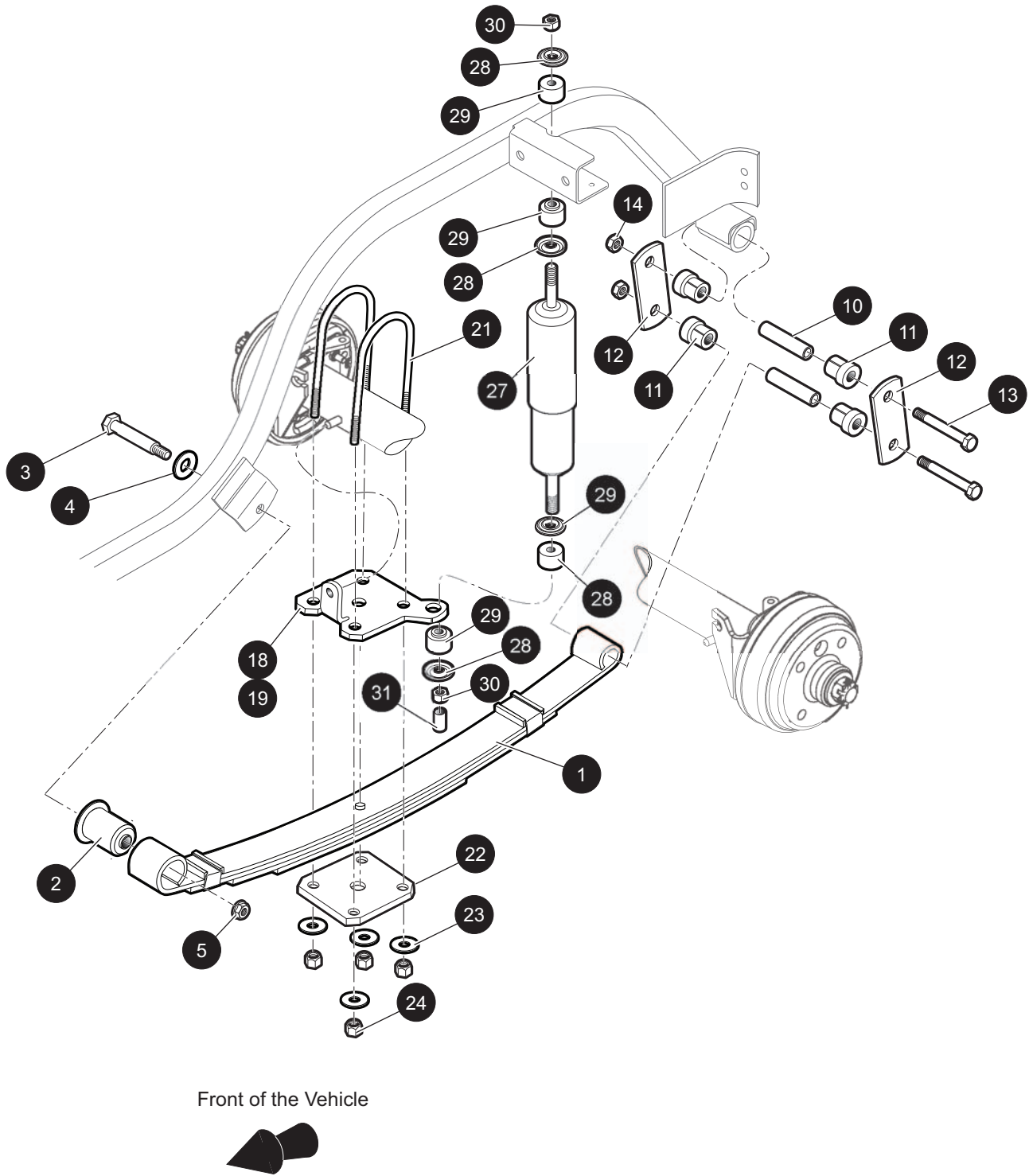
* Indicates a component that is not available as an individual part.

G** Indicates consult Customer Service Department for additional information.

ITEM	PART NO.	1	2	3	4	5	DESCRIPTION	QTY.
60	<u>639772</u>						CENTER SHAFT	1
61	<u>639774</u>						CLUTCH PIN	1
62	<u>639777</u>						GEAR, 61.....	1
63	<u>639797</u>						SPACER, 20 x 2MM.....	2
64	<u>639872</u>						DIFFERENTIAL CASE (INCLUDES ITEMS 52, 65, 67 AND 68)	1
65	<u>639800</u>						DIFFERENTIAL PAIR GEAR	1
66	<u>26808G01</u>						HEX HEAD BOLT, M10 x 1.25 x 26 MM LG	6
67	<u>28723G01</u>						DIFFERENTIAL SHAFT.....	1
68	<u>28697G01</u>						SPRING PIN, 4 x 40L	1
69	<u>639801</u>						BALL BEARING (6007).....	1
70	<u>640739</u>						GEAR, 60 COMPLETE (INCLUDES ITEM 69).	1
71	607938						CASTLED NUT, M22 - 1.5	2
72	<u>639876</u>						AXLE SHAFT L COMPLETE (INCLUDES ITEM 74)	1
73	<u>639881</u>						AXLE SHAFT R COMPLETE (INCLUDES ITEM 74)	1
74	<u>639836</u>						BALL BEARING (6205DD).....	2
75	<u>607939</u>						AXLE CASE L COMPLETE	1
76	<u>607940</u>						AXLE CASE R COMPLETE.....	1
77	26814G01						SNAP RING, 52MM.....	2
78	<u>639839</u>						FLANGED HEX HEAD BOLT, M8 x 1.25 x 60MM LG	9
79	<u>639840</u>						FLANGED HEX HEAD BOLT, M10 x 1.25 x 25MM LG	10
80	<u>639844</u>						SHIFT SHAFT COMPLETE	1
81	<u>639847</u>						DIFFERENTIAL ASSEMBLY (INCLUDES ITEMS 64, 66 AND 70)	1



REAR SUSPENSION



REAR SUSPENSION

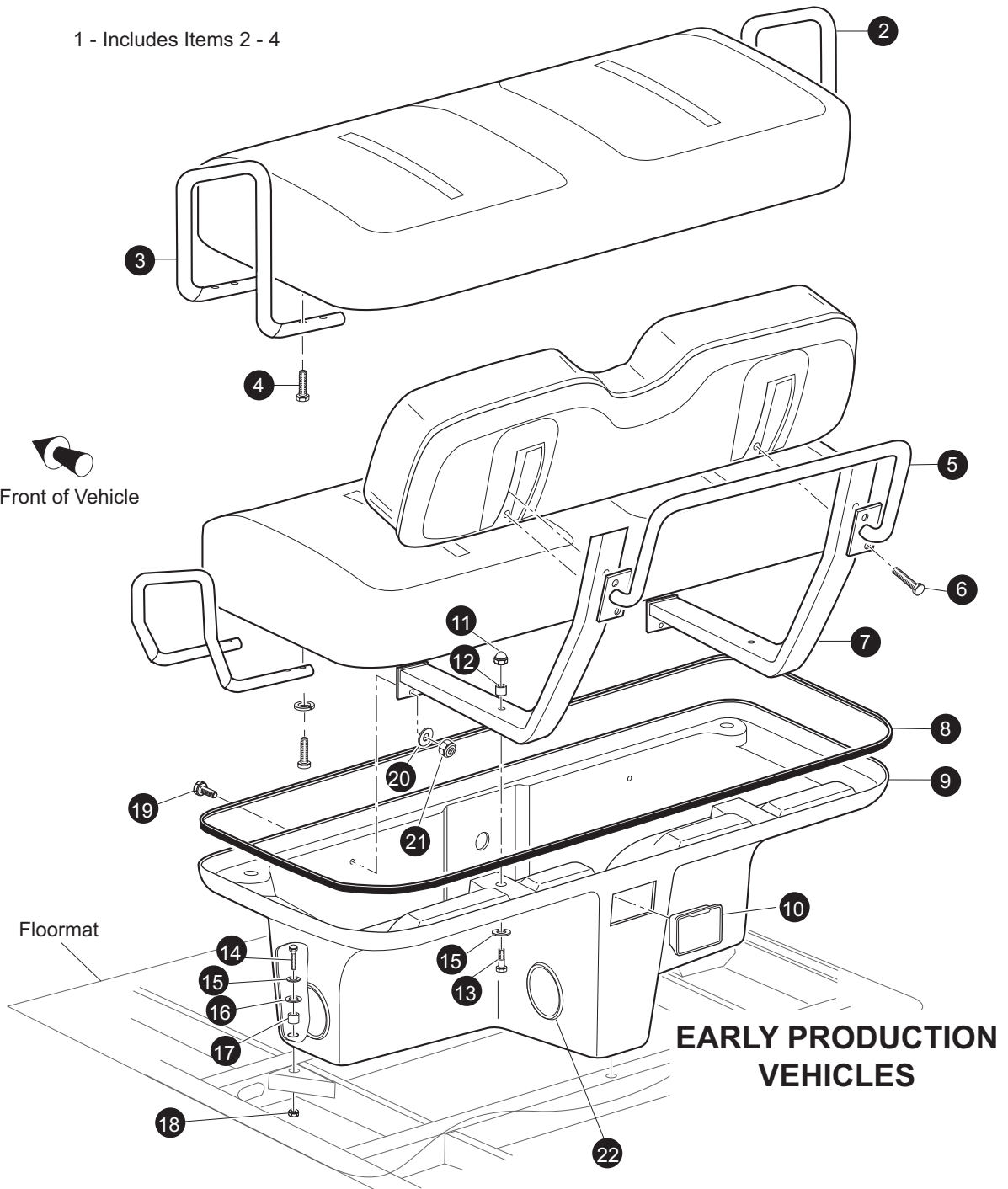
When ordering parts, please specify the model and serial number of the product.

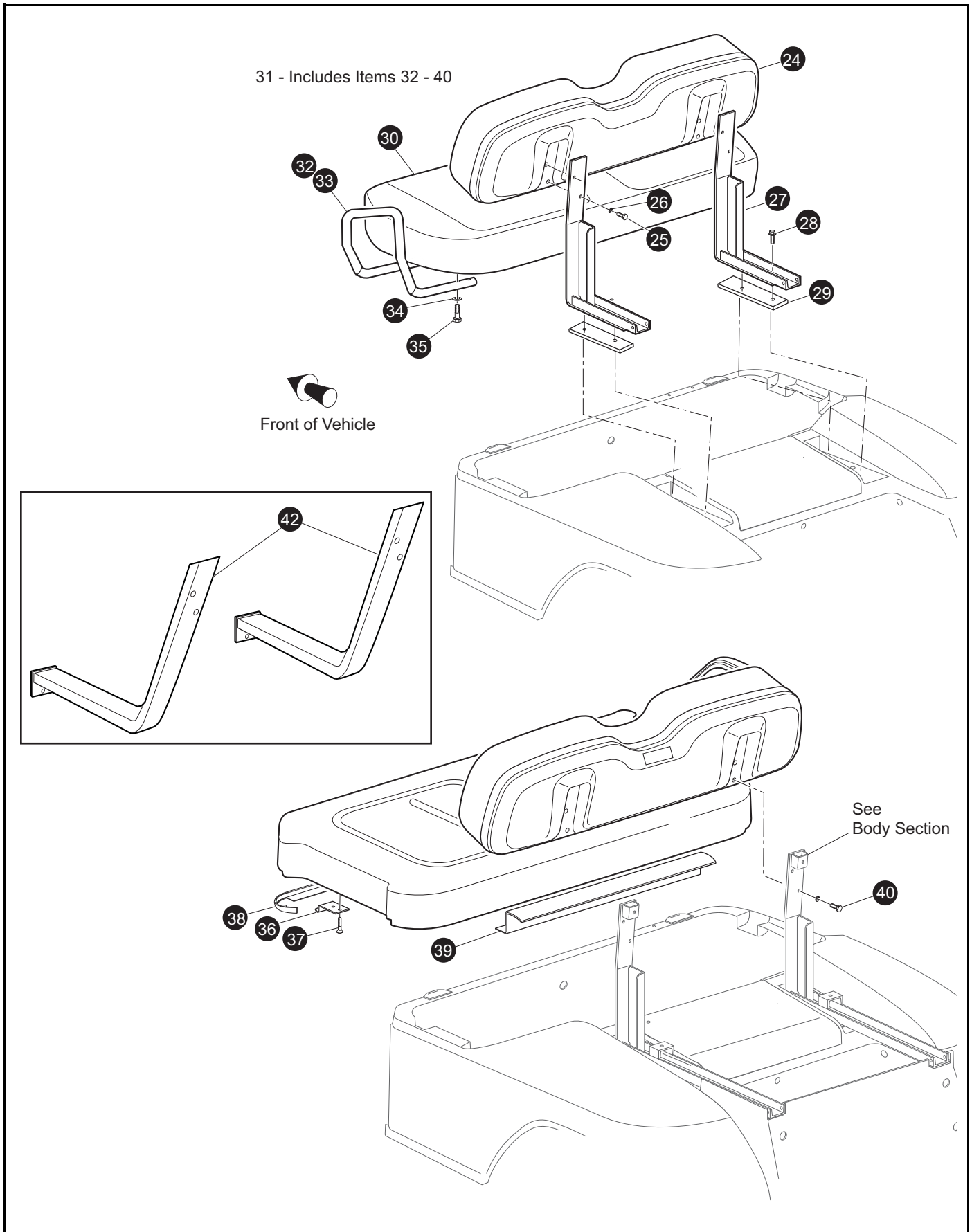
* Indicates a component that is not available as an individual part.

*** Indicates consult Customer Service Department for additional information.

ITEM	PART NO.	1 2 3 4 5	DESCRIPTION	QTY.
1	<u>605721</u>		HEAVY DUTY LEAF SPRING.....	2
2	<u>605445</u>		LEAF SPRING BUSHING, FRONT	2
3	<u>00665G9</u>		HEX HEAD BOLT (SS), 3/8" - 16 X 3.5" LG	2
4	<u>00643G1</u>		FLAT WASHER, 3/8"	2
5	<u>12262G1</u>		FLANGED LOCK NUT, 3/8" - 16.....	2
6				
7				
8				
9				
10	<u>70289G02</u>		SPLIT STEEL SPACER	4
11	<u>624030</u>		FLANGED BUSHING.....	8
12	<u>70290G02</u>		SHACKLE PLATE	4
13	<u>00665G9</u>		HEX HEAD BOLT (SS), 3/8" - 16 X 3.5" LG	4
14	<u>11098G5</u>		LOCK NUT, 3/8" - 16.....	4
15				
16				
17				
18	<u>605938</u>		AXLE BRACKET, DRIVER SIDE	1
19	<u>605958</u>		AXLE BRACKET, PASSTENGER SIDE.....	1
20				
21	<u>32195G3</u>		U-BOLT, 2 3/8" DIA X 5" LG.....	4
22	<u>605956</u>		REAR SUSPENSION PLATE	2
23	<u>00643G1</u>		FLAT WASHER, 3/8"	8
24	<u>11098G5</u>		LOCK NUT, 3/8" - 16.....	8
25				
26				
27	<u>642085</u>		SHOCK ABSORBER	2
28	<u>10435G1</u>		SHOCK ABSORBER WASHER.....	8
29	<u>10194G1</u>		RUBBER SHOCK BUSHING	8
30	<u>00532G6</u>		HEX NUT, 3/8" - 24	4
31	<u>10044G01</u>		VINYL CAP	2

SEATING





SEATING

When ordering parts, please specify the model and serial number of the product.

* Indicates a component that is not available as an individual part.

*** Indicates consult Customer Service Department for additional information.

ITEM	PART NO.	1 2 3 4 5	DESCRIPTION	QTY.
1	71888G**		SEAT BOTTOM (INCLUDES ITEMS 2 - 4)	1
2	<u>71877G01</u>		HIP RESTRAINT (PASSENGER SIDE).....	1
3	<u>71877G02</u>		HIP RESTRAINT (DRIVER SIDE)	1
4	71204G01		MACHINE SCREW WITH PATCH LOCK, 1/4" - 20 X 1 1/4" LG.....	8
5	<u>71632G01</u>		REAR HAND HOLD BAR	1
6	<u>71204G02</u>		MACHINE SCREW WITH PATCH LOCK, 1/4" - 20 X 2" LG	4
7	<u>626576</u>		SEAT BACK SUPPORT WELDMENT	2
8	<u>32805G6</u>		TRIM (BLACK).....	1
9	70836G0**		SEAT POD.....	1
10	27731G01		ASHTRAY	1
11	<u>15717G5</u>		ACORN NUT, 3/8" - 16	2
12	<u>23726G4</u>		SPACER, 5/16"	2
13	<u>00427G8</u>		HEX HEAD BOLT, 3/8" - 16 X 2" LG.....	2
14	00439G8		HEX HEAD BOLT, 5/16" - 18 X 2" LG.....	3
15	<u>00675G1</u>		FLAT WASHER (SS), 3/8"	5
16	<u>71883G01</u>		RUBBER WASHER, 5/8"	3
17	<u>23726G9</u>		SPACER, 3/4"	3
18	11098G6		LOCK NUT (SS), 5/16" - 18.....	3
19	<u>00976G06</u>		TRUSS HEAD PHILLIPS SCREW (SS), 5/16" - 18 X 3/4" LG	2
20	<u>00559G6</u>		FLAT WASHER (SS), 1/4"	2
21	11098G6		LOCK NUT (SS), 1/4" - 20.....	2
22	<u>71599G01</u>		VENT PLUG	4
23				
24	71751G**		SEAT BACK.....	1
25	<u>00661G8</u>		HEX HEAD BOLT (SS), 1/4" - 20 X 1" LG	4
26	<u>00664G7</u>		LOCK WASHER (SS), 1/4"	4
27	<u>74137G01</u>		SEAT BACK SUPPORT	2
28	<u>01006G02</u>		HEX HEAD BOLT, 3/8" - 16 X 1 1/4" LG	4
29	<u>70364G01</u>		SPACER PLATE	
30	71651G**		SEAT BOTTOM	1
31	<u>71646G01</u>		HAND HOLD KIT (INCLUDES ITEMS 32 - 40)	1

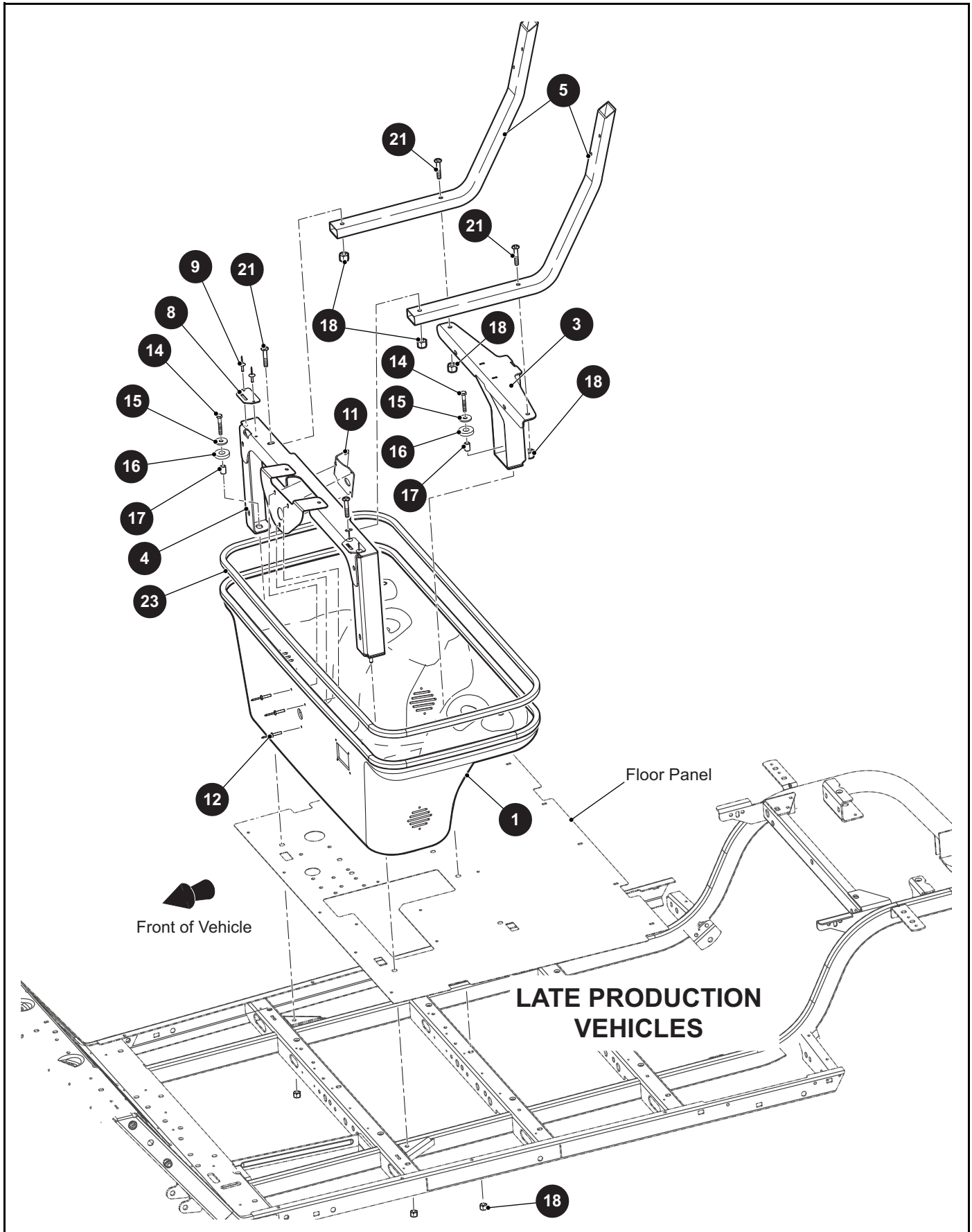
When ordering parts, please specify the model and serial number of the product.

* Indicates a component that is not available as an individual part.

*** Indicates consult Customer Service Department for additional information.

ITEM	PART NO.	1 2 3 4 5	DESCRIPTION	QTY.
32	<u>71876G01</u>		HIP RESTRAINT, REAR SEAT (PASSENGER SIDE).....	1
33	<u>71876G02</u>		HIP RESTRAINT, REAR SEAT (DRIVER SIDE)	1
34	<u>00559G7</u>		FLAT WASHER (SS), 1/4"	8
35	<u>00415G2</u>		HEX HEAD BOLT, 1/4" - 20 X 1 1/4" LG.....	8
36	<u>71610G01</u>		SEAT HINGE	2
37	<u>00720G08</u>		FLAT HEAD PHILLIPS SCREW, #12 - 14 X 1" LG.....	6
38	<u>71012G01</u>		FRONT EDGE TRIM	1
39	<u>71608G01</u>		BACK EDGE TRIM.....	1
40	71204G01		MACHINE SCREW WITH PATCH LOCK, 1/4" - 20 X 7/8" LG	8
41				
42	<u>71868G01</u>		SEAT BACK SUPPORT WELDMENT	2

SEATING



When ordering parts, please specify the model and serial number of the product.

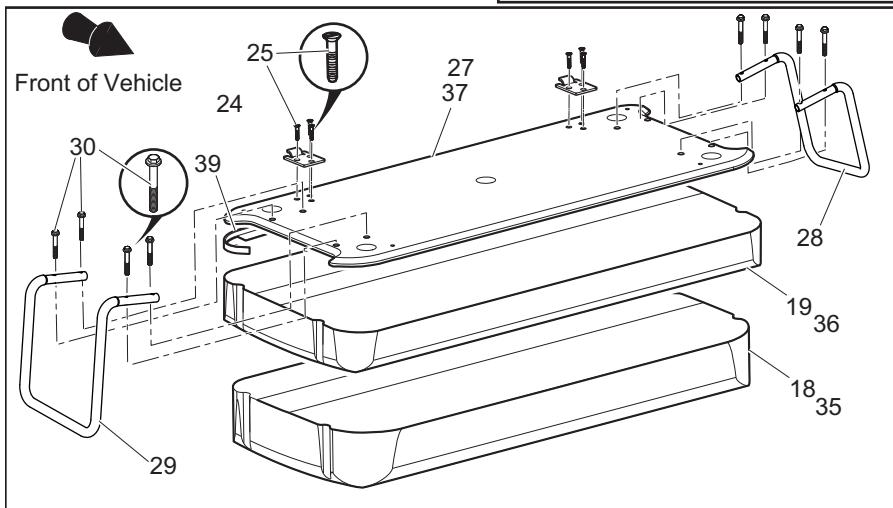
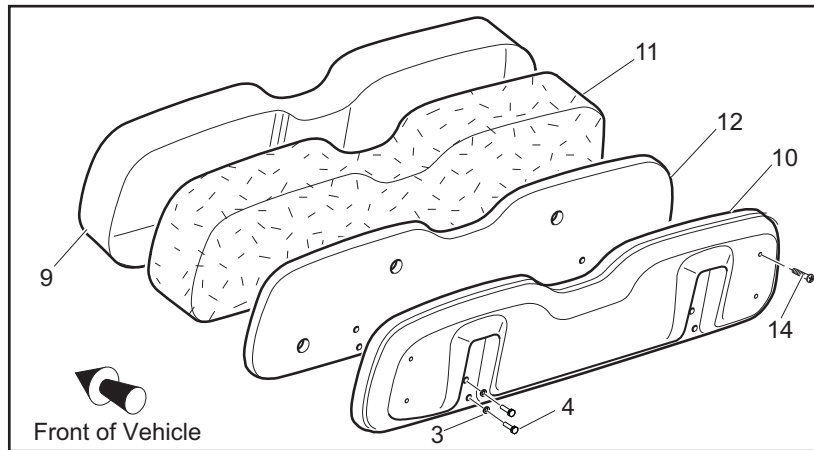
* Indicates a component that is not available as an individual part.

*** Indicates consult Customer Service Department for additional information.

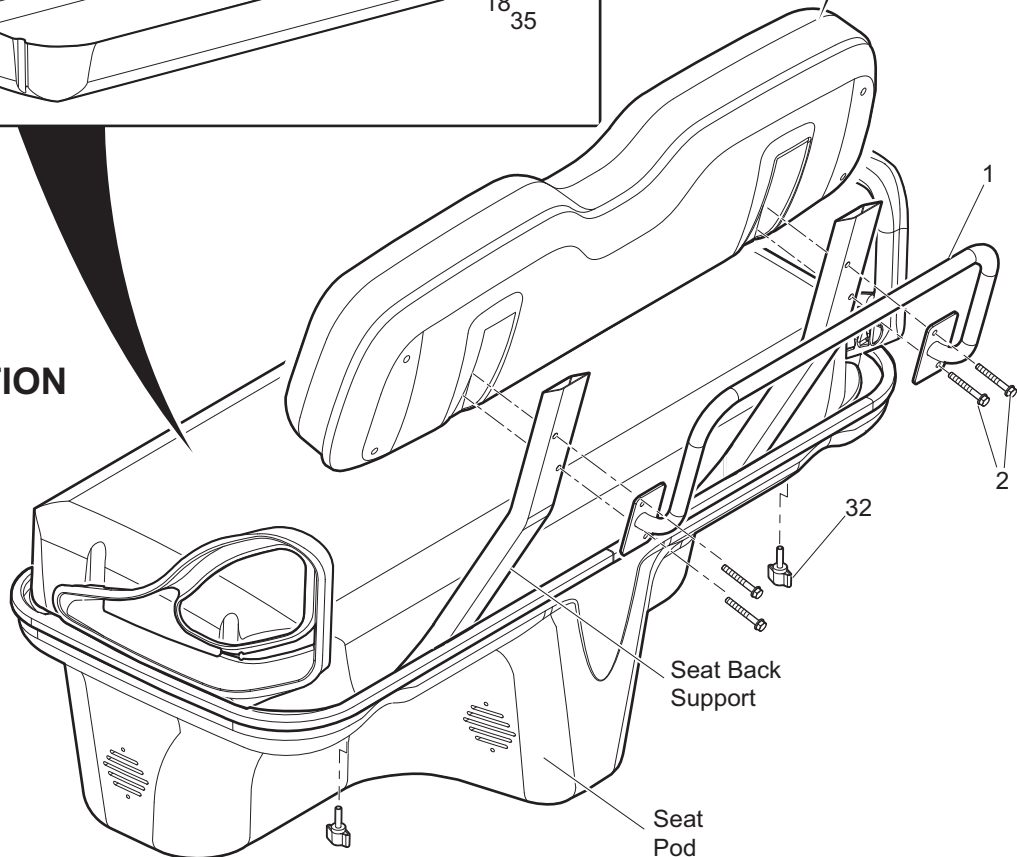
ITEM	PART NO.	1 2 3 4 5	DESCRIPTION	QTY.
1	648313GXX		SEAT POD	1
2				
3	<u>648507</u>		REAR SEAT SUPPORT	1
4	<u>654767</u>		SEAT SUPPORT	1
5	<u>648523</u>		SEAT BACK SUPPORT TUBE	2
6				
7				
8	<u>71609G01</u>		HINGE PLATE.....	2
9	<u>10570G11</u>		RIVET (SS), 3/16" X .70" LG.....	4
10				
11	<u>605869</u>		DIRECTION SELECTOR MOUNTING BRACKET	1
12	<u>71055G01</u>		RIVET (ALUMINUM), 3/16" X 1" LG	3
13				
14	00439G8		HEX HEAD BOLT (SS), 5/16" - 18 X 2" LG	3
15	<u>00675G1</u>		WASHER (SS), .398" I.D. X 1.25" O.D. X .115" LG	3
16	<u>71883G01</u>		WASHER (RUBBER), .625" I.D. X 1.50" O.D. X .312" LG.....	3
17	<u>23726G9</u>		SPACER, .312" I.D. X .562" O.D. X .750" LG	3
18	11098G6		LOCK NUT, 5/16" - 18.....	7
19				
20				
21	<u>00762G6</u>		TRUSS HEAD PHILLIP SCREW (SS), 5/16" - 18 X 3/4" LG	4
22				
23	<u>32805G6</u>		TRIM, 118" LG	1

SEATING

- 7- SEAT BACK ASSEMBLY
includes items 9 - 14
- 17- SEAT BOTTOM ASSEMBLY
includes items 18 - 30
- 34- SEAT BOTTOM ASSEMBLY
includes items 24, 25, 35 - 40



LATE PRODUCTION VEHICLES



When ordering parts, please specify the model and serial number of the product.

* Indicates a component that is not available as an individual part.

*** Indicates consult Customer Service Department for additional information.

ITEM	PART NO.	1 2 3 4 5	DESCRIPTION	QTY.
1	<u>71632G01</u>		HAND GRIP WELDMENT.....	1
2	<u>71204G02</u>		MACHINE SCREW WITH PATCH LOCK, 1/4" - 20 X 2" LG.....	4
3	<u>00664G7</u>		LOCK WASHER, 1/4"	4
4	<u>00661G8</u>		HEX HEAD BOLT, 1/4" - 20 X 1"	4
5				
6				
7	***		SEAT BACK ASSEMBLY (INCLUDES ITEM 9 - 14) 71751G02 GRAY 71751G04 TAN 71751G03 OYSTER 71751G05 SPECIAL	2
8				
9	***		VINYL SEAT BACK COVER..... 71753G02 GRAY 71753G04 TAN 71753G03 OYSTER 71753G05 SPECIAL	1
10	71752G01		REAR SEAT BACK COVER	1
11	<u>71754G01</u>		SEAT BACK PADDING	1
12	<u>645021</u>		SEAT BACK BASE	1
13				
14	<u>01107G01</u>		PAN HEAD TORX SCREW (SS), #8 X .63" LG.....	4
15				
16				
17	***		SEAT BOTTOM ASSEMBLY (INCLUDES ITEM 18 - 30) 71888G09 OYSTER 71888G10 TAN 71888G11 GRAY	1
18	***		VINYL SEAT BOTTOM 71624G04 TAN 71624G02 GRAY 71624G03 OYSTER	
19	<u>71625G01</u>		SEAT BOTTOM PADDING	1
20				
21				
22				

SEATING

When ordering parts, please specify the model and serial number of the product.

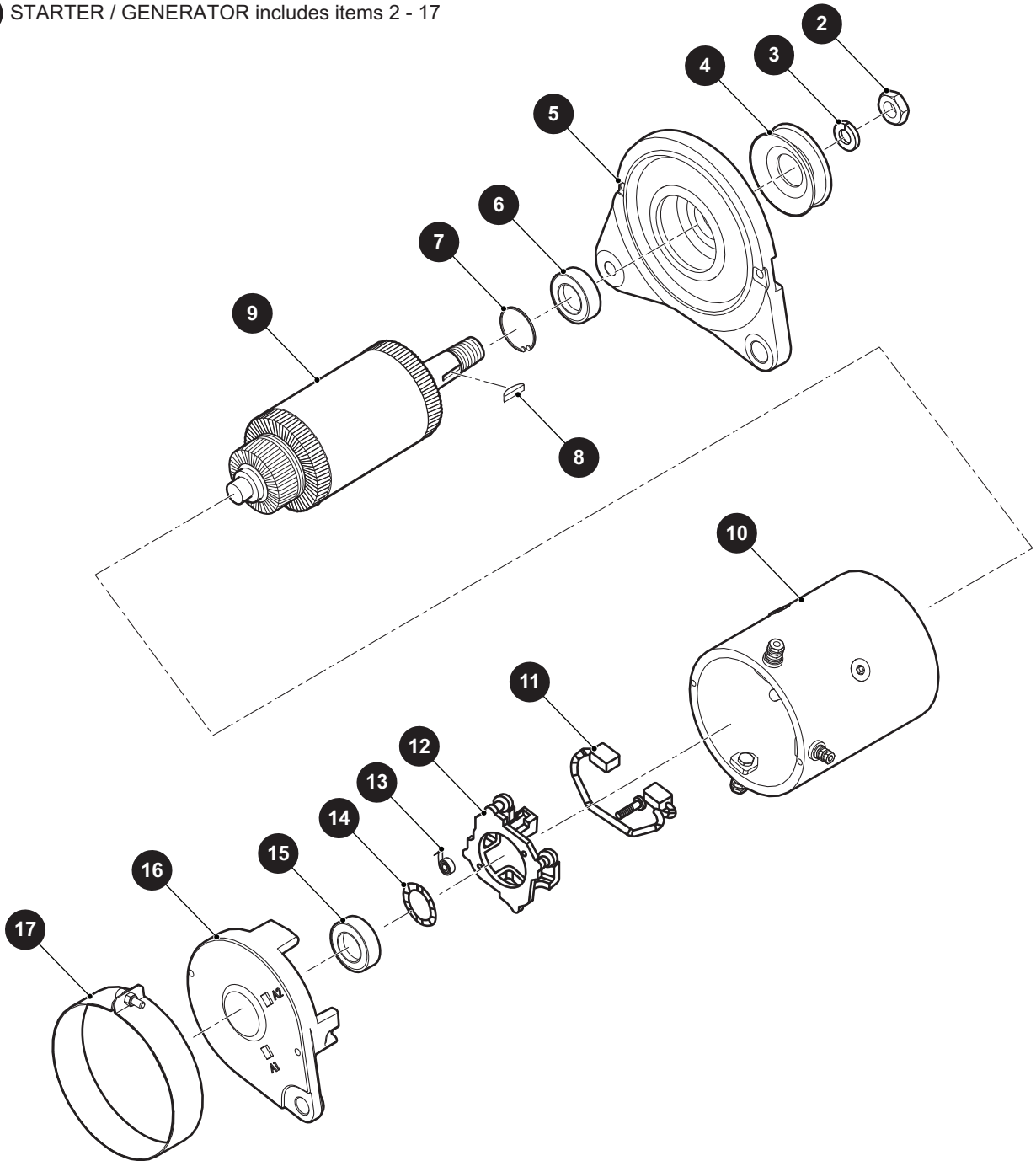
* Indicates a component that is not available as an individual part.

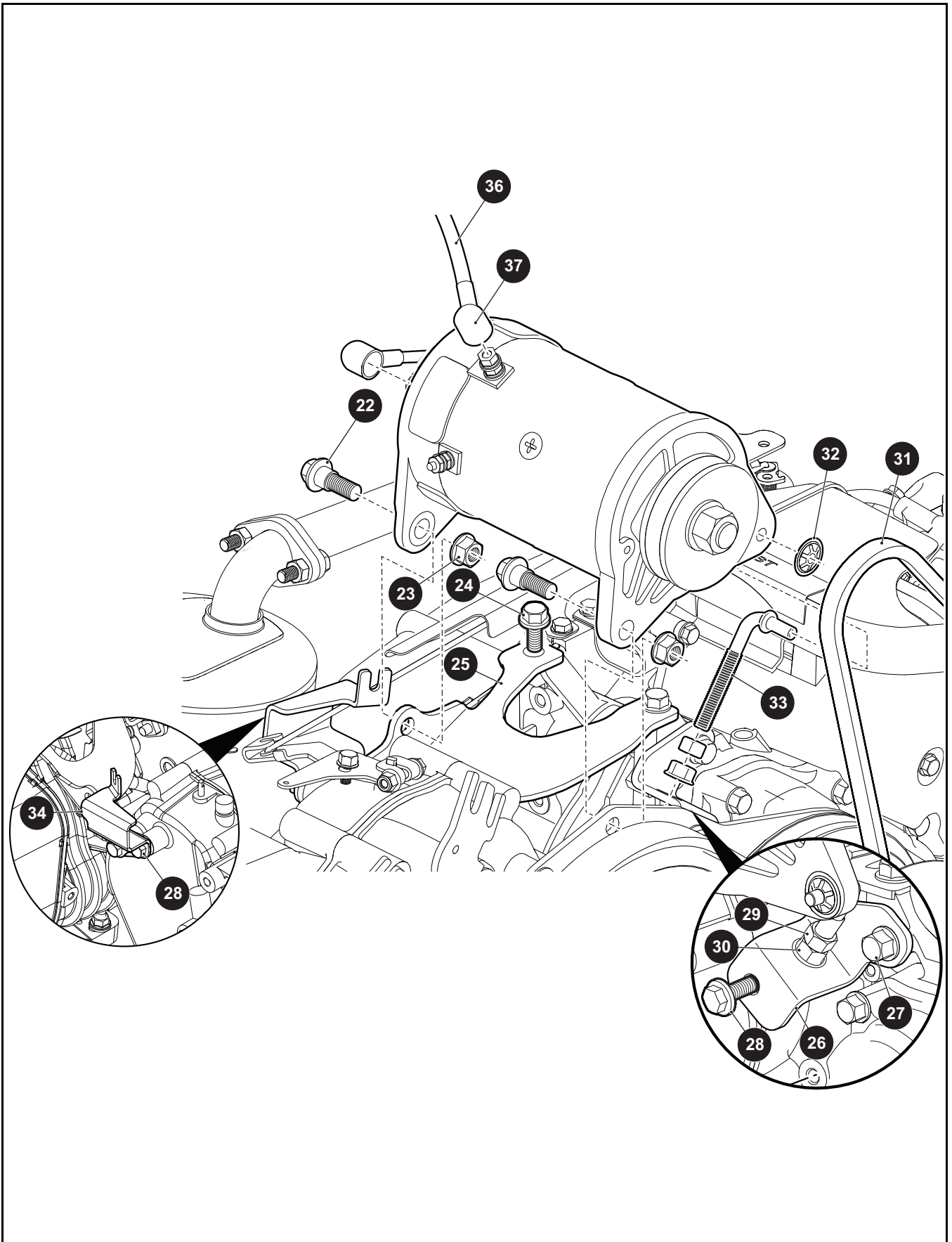
*** Indicates consult Customer Service Department for additional information.

ITEM	PART NO.	1	2	3	4	5	DESCRIPTION	QTY.
23								
24	<u>71610G01</u>						SEAT HINGE.....	2
25	<u>00720G08</u>						FLAT HEAD PHILLIPS SCREW, #12 -14 X 1" LG	6
26								
27	654797						SEAT BOTTOM BASE	1
28	<u>71877G01</u>						HIP RESTRAINT (DRIVER SIDE)	1
29	<u>71877G02</u>						HIP RESTRAIN T (PASSENGER SIDE)	1
30	71204G01						BUTTON HEAD TORX BOLT, M10 - 1.5 X 25MM LG	8
31								
32	70864G01						T-KNOB STUD, 1/4" - 20 X 1" LG	2
33								
34	***						SEAT BOTTOM ASSEMBLY (INCLUDES ITEM 24, 25, 35 - 40)..... 629269G0701 OYSTER 629269G0703 TAN 629269G0704 GRAY 629269G0708 CUSTOM SOLID	1
35	***						VINYL SEAT COVER..... 71650G03 OYSTER 71650G04 TAN 71650G02 GRAY 71650G05 SPECIAL	1
36	<u>71649G01</u>						SEAT BOTTOM PADDING.....	1
37	<u>645493</u>						SEAT BOTTOM BASE	1
38								
39	<u>71012G01</u>						TRIM	1
40	<u>17074G1</u>						SOILING SLAB (NOT ILLUSTRATED)	2

STARTER / GENERATOR

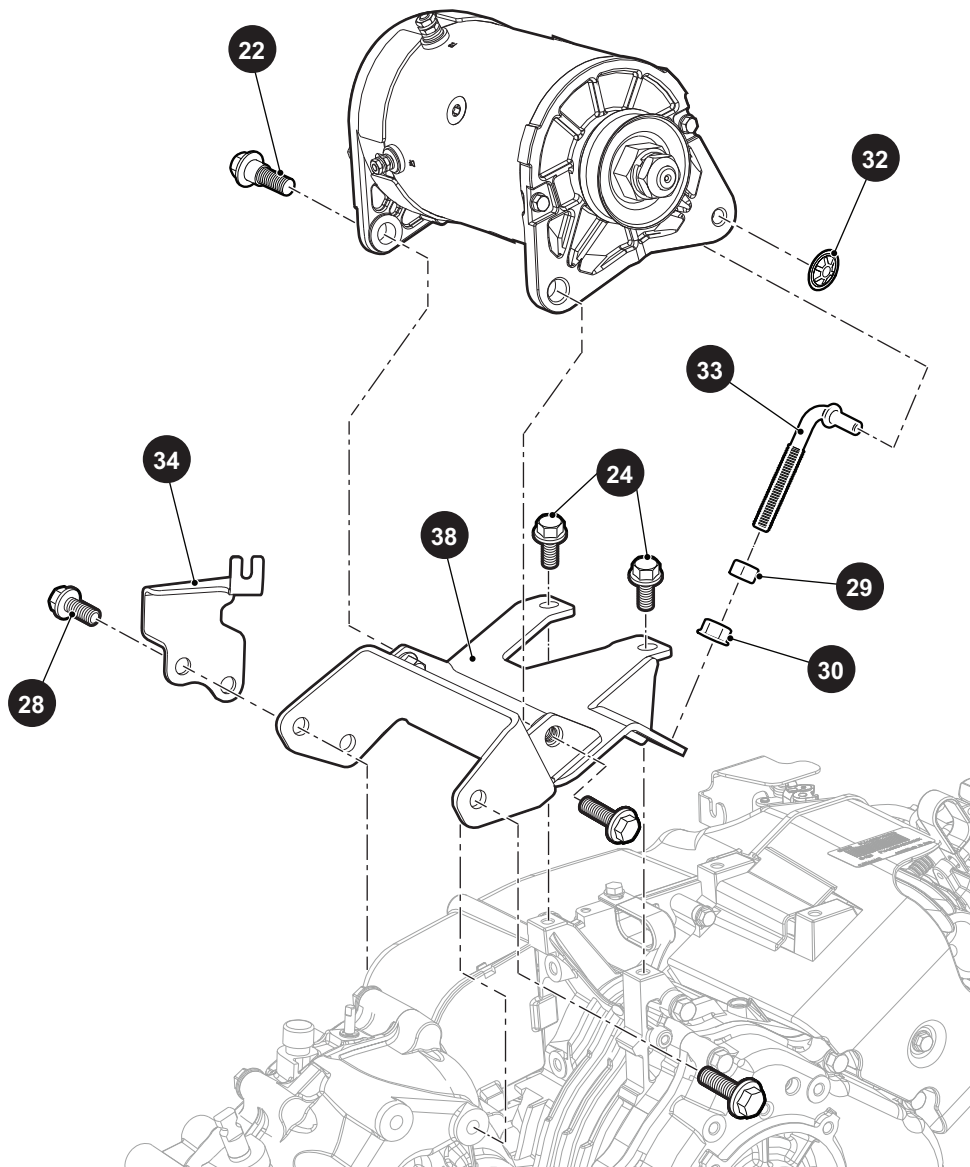
1 STARTER / GENERATOR includes items 2 - 17





STARTER / GENERATOR

FOR VEHICLES MANUFACTURED FROM APRIL 2014



STARTER / GENERATOR

Where applicable, THE USE OF NON UL PARTS WILL VOID ANY UL LISTING.

When ordering parts, please specify the model and serial number of the product.

* Indicates a component that is not available as an individual part.

G** Indicates consult Customer Service Department for additional information.

ITEM	PART NO.	1 2 3 4 5	DESCRIPTION	QTY.
1	<u>649711</u>		STARTER / GENERATOR (INCLUDES ITEMS 2 - 17).....	1
2	<u>612029</u>		HEX NUT	1
3	<u>612030</u>		LOCK WASHER	1
4	<u>625716</u>		PULLEY, 2.5" O.D.	1
5	<u>654715</u>		DRIVE END HEAD	1
6	<u>612033</u>		BEARING.....	1
7	<u>612034</u>		RETAINING RING.....	1
8	<u>612035</u>		WOODRUFF KEY.....	1
9	<u>612036</u>		ARMATURE ASSEMBLY	1
10	<u>654716</u>		FRAME AND FIELD ASSEMBLY	1
11	<u>612038</u>		BRUSH LEAD AND TERMINAL PACKAGE	1
12	<u>654717</u>		BRUSH BOX ASSEMBLY	1
13	<u>612039</u>		BRUSH SPRING.....	4
14	<u>612043</u>		WAVY WASHER	1
15	<u>612044</u>		BEARING.....	1
16	<u>612045</u>		COMMUTATOR END HEAD.....	1
17	<u>654718</u>		HEADBAND	1
18				
19				
20				
21				
22	<u>606235</u>		FLANGED HEX HEAD BOLT, M10 - 1.25 X 20MM LG	2
23	<u>606279</u>		FLANGED HEX NUT, M10 - 1.25.....	2
24	<u>606261</u>		BOLT, M8 - 1.25 X 20	3
25	<u>602141</u>		STARTER / GENERATOR BRACKET.....	1
26	<u>602145</u>		TENSIONER BRACKET.....	1
27	<u>606261</u>		BOLT, M8 - 1.25 X 20MM LG	1
28	<u>606256</u>		BOLT, M10 - 1.25 X 25MM LG	9
29	<u>606255</u>		NUT, M10 - 1.25	1
30	<u>606274</u>		NUT, M10 - 1.25	1

STARTER / GENERATOR

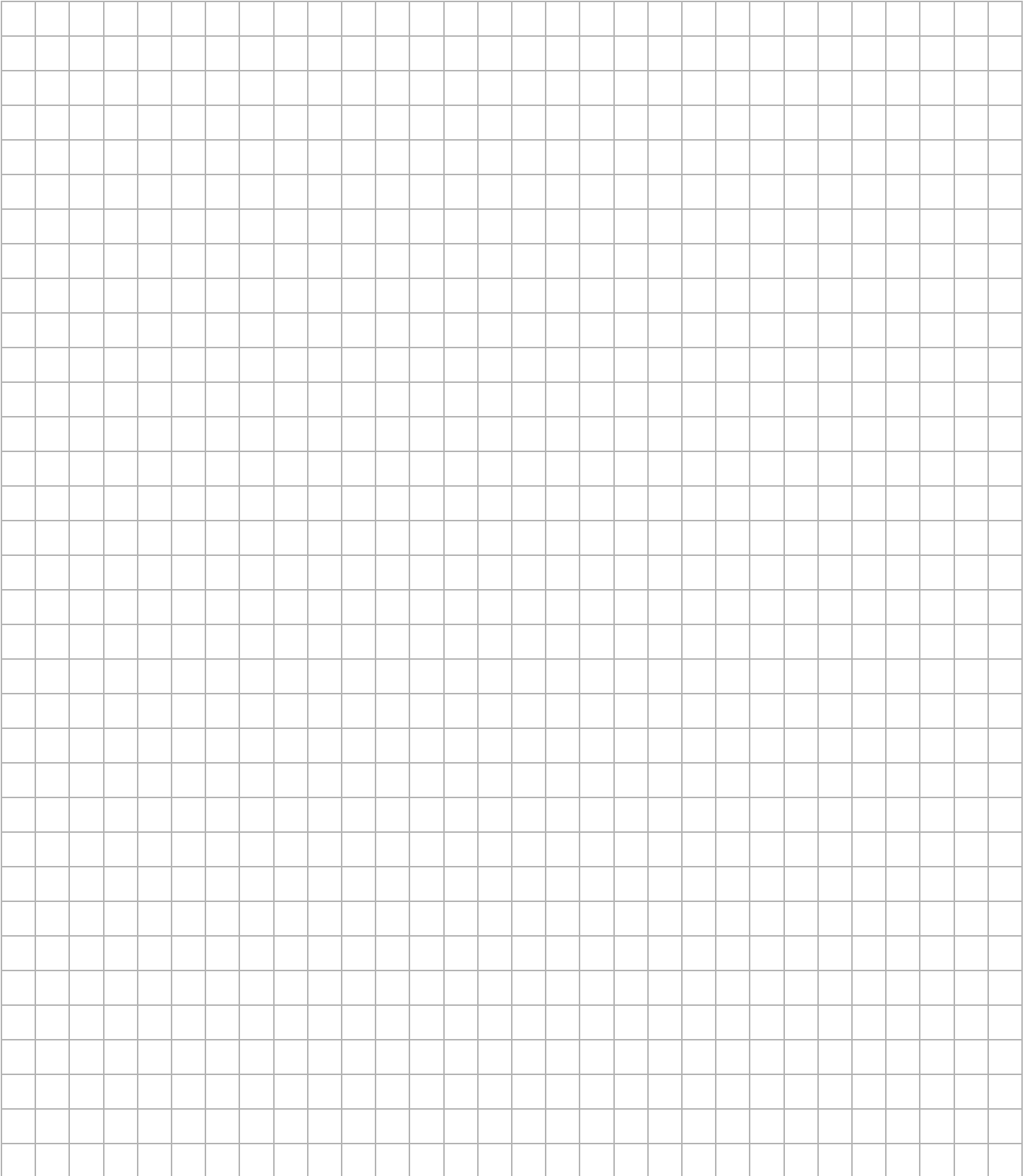
Where applicable, THE USE OF NON UL PARTS WILL VOID ANY UL LISTING.

When ordering parts, please specify the model and serial number of the product.

* Indicates a component that is not available as an individual part.

G** Indicates consult Customer Service Department for additional information.

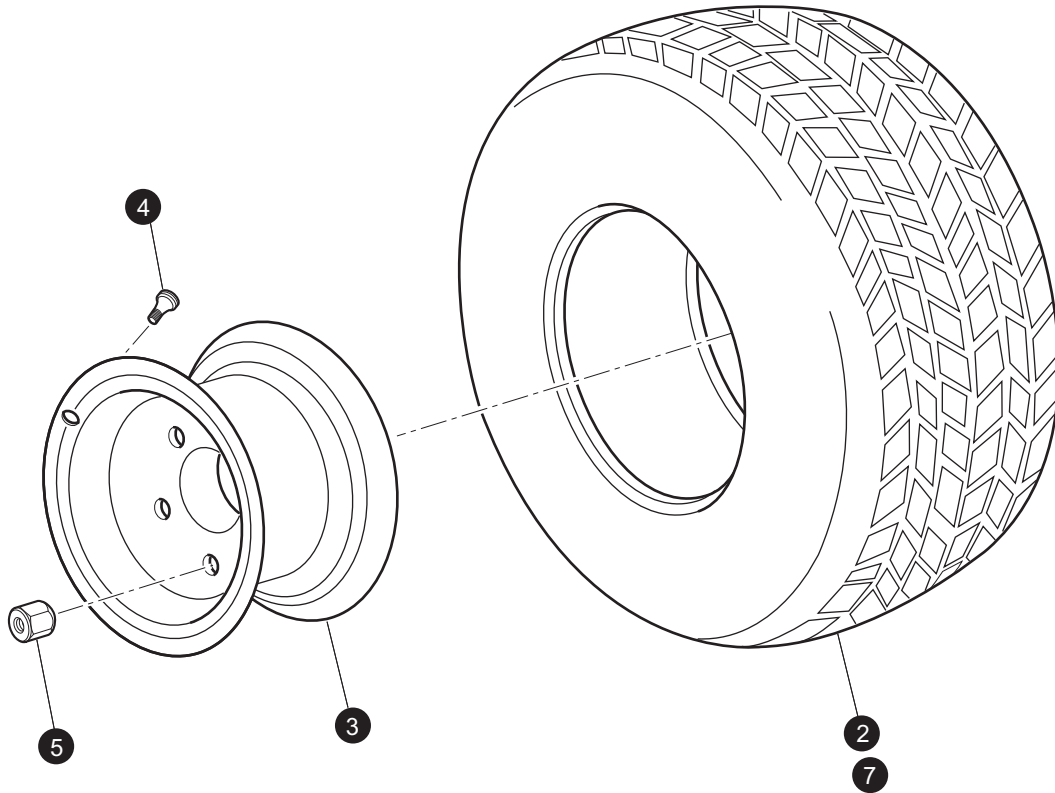
ITEM	PART NO.	1 2 3 4 5	DESCRIPTION	QTY.
31	<u>630587</u>		STARTER / GENERATOR BELT	1
32	<u>12064G6</u>		PUSH NUT, 5/16"	1
33	<u>629763</u>		TENSIONER BOLT	1
34	<u>603884</u>		CABLE GUIDE BRACKET	1
35				
36	<u>607103</u>		WIRE ASSEMBLY, 6 AWG, 42" LG	1
37	<u>25682G01</u>		RUBBER BOOT	3
38	<u>631972</u>		STARTER/GENERATOR SUPPORT BRACKET (FOR VEHICLES MANUFACTURED FROM APRIL 2014)	1



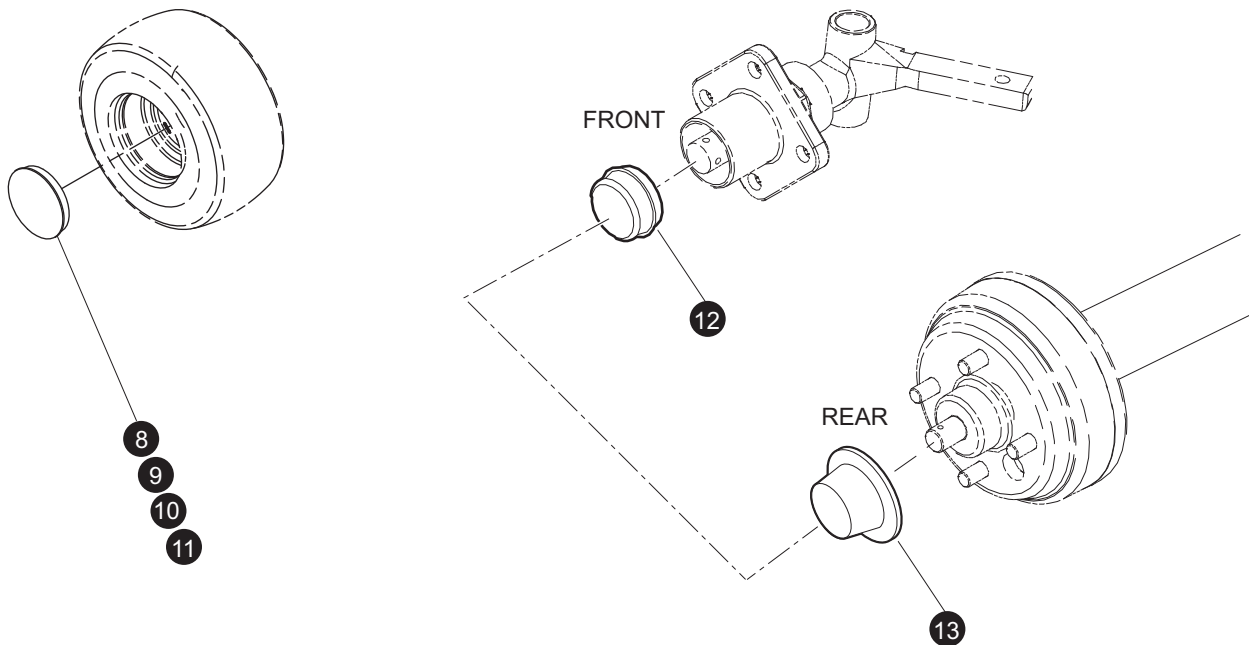
WHEELS AND TIRES

1 - Includes Items 2, 3 & 4

6 - Includes Items 3, 4 & 7



(Style of tire may differ from tire shown)



WHEELS AND TIRES

When ordering parts, please specify the model and serial number of the product.

* Indicates a component that is not available as an individual part.

*** Indicates consult Customer Service Department for additional information.

ITEM	PART NO.	1 2 3 4 5	DESCRIPTION	QTY.
1	28757G01		TIRE AND WHEEL ASSEMBLY (INCLUDES ITEMS 2 - 4)	AR
2	28764G01		TIRE, 18 X 8.50 - 8 LINKS®	1
3	28759G01		WHEEL RIM	1
4	11657G2		VALVE STEM.....	1
5	14723G1		LUG NUT, 1/2 - 20.....	AR
6	28842G01		TIRE AND WHEEL ASSEMBLY (INCLUDES ITEMS 3,4 AND 7)	1
7	28764G06		TRAIL TIRE	1
8	14913G1		8"CHROME E-Z-GO WHEEL COVER.....	4
9	16042G1		6"CHROME E-Z-GO WHEEL COVER.....	4
10	615618		SILVER HUB CAP	4
11	615617		GOLD HUB CAP	4
12	12091G2		SPINDLE CAP	2
13	74175G01		DUST CAP	2

SPECIALTY PRODUCTS

SPECIALTY PRODUCTS

SPECIAL TOOLS	PART NO.
HIGH RESISTANCE SPARK PLUG WIRE SET	26733G02
CLUTCH PULLER (DRIVE)	19779G2
FLYWHEEL PULLER	27111G01
CURRENT INDICATOR	16489G2
DIGITAL MULTI-METER	27481G01
TUBELESS TIRE REPAIR KIT	606009
TIRE PLUGGER REFILL PACK (50/BOX)	606831

TOUCH UP PAINT	PART NO.
PEN 3 OUNCE (89 ML) - HUNTER GREEN	28432G02
PEN 3 OUNCE (89 ML) - CHAMPAGNE BEIGE	28432G01
PEN 3 OUNCE (89 ML) - WHITE	28432G05
PEN 3 OUNCE (89 ML) - INDUSTRIAL YELLOW	28432G03
PEN 3 OUNCE (89 ML) - ORANGE	28432G04
PEN 3 OUNCE (89 ML) - STEEL BLUE PEARL	28432G24
PEN 3 OUNCE (89 ML) - CAMOUFLAGE PAINT (THREE PENS)	75831G01
AEROSOL 12 OUNCE (360 ML) - HUNTER GREEN	28140G09
AEROSOL 12 OUNCE (360 ML) - CHAMPAGNE BEIGE	28140G15
AEROSOL 12 OUNCE (360 ML) - INDUSTRIAL YELLOW	28140G14

MAINTENANCE PRODUCTS	PART NO.
PLEXUS® CLEANER, 13 OUNCE (380 ML) (FOR WINDSHIELDS)	28433G02
BATTERY PROTECTOR, 14 OUNCE (410 ML) SPRAY	27619G02
E-Z-GO ALL SURFACE CLEANER	606311
E-Z-GO FIBREGLASS/PLASTIC RESTORER	606313
WINDSHIELD AND PLASTIC PROTECTOR	606314
64 OZ HAND CLEANER	607636
4 OZ HAND CLEANER	607637

OPTIONS/ACCESSORIES

OPTIONS/ACCESSORIES

ITEM	KIT NO.	SECTION
ASHTRAY KIT	75109G02	Body - Accessories Continued
CLUTCH BELT SHEILD.	605950	Clutch
DROP SIDE KIT.	34538G03	Body
PINSTRIPING INSTALLATION (GOLD)	75111G01	Body
PINSTRIPING INSTALLATION (DARK GREEN).	75111G01	Body
PINSTRIPING INSTALLATION (WHITE).	75111G01	Body
PINSTRIPING INSTALLATION (BLACK).	75111G01	Body
PINSTRIPING INSTALLATION (RED).	75111G01	Body
PINSTRIPING INSTALLATION (BURGUNDY)	75111G01	Body
PINSTRIPING INSTALLATION (NON STANDARD COLOR)75111G01	75111G01	Body
REAR VIEW MIRROR KIT.	19528G2	Body
SUN TOP KIT, SHUTTLE	606057	Weather Protection
SUN TOP ASSEMBLY,	75282G02	Weather Protection
TURN SIGNAL KIT	75107G02	Electrical System
WINDSHIELD KIT, SHUTTLE 2+2.	606058	Weather Protection
WINDSHIELD KIT, FLAT	75524G04	Weather Protection
4 CADDY CARRIER CONV RETROFIT KIT	75278G03	Weather Protection



A Textron Company

E-Z-GO Division Of Textron, Inc.,
1451 Marvin Griffin Road, Augusta, Georgia USA 30906-3852

TO CONTACT US

North America:

Technical Assistance & Warranty Phone: 1-800-774-3946, FAX: 1-800-448-8124
Service Parts Phone: 1-888-GET-EZGO (1-888-438-3946), FAX: 1-800-752-6175

International:

Phone: 001-706-798-4311, FAX: 001-706-771-4609

Copyrighted Material
This manual may not be reproduced in whole or
in part without the express permission of
E-Z-GO Division of Textron, Inc.
Technical Communications Department