



# PARTS CATALOGUE

## YDRAX6 (JW87) CANADA, EUROPE, OTHERS

---



1RJW8-100E1

( )

YDRAX6  
PARTS CATALOGUE  
©2015 by Yamaha Motor Co., Ltd.  
1st edition, June 2015  
All rights reserved.  
Any reprinting or unauthorized use  
without the written permission of  
Yamaha Motor Co., Ltd.  
is expressly prohibited.  
Printed in Japan.

# FOREWORD

This Parts Catalogue is related to the parts for the model(s) on the cover page. When you are ordering replacement parts, please refer to this Parts Catalogue and quote both part numbers and part names correctly.

1. Modifications or additions which have been made after the issue of the Parts Catalogue will be announced in the Parts News.

It is advisable that you make the necessary corrections to the Parts Catalogue according to the Parts News.

2. Abbreviations

The following abbreviations are used in this Parts Catalogue.

“UR” Use specified parts number.

“UN” Use as many as needed.

“AP” Alternate Parts

“LM” Locally Made (Parts need to be ordered locally)

“F#” Frame No. (Applicable machine No.)

“O/S” Over Size

3. The number of components for assembly

- Parts, which are to be supplied in an assembly, are listed with a dot (.) in front of the part name as shown below.
- The numeral appearing to the right of each component part indicates the quantity of parts for each assembly unit.

PART NO.	DESCRIPTION	Q'TY	REMARKS
2F5-83310-60	FRONT FLASHER LIGHT ASSY	2	
115-83311-60	.BULB (6V-18W)	1	

4. Applicable colours of graphics are represented in the “REMARKS” as shown below.

PART NO.	DESCRIPTION	Q'TY	REMARKS
2N4-24110-00-X5	FUEL TANK COMP.	2	MXR
3J1-24240-10	.GRAPHIC, FUEL TANK	1	FOR MXR

5. Note that the illustrations for reference in finding parts numbers are not to be used for assembling. When assembling, please use the applicable service manual.

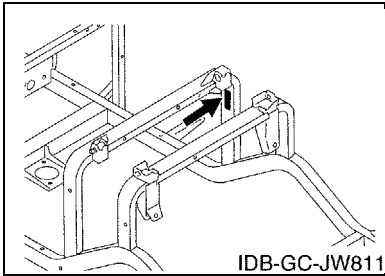
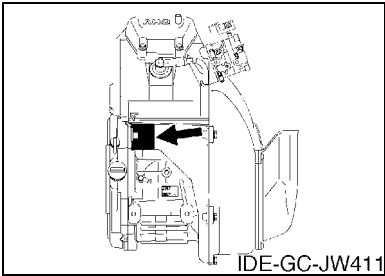
6. The asterisk (\*) before a reference number indicates modified items after the first edition.

# FOREWORD

7. Applicable Serial No.

Engine Serial No.

Frame Serial No.



10. Applicable Starting Serial No.

Frame Serial No.

Serial No.	Name Of Q'ty Column	Model Code
JW8-600101	JW87	JW87

8. Applicable Colour Code (The (\*) mark shows Model colour.)

Abbreviation	Colour Name	Colour Code
DPBST(*)	DARK PURPLISH BLUE SOLID T	1220
HTR(*)	HEAT RED	00EY
LNMP(*)	LIGHT GRAY METALLIC P	0925
LN YM8(*)	LIGHT GRAYISH YELLOW ME 8	1047
NYS4(*)	GRAYISH YELLOW SOLID 4	1459
VDGS1(*)	VERY DARK GREEN SOLID 1	0614
WS7(*)	WHITE SOLID 7	1045

9. Quantity Column Information

Column No.	Name Of Q'ty Column	Destination
1	JW87	CANADA, EUROPE, OTHERS

# CONTENTS

ENGINE 1 .....	1
----------------	---

## ENGINE

CYLINDER HEAD .....	2
CRANKSHAFT & PISTON .....	3
CAMSHAFT & VALVE .....	4
AIR SHROUD & FAN .....	5
INTAKE .....	6
CARBURETOR .....	7
EXHAUST .....	8
CRANKCASE .....	9

## BODY

ENGINE BRACKET .....	10
REAR ARM & SUSPENSION .....	11
FRAME .....	12
FRONT SUSPENSION .....	13
STEERING .....	15
FUEL TANK 1 .....	17
FUEL TANK 2 .....	18
PEDAL WIRE .....	19
PEDAL ASSEMBLY .....	20
BRAKE .....	23
GOVERNOR .....	24

## DRIVE

PRIMARY SHEAVE .....	25
SECONDARY SHEAVE .....	26
TRANSAXLE .....	27
SHIFTER & CABLES .....	30
WHEEL .....	31
BUMPER .....	32
BODY .....	33
BODY 2 .....	35
BODY FITTING .....	36
CARRIER .....	37
SEAT .....	38

## ELECTRICAL

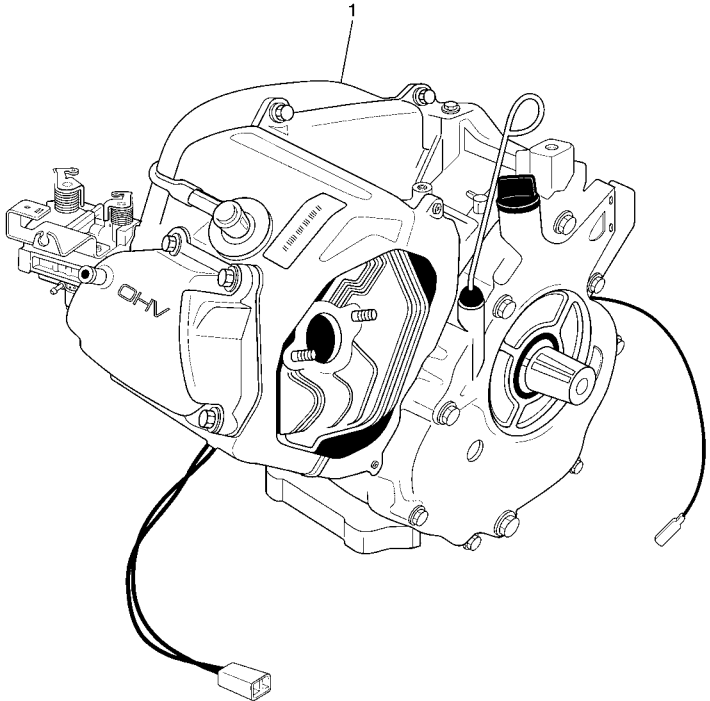
STARTING MOTOR .....	39
ELECTRICAL 1 .....	41

ELECTRICAL 2 .....	42
ALTERNATE FOR WINDSHIELD .....	44
ALTERNATE FOR SUN ROOF .....	45

## INDEX

NUMERICAL INDEX .....	46
-----------------------	----

FIG. 1 ENGINE 1



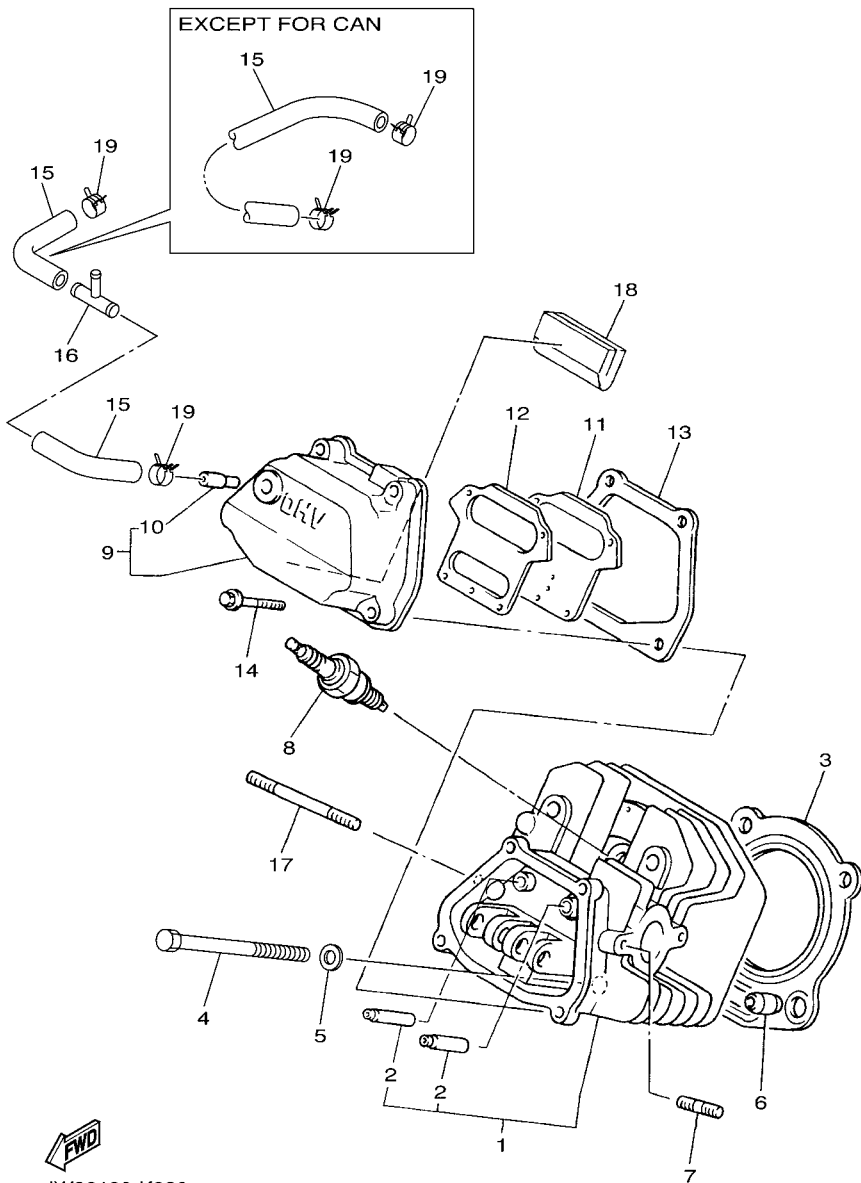
REF. NO.	PART NO.	DESCRIPTION	JW87					REMARKS
1	JR6-19001-00	ENGINE ASSEMBLY	1					



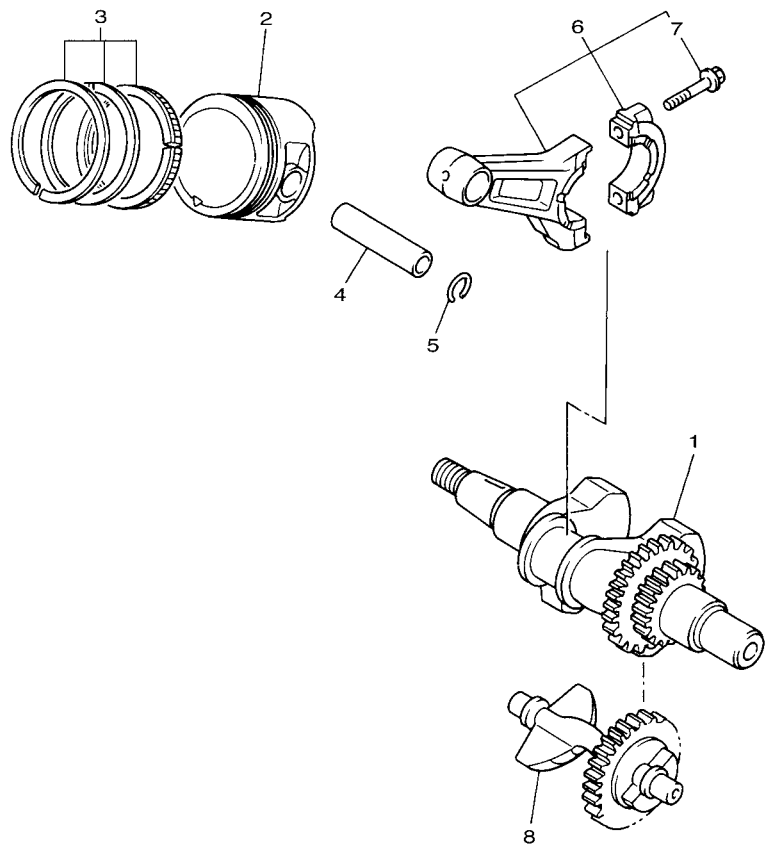
JW41110-C010

**FIG. 2 CYLINDER HEAD**

REF. NO.	PART NO.	DESCRIPTION	JW87				REMARKS
1	JT0-11111-00	HEAD, CYLINDER 1	1				
2	JN6-11133-10	.GUIDE, VALVE 1	2				
3	JT0-11181-00	GASKET, CYLINDER HEAD 1	1				
4	97012-10070	BOLT	4				
5	90201-10057	WASHER, PLATE	4				
6	99530-14016	PIN, DOWEL	2				
7	95622-08618	BOLT, STUD	2				
8	94702-00348	PLUG, SPARK (NGK-BPR2ES)	1				STD
	94702-00343	PLUG, SPARK (NGK BP4ES)	1				AP
9	JN6-11191-01	COVER, CYLINDER HEAD 1	1				
10	JN6-11116-00	.JOINT, BREATHER	1				
11	JN6-11168-00	COVER, BREATHER	1				
12	JN6-11169-00	GASKET, BREATHER COVER	1				
13	JN6-11193-00	GASKET, HEAD COVER 1	1				
14	95822-06030	BOLT, FLANGE	4				
15	JN6-E1166-00	PIPE, BREATHER 1	1				UR EXCEPT FOR CAN
	JW1-E1166-00	PIPE, BREATHER 1	2				UR FOR CAN
16	JW1-E1116-00	JOINT, BREATHER	1				FOR CAN
17	95602-08710	BOLT, STUD	2				
18	JR7-11163-10	ELEMENT	1				
19	90467-13847	CLIP	2				



JW82100-K020



JN7010-6021

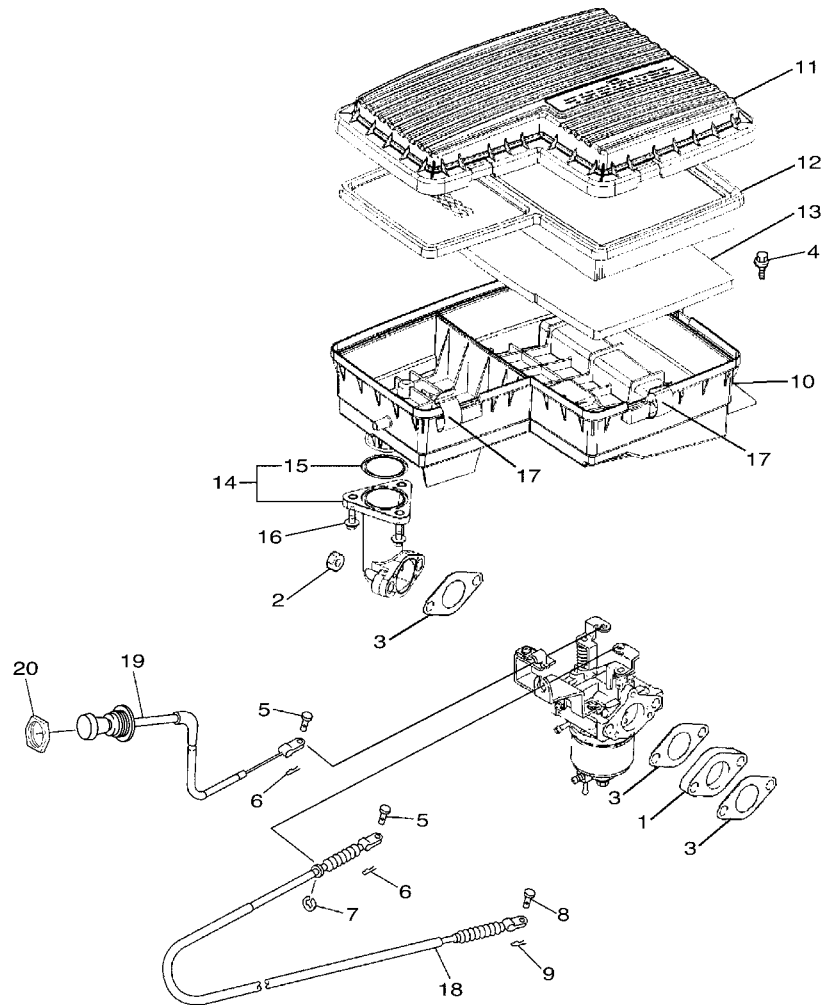
**FIG. 3 CRANKSHAFT & PISTON**

REF. NO.	PART NO.	DESCRIPTION	JW87				REMARKS
1	JN6-11400-00	CRANKSHAFT ASSY	1				
2	JR7-11631-00-A0	PISTON (STD)	1				
	JR7-11635-00	PISTON (0.25MM O/S)	1				AP
	JR7-11636-00	PISTON (0.50MM O/S)	1				AP
3	JR7-11610-00	PISTON RING SET (STD)	1				
	JR7-11610-10	PISTON RING SET (0.25MM O/S)	1				AP
	JR7-11610-20	PISTON RING SET (0.50MM O/S)	1				AP
4	583-11633-00	PIN, PISTON	1				
5	93450-21053	CIRCLIP	2				
6	JN6-11650-10	CONNECTING ROD ASSY	1				
7	JN6-11654-10	BOLT, CONNECTING ROD	2				
8	JN6-11454-10	WEIGHT 1	1				





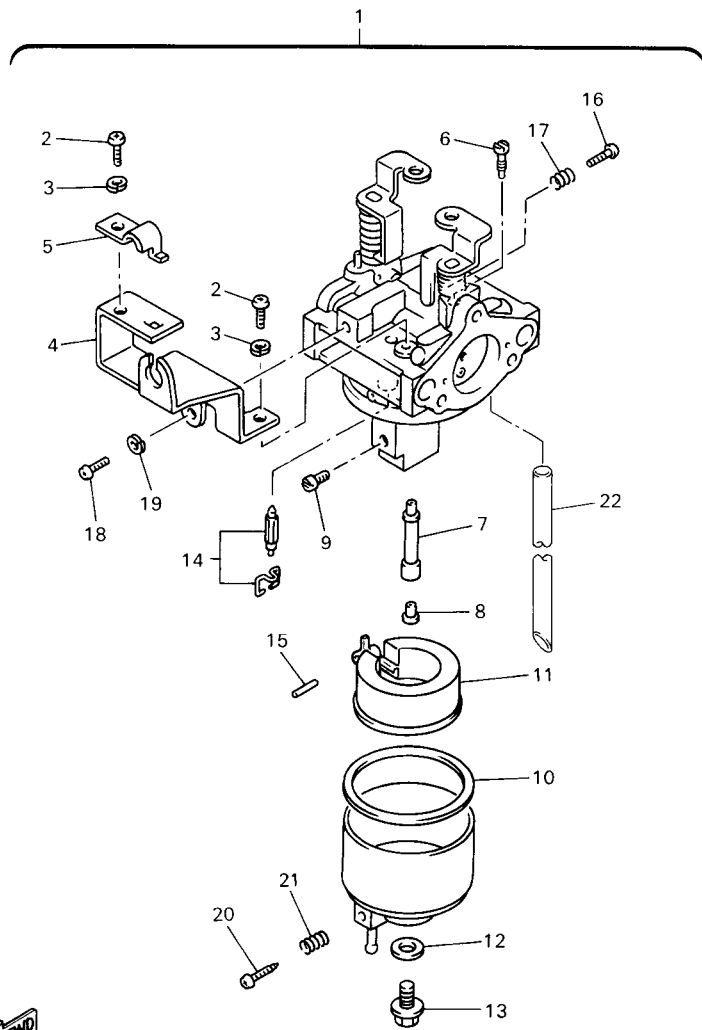




JW86100-P060

FIG. 6 INTAKE

REF. NO.	PART NO.	DESCRIPTION	JW87				REMARKS
1	JN6-13595-00	JOINT	1				
2	95702-08500	NUT, FLANGE	2				
3	JN6-13567-00	GASKET	3				
4	90119-06884	BOLT, WITH WASHER	2				
5	91702-05010	PIN, CLEVIS	2				
6	90468-10049	CLIP	2				
7	99001-07600	CIRCLIP	1				
8	91702-05010	PIN, CLEVIS	1				
9	90468-10049	CLIP	1				
10	JU0-E4411-00	CASE, AIR CLEANER 1	1				
11	JU0-E4412-00	CAP, CLEANER CASE 1	1				
12	JU0-E4450-00	ELEMENT ASSY, AIR CLEANER	1				
13	JU0-E445E-00	FILTER 1	1				
14	JU0-E3505-09	JOINT COMP.	1				
15	93210-398D6	.O-RING	1				
16	90105-06862	BOLT, FLANGE	3				
17	5UH-E4424-00	CLIP, CAP FITTING	5				
18	JW8-F6312-20	CABLE, THROTTLE 2	1				
19	JW1-F6331-01	CABLE, STARTER 1	1				
20	JU0-F6333-00	NUT	1				



JW87110-R070

FIG. 7 CARBURETOR

REF. NO.	PART NO.	DESCRIPTION	JW87				REMARKS
1	JR6-14101-02	CARBURETOR ASSY 1	1				
2	98507-05008	.SCREW, PAN HEAD	2				
3	92990-05100	.WASHER, SPRING	2				
4	JN6-14291-00	.BRACKET 1	1				
5	J10-14227-00	.PLATE	1				
6	732-14142-65-A0	.JET, PILOT (# 65)	1				
7	JN6-1495H-3B	.NOZZLE, MAIN	1				
8	73A-1414G-00	.PIPE, MAIN BLEED	1				
9	3G2-1423A-68-A0	.JET, MAIN (# 87.5)	1				STD
	3G2-1423A-67	.JET, MAIN (# 82.5)	1				AP
	3G2-1423E-33-A0	.JET, MAIN (#83.8)	1				AP
10	7CT-E4997-00	.SEAL	1				
11	JN6-14185-00	.FLOAT	1				
12	127-14198-00	.GASKET	1				
13	7R1-14162-00	.BOLT, HOLDING	1				
14	JN5-14150-00	.NEEDLE ASSY (WITH CLIP)	1				
15	22F-14186-00	.PIN, FLOAT	1				
16	1WG-14922-00	.SCREW, THROTTLE	1				
17	73A-14212-10	.SPRING	1				
18	98507-04010	.SCREW, PAN HEAD	1				
19	92902-04100	.WASHER, SPRING	1				
20	7E1-14191-00	.PLUG, DRAIN	1				
21	73A-14212-00	.SPRING	1				
22	1KT-14197-01	.PIPE	1				



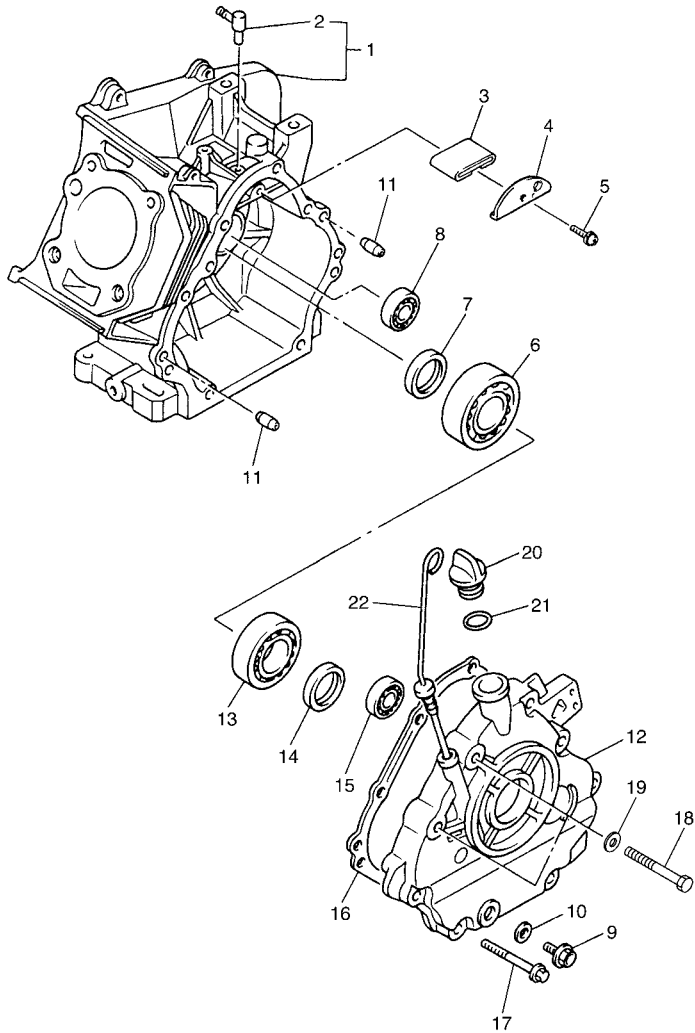


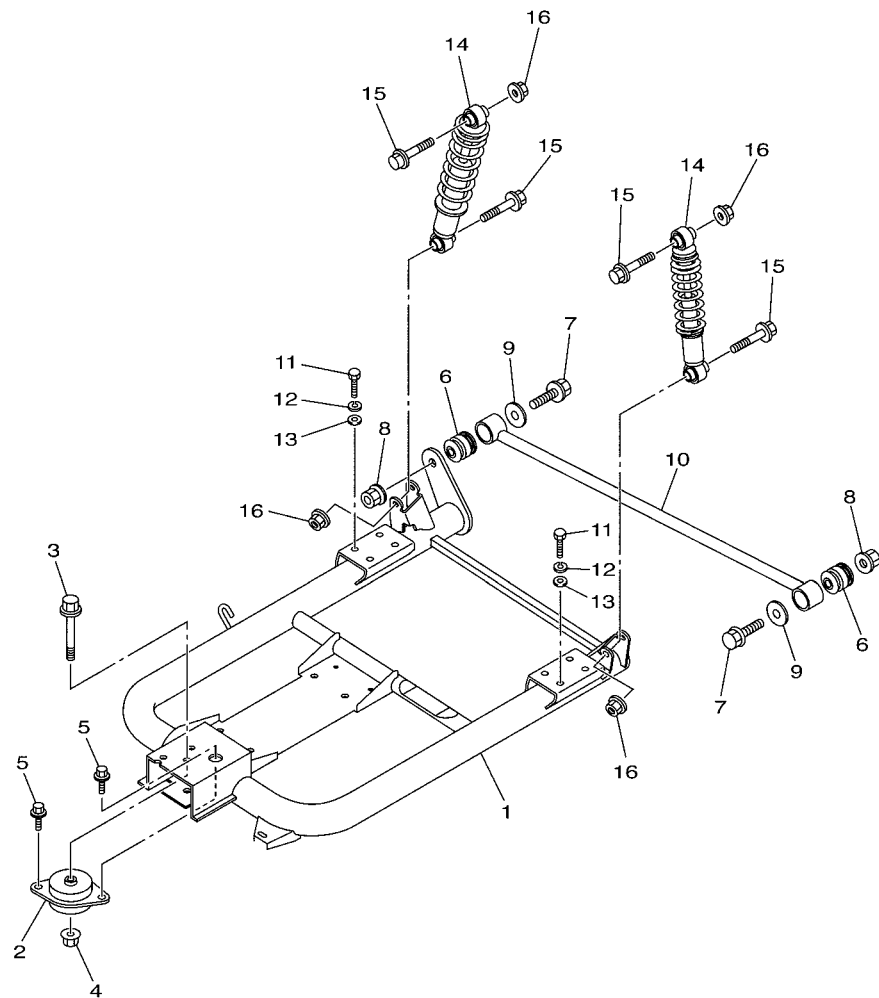
FIG. 9 CRANKCASE

REF. NO.	PART NO.	DESCRIPTION	JW87				REMARKS
1	JR7-15100-02	CRANKCASE ASSY	1				
2	JN6-15155-10	.NOZZLE 3	1				
3	JW1-E5407-00	ELEMENT 1	1				
4	JR7-15123-00	PLATE, BAFFLE 1	1				
5	90159-06107	SCREW, WITH WASHER	1				
6	93306-30709	BEARING	1				
7	93102-35014	OIL SEAL	1				
8	93306-20201	BEARING	1				
9	90340-12097	PLUG, STRAIGHT SCREW	1				
10	812-11198-00	GASKET	1				
11	99530-08016	PIN, DOWEL	2				
12	JN6-15411-01	COVER, CRANKCASE 1	1				
13	93306-20714	BEARING	1				
14	93102-35014	OIL SEAL	1				
15	93306-20201	BEARING	1				
16	JY2-15451-00	GASKET, CRANKCASE COVER 1	1				
17	95812-08045	BOLT, FLANGE	6				
18	97012-10050	BOLT	2				
19	90201-10057	WASHER, PLATE	2				
20	796-15363-01	PLUG, OIL	1				
21	93210-22344	O-RING	1				
22	J38-15361-00	GAUGE, LEVEL	1				



JW61100-H090





JW69110-R110

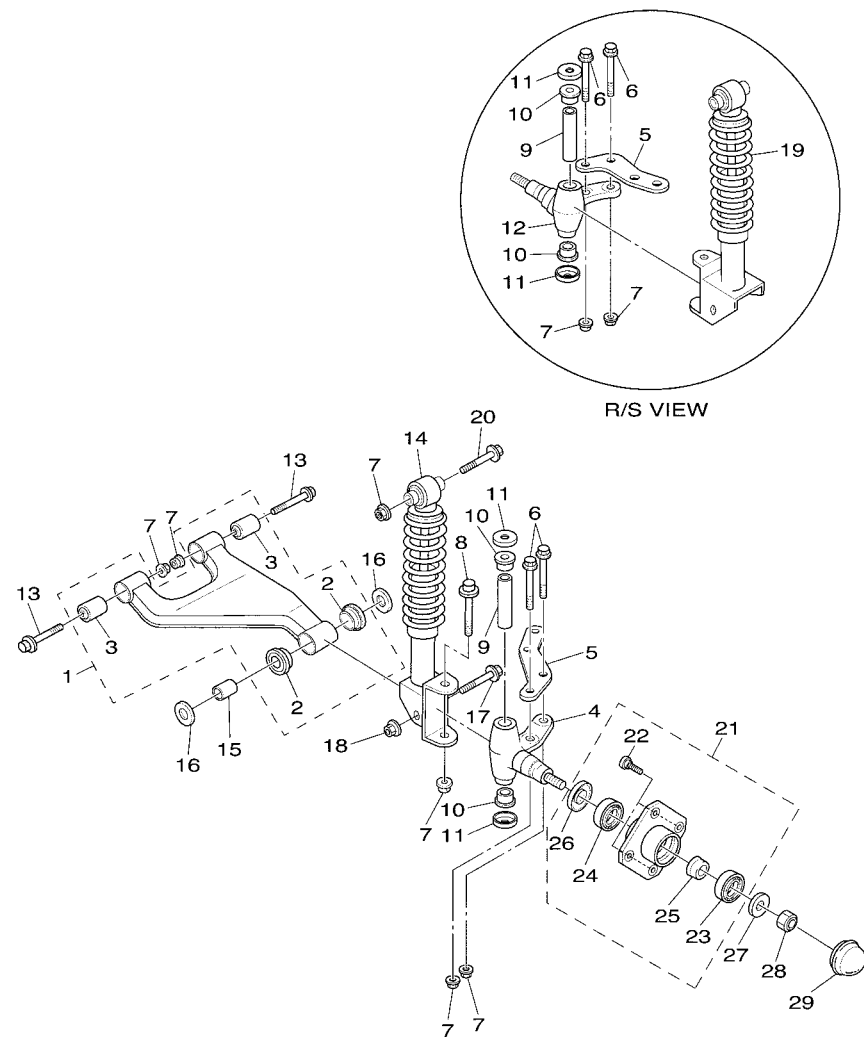
FIG. 11 REAR ARM & SUSPENSION

REF. NO.	PART NO.	DESCRIPTION	JW87				REMARKS
1	JW8-F2110-30	REAR ARM COMP.	1				
2	JN6-F2123-10	BUSH 1	1				
3	90105-13800	BOLT, FLANGE	1				
4	90179-13800	NUT	1				
5	90119-10044	BOLT, WITH WASHER	2				
6	JN6-F2124-10	BUSH 2	2				
7	95812-12065	BOLT, FLANGE	2				
8	95602-12200	NUT, SELF-LOCKING	2				
9	90201-128S4	WASHER, PLATE	2				
10	JW1-F217G-10	ROD, CONNECTING 2	1				
11	97012-10020	BOLT	8				
12	92902-10100	WASHER, SPRING	8				
13	92902-10600	WASHER, PLATE	8				
14	JW1-F2210-10	SHOCK ABSORBER ASSY, REAR	2				
15	95812-10055	BOLT, FLANGE	4				
16	95602-10200	NUT, U FLANGE	4				





**FIG. 13 FRONT SUSPENSION**

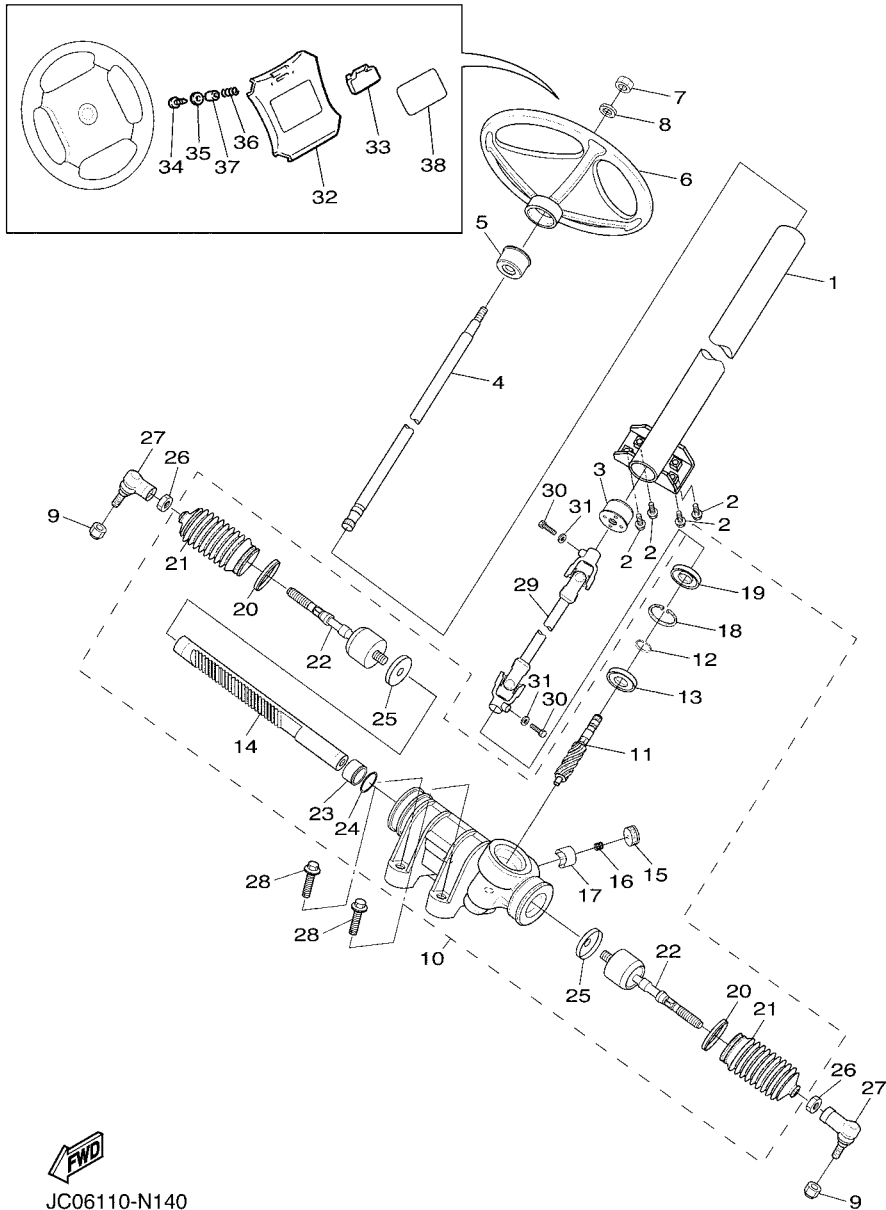


JW69110-R130

REF. NO.	PART NO.	DESCRIPTION	JW87				REMARKS
1	JU0-F3570-20	FRONT LOWER ARM COMP.	2				
2	90381-18001	.BUSH, SOLID	2				
3	2HR-23526-00	.BUSH	2				
4	JU0-F3511-10	KNUCKLE, STEERING 1	1				
5	JW1-F3512-00	ARM, KNUCKLE 1	2				
6	90105-10373	BOLT, FLANGE	4				
7	95602-10200	NUT, U FLANGE	12				
8	90105-10219	BOLT, FLANGE	2				
9	2NL-23448-00	SPACER	2				
10	90381-17067	BUSH, SOLID	4				
11	2NL-23517-00	COVER, THRUST 1	4				
12	JU0-F3521-10	KNUCKLE, STEERING 2	1				
13	90105-10267	BOLT, FLANGE	4				
14	JW1-F3350-10	SHOCK ABSORBER ASSY	1				
15	90387-12016	COLLAR	2				
16	401-22128-01	COVER, THRUST 1	4				
17	95812-12080	BOLT, FLANGE	2				
18	95612-12100	NUT, U	2				
19	JW1-F3390-10	SHOCK ABSORBER ASSY 2	1				
20	90105-10267	BOLT, FLANGE	2				
21	JW8-F5103-00	HUB BEARING UNIT ASSY	2				
22	90114-12806	.BOLT, SERRATION	4				
23	93306-204X0	.BEARING	1				
24	93306-005Y3	.BEARING	1				
25	90387-241M7	.COLLAR	1				
26	93102-30083	.OIL SEAL	1				
27	90208-14801	WASHER, CONICAL SPRING	2				



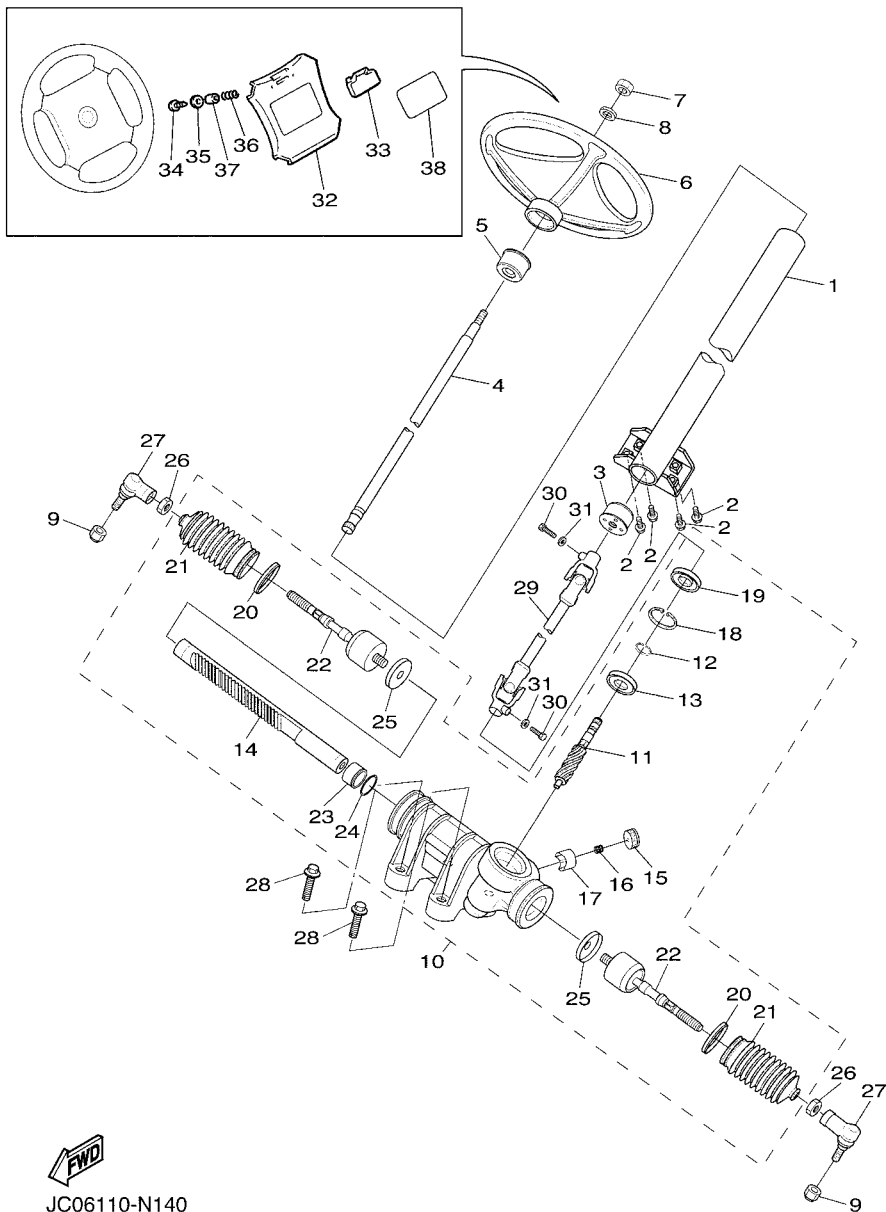
FIG. 14 STEERING



JC06110-N140

REF. NO.	PART NO.	DESCRIPTION	JW87				REMARKS
1	JW1-F3811-03	COLUMN, STEERING	1				
2	95812-08020	BOLT, FLANGE	4				
3	JU0-F3857-11	HOLDER	1				
4	JU0-F3828-10	ROD, STEERING	1				
5	JU0-F3857-11	HOLDER	1				
6	JN3-F3838-00	WHEEL, STEERING	1				
7	90185-12008	NUT, SELF-LOCKING	1				
8	92902-12200	WASHER	1				
9	95602-12200	NUT, SELF-LOCKING	2				
10	JW1-F3400-00	STEERING ASSY	1				
11	JW1-F387A-00	.GEAR,PINION	1				
12	JW1-F3183-00	.CIRCLIP	1				
13	JW1-F3812-00	.BEARING, STEERING	1				
14	JW1-F387E-00	.GEAR, RACK	1				
15	5UG-F387G-00	.COVER, ADJUST	1				
16	5UG-F387K-00	.SPRING, PRESSURE	1				
17	5UG-F387F-00	.PAD, PRESSURE	1				
18	5UG-F387J-00	.RING, STOPPER	1				
19	5UG-F3844-00	.SEAL	1				
20	5UG-F3489-00	.BAND	2				
21	5UG-F3527-00	.SEAL, DUST 1	2				
22	JW1-F3837-00	.ROD, TIE 2	2				
23	JW1-F467K-00	.BUSH, CAP	1				
24	JW1-F3866-00	.CIRCLIP	1				
25	JW1-F3894-00	.WASHER, LOCK 1	2				
26	1P0-F3833-00	NUT 1	2				
27	JW8-23841-01	JOINT, UNIVERSAL 1	2				

FIG. 14 STEERING

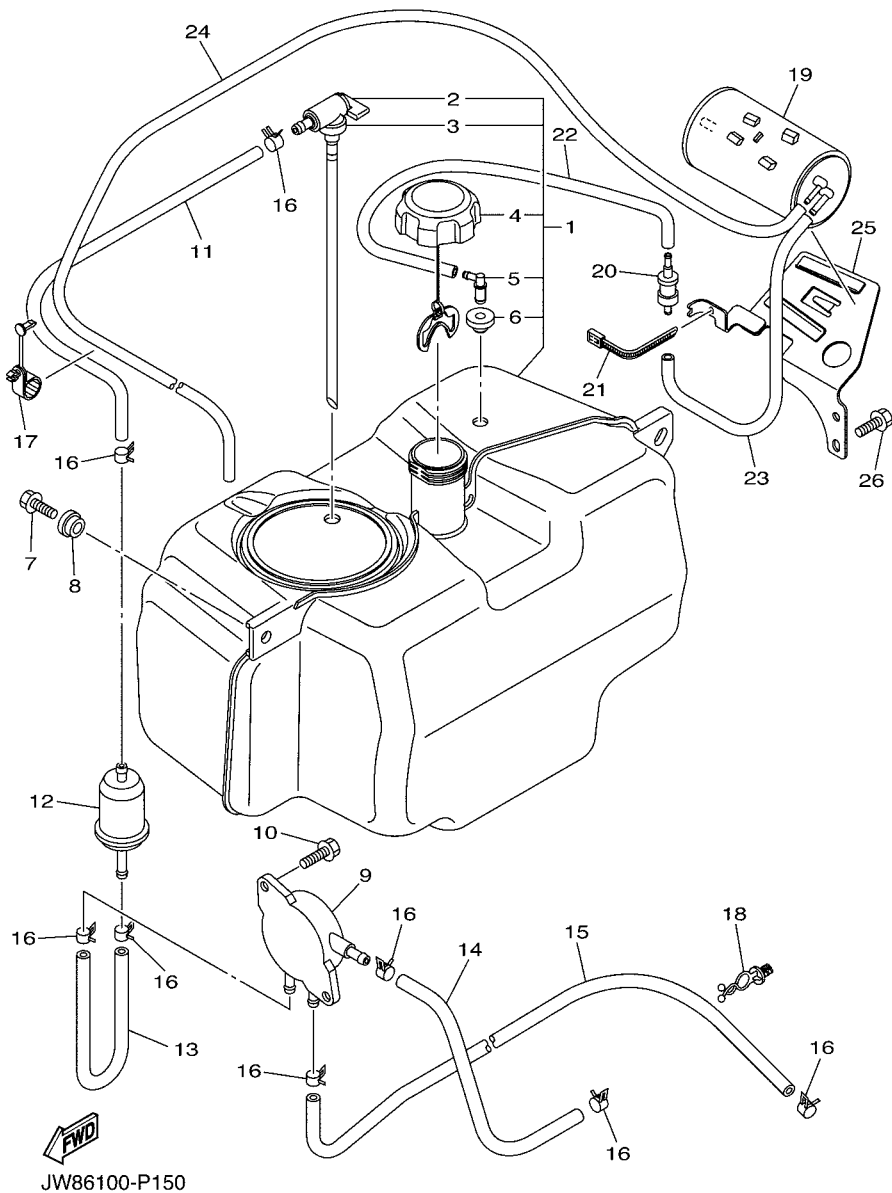


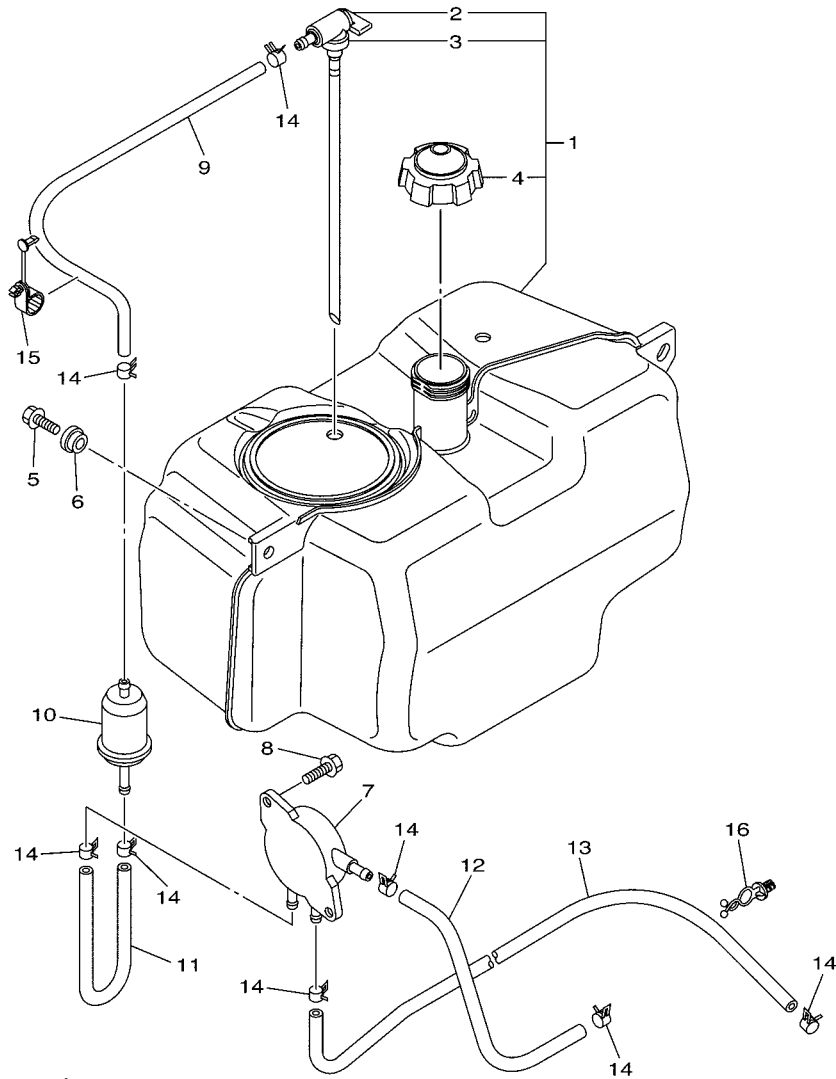
JC06110-N140

REF. NO.	PART NO.	DESCRIPTION	JW87				REMARKS
28	90105-10847	BOLT, FLANGE	4				
29	JW1-F3822-01	JOINT 1	1				
30	97012-08030	BOLT	2				
31	92902-08600	WASHER, PLATE	2				
32	JW8-K8357-00	HOLDER 1	1				
33	JN6-K8358-01	HOLDER 2	1				
34	97702-40525	SCREW, TAPPING	2				
35	90201-04810	WASHER, PLATE	2				
36	90502-10013	SPRING, CONICAL	2				
37	90387-046N7	COLLAR	2				
38	JW8-K7762-00	LABEL, WARNING 2	1				CAN,JPN
	JW8-K7762-11	LABEL, WARNING 2 (E, F)	1				EXC. CAN,JPN
	JW8-K7762-21	LABEL, WARNING 2 (G, S)	1				EXC. CAN,JPN

FIG. 15 FUEL TANK 1

REF. NO.	PART NO.	DESCRIPTION	JW87		REMARKS
1	JW8-F4111-20	TANK, FUEL	1		FOR CAN
2	JW1-F4300-10	.FUEL PIPE JOINT	1		FOR CAN
3	JU5-F4375-00	.GROMMET	1		FOR CAN
4	JW1-F4610-00	.CAP ASSY	1		FOR CAN
5	JW1-F4112-00	.PIPE	1		FOR CAN
6	JU5-F4375-00	.GROMMET	1		FOR CAN
7	JW1-F1738-00	BOLT	2		FOR CAN
8	90560-08251	SPACER	2		FOR CAN
9	JN6-F4410-11	FUEL PUMP ASSY	1		FOR CAN
10	JW1-F3394-00	BOLT, SPECIAL	2		FOR CAN
11	JW7-F4311-00	PIPE, FUEL 1	1		FOR CAN
12	JN6-F4560-00	FILTER ASSY	1		FOR CAN
13	JW1-F4311-00	PIPE, FUEL 1	1		FOR CAN
14	JW1-F4313-01	PIPE 3	1		FOR CAN
15	JW1-F4314-00	PIPE 4	1		FOR CAN
16	90467-10846	CLIP	8		FOR CAN
17	JW7-F312H-00	CLAMP	1		FOR CAN
18	90464-12836	CLAMP	1		FOR CAN
19	7CC-F4170-01	CANISTER ASSY	1		FOR CAN
20	4WM-24180-00	ROLL OVER VALVE ASSY	1		FOR CAN
21	90464-40825	CLAMP	1		FOR CAN
22	JW7-F4314-10	PIPE 4	1		FOR CAN
23	JW1-F4316-00	PIPE 6	1		FOR CAN
24	JW1-F4317-00	PIPE 7	1		FOR CAN
25	JW1-F419A-11	HOLDER	1		FOR CAN
26	JW1-F1738-00	BOLT	2		FOR CAN





JW86100-P160

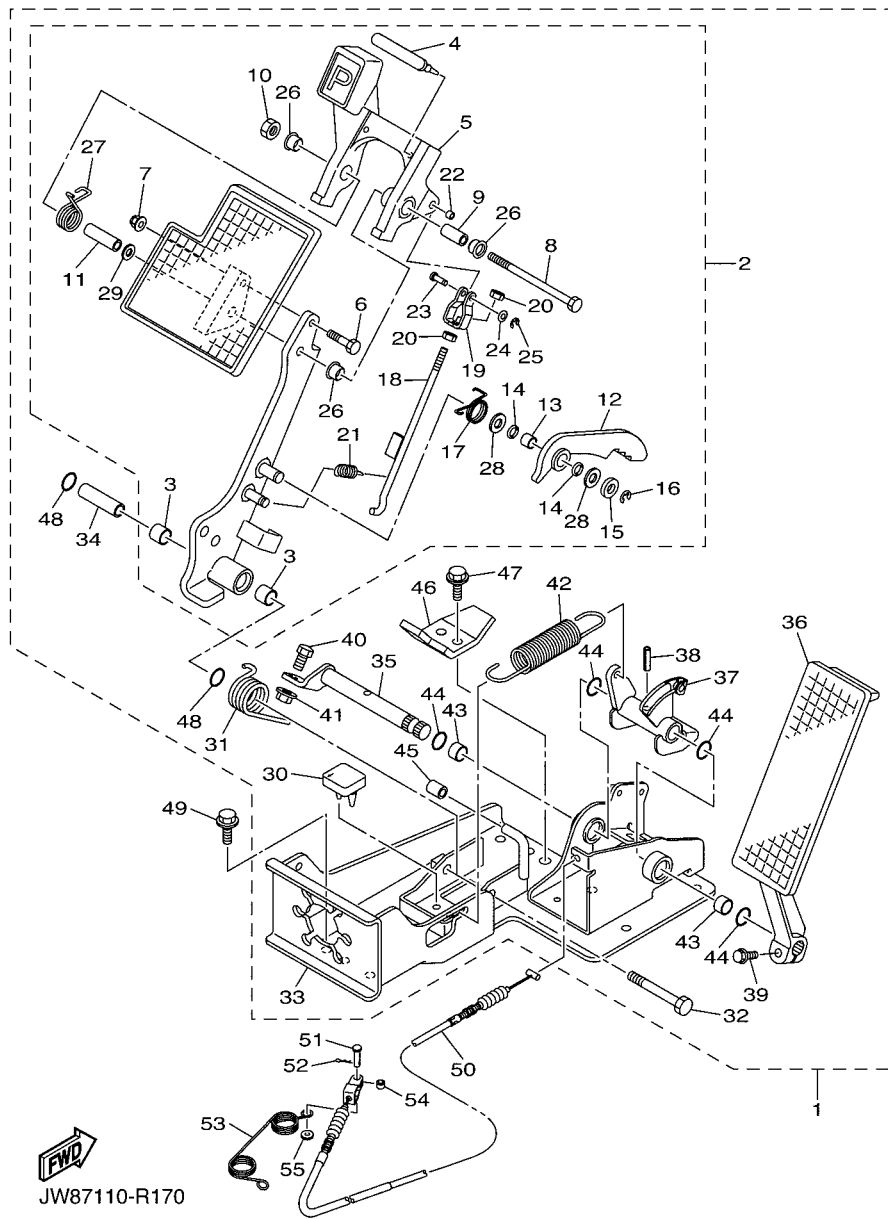
FIG. 16 FUEL TANK 2

REF. NO.	PART NO.	DESCRIPTION	JW87			REMARKS
1	JW8-F4111-30	TANK, FUEL	1			EXCEPT FOR CAN
2	JW1-F4300-10	.FUEL PIPE JOINT	1			EXCEPT FOR CAN
3	JU5-F4375-00	.GROMMET	1			EXCEPT FOR CAN
4	JN6-F4610-00	.CAP ASSY	1			EXCEPT FOR CAN
5	JW1-F1738-00	BOLT	2			EXCEPT FOR CAN
6	90560-08251	SPACER	2			EXCEPT FOR CAN
7	JN6-F4410-11	FUEL PUMP ASSY	1			EXCEPT FOR CAN
8	JW1-F3394-00	BOLT, SPECIAL	2			EXCEPT FOR CAN
9	JW7-F4311-00	PIPE, FUEL 1	1			EXCEPT FOR CAN
10	JN6-F4560-00	FILTER ASSY	1			EXCEPT FOR CAN
11	JW1-F4311-00	PIPE, FUEL 1	1			EXCEPT FOR CAN
12	JW1-F4313-01	PIPE 3	1			EXCEPT FOR CAN
13	JW1-F4314-00	PIPE 4	1			EXCEPT FOR CAN
14	90467-10846	CLIP	8			EXCEPT FOR CAN
15	JW7-F312H-00	CLAMP	1			EXCEPT FOR CAN
16	90464-12836	CLAMP	1			EXCEPT FOR CAN





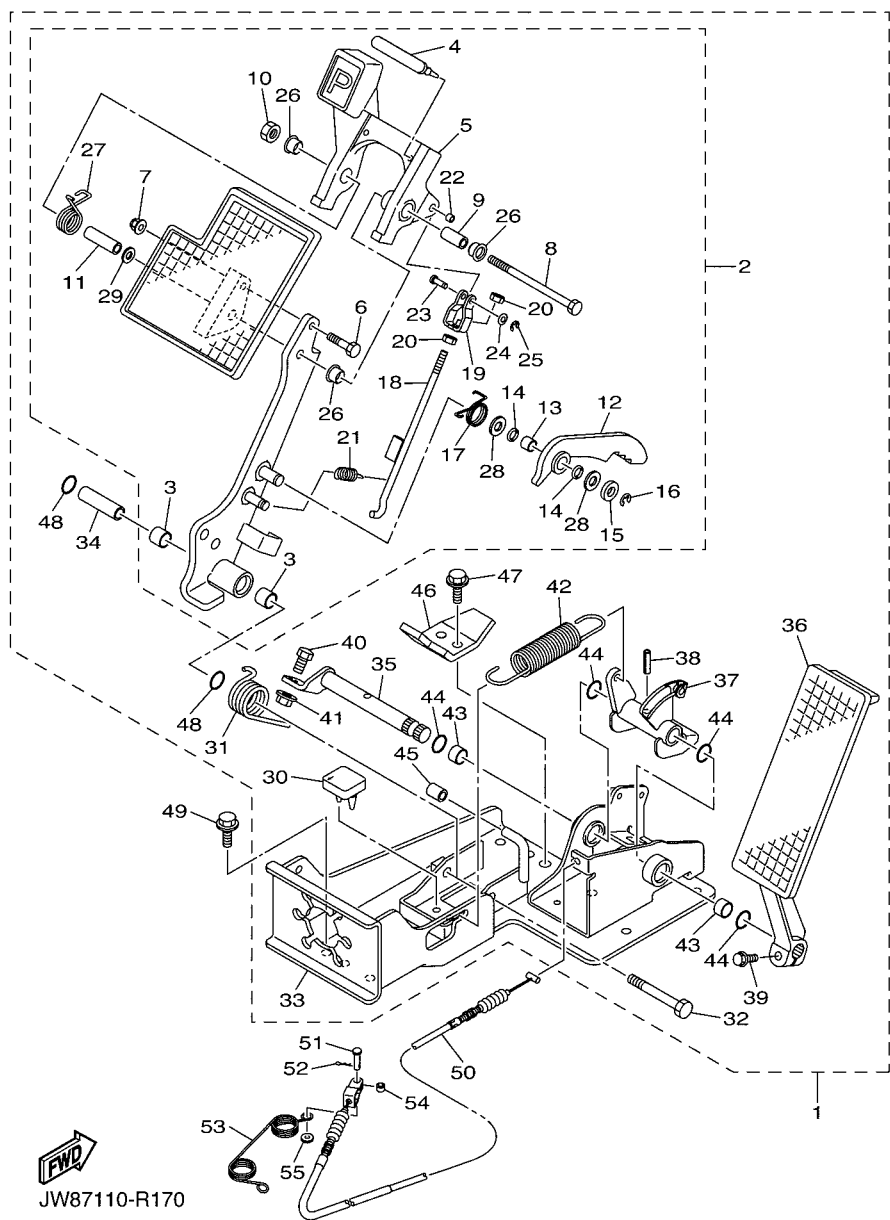
FIG. 18 PEDAL ASSEMBLY



JW87110-R170

REF. NO.	PART NO.	DESCRIPTION	JW87				REMARKS
1	JW8-F7850-31	PEDAL ASSY (L.H)	1				
2	JW9-F7200-21	.PEDAL, BRAKE	1				
3	JW8-F7814-21	..BUSH, PEDAL	2				
4	JW9-F5672-00	..PAD, PARKING PEDAL	1				
5	JW9-F5671-00	..PEDAL, PARKING BRAKE	1				
6	JW8-F7117-00	..BOLT, MAIN STAND	1				
7	JW8-F8363-00	..NUT	1				
8	JW8-F7416-00	..BOLT, FOOTREST	1				
9	JW8-F639N-00	..COLLAR	1				
10	JW8-F7218-00	..NUT	1				
11	JW8-F7113-00	..COLLAR, MAIN STAND	1				
12	JW9-F5666-00	..SECTOR, PARKING BRAKE	1				
13	JW8-F7121-00	..BUSH	1				
14	JW9-F7221-00	..SEAL, SHAFT	2				
15	JW8-F7322-00	..WASHER	1				
16	JW8-F3183-00	..CIRCLIP	1				
17	JW8-F7426-01	..SPRING, RETURN	1				
18	JW9-F7231-10	..ROD, BRAKE	1				
19	JW9-F7232-00	..END, ROD 2	1				
20	JW8-F7318-00	..NUT	2				
21	JW8-F6314-00	..SPRING	1				
22	JW8-F639L-00	..BUSH 1	1				
23	JW9-F7228-00	..PIN, JOINT	1				
24	JW8-F8323-00	..WASHER, LEG SHIELD	1				
25	JW8-F5415-00	..CIRCLIP	1				
26	90386-12800	..BUSH	3				
27	JW8-F7825-01	..SPRING, RETURN	1				

**FIG. 18 PEDAL ASSEMBLY**

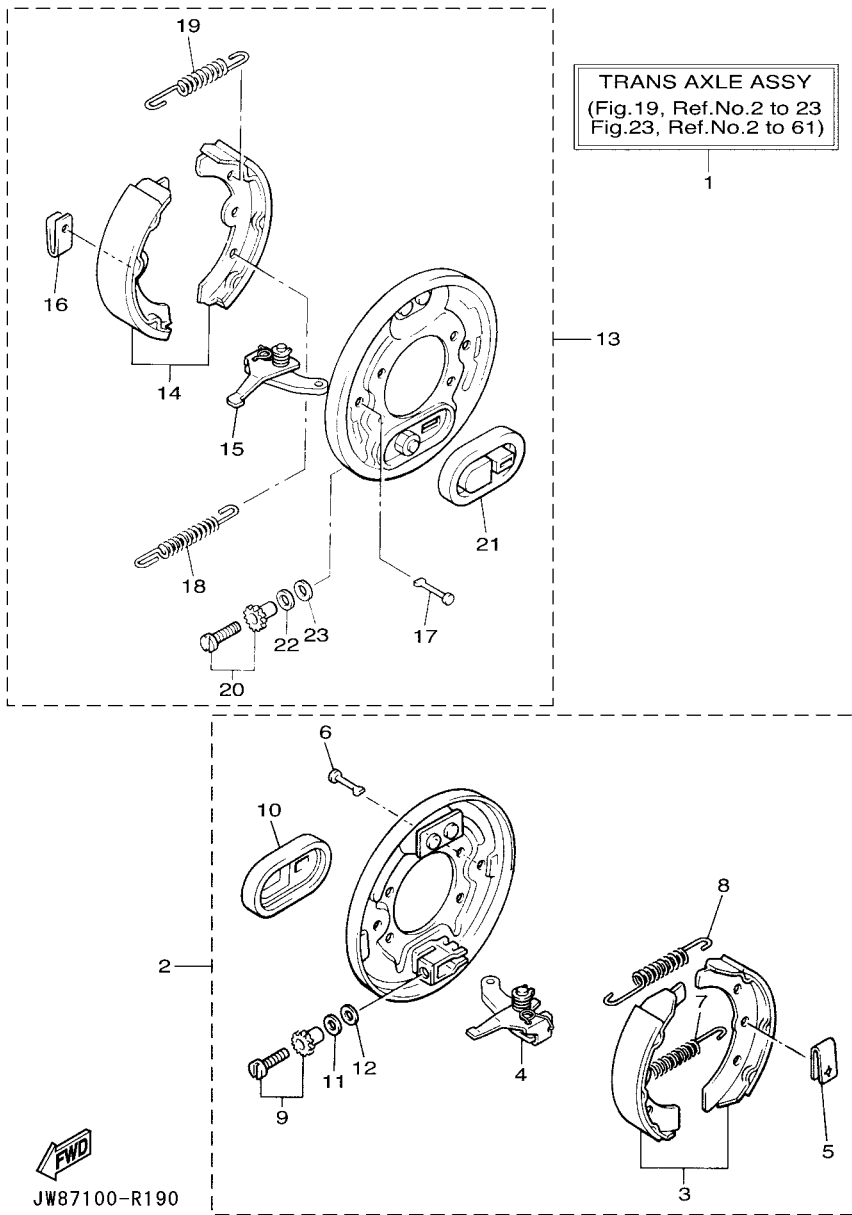


JW87110-R170

REF. NO.	PART NO.	DESCRIPTION	JW87				REMARKS
28	JW8-F7119-00	..WASHER	2				
29	JW8-F8319-00	..WASHER	1				
30	JW9-F7245-10	.PAD, BRAKE PEDAL	1				
31	JW8-F7316-01	.SPRING, SIDE STAND	1				
32	JW8-F7217-00	.BOLT	1				
33	JW8-F7445-31	.PLATE 1	1				
34	JW8-F7213-20	.COLLAR	1				
35	JW8-F7853-10	.SHAFT, PEDAL 1	1				
36	JW9-F7871-10	.PEDAL, ACCELERATOR	1				
37	JW8-F7872-30	.ARM, ACCELERATOR PEDAL	1				
38	JW8-F7438-00	.PIN, CLEVIS	1				
39	JW8-F7434-00	.BOLT	1				
40	JW8-F7317-00	.BOLT	1				
41	JW8-F7118-00	.NUT	1				
42	JW8-F815H-01	.SPRING	1				
43	JW8-F7814-21	.BUSH, PEDAL	2				
44	JW8-F4486-00	.O-RING	4				
45	JW9-F5673-00	.DAMPER, BRAKE	1				
46	JW9-F7246-20	.NAIL, BRAKE	1				
47	JW8-F8331-00	.BOLT, LEG SHIELD	2				
48	JW8-F4486-00	.O-RING	2				
49	95812-08020	BOLT, FLANGE	6				
50	JW8-F6311-20	CABLE, THROTTLE 1	1				
51	91702-05014	PIN, CLEVIS	1				
52	90468-10050	CLIP	1				
53	90508-16460	SPRING, TORSION	1				
54	90560-05001	SPACER	1				



**FIG. 19 BRAKE**



REF. NO.	PART NO.	DESCRIPTION	JW87				REMARKS
1	JW8-G6300-20	TRANS AXLE ASSY	1				
2	JW8-F7290-00	..BACKING PLATE ASSY 2	1				
3	JN9-W2536-00	..BRAKE SHOE SET	1				
4	J38-27205-00	..LEVER ASSY 2	1				
5	JW8-F7281-00	..SPRING, SHOE CLAMP	2				
6	J10-27282-00	..PIN, SHOE HOLD DOWN	2				
7	90506-20281	..SPRING, TENSION	1				
8	90506-14001	..SPRING, TENSION	1				
9	J55-27260-00	..ADJUSTER ASSY	1				
10	JW8-F7286-00	..COVER, DUST	1				
11	90201-121H9	..WASHER, PLATE	1				
12	90201-121H8	..WASHER, PLATE	1				
13	JW8-F7280-00	..BACKING PLATE ASSY 1	1				
14	JN9-W2536-00	..BRAKE SHOE SET	1				
15	J38-27204-00	..LEVER ASSY 1	1				
16	JW8-F7281-00	..SPRING, SHOE CLAMP	2				
17	J10-27282-00	..PIN, SHOE HOLD DOWN	2				
18	90506-20281	..SPRING, TENSION	1				
19	90506-14001	..SPRING, TENSION	1				
20	J55-27270-00	..ADJUSTER ASSY	1				
21	JW8-F7286-00	..COVER, DUST	1				
22	90201-121H9	..WASHER, PLATE	1				
23	90201-121H8	..WASHER, PLATE	1				

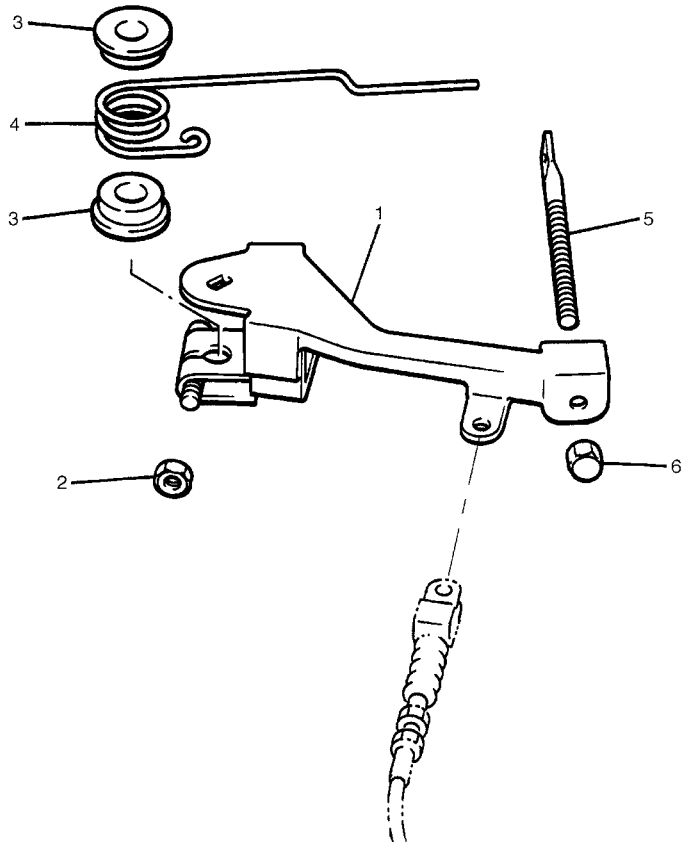


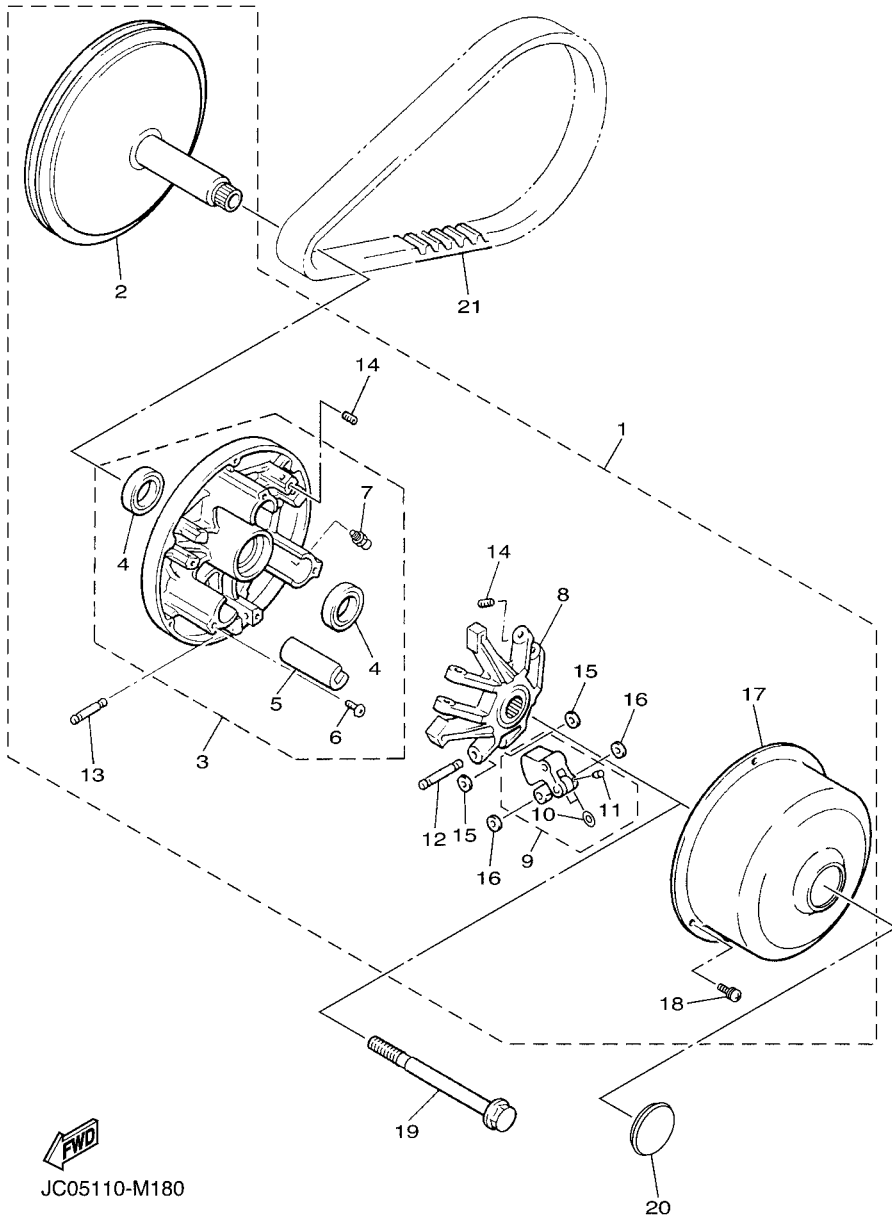
FIG. 20 GOVERNOR

REF. NO.	PART NO.	DESCRIPTION	JW87				REMARKS
1	J38-27951-00	LEVER, SPEED LIMITER	1				
2	95380-06600	NUT, HEXAGON	1				
3	90386-08141	BUSH	2				
4	90508-40678	SPRING, TORSION	1				
5	J38-27959-00	SCREW, ADJUSTING	1				
6	95602-06200	NUT, SELF-LOCKING	1				

 JT71010-B190

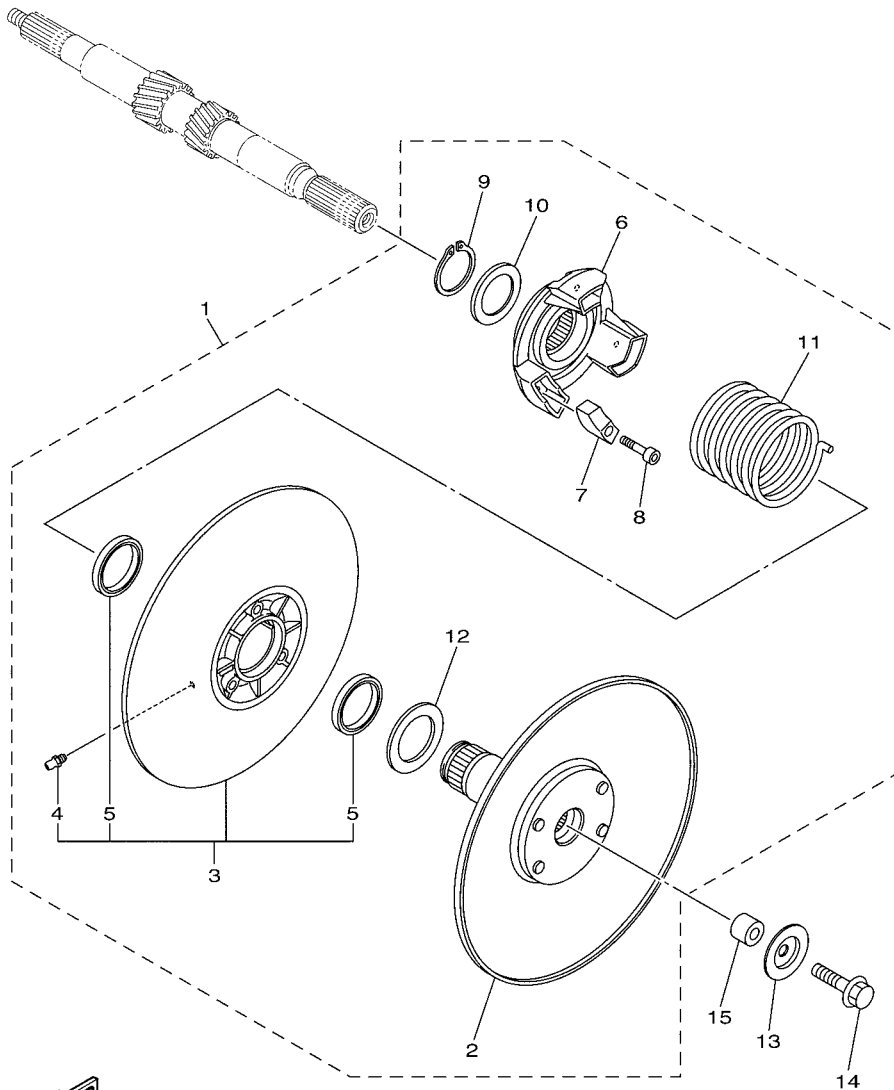
FIG. 21 PRIMARY SHEAVE

REF. NO.	PART NO.	DESCRIPTION	JW87				REMARKS
1	JW8-G6201-22	PRIMARY CLUTCH ASSY	1				
2	JW8-G6210-00	.PRIMARY FIXED SHEAVE COMP.	1				
3	JW8-G6220-22	.PRIMARY SLIDING SHEAVE COMP.	1				
4	JW8-G624A-00	..OIL SEAL 1	2				
5	JW8-G6253-00	..SLIDER	3				
6	JW8-G4189-00	..SCREW	3				
7	JW8-F135J-00	..NIPPLE	1				
8	JW8-G6251-21	.SPIDER	1				
9	JW8-G6205-21	.WEIGHT LINK ASSY	3				
10	JW8-G5618-00	..WASHER, 1	2				
11	90113-04803	..BOLT, SET	1				
12	JW8-G6236-20	.PIN, WEIGHT	3				
13	JW8-G6237-20	.PIN, WEIGHT 2	3				
14	90113-04803	.BOLT, SET	6				
15	JW8-G5618-00	.WASHER, 1	6				
16	JW8-G5621-00	.WASHER, 2	6				
17	JW8-G6231-21	.CAP	1				
18	JW8-G5282-00	.SCREW	3				
19	JW8-G6249-00	BOLT	1				
20	JW8-G7339-00	PLUG	1				
21	J55-G6241-01	V-BELT	1				



**FIG. 22 SECONDARY SHEAVE**

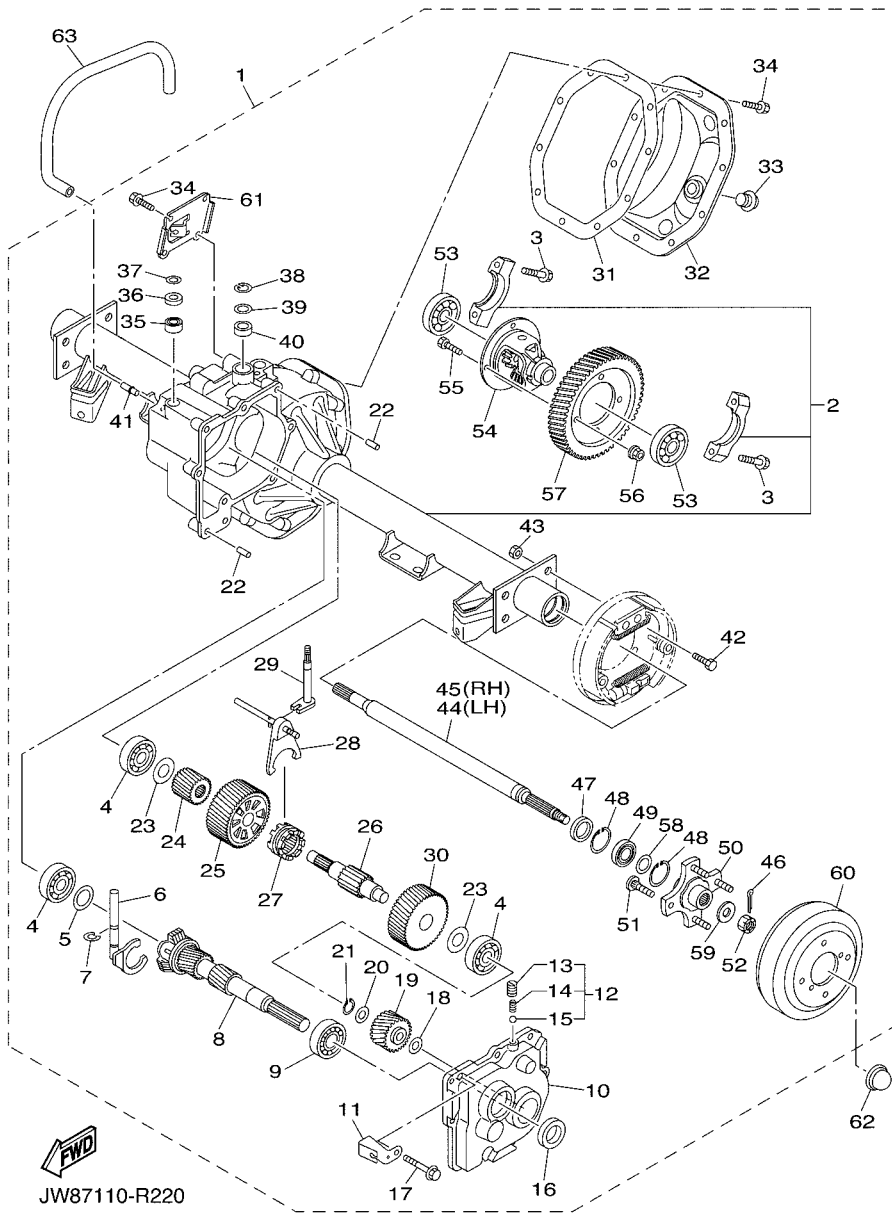
REF. NO.	PART NO.	DESCRIPTION	JW87				REMARKS
1	JW8-G6202-22	SECONDARY SHEAVE ASSY	1				
2	JW8-G6260-22	.SECONDARY FIXED SHEAVE COMP.	1				
3	JW8-G6270-21	.SECONDARY SLIDING SHEAVE COMP.	1				
4	JW8-F135J-00	..NIPPLE	1				
5	JW8-G624B-00	..OIL SEAL 2	2				
6	JW8-G6284-00	..SEAT, SECONDARY SPRING	1				
7	JW8-E7688-00	.SHOE, RAMP	3				
8	JW8-G6159-00	.BOLT 3	3				
9	JW8-G5531-00	.CLIP, DRIVE SHAFT	1				
10	JW8-G6374-00	.COLLAR, SPRING	1				
11	JW8-G6275-10	.SPRING, CLUTCH 1	1				
12	JW8-G5677-00	.WASHER	1				
13	90209-08018	WASHER	1				
14	90105-08002	BOLT, FLANGE	1				
15	JW8-G5697-20	COLLAR	1				



JC05110-M190

FIG. 23 TRANSAXLE

REF. NO.	PART NO.	DESCRIPTION	JW87				REMARKS
1	JW8-G6300-20	TRANS AXLE ASSY	1				
2	JW8-G6290-20	.CASE ASSY	1				
3	90105-10840	.BOLT, FLANGE	4				
4	93306-303Y6	.BEARING	3				
5	JN3-G6344-00	.SHIM, 0.76MM (0.030IN)	1				
6	JW8-G633E-00	.BAR 1	1				
7	JU0-F722H-00	.RETAINER	1				
8	JW8-G6320-00	.INPUT SHAFT ASSY	1				
9	93306-005Y1	.BEARING	1				
10	JW8-G6313-10	.COVER, TRNSMISSION	1				
11	JW8-G6555-00	.BRACKET 2	1				
12	JU0-G6376-00	.SPRING SET	1				
13	90113-08803	..BOLT, SET	1				
14	90501-10852	..SPRING, COMPRESSION	1				
15	93500-06826	..BALL	1				
16	93102-25868	.OIL SEAL	1				
17	90105-08859	.BOLT, FLANGE	7				
18	90201-208H9	.WASHER, PLATE	1				
19	JN3-G6356-00	.GEAR, IDLER	1				
20	90201-208J0	.WASHER, PLATE	1				
21	JW8-F47E3-00	.CIRCLIP	1				
22	93606-10842	.PIN, DOWEL	2				
23	90201-178H8	.WASHER, PLATE	2				
24	JN3-G6316-00	.GEAR, PINION 1	1				
25	JN3-G6326-00	.GEAR, WHEEL 1	1				
26	JN3-G633G-00	.SHAFT	1				
27	JN3-G6153-00	.COLLAR, GUIDE	1				



JW87110-R220



FIG. 23 TRANSAXLE

REF. NO.	PART NO.	DESCRIPTION	JW87				REMARKS
28	JN6-G638E-00	.BAR, SHIFT 2	1				
29	JW8-G638A-00	.BAR, SHIFT 1	1				
30	JN3-G6327-00	.GEAR, WHEEL 2	1				
31	JU0-G631A-00	.GSKT., CASE	1				
32	JW8-G6314-00	.COVER, TRANSMISSION	1				
33	JN3-G6432-00	.STOPPER	1				
34	90101-08856	.BOLT	12				
35	JU0-G6164-00	.BEARING 1	1				
36	93109-10820	.OIL SEAL	1				
37	JU0-F723F-00	.WASHER, SPECIAL	1				
38	93410-12822	.CIRCLIP	1				
39	90202-12807	.WASHER, PLATE	1				
40	93104-11829	.OIL SEAL	1				
41	JW8-G5378-00	.NIPPLE, HOSE	1				
42	90101-08855	.BOLT	8				
43	90170-08841	.NUT	8				
44	JN3-G6511-00	.SHAFT, REAR AXLE 1 (L.H)	1				
45	JN3-G6512-00	.SHAFT, REAR AXLE 2 (R.H)	1				
46	91490-30030	.PIN, COTTER	2				
47	93101-24822	.OIL SEAL	2				
48	93420-44805	.CIRCLIP	4				
49	93306-00440	.BEARING	2				
50	JW8-G6514-00	.HUB, REAR AXLE	2				
51	JW8-G4178-00	.BOLT, STUD	8				
52	JW8-G5244-00	.NUT	2				
53	93306-007Y0	.BEARING	2				
54	JN6-G6410-00	.DIFFERENTIAL ASSY.	1				

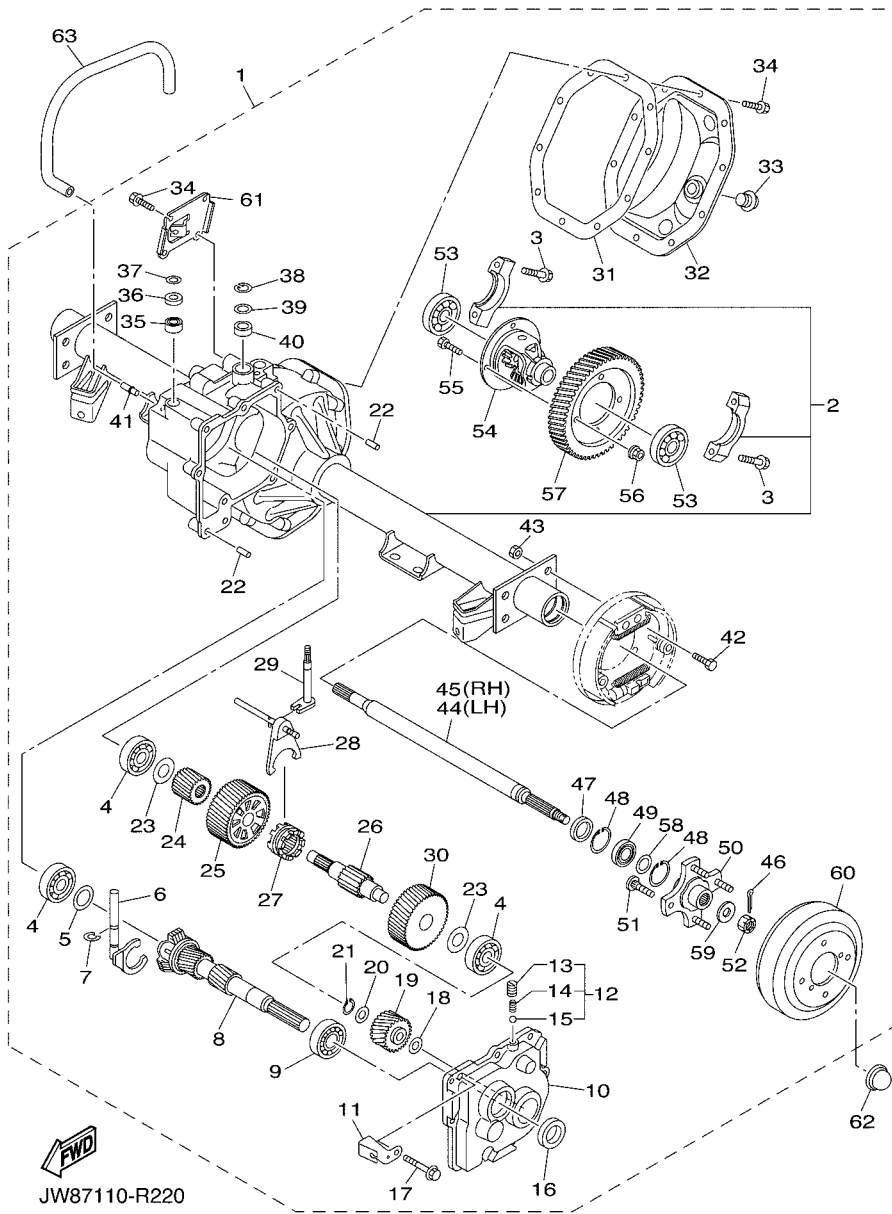
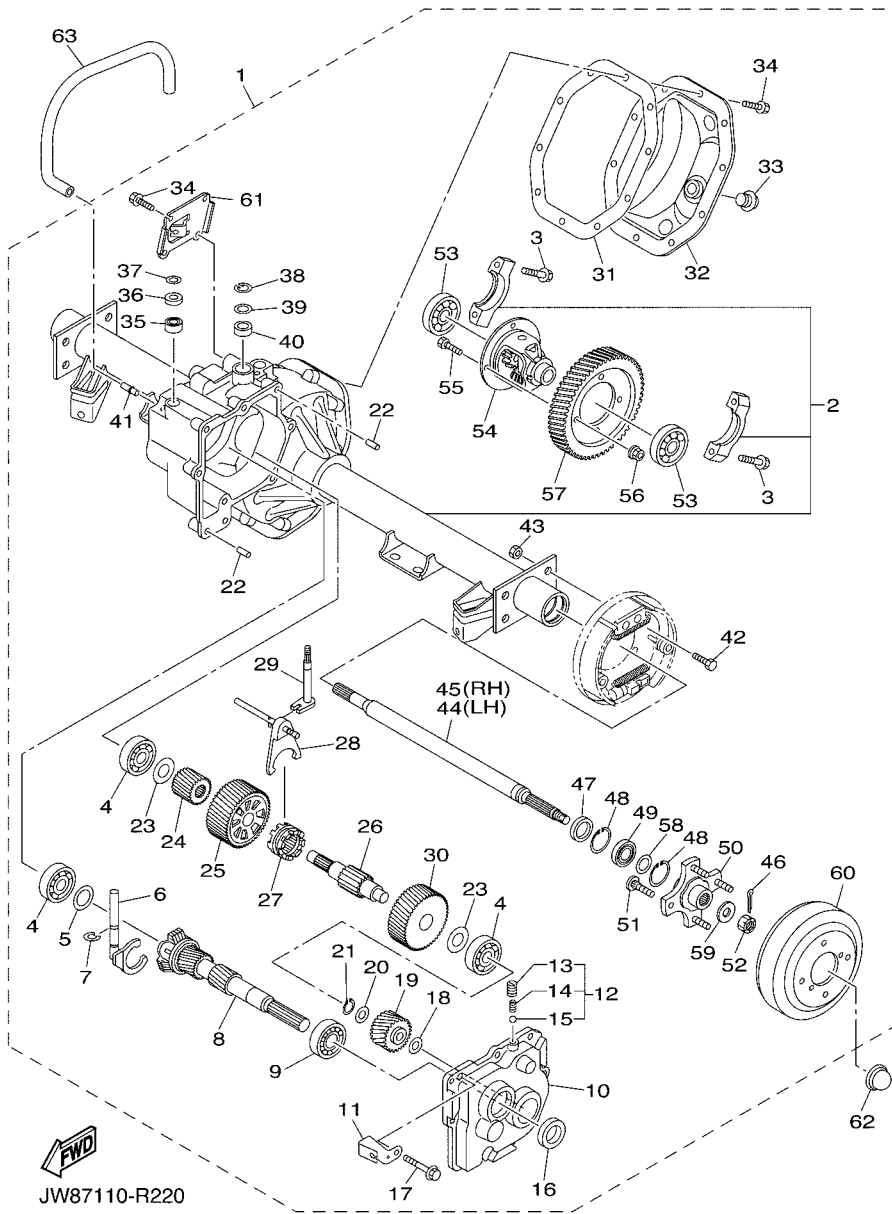
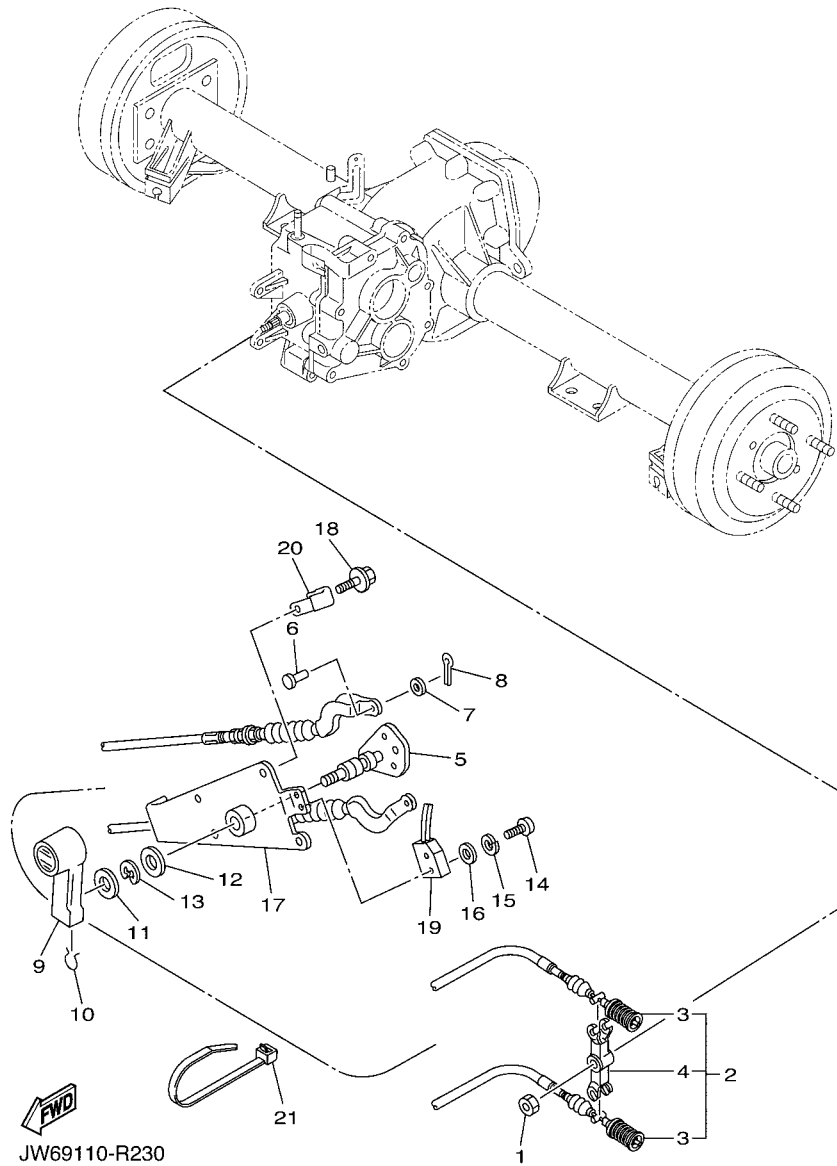


FIG. 23 TRANSAXLE

REF. NO.	PART NO.	DESCRIPTION	JW87				REMARKS
55	90101-10854	.BOLT	4				
56	90170-10840	.NUT	4				
57	JN3-G6355-00	.GEAR, PRIMARY	1				
58	JW8-G2535-00	.WASHER, THRUST	2				
59	JW8-G2536-00	.WASHER, THRUST 2	2				
60	JW8-G6521-00	.DRUM	2				
61	JW8-G1661-00	.BRACKET 1	1				
62	JW8-F5118-00	COVER, HUB DUST	2				
63	JW8-G2541-00	PIPE 1	1				



JW87110-R220



**FIG. 24 SHIFTER & CABLES**

REF. NO.	PART NO.	DESCRIPTION	JW87				REMARKS
1	95602-08100	NUT, U	1				
2	JW8-G8330-10	CABLE END ASSY	1				
3	JW8-G6371-10	.WIRE, SHIFT	2				
4	JW8-G6383-10	.LEVER, SHIFT 2	1				
5	JW8-G6382-00	LEVER, SHIFT 1	1				
6	91702-06014	PIN, CLEVIS	2				
7	92902-06600	WASHER, PLATE	2				
8	91402-20012	PIN, COTTER	2				
9	JN3-G6381-00	KNOB, SHIFT	1				
10	JN3-G6376-00	SPRING SET	1				
11	90201-208S8	WASHER, PLATE	1				
12	90201-198S7	WASHER, PLATE	1				
13	99009-19400	CIRCLIP	1				
14	98502-04016	SCREW, PAN HEAD	2				
15	92902-04100	WASHER, SPRING	2				
16	92902-04600	WASHER, PLATE	2				
17	JN3-G6372-00	BRACKET, SHIFT WIRE	1				
18	90105-06831	BOLT, FLANGE	3				
19	JN3-82617-01	SWITCH	1				
20	90465-06038	CLAMP	1				
21	90464-76800	CLAMP	1				





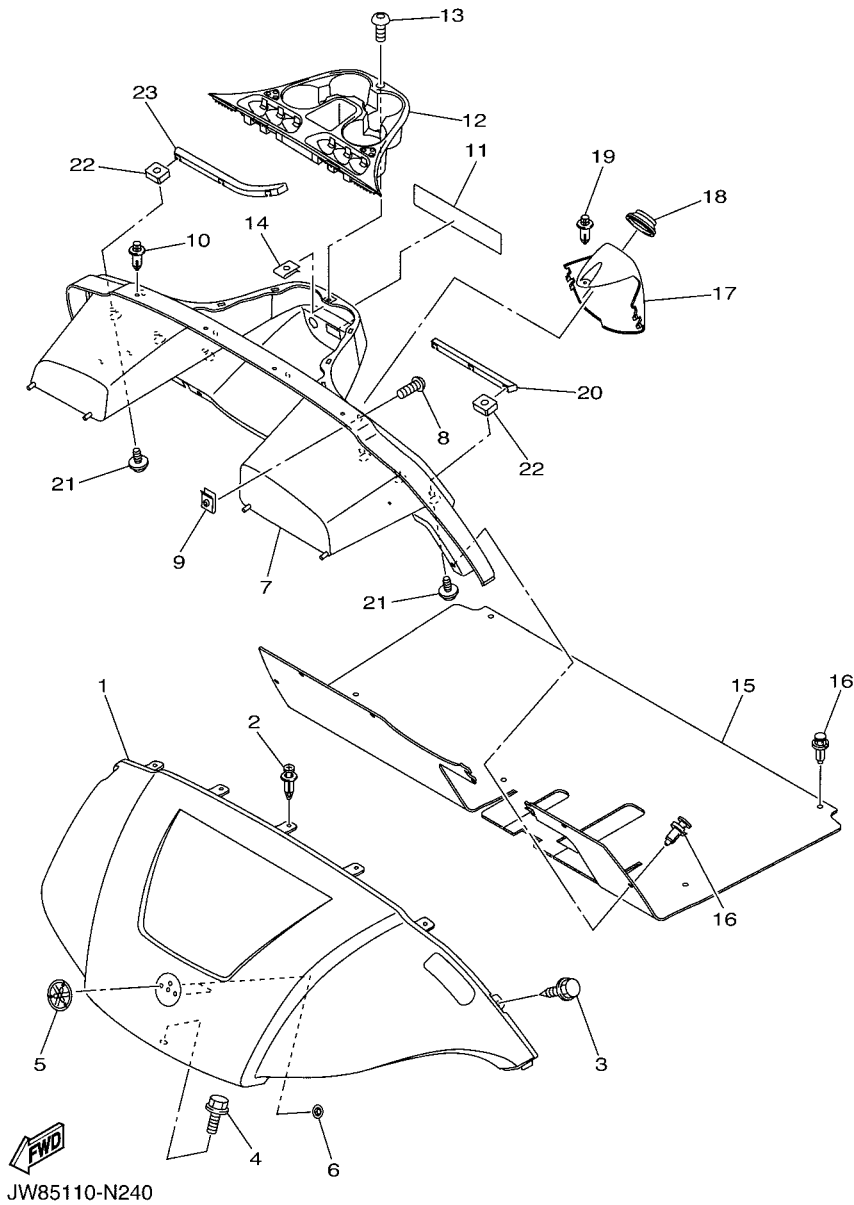
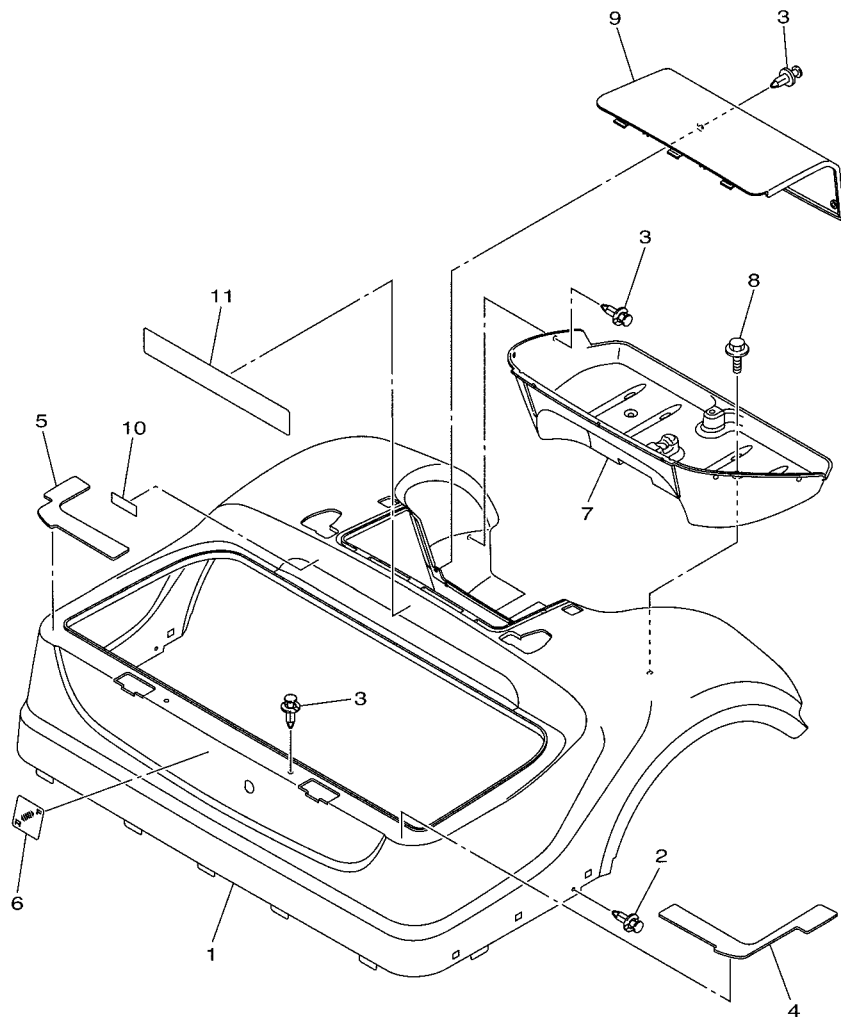


FIG. 27 BODY

REF. NO.	PART NO.	DESCRIPTION	JW87			REMARKS
1	JW1-K8115-01	COWL, FRONT	1			UR FOR WS7
	JW1-K8115-11	COWL, FRONT	1			UR FOR VDGS1
	JW1-K8115-21	COWL, FRONT	1			UR FOR HTR
	JW1-K8115-31	COWL, FRONT	1			UR FOR LNYM8
	JW1-K8115-90	COWL, FRONT	1			UR FOR LNMP
	JW1-K8115-80	COWL, FRONT	1			UR FOR DPBST
	JW1-K8115-W0	COWL, FRONT	1			UR FOR NYS4
2	90269-06800	RIVET	5			
3	JW1-F3396-01	SCREW, SPECIAL	2			
4	90105-06870	BOLT, FLANGE	1			
5	JW1-F4161-10	EMBLEM 1	1			
6	90183-06071	NUT, SPRING	2			
7	JW2-K8114-02	PANEL, FRONT	1			
8	90111-05805	BOLT,HEX. SOCKET BUTTON	4			
9	90183-05008	NUT, SPRING	4			
10	90269-07001	RIVET	5			
11	JW8-K7768-30	LABEL, WARNING 8	1			(E)CAN,JPN
	JW8-K7768-40	LABEL, WARNING 8	1			(E,F)EXC. CAN,JPN
	JW8-K7768-50	LABEL, WARNING 8	1			(G,S)EXC. CAN,JPN
12	JW8-K835E-00	HOLDER, BEVERAGE	1			
13	90111-05805	BOLT,HEX. SOCKET BUTTON	1			
14	90183-05008	NUT, SPRING	1			
15	JW1-K8233-30	MAT, MAIN FLOOR 3	1			
16	90269-09003	RIVET	10			
17	JW1-K8273-00	COVER, HOLE	1			
18	JW1-K8245-00	SEAL 1	1			
19	90269-06804	RIVET	1			





JW85110-N250

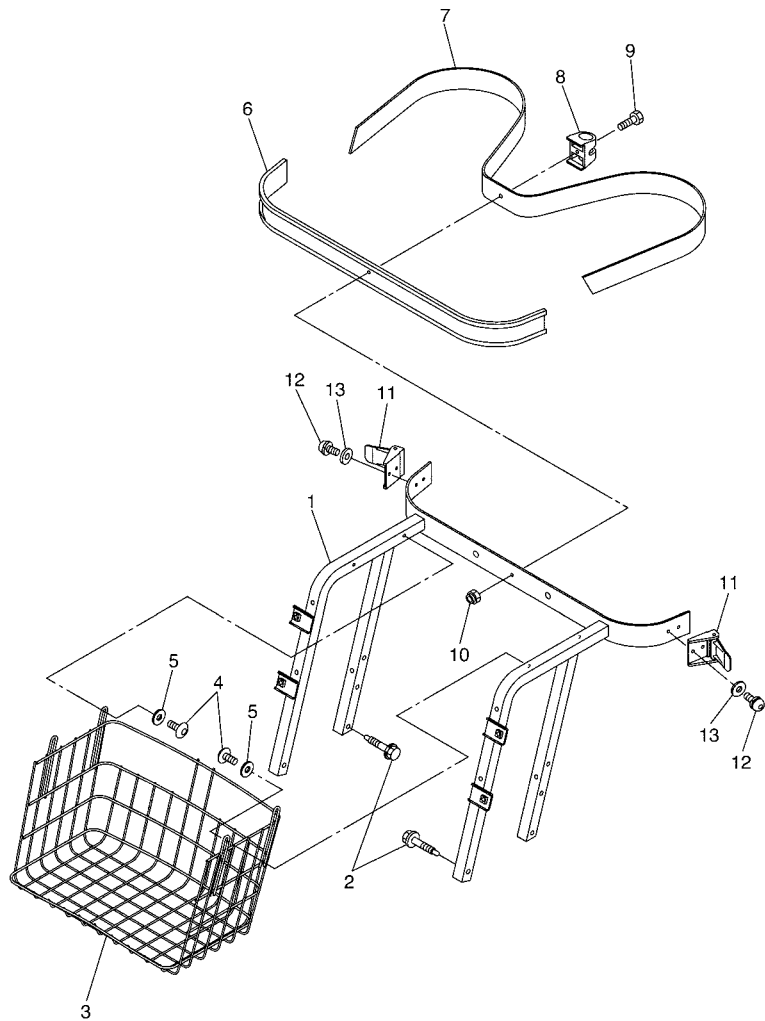
FIG. 28 BODY 2

REF. NO.	PART NO.	DESCRIPTION	JW87			REMARKS
1	JW1-K8142-00	PANEL, REAR BODY	1			UR FOR WS7
	JW1-K8142-10	PANEL, REAR BODY	1			UR FOR VDGS1
	JW1-K8142-20	PANEL, REAR BODY	1			UR FOR HTR
	JW1-K8142-30	PANEL, REAR BODY	1			UR FOR LNYM8
	JW1-K8142-90	PANEL, REAR BODY	1			UR FOR LNMP
	JW1-K8142-80	PANEL, REAR BODY	1			UR FOR DPBST
	JW1-K8142-W0	PANEL, REAR BODY	1			UR FOR NYS4
2	90269-06804	RIVET	2			
3	90269-08813	RIVET	11			
4	JW1-F2873-10	SEAL 1	1			
5	JW1-F2874-10	SEAL 2	1			
6	JW1-K7741-00	INDICATOR 1	1			
7	JW1-K8237-10	COVER, REAR FLOOR	1			
8	JW1-K6179-01	BOLT, SPECIAL 1	2			
9	JW1-K8151-00	PANEL, INSPECTION LID 1	1			
10	JN6-H2377-00	LABEL	1			
11	JW1-K8297-01	PLATE, CAUTION 1 (E,F)	1			UR FOR CAN,JPN
	JW1-K8297-10	PLATE, CAUTION 1 (G,S)	1			UR EXCEPT CAN,JPN





**FIG. 30 CARRIER**



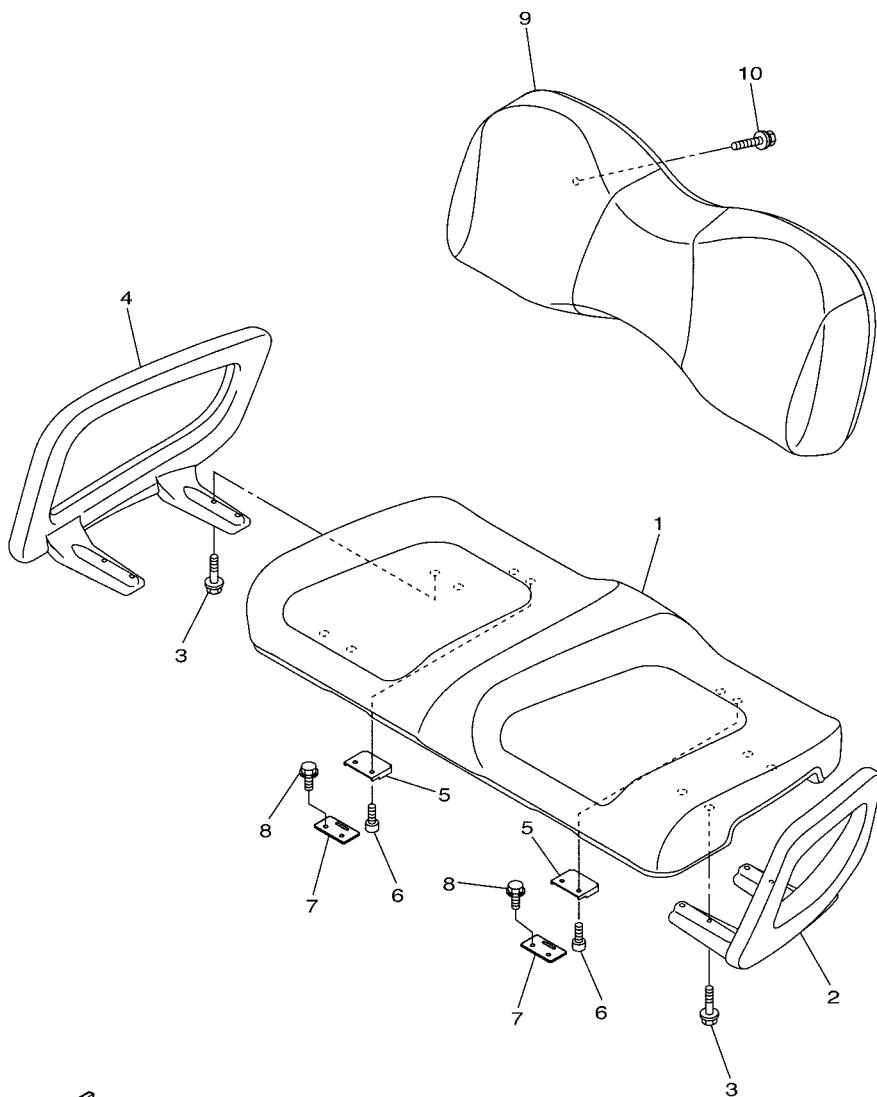
REF. NO.	PART NO.	DESCRIPTION	JW87				REMARKS
1	JW1-K8423-10	SUPPORT, SEAT BACK	1				
2	90109-08002	BOLT	4				
3	JW1-K8340-00	LUGGAGE RACK ASSY., REAR	1				
4	90110-06102	BOLT, HEXAGON SOCKET HEAD	4				
5	90201-068G7	WASHER, PLATE	4				
6	JF2-K8356-00	PAD, BAG SUPPORT	1				
7	JN6-K8355-20	BAND	1				
8	JW1-K834G-00	HOLDER, RAKE SAND	1				
9	9708R-06020	BOLT	1				
10	90185-06836	NUT, SELF-LOCKING	1				
11	JN6-K8380-00	LOCK ASSY	2				
12	90159-06845	SCREW, WITH WASHER	4				
13	9299R-06200	WASHER	4				



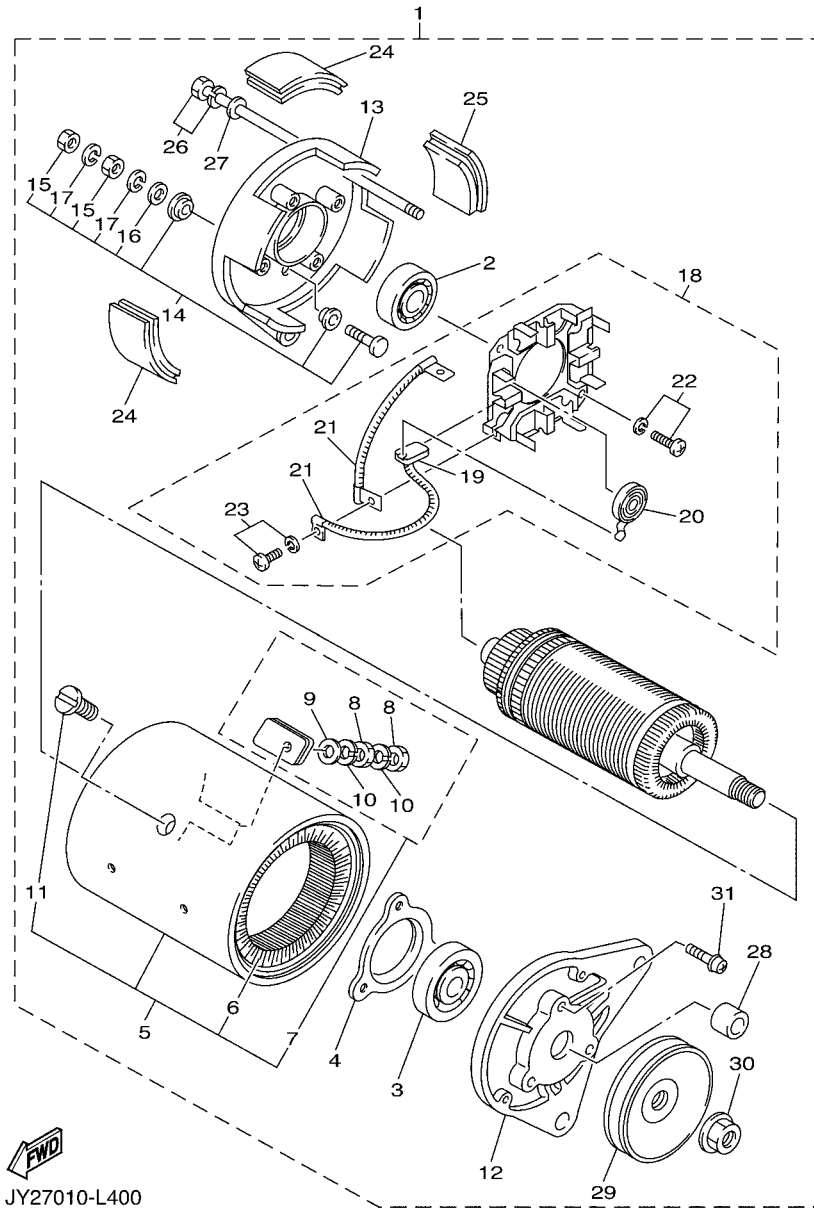
JW11100-E270

FIG. 31 SEAT

REF. NO.	PART NO.	DESCRIPTION	JW87				REMARKS
1	JW1-K8401-12	SEAT SUB-ASSY,CUSHION	1				
2	JW1-K8361-00	ARM REST 1	1				
3	90105-06129	BOLT, FLANGE	8				
4	JW1-K8362-00	ARM REST 2	1				
5	JW1-K8426-00	HINGE, SEAT 1	2				
6	90110-06125	BOLT, HEXAGON SOCKET HEAD	4				
7	JW1-K8427-00	HINGE, SEAT 2	2				
8	90163-06802	SCREW, TAPPING	4				
9	JW1-K8402-10	SEAT SUB ASSY, BACK	1				
10	90119-06808	BOLT, WITH WASHER	4				



JC21110-M300



JY27010-L400

FIG. 32 STARTING MOTOR

REF. NO.	PART NO.	DESCRIPTION	JW87				REMARKS
1	JN6-H1100-04	STARTER GENERATOR ASSY	1				
2	J10-H1157-10	.BEARING 1	1				
3	J10-H1158-10	.BEARING 2	1				
4	J10-81159-10	.HOLDER, BEARING	1				
5	JN6-H1110-10	.STATOR ASSY	1				
6	JN6-H1160-10	..FIELD COIL ASSY	1				
7	J10-81148-10	..SCREW SET 4	2				
8	9530N-06600	...NUT,HEX	2				
9	9290N-06600	...WASHER	1				
10	92907-06100	...WASHER, SPRING	2				
11	J10-81146-10	..SCREW 2	4				
12	JN6-H1165-00	.BRACKET, STARTER GENERATOR 1	1				
13	J10-H1166-10	.BRACKET, STARTER GENERATOR 2	1				
14	J10-81147-10	.SCREW SET 3	2				
15	9530N-06600	..NUT,HEX	2				
16	9290N-06600	..WASHER	1				
17	92907-06100	..WASHER, SPRING	2				
18	JN6-H1119-00	.BRUSH HOLDER ASSY	1				
19	JF2-H1111-00	..BRUSH	4				
20	JN6-H1113-00	..SPRING, BRUSH	4				
21	J10-81115-10	..WIRE, LEAD	2				
22	9850N-05016	..SCREW, PAN HEAD	2				
23	9850N-04010	..SCREW, PAN HEAD	4				
24	J10-81129-10	.COVER, BRUSH	3				
25	J10-81139-10	.COVER, BRUSH 2	1				
26	J10-H1145-10	.SCREW 1	2				
27	9290N-06600	.WASHER	2				



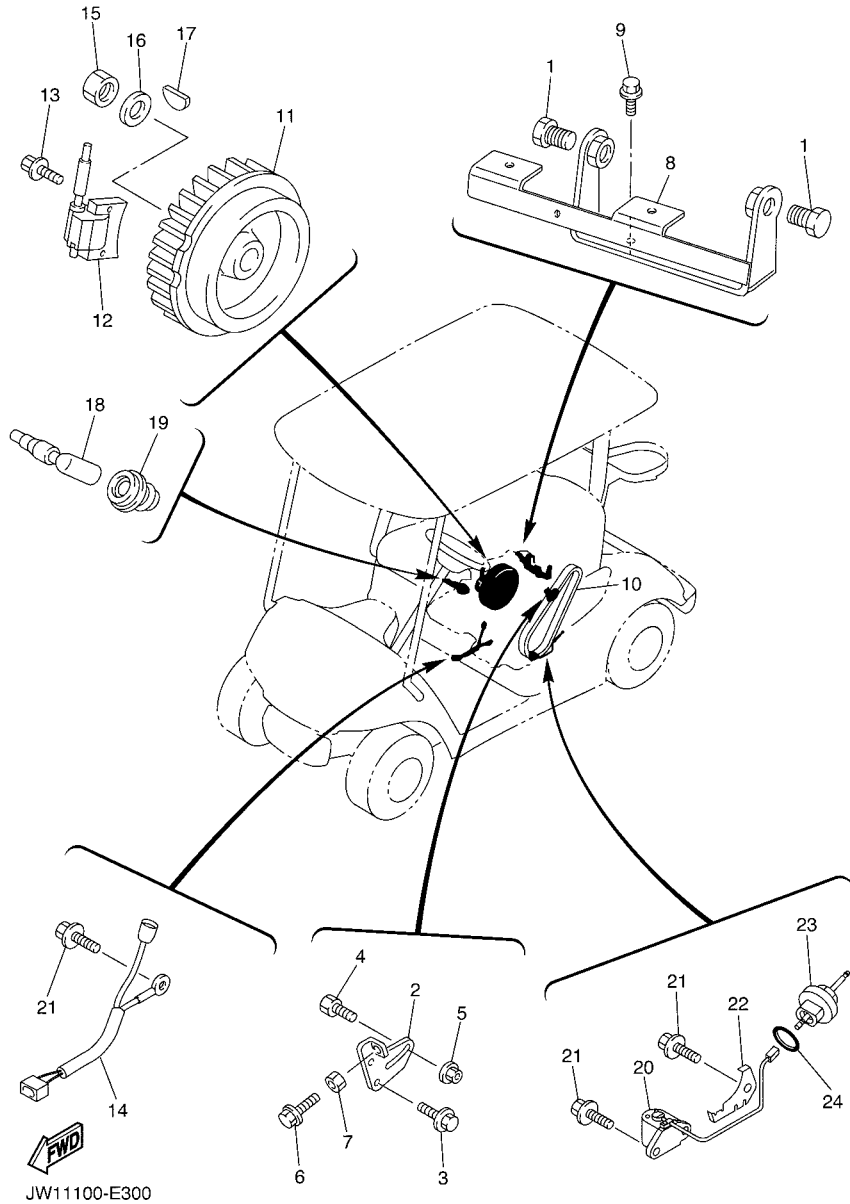
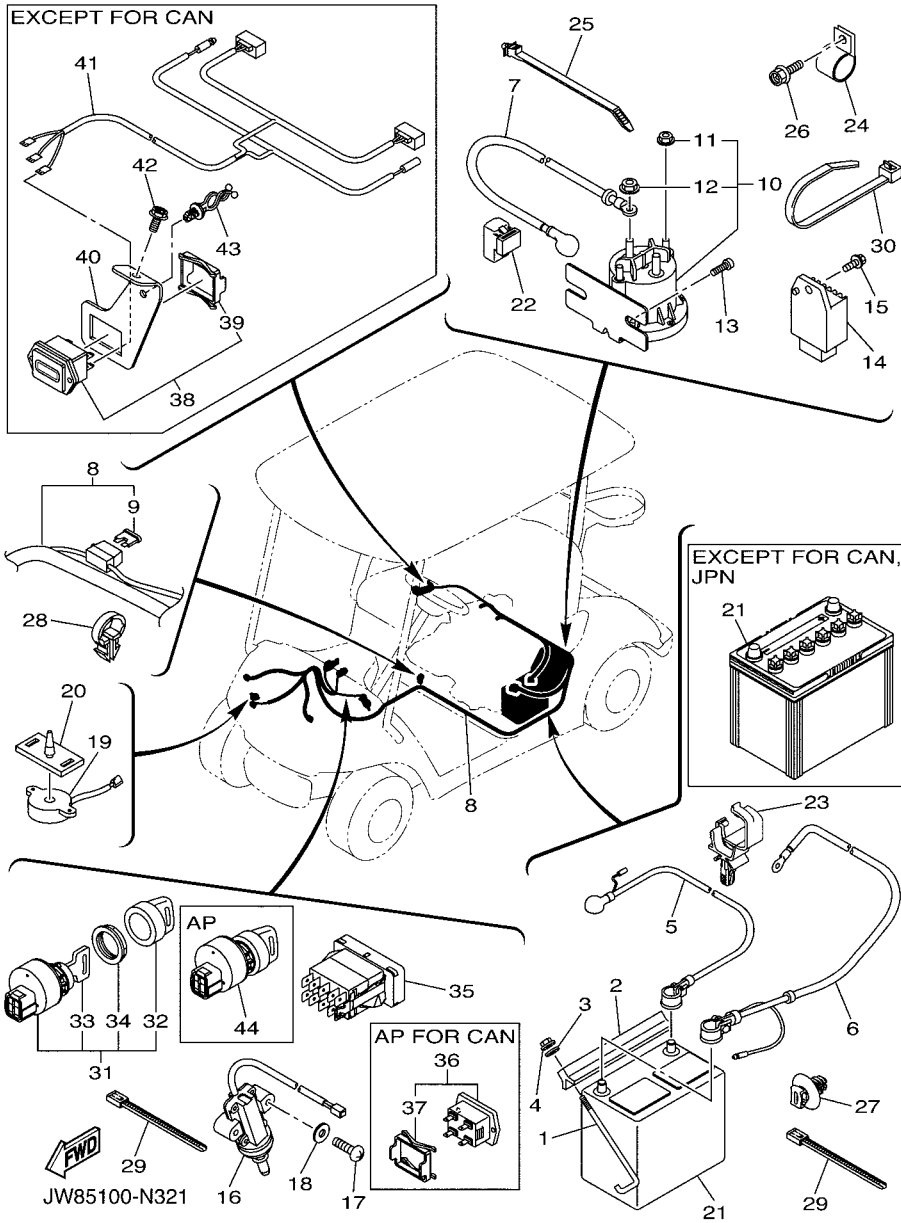


FIG. 33 ELECTRICAL 1

REF. NO.	PART NO.	DESCRIPTION	JW87				REMARKS
1	95812-12030	BOLT, FLANGE	2				
2	JW1-H1170-11	TENSIONER ASSY	1				
3	95822-08020	BOLT, FLANGE	2				
4	90109-08827	BOLT	1				
5	95702-08500	NUT, FLANGE	1				
6	92012-06030	BOLT, BUTTON HEAD	1				
7	95302-06600	NUT, HEXAGON	1				
8	JN6-H1171-11	BRACKET, STARTER GENERATOR	1				
9	95822-08020	BOLT, FLANGE	2				
10	JW1-H1173-01	BELT	1				
11	JR7-85650-00	ROTOR ASSY	1				
12	JN6-85640-01	T.C.I. UNIT ASSY	1				
13	95822-06025	BOLT, FLANGE	2				
14	JN6-82318-00	WIRE, SUB-LEAD	1				
15	95302-18600	NUT, HEXAGON	1				
16	90201-18620	WASHER, PLATE	1				
17	90280-04052	KEY, WOODRUFF	1				
18	JN6-82370-00	PLUG CAP ASSY	1				
19	JE8-82372-00	SEAL, PLUG CAP	1				
20	JT0-85720-00	OIL LEVEL GAUGE ASSY	1				
21	95822-06012	BOLT, FLANGE	4				
22	JT0-85724-00	CLAMP	1				
23	JT0-15362-00	PLUG, OIL LEVEL	1				
24	93210-15566	O-RING	1				



FIG. 34 ELECTRICAL 2

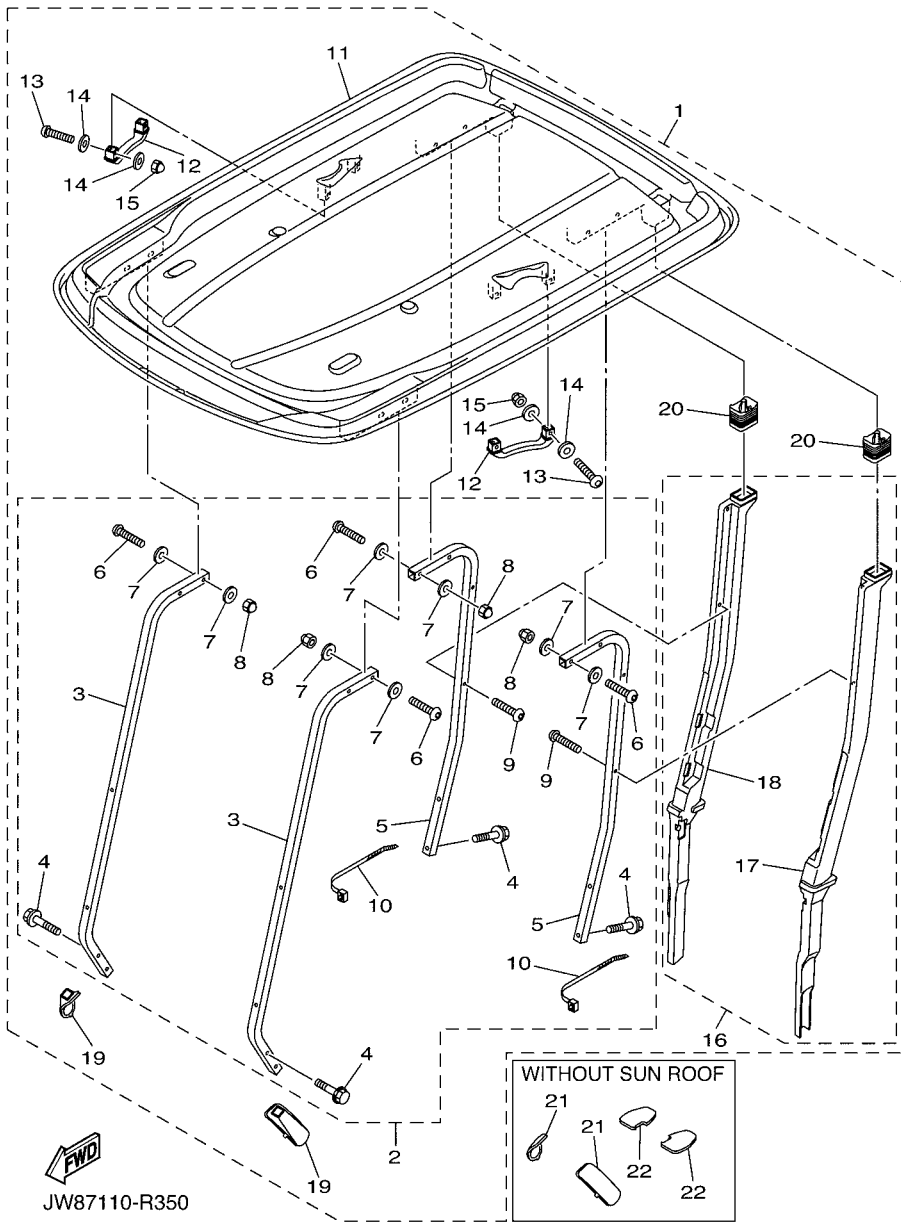


REF. NO.	PART NO.	DESCRIPTION	JW87				REMARKS
27	5UG-F2465-10	HOLDER	2				
28	90464-19815	CLAMP	1				
29	90464-40825	CLAMP	4				
30	90464-76800	CLAMP	1				
31	JW1-H2510-00	MAIN SWITCH ASSY	1				STD
32	5UG-H2579-00	.CAP, KEY	1				
33	JU2-H2511-00	.KEY, MAIN SWITCH	2				
34	JU6-H2569-00	.NUT, MAIN SWITCH	1				
35	JW8-H3530-00	PILOT LIGHT ASSY	1				STD
36	JN6-H351C-10	GAUGE 1	1				AP FOR CAN
37	JW1-H1128-00	.CLAMP	1				AP FOR CAN
38	JN6-H351C-10	GAUGE 1	1				EXCEPT FOR CAN
39	JW1-H1128-00	.CLAMP	1				EXCEPT FOR CAN
40	JW1-F4881-00	BRKT., METER	1				EXCEPT FOR CAN
41	JW1-H2386-10	EXTENSION, WIRE HARNESS	1				EXCEPT FOR CAN
42	90105-06831	BOLT, FLANGE	1				EXCEPT FOR CAN
43	90464-12836	CLAMP	1				EXCEPT FOR CAN
44	JU2-H2510-20	MAIN SWITCH ASSY	1				AP RANOMEKEY





FIG. 36 ALTERNATE FOR SUN ROOF



REF. NO.	PART NO.	DESCRIPTION	JW87		REMARKS
1	JW1-K84A0-01	SUN TOP KIT	1		AP UR TAN
	JW1-K84A0-20	SUN TOP KIT	1		AP UR BLACK
2	JW1-K84A2-01	.HARDWARE KIT, SUN TOP	1		
3	JW1-K8312-00	..SUPPORT, SUN ROOF 1	2		
4	JW1-K8388-00	..BOLT, ROOF 1	8		
5	JW1-K8313-01	..SUPPORT, SUN ROOF 2	2		
6	JU0-K8388-00	..BOLT, ROOF 1	8		
7	JW1-F1549-01	..WASHER, FENDER MOLD	16		
8	JU0-K8398-00	..NUT, ROOF 1	8		
9	JW1-K7387-00	..SCREW	4		
10	90464-76800	..CLAMP	2		
11	JW1-K8314-10	.COVER, SUN ROOF	1		UR TAN
	JW1-K8314-20	.COVER, SUN ROOF	1		UR BLACK
12	JW1-K8214-00	.GRIP, HAND	2		
13	JU0-K8388-00	.BOLT, ROOF 1	4		
14	JW1-F1549-01	..WASHER, FENDER MOLD	8		
15	JU0-K8398-00	.NUT, ROOF 1	4		
16	JW1-F417A-00	.DRAIN TUBE ASSY	1		
17	JW1-F413G-00	..TUBE, DRAIN	1		
18	JW1-F413J-00	..TUBE, DRAIN 2	1		
19	JW1-K832F-10	.GROMMET, ROOF SUPPORT 1	2		
20	JW1-F414G-10	.SEAL	2		
21	JW1-K832H-00	GROMMET, ROOF SUPPORT 3	2		AP
22	JW1-K833H-00	GROMMET, ROOF SUPPORT 4	2		AP

NUMERICAL INDEX

PART NO.	REF. NO.	PART NO.	REF. NO.	PART NO.	REF. NO.	PART NO.	REF. NO.	PART NO.	REF. NO.	PART NO.	REF. NO.
JT0-11111-00	2 - 1	7E1-14191-00	7 - 20	JE8-82372-00	33 - 19	JW1-F3390-10	13 - 19	JW1-F4314-00	15 - 15	JW8-F7217-00	18 - 32
JN6-11116-00	2 - 10	1KT-14197-01	7 - 22	JN3-82617-01	24 - 19	JW1-F3394-00	15 - 10		16 - 13	JW8-F7218-00	18 - 10
JN6-11133-10	2 - 2	127-14198-00	7 - 12	JF7-82817-22	34 - 16		16 - 8	JW7-F4314-10	15 - 22	JW9-F7221-00	18 - 14
JR7-11163-10	2 - 18	73A-14212-00	7 - 21	JN6-85640-01	33 - 12	JW1-F3396-01	27 - 3	JW1-F4316-00	15 - 23	JW9-F7228-00	18 - 23
JN6-11168-00	2 - 11	73A-14212-10	7 - 17	JR7-85650-00	33 - 11		29 - 3	JW1-F4317-00	15 - 24	JU0-F722H-00	23 - 7
JN6-11169-00	2 - 12	J10-14227-00	7 - 5	JT0-85720-00	33 - 20	JW1-F3400-00	14 - 10	JU5-F4375-00	15 - 3	JW9-F7231-10	18 - 18
JT0-11181-00	2 - 3	3G2-1423A-67	7 - 9	JT0-85724-00	33 - 22	5UG-F3489-00	14 - 20		15 - 6	JW9-F7232-00	18 - 19
JN6-11191-01	2 - 9	3G2-1423A-68-A0	7 - 9	JW1-E1116-00	2 - 16	JU0-F3511-10	13 - 4		16 - 3	JU0-F723F-00	23 - 37
JN6-11193-00	2 - 13	3G2-1423E-33-A0	7 - 9	JN6-E1166-00	2 - 15	JW1-F3512-00	13 - 5	JN6-F4410-11	15 - 9	JW9-F7245-10	18 - 30
812-11198-00	9 - 10	JN6-14291-00	7 - 4	JW1-E1166-00	2 - 15	JU0-F3521-10	13 - 12		16 - 7	JW9-F7246-20	18 - 46
JN6-11400-00	3 - 1	7KY-14613-01	8 - 3	JU0-E3505-09	6 - 14	5UG-F3527-00	14 - 21	JW8-F4425-00	12 - 2	JW8-F7280-00	19 - 13
JN6-11454-10	3 - 8	1WG-14922-00	7 - 16	JU0-E4411-00	6 - 10	JU0-F3570-20	13 - 1	JW8-F4486-00	18 - 44	JW8-F7281-00	19 - 5
JR7-11610-00	3 - 3	JN6-1495H-3B	7 - 7	JU0-E4412-00	6 - 11	JW1-F3811-03	14 - 1		18 - 48		19 - 16
JR7-11610-10	3 - 3	JR7-15100-02	9 - 1	5UH-E4424-00	6 - 17	JW1-F3812-00	14 - 13	JN6-F4560-00	15 - 12	JW8-F7286-00	19 - 10
JR7-11610-20	3 - 3	JR7-15123-00	9 - 4	JU0-E4450-00	6 - 12	JW1-F3822-01	14 - 29		16 - 10		19 - 21
JR7-11631-00-A0	3 - 2	JN6-15155-10	9 - 2	JU0-E445E-00	6 - 13	JU0-F3828-10	14 - 4	JN6-F4610-00	16 - 4	JW8-F7290-00	19 - 2
583-11633-00	3 - 4	J38-15361-00	9 - 22	JW8-E4710-01	8 - 1	1P0-F3833-00	14 - 26	JW1-F4610-00	15 - 4	JW8-F7316-01	18 - 31
JR7-11635-00	3 - 2	JT0-15362-00	33 - 23	JW1-E4713-00	8 - 4	JW1-F3837-00	14 - 22	JW8-F4619-01	12 - 3	JW8-F7317-00	18 - 40
JR7-11636-00	3 - 2	796-15363-01	9 - 20	7CT-E4997-00	7 - 10	JN3-F3838-00	14 - 6	JW1-F467K-00	14 - 23	JW8-F7318-00	18 - 20
JN6-11650-10	3 - 6	JN6-15411-01	9 - 12	JW1-E5407-00	9 - 3	5UG-F3844-00	14 - 19	JW8-F47E3-00	23 - 21	JW8-F7322-00	18 - 15
JN6-11654-10	3 - 7	JY2-15451-00	9 - 16	JW8-E7688-00	22 - 7	JU0-F3857-11	14 - 3	JW1-F4881-00	34 - 40	JW1-F7411-20	12 - 7
JN6-12111-10	4 - 2	JR6-19001-00	1 - 1	JW8-F1153-00	12 - 5		14 - 5	JW1-F5100-01	25 - 1	JW8-F7416-00	18 - 8
J38-12117-01	4 - 6	JT0-21481-00	10 - 3	JW8-F135J-00	21 - 7	JW1-F3866-00	14 - 24	JW8-F5103-00	13 - 21	JW8-F7426-01	18 - 17
J38-12118-00	4 - 7	401-22128-01	13 - 16		22 - 4	JW1-F387A-00	14 - 11	JW8-F5118-00	23 - 62	JW8-F7434-00	18 - 39
4G0-12119-00	4 - 13	2NL-23448-00	13 - 9	JW8-F1436-00	8 - 2	JW1-F387E-00	14 - 14	JN6-F5118-01	13 - 29	JW8-F7438-00	18 - 38
7RH-12121-10	4 - 3	2NL-23517-00	13 - 11	JW1-F1549-01	36 - 7	5UG-F387F-00	14 - 17	JW8-F5415-00	18 - 25	JW8-F7445-31	18 - 33
JN6-12151-10	4 - 8	2HR-23526-00	13 - 3		36 - 14	5UG-F387G-00	14 - 15	JW8-F5666-00	18 - 12	JW8-F7814-21	18 - 3
JN6-12153-10	4 - 4	JW8-23841-01	14 - 27	JW1-F1738-00	12 - 6	5UG-F387J-00	14 - 18	JW9-F5671-00	18 - 5		18 - 43
JR7-12154-10	4 - 12	4WM-24180-00	15 - 20		12 - 8	5UG-F387K-00	14 - 16	JW9-F5672-00	18 - 4	JW8-F7825-01	18 - 27
J38-12156-20	4 - 11	J38-27204-00	19 - 15		15 - 7	JW1-F3894-00	14 - 25	JW9-F5673-00	18 - 45	JW8-F7850-31	18 - 1
22F-12159-10	4 - 9	J38-27205-00	19 - 4		15 - 26	JW8-F4111-20	15 - 1	JW8-F5681-10	17 - 5	JW8-F7853-10	18 - 35
JR7-12170-00	4 - 1	J55-27260-00	19 - 9		16 - 5	JW8-F4111-30	16 - 1	JN6-F5685-01	17 - 6	JW9-F7871-10	18 - 36
JN6-12616-00	5 - 3	J55-27270-00	19 - 20	JW8-F2110-30	11 - 1	JW1-F4112-00	15 - 5	JW8-F6311-20	18 - 50	JW8-F7872-30	18 - 37
JN6-12621-02	5 - 1	J10-27282-00	19 - 6	JN6-F2123-10	11 - 2	JW1-F413G-00	36 - 17	JW8-F6312-20	6 - 18	JW8-F815H-01	18 - 42
JR7-12634-00	5 - 11		19 - 17	JN6-F2124-10	11 - 6	JW1-F413J-00	36 - 18	JW8-F6314-00	18 - 21	JW8-F8319-00	18 - 29
JN6-12651-01	5 - 5	J38-27951-00	20 - 1	JW1-F217G-10	11 - 10	JW1-F414G-10	36 - 20	JW1-F6331-01	6 - 19	JW8-F8323-00	18 - 24
JN6-12652-00	5 - 7	J38-27959-00	20 - 5	JW1-F2210-10	11 - 14	JW1-F4161-10	27 - 5	JU0-F6333-00	6 - 20	JW8-F8331-00	18 - 47
JR7-12658-00	5 - 6	J10-81115-10	32 - 21	5UG-F2465-10	34 - 27	7CC-F4170-01	15 - 19	JW8-F6341-10	17 - 1	JW8-F8363-00	18 - 7
JX4-12691-00	5 - 9	J10-81129-10	32 - 24	JW8-F2501-01	12 - 1	JW1-F417A-00	36 - 16	JW8-F6351-10	17 - 2	JW8-G1661-00	23 - 61
JN6-13567-00	6 - 3	J10-81139-10	32 - 25	JW8-F253B-00	12 - 4	JW1-F419A-11	15 - 25	JW8-F639L-00	18 - 22	JW8-G2181-00	18 - 55
JN6-13595-00	6 - 1	J10-81146-10	32 - 11	JW1-F258G-02	12 - 9	JW1-F4300-10	15 - 2	JW8-F639N-00	18 - 9	JW8-G2535-00	23 - 58
JR6-14101-02	7 - 1	J10-81147-10	32 - 14	JW1-F2873-10	28 - 4		16 - 2	JW8-F7113-00	18 - 11	JW8-G2536-00	23 - 59
732-14142-65-A0	7 - 6	J10-81148-10	32 - 7	JW1-F2874-10	28 - 5	JW1-F4311-00	15 - 13	JW8-F7117-00	18 - 6	JW8-G2541-00	23 - 63
73A-1414G-00	7 - 8	J10-81159-10	32 - 4	JW7-F312H-00	15 - 17		16 - 11	JW8-F7118-00	18 - 41	JW8-G4178-00	23 - 51
JN5-14150-00	7 - 14	JF2-81910-10	34 - 14		16 - 15	JW7-F4311-00	15 - 11	JW8-F7119-00	18 - 28	JW8-G4189-00	21 - 6
7R1-14162-00	7 - 13	4U8-81950-02	34 - 22	JW1-F3183-00	14 - 12		16 - 9	JW8-F7121-00	18 - 13	JW8-G5244-00	23 - 52
JN6-14185-00	7 - 11	JN6-82318-00	33 - 14	JW8-F3183-00	18 - 16	JW1-F4313-01	15 - 14	JW9-F7200-21	18 - 2	JW8-G5282-00	21 - 18
22F-14186-00	7 - 15	JN6-82370-00	33 - 18	JW1-F3350-10	13 - 14		16 - 12	JW8-F7213-20	18 - 34	JW8-G5378-00	23 - 41

NUMERICAL INDEX

PART NO.	REF. NO.	PART NO.	REF. NO.	PART NO.	REF. NO.	PART NO.	REF. NO.	PART NO.	REF. NO.	PART NO.	REF. NO.
JW8-G5531-00	22 - 9	JW8-G6382-00	24 - 5	JN6-H351C-10	34 - 36	JW1-K8261-00	27 - 20	90105-06870	34 - 15	90201-10057	9 - 19
JW8-G5618-00	21 - 10	JW8-G6383-10	24 - 4		34 - 38	JW1-K8262-00	27 - 23	90105-08002	22 - 14	90201-121H8	19 - 12
	21 - 15	JW8-G638A-00	23 - 29	JW8-H3530-00	34 - 35	JW1-K8270-11	29 - 1	90105-08859	23 - 17		19 - 23
JW8-G5621-00	21 - 16	JN6-G638E-00	23 - 28	GCA-JW121-00	35 - 2	JW1-K8273-00	27 - 17	90105-08867	12 - 11	90201-121H9	19 - 11
JW8-G5677-00	22 - 12	JN6-G6410-00	23 - 54	GCA-JW122-00	35 - 7	JW1-K8297-01	28 - 11		34 - 26		19 - 22
JW8-G5697-20	22 - 15	JN3-G6432-00	23 - 33	JW1-K6179-01	28 - 8	JW1-K8297-10	28 - 11	90105-088B0	26 - 3	90201-128S4	11 - 9
JN3-G6153-00	23 - 27	JN3-G6511-00	23 - 44	JW8-K7173-00	35 - 4	JW1-K8312-00	36 - 3	90105-10219	13 - 8	90201-178H8	23 - 23
JW8-G6159-00	22 - 8	JN3-G6512-00	23 - 45	JW8-K7200-00	35 - 1	JW1-K8313-01	36 - 5	90105-10267	13 - 13	90201-18620	33 - 16
JU0-G6164-00	23 - 35	JW8-G6514-00	23 - 50	JW8-K7200-10	35 - 1	JW1-K8314-10	36 - 11		13 - 20	90201-198S7	24 - 12
JW8-G6201-22	21 - 1	JW8-G6521-00	23 - 60	JW8-K7200-21	35 - 3	JW1-K8314-20	36 - 11	90105-10373	13 - 6	90201-208H9	23 - 18
JW8-G6202-22	22 - 1	JW8-G6555-00	23 - 11	JW8-K7200-31	35 - 3	JW1-K832F-10	36 - 19	90105-10840	23 - 3	90201-208J0	23 - 20
JW8-G6205-21	21 - 9	JW8-G7339-00	21 - 20	JW8-K7222-10	35 - 5	JW1-K832H-00	36 - 21	90105-10847	14 - 28	90201-208S8	24 - 11
JW8-G6210-00	21 - 2	JW8-G8330-10	24 - 2	JW1-K7387-00	36 - 9	JW1-K833H-00	36 - 22	90105-13800	11 - 3	90202-12807	23 - 39
JW8-G6220-22	21 - 3	JN6-H1100-04	32 - 1	JW1-K7510-01	26 - 1	JW1-K8340-00	30 - 3	90109-08002	30 - 2	90208-14801	13 - 27
JW8-G6231-21	21 - 17	JN6-H1110-10	32 - 5	JW8-K7540-00	26 - 5	JW1-K834G-00	30 - 8	90109-08827	33 - 4	90209-08018	22 - 13
JW8-G6236-20	21 - 12	JF2-H1111-00	32 - 19	JW1-K7741-00	28 - 6	JN6-K8355-20	30 - 7	90110-06102	30 - 4	90249-14129	17 - 9
JW8-G6237-20	21 - 13	JN6-H1113-00	32 - 20	JW8-K7762-00	14 - 38	JF2-K8356-00	30 - 6	90110-06125	31 - 6	90269-06800	27 - 2
J55-G6241-01	21 - 21	JN6-H1119-00	32 - 18	JW8-K7762-11	14 - 38	JW8-K8357-00	14 - 32	90111-05805	27 - 8	90269-06804	27 - 19
JW8-G6249-00	21 - 19	JW1-H1128-00	34 - 37	JW8-K7762-21	14 - 38	JN6-K8358-01	14 - 33		27 - 13		28 - 2
JW8-G624A-00	21 - 4		34 - 39	JW8-K7768-30	27 - 11	JW8-K835E-00	27 - 12	90113-04803	21 - 11		29 - 4
JW8-G624B-00	22 - 5	J10-H1145-10	32 - 26	JW8-K7768-40	27 - 11	JW1-K8361-00	31 - 2		21 - 14	90269-07001	27 - 10
JW8-G6251-21	21 - 8	J10-H1157-10	32 - 2	JW8-K7768-50	27 - 11	JW1-K8362-00	31 - 4	90113-08803	23 - 13	90269-08813	28 - 3
JW8-G6253-00	21 - 5	J10-H1158-10	32 - 3	JW2-K8114-02	27 - 7	JN6-K8380-00	30 - 11	90114-12806	13 - 22	90269-09003	27 - 16
JW8-G6260-22	22 - 2	JN6-H1160-10	32 - 6	JW1-K8115-01	27 - 1	JU0-K8388-00	36 - 6	90119-06244	27 - 21	90269-10001	5 - 10
JW8-G6270-21	22 - 3	JN6-H1161-00	32 - 29	JW1-K8115-11	27 - 1		36 - 13	90119-06808	31 - 10	90280-04052	33 - 17
JW8-G6275-10	22 - 11	JN6-H1165-00	32 - 12	JW1-K8115-21	27 - 1	JW1-K8388-00	36 - 4	90119-06884	6 - 4	90340-12097	9 - 9
JW8-G6284-00	22 - 6	J10-H1166-10	32 - 13	JW1-K8115-31	27 - 1	JU0-K8398-00	36 - 8	90119-10044	11 - 5	90381-17067	13 - 10
JW8-G6290-20	23 - 2	JW1-H1170-11	33 - 2	JW1-K8115-80	27 - 1		36 - 15	90159-06107	9 - 5	90381-18001	13 - 2
JW8-G6300-20	19 - 1	JN6-H1171-11	33 - 8	JW1-K8115-90	27 - 1	JW1-K8401-12	31 - 1	90159-06845	30 - 12	90386-08141	20 - 3
	23 - 1	JW1-H1173-01	33 - 10	JW1-K8115-W0	27 - 1	JW1-K8402-10	31 - 9	90163-06802	31 - 8	90386-12800	18 - 26
JW8-G6313-10	23 - 10	JN3-H1661-00	32 - 28	JW1-K8142-00	28 - 1	JW1-K8423-10	30 - 1	90170-05302	4 - 10	90387-046N7	14 - 37
JW8-G6314-00	23 - 32	JW1-H1950-00	34 - 10	JW1-K8142-10	28 - 1	JW1-K8426-00	31 - 5	90170-08841	23 - 43	90387-12016	13 - 15
JN3-G6316-00	23 - 24	JW1-H2115-01	34 - 5	JW1-K8142-20	28 - 1	JW1-K8427-00	31 - 7	90170-10840	23 - 56	90387-241M7	13 - 25
JU0-G631A-00	23 - 31	JW1-H2116-02	34 - 6	JW1-K8142-30	28 - 1	JW1-K84A0-01	36 - 1	90173-06010	27 - 22	90461-14108	34 - 24
JW8-G6320-00	23 - 8	JW1-H2117-00	34 - 7	JW1-K8142-80	28 - 1	JW1-K84A0-20	36 - 1	90179-05807	34 - 11	90464-09823	34 - 25
JN3-G6326-00	23 - 25	JW1-H2133-00	34 - 1	JW1-K8142-90	28 - 1	JW1-K84A2-01	36 - 2	90179-08822	17 - 7	90464-12836	15 - 18
JN3-G6327-00	23 - 30	J55-H2136-00	34 - 2	JW1-K8142-W0	28 - 1	JN9-W2536-00	19 - 3	90179-08824	34 - 12		16 - 16
JW8-G633E-00	23 - 6	JN6-H2151-00	34 - 9	JW1-K8151-00	28 - 9		19 - 14	90179-12262	25 - 2		34 - 43
JN3-G633G-00	23 - 26	JN6-H2377-00	28 - 10	JW1-K8164-00	26 - 2	90101-08855	23 - 42	90179-13800	11 - 4	90464-19815	34 - 28
JN3-G6344-00	23 - 5	JW1-H2386-10	34 - 41	JW8-K8167-00	35 - 6	90101-08856	23 - 34	90179-16889	32 - 30	90464-20237	34 - 23
JN3-G6355-00	23 - 57	JW1-H2510-00	34 - 31	JW1-K818A-00	29 - 2	90101-10854	23 - 55	90183-05008	27 - 9	90464-40825	15 - 21
JN3-G6356-00	23 - 19	JU2-H2510-20	34 - 44	JW1-K818B-00	29 - 5	90105-06129	31 - 3		27 - 14		34 - 29
JW8-G6371-10	24 - 3	JU2-H2511-00	34 - 33	JW1-K8191-00	29 - 6	90105-06831	12 - 10	90183-06071	27 - 6	90464-76800	24 - 21
JN3-G6372-00	24 - 17	JU6-H2569-00	34 - 34	JW1-K8192-00	29 - 7		24 - 18	90185-06836	30 - 10		34 - 30
JW8-G6374-00	22 - 10	5UG-H2579-00	34 - 32	JW1-K8214-00	36 - 12		34 - 13	90185-12008	14 - 7		36 - 10
JN3-G6376-00	24 - 10	JW8-H2590-20	34 - 8	JW1-K8233-30	27 - 15		34 - 42	90201-04810	14 - 35	90465-06038	24 - 20
JU0-G6376-00	23 - 12	JR1-H3383-02	34 - 19	JW1-K8237-10	28 - 7	90105-06862	6 - 16	90201-068G7	30 - 5	90467-10846	15 - 16
JN3-G6381-00	24 - 9	JN6-H3386-01	34 - 20	JW1-K8245-00	27 - 18	90105-06870	27 - 4	90201-10057	2 - 5		16 - 14

NUMERICAL INDEX

PART NO.	REF. NO.	PART NO.	REF. NO.	PART NO.	REF. NO.	PART NO.	REF. NO.	PART NO.	REF. NO.	PART NO.	REF. NO.
90467-13847	2 - 19	93102-25868	23 - 16	95802-06020	5 - 8						
90468-10049	6 - 6	93102-30083	13 - 26	95812-08020	14 - 2						
	6 - 9	93102-35014	9 - 7		18 - 49						
90468-10050	18 - 52		9 - 14	95812-08045	9 - 17						
90468-20196	17 - 4	93104-11829	23 - 40	95812-10055	11 - 15						
90501-10852	23 - 14	93109-10820	23 - 36	95812-12030	33 - 1						
90501-264A9	4 - 5	93210-15566	33 - 24	95812-12065	11 - 7						
90502-10013	14 - 36	93210-22344	9 - 21	95812-12080	13 - 17						
90506-14001	19 - 8	93210-398D6	6 - 15	95817-06020	5 - 2						
	19 - 19	93306-00440	23 - 49	95822-06012	26 - 4						
90506-20281	19 - 7	93306-005Y1	23 - 9		33 - 21						
	19 - 18	93306-005Y3	13 - 24	95822-06025	33 - 13						
90508-16460	18 - 53	93306-007Y0	23 - 53	95822-06030	2 - 14						
90508-40678	20 - 4	93306-20201	9 - 8	95822-08020	33 - 3						
90560-05001	18 - 54		9 - 15		33 - 9						
90560-08251	15 - 8	93306-204X0	13 - 23	97002-08025	8 - 6						
	16 - 6	93306-20714	9 - 13	97012-08030	14 - 30						
91402-20012	24 - 8	93306-303Y6	23 - 4	97012-10020	11 - 11						
91490-25015	17 - 12	93306-30709	9 - 6	97012-10050	9 - 18						
91490-30030	23 - 46	93410-12822	23 - 38	97012-10070	2 - 4						
91702-05010	6 - 5	93420-44805	23 - 48	9708R-06020	30 - 9						
	6 - 8	93450-21053	3 - 5	97702-40525	14 - 34						
91702-05014	18 - 51	93500-06826	23 - 15	97702-60420	5 - 4						
91702-06014	24 - 6	93606-10842	23 - 22	98502-04016	24 - 14						
91702-08018	17 - 11	94702-00343	2 - 8	98502-05025	34 - 17						
91702-10026	17 - 3	94702-00348	2 - 8	98507-04010	7 - 18						
92012-06030	33 - 6	95302-06600	33 - 7	98507-05008	7 - 2						
92902-04100	7 - 19	95302-18600	33 - 15	9850N-04010	32 - 23						
	24 - 15	95307-08700	17 - 8	9850N-05016	32 - 22						
92902-04600	24 - 16	9530N-06600	32 - 8	9850N-05018	32 - 31						
92902-05600	34 - 18		32 - 15	99001-07600	6 - 7						
92902-06200	34 - 3	95380-06600	20 - 2	99001-09600	17 - 10						
92902-06600	24 - 7	95602-06200	20 - 6	99009-19400	24 - 13						
92902-08100	8 - 7	95602-08100	24 - 1	99530-08016	9 - 11						
92902-08600	8 - 8	95602-08200	8 - 5	99530-14016	2 - 6						
	14 - 31	95602-08710	2 - 17								
92902-10100	11 - 12	95602-10200	10 - 1								
92902-10200	10 - 2		11 - 16								
92902-10600	11 - 13		13 - 7								
92902-12200	14 - 8		26 - 6								
92907-06100	32 - 10	95602-12200	11 - 8								
	32 - 17		14 - 9								
9290N-06600	32 - 9	95602-14100	13 - 28								
	32 - 16	95612-12100	13 - 18								
	32 - 27	95622-08618	2 - 7								
92990-05100	7 - 3	95702-06500	34 - 4								
9299R-06200	30 - 13	95702-08500	6 - 2								
93101-24822	23 - 47		33 - 5								