



# PARTS CATALOGUE

## YDRA2 (JW14) CANADA, JAPAN, OTHERS

---



2011-03-07

1HJW1-100E1

( )

| NEWS No.      | DATE           | COMMENT  |
|---------------|----------------|--|
| PE0-GC-090003 | Nov., 9, 2009  | COR: FIG.6 INTAKE ILLUSTRATION CORRECTION                        |
| PE0-GC-100004 | Sep., 22, 2010 | COR: FIG.33: ALTERNATE FOR SUN ROOF LIST/ILLUSTRATION CORRECTION |
| PE0-GC-110001 | Mar., 7, 2011  | MOD: FIG.14 LIST MODIFICATION                                    |

YDRA2  
PARTS CATALOGUE  
©2008 by Yamaha Motor Co., Ltd.  
1st edition, June 2008  
All rights reserved.  
Any reprinting or unauthorized use  
without the written permission of  
Yamaha Motor Co., Ltd.  
is expressly prohibited.  
Printed in Japan.

# FOREWORD

This Parts Catalogue is related to the parts for the model(s) on the cover page. When you are ordering replacement parts, please refer to this Parts Catalogue and quote both part numbers and part names correctly.

1. Modifications or additions which have been made after the issue of the Parts Catalogue will be announced in the Parts News.

It is advisable that you make the necessary corrections to the Parts Catalogue according to the Parts News.

2. Abbreviations

The following abbreviations are used in this Parts Catalogue.

“UR” Use specified parts number.

“UN” Use as many as needed.

“AP” Alternate Parts

“LM” Locally Made (Parts need to be ordered locally)

“F#” Frame No. (Applicable machine No.)

“O/S” Over Size

3. The number of components for assembly

- Parts, which are to be supplied in an assembly, are listed with a dot (.) in front of the part name as shown below.
- The numeral appearing to the right of each component part indicates the quantity of parts for each assembly unit.

| PART NO.     | DESCRIPTION              | Q'TY | REMARKS |
|--------------|--------------------------|------|---------|
| 2F5-83310-60 | FRONT FLASHER LIGHT ASSY | 2    |         |
| 115-83311-60 | .BULB (6V-18W)           | 1    |         |

4. Applicable colours of graphics are represented in the “REMARKS” as shown below.

| PART NO.        | DESCRIPTION         | Q'TY | REMARKS |
|-----------------|---------------------|------|---------|
| 2N4-24110-00-X5 | FUEL TANK COMP.     | 2    | MXR     |
| 3J1-24240-10    | .GRAPHIC, FUEL TANK | 1    | FOR MXR |

5. Note that the illustrations for reference in finding parts numbers are not to be used for assembling. When assembling, please use the applicable service manual.

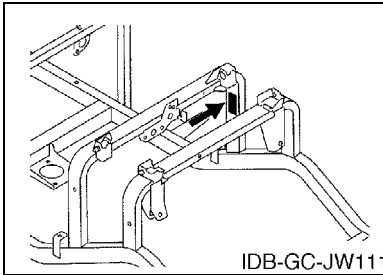
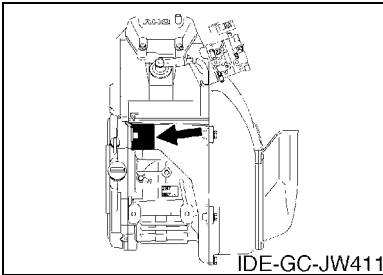
6. The asterisk (\*) before a reference number indicates modified items after the first edition.

# FOREWORD

7. Applicable Serial No.

Engine Serial No.

Frame Serial No.



10. Applicable Starting Serial No.

Frame Serial No.

| Serial No. | Name Of Q'ty Column | Model Code |
|------------|---------------------|------------|
| JW1-200101 | JW14                | JW14       |
|            |                     |            |
|            |                     |            |
|            |                     |            |
|            |                     |            |

8. Applicable Colour Code (The (\*) mark shows Model colour.)

| Abbreviation | Colour Name                   | Colour Code |
|--------------|-------------------------------|-------------|
| BMG(*)       | BLACK METALLIC G              | 1050        |
| DPBMT(*)     | DEEP PURPLISH BLUE METALLIC T | 0978        |
| HTR(*)       | HEAT RED                      | 00EY        |
| LN YM8(*)    | LIGHT GRAYISH YELLOW ME 8     | 1047        |
| NBM7(*)      | GRAYISH BLUE METALLIC 7       | 1046        |
| VDGS1(*)     | VERY DARK GREEN SOLID 1       | 0614        |
| WS7(*)       | WHITE SOLID 7                 | 1045        |
|              |                               |             |
|              |                               |             |
|              |                               |             |

9. Quantity Column Information

| Column No. | Name Of Q'ty Column | Destination         |
|------------|---------------------|---------------------|
| 1          | JW14                | CANADA,JAPAN,OTHERS |
|            |                     |                     |
|            |                     |                     |
|            |                     |                     |
|            |                     |                     |

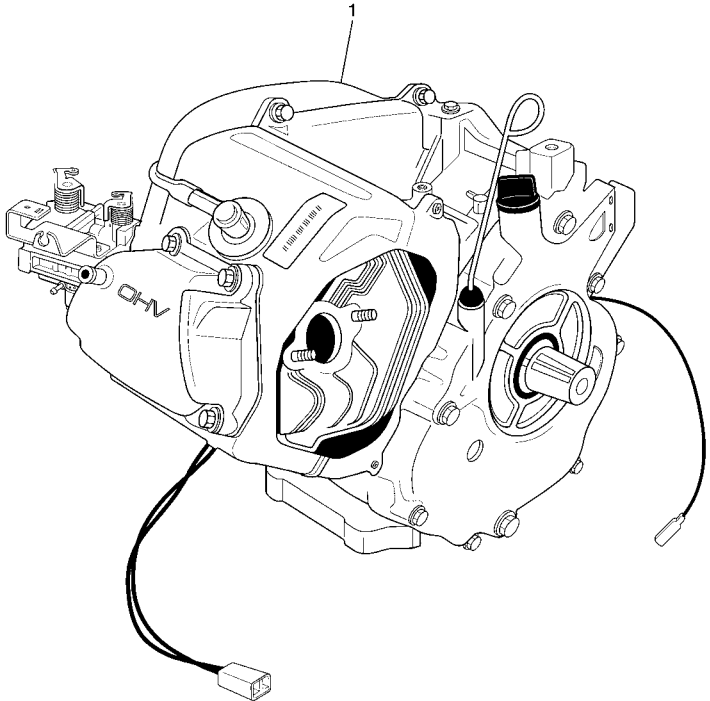
# CONTENTS

|                                |    |
|--------------------------------|----|
| ENGINE 1 .....                 | 1  |
| <b>ENGINE</b>                  |    |
| CYLINDER HEAD .....            | 2  |
| CRANKSHAFT & PISTON .....      | 3  |
| CAMSHAFT & VALVE .....         | 4  |
| AIR SHROUD & FAN .....         | 5  |
| INTAKE .....                   | 6  |
| CARBURETOR .....               | 7  |
| EXHAUST .....                  | 8  |
| CRANKCASE .....                | 9  |
| <b>BODY</b>                    |    |
| ENGINE BRACKET .....           | 10 |
| REAR ARM & SUSPENSION .....    | 11 |
| FRAME .....                    | 12 |
| FRONT SUSPENSION .....         | 13 |
| STEERING .....                 | 15 |
| FUEL TANK .....                | 17 |
| PEDAL ASSEMBLY .....           | 18 |
| GOVERNOR .....                 | 20 |
| <b>DRIVE</b>                   |    |
| PRIMARY SHEAVE .....           | 21 |
| SECONDARY SHEAVE .....         | 22 |
| TRANSAXLE & BRAKE .....        | 23 |
| SHIFTER & CABLES .....         | 26 |
| WHEEL .....                    | 27 |
| BUMPER .....                   | 28 |
| BODY .....                     | 29 |
| BODY 2 .....                   | 31 |
| BODY FITTING .....             | 32 |
| CARRIER .....                  | 33 |
| SEAT .....                     | 34 |
| <b>ELECTRICAL</b>              |    |
| STARTING MOTOR .....           | 35 |
| ELECTRICAL 1 .....             | 37 |
| ELECTRICAL 2 .....             | 38 |
| ALTERNATE FOR WINDSHIELD ..... | 40 |
| ALTERNATE FOR SUN ROOF .....   | 41 |

## INDEX

|                       |    |
|-----------------------|----|
| NUMERICAL INDEX ..... | 42 |
|-----------------------|----|

FIG. 1 ENGINE 1



| REF. NO. | PART NO.     | DESCRIPTION     | JW14 |  |  |  |  | REMARKS |
|----------|--------------|-----------------|------|--|--|--|--|---------|
| 1        | JR6-19001-00 | ENGINE ASSEMBLY | 1    |  |  |  |  |         |
|          |              |                 |      |  |  |  |  |         |
|          |              |                 |      |  |  |  |  |         |
|          |              |                 |      |  |  |  |  |         |
|          |              |                 |      |  |  |  |  |         |
|          |              |                 |      |  |  |  |  |         |
|          |              |                 |      |  |  |  |  |         |
|          |              |                 |      |  |  |  |  |         |
|          |              |                 |      |  |  |  |  |         |
|          |              |                 |      |  |  |  |  |         |



JW41110-C010

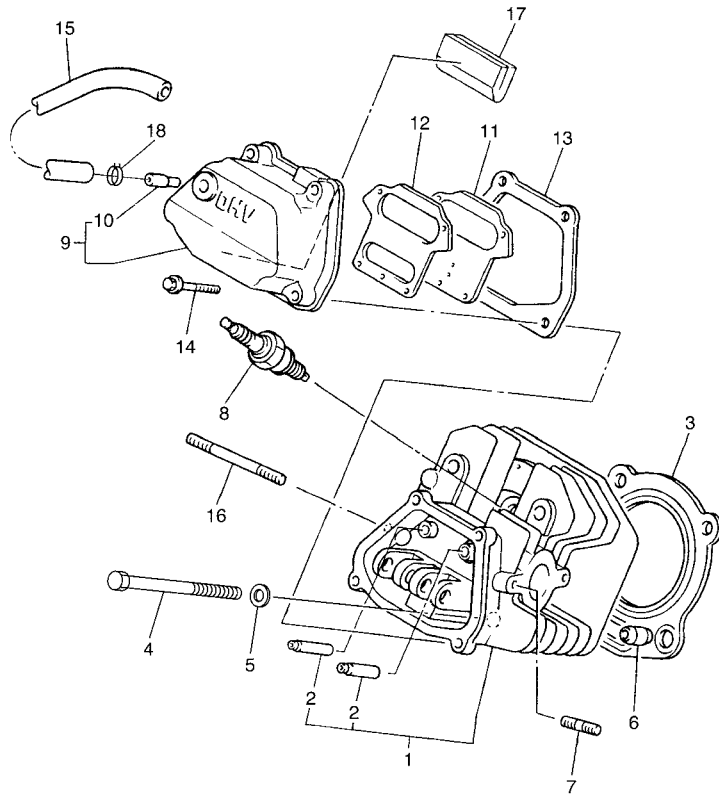
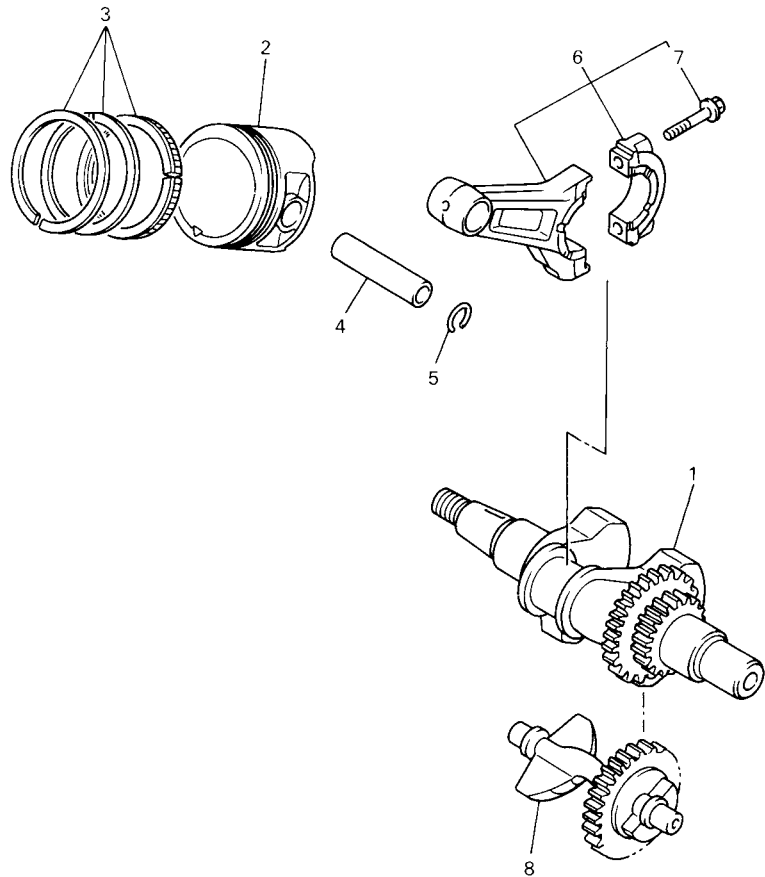


FIG. 2 CYLINDER HEAD

| REF. NO. | PART NO.     | DESCRIPTION              | JW14 |  |  |  | REMARKS |
|----------|--------------|--------------------------|------|--|--|--|---------|
| 1        | JT0-11111-00 | HEAD, CYLINDER 1         | 1    |  |  |  |         |
| 2        | JN6-11133-10 | .GUIDE, VALVE 1          | 2    |  |  |  |         |
| 3        | JT0-11181-00 | GASKET, CYLINDER HEAD 1  | 1    |  |  |  |         |
| 4        | 97012-10070  | BOLT                     | 4    |  |  |  |         |
| 5        | 90201-10057  | WASHER, PLATE            | 4    |  |  |  |         |
| 6        | 99530-14016  | PIN, DOWEL               | 2    |  |  |  |         |
| 7        | 95622-08618  | BOLT, STUD               | 2    |  |  |  |         |
| 8        | 94702-00348  | PLUG, SPARK (NGK-BPR2ES) | 1    |  |  |  | STD     |
|          | 94702-00343  | PLUG, SPARK (NGK BP4ES)  | 1    |  |  |  | AP      |
| 9        | JN6-11191-01 | COVER, CYLINDER HEAD 1   | 1    |  |  |  |         |
| 10       | JN6-11116-00 | .JOINT, BREATHER         | 1    |  |  |  |         |
| 11       | JN6-11168-00 | COVER, BREATHER          | 1    |  |  |  |         |
| 12       | JN6-11169-00 | GASKET, BREATHER COVER   | 1    |  |  |  |         |
| 13       | JN6-11193-00 | GASKET, HEAD COVER 1     | 1    |  |  |  |         |
| 14       | 95822-06030  | BOLT, FLANGE             | 4    |  |  |  |         |
| 15       | JN6-E1166-00 | PIPE, BREATHER 1         | 1    |  |  |  |         |
| 16       | 95602-08710  | BOLT, STUD               | 2    |  |  |  |         |
| 17       | JR7-11163-00 | ELEMENT                  | 1    |  |  |  |         |
| 18       | 90467-13847  | CLIP                     | 2    |  |  |  |         |



JW61100-H020



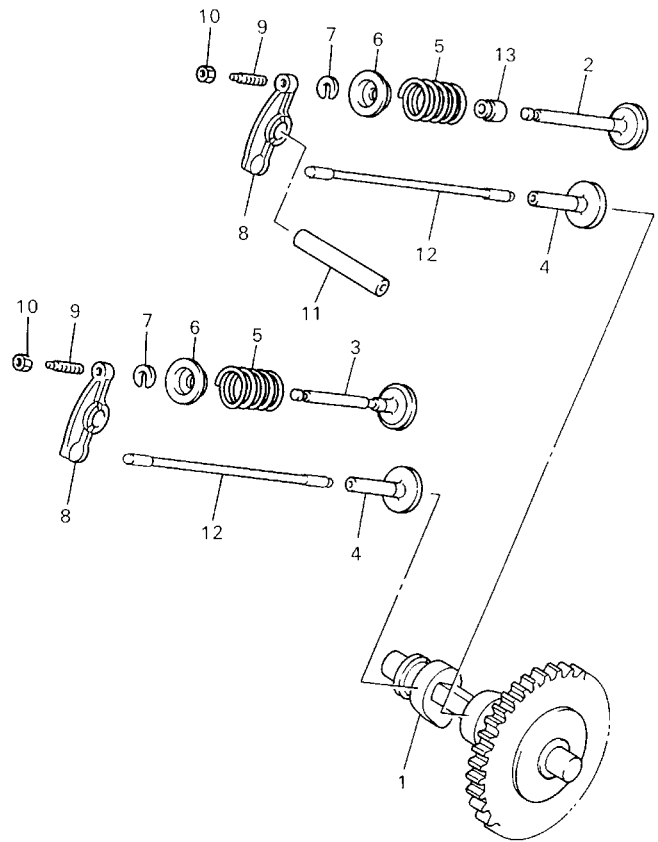
  
 JN7010-6020

**FIG. 3 CRANKSHAFT & PISTON**

| REF. NO. | PART NO.        | DESCRIPTION                  | JW14 |  |  |  | REMARKS |
|----------|-----------------|------------------------------|------|--|--|--|---------|
| 1        | JN6-11400-00    | CRANKSHAFT ASSY              | 1    |  |  |  |         |
| 2        | JR7-11631-00-A0 | PISTON (STD)                 | 1    |  |  |  |         |
|          | JR7-11635-00    | PISTON (0.25MM O/S)          | 1    |  |  |  | AP      |
|          | JR7-11636-00    | PISTON (0.50MM O/S)          | 1    |  |  |  | AP      |
| 3        | JR7-11610-00    | PISTON RING SET (STD)        | 1    |  |  |  |         |
|          | JR7-11610-10    | PISTON RING SET (0.25MM O/S) | 1    |  |  |  | AP      |
|          | JR7-11610-20    | PISTON RING SET (0.50MM O/S) | 1    |  |  |  | AP      |
| 4        | 583-11633-00    | PIN, PISTON                  | 1    |  |  |  |         |
| 5        | 93450-21053     | CIRCLIP                      | 2    |  |  |  |         |
| 6        | JN6-11650-00    | CONNECTING ROD ASSY          | 1    |  |  |  |         |
| 7        | JN6-11654-00    | BOLT, CONNECTING ROD         | 2    |  |  |  |         |
| 8        | JN6-11454-00    | WEIGHT 1                     | 1    |  |  |  |         |
|          |                 |                              |      |  |  |  |         |
|          |                 |                              |      |  |  |  |         |
|          |                 |                              |      |  |  |  |         |
|          |                 |                              |      |  |  |  |         |

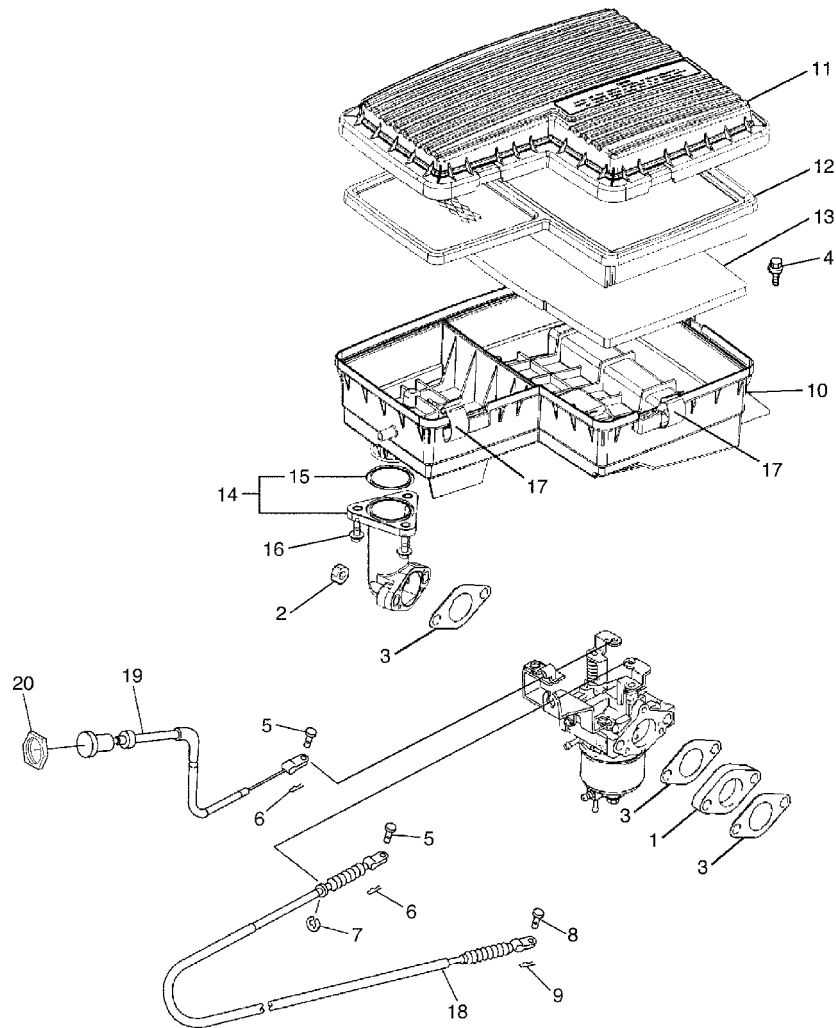


**FIG. 4 CAMSHAFT & VALVE**



| REF. NO. | PART NO.     | DESCRIPTION            | JW14 |  |  |  | REMARKS |
|----------|--------------|------------------------|------|--|--|--|---------|
| 1        | JR7-12170-00 | CAMSHAFT ASSY 1        | 1    |  |  |  |         |
| 2        | JN6-12111-01 | VALVE, INTAKE          | 1    |  |  |  |         |
| 3        | 7RH-12121-00 | VALVE, EXHAUST         | 1    |  |  |  |         |
| 4        | JN6-12153-00 | LIFTER, VALVE          | 2    |  |  |  |         |
| 5        | 90501-264A9  | SPRING, COMPRESSION    | 2    |  |  |  |         |
| 6        | J38-12117-01 | RETAINER, VALVE SPRING | 2    |  |  |  |         |
| 7        | J38-12118-00 | COTTER, VALVE          | 2    |  |  |  |         |
| 8        | JN6-12151-00 | ARM, VALVE ROCKER      | 2    |  |  |  |         |
| 9        | 22F-12159-00 | SCREW, VALVE ADJUSTING | 2    |  |  |  |         |
| 10       | 90170-05302  | NUT                    | 2    |  |  |  |         |
| 11       | J38-12156-00 | SHAFT, ROCKER 2        | 1    |  |  |  |         |
| 12       | JR7-12154-01 | ROD, VALVE PUSH        | 2    |  |  |  |         |
| 13       | 4G0-12119-00 | SEAL, VALVE STEM       | 1    |  |  |  |         |
|          |              |                        |      |  |  |  |         |
|          |              |                        |      |  |  |  |         |
|          |              |                        |      |  |  |  |         |
|          |              |                        |      |  |  |  |         |
|          |              |                        |      |  |  |  |         |





JW71100-H060

FIG. 6 INTAKE

| REF. NO. | PART NO.     | DESCRIPTION               | JW14 |  |  |  | REMARKS |
|----------|--------------|---------------------------|------|--|--|--|---------|
| 1        | JN6-13595-00 | JOINT                     | 1    |  |  |  |         |
| 2        | 95702-08500  | NUT, WITH WASHER          | 2    |  |  |  |         |
| 3        | JN6-13567-00 | GASKET                    | 3    |  |  |  |         |
| 4        | 90119-06884  | BOLT, WITH WASHER         | 2    |  |  |  |         |
| 5        | 91702-05010  | PIN, CLEVIS               | 2    |  |  |  |         |
| 6        | 90468-10049  | CLIP                      | 2    |  |  |  |         |
| 7        | 99001-07600  | CIRCLIP                   | 1    |  |  |  |         |
| 8        | 91702-05010  | PIN, CLEVIS               | 1    |  |  |  |         |
| 9        | 90468-10049  | CLIP                      | 1    |  |  |  |         |
| 10       | JU0-E4411-00 | CASE, AIR CLEANER 1       | 1    |  |  |  |         |
| 11       | JU0-E4412-00 | CAP, CLEANER CASE 1       | 1    |  |  |  |         |
| 12       | JU0-E4450-00 | ELEMENT ASSY, AIR CLEANER | 1    |  |  |  |         |
| 13       | JU0-E445E-00 | FILTER 1                  | 1    |  |  |  |         |
| 14       | JU0-E3505-09 | JOINT COMP.               | 1    |  |  |  |         |
| 15       | 93210-398D6  | .O-RING                   | 1    |  |  |  |         |
| 16       | 90105-06862  | BOLT, FLANGE              | 3    |  |  |  |         |
| 17       | 5UH-E4424-00 | CLIP, CAP FITTING         | 5    |  |  |  |         |
| 18       | JW1-F6312-00 | CABLE, THROTTLE 2         | 1    |  |  |  |         |
| 19       | JW1-F6331-00 | CABLE, STARTER 1          | 1    |  |  |  |         |
| 20       | JU0-F6333-00 | NUT                       | 1    |  |  |  |         |

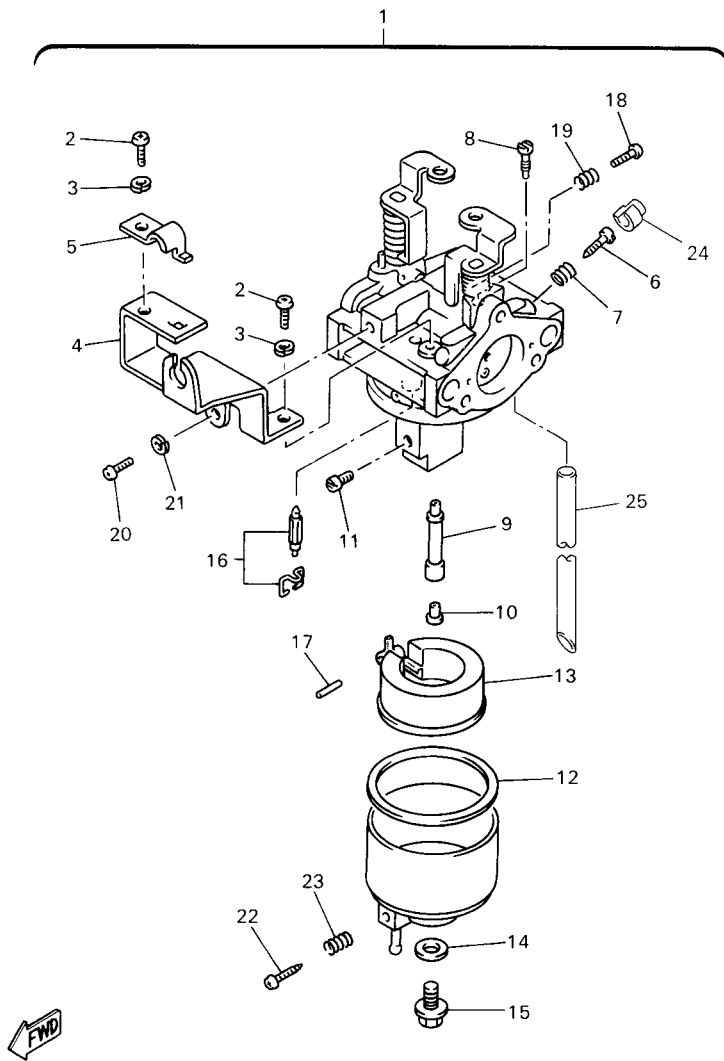


FIG. 7 CARBURETOR

| REF. NO. | PART NO.        | DESCRIPTION              | JW14 |  |  |  | REMARKS |
|----------|-----------------|--------------------------|------|--|--|--|---------|
| 1        | JR6-14101-00    | CARBURETOR ASSY 1        | 1    |  |  |  |         |
| 2        | 98507-05008     | .SCREW, PAN HEAD         | 2    |  |  |  |         |
| 3        | 92990-05100     | .WASHER, SPRING          | 2    |  |  |  |         |
| 4        | JN6-14291-00    | .BRACKET 1               | 1    |  |  |  |         |
| 5        | J10-14227-00    | .PLATE                   | 1    |  |  |  |         |
| 6        | 7NJ-14211-00    | .SCREW, PILOT ADJUSTING  | 1    |  |  |  |         |
| 7        | 73A-14212-10    | .SPRING                  | 1    |  |  |  |         |
| 8        | 732-14142-65-A0 | .JET, PILOT (# 65)       | 1    |  |  |  |         |
| 9        | JN6-1495H-3B    | .NOZZLE, MAIN            | 1    |  |  |  |         |
| 10       | 73A-1414G-00    | .PIPE, MAIN BLEED        | 1    |  |  |  |         |
| 11       | 3G2-1423A-68-A0 | .JET, MAIN (# 87.5)      | 1    |  |  |  | STD     |
|          | 3G2-1423A-67    | .JET, MAIN (# 82.5)      | 1    |  |  |  | AP      |
|          | 3G2-1423E-33-A0 | .JET, MAIN (#83.8)       | 1    |  |  |  | AP      |
| 12       | 796-14184-00    | .GASKET, FLOAT CHAMBER   | 1    |  |  |  |         |
| 13       | JN6-14185-00    | .FLOAT                   | 1    |  |  |  |         |
| 14       | 127-14198-00    | .GASKET                  | 1    |  |  |  |         |
| 15       | 7R1-14162-00    | .BOLT, HOLDING           | 1    |  |  |  |         |
| 16       | JN5-14150-00    | .NEEDLE ASSY (WITH CLIP) | 1    |  |  |  |         |
| 17       | 22F-14186-00    | .PIN, FLOAT              | 1    |  |  |  |         |
| 18       | 1WG-14922-00    | .SCREW, THROTTLE         | 1    |  |  |  |         |
| 19       | 73A-14212-10    | .SPRING                  | 1    |  |  |  |         |
| 20       | 98507-04010     | .SCREW, PAN HEAD         | 1    |  |  |  |         |
| 21       | 92902-04100     | .WASHER, SPRING          | 1    |  |  |  |         |
| 22       | 7E1-14191-00    | .PLUG, DRAIN             | 1    |  |  |  |         |
| 23       | 73A-14212-00    | .SPRING                  | 1    |  |  |  |         |
| 24       | 7LV-14118-00    | .CAP                     | 1    |  |  |  |         |
| 25       | 1KT-14197-01    | .PIPE                    | 1    |  |  |  |         |



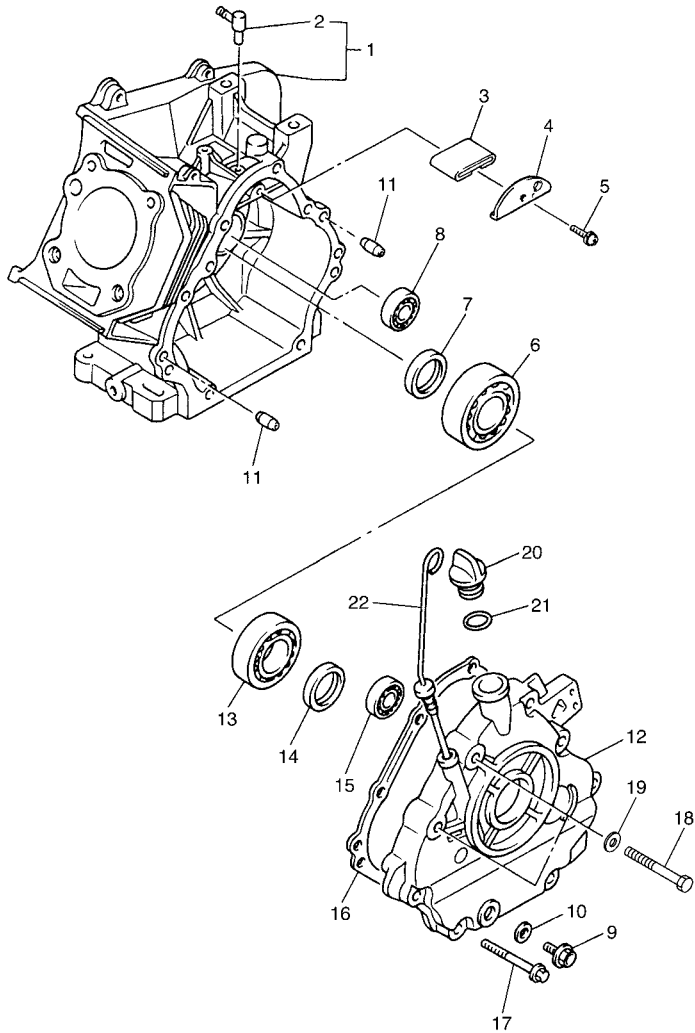


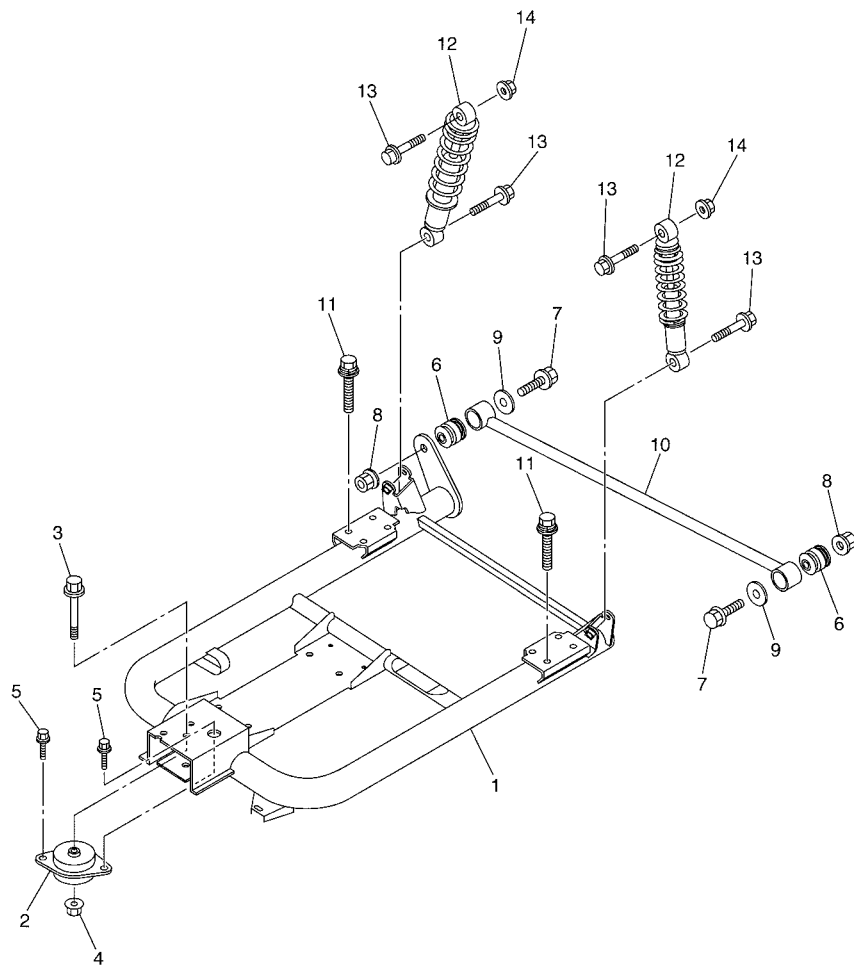
FIG. 9 CRANKCASE

| REF. NO. | PART NO.     | DESCRIPTION               | JW14 |  |  |  | REMARKS |
|----------|--------------|---------------------------|------|--|--|--|---------|
| 1        | JR7-15100-00 | CRANKCASE ASSY            | 1    |  |  |  |         |
| 2        | JN6-15155-00 | .NOZZLE 3                 | 1    |  |  |  |         |
| 3        | JR7-15407-00 | ELEMENT 1                 | 1    |  |  |  |         |
| 4        | JR7-15123-00 | PLATE, BAFFLE 1           | 1    |  |  |  |         |
| 5        | 90159-06107  | SCREW, WITH WASHER        | 1    |  |  |  |         |
| 6        | 93306-30709  | BEARING                   | 1    |  |  |  |         |
| 7        | 93102-35014  | OIL SEAL                  | 1    |  |  |  |         |
| 8        | 93306-20201  | BEARING                   | 1    |  |  |  |         |
| 9        | 90340-12097  | PLUG, STRAIGHT SCREW      | 1    |  |  |  |         |
| 10       | 812-11198-00 | GASKET                    | 1    |  |  |  |         |
| 11       | 99530-08016  | PIN, DOWEL                | 2    |  |  |  |         |
| 12       | JN6-15411-01 | COVER, CRANKCASE 1        | 1    |  |  |  |         |
| 13       | 93306-20714  | BEARING                   | 1    |  |  |  |         |
| 14       | 93102-35014  | OIL SEAL                  | 1    |  |  |  |         |
| 15       | 93306-20201  | BEARING                   | 1    |  |  |  |         |
| 16       | JY2-15451-00 | GASKET, CRANKCASE COVER 1 | 1    |  |  |  |         |
| 17       | 95812-08045  | BOLT, FLANGE              | 6    |  |  |  |         |
| 18       | 97012-10050  | BOLT                      | 2    |  |  |  |         |
| 19       | 90201-10057  | WASHER, PLATE             | 2    |  |  |  |         |
| 20       | 796-15363-01 | PLUG, OIL                 | 1    |  |  |  |         |
| 21       | 93210-22344  | O-RING                    | 1    |  |  |  |         |
| 22       | J38-15361-00 | GAUGE, LEVEL              | 1    |  |  |  |         |



JW61100-H090





JW11100-E110

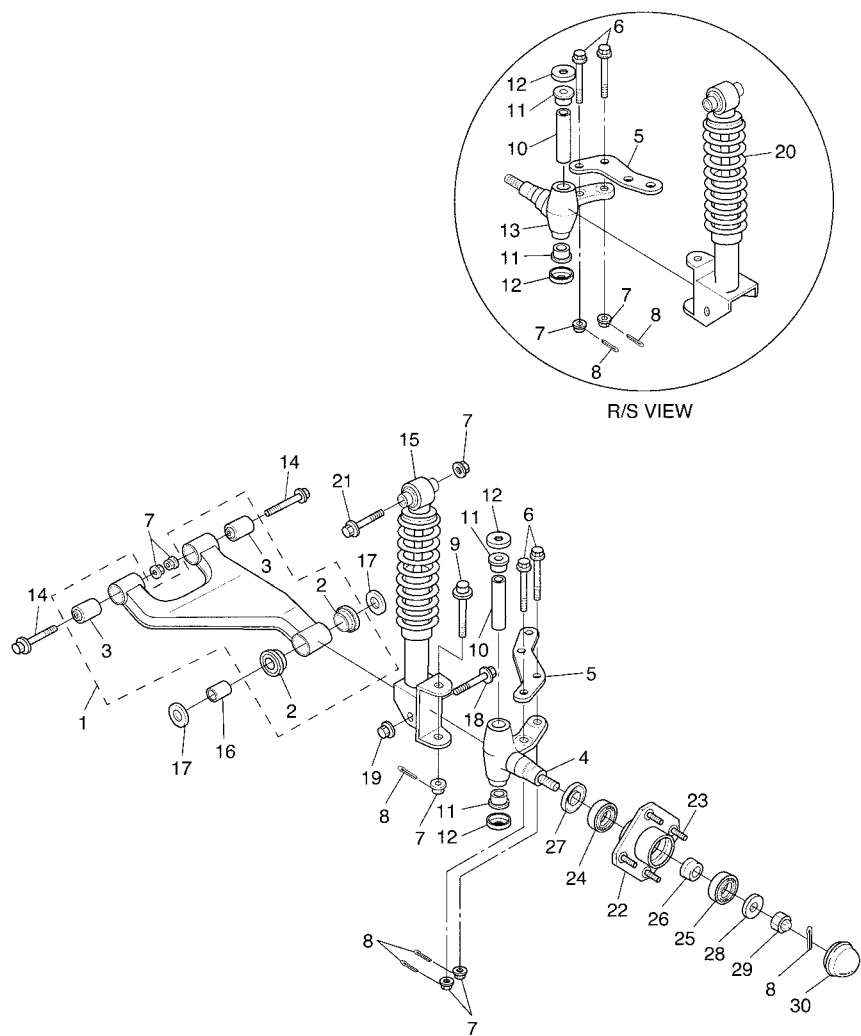
**FIG. 11 REAR ARM & SUSPENSION**

| REF. NO. | PART NO.     | DESCRIPTION               | JW14 |  |  |  | REMARKS |
|----------|--------------|---------------------------|------|--|--|--|---------|
| 1        | JW1-F2110-00 | REAR ARM COMP.            | 1    |  |  |  |         |
| 2        | JN6-F2123-10 | BUSH 1                    | 1    |  |  |  |         |
| 3        | 90105-13800  | BOLT, FLANGE              | 1    |  |  |  |         |
| 4        | 90179-13800  | NUT                       | 1    |  |  |  |         |
| 5        | JW1-F1531-00 | BOLT                      | 2    |  |  |  |         |
| 6        | JN6-F2124-10 | BUSH 2                    | 2    |  |  |  |         |
| 7        | 95812-12065  | BOLT, FLANGE              | 2    |  |  |  |         |
| 8        | 95602-12200  | NUT, SELF-LOCKING         | 2    |  |  |  |         |
| 9        | 90201-128S4  | WASHER, PLATE             | 2    |  |  |  |         |
| 10       | JW1-F217G-10 | ROD, CONNECTING 2         | 1    |  |  |  |         |
| 11       | JW1-F2277-00 | BOLT                      | 8    |  |  |  |         |
| 12       | JW1-F2210-00 | SHOCK ABSORBER ASSY, REAR | 2    |  |  |  |         |
| 13       | 95812-10055  | BOLT, FLANGE              | 4    |  |  |  |         |
| 14       | 95602-10200  | NUT, U FLANGE             | 2    |  |  |  |         |
|          |              |                           |      |  |  |  |         |
|          |              |                           |      |  |  |  |         |
|          |              |                           |      |  |  |  |         |
|          |              |                           |      |  |  |  |         |





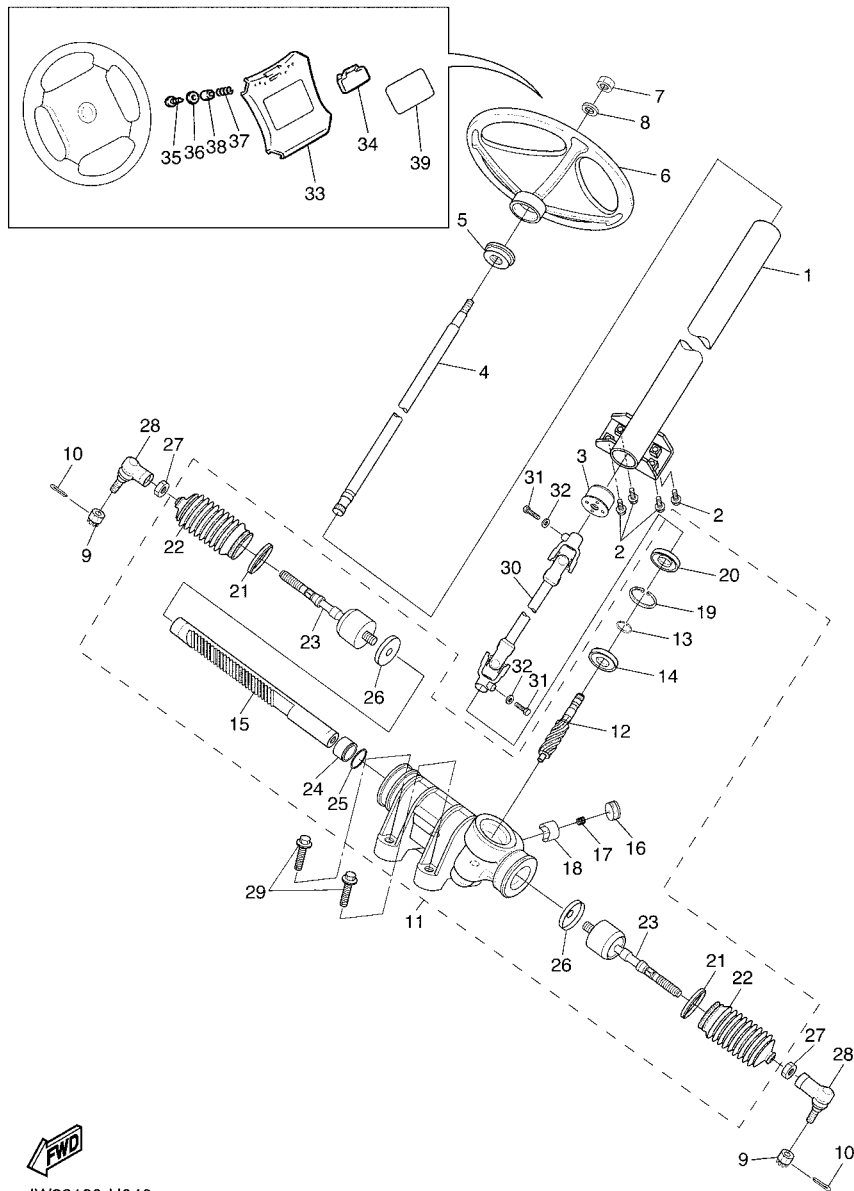
**FIG. 13 FRONT SUSPENSION**



JW11100-E130

| REF. NO. | PART NO.     | DESCRIPTION           | JW14 |  |  |  | REMARKS |
|----------|--------------|-----------------------|------|--|--|--|---------|
| 1        | JU0-F3570-20 | FRONT LOWER ARM COMP. | 2    |  |  |  |         |
| 2        | 90381-18001  | .BUSH, SOLID          | 2    |  |  |  |         |
| 3        | 2HR-23526-00 | .BUSH                 | 2    |  |  |  |         |
| 4        | JU0-F3511-01 | KNUCKLE, STEERING 1   | 1    |  |  |  |         |
| 5        | JW1-F3512-00 | ARM, KNUCKLE 1        | 2    |  |  |  |         |
| 6        | 90105-10728  | BOLT, FLANGE          | 4    |  |  |  |         |
| 7        | 95602-10200  | NUT, U FLANGE         | 12   |  |  |  |         |
| 8        | 91402-25020  | PIN, COTTER           | 8    |  |  |  |         |
| 9        | 90105-10064  | BOLT, FLANGE          | 2    |  |  |  |         |
| 10       | 2NL-23448-00 | SPACER                | 2    |  |  |  |         |
| 11       | 90381-17067  | BUSH, SOLID           | 4    |  |  |  |         |
| 12       | 2NL-23517-00 | COVER, THRUST 1       | 4    |  |  |  |         |
| 13       | JU0-F3521-01 | KNUCKLE, STEERING 2   | 1    |  |  |  |         |
| 14       | 90105-10267  | BOLT, FLANGE          | 4    |  |  |  |         |
| 15       | JW1-F3350-00 | SHOCK ABSORBER ASSY   | 1    |  |  |  |         |
| 16       | 90387-12016  | COLLAR                | 2    |  |  |  |         |
| 17       | 401-22128-01 | COVER, THRUST 1       | 4    |  |  |  |         |
| 18       | 95812-12080  | BOLT, FLANGE          | 2    |  |  |  |         |
| 19       | 95612-12100  | NUT, U                | 2    |  |  |  |         |
| 20       | JW1-F3390-00 | SHOCK ABSORBER ASSY 2 | 1    |  |  |  |         |
| 21       | 95802-10065  | BOLT, FLANGE          | 2    |  |  |  |         |
| 22       | JG5-WF511-10 | HUB, FRONT            | 2    |  |  |  |         |
| 23       | 90114-12806  | BOLT, SERRATION       | 8    |  |  |  |         |
| 24       | 93306-204X0  | BEARING               | 2    |  |  |  |         |
| 25       | 93306-005Y3  | BEARING               | 2    |  |  |  |         |
| 26       | 90387-241M7  | COLLAR                | 2    |  |  |  |         |
| 27       | 93102-30083  | OIL SEAL              | 2    |  |  |  |         |

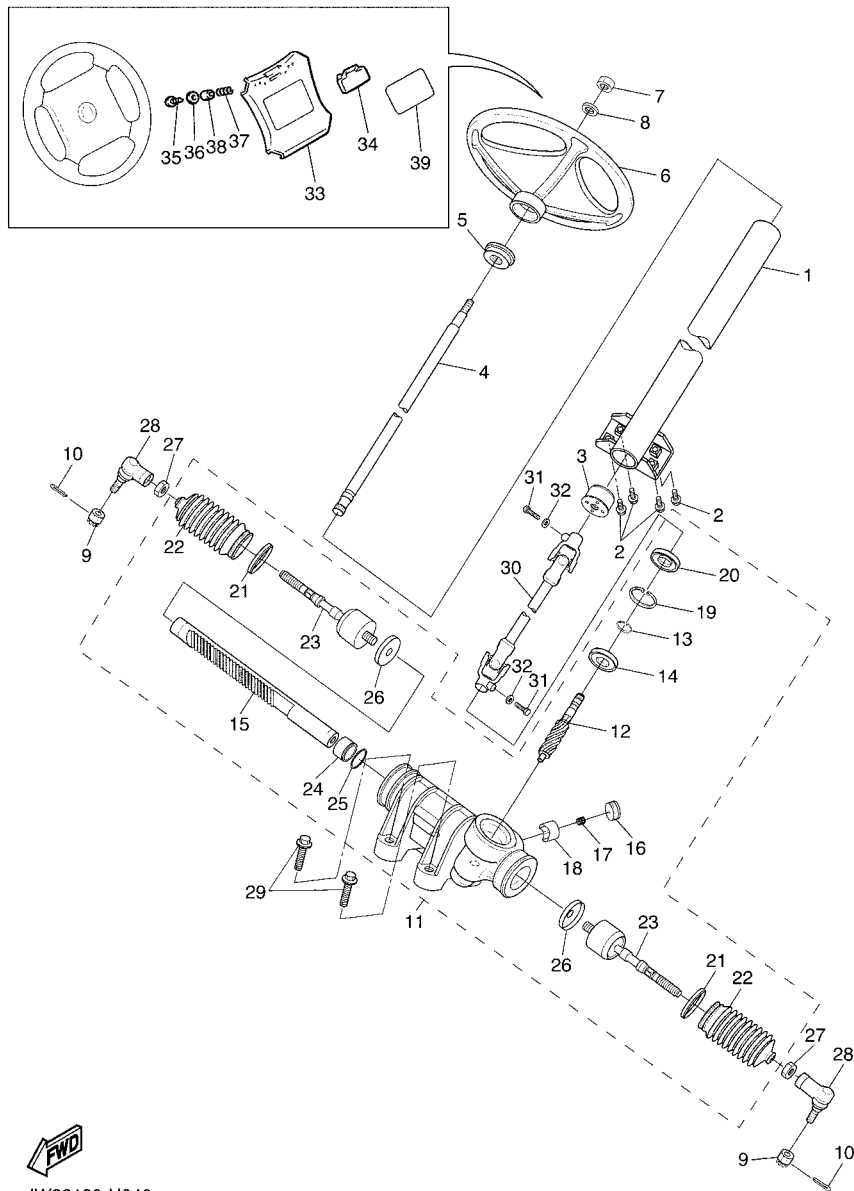




JW22100-H040

FIG. 14 STEERING

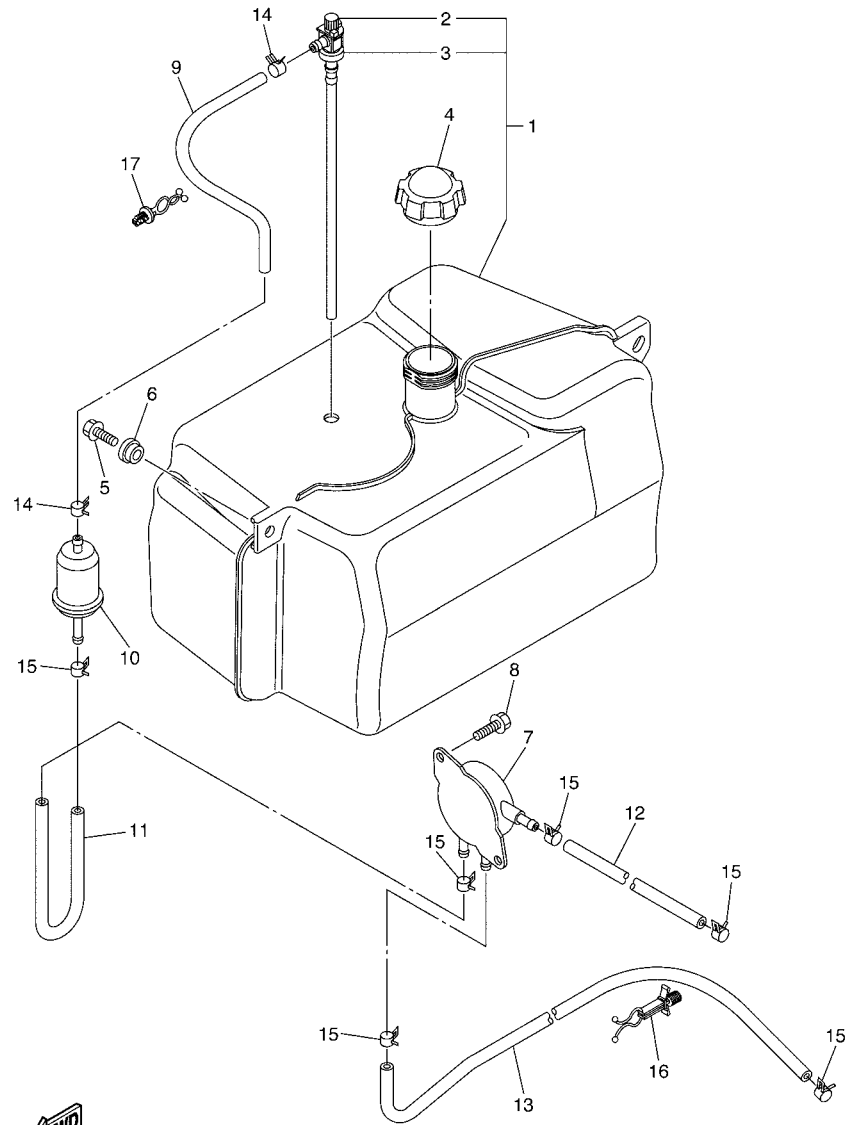
| REF. NO. | PART NO.     | DESCRIPTION          | JW14 |  |  |  | REMARKS |
|----------|--------------|----------------------|------|--|--|--|---------|
| 1        | JW1-F3811-01 | COLUMN, STEERING     | 1    |  |  |  |         |
| 2        | 95812-08016  | BOLT, FLANGE         | 4    |  |  |  |         |
| 3        | JU0-F3857-10 | HOLDER               | 1    |  |  |  |         |
| 4        | JU0-F3828-00 | ROD, STEERING        | 1    |  |  |  |         |
| 5        | JN3-F3814-00 | HOLDER, HANDLE UPPER | 1    |  |  |  |         |
| 6        | JN3-F3838-00 | WHEEL, STEERING      | 1    |  |  |  |         |
| 7        | 90185-12061  | NUT, SELF-LOCKING    | 1    |  |  |  |         |
| 8        | 92902-12200  | WASHER               | 1    |  |  |  |         |
| 9        | 95602-12200  | NUT, SELF-LOCKING    | 2    |  |  |  |         |
| 10       | 91402-25020  | PIN, COTTER          | 2    |  |  |  |         |
| 11       | JW1-F3400-00 | STEERING ASSY        | 1    |  |  |  |         |
| 12       | JW1-F387A-00 | .GEAR, PINION        | 1    |  |  |  |         |
| 13       | JW1-F3183-00 | .CIRCLIP             | 1    |  |  |  |         |
| 14       | JW1-F3812-00 | .BEARING             | 1    |  |  |  |         |
| 15       | JW1-F387E-00 | .GEAR, RACK          | 1    |  |  |  |         |
| 16       | 5UG-F387G-00 | .COVER, ADJUST       | 1    |  |  |  |         |
| 17       | 5UG-F387K-00 | .SPRING, PRESSURE    | 1    |  |  |  |         |
| 18       | 5UG-F387F-00 | .PAD, PRESSURE       | 1    |  |  |  |         |
| 19       | 5UG-F387J-00 | .RING, STOPPER       | 1    |  |  |  |         |
| 20       | 5UG-F3844-00 | .SEAL                | 1    |  |  |  |         |
| 21       | 5UG-F3489-00 | .BAND                | 2    |  |  |  |         |
| 22       | 5UG-F3527-00 | .SEAL, DUST 1        | 2    |  |  |  |         |
| 23       | JW1-F3837-00 | .ROD, TIE 2          | 2    |  |  |  |         |
| 24       | JW1-F467K-00 | .BUSH, CAP           | 1    |  |  |  |         |
| 25       | JW1-F3866-00 | .GEAR SUB-ASSY, 2    | 1    |  |  |  |         |
| 26       | JW1-F3894-00 | .WASHER, LOCK 1      | 2    |  |  |  |         |
| 27       | 4XE-F3833-00 | NUT 1                | 2    |  |  |  |         |



JW22100-H040

FIG. 14 STEERING

| REF. NO. | PART NO.     | DESCRIPTION            | JW14 |  |  |  | REMARKS     |
|----------|--------------|------------------------|------|--|--|--|-------------|
| 28       | JU0-F3841-00 | JOINT, UNIVERSAL 1     | 2    |  |  |  |             |
| 29       | 90105-10847  | BOLT, FLANGE           | 4    |  |  |  |             |
| 30       | JW1-F3822-00 | JOINT 1                | 1    |  |  |  |             |
| 31       | 97012-08030  | BOLT                   | 2    |  |  |  |             |
| 32       | 92902-08600  | WASHER, PLATE          | 2    |  |  |  |             |
| 33       | JN3-K8357-00 | HOLDER 1               | 1    |  |  |  |             |
| 34       | JN6-K8358-01 | HOLDER 2               | 1    |  |  |  |             |
| 35       | 97702-40525  | SCREW, TAPPING         | 2    |  |  |  |             |
| 36       | 90201-04810  | WASHER, PLATE          | 2    |  |  |  |             |
| 37       | 90502-10013  | SPRING, CONICAL        | 2    |  |  |  |             |
| 38       | 90387-046N7  | COLLAR                 | 2    |  |  |  |             |
| 39       | JU0-K7762-00 | LABEL, WARNING 2 (E)   | 1    |  |  |  | FOR CAN,JPN |
|          | JU0-K7762-10 | LABEL, WARNING 2 (E,F) | 1    |  |  |  | FOR OTHERS  |
|          | JU0-K7762-20 | LABEL, WARNING 2 (G,S) | 1    |  |  |  | FOR OTHERS  |



JW11100-E150

FIG. 15 FUEL TANK

| REF. NO. | PART NO.     | DESCRIPTION      | JW14 |  |  |  | REMARKS |
|----------|--------------|------------------|------|--|--|--|---------|
| 1        | JW1-F4111-00 | TANK, FUEL       | 1    |  |  |  |         |
| 2        | JW1-F4300-00 | .FUEL PIPE JOINT | 1    |  |  |  |         |
| 3        | JU5-F4375-00 | .GROMMET         | 1    |  |  |  |         |
| 4        | JN6-F4610-00 | CAP ASSY         | 1    |  |  |  |         |
| 5        | JW1-F1738-00 | BOLT             | 2    |  |  |  |         |
| 6        | 90560-08251  | SPACER           | 2    |  |  |  |         |
| 7        | JN6-F4410-11 | FUEL PUMP ASSY   | 1    |  |  |  |         |
| 8        | JW1-F3394-00 | BOLT, SPECIAL    | 2    |  |  |  |         |
| 9        | JW1-F4312-00 | PIPE 2           | 1    |  |  |  |         |
| 10       | JN6-F4560-00 | FILTER ASSY      | 1    |  |  |  |         |
| 11       | JW1-F4311-00 | PIPE, FUEL 1     | 1    |  |  |  |         |
| 12       | JW1-F4313-00 | PIPE 3           | 1    |  |  |  |         |
| 13       | JW1-F4314-00 | PIPE 4           | 1    |  |  |  |         |
| 14       | 90467-12845  | CLIP             | 2    |  |  |  |         |
| 15       | 90467-10846  | CLIP             | 6    |  |  |  |         |
| 16       | JW1-F1977-01 | CLAMP, FUEL PIPE | 1    |  |  |  |         |
| 17       | 90464-12836  | CLAMP            | 1    |  |  |  |         |
|          |              |                  |      |  |  |  |         |
|          |              |                  |      |  |  |  |         |
|          |              |                  |      |  |  |  |         |
|          |              |                  |      |  |  |  |         |

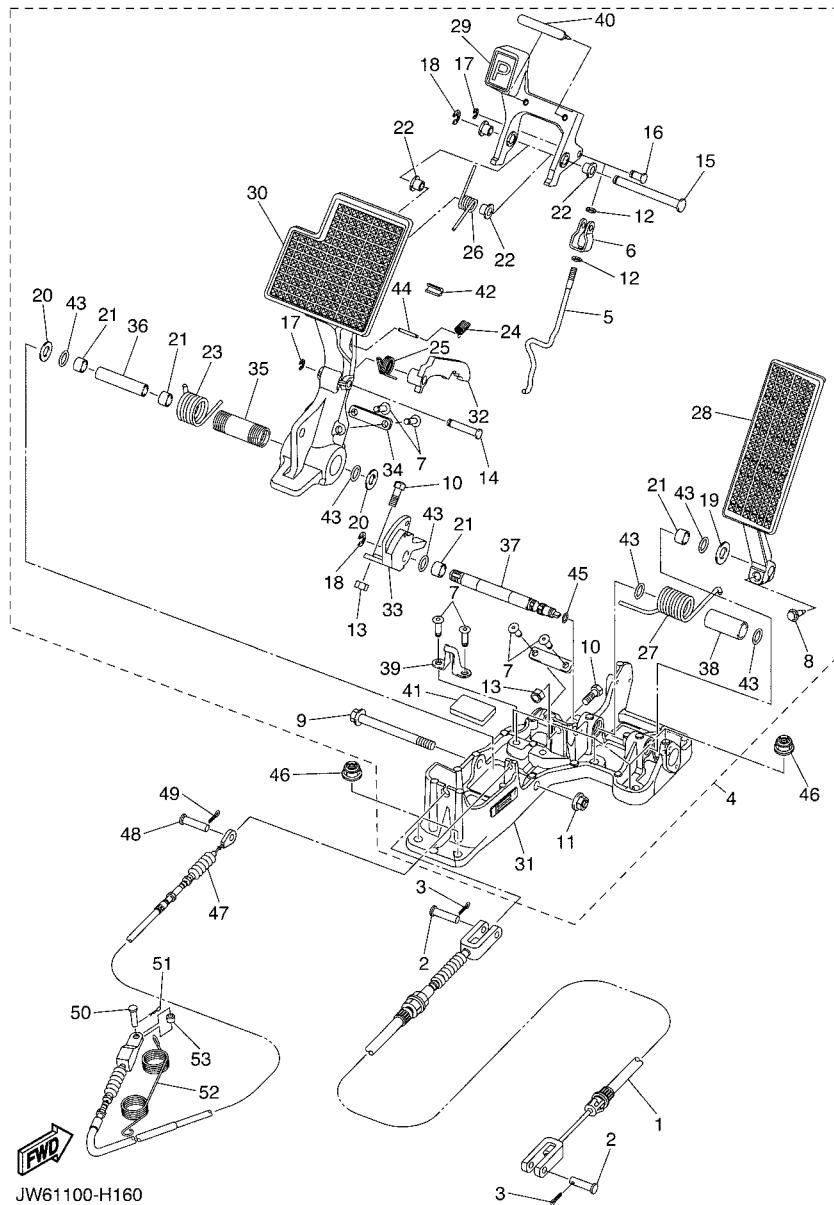
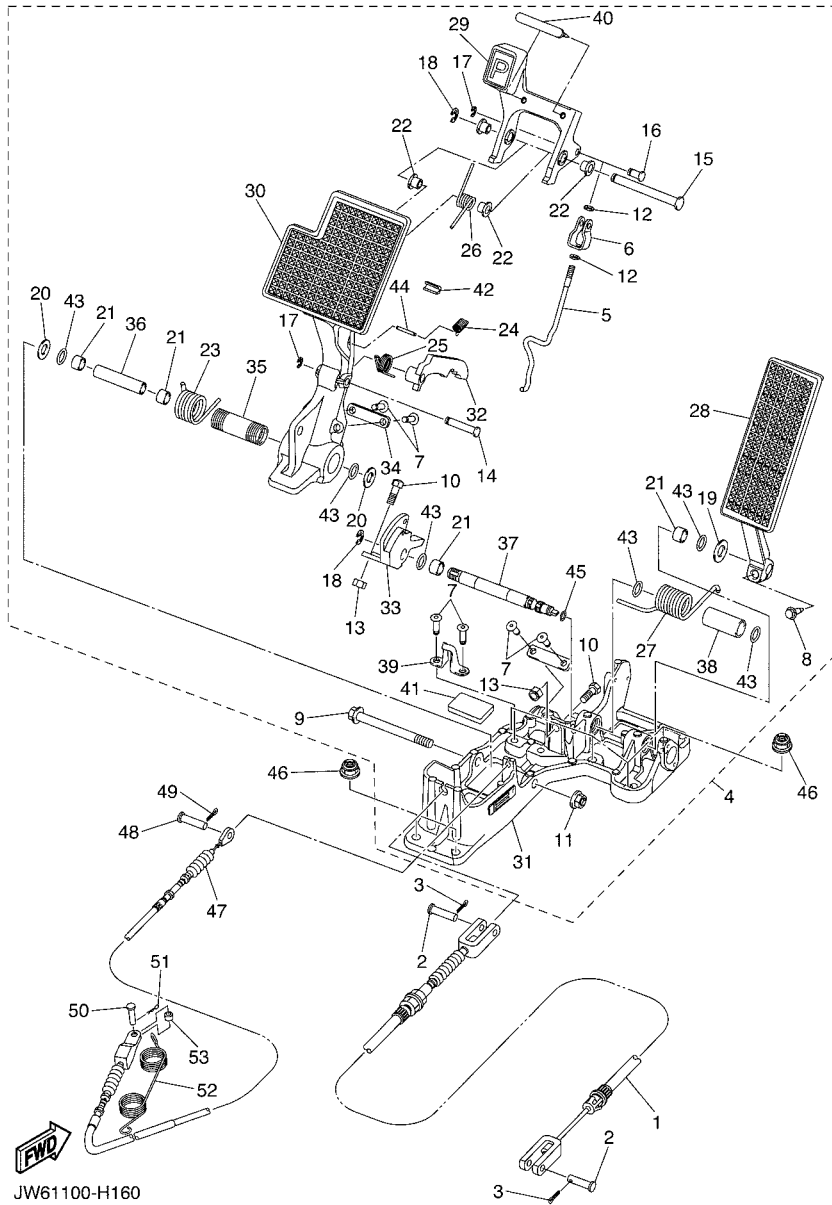


FIG. 16 PEDAL ASSEMBLY

| REF. NO. | PART NO.     | DESCRIPTION       | JW14 |  |  |  | REMARKS |
|----------|--------------|-------------------|------|--|--|--|---------|
| 1        | JW1-F6341-10 | WIRE, BRAKE 1     | 1    |  |  |  |         |
| 2        | 91701-10028  | PIN               | 2    |  |  |  |         |
| 3        | 91490-30015  | PIN. COTTER       | 2    |  |  |  |         |
| 4        | JW1-F7850-01 | PEDAL ASSY (L.H)  | 1    |  |  |  |         |
| 5        | JW1-F720G-00 | .PUSH ROD ASSY    | 1    |  |  |  |         |
| 6        | JW1-F7232-00 | .END, ROD 2       | 1    |  |  |  |         |
| 7        | JW1-F1128-00 | .RIVET            | 6    |  |  |  |         |
| 8        | JW1-F7117-00 | .BOLT, MAIN STAND | 1    |  |  |  |         |
| 9        | JW1-F7217-00 | .BOLT             | 1    |  |  |  |         |
| 10       | JW1-F7227-00 | .BOLT, AJUSTING   | 2    |  |  |  |         |
| 11       | JW1-F7218-00 | .NUT              | 1    |  |  |  |         |
| 12       | JW1-F7855-00 | .NUT, RING        | 2    |  |  |  |         |
| 13       | JW1-F7238-00 | .PIN              | 2    |  |  |  |         |
| 14       | JW1-F5734-00 | .PIN 1            | 1    |  |  |  |         |
| 15       | JW1-F5744-00 | .PIN 2            | 1    |  |  |  |         |
| 16       | JW1-F5754-00 | .PIN 3            | 1    |  |  |  |         |
| 17       | JW1-F5866-00 | .CIRCLIP          | 2    |  |  |  |         |
| 18       | JW1-F6466-00 | .RING, SNAP       | 2    |  |  |  |         |
| 19       | JW1-F723F-01 | .WASHER, SPECIAL  | 1    |  |  |  |         |
| 20       | JW1-F723G-00 | .WASHER, SPECIAL  | 2    |  |  |  |         |
| 21       | JW1-F582M-00 | .BEARING          | 4    |  |  |  |         |
| 22       | JW1-F339Y-00 | .BEARING          | 4    |  |  |  |         |
| 23       | JW1-F7825-00 | .SPRING, RETURN   | 1    |  |  |  |         |
| 24       | JW1-F5659-00 | .HOOK, SPRING 2   | 1    |  |  |  |         |
| 25       | JW1-F5658-00 | .HOOK, SPRING 1   | 1    |  |  |  |         |
| 26       | JW1-F7216-00 | .SPRING, RETURN   | 1    |  |  |  |         |
| 27       | JW1-F5735-00 | .SPRING, RETURN 1 | 1    |  |  |  |         |



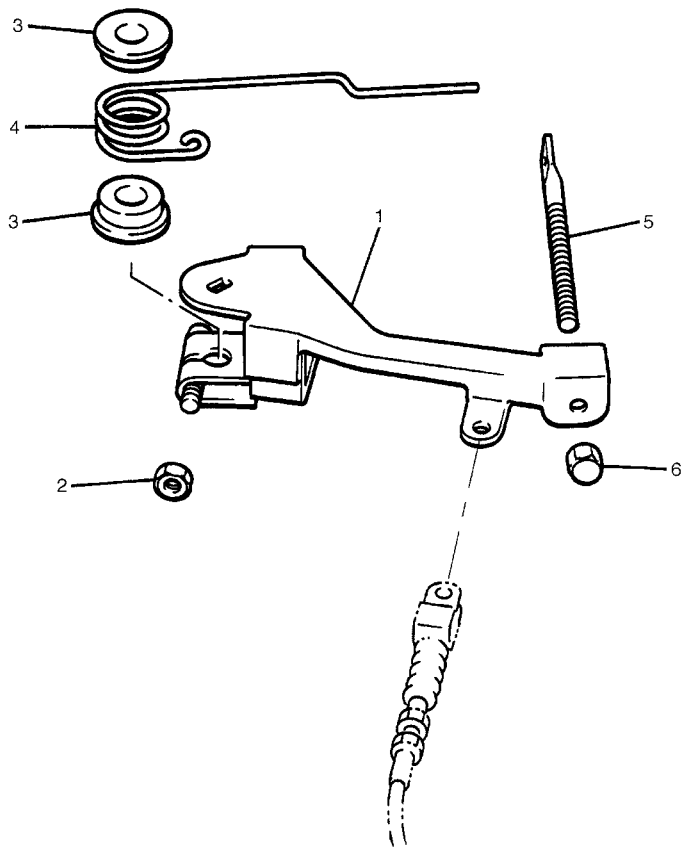
JW61100-H160

FIG. 16 PEDAL ASSEMBLY

| REF. NO. | PART NO.     | DESCRIPTION            | JW14 |  |  |  | REMARKS |
|----------|--------------|------------------------|------|--|--|--|---------|
| 28       | JW1-F7871-00 | .PEDAL, ACCELERATOR    | 1    |  |  |  |         |
| 29       | JW1-F7252-00 | .LEVER, BRAKE PEDAL    | 1    |  |  |  |         |
| 30       | JW1-F7211-00 | .PEDAL, BRAKE          | 1    |  |  |  |         |
| 31       | JW1-F785A-00 | .PEDAL SET             | 1    |  |  |  |         |
| 32       | JW1-F5666-00 | .SECTOR, PARKING BRAKE | 1    |  |  |  |         |
| 33       | JW1-F7249-00 | .PEDAL, LOCK           | 1    |  |  |  |         |
| 34       | JW1-F7275-00 | .PLATE                 | 2    |  |  |  |         |
| 35       | JW1-F7243-00 | .BOSS, BRAKE PEDAL     | 1    |  |  |  |         |
| 36       | JW1-F7213-00 | .COLLAR                | 1    |  |  |  |         |
| 37       | JW1-F7853-00 | .SHAFT, PEDAL 1        | 1    |  |  |  |         |
| 38       | JW1-F7814-00 | .BUSH, PEDAL           | 1    |  |  |  |         |
| 39       | JW1-F7254-00 | .HOOK                  | 1    |  |  |  |         |
| 40       | JW1-F5672-00 | .PAD, PARKING PEDAL    | 1    |  |  |  |         |
| 41       | JW1-F7257-00 | .PAD, BRAKE            | 1    |  |  |  |         |
| 42       | JW1-F5673-00 | .DAMPER, BRAKE         | 1    |  |  |  |         |
| 43       | JW1-F3147-01 | .O-RING                | 6    |  |  |  |         |
| 44       | JW1-F5677-00 | .PIN, HOLD 1           | 1    |  |  |  |         |
| 45       | JW1-F3188-00 | .O-RING                | 1    |  |  |  |         |
| 46       | 95602-08200  | NUT, SELF-LOCKING      | 6    |  |  |  |         |
| 47       | JW1-F6311-00 | CABLE, THROTTLE 1      | 1    |  |  |  |         |
| 48       | 91701-06016  | PIN                    | 1    |  |  |  |         |
| 49       | 91401-20015  | PIN, COTTER            | 1    |  |  |  |         |
| 50       | 91702-05014  | PIN, CLEVIS            | 1    |  |  |  |         |
| 51       | 90468-10049  | CLIP                   | 1    |  |  |  |         |
| 52       | 90508-16460  | SPRING, TORSION        | 1    |  |  |  |         |
| 53       | 90560-05001  | SPACER                 | 1    |  |  |  |         |



FIG. 17 GOVERNOR



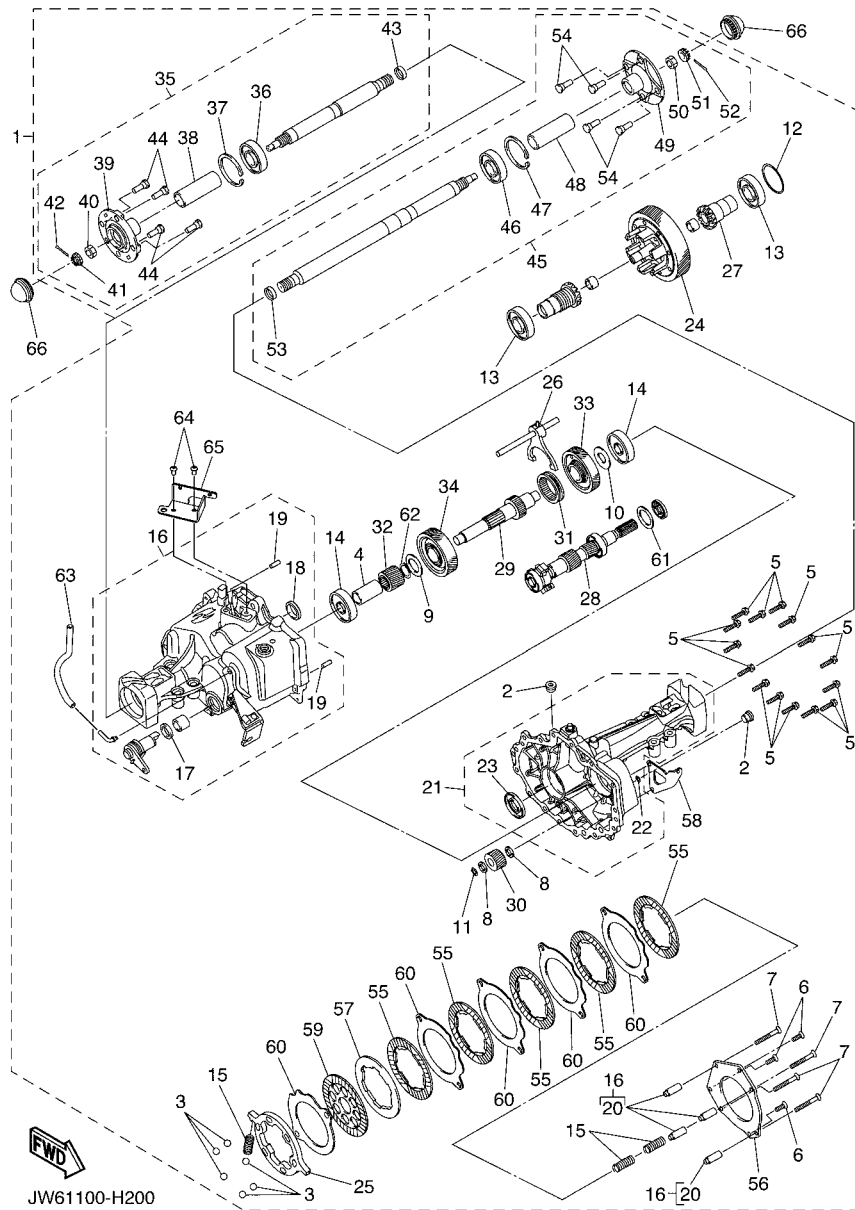
| REF. NO. | PART NO.     | DESCRIPTION          | JW14 |  |  |  | REMARKS |
|----------|--------------|----------------------|------|--|--|--|---------|
| 1        | J38-27951-00 | LEVER, SPEED LIMITER | 1    |  |  |  |         |
| 2        | 95302-06600  | NUT                  | 1    |  |  |  |         |
| 3        | 90386-08141  | BUSH                 | 2    |  |  |  |         |
| 4        | 90508-40678  | SPRING, TORSION      | 1    |  |  |  |         |
| 5        | J38-27959-00 | SCREW, ADJUSTING     | 1    |  |  |  |         |
| 6        | 95602-06200  | NUT, SELF-LOCKING    | 1    |  |  |  |         |
|          |              |                      |      |  |  |  |         |
|          |              |                      |      |  |  |  |         |
|          |              |                      |      |  |  |  |         |
|          |              |                      |      |  |  |  |         |
|          |              |                      |      |  |  |  |         |
|          |              |                      |      |  |  |  |         |



JT71010-B190



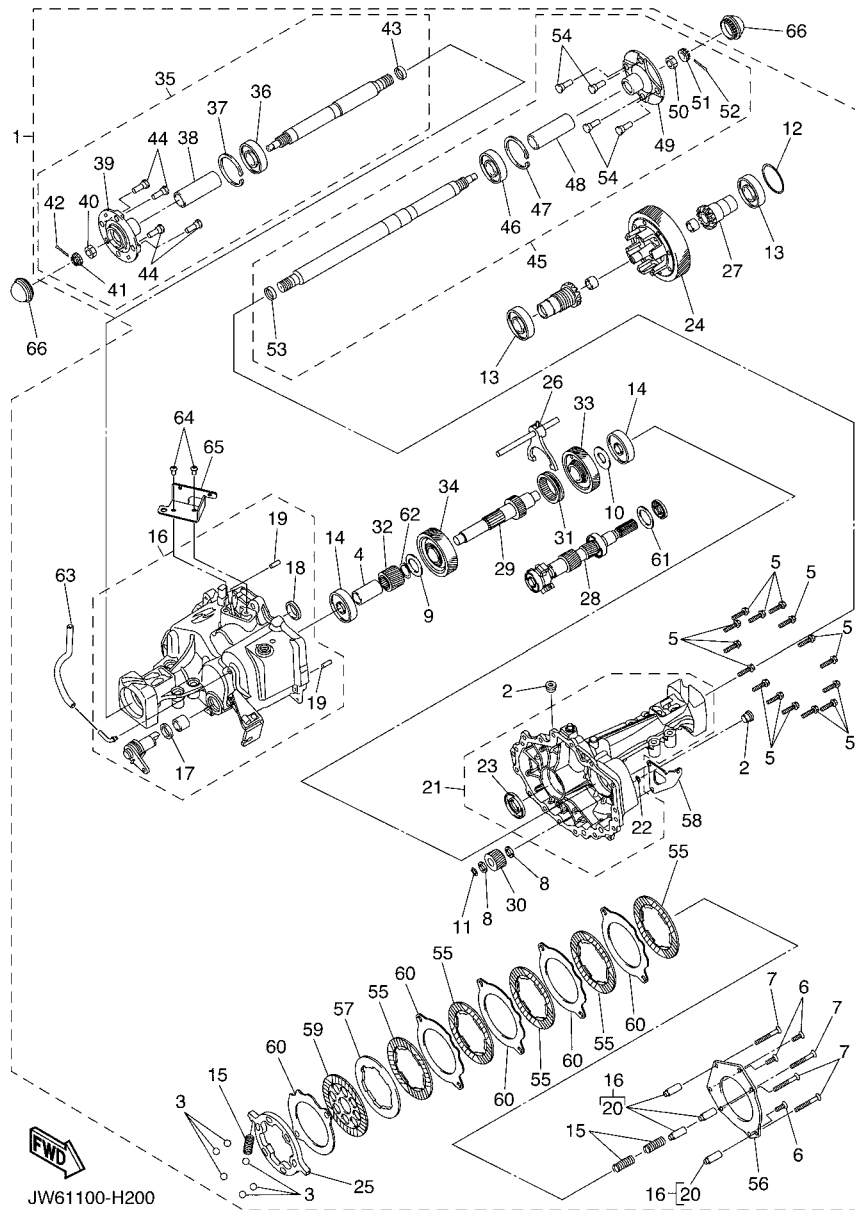




JW61100-H200

FIG. 20 TRANSAXLE & BRAKE

| REF. NO. | PART NO.     | DESCRIPTION                | JW14 |  |  |  | REMARKS |
|----------|--------------|----------------------------|------|--|--|--|---------|
| 1        | JW1-G6300-00 | TRANS AXLE ASSY            | 1    |  |  |  |         |
| 2        | JW1-G6168-00 | .PLUG, DRAIN 1             | 2    |  |  |  |         |
| 3        | JW1-F4684-00 | .BALL                      | 6    |  |  |  |         |
| 4        | JW1-G4132-00 | .BUSHING                   | 1    |  |  |  |         |
| 5        | JW1-G4582-00 | .BOLT, 2                   | 15   |  |  |  |         |
| 6        | JW1-G4189-00 | .SCREW                     | 3    |  |  |  |         |
| 7        | JW1-G6158-00 | .BOLT 2                    | 4    |  |  |  |         |
| 8        | JW1-G4188-00 | .WASHER                    | 2    |  |  |  |         |
| 9        | JW1-G5677-00 | .WASHER                    | 1    |  |  |  |         |
| 10       | JW1-G5618-00 | .WASHER, 1                 | 1    |  |  |  |         |
| 11       | JW1-G6443-00 | .RING, HOLDOUT             | 1    |  |  |  |         |
| 12       | JW1-G6117-00 | .SHIM, RING GEAR           | 1    |  |  |  |         |
| 13       | JW1-G6164-00 | .BEARING 1                 | 2    |  |  |  |         |
| 14       | JW1-G6165-00 | .BEARING 2                 | 2    |  |  |  |         |
| 15       | JW1-G4135-00 | .SPRING                    | 3    |  |  |  |         |
| 16       | JW1-G6540-00 | .REAR AXLE HOUSING COMP.   | 1    |  |  |  |         |
| 17       | JW1-G6137-00 | ..SEAL 2                   | 1    |  |  |  |         |
| 18       | JW1-F16A3-00 | ..SEAL, 3                  | 1    |  |  |  |         |
| 19       | JW1-F536G-00 | ..PIN                      | 2    |  |  |  |         |
| 20       | JW1-G6153-00 | ..COLLAR, GUIDE            | 4    |  |  |  |         |
| 21       | JW1-G6550-00 | .REAR AXLE HOUSING COMP. 2 | 1    |  |  |  |         |
| 22       | JW1-G6854-00 | ..RING                     | 1    |  |  |  |         |
| 23       | JW1-F16A2-00 | ..SEAL, 2                  | 1    |  |  |  |         |
| 24       | JW1-G6110-00 | .RING GEAR COMP.           | 1    |  |  |  |         |
| 25       | JW1-F384K-00 | .BALL, SEAT                | 1    |  |  |  |         |
| 26       | JW1-G4120-00 | .HANDLE GEAR SHIFT ASSY    | 1    |  |  |  |         |
| 27       | JW1-G6326-00 | .GEAR, WHEEL 1             | 1    |  |  |  |         |

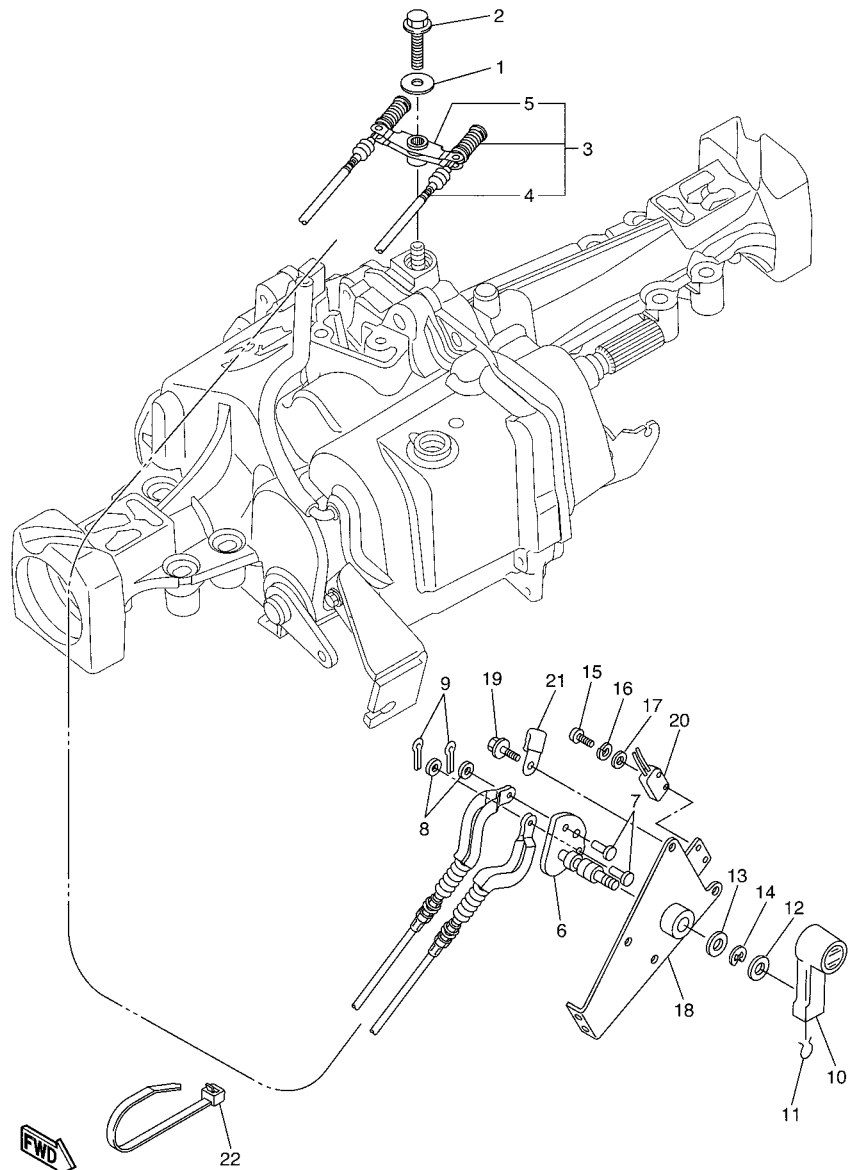


JW61100-H200

FIG. 20 TRANSAXLE & BRAKE

| REF. NO. | PART NO.     | DESCRIPTION              | JW14 |  |  |  | REMARKS |
|----------|--------------|--------------------------|------|--|--|--|---------|
| 28       | JW1-G6320-00 | .INPUT SHAFT ASSY        | 1    |  |  |  |         |
| 29       | JW1-G6348-00 | .SHAFT 2                 | 1    |  |  |  |         |
| 30       | JW1-G6356-00 | .GEAR, IDLER             | 1    |  |  |  |         |
| 31       | JW1-G6328-00 | .GEAR, WHEEL 3           | 1    |  |  |  |         |
| 32       | JW1-G6131-00 | .GEAR, RING 2            | 1    |  |  |  |         |
| 33       | JW1-G6361-00 | .GEAR, COUNTER 1         | 1    |  |  |  |         |
| 34       | JW1-G6362-00 | .GEAR, COUNTER 2         | 1    |  |  |  |         |
| 35       | JW1-G6510-00 | .REAR AXLE SHAFT COMP.   | 1    |  |  |  |         |
| 36       | JW1-F2176-00 | ..BEARING                | 1    |  |  |  |         |
| 37       | JW1-G4156-00 | ..RING, SNAP             | 1    |  |  |  |         |
| 38       | JW1-G6128-00 | ..SPACER, BEARING        | 1    |  |  |  |         |
| 39       | JW1-G6542-00 | ..HUB                    | 1    |  |  |  |         |
| 40       | JW1-G4583-00 | ..NUT                    | 1    |  |  |  |         |
| 41       | JW1-G4127-00 | ..NUT, 1                 | 1    |  |  |  |         |
| 42       | JW1-G633J-00 | ..PIN, COTTER            | 1    |  |  |  |         |
| 43       | JW1-G5874-00 | ..RING, SEAL             | 1    |  |  |  |         |
| 44       | JW1-G4178-00 | ..BOLT, STUD             | 4    |  |  |  |         |
| 45       | JW1-G6520-00 | .REAR AXLE SHAFT COMP. 2 | 1    |  |  |  |         |
| 46       | JW1-F2176-00 | ..BEARING                | 1    |  |  |  |         |
| 47       | JW1-G4156-00 | ..RING, SNAP             | 1    |  |  |  |         |
| 48       | JW1-G6128-00 | ..SPACER, BEARING        | 1    |  |  |  |         |
| 49       | JW1-G6542-00 | ..HUB                    | 1    |  |  |  |         |
| 50       | JW1-G4583-00 | ..NUT                    | 1    |  |  |  |         |
| 51       | JW1-G4127-00 | ..NUT, 1                 | 1    |  |  |  |         |
| 52       | JW1-G633J-00 | ..PIN, COTTER            | 1    |  |  |  |         |
| 53       | JW1-G5874-00 | ..RING, SEAL             | 1    |  |  |  |         |
| 54       | JW1-G4178-00 | ..BOLT, STUD             | 4    |  |  |  |         |





JW61100-H210

FIG. 21 SHIFTER & CABLES

| REF. NO. | PART NO.     | DESCRIPTION         | JW14 |  |  |  | REMARKS |
|----------|--------------|---------------------|------|--|--|--|---------|
| 1        | 90201-05800  | WASHER, PLATE       | 1    |  |  |  |         |
| 2        | 90105-05005  | BOLT, FLANGE        | 1    |  |  |  |         |
| 3        | JW1-G8330-01 | CABLE END ASSY      | 1    |  |  |  |         |
| 4        | JW1-G6371-01 | .WIRE, SHIFT        | 2    |  |  |  |         |
| 5        | JW1-G6383-01 | .LEVER, SHIFT 2     | 1    |  |  |  |         |
| 6        | JF2-46382-00 | LEVER, SHIFT 1      | 1    |  |  |  |         |
| 7        | 91701-06014  | PIN                 | 2    |  |  |  |         |
| 8        | 92902-06600  | WASHER, PLATE       | 2    |  |  |  |         |
| 9        | 91401-20012  | PIN, COTTER         | 2    |  |  |  |         |
| 10       | JN3-G6381-00 | KNOB, SHIFT         | 1    |  |  |  |         |
| 11       | JN3-G6376-00 | SPRING SET          | 1    |  |  |  |         |
| 12       | 90201-208S8  | WASHER, PLATE       | 1    |  |  |  |         |
| 13       | 90201-198S7  | WASHER, PLATE       | 1    |  |  |  |         |
| 14       | 99009-19400  | CIRCLIP             | 1    |  |  |  |         |
| 15       | 98502-04016  | SCREW, PAN HEAD     | 2    |  |  |  |         |
| 16       | 92902-04100  | WASHER, SPRING      | 2    |  |  |  |         |
| 17       | 92902-04600  | WASHER, PLATE       | 2    |  |  |  |         |
| 18       | JN3-G6372-00 | BRACKET, SHIFT WIRE | 1    |  |  |  |         |
| 19       | 90105-06870  | BOLT, FLANGE        | 3    |  |  |  |         |
| 20       | JN3-82617-01 | SWITCH              | 1    |  |  |  |         |
| 21       | 90465-06038  | CLAMP               | 1    |  |  |  |         |
| 22       | 90464-76800  | CLAMP               | 1    |  |  |  |         |







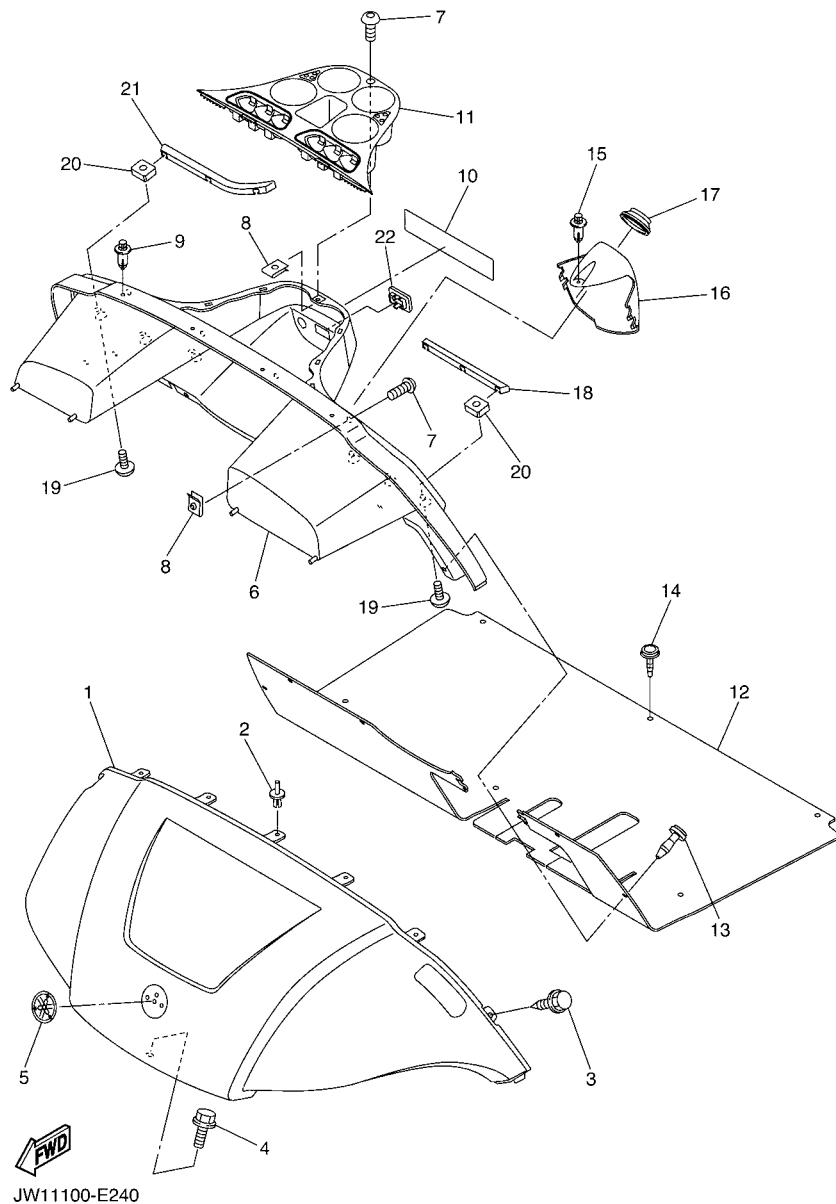
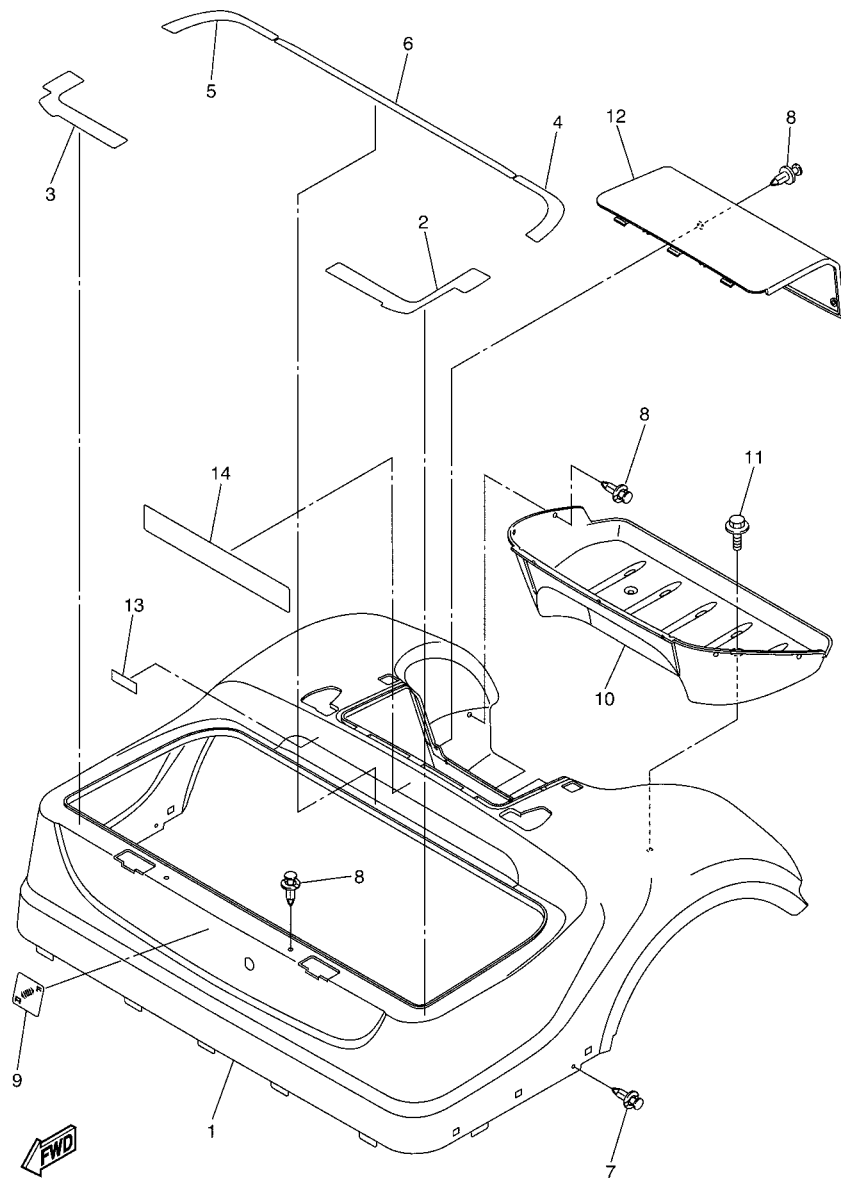


FIG. 24 BODY

| REF. NO. | PART NO.     | DESCRIPTION               | JW14 |  |  | REMARKS      |
|----------|--------------|---------------------------|------|--|--|--------------|
| 1        | JW1-K8115-01 | COWL, FRONT               | 1    |  |  | UR FOR WS7   |
|          | JW1-K8115-11 | COWL, FRONT               | 1    |  |  | UR FOR VDGS1 |
|          | JW1-K8115-21 | COWL, FRONT               | 1    |  |  | UR FOR HTR   |
|          | JW1-K8115-31 | COWL, FRONT               | 1    |  |  | UR FOR LNYM8 |
|          | JW1-K8115-41 | COWL, FRONT               | 1    |  |  | UR FOR NBM7  |
|          | JW1-K8115-51 | COWL, FRONT               | 1    |  |  | UR FOR BMG   |
|          | JW1-K8115-61 | COWL, FRONT               | 1    |  |  | UR FOR DPBMT |
| 2        | 90267-63047  | RIVET, BLIND              | 5    |  |  |              |
| 3        | JW1-F3396-00 | SCREW, SPECIAL            | 2    |  |  |              |
| 4        | 90105-06870  | BOLT, FLANGE              | 1    |  |  |              |
| 5        | JW1-F4161-00 | EMBLEM 1                  | 1    |  |  |              |
| 6        | JW1-K8114-01 | PANEL, FRONT              | 1    |  |  |              |
| 7        | 90111-05805  | BOLT,HEX. SOCKET BUTTON   | 5    |  |  |              |
| 8        | 90183-05008  | NUT, SPRING               | 5    |  |  |              |
| 9        | 90269-07001  | RIVET                     | 5    |  |  |              |
| 10       | JW1-K7768-00 | LABEL, WARNING (E)        | 1    |  |  | FOR CAN,JPN  |
|          | JW1-K7768-10 | LABEL, WARNING (E,F)      | 1    |  |  | FOR OTHERS   |
|          | JW1-K7768-20 | LABEL, WARNING (G,S)      | 1    |  |  | FOR OTHERS   |
| 11       | JW1-K835E-00 | HOLDER, BEVERAGE          | 1    |  |  |              |
| 12       | JW1-K8233-10 | MAT, MAIN FLOOR 3         | 1    |  |  |              |
| 13       | JW1-K7329-00 | RIVET                     | 5    |  |  |              |
| 14       | JW1-K7449-00 | RIVET 1                   | 6    |  |  |              |
| 15       | 90269-06804  | RIVET                     | 1    |  |  |              |
| 16       | JW1-K8273-00 | COVER, HOLE               | 1    |  |  |              |
| 17       | JW1-K8245-00 | SEAL 1                    | 1    |  |  |              |
| 18       | JW1-K8261-00 | PLATE, BODY PROTECT 1     | 1    |  |  |              |
| 19       | 90110-06102  | BOLT, HEXAGON SOCKET HEAD | 6    |  |  |              |





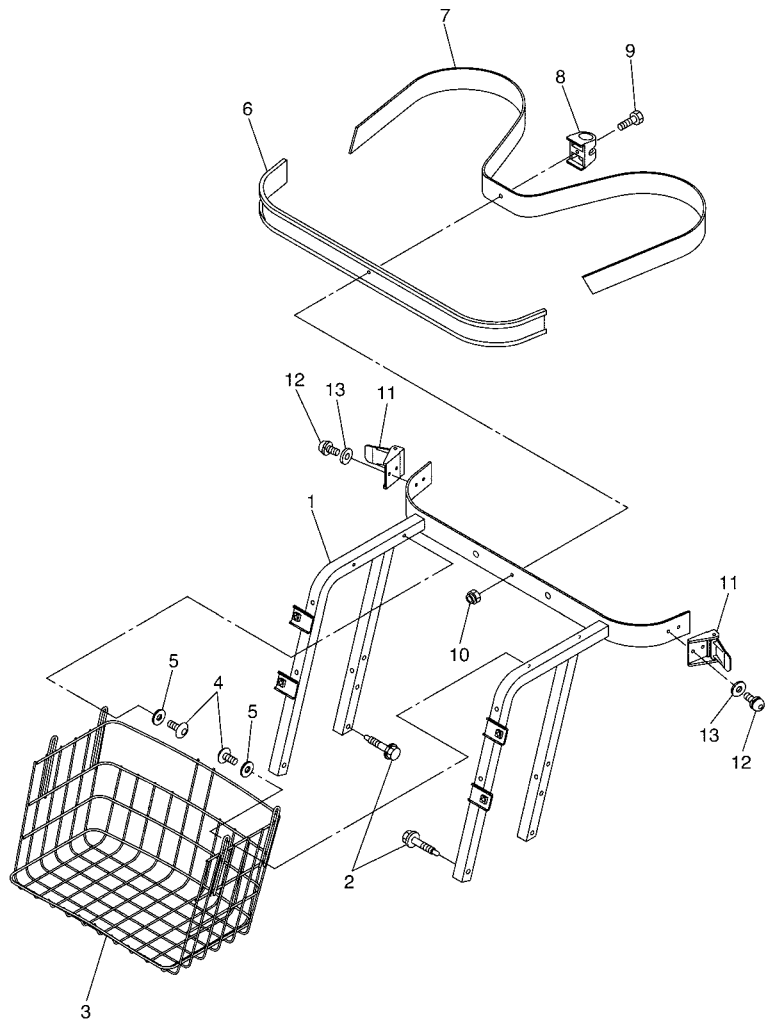
JW14100-H250

FIG. 25 BODY 2

| REF. NO. | PART NO.     | DESCRIPTION             | JW14 |  |  | REMARKS      |
|----------|--------------|-------------------------|------|--|--|--------------|
| 1        | JW1-K8142-00 | PANEL, REAR BODY        | 1    |  |  | UR FOR WS7   |
|          | JW1-K8142-10 | PANEL, REAR BODY        | 1    |  |  | UR FOR VDGS1 |
|          | JW1-K8142-20 | PANEL, REAR BODY        | 1    |  |  | UR FOR HTR   |
|          | JW1-K8142-30 | PANEL, REAR BODY        | 1    |  |  | UR FOR LNYM8 |
|          | JW1-K8142-40 | PANEL, REAR BODY        | 1    |  |  | UR FOR NBM7  |
|          | JW1-K8142-50 | PANEL, REAR BODY        | 1    |  |  | UR FOR BMG   |
|          | JW1-K8142-60 | PANEL, REAR BODY        | 1    |  |  | UR FOR DPBMT |
| 2        | JW1-F2873-00 | SEAL 1                  | 1    |  |  |              |
| 3        | JW1-F2874-00 | SEAL 2                  | 1    |  |  |              |
| 4        | JW1-F2875-00 | SEAL 3                  | 1    |  |  |              |
| 5        | JW1-F2876-00 | SEAL 4                  | 1    |  |  |              |
| 6        | JW1-F2877-01 | SEAL 5                  | 1    |  |  |              |
| 7        | 90269-06804  | RIVET                   | 2    |  |  |              |
| 8        | 90269-08813  | RIVET                   | 11   |  |  |              |
| 9        | JW1-K7741-00 | INDICATOR 1             | 1    |  |  |              |
| 10       | JW1-K8237-00 | COVER, REAR FLOOR       | 1    |  |  |              |
| 11       | JW1-K6179-01 | BOLT, SPECIAL 1         | 2    |  |  |              |
| 12       | JW1-K8151-00 | PANEL, INSPECTION LID 1 | 1    |  |  |              |
| 13       | JN6-H2377-00 | LABEL                   | 1    |  |  |              |
| 14       | JW1-K8297-01 | PLATE, CAUTION 1        | 1    |  |  |              |



FIG. 27 CARRIER

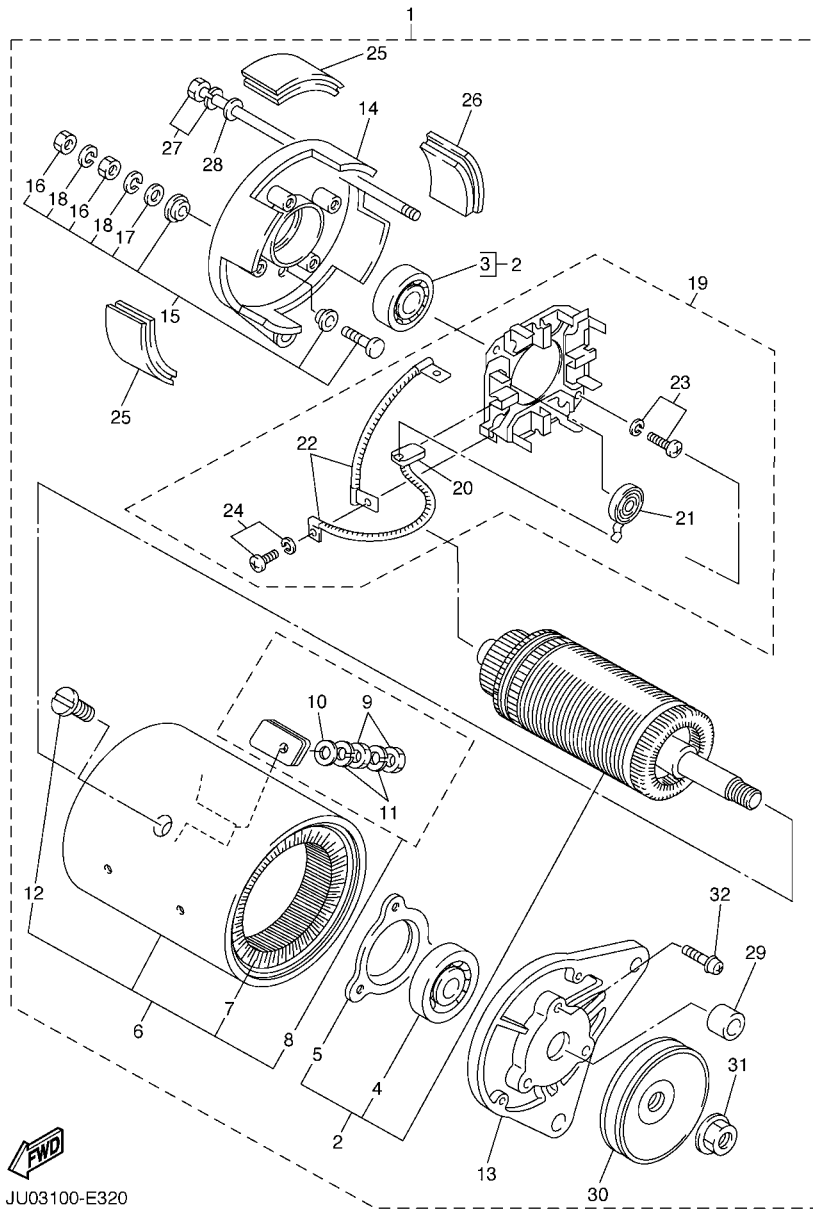


| REF. NO. | PART NO.     | DESCRIPTION               | JW14 |  |  |  | REMARKS |
|----------|--------------|---------------------------|------|--|--|--|---------|
| 1        | JW1-K8423-00 | SUPPORT, SEAT BACK        | 1    |  |  |  |         |
| 2        | 90109-08002  | BOLT                      | 4    |  |  |  |         |
| 3        | JW1-K8340-00 | LUGGAGE RACK ASSY., REAR  | 1    |  |  |  |         |
| 4        | 90110-06102  | BOLT, HEXAGON SOCKET HEAD | 4    |  |  |  |         |
| 5        | 90201-068G7  | WASHER, PLATE             | 4    |  |  |  |         |
| 6        | JF2-K8356-00 | PAD, BAG SUPPORT          | 1    |  |  |  |         |
| 7        | JN6-K8355-20 | BAND                      | 1    |  |  |  |         |
| 8        | JW1-K834G-00 | HOLDER, RAKE SAND         | 1    |  |  |  |         |
| 9        | 9708R-06020  | BOLT                      | 1    |  |  |  |         |
| 10       | 90185-06836  | NUT, SELF-LOCKING         | 1    |  |  |  |         |
| 11       | JN6-K8380-00 | LOCK ASSY                 | 2    |  |  |  |         |
| 12       | 90159-06845  | SCREW, WITH WASHER        | 4    |  |  |  |         |
| 13       | 9299R-06200  | WASHER                    | 4    |  |  |  |         |
|          |              |                           |      |  |  |  |         |
|          |              |                           |      |  |  |  |         |
|          |              |                           |      |  |  |  |         |
|          |              |                           |      |  |  |  |         |
|          |              |                           |      |  |  |  |         |



JW11100-E270





JU03100-E320

FIG. 29 STARTING MOTOR

| REF. NO. | PART NO.     | DESCRIPTION                   | JW14 |  |  |  | REMARKS |
|----------|--------------|-------------------------------|------|--|--|--|---------|
| 1        | JN6-H1100-03 | STARTER GENERATOR ASSY        | 1    |  |  |  |         |
| 2        | JN3-H1150-00 | .ARMATURE ASSY                | 1    |  |  |  |         |
| 3        | 93306-20226  | ..BEARING                     | 1    |  |  |  | KOYO    |
| 4        | 93306-30317  | ..BEARING                     | 1    |  |  |  |         |
| 5        | J10-81159-10 | ..HOLDER, BEARING             | 1    |  |  |  |         |
| 6        | JN6-H1110-10 | ..STATOR ASSY                 | 1    |  |  |  |         |
| 7        | JN6-H1160-10 | ..FIELD COIL ASSY             | 1    |  |  |  |         |
| 8        | J10-81148-10 | ..SCREW SET 4                 | 2    |  |  |  |         |
| 9        | 9530N-06600  | ...NUT                        | 2    |  |  |  |         |
| 10       | 9290N-06600  | ...WASHER                     | 1    |  |  |  |         |
| 11       | 9290N-06100  | ...WASHER, SPRING             | 2    |  |  |  |         |
| 12       | J10-81146-10 | ..SCREW 2                     | 4    |  |  |  |         |
| 13       | JN6-H1165-00 | .BRACKET, STARTER GENERATOR 1 | 1    |  |  |  |         |
| 14       | J10-81166-10 | .BRACKET, STARTER GENERATOR 2 | 1    |  |  |  |         |
| 15       | J10-81147-10 | .SCREW SET 3                  | 2    |  |  |  |         |
| 16       | 9530N-06600  | ..NUT                         | 2    |  |  |  |         |
| 17       | 9290N-06600  | ..WASHER                      | 1    |  |  |  |         |
| 18       | 9290N-06100  | ..WASHER, SPRING              | 2    |  |  |  |         |
| 19       | JN6-H1119-00 | .BRUSH HOLDER ASSY            | 1    |  |  |  |         |
| 20       | JF2-H1111-00 | ..BRUSH                       | 4    |  |  |  |         |
| 21       | JN6-H1113-00 | ..SPRING, BRUSH               | 4    |  |  |  |         |
| 22       | J10-H1115-10 | ..WIRE, LEAD                  | 2    |  |  |  |         |
| 23       | 9850N-05016  | ..SCREW, PAN HEAD             | 2    |  |  |  |         |
| 24       | 9850N-04010  | ..SCREW, PAN HEAD             | 4    |  |  |  |         |
| 25       | J10-81129-10 | .COVER, BRUSH                 | 3    |  |  |  |         |
| 26       | J10-H1139-10 | .COVER, BRUSH 2               | 1    |  |  |  |         |
| 27       | J10-81145-10 | .SCREW 1                      | 2    |  |  |  |         |





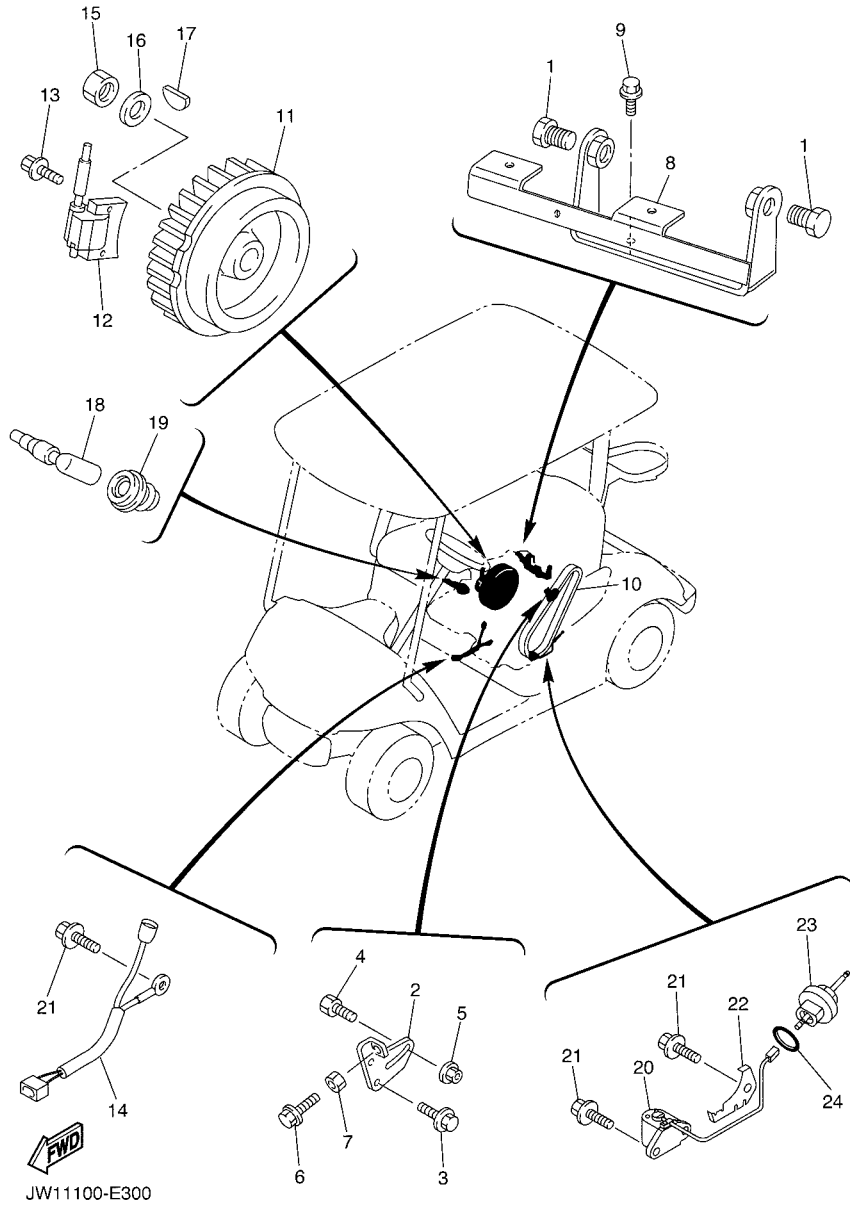


FIG. 30 ELECTRICAL 1

| REF. NO. | PART NO.     | DESCRIPTION                | JW14 |  |  |  | REMARKS |
|----------|--------------|----------------------------|------|--|--|--|---------|
| 1        | 95812-12030  | BOLT, FLANGE               | 2    |  |  |  |         |
| 2        | JW1-H1170-11 | TENSIONER ASSY             | 1    |  |  |  |         |
| 3        | 95822-08020  | BOLT, FLANGE               | 2    |  |  |  |         |
| 4        | 90109-08827  | BOLT                       | 1    |  |  |  |         |
| 5        | 95702-08500  | NUT, WITH WASHER           | 1    |  |  |  |         |
| 6        | 90101-06478  | BOLT                       | 1    |  |  |  |         |
| 7        | 95302-06600  | NUT                        | 1    |  |  |  |         |
| 8        | JN6-H1171-10 | BRACKET, STARTER GENERATOR | 1    |  |  |  |         |
| 9        | 95822-08020  | BOLT, FLANGE               | 2    |  |  |  |         |
| 10       | J55-H1173-00 | BELT                       | 1    |  |  |  |         |
| 11       | JR7-85650-00 | ROTOR ASSY                 | 1    |  |  |  |         |
| 12       | JN6-85640-01 | T.C.I. UNIT ASSY           | 1    |  |  |  |         |
| 13       | 95822-06025  | BOLT, FLANGE               | 2    |  |  |  |         |
| 14       | JN6-82318-00 | WIRE, SUB-LEAD             | 1    |  |  |  |         |
| 15       | 95317-18600  | NUT                        | 1    |  |  |  |         |
| 16       | 90201-18620  | WASHER, PLATE              | 1    |  |  |  |         |
| 17       | 90280-04052  | KEY, WOODRUFF              | 1    |  |  |  |         |
| 18       | JN6-82370-00 | PLUG CAP ASSY              | 1    |  |  |  |         |
| 19       | JE8-82372-00 | SEAL, PLUG CAP             | 1    |  |  |  |         |
| 20       | JT0-85720-00 | OIL LEVEL GAUGE ASSY       | 1    |  |  |  |         |
| 21       | 95822-06012  | BOLT, FLANGE               | 4    |  |  |  |         |
| 22       | JT0-85724-00 | CLAMP                      | 1    |  |  |  |         |
| 23       | JT0-15362-00 | PLUG, OIL LEVEL            | 1    |  |  |  |         |
| 24       | 93210-15414  | O-RING                     | 1    |  |  |  |         |

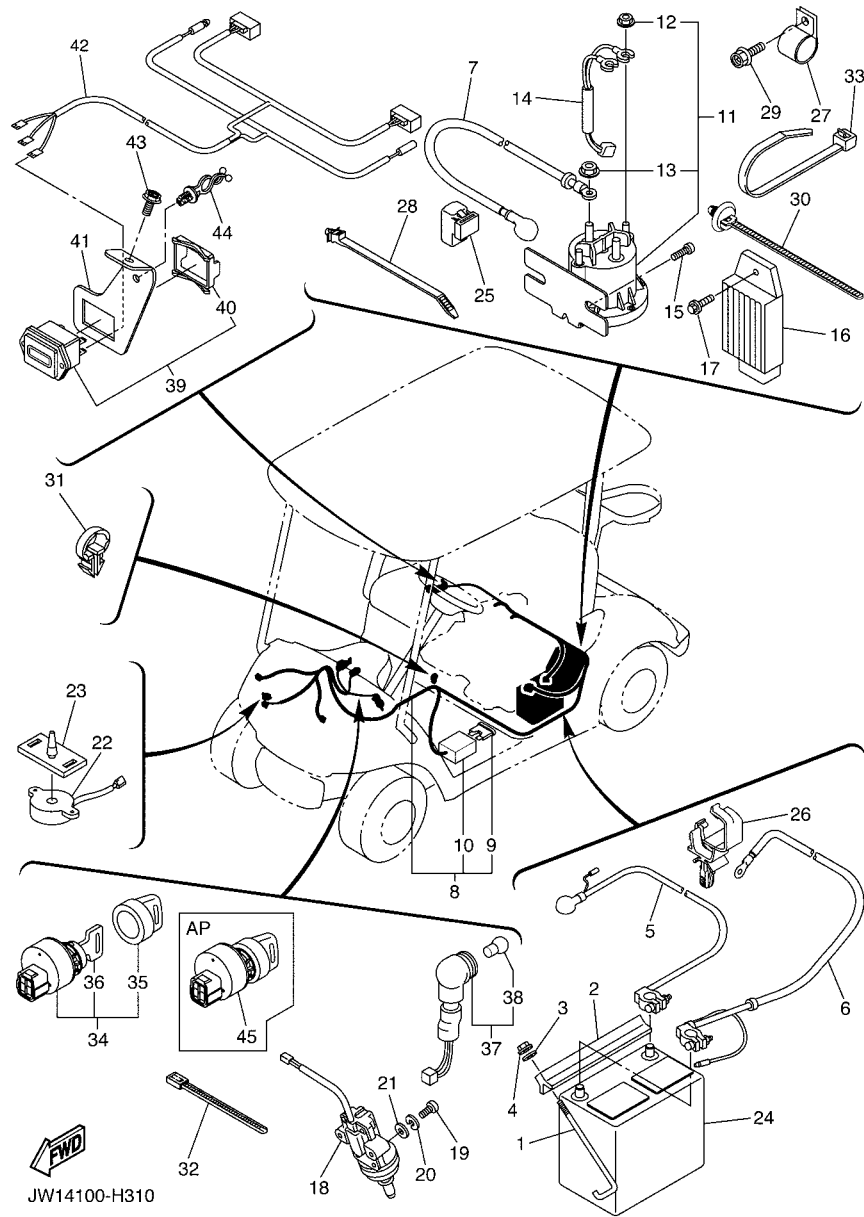


FIG. 31 ELECTRICAL 2

| REF. NO. | PART NO.     | DESCRIPTION               | JW14 |  |  |  | REMARKS |
|----------|--------------|---------------------------|------|--|--|--|---------|
| 1        | JW1-H2133-00 | SCREW, FITTING            | 2    |  |  |  |         |
| 2        | J55-H2136-00 | PLATE, BATTERY FITTING    | 1    |  |  |  |         |
| 3        | 92902-06200  | WASHER                    | 2    |  |  |  |         |
| 4        | 95702-06500  | NUT, FLANGE               | 2    |  |  |  |         |
| 5        | JW1-H2115-00 | WIRE, PLUS LEAD           | 1    |  |  |  |         |
| 6        | JW1-H2116-00 | WIRE, MINUS LEAD          | 1    |  |  |  |         |
| 7        | JW1-H2117-00 | WIRE, LEAD                | 1    |  |  |  |         |
| 8        | JW1-H2590-01 | WIRE HARNESS ASSY         | 1    |  |  |  |         |
| 9        | 42X-82151-00 | .FUSE (10A-BL)            | 1    |  |  |  |         |
| 10       | JR1-H2150-00 | .FUSE HOLDER ASSY         | 1    |  |  |  |         |
| 11       | JW1-H1950-00 | RELAY ASSY                | 1    |  |  |  |         |
| 12       | 90179-05886  | .NUT                      | 2    |  |  |  |         |
| 13       | 90179-08887  | .NUT                      | 2    |  |  |  |         |
| 14       | JN6-H2105-00 | WIRE HARNESS              | 1    |  |  |  |         |
| 15       | 90163-06005  | SCREW, TAPPING            | 2    |  |  |  |         |
| 16       | JF2-81910-01 | VOLTAGE REGULATOR ASSY    | 1    |  |  |  |         |
| 17       | 90105-06870  | BOLT, FLANGE              | 1    |  |  |  |         |
| 18       | JF7-82817-20 | SWITCH                    | 1    |  |  |  |         |
| 19       | 98502-05025  | SCREW, PAN HEAD           | 2    |  |  |  |         |
| 20       | 92902-05100  | WASHER, SPRING            | 2    |  |  |  |         |
| 21       | 92902-05600  | WASHER, PLATE             | 2    |  |  |  |         |
| 22       | JR1-H3383-01 | BUZZER                    | 1    |  |  |  |         |
| 23       | JN6-H3386-01 | STAY, BUZZER              | 1    |  |  |  |         |
| 24       | *            | BATTERY ASSY (GC-24, 12V) | 1    |  |  |  | LM      |
| 25       | 4U8-81950-02 | RELAY ASSY                | 1    |  |  |  |         |
| 26       | 90464-20237  | CLAMP                     | 5    |  |  |  |         |
| 27       | 90461-14108  | CLAMP                     | 1    |  |  |  |         |

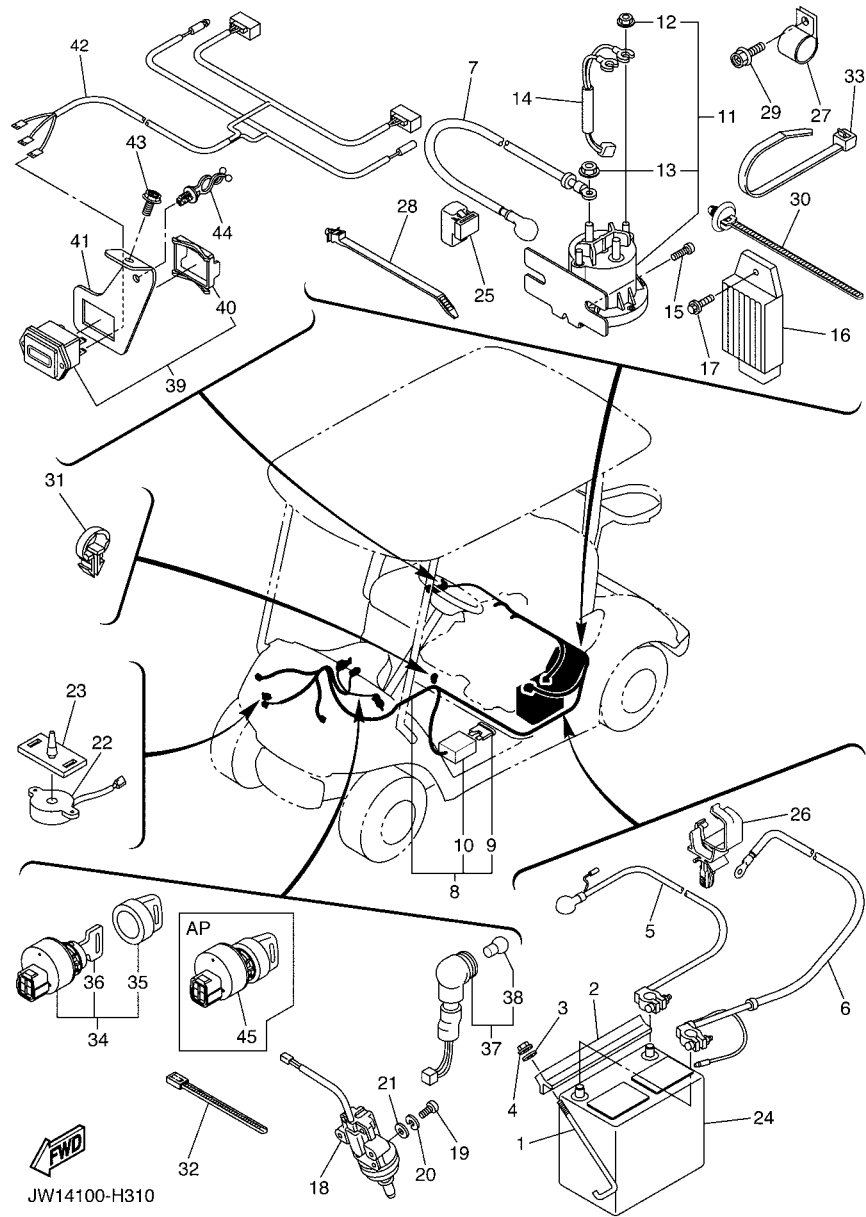
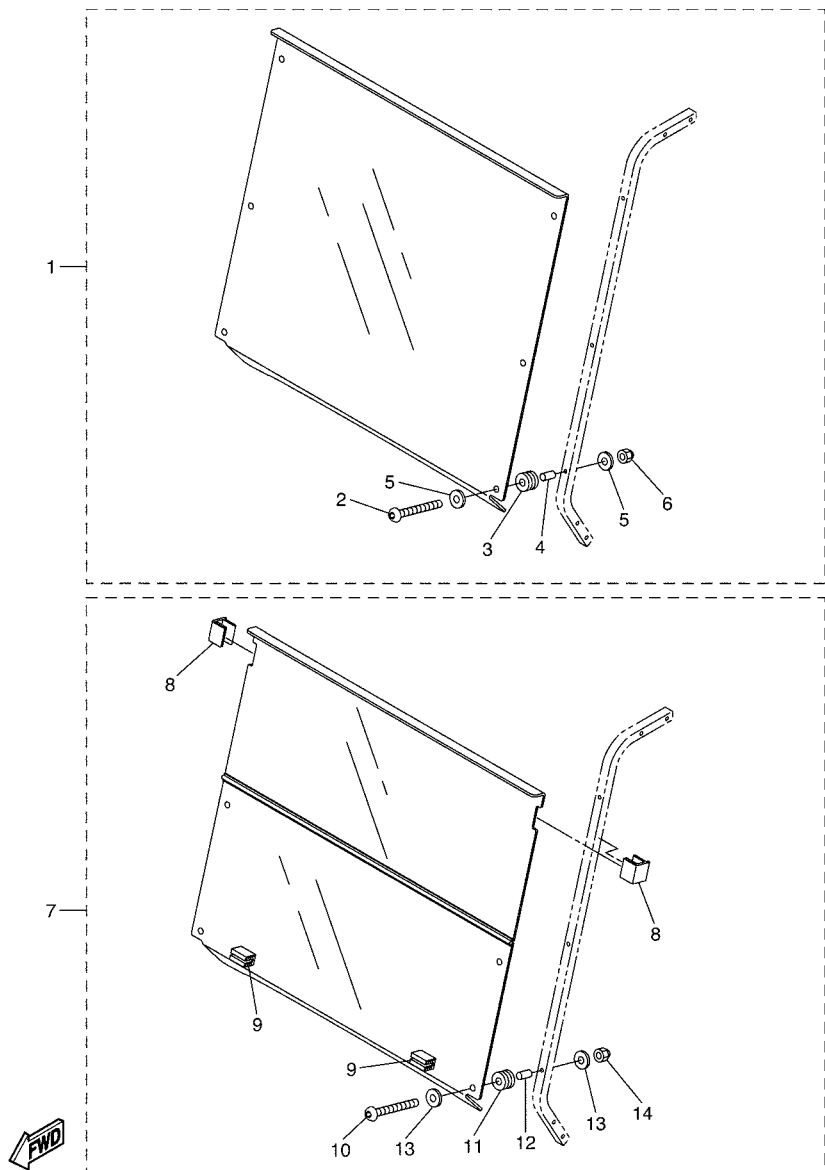


FIG. 31 ELECTRICAL 2

| REF. NO. | PART NO.     | DESCRIPTION             | JW14 |  |  |  | REMARKS        |
|----------|--------------|-------------------------|------|--|--|--|----------------|
| 28       | 90464-09823  | CLAMP                   | 1    |  |  |  |                |
| 29       | 90105-08867  | BOLT, FLANGE            | 1    |  |  |  |                |
| 30       | 90464-20005  | CLAMP                   | 2    |  |  |  |                |
| 31       | 90464-19815  | CLAMP                   | 1    |  |  |  |                |
| 32       | 90464-40825  | CLAMP                   | 1    |  |  |  |                |
| 33       | 90464-76800  | CLAMP                   | 1    |  |  |  |                |
| 34       | JW1-H2510-00 | MAIN SWITCH ASSY        | 1    |  |  |  |                |
| 35       | 5UG-H2579-00 | .CAP, KEY               | 1    |  |  |  |                |
| 36       | JU2-H2511-00 | .KEY, MAIN SWITCH       | 2    |  |  |  |                |
| 37       | JN6-83530-00 | PILOT LIGHT ASSY        | 1    |  |  |  |                |
| 38       | 123-83516-21 | .BULB (12V-3.4W)        | 1    |  |  |  |                |
| 39       | JN6-H351C-00 | HOUR METER              | 1    |  |  |  | EXCEPT FOR CAN |
| 40       | JW1-H1128-00 | .CLAMP                  | 1    |  |  |  | EXCEPT FOR CAN |
| 41       | JW1-F4881-00 | BRACKET, METER          | 1    |  |  |  | EXCEPT FOR CAN |
| 42       | JW1-H2386-00 | EXTENSION, WIRE HARNESS | 1    |  |  |  | EXCEPT FOR CAN |
| 43       | 90105-06831  | BOLT, FLANGE            | 1    |  |  |  | EXCEPT FOR CAN |
| 44       | 90464-12836  | CLAMP                   | 1    |  |  |  | EXCEPT FOR CAN |
| 45       | JU2-H2510-20 | MAIN SWITCH ASSY        | 1    |  |  |  | AP             |

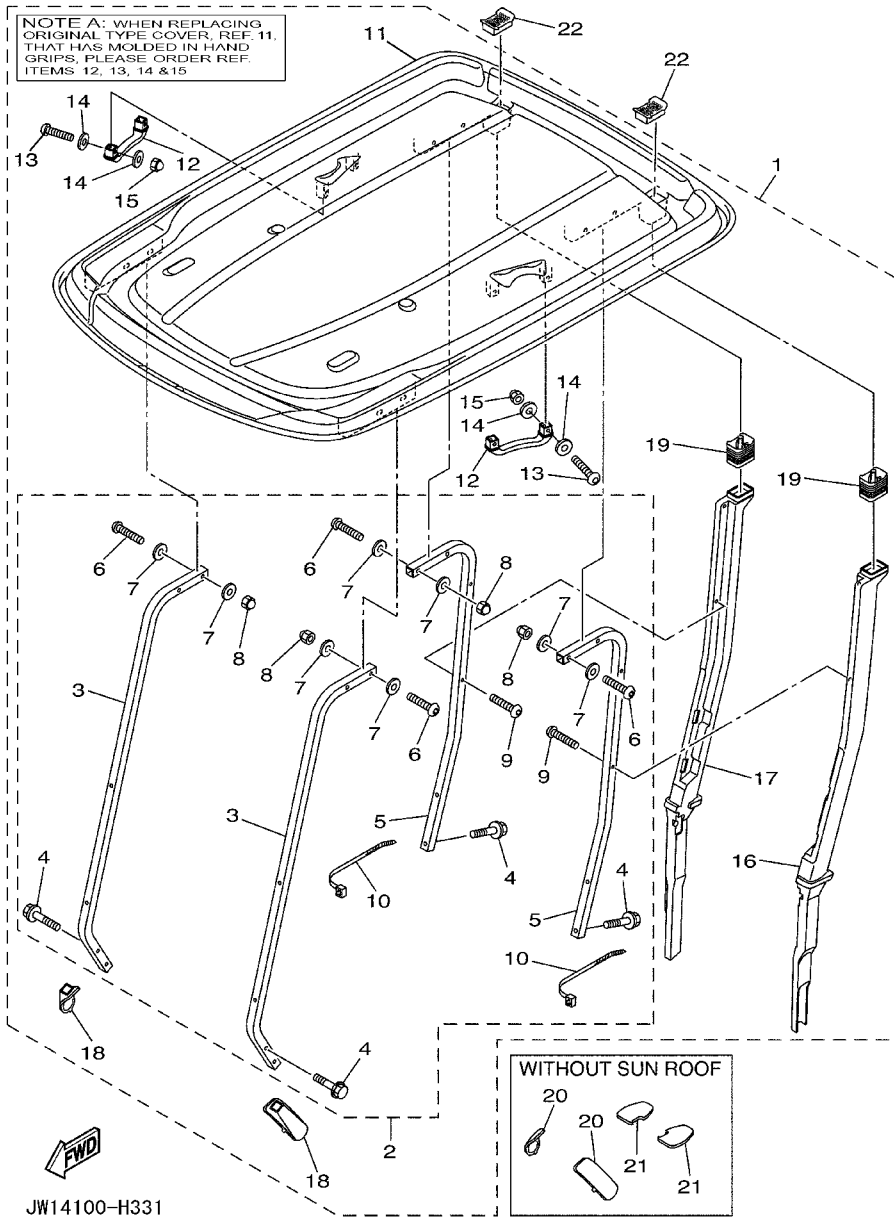
FIG. 32 ALTERNATE FOR WINDSHIELD



JW14100-H320

| REF. NO. | PART NO.     | DESCRIPTION                    | JW14 |  |  |  | REMARKS |
|----------|--------------|--------------------------------|------|--|--|--|---------|
| 1        | JW1-K7200-00 | WINDSHIELD ASSY, SOLID (CLEAR) | 1    |  |  |  | UR AP   |
|          | JW1-K7200-10 | WINDSHIELD ASSY, SOLID(SMOKE)  | 1    |  |  |  | UR AP   |
| 2        | JW1-K7212-00 | .BOLT, WIND SHIELD             | 6    |  |  |  |         |
| 3        | JW1-K7237-01 | .GROMMET                       | 6    |  |  |  |         |
| 4        | JW1-K7115-00 | .COLLAR                        | 6    |  |  |  |         |
| 5        | 90201-068G7  | .WASHER, PLATE                 | 12   |  |  |  |         |
| 6        | JW1-K7217-00 | .NUT, WIND SHIELD              | 6    |  |  |  |         |
| 7        | JW1-K7200-20 | WINDSHIELD ASSY, HINGED(CLEAR) | 1    |  |  |  | UR AP   |
|          | JW1-K7200-30 | WINDSHIELD ASSY, HINGED(SMOKE) | 1    |  |  |  | UR AP   |
| 8        | JW1-K7173-00 | .LEVER, LATCH 1                | 2    |  |  |  |         |
| 9        | JW1-K7222-00 | .BRACKET, WINDSHIELD(R.H)      | 2    |  |  |  |         |
| 10       | JW1-K7212-00 | .BOLT, WIND SHIELD             | 4    |  |  |  |         |
| 11       | JW1-K7237-01 | .GROMMET                       | 4    |  |  |  |         |
| 12       | JW1-K7115-00 | .COLLAR                        | 4    |  |  |  |         |
| 13       | 90201-068G7  | .WASHER, PLATE                 | 8    |  |  |  |         |
| 14       | JW1-K7217-00 | .NUT, WIND SHIELD              | 4    |  |  |  |         |

FIG. 33 ALTERNATE FOR SUN ROOF



| REF. NO. | PART NO.     | DESCRIPTION              | JW14 | REMARKS            |
|----------|--------------|--------------------------|------|--------------------|
| 1        | JW1-K84A0-01 | SUN ROOF ASSY            | 1    | AP                 |
| 2        | JW1-K84A2-01 | .HARDWARE KIT. SUN TOP   | 1    |                    |
| 3        | JW1-K8312-00 | ..SUPPORT, SUN ROOF 1    | 2    |                    |
| 4        | JW1-K8388-00 | ..BOLT, ROOF 1           | 8    |                    |
| 5        | JW1-K8313-01 | ..SUPPORT, SUN ROOF 2    | 2    |                    |
| 6        | JU0-K8388-00 | ..BOLT, ROOF 1           | 8    |                    |
| 7        | JW1-F1549-00 | ..WASHER, FENDER MOLD    | 16   |                    |
| 8        | JU0-K8398-00 | ..NUT, ROOF 1            | 8    |                    |
| 9        | JW1-K7387-00 | ..SCREW                  | 4    |                    |
| 10       | 90464-76800  | ..CLAMP                  | 2    |                    |
| 11       | JW1-K8314-10 | .COVER, SUN ROOF         | 1    | SEE NOTE A         |
| 12       | JW1-K8214-00 | .GRIP, HAND              | 2    | FOR NEW TYPE COVER |
| 13       | JU0-K8388-00 | .BOLT, ROOF 1            | 4    | FOR NEW TYPE COVER |
| 14       | JW1-F1549-00 | .WASHER, FENDER MOLD     | 8    | FOR NEW TYPE COVER |
| 15       | JU0-K8398-00 | .NUT, ROOF 1             | 4    | FOR NEW TYPE COVER |
| 16       | JW1-F413G-00 | .TUBE, DRAIN             | 1    |                    |
| 17       | JW1-F413J-00 | .TUBE, DRAIN 2           | 1    |                    |
| 18       | JW1-K832F-10 | .GROMMET, ROOF SUPPORT 1 | 2    |                    |
| 19       | JW1-F414G-10 | .SEAL                    | 2    |                    |
| 20       | JW1-K832H-00 | GROMMET, ROOF SUPPORT 3  | 2    | AP                 |
| 21       | JW1-K833H-00 | GROMMET, ROOF SUPPORT 4  | 2    | AP                 |
| 22       | JW1-K8482-00 | CAP, END                 | 2    | AP                 |

NUMERICAL INDEX

| PART NO.        | REF. NO. | PART NO.        | REF. NO. | PART NO.     | REF. NO. | PART NO.     | REF. NO. | PART NO.     | REF. NO. | PART NO.     | REF. NO. |
|-----------------|----------|-----------------|----------|--------------|----------|--------------|----------|--------------|----------|--------------|----------|
| JT0-11111-00    | 2 - 1    | 7E1-14191-00    | 7 - 22   | 123-83516-21 | 31 - 38  | JW1-F3396-00 | 26 - 3   | JN6-F5118-00 | 20 - 66  | JW1-G2548-00 | 18 - 6   |
| JN6-11116-00    | 2 - 10   | 1KT-14197-01    | 7 - 25   | JN6-83530-00 | 31 - 37  | JW1-F339Y-00 | 14 - 14  | JW1-F536G-00 | 20 - 19  | JW1-G2758-00 | 19 - 8   |
| JN6-11133-10    | 2 - 2    | 127-14198-00    | 7 - 14   | JN6-85640-01 | 30 - 12  |              | 16 - 22  | JW1-F5415-00 | 19 - 5   | JW1-G4120-00 | 20 - 26  |
| JR7-11163-00    | 2 - 17   | 7NJ-14211-00    | 7 - 6    | JR7-85650-00 | 30 - 11  | JW1-F3400-00 | 14 - 11  | JW1-F5658-00 | 16 - 25  | JW1-G4127-00 | 20 - 41  |
| JN6-11168-00    | 2 - 11   | 73A-14212-00    | 7 - 23   | JT0-85720-00 | 30 - 20  | 5UG-F3489-00 | 14 - 21  | JW1-F5659-00 | 16 - 24  |              | 20 - 51  |
| JN6-11169-00    | 2 - 12   | 73A-14212-10    | 7 - 7    | JT0-85724-00 | 30 - 22  | JU0-F3511-01 | 13 - 4   | JW1-F5666-00 | 16 - 32  | JW1-G4132-00 | 20 - 4   |
| JT0-11181-00    | 2 - 3    |                 | 7 - 19   | JN6-E1166-00 | 2 - 15   | JW1-F3512-00 | 13 - 5   | JW1-F5672-00 | 16 - 40  | JW1-G4135-00 | 20 - 15  |
| JN6-11191-01    | 2 - 9    | J10-14227-00    | 7 - 5    | JW1-E2691-00 | 5 - 9    | JU0-F3521-01 | 13 - 13  | JU0-F3527-00 | 16 - 42  | JW1-G4156-00 | 20 - 37  |
| JN6-11193-00    | 2 - 13   | 3G2-1423A-67    | 7 - 11   | JU0-E3505-09 | 6 - 14   | 5UG-F3527-00 | 14 - 22  | JW1-F5677-00 | 16 - 44  |              | 20 - 47  |
| 812-11198-00    | 9 - 10   | 3G2-1423A-68-A0 | 7 - 11   | JU0-E4411-00 | 6 - 10   | JU0-F3570-20 | 13 - 1   | JW1-F5734-00 | 16 - 14  | JW1-G4165-00 | 20 - 64  |
| JN6-11400-00    | 3 - 1    | 3G2-1423E-33-A0 | 7 - 11   | JU0-E4412-00 | 6 - 11   | JW1-F3811-01 | 14 - 1   | JW1-F5735-00 | 16 - 27  | JW1-G4178-00 | 20 - 44  |
| JN6-11454-00    | 3 - 8    | JN6-14291-00    | 7 - 4    | 5UH-E4424-00 | 6 - 17   | JN3-F3814-00 | 14 - 5   | JW1-F5744-00 | 16 - 15  |              | 20 - 54  |
| JR7-11610-00    | 3 - 3    | 7KY-14613-01    | 8 - 3    | JU0-E4450-00 | 6 - 12   | JW1-F3822-00 | 14 - 30  | JW1-F5754-00 | 16 - 16  | JW1-G4188-00 | 20 - 8   |
| JR7-11610-10    | 3 - 3    | 1WG-14922-00    | 7 - 18   | JU0-E445E-00 | 6 - 13   | JU0-F3828-00 | 14 - 4   | JW1-F582M-00 | 16 - 21  | JW1-G4189-00 | 20 - 6   |
| JR7-11610-20    | 3 - 3    | JN6-1495H-3B    | 7 - 9    | JW1-E4710-00 | 8 - 1    | 4XE-F3833-00 | 14 - 27  | JW1-F5866-00 | 16 - 17  | JW1-G4526-00 | 20 - 57  |
| JR7-11631-00-A0 | 3 - 2    | JR7-15100-00    | 9 - 1    | JW1-F1128-00 | 16 - 7   | JW1-F3837-00 | 14 - 23  | JW1-F6311-00 | 16 - 47  | JW1-G4582-00 | 20 - 5   |
| 583-11633-00    | 3 - 4    | JR7-15123-00    | 9 - 4    | JU0-F1436-00 | 8 - 2    | JN3-F3838-00 | 14 - 6   | JW1-F6312-00 | 6 - 18   | JW1-G4583-00 | 20 - 40  |
| JR7-11635-00    | 3 - 2    | JN6-15155-00    | 9 - 2    | JW1-F1531-00 | 11 - 5   | JU0-F3841-00 | 14 - 28  | JW1-F6331-00 | 6 - 19   |              | 20 - 50  |
| JR7-11636-00    | 3 - 2    | J38-15361-00    | 9 - 22   | JW1-F16A2-00 | 20 - 23  | 5UG-F3844-00 | 14 - 20  | JU0-F6333-00 | 6 - 20   | JW1-G5618-00 | 20 - 10  |
| JN6-11650-00    | 3 - 6    | JT0-15362-00    | 30 - 23  | JW1-F16A3-00 | 20 - 18  | JW1-F384K-00 | 20 - 25  | JW1-F6341-10 | 16 - 1   | JW1-G5677-00 | 20 - 9   |
| JN6-11654-00    | 3 - 7    | 796-15363-01    | 9 - 20   | JW1-F1738-00 | 12 - 3   | JU0-F3857-10 | 14 - 3   | JW1-F6466-00 | 16 - 18  | JW1-G5874-00 | 20 - 43  |
| JN6-12111-01    | 4 - 2    | JR7-15407-00    | 9 - 3    |              | 15 - 5   | JW1-F3866-00 | 14 - 25  | JW1-F7117-00 | 16 - 8   |              | 20 - 53  |
| J38-12117-01    | 4 - 6    | JN6-15411-01    | 9 - 12   | JW1-F1977-01 | 15 - 16  | JW1-F387A-00 | 14 - 12  | JW1-F720G-00 | 16 - 5   | JW1-G6110-00 | 20 - 24  |
| J38-12118-00    | 4 - 7    | JY2-15451-00    | 9 - 16   | JW1-F2110-00 | 11 - 1   | JW1-F387E-00 | 14 - 15  | JW1-F7211-00 | 16 - 30  | JW1-G6114-00 | 20 - 56  |
| 4G0-12119-00    | 4 - 13   | JR6-19001-00    | 1 - 1    | JN6-F2123-10 | 11 - 2   | 5UG-F387F-00 | 14 - 18  | JW1-F7213-00 | 16 - 36  | JW1-G6117-00 | 20 - 12  |
| 7RH-12121-00    | 4 - 3    | JT0-21481-00    | 10 - 3   | JN6-F2124-10 | 11 - 6   | 5UG-F387G-00 | 14 - 16  | JW1-F7216-00 | 16 - 26  | JW1-G6128-00 | 20 - 38  |
| JN6-12151-00    | 4 - 8    | 401-22128-01    | 13 - 17  | JW1-F2176-00 | 20 - 36  | 5UG-F387J-00 | 14 - 19  | JW1-F7217-00 | 16 - 9   |              | 20 - 48  |
| JN6-12153-00    | 4 - 4    | 2NL-23448-00    | 13 - 10  |              | 20 - 46  | 5UG-F387K-00 | 14 - 17  | JW1-F7218-00 | 16 - 11  | JW1-G6131-00 | 20 - 32  |
| JR7-12154-01    | 4 - 12   | 2NL-23517-00    | 13 - 12  | JW1-F217G-10 | 11 - 10  | JW1-F3894-00 | 14 - 26  | JW1-F7227-00 | 16 - 10  | JW1-G6137-00 | 20 - 17  |
| J38-12156-00    | 4 - 11   | 2HR-23526-00    | 13 - 3   | JW1-F2210-00 | 11 - 12  | JW1-F4111-00 | 15 - 1   | JW1-F7232-00 | 16 - 6   | JW1-G6153-00 | 20 - 20  |
| 22F-12159-00    | 4 - 9    | J38-27951-00    | 17 - 1   | JW1-F2277-00 | 11 - 11  | JW1-F413G-00 | 33 - 8   | JW1-F7238-00 | 16 - 13  | JW1-G6158-00 | 20 - 7   |
| JR7-12170-00    | 4 - 1    | J38-27959-00    | 17 - 5   | JW1-F2501-00 | 12 - 1   | JW1-F413J-00 | 33 - 10  | JW1-F723F-01 | 16 - 19  | JW1-G6164-00 | 20 - 13  |
| JN6-12616-00    | 5 - 3    | JF2-46382-00    | 21 - 6   | JW1-F2545-01 | 12 - 4   | JW1-F414G-01 | 33 - 12  | JW1-F723G-00 | 16 - 20  | JW1-G6165-00 | 20 - 14  |
| JN6-12621-02    | 5 - 1    | J10-81129-10    | 29 - 25  | JW1-F2588-01 | 12 - 5   | JW1-F4161-00 | 24 - 5   | JW1-F7243-00 | 16 - 35  | JW1-G6168-00 | 20 - 2   |
| JN6-12651-00    | 5 - 5    | J10-81145-10    | 29 - 27  | JW1-F258G-02 | 12 - 7   | JW1-F4300-00 | 15 - 2   | JW1-F7249-00 | 16 - 33  | JW1-G6201-00 | 18 - 1   |
| JN6-12652-00    | 5 - 7    | J10-81146-10    | 29 - 12  | JW1-F2873-00 | 25 - 2   | JW1-F4311-00 | 15 - 11  | JW1-F7252-00 | 16 - 29  | JW1-G6202-00 | 19 - 1   |
| JR7-12658-00    | 5 - 6    | J10-81147-10    | 29 - 15  | JW1-F2874-00 | 25 - 3   | JW1-F4312-00 | 15 - 9   | JW1-F7254-00 | 16 - 39  | JW1-G621E-00 | 18 - 4   |
| JN6-13567-00    | 6 - 3    | J10-81148-10    | 29 - 8   | JW1-F2875-00 | 25 - 4   | JW1-F4313-00 | 15 - 12  | JW1-F7257-00 | 16 - 41  | JW1-G6232-00 | 18 - 3   |
| JN6-13595-00    | 6 - 1    | J10-81159-10    | 29 - 5   | JW1-F2876-00 | 25 - 5   | JW1-F4314-00 | 15 - 13  | JW1-F7275-00 | 16 - 34  | JW1-G6241-10 | 18 - 7   |
| JR6-14101-00    | 7 - 1    | J10-81166-10    | 29 - 14  | JW1-F2877-01 | 25 - 6   | JU5-F4375-00 | 15 - 3   | JW1-F7411-00 | 12 - 2   | JW1-G6244-00 | 19 - 2   |
| 7LV-14118-00    | 7 - 24   | JF2-81910-01    | 31 - 16  | JW1-F312G-00 | 24 - 22  | JN6-F4410-11 | 15 - 7   | JW1-F7814-00 | 16 - 38  | JW1-G6249-01 | 18 - 5   |
| 732-14142-65-A0 | 7 - 8    | 4U8-81950-02    | 31 - 25  | JW1-F3147-01 | 16 - 43  | JN6-F4560-00 | 15 - 10  | JW1-F7855-00 | 16 - 23  | JW1-G6256-00 | 18 - 2   |
| 73A-1414G-00    | 7 - 10   | 42X-82151-00    | 31 - 9   | JW1-F3183-00 | 14 - 13  | JN6-F4610-00 | 15 - 4   | JW1-F7850-01 | 16 - 4   | JW1-G6276-00 | 19 - 3   |
| JN5-14150-00    | 7 - 16   | JN6-82318-00    | 30 - 14  | JW1-F3188-00 | 16 - 45  | JW1-F467K-00 | 14 - 24  | JW1-F7853-00 | 16 - 37  | JW1-G6280-00 | 19 - 4   |
| 7R1-14162-00    | 7 - 15   | JN6-82370-00    | 30 - 18  | JW1-F3350-00 | 13 - 15  | JW1-F4684-00 | 20 - 3   | JW1-F7855-00 | 16 - 12  | JW1-G6300-00 | 20 - 1   |
| 796-14184-00    | 7 - 12   | JE8-82372-00    | 30 - 19  | JW1-F3390-00 | 13 - 20  | JW1-F4881-00 | 31 - 41  | JW1-F785A-00 | 16 - 31  | JW1-G6320-00 | 20 - 28  |
| JN6-14185-00    | 7 - 13   | JN3-82617-01    | 21 - 20  | JW1-F3394-00 | 15 - 8   | JW1-F5100-00 | 22 - 1   | JW1-F7871-00 | 16 - 28  | JW1-G6326-00 | 20 - 27  |
| 22F-14186-00    | 7 - 17   | JF7-82817-20    | 31 - 18  | JW1-F3396-00 | 24 - 3   | JN6-F5118-00 | 13 - 30  | JW1-G1661-00 | 20 - 65  | JW1-G6328-00 | 20 - 31  |

NUMERICAL INDEX

| PART NO.     | REF. NO. | PART NO.     | REF. NO. | PART NO.     | REF. NO. | PART NO.    | REF. NO. | PART NO.    | REF. NO. | PART NO.    | REF. NO. |
|--------------|----------|--------------|----------|--------------|----------|-------------|----------|-------------|----------|-------------|----------|
| JW1-G6336-00 | 20 - 55  | JW1-H2133-00 | 31 - 1   | JW1-K8142-00 | 25 - 1   | 90101-06478 | 30 - 6   | 90201-10057 | 2 - 5    | 91402-25020 | 13 - 8   |
| JW1-G633H-00 | 20 - 60  | J55-H2136-00 | 31 - 2   | JW1-K8142-10 | 25 - 1   | 90105-05005 | 21 - 2   |             | 9 - 19   |             | 14 - 10  |
| JW1-G633J-00 | 20 - 42  | JR1-H2150-00 | 31 - 10  | JW1-K8142-20 | 25 - 1   | 90105-06042 | 28 - 3   | 90201-128S4 | 11 - 9   | 91490-30015 | 16 - 3   |
|              | 20 - 52  | JN6-H2377-00 | 25 - 13  | JW1-K8142-30 | 25 - 1   | 90105-06831 | 12 - 8   | 90201-18620 | 30 - 16  | 91701-06014 | 21 - 7   |
| JW1-G6344-00 | 20 - 61  | JW1-H2386-00 | 31 - 42  | JW1-K8142-40 | 25 - 1   |             | 31 - 43  | 90201-198S7 | 21 - 13  | 91701-06016 | 16 - 48  |
| JW1-G6345-00 | 20 - 59  | JW1-H2510-00 | 31 - 34  | JW1-K8142-50 | 25 - 1   | 90105-06861 | 28 - 8   | 90201-208S8 | 21 - 12  | 91701-10028 | 16 - 2   |
| JW1-G6348-00 | 20 - 29  | JU2-H2510-20 | 31 - 45  | JW1-K8142-60 | 25 - 1   | 90105-06862 | 6 - 16   | 90209-08018 | 19 - 9   | 91702-05010 | 6 - 5    |
| JW1-G6356-00 | 20 - 30  | JU2-H2511-00 | 31 - 36  | JW1-K8151-00 | 25 - 12  | 90105-06870 | 21 - 19  | 90209-32832 | 13 - 28  |             | 6 - 8    |
| JW1-G6361-00 | 20 - 33  | 5UG-H2579-00 | 31 - 35  | JW1-K8164-00 | 23 - 2   |             | 24 - 4   | 90267-63047 | 24 - 2   | 91702-05014 | 16 - 50  |
| JW1-G6362-00 | 20 - 34  | JW1-H2590-01 | 31 - 8   | JW1-K8174-00 | 23 - 6   |             | 31 - 17  | 90269-06804 | 24 - 15  | 92902-04100 | 7 - 21   |
| JW1-G6371-01 | 21 - 4   | JR1-H3383-01 | 31 - 22  | JW1-K818A-00 | 26 - 2   | 90105-08007 | 19 - 6   |             | 25 - 7   |             | 21 - 16  |
| JN3-G6372-00 | 21 - 18  | JN6-H3386-01 | 31 - 23  | JW1-K818B-00 | 26 - 5   | 90105-08867 | 31 - 29  |             | 26 - 4   | 92902-04600 | 21 - 17  |
| JN3-G6376-00 | 21 - 11  | JN6-H351C-00 | 31 - 39  | JW1-K8191-00 | 26 - 6   | 90105-088B0 | 23 - 3   | 90269-07001 | 24 - 9   | 92902-05100 | 31 - 20  |
| JN3-G6381-00 | 21 - 10  | JW1-K6179-01 | 25 - 11  | JW1-K8192-00 | 26 - 7   | 90105-10064 | 13 - 9   | 90269-08813 | 5 - 10   | 92902-05600 | 31 - 21  |
| JW1-G6383-01 | 21 - 5   | JW1-K7115-00 | 32 - 4   | JW1-K8233-10 | 24 - 12  | 90105-10267 | 13 - 14  |             | 25 - 8   | 92902-06200 | 31 - 3   |
| JW1-G6443-00 | 20 - 11  |              | 32 - 12  | JW1-K8237-00 | 25 - 10  | 90105-10728 | 13 - 6   | 90280-04052 | 30 - 17  | 92902-06600 | 21 - 8   |
| JW1-G6510-00 | 20 - 35  | JW1-K7173-00 | 32 - 8   | JW1-K8245-00 | 24 - 17  | 90105-10847 | 14 - 29  | 90340-12097 | 9 - 9    | 92902-08100 | 8 - 7    |
| JW1-G6520-00 | 20 - 45  | JW1-K7200-00 | 32 - 1   | JW1-K8261-00 | 24 - 18  | 90105-13800 | 11 - 3   | 90381-17067 | 13 - 11  | 92902-08200 | 19 - 7   |
| JW1-G6540-00 | 20 - 16  | JW1-K7200-10 | 32 - 1   | JW1-K8262-00 | 24 - 21  | 90109-08002 | 27 - 2   | 90381-18001 | 13 - 2   | 92902-08600 | 8 - 8    |
| JW1-G6542-00 | 20 - 39  | JW1-K7200-20 | 32 - 7   | JW1-K8270-00 | 26 - 1   | 90109-08827 | 30 - 4   | 90386-08141 | 17 - 3   |             | 14 - 32  |
|              | 20 - 49  | JW1-K7200-30 | 32 - 7   | JW1-K8273-00 | 24 - 16  | 90110-06102 | 24 - 19  | 90387-046N7 | 14 - 38  | 92902-10200 | 10 - 2   |
| JW1-G6550-00 | 20 - 21  | JW1-K7212-00 | 32 - 2   | JW1-K8297-01 | 25 - 14  |             | 27 - 4   | 90387-12016 | 13 - 16  | 92902-12200 | 14 - 8   |
| JW1-G6554-00 | 20 - 58  |              | 32 - 10  | JW1-K8310-01 | 33 - 1   | 90110-06854 | 28 - 6   | 90387-241M7 | 13 - 26  | 9290N-06100 | 29 - 11  |
| JW1-G6854-00 | 20 - 22  | JW1-K7217-00 | 32 - 6   | JW1-K8312-00 | 33 - 2   | 90111-05805 | 24 - 7   | 90461-14108 | 31 - 27  |             | 29 - 18  |
|              | 20 - 62  |              | 32 - 14  | JW1-K8313-01 | 33 - 4   | 90114-12806 | 13 - 23  | 90464-09823 | 31 - 28  | 9290N-06600 | 29 - 10  |
| JW1-G6894-00 | 20 - 63  | JW1-K7222-00 | 32 - 9   | JW1-K8314-00 | 33 - 11  | 90119-06808 | 28 - 10  | 90464-12836 | 15 - 17  |             | 29 - 17  |
| JW1-G8330-01 | 21 - 3   | JW1-K7237-01 | 32 - 3   | JW1-K832F-01 | 33 - 13  | 90119-06884 | 6 - 4    |             | 31 - 44  |             | 29 - 28  |
| JN6-H1100-03 | 29 - 1   |              | 32 - 11  | JW1-K832H-00 | 33 - 14  | 90159-06107 | 9 - 5    | 90464-19815 | 31 - 31  | 92990-05100 | 7 - 3    |
| JN6-H1110-10 | 29 - 6   | JW1-K7329-00 | 24 - 13  | JW1-K833H-00 | 33 - 15  | 90159-06845 | 27 - 12  | 90464-20005 | 31 - 30  | 9299R-06200 | 27 - 13  |
| JF2-H1111-00 | 29 - 20  | JW1-K7387-00 | 33 - 9   | JW1-K8340-00 | 27 - 3   | 90163-06005 | 31 - 15  | 90464-20237 | 31 - 26  | 93102-30083 | 13 - 27  |
| JN6-H1113-00 | 29 - 21  | JW1-K7449-00 | 24 - 14  | JW1-K834G-00 | 27 - 8   | 90170-05302 | 4 - 10   | 90464-40825 | 31 - 32  | 93102-35014 | 9 - 7    |
| J10-H1115-10 | 29 - 22  | JW1-K7510-00 | 23 - 1   | JN6-K8355-20 | 27 - 7   | 90173-06001 | 24 - 20  | 90464-76800 | 21 - 22  |             | 9 - 14   |
| JN6-H1119-00 | 29 - 19  | JW1-K7540-00 | 23 - 5   | JF2-K8356-00 | 27 - 6   | 90179-05886 | 31 - 12  |             | 31 - 33  | 93210-15414 | 30 - 24  |
| JW1-H1128-00 | 31 - 40  | JW1-K7741-00 | 25 - 9   | JN3-K8357-00 | 14 - 33  | 90179-08825 | 8 - 4    | 90465-06038 | 21 - 21  | 93210-22344 | 9 - 21   |
| J10-H1139-10 | 29 - 26  | JU0-K7762-00 | 14 - 39  | JN6-K8358-01 | 14 - 34  | 90179-08887 | 31 - 13  | 90467-10846 | 15 - 15  | 93210-398D6 | 6 - 15   |
| JN3-H1150-00 | 29 - 2   | JU0-K7762-10 | 14 - 39  | JW1-K835E-00 | 24 - 11  | 90179-12262 | 22 - 2   | 90467-12845 | 15 - 14  | 93306-005Y3 | 13 - 25  |
| JN6-H1160-10 | 29 - 7   | JU0-K7762-20 | 14 - 39  | JW1-K8361-00 | 28 - 2   | 90179-13800 | 11 - 4   | 90467-13847 | 2 - 18   | 93306-20201 | 9 - 8    |
| JN6-H1161-00 | 29 - 30  | JW1-K7768-00 | 24 - 10  | JW1-K8362-00 | 28 - 4   | 90183-05008 | 24 - 8   | 90468-10049 | 6 - 6    |             | 9 - 15   |
| JN6-H1165-00 | 29 - 13  | JW1-K7768-10 | 24 - 10  | JN6-K8380-00 | 27 - 11  | 90183-08800 | 12 - 6   |             | 6 - 9    | 93306-20226 | 29 - 3   |
| JW1-H1170-11 | 30 - 2   | JW1-K7768-20 | 24 - 10  | JU0-K8388-00 | 33 - 5   | 90185-06836 | 27 - 10  |             | 16 - 51  | 93306-204X0 | 13 - 24  |
| JN6-H1171-10 | 30 - 8   | JW1-K8114-01 | 24 - 6   | JW1-K8388-00 | 33 - 3   | 90185-08805 | 8 - 5    | 90501-264A9 | 4 - 5    | 93306-20714 | 9 - 13   |
| J55-H1173-00 | 30 - 10  | JW1-K8115-01 | 24 - 1   | JU0-K8398-00 | 33 - 7   | 90185-12061 | 14 - 7   | 90502-10013 | 14 - 37  | 93306-30317 | 29 - 4   |
| JN3-H1661-00 | 29 - 29  | JW1-K8115-11 | 24 - 1   | JW1-K8401-00 | 28 - 1   | 90201-04810 | 14 - 36  | 90508-16460 | 16 - 52  | 93306-30709 | 9 - 6    |
| JW1-H1950-00 | 31 - 11  | JW1-K8115-21 | 24 - 1   | JW1-K8402-00 | 28 - 9   | 90201-05800 | 21 - 1   | 90508-40678 | 17 - 4   | 93450-21053 | 3 - 5    |
| JN6-H2105-00 | 31 - 14  | JW1-K8115-31 | 24 - 1   | JW1-K8423-00 | 27 - 1   | 90201-068G7 | 27 - 5   | 90560-05001 | 16 - 53  | 94702-00343 | 2 - 8    |
| JW1-H2115-00 | 31 - 5   | JW1-K8115-41 | 24 - 1   | JW1-K8426-00 | 28 - 5   |             | 32 - 5   | 90560-08251 | 15 - 6   | 94702-00348 | 2 - 8    |
| JW1-H2116-00 | 31 - 6   | JW1-K8115-51 | 24 - 1   | JW1-K8427-00 | 28 - 7   |             | 32 - 13  | 91401-20012 | 21 - 9   | 95302-06600 | 17 - 2   |
| JW1-H2117-00 | 31 - 7   | JW1-K8115-61 | 24 - 1   | JG5-WF511-10 | 13 - 22  | 90201-088T2 | 33 - 6   | 91401-20015 | 16 - 49  |             | 30 - 7   |



NUMERICAL INDEX

| PART NO.    | REF. NO. | PART NO.    | REF. NO. | PART NO. | REF. NO. | PART NO. | REF. NO. | PART NO. | REF. NO. | PART NO. | REF. NO. |
|-------------|----------|-------------|----------|----------|----------|----------|----------|----------|----------|----------|----------|
| 9530N-06600 | 29 - 9   | 99009-19400 | 21 - 14  |          |          |          |          |          |          |          |          |
|             | 29 - 16  | 99530-08016 | 9 - 11   |          |          |          |          |          |          |          |          |
| 95317-18600 | 30 - 15  | 99530-14016 | 2 - 6    |          |          |          |          |          |          |          |          |
| 95602-06200 | 17 - 6   |             |          |          |          |          |          |          |          |          |          |
| 95602-08200 | 16 - 46  |             |          |          |          |          |          |          |          |          |          |
| 95602-08710 | 2 - 16   |             |          |          |          |          |          |          |          |          |          |
| 95602-10200 | 10 - 1   |             |          |          |          |          |          |          |          |          |          |
|             | 11 - 14  |             |          |          |          |          |          |          |          |          |          |
|             | 13 - 7   |             |          |          |          |          |          |          |          |          |          |
|             | 23 - 7   |             |          |          |          |          |          |          |          |          |          |
| 95602-12200 | 11 - 8   |             |          |          |          |          |          |          |          |          |          |
|             | 14 - 9   |             |          |          |          |          |          |          |          |          |          |
| 95602-14100 | 13 - 29  |             |          |          |          |          |          |          |          |          |          |
| 95612-12100 | 13 - 19  |             |          |          |          |          |          |          |          |          |          |
| 95622-08618 | 2 - 7    |             |          |          |          |          |          |          |          |          |          |
| 95702-06500 | 31 - 4   |             |          |          |          |          |          |          |          |          |          |
| 95702-08500 | 6 - 2    |             |          |          |          |          |          |          |          |          |          |
|             | 30 - 5   |             |          |          |          |          |          |          |          |          |          |
| 95802-06020 | 5 - 2    |             |          |          |          |          |          |          |          |          |          |
|             | 5 - 8    |             |          |          |          |          |          |          |          |          |          |
| 95802-10065 | 13 - 21  |             |          |          |          |          |          |          |          |          |          |
| 95812-08016 | 14 - 2   |             |          |          |          |          |          |          |          |          |          |
| 95812-08045 | 9 - 17   |             |          |          |          |          |          |          |          |          |          |
| 95812-10055 | 11 - 13  |             |          |          |          |          |          |          |          |          |          |
| 95812-12030 | 30 - 1   |             |          |          |          |          |          |          |          |          |          |
| 95812-12065 | 11 - 7   |             |          |          |          |          |          |          |          |          |          |
| 95812-12080 | 13 - 18  |             |          |          |          |          |          |          |          |          |          |
| 95822-06012 | 23 - 4   |             |          |          |          |          |          |          |          |          |          |
|             | 30 - 21  |             |          |          |          |          |          |          |          |          |          |
| 95822-06025 | 30 - 13  |             |          |          |          |          |          |          |          |          |          |
| 95822-06030 | 2 - 14   |             |          |          |          |          |          |          |          |          |          |
| 95822-08020 | 30 - 3   |             |          |          |          |          |          |          |          |          |          |
|             | 30 - 9   |             |          |          |          |          |          |          |          |          |          |
| 97002-08025 | 8 - 6    |             |          |          |          |          |          |          |          |          |          |
| 97012-08030 | 14 - 31  |             |          |          |          |          |          |          |          |          |          |
| 97012-10050 | 9 - 18   |             |          |          |          |          |          |          |          |          |          |
| 97012-10070 | 2 - 4    |             |          |          |          |          |          |          |          |          |          |
| 9708R-06020 | 27 - 9   |             |          |          |          |          |          |          |          |          |          |
| 97702-40525 | 14 - 35  |             |          |          |          |          |          |          |          |          |          |
| 97702-60520 | 5 - 4    |             |          |          |          |          |          |          |          |          |          |
| 98502-04016 | 21 - 15  |             |          |          |          |          |          |          |          |          |          |
| 98502-05025 | 31 - 19  |             |          |          |          |          |          |          |          |          |          |
| 98507-04010 | 7 - 20   |             |          |          |          |          |          |          |          |          |          |
| 98507-05008 | 7 - 2    |             |          |          |          |          |          |          |          |          |          |
| 9850N-04010 | 29 - 24  |             |          |          |          |          |          |          |          |          |          |
| 9850N-05016 | 29 - 23  |             |          |          |          |          |          |          |          |          |          |
| 9850N-05018 | 29 - 32  |             |          |          |          |          |          |          |          |          |          |
| 99001-07600 | 6 - 7    |             |          |          |          |          |          |          |          |          |          |