



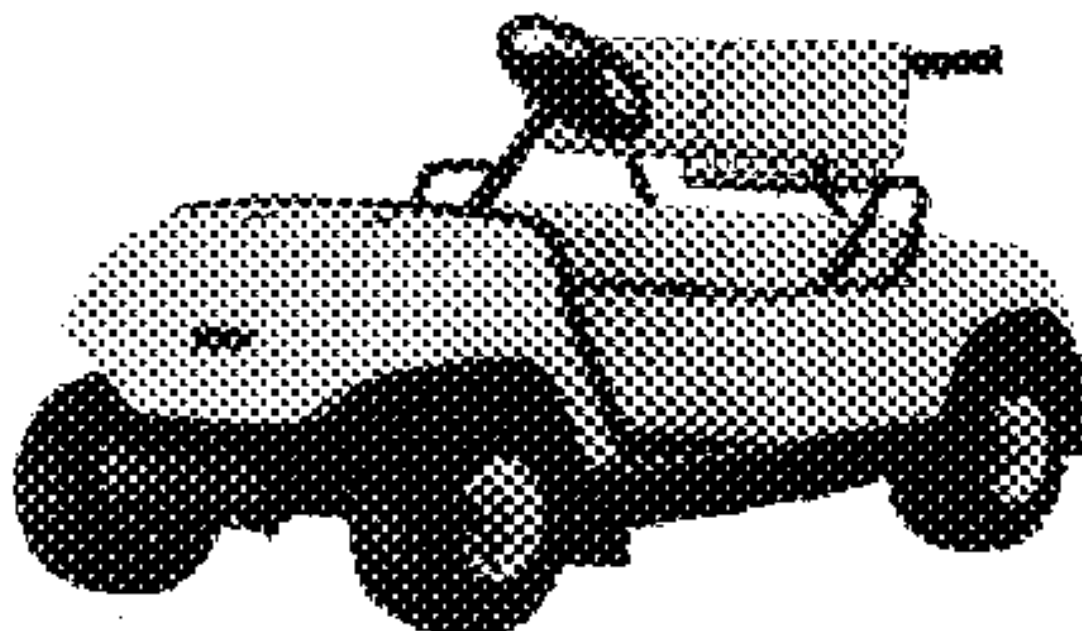
PARTS CATALOGUE

MODEL YEAR 1996

G14-AP (JN31)

Frame Serial No.	JN3-100101 and following
Engine Serial No.	JN3-100101 and following

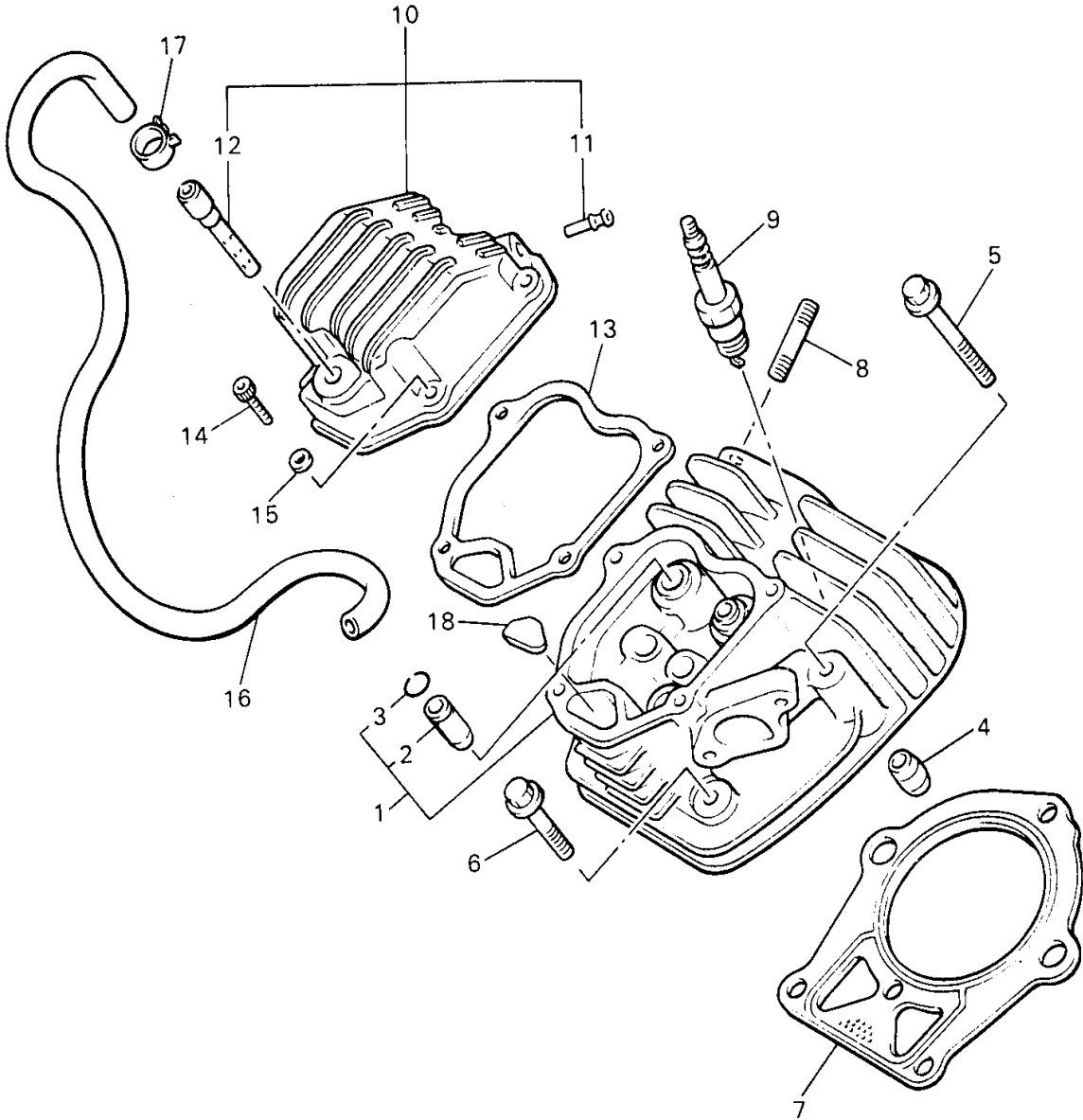
PUBLICATION	PART NUMBER	REMARKS
OWNER'S MANUAL	LIT-19626-00-70	
ASSEMBLY MANUAL	---	
SERVICE MANUAL	LIT-19616-00-70	
COUNTRY CLUB	LIT-1001J-14-96	



YAMAHA
ONLINE
Parts & Accessories



CYLINDER HEAD

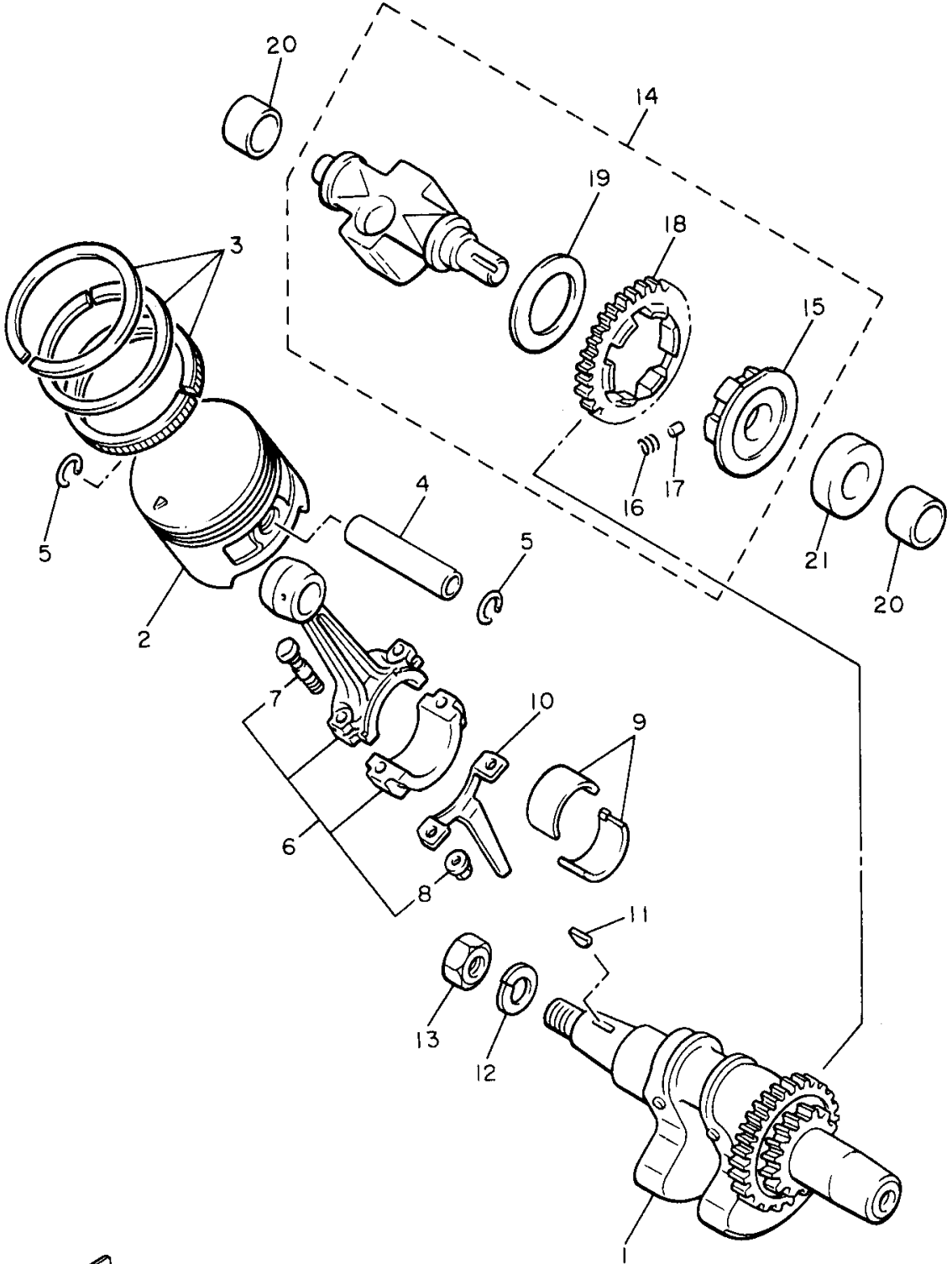


Ref. No.	Part Number	Description	Qty	Remarks
1	JN5-11102-00-00	CYLINDER HEAD ASSEMBLY	1	
2	7KY-11133-10-00	. GUIDE, INTAKE VALVE	2	
3	93440-10085-00	. CIRCLIP	2	
4	99510-12016-00	PIN, DOWEL	2	
5	95817-08070-00	BOLT, FLANGE	3	
6	95817-08045-00	BOLT, FLANGE	3	
7	JN5-11181-00-00	GASKET, CYLINDER HEAD 1	1	
8	95617-08618-00	BOLT, STUD (95627-08618-00)	2	
9	NGK-BPR2E-S0-00	PLUG, SPARK	1	STD
	NGK-BR4ES-00-00	PLUG, SPARK (NGK BR4ES)	1	UR AP
10	JN5-11191-00-00	COVER, CYLINDER HEAD 1	1	
11	J38-11116-00-00	. JOINT, BREATHER	1	
12	JN5-11116-00-00	. JOINT, BREATHER	1	
13	JN3-11193-00-00	GASKET, HEAD COVER 1	1	
14	91317-06025-00	BOLT	4	
15	92907-06600-00	WASHER, PLATE	4	
16	90445-130F8-00	HOSE	1	
17	90467-12052-00	CLIP	2	
18	JN5-11163-00-00	ELEMENT	1	



JN5010-4010

CRANKSHAFT - PISTON

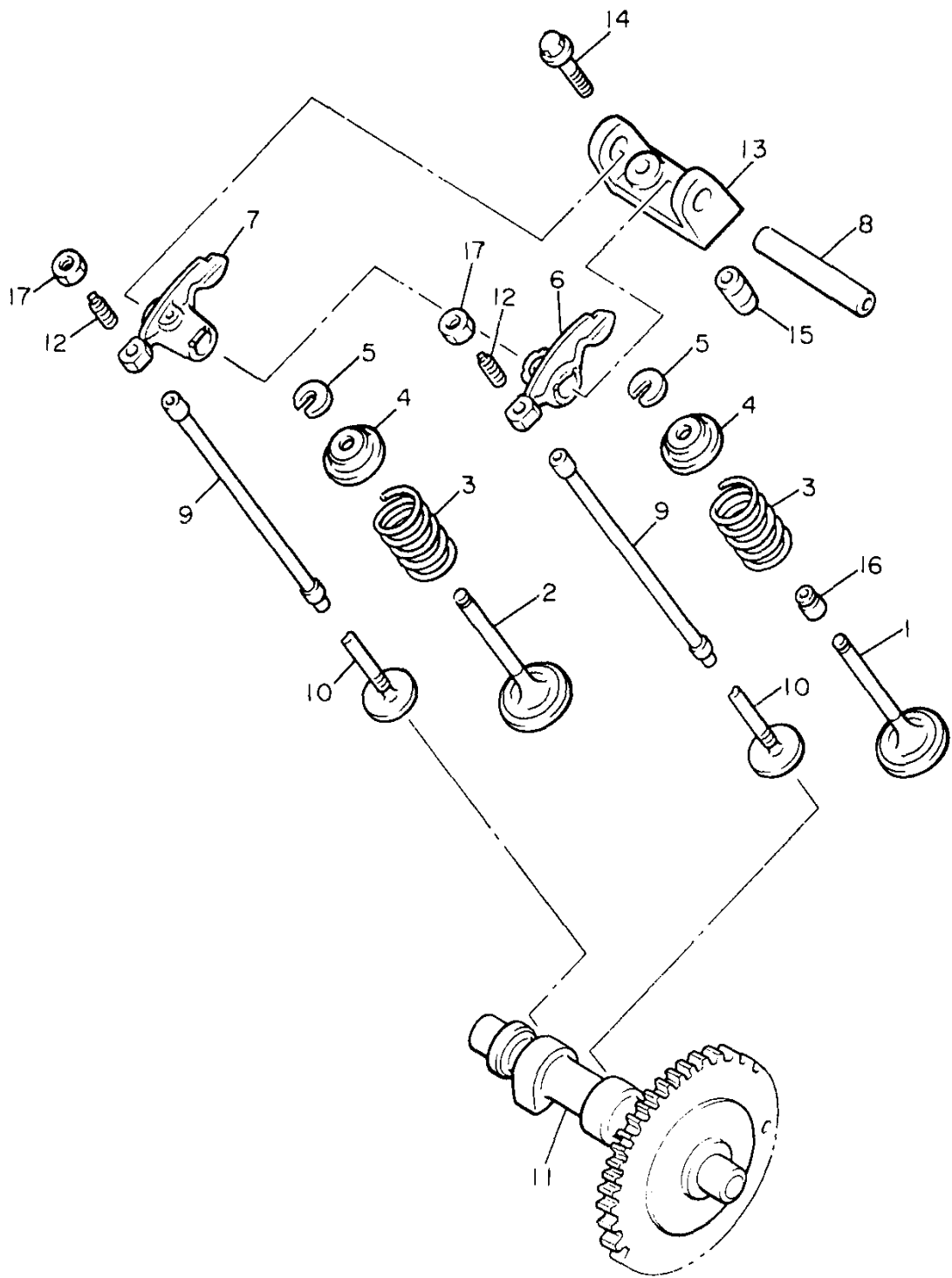


Ref. No.	Part Number	Description	Qty	Remarks
1	J38-11400-00-00	CRANKSHAFT ASSEMBLY ...	1	
2	JN5-11631-00-96	PISTON (STD)	1	STD
	JN5-11635-00-00	PISTON (0.25MM O/S)	1	AP
	JN5-11636-00-00	PISTON (0.50MM O/S)	1	AP
3	JN5-11610-00-00	PISTON RING SET (STD)	1	STD
	JN5-11610-10-00	PISTON RING SET (0.25MM O/S)	1	AP
	JN5-11610-20-00	PISTON RING SET (0.50MM O/S)	1	AP
4	7A9-11633-00-00	PIN, PISTON	1	
5	93450-19047-00	CIRCLIP	2	
6	J38-11650-00-00	CONNECTING ROD ASSEMBLY	1	
7	J38-11654-00-00	. BOLT, CONNECTING ROD ..	2	
8	90179-08327-00	. NUT	2	
9	J38-11656-00-00	BEARING, CON-ROD	2	UR (BROWN)
	J38-11656-10-00	BEARING, CON-ROD	2	UR (BLACK)
	J38-11656-20-00	BEARING, CON-ROD	2	UR (BLUE)
10	J38-11657-00-00	SPLASHER, OIL	1	
11	90280-16053-00	KEY, WOODRUFF	1	
12	92907-16100-00	WASHER	1	
13	90170-16182-00	NUT	1	
14	J38-Y1149-00-00	BALANCER ASSEMBLY	1	
15	J38-11496-00-00	. BOSS, BUFFER	1	
16	90501-21133-00	. SPRING, COMPRESSION	6	
17	93605-10090-00	. PIN, DOWEL	3	
18	J38-11531-00-00	. GEAR, BALANCE WT	1	
19	90201-201G9-00	. WASHER, PLATE	1	
20	90387-155R3-00	COLLAR	2	
21	90387-152M7-00	COLLAR	1	



J38100-7020

CAMSHAFT - VALVE

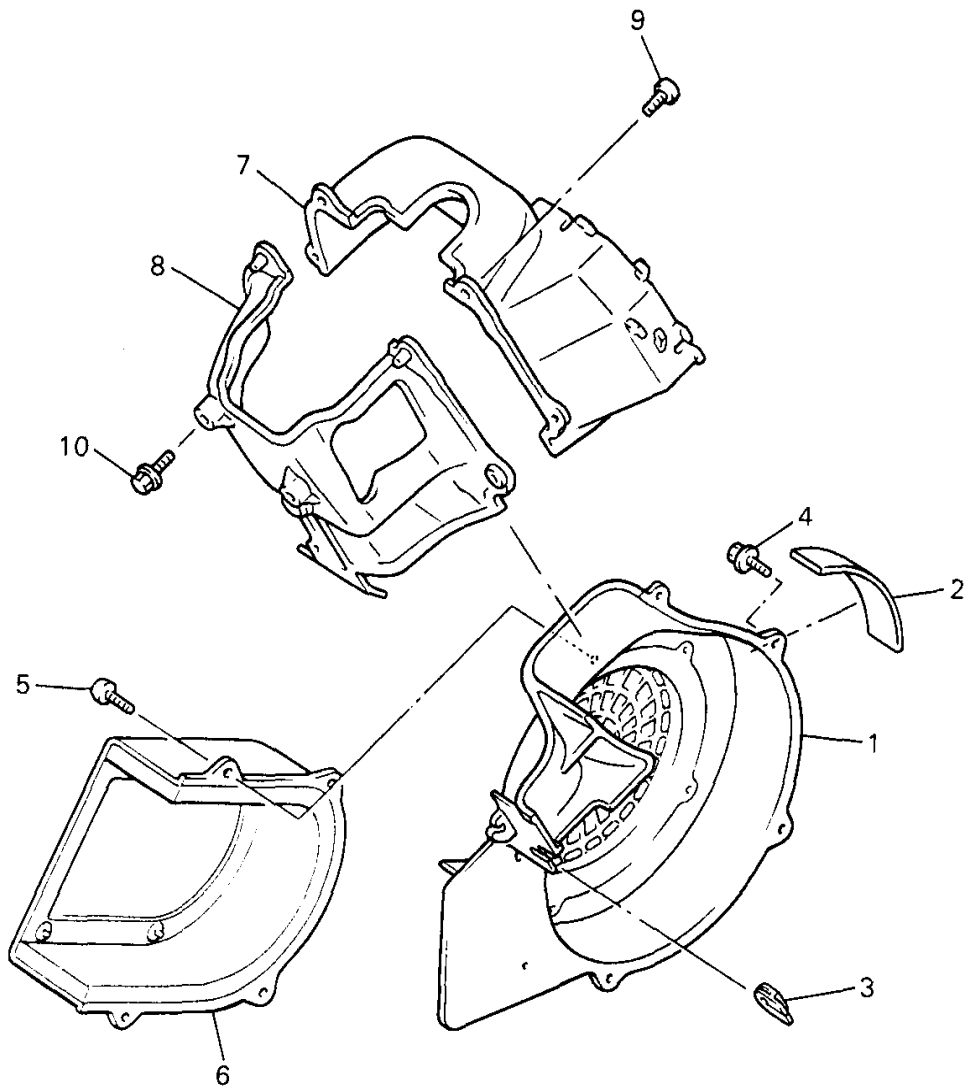


Ref. No.	Part Number	Description	Qty	Remarks
1	J38-12111-01-00	VALVE, INTAKE	1	
2	J38-12121-01-00	VALVE, EXHAUST	1	
3	90501-264A9-00	SPRING, COMPRESSION	2	
4	J38-12117-01-00	RETAINER, VALVE SPRING ..	2	
5	J38-12118-00-00	COTTER, VALVE	2	
6	J38-12151-01-00	ARM, VALVE ROCKER	1	
7	J38-12161-01-00	ARM, VALVE ROCKER 2	1	
8	J38-12156-00-00	SHAFT, ROCKER 2	1	
9	J38-12154-00-00	ROD, VALVE PUSH	2	
10	J38-12153-00-00	LIFTER, VALVE	2	
11	J38-12171-00-00	CAMSHAFT 1	1	
12	J38-12159-00-00	SCREW, VALVE ADJUSTING ..	2	
13	J38-12152-00-00	SUPPORT, ROCKER ARM	1	
14	95817-06030-00	BOLT, FLANGE	2	
15	91810-09014-00	PIN, DOWEL	2	
16	5H0-12119-00-00	SEAL, VALVE STEM	1	
17	90170-06128-00	NUT	2	



J38100-8030

AIR SHROUD - FAN

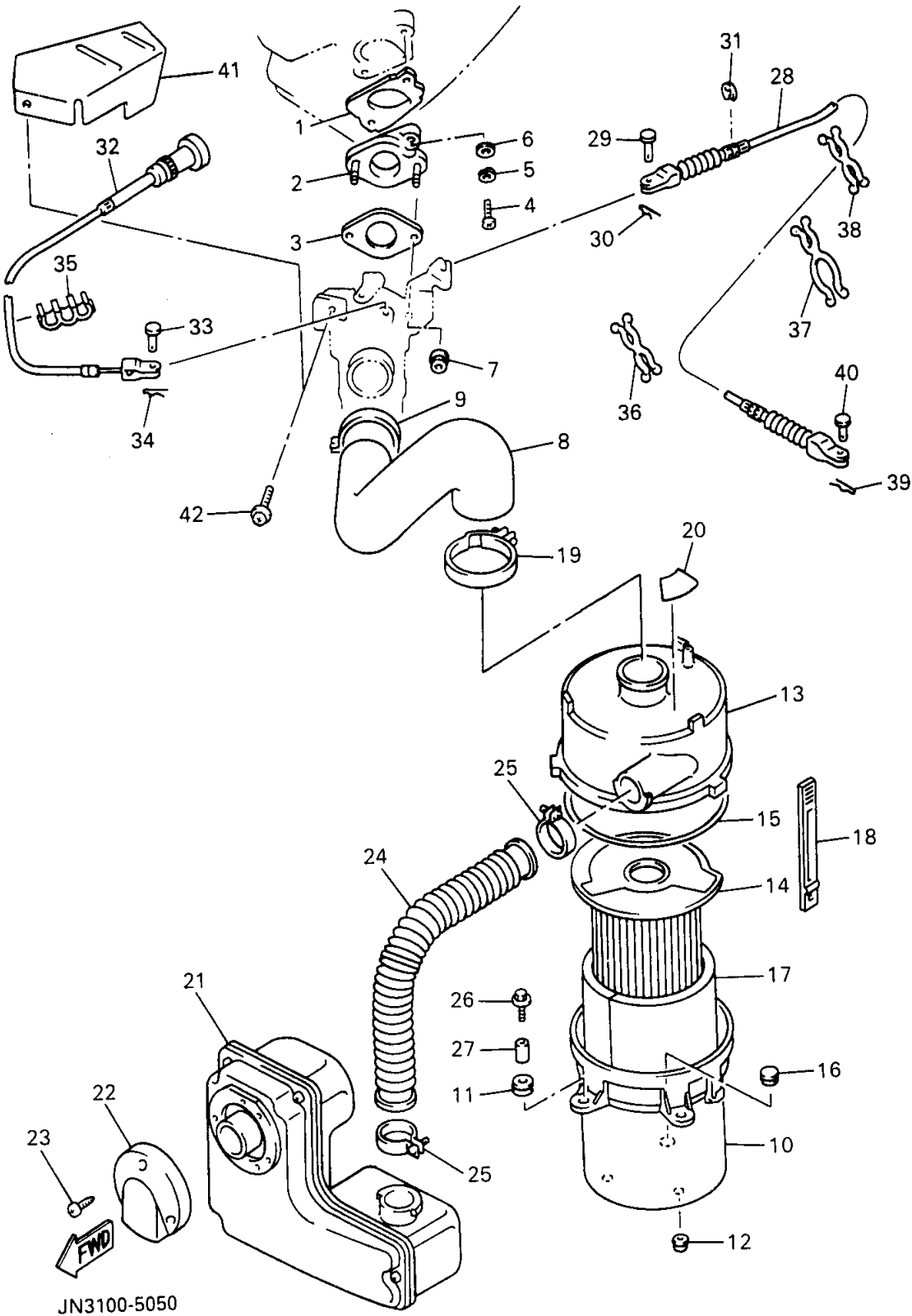


Ref. No.	Part Number	Description	Qty	Remarks
1	JN5-12621-00-00	CASE, FAN	1	
2	JN5-12659-00-00	DAMPER, AIR SHROUD 2	1	
3	90480-20280-00	GROMMET	1	
4	95817-06020-00	BOLT, FLANGE	5	
5	97707-60520-00	SCREW, TAPPING	4	
6	J38-12640-00-00	FAN CASE COVER COMP.	1	
7	J38-12651-02-00	AIR SHROUD, CYLINDER 1 ...	1	
8	JN5-12652-00-00	AIR SHROUD, CYLINDER 2 ...	1	
9	97707-60516-00	SCREW, TAPPING	4	
10	90109-06513-00	BOLT	4	



JN3100-5040

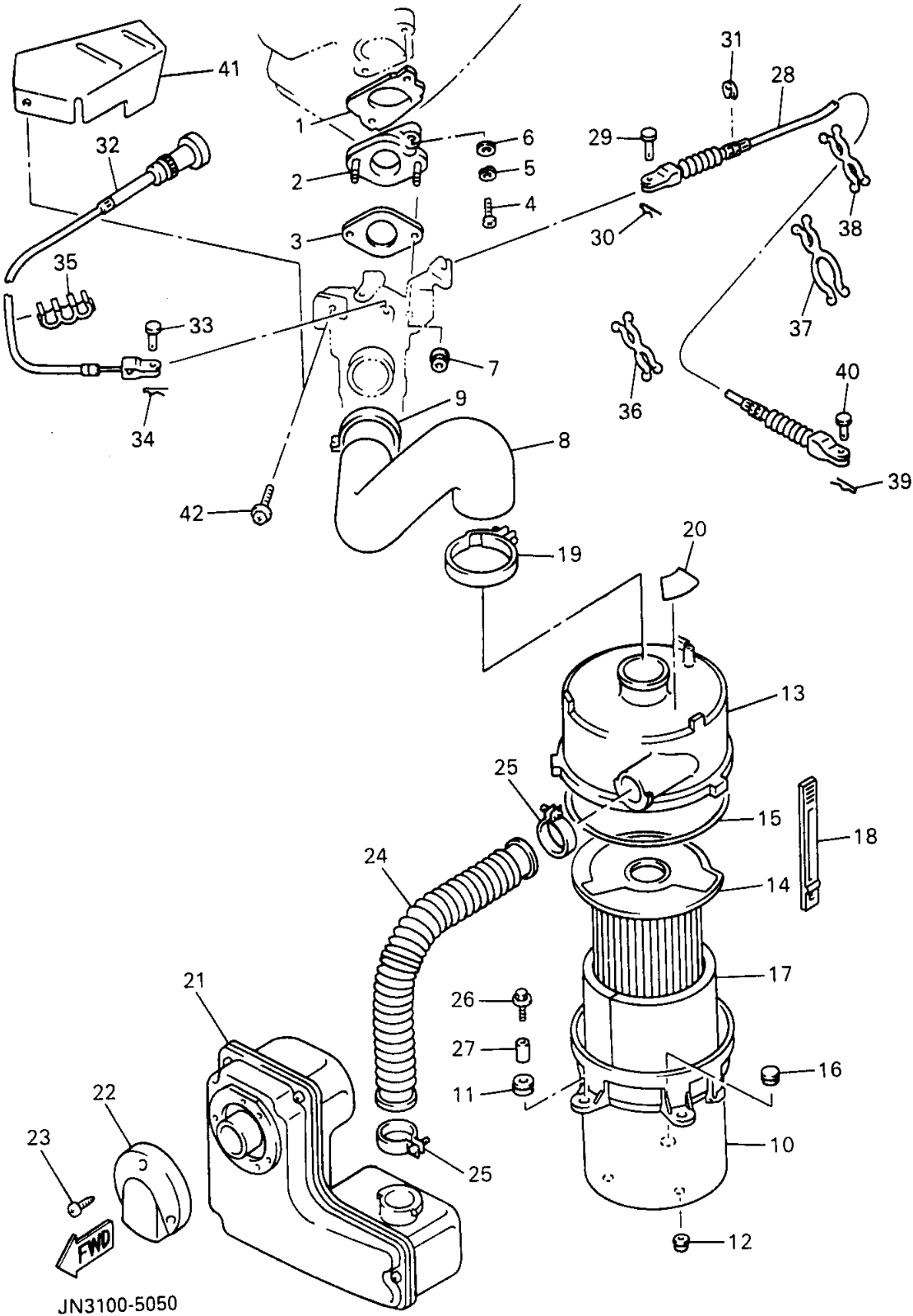
INTAKE



Ref. No.	Part Number	Description	Qty	Remarks
1	J38-13556-01-00	GASKET, MANIFOLD	1	
2	J38-13596-00-00	JOINT, CARBURETOR 2	1	
3	J38-13557-01-00	GASKET	1	
4	98517-06030-00	SCREW, PAN HEAD (98507-06030-00)	2	
5	92907-06100-00	WASHER, SPRING	2	
6	92907-06600-00	WASHER, PLATE	2	
7	95607-06200-00	NUT, SELF U-FLANGE	2	
8	J38-14453-01-00	JOINT, AIR CLEANER 1	1	
9	90460-53239-00	CLAMP, HOSE	1	
10	J10-14411-01-00	CASE, air cleaner 1	1	
11	90480-13238-00	GROMMET	2	
12	90480-14239-00	GROMMET	2	
13	JN3-14412-00-00	CAP, CLEANER CASE 1	1	
14	JF7-14450-01-00	ELEMENT ASSEMBLY, AIR CLEANER	1	
15	JN3-14452-00-00	SEAL	1	
16	90480-14100-00	GROMMET	1	
17	J10-14417-00-00	COVER 1	1	
18	J45-14436-00-00	HOOK	3	
19	90460-43053-00	CLAMP, HOSE	1	
20	JN3-K7761-00-00	LABEL, WARNING 1	1	
21	JN5-1446A-00-00	SURGE TANK ASSEMBLY	1	
22	JN3-14417-00-00	COVER 1	1	
23	97780-50130-00	SCREW, TAPPING	3	
24	JN3-14437-00-00	DUCT	1	
25	90460-33087-00	CLAMP, HOSE	2	
26	90119-06097-00	BOLT, WITH WASHER	2	
27	90387-06026-00	COLLAR	2	

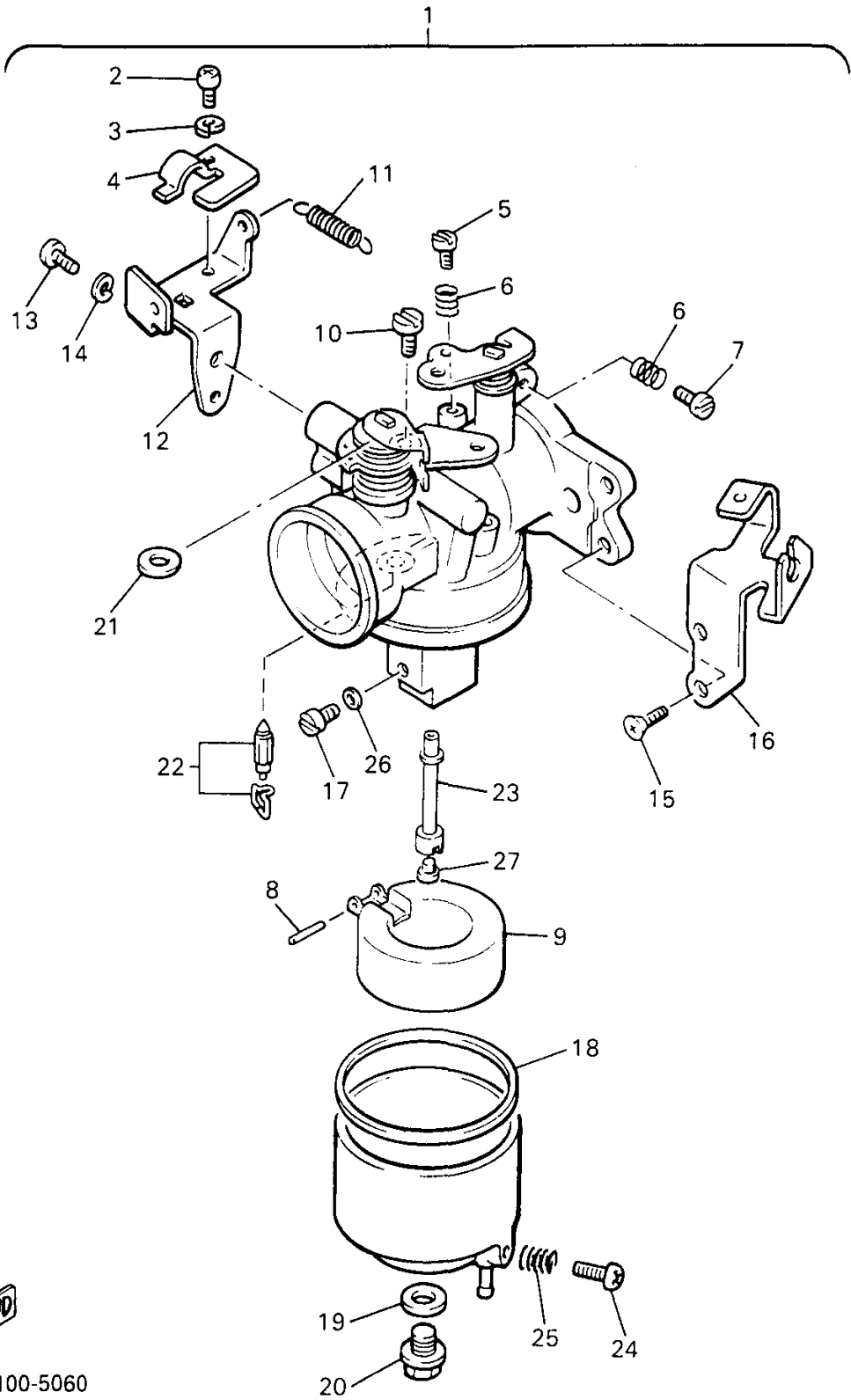
CONTINUED ON NEXT FRAME ►

INTAKE



Ref. No.	Part Number	Description	Qty	Remarks
28	J38-26312-00-00	CABLE, THROTTLE 2	1	
29	91701-05010-00	PIN, CYLINDER. HEAD	1	
30	90468-10050-00	CLIP	1	
31	99080-07600-00	CIRCLIP (E)	1	
32	JF2-F6331-01-00	CABLE, STARTER 1	1	
33	91701-05010-00	PIN, CYLINDER. HEAD	1	
34	90468-10050-00	CLIP	1	
35	90468-07179-00	CLIP	1	
36	90464-10038-00	CLAMP	1	
37	90464-26114-00	CLAMP	1	
38	90464-14134-00	CLAMP	2	
39	90468-10050-00	CLIP	1	
40	91701-05010-00	PIN, CYLINDER. HEAD	1	
41	JG5-E4283-00-00	COVER, CARBURETOR 1	1	
42	90159-05132-00	SCREW, WITH WASHER	2	

CARBURETOR



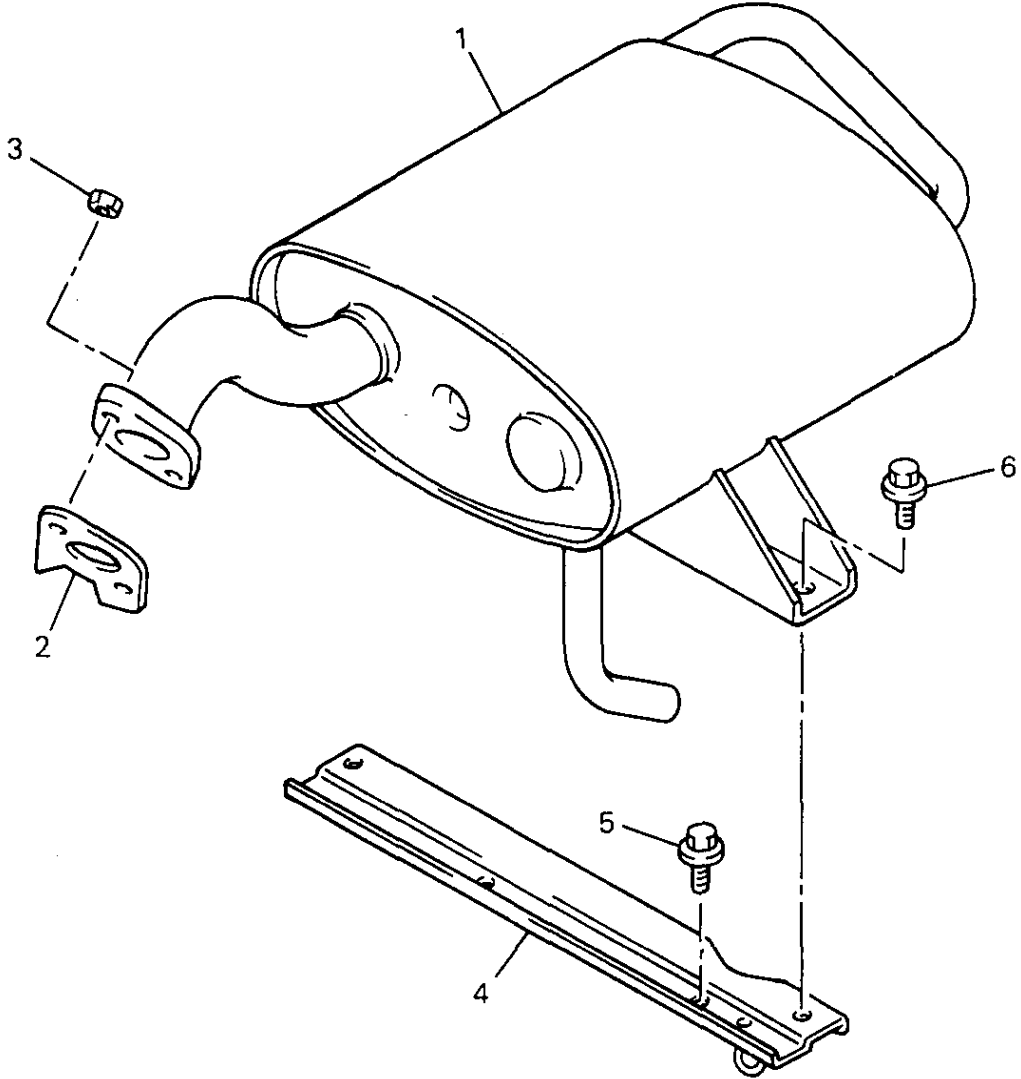
Ref. No.	Part Number	Description	Qty	Remarks
1	JN3-14101-00-00	CARBURETOR ASSEMBLY 1	1	
2	98507-05008-00	. SCREW, PAN HEAD	1	
3	92990-05100-00	. WASHER, SPRING	1	
4	J38-14243-00-00	. PLATE	1	
5	75G-14211-00-00	. SCREW, PILOT ADJUSTING	1	
6	620-14212-00-00	. SPRING, PILOT ADJUSTING	2	
7	J10-14122-00-00	. SCREW, THROTTLE	1	
8	22F-14186-00-00	. PIN, FLOAT	1	
9	J38-14185-00-00	. FLOAT	1	
10	620-14142-60-00	. JET, PILOT (# 60)	1	
11	J38-14133-00-00	. SPRING, THROTTLE STOP	1	
12	JG5-14581-00-00	. BRACKET	1	
13	98580-06010-00	. SCREW, PAN HEAD (92503-06010)	1	
14	92995-06100-00	. WASHER, SPRING	1	
15	98707-05008-00	. SCREW, FLAT HEAD	2	
16	JG5-14291-00-00	. BRACKET 1	1	
17	3G2-1423A-71-00	. JET, MAIN (#102.5)	1	
18	796-14184-00-00	. GASKET, FLOAT CHAMBER	1	
19	127-14198-00-00	. GASKET	1	
20	7R1-14162-00-00	. BOLT, HOLDING	1	
21	J10-14597-00-00	. WASHER	1	
22	JN5-14150-00-00	. NEEDLE ASSEMBLY	1	
23	JH2-1495J-7A-00	. NOZZLE, MAIN	1	
24	7E1-14191-00-00	. PLUG, DRAIN	1	
25	73A-14212-00-00	. SPRING	1	
26	JH2-14153-00-00	. WASHER, MAIN JET	1	
27	73A-1414G-00-00	. PIPE, MAIN BREED	1	



JN3100-5060

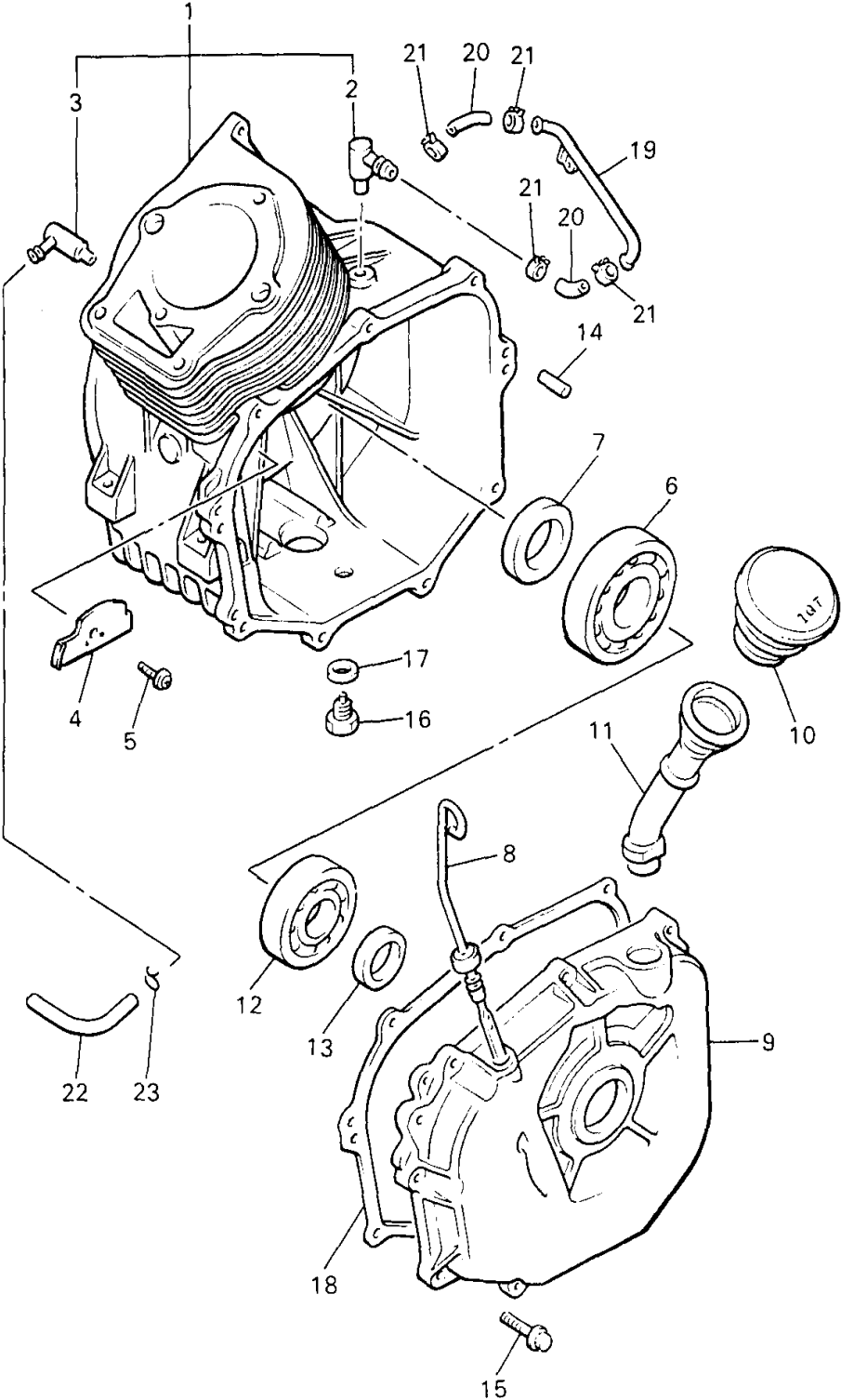
EXHAUST

Ref. No.	Part Number	Description	Qty	Remarks
1	JN3-E4710-00-00	MUFFLER ASSEMBLY 1	1	
2	J38-14613-01-00	GASKET, EXHAUST PIPE	1	
3	95337-08600-00	NUT (95307-08600-00)	2	
4	JN3-E4771-00-00	STAY, MUFFLER 1	1	
5	95027-10020-00	BOLT, FLANGE	2	
6	90119-08119-00	BOLT, WITH WASHER	2	



JN3100-5070

CRANKCASE

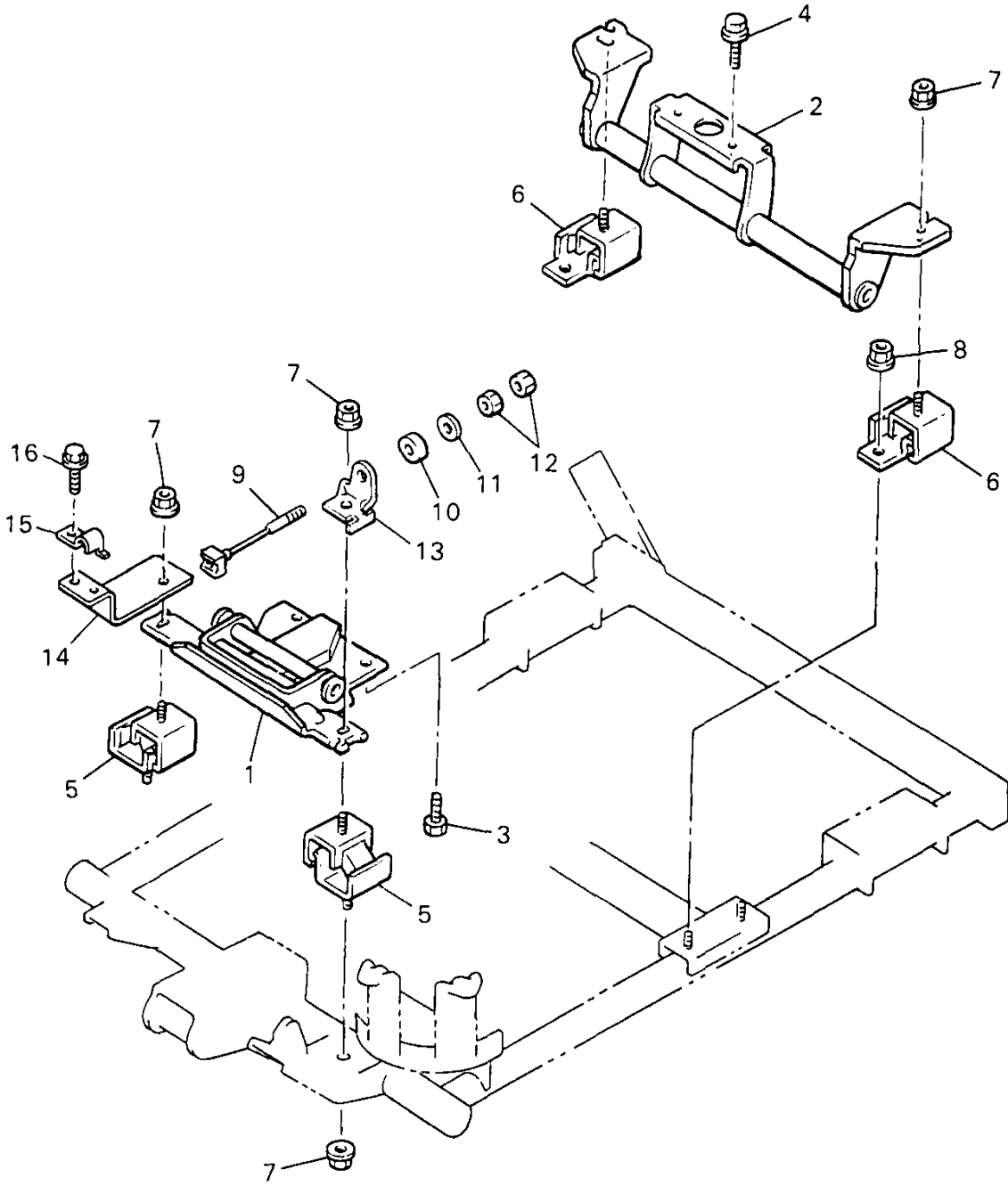


Ref. No.	Part Number	Description	Qty	Remarks
1	JN5-15100-00-00	CRANKCASE ASSEMBLY	1	
2	J38-15148-00-00	. NOZZLE 2	1	
3	J38-15155-00-00	. NOZZLE 3	1	
4	JN5-13610-00-00	REED VALVE ASSEMBLY	1	
5	90159-05117-00	SCREW, w/washer	1	
6	93306-30709-00	BEARING	1	
7	93102-35191-00	OIL SEAL	1	
8	J38-15361-00-00	GAUGE, LEVEL	1	
9	J38-15411-01-00	COVER, CRANKCASE 1	1	
10	J38-15363-00-00	PLUG, OIL	1	
11	J38-15112-00-00	PIPE, OIL	1	
12	93306-30630-00	BEARING	1	
13	93102-30195-00	OIL SEAL	1	
14	99510-08012-00	PIN, DOWEL	2	
15	95817-08035-00	BOLT, FLANGE	9	
16	97007-12020-00	BOLT	1	
17	812-11198-00-00	GASKET	1	
18	J38-15451-02-00	GASKET, CRANKCASE COVER 1	1	
19	J38-13161-00-00	PIPE, DELIVERY 1	1	
20	90445-110E6-00	HOSE	2	
21	90467-10008-00	CLIP	4	
22	90445-09304-00	HOSE	1	
23	90467-08017-00	CLIP	1	



JN3100-5080

ENGINE BRACKET

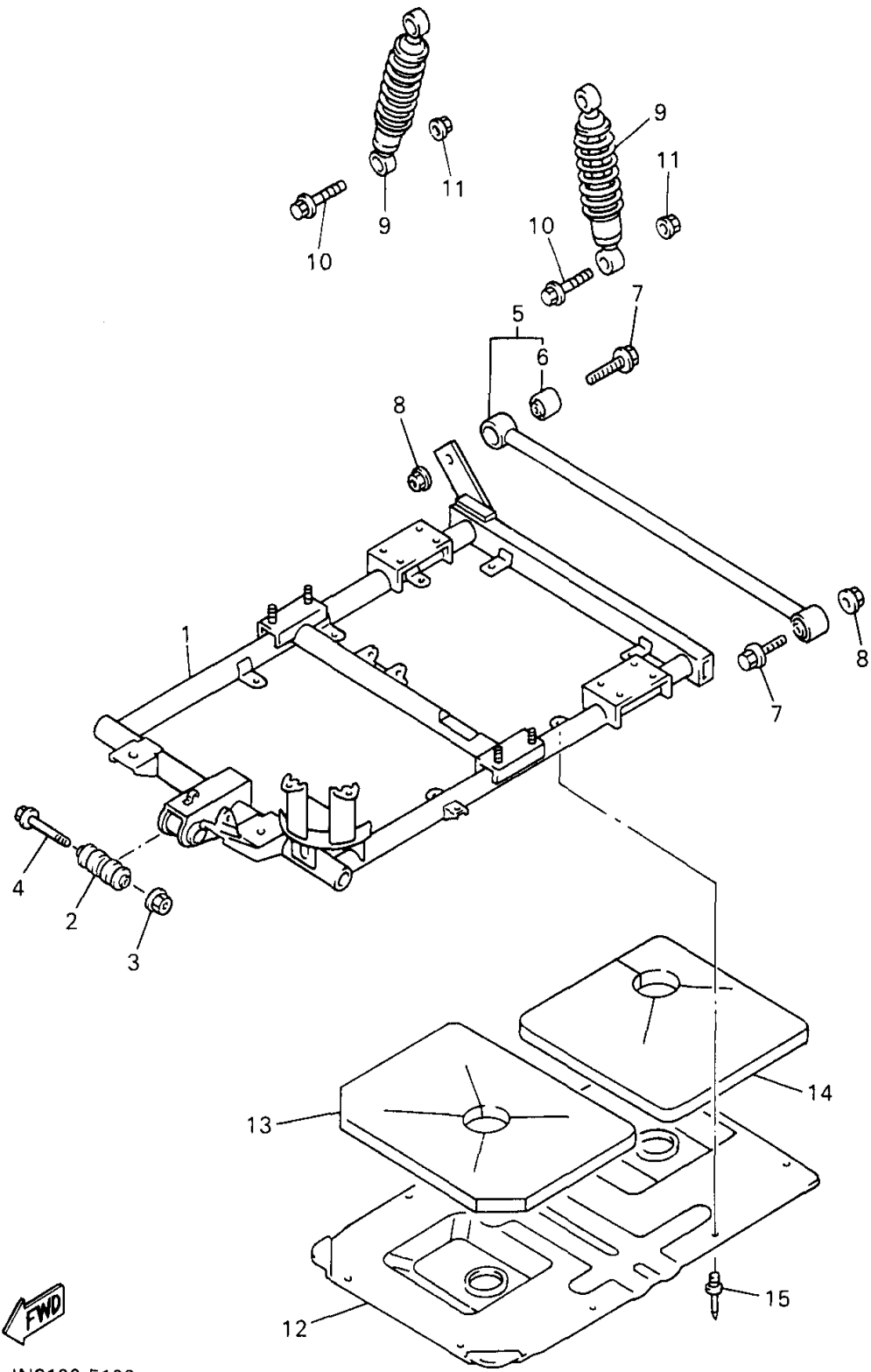


Ref. No.	Part Number	Description	Qty	Remarks
1	J38-21411-02-00	BRACKET, ENGINE 1	1	
2	JN3-F1419-00-00	BRACKET, ENGINE 2	1	
3	95817-10025-00	BOLT, FLANGE	2	
4	95027-10040-00	BOLT, FLANGE	2	
5	J38-21486-00-00	DAMPER 2	2	
6	J38-21488-00-00	DAMPER	2	
7	95617-10200-00	NUT, SELF-LOCKING	6	
8	95707-08500-00	NUT, FLANGE	4	
9	JN3-F217J-00-00	TENSIONER 1	1	
10	J17-2214F-00-00	DAMPER 1	1	
11	90201-06778-00	WASHER, PLATE	1	
12	95317-06600-00	NUT (95307-06600-00)	2	
13	J38-2141A-00-00	BRACKET 1	1	
14	JF2-2142G-00-00	STAY 1	1	
15	JF2-2142H-00-00	STAY 2	1	
16	95807-06016-00	BOLT, FLANGE	1	



JN3100-5090

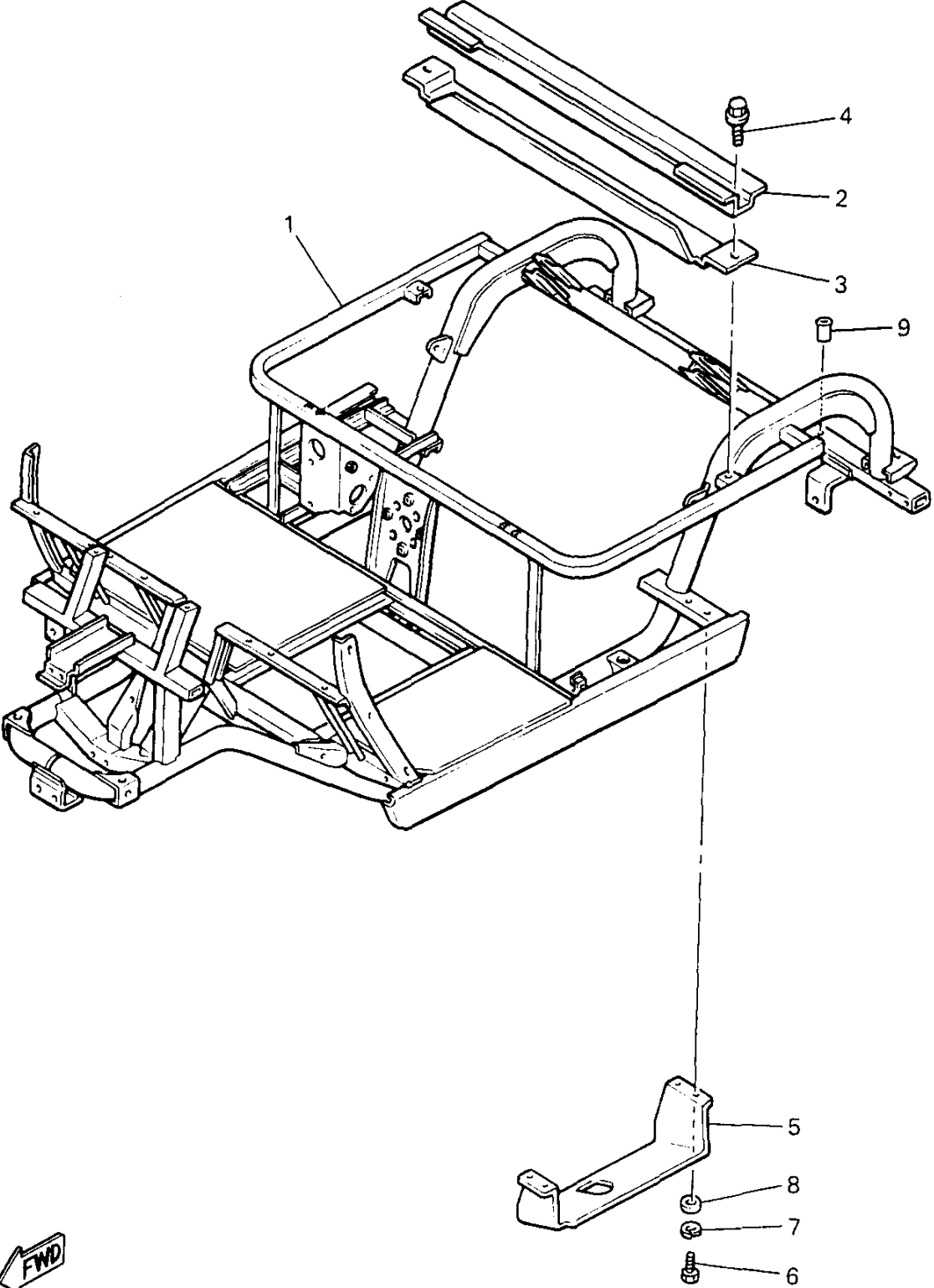
REAR ARM - SUSPENSION



Ref. No.	Part Number	Description	Qty	Remarks
1	JN3-F2110-00-00	REAR ARM COMP.	1	
2	JN3-22123-00-00	BUSH 1	1	
3	95617-12200-00	NUT, SELF-LOCKING	1	
4	90105-12743-00	BOLT, WASHER BASED	1	
5	JF2-22172-00-00	ARM, REAR 2	1	
6	J50-22124-00-00	. BUSH 2	2	
7	95817-12065-00	BOLT, FLANGE	2	
8	95617-12200-00	NUT, SELF-LOCKING	2	
9	JN3-F2210-00-00	SHOCK ABSORBER	2	
10	95817-10055-00	BOLT, FLANGE	4	
11	95617-10200-00	NUT, SELF-LOCKING	4	
12	J38-22128-00-00	COVER, THRUST 1	1	
13	JN3-F211E-00-00	PANEL, INNER 1	1	
14	JN3-F211G-00-00	PANEL, INNER 2	1	
15	90267-40131-00	RIVET, BLIND	9	

JN3100-5100

FRAME

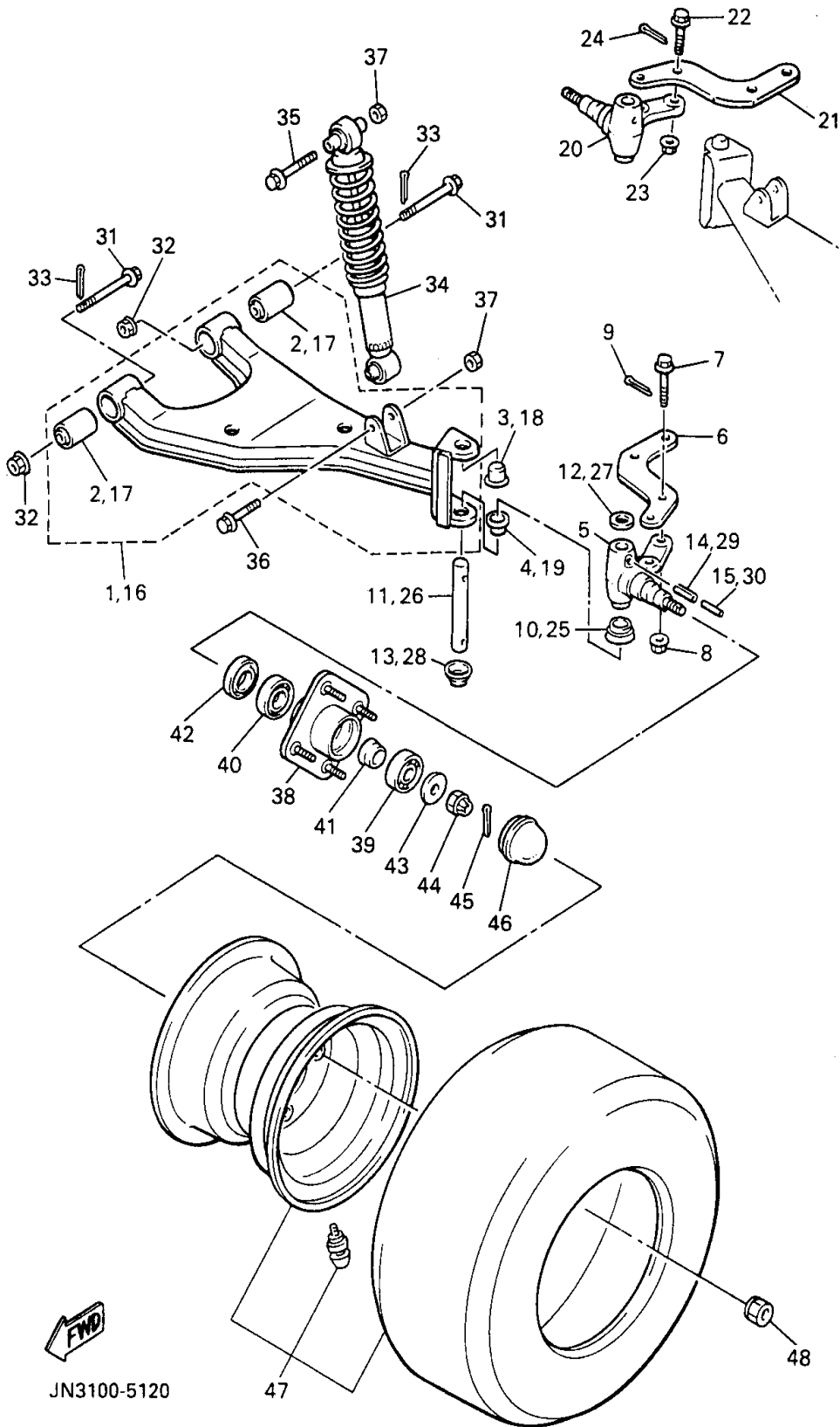


Ref. No.	Part Number	Description	Qty	Remarks
1	JN3-F2501-00-00	FRAME COMP.	1	
2	JN3-F254R-00-00	SUPPORT, BODY MOUNTING .	1	
3	JF2-K8266-00-00	PLATE, BODY PROTECT 6 ...	1	
4	95817-08016-00	BOLT, FLANGE	2	
5	JN3-F2592-00-00	PLATE 1	1	
6	97007-05012-00	BOLT	4	
7	92907-05100-00	WASHER, SPRING	4	
8	92907-05600-00	WASHER, PLATE	4	
9	90179-06874-00	NUT	2	



JN3100-5110

FRONT SUSPENSION - WHEEL

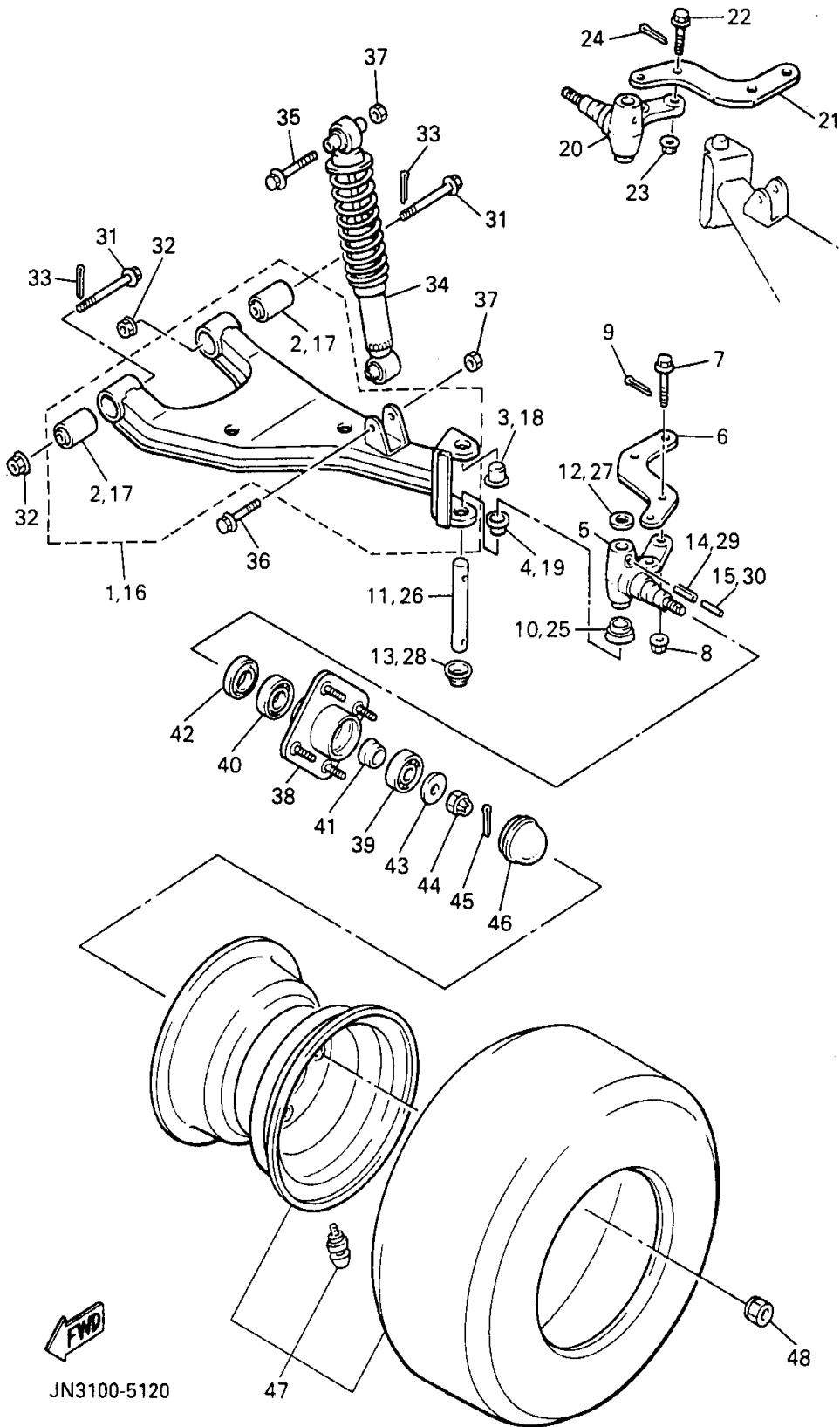


Ref. No.	Part Number	Description	Qty	Remarks
1	JN3-F3570-00-00	FRONT LOWER ARM COMP. (LEFT)	1	
2	J38-23526-00-00	. BUSH	2	
3	90338-17225-00	PLUG	1	
4	90386-15139-00	BUSH	1	
5	J38-23511-01-00	KNUCKLE, STEERING 1	1	
6	JN3-F3512-00-00	ARM, KNUCKLE	1	
7	90105-10360-00	BOLT, FLANGE	2	
8	95617-10200-00	NUT, SELF-LOCKING	2	
9	91490-25020-00	PIN, COTTER	2	
10	J38-23527-00-00	SEAL, DUST	1	
11	J38-23516-00-00	PIN, STEERING KNUCKLE	1	
12	90201-156J2-00	WASHER, PLAIN	1	
13	J38-23528-00-00	SEAL, DUST	1	
14	91609-60028-00	PIN, SPRING	1	
15	91609-35028-00	PIN, SPRING	1	
16	JN3-F3580-00-00	FRONT LOWER ARM COMP. (RIGHT)	1	
17	J38-23526-00-00	. BUSH	2	
18	90338-17225-00	PLUG	1	
19	90386-15139-00	BUSH	1	
20	J38-23521-01-00	KNUCKLE, STEERING 2	1	
21	JN3-F3512-00-00	ARM, KNUCKLE	1	
22	90105-10360-00	BOLT, FLANGE	2	
23	95617-10200-00	NUT, SELF-LOCKING	2	
24	91490-25020-00	PIN, COTTER	2	
25	J38-23527-00-00	SEAL, DUST	1	
26	J38-23516-00-00	PIN, STEERING KNUCKLE	1	
27	90201-156J2-00	WASHER, PLAIN	1	

CONTINUED ON NEXT FRAME ►

FWD
JN3100-5120

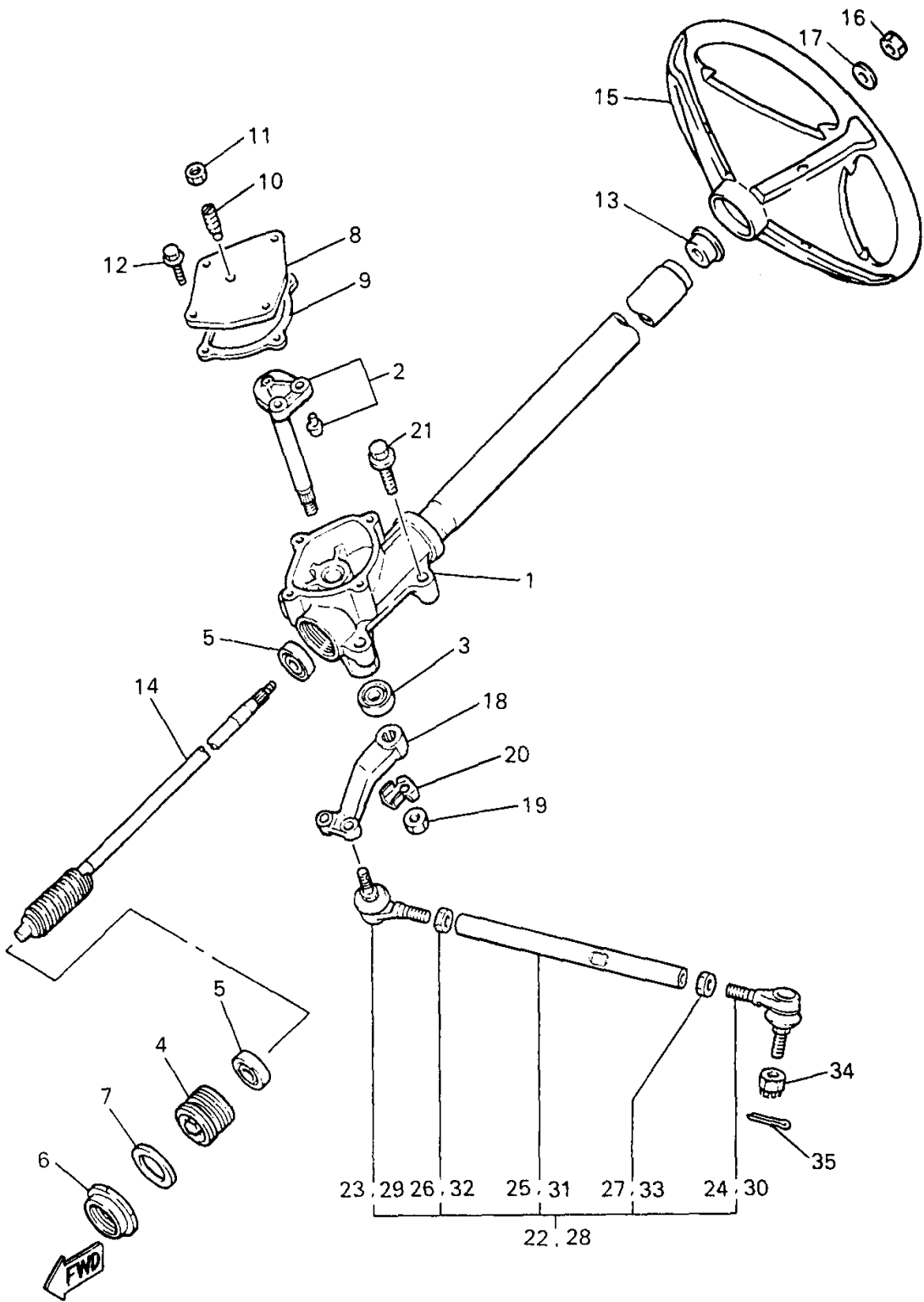
FRONT SUSPENSION - WHEEL



Ref. No.	Part Number	Description	Qty	Remarks
28	J38-23528-00-00	SEAL, DUST	1	
29	91609-60028-00	PIN, SPRING	1	
30	91609-35028-00	PIN, SPRING	1	
31	90105-10357-00	BOLT, FLANGE	4	
32	95617-10200-00	NUT, SELF-LOCKING	4	
33	91490-25020-00	PIN, COTTER	4	
34	JN3-F3350-00-00	CUSHION ASSEMBLY.	2	
35	95807-10065-00	BOLT, FLANGE	2	
36	95817-10050-00	BOLT, FLANGE	2	
37	95617-10200-00	NUT, SELF-LOCKING	4	
38	JG5-WF511-00-00	HUB	2	
39	93306-204X0-00	BEARING	2	
40	93306-005Y3-00	BEARING	2	
41	90387-241M7-00	COLLAR	2	
42	93102-30083-00	SEAL, OIL	2	
43	90209-32271-00	WASHER	2	
44	95607-14100-00	NUT, U	2	
45	91490-25020-00	PIN, COTTER	2	
46	J17-25118-00-00	COVER, HUB DUST	2	
47	UNA-VAILA-BL-EI	0 0		
48	90179-12262-00	NUT	8	

FWD
JN3100-5120

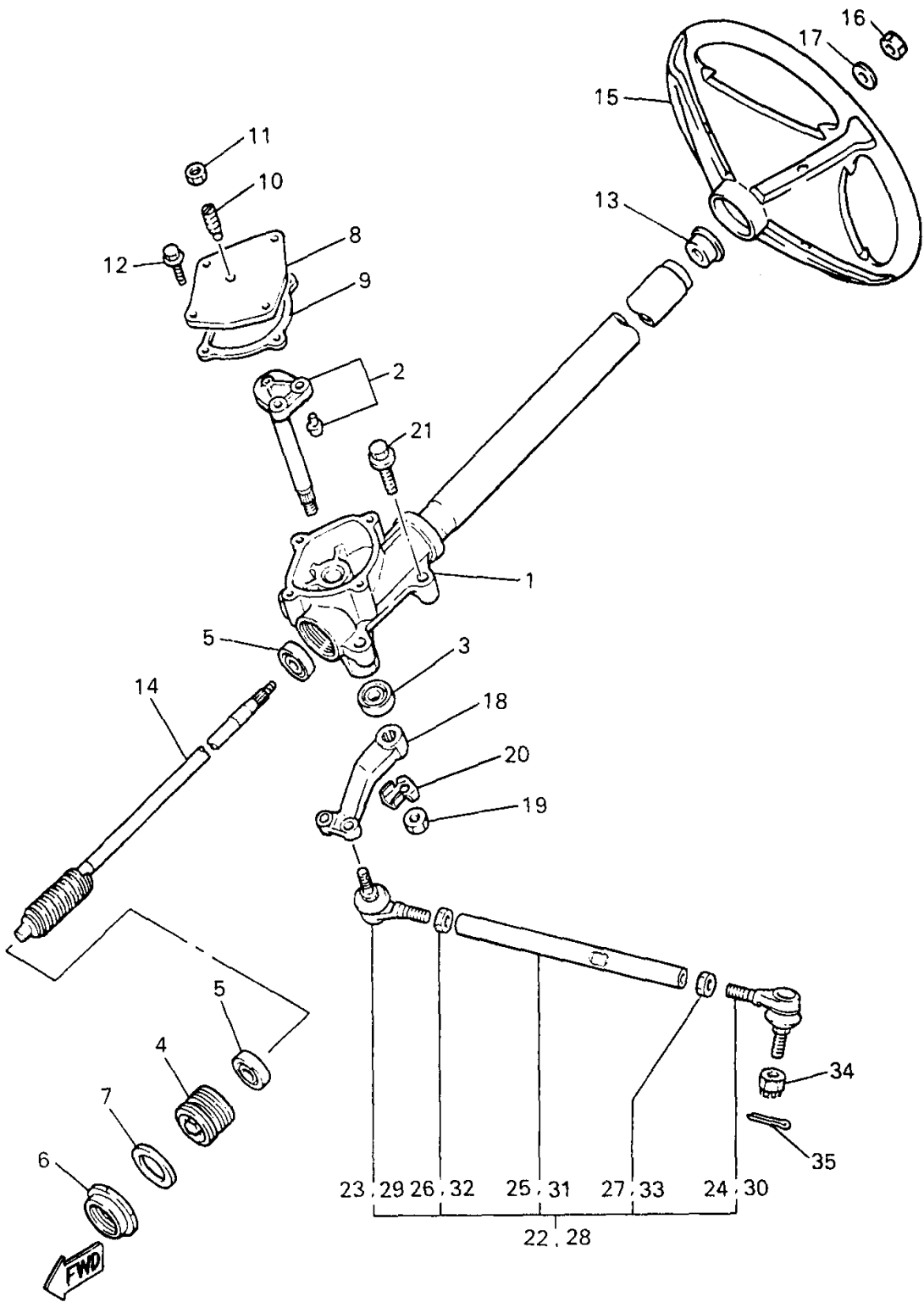
STEERING



Ref. No.	Part Number	Description	Qty	Remarks
1	JG5-F3811-00-00	COLUMN, STEERING	1	
2	J38-23816-00-00	ARM, PITMAN	1	
3	93102-22314-00	SEAL, OIL	1	
4	J55-F3876-00-00	BOLT	1	
5	93332-000Y2-00	BEARING	2	
6	J10-23877-00-00	NUT	1	
7	J10-23444-00-00	WASHER	1	
8	JN3-F3818-00-00	COVER, STEERING	1	
9	J38-23462-00-00	SEAL, STEERING (J38-23462-01-00)	1	
10	J10-23459-00-00	BOLT	1	
11	90170-08024-00	NUT, HEX.	1	
12	95817-06020-00	BOLT, FLANGE	4	
13	JN3-F3814-00-00	HOLDER, HANDLE	1	
14	J10-23840-00-00	STEERING SHAFT	1	
15	JN3-F3838-00-00	WHEEL, STEERING	1	
16	90185-12119-00	NUT, SELF-LOCKING	1	
17	92907-12200-00	WASHER, PLAIN	1	
18	J38-23826-01-00	ARM, IDLER	1	
19	95707-16300-00	NUT, NYLON	1	
20	90215-16252-00	WASHER, TONGUE	1	
21	95817-10050-00	BOLT, FLANGE	4	
22	JN3-F3830-00-00	TIE ROD ASSEMBLY, LEFT	1	
23	UNA-VAILA-BL-EI	0 0		
24	UNA-VAILA-BL-EI	0 0		
25	UNA-VAILA-BL-EI	0 0		
26	UNA-VAILA-BL-EI	0 0		
27	UNA-VAILA-BL-EI	0 0		
28	JN3-F3850-00-00	TIE ROD ASSEMBLY, RIGHT	1	

CONTINUED ON NEXT FRAME ➤

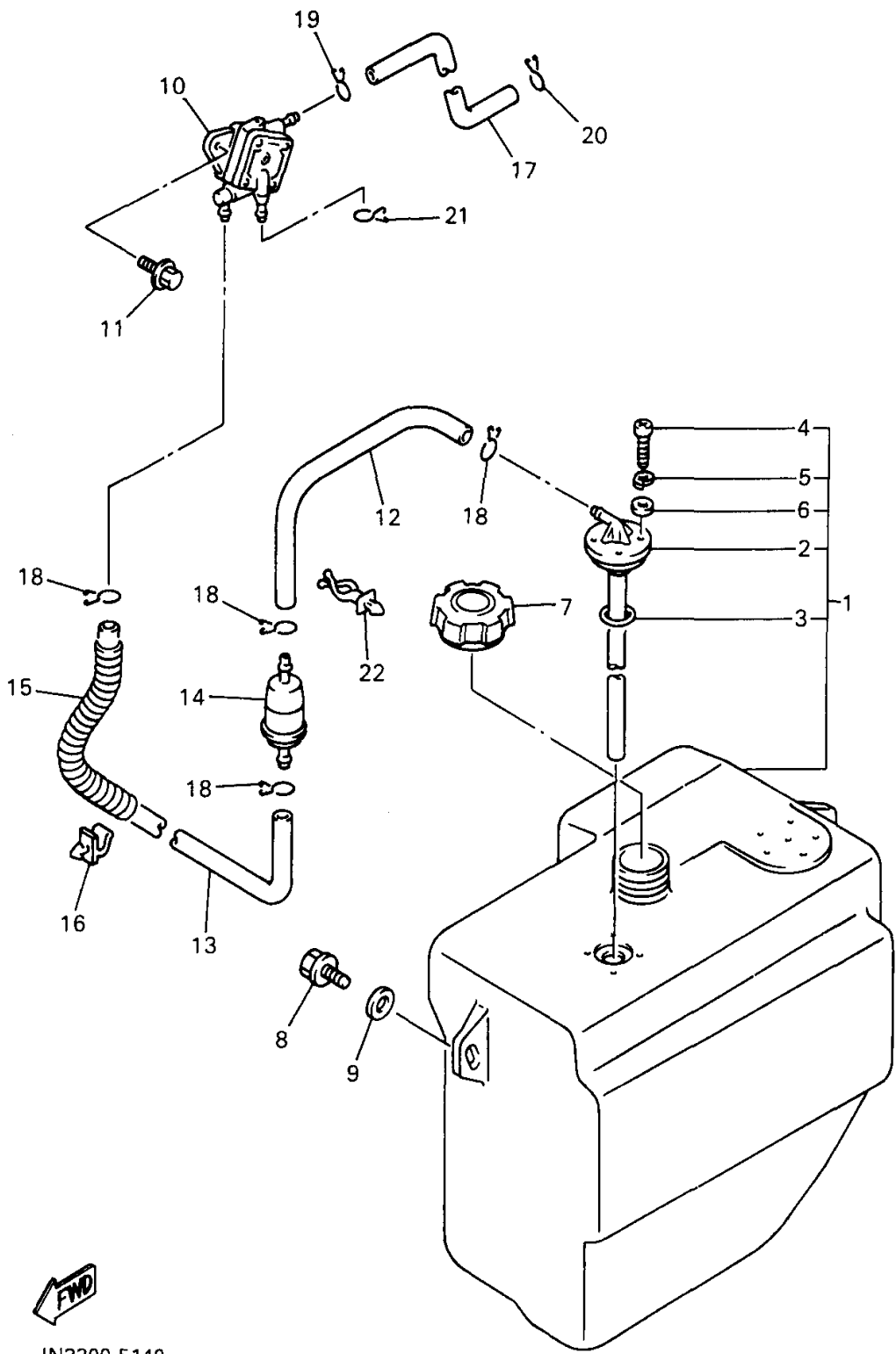
STEERING



Ref. No.	Part Number	Description	Qty	Remarks
29	UNA-VAILA-BL-EI	0 0		
30	UNA-VAILA-BL-EI	0 0		
31	UNA-VAILA-BL-EI	0 0		
32	UNA-VAILA-BL-EI	0 0		
33	UNA-VAILA-BL-EI	0 0		
34	95617-10200-00	NUT, SELF-LOCKING	4	
35	91490-25020-00	PIN, COTTER	4	

JN3300-5130

FUEL TANK

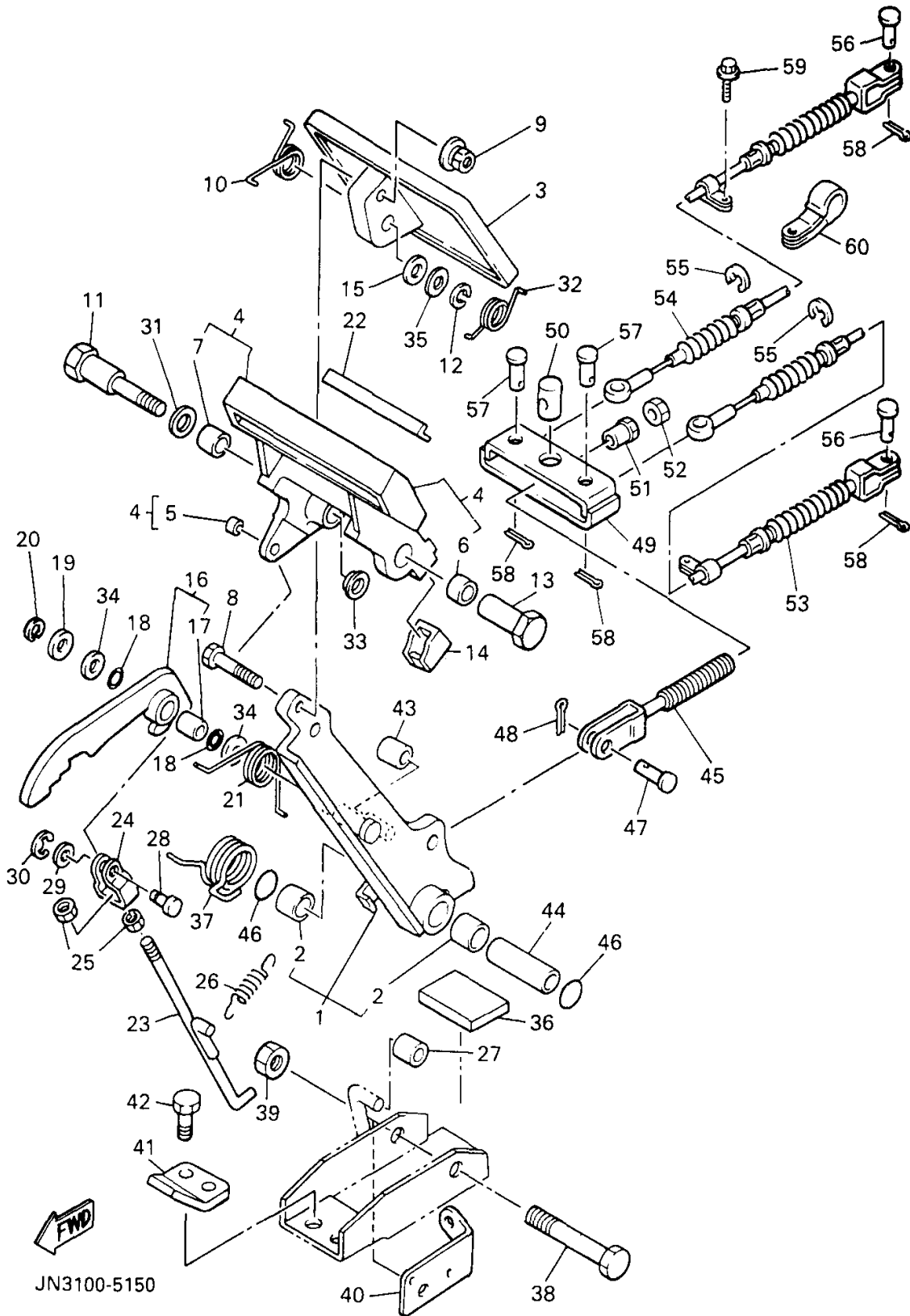


Ref. No.	Part Number	Description	Qty	Remarks
1	JN3-F4110-00-00	FUEL TANK COMP.	1	
2	UNA-VAILA-BL-EI	0 0		
3	UNA-VAILA-BL-EI	0 0		
4	UNA-VAILA-BL-EI	0 0		
5	UNA-VAILA-BL-EI	0 0		
6	UNA-VAILA-BL-EI	0 0		
7	JH2-24610-00-00	CAP ASSEMBLY	1	
8	95807-08020-00	BOLT, FLANGE	3	
9	90560-08066-00	SPACER	3	
10	JF2-24410-20-00	FUEL PUMP ASSEMBLY	1	
11	95807-06016-00	BOLT, FLANGE	2	
12	JN3-F4311-00-00	PIPE, FUEL 1	1	
13	JN3-F4312-00-00	PIPE 2	1	
14	JN3-F4560-00-00	FILTER ASSEMBLY.	1	
15	JN3-F4327-00-00	PROTECTOR, PIPE	1	
16	90464-11074-00	CLAMP	2	
17	90445-093J2-00	HOSE	1	
18	90467-11009-00	CLIP	4	
19	90467-08017-00	CLIP	1	
20	90467-08017-00	CLIP	1	
21	90467-09006-00	CLIP	1	
22	90464-11816-00	CLAMP	1	



JN3300-5140

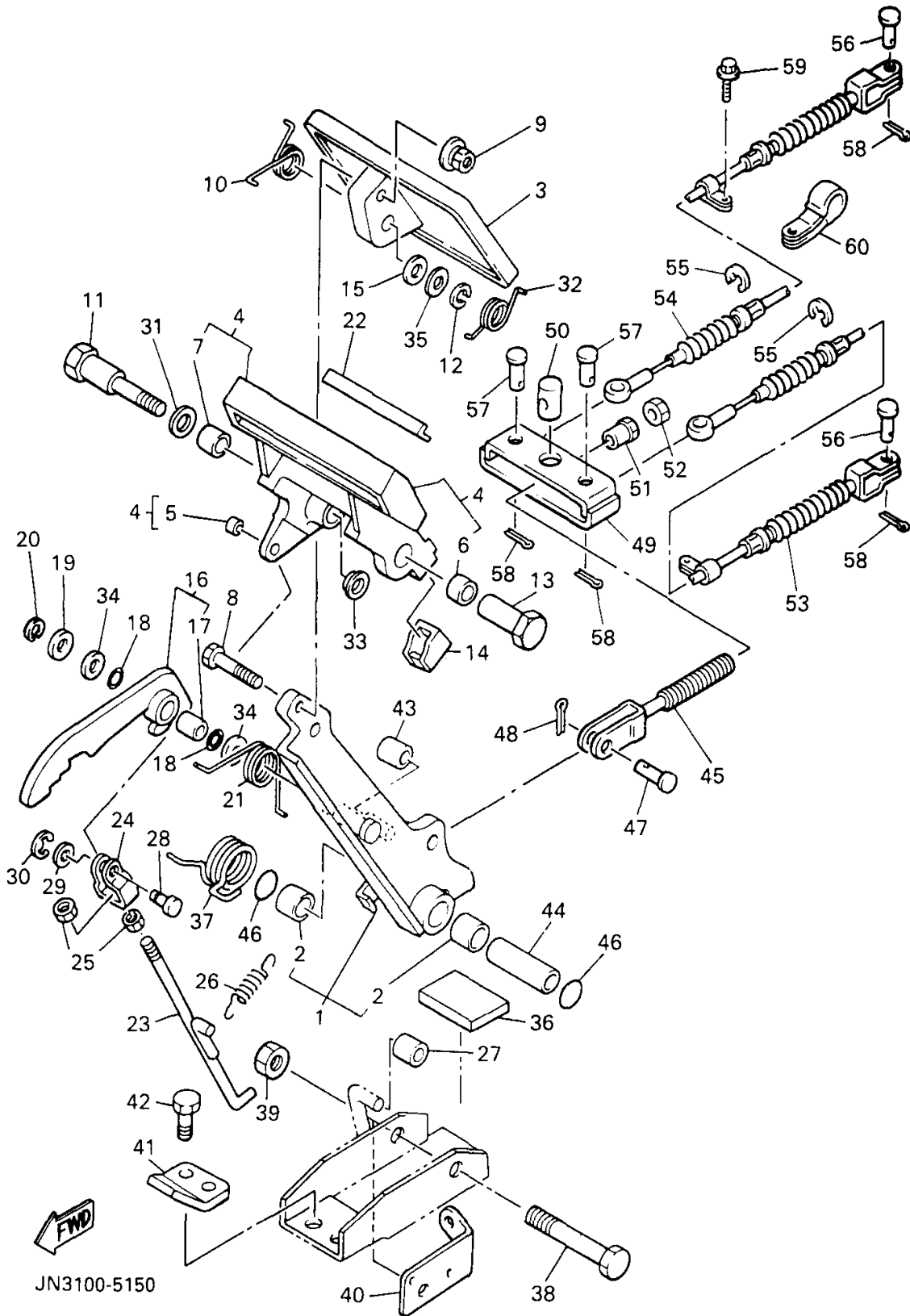
BRAKE



Ref. No.	Part Number	Description	Qty	Remarks
1	J46-27250-03-00	BRAKE ARM COMP	1	
2	90384-14080-00	. BUSH, BIMETAL	2	
3	J10-27211-00-00	PEDAL, BRAKE	1	
4	J17-25670-01-00	PARKING PEDAL COMP.	1	
5	90384-05163-00	. BUSH, BIMETAL	1	
6	90384-12164-00	. BUSH, BIMETAL	1	
7	90380-12051-00	. BUSH, SOLID	1	
8	90101-06555-00	BOLT, HEX.	1	
9	90179-07564-00	NUT	1	
10	90508-23542-00	SPRING, TORSION	1	
11	90109-08669-00	BOLT	1	
12	92907-08100-00	WASHER, SPRING	1	
13	90179-08378-00	NUT	1	
14	J17-25679-01-00	DAMPER	2	
15	92907-08200-00	WASHER	1	
16	J17-W2561-02-00	SECTOR, PARKING BRAKE	1	
17	90384-10162-00	. BUSH, BIMETAL	1	
18	J17-27221-00-00	SEAL, SHAFT	2	
19	92907-10600-00	WASHER, PLATE	1	
20	99080-07600-00	CIRCLIP (E)	1	
21	90508-14548-00	SPRING, TORSION	1	
22	J17-25672-01-00	PAD, PARKING	1	
23	J17-27231-03-00	ROD, BRAKE	1	
24	J17-27232-00-00	END, ROD	1	
25	95307-06700-00	NUT	2	
26	90506-12277-00	SPRING, TENSION	1	
27	J17-25673-00-00	DAMPER, BRAKE	1	
28	J17-27228-00-00	PIN, LINK JOINT	1	
29	92907-05600-00	WASHER, PLATE	1	

CONTINUED ON NEXT FRAME ►

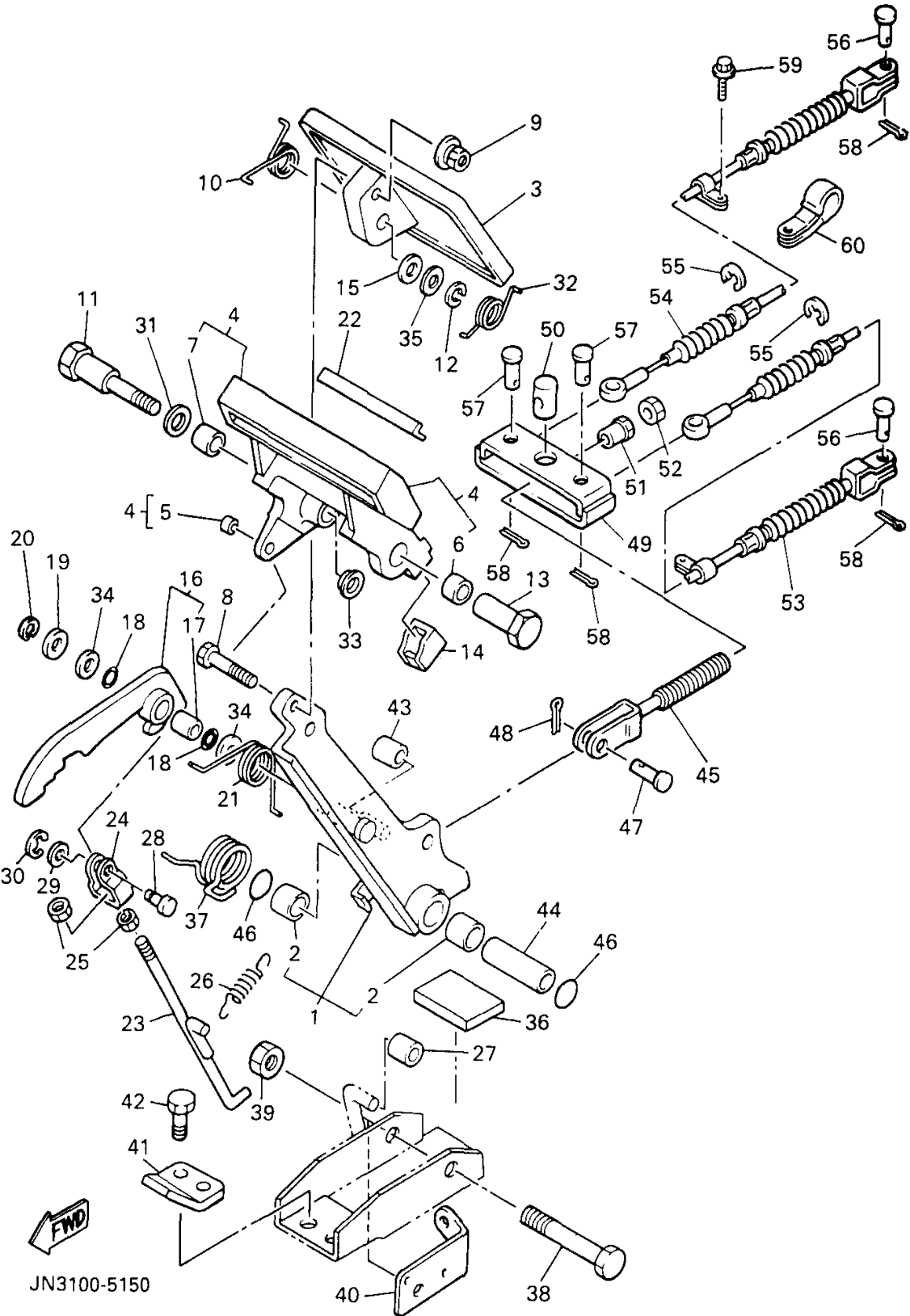
BRAKE



Ref. No.	Part Number	Description	Qty	Remarks
30	99080-04600-00	CIRCLIP (E)	1	
31	90201-123F2-00	WASHER, PLAIN	1	
32	90508-26557-00	SPRING, TORSION	1	
33	90380-12105-00	BUSH, SOLID	1	
34	90201-104G8-00	WASHER, PLAIN	2	
35	J55-27226-00-00	WASHER, LINK	1	
36	JN3-F7245-00-00	PAD, BRAKE PEDAL	1	
37	90508-405A9-00	SPRING, TORSION	1	
38	90101-10447-00	BOLT, HEX.	1	
39	95617-10200-00	NUT, SELF-LOCKING	1	
40	J55-2252M-00-00	BRACKET,	1	
41	J17-27246-00-00	NAIL, BRAKE	1	
42	95807-08020-00	BOLT, FLANGE	2	
43	J17-25673-00-00	DAMPER, BRAKE	1	
44	90387-107F8-00	COLLAR	1	
45	JF2-25685-00-00	ROD	1	
46	93210-132A8-00	O-RING	2	
47	91701-10022-00	PIN	1	
48	91490-30020-00	PIN, COTTER	1	
49	JF2-25681-00-00	EQUALIZER, BRAKE	1	
50	90249-14129-00	PIN	1	
51	90179-08261-00	NUT	1	
52	95307-08700-00	NUT	1	
53	JF2-F6341-10-00	WIRE, BRAKE 1	1	
54	JF2-F6351-10-00	WIRE, BRAKE	1	
55	99001-09600-00	CIRCLIP	4	
56	91701-08018-00	PIN	2	
57	91701-08026-00	PIN	2	
58	91490-25020-00	PIN, COTTER	4	

CONTINUED ON NEXT FRAME ➤

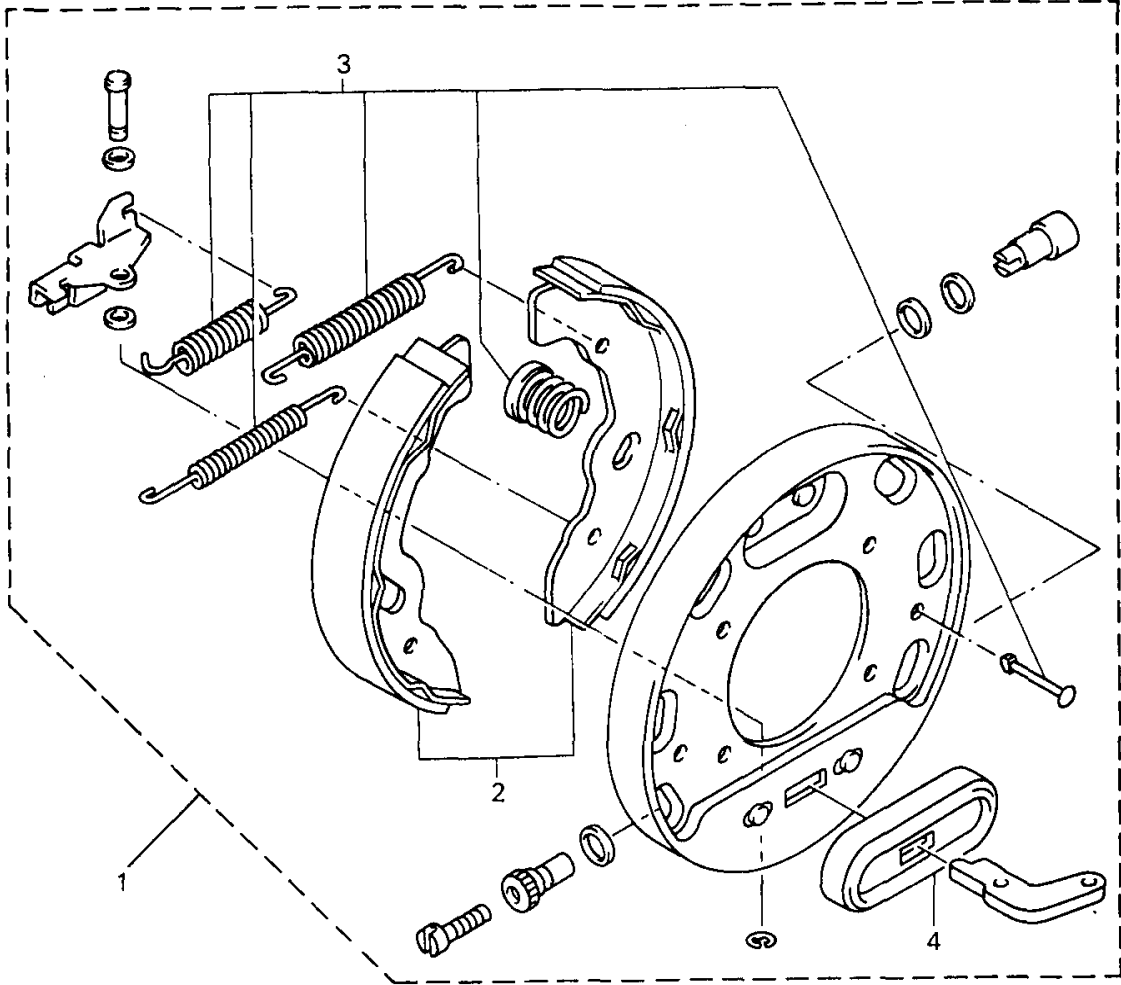
BRAKE



Ref. No.	Part Number	Description	Qty	Remarks
59	95807-06016-00	BOLT, FLANGE	2	
60	90461-08133-00	CLAMP	1	

JN3100-5150

BRAKE 2



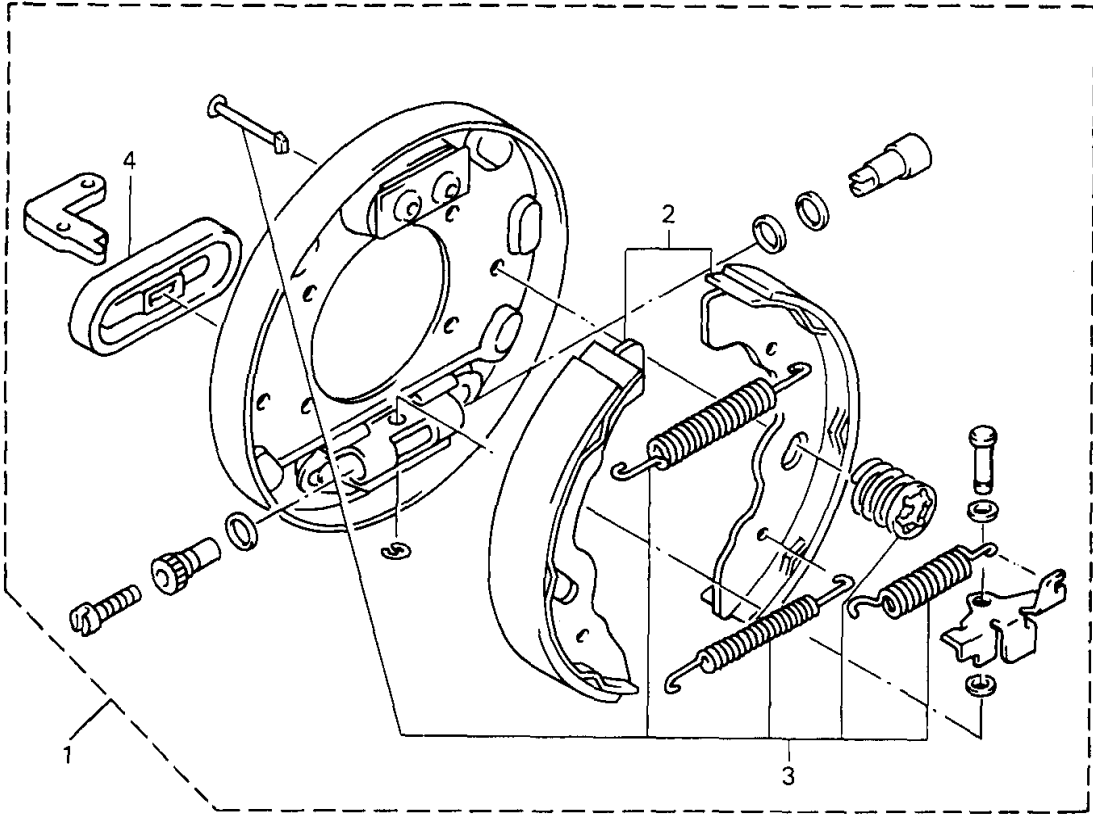
Ref. No.	Part Number	Description	Qty	Remarks
1	JN3-F7280-00-00	BACKING PLATE, (RH)	1	
2	JN3-F5340-00-00	. SHOE, BRAKE SET	1	
3	JG5-F819G-00-00	. REPAIR PARTS KIT	1	
4	JG5-F7286-00-00	. COVER, DUST	1	



JN4100-5060

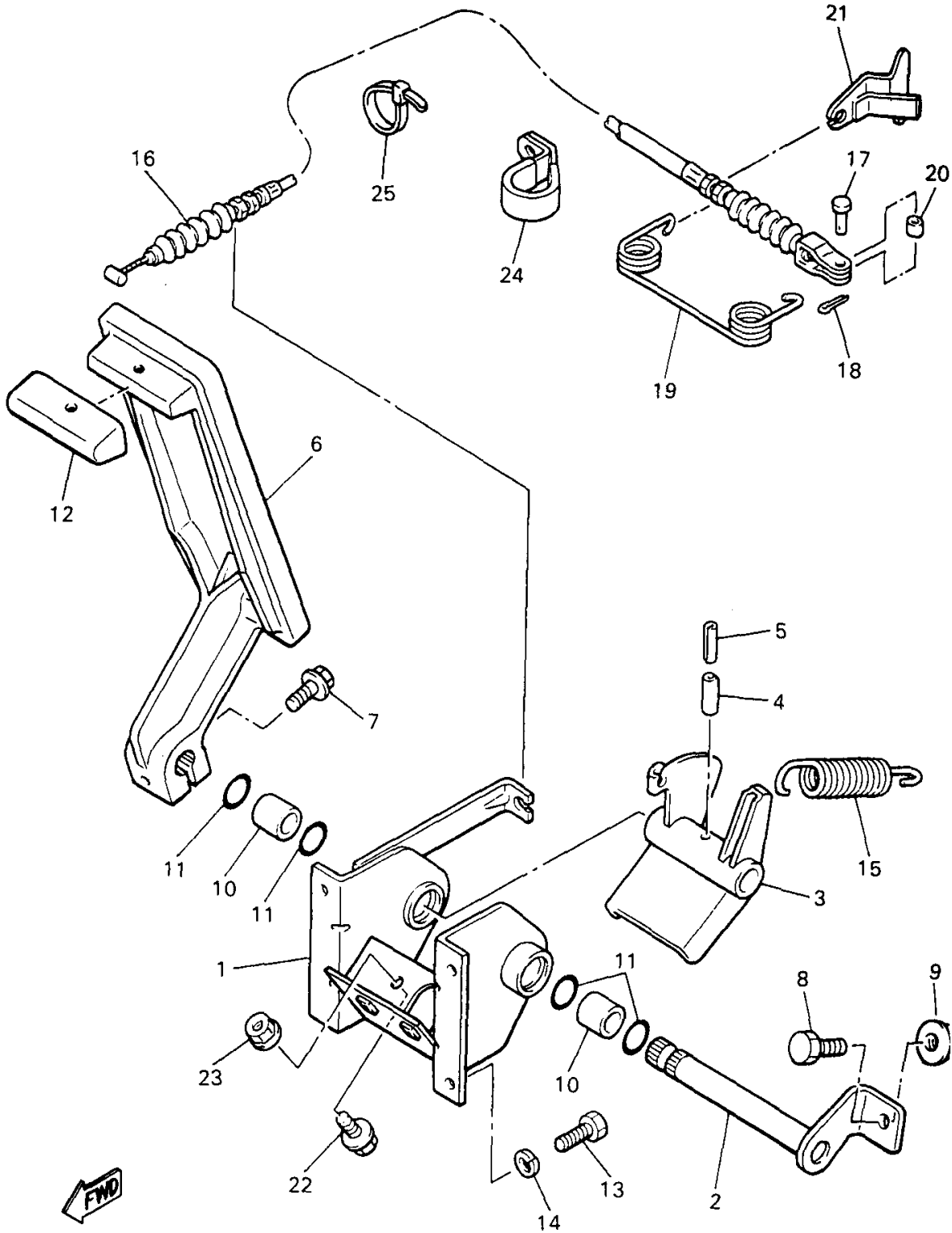
BRAKE 3

Ref. No.	Part Number	Description	Qty	Remarks
1	JN3-F7290-00-00	BACKING PLATE, LEFT	1	
2	JN3-F5330-00-00	. SHOE, BRAKE SET	1	
3	JG5-F819G-00-00	. REPAIR PARTS KIT	1	
4	JG5-F7286-00-00	. COVER, DUST	1	



JN4100-5070

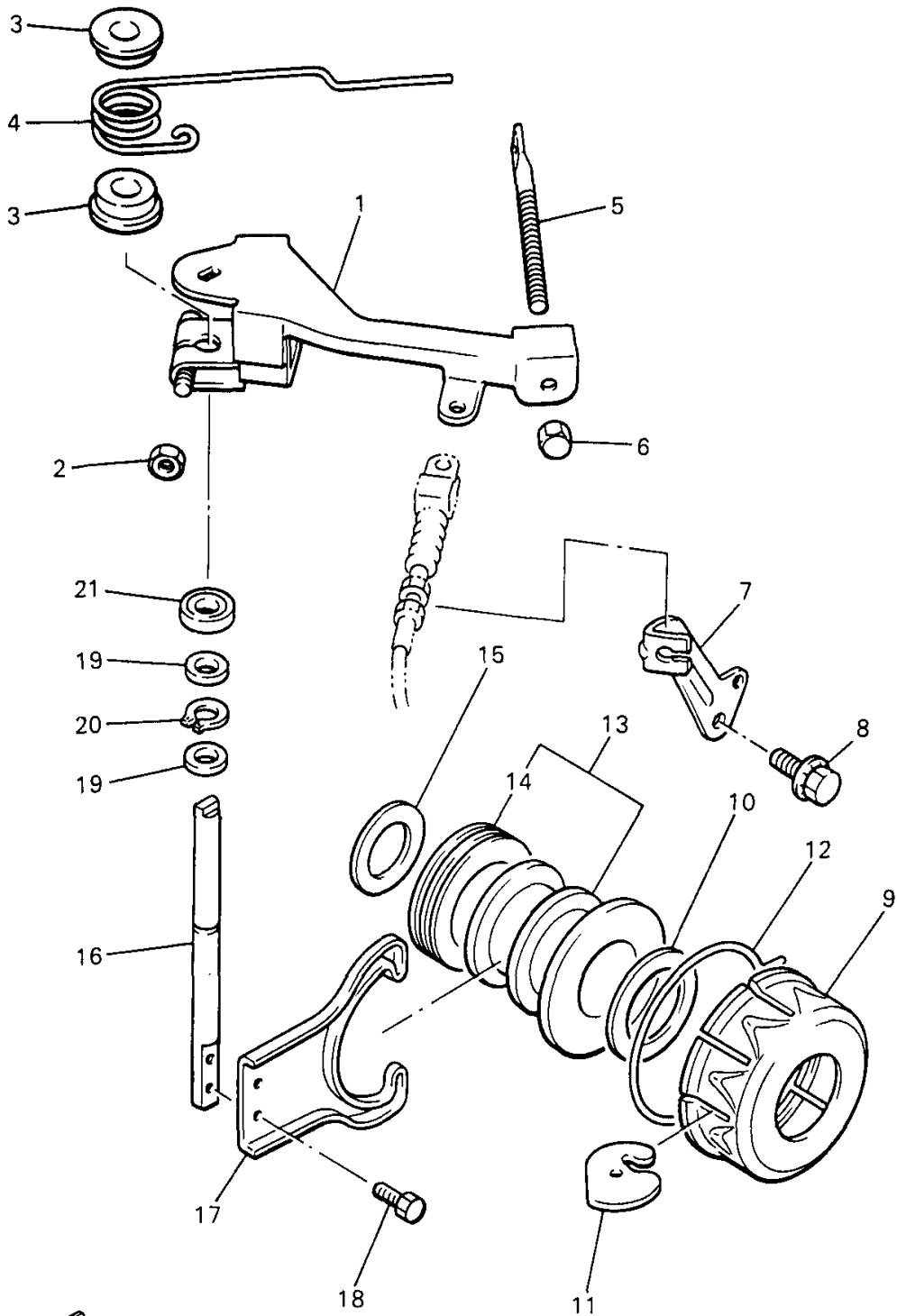
ACCELERATOR



Ref. No.	Part Number	Description	Qty	Remarks
1	JN3-27874-00-00	BRACKET, ACCELERATOR PEDAL	1	
2	J17-27853-01-00	SHAFT, PEDAL	1	
3	J38-27872-00-00	ARM, ACCELERATOR	1	
4	91609-60028-00	PIN, SPRING	1	
5	91609-35028-00	PIN, SPRING	1	
6	JF3-27871-00-00	PEDAL, ACCELERATOR	1	
7	95817-06025-00	BOLT, FLANGE	1	
8	90106-08040-00	BOLT, RD. HEX	1	
9	95707-08500-00	NUT, FLANGE	1	
10	90384-14080-00	BUSH, BIMETAL	2	
11	93210-14104-00	O-RING	4	
12	JN3-F7854-00-00	COVER, PEDAL	1	
13	97007-06016-00	BOLT	4	
14	92907-06100-00	WASHER, SPRING	4	
15	90506-26282-00	SPRING, TENSION	1	
16	JN3-F6311-00-00	WIRE, THROTTLE	1	
17	91702-05012-00	PIN	1	
18	90468-10050-00	CLIP	1	
19	90508-16460-00	SPRING, TORSION	1	
20	90560-05001-00	SPACER	1	
21	J38-27981-00-00	BRACKET, THROTTLE	1	
22	95817-06025-00	BOLT, FLANGE	1	
23	95707-06500-00	NUT, FLANGE	1	
24	90465-08334-00	CLAMP	1	
25	90601-200U1-00	BAND	1	

JN3300-5180

GOVERNOR

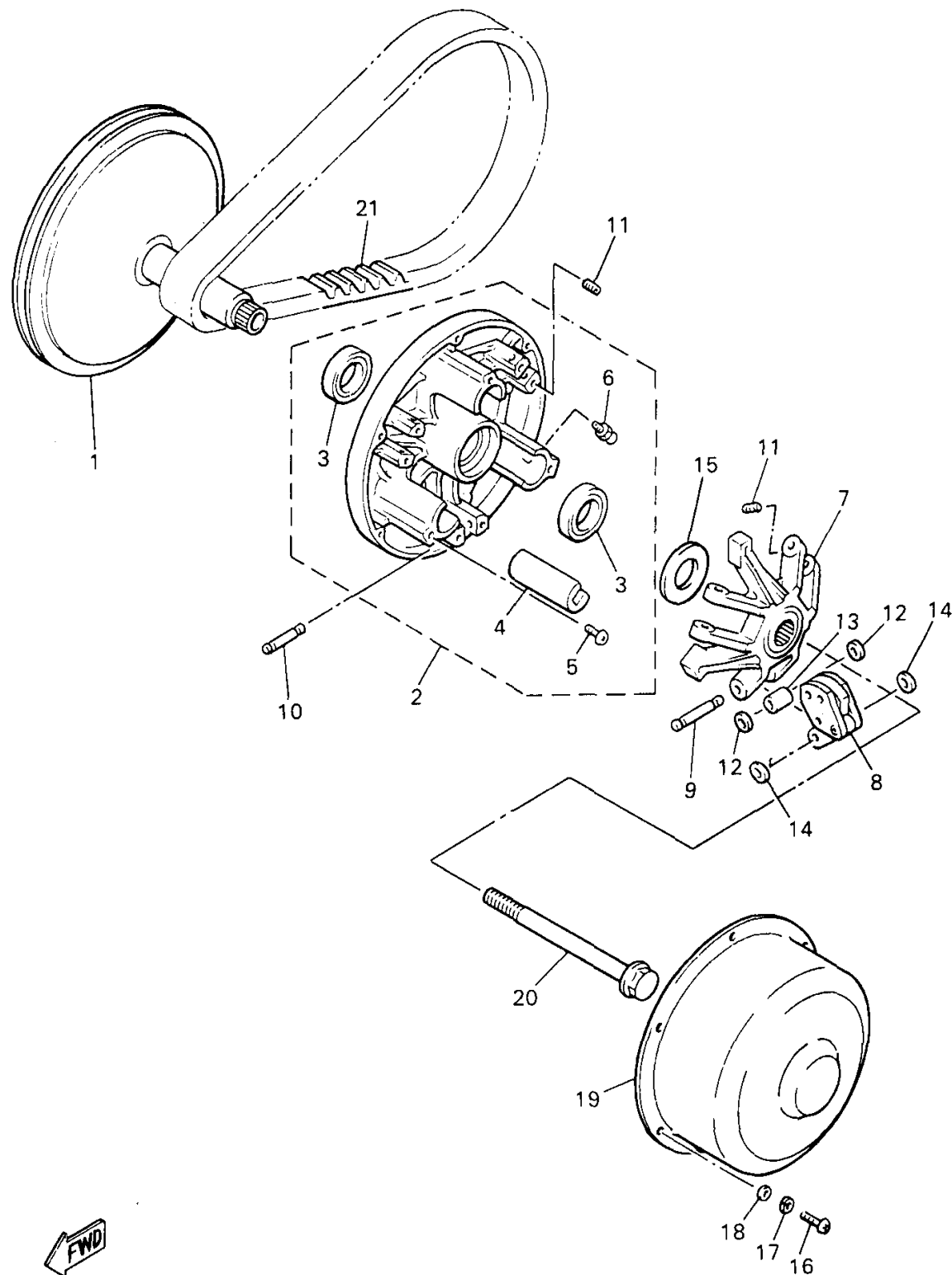


Ref. No.	Part Number	Description	Qty	Remarks
1	J38-27951-00-00	LEVER, SPEED	1	
2	95317-06600-00	NUT (95307-06600-00)	1	
3	90386-08141-00	BUSH	2	
4	90508-40678-00	SPRING, TORSION	1	
5	J38-27959-00-00	SCREW, ADJUSTING	1	
6	95607-06200-00	NUT, SELF U-FLANGE	1	
7	J38-27982-00-00	BRACKET, WIRE	1	
8	95817-08016-00	BOLT, FLANGE	1	
9	J10-27912-00-00	RETAINER	1	
10	90387-21690-00	COLLAR	1	
11	J10-27913-00-00	WEIGHT	12	
12	J10-27911-00-00	HOLDER	1	
13	J10-27927-00-00	LIFTER	1	
14	93342-22502-00	. BEARING, THRUST	1	
15	90201-20275-00	WASHER, PLATE	1	
16	J38-27921-00-00	SHAFT, GOVERNOR	1	
17	J10-27922-00-00	FORK, GOVERNOR	1	
18	91317-04008-00	BOLT	2	
19	90202-08110-00	WASHER, PLATE	2	
20	99009-06600-00	CIRCLIP	1	
21	93109-08050-00	OIL SEAL	1	



JN3100-5190

PRIMARY SHEAVE

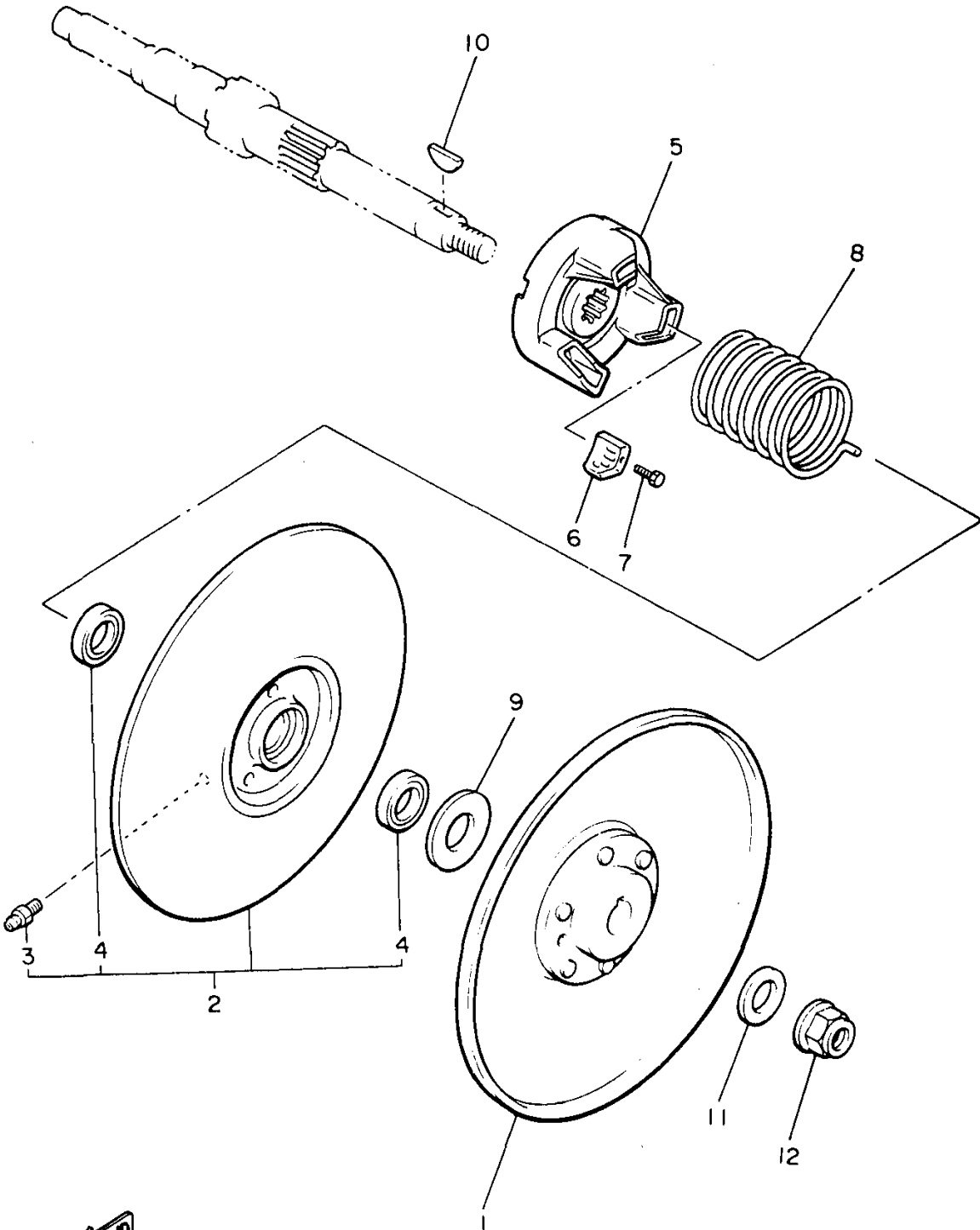


Ref. No.	Part Number	Description	Qty	Remarks
1	J38-46210-01-00	PRIMARY FIXED SHEAVE COMP.	1	
2	J38-46220-00-00	PRIMARY SLIDING SHEAVE COMP.	1	
3	93102-28348-00	. OIL SEAL	2	
4	J38-46253-00-00	. SLIDER	3	
5	98907-05008-00	. SCREW, BIND	3	
6	93700-06M03-00	. NIPPLE, GREASE	1	
7	J38-46251-00-00	SPIDER	1	
8	JN5-46205-00-00	WEIGHT LINK ASSEMBLY	3	
9	J38-46236-00-00	PIN, WEIGHT	3	
10	J38-46237-00-00	PIN, WEIGHT 2	3	
11	90113-04050-00	BOLT, SET	12	
12	90202-07164-00	WASHER, PLATE	6	
13	90387-076U6-00	COLLAR	3	
14	90202-07186-00	WASHER, PLATE	6	
15	90201-286R9-00	WASHER, PLATE	1	
16	98507-05010-00	SCREW, PAN HEAD	6	
17	92907-05100-00	WASHER, SPRING	6	
18	92907-05600-00	WASHER, PLATE	6	
19	J38-46231-00-00	CAP	1	
20	J38-46249-00-00	BOLT	1	
21	J55-G6241-00-00	BELT	1	



JN3100-5200

SECONDARY SHEAVE

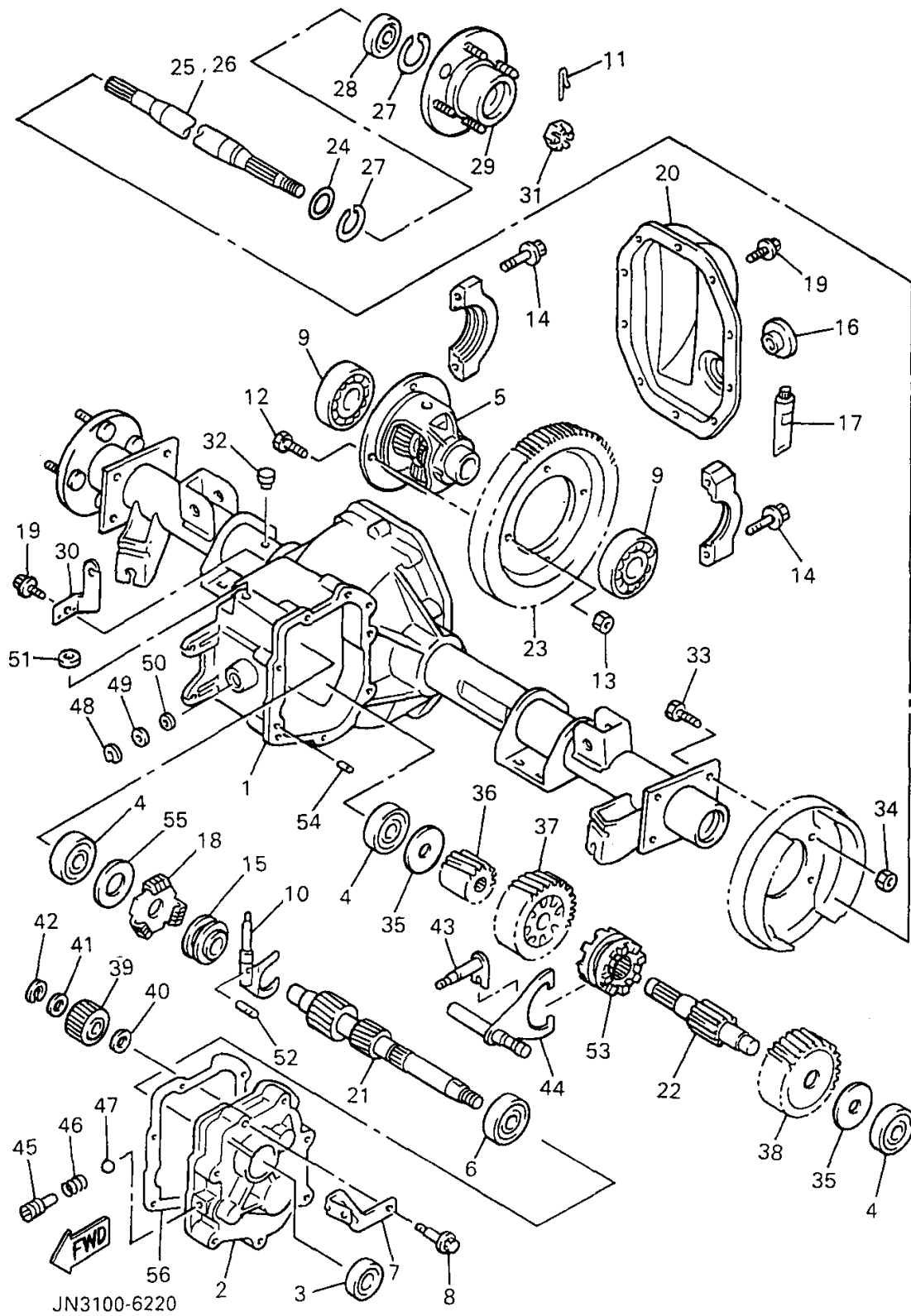


Ref. No.	Part Number	Description	Qty	Remarks
1	J55-G6260-00-00	SECONDARY FIXED SHEAVE COMP.	1	
2	JN3-G6270-00-00	SECONDARY SLIDING SHEAVE COMP.	1	
3	93700-06M03-00	. NIPPLE, GREASE	1	
4	93102-20309-00	. SEAL, OIL	2	
5	JH2-46284-00-00	SEAT, SECONDARY SPRING .	1	
6	JF7-17688-00-00	SHOE, RAMP	3	
7	91317-04025-00	BOLT	3	
8	90508-40842-00	SPRING, TORSION	1	
9	90202-20130-00	WASHER, PLAIN	1	
10	90280-05022-00	KEY, WOODRUFF	1	
11	90201-12588-00	WASHER, PLATE	1	
12	95617-12200-00	NUT, SELF-LOCKING	1	



JN3300-5210

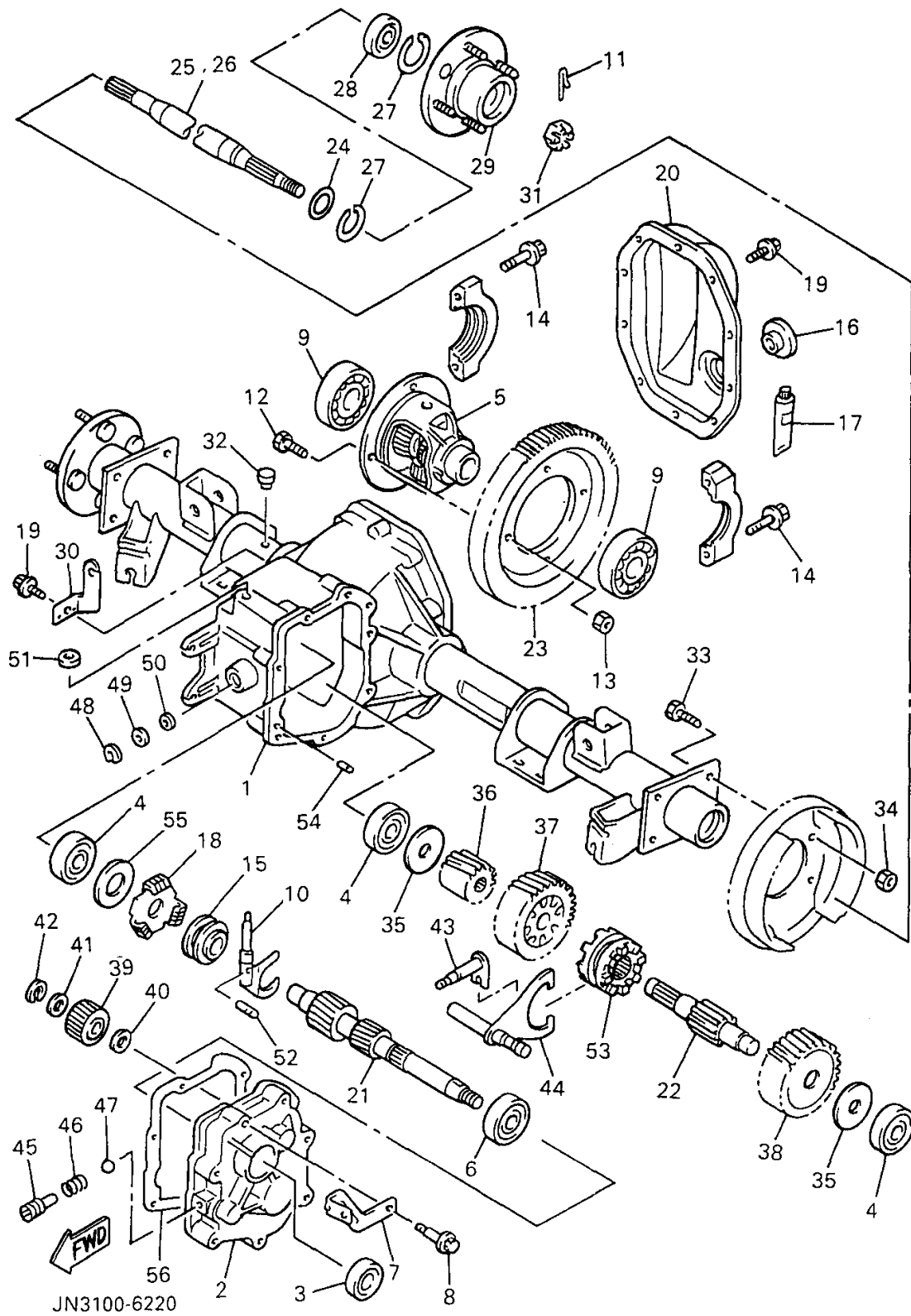
TRANS AXLE



Ref. No.	Part Number	Description	Qty	Remarks
1	JN3-G6290-00-00	CASE ASSEMBLY	1	
2	JN3-G6313-00-00	COVER, TRANSMISSION	1	
3	93102-25868-00	SEAL, OIL	1	
4	93306-303Y6-00	BEARING	3	
5	JN3-G6410-00-00	DIFFERENTIAL ASSEMBLY.	1	
6	93306-005Y4-00	BEARING	1	
7	JN3-G6555-00-00	BRACKET	1	
8	90105-08859-00	BOLT, FLANGE	7	
9	93306-007Y0-00	BEARING	2	
10	JN3-G633E-00-00	BAR,	1	
11	91490-25030-00	PIN, COTTER	2	
12	90101-10854-00	BOLT, HEX.	4	
13	90170-10840-00	NUT, HEX.	4	
14	90105-10840-00	BOLT, FLANGE	4	
15	JN3-G6368-00-00	COLLAR, IDLER	1	
16	JN3-G6432-00-00	STOPPER	1	
17	ACC-QUICK-GS-KT	SEALANT	1	
18	JN3-G6336-00-00	PLATE, 1	1	
19	90101-08856-00	BOLT, HEX.	11	
20	JN3-G6314-00-00	COVER, TRANSMISSION	1	
21	JN3-G6321-00-00	SHAFT, INPUT	1	
22	JN3-G633G-00-00	SHAFT	1	
23	JN3-G6355-00-00	GEAR, PRIMARY	1	
24	93101-24822-00	SEAL, OIL	2	
25	JN3-G6511-00-00	SHAFT, RR. AXLE	1	
26	JN3-G6512-00-00	SHAFT, RR. AXLE	1	
27	93420-44805-00	CIRCLIP	4	
28	93306-004X5-00	BEARING	2	
29	JN3-G6514-00-00	HUB, RR. AXLE	2	

CONTINUED ON NEXT FRAME ➤

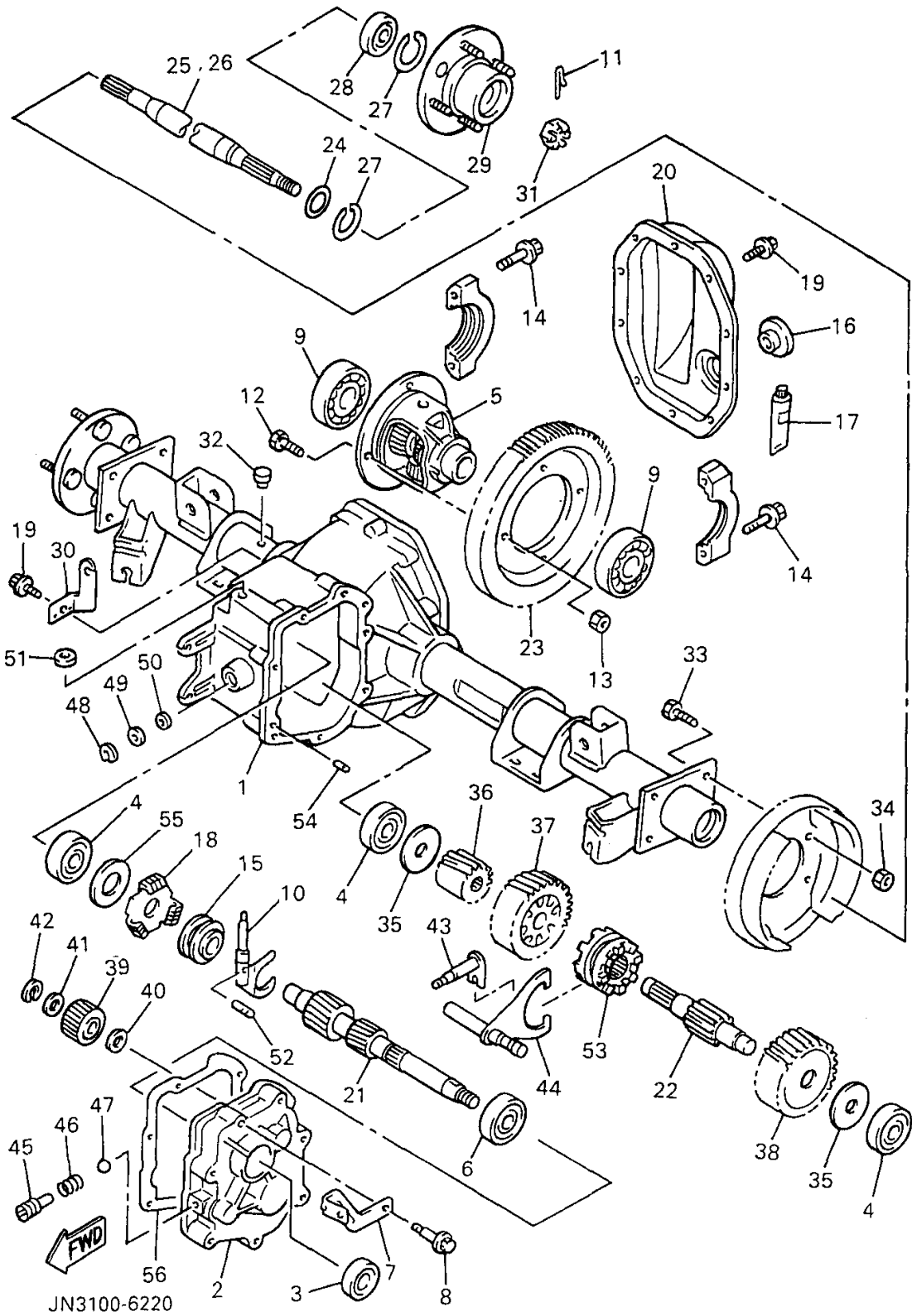
TRANS AXLE



Ref. No.	Part Number	Description	Qty	Remarks
30	JN3-G6556-00-00	BRACKET,	1	
31	90185-16833-00	NUT, SELF-LOCKING	2	
32	JH7-G5619-00-00	CAP	1	
33	90101-08855-00	BOLT, HEX.	8	
34	90170-08841-00	NUT, HEX.	8	
35	90201-178H8-00	WASHER, PLAIN	2	
36	JN3-G6316-00-00	GEAR, PINION	1	
37	JN3-G6326-00-00	GEAR, WHEEL	1	
38	JN3-G6327-00-00	GEAR, WHEEL	1	
39	JN3-G6356-00-00	GEAR, IDLER	1	
40	90201-208H9-00	WASHER, PLAIN	1	
41	90201-208J0-00	WASHER, PLAIN	1	
42	93440-20813-00	CIRCLIP	1	
43	JN3-G638A-00-00	BAR, SHIFT	1	
44	JN3-G638E-00-00	BAR, SHIFT	1	
45	90113-08803-00	BOLT, SET	1	
46	90501-10852-00	SPRING, COMPRESSION	1	
47	93500-06826-00	BALL	1	
48	93410-12822-00	CIRCLIP	1	
49	90202-12807-00	WASHER, PLAIN	1	
50	93104-11829-00	SEAL, OIL	1	
51	93104-09828-00	SEAL, OIL	1	
52	JN3-G6249-00-00	BOLT	1	
53	JN3-G6153-00-00	COLLAR, GUIDE	1	
54	93606-10842-00	PIN, DOWEL	2	
55	JN3-G6344-00-00	SHIM	1	UR
	JN3-G6344-10-00	SHIM	1	UR
	JN3-G6344-20-00	SHIM	1	UR
	JN3-G6344-30-00	SHIM	1	UR UN

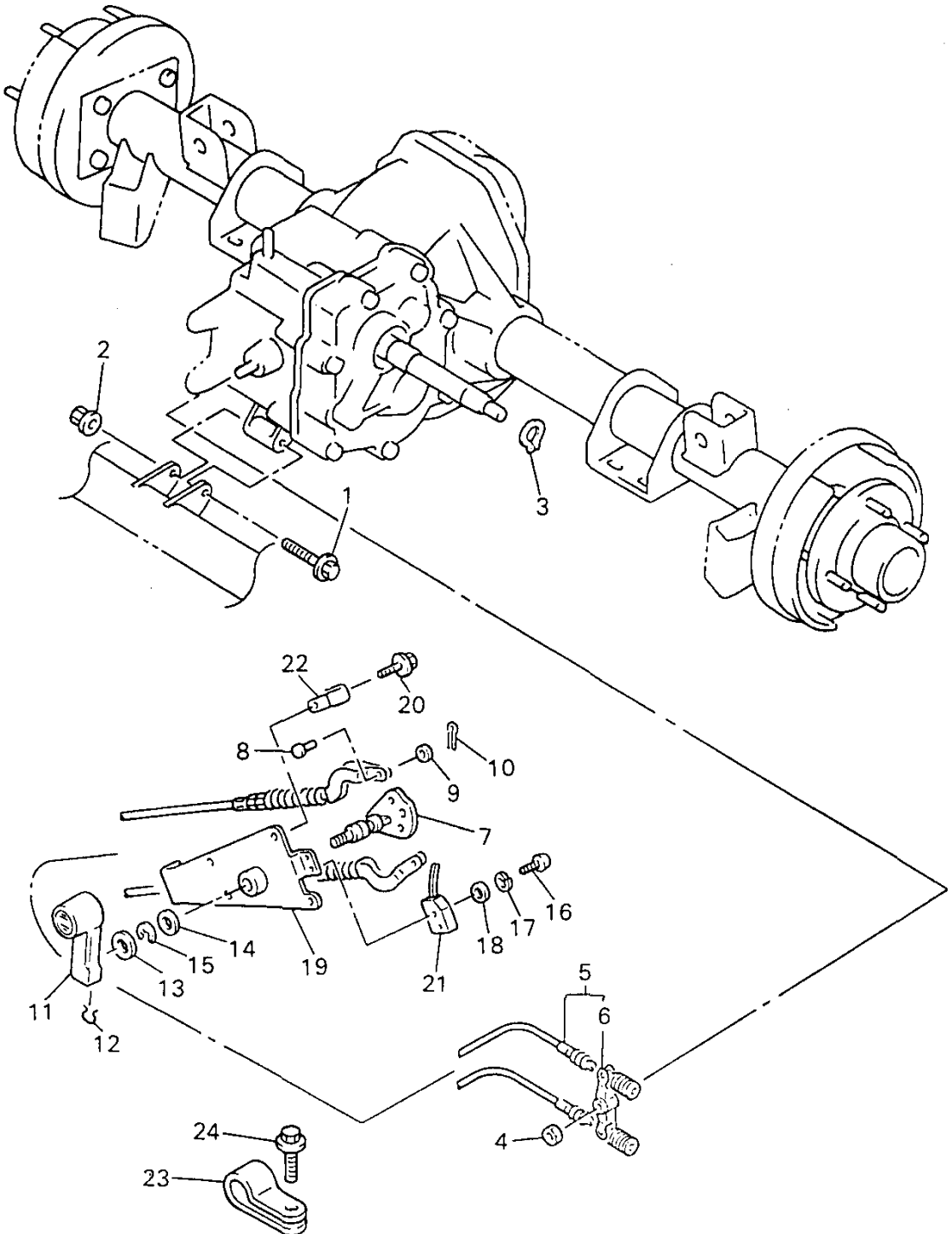
CONTINUED ON NEXT FRAME ►

TRANS AXLE



Ref. No.	Part Number	Description	Qty	Remarks
55	JN3-G6344-40-00	SHIM	1	UR UN
	JN3-G6344-50-00	SHIM	1	UR UN
	JN3-G6344-60-00	SHIM	1	UR UN
	JN3-G6344-70-00	SHIM	1	UR UN
	JN3-G6344-80-00	SHIM	1	UR UN
56	JN3-G6319-00-00	GASKET	1	

SHIFTING LEVER

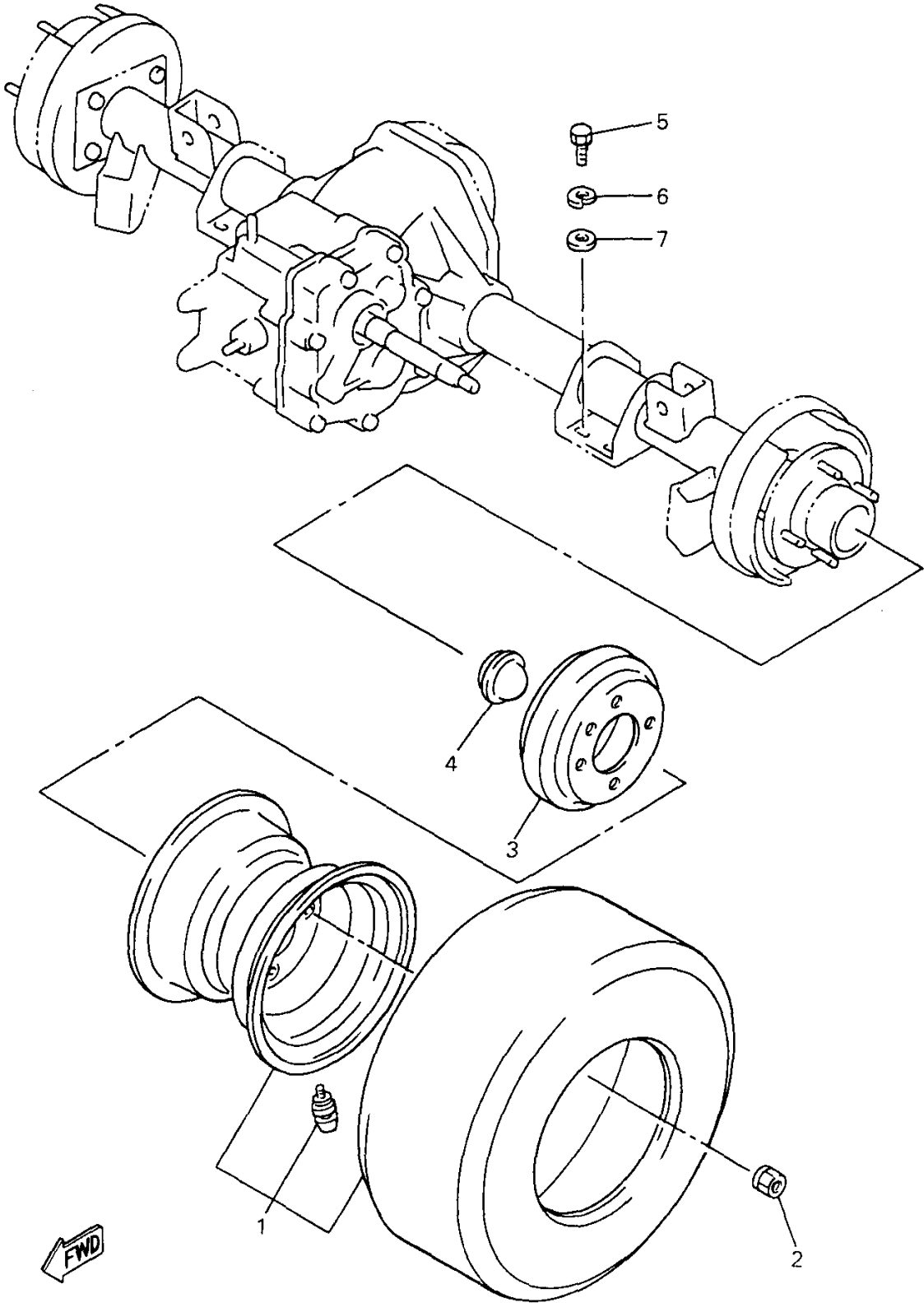


Ref. No.	Part Number	Description	Qty	Remarks
1	95817-08075-00	BOLT, FLANGE	1	
2	95707-08500-00	NUT, FLANGE	1	
3	93410-25017-00	CIRCLIP	1	
4	95607-08100-00	NUT, U	1	
5	JN3-G8330-00-00	CABLE, SHIFT	1	
6	J55-G6383-00-00	LEVER, SHIFT	1	
7	JF2-46382-00-00	LEVER, SHIFT	1	
8	91702-06014-00	PIN	2	
9	92907-06600-00	WASHER, PLATE	2	
10	91490-20025-00	PIN, SPLIT	2	
11	JN3-G6381-00-00	KNOB, SHIFT	1	
12	JN3-G6376-00-00	SPRING SET	1	
13	90201-201L9-00	WASHER, PLAIN	1	
14	90201-19551-00	WASHER, PLAIN	1	
15	99009-19400-00	CIRCLIP	1	
16	98507-04016-00	SCREW, PAN HEAD	2	
17	92907-04100-00	WASHER, SPRING	2	
18	92907-04600-00	WASHER	2	
19	JN3-G6372-00-00	BRACKET, SHIFT	1	
20	95817-06016-00	BOLT, FLANGE	4	
21	JN3-82617-00-00	SWITCH	1	
22	90465-06038-00	CLAMP	1	
23	90461-08133-00	CLAMP	1	
24	95807-06016-00	BOLT, FLANGE	1	

FWD

JN3100-6230

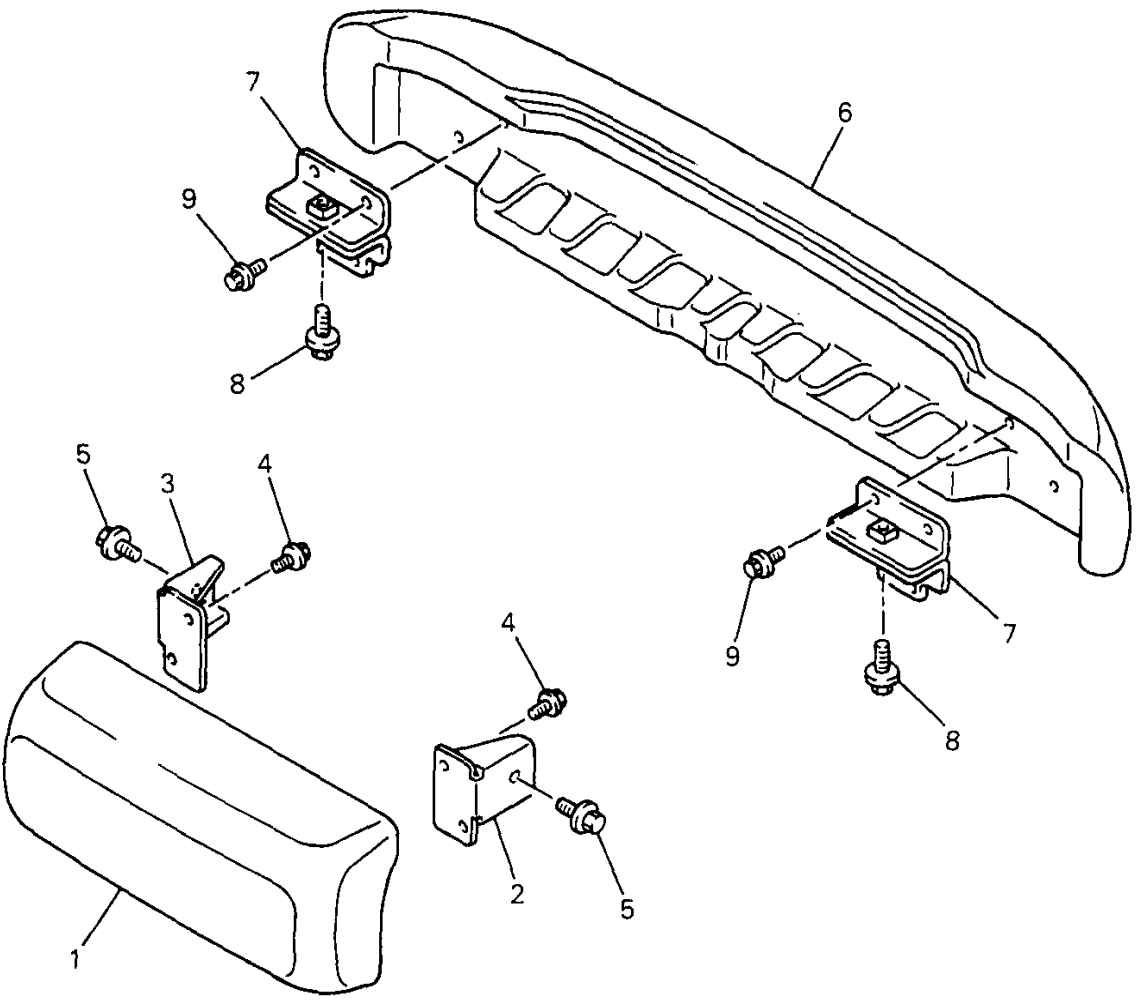
REAR WHEEL



Ref. No.	Part Number	Description	Qty	Remarks
1	UNA-VAILA-BL-EI	0 0		
2	90179-12262-00	NUT	8	
3	J55-G6521-00-00	DRUM	2	
4	J17-25118-00-00	COVER, HUB DUST	2	
5	97017-10020-00	BOLT	8	
6	92907-10100-00	WASHER, SPRING	8	
7	92907-10600-00	WASHER, PLATE	8	

JN3100-6240

BUMPER

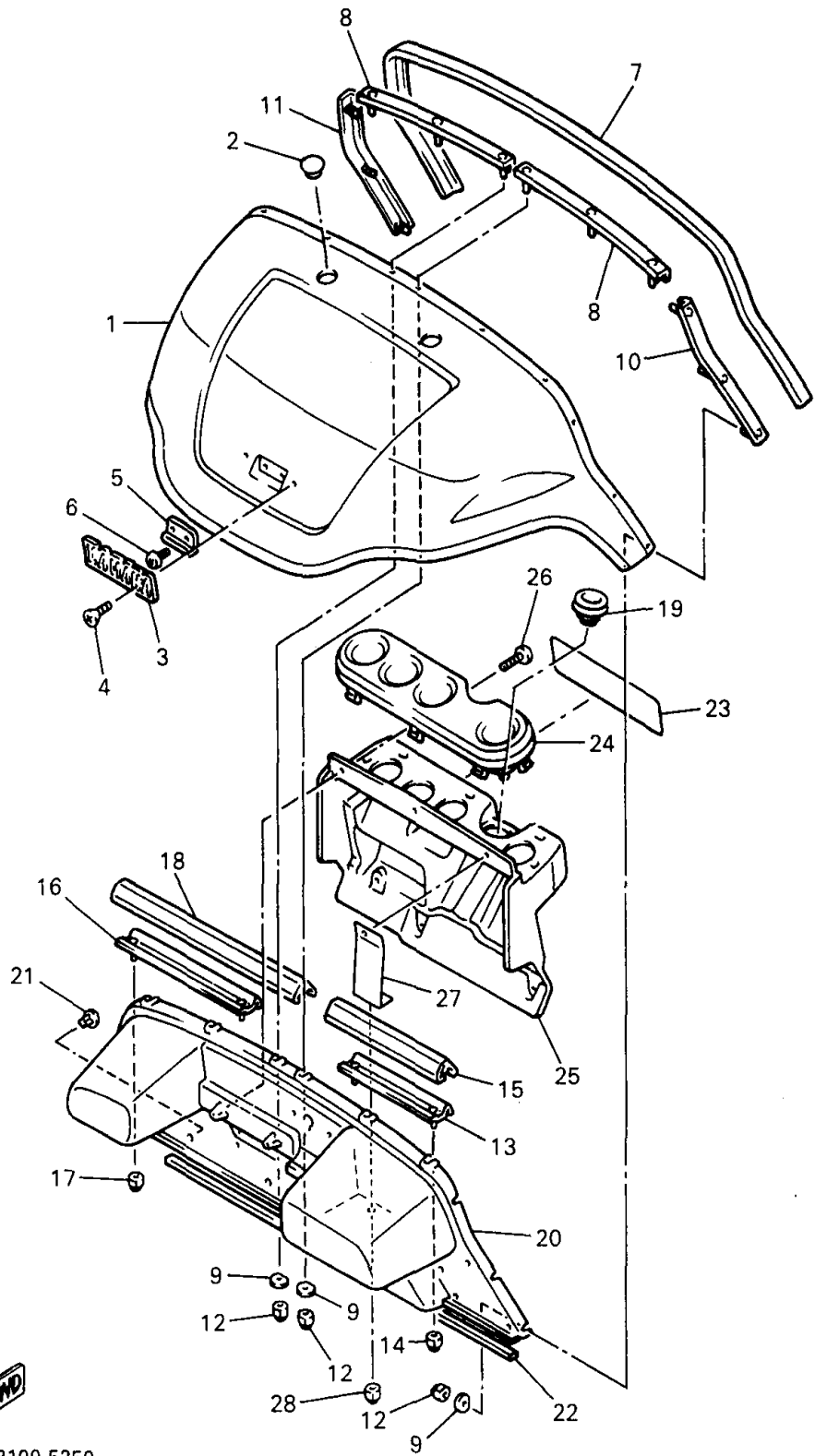


Ref. No.	Part Number	Description	Qty	Remarks
1	JN3-K7510-00-00	FRONT BUMPER COMP.	1	
2	JN3-K8164-00-00	STAY, FR. BUMPER	1	
3	JN3-K8165-00-00	STAY, FR. BUMPER	1	
4	95817-06016-00	BOLT, FLANGE	4	
5	95817-08020-00	BOLT, FLANGE	2	
6	JN3-K7540-00-00	REAR BUMPER	1	
7	JN3-K8174-00-00	STAY, RR. BUMPER	2	
8	95817-10020-00	BOLT, FLANGE	2	
9	95817-06016-00	BOLT, FLANGE	4	



JN3100-5240

BODY



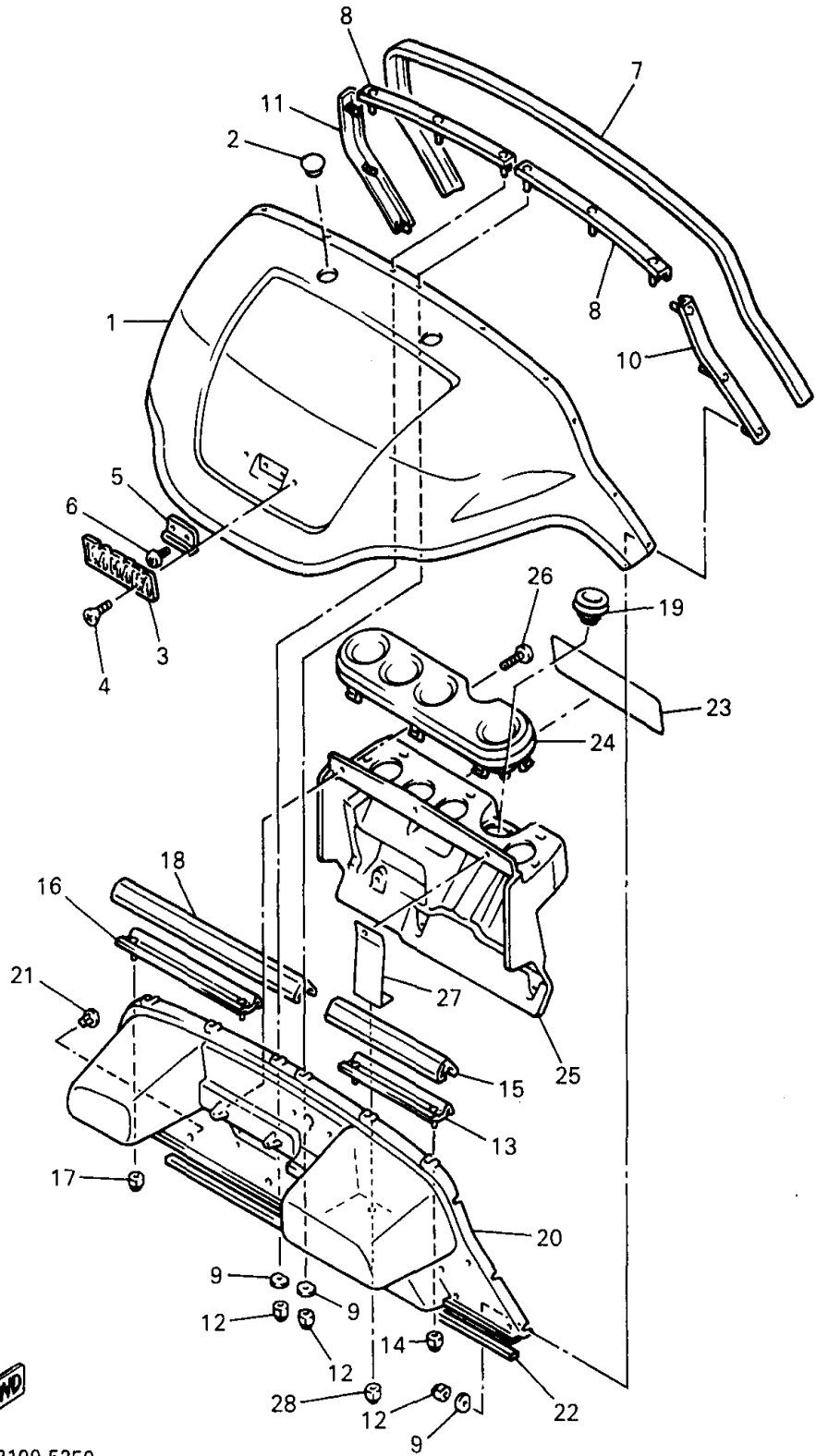
JN3100-5250

Ref. No.	Part Number	Description	Qty	Remarks
1	JN3-K8115-00-00	COWL, FRONT	1	STD (IVORY) (09E)
	JN3-K8115-10-00	COWL, FRONT	1	UR (RED) (391)
	JN3-K8115-20-00	COWL, FRONT	1	UR (GRAY) (483)
	JN3-K8115-30-00	COWL, FRONT	1	UR (GREEN) (519)
2	JN3-K818E-00-00	CAP, PROTECTOR	2	
3	J38-24161-00-00	EMBLEM 1	1	
4	90162-04002-00	SCREW, OVAL C	2	
5	JF2-K811G-00-00	BOLT, COWL FITTING	1	
6	98980-06016-00	SCREW, BINDING	2	
7	JF2-K811V-00-00	PROTECTOR,	1	
8	JF2-K8261-00-00	PLATE, BODY PROTECTOR ..	2	
9	JN3-K8117-00-00	PLATE,	12	
10	JF2-K8262-00-00	PLATE, BODY PROTECTOR ..	1	
11	JF2-K8263-00-00	PLATE, BODY PROTECTOR ..	1	
12	95380-06800-00	NUT	12	
13	JN3-K8264-00-00	PLATE, BODY PROTECT 4 ...	1	
14	95607-06200-00	NUT, SELF U-FLANGE	2	
15	JN3-K811W-00-00	PROTECTOR 2	1	
16	JN3-K8265-00-00	PLATE, BODY PROTECT 5 ...	1	
17	95607-06200-00	NUT, SELF U-FLANGE	2	
18	JN3-K811X-00-00	PROTECTOR 3	1	
19	JN3-K8273-00-00	COVER, HOLE	1	
20	JF2-K8114-02-00	PANEL, FRONT	1	
21	90269-08069-00	RIVET	3	
22	JN3-K815G-00-00	SEAL, FRONT STORAGE	1	
23	JN3-K7768-00-00	LABEL, WARNING	1	
24	JN3-K835E-00-00	HOLDER, BEVERAGE	1	
25	JN3-K835G-00-00	HOUSING, HOLDER	1	
26	97707-60130-00	SCREW, PAN HEAD	6	

CONTINUED ON NEXT FRAME ➤

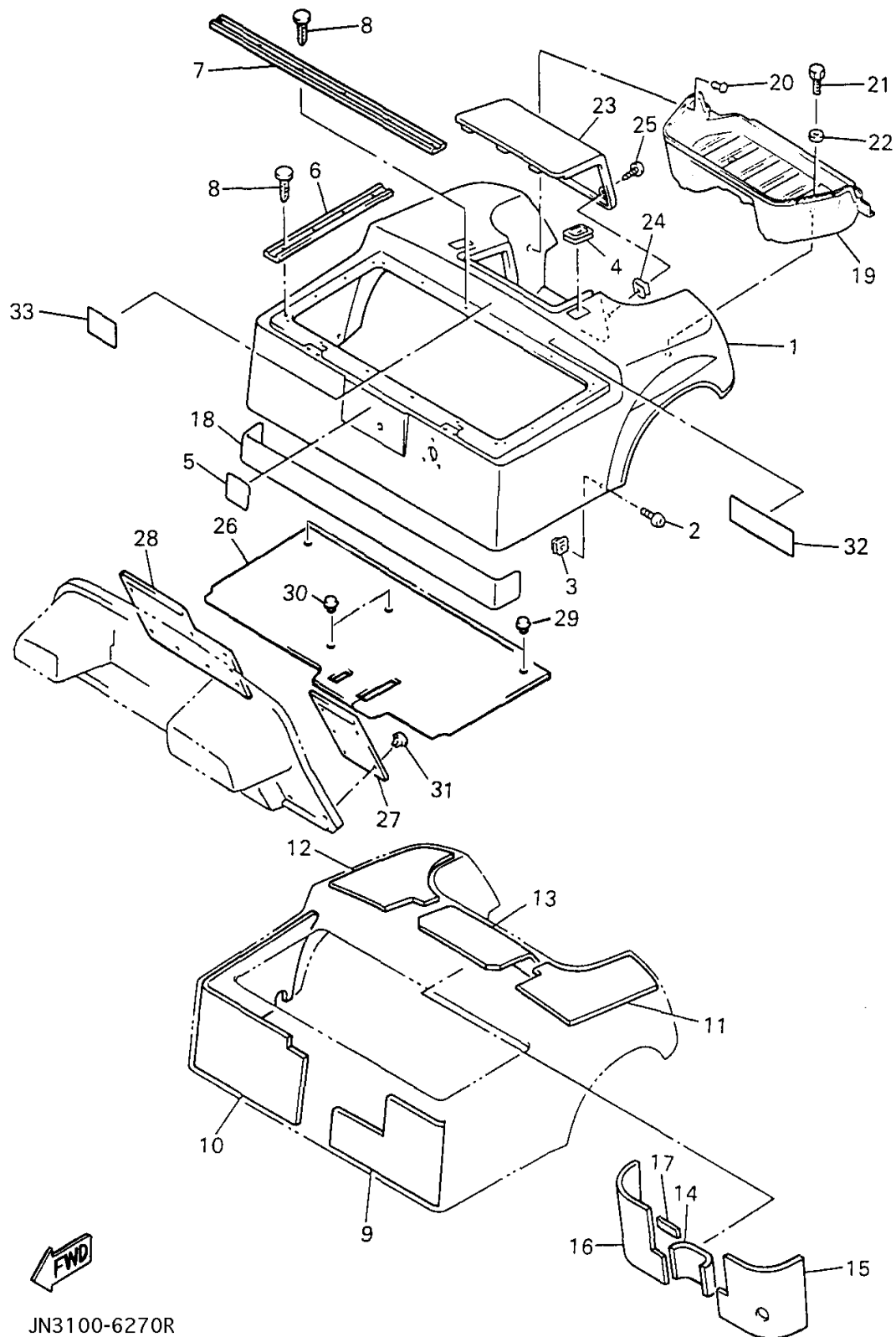
BODY

Ref. No.	Part Number	Description	Qty	Remarks
27	JN3-K8182-00-00	PLATE 2	1	
28	95607-06200-00	NUT, SELF U-FLANGE	1	



JN3100-5250

BODY 2



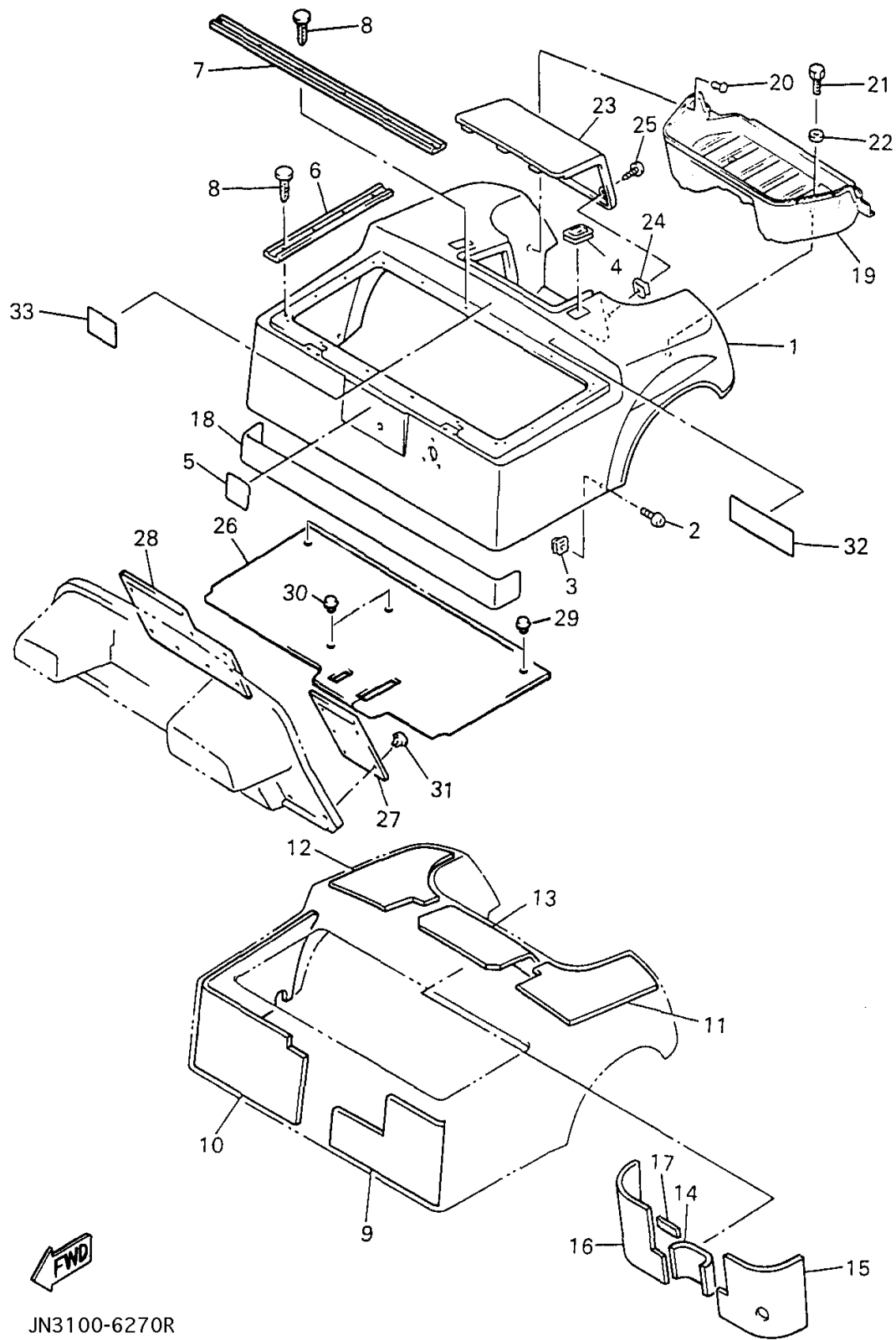
Ref. No.	Part Number	Description	Qty	Remarks
1	JN3-K8142-00-00	PANEL, REAR BODY	1	STD (IVORY) (09E)
	JN3-K8142-10-00	PANEL, REAR BODY	1	UR (RED) (391)
	JN3-K8142-20-00	PANEL, REAR BODY	1	UR (GRAY) (483)
	JN3-K8142-30-00	PANEL, REAR BODY	1	UR (GREEN) (519)
2	90110-06200-00	BOLT, HEXAGON SOCKET HEAD	2	
3	90183-06811-00	NUT, SPRING	2	
4	JN3-K8363-00-00	PROTECTOR	2	
5	JN3-K7741-00-00	INDICATOR,	1	
6	JN3-K8425-00-00	SEAL, SEAT	2	
7	JN3-K842A-00-00	SEAL, SEAT	2	
8	90338-05834-00	PLUG	20	
9	JN3-K8251-00-00	PAD, SILENCER 1	1	
10	JN3-K8252-00-00	PAD, SILENCER 2	1	
11	JN3-K8253-00-00	PAD, SILENCER 3	1	
12	JN3-K8254-00-00	PAD, SILENCER 4	1	
13	JN3-K8255-00-00	PAD, SILENCER 5	1	
14	JN3-K8256-00-00	PAD, SILENCER 6	1	
15	JN3-K8258-00-00	PAD, SILENCER 8	1	
16	JN3-K8259-00-00	PAD, SILENCER 9	1	
17	JN3-K825E-00-00	PAD, SILENCER 1	1	
18	JN3-K814N-00-00	PLATE, ORNAMENT	1	AP
19	JF2-K8237-00-00	COVER, REAR FLOOR	1	
20	90269-08069-00	RIVET	7	
21	90119-06823-00	BOLT, HEX. W/WASHER	2	
22	90201-068G7-00	WASHER, PLAIN	2	
23	JN3-K8151-00-00	PANEL, INSPECTION	1	
24	90183-06035-00	NUT, SPRING	2	
25	97707-50012-00	SCREW, TAPPING	2	

CONTINUED ON NEXT FRAME ►



JN3100-6270R

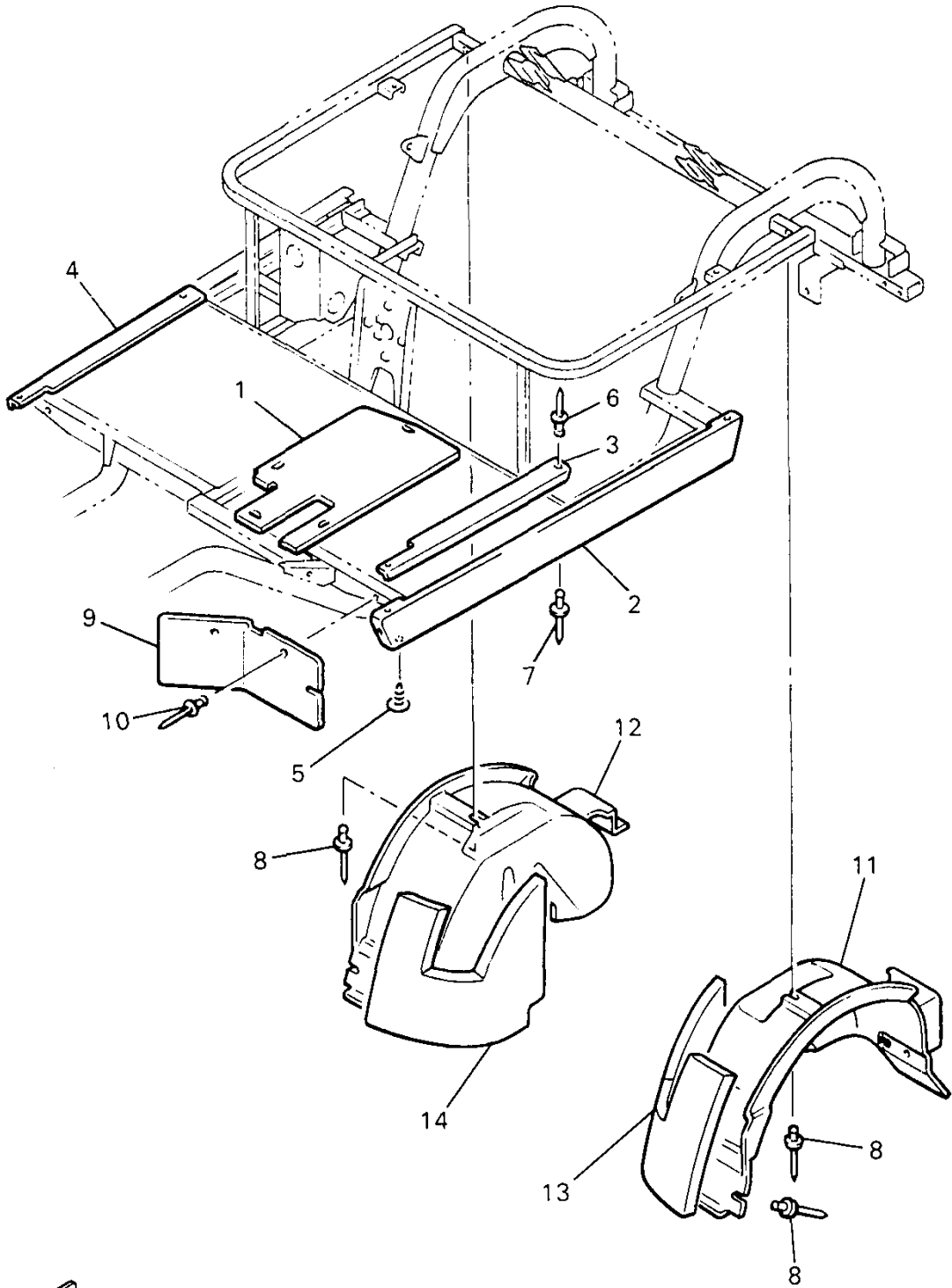
BODY 2



Ref. No.	Part Number	Description	Qty	Remarks
26	JF2-K8233-11-00	MAT, MAIN FLOOR 3 (JF2-K8233-10-00)	1	
27	JF2-K8231-10-00	MAT, MAIN FLOOR 1	1	
28	JF2-K8232-10-00	MAT, MAIN FLOOR 2	1	
29	90269-08813-00	RIVET	2	
30	90269-07809-00	RIVET	2	
31	90267-63047-00	RIVET, BLIND	13	
32	JN3-K8297-00-00	PLATE, CAUTION	1	
33	JN3-K8299-00-00	PLATE, CAUTION	1	

FWD
JN3100-6270R

BODY FITTING

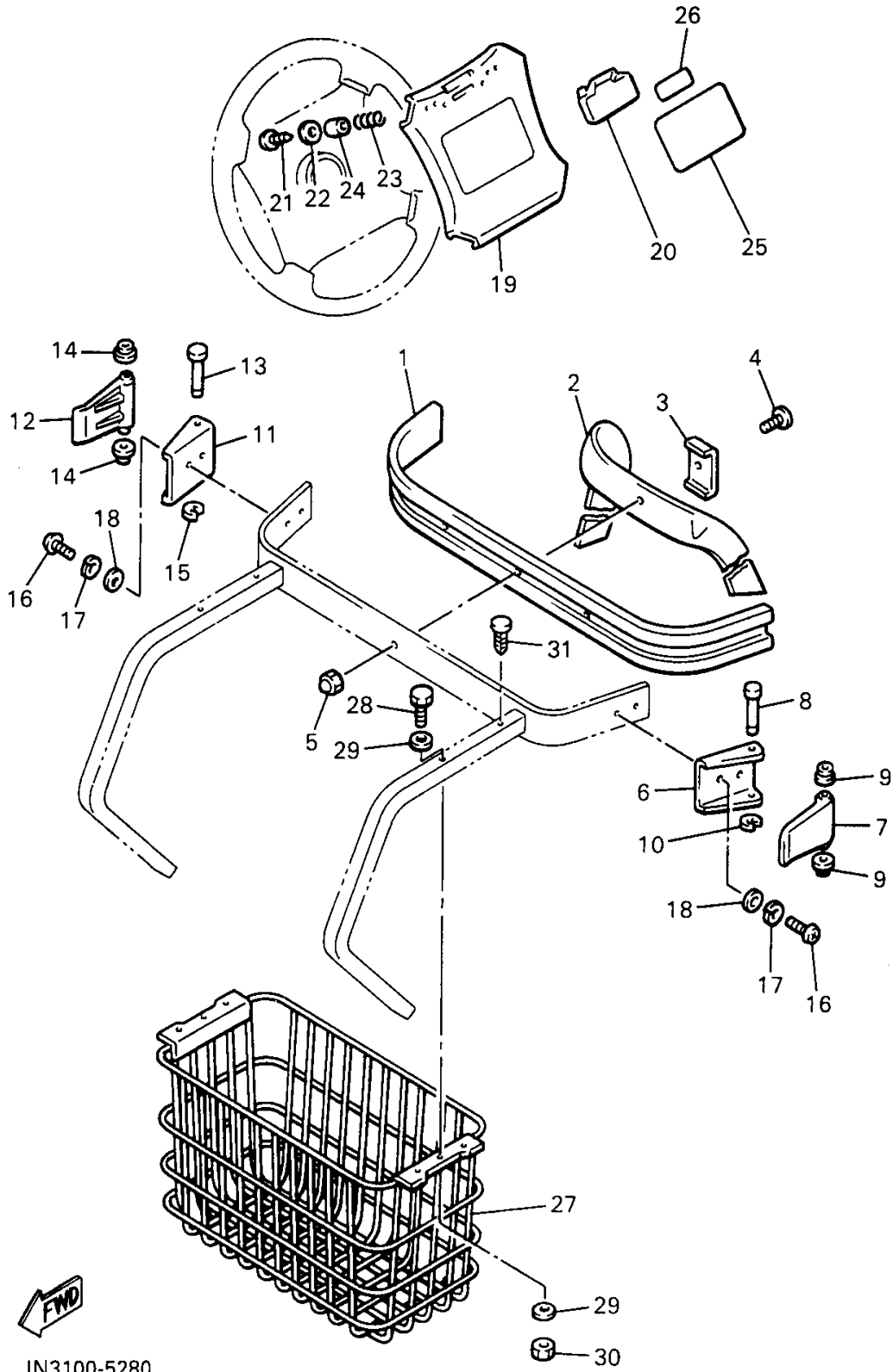


Ref. No.	Part Number	Description	Qty	Remarks
1	JF2-K8271-00-00	SERVICE LID, PEDAL	1	
2	JF2-K818A-00-00	PROTECTOR, SIDE	2	
3	JF2-K8215-10-00	PLATE, SIDE TRIM	1	
4	JF2-K821F-10-00	PLATE, SIDE TRIM	1	
5	90338-05829-00	PLUG	6	
6	90267-48154-00	RIVET, BLIND	4	
7	90267-48831-00	RIVET, BLIND (90267-48101-00)	4	
8	90267-48086-00	RIVET, BLIND	4	
9	JF2-K8187-00-00	FLAP, FRONT FENDER (L.H) ..	2	
10	90267-48831-00	RIVET, BLIND (90267-48101-00)	4	
11	JF2-K8191-00-00	PANEL, REAR FENDER	1	
12	JF2-K8192-00-00	PANEL, REAR FENDER	1	
13	JN3-K825F-00-00	PAD, SILENCER 2	1	
14	JN3-K825G-00-00	PAD, SILENCER 3	1	



JN3100-5270

CARRIER



Ref. No.	Part Number	Description	Qty	Remarks
1	JF2-K8356-00-00	PAD, BAG SUPPORT	1	
2	JF2-K8355-00-00	BAND	1	
3	J38-78367-00-00	PLATE, ANCHOR	1	
4	98980-06016-00	SCREW, BINDING	1	
5	95380-06800-00	NUT	1	
6	J17-78157-01-00	BASE, LOCK	1	
7	J17-78368-01-00	LEVER, LOCK	1	
8	J17-78369-00-00	PIN, LEVER	1	
9	90386-06108-00	BUSH	2	
10	99080-05600-00	CIRCLIP	1	
11	J17-78157-01-00	BASE, LOCK	1	
12	J17-78368-01-00	LEVER, LOCK	1	
13	J17-78369-00-00	PIN, LEVER	1	
14	90386-06108-00	BUSH	2	
15	99080-05600-00	CIRCLIP	1	
16	98580-06010-00	SCREW, PAN HEAD (92503-06010)	4	
17	92995-06100-00	WASHER, SPRING	4	
18	92990-06200-00	WASHER	4	
19	JN3-K8357-00-00	HOLDER,	1	
20	J55-K8358-00-00	HOLDER 2	1	
21	97707-40625-00	SCREW, TAPPING	2	
22	90201-044H9-00	WASHER, PLAIN	2	
23	90502-10013-00	SPRING, CONICAL	2	
24	90387-046N7-00	COLLAR	2	
25	JN3-K7762-01-00	LABEL, WARNING	1	
26	JN3-K7141-00-00	EMBLEM 1	1	
27	JN3-K8340-00-00	LUGGAGE RACK	1	
28	90111-08803-00	BOLT, HEX. SOCKET	2	

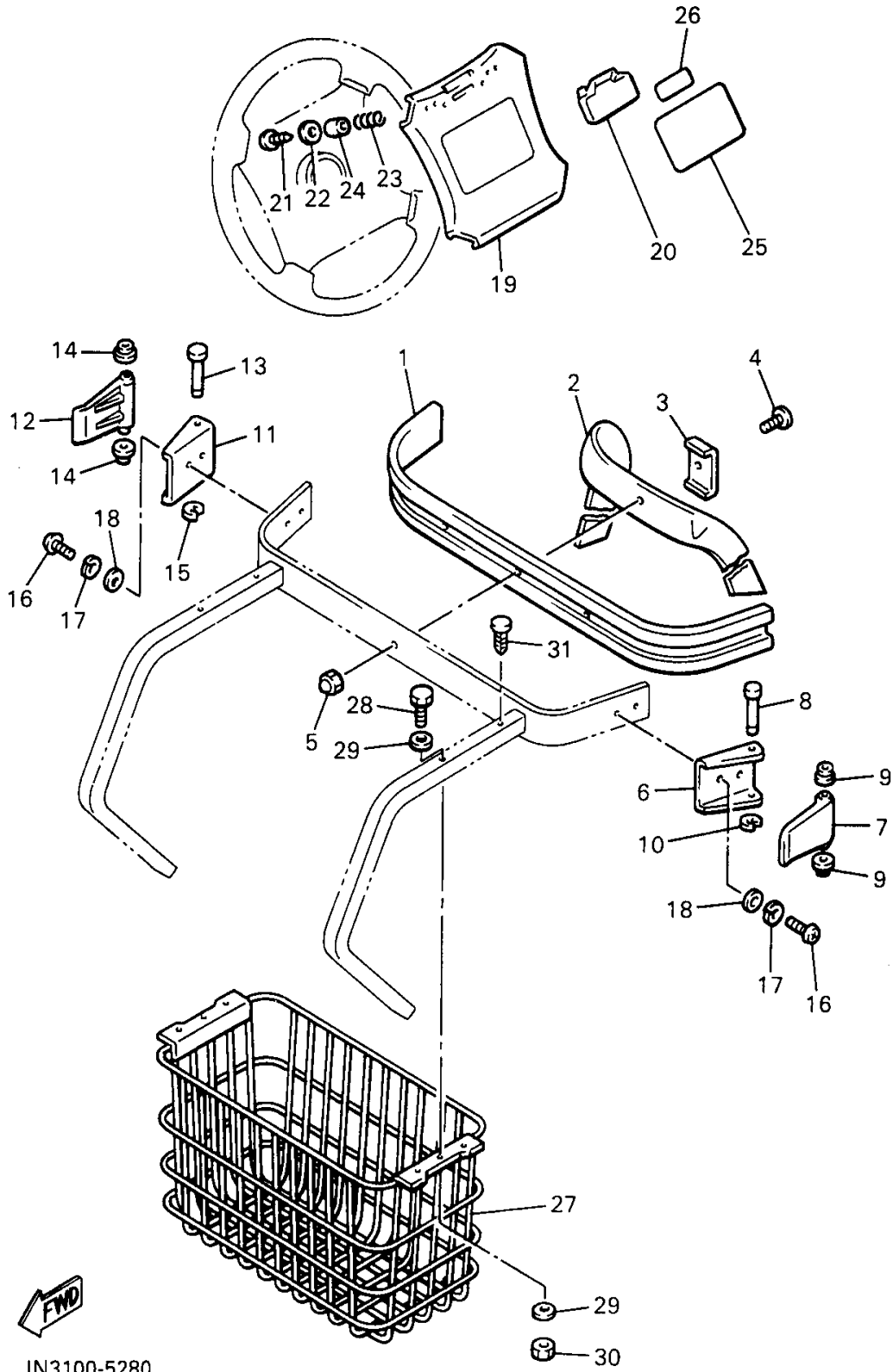
CONTINUED ON NEXT FRAME ►



JN3100-5280

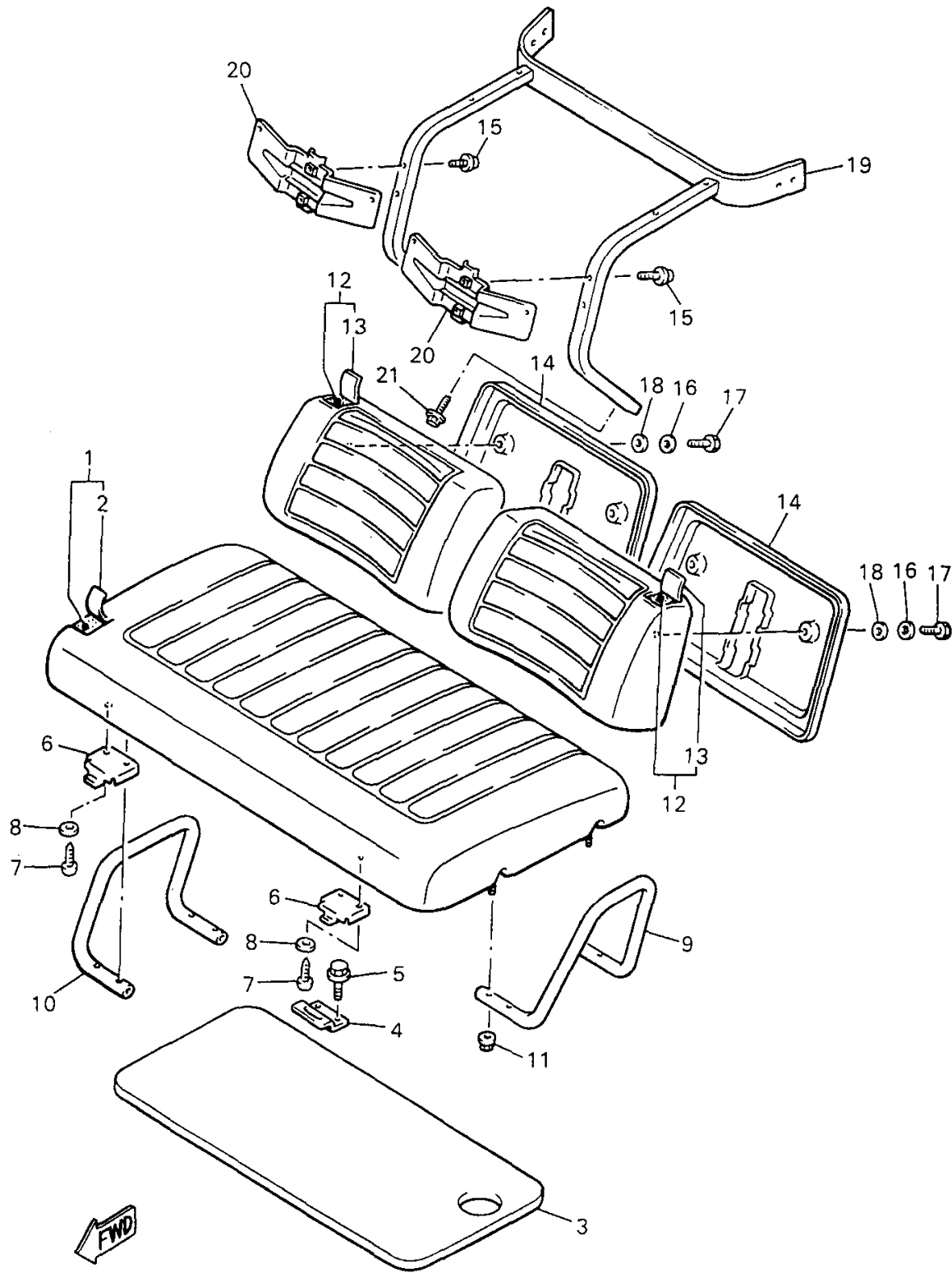
CARRIER

Ref. No.	Part Number	Description	Qty	Remarks
29	90201-08103-00	WASHER, PLAIN	8	
30	95680-08100-00	NUT, U	2	
31	90338-09828-00	PLUG	2	



JN3100-5280

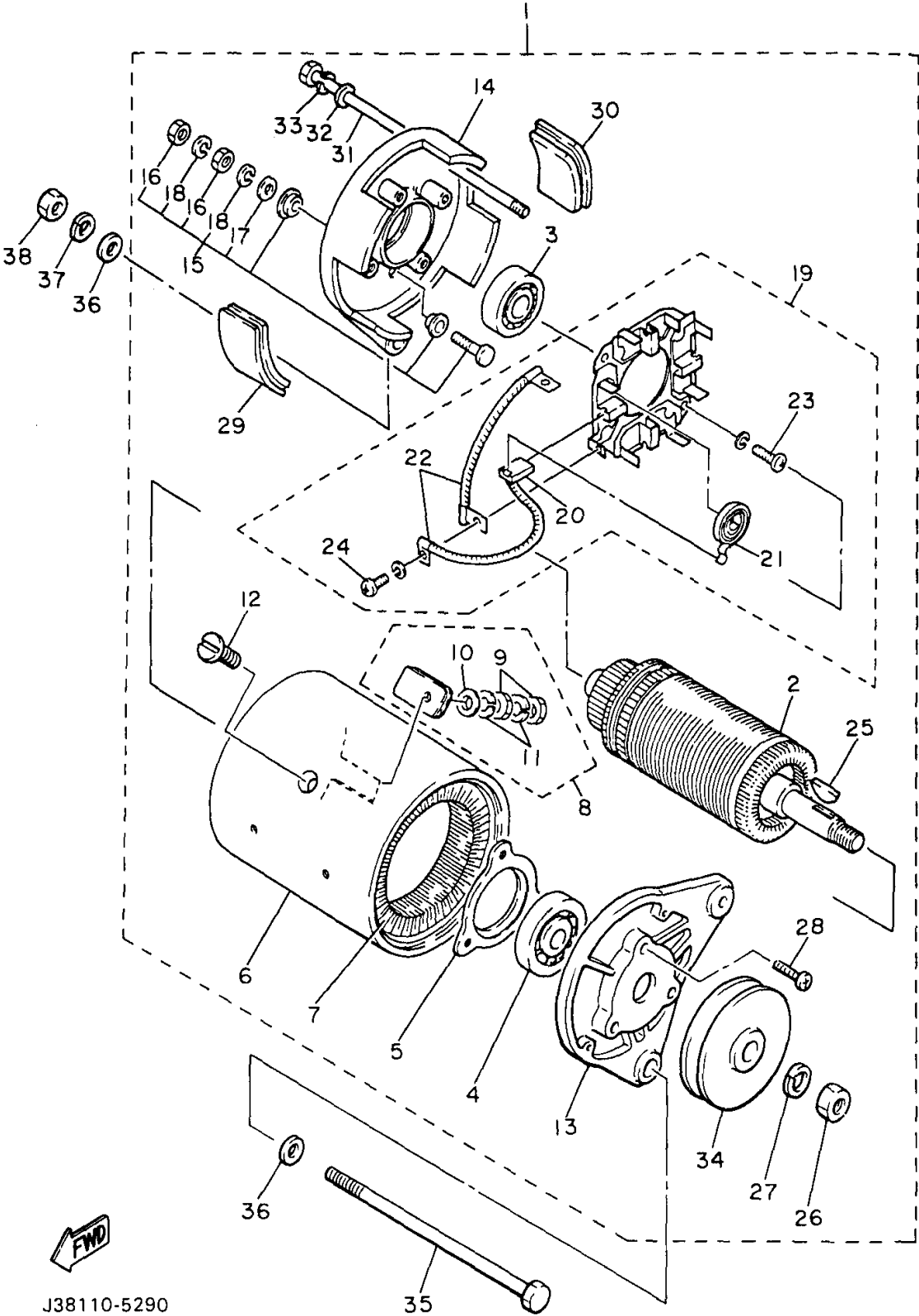
SEAT



Ref. No.	Part Number	Description	Qty	Remarks
1	JN3-K8401-00-00	SEAT SUB-ASSEMBLY, CUSHION	1	
2	JN3-K8404-09-00	. COVER, SEAT	1	
3	JN3-K825A-00-00	PAD, SILENCER 0	1	
4	JF2-K8427-00-00	HINGE, SEAT FEMALE	2	
5	90105-06903-00	BOLT, WASHER BASED	4	
6	JN3-K8426-00-00	HINGE, SEAT MALE	2	
7	97780-50125-00	SCREW, TAPPING	4	
8	90204-05804-00	WASHER, SPG	4	
9	JN3-K8361-00-00	ARM REST	1	
10	JN3-K8362-00-00	ARM REST 2	1	
11	95617-08200-00	NUT, SELF-LOCKING (95607-08200-00)	8	
12	JN3-K8402-00-00	BACK, SEAT SUB.	2	
13	JN3-K841G-09-00	. COVER, SEAT BACK	1	
14	JN3-K8413-00-00	COVER, SEAT BACK	2	
15	90119-08820-00	BOLT, HEX. W/WASHER	4	
16	90201-068G0-00	WASHER, PLAIN	4	
17	95880-06025-00	BOLT, FLANGE	4	
18	90201-068G6-00	WASHER, PLAIN	4	
19	JN3-K8423-00-00	SUPPORT, SEAT BACK	1	
20	JN3-K842H-00-00	RETAINER, SEAT	2	
21	95817-08045-00	BOLT, FLANGE	4	

JN3100-6300

STARTER GENERATOR

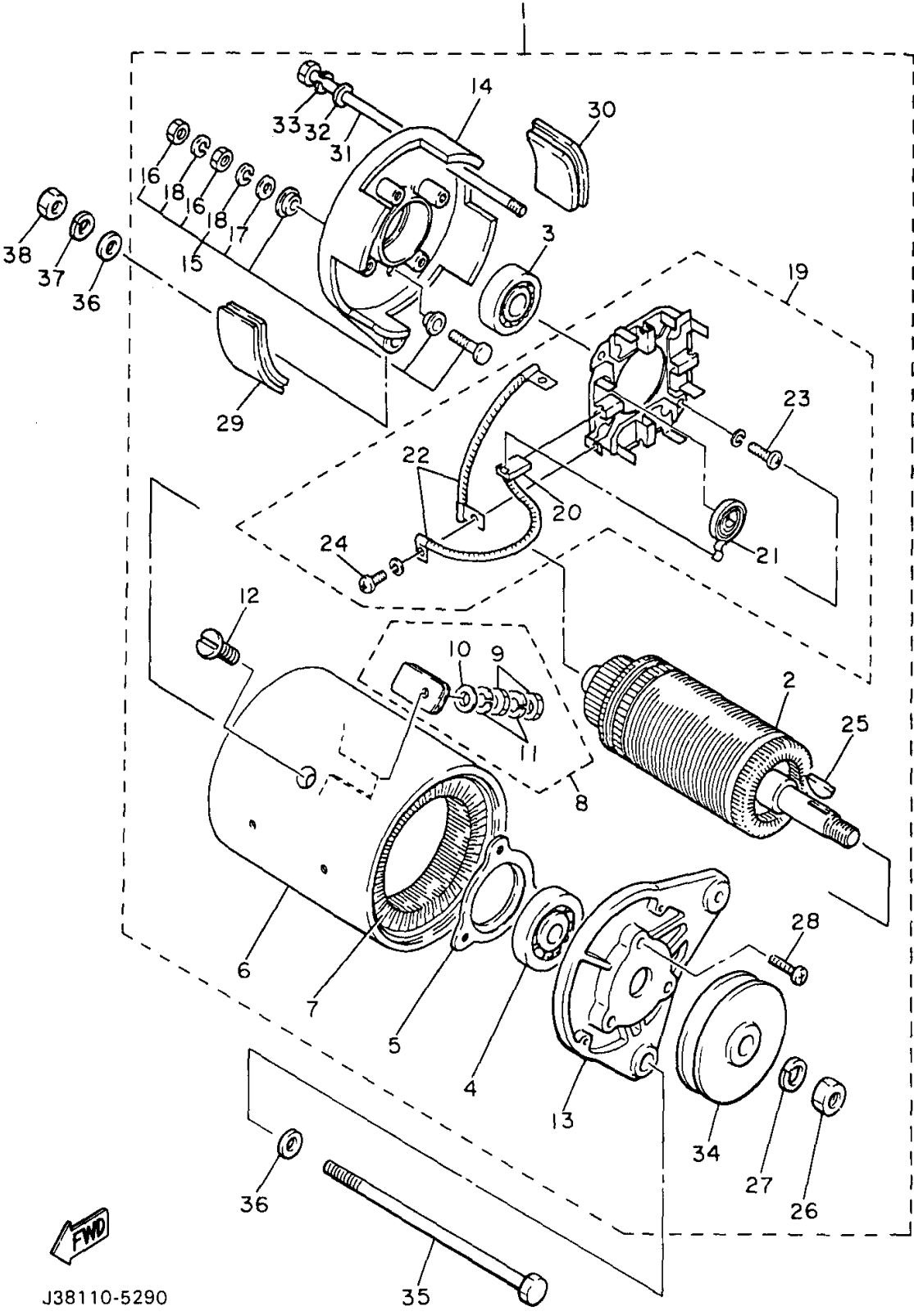


Ref. No.	Part Number	Description	Qty	Remarks
1	J38-81100-11-00	STARTER GENERATOR ASSEMBLY (JF2-H1100-00-00)	1	
2	J10-81150-10-00	. ARMATURE ASSEMBLY	1	
3	J10-81157-10-00	. BEARING 1 (6202 SD)	1	
4	J10-81158-10-00	. BEARING 2 (6203 SD)	1	
5	J10-81159-10-00	. HOLDER, BEARING	1	
6	J38-81110-10-00	. STATOR ASSEMBLY	1	
7	J38-81160-10-00	. FIELD COIL ASSEMBLY	1	
8	J10-81148-10-00	. SCREW	2	
9	95380-06600-00	.. NUT	4	
10	92990-06600-00	.. WASHER, PLATE	2	
11	92995-06100-00	.. WASHER, SPRING	4	
12	J10-81146-10-00	. SCREW	4	
13	J38-81165-10-00	. BRACKET, STARTER GENERATOR	1	
14	J10-81166-10-00	. BRACKET, STARTER GENERATOR	1	
15	J10-81147-10-00	. SCREW	2	
16	95380-06600-00	.. NUT	4	
17	92990-06600-00	.. WASHER, PLATE	2	
18	92995-06100-00	.. WASHER, SPRING	4	
19	JF2-81119-00-00	. BRUSH HOLDER ASSEMBLY	1	
20	JF2-81111-00-00	.. BRUSH	4	
21	J38-81113-10-00	.. SPRING, BRUSH	4	
22	J10-81115-10-00	.. WIRE, LEAD	2	
23	98507-05016-00	.. SCREW, PAN HEAD	2	
24	98580-04010-00	.. SCREW, PAN HEAD	4	
25	J38-81163-10-00	. KEY	1	
26	95317-14600-00	. NUT	1	
27	92901-14100-00	. WASHER, SPRING	1	

CONTINUED ON NEXT FRAME ►

J38110-5290

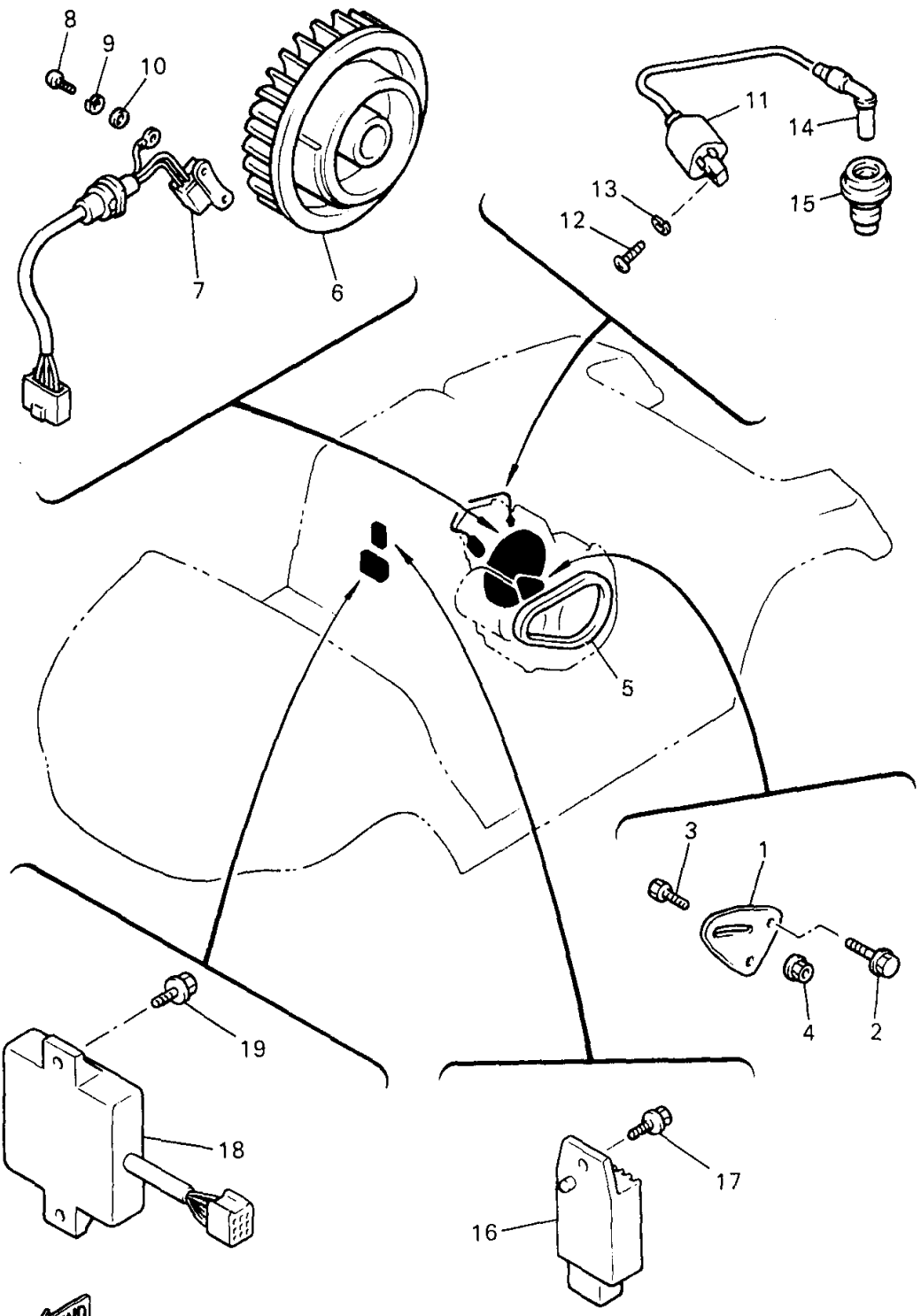
STARTER GENERATOR




Ref. No.	Part Number	Description	Qty	Remarks
28	98507-05018-00	. SCREW, PAN HEAD	3	
29	J10-81129-10-00	. COVER, BRUSH	3	
30	J10-81129-10-00	. COVER, BRUSH	1	
31	J10-81145-10-00	. SCREW	2	
32	92990-06600-00	. WASHER, PLATE	2	
33	92995-06100-00	. WASHER, SPRING	2	
34	J38-81161-10-00	. PULLEY	1	
35	90101-12545-00	BOLT	1	
36	92907-12600-00	WASHER	2	
37	92907-12100-00	WASHER	1	
38	95307-12600-00	NUT	1	

J38110-5290

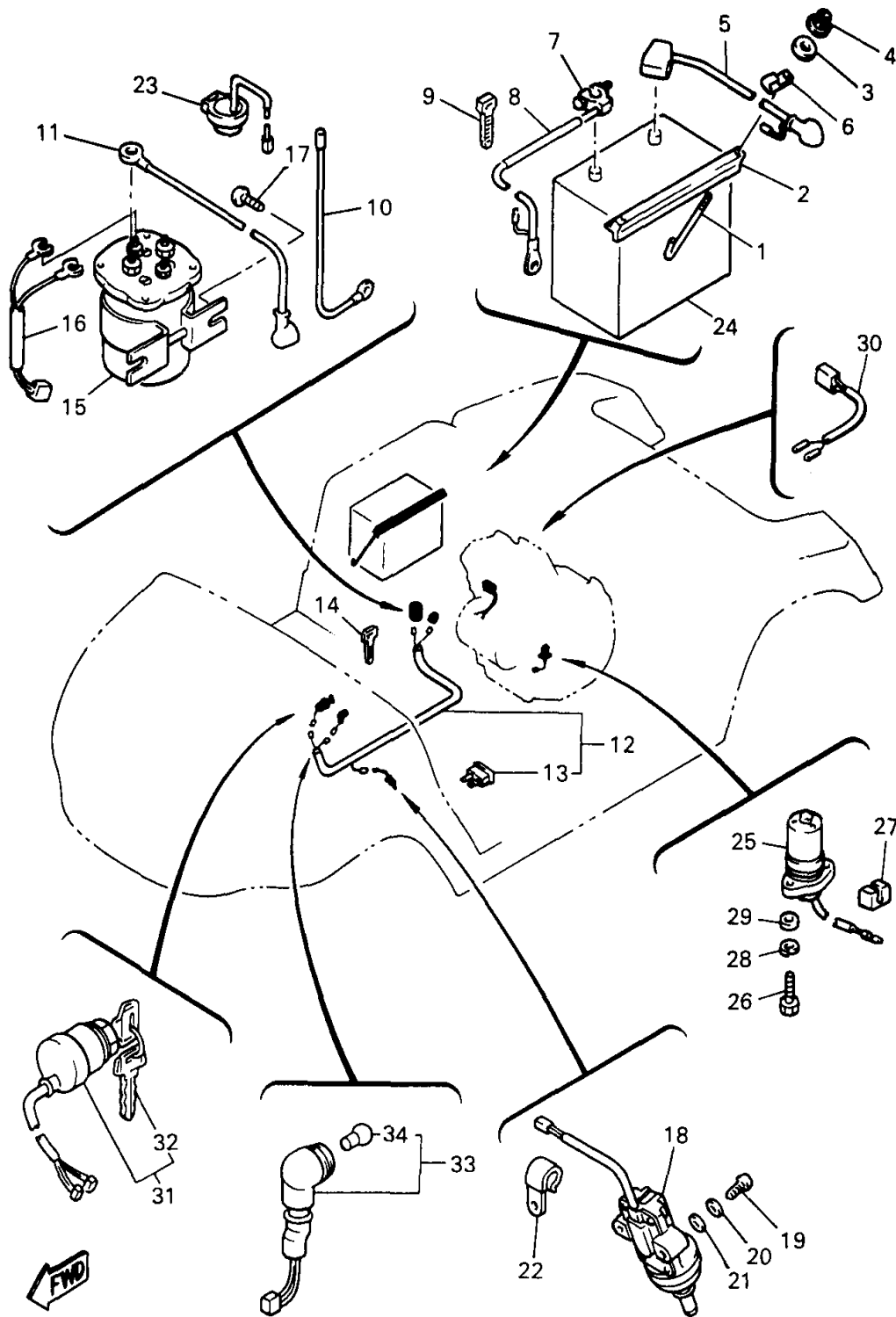
ELECTRICAL 1



Ref. No.	Part Number	Description	Qty	Remarks
1	J38-81170-00-00	TENSIONER ASSEMBLY	1	
2	95817-08025-00	BOLT, FLANGE	2	
3	90109-087A5-00	BOLT	1	
4	95707-08600-00	NUT, FLANGE	1	
5	J55-H1173-00-00	BELT	1	
6	JF2-81350-00-00	ROTOR ASSEMBLY	1	
7	JF2-85580-00-00	COIL, PULSER	1	
8	98507-05016-00	SCREW, PAN HEAD	2	
9	92907-05100-00	WASHER, SPRING	2	
10	92907-05600-00	WASHER, PLATE	2	
11	JF2-82310-00-00	IGNITION COIL ASSEMBLY ...	1	
12	98507-05020-00	SCREW, PAN HEAD	2	
13	92907-05100-00	WASHER, SPRING	2	
14	8K1-82370-20-00	PLUG CAP ASSEMBLY (WITH RESISTOR)	1	
15	J38-82372-00-00	SEAL, plug cap	1	
16	JF2-81910-01-00	VOLTAGE REGULATOR	1	
17	95807-06016-00	BOLT, FLANGE	1	
18	JN3-82305-00-00	IGNITOR UNIT ASSEMBLY ...	1	
19	95817-06020-00	BOLT, FLANGE	2	


JN3100-5310

ELECTRICAL 2

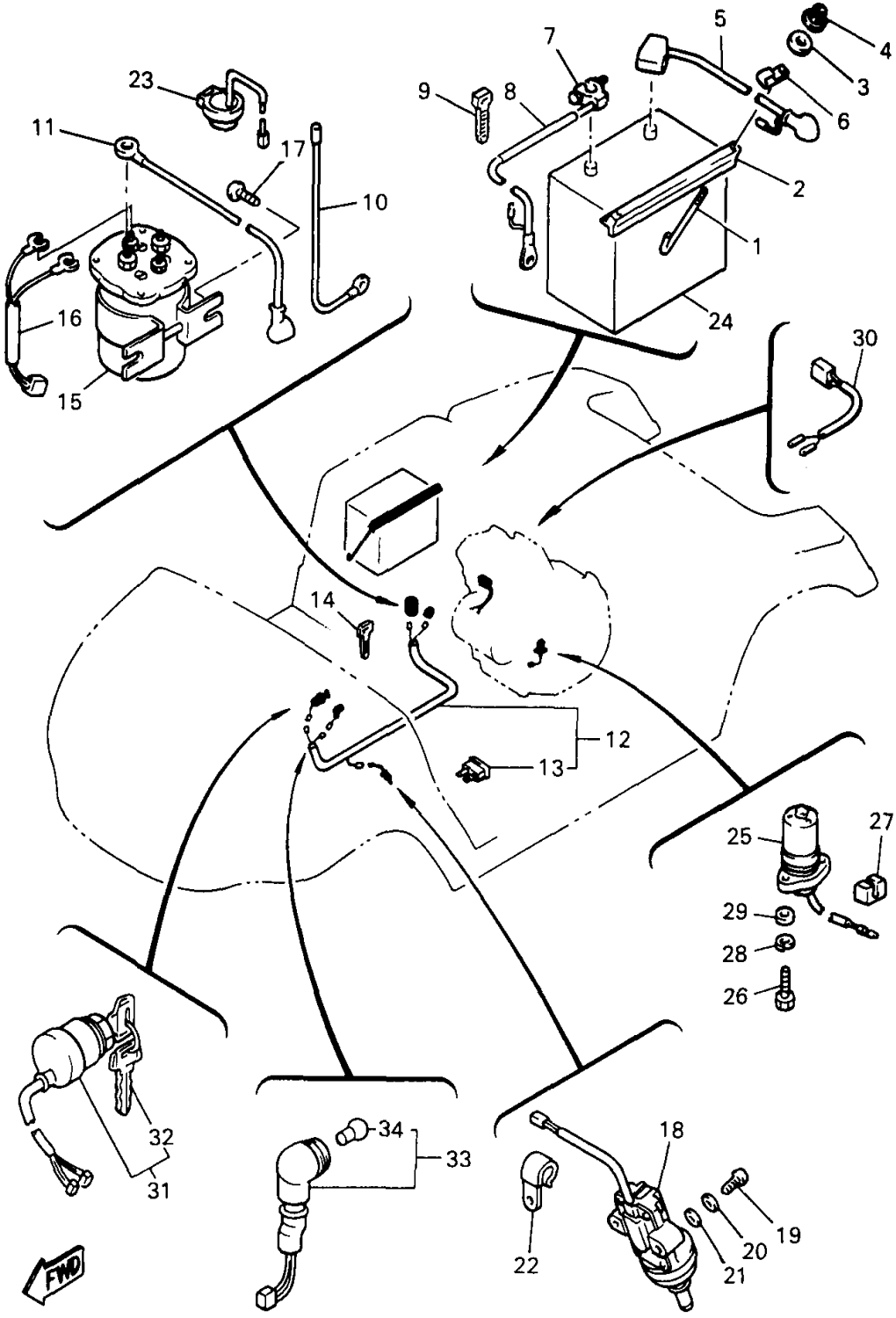


Ref. No.	Part Number	Description	Qty	Remarks
1	JN3-H2133-00-00	SCREW, FITTING	2	
2	J55-H2136-00-00	PLATE, BATTERY	1	
3	92907-06200-00	WASHER	2	
4	95707-06500-00	NUT, FLANGE	2	
5	JF2-H2115-11-00	WIRE, PLUS LEAD	1	
6	90461-08031-00	CLAMP	1	
7	JF2-H2116-02-00	WIRE, MINUS LEAD	1	
8	JF2-82139-00-00	TUBE	1	
9	90464-13080-00	CLAMP	1	
10	JG5-H232Y-00-00	WIRE, EARTH LEAD	1	
11	JF2-H2117-02-00	WIRE, LEAD	1	
12	JN3-82590-00-00	WIRE HARNESS ASSEMBLY	1	
13	42X-82151-00-00	FUSE (10A-BL)	2	
14	90464-23041-00	CLAMP	1	
15	JF2-H1950-00-00	RELAY ASSEMBLY	1	
16	JF2-82105-00-00	WIRE HARNESS	1	
17	90163-06005-00	SCREW, HEX. T	2	
18	JF7-82817-20-00	SWITCH, ACCELERATOR STOP	1	
19	98507-05025-00	SCREW, PAN HEAD	2	
20	92907-05100-00	WASHER, SPRING	2	
21	92907-05600-00	WASHER, PLATE	2	
22	90465-08028-00	CLAMP	1	
23	JN3-83383-00-00	BUZZER	1	
24	UNA-VAILA-BL-EI	0 0		
25	JH2-85720-01-00	OIL LEVEL GAUGE ASSEMBLY	1	
26	97080-06020-00	BOLT	2	
27	J38-82598-00-00	GROMMET	1	
28	92995-06100-00	WASHER, SPRING	2	
29	92990-06600-00	WASHER, PLATE	2	

CONTINUED ON NEXT FRAME ►

JN3300-5320

ELECTRICAL 2

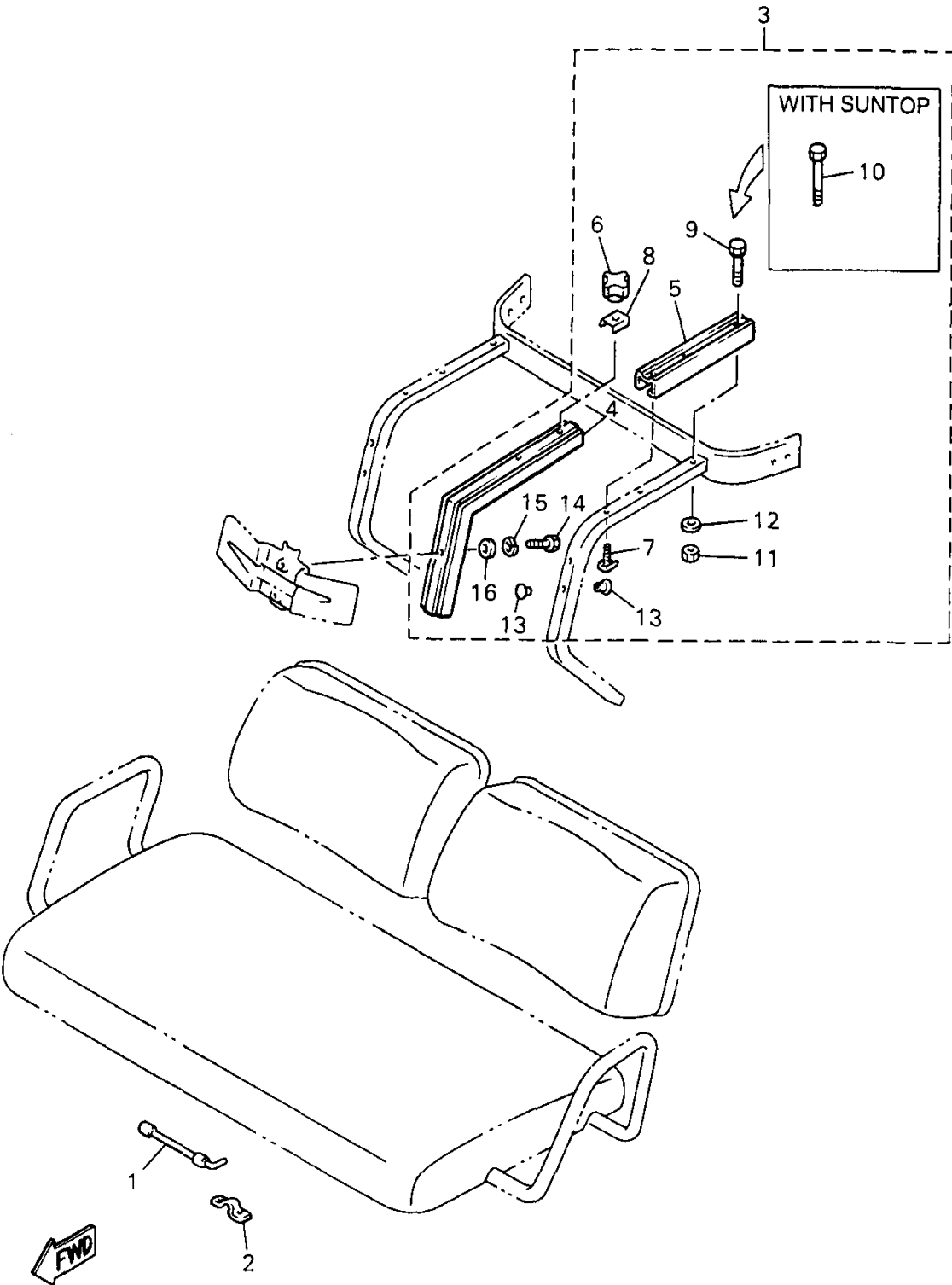


Ref. No.	Part Number	Description	Qty	Remarks
30	JF2-82318-00-00	WIRE, SUB-LEAD	1	
31	JN3-82510-00-00	MAIN SWITCH ASSEMBLY	1	
32	J44-82511-00-YY	. KEY, MAIN SWITCH (J44825110000)	1	
33	JF2-83530-00-00	PILOT LIGHT ASSEMBLY	1	
34	123-83516-21-XX	. BULB, (12V-3. 4W)	1	



 JN3300-5320

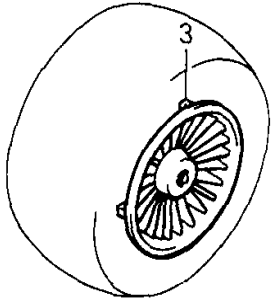
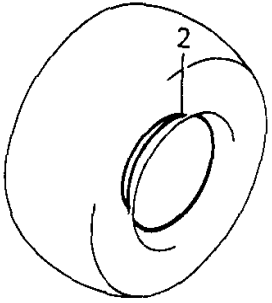
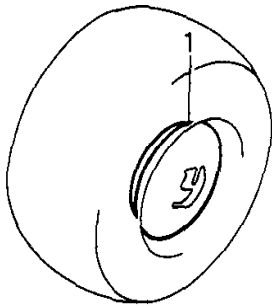
SEAT (ALTERNATE)



Ref. No.	Part Number	Description	Qty	Remarks
1	JN3-K8421-00-00	SUPPORT, SEAT	1	
2	JF2-K8422-00-00	BRACKET, SEAT SUPPORT ..	1	
3	JN3-K8450-00-00	SEAT ADJUSTER ASSEMBLY .	1	
4	JN3-K845A-00-00	. MEMBER, SLIDE SEAT	1	
5	JN3-K8451-00-00	. FRAME, SLIDE SEAT	1	
6	JN3-K8452-00-00	. SEAT-ADJUSTER	1	
7	JN3-K8459-00-00	. REINFORCEMENT,	1	
8	JN3-K845E-00-00	. REINFORCEMENT,	1	
9	97004-08045-00	. BOLT, HEXAGON	2	
10	97004-08070-00	. BOLT, HEXAGON	2	
11	95680-08100-00	. NUT, U	2	
12	92990-08200-00	. WASHER, PLAIN	2	
13	90338-09828-00	. PLUG	4	
14	97004-08020-00	. BOLT, HEX. HEAD	2	
15	92990-08100-00	. WASHER	2	
16	92990-08600-00	. WASHER, PLATE	2	

JN3100-5331

HUB-CAP (ALTERNATE)



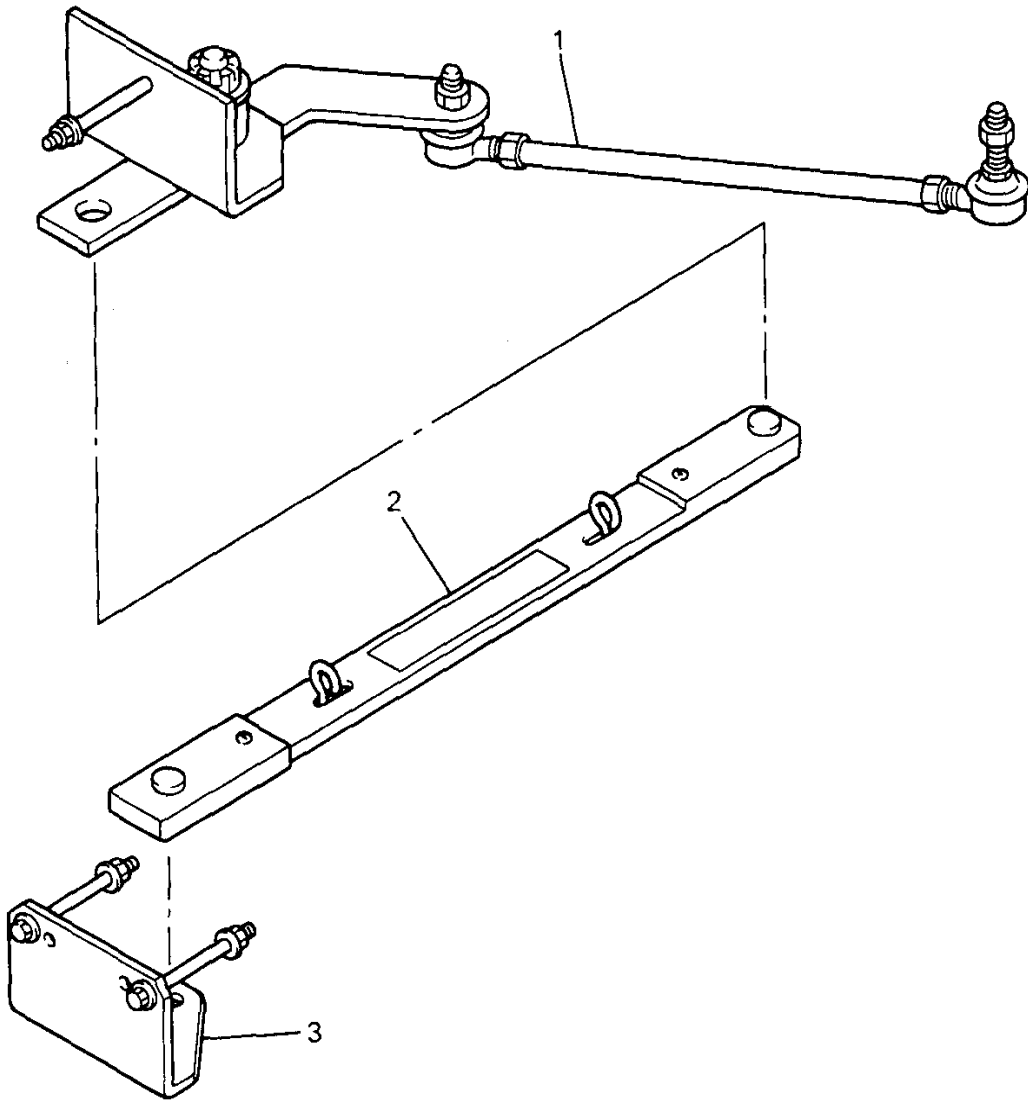
Ref. No.	Part Number	Description	Qty	Remarks
1	JG5-F512K-00-00	HUB-CAP, YAMAHA LOGO ...	4	
2	JG5-F512L-00-00	HUB-CAP, PLAIN	4	
3	JG5-F512M-00-00	HUB-CAP, MAG-STYLE	4	



JN3100-5340

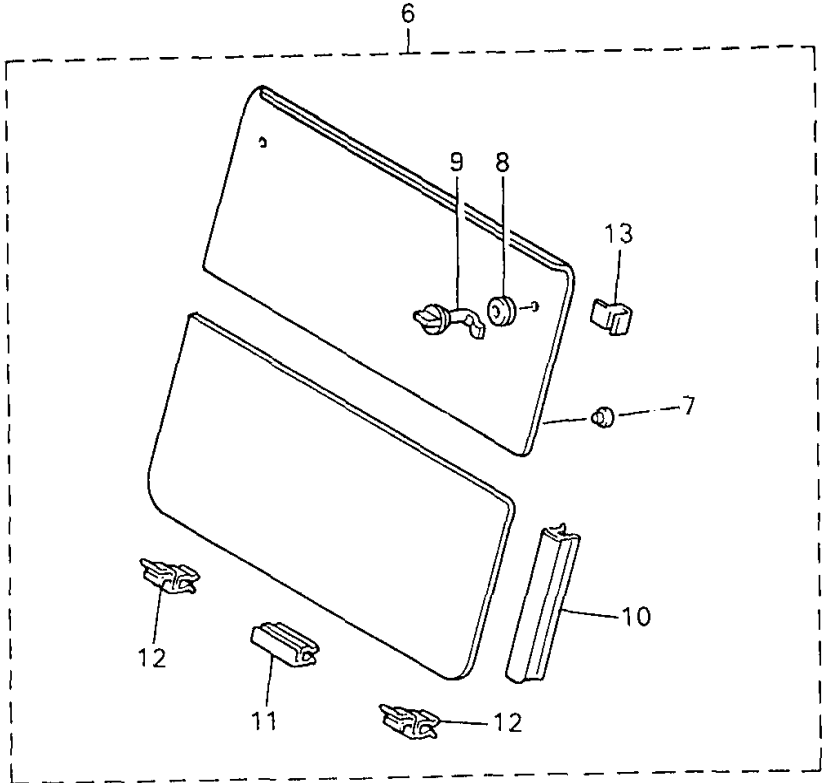
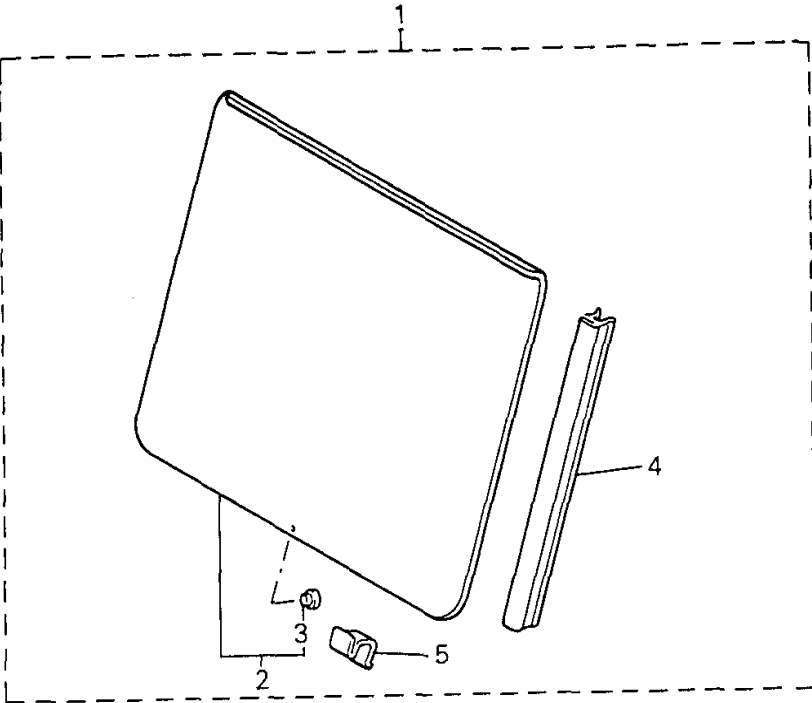
DRAW BAR (ALTERNATE)

Ref. No.	Part Number	Description	Qty	Remarks
1	JN3-F389K-00-00	ARM PIVOT ASSEMBLY 1	
2	JN3-F389J-00-00	DRAW BAR ASSEMBLY 1	
3	JF2-F3802-00-00	REAR HITCH ASSEMBLY 1	



JN3100-5350

WINDSHIELD (ALTERNATE)

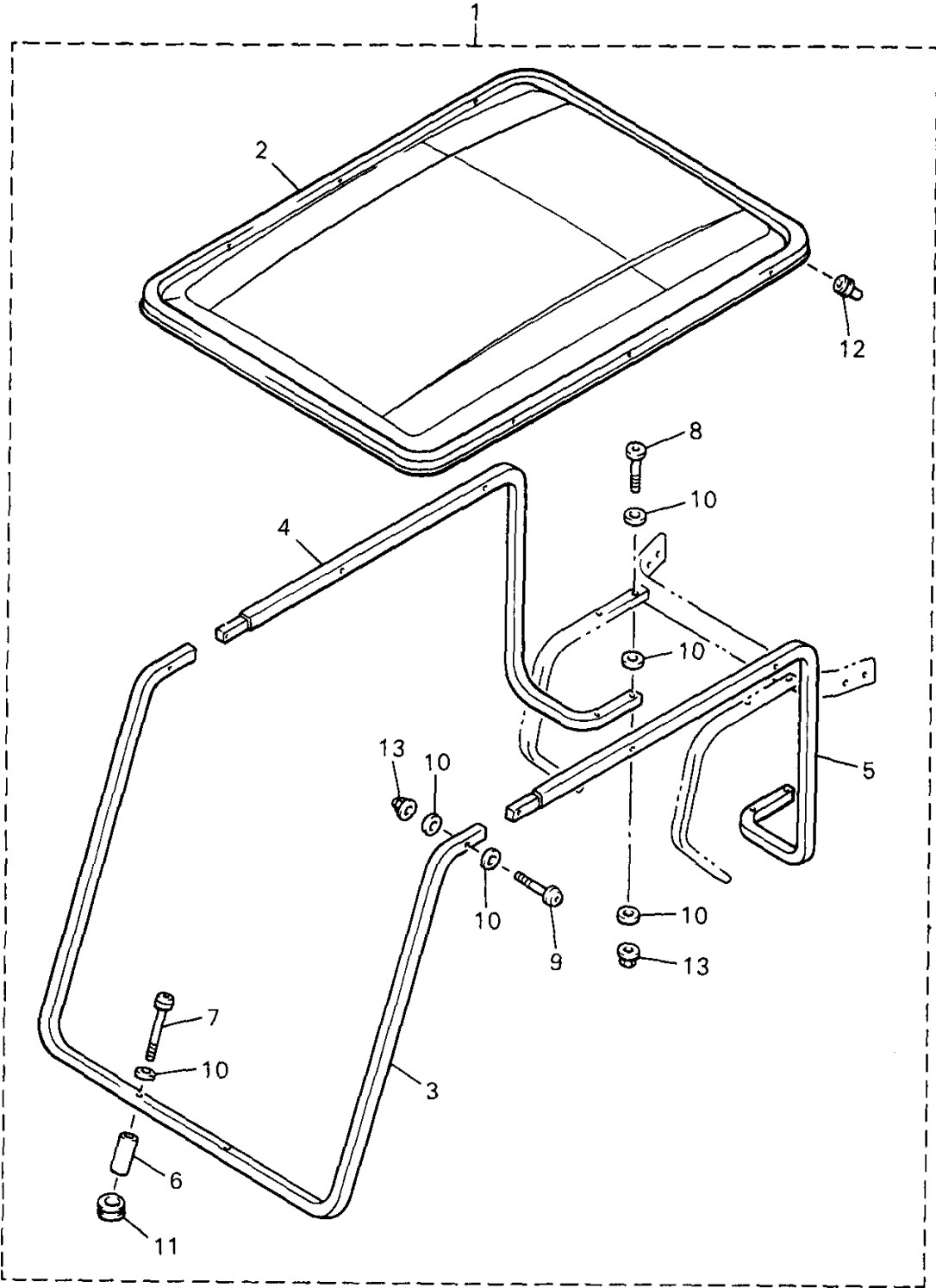


Ref. No.	Part Number	Description	Qty	Remarks
1	JN3-K7200-00-00	WINDSHIELD ASSEMBLY. (CLEAR)	1	UR AP
	JN3-K7200-10-00	WINDSHIELD ASSEMBLY. (TINTED)	1	UR AP
2	JN3-K7210-00-00	. WINDSHIELD COMP (CLEAR)	1	UR
3	JN3-K7238-00-00	. . DAMPER, WINDSHIELD	1	
4	JN3-K838C-00-00	. HOLDER SHIELD	2	
5	JN3-K722A-00-00	. FASTENER	2	
6	JN3-K7200-20-00	WINDSHIELD ASSEMBLY. (HINGED, CLEAR)	1	UR AP
	JN3-K7200-30-00	WINDSHIELD ASSEMBLY. (HINGED, TINTE)	1	UR AP
7	JN3-K7238-00-00	. DAMPER, WINDSHIELD	6	
8	90480-10854-00	. GROMMET	2	
9	JN3-K7223-00-00	. FASTENER	1	
10	JN3-K838A-00-00	. RETAINER	2	
11	JN3-K722A-00-00	. FASTENER	1	
12	JN3-K7222-00-00	. BRACKET, WINDSHIELD	2	
13	JN3-K7721-00-00	. BRACKET,	1	

JN3100-6370



SUN ROOF (ALTERNATE)



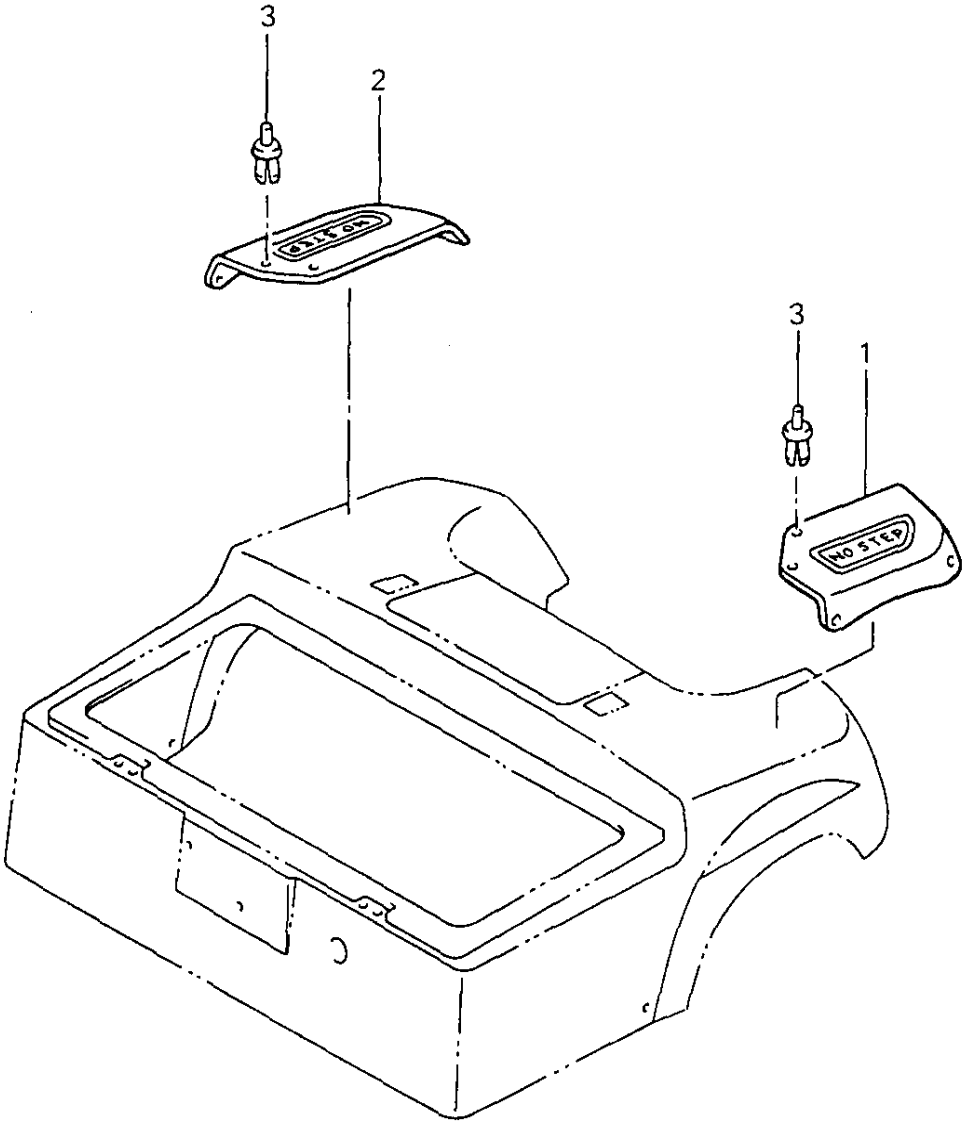
Ref. No.	Part Number	Description	Qty	Remarks
1	JN3-K8310-10-00	SUN ROOF ASSEMBLY	1	UR AP
2	JN3-K8314-00-00	. COVER, SUNROOF	1	
3	JN3-K8312-00-00	. SUPPORT, ROOF	1	
4	JN3-K831A-00-00	. SUPPORT, ROOF	1	
5	JN3-K8313-00-00	. SUPPORT, ROOF	1	
6	90387-088J4-00	. COLLAR	2	
7	9580L-08085-00	. BOLT	2	
8	9580L-08070-00	. BOLT	4	
9	9580L-08045-00	. BOLT	6	
10	90201-088E5-00	. WASHER, PLATE	24	
11	JN3-K832F-00-00	. GROMMET, ROOF	2	
12	JN3-K832G-00-00	. GROMMET, ROOF	2	
13	90185-08827-00	. NUT, SELF-LOCKING	10	



JN3100-5370

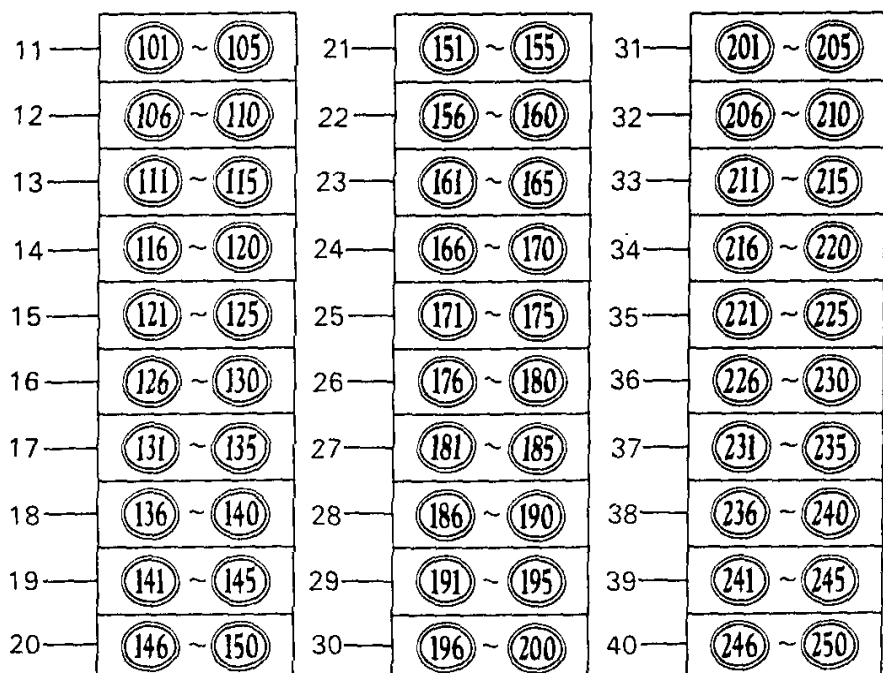
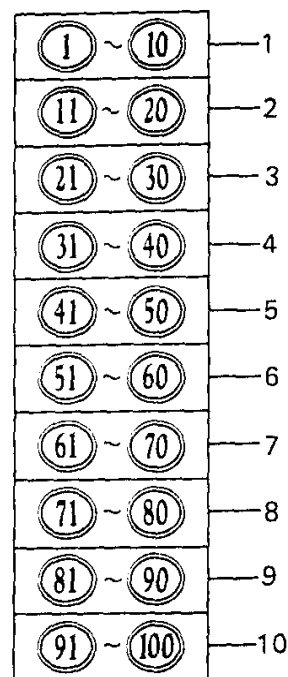
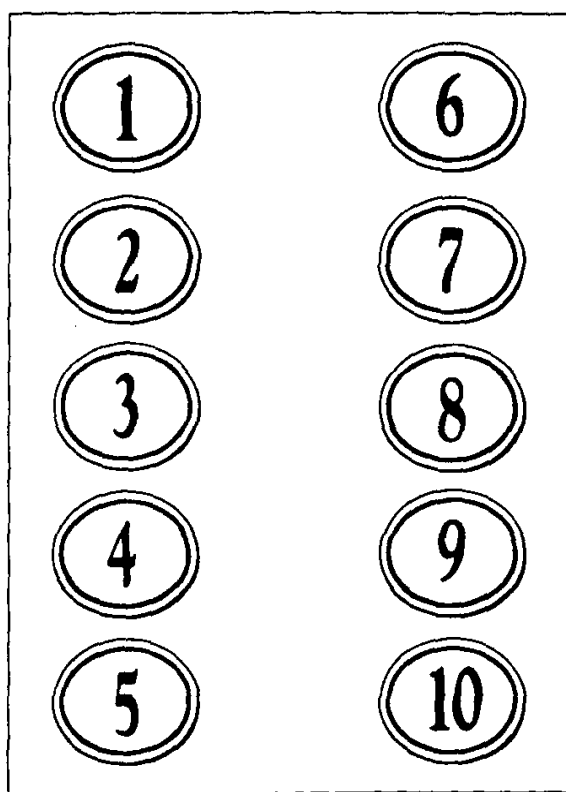
SIDE MAT (ALTERNATE)

Ref. No.	Part Number	Description	Qty	Remarks
1	JN3-K8243-00-00	MAT, BODY SIDE LEFT	1	
2	JN3-K8244-00-00	MAT, BODY SIDE RIGHT	1	
3	90269-07810-00	RIVET	10	



JN3100-6390

FLEET NUMBER (ALTERNATE)



Ref. No.	Part Number	Description	Qty	Remarks
1	JG5-K810T-10-00	FLEET, NUMBER	1	
2	JG5-K810T-20-00	FLEET, NUMBER	1	
3	JG5-K810T-30-00	FLEET, NUMBER	1	
4	JG5-K810T-40-00	FLEET, NUMBER	1	
5	JG5-K810T-50-00	FLEET, NUMBER	1	
6	JG5-K810T-60-00	FLEET, NUMBER	1	
7	JG5-K810T-70-00	FLEET, NUMBER	1	
8	JG5-K810T-80-00	FLEET, NUMBER	1	
9	JG5-K810T-90-00	FLEET, NUMBER	1	
10	JG5-K810T-00-00	FLEET, NUMBER	1	
11	JG5-K810U-A0-00	FLEET, NUMBER	1	
12	JG5-K810U-10-00	FLEET, NUMBER	1	
13	JG5-K810U-E0-00	FLEET, NUMBER	1	
14	JG5-K810U-20-00	FLEET, NUMBER	1	
15	JG5-K810U-F0-00	FLEET, NUMBER	1	
16	JG5-K810U-30-00	FLEET, NUMBER	1	
17	JG5-K810U-G0-00	FLEET, NUMBER	1	
18	JG5-K810U-40-00	FLEET, NUMBER	1	
19	JG5-K810U-H0-00	FLEET, NUMBER	1	
20	JG5-K810U-50-00	FLEET, NUMBER	1	
21	JG5-K810U-J0-00	FLEET, NUMBER	1	
22	JG5-K810U-60-00	FLEET, NUMBER	1	
23	JG5-K810U-K0-00	FLEET, NUMBER	1	
24	JG5-K810U-70-00	FLEET, NUMBER	1	
25	JG5-K810U-L0-00	FLEET, NUMBER	1	
26	JG5-K810U-80-00	FLEET, NUMBER	1	
27	JG5-K810U-M0-00	FLEET, NUMBER	1	
28	JG5-K810U-90-00	FLEET, NUMBER	1	
29	JG5-K810U-N0-00	FLEET, NUMBER	1	

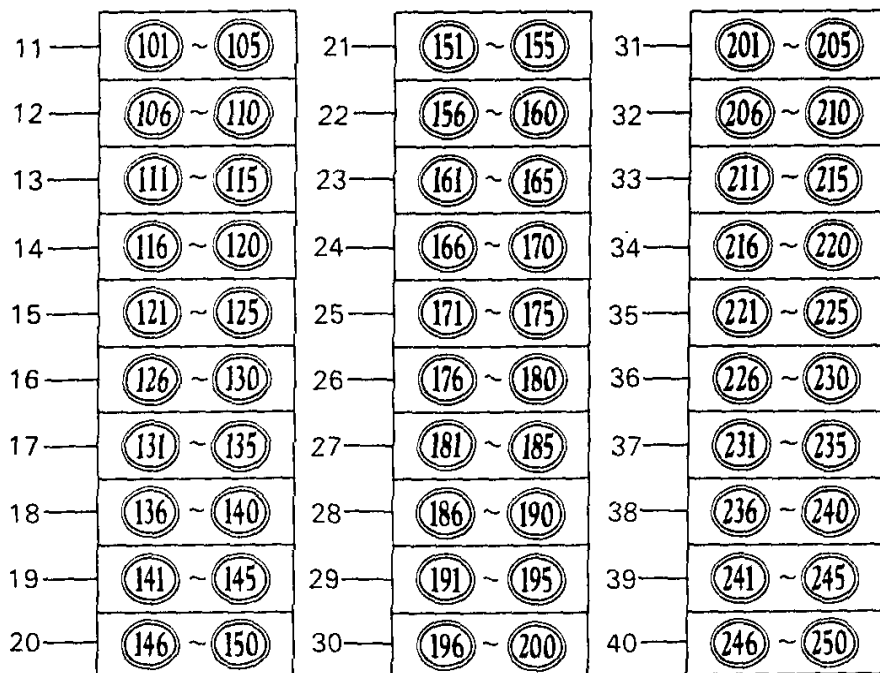
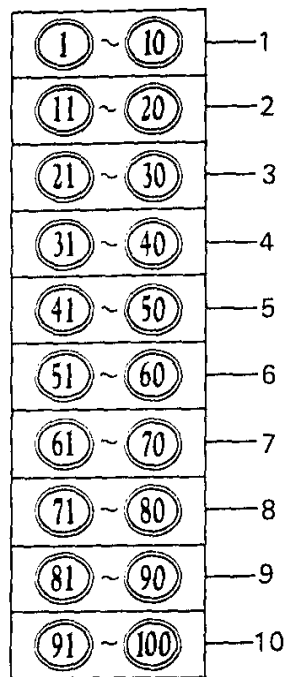
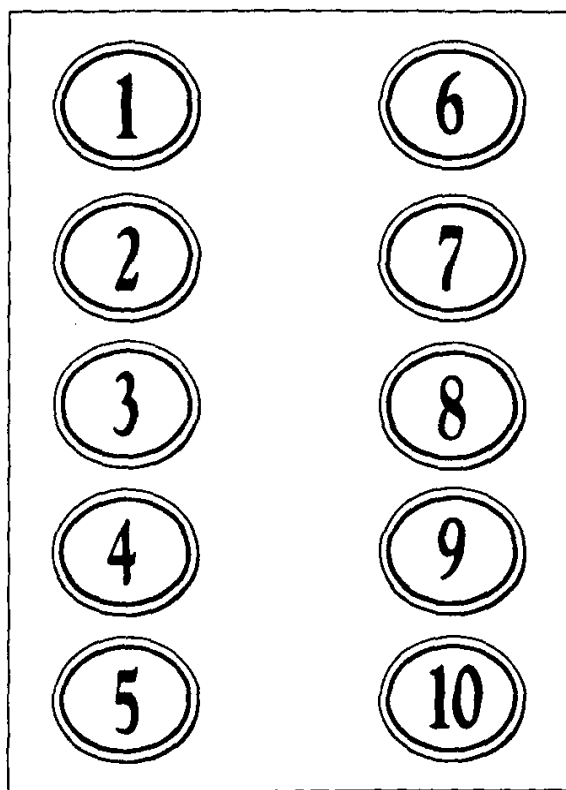
CONTINUED ON NEXT FRAME ►

JN3100-6400



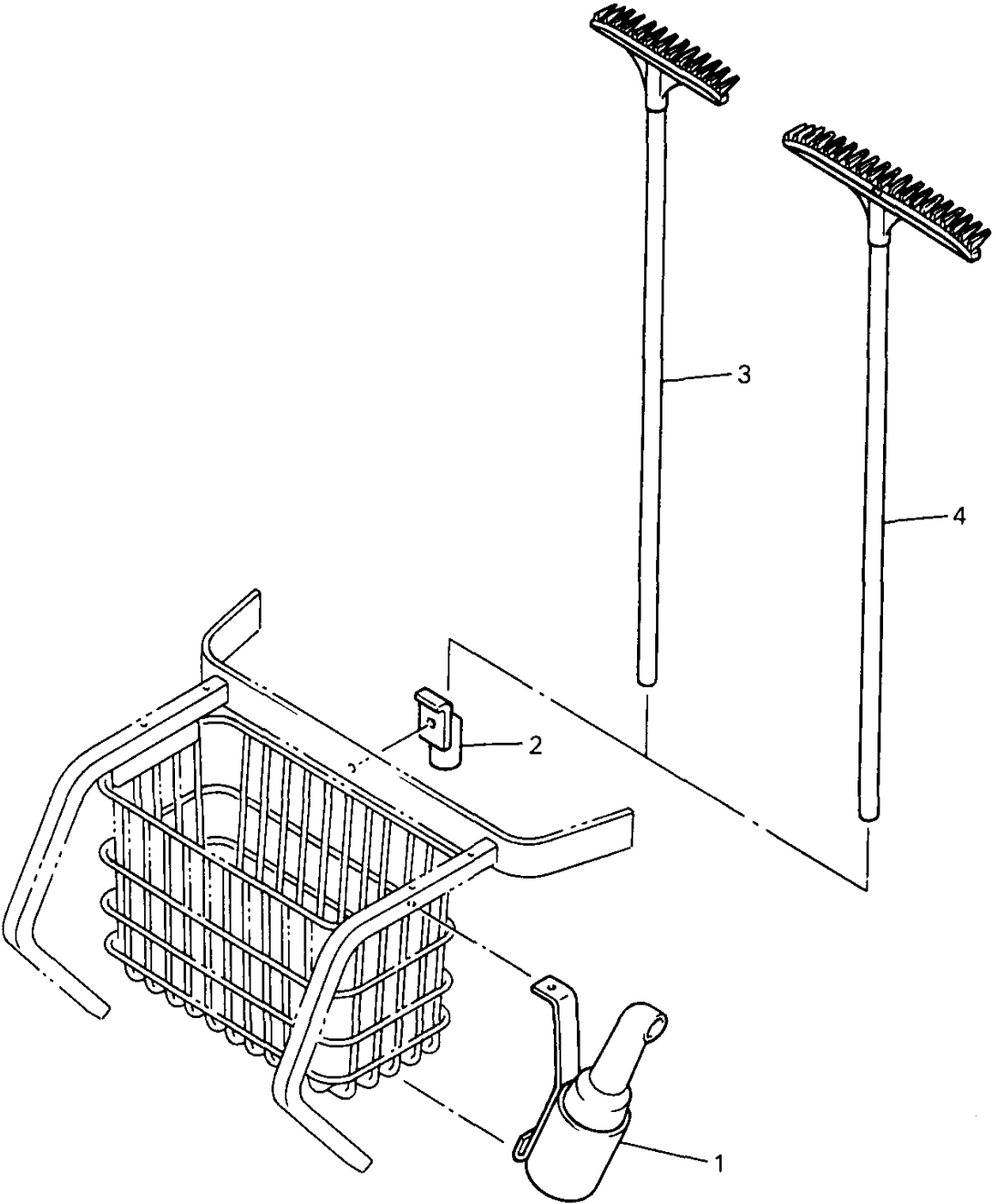
FLEET NUMBER (ALTERNATE)

Ref. No.	Part Number	Description	Qty	Remarks
30	JG5-K810U-00-00	FLEET, NUMBER	1	
31	JG5-K810V-A0-00	FLEET, NUMBER	1	
32	JG5-K810V-10-00	FLEET, NUMBER	1	
33	JG5-K810V-E0-00	FLEET, NUMBER	1	
34	JG5-K810V-20-00	FLEET, NUMBER	1	
35	JG5-K810V-F0-00	FLEET, NUMBER	1	
36	JG5-K810V-30-00	FLEET, NUMBER	1	
37	JG5-K810V-G0-00	FLEET, NUMBER	1	
38	JG5-K810V-40-00	FLEET, NUMBER	1	
39	JG5-K810V-H0-00	FLEET, NUMBER	1	
40	JG5-K810V-50-00	FLEET, NUMBER	1	



JN3100-6400

SAND BOTTLE (ALTERNATE)

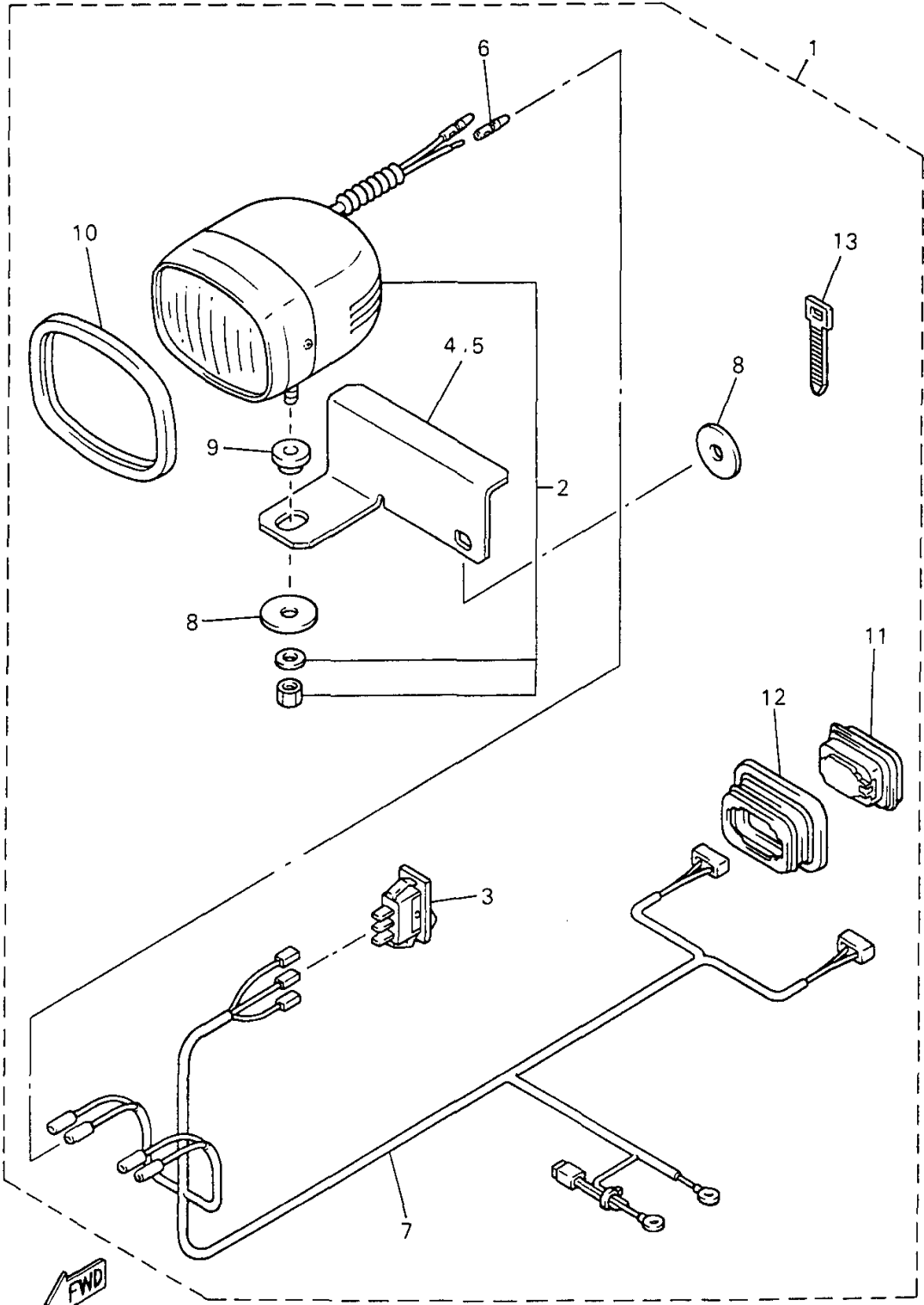


Ref. No.	Part Number	Description	Qty	Remarks
1	JN3-K8309-00-00	SAND BOTTLE ASSEMBLY ...	1	
2	JG5-K834G-00-00	HOLDER, RAKE	1	
3	JG5-K834H-00-00	RAKE, SAND	1	
4	JG5-K834J-00-00	RAKE, SAND	1	



JN3100-5410

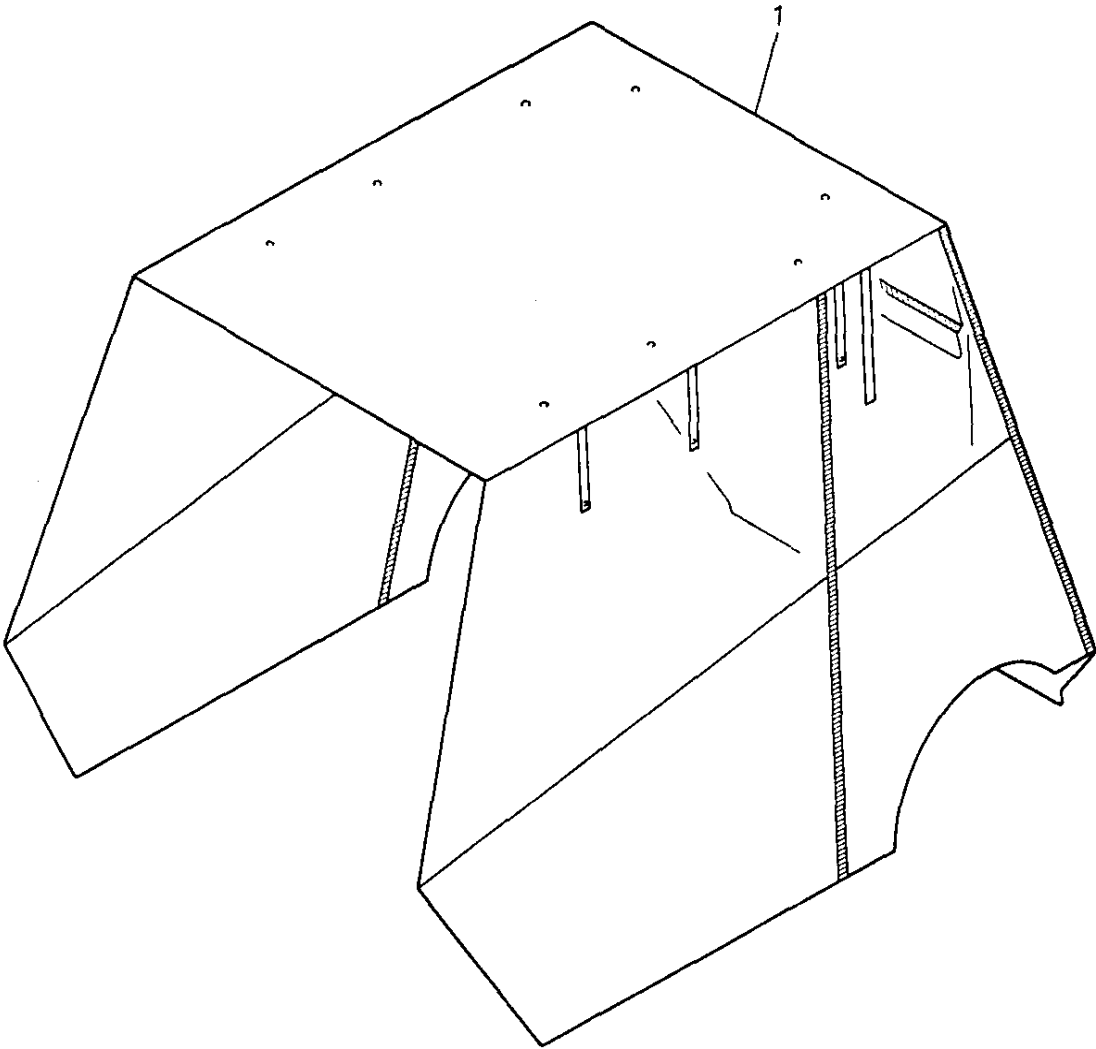
HEADLIGHT (ALTERNATE)



Ref. No.	Part Number	Description	Qty	Remarks
1	JN3-H430A-00-00	HEADLIGHT UNIT ASSEMBLY	1	
2	JN3-H4300-00-00	. HEAD LIGHT UNIT	2	
3	UNA-VAILA-BL-EI 00			
4	JN3-H4118-00-00	. STAY, HEAD LIGHT	1	
5	JN3-H4119-00-00	. STAY, HEAD LIGHT	1	
6	9E212-10401-00	. TERMINAL, WIRE	2	
7	JN3-H4159-00-00	. CORD, HEADLIGHT	1	
8	90201-108G2-00	. WASHER, PLAIN	4	
9	JN3-H4366-00-00	. DAMPER, HEAD	2	
10	JN3-K7165-00-00	. TRIM,	2	
11	JN3-H4700-00-00	. TAIL LIGHT ASSEMBLY	2	
12	JN3-H4718-00-00	. GROMMET, TAIL	2	
13	90464-14806-00	. CLAMP	25	

JN3100-6420

ENCLOSURE (ALTERNATE)



Ref. No.	Part Number	Description	Qty	Remarks
1	JN3-K832U-00-00	ENCLOSURE	1	



JN3100-6440

G14A TRANSMISSION CHANGES

INTRODUCTION

A new Dana Transmission Rear Axle Assembly will be used beginning with May production of the G14A gas car.

Performance specifications are unchanged from previous gas car models. Service changes are shown in Specifications section.

Parts used in the new system are not interchangeable with previous G14A models. See Parts Information section of this bulletin for details.

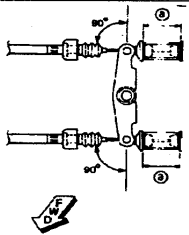
Overhaul and repair information will be provided in a future Service Manual Supplement.

AFFECTED UNITS

G14AM JN3-119642 ~

Note: This Bulletin does not apply to Electric model cars.

SPECIFICATIONS

ITEM	DESCRIPTION
Lubricant / Capacity	SAE 90 Gear oil / 415cc (0.44 US QT)
Shift stroke adjustment	a = 16 ± 1.0mm 

TIGHTENING TORQUE

Part to tighten	Nm	m·kg	ft·lb	Remarks
Cover plate, rear	23	2.3	17	Use Yamaha Quick Gasket or silicone sealant.
Ring gear	55	5.5	40	
Gear box cover	23	2.3	17	Use new gasket
Shift arm nut	15	1.5	11	
Brake backing plate	23	2.3	17	
Rear axle hub nut	145	14.5	105	Self-locking nut. Replace if removed.
Shift fork detent screw	⇒	⇒	⇒	Adjust detent screw to give 8~14 in. / lbs. of shift torque.

YAMAHA Service News

May 1996

Volume 2 Issue 10

News YOU can USE..

G19E MAC charger technical assistance

The G19E is a nifty new car that also has a nifty new type of battery charger. It's a programmed constant voltage / constant current charger that will take the worry out of golf car battery charging.

For questions regarding what the LED lights are trying to tell you, feel free to call us at Golf Car Service at 800-345-5545. If you have any questions about technical aspects of the unit or need to order any parts, feel free to call MAC representatives and speak with them directly.

MAC Chargers
(Motor Appliance Corporation)

800-622-3406

Tom Lloyd	Service Manager
Robert Welsh	Technician
Glen Robertson	Technician

INSIDE

- New secondary clutch for G16A
- New primary clutch for G16A
- Fuel tank pick-up parts available
- G16A/E and G19E Service Manuals
- G19E Controller plug
- G16A Engine breather hose clamps
- Warranty parts; Tag 'em or trash 'em
- G16A Fuel system changes

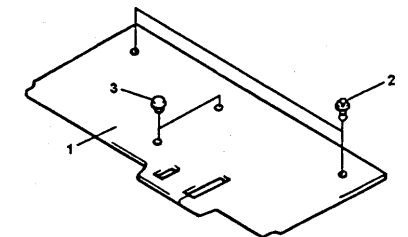
G14 Floor mat changes

When ordering floor mats for a G14 or for a 1993 or later G8 (JF2-K8233-10), order two additional new rivets (90269-08813-00) for each mat from YPAD.

The new lower floor mat you receive, JF2-K8233-11, is the same mat, but with two additional places to install rivets.

The new rivets are the reusable type, to ease removal for opening the service lid. Rivet holes are already in the floorpan, so installation is quick and easy.

NOTE: If you wish to install the new rivets in the existing center locations, drill out the two floorpan holes from 7.0mm to 8.0mm and order 4 of the new rivets, instead of 2. Don't forget to apply rust proof paint to the new edges of the drilled holes.



Ref No.	Part No.	Description	Qty	Remarks
1	JF2-K8233-11-00	Mat, main floor	3	1 Replaces 1-10" mat
2	90269-08813-00	Rivet	2	New rivets for 2 corner locations
3	90269-07809-00	Rivet	2	Standard for 2 center locations

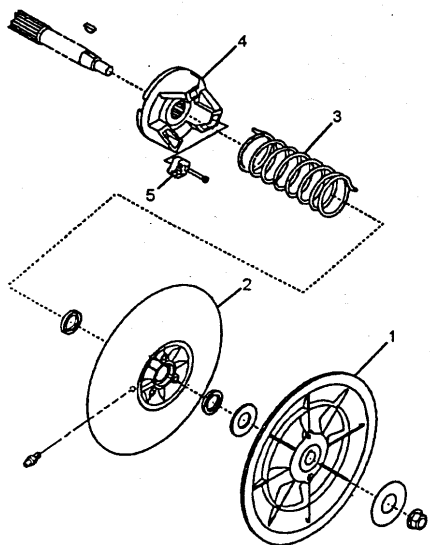
Later production G14's are fitted with the new mat and four rivets. The floor panels, mat holes and rivets have been commonized so that one type of rivet is used.

New secondary clutch for G16A

Our new secondary clutch sheaves are made in Canada by guys that are real savvy about belt clutches.

The most obvious change is the aluminum fixed sheave.

The material for both sheaves was changed to a much harder aluminum material. And, with the harder material came a "modular" mold, capable of handling the harder material on a very consistent basis. The result is that the sheaves require no additional finish machining, leaving the hard "as cast" chilled layer that minimizes friction and wear.



Ref No.	Part No.	Description	Qty
1	JN6-G6260-00-00	Secondary Fixed Sheave	1
2	JN6-G6270-00-00	Secondary Sliding Sheave	1
3	90508-45844-00	Spring, Torsion	1
4	JN6-G6280-00-00	Secondary Spring Seat	1
5	JN6-E7688-00-00	Ramp Shoe	3

See microfiche and the upcoming Country Club Parts Books for complete parts listings for primary and secondary clutches.

News YOU can USE..



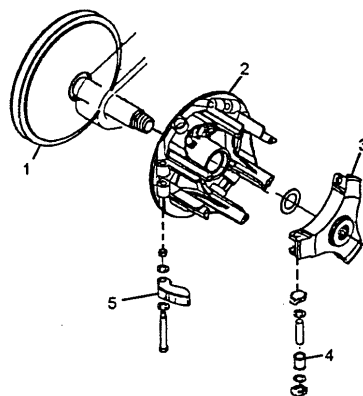
New primary clutch for G16A

Made by Comet to exacting YAMAHA specifications, this new clutch is American made, has less moving parts and increased reliability.

The sliding sheave bushings and seals appear almost identical to the previous models, but are improved. Greasing maintenance (grease the fitting once a year) stays the same. The sliding sheave is a new much harder material, just like the new secondary clutch.

The new Spider assembly slides into the sliding sheave and the assembly threads onto the fixed sheave. A special tool is required for Spider removal. (U.S. dealers will receive a letter and the tools this spring.)

Component service and exchange is simplified. Use engine assembly grease (like Lubriplate™) to ease assembly of spider weights and rollers. Use Teflon™ spray on the slider surfaces.



Ref No.	Part No.	Description	Qty
1	JN6-G6210-00-00	Primary Fixed sheave	1
2	JN6-G6220-00-00	Primary Sliding Sheave	1
3	JN6-G6251-00-00	Spider	1
4	JN6-G6258-00-00	Roller Collar	3
5	JN6-G6232-00-00	Weight 1	3

News YOU can USE..



Fuel tank pickup tube parts now available for G14A/16A

Individual parts are available if needed to replace the fuel pick-up tube, O-ring or hardware. Future parts lists will include this information. For now you get it here, or you can find it in the G16A Parts Catalog, in the Optional Fuel Gauge section, Figure 44.



Ref No.	Part No.	Description	Qty
1	JN3-F4300-00-00	Fuel pipe joint	1
2	93210-228C4-00	O-ring	1
3	98507-05014-00	Screw, pan head	4
4	92907-05100-00	Washer, lock	4
5	92907-05600-00	Washer, plain	4

G16A/E and G19E Service Manuals

"The longer we have to work on them, the better the manuals will be." This is always true with new products.

We took the cars apart and put them back together. We did things to them and then asked our service personnel to fix them (Boy, that was fun).

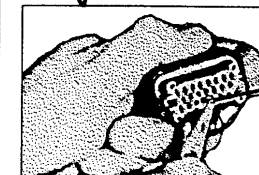
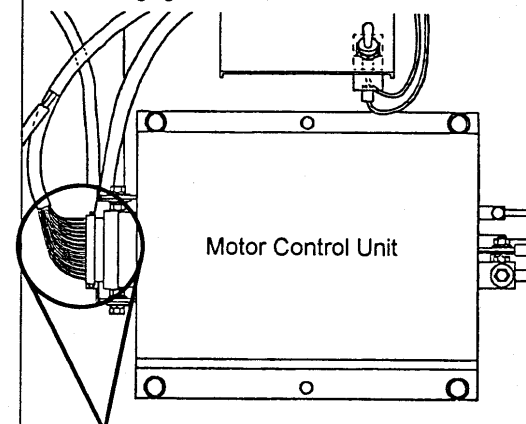
Look for these new Service Manual Supplements by the first of May. They will be provided in a separate binder that will go along side your G14A/E manual. Mr. Ed will provide details to you by letter very soon.

G19E controller plug

Trouble shooting the G19 is an easy proposition if you understand that the control unit performs more functions than any previous model. For instance, the control unit now controls the forward/reverse switching and the reverse buzzer functions. The key to isolating problems is eliminating other components and wiring connections during your troubleshooting tests.

You may need to disconnect the large multiple connector at the control unit to verify circuits.

CAUTION: The female terminals inside the wire harness side of the connector are easily damaged by probing with common tester pins. You can easily create new electrical problems in the system by damaging one of these connectors.



Use care when probing the controller connectors. Do not push tester pins into the slots. Instead, carefully touch the ends with a fine wire

attached to a test clip as shown. A little extra time during these tests is well spent in the long run in preventing future problems.

Before reinstalling the connector, check for presence of light mechanical lubricant in the connectors. If dry, lubricate the plug terminals and pins with STONER E805 Lubricant (800-227-5538) or equivalent.

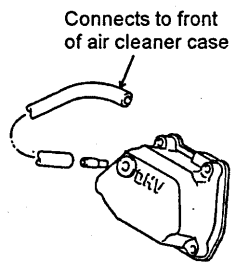
News YOU can USE..



Hose clamps added to G16A engine breather hose

We added two hose clamps to the breather hose that connects the valve cover to the front side of the new air cleaner case.

The purpose of the hose is to allow the engine to breathe and direct any crankcase fumes back into the engine, via the air cleaner case.

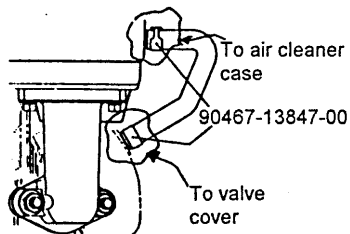


We noticed that the hose is a snug fit anyway, but we feel the clamps are good insurance. Someone may think that a hose without a clamp must not be that important, which is certainly *not* the case. If the hose is not connected, two bad things happen. The engine breathes into the environment. And, our engine gets a gulp of unfiltered air from the hole opened up in the air cleaner case hose fitting. Both situations are bad news.

Several early production G16A cars (JN3-000101~006700) were designed, produced and delivered without the hose clamps. Cars from JN3-006701 have the clamps installed.

It is not necessary to run out and add the hose clamps to cars you have already delivered, or add them to current vehicles you may have. Warranty repair or update is not required. However, during future service we recommend that you update those cars by adding the hose clamps.

Part Number	Description
90464-13847-00	Clamp



Warranty parts; Tag 'em or trash 'em

It takes time for you to locate warranty claim parts, box them up and get them to the Post Office. Once they get here, they are extremely valuable to us in showing our engineers how a part failed. They say a picture is worth a thousand words...You can just imagine what an actual failed part can do.

The most critical component of a sample part, however, is the warranty parts tag. It tells us many things vital to our investigation. The serial number alone tells us when the car was produced, sold, which batch the part came in so we know when it was made, etc. The rounds/hours on the car tell us how the part held up compared to our test units...We could go on and on. What's important to you is that without the tag the warranty request may not get paid. It is not necessary to tag individual parts from the same claim. Just secure all the parts for a single claim in one bag and tag the bag!

Warranty parts tags are free so order some today.

LIT-13795-00-92 G/C Warr Parts Tag 25 pack

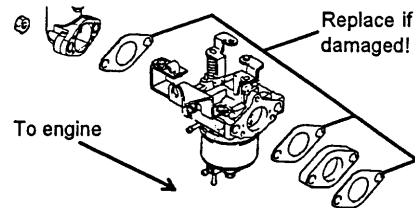
G16A Fuel system changes

The air cleaner case is much simpler to service and acts as a carburetor tamper protector.

The carburetor fuel float height is fixed and needs no adjustment, ever.

The pilot screw is set at 1½ turns out. The jet sizes are different from G14A.

The carburetor body uses gaskets on both sides, as well as another one between the phenolic block and the cylinder head. If you remove the air box assembly for any reason, you release the tension on these gaskets, so check them carefully and replace if damaged!



GOLF CAR

DATE: 10/10/95

BUL: G95-005

G14A/E

ACCELERATOR STOP BOLT ADJUSTMENT

INTRODUCTION

PROBLEM: Some units were shipped from the factory with an incorrect adjustment of the accelerator pedal stop bolt. This misadjustment may cause premature failure of the stop switch. If the stop switch does fail, the vehicle will not run.

REMEDY: During predelivery or routine service of any affected unit, inspect the stop bolt height adjustment.

If readjustment is necessary, use the revised stop bolt height specification in this bulletin rather than the one in the service manual.

DEALER ACTION SUMMARY

INSPECT: All affected units.

ADJUST: Any affected unit that has an improper accelerator stop bolt adjustment.

Accelerator stop bolt adjustment may also require adjustment of the following:

- Brake Pedal Freeplay
- Parking Brake Release Timing
- Throttle cable 1 (G14A)
- Throttle Position Sensor (G14E)

Refer to the G14A/E Service Manual for complete service instructions. The Service Information section of this bulletin covers the key adjustment points.

WARRANTY: Service Per Bulletin

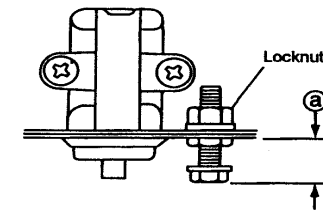
Submit a separate warranty request for any units that require stop switch replacement or any other parts.

AFFECTED UNITS

G14AM	JN3-100101 ~ 199999	G14EM	JN4-100101 ~ 199999
G14AP	JN3-200101 ~ 202800	G14EP	JN4-200101 ~ 201200

SERVICE INFORMATION

1. Turn the main switch to "OFF," and remove the key.
2. Remove the service lid to gain access to the brake and accelerator pedal adjustments.
3. Adjust the accelerator stop bolt height. A small machinist's ruler works well for getting under the accelerator bracket to take the measurement.



Accelerator pedal stop bolt height **a**
18.00 ~ 18.4mm (0.70 ~ 0.72 in)

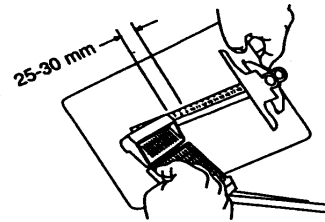
PAGE 1 OF 3

© 1995 YAMAHA MOTOR MANUFACTURING CORPORATION of AMERICA

SERVICE INFORMATION (continued)

4. Check the brake pedal freeplay. Adjust if out of specification.

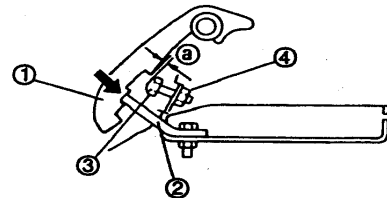
Brake Pedal Free Play:
25 ~ 30mm (0.98 ~ 1.18 in)



5. Check the parking brake release gap. Adjust if out of specification

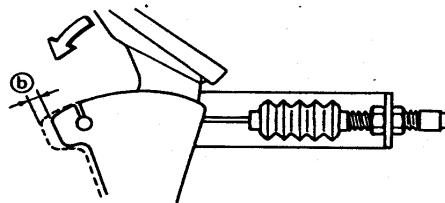
- Apply the brake, hook the stopper ② at the second notch on the ratchet ①.
- Adjust freeplay (release timing) ③

Freeplay (Release Timing) ③
1.0mm (0.04 in)



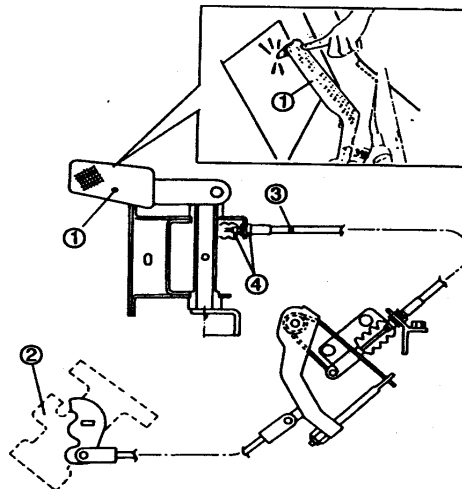
6. Check throttle cable 1 freeplay. Adjust if out of specification.

Freeplay (Throttle Cable 1) ①
0.2 ~ 0.5mm (0.008 ~ 0.020 in)



7. Check throttle cable 1 adjustment (G14A).

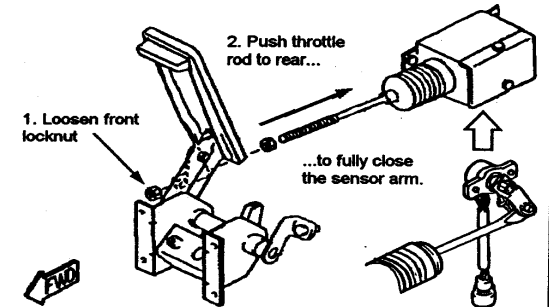
- Depress the accelerator pedal ① to the floor.
- While keeping the pedal in this position, check that the throttle valve in the carburetor ② is fully open.
- If not, adjust throttle cable 1 ③ by turning the adjusting nuts ④ in or out.



SERVICE INFORMATION (continued)

8. Throttle Rod Adjustment (G14E)

- Loosen the front locknut that secures the accelerator rod to the pedal. Push the throttle rod to the rear to fully close the throttle position sensor.
- Retighten the locknuts. Be careful not to twist the accelerator rod when tightening.
- Check for smooth operation of the accelerator pedal. If binding occurs, loosen accelerator rod locknuts and repeat step 1 and 2 above.



WARRANTY INFORMATION

The warranty labor allowance for this procedure is 0.3 hours. The problem code is 90ME.

To receive credit submit a warranty request following standard Service-Per-Bulletin procedures.

ROUTE TO:



G14A

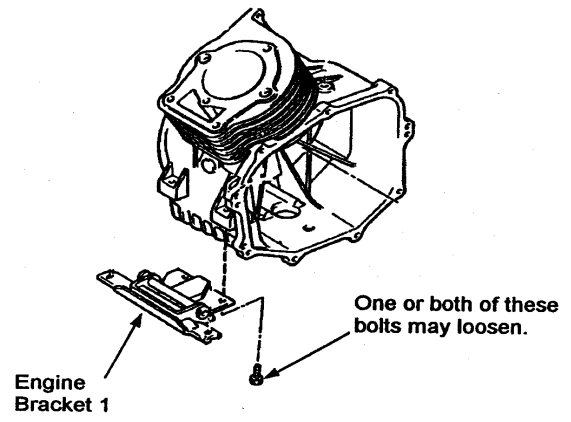
LOOSE ENGINE BRACKET 1

INTRODUCTION

PROBLEM: Some units may experience repeat starter generator belt looseness and excessive engine vibration.

REMEDY: Install flat washers under the bolts, apply locking agent to the threads and retorque to specifications.

CAUSE: The bolts that hold the engine bracket 1 to the engine case may loosen.



DEALER ACTION SUMMARY

Perform the service procedure in this bulletin on all units that experience repeat starter generator belt looseness or excessive engine vibration.

File standard warranty for this procedure.

NOTE: This bulletin applies only to the units in the affected range shown below. Later units were modified at the factory.

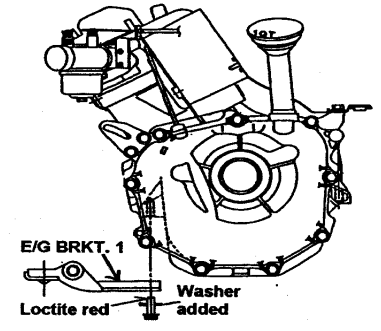
Refer to the Service Procedure section of this bulletin.

AFFECTED UNITS

G14AM	JN3-100101 ~ 199999	G14AP	JN3-200101 ~ 201299
-------	---------------------	-------	---------------------

SERVICE INFORMATION

1. Gain access to the engine bracket bolts using one of the two following methods:
 - a. Drill out the rivets in the lower pan to gain direct access to the bolts. When repairs are complete, reinstall the lower pan with new rivets.
 - b. Remove the starter generator, the front engine mounts and lift the engine up to gain access to the bolts.
2. Remove the 2 bolts that thread into the crankcase. If missing, replace them with new ones.
3. Install standard 10mm flat washers under each bolt.
4. Apply red Loctite™ to the threads and torque to specification.
5. Reassemble using the reverse steps of "a" or "b" above.



Engine Bracket 1 bolt torque:
25 ft.lb.(300~400 kgf-cm)

PARTS INFORMATION

Part Number	Description	Remarks	Dealer Cost
90201-118K4-00	Washer, flat	Or use any 10mm flat washer with minimum thickness of 1.5mm	\$1.07
90267-40131	Rivet, blind	For lower pan if removed	\$0.45
Loctite™ Thread Locker	Loctite, 262 (red)	Stud and bearing mount (or equivalent)	Local

WARRANTY INFORMATION

Submit a normal warranty request. The Problem Code is 70.

The warranty allowance for this procedure is 0.5 hours. Use Job Code 6038.

ROUTE TO: SERVICE PARTS WARRANTY SALES