



YAMAHA

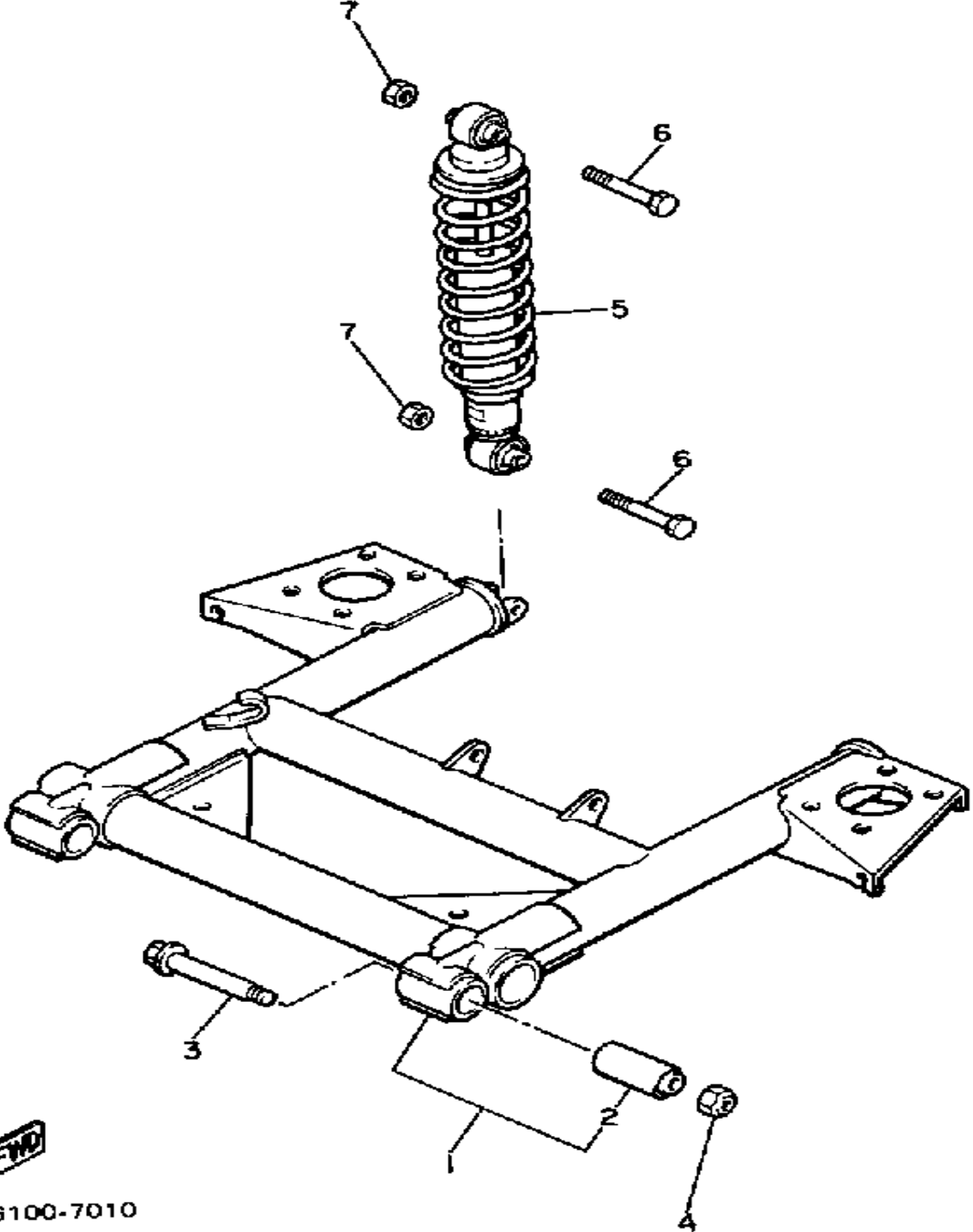
GENUINE

PARTS CATALOGUE

GOLF CAR

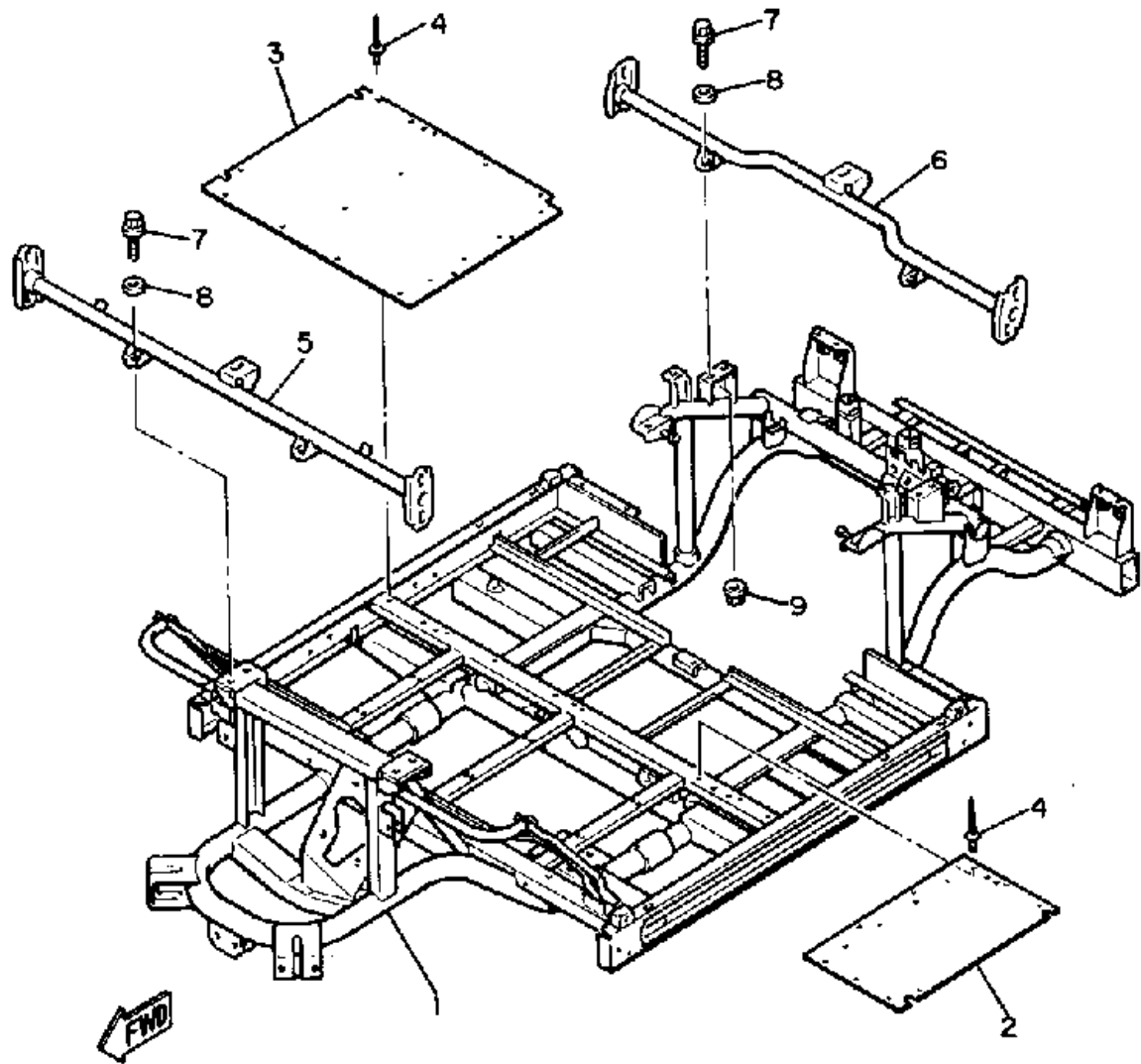
REAR SHOCKS

| Ref. No. | Part Number | Description | Qty | Remarks |
|----------|-----------------|----------------------------------------------------|-----|---------|
| 1 | J46-Y2210-00-00 | REAR ARM COMP. | 1 | |
| 2 | J10-22123-00-00 | . BUSH 1 | 2 | |
| 3 | 90105-10359-00 | BOLT, WASHER BASED | 2 | |
| 4 | 90185-10115-00 | NUT, SELF-LOCKING | 2 | |
| 5 | J46-22210-00-00 | SHOCK ABSORBER ASS'Y, rear (J42-22210-00-00) | 2 | |
| 6 | 97012-10050-00 | BOLT (97002-10050-00) | 4 | |
| 7 | 95601-10100-00 | NUT, U (95602-10100-00) | 4 | |



FWD
J46100-7010

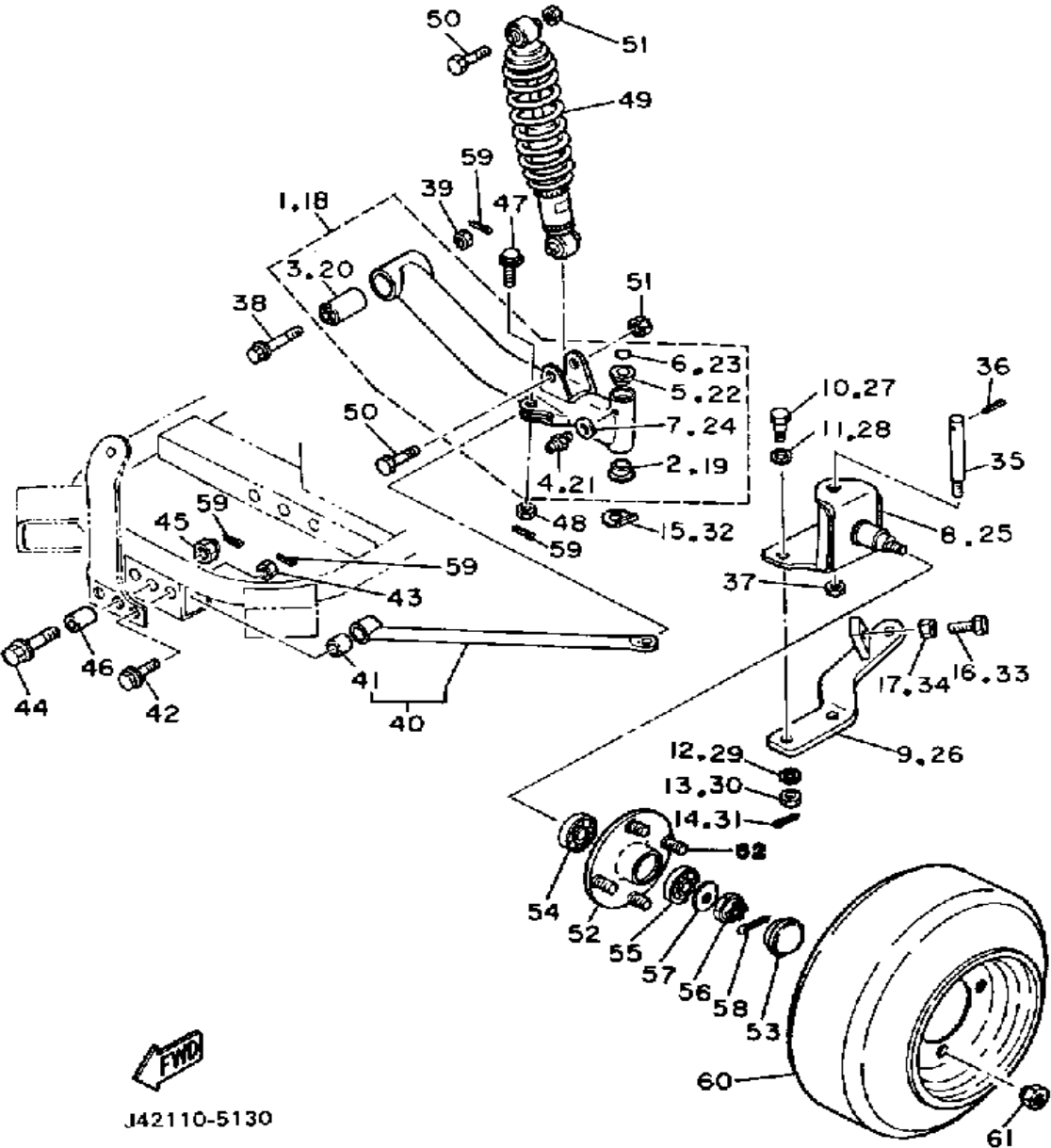
FRAME



| Ref. No. | Part Number | Description | Qty | Remarks |
|----------|-------------------|----------------------------|-----|---------|
| 1 | (J46-22501-00-00) | FRAME | 1 | |
| 2 | J42-22571-00-00 | PANEL 1 | 1 | |
| 3 | J42-22572-00-00 | PANEL 2 | 1 | |
| 4 | 90267-40054-00 | RIVET, BLIND | 18 | |
| 5 | J42-2254J-01-00 | SUPPORT, side panel | 1 | |
| 6 | J42-2254K-00-00 | SUPPORT, side panel 2 | 1 | |
| 7 | 95821-08020-00 | BOLT, FLANGE (95801-08020) | 8 | |
| 8 | 90201-084K3-00 | WASHER, PLATE | 8 | |
| 9 | 95701-08500-00 | NUT, FLANGE | 4 | |

J46100-7020

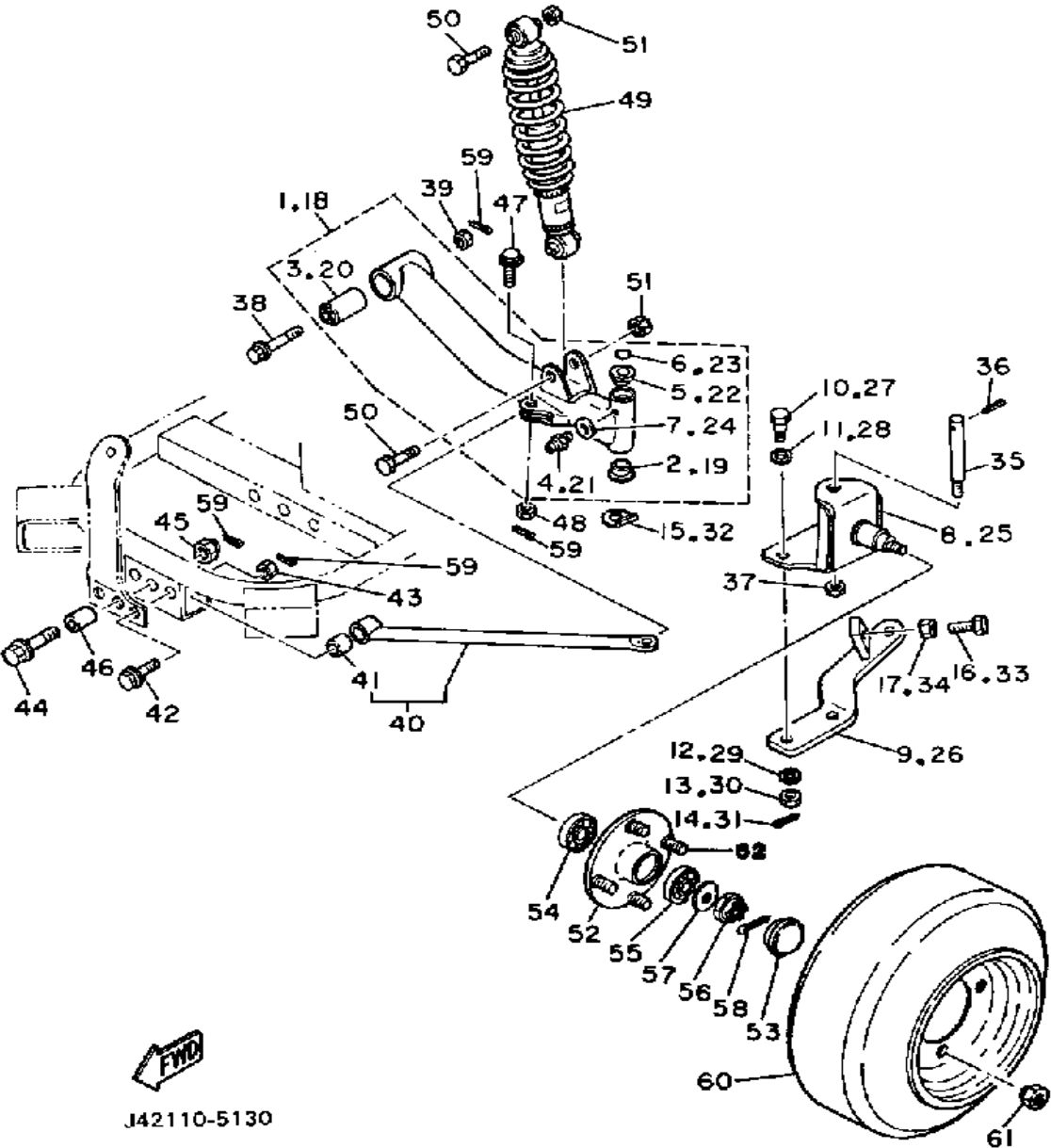
FRONT SUSPENSION - WHEEL



| Ref. No. | Part Number | Description | Qty | Remarks |
|----------|-----------------|-------------------------------|-----|---------|
| 1 | J42-W2351-00-00 | FRONT LOWER ARM LHCOMP. (L.H) | 1 | |
| 2 | 90381-15032-00 | . BUSH, SOLID | 1 | |
| 3 | J10-23526-00-00 | . BUSH | 1 | |
| 4 | 93700-06M03-00 | . NIPPLE, GREASE | 1 | |
| 5 | 90381-15040-00 | . BUSH, SOLID | 1 | |
| 6 | 93210-15566-00 | . O-RING | 1 | |
| 7 | 90201-067F9-00 | . WASHER, PLATE | 1 | |
| 8 | J17-23510-00-00 | KNUCKLE, STEERING 1 | 1 | |
| 9 | J11-23512-00-00 | ARM, KNUCKLE 1 | 1 | |
| 10 | 90109-10643-00 | BOLT | 2 | |
| 11 | 90201-121F0-00 | WASHER, PLATE | 2 | |
| 12 | 90201-105F2-00 | WASHER, PLATE | 2 | |
| 13 | 90171-10035-00 | NUT, CASTLE | 2 | |
| 14 | 91490-25030-00 | PIN, COTTER | 2 | |
| 15 | 90214-16027-00 | WASHER, CLAW | 1 | |
| 16 | 97313-08030-00 | BOLT, HEXAGON | 1 | |
| 17 | 95303-08700-00 | NUT | 1 | |
| 18 | J42-W2352-00-00 | FRONT LOWER ARM RHCOMP (R.H) | 1 | |
| 19 | 90381-15032-00 | . BUSH, SOLID | 1 | |
| 20 | J10-23526-00-00 | . BUSH | 1 | |
| 21 | 93700-06M03-00 | . NIPPLE, GREASE | 1 | |
| 22 | 90381-15040-00 | . BUSH, SOLID | 1 | |
| 23 | 93210-15566-00 | . O-RING | 1 | |
| 24 | 90201-067F9-00 | . WASHER, PLATE | 1 | |
| 25 | J17-23510-00-00 | KNUCKLE, STEERING 1 | 1 | |
| 26 | J11-23522-00-00 | ARM, KNUCKLE 2 | 1 | |
| 27 | 90109-10643-00 | BOLT | 2 | |

CONTINUED ON NEXT FRAME ►

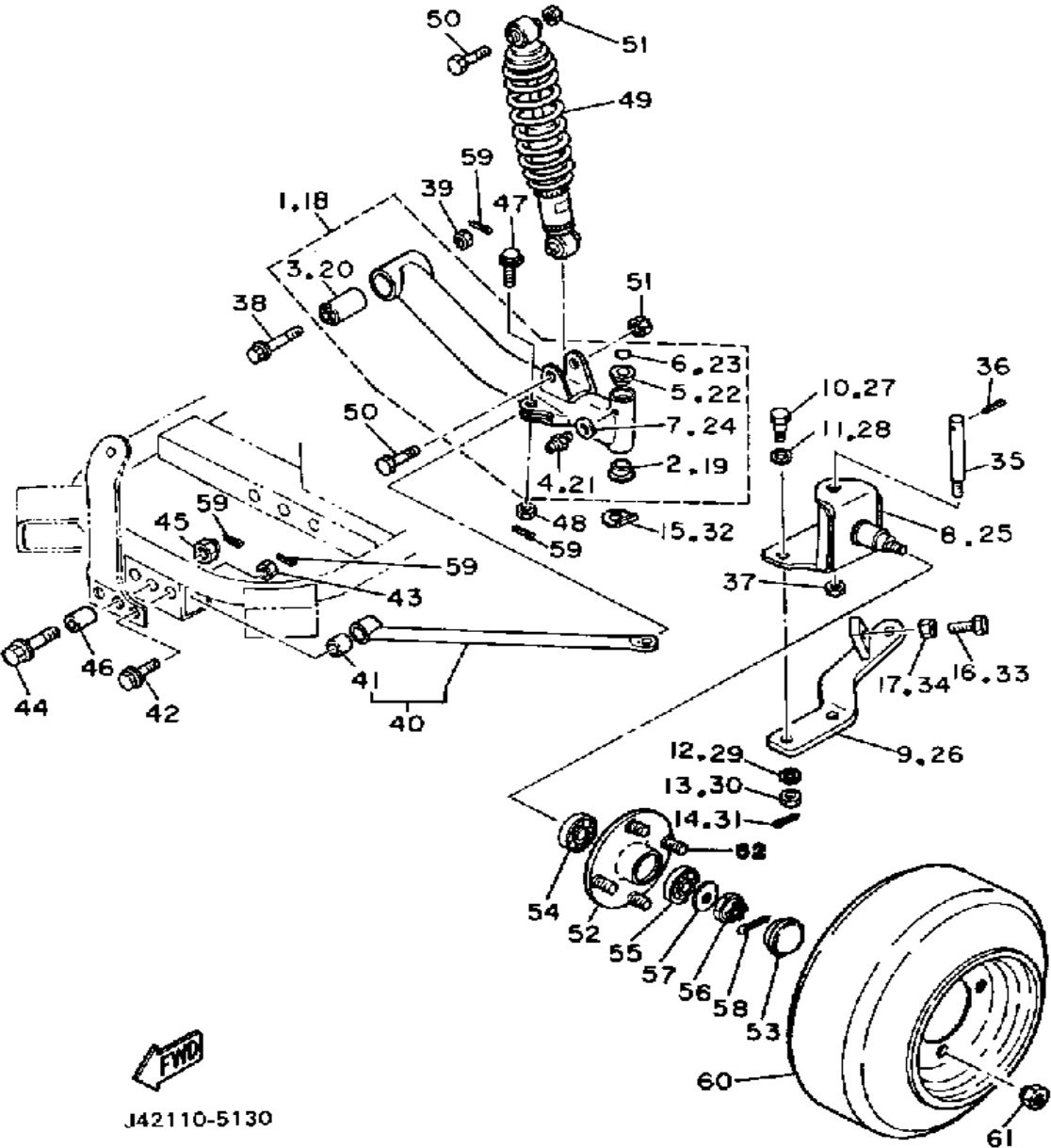
FRONT SUSPENSION - WHEEL



| Ref. No. | Part Number | Description | Qty | Remarks |
|----------|------------------|-------------------------------|-----|---------|
| 28 | 90201-121F0-00 | WASHER, PLATE | 2 | |
| 29 | 90201-105F2-00 | WASHER, PLATE | 2 | |
| 30 | 90171-10035-00 | NUT, CASTLE | 2 | |
| 31 | 91490-25030-00 | PIN, COTTER | 2 | |
| 32 | 90214-16027-00 | WASHER, CLAW | 1 | |
| 33 | 97313-08030-00 | BOLT, HEXAGON | 1 | |
| 34 | 95303-08700-00 | NUT | 1 | |
| 35 | J10-23516-02-00 | KING PIN, STRG KNKL | 2 | |
| 36 | 91401-30030-00 | PIN, COTTER | 2 | |
| 37 | 95712-12300-00 | 2 | 2 | |
| 38 | 90105-10224-00 | BOLT, WASHER BASED | 2 | |
| 39 | 95601-10200-00 | NUT, SELF-LOCKING | 2 | |
| 40 | J17-W2355-00-00 | ROD, TENSION | 2 | |
| 41 | J10-23583-01-00 | . BUSH | 1 | |
| 42 | 90105-08225-00 | BOLT, WASHER BASED | 2 | |
| 43 | 95601-08200-00 | NUT, U | 2 | |
| 44 | 95812-12050-00 | BOLT, flange | 1 | |
| 45 | 95701-12500-00 | NUT, FLANGE | 1 | |
| 46 | 90387-137F6-00 | COLLAR | 1 | |
| 47 | 90102-12046-00 | BOLT, WITH HOLE | 2 | |
| 48 | 95601-12200-00 | NUT, SELF-LOCKING | 2 | |
| 49 | J46-23350-00-00 | SHOCK ABSORBER ASSEMBLY | 2 | |
| 50 | (97022-10050-00) | BOLT (83L) | 4 | |
| 51 | 95612-10100-00 | NUT, BIND | 4 | |
| 52 | J17-W2511-00-00 | HUB, FRONT | 2 | |
| 53 | J17-25118-00-00 | COVER, HUB DUST | 2 | |
| 54 | 93306-00511-00 | BEARING | 2 | |
| 55 | 93306-20437-00 | BEARING | 2 | |

CONTINUED ON NEXT FRAME ►

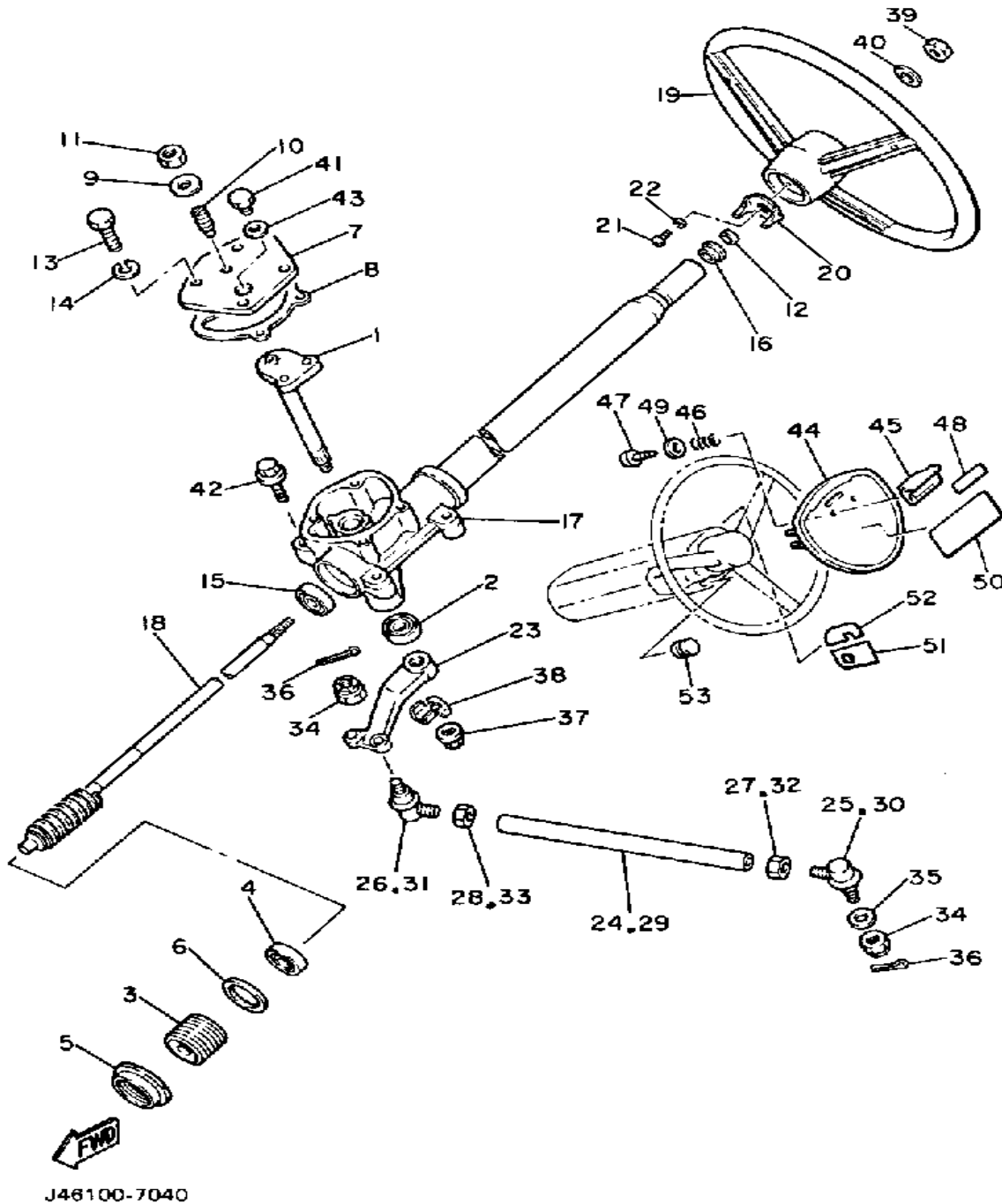
FRONT SUSPENSION - WHEEL



J42110-5130

| Ref. No. | Part Number | Description | Qty | Remarks |
|----------|----------------|--------------------------|-----|----------|
| 56 | 95301-14900-00 | NUT, SLOTTED | 2 | |
| 57 | 90209-14219-00 | WASHER, SPEC'L SHAP | 2 | |
| 58 | 91401-30030-00 | PIN, COTTER | 2 | |
| 59 | 91490-25030-00 | PIN, COTTER | 6 | |
| 60 | *--- | FRONT WHEEL ASSEMBLY .. | 2 | SEE NOTE |
| 61 | 90179-12262-00 | NUT | 8 | |
| 62 | 90114-12004-00 | BOLT, RIBBED NECK | 8 | |

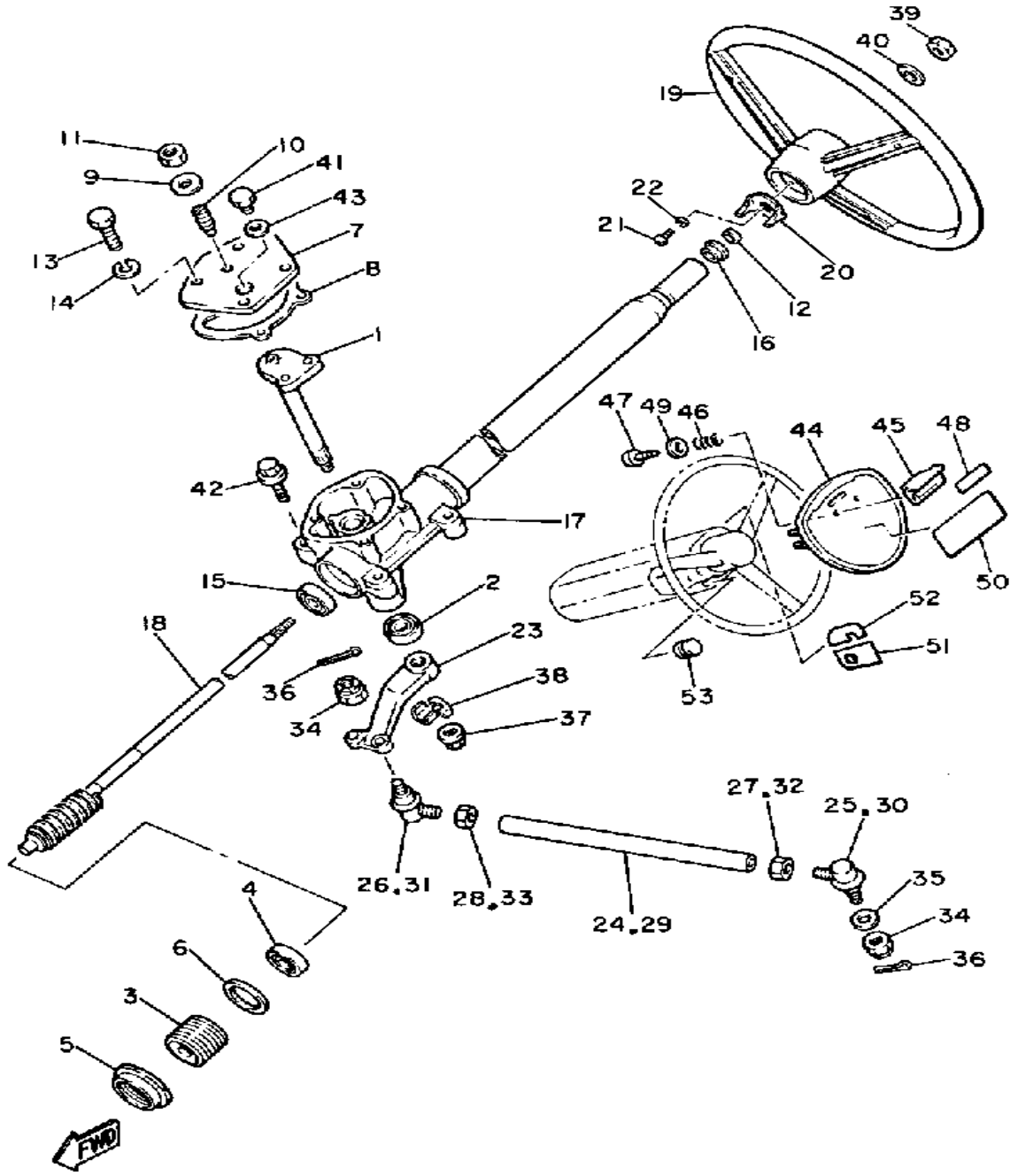
STEERING



| Ref. No. | Part Number | Description | Qty | Remarks |
|----------|-----------------|----------------------------|-----|---------|
| 1 | J24-23816-01-00 | ARM, PITMAN (J24-23816-00) | 1 | |
| 2 | 93102-22087-00 | OIL SEAL | 1 | |
| 3 | J55-F3876-00-00 | BOLT | 1 | |
| 4 | 93332-00010-00 | BEARING | 1 | |
| 5 | J10-23877-00-00 | NUT | 1 | |
| 6 | J10-23444-00-00 | WASHER | 1 | |
| 7 | J10-23818-00-00 | COVER, STEERING | 1 | |
| 8 | J10-23462-00-00 | SEAL, STEERING | 1 | |
| 9 | 90201-08087-00 | WASHER, PLATE | 1 | |
| 10 | J10-23459-00-00 | BOLT | 1 | |
| 11 | 90170-08024-00 | NUT, HEX. | 1 | |
| 12 | 93104-15005-00 | OIL SEAL, SO-TYPE | 1 | |
| 13 | 97313-08020-00 | BOLT, HEXAGON | 4 | |
| 14 | 92990-08100-00 | WASHER, SPRING | 4 | |
| 15 | 93332-00010-00 | BEARING | 1 | |
| 16 | J42-23814-00-00 | HOLDER, handle upper | 1 | |
| 17 | J42-23811-00-00 | COLUMN, steering | 1 | |
| 18 | J10-23840-00-00 | STEERING SHAFT | 1 | |
| 19 | J50-F3838-00-00 | WHEEL, STEERING | 1 | |
| 20 | J42-23839-00-00 | PIN, CANCEL | 1 | |
| 21 | 98580-04008-00 | SCREW, PAN HEAD | 3 | |
| 22 | 92901-04100-00 | WASHER, SPRING | 3 | |
| 23 | J24-23826-00-00 | ARM, IDLER | 1 | |
| 24 | J10-23831-00-00 | ROD, TIE | 1 | |
| 25 | J10-23841-10-00 | JOINT, UNIVERSAL 1 | 1 | |
| 26 | J10-23845-10-00 | JOINT, UNIVERSAL 2 | 1 | |
| 27 | 90170-12054-00 | NUT | 1 | |
| 28 | 90170-12055-00 | NUT | 1 | |
| 29 | J10-23831-00-00 | ROD, TIE | 1 | |

CONTINUED ON NEXT FRAME ►

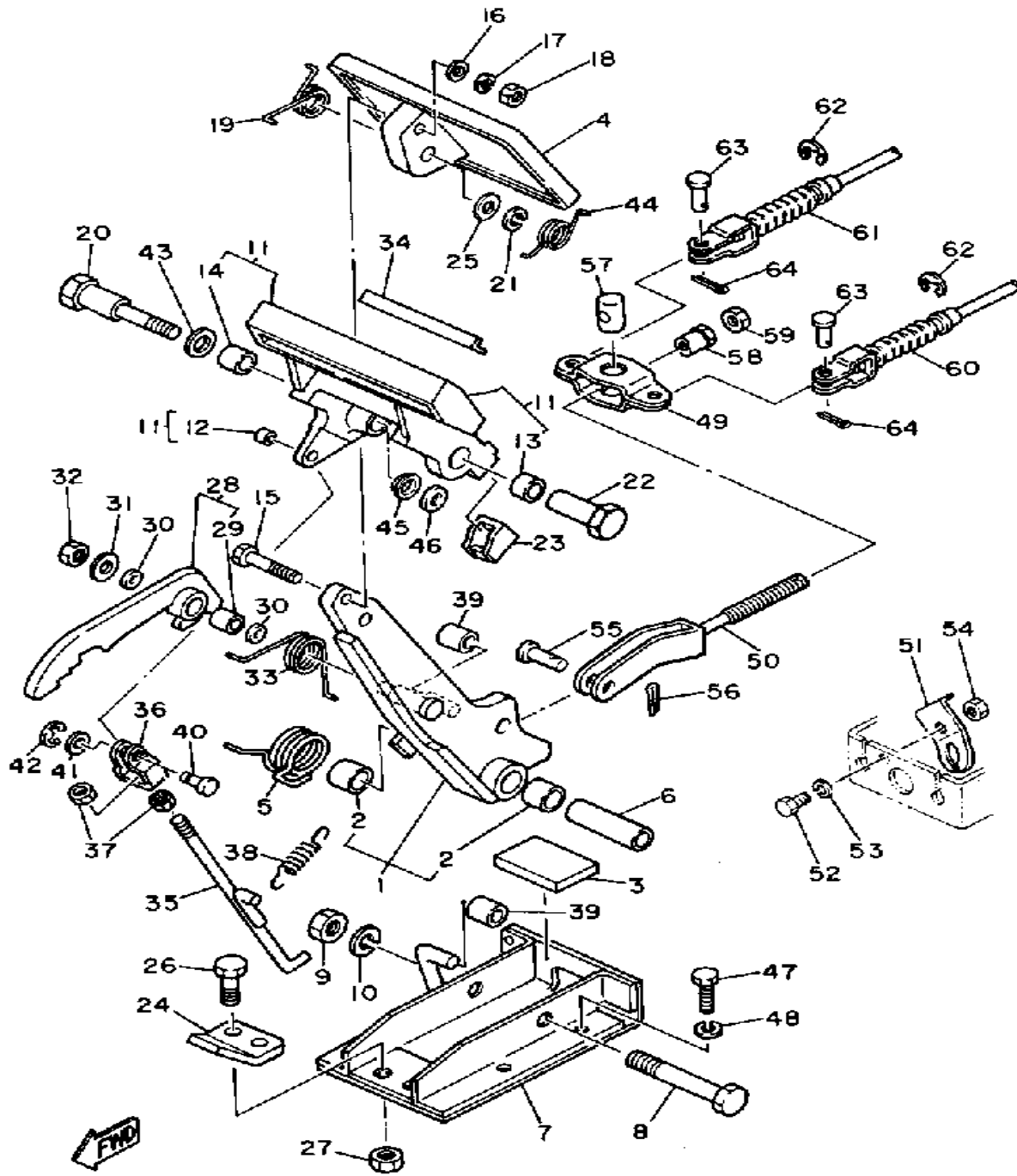
STEERING



J46100-7040

| Ref. No. | Part Number | Description | Qty | Remarks |
|----------|-------------------|----------------------------------|-----|---------|
| 30 | J10-23841-10-00 | JOINT, UNIVERSAL 1 | 1 | |
| 31 | J10-23845-10-00 | JOINT, UNIVERSAL 2 | 1 | |
| 32 | 90170-12054-00 | NUT | 1 | |
| 33 | 90170-12055-00 | NUT | 1 | |
| 34 | 95301-12900-00 | NUT, SLOTTED | 4 | |
| 35 | 92990-12600-00 | WASHER, PLATE | 2 | |
| 36 | 91401-30030-00 | PIN, COTTER | 4 | |
| 37 | 95701-16300-00 | NUT, FLANGE | 1 | |
| 38 | 90215-16161-00 | WASHER, LOCK | 1 | |
| 39 | 90185-12119-00 | NUT, SELF-LOCKING | 1 | |
| 40 | 92990-12200-00 | WASHER, PLAIN | 1 | |
| 41 | 90340-14115-00 | PLUG, STRAIGHT SCRW | 1 | |
| 42 | 95811-10050-00 | BOLT, FLANGE (95812-10050-00) | 4 | |
| 43 | 90430-14043-00 | GASKET | 1 | |
| 44 | J50-K8357-00-00 | HOLDER 1 | 1 | |
| 45 | J50-K8358-00-00 | HOLDER 2 | 1 | |
| 46 | 90502-10013-00 | SPRING, CONICAL | 2 | |
| 47 | 97780-50125-00 | SCREW, TAPPING | 2 | |
| 48 | J10-78292-00-00 | EMBLEM 2 | 1 | |
| 49 | 92901-05600-00 | WASHER, PLATE | 2 | |
| 50 | (J46-77762-00-00) | LABEL, WARNING 2 | 1 | |
| 51 | J42-77741-00-00 | INDICATOR 1 | 1 | |
| 52 | J42-77742-00-00 | INDICATOR 2 | 1 | |
| 53 | 90338-11125-00 | PLUG | 1 | |

BRAKE

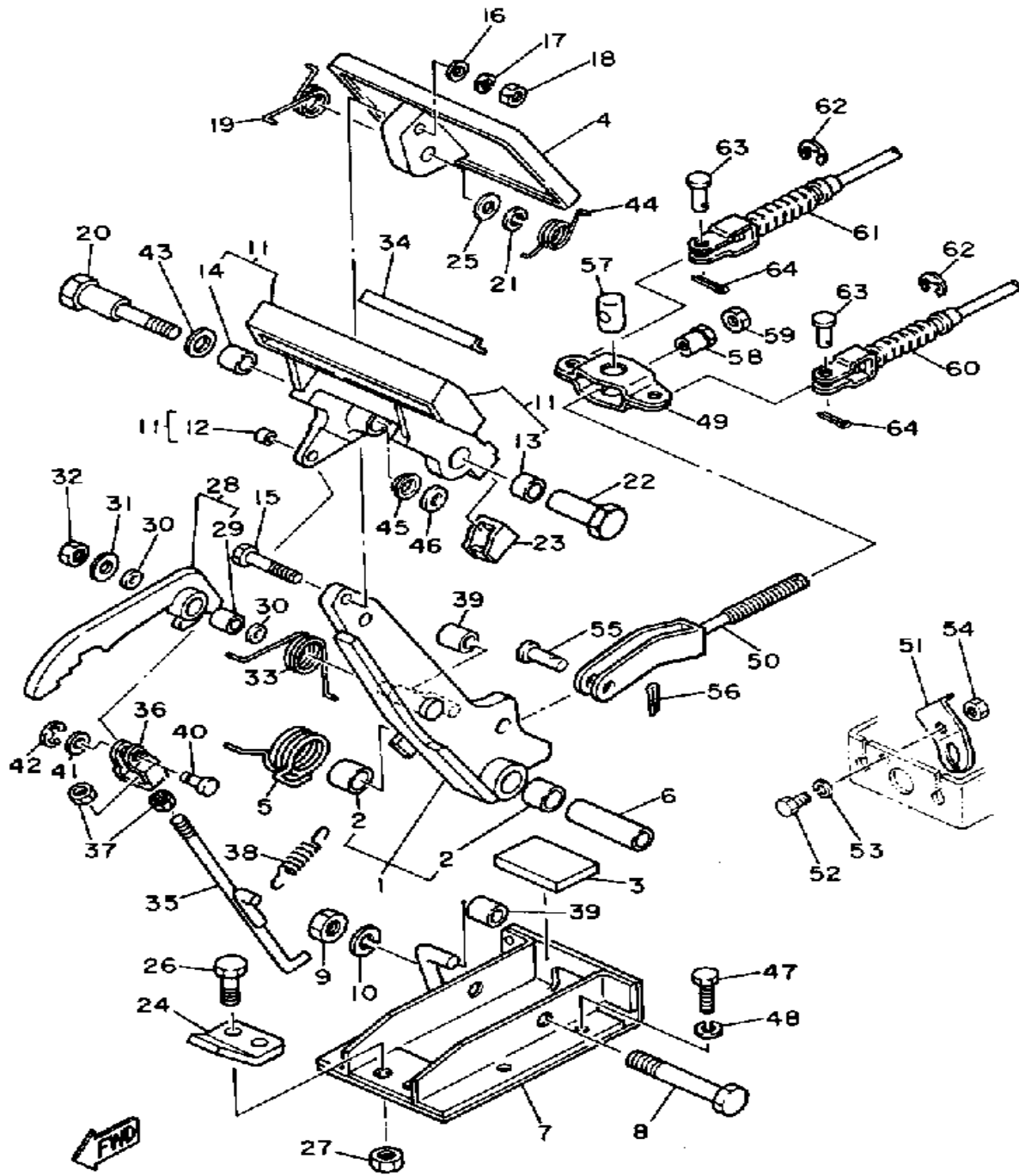


J46100-7050

| Ref. No. | Part Number | Description | Qty | Remarks |
|----------|-----------------|------------------------------------|-----|---------|
| 1 | J46-27250-00-00 | BRAKE ARM CMPLT | 1 | |
| 2 | 90384-14080-00 | . BUSH, BIMETAL | 2 | |
| 3 | J17-27245-00-00 | PAD, BRAKE PEDAL | 1 | |
| 4 | J10-27211-00-00 | PEDAL, BRAKE | 1 | |
| 5 | 90508-40543-00 | SPRING, TORSION | 1 | |
| 6 | 90387-107F8-00 | COLLAR | 1 | |
| 7 | J17-25654-00-00 | BRACKET, PEDAL | 1 | |
| 8 | 90101-10447-00 | BOLT, HEX. | 1 | |
| 9 | 95601-10100-00 | NUT, U (95602-10100-00) | 1 | |
| 10 | 92990-10100-00 | WASHER, SPRING | 1 | |
| 11 | 99999-01799-00 | PARKING PEDAL COMP. (J17-25670-00) | 1 | |
| 12 | 90384-05163-00 | . BUSH, BIMETAL | 1 | |
| 13 | 90384-12164-00 | . BUSH, BIMETAL | 1 | |
| 14 | 90380-12051-00 | . BUSH, SOLID | 1 | |
| 15 | 90101-06555-00 | BOLT, HEX. | 1 | |
| 16 | 92990-06200-00 | WASHER, PLAIN | 1 | |
| 17 | 92995-06100-00 | WASHER, SPRING | 1 | |
| 18 | 95380-06600-00 | NUT | 1 | |
| 19 | 90508-23542-00 | SPRING, TORSION | 1 | |
| 20 | 90109-08669-00 | BOLT | 1 | |
| 21 | 92990-08100-00 | WASHER, SPRING | 1 | |
| 22 | 90179-08378-00 | NUT | 1 | |
| 23 | J17-25679-01-00 | DAMPER | 1 | |
| 24 | J17-27246-00-00 | NAIL, BRAKE | 1 | |
| 25 | 92990-08200-00 | WASHER, PLAIN | 1 | |
| 26 | 97001-08025-00 | BOLT (1NV) | 2 | |
| 27 | 95611-08100-00 | NUT, U | 2 | |
| 28 | J17-W2561-00-00 | SECTOR, PARKING BRAKE | 1 | |

CONTINUED ON NEXT FRAME ►

BRAKE

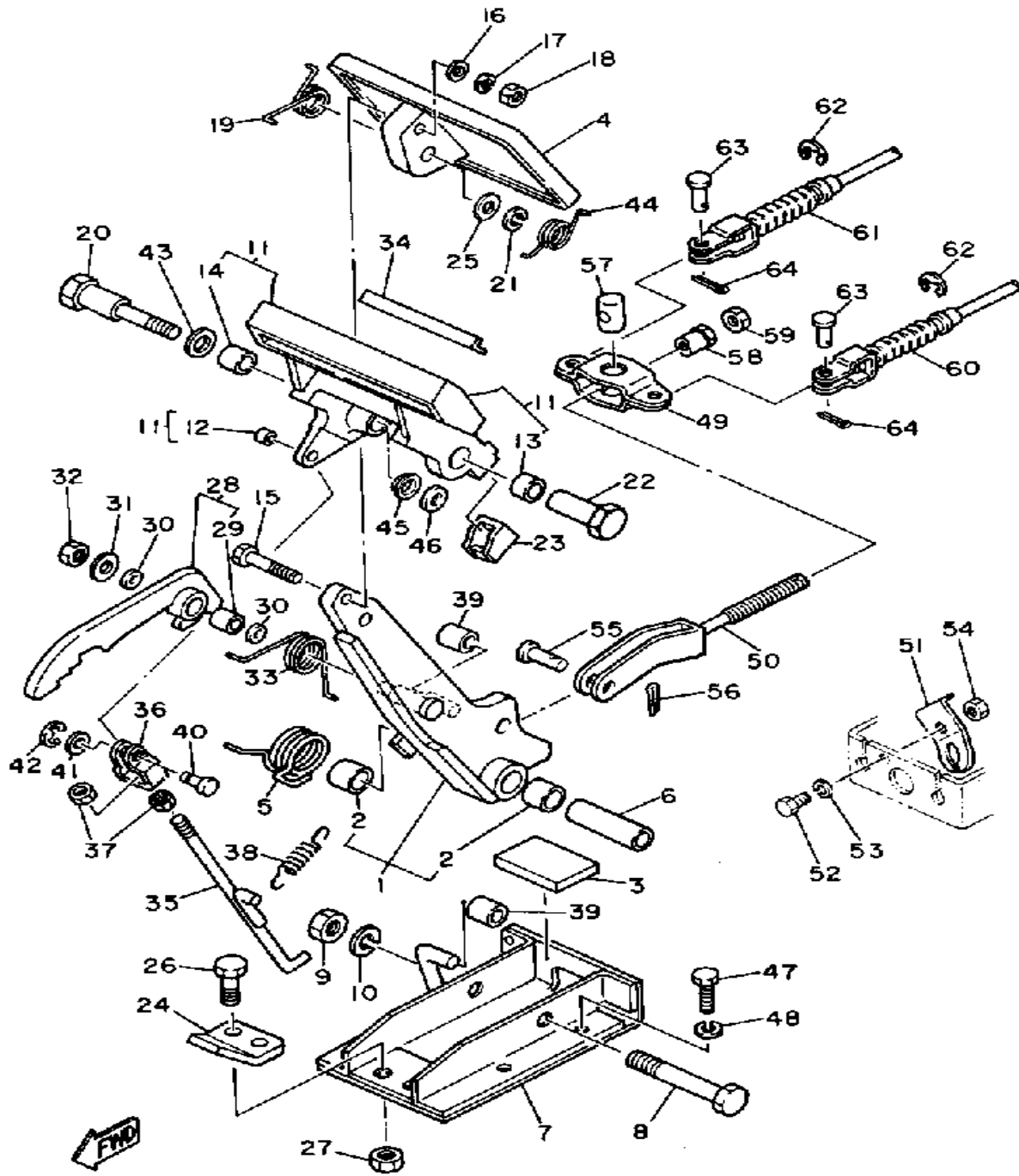


J46100-7050

| Ref. No. | Part Number | Description | Qty | Remarks |
|----------|-------------------|-------------------------------------|-----|---------|
| 29 | 90384-10162-00 | . BUSH, BIMETAL | 1 | |
| 30 | J17-27221-00-00 | SEAL, SHAFT | 2 | |
| 31 | 90201-065F3-00 | WASHER, PLATE | 1 | |
| 32 | 95601-06100-00 | NUT, U | 1 | |
| 33 | 90508-14548-00 | SPRING, TORSION | 1 | |
| 34 | J17-25672-01-00 | PAD, PARKING | 1 | |
| 35 | J17-27231-02-00 | ROD, BRAKE | 1 | |
| 36 | J17-27232-00-00 | END, ROD | 1 | |
| 37 | 95380-06700-00 | NUT | 2 | |
| 38 | 90506-12277-00 | SPRING, TENSION | 1 | |
| 39 | J17-25673-00-00 | DAMPER, BRAKE | 2 | |
| 40 | J17-27228-00-00 | PIN, LINK JOINT | 1 | |
| 41 | 92901-05600-00 | WASHER, PLATE | 1 | |
| 42 | 99080-04600-00 | CIRCLIP (E) | 1 | |
| 43 | 90201-123F2-00 | WASHER, PLAIN | 1 | |
| 44 | 90508-26557-00 | SPRING, TORSION | 1 | |
| 45 | 90380-12105-00 | BUSH, SOLID | 1 | |
| 46 | 90201-104G8-00 | WASHER, PLAIN | 2 | |
| 47 | 97313-06016-00 | BOLT, HEXAGON | 4 | |
| 48 | 92995-06100-00 | WASHER, SPRING | 4 | |
| 49 | J10-25681-00-00 | EQUALIZER, BRAKE | 1 | |
| 50 | (J46-25685-00-00) | ROD | 1 | |
| 51 | J13-25656-00-00 | BRKT, STOP LT SWCHSTOP LIGHT SWITCH | 1 | |
| 52 | 97313-06016-00 | BOLT, HEXAGON | 1 | |
| 53 | 92995-06100-00 | WASHER, SPRING | 1 | |
| 54 | 95380-06600-00 | NUT | 1 | |
| 55 | 91701-10022-00 | PIN | 1 | |
| 56 | 91490-30020-00 | PIN, COTTER | 1 | |

CONTINUED ON NEXT FRAME ►

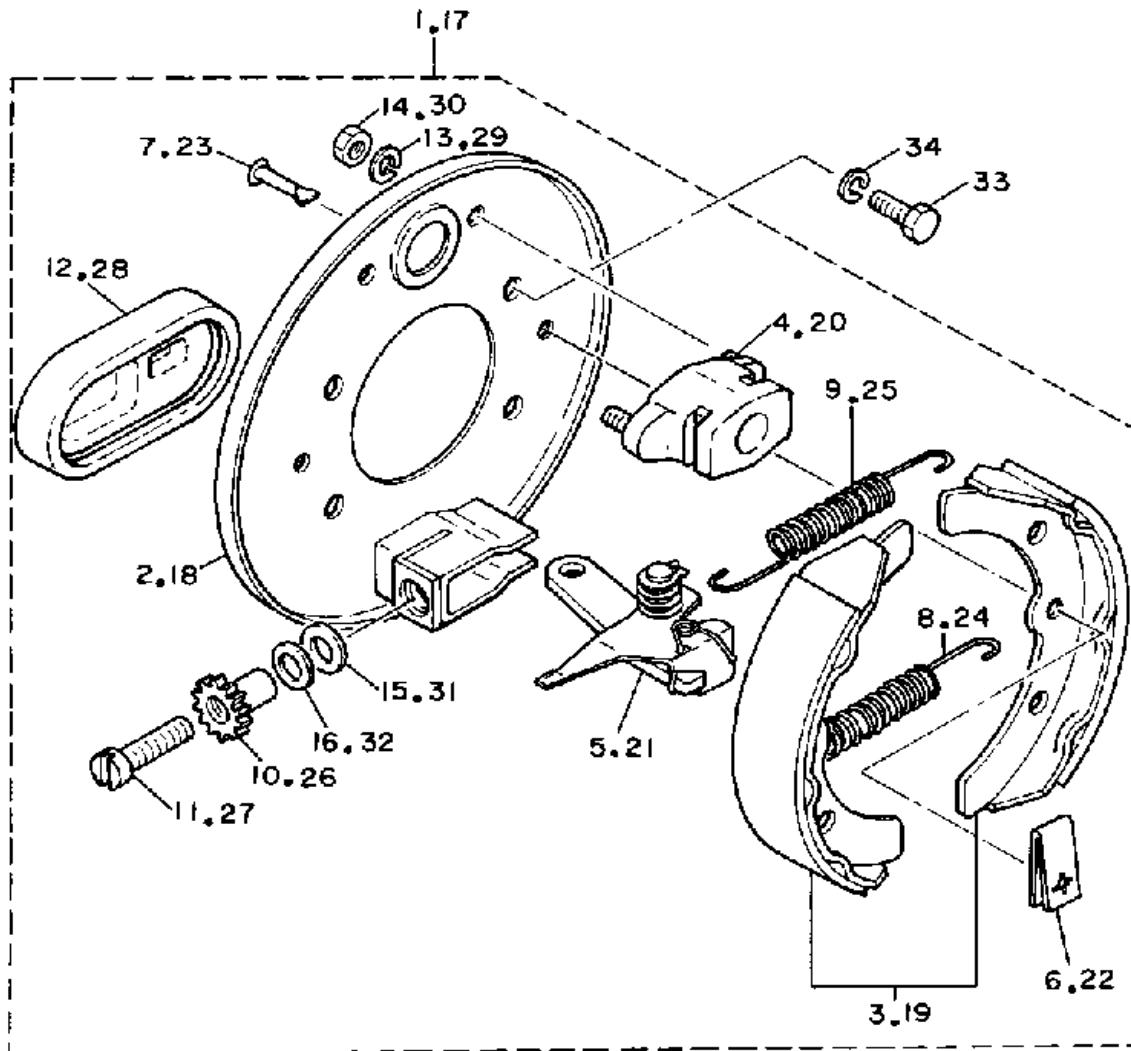
BRAKE



J46100-7050

| Ref. No. | Part Number | Description | Qty | Remarks |
|----------|-----------------|--------------------|-----|---------|
| 57 | 90249-14129-00 | PIN | 1 | |
| 58 | 90179-08261-00 | NUT | 1 | |
| 59 | 95303-08700-00 | NUT | 1 | |
| 60 | J56-F6341-00-00 | CABLE, BRAKE | 1 | |
| 61 | J56-F6351-00-00 | CABLE, BRAKE | 1 | |
| 62 | 99001-09600-00 | CIRCLIP | 4 | |
| 63 | 91701-08018-00 | PIN | 4 | |
| 64 | 91490-25020-00 | PIN, COTTER | 4 | |

BRAKE 2

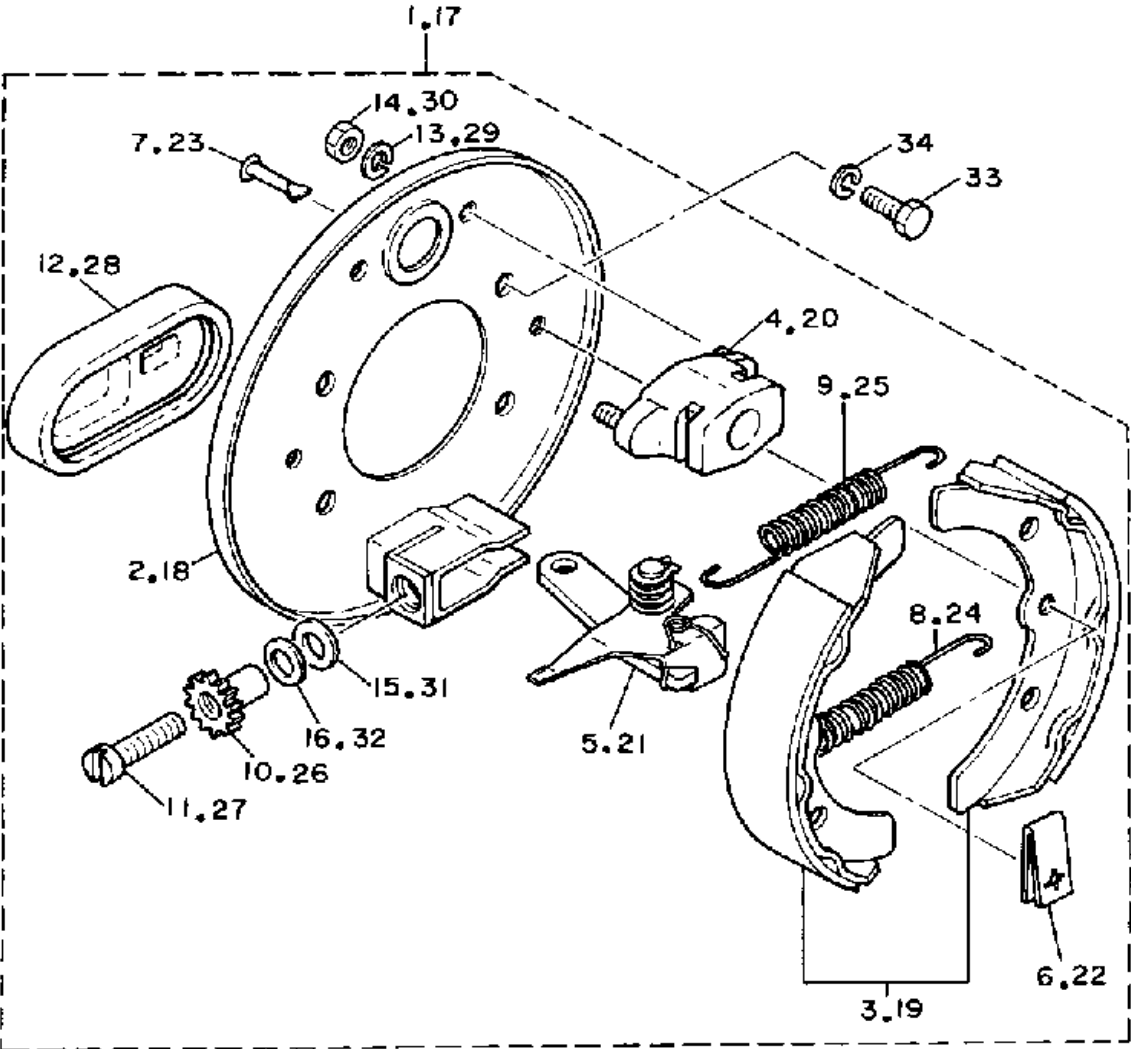


J46100-7060

| Ref. No. | Part Number | Description | Qty | Remarks |
|----------|-----------------|--------------------------------------------|-----|---------|
| 1 | J17-27280-01-00 | BACKING PLT ASSEMBLY 1 .. | 1 | |
| 2 | J17-27208-00-00 | . BACKING PLATE SUB ASSEMBLY 1 (R.H) | 1 | |
| 3 | J55-W2536-00-00 | . BRAKE SHOE SET | 1 | |
| 4 | J17-27206-00-00 | . ANCHOR BODY COMP. | 1 | |
| 5 | J17-27204-01-00 | . LEVER ASSEMBLY 1 | 1 | |
| 6 | J10-27281-00-00 | . SPRING, SHOE CLAMP | 2 | |
| 7 | J10-27282-00-00 | . PIN, SHOE HOLD DOWN | 2 | |
| 8 | 90506-20281-00 | . SPRING, TENSION | 1 | |
| 9 | 90506-26191-00 | . SPRING, TENSION | 1 | |
| 10 | J17-27238-00-00 | . NUT, ADJUSTING | 1 | |
| 11 | 90109-08657-00 | . BOLT | 1 | |
| 12 | J10-27286-00-00 | . COVER, DUST | 1 | |
| 13 | 92995-06100-00 | . WASHER, SPRING | 2 | |
| 14 | 95380-06600-00 | . NUT | 2 | |
| 15 | 90201-121H8-00 | . WASHER, PLATE | 1 | |
| 16 | 90201-121H9-00 | . WASHER, PLATE | 1 | |
| 17 | J17-27290-01-00 | BACKING PLT ASSEMBLY 2 .. | 1 | |
| 18 | J17-27209-00-00 | . BACKING PLATE SUB ASSEMBLY 2 (L.H) | 1 | |
| 19 | J55-W2536-00-00 | . BRAKE SHOE SET | 1 | |
| 20 | J17-27206-00-00 | . ANCHOR BODY COMP. | 1 | |
| 21 | J17-27205-01-00 | . LEVER ASSEMBLY 2 | 1 | |
| 22 | J10-27281-00-00 | . SPRING, SHOE CLAMP | 2 | |
| 23 | J10-27282-00-00 | . PIN, SHOE HOLD DOWN | 2 | |
| 24 | 90506-20281-00 | . SPRING, TENSION | 1 | |
| 25 | 90506-26191-00 | . SPRING, TENSION | 1 | |
| 26 | J17-27258-00-00 | . NUT, ADJUSTING | 1 | |
| 27 | 90109-08659-00 | . BOLT | 1 | |

CONTINUED ON NEXT FRAME ►

BRAKE 2

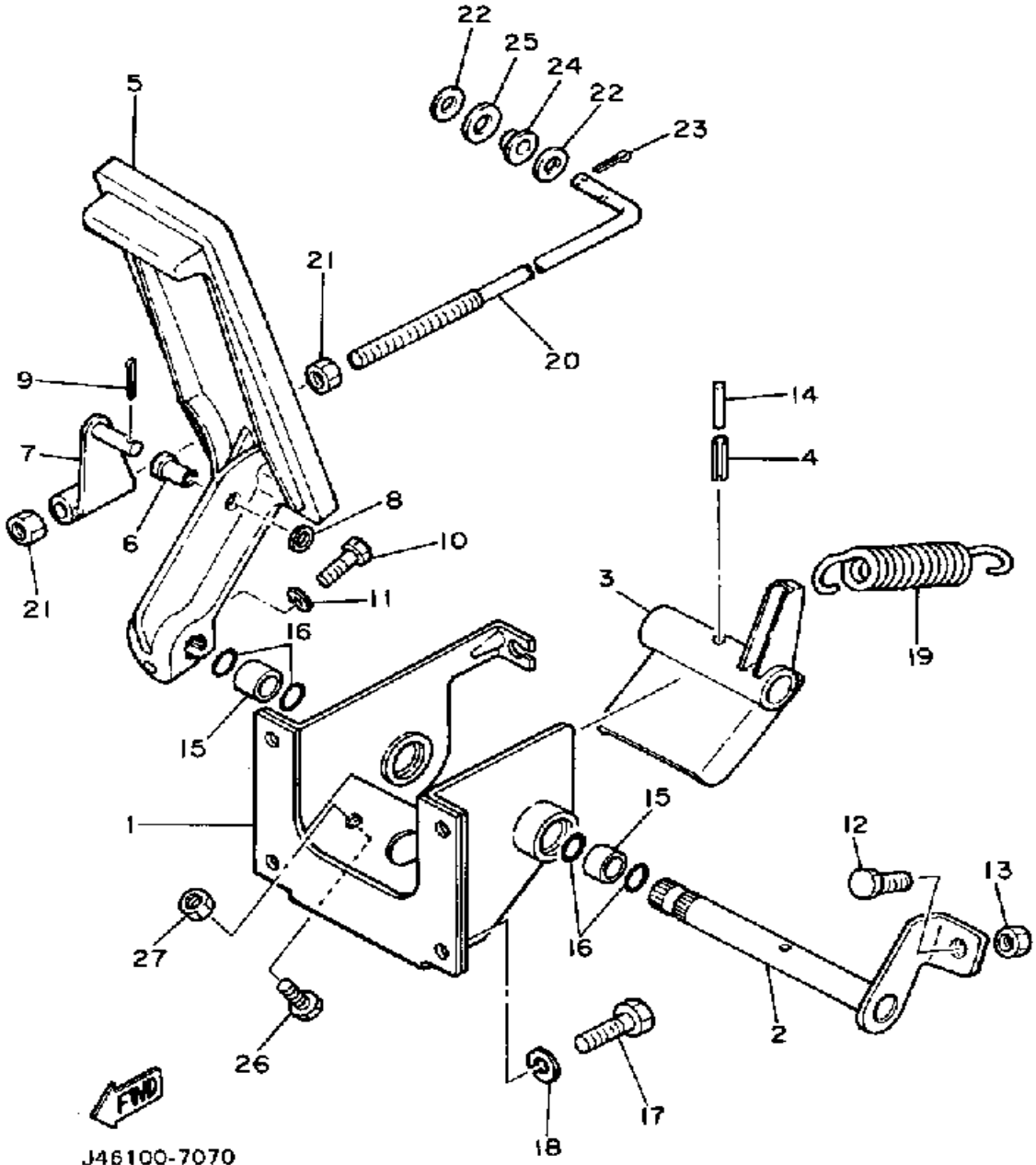


| Ref. No. | Part Number | Description | Qty | Remarks |
|----------|-----------------|------------------------|-----|---------|
| 28 | J10-27286-00-00 | . COVER, DUST | 1 | |
| 29 | 92995-06100-00 | . WASHER, SPRING | 2 | |
| 30 | 95380-06600-00 | . NUT | 2 | |
| 31 | 90201-121H8-00 | . WASHER, PLATE | 1 | |
| 32 | 90201-121H9-00 | . WASHER, PLATE | 1 | |
| 33 | 97011-08016-00 | BOLT | 8 | |
| 34 | 92990-08100-00 | WASHER, SPRING | 8 | |



J46100-7060

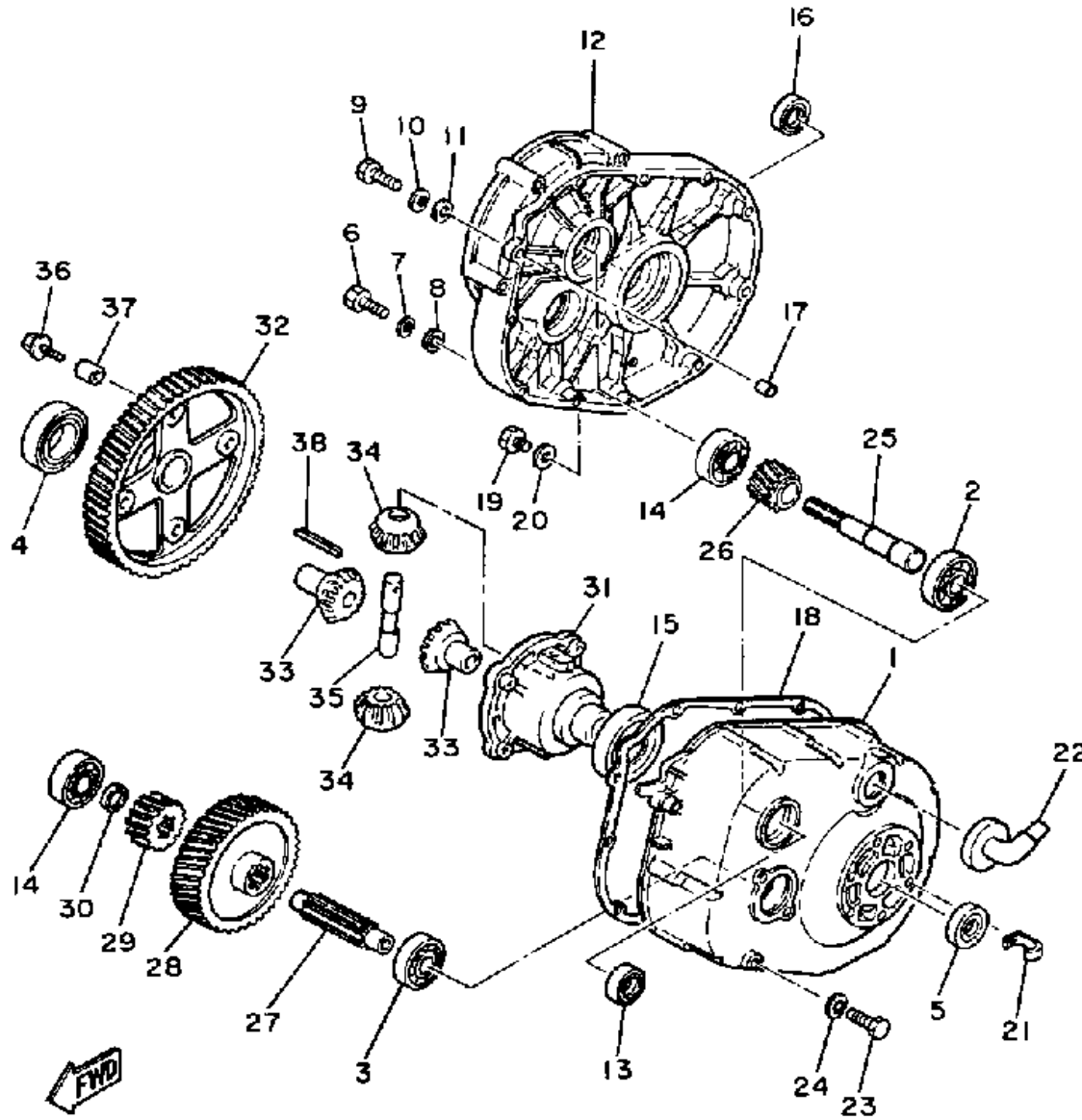
ACCELERATOR



J46100-7070

| Ref. No. | Part Number | Description | Qty | Remarks |
|----------|-----------------|--------------------|-----|---------|
| 1 | J17-27874-00-00 | BRKT, ACCLTR PEDAL | 1 | |
| 2 | J17-27853-00-00 | SHAFT, PEDAL 1 | 1 | |
| 3 | J22-27872-00-00 | ARM, ACCELERATOR | 1 | |
| 4 | 91609-60028-00 | PIN, SPRING | 1 | |
| 5 | JF3-27871-00-00 | PEDAL, ACCELERATOR | 1 | |
| 6 | 90381-06033-00 | BUSH, SOLID | 1 | |
| 7 | J14-27815-00-00 | LEVER, CRANK | 1 | |
| 8 | 92990-06600-00 | WASHER, PLATE | 1 | |
| 9 | 91490-20020-00 | PIN, COTTER | 1 | |
| 10 | 97011-06025-00 | BOLT (97001-06025) | 1 | |
| 11 | 92995-06100-00 | WASHER, SPRING | 1 | |
| 12 | 90106-08040-00 | BOLT, RD. HEX | 1 | |
| 13 | 95303-08700-00 | NUT | 1 | |
| 14 | 91609-35028-00 | PIN, SPRING | 1 | |
| 15 | 90384-14080-00 | BUSH, BIMETAL | 2 | |
| 16 | 93210-14104-00 | O-RING | 4 | |
| 17 | 97313-06014-00 | BOLT, HEXAGON | 4 | |
| 18 | 92995-06100-00 | WASHER, SPRING | 4 | |
| 19 | 90506-29283-00 | SPRING, TENSION | 1 | |
| 20 | J14-27241-00-00 | ROD, JOINT | 1 | |
| 21 | 95303-08700-00 | NUT | 2 | |
| 22 | 90201-07077-00 | WASHER, PLAT | 2 | |
| 23 | 91401-25020-00 | PIN, COTTER | 1 | |
| 24 | 90386-07100-00 | BUSH | 1 | |
| 25 | 90202-10116-00 | WASHER, PLATE | 1 | |
| 26 | 97011-06025-00 | BOLT (97001-06025) | 1 | |
| 27 | 95380-06700-00 | NUT | 1 | |

TRANSMISSION 1

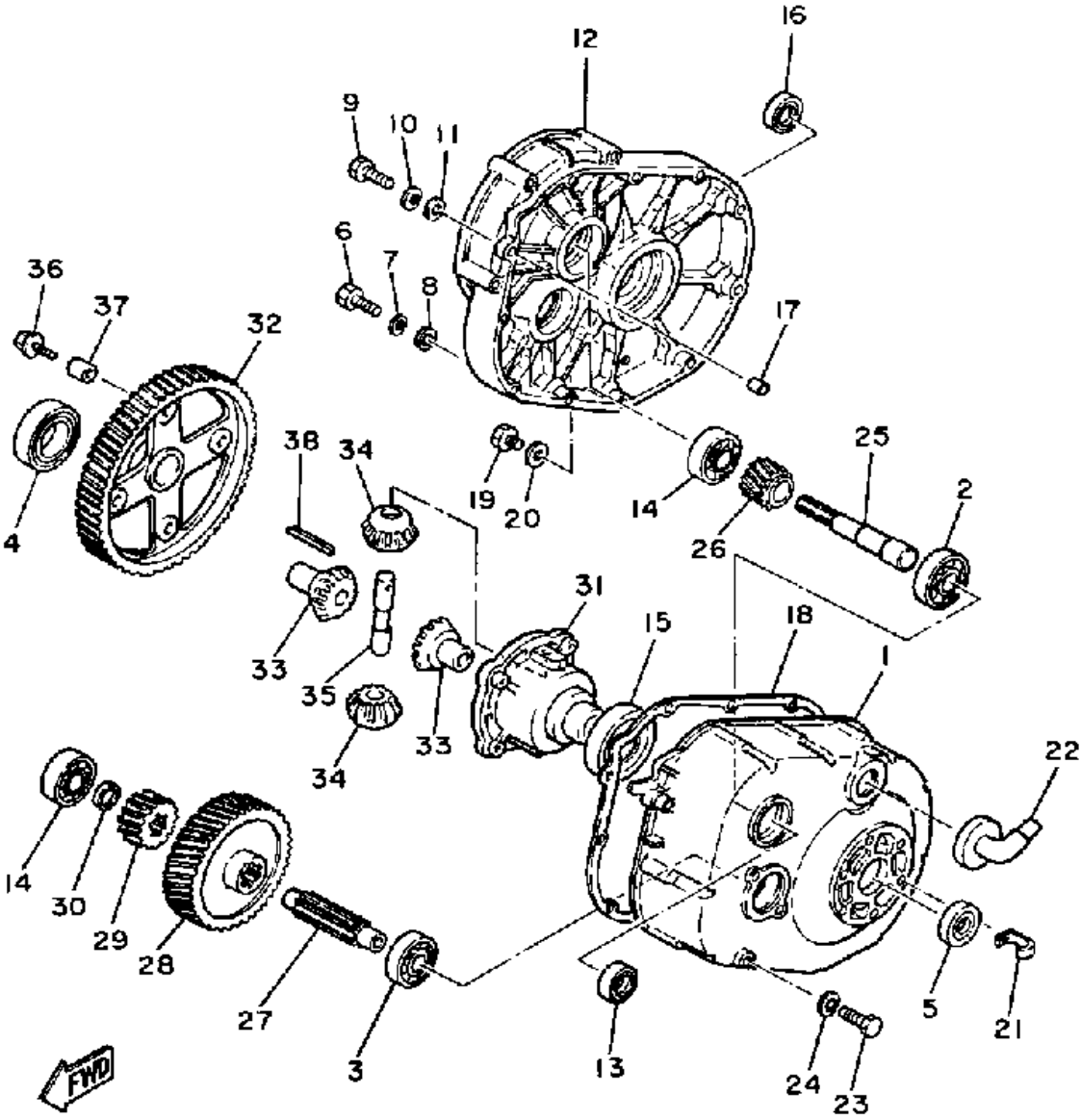


J41100-6080

| Ref. No. | Part Number | Description | Qty | Remarks |
|----------|-----------------|----------------------|-----|---------|
| 1 | J14-46311-00-00 | CASE, TRANSMISSION 1 | 1 | |
| 2 | 93306-20541-00 | BEARING (B6205) | 1 | |
| 3 | 93306-20421-00 | BEARING | 1 | |
| 4 | 93306-00803-00 | BEARING (B6008) | 1 | |
| 5 | 93102-22189-00 | OIL SEAL | 1 | |
| 6 | 97313-08035-00 | BOLT, HEXAGON | 9 | |
| 7 | 92990-08100-00 | WASHER, SPRING | 9 | |
| 8 | 92901-08600-00 | WASHER | 9 | |
| 9 | 97313-08045-00 | BOLT | 2 | |
| 10 | 92990-08100-00 | WASHER, SPRING | 2 | |
| 11 | 92901-08600-00 | WASHER | 2 | |
| 12 | J14-46312-02-00 | CASE, TRANSMISSION 2 | 1 | |
| 13 | 93102-20143-00 | OIL SEAL | 1 | |
| 14 | 93306-20421-00 | BEARING | 2 | |
| 15 | 93306-00803-00 | BEARING (B6008) | 1 | |
| 16 | 93102-22189-00 | OIL SEAL | 1 | |
| 17 | 99510-12016-00 | PIN, DOWEL | 2 | |
| 18 | J10-46319-00-00 | GASKET | 1 | |
| 19 | 90340-14036-00 | PLUG, STRAIGHT SCRW | 2 | |
| 20 | 90430-14043-00 | GASKET | 2 | |
| 21 | 90465-06100-00 | CLAMP | 1 | |
| 22 | 835-47559-00-00 | CAP 2 | 1 | |
| 23 | 97011-10020-00 | BOLT | 2 | |
| 24 | 92990-10100-00 | WASHER, SPRING | 2 | |
| 25 | J14-46321-01-00 | SHAFT, INPUT | 1 | |
| 26 | J10-46331-02-00 | GEAR, IMPUT 1 | 1 | |
| 27 | J10-46351-00-00 | SHAFT, COUNTER | 1 | |
| 28 | J10-46361-02-00 | GEAR, COUNTER 1 | 1 | |
| 29 | J17-46362-00-00 | GEAR, COUNTER 2 | 1 | |

CONTINUED ON NEXT FRAME ►

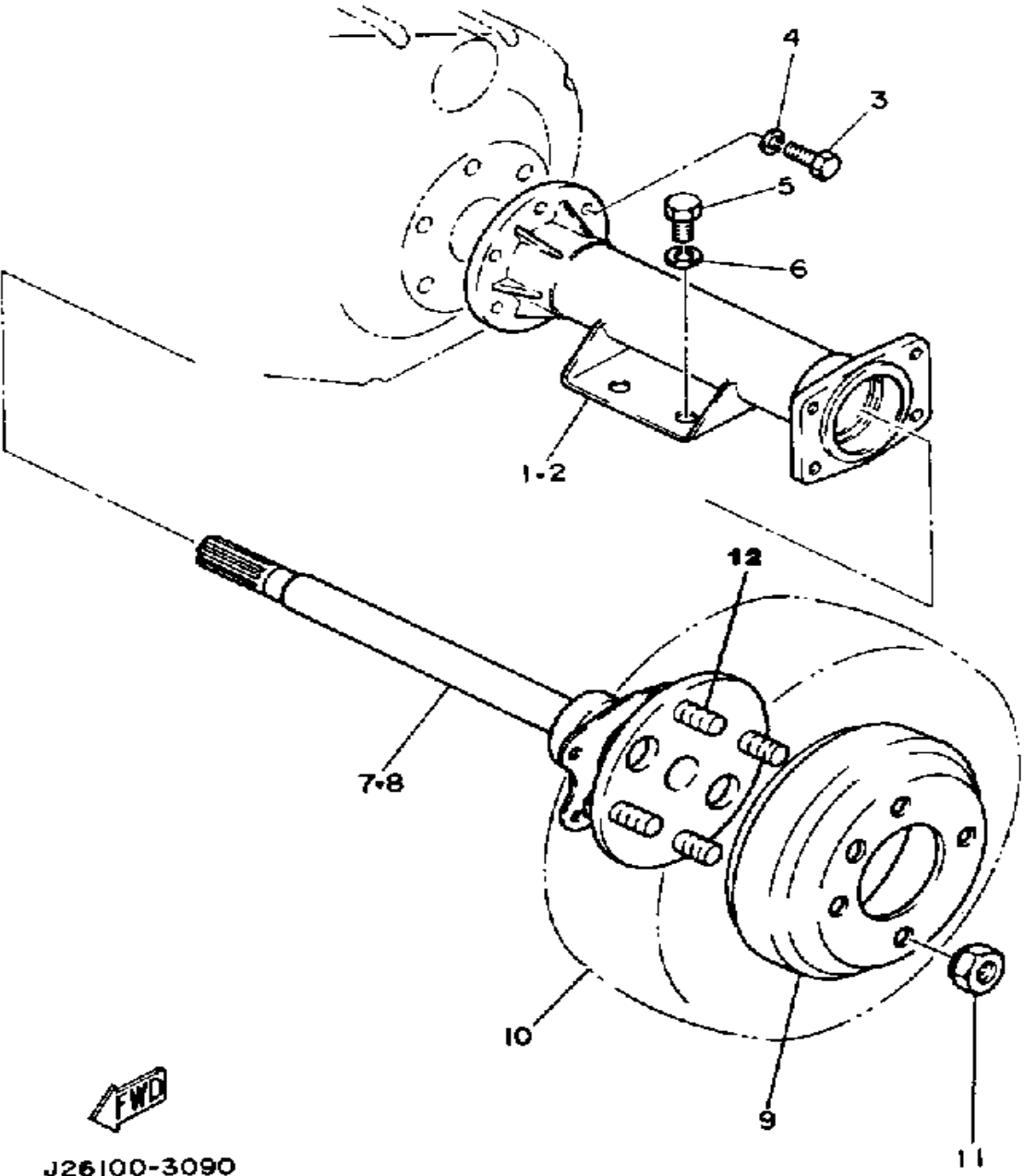
TRANSMISSION 1



J41100-6080

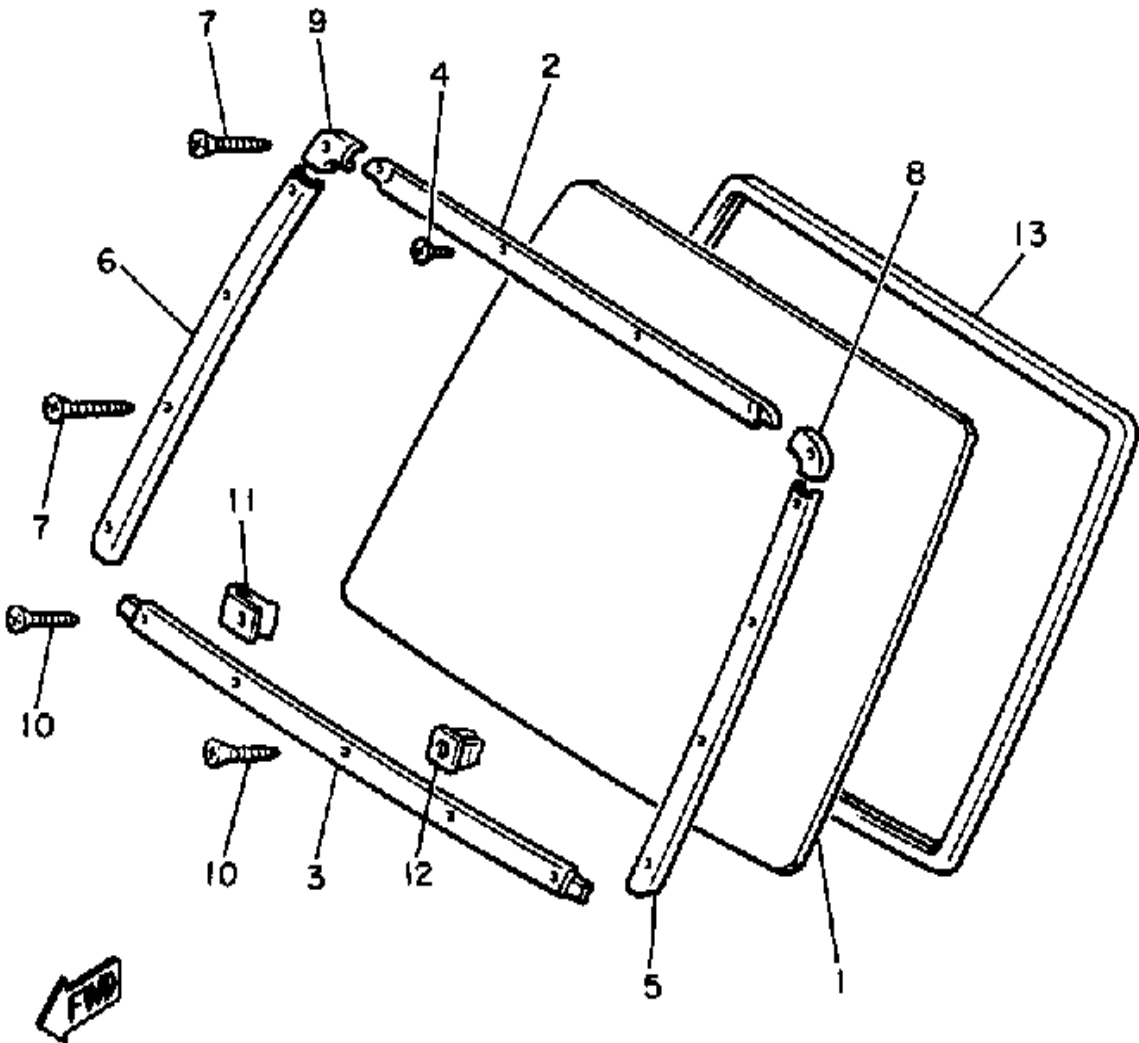
| Ref. No. | Part Number | Description | Qty | Remarks |
|----------|-----------------|----------------------------|-----|---------|
| 30 | 90201-20272-00 | WASHER, PLATE | 1 | |
| 31 | J38-46411-01-00 | CASE, DIFFERENTIAL | 1 | |
| 32 | J41-46421-00-00 | GEAR, RING | 1 | |
| 33 | J38-46414-00-00 | GEAR, DIFFERENTIAL SIDE .. | 2 | |
| 34 | J38-46415-00-00 | PINION, DIFFERENTIAL | 2 | |
| 35 | J38-46417-02-00 | PIN, DIFFERENTIAL | 1 | |
| 36 | 90105-08390-00 | BOLT, WASHER BASED | 4 | |
| 37 | 91812-16001-00 | PIN, DOWEL | 2 | |
| 38 | 91609-40040-00 | PIN, SPRING | 1 | |

REAR AXLE - WHEEL



| Ref. No. | Part Number | Description | Qty | Remarks |
|----------|-----------------|-------------------------------------------|-----|----------|
| 1 | J14-46540-00-00 | R.AXLE HOUSING 1 | 1 | |
| 2 | J14-46550-00-00 | R.AXLE HOUSING 2 | 1 | |
| 3 | 97312-08025-00 | BOLT (97012-08025) | 12 | |
| 4 | 92990-08100-00 | WASHER, SPRING | 12 | |
| 5 | 97011-10020-00 | BOLT | 8 | |
| 6 | 92990-10100-00 | WASHER, SPRING | 8 | |
| 7 | J22-46510-01-00 | REAR AXLE SHAFT 1 (J14-46510-01) | 1 | |
| 8 | J22-46520-01-00 | REAR AXLE SHAFT 2 (J14-46520-01) | 1 | |
| 9 | J55-G6521-00-00 | DRUM | 2 | |
| 10 | *--- | FRONT WHEEL ASSEMBLY .. | 2 | SEE NOTE |
| 11 | 90179-12262-00 | NUT | 8 | |
| 12 | 90114-12004-00 | BOLT, RIBBED NECK | 8 | |

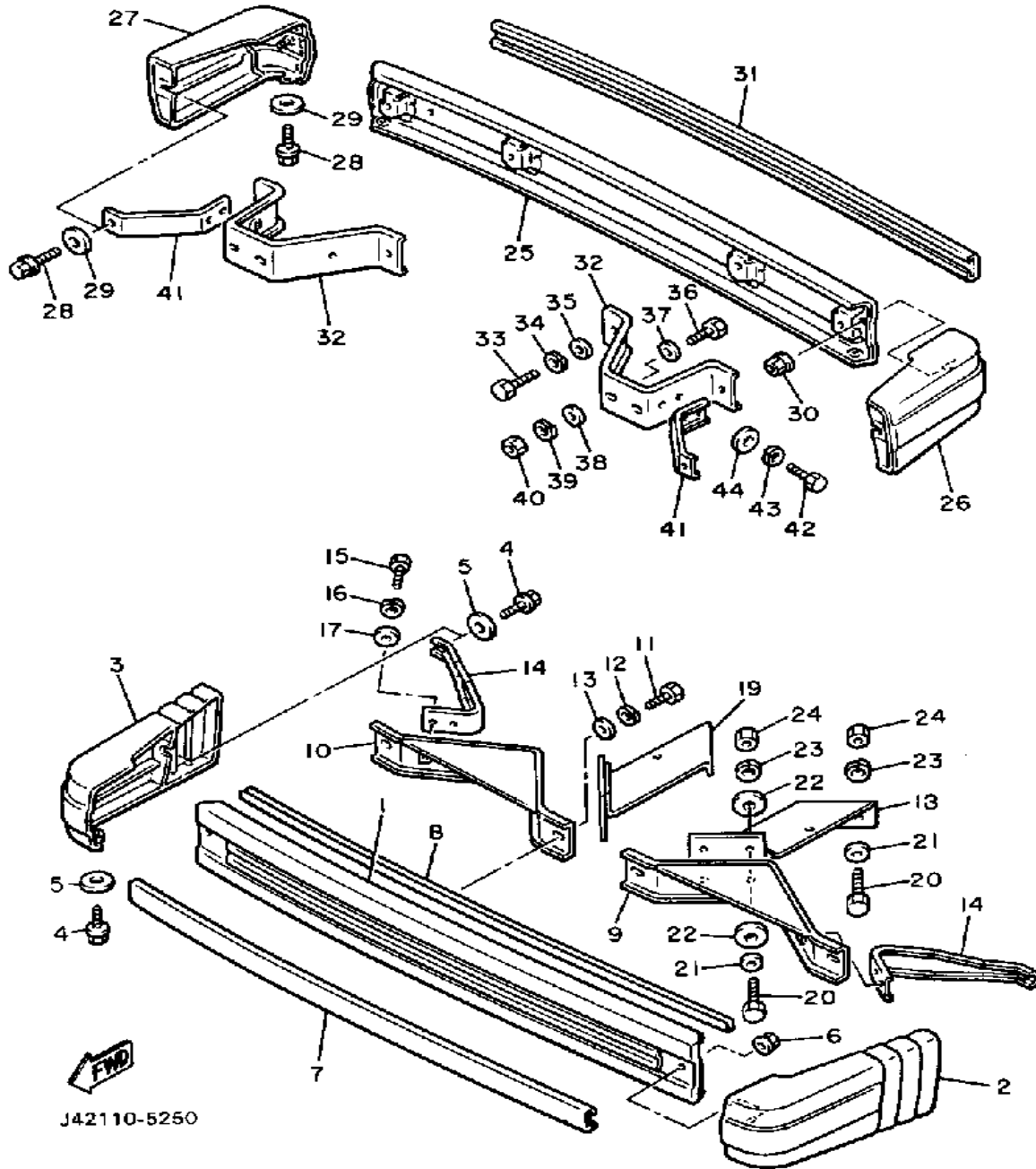
WINSHEILD



J42110-5240

| Ref. No. | Part Number | Description | Qty | Remarks |
|----------|------------------|---------------------|-----|---------|
| 1 | J42-77211-00-00 | WINDSHIELD | 1 | |
| 2 | J42-77213-00-00 | TRIM, upper | 1 | |
| 3 | J42-77226-00-00 | TRIM 6 | 1 | |
| 4 | 97706-40716-00 | SCREW, tapping | 2 | |
| 5 | J42-77214-00-00 | TRIM, lower | 1 | |
| 6 | J42-77215-00-00 | TRIM 3 | 1 | |
| 7 | 97706-40330-00 | SCREW, tapping | 12 | |
| 8 | J42-77216-00-00 | TRIM 4 | 1 | |
| 9 | J42-77225-00-00 | TRIM 5 | 1 | |
| 10 | (97706-40725-00) | SCREW, TAPPING | 5 | |
| 11 | 90183-04056-00 | NUT, spring | 2 | |
| 12 | (90480-07449-00) | GROMMET | 3 | |
| 13 | J42-77227-01-00 | PACKING, windshield | 1 | |

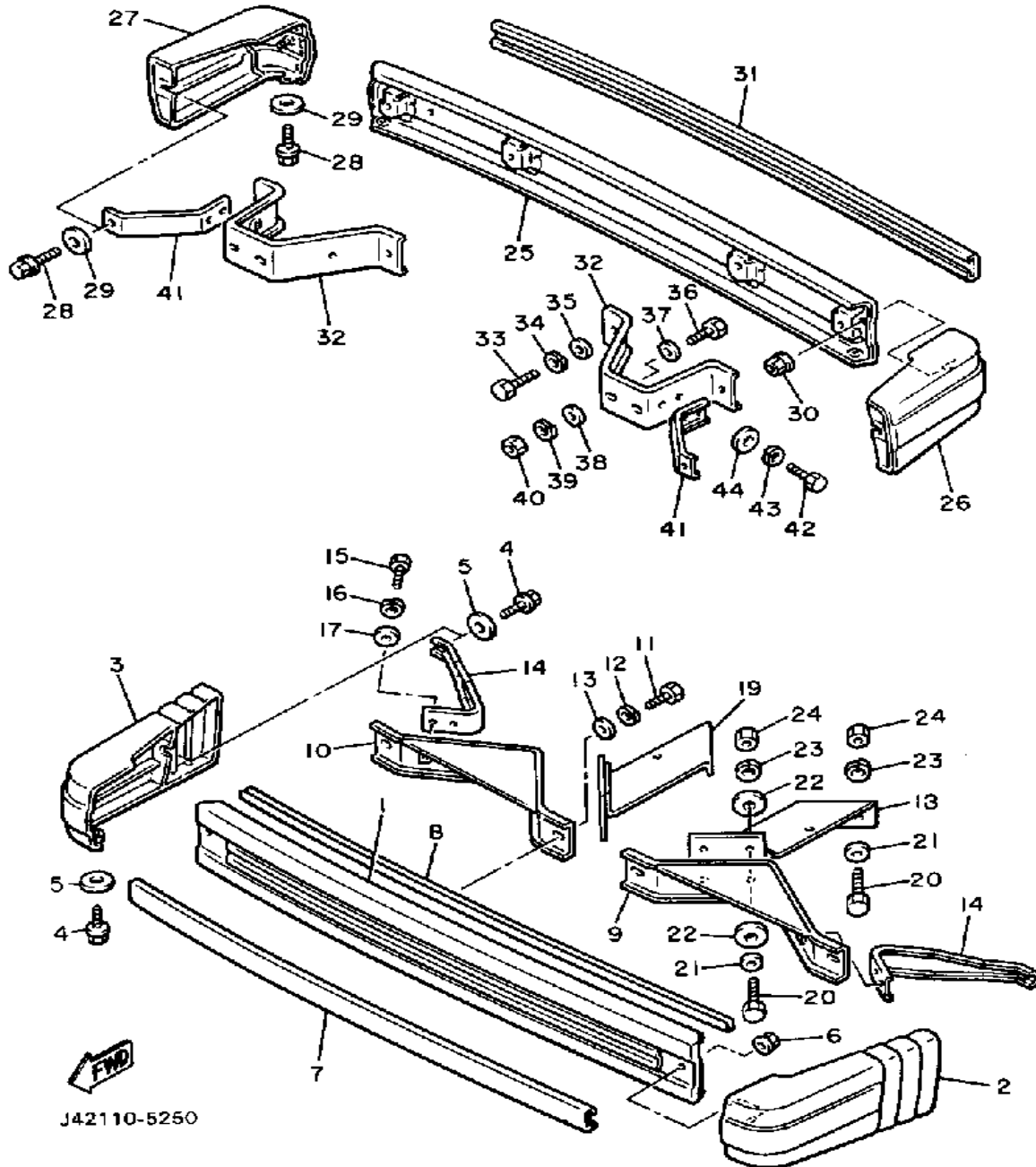
BUMPER



| Ref. No. | Part Number | Description | Qty | Remarks |
|----------|-----------------|--------------------------------------|-----|---------|
| 1 | J42-78106-00-00 | BUMPER SUB-ASS'Y, front | 1 | |
| 2 | J42-77505-00-00 | BUMPER RUBBER COMP. 1 | 1 | |
| 3 | J42-77506-00-00 | BUMPER RUBBER COMP. 2 | 1 | |
| 4 | 95816-06016-00 | BOLT, FLANGE | 4 | |
| 5 | 90201-060A3-00 | WASHER, PLATE | 4 | |
| 6 | 95701-06500-00 | NUT, FLANGE | 2 | |
| 7 | J42-78162-00-00 | PAD, front bumper | 1 | |
| 8 | J42-77588-00-00 | DAMPER | 1 | |
| 9 | J42-78164-00-00 | STAY, FRT BUMPER 1 (J17-78165-00) | 1 | |
| 10 | J42-78165-00-00 | STAY, FRT BUMPER 2 (J17-78165-00) | 1 | |
| 11 | 97011-08016-00 | BOLT | 4 | |
| 12 | 92990-08100-00 | WASHER, SPRING | 4 | |
| 13 | 92990-08600-00 | WASHER, PLATE | 4 | |
| 14 | J42-77535-00-00 | STAY 1 | 2 | |
| 15 | 97313-06016-00 | BOLT, HEXAGON | 4 | |
| 16 | 92995-06100-00 | WASHER, SPRING | 4 | |
| 17 | 90201-065F3-00 | WASHER, PLATE | 4 | |
| 18 | 95816-06016-00 | BOLT, FLANGE | 4 | |
| 19 | J42-78176-00-00 | STAY, front bumper 3 | 1 | |
| 19 | J42-78177-00-00 | STAY, front bumper 4 | 1 | |
| 20 | 97312-08025-00 | BOLT (97012-08025) | 8 | |
| 21 | 92990-08600-00 | WASHER, PLATE | 8 | |
| 22 | 90201-085E6-00 | WASHER PLATE | 8 | |
| 23 | 92990-08100-00 | WASHER, SPRING | 8 | |
| 24 | 95333-08600-00 | NUT | 8 | |
| 25 | J42-78107-00-00 | BUMPER SUB-ASS'Y, rear | 1 | |
| 26 | J42-77507-00-00 | BUMPER RUBBER COMP. 3 | 1 | |

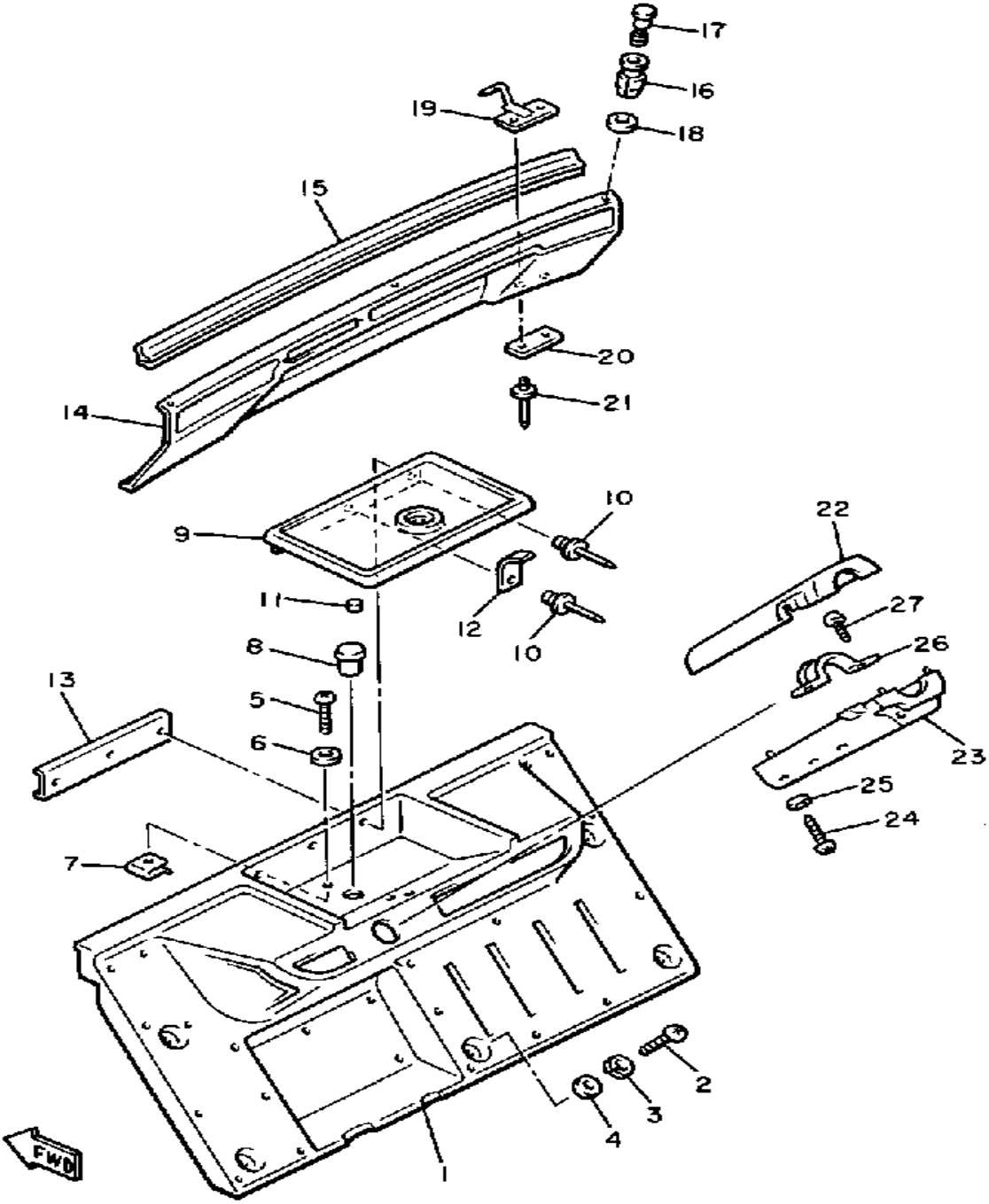
CONTINUED ON NEXT FRAME ►

BUMPER



| Ref. No. | Part Number | Description | Qty | Remarks |
|----------|-----------------|----------------------------------|-----|---------|
| 27 | J42-77508-00-00 | BUMPER RUBBER COMP. 4 | 1 | |
| 29 | 90201-060A3-00 | WASHER, PLATE | 4 | |
| 30 | 95701-06500-00 | NUT, FLANGE | 2 | |
| 31 | J42-78162-00-00 | PAD, front bumper | 1 | |
| 32 | J42-78174-00-00 | STAY, REAR BUMPER (J10-78174-01) | 2 | |
| 33 | 97011-08016-00 | BOLT | 4 | |
| 34 | 92990-08100-00 | WASHER, SPRING | 4 | |
| 35 | 92990-08600-00 | WASHER, PLATE | 4 | |
| 36 | 97312-08025-00 | BOLT (97012-08025) | 4 | |
| 37 | 92990-08600-00 | WASHER, PLATE | 4 | |
| 38 | 90201-085E6-00 | WASHER PLATE | 4 | |
| 39 | 92990-08100-00 | WASHER, SPRING | 4 | |
| 40 | 95333-08600-00 | NUT | 4 | |
| 41 | J42-77536-00-00 | STAY 2 | 2 | |
| 42 | 97313-06016-00 | BOLT, HEXAGON | 4 | |
| 43 | 92995-06100-00 | WASHER, SPRING | 4 | |
| 44 | 90201-065F3-00 | WASHER, PLATE | 4 | |

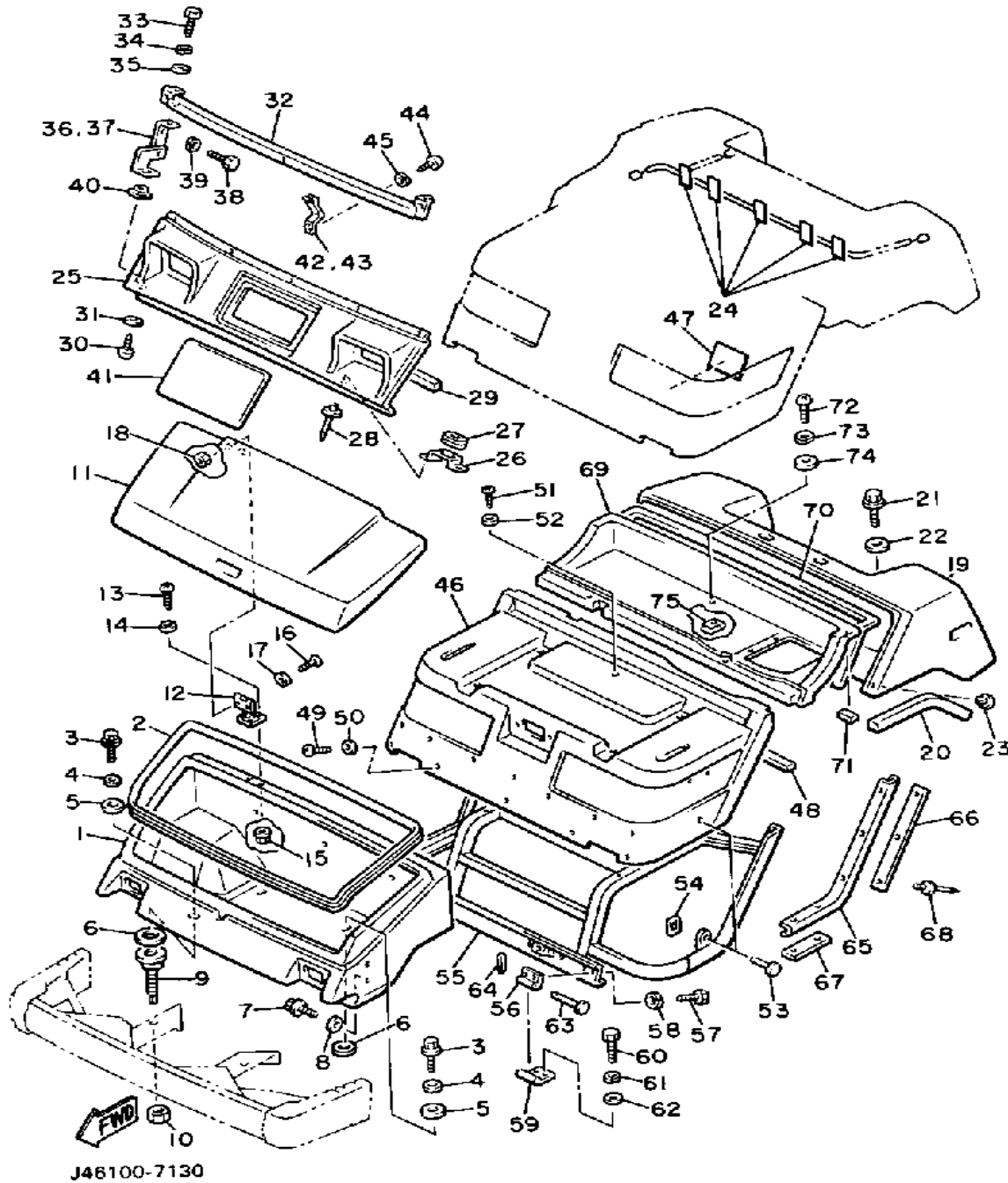
INSTRUMENT PANEL



J42110-5260

| Ref. No. | Part Number | Description | Qty | Remarks |
|----------|-------------------|-------------------------------|-----|---------|
| 1 | J42-77711-01-00 | PANEL, instrument | 1 | |
| 2 | 98503-06014-00 | SCREW, PAN HEAD (92502-06016) | 5 | |
| 3 | 92995-06100-00 | WASHER, SPRING | 5 | |
| 4 | 90201-06697-00 | WASHER, PLATE | 5 | |
| 5 | 98980-06016-00 | SCREW, BINDING | 1 | |
| 6 | 90201-06697-00 | WASHER, PLATE | 1 | |
| 7 | 90183-06028-00 | NUT, SPRING | 1 | |
| 8 | 90338-24112-00 | PLUG, SPEC'L SHAPE | 1 | |
| 9 | J42-77736-00-00 | LID, glove box | 1 | |
| 10 | 90267-48086-00 | RIVET, BLIND | 3 | |
| 11 | (J42-77739-00-00) | DAMPER, LID | 2 | |
| 12 | J42-78288-00-00 | SPRING, lid | 1 | |
| 13 | (J42-7812E-00-00) | SUPP, UPPER COWL LH | 1 | |
| 14 | J42-77251-01-00 | COVER, headlight | 1 | |
| 15 | J42-78248-00-00 | SEAL 4 | 1 | |
| 16 | 4X7-24742-00-00 | GROMMET (J42-24742-00-00) | 3 | |
| 17 | 5K7-28188-00-00 | PLUNGER (J42-28188-00-00) | 3 | |
| 18 | 90202-07127-00 | WASHER, plate | 3 | |
| 19 | J42-77724-00-00 | BRACKET 4 | 2 | |
| 20 | J42-77728-00-00 | WASHER | 2 | |
| 21 | 90267-40075-00 | RIVET, BLIND | 4 | |
| 22 | J50-K7732-00-00 | COVER, STEER SHFT 1 | 1 | |
| 23 | J50-K7733-00-00 | COVER, STEER SHFT 2 | 1 | |
| 24 | 97702-50540-00 | SCREW, TAPPING | 4 | |
| 25 | 92901-05600-00 | WASHER, PLATE | 4 | |
| 26 | (J42-77734-00-00) | BRACKET, STEER.COV. | 2 | |
| 27 | 97780-50120-00 | SCREW, TAPPING | 4 | |

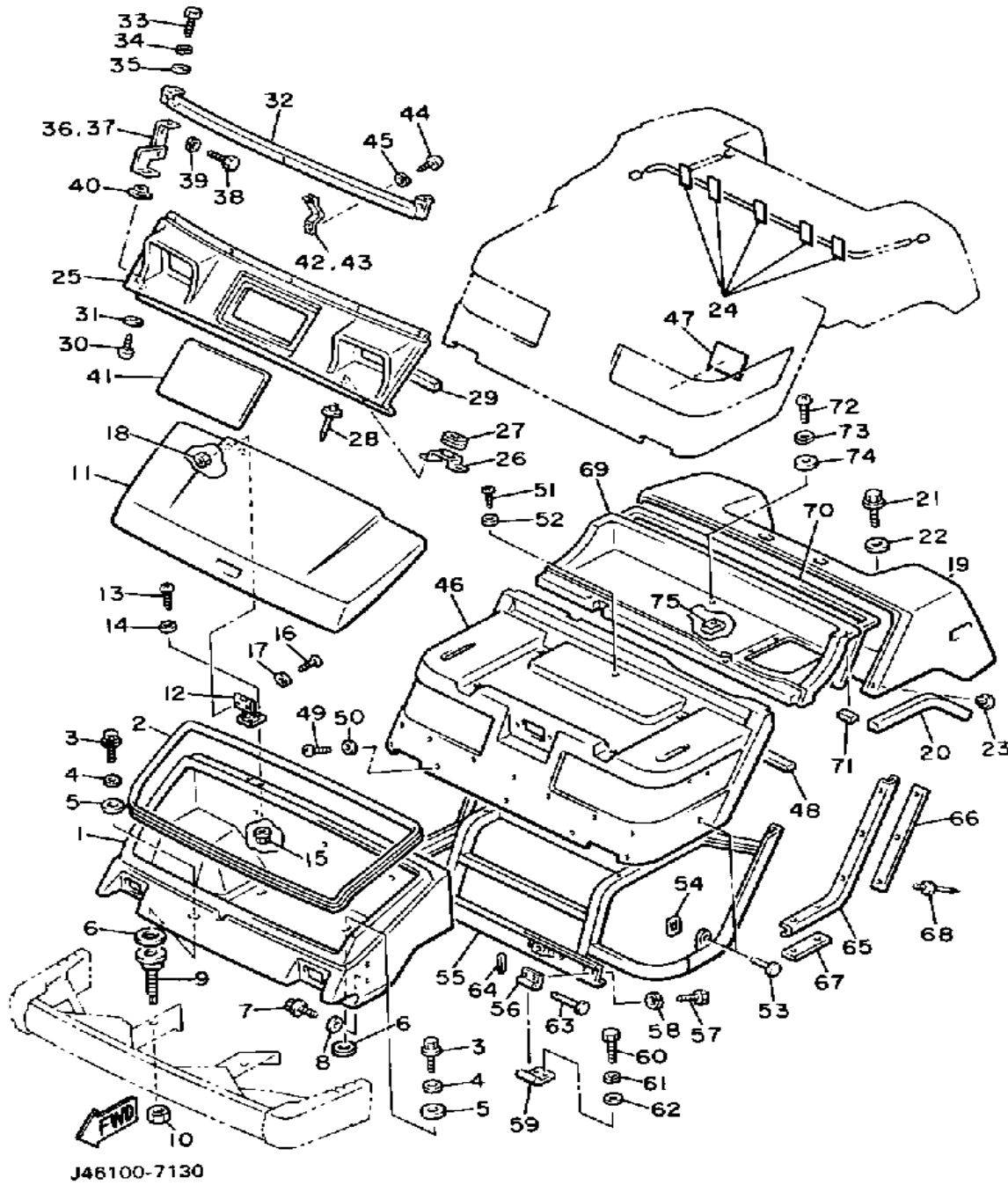
BODY



| Ref. No. | Part Number | Description | Qty | Remarks |
|----------|-------------------|---------------------------------------|-----|---------|
| 1 | J42-7810A-00-00 | FRONT COMP | 1 | |
| 2 | J42-7815G-00-00 | SEAL, front storage | 1 | |
| 3 | 95811-08030-00 | BOLT, FLANGE | 4 | |
| 4 | 90201-084K7-00 | WASHER, PLATE | 4 | |
| 5 | 90202-09167-00 | WASHER, plate | 4 | |
| 6 | 90202-09169-00 | WASHER, plate | 4 | |
| 7 | 90119-06063-00 | BOLT, WITH WASHER | 4 | |
| 8 | 90201-06074-00 | WASHER, PLATE | 4 | |
| 9 | J42-77519-00-00 | BOLT | 2 | |
| 10 | 95301-14700-00 | NUT | 2 | |
| 11 | J42-7810E-01-00 | FRONT STORAGE LID COMP (J42-7810E-00) | 1 | |
| 12 | J42-78153-00-00 | HINGE, front lid | 2 | |
| 13 | 98511-04025-00 | SCREW, PAN HEAD | 8 | |
| 14 | 92990-04200-00 | WASHER, PLAIN | 8 | |
| 15 | 95701-04300-00 | NUT, flange | 8 | |
| 16 | 98701-05016-00 | SCREW, FLAT HEAD | 4 | |
| 17 | 92990-05200-00 | WASHER, PLAIN | 4 | |
| 18 | 95701-05300-00 | NUT, NYLON | 4 | |
| 19 | J42-7810H-01-00 | REAR BODY COMP (J42-7810H-00) | 1 | |
| 20 | J42-7814E-00-00 | SEAL, body side 1 | 2 | |
| 21 | 95821-08020-00 | BOLT, FLANGE (95801-08020) | 4 | |
| 22 | 90201-084K7-00 | WASHER, PLATE | 4 | |
| 23 | 90269-06046-00 | RIVET | 2 | |
| 24 | (J42-7717E-00-00) | TAPE 1 | 5 | |
| 25 | J42-7811J-00-00 | BASE, headlight | 1 | |
| 26 | J42-77723-01-00 | BRACKET 3 | 2 | |
| 27 | 90480-22084-00 | GROMMET | 2 | |

CONTINUED ON NEXT FRAME ►

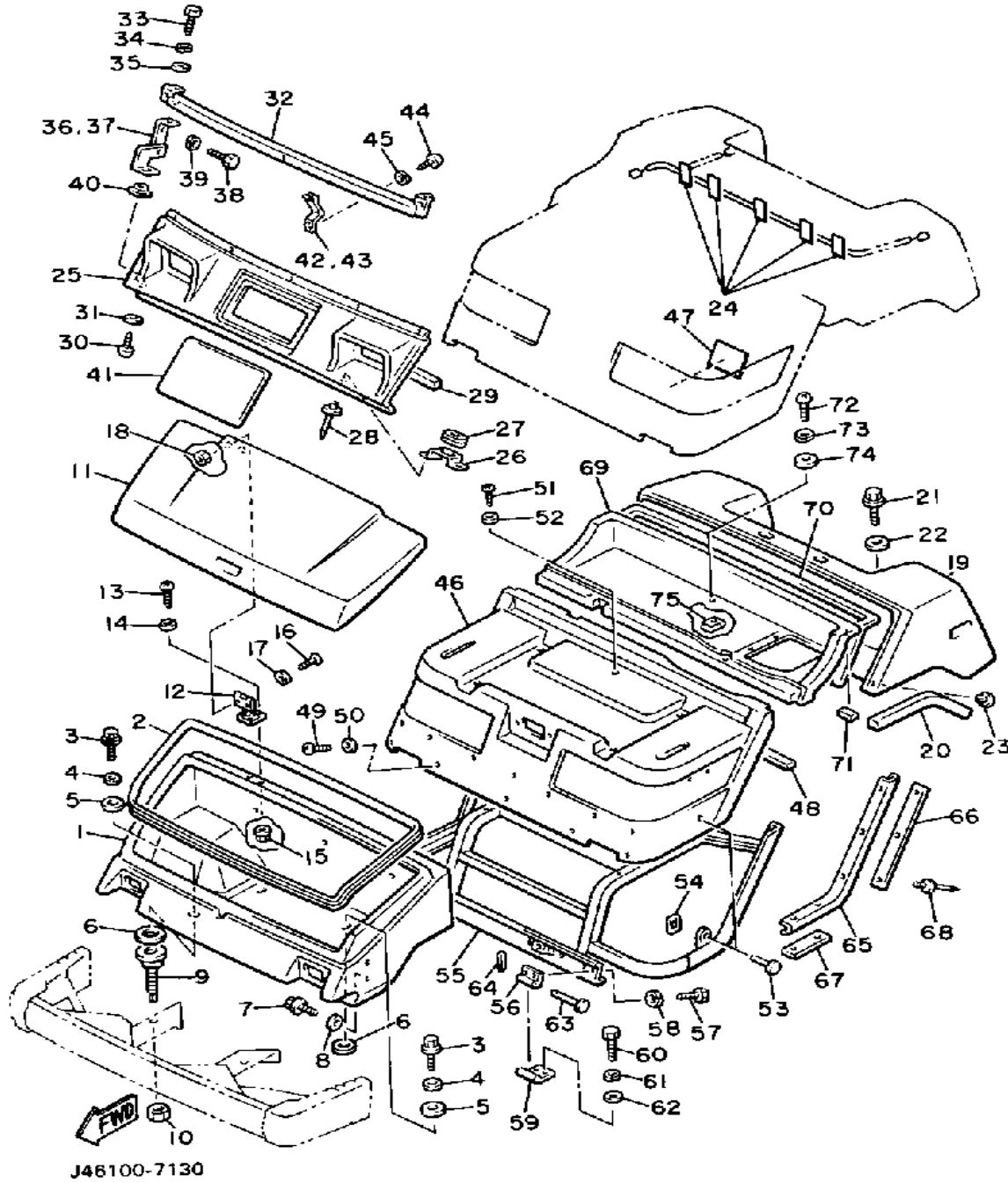
BODY



| Ref. No. | Part Number | Description | Qty | Remarks |
|----------|-------------------|-------------------------------------------|-----|---------|
| 28 | 90267-40075-00 | RIVET, BLIND | 4 | |
| 29 | J42-78247-01-00 | SEAL 3 | 1 | |
| 30 | 97706-50125-00 | SCREW, tapping | 2 | |
| 31 | 90201-05033-00 | WASHER, PLATE | 2 | |
| 32 | J42-78122-01-00 | REINFORCEMENT 2 | 1 | |
| 33 | 97313-06016-00 | BOLT, HEXAGON | 2 | |
| 34 | 92995-06100-00 | WASHER, SPRING | 2 | |
| 35 | 90201-06074-00 | WASHER, PLATE | 2 | |
| 36 | J42-77721-01-00 | BRACKET 1 | 1 | |
| 37 | J42-77722-01-00 | BRACKET 2 | 1 | |
| 38 | 97313-08020-00 | BOLT, HEXAGON | 4 | |
| 39 | 92990-08100-00 | WASHER, SPRING | 4 | |
| 40 | 90480-07241-00 | GROMMET | 2 | |
| 41 | J42-7813H-00-00 | COVER, ventilator | 1 | |
| 42 | J42-7813M-01-00 | HINGE, VENTILATOR 1 (L.H) | 1 | |
| 43 | J42-7813N-01-00 | HINGE, VENTILATOR 2 (R.H) | 1 | |
| 44 | 97780-50612-00 | SCREW, TAPPING | 4 | |
| 45 | 92990-05100-00 | WASHER, SPRING | 4 | |
| 46 | J46-78141-00-00 | PANEL, INTERM.BODYINTERMEDIATE BODY | 1 | |
| 47 | (J46-77765-00-00) | LABEL, WARNING 5 | 1 | |
| 48 | J42-7814A-01-00 | SEAL, body upper | 1 | |
| 49 | 98980-06025-00 | SCREW, BIND | 2 | |
| 50 | 90201-06697-00 | WASHER, PLATE | 2 | |
| 51 | 97780-50612-00 | SCREW, TAPPING | 1 | |
| 52 | 90201-05556-00 | WASHER, PLATE | 1 | |
| 53 | 90338-06184-00 | PLUG | 2 | |
| 54 | 90183-06011-00 | NUT, SPRING | 2 | |

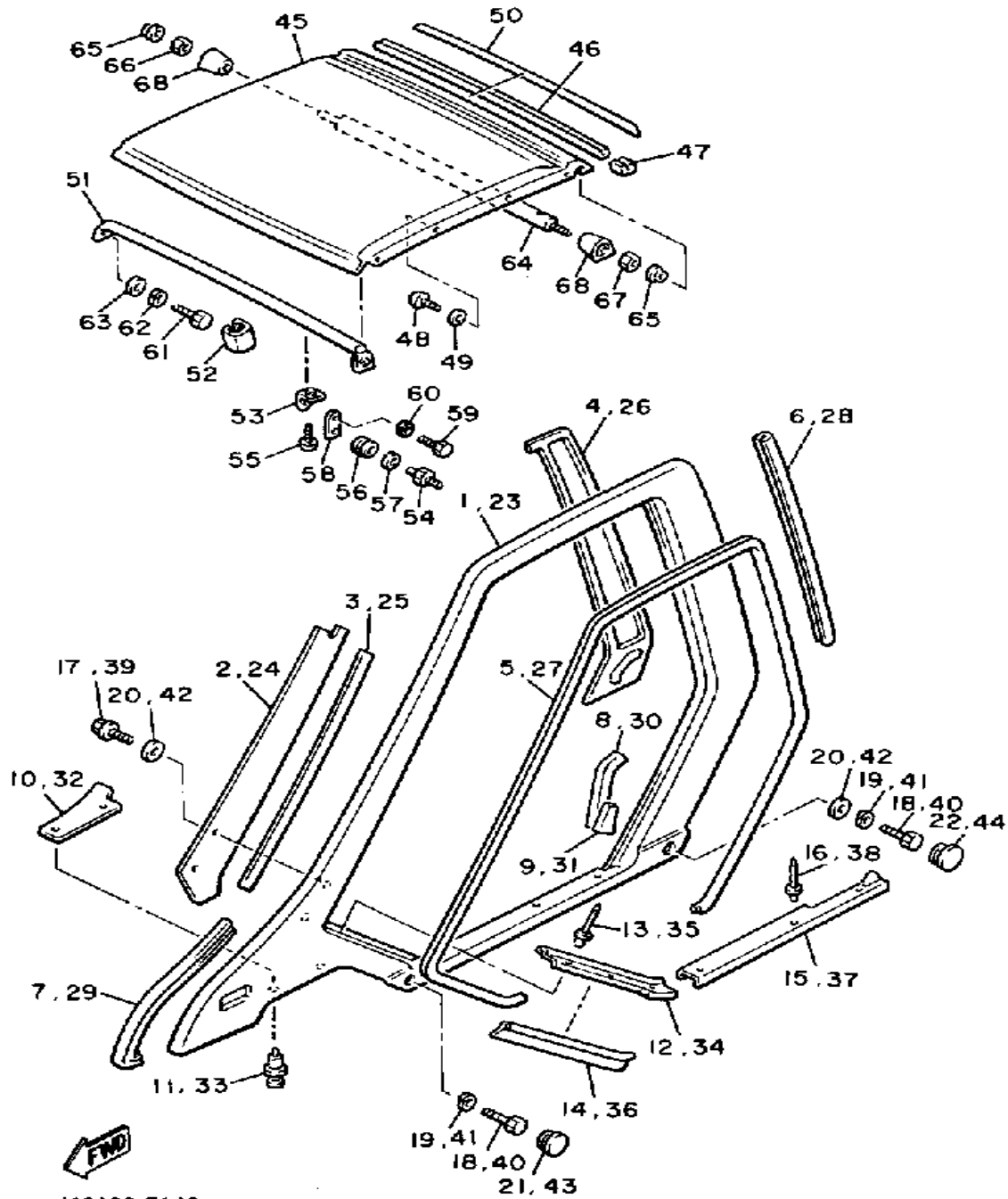
CONTINUED ON NEXT FRAME ►

BODY



| Ref. No. | Part Number | Description | Qty | Remarks |
|----------|-----------------|----------------------------|-----|---------|
| 55 | J46-78121-00-00 | REINFORCEMENT 1 | 1 | |
| 56 | J55-K8143-00-00 | HINGE, INTERMEDIATE BODY 1 | 2 | |
| 57 | 97013-06012-00 | BOLT | 4 | |
| 58 | 92995-06100-00 | WASHER, SPRING | 4 | |
| 59 | J55-K8144-00-00 | HINGE, INTERMEDIATE BODY 2 | 2 | |
| 60 | 97011-06025-00 | BOLT (97001-06025) | 4 | |
| 61 | 92995-06100-00 | WASHER, SPRING | 4 | |
| 62 | 92990-06600-00 | WASHER, PLATE | 4 | |
| 63 | 91790-06125-00 | PIN, CLEVIS | 2 | |
| 64 | 91490-20015-00 | PIN, COTTER | 2 | |
| 65 | J42-7814V-01-00 | SEAL, body side 6 | 2 | |
| 66 | J42-7815A-00-00 | PLATE, seal support 1 | 2 | |
| 67 | J42-7815E-00-00 | PLATE, seal support 2 | 2 | |
| 68 | 90267-32108-00 | RIVET, blind | 10 | |
| 69 | J42-7810L-01-00 | INSPECTION, lid | 1 | |
| 70 | J42-78159-00-00 | SEAL, inspection lid | 1 | |
| 71 | J46-78316-00-00 | DAMPER | 2 | |
| 72 | 98580-06016-00 | SCREW, PAN HEAD | 3 | |
| 73 | 92995-06100-00 | WASHER, SPRING | 3 | |
| 74 | 90201-06697-00 | WASHER, PLATE | 3 | |
| 75 | 90183-06028-00 | NUT, SPRING | 1 | |

BODY 2

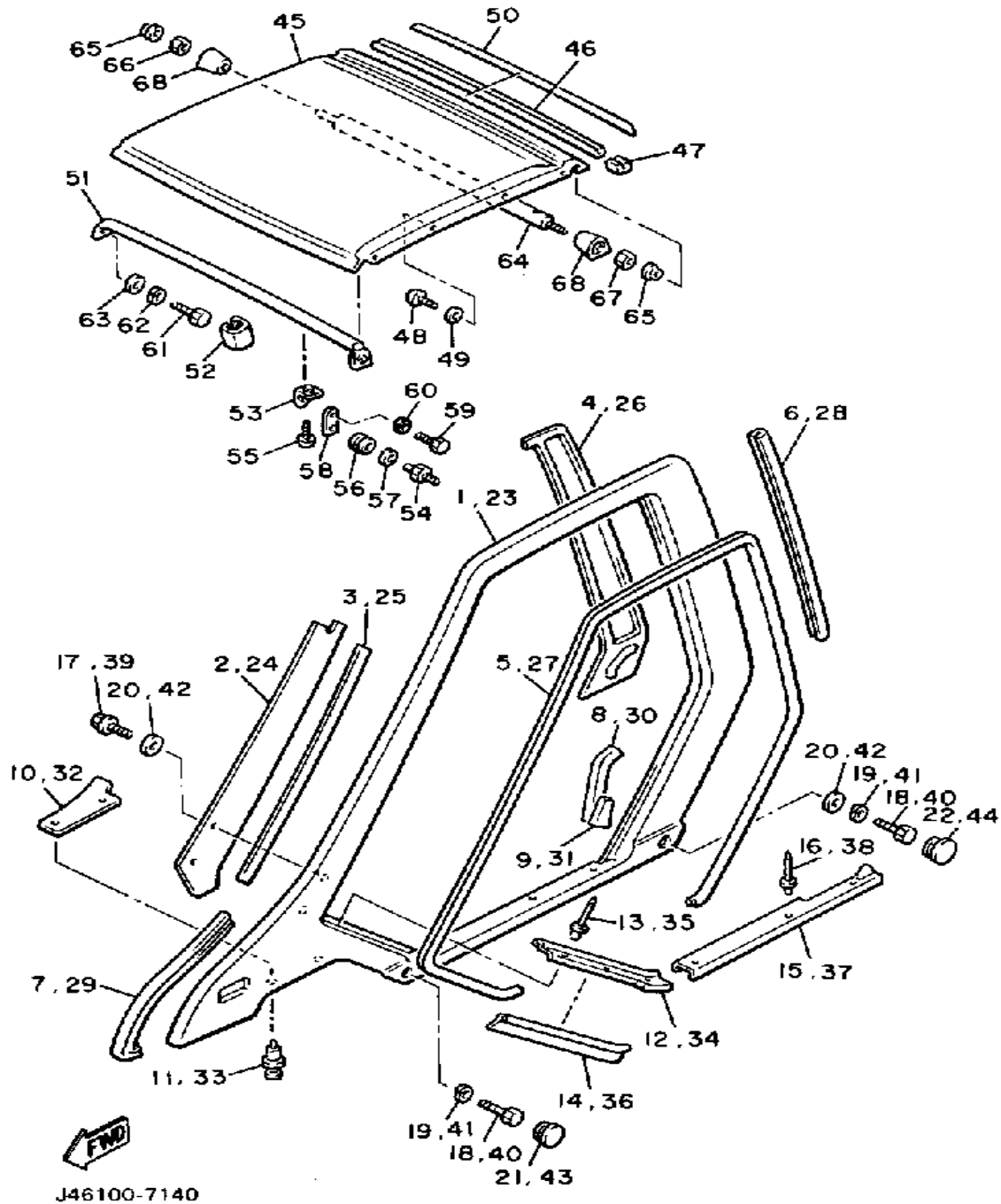


J46100-7140

| Ref. No. | Part Number | Description | Qty | Remarks |
|----------|-----------------|----------------------------|-----|---------|
| 1 | J42-7810F-00-00 | SIDE PANEL COMP. (L.H) | 1 | |
| 2 | J42-7817A-00-00 | COVER, front pillar (L.H) | 1 | |
| 3 | J42-7717F-00-00 | TAPE 2 | 1 | |
| 4 | J42-7817F-00-00 | COVER, rear pillar (L.H) | 1 | |
| 5 | J42-7817H-00-00 | TRIM, side panel 1 | 1 | |
| 6 | J42-7817J-00-00 | TRIM, side panel 2 | 1 | |
| 7 | J42-7817K-00-00 | TRIM, side panel 3 | 1 | |
| 8 | J42-7814F-00-00 | SEAL, body side 2 | 1 | |
| 9 | J42-7814R-00-00 | SEAL, body side (L.H) | 1 | |
| 10 | J42-7818J-00-00 | FLAP, side panel | 1 | |
| 11 | 90269-07048-00 | RIVET | 2 | |
| 12 | J42-7811L-00-00 | TRIM, cowl side (L.H) | 1 | |
| 13 | 90267-48051-00 | RIVET, BLIND | 3 | |
| 14 | J42-7814T-01-00 | SEAL, body side 4 | 1 | |
| 15 | J42-78249-01-00 | TRIM, floor | 1 | |
| 16 | 90267-48051-00 | RIVET, BLIND | 3 | |
| 17 | 95821-08020-00 | BOLT, FLANGE (95801-08020) | 4 | |
| 18 | 97313-08020-00 | BOLT, HEXAGON | 2 | |
| 19 | 92990-08100-00 | WASHER, SPRING | 2 | |
| 20 | 90201-084K3-00 | WASHER, PLATE | 5 | |
| 21 | 90338-24177-00 | PLUG | 1 | |
| 22 | 90338-40178-00 | PLUG | 1 | |
| 23 | J42-7810G-00-00 | SIDE PANEL COMP. (R.H) | 1 | |
| 24 | J42-7817E-00-00 | COVER, front pillar (R.H) | 1 | |
| 25 | J42-7717F-00-00 | TAPE 2 | 1 | |
| 26 | J42-7817G-00-00 | COVER, rear pillar (R.H) | 1 | |
| 27 | J42-7817H-00-00 | TRIM, side panel 1 | 1 | |
| 28 | J42-7817J-00-00 | TRIM, side panel 2 | 1 | |
| 29 | J42-7817K-00-00 | TRIM, side panel 3 | 1 | |

CONTINUED ON NEXT FRAME ►

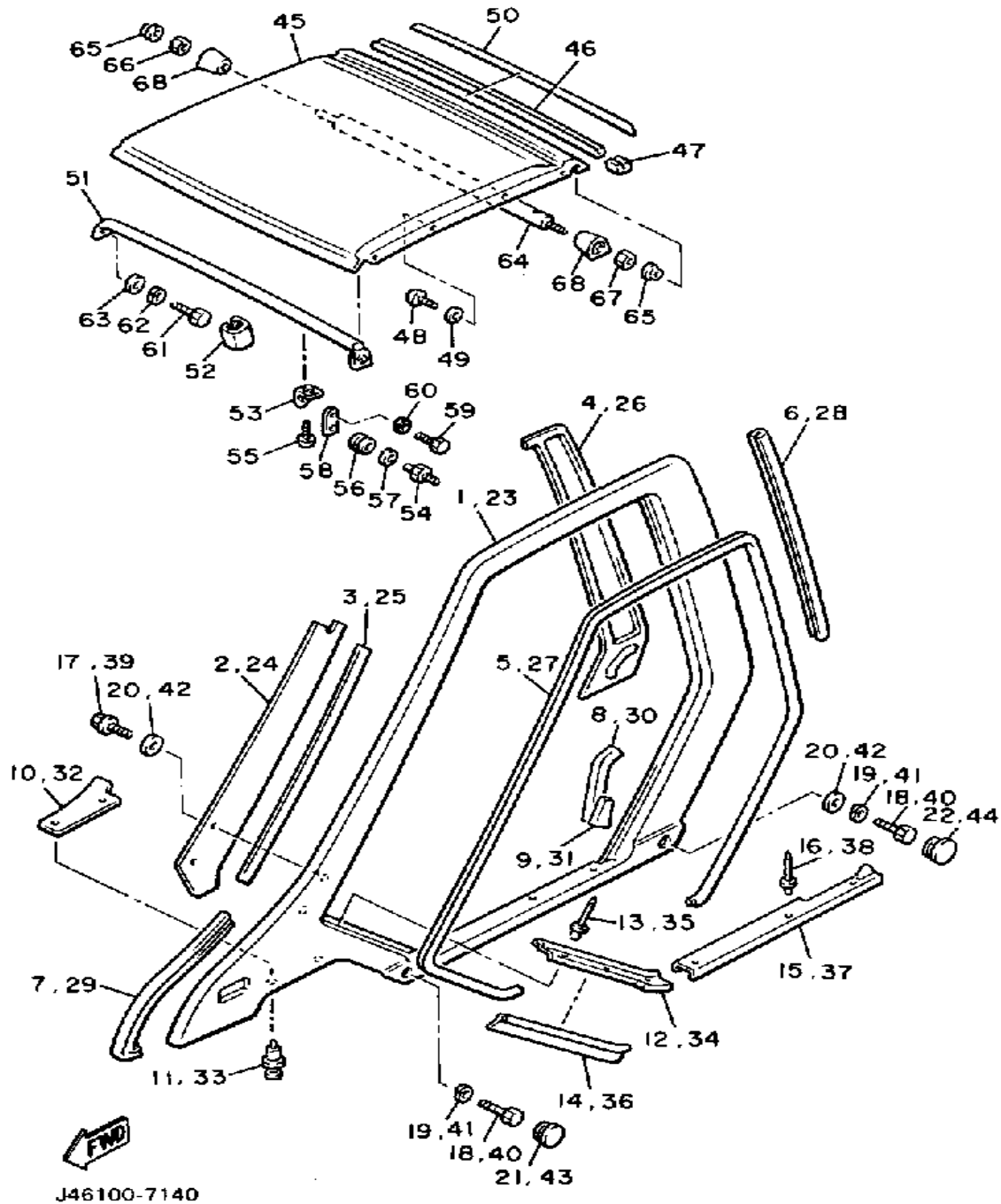
BODY 2



| Ref. No. | Part Number | Description | Qty | Remarks |
|----------|-----------------|----------------------------|-----|---------|
| 30 | J42-7814F-00-00 | SEAL, body side 2 | 1 | |
| 31 | J42-7814R-00-00 | SEAL, body side (L.H) | 1 | |
| 32 | J42-7818J-00-00 | FLAP, side panel | 1 | |
| 33 | 90269-07048-00 | RIVET | 2 | |
| 34 | J42-7811M-00-00 | TRIM, cowl side (R.H) | 1 | |
| 35 | 90267-48051-00 | RIVET, BLIND | 3 | |
| 36 | J42-7814T-01-00 | SEAL, body side 4 | 1 | |
| 37 | J42-7824A-01-00 | TRIM, floor 2 | 1 | |
| 38 | 90267-48051-00 | RIVET, BLIND | 3 | |
| 39 | 95821-08020-00 | BOLT, FLANGE (95801-08020) | 4 | |
| 40 | 97313-08020-00 | BOLT, HEXAGON | 2 | |
| 41 | 92990-08100-00 | WASHER, SPRING | 2 | |
| 42 | 90201-084K3-00 | WASHER, PLATE | 5 | |
| 43 | 90338-24177-00 | PLUG | 1 | |
| 44 | 90338-40178-00 | PLUG | 1 | |
| 45 | J42-78314-00-00 | COVER, sun roof | 1 | |
| 46 | J42-78315-00-00 | TRIM, roof | 1 | |
| 47 | J42-7831K-00-00 | END, roof trim | 2 | |
| 48 | 97780-50320-00 | SCREW, tapping | 8 | |
| 49 | 90209-05275-00 | WASHER | 8 | |
| 50 | J42-7832A-00-00 | REFLECTOR, sun-roof | 1 | |
| 51 | J42-78312-01-00 | SUPPORT, sun roof 1 | 1 | |
| 52 | J42-78349-02-00 | CAP, support roof | 2 | |
| 53 | J42-78381-01-00 | BRACKET, MIRROR | 2 | |
| 54 | J42-78382-00-00 | JOINT, screw | 2 | |
| 55 | 97706-40510-00 | SCREW, TAPPING | 6 | |
| 56 | 90480-14229-00 | GROMMET | 2 | |
| 57 | 90209-10229-00 | WASHER | 2 | |
| 58 | J42-78326-00-00 | BRACKET 4 | 2 | |

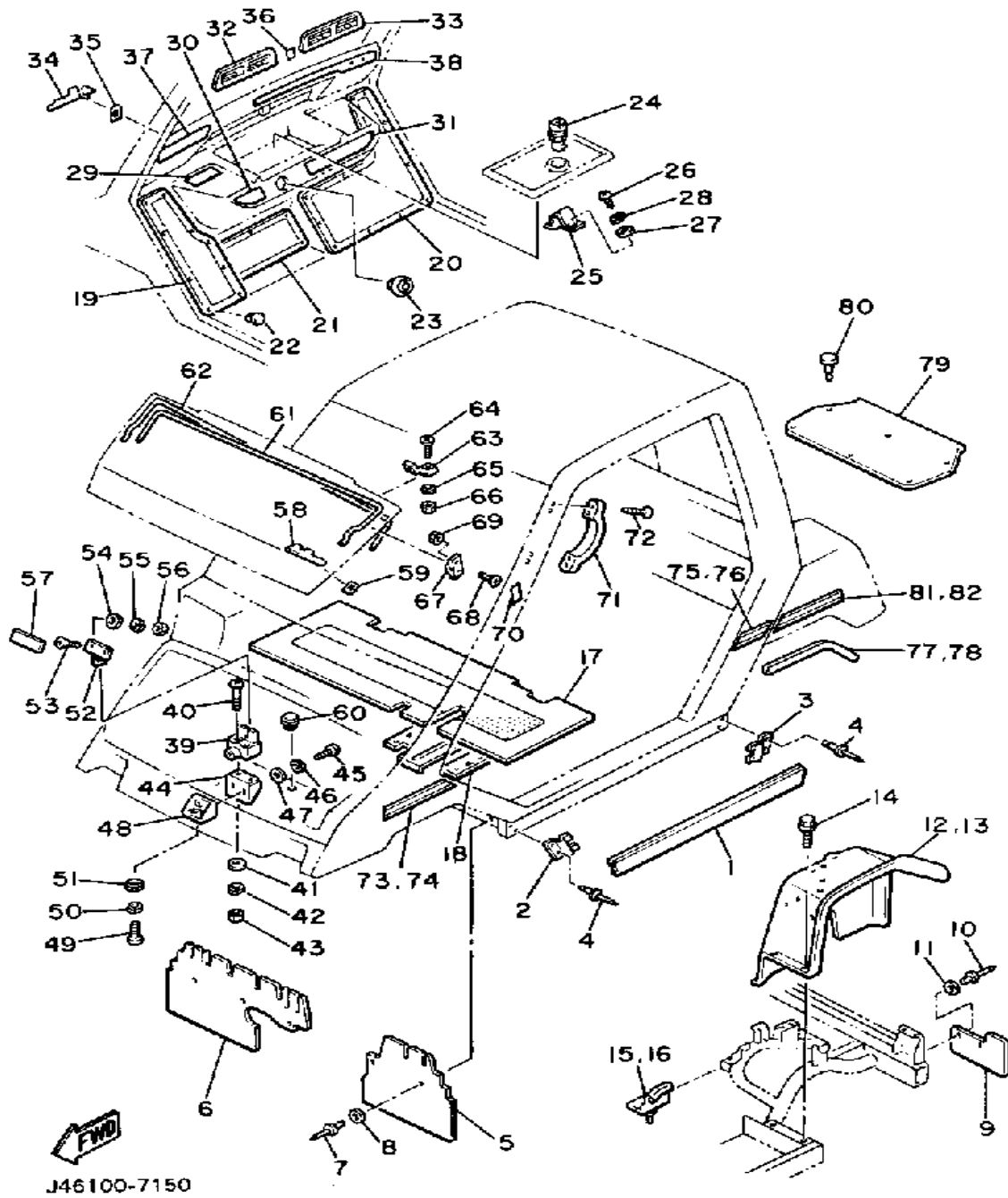
CONTINUED ON NEXT FRAME ►

BODY 2



| Ref. No. | Part Number | Description | Qty | Remarks |
|----------|------------------|-----------------------------|-----|---------|
| 59 | 97026-06012-00 | BOLT | 2 | |
| 60 | 92906-06100-00 | WASHER, SPRING | 2 | |
| 61 | 97312-08025-00 | BOLT (97012-08025) | 2 | |
| 62 | 92990-08100-00 | WASHER, SPRING | 2 | |
| 63 | 90201-08730-00 | WASHER, PLATE | 2 | |
| 64 | J42-78313-00-00 | SUPPORT, sun roof 2 | 1 | |
| 65 | (90560-10023-00) | SPACER | 2 | |
| 66 | 95303-10600-00 | NUT (95301-10600) | 1 | |
| 67 | 90170-10186-00 | NUT | 1 | |
| 68 | J42-7832F-01-00 | GROMMET, roof support 1 ... | 2 | |

BODY FITTING

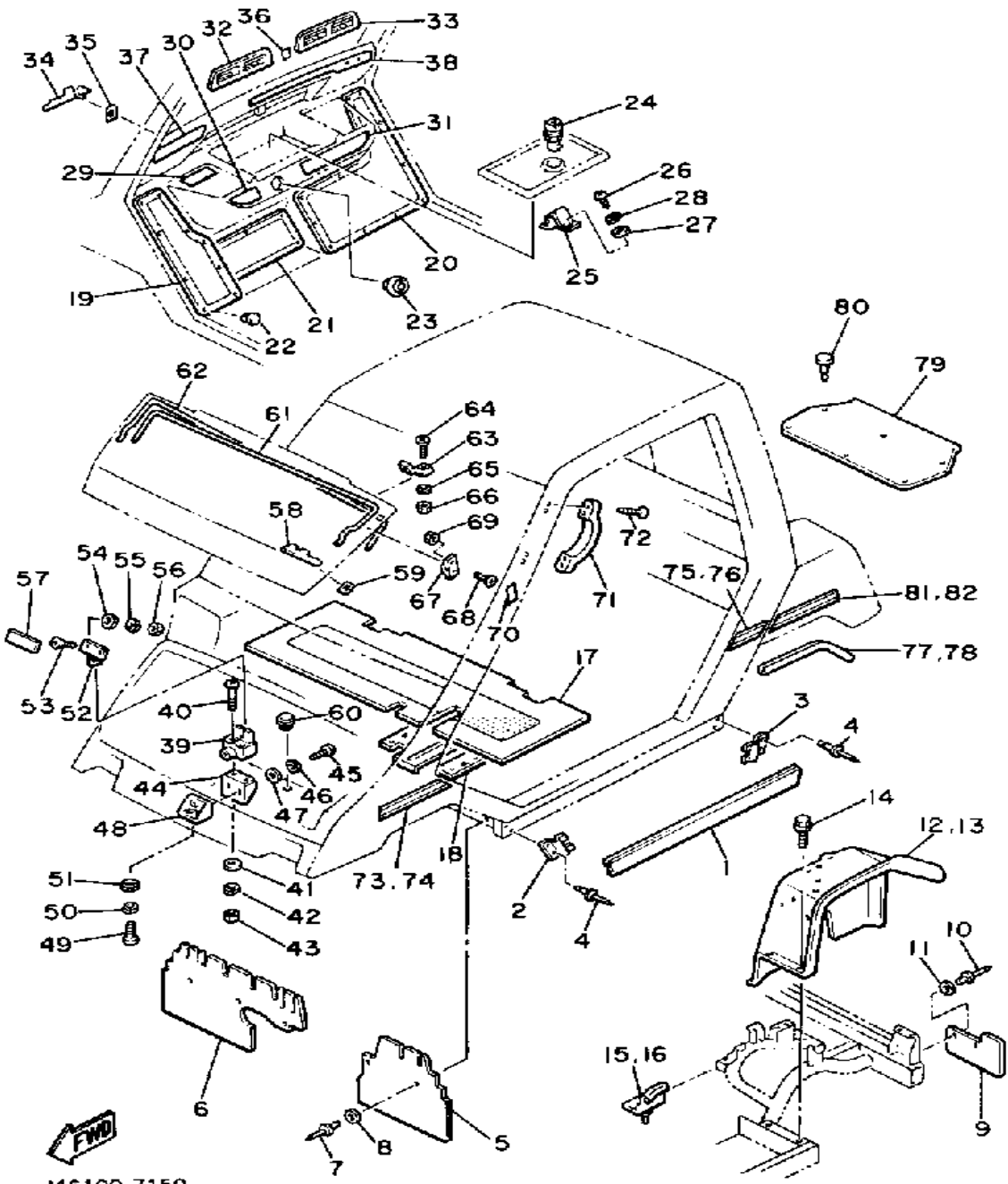


J46100-7150

| Ref. No. | Part Number | Description | Qty | Remarks |
|----------|-----------------|-----------------------------------------|-----|---------|
| 1 | J42-7818A-00-00 | PROTECTOR, side plate | 2 | |
| 2 | J42-78183-00-00 | PLATE, side sill (L.H) | 2 | |
| 3 | J42-78184-00-00 | PLATE, side sill (R.H) | 2 | |
| 4 | 90267-48116-00 | RIVET, blind | 8 | |
| 5 | J42-78187-00-00 | FLAP, front fender | 1 | |
| 6 | J42-78189-00-00 | FLAP, front fender (R.H) | 1 | |
| 7 | 90267-40075-00 | RIVET, BLIND | 5 | |
| 8 | 90201-05034-00 | WASHER, PLATE | 5 | |
| 9 | J42-78199-00-00 | FLAP, rear 2 | 2 | |
| 10 | 90267-40075-00 | RIVET, BLIND | 4 | |
| 11 | 90201-05034-00 | WASHER, PLATE | 4 | |
| 12 | J46-78191-00-00 | PANEL, RR FENDER 1 | 1 | |
| 13 | J26-78192-00-00 | PANEL, RR FENDER 2 | 1 | |
| 14 | 90119-06029-00 | BOLT, WITH WASHER | 8 | |
| 15 | J42-78221-01-00 | SHEET, body mounting 1 | 1 | |
| 16 | J42-78222-01-00 | SHEET, body mounting 2 | 1 | |
| 17 | J42-78231-02-00 | MAT, main floor 1 (J42-78231-01-00) | 1 | |
| 18 | J42-78271-01-00 | SERVICE LID, PEDAL | 1 | |
| 19 | J42-78232-00-00 | MAT, main floor 2 | 1 | |
| 20 | J42-78233-00-00 | MAT, MAIN FLOOR 3 | 1 | |
| 21 | J42-78236-01-00 | MAT, pedal floor | 1 | |
| 22 | 90267-63047-00 | RIVET, BLIND | 26 | |
| 23 | J42-77740-01-00 | GROMMET, instrument panel | 1 | |
| 24 | 25G-21708-00-00 | SIDE COVER LOCK ASS'Y (J42-21708-00) | 1 | |
| 25 | J42-78319-00-00 | HOOK, end 2 | 1 | |
| 26 | 97780-50612-00 | SCREW, TAPPING | 2 | |
| 27 | 92901-05600-00 | WASHER, PLATE | 2 | |

CONTINUED ON NEXT FRAME ►

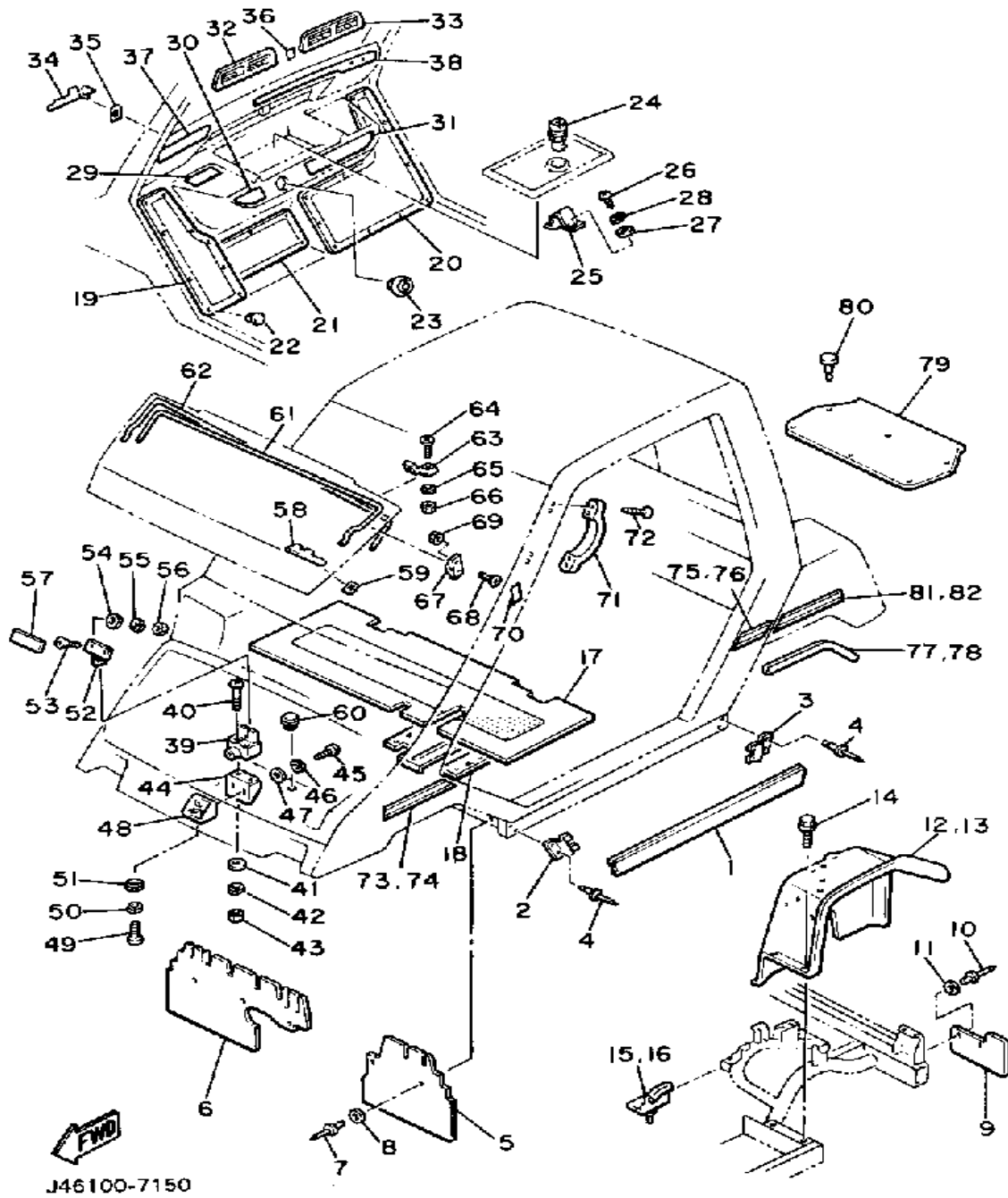
BODY FITTING



| Ref. No. | Part Number | Description | Qty | Remarks |
|----------|-------------------|----------------------------------|-----|---------|
| 28 | 92990-05100-00 | WASHER, SPRING | 2 | |
| 29 | J55-77768-10-00 | LABEL, WARNING (J38-77768-10) | 1 | |
| 30 | J42-77717-00-00 | ORNAMENT, instrument panel 3 | 1 | |
| 31 | J42-77718-00-00 | ORNAMENT, instrument panel 4 | 1 | |
| 32 | J42-2837X-00-00 | GRILL, air outlet 3 | 1 | |
| 33 | J42-2837Y-00-00 | GRILL, air outlet 4 | 1 | |
| 34 | J42-78292-00-00 | EMBLEM 2 | 1 | |
| 35 | 90183-03038-00 | NUT, spring | 2 | |
| 36 | (J42-77743-00-00) | INDICATOR 3 | 1 | |
| 37 | J42-77715-00-00 | ORNAMENT instrument panel 1 | 1 | |
| 38 | J42-77716-00-00 | ORNAMENT, instrument panel 2 | 1 | |
| 39 | 23T-24705-00-00 | SEAT LOCK ASS"Y (J42-24705-00) | 1 | |
| 40 | 98580-06040-00 | SCREW, pan head (92501-06040-00) | 2 | |
| 41 | 92990-06200-00 | WASHER, PLAIN | 2 | |
| 42 | 92995-06100-00 | WASHER, SPRING | 2 | |
| 43 | 95380-06600-00 | NUT | 2 | |
| 44 | J42-78323-00-00 | BRACKET 1 | 1 | |
| 45 | 98580-06012-00 | SCREW, PAN HEAD | 2 | |
| 46 | 92995-06100-00 | WASHER, SPRING | 2 | |
| 47 | 92990-06600-00 | WASHER, PLATE | 2 | |
| 48 | J42-78324-00-00 | BRACKET 2 | 1 | |
| 49 | 98580-06030-00 | SCREW PAN HEAD | 3 | |
| 50 | 92995-06100-00 | WASHER, SPRING | 3 | |
| 51 | 92990-06200-00 | WASHER, PLAIN | 3 | |
| 52 | J42-78318-00-00 | HOOK, end 1 | 1 | |

CONTINUED ON NEXT FRAME ►

BODY FITTING

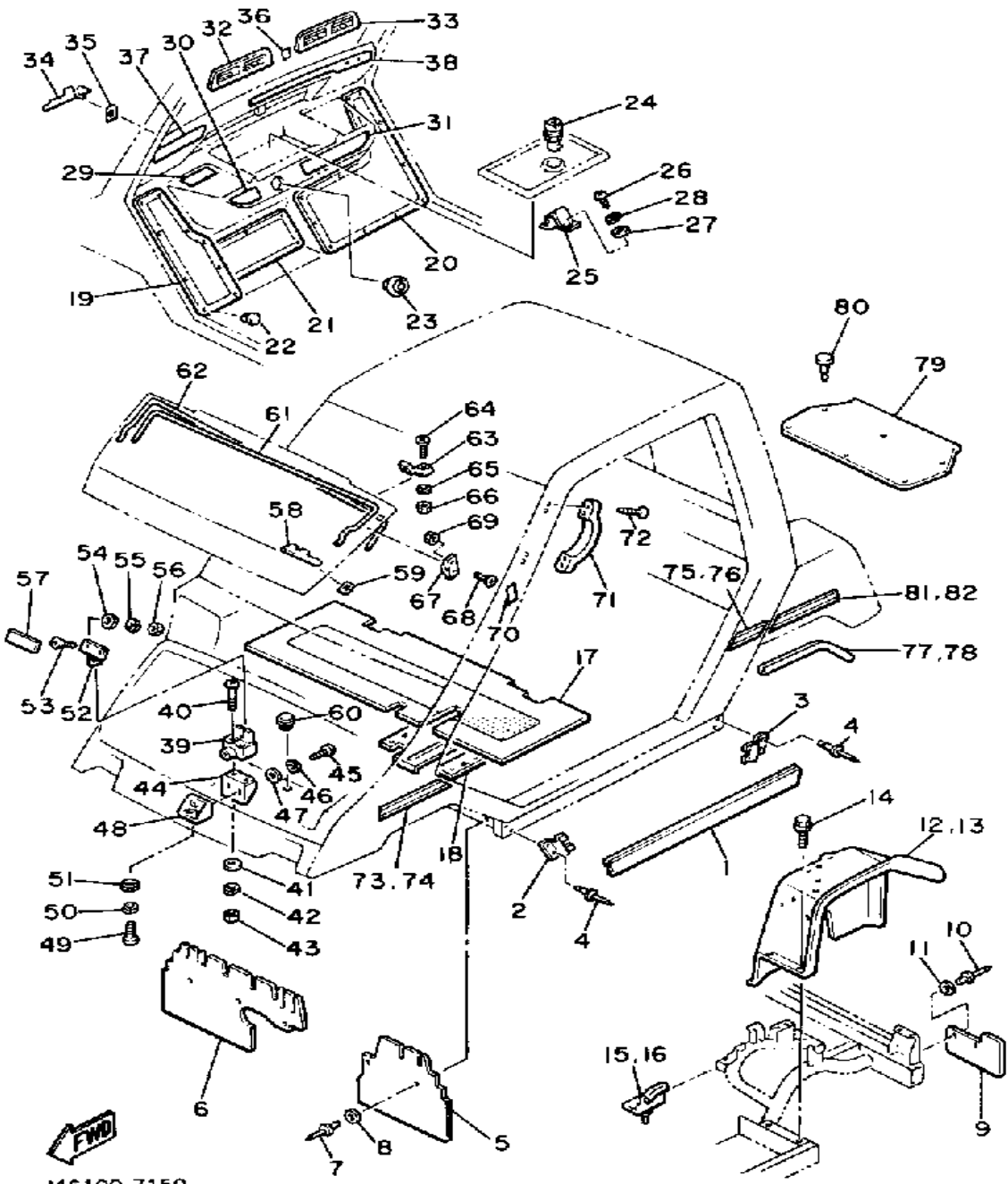


J46100-7150

| Ref. No. | Part Number | Description | Qty | Remarks |
|----------|-----------------|------------------------------------|-----|---------|
| 53 | 98701-05016-00 | SCREW, FLAT HEAD | 2 | |
| 54 | 92990-05200-00 | WASHER, PLAIN | 2 | |
| 55 | 92990-05100-00 | WASHER, SPRING | 2 | |
| 56 | 95380-05600-00 | NUT | 2 | |
| 57 | 25G-21578-00-00 | EMBLEM | 1 | |
| 58 | J42-78292-00-00 | EMBLEM 2 | 1 | |
| 59 | 90183-03038-00 | NUT, spring | 2 | |
| 60 | 90338-24112-00 | PLUG, SPEC'L SHAPE | 1 | |
| 61 | J42-78278-00-00 | SPRING, front lid 1 | 1 | |
| 62 | J42-78279-00-00 | SPRING, front lid 2 | 1 | |
| 63 | J42-7827A-00-00 | GUIDE 1 | 2 | |
| 64 | 98501-03016-00 | SCREW, PAN HEAD | 4 | |
| 65 | 92990-03200-00 | WASHER, PLAIN | 4 | |
| 66 | 95380-03600-00 | NUT | 4 | |
| 67 | J42-7827E-00-00 | GUIDE 2 | 2 | |
| 68 | 98501-03016-00 | SCREW, PAN HEAD | 4 | |
| 69 | 95380-03600-00 | NUT | 4 | |
| 70 | J42-7824H-00-00 | TAPE 1 | 2 | |
| 71 | J42-78214-00-00 | GRIP, hand | 2 | |
| 72 | 97706-50640-00 | SCREW, tapping (97706-50140-00) | 8 | |
| 73 | J42-77281-00-00 | STRIPE (L.H) | 1 | |
| 74 | J42-77282-00-00 | STRIPE (R.H) | 1 | |
| 75 | J42-77283-00-00 | STRIPE (L.H) | 1 | |
| 76 | J42-77284-00-00 | STRIPE (R.H) | 1 | |
| 77 | J42-7824E-00-00 | TRIM, rear body (L.H) | 1 | |
| 78 | J42-7824F-00-00 | TRIM, rear body (R.H) | 1 | |
| 79 | J42-78241-00-00 | MAT, rear floor | 1 | |
| 80 | 90269-06028-00 | RIVET | 6 | |

CONTINUED ON NEXT FRAME ►

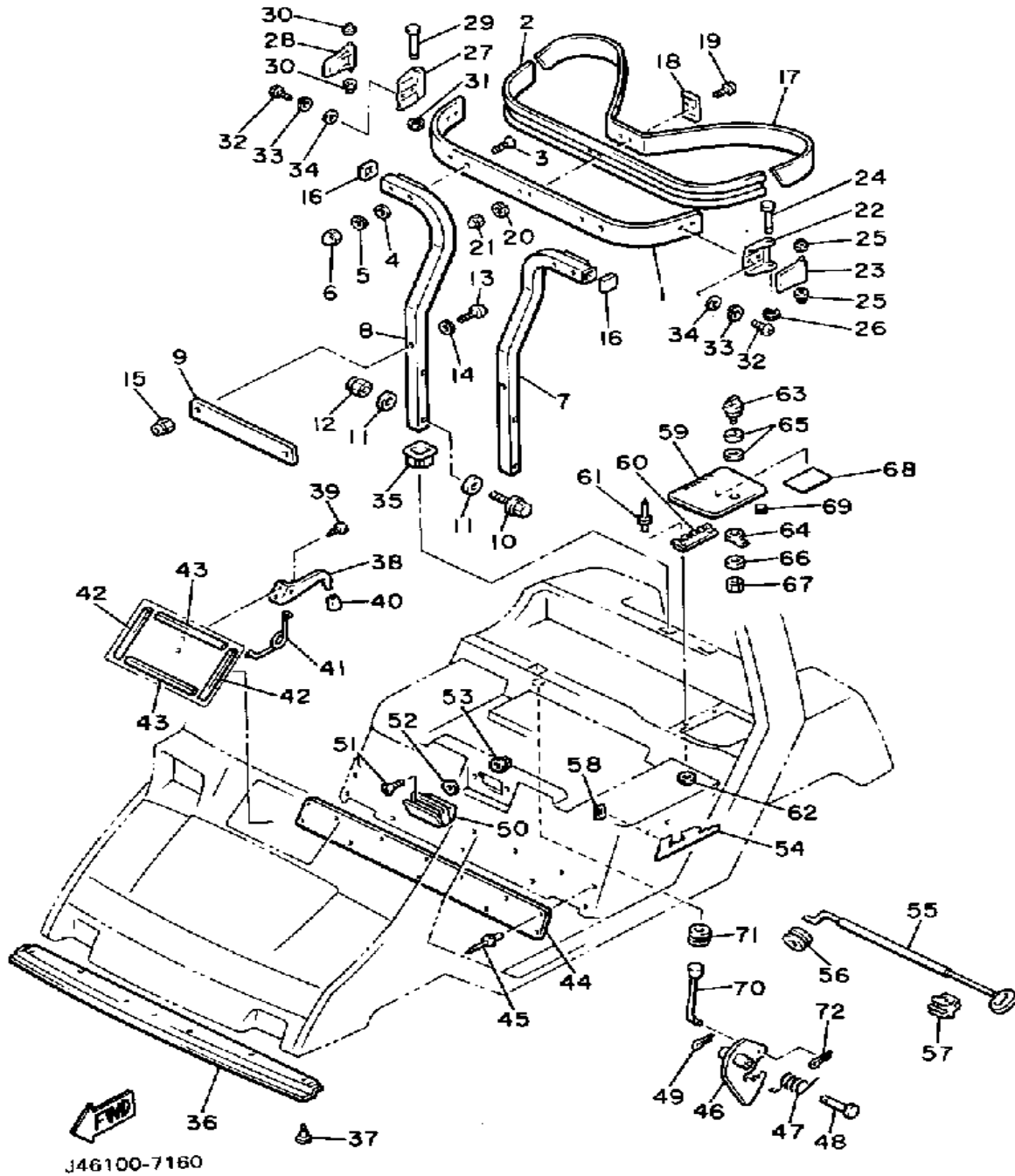
BODY FITTING



| Ref. No. | Part Number | Description | Qty | Remarks |
|----------|-----------------|--------------|-----|---------|
| 81 | J42-77285-00-00 | STRIPE (L.H) | 1 | |
| 82 | J42-77286-00-00 | STRIPE (R.H) | 1 | |

J46100-7150

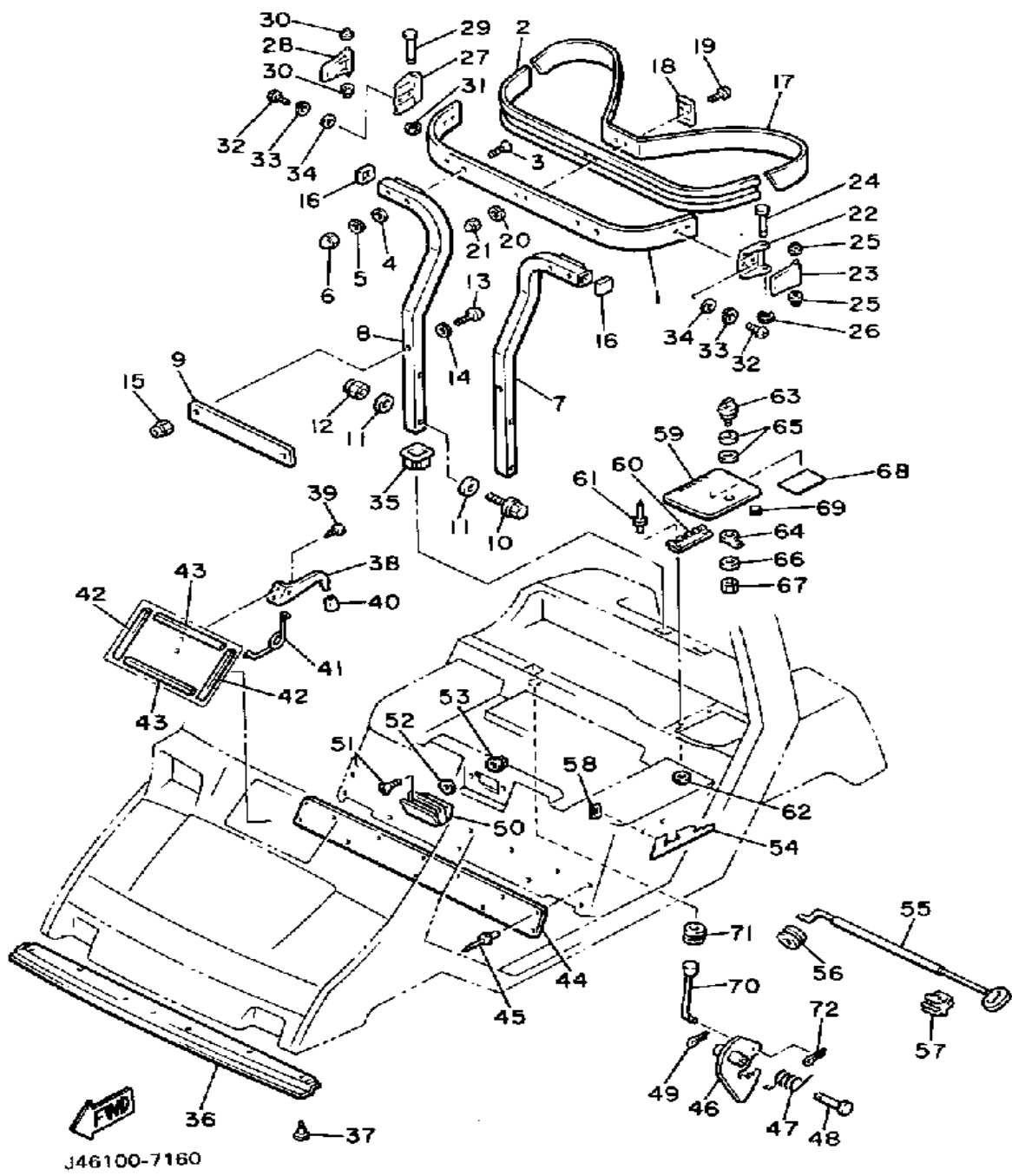
CARRIER



| Ref. No. | Part Number | Description | Qty | Remarks |
|----------|-----------------|--------------------------------------|-----|---------|
| 1 | J42-78351-00-00 | SUPPORT, BAG UPPER (J10-78351-00-9E) | 1 | |
| 2 | J10-78356-00-00 | PAD, BAG SUPPORT | 1 | |
| 3 | 98701-08045-00 | SCREW, FLAT HEAD (92701-08045) | 4 | |
| 4 | 90202-08022-00 | WASHER, PLATE | 4 | |
| 5 | 92990-08100-00 | WASHER, SPRING | 4 | |
| 6 | 95380-08800-00 | NUT, CROWN | 4 | |
| 7 | J42-78352-00-00 | SUPPORT, bag lower 1 | 1 | |
| 8 | J42-78353-00-00 | SUPPORT, bag lower 2 | 1 | |
| 9 | J42-78367-00-00 | PLATE, anchor | 1 | |
| 10 | 95811-08050-00 | BOLT, FLANGE (95812-08050) | 4 | |
| 11 | 90201-084K3-00 | WASHER, PLATE | 8 | |
| 12 | 95601-08200-00 | NUT, U | 4 | |
| 13 | 90154-08028-00 | SCREW, binding | 2 | |
| 14 | 90201-080A9-00 | WASHER, plate | 2 | |
| 15 | 95601-08200-00 | NUT, U | 2 | |
| 16 | J10-78139-00-00 | CAP, END | 2 | |
| 17 | J10-78355-00-00 | BAND | 1 | |
| 18 | J10-78367-00-00 | PLATE, ANCHOR | 1 | |
| | J17-78368-01-00 | LEVER, LOCK | 1 | |
| 19 | 98980-06016-00 | SCREW, BINDING | 2 | |
| 20 | 92995-06100-00 | WASHER, SPRING | 2 | |
| 21 | 95380-06800-00 | NUT | 2 | |
| 22 | J17-78157-01-00 | BASE, LOCK | 1 | |
| 23 | J17-78368-01-00 | LEVER, LOCK | 1 | |
| 24 | J17-78369-00-00 | PIN, LEVER | 1 | |
| 25 | 90386-06108-00 | BUSH | 2 | |
| 26 | 99080-05600-00 | CIRCLIP | 1 | |

CONTINUED ON NEXT FRAME ►

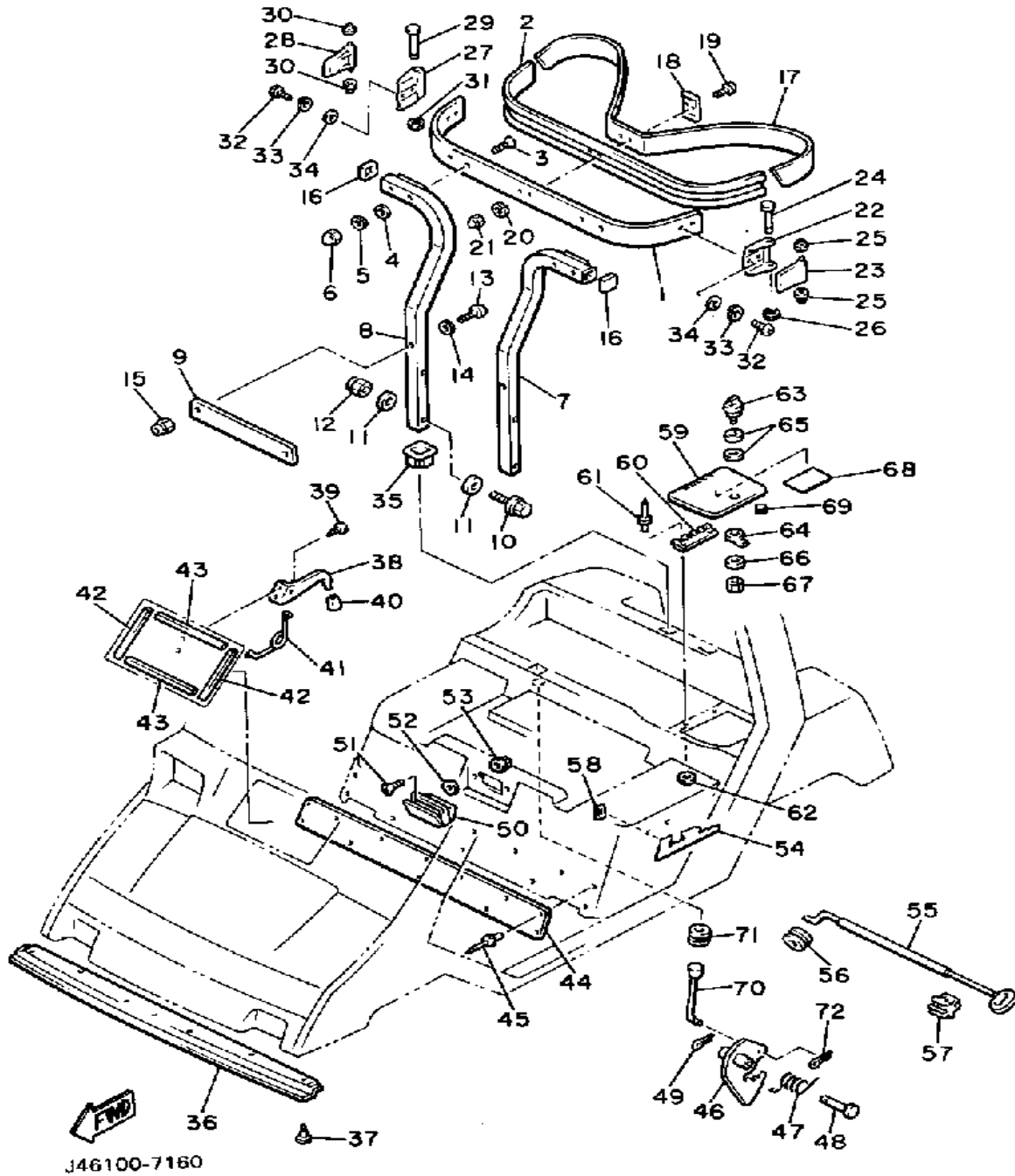
CARRIER



| Ref. No. | Part Number | Description | Qty | Remarks |
|----------|-------------------|----------------------------------|-----|---------|
| 27 | J17-78157-01-00 | BASE, LOCK | 1 | |
| 29 | J17-78369-00-00 | PIN, LEVER | 1 | |
| 30 | 90386-06108-00 | BUSH | 2 | |
| 31 | 99080-05600-00 | CIRCLIP | 1 | |
| 32 | 98580-06010-00 | SCREW, PAN HEAD (92503-06010) | 4 | |
| 33 | 92995-06100-00 | WASHER, SPRING | 4 | |
| 34 | 92990-06200-00 | WASHER, PLAIN | 4 | |
| 35 | (90480-36427-00) | GROMMET | 2 | |
| 36 | J42-78216-00-00 | COVER, bumper gap | 1 | |
| 37 | 90269-06028-00 | RIVET | 6 | |
| 38 | (J42-7827F-01-00) | LEVER, VENTILATOR | 1 | |
| 39 | 97780-50612-00 | SCREW, TAPPING | 2 | |
| 40 | (J42-7827G-00-00) | KNOB, VENTILATOR | 1 | |
| 41 | J42-7827H-00-00 | SPRING, ventilator | 1 | |
| 42 | J42-78245-00-00 | SEAL 1 | 2 | |
| 43 | J42-78246-00-00 | SEAL, floor 2 | 2 | |
| 44 | J42-78119-00-00 | PLATE 3 | 1 | |
| 45 | 90267-40075-00 | RIVET, BLIND | 10 | |
| 46 | (J42-7814H-02-00) | HOOK, BODY LOCK | 1 | |
| 47 | (90508-14698-00) | SPRING, TORSION | 1 | |
| 48 | (91702-08040-00) | PIN, CLEVIS | 1 | |
| 49 | 91401-25020-00 | PIN, COTTER | 1 | |
| 50 | J42-78287-00-00 | ASH TRAY | 1 | |
| 51 | (98780-04025-00) | SCREW, FLAT HEAD | 2 | |
| 52 | 92990-04200-00 | WASHER, PLAIN | 2 | |
| 53 | 95701-04300-00 | NUT, flange | 2 | |
| 54 | J42-78291-00-00 | EMBLEM 1 | 2 | |
| 55 | J42-78375-00-00 | SUPPORT 1 | 1 | |

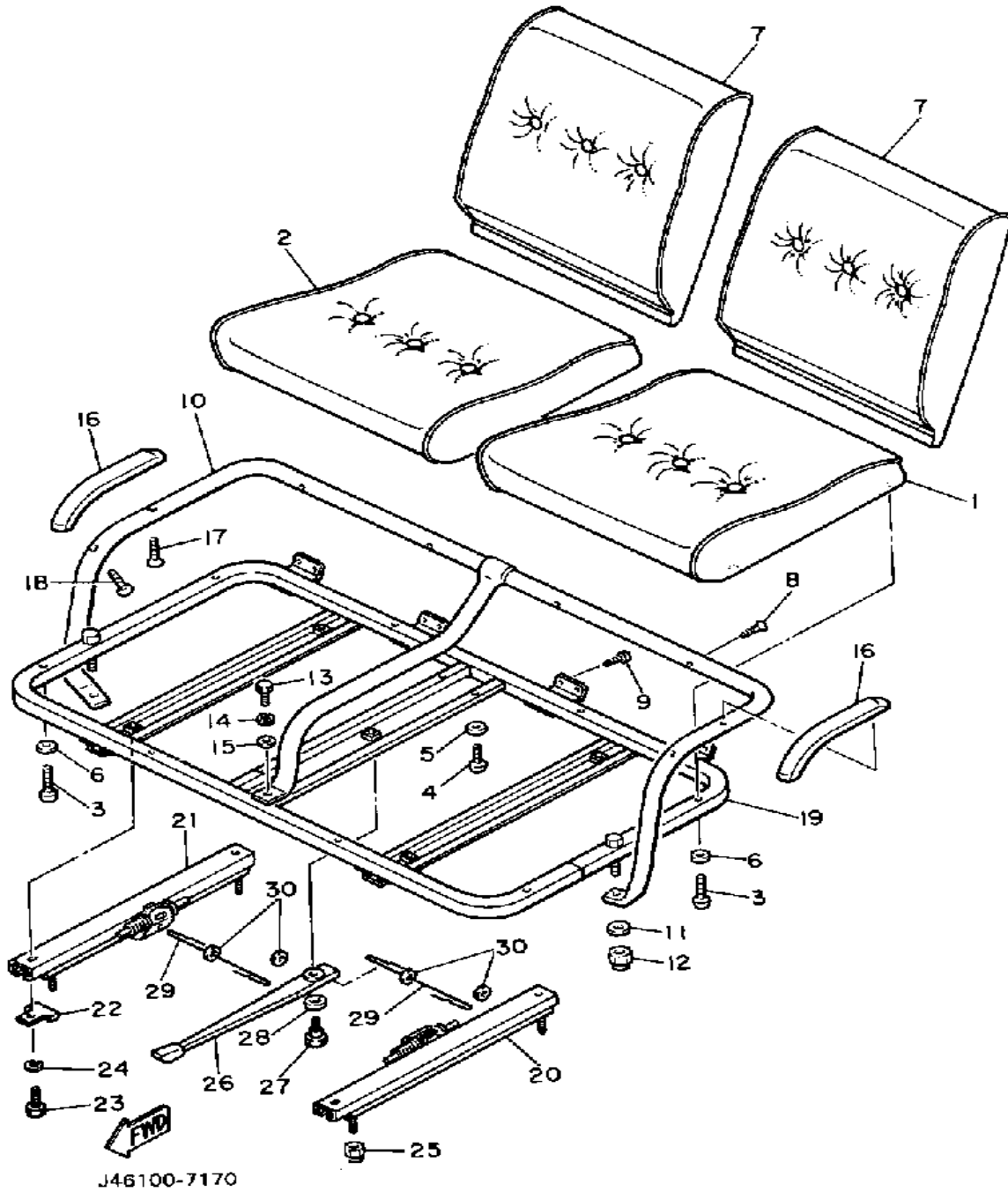
CONTINUED ON NEXT FRAME ►

CARRIER



| Ref. No. | Part Number | Description | Qty | Remarks |
|----------|-------------------|-----------------------------|-----|---------|
| 56 | 90480-16304-00 | GROMMET (90480-16110-00) .. | 1 | |
| 57 | J42-78359-01-00 | HOLDER 3 0 1 | 1 | |
| 58 | 90183-03038-00 | NUT, spring | 4 | |
| 59 | J42-78272-00-00 | COVER, fuel inlet | 1 | |
| 60 | J17-78275-00-00 | HINGE.FUEL INLET | 1 | |
| 61 | 90267-40075-00 | RIVET, BLIND | 2 | |
| 62 | 90201-044H9-00 | WASHER, PLAIN | 2 | |
| 63 | 8L9-77324-00-00 | KNOB | 1 | |
| 64 | 8K4-77328-00-00 | LEVER, arm fitting | 1 | |
| 65 | 90206-15070-00 | WASHER, wave | 2 | |
| 66 | 90201-05725-00 | WASHER, PLATE | 1 | |
| 67 | 95706-05300-00 | NUT, nylon | 1 | |
| 68 | J51-77764-00-00 | LABEL, WARNING 4 | 1 | |
| 69 | (J42-7815H-01-00) | DAMPER, LOCK | 4 | |
| 70 | (J42-7814G-02-00) | LEVER, BODY LOCK | 1 | |
| 71 | 90480-12067-00 | GROMMET | 1 | |
| 72 | 91490-16020-00 | PIN, COTTER | 1 | |

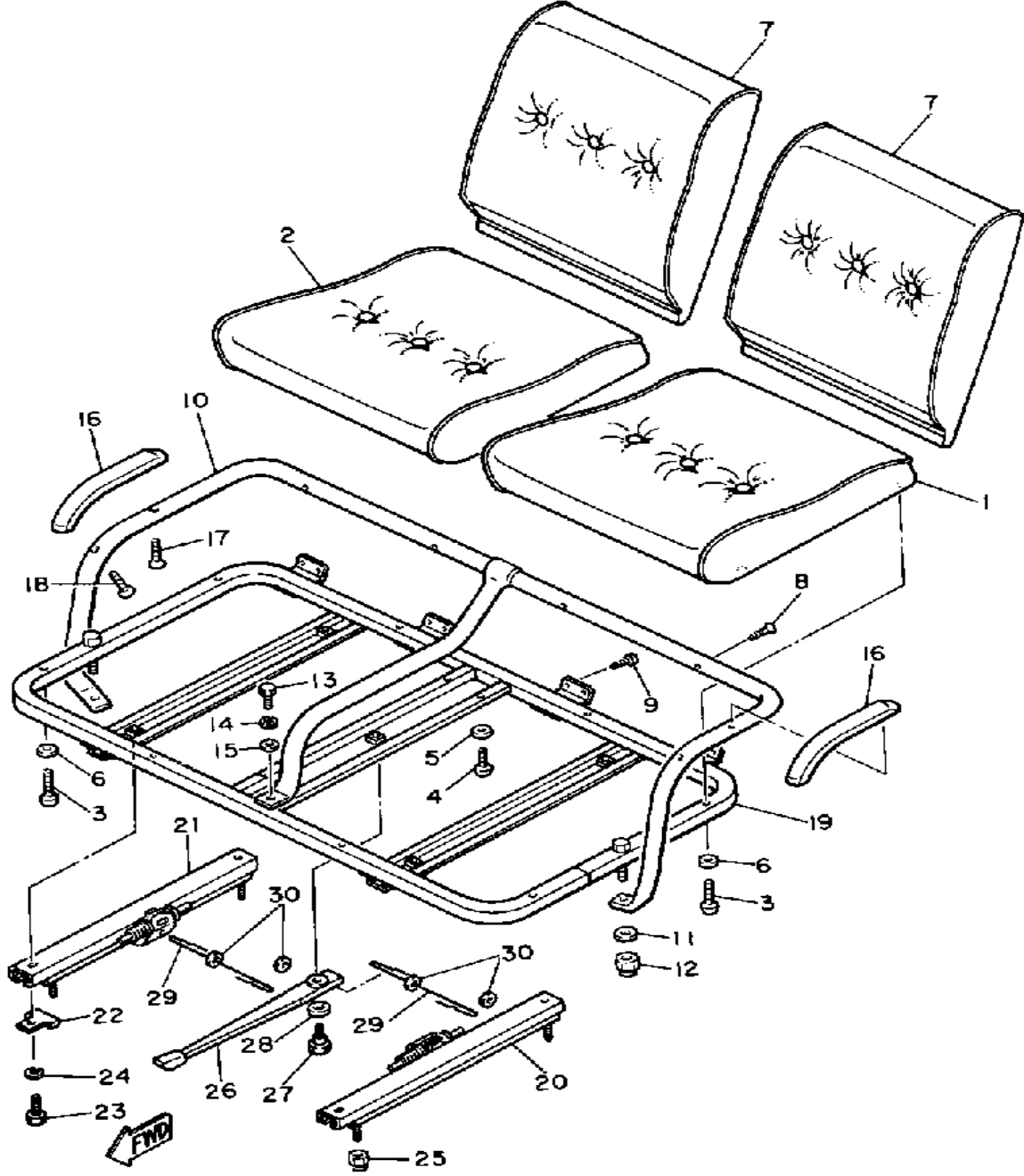
SEAT



| Ref. No. | Part Number | Description | Qty | Remarks |
|----------|-----------------|-------------------------------------------|-----|---------|
| 1 | J50-K8401-00-00 | SEAT SB/ASSEMBLY, CSHN .. | 1 | |
| 2 | J50-K8403-00-00 | SEAT SB/ASSEMBLY, CSH 2 . | 1 | |
| 3 | 98580-06040-00 | SCREW, pan head (92501-06040-00) | 8 | |
| 4 | 98503-06014-00 | SCREW, PAN HEAD (92502-06016) | 4 | |
| 5 | 92901-06600-00 | WASHER | 4 | |
| 6 | 90201-065F3-00 | WASHER, PLATE | 8 | |
| 7 | J50-K8402-00-00 | SEAT SB/ASSEMBLY, BACK .. | 2 | |
| 8 | 90152-06017-00 | SCREW, COUNTERSUNK | 4 | |
| 9 | 97780-50316-00 | SCREW, TAPPING | 8 | |
| 10 | J42-78421-00-00 | SUPPORT, seat | 1 | |
| 11 | 92990-08600-00 | WASHER, PLATE | 2 | |
| 12 | 95680-08100-00 | NUT, U | 2 | |
| 13 | 97011-08016-00 | BOLT | 1 | |
| 14 | 92990-08100-00 | WASHER, SPRING | 1 | |
| 15 | 92990-08600-00 | WASHER, PLATE | 1 | |
| 16 | J42-78361-00-00 | ARM REST 1 | 2 | |
| 17 | 98680-05030-00 | SCREW, OVAL HEAD | 2 | |
| 18 | 97780-50330-00 | SCREW, TAPPING | 2 | |
| 19 | J42-78451-00-00 | FRAME, slide seat | 1 | |
| 20 | J42-78452-00-00 | SEAT-ADJUSTER 1 | 1 | |
| 21 | J42-78453-00-00 | SEAT-ADJUSTER 2 | 1 | |
| 22 | J42-78454-00-00 | STOPPER, slide seat | 2 | |
| 23 | 97011-08016-00 | BOLT | 4 | |
| 24 | 92990-08100-00 | WASHER, SPRING | 4 | |
| 25 | 95601-08200-00 | NUT, U | 4 | |
| 26 | J42-78455-00-00 | LEVER, adjuster | 1 | |
| 27 | J42-78456-00-00 | BOLT, adjuster | 1 | |

CONTINUED ON NEXT FRAME ►

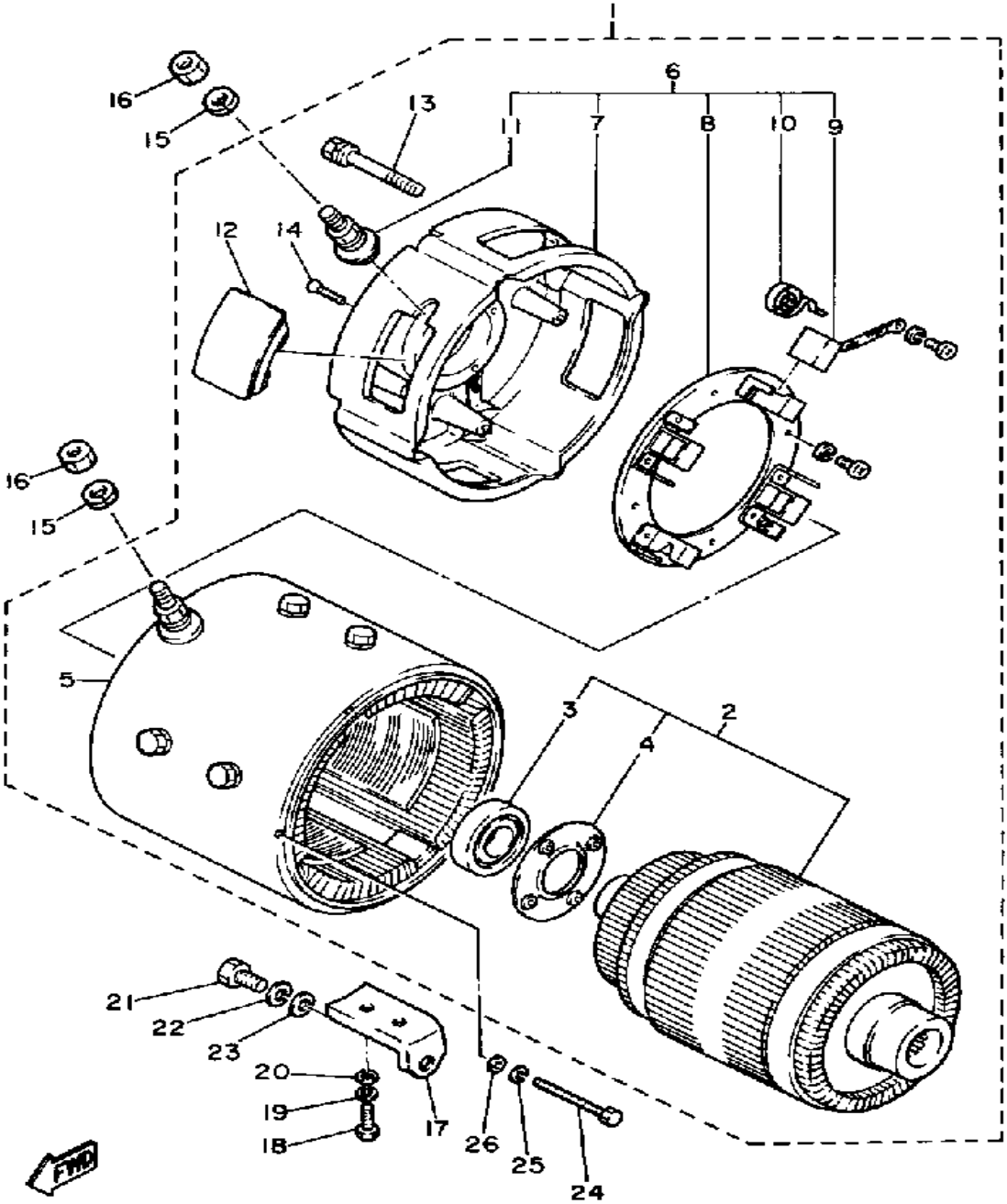
SEAT



J46100-7170

| Ref. No. | Part Number | Description | Qty | Remarks |
|----------|-----------------|----------------------|-----|---------|
| 28 | 92990-10600-00 | WASHER, PLATE | 1 | |
| 29 | J42-78457-00-00 | WIRE, adjuster | 2 | |
| 30 | 92901-04600-00 | WASHER, PLATE | 4 | |

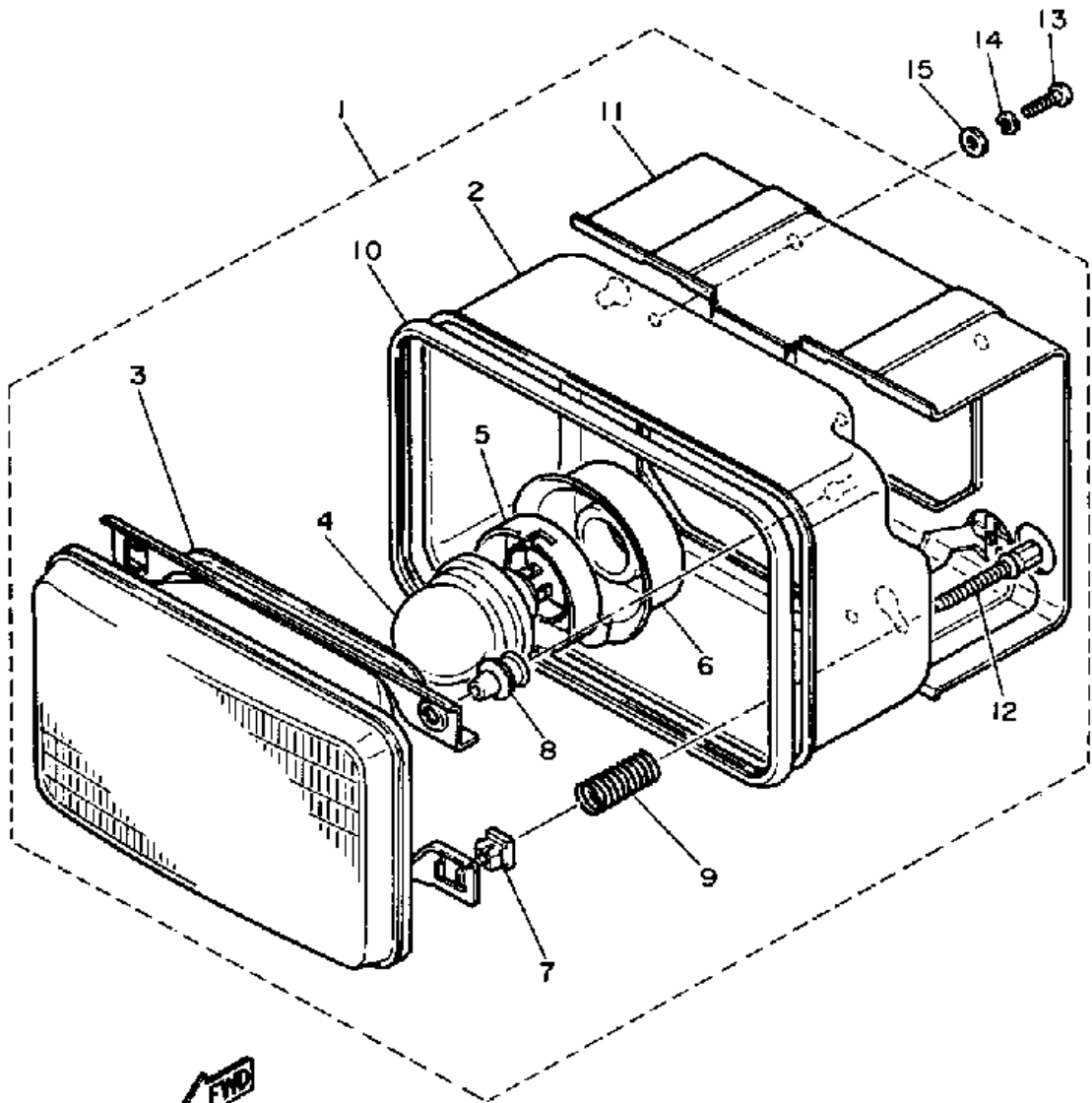
STARTING MOTOR



J46100-7180

| Ref. No. | Part Number | Description | Qty | Remarks |
|----------|-------------------|------------------------------------------------|-----|---------|
| 1 | J46-81890-10-00 | TRACTION MOTOR | 1 | |
| 2 | J46-81850-10-00 | . ARMATURE ASSEMBLY | 1 | |
| 3 | J14-81857-10-00 | .. BEARING | 1 | |
| 4 | J14-81856-10-00 | .. RETAINER | 1 | |
| 5 | (J46-81810-10-00) | STATOR ASSEMBLY | 1 | |
| 6 | J46-81820-10-00 | . REAR BRACKET ASSEMBLY | 1 | |
| 7 | J46-81822-10-00 | .. BRACKET, STRTG MTR -STARTING MOTOR | 1 | |
| 8 | J46-81840-10-00 | .. BRUSH HOLDER ASSEMBLY -ASSEMBLY | 1 | |
| 9 | J14-81811-10-00 | .. BRUSH 1 | 4 | |
| 10 | J46-81813-10-00 | .. SPRING, BRUSH | 4 | |
| 11 | J46-81826-10-00 | .. BOLT | 2 | |
| 12 | J14-81842-10-00 | . COVER | 4 | |
| 13 | J14-81828-10-00 | . BOLT 2 | 4 | |
| 14 | 98701-05025-00 | . SCREW, flat head | 4 | |
| 15 | 92990-08100-00 | WASHER, SPRING | 4 | |
| 16 | 95333-08600-00 | NUT | 4 | |
| 17 | J14-81823-01-00 | STAY, STARTING MTR (J14-81823-00) | 1 | |
| 18 | 97011-06016-00 | BOLT | 2 | |
| 19 | 92995-06100-00 | WASHER, SPRING | 2 | |
| 20 | 92990-06600-00 | WASHER, PLATE | 2 | |
| 21 | 97011-08016-00 | BOLT | 1 | |
| 22 | 92990-08100-00 | WASHER, SPRING | 1 | |
| 23 | 92990-08600-00 | WASHER, PLATE | 1 | |
| 24 | 97313-06055-00 | BOLT, HEXAGON (97322-06055) | 3 | |
| 25 | 92995-06100-00 | WASHER, SPRING | 3 | |
| 26 | 90201-06643-00 | WASHER, PLATE | 3 | |

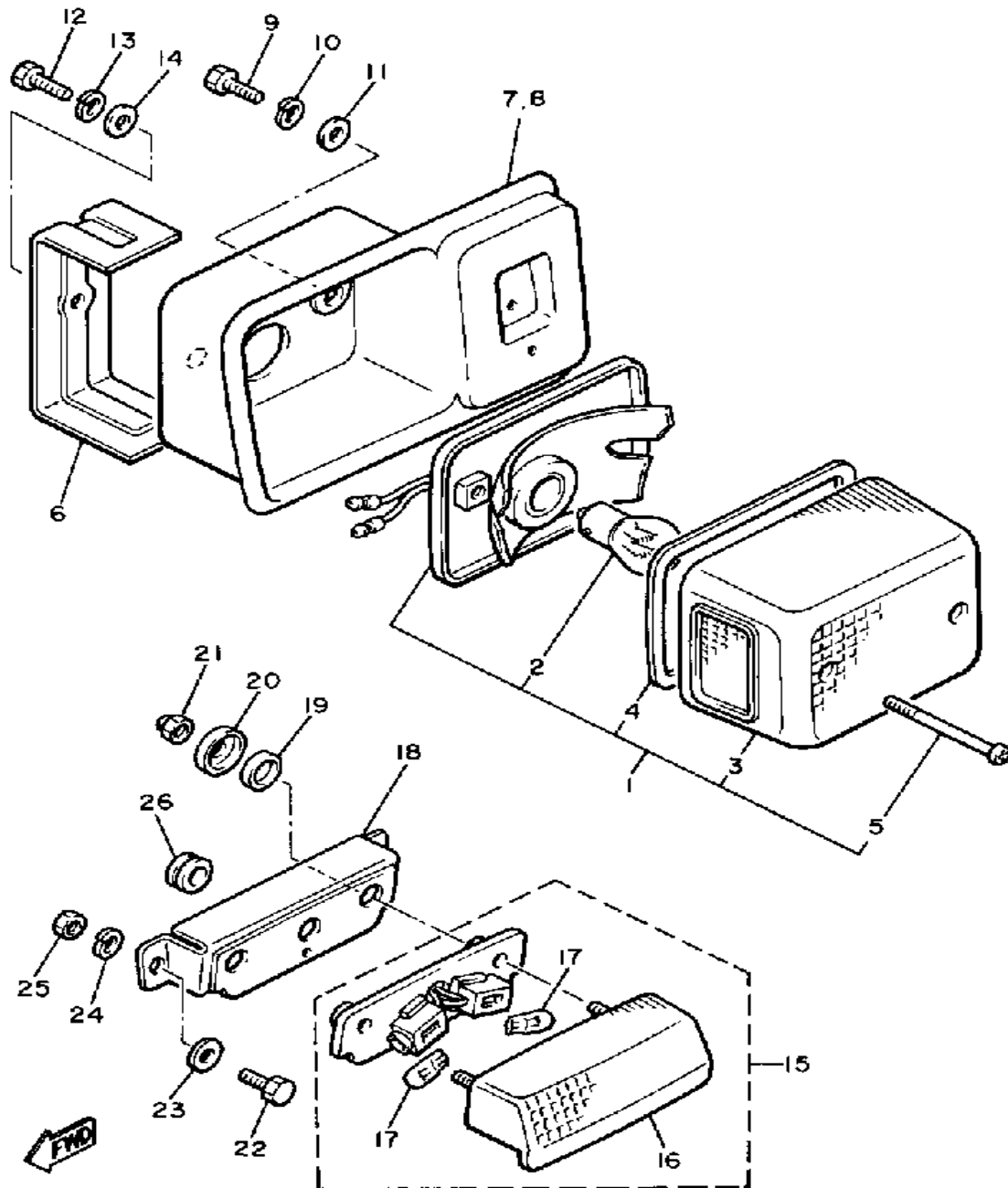
HEADLIGHT



J42110-5380

| Ref. No. | Part Number | Description | Qty | Remarks |
|----------|-------------------|---------------------------------|-----|---------|
| 1 | J42-84300-00-00 | HEADLIGHT ASS'Y | 2 | |
| 2 | J42-84330-00-00 | . BODY ASS'Y | 1 | |
| 3 | J42-84320-00-00 | . LENS ASS'Y | 1 | |
| 4 | 1U4-84314-40-XX | . BULB, HEAD LIGHT (12V-45/40W) | 1 | LM |
| 5 | 341-84393-40-00 | . HOLDER, BULB | 1 | |
| 6 | 46X-84396-00-00 | . COVER | 1 | |
| 7 | 51L-84334-00-00 | . NUT, ADJUSTING | 2 | |
| 8 | 51L-8431U-00-00 | . HOLDER | 1 | |
| 9 | 51L-84332-00-00 | . SPRING, SCREW | 2 | |
| 10 | (J42-84343-00-00) | MOLE HEADLIGHT | 1 | |
| 11 | (J42-84318-00-00) | STAY, HEADLIGHT 1 | 1 | |
| 12 | (J42-84331-00-00) | SCREW, RIM ADJUSTING | 2 | |
| 13 | 98580-05020-00 | SCREW, PAN HEAD | 8 | |
| 14 | 92990-05100-00 | WASHER, SPRING | 8 | |
| 15 | 90201-05029-00 | WASHER, PLATE | 8 | |

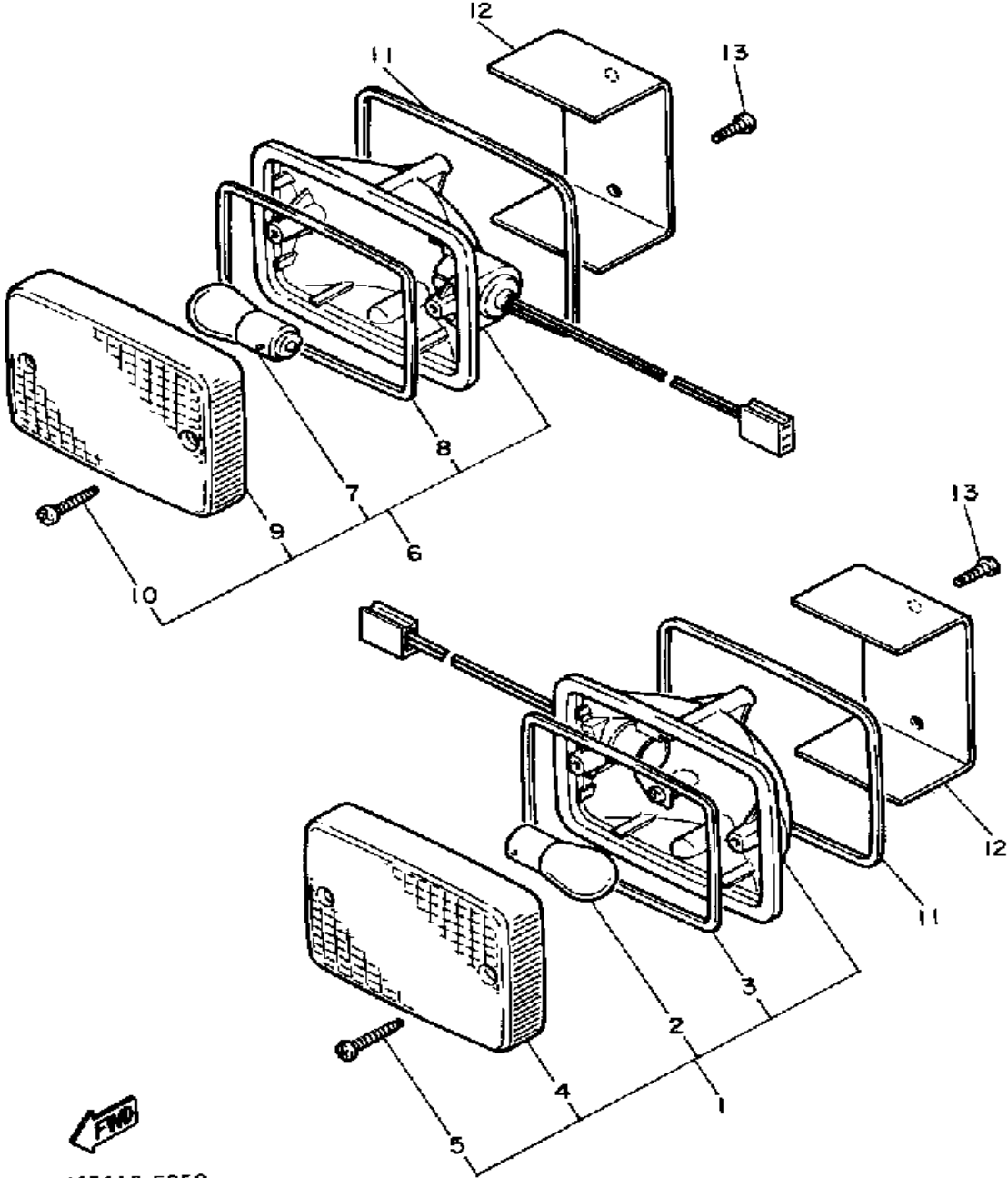
TAILLIGHT



| Ref. No. | Part Number | Description | Qty | Remarks |
|----------|-----------------|--------------------------------------------|-----|---------|
| 1 | 13W-84710-00-00 | TAILLIGHT UNIT ASS'Y | 2 | |
| 2 | 256-84714-61-00 | . BULB (12V-27/8W) | 1 | |
| 3 | 1M8-84521-40-00 | . LENS, TAILLIGHT | 1 | |
| 4 | 1M1-84523-60-00 | . GASKET, LENS | 1 | |
| 5 | 1M1-84524-60-00 | . SCREW, LENS FITTING | 2 | |
| 6 | J42-84702-00-00 | BRACKET, taillight | 2 | |
| 7 | J42-84716-00-00 | COVER, taillight | 1 | |
| 8 | J42-84716-50-00 | COVER, taillight | 1 | |
| 9 | 97313-06016-00 | BOLT, HEXAGON | 2 | |
| 10 | 92995-06100-00 | WASHER, SPRING | 2 | |
| 11 | 92990-06600-00 | WASHER, PLATE | 2 | |
| 12 | 97011-06025-00 | BOLT (97001-06025) | 2 | |
| 13 | 92995-06100-00 | WASHER, SPRING | 2 | |
| 14 | 92990-06600-00 | WASHER, PLATE | 2 | |
| 15 | 2AX-84745-00-00 | LICENSE LIGHT UNIT ASS'Y (4H3-84745-60-00) | 1 | |
| 16 | 4H3-84749-00-00 | . BODY, license light | 1 | |
| 17 | 3F9-84744-00-XX | . BULB, METER 12V3.8W | 2 | |
| 18 | J42-84751-00-00 | BRACKET, LICENSE | 1 | |
| 19 | 3G1-84553-00-00 | DAMPER | 2 | |
| 20 | 3F9-84754-00-00 | WASHER, SPECIAL | 2 | |
| 21 | 95701-05300-00 | NUT, NYLON | 2 | |
| 22 | 97016-06016-00 | BOLT | 2 | |
| 23 | 92990-06200-00 | WASHER, PLAIN | 2 | |
| 24 | 92995-06100-00 | WASHER, SPRING | 2 | |
| 25 | 95380-06600-00 | NUT | 2 | |
| 26 | 90480-16422-00 | GROMMET | 1 | |

J42110-5370

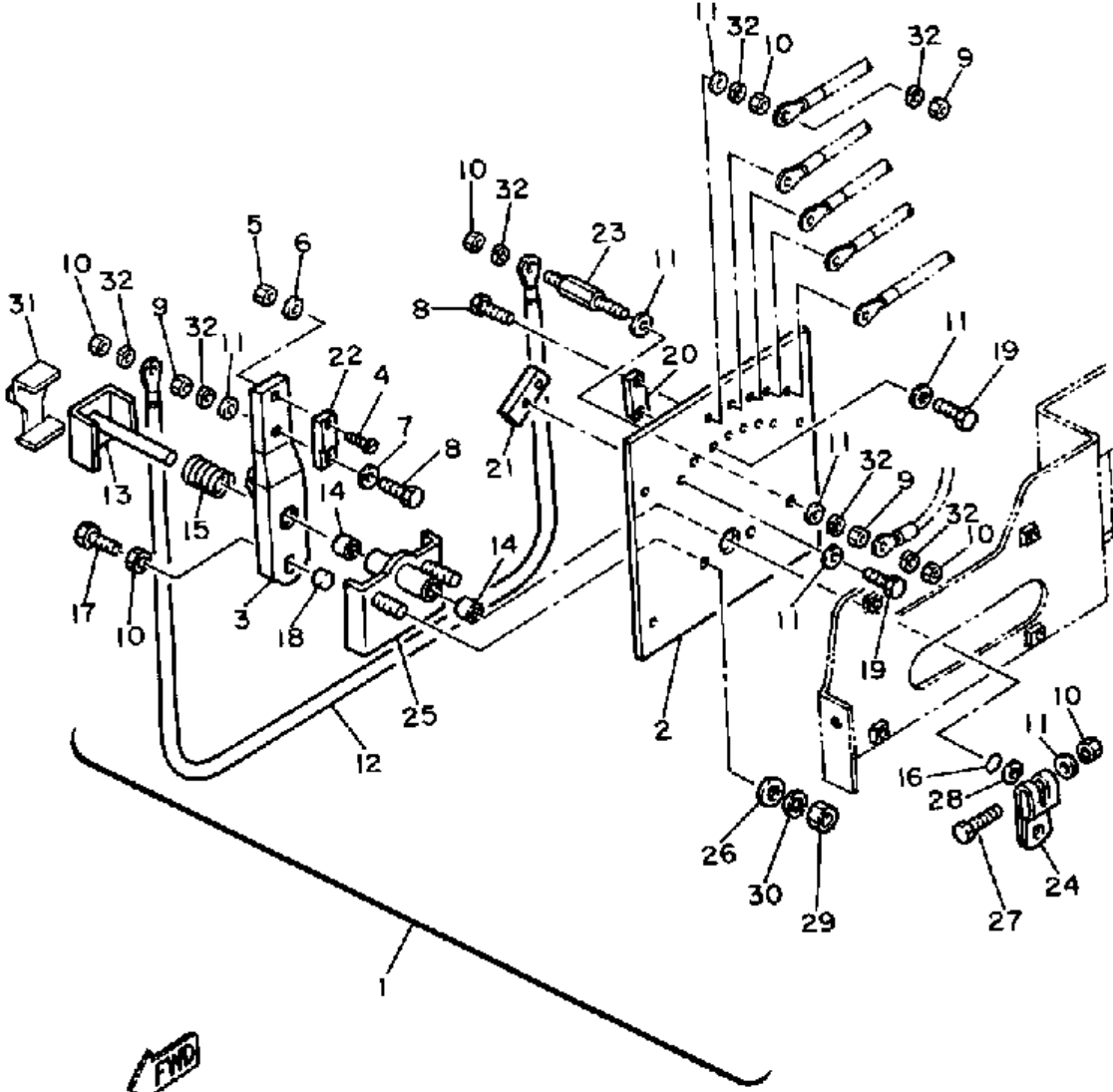
TURNSIGNAL



J42110-5350

| Ref. No. | Part Number | Description | Qty | Remarks |
|----------|------------------|---------------------------------|-----|---------|
| 1 | J42-83310-00-00 | FRONT FLASHER LIGHT ASS'Y 1 | 1 | |
| 2 | 256-84714-61-00 | . BULB (12V-27/8W) | 1 | |
| 3 | 4G0-83313-00-00 | . GASKET, FLSHR LENS | 1 | |
| 4 | 4G0-83312-00-00 | . LENS, FLASHER | 1 | |
| 5 | (97701-40618-00) | SCREW, TAPPING | 2 | |
| 6 | J42-83320-00-00 | FRONT FLASHER LIGHT ASS'Y 2 | 1 | |
| 7 | 256-84714-61-00 | . BULB (12V-27/8W) | 1 | |
| 8 | 4G0-83313-00-00 | . GASKET, FLSHR LENS | 1 | |
| 9 | 4G0-83312-00-00 | . LENS, FLASHER | 1 | |
| 10 | (97701-40618-00) | SCREW, TAPPING | 2 | |
| 11 | J42-83321-00-00 | DAMPER, flasher 1 | 2 | |
| 12 | J42-83318-00-00 | STAY, flasher 1 | 2 | |
| 13 | 97780-50514-00 | SCREW, tapping (97702-50614-00) | 4 | |

CONTROLLER 1

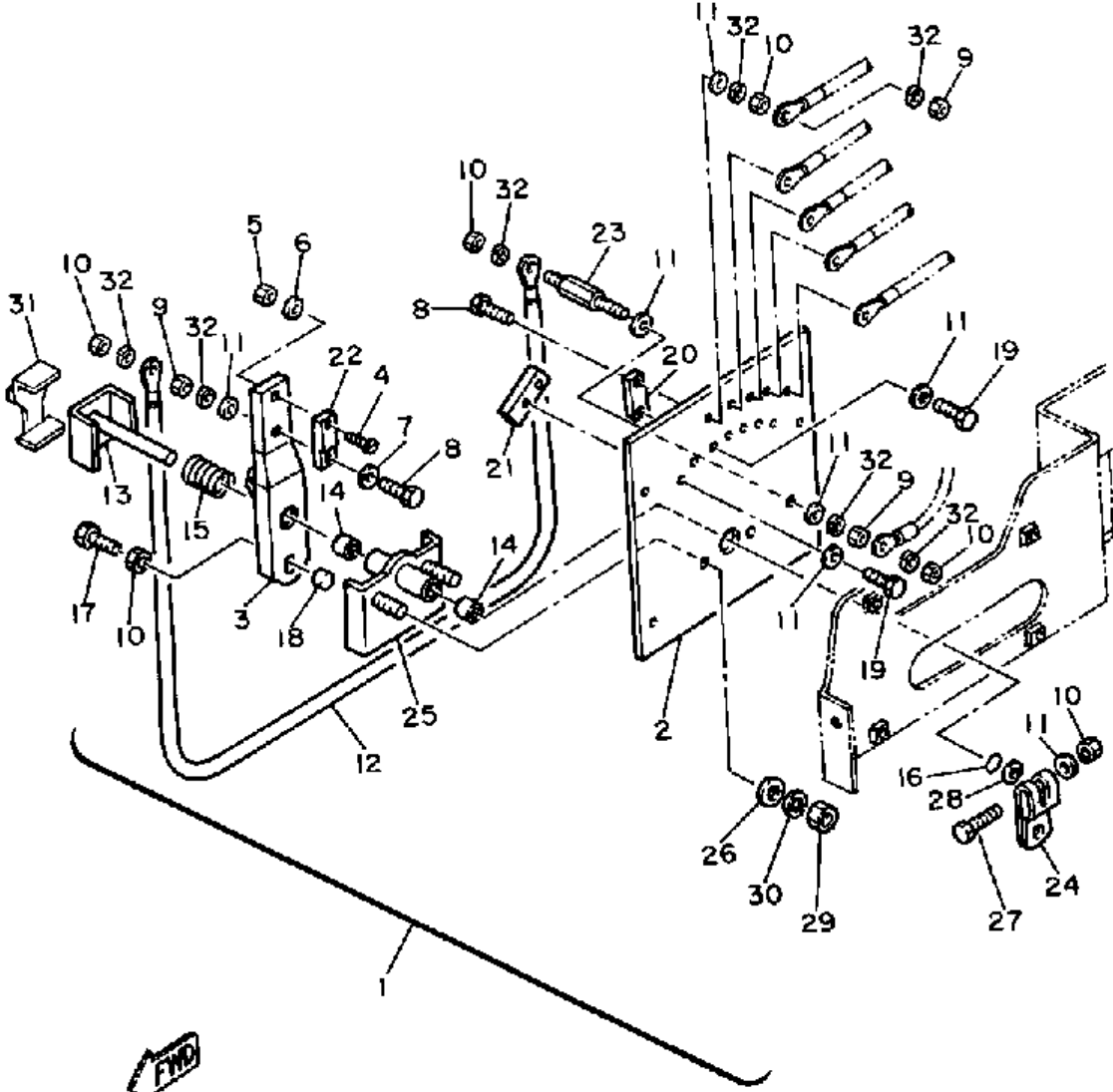




J46100-7220

| Ref. No. | Part Number | Description | Qty | Remarks |
|----------|-----------------|----------------------------------|-----|---------|
| 1 | J46-86140-00-00 | CONTROLLER ASS'Y (J22-86140-00) | 1 | |
| 2 | J46-86142-00-00 | . BASE, PLATE | 1 | |
| 3 | J22-86152-00-00 | . ARM, MOVING | 1 | |
| 4 | 98701-04016-00 | . SCREW, FLAT HEAD (98702-04016) | 1 | |
| 5 | 95301-04600-00 | . NUT | 1 | |
| 6 | 92902-04300-00 | . WASHER, IN.TOOTH | 1 | |
| 7 | 90201-063F3-00 | . WASHER, PLATE | 1 | |
| 8 | 90101-06469-00 | . BOLT | 7 | |
| 9 | 95320-06600-00 | . NUT | 7 | |
| 10 | 95380-06700-00 | . NUT | 10 | |
| 11 | 92995-06100-00 | . WASHER, SPRING | 16 | |
| 12 | J22-86157-00-00 | . WIRE, LEAD | 1 | |
| 13 | J14-86155-01-00 | . SHAFT, CONTROLLER | 1 | |
| 14 | 90380-10010-00 | . BUSH, SOLID | 2 | |
| 15 | 90501-16573-00 | . SPRING, COMPRESSION | 1 | |
| 16 | 93210-10166-00 | . O-RING | 1 | |
| 17 | 97023-06020-00 | . BOLT (3XF) | 1 | |
| 18 | 90386-05111-00 | . BUSH, SPEC'L NYLON | 1 | |
| 19 | 97013-06012-00 | . BOLT | 7 | |
| 20 | J14-86162-00-00 | . CONTACT, STATE | 5 | |
| 21 | J14-82103-00-00 | . TERMINAL 1 | 1 | |
| 22 | J14-86153-00-00 | . CONTACT, MOVING | 1 | |
| 23 | J22-82104-00-00 | . TERMINAL 2 | 1 | |
| 24 | J14-86144-01-00 | . LEVER, CONTROLLER | 1 | |
| 25 | J14-86156-00-00 | . HOLDER, SHAFT | 1 | |
| 26 | 92990-06600-00 | . WASHER, PLATE | 2 | |
| 27 | 97021-06030-00 | . BOLT | 1 | |

CONTINUED ON NEXT FRAME ►

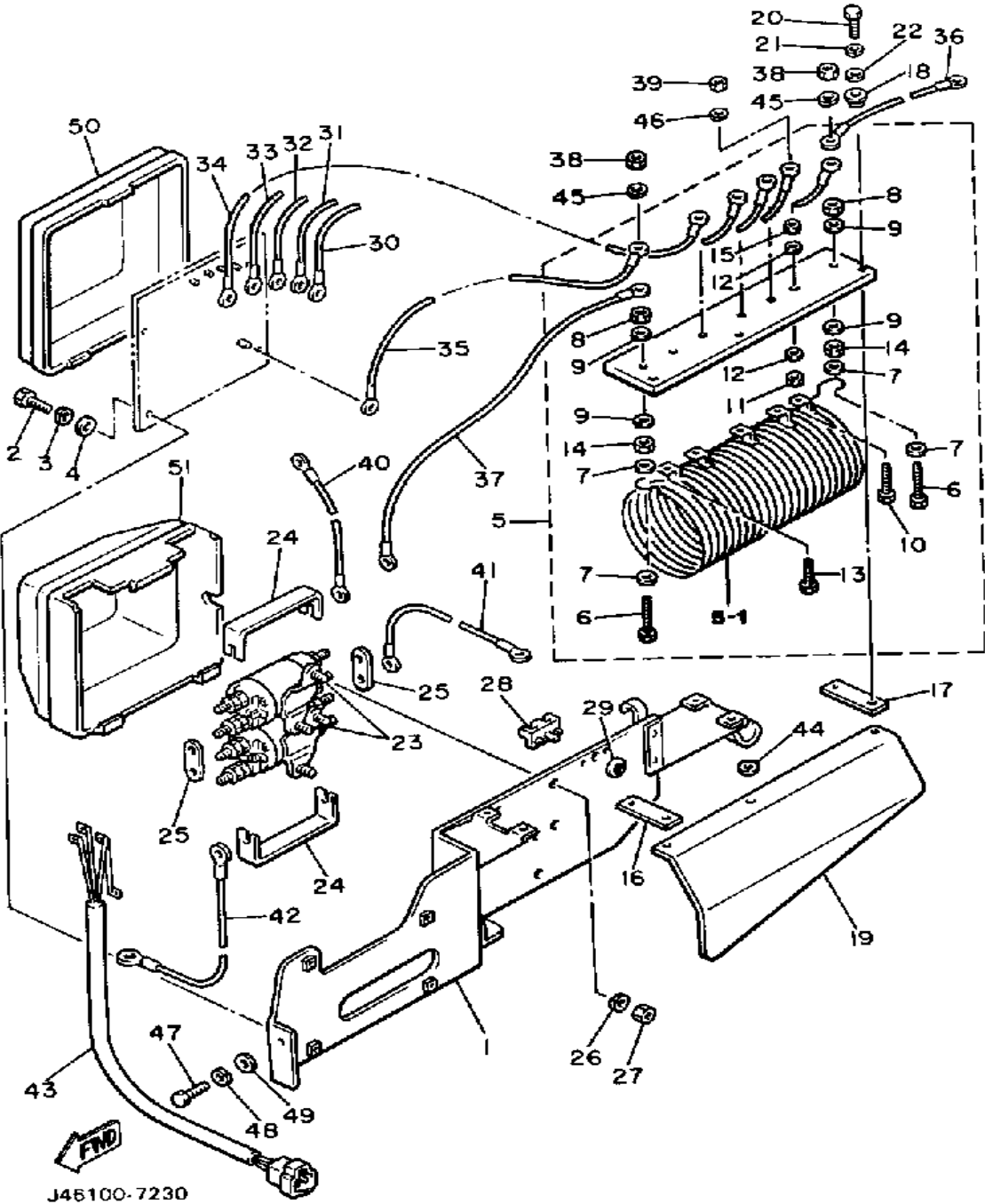
CONTROLLER 1



 J46100-7220

| Ref. No. | Part Number | Description | Qty | Remarks |
|----------|-----------------|-----------------------|-----|---------|
| 28 | 92990-10200-00 | . WASHER, PLAIN | 1 | |
| 29 | 95333-08600-00 | . NUT | 2 | |
| 30 | 92990-08100-00 | . WASHER, SPRING | 2 | |
| 31 | J22-86158-00-00 | . SPRING, COMPRESSION | 1 | |
| 32 | 92995-06100-00 | . WASHER, SPRING | 15 | |

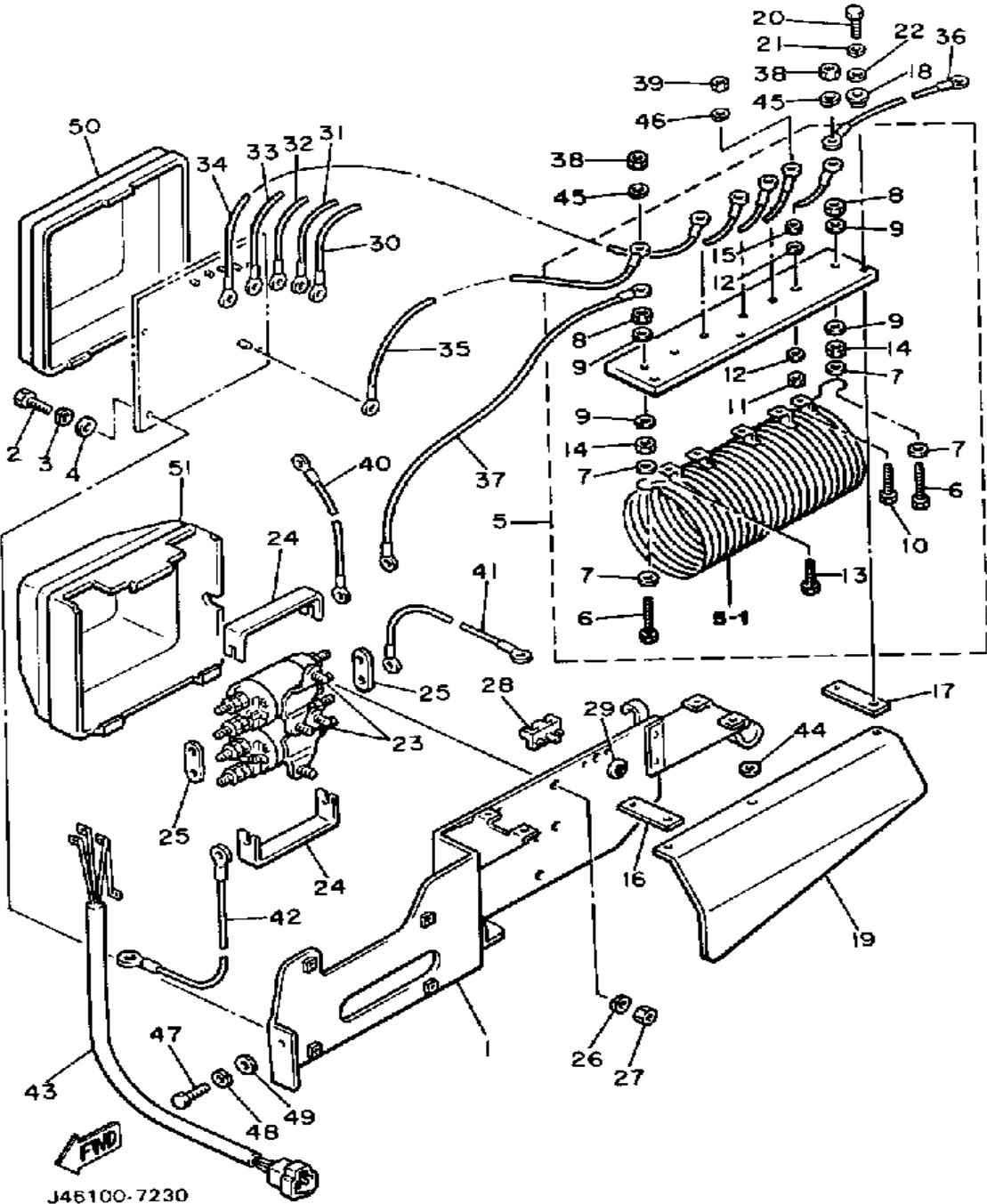
CONTROLLER 2



| Ref. No. | Part Number | Description | Qty | Remarks |
|----------|-----------------|----------------------|-----|---------|
| 1 | J46-86141-00-00 | PLATE, CONTROLLER | 1 | |
| 2 | 97011-06025-00 | BOLT (97001-06025) | 4 | |
| 3 | 92995-06100-00 | WASHER, SPRING | 4 | |
| 4 | 92990-06600-00 | WASHER, PLATE | 4 | |
| 5 | J51-85370-00-00 | RESISTOR ASSEMBLY | 1 | |
| 6 | 90101-08470-00 | . BOLT | 2 | |
| 7 | 90201-083F1-00 | . WASHER, PLATE | 4 | |
| 8 | 95303-08700-00 | . NUT | 2 | |
| 9 | 92990-08600-00 | . WASHER, PLATE | 4 | |
| 10 | 90101-06469-00 | . BOLT | 4 | |
| 11 | 95380-06700-00 | . NUT | 6 | |
| 12 | 92990-06600-00 | . WASHER, PLATE | 10 | |
| 13 | 97011-06025-00 | . BOLT (97001-06025) | 1 | |
| 14 | 95320-08700-00 | . NUT | 2 | |
| 15 | 95320-06600-00 | . NUT | 4 | |
| 16 | J46-8257L-00-00 | PLATE, INSULATOR | 1 | |
| 17 | J46-8250X-00-00 | PLATE, INSULATOR | 1 | |
| 18 | J46-8253E-00-00 | INSULATOR 1 | 3 | |
| 19 | J14-85379-00-00 | COVER, RESISTOR | 1 | |
| 20 | 97011-06025-00 | BOLT (97001-06025) | 3 | |
| 21 | 92995-06100-00 | WASHER, SPRING | 3 | |
| 22 | 92990-06600-00 | WASHER, PLATE | 3 | |
| 23 | J46-81950-00-00 | RELAY ASSEMBLY | 2 | |
| 24 | J46-86126-00-00 | PLATE, CONNECTING 1 | 2 | |
| 25 | J46-86127-00-00 | PLATE, CONNECTING 2 | 2 | |
| 26 | 92990-08100-00 | WASHER, SPRING | 4 | |
| 27 | 95303-08700-00 | NUT | 4 | |
| 28 | J22-86159-00-00 | HOLDER, WIRE | 2 | |
| 29 | J22-86143-00-00 | NUT, SPECIAL | 2 | |

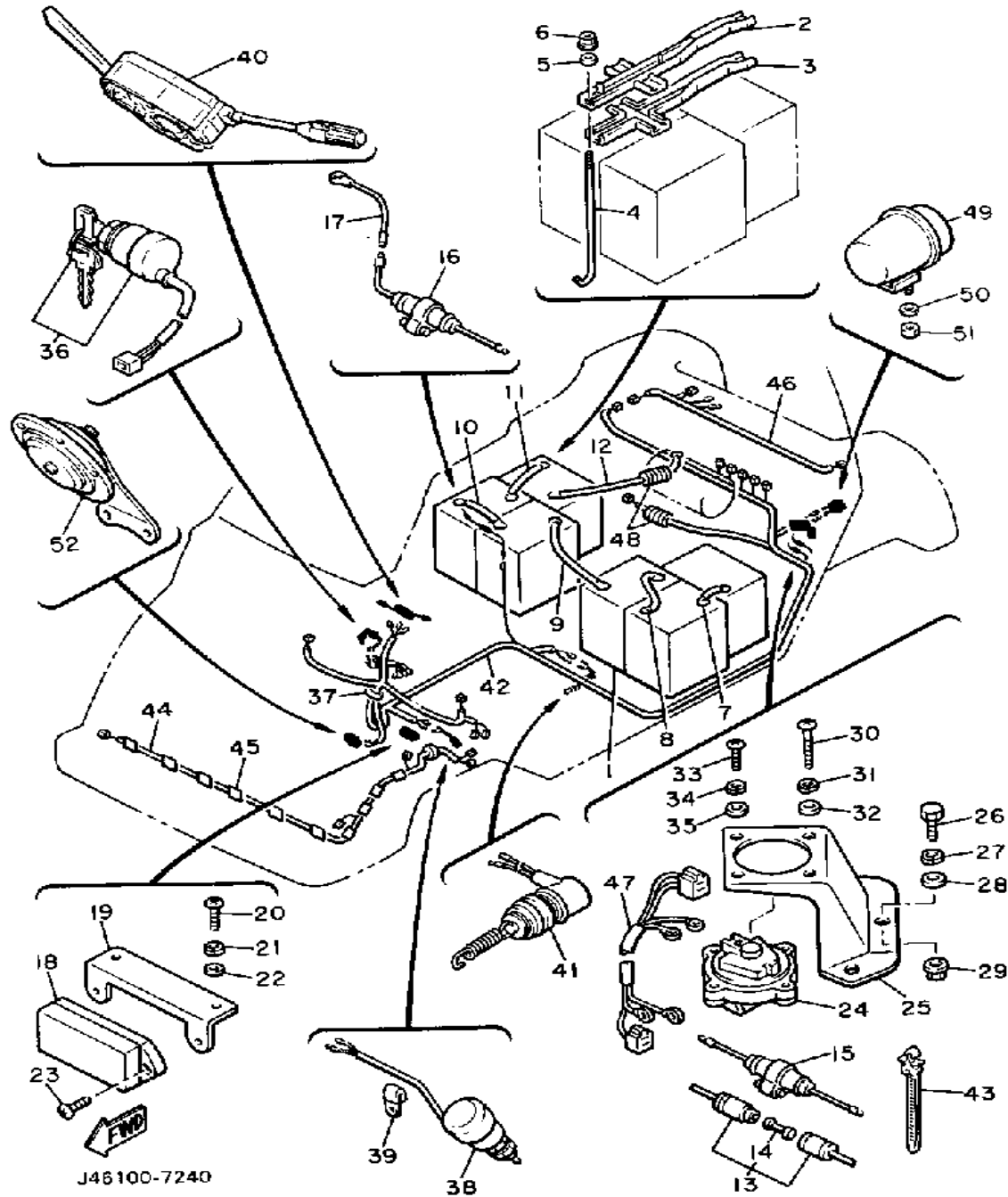
CONTINUED ON NEXT FRAME ➤

CONTROLLER 2



| Ref. No. | Part Number | Description | Qty | Remarks |
|----------|-----------------|-------------------|-----|---------|
| 30 | J14-86175-00-00 | WIRE, LEAD 5 | 1 | |
| 31 | J14-86175-00-00 | WIRE, LEAD 5 | 1 | |
| 32 | J14-86175-00-00 | WIRE, LEAD 5 | 1 | |
| 33 | J14-86175-00-00 | WIRE, LEAD 5 | 1 | |
| 34 | J14-86175-00-00 | WIRE, LEAD 5 | 1 | |
| 35 | J14-86175-00-00 | WIRE, LEAD 5 | 1 | |
| 36 | J56-H2117-00-00 | WIRE, LEAD | 1 | |
| 37 | J14-86175-00-00 | WIRE, LEAD 5 | 1 | |
| 38 | 95303-08700-00 | NUT | 2 | |
| 39 | 95303-08700-00 | NUT | 4 | |
| 40 | J22-82531-00-00 | WIRE, LEAD | 1 | |
| 41 | J14-82531-00-00 | WIRE, LEAD | 1 | |
| 42 | J14-86175-00-00 | WIRE, LEAD 5 | 1 | |
| 43 | J46-86177-00-00 | WIRE, LEAD 7 | 1 | |
| 44 | J46-8253F-00-00 | INSULATOR 2 | 1 | |
| 45 | 92990-08100-00 | WASHER, SPRING | 2 | |
| 46 | 92995-06100-00 | WASHER, SPRING | 4 | |
| 47 | 97011-08016-00 | BOLT | 2 | |
| 48 | 92990-08100-00 | WASHER, SPRING | 2 | |
| 49 | 92990-08600-00 | WASHER, PLATE | 2 | |
| 50 | J56-H6163-00-00 | COVER, CONTROLLER | 1 | |
| 51 | J46-81942-00-00 | COVER | 1 | |

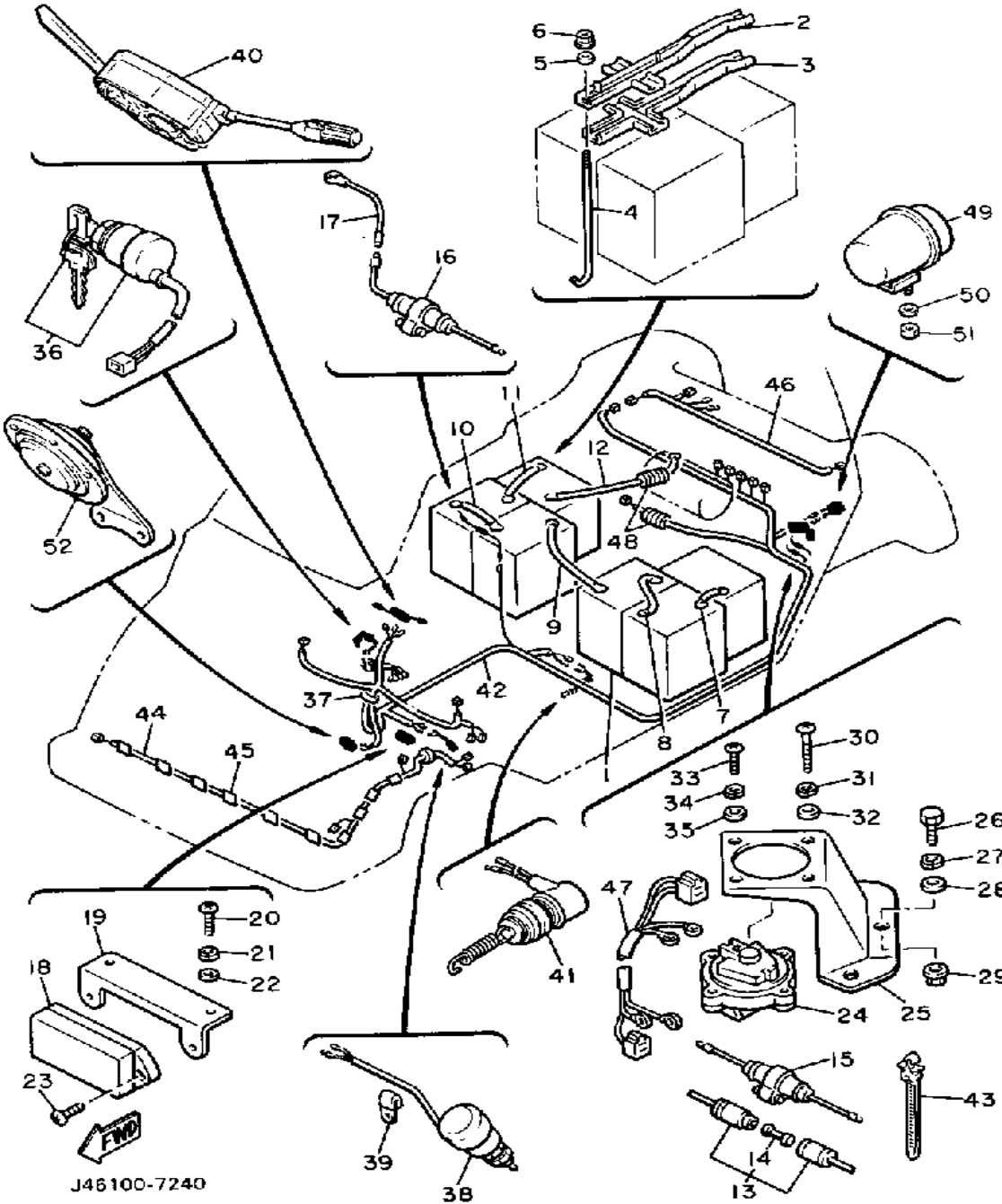
ELECTRICAL 1



| Ref. No. | Part Number | Description | Qty | Remarks |
|----------|-----------------|--------------------------------------------------|-----|----------|
| 1 | *--- | FRONT WHEEL ASSEMBLY .. | 6 | SEE NOTE |
| 2 | J46-82136-00-00 | PLATE, BATT FITTING | 2 | |
| 3 | J41-82121-00-00 | PAD, BATTERY | 2 | |
| 4 | J14-82133-01-00 | SCREW, FITTING | 4 | |
| 5 | 90201-06067-00 | WASHER, PLATE | 4 | |
| 6 | 95701-06500-00 | NUT, FLANGE | 4 | |
| 7 | J56-H2127-00-00 | WIRE, LEAD 2 | 1 | |
| 8 | J56-H2117-00-00 | WIRE, LEAD | 1 | |
| 9 | J56-H2149-00-00 | WIRE, LEAD 3 | 1 | |
| 10 | J56-H2127-00-00 | WIRE, LEAD 2 | 1 | |
| 11 | J56-H2117-00-00 | WIRE, LEAD | 1 | |
| 12 | J56-H2116-00-00 | WIRE, MINUS LEAD (J14-82116-00) | 1 | |
| 13 | 1E6-82150-00-00 | FUSE HOLDER ASSEMBLY ... | 1 | |
| 14 | 1E6-82151-00-00 | . FUSE (10A) | 2 | |
| 15 | J42-82150-50-00 | FUSE HOLDER ASSEMBLY ... | 1 | |
| 16 | J42-82150-50-00 | FUSE HOLDER ASSEMBLY ... | 1 | |
| 17 | J42-82318-00-00 | WIRE, SUB-LEAD | 1 | |
| 18 | J42-82170-00-00 | FUSE BOX ASS'Y | 1 | |
| 19 | J42-82171-00-00 | STAY, fuse box | 1 | |
| 20 | 98580-06020-00 | SCREW | 2 | |
| 21 | 92995-06100-00 | WASHER, SPRING | 2 | |
| 22 | 92990-06600-00 | WASHER, PLATE | 2 | |
| 23 | 92503-06016-00 | UNAVAILABLE IN PRICE BOOK (92502-06016) | 2 | |
| 24 | JF3-86181-00-00 | RECEPTACLE | 1 | |
| 25 | J22-86182-00-00 | STAY RECEPTACLE | 1 | |
| 26 | 97313-06016-00 | BOLT, HEXAGON | 3 | |
| 27 | 92995-06100-00 | WASHER, SPRING | 3 | |

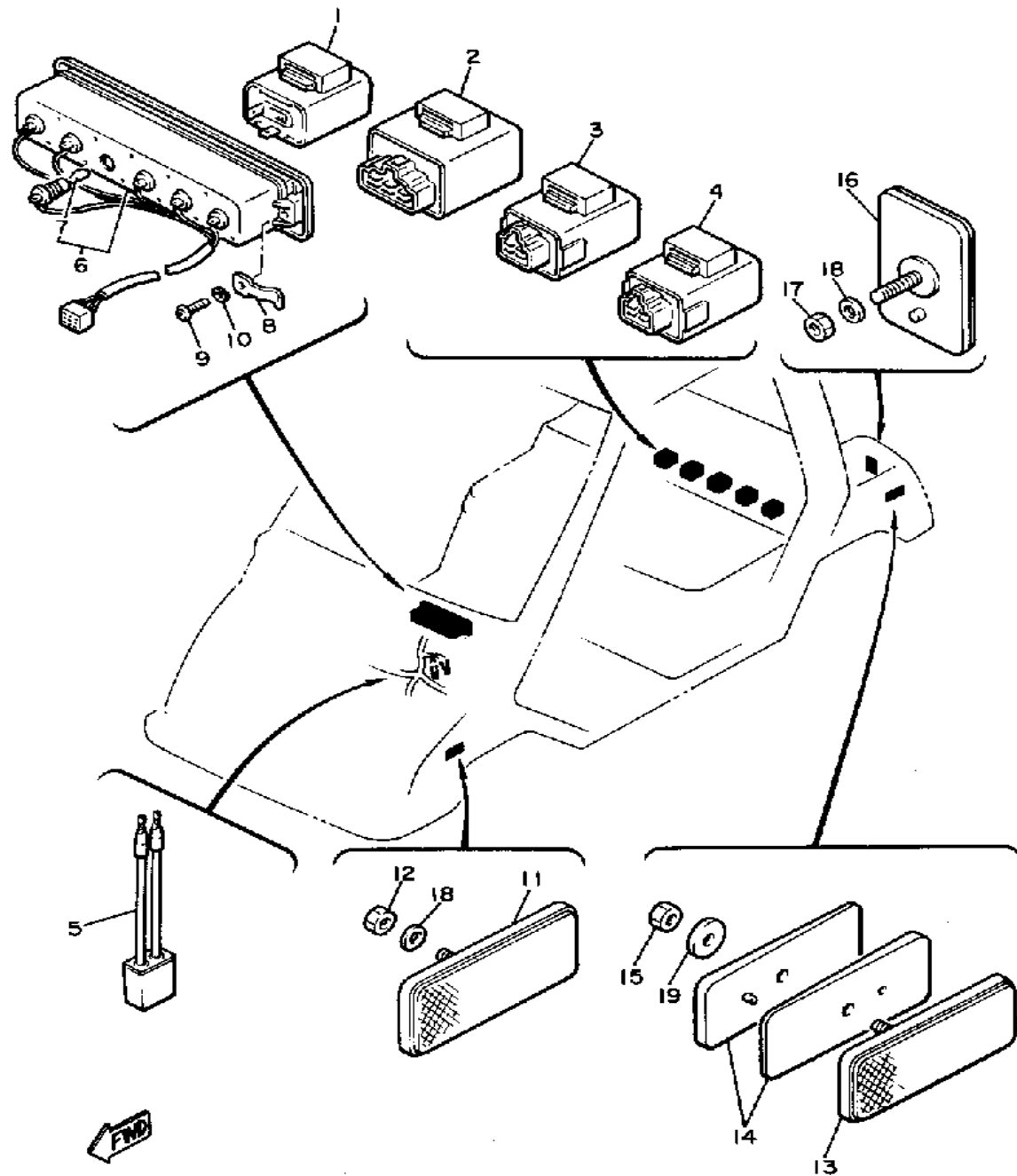
CONTINUED ON NEXT FRAME ►

ELECTRICAL 1




| Ref. No. | Part Number | Description | Qty | Remarks |
|----------|-------------------|-----------------------------|-----|---------|
| 28 | 92990-06600-00 | WASHER, PLATE | 3 | |
| 29 | 95702-06600-00 | NUT, FLANGE | 3 | |
| 30 | 98501-05035-00 | SCREW, PAN HEAD | 2 | |
| 31 | 92990-05100-00 | WASHER, SPRING | 2 | |
| 32 | 92901-05600-00 | WASHER, PLATE | 2 | |
| 33 | 98580-05016-00 | SCREW, PAN HEAD | 2 | |
| 34 | 92990-05100-00 | WASHER, SPRING | 2 | |
| 35 | 92901-05600-00 | WASHER, PLATE | 2 | |
| 36 | J46-82510-00-00 | MAIN SWITCH ASSEMBLY | 1 | |
| 37 | 25G-83936-01-00 | BAND, SWITCH CORD | 1 | |
| 38 | J41-82550-01-00 | ENGINE STOP SWITCH ASSEMBLY | 1 | |
| 39 | 90465-06038-00 | CLAMP | 1 | |
| 40 | J42-83975-00-00 | SWITCH, HANDLE 2 | 1 | |
| 41 | J13-82530-00-00 | STOP SWITCH ASS'Y | 1 | |
| 42 | J46-82590-00-00 | WIRE HARNESS ASSEMBLY | 1 | |
| 43 | 90464-12036-00 | CLAMP | 3 | |
| 44 | J42-82580-00-00 | WIRE HARNESS ASS'Y 2 | 1 | |
| 45 | (J42-7717E-00-00) | TAPE 1 | 14 | |
| 46 | J42-84727-00-00 | CORD, taillight | 1 | |
| 47 | J46-82105-00-00 | WIRE HARNESS | 1 | |
| 48 | J55-H7197-00-00 | TUBE 2 (J38-87197-00) | 2 | |
| 49 | J18-83383-00-00 | BUZZER | 1 | |
| 50 | 90201-063J2-00 | WASHER, PLATE | 1 | |
| 51 | 95701-06300-00 | NUT, NYLON | 1 | |
| 52 | J42-83371-00-00 | HORN | 1 | |

ELECTRICAL 2



| Ref. No. | Part Number | Description | Qty | Remarks |
|----------|-----------------|-----------------------|-----|---------|
| 1 | 33M-83350-20-00 | FLASHER RELAY ASS"Y | 1 | |
| 2 | J42-83350-00-00 | FLASHER RELAY ASS"Y | 2 | |
| 3 | J42-85590-01-00 | CONTROL UNIT ASSEMBLY | 1 | |
| 4 | J46-82120-00-00 | SENDER, BATTERY | 1 | |
| 5 | 38W-85774-00-00 | CHECKER, pilot lamp | 2 | |
| 6 | J46-83530-00-00 | PILOT LIGHT ASSEMBLY | 1 | |
| 7 | 4G1-84744-00-00 | . BULB, MTR.12V3.4W | 6 | |
| 8 | J50-83514-00-00 | PLATE, FITTING | 2 | |
| 9 | 98580-04010-00 | SCREW, PAN HEAD | 2 | |
| 10 | 92901-04100-00 | WASHER, SPRING | 2 | |
| 11 | 11H-85110-01-00 | REFLECTOR ASSEMBLY | 2 | |
| 12 | 95701-05300-00 | NUT, NYLON | 2 | |
| 13 | J42-85140-00-00 | REAR REFLECTOR ASS"Y | 2 | |
| 14 | J42-85115-00-00 | BASE, reflector | 4 | |
| 15 | 95701-05300-00 | NUT, NYLON | 2 | |
| 16 | J42-85130-00-00 | REAR REFLECTOR ASS"Y | 2 | |
| 17 | 95701-05300-00 | NUT, NYLON | 2 | |
| 18 | 92990-05200-00 | WASHER, PLAIN | 4 | |
| 19 | 90201-052E8-00 | WASHER, plate | 2 | |

 J46100-7250