



A Textron Company

# **RXV ELiTE SHUTTLE™ 2+2**

## **Service Parts Manual**



# SERVICE PARTS MANUAL

## 48V ELECTRIC RXV ELITE

### SHUTTLE 2+2

### STARTING MODEL YEAR 2017

#### **CALIFORNIA Proposition 65 Warning**

**WARNING:** Motor vehicles may contain fuels, oils and fluids, battery posts, terminals, and related accessories which contain lead and lead compounds and other chemicals identified by the State of California to potentially cause cancer, birth defects, and other reproductive harm. These chemicals are found in vehicles, vehicle parts and accessories, both new and replacements. During maintenance, these vehicles generate used oil, waste fluids, grease, fumes, and particulates, all identified by the State of California to potentially cause cancer, birth defects, and other reproductive harm.

Never modify the vehicle in any way that will alter the weight distribution of the vehicle, decrease its stability or increase the speed beyond the factory specifications. Such modifications can cause serious personal injury or death. Textron Specialized Vehicles prohibits and dis-claims responsibility for any such modifications or any other alteration which would adversely affect the safety of the vehicle. TSV reserves the right to incorporate engineering and design changes to products in this manual, without obligation to include these changes on units sold previously.

The information contained in this manual may be revised periodically by TSV, and therefore is subject to change without notice.

TSV DISCLAIMS LIABILITY FOR ERRORS IN THIS MANUAL, and SPECIFICALLY DISCLAIMS LIABILITY FOR INCIDENTAL AND CONSEQUENTIAL DAMAGES resulting from the use of the information and materials in this manual.

These are the original instructions as defined by 2006/42/EC.

#### **TO CONTACT US:**

Textron Specialized Vehicles, Inc.  
1451 Marvin Griffin Road  
Augusta, Georgia, USA 30906-3852

#### **NORTH AMERICA:**

Technical Assistance & Warranty **PHONE: 1-800-774-3946, FAX: 1-800-448-8124**

Service Parts **PHONE: 1-888-438-3946, FAX: 1-800-752-6175**

International: **PHONE: 001-706-798-4311, FAX: 001-706-771-4609**

## GENERAL INFORMATION

This vehicle has been designed and manufactured in the United States of America (USA). The Standards and Specifications listed in the following text originate in the USA unless otherwise indicated.

The use of non-Original Equipment Manufacturer (OEM) approved parts may void the warranty.

Failure to properly maintain batteries may void the warranty. Refer to the battery manual for instructions on the proper maintenance and care of the batteries.

### BATTERY PROLONGED STORAGE

Improper storage may damage, destroy or cause permanent loss of battery capacity. Do not exceed storage time or temperature limits. Batteries must be charged to the correct level before storage. Storing fully depleted batteries will make them permanently unusable.

### STORAGE PREPARATION

The optimum storage temperature range is between 65°F and 82°F (18°C and 28°C).

In cold climates, fully charge the battery module. Make sure that the charging operation is complete and there are no faults displayed on the charger. The green light on the charger should be on indicating the charge cycle is complete.

In hot climates, store the vehicle with a 30% to 50% charge of battery pack capacity.

The storage time for properly charged Lithium-Ion batteries supplied with this vehicle varies based on the ambient temperature.

Temperature	Length of Storage Time
-22°F to -4°F (-30°C to -20°C)	One month at 100% battery charge, all accessories turned off.
-4°F to 113°F (-20°C to 45°C)	Six months at 100% battery charge, all accessories turned off.
113°F to 140°F (45°C to 60°C)	One month at 30% - 50% charge, all accessories turned off.

### BATTERY DISPOSAL

Lithium-Ion batteries are recyclable. Return discarded batteries to the distributor or manufacturer for recycling. Contact local or state environmental department for the disposal information.

# TABLE OF CONTENTS

<b>SECTION</b>	<b>Page No.</b>
HOW TO USE THE SERVICE PARTS MANUAL .....	V
ACCELERATOR .....	A-1
BATTERY CHARGER .....	B-1
BODY .....	C-1
BRAKES .....	D-1
ELECTRICAL .....	E-1
ELECTRONIC SPEED CONTROL .....	F-1
FRAME .....	G-1
FRONT SUSPENSION AND STEERING .....	H-1
MOTOR .....	J-1
REAR AXLE .....	K-1
REAR SUSPENSION .....	L-1
SEATING .....	M-1
WEATHER PROTECTION .....	P-1
WHEELS AND TIRES .....	R-1
DECALS AND LABELS .....	S-1



# HOW TO USE THE SERVICE PARTS MANUAL

This manual is divided into several sections:

- GENERAL INFORMATION
- ILLUSTRATED PARTS BREAKDOWN

The first section, GENERAL INFORMATION, contains the following information:

- WARRANTY INFORMATION
- GENERAL INDEX
- HOW TO USE THE SERVICE PARTS MANUAL

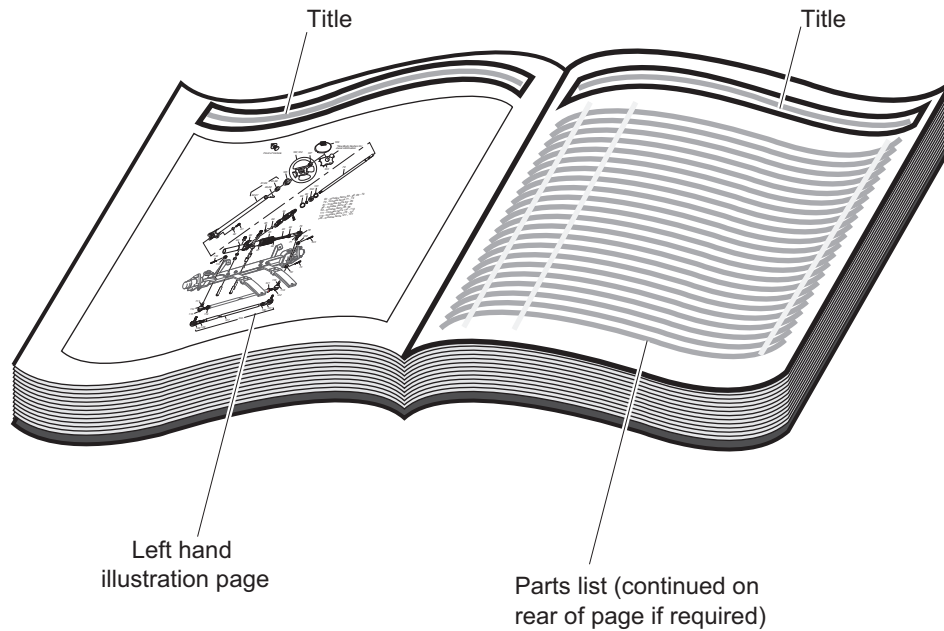
The second section, ILLUSTRATED PARTS BREAKDOWN, contains illustrations and parts lists for all systems of your vehicle.

## USE OF THE MANUAL

To use this manual, consult the TABLE OF CONTENT to locate the information or illustration required.

Introduction of some revisions varies due to supply of components; therefore, it is possible that various combinations of components may be found that are not directly reflected by each illustration. Consult the illustration that best suits your situation and then contact the Service Parts Department. It is important that the serial number of your vehicle and its model number be supplied to Service Parts when ordering any replacement components.

# HOW TO USE THE SERVICE PARTS MANUAL



## 1. WHEN THE PART NUMBER IS NOT KNOWN

- Determine the function and application of the part required. Turn to the General Index and select the most appropriate title.
- Turn to the page number indicated and locate the desired part on the illustration.
- From the illustration, obtain the item number assigned to the desired part. Refer to the accompanying description for specific information regarding the part.

## 2. IF YOU KNOW THE PART NUMBER

- Locate the part number or description in the appropriate column on the parts list page.

NOTE: Confirm the part selected is correct by verifying it with the illustration.

If an asterisk (\*) appears in the part number column on the parts list page, read upward until a part number is found. The part number is the lowest assembly sold by Service Parts and the asterisk (\*) indicates the part depicted is not available for purchase.

NOTE: Descriptions are indented under the assembly that they are used on. That assembly is, in turn listed under the assembly that it is used on. This process is repeated until the highest final assembly is reached.

**To facilitate the maintenance and repair of the vehicle, a Technician's Repair and Service Manual is available from the Service Parts Department.**



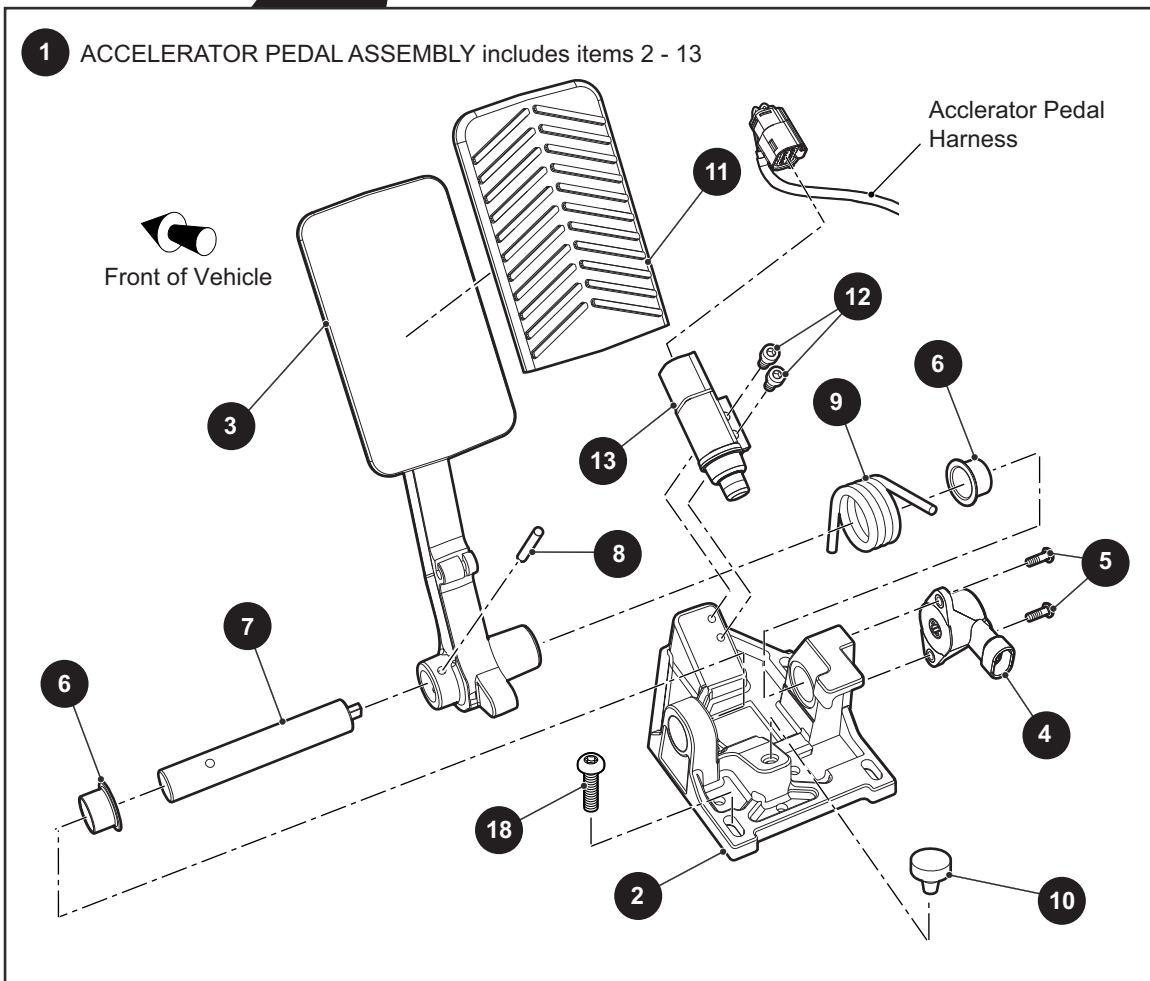
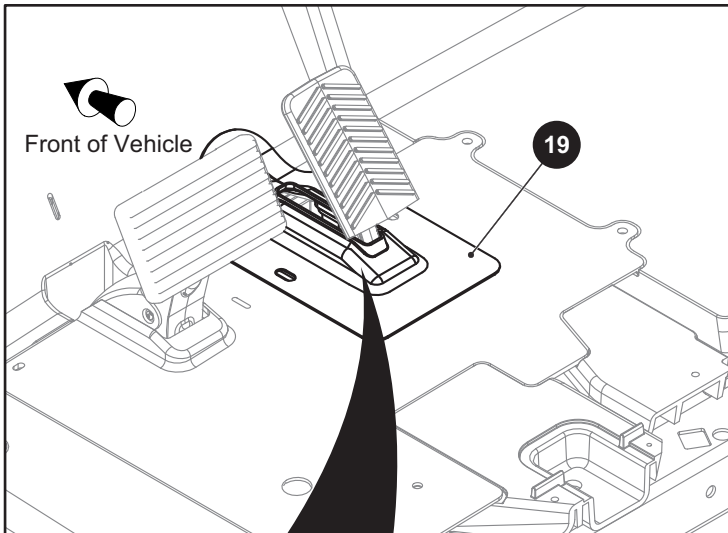
# HOW TO USE THE SERVICE PARTS MANUAL

## 3. COLOR CODE FOR BODY COMPONENTS

The last two digits of the part number for the body part will denote the color code, locate the part number for the cowl, rear body, seat pod, side panel or seat wrap then locate your color in the list below, replace the last \*\* or XX with the two digit color code.

<b><u>CODE #</u></b>	<b><u>DESCRIPTION</u></b>
11	BLACK
19	PATRIOT BLUE PEARL
20	INFERNO RED METALLIC
26	STEEL BLUE PEARL
31	METALLIC CHARCOAL
36	IVORY
37	FOREST GREEN
38	BRIGHT WHITE
39	FLAME RED
41	ELECTRIC BLUE
42	PLATINUM
43	BURGUNDY
44	ALMOND
51	SUNBURST ORANGE
52	BRITISH RACING GREEN
74	BARLEY GOLD
75	OASIS GREEN
76	JAVA BROWN

# ACCELERATOR



# ACCELERATOR

THE USE OF NON U.L. PARTS WILL VOID ANY U.L. LISTING.

When ordering parts, please specify the model and serial number of the product.

\* Indicates a component that is not available as an individual part.

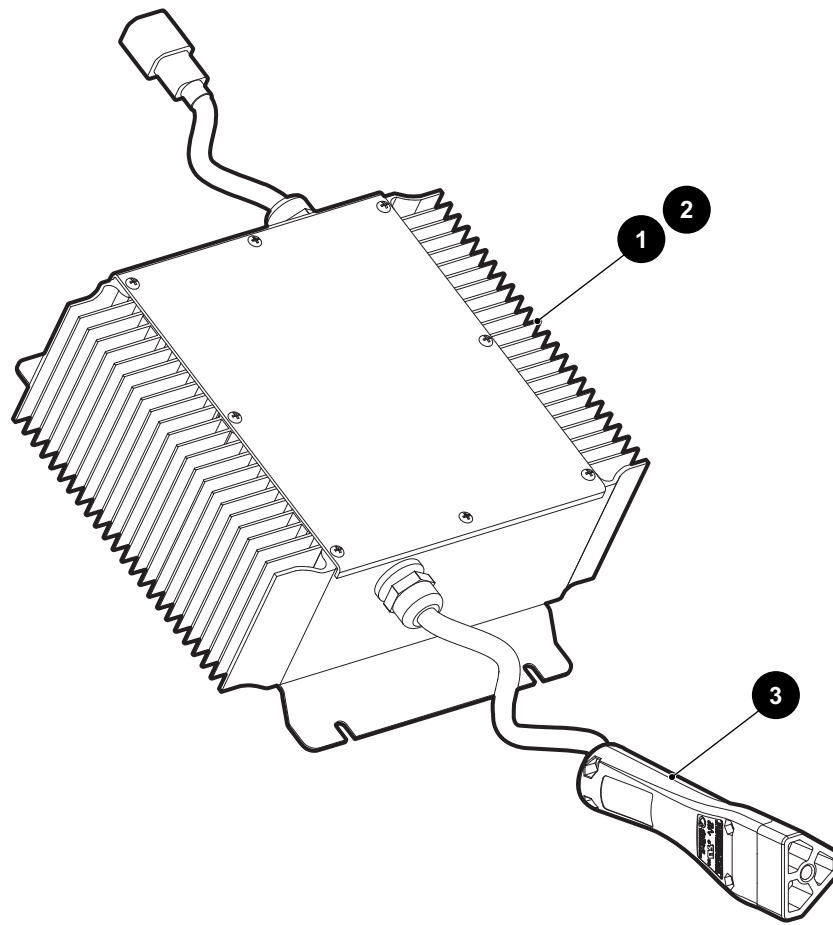
\*\*\* Indicates consult Customer Service Department for additional information.

ITEM	PART NO.	1 2 3 4 5	DESCRIPTION	QTY.
1	653201		ACCELERATOR PEDAL ASSEMBLY (INCLUDES ITEMS 2 - 13) .....	1
2	*		PEDAL BRACKET .....	1
3	*		PEDAL .....	1
4	600019		ROTARY POSITION SENSOR .....	1
5	600543		BUTTON HEAD TORX BOLT, M4 - .75 X 12MM LG .....	2
6	*		FLANGED BUSHING, 16MM O.D. X 12MM I.D. ....	2
7	*		ACCELERATOR PIVOT SHAFT .....	1
8	600683		HEAVY DUTY SPIROL PIN, 4MM X 26MM .....	1
9	*		TORSION SPRING, 4.5MM DIA .....	1
10	604097		REBOUND BUMPER .....	1
11	610529		ACCELERATOR PEDAL COVER .....	1
12	620030		SOCKET HEAD BOLT, M5 - .8 X 15MM LG .....	2
13	653242		PEDAL SWITCH .....	1
14				
15				
16				
17				
18	649803		PAN HEAD TORX SCREW, M6 - 2.65 X 25MM LG .....	3
19	614393		PEDAL INSERT .....	1





# BATTERY CHARGER



# BATTERY CHARGER

THE USE OF NON U.L. PARTS WILL VOID ANY U.L. LISTING.

When ordering parts, please specify the model and serial number of the product.

\* Indicates a component that is not available as an individual part.

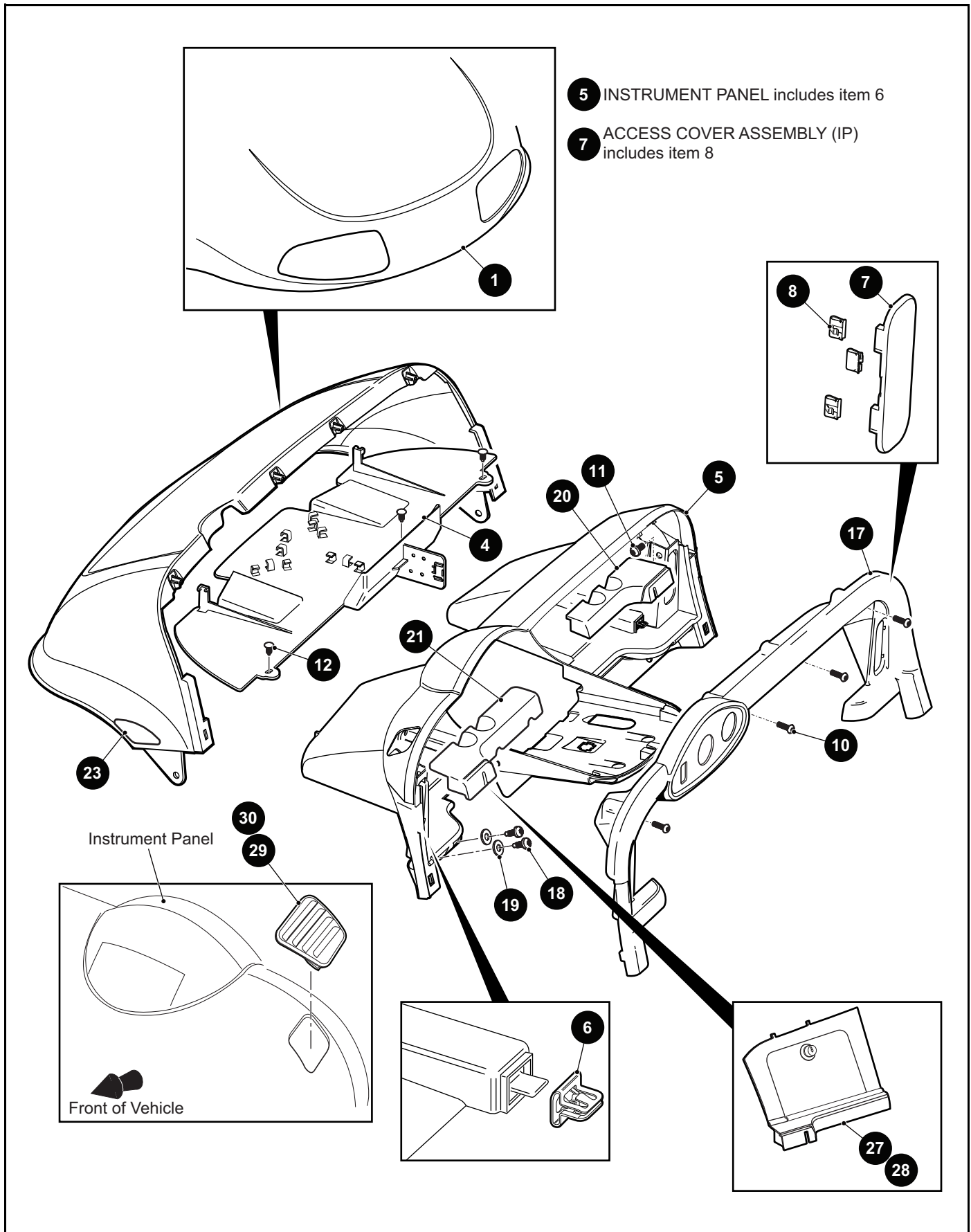
\*\*\* Indicates consult Customer Service Department for additional information.

ITEM	PART NO.	1 2 3 4 5	DESCRIPTION	QTY.
1	653213		BATTERY CHARGER, 51V, 3 METER DC CORD .....	1
2	653216		BATTERY CHARGER, 51V, 5.5 METER DC CORD .....	1
3	657667		BATTERY CHARGER PADDLE.....	1









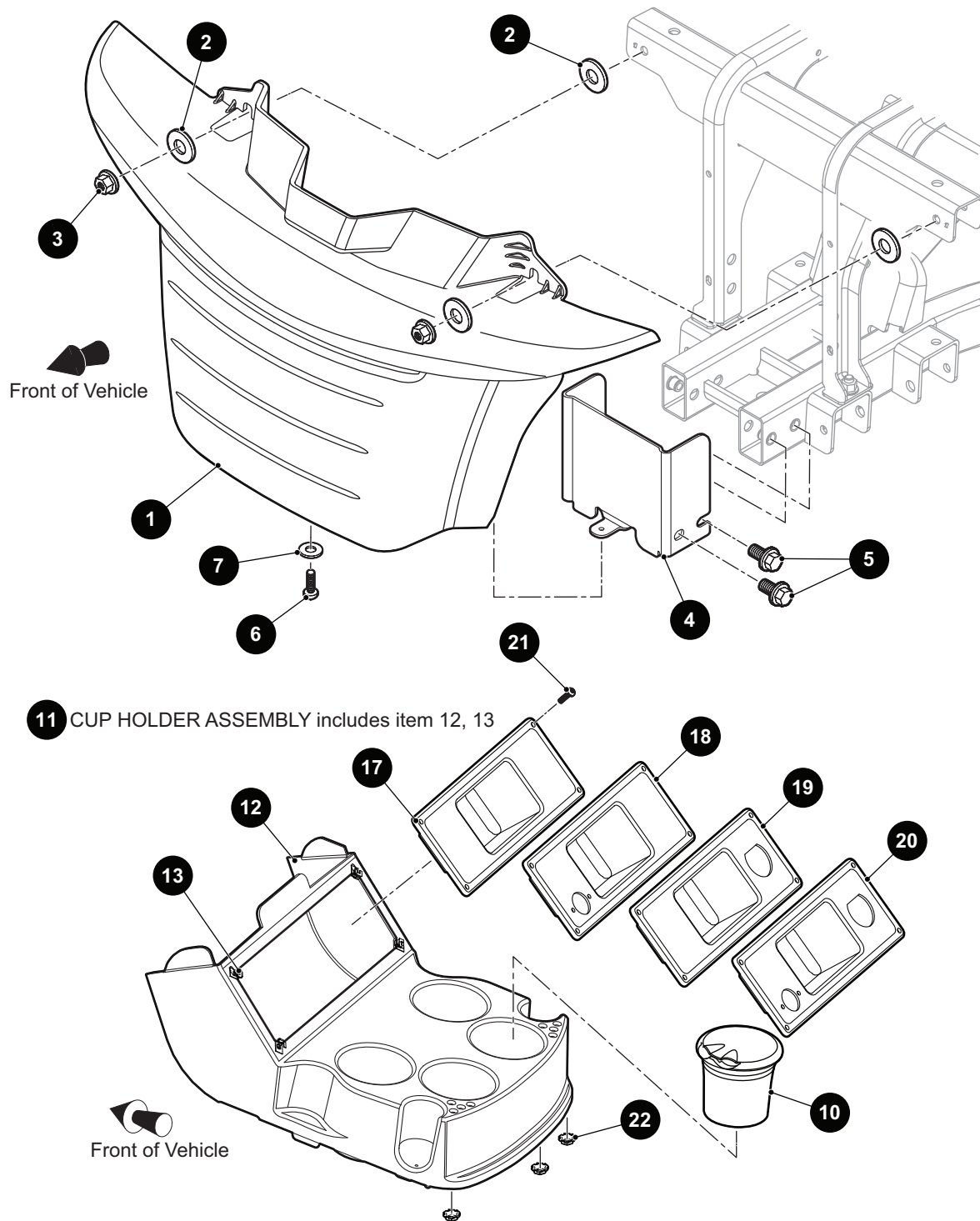
THE USE OF NON U.L. PARTS WILL VOID ANY U.L. LISTING.

When ordering parts, please specify the model and serial number of the product.

\* Indicates a component that is not available as an individual part.

\*\*\* Indicates consult Customer Service Department for additional information.

ITEM	PART NO.	1 2 3 4 5	DESCRIPTION	QTY.
1	645759G01XX		COWL WITH LIGHTS (See COLOR CODES in HOW TO USE Section) .....	1
2				
3				
4	601634		FRONT SPLASH GUARD.....	1
5	602387		INSTRUMENT PANEL (INCLUDES ITEM 6) .....	1
6	602184		SPRING CLIP .....	4
7	602388		ACCESS COVER ASSEMBLY (IP) (INCLUDES ITEM 8).....	1
8	602100		U-CLIP .....	3
9				
10	649803		PAN HEAD TORX SCREW, M6 - 2.65 X 25MM LG.....	4
11	70200G01		TRUSS HEAD TORX BOLT, 3/8" - 16 X 3/4" LG .....	2
12	16816G2		RATCHET RIVET, .25" X .887" .....	3
13				
14				
15				
16				
17	608864		INSTRUMENT PANEL TRIM (OPENING FOR KEY SWITCH, SOC AND LIGHT SWITCH) .....	1
18	602572		PAN HEAD TAPTITE BOLT, M10 - 1.5 X 25MM LG .....	4
19	604066		FLAT WASHER, M10 .....	4
20	600241		BALL HOLDER INSERT (PASSENGER SIDE) .....	1
21	600243		BALL HOLDER INSERT (DRIVER SIDE).....	1
22				
23	608991		YELLOW REFLECTOR .....	1
24				
25				
26				
27	607131		GLOVE BOX (PASSENGER SIDE) .....	1
28	607533		GLOVE BOX (DRIVER SIDE).....	1
29	602993		GROMMET (DRIVER SIDE) (FOR VEHICLES WITHOUT SUN TOP).....	1
30	602994		GROMMET (PASSENGER SIDE) (FOR VEHICLES WITHOUT SUN TOP)...	1



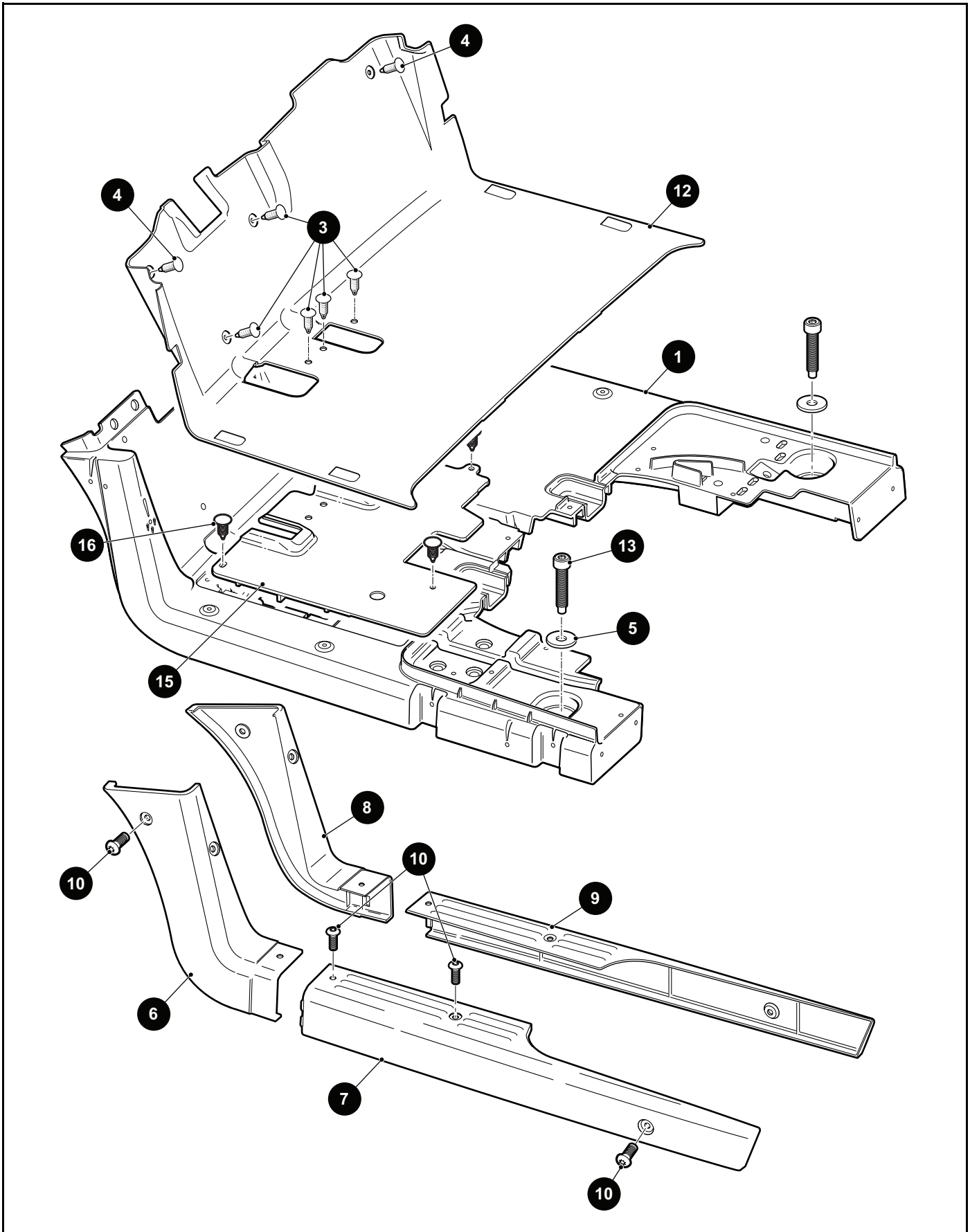
THE USE OF NON U.L. PARTS WILL VOID ANY U.L. LISTING.

When ordering parts, please specify the model and serial number of the product.

\* Indicates a component that is not available as an individual part.

\*\*\* Indicates consult Customer Service Department for additional information.

ITEM	PART NO.	1 2 3 4 5	DESCRIPTION	QTY.
1	656325		FRONT FASCIA .....	1
2	604066		FLAT WASHER, M10 .....	4
3	600525		LOCK NUT, M10 - 1.5 .....	2
4	641628		BUMPER ATTACHMENT BRACKET .....	1
5	603799		FLANGED HEX HEAD BOLT, M10 - 1.5 X 25MM LG.....	4
6	646348		THREAD FORMING SCREW, 1/4" - 20 X 1" LG .....	1
7	646345		FLAT WASHER, 1/4" .....	1
8				
9				
10	603725		ASHTRAY .....	1
11	644117		CUP HOLDER ASSEMBLY (INCLUDES ITEMS 12, 13).....	1
12	640706		CENTER CONSOLE .....	1
13	71364G02		J-TYPE SPEED NUT, #8 .....	4
14				
15				
16				
17	638348G01		CENTER COMPARTMENT.....	1
18	638348G02		CENTER COMPARTMENT (OPENING FOR 12V).....	1
19	638348G03		CENTER COMPARTMENT (OPENING FOR USB).....	1
20	638348G04		CENTER COMPARTMENT (OPENING FOR 12V AND USB).....	1
21	608290		PAN HEAD PHILLIPS SCREW, #10 - 16 X 3/4" LG .....	4
22	71597G01		SELF THREADING NUT, .226" .....	3



THE USE OF NON U.L. PARTS WILL VOID ANY U.L. LISTING.

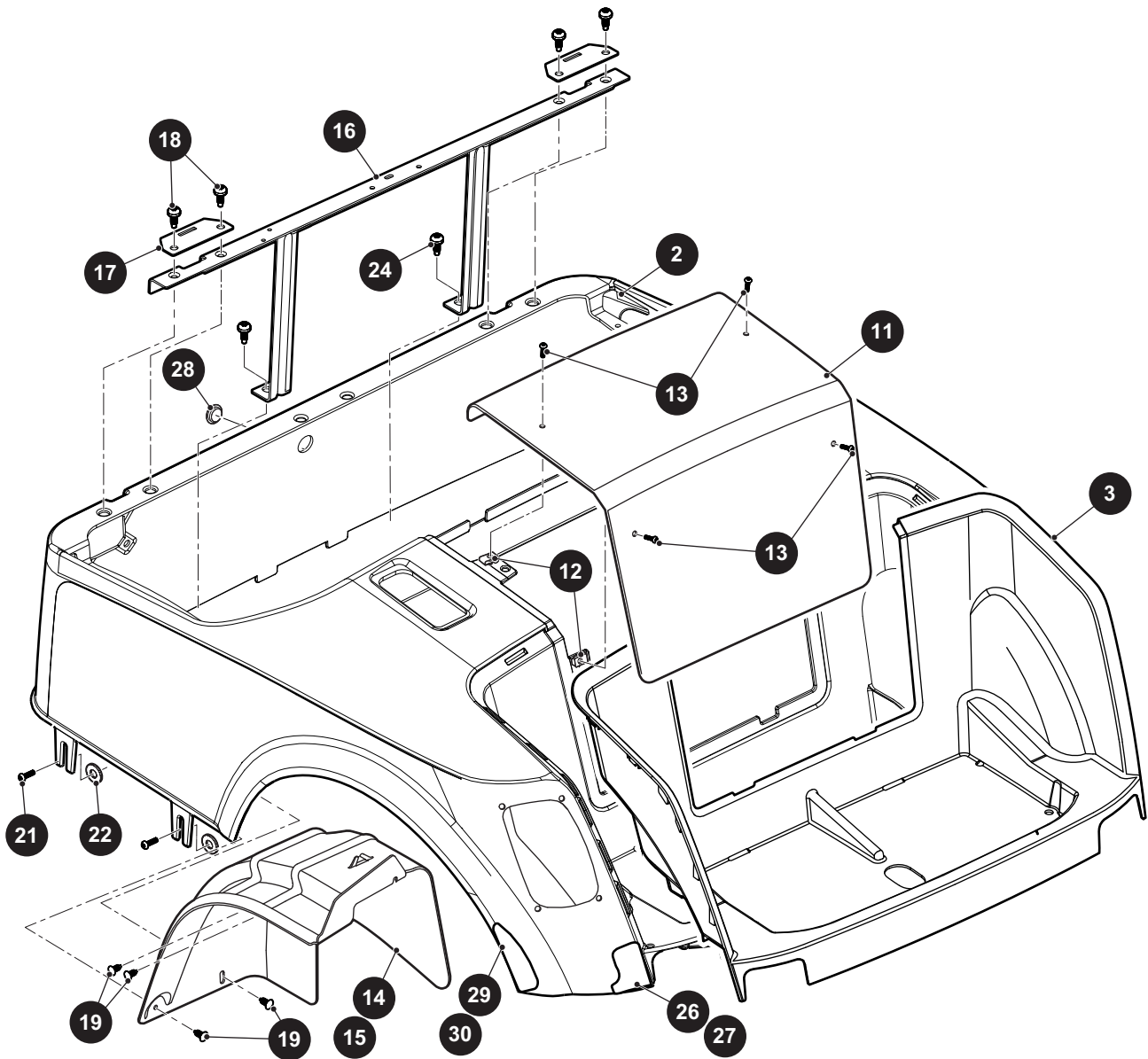
When ordering parts, please specify the model and serial number of the product.

\* Indicates a component that is not available as an individual part.

\*\*\* Indicates consult Customer Service Department for additional information.

ITEM	PART NO.	1 2 3 4 5	DESCRIPTION	QTY.
1	600225		FLOORBOARD .....	1
2				
3	16816G2		RATCHET RIVET, .25" X .887" .....	5
4	16816G1		RATCHET RIVET, .25" X .680" .....	2
5	604066		FLAT WASHER, M10 .....	2
6	601257		UPPER ROCKER PANEL (DRIVER SIDE).....	1
7	600253		LOWER ROCKER PANEL (DRIVER SIDE).....	1
8	601258		UPPER ROCKER PANEL (PASSENGER SIDE) .....	1
9	600257		LOWER ROCKER PANEL (PASSENGER SIDE) .....	1
10	649804		BUTTON HEAD TORX SCREW, M8 - 3.5 X 30MM LG .....	5
11				
12	603707		FLOORMAT (HORN ATTACHMENT).....	1
13	602020		SOCKET HEAD TORX BOLT, M10 - 1.5 X 50MM LG .....	2
14				
15	605277		PEDAL COVER PLATE.....	1
16	16816G2		RATCHET RIVET, .25" X .887" .....	4

1 REAR BODY ASSEMBLY WITH LIGHTS includes items 2, 3





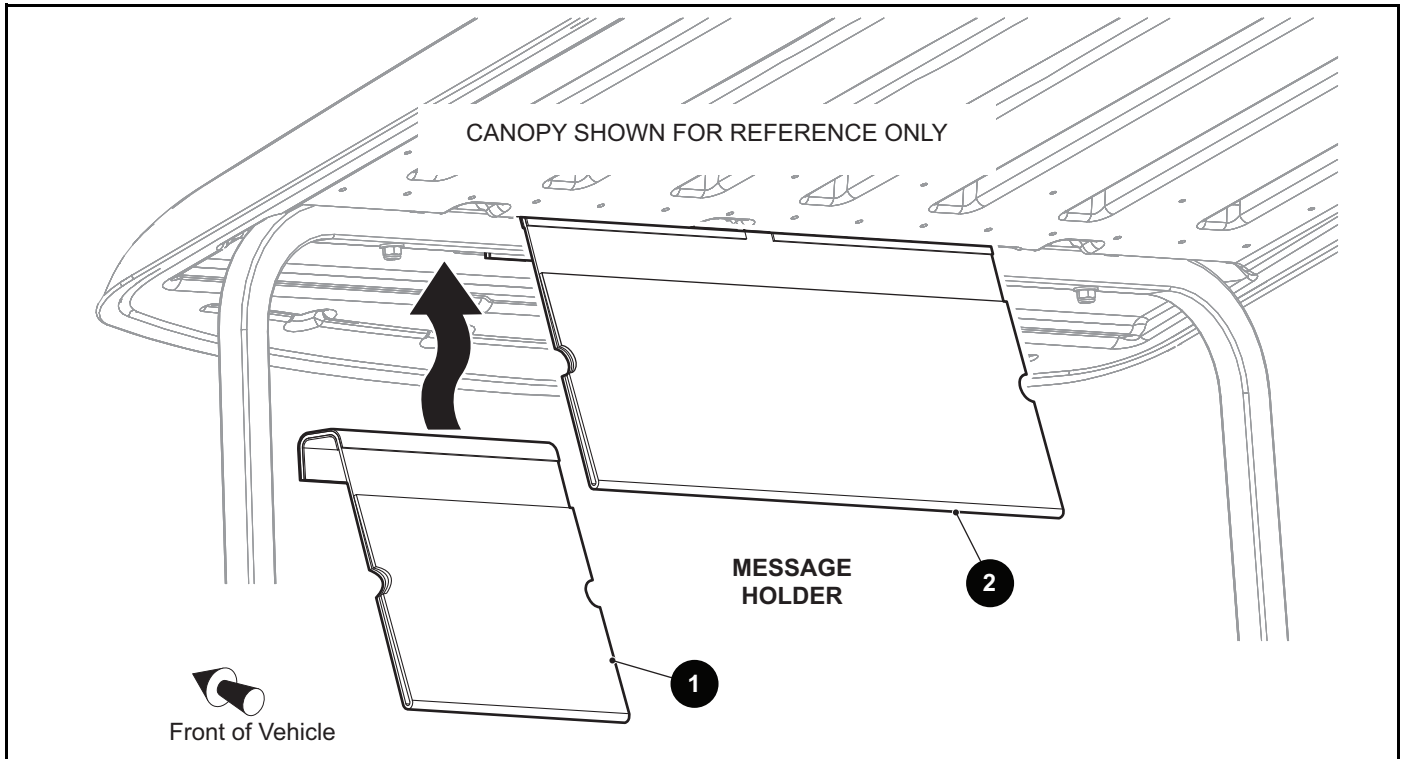
THE USE OF NON U.L. PARTS WILL VOID ANY U.L. LISTING.

When ordering parts, please specify the model and serial number of the product.

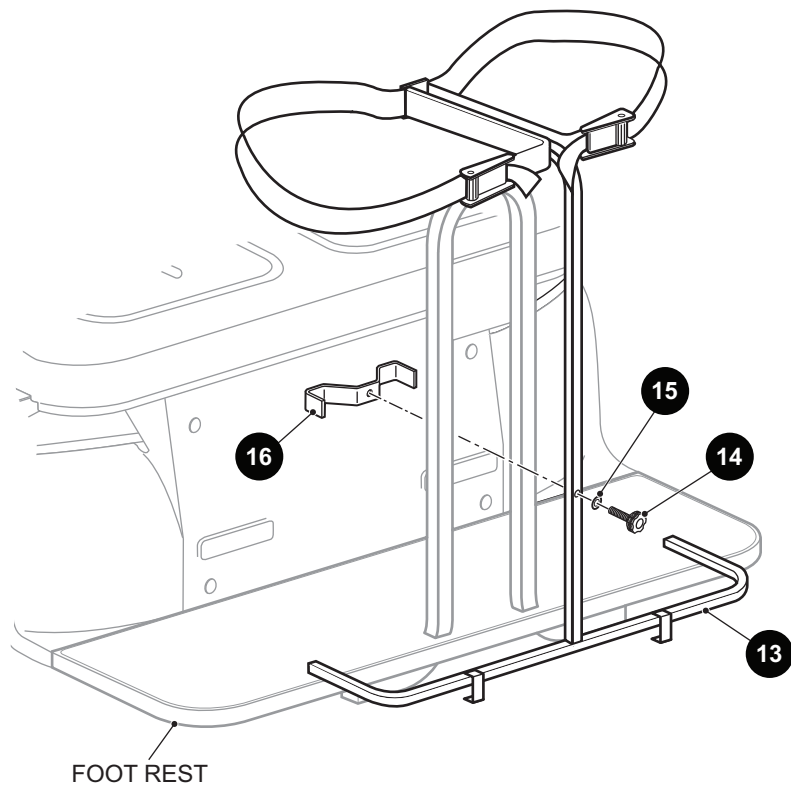
\* Indicates a component that is not available as an individual part.

\*\*\* Indicates consult Customer Service Department for additional information.

ITEM	PART NO.	1 2 3 4 5	DESCRIPTION	QTY.
1	650353G01XX		REAR BODY ASSEMBLY WITH LIGHTS (INCLUDES ITEMS 2, 3) (See COLOR CODES in HOW TO USE Section).....	1
2	650311G01XX		BODY .....	1
3	650254		BAGWELL LINER.....	1
4				
5				
6				
7				
8				
9				
10				
11	650443		ACCESS COVER.....	1
12	602409		BARREL CLIP, M6 - 1 .....	4
13	601326		BUTTON HEAD TORX BOLT, M6 - 1 X 20MM LG .....	4
14	601621		REAR SPLASH GUARD (DRIVER SIDE).....	1
15	601622		REAR SPLASH GUARD (PASSENGER SIDE) .....	1
16	601921		FRONT SEAT SUPPORT ASSEMBLY.....	1
17	602558		SEAT HINGE PLATE.....	1
18	602572		PAN HEAD TAPTITE BOLT, M10 - 1.5 X 25MM LG .....	2
19	16816G2		RATCHET RIVET, .25" X .887" .....	4
20				
21	649804		BUTTON HEAD TORX SCREW, M8 - 3.5 X 30MM LG .....	4
22	604066		FLAT WASHER, M10 .....	4
23				
24	602572		PAN HEAD TAPTITE BOLT, M10 - 1.5 X 25MM LG .....	2
25				
26	625246		REAR REFLEX REFLECTOR (RED) (DRIVER SIDE) .....	1
27	625244		REAR REFLEX REFLECTOR (RED) (PASSENGER SIDE) .....	1
28	71316G01		HOLE PLUG.....	1
29	608993		SIDE REFLECTOR (RED) (DRIVER SIDE).....	1
30	608996		SIDE REFLECTOR (RED) (PASSENGER SIDE) .....	1



12 TWO BAG-4 CADDY ATTACHMENT KIT includes items 13 - 16



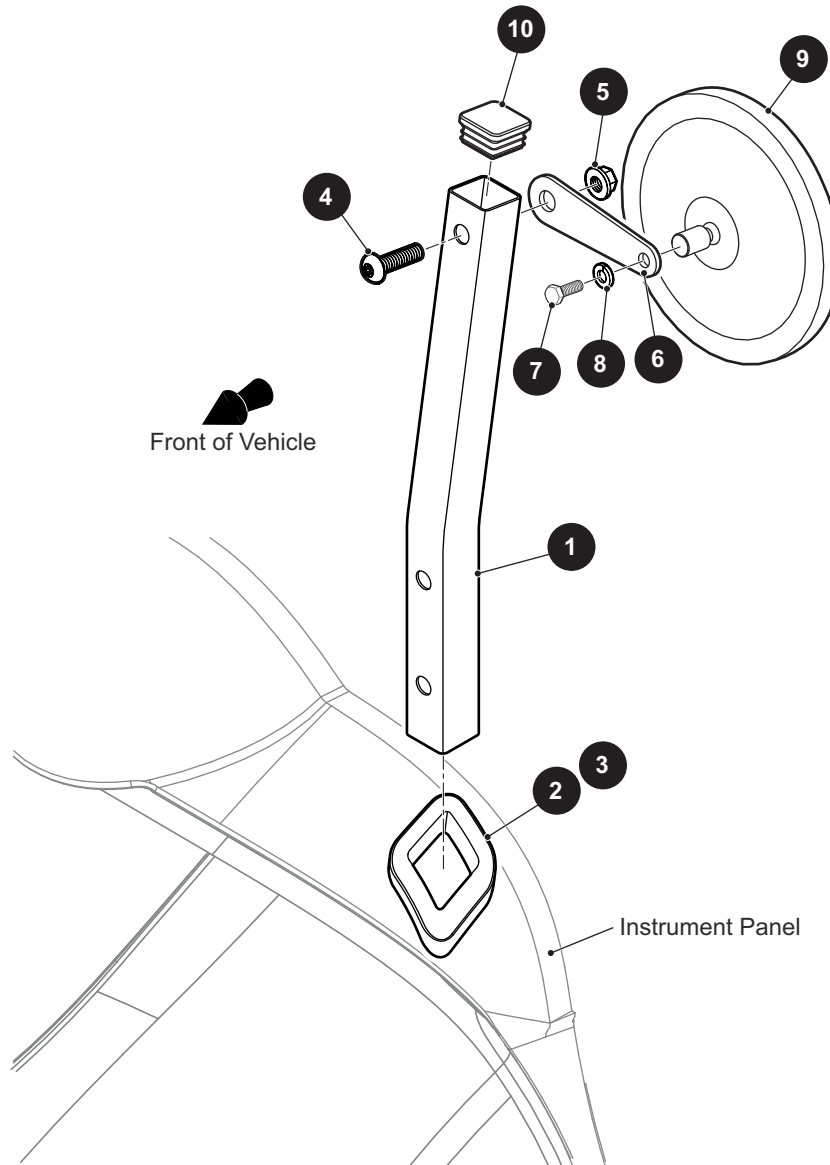
THE USE OF NON U.L. PARTS WILL VOID ANY U.L. LISTING.

When ordering parts, please specify the model and serial number of the product.

\* Indicates a component that is not available as an individual part.

\*\*\* Indicates consult Customer Service Department for additional information.

ITEM	PART NO.	1 2 3 4 5	DESCRIPTION	QTY.
1	609308		MESSAGE HOLDER (SINGLE).....	1
2	609092		MESSAGE HOLDER (DOUBLE) .....	1
3				
4				
5				
6				
7				
8				
9				
10				
11				
12	75183G01		TWO BAG-4 CADDY ATTACHMENT KIT (INCLUDES ITEMS 13 - 16) .....	1
13	75188G01		BAG ATTACHMENT ASSEMBLY .....	1
14	22238G2		KNOB, 3/8" - 16 X 1 1/2" LG .....	1
15	17255G1		FLAT WASHER (PLASTIC) .....	1
16	620184		SUPPORT BRACKET .....	1



THE USE OF NON U.L. PARTS WILL VOID ANY U.L. LISTING.

When ordering parts, please specify the model and serial number of the product.

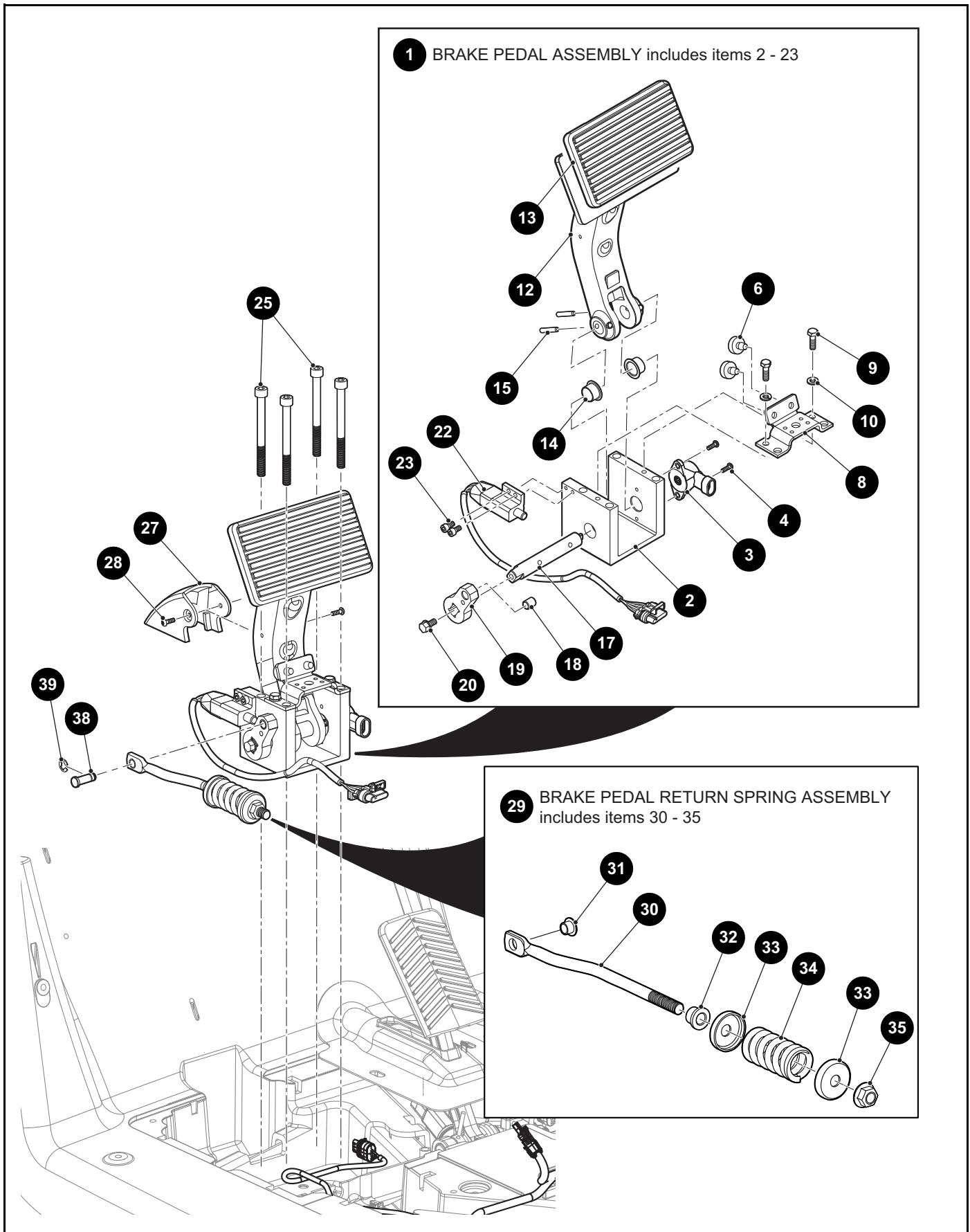
\* Indicates a component that is not available as an individual part.

\*\*\* Indicates consult Customer Service Department for additional information.

ITEM	PART NO.	1 2 3 4 5	DESCRIPTION	QTY.
1	648473		STRUT .....	1
2	602770		STRUT GROMMET (DRIVER SIDE) .....	1
3	602992		STRUT GROMMET (PASSENGER SIDE).....	1
4	600527		BUTTON HEAD TORX BOLT, M10 - 1.5 X 60MM LG .....	1
5	600525		LOCK NUT, M10 - 1.5 .....	1
6	648528		MIRROR BRACKET.....	1
7	*		HEX HEAD BOLT, 1/4" - 20 X 5/8" LG .....	1
8	*		LOCK WASHER, 1/4" .....	1
9	74202G01		ROUND MIRROR .....	1
10	620634		END CAP .....	1









THE USE OF NON U.L. PARTS WILL VOID ANY U.L. LISTING.

When ordering parts, please specify the model and serial number of the product.

\* Indicates a component that is not available as an individual part.

\*\*\* Indicates consult Customer Service Department for additional information.

ITEM	PART NO.	1 2 3 4 5	DESCRIPTION	QTY.
1	638210		BRAKE PEDAL ASSEMBLY (INCLUDES ITEMS 2 - 23).....	1
2	*		BRAKE ARM MOUNT.....	1
3	600019		ROTARY POSITION SENSOR.....	1
4	600543		BUTTON HEAD TORX BOLT, M4 - .75 X 12MM LG.....	2
5				
6	604097		REBOUND BUMPER.....	2
7				
8	609226		SWITCH BUTTON BRACKET.....	1
9	613231		HEX HEAD BOLT, M6 - 1 X 20MM LG.....	2
10	601327		LOCK WASHER (SS), M6.....	2
11				
12	*		BRAKE PEDAL.....	1
13	610471		PEDAL COVER.....	1
14	*		FLANGED BUSHING, 16MM O.D. X 12MM I.D.....	2
15	*		SPIROL PIN, 5MM X 30 MM.....	2
16				
17	*		PIVOT SHAFT.....	1
18	*		SPLIT SLEEVE, 10MM O.D. X 8MM I.D X 12MM LG.....	1
19	626146		BRAKE CABLE ARM (PULL).....	1
20	606265		FLANGED HEX HEAD BOLT, M6 - 1 X 12MM LG.....	1
21				
22	607605		BRAKE PEDAL SWITCH.....	1
23	620030		SOCKET HEAD BOLT, M5 - .8 X 15MM LG.....	2
24				
25	605254		SOCKET HEAD BOLT, M8 - 1.25 X 90MM LG.....	4
26				
27	605688		BRAKE PEDAL COVER.....	1
28	600543		BUTTON HEAD TORX BOLT, M4 - .75 X 12MM LG.....	2
29	605266		BRAKE PEDAL RETURN SPRING ASSEMBLY (INCLUDES ITEMS 30 - 35)	1
30	*		BRAKE ROD.....	1
31	*		FLANGED BUSHING, 8MM DIA.....	1

# BRAKES

THE USE OF NON U.L. PARTS WILL VOID ANY U.L. LISTING.

When ordering parts, please specify the model and serial number of the product.

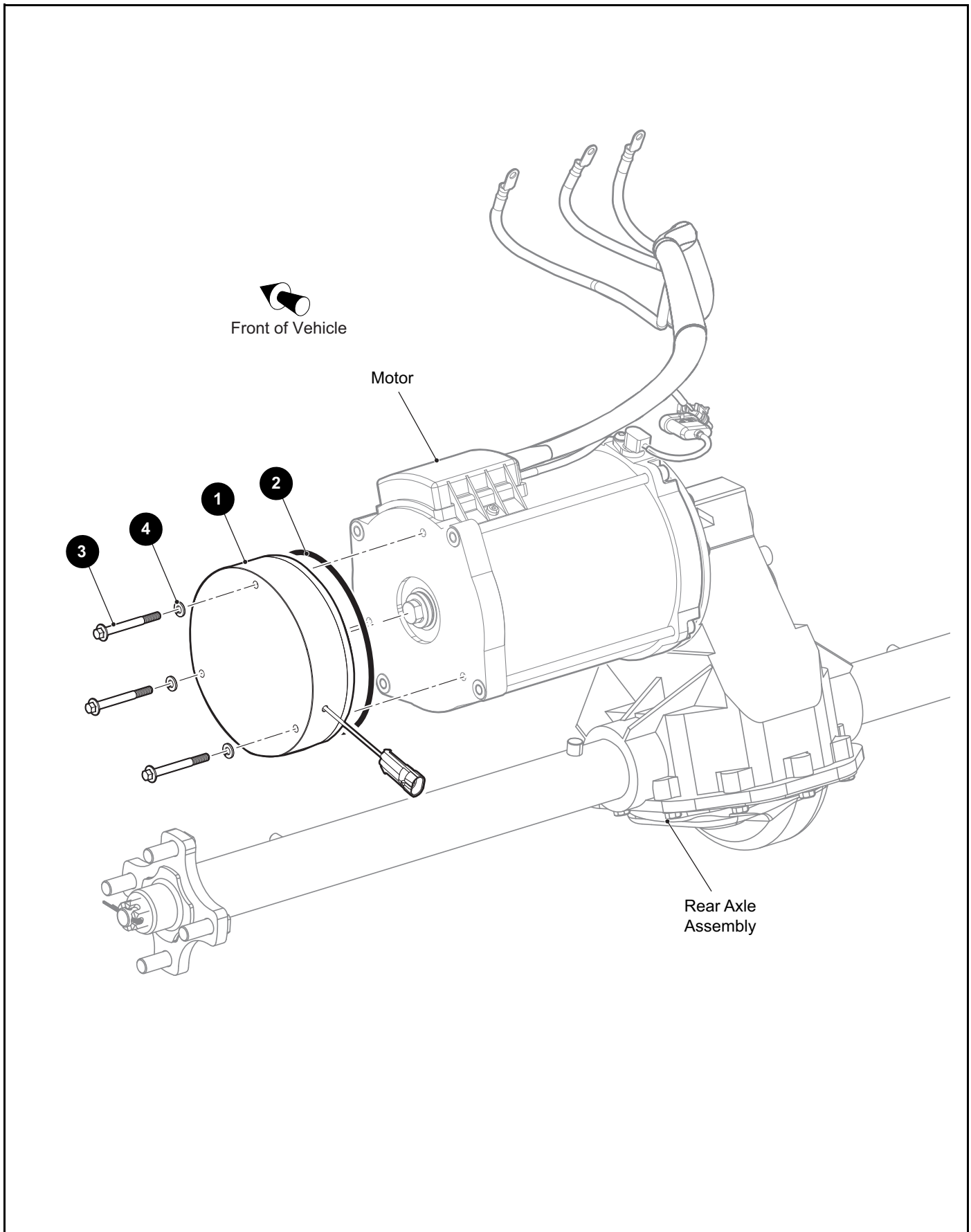
\* Indicates a component that is not available as an individual part.

\*\*\* Indicates consult Customer Service Department for additional information.

ITEM	PART NO.	1	2	3	4	5	DESCRIPTION	QTY.
32	*						BUSHING, 10.2MM DIA.....	1
33	*						SHOCK ABSORBER WASHER, 31MM O.D. X 10.3MM I.D .....	2
34	*						SPRING .....	1
35	*						FLANGED HEX HEAD LOCK NUT, M10 - 1.5.....	1
36								
37								
38	601894						CLEVIS PIN, 8MM DIA X 21.5MM LG.....	1
39	601835						RETAINING RING, 8MM .....	1



# BRAKES



THE USE OF NON U.L. PARTS WILL VOID ANY U.L. LISTING.

When ordering parts, please specify the model and serial number of the product.

\* Indicates a component that is not available as an individual part.

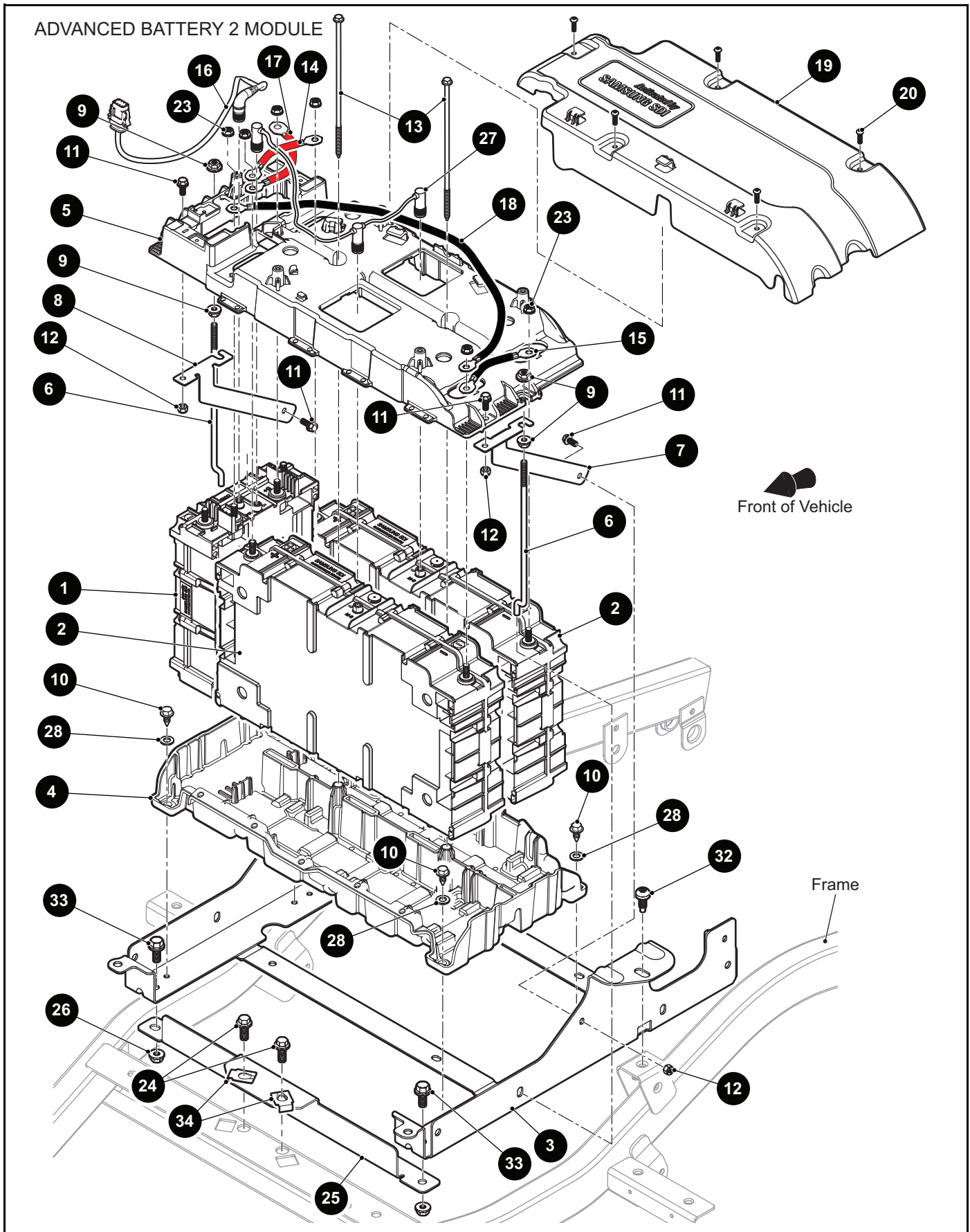
\*\*\* Indicates consult Customer Service Department for additional information.

ITEM	PART NO.	1 2 3 4 5	DESCRIPTION	QTY.
1	617766		E - BRAKE .....	1
2	628550		O-RING, DIA 152MM .....	1
3	73715G01		FLANGED HEX HEAD BOLT, M6 - 1 X 60MM LG.....	3
4	00664G7		LOCK WASHER (SS), M6 .....	3

Notes:

A large grid of graph paper, consisting of 30 columns and 30 rows of small squares, intended for taking notes. The grid is empty.







THE USE OF NON U.L. PARTS WILL VOID ANY U.L. LISTING.

When ordering parts, please specify the model and serial number of the product.

\* Indicates a component that is not available as an individual part.

\*\*\* Indicates consult Customer Service Department for additional information.

ITEM	PART NO.	1 2 3 4 5	DESCRIPTION	QTY.
1	665953		BATTERY MANAGEMENT SYSTEM .....	1
2	665954		CELL MODULE .....	2
3	650778		BATTERY TRAY .....	1
4	651809		BOTTOM TRAY .....	1
5	651812		TOP TRAY .....	1
6	01101G01		TIE DOWN BOLT .....	2
7	654002G01		HOLD DOWN BRACKET (DRIVER SIDE) .....	1
8	654002G02		HOLD DOWN BRACKET (PASSENGER SIDE) .....	1
9	11027G1		FLANGED LOCK NUT, 5/16" - 18 .....	4
10	00715G2		HEX WASHER HEAD BOLT, 5/16" - 18 X .80" LG .....	4
11	13437G9		SERRATED HEAD LOCK SCREW, 1/4" - 20 X 3/4" LG .....	4
12	14390G4		LOCK NUT, 1/4" - 20 .....	4
13	654863		FLANGED HEX HEAD BOLT, 1/4" - 10 X 8 3/4" LG .....	2
14	652002		BATTERY CABLE (RED), 6AWG, 122 MM LG .....	1
15	653432		BATTERY CABLE (BLACK), 6AWG, 122 MM LG .....	1
16	652090		HARNESS (BMS TO MAIN HARNESS) .....	1
17	653449		BATTERY CABLE (RED), 6AWG, 145 MM LG .....	1
18	651811		BATTERY CABLE (BLACK), 6AWG, 595 MM LG .....	1
19	651878		TOP COVER .....	1
20	654616		BUTTON HEAD TAPPING SCREW, #10 X .625" LG .....	5
21				
22				
23	659134		CONICAL HEX NUT, M8 - 1.25 .....	6
24	603799		FLANGED HEX HEAD BOLT, M10 - 1.5 X 25MM LG .....	2
25	654421		FRONT MOUNTING BRACKET .....	1
26	600525		LOCK NUT, M10 - 1.5 .....	2
27	651960		BATTERY COMMUNICATION CABLE, 60AH .....	1
28	00559G8		FLAT WASHER, 5/16" .....	4
29				
30				
31				

# ELECTRICAL

THE USE OF NON U.L. PARTS WILL VOID ANY U.L. LISTING.

When ordering parts, please specify the model and serial number of the product.

\* Indicates a component that is not available as an individual part.

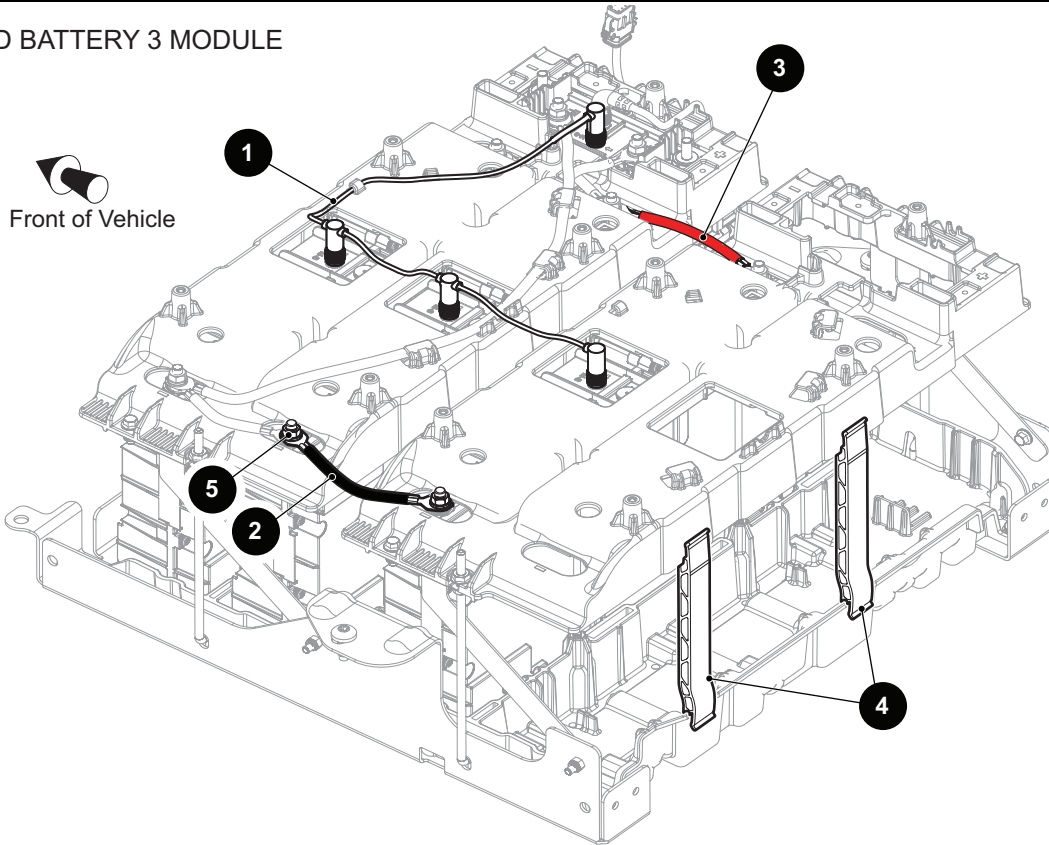
\*\*\* Indicates consult Customer Service Department for additional information.

ITEM	PART NO.	1 2 3 4 5	DESCRIPTION	QTY.
32	602572		PAN HEAD TAPTITE BOLT, M10 - 1.5 X 25MM LG .....	2
33	603799		FLANGED HEX HEAD BOLT, M10 - 1.25 X 25MM LG .....	2
34	603818		BARREL CLIP, M10 - 1.5.....	2

Notes:

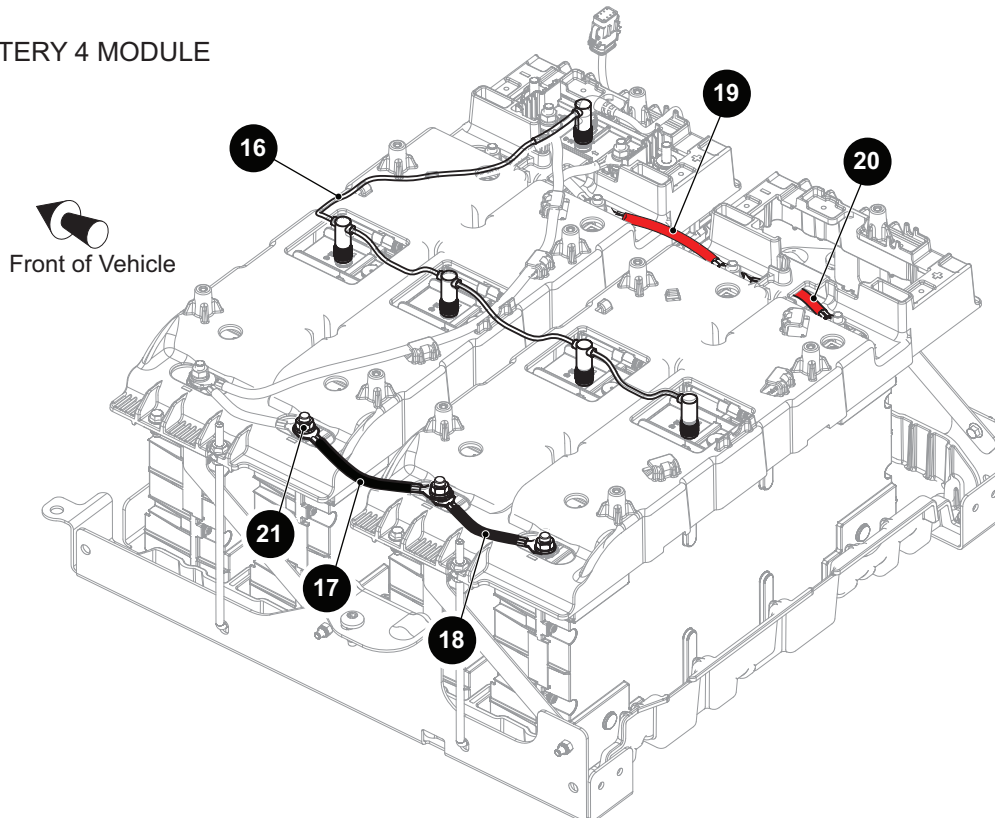
A large grid of graph paper for taking notes. The grid consists of 24 columns and 28 rows of small squares, providing a structured area for writing or drawing.

## ADVANCED BATTERY 3 MODULE



\*NOTE: Refer to ADVANCED BATTERY 2 MODULE for exploded view of battery pack

## ADVANCED BATTERY 4 MODULE



\*NOTE: Refer to ADVANCED BATTERY 2 MODULE for exploded view of battery pack

THE USE OF NON U.L. PARTS WILL VOID ANY U.L. LISTING.

When ordering parts, please specify the model and serial number of the product.

\* Indicates a component that is not available as an individual part.

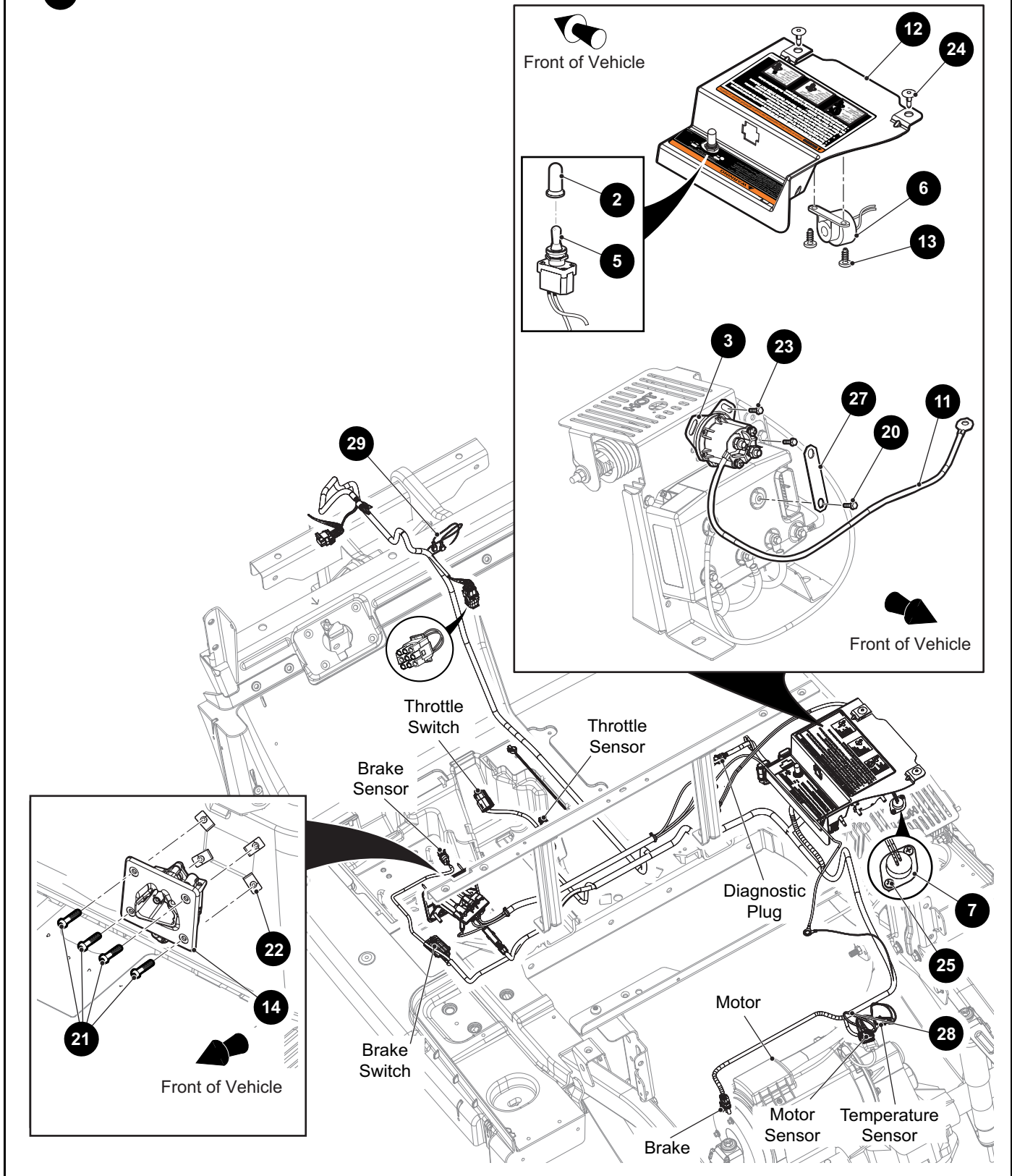
\*\*\* Indicates consult Customer Service Department for additional information.

ITEM	PART NO.	1 2 3 4 5	DESCRIPTION	QTY.
1	651961		BATTERY COMMUNICATION CABLE, 90AH .....	1
2	653431		BATTERY CABLE (BLACK), 6AWG, 160 MM LG.....	1
3	653433		BATTERY CABLE (RED), 6AWG, 160 MM LG.....	1
4	654488		BATTERY TRAY SPACER .....	2
5	659134		CONICAL HEX NUT, M8 - 1.25.....	2
6				
7				
8				
9				
10				
11				
12				
13				
14				
15				
16	651962		BATTERY COMMUNICATION CABLE, 120AH .....	1
17	653431		BATTERY CABLE (BLACK), 6AWG, 160 MM LG.....	1
18	653432		BATTERY CABLE (BLACK), 6AWG, 122 MM LG.....	1
19	653433		BATTERY CABLE (RED), 6AWG, 160 MM LG.....	1
20	652002		BATTERY CABLE (RED), 6AWG, 122 MM LG.....	1
21	659134		CONICAL HEX NUT, M8 - 1.25.....	3

# ELECTRICAL

1 ELECTRICAL HARNESS ASSEMBLY WITH HD SOLENOID includes items 2 - 13

4 MAIN HARNESS includes items 5 - 10



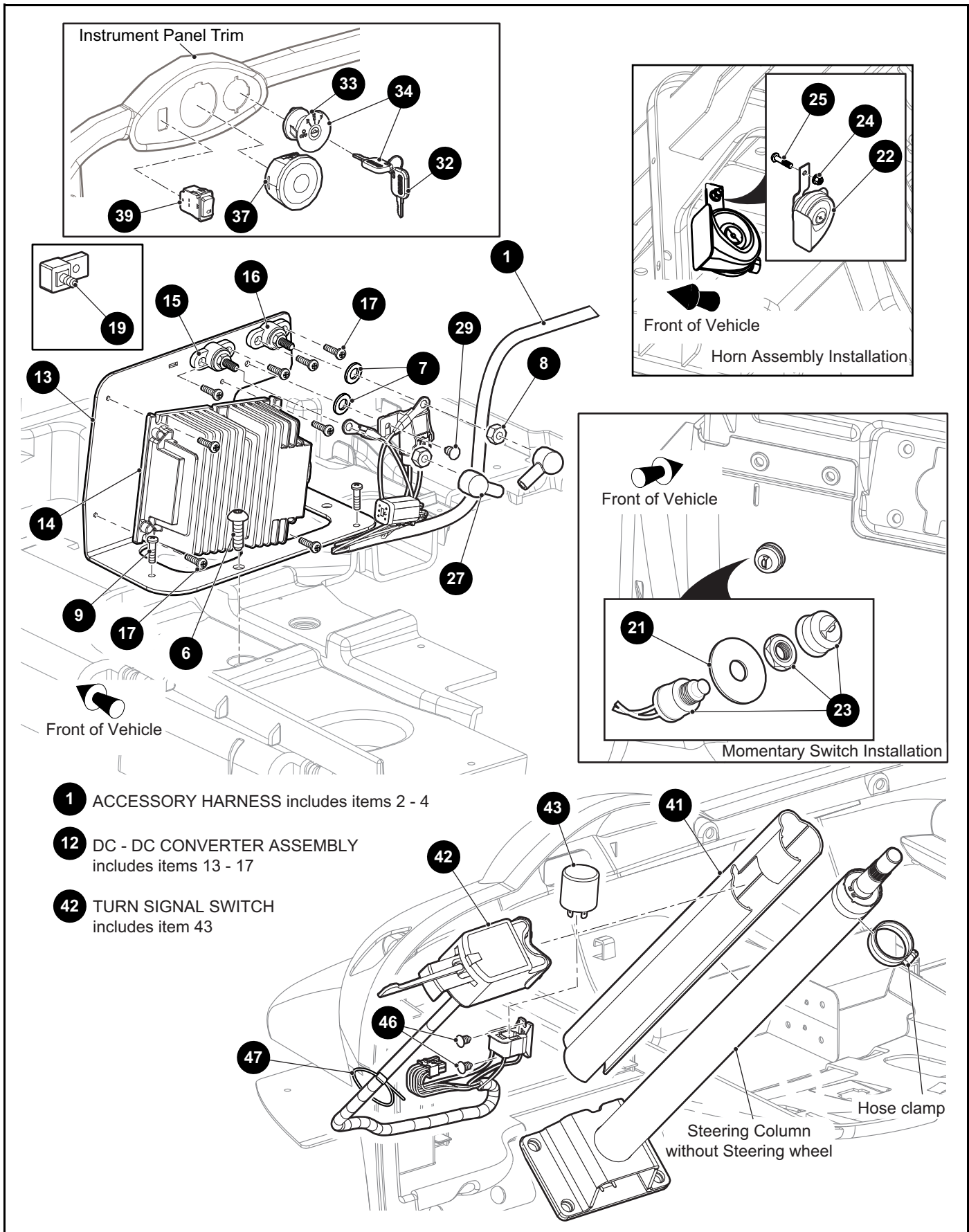
THE USE OF NON U.L. PARTS WILL VOID ANY U.L. LISTING.

When ordering parts, please specify the model and serial number of the product.

\* Indicates a component that is not available as an individual part.

\*\*\* Indicates consult Customer Service Department for additional information.

ITEM	PART NO.	1 2 3 4 5	DESCRIPTION	QTY.
1	653301		ELECTRICAL HARNESS ASSEMBLY WITH HD SOLENOID (INCLUDES ITEMS 2 - 13) .....	1
2	655019		RUBBER BOOT (ROW/TOW SWITCH).....	1
3	649371		SOLENOID .....	1
4	650492		MAIN HARNESS (INCLUDES ITEMS 5 - 10) .....	1
5	620765G01		RUN/TOW SWITCH.....	1
6	620764G02		REVERSE WARNING BUZZER .....	1
7	609686G01		BI-METAL SWITCH.....	1
8	636455G22		FUSE (MINI), 58V, 10A (NOT ILLUSTRATED) .....	1
9	651800G01		RESISTOR (MALE), 120 OHM (NOT ILLUSTRATED) .....	1
10	648072		CLIP (TREE TYPE) (NOT ILLUSTRATED).....	1
11	653485		BATTERY CABLE, 525MM LG .....	1
12	612423		CONTROLLER SPLASH SHIELD.....	1
13	01051G01		PAN HEAD PHILLIPS SCREW, #8 - 16 X 1/2" LG .....	2
14	651410		CHARGER RECEPTACLE .....	1
15				
16				
17				
18				
19				
20	73876G01		FLANGED BOLT, M6 - 1 X 12MM LG .....	1
21	601326		BUTTON HEAD TORX BOLT, M6 - 1 X 20MM LG .....	4
22	602409		BARREL CLIP, M6 - 1 .....	4
23	71102G02		HEX WASHER HEAD BOLT, 1/4" - 20 X 1/2" LG .....	2
24	610487		REMOVABLE RIVET, .256".....	3
25	00614G4		PAN HEAD SELF TAPPING SCREW, #8 - 18 X 1/2" LG.....	2
26				
27	619047		BUS BAR .....	1
28	17618G1		NYLON CLAMP, 7" LG.....	3
29	638585		USB HARNESS .....	1
30				





THE USE OF NON U.L. PARTS WILL VOID ANY U.L. LISTING.

When ordering parts, please specify the model and serial number of the product.

\* Indicates a component that is not available as an individual part.

\*\*\* Indicates consult Customer Service Department for additional information.

ITEM	PART NO.	1 2 3 4 5	DESCRIPTION	QTY.
1	649816		ACCESSORY HARNESS (INCLUDES ITEMS 2 - 4) .....	1
2	658741		RELAY, 20AMP, 24VDC (NOT ILLUSTRATED).....	1
3	63645G22		MINI FUSE, 10A, 58VDC (NOT ILLUSTRATED) .....	4
4	628840		FUSE (ATO), 58V, 10A (NOT ILLUSTRATED) .....	1
5				
6	649804		BUTTON HEAD TORX SCREW, M8 - 3.5 X 30MM LG .....	1
7	00559G8		FLAT WASHER, 5/16" .....	2
8	00702G2		HEX NUT, 5/16" - 18 .....	2
9	608290		SELF TAPPING SCREW, #10 - 16 X 3/4" LG .....	2
10				
11				
12	632184		DC-DC CONVERTER ASSEMBLY (INCLUDES ITEMS 13 - 17) .....	1
13	662828		BRACKET.....	1
14	632185		DC-DC CONVERTER.....	1
15	662824G02		TERMINAL STUD (BLACK).....	1
16	662824G01		TERMINAL STUD (RED).....	1
17	632372		TAPPING SCREW, #10 - 32 X 3/4" LG .....	8
18				
19	33343G01		TERMINAL BLOCK.....	2
20				
21	608397		HORN PLATE .....	1
22	604196		HORN ASSEMBLY.....	1
23	17318G1		MOMENTARY SWITCH.....	1
24	601476		LOCK NUT, M6 - 1 .....	1
25	601326		BUTTON HEAD TORX BOLT, M6 - 1 X 20MM LG .....	1
26	01072G01		CABLE CLIP (NOT ILLUSTRATED) .....	3
27	25682G01		TERMINAL BOOT .....	2
28				
29	16816G5		RATCHET RIVET, .187" X .550" LG.....	1
30				
31				

# ELECTRICAL

THE USE OF NON U.L. PARTS WILL VOID ANY U.L. LISTING.

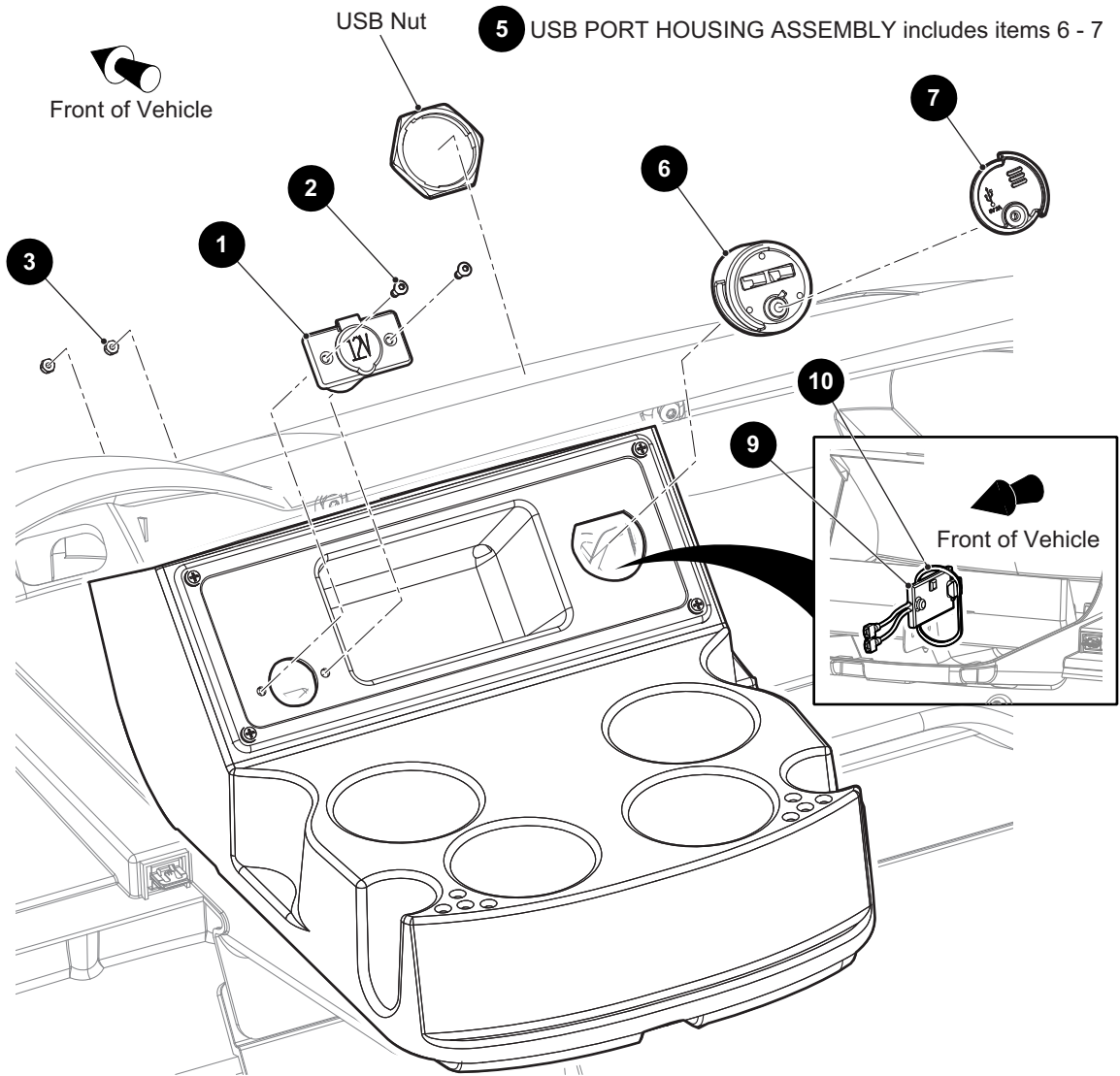
When ordering parts, please specify the model and serial number of the product.

\* Indicates a component that is not available as an individual part.

\*\*\* Indicates consult Customer Service Department for additional information.

ITEM	PART NO.	1	2	3	4	5	DESCRIPTION	QTY.
32	611282						COMMON KEY SET.....	1
33	653072						KEY SWITCH, R-N-F (4 POSITION).....	1
34	655131						KEY SWITCH AND KEY SET ASSEMBLY .....	1
35								
36								
37	612314						STATE OF CHARGE METER.....	1
38								
39	604019						HEADLIGHT SWITCH.....	1
40								
41	20965G3						STEERING COLUMN COVER.....	1
42	604511						TURN SIGNAL SWITCH (INCLUDES ITEM 43).....	1
43	604367						FLASHER UNIT .....	1
44	19344G1						VINYL TAPE, 40MM LG (NOT ILLUSTRATED) .....	1
45								
46	16816G5						RATCHET RIVET, .187" X .550" LG.....	2
47	31539G1						NYLON CLAMP, 15.5" LG .....	1
48	670675G01						GPS DISPLAY UNIT, 7" (NOT ILLUSTRATED).....	1
49	670675G02						GPS DISPLAY UNIT, 10" (NOT ILLUSTRATED).....	1
50	664519G01						GPS DISPLAY UNIT, 7" (NOT ILLUSTRATED).....	1
51	664519G02						GPS DISPLAY UNIT, 10" (NOT ILLUSTRATED).....	1





THE USE OF NON U.L. PARTS WILL VOID ANY U.L. LISTING.

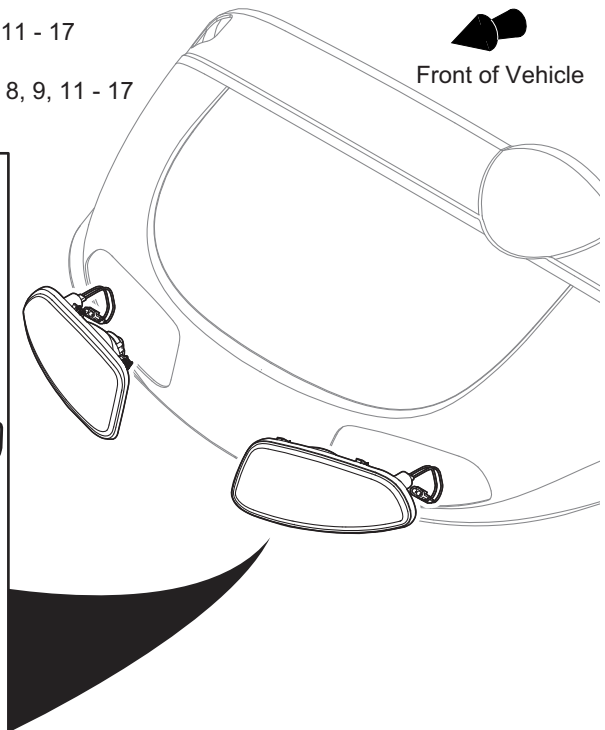
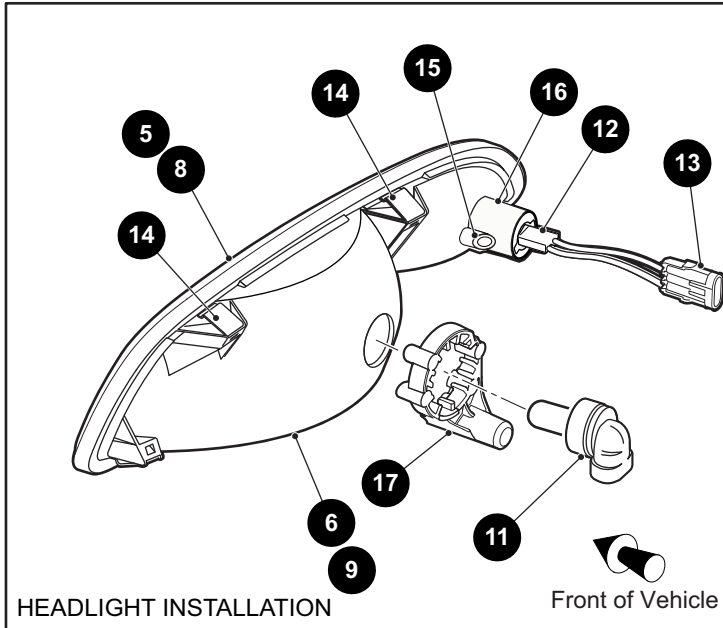
When ordering parts, please specify the model and serial number of the product.

\* Indicates a component that is not available as an individual part.

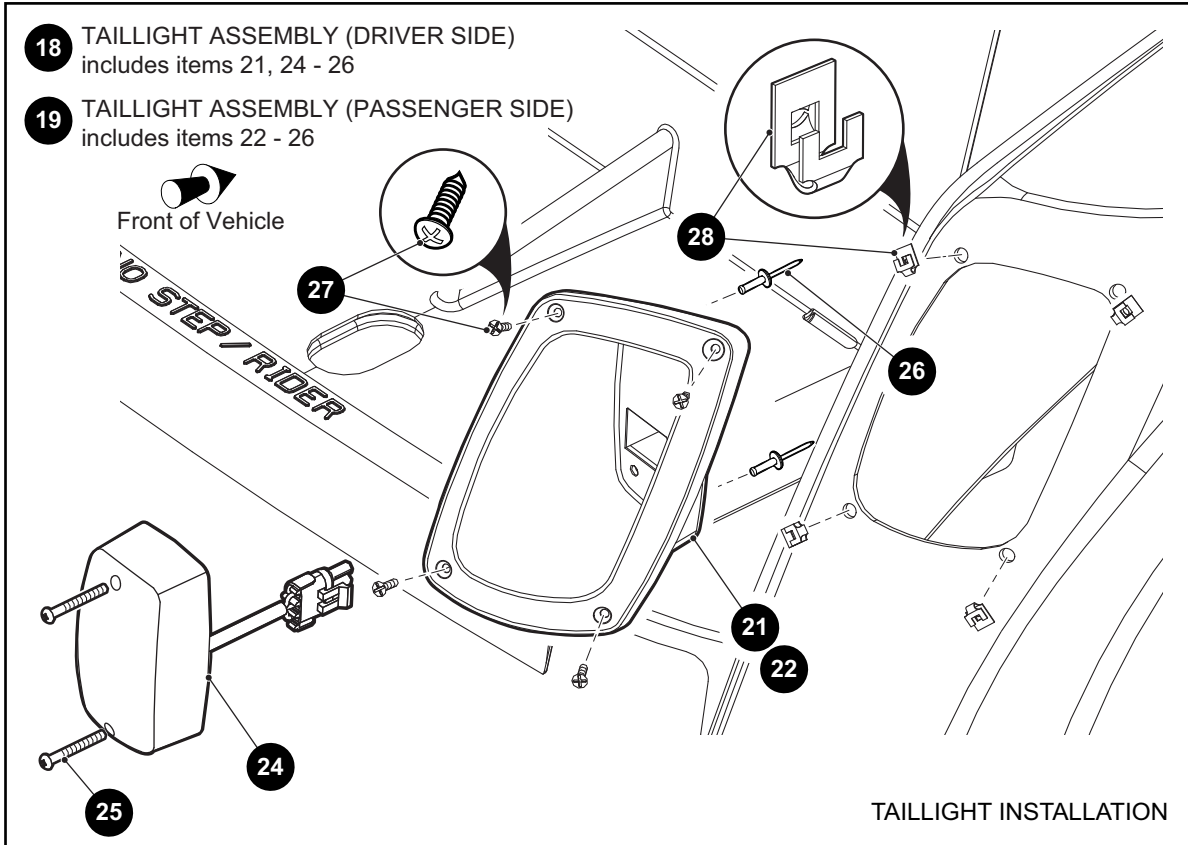
\*\*\* Indicates consult Customer Service Department for additional information.

ITEM	PART NO.	1 2 3 4 5	DESCRIPTION	QTY.
1	71078G01		12V POWER OUTLET .....	1
2	600543		BUTTON HEAD TORX BOLT, M4 - .75 X 12MM LG .....	2
3	602053		LOCK NUT, M4 - .7 .....	2
4				
5	639384		USB PORT HOUSING ASSEMBLY (INCLUDES ITEMS 6 - 7) .....	1
6	639383		USB PORT HOUSING.....	1
7	639382		USB PORT LID .....	1
8				
9	638233		USB ELECTRONICS .....	1
10	17618G1		CLAMP (NYLON), 7" LG .....	2

- 1 HEADLIGHT ASSEMBLY (DRIVER SIDE) includes items 5, 6, 11 - 17
- 2 HEADLIGHT ASSEMBLY (PASSENGER SIDE) includes items 8, 9, 11 - 17



- 18 TAILLIGHT ASSEMBLY (DRIVER SIDE) includes items 21, 24 - 26
- 19 TAILLIGHT ASSEMBLY (PASSENGER SIDE) includes items 22 - 26



THE USE OF NON U.L. PARTS WILL VOID ANY U.L. LISTING.

When ordering parts, please specify the model and serial number of the product.

\* Indicates a component that is not available as an individual part.

\*\*\* Indicates consult Customer Service Department for additional information.

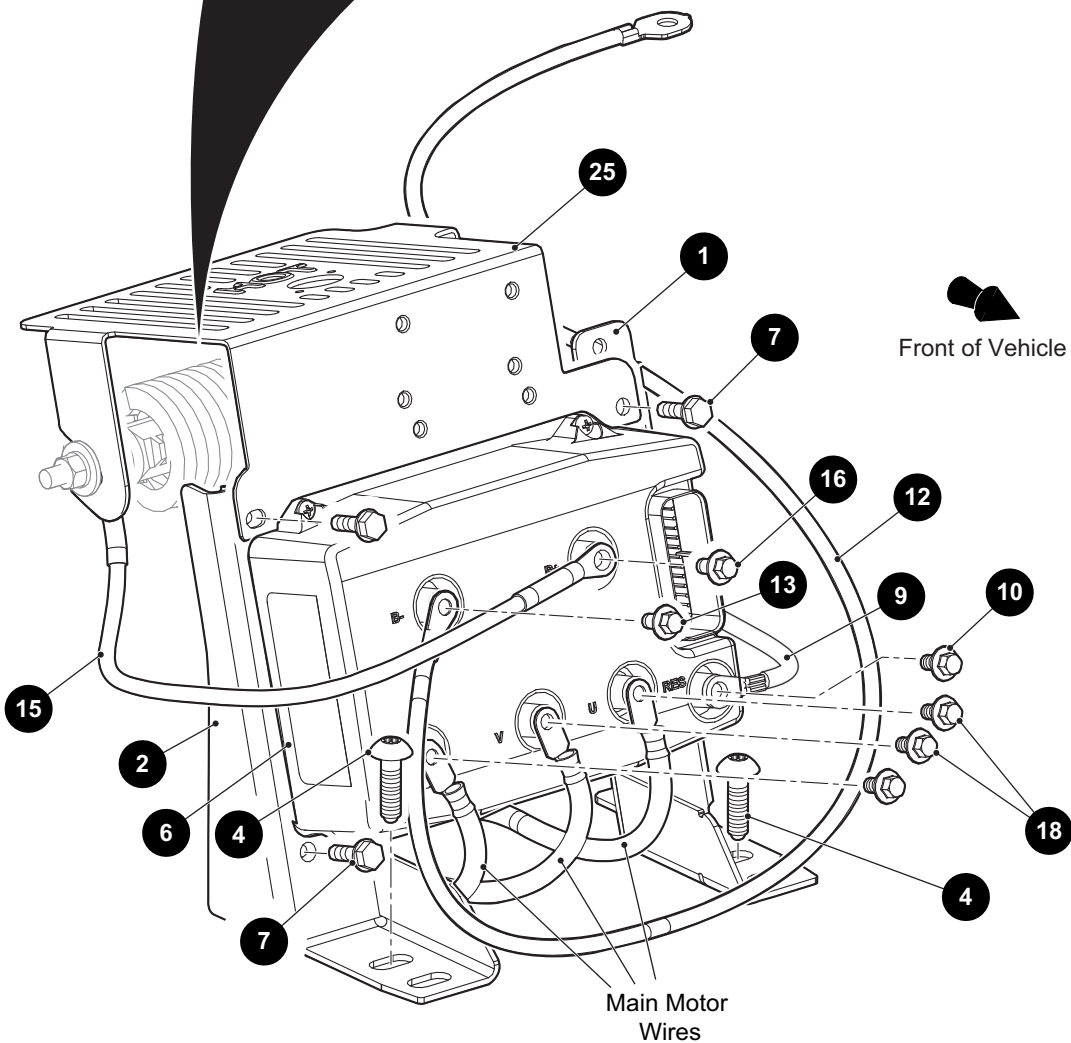
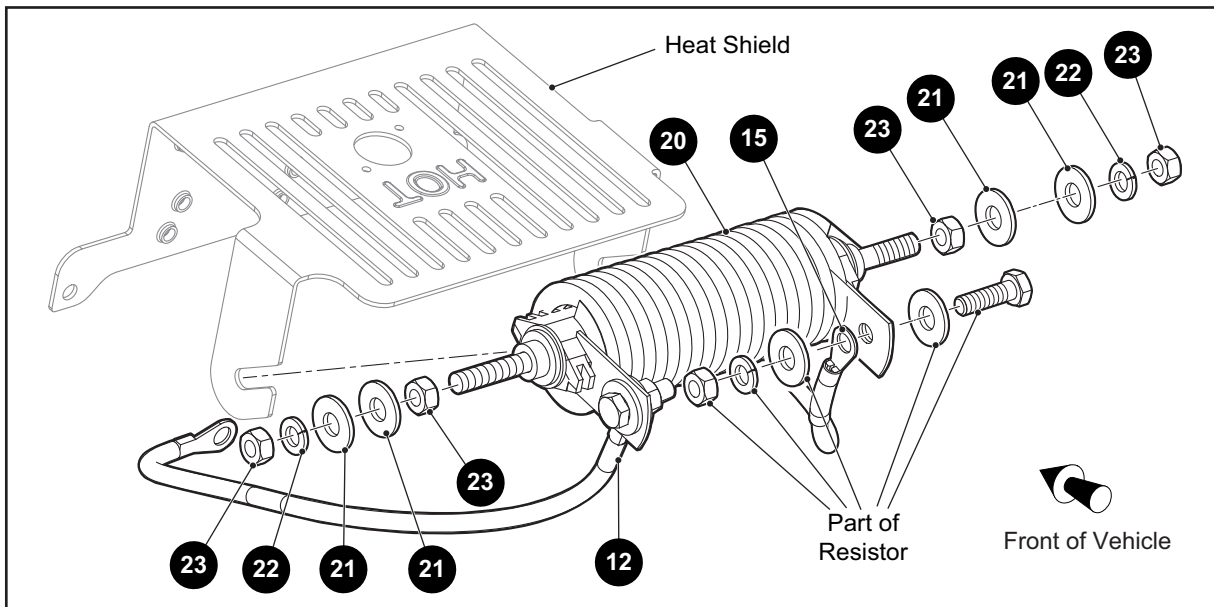
ITEM	PART NO.	1 2 3 4 5	DESCRIPTION	QTY.
1	607439		HEADLIGHT ASSEMBLY (DRIVER SIDE) (INCLUDES ITEM 5, 6, 11 - 17).....	1
2	607438		HEADLIGHT ASSEMBLY (PASSENGER SIDE) (INCLUDES ITEM 8, 9, 11 - 17).....	1
3				
4				
5	607452		GASKET (DRIVER SIDE).....	1
6	607436		HEADLIGHT (DRIVER SIDE).....	1
7				
8	607437		GASKET (PASSENGER SIDE).....	1
9	607435		HEADLIGHT (PASSENGER SIDE).....	1
10				
11	74004G01		BULB.....	1
12	676687		FRONT TURN SIGNAL BULB.....	1
13	607487		WIRING HARNESS (TURN SIGNAL).....	1
14	607434		CLIP.....	4
15	608328		BUTTON HEAD TORX SCREW (PLASTITE), M3 - 1.3 X 14MM LG.....	1
16	608322		RETAINER.....	1
17	615459		ANTI ROTATION COLLAR.....	1
18	648672G01		TAILLIGHT ASSEMBLY (DRIVER SIDE) (INCLUDES ITEM 21, 24 - 26).....	1
19	648672G02		TAILLIGHT ASSEMBLY (PASSENGER SIDE) (INCLUDES ITEM 22 - 26).....	1
20				
21	639815G01		BEZEL (DRIVER SIDE).....	1
22	639815G02		BEZEL (PASSENGER SIDE).....	1
23				
24	639816		TAILLIGHT.....	1
25	00513G4		PAN HEAD PHILLIPS SCREW, #8 - 18 X 3/4" LG.....	2
26	14601G11		RIVET (ALUMINUM), 3/16" X 9/16".....	2
27	71425G01		TAPPING SCREW, #8 - 18 X 3/4" LG.....	4
28	71364G02		J-TYPE NUT, #8.....	4







# ELECTRONIC SPEED CONTROL



## ELECTRONIC SPEED CONTROL

THE USE OF NON U.L. PARTS WILL VOID ANY U.L. LISTING.

When ordering parts, please specify the model and serial number of the product.

\* Indicates a component that is not available as an individual part.

\*\*\* Indicates consult Customer Service Department for additional information.

ITEM	PART NO.	1 2 3 4 5	DESCRIPTION	QTY.
1	623170		CONTROLLER BRACKET (DRIVER SIDE) .....	1
2	623213		CONTROLLER BRACKET (PASSENGER SIDE).....	1
3				
4	649804		BUTTON HEAD TORX SCREW, M8 X 3.50 X 30MM LG .....	2
5				
6	667000G02		CONTROLLER, 1206-AC, ADV-BATT .....	1
7	606264		FLANGED HEX HEAD BOLT, M6 - 1 X 20MM LG.....	4
8				
9	607707		WIRE ASSEMBLY (WHITE), 10 AWG, 300MM LG .....	1
10	73876G01		FLANGED HEX HEAD BOLT, M6 - 1 X 12MM LG.....	1
11				
12	653471		BATTERY CABLE (BLACK), 6 AWG, 480MM LG .....	1
13	73876G01		FLANGED HEX HEAD BOLT, M6 - 1 X 12MM LG.....	1
14				
15	624611		WIRE ASSEMBLY (WHITE), 10 AWG, 400MM LG .....	1
16	73876G01		FLANGED HEX HEAD BOLT, M6 - 1 X 12MM LG.....	1
17				
18	73876G01		FLANGED HEX HEAD BOLT, M6 - 1 X 12MM LG.....	3
19				
20	619001		RESISTOR, .86 OHM RATING .....	1
21	00571G2		FLAT WASHER, 5/16".....	4
22	00565G8		LOCK WASHER, 5/16" .....	2
23	*		HEX NUT, 5/16" .....	4
24				
25	645964		HEAT SHIELD .....	1

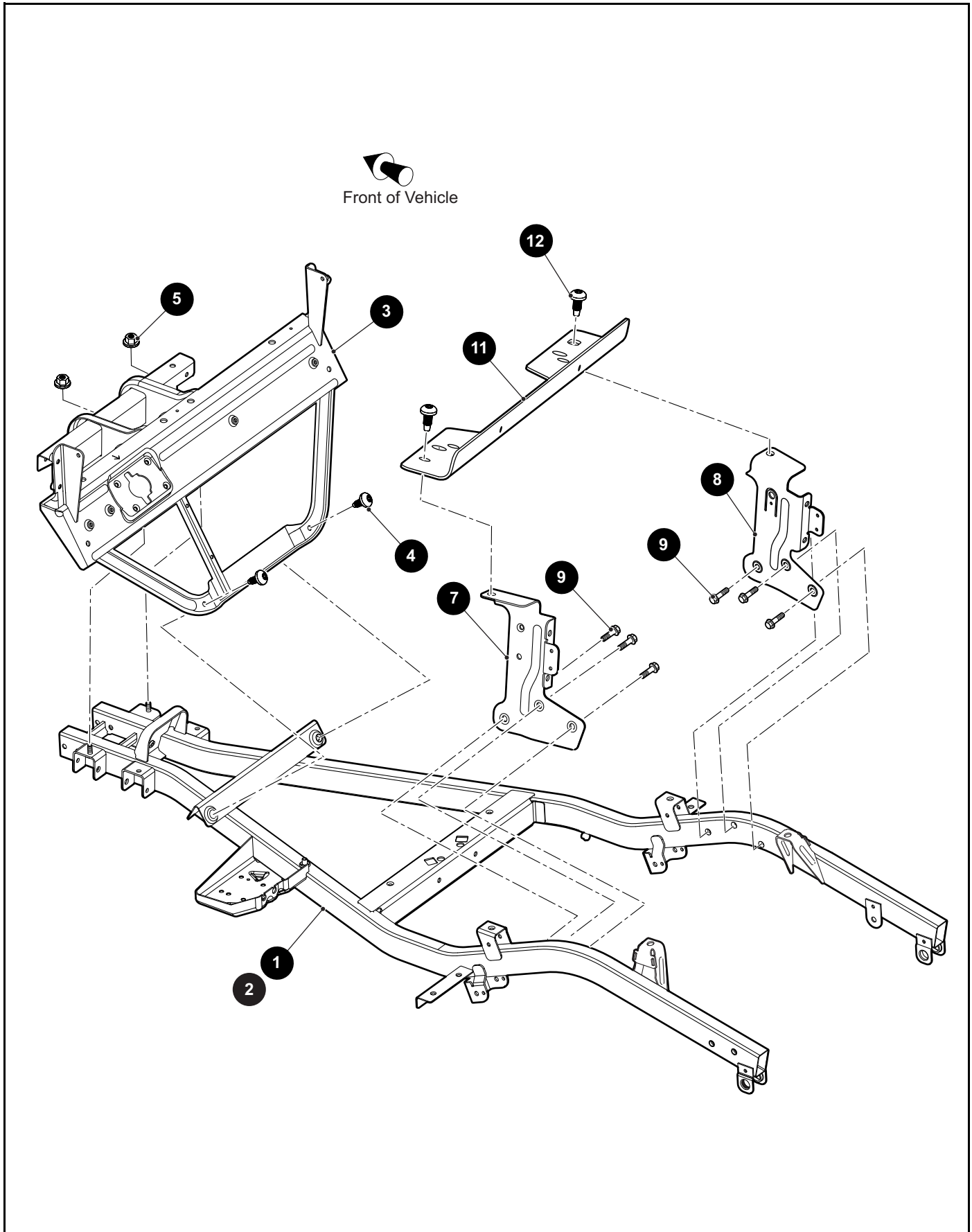
Notes:

A large grid of graph paper, consisting of 20 columns and 30 rows of small squares, intended for taking notes.

# Notes:

A large grid of 30 columns and 28 rows of empty squares, intended for taking notes. The grid is composed of thin black lines on a white background.

# FRAME



THE USE OF NON U.L. PARTS WILL VOID ANY U.L. LISTING.

When ordering parts, please specify the model and serial number of the product.

\* Indicates a component that is not available as an individual part.

\*\*\* Indicates consult Customer Service Department for additional information.

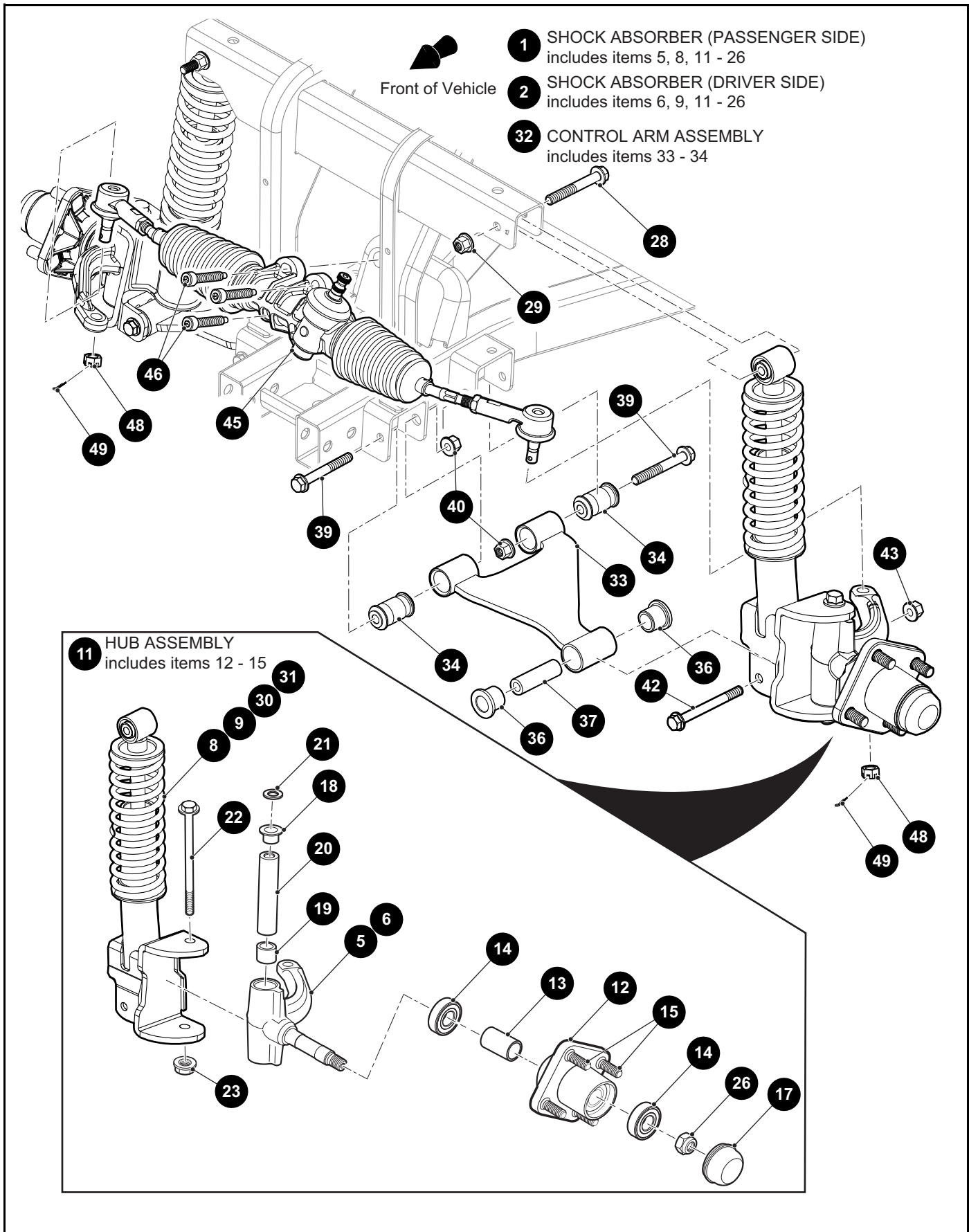
ITEM	PART NO.	1 2 3 4 5	DESCRIPTION	QTY.
1	657280G05		FRAME WELDMENT, P/COAT .....	1
2	657280G03		FRAME WELDMENT, E/COAT & P/COAT .....	1
3	614597		INSTRUMENT PANEL SUPPORT WELDMENT .....	1
4	602572		PAN HEAD TAPITE BOLT, M10 - 1.5 X 25MM LG.....	2
5	600525		FLANGED LOCK NUT, M10 - 1.5 .....	2
6				
7	600218		SEAT SUPPORT BRACKET (DRIVER SIDE) .....	1
8	628614		SEAT SUPPORT BRACKET (PASSENGER SIDE).....	1
9	603799		FLANGED HEX HEAD BOLT, M10 - 1.5 X 25MM LG.....	3
10				
11	601275		SEAT SUPPORT BRACE .....	1
12	602572		PAN HEAD TAPITE BOLT, M10 - 1.5 X 25MM LG.....	2







# FRONT SUSPENSION AND STEERING



## FRONT SUSPENSION AND STEERING

THE USE OF NON U.L. PARTS WILL VOID ANY U.L. LISTING.

When ordering parts, please specify the model and serial number of the product.

\* Indicates a component that is not available as an individual part.

\*\*\* Indicates consult Customer Service Department for additional information.

ITEM	PART NO.	1 2 3 4 5	DESCRIPTION	QTY.
1	663321		SHOCK ABSORBER (PASSENGER SIDE) (INCLUDES ITEMS 5, 8, 11 - 26)	1
2	663303		SHOCK ABSORBER (DRIVER SIDE) (INCLUDES ITEMS 6, 9, 11 - 26).....	1
3				
4				
5	663348		SPINDLE (PASSENGER SIDE) .....	1
6	663345		SPINDLE (DRIVER SIDE).....	1
7				
8	655529		STRUT (PASSENGER SIDE) (FOR VEHICLES MANUFACTURED AFTER 26 APRIL 2017) .....	1
9	655526		STRUT (DRIVER SIDE) (FOR VEHICLES MANUFACTURED AFTER 26 APRIL 2017) .....	1
10				
11	609603		HUB ASSEMBLY (INCLUDES ITEMS 12 - 15) .....	1
12	*		HUB.....	1
13	*		BEARING SPACER, 28MM O.D. X 22MM I.D. X 46.7MM LG.....	1
14	*		BALL BEARING, 47MM O.D. X 20MM I.D. X 14MM.....	2
15	19862G1		WHEEL BOLT, 1/2" - 20 X 1.218" LG .....	4
16				
17	12091G2		SPINDLE CAP.....	1
18	632925		FLANGED BUSHING .....	1
19	632926		FLANGED SLEEVE.....	1
20	614034		KINGPIN TUBE .....	1
21	601920		THRUST WASHER (SS), 35MM O.D. X 26MM I.D. X 2.5MM LG.....	1
22	620380		FLANGED HEX HEAD BOLT, M12 - 1.25 X 145MM LG .....	1
23	600549		LOCK NUT, M12 - 1.25.....	1
24				
25				
26	615109		LOCK NUT, M16 - 2.....	1
27				
28	602415		FLANGED HEX HEAD BOLT, M10 - 1.5 X 80MM LG.....	1
29	600525		LOCK NUT, M10 - 1.5 .....	1

## FRONT SUSPENSION AND STEERING

THE USE OF NON U.L. PARTS WILL VOID ANY U.L. LISTING.

When ordering parts, please specify the model and serial number of the product.

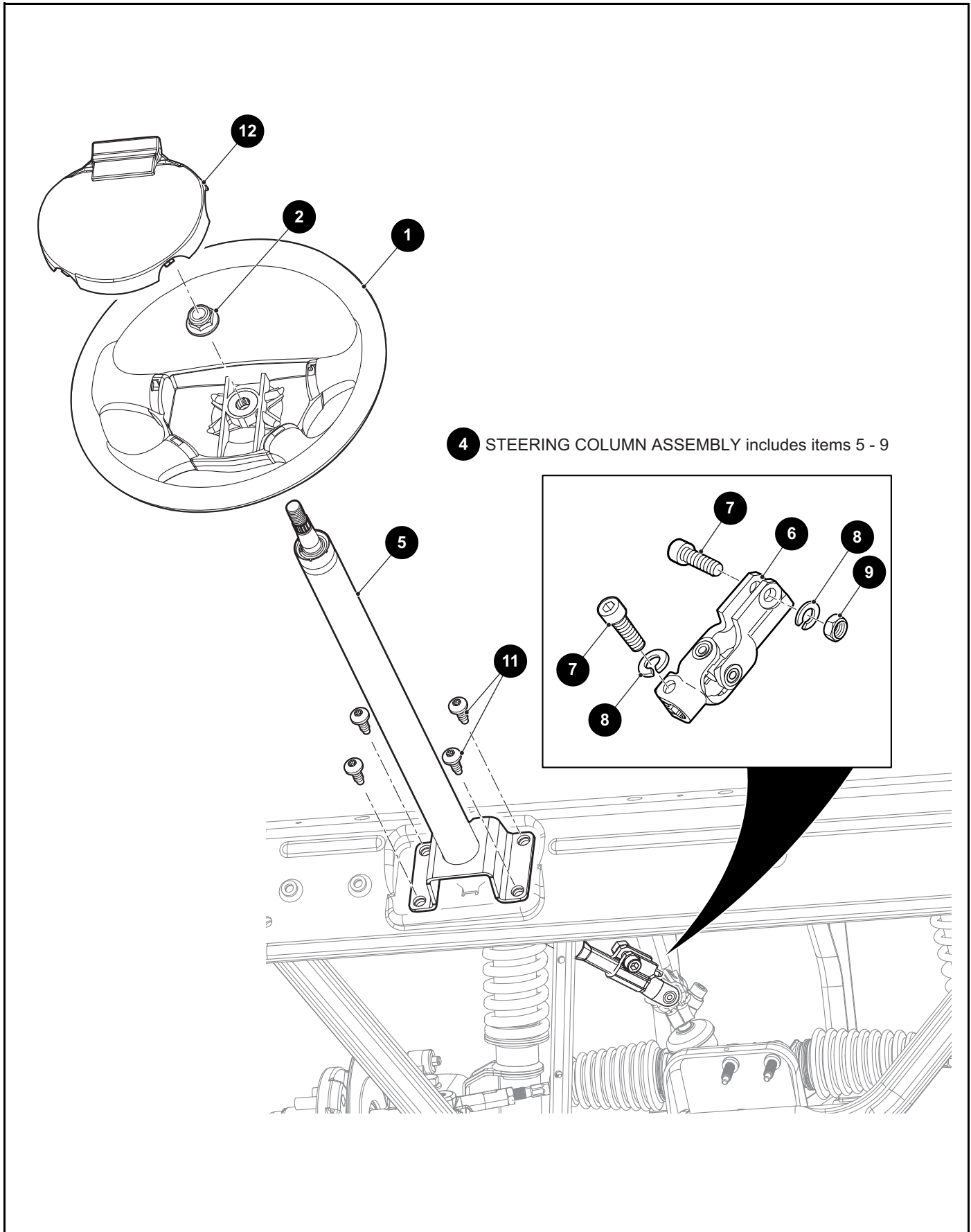
\* Indicates a component that is not available as an individual part.

\*\*\* Indicates consult Customer Service Department for additional information.

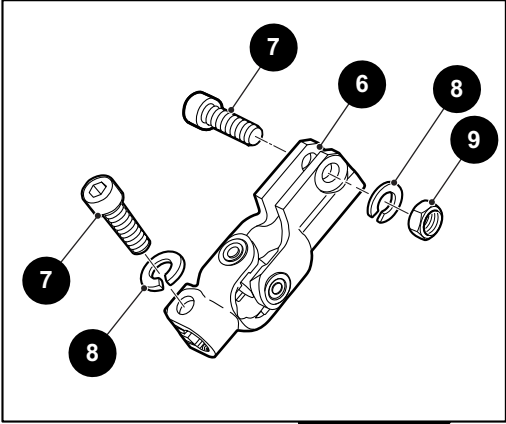
ITEM	PART NO.	1	2	3	4	5	DESCRIPTION	QTY.
30	601246						STRUT (DRIVER SIDE) (FOR VEHICLES MANUFACTURED BEFORE 26 APRIL 2017).....	1
31	603024						STRUT (PASSENGER SIDE) (FOR VEHICLES MANUFACTURED BEFORE 26 APRIL 2017).....	1
32	608089						CONTROL ARM ASSEMBLY (INCLUDES ITEMS 33 - 34).....	1
33	608090						CONTROL ARM.....	1
34	608086						MOUNTING SLEEVE (RUBBER).....	2
35								
36	601340						CONTROL ARM BUSHING.....	2
37	602085						CONTROL ARM CARRIER TUBE.....	2
38								
39	602415						FLANGED HEX HEAD BOLT, M10 - 1.5 X 80MM LG.....	2
40	600525						LOCK NUT, M10 - 1.5.....	2
41								
42	601754						FLANGED HEX HEAD BOLT, M10 - 1.5 X 100MM LG.....	1
43	600525						LOCK NUT, M10 - 1.5.....	1
44								
45	618329						STEERING RACK ASSEMBLY.....	1
46	602020						SOCKET HEAD BOLT, M10 - 1.5 X 50MM LG.....	3
47								
48	608005						CASTLE NUT (SS), M12 - 1.25.....	2
49	10387G2						COTTER PIN, .094" X 1".....	2



# FRONT SUSPENSION AND STEERING



4 STEERING COLUMN ASSEMBLY includes items 5 - 9



## FRONT SUSPENSION AND STEERING

THE USE OF NON U.L. PARTS WILL VOID ANY U.L. LISTING.

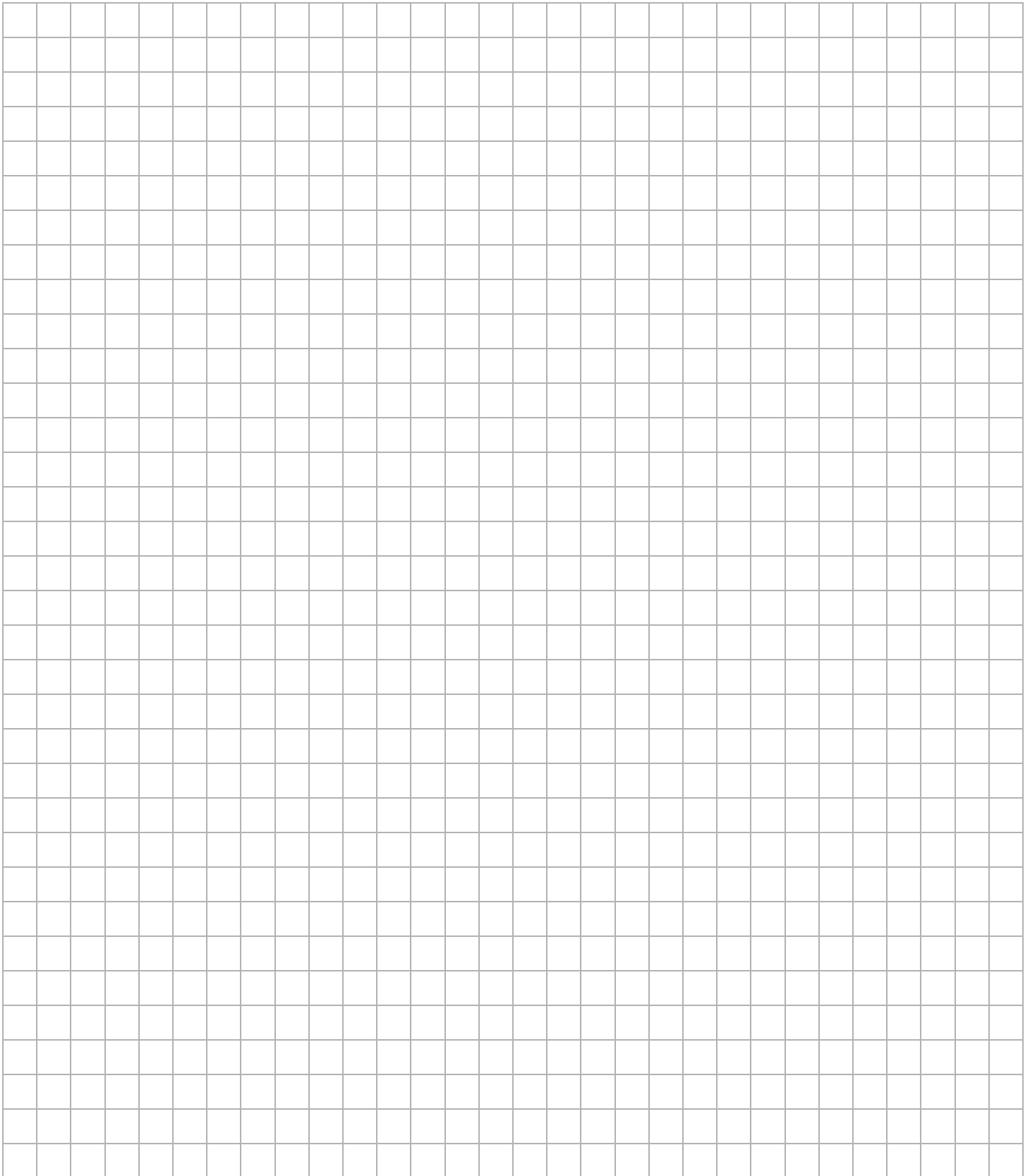
When ordering parts, please specify the model and serial number of the product.

\* Indicates a component that is not available as an individual part.

\*\*\* Indicates consult Customer Service Department for additional information.

ITEM	PART NO.	1 2 3 4 5	DESCRIPTION	QTY.
1	602980		STEERING WHEEL .....	1
2	601709		LOCK NUT, M6 - 2 .....	1
3				
4	600333		STEERING COLUMN ASSEMBLY (INCLUDES ITEMS 5 - 9) .....	1
5	608117		STEERING COLUMN .....	1
6	608114		STEERING YOKE .....	1
7	608653		SOCKET HEAD BOLT, M10 - 1.5 X 35MM LG.....	2
8	608654		LOCK WASHER, 10.5MM .....	2
9	608655		HEX NUT, M10 - 1.5.....	1
10				
11	602572		PAN HEAD TAPTITE BOLT, M10 - 1.5 X 25MM LG .....	4
12	607925		SCORECARD HOLDER .....	1

Notes:



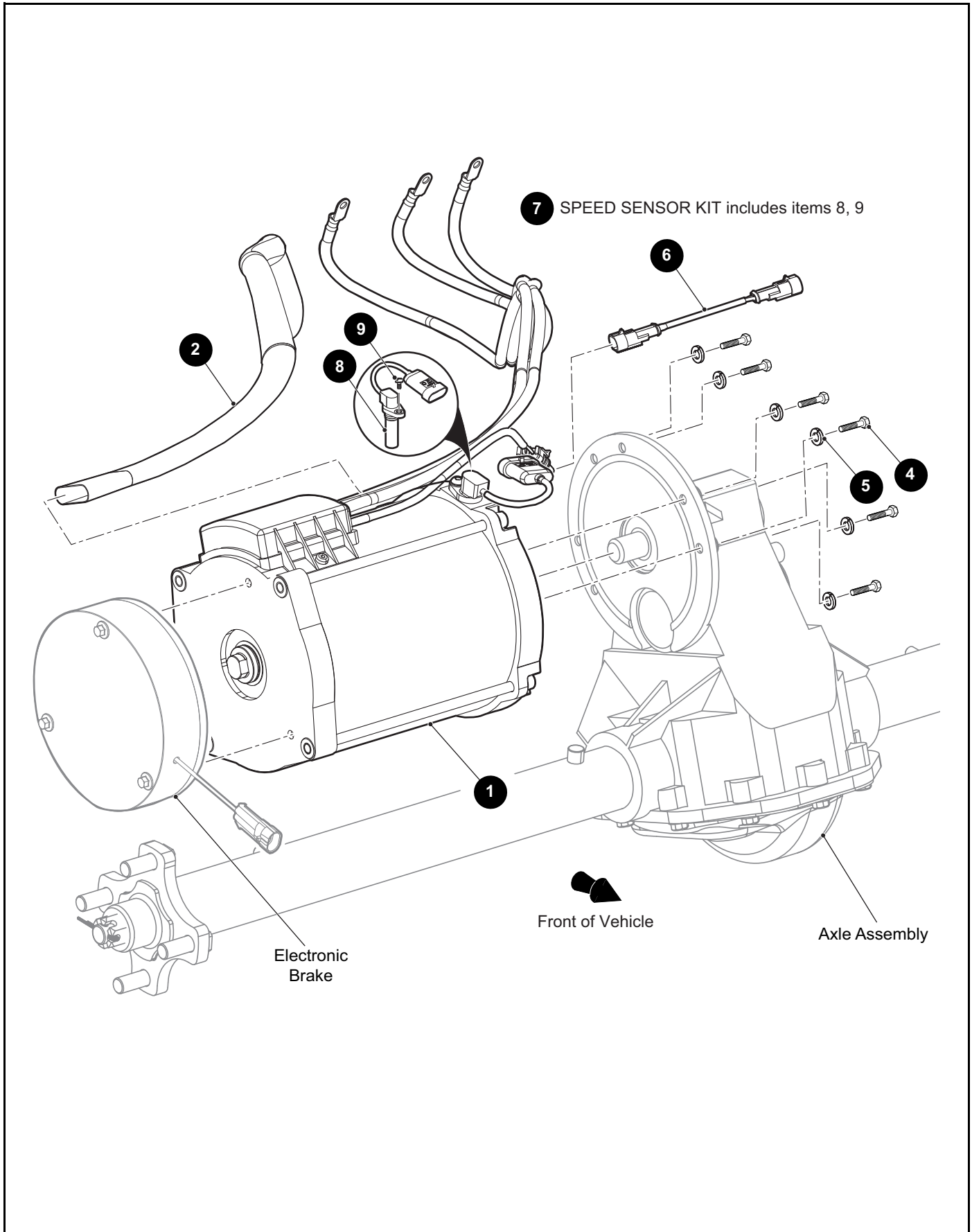
A large grid of 25 columns and 30 rows, intended for taking notes. The grid is empty and occupies the majority of the page.



Notes:

A large grid of 24 columns and 30 rows, intended for taking notes. The grid is composed of small squares, providing a structured space for handwritten text.

# MOTOR



THE USE OF NON U.L. PARTS WILL VOID ANY U.L. LISTING.

When ordering parts, please specify the model and serial number of the product.

\* Indicates a component that is not available as an individual part.

\*\*\* Indicates consult Customer Service Department for additional information.

ITEM	PART NO.	1 2 3 4 5	DESCRIPTION	QTY.
1	666986		MOTOR, 48V AC.....	1
2	605714		FLEX LOOM SLEEVE.....	1
3				
4	605741		HEX HEAD BOLT, M6 - 1 X 25MM LG.....	6
5	601327		LOCK WASHER (SS), M6 .....	6
6	668214		TEMPERATURE SENSOR JUMPER HARNESS, 48V .....	1
7	614252		SPEED SENSOR KIT (INCLUDES ITEMS 8, 9).....	1
8	*		SPEED SENSOR .....	1
9	614253		PAN HEAD TORX BOLT, M6 - 1 X 12MM LG.....	1
10				
11				
12				
13	32372G6		VINYL TRIM (NOT ILLUSTRATED) .....	1
14	27327G02		TWISTED CLAMP CLIP (NOT ILLUSTRATED).....	1

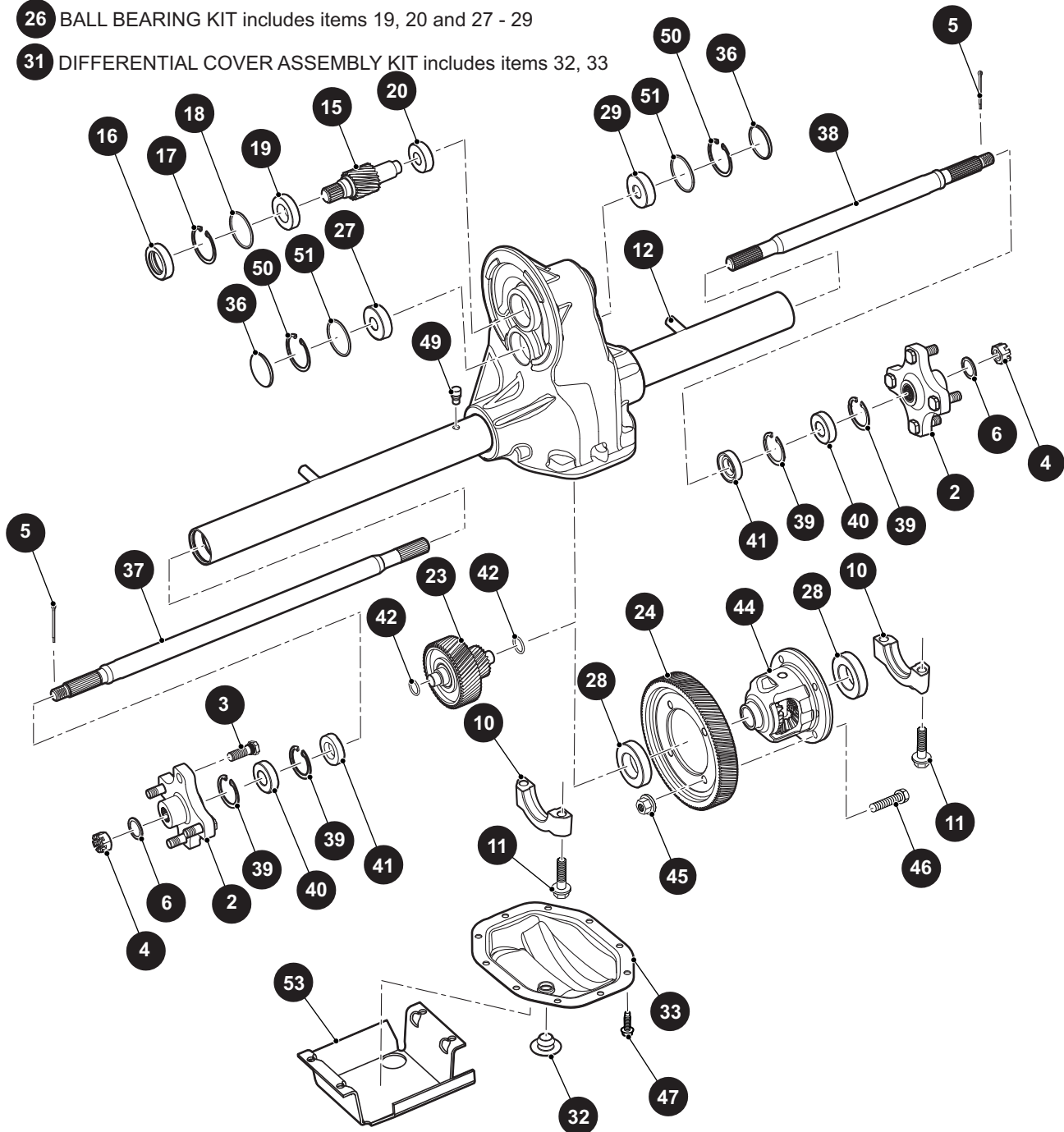


Notes:

A large rectangular grid consisting of 25 columns and 25 rows of small squares, intended for handwritten notes.

# REAR AXLE

- 1 LIGHT DUTY ELECTRIC AXLE ASSEMBLY 16.99:1 includes items 2 - 9
- 2 REAR AXLE HUB ASSEMBLY includes item 3
- 9 LIGHT DUTY ELECTRIC AXLE, 16.99:1 includes items 10 - 51
- 10 AXLE HOUSING includes item 11, 12
- 14 INPUT GEAR KIT includes items 15 - 20
- 22 INTERNAL GEARS KIT includes items 15, 23, 24
- 26 BALL BEARING KIT includes items 19, 20 and 27 - 29
- 31 DIFFERENTIAL COVER ASSEMBLY KIT includes items 32, 33



# REAR AXLE

THE USE OF NON U.L. PARTS WILL VOID ANY U.L. LISTING.

When ordering parts, please specify the model and serial number of the product.

\* Indicates a component that is not available as an individual part.

\*\*\* Indicates consult Customer Service Department for additional information.

ITEM	PART NO.	1 2 3 4 5	DESCRIPTION	QTY.
1	630901		LIGHT DUTY ELECTRIC AXLE ASSEMBLY 16.99:1 (INCLUDES ITEMS 2 - 9) .....	1
2	615604		REAR AXLE HUB ASSEMBLY (INCLUDES ITEM 3) .....	2
3	644957		WHEEL BOLT .....	8
4	612928		SLOTTED HEX NUT, 5/8" - 18 .....	2
5	10387G1		COTTER PIN, 5/32" X 1 3/4" LG .....	2
6	15487G1		FLAT WASHER (BRAKE DRUM), 1.5" O.D. X .76" I.D. ....	2
7				
8				
9	630902		LIGHT DUTY ELECTRIC AXLE, 16.99:1 (INCLUDES ITEMS 10 - 51).....	1
10	***		AXLE HOUSING (INCLUDES ITEMS 11, 12).....	1
11	15118G1		FLANGED HEX HEAD BOLT, 3/8" - 16 X 2.12" LG.....	4
12	618650		AXLE BRACKET LOCATING PIN .....	2
13				
14	620329		INPUT GEAR KIT (INCLUDES ITEMS 15 - 20).....	1
15	620327		INPUT GEAR.....	1
16	620328		OIL SEAL.....	1
17	23530G1		RETAINING RING, 2.059" DIA .....	1
18	24628G1		O-RING SEAL, 1.84" I. D.....	1
19	23519G2		BALL BEARING, .984" I. D X 1.85" O.D.....	1
20	23520G1		BALL BEARING, .669" I. D X 1.97" O. D.....	1
21				
22	620361		INTERNAL GEARS KIT (INCLUDES ITEMS 15, 23, 24).....	1
23	620349		INTERMEDIATE GEAR ASSEMBLY .....	1
24	620350		DRIVE GEAR .....	1
25				
26	620362		BALL BEARING KIT (INCLUDES ITEMS 19, 20 AND 27 - 29).....	1
27	620340		BALL BEARING.....	1
28	17473G1		DIFFERENTIAL BEARING ASSEMBLY .....	2
29	620355		BALL BEARING.....	1
30				

## REAR AXLE

THE USE OF NON U.L. PARTS WILL VOID ANY U.L. LISTING.

When ordering parts, please specify the model and serial number of the product.

\* Indicates a component that is not available as an individual part.

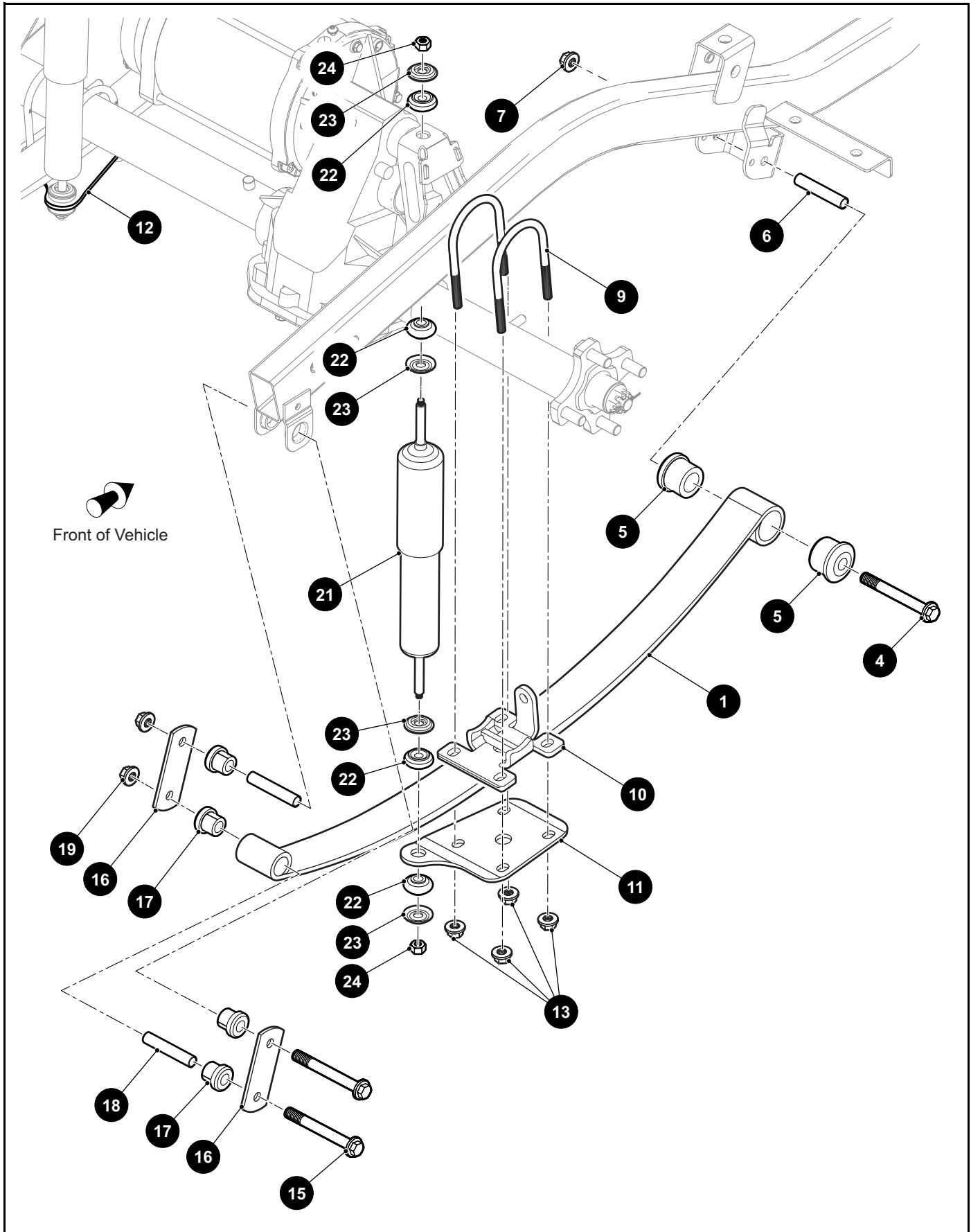
\*\*\* Indicates consult Customer Service Department for additional information.

ITEM	PART NO.	1	2	3	4	5	DESCRIPTION	QTY.
31	620363						DIFFERENTIAL COVER ASSEMBLY KIT (INCLUDES ITEMS 32, 33) .....	1
32	620347						RUBBER PLUG .....	1
33	620348						DIFERENTIAL COVER PLATE .....	1
34								
35								
36	608811						END CAP PLUG .....	2
37	614208						AXLE SHAFT, LONG (DRIVER SIDE) .....	1
38	614209						AXLE SHAFT, SHORT (PASSENGER SIDE).....	1
39	620342						RETAINING RING .....	4
40	620343						BALL BEARING.....	2
41	620344						OIL SEAL.....	2
42	620345						O-RING.....	2
43								
44	614756						LIMITED SLIP DIFFERENTIAL KIT .....	1
45	601084						LOCK NUT, 3/8" - 24 .....	4
46	620335						FLANGED HEX HEAD BOLT, 3/8" - 24 X 1.25" LG.....	4
47	620346						FLANGED HEX HEAD BOLT, 5/16" - 18 X .75" LG.....	10
48								
49	620357						AXLE VENT.....	1
50	620358						O-RING.....	2
51	620359						RETAINING RING .....	2
52								
53	72763G02						SCUFF GUARD.....	1





# REAR SUSPENSION



# REAR SUSPENSION

THE USE OF NON U.L. PARTS WILL VOID ANY U.L. LISTING.  
 When ordering parts, please specify the model and serial number of the product.  
 \* Indicates a component that is not available as an individual part.  
 \*\*\* Indicates consult Customer Service Department for additional information.

ITEM	PART NO.	1 2 3 4 5	DESCRIPTION	QTY.
1	604494		HEAVY DUTY TAPERED LEAF SPRING .....	1
2				
3				
4	601754		FLANGED HEX HEAD BOLT, M10 - 1.5 X 100MM LG.....	1
5	620160		FLANGED BUSHING (URETHANE).....	2
6	620161		SPLIT SPACER (STEEL).....	1
7	614974		FLANGED HEX NUT, M10 - 1.5.....	1
8				
9	632103		U-BOLT, 68MM DIA X 45MM X 110MM LG .....	2
10	626422		AXLE SUPPORT BRACKET .....	1
11	625658		SHOCK MOUNT PLATE (PASSENGER SIDE) .....	1
12	625657		SHOCK MOUNT PLATE (DRIVER SIDE).....	1
13	600525		FLANGED LOCK NUT, M10 - 1.5 .....	4
14				
15	601754		FLANGED HEX HEAD BOLT, M10 - 1.5 X 100MM LG.....	2
16	603648		SHACKLE PLATE .....	2
17	624030		FLANGED BUSHING (IGUS).....	4
18	620161		SPLIT SPACER (STEEL).....	2
19	614974		FLANGED HEX NUT, M10 - 1.5.....	2
20				
21	76418G01		SHOCK ABSORBER.....	1
22	10194G1		RUBBER BUSHING .....	4
23	10435G1		SHOCK ABSORBER WASHER, 1.25" O.D. X .406" I.D X .22" LG .....	4
24	00532G6		HEX NUT, 3/8" - 24 .....	2

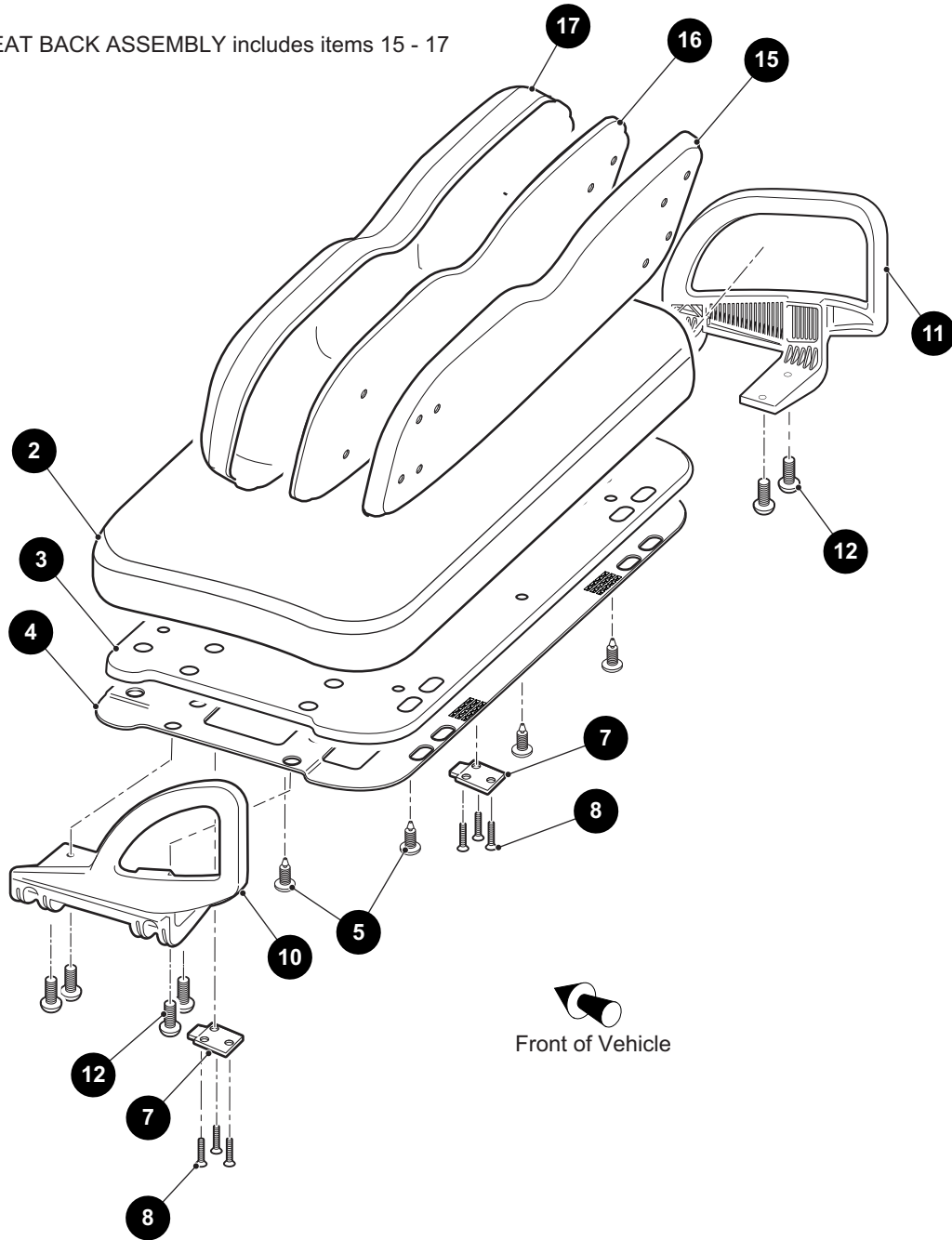




# SEATING

**1** SEAT BOTTOM ASSEMBLY includes items 2 - 12

**14** SEAT BACK ASSEMBLY includes items 15 - 17



THE USE OF NON U.L. PARTS WILL VOID ANY U.L. LISTING.

When ordering parts, please specify the model and serial number of the product.

\* Indicates a component that is not available as an individual part.

\*\*\* Indicates consult Customer Service Department for additional information.

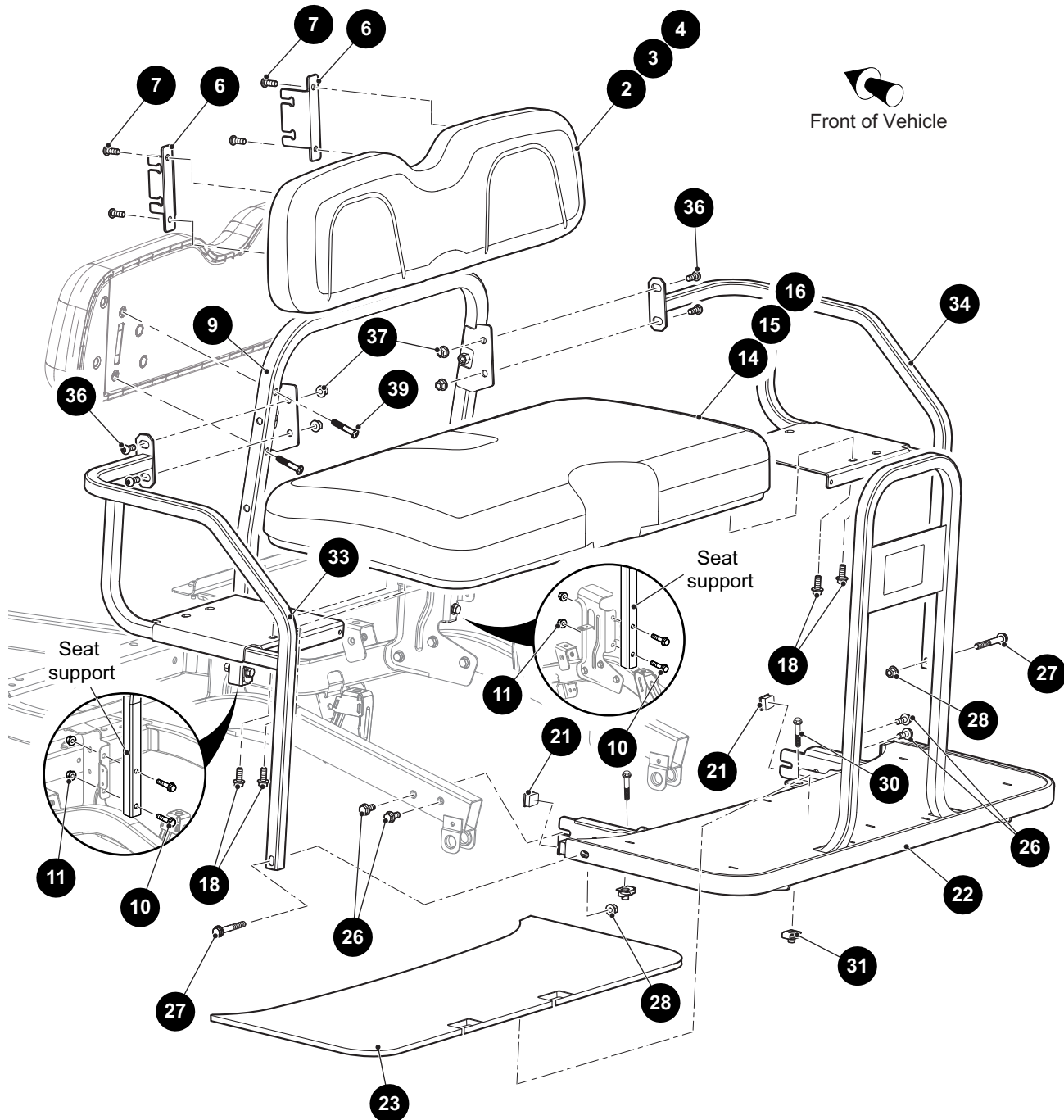
ITEM	PART NO.	1 2 3 4 5	DESCRIPTION	QTY.
1	***		SEAT BOTTOM ASSEMBLY (INCLUDES ITEMS 2 - 12) ..... 629269G1502 STONE BEIGE 629269G1501 OYSTER 629269G1506 BLACK 629269G1504 GRAY	1
2	***		VINYL AND FOAM SEAT BOTTOM ..... 644819G02 STONE BEIGE 644819G01 OYSTER 644819G06 BLACK 644819G04 GRAY	1
3	644351		WOODEN BASE ASSEMBLY .....	1
4	602551		COVER PLATE.....	1
5	16816G2		RATCHET RIVET, .25" X .887" .....	4
6				
7	71610G01		SEAT HINGE .....	1
8	00720G08		FLAT HEAD PHILLIPS TAPPING SCREW, #12 - 14 X 1" LG .....	3
9				
10	617645		HIP RESTRAINT (DRIVER SIDE) .....	1
11	617644		HIP RESTRAINT (PASSENGER SIDE) .....	1
12	615417		BUTTON HEAD TORX BOLT, M10 - 1.5 X 25MM LG .....	4
13				
14	***		SEAT BACK ASSEMBLY (INCLUDES ITEMS 15 - 17)..... 641897G0002 STONE BEIGE 641897G0001 OYSTER 641897G0006 BLACK 641897G0004 GRAY	1
15	605529		COVER (PLASTIC) (BLACK) .....	1
16	644268		BASE ASSEMBLY .....	1
17	***		VINYL COVER AND FOAM ..... 644820G02 STONE BEIGE 644820G01 OYSTER 644820G06 BLACK 644820G04 GRAY	1

# SEATING

**1** SEAT BACK ASSEMBLY  
includes items 2 - 4

**20** FLOORBOARD ASSEMBLY (FIXED SEAT)  
includes items 21 - 23

**13** SEAT BOTTOM ASSEMBLY (FIXED)  
includes items 14 - 16





THE USE OF NON U.L. PARTS WILL VOID ANY U.L. LISTING.

When ordering parts, please specify the model and serial number of the product.

\* Indicates a component that is not available as an individual part.

\*\*\* Indicates consult Customer Service Department for additional information.

ITEM	PART NO.	1 2 3 4 5	DESCRIPTION	QTY.
1	***		SEAT BACK ASSEMBLY (INCLUDES ITEMS 2 - 4)..... 641897G0001 OYSTER 641897G0002 STONE BEIGE 641897G0006 BLACK 641897G0004 GRAY	1
2	***		VINYL COVER AND FOAM ..... 644820G02 STONE BEIGE 644820G01 OYSTER 644820G06 BLACK 644820G04 GRAY	1
3	605529		COVER (PLASTIC) .....	1
4	644268		BASE ASSEMBLY .....	1
5				
6	606286		REAR SEAT SUPPORT BRACKET .....	1
7	600530		BUTTON HEAD TORX BOLT, M10 - 1.5 X 25MM LG .....	2
8				
9	604473		SEAT SUPPORT .....	1
10	603800		FLANGED HEX HEAD BOLT, M10 - 1.5 X 50MM LG.....	4
11	600525		FLANGED LOCK NUT, M10 - 1.5 .....	4
12				
13	***		SEAT BOTTOM ASSEMBLY (FIXED) (INCLUDES ITEMS 14 - 16) ..... 608010 OYSTER 605501 STONE BEIGE 615170 BLACK 671495 GRAY	1
14	***		VINYL COVER AND FOAM ..... 600221 STONE BEIGE 608007 OYSTER 615169 BLACK 669919 GRAY	1
15	605502		BASE ASSEMBLY .....	1
16	605503		SEAT BOTTOM (FOAM) .....	1
17				
18	603799		FLANGED HEX HEAD BOLT, M10 - 1.5 X 25MM LG.....	4
19				
20	642444G01		FLOORBOARD ASSEMBLY (FIXED SEAT) (INCLUDES ITEMS 21 - 23) .....	1

## SEATING

THE USE OF NON U.L. PARTS WILL VOID ANY U.L. LISTING.

When ordering parts, please specify the model and serial number of the product.

\* Indicates a component that is not available as an individual part.

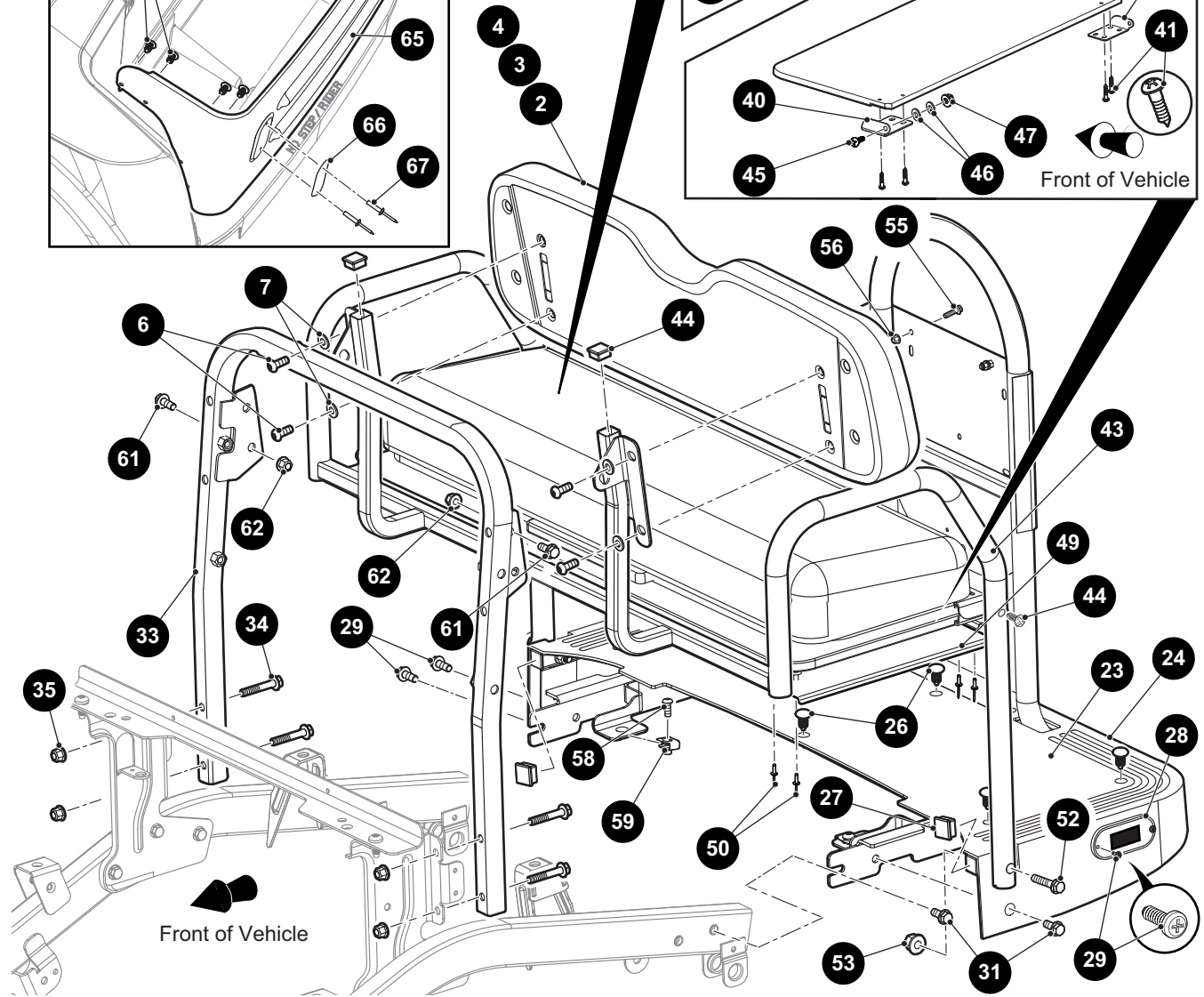
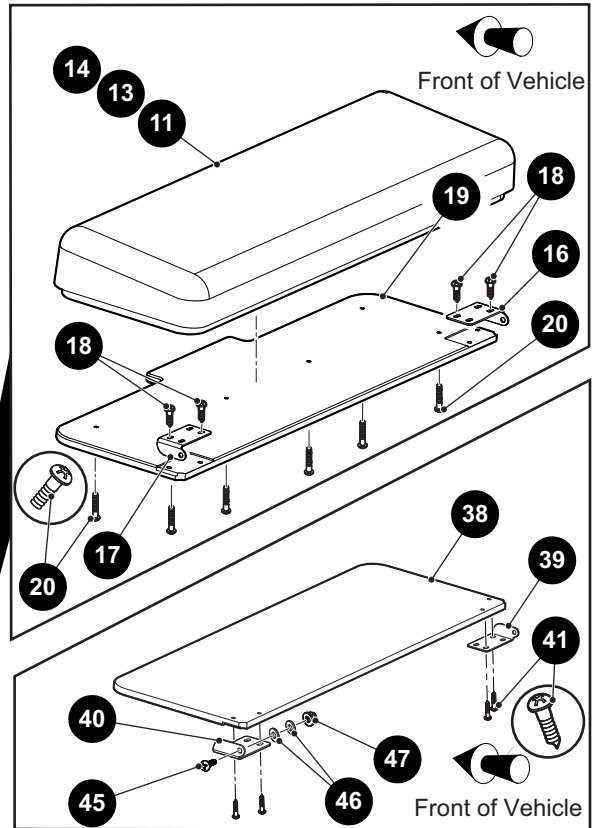
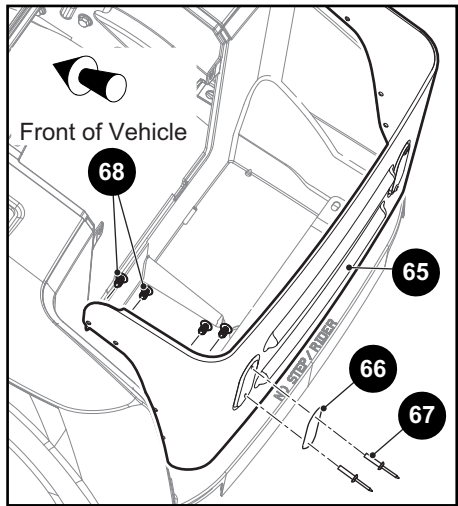
\*\*\* Indicates consult Customer Service Department for additional information.

ITEM	PART NO.	1	2	3	4	5	DESCRIPTION	QTY.
21	19853G1						TUBE CAP, 1" X 1".....	2
22	638346G01						FOOTREST WELDMENT .....	1
23	640653						GRIP TAPE .....	1
24								
25								
26	603799						FLANGED HEX HEAD BOLT, M10 - 1.5 X 25MM LG .....	4
27	602415						FLANGED HEX HEAD BOLT, M10 - 1.5 X 80MM LG .....	2
28	600525						LOCK NUT, M10 - 1.5 .....	2
29								
30	603800						FLANGED HEX HEAD BOLT, M10 - 1.5 X 50 MM LG .....	2
31	603818						BARREL CLIP, M10 - 1.5.....	2
32								
33	604723						ARM REST (DRIVER SIDE).....	1
34	604725						ARM REST (PASSENGER SIDE) .....	1
35								
36	600530						BUTTON HEAD TORX BOLT, M10 - 1.5 X 25MM LG .....	2
37	600525						LOCK NUT, M10 - 1.5 .....	2
38	17618G1						NYLON CLAMP (NOT ILLUSTRATED).....	2
39	600527						BUTTON HEAD TORX BOLT, M10 - 1.5 X 60MM LG .....	4



# SEATING

- 1** SEAT BACK ASSEMBLY  
includes items 2 - 4
- 9** SEAT BOTTOM ASSEMBLY (FLIP)  
includes items 10 - 20
- 10** SEAT BOTTOM ASSEMBLY  
includes items 11 - 14
- 23** FLOORBOARD ASSEMBLY (FLIP SEAT)  
includes items 24 - 29
- 37** DECK BED ASSEMBLY  
includes items 38 - 41
- 64** BAGWELL CLOSEOUT ASSEMBLY  
includes items 65 - 67



THE USE OF NON U.L. PARTS WILL VOID ANY U.L. LISTING.

When ordering parts, please specify the model and serial number of the product.

\* Indicates a component that is not available as an individual part.

\*\*\* Indicates consult Customer Service Department for additional information.

ITEM	PART NO.	1 2 3 4 5	DESCRIPTION	QTY.
1	***		SEAT BACK ASSEMBLY (INCLUDES ITEMS 2 - 4)..... 641897G0002 STONE BEIGE 641897G0001 OYSTER 641897G0006 BLACK 641897G0004 GRAY	1
2	605529		BLACK PLASTIC COVER .....	1
3	644268		BASE ASSEMBLY .....	1
4	***		VINYL COVER AND FOAM .....	1
			644820G02 STONE BEIGE 644820G01 OYSTER 644820G06 BLACK 644820G04 GRAY	
5				
6	600530		BUTTON HEAD TORX BOLT, M10 - 1.5 X 25MM LG .....	4
7	603823		FLAT WASHER, M10 X 22MM X 2.5MM .....	4
8				
9	***		SEAT BOTTOM ASSEMBLY (FLIP) (INCLUDES ITEMS 10 - 20)..... 615193 STONE BEIGE 615194 OYSTER 615137 BLACK 670860 GRAY	1
10	***		SEAT BOTTOM ASSEMBLY (INCLUDES ITEMS 11 - 14)..... 615192 STONE BEIGE 75197G03 OYSTER 75197G07 BLACK 75197G02 GRAY	1
11	***		VINYL COVER..... 615191 STONE BEIGE 75252G03 OYSTER 75252G07 BLACK 75252G02 GRAY	1
12	11394G1		SEAT STRAP, 5.5" LG (NOT ILLUSTRATED) .....	1
13	75199G01		FOAM.....	1
14	75223G01		PLYWOOD .....	1
15	17618G1		NYLON CLAMP, 8" LG (NOT ILLUSTRATED).....	1
16	75250G01		SEAT HINGE (PASSENGER SIDE) .....	1
17	75250G02		SEAT HINGE (DRIVER SIDE).....	1
18	600922		TRUSS HEAD SCREW WITH PATCH LOCK, 1/4" - 20 X 5/8" LG .....	2
19	620879		SEAT BED DECK ASSEMBLY .....	1

# SEATING

THE USE OF NON U.L. PARTS WILL VOID ANY U.L. LISTING.

When ordering parts, please specify the model and serial number of the product.

\* Indicates a component that is not available as an individual part.

\*\*\* Indicates consult Customer Service Department for additional information.

ITEM	PART NO.	1	2	3	4	5	DESCRIPTION	QTY.
20	00205G4						FLAT HEAD SCREW, 1/4" - 20 X 1 1/2" LG .....	6
21								
22								
23	642444G02						FLOORBOARD ASSEMBLY (FLIP SEAT) (INCLUDES ITEMS 24 - 29).....	1
24	638346G02						FOOTREST WELDMENT (FIXED SEAT).....	1
25	609851						FOOTREST COVER.....	1
26	16816G2						RATCHET RIVET, .25" X .887" .....	10
27	19853G1						TUBE CAP, 1" X 1".....	2
28	614973						OVAL REFLECTOR (RED) .....	4
29	608290						SELF TAPPING SCREW, #10 - 16 X 3/4" LG .....	2
30								
31	603799						FLANGED HEX HEAD BOLT, M10 - 1.5 X 25MM LG .....	4
32								
33	604473						SEAT SUPPORT .....	1
34	601414						FLANGED HEX HEAD BOLT, M10 -1.5 X 65MM LG .....	4
35	600525						LOCK NUT, M10 - 1.5 .....	4
36								
37	615138						DECK BED ASSEMBLY (INCLUDES ITEMS 38 - 41).....	1
38	620878						MIDDLE LIFTED DECK BED.....	1
39	75250G01						SEAT HINGE (PASSENGER SIDE).....	1
40	75250G02						SEAT HNGE (DRIVER SIDE) .....	1
41	600922						TRUSS HEAD SCREW WITH PATCH LOCK, 1/4" - 20 X 5/8" LG.....	2
42								
43	617576						REAR SEAT FRAME (LIFTED).....	1
44	19853G1						TUBE CAP, 1" X 1" .....	2
45	00762G8						TRUSS HEAD PHILLIPS SCREW, 5/16" - 18 X 2" LG.....	2
46	17255G1						FLAT WASHER (TEFLON), .360"X .625" X .030" .....	4
47	00891G3						LOCK NUT, 5/16" -18 .....	2
48								
49	612620						REAR FACING SEAT CLOSE OUT .....	1
50	18436G1						RIVET, 1/4" X 3/4" .....	4

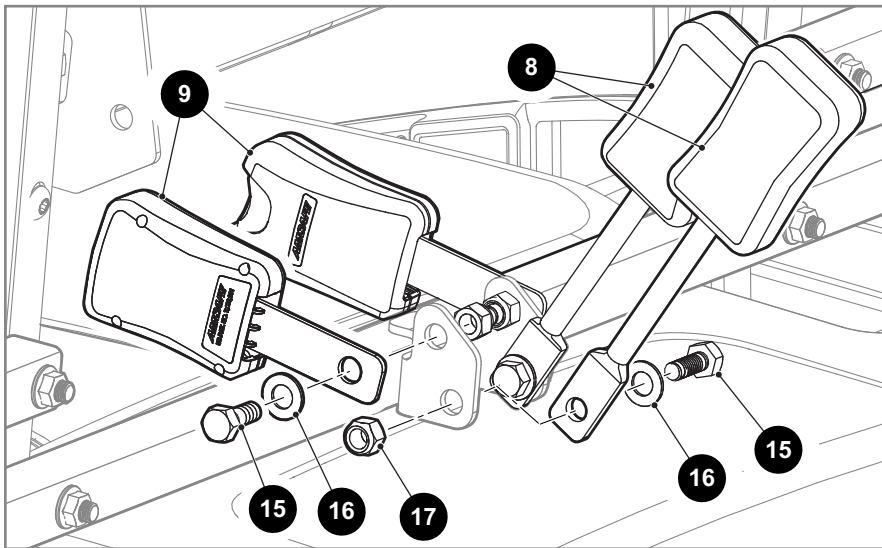
THE USE OF NON U.L. PARTS WILL VOID ANY U.L. LISTING.

When ordering parts, please specify the model and serial number of the product.

\* Indicates a component that is not available as an individual part.

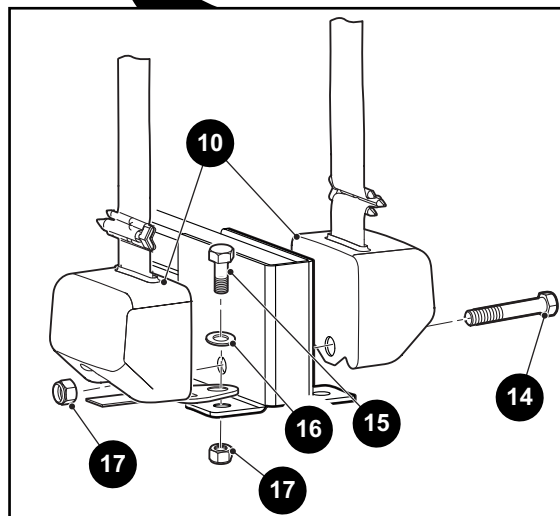
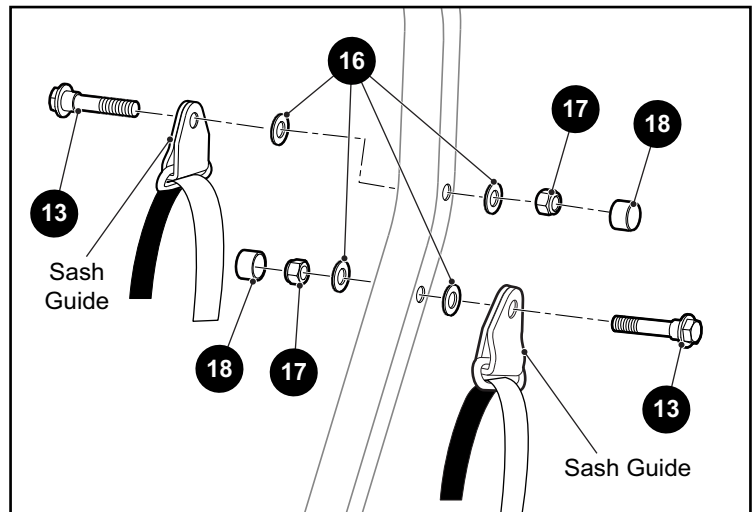
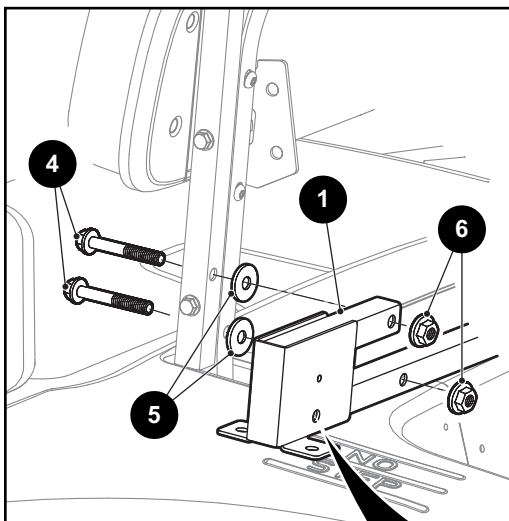
\*\*\* Indicates consult Customer Service Department for additional information.

ITEM	PART NO.	1 2 3 4 5	DESCRIPTION	QTY.
51				
52	602415		FLANGED HEX HEAD BOLT, M10 - 1.5 X 80MM LG.....	2
53	600525		LOCK NUT, M10 - 1.5 .....	2
54				
55	606265		FLANGED HEX HEAD BOLT, M6 - 1 X 12MM LG.....	2
56	601476		LOCK NUT, M6 - 1 .....	2
57				
58	600530		BUTTON HEAD TORX BOLT, M10 - 1.5 X 25MM LG .....	2
59	603818		BARREL CLIP, M10 - 1.5 .....	2
60				
61	603799		FLANGED HEX HEAD BOLT, M10 - 1.5 X 25MM LG.....	2
62	600525		LOCK NUT, M10 - 1.5 .....	2
63				
64	643973		BAGWELL CLOSEOUT ASSEMBLY (INCLUDES ITEMS 65 - 67) .....	1
65	643062		BAGWELL CLOSEOUT .....	1
66	614973		OVAL REFLECTOR (RED).....	2
67	71055G02		RIVET, 3/16" .....	4
68	16816G2		RATCHET RIVET, .25" X .887" .....	8



**3 SEATBELT STRUCTURE HARDWARE KIT**  
includes items 4 - 6

**12 SEATBELT INSTALLATION HARDWARE KIT**  
includes items 13 - 18





THE USE OF NON U.L. PARTS WILL VOID ANY U.L. LISTING.

When ordering parts, please specify the model and serial number of the product.

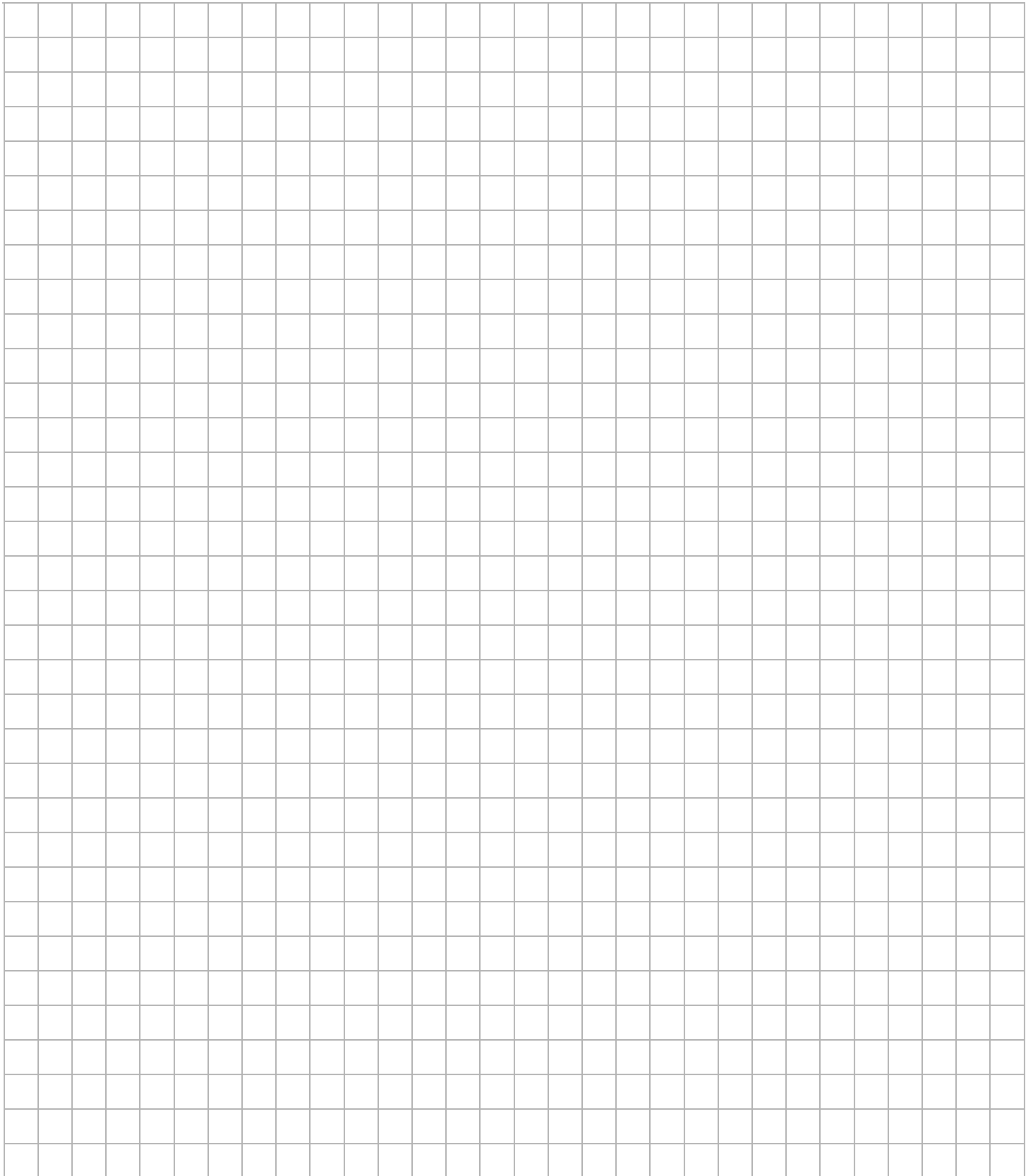
\* Indicates a component that is not available as an individual part.

\*\*\* Indicates consult Customer Service Department for additional information.

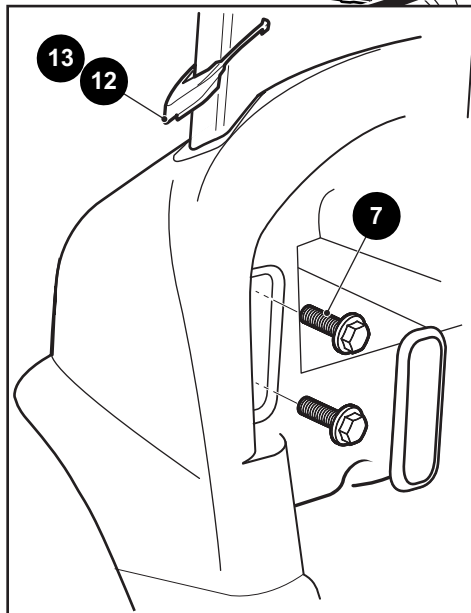
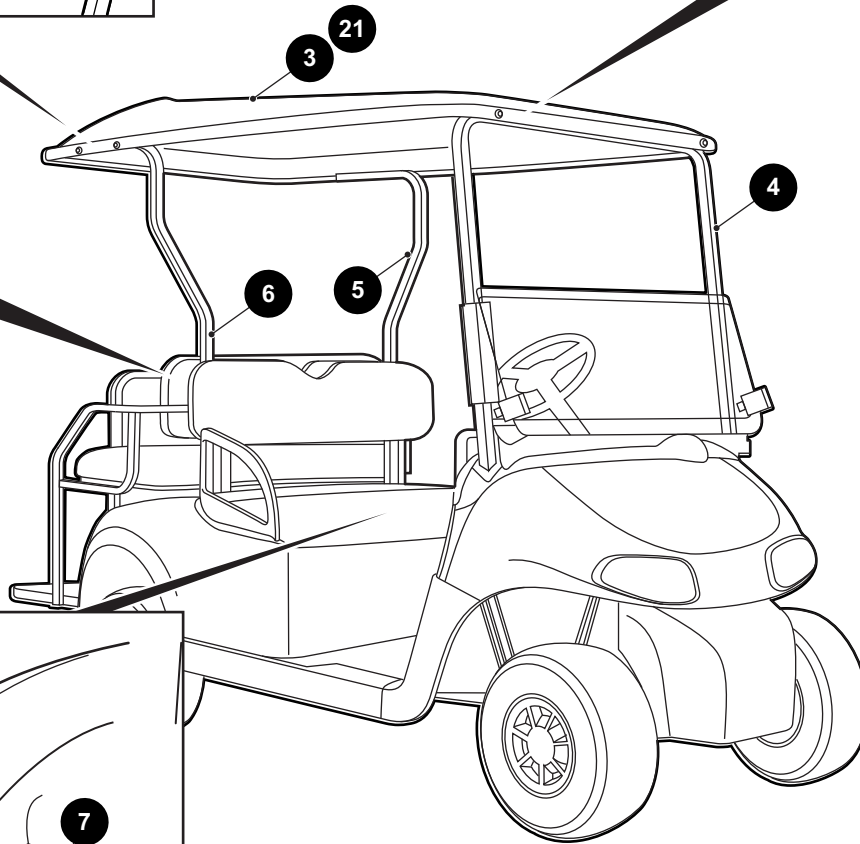
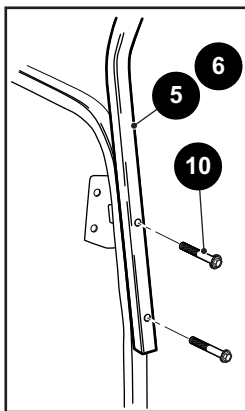
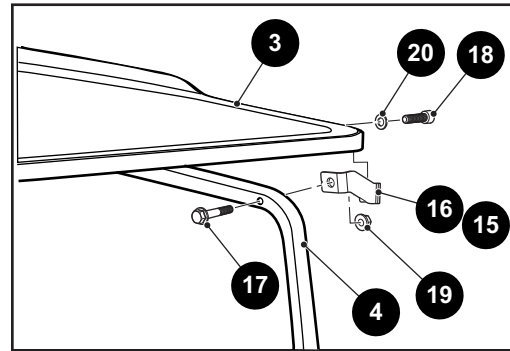
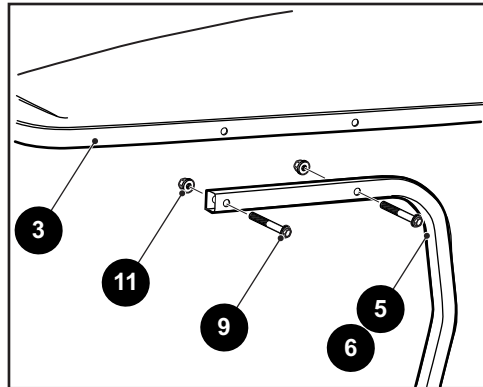
ITEM	PART NO.	1 2 3 4 5	DESCRIPTION	QTY.
1	610739		SEATBELT WELDMENT.....	1
2				
3	612126		SEATBELT STRUCTURE HARDWARE KIT (INCLUDES ITEMS 4 - 6).....	1
4	602415		FLANGED HEX HEAD BOLT, M10 - 1.5 X 80MM LG.....	4
5	600525		FLANGED LOCK NUT, M10 - 1.5.....	4
6	604066		FLAT WASHER (STEEL), M10.....	4
7				
8	609031		SEAT BELT BUCKLE, 9" LG.....	2
9	609854		SEAT BELT BUCKLE, 6" LG.....	2
10	649131		SEAT BELT RETRACTOR ASSEMBLY.....	4
11				
12	612127		SEATBELT INSTALLATION HARDWARE KIT (INCLUDES ITEMS 13 - 18)...	1
13	620770		HEX HEAD SHOULDER BOLT, 7/16" - 20 X 2.275" LG.....	4
14	612346		HEX HEAD BOLT, 7/16" - 20 X 2.5" LG.....	2
15	610753		HEX HEAD CAP BOLT, 7/16" - 20 X 1" LG.....	8
16	00560G2		FLAT WASHER, 7/16".....	16
17	00734G3		LOCK NUT, 7/16" - 20.....	14
18	605686		CAP (VINYL).....	4



Notes:



# WEATHER PROTECTION



- 1 SUN TOP KIT, STONE BEIGE includes items 3 - 14
- 2 SUN TOP KIT, OYSTER includes items 4 - 14, 17
- 8 SUN TOP HARDWARE KIT includes items 9 - 13
- 14 SUN TOP HARDWARE KIT includes items 15 - 20

# WEATHER PROTECTION

THE USE OF NON U.L. PARTS WILL VOID ANY U.L. LISTING.

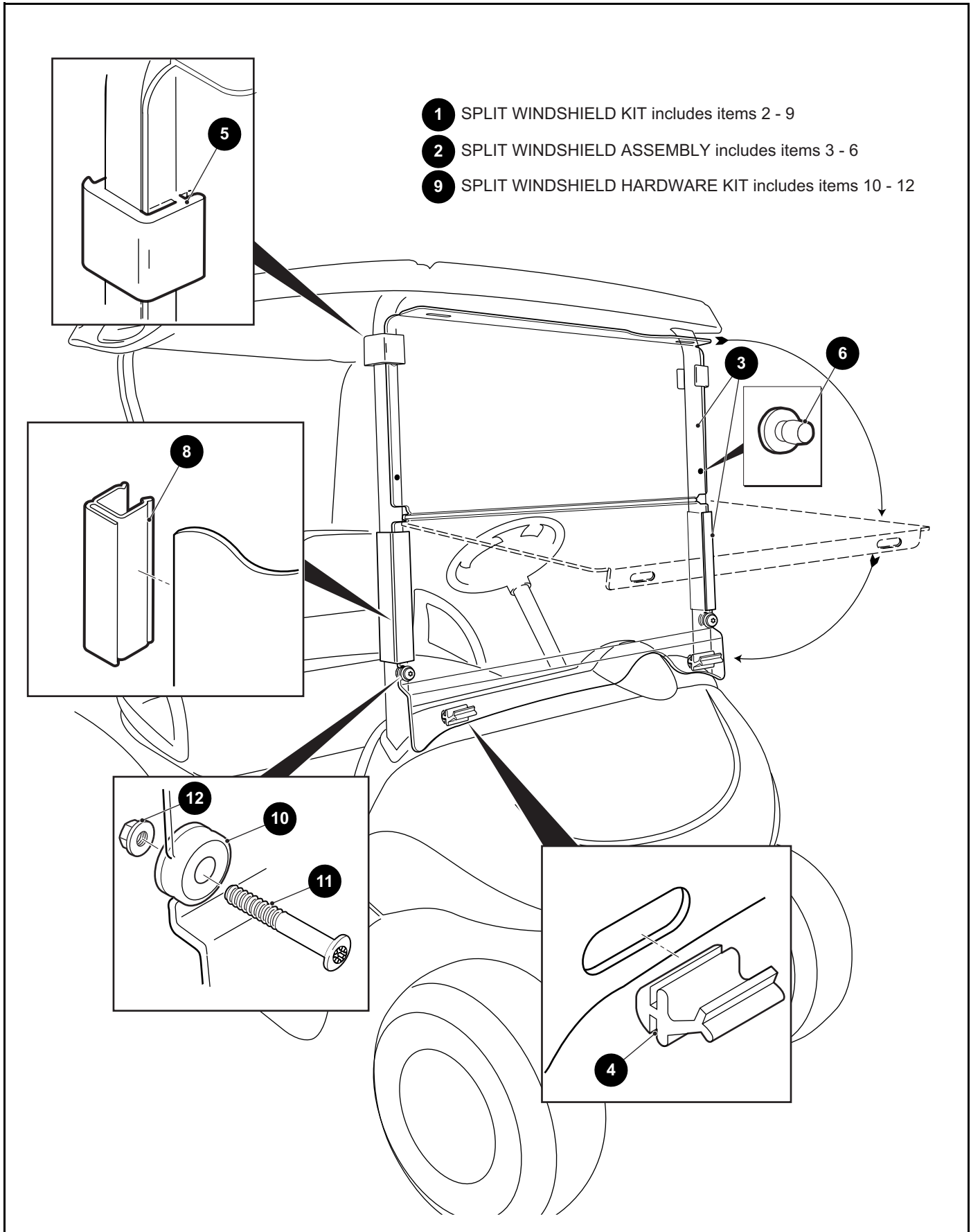
When ordering parts, please specify the model and serial number of the product.

\* Indicates a component that is not available as an individual part.

\*\*\* Indicates consult Customer Service Department for additional information.

ITEM	PART NO.	1 2 3 4 5	DESCRIPTION	QTY.
1	610461		SUN TOP KIT, STONE BEIGE (INCLUDES ITEMS 3 - 14).....	1
2	610462		SUN TOP KIT, OYSTER (INCLUDES ITEMS 4 -14, 21).....	1
3	610434		SUN TOP.....	1
4	603203		FRONT STRUT TUBE.....	1
5	604423		REAR STRUT (DRIVER SIDE).....	1
6	604424		REAR STRUT (PASSENGER SIDE).....	1
7	603800		FLANGED HEX HEAD BOLT, M10 - 1.5 X 50MM LG.....	2
8	610468		SUN TOP HARDWARE KIT (INCLUDES ITEMS 9 - 13).....	1
9	601414		FLANGED HEX HEAD BOLT, M10 - 1.5 X 65MM LG.....	4
10	602415		FLANGED HEX HEAD BOLT, M10 - 1.5 X 80MM LG.....	4
11	600525		FLANGED LOCK NUT, M10 - 1.5.....	4
12	602770		STRUT GROMMET (DRIVER SIDE).....	1
13	602992		STRUT GROMMET (PASSENGER SIDE).....	1
14	610472		SUN TOP HARDWARE KIT (INCLUDES ITEMS 15 - 20).....	1
15	610424		BRACKET (DRIVER SIDE).....	1
16	610425		BRACKET (PASSENGER SIDE).....	1
17	603800		FLANGED HEX HEAD BOLT, M10 - 1.5 X 50MM LG.....	2
18	608653		SOCKET HEAD BOLT, M10 - 1.5 X 35MM LG.....	2
19	600525		FLANGED LOCK NUT, M10 - 1.5.....	4
20	00560G1		FLAT WASHER, 3/8".....	2
21	610433		SUN TOP.....	1

# WEATHER PROTECTION



# WEATHER PROTECTION

THE USE OF NON U.L. PARTS WILL VOID ANY U.L. LISTING.

When ordering parts, please specify the model and serial number of the product.

\* Indicates a component that is not available as an individual part.

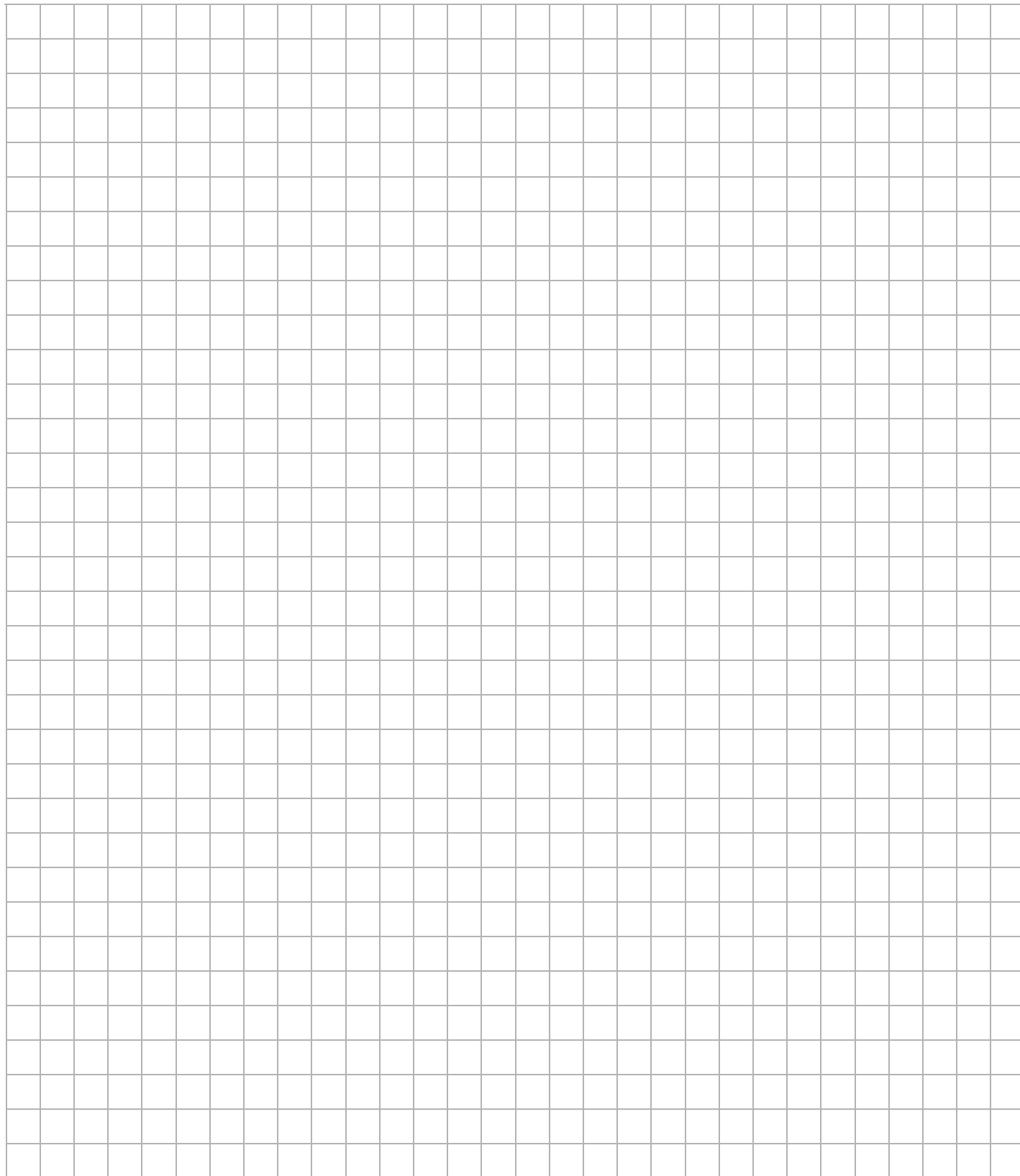
\*\*\* Indicates consult Customer Service Department for additional information.

ITEM	PART NO.	1 2 3 4 5	DESCRIPTION	QTY.
1	606584		SPLIT WINDSHIELD KIT (INCLUDES ITEMS 2 - 9) .....	1
2	606623		SPLIT WINDSHIELD ASSEMBLY (INCLUDES ITEMS 3 - 6) .....	1
3	603738		SPLIT WINDSHIELD .....	1
4	603201		LOWER WINDSHIELD LATCH .....	2
5	603198		UPPER WINDSHIELD LATCH .....	2
6	604115		ISOLATOR .....	2
7				
8	613136		WINDSHIELD ATTACHMENT SASH .....	2
9	607014		SPLIT WINDSHIELD HARDWARE KIT (INCLUDES ITEMS 10 - 12) .....	1
10	604116		GROMMET .....	2
11	600527		BUTTON HEAD TORX BOLT, M10 - 1.5 X 60MM LG .....	2
12	600525		LOCK NUT, M10 - 1.5 .....	2





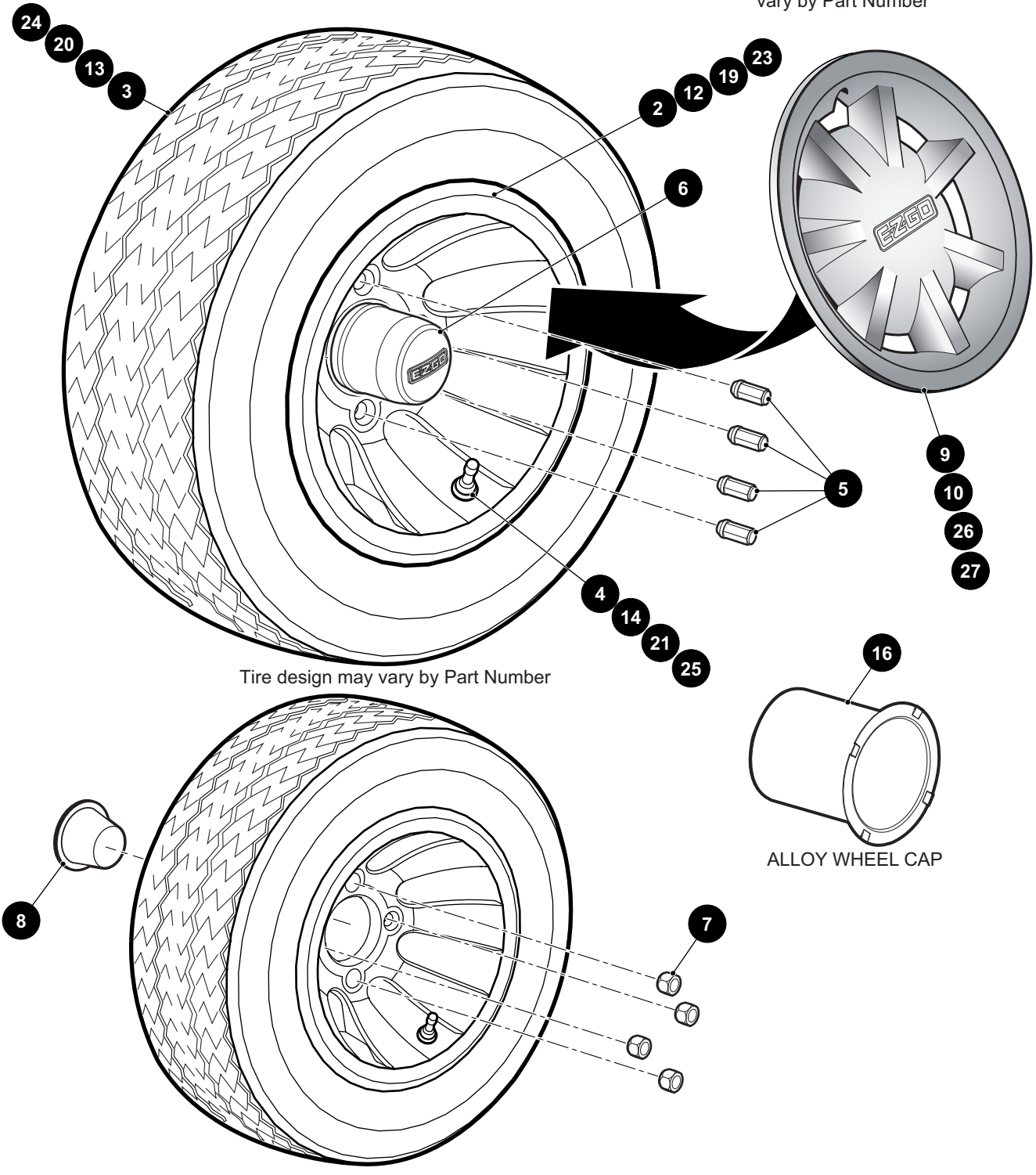
Notes:

A large grid of graph paper, consisting of 20 columns and 25 rows of small squares, intended for taking notes.

# WHEELS AND TIRES

- 1** WHEEL AND TIRE ASSEMBLY (MACHINE ALLOY) includes items 2 - 4
- 11** WHEEL AND TIRE ASSEMBLY (HOLE-N-ONE) includes items 12 - 14
- 18** WHEEL AND TIRE ASSEMBLY (ASM - MILLED) includes items 19 - 21
- 22** WHEEL AND TIRE ASSEMBLY (USA TRAIL) includes items 23 - 25

Wheel cover design may vary by Part Number



Tire design may vary by Part Number

ALLOY WHEEL CAP

# WHEELS AND TIRES

THE USE OF NON U.L. PARTS WILL VOID ANY U.L. LISTING.

When ordering parts, please specify the model and serial number of the product.

\* Indicates a component that is not available as an individual part.

\*\*\* Indicates consult Customer Service Department for additional information.

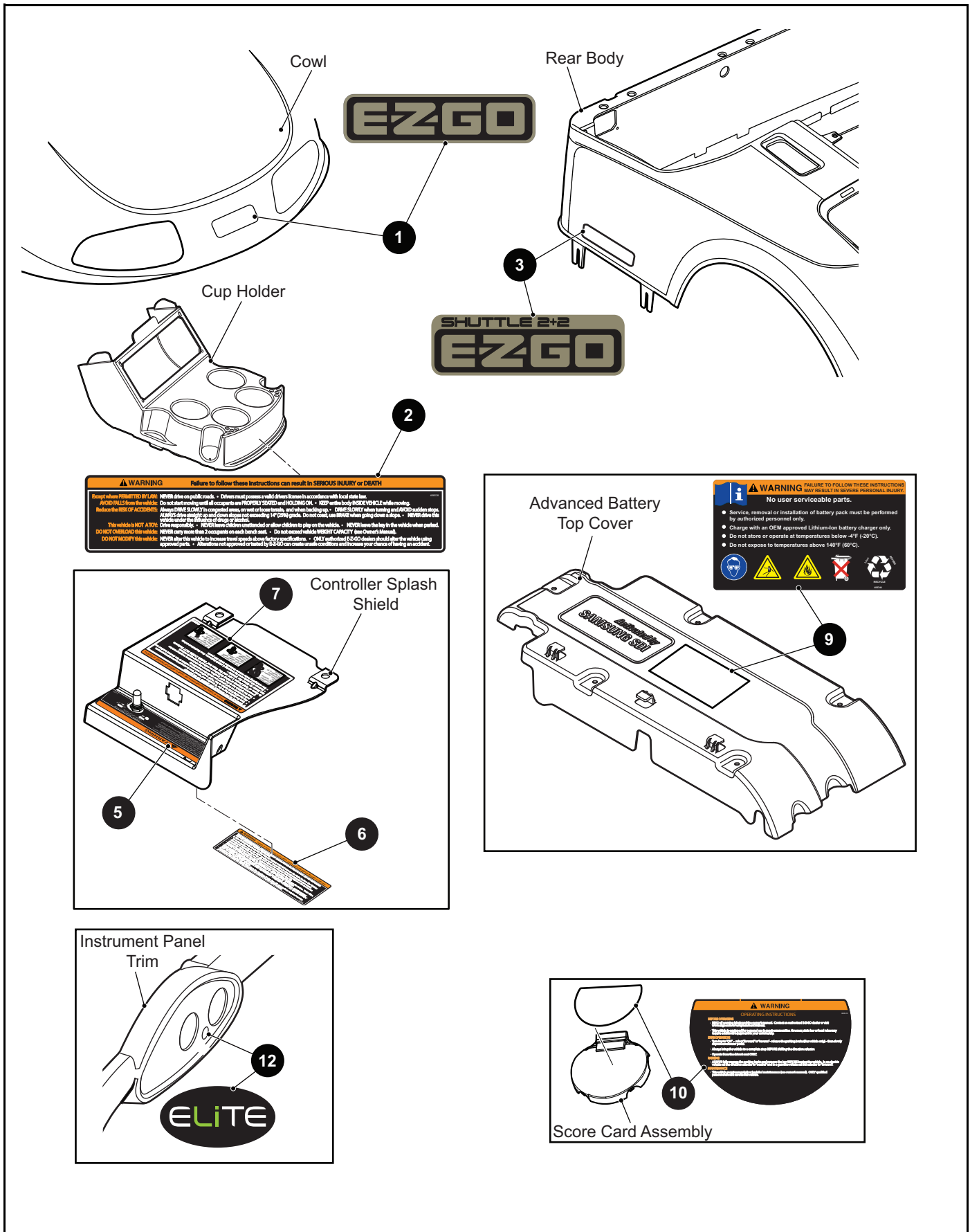
ITEM	PART NO.	1 2 3 4 5	DESCRIPTION	QTY.
1	647042		WHEEL AND TIRE ASSEMBLY (MACHINE ALLOY) (INCLUDES ITEMS 2 - 4) .....	1
2	647040		WHEEL, 10" .....	1
3	647044		TIRE (KENDA), 205/50 - 10" .....	1
4	604915		VALVE STEM (CHROME) .....	1
5	605310		LUG NUT (CHROME) .....	4
6	652122		WHEEL CAP (CHROME) .....	1
7	14723G1		LUG NUT, 1/2" - 20 .....	4
8	74175G01		DUST CAP .....	1
9	615617		HUB CAP (GOLD) (FOR VEHICLES MANUFACTURED BEFORE JANUARY 8, 2018)	
10	615618		HUB CAP (SILVER) (FOR VEHICLES MANUFACTURED BEFORE JANUARY 8, 2018)	
11	612772		WHEEL AND TIRE ASSEMBLY (HOLE-N-ONE) (INCLUDES ITEMS 12 - 14) .....	1
12	612770		WHEEL, 8" .....	1
13	612771		TIRE (KENDA) .....	1
14	11657G2		VALVE STEM .....	1
15				
16	601353		ALLOY WHEEL CAP .....	1
17				
18	635726		WHEEL AND TIRE ASSEMBLY (ASM - MILLED) (INCLUDES ITEMS 19 - 21)	1
19	635727		ALLOY WHEEL .....	1
20	601768		TIRE (TOUR MAX), 205/50 - 10" .....	1
21	601767		VALVE STEM .....	1
22	28842G01		WHEEL AND TIRE ASSEMBLY (USA TRAIL) (INCLUDES ITEMS 24 - 26)...	1
23	28759G01		WHEEL (WHITE) .....	1
24	28764G08		TIRE (CARLISLE) .....	1
25	11657G2		VALVE STEM .....	1
26	665149		WHEEL COVER (METALLIC GOLD) (FOR VEHICLES MANUFACTURED AFTER JANUARY 8, 2018) .....	1
27	665144		WHEEL COVER (METALLIC SILVER) (FOR VEHICLES MANUFACTURED AFTER JANUARY 8, 2018) .....	1

Notes:

A large grid for taking notes, consisting of 20 columns and 35 rows of small squares.



# DECALS AND LABELS



## DECALS AND LABELS

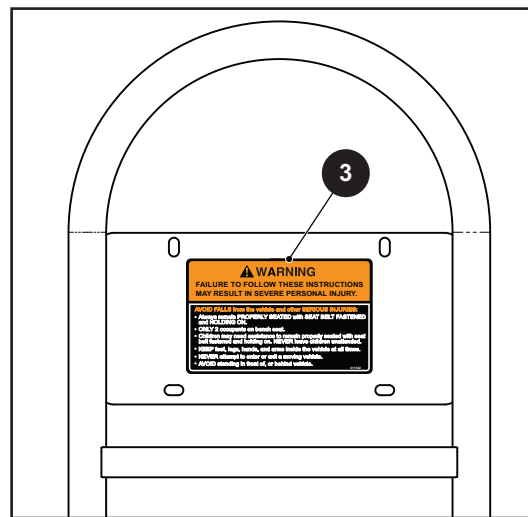
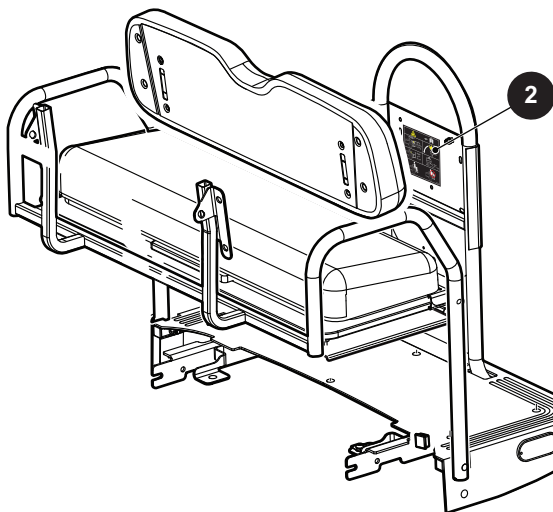
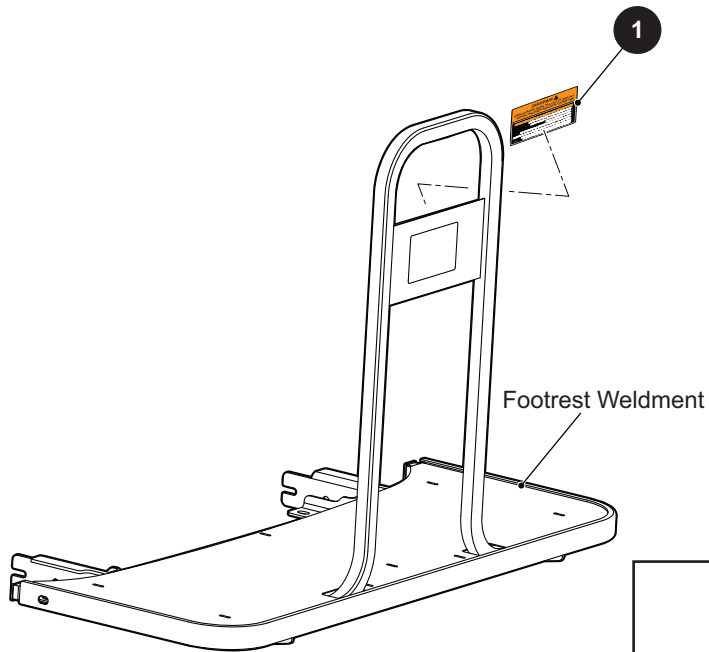
THE USE OF NON U.L. PARTS WILL VOID ANY U.L. LISTING.

When ordering parts, please specify the model and serial number of the product.

\* Indicates a component that is not available as an individual part.

\*\*\* Indicates consult Customer Service Department for additional information.

ITEM	PART NO.	1 2 3 4 5	DESCRIPTION	QTY.
1	619206		E-Z-GO COWL DECAL.....	1
2	608528		WARNING LABEL (INSTRUMENT PANEL) .....	1
3	607863		SHUTTLE 2+2 DECAL.....	1
4				
5	612594		TOW SWITCH WARNING LABEL .....	1
6	609694		TOWING INSTRUCTION NOTICE LABEL .....	1
7	609987		TOWING/MAINTENANCE LABEL .....	1
8				
9	655748		ADVANCED BATTERY WARNING LABEL.....	1
10	608529		STEERING WHEEL LABEL .....	1
11				
12	657850		ADVANCED BATTERY DECAL .....	1



Rear Seat Footrest Weldment



## DECALS AND LABELS

THE USE OF NON U.L. PARTS WILL VOID ANY U.L. LISTING.

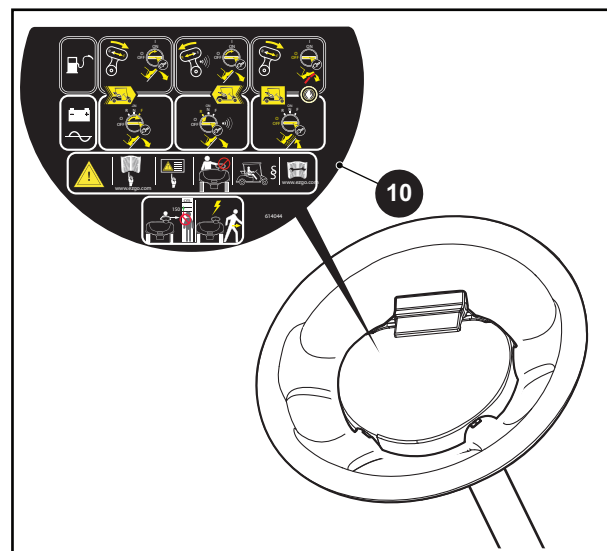
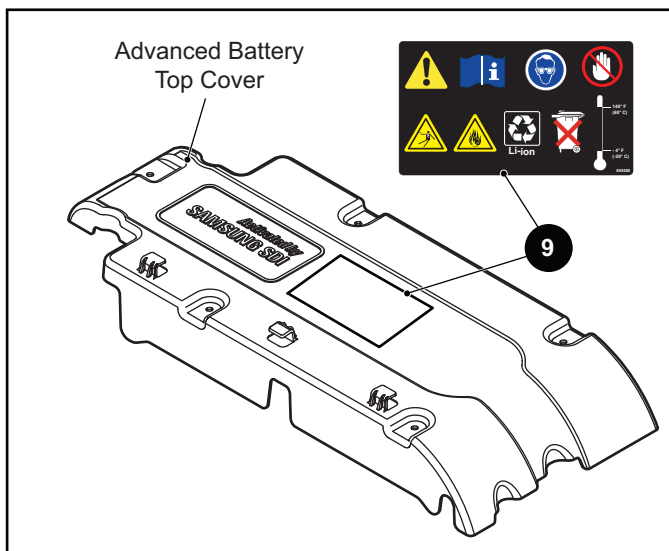
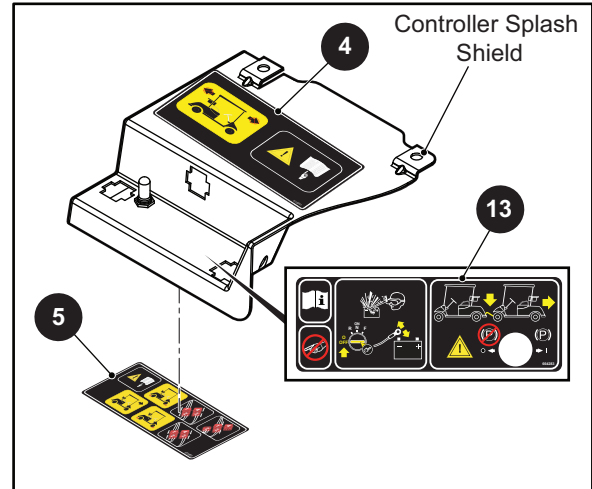
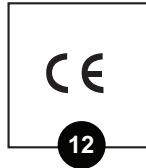
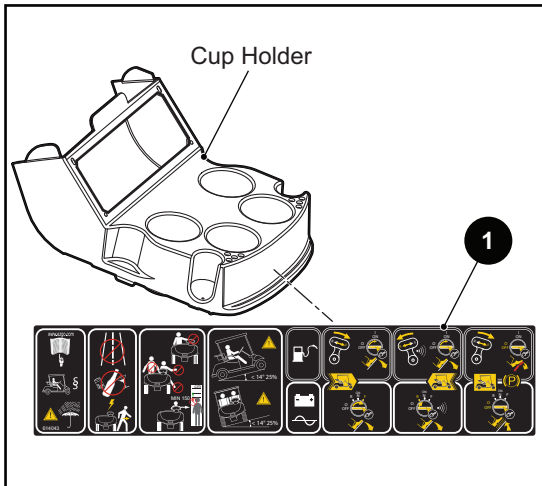
When ordering parts, please specify the model and serial number of the product.

\* Indicates a component that is not available as an individual part.

\*\*\* Indicates consult Customer Service Department for additional information.

ITEM	PART NO.	1 2 3 4 5	DESCRIPTION	QTY.
1	608537		REAR FACING SEAT WARNING LABEL .....	1
2	610631		CLAYS BED LABEL .....	1
3	611362		REAR FACING SEAT LABEL.....	1

## FOR CE VEHICLES



## DECALS AND LABELS

THE USE OF NON U.L. PARTS WILL VOID ANY U.L. LISTING.

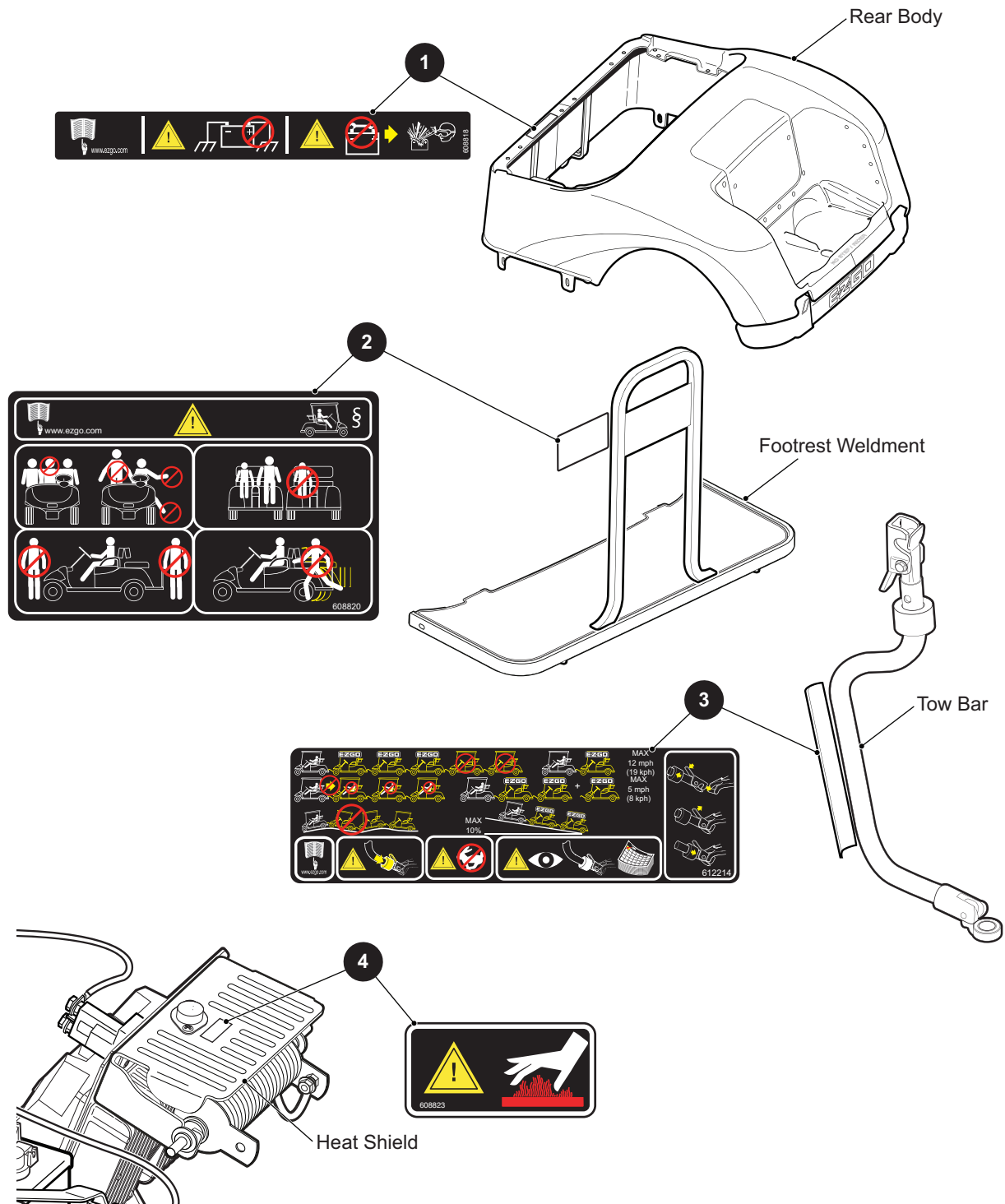
When ordering parts, please specify the model and serial number of the product.

\* Indicates a component that is not available as an individual part.

\*\*\* Indicates consult Customer Service Department for additional information.

ITEM	PART NO.	1 2 3 4 5	DESCRIPTION	QTY.
1	614043		WARNING LABEL (INSTRUMENT PANEL) .....	1
2				
3				
4	610991		TOWING/MAINTENANCE LABEL .....	1
5	610990		TOWING INSTRUCTION NOTICE LABEL .....	1
6				
7				
8				
9	659260		ADVANCED BATTERY WARNING LABEL .....	1
10	614044		STEERING WHEEL LABEL .....	1
11				
12	601783		CE LABEL .....	1
13	664283		RUN/TOW LABEL, CE .....	1

## FOR CE VEHICLES



## DECALS AND LABELS

THE USE OF NON U.L. PARTS WILL VOID ANY U.L. LISTING.

When ordering parts, please specify the model and serial number of the product.

\* Indicates a component that is not available as an individual part.

\*\*\* Indicates consult Customer Service Department for additional information.

ITEM	PART NO.	1 2 3 4 5	DESCRIPTION	QTY.
1	608818		GROUNDING LABEL.....	1
2	608820		SHUTTLE 2+2 LABEL.....	1
3	612214		TOWBAR LABEL .....	1
4	608823		HOT CE LABEL.....	1







A Textron Company

**Textron Specialized Vehicles, Inc.**

1451 Marvin Griffin Road  
Augusta, Georgia 30906 - 3852 USA

CONTACT US:

North America:

**Technical Assistance & Warranty** Phone: 1-800-774-3946, FAX: 1-800-448-8124  
**Service Parts** Phone: 1-888-438-3946, FAX: 1-800-752-6175

International:

Phone: 001-706-798-4311, FAX: 001-706-771-4609

Owner's guides and repair manuals  
are available from a local Distributor, or an authorized Branch,  
Parts & Accessories Department or at [www.shop.ezgo.com](http://www.shop.ezgo.com).

Copyrighted Material

This manual may not be reproduced in whole  
or in part without the express permission of  
TSV Technical Communications Department