



A Textron Company

# **RXV ELiTE FLEET**

## **Service Parts Manual**



# SERVICE PARTS MANUAL

## 48V ELECTRIC RXV ELITE

FLEET

### STARTING MODEL YEAR 2017

#### **CALIFORNIA Proposition 65 Warning**

**WARNING:** Motor vehicles may contain fuels, oils and fluids, battery posts, terminals, and related accessories which contain lead and lead compounds and other chemicals identified by the State of California to potentially cause cancer, birth defects, and other reproductive harm. These chemicals are found in vehicles, vehicle parts and accessories, both new and replacements. During maintenance, these vehicles generate used oil, waste fluids, grease, fumes, and particulates, all identified by the State of California to potentially cause cancer, birth defects, and other reproductive harm.

Never modify the vehicle in any way that will alter the weight distribution of the vehicle, decrease its stability or increase the speed beyond the factory specifications. Such modifications can cause serious personal injury or death. Textron Specialized Vehicles prohibits and dis-claims responsibility for any such modifications or any other alteration which would adversely affect the safety of the vehicle. TSV reserves the right to incorporate engineering and design changes to products in this manual, without obligation to include these changes on units sold previously.

The information contained in this manual may be revised periodically by TSV, and therefore is subject to change without notice.

TSV DISCLAIMS LIABILITY FOR ERRORS IN THIS MANUAL, and SPECIFICALLY DISCLAIMS LIABILITY FOR INCIDENTAL AND CONSEQUENTIAL DAMAGES resulting from the use of the information and materials in this manual.

These are the original instructions as defined by 2006/42/EC.

#### **TO CONTACT US:**

Textron Specialized Vehicles, Inc.  
1451 Marvin Griffin Road  
Augusta, Georgia, USA 30906-3852

#### **NORTH AMERICA:**

Technical Assistance & Warranty PHONE: 1-800-774-3946, FAX: 1-800-448-8124

Service Parts PHONE: 1-888-438-3946, FAX: 1-800-752-6175

International: PHONE: 001-706-798-4311, FAX: 001-706-771-4609

## GENERAL INFORMATION

This vehicle has been designed and manufactured in the United States of America (USA). The Standards and Specifications listed in the following text originate in the USA unless otherwise indicated.

The use of non-Original Equipment Manufacturer (OEM) approved parts may void the warranty.

Failure to properly maintain batteries may void the warranty. Refer to the battery manual for instructions on the proper maintenance and care of the batteries.

### BATTERY PROLONGED STORAGE

Improper storage may damage, destroy or cause permanent loss of battery capacity. Do not exceed storage time or temperature limits. Batteries must be charged to the correct level before storage. Storing fully depleted batteries will make them permanently unusable.

### STORAGE PREPARATION

The optimum storage temperature range is between 65°F and 82°F (18°C and 28°C).

In cold climates, fully charge the battery module. Make sure that the charging operation is complete and there are no faults displayed on the charger. The green light on the charger should be on indicating the charge cycle is complete.

In hot climates, store the vehicle with a 30% to 50% charge of battery pack capacity.

The storage time for properly charged Lithium-Ion batteries supplied with this vehicle varies based on the ambient temperature.

Temperature	Length of Storage Time
-22°F to -4°F (-30°C to -20°C)	One month at 100% battery charge, all accessories turned off.
-4°F to 113°F (-20°C to 45°C)	Six months at 100% battery charge, all accessories turned off.
113°F to 140°F (45°C to 60°C)	One month at 30% - 50% charge, all accessories turned off.

### BATTERY DISPOSAL

Lithium-Ion batteries are recyclable. Return discarded batteries to the distributor or manufacturer for recycling. Contact local or state environmental department for the disposal information.



# TABLE OF CONTENTS

<b>SECTION</b>	<b>Page No.</b>
HOW TO USE THE SERVICE PARTS MANUAL .....	V
ACCELERATOR .....	A-1
BATTERY CHARGER .....	B-1
BODY .....	C-1
BRAKES .....	D-1
ELECTRICAL .....	E-1
ELECTRONIC SPEED CONTROL .....	F-1
FRAME .....	G-1
FRONT SUSPENSION AND STEERING .....	H-1
MOTOR .....	J-1
REAR AXLE .....	K-1
REAR SUSPENSION .....	L-1
SEATING .....	M-1
TOW BAR .....	N-1
WEATHER PROTECTION .....	P-1
WHEELS AND TIRES .....	R-1
DECALS AND LABELS .....	S-1



# HOW TO USE THE SERVICE PARTS MANUAL

This manual is divided into several sections:

- GENERAL INFORMATION
- ILLUSTRATED PARTS BREAKDOWN

The first section, GENERAL INFORMATION, contains the following information:

- WARRANTY INFORMATION
- GENERAL INDEX
- HOW TO USE THE SERVICE PARTS MANUAL

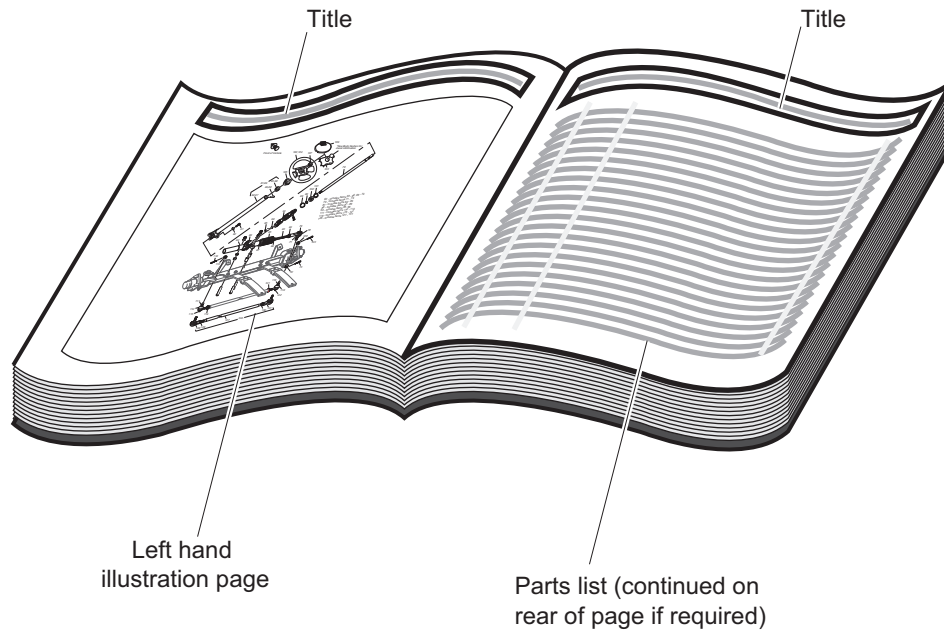
The second section, ILLUSTRATED PARTS BREAKDOWN, contains illustrations and parts lists for all systems of your vehicle.

## USE OF THE MANUAL

To use this manual, consult the TABLE OF CONTENT to locate the information or illustration required.

Introduction of some revisions varies due to supply of components; therefore, it is possible that various combinations of components may be found that are not directly reflected by each illustration. Consult the illustration that best suits your situation and then contact the Service Parts Department. It is important that the serial number of your vehicle and its model number be supplied to Service Parts when ordering any replacement components.

# HOW TO USE THE SERVICE PARTS MANUAL



## 1. WHEN THE PART NUMBER IS NOT KNOWN

- Determine the function and application of the part required. Turn to the General Index and select the most appropriate title.
- Turn to the page number indicated and locate the desired part on the illustration.
- From the illustration, obtain the item number assigned to the desired part. Refer to the accompanying description for specific information regarding the part.

## 2. IF YOU KNOW THE PART NUMBER

- Locate the part number or description in the appropriate column on the parts list page.

NOTE: Confirm the part selected is correct by verifying it with the illustration.

If an asterisk (\*) appears in the part number column on the parts list page, read upward until a part number is found. The part number is the lowest assembly sold by Service Parts and the asterisk (\*) indicates the part depicted is not available for purchase.

NOTE: Descriptions are indented under the assembly that they are used on. That assembly is, in turn listed under the assembly that it is used on. This process is repeated until the highest final assembly is reached.

**To facilitate the maintenance and repair of the vehicle, a Technician's Repair and Service Manual is available from the Service Parts Department.**

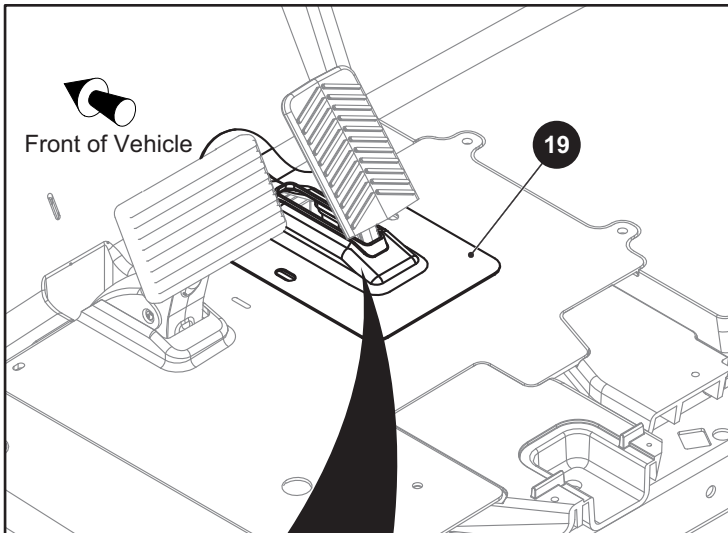
# HOW TO USE THE SERVICE PARTS MANUAL

## 3. COLOR CODE FOR BODY COMPONENTS

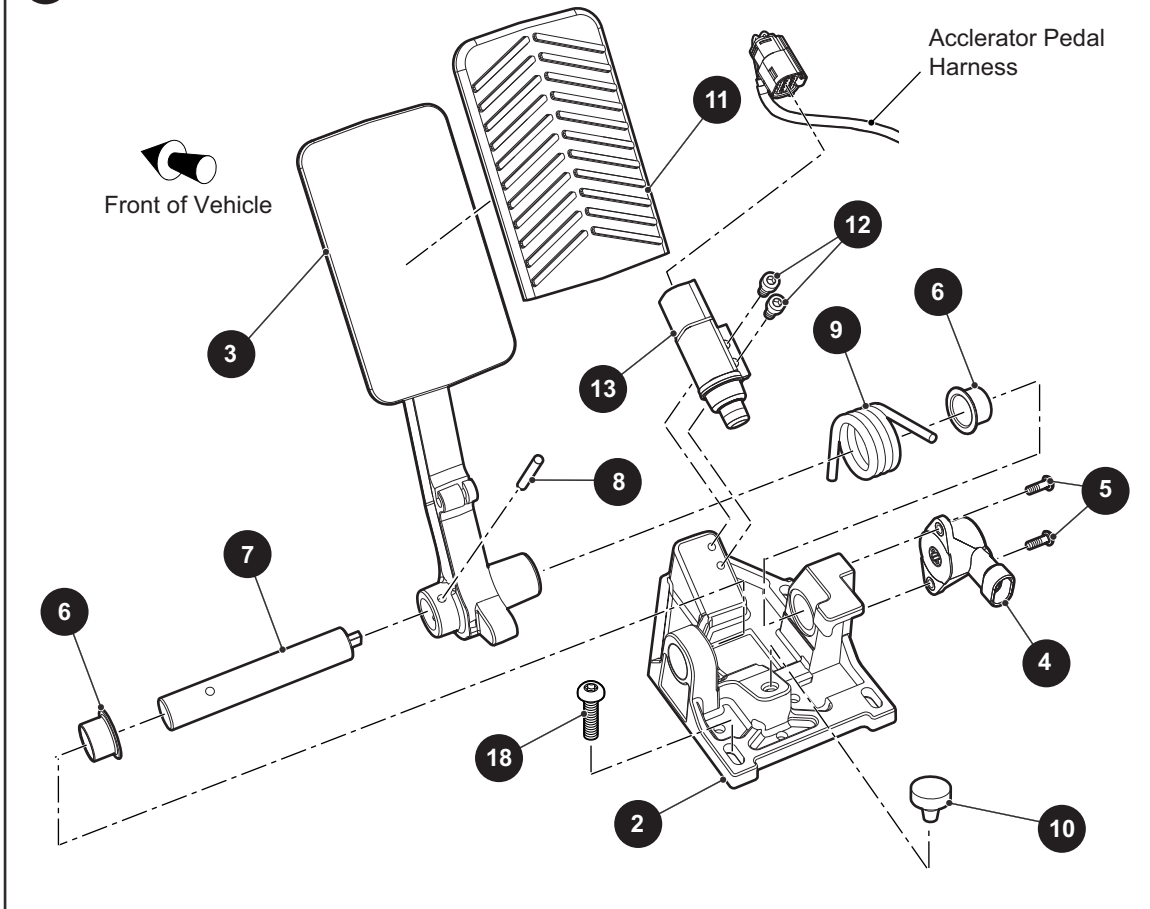
The last two digits of the part number for the body part will denote the color code, locate the part number for the cowl, rear body, seat pod, side panel or seat wrap then locate your color in the list below, replace the last \*\* or XX with the two digit color code.

<b><u>CODE #</u></b>	<b><u>DESCRIPTION</u></b>
11	BLACK
19	PATRIOT BLUE PEARL
20	INFERNO RED METALLIC
26	STEEL BLUE PEARL
31	METALLIC CHARCOAL
36	IVORY
37	FOREST GREEN
38	BRIGHT WHITE
39	FLAME RED
41	ELECTRIC BLUE
42	PLATINUM
43	BURGUNDY
44	ALMOND
51	SUNBURST ORANGE
52	BRITISH RACING GREEN
74	BARLEY GOLD
75	OASIS GREEN
76	JAVA BROWN

# ACCELERATOR



1 ACCELERATOR PEDAL ASSEMBLY includes items 2 - 13



# ACCELERATOR

THE USE OF NON U.L. PARTS WILL VOID ANY U.L. LISTING.

When ordering parts, please specify the model and serial number of the product.

\* Indicates a component that is not available as an individual part.

\*\*\* Indicates consult Customer Service Department for additional information.

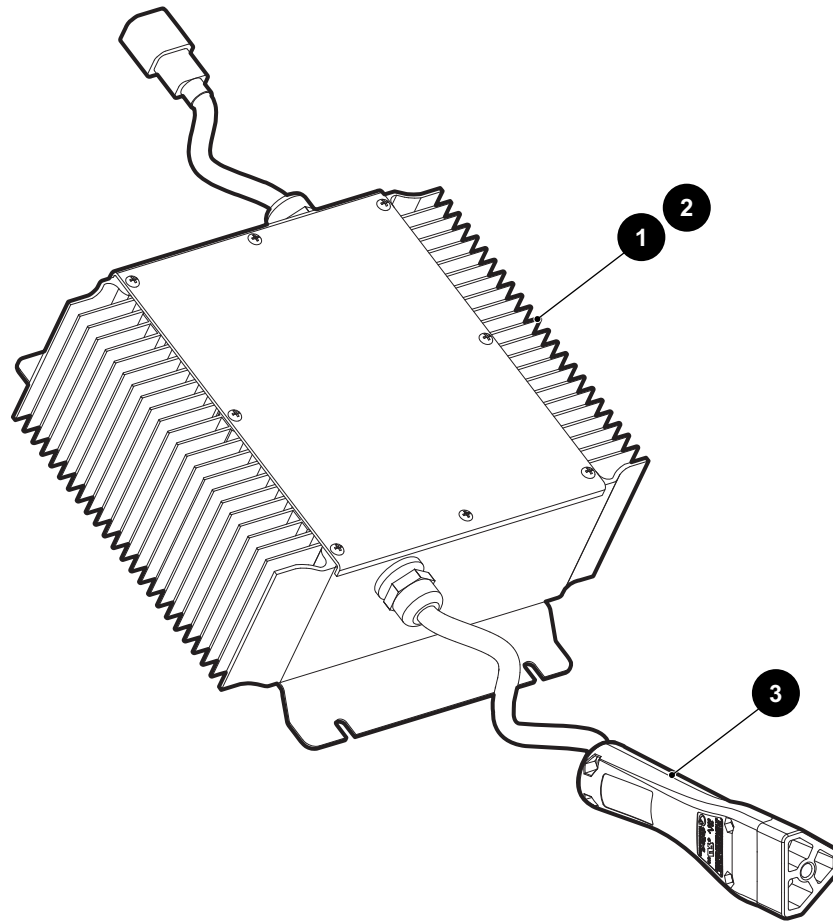
ITEM	PART NO.	1 2 3 4 5	DESCRIPTION	QTY.
1	653201		ACCELERATOR PEDAL ASSEMBLY (INCLUDES ITEMS 2 - 13) .....	1
2	*		PEDAL BRACKET .....	1
3	*		PEDAL .....	1
4	600019		ROTARY POSITION SENSOR .....	1
5	600543		BUTTON HEAD TORX BOLT, M4 - .75 X 12MM LG .....	2
6	*		FLANGED BUSHING, 16MM O.D. X 12MM I.D. ....	2
7	*		ACCELERATOR PIVOT SHAFT .....	1
8	600683		HEAVY DUTY SPIROL PIN, 4MM X 26MM .....	1
9	*		TORSION SPRING, 4.5MM DIA .....	1
10	604097		REBOUND BUMPER .....	1
11	610529		ACCELERATOR PEDAL COVER .....	1
12	620030		SOCKET HEAD BOLT, M5 - .8 X 15MM LG .....	2
13	653242		PEDAL SWITCH .....	1
14				
15				
16				
17				
18	649803		PAN HEAD TORX SCREW, M6 - 2.65 X 25MM LG .....	3
19	614393		PEDAL INSERT .....	1







# BATTERY CHARGER



# BATTERY CHARGER

THE USE OF NON U.L. PARTS WILL VOID ANY U.L. LISTING.

When ordering parts, please specify the model and serial number of the product.

\* Indicates a component that is not available as an individual part.

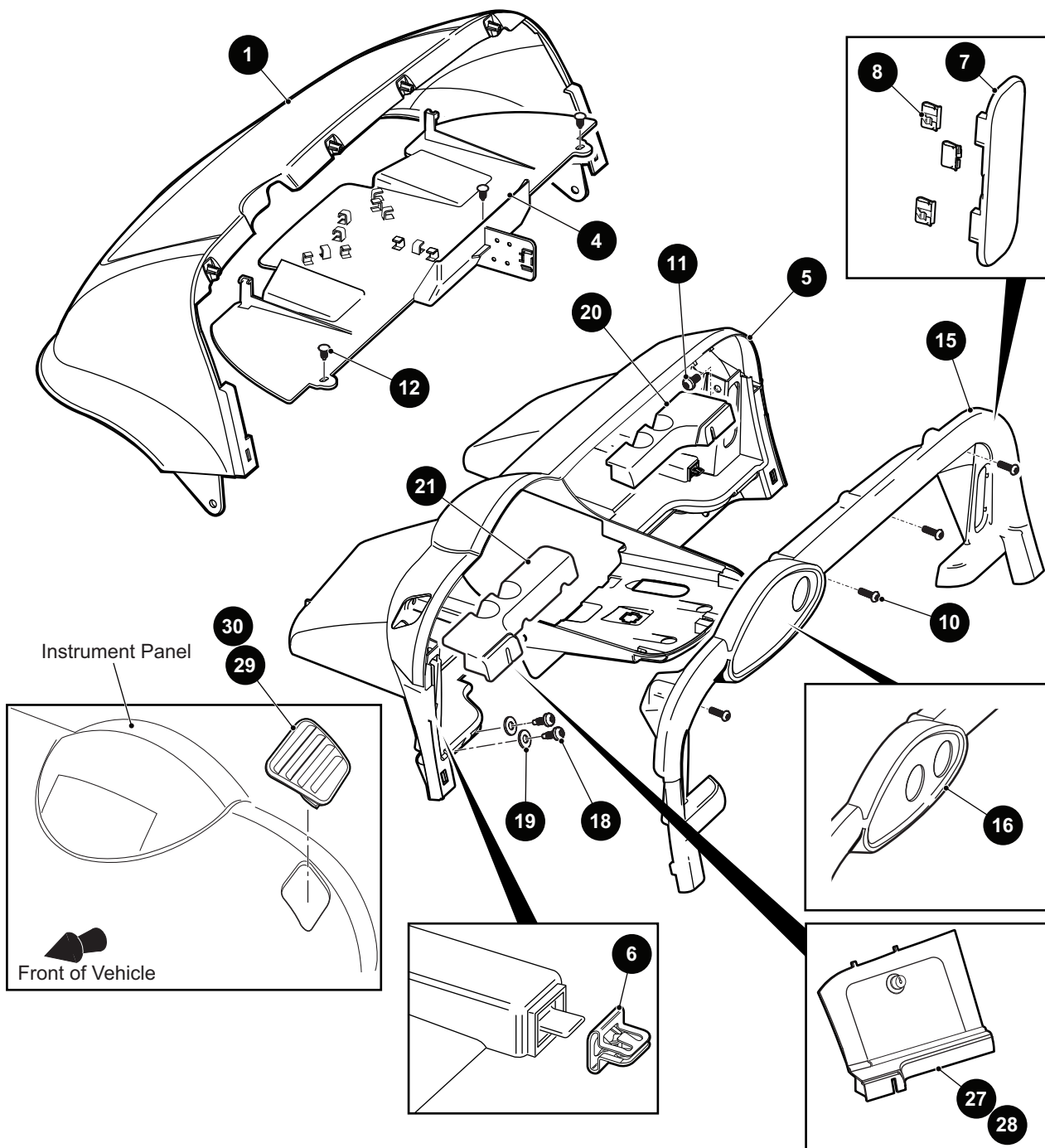
\*\*\* Indicates consult Customer Service Department for additional information.

ITEM	PART NO.	1 2 3 4 5	DESCRIPTION	QTY.
1	653213		BATTERY CHARGER, 51V, 3 METER DC CORD .....	1
2	653216		BATTERY CHARGER, 51V, 5.5 METER DC CORD .....	1
3	657667		BATTERY CHARGER PADDLE.....	1

# Notes:

A large grid of 30 columns and 24 rows, intended for taking notes. The grid is empty.





**5** INSTRUMENT PANEL includes item 6

**7** ACCESS COVER ASSEMBLY (IP) includes item 8

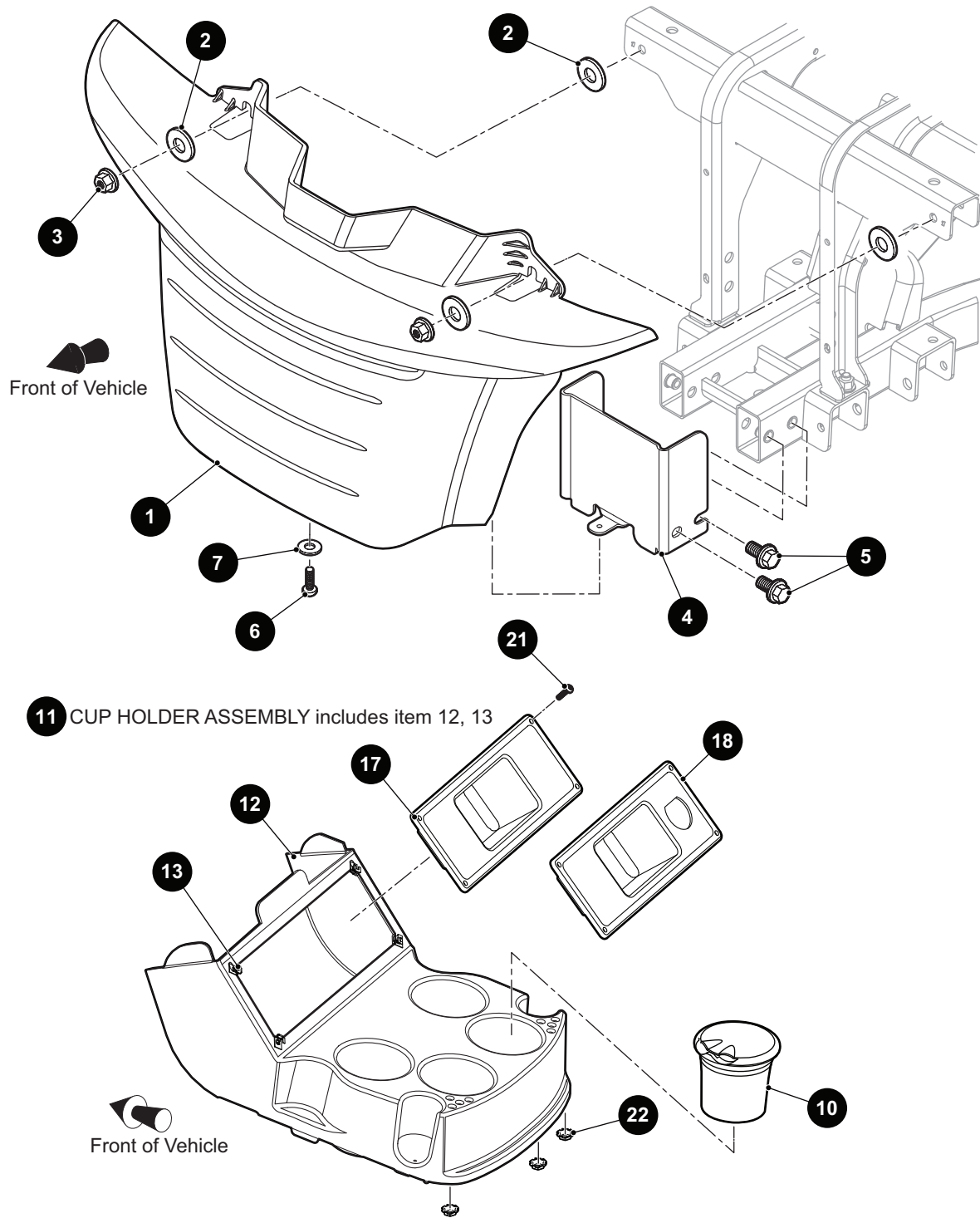
THE USE OF NON U.L. PARTS WILL VOID ANY U.L. LISTING.

When ordering parts, please specify the model and serial number of the product.

\* Indicates a component that is not available as an individual part.

\*\*\* Indicates consult Customer Service Department for additional information.

ITEM	PART NO.	1 2 3 4 5	DESCRIPTION	QTY.
1	645759G00XX		COWL WITHOUT LIGHTS (See COLOR CODES in HOW TO USE Section)	1
2				
3				
4	601634		FRONT SPLASH GUARD.....	1
5	602387		INSTRUMENT PANEL (INCLUDES ITEM 6).....	1
6	602184		SPRING CLIP.....	4
7	602388		ACCESS COVER ASSEMBLY (IP) (INCLUDES ITEM 8).....	1
8	602100		U-CLIP.....	3
9				
10	649803		PAN HEAD TORX SCREW, M6 - 2.65 X 25MM LG.....	4
11	70200G01		TRUSS HEAD TORX BOLT, 3/8" - 16 X 3/4" LG.....	2
12	16816G2		RATCHET RIVET, .25" X .887".....	3
13				
14				
15	600242		INSTRUMENT PANEL TRIM (OPENING FOR KEY SWITCH ONLY).....	1
16	608808		INSTRUMENT PANEL TRIM (OPENING FOR KEY SWITCH AND SOC).....	1
17				
18	602572		PAN HEAD TAPTITE BOLT, M10 - 1.5 X 25MM LG.....	4
19	604066		FLAT WASHER, M10.....	4
20	600241		BALL HOLDER INSERT (PASSENGER SIDE).....	1
21	600243		BALL HOLDER INSERT (DRIVER SIDE).....	1
22				
23				
24				
25				
26				
27	607131		GLOVE BOX (PASSENGER SIDE).....	1
28	607533		GLOVE BOX (DRIVER SIDE).....	1
29	602993		GROMMET (DRIVER SIDE) (FOR VEHICLES WITHOUT SUN TOP).....	1
30	602994		GROMMET (PASSENGER SIDE) (FOR VEHICLES WITHOUT SUN TOP)...	1





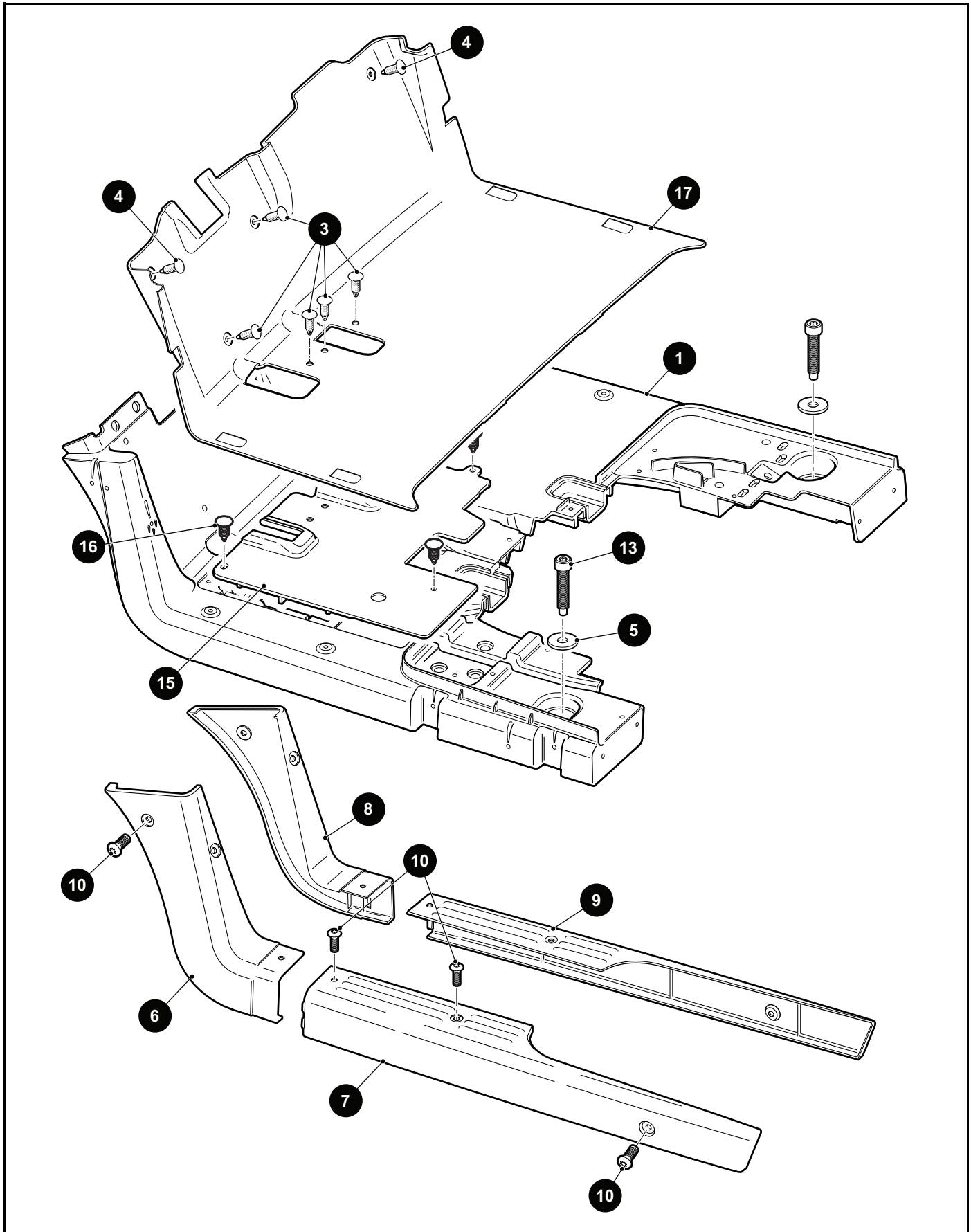
THE USE OF NON U.L. PARTS WILL VOID ANY U.L. LISTING.

When ordering parts, please specify the model and serial number of the product.

\* Indicates a component that is not available as an individual part.

\*\*\* Indicates consult Customer Service Department for additional information.

ITEM	PART NO.	1 2 3 4 5	DESCRIPTION	QTY.
1	656325		FRONT FASCIA.....	1
2	604066		FLAT WASHER, M10.....	4
3	600525		LOCK NUT, M10 - 1.5.....	2
4	641628		BUMPER ATTACHMENT BRACKET.....	1
5	603799		FLANGED HEX HEAD BOLT, M10 - 1.5 X 25MM LG.....	4
6	646348		THREAD FORMING SCREW, 1/4" - 20 X 1" LG.....	1
7	646345		FLAT WASHER, 1/4".....	1
8				
9				
10	603725		ASHTRAY.....	1
11	644117		CUP HOLDER ASSEMBLY (INCLUDES ITEMS 12, 13).....	1
12	640706		CENTER CONSOLE.....	1
13	71364G02		J-TYPE SPEED NUT, #8.....	4
14				
15				
16				
17	638348G01		CENTER COMPARTMENT.....	1
18	638348G03		CENTER COMPARTMENT (OPENING FOR USB).....	1
19				
20				
21	608290		PAN HEAD PHILLIPS SCREW, #10 - 16 X 3/4" LG.....	4
22	71597G01		SELF THREADING NUT, .226".....	3



THE USE OF NON U.L. PARTS WILL VOID ANY U.L. LISTING.

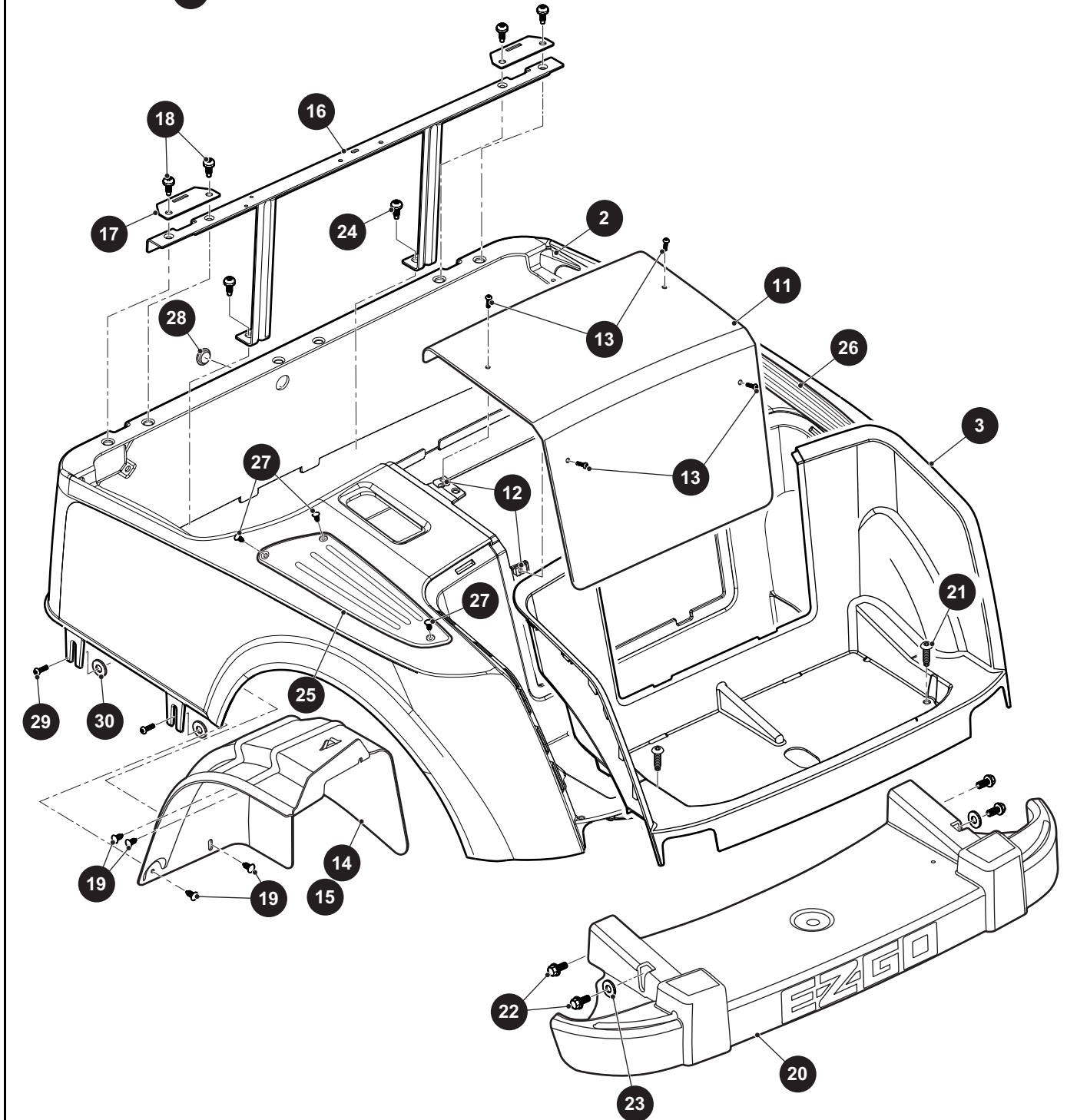
When ordering parts, please specify the model and serial number of the product.

\* Indicates a component that is not available as an individual part.

\*\*\* Indicates consult Customer Service Department for additional information.

ITEM	PART NO.	1 2 3 4 5	DESCRIPTION	QTY.
1	600225		FLOORBOARD .....	1
2				
3	16816G2		RATCHET RIVET, .25" X .887" .....	5
4	16816G1		RATCHET RIVET, .25" X .680" .....	2
5	604066		FLAT WASHER, M10 .....	2
6	601257		UPPER ROCKER PANEL (DRIVER SIDE).....	1
7	600253		LOWER ROCKER PANEL (DRIVER SIDE).....	1
8	601258		UPPER ROCKER PANEL (PASSENGER SIDE) .....	1
9	600257		LOWER ROCKER PANEL (PASSENGER SIDE) .....	1
10	649804		BUTTON HEAD TORX SCREW, M8 - 3.5 X 30MM LG .....	5
11				
12				
13	602020		SOCKET HEAD TORX BOLT, M10 - 1.5 X 50MM LG .....	2
14				
15	605277		PEDAL COVER PLATE.....	1
16	16816G2		RATCHET RIVET, .25" X .887" .....	4
17	601118		FLOORMAT .....	1

1 REAR BODY ASSEMBLY WITHOUT LIGHTS includes items 2, 3



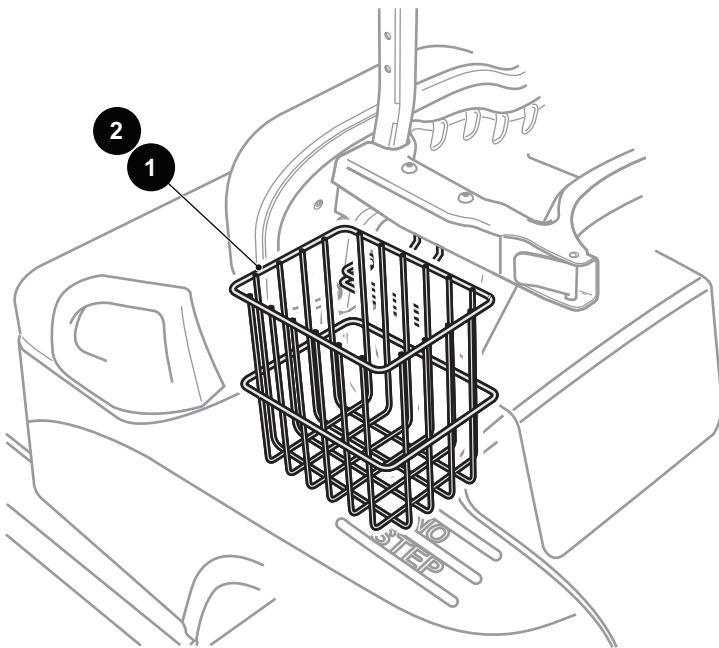
THE USE OF NON U.L. PARTS WILL VOID ANY U.L. LISTING.

When ordering parts, please specify the model and serial number of the product.

\* Indicates a component that is not available as an individual part.

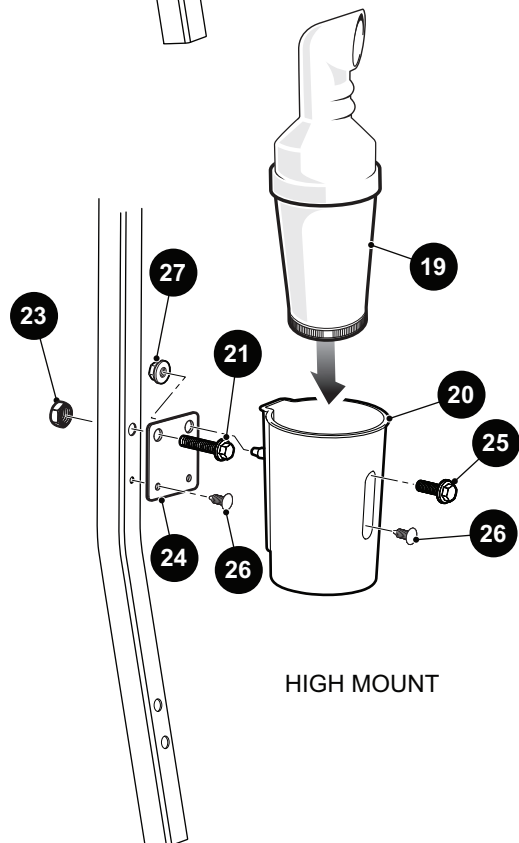
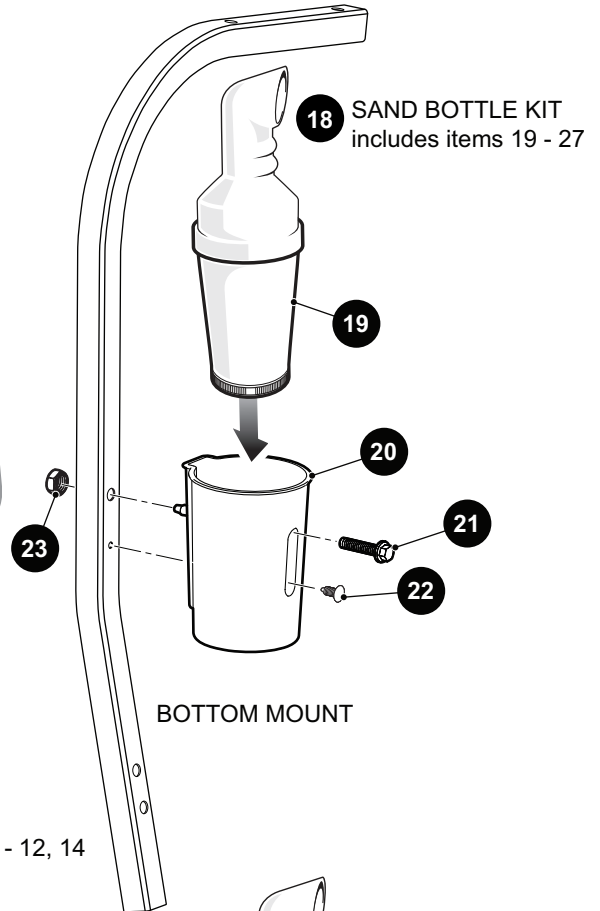
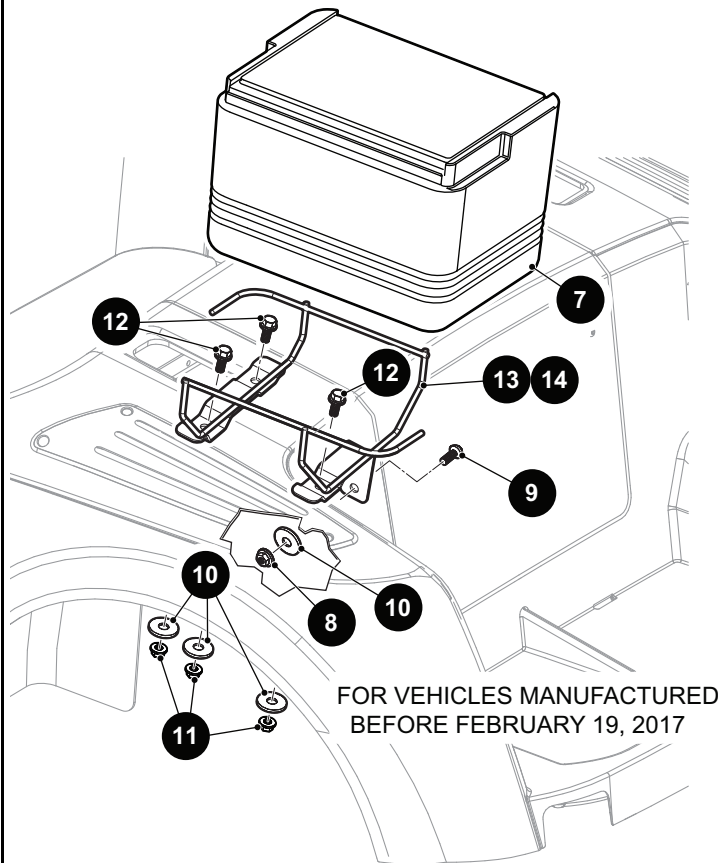
\*\*\* Indicates consult Customer Service Department for additional information.

ITEM	PART NO.	1 2 3 4 5	DESCRIPTION	QTY.
1	650353G00XX		REAR BODY ASSEMBLY WITHOUT LIGHTS (INCLUDES ITEMS 2, 3) (See COLOR CODES in HOW TO USE Section).....	1
2	650311G00XX		BODY .....	1
3	650254		BAGWELL LINER.....	1
4				
5				
6				
7				
8				
9				
10				
11	650443		ACCESS COVER.....	1
12	602409		BARREL CLIP, M6 - 1 .....	4
13	601326		BUTTON HEAD TORX BOLT, M6 - 1 X 20MM LG .....	4
14	601621		REAR SPLASH GUARD (DRIVER SIDE).....	1
15	601622		REAR SPLASH GUARD (PASSENGER SIDE) .....	1
16	601921		FRONT SEAT SUPPORT ASSEMBLY.....	1
17	602558		SEAT HINGE PLATE.....	1
18	602572		PAN HEAD TAPTITE BOLT, M10 - 1.5 X 25MM LG .....	2
19	16816G2		RATCHET RIVET, .25" X .887" .....	4
20	610855		REAR BUMPER.....	1
21	649804		BUTTON HEAD TORX SCREW, M8 - 3.50 X 30MM LG .....	2
22	603799		FLANGED HEX HEAD BOLT, M10 - 1.5 X 25MM LG.....	4
23	604066		FLAT WASHER, M10 .....	2
24	602572		PAN HEAD TAPTITE BOLT, M10 - 1.5 X 25MM LG .....	2
25	639807G01		SCUFF GUARD (DRIVER SIDE).....	1
26	639807G02		SCUFF GUARD (PASSENGER SIDE) .....	1
27	16816G5		RATCHET RIVET, .187" X .550" .....	3
28	71316G01		PLUG .....	1
29	649804		BUTTON HEAD TORX SCREW, M8 - 3.5 X 30MM LG .....	4
30	604066		FLAT WASHER, M10 .....	4



**5** BEVERAGE COOLER KIT (DRIVER SIDE) includes items 7 - 13

**6** BEVERAGE COOLER KIT (PASSENGER SIDE) includes items 7 - 12, 14



THE USE OF NON U.L. PARTS WILL VOID ANY U.L. LISTING.

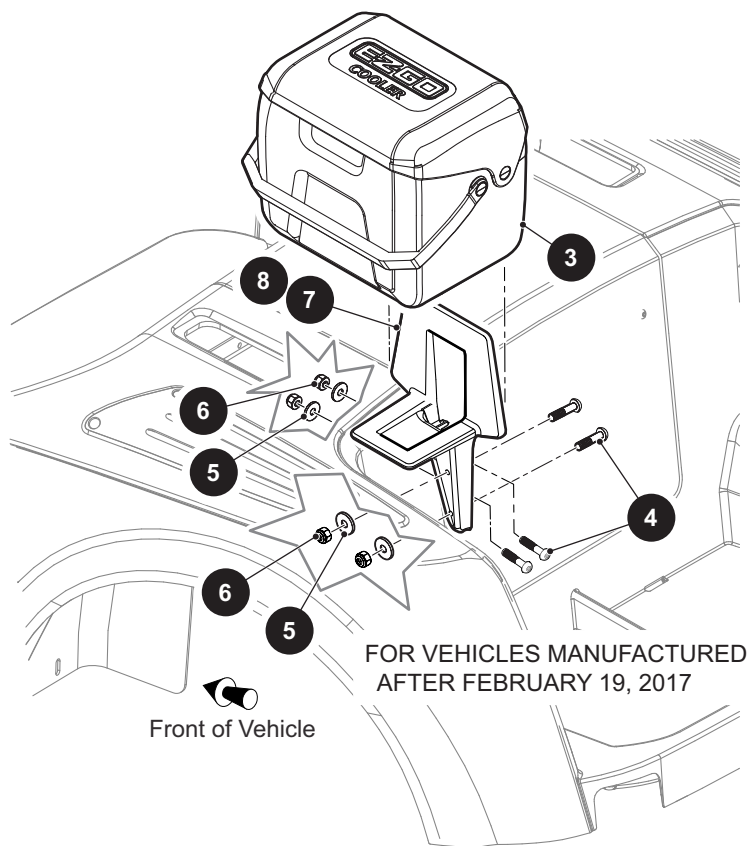
When ordering parts, please specify the model and serial number of the product.

\* Indicates a component that is not available as an individual part.

\*\*\* Indicates consult Customer Service Department for additional information.

ITEM	PART NO.	1 2 3 4 5	DESCRIPTION	QTY.
1	603846		SIDE BASKET (DRIVER SIDE) .....	1
2	603702		SIDE BASKET (PASSENGER SIDE).....	1
3				
4				
5	643098		BEVERAGE COOLER KIT (DRIVER SIDE) (INCLUDES ITEMS 7 - 13) (FOR VEHICLES MANUFACTURED BEFORE FEBRUARY 19, 2017) .....	1
6	643096		BEVERAGE COOLER KIT (PASSENGER SIDE) (INCLUDES ITEMS 7 - 12, 14) (FOR VEHICLES MANUFACTURED BEFORE FEBRUARY 19, 2017) .....	1
7	601366		BEVERAGE COOLER.....	1
8	614974		TORQUE NUT, M10 - 1.5 .....	1
9	600530		BUTTON HEAD TORX BOLT, M10 - 1.5 X 25MM LG .....	1
10	608520		FLAT WASHER, M10.....	4
11	606274		FLANGED HEX NUT, M10 - 1.25 .....	3
12	606256		FLANGED HEX HEAD BOLT, M10 - 1.25 X 25MM LG .....	3
13	643097		MOUNTING BRACKET (DRIVER SIDE).....	1
14	643095		MOUNTING BRACKET (PASSENGER SIDE) .....	1
15				
16				
17				
18	614179		SAND BOTTLE KIT (INCLUDES ITEMS 19 - 27).....	1
19	600612		SAND BOTTLE.....	1
20	28660G01		SAND BOTTLE HOLDER.....	1
21	603800		FLANGED HEX HEAD BOLT, M10 - 1.5 X 50MM LG .....	1
22	16816G2		RATCHET RIVET, .25" X .887" .....	1
23	800706		LOCK NUT, M10 - 1.5.....	1
24	647797		BRACKET.....	1
25	603799		FLANGED HEX HEAD BOLT, M10 - 1.5 X 25MM LG .....	1
26	16816G2		RATCHET RIVET, .25" X .887" LG .....	2
27	600525		LOCK NUT, M10 - 1.5.....	1

- 1** BEVERAGE COOLER KIT (DRIVER SIDE)  
includes items 3 - 7
- 2** BEVERAGE COOLER KIT (PASSENGER SIDE)  
includes items 3 - 6, 8





THE USE OF NON U.L. PARTS WILL VOID ANY U.L. LISTING.

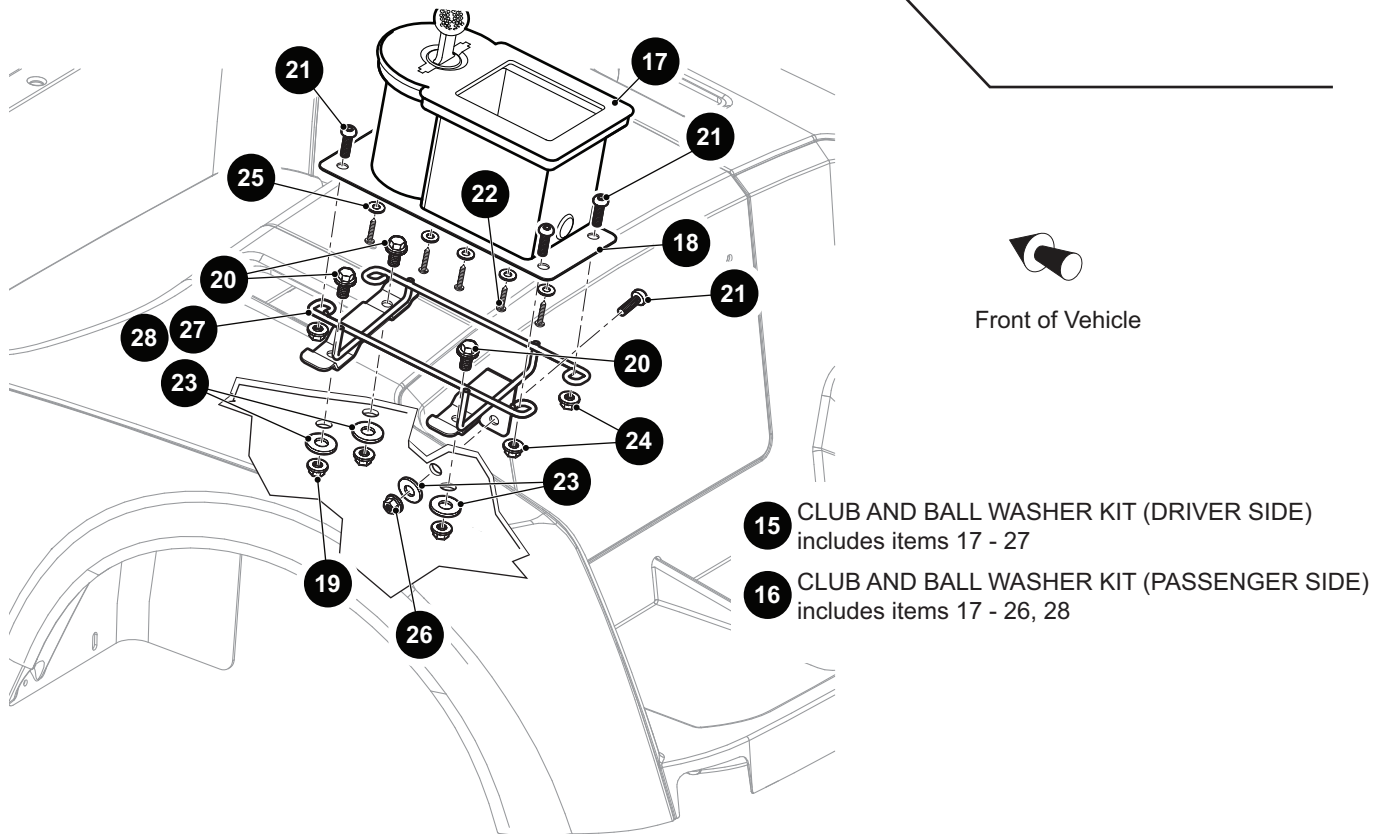
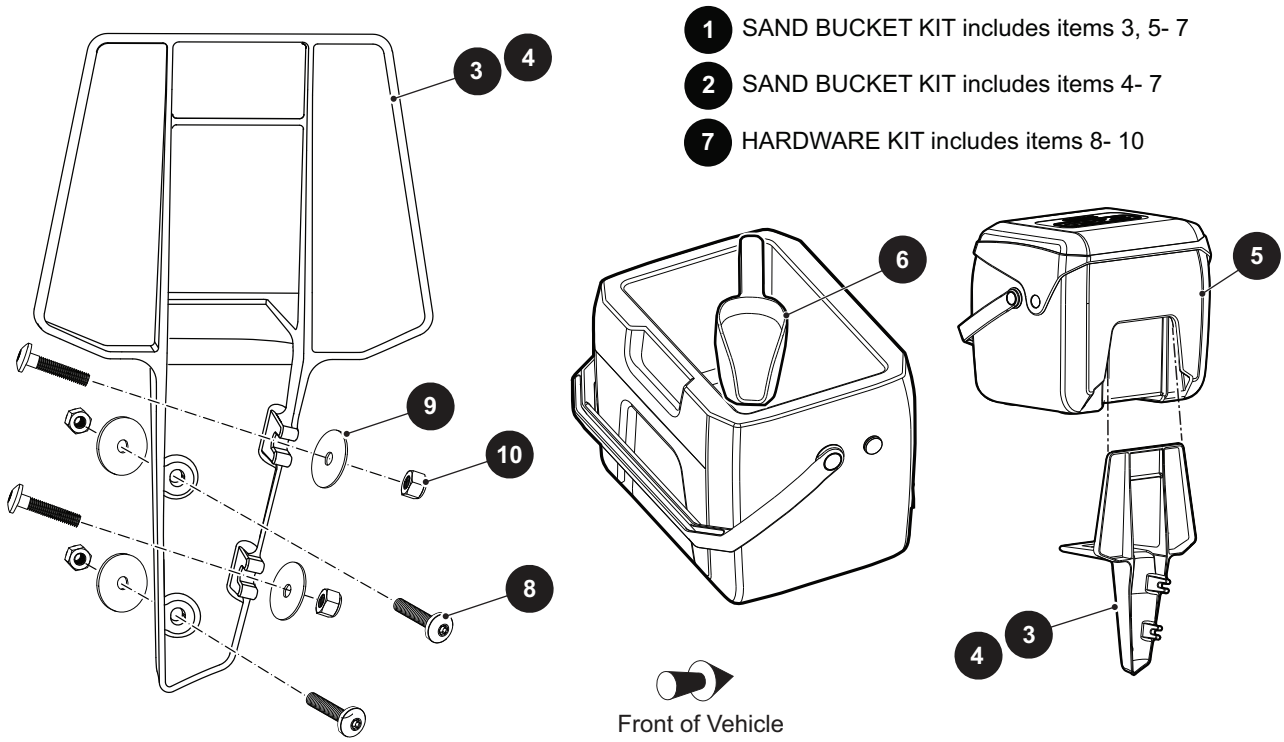
When ordering parts, please specify the model and serial number of the product.

\* Indicates a component that is not available as an individual part.

\*\*\* Indicates consult Customer Service Department for additional information.

ITEM	PART NO.	1 2 3 4 5	DESCRIPTION	QTY.
1	659159		BEVERAGE COOLER KIT (DRIVER SIDE) (INCLUDES ITEMS 3 - 7) (FOR VEHICLES MANUFACTURED AFTER FEBRUARY 19, 2017) .....	1
2	659157		BEVERAGE COOLER KIT (PASSENGER SIDE) (INCLUDES ITEMS 3 - 6, 8) (FOR VEHICLES MANUFACTURED AFTER FEBRUARY 19, 2017) .....	1
3	658503		BEVERAGE COOLER.....	1
4	*		TRUSS HEAD PHILLIPS SCREW, 1/4" - 20 X 1.25" LG .....	4
5	*		FLAT WASHER, 1/4" .....	4
6	*		LOCK NUT, 1/4" - 20 .....	4
7	658504		MOUNTING BRACKET (DRIVER SIDE).....	1
8	658505		MOUNTING BRACKET (PASSENGER SIDE) .....	1

# BODY



THE USE OF NON U.L. PARTS WILL VOID ANY U.L. LISTING.

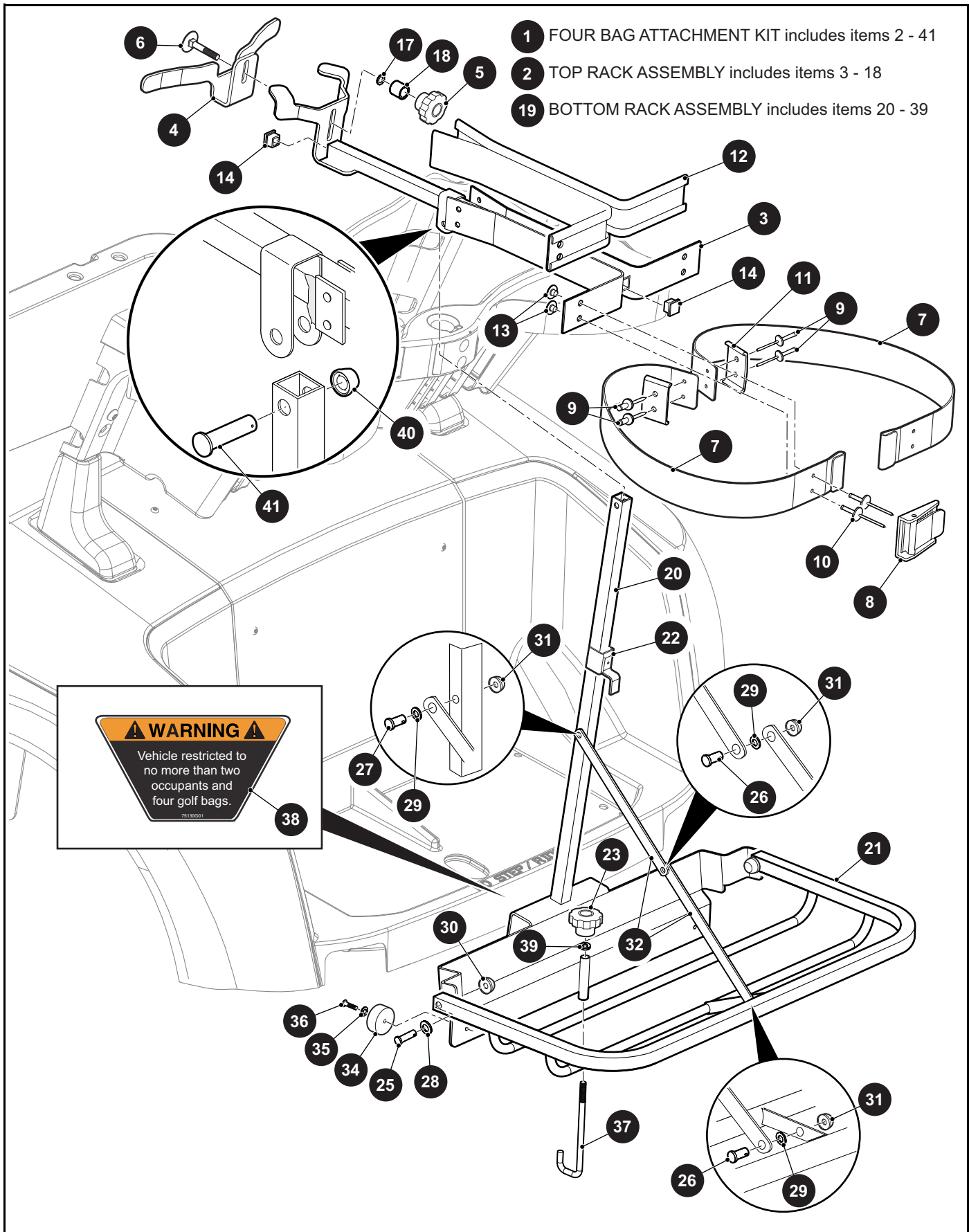
When ordering parts, please specify the model and serial number of the product.

\* Indicates a component that is not available as an individual part.

\*\*\* Indicates consult Customer Service Department for additional information.

ITEM	PART NO.	1 2 3 4 5	DESCRIPTION	QTY.
1	664388		SAND BUCKET KIT (DRIVER SIDE) (INCLUDES ITEMS 3, 5 - 7).....	1
2	664400		SAND BUCKET KIT (PASSENGER SIDE) (INCLUDES ITEMS 4 - 7) .....	1
3	658504		BRACKET .....	1
4	658505		BRACKET .....	1
5	662248		SAND BUCKET .....	1
6	74848G01		SCOOP.....	1
7	659156		HARDWARE KIT (INCLUDES ITEMS 8 - 10) .....	1
8	*		TRUSS HEAD TORX BOLTS, M6 - 1 X 30MM LG .....	4
9	*		FLAT WASHERS, M6 - 30 .....	4
10	*		HEX LOCK NUTS, M6 - 1 .....	4
11				
12				
13				
14				
15	643092		CLUB AND BALL WASHER KIT (DRIVER SIDE) (INCLUDES ITEMS 17 - 27)	1
16	643094		CLUB AND BALL WASHER KIT (PASSENGER SIDE) (INCLUDES ITEMS 17 - 26, 28) .....	1
17	603836		CLUB AND BALL WASHER .....	1
18	604384		CLUB AND BALL WASHER PLATE .....	1
19	606274		FLANGED HEX NUT, M10 - 1.25 .....	3
20	606256		FLANGED HEX HEAD BOLT, M10 - 1.25 X 25MM LG .....	3
21	600530		BUTTON HEAD TORX BOLT, M10 - 1.5 X 25MM LG .....	5
22	608732		PAN HEAD PHILLIPS SCREW, M8.....	5
23	608520		FLAT WASHER, M10.....	4
24	600525		LOCK NUT, M10 - 1.5.....	4
25	608747		FLAT WASHER, M6 X 1.5 .....	5
26	614974		TORQUE NUT, M10 - 1.5 .....	1
27	643091		MOUNTING BRACKET (DRIVER SIDE).....	1
28	643093		MOUNTING BRACKET (PASSENGER SIDE) .....	1

# BODY



THE USE OF NON U.L. PARTS WILL VOID ANY U.L. LISTING.

When ordering parts, please specify the model and serial number of the product.

\* Indicates a component that is not available as an individual part.

\*\*\* Indicates consult Customer Service Department for additional information.

ITEM	PART NO.	1 2 3 4 5	DESCRIPTION	QTY.
1	646547		FOUR BAG ATTACHMENT KIT (INCLUDES ITEMS 2 - 41) .....	1
2	646557		TOP RACK ASSEMBLY (INCLUDES ITEMS 3 - 18).....	1
3	646556		TOP MOUNT RACK.....	1
4	608939		UNDER MOUNT BRACKET .....	1
5	75337G01		KNOB, 5/16" - 18 .....	1
6	00724G5		ELEVATOR BOLT, 5/16" - 18 X 2" LG .....	1
7	17641G1		STRAP (FOUR BAG RACK) .....	2
8	16920G1		STRAP RETAINER ASSEMBLY .....	2
9	17226G1		RIVET, .255" X .246" .....	4
10	15058G1		RIVET (ALUMINUM), .191"X .183" .....	4
11	16610G1		ANCHOR PLATE .....	2
12	14643G3		VINYL EXTRUSION .....	2
13	16935G1		TEE NUT .....	4
14	19859G1		TUBE CAP, 3/4" SQ .....	2
15	17618G1		NYLON CLAMP, 8" LG (NOT ILLUSTRATED).....	2
16	14382G7		STRIP (NOISE SUPPRESSOR) (NOT ILLUSTRATED) .....	2
17	00567G8		LOCK WASHER (EXTERNAL TOOTH TYPE), 5/16" .....	1
18	75048G04		SPACER.....	1
19	647152		BOTTOM RACK ASSEMBLY (INCLUDES ITEMS 20 - 39).....	1
20	*		LOWER MOUNT .....	1
21	*		FOUR BAG BOTTOM ASSEMBLY .....	1
22	*		LATCH ASSEMBLY .....	1
23	*		KNOB, 5/16" - 18 .....	1
24	*		VINYL SHRINK TUBING (NOT ILLUSTRATED).....	1
25	*		CLEVIS PIN, 3/8" X 1.25" .....	2
26	*		CLEVIS PIN, 5/16" X .625" .....	2
27	*		CLEVIS PIN, 5/16" X 1.25" .....	1
28	*		FLAT WASHER, 3/8" .....	2
29	*		FLAT WASHER, 5/16" .....	3
30	*		CAP NUT (BLACK), 3/8" .....	2
31	*		CAP NUT (PLASTIC), 5/16" .....	3

# BODY

THE USE OF NON U.L. PARTS WILL VOID ANY U.L. LISTING.

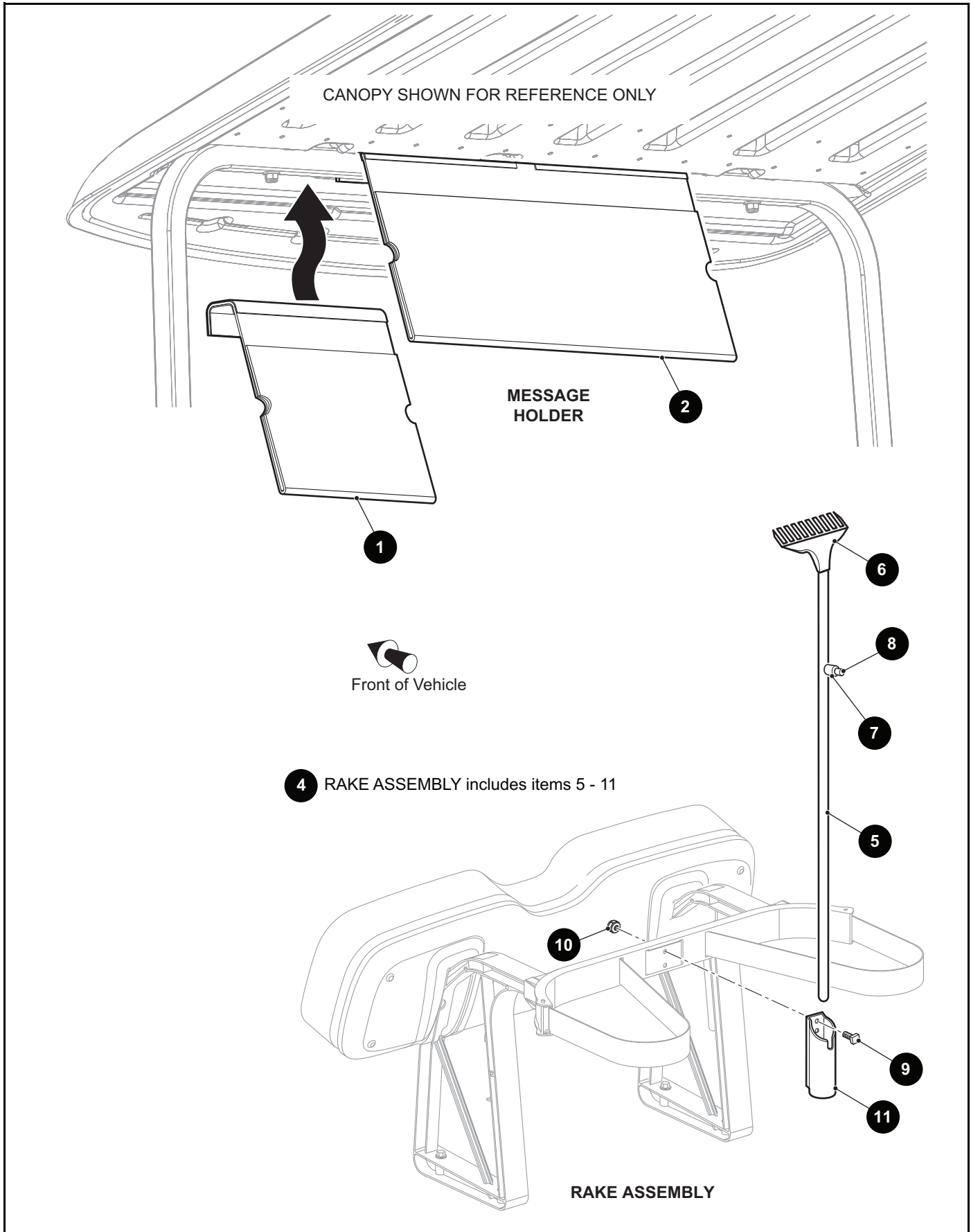
When ordering parts, please specify the model and serial number of the product.

\* Indicates a component that is not available as an individual part.

\*\*\* Indicates consult Customer Service Department for additional information.

ITEM	PART NO.	1	2	3	4	5	DESCRIPTION	QTY.
32	*						BRACE .....	2
33	*						NYLON CLAMP, 8" LG (NOT ILLUSTRATED) .....	1
34	*						RUBBER BUMPER .....	2
35	*						FLAT WASHER, #10 .....	2
36	*						RIVET, 3/16 X 13/16" .....	2
37	*						RETAINER ROD .....	1
38	*						WARNING LABEL .....	1
39	*						LOCK WASHER, 5/16" .....	1
40	28129G01						CAP NUT (PLASTIC), 5/16" .....	1
41	17651G2						CLEVIS PIN, 5/16" X 1.25" .....	1







THE USE OF NON U.L. PARTS WILL VOID ANY U.L. LISTING.

When ordering parts, please specify the model and serial number of the product.

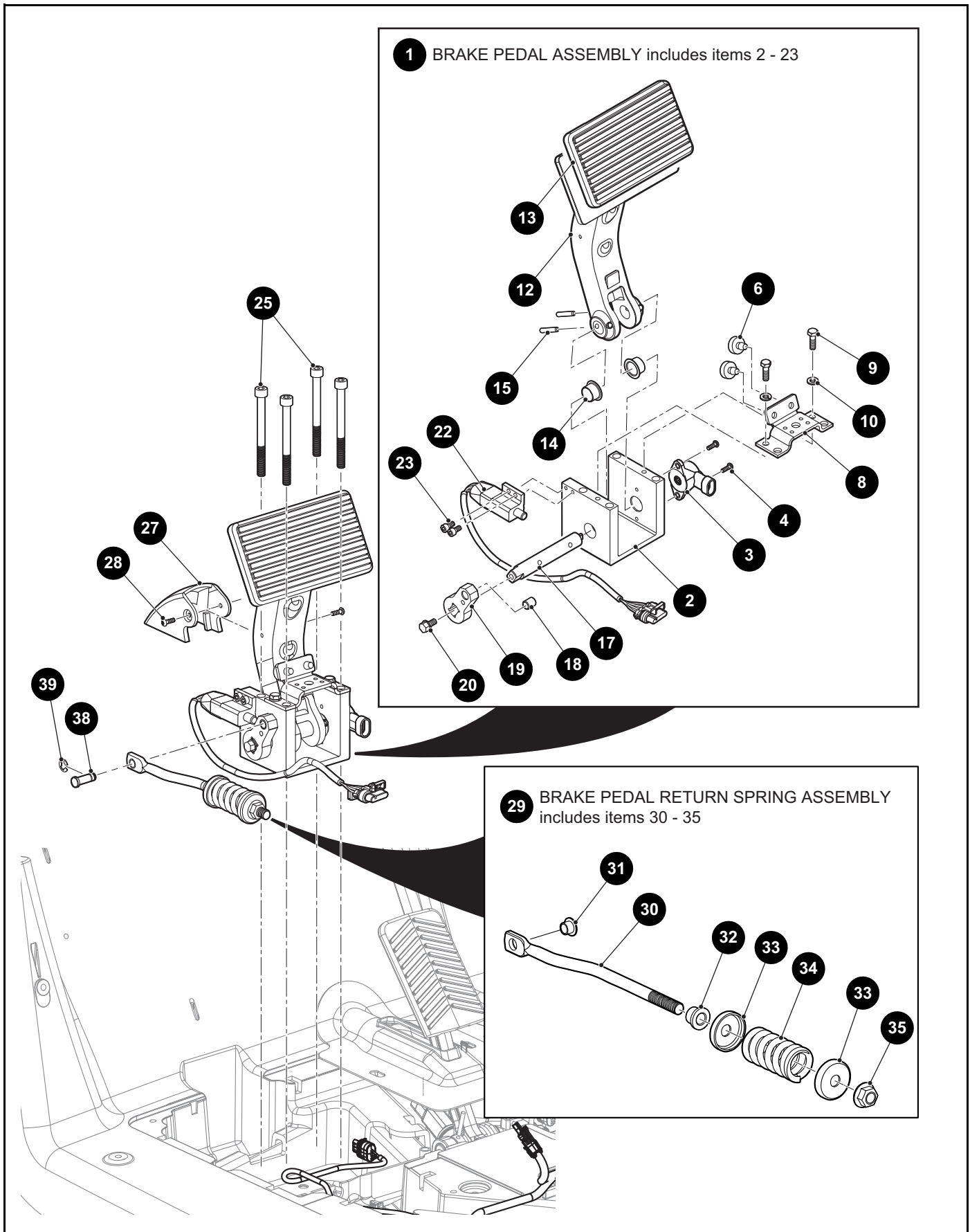
\* Indicates a component that is not available as an individual part.

\*\*\* Indicates consult Customer Service Department for additional information.

ITEM	PART NO.	1 2 3 4 5	DESCRIPTION	QTY.
1	609308		MESSAGE HOLDER (SINGLE).....	1
2	609092		MESSAGE HOLDER (DOUBLE).....	1
3				
4	14735G1		RAKE ASSEMBLY (INCLUDES ITEMS 5 - 11).....	1
5	14736G2		RAKE HANDLE .....	1
6	14737G1		RAKE.....	1
7	14934G1		SPACER .....	1
8	00130G8		ROUND HEAD PHILLIPS WOOD SCREW, #10 - 13 X 1" LG .....	1
9	00989G06		SQUARE HEAD BOLT, 1/4" - 20 X 3/4" LG.....	2
10	11027G2		LOCK NUT, 1/4" - 20 .....	2
11	25885G01		RAKE HOLDER.....	1







THE USE OF NON U.L. PARTS WILL VOID ANY U.L. LISTING.

When ordering parts, please specify the model and serial number of the product.

\* Indicates a component that is not available as an individual part.

\*\*\* Indicates consult Customer Service Department for additional information.

ITEM	PART NO.	1 2 3 4 5	DESCRIPTION	QTY.
1	638210		BRAKE PEDAL ASSEMBLY (INCLUDES ITEMS 2 - 23).....	1
2	*		BRAKE ARM MOUNT.....	1
3	600019		ROTARY POSITION SENSOR.....	1
4	600543		BUTTON HEAD TORX BOLT, M4 - .75 X 12MM LG.....	2
5				
6	604097		REBOUND BUMPER.....	2
7				
8	609226		SWITCH BUTTON BRACKET.....	1
9	613231		HEX HEAD BOLT, M6 - 1 X 20MM LG.....	2
10	601327		LOCK WASHER (SS), M6.....	2
11				
12	*		BRAKE PEDAL.....	1
13	610471		PEDAL COVER.....	1
14	*		FLANGED BUSHING, 16MM O.D. X 12MM I.D.....	2
15	*		SPIROL PIN, 5MM X 30 MM.....	2
16				
17	*		PIVOT SHAFT.....	1
18	*		SPLIT SLEEVE, 10MM O.D. X 8MM I.D X 12MM LG.....	1
19	626146		BRAKE CABLE ARM (PULL).....	1
20	606265		FLANGED HEX HEAD BOLT, M6 - 1 X 12MM LG.....	1
21				
22	607605		BRAKE PEDAL SWITCH.....	1
23	620030		SOCKET HEAD BOLT, M5 - .8 X 15MM LG.....	2
24				
25	605254		SOCKET HEAD BOLT, M8 - 1.25 X 90MM LG.....	4
26				
27	605688		BRAKE PEDAL COVER.....	1
28	600543		BUTTON HEAD TORX BOLT, M4 - .75 X 12MM LG.....	2
29	605266		BRAKE PEDAL RETURN SPRING ASSEMBLY (INCLUDES ITEMS 30 - 35)	1
30	*		BRAKE ROD.....	1
31	*		FLANGED BUSHING, 8MM DIA.....	1

# BRAKES

THE USE OF NON U.L. PARTS WILL VOID ANY U.L. LISTING.

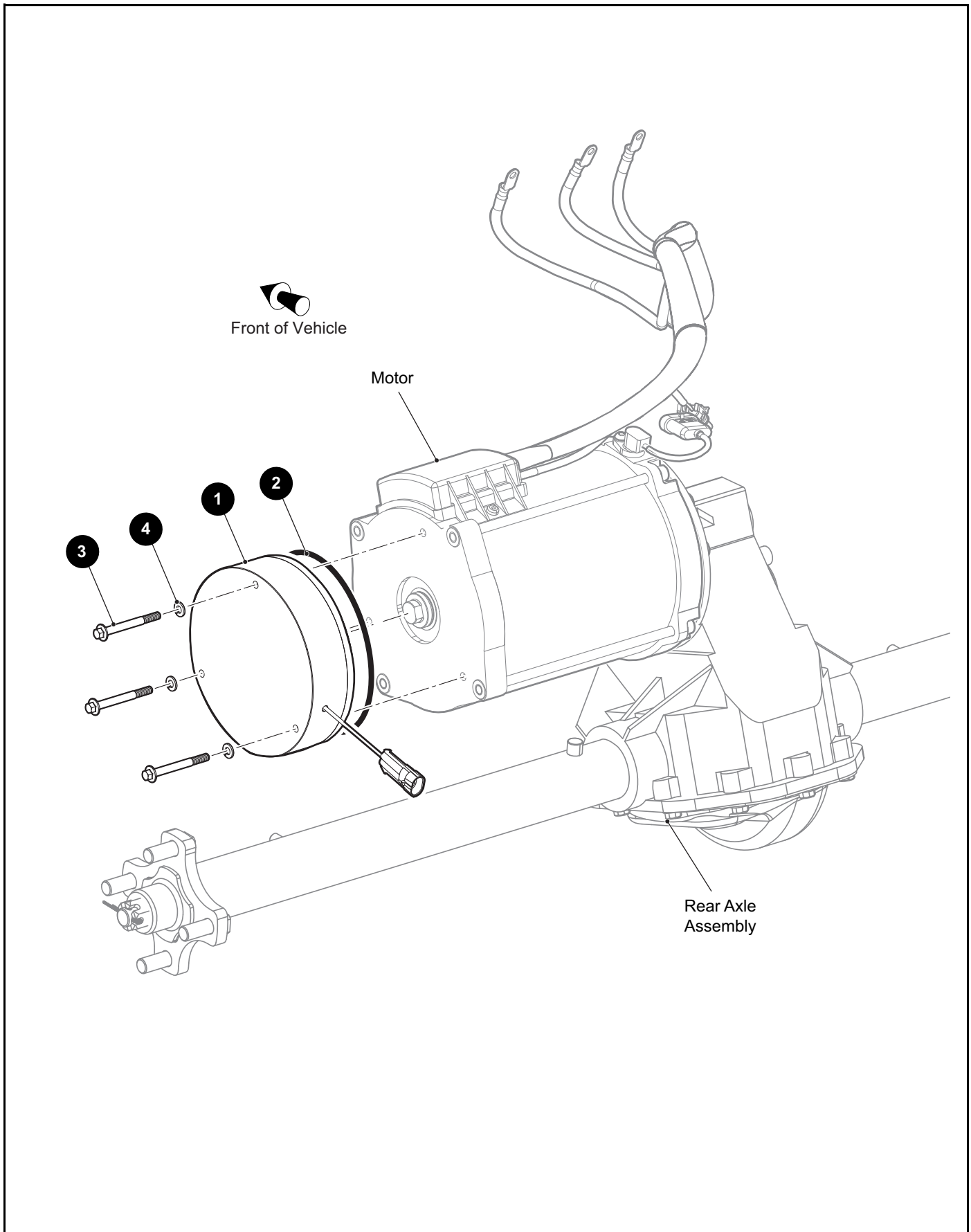
When ordering parts, please specify the model and serial number of the product.

\* Indicates a component that is not available as an individual part.

\*\*\* Indicates consult Customer Service Department for additional information.

ITEM	PART NO.	1	2	3	4	5	DESCRIPTION	QTY.
32	*						BUSHING, 10.2MM DIA.....	1
33	*						SHOCK ABSORBER WASHER, 31MM O.D. X 10.3MM I.D .....	2
34	*						SPRING .....	1
35	*						FLANGED HEX HEAD LOCK NUT, M10 - 1.5.....	1
36								
37								
38	601894						CLEVIS PIN, 8MM DIA X 21.5MM LG.....	1
39	601835						RETAINING RING, 8MM .....	1







THE USE OF NON U.L. PARTS WILL VOID ANY U.L. LISTING.

When ordering parts, please specify the model and serial number of the product.

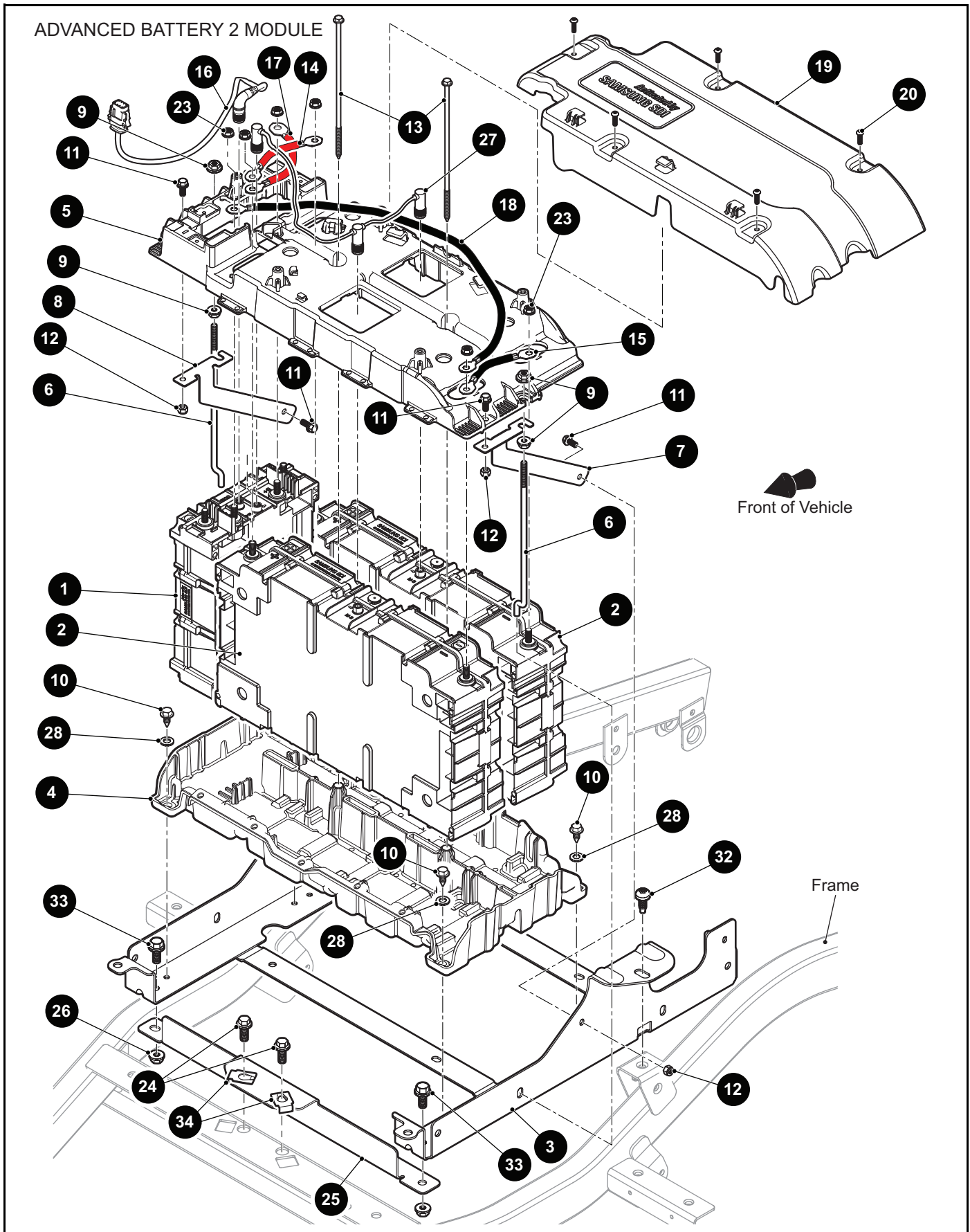
\* Indicates a component that is not available as an individual part.

\*\*\* Indicates consult Customer Service Department for additional information.

ITEM	PART NO.	1 2 3 4 5	DESCRIPTION	QTY.
1	617766		E - BRAKE .....	1
2	628550		O-RING, DIA 152MM .....	1
3	73715G01		FLANGED HEX HEAD BOLT, M6 - 1 X 60MM LG.....	3
4	00664G7		LOCK WASHER (SS), M6 .....	3







THE USE OF NON U.L. PARTS WILL VOID ANY U.L. LISTING.

When ordering parts, please specify the model and serial number of the product.

\* Indicates a component that is not available as an individual part.

\*\*\* Indicates consult Customer Service Department for additional information.

ITEM	PART NO.	1 2 3 4 5	DESCRIPTION	QTY.
1	665953		BATTERY MANAGEMENT SYSTEM .....	1
2	665954		CELL MODULE .....	2
3	650778		BATTERY TRAY .....	1
4	651809		BOTTOM TRAY .....	1
5	651812		TOP TRAY .....	1
6	01101G01		TIE DOWN BOLT .....	2
7	654002G01		HOLD DOWN BRACKET (DRIVER SIDE) .....	1
8	654002G02		HOLD DOWN BRACKET (PASSENGER SIDE) .....	1
9	11027G1		FLANGED LOCK NUT, 5/16" - 18 .....	4
10	00715G2		HEX WASHER HEAD BOLT, 5/16" - 18 X .80" LG .....	4
11	13437G9		SERRATED HEAD LOCK SCREW, 1/4" - 20 X 3/4" LG .....	4
12	14390G4		LOCK NUT, 1/4" - 20 .....	4
13	654863		FLANGED HEX HEAD BOLT, 1/4" - 10 X 8 3/4" LG .....	2
14	652002		BATTERY CABLE (RED), 6AWG, 122 MM LG .....	1
15	653432		BATTERY CABLE (BLACK), 6AWG, 122 MM LG .....	1
16	652090		HARNESS (BMS TO MAIN HARNESS) .....	1
17	653449		BATTERY CABLE (RED), 6AWG, 145 MM LG .....	1
18	651811		BATTERY CABLE (BLACK), 6AWG, 595 MM LG .....	1
19	651878		TOP COVER .....	1
20	654616		BUTTON HEAD TAPPING SCREW, #10 X .625" LG .....	5
21				
22				
23	659134		CONICAL HEX NUT, M8 - 1.25 .....	6
24	603799		FLANGED HEX HEAD BOLT, M10 - 1.5 X 25MM LG .....	2
25	654421		FRONT MOUNTING BRACKET .....	1
26	600525		LOCK NUT, M10 - 1.5 .....	2
27	651960		BATTERY COMMUNICATION CABLE, 60AH .....	1
28	00559G8		FLAT WASHER, 5/16" .....	4
29				
30				
31				

# ELECTRICAL

THE USE OF NON U.L. PARTS WILL VOID ANY U.L. LISTING.

When ordering parts, please specify the model and serial number of the product.

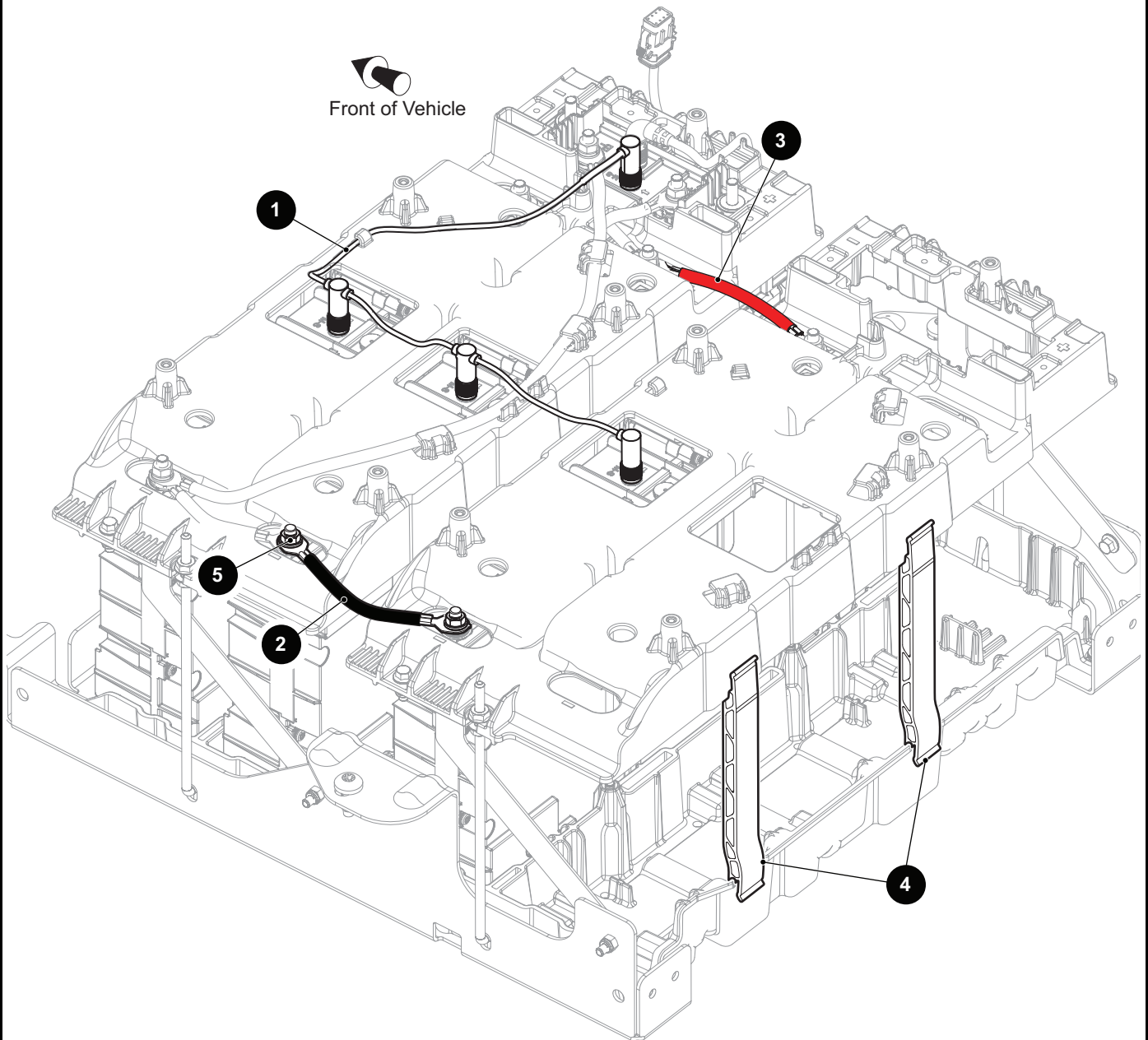
\* Indicates a component that is not available as an individual part.

\*\*\* Indicates consult Customer Service Department for additional information.

ITEM	PART NO.	1 2 3 4 5	DESCRIPTION	QTY.
32	602572		PAN HEAD TAPTITE BOLT, M10 - 1.5 X 25MM LG .....	2
33	603799		FLANGED HEX HEAD BOLT, M10 - 1.25 X 25MM LG .....	2
34	603818		BARREL CLIP, M10 - 1.5.....	2



ADVANCED BATTERY 3 MODULE



\*NOTE: Refer to ADVANCED BATTERY 2 MODULE for exploded view of battery pack



THE USE OF NON U.L. PARTS WILL VOID ANY U.L. LISTING.

When ordering parts, please specify the model and serial number of the product.

\* Indicates a component that is not available as an individual part.

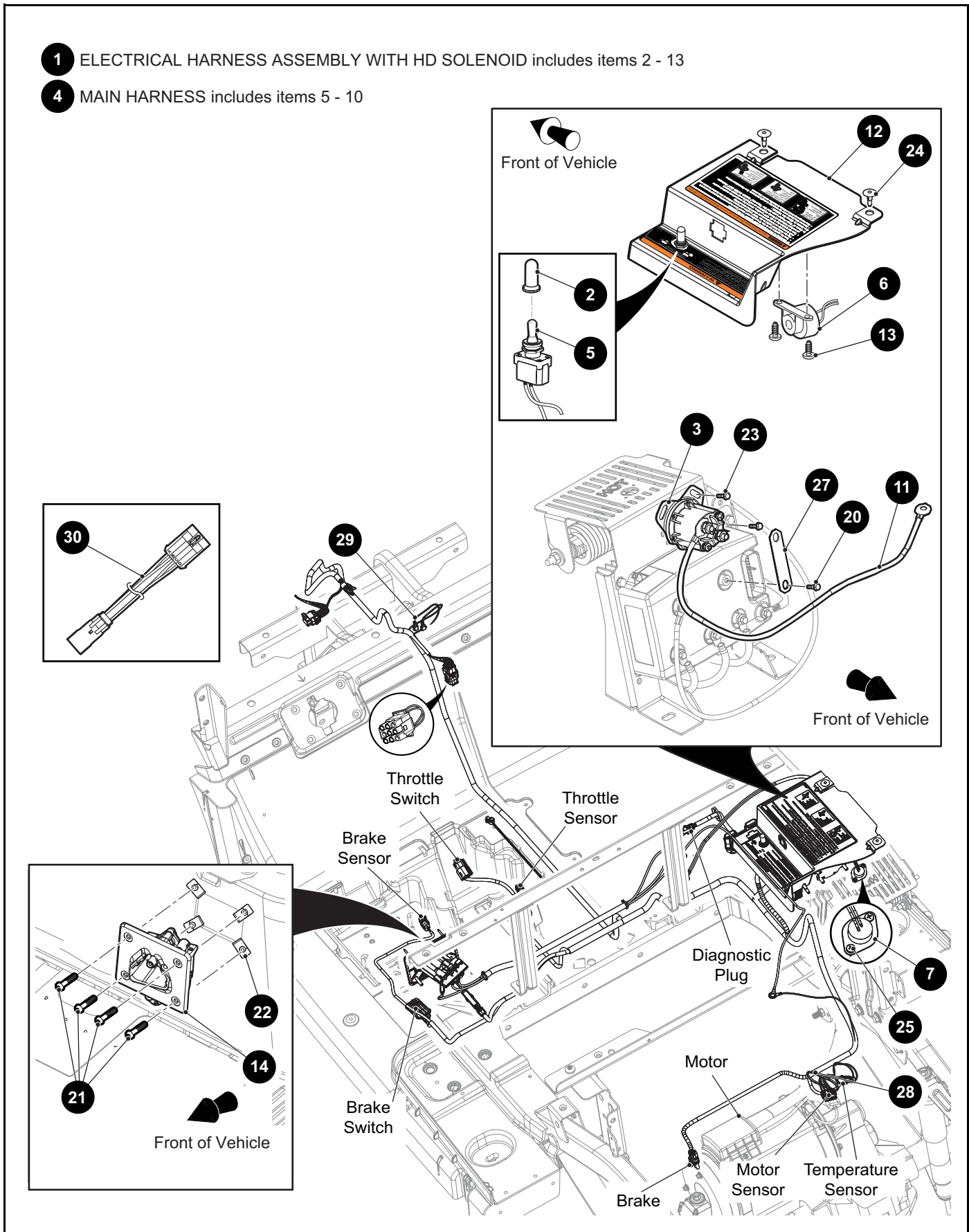
\*\*\* Indicates consult Customer Service Department for additional information.

ITEM	PART NO.	1 2 3 4 5	DESCRIPTION	QTY.
1	651961		BATTERY COMMUNICATION CABLE, 90AH .....	1
2	653431		BATTERY CABLE (BLACK), 6AWG, 160MM LG.....	1
3	653433		BATTERY CABLE (RED), 6AWG, 160MM LG.....	1
4	654488		BATTERY TRAY SPACER .....	2
5	659134		CONICAL HEX NUT, M8 - 1.25.....	2

# ELECTRICAL

1 ELECTRICAL HARNESS ASSEMBLY WITH HD SOLENOID includes items 2 - 13

4 MAIN HARNESS includes items 5 - 10



THE USE OF NON U.L. PARTS WILL VOID ANY U.L. LISTING.

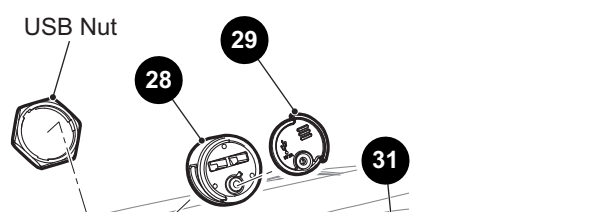
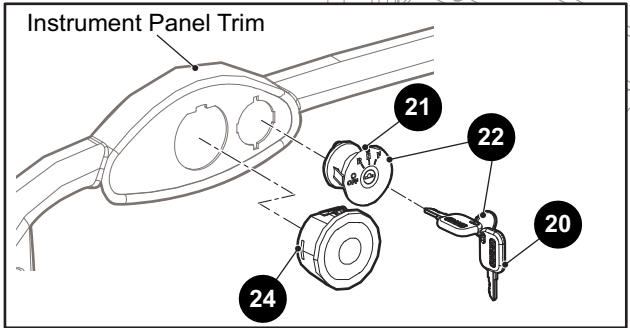
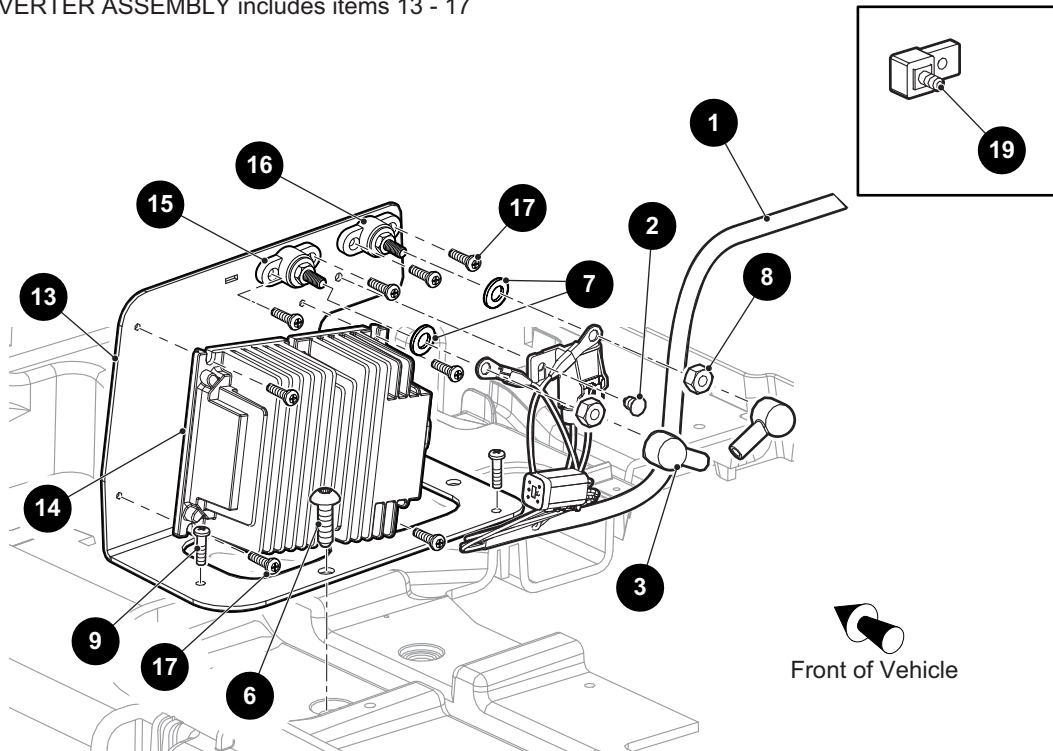
When ordering parts, please specify the model and serial number of the product.

\* Indicates a component that is not available as an individual part.

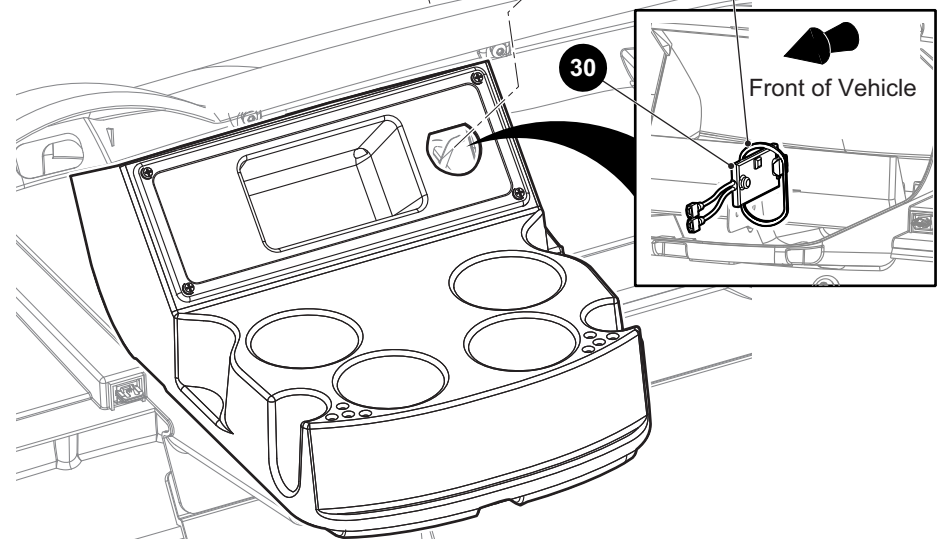
\*\*\* Indicates consult Customer Service Department for additional information.

ITEM	PART NO.	1 2 3 4 5	DESCRIPTION	QTY.
1	653301		ELECTRICAL HARNESS ASSEMBLY WITH HD SOLENOID (INCLUDES ITEMS 2 - 13) .....	1
2	655019		RUBBER BOOT (ROW/TOW SWITCH).....	1
3	649371		SOLENOID .....	1
4	650492		MAIN HARNESS (INCLUDES ITEMS 5 - 10) .....	1
5	620765G01		RUN/TOW SWITCH.....	1
6	620764G02		REVERSE WARNING BUZZER .....	1
7	609686G01		BI-METAL SWITCH.....	1
8	636455G22		FUSE (MINI), 58V, 10A (NOT ILLUSTRATED) .....	1
9	651800G01		RESISTOR (MALE), 120 OHM (NOT ILLUSTRATED) .....	1
10	648072		CLIP (TREE TYPE) (NOT ILLUSTRATED).....	1
11	653485		BATTERY CABLE, 525MM LG .....	1
12	612423		CONTROLLER SPLASH SHIELD.....	1
13	01051G01		PAN HEAD PHILLIPS SCREW, #8 - 16 X 1/2" LG .....	2
14	651410		CHARGER RECEPTACLE .....	1
15				
16				
17				
18				
19				
20	73876G01		FLANGED BOLT, M6 - 1 X 12MM LG .....	1
21	601326		BUTTON HEAD TORX BOLT, M6 - 1 X 20MM LG .....	4
22	602409		BARREL CLIP, M6 - 1 .....	4
23	71102G02		HEX WASHER HEAD BOLT, 1/4" - 20 X 1/2" LG .....	2
24	610487		REMOVABLE RIVET, .256".....	3
25	00614G4		PAN HEAD SELF TAPPING SCREW, #8 - 18 X 1/2" LG.....	2
26				
27	619047		BUS BAR .....	1
28	17618G1		NYLON CLAMP, 7" LG.....	3
29	638585		USB HARNESS .....	1
30	620292		TOW HARNESS .....	1

**12** DC - DC CONVERTER ASSEMBLY includes items 13 - 17



**27** USB PORT HOUSING ASSEMBLY includes items 28 - 29



THE USE OF NON U.L. PARTS WILL VOID ANY U.L. LISTING.

When ordering parts, please specify the model and serial number of the product.

\* Indicates a component that is not available as an individual part.

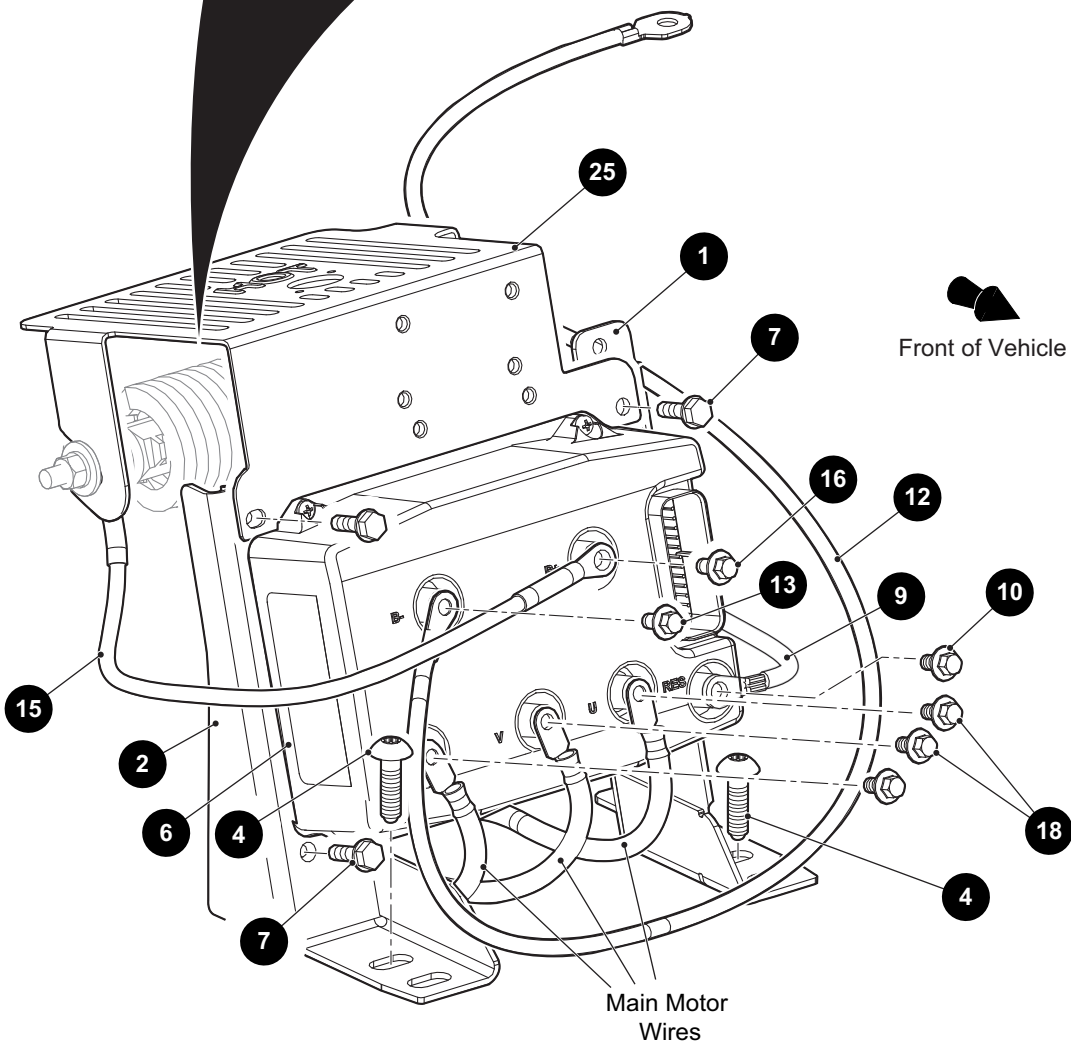
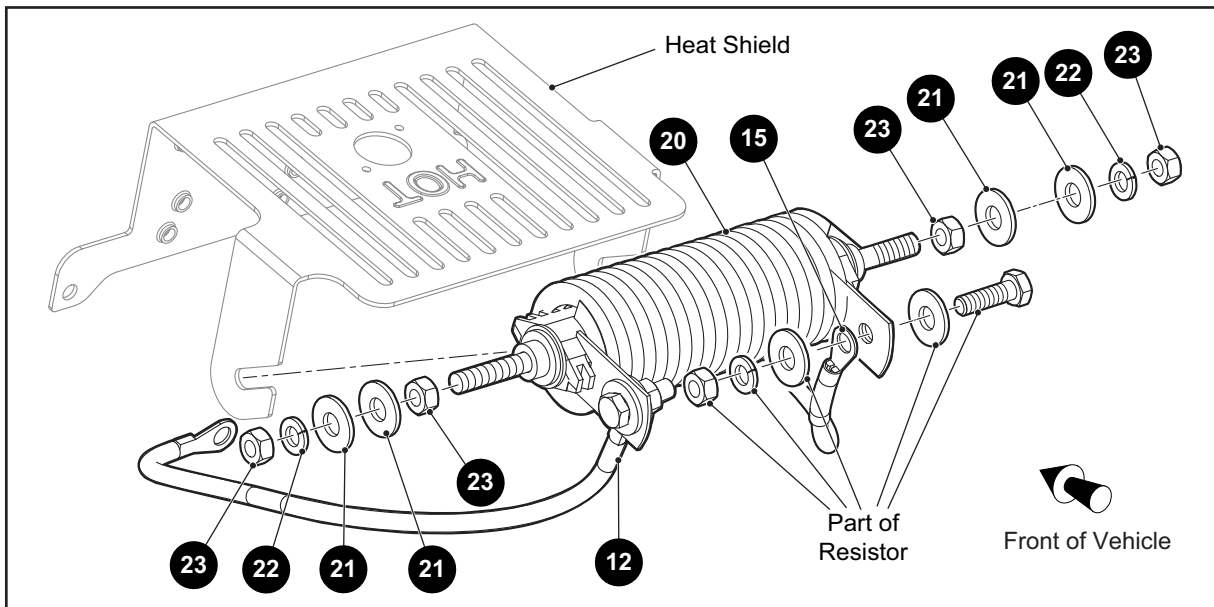
\*\*\* Indicates consult Customer Service Department for additional information.

ITEM	PART NO.	1 2 3 4 5	DESCRIPTION	QTY.
1	608182		DC-DC CONVERTER HARNESS.....	1
2	16816G5		RATCHET RIVET, .187" X .550" LG.....	1
3	25682G01		TERMINAL BOOT.....	2
4	664519G01		GPS DISPLAY UNIT, 7" (NOT ILLUSTRATED).....	1
5	664519G02		GPS DISPLAY UNIT, 10" (NOT ILLUSTRATED).....	1
6	649804		BUTTON HEAD TORX SCREW, M8 - 3.5 X 30MM LG.....	1
7	00559G8		FLAT WASHER, 5/16".....	2
8	00702G2		HEX NUT, 5/16" - 18.....	2
9	608290		SELF TAPPING SCREW, #10 - 16 X 3/4" LG.....	2
10	670675G01		GPS DISPLAY UNIT, 7" (NOT ILLUSTRATED).....	1
11	670675G02		GPS DISPLAY UNIT, 10" (NOT ILLUSTRATED).....	1
12	632184		DC-DC CONVERTER ASSEMBLY (INCLUDES ITEMS 13 - 17).....	1
13	662828		BRACKET.....	1
14	632185		DC-DC CONVERTER.....	1
15	662824G02		TERMINAL STUD (BLACK).....	1
16	662824G01		TERMINAL STUD (RED).....	1
17	632372		TAPPING SCREW, #10 - 32 X 3/4" LG.....	8
18				
19	33343G01		TERMINAL BLOCK.....	2
20	611282		COMMON KEYSER.....	1
21	653072		KEY SWITCH.....	1
22	655131		KEY SWITCH AND KEY SET ASSEMBLY.....	1
23				
24	612314		STATE OF CHARGE METER.....	1
25				
26				
27	639384		USB PORT HOUSING ASSEMBLY (INCLUDES ITEMS 28 - 29).....	1
28	639383		HOUSING.....	1
29	639382		LID.....	1
30	638233		USB ELECTRONICS.....	1
31	17618G1		CLAMP (NYLON), 7" LG.....	2





# ELECTRONIC SPEED CONTROL





## ELECTRONIC SPEED CONTROL

THE USE OF NON U.L. PARTS WILL VOID ANY U.L. LISTING.

When ordering parts, please specify the model and serial number of the product.

\* Indicates a component that is not available as an individual part.

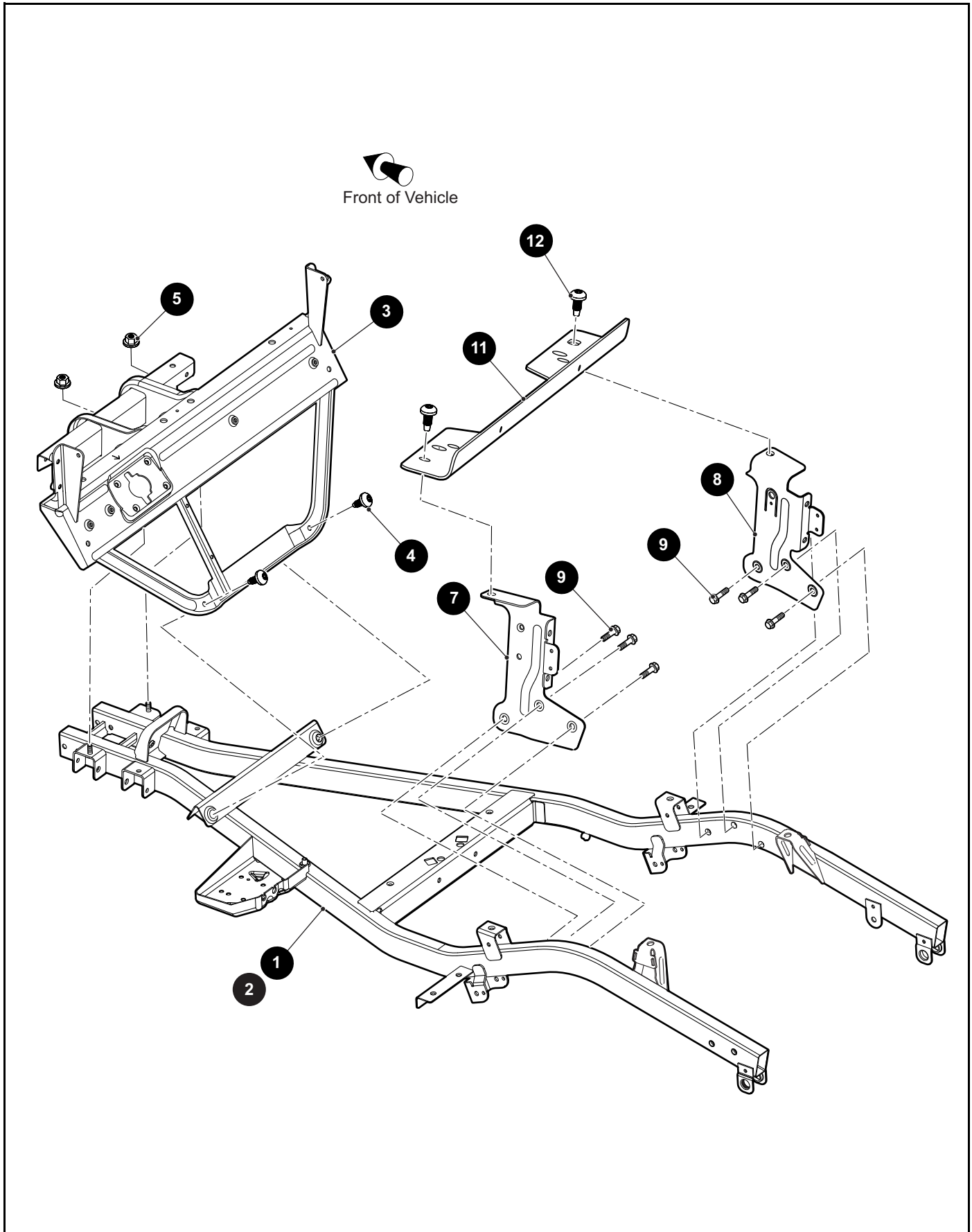
\*\*\* Indicates consult Customer Service Department for additional information.

ITEM	PART NO.	1 2 3 4 5	DESCRIPTION	QTY.
1	623170		CONTROLLER BRACKET (DRIVER SIDE) .....	1
2	623213		CONTROLLER BRACKET (PASSENGER SIDE).....	1
3				
4	649804		BUTTON HEAD TORX SCREW, M8 X 3.50 X 30MM LG .....	2
5				
6	667000G02		CONTROLLER, 1206-AC, ADV-BATT .....	1
7	606264		FLANGED HEX HEAD BOLT, M6 - 1 X 20MM LG.....	4
8				
9	607707		WIRE ASSEMBLY (WHITE), 10 AWG, 300MM LG .....	1
10	73876G01		FLANGED HEX HEAD BOLT, M6 - 1 X 12MM LG.....	1
11				
12	653471		BATTERY CABLE (BLACK), 6 AWG, 480MM LG .....	1
13	73876G01		FLANGED HEX HEAD BOLT, M6 - 1 X 12MM LG.....	1
14				
15	624611		WIRE ASSEMBLY (WHITE), 10 AWG, 400MM LG .....	1
16	73876G01		FLANGED HEX HEAD BOLT, M6 - 1 X 12MM LG.....	1
17				
18	73876G01		FLANGED HEX HEAD BOLT, M6 - 1 X 12MM LG.....	3
19				
20	619001		RESISTOR, .86 OHM RATING .....	1
21	00571G2		FLAT WASHER, 5/16".....	4
22	00565G8		LOCK WASHER, 5/16" .....	2
23	*		HEX NUT, 5/16" .....	4
24				
25	645964		HEAT SHIELD .....	1





# FRAME



THE USE OF NON U.L. PARTS WILL VOID ANY U.L. LISTING.

When ordering parts, please specify the model and serial number of the product.

\* Indicates a component that is not available as an individual part.

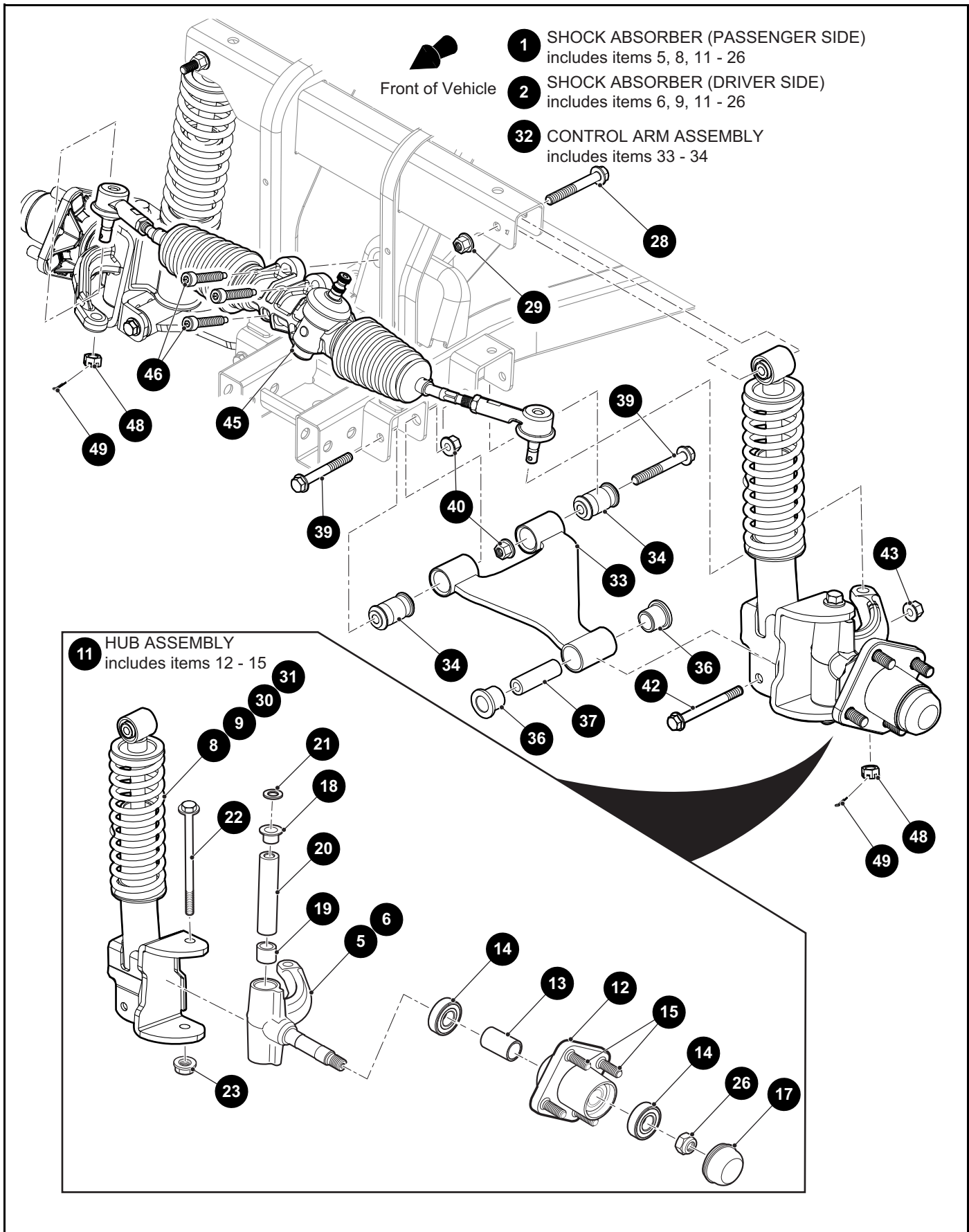
\*\*\* Indicates consult Customer Service Department for additional information.

ITEM	PART NO.	1 2 3 4 5	DESCRIPTION	QTY.
1	657280G05		FRAME WELDMENT, P/COAT .....	1
2	657280G03		FRAME WELDMENT, E/COAT & P/COAT .....	1
3	614597		INSTRUMENT PANEL SUPPORT WELDMENT .....	1
4	602572		PAN HEAD TAPITE BOLT, M10 - 1.5 X 25MM LG.....	2
5	600525		FLANGED LOCK NUT, M10 - 1.5 .....	2
6				
7	600218		SEAT SUPPORT BRACKET (DRIVER SIDE) .....	1
8	628614		SEAT SUPPORT BRACKET (PASSENGER SIDE).....	1
9	603799		FLANGED HEX HEAD BOLT, M10 - 1.5 X 25MM LG.....	3
10				
11	601275		SEAT SUPPORT BRACE .....	1
12	602572		PAN HEAD TAPITE BOLT, M10 - 1.5 X 25MM LG.....	2





# FRONT SUSPENSION AND STEERING





## FRONT SUSPENSION AND STEERING

THE USE OF NON U.L. PARTS WILL VOID ANY U.L. LISTING.

When ordering parts, please specify the model and serial number of the product.

\* Indicates a component that is not available as an individual part.

\*\*\* Indicates consult Customer Service Department for additional information.

ITEM	PART NO.	1 2 3 4 5	DESCRIPTION	QTY.
1	663321		SHOCK ABSORBER (PASSENGER SIDE) (INCLUDES ITEMS 5, 8, 11 - 26)	1
2	663303		SHOCK ABSORBER (DRIVER SIDE) (INCLUDES ITEMS 6, 9, 11 - 26).....	1
3				
4				
5	663348		SPINDLE (PASSENGER SIDE) .....	1
6	663345		SPINDLE (DRIVER SIDE).....	1
7				
8	655529		STRUT (PASSENGER SIDE) (FOR VEHICLES MANUFACTURED AFTER 26 APRIL 2017) .....	1
9	655526		STRUT (DRIVER SIDE) (FOR VEHICLES MANUFACTURED AFTER 26 APRIL 2017) .....	1
10				
11	609603		HUB ASSEMBLY (INCLUDES ITEMS 12 - 15) .....	1
12	*		HUB.....	1
13	*		BEARING SPACER, 28MM O.D. X 22MM I.D. X 46.7MM LG.....	1
14	*		BALL BEARING, 47MM O.D. X 20MM I.D. X 14MM.....	2
15	19862G1		WHEEL BOLT, 1/2" - 20 X 1.218" LG .....	4
16				
17	12091G2		SPINDLE CAP.....	1
18	632925		FLANGED BUSHING .....	1
19	632926		FLANGED SLEEVE.....	1
20	614034		KINGPIN TUBE .....	1
21	601920		THRUST WASHER (SS), 35MM O.D. X 26MM I.D. X 2.5MM LG.....	1
22	620380		FLANGED HEX HEAD BOLT, M12 - 1.25 X 145MM LG .....	1
23	600549		LOCK NUT, M12 - 1.25.....	1
24				
25				
26	615109		LOCK NUT, M16 - 2.....	1
27				
28	602415		FLANGED HEX HEAD BOLT, M10 - 1.5 X 80MM LG.....	1
29	600525		LOCK NUT, M10 - 1.5 .....	1

## FRONT SUSPENSION AND STEERING

THE USE OF NON U.L. PARTS WILL VOID ANY U.L. LISTING.

When ordering parts, please specify the model and serial number of the product.

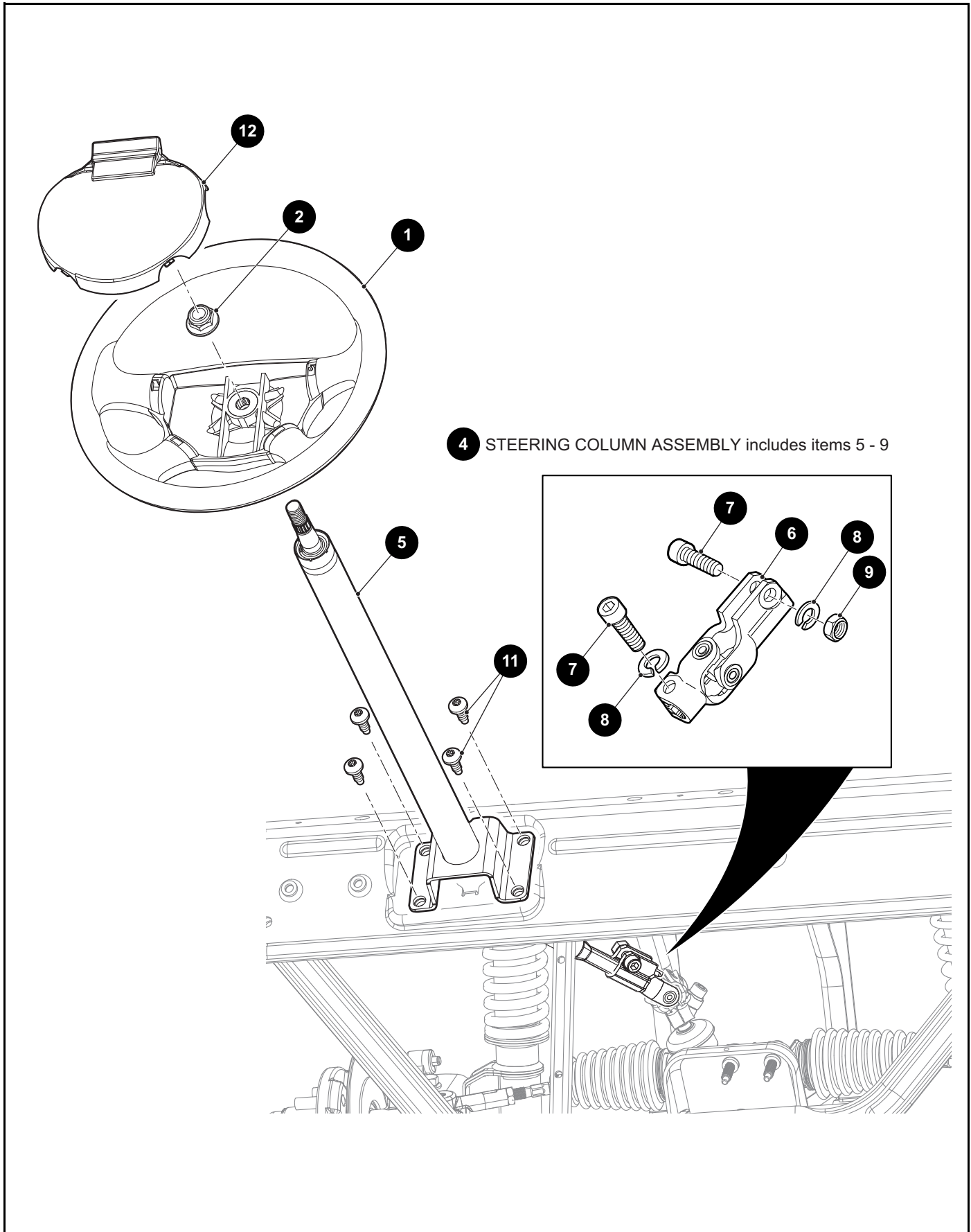
\* Indicates a component that is not available as an individual part.

\*\*\* Indicates consult Customer Service Department for additional information.

ITEM	PART NO.	1	2	3	4	5	DESCRIPTION	QTY.
30	601246						STRUT (DRIVER SIDE) (FOR VEHICLES MANUFACTURED BEFORE 26 APRIL 2017).....	1
31	603024						STRUT (PASSENGER SIDE) (FOR VEHICLES MANUFACTURED BEFORE 26 APRIL 2017).....	1
32	608089						CONTROL ARM ASSEMBLY (INCLUDES ITEMS 33 - 34).....	1
33	608090						CONTROL ARM.....	1
34	608086						MOUNTING SLEEVE (RUBBER).....	2
35								
36	601340						CONTROL ARM BUSHING.....	2
37	602085						CONTROL ARM CARRIER TUBE.....	2
38								
39	602415						FLANGED HEX HEAD BOLT, M10 - 1.5 X 80MM LG.....	2
40	600525						LOCK NUT, M10 - 1.5.....	2
41								
42	601754						FLANGED HEX HEAD BOLT, M10 - 1.5 X 100MM LG.....	1
43	600525						LOCK NUT, M10 - 1.5.....	1
44								
45	618329						STEERING RACK ASSEMBLY.....	1
46	602020						SOCKET HEAD BOLT, M10 - 1.5 X 50MM LG.....	3
47								
48	608005						CASTLE NUT (SS), M12 - 1.25.....	2
49	10387G2						COTTER PIN, .094" X 1".....	2



# FRONT SUSPENSION AND STEERING



**4** STEERING COLUMN ASSEMBLY includes items 5 - 9

## FRONT SUSPENSION AND STEERING

THE USE OF NON U.L. PARTS WILL VOID ANY U.L. LISTING.

When ordering parts, please specify the model and serial number of the product.

\* Indicates a component that is not available as an individual part.

\*\*\* Indicates consult Customer Service Department for additional information.

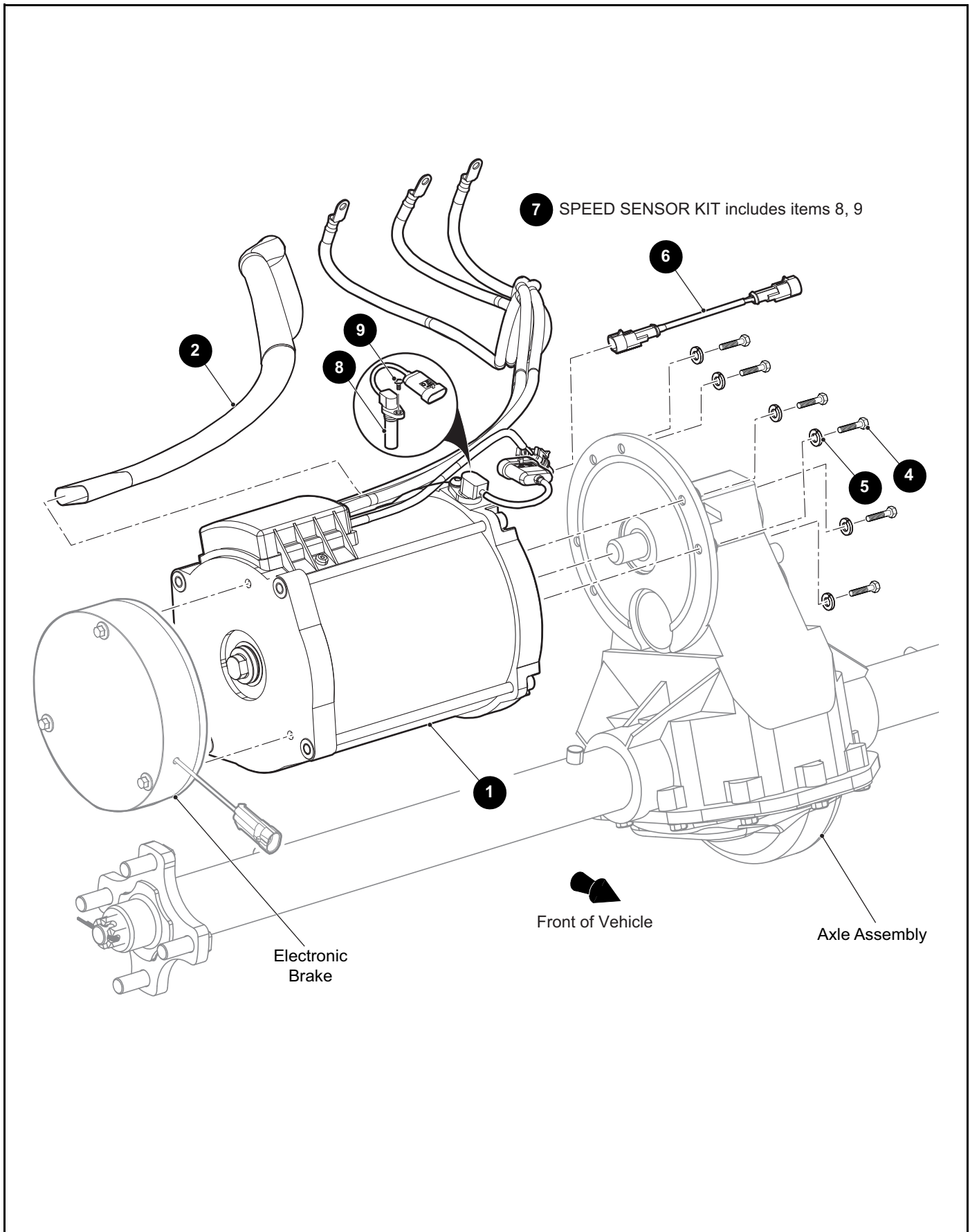
ITEM	PART NO.	1 2 3 4 5	DESCRIPTION	QTY.
1	602980		STEERING WHEEL .....	1
2	601709		LOCK NUT, M6 - 2 .....	1
3				
4	600333		STEERING COLUMN ASSEMBLY (INCLUDES ITEMS 5 - 9) .....	1
5	608117		STEERING COLUMN .....	1
6	608114		STEERING YOKE .....	1
7	608653		SOCKET HEAD BOLT, M10 - 1.5 X 35MM LG.....	2
8	608654		LOCK WASHER, 10.5MM .....	2
9	608655		HEX NUT, M10 - 1.5.....	1
10				
11	602572		PAN HEAD TAPTITE BOLT, M10 - 1.5 X 25MM LG .....	4
12	607925		SCORECARD HOLDER .....	1



Notes:

A large grid of 20 columns and 25 rows, intended for taking notes. The grid is empty and occupies most of the page below the 'Notes:' heading.

# MOTOR





THE USE OF NON U.L. PARTS WILL VOID ANY U.L. LISTING.

When ordering parts, please specify the model and serial number of the product.

\* Indicates a component that is not available as an individual part.

\*\*\* Indicates consult Customer Service Department for additional information.

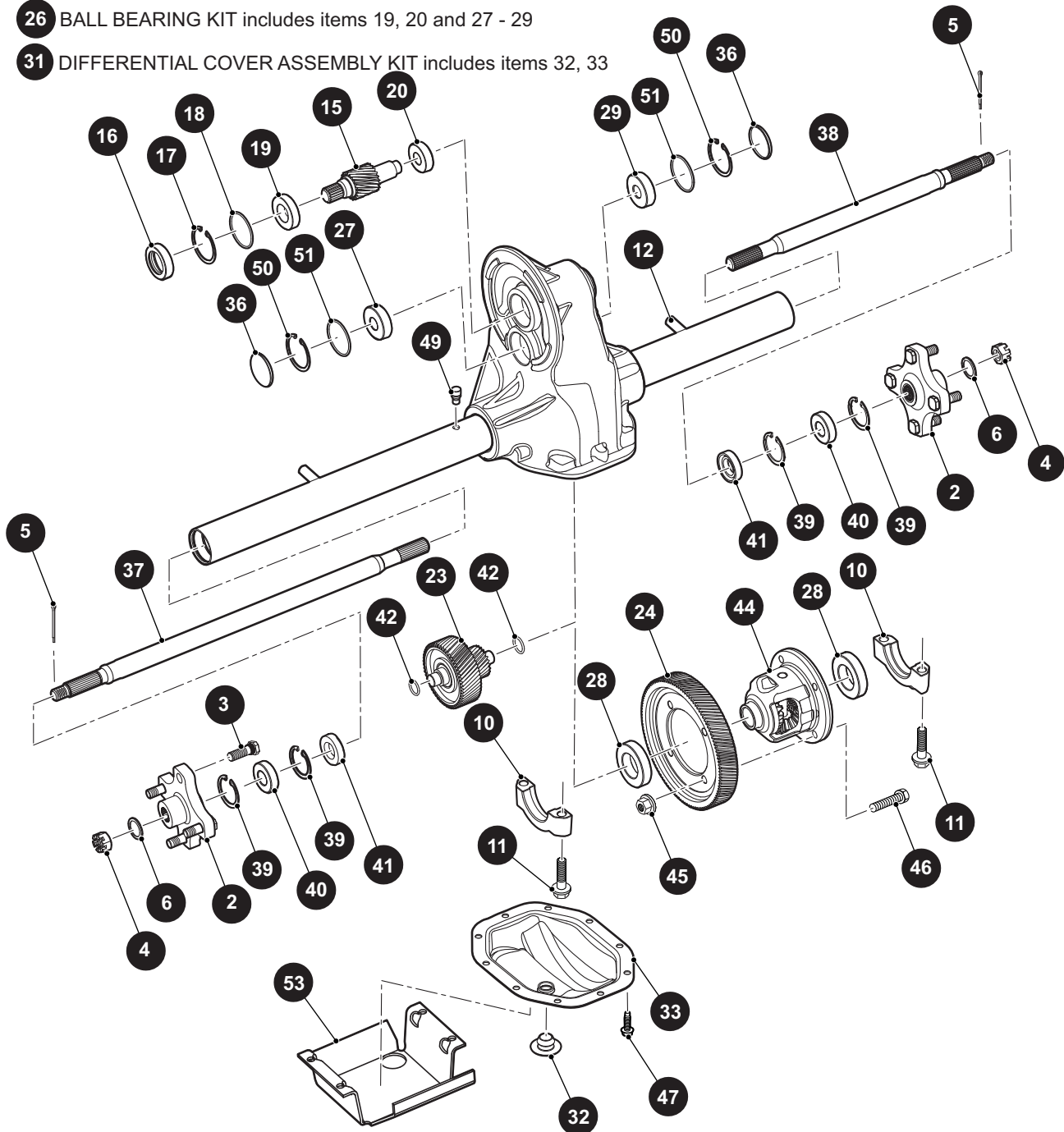
ITEM	PART NO.	1 2 3 4 5	DESCRIPTION	QTY.
1	666986		MOTOR, 48V AC.....	1
2	605714		FLEX LOOM SLEEVE.....	1
3				
4	605741		HEX HEAD BOLT, M6 - 1 X 25MM LG.....	6
5	601327		LOCK WASHER (SS), M6 .....	6
6	668214		TEMPERATURE SENSOR JUMPER HARNESS, 48V .....	1
7	614252		SPEED SENSOR KIT (INCLUDES ITEMS 8, 9).....	1
8	*		SPEED SENSOR .....	1
9	614253		PAN HEAD TORX BOLT, M6 - 1 X 12MM LG.....	1
10				
11				
12				
13	32372G6		VINYL TRIM (NOT ILLUSTRATED) .....	1
14	27327G02		TWISTED CLAMP CLIP (NOT ILLUSTRATED).....	1





# REAR AXLE

- 1** LIGHT DUTY ELECTRIC AXLE ASSEMBLY 16.99:1 includes items 2 - 9
- 2** REAR AXLE HUB ASSEMBLY includes item 3
- 9** LIGHT DUTY ELECTRIC AXLE, 16.99:1 includes items 10 - 51
- 10** AXLE HOUSING includes item 11, 12
- 14** INPUT GEAR KIT includes items 15 - 20
- 22** INTERNAL GEARS KIT includes items 15, 23, 24
- 26** BALL BEARING KIT includes items 19, 20 and 27 - 29
- 31** DIFFERENTIAL COVER ASSEMBLY KIT includes items 32, 33



THE USE OF NON U.L. PARTS WILL VOID ANY U.L. LISTING.

When ordering parts, please specify the model and serial number of the product.

\* Indicates a component that is not available as an individual part.

\*\*\* Indicates consult Customer Service Department for additional information.

ITEM	PART NO.	1 2 3 4 5	DESCRIPTION	QTY.
1	630901		LIGHT DUTY ELECTRIC AXLE ASSEMBLY 16.99:1 (INCLUDES ITEMS 2 - 9) .....	1
2	615604		REAR AXLE HUB ASSEMBLY (INCLUDES ITEM 3) .....	2
3	644957		WHEEL BOLT .....	8
4	612928		SLOTTED HEX NUT, 5/8" - 18 .....	2
5	10387G1		COTTER PIN, 5/32" X 1 3/4" LG .....	2
6	15487G1		FLAT WASHER (BRAKE DRUM), 1.5" O.D. X .76" I.D. ....	2
7				
8				
9	630902		LIGHT DUTY ELECTRIC AXLE, 16.99:1 (INCLUDES ITEMS 10 - 51).....	1
10	***		AXLE HOUSING (INCLUDES ITEMS 11, 12).....	1
11	15118G1		FLANGED HEX HEAD BOLT, 3/8" - 16 X 2.12" LG.....	4
12	618650		AXLE BRACKET LOCATING PIN .....	2
13				
14	620329		INPUT GEAR KIT (INCLUDES ITEMS 15 - 20).....	1
15	620327		INPUT GEAR.....	1
16	620328		OIL SEAL.....	1
17	23530G1		RETAINING RING, 2.059" DIA .....	1
18	24628G1		O-RING SEAL, 1.84" I. D.....	1
19	23519G2		BALL BEARING, .984" I. D X 1.85" O.D.....	1
20	23520G1		BALL BEARING, .669" I. D X 1.97" O. D.....	1
21				
22	620361		INTERNAL GEARS KIT (INCLUDES ITEMS 15, 23, 24).....	1
23	620349		INTERMEDIATE GEAR ASSEMBLY .....	1
24	620350		DRIVE GEAR .....	1
25				
26	620362		BALL BEARING KIT (INCLUDES ITEMS 19, 20 AND 27 - 29).....	1
27	620340		BALL BEARING .....	1
28	17473G1		DIFFERENTIAL BEARING ASSEMBLY .....	2
29	620355		BALL BEARING .....	1
30				

## REAR AXLE

THE USE OF NON U.L. PARTS WILL VOID ANY U.L. LISTING.

When ordering parts, please specify the model and serial number of the product.

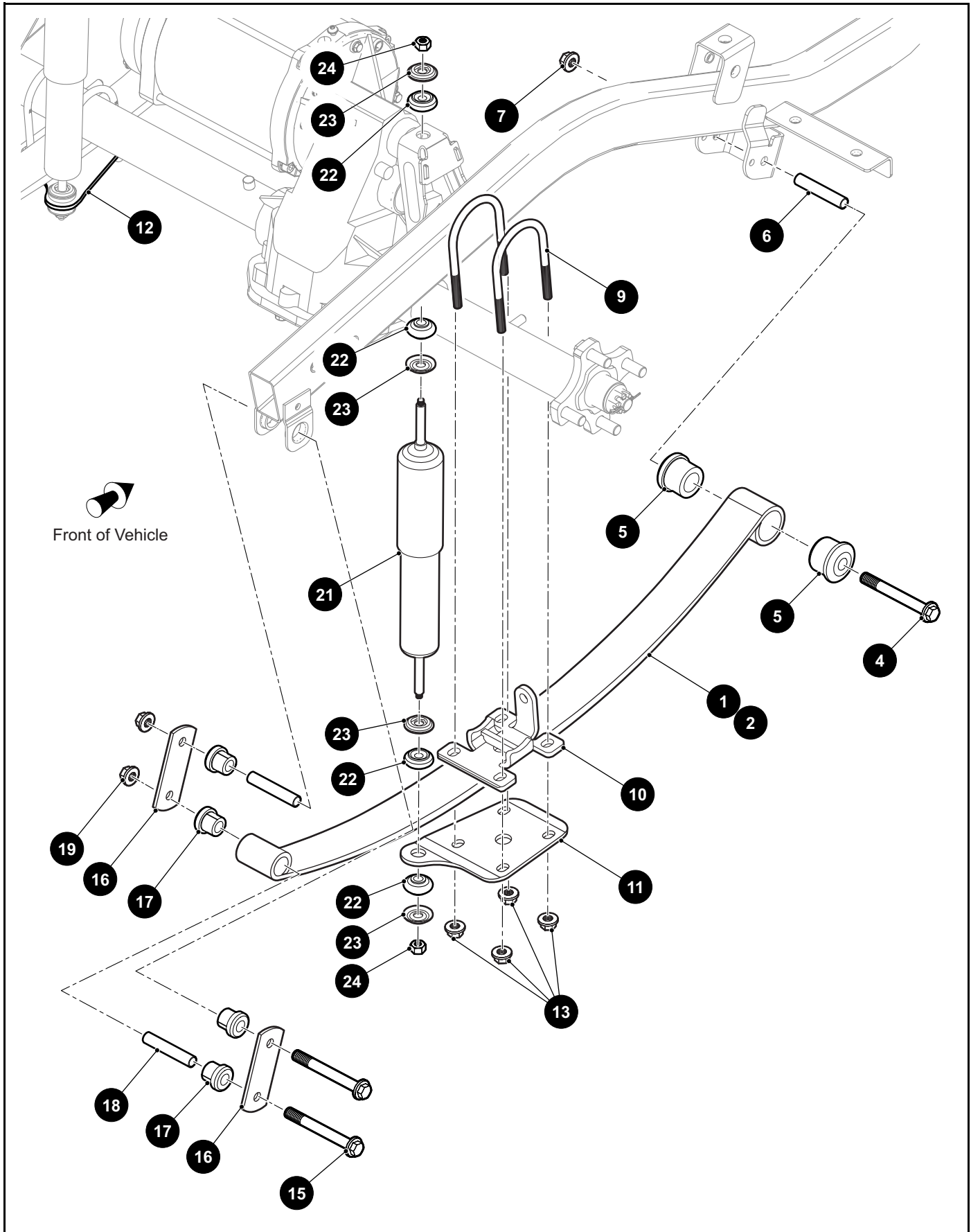
\* Indicates a component that is not available as an individual part.

\*\*\* Indicates consult Customer Service Department for additional information.

ITEM	PART NO.	1	2	3	4	5	DESCRIPTION	QTY.
31	620363						DIFFERENTIAL COVER ASSEMBLY KIT (INCLUDES ITEMS 32, 33) .....	1
32	620347						RUBBER PLUG .....	1
33	620348						DIFERENTIAL COVER PLATE .....	1
34								
35								
36	608811						END CAP PLUG .....	2
37	614208						AXLE SHAFT, LONG (DRIVER SIDE) .....	1
38	614209						AXLE SHAFT, SHORT (PASSENGER SIDE).....	1
39	620342						RETAINING RING .....	4
40	620343						BALL BEARING.....	2
41	620344						OIL SEAL.....	2
42	620345						O-RING.....	2
43								
44	614756						LIMITED SLIP DIFFERENTIAL KIT .....	1
45	601084						LOCK NUT, 3/8" - 24 .....	4
46	620335						FLANGED HEX HEAD BOLT, 3/8" - 24 X 1.25" LG.....	4
47	620346						FLANGED HEX HEAD BOLT, 5/16" - 18 X .75" LG.....	10
48								
49	620357						AXLE VENT.....	1
50	620358						O-RING.....	2
51	620359						RETAINING RING .....	2
52								
53	72763G02						SCUFF GUARD.....	1



# REAR SUSPENSION





## REAR SUSPENSION

THE USE OF NON U.L. PARTS WILL VOID ANY U.L. LISTING.

When ordering parts, please specify the model and serial number of the product.

\* Indicates a component that is not available as an individual part.

\*\*\* Indicates consult Customer Service Department for additional information.

ITEM	PART NO.	1 2 3 4 5	DESCRIPTION	QTY.
1	652611		TAPERED LEAF SPRING.....	1
2	604494		TAPERED LEAF SPRING (HEAVY DUTY).....	1
3				
4	601754		FLANGED HEX HEAD BOLT, M10 - 1.5 X 100MM LG.....	1
5	620160		FLANGED BUSHING (URETHANE).....	2
6	620161		SPLIT SPACER (STEEL).....	1
7	614974		FLANGED HEX NUT, M10 - 1.5.....	1
8				
9	632103		U-BOLT, 68MM DIA X 45MM X 110MM LG .....	2
10	626422		AXLE SUPPORT BRACKET.....	1
11	625658		SHOCK MOUNT PLATE (PASSENGER SIDE) .....	1
12	625657		SHOCK MOUNT PLATE (DRIVER SIDE).....	1
13	600525		FLANGED LOCK NUT, M10 - 1.5 .....	4
14				
15	601754		FLANGED HEX HEAD BOLT, M10 - 1.5 X 100MM LG.....	2
16	652245		SHACKLE PLATE .....	2
17	624030		FLANGED BUSHING (IGUS).....	4
18	620161		SPLIT SPACER (STEEL).....	2
19	614974		FLANGED HEX NUT, M10 - 1.5.....	2
20				
21	76418G01		SHOCK ABSORBER.....	1
22	10194G1		RUBBER BUSHING.....	4
23	10435G1		SHOCK ABSORBER WASHER, 1.25" O.D. X .406" I.D X .22" LG .....	4
24	00532G6		HEX NUT, 3/8" - 24 .....	2





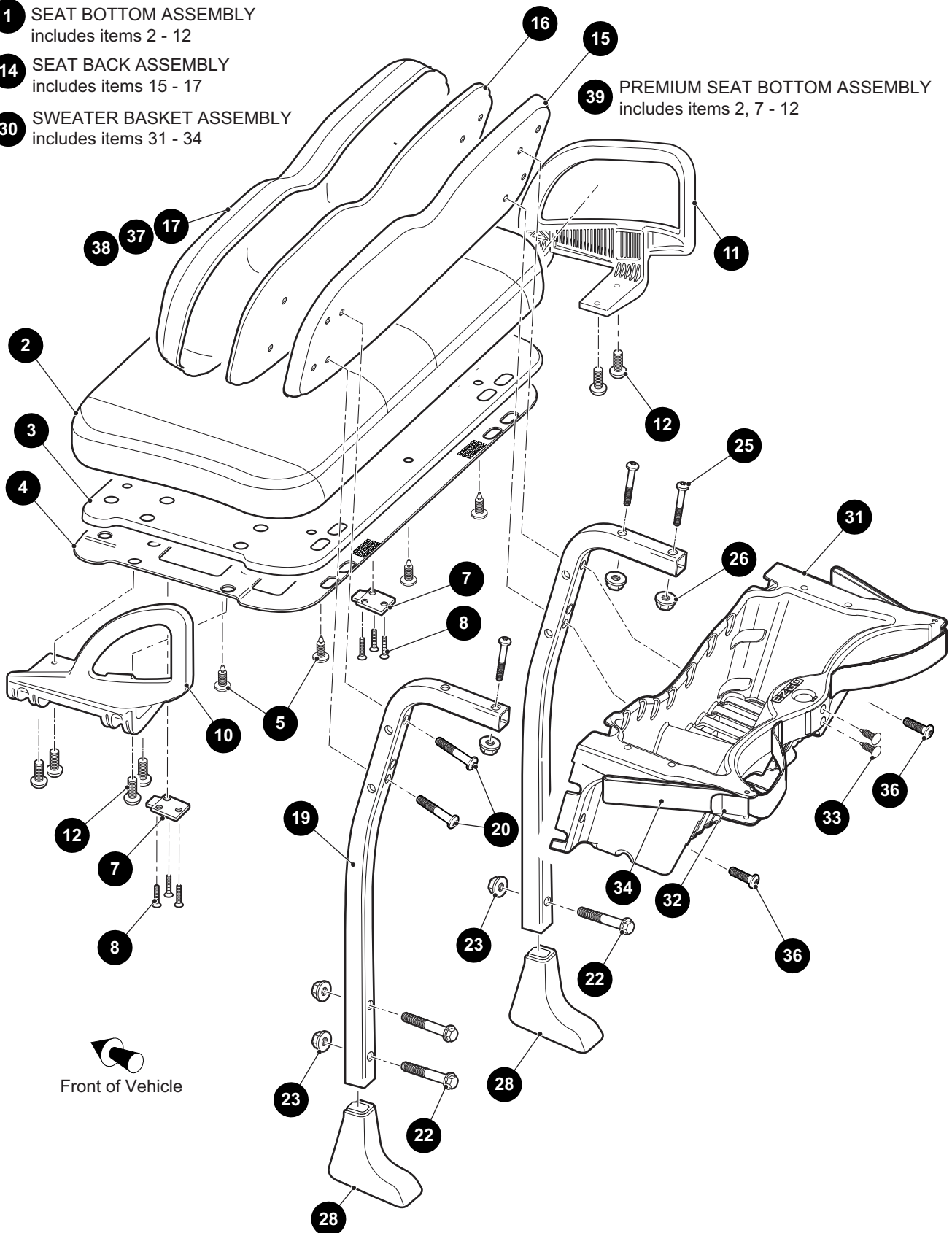
# SEATING

**1** SEAT BOTTOM ASSEMBLY  
includes items 2 - 12

**14** SEAT BACK ASSEMBLY  
includes items 15 - 17

**30** SWEATER BASKET ASSEMBLY  
includes items 31 - 34

**39** PREMIUM SEAT BOTTOM ASSEMBLY  
includes items 2, 7 - 12



THE USE OF NON U.L. PARTS WILL VOID ANY U.L. LISTING.

When ordering parts, please specify the model and serial number of the product.

\* Indicates a component that is not available as an individual part.

\*\*\* Indicates consult Customer Service Department for additional information.

ITEM	PART NO.	1 2 3 4 5	DESCRIPTION	QTY.
1	***		SEAT BOTTOM ASSEMBLY (INCLUDES ITEMS 2 - 12) ..... 629269G1502 STONE BEIGE 629269G1501 OYSTER 629269G1506 BLACK 629269G1504 GRAY	1
2	***		VINYL AND FOAM SEAT BOTTOM ..... 644819G02 STONE BEIGE 644819G01 OYSTER 644819G06 BLACK 644819G04 GRAY	1
3	644351		WOODEN BASE ASSEMBLY .....	1
4	602551		COVER PLATE.....	1
5	16816G2		RATCHET RIVET, .25" X .887" .....	4
6				
7	71610G01		SEAT HINGE .....	1
8	00720G08		FLAT HEAD PHILLIPS TAPPING SCREW, #12 - 14 X 1" LG .....	3
9				
10	617645		HIP RESTRAINT (DRIVER SIDE) .....	1
11	617644		HIP RESTRAINT (PASSENGER SIDE) .....	1
12	615417		BUTTON HEAD TORX BOLT, M10 - 1.5 X 25MM LG .....	4
13				
14	***		SEAT BACK ASSEMBLY (INCLUDES ITEMS 15 - 17)..... 641897G0002 STONE BEIGE 641897G0001 OYSTER 641897G0006 BLACK 641897G0004 GRAY	1
15	605529		COVER (PLASTIC) (BLACK) .....	1
16	644268		BASE ASSEMBLY .....	1
17	***		VINYL COVER AND FOAM ..... 644820G02 STONE BEIGE 644820G01 OYSTER 644820G06 BLACK 644820G04 GRAY	1
18				
19	602413		SEAT BACK SUPPORT STRUT .....	2
20	600527		BUTTON HEAD TORX BOLT, M10 - 1.5 X 60MM LG .....	4
21				

# SEATING

THE USE OF NON U.L. PARTS WILL VOID ANY U.L. LISTING.

When ordering parts, please specify the model and serial number of the product.

\* Indicates a component that is not available as an individual part.

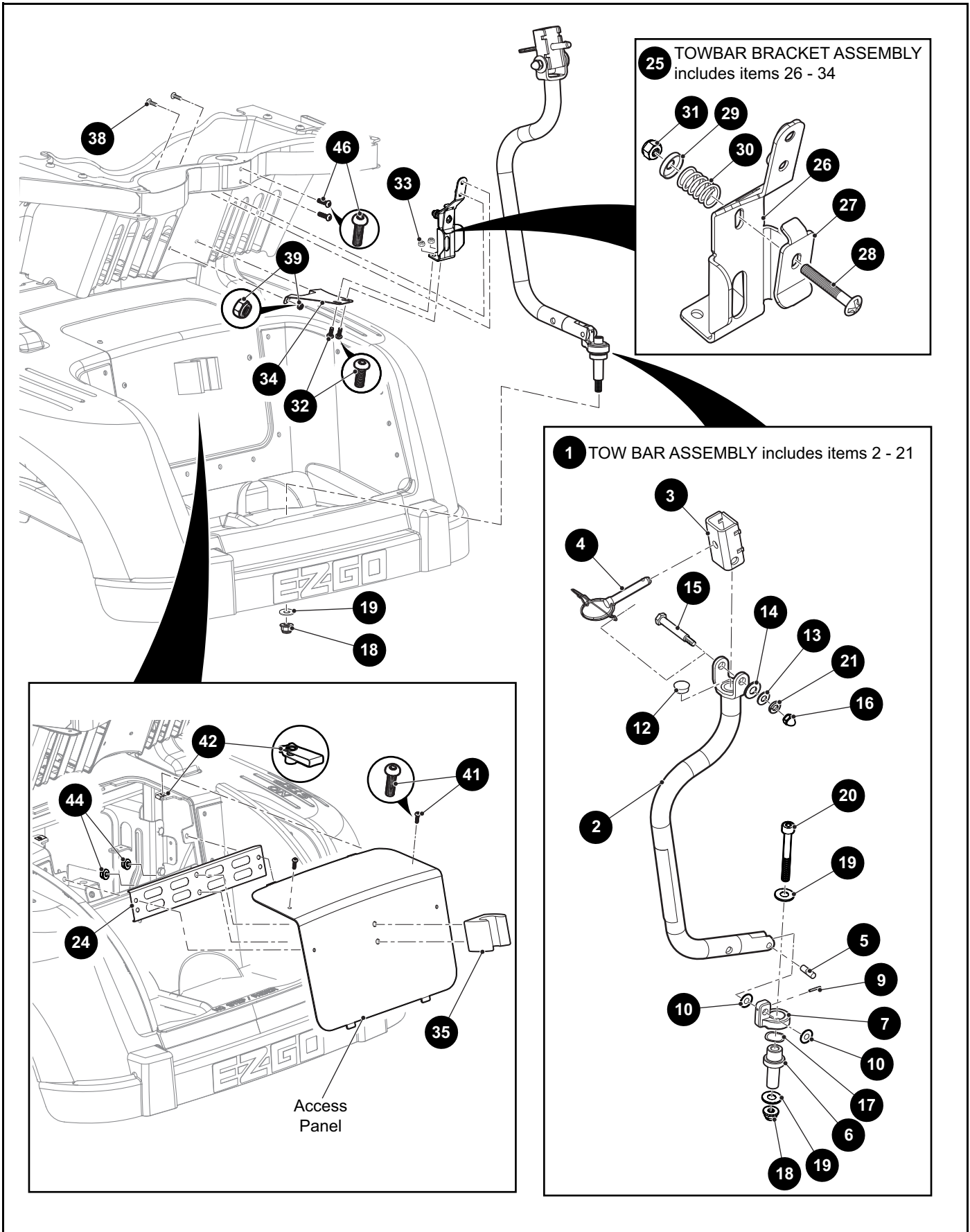
\*\*\* Indicates consult Customer Service Department for additional information.

ITEM	PART NO.	1 2 3 4 5	DESCRIPTION	QTY.
22	603800		FLANGED HEX HEAD BOLT, M10 - 1.5 X 50MM LG .....	2
23	600525		FLANGED LOCK NUT, M10 - 1.5.....	2
24				
25	600527		BUTTON HEAD TORX BOLT, M10 - 1.5 X 60 MM LG .....	4
26	600525		LOCK NUT, M10 - 1.5.....	4
27				
28	645088		SEAT BACK SUPPORT STRUT COVER.....	2
29				
30	602742		SWEATER BASKET ASSEMBLY (INCLUDES ITEMS 31 - 34) .....	1
31	*		SWEATER BASKET .....	1
32	608051		CLAMP (BAGRACK).....	2
33	16816G1		RACHET RIVET, .25" X .680" .....	2
34	71853G01		BAG STRAP.....	1
35				
36	600530		BUTTON HEAD TORX BOLT, M10 - 1.5 X 25 MM LG .....	2
37	***		PREMIUM SEAT BACK ASSEMBLY .....	1
			647266G17 LIGHT BEIGE	
			647266G18 MUSHROOM	
38	***		PREMIUM SEAT BACK ASSEMBLY .....	1
			647282G17 LIGHT BEIGE	
			647282G18 MUSHROOM	
39	***		PREMIUM SEAT BOTTOM ASSEMBLY (INCLUDES ITEMS 2, 7 - 12).....	1
			629269G1617 LIGHT BEIGE	
			629269G1618 MUSHROOM	

Notes:

A large grid area for taking notes, consisting of approximately 30 columns and 25 rows of small squares.

# TOWBAR





THE USE OF NON U.L. PARTS WILL VOID ANY U.L. LISTING.

When ordering parts, please specify the model and serial number of the product.

\* Indicates a component that is not available as an individual part.

\*\*\* Indicates consult Customer Service Department for additional information.

ITEM	PART NO.	1 2 3 4 5	DESCRIPTION	QTY.
1	635818		TOWBAR ASSEMBLY (INCLUDES ITEMS 2 - 21).....	1
2	635820		TOWBAR .....	1
3	635461		COUPLING WELDMENT .....	1
4	649863		HITCH PIN ASSEMBLY (SHORT).....	1
5	75360G01		PIVOT PIN .....	1
6	602990		PIVOT .....	1
7	625458		SWIVEL .....	1
8				
9	608793		SPIROL PIN, 3MM X 22MM .....	1
10	75340G01		FLAT WASHER (DELFIN), M10 .....	2
11				
12	20271G6		PLUG, .875" DIA.....	1
13	00560G1		FLAT WASHER, 3/8" .....	1
14	00571G5		FLAT WASHER, 5/16" .....	1
15	14158G1		SHOULDER BOLT, 3/8" - 16 X 2.75" LG .....	1
16	15717G5		ACORN NUT, 3/8" - 16 .....	1
17	603341		WAVY WASHER, M32 .....	1
18	625748		LOCK NUT, M12 - 1.25.....	1
19	603182		FLAT WASHER, M12.....	2
20	603384		SOCKET HEAD BOLT, M12 - 1.25 X 100MM LG .....	1
21	00566G1		SPRING LOCK WASHER, 7/16" .....	1
22				
23				
24	641228		SUPPORT CHANNEL.....	1
25	641381		TOWBAR BRACKET ASSEMBLY (INCLUDES ITEMS 26 - 34).....	1
26	641380		SOCKET WELDMENT .....	1
27	641546		RETENTION CLIP .....	1
28	16705G6		TRUSS HEAD PHILLIPS SCREW (SS), 1/4" - 20 X 1.75" LG .....	1
29	25727G01		CUP WASHER, .687" O.D. X .265" I.D.....	1
30	72735G01		COMPRESSION SPRING .....	1
31	14390G4		LOCK NUT (SS), 1/4" - 20 .....	1

# TOWBAR

THE USE OF NON U.L. PARTS WILL VOID ANY U.L. LISTING.

When ordering parts, please specify the model and serial number of the product.

\* Indicates a component that is not available as an individual part.

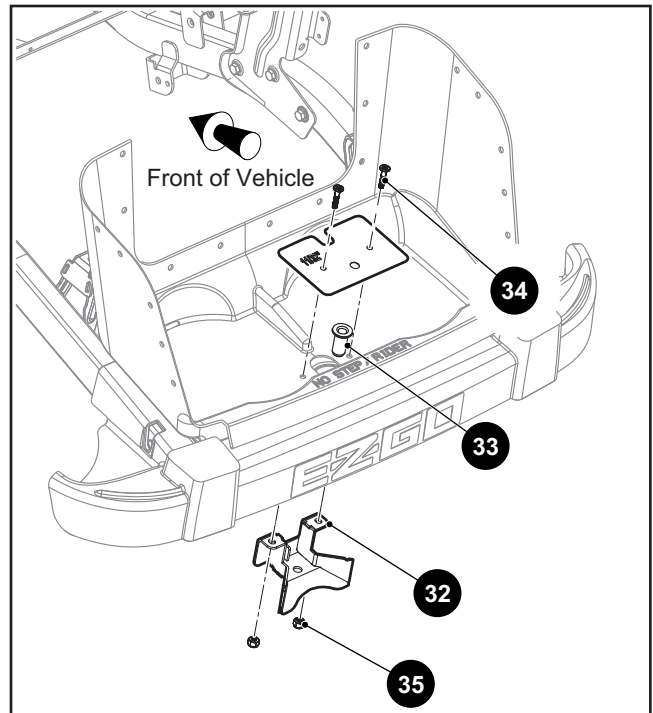
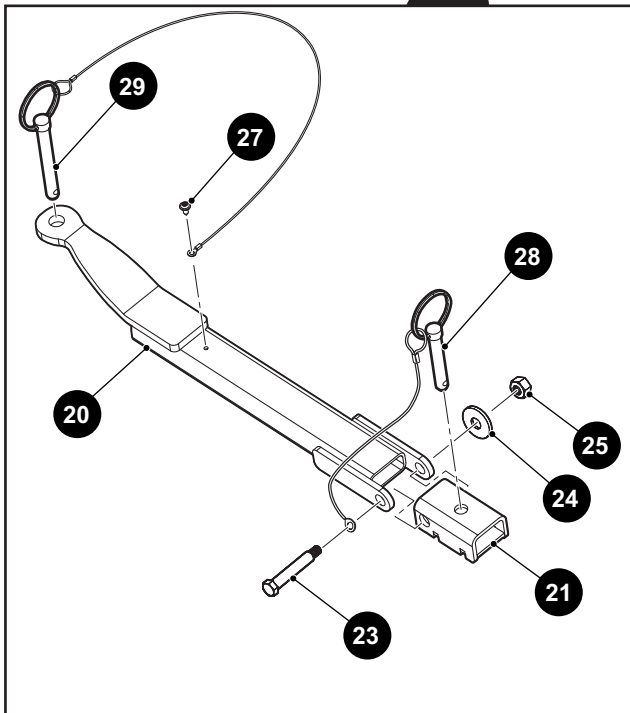
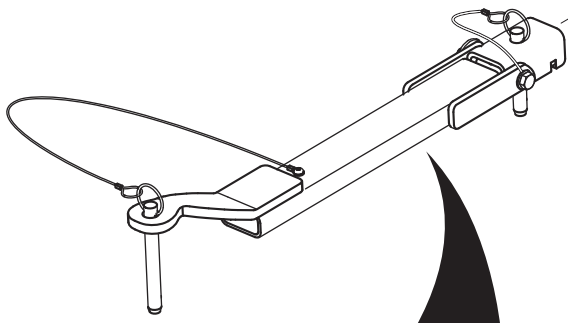
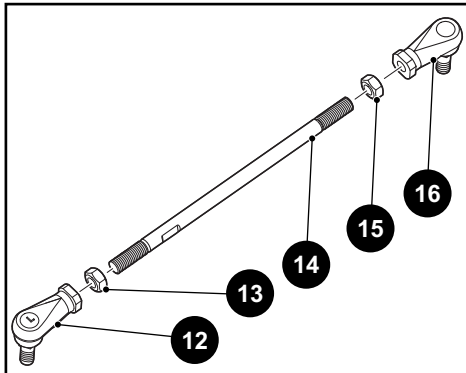
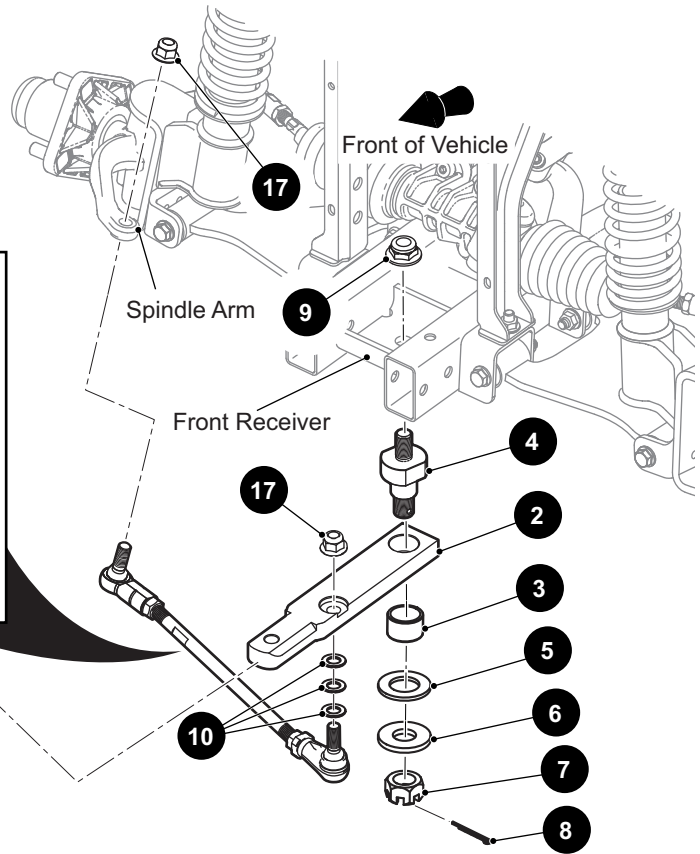
\*\*\* Indicates consult Customer Service Department for additional information.

ITEM	PART NO.	1	2	3	4	5	DESCRIPTION	QTY.
32	16705G2						PAN HEAD PHILLIPS SCREW (SS), 1/4" - 20 X 5/8" LG.....	2
33	14390G4						LOCK NUT (SS), 1/4" - 20 .....	2
34	641402						TOWBAR SUPPORT BRACKET .....	1
35	603020						TOWBAR RETAINER.....	1
36								
37	641402						TOWBAR SUPPORT BRACKET.....	1
38	16705G2						PAN HEAD PHILLIPS SCREW (SS), 1/4" - 20 X 5/8" LG .....	2
39	14390G4						LOCK NUT (SS), 1/4" - 20 .....	2
40								
41	601326						BUTTON HEAD TORX BOLT, M6 - 1 X 20MM LG.....	2
42	602409						BARREL CLIP, M6 - 1.....	2
43								
44	600525						FLANGED LOCK NUT, M10 - 1.5.....	2
45								
46	601326						BUTTON HEAD TORX BOLT, M6 - 1 X 20MM LG.....	2



# TOWBAR

- 1 TOWBAR FRONT ASSEMBLY includes items 2 - 17
- 11 TIE ROD ASSEMBLY includes items 12 - 16
- 19 TOWBAR ASSEMBLY (SEMI PERMANENT) includes items 20 - 29



THE USE OF NON U.L. PARTS WILL VOID ANY U.L. LISTING.

When ordering parts, please specify the model and serial number of the product.

\* Indicates a component that is not available as an individual part.

\*\*\* Indicates consult Customer Service Department for additional information.

ITEM	PART NO.	1 2 3 4 5	DESCRIPTION	QTY.
1	670614		TOWBAR FRONT ASSEMBLY (INCLUDES ITEMS 2 - 17) .....	1
2	670611		FRONT PIVOT BAR .....	1
3	75307G01		BEARING .....	1
4	635464		PIVOT BOLT .....	1
5	75309G01		THRUST BEARING 1.75" O.D. X 1" I.D. ....	1
6	75342G01		FLAT WASHER, 1.75" O.D. X .78" I.D. ....	1
7	00518G8		CASTLE NUT, 3/4" - 16 .....	1
8	10387G1		COTTER PIN, 5/32" X 1 3/4" LG .....	1
9	601709		LOCK NUT, M16 - 2.....	1
10	00560G2		FLAT WASHER, 7/16" .....	3
11	646856		TIE-ROD ASSEMBLY (INCLUDES ITEMS 12 - 16) .....	1
12	643610		TIE ROD END, LH .....	1
13	624962		HEX NUT, M12 - 1.75.....	1
14	644116		TOWBAR .....	1
15	615414		HEX NUT, M12 - 1.75.....	1
16	614436		TIE ROD END .....	1
17	617787		FLANGED LOCK NUT, M12 - 1.75.....	2
18				
19	635736		TOWBAR ASSEMBLY (SEMI PERMANENT) (INCLUDES ITEMS 20 - 29)....	1
20	635428		TONGUE WELDMENT .....	1
21	635461		COUPLING WELDMENT .....	1
22				
23	14158G1		SHOULDER BOLT, 3/8" - 16 X 2.75" LG .....	1
24	00571G5		FLAT WASHER, 5/16" .....	1
25	11098G5		LOCK NUT, 3/8" - 16 .....	1
26				
27	637563		SELF TAPPING SCREW, M4.8 - 1.6 X 14MM LG.....	1
28	649863		HITCH PIN ASSEMBLY (SHORT).....	1
29	641171		HITCH PIN ASSEMBLY (LONG) .....	1
30				
31				

# TOWBAR

THE USE OF NON U.L. PARTS WILL VOID ANY U.L. LISTING.

When ordering parts, please specify the model and serial number of the product.

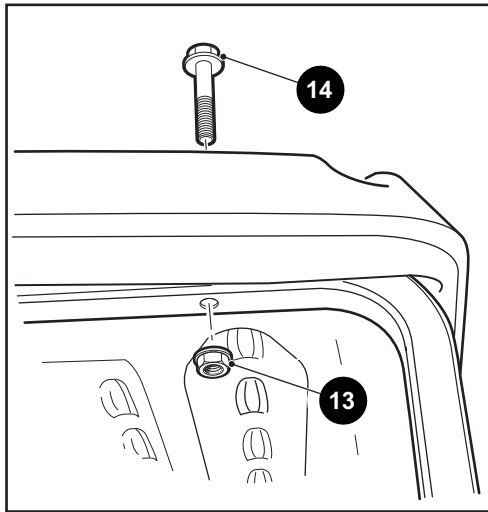
\* Indicates a component that is not available as an individual part.

\*\*\* Indicates consult Customer Service Department for additional information.

ITEM	PART NO.	1 2 3 4 5	DESCRIPTION	QTY.
32	635343		TOWBAR RECEIVER WELDMENT .....	1
33	635442		TOWBAR BUSHING .....	1
34	628635		BUTTON HEAD BOLT, M8 - 1.25 X 30MM LG.....	2
35	616673		LOCK NUT, M8 - 1.25.....	2



# WEATHER PROTECTION



**1** SUN TOP KIT, STONE BEIGE  
includes items 2, 19

**3** SUN TOP KIT, OYSTER  
includes items 4, 19

**5** SUN TOP KIT, BLACK  
includes items 6, 7

**7** SUN TOP STRUT KIT  
includes items 8 - 11

**11** SUN TOP HARDWARE KIT  
includes items 12 - 16

**19** SUN TOP STRUT KIT  
includes items 8 - 10, 20

**20** SUN TOP HARDWARE KIT  
includes items 12 - 16

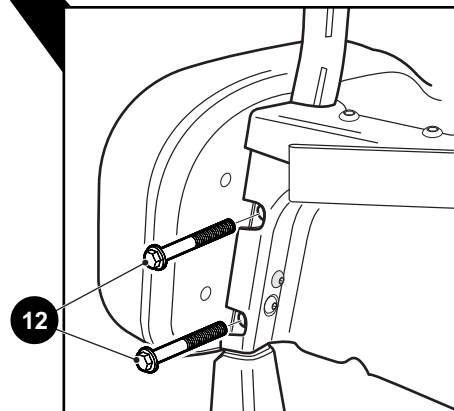
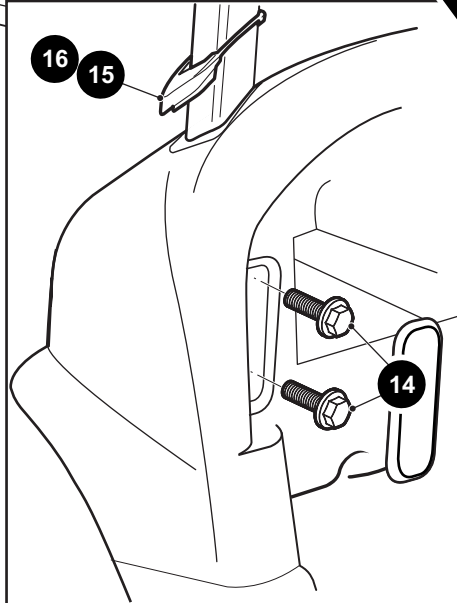
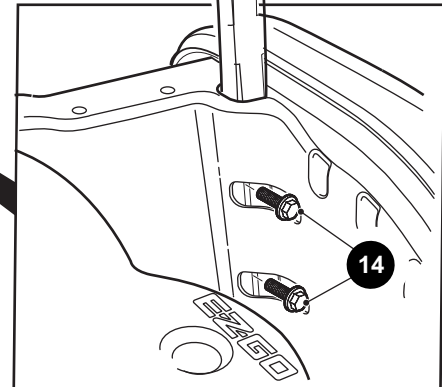
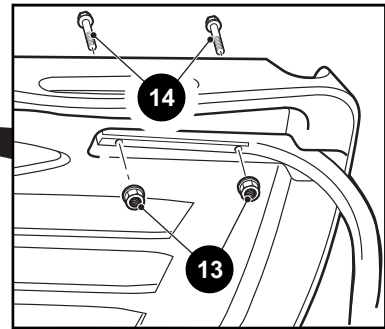
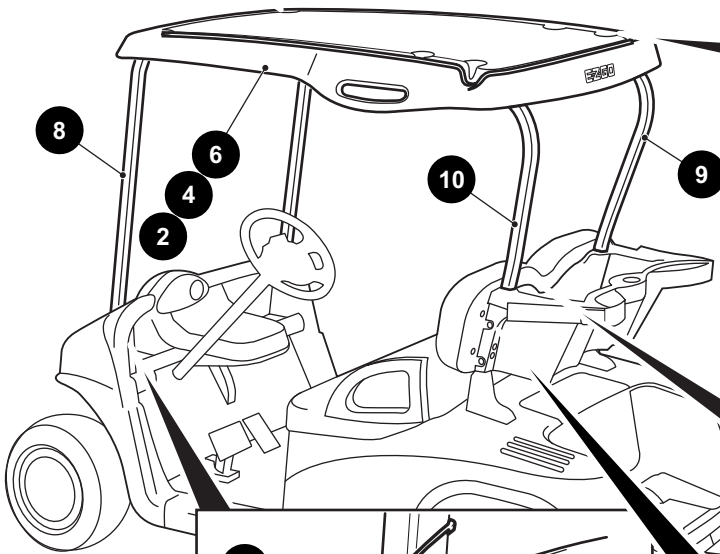
**22** SUN TOP KIT, 54", STONE BEIGE,  
(GPS MOUNTING)  
includes items 2, 26, 28

**23** SUN TOP KIT, 54", OYSTER,  
(GPS MOUNTING)  
includes items 4, 26, 28

**24** SUN TOP KIT, 54", BLACK,  
(GPS MOUNTING)  
includes items 6, 26, 28

**26** FRONT STRUT KIT  
includes items 8, 15, 25, 27

**28** REAR STRUT KIT  
includes items 9, 10, 20





# WEATHER PROTECTION

THE USE OF NON U.L. PARTS WILL VOID ANY U.L. LISTING.

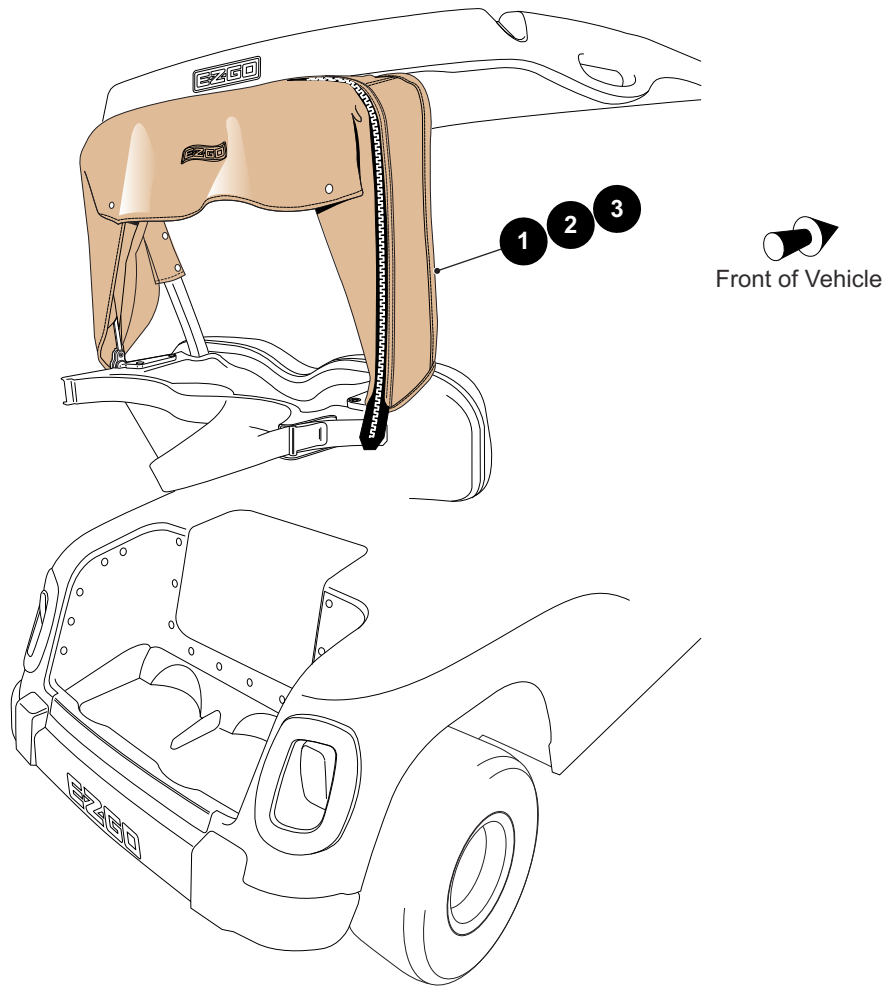
When ordering parts, please specify the model and serial number of the product.

\* Indicates a component that is not available as an individual part.

\*\*\* Indicates consult Customer Service Department for additional information.

ITEM	PART NO.	1 2 3 4 5	DESCRIPTION	QTY.
1	610766		SUN TOP KIT, STONE BEIGE (INCLUDES ITEMS 2, 19) .....	1
2	608198		SUN TOP .....	1
3	610767		SUN TOP KIT, OYSTER (INCLUDES ITEMS 4, 19).....	1
4	608015		SUN TOP .....	1
5	613233		SUN TOP KIT, BLACK (INCLUDES ITEM 6, 7) .....	1
6	613227		SUN TOP .....	1
7	608677		SUN TOP STRUT KIT (INCLUDES ITEMS 8 - 11).....	1
8	603203		FRONT STRUT .....	1
9	614310		REAR STRUT (PASSENGER SIDE) .....	1
10	614309		REAR STRUT (DRIVER SIDE).....	1
11	607013		SUN TOP HARDWARE KIT (INCLUDES ITEMS 12 - 16) .....	1
12	602415		FLANGED HEX HEAD BOLT, M10 - 1.5 X 80MM LG .....	4
13	600525		FLANGED LOCK NUT, M10 - 1.5.....	10
14	603800		FLANGED HEX HEAD BOLT, M10 - 1.5 X 50MM LG .....	10
15	602770		GROMMET (DRIVER SIDE).....	1
16	602992		GROMMET (PASSENGER SIDE) .....	1
17				
18				
19	620880		SUN TOP STRUT KIT (INCLUDES ITEMS 8 - 10, 20).....	1
20	610763		SUN TOP HARDWARE KIT (INCLUDES ITEMS 12 - 16) .....	1
21				
22	647663		SUN TOP KIT, 54", STONE BEIGE (GPS MOUNTING) (INCLUDES ITEMS 2, 26, 28).....	1
23	647664		SUN TOP KIT, 54", OYSTER (GPS MOUNTING) (INCLUDES ITEMS 4, 26, 28).....	1
24	647665		SUN TOP KIT, 54", BLACK (GPS MOUNTING) (INCLUDES ITEMS 6, 26, 28).....	1
25	664522G05		GPS MOUNTING SYSTEM (NOT ILLUSTRATED) .....	1
26	647661		FRONT STRUT KIT (INCLUDES ITEMS 8, 15, 25, 27) .....	1
27	643882G01		GPS MOUNTING SYSTEM (NOT ILLUSTRATED) .....	1
28	647623		REAR STRUT KIT (INCLUDES ITEMS 9,10, 20).....	1

# WEATHER PROTECTION



# WEATHER PROTECTION

THE USE OF NON U.L. PARTS WILL VOID ANY U.L. LISTING.

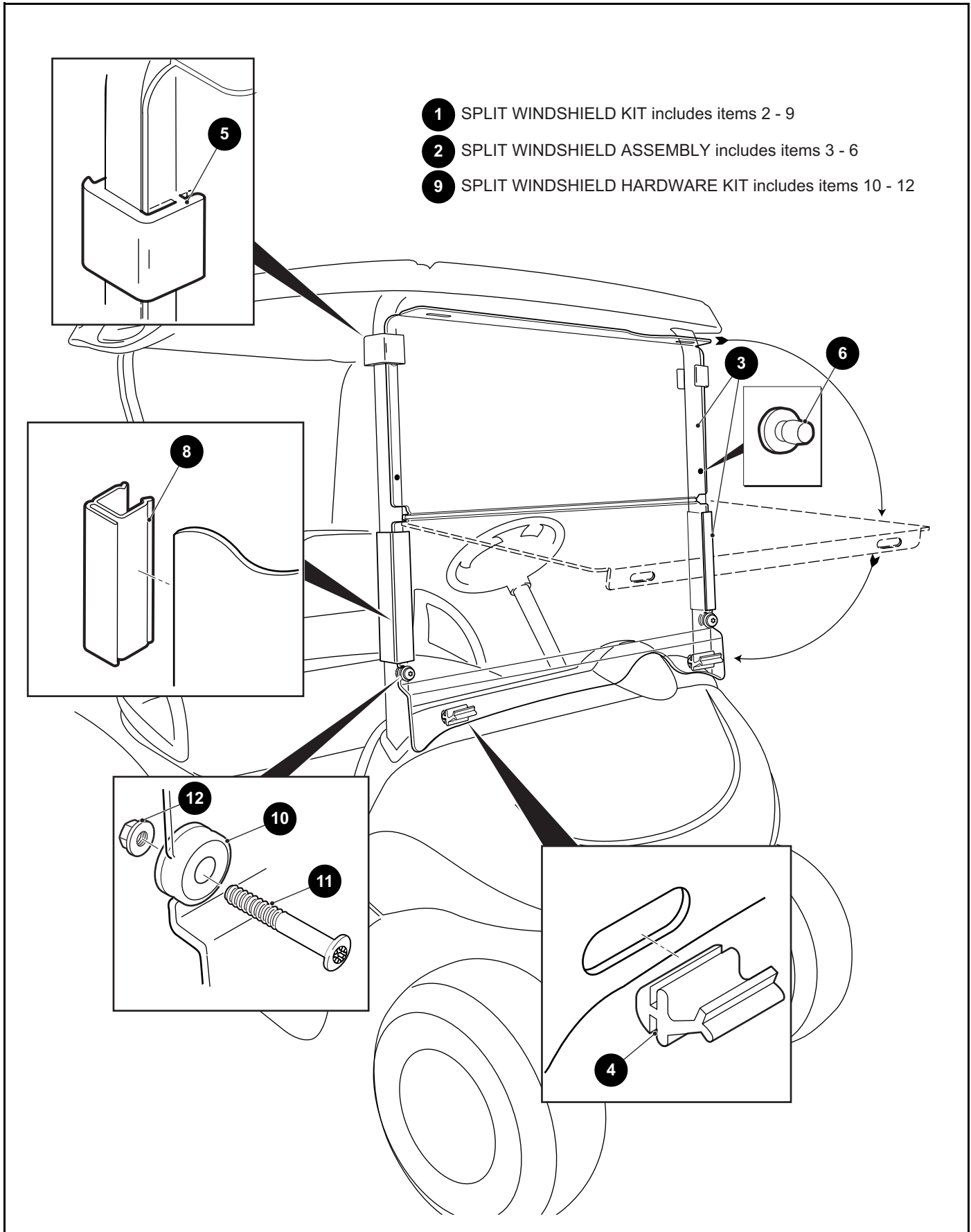
When ordering parts, please specify the model and serial number of the product.

\* Indicates a component that is not available as an individual part.

\*\*\* Indicates consult Customer Service Department for additional information.

ITEM	PART NO.	1 2 3 4 5	DESCRIPTION	QTY.
1	620400		BAG COVER KIT (STONE BEIGE) .....	1
2	620397		BAG COVER KIT (OYSTER) .....	1
3	651061		BAG COVER KIT (BLACK) .....	1

# WEATHER PROTECTION



# WEATHER PROTECTION

THE USE OF NON U.L. PARTS WILL VOID ANY U.L. LISTING.

When ordering parts, please specify the model and serial number of the product.

\* Indicates a component that is not available as an individual part.

\*\*\* Indicates consult Customer Service Department for additional information.

ITEM	PART NO.	1 2 3 4 5	DESCRIPTION	QTY.
1	606584		SPLIT WINDSHIELD KIT (INCLUDES ITEMS 2 - 9) .....	1
2	606623		SPLIT WINDSHIELD ASSEMBLY (INCLUDES ITEMS 3 - 6) .....	1
3	603738		SPLIT WINDSHIELD .....	1
4	603201		LOWER WINDSHIELD LATCH .....	2
5	603198		UPPER WINDSHIELD LATCH .....	2
6	604115		ISOLATOR .....	2
7				
8	613136		WINDSHIELD ATTACHMENT SASH .....	2
9	607014		SPLIT WINDSHIELD HARDWARE KIT (INCLUDES ITEMS 10 - 12) .....	1
10	604116		GROMMET .....	2
11	600527		BUTTON HEAD TORX BOLT, M10 - 1.5 X 60MM LG .....	2
12	600525		LOCK NUT, M10 - 1.5 .....	2

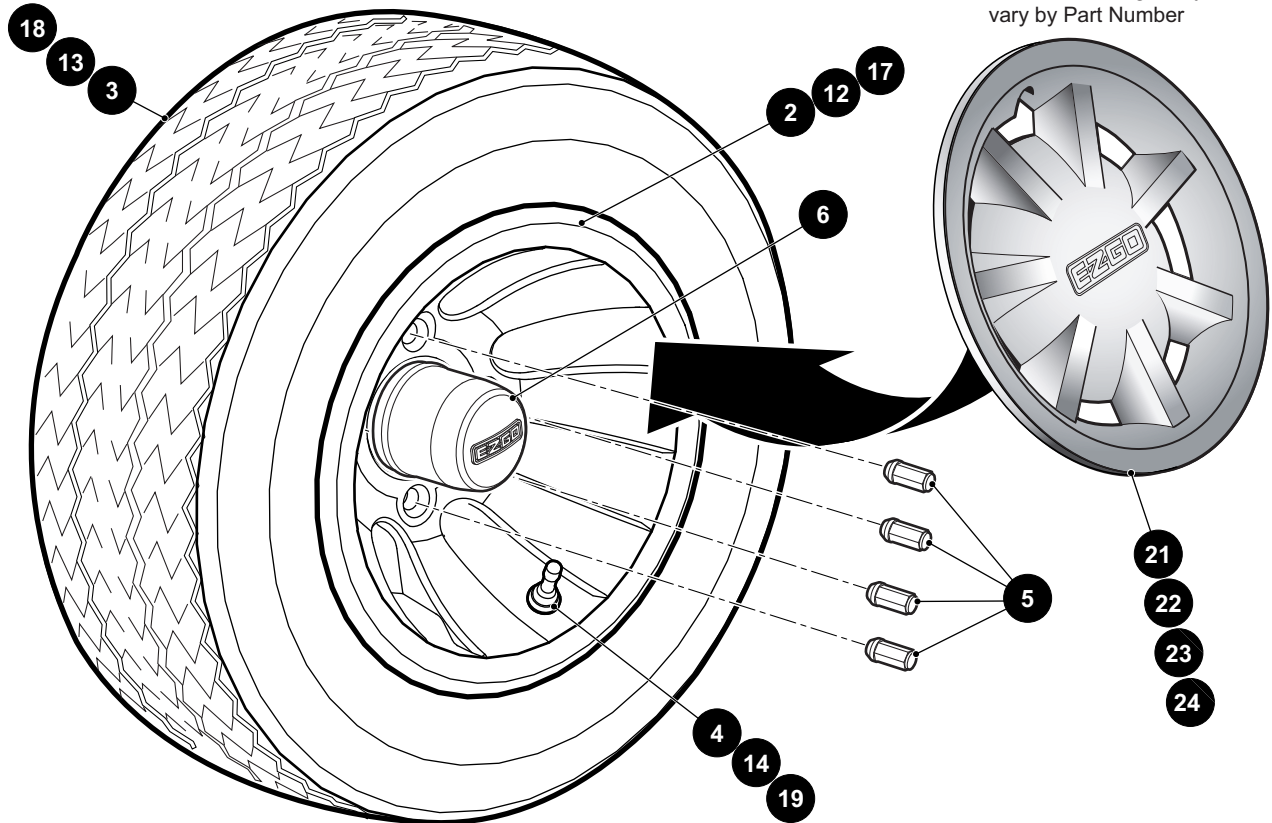


Notes:

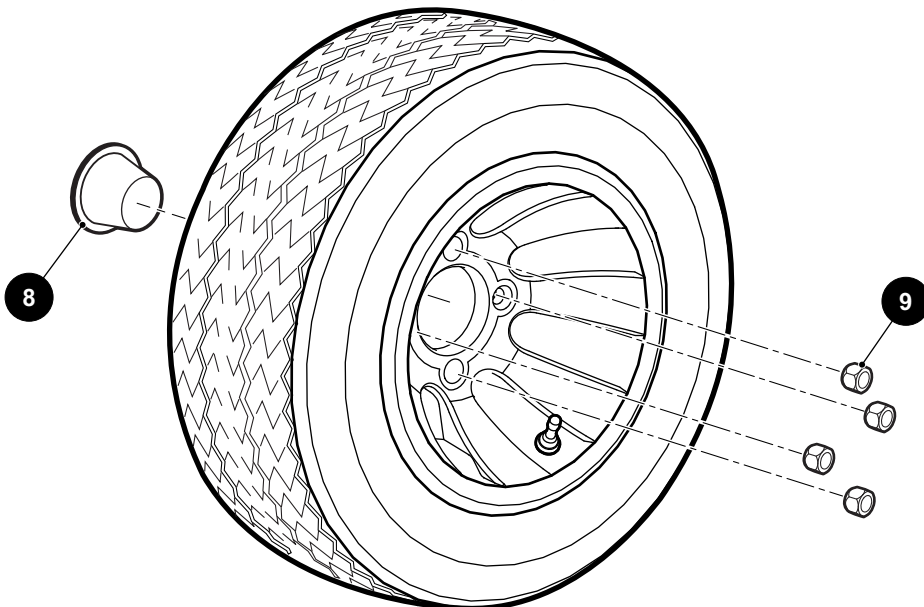
A large grid of graph paper, consisting of 25 columns and 35 rows of small squares, intended for taking notes. The grid is empty.

# WHEELS AND TIRES

- 1 WHEEL AND TIRE ASSEMBLY (MACHINE ALLOY) includes items 2 - 4
- 11 WHEEL AND TIRE ASSEMBLY (HOLE-N-ONE) includes items 12 - 14
- 16 WHEEL AND TIRE ASSEMBLY (USA TRAIL) includes items 17 - 19



Tire design may vary by Part Number





# WHEELS AND TIRES

THE USE OF NON U.L. PARTS WILL VOID ANY U.L. LISTING.

When ordering parts, please specify the model and serial number of the product.

\* Indicates a component that is not available as an individual part.

\*\*\* Indicates consult Customer Service Department for additional information.

ITEM	PART NO.	1 2 3 4 5	DESCRIPTION	QTY.
1	647042		WHEEL AND TIRE ASSEMBLY (MACHINE ALLOY) (INCLUDES ITEMS 2 - 4) .....	1
2	647040		WHEEL, 10" .....	1
3	647044		TIRE (KENDA), 205/50 - 10" .....	1
4	604915		VALVE STEM (CHROME) .....	1
5	605310		LUG NUT (CHROME) .....	4
6	652122		WHEEL CAP (CHROME) .....	1
7				
8	74175G01		DUST CAP .....	1
9	14723G1		LUG NUT, 1/2" - 20 .....	4
10				
11	612772		WHEEL AND TIRE ASSEMBLY (HOLE-N-ONE) (INCLUDES ITEMS 12 - 14) .....	1
12	612770		WHEEL, 8" .....	1
13	612771		TIRE (KENDA) .....	1
14	11657G2		VALVE STEM .....	1
15				
16	28842G01		WHEEL AND TIRE ASSEMBLY (USA TRAIL) (INCLUDES ITEMS 17 - 19)...	1
17	28759G01		WHEEL (WHITE) .....	1
18	28764G08		TIRE (CARLISLE) .....	1
19	11657G2		VALVE STEM .....	1
20				
21	615617		HUB CAP (GOLD) (FOR VEHICLES MANUFACTURED BEFORE JANUARY 8, 2018) .....	1
22	615618		HUB CAP (SILVER) (FOR VEHICLES MANUFACTURED BEFORE JANUARY 8, 2018) .....	1
23	665149		WHEEL COVER (METALLIC GOLD) (FOR VEHICLES MANUFACTURED AFTER JANUARY 8, 2018) .....	1
24	665144		WHEEL COVER (METALLIC SILVER) (FOR VEHICLES MANUFACTURED AFTER JANUARY 8, 2018) .....	1





# DECALS AND LABELS

**1** EZGO logo on Cowl

**2** Cup Holder

**3** EZGO logo on Rear Body

**4** Instrument Panel Trim with ELITE logo

**5** Controller Splash Shield

**6** Label for Controller Splash Shield

**7** Advanced Battery Top Cover

**8** Label for Advanced Battery Top Cover

**9** Permanent Towbar

**10** Semi Permanent Towbar

**11** EZGO logo on Cowl

**12** Instrument Panel Trim with ELITE logo

**WARNING** Failure to follow these instructions can result in **SERIOUS INJURY or DEATH**.

**DO NOT PERMITTED BY LAW:**  
To be operated by persons with valid driver's licenses, in accordance with state requirements. Operate from Dealer's side only.  
Do not drink and drive, and do not consume alcohol while operating. Do not consume under the influence of drugs or alcohol.  
All occupants must be fully seated. Keep safety belts fastened to vehicle and hold on while vehicle is in motion.  
AVOID FALLS from the vehicle.  
EFFECTIVE for vehicle: Apply switch slowly and smoothly. Do not operate with excessive force. Do not operate with excessive speed.  
DO NOT OPERATE this vehicle with 100% or 120% load in the presence of 2 persons, children, and animals.  
Do not allow anyone to sit on or stand on steps and 11 bars. Use care in reverse, congested areas, and wet or loose terrain.  
STOPPED for vehicle: To fully remove automatic park engage lever, move the direction selector to "FORWARD" and engage park brake. Before leaving vehicle, turn key "OFF". On non-vehicle, move the direction selector to "FORWARD" and engage park brake.

**WARNING** FAILURE TO FOLLOW THESE INSTRUCTIONS MAY RESULT IN SEVERE PERSONAL INJURY.  
No user serviceable parts.

- Service, removal or installation of battery pack must be performed by authorized personnel only.
- Charge with an OEM approved Lithium-Ion battery charger only.
- Do not store or operate at temperatures below -4°F (-25°C).
- Do not expose to temperatures above 140°F (60°C).

Advanced Battery Top Cover

Permanent Towbar

Semi Permanent Towbar

## DECALS AND LABELS

THE USE OF NON U.L. PARTS WILL VOID ANY U.L. LISTING.

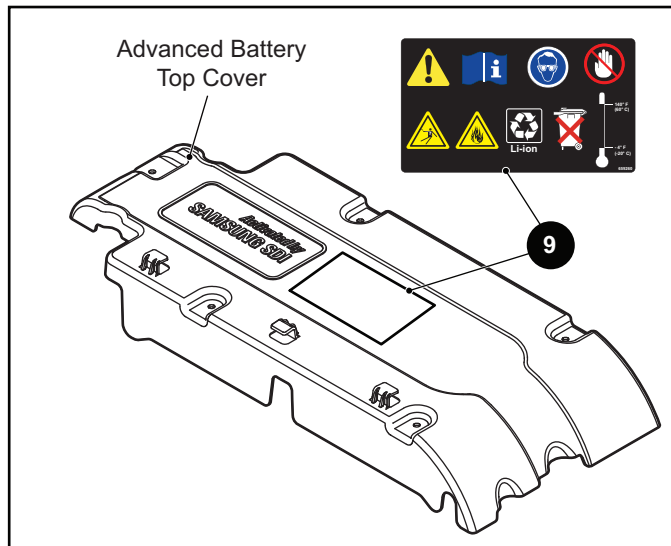
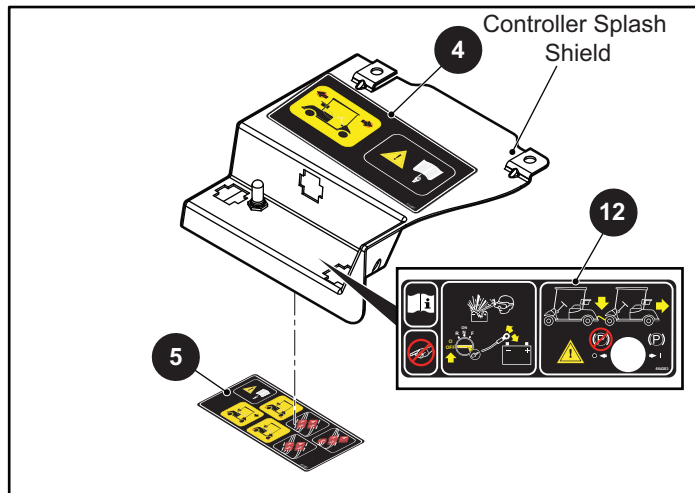
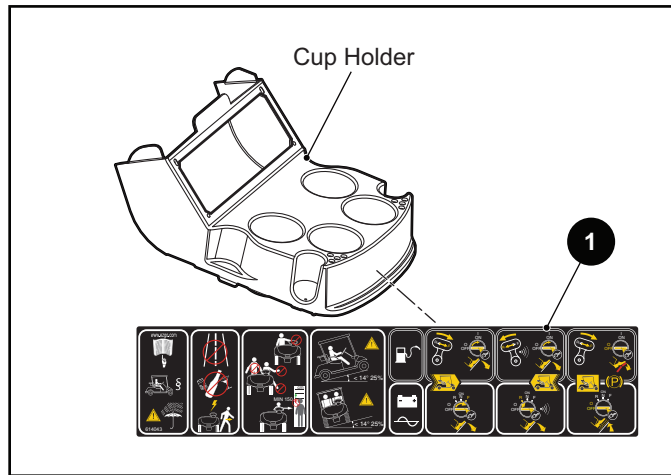
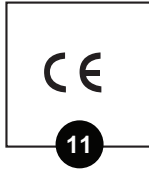
When ordering parts, please specify the model and serial number of the product.

\* Indicates a component that is not available as an individual part.

\*\*\* Indicates consult Customer Service Department for additional information.

ITEM	PART NO.	1 2 3 4 5	DESCRIPTION	QTY.
1	619206		E-Z-GO COWL DECAL.....	1
2	608522		WARNING LABEL (INSTRUMENT PANEL) .....	1
3	607859		RXV DECAL.....	1
4				
5	612594		TOW SWITCH WARNING LABEL .....	1
6	609694		TOWING INSTRUCTION NOTICE LABEL .....	1
7	609987		TOWING/MAINTENANCE LABEL .....	1
8				
9	655748		ADVANCED BATTERY WARNING LABEL.....	1
10				
11				
12	635906		TOWBAR WARNING LABEL .....	1
13				
14	657850		ADVANCED BATTERY DECAL .....	1

FOR CE VEHICLES



## DECALS AND LABELS

THE USE OF NON U.L. PARTS WILL VOID ANY U.L. LISTING.

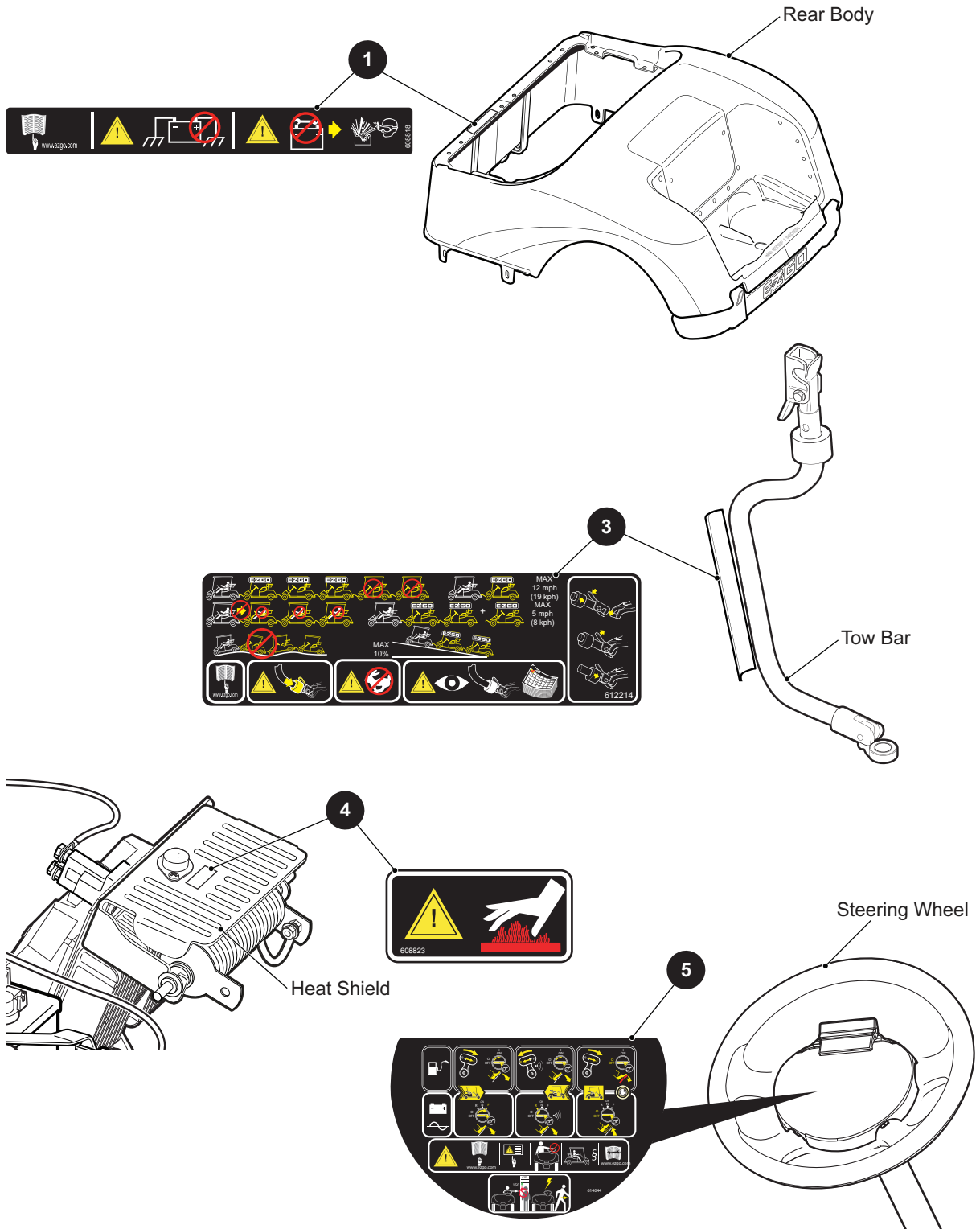
When ordering parts, please specify the model and serial number of the product.

\* Indicates a component that is not available as an individual part.

\*\*\* Indicates consult Customer Service Department for additional information.

ITEM	PART NO.	1 2 3 4 5	DESCRIPTION	QTY.
1	614043		WARNING LABEL (INSTRUMENT PANEL) .....	1
2				
3				
4	610991		TOWING/MAINTENANCE LABEL .....	1
5	610990		TOWING INSTRUCTION NOTICE LABEL .....	1
6				
7				
8				
9	659260		ADVANCED BATTERY WARNING LABEL .....	1
10				
11	601783		CE LABEL .....	1
12	664283		RUN/TOW LABEL, CE .....	1

## FOR CE VEHICLES





## DECALS AND LABELS

THE USE OF NON U.L. PARTS WILL VOID ANY U.L. LISTING.

When ordering parts, please specify the model and serial number of the product.

\* Indicates a component that is not available as an individual part.

\*\*\* Indicates consult Customer Service Department for additional information.

ITEM	PART NO.	1 2 3 4 5	DESCRIPTION	QTY.
1	608818		GROUNDING LABEL.....	1
2				
3	612214		TOWBAR LABEL .....	1
4	608823		HOT CE LABEL.....	1
5	614044		OPERATION INSTRUCTION LABEL.....	1







A Textron Company

**Textron Specialized Vehicles, Inc.**

1451 Marvin Griffin Road  
Augusta, Georgia 30906 - 3852 USA

CONTACT US:

North America:

**Technical Assistance & Warranty** Phone: 1-800-774-3946, FAX: 1-800-448-8124  
**Service Parts** Phone: 1-888-438-3946, FAX: 1-800-752-6175

International:

Phone: 001-706-798-4311, FAX: 001-706-771-4609

Owner's guides and repair manuals  
are available from a local Distributor, or an authorized Branch,  
Parts & Accessories Department or at [www.shop.ezgo.com](http://www.shop.ezgo.com).

Copyrighted Material

This manual may not be reproduced in whole  
or in part without the express permission of  
TSV Technical Communications Department