



CUSHMAN®
LET'S WORK.®

72V AC SHUTTLE 6

Service Parts Manual

677962 - B
ISSUED JULY 2018

REVISED AUGUST 2018

California Proposition 65



WARNING

Operating, servicing and maintaining a passenger vehicle or off-road vehicle can expose you to chemicals including phthalates and lead, which are known to the State of California to cause cancer and birth defects or other reproductive harm. To minimize exposure, wear gloves and wash your hands frequently when servicing your vehicle.

For more information go to www.P65Warnings.ca.gov/passenger-vehicle.

SERVICE PARTS MANUAL

ELECTRIC POWERED UTILITY VEHICLE

SHUTTLE 6 72V

STARTING MODEL YEAR 2018

Never modify the vehicle in any way that will alter the weight distribution of the vehicle, decrease its stability or increase the speed beyond the factory specifications. Such modifications can cause serious personal injury or death. Textron Specialized Vehicles prohibits and dis-claims responsibility for any such modifications or any other alteration which would adversely affect the safety of the vehicle. TSV reserves the right to incorporate engineering and design changes to products in this manual, without obligation to include these changes on units sold previously.

The information contained in this manual may be revised periodically by TSV, and therefore is subject to change without notice.

TSV DISCLAIMS LIABILITY FOR ERRORS IN THIS MANUAL, and SPECIFICALLY DISCLAIMS LIABILITY FOR INCIDENTAL AND CONSEQUENTIAL DAMAGES resulting from the use of the information and materials in this manual.

These are the original instructions as defined by 2006/42/EC.

TO CONTACT US:

Textron Specialized Vehicles, Inc.
1451 Marvin Griffin Road
Augusta, Georgia, USA 30906-3852

NORTH AMERICA:

Technical Assistance & Warranty PHONE: 1-800-774-3946, FAX: 1-800-448-8124

Service Parts PHONE: 1-888-438-3946, FAX: 1-800-752-6175

International: PHONE: 001-706-798-4311, FAX: 001-706-771-4609

GENERAL INFORMATION

To obtain a copy of the limited warranty applicable to the vehicle, call or write a local Distributor, authorized Branch or the Warranty Department with vehicle serial number and manufacturer code.

The use of non Original Equipment Manufacturer (OEM) approved parts may void the warranty.

Tampering with or adjusting the governor to permit vehicle to operate at above factory specifications will void the vehicle warranty.

When servicing engines, all adjustments and replacement components must be per original vehicle specifications in order to maintain the United States of America Federal and State emission certification applicable at the time of manufacture.

BATTERY PROLONGED STORAGE

All batteries will self discharge over time. The rate of self discharge varies depending on the ambient temperature and the age and condition of the batteries.

A fully charged battery will not freeze in winter temperatures unless the temperature falls below -75° F (-60° C).

BATTERY DISPOSAL

Lead-acid batteries are recyclable. Return whole scrap batteries to distributor, manufacturer or lead smelter for recycling. For neutralized spills, place residue in acid-resistant containers with absorbent material, sand or earth and dispose of in accordance with local, state and federal regulations for acid and lead compounds. Contact local and/or state environmental officials regarding disposal information.

TABLE OF CONTENTS

| SECTION | Page No. |
|--|-----------------|
| HOW TO USE THE SERVICE PARTS MANUAL..... | V |
| ACCELERATOR..... | A - 1 |
| BATTERY CHARGER..... | B - 1 |
| BODY..... | C - 1 |
| BRAKES..... | D - 1 |
| ELECTRICAL..... | E - 1 |
| ELECTRONIC SPEED CONTROL..... | F - 1 |
| FRONT SUSPENSION..... | G - 1 |
| MOTOR..... | H - 1 |
| REAR AXLE..... | J - 1 |
| REAR SUSPENSION..... | K - 1 |
| SEATING..... | L - 1 |
| WEATHER PROTECTION..... | N - 1 |
| WHEELS AND TIRES..... | P - 1 |
| DECALS AND LABELS..... | R - 1 |

HOW TO USE THE SERVICE PARTS MANUAL

This manual is divided into several sections:

- GENERAL INFORMATION
- ILLUSTRATED PARTS BREAKDOWN

The first section, GENERAL INFORMATION, contains the following information:

- WARRANTY INFORMATION
- TABLE OF CONTENT
- HOW TO USE THE SERVICE PARTS MANUAL

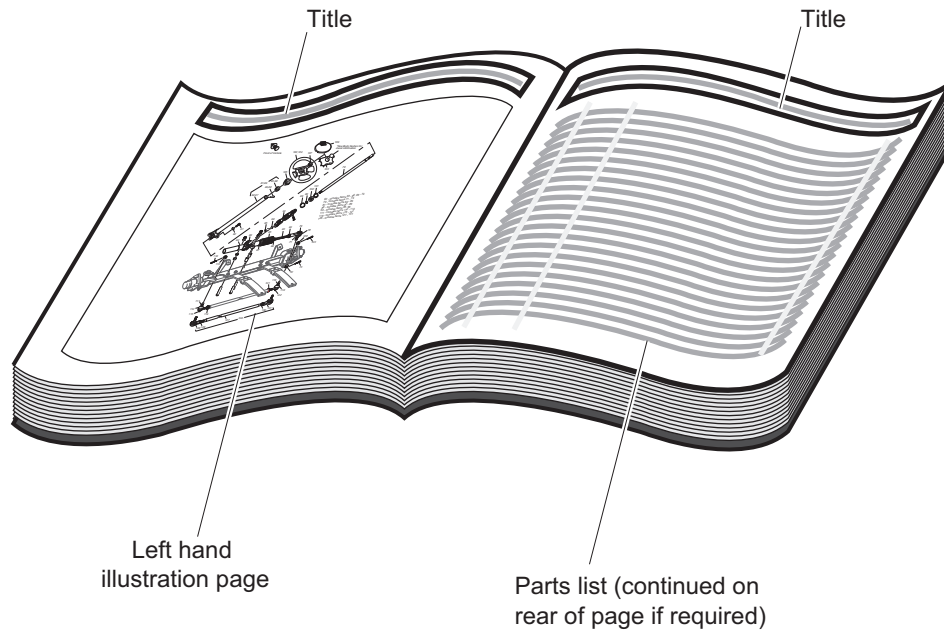
The second section, ILLUSTRATED PARTS BREAKDOWN, contains illustrations and parts lists for all systems of your vehicle.

USE OF THE MANUAL

To use this manual, consult the TABLE OF CONTENT to locate the information or illustration required.

Introduction of some revisions varies due to supply of components; therefore, it is possible that various combinations of components may be found that are not directly reflected by each illustration. Consult the illustration that best suits your situation and then contact the Service Parts Department. It is important that the serial number or VIN of your vehicle and the model name be supplied to Service Parts when ordering any replacement components.

HOW TO USE THE SERVICE PARTS MANUAL



1. WHEN THE PART NUMBER IS NOT KNOWN

- Determine the function and application of the part required. Turn to the Table of Content and select the most appropriate title.
- Turn to the page number indicated and locate the desired part on the illustration.
- From the illustration, obtain the item number assigned to the desired part. Refer to the accompanying description for specific information regarding the part.

2. IF YOU KNOW THE PART NUMBER

- Locate the part number or description in the appropriate column on the parts list page.

NOTE: It is suggested that you confirm that the part selected is correct by verifying it with the pictorial representation on the illustrated page.

Should an asterisk (*) appear in the part number column on the parts list page, read upwards until a part number is found. The part number is the lowest assembly sold by Service Parts and the asterisk (*) indicates that the part depicted is not available for purchase.

NOTE: Descriptions are indented under the assembly that they are used on. That assembly is, in turn listed under the assembly that it is used on. This process is repeated until the highest final assembly is reached.

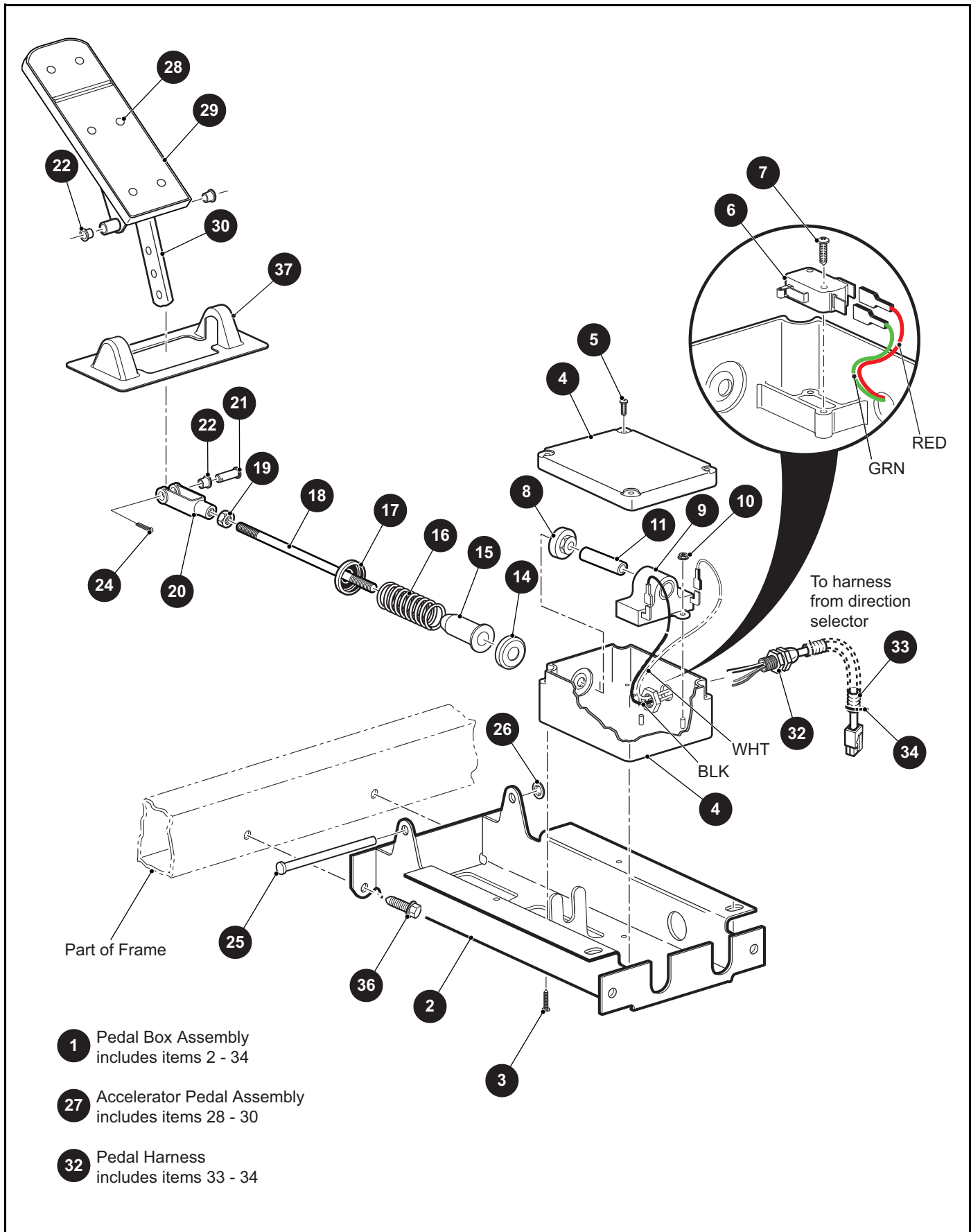
To facilitate the maintenance and repair of the vehicle, a Technician's Repair and Service Manual is available from the Service Parts Department.

3. COLOR CODE FOR BODY COMPONENTS

The last two digits of the part number for the body part will denote the color code, locate the part number for the cowl, rear body, seat pod, side panel or seat wrap then locate your color in the list below, replace the last ** or XX with the two digit color code.

| <u>CODE #</u> | <u>DESCRIPTION</u> |
|----------------------|---------------------------|
| 02 | SPECIAL COLOR |
| 05 | JACOBSEN ORANGE |
| 11 | BLACK |
| 19 | PATRIOT BLUE PEARL |
| 20 | INFERNO RED METALLIC |
| 26 | STEEL BLUE PEARL |
| 31 | METALLIC CHARCOAL |
| 35 | SAFETY YELLOW |
| 36 | IVORY |
| 37 | FOREST GREEN |
| 38 | BRIGHT WHITE |
| 39 | FLAME RED |
| 41 | ELECTRIC BLUE |
| 42 | PLATINUM |
| 43 | BURGUNDY |
| 44 | ALMOND |
| 51 | SUNBURST ORANGE |
| 52 | BRITISH RACING GREEN |
| 69 | MONSTER GREEN |
| 74 | BARLEY GOLD |
| 75 | OASIS GREEN |
| 76 | JAVA BROWN |
| 79 | JACOBSEN ORANGE 172 |

ACCELERATOR



THE USE OF NON U.L. PARTS WILL VOID ANY U.L. LISTING.

When ordering parts, please specify the model and serial number of the product.

* Indicates a component that is not available as an individual part.

*** Indicates consult Customer Service Department for additional information.

| ITEM | PART NO. | 1 2 3 4 5 | DESCRIPTION | QTY. |
|------|-----------|-----------|---|------|
| 1 | 73333G11 | | Pedal Box Assembly (Includes Items 2 - 34)..... | 1 |
| 2 | 652241G03 | | Accelerator Pedal Bracket | 1 |
| 3 | 01051G01 | | Pan Head Phillips Screw, #8 - 10 x 1/2" Lg | 4 |
| 4 | 25853G01 | | Pedal Box and Cover..... | 1 |
| 5 | 00684G6 | | Truss Head Screw (SS), #8 - 32 x 3/4" Lg..... | 2 |
| 6 | 25861G01 | | Micro Switch | 1 |
| 7 | 01050G01 | | Pan Head Torx Screw, #4 - 20 x 5/8" Lg..... | 2 |
| 8 | 28444G01 | | Accelerator Rod Cam | 1 |
| 9 | 25854G01 | | Inductive Throttle Sensor..... | 1 |
| 10 | 00983G01 | | Self Threading Nut, .38" | 2 |
| 11 | 602484 | | Plunger | 1 |
| 12 | | | | |
| 13 | | | | |
| 14 | 17677G1 | | Spring Retainer..... | 1 |
| 15 | 17979G1 | | Bushing, .75" x 2" Lg | 1 |
| 16 | 73046G01 | | Compression Spring | 1 |
| 17 | 17677G2 | | Spring Retainer, 3/8"..... | 1 |
| 18 | 73332G01 | | Accelerator Rod..... | 1 |
| 19 | 00532G4 | | Hex Nut, 5/16" - 24 | 1 |
| 20 | 10385G4 | | Clevis Yoke (Adjustable)..... | 1 |
| 21 | 10386G3 | | Clevis Pin, 5/16" x 13/16" Lg | 1 |
| 22 | 17838G1 | | Nylon Bushing, .37" x .31" Lg | 3 |
| 23 | | | | |
| 24 | 10387G3 | | Cotter Pin, 3/32" x 3/4" Lg | 1 |
| 25 | 74432G01 | | Pedal Pivot Pin | 1 |
| 26 | 12064G6 | | Push Nut, 5/16"..... | 1 |
| 27 | 25799G03 | | Accelerator Pedal Assembly (Includes Items 28 - 30) | 1 |
| 28 | 16409G1 | | Oval Rivet, 3/16" x 7/16" Lg | 6 |
| 29 | 27512G01 | | Accelerator Pedal Pad | 1 |
| 30 | 652824 | | Accelerator Pedal..... | 1 |
| 31 | | | | |

ACCELERATOR

THE USE OF NON U.L. PARTS WILL VOID ANY U.L. LISTING.

When ordering parts, please specify the model and serial number of the product.

* Indicates a component that is not available as an individual part.

*** Indicates consult Customer Service Department for additional information.

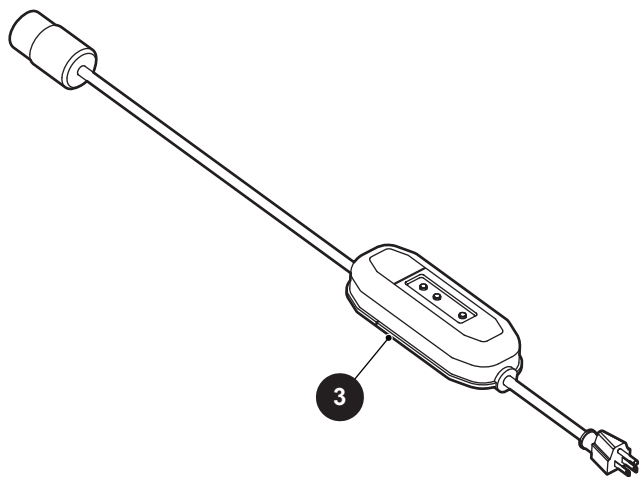
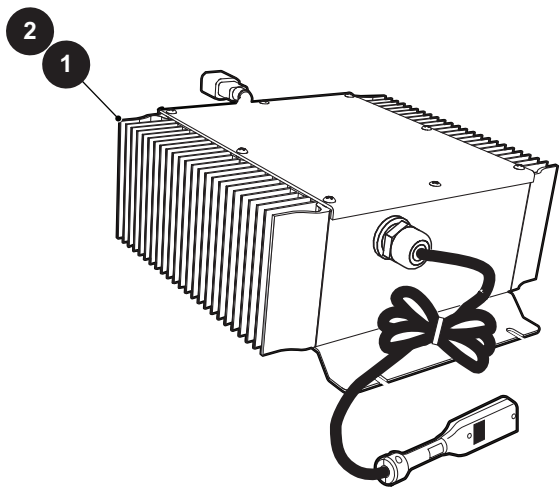
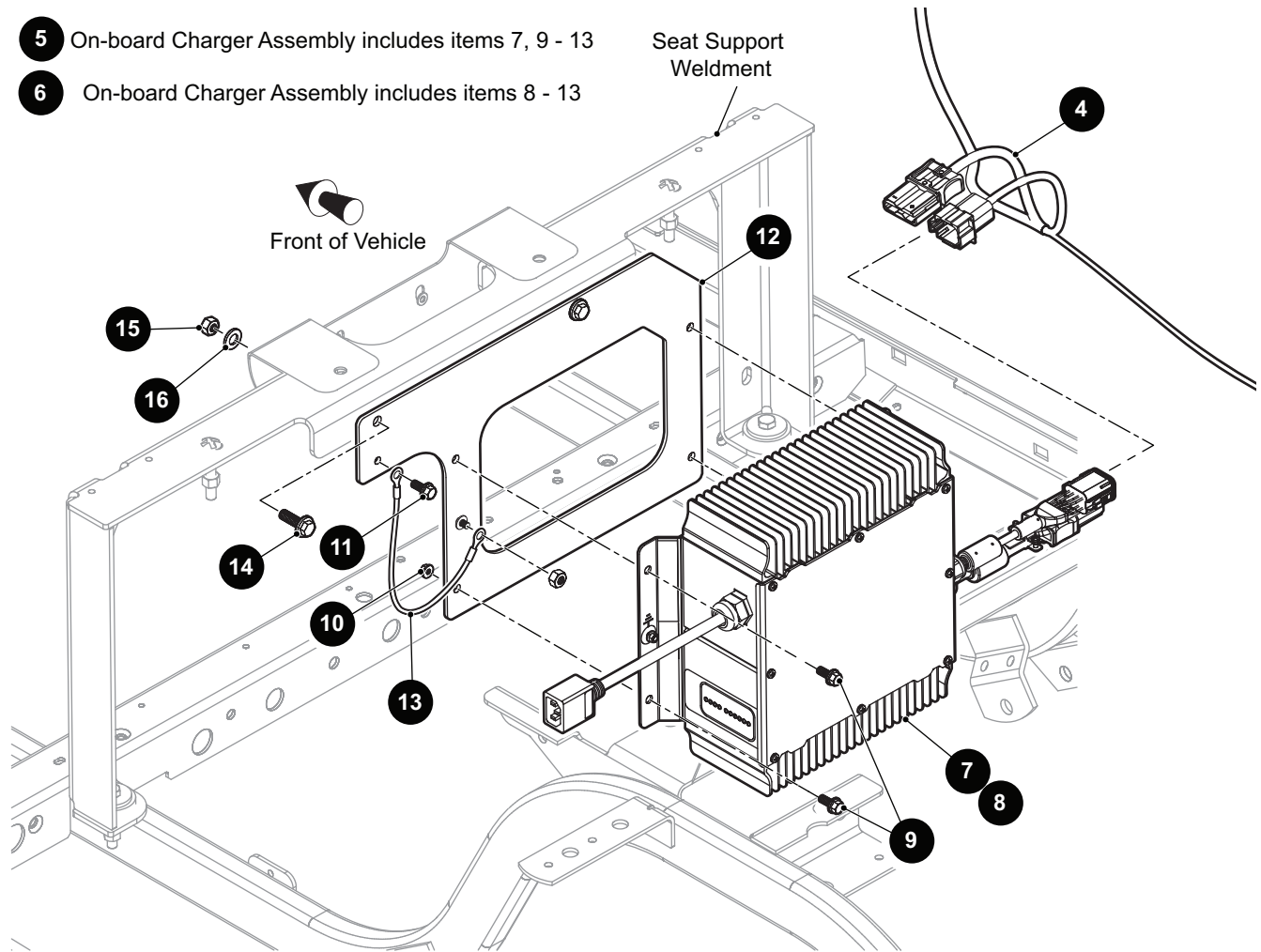
| ITEM | PART NO. | 1 | 2 | 3 | 4 | 5 | DESCRIPTION | QTY. |
|------|----------|---|---|---|---|---|---|------|
| 32 | 25879G08 | | | | | | Pedal Harness (Includes Items 33 - 34)..... | 1 |
| 33 | 17313G1 | | | | | | Loom Flex (Bulk), 3/8" | 1 |
| 34 | 17618G1 | | | | | | Nylon Clamp, 8" Lg..... | 2 |
| 35 | | | | | | | | |
| 36 | 00715G2 | | | | | | Hex Head Bolt, 5/16" - 18 x 3/4" Lg..... | 4 |
| 37 | 7135G01 | | | | | | Pedal Pivot Cover..... | 1 |

BATTERY CHARGER

- 5 On-board Charger Assembly includes items 7, 9 - 13
- 6 On-board Charger Assembly includes items 8 - 13

Seat Support
Weldment

Front of Vehicle



BATTERY CHARGER

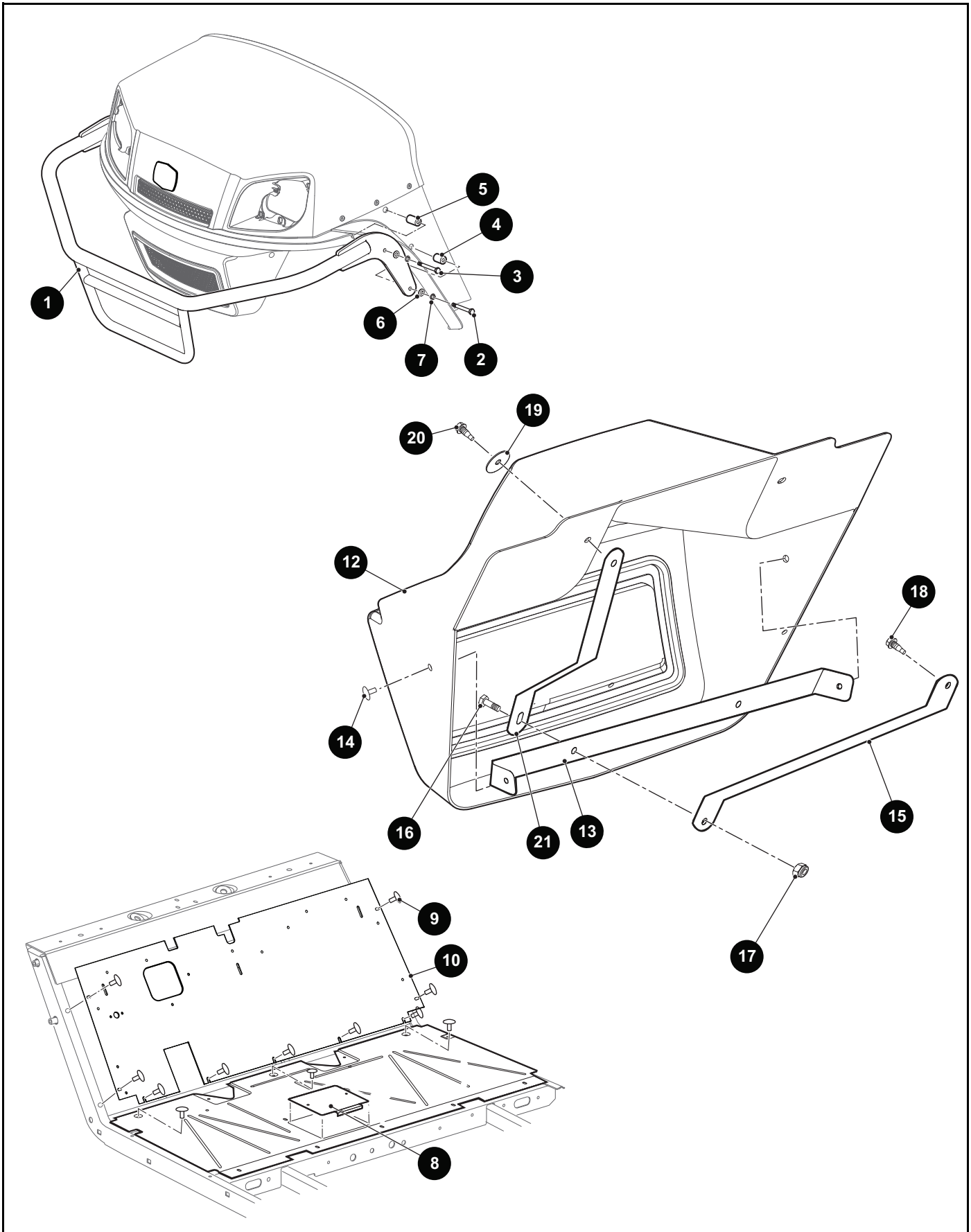
THE USE OF NON U.L. PARTS WILL VOID ANY U.L. LISTING.

When ordering parts, please specify the model and serial number of the product.

* Indicates a component that is not available as an individual part.

*** Indicates consult Customer Service Department for additional information.

| ITEM | PART NO. | 1 2 3 4 5 | DESCRIPTION | QTY. |
|------|-----------|-----------|---|------|
| 1 | 634567 | | Off-board Battery Charger, 72V, 1000W | 1 |
| 2 | 645743 | | Off-board Battery Charger, 72V, 1500W | 1 |
| 3 | 652608 | | Charger Cord, 5meter (For Vehicles with On-board Charger) | 1 |
| 4 | 671750 | | On-board Charger Harness..... | 1 |
| 5 | 681354G01 | | On-board Charger Assembly, 1000W, 72V (Includes Items 7, 9 - 13) | 1 |
| 6 | 681354G02 | | On-board Charger Assembly, 1500W, 72V (Includes Items 8 - 13) | 1 |
| 7 | 640261 | | On-board Charger, 72V (Quiq) | 1 |
| 8 | 642542 | | On-board Charger, 72V (Delta - Q) | 1 |
| 9 | 16705G3 | | Truss Head Phillips Screw (SS), 1/4" - 20 x 3/4" Lg, (Grade 5)..... | 4 |
| 10 | 11027G2 | | Flanged Lock Nut, 1/4" - 20 | 4 |
| 11 | 71102G02 | | Hex Washer Head Bolt, 1/4" - 20 x 1/2" Lg..... | 1 |
| 12 | 672193 | | Mounting Plate..... | 1 |
| 13 | 668709 | | Charger Bonding Jumper | 1 |
| 14 | 13437G3 | | Serrated Flanged Hex Head Bolt, 5/16" - 18 x 1" Lg, (Grade 5) | 2 |
| 15 | 11098G6 | | Lock Nut, 5/16" - 18 | 2 |
| 16 | 00559G8 | | Flat Washer, 5/16" | 2 |



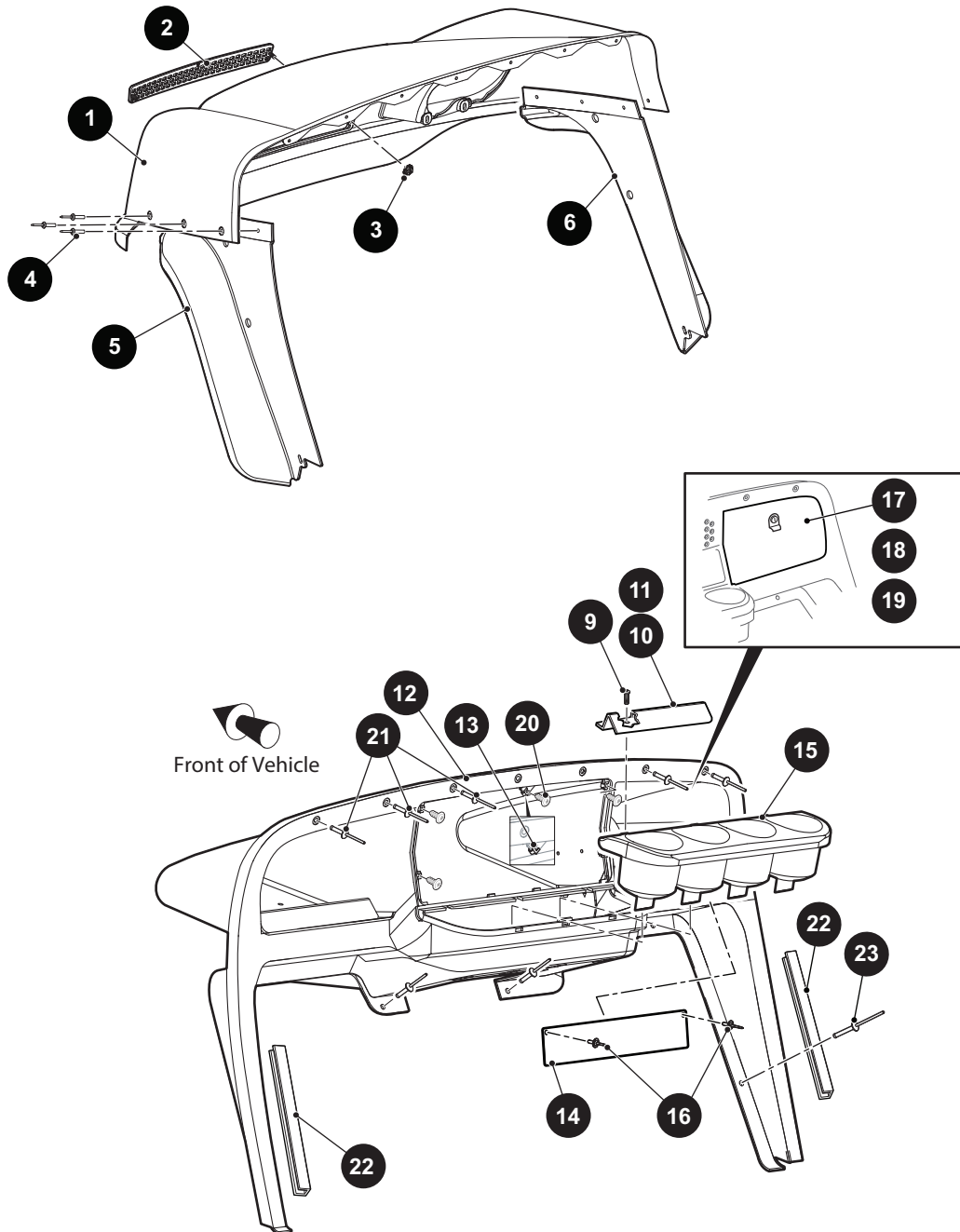
THE USE OF NON U.L. PARTS WILL VOID ANY U.L. LISTING.

When ordering parts, please specify the model and serial number of the product.

* Indicates a component that is not available as an individual part.

*** Indicates consult Customer Service Department for additional information.

| ITEM | PART NO. | 1 2 3 4 5 | DESCRIPTION | QTY. |
|------|----------|-----------|--|------|
| 1 | 617620 | | Brushguard..... | 1 |
| 2 | 00440G2 | | Hex Head Bolt, 5/16" - 18 x 2 1/4" Lg | 2 |
| 3 | 00440G6 | | Hex Head Bolt, 5/16" - 18 x 2 3/4" Lg | 2 |
| 4 | 75048G04 | | Spacer, .328" x .75" x 1" Lg | 2 |
| 5 | 75048G02 | | Spacer, .328" x .75" x 1.31" Lg | 2 |
| 6 | 00559G8 | | Flat Washer (Narrow), 5/16"..... | 4 |
| 7 | 00565G8 | | Lock Washer, 5/16" | 4 |
| 8 | 70452G01 | | Access Cover | 1 |
| 9 | 14601G11 | | Rivet (Aluminum), 3/16" x 9/16" Lg | 16 |
| 10 | 641260 | | Upper Floor Panel..... | 1 |
| 11 | | | | |
| 12 | 613273 | | Front Fascia | 1 |
| 13 | 654275 | | Front Fascia Bracket..... | 1 |
| 14 | 15058G1 | | Rivet (Aluminum Black), 3/16" x .45" | 2 |
| 15 | 654276 | | Front Fascia Brace | 2 |
| 16 | 00414G6 | | Hex Head Bolt, 1/4" - 20 Lg, Grade 5 | 2 |
| 17 | 14390G4 | | Lock Nut, 1/4" - 20 | 2 |
| 18 | 01038G01 | | Hex Washer Head Bolt, 1/4" - 20 x .700" Lg | 2 |
| 19 | 16469G1 | | Fender Washer, 1 1/4" O.D. x 9/32" I.D. | 2 |
| 20 | 71102G03 | | Hex Washer Head Taptite Bolt, 1/4 - 20 x 1.15 mm Lg, Grade 5 | 2 |
| 21 | 664610 | | Cowl Strap..... | 2 |



7 Instrument Panel Assembly includes items 8 - 16

8 Instrument Panel Assembly with Ball Deflector includes items 9 - 13

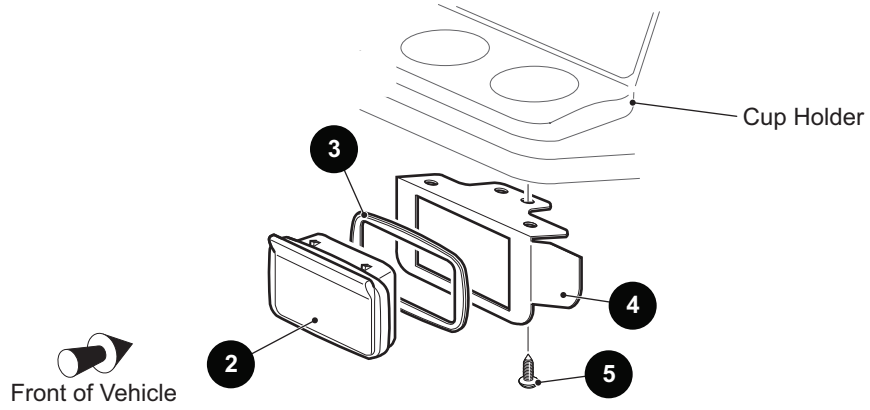
THE USE OF NON U.L. PARTS WILL VOID ANY U.L. LISTING.

When ordering parts, please specify the model and serial number of the product.

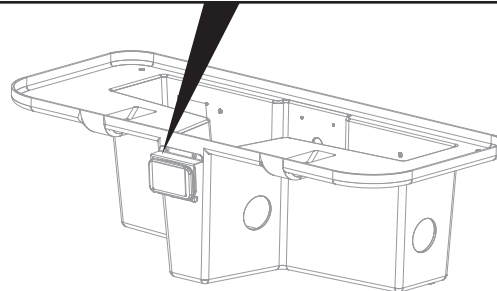
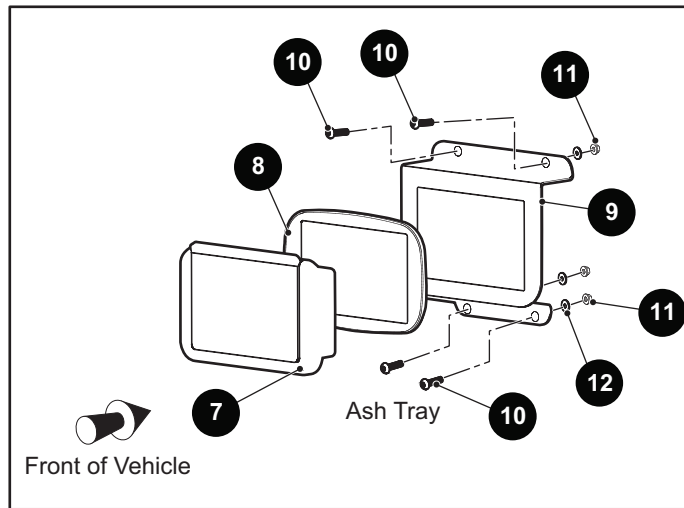
* Indicates a component that is not available as an individual part.

*** Indicates consult Customer Service Department for additional information.

| ITEM | PART NO. | 1 2 3 4 5 | DESCRIPTION | QTY. |
|------|------------|-----------|--|------|
| 1 | 613036G0** | | Cowl (See HOW TO USE Section for COLOR CODES) | 1 |
| 2 | 617643 | | Grill Cover | 1 |
| 3 | 71597G01 | | Self Threading Nut, 5mm x 10mm x 15mm..... | 2 |
| 4 | 71055G01 | | Rivet, 3/16" x 1" Lg | 6 |
| 5 | 614378 | | Fender Flare (Driver Side) | 1 |
| 6 | 613274 | | Fender Flare (Passenger Side)..... | 1 |
| 7 | 674314 | | Instrument Panel Assembly (Includes Item 8 - 16)..... | 1 |
| 8 | 71917G01 | | Instrument Panel Assembly with Ball Deflector (Includes Item 9 - 13) | 1 |
| 9 | 00614G3 | | Pan Head Phillips Screw, #8 - 18 x 5/8" Lg..... | 6 |
| 10 | 71153G01 | | Ball Deflector (Passenger Side) | 1 |
| 11 | 71154G01 | | Ball Deflector (Driver Side) | 1 |
| 12 | 628010 | | Instrument Panel | 1 |
| 13 | 71364G02 | | Speed Nut "J" Type, #8 | 5 |
| 14 | 662223 | | Safety Console Label Bracket | 1 |
| 15 | 71158G01 | | Cup Holder Insert | 1 |
| 16 | 71055G01 | | Rivet (Aluminum), 3/16" x 1" Lg | 2 |
| 17 | 75459G01 | | Glove Box (Driver/Passenger Side) | 1 |
| 18 | 75459G02 | | Glove Box (Driver Side) | 1 |
| 19 | 75459G03 | | Glove Box (Passenger Side)..... | 1 |
| 20 | 608290 | | Self Tapping Screw, #10 - 16 x 3/4" Lg | 5 |
| 21 | 71055G01 | | Rivet (Aluminum), 3/16" x 1" Lg | 7 |
| 22 | 71115G01 | | Vinyl Trim | 2 |
| 23 | 71055G01 | | Rivet (Aluminum), 3/16" x 1" Lg..... | 2 |



1 Ash Tray Kit includes items 2 - 5



6 Ash Tray, Seat Pod Kit includes items 7 - 12

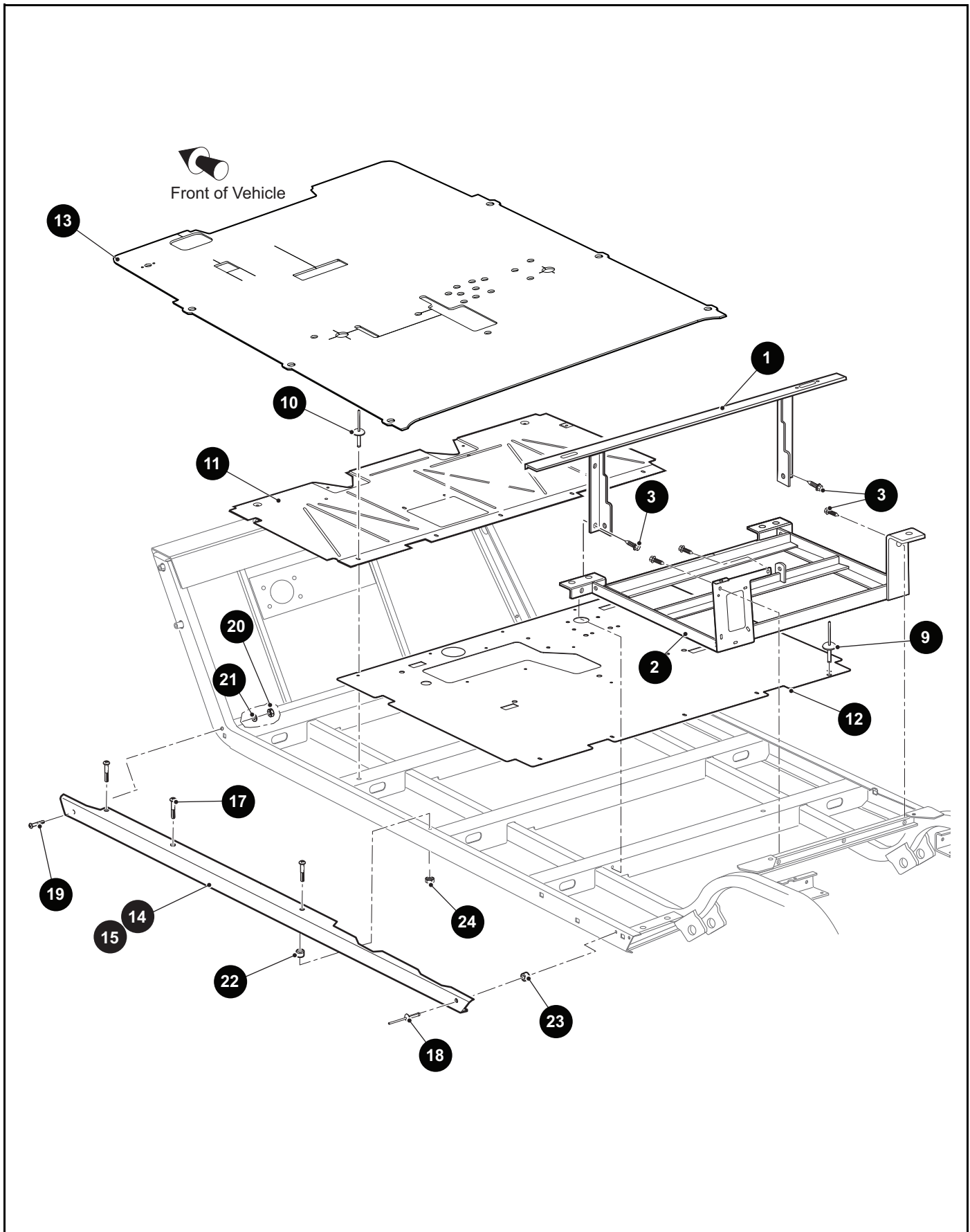
THE USE OF NON U.L. PARTS WILL VOID ANY U.L. LISTING.

When ordering parts, please specify the model and serial number of the product.

* Indicates a component that is not available as an individual part.

*** Indicates consult Customer Service Department for additional information.

| ITEM | PART NO. | 1 2 3 4 5 | DESCRIPTION | QTY. |
|------|----------|-----------|---|------|
| 1 | 75109G03 | | Ash Tray Kit (Includes Items 2 - 5)..... | 1 |
| 2 | 27731G01 | | Ash Tray | 1 |
| 3 | 27736G01 | | Gasket | 1 |
| 4 | 75108G02 | | Bracket | 1 |
| 5 | 00106G6 | | Pan Head Phillips Screw, #12 - 14 x .75" Lg | 4 |
| 6 | 632412 | | Ash Tray, Seat Pod Kit (Includes Items 7 - 12) | 1 |
| 7 | 27731G01 | | Ash Tray | 1 |
| 8 | 27736G01 | | Gasket | 1 |
| 9 | 631079 | | Bracket | 1 |
| 10 | 601326 | | Button Head Torx Bolt, M6 - 1 x 20mm Lg..... | 4 |
| 11 | 601476 | | Flanged Lock Nut, M6 | 4 |
| 12 | 16469G1 | | Fender Washer, 9/32" I.D x 1 1/4" O.D..... | 4 |



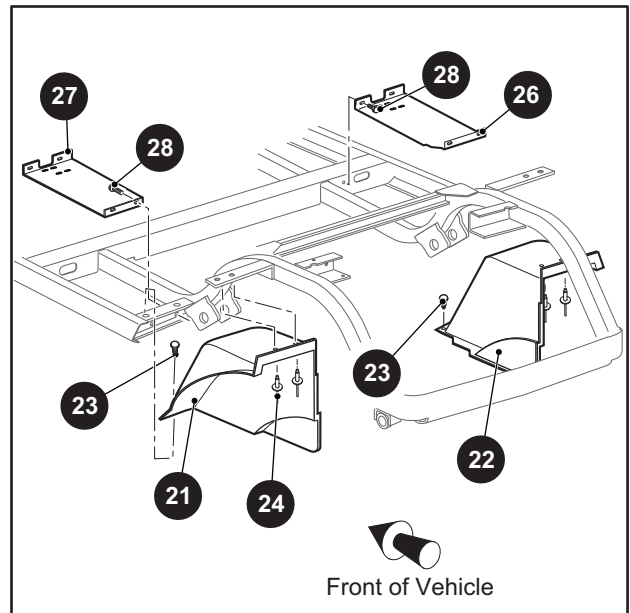
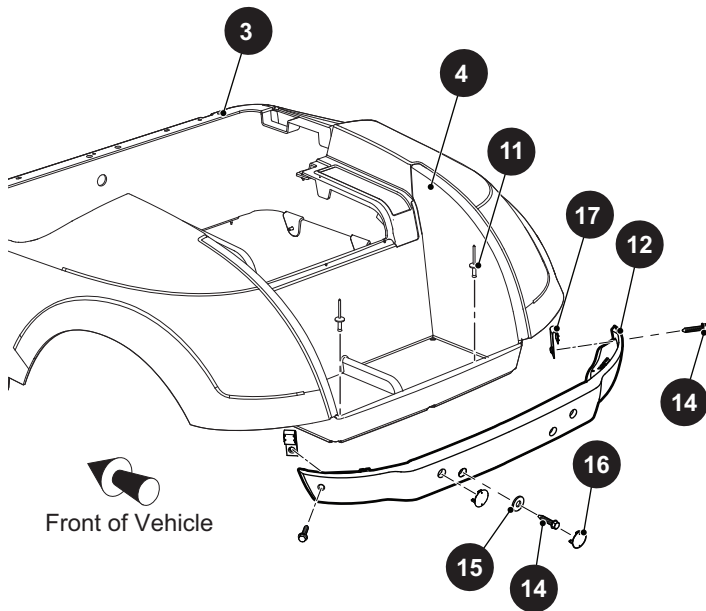
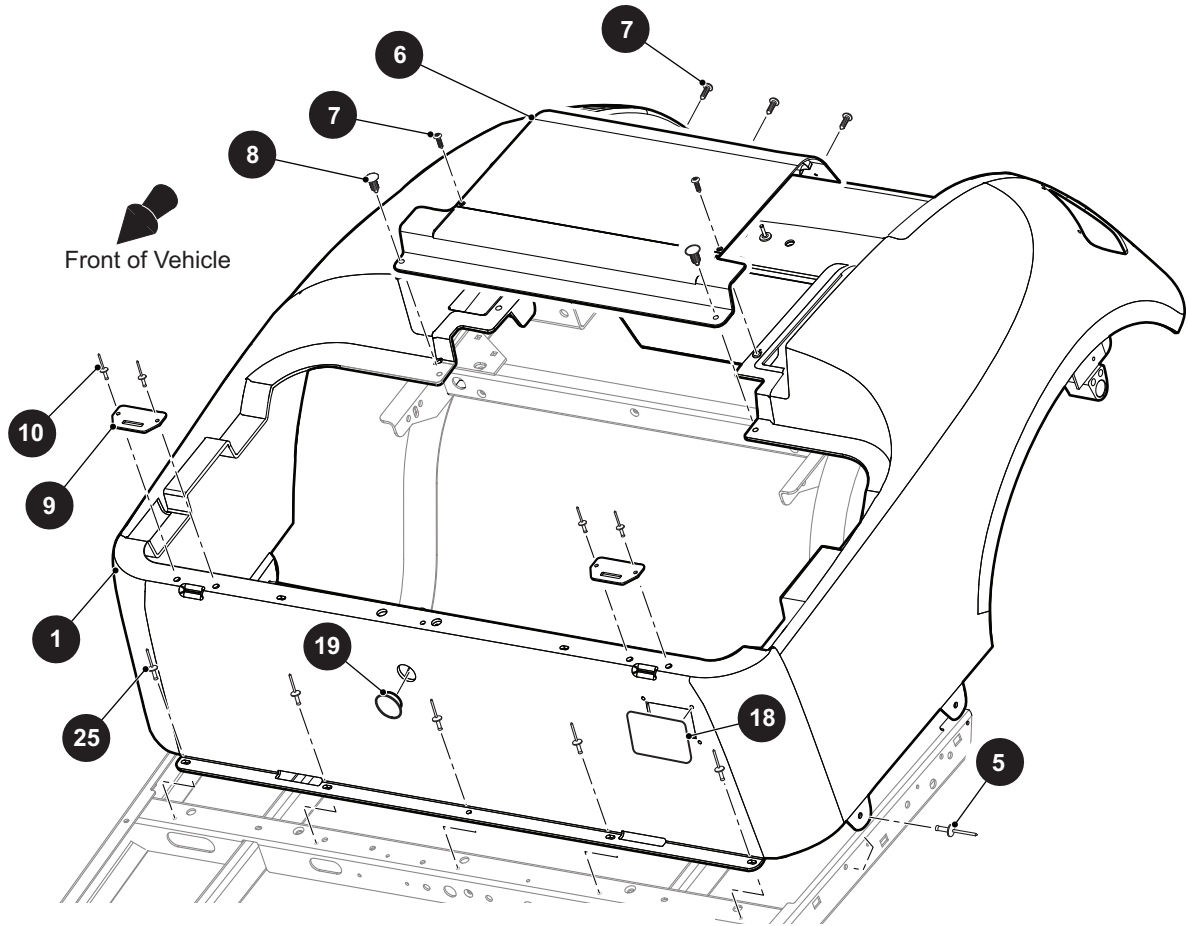
THE USE OF NON U.L. PARTS WILL VOID ANY U.L. LISTING.

When ordering parts, please specify the model and serial number of the product.

* Indicates a component that is not available as an individual part.

*** Indicates consult Customer Service Department for additional information.

| ITEM | PART NO. | 1 2 3 4 5 | DESCRIPTION | QTY. |
|------|-----------|-----------|--|------|
| 1 | 70441G01 | | Seat Frame | 1 |
| 2 | 671632 | | Battery Tray | 1 |
| 3 | 00715G2 | | Hex Washer Head Screw, 5/16" - 18 x .875 " Lg | 5 |
| 4 | | | | |
| 5 | | | | |
| 6 | | | | |
| 7 | | | | |
| 8 | | | | |
| 9 | 10570G10 | | Domed Rivet (SS), 5/32" x 9/16" Lg | 10 |
| 10 | 14601G11 | | Rivet (Aluminum), 3/16" x 9/16" Lg | 5 |
| 11 | 70451G01 | | Lower Floor Panel | 1 |
| 12 | 648840 | | Rear Floor Panel | 1 |
| 13 | 652139G01 | | Floormat | 1 |
| 14 | 618888 | | Rocker Panel (Driver Side) | 1 |
| 15 | 618889 | | Rocker Panel (Passenger Side) | 1 |
| 16 | | | | |
| 17 | 634161 | | Flanged Button Head Torx Bolt, M6 - 1 x 30mm Lg | 3 |
| 18 | 15058G6 | | Rivet (Aluminum), 3/16" x .95" Lg | 1 |
| 19 | 00789G2 | | Truss Head Phillips Screw (SS), #10 - 24 x 1 - 1/4" Lg | 1 |
| 20 | 14390G10 | | Lock Nut, #10 - 24 | 1 |
| 21 | 00660G5 | | Flat Washer, #10 | 1 |
| 22 | 23726G4 | | Spacer, 5/16" | 3 |
| 23 | 23726G4 | | Spacer, 5/16" | 1 |
| 24 | 601476 | | Flanged Lock Nut, M6 | 3 |



2 Rear Body without Taillights includes items 3 - 4

THE USE OF NON U.L. PARTS WILL VOID ANY U.L. LISTING.

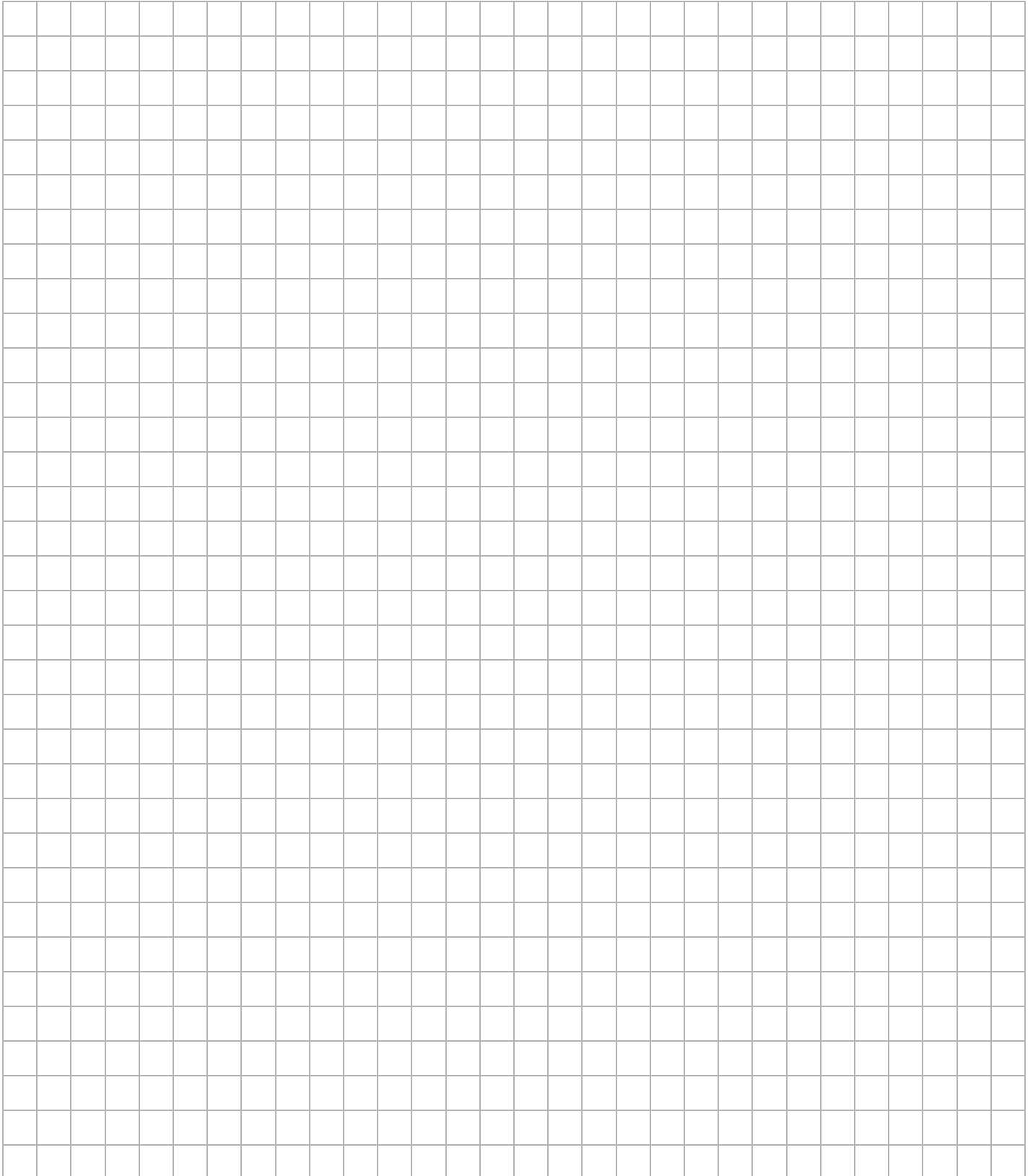
When ordering parts, please specify the model and serial number of the product.

* Indicates a component that is not available as an individual part.

*** Indicates consult Customer Service Department for additional information.

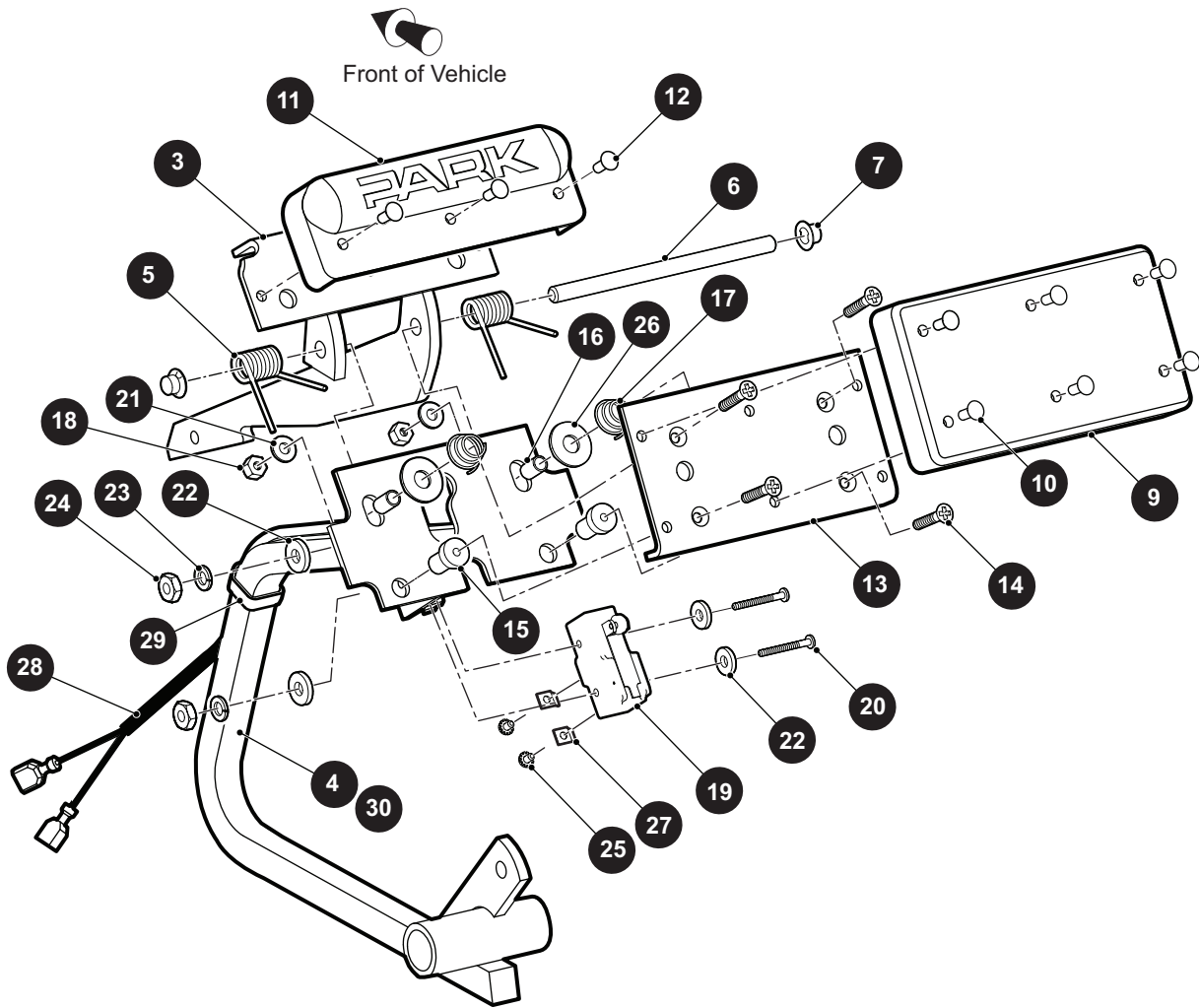
| ITEM | PART NO. | 1 2 3 4 5 | DESCRIPTION | QTY. |
|------|------------|-----------|---|------|
| 1 | 625272G1XX | | Rear Body with Taillights (See HOW TO USE Section for COLOR CODES) | 1 |
| 2 | 625272G0XX | | Rear Body without Taillights (Includes Items 3 - 4) | 1 |
| | | | (See HOW TO USE Section for COLOR CODES) | |
| 3 | 619752G0XX | | Rear Body..... | 1 |
| 4 | 624374 | | Bagwell Liner | 1 |
| 5 | 10570G12 | | Rivet (Aluminum), .257" x .556" Lg | 2 |
| 6 | 71320G01 | | Access Panel | 1 |
| 7 | 01107G01 | | Pan Head Torx Screw (SS), #8 x .63" Lg | 5 |
| 8 | 16816G2 | | Ratchet Rivet, .25" x .887" | 2 |
| 9 | 71609G01 | | Seat Hinge Plate | 2 |
| 10 | 10570G11 | | Rivet (SS), 5/32" x .70" Lg | 4 |
| 11 | 633917 | | Rivet (Plastic)..... | 2 |
| 12 | 71451G02 | | Rear Bumper..... | 1 |
| 13 | | | | |
| 14 | 71102G01 | | Hex Head Bolt, 1/4" - 20 x 3/4" Lg | 4 |
| 15 | 00571G2 | | Flat Washer, 5/16" | 2 |
| 16 | 71455G01 | | Bumper Plug | 4 |
| 17 | 71554G01 | | "J" - Type Nut Retainer, 1/4" - 20..... | 2 |
| 18 | 666066 | | Cover Plate | 1 |
| 19 | 71316G01 | | Plug | 1 |
| 20 | | | | |
| 21 | 658946 | | Fender Liner (Passenger Side)..... | 1 |
| 22 | 658949 | | Fender Liner (Driver Side)..... | 1 |
| 23 | 16816G2 | | Ratchet Fastener, 1/4" x .887" Lg | 2 |
| 24 | 14601G17 | | Rivet (Aluminum), 3/16 x .575mm Lg..... | 2 |
| 25 | 10570G10 | | Rivet (SS), 5/32" x .55" Lg | 5 |
| 26 | 652443G203 | | Battery Tray (Passenger Side)..... | 1 |
| 27 | 652443G103 | | Battery Tray (Driver Side)..... | 1 |
| 28 | 00715G2 | | Hex Washer head Screw, 5/16" - 18 x.875 " Lg | 4 |

Notes:

A large grid of graph paper, consisting of 30 columns and 25 rows of small squares, intended for taking notes.

BRAKES

- 1 Brake Pedal Assembly (without Brake Lights) includes items 3 - 12
- 2 Brake Pedal Assembly (with Brake Lights) includes items 3, 5 - 30



BRAKES

THE USE OF NON U.L. PARTS WILL VOID ANY U.L. LISTING.

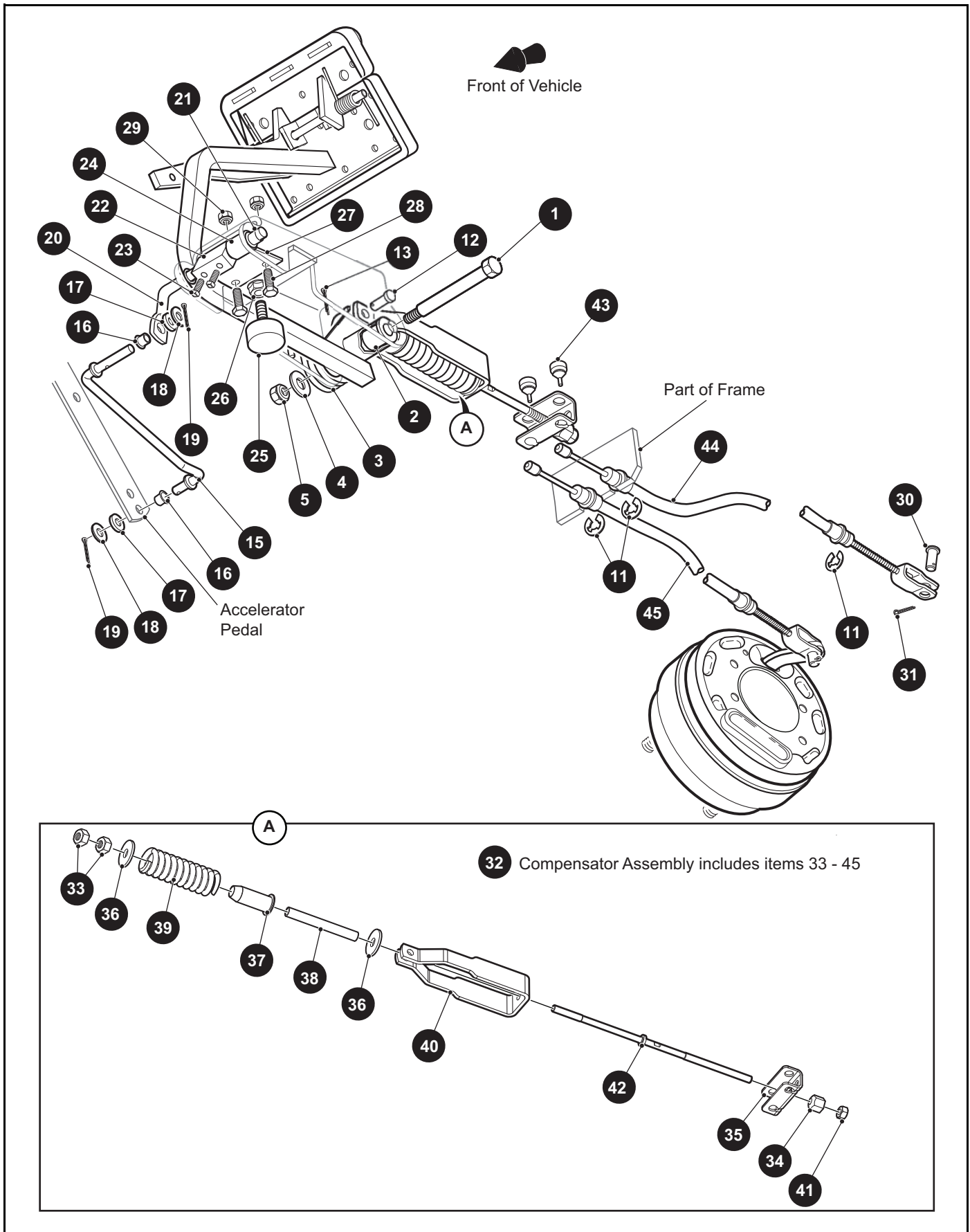
When ordering parts, please specify the model and serial number of the product.

* Indicates a component that is not available as an individual part.

*** Indicates consult Customer Service Department for additional information.

| ITEM | PART NO. | 1 2 3 4 5 | DESCRIPTION | QTY. |
|------|-----------|-----------|---|------|
| 1 | 70612G02 | | Brake Pedal Assembly (without Lights) (Includes Items 3 - 12) | 1 |
| 2 | 70690G02 | | Brake Pedal Assembly (with Lights) (Includes Items 3, 5 - 30) | 1 |
| 3 | 652253G03 | | Park Brake Pedal..... | 1 |
| 4 | 652251G03 | | Brake Pedal (Without Lights)..... | 1 |
| 5 | 70681G01 | | Torsion Spring..... | 2 |
| 6 | 70682G01 | | Pivot Pin | 1 |
| 7 | 658825 | | Push Nut, 5/16" - 24 | 2 |
| 8 | | | | |
| 9 | 70257G01 | | Service Brake Pad..... | 1 |
| 10 | 16409G1 | | Oval Rivet, .375" x .468" Lg..... | 6 |
| 11 | 70256G01 | | Park Brake Pedal Pad | 1 |
| 12 | 16409G1 | | Oval Rivet, .375" x .468" Lg..... | 3 |
| 13 | 652820 | | Service Brake Pedal Plate | 1 |
| 14 | 00737G8 | | Flat Head Phillips Screw, #10 - 24 x .875" Lg..... | 4 |
| 15 | 00739G1 | | Rubber Well Nut, #10 - 24 | 2 |
| 16 | 652355 | | Brake Pedal Spacer..... | 2 |
| 17 | 27137G01 | | Conical Spring | 2 |
| 18 | 14390G10 | | Lock Nut, #10 - 24 | 2 |
| 19 | 10606G8 | | Micro Switch | 1 |
| 20 | 00645G2 | | Pan Head Phillips Screw, #6 - 32 x 1.25" Lg | 2 |
| 21 | 00559G5 | | Flat Washer, #10..... | 2 |
| 22 | 00559G3 | | Flat Washer, #6..... | 2 |
| 23 | 00565G3 | | Lock Washer, #6 | 2 |
| 24 | 00525G5 | | Lock Nut, #6 - 32 | 2 |
| 25 | 13514G1 | | Pan Head Phillips Screw with Internal Tooth Lock Washer, #6 - 32 x .22" Lg | 2 |
| 26 | 00642G8 | | Flat Washer, 5/16" | 2 |
| 27 | 14628G1 | | Faston Tab..... | 2 |
| 28 | 24605G1 | | Wire Harness (Brake Light) | 1 |
| 29 | 17618G1 | | Wire Tie | 2 |
| 30 | 652791G03 | | Brake Pedal (with Lights)..... | 1 |

BRAKES



THE USE OF NON U.L. PARTS WILL VOID ANY U.L. LISTING.

When ordering parts, please specify the model and serial number of the product.

* Indicates a component that is not available as an individual part.

*** Indicates consult Customer Service Department for additional information.

| ITEM | PART NO. | 1 2 3 4 5 | DESCRIPTION | QTY. |
|------|----------|-----------|---|------|
| 1 | 70582G01 | | Shoulder Bolt (SS), 1/2" x 3/8" - 16 x 3.406" Lg..... | 1 |
| 2 | 70581G01 | | Flanged Bushing, .1.062" O.D. x .795" I.D..... | 2 |
| 3 | 70676G01 | | Torsion Spring | 1 |
| 4 | 00643G1 | | Lock Washer, 3/8" | 1 |
| 5 | 11098G5 | | Lock Nut, 3/8" - 16 | 1 |
| 6 | 01038G01 | | Hex Washer Head Swageform Screw, 1/4" - 20 X .7" Lg (Not Illustrated) | 1 |
| 7 | 12416G2 | | Nylon Wedge Lock Clamp (Not Illustrated)..... | 3 |
| 8 | | | | |
| 9 | | | | |
| 10 | | | | |
| 11 | 01111G01 | | Retaining Ring (SS), Dia .8" | 4 |
| 12 | 10386G3 | | Clevis Pin, .438" x .938" Lg..... | 1 |
| 13 | 10387G3 | | Cotter Pin, .094" x .75" Lg..... | 1 |
| 14 | | | | |
| 15 | 70601G01 | | Kick-off Link..... | 1 |
| 16 | 17838G1 | | Nylon Bushing, .37" O.D. x .31" I.D..... | 2 |
| 17 | 20835G1 | | Teflon Washer, 3/8" | 2 |
| 18 | 00559G8 | | Flat Washer, 5/16" | 2 |
| 19 | 10387G3 | | Cotter Pin, .094" x .75" Lg..... | 2 |
| 20 | 70098G01 | | Kick-off Cam Pivot..... | 1 |
| 21 | 10097G6 | | Flanged Bearing..... | 2 |
| 22 | 70587G01 | | Kick-off Cam..... | 1 |
| 23 | 71215G01 | | Set Screw with Patch Lock, 1/4" - 20 x .5" Lg | 2 |
| 24 | 14134G4 | | Spacer, .76" O.D. x .395" I.D. x 1.25" Lg | 1 |
| 25 | 70113G01 | | Adjustable Bumper..... | 1 |
| 26 | 11027G1 | | Lock Nut, 5/16" - 18 | 1 |
| 27 | 70080G02 | | Catch Bracket..... | 1 |
| 28 | 00414G6 | | Hex Head Bolt, 1/4" - 20 x .25" Lg, Grade 5 | 2 |
| 29 | 14390G4 | | Lock Nut (SS), 1/4" - 20 | 2 |
| 30 | 10386G3 | | Clevis Pin, .438" x .938" Lg..... | 1 |
| 31 | 10387G3 | | Cotter Pin, .094" x .75" Lg..... | 1 |

BRAKES

THE USE OF NON U.L. PARTS WILL VOID ANY U.L. LISTING.

When ordering parts, please specify the model and serial number of the product

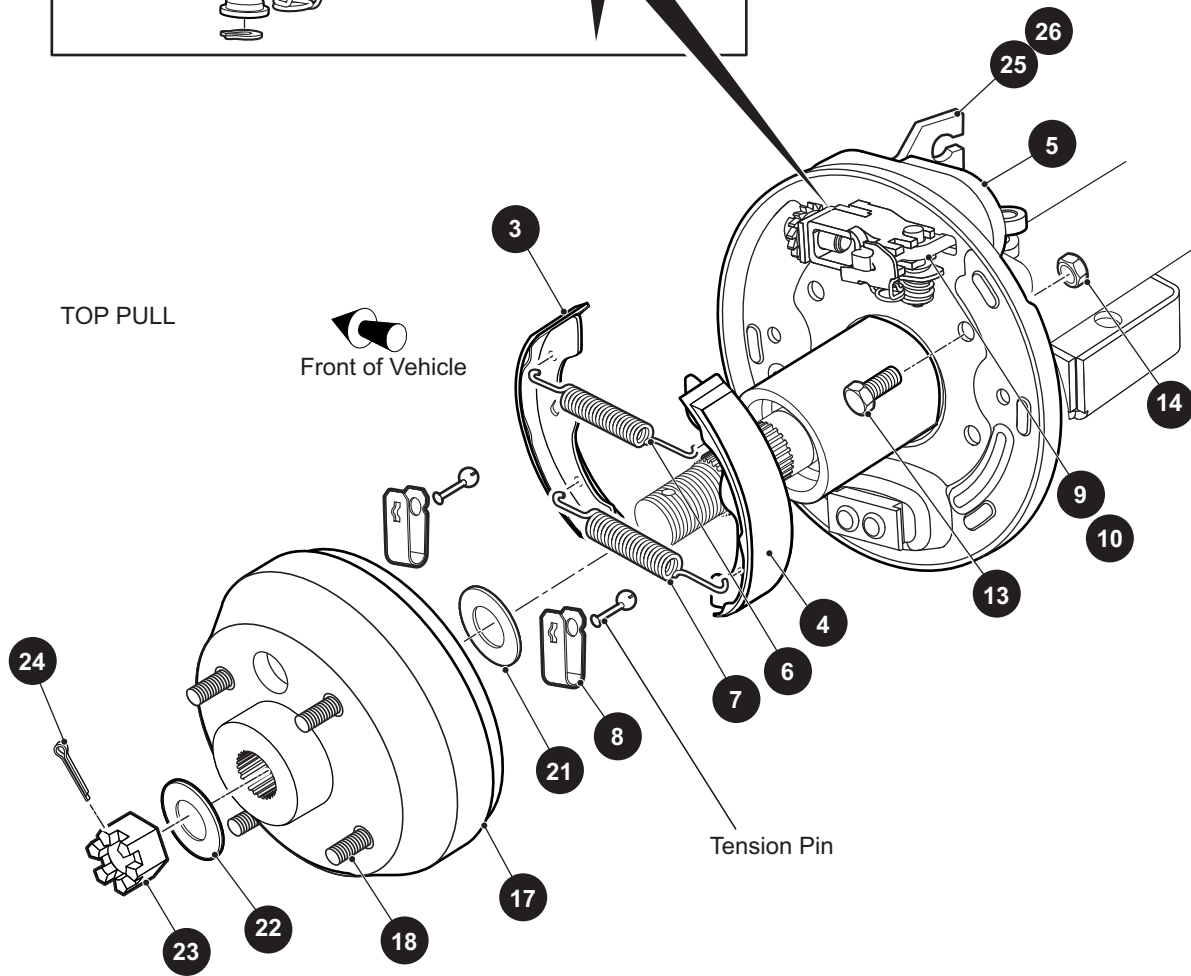
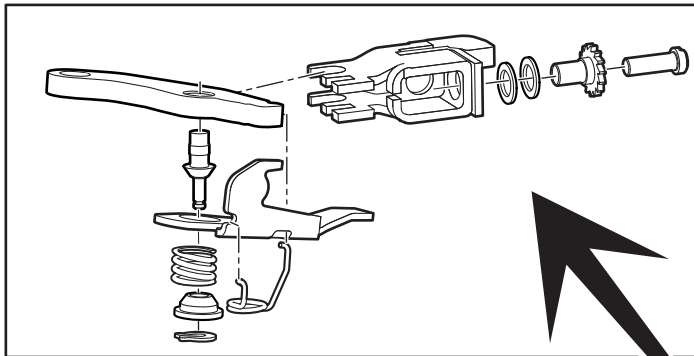
* Indicates a component that is not available as an individual part.

*** Indicates consult Customer Service Department for additional information.

| ITEM | PART NO. | 1 | 2 | 3 | 4 | 5 | DESCRIPTION | QTY. |
|------|----------|---|---|---|---|---|--|------|
| 32 | 654665 | | | | | | Compensator Assembly (Includes Items 33 - 45)..... | 1 |
| 33 | 00532G4 | | | | | | Hex Nut, 1/4" - 20..... | 2 |
| 34 | 629486 | | | | | | Spherical Hex Nut, 5/16" - 24..... | 1 |
| 35 | 28082G01 | | | | | | Equalizer Bracket..... | 1 |
| 36 | 15121G1 | | | | | | Flat Washer, 5/16"..... | 2 |
| 37 | 17979G1 | | | | | | Accelerator Rod Bushing, .464" I.D. x 1" O.D. x 2" Lg..... | 1 |
| 38 | 23061G2 | | | | | | Tube..... | 1 |
| 39 | 23463G1 | | | | | | Compression Spring..... | 1 |
| 40 | 652256 | | | | | | Brake Yoke..... | 1 |
| 41 | 11098G9 | | | | | | Hex Lock Nut, 5/16" - 24..... | 1 |
| 42 | 612557 | | | | | | Compensator Link Rod..... | 1 |
| 43 | 28083G01 | | | | | | Brake Compensator Bumper..... | 2 |
| 44 | 624695 | | | | | | Brake Cable (Driver Side), 65.06" Lg..... | 1 |
| 45 | 624696 | | | | | | Brake Cable (Passenger Side), 74.81" Lg..... | 1 |
| 46 | | | | | | | | |
| 47 | 17618G1 | | | | | | Nylon Clamp, 8" Lg (Not Illustrated)..... | 1 |

BRAKES

- 1 Brake Assembly (Driver Side) includes items 3 - 9
- 2 Brake Assembly (Passenger Side) includes items 3 - 8, 10
- 16 Brake Drum Assembly includes items 17, 18



THE USE OF NON U.L. PARTS WILL VOID ANY U.L. LISTING.

When ordering parts, please specify the model and serial number of the product.

* Indicates a component that is not available as an individual part.

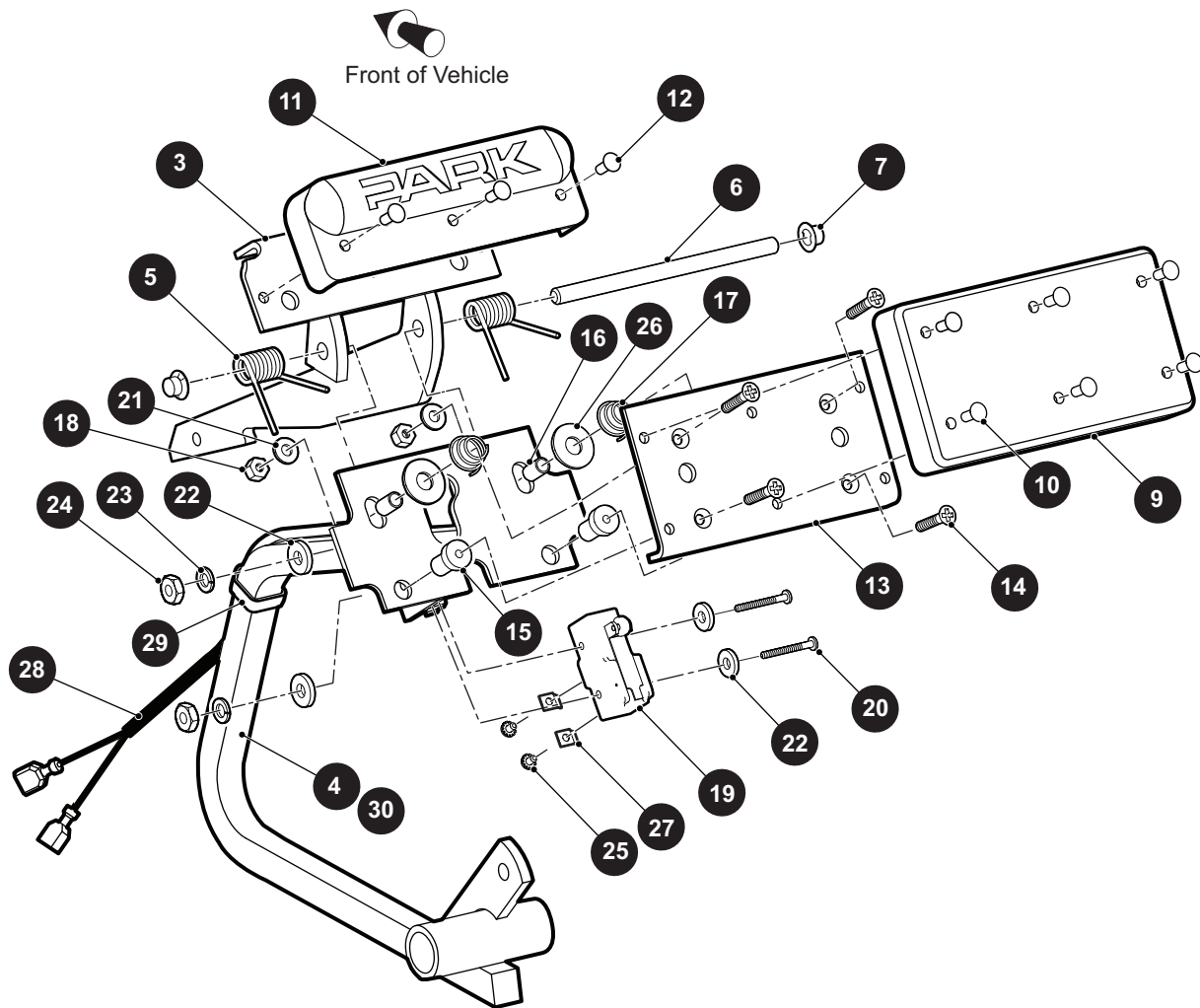
*** Indicates consult Customer Service Department for additional information.

| ITEM | PART NO. | 1 2 3 4 5 | DESCRIPTION | QTY. |
|------|----------|-----------|---|------|
| 1 | 612189 | | Brake Assembly (Driver Side) (Includes Items 3 - 9) | 1 |
| 2 | 612211 | | Brake Assembly (Passenger Side) (Includes Items 3 - 8, 10)..... | 1 |
| 3 | 612411 | | Brake Shoe, Leading | 1 |
| 4 | 612412 | | Brake Shoe, Trailing | 1 |
| 5 | 612413 | | Dust Cover..... | 1 |
| 6 | 612415 | | Brake Spring, Top | 1 |
| 7 | 612414 | | Brake Spring, Bottom | 1 |
| 8 | 612416 | | Shoe Clamp | 2 |
| 9 | 612418 | | Gear Adjuster (Driver Side) | 1 |
| 10 | 612417 | | Gear Adjuster (Passenger Side)..... | 1 |
| 11 | | | | |
| 12 | | | | |
| 13 | 17083G2 | | Hex Head Bolt, 5/16" - 24 x 1" Lg, Grade 8 | 4 |
| 14 | 15126G1 | | Lock Nut, 5/16" - 24 | 4 |
| 15 | | | | |
| 16 | 21807G2 | | Brake Drum Assembly (Includes Items 17, 18)..... | 1 |
| 17 | 20947G1 | | Brake Drum | 1 |
| 18 | 19862G2 | | Lug Bolt, 1/2" - 20 x 1.718" Lg..... | 4 |
| 19 | | | | |
| 20 | | | | |
| 21 | 21809G1 | | Flat Washer (Inner Wheel Rim), .984" x 1.312" x .031" | 1 |
| 22 | 21830G1 | | Flat Washer (Brake Drum), .765" x 1.50" x .1196" | 1 |
| 23 | 613172 | | Slotted Hex Nut, 3/4" - 16 | 1 |
| 24 | 10387G1 | | Cotter Pin, 5/32" x 1 3/4" Lg..... | 1 |
| 25 | 652248 | | Brake Cable Bracket (Passenger Side) | 1 |
| 26 | 652249 | | Brake Cable Bracket (Driver Side)..... | 1 |

BRAKES - FRONT DISC

1 Brake Pedal Assembly (without Brake Lights) includes items 3 - 12

2 Brake Pedal Assembly (with Brake Lights) includes items 3, 5 - 30



BRAKES - FRONT DISC

THE USE OF NON U.L. PARTS WILL VOID ANY U.L. LISTING.

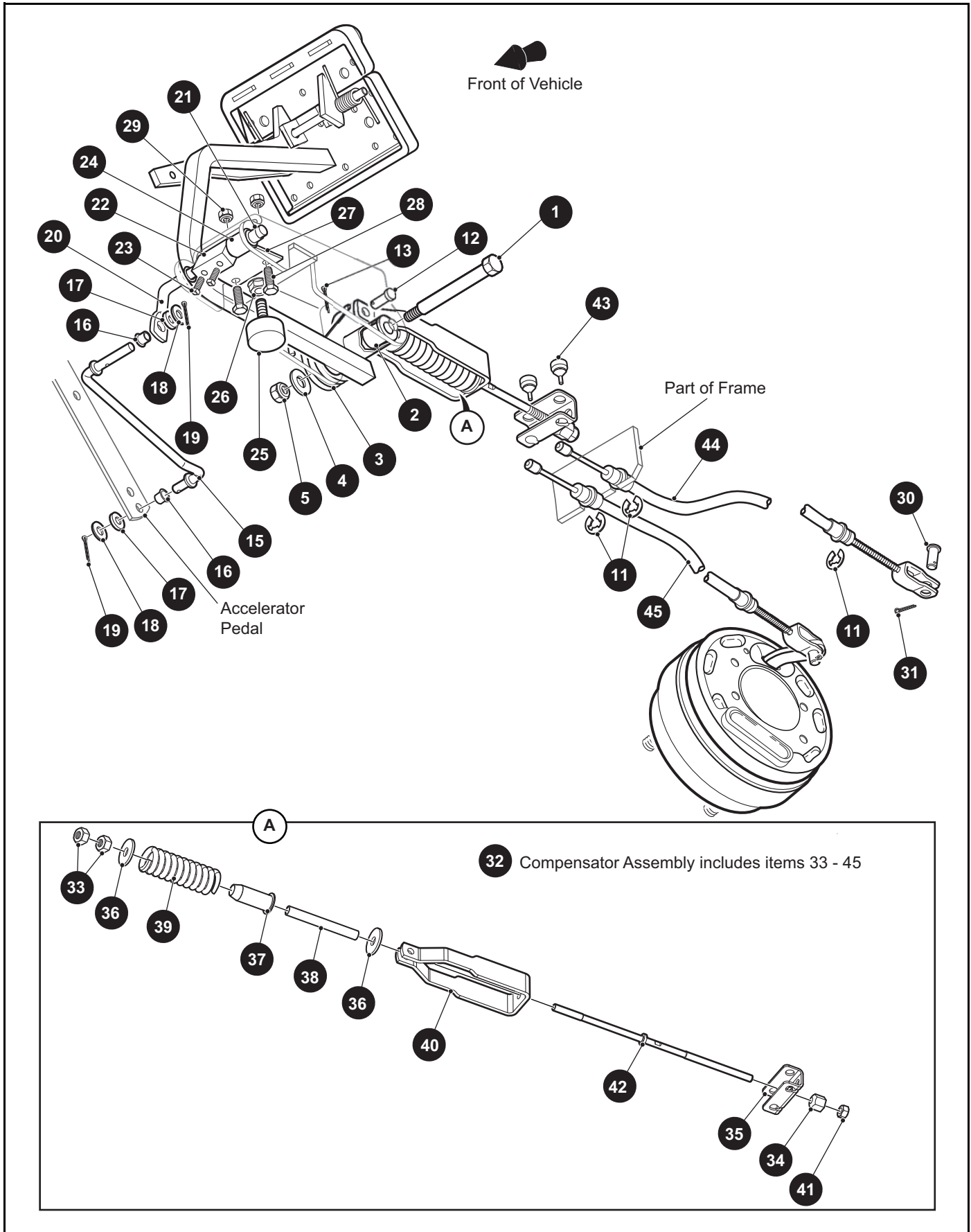
When ordering parts, please specify the model and serial number of the product.

* Indicates a component that is not available as an individual part.

*** Indicates consult Customer Service Department for additional information.

| ITEM | PART NO. | 1 2 3 4 5 | DESCRIPTION | QTY. |
|------|----------|-----------|---|------|
| 1 | 74723G01 | | Brake Pedal Assembly (without Lights) (Includes Items 3 - 12) | 1 |
| 2 | 74874G01 | | Brake Pedal Assembly (with Lights) (Includes Items 3, 5 - 30) | 1 |
| 3 | 641760 | | Park Brake Pedal..... | 1 |
| 4 | 74721G01 | | Brake Pedal (Without Lights)..... | 1 |
| 5 | 70681G01 | | Torsion Spring..... | 2 |
| 6 | 70682G01 | | Pivot Pin | 1 |
| 7 | 658825 | | Push Nut, 5/16" - 24 | 2 |
| 8 | | | | |
| 9 | 70257G01 | | Service Brake Pad..... | 1 |
| 10 | 16409G1 | | Oval Rivet, .375" x .468" Lg..... | 6 |
| 11 | 70256G01 | | Park Brake Pedal Pad | 1 |
| 12 | 16409G1 | | Oval Rivet, .375" x .468" Lg..... | 3 |
| 13 | 652820 | | Service Brake Pedal Plate | 1 |
| 14 | 00737G8 | | Flat Head Phillips Screw, #10 - 24 x .875" Lg..... | 4 |
| 15 | 00739G1 | | Rubber Well Nut, #10 - 24 | 2 |
| 16 | 652355 | | Brake Pedal Spacer..... | 2 |
| 17 | 27137G01 | | Conical Spring | 2 |
| 18 | 14390G10 | | Lock Nut, #10 - 24 | 2 |
| 19 | 10606G8 | | Micro Switch | 1 |
| 20 | 00645G2 | | Pan Head Phillips Screw, #6 - 32 x 1.25" Lg | 1 |
| 21 | 00559G5 | | Flat Washer, #10..... | 2 |
| 22 | 00559G3 | | Flat Washer, #6..... | 2 |
| 23 | 00565G3 | | Lock Washer, #6 | 1 |
| 24 | 00525G5 | | Lock Nut, #6 - 32 | 1 |
| 25 | 13514G1 | | Pan Head Phillips Screw with Internal Tooth Lock Washer, #6 - 32 x .22" Lg | 1 |
| 26 | 00642G8 | | Flat Washer, 5/16" | 2 |
| 27 | 14628G1 | | Faston Tab..... | 2 |
| 28 | 24605G1 | | Wire Harness (Brake Light) | 1 |
| 29 | 17618G1 | | Wire Tie | 2 |
| 30 | 74870G01 | | Brake Pedal (with Lights)..... | 1 |

BRAKES - FRONT DISC



BRAKES - FRONT DISC

THE USE OF NON U.L. PARTS WILL VOID ANY U.L. LISTING.

When ordering parts, please specify the model and serial number of the product.

* Indicates a component that is not available as an individual part.

*** Indicates consult Customer Service Department for additional information.

| ITEM | PART NO. | 1 2 3 4 5 | DESCRIPTION | QTY. |
|------|----------|-----------|---|------|
| 1 | 70582G01 | | Shoulder Bolt (SS), 1/2" x 3/8" - 16 x 3.406" Lg..... | 1 |
| 2 | 70581G01 | | Flanged Bushing, .1.062" O.D. x .795" I.D..... | 2 |
| 3 | 70676G01 | | Torsion Spring | 1 |
| 4 | 00643G1 | | Lock Washer, 3/8" | 1 |
| 5 | 11098G5 | | Lock Nut, 3/8" - 16 | 1 |
| 6 | 01038G01 | | Hex Washer Head Swageform Screw, 1/4" - 20 X .7" Lg (Not Illustrated) | 1 |
| 7 | 12416G2 | | Nylon Wedge Lock Clamp (Not Illustrated)..... | 3 |
| 8 | | | | |
| 9 | | | | |
| 10 | | | | |
| 11 | 01111G01 | | Retaining Ring (SS), Dia .8" | 4 |
| 12 | 10386G3 | | Clevis Pin, .438" x .938" Lg..... | 1 |
| 13 | 10387G3 | | Cotter Pin, .094" x .75" Lg..... | 1 |
| 14 | | | | |
| 15 | 70601G01 | | Kick-off Link..... | 1 |
| 16 | 17838G1 | | Nylon Bushing, .37" O.D. x .31" I.D..... | 2 |
| 17 | 20835G1 | | Teflon Washer, 3/8" | 2 |
| 18 | 00559G8 | | Flat Washer, 5/16" | 2 |
| 19 | 10387G3 | | Cotter Pin, .094" x .75" Lg..... | 2 |
| 20 | 70098G01 | | Kick-off Cam Pivot..... | 1 |
| 21 | 10097G6 | | Flanged Bearing..... | 2 |
| 22 | 70587G01 | | Kick-off Cam..... | 1 |
| 23 | 71215G01 | | Set Screw with Patch Lock, 1/4" - 20 x .5" Lg | 2 |
| 24 | 14134G4 | | Spacer, .76" O.D. x .395" I.D. x 1.25" Lg | 1 |
| 25 | 70113G01 | | Adjustable Bumper..... | 1 |
| 26 | 11027G1 | | Lock Nut, 5/16" - 18 | 1 |
| 27 | 70080G02 | | Catch Bracket..... | 1 |
| 28 | 00414G6 | | Hex Head Bolt, 1/4" - 20 x .25" Lg, Grade 5 | 2 |
| 29 | 14390G4 | | Lock Nut (SS), 1/4" - 20 | 2 |
| 30 | 10386G3 | | Clevis Pin, .438" x .938" Lg..... | 1 |
| 31 | 10387G3 | | Cotter Pin, .094" x .75" Lg..... | 1 |

BRAKES - FRONT DISC

THE USE OF NON U.L. PARTS WILL VOID ANY U.L. LISTING.

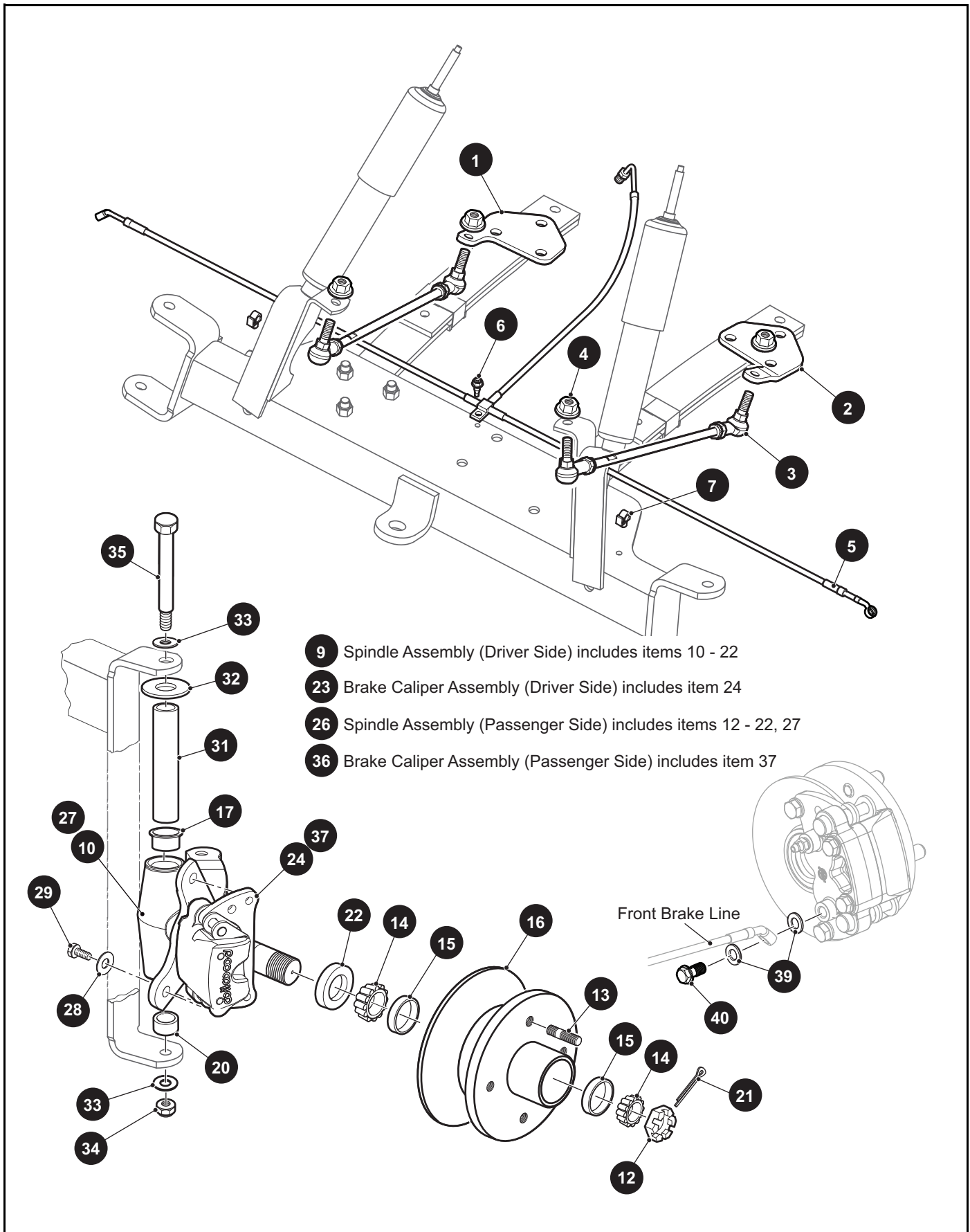
When ordering parts, please specify the model and serial number of the product

* Indicates a component that is not available as an individual part.

*** Indicates consult Customer Service Department for additional information.

| ITEM | PART NO. | 1 | 2 | 3 | 4 | 5 | DESCRIPTION | QTY. |
|------|----------|---|---|---|---|---|--|------|
| 32 | 654665 | | | | | | Compensator Assembly (Includes Items 33 - 45)..... | 1 |
| 33 | 00532G4 | | | | | | Hex Nut, 1/4" - 20..... | 2 |
| 34 | 629486 | | | | | | Spherical Hex Nut, 5/16" - 24..... | 1 |
| 35 | 28082G01 | | | | | | Equalizer Bracket..... | 1 |
| 36 | 15121G1 | | | | | | Flat Washer, 5/16"..... | 2 |
| 37 | 17979G1 | | | | | | Accelerator Rod Bushing, .464" I.D. x 1" O.D. x 2" Lg..... | 1 |
| 38 | 23061G2 | | | | | | Tube..... | 1 |
| 39 | 23463G1 | | | | | | Compression Spring..... | 1 |
| 40 | 652256 | | | | | | Brake Yoke..... | 1 |
| 41 | 11098G9 | | | | | | Hex Lock Nut, 5/16" - 24..... | 1 |
| 42 | 612557 | | | | | | Compensator Link Rod..... | 1 |
| 43 | 28083G01 | | | | | | Brake Compensator Bumper..... | 2 |
| 44 | 624695 | | | | | | Brake Cable (Driver Side), 65.06" Lg..... | 1 |
| 45 | 624696 | | | | | | Brake Cable (Passenger Side), 74.81" Lg..... | 1 |
| 46 | | | | | | | | |
| 47 | 17618G1 | | | | | | Nylon Clamp, 8" Lg (Not Illustrated)..... | 1 |

BRAKES - FRONT DISC



BRAKES - FRONT DISC

THE USE OF NON U.L. PARTS WILL VOID ANY U.L. LISTING.

When ordering parts, please specify the model and serial number of the product.

* Indicates a component that is not available as an individual part.

*** Indicates consult Customer Service Department for additional information.

| ITEM | PART NO. | 1 2 3 4 5 | DESCRIPTION | QTY. |
|------|-----------|-----------|--|------|
| 1 | 74731G02 | | Spring Plate (Passenger Side)..... | 1 |
| 2 | 74731G01 | | Spring Plate (Driver Side) | 1 |
| 3 | 74730G01 | | Four Link Rod..... | 1 |
| 4 | 606279 | | Hex Nut, M10 - 1.25..... | 2 |
| 5 | 630766 | | Brake Line..... | 1 |
| 6 | 01038G01 | | Hex Washer Head Swageform Screw, 1/4" - 20 X .7" Lg | 1 |
| 7 | 74875G01 | | Wire Retainer | 2 |
| 8 | | | | |
| 9 | 602281 | | Spindle Assembly (Driver Side) (Includes Items 10 - 22)..... | 1 |
| 10 | 602176 | | Disc Brake Spindle (Driver Side) | 1 |
| 11 | | | | |
| 12 | 12093G1 | | Hex Slotted Nut, 1" - 14 | 1 |
| 13 | 74864G01 | | Drive Flange Stud, 1.5"..... | 4 |
| 14 | 11750G2 | | Roller Bearing..... | 2 |
| 15 | 51141G1 | | Bearing Race..... | 2 |
| 16 | 630672 | | Disc Brake Hub..... | 1 |
| 17 | 632925 | | Flanged Bushing..... | 1 |
| 18 | | | | |
| 19 | | | | |
| 20 | 632926 | | Sleeve Bushing..... | 1 |
| 21 | 00798G8 | | Cotter Pin, 5/32" X 1 3/4" Lg..... | 1 |
| 22 | 25146G1 | | Grease Seal..... | 1 |
| 23 | 633918G01 | | Brake Caliper Assembly (Driver Side) (Includes Item 24)..... | 1 |
| 24 | 668990 | | Brake Pad (1 Pair) | 1 |
| 25 | | | | |
| 26 | 602288 | | Spindle Assembly (Passenger Side) (Includes Items 12 - 22, 27) | 1 |
| 27 | 602158 | | Disc Brake Spindle (Passenger Side) | 1 |
| 28 | 00566G1 | | Flat Washer, 3/8" | 2 |
| 29 | 00426G6 | | Hex Head Bolt, 3/8" - 16 X 3/4" Lg, Grade 5..... | 2 |
| 30 | | | | |
| 31 | 70745G01 | | Kingpin Tube | 1 |

BRAKES - FRONT DISC

THE USE OF NON U.L. PARTS WILL VOID ANY U.L. LISTING.

When ordering parts, please specify the model and serial number of the product

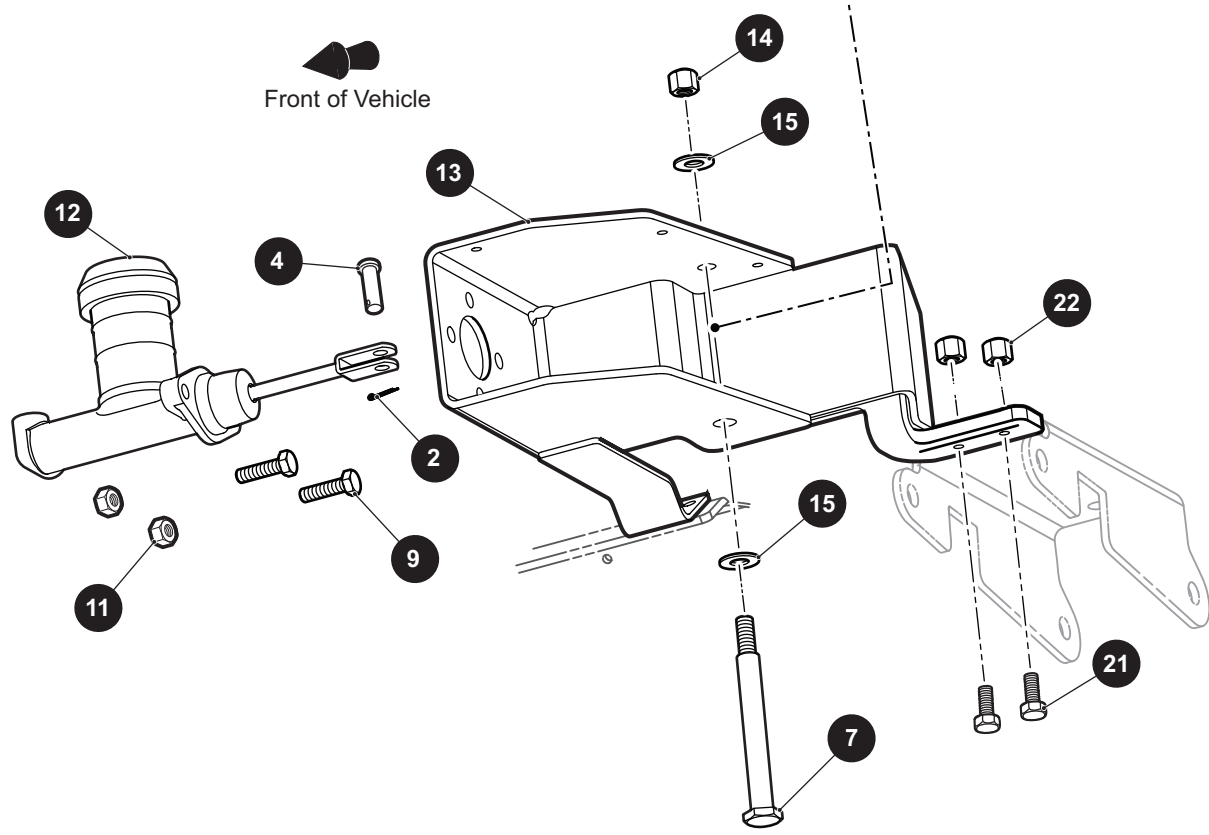
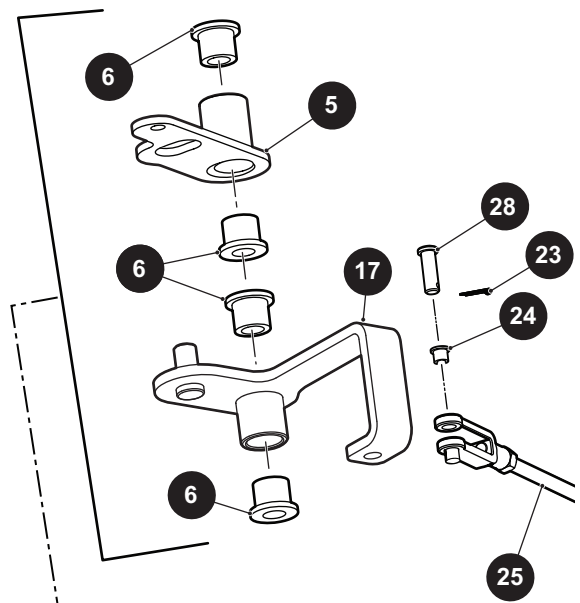
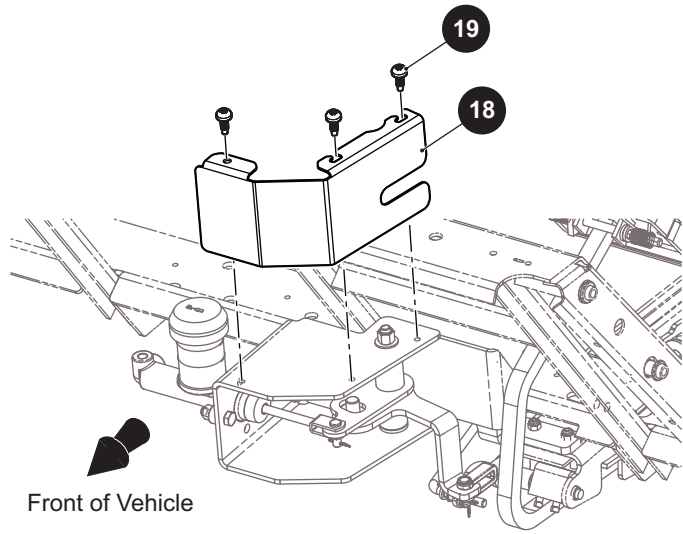
* Indicates a component that is not available as an individual part.

*** Indicates consult Customer Service Department for additional information.

| ITEM | PART NO. | 1 2 3 4 5 | DESCRIPTION | QTY. |
|------|-----------|-----------|--|------|
| 32 | 70754G01 | | Thrust Washer, 1.38" O.D. X .995" I.D. | 1 |
| 33 | 00560G3 | | Lock Washer, 1/2" | 2 |
| 34 | 14390G6 | | Lock Nut, 1/2" - 13 | 1 |
| 35 | 00407G6 | | Hex Head Bolt, 1/2" - 13 X 6" Lg, Grade 5 | 1 |
| 36 | 633918G02 | | Brake Caliper Assembly (Passenger Side) (Includes Item 37) | 1 |
| 37 | 668990 | | Brake Pad (1 Pair) | 1 |
| 38 | | | | |
| 39 | 613293 | | Crush Washer, M10 | 2 |
| 40 | 616459 | | Banjo Bolt, M10 - 1 X 20mm Lg | 1 |

BRAKES - FRONT DISC

1 Front Disc Brake Actuator Assembly includes items 2 - 17



BRAKES - FRONT DISC

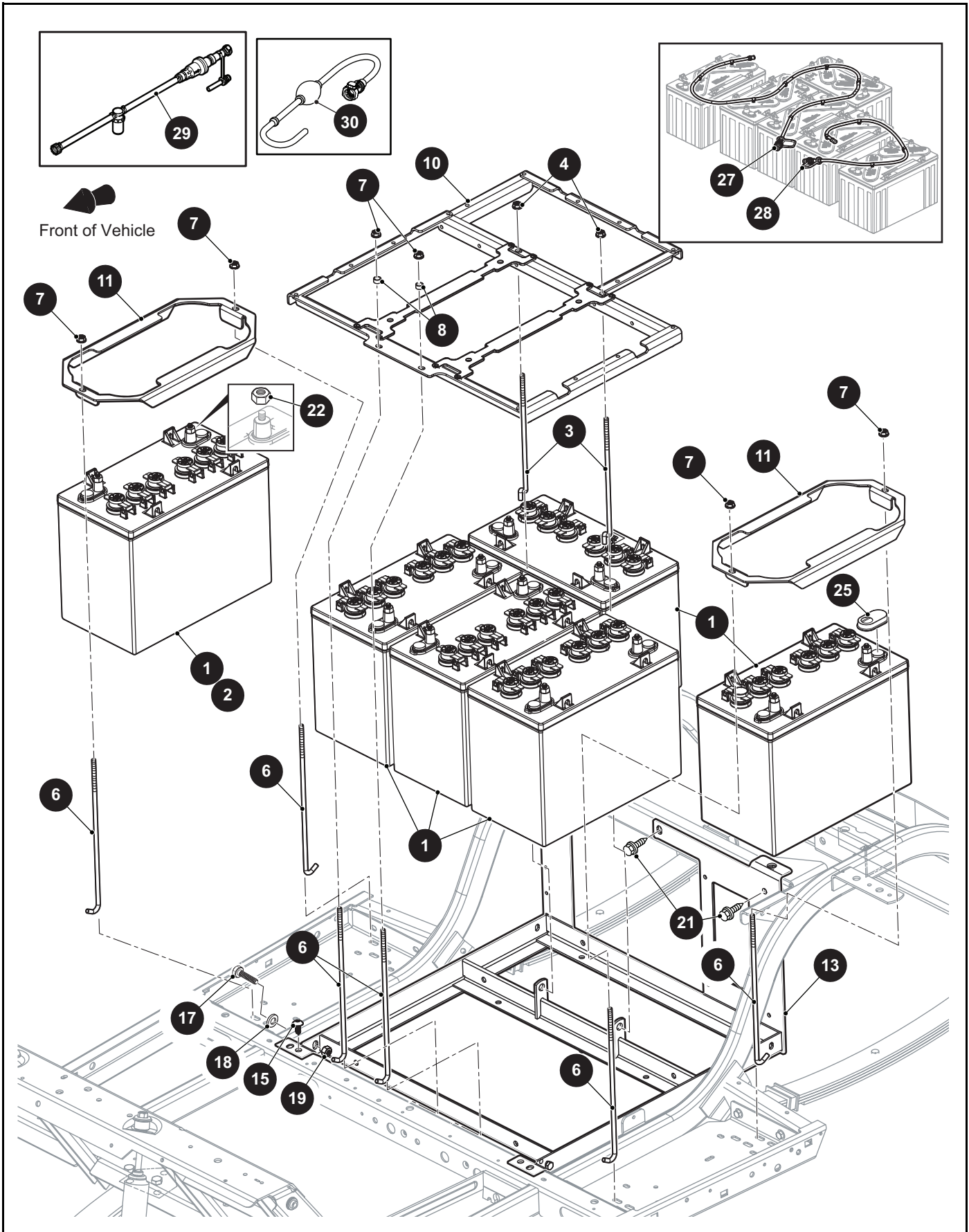
THE USE OF NON U.L. PARTS WILL VOID ANY U.L. LISTING.

When ordering parts, please specify the model and serial number of the product.

* Indicates a component that is not available as an individual part.

*** Indicates consult Customer Service Department for additional information.

| ITEM | PART NO. | 1 2 3 4 5 | DESCRIPTION | QTY. |
|------|----------|-----------|--|------|
| 1 | 608706 | | Front Disc Brake Actuator Assembly (Includes Items 2 - 17) | 1 |
| 2 | 10387G3 | | Cotter Pin, 3/32" X 3/4" Lg..... | 1 |
| 3 | | | | |
| 4 | 10386G3 | | Clevis Pin, 5/16" X 1" Lg..... | 1 |
| 5 | 608122 | | Upper Actuator Pivot Bracket | 1 |
| 6 | 70581G02 | | Acetal Bushing, .79" O.D. X .5" I.D. X .75" Lg..... | 4 |
| 7 | 74711G01 | | Actuator Pivot Bolt, 3/4" - 16 X 3/4" Lg | 1 |
| 8 | | | | |
| 9 | 00439G1 | | Hex Head Bolt, 1/2" - 13 X 6" Lg, Grade 5 | 2 |
| 10 | | | | |
| 11 | 11098G6 | | Lock Nut, 5/16" - 18..... | 2 |
| 12 | 887364 | | Master Cylinder | 1 |
| 13 | 612706 | | Master Cylinder Mount Weldment | 1 |
| 14 | 11098G5 | | Lock Nut, 3/8" - 16..... | 1 |
| 15 | 00679G1 | | Lock Washer (SS), 3/8" | 2 |
| 16 | | | | |
| 17 | 641826 | | Lower Actuator Pivot..... | 1 |
| 18 | 612704 | | Actuator Assembly Cover..... | 1 |
| 19 | 01038G01 | | Hex Washer Head Swageform Screw, 1/4" - 20 X .7" Lg..... | 3 |
| 20 | | | | |
| 21 | 00414G6 | | Hex Head Bolt, 1/4" - 20 X 3/4" Lg. Grade 5..... | 2 |
| 22 | 14390G4 | | Lock Nut, 1/4" - 20 | 2 |
| 23 | 10387G3 | | Cotter Pin, .094" X .75" Lg | 2 |
| 24 | 17838G1 | | Nylon Bushing, .37" O.D. X .31" I.D..... | 2 |
| 25 | 608943 | | Actuator Linkage | 1 |
| 26 | 00771G5 | | Flat Washer, 3/8" (Not Illustrated) | 1 |
| 27 | | | | |
| 28 | 10386G3 | | Clevis Pin, 5/16" X 13/16" Lg | 2 |



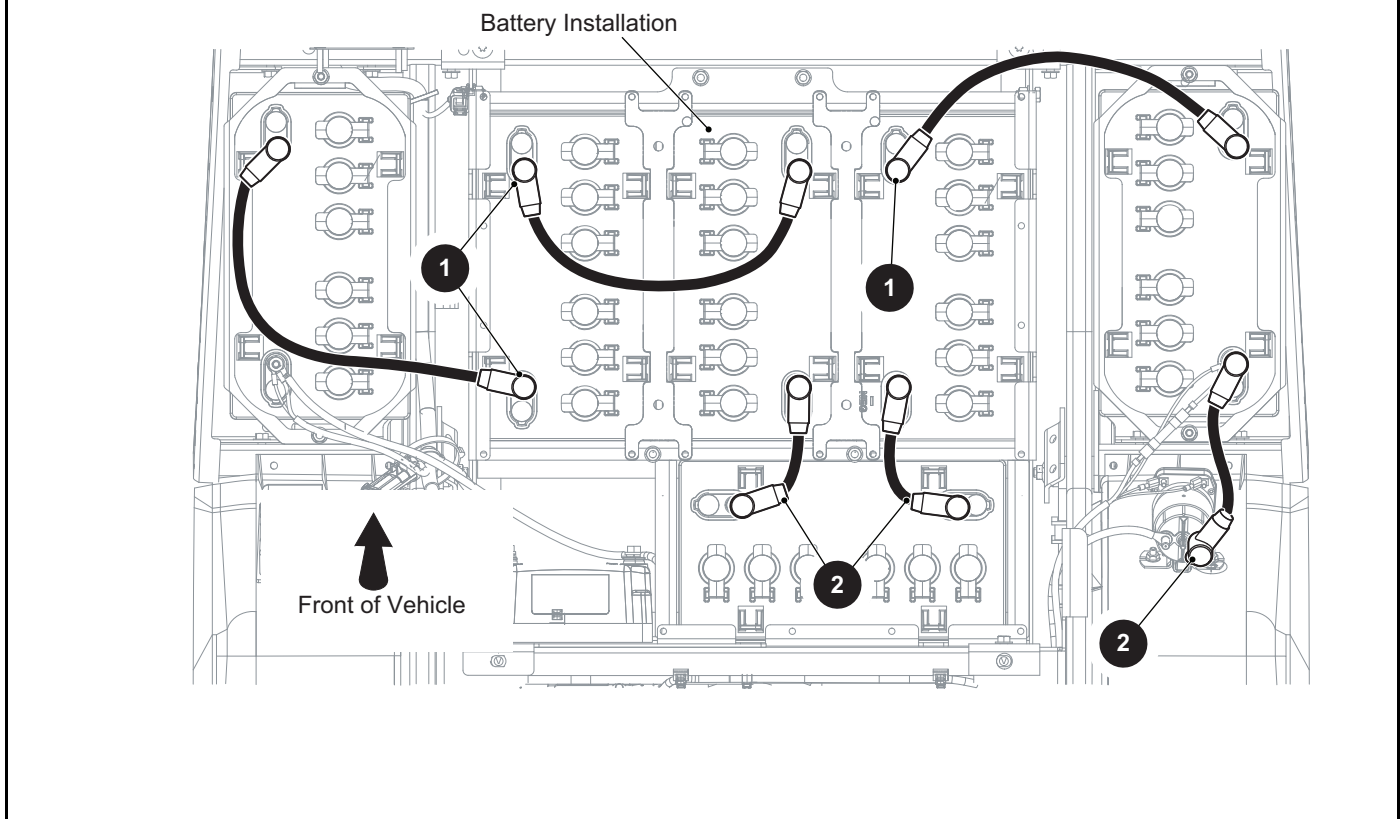
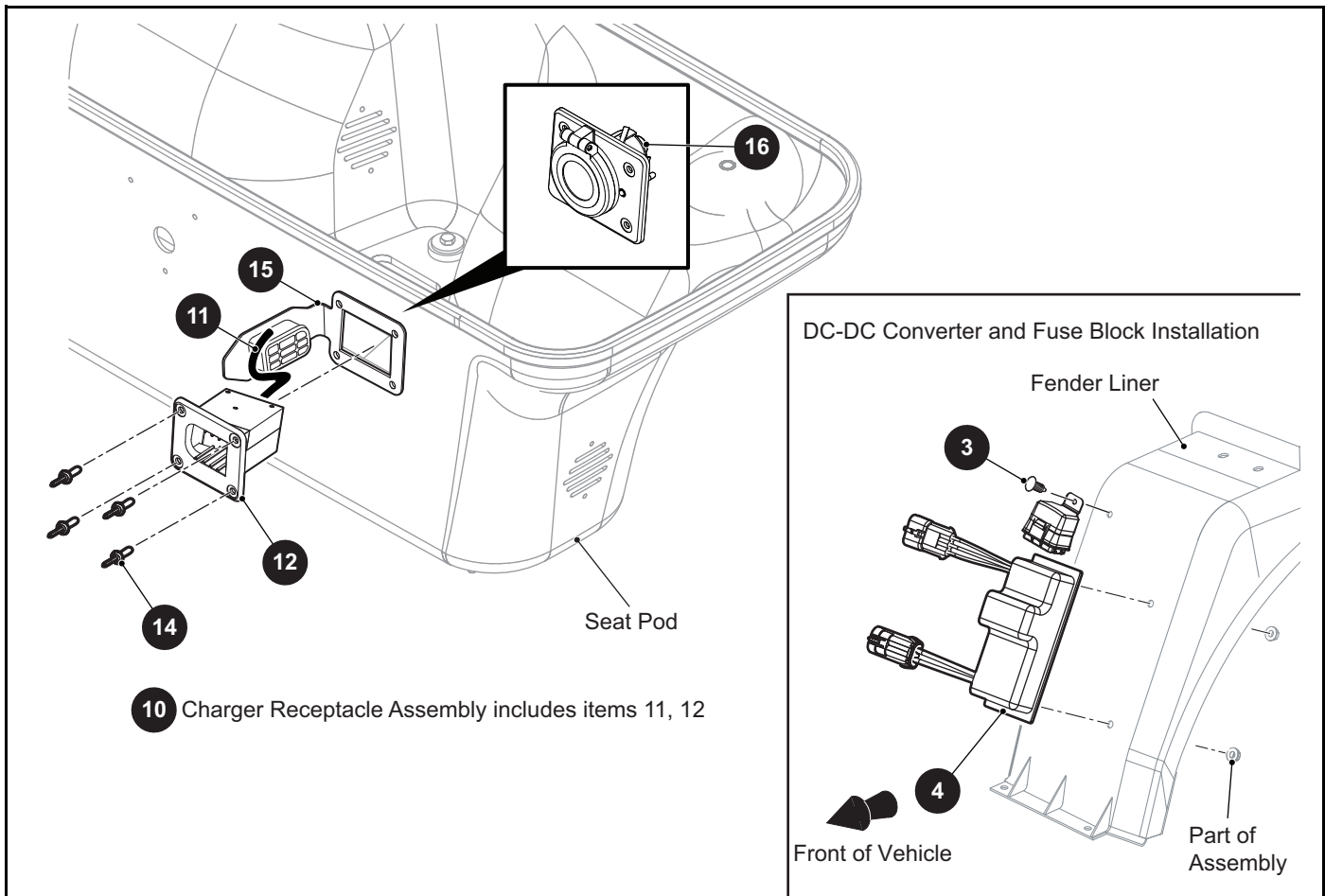
THE USE OF NON U.L. PARTS WILL VOID ANY U.L. LISTING.

When ordering parts, please specify the model and serial number of the product.

* Indicates a component that is not available as an individual part.

*** Indicates consult Customer Service Department for additional information.

| ITEM | PART NO. | 1 2 3 4 5 | DESCRIPTION | QTY. |
|------|----------|-----------|--|------|
| 1 | 652457 | | Battery (12V) without Hydro | 6 |
| 2 | 652295 | | Battery (12V) with Hydro | 6 |
| 3 | 01101G01 | | Tie Down Bolt | 2 |
| 4 | 11027G1 | | Flanged Lock Nut, 5/16" - 18 | 2 |
| 5 | | | | |
| 6 | 70386G01 | | Battery Tie Down Bolt, 5/16" - 18 x 2" Lg | 6 |
| 7 | 11027G1 | | Flanged Lock Nut, 5/16" - 18 | 6 |
| 8 | 23726G2 | | Spacer, .5" O.D. x .25" I.D. x .26" Lg | 2 |
| 9 | | | | |
| 10 | 658565 | | Battery Hold Down | 1 |
| 11 | 631988 | | Battery Hold Down | 2 |
| 12 | | | | |
| 13 | 671632 | | Battery Rack | 1 |
| 14 | | | | |
| 15 | 70200G01 | | Truss Head Torx Screw, 3/8" - 16 x 3/4" Lg | 2 |
| 16 | | | | |
| 17 | 00438G6 | | Hex Head Bolt, 5/16" - 18 x 3/4" Lg, Grade 5 | 2 |
| 18 | 00559G8 | | Flat Washer, 5/16" | 2 |
| 19 | 11098G6 | | Lock Nut, 5/16" - 18 | 2 |
| 20 | | | | |
| 21 | 00715G2 | | Hex Washer Head Bolt, 5/16" - 18 x 3/4" Lg | 3 |
| 22 | 00702G2 | | Hex Nut, 5/16" - 18 | 2 |
| 23 | | | | |
| 24 | | | | |
| 25 | 631156 | | Terminal Protector | 12 |
| 26 | | | | |
| 27 | 620820 | | Hydro-link Snake Assembly | 1 |
| 28 | 630974 | | Battery Fill Snake | 1 |
| 29 | 614521 | | Regulated Hose, 20ft Kit | 1 |
| 30 | 676122 | | Trojan Hand Pump Kit | 1 |



THE USE OF NON U.L. PARTS WILL VOID ANY U.L. LISTING.

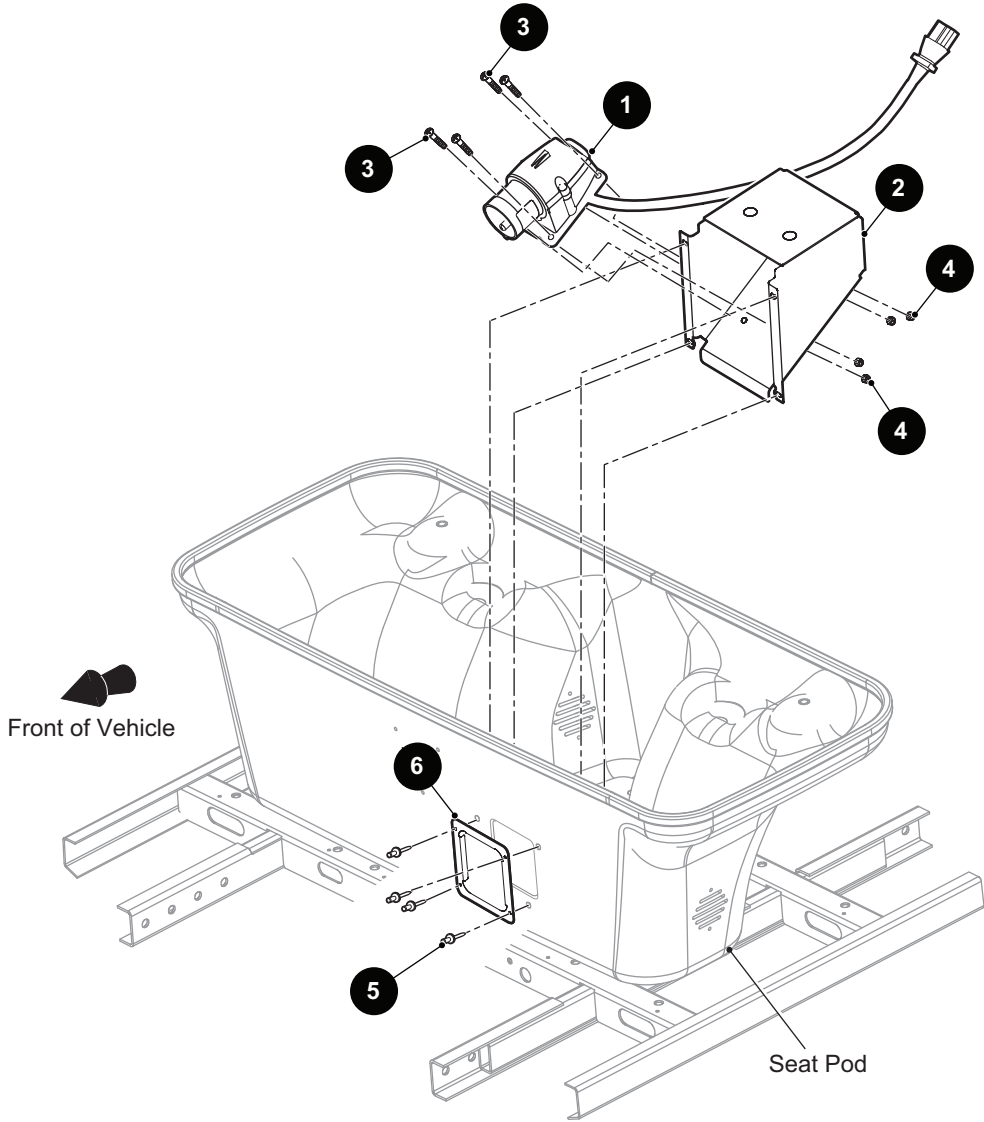
When ordering parts, please specify the model and serial number of the product.

* Indicates a component that is not available as an individual part.

*** Indicates consult Customer Service Department for additional information.

| ITEM | PART NO. | 1 2 3 4 5 | DESCRIPTION | QTY. |
|------|-----------|-----------|---|------|
| 1 | 634270G03 | | #4 AWG Battery Wire, 15" Lg..... | 3 |
| 2 | 634270G01 | | #4 AWG Battery Wire, 6" Lg..... | 3 |
| 3 | 16816G2 | | Ratchet Rivet, .25" x .887" | 1 |
| 4 | 633778 | | DC-DC Converter (72V) | 1 |
| 5 | | | | |
| 6 | | | | |
| 7 | | | | |
| 8 | | | | |
| 9 | | | | |
| 10 | 671655 | | Charger Receptacle Assembly (Includes Items 11, 12) | 1 |
| 11 | 669167 | | Receptacle Harness | 1 |
| 12 | 663285 | | Charger Receptacle..... | 1 |
| 13 | | | | |
| 14 | 71055G01 | | Rivet (Aluminum), 5/32" | 4 |
| 15 | 660162 | | Receptacle Cover | 1 |
| 16 | 610536 | | Charger Receptacle (On Board Charger) | 1 |

For CE Vehicles Only



THE USE OF NON U.L. PARTS WILL VOID ANY U.L. LISTING.

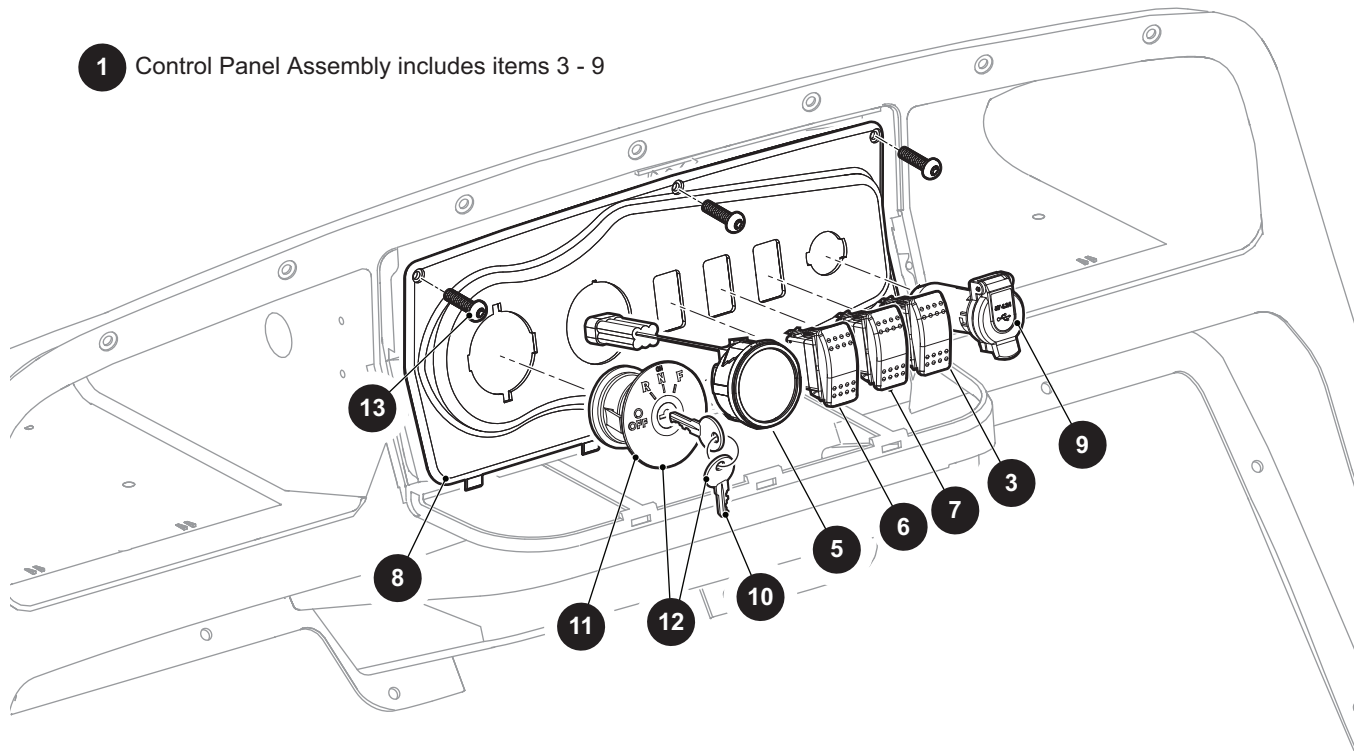
When ordering parts, please specify the model and serial number of the product.

* Indicates a component that is not available as an individual part.

*** Indicates consult Customer Service Department for additional information.

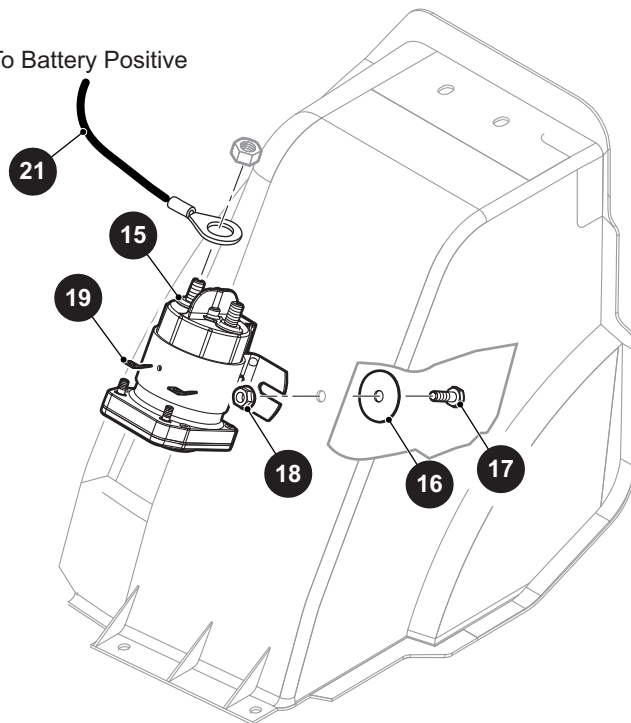
| ITEM | PART NO. | 1 2 3 4 5 | DESCRIPTION | QTY. |
|------|----------|-----------|--|------|
| 1 | 638478 | | Receptacle, AC | 1 |
| 2 | 639167 | | Receptacle Bracket..... | 1 |
| 3 | 00379G4 | | Pan Head Phillips Screw, #10 - 24 x 1/2" Lg..... | 4 |
| 4 | 14390G10 | | Lock Nut, #10 - 24..... | 4 |
| 5 | 14601G13 | | Rivet, 5/32" x 9/16" Lg..... | 4 |
| 6 | 639412 | | Cover Plate | 1 |

1 Control Panel Assembly includes items 3 - 9



Front of Vehicle

To Battery Positive



Solenoid Installation

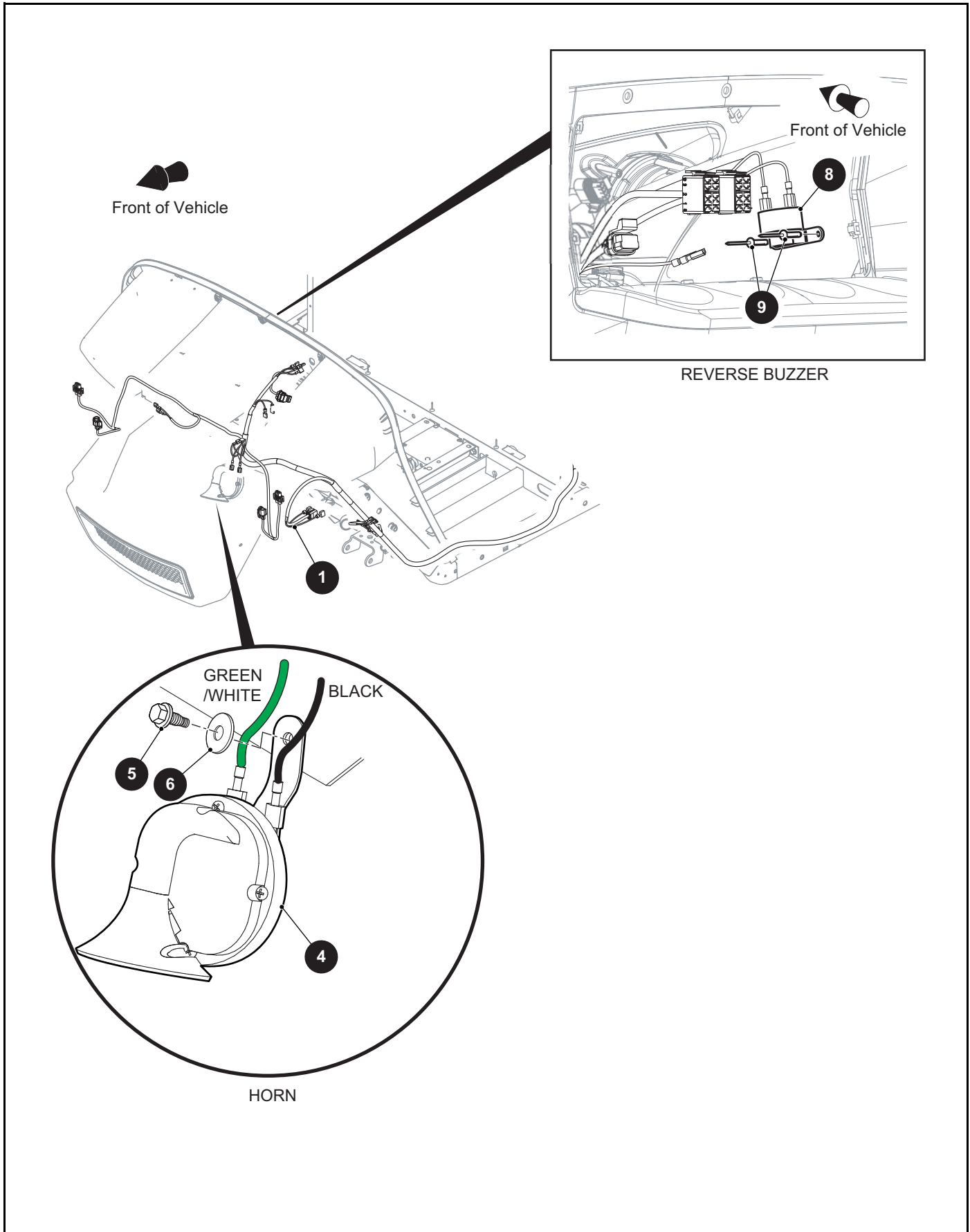
THE USE OF NON U.L. PARTS WILL VOID ANY U.L. LISTING.

When ordering parts, please specify the model and serial number of the product.

* Indicates a component that is not available as an individual part.

*** Indicates consult Customer Service Department for additional information.

| ITEM | PART NO. | 1 2 3 4 5 | DESCRIPTION | QTY. |
|------|-----------|-----------|---|------|
| 1 | 628708G11 | | Control Panel Assembly (Includes Items 3 - 9) | 1 |
| 2 | | | | |
| 3 | 651897G01 | | Horn Switch | 1 |
| 4 | | | | |
| 5 | 667014G01 | | State of Charge Meter | 1 |
| 6 | 651897G06 | | Speed Rocker Switch | 1 |
| 7 | 651897G05 | | Lights Rocker Switch | 1 |
| 8 | 626655G06 | | Control Panel | 1 |
| 9 | 651901 | | 12V USB Port | 1 |
| 10 | 611282 | | Common Key Set..... | 1 |
| 11 | 611283 | | Key Switch Set..... | 1 |
| 12 | 609692 | | Key Set and Key Switch..... | 1 |
| 13 | 608290 | | Self Tapping Screw, #10 - 16 x .780" Lg | 3 |
| 14 | | | | |
| 15 | 621330 | | Solenoid | 1 |
| 16 | 16469G1 | | Fender Washer | 2 |
| 17 | 00414G6 | | Hex Head Bolt, 1/4" - 20 x .25" Lg | 2 |
| 18 | 11027G2 | | Flanged Lock Nut, 1/4" - 20 | 2 |
| 19 | 12914G1 | | Faston Tab | 2 |
| 20 | | | | |
| 21 | 634270G02 | | #4 AWG Battery Wire, 9" Lg..... | 1 |



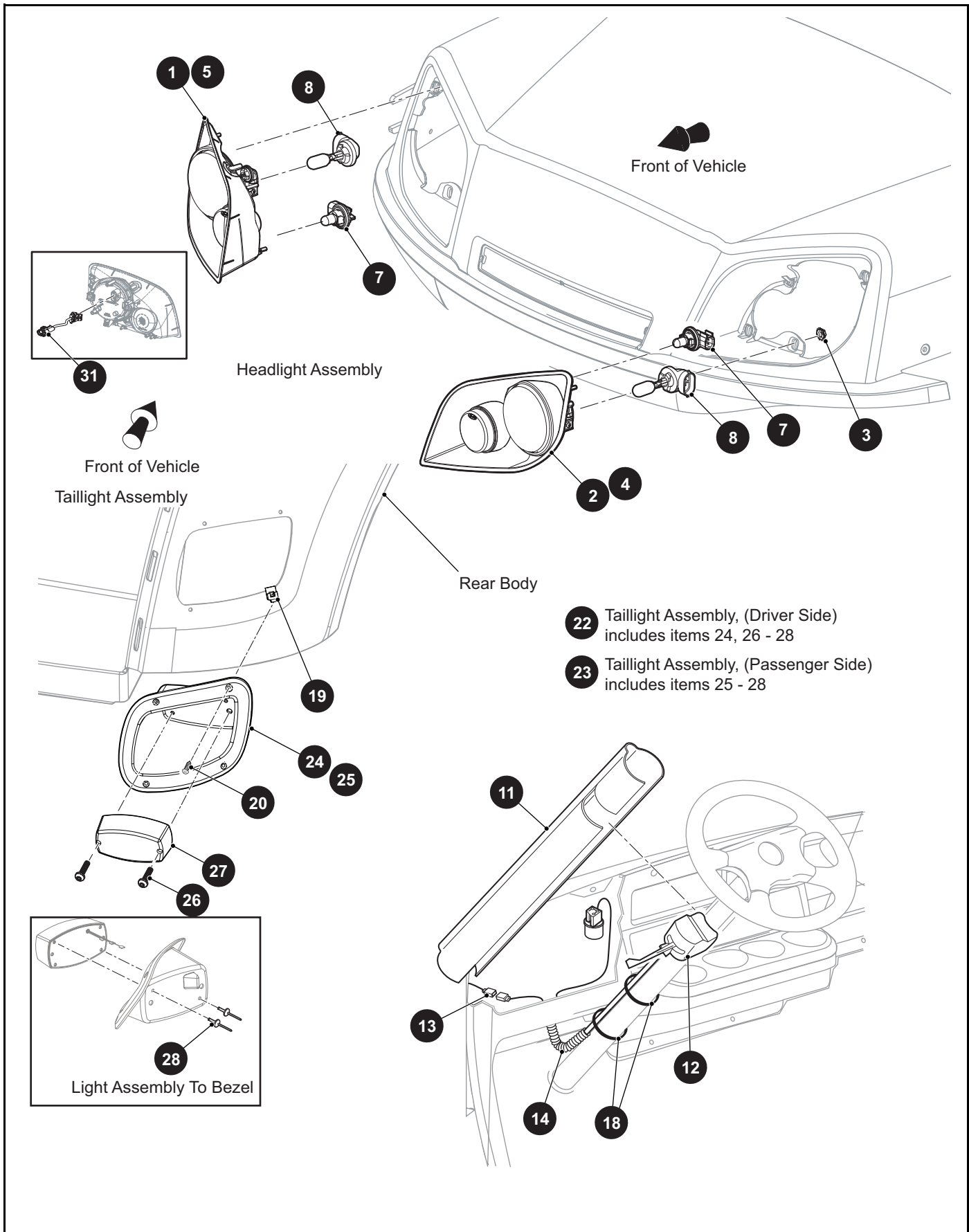
THE USE OF NON U.L. PARTS WILL VOID ANY U.L. LISTING.

When ordering parts, please specify the model and serial number of the product.

* Indicates a component that is not available as an individual part.

*** Indicates consult Customer Service Department for additional information.

| ITEM | PART NO. | 1 2 3 4 5 | DESCRIPTION | QTY. |
|------|----------|-----------|---|------|
| 1 | 669056 | | Control Harness | 1 |
| 2 | | | | |
| 3 | | | | |
| 4 | 32860G01 | | Horn | 1 |
| 5 | 01038G01 | | Hex Washer Head Swageform Screw, 1/4" - 20 X .70" Lg..... | 1 |
| 6 | 16469G1 | | Fender Washer | 1 |
| 7 | | | | |
| 8 | 613271 | | Reverse Buzzer..... | 1 |
| 9 | 01041G01 | | Rivet (Bulbex), 5/32" | 2 |
| 10 | 17618G1 | | Nylon Clamp, 7" Lg (Not Illustrated)..... | 9 |
| 11 | | | | |
| 12 | 664780 | | Turn Signal Lights Jumper Harness (Not Illustrated) | 1 |



THE USE OF NON U.L. PARTS WILL VOID ANY U.L. LISTING.

When ordering parts, please specify the model and serial number of the product.

* Indicates a component that is not available as an individual part.

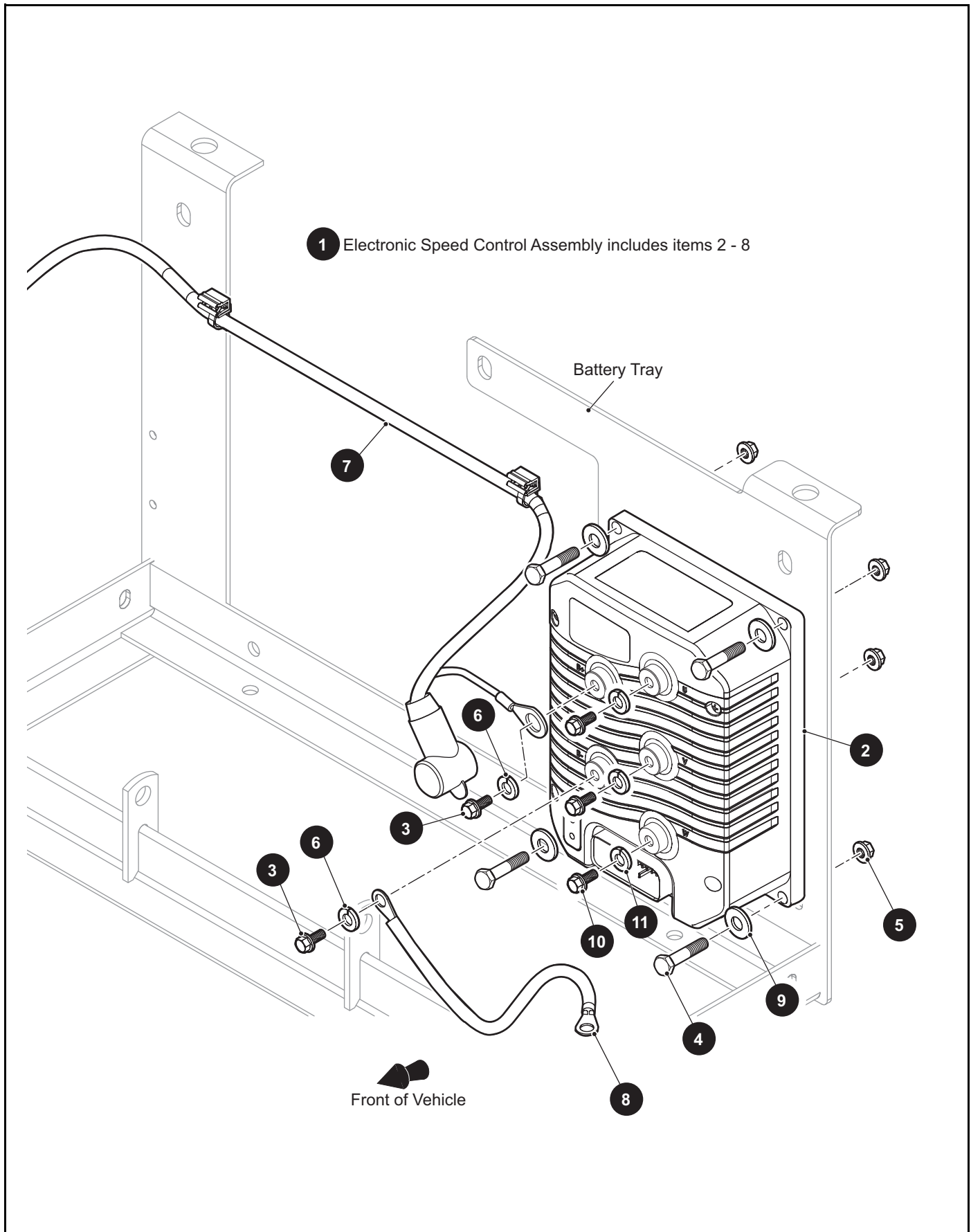
*** Indicates consult Customer Service Department for additional information.

| ITEM | PART NO. | 1 2 3 4 5 | DESCRIPTION | QTY. |
|------|----------|-----------|--|------|
| 1 | 659008 | | LED Headlight Assembly (Passenger Side)..... | 1 |
| 2 | 659009 | | LED Headlight Assembly (Driver Side) | 1 |
| 3 | 71597G01 | | Self Threading Nut, 5mm x 10mm x 15mm..... | 4 |
| 4 | 644877 | | Headlight Assembly (Driver Side) | 1 |
| 5 | 644876 | | Headlight Assembly (Passenger Side)..... | 1 |
| 6 | | | | |
| 7 | 619102 | | Turn Signal Bulb | 1 |
| 8 | 619100 | | Headlight Bulb (For Non LED Lights Only) | 1 |
| 9 | | | | |
| 10 | | | | |
| 11 | 20965G3 | | Steering Column Cover..... | 1 |
| 12 | 615236 | | Turn Signal Switch Assembly with Horn..... | 1 |
| 13 | 664706 | | Horn Jumper Harness | 1 |
| 14 | 17313G1 | | Flex Loom | 1 |
| 15 | | | | |
| 16 | | | | |
| 17 | | | | |
| 18 | 31539G1 | | Nylon Clamp, 5.5" Lg | 2 |
| 19 | 71364G02 | | "J" Type Nut, #8 | 4 |
| 20 | 71425G01 | | Tapping Screw, #8 - 18 X 3/4" Lg..... | 4 |
| 21 | 71781G02 | | Tape (Vinyl) (Not Illustrated) | 1 |
| 22 | 655150 | | Taillight Assembly (Driver Side) (Includes Items 24, 26 - 28)..... | 1 |
| 23 | 655152 | | Taillight Assembly (Passenger Side) (Includes Items 25 - 28) | 1 |
| 24 | 625251 | | Taillight Bezel (Driver Side) | 1 |
| 25 | 625252 | | Taillight Bezel (Passenger Side)..... | 1 |
| 26 | 00513G4 | | Pan Head Phillips Screw, #8 - 18 X 3/4" Lg..... | 2 |
| 27 | 22288G1 | | Taillight Assembly. | 1 |
| 28 | 14601G11 | | Rivet (Aluminum), 3/16" X 9/16" | 2 |
| 29 | | | | |
| 30 | | | | |
| 31 | 654465 | | LED Jumper Harness | 1 |

Notes:

A large grid of graph paper for taking notes. The grid consists of 24 columns and 30 rows of small squares, providing a structured area for handwritten notes or diagrams.

ELECTRONIC SPEED CONTROL



ELECTRONIC SPEED CONTROL

THE USE OF NON U.L. PARTS WILL VOID ANY U.L. LISTING.

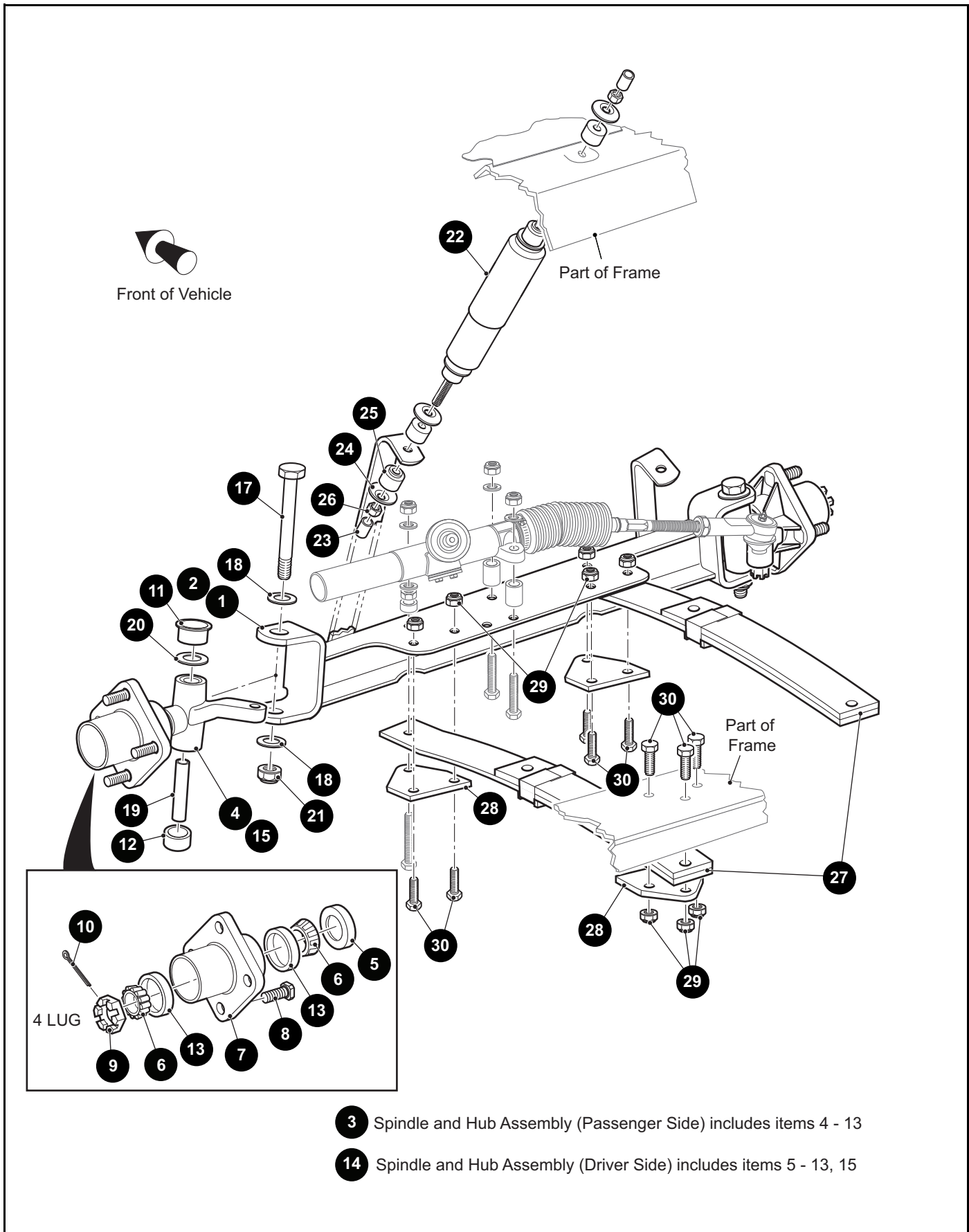
When ordering parts, please specify the model and serial number of the product.

* Indicates a component that is not available as an individual part.

*** Indicates consult Customer Service Department for additional information.

| ITEM | PART NO. | 1 2 3 4 5 | DESCRIPTION | QTY. |
|---|------------|-----------|--|------|
| FOR VEHICLES WITH 1234E CONTROLLER | | | | |
| 1 | 671632 | | Electronic Speed Control Assembly (Includes Items 2 - 8) | 1 |
| 2 | 672599G002 | | Controller, 1234SE-AC, 350A | 1 |
| 3 | 73876G01 | | Flanged Hex Head Bolt, M6 - 1 x 12mm Lg | 2 |
| 4 | 00797G2 | | Hex Head Bolt, 1/4" - 20 x 1 1/4" Lg, Grade 8 | 4 |
| 5 | 11027G2 | | Flanged Lock Nut, 1/4" - 20 | 4 |
| 6 | 606272 | | Lock Washer, 8mm | 2 |
| 7 | 634210G13 | | Battery Wire, 4 AWG, 34" Lg | 1 |
| 8 | 634270G04 | | Battery Wire, 4 AWG, 22" Lg | 1 |
| 9 | | | | |
| 10 | 73876G01 | | Flanged Hex Head Bolt, M6 - 1 x 12mm Lg | 3 |
| 11 | 606272 | | Lock Washer, 8mm | 3 |
| FOR VEHICLES WITH 1236E CONTROLLER | | | | |
| 1 | 683061 | | Electronic Speed Control Assembly (Includes Items 2 - 8) | 1 |
| 2 | 683003G001 | | Controller, 1236E-AC, 350A | 1 |
| 3 | 606262 | | Flanged Hex Head Bolt, M8 - 1.25 x 16mm Lg | 2 |
| 4 | 00797G2 | | Hex Head Bolt, 1/4" - 20 x 1 1/4" Lg, Grade 8 | 4 |
| 5 | 11027G2 | | Flanged Lock Nut, 1/4" - 20 | 4 |
| 6 | 606272 | | Lock Washer, 8mm | 2 |
| 7 | 634210G13 | | Battery Wire, 4 AWG, 34" Lg | 1 |
| 8 | 634270G04 | | Battery Wire, 4 AWG, 22" Lg | 1 |
| 9 | 00642G7 | | Flat Washer, 1/4" | 4 |
| 10 | 73876G01 | | Flanged Hex Head Bolt, M6 - 1 x 12mm Lg | 3 |
| 11 | 606272 | | Lock Washer, 8mm | 3 |

FRONT SUSPENSION AND STEERING



FRONT SUSPENSION AND STEERING

THE USE OF NON U.L. PARTS WILL VOID ANY U.L. LISTING.

When ordering parts, please specify the model and serial number of the product.

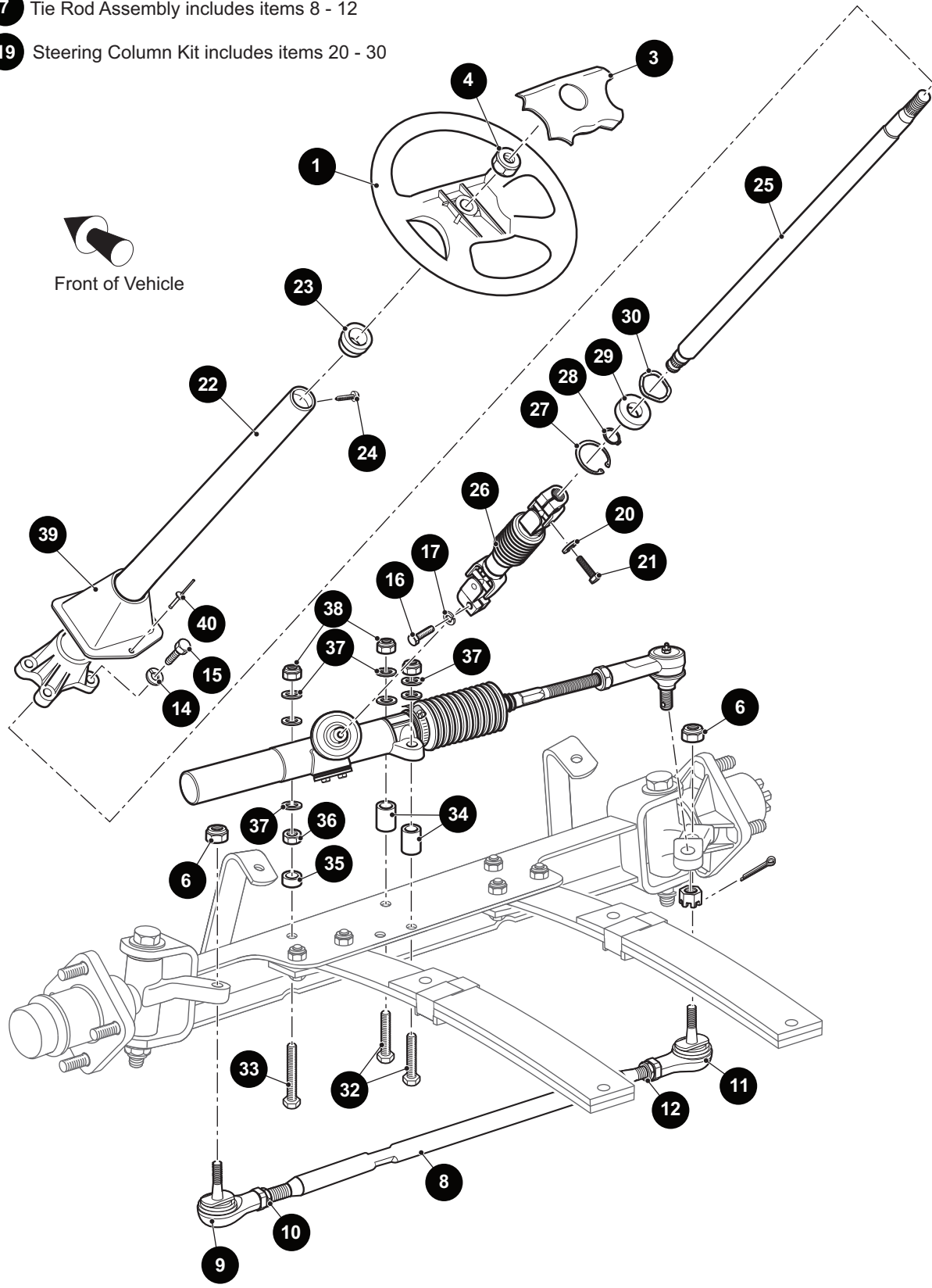
* Indicates a component that is not available as an individual part.

*** Indicates consult Customer Service Department for additional information.

| ITEM | PART NO. | 1 2 3 4 5 | DESCRIPTION | QTY. |
|------|----------|-----------|--|------|
| 1 | 652822 | | Front Axle | 1 |
| 2 | 602327 | | Front Axle (For Vehicles with Front Disc Brakes)..... | 1 |
| 3 | 70942G03 | | Spindle and Hub Assembly, 4 Lug (Passenger Side) (Includes Items 4 - 13). | 1 |
| 4 | 70940G02 | | Spindle Assembly (Passenger Side) | 1 |
| 5 | 25146G1 | | Grease Seal..... | 1 |
| 6 | 11750G2 | | Roller Bearing..... | 2 |
| 7 | 70589G01 | | Wheel Hub..... | 1 |
| 8 | 19862G1 | | Lug Bolt, 1/2" - 20 x 1 3/16" Lg..... | 4 |
| 9 | 12093G1 | | Castellated Nut, 1" - 14..... | 1 |
| 10 | 00798G8 | | Cotter Pin, 5/32" x 1 3/4" Lg | 1 |
| 11 | 632925 | | Flanged Bushing..... | 1 |
| 12 | 632926 | | Bushings..... | 1 |
| 13 | 51141G1 | | Race Bearing..... | 2 |
| 14 | 70673G03 | | Spindle and Hub Assembly, 4 Lug (Driver Side) (Includes Items 5 - 13, 15) .. | 1 |
| 15 | 70742G02 | | Spindle Assembly (Driver Side) | 1 |
| 16 | | | | |
| 17 | 00407G6 | | Hex Head Bolt, 1/2" - 13 x 6" Lg, Grade 5 | 1 |
| 18 | 00560G3 | | Flat Washer, 1/2" | 2 |
| 19 | 70745G01 | | King Pin Tube..... | 1 |
| 20 | 70754G01 | | Thrust Washer (SS), 1" | 1 |
| 21 | 14390G6 | | Lock Nut, 1/2" - 13 | 1 |
| 22 | 76419G01 | | Shock Absorber..... | 2 |
| 23 | 10044G01 | | Vinyl Cap..... | 2 |
| 24 | 10435G1 | | Shock Absorber Washer | 4 |
| 25 | 10194G1 | | Rubber Bushing | 4 |
| 26 | 00532G6 | | Hex Nut, 3/8" - 24..... | 2 |
| 27 | 70664G03 | | Leaf Spring..... | 2 |
| 28 | 652258 | | Spring Plate..... | 4 |
| 29 | 00734G1 | | Lock Nut, 7/16" - 14 | 11 |
| 30 | 00463G11 | | Hex Head Bolt, 7/16" - 14 x 1 3/4" Lg, Grade 5 | 11 |

FRONT SUSPENSION AND STEERING

- 7 Tie Rod Assembly includes items 8 - 12
- 19 Steering Column Kit includes items 20 - 30



FRONT SUSPENSION AND STEERING

THE USE OF NON U.L. PARTS WILL VOID ANY U.L. LISTING.

When ordering parts, please specify the model and serial number of the product.

* Indicates a component that is not available as an individual part.

*** Indicates consult Customer Service Department for additional information.

| ITEM | PART NO. | 1 2 3 4 5 | DESCRIPTION | QTY. |
|------|----------|-----------|--|------|
| 1 | 602979 | | Steering Wheel..... | 1 |
| 2 | | | | |
| 3 | 71147G01 | | Steering Wheel Cover..... | 1 |
| 4 | 14390G2 | | Lock Nut, 5/8" - 18 | 1 |
| 5 | | | | |
| 6 | 00734G1 | | Lock Nut, 7/16" - 14 | 2 |
| 7 | 70876G02 | | Tie Rod Assembly (Includes Items 8 - 12) | 1 |
| 8 | 70897G02 | | Threaded Rod, 24" Lg | 1 |
| 9 | 70902G01 | | Tie Rod End (Left Hand Threads)..... | 1 |
| 10 | 01069G01 | | Jam Nut, M12 x 1.25 (Left Hand Threads) | 1 |
| 11 | 70902G02 | | Tie Rod End (Right Hand Threads) | 1 |
| 12 | 01069G02 | | Jam Nut, M12 x 1.25 (Right Hand Threads)..... | 1 |
| 13 | | | | |
| 14 | 00879G1 | | Lock Washer, 3/8" | 4 |
| 15 | 01006G01 | | Hex Washer Head Bolt, 3/8" - 16 x 1 1/4" Lg | 4 |
| 16 | 01055G01 | | Hex Head Bolt, M8 - 1.25 x 1.18" Lg, Grade 5..... | 1 |
| 17 | 00565G8 | | Lock Washer, 5/16" | 1 |
| 18 | | | | |
| 19 | 70758G05 | | Steering Column Kit (Includes Items 20 - 30) | 1 |
| 20 | 00565G8 | | Lock Washer, 5/16"..... | 1 |
| 21 | 01055G01 | | Hex Head Bolt, M8 - 1.25 x 1.18" Lg, Grade 5 | 1 |
| 22 | 70610G03 | | Steering Column | 1 |
| 23 | 28569G01 | | Steering Column Bushing..... | 1 |
| 24 | 01022G01 | | Hex Washer Head Screw, #6 - 20 x 5/16" Lg | 1 |
| 25 | 70607G01 | | Steering Shaft..... | 1 |
| 26 | 70580G01 | | Intermediate Shaft | 1 |
| 27 | 70751G01 | | Retaining Ring (Internal)..... | 1 |
| 28 | 70888G01 | | Retaining Ring (External) | 1 |
| 29 | 15112G1 | | Ball Bearing | 1 |
| 30 | 70887G01 | | Wave Washer | 1 |
| 31 | | | | |

FRONT SUSPENSION AND STEERING

THE USE OF NON U.L. PARTS WILL VOID ANY U.L. LISTING.

When ordering parts, please specify the model and serial number of the product.

* Indicates a component that is not available as an individual part.

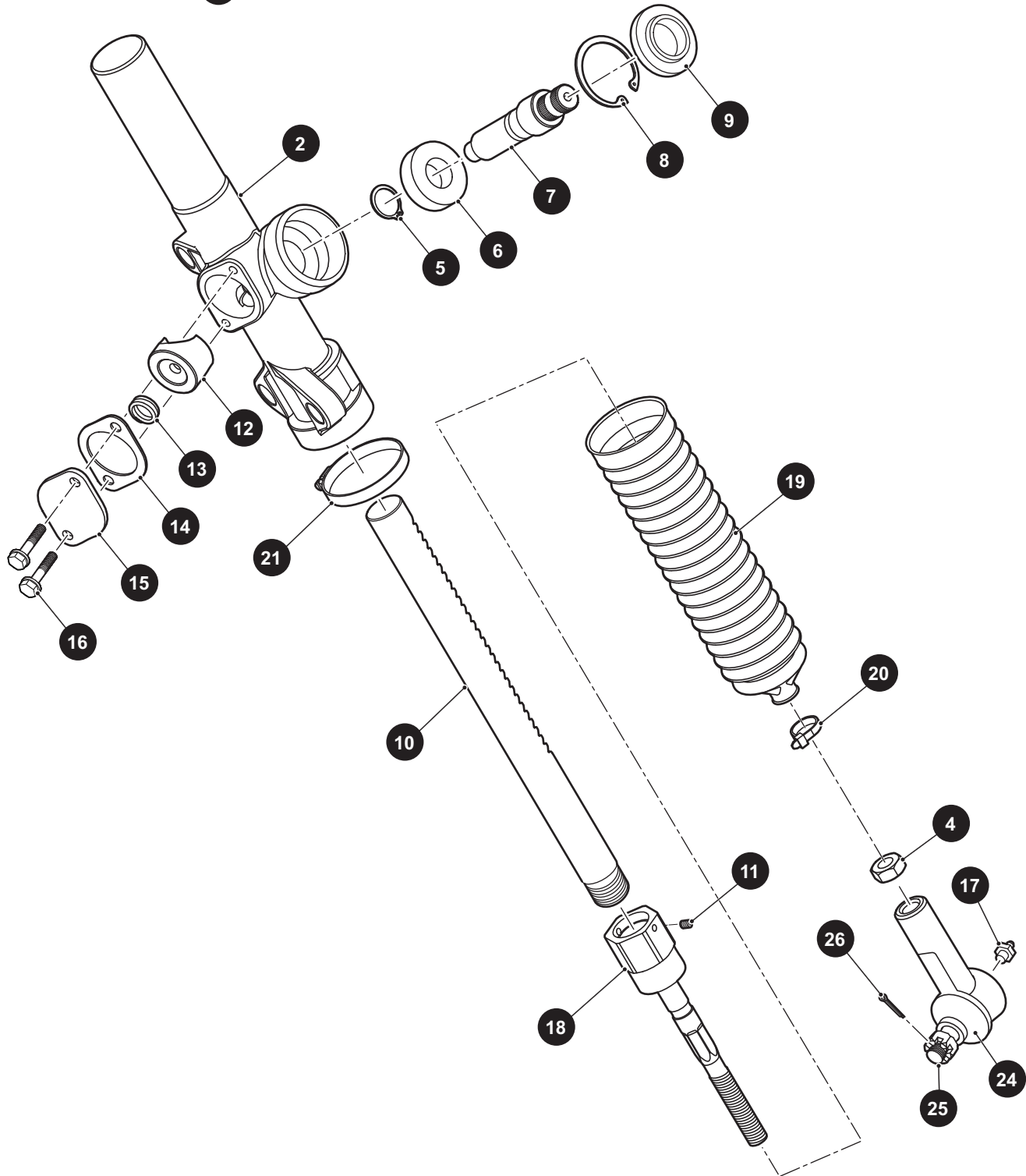
*** Indicates consult Customer Service Department for additional information.

| ITEM | PART NO. | 1 2 3 4 5 | DESCRIPTION | QTY. |
|------|----------|-----------|---|------|
| 32 | 00464G8 | | Hex Head Bolt, 7/16" - 14 x 2 3/4" Lg, Grade 5..... | 2 |
| 33 | 01068G01 | | Hex Head Bolt, 7/16" - 14 x 3 1/2" Lg, Grade 5..... | 1 |
| 34 | 70667G02 | | Spacer, 1.21" | 2 |
| 35 | 70667G04 | | Spacer (Short), .69" | 1 |
| 36 | 00532G7 | | Hex Nut, 7/16" - 14 | 1 |
| 37 | 00560G2 | | Flat Washer, 7/16" | 7 |
| 38 | 00734G1 | | Lock Nut, 7/16" - 14 | 3 |
| 39 | 70997G01 | | Cover | 1 |
| 40 | 71055G01 | | Rivet (Aluminum), 3/16" x 1" Lg..... | 1 |

Notes:

FRONT SUSPENSION AND STEERING

- 1 Rack and Pinion Unit includes items 2 - 23
- 23 Tie Rod End (Outer) includes items 24 - 25



FRONT SUSPENSION AND STEERING

THE USE OF NON U.L. PARTS WILL VOID ANY U.L. LISTING.

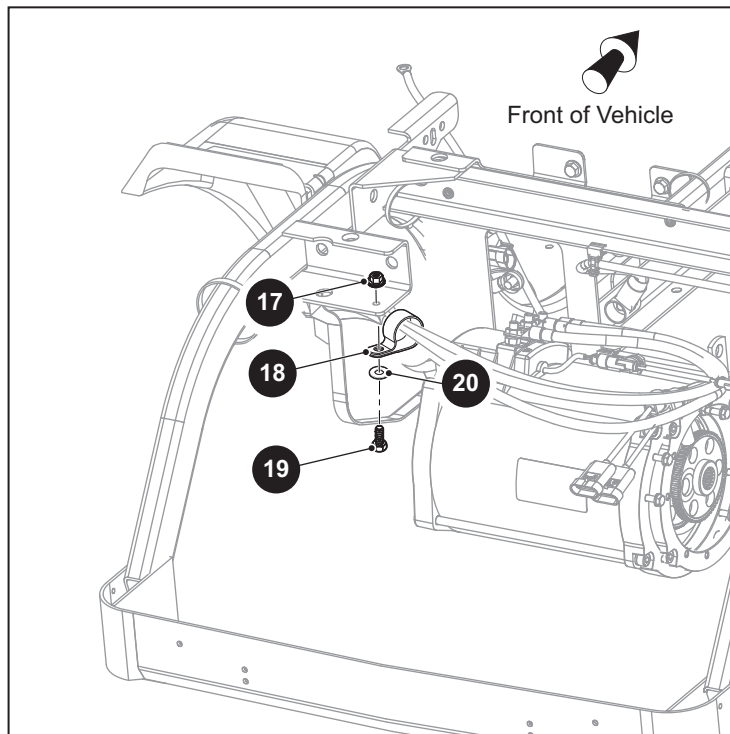
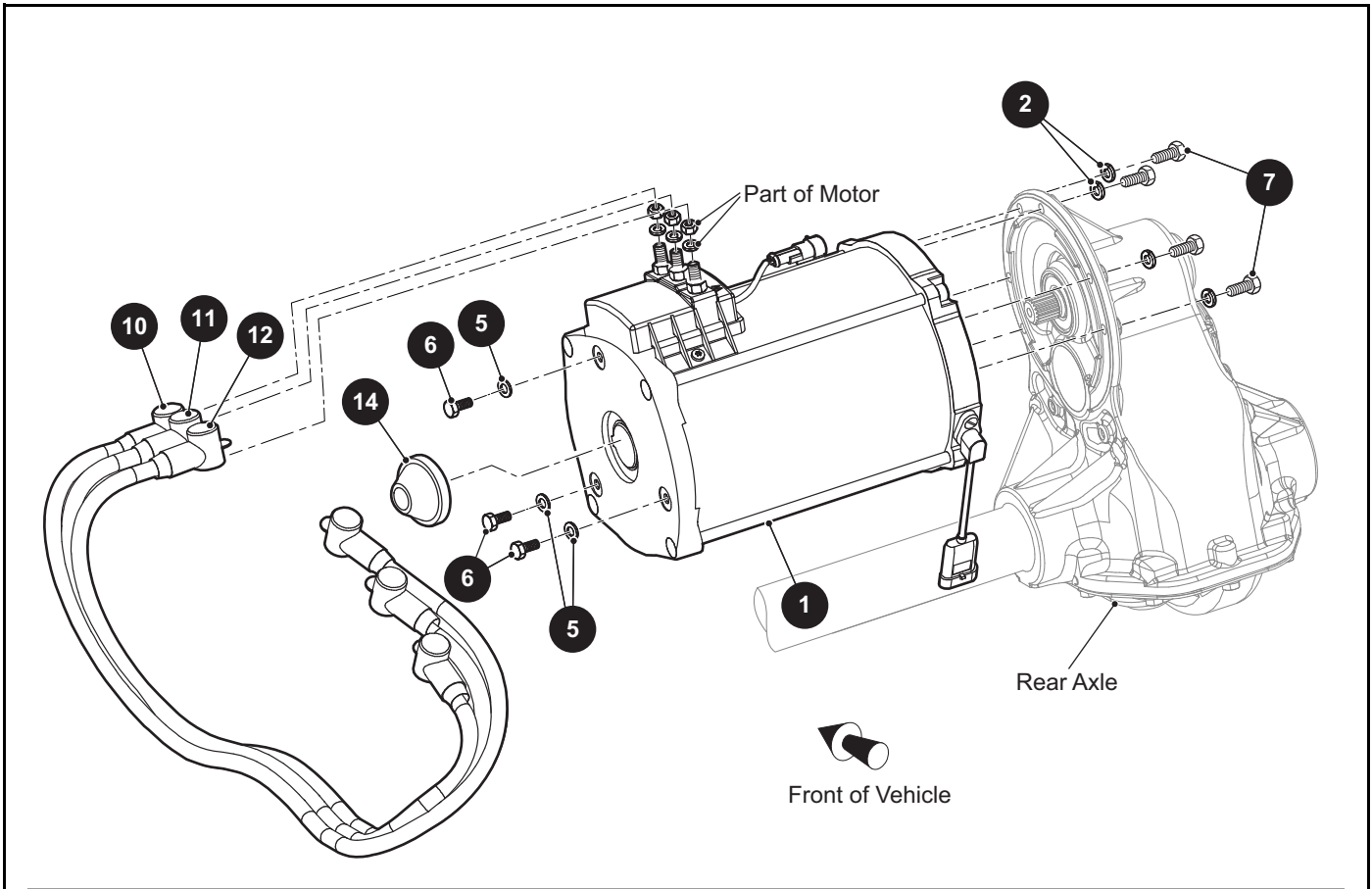
When ordering parts, please specify the model and serial number of the product.

* Indicates a component that is not available as an individual part.

*** Indicates consult Customer Service Department for additional information.

| ITEM | PART NO. | 1 2 3 4 5 | DESCRIPTION | QTY. |
|------|----------|-----------|---|------|
| 1 | 70964G01 | | Rack and Pinion Unit (Includes Items 2 - 23)..... | 1 |
| 2 | 70965G01 | | Steering Rack Cover and Bearing..... | 1 |
| 3 | | | | |
| 4 | * | | Jam Nut, 1/2" - 20..... | 1 |
| 5 | 70750G01 | | Retaining Ring (External) | 1 |
| 6 | 15112G1 | | Ball Bearing | 1 |
| 7 | 70603G01 | | Pinion..... | 1 |
| 8 | 70751G01 | | Retaining Ring (Internal)..... | 1 |
| 9 | 70638G01 | | Seal (Pinion) | 1 |
| 10 | 70604G01 | | Steering Rack..... | 1 |
| 11 | * | | Set Screw, #10 - 32 x .25" Lg | 1 |
| 12 | 70590G01 | | Rack Loader | 1 |
| 13 | 70666G01 | | Compression Spring | 1 |
| 14 | 70645G01 | | Gasket (Rack Loader Cover)..... | 1 |
| 15 | 652259 | | Cover (Rack Loader) | 1 |
| 16 | 71102G01 | | Hex Washer Head Bolt, 1/4" - 20 x 11/16" Lg, Grade 5..... | 2 |
| 17 | 10389G3 | | Grease Fitting (Straight) | 1 |
| 18 | 70694G01 | | Rod End (Inner) | 1 |
| 19 | 70961G01 | | Rack Boot..... | 1 |
| 20 | 12416G2 | | Nylon Clamp, 11.8" Lg..... | 1 |
| 21 | 11391G8 | | Hose Clamp, 1.81"..... | 1 |
| 22 | | | | |
| 23 | 70695G01 | | Tie Rod End (Outer) (Includes Items 24 - 25)..... | 1 |
| 24 | 50641G1 | | Grommet..... | 1 |
| 25 | * | | Hex Slotted Nut, 7/16" - 20 | 1 |
| 26 | 10387G2 | | Cotter Pin, 3/32" X 1" | 1 |

MOTOR



THE USE OF NON U.L. PARTS WILL VOID ANY U.L. LISTING.

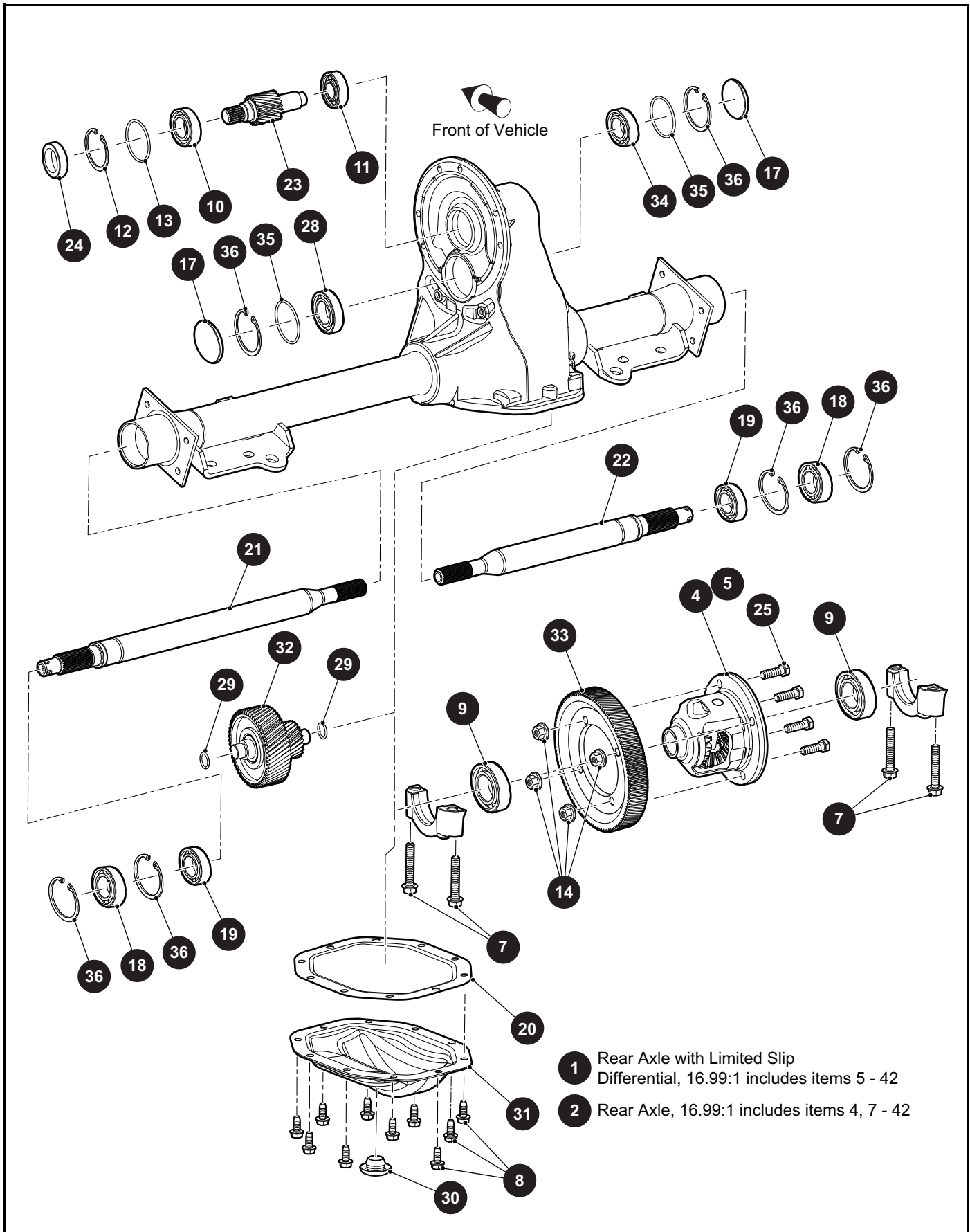
When ordering parts, please specify the model and serial number of the product.

* Indicates a component that is not available as an individual part.

*** Indicates consult Customer Service Department for additional information.

| ITEM | PART NO. | 1 2 3 4 5 | DESCRIPTION | QTY. |
|------|-----------|-----------|---|------|
| 1 | 667272 | | Motor, 72V..... | 1 |
| 2 | 601327 | | Lock Washer, 6mm | 6 |
| 3 | | | | |
| 4 | | | | |
| 5 | 00915G1 | | Bonded Seal Washer, 1/4" I.D. | 3 |
| 6 | 616716 | | Hex Head Bolt, M6 - 1 x 16mm Lg..... | 3 |
| 7 | 605741 | | Hex Head Bolt, M6 - 1 x 25mm Lg..... | 6 |
| 8 | | | | |
| 9 | | | | |
| 10 | 635137G01 | | Motor Wire (U), 2AWG, 44"..... | 1 |
| 11 | 635137G02 | | Motor Wire (V), 2AWG, 41" | 1 |
| 12 | 635137G03 | | Motor Wire (W), 2AWG, 37" | 1 |
| 13 | | | | |
| 14 | 668275 | | End Cap Plug..... | 1 |
| 15 | | | | |
| 16 | | | | |
| 17 | 11027G2 | | Flanged Lock Nut, 1/4" - 20 | 1 |
| 18 | 630761 | | Loop Clamp..... | 1 |
| 19 | 00414G7 | | Hex Head Bolt, 1/4" - 20 x 7/8" Lg, Grade 5 | 1 |
| 20 | 00559G7 | | Flat Washer, 1/4"..... | 1 |

REAR AXLE



THE USE OF NON U.L. PARTS WILL VOID ANY U.L. LISTING.

When ordering parts, please specify the model and serial number of the product.

* Indicates a component that is not available as an individual part.

*** Indicates consult Customer Service Department for additional information.

| ITEM | PART NO. | 1 2 3 4 5 | DESCRIPTION | QTY. |
|------|----------|-----------|--|------|
| 1 | 633600 | | Rear Axle with Limited Slip Differential, 16.99:1 (Includes Items 5 - 42) | 1 |
| 2 | 633599 | | Rear Axle, 16.99:1 (Includes Items 4, 7 - 42) | 1 |
| 3 | | | | |
| 4 | 601082 | | Differential Assembly | 1 |
| 5 | 614059 | | Limited Slip Differential Carrier with CC Clutch | 1 |
| 6 | | | | |
| 7 | 15118G1 | | Hex Head Bolt, 3/8" - 16 X 2.125" Lg | 4 |
| 8 | 15558G1 | | Hex Head Bolt, 5/16" - 18 X .75" Lg | 10 |
| 9 | 17473G1 | | Bearing Assembly | 2 |
| 10 | 23519G2 | | Ball Bearing Single Lip Seal | 1 |
| 11 | 23520G1 | | Ball Bearing | 1 |
| 12 | 23530G1 | | Retainer Ring..... | 1 |
| 13 | 24628G1 | | O-ring Seal | 1 |
| 14 | 601084 | | Lock Nut, 3/8" - 24 | 4 |
| 15 | | | | |
| 16 | | | | |
| 17 | 608811 | | End Cap..... | 2 |
| 18 | 611788 | | Ball Bearing | 2 |
| 19 | 612064 | | Oil Seal | 2 |
| 20 | 612824 | | Gasket | 1 |
| 21 | 617608 | | Axle Shaft (Driver Side) | 1 |
| 22 | 617609 | | Axle Shaft (Passenger Side) | 1 |
| 23 | 620327 | | Input Gear..... | 1 |
| 24 | 620328 | | Oil Seal | 1 |
| 25 | 620335 | | Hex Head Bolt, 3/8" - 24 X 1.25" Lg | 4 |
| 26 | | | | |
| 27 | | | | |
| 28 | 620340 | | Ball Bearing | 1 |
| 29 | 620345 | | O-ring, 18mm..... | 2 |
| 30 | 620347 | | Rubber Plug..... | 1 |

REAR AXLE

THE USE OF NON U.L. PARTS WILL VOID ANY U.L. LISTING.

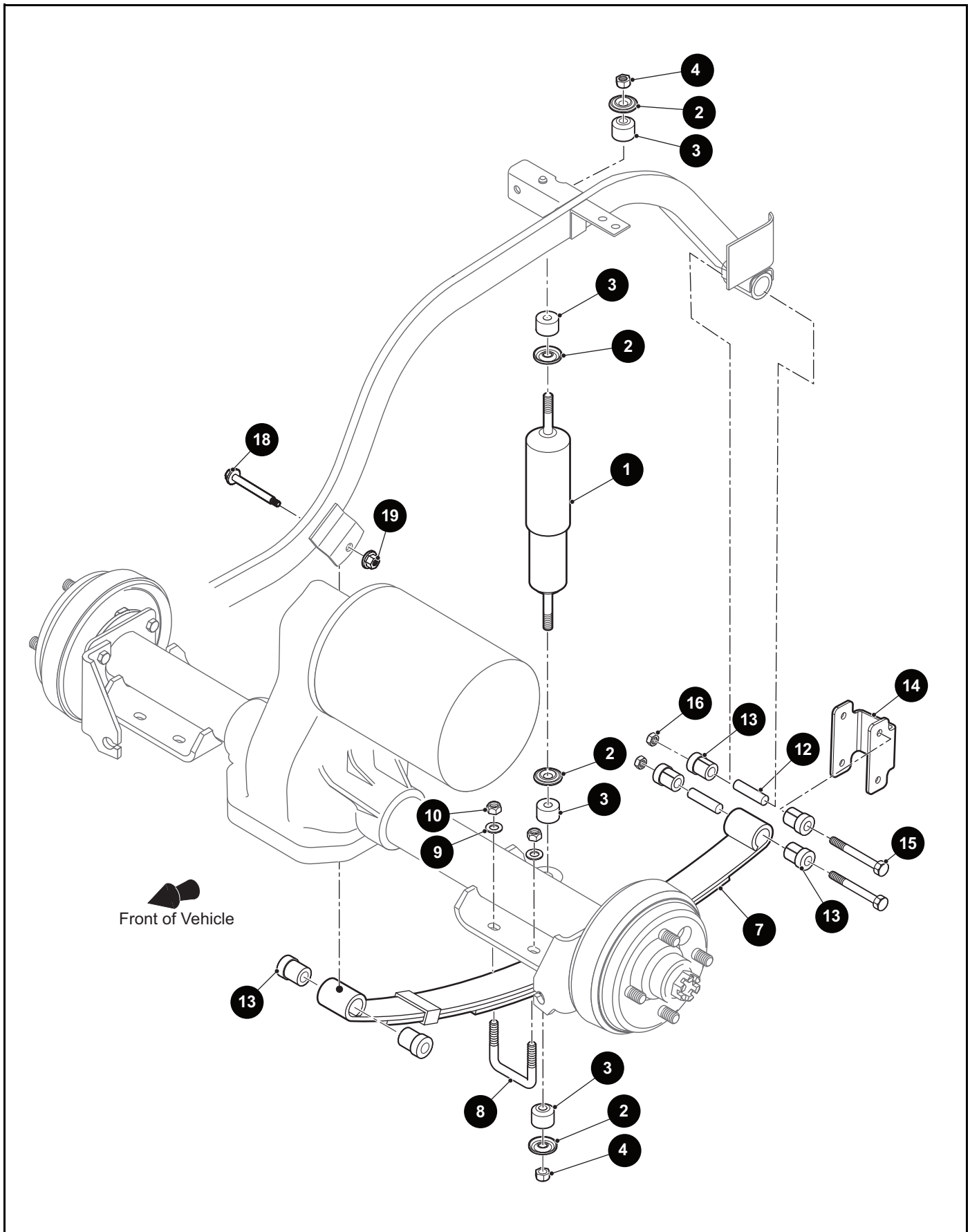
When ordering parts, please specify the model and serial number of the product.

* Indicates a component that is not available as an individual part.

*** Indicates consult Customer Service Department for additional information.

| ITEM | PART NO. | 1 | 2 | 3 | 4 | 5 | DESCRIPTION | QTY. |
|------|----------|---|---|---|---|---|---|------|
| 31 | 620348 | | | | | | Differential Cover Plate | 1 |
| 32 | 620349 | | | | | | Intermediate Gear Assembly | 1 |
| 33 | 620350 | | | | | | Drive Gear | 1 |
| 34 | 620355 | | | | | | Ball Bearing | 1 |
| 35 | 620358 | | | | | | O-ring, 18mm | 2 |
| 36 | 620359 | | | | | | Retaining Ring..... | 6 |
| 37 | | | | | | | | |
| 38 | | | | | | | | |
| 39 | 620329 | | | | | | Input Gears Kit (Not Illustrated)..... | 1 |
| 40 | 620361 | | | | | | Internal Gears Kit (Not Illustrated)..... | 1 |
| 41 | 620362 | | | | | | Ball Bearing Kit (Not Illustrated) | 1 |
| 42 | 620363 | | | | | | Differential Cover Assembly Kit (Not Illustrated) | 1 |

REAR SUSPENSION

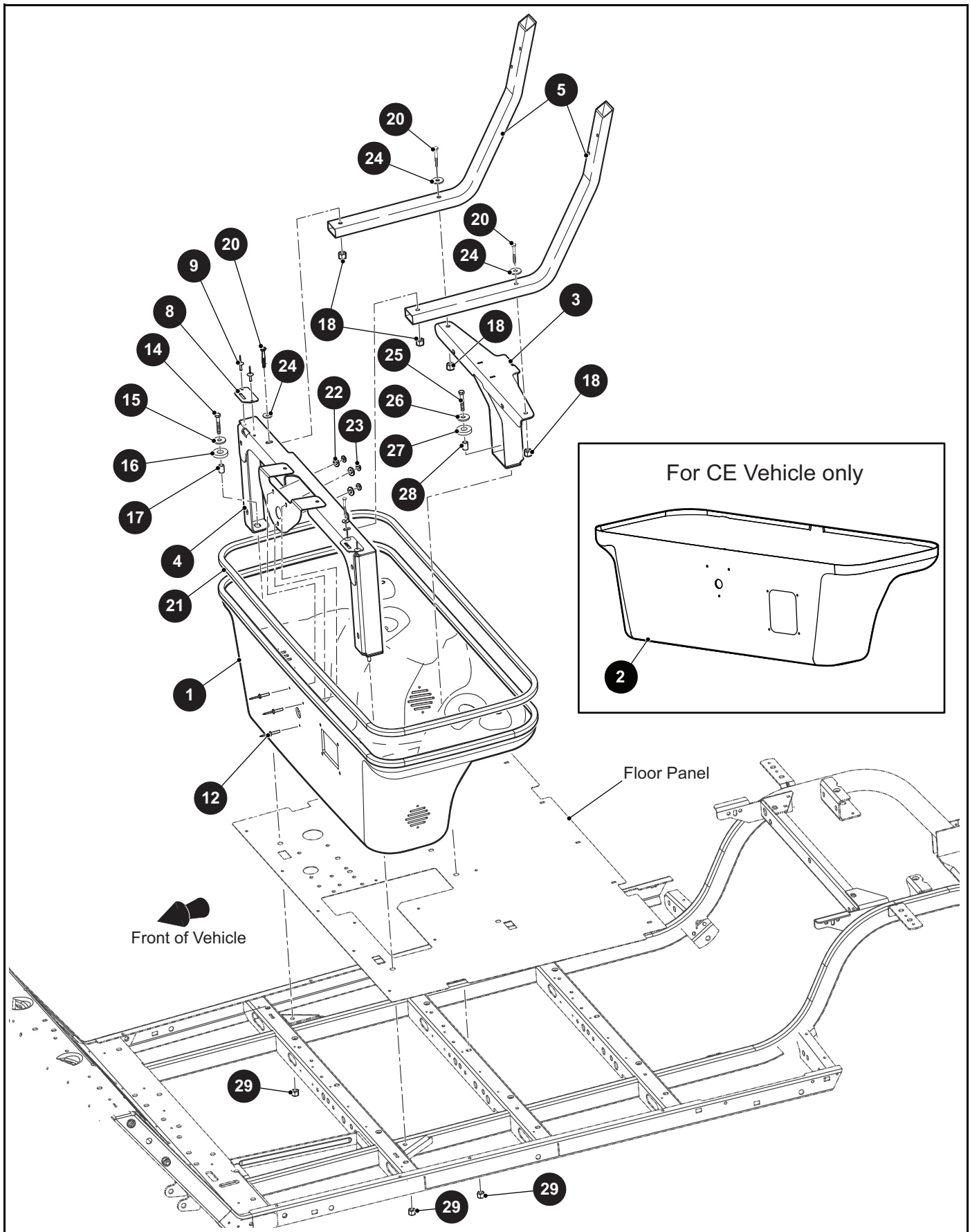


REAR SUSPENSION

THE USE OF NON U.L. PARTS WILL VOID ANY U.L. LISTING.
 When ordering parts, please specify the model and serial number of the product.
 * Indicates a component that is not available as an individual part.
 *** Indicates consult Customer Service Department for additional information.

| ITEM | PART NO. | 1 2 3 4 5 | DESCRIPTION | QTY. |
|------|-----------|-----------|--|------|
| 1 | 642085 | | Shock Absorber..... | 2 |
| 2 | 10435G1 | | Shock Absorber Washer, .406" x 1.25" x .22" | 4 |
| 3 | 10194G1 | | Rubber Bushing, 1" | 4 |
| 4 | 00532G6 | | Hex Jam Nut, 3/8" - 24..... | 2 |
| 5 | | | | |
| 6 | | | | |
| 7 | 667990 | | Leaf Spring..... | 1 |
| 8 | 72618G01 | | U Bolt, 3/8" - 16 x 2" x 2 1/2" Lg..... | 2 |
| 9 | 00560G1 | | Flat Washer, 3/8" | 4 |
| 10 | 11098G5 | | Lock Nut, 3/8" - 16 | 4 |
| 11 | | | | |
| 12 | 70289G02 | | Split Spacer Steel..... | 2 |
| 13 | 624030 | | Flanged Bushing | 6 |
| 14 | 652252G03 | | Shackle Bracket | 2 |
| 15 | 00665G9 | | Hex Head Bolt (SS), 3/8" - 16 x 3 1/2" Lg..... | 2 |
| 16 | 11098G5 | | Lock Nut, 3/8" - 16 | 2 |
| 17 | | | | |
| 18 | 14158G1 | | Shoulder Bolt, 1/2" Dia x 3/8" - 16 Thread x 3 1/4" Lg | 1 |
| 19 | 12262G1 | | Flanged Lock Nut, 3/8" - 16 | 1 |

SEATING



THE USE OF NON U.L. PARTS WILL VOID ANY U.L. LISTING.

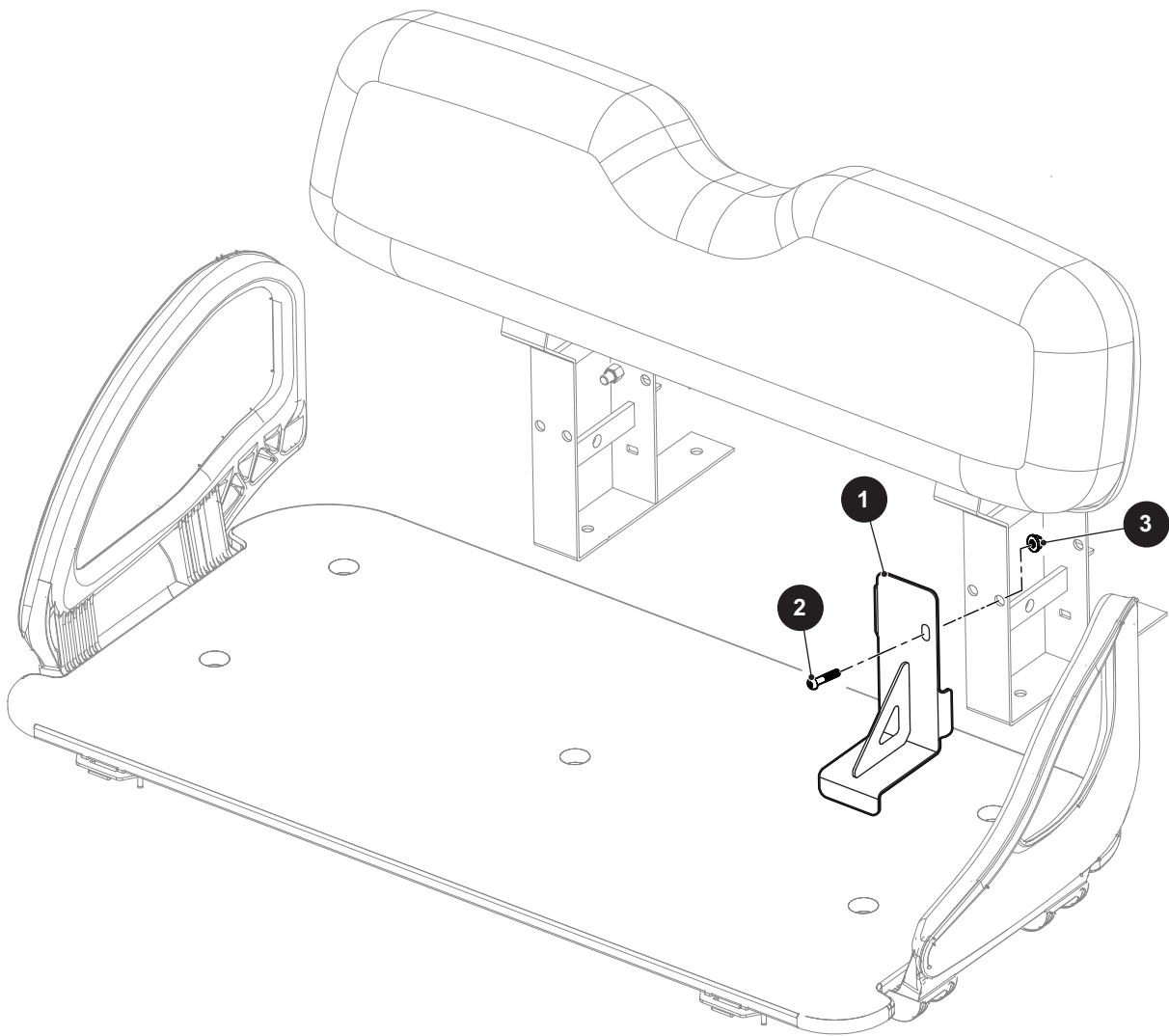
When ordering parts, please specify the model and serial number of the product.

* Indicates a component that is not available as an individual part.

*** Indicates consult Customer Service Department for additional information.

| ITEM | PART NO. | 1 2 3 4 5 | DESCRIPTION | QTY. |
|------|-----------|-----------|--|------|
| 1 | 648313GXX | | Seat Pod (See HOW TO USE Section for COLOR CODES)..... | 1 |
| 2 | 674210GXX | | Seat Pod (See HOW TO USE Section for COLOR CODES)..... | 1 |
| 3 | 657681 | | Rear Seat Support Weldment | 1 |
| 4 | 654767 | | Seat Support Weldment | 1 |
| 5 | 648523 | | Seat Back Support Tube | 2 |
| 6 | | | | |
| 7 | | | | |
| 8 | 71609G01 | | Hinge Plate..... | 2 |
| 9 | 10570G11 | | Rivet (SS), 3/16" x .70" Lg | 4 |
| 10 | | | | |
| 11 | | | | |
| 12 | 71055G01 | | Rivet (Aluminum), 3/16" x 1" Lg | 3 |
| 13 | | | | |
| 14 | 00439G8 | | Hex Head Bolt (SS), 5/16" - 18 x 2" Lg, Grade 5 | 3 |
| 15 | 00675G1 | | Flat Washer (SS), .398" I.D. x 1.25" O.D. x .115" Lg | 3 |
| 16 | 71883G01 | | Flat Washer (Rubber), .625" I.D. x 1.50" O.D. x .312" Lg | 3 |
| 17 | 23726G9 | | Spacer, .312" I.D. x .562" O.D. x .750" Lg | 3 |
| 18 | 11098G6 | | Lock Nut, 5/16" - 18 | 7 |
| 19 | | | | |
| 20 | 00439G6 | | Hex Head Bolt (SS), 5/16" - 18 x 1 3/4" Lg, Grade 5 | 4 |
| 21 | 32805G6 | | Trim, 118" Lg | 1 |
| 22 | 00660G5 | | Flat Washer, #10 | 3 |
| 23 | 01110G01 | | Flat Washer, 1/4" | 3 |
| 24 | 00560G1 | | Flat Washer, 3/4" | 4 |
| 25 | 00439G8 | | Hex Head Bolt (SS), 5/16" - 18 x 2" Lg, Grade 5 | 1 |
| 26 | 00675G1 | | Flat Washer (SS), .398" I.D. x 1.25" O.D. x .115" Lg | 1 |
| 27 | 71883G01 | | Flat Washer (Rubber), .625" I.D. x 1.50" O.D. x .312" Lg | 1 |
| 28 | 23726G9 | | Spacer, .312" I.D. x .562" O.D. x .750" Lg | 1 |
| 29 | 11098G6 | | Lock Nut, 5/16" - 18 | 3 |

For CE Vehicles Only

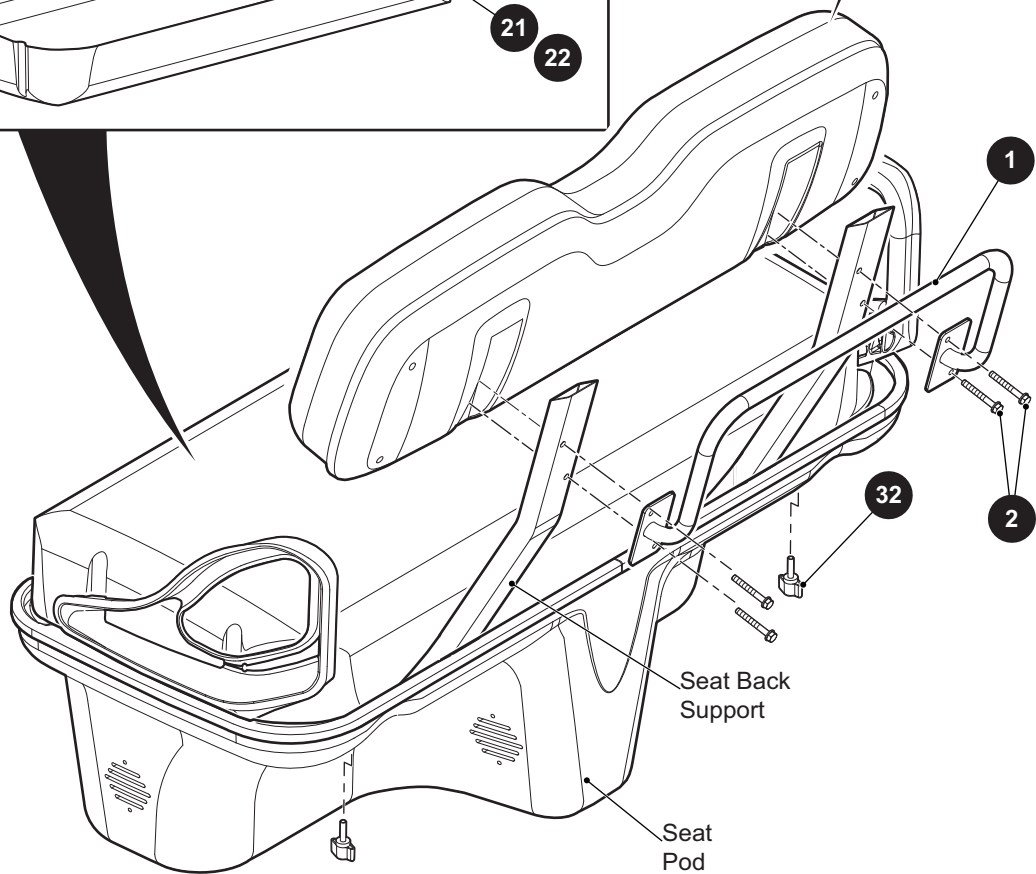
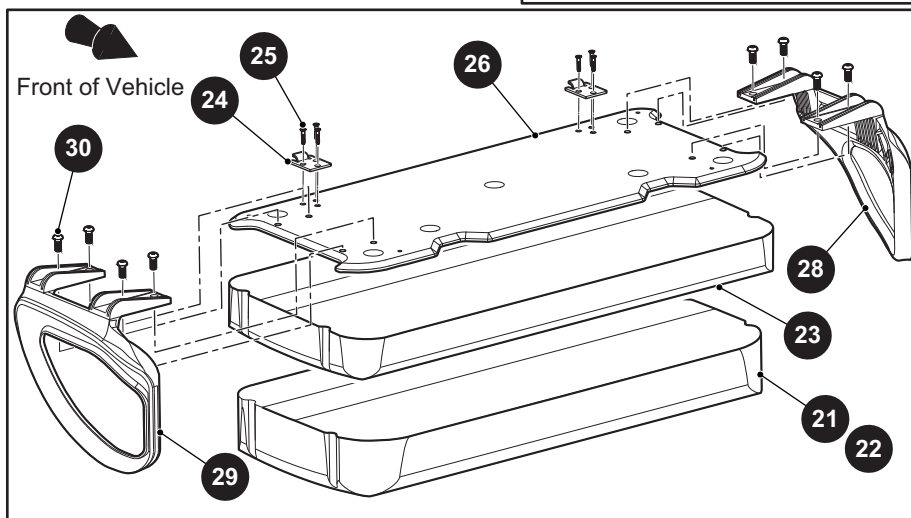
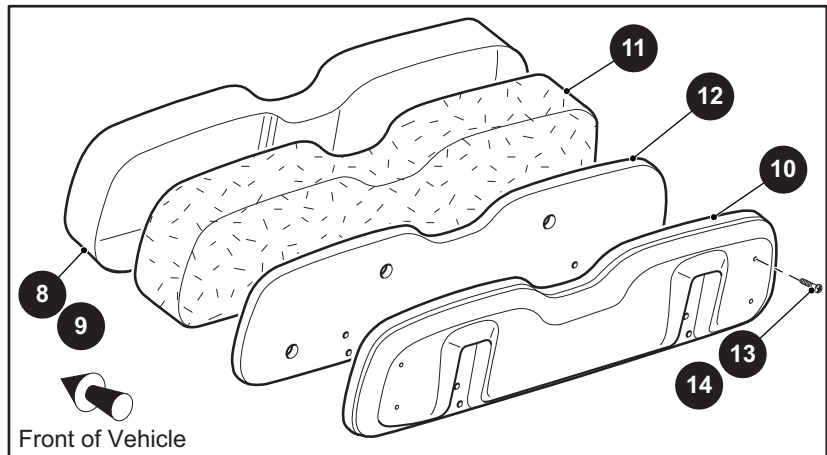


THE USE OF NON U.L. PARTS WILL VOID ANY U.L. LISTING.
 When ordering parts, please specify the model and serial number of the product.
 * Indicates a component that is not available as an individual part.
 *** Indicates consult Customer Service Department for additional information.

| ITEM | PART NO. | 1 2 3 4 5 DESCRIPTION | QTY. |
|------|----------|---|------|
| 1 | 679973 | Lock Out Weldment..... | 1 |
| 2 | 601326 | Button Head Torx Bolt, M6 - 1 x 20mm Lg | 1 |
| 3 | 601476 | Flanged Lock Nut, M6..... | 1 |

SEATING

- 6 Seat Back Assembly includes items 8, 10 - 14
- 7 Seat Back Assembly includes items 9 - 14
- 17 Seat Bottom Assembly includes items 22 - 30
- 18 Seat Bottom Assembly includes items 21, 23 - 30



THE USE OF NON U.L. PARTS WILL VOID ANY U.L. LISTING.

When ordering parts, please specify the model and serial number of the product.

* Indicates a component that is not available as an individual part.

*** Indicates consult Customer Service Department for additional information.

| ITEM | PART NO. | 1 2 3 4 5 | DESCRIPTION | QTY. |
|------|-----------|-----------|---|------|
| 1 | 71632G01 | | Hand Grip Weldment..... | 1 |
| 2 | 71204G02 | | Hex Washer Head Bolt with Patch Lock, 1/4" - 20 x 2" Lg..... | 4 |
| 3 | | | | |
| 4 | | | | |
| 5 | | | | |
| 6 | *** | | Seat Back Assembly (Includes Items 8, 10 - 14)..... 606828 Red/Black 604908 White/Blue 604907 White/Red 615838 White/Black 620794 White/Yellow 620796 Gray/Black 615837 Oyster/Garnet | 2 |
| 7 | 71751G** | | Seat Back Assembly (Includes Items 9 -14)..... 71751G02 Gray 71751G03 Oyster 71751G04 Tan 71751G06 Brown 71751G07 Black | 2 |
| 8 | 629269G0* | | Vinyl Seat Back Cover 604916G0304 Red/Black 604916G0102 White/Blue 604916G0103 White/Red 604916G0104 White/Black 604916G0108 White/Yellow 604916G0704 Grey/Black 604916G0506 Oyster/Garnet | 1 |
| 9 | 71753G** | | Vinyl Seat Back Cover 71753G02 Gray 71753G03 Oyster 71753G04 Tan 71753G06 Brown 71753G07 Black | 1 |
| 10 | 71752G01 | | Rear Seat Back Cover..... | 1 |
| 11 | 71754G01 | | Seat Back Padding | 1 |
| 12 | 645021 | | Seat Back Base | 1 |
| 13 | 648271 | | Pan Head Torx Screw (SS), #8 - 15 x 1" Lg | 4 |
| 14 | 01107G01 | | Pan Head Torx Screw (SS), #8 x .63" Lg..... | 4 |
| 15 | | | | |
| 16 | | | | |

SEATING

THE USE OF NON U.L. PARTS WILL VOID ANY U.L. LISTING.

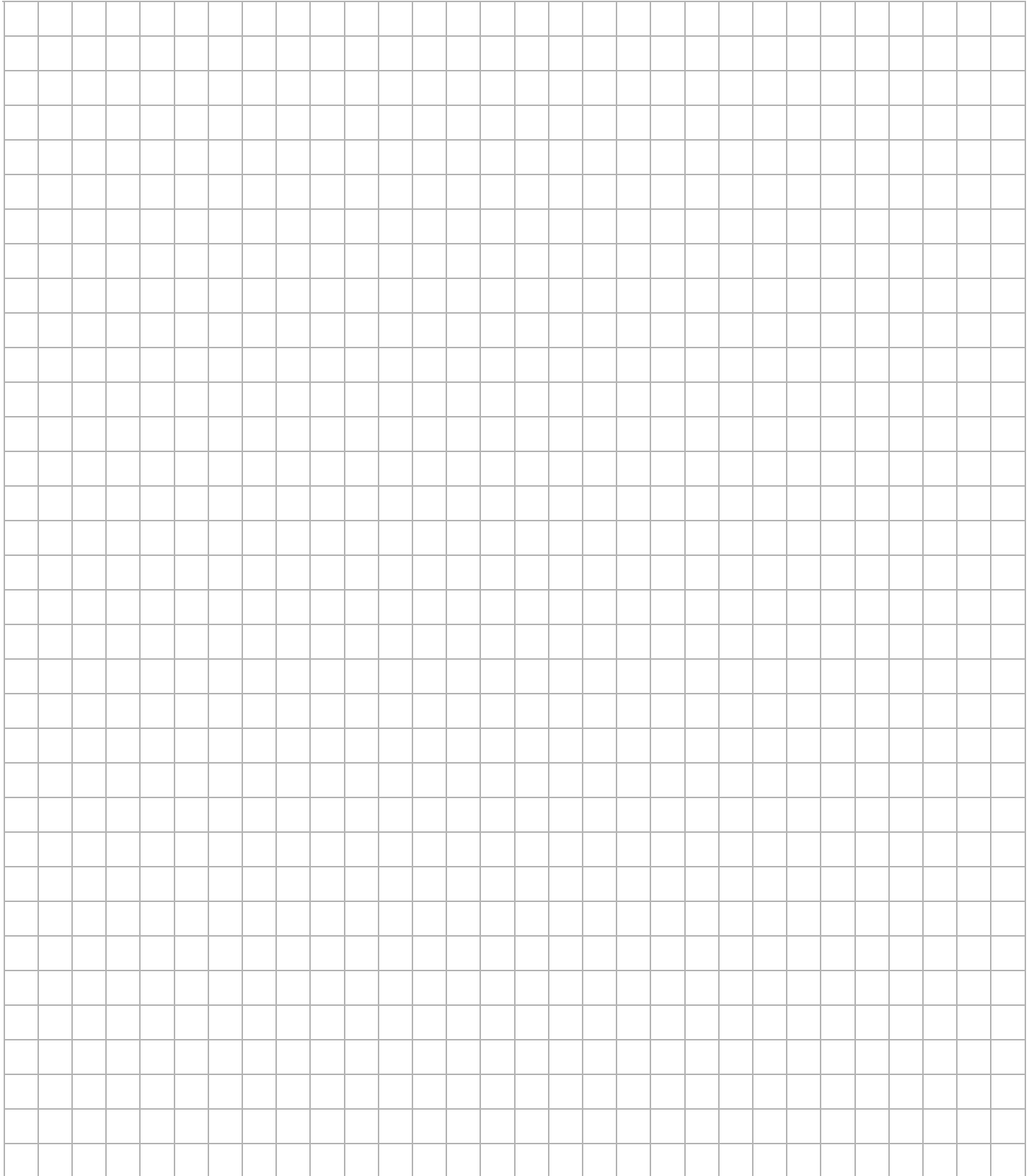
When ordering parts, please specify the model and serial number of the product

* Indicates a component that is not available as an individual part.

*** Indicates consult Customer Service Department for additional information.

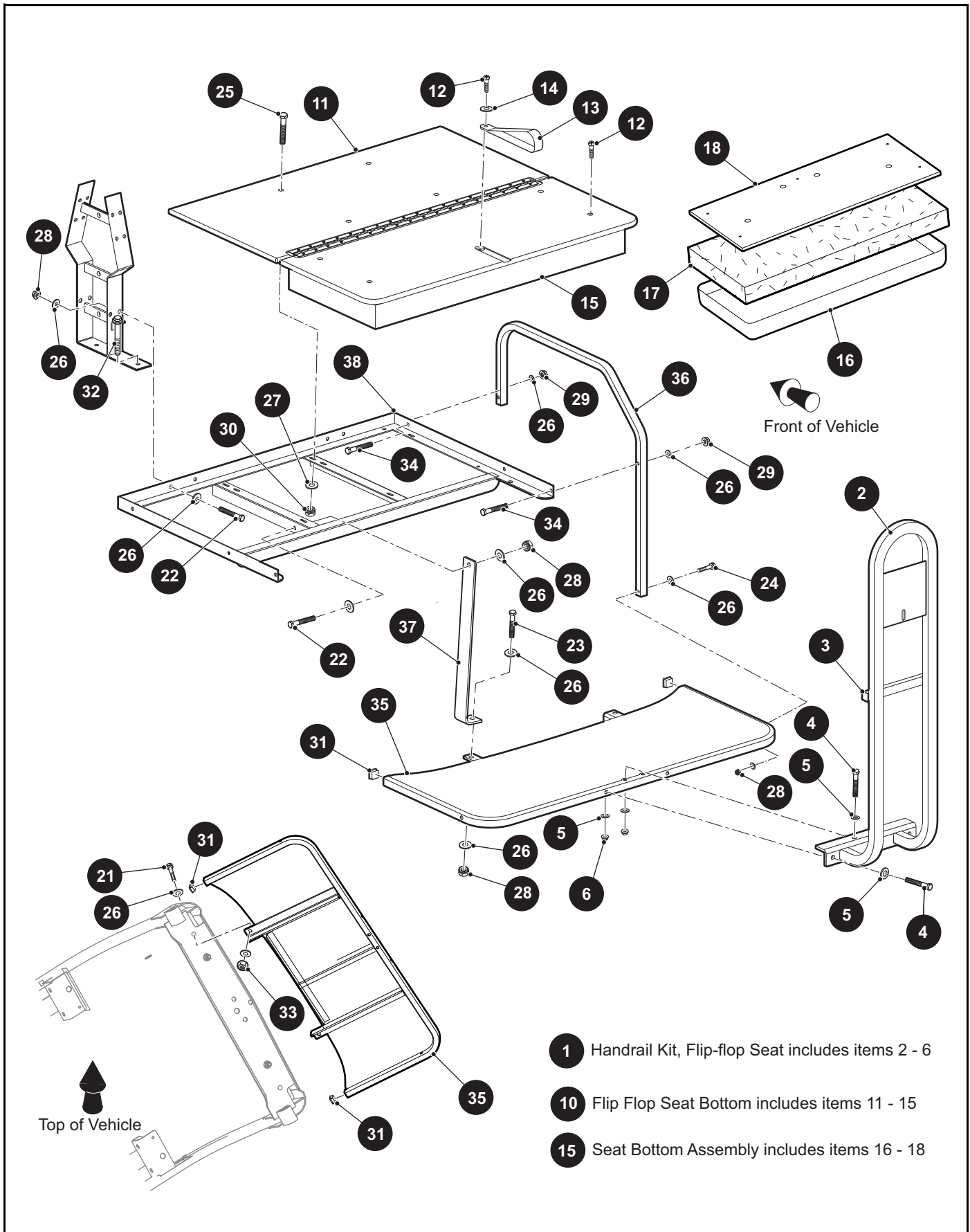
| ITEM | PART NO. | 1 | 2 | 3 | 4 | 5 | DESCRIPTION | QTY. |
|------|-----------|---|---|---|---|---|--|------|
| 17 | 629269G1* | | | | | | Seat Bottom Assembly (Includes Items 22 - 30)..... 629269G1701 Oyster 629269G1703 Tan 629269G1704 Gray 629269G1706 Black 629269G1707 Brown | 1 |
| 18 | 629269G1* | | | | | | Seat Bottom Assembly (Includes Items 21, 23 - 30)..... 629269G1709 White/Blue 629269G1710 Red/Black 629269G1711 White/Red 629269G1712 White/Black 629269G1713 White/Yellow 629269G1714 Gray/Black 629269G1715 Oyster/Garnet | 1 |
| 19 | | | | | | | | |
| 20 | | | | | | | | |
| 21 | 629269G0* | | | | | | Vinyl Seat Bottom Cover 604912G0102 White/Blue 604912G0103 White/Red 604912G0104 White/Black 604912G0108 White/Yellow 604912G0506 Oyster/Garnet 604912G0704 Grey/Black 604912G0304 Red/Black | 1 |
| 22 | 71624G0* | | | | | | Vinyl Seat Cover 71624G03 Oyster 71624G04 Tan 71624G02 Gray 71624G07 Black 71624G06 Brown | 1 |
| 23 | 71625G01 | | | | | | Seat Bottom Padding | 1 |
| 24 | 71610G01 | | | | | | Seat Hinge | 2 |
| 25 | 00720G08 | | | | | | Flat Head Phillips Screw, #12 -14 x 1" Lg | 6 |
| 26 | 649851 | | | | | | Seat Bottom Base | 1 |
| 27 | | | | | | | | |
| 28 | 617645 | | | | | | Hip Restraint (Driver Side) | 1 |
| 29 | 617644 | | | | | | Hip Restraint (Passenger Side)..... | 1 |
| 30 | 615417 | | | | | | Button Head Torx Bolt, M10 - 1.5 x 25mm Lg | 8 |
| 31 | | | | | | | | |
| 32 | 70864G01 | | | | | | T-knob Stud, 1/4" - 20 x 1" LG | 2 |

Notes:



A large grid of graph paper for taking notes, consisting of 20 columns and 30 rows of small squares.

SEATING



- 1 Handrail Kit, Flip-flop Seat includes items 2 - 6
- 10 Flip Flop Seat Bottom includes items 11 - 15
- 15 Seat Bottom Assembly includes items 16 - 18

THE USE OF NON U.L. PARTS WILL VOID ANY U.L. LISTING.

When ordering parts, please specify the model and serial number of the product.

* Indicates a component that is not available as an individual part.

*** Indicates consult Customer Service Department for additional information.

| ITEM | PART NO. | 1 2 3 4 5 | DESCRIPTION | QTY. |
|------|----------|-----------|--|------|
| 1 | 634184 | | Handrail Kit, Flip-flop Seat (Includes Items 2 - 6)..... | 1 |
| 2 | 634185 | | Footrest Handle Weldment..... | 1 |
| 3 | 19859G1 | | Square Cap Tube, 3/4"..... | 2 |
| 4 | 00427G8 | | Hex Head Bolt, 3/8" - 16 x 2" Lg, Grade 5..... | 4 |
| 5 | 614221 | | Flat Washer, 3/8"..... | 8 |
| 6 | 11098G5 | | Lock Nut, 3/8" - 16..... | 4 |
| 7 | | | | |
| 8 | | | | |
| 9 | | | | |
| 10 | *** | | Flip Flop Seat Bottom (Includes Items 11 - 15)..... | 1 |
| | | 628058G01 | Oyster | |
| | | 628058G03 | Tan | |
| | | 628058G04 | Gray | |
| | | 628058G06 | Black | |
| | | 628058G07 | Brown | |
| | | 628058G09 | White/Blue | |
| | | 628058G10 | Red/Black | |
| | | 628058G11 | White/Red | |
| | | 628058G12 | White/Black | |
| | | 628058G13 | White/Yellow | |
| | | 628058G14 | Gray/Black | |
| | | 628058G15 | Oyster/Garnet | |
| 11 | 634190 | | Deck Board Assembly..... | 1 |
| 12 | 16705G1 | | Truss Head Phillips Screw (Ss), 1/4" - 20 x 1" Lg..... | 5 |
| 13 | 617402 | | Seat Strap..... | 1 |
| 14 | 00559G7 | | Flat Washer, 1/4"..... | 1 |
| 15 | *** | | Seat Bottom Assembly (Includes Items 16 - 18)..... | 1 |
| | | 632837G01 | Oyster | |
| | | 632837G03 | Tan | |
| | | 632837G04 | Grey | |
| | | 632837G06 | Black | |
| | | 632837G07 | Brown | |
| | | 632837G09 | White/Blue | |
| | | 632837G10 | Red/Black | |
| | | 632837G11 | White/Red | |
| | | 632837G12 | White/Black | |
| | | 632837G13 | White/Yellow | |
| | | 632837G14 | Gray/Black | |
| | | 632837G15 | Oyster/Garnet | |

SEATING

THE USE OF NON U.L. PARTS WILL VOID ANY U.L. LISTING.

When ordering parts, please specify the model and serial number of the product

* Indicates a component that is not available as an individual part.

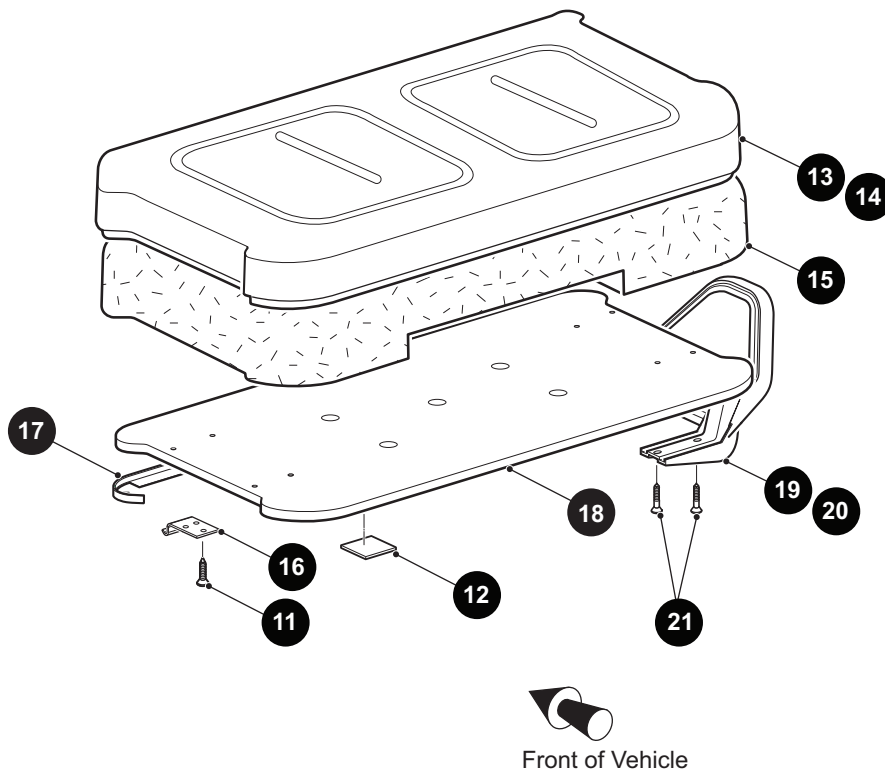
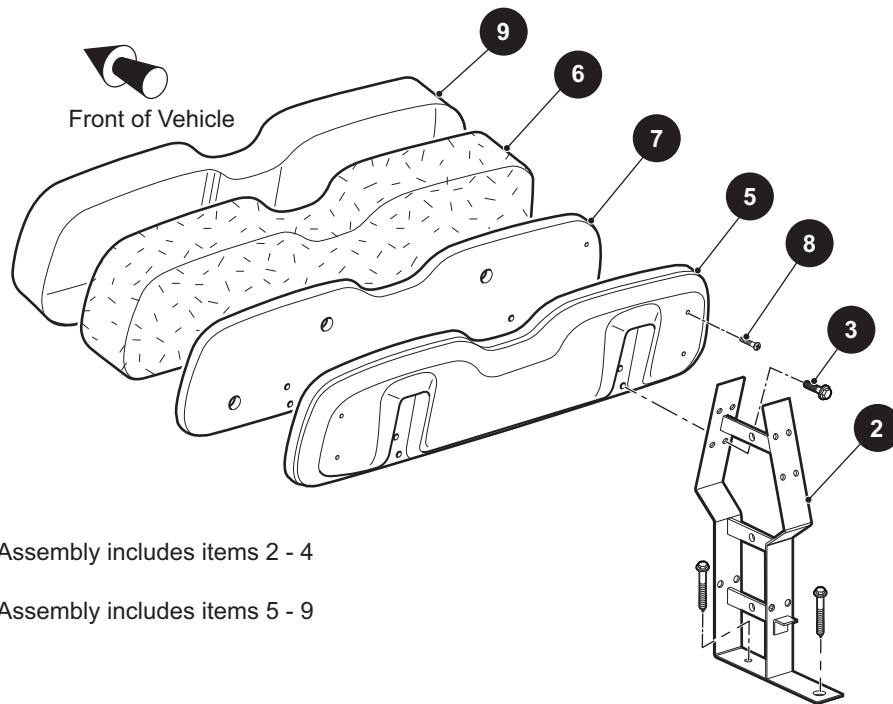
*** Indicates consult Customer Service Department for additional information.

| ITEM | PART NO. | 1 | 2 | 3 | 4 | 5 | DESCRIPTION | QTY. |
|------|----------|---|---|---|---|---|---|------|
| 16 | *** | | | | | | Vinyl Seat Bottom | 1 |
| | | | | | | | 615646 Oyster | |
| | | | | | | | 615647 Tan | |
| | | | | | | | 617892 Gray | |
| | | | | | | | 615648 Black | |
| | | | | | | | 617893 Brown | |
| | | | | | | | 611125 Whit/Blue | |
| | | | | | | | 611135 Red/Black | |
| | | | | | | | 611126 White/Red | |
| | | | | | | | 611130 White/Black | |
| | | | | | | | 611127 White/Yellow | |
| | | | | | | | 611137 Gray/Black | |
| | | | | | | | 611136 Oyster/Ruby | |
| 17 | 617401 | | | | | | Foam Padding (Seat Bottom) | 1 |
| 18 | 645820 | | | | | | Seat Bottom..... | 1 |
| 19 | | | | | | | | |
| 20 | | | | | | | | |
| 21 | 00427G6 | | | | | | Hex Head Bolt, 3/8" - 16 x 1.75" Lg, Grade 5..... | 1 |
| 22 | 00427G2 | | | | | | Hex Head Bolt, 3/8" - 16 x 1.25" Lg, Grade 5 | 2 |
| 23 | 00427G4 | | | | | | Hex Head Bolt, 3/8" - 16 x 1.5" Lg, Grade 5..... | 1 |
| 24 | 00428G8 | | | | | | Hex Head Bolt, 3/8" - 16 x 3.25" Lg, Grade 5..... | 1 |
| 25 | 16705G9 | | | | | | Truss Head Phillips Screw (Ss), 1/4" - 20 x 1.25" Lg..... | 4 |
| 26 | 614221 | | | | | | Flat Washer, 3/8" | 12 |
| 27 | 00559G7 | | | | | | Flat Washer, 1/4" | 4 |
| 28 | 11098G5 | | | | | | Lock Nut, 3/8" - 16 | 4 |
| 29 | 11027G5 | | | | | | Flanged Lock Nut, 3/8" - 16..... | 2 |
| 30 | 14390G4 | | | | | | Lock Nut, 1/4" - 20..... | 4 |
| 31 | 19853G1 | | | | | | Square Cap Tube, 1" | 2 |
| 32 | 01006G01 | | | | | | Hex Head Bolt, 3/8" - 16 x 1.25" Lg..... | 2 |
| 33 | 11098G5 | | | | | | Lock Nut, 3/8" - 16 | 1 |
| 34 | 00427G4 | | | | | | Hex Head Bolt, 3/8" - 16 x 1.5" Lg, Grade 5..... | 2 |
| 35 | 634179 | | | | | | Footrest Weldment | 1 |
| 36 | 634175 | | | | | | Armrest (Rear Seat) | 2 |
| 37 | 634174 | | | | | | Seat Frame Support | 2 |
| 38 | 634180 | | | | | | Seat Frame Weldment..... | 1 |

Notes:

Large grid area for handwritten notes.

SEATING



THE USE OF NON U.L. PARTS WILL VOID ANY U.L. LISTING.

When ordering parts, please specify the model and serial number of the product.

* Indicates a component that is not available as an individual part.

*** Indicates consult Customer Service Department for additional information.

| ITEM | PART NO. | 1 2 3 4 5 | DESCRIPTION | QTY. |
|------|----------|-----------|---|------|
| 1 | *** | | Seat Back Assembly (Includes Items 2 - 9)..... 632818G01 Oyster 632818G03 Tan 632818G04 Grey 632818G06 Black 632818G07 Brown 632818G09 White/Blue 632818G10 Red/Black 632818G11 White/Red 632818G12 White/Black 632818G13 White/Yellow 632818G14 Gray/Black 632818G15 Oyster/Garnet | 1 |
| 2 | 634178 | | Support Weldment..... | 1 |
| 3 | 71204G01 | | Hex Washer Head Bolt with Patch Lock, 1/4" - 20 x .875" Lg | 4 |
| 4 | *** | | Seat Back Assembly (Includes Items 5 - 9)..... 71751G02 Gray 71751G03 Oyster 71751G04 Tan 71751G06 Brown 71751G07 Black 606828 Red/Black 604908 White/Blue 604907 White/Red 615838 White/Black 620794 White/Yellow 620796 Gray/Black 615837 Oyster/Garnet | 2 |
| 5 | 71752G01 | | Seat Back Cover | 1 |
| 6 | 71754G01 | | Padding Foam | 1 |
| 7 | 645021 | | Seat Base | 1 |
| 8 | 01107G01 | | Pan Head Torx Screw, #8 x .63" Lg..... | 4 |
| 9 | *** | | Vinyl Cover | 1 |
| | | | 71753G02 Gray | |
| | | | 71753G03 Oyster | |
| | | | 71753G04 Tan | |
| | | | 71753G06 Brown | |
| | | | 71753G07 Black | |
| | | | 604916G0304 Red/Black | |
| | | | 604916G0102 White/Blue | |
| | | | 604916G0103 White/Red | |
| | | | 604916G0104 White/Black | |
| | | | 604916G0108 White/Yellow | |
| | | | 604916G0704 Grey/Black | |
| | | | 604916G0506 Oyster/Garnet | |

SEATING

THE USE OF NON U.L. PARTS WILL VOID ANY U.L. LISTING.

When ordering parts, please specify the model and serial number of the product

* Indicates a component that is not available as an individual part.

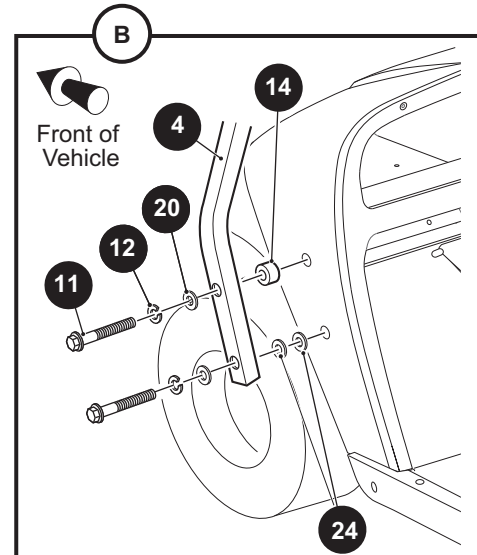
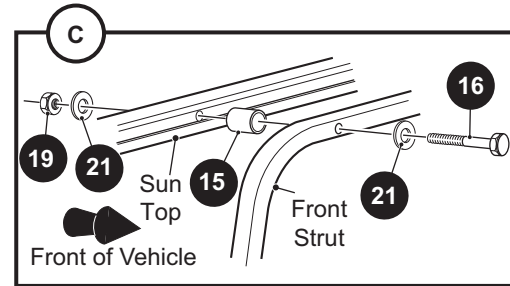
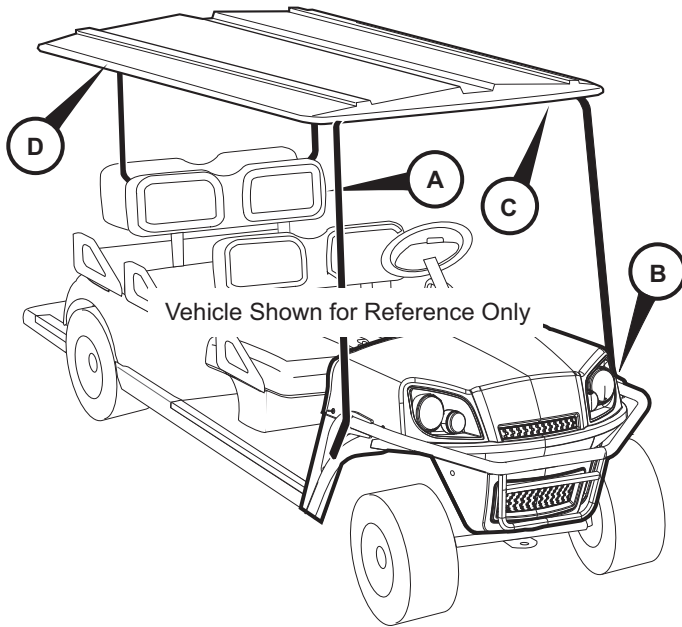
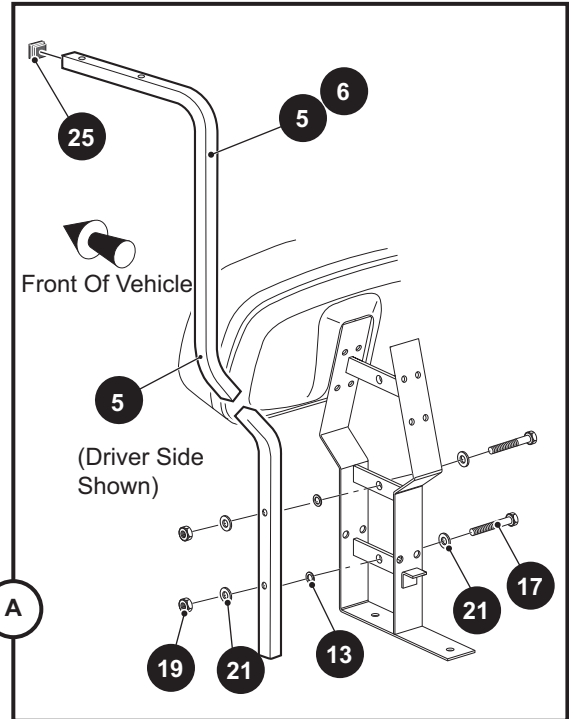
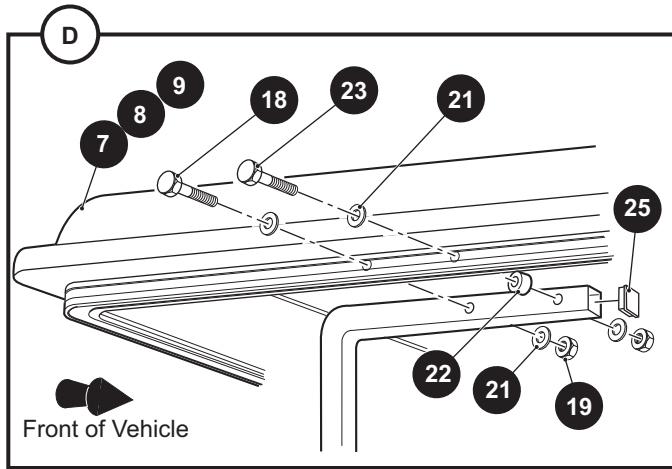
*** Indicates consult Customer Service Department for additional information.

| ITEM | PART NO. | 1 | 2 | 3 | 4 | 5 | DESCRIPTION | QTY. | |
|------|----------|--|---------------|---|---|---|-------------|------|---|
| 10 | *** | Seat Bottom Assembly (Includes Items 11 - 21) | | | | | 1 | | 1 |
| | | 629269G0101 | Oyster | | | | | | |
| | | 629269G0103 | Tan | | | | | | |
| | | 629269G0104 | Grey | | | | | | |
| | | 629269G0106 | Black | | | | | | |
| | | 629269G0107 | Brown | | | | | | |
| | | 629269G0109 | White/Blue | | | | | | |
| | | 629269G0110 | Red/Black | | | | | | |
| | | 629269G0111 | White/Red | | | | | | |
| | | 629269G0112 | White/Black | | | | | | |
| | | 629269G0113 | White/Yellow | | | | | | |
| | | 629269G0114 | Gray/Black | | | | | | |
| | | 629269G0115 | Oyster/Garnet | | | | | | |
| 11 | 00720G08 | Flat Head Phillips Screw, #12 -14 x 1" Lg | | | | | 6 | | 6 |
| 12 | 17074G1 | Soiling Slab | | | | | 2 | | 2 |
| 13 | *** | Vinyl Seat Cover | | | | | 1 | | 1 |
| | | 71602G03 | Oyster | | | | | | |
| | | 71602G04 | Tan | | | | | | |
| | | 71602G02 | Gray | | | | | | |
| | | 71602G06 | Black | | | | | | |
| | | 71602G07 | Brown | | | | | | |
| 14 | *** | Vinyl Seat Cover | | | | | 1 | | 1 |
| | | 604912G0102 | White/Blue | | | | | | |
| | | 604912G0103 | White/Red | | | | | | |
| | | 604912G0104 | White/Black | | | | | | |
| | | 604912G0108 | White/Yellow | | | | | | |
| | | 604912G0704 | Grey/Black | | | | | | |
| | | 604912G0506 | Oyster/Garnet | | | | | | |
| | | 604912G0304 | Red/Black | | | | | | |
| 15 | 71603G02 | Seat Bottom Padding | | | | | 1 | | 1 |
| 16 | 71610G01 | Seat Hinge | | | | | 2 | | 2 |
| 17 | 71012G01 | Trim (Polypropylene) | | | | | 1 | | 1 |
| 18 | 645492 | Seat Bottom Base | | | | | 1 | | 1 |
| 19 | 617645 | Hip Restraint (Driver Side) | | | | | 1 | | 1 |
| 20 | 617644 | Hip Restraint (Passenger Side) | | | | | 1 | | 1 |
| 21 | 615417 | Button Head Torx Bolt, M10 - 1.5 x 25mm Lg | | | | | 8 | | 8 |

Notes:

| | | | | | | | | | | | | | | | | | | | |
|--|--|--|--|--|--|--|--|--|--|--|--|--|--|--|--|--|--|--|--|
| | | | | | | | | | | | | | | | | | | | |
| | | | | | | | | | | | | | | | | | | | |
| | | | | | | | | | | | | | | | | | | | |
| | | | | | | | | | | | | | | | | | | | |
| | | | | | | | | | | | | | | | | | | | |
| | | | | | | | | | | | | | | | | | | | |
| | | | | | | | | | | | | | | | | | | | |
| | | | | | | | | | | | | | | | | | | | |
| | | | | | | | | | | | | | | | | | | | |
| | | | | | | | | | | | | | | | | | | | |
| | | | | | | | | | | | | | | | | | | | |
| | | | | | | | | | | | | | | | | | | | |
| | | | | | | | | | | | | | | | | | | | |
| | | | | | | | | | | | | | | | | | | | |
| | | | | | | | | | | | | | | | | | | | |
| | | | | | | | | | | | | | | | | | | | |
| | | | | | | | | | | | | | | | | | | | |

WEATHER PROTECTION



- 1 Sun Top Kit, Black includes items 4 - 6, 7, 10 - 25
- 2 Sun Top Kit, White includes items 4 - 6, 8, 10 - 25
- 3 Sun Top Kit, Beige includes items 4 - 6, 9, 10 - 25
- 10 Sun Top Hardware Kit includes items 11 - 25

WEATHER PROTECTION

THE USE OF NON U.L. PARTS WILL VOID ANY U.L. LISTING.

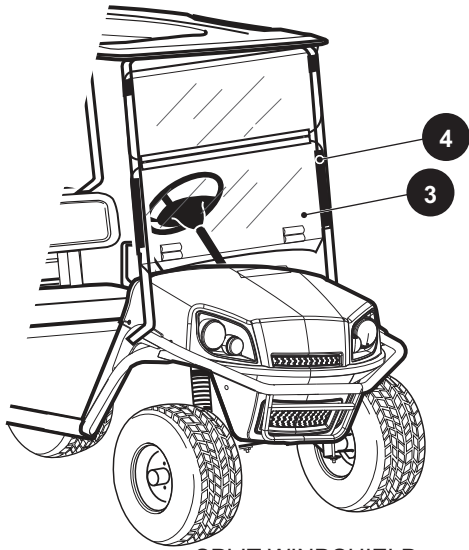
When ordering parts, please specify the model and serial number of the product.

* Indicates a component that is not available as an individual part.

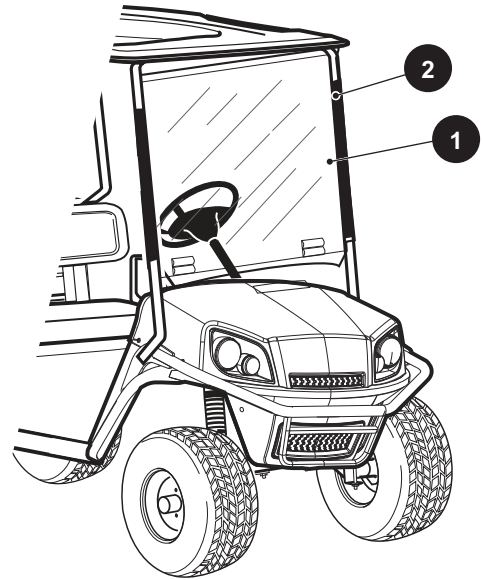
*** Indicates consult Customer Service Department for additional information.

| ITEM | PART NO. | 1 2 3 4 5 | DESCRIPTION | QTY. |
|------|----------|-----------|---|------|
| 1 | 610266 | | Sun Top Kit, Black (Includes Items 4 - 6, 7, 10 - 25) | 1 |
| 2 | 610268 | | Sun Top Kit, White (Includes Items 4 - 6, 8, 10 - 25)..... | 1 |
| 3 | 610267 | | Sun Top Kit, Beige (Includes Items 4 - 6, 9 - 25)..... | 1 |
| 4 | 610260 | | Front Support..... | 1 |
| 5 | 602743 | | Rear Support (Driver Side) | 1 |
| 6 | 602741 | | Rear Support (Passenger Side) | 1 |
| 7 | 610263 | | Sun Top, Black..... | 1 |
| 8 | 610265 | | Sun Top, White | 1 |
| 9 | 610264 | | Sun Top, Beige | 1 |
| 10 | 610259 | | Sun Top Hardware Kit (Includes Items 11 - 25) | 1 |
| 11 | 00440G2 | | Hex Head Bolt, 5/16" - 18 x 2 1/4" Lg, Grade 5 | 2 |
| 12 | 00565G8 | | Lock Washer, 5/16" | 4 |
| 13 | 00771G5 | | Nylon Washer, 3/8"..... | 4 |
| 14 | 75048G01 | | Spacer, 1/2"..... | 2 |
| 15 | 18716G1 | | Spacer (Aluminum), 3" Lg..... | 2 |
| 16 | 00674G8 | | Hex Head Bolt (SS), 3/8" - 16 x 5" Lg | 2 |
| 17 | 00665G5 | | Hex Head Bolt (SS), 3/8" - 16 x 1 3/4" Lg | 4 |
| 18 | 00665G6 | | Hex Head Bolt (SS), 3/8" - 16 x 2" Lg | 2 |
| 19 | 00891G5 | | Lock Nut, 3/8" - 16 | 10 |
| 20 | 00559G8 | | Flat Washer, 5/16" | 4 |
| 21 | 00653G1 | | Flat Washer (SS), 3/8" | 20 |
| 22 | 24647G1 | | Spacer, 1/4" Thick | 2 |
| 23 | 00665G3 | | Hex Head Bolt, 3/8" - 16 x 2 1/2" Lg | 4 |
| 24 | 00879G1 | | Flat Washer, 3/8" | 4 |
| 25 | 19853G1 | | End Cap, 1" | 2 |

WEATHER PROTECTION

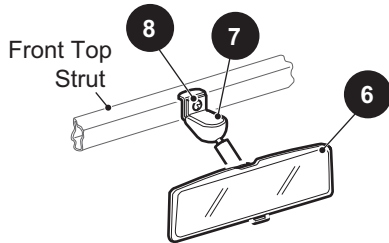


SPLIT WINDSHIELD

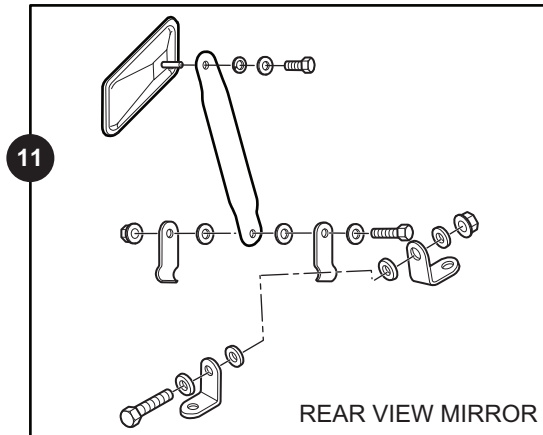


FULL WINDSHIELD

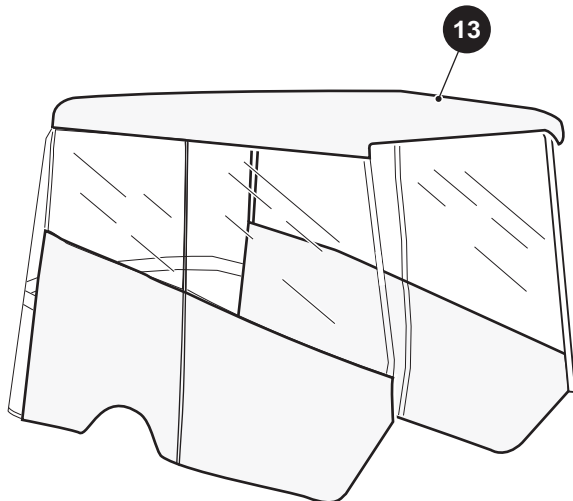
5 Rear View Mirror Kit includes items 6 - 8



REAR VIEW MIRROR



REAR VIEW MIRROR



WEATHER ENCLOSURE

WEATHER PROTECTION

THE USE OF NON U.L. PARTS WILL VOID ANY U.L. LISTING.

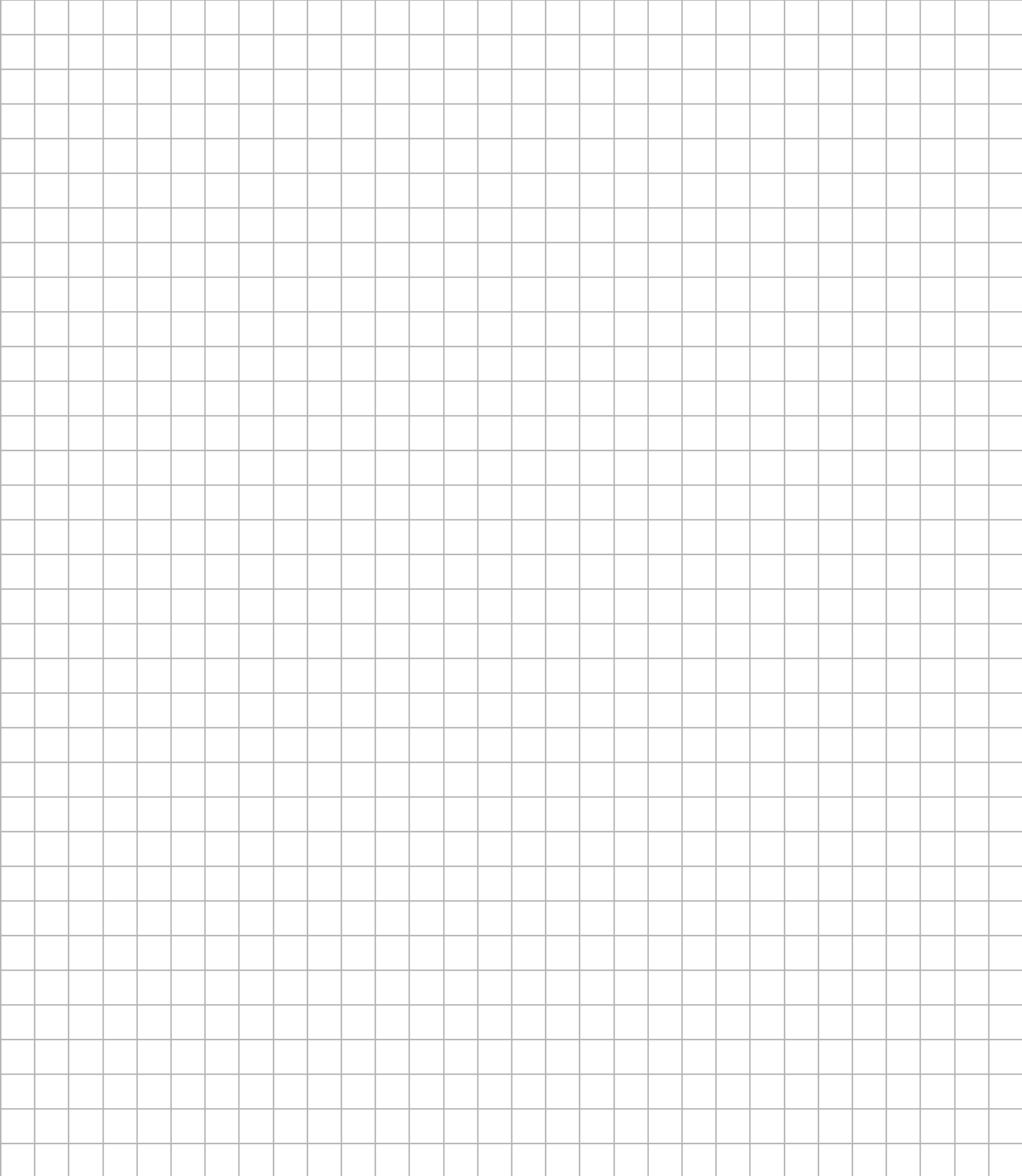
When ordering parts, please specify the model and serial number of the product.

* Indicates a component that is not available as an individual part.

*** Indicates consult Customer Service Department for additional information.

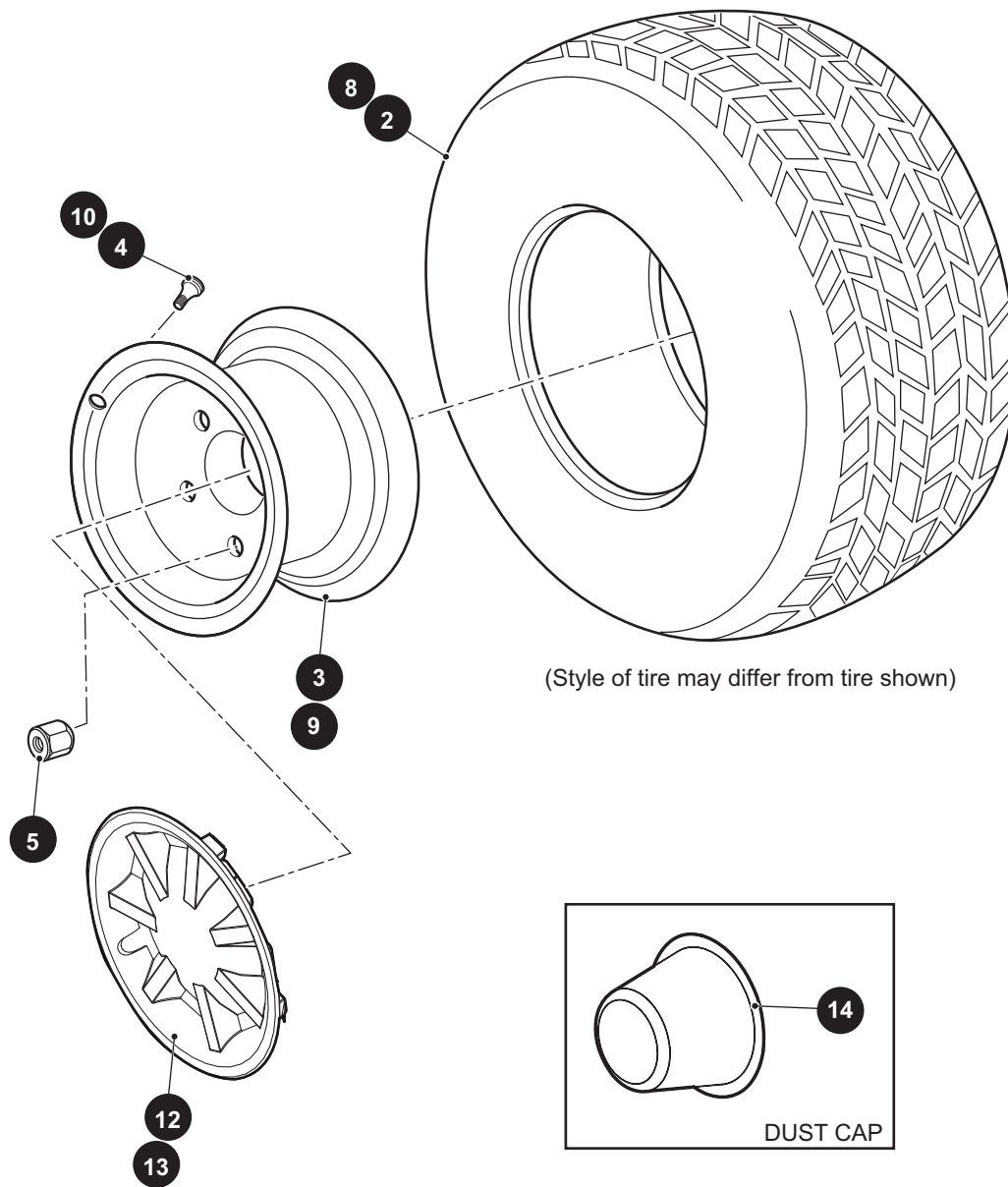
| ITEM | PART NO. | 1 2 3 4 5 | DESCRIPTION | QTY. |
|------|----------|-----------|---|------|
| 1 | 611099 | | Windshield Kit (Includes Item 2)..... | 1 |
| 2 | 615662 | | Sash, 26" | 2 |
| 3 | 611100 | | Windshield Kit (Includes Item 4)..... | 1 |
| 4 | 615661 | | Sash, 12" | 2 |
| 5 | 19528G2 | | Rear View Mirror Kit (Includes Items 6 - 8) | 1 |
| 6 | 19496G1 | | Rear View Mirror..... | 1 |
| 7 | 19502G2 | | Support Bracket..... | 1 |
| 8 | 19527G1 | | Pan Head Screw, # 8 - 32 X 5/8" LG | 1 |
| 9 | | | | |
| 10 | | | | |
| 11 | 27924G01 | | Rear View Mirror (Curtis Cab Kit)..... | 1 |
| 12 | | | | |
| 13 | 611907 | | Enclosure Kit (White) | 1 |
| 14 | | | | |
| 15 | | | | |
| 16 | 601379 | | Rear View Mirror (Five Panel Kit) (Not Illustrated) | 1 |

Notes:

A large grid area for taking notes, consisting of many small squares.

WHEELS AND TIRES

- 1 Wheel and Tire Assembly includes items 2 - 4
- 7 Wheel and Tire Assembly includes items 8 - 10



WHEELS AND TIRES

THE USE OF NON U.L. PARTS WILL VOID ANY U.L. LISTING.

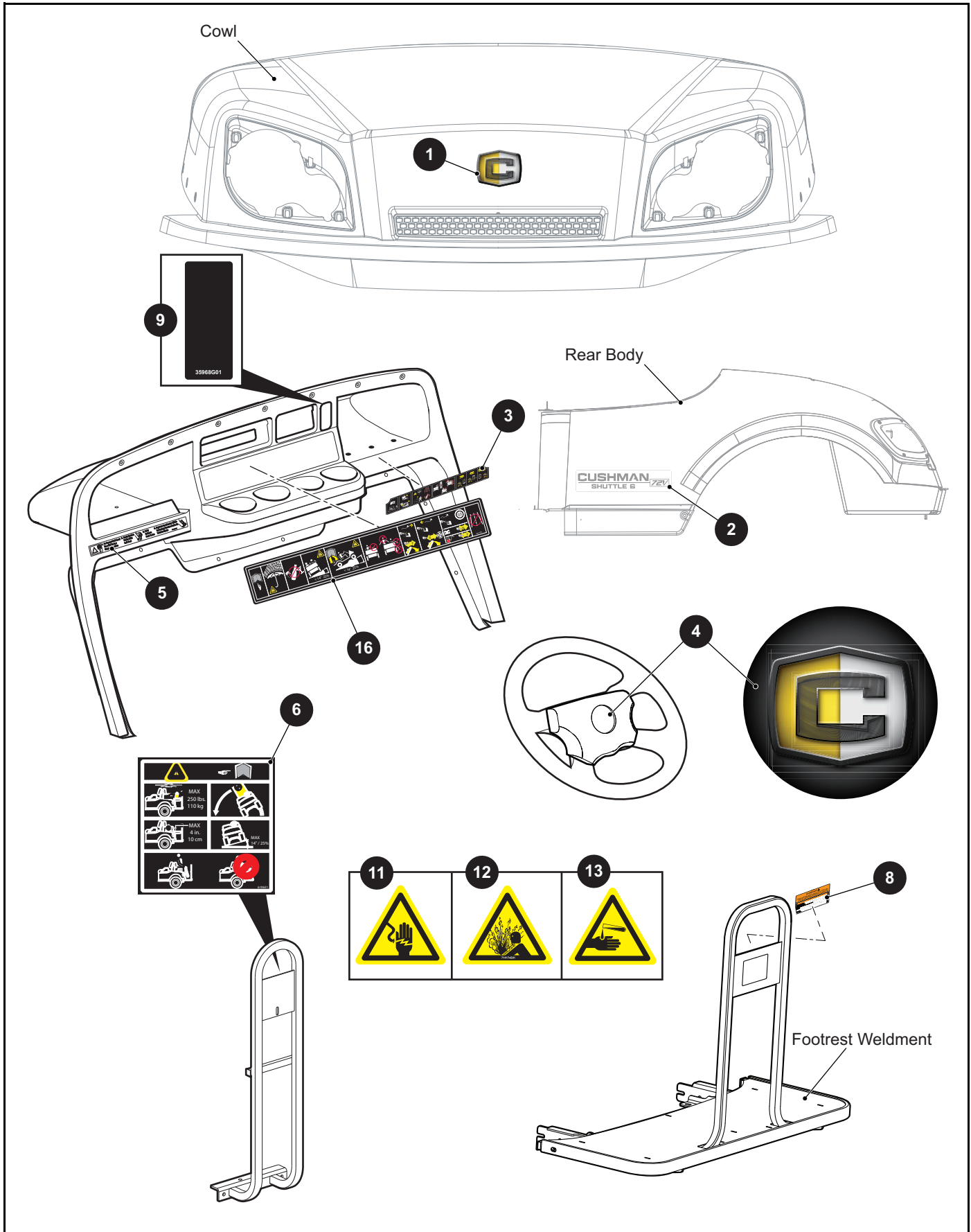
When ordering parts, please specify the model and serial number of the product.

* Indicates a component that is not available as an individual part.

*** Indicates consult Customer Service Department for additional information.

| ITEM | PART NO. | 1 2 3 4 5 | DESCRIPTION | QTY. |
|------|----------|-----------|--|------|
| 1 | 614437 | | Wheel and Tire Assembly, Load Star (Includes Items 2 - 4) | 1 |
| 2 | 614438 | | Tire..... | 1 |
| 3 | 614621 | | Rim | 1 |
| 4 | 11657G2 | | Valve Stem | 1 |
| 5 | 14723G1 | | Lug Nut, 1/2" - 20 | 4 |
| 6 | | | | |
| 7 | 612772 | | Wheel and Tire Assembly, Hole-N-One (Includes Items 8 - 10)..... | 1 |
| 8 | 612771 | | Tire, 18 x 8.50..... | 1 |
| 9 | 612770 | | Rim | 1 |
| 10 | 11657G2 | | Valve Stem | 1 |
| 11 | | | | |
| 12 | 665144 | | Wheel Cover, 8" (Metallic Silver)..... | 1 |
| 13 | 665149 | | Wheel Cover, 8" (Metallic Gold) | 1 |
| 14 | 74175G01 | | Dust Cap | 1 |

DECALS AND LABELS



DECALS AND LABELS

THE USE OF NON U.L. PARTS WILL VOID ANY U.L. LISTING.

When ordering parts, please specify the model and serial number of the product.

* Indicates a component that is not available as an individual part.

*** Indicates consult Customer Service Department for additional information.

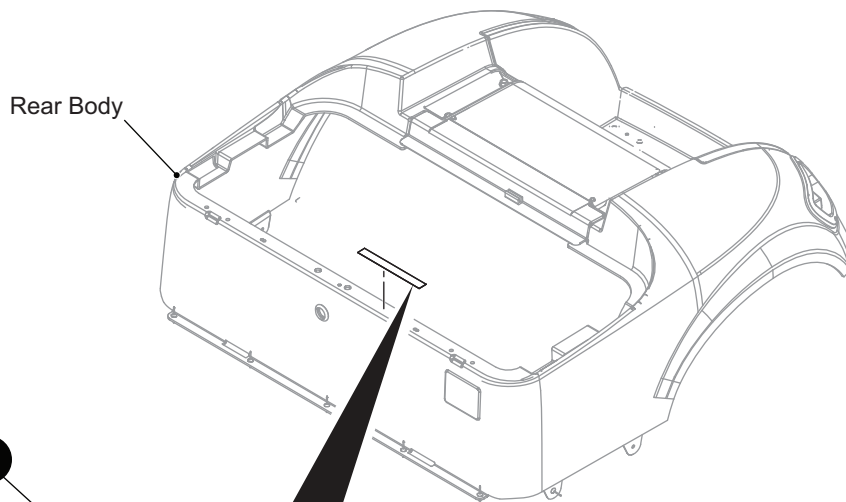
| ITEM | PART NO. | 1 2 3 4 5 | DESCRIPTION | QTY. |
|------|----------|-----------|--------------------------------------|------|
| 1 | 619135 | | Cowl Decal | 1 |
| 2 | 671326 | | Side Decal | 1 |
| 3 | 662186 | | Operating Instruction Label | 1 |
| 4 | 618086 | | Steering Wheel Decal | 1 |
| 5 | 74443G01 | | Anti Rollback Decal | 1 |
| 6 | 610631 | | Clays Bed Decal..... | 1 |
| 7 | | | | |
| 8 | 608537 | | Rear Facing Seat Warning Label | 1 |
| 9 | 35968G01 | | T-Holder Cover Decal..... | 1 |
| 10 | | | | |
| 11 | 71415G01 | | Electric Shock Warning Decal..... | 1 |
| 12 | 71417G01 | | Explosive Gas Warning Decal..... | 1 |
| 13 | 71419G01 | | Acid Warning Decal..... | 1 |
| 14 | | | | |
| 15 | | | | |
| 16 | 601781 | | Console Label | 1 |

For CE vehicle only



1

AUTHORIZED REPRESENTATIVE IN EC IS:
RANSOMES JACOBSEN LTD.
WEST ROAD, IPSWICH,
SUFFOLK, IP3 9TT, UK



Rear Body

2



DECALS AND LABELS

THE USE OF NON U.L. PARTS WILL VOID ANY U.L. LISTING.

When ordering parts, please specify the model and serial number of the product.

* Indicates a component that is not available as an individual part.

*** Indicates consult Customer Service Department for additional information.

| ITEM | PART NO. | 1 2 3 4 5 | DESCRIPTION | QTY. |
|------|----------|-----------|---------------------------------------|------|
| 1 | 614068 | | Authorized Representative Label | 1 |
| 2 | 28203G01 | | Battery Warning Decal | 1 |



Textron Specialized Vehicles, Inc.,
1451 Marvin Griffin Road
Augusta, Georgia 30906 - 3852 USA

CONTACT INFORMATION

North America:

Technical Assistance & Warranty
Service Parts

Phone: 1-800-774-3946, FAX: 1-800-448-8124

Phone: 1-888-438-3946, FAX: 1-800-752-6175

International:

Phone: 001-706-798-4311, FAX: 001-706-771-4609

Owner's Guides and Repair Manuals
are available from a local Distributor, an authorized Branch,
Parts & Accessories Department or at www.cushman.com.

Copyrighted Material
This manual may not be reproduced in whole or
in part without the express permission of
Textron Specialized Vehicles
Technical Publications Department