



CUSHMAN[®]
LET'S WORK.

72V AC SHUTTLE 8

Service Parts Manual

677964 - B
ISSUED JULY 2018

REVISED SEPTEMBER 2018

California Proposition 65



WARNING

Operating, servicing and maintaining a passenger vehicle or off-road vehicle can expose you to chemicals including phthalates and lead, which are known to the State of California to cause cancer and birth defects or other reproductive harm. To minimize exposure, wear gloves and wash your hands frequently when servicing your vehicle.

For more information go to www.P65Warnings.ca.gov/passenger-vehicle.

SERVICE PARTS MANUAL

ELECTRIC POWERED UTILITY VEHICLE

SHUTTLE 8 72V

STARTING MODEL YEAR 2018

Never modify the vehicle in any way that will alter the weight distribution of the vehicle, decrease its stability or increase the speed beyond the factory specifications. Such modifications can cause serious personal injury or death. Textron Specialized Vehicles prohibits and dis-claims responsibility for any such modifications or any other alteration which would adversely affect the safety of the vehicle. TSV reserves the right to incorporate engineering and design changes to products in this manual, without obligation to include these changes on units sold previously.

The information contained in this manual may be revised periodically by TSV, and therefore is subject to change without notice.

TSV DISCLAIMS LIABILITY FOR ERRORS IN THIS MANUAL, and SPECIFICALLY DISCLAIMS LIABILITY FOR INCIDENTAL AND CONSEQUENTIAL DAMAGES resulting from the use of the information and materials in this manual.

These are the original instructions as defined by 2006/42/EC.

TO CONTACT US:

Textron Specialized Vehicles, Inc.
1451 Marvin Griffin Road
Augusta, Georgia, USA 30906-3852

NORTH AMERICA:

Technical Assistance & Warranty PHONE: 1-800-774-3946, FAX: 1-800-448-8124

Service Parts PHONE: 1-888-438-3946, FAX: 1-800-752-6175

International: PHONE: 001-706-798-4311, FAX: 001-706-771-4609

GENERAL INFORMATION

To obtain a copy of the limited warranty applicable to the vehicle, call or write a local Distributor, authorized Branch or the Warranty Department with vehicle serial number and manufacturer code.

The use of non Original Equipment Manufacturer (OEM) approved parts may void the warranty.

Tampering with or adjusting the governor to permit vehicle to operate at above factory specifications will void the vehicle warranty.

When servicing engines, all adjustments and replacement components must be per original vehicle specifications in order to maintain the United States of America Federal and State emission certification applicable at the time of manufacture.

BATTERY PROLONGED STORAGE

All batteries will self discharge over time. The rate of self discharge varies depending on the ambient temperature and the age and condition of the batteries.

A fully charged battery will not freeze in winter temperatures unless the temperature falls below -75° F (-60° C).

BATTERY DISPOSAL

Lead-acid batteries are recyclable. Return whole scrap batteries to distributor, manufacturer or lead smelter for recycling. For neutralized spills, place residue in acid-resistant containers with absorbent material, sand or earth and dispose of in accordance with local, state and federal regulations for acid and lead compounds. Contact local and/or state environmental officials regarding disposal information.

TABLE OF CONTENTS

SECTION	Page No.
HOW TO USE THE SERVICE PARTS MANUAL.....	V
ACCELERATOR.....	A - 1
BATTERY CHARGER.....	B - 1
BODY.....	C - 1
HYDRAULIC BRAKES.....	D - 1
PARKING BRAKES.....	E - 1
ELECTRICAL.....	F - 1
ELECTRONIC SPEED CONTROL.....	G - 1
FRONT SUSPENSION.....	H - 1
MOTOR.....	J - 1
REAR AXLE.....	K - 1
REAR SUSPENSION.....	L - 1
SEATING.....	M - 1
TRUCK BED.....	N - 1
WEATHER PROTECTION.....	P - 1
WHEELS AND TIRES.....	R - 1
DECALS AND LABELS.....	S - 1

HOW TO USE THE SERVICE PARTS MANUAL

This manual is divided into several sections:

- GENERAL INFORMATION
- ILLUSTRATED PARTS BREAKDOWN

The first section, GENERAL INFORMATION, contains the following information:

- WARRANTY INFORMATION
- TABLE OF CONTENT
- HOW TO USE THE SERVICE PARTS MANUAL

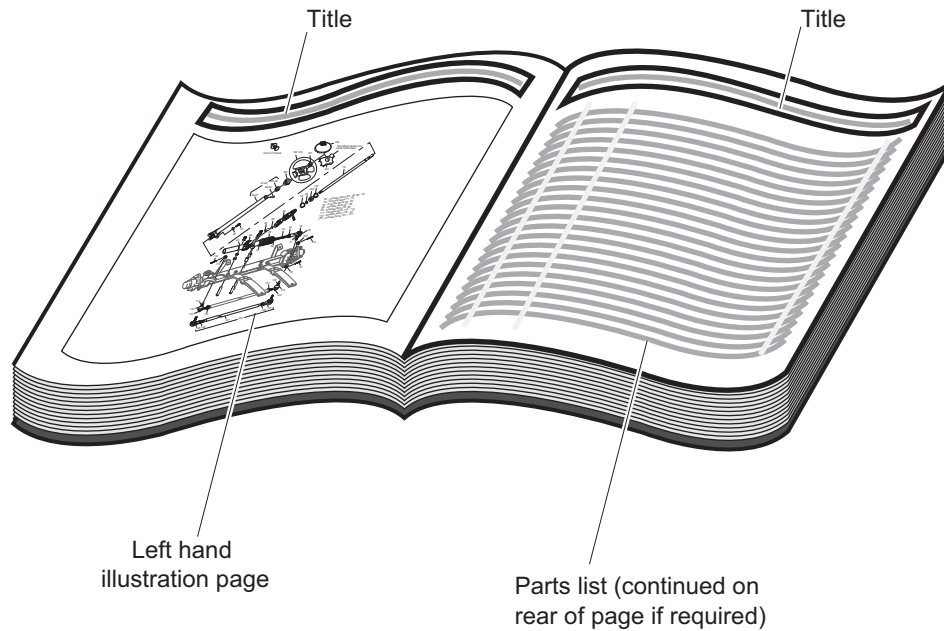
The second section, ILLUSTRATED PARTS BREAKDOWN, contains illustrations and parts lists for all systems of your vehicle.

USE OF THE MANUAL

To use this manual, consult the TABLE OF CONTENT to locate the information or illustration required.

Introduction of some revisions varies due to supply of components; therefore, it is possible that various combinations of components may be found that are not directly reflected by each illustration. Consult the illustration that best suits your situation and then contact the Service Parts Department. It is important that the serial number or VIN of your vehicle and the model name be supplied to Service Parts when ordering any replacement components.

HOW TO USE THE SERVICE PARTS MANUAL



1. WHEN THE PART NUMBER IS NOT KNOWN

- Determine the function and application of the part required. Turn to the Table of Content and select the most appropriate title.
- Turn to the page number indicated and locate the desired part on the illustration.
- From the illustration, obtain the item number assigned to the desired part. Refer to the accompanying description for specific information regarding the part.

2. IF YOU KNOW THE PART NUMBER

- Locate the part number or description in the appropriate column on the parts list page.

NOTE: It is suggested that you confirm that the part selected is correct by verifying it with the pictorial representation on the illustrated page.

Should an asterisk (*) appear in the part number column on the parts list page, read upwards until a part number is found. The part number is the lowest assembly sold by Service Parts and the asterisk (*) indicates that the part depicted is not available for purchase.

NOTE: Descriptions are indented under the assembly that they are used on. That assembly is, in turn listed under the assembly that it is used on. This process is repeated until the highest final assembly is reached.

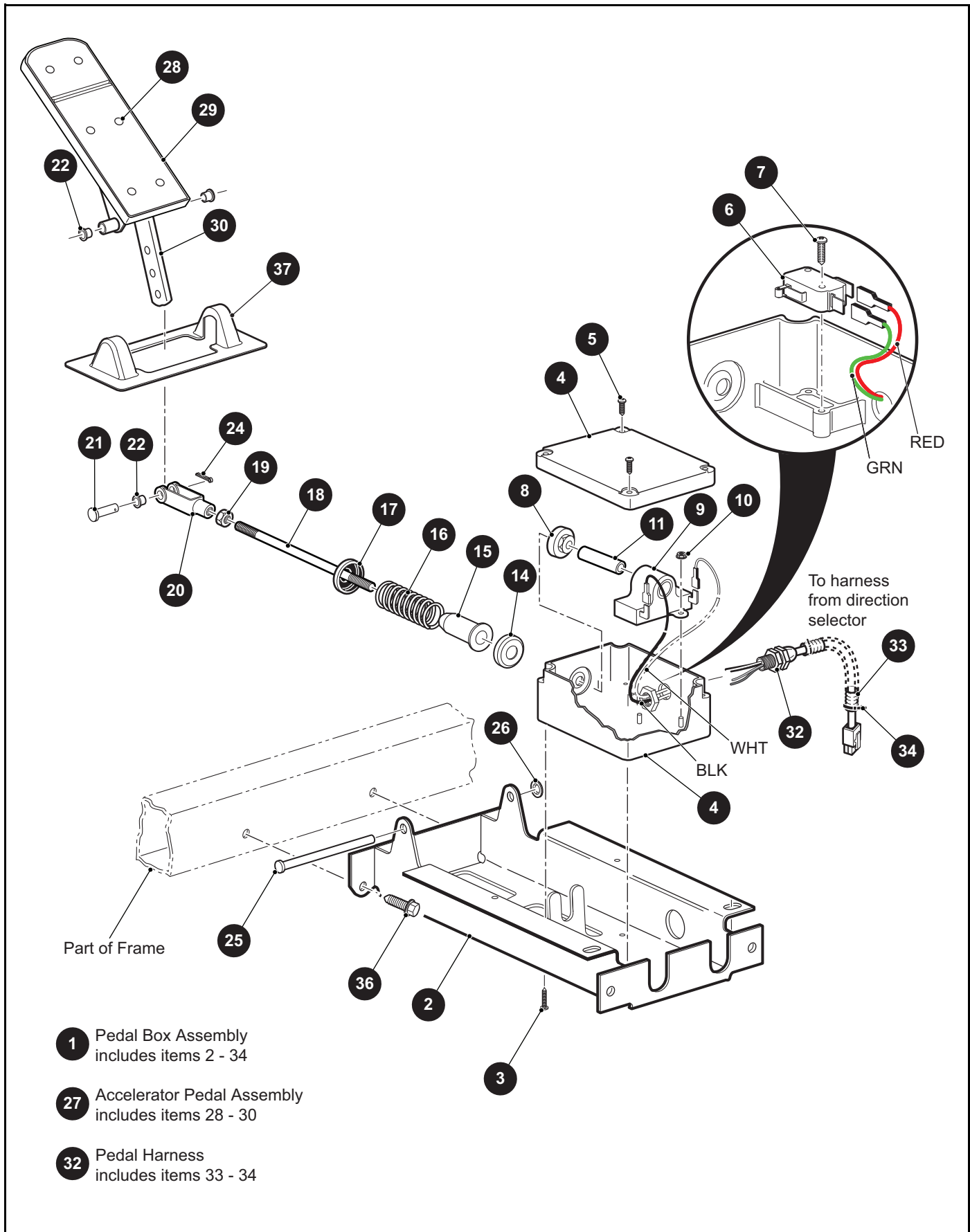
To facilitate the maintenance and repair of the vehicle, a Technician's Repair and Service Manual is available from the Service Parts Department.

3. COLOR CODE FOR BODY COMPONENTS

The last two digits of the part number for the body part will denote the color code, locate the part number for the cowl, rear body, seat pod, side panel or seat wrap then locate your color in the list below, replace the last ** or XX with the two digit color code.

<u>CODE #</u>	<u>DESCRIPTION</u>
02	SPECIAL COLOR
05	JACOBSEN ORANGE
11	BLACK
19	PATRIOT BLUE PEARL
20	INFERNO RED METALLIC
26	STEEL BLUE PEARL
31	METALLIC CHARCOAL
35	SAFETY YELLOW
36	IVORY
37	FOREST GREEN
38	BRIGHT WHITE
39	FLAME RED
41	ELECTRIC BLUE
42	PLATINUM
43	BURGUNDY
44	ALMOND
51	SUNBURST ORANGE
52	BRITISH RACING GREEN
69	MONSTER GREEN
74	BARLEY GOLD
75	OASIS GREEN
76	JAVA BROWN
79	JACOBSEN ORANGE 172

ACCELERATOR



THE USE OF NON U.L. PARTS WILL VOID ANY U.L. LISTING.

When ordering parts, please specify the model and serial number of the product.

* Indicates a component that is not available as an individual part.

*** Indicates consult Customer Service Department for additional information.

ITEM	PART NO.	1 2 3 4 5	DESCRIPTION	QTY.
1	73333G11		Pedal Box Assembly (Includes Items 2 - 34).....	1
2	652241G03		Accelerator Pedal Bracket	1
3	01051G01		Pan Head Phillips Screw, #8 - 10 x 1/2" Lg	4
4	25853G01		Pedal Box and Cover.....	1
5	00684G6		Truss Head Screw (SS), #8 - 32 x 3/4" Lg.....	2
6	25861G01		Micro Switch	1
7	01050G01		Pan Head Torx Screw, #4 - 20 x 5/8" Lg.....	2
8	28444G01		Accelerator Rod Cam	1
9	25854G01		Inductive Throttle Sensor.....	1
10	00983G01		Self Threading Nut, .38"	2
11	602484		Plunger	1
12				
13				
14	17677G1		Spring Retainer.....	1
15	17979G1		Bushing, .75" x 2" Lg	1
16	73046G01		Compression Spring	1
17	17677G2		Spring Retainer, 3/8".....	1
18	73332G01		Accelerator Rod.....	1
19	00532G4		Hex Nut, 5/16" - 24	1
20	10385G4		Clevis Yoke (Adjustable).....	1
21	10386G3		Clevis Pin, 5/16" x 13/16" Lg	1
22	17838G1		Nylon Bushing, .37" x .31" Lg	3
23				
24	10387G3		Cotter Pin, 3/32" x 3/4" Lg	1
25	74432G01		Pedal Pivot Pin	1
26	12064G6		Push Nut, 5/16".....	1
27	25799G03		Accelerator Pedal Assembly (Includes Items 28 - 30).....	1
28	16409G1		Oval Rivet, 3/16" x 7/16" Lg	6
29	27512G01		Accelerator Pedal Pad	1
30	652824		Accelerator Pedal.....	1
31				

ACCELERATOR

THE USE OF NON U.L. PARTS WILL VOID ANY U.L. LISTING.

When ordering parts, please specify the model and serial number of the product.

* Indicates a component that is not available as an individual part.

*** Indicates consult Customer Service Department for additional information.

ITEM	PART NO.	1	2	3	4	5	DESCRIPTION	QTY.
32	25879G08						Pedal Harness (Includes Items 33 - 34).....	1
33	17313G1						Loom Flex (Bulk), 3/8"	1
34	17618G1						Nylon Clamp, 8" Lg.....	2
35								
36	00715G2						Hex Head Bolt, 5/16" - 18 x 3/4" Lg.....	4
37	70135G01						Pedal Pivot Cover.....	1

BATTERY CHARGER

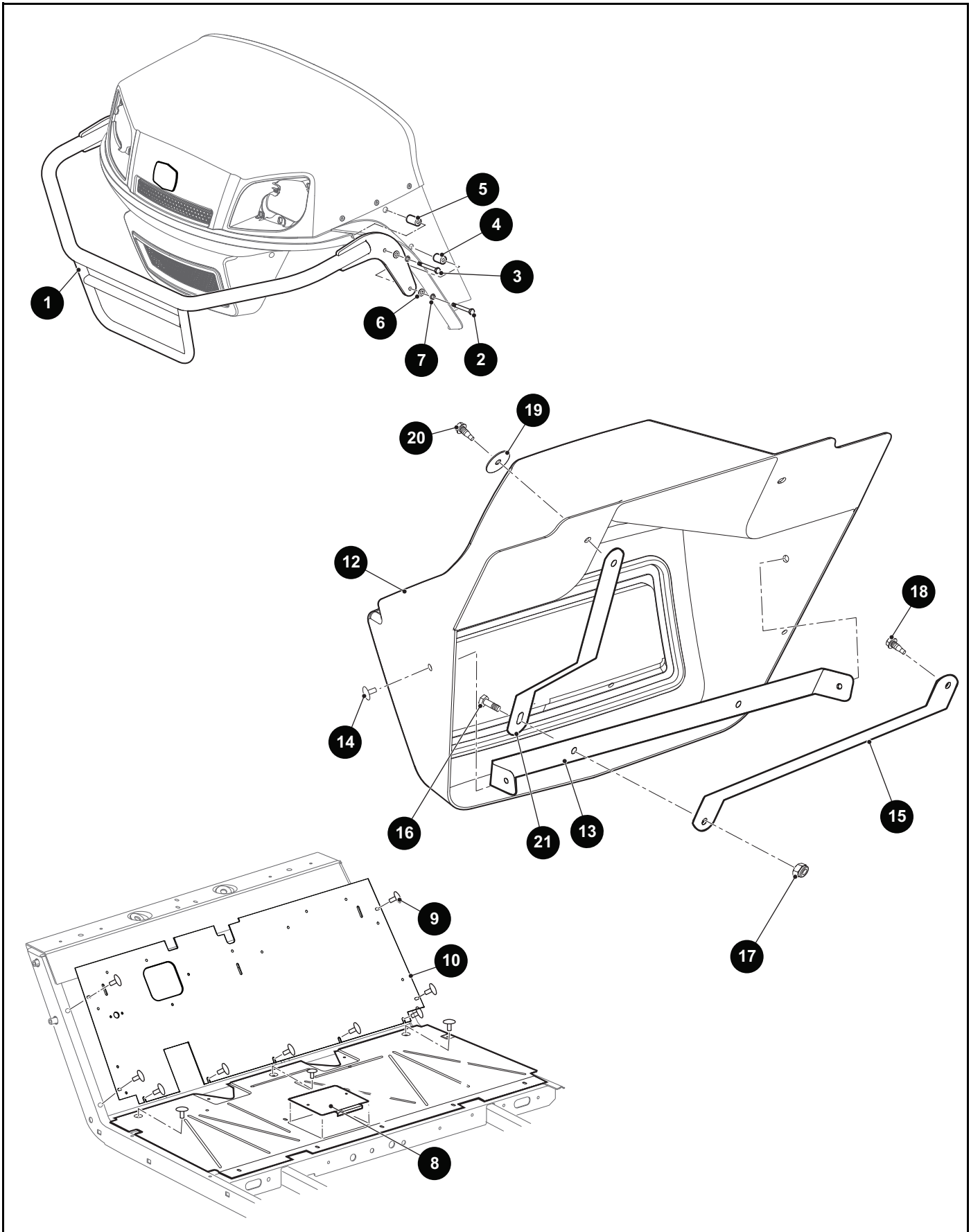
THE USE OF NON U.L. PARTS WILL VOID ANY U.L. LISTING.

When ordering parts, please specify the model and serial number of the product.

* Indicates a component that is not available as an individual part.

*** Indicates consult Customer Service Department for additional information.

ITEM	PART NO.	1 2 3 4 5	DESCRIPTION	QTY.
1	634567		Off-board Battery Charger, 72V, 1000W	1
2	645743		Off-board Battery Charger, 72V, 1500W	1
3	652608		Charger Cord, 5meter (For Vehicles with On-board Charger)	1
4	671750		On-board Charger Harness.....	1
5	681354G01		On-board Charger Assembly, 1000W, 72V (Includes Items 7, 9 - 13)	1
6	681354G02		On-board Charger Assembly, 1500W, 72V (Includes Items 8 - 13)	1
7	640261		On-board Charger, 72V (Quiq)	1
8	642542		On-board Charger, 72V (Delta - Q)	1
9	16705G3		Truss Head Phillips Screw (SS), 1/4" - 20 x 3/4" Lg, (Grade 5).....	5
10	11027G2		Flanged Lock Nut, 1/4" - 20	5
11	00567G7		Tooth Type Lock Washer	1
12	672193		Mounting Plate.....	1
13	668709		Charger Bonding Jumper	1
14	13437G3		Serrated Flanged Hex Head Bolt, 5/16" - 18 x 1" Lg, (Grade 5)	2
15	11098G6		Lock Nut, 5/16" - 18	2
16	00559G8		Flat Washer, 5/16"	2



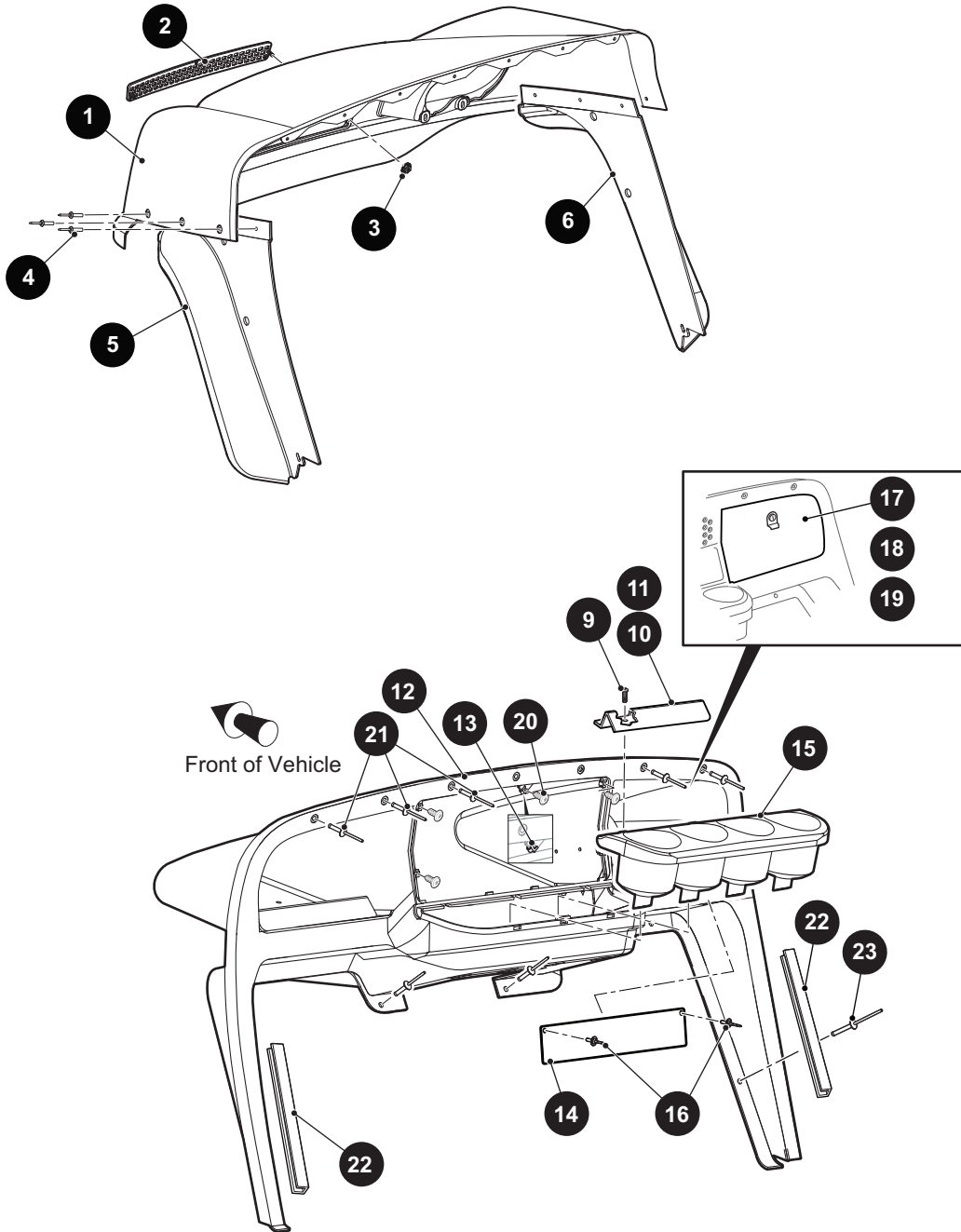
THE USE OF NON U.L. PARTS WILL VOID ANY U.L. LISTING.

When ordering parts, please specify the model and serial number of the product.

* Indicates a component that is not available as an individual part.

*** Indicates consult Customer Service Department for additional information.

ITEM	PART NO.	1 2 3 4 5	DESCRIPTION	QTY.
1	617620		Brushguard.....	1
2	00440G2		Hex Head Bolt, 5/16" - 18 x 2 1/4" Lg	2
3	00440G6		Hex Head Bolt, 5/16" - 18 x 2 3/4" Lg	2
4	75048G04		Spacer, .328" x .75" x 1" Lg	2
5	75048G02		Spacer, .328" x .75" x 1.31" Lg	2
6	00559G8		Flat Washer (Narrow), 5/16".....	4
7	00565G8		Lock Washer, 5/16"	4
8	70452G01		Access Cover	1
9	14601G11		Rivet (Aluminum), 3/16" x 9/16" Lg	12
10	641260		Upper Floor Panel.....	1
11				
12	613273		Front Fascia	1
13	654275		Front Fascia Bracket.....	1
14	15058G1		Rivet (Aluminum Black), 3/16" x .45"	2
15	654276		Front Fascia Brace	2
16	00414G6		Hex Head Bolt, 1/4" - 20 Lg, Grade 5	2
17	14390G4		Lock Nut, 1/4" - 20	2
18	01038G01		Hex Washer Head Bolt, 1/4" - 20 x .700" Lg	2
19	16469G1		Fender Washer, 1 1/4" O.D. x 9/32" I.D.	2
20	71102G03		Hex Washer Head Taptite Bolt, 1/4 - 20 x 1.15 mm Lg, Grade 5	2
21	664610		Cowl Strap.....	2



7 Instrument Panel Assembly includes items 8 - 16

8 Instrument Panel Assembly with Ball Deflector includes items 9 - 13

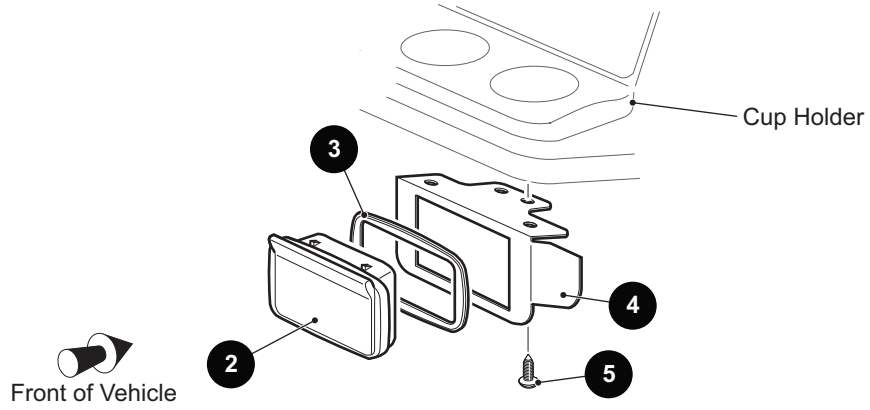
THE USE OF NON U.L. PARTS WILL VOID ANY U.L. LISTING.

When ordering parts, please specify the model and serial number of the product.

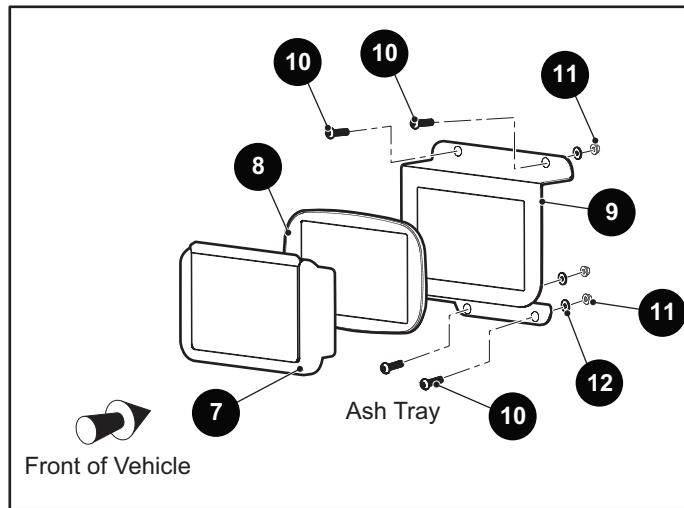
* Indicates a component that is not available as an individual part.

*** Indicates consult Customer Service Department for additional information.

ITEM	PART NO.	1 2 3 4 5	DESCRIPTION	QTY.
1	613036G0**		Cowl (See HOW TO USE Section for COLOR CODES)	1
2	617643		Grill Cover	1
3	71597G01		Self Threading Nut, 5mm x 10mm x 15mm.....	2
4	71055G01		Rivet, 3/16" x 1" Lg	6
5	614378		Fender Flare (Driver Side)	1
6	613274		Fender Flare (Passenger Side).....	1
7	674314		Instrument Panel Assembly (Includes Items 8 - 16).....	1
8	71917G01		Instrument Panel Assembly with Ball Deflector (Includes Items 9 - 13) ...	1
9	00614G3		Pan Head Phillips Screw, #8 - 18 x 5/8" Lg.....	6
10	71153G01		Ball Deflector (Passenger Side)	1
11	71154G01		Ball Deflector (Driver Side)	1
12	628010		Instrument Panel	1
13	71364G02		Speed Nut "J" Type, #8	5
14	662223		Safety Console Label Bracket	1
15	71158G01		Cup Holder Insert	1
16	71055G01		Rivet (Aluminum), 3/16" x 1" Lg	2
17	75459G01		Glove Box (Driver/Passenger Side).....	1
18	75459G02		Glove Box (Driver Side)	1
19	75459G03		Glove Box (Passenger Side).....	1
20	608290		Self Tapping Screw, #10 - 16 x 3/4" Lg	5
21	71055G01		Rivet (Aluminum), 3/16" x 1" Lg	7
22	71115G01		Vinyl Trim	2
23	71055G01		Rivet (Aluminum), 3/16" x 1" Lg.....	2



1 Ash Tray Kit includes items 2 - 5



6 Ash Tray, Seat Pod Kit includes items 7 - 12

THE USE OF NON U.L. PARTS WILL VOID ANY U.L. LISTING.

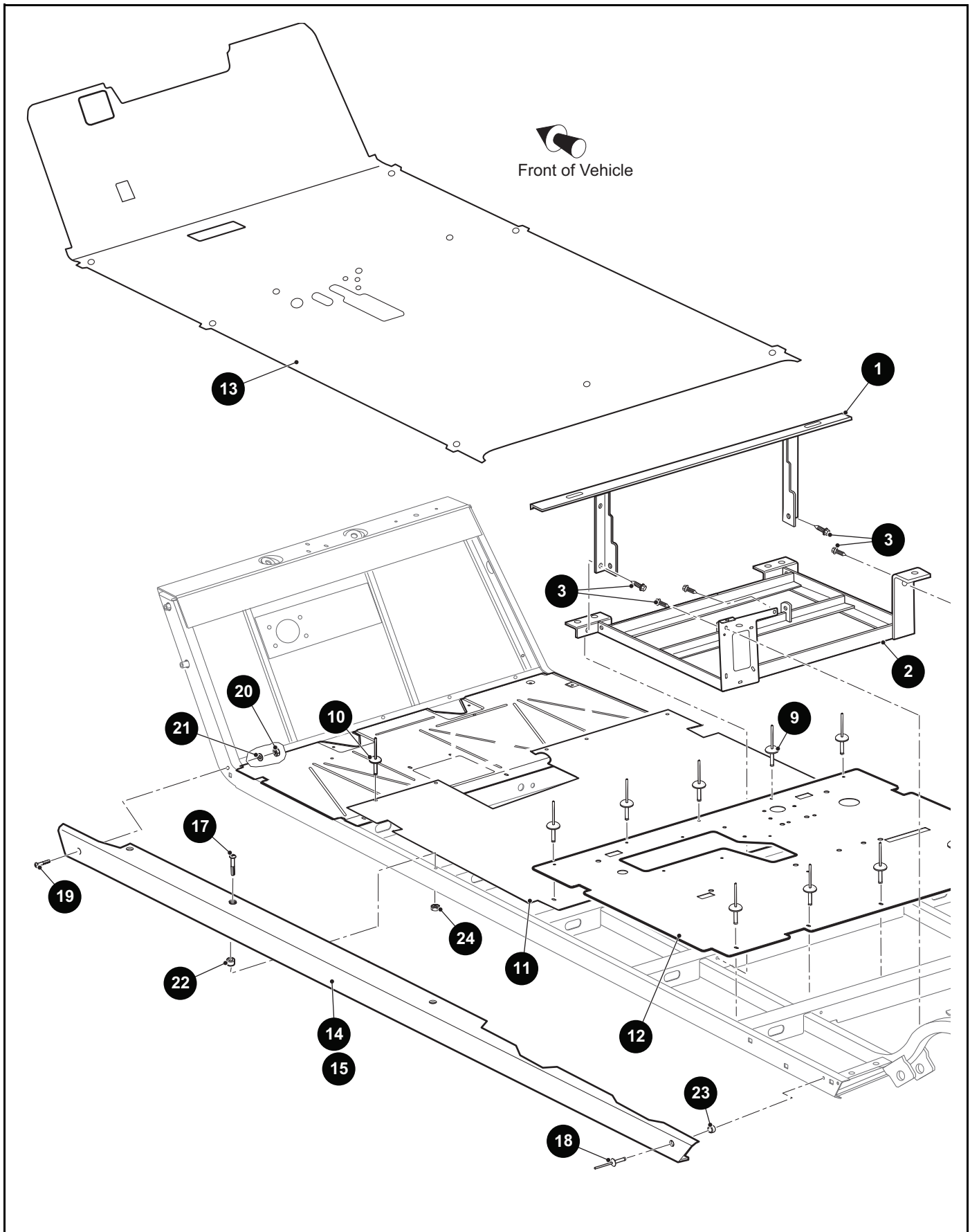
When ordering parts, please specify the model and serial number of the product.

* Indicates a component that is not available as an individual part.

*** Indicates consult Customer Service Department for additional information.

ITEM	PART NO.	1 2 3 4 5	DESCRIPTION	QTY.
1	75109G03		Ash Tray Kit (Includes Items 2 - 5).....	1
2	27731G01		Ash Tray	1
3	27736G01		Gasket	1
4	75108G02		Bracket	1
5	00106G6		Pan Head Phillips Screw, #12 - 14 x .75" Lg	4
6	632412		Ash Tray, Seat Pod Kit (Includes Items 7 - 12)	1
7	27731G01		Ash Tray	1
8	27736G01		Gasket	1
9	631079		Bracket	1
10	601326		Button Head Torx Bolt, M6 - 1 x 20mm Lg.....	4
11	601476		Flanged Lock Nut, M6	4
12	16469G1		Fender Washer, 9/32" I.D x 1 1/4" O.D.....	4

BODY



THE USE OF NON U.L. PARTS WILL VOID ANY U.L. LISTING.

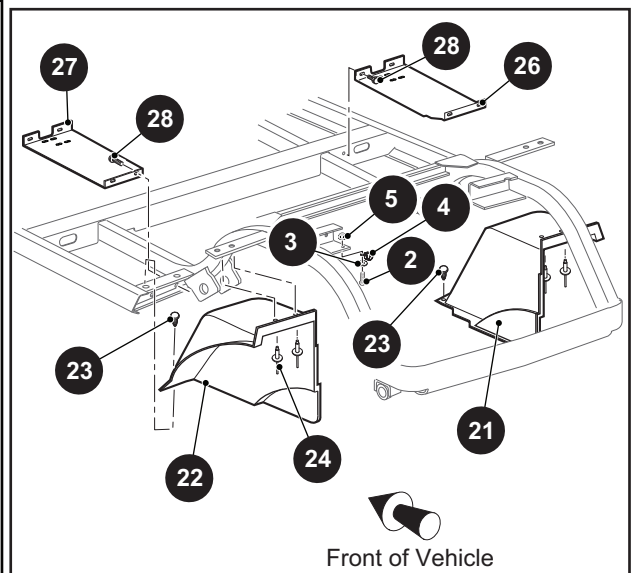
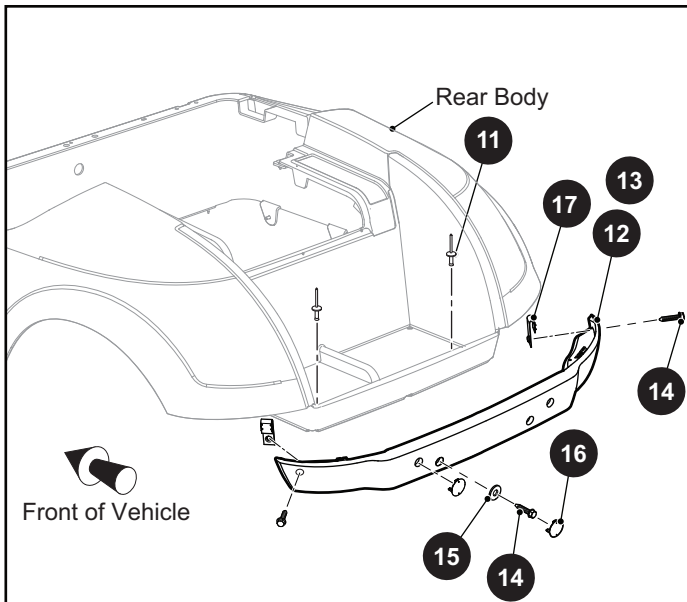
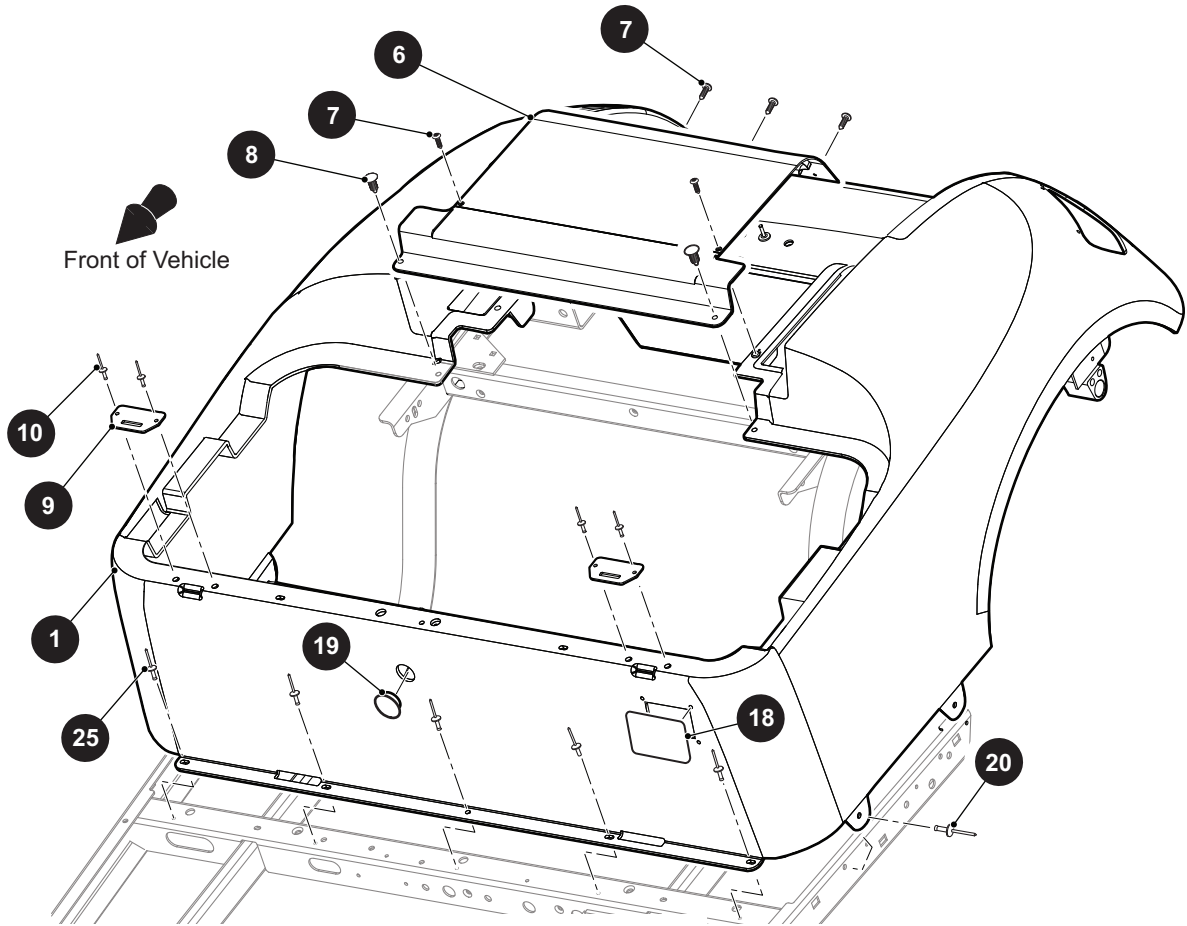
When ordering parts, please specify the model and serial number of the product.

* Indicates a component that is not available as an individual part.

*** Indicates consult Customer Service Department for additional information.

ITEM	PART NO.	1 2 3 4 5	DESCRIPTION	QTY.
1	70441G01		Seat Frame	1
2	671632		Battery Tray.....	1
3	00715G2		Hex Washer Head Screw, 5/16" - 18 x .875 " Lg	5
4				
5				
6				
7				
8				
9	10570G10		Domed Rivet (SS), 5/32" x 9/16" Lg.....	10
10	14601G11		Rivet (Aluminum), 3/16" x 9/16" Lg	5
11	626493		Mid Floor Panel.....	1
12	648840		Rear Floor Panel.....	1
13	672828		Floormat.....	1
14	640750		Rocker Panel (Driver Side)	1
15	640759		Rocker Panel (Passenger Side)	1
16				
17	16705G1		Truss Head Phillips Screw (SS), 1/4" -20 X 1" Lg.....	3
18	15058G6		Rivet (Aluminum), 3/16" x .95" Lg	1
19	00789G2		Truss Head Phillips Screw (SS), #10 - 24 x 1 - 1/4" Lg.....	1
20	14390G10		Lock Nut, #10 - 24.....	1
21	00660G5		Flat Washer, #10	1
22	23726G4		Spacer, 5/16".....	3
23	23726G4		Spacer, 5/16".....	1
24	14390G4		Lock Nut, 1/4" - 20	3

BODY



THE USE OF NON U.L. PARTS WILL VOID ANY U.L. LISTING.

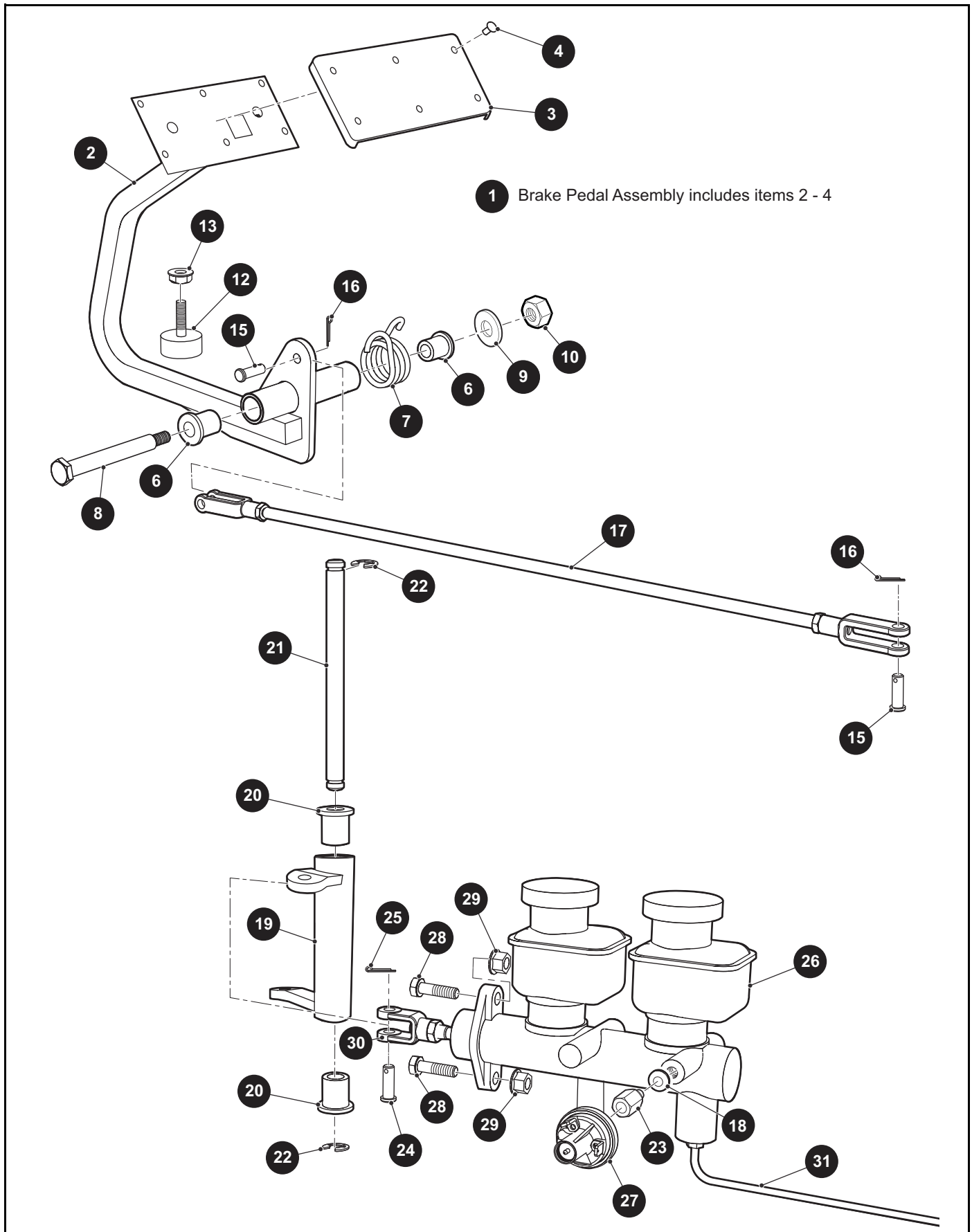
When ordering parts, please specify the model and serial number of the product.

* Indicates a component that is not available as an individual part.

*** Indicates consult Customer Service Department for additional information.

ITEM	PART NO.	1 2 3 4 5	DESCRIPTION	QTY.
1	625272G1XX		Rear Body with Taillights (See HOW TO USE Section for COLOR CODES)	1
2	00414G7		Hex Head Bolt, 1/4" - 20 X 1/2" Lg.....	1
3	00559G7		Flat Washer, 1/4"	1
4	630761		Loop Clamp.....	1
5	11027G2		Lock Nut, 1/4" - 20	1
6	71320G01		Access Panel	1
7	01107G01		Pan Head Torx Screw (SS), #8 x .63" Lg	5
8	16816G2		Ratchet Rivet, .25" x .887"	2
9	71609G01		Seat Hinge Plate	2
10	10570G11		Rivet (SS), 5/32" x .70" Lg	4
11	633917		Rivet (Plastic).....	2
12	71451G02		Rear Bumper.....	1
13	71456G01		Rear Bumper (For Vehicles With Cargo Bed Option).....	1
14	71102G01		Hex Head Bolt, 1/4" - 20 x 3/4" Lg	4
15	00571G2		Flat Washer, 5/16"	2
16	71455G01		Bumper Plug	4
17	71554G01		"J" - Type Nut Retainer, 1/4" - 20.....	2
18	666066		Cover Plate	1
19	71316G01		Plug	1
20	10570G12		Rivet (Aluminum), .257" x .556" Lg	2
21	635054G03		Fender Liner (Passenger Side).....	1
22	635054G04		Fender Liner (Driver Side).....	1
23	16816G2		Ratchet Fastener, 1/4" x .887" Lg	2
24	10570G12		Rivet (Aluminum), .257" x .556" Lg	2
25	10570G10		Rivet (SS), 5/32" x .55" Lg	5
26	652443G203		Battery Tray (Passenger Side).....	1
27	652443G103		Battery Tray (Driver Side).....	1
28	00715G2		Hex Washer head Screw, 5/16" - 18 x.875 " Lg	4

HYDRAULIC BRAKES



HYDRAULIC BRAKES

THE USE OF NON U.L. PARTS WILL VOID ANY U.L. LISTING.

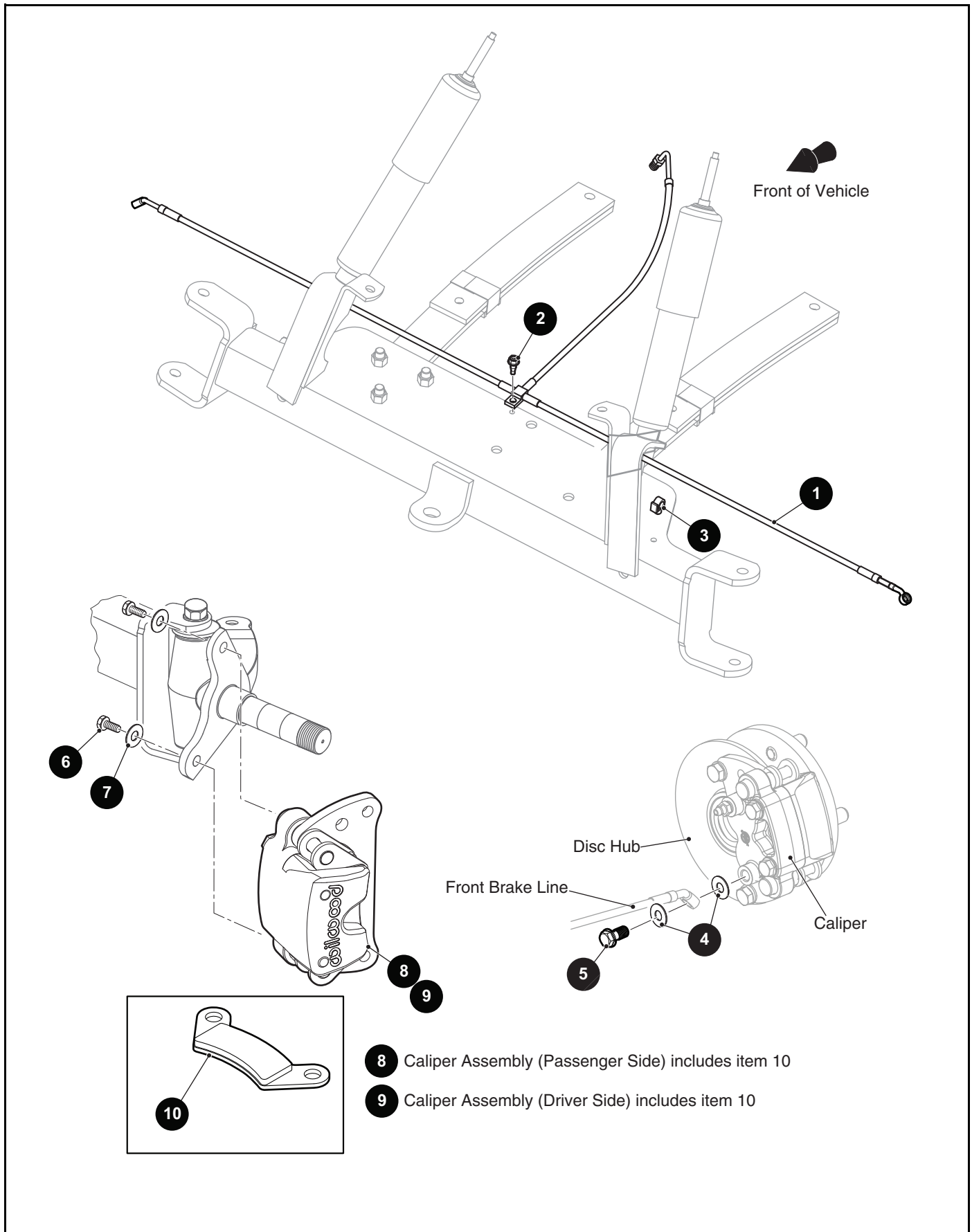
When ordering parts, please specify the model and serial number of the product.

* Indicates a component that is not available as an individual part.

*** Indicates consult Customer Service Department for additional information.

ITEM	PART NO.	1 2 3 4 5	DESCRIPTION	QTY.
1	610639		Brake Pedal Assembly (Includes Items 2 - 4)	1
2	75605G01		Brake Pedal	1
3	70257G01		Brake Pedal Pad.....	1
4	16409G1		Oval Head Rivet, 3/8" x 15/32"	6
5				
6	70581G01		Acetal Bushing	2
7	70676G01		Torsion Spring	1
8	70582G01		Shoulder Bolt, 3/8" - 16 x 3.406" Lg	1
9	00643G1		Flat Washer, 3/8".....	1
10	11098G5		Lock Nut, 3/8" - 16	1
11				
12	70113G01		Adjustable Rubber Bumper	1
13	11027G1		Lock Nut, 5/16" - 18	1
14	12416G2		Nylon Wedge Lock Clamp (Not Illustrated).....	2
15	10386G3		Clevis Pin, 5/16" Dia x 13/16"	2
16	10387G3		Cotter Pin, 15/16" x 3/4"	2
17	30295G8		Linkage Rod	1
18	600479		Pressure Sealing Washer	1
19	70415G01		Bellcrank	1
20	70581G01		Acetal Bushing	2
21	70410G01		Pivot Shaft.....	1
22	01111G01		Retaining Ring.....	2
23	600401G01		Adapter	1
24	14443G3		Clevis Pin, 5/16" Dia x 1"	1
25	10387G3		Cotter Pin, 15/16" x 3/4"	1
26	73793G01		Tandem Master Cylinder	1
27	620274		Stop Light Switch	1
28	00439G1		Hex Head Bolt, 5/16" - 18 x 1 1/8" Lg	2
29	800697		Flanged Lock Nut, 5/16" - 18	2
30	626513		Push Rod Assembly	1
31	626514		Rear Brake Line	1

HYDRAULIC BRAKES



HYDRAULIC BRAKES

THE USE OF NON U.L. PARTS WILL VOID ANY U.L. LISTING.

When ordering parts, please specify the model and serial number of the product.

* Indicates a component that is not available as an individual part.

*** Indicates consult Customer Service Department for additional information.

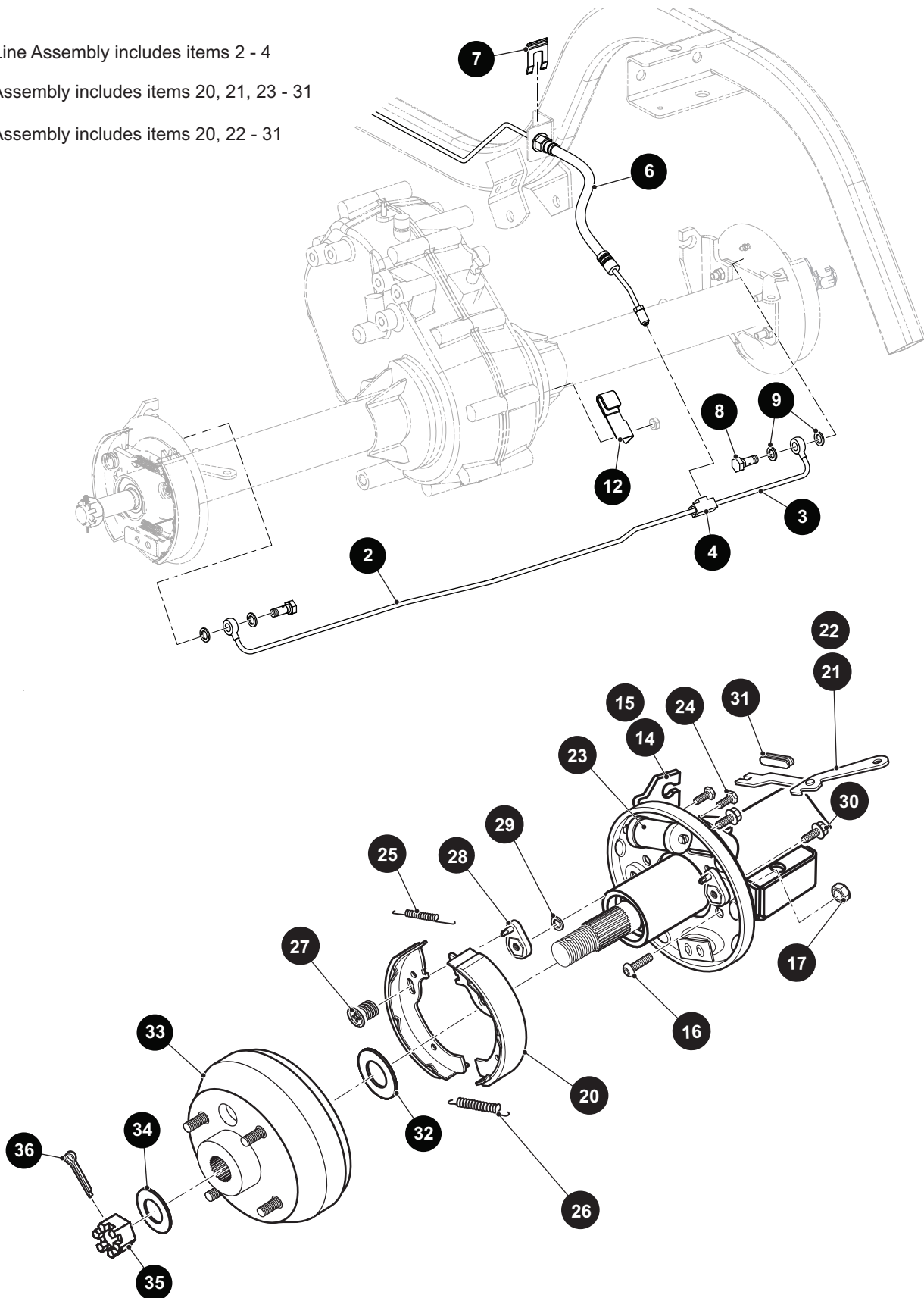
ITEM	PART NO.	1 2 3 4 5	DESCRIPTION	QTY.
1	632771		Front Brake Line.....	1
2	01038G01		Hex Washer Head Swageform Screw with Dog Point, 1/4" - 20 x .7" Lg	1
3	74875G01		Wire Retainer	2
4	613293		Crush Washer, M10	4
5	616459		Banjo Bolt, M10 - 1" x 20" Lg	2
6	00426G6		Hex Head Bolt, 3/8" - 16 x 3/4" Lg (Grade 5).....	4
7	00566G1		Lock Washer, 3/8"	4
8	633918G01		Caliper Assembly (Passenger Side) (Includes Item 10).....	1
9	633918G02		Caliper Assembly (Driver Side) (Includes Item 10)	1
10	668990		Brake Pad (Set of 2).....	1

HYDRAULIC BRAKES

1 Brake Line Assembly includes items 2 - 4

18 Brake Assembly includes items 20, 21, 23 - 31

19 Brake Assembly includes items 20, 22 - 31



HYDRAULIC BRAKES

THE USE OF NON U.L. PARTS WILL VOID ANY U.L. LISTING.

When ordering parts, please specify the model and serial number of the product.

* Indicates a component that is not available as an individual part.

*** Indicates consult Customer Service Department for additional information.

ITEM	PART NO.	1 2 3 4 5	DESCRIPTION	QTY.
1	620855		Brake Line Assembly (Includes Items 2 - 4).....	1
2	620857		Long Brake Line	1
3	620856		Short Brake Line.....	1
4	820008		Tee Fitting.....	1
5				
6	34989G01		Flexible Hydraulic Hose Assembly.....	1
7	809137		Brake Tube Clip.....	1
8	75683G01		Hex Head Banjo Bolt, 3/8" - 16 x .88 Lg	2
9	75684G01		Copper Gasket.....	4
10				
11				
12	75813G01		Brake Line Clamp.....	1
13	17618G1		Nylon Clamp, 8" Lg (Not Illustrated).....	10
14	652249		Brake Cable Bracket (Driver Side).....	1
15	652248		Brake Cable Bracket (Passenger Side)	1
16	631224		Socket Head Screw, 5/16" - 24 x 1" Lg	8
17	15126G1		Lock Nut, 5/16" - 24	8
18	75685G01		Brake Assembly (Driver Side) (Includes Items 20, 21, 23 - 31)	1
19	75685G02		Brake Assembly (Passenger Side) (Includes Items 20, 22 - 31).....	1
20	75830G01		Brake Shoe	2
21	75829G01		Park Brake Wheel Lever (Driver Side)	1
22	75829G02		Park Brake Wheel Lever (Passenger Side).....	1
23	75828G01		Wheel Cylinder	1
24	*		Wheel Cylinder Bolt	2
25	*		Upper Return Spring.....	1
26	*		Lower Return Spring.....	1
27	*		Cup and Spring.....	2
28	*		Adjuster	2
29	*		Flat Washer	2
30	*		Hex Head Bolt, 1/4" - 28 x 1/2" Lg.....	2
31	*		Dust Cover.....	1

HYDRAULIC BRAKES

THE USE OF NON U.L. PARTS WILL VOID ANY U.L. LISTING.

When ordering parts, please specify the model and serial number of the product

* Indicates a component that is not available as an individual part.

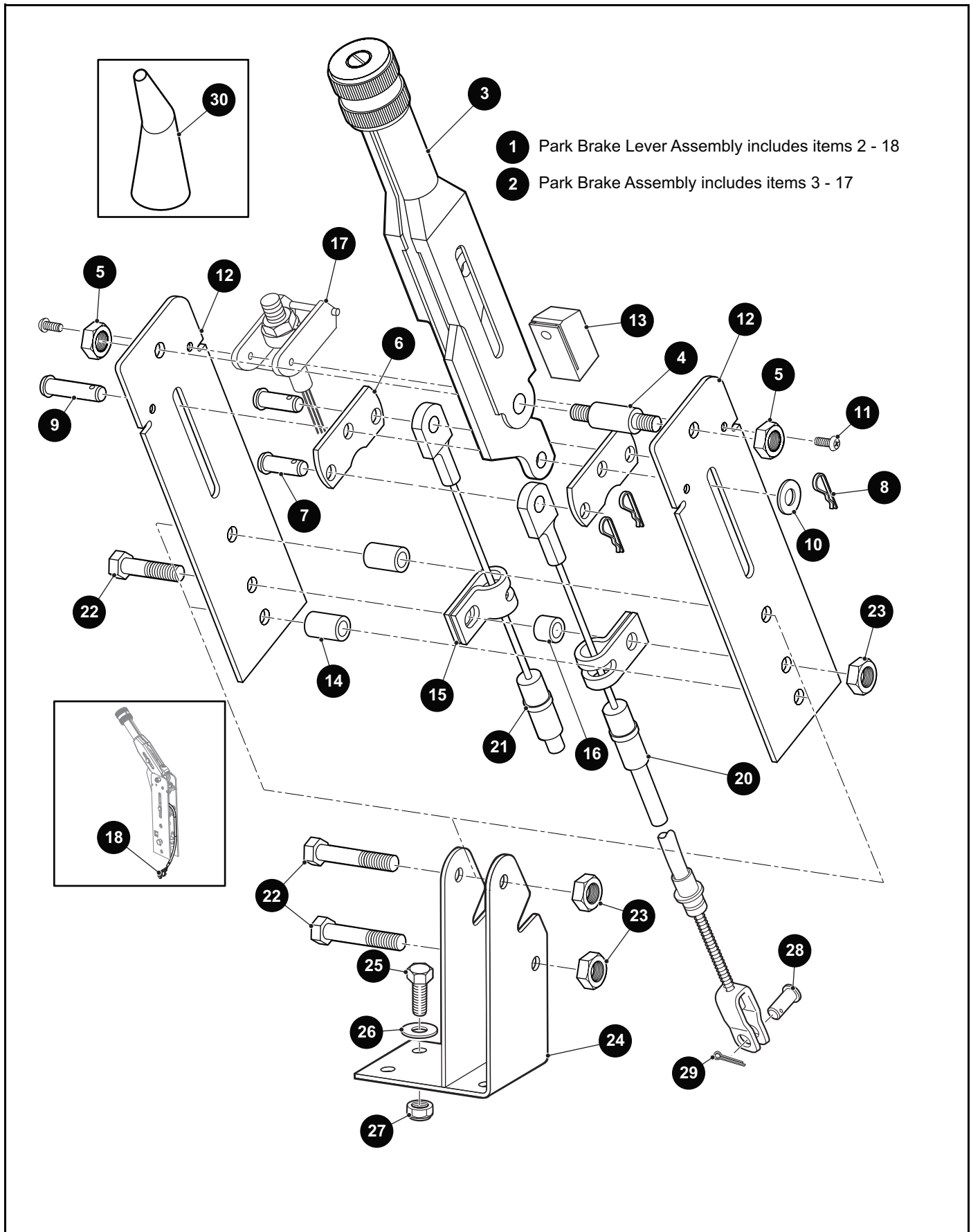
*** Indicates consult Customer Service Department for additional information.

ITEM	PART NO.	1 2 3 4 5	DESCRIPTION	QTY.
32	21809G1		Inner Brake Drum Washer, 1.31" O.D. x 1" I.D. x .031"	2
33	21807G2		Brake Drum Assembly	2
34	21830G1		Outer Brake Drum Washer, 1.50" O.D. x .76" I.D. x .119"	2
35	613172		Castle Nut, 3/4" - 16	2
36	10387G1		Cotter Pin, 1/8" x 1.50"	2

Notes:

A large grid of graph paper for taking notes, consisting of approximately 35 columns and 35 rows of small squares. The grid is empty and occupies the central portion of the page.

PARKING BRAKES



PARKING BRAKES

THE USE OF NON U.L. PARTS WILL VOID ANY U.L. LISTING.

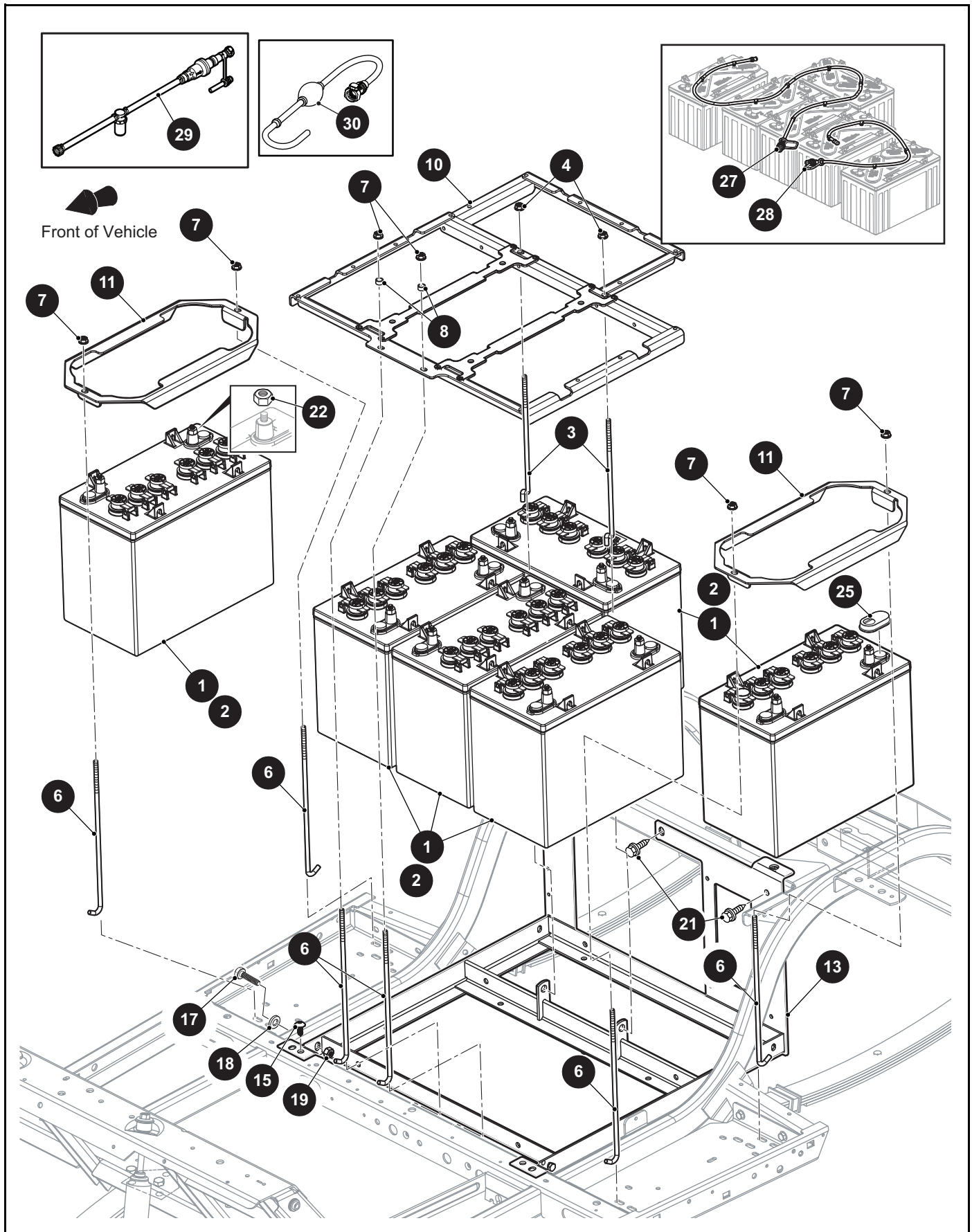
When ordering parts, please specify the model and serial number of the product.

* Indicates a component that is not available as an individual part.

*** Indicates consult Customer Service Department for additional information.

ITEM	PART NO.	1 2 3 4 5	DESCRIPTION	QTY.
1	639883		Park Brake Lever Assembly (Includes Items 2 - 18)	1
2	626518		Park Brake Assembly (Includes Items 3 - 17).....	1
3	*		Brake Lever Assembly	1
4	*		Pivot Fastener	1
5	*		Pivot Nut.....	2
6	*		Connecting Link	2
7	*		Clevis Pin	2
8	*		Hair Pin Or Cotter Pin	3
9	*		Clevis Pin	1
10	*		Flat Washer	1
11	*		Phillips Head Screw	2
12	*		Side Plate.....	2
13	*		Magnet Assembly.....	1
14	*		Spacer.....	2
15	*		Clamp.....	2
16	*		Spacer.....	1
17	*		Magnetic Switch Assembly.....	1
18	17064G1		Push On Terminal (Female).....	2
19				
20	626820		Brake Cable Assembly (Driver Side).....	1
21	626517		Brake Cable Assembly (Passenger Side)	1
22	616672		Hex Head Bolt, M8 - 1.25 x 60mm Lg	3
23	616673		Lock Nut, M8 x 1.25	3
24	616446		Mounting Bracket	1
25	00414G7		Hex Head Bolt, 1/4" - 20 x 1/2" Lg, Grade 5	4
26	00559G7		Flat Washer, 1/4"	4
27	14390G4		Lock Nut, 1/4" - 20	4
28	14443G3		Clevis Pin, 1.0" x 2.406"	2
29	10387G3		Cotter Pin, .094" x .75"	2
30	627940		Parking Brake Boot	1
31	17618G1		Nylon Clamp, 8" Lg (Not Illustrated).....	8

ELECTRICAL



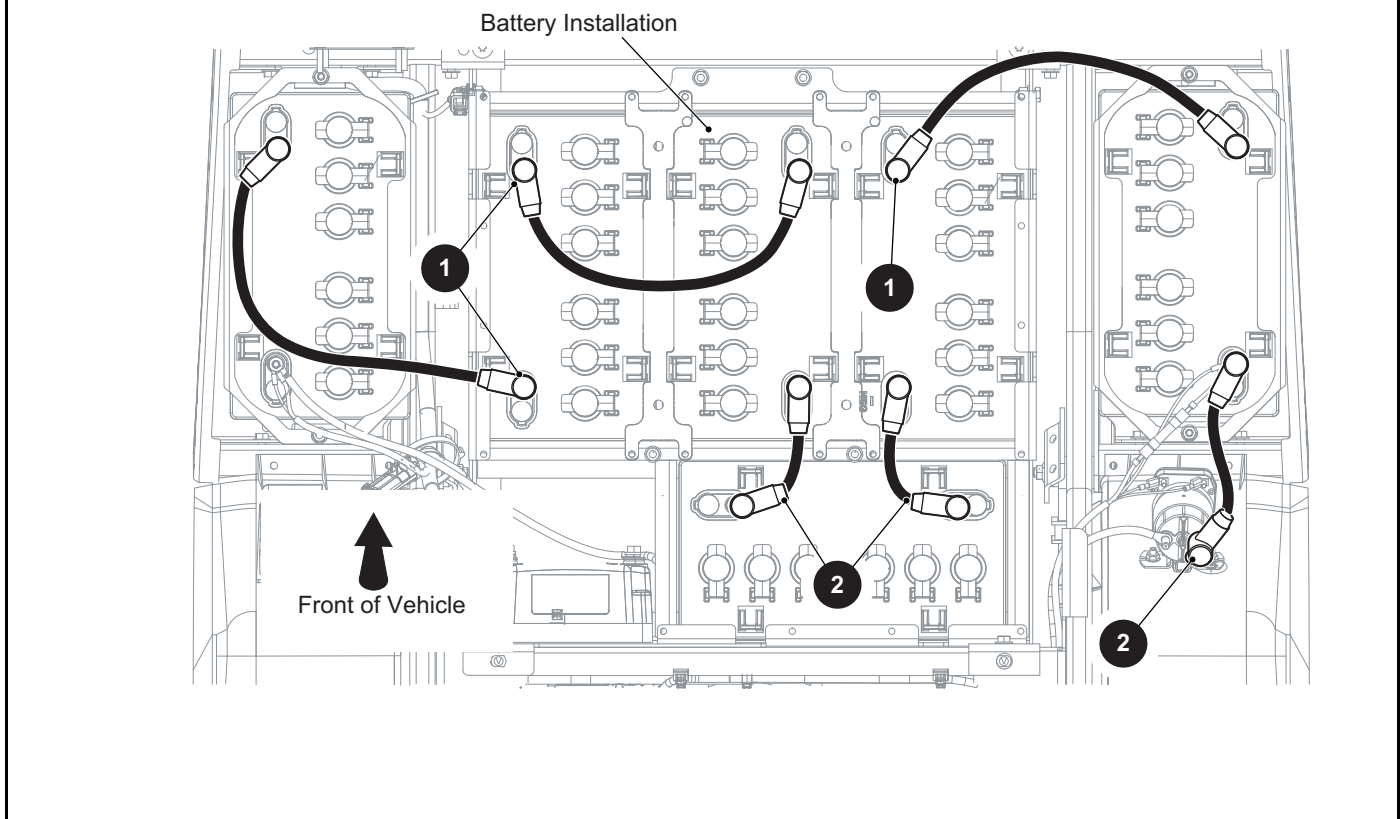
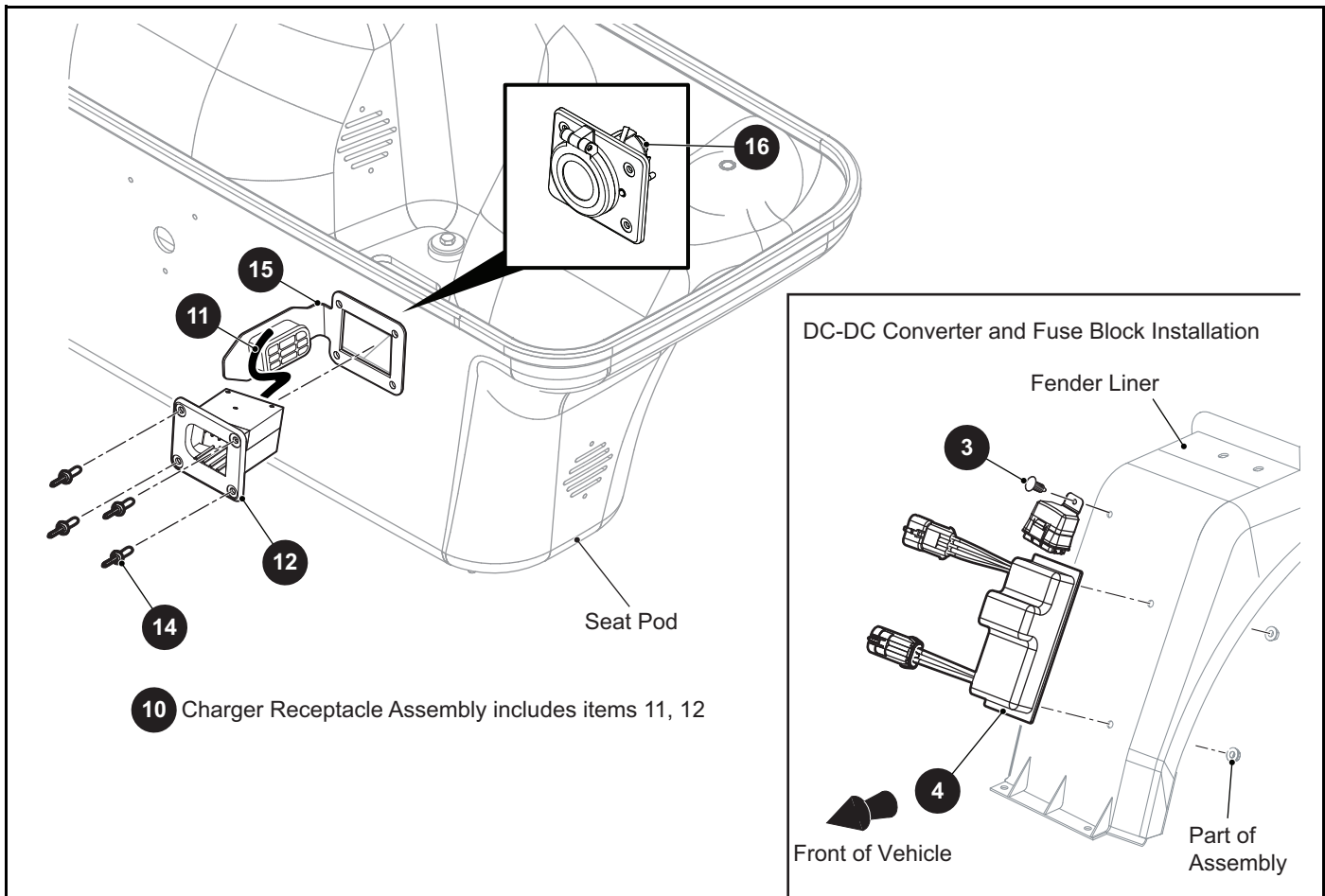
THE USE OF NON U.L. PARTS WILL VOID ANY U.L. LISTING.

When ordering parts, please specify the model and serial number of the product.

* Indicates a component that is not available as an individual part.

*** Indicates consult Customer Service Department for additional information.

ITEM	PART NO.	1 2 3 4 5	DESCRIPTION	QTY.
1	652457		Battery (12V) without Hydro	6
2	652295		Battery (12V) with Hydro	6
3	01101G01		Tie Down Bolt	2
4	11027G1		Flanged Lock Nut, 5/16" - 18	2
5				
6	70386G01		Battery Tie Down Bolt, 5/16" - 18 x 2" Lg	6
7	11027G1		Flanged Lock Nut, 5/16" - 18	6
8	23726G2		Spacer, .5" O.D. x .25" I.D. x .26" Lg	2
9				
10	658565		Battery Hold Down	1
11	631988		Battery Hold Down	2
12				
13	671632		Battery Rack	1
14				
15	70200G01		Truss Head Torx Screw, 3/8" - 16 x 3/4" Lg	2
16				
17	00438G6		Hex Head Bolt, 5/16" - 18 x 3/4" Lg, Grade 5	2
18	00559G8		Flat Washer, 5/16"	2
19	11098G6		Lock Nut, 5/16" - 18	2
20				
21	00715G2		Hex Washer Head Bolt, 5/16" - 18 x 3/4" Lg	3
22	00702G2		Hex Nut, 5/16" - 18	12
23				
24				
25	631156		Terminal Protector	12
26				
27	620820		Hydro-link Snake Assembly	1
28	630974		Battery Fill Snake	1
29	614521		Regulated Hose, 20ft Kit	1
30	676122		Trojan Hand Pump Kit	1



THE USE OF NON U.L. PARTS WILL VOID ANY U.L. LISTING.

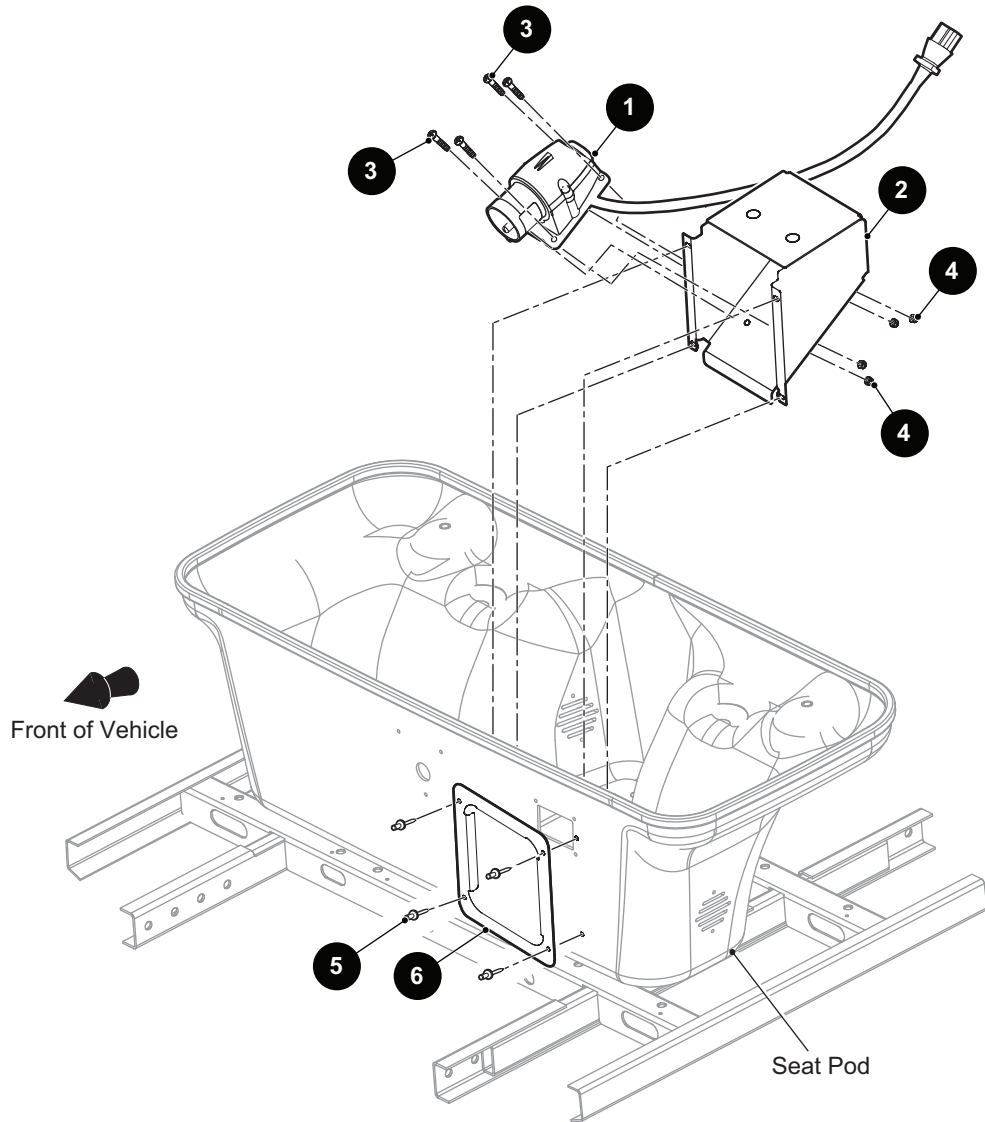
When ordering parts, please specify the model and serial number of the product.

* Indicates a component that is not available as an individual part.

*** Indicates consult Customer Service Department for additional information.

ITEM	PART NO.	1 2 3 4 5	DESCRIPTION	QTY.
1	634270G03		4 AWG Battery Wire, 15" Lg.....	3
2	634270G01		4 AWG Battery Wire, 6" Lg.....	3
3	16816G2		Ratchet Rivet, .25" x .887"	1
4	633778		DC-DC Converter (72V).....	1
5				
6				
7				
8				
9				
10	671655		Charger Receptacle Assembly (Includes Items 11, 12)	1
11	669167		Receptacle Harness	1
12	663285		Charger Receptacle.....	1
13				
14	71055G01		Rivet (Aluminum), 5/32"	4
15	660162		Receptacle Cover	1
16	610536		Charger Receptacle (On Board Charger)	1

For CE Vehicles Only



THE USE OF NON U.L. PARTS WILL VOID ANY U.L. LISTING.

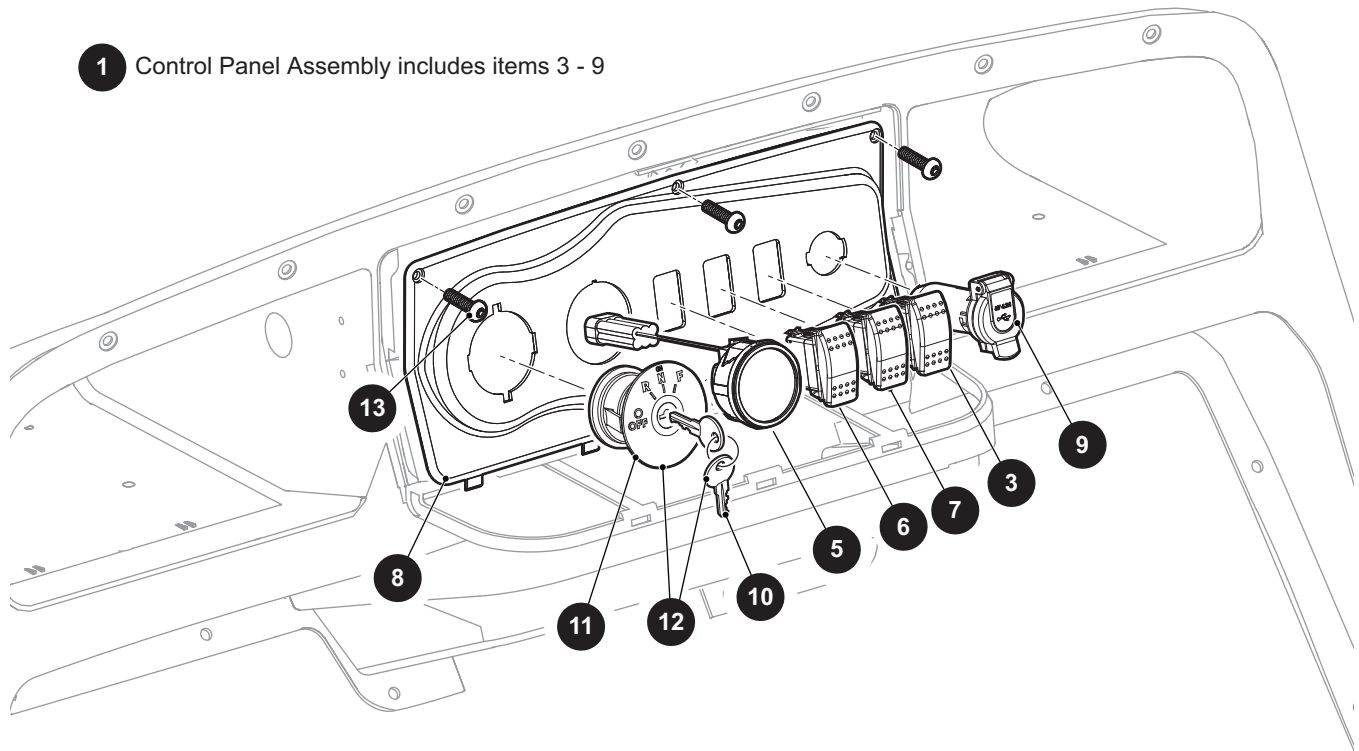
When ordering parts, please specify the model and serial number of the product.

* Indicates a component that is not available as an individual part.

*** Indicates consult Customer Service Department for additional information.

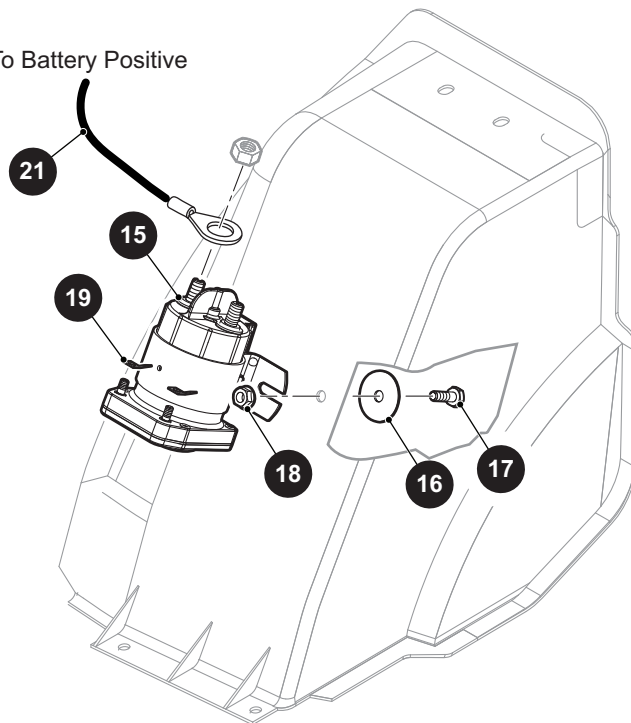
ITEM	PART NO.	1 2 3 4 5	DESCRIPTION	QTY.
1	638478		Receptacle, AC	1
2	639167		Receptacle Bracket.....	1
3	00379G4		Pan Head Phillips Screw, #10 - 24 x 1/2" Lg.....	4
4	14390G10		Lock Nut, #10 - 24.....	4
5	14601G13		Rivet, 5/32" x 9/16" Lg.....	4
6	639412		Cover Plate	1

1 Control Panel Assembly includes items 3 - 9



Front of Vehicle

To Battery Positive



Solenoid Installation

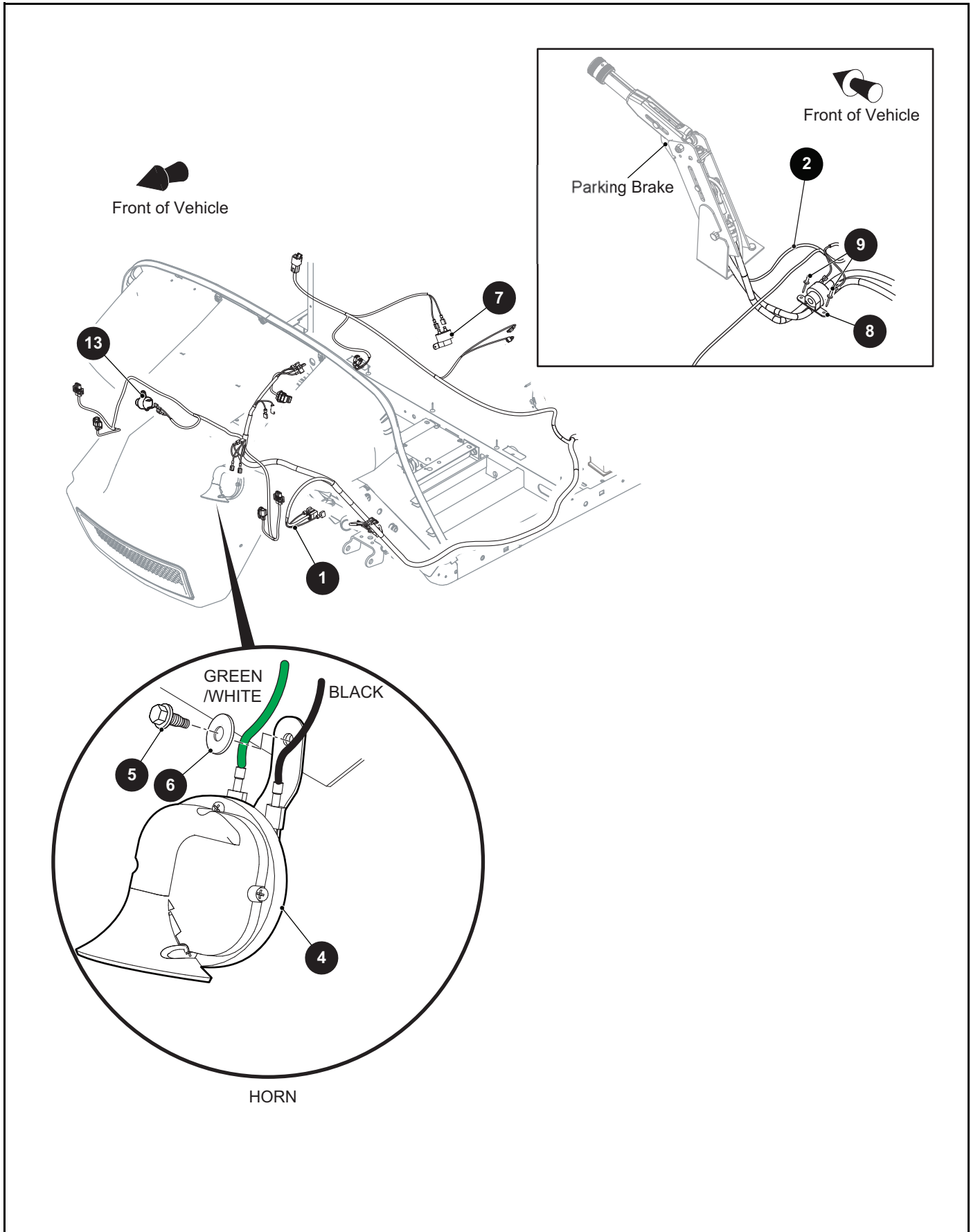
THE USE OF NON U.L. PARTS WILL VOID ANY U.L. LISTING.

When ordering parts, please specify the model and serial number of the product.

* Indicates a component that is not available as an individual part.

*** Indicates consult Customer Service Department for additional information.

ITEM	PART NO.	1 2 3 4 5	DESCRIPTION	QTY.
1	628708G11		Control Panel Assembly (Includes Items 3 - 9)	1
2				
3	651897G01		Horn Switch	1
4				
5	667014G01		State of Charge Meter	1
6	651897G06		Speed Rocker Switch	1
7	651897G05		Lights Rocker Switch	1
8	626655G06		Control Panel	1
9	651901		12V USB Port	1
10	611282		Common Key Set.....	1
11	611283		Key Switch Set.....	1
12	609692		Key Set and Key Switch.....	1
13	608290		Self Tapping Screw, #10 - 16 x .780" Lg	3
14				
15	621330		Solenoid	1
16	16469G1		Fender Washer	2
17	00414G6		Hex Head Bolt, 1/4" - 20 x .25" Lg	2
18	11027G2		Flanged Lock Nut, 1/4" - 20	2
19	12914G1		Faston Tab	2
20				
21	634270G02		#4 AWG Battery Wire, 9" Lg.....	1



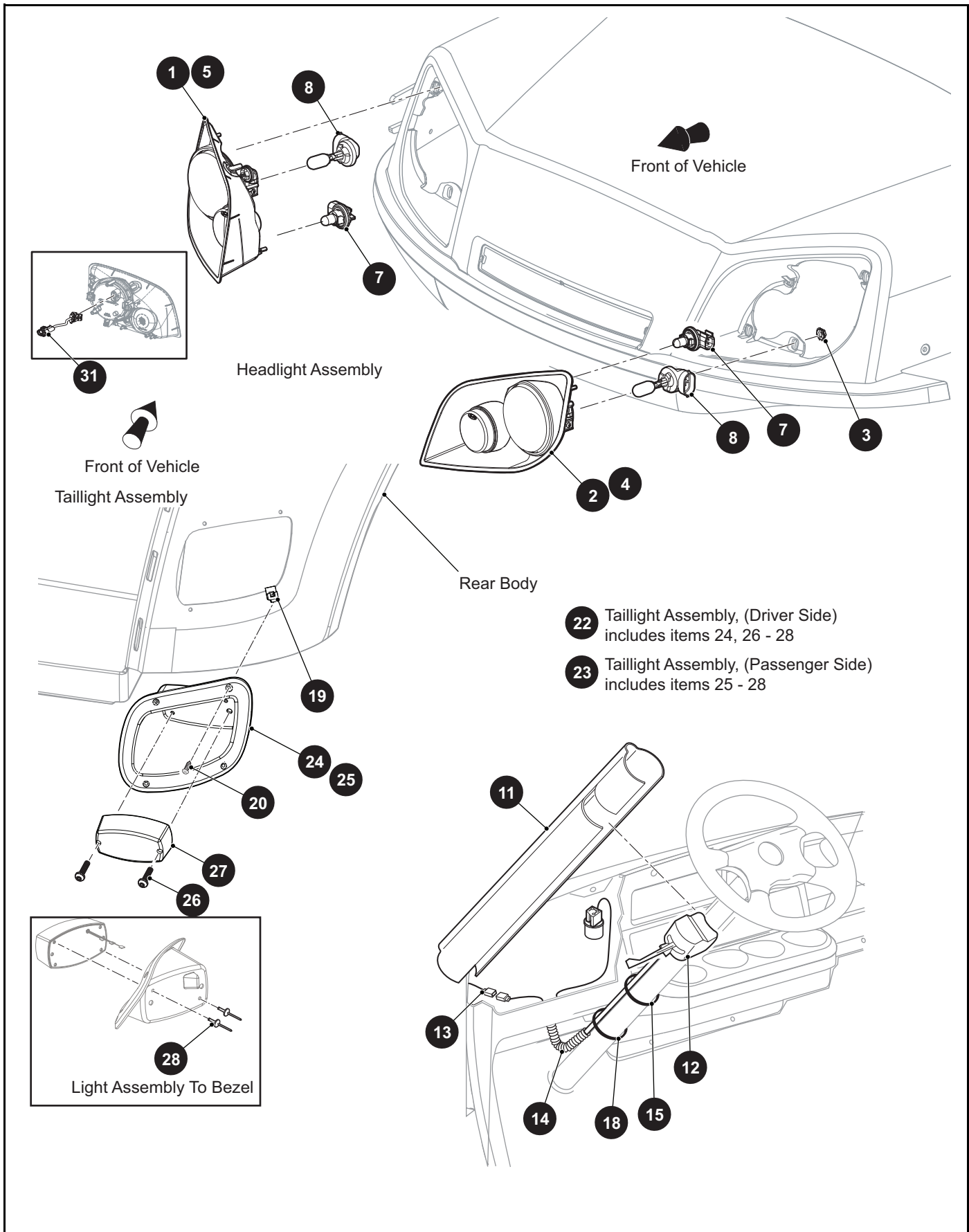
THE USE OF NON U.L. PARTS WILL VOID ANY U.L. LISTING.

When ordering parts, please specify the model and serial number of the product.

* Indicates a component that is not available as an individual part.

*** Indicates consult Customer Service Department for additional information.

ITEM	PART NO.	1 2 3 4 5	DESCRIPTION	QTY.
1	682614		Control Harness	1
2	626519		Park Brake/Buzzer Harness.....	1
3				
4	32860G01		Horn	1
5	01038G01		Hex Washer Head Swageform Screw, 1/4" - 20x .70" Lg	1
6	16469G1		Fender Washer	1
7	73290G02		Continuous Tone Buzzer	1
8	73290G01		Intermittent Buzzer	1
9	01041G01		Rivet (Bulbex), 5/32"	2
10	17618G1		Nylon Clamp, 7" Lg (Not Illustrated).....	9
11				
12	664780		Turn Signal Lights Jumper Harness (Not Illustrated)	1
13	613271		Reverse Buzzer.....	1



THE USE OF NON U.L. PARTS WILL VOID ANY U.L. LISTING.

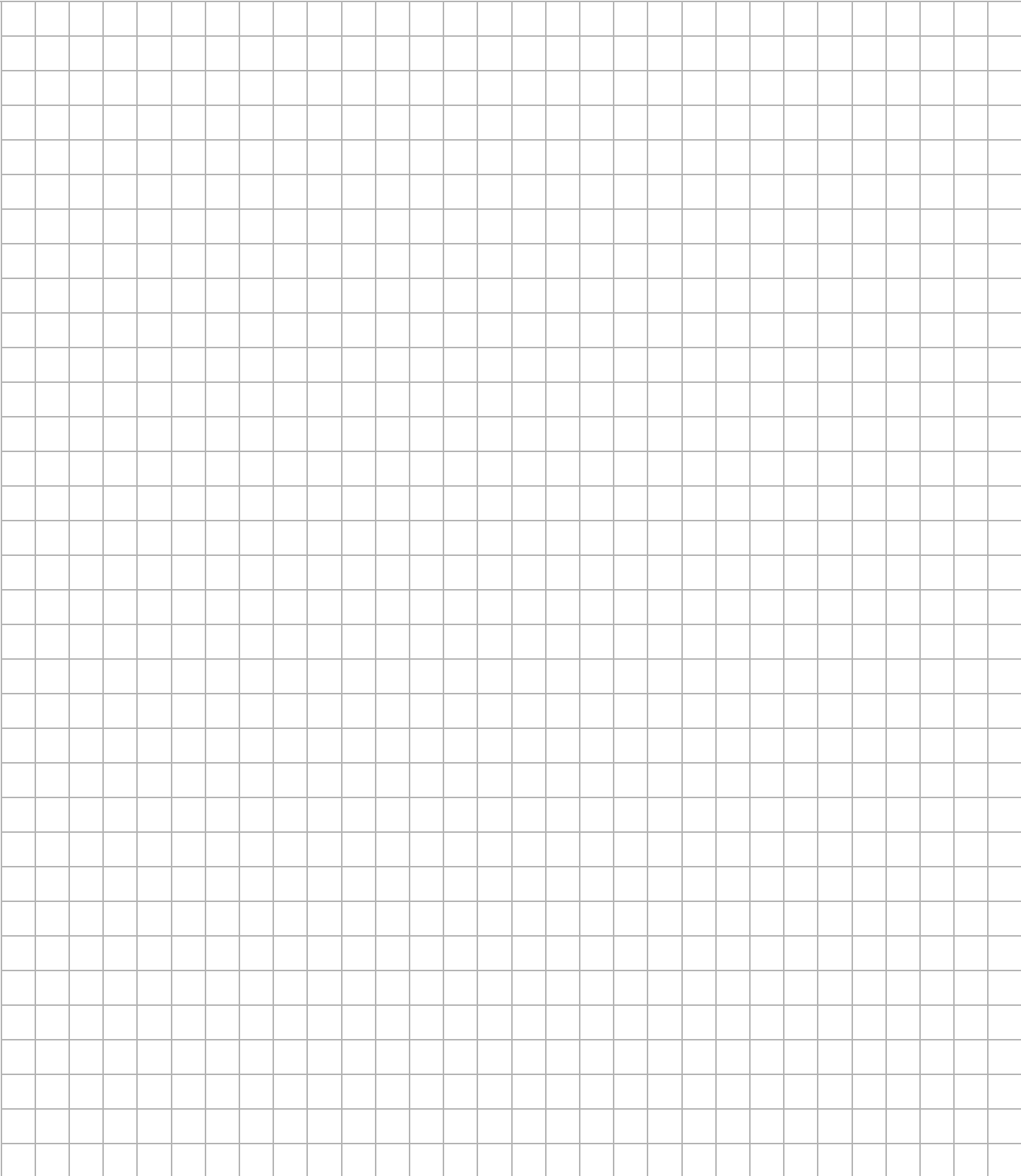
When ordering parts, please specify the model and serial number of the product.

* Indicates a component that is not available as an individual part.

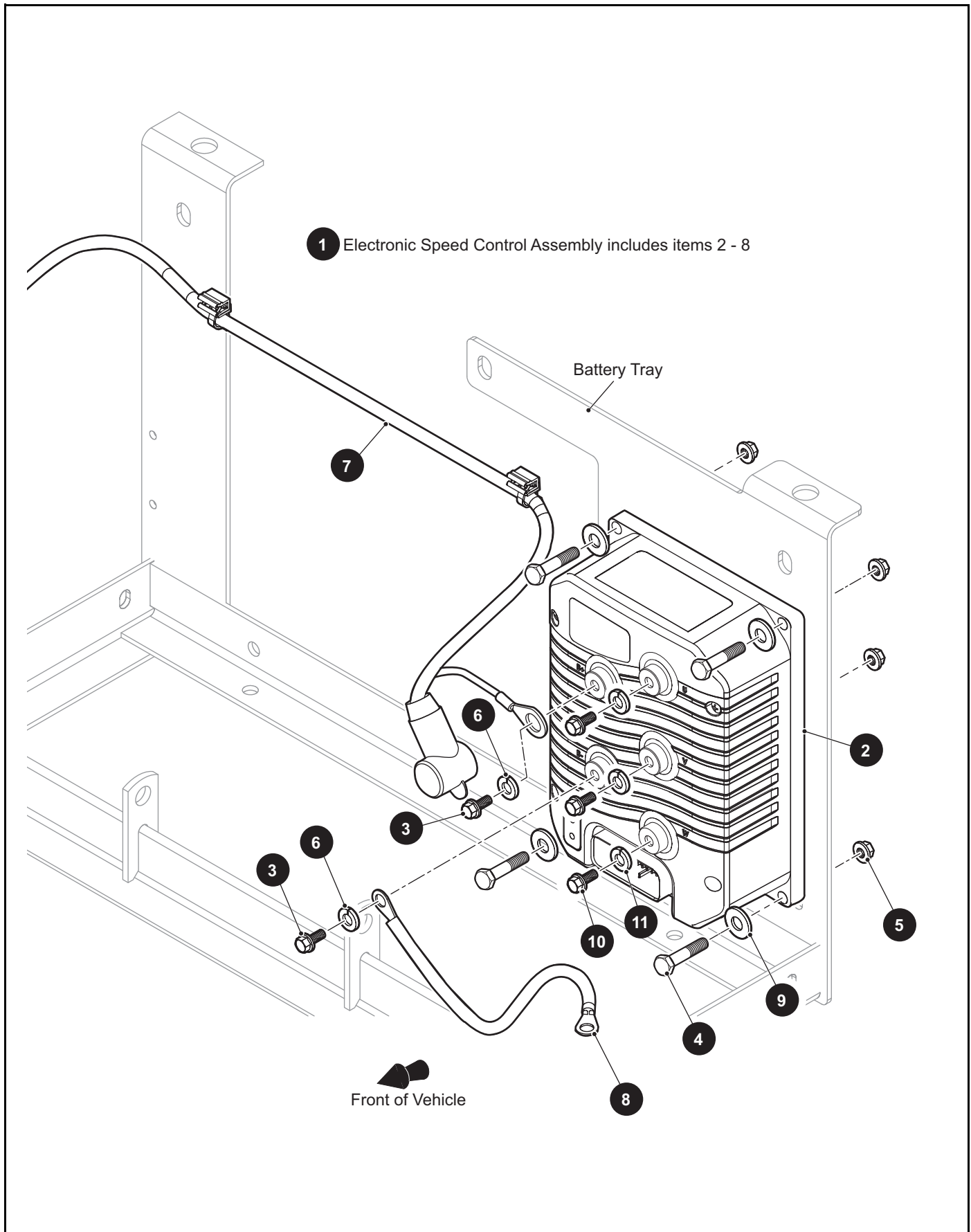
*** Indicates consult Customer Service Department for additional information.

ITEM	PART NO.	1 2 3 4 5	DESCRIPTION	QTY.
1	659008		LED Headlight Assembly (Passenger Side).....	1
2	659009		LED Headlight Assembly (Driver Side)	1
3	71597G01		Self Threading Nut, 5mm x 10mm x 15mm.....	4
4	644877		Headlight Assembly (Driver Side)	1
5	644876		Headlight Assembly (Passenger Side).....	1
6				
7	619102		Turn Signal Bulb	1
8	619100		Headlight Bulb (For Non LED Lights Only)	1
9				
10				
11	20965G3		Steering Column Cover.....	1
12	615236		Turn Signal Switch	1
13	664706		Horn Jumper Harness	1
14	17313G1		Flex Loom	1
15	17618G1		Nylon Clamp, 7" Lg	1
16				
17				
18	31539G1		Nylon Clamp, 5.5" Lg	1
19	71364G02		"J" Type Nut, #8	4
20	71425G01		Tapping Screw, #8 - 18 x 3/4" Lg	4
21	71781G02		Tape (Vinyl) (Not Illustrated)	1
22	655150		Taillight Assembly (Driver Side) (Includes Items 24, 26 - 28).....	1
23	655152		Taillight Assembly (Passenger Side) (Includes Items 25 - 28)	1
24	625251		Taillight Bezel (Driver Side)	1
25	625252		Taillight Bezel (Passenger Side).....	1
26	00513G4		Pan Head Phillips Screw, #8 - 18 x 3/4" Lg	2
27	22288G1		Taillight Assembly.	1
28	14601G11		Rivet (Aluminum), 3/16" x 9/16".....	2
29				
30				
31	654465		LED Jumper Harness	1

Notes:

A large rectangular grid area for taking notes, consisting of many small squares. The grid is approximately 32 columns wide and 40 rows high.

ELECTRONIC SPEED CONTROL



ELECTRONIC SPEED CONTROL

THE USE OF NON U.L. PARTS WILL VOID ANY U.L. LISTING.

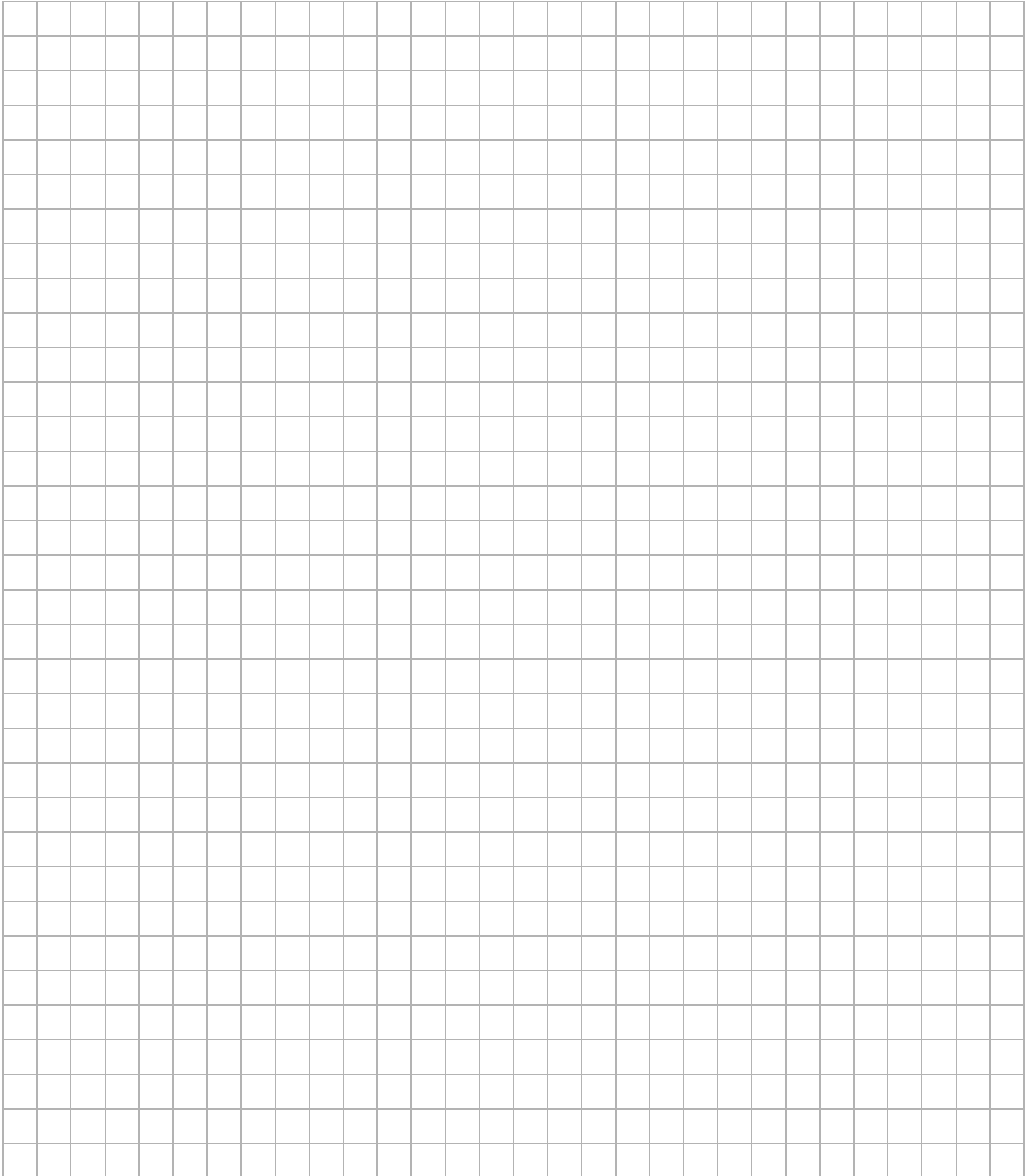
When ordering parts, please specify the model and serial number of the product.

* Indicates a component that is not available as an individual part.

*** Indicates consult Customer Service Department for additional information.

ITEM	PART NO.	1 2 3 4 5	DESCRIPTION	QTY.
FOR VEHICLES WITH 1234E CONTROLLER				
1	671632		Electronic Speed Control Assembly (Includes Items 2 - 8)	1
2	672599G002		Controller, 1234SE-AC, 350A	1
3	73876G01		Flanged Hex Head Bolt, M6 - 1 x 12mm Lg	2
4	00797G2		Hex Head Bolt, 1/4" - 20 x 1 1/4" Lg, Grade 8	4
5	11027G2		Flanged Lock Nut, 1/4" - 20	4
6	606272		Lock Washer, 8mm	2
7	634210G13		Battery Wire, 4 AWG, 34" Lg	1
8	634270G04		Battery Wire, 4 AWG, 22" Lg	1
9				
10	73876G01		Flanged Hex Head Bolt, M6 - 1 x 12mm Lg	3
11	606272		Lock Washer, 8mm	3
FOR VEHICLES WITH 1236E CONTROLLER				
1	683061		Electronic Speed Control Assembly (Includes Items 2 - 8)	1
2	683003G001		Controller, 1236E-AC, 350A	1
3	606262		Flanged Hex Head Bolt, M8 - 1.25 x 16mm Lg	2
4	00797G2		Hex Head Bolt, 1/4" - 20 x 1 1/4" Lg, Grade 8	4
5	11027G2		Flanged Lock Nut, 1/4" - 20	4
6	606272		Lock Washer, 8mm	2
7	634210G13		Battery Wire, 4 AWG, 34" Lg	1
8	634270G04		Battery Wire, 4 AWG, 22" Lg	1
9	00642G7		Flat Washer, 1/4"	4
10	73876G01		Flanged Hex Head Bolt, M6 - 1 x 12mm Lg	3
11	606272		Lock Washer, 8mm	3

Notes:

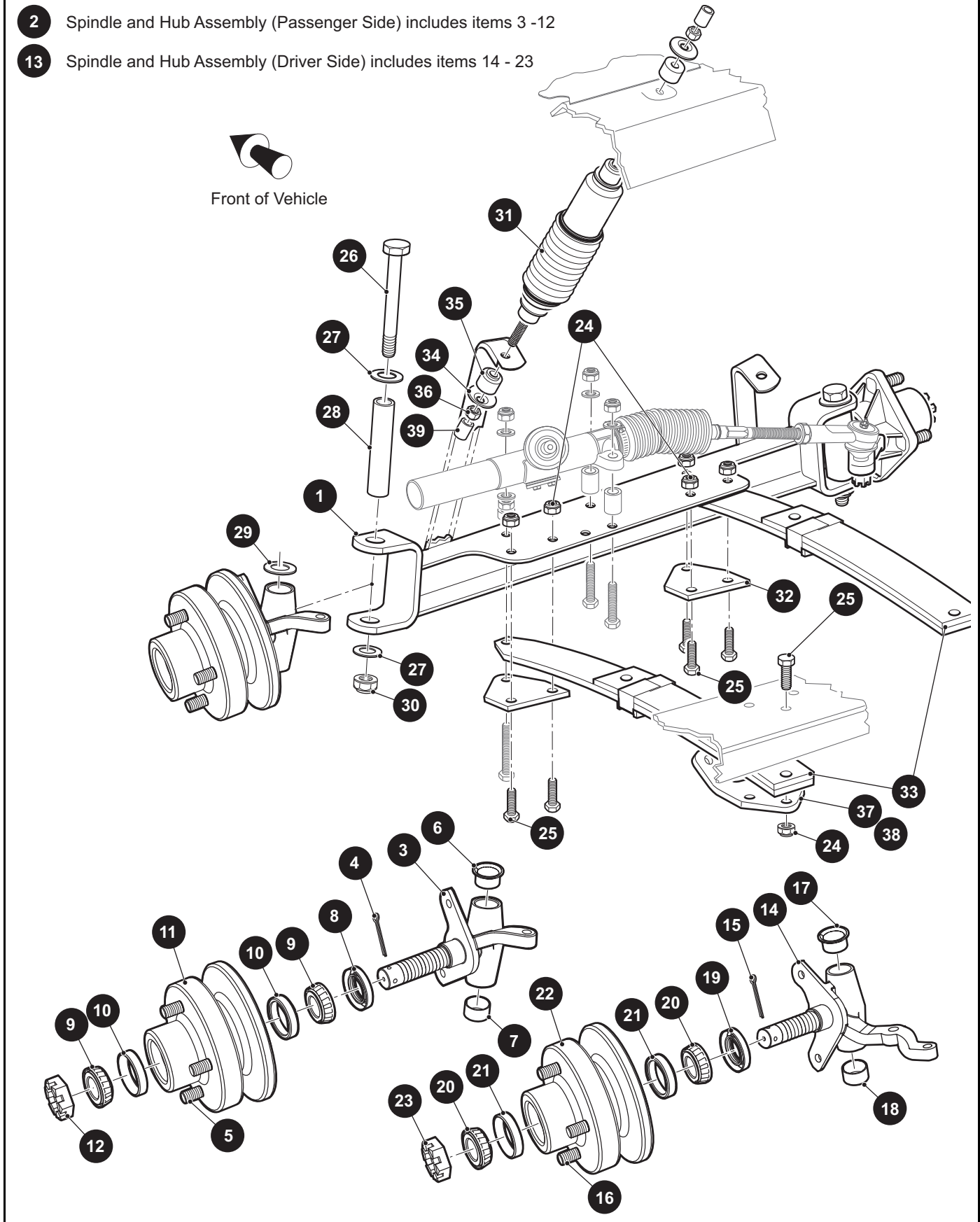
A large grid of graph paper for taking notes, consisting of 20 columns and 28 rows of small squares.

Notes:

A large grid of graph paper, consisting of 25 columns and 30 rows, intended for taking notes.

FRONT SUSPENSION AND STEERING

- 2 Spindle and Hub Assembly (Passenger Side) includes items 3 -12
- 13 Spindle and Hub Assembly (Driver Side) includes items 14 - 23



FRONT SUSPENSION AND STEERING

THE USE OF NON U.L. PARTS WILL VOID ANY U.L. LISTING.

When ordering parts, please specify the model and serial number of the product.

* Indicates a component that is not available as an individual part.

*** Indicates consult Customer Service Department for additional information.

ITEM	PART NO.	1 2 3 4 5	DESCRIPTION	QTY.
1	602327		Front Axle	1
2	602288		Spindle And Hub Assembly (Passenger Side) (Includes Items 3 - 12)	1
3	602158		Spindle (Passenger Side).....	1
4	00798G8		Cotter Pin, 5/32" x 1 3/4"	1
5	74864G01		Drive Flange Stud, 1 1/2".....	4
6	632925		Flanged Bushing.....	1
7	632926		Sleeve Bushing.....	1
8	25146G1		Grease Seal.....	1
9	11750G2		Roller Bearing	2
10	51141G1		Bearing Race.....	2
11	630672		Hub - Disc Brake	1
12	12093G1		Slotted Nut, 17/32".....	1
13	602281		Spindle And Hub Assembly (Driver Side) (Includes Items 14 - 23)	1
14	602176		Spindle (Driver Side)	1
15	00798G8		Cotter Pin, 5/32" x 1 3/4"	1
16	74864G01		Drive Flange Stud, 1 1/2".....	4
17	632925		Flanged Bushing.....	1
18	632926		Sleeve Bushing.....	1
19	25146G1		Grease Seal.....	1
20	11750G2		Roller Bearing	2
21	51141G1		Bearing Race.....	2
22	630672		Hub - Disc Brake	1
23	12093G1		Slotted Nut, 17/32".....	1
24	00734G1		Lock Nut, 7/16" - 14	11
25	00463G11		Hex Head Bolt, 7/16" - 14 x 1 1/2" Lg	11
26	00407G6		Hex Head Bolt, 1/2" - 13 x 6" Lg	2
27	00560G3		Flat Washer, 1/2"	4
28	70745G01		King Pin Tube.....	2
29	70754G01		Thrust Washer (SS), 1"	2
30	14390G6		Lock Nut, 1/2" - 13	2

FRONT SUSPENSION AND STEERING

THE USE OF NON U.L. PARTS WILL VOID ANY U.L. LISTING.

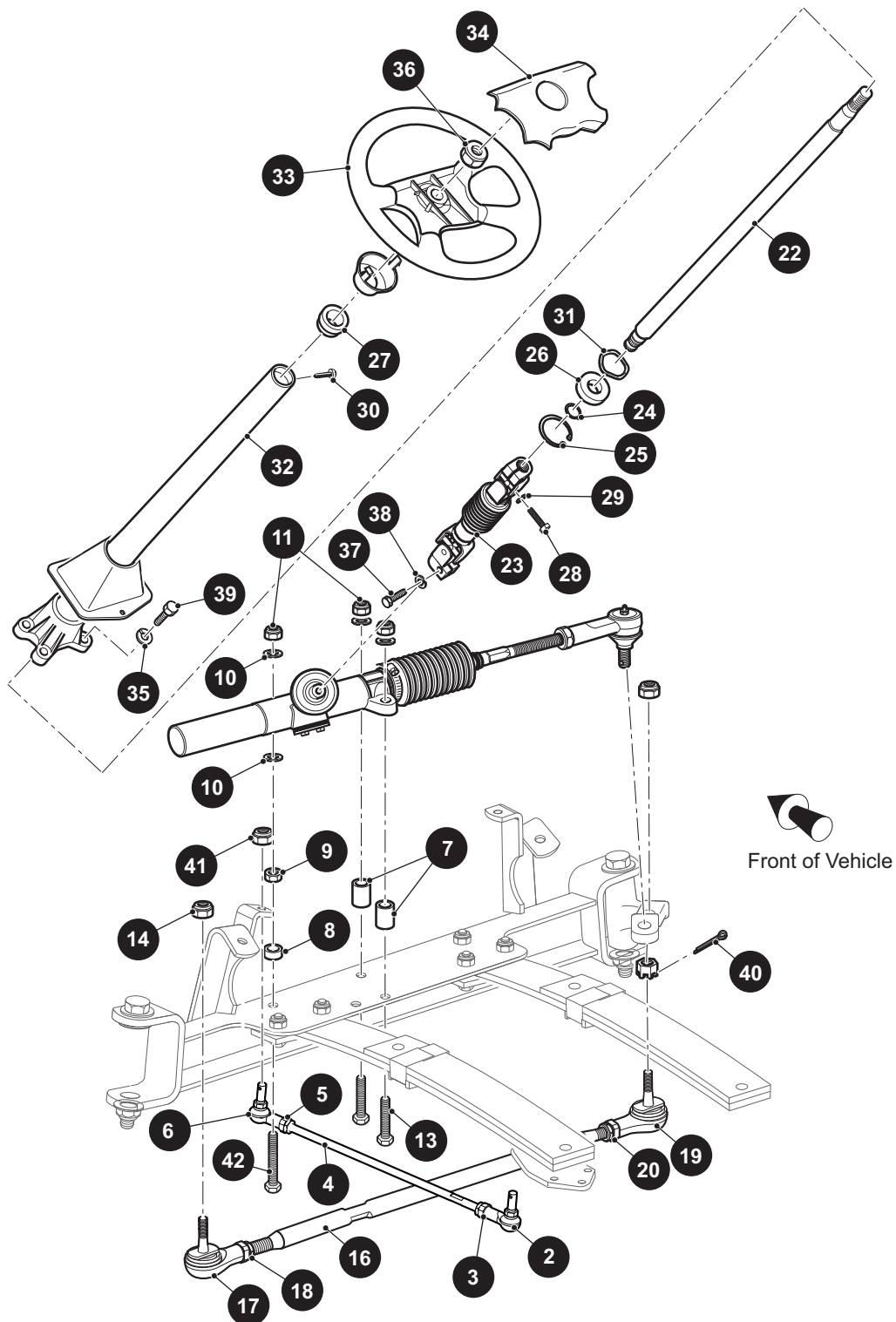
When ordering parts, please specify the model and serial number of the product.

* Indicates a component that is not available as an individual part.

*** Indicates consult Customer Service Department for additional information.

ITEM	PART NO.	1 2 3 4 5	DESCRIPTION	QTY.
31	76419G01		Shock Absorber	2
32	652258		Spring Plate	2
33	70664G03		Leaf Spring (Heavy Duty) (See Part Number On Spring).....	2
34	10435G1		Shock Absorber Washer, .406" I.d. x 1.25" O.d.	8
35	10194G1		Rubber Bushing.....	8
36	00532G6		Hex Nut, 1/4" - 20	4
37	74731G01		Spring Plate (Driver Side).....	1
38	74731G02		Spring Plate (Passenger Side)	1
39	10044G01		Vinyl Cap	4

FRONT SUSPENSION AND STEERING



- 1 Link Rod Assembly includes items 2 - 6
- 15 Tie Rod Assembly includes items 16 - 20
- 21 Steering Column Assembly includes items 22 - 32

FRONT SUSPENSION AND STEERING

THE USE OF NON U.L. PARTS WILL VOID ANY U.L. LISTING.

When ordering parts, please specify the model and serial number of the product.

* Indicates a component that is not available as an individual part.

*** Indicates consult Customer Service Department for additional information.

ITEM	PART NO.	1 2 3 4 5	DESCRIPTION	QTY.
1	74730G01		Link Rod Assembly (Includes Items 2 - 6).....	2
2	74734G02		Tie Rod End (Right Hand Threads)	1
3	01083G01		Jam Nut, M10 - 1 1/4" (Right Hand Threads)	1
4	618531		Link Rod	1
5	01083G02		Jam Nut, M10 - 1 1/4" (Left Hand Threads).....	1
6	74734G02		Tie Rod End (Left Hand Threads).....	1
7	70667G02		Spacer, 1.21".....	2
8	70667G04		Steering Housing Spacer	1
9	00532G7		Hex Nut, 1/4" - 20.....	1
10	00560G2		Flat Washer, 3/8".....	7
11	00734G1		Lock Nut, 7/16" - 14	3
12				
13	00464G8		Hex Head Bolt, 7/16" - 14 x 2 3/4" Lg	2
14	00734G1		Lock Nut, 7/16" - 14	2
15	70876G02		Tie Rod Assembly (Includes Items 16 - 20)	1
16	70897G02		Threaded Rod (24" Lg).....	1
17	70902G01		Tie Rod End (Left Hand Threads).....	1
18	01069G01		Jam Nut, M12 x 1.25 - 05 (Left Hand Threads)	1
19	70902G02		Tie Rod End (Right Hand Threads)	1
20	01069G02		Jam Nut, M12 x 1.25 - 05 (Right Hand Threads).....	1
21	70758G05		Steering Column Assembly (Includes Items 22 - 32)	1
22	70607G01		Steering Shaft.....	1
23	70580G01		Intermediate Shaft	1
24	70888G01		Retaining Ring, External.....	1
25	70751G01		Retaining Ring, Internal	1
26	15112G1		Ball Bearing	1
27	28569G01		Bushing.....	1
28	01055G01		Hex Head Bolt, M8 - 1.25" x 30mm Lg	1
29	00565G8		Spring Lock Washer	1
30	01022G01		Hex Head Bolt, #6 - 20 x 5/16" Lg	1
31	70887G01		Wave Washer (SS).....	1

FRONT SUSPENSION AND STEERING

THE USE OF NON U.L. PARTS WILL VOID ANY U.L. LISTING.

When ordering parts, please specify the model and serial number of the product.

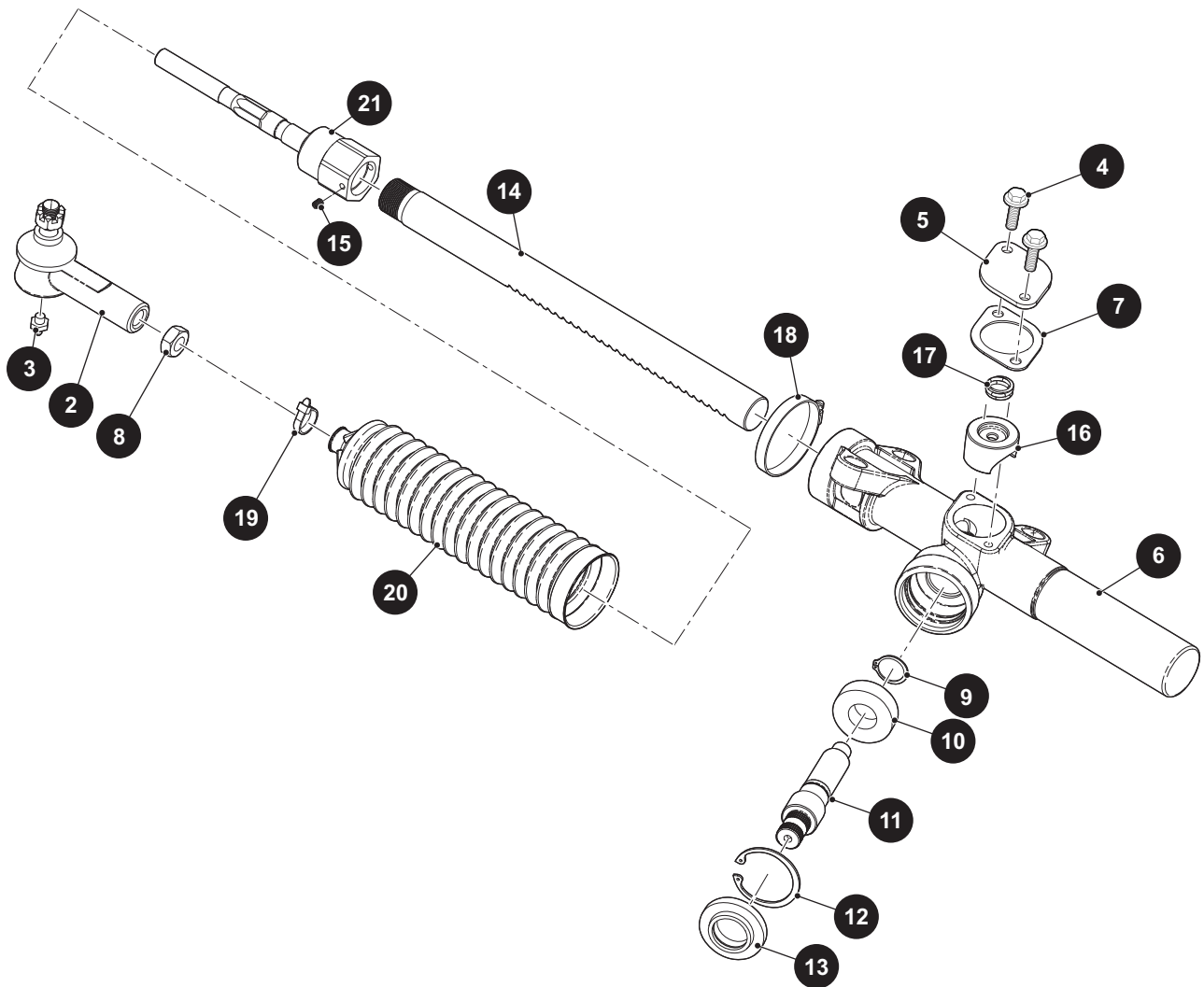
* Indicates a component that is not available as an individual part.

*** Indicates consult Customer Service Department for additional information.

ITEM	PART NO.	1	2	3	4	5	DESCRIPTION	QTY.
32	70610G03						Steering Column Assembly	1
33	602979						Steering Wheel (Fleet).....	1
34	71147G01						Steering Wheel Cover	1
35	00879G1						Flat Washer, 3/8"	4
36	14390G2						Lock Nut, 5/8" - 18	1
37	01055G01						Hex Head Bolt, M8 - 1 1/4" x 30mm Lg	1
38	00565G8						Lock Washer, 5/16".....	1
39	01006G01						Hex Head Bolt, 3/8" - 16 x 1 1/4" Lg.....	4
40	10387G2						Cotter Pin 0.094" x 1"	1
41	606279						Flanged Hex Nut, M10 - 1.25.....	4
42	01068G01						Hex Head Bolt, 7/16" - 14 x 3 1/2" Lg.....	1

FRONT SUSPENSION AND STEERING

1 Rack and Pinion Unit Assembly includes items 2 - 21



FRONT SUSPENSION AND STEERING

THE USE OF NON U.L. PARTS WILL VOID ANY U.L. LISTING.

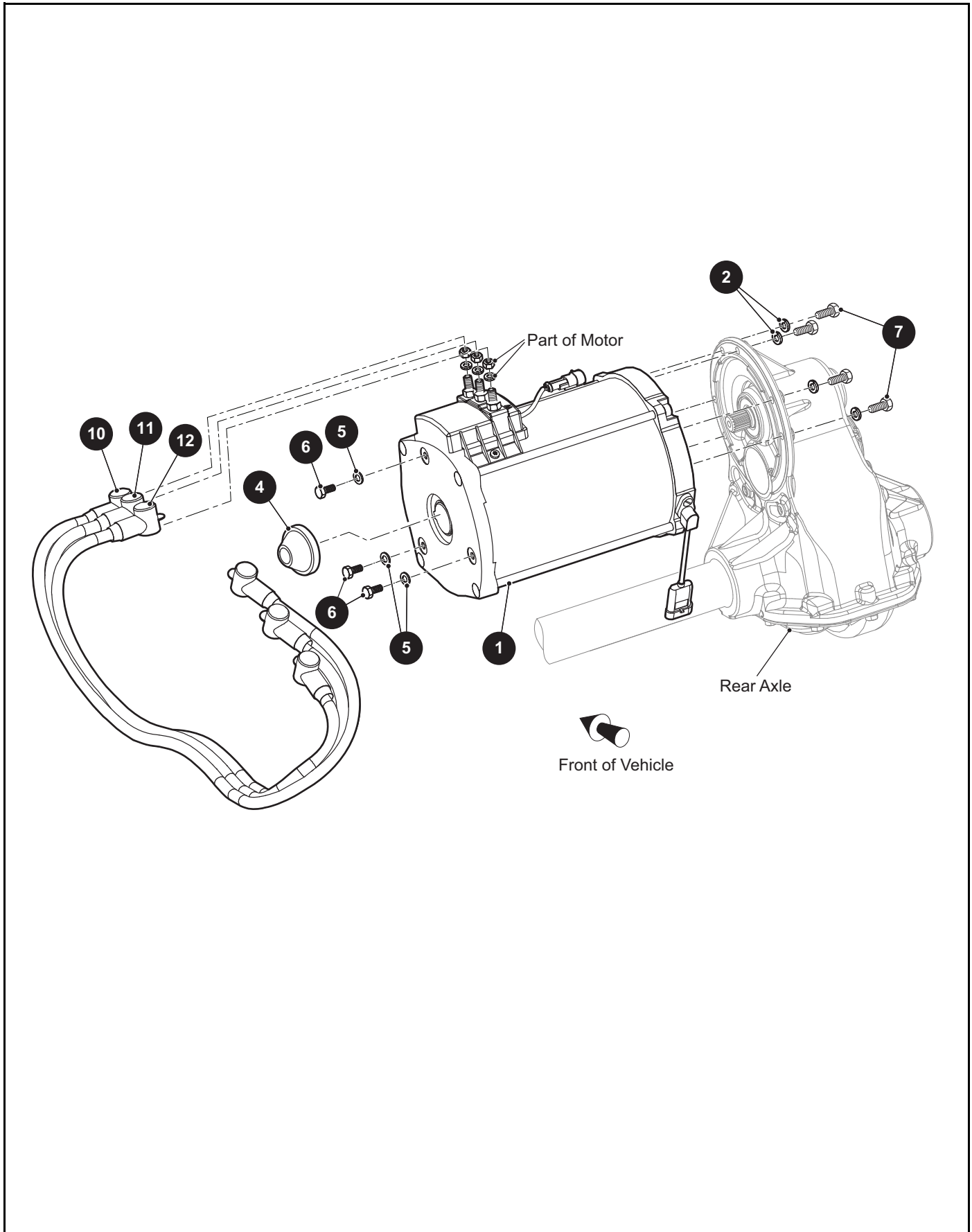
When ordering parts, please specify the model and serial number of the product.

* Indicates a component that is not available as an individual part.

*** Indicates consult Customer Service Department for additional information.

ITEM	PART NO.	1 2 3 4 5	DESCRIPTION	QTY.
1	70964G01		Rack And Pinion Unit Assembly (Includes Items 2 - 21)	1
2	70695G01		Tie Rod End - Outer.....	1
3	10389G3		Grease Fitting, Straight.....	1
4	71102G01		Hex Head Bolt, 1/4" - 20	2
5	652259		Cover (Rack Loader)	1
6	70965G01		Steering Rack Cover And Bearing.....	1
7	70645G01		Gasket (Rack Loader)	1
8	*		Jam Nut, 1/2" - 20.....	1
9	70750G01		Retaining Ring - External.....	1
10	15112G1		Ball Bearing	1
11	70603G01		Pinion.....	1
12	70751G01		Retaining Ring - Internal.....	1
13	70638G01		Pinion Seal	1
14	70604G01		Steering Rack.....	1
15	*		Socket Head Screw, #10 - 32	1
16	70590G01		Rack Loader	1
17	70666G01		Compression Spring	1
18	11391G8		Hose Clamp, 1.81".....	1
19	12416G2		Nylon Clamp, 10".....	1
20	70961G01		Bellows Rack Cover	1
21	74694G01		Rod End - Inner	1

MOTOR



THE USE OF NON U.L. PARTS WILL VOID ANY U.L. LISTING.

When ordering parts, please specify the model and serial number of the product.

* Indicates a component that is not available as an individual part.

*** Indicates consult Customer Service Department for additional information.

ITEM	PART NO.	1 2 3 4 5	DESCRIPTION	QTY.
1	667272		Motor, 72V.....	1
2	601327		Lock Washer, 6mm	6
3				
4	668275		End Cap Plug.....	1
5	00915G1		Bonded Seal Washer, 1/4" I.D.	3
6	616716		Hex Head Bolt, M6 - 1 x 16mm Lg.....	3
7	605741		Hex Head Bolt, M6 - 1 x 25mm Lg.....	6
8				
9				
10	635137G01		Motor Wire (U), 2AWG, 44".....	1
11	635137G02		Motor Wire (V), 2AWG, 41"	1
12	635137G03		Motor Wire (W), 2AWG, 37"	1

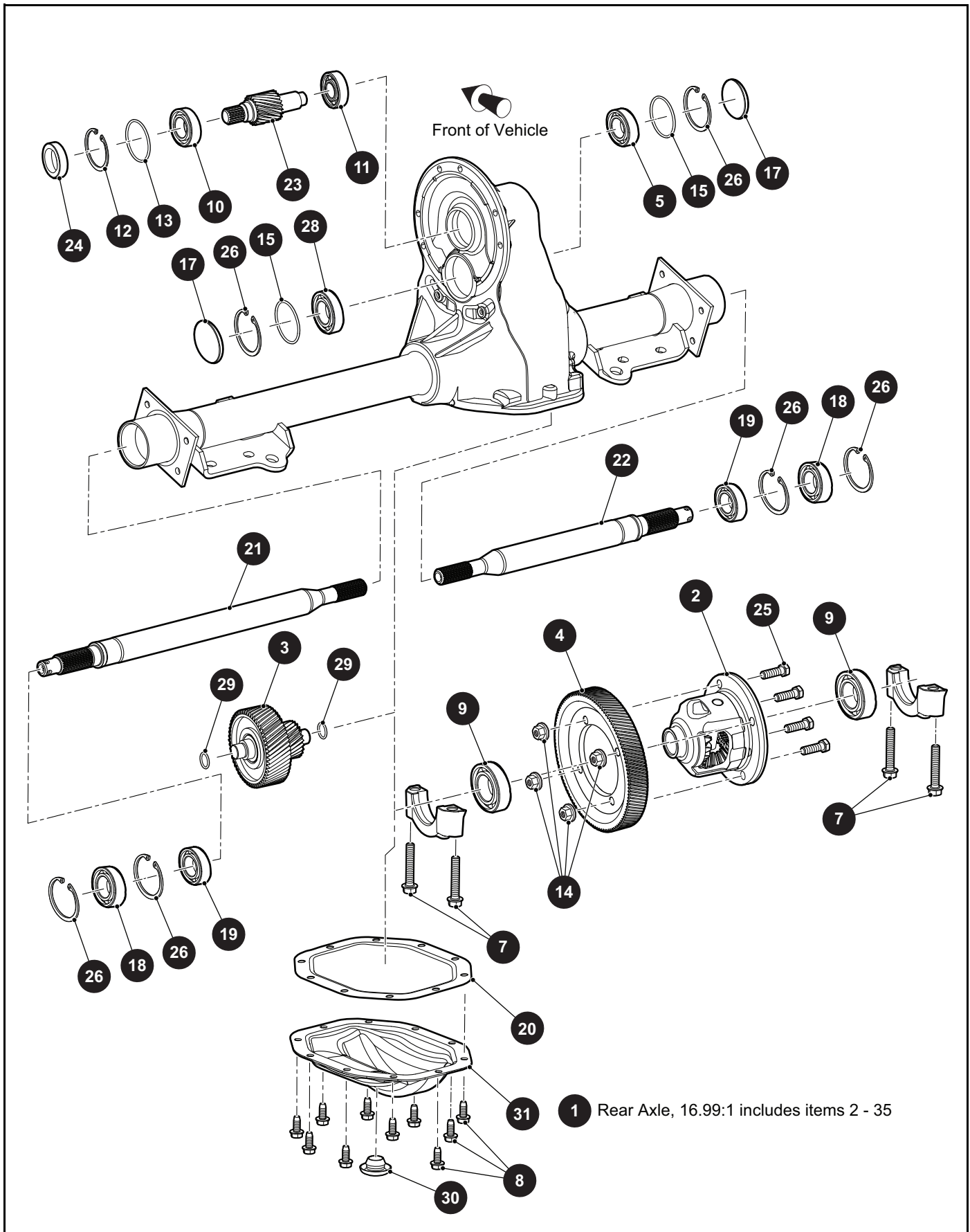
Notes:

A large grid of empty cells, approximately 20 columns wide and 25 rows high, intended for handwritten notes.

Notes:

A large grid consisting of 30 columns and 30 rows, intended for writing notes.

REAR AXLE



REAR AXLE

THE USE OF NON U.L. PARTS WILL VOID ANY U.L. LISTING.

When ordering parts, please specify the model and serial number of the product.

* Indicates a component that is not available as an individual part.

*** Indicates consult Customer Service Department for additional information.

ITEM	PART NO.	1 2 3 4 5	DESCRIPTION	QTY.
1	633599		Rear Axle, 16.99:1 (Includes Items 2 - 35).....	1
2	601082		Differential Assembly	1
3	620349		Intermediate Gear Assembly	1
4	620350		Drive Gear	1
5	620355		Ball Bearing	1
6				
7	15118G1		Hex Head Bolt, 3/8" - 16 x 2.125" Lg.....	4
8	15558G1		Hex Head Bolt, 5/16" - 18 x .75" Lg.....	10
9	17473G1		Bearing Assembly.....	2
10	23519G2		Ball Bearing Single Lip Seal	1
11	23520G1		Ball Bearing	1
12	23530G1		Retainer Ring.....	1
13	24628G1		O-ring Seal	1
14	601084		Lock Nut, 3/8" - 24	4
15	620358		O-ring, 18mm.....	2
16				
17	608811		End Cap.....	2
18	611788		Ball Bearing	2
19	612064		Oil Seal	2
20	612824		Gasket	1
21	617608		Axle Shaft (Driver Side).....	1
22	617609		Axle Shaft (Passenger Side)	1
23	620327		Input Gear.....	1
24	620328		Oil Seal	1
25	620335		Hex Head Bolt, 3/8" - 24 x 1.25" Lg.....	4
26	620359		Retaining Ring	6
27				
28	620340		Ball Bearing	1
29	620345		O-ring, 18mm.....	2
30	620347		Rubber Plug.....	1
31	620348		Differential Cover Plate.....	1

REAR AXLE

THE USE OF NON U.L. PARTS WILL VOID ANY U.L. LISTING.

When ordering parts, please specify the model and serial number of the product.

* Indicates a component that is not available as an individual part.

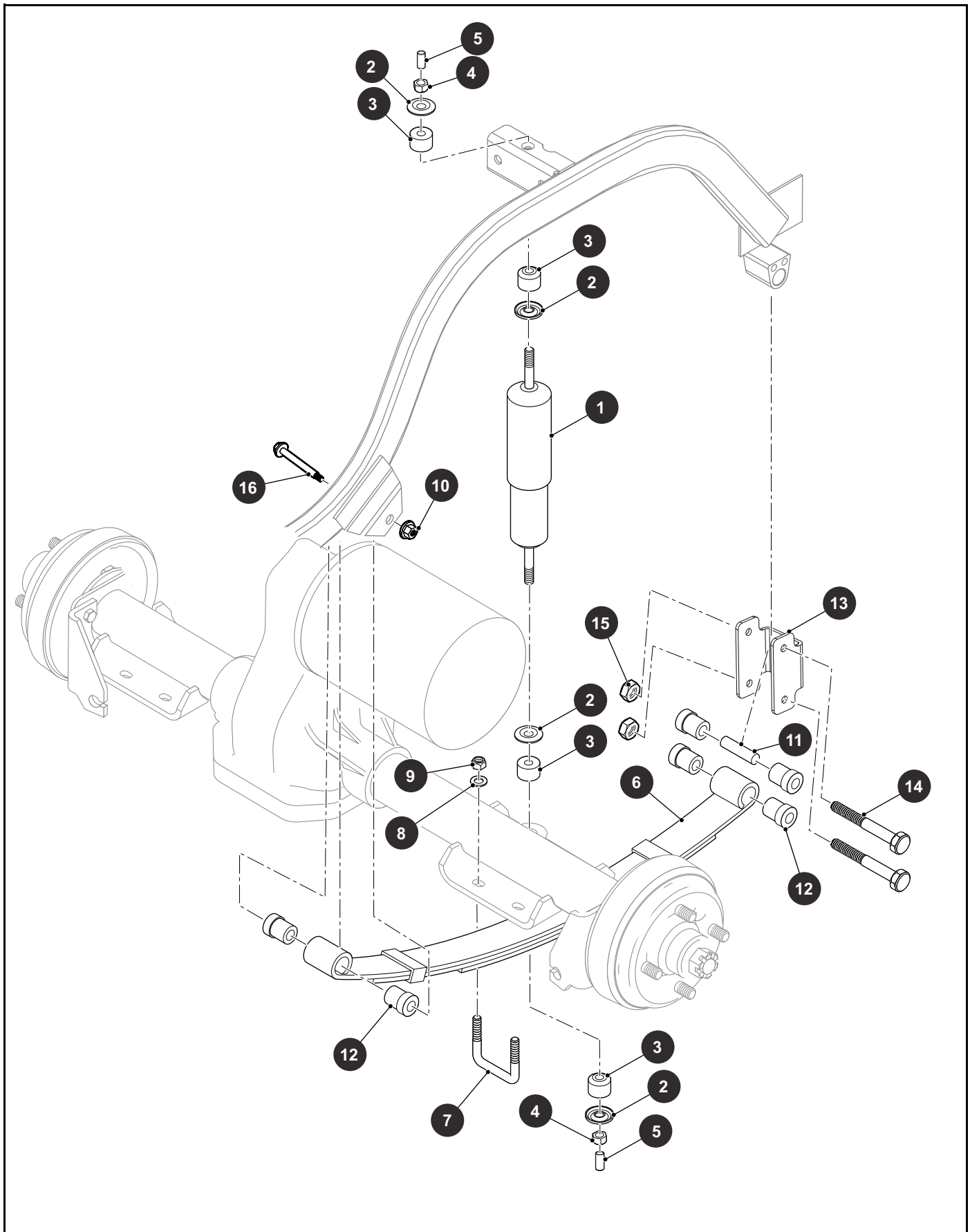
*** Indicates consult Customer Service Department for additional information.

ITEM	PART NO.	1	2	3	4	5	DESCRIPTION	QTY.
32	620329						Input Gears Kit (Not Illustrated).....	1
33	620361						Internal Gears Kit (Not Illustrated).....	1
34	620362						Ball Bearing Kit (Not Illustrated).....	1
35	620363						Differential Cover Assembly Kit (Not Illustrated)	1

Notes:

A large grid of 30 columns and 30 rows, intended for taking notes. The grid lines are thin and grey, forming a uniform pattern across the page.

REAR SUSPENSION



REAR SUSPENSION

THE USE OF NON U.L. PARTS WILL VOID ANY U.L. LISTING.

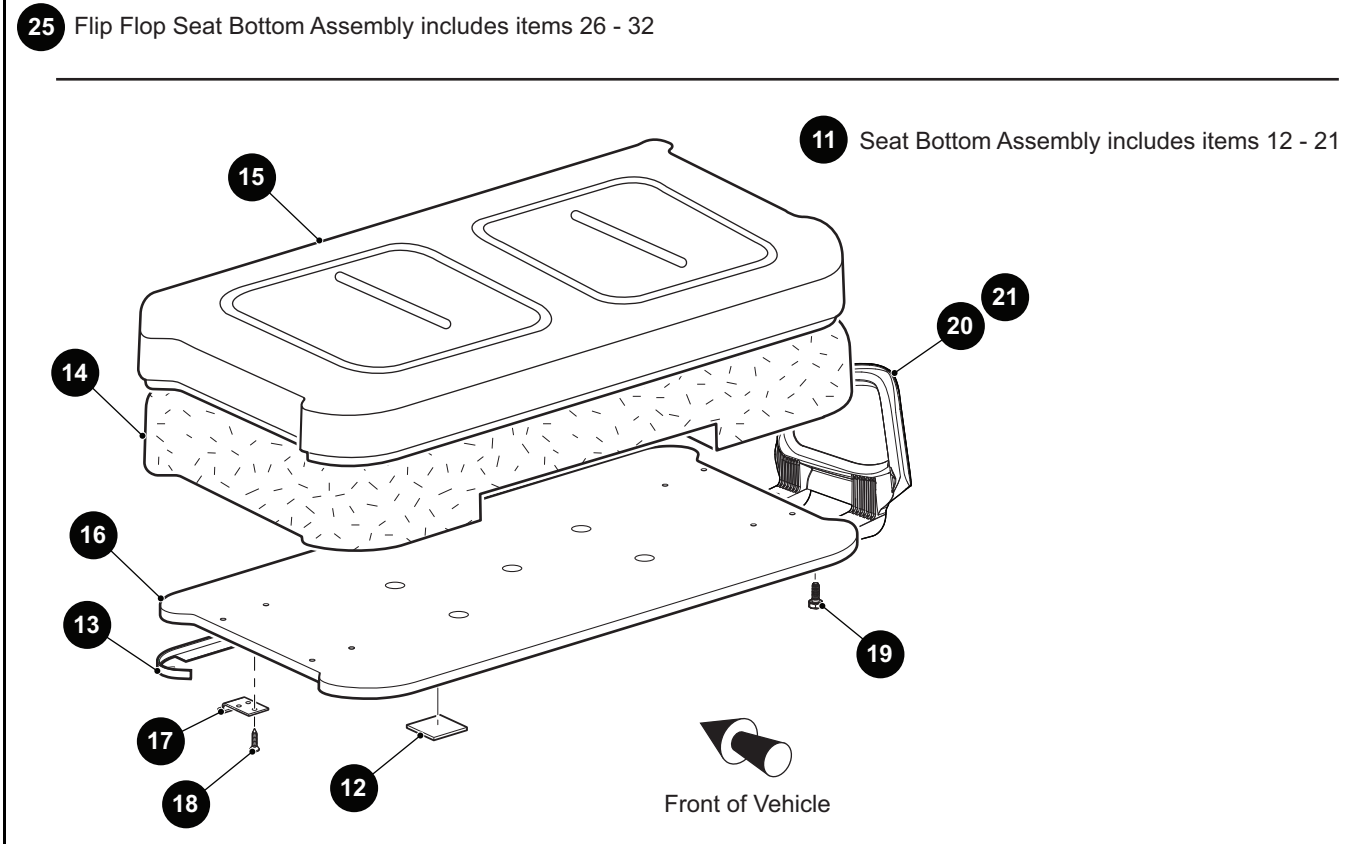
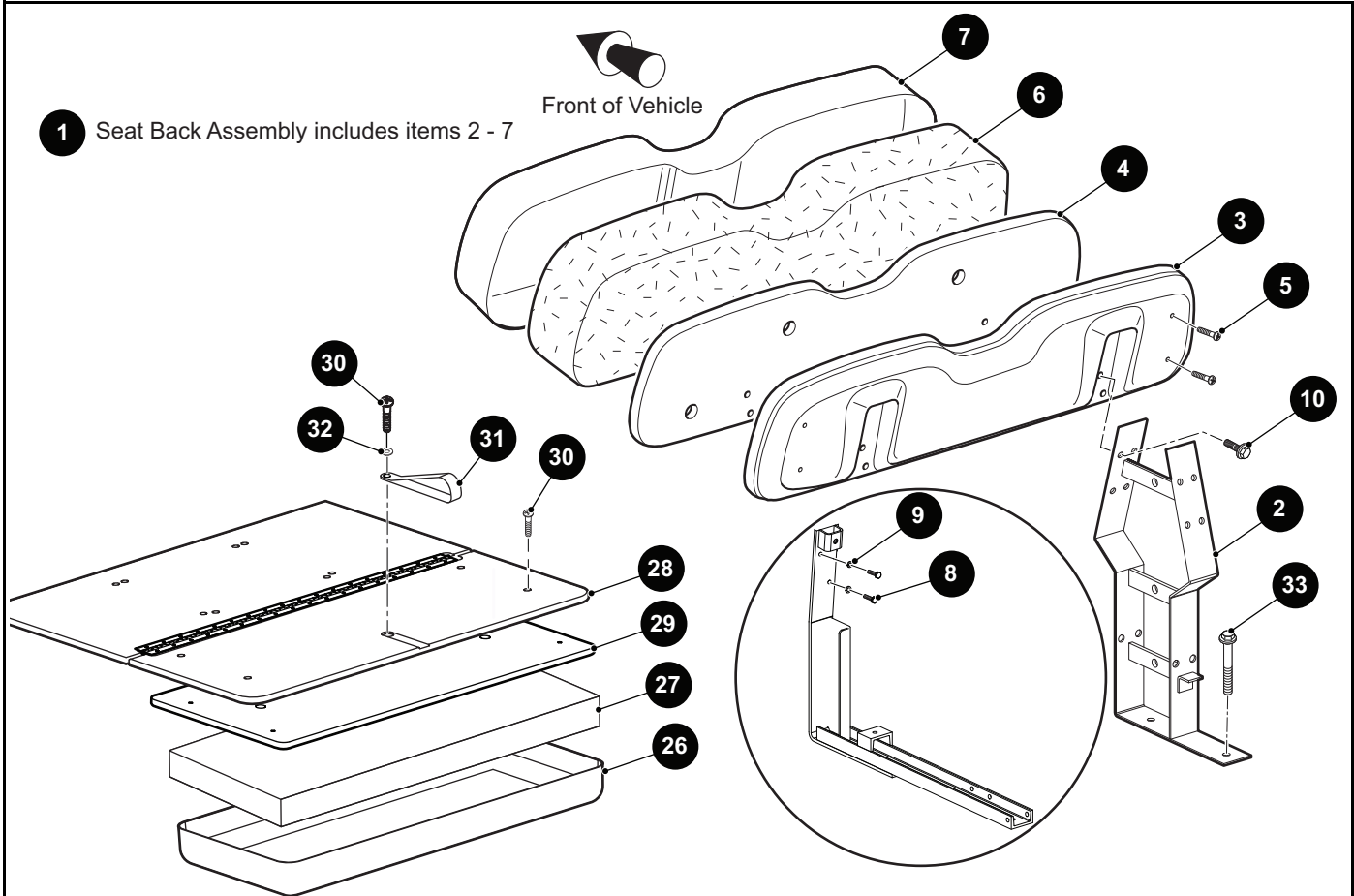
When ordering parts, please specify the model and serial number of the product.

* Indicates a component that is not available as an individual part.

*** Indicates consult Customer Service Department for additional information.

ITEM	PART NO.	1 2 3 4 5	DESCRIPTION	QTY.
1	642085		Shock Absorber.....	2
2	10435G1		Shock Absorber Washer, I.D. .406" x O.D. 1.25"	4
3	10194G1		Rubber Bushing	4
4	00532G6		Hex Nut, 3/8" - 24.....	2
5	10044G01		Vinyl Cap.....	1
6	667990		Leaf Spring.....	2
7	624030		Flanged Bushing	2
8	652708G03		Lift Bracket	1
9	00560G1		Flat Washer, 3/8".....	8
10	11098G5		Lock Nut, 3/8" - 16	4
11	00430G12		Hex Head Bolt, 3/8" - 16 x 5 1/2" Lg	4
12	624030		Flanged Bushing	4
13	70289G02		Split Spacer (Steel), I.D. .376" x O.D. 1" x 1" Lg.....	2
14				
15	652245		Shackle Plate	2
16	00665G9		Hex Head Bolt (SS), 3/8" - 16 x 3 1/2" Lg	2
17	11098G5		Lock Nut, 3/8" - 16	2
18				
19	652713G103		Mounting Plate (Driver Side).....	1
20	652713G203		Mounting Plate (Passenger Side)	1
21	70492G01		Rubber Bumper.....	1
22				
23				
24	608654		Split Lock Washer, M10	1
25	00974G01		Hex Nut, M10 x 1.0	1
26	14158G1		Shoulder Bolt, 1/2" Dia x 3/8" - 16 Thread x 3 1/4" Lg	1
27	12262G1		Flanged Lock Nut, 3/8" - 16	1

SEATING



THE USE OF NON U.L. PARTS WILL VOID ANY U.L. LISTING.

When ordering parts, please specify the model and serial number of the product.

* Indicates a component that is not available as an individual part.

*** Indicates consult Customer Service Department for additional information.

ITEM	PART NO.	1 2 3 4 5	DESCRIPTION	QTY.
1	***		Seat Back Assembly (Includes Items 2 - 7)..... 71751G02 Gray 71751G03 Oyster 71751G04 Tan 71751G06 Brown 71751G07 Black 606828 Red/Black 604908 White/Blue 604907 White/Red 615838 White/Black 620794 White/Yellow 620796 Gray/Black 615837 Oyster/Garnet	1
2	634178		Seat Back Support.....	2
3	71752G01		Plastic Seat Back Cover	1
4	645021		Seat Back Base	1
5	01107G01		Pan Head Torx Screw (SS), #8 x 3/8" Lg.....	4
6	71754G01		Foam Padding (Seat Back)	1
7	***		Vinyl Seat Back Cover	1
			71753G02 Gray 71753G03 Oyster 71753G04 Tan 71753G06 Brown 71753G07 Black 604916G0304 Red/Black 604916G0102 White/Blue 604916G0103 White/Red 604916G0104 White/Black 604916G0108 White/Yellow 604916G0704 Gray/Black 604916G0506 Oyster/Garnet	
8	00661G8		Hex Head Bolt, 1/4" - 20 x 1/2" Lg	4
9	00664G7		Lock Washer (SS), 0.255"	4
10	71204G01		Hex Washer Head Screw with Patch Lock, 1/4" - 20 x 7/8" Lg	8
11	***		Seat Bottom Assembly (Includes Items 12 - 21)..... 629269G0101 Oyster 629269G0103 Tan 629269G0104 Gray 629269G0106 Black 629269G0107 Brown 629269G0109 White/Blue 629269G0111 White/Red 629269G0112 White/Black 629269G0113 White/Yellow	1

SEATING

THE USE OF NON U.L. PARTS WILL VOID ANY U.L. LISTING.

When ordering parts, please specify the model and serial number of the product

* Indicates a component that is not available as an individual part.

*** Indicates consult Customer Service Department for additional information.

ITEM	PART NO.	1	2	3	4	5	DESCRIPTION	QTY.
		629269G0114					Gray/Black	
		629269G0115					Oyster/Garnet	
		629269G0110					Red/Black	
12	17074G1						Rubber Pad.....	2
13	71012G01						Vinyl Trim (Seat Bottom).....	1
14	71603G02						Foam Padding (Seat Bottom).....	1
15	***						Vinyl Seat Bottom Cover.....	1
		71602G03					Oyster	
		71602G04					Tan	
		71602G02					Gray	
		71602G06					Black	
		71602G07					Brown	
		604912G0102					White/Blue	
		604912G0103					White/Red	
		604912G0104					White/Black	
		604912G0108					White/Yellow	
		604912G0704					Gray/Black	
		604912G0506					Oyster/Garnet	
		604912G0304					Red/Black	
16	645492						Seat Bottom.....	1
17	71610G01						Seat Hinge.....	2
18	00720G08						Flat Head Phillips Screw, #12 -14 x 1" Lg.....	6
19	615417						Button Head Torx Bolt, M10 - 1.5 x 25mm Lg.....	8
20	617645						Hip Restraint (Driver Side).....	1
21	617644						Hip Restraint (Passenger Side).....	1
22								
23								
24								
25	***						Flip Flop Seat Bottom Assembly (Includes Items 26 - 32).....	1
		628058G01					Oyster	
		628058G03					Tan	
		628058G04					Gray	
		628058G06					Black	
		628058G07					Brown	
		628058G09					White/Blue	
		628058G10					Red/Black	
		628058G11					White/Red	
		628058G12					White/Black	
		628058G13					White/Yellow	
		628058G14					Gray/Black	
		628058G15					Oyster/Garnet	

THE USE OF NON U.L. PARTS WILL VOID ANY U.L. LISTING.

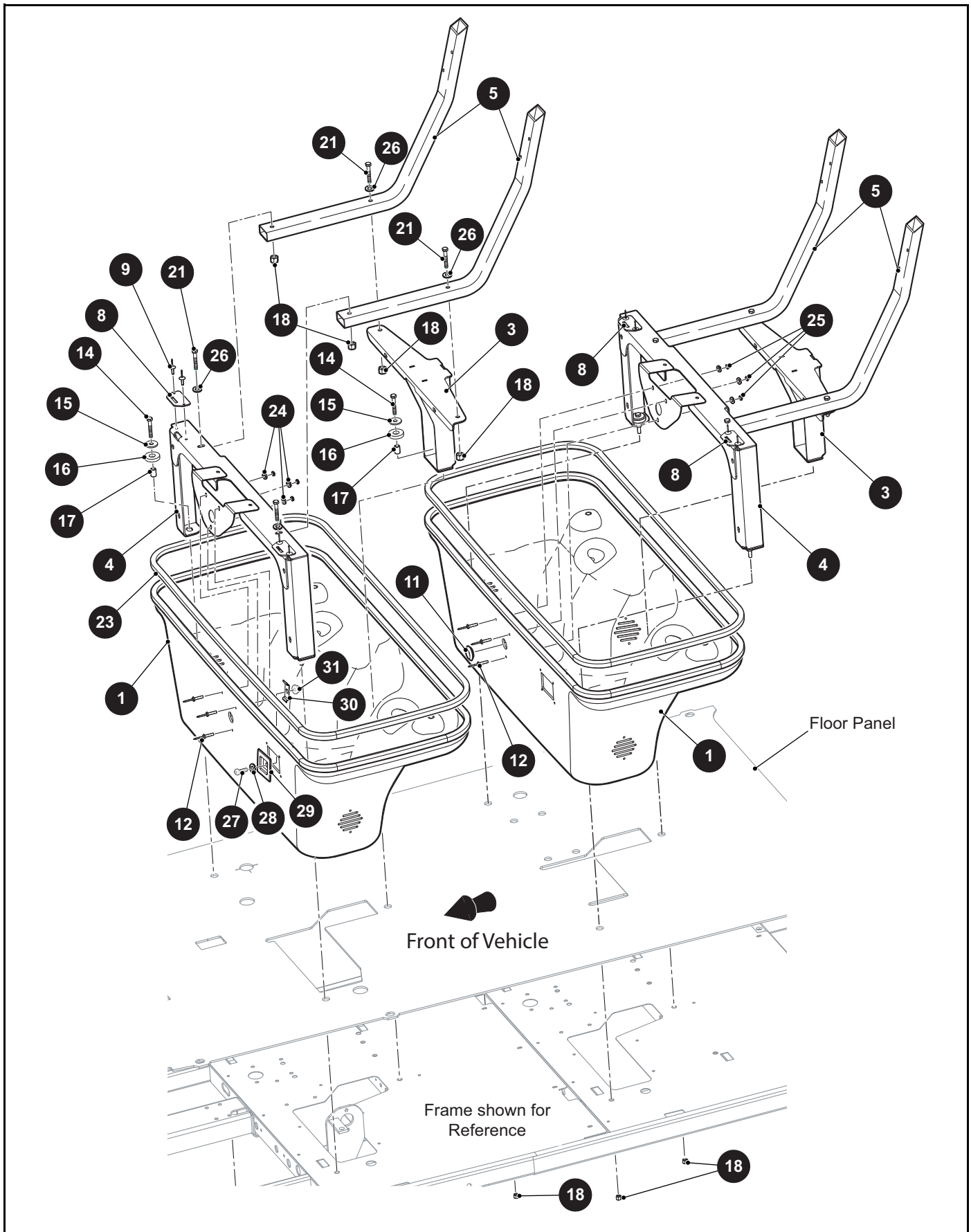
When ordering parts, please specify the model and serial number of the product.

* Indicates a component that is not available as an individual part.

*** Indicates consult Customer Service Department for additional information.

ITEM	PART NO.	1	2	3	4	5	DESCRIPTION	QTY.
26	***						Vinyl Seat Bottom Cover	1
							615646 Oyster	
							615647 Tan	
							617892 Gray	
							615648 Black	
							617893 Brown	
							611125 Whit/Blue	
							611135 Red/Black	
							611126 White/Red	
							611130 White/Black	
							611127 White/Yellow	
							611137 Gray/Black	
							611136 Oyster/Ruby	
27	617401						Seat Bottom Foam.....	1
28	634190						Deck Board Assembly	1
29	645820						Seat Bottom.....	1
30	16705G1						Truss Head Phillips Screw (SS), 1/4" - 20 x 1" Lg	5
31	617402						Seat Strap.....	1
32	00559G7						Flat Washer, 1/4"	1
33	01006G01						Hex Head Bolt, 3/8" - 16 x 1 1/4" Lg	4

SEATING



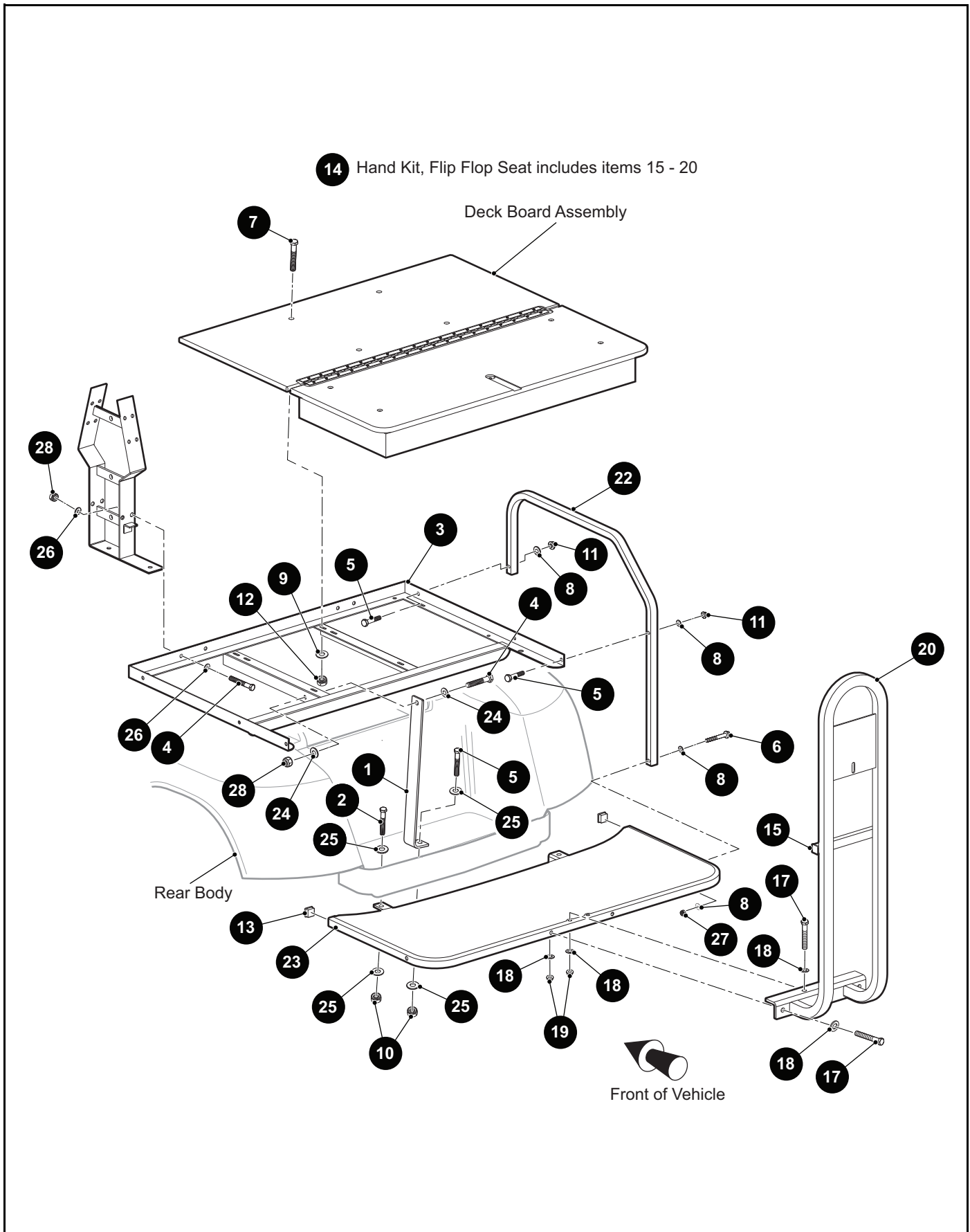
THE USE OF NON U.L. PARTS WILL VOID ANY U.L. LISTING.

When ordering parts, please specify the model and serial number of the product.

* Indicates a component that is not available as an individual part.

*** Indicates consult Customer Service Department for additional information.

ITEM	PART NO.	1 2 3 4 5	DESCRIPTION	QTY.
1	648313GXX		Seat Pod	2
2				
3	657681		Rear Seat Support	2
4	654767		Seat Support	2
5	648523		Seat Back Support Tube	4
6				
7				
8	71609G01		Hinge Plate.....	4
9	10570G11		Rivet (SS), 3/16" x .70" Lg	8
10				
11	71316G01		Plug	1
12	71055G01		Rivet (Aluminum), 3/16" x 1" Lg	6
13				
14	00439G8		Hex Head Bolt (SS), 5/16" - 18 x 2" Lg	6
15	00675G1		Flat Washer (SS), .398" I.d. x 1.25" O.d. x .115" Lg.....	6
16	71883G01		Flat Washer (Rubber), .625" I.d. x 1.50" O.D. x .312" Lg.....	6
17	23726G9		Spacer, .312" I.d. x .562" O.d. x .750" Lg.....	6
18	11098G6		Lock Nut, 5/16" - 18	14
19				
20				
21	00439G6		Hex Head Bolt, 5/16" - 18 x 1 3/4" Lg	8
22				
23	32805G6		Trim, 118" Lg.....	2
24	00660G5		Flat Washer, #10	6
25	01110G01		Flat Washer, 1/4".....	6
26	00560G1		Flat Washer, 3/8".....	8
27	600530		Button Head Torx Bolt, M10 - 1.5 x 25mm Lg	1
28	604066		Flat Washer, #10	1
29	72154G01		Adapter, Choke Cable	1
30	72155G01		Retainer.....	1
31	600525		Lock Nut, M10 - 1.5"	1



THE USE OF NON U.L. PARTS WILL VOID ANY U.L. LISTING.

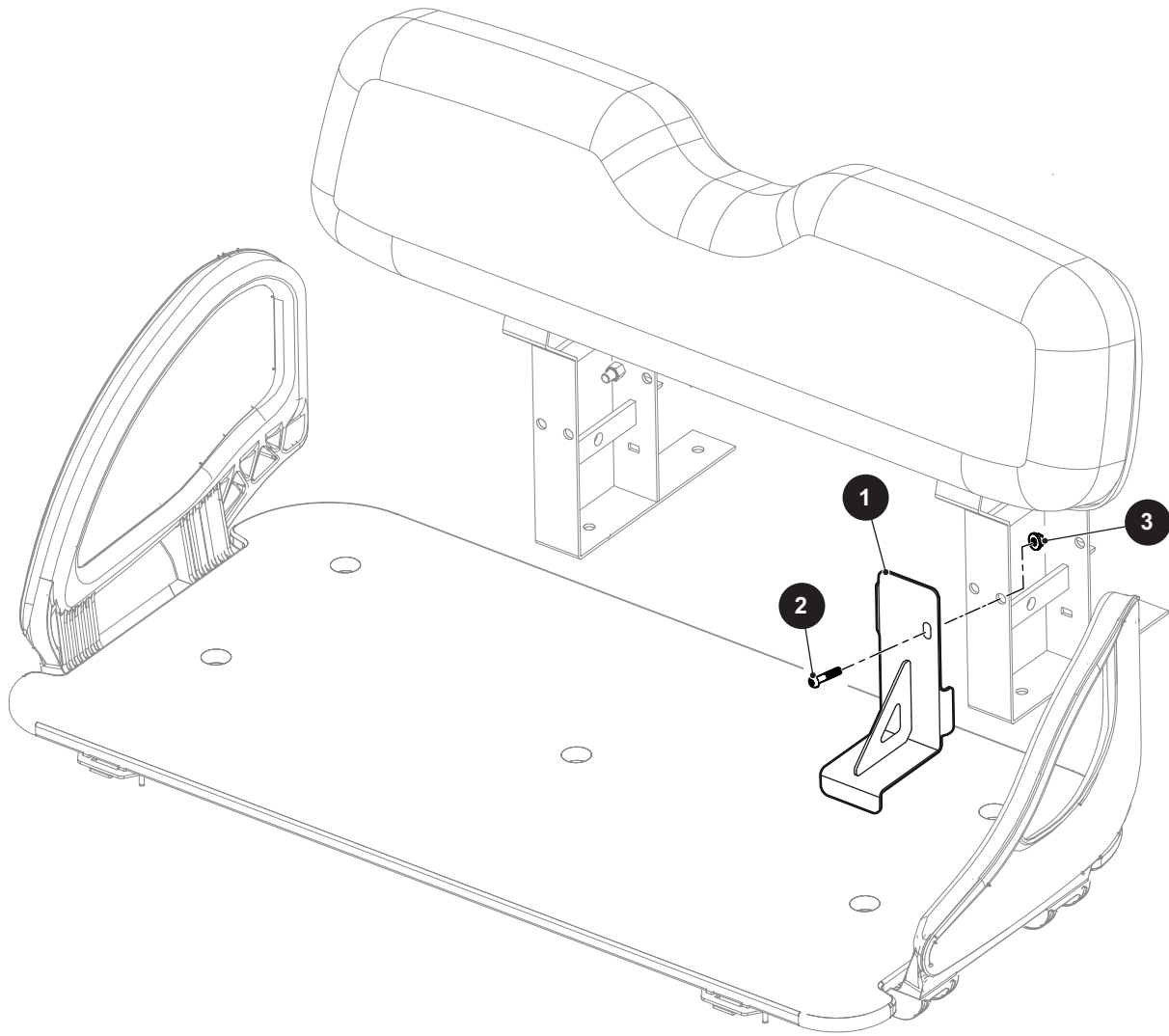
When ordering parts, please specify the model and serial number of the product.

* Indicates a component that is not available as an individual part.

*** Indicates consult Customer Service Department for additional information.

ITEM	PART NO.	1 2 3 4 5	DESCRIPTION	QTY.
1	634174		Seat Frame Support	2
2	00427G6		Hex Head Bolt, 3/8" - 16 x 1 1/4" Lg	2
3	634180		Seat Frame Weldment	1
4	00427G2		Hex Head Bolt, 3/8" - 49 x 1.25" Lg	4
5	00427G4		Hex Head Bolt, 3/8" - 16 x 1 1/2" Lg	6
6	00428G8		Hex Head Bolt, 3/8" - 16 x 1 1/4" Lg	2
7	16705G9		Truss Head Phillips Screw (SS), 1/4" - 20 x 1 1/4" Lg.....	4
8	614221		Flat Washer, 3/8"	8
9	00559G7		Flat Washer, 1/4"	4
10	11098G5		Lock Nut, 3/8" - 16	4
11	11027G5		Lock Nut, 3/8" - 16	4
12	14390G4		Lock Nut, 1/4" - 20	4
13	19853G1		Square Tube Cap, 1".....	2
14	634184		Handrail Kit, Flip Flop Seat (Includes Items 15 - 20).....	1
15	19859G1		Square Tube Cap, 3/4"	2
16				
17	00427G8		Hex Head Bolt, 3/8" - 16 x 2" Lg	4
18	614221		Flat Washer, 3/8"	8
19	11098G5		Lock Nut, 3/8" - 16	4
20	631485		Footrest Handle Weldment.....	1
21				
22	634175		Rear Seat Arm Rest	2
23	634179		Footrest Weldment.....	1
24	614221		Flat Washer, 3/8"	4
25	614221		Flat Washer, 3/8"	8
26	614221		Flat Washer, 3/8"	4
27	11098G5		Lock Nut, 3/8" - 16	2
28	11098G5		Lock Nut, 3/8" - 16	4

For CE Vehicles Only

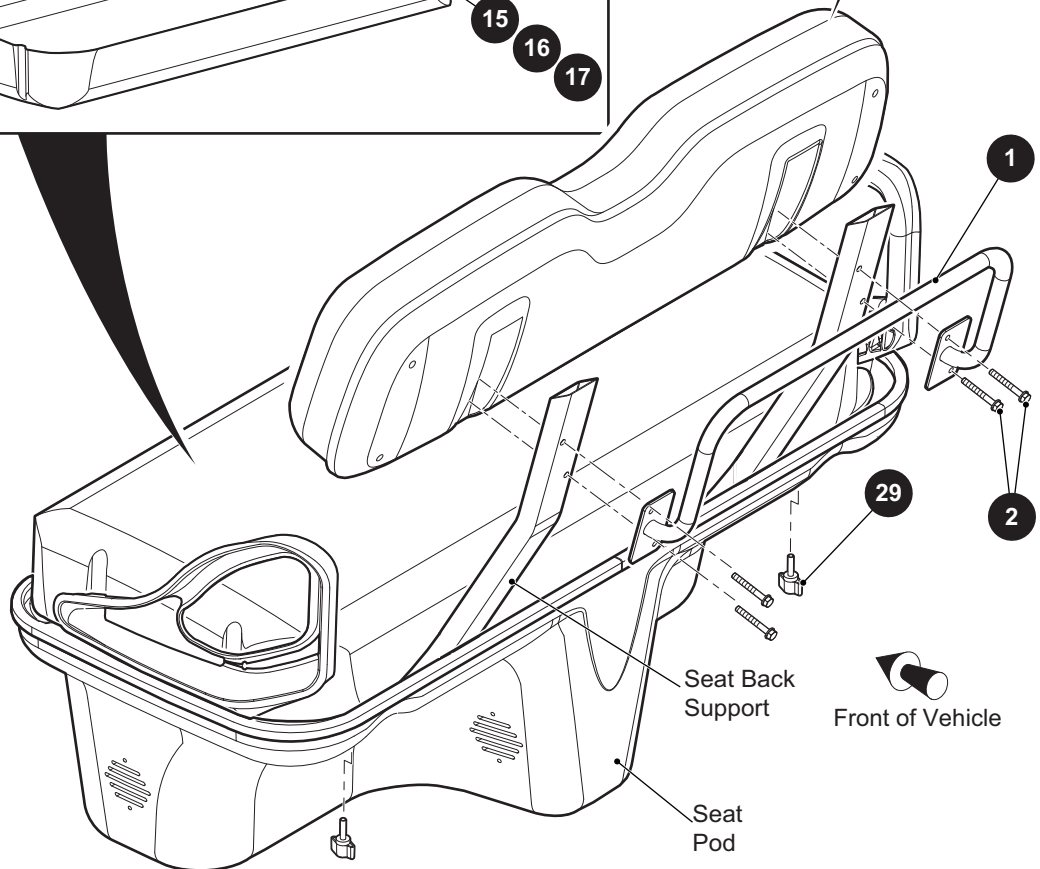
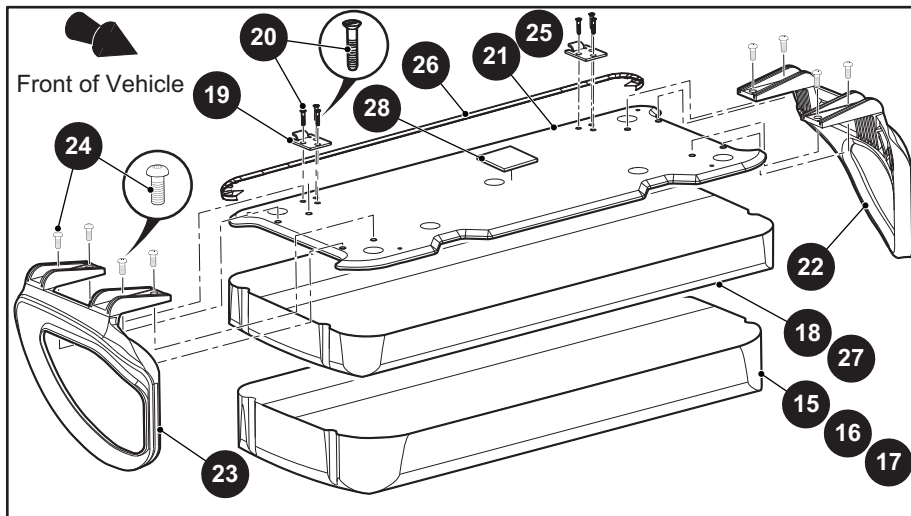
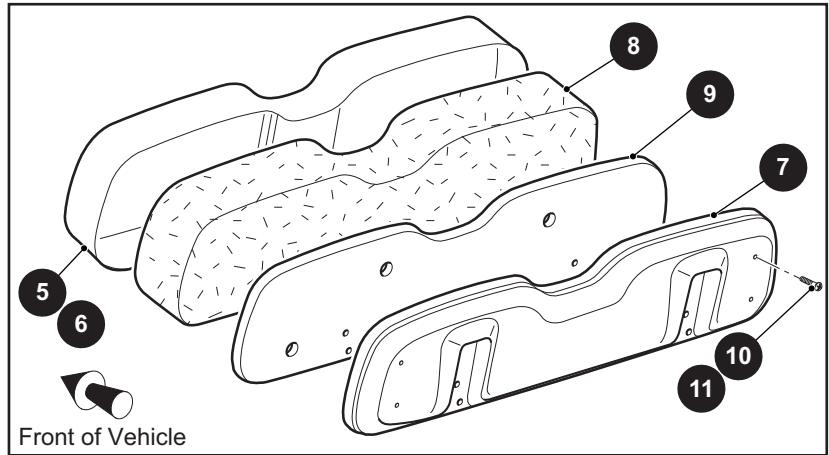


THE USE OF NON U.L. PARTS WILL VOID ANY U.L. LISTING.
 When ordering parts, please specify the model and serial number of the product.
 * Indicates a component that is not available as an individual part.
 *** Indicates consult Customer Service Department for additional information.

ITEM	PART NO.	1 2 3 4 5 DESCRIPTION	QTY.
1	679973	Lock Out Weldment.....	1
2	601326	Button Head Torx Bolt, M6 - 1 x 20mm Lg	1
3	601476	Flanged Lock Nut, M6	1

SEATING

- 3** Seat Back Assembly includes items 5, 7 - 10
- 4** Seat Back Assembly includes items 6 - 9, 11
- 12** Seat Bottom Assembly includes items 15, 18 - 24
- 13** Seat Bottom Assembly includes items 16, 18 - 24
- 14** Seat Bottom Assembly includes items 17, 19 - 20, 25 - 28



THE USE OF NON U.L. PARTS WILL VOID ANY U.L. LISTING.

When ordering parts, please specify the model and serial number of the product.

* Indicates a component that is not available as an individual part.

*** Indicates consult Customer Service Department for additional information.

ITEM	PART NO.	1 2 3 4 5	DESCRIPTION	QTY.
1	71632G01		Hand Grip Weldment.....	4
2	71204G02		Hex Washer Head Screw with Patch Lock, 1/4" - 20 x 2" Lg	4
3	***		Seat Back Assembly (Includes Items 5, 7 - 10)..... 606828 Red/Black 604908 White/Blue 604907 White/Red 615838 White/Black 620794 White/Yellow 620796 Gray/Black 615837 Oyster/Garnet	2
4	***		Seat Back Assembly (Includes Items 6 - 9, 11)..... 71751G01 White 71751G02 Gray 71751G03 Oyster 71751G04 Tan 71751G06 Brown 71751G07 Black	2
5	***		Vinyl Seat Back Cover 604916G0304 Red/Black 604916G0102 White/Blue 604916G0103 White/Red 604916G0104 White/Black 604916G0108 White/Yellow 604916G0704 Grey/Black 604916G0506 Oyster/Garnet	1
6	***		Vinyl Seat Back Cover 71753G01 White 71753G02 Gray 71753G03 Oyster 71753G04 Tan 71753G06 Brown 71753G07 Black	1
7	71752G01		Rear Seat Back Cover	1
8	71754G01		Seat Back Padding	1
9	645021		Seat Back Base	1
10	648271		Pan Head Torx Screw (SS), #8 - 15 x 1" Lg	4
11	01107G01		Pan Head Torx Screw (SS), #8 x .63" Lg.....	4
12	***		Seat Bottom Assembly (Includes Items 15, 18 - 24) 629269G1701 Oyster 629269G1703 Tan 629269G1704 Gray 629269G1706 Black 629269G1707 Brown	1

SEATING

THE USE OF NON U.L. PARTS WILL VOID ANY U.L. LISTING.

When ordering parts, please specify the model and serial number of the product

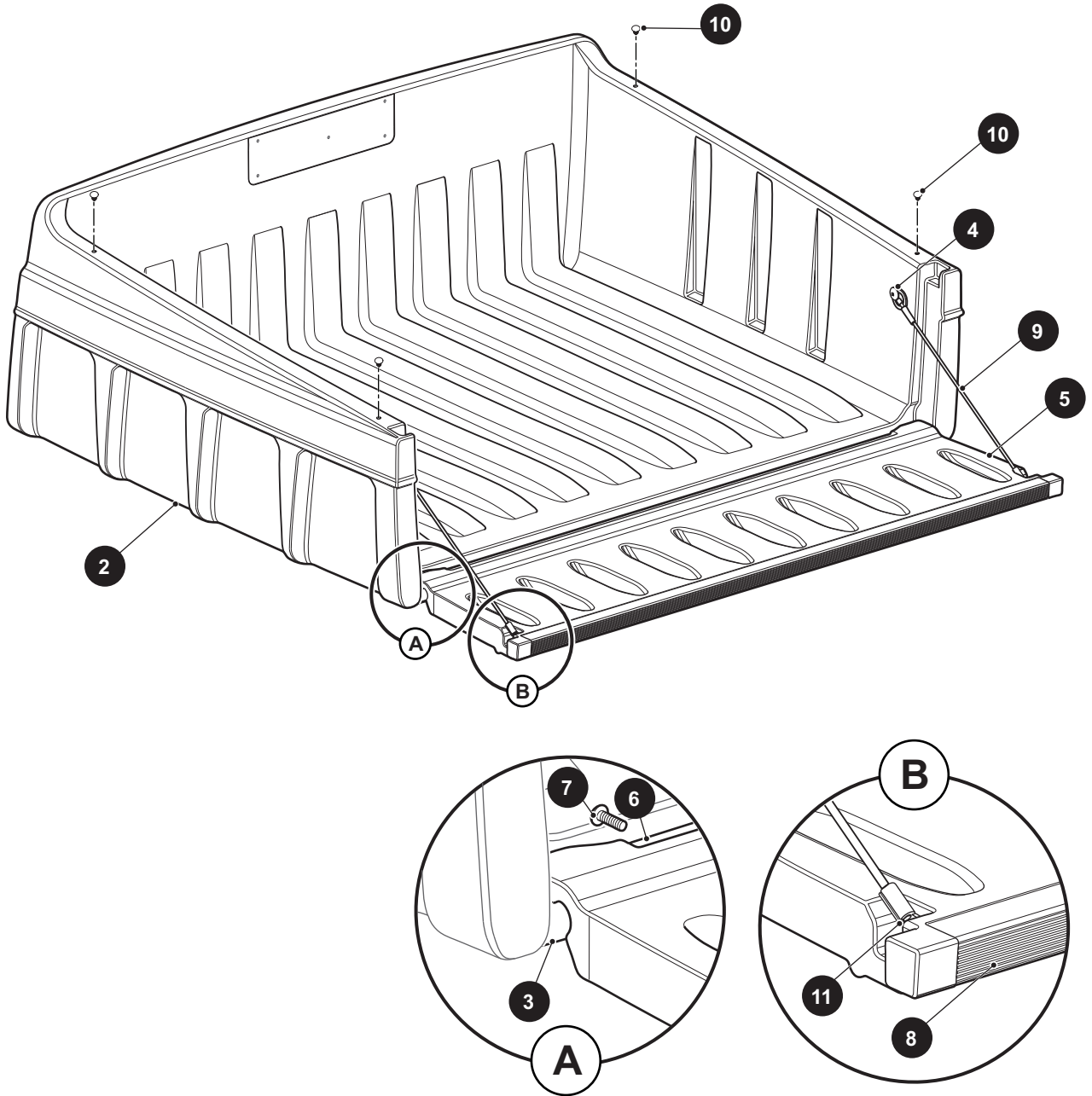
* Indicates a component that is not available as an individual part.

*** Indicates consult Customer Service Department for additional information.

ITEM	PART NO.	1	2	3	4	5	DESCRIPTION	QTY.
13	***	Seat Bottom Assembly (Includes Items 16, 18 - 24).....					1	
		629269G1709					White/Blue	
		629269G1711					White/Red	
		629269G1712					White/Black	
		629269G1713					White/Yellow	
		629269G1710					Red/Black	
		629269G1714					Gray/Black	
		629269G1715					Oyster/Garnet	
14	***	Seat Bottom Assembly (Includes Items 17, 19 - 20, 25 - 27)					1	
		629269G0708					Special	
15	***	Vinyl Seat Cover					1	
		71624G03					Oyster	
		71624G04					Tan	
		71624G02					Gray	
		71624G07					Black	
		71624G06					Brown	
16	***	Vinyl Seat Cover					1	
		604912G0102					White/Blue	
		604912G0103					White/Red	
		604916G0104					White/Black	
		604916G0108					White/Yellow	
		604916G0304					Red/Black	
		604916G0704					Grey/Black	
		604916G0506					Oyster/Garnet	
17	***	Vinyl Seat Bottom Cover					1	
		71650G05					Special	
18	71625G01	Seat Bottom Padding					1	
19	71610G01	Seat Hinge					2	
20	00720G08	Flat Head Phillips Screw, #12 -14 x 1" Lg					6	
21	649851	Seat Bottom Base					1	
22	617645	Hip Restraint (Driver Side)					1	
23	617644	Hip Restraint (Passenger Side).....					1	
24	615417	Button Head Torx Bolt, M10 - 1.5 x 25mm Lg					8	
25	645493	Seat Bottom					1	
26	71012G01	Vinyl Trim (Seat Bottom)					1	
27	71649G01	Seat Bottom Padding					1	
28	17074G1	Soiling Slab					2	
29	70864G01	T-Knob Stud, 1/4" - 20 x 1" Lg					2	

TRUCK BED

1 Bed Assembly includes items 2 - 11



THE USE OF NON U.L. PARTS WILL VOID ANY U.L. LISTING.

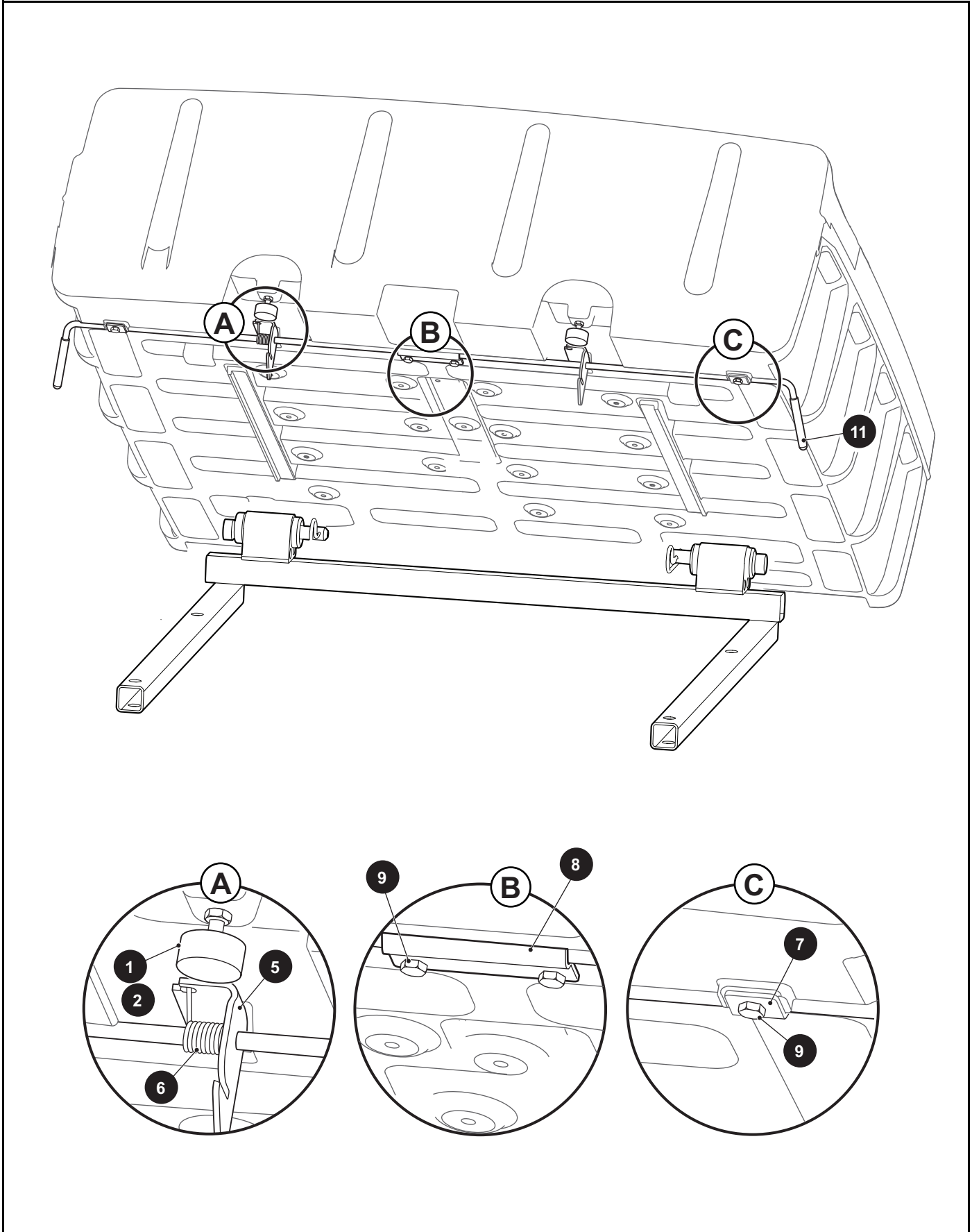
When ordering parts, please specify the model and serial number of the product.

* Indicates a component that is not available as an individual part.

*** Indicates consult Customer Service Department for additional information.

ITEM	PART NO.	1 2 3 4 5	DESCRIPTION	QTY.
1	72647G01		Bed Assembly (Includes Items 2 -11).....	1
2	72648G01		Plastic Bed, 36"	1
3	73454G01		Pivot Shaft	2
4	73460G01		Shoulder Bolt, .350" Dia x 1/4" - 20 x 3/4" Lg.....	2
5	72649G01		Tailgate	1
6	73450G01		Bowed Angle.....	1
7	16705G2		Pan Head Phillips Screw (SS), 1/4" - 20 x 5/8" Lg	4
8	73449G01		Tailgate Cap.....	1
9	73455G02		Tailgate Cable	1
10	16816G5		Ratchet Rivet, .187 x .550	4
11	00415G2		Hex Head Bolt, 1/4" - 20 x 1 1/4" Lg, Grade 5.....	2

TRUCK BED



THE USE OF NON U.L. PARTS WILL VOID ANY U.L. LISTING.

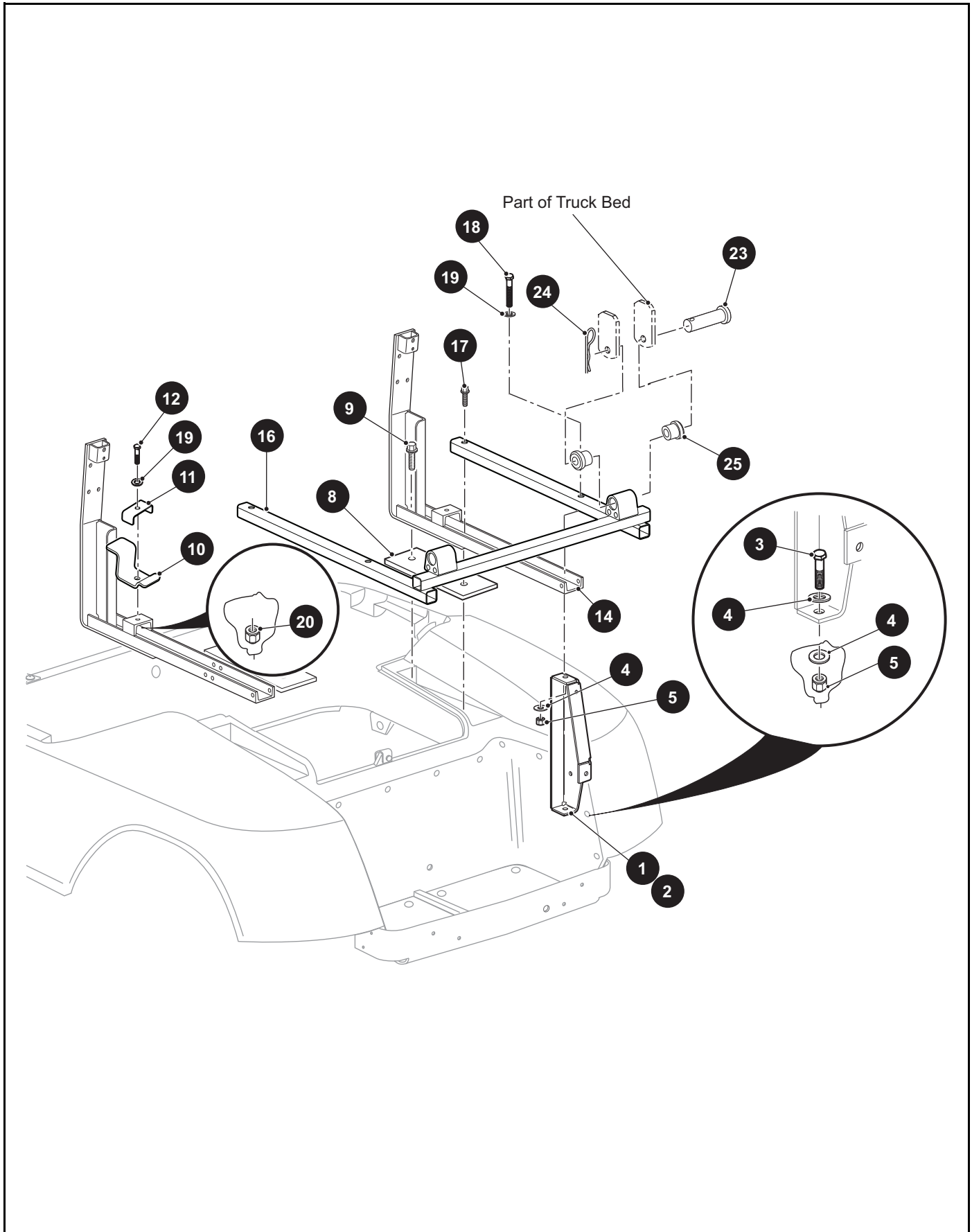
When ordering parts, please specify the model and serial number of the product.

* Indicates a component that is not available as an individual part.

*** Indicates consult Customer Service Department for additional information.

ITEM	PART NO.	1 2 3 4 5	DESCRIPTION	QTY.
1	70113G01		Adjustable Rubber Bumper	2
2	11027G1		Lock Nut, 5/16" - 18	2
3				
4				
5	607072		Bed Latch	1
6	71538G01		Latch Torsion Spring	1
7	652442G03		Keeper Plate	2
8	652440G03		Retainer Bracket	1
9	01118G01		Hex Head Bolt, 1/4" - 20 x 5/8" Lg	4
10				
11	71704G01		Handle Grip	2

TRUCK BED



THE USE OF NON U.L. PARTS WILL VOID ANY U.L. LISTING.

When ordering parts, please specify the model and serial number of the product.

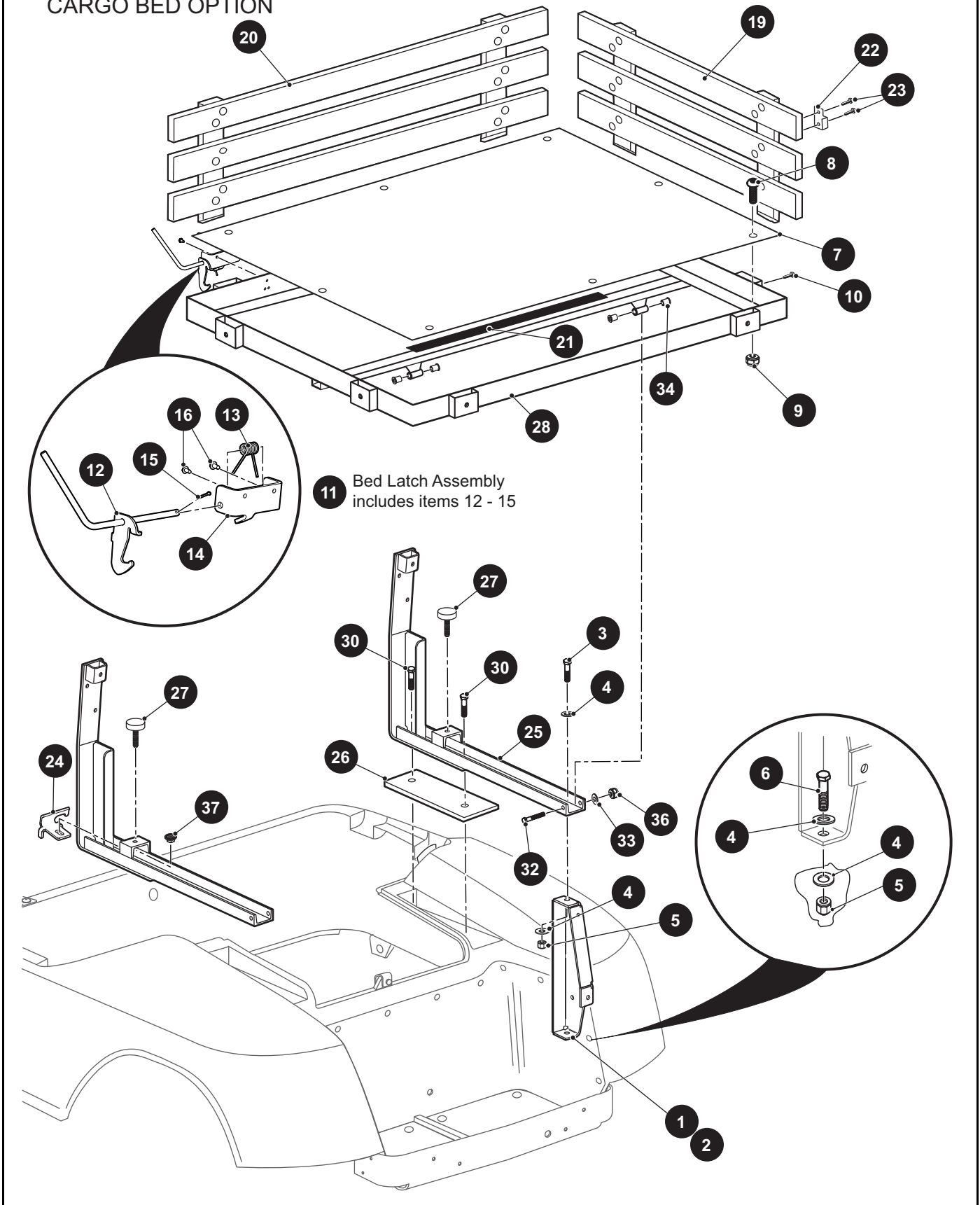
* Indicates a component that is not available as an individual part.

*** Indicates consult Customer Service Department for additional information.

ITEM	PART NO.	1 2 3 4 5	DESCRIPTION	QTY.
1	74126G01		Rear Support Frame (Driver Side)	1
2	74126G02		Rear Support Frame (Passenger Side)	1
3	00427G4		Hex Head Bolt, 3/8" - 16 x 1 1/2" Lg, Grade 5	2
4	00560G1		Flat Washer, 3/8"	6
5	11098G5		Lock Nut, 3/8" - 16	4
6				
7				
8	70364G01		Spacer.....	2
9	01006G02		Hex Washer Head Bolt, 3/8" - 16 x 1 1/2" Lg	2
10	606167		Front Bed Support.....	2
11	607093		Bed Support Bracket	2
12	00439G1		Hex Head Bolt, 5/16"- 18 x 1 1/8" Lg, Grade 5	2
13				
14	625525		Seat Support	2
15				
16	635380		Bed Frame	1
17	01075G02		Hex Washer Head Bolt, 3/8" - 16 x 2.5" Lg	2
18	00665G8		Hex Head Bolt, 3/8" - 16 x 2" Lg	2
19	00559G8		Flat Washer, 5/16"	4
20	11098G6		Lock Nut, 3/8" - 16	2
21				
22				
23	71571G01		Clevis Pin	2
24	21683G1		Cotter Pin, 5/32" x 2 13/16"	2
25	624030		Flanged Bushing	4

TRUCK BED

CARGO BED OPTION



THE USE OF NON U.L. PARTS WILL VOID ANY U.L. LISTING.

When ordering parts, please specify the model and serial number of the product.

* Indicates a component that is not available as an individual part.

*** Indicates consult Customer Service Department for additional information.

ITEM	PART NO.	1 2 3 4 5	DESCRIPTION	QTY.
1	74126G01		Rear Support Frame (Driver Side)	1
2	74126G02		Rear Support Frame (Passenger Side).....	1
3	00426G8		Hex Head Bolt, 3/16" - 16 x 1" Lg, Grade 5	2
4	00560G1		Flat Washer, 3/8"	8
5	11098G5		Lock Nut, 3/8" - 16	4
6	00427G4		Hex Head Bolt, 3/8" - 16 x 1 1/2" Lg, Grade 5	2
7	655936		Cargo Deckboard	1
8	16705G9		Truss Head Phillips Screw (SS), 1/4" - 20 x 1 1/4" Lg.....	8
9	14390G4		Lock Nut, 1/4" - 20	8
10	00666G6		Truss Head Thread Forming Screw (SS), #10 - 12 x 3/4" Lg.....	6
11	72913G01		Bed Latch Assembly (Includes Items 12 - 15).....	1
12	72912G01		Bed Latch	1
13	70681G01		Torsion Spring.....	1
14	74509G01		Pivot Bracket	1
15	10387G3		Cotter Pin.....	1
16	00100G6		Hex Washer Self Tapping Screw, #10 - 16 x 3/4" Lg.....	2
17				
18				
19	34280G01		Cargo Rack, 30.5"	2
20	34280G02		Cargo Rack, 43"	2
21	23052G1		Weather Stripping	1
22	74079G02		Tailgate Retainer Bracket.....	2
23	00666G6		Truss Head Thread Forming Screw (SS), #10 - 12 x 3/4" Lg.....	4
24	72914G01		Latch Tab Bracket (Passenger Side).....	1
25	625525		Seat Support Weldment.....	2
26	70364G01		Spacer Plate.....	2
27	70113G01		Adjustable Rubber Bumper	2
28	635862		Cargo Deck Weldment	1
29				
30	01006G01		Hex Head Bolt, 3/8" - 16 x 1 1/4" Lg	4
31				

TRUCK BED

THE USE OF NON U.L. PARTS WILL VOID ANY U.L. LISTING.

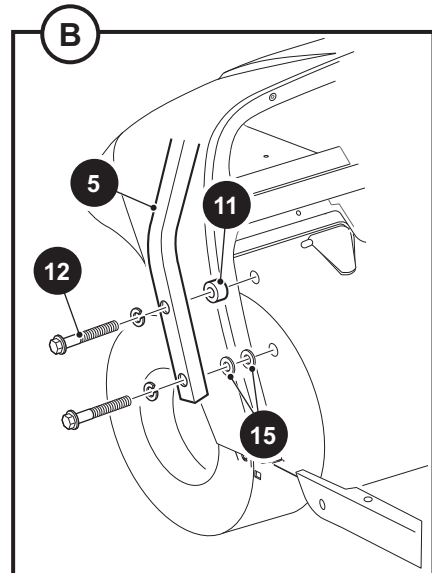
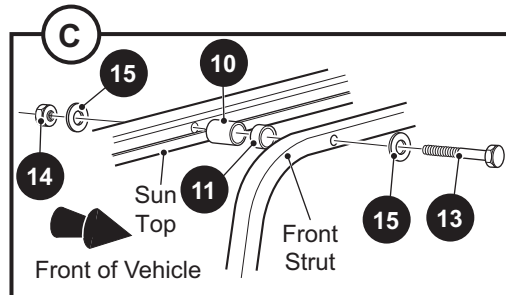
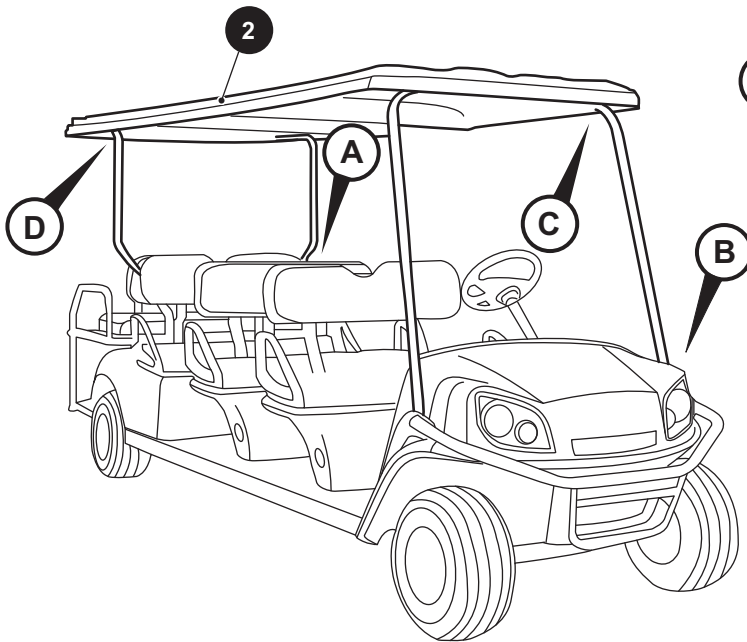
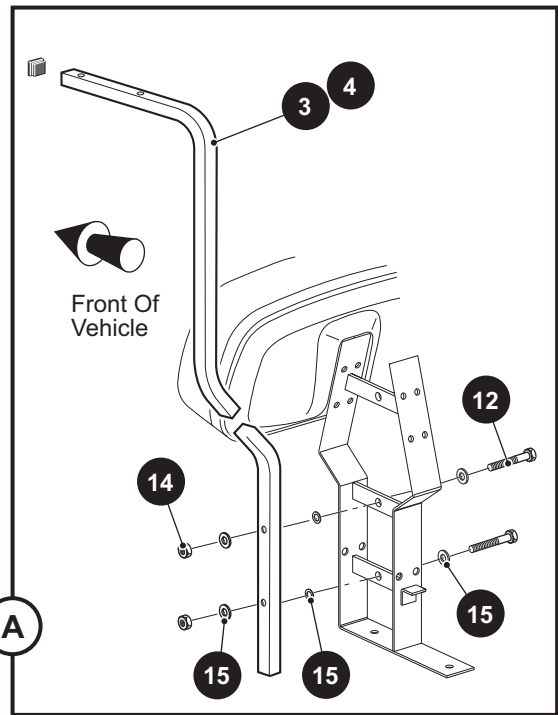
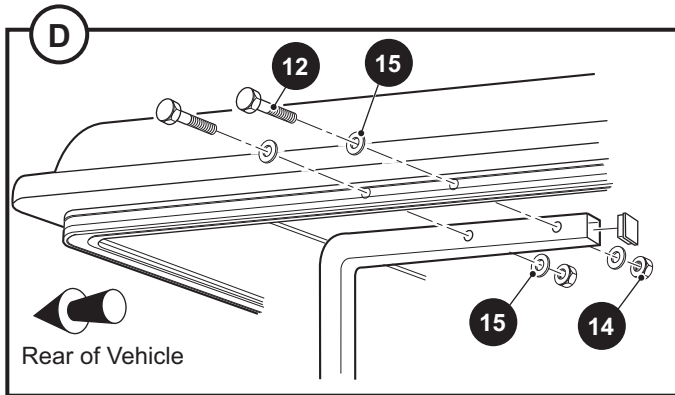
When ordering parts, please specify the model and serial number of the product.

* Indicates a component that is not available as an individual part.

*** Indicates consult Customer Service Department for additional information.

ITEM	PART NO.	1 2 3 4 5	DESCRIPTION	QTY.
32	00440G4		Hex Head Bolt, 5/16" 18 x 1 1/4" Lg	2
33	00559G8		Flat Washer, 5/16"	2
34	17838G1		Nyliner Bushing	4
35				
36	11098G6		Lock Nut, 5/16" - 18	2
37	11027G1		Flanged Lock Nut, 5/16" - 18	4

WEATHER PROTECTION



- 1** Sun Top Kit, 140" includes items 2 - 9
- 9** Sun Top Hardware Kit includes items 10 - 16

WEATHER PROTECTION

THE USE OF NON U.L. PARTS WILL VOID ANY U.L. LISTING.

When ordering parts, please specify the model and serial number of the product.

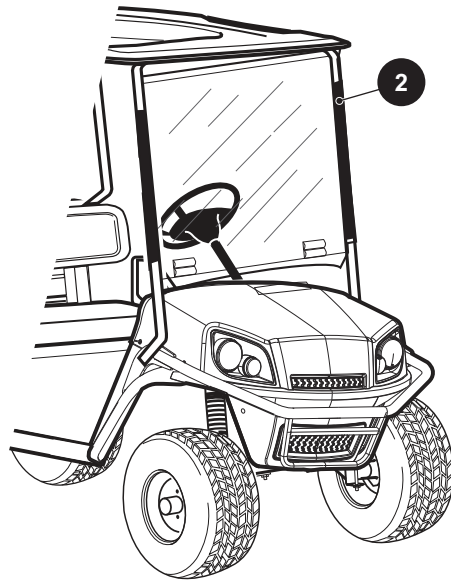
* Indicates a component that is not available as an individual part.

*** Indicates consult Customer Service Department for additional information.

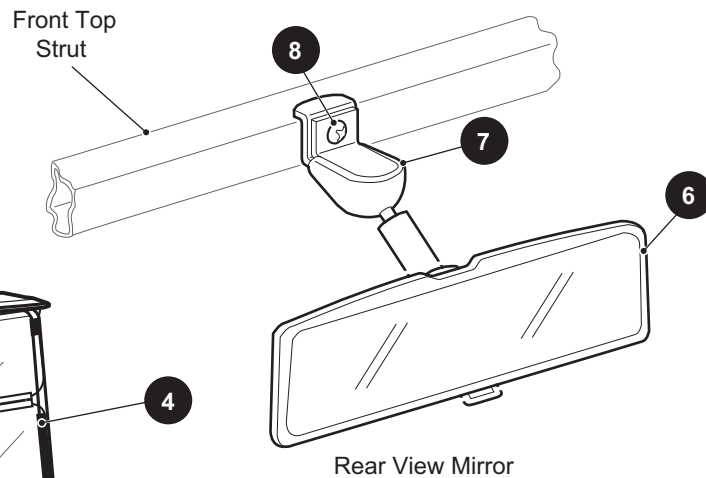
ITEM	PART NO.	1 2 3 4 5	DESCRIPTION	QTY.
1	626706		Sun Top Kit, 140" (Includes Items 2 - 9).....	1
2	626701		Sun Top, White	1
3	626704		Rear Strut, Passenger Side.....	1
4	626705		Rear Strut, Driver Side	1
5	626703		Front Strut.....	1
6	626702		Sun Top Support (Not Illustrated)	2
7				
8				
9	627706		Sun Top Hardware Kit (Includes Items 10 - 16).....	1
10	75048G04		Spacer, .328 x .75 x 1" Lg	2
11	75048G01		Spacer, .328 x .75 x 1/2" Lg	4
12	01035G02		Hex Head Bolt, 5/16" - 18 x 2.5" Lg, Grade 5	12
13	00441G8		Hex Head Bolt, 5/16" - 18 x 2" Lg	2
14	11098G6		Lock Nut, 5/16" - 18	10
15	01110G03		Flat Washer, 5/16"	28
16	800943		T-Screw, #10 - 16 x 3/4" Lg (Not Illustrated)	8

WEATHER PROTECTION

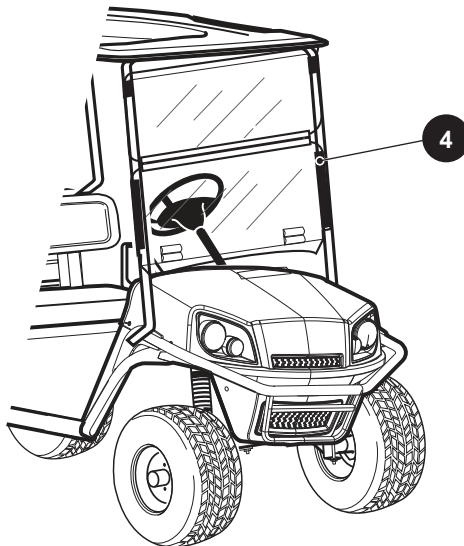
- 1 Full Windshield includes item 2



- 5 Rear View Mirror Kit includes items 6 - 8



- 3 Split Windshield Kit includes items 4



WEATHER PROTECTION

THE USE OF NON U.L. PARTS WILL VOID ANY U.L. LISTING.

When ordering parts, please specify the model and serial number of the product.

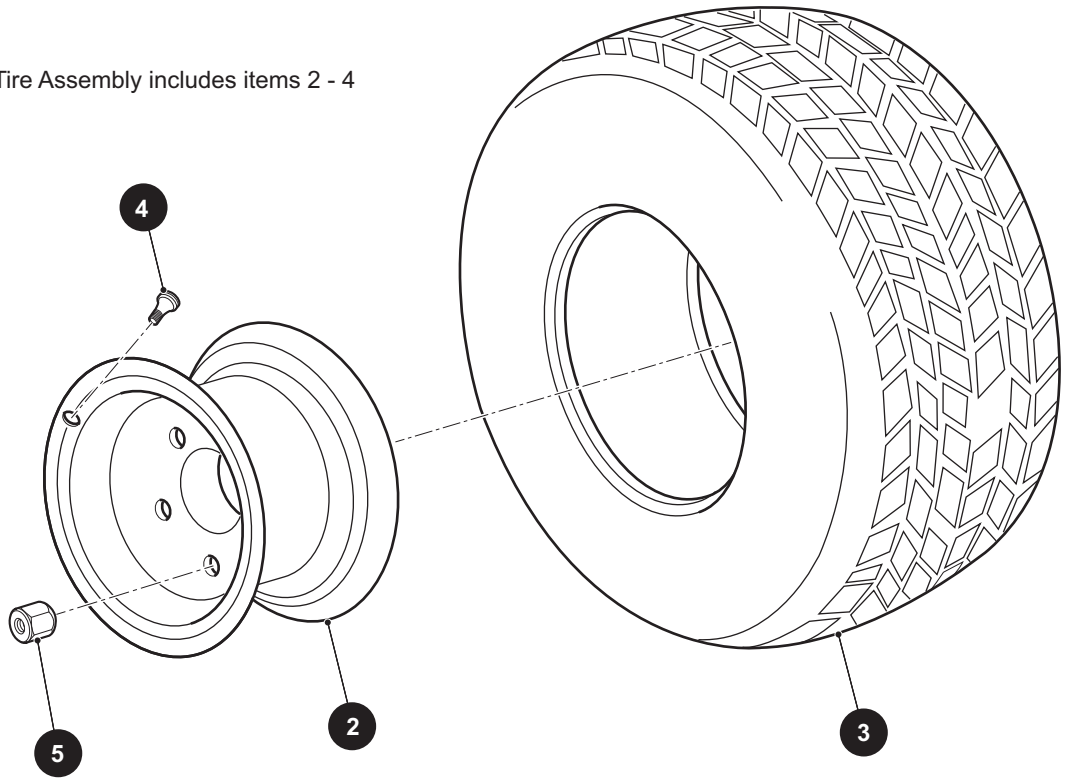
* Indicates a component that is not available as an individual part.

*** Indicates consult Customer Service Department for additional information.

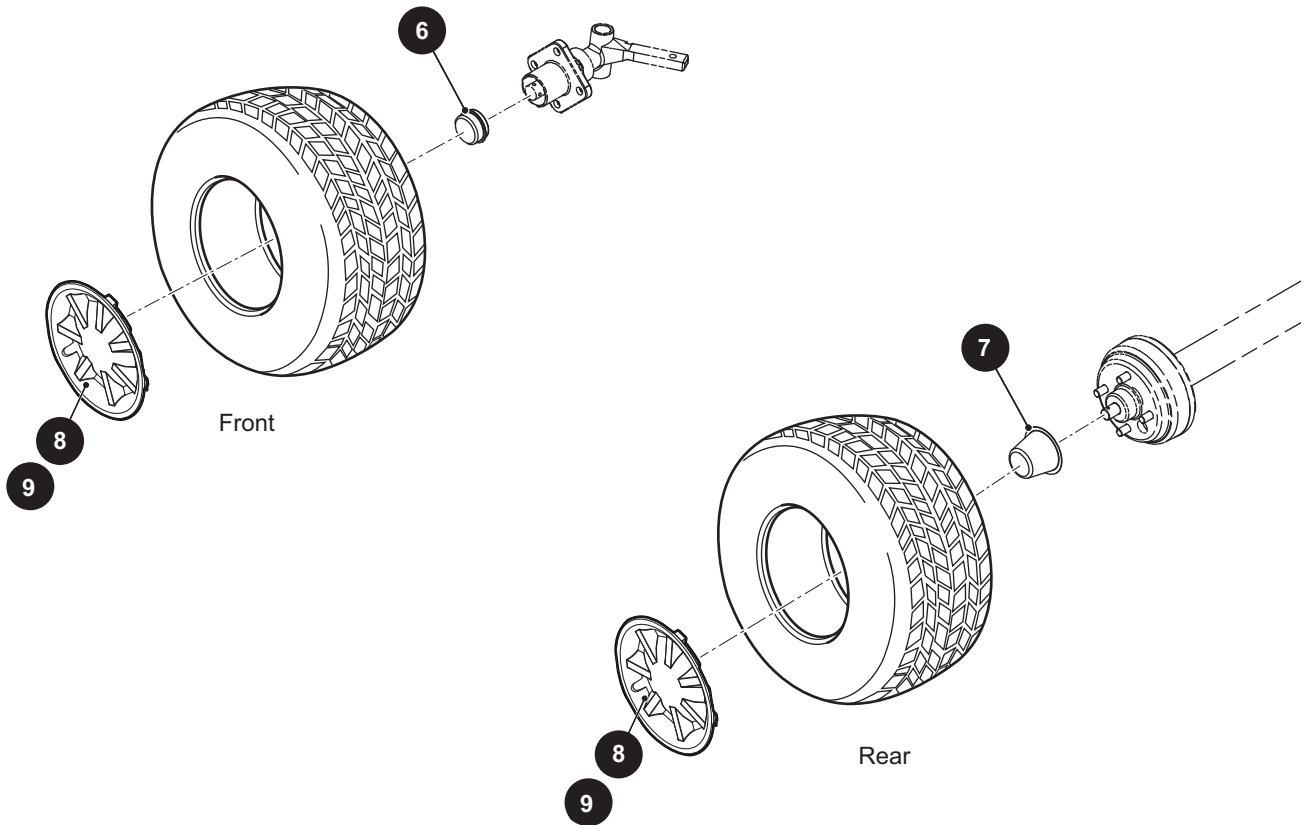
ITEM	PART NO.	1 2 3 4 5	DESCRIPTION	QTY.
1	611099		Full Windshield (Includes Item 2)	1
2	615662		Sash, 26"	2
3	611100		Split Windshield (Includes Item 4)	1
4	615661		Sash, 12"	2
5	19528G2		Rear View Mirror Kit (Includes Items 6 - 8)	1
6	19496G1		Rear View Mirror	1
7	19502G2		Support Bracket	1
8	19527G1		Pan Head Screw (SS), # 8 - 32 x 5/8" Lg	1

WHEELS AND TIRES

1 Wheels and Tire Assembly includes items 2 - 4



(Style of tire may differ from tire shown)



WHEELS AND TIRES

THE USE OF NON U.L. PARTS WILL VOID ANY U.L. LISTING.

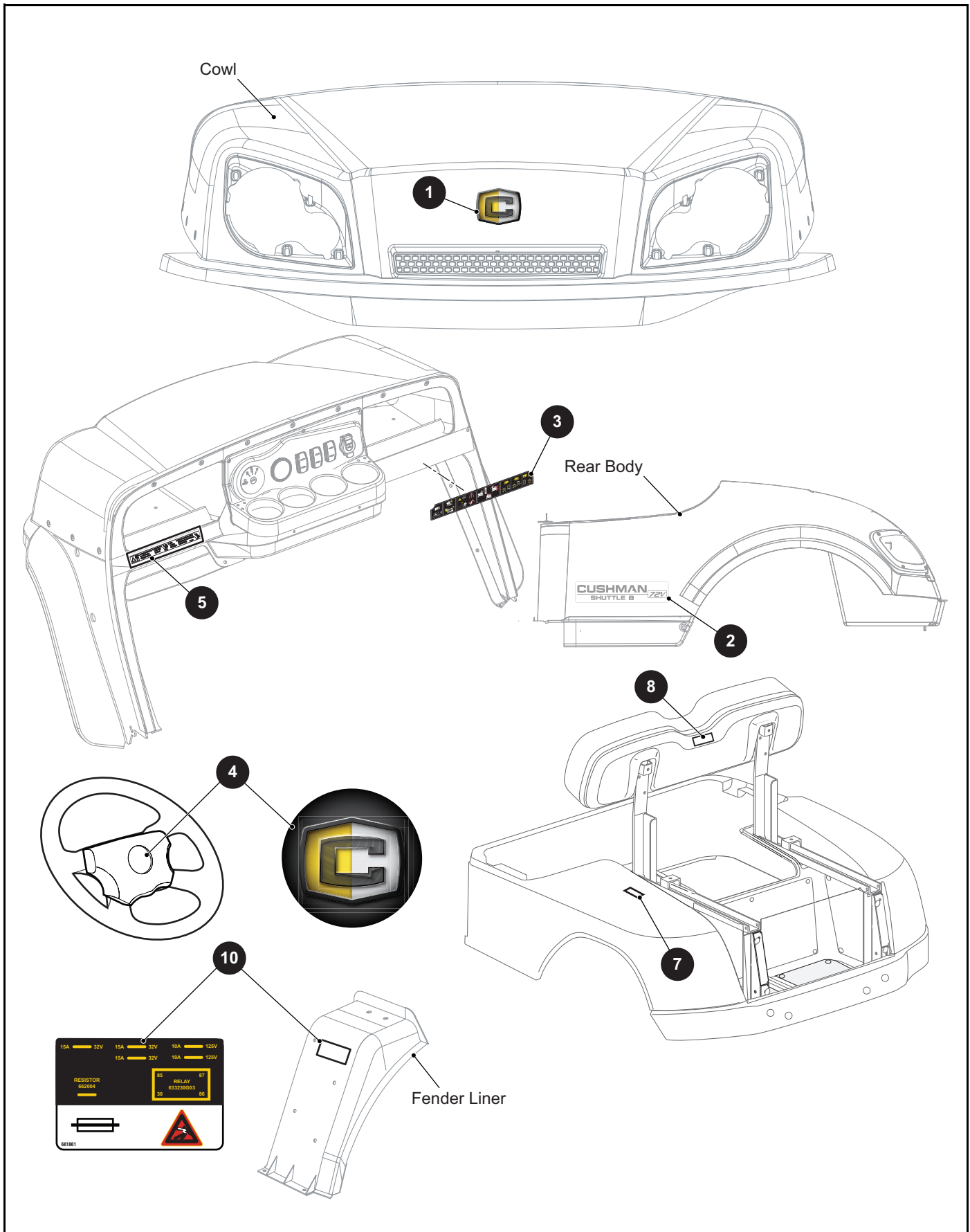
When ordering parts, please specify the model and serial number of the product.

* Indicates a component that is not available as an individual part.

*** Indicates consult Customer Service Department for additional information.

ITEM	PART NO.	1 2 3 4 5	DESCRIPTION	QTY.
1	614437		Wheel and Tire Assembly, Load Star (Includes Items 2 - 4)	1
2	614621		Wheel	1
3	614438		Tire.....	1
4	11657G2		Valve Stem	1
5	14723G1		Lug Nut, 1/2" - 20	4
6	12091G2		Spindle Cap.....	1
7	74175G01		Molded Dust Cap	1
8	665144		Wheel Cover, 8" (Metallic Silver).....	1
9	665149		Wheel Cover, 8" (Metallic Gold)	1

DECALS AND LABELS



DECALS AND LABELS

THE USE OF NON U.L. PARTS WILL VOID ANY U.L. LISTING.

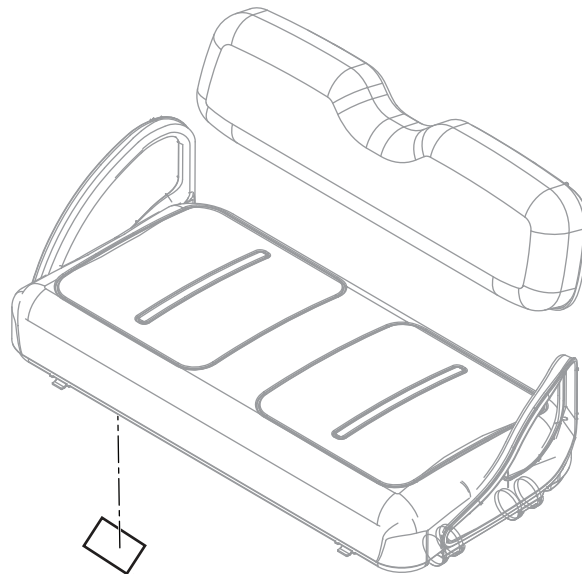
When ordering parts, please specify the model and serial number of the product.

* Indicates a component that is not available as an individual part.

*** Indicates consult Customer Service Department for additional information.

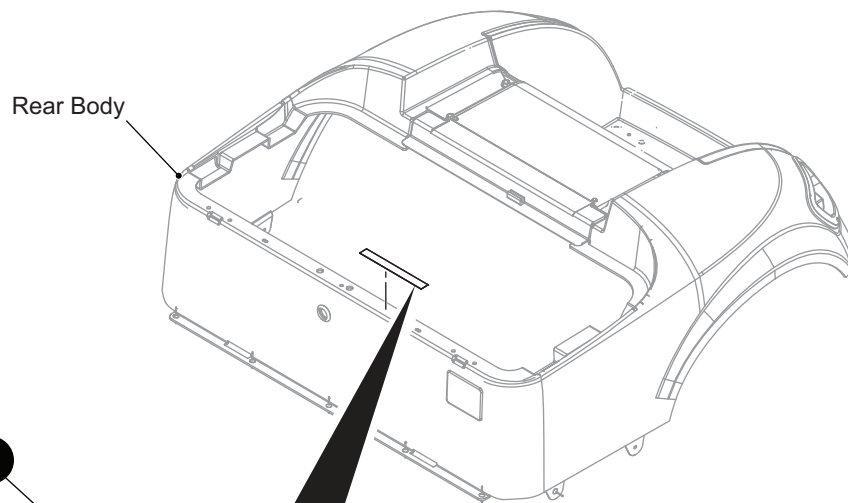
ITEM	PART NO.	1 2 3 4 5	DESCRIPTION	QTY.
1	619135		Cowl Decal	1
2	671337		Side Decal	2
3	662186		Operating Instruction Label	1
4	618086		Steering Wheel Decal	1
5	74443G01		Anti Rollback Decal	1
6				
7	74099G01		Bed Latch Warning Label	1
8	74095G01		Bed Warning Label	1
9				
10	661861		Fuse Block Decal	1

For CE vehicles only



1

AUTHORIZED REPRESENTATIVE IN EC IS:
RANSOMES JACOBSEN LTD.
WEST ROAD, IPSWICH,
SUFFOLK, IP3 9TT, UK 014288



2



DECALS AND LABELS

THE USE OF NON U.L. PARTS WILL VOID ANY U.L. LISTING.

When ordering parts, please specify the model and serial number of the product.

* Indicates a component that is not available as an individual part.

*** Indicates consult Customer Service Department for additional information.

ITEM	PART NO.	1 2 3 4 5	DESCRIPTION	QTY.
1	614068		Authorized Representative Label	1
2	28203G01		Battery Warning Decal	1



Textron Specialized Vehicles, Inc.,
1451 Marvin Griffin Road
Augusta, Georgia 30906 - 3852 USA

CONTACT INFORMATION

North America:

Technical Assistance & Warranty
Service Parts

Phone: 1-800-774-3946, FAX: 1-800-448-8124

Phone: 1-888-438-3946, FAX: 1-800-752-6175

International:

Phone: 001-706-798-4311, FAX: 001-706-771-4609

Owner's Guides and Repair Manuals
are available from a local Distributor, an authorized Branch,
Parts & Accessories Department or at www.cushman.com.

Copyrighted Material
This manual may not be reproduced in whole or
in part without the express permission of
Textron Specialized Vehicles
Technical Publications Department