



CUSHMAN[®]
LET'S WORK.

Shuttle 8

Service Parts Manual

SERVICE PARTS MANUAL

GASOLINE EFI POWERED UTILITY VEHICLE

SHUTTLE 8

STARTING MID-MODEL YEAR 2019

Never modify the vehicle in any way that will alter the weight distribution of the vehicle, decrease its stability or increase the speed beyond the factory specifications. Such modifications can cause serious personal injury or death. Textron Specialized Vehicles prohibits and dis-claims responsibility for any such modifications or any other alteration which would adversely affect the safety of the vehicle. TSV reserves the right to incorporate engineering and design changes to products in this manual, without obligation to include these changes on units sold previously.

The information contained in this manual may be revised periodically by TSV, and therefore is subject to change without notice.

TSV DISCLAIMS LIABILITY FOR ERRORS IN THIS MANUAL, and SPECIFICALLY DISCLAIMS LIABILITY FOR INCIDENTAL AND CONSEQUENTIAL DAMAGES resulting from the use of the information and materials in this manual.

These are the original instructions as defined by 2006/42/EC.

TO CONTACT US:

Textron Specialized Vehicles, Inc.
1451 Marvin Griffin Road
Augusta, Georgia, USA 30906-3852

NORTH AMERICA:

Technical Assistance & Warranty PHONE: 1-800-774-3946, FAX: 1-800-448-8124

Service Parts PHONE: 1-888-438-3946, FAX: 1-800-752-6175

International: PHONE: 001-706-798-4311, FAX: 001-706-771-4609

GENERAL INFORMATION

To obtain a copy of the limited warranty applicable to the vehicle, call or write a local Distributor, authorized Branch or the Warranty Department with vehicle serial number and manufacturer code.

The use of non Original Equipment Manufacturer (OEM) approved parts may void the warranty.

Tampering with or adjusting the governor to permit vehicle to operate at above factory specifications will void the vehicle warranty.

When servicing engines, all adjustments and replacement components must be per original vehicle specifications in order to maintain the United States of America Federal and State emission certification applicable at the time of manufacture.

BATTERY PROLONGED STORAGE

All batteries will self discharge over time. The rate of self discharge varies depending on the ambient temperature and the age and condition of the batteries.

A fully charged battery will not freeze in winter temperatures unless the temperature falls below -75° F (-60° C).

BATTERY DISPOSAL

Lead-acid batteries are recyclable. Return whole scrap batteries to distributor, manufacturer or lead smelter for recycling. For neutralized spills, place residue in acid-resistant containers with absorbent material, sand or earth and dispose of in accordance with local, state and federal regulations for acid and lead compounds. Contact local and/or state environmental officials regarding disposal information.

TABLE OF CONTENTS

SECTION	Page No.
HOW TO USE THE SERVICE PARTS MANUAL.....	V
ACCELERATOR.....	A - 1
AIR FILTER.....	B - 1
BODY.....	C - 1
BRAKES.....	D - 1
CLUTCH.....	E - 1
DIRECTION SELECTOR.....	F - 1
ELECTRICAL.....	G - 1
ENGINE AND MUFFLER.....	H - 1
ENGINE MOUNTING.....	J - 1
FRONT SUSPENSION AND STEERING.....	K - 1
FUEL SYSTEM.....	L - 1
REAR AXLE.....	M - 1
REAR SUSPENSION.....	N - 1
SEATING.....	P - 1
STARTER/GENERATOR.....	R - 1
TRUCK BED.....	S - 1
WEATHER PROTECTION.....	T - 1
WHEELS AND TIRES.....	U - 1
DECALS AND LABELS.....	V - 1

NOTES

Large grid area for taking notes.

HOW TO USE THE SERVICE PARTS MANUAL

This manual is divided into several sections:

- GENERAL INFORMATION
- ILLUSTRATED PARTS BREAKDOWN

The first section, GENERAL INFORMATION, contains the following information:

- WARRANTY INFORMATION
- TABLE OF CONTENT
- HOW TO USE THE SERVICE PARTS MANUAL

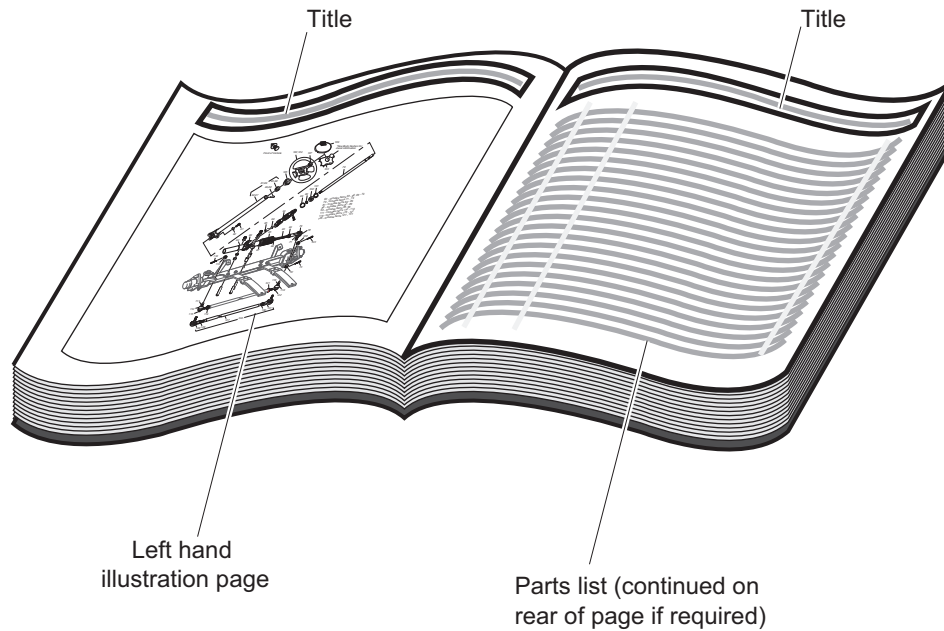
The second section, ILLUSTRATED PARTS BREAKDOWN, contains illustrations and parts lists for all systems of your vehicle.

USE OF THE MANUAL

To use this manual, consult the TABLE OF CONTENTS to locate the information or illustration required.

Introduction of some revisions varies due to supply of components; therefore, it is possible that various combinations of components may be found that are not directly reflected by each illustration. Consult the illustration that best suits your situation and then contact the Service Parts Department. It is important that the serial number or VIN of your vehicle and the model name be supplied to Service Parts when ordering any replacement components.

HOW TO USE THE SERVICE PARTS MANUAL



1. WHEN THE PART NUMBER IS NOT KNOWN

- Determine the function and application of the part required. Turn to the Table of Content and select the most appropriate title.
- Turn to the page number indicated and locate the desired part on the illustration.
- From the illustration, obtain the item number assigned to the desired part. Refer to the accompanying description for specific information regarding the part.

2. IF YOU KNOW THE PART NUMBER

- Locate the part number or description in the appropriate column on the parts list page.

NOTE: It is suggested that you confirm that the part selected is correct by verifying it with the pictorial representation on the illustrated page.

Should an asterisk (*) appear in the part number column on the parts list page, read upwards until a part number is found. The part number is the lowest assembly sold by Service Parts and the asterisk (*) indicates that the part depicted is not available for purchase.

NOTE: Descriptions are indented under the assembly that they are used on. That assembly is, in turn listed under the assembly that it is used on. This process is repeated until the highest final assembly is reached.

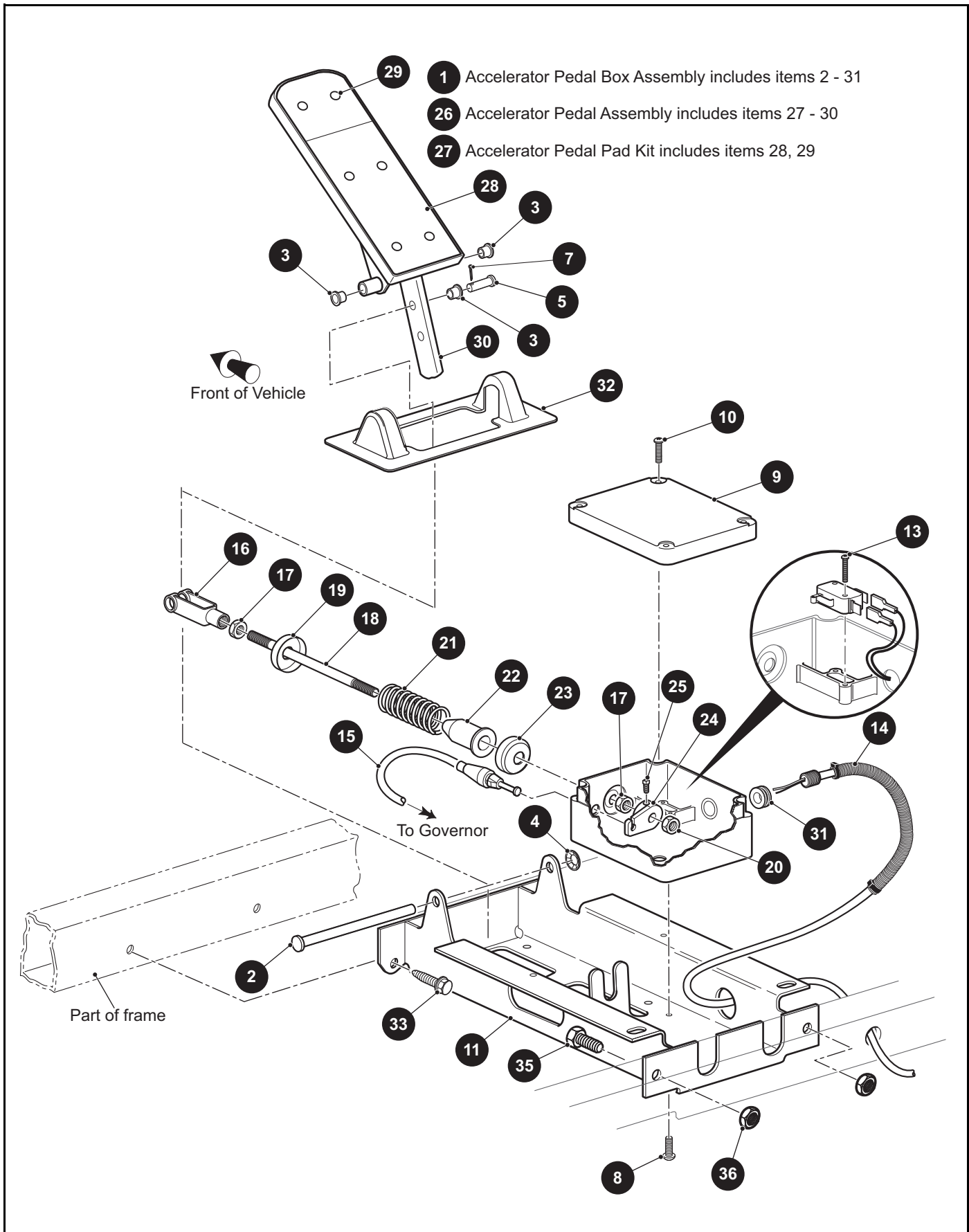
To facilitate the maintenance and repair of the vehicle, a Repair and Service Manual is available from the Service Parts Department.

3. COLOR CODE FOR BODY COMPONENTS

The last two digits of the part number for the body part will denote the color code, locate the part number for the cowl, rear body, seat pod, side panel or seat wrap then locate your color in the list below, replace the last ** or XX with the two digit color code.

<u>CODE #</u>	<u>DESCRIPTION</u>
02	SPECIAL COLOR
11	BLACK
19	PATRIOT BLUE PEARL
20	INFERNO RED METALLIC
26	STEEL BLUE PEARL
31	METALLIC CHARCOAL
35	SAFETY YELLOW
36	IVORY
37	FOREST GREEN
38	BRIGHT WHITE
39	FLAME RED
41	ELECTRIC BLUE
42	PLATINUM
43	BURGUNDY
44	ALMOND
51	SUNBURST ORANGE
52	BRITISH RACING GREEN
69	MONSTER GREEN
74	BARLEY GOLD
75	OASIS GREEN
76	JAVA BROWN
79	JACOBSEN ORANGE 172

ACCELERATOR



THE USE OF NON U.L. PARTS WILL VOID ANY U.L. LISTING.

When ordering parts, please specify the model and serial number of the product.

* Indicates a component that is not available as an individual part.

*** Indicates consult Customer Service Department for additional information.

ITEM	PART NO.	1 2 3 4 5	DESCRIPTION	QTY.
1	662834		Accelerator Pedal Box Assembly (Includes Items 2 - 31)	1
2	<u>74432G01</u>		Pedal Pivot Pin	1
3	<u>17838G1</u>		Nyliner Bushing	3
4	<u>12064G6</u>		Push Nut.....	1
5	<u>10386G3</u>		Clevis Pin, 5/16" x 13/16"	1
6				
7	<u>10387G3</u>		Cotter Pin, 3/32" x 3/4"	1
8	<u>01051G01</u>		Pan Head Phillips Screw, #8 - 16 x 1/2" Lg	4
9	<u>25853G03</u>		Pedal Box and Cover.....	1
10	<u>00684G6</u>		Truss Head Phillips Screw, #8 - 16 x 1/2" Lg.....	2
11	<u>652241G03</u>		Accelerator Pedal Bracket.....	1
12				
13	<u>01050G02</u>		Pan Head Torx Screw, #4 - 20 x 5/8" Lg.....	2
14	<u>658940</u>		Pedal Box Harness.....	1
15	<u>626829</u>		Accelerator Cable	1
16	10385G4		Clevis Yoke	1
17	<u>00532G4</u>		Hex Nut, 5/16" - 24	2
18	72072G01		Accelerator Rod.....	1
19	<u>17677G2</u>		Spring Retainer.....	1
20	<u>15126G1</u>		Lock Nut, 5/16" - 24.....	1
21	<u>73046G01</u>		Compression Spring	1
22	<u>17979G1</u>		Accelerator Rod Bushing.....	1
23	<u>17677G1</u>		Spring Retainer.....	1
24	<u>72716G01</u>		Cam (Micro Switch)	1
25	<u>00487G3</u>		Socket Head Screw, 1/4" - 20 x 3/8" Lg.....	1
26	<u>25799G03</u>		Accelerator Pedal Assembly (Includes Items 27 - 30)	1
27	<u>27844G01</u>		Accelerator Pedal Pad Kit (Includes Items 28, 29).....	1
28	<u>27512G01</u>		Pedal Pad	1
29	<u>15766G1</u>		Oval Rivet, 3/8" x 15/32" Lg.....	6
30	*		Accelerator Pedal.....	1
31	<u>654645</u>		Grommet (Rubber)	1

ACCELERATOR

THE USE OF NON U.L. PARTS WILL VOID ANY U.L. LISTING.

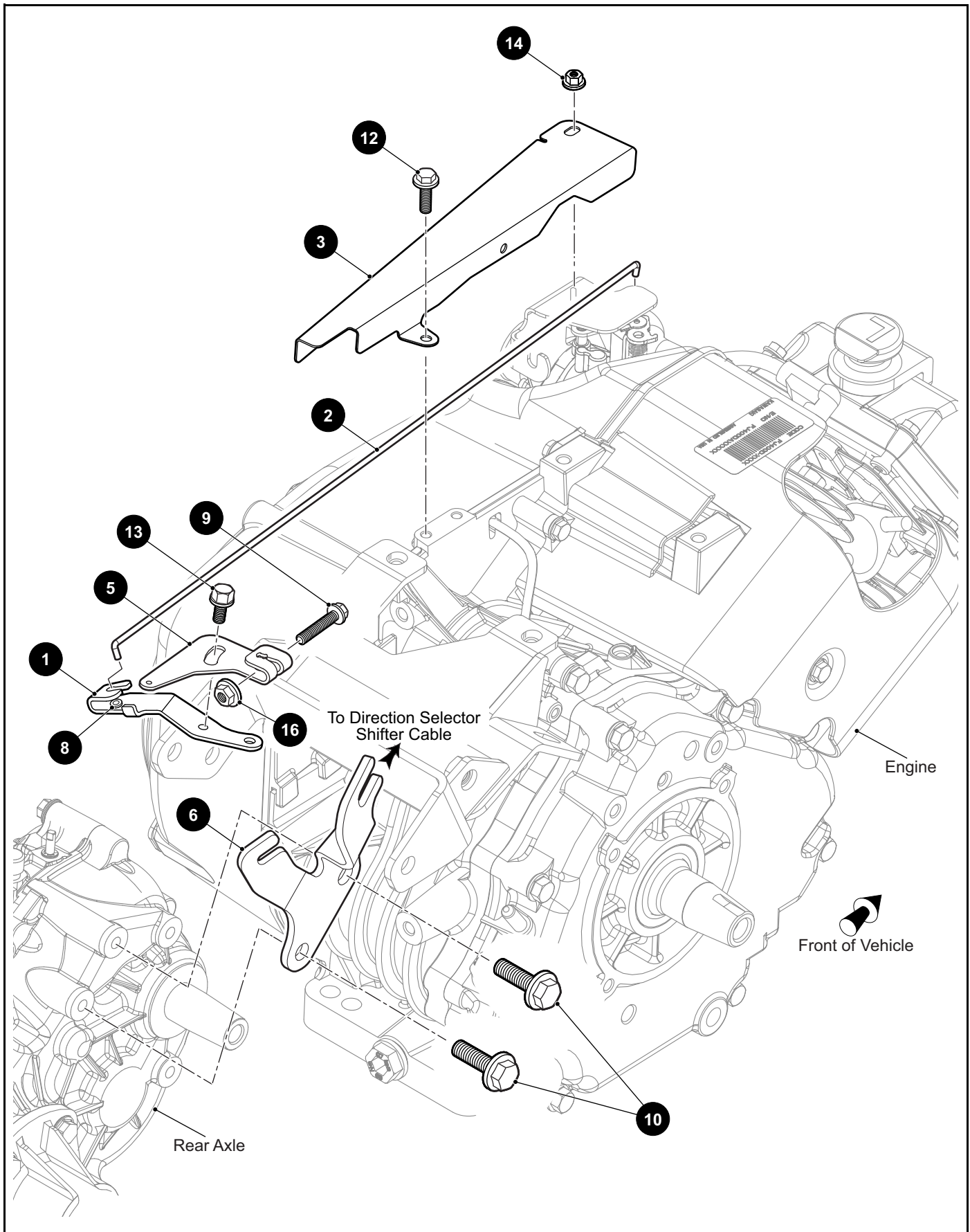
When ordering parts, please specify the model and serial number of the product.

* Indicates a component that is not available as an individual part.

*** Indicates consult Customer Service Department for additional information.

ITEM	PART NO.	1 2 3 4 5	DESCRIPTION	QTY.
32	<u>70135G01</u>		Pedal Pivot Cover	1
33	<u>00715G2</u>		Hex Washer Head Screw, 5/16" - 18 x 3/4" Lg	2
34				
35	<u>00438G8</u>		Hex Head Bolt, 5/16" - 18 x 1" Lg, Grade 5	2
36	<u>00891G3</u>		Lock Nut, 5/16" - 18	2
37	<u>17618G1</u>		Nylon Clamp, 8" Lg (Not Illustrated)	3

ACCELERATOR



THE USE OF NON U.L. PARTS WILL VOID ANY U.L. LISTING.

When ordering parts, please specify the model and serial number of the product.

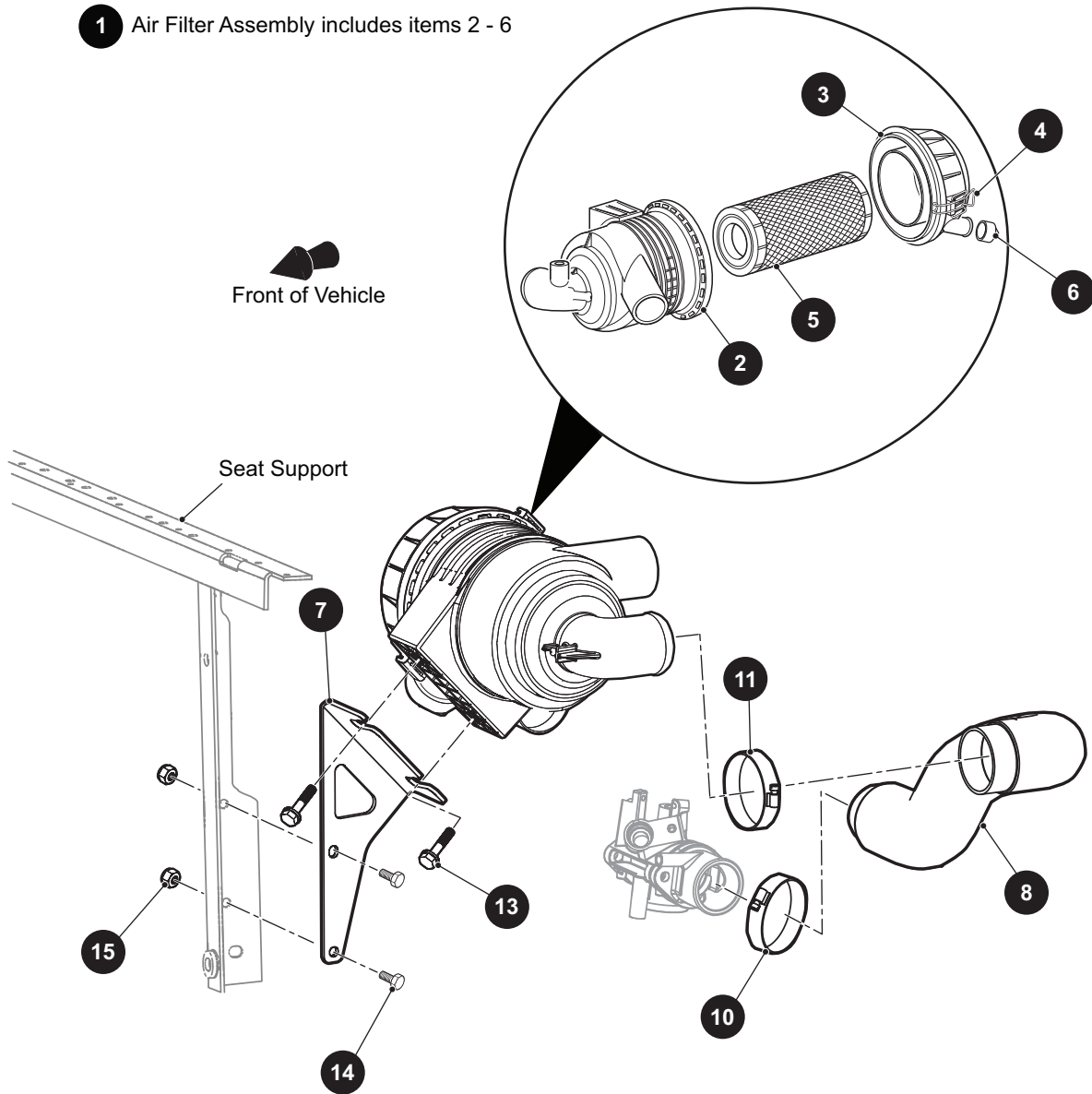
* Indicates a component that is not available as an individual part.

*** Indicates consult Customer Service Department for additional information.

ITEM	PART NO.	1 2 3 4 5	DESCRIPTION	QTY.
1	<u>606005</u>		Governor Bracket (Lower).....	1
2	<u>606284</u>		Governor Link Rod.....	1
3	<u>660005</u>		Governor Rod Guard.....	1
4				
5	<u>606083</u>		Governor Bracket (Upper).....	1
6	<u>632936</u>		Governor Cable / Direction Selector Bracket.....	1
7				
8	<u>606283</u>		Governor Lever Bushing.....	1
9	<u>606421</u>		Flanged Hex Head Bolt, M6 - 1 x 30mm Lg, Grade 8.8.....	1
10	<u>606256</u>		Flanged Hex Head Bolt, M10 - 1.25 x 25mm Lg, Grade 8.8.....	2
11				
12	<u>606264</u>		Flanged Hex Head Bolt, M6 - 1 x 20mm Lg, Grade 8.8.....	1
13	<u>73876G01</u>		Flanged Hex Head Bolt, M6 - 1 x 12mm Lg, Grade 8.8.....	1
14	<u>601476</u>		Lock Nut, M6 - 1.....	1
15				
16	<u>450452</u>		Flanged Hex Nut, M6 - 1.....	1

AIR FILTER

1 Air Filter Assembly includes items 2 - 6



THE USE OF NON U.L. PARTS WILL VOID ANY U.L. LISTING.

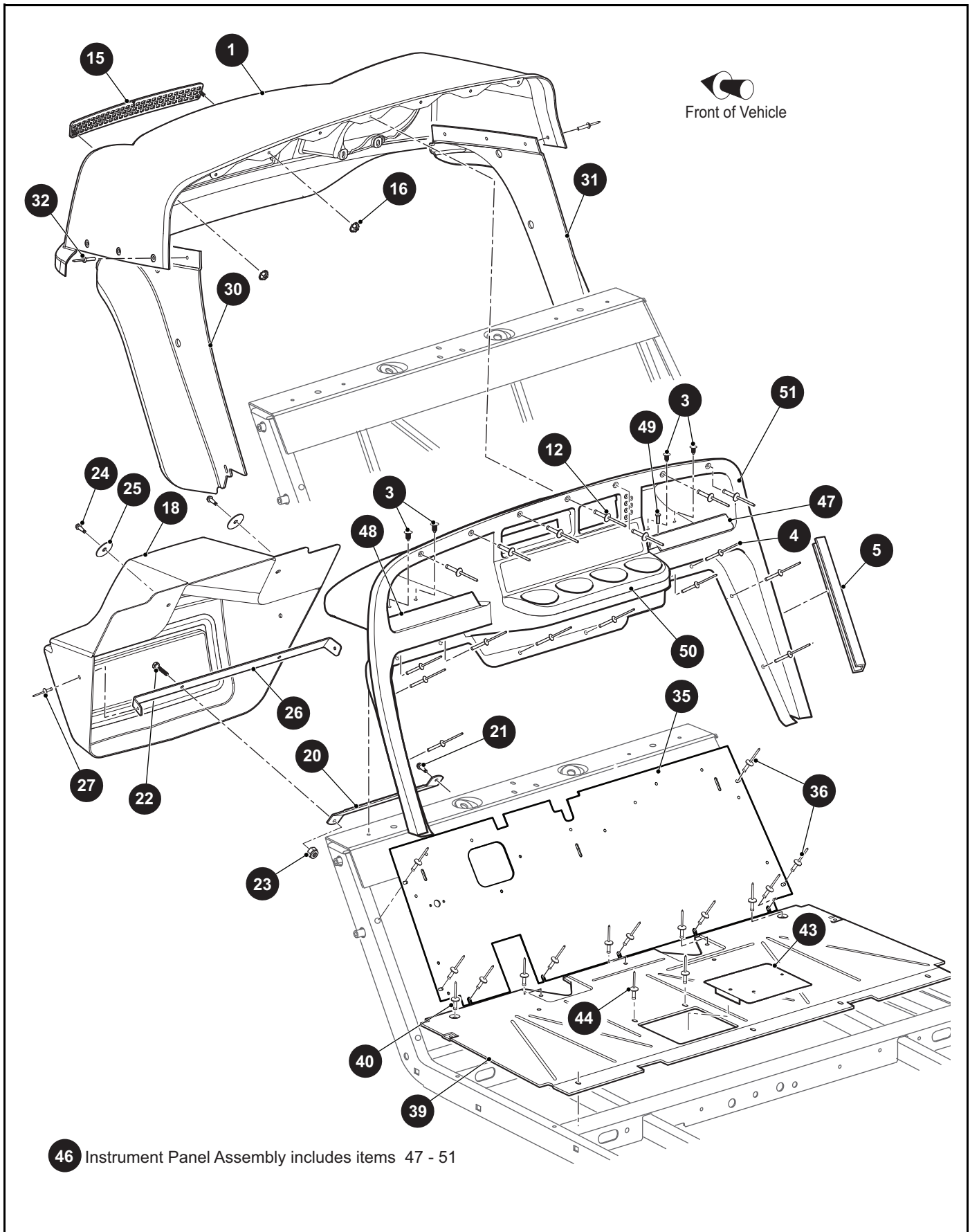
When ordering parts, please specify the model and serial number of the product.

* Indicates a component that is not available as an individual part.

*** Indicates consult Customer Service Department for additional information.

ITEM	PART NO.	1 2 3 4 5	DESCRIPTION	QTY.
1	<u>658941</u>		Air Filter Assembly (Includes Items 2 - 6).....	1
2	<u>659139</u>		Air Cleaner Assembly	1
3	<u>658957</u>		Air Cleaner Cover	1
4	<u>72604G01</u>		Air Cleaner Clip	2
5	<u>28463G01</u>		Air Filter	1
6	<u>28462G01</u>		Dust Ejector Valve	1
7	<u>659142</u>		Air Cleaner Mounting Bracket	1
8	<u>601910</u>		Air Filter Tube.....	1
9				
10	<u>11391G5</u>		Hose Clamp, .81"	1
11	<u>11391G7</u>		Hose Clamp, 1.56"	1
12				
13	<u>606261</u>		Flanged Hex Head Bolt, M8 - 1.25 x 20mm Lg, Grade 8.8.....	2
14	<u>00414G7</u>		Hex Head Bolt, 1/4" - 20 x 7/8" Lg, Grade 5	2
15	<u>14390G4</u>		Lock Nut, 1/4" - 20	2

BODY



THE USE OF NON U.L. PARTS WILL VOID ANY U.L. LISTING.

When ordering parts, please specify the model and serial number of the product.

* Indicates a component that is not available as an individual part.

*** Indicates consult Customer Service Department for additional information.

ITEM	PART NO.	1 2 3 4 5	DESCRIPTION	QTY.
1	613036G0XX		Cowl (See COLOR CODES in HOW TO USE Section)	1
2				
3	<u>16816G2</u>		Ratchet Fastener, 1/4" x .887" Lg.....	4
4	<u>71055G01</u>		Rivet (Aluminum), 3/16" x .985" Lg	10
5	<u>71115G01</u>		Trim (Vinyl)	1
6				
7				
8				
9				
10				
11				
12	<u>71055G01</u>		Rivet (Aluminum), 3/16" x .985" Lg	7
13				
14				
15	<u>617643</u>		Cowl Grill Cover	1
16	<u>71597G01</u>		Self Threading Nut, 5mm x 10mm x 15mm	2
17				
18	<u>613273</u>		Front Fascia	1
19				
20	<u>654276</u>		Front Fascia Mounting Brace	1
21	<u>01038G01</u>		Hex Washer Head Swageform Screw, 1/4" - 20 x .70" Lg	1
22	<u>00414G6</u>		Hex Head Bolt, 1/4" - 20 x 1/2" Lg, Grade 5	1
23	<u>14390G4</u>		Lock Nut, 1/4" - 20	1
24	<u>01038G01</u>		Hex Washer Head Swageform Screw, 1/4" - 20 x .70" Lg	2
25	<u>16469G1</u>		Fender Washer	2
26	<u>654275</u>		Front Fascia Mounting Bracket	1
27	<u>15058G1</u>		Rivet (Aluminum), 3/16" x .450" Lg	2
28				
29				
30	<u>614378</u>		Fender Flare (Driver Side)	1
31	<u>613274</u>		Fender Flare (Passenger Side).....	1

BODY

THE USE OF NON U.L. PARTS WILL VOID ANY U.L. LISTING.

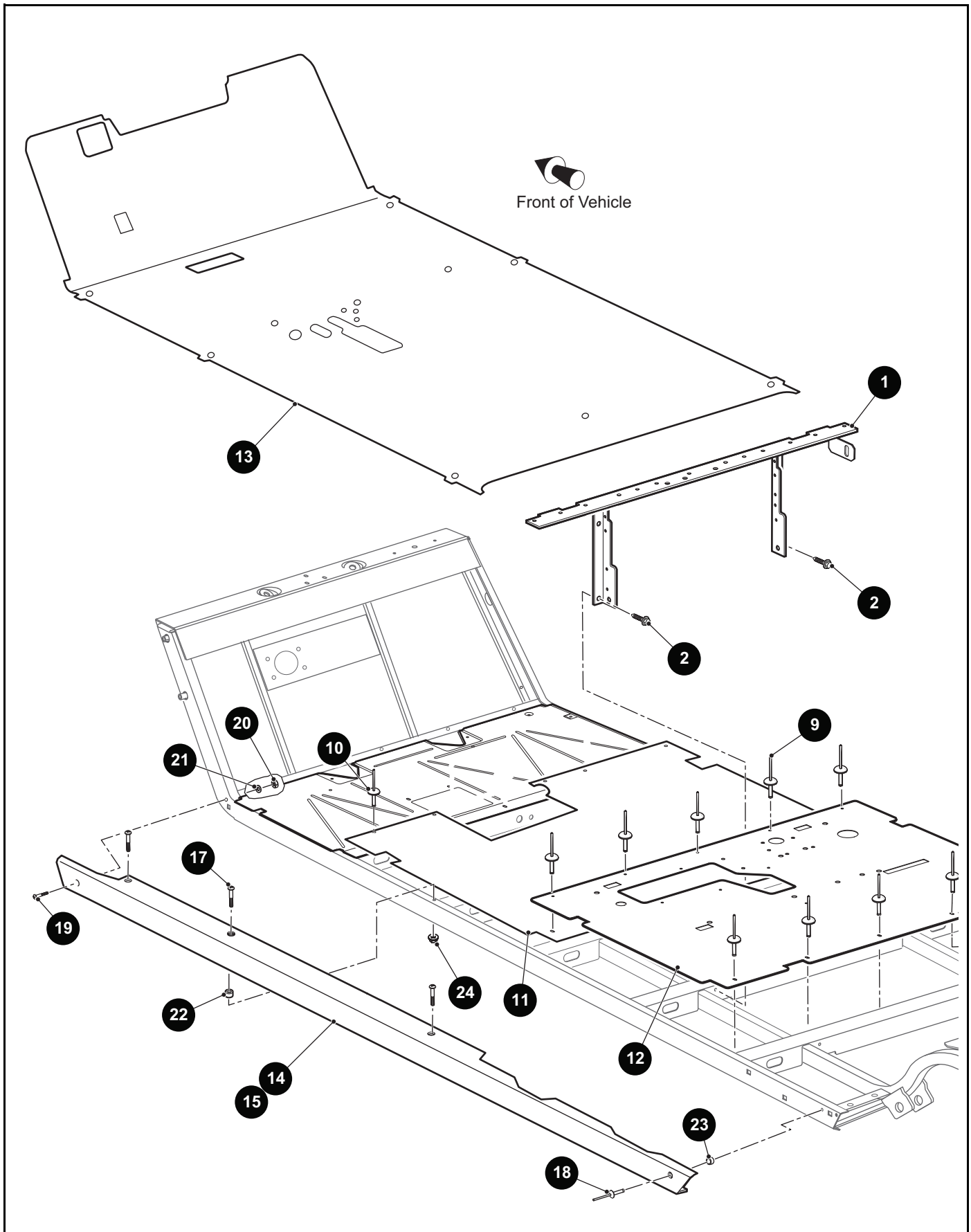
When ordering parts, please specify the model and serial number of the product.

* Indicates a component that is not available as an individual part.

*** Indicates consult Customer Service Department for additional information.

ITEM	PART NO.	1	2	3	4	5	DESCRIPTION	QTY.
32	<u>71055G01</u>						Rivet (Aluminum), 3/16" x 1.118" Lg.....	3
33								
34								
35	<u>641260</u>						Upper Floor Panel	1
36	<u>14601G11</u>						Rivet (Aluminum), 3/16" x .575" Lg.....	9
37								
38								
39	<u>70452G01</u>						Lower Floor Panel	1
40	<u>14601G11</u>						Rivet (Aluminum), 3/16" x .575" Lg.....	6
41								
42								
43	<u>70452G01</u>						Access Cover	1
44	<u>14601G11</u>						Rivet (Aluminum), 3/16" x .575" Lg.....	2
45								
46	<u>71151G01</u>						Instrument Panel Assembly (Includes Items 47 - 51)	1
47	<u>71153G01</u>						Deflector (Passenger Side).....	1
48	<u>71154G01</u>						Deflector (Driver Side).....	1
49	00614G3						Pan Head Phillips Screw, #8 - 15 x 3/8" Lg.....	4
50	<u>71158G01</u>						Instrument Panel Insert (Four Cup).....	1
51	71152G01						Instrument Panel	1

BODY



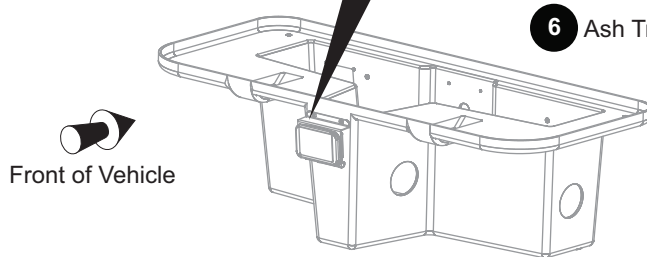
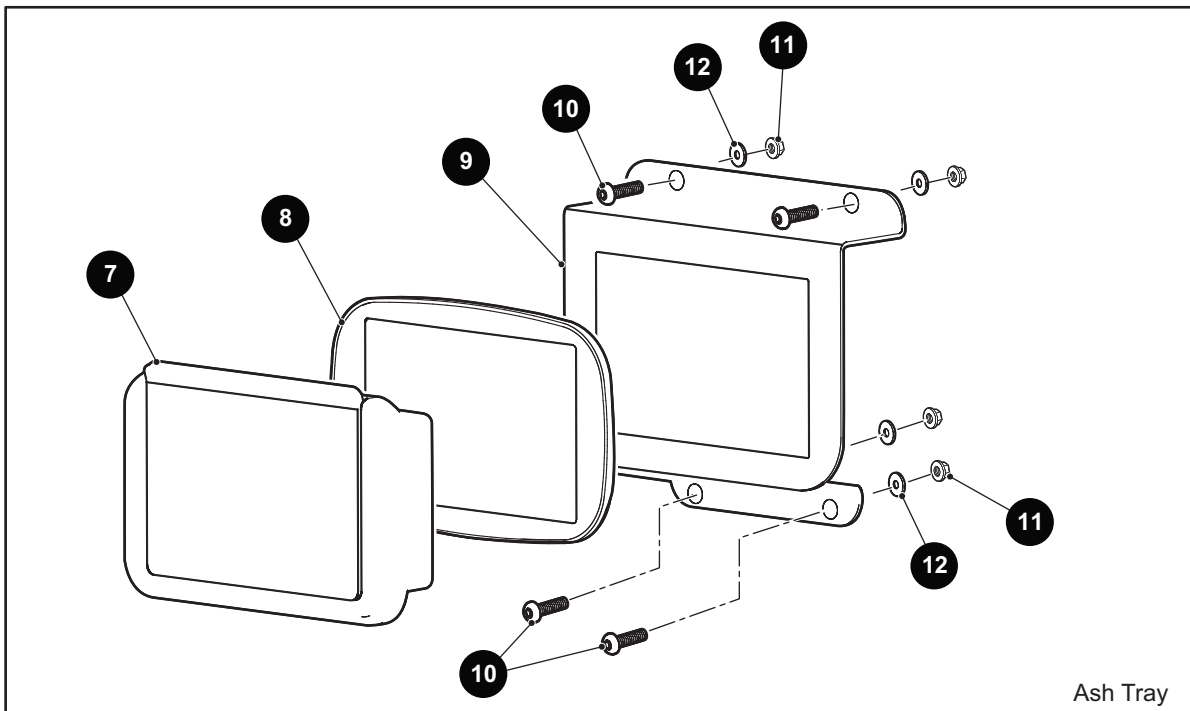
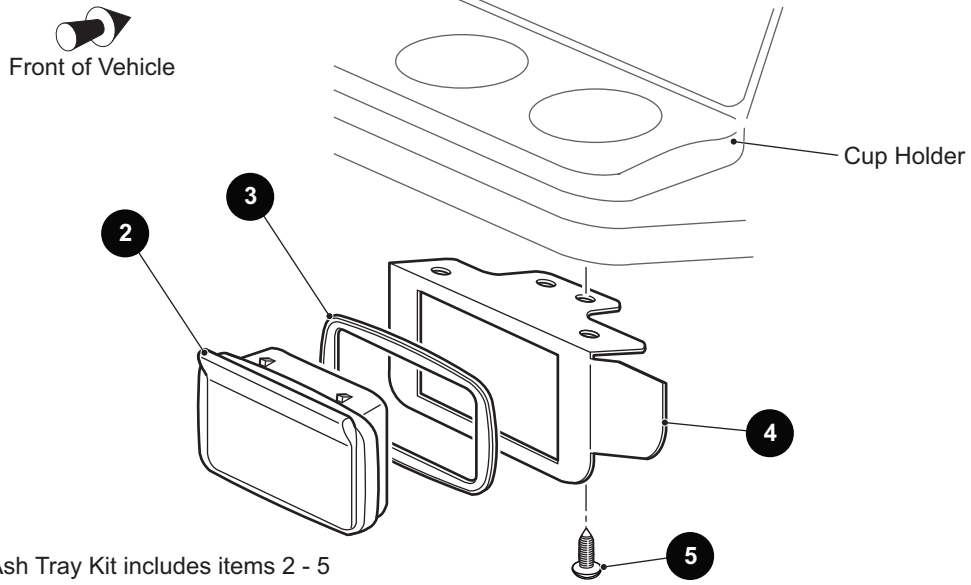
THE USE OF NON U.L. PARTS WILL VOID ANY U.L. LISTING.

When ordering parts, please specify the model and serial number of the product.

* Indicates a component that is not available as an individual part.

*** Indicates consult Customer Service Department for additional information.

ITEM	PART NO.	1 2 3 4 5	DESCRIPTION	QTY.
1	<u>659143</u>		Seat Frame	1
2	<u>00715G2</u>		Hex Washer Head Screw, 5/16" - 18 x .875 " Lg	2
3				
4				
5				
6				
7				
8				
9	<u>10570G10</u>		Domed Rivet (SS), 5/32" x 9/16" Lg.....	10
10	<u>14601G11</u>		Rivet (Aluminum), 3/16" x 9/16" Lg	5
11	626493		Mid Floor Panel.....	1
12	<u>648840</u>		Rear Floor Panel.....	1
13	<u>652190</u>		Floormat.....	1
14	640750		Rocker Panel (Driver Side)	1
15	640749		Rocker Panel (Passenger Side)	1
16				
17	<u>634161</u>		Flanged Button Head Torx Bolt (SS), M6 - 1 x 30mm Lg	3
18	<u>15058G6</u>		Rivet (Aluminum), 3/16" x .95" Lg	1
19	<u>00789G2</u>		Truss Head Phillips Screw (SS), #10 - 24 x 1 - 1/4" Lg.....	1
20	<u>14390G10</u>		Lock Nut, #10 - 24.....	1
21	<u>00660G5</u>		Flat Washer, #10	1
22	<u>23726G4</u>		Spacer, 5/16".....	3
23	<u>23726G4</u>		Spacer, 5/16".....	1
24	<u>601476</u>		Lock Nut, M6 - 1.....	3



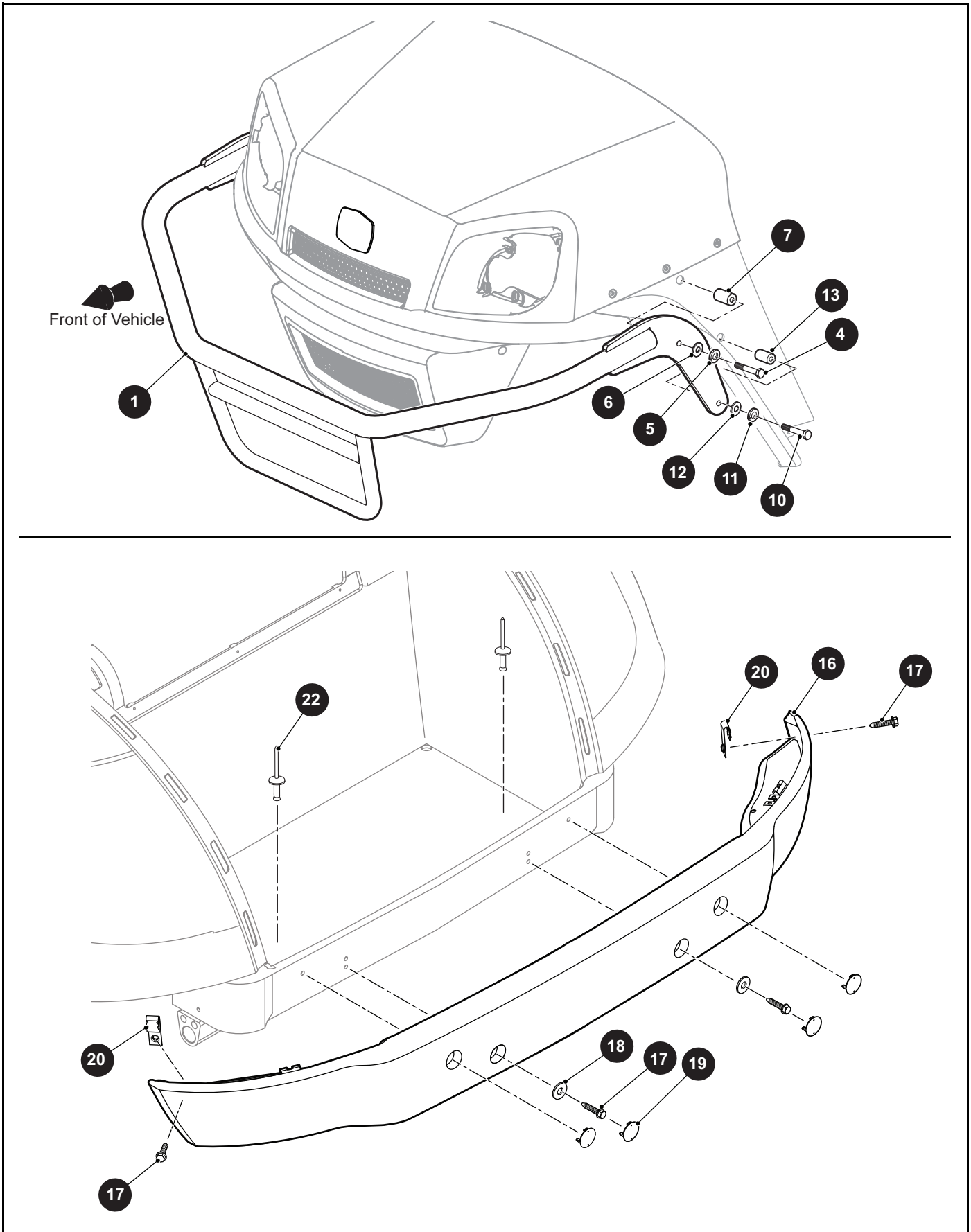
THE USE OF NON U.L. PARTS WILL VOID ANY U.L. LISTING.

When ordering parts, please specify the model and serial number of the product.

* Indicates a component that is not available as an individual part.

*** Indicates consult Customer Service Department for additional information.

ITEM	PART NO.	1 2 3 4 5	DESCRIPTION	QTY.
1	<u>75109G03</u>		Ash Tray Kit (Includes Items 2 - 5)	1
2	27731G01		Ash Tray	1
3	27736G01		Gasket	1
4	<u>75108G02</u>		Bracket	1
5	<u>00106G6</u>		Pan Head Phillips Screw, #12 - 14 x 3/4" Lg	4
6	632412		Ash Tray, Seat Pod Kit (Includes Items 7 - 12)	1
7	27731G01		Ash Tray	1
8	27736G01		Gasket	1
9	631079		Bracket	1
10	<u>601326</u>		Button Head Torx Bolt, M6 - 1 x 20mm Lg.....	4
11	<u>601476</u>		Flanged Lock Nut, M6	4
12	<u>16469G1</u>		Fender Washer, 9/32" I.D x 1 1/4" O.D.....	4



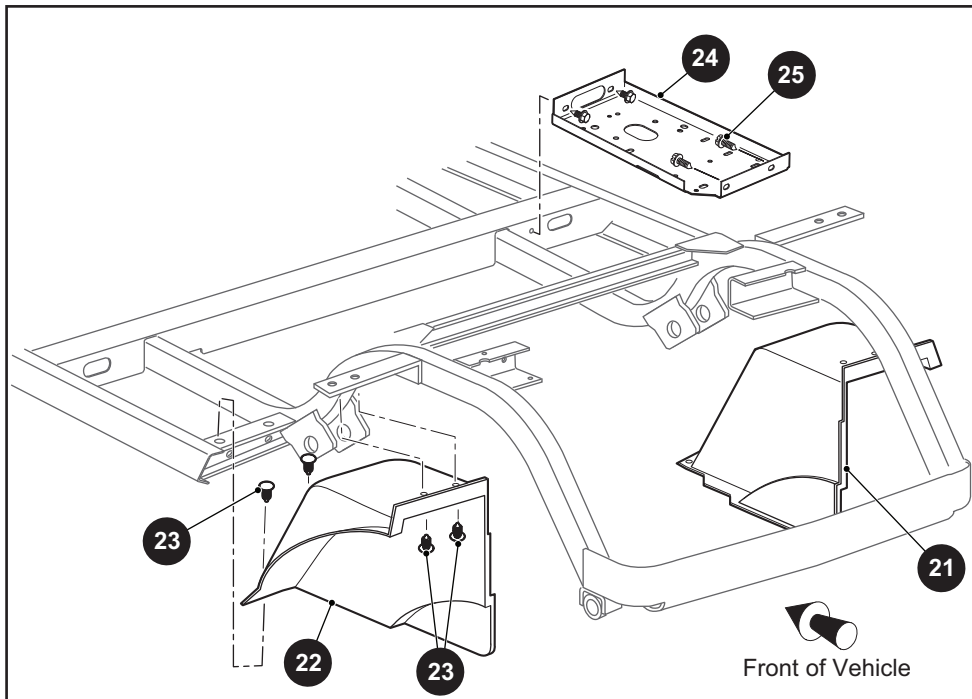
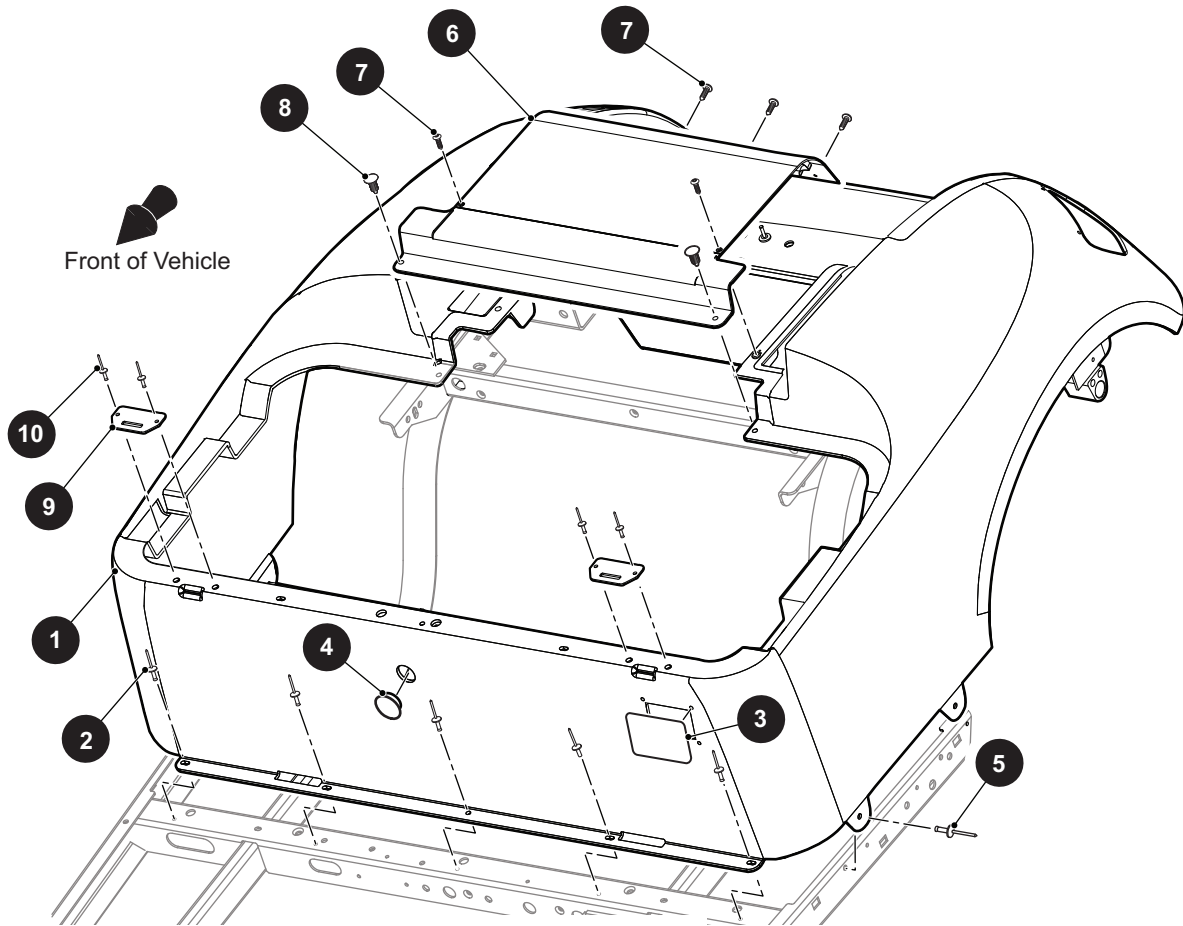
THE USE OF NON U.L. PARTS WILL VOID ANY U.L. LISTING.

When ordering parts, please specify the model and serial number of the product.

* Indicates a component that is not available as an individual part.

*** Indicates consult Customer Service Department for additional information.

ITEM	PART NO.	1 2 3 4 5	DESCRIPTION	QTY.
1	617620		Brushguard	1
2				
3				
4	<u>00440G6</u>		Hex Head Bolt, 5/16" - 18 x 2 3/4" Lg, Grade 5	2
5	<u>00565G8</u>		Lock Washer, 5/16"	2
6	00559G8		Flat Washer, 5/16"	2
7	<u>75048G02</u>		Spacer, 1.31" Lg.....	2
8				
9				
10	<u>00440G2</u>		Hex Head Bolt, 5/16" - 18 x 2 1/4" Lg, Grade 5	2
11	<u>00565G8</u>		Lock Washer, 5/16"	2
12	00559G8		Flat Washer, 5/16"	2
13	<u>75048G04</u>		Spacer, 1" Lg.....	2
14				
15				
16	<u>71451G02</u>		Rear Bumper.....	1
17	<u>71102G01</u>		Hex Head Bolt, 1/4" - 20 x 3/4" Lg, Grade 5	4
18	<u>00571G2</u>		Flat Washer, 5/16"	2
19	<u>71455G01</u>		Bumper Plug	4
20	<u>71554G01</u>		J-Type Nut Retainer, 1/4" - 20.....	2
21				
22	<u>633917</u>		Rivet (Plastic).....	2



THE USE OF NON U.L. PARTS WILL VOID ANY U.L. LISTING.

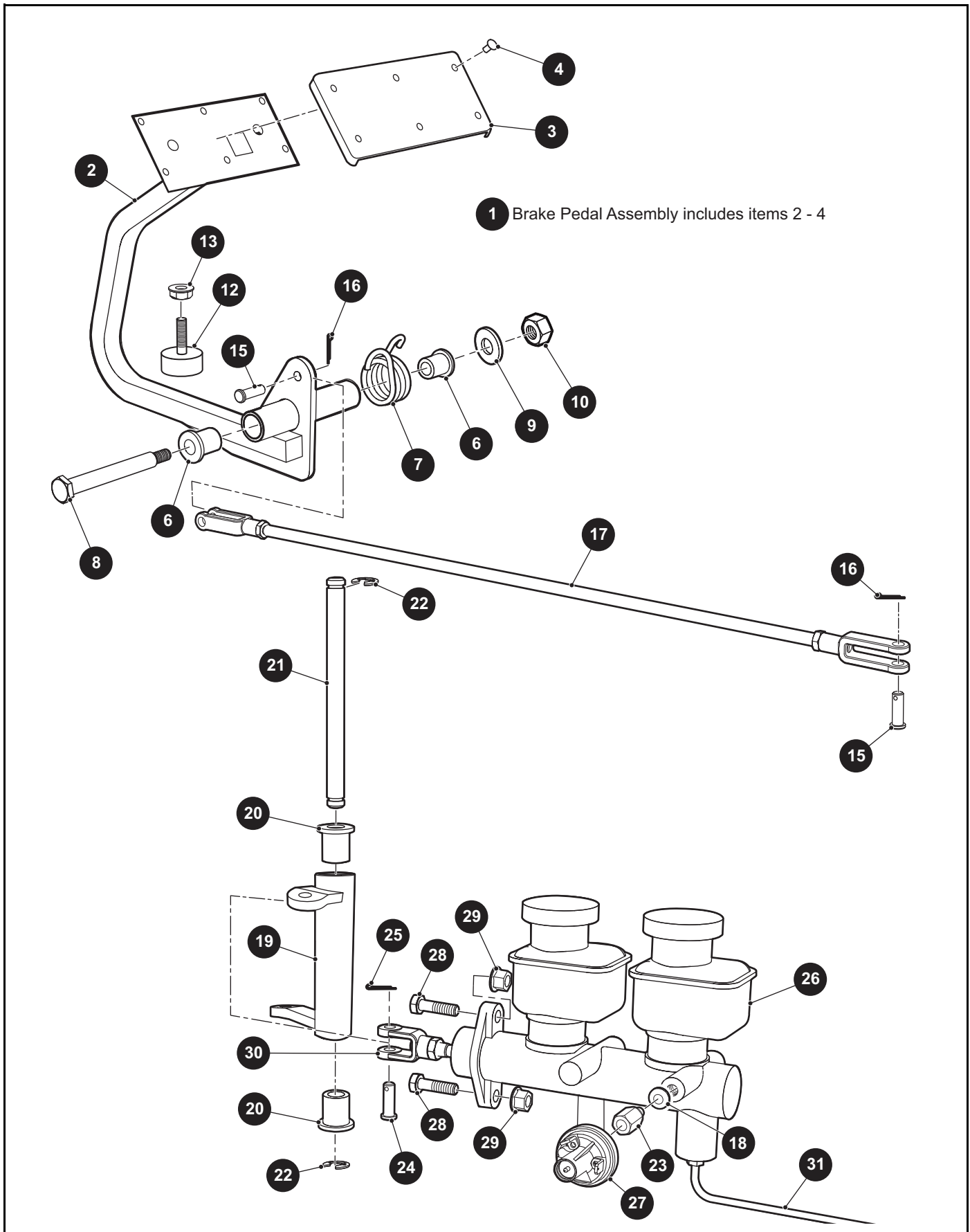
When ordering parts, please specify the model and serial number of the product.

* Indicates a component that is not available as an individual part.

*** Indicates consult Customer Service Department for additional information.

ITEM	PART NO.	1 2 3 4 5	DESCRIPTION	QTY.
1	625272G1XX		Rear Body with Taillights (See HOW TO USE Section for COLOR CODES) .	1
2	<u>10570G10</u>		Rivet (SS), 5/32" x .55" Lg	5
3	<u>666066</u>		Cover Plate	1
4	<u>71316G01</u>		Hole Plug	1
5	10570G12		Rivet (Aluminum), .257" x .556" Lg	2
6	<u>71320G01</u>		Access Panel	1
7	<u>01107G01</u>		Pan Head Torx Screw (SS), #8 x .63" Lg	5
8	<u>16816G2</u>		Ratchet Rivet, .25" x .887"	2
9	<u>71609G01</u>		Seat Hinge Plate	1
10	<u>10570G11</u>		Rivet (SS), 5/32" x .70" Lg	2
11				
12				
13				
14				
15				
16				
17				
18				
19				
20				
21	<u>635054G02</u>		Fender Liner (Passenger Side)	1
22	<u>635054G01</u>		Fender Liner (Driver Side)	1
23	<u>16816G2</u>		Ratchet Fastener, 1/4" x .887" Lg	4
24	<u>70244G05</u>		Splash Pan	1
25	<u>00715G2</u>		Hex Washer Head Screw, 5/16" - 18 x .80" Lg	4

BRAKES



THE USE OF NON U.L. PARTS WILL VOID ANY U.L. LISTING.

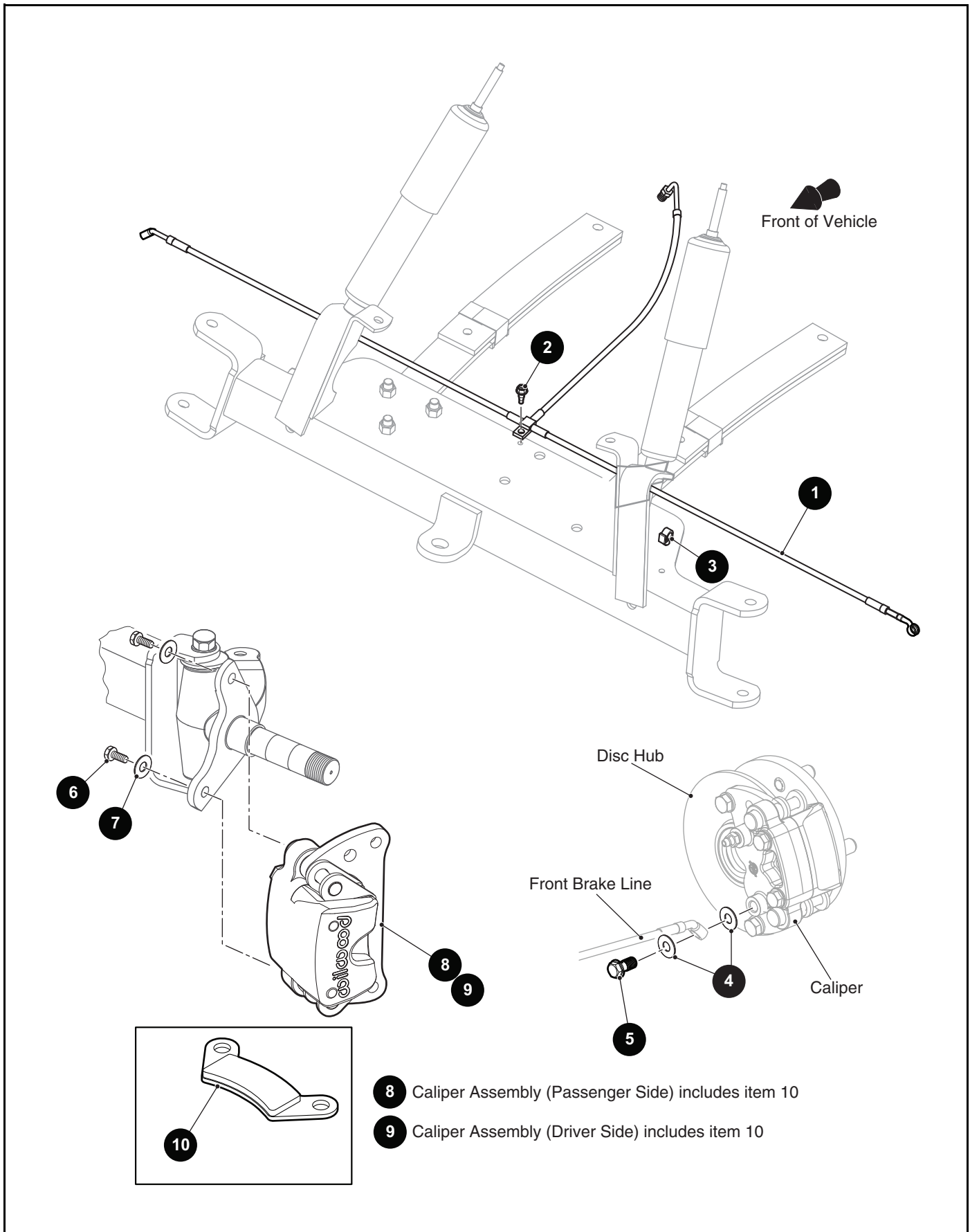
When ordering parts, please specify the model and serial number of the product.

* Indicates a component that is not available as an individual part.

*** Indicates consult Customer Service Department for additional information.

ITEM	PART NO.	1 2 3 4 5	DESCRIPTION	QTY.
1	<u>610639</u>		Brake Pedal Assembly (Includes Items 2 - 4)	1
2	<u>75605G01</u>		Brake Pedal	1
3	<u>70257G01</u>		Brake Pedal Pad.....	1
4	<u>16409G1</u>		Oval Head Rivet, 3/8" x 15/32"	6
5				
6	<u>70581G01</u>		Acetal Bushing	2
7	<u>70676G01</u>		Torsion Spring	1
8	<u>70582G01</u>		Shoulder Bolt, 3/8" - 16 x 3.406" Lg	1
9	<u>00643G1</u>		Flat Washer, 3/8"	1
10	<u>11098G5</u>		Lock Nut, 3/8" - 16	1
11				
12	<u>70113G01</u>		Adjustable Rubber Bumper	1
13	<u>11027G1</u>		Lock Nut, 5/16" - 18	1
14	<u>12416G2</u>		Nylon Wedge Lock Clamp (Not Illustrated)	2
15	<u>10386G3</u>		Clevis Pin, 5/16" Dia x 13/16"	2
16	<u>10387G3</u>		Cotter Pin, 15/16" x 3/4"	2
17	<u>30295G8</u>		Linkage Rod	1
18	<u>600479</u>		Pressure Sealing Washer	1
19	<u>70415G01</u>		Bell-crank	1
20	<u>70581G01</u>		Acetal Bushing	2
21	<u>70410G01</u>		Pivot Shaft.....	1
22	<u>01111G01</u>		Retaining Ring.....	2
23	<u>600401G01</u>		Adapter	1
24	<u>14443G3</u>		Clevis Pin, 5/16" Dia x 1"	1
25	<u>10387G3</u>		Cotter Pin, 15/16" x 3/4"	1
26	<u>73793G01</u>		Tandem Master Cylinder	1
27	<u>620274</u>		Stop Light Switch	1
28	<u>00439G1</u>		Hex Head Bolt, 5/16" - 18 x 1 1/8" Lg, Grade 5	2
29	<u>800697</u>		Flanged Lock Nut, 5/16" - 18	2
30	<u>626513</u>		Push Rod Assembly	1
31	<u>626514</u>		Rear Brake Line	1

BRAKES



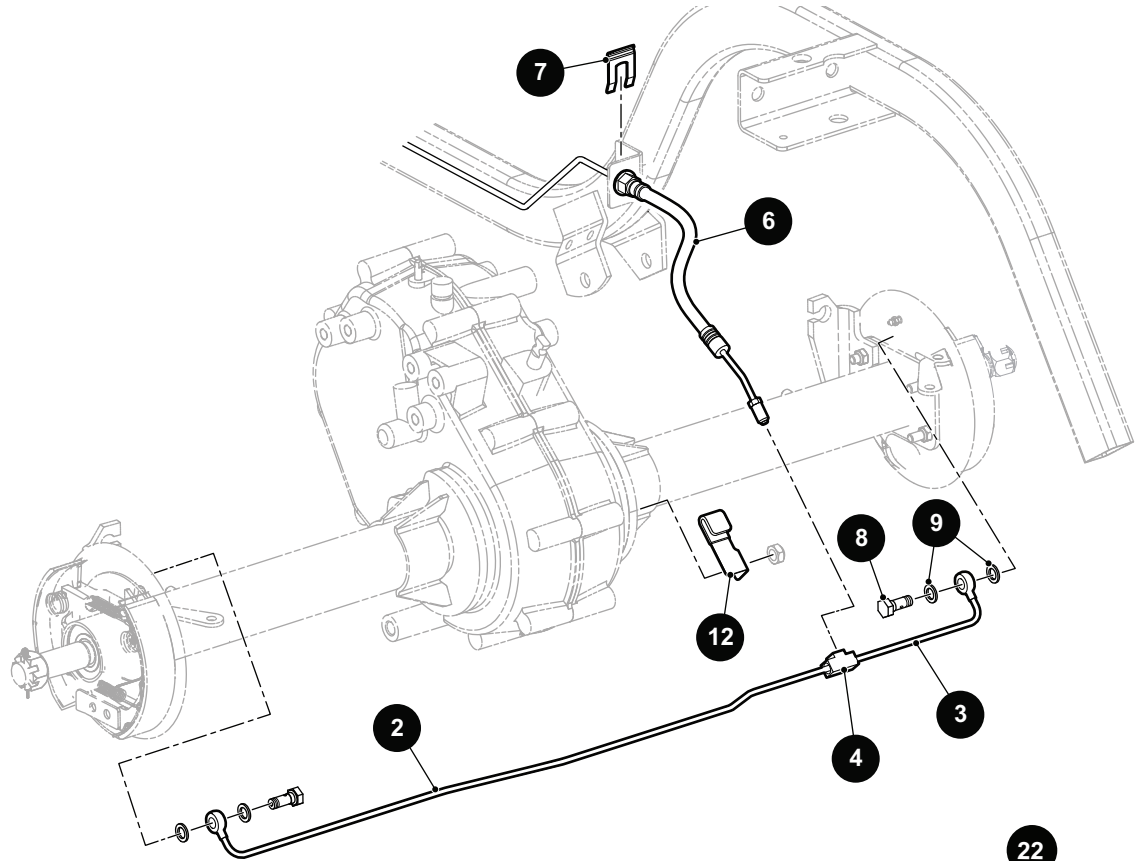
THE USE OF NON U.L. PARTS WILL VOID ANY U.L. LISTING.

When ordering parts, please specify the model and serial number of the product.

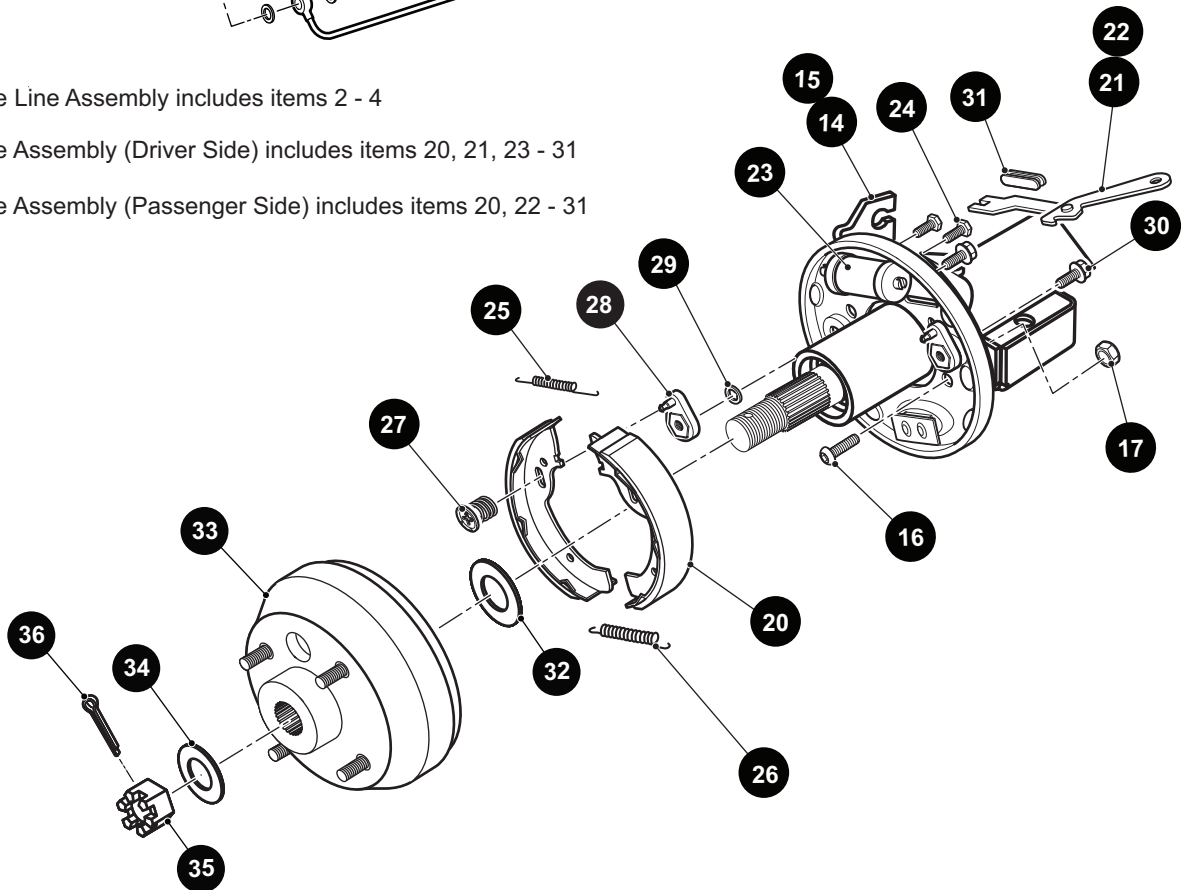
* Indicates a component that is not available as an individual part.

*** Indicates consult Customer Service Department for additional information.

ITEM	PART NO.	1 2 3 4 5	DESCRIPTION	QTY.
1	<u>632771</u>		Front Brake Line.....	1
2	<u>01038G01</u>		Hex Washer Head Swageform Screw with Dog Point, 1/4" - 20 x .7" Lg	1
3	<u>74875G01</u>		Wire Retainer	2
4	<u>613293</u>		Crush Washer, M10	4
5	<u>616459</u>		Banjo Bolt, M10 - 1 x 20mm Lg.....	2
6	<u>00426G6</u>		Hex Head Bolt, 3/8" - 16 x 3/4" Lg, Grade 5	4
7	<u>00566G1</u>		Lock Washer, 3/8"	4
8	<u>633918G01</u>		Caliper Assembly (Passenger Side) (Includes Item 10).....	1
9	<u>633918G02</u>		Caliper Assembly (Driver Side) (Includes Item 10)	1
10	668990		Brake Pad (Set of 2)	1



- 1 Brake Line Assembly includes items 2 - 4
- 18 Brake Assembly (Driver Side) includes items 20, 21, 23 - 31
- 19 Brake Assembly (Passenger Side) includes items 20, 22 - 31



THE USE OF NON U.L. PARTS WILL VOID ANY U.L. LISTING.

When ordering parts, please specify the model and serial number of the product.

* Indicates a component that is not available as an individual part.

*** Indicates consult Customer Service Department for additional information.

ITEM	PART NO.	1 2 3 4 5	DESCRIPTION	QTY.
1	<u>620855</u>		Brake Line Assembly (Includes Items 2 - 4).....	1
2	<u>620857</u>		Long Brake Line	1
3	<u>620856</u>		Short Brake Line.....	1
4	<u>820008</u>		Tee Fitting.....	1
5				
6	<u>34989G01</u>		Flexible Hydraulic Hose Assembly.....	1
7	<u>809137</u>		Brake Tube Clip.....	1
8	<u>75683G01</u>		Banjo Bolt, 3/8" - 16 x .88 Lg	2
9	<u>75684G01</u>		Copper Gasket.....	4
10				
11				
12	<u>75813G01</u>		Brake Line Clamp.....	1
13	<u>17618G1</u>		Nylon Clamp, 8" Lg (Not Illustrated).....	10
14	<u>652249</u>		Brake Cable Bracket (Driver Side).....	1
15	<u>652248</u>		Brake Cable Bracket (Passenger Side)	1
16	<u>631224</u>		Socket Head Screw, 5/16" - 24 x 1" Lg	8
17	<u>15126G1</u>		Lock Nut, 5/16" - 24	8
18	<u>75685G01</u>		Brake Assembly (Driver Side) (Includes Items 20, 21, 23 - 31)	1
19	<u>75685G02</u>		Brake Assembly (Passenger Side) (Includes Items 20, 22 - 31).....	1
20	<u>75830G01</u>		Brake Shoe	2
21	<u>75829G01</u>		Park Brake Wheel Lever (Driver Side)	1
22	<u>75829G02</u>		Park Brake Wheel Lever (Passenger Side).....	1
23	<u>75828G01</u>		Wheel Cylinder	1
24	*		Wheel Cylinder Bolt	2
25	*		Upper Return Spring.....	1
26	*		Lower Return Spring.....	1
27	*		Cup and Spring.....	2
28	*		Adjuster	2
29	*		Flat Washer	2
30	*		Hex Head Bolt, 1/4" - 28 x 1/2" Lg.....	2
31	*		Dust Cover.....	1

BRAKES

THE USE OF NON U.L. PARTS WILL VOID ANY U.L. LISTING.

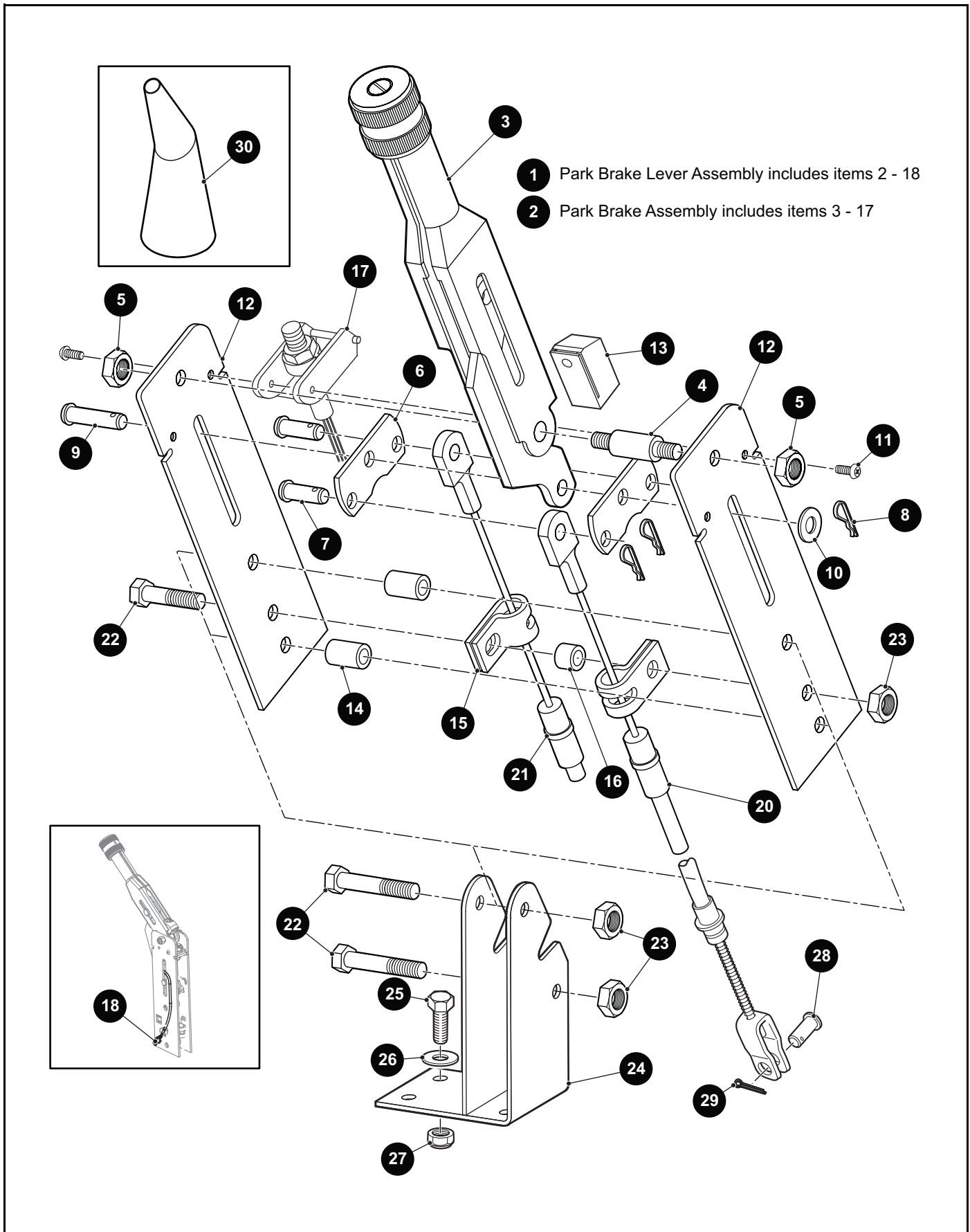
When ordering parts, please specify the model and serial number of the product.

* Indicates a component that is not available as an individual part.

*** Indicates consult Customer Service Department for additional information.

ITEM	PART NO.	1 2 3 4 5	DESCRIPTION	QTY.
32	<u>21809G1</u>		Inner Brake Drum Washer, 1.31" O.D. x 1" I.D. x .031"	2
33	<u>21807G2</u>		Brake Drum Assembly	2
34	<u>606945</u>		Brake Drum Washer	2
35	<u>613172</u>		Castle Nut, 3/4" - 16	2
36	<u>10387G1</u>		Cotter Pin, 1/8" x 1.50"	2

BRAKES



THE USE OF NON U.L. PARTS WILL VOID ANY U.L. LISTING.

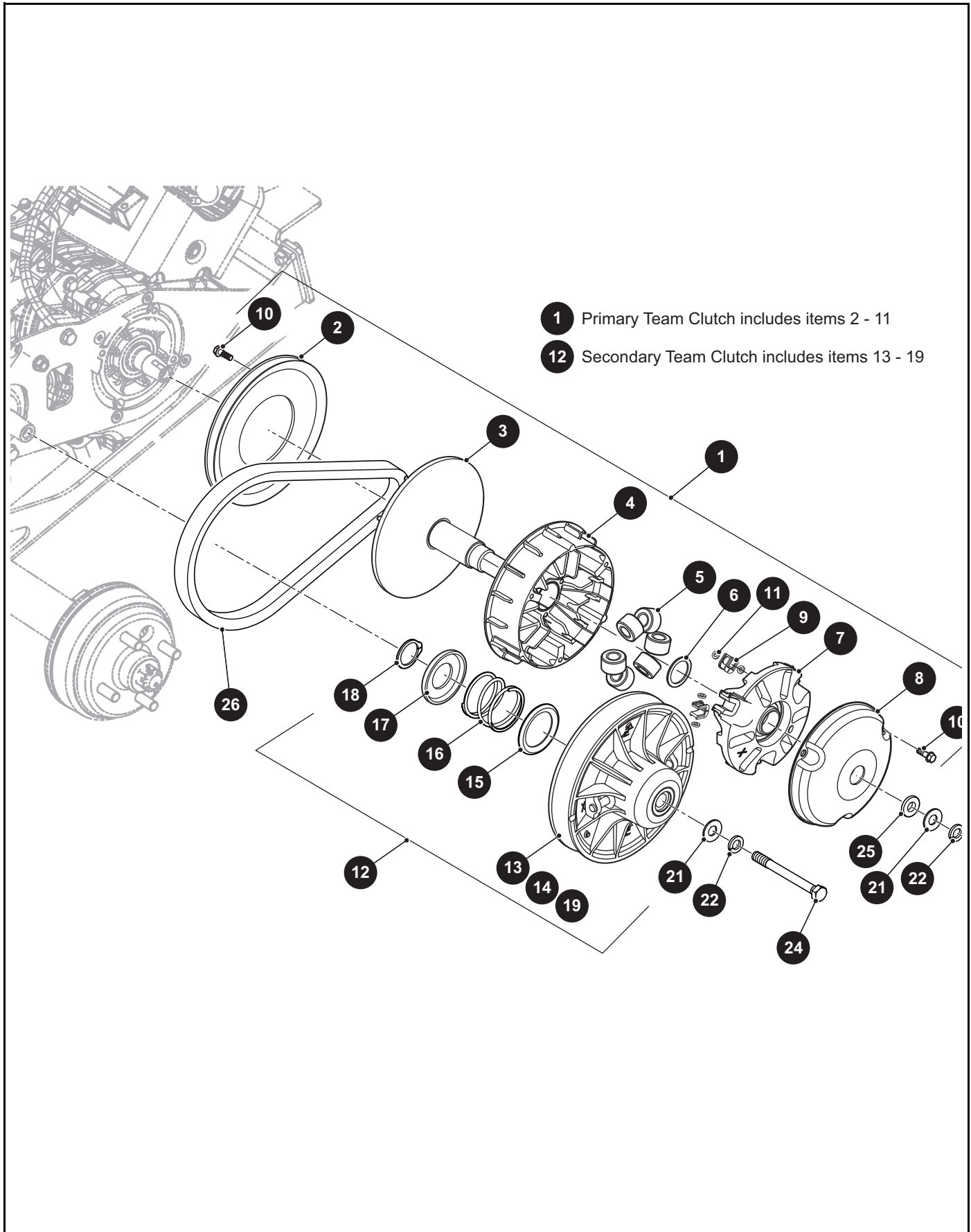
When ordering parts, please specify the model and serial number of the product.

* Indicates a component that is not available as an individual part.

*** Indicates consult Customer Service Department for additional information.

ITEM	PART NO.	1 2 3 4 5	DESCRIPTION	QTY.
1	639883		Park Brake Lever Assembly (Includes Items 2 - 18)	1
2	<u>626518</u>		Park Brake Assembly (Includes Items 3 - 17).....	1
3	*		Brake Lever Assembly	1
4	*		Pivot Fastener.....	1
5	*		Pivot Nut.....	2
6	*		Connecting Link	2
7	*		Clevis Pin	2
8	*		Hair Pin or Cotter Pin	3
9	*		Clevis Pin	1
10	*		Flat Washer	1
11	*		Phillips Head Screw	2
12	*		Side Plate.....	2
13	*		Magnet Assembly.....	1
14	*		Spacer.....	2
15	*		Clamp.....	2
16	*		Spacer.....	1
17	*		Magnetic Switch Assembly.....	1
18	<u>17064G1</u>		Push On Terminal (Female).....	2
19				
20	<u>626820</u>		Brake Cable Assembly (Driver Side).....	1
21	<u>626517</u>		Brake Cable Assembly (Passenger Side)	1
22	<u>616672</u>		Hex Head Bolt, M8 - 1.25 x 60mm Lg.....	3
23	<u>616673</u>		Lock Nut, M8 x 1.25	3
24	<u>616446</u>		Mounting Bracket	1
25	<u>00414G7</u>		Hex Head Bolt, 1/4" - 20 x 1/2" Lg, Grade 5	4
26	<u>00559G7</u>		Flat Washer, 1/4"	4
27	<u>14390G4</u>		Lock Nut, 1/4" - 20	4
28	<u>14443G3</u>		Clevis Pin, 1.0" x 2.406"	2
29	<u>10387G3</u>		Cotter Pin, .094" x .75".....	2
30	<u>627940</u>		Parking Brake Boot	1
31	<u>17618G1</u>		Nylon Clamp, 8" Lg (Not Illustrated).....	8

CLUTCH



THE USE OF NON U.L. PARTS WILL VOID ANY U.L. LISTING.

When ordering parts, please specify the model and serial number of the product.

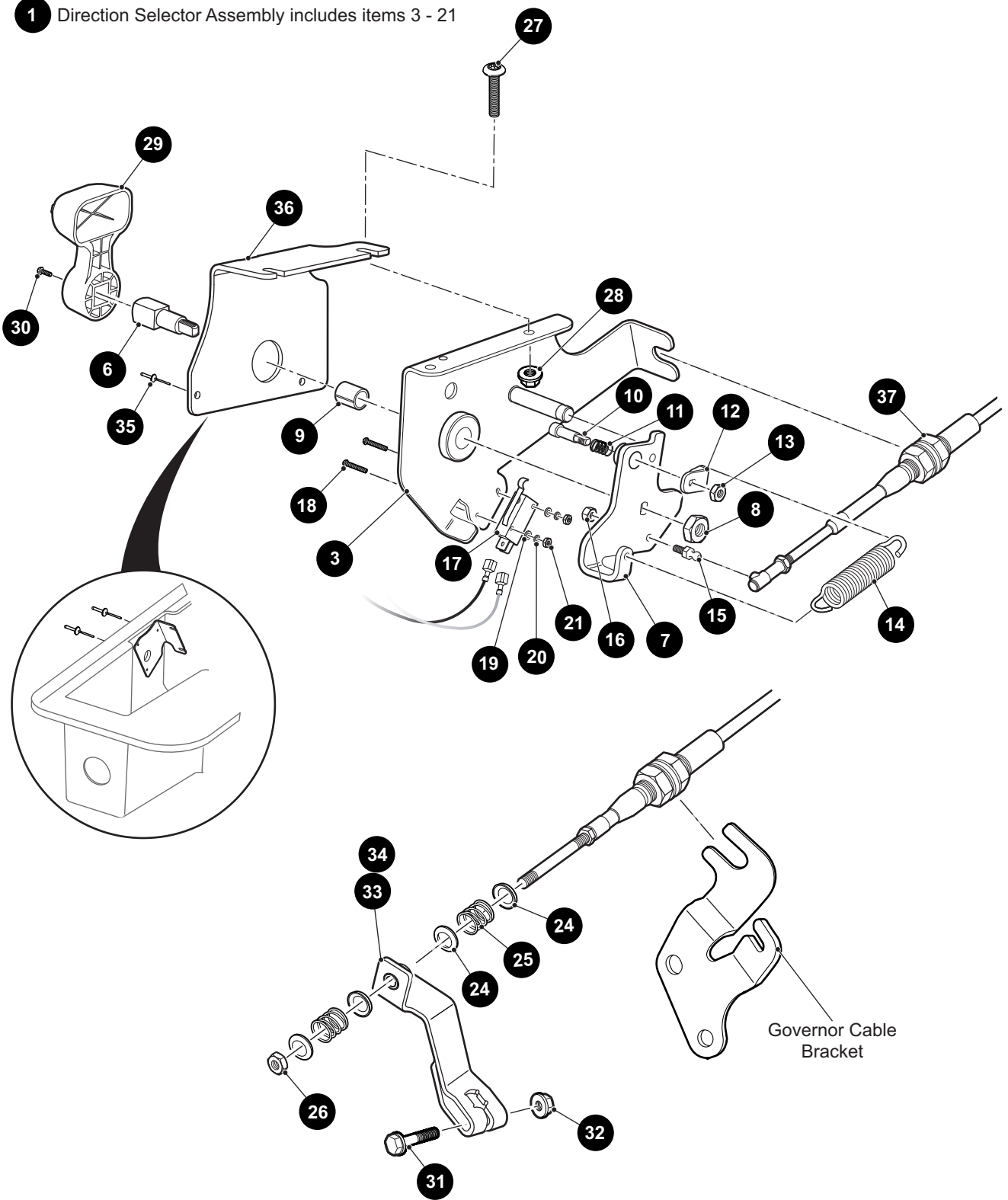
* Indicates a component that is not available as an individual part.

*** Indicates consult Customer Service Department for additional information.

ITEM	PART NO.	1 2 3 4 5	DESCRIPTION	QTY.
1	672688		Primary Team Clutch (Includes Items 2 - 11)	1
2	<u>619333</u>		Primary Starter Pulley, 195	1
3	*		Stationary Assembly	1
4	*		Moveable Primary Assembly	1
5	<u>624112</u>		Shift Roller Assembly	6
6	<u>619337</u>		Shim, 39.5mm x 31.75mm	1
7	<u>644303</u>		Primary Spider Assembly	1
8	*		Primary Dust Cover Assembly	1
9	<u>644305</u>		Torque Primary Button	6
10	<u>619332</u>		Hex Washer Head Bolt, 1/4" - 20 x 3/4" Lg	7
11	<u>644306</u>		Torque Primary Plug	6
12	<u>623949</u>		Secondary Team Clutch (Includes Items 13 - 19)	1
13	*		Secondary Stationary, 9.5	1
14	*		Moveable Secondary, 9.5	1
15	<u>619327</u>		Inner Retainer Spring	1
16	<u>624111</u>		Compression Spring	1
17	<u>619329</u>		Outer Spring Retainer	1
18	<u>652515</u>		External Retainer Ring	1
19	<u>619331</u>		Thrust Washer, 1 53" x 1 83" x 1"	1
20				
21	<u>606239</u>		Conical Washer, M12	2
22	<u>00566G3</u>		Lock Washer (Spring Type), 3/8"	2
23	<u>606245</u>		Hex Head Bolt, M12 - 1.25 x 160mm Lg, Grade 8.8	1
24	<u>606243</u>		Hex Head Bolt, M12 - 1.25 x 120mm Lg, Grade 8.8	1
25	<u>606230</u>		Clutch Washer, 27.5 Dia. O.D. x 13.06 Dia. I.D.	1
26	<u>618630</u>		Drive Belt	1

DIRECTION SELECTOR

1 Direction Selector Assembly includes items 3 - 21



DIRECTION SELECTOR

THE USE OF NON U.L. PARTS WILL VOID ANY U.L. LISTING.

When ordering parts, please specify the model and serial number of the product.

* Indicates a component that is not available as an individual part.

*** Indicates consult Customer Service Department for additional information.

ITEM	PART NO.	1 2 3 4 5	DESCRIPTION	QTY.
1	<u>605999</u>		Direction Selector Assembly (Includes Items 3 - 21).....	1
2				
3	<u>603627</u>		Direction Selector Bracket	1
4				
5				
6	<u>606266</u>		Direction Selector Shaft.....	1
7	<u>603700</u>		Direction Selector Cam.....	1
8	<u>14390G1</u>		Lock Nut, 3/8" - 24	1
9	<u>25664G2</u>		Bushing, 1/2" x .75"	1
10	<u>72724G01</u>		Neutral Lock Pin	1
11	<u>72733G01</u>		Compression Spring, 3/8" x 5/8"	1
12	<u>72729G01</u>		Neutral Lock Bracket	1
13	<u>00734G2</u>		Lock Nut, 1/4" - 28	1
14	<u>28574G01</u>		Extension Spring	1
15	<u>72732G01</u>		Ball Stud, 1/4"	1
16	<u>00734G5</u>		Lock Nut, #10 - 32	1
17	<u>72736G01</u>		Micro Switch	1
18	<u>01062G01</u>		Round Head Slotted Screw, #4 - 40 x 1" Lg	2
19	<u>00559G1</u>		Lock Washer, 5/8"	2
20	<u>00565G1</u>		Lock Washer, 3/4"	2
21	<u>00526G2</u>		Hex Nut, #4 - 40	2
22				
23				
24	<u>25727G01</u>		Cup Washer, 1/4"	4
25	<u>72735G01</u>		Compression Spring.....	2
26	<u>00734G5</u>		Lock Nut, #10 - 32.....	1
27	<u>70227G01</u>		Socket Head Screw, 1/4" - 20 x 7/8" Lg, Grade 8	2
28	<u>11027G2</u>		Flanged Lock Nut, 1/4" - 20	2
29	<u>71205G01</u>		Direction Selector Handle	1
30	<u>01037G02</u>		Pan Head Torx Screw, #10 - 32 x 1/2" Lg	1

DIRECTION SELECTOR

THE USE OF NON U.L. PARTS WILL VOID ANY U.L. LISTING.

When ordering parts, please specify the model and serial number of the product.

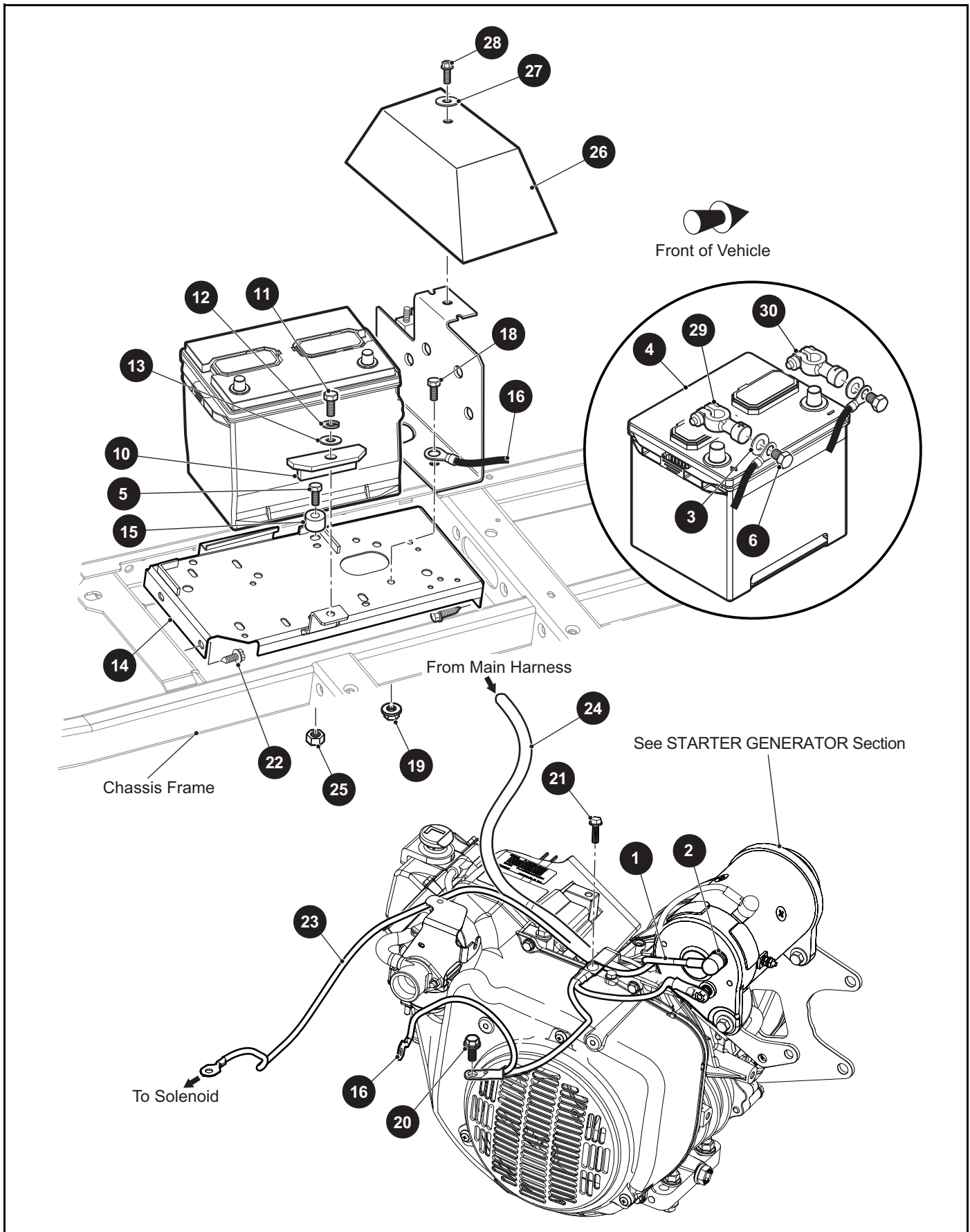
* Indicates a component that is not available as an individual part.

*** Indicates consult Customer Service Department for additional information.

ITEM	PART NO.	1	2	3	4	5	DESCRIPTION	QTY.
31	<u>606421</u>						Flanged Hex Head Bolt, M6 - 1 x 30mm Lg, Grade 8.8	1
32	<u>450452</u>						Hex Nut, M6 - 1	1
33	<u>608832</u>						Pivot Bracket	1
34	<u>22754G4</u>						Flip Lok Bushing, .25"	1
35	<u>71055G01</u>						Rivet, 3/16" x .38"	3
36	<u>605869</u>						Direction Selector Mounting Bracket	1
37	<u>627511</u>						Direction Selector Cable Assembly	1

Notes:

Large empty grid for notes.



THE USE OF NON U.L. PARTS WILL VOID ANY U.L. LISTING.

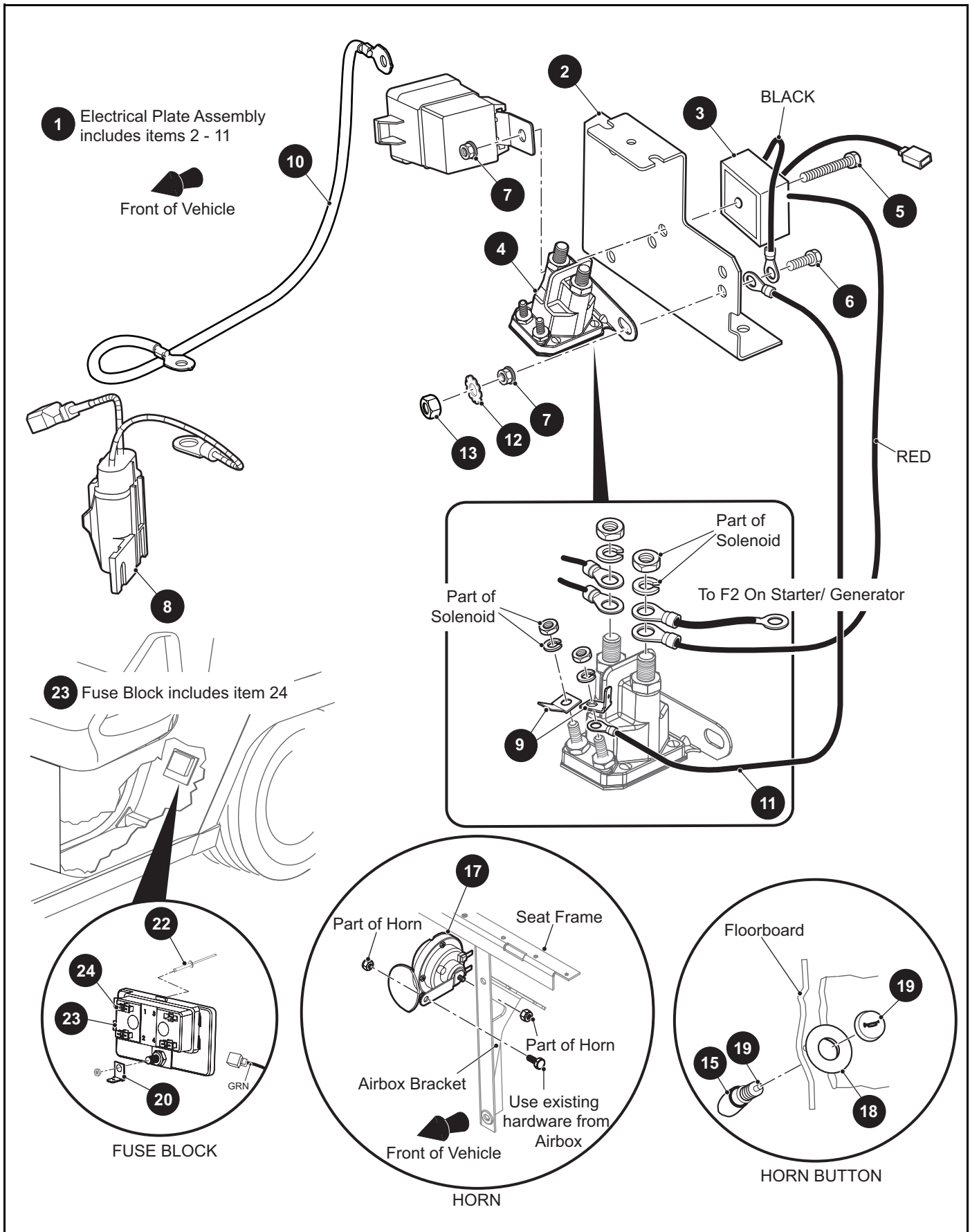
When ordering parts, please specify the model and serial number of the product.

* Indicates a component that is not available as an individual part.

*** Indicates consult Customer Service Department for additional information.

ITEM	PART NO.	1 2 3 4 5	DESCRIPTION	QTY.
1	<u>607053</u>		#6 GA Wire (Black 6", F1 - A2).....	1
2	<u>25682G01</u>		Terminal Cover	3
3	<u>614221</u>		Flat Washer, 3/8"	2
4	<u>639553</u>		Battery, 12V.....	1
5	<u>00439G1</u>		Hex Head Bolt, 5/16" - 18 x 1 1/8" Lg, Grade 5	1
6	<u>651336</u>		Side Terminal Battery Bolt.....	2
7	663593		Relay, 12V (Not Illustrated)	1
8	<u>636455G13</u>		Fuse, 15Amp (Not Illustrated)	1
9	<u>636455G12</u>		Fuse, 10Amp (Not Illustrated)	1
10	<u>72101G02</u>		Battery Hold Down	1
11	00438G6		Hex Head Bolt, 5/16" - 18 x 3/4" Lg, Grade 5	1
12	<u>00565G8</u>		Lock Washer, 5/16"	1
13	<u>00571G2</u>		Flat Washer (SS), 5/16"	1
14	652441G03		Battery Tray.....	1
15	<u>75048G01</u>		Spacer, .328" x .75" x .5"	1
16	<u>645191</u>		Battery/Engine Ground Cable	1
17				
18	00438G6		Hex Head Bolt, 5/16" - 18 x 3/4" Lg, Grade 5	2
19	<u>11027G1</u>		Flanged Lock Nut, 5/16" - 18	2
20	<u>26676G01</u>		Flanged Hex Head Bolt, M6 - 1 x 23mm Lg.....	1
21	<u>606264</u>		Flanged Hex Head Bolt, M6 - 1 x 20mm Lg, Grade 8.8.....	1
22	<u>00715G2</u>		Hex Washer Head Screw, 5/16" - 18 x .875" Lg	4
23	<u>607103</u>		#6 GA Wire, 42" Lg	1
24	<u>662830</u>		Main Harness	1
25	11098G6		Lock Nut, 5/16" - 18	1
26	<u>73049G01</u>		Direction Selector Cover	1
27	<u>16469G1</u>		Fender Washer, 1/4"	1
28	<u>00114G6</u>		Hex Washer Head Slotted Tapping Screw, 1/4" - 14 x 3/4" LG	1
29	<u>640359</u>		Side Terminal Adaptor (Positive)	1
30	<u>640360</u>		Side Terminal Adaptor (Negative)	1
31	<u>17618G1</u>		Nylon Clamp, 8" Lg (Not Illustrated).....	12

ELECTRICAL



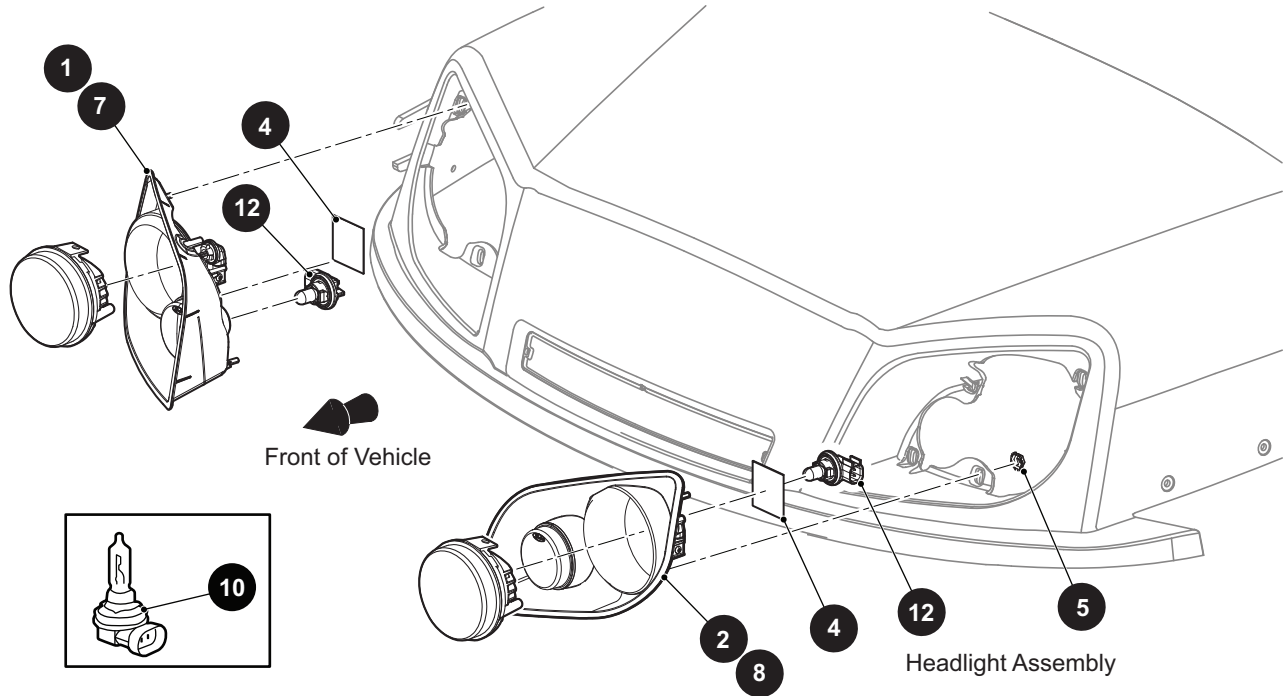
THE USE OF NON U.L. PARTS WILL VOID ANY U.L. LISTING.

When ordering parts, please specify the model and serial number of the product.

* Indicates a component that is not available as an individual part.

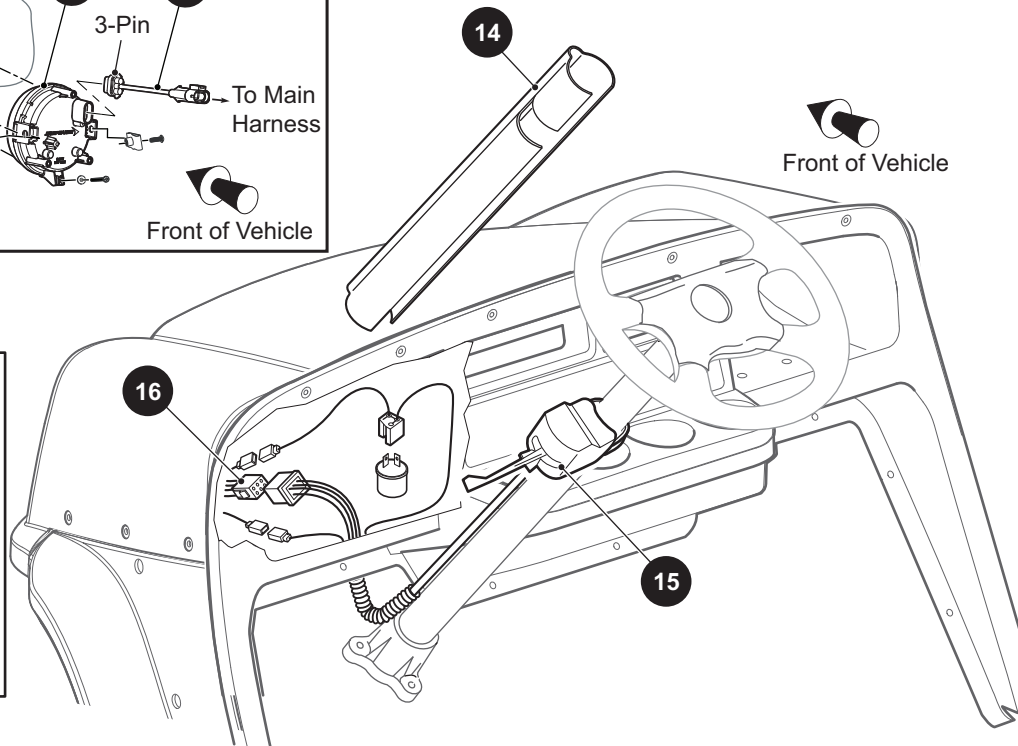
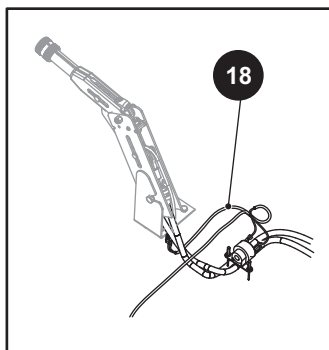
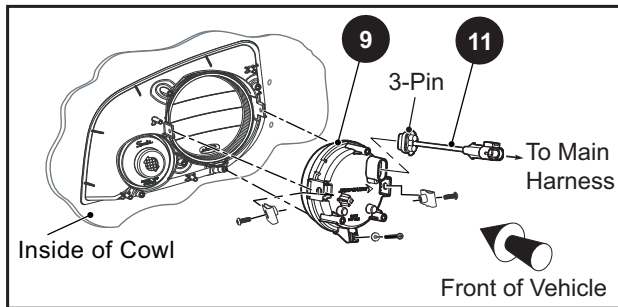
*** Indicates consult Customer Service Department for additional information.

ITEM	PART NO.	1 2 3 4 5	DESCRIPTION	QTY.
1	660446		Electrical Plate Assembly (Includes Items 2 - 11)	1
2	<u>73057G02</u>		Bracket	1
3	<u>27739G01</u>		Voltage Regulator	1
4	<u>663716</u>		Solenoid.....	1
5	<u>303459</u>		Hex Head Bolt, 1/4" - 20 x 1 1/2" Lg, Grade 5.....	1
6	<u>00661G8</u>		Hex Head Bolt (SS), 1/4" - 20 x 1" Lg.....	1
7	<u>11027G2</u>		Flanged Lock Nut, 1/4" - 20.....	2
8	<u>658683</u>		Electrical Plate Harness	1
9	<u>73446G01</u>		Faston Tab, 90°.....	2
10	<u>645190</u>		#6 GA Wire Assembly.....	1
11	<u>25978G56</u>		#18 GA Wire Assembly (Black).....	1
12	<u>00567G7</u>		Lock Washer (External Tooth Type)	1
13	<u>00532G1</u>		Hex Nut, 1/4" - 20.....	1
14				
15	<u>27068G01</u>		Horn Switch Boot	1
16				
17	32860G01		Horn	1
18	<u>608397</u>		Horn Plate	1
19	<u>17318G1</u>		Horn Switch.....	1
20	<u>73446G01</u>		Faston Tab	1
21				
22	<u>15058G6</u>		Rivet, (Aluminum), 3/16" x .937" Lg	2
23	<u>676066G01</u>		Fuse Block (Includes Item 24).....	1
24	636455G23		Fuse, 15A	3



7 LED Headlight Assembly (Passenger Side) includes item 9

8 LED Headlight Assembly (Driver Side) includes item 9



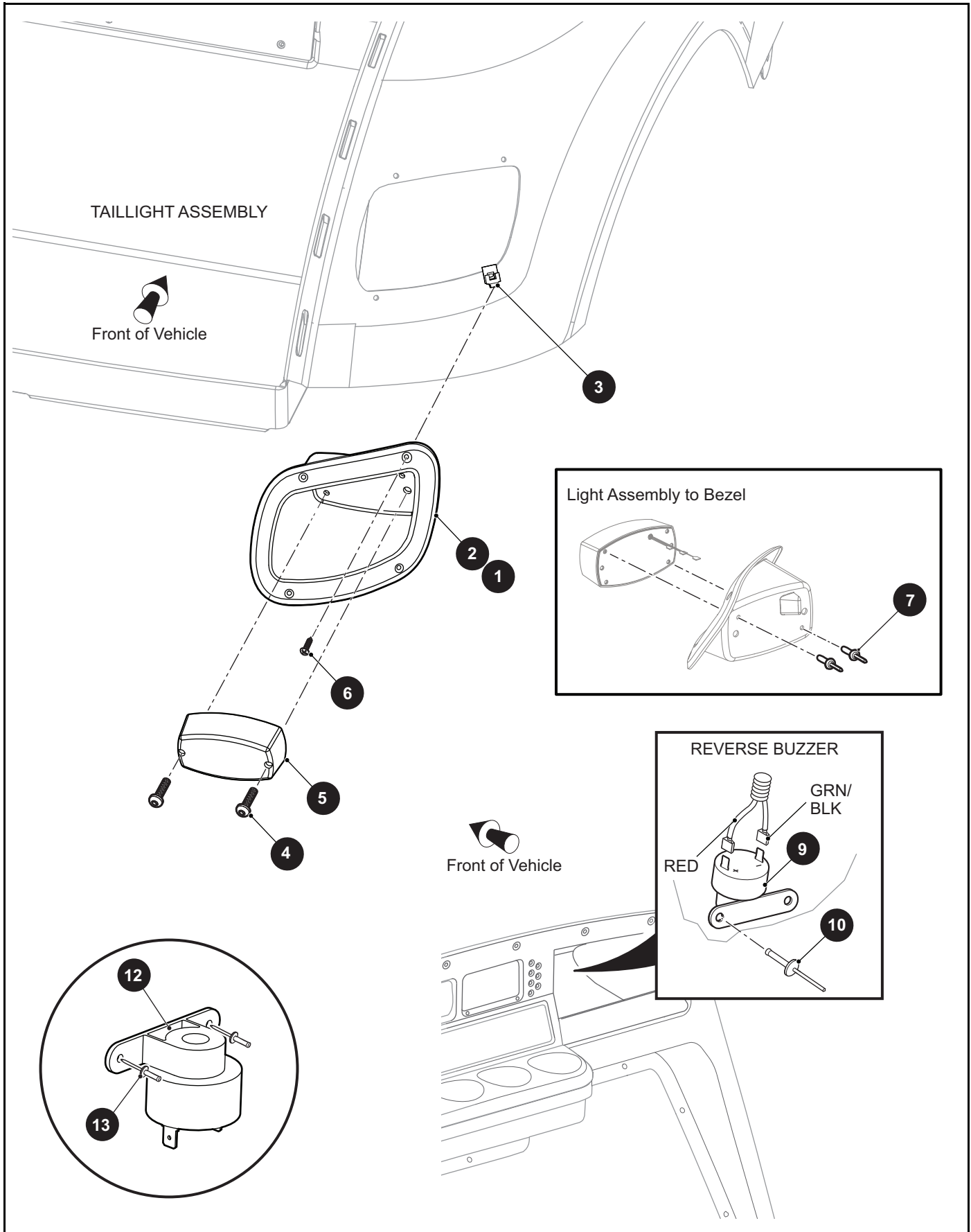
THE USE OF NON U.L. PARTS WILL VOID ANY U.L. LISTING.

When ordering parts, please specify the model and serial number of the product.

* Indicates a component that is not available as an individual part.

*** Indicates consult Customer Service Department for additional information.

ITEM	PART NO.	1 2 3 4 5	DESCRIPTION	QTY.
1	<u>644876</u>		Headlight Assembly (Passenger Side).....	1
2	<u>644877</u>		Headlight Assembly (Driver Side)	1
3				
4	<u>71781G02</u>		Vinyl Tape.....	1
5	<u>71597G01</u>		Self Threading Nut, 5mm x 10mm x 15mm.....	4
6				
7	<u>659008</u>		LED Headlight Assembly (Passenger Side) (Includes Item 9)	1
8	<u>659009</u>		LED Headlight Assembly (Driver Side) (Includes Item 9).....	1
9	<u>651411G03</u>		LED Headlight	1
10	<u>619100</u>		Headlight Bulb.....	1
11	<u>654465</u>		Jumper Harness, Led Headlight.....	1
12	<u>619102</u>		Turn Signal Assembly Bulb	1
13				
14	<u>20965G3</u>		Steering Column Cover.....	1
15	<u>611810</u>		Turn Signal Switch Assembly	1
16	666151		Accessory Harness	1
17				
18	<u>626520</u>		Park Brake/Buzzer Harness.....	1



THE USE OF NON U.L. PARTS WILL VOID ANY U.L. LISTING.

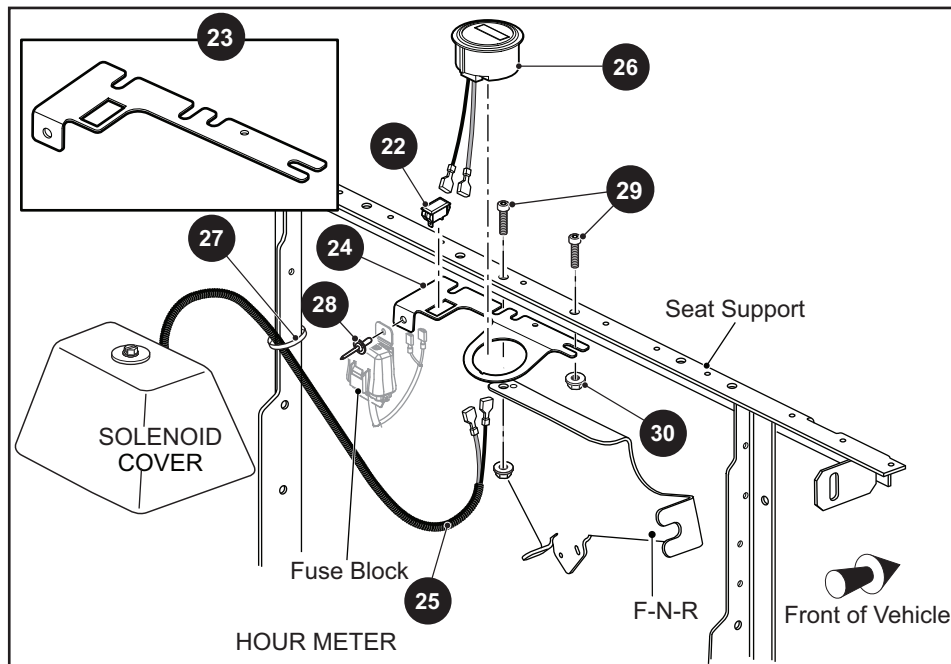
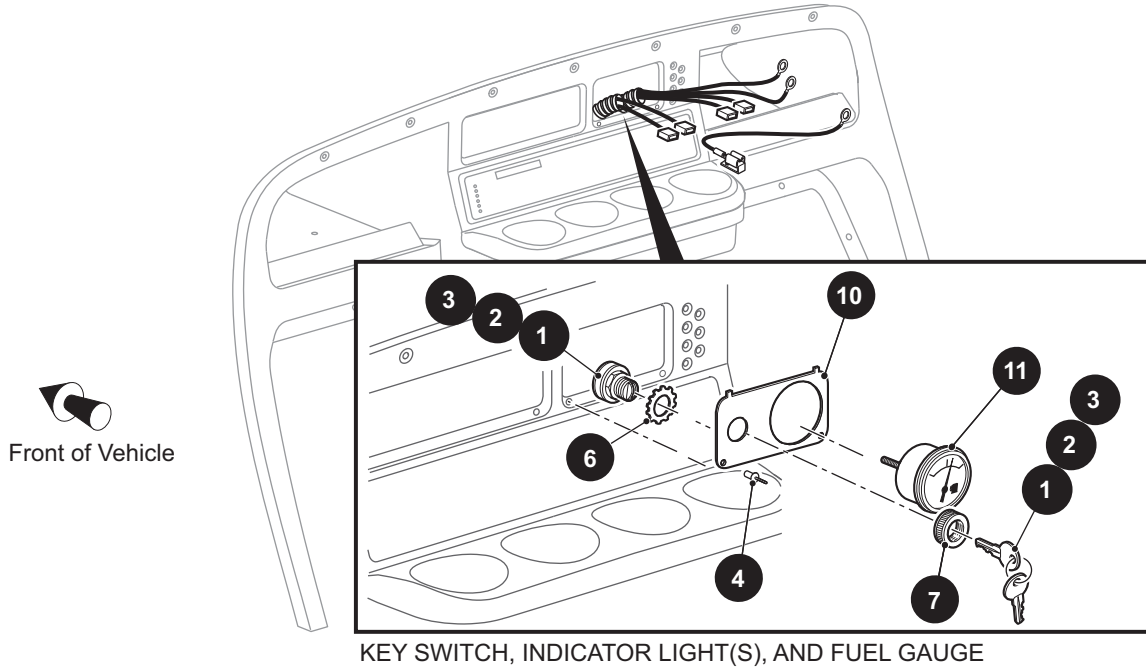
When ordering parts, please specify the model and serial number of the product.

* Indicates a component that is not available as an individual part.

*** Indicates consult Customer Service Department for additional information.

ITEM	PART NO.	1 2 3 4 5	DESCRIPTION	QTY.
1	<u>625251</u>		Taillight Bezel (Driver Side)	1
2	<u>625252</u>		Taillight Bezel (Passenger Side)	1
3	<u>71364G02</u>		J-Type Nut, #8.....	4
4	<u>00513G4</u>		Pan Head Phillips Screw, #8 - 18 x 3/4" Lg.....	2
5	<u>22288G1</u>		Taillight Assembly.....	1
6	<u>71425G01</u>		Flat Head Phillips Tapping Screw, #8 - 18 x 3/4" Lg.....	4
7	<u>14601G11</u>		Rivet (Aluminum), 3/16" x 9/16"	2
8				
9	<u>73290G03</u>		Buzzer	1
10	<u>01041G01</u>		Rivet, 5/32"	2
11				
12	<u>73290G01</u>		Intermittent Buzzer	1
13	<u>01041G01</u>		Bulbex Rivet, 5/32"	2

9 Gauge Plate (Fuel Gauge with Lights) includes items 10, 11



THE USE OF NON U.L. PARTS WILL VOID ANY U.L. LISTING.

When ordering parts, please specify the model and serial number of the product.

* Indicates a component that is not available as an individual part.

*** Indicates consult Customer Service Department for additional information.

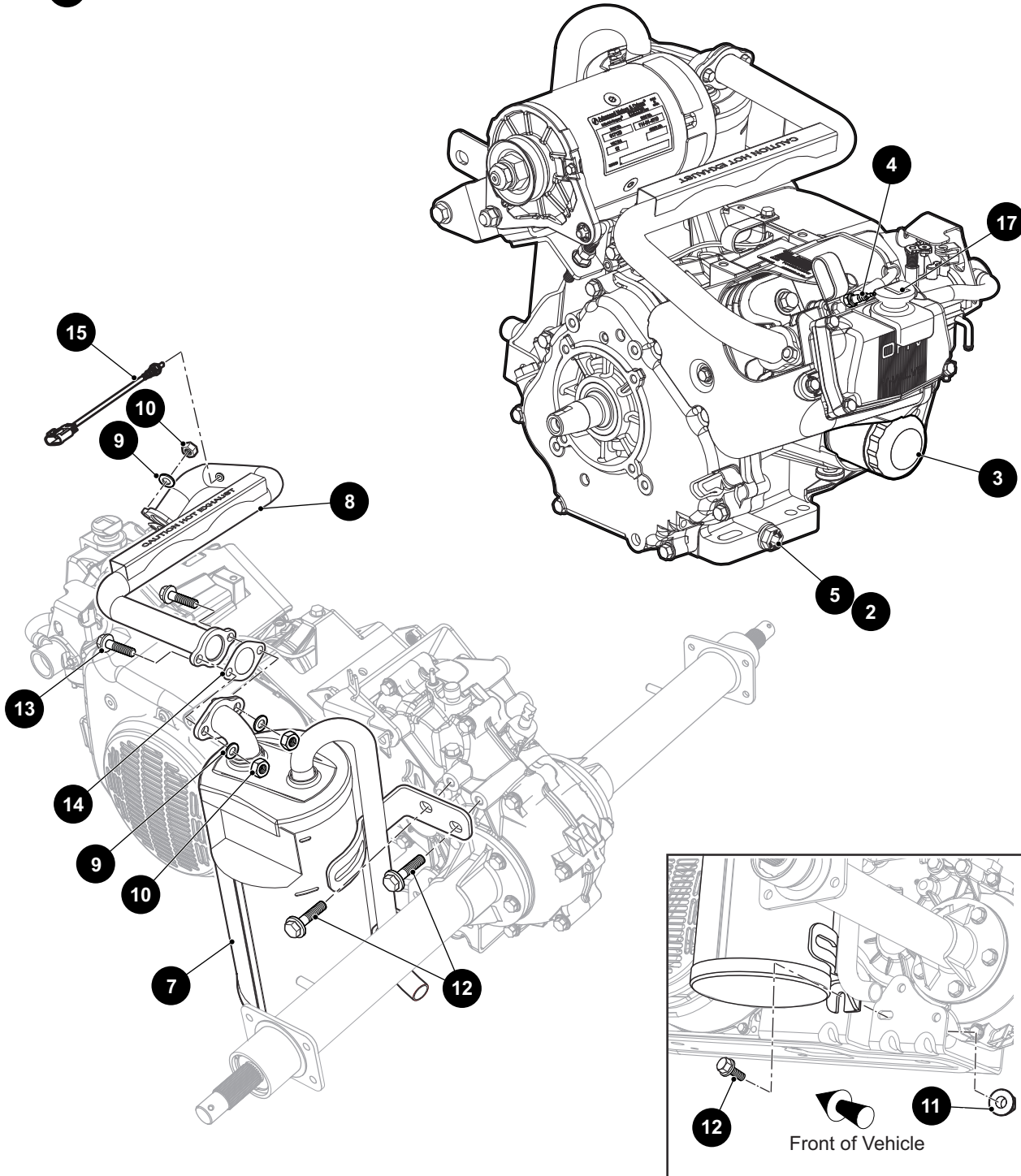
ITEM	PART NO.	1 2 3 4 5	DESCRIPTION	QTY.
1	<u>33639G01</u>		Ignition Switch (with Light)	1
2	<u>33639G02</u>		Ignition Switch (with Light, Group Key)	1
3	33639G03		Ignition Switch (with Light, Individual)	1
4	33623G02		Drive Rivet, 3/16" x 3/8" Lg	2
5				
6	<u>00568G6</u>		Lock Washer (External Tooth Type), 3/4"	1
7	17137G1		Face Nut, 3/4" - 20	1
8				
9	656282G06		Gauge Plate (Fuel Gauge with Lights) (Includes Items 10, 11).....	1
10	<u>73030G14</u>		Console Insert Plate	1
11	<u>648247</u>		Fuel Level Gauge	1
12				
13				
14				
15				
16				
17				
18				
19				
20				
21				
22	<u>659101</u>		Malfunction Indicator Light	1
23	<u>659085</u>		Fuse Bracket (For Vehicles without Hour Meter)	1
24	<u>662631</u>		Fuse Bracket (For Vehicles with Hour Meter)	1
25	664689		Hour Meter Harness.....	1
26	<u>617074</u>		Hour Meter	1
27	<u>17618G1</u>		Nylon Clamp, 8" Lg	2
28	<u>71055G01</u>		Rivet, 3/16" Dia.	1
29	<u>70227G01</u>		Socket Head Screw, 1/4" - 20 x 7/8" Lg, Grade 8	2
30	<u>11027G2</u>		Flanged Lock Nut, 1/4" - 20	2

Notes:

A large grid of 20 columns and 30 rows, intended for taking notes. The grid is empty and occupies the majority of the page's content area.

ENGINE AND MUFFLER

1 EFI Engine, 13.5 HP includes items 2 - 5



ENGINE AND MUFFLER

THE USE OF NON U.L. PARTS WILL VOID ANY U.L. LISTING.

When ordering parts, please specify the model and serial number of the product.

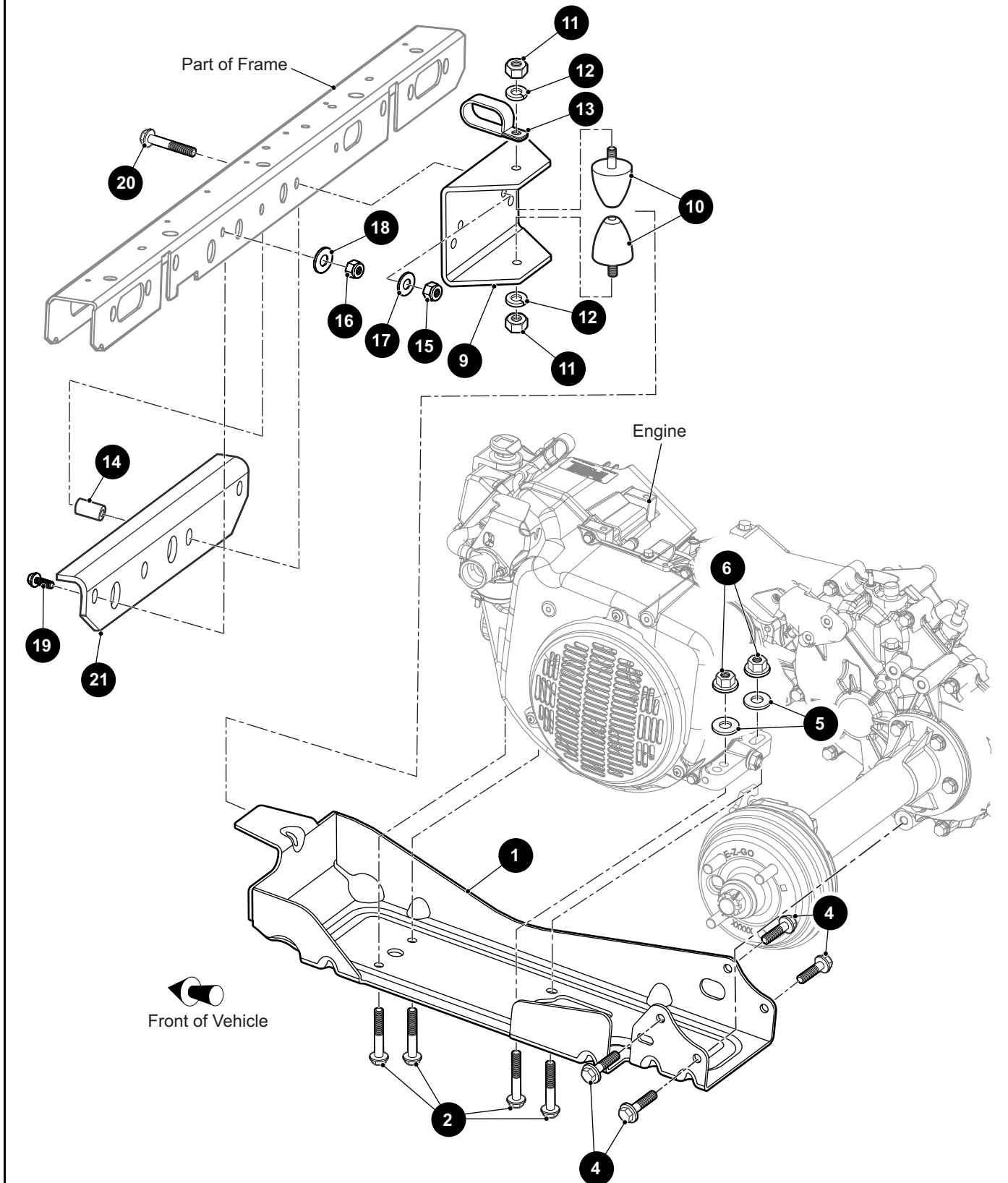
* Indicates a component that is not available as an individual part.

*** Indicates consult Customer Service Department for additional information.

ITEM	PART NO.	1 2 3 4 5	DESCRIPTION	QTY.
1	<u>658237</u>		EFI Engine, 13.5 HP (Includes Items 2 - 5).....	1
2	<u>603562</u>		O-Ring, 16mm	1
3	<u>607454</u>		Oil Filter	1
4	<u>607462</u>		Spark Plug	1
5	<u>603557</u>		Oil Drain Plug	1
6				
7	674854		Muffler	1
8	<u>657450</u>		Exhaust Manifold.....	1
9	<u>606272</u>		Lock Washer, 8mm	4
10	<u>606267</u>		Hex Jam Nut, M8 - 1.25	4
11	<u>606279</u>		Flanged Hex Nut, M10 - 1.25	1
12	<u>606256</u>		Flanged Hex Head Bolt, M10 - 1.25 x 25mm Lg, Grade 8.8.....	3
13	<u>602330</u>		Flanged Hex Head Bolt, M8 - 1.25 x 30mm Lg, Grade 8.8.....	2
14	<u>603599</u>		Exhaust Gasket.....	2
15	<u>657449</u>		Oxygen Sensor	1
16				
17	<u>606390</u>		Oil Dip Stick	1

ENGINE MOUNTING

8 Front Mount Bracket Assembly includes items 9 - 13



ENGINE MOUNTING

THE USE OF NON U.L. PARTS WILL VOID ANY U.L. LISTING.

When ordering parts, please specify the model and serial number of the product.

* Indicates a component that is not available as an individual part.

*** Indicates consult Customer Service Department for additional information.

ITEM	PART NO.	1 2 3 4 5	DESCRIPTION	QTY.
1	<u>630776</u>		Engine Pan	1
2	<u>606259</u>		Flanged Hex Head Bolt, M10 - 1.25 x 45mm Lg, Grade 8.8	4
3				
4	<u>606256</u>		Flanged Hex Head Bolt, M10 - 1.25 x 25mm Lg, Grade 8.8	4
5	<u>603823</u>		Flat Washer, M10	4
6	<u>606279</u>		Flanged Hex Nut, M10 - 1.25	4
7				
8	<u>662794</u>		Front Mount Bracket Assembly (Includes Items 9 - 13)	1
9	<u>625345</u>		Front Mount Bracket	1
10	<u>605757</u>		Rubber Bumper	2
11	<u>00974G01</u>		Hex Nut, M10 - 1.5	2
12	<u>608654</u>		Lock Washer, 10mm	2
13	<u>692754</u>		Tube Clamp (Wide), 1"	1
14	<u>72016G01</u>		Tube Spacer.....	2
15	<u>11098G5</u>		Lock Nut, 3/8" - 16	2
16	<u>01109G01</u>		Lock Nut, 5/16" - 18	2
17	<u>00643G1</u>		Flat Washer, 3/8"	2
18	<u>00559G8</u>		Flat Washer, 5/16"	2
19	<u>00438G7</u>		Hex Head Bolt, 5/16" - 18 x 7/8" Lg, Grade 5	2
20	<u>00428G8</u>		Hex Head Bolt, 3/8" - 16 x 2.75" Lg	2
21	<u>652247</u>		Cross-member Brace	1

Notes:

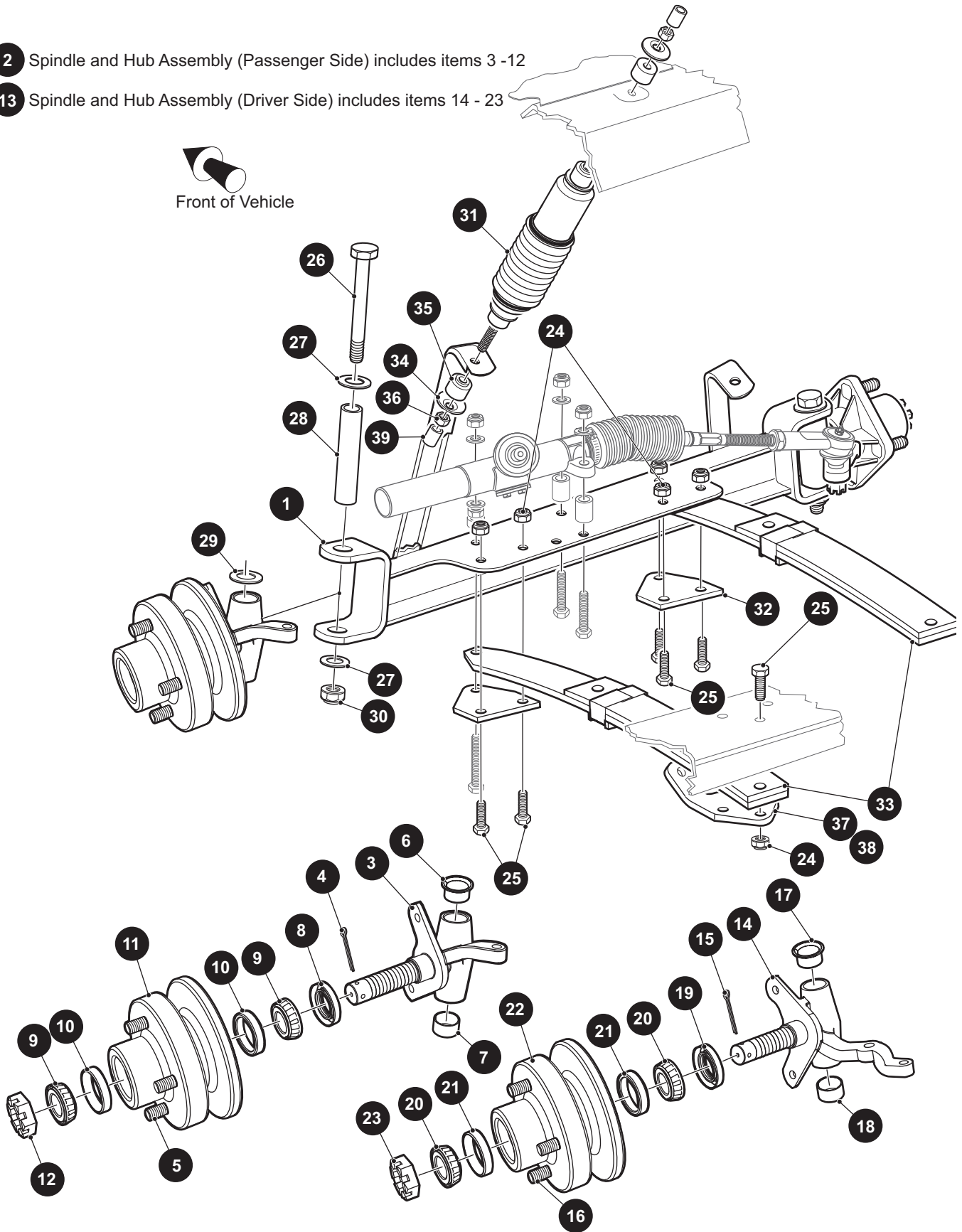
A large grid area for notes, consisting of 25 columns and 20 rows of small squares.

FRONT SUSPENSION AND STEERING

2 Spindle and Hub Assembly (Passenger Side) includes items 3 - 12

13 Spindle and Hub Assembly (Driver Side) includes items 14 - 23

Front of Vehicle



FRONT SUSPENSION AND STEERING

THE USE OF NON U.L. PARTS WILL VOID ANY U.L. LISTING.

When ordering parts, please specify the model and serial number of the product.

* Indicates a component that is not available as an individual part.

*** Indicates consult Customer Service Department for additional information.

ITEM	PART NO.	1 2 3 4 5	DESCRIPTION	QTY.
1	<u>602327</u>		Front Axle	1
2	<u>602288</u>		Spindle and Hub Assembly (Passenger Side) (Includes Items 3 - 12).....	1
3	<u>602158</u>		Spindle (Passenger Side).....	1
4	<u>00798G8</u>		Cotter Pin, 5/32" x 1 3/4"	1
5	<u>74864G01</u>		Drive Flange Stud, 1 1/2".....	4
6	<u>632925</u>		Flanged Bushing.....	1
7	<u>632926</u>		Sleeve Bushing.....	1
8	<u>25146G1</u>		Grease Seal.....	1
9	<u>11750G2</u>		Roller Bearing	2
10	<u>51141G1</u>		Bearing Race.....	2
11	<u>630672</u>		Disc Brake Hub.....	1
12	12093G1		Slotted Nut, 17/32".....	1
13	<u>602281</u>		Spindle and Hub Assembly (Driver Side) (Includes Items 14 - 23)	1
14	<u>602176</u>		Spindle (Driver Side)	1
15	<u>00798G8</u>		Cotter Pin, 5/32" x 1 3/4"	1
16	<u>74864G01</u>		Drive Flange Stud, 1 1/2".....	4
17	<u>632925</u>		Flanged Bushing.....	1
18	<u>632926</u>		Sleeve Bushing.....	1
19	<u>25146G1</u>		Grease Seal.....	1
20	<u>11750G2</u>		Roller Bearing	2
21	<u>51141G1</u>		Bearing Race.....	2
22	<u>630672</u>		Disc Brake Hub.....	1
23	12093G1		Slotted Nut, 17/32".....	1
24	<u>00734G1</u>		Lock Nut, 7/16" - 14	11
25	<u>00463G11</u>		Hex Head Bolt, 7/16" - 14 x 1 1/2" Lg, Grade 5	11
26	<u>00407G6</u>		Hex Head Bolt, 1/2" - 13 x 6" Lg, Grade 5	1
27	<u>00560G3</u>		Flat Washer, 1/2"	2
28	<u>70745G01</u>		King Pin Tube.....	1
29	<u>70754G01</u>		Thrust Washer (SS), 1"	1
30	<u>14390G6</u>		Lock Nut, 1/2" - 13	1
31	<u>76419G01</u>		Shock Absorber.....	1

FRONT SUSPENSION AND STEERING

THE USE OF NON U.L. PARTS WILL VOID ANY U.L. LISTING.

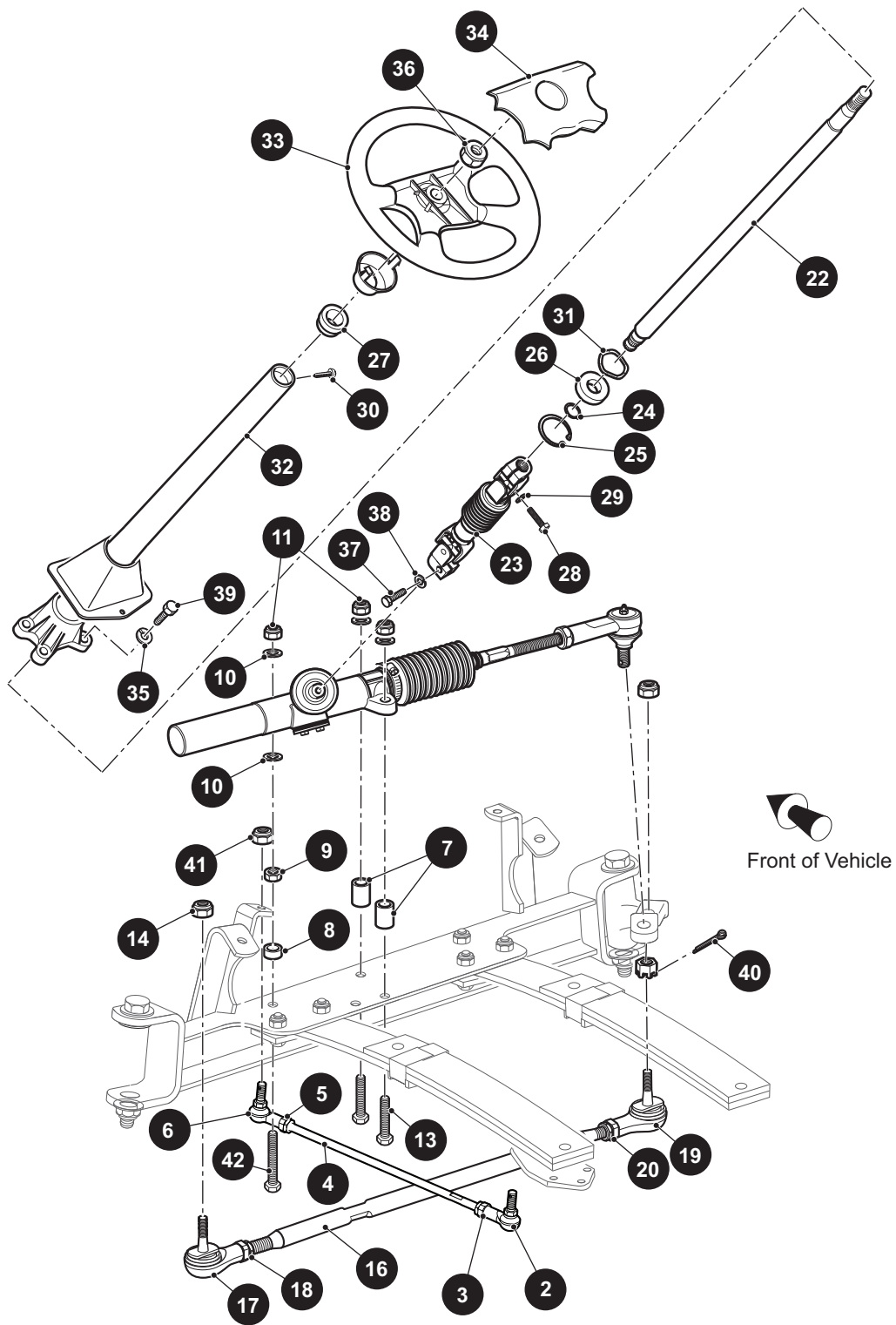
When ordering parts, please specify the model and serial number of the product.

* Indicates a component that is not available as an individual part.

*** Indicates consult Customer Service Department for additional information.

ITEM	PART NO.	1 2 3 4 5	DESCRIPTION	QTY.
32	<u>652258</u>		Spring Plate	1
33	<u>70664G03</u>		Leaf Spring	1
34	<u>10435G1</u>		Shock Absorber Washer, .406" I.D. x 1.25" O.D.	4
35	<u>10194G1</u>		Rubber Bushing.....	4
36	<u>00532G6</u>		Hex Nut, 1/4" - 20	2
37	<u>74731G01</u>		Spring Plate (Driver Side).....	1
38	<u>74731G02</u>		Spring Plate (Passenger Side)	1
39	<u>10044G01</u>		Vinyl Cap	2

FRONT SUSPENSION AND STEERING



- 1 Link Rod Assembly includes items 2 - 6
- 15 Tie Rod Assembly includes items 16 - 20
- 21 Steering Column Assembly includes items 22 - 32

FRONT SUSPENSION AND STEERING

THE USE OF NON U.L. PARTS WILL VOID ANY U.L. LISTING.

When ordering parts, please specify the model and serial number of the product.

* Indicates a component that is not available as an individual part.

*** Indicates consult Customer Service Department for additional information.

ITEM	PART NO.	1 2 3 4 5	DESCRIPTION	QTY.
1	74730G01		Link Rod Assembly (Includes Items 2 - 6).....	2
2	<u>74734G02</u>		Tie Rod End (Right Hand Threads)	1
3	01083G01		Jam Nut, M10 - 1 1/4" (Right Hand Threads)	1
4	618531		Link Rod	1
5	01083G02		Jam Nut, M10 - 1 1/4" (Left Hand Threads).....	1
6	<u>74734G01</u>		Tie Rod End (Left Hand Threads).....	1
7	<u>70667G02</u>		Spacer, 1.21".....	2
8	<u>70667G04</u>		Steering Housing Spacer	1
9	<u>00532G7</u>		Hex Nut, 1/4" - 20.....	1
10	<u>00560G2</u>		Flat Washer, 3/8".....	7
11	<u>00734G1</u>		Lock Nut, 7/16" - 14	3
12				
13	<u>00464G8</u>		Hex Head Bolt, 7/16" - 14 x 2 3/4" Lg, Grade 5	2
14	<u>00734G1</u>		Lock Nut, 7/16" - 14	2
15	<u>70876G02</u>		Tie Rod Assembly (Includes Items 16 - 20)	1
16	<u>70897G02</u>		Threaded Rod (24" Lg).....	1
17	<u>70902G01</u>		Tie Rod End (Left Hand Threads).....	1
18	<u>01069G01</u>		Jam Nut, M12 x 1.25 - 05 (Left Hand Threads)	1
19	<u>70902G02</u>		Tie Rod End (Right Hand Threads)	1
20	<u>01069G02</u>		Jam Nut, M12 x 1.25 - 05 (Right Hand Threads).....	1
21	<u>70758G05</u>		Steering Column Assembly (Includes Items 22 - 32)	1
22	<u>70607G01</u>		Steering Shaft.....	1
23	<u>70580G01</u>		Intermediate Shaft	1
24	<u>70888G01</u>		Retaining Ring, External.....	1
25	<u>70751G01</u>		Retaining Ring, Internal	1
26	<u>15112G1</u>		Ball Bearing	1
27	<u>28569G01</u>		Bushing.....	1
28	<u>01055G01</u>		Hex Head Bolt, M8 - 1.25" x 30mm Lg, Grade 5	1
29	<u>00565G8</u>		Spring Lock Washer	1
30	<u>01022G01</u>		Hex Washed Head Screw, #6 - 20 x 5/16" Lg	1
31	<u>70887G01</u>		Wave Washer (SS).....	1

FRONT SUSPENSION AND STEERING

THE USE OF NON U.L. PARTS WILL VOID ANY U.L. LISTING.

When ordering parts, please specify the model and serial number of the product.

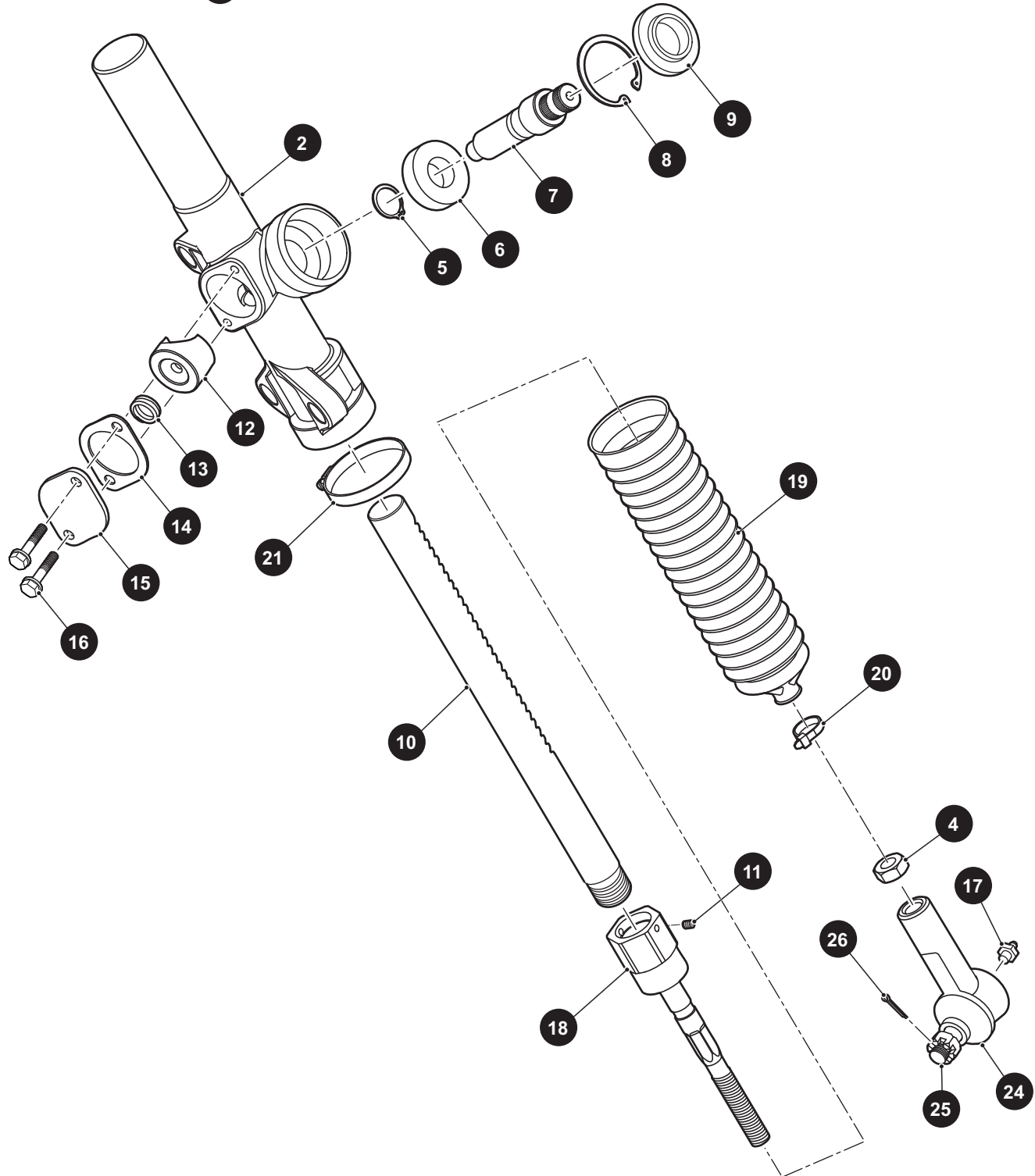
* Indicates a component that is not available as an individual part.

*** Indicates consult Customer Service Department for additional information.

ITEM	PART NO.	1 2 3 4 5	DESCRIPTION	QTY.
32	<u>70610G03</u>		Steering Column Assembly	1
33	<u>602980</u>		Steering Wheel (Premium)	1
34	<u>71147G01</u>		Steering Wheel Cover	1
35	<u>00879G1</u>		Flat Washer, 3/8"	4
36	<u>14390G2</u>		Lock Nut, 5/8" - 18	1
37	<u>01055G01</u>		Hex Head Bolt, M8 - 1 1/4" x 30mm Lg, Grade 5	1
38	<u>00565G8</u>		Lock Washer, 5/16"	1
39	<u>01006G01</u>		Hex Head Bolt, 3/8" - 16 x 1 1/4" Lg	4
40	<u>10387G2</u>		Cotter Pin .094" x 1"	1
41	606279		Flanged Hex Nut, M10 - 1.25	4
42	<u>01068G01</u>		Hex Head Bolt, 7/16" - 14 x 3 1/2" Lg, Grade 5	1

FRONT SUSPENSION AND STEERING

- 1** Rack and Pinion Unit includes items 2 - 23
- 23** Tie Rod End (Outer) includes items 24 - 25



FRONT SUSPENSION AND STEERING

THE USE OF NON U.L. PARTS WILL VOID ANY U.L. LISTING.

When ordering parts, please specify the model and serial number of the product.

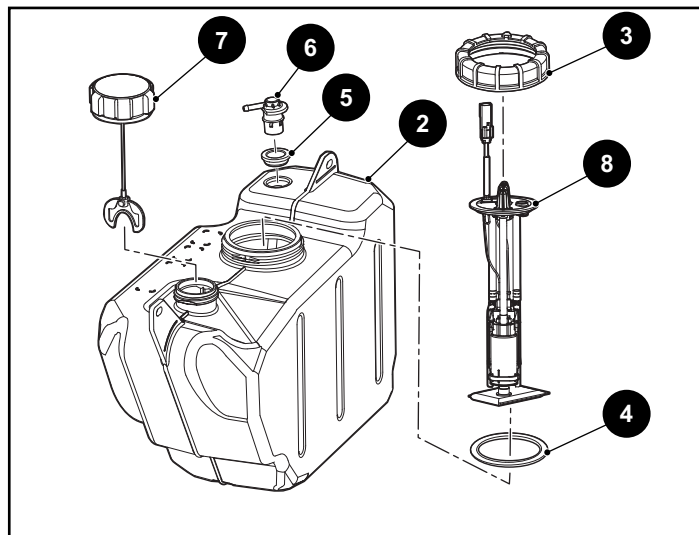
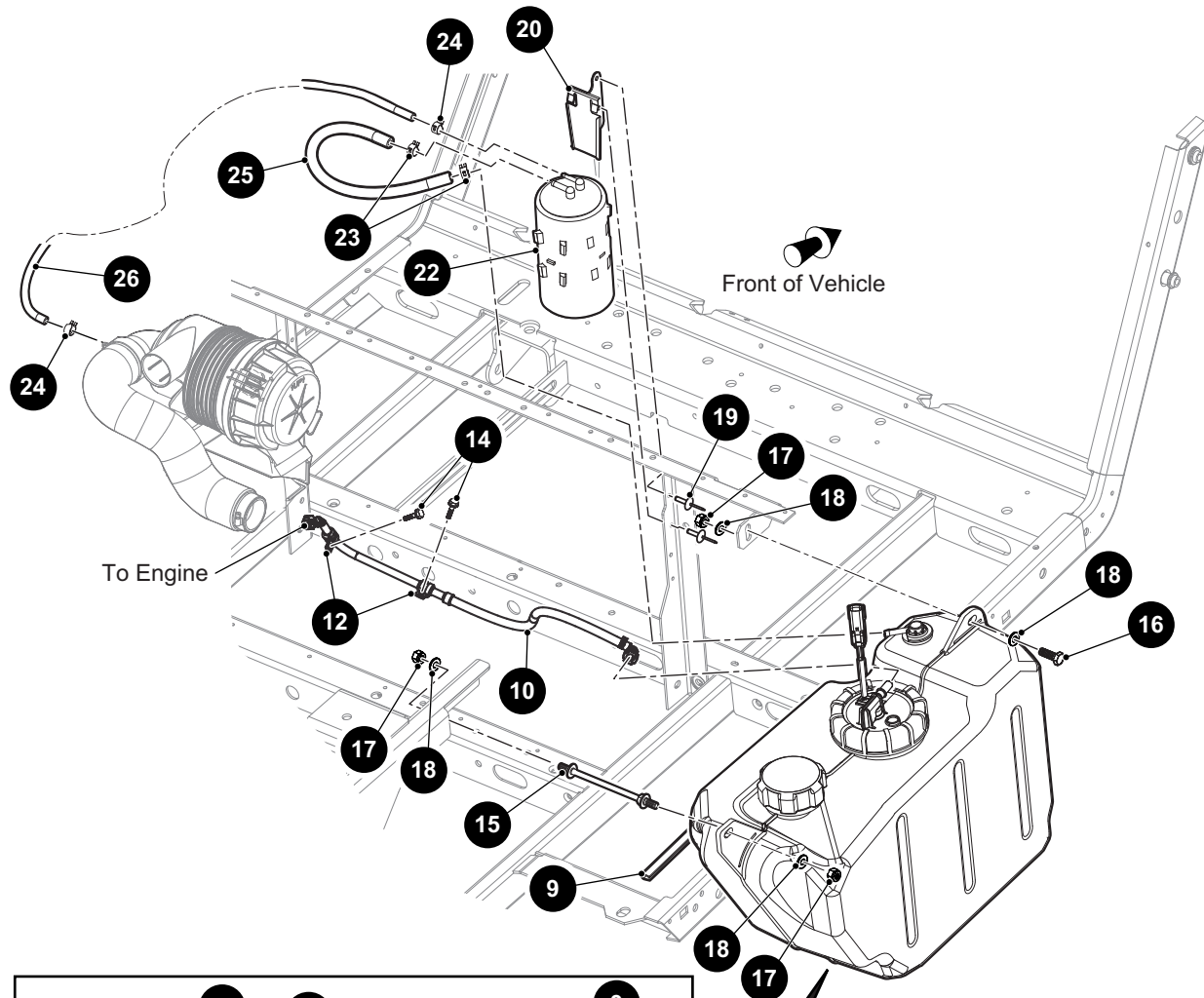
* Indicates a component that is not available as an individual part.

*** Indicates consult Customer Service Department for additional information.

ITEM	PART NO.	1 2 3 4 5	DESCRIPTION	QTY.
1	<u>70964G01</u>		Rack and Pinion Unit (Includes Items 2 - 23).....	1
2	<u>70965G01</u>		Steering Rack Cover and Bearing	1
3				
4	*		Jam Nut, 1/2" - 20.....	1
5	<u>70750G01</u>		Retaining Ring (External)	1
6	<u>15112G1</u>		Ball Bearing	1
7	<u>70603G01</u>		Pinion.....	1
8	<u>70751G01</u>		Retaining Ring (Internal).....	1
9	<u>70638G01</u>		Seal (Pinion)	1
10	<u>70604G01</u>		Steering Rack	1
11	*		Set Screw, #10 - 32 x .25" Lg	1
12	<u>70590G01</u>		Rack Loader	1
13	<u>70666G01</u>		Compression Spring	1
14	<u>70645G01</u>		Gasket (Rack Loader Cover).....	1
15	<u>652259</u>		Cover (Rack Loader)	1
16	<u>71102G01</u>		Hex Washer Head Bolt, 1/4" - 20 x 11/16" Lg, Grade 5.....	2
17	<u>10389G3</u>		Grease Fitting (Straight)	1
18	<u>70694G01</u>		Rod End (Inner)	1
19	<u>70961G01</u>		Rack Boot	1
20	<u>12416G2</u>		Nylon Clamp, 11.8" Lg	1
21	<u>11391G8</u>		Hose Clamp, 1.81".....	1
22				
23	<u>70695G01</u>		Tie Rod End (Outer) (Includes Items 24 - 25).....	1
24	<u>50641G1</u>		Grommet	1
25	*		Hex Slotted Nut, 7/16" - 20	1
26	<u>10387G2</u>		Cotter Pin, 3/32" X 1"	1

FUEL SYSTEM

- 1 Fuel Tank Assembly includes items 2 - 8
- 21 Carbon Canister Assembly includes items 22 - 26



FUEL SYSTEM

THE USE OF NON U.L. PARTS WILL VOID ANY U.L. LISTING.

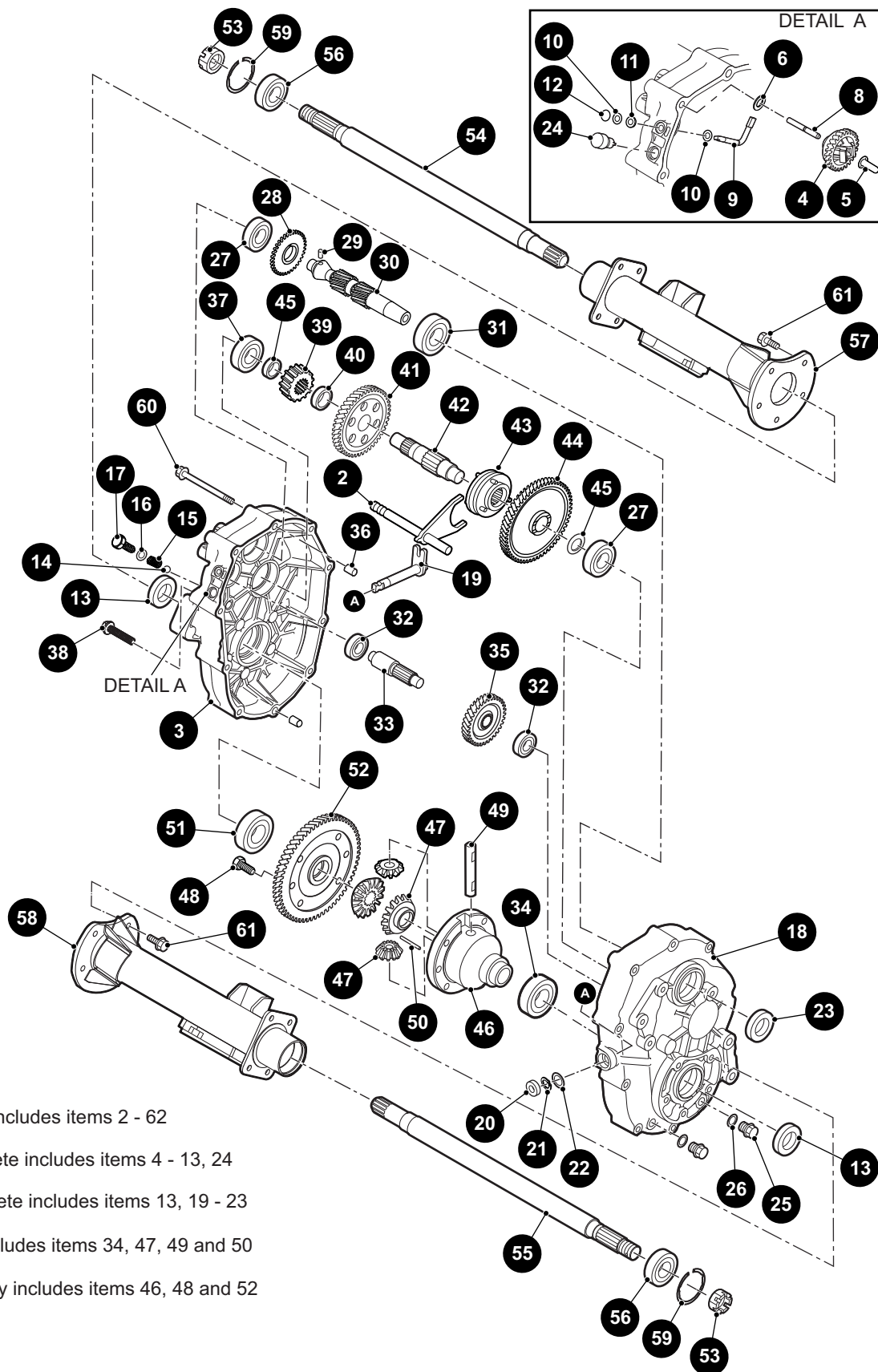
When ordering parts, please specify the model and serial number of the product.

* Indicates a component that is not available as an individual part.

*** Indicates consult Customer Service Department for additional information.

ITEM	PART NO.	1 2 3 4 5	DESCRIPTION	QTY.
1	<u>646825</u>		Fuel Tank Assembly (with Sender Unit) (Includes Items 2 - 8).....	1
2	646306		Fuel Tank	1
3	<u>646837</u>		Fuel Pump Lid	1
4	<u>646838</u>		Seal	1
5	<u>647810</u>		Grommet.....	1
6	<u>647809</u>		Rollover Valve.....	1
7	670898		Fuel Cap	1
8	<u>646353</u>		Fuel Pump with Sender Assembly	1
9	<u>32372G6</u>		Vinyl Trim, 6.25" Lg	1
10	666351		Fuel Hose Assembly	1
11				
12	664747		Tube Clamp, .5"	2
13	<u>602409</u>		Barrel Clip, M6 - 1 (Not Illustrated).....	2
14	<u>606264</u>		Flanged Hex Head Bolt, M6 - 1 x 20mm Lg, Grade 8.8	2
15	<u>70483G01</u>		Spacer, 5/16" - 18	1
16	<u>00438G8</u>		Hex Head Bolt, 5/16" - 18 x 1" Lg, Grade 5	1
17	11098G6		Lock Nut, 5/16" - 18	3
18	00559G8		Flat Washer, 5/16"	4
19	<u>10570G11</u>		Rivet, 3/16" Dia x .70"	2
20	<u>606310</u>		Carbon Canister Mounting Bracket	1
21	662807		Carbon Canister Assembly (Includes Items 22 - 26)	1
22	<u>606071</u>		Carbon Canister	1
23	<u>18292G1</u>		Tube Clamp, 1/2" O.D	2
24	<u>606963</u>		Tube Clamp, 3/16" I.D	2
25	<u>27184G14</u>		Fuel System Tube, 13" Lg	1
26	<u>662608</u>		Hose, 3/16" I.D. x 37" Lg	1

REAR AXLE



- 1 Rear Axle, 11.47:1 includes items 2 - 62
- 3 Axle Case L Complete includes items 4 - 13, 24
- 18 Axle Case R Complete includes items 13, 19 - 23
- 46 Differential Case includes items 34, 47, 49 and 50
- 62 Differential Assembly includes items 46, 48 and 52

REAR AXLE

THE USE OF NON U.L. PARTS WILL VOID ANY U.L. LISTING.

When ordering parts, please specify the model and serial number of the product.

* Indicates a component that is not available as an individual part.

*** Indicates consult Customer Service Department for additional information.

ITEM	PART NO.	1 2 3 4 5	DESCRIPTION	QTY.
1	<u>670468</u>		Rear Axle, 11.47:1 (Includes Items 2 - 62)	1
2	<u>639844</u>		Shift Shaft Complete.....	1
3	<u>639859</u>		Axle Case L Complete (Includes Items 4 - 13, 24)	1
4	<u>665887</u>		Governor Gear	1
5	<u>639689</u>		Governor Sleeve	1
6	<u>607904</u>		Flat Washer	1
7				
8	<u>639698</u>		Governor Gear Shaft.....	1
9	<u>639707</u>		Governor Shaft.....	1
10	<u>639736</u>		Flat Washer, 6mm	2
11	<u>607911</u>		Oil Seal, 6 x 10 x 2.5mm	1
12	<u>607913</u>		Retaining Ring, E5	1
13	<u>639738</u>		Oil Seal, 24 x 40 x 9mm	2
14	<u>26818G01</u>		Steel Ball	1
15	<u>26819G01</u>		Spring	1
16	<u>26831G01</u>		Gasket, 10	1
17	<u>26820G01</u>		Flanged Hex Head Bolt, M10 - 1.25 x 12mm Lg	1
18	<u>639865</u>		Axle Case R Complete (Includes Items 13, 19 - 23)	1
19	<u>639746</u>		Select Shaft.....	1
20	<u>607915</u>		Oil Seal, 13 x 22 x 5mm	1
21	<u>607916</u>		Snap Ring, 13mm	1
22	<u>607917</u>		Spacer, 13 x 1mm	1
23	<u>640093</u>		Oil Seal, 28 x 47 x 9mm	1
24	<u>607919</u>		Air Breather	1
25	<u>639747</u>		Oil Drain Plug	2
26	<u>639748</u>		Gasket, 14mm	2
27	<u>26785G01</u>		Ball Bearing (6204).....	2
28	<u>665888</u>		Governor Gear, 34.....	1
29	<u>607920</u>		Pin, 6 X 12L	1
30	<u>639750</u>		Input Shaft	1
31	<u>607922</u>		Ball Bearing (62/28).....	1

REAR AXLE

THE USE OF NON U.L. PARTS WILL VOID ANY U.L. LISTING.

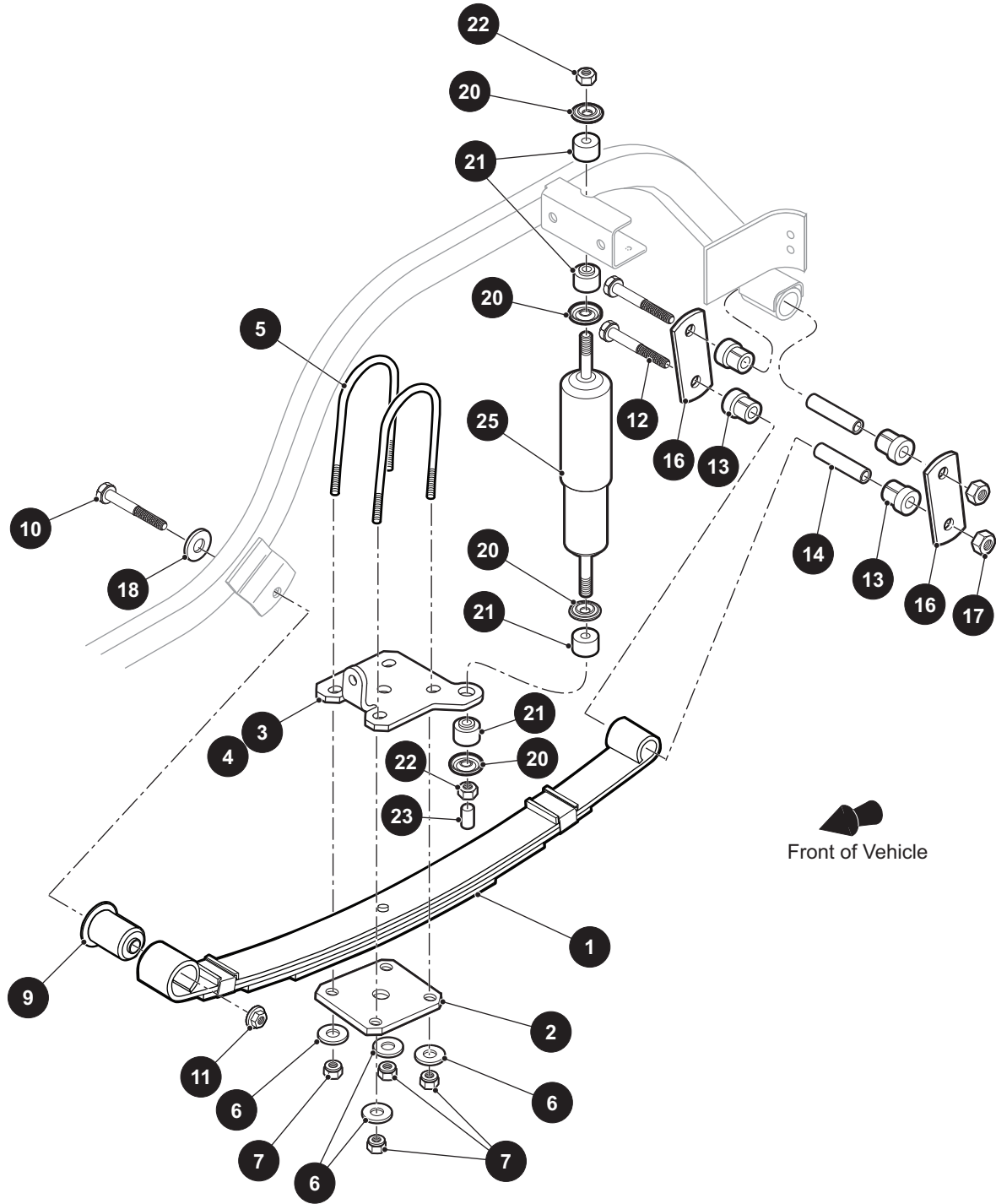
When ordering parts, please specify the model and serial number of the product.

* Indicates a component that is not available as an individual part.

*** Indicates consult Customer Service Department for additional information.

ITEM	PART NO.	1	2	3	4	5	DESCRIPTION	QTY.
32	<u>639868</u>						Ball Bearing (TMB202).....	2
33	<u>639755</u>						Counter Shaft.....	1
34	<u>640744</u>						Ball Bearing (6006)	1
35	<u>639758</u>						Gear, 34	1
36	<u>639869</u>						Knock Pipe.....	2
37	<u>639760</u>						Ball Bearing (6304)	2
38	<u>639768</u>						Flanged Hex Head Bolt, M8 - 1.25 x 40mm Lg.....	1
39	<u>639769</u>						Gear, 17	1
40	<u>28689G01</u>						Collar, 24 x 7.5mm	1
41	<u>639771</u>						Gear, 52	1
42	<u>670697</u>						Center Shaft.....	1
43	<u>639774</u>						Clutch Pin.....	1
44	<u>670696</u>						Gear, 61	1
45	<u>639797</u>						Spacer, 20 x 2mm	2
46	<u>639872</u>						Differential Case (Includes Items 34, 47, 49 and 50).....	1
47	<u>639800</u>						Differential Pair Gear.....	1
48	<u>26808G01</u>						Hex Head Bolt, M10 - 1.25 x 26mm Lg	6
49	<u>28723G01</u>						Differential Shaft.....	1
50	<u>28697G01</u>						Spring Pin, 4 x 40L.....	1
51	<u>639801</u>						Ball Bearing (6007)	1
52	<u>640739</u>						Gear, 60 Complete (Includes Item 51).....	1
53	<u>607938</u>						Castle Nut, M22 - 1.5	2
54	<u>639876</u>						Axle Shaft L Complete (Includes Item 56).....	1
55	<u>639881</u>						Axle Shaft R Complete (Includes Item 56)	1
56	<u>639836</u>						Ball Bearing (6205DD).....	2
57	<u>607939</u>						Axle Case L Complete	1
58	<u>607940</u>						Axle Case R Complete.....	1
59	<u>26814G01</u>						Snap Ring, 52mm	2
60	<u>639839</u>						Flanged Hex Head Bolt, M8 - 1.25 x 60mm Lg.....	9
61	<u>639840</u>						Flanged Hex Head Bolt, M10 - 1.25 x 25mm Lg.....	10
62	<u>639847</u>						Differential Assembly (Includes Items 46, 48 and 52)	1

REAR SUSPENSION



REAR SUSPENSION

THE USE OF NON U.L. PARTS WILL VOID ANY U.L. LISTING.

When ordering parts, please specify the model and serial number of the product.

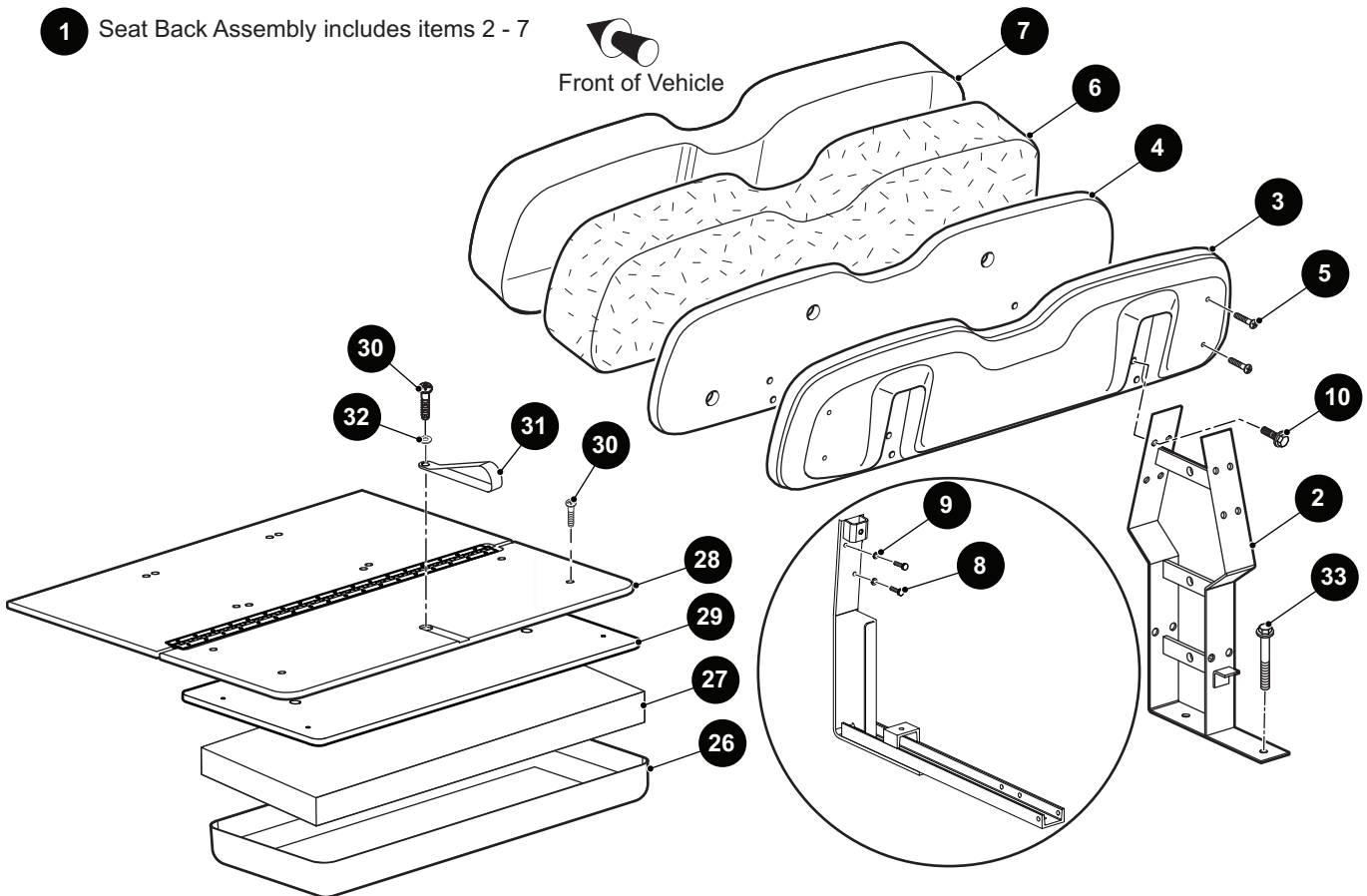
* Indicates a component that is not available as an individual part.

*** Indicates consult Customer Service Department for additional information.

ITEM	PART NO.	1 2 3 4 5	DESCRIPTION	QTY.
1	<u>627738</u>		Leaf Spring.....	1
2	<u>652246</u>		Rear Suspension Plate	1
3	<u>605938</u>		Axle Bracket (Driver Side).....	1
4	<u>605958</u>		Axle Bracket (Passenger Side)	1
5	<u>32195G3</u>		U Bolt, 3/8" - 16 x 2" x 2 1/8" Lg.....	2
6	<u>00643G1</u>		Flat Washer, 3/8".....	4
7	<u>11098G5</u>		Lock Nut, 3/8" - 16	4
8				
9	<u>605445</u>		Front Spring Bushing	1
10	<u>00665G9</u>		Shoulder Bolt, 3/8" - 16 x 3 1/4" Lg.....	1
11	<u>12262G1</u>		Flanged Lock Nut, 3/8" - 16	1
12	<u>00665G9</u>		Shoulder Bolt, 3/8" - 16 x 3 1/4" Lg.....	2
13	<u>624030</u>		Flanged Bushing	4
14	<u>70289G02</u>		Split Steel Spacer.....	2
15				
16	<u>652245</u>		Shackle Plate	2
17	<u>11098G5</u>		Lock Nut, 3/8" - 16	2
18	<u>00643G1</u>		Flat Washer, 3/8".....	1
19				
20	<u>10435G1</u>		Shock Absorber Washer, .406" I.D. x 1.25" O.D.	4
21	<u>10194G1</u>		Rubber Bushing	4
22	<u>00532G6</u>		Hex Nut, 3/8" - 24.....	2
23	<u>10044G01</u>		Vinyl Cap.....	1
24				
25	<u>642085</u>		Shock Absorber.....	2

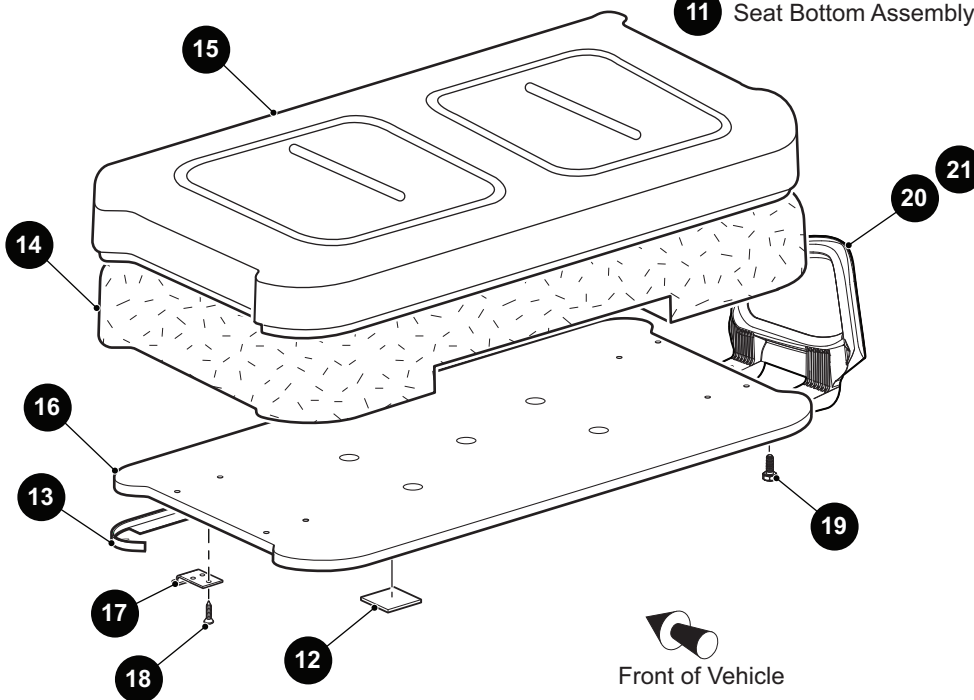
SEATING

1 Seat Back Assembly includes items 2 - 7



25 Flip Flop Seat Bottom Assembly includes items 26 - 32

11 Seat Bottom Assembly includes items 12 - 21



THE USE OF NON U.L. PARTS WILL VOID ANY U.L. LISTING.

When ordering parts, please specify the model and serial number of the product.

* Indicates a component that is not available as an individual part.

*** Indicates consult Customer Service Department for additional information.

ITEM	PART NO.	1 2 3 4 5	DESCRIPTION	QTY.
1	***		Seat Back Assembly (Includes Items 2 - 7)..... 71751G02 Gray 71751G03 Oyster 71751G04 Tan 71751G06 Brown 71751G07 Black 606828 Red/Black 604908 White/Blue 604907 White/Red 615838 White/Black 620794 White/Yellow 620796 Gray/Black 615837 Oyster/Garnet	1
2	<u>634178</u>		Seat Back Support.....	2
3	<u>71752G01</u>		Seat Back Cover.....	1
4	<u>645021</u>		Seat Back Base	1
5	<u>01107G01</u>		Pan Head Torx Screw (SS), #8 x 3/8" Lg.....	4
6	<u>71754G01</u>		Foam Padding (Seat Back)	1
7	***		Vinyl Seat Back Cover..... 71753G02 Gray 71753G03 Oyster 71753G04 Tan 71753G06 Brown 71753G07 Black 604916G0304 Red/Black 604916G0102 White/Blue 604916G0103 White/Red 604916G0104 White/Black 604916G0108 White/Yellow 604916G0704 Gray/Black 604916G0506 Oyster/Garnet	1
8	<u>00661G8</u>		Hex Head Bolt (SS), 1/4" - 20 x 1/2" Lg.....	4
9	<u>00664G7</u>		Lock Washer (SS), 1/4".....	4
10	<u>71204G01</u>		Hex Washer Head Screw with Patch Lock, 1/4" - 20 x 7/8" Lg.....	8
11	***		Seat Bottom Assembly (Includes Items 12 - 21)..... 629269G0101 Oyster 629269G0103 Tan 629269G0104 Gray 629269G0106 Black 629269G0107 Brown 629269G0109 White/Blue 629269G0111 White/Red 629269G0112 White/Black 629269G0113 White/Yellow	1

SEATING

THE USE OF NON U.L. PARTS WILL VOID ANY U.L. LISTING.

When ordering parts, please specify the model and serial number of the product.

* Indicates a component that is not available as an individual part.

*** Indicates consult Customer Service Department for additional information.

ITEM	PART NO.	1	2	3	4	5	DESCRIPTION	QTY.
		629269G0114					Gray/Black	
		629269G0115					Oyster/Garnet	
		629269G0110					Red/Black	
12	<u>17074G1</u>						Rubber Pad.....	2
13	<u>71012G01</u>						Vinyl Trim (Seat Bottom)	1
14	<u>71603G02</u>						Foam Padding (Seat Bottom).....	1
15	***						Vinyl Seat Bottom Cover	1
		71602G03					Oyster	
		71602G04					Tan	
		71602G02					Gray	
		71602G06					Black	
		71602G07					Brown	
		604912G0102					White/Blue	
		604912G0103					White/Red	
		604912G0104					White/Black	
		604912G0108					White/Yellow	
		604912G0704					Gray/Black	
		604912G0506					Oyster/Garnet	
		604912G0304					Red/Black	
16	<u>645492</u>						Seat Bottom Base	1
17	<u>71610G01</u>						Seat Hinge	2
18	<u>00720G08</u>						Flat Head Phillips Tapping Screw, #12 -14 x 1" Lg.....	6
19	<u>615417</u>						Button Head Torx Bolt, M10 - 1.5 x 25mm Lg	4
20	<u>617645</u>						Hip Restraint (Driver Side)	1
21	<u>617644</u>						Hip Restraint (Passenger Side).....	1
22								
23								
24								
25	***						Flip Flop Seat Bottom Assembly (Includes Items 26 - 32)	1
		628058G01					Oyster	
		628058G03					Tan	
		628058G04					Gray	
		628058G06					Black	
		628058G07					Brown	
		628058G09					White/Blue	
		628058G10					Red/Black	
		628058G11					White/Red	
		628058G12					White/Black	
		628058G13					White/Yellow	
		628058G14					Gray/Black	
		628058G15					Oyster/Garnet	

THE USE OF NON U.L. PARTS WILL VOID ANY U.L. LISTING.

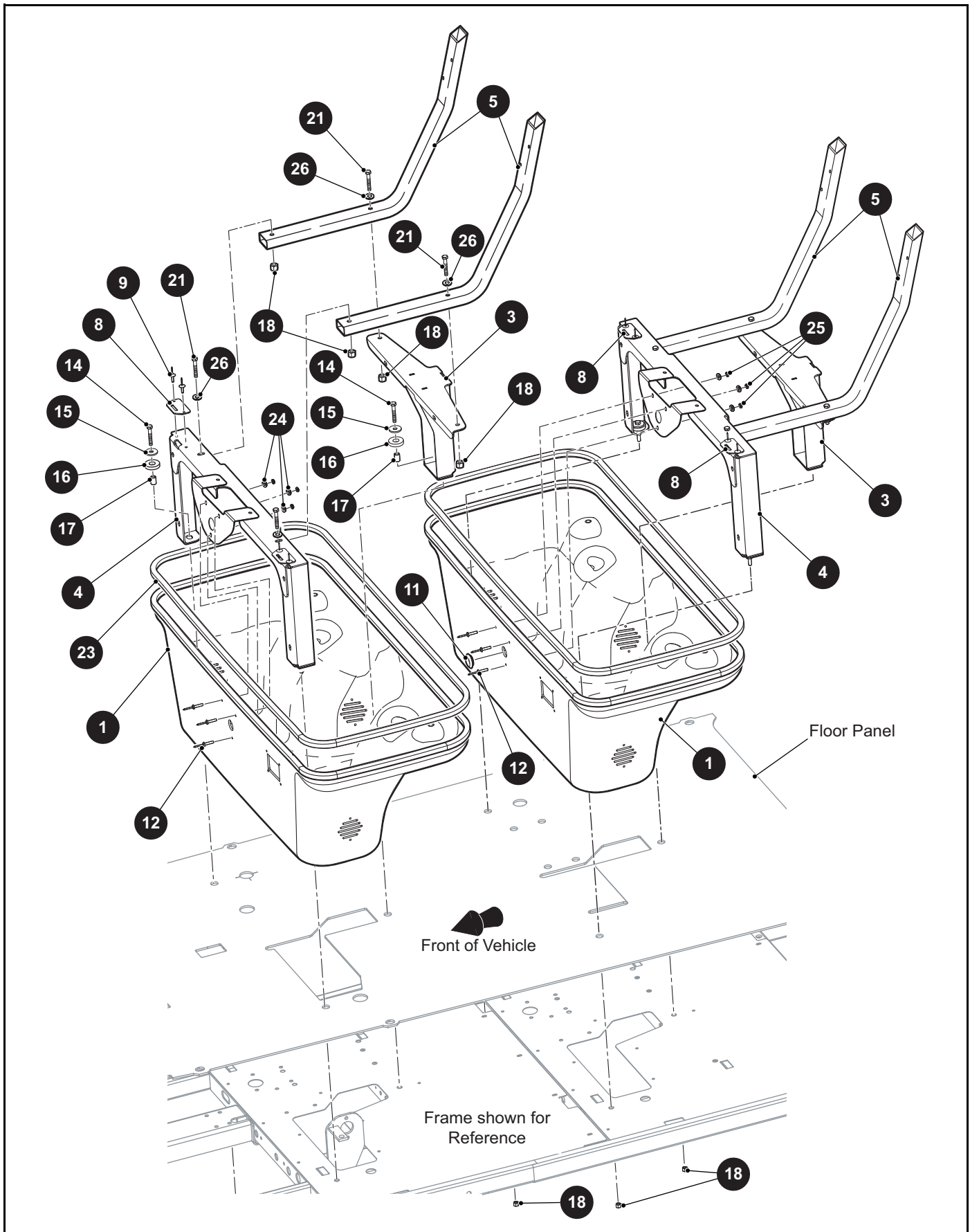
When ordering parts, please specify the model and serial number of the product.

* Indicates a component that is not available as an individual part.

*** Indicates consult Customer Service Department for additional information.

ITEM	PART NO.	1	2	3	4	5	DESCRIPTION	QTY.
26	***						Vinyl Seat Bottom Cover	1
							615646 Oyster	
							615647 Tan	
							617892 Gray	
							615648 Black	
							617893 Brown	
							611125 Whit/Blue	
							611135 Red/Black	
							611126 White/Red	
							611130 White/Black	
							611127 White/Yellow	
							611137 Gray/Black	
							611136 Oyster/Ruby	
27	<u>617401</u>						Seat Bottom Foam.....	1
28	<u>634190</u>						Deck Board Assembly	1
29	<u>645820</u>						Seat Bottom.....	1
30	<u>16705G1</u>						Truss Head Phillips Screw (SS), 1/4" - 20 x 1" Lg	5
31	<u>617402</u>						Seat Strap.....	1
32	<u>00559G7</u>						Flat Washer, 1/4"	1
33	<u>01006G01</u>						Hex Washer Head Thread Forming Screw, 3/8" - 16 x 1 1/4" Lg	4

SEATING



THE USE OF NON U.L. PARTS WILL VOID ANY U.L. LISTING.

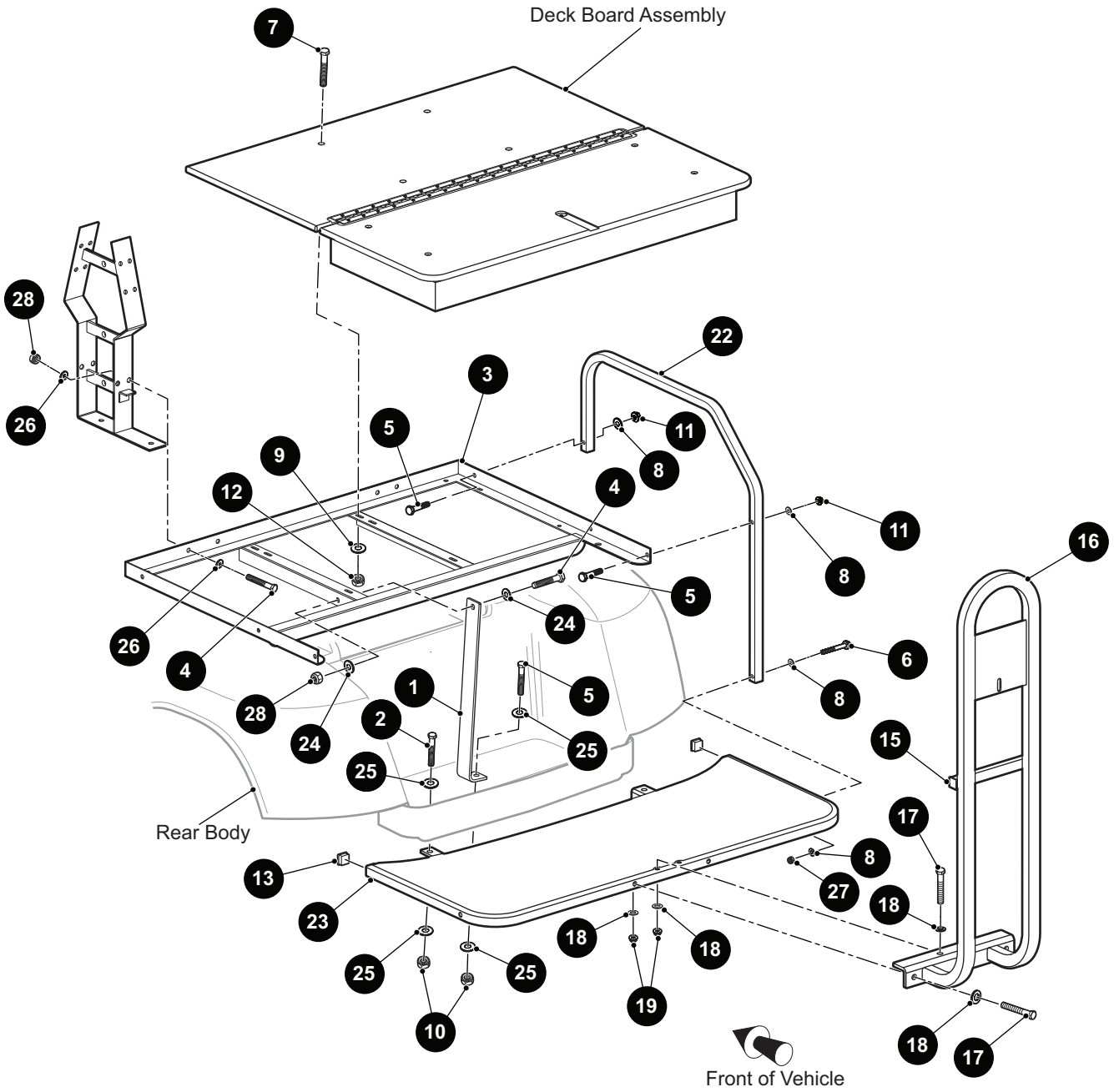
When ordering parts, please specify the model and serial number of the product.

* Indicates a component that is not available as an individual part.

*** Indicates consult Customer Service Department for additional information.

ITEM	PART NO.	1 2 3 4 5	DESCRIPTION	QTY.
1	648313GXX		Seat Pod (See COLOR CODES in HOW TO USE Section)	1
2				
3	<u>657681</u>		Rear Seat Support	1
4	<u>654767</u>		Seat Support	1
5	<u>648523</u>		Seat Back Support Tube	2
6				
7				
8	<u>71609G01</u>		Hinge Plate.....	2
9	<u>10570G11</u>		Rivet (SS), 3/16" x .70" Lg	4
10				
11	<u>71316G01</u>		Plug.....	1
12	<u>71055G01</u>		Rivet (Aluminum), 3/16" x 1" Lg	3
13				
14	00439G8		Hex Head Bolt (SS), 5/16" - 18 x 2" Lg, Grade 5	3
15	<u>00675G1</u>		Flat Washer (SS), .398" I.D. x 1.25" O.D. x .115" Lg	3
16	<u>71883G01</u>		Rubber Washer, .625" I.D. x 1.50" O.D. x .312" Lg.....	3
17	<u>23726G9</u>		Spacer, .312" I.D. x .562" O.D. x .750" Lg	3
18	11098G6		Lock Nut, 5/16" - 18	7
19				
20				
21	<u>00439G6</u>		Hex Head Bolt, 5/16" - 18 x 1 3/4" Lg, Grade 5	4
22				
23	<u>32805G6</u>		Trim, 118" Lg.....	1
24	<u>00660G5</u>		Flat Washer (SS), #10.....	3
25	<u>01110G01</u>		Flat Washer, 1/4".....	3
26	<u>00560G1</u>		Flat Washer, 3/8".....	4

14 Hand Kit, Flip Flop Seat includes items 15 - 19



THE USE OF NON U.L. PARTS WILL VOID ANY U.L. LISTING.

When ordering parts, please specify the model and serial number of the product.

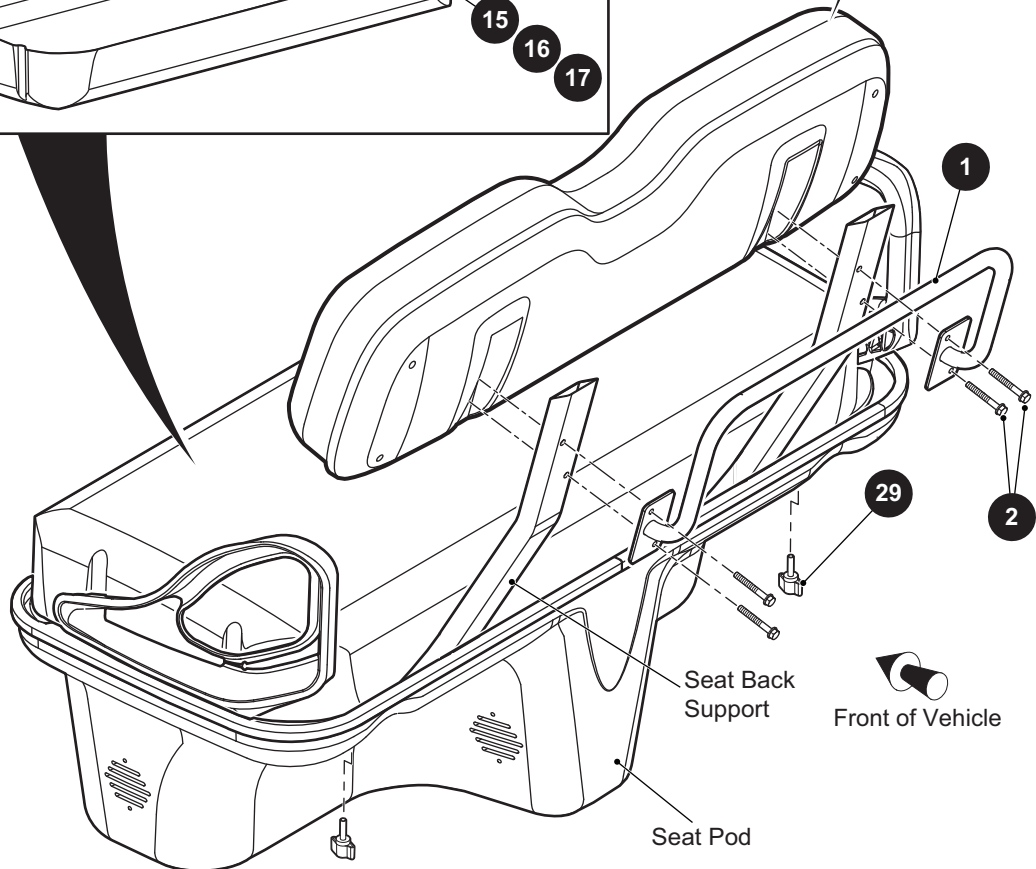
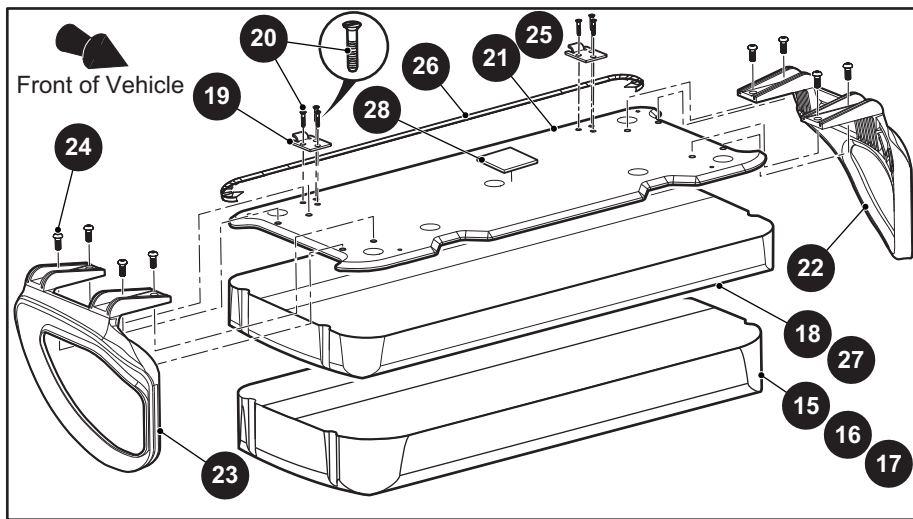
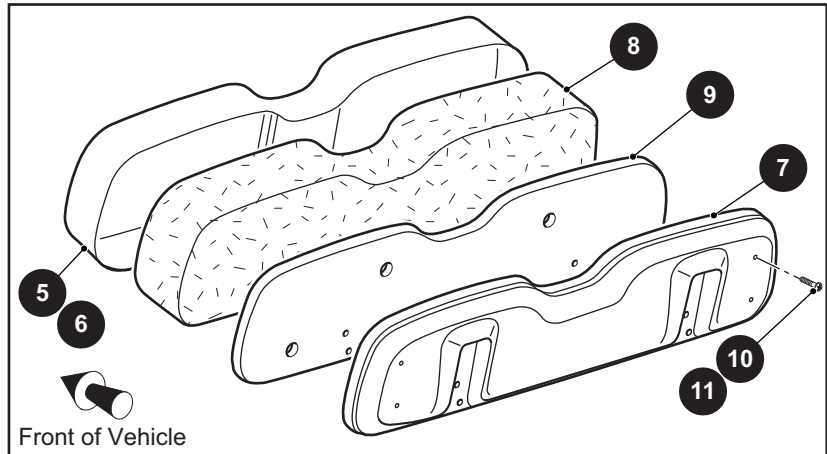
* Indicates a component that is not available as an individual part.

*** Indicates consult Customer Service Department for additional information.

ITEM	PART NO.	1 2 3 4 5	DESCRIPTION	QTY.
1	<u>634174</u>		Seat Frame Support	2
2	<u>00427G6</u>		Hex Head Bolt, 3/8" - 16 x 1 3/4" Lg, Grade 5	2
3	<u>634180</u>		Seat Frame Weldment	1
4	<u>00427G2</u>		Hex Head Bolt, 3/8" - 16 x 1 1/4" Lg, Grade 5	4
5	<u>00427G4</u>		Hex Head Bolt, 3/8" - 16 x 1 1/2" Lg, Grade 5	6
6	<u>00428G8</u>		Hex Head Bolt, 3/8" - 16 x 2 1/4" Lg	2
7	<u>16705G9</u>		Truss Head Phillips Screw (SS), 1/4" - 20 x 1 1/4" Lg.....	4
8	<u>614221</u>		Flat Washer, 3/8"	8
9	<u>00559G7</u>		Flat Washer, 1/4"	4
10	<u>11098G5</u>		Lock Nut, 3/8" - 16	4
11	<u>11027G5</u>		Lock Nut, 3/8" - 16	4
12	<u>14390G4</u>		Lock Nut, 1/4" - 20	4
13	<u>19853G1</u>		Square Tube Cap, 1".....	2
14	<u>634184</u>		Handrail Kit, Flip Flop Seat (Includes Items 15 - 19).....	1
15	<u>19859G1</u>		Square Tube Cap, 3/4"	2
16	<u>634185</u>		Footrest Handle Weldment.....	1
17	<u>00427G8</u>		Hex Head Bolt, 3/8" - 16 x 2" Lg, Grade 5.....	4
18	<u>614221</u>		Flat Washer, 3/8"	8
19	<u>11098G5</u>		Lock Nut, 3/8" - 16.....	4
20				
21				
22	<u>634175</u>		Rear Seat Arm Rest	2
23	<u>634179</u>		Footrest Weldment.....	1
24	<u>614221</u>		Flat Washer, 3/8"	4
25	<u>614221</u>		Flat Washer, 3/8"	8
26	<u>614221</u>		Flat Washer, 3/8"	4
27	<u>11098G5</u>		Lock Nut, 3/8" - 16	2
28	<u>11098G5</u>		Lock Nut, 3/8" - 16	4

SEATING

- 3 Seat Back Assembly includes items 5, 7 - 10
- 4 Seat Back Assembly includes items 6 - 9, 11
- 12 Seat Bottom Assembly includes items 15, 18 - 24
- 13 Seat Bottom Assembly includes items 16, 18 - 24
- 14 Seat Bottom Assembly includes items 17, 19 - 20, 25 - 28



THE USE OF NON U.L. PARTS WILL VOID ANY U.L. LISTING.

When ordering parts, please specify the model and serial number of the product.

* Indicates a component that is not available as an individual part.

*** Indicates consult Customer Service Department for additional information.

ITEM	PART NO.	1 2 3 4 5	DESCRIPTION	QTY.
1	<u>71632G01</u>		Hand Grip Weldment.....	1
2	<u>71204G02</u>		Hex Washer Head Screw with Patch Lock, 1/4" - 20 x 2" Lg	4
3	***		Seat Back Assembly (Includes Items 5, 7 - 10)..... 606828 Red/Black 604908 White/Blue 604907 White/Red 615838 White/Black 620794 White/Yellow 620796 Gray/Black 615837 Oyster/Garnet	2
4	***		Seat Back Assembly (Includes Items 6 - 9, 11)..... 71751G01 White 71751G02 Gray 71751G03 Oyster 71751G04 Tan 71751G06 Brown 71751G07 Black	2
5	***		Vinyl Seat Back Cover 604916G0304 Red/Black 604916G0102 White/Blue 604916G0103 White/Red 604916G0104 White/Black 604916G0108 White/Yellow 604916G0704 Gray/Black 604916G0506 Oyster/Garnet	1
6	***		Vinyl Seat Back Cover 71753G01 White 71753G02 Gray 71753G03 Oyster 71753G04 Tan 71753G06 Brown 71753G07 Black	1
7	<u>71752G01</u>		Rear Seat Back Cover	1
8	<u>71754G01</u>		Seat Back Padding	1
9	<u>645021</u>		Seat Back Base	1
10	<u>648271</u>		Pan Head Torx Screw (SS), #8 - 15 x 1" Lg	4
11	<u>01107G01</u>		Pan Head Torx Screw (SS), #8 x .63" Lg.....	4
12	***		Seat Bottom Assembly (Includes Items 15, 18 - 24) 629269G1701 Oyster 629269G1703 Tan 629269G1704 Gray 629269G1706 Black 629269G1707 Brown	1

SEATING

THE USE OF NON U.L. PARTS WILL VOID ANY U.L. LISTING.

When ordering parts, please specify the model and serial number of the product.

* Indicates a component that is not available as an individual part.

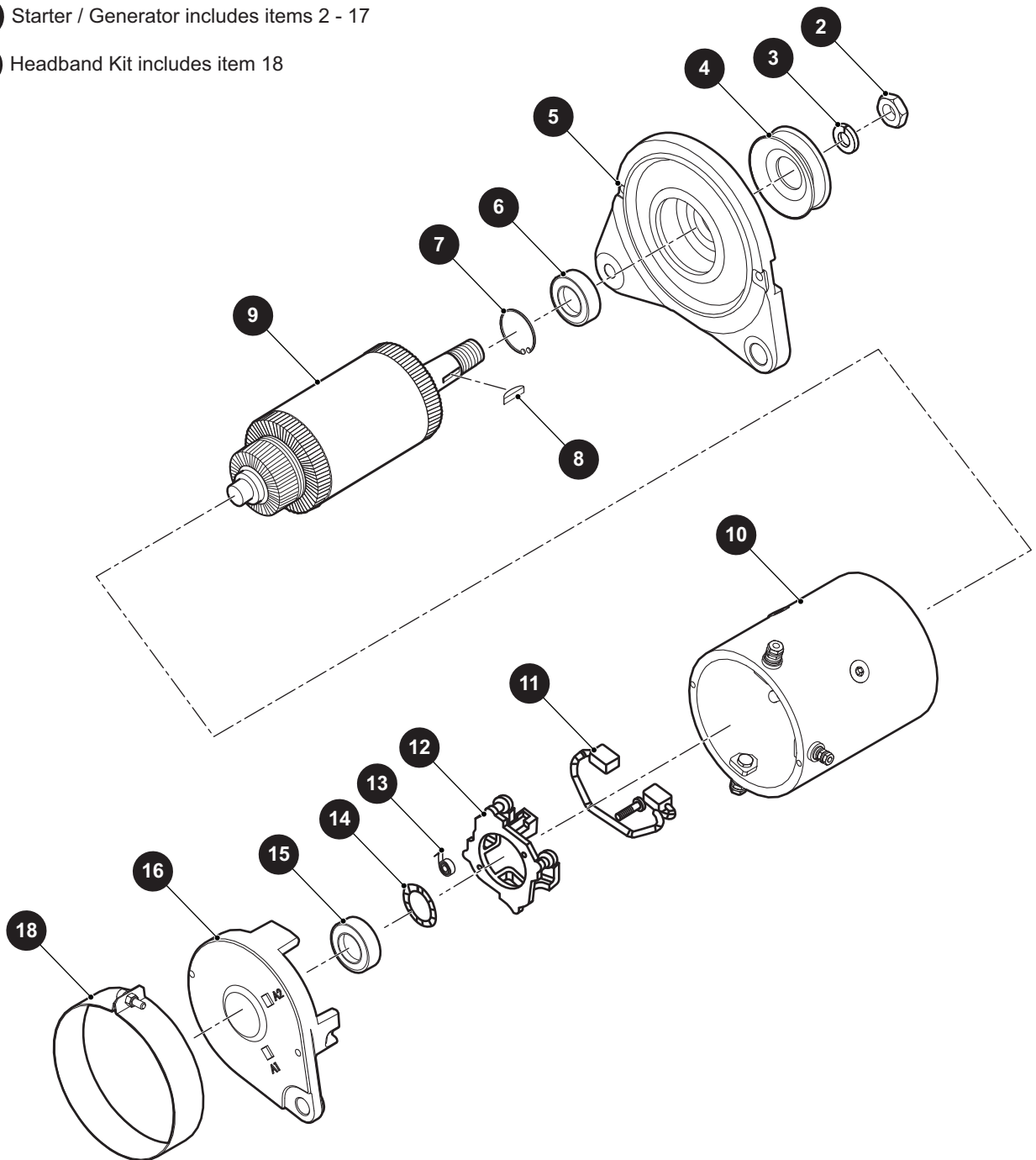
*** Indicates consult Customer Service Department for additional information.

ITEM	PART NO.	1	2	3	4	5	DESCRIPTION	QTY.
13	***						Seat Bottom Assembly (Includes Items 16, 18 - 24)..... 629269G1709 White/Blue 629269G1711 White/Red 629269G1712 White/Black 629269G1713 White/Yellow 629269G1710 Red/Black 629269G1714 Gray/Black 629269G1715 Oyster/Garnet	1
14	***						Seat Bottom Assembly (Includes Items 17,19, 20, 25 - 28)..... 629269G0708 Special	1
15	***						Vinyl Seat Cover 71624G03 Oyster 71624G04 Tan 71624G02 Gray 71624G07 Black 71624G06 Brown	1
16	***						Vinyl Seat Cover 604912G0102 White/Blue 604912G0103 White/Red 604916G0104 White/Black 604916G0108 White/Yellow 604916G0304 Red/Black 604916G0704 Gray/Black 604916G0506 Oyster/Garnet	1
17	***						Vinyl Seat Bottom Cover 71650G05 Special	1
18	<u>71625G01</u>						Seat Bottom Padding	1
19	<u>71610G01</u>						Seat Hinge	2
20	<u>00720G08</u>						Flat Head Phillips Tapping Screw, #12 -14 x 1" Lg.....	6
21	<u>649851</u>						Seat Bottom Base	1
22	<u>617645</u>						Hip Restraint (Driver Side)	1
23	<u>617644</u>						Hip Restraint (Passenger Side).....	1
24	<u>615417</u>						Button Head Torx Bolt, M10 - 1.5 x 25mm Lg	8
25	<u>645493</u>						Seat Bottom Base	1
26	<u>71012G01</u>						Vinyl Trim (Seat Bottom)	1
27	<u>71649G01</u>						Seat Bottom Padding	1
28	<u>17074G1</u>						Soiling Slab	2
29	<u>70864G01</u>						T-Knob Stud, 1/4" - 20 x 1" Lg.....	2

STARTER GENERATOR

1 Starter / Generator includes items 2 - 17

17 Headband Kit includes item 18

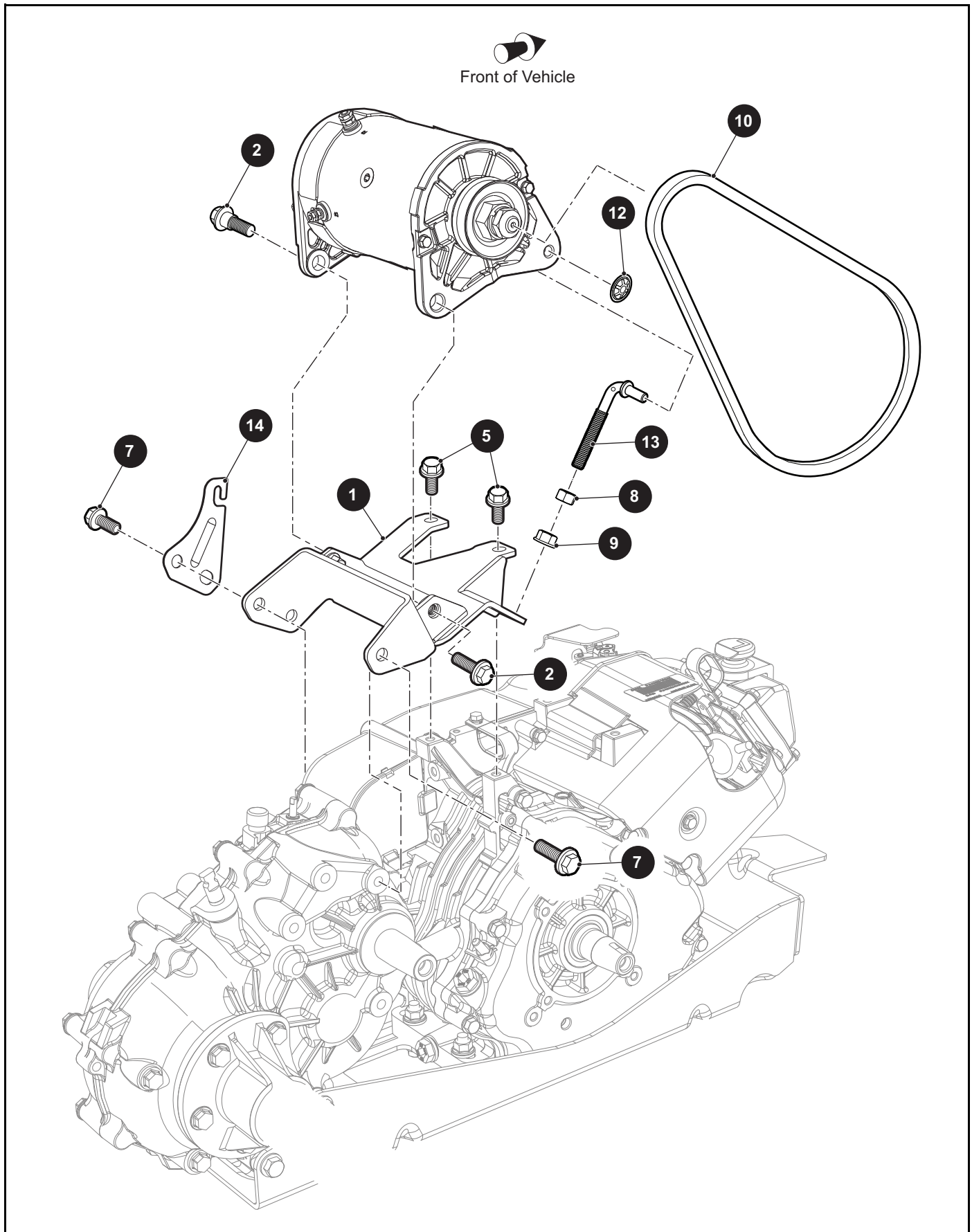


STARTER GENERATOR

THE USE OF NON U.L. PARTS WILL VOID ANY U.L. LISTING.
 When ordering parts, please specify the model and serial number of the product.
 * Indicates a component that is not available as an individual part.
 *** Indicates consult Customer Service Department for additional information.

ITEM	PART NO.	1 2 3 4 5	DESCRIPTION	QTY.
1	<u>660379</u>		Starter/Generator (Includes Items 2 - 17)	1
2	<u>612029</u>		Hex Nut.....	1
3	<u>612030</u>		Lock Washer.....	1
4	<u>625716</u>		Pulley, 2.5" O.D.	1
5	<u>654715</u>		Drive End Head	1
6	<u>612033</u>		Bearing	1
7	<u>612034</u>		Retaining Ring	1
8	<u>612035</u>		Woodruff Key	1
9	<u>612036</u>		Armature Assembly	1
10	<u>654716</u>		Frame and Field Assembly	1
11	<u>612038</u>		Brush Lead and Terminal Package.....	1
12	<u>654717</u>		Brush Box Assembly.....	1
13	<u>656659</u>		Brush Spring.....	4
14	<u>612043</u>		Wavy Washer	1
15	<u>612044</u>		Bearing	1
16	<u>612045</u>		Commutator End Head.....	1
17	<u>658172</u>		Headband Kit (Includes Item 18)	1
18	<u>654718</u>		Head Band	1

STARTER GENERATOR

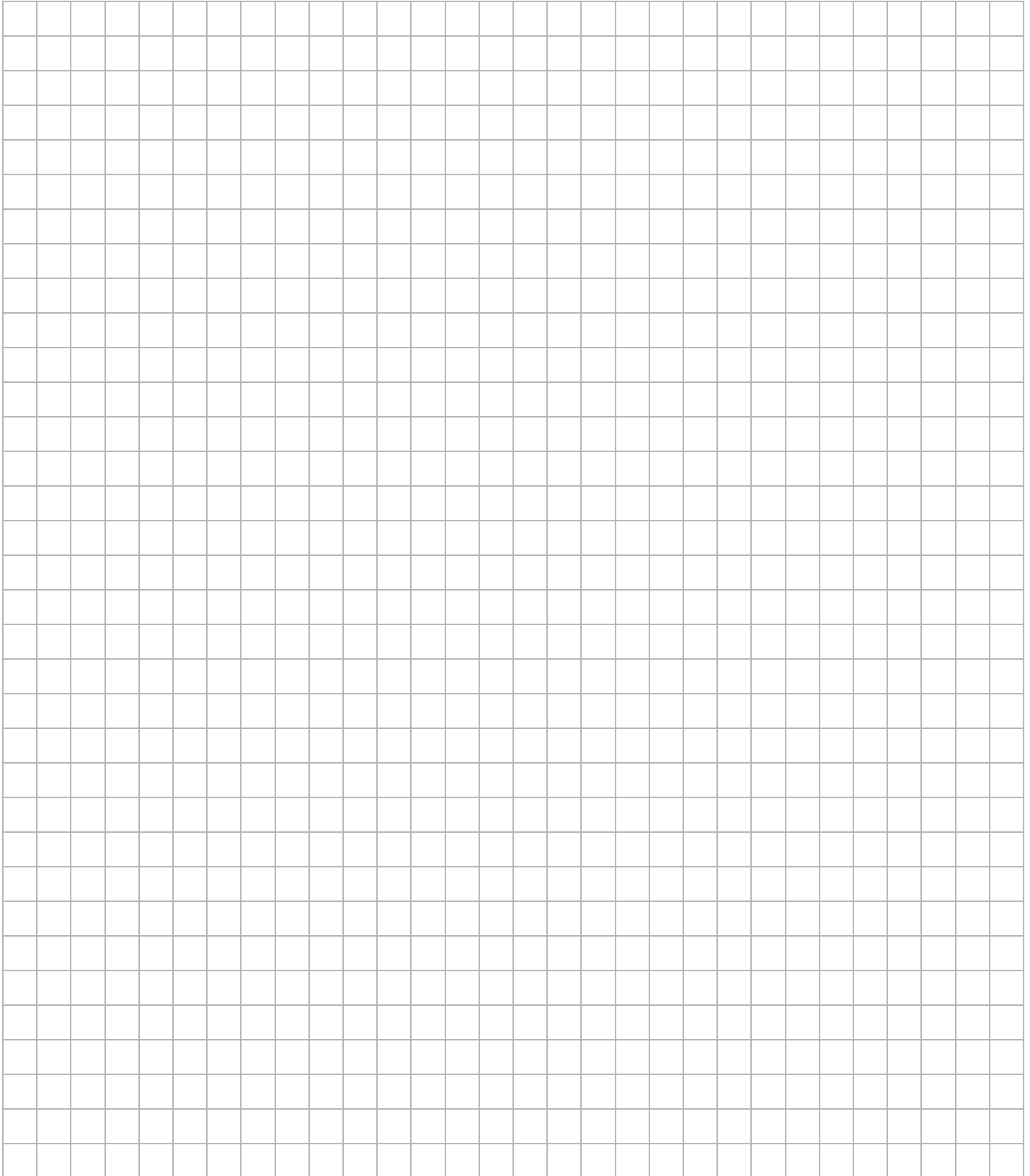


STARTER GENERATOR

THE USE OF NON U.L. PARTS WILL VOID ANY U.L. LISTING.
 When ordering parts, please specify the model and serial number of the product.
 * Indicates a component that is not available as an individual part.
 *** Indicates consult Customer Service Department for additional information.

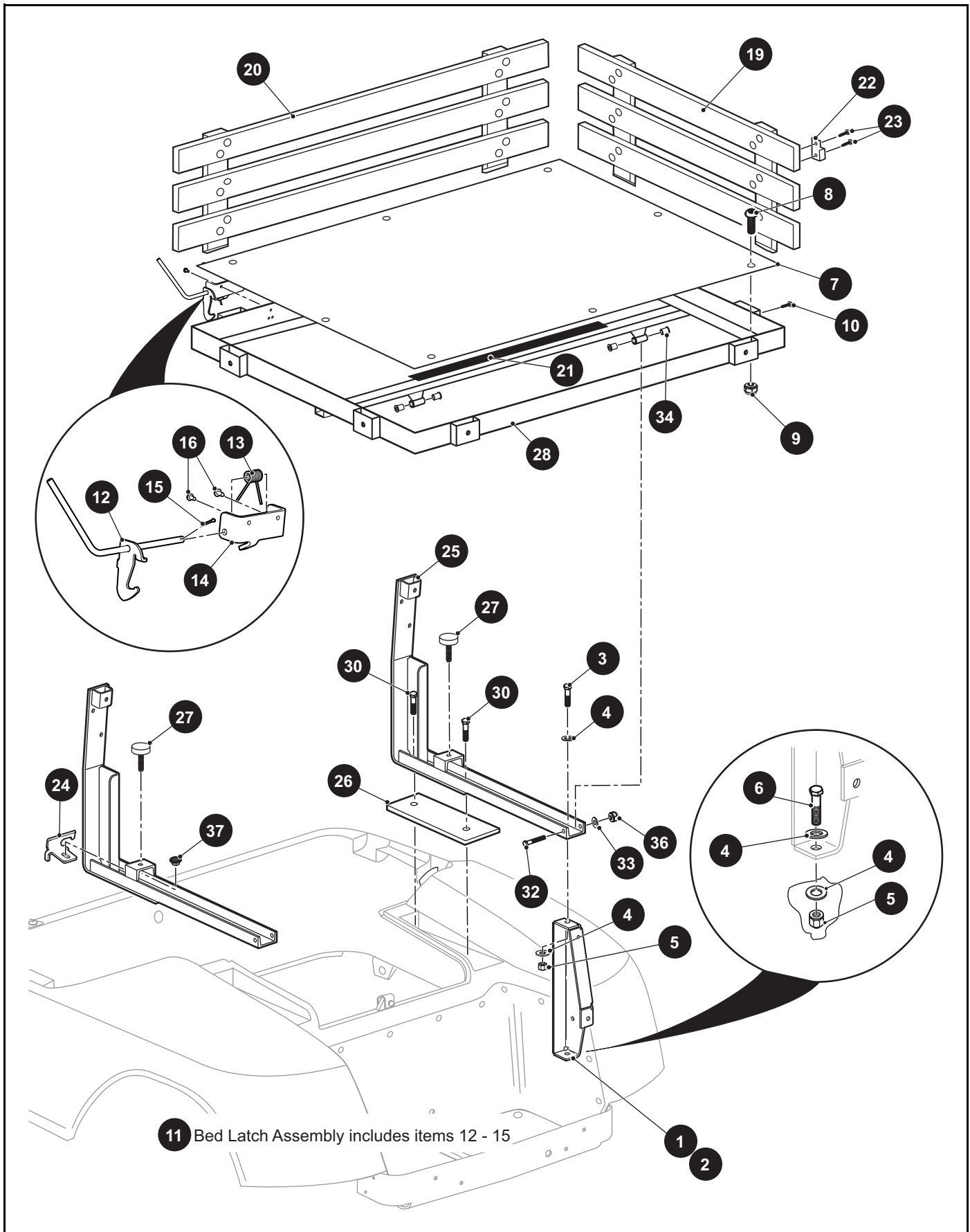
ITEM	PART NO.	1 2 3 4 5	DESCRIPTION	QTY.
1	<u>631972</u>		Starter/Generator Support Bracket	1
2	<u>606235</u>		Flanged Hex Head Bolt, M10 - 1.25 x 20mm Lg.....	2
3				
4				
5	<u>606261</u>		Flanged Hex Head Bolt, M8 - 1.25 x 20mm Lg, Grade 8.8.....	2
6				
7	<u>606256</u>		Flanged Hex Head Bolt, M10 - 1.25 x 25mm Lg, Grade 8.8.....	3
8	<u>606255</u>		Hex Jam Nut, M10 - 1.25	1
9	<u>606274</u>		Flanged Hex Nut, M10 - 1.25	1
10	<u>630587</u>		Starter/Generator Belt	1
11				
12	<u>12064G6</u>		Push Nut, 5/16"	1
13	<u>629763</u>		Tensioner Bolt	1
14	<u>660001</u>		Accelerator Cable Guide Bracket.....	1

Notes:



A large grid for taking notes, consisting of 30 columns and 20 rows of empty squares.

TRUCK BED



THE USE OF NON U.L. PARTS WILL VOID ANY U.L. LISTING.

When ordering parts, please specify the model and serial number of the product.

* Indicates a component that is not available as an individual part.

*** Indicates consult Customer Service Department for additional information.

ITEM	PART NO.	1 2 3 4 5	DESCRIPTION	QTY.
1	<u>74126G01</u>		Rear Support Frame (Driver Side)	1
2	<u>74126G02</u>		Rear Support Frame (Passenger Side).....	1
3	<u>00426G8</u>		Hex Head Bolt, 3/16" - 16 x 1" Lg, Grade 5	2
4	<u>00560G1</u>		Flat Washer, 3/8"	8
5	<u>11098G5</u>		Lock Nut, 3/8" - 16	4
6	<u>00427G4</u>		Hex Head Bolt, 3/8" - 16 x 1 1/2" Lg, Grade 5	2
7	<u>655936</u>		Cargo Deckboard	1
8	<u>16705G9</u>		Truss Head Phillips Screw (SS), 1/4" - 20 x 1 1/4" Lg.....	8
9	<u>14390G4</u>		Lock Nut, 1/4" - 20	8
10	00666G6		Truss Head Thread Forming Screw (SS), #10 - 12 x 3/4" Lg.....	6
11	72913G01		Bed Latch Assembly (Includes Items 12 - 15).....	1
12	<u>72912G01</u>		Bed Latch	1
13	<u>70681G01</u>		Torsion Spring.....	1
14	<u>74509G01</u>		Pivot Bracket	1
15	<u>10387G3</u>		Cotter Pin.....	1
16	<u>00100G6</u>		Hex Washer Self Tapping Screw, #10 - 16 x 3/4" Lg.....	2
17				
18				
19	<u>34280G01</u>		Cargo Rack, 30.5"	2
20	<u>34280G02</u>		Cargo Rack, 43"	2
21	23052G1		Weather Stripping	1
22	<u>74079G02</u>		Tailgate Retainer Bracket.....	2
23	00666G6		Truss Head Thread Forming Screw (SS), #10 - 12 x 3/4" Lg.....	4
24	<u>72914G01</u>		Latch Tab Bracket	1
25	685520		Seat Support Weldment.....	1
26	<u>70364G01</u>		Spacer Plate.....	2
27	<u>70113G01</u>		Adjustable Rubber Bumper	2
28	<u>635862</u>		Cargo Deck Weldment	1
29				
30	<u>01006G01</u>		Hex Washer Head Thread Forming Screw, 3/8" - 16 x 1 1/4" Lg.....	4
31				

TRUCK BED

THE USE OF NON U.L. PARTS WILL VOID ANY U.L. LISTING.

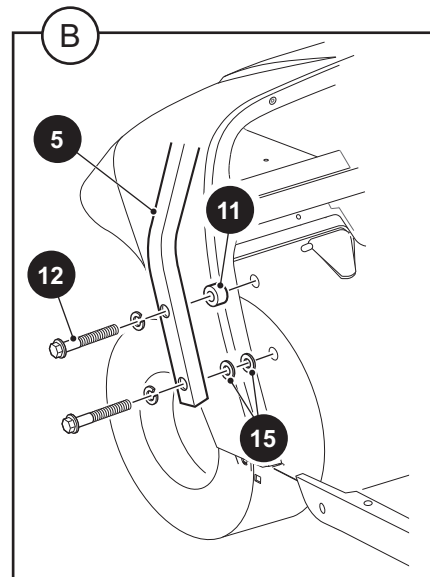
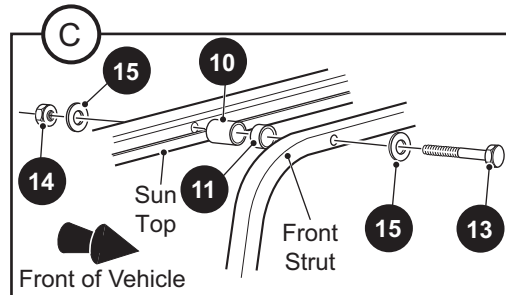
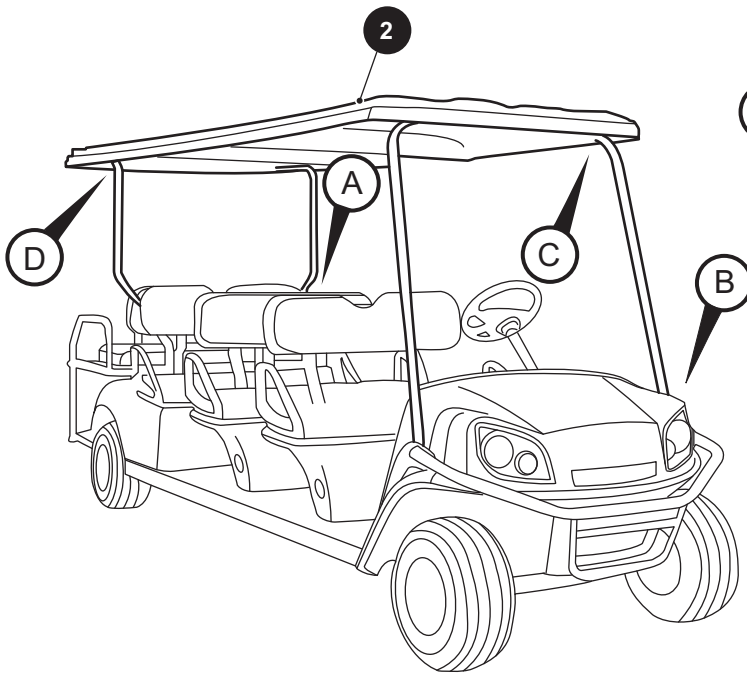
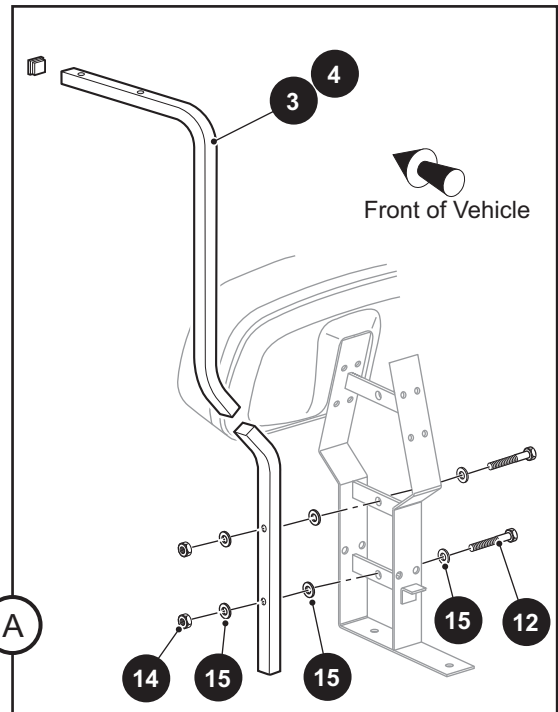
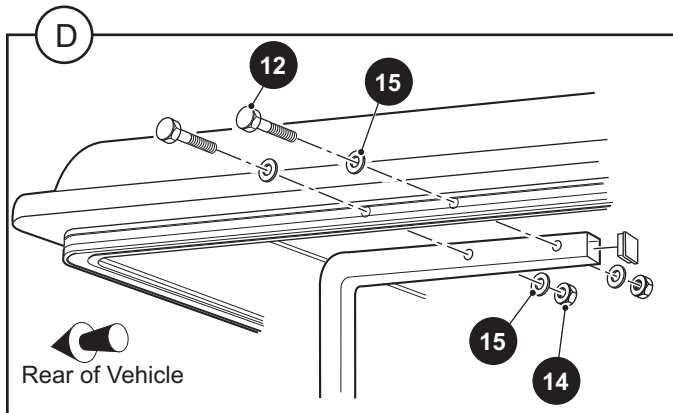
When ordering parts, please specify the model and serial number of the product.

* Indicates a component that is not available as an individual part.

*** Indicates consult Customer Service Department for additional information.

ITEM	PART NO.	1 2 3 4 5	DESCRIPTION	QTY.
32	<u>00440G4</u>		Hex Head Bolt, 5/16" 18 x 1 1/4" Lg.....	2
33	00559G8		Flat Washer, 5/16"	2
34	<u>17838G1</u>		Nyliner Bushing	4
35				
36	11098G6		Lock Nut, 5/16" - 18.....	2
37	<u>11027G1</u>		Flanged Lock Nut, 5/16" - 18.....	4

WEATHER PROTECTION



1 Sun Top Kit, White, 140" includes items 2 - 16

9 Sun Top Hardware Kit includes items 10 - 16

WEATHER PROTECTION

THE USE OF NON U.L. PARTS WILL VOID ANY U.L. LISTING.

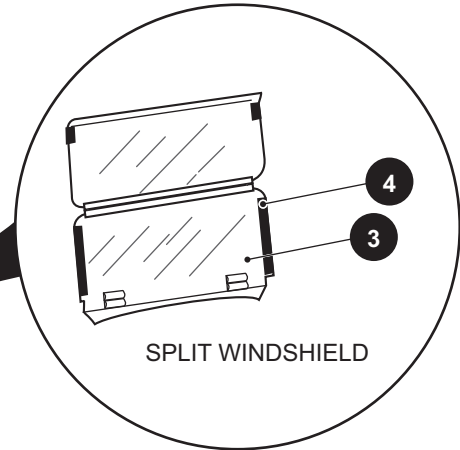
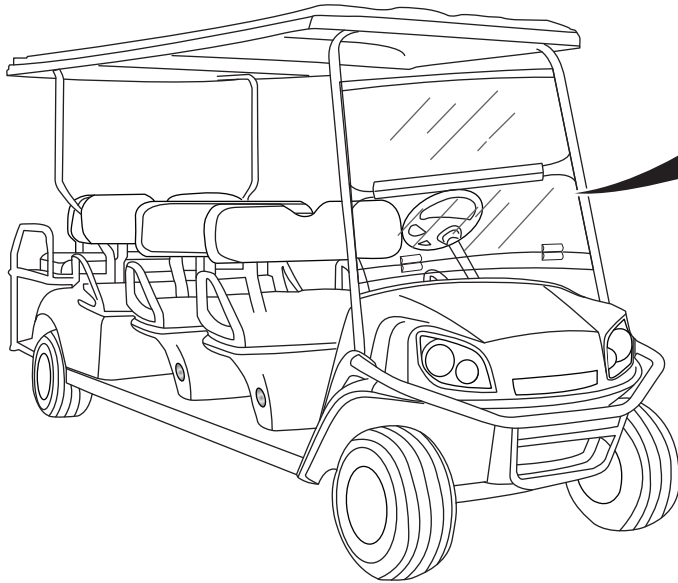
When ordering parts, please specify the model and serial number of the product.

* Indicates a component that is not available as an individual part.

*** Indicates consult Customer Service Department for additional information.

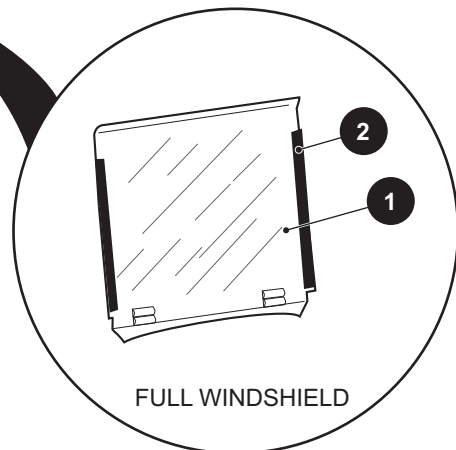
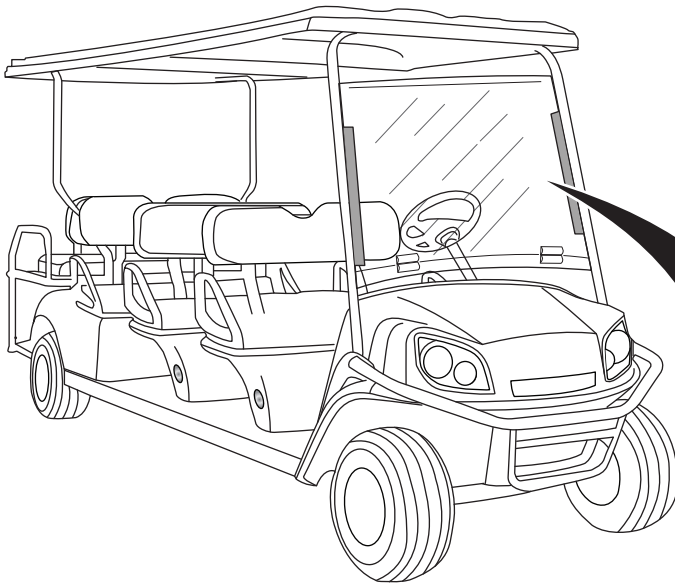
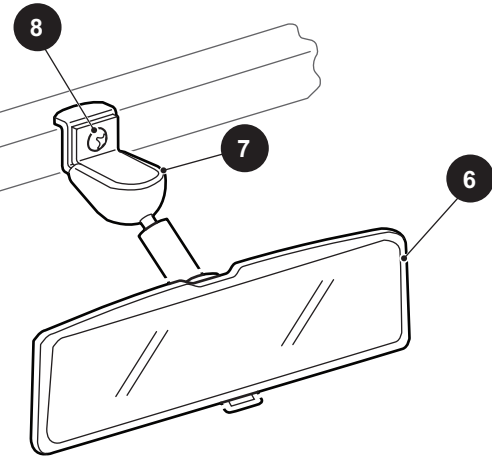
ITEM	PART NO.	1 2 3 4 5	DESCRIPTION	QTY.
1	<u>626706</u>		Sun Top Kit, White, 140" (Includes Items 2 - 16).....	1
2	<u>626701</u>		Sun Top	1
3	<u>626704</u>		Rear Strut (Passenger Side)	1
4	<u>626705</u>		Rear Strut (Driver Side)	1
5	<u>626703</u>		Front Strut.....	1
6	<u>626702</u>		Sun Top Support (Not Illustrated)	2
7				
8				
9	627706		Sun Top Hardware Kit (Includes Items 10 - 16).....	1
10	<u>75048G04</u>		Spacer, .328 x .75 x 1" Lg	2
11	<u>75048G01</u>		Spacer, .328 x .75 x 1/2" Lg	4
12	<u>01035G02</u>		Hex Head Bolt, 5/16" - 18 x 2 1/2" Lg	12
13	<u>00441G8</u>		Hex Head Bolt, 5/16" - 18 x 2" Lg	2
14	11098G6		Lock Nut, 5/16" - 18	10
15	<u>01110G03</u>		Flat Washer, 5/16"	28
16	<u>800943</u>		T-Screw, #10 - 16 x 3/4" Lg (Not Illustrated)	8

WEATHER PROTECTION



5 Rear View Mirror Kit includes items 6 - 8

Front Top Strut



WEATHER PROTECTION

THE USE OF NON U.L. PARTS WILL VOID ANY U.L. LISTING.

When ordering parts, please specify the model and serial number of the product.

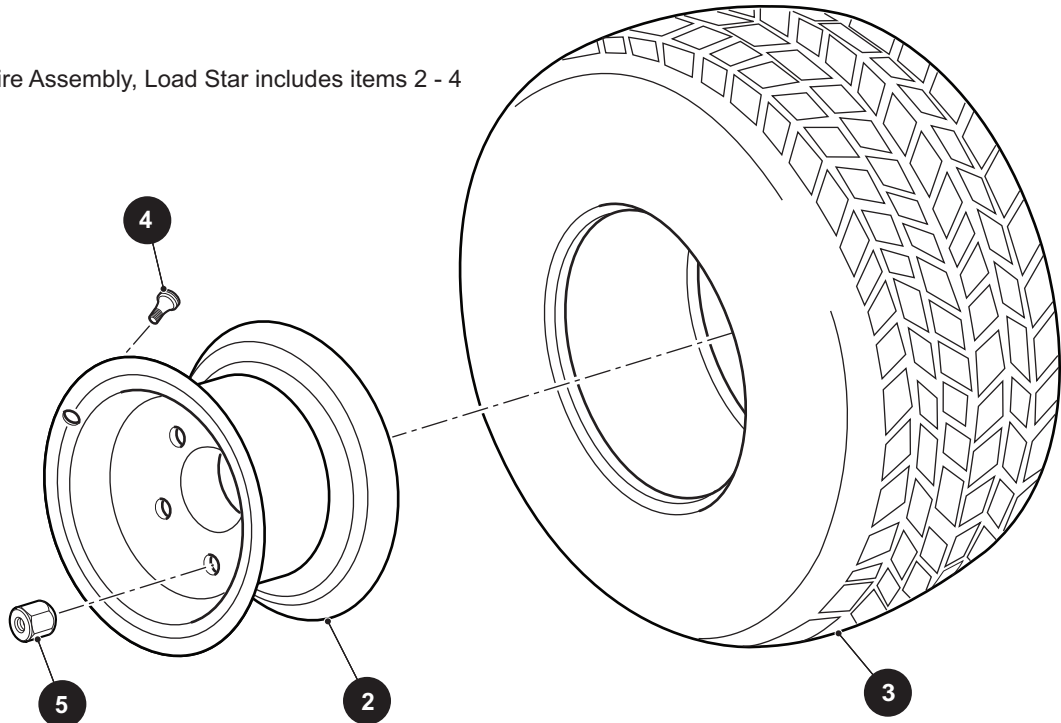
* Indicates a component that is not available as an individual part.

*** Indicates consult Customer Service Department for additional information.

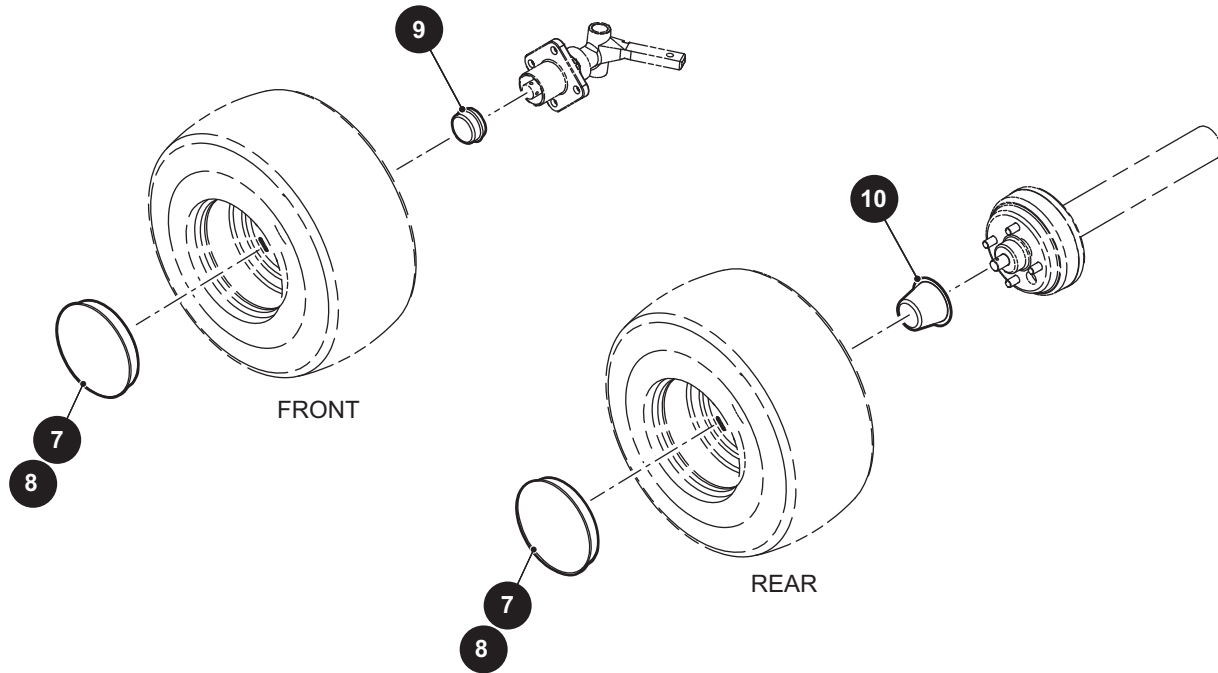
ITEM	PART NO.	1 2 3 4 5	DESCRIPTION	QTY.
1	<u>611099</u>		Full Windshield Kit (Includes Item 2)	1
2	<u>615662</u>		Sash, 26"	2
3	<u>611100</u>		Split Windshield Kit (Includes Item 4).....	1
4	<u>615661</u>		Sash, 12"	2
5	<u>19528G2</u>		Rear View Mirror Kit (Includes Items 6 - 8)	1
6	<u>19496G1</u>		Rear View Mirror.....	1
7	19502G2		Support Bracket.....	1
8	<u>19527G1</u>		Pan Head Screw (SS), # 8 - 32 x 5/8" Lg	1

WHEELS AND TIRES

1 Wheel and Tire Assembly, Load Star includes items 2 - 4



(Style of tire may differ from tire shown)



WHEELS AND TIRES

THE USE OF NON U.L. PARTS WILL VOID ANY U.L. LISTING.

When ordering parts, please specify the model and serial number of the product.

* Indicates a component that is not available as an individual part.

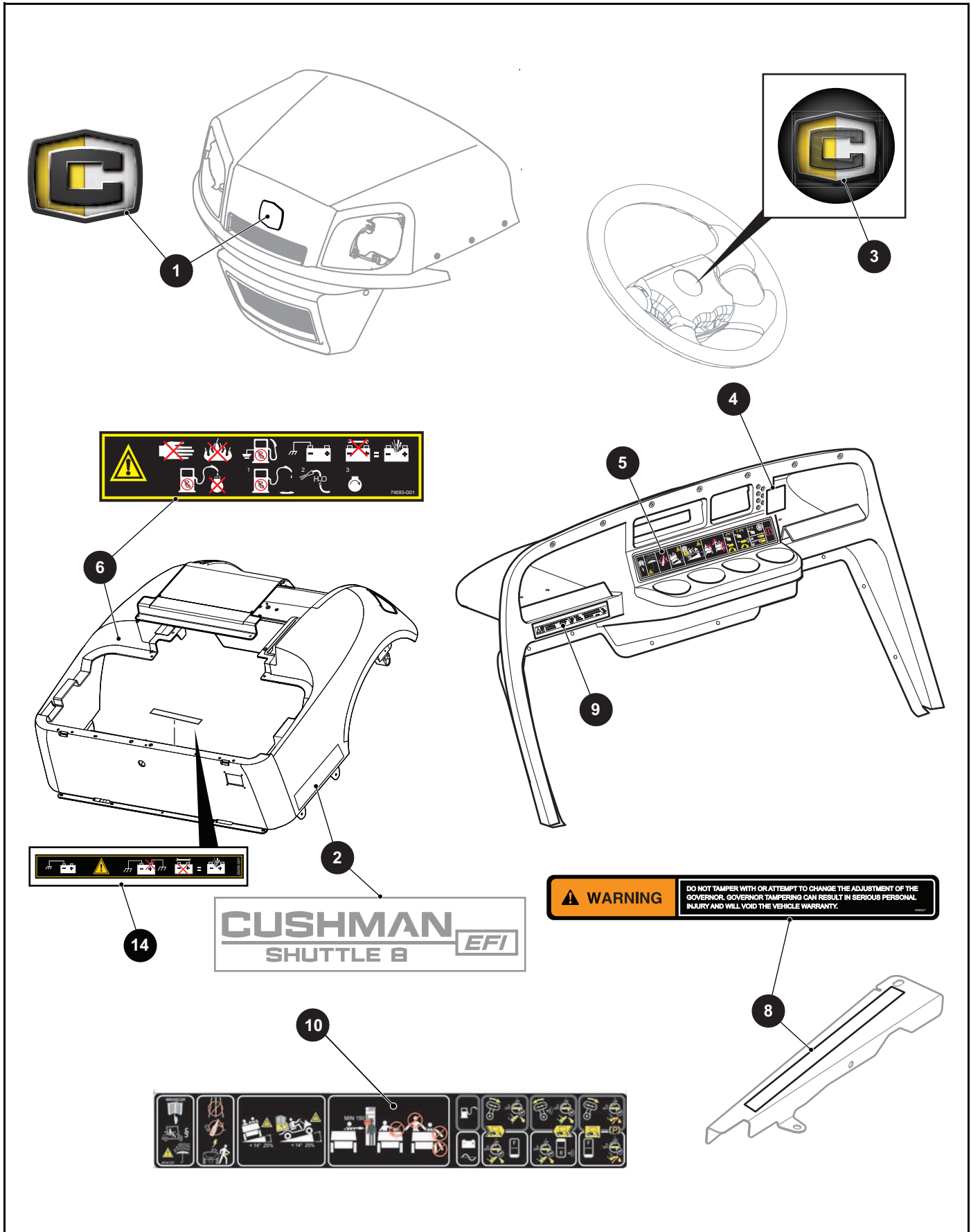
*** Indicates consult Customer Service Department for additional information.

ITEM	PART NO.	1 2 3 4 5	DESCRIPTION	QTY.
1	<u>614437</u>		Wheel and Tire Assembly, Load Star (Includes Items 2 - 4)	1
2	<u>614621</u>		Wheel Rim, 8" x 7"	1
3	<u>614438</u>		Tire.....	1
4	<u>11657G2</u>		Valve Stem	1
5	<u>14723G1</u>		Lug Nut, 1/2" - 20	4
6				
7	<u>665144</u>		Wheel Cover (Metallic Silver).....	1
8	<u>665149</u>		Wheel Cover (Metallic Gold)	1
9	<u>12091G2</u>		Spindle Cap.....	1
10	<u>74175G01</u>		Dust Cap	1

Notes:

A large grid of graph paper, consisting of approximately 20 columns and 30 rows of small squares, intended for taking notes.

DECALS AND LABELS



DECALS AND LABELS

THE USE OF NON U.L. PARTS WILL VOID ANY U.L. LISTING.

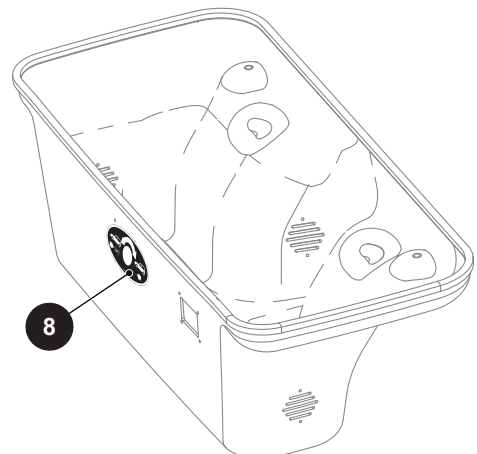
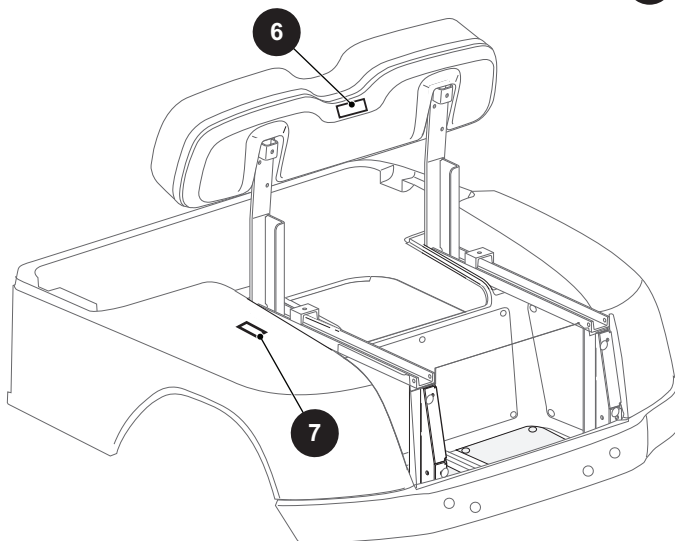
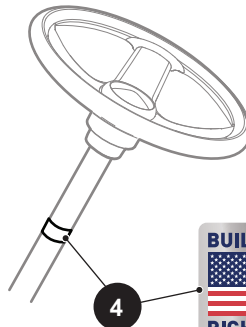
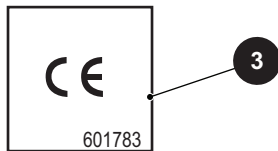
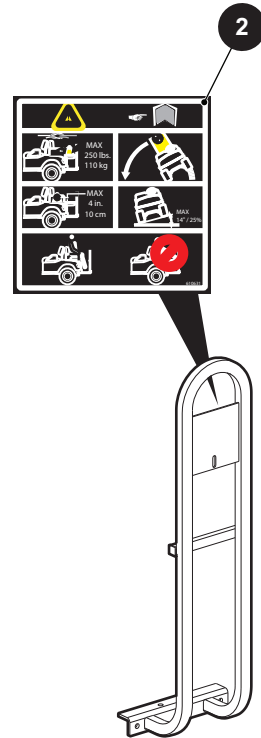
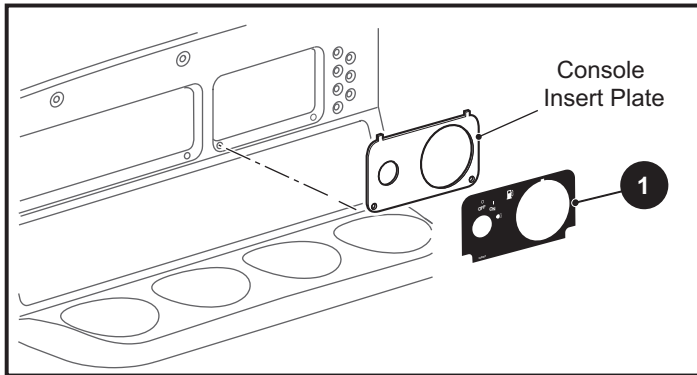
When ordering parts, please specify the model and serial number of the product.

* Indicates a component that is not available as an individual part.

*** Indicates consult Customer Service Department for additional information.

ITEM	PART NO.	1 2 3 4 5	DESCRIPTION	QTY.
1	<u>619135</u>		Cushman Cowl Decal.....	1
2	<u>690471</u>		Shuttle- 8 Side Decal	1
3	<u>618086</u>		Steering Wheel Decal	1
4	<u>35968G01</u>		T-Holder Cover Decal.....	1
5	<u>601781</u>		Safety Label	1
6	<u>74093G01</u>		Engine Warning Label.....	1
7				
8	<u>608527</u>		Governor Waring Label.....	1
9	<u>74443G01</u>		Anti-rollback Decal	1
10	<u>614121</u>		Operator Warning Instructions Label (For CE Vehicles)	1
11				
12				
13				
14	<u>28203G01</u>		Battery Warning Decal (For CE Vehicles).....	1

DECALS AND LABELS



DECALS AND LABELS

THE USE OF NON U.L. PARTS WILL VOID ANY U.L. LISTING.

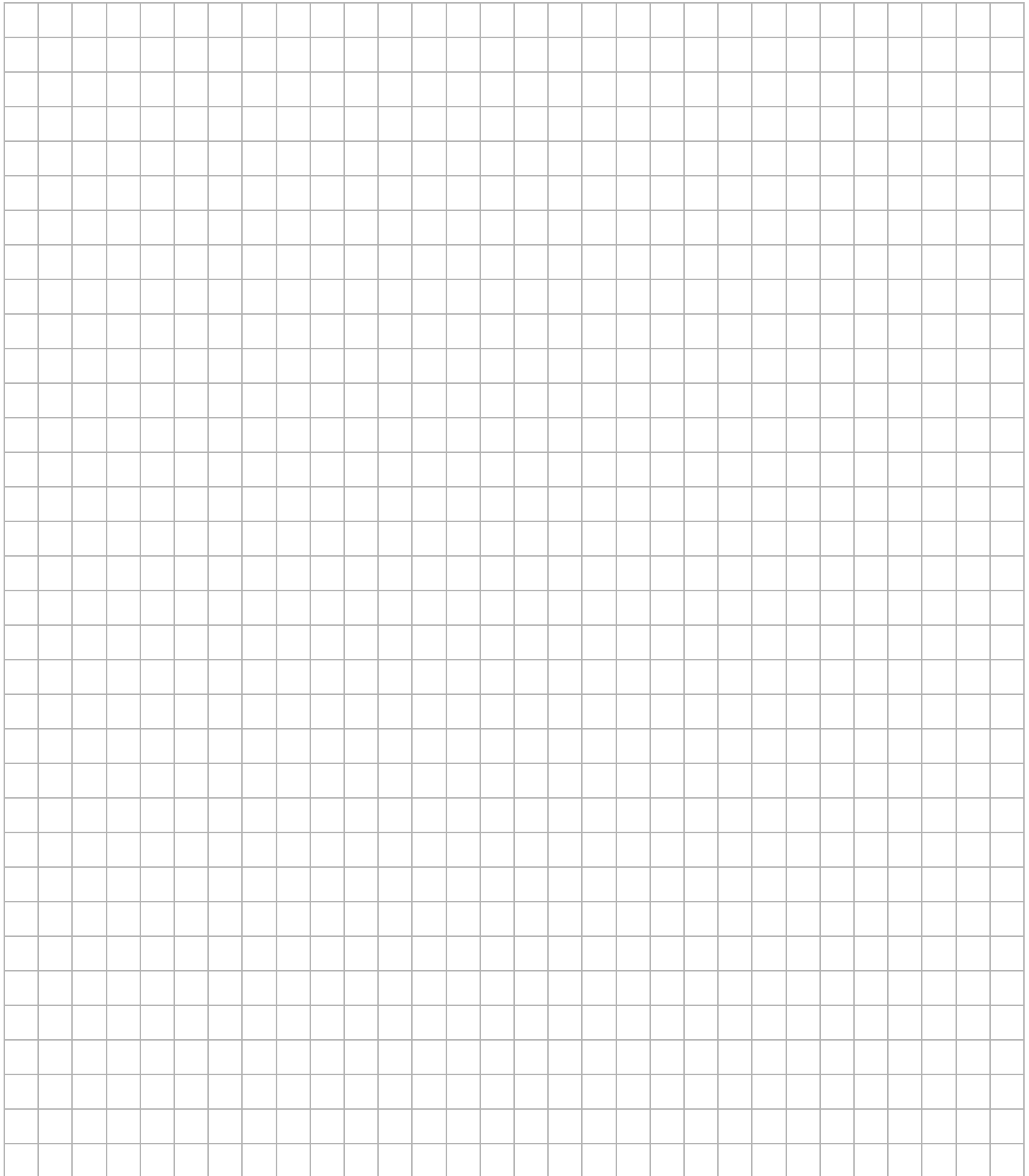
When ordering parts, please specify the model and serial number of the product.

* Indicates a component that is not available as an individual part.

*** Indicates consult Customer Service Department for additional information.

ITEM	PART NO.	1 2 3 4 5	DESCRIPTION	QTY.
1	<u>648855</u>		Console, Lights, Fuel Decal	1
2	<u>610631</u>		Clays Bed Decal.....	1
3	<u>601783</u>		CE Symbol Decal (For CE Vehicles).....	1
4	685698		MADE IN USA Decal.....	1
5	<u>608822</u>		Governor Decal (For CE Vehicles).....	1
6	<u>74095G01</u>		Bed Warning Label.....	1
7	<u>74099G01</u>		Bed Latch Warning Label.....	1
8	<u>73317G01</u>		Direction Selector Decal.....	1

Notes:

A large grid of 40 columns and 30 rows, intended for taking notes. The grid is composed of small, uniform squares.

Notes:

A large grid of graph paper with 20 columns and 30 rows, intended for taking notes. The grid lines are thin and light gray.



Textron Specialized Vehicles, Inc.,
1451 Marvin Griffin Road
Augusta, Georgia 30906 - 3852 USA

CONTACT INFORMATION

North America:

Technical Assistance & Warranty Phone: 1-800-774-3946, FAX: 1-800-448-8124
Service Parts Phone: 1-888-438-3946, FAX: 1-800-752-6175

International: Phone: 001-706-798-4311, FAX: 001-706-771-4609

Owner's Guides and Repair Manuals
are available from a local Distributor, an authorized Branch,
Parts & Accessories Department or at www.cushman.txtsv.com

Copyrighted Material
This manual may not be reproduced in whole or
in part without the express permission of
Textron Specialized Vehicles
Technical Publications Department