



**CUSHMAN™**

**Gasoline Powered Vehicle  
Service Parts Manual**



**624953**

**ISSUED SEP 2011**

**REVISED OCT 2015**



# SERVICE PARTS MANUAL

## GASOLINE POWERED UTILITY VEHICLE

**HAULER 1200**

**REFRESHER 1200**

**REFRESHER 1200 NSF**

**STARTING MODEL YEAR 2012**

DISCLAIMER: The E-Z-GO Division of Textron Inc. (E-Z-GO) reserves the right to incorporate engineering and design changes to products in this Manual, without obligation to include these changes on units leased/sold previously.

The information contained in this Manual may be revised periodically E-Z-GO, and therefore is subject to change without notice.

E-Z-GO DISCLAIMS LIABILITY FOR ERRORS IN THIS MANUAL, and E-Z-GO SPECIFICALLY DISCLAIMS LIABILITY FOR INCIDENTAL AND CONSEQUENTIAL DAMAGES RESULTING FROM THE USE OF THE INFORMATION AND MATERIALS IN THIS MANUAL.

### **TO CONTACT US**

#### **NORTH AMERICA:**

**TECHNICAL ASSISTANCE & WARRANTY PHONE: 1-800-774-3946, FAX: 1-800-448-8124**

**SERVICE PARTS PHONE: 1-888-GET-EZGO (1-888-438-3946), FAX: 1-800-752-6175**

**INTERNATIONAL: PHONE: 001-706-798-4311, FAX: 001-706-771-4609**

**E-Z-GO DIVISION OF TEXTRON INC., 1451 MARVIN GRIFFIN RD., AUGUSTA, GEORGIA USA 30906-3852**

## GENERAL INFORMATION

To obtain a copy of the limited warranty applicable to the vehicle, call or write a local Distributor, authorized Branch or the Warranty Department with vehicle serial number and manufacturer code.

The use of non Original Equipment Manufacturer (OEM) parts may void the warranty.

Overfilling of batteries may void the warranty.

### BATTERY PROLONGED STORAGE

All batteries will self discharge over time. The rate of self discharge varies depending on the ambient temperature and the age and condition of the batteries.

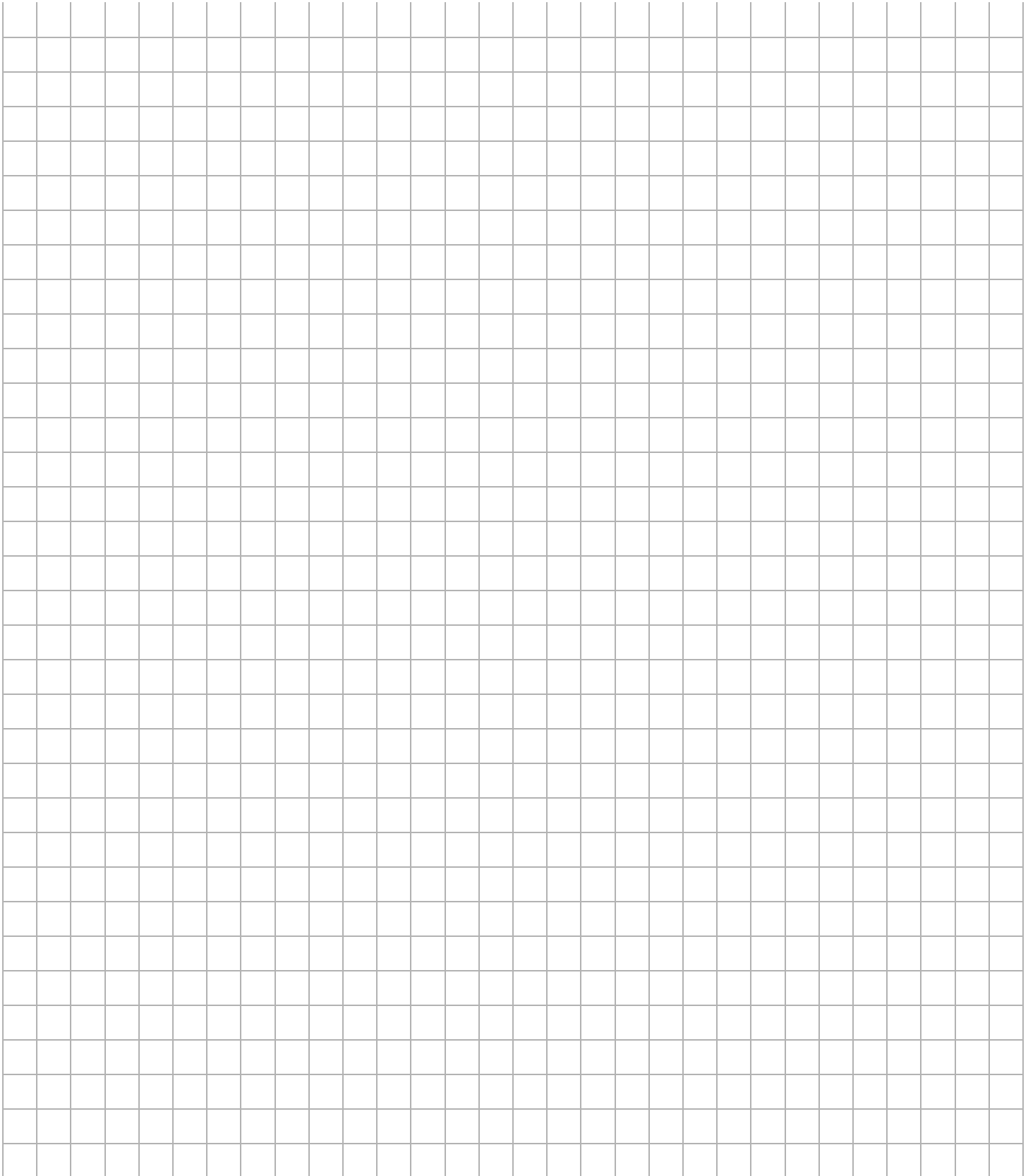
A fully charged battery will not freeze in winter temperatures unless the temperature falls below  $-75^{\circ}\text{F}$  ( $-60^{\circ}\text{C}$ ).

As with all electric vehicles, the batteries must be checked and recharged as required or at a minimum of 30 day intervals.

# TABLE OF CONTENTS

<b>SECTION</b>	<b>Page No.</b>
HOW TO USE THE SERVICE PARTS MANUAL.....	V
ACCELERATOR ASSEMBLY.....	A-1
AIR FILTER.....	B-1
BODY.....	C-1
BRAKES - MECHANICAL AND FRONT DISC BRAKES.....	D-1
CAB.....	E-1
CARBURATOR.....	F-1
CLUTCH.....	G-1
DIRECTION SELECTOR.....	H-1
ELECTRICAL SYSTEM.....	J-1
ENGINE MOUNTING.....	K-1
ENGINE AND MUFFLER.....	L-1
FRONT SUSPENSION AND STEERING.....	M-1
FUEL SYSTEM.....	N-1
REAR AXLE.....	P-1
REAR SUSPENSION.....	Q-1
REFRESHER UNIT.....	R-1
ROPS.....	S-1
SEATING.....	T-1
STARTER / GENERATOR.....	U-1
TRUCK BED - METAL AND PLASTIC.....	V-1
WEATHER PROTECTION.....	W-1
WHEELS AND TIRES.....	X-1

# NOTES



# HOW TO USE THE SERVICE PARTS MANUAL

This manual is divided into several sections:

- GENERAL INFORMATION
- ILLUSTRATED PARTS BREAKDOWN
- APPENDIX

The first section, GENERAL INFORMATION, contains the following information:

- WARRANTY INFORMATION
- GENERAL INDEX
- HOW TO USE THE SERVICE PARTS MANUAL

The second section, ILLUSTRATED PARTS BREAKDOWN, contains illustrations and parts lists for all systems of your vehicle.

The third section, APPENDIX, contains a listing of specialty products and accessories.

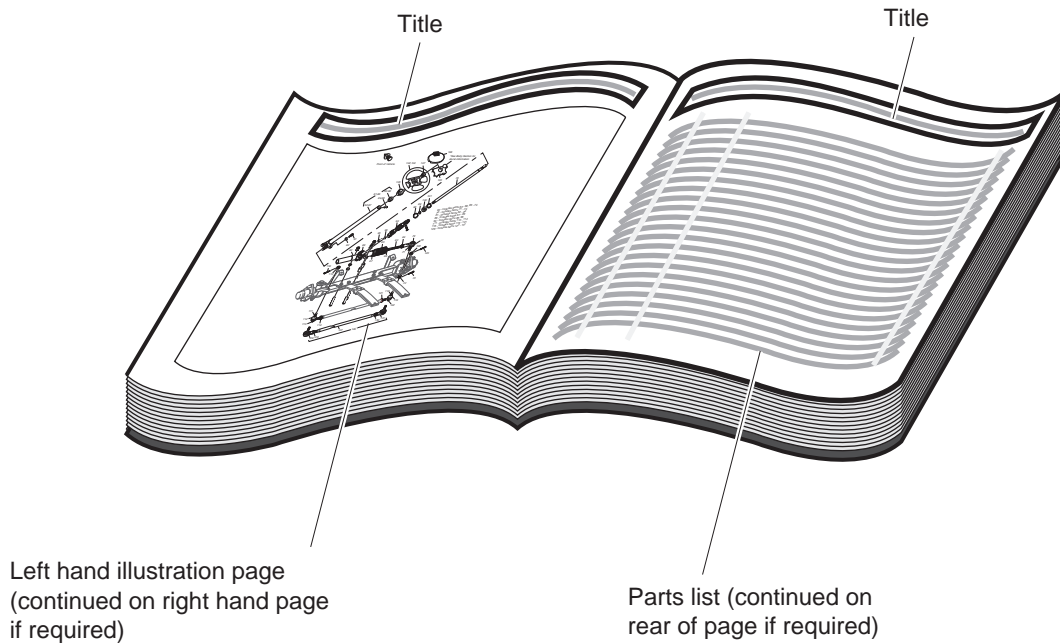
## USE OF THE MANUAL

To use this manual, consult the GENERAL INDEX to locate the information or illustration required.

Introduction of some revisions varies due to supply of components; therefore, it is possible that various combinations of components may be found that are not directly reflected by each illustration. Consult the illustration that best suits your situation and then contact the Service Parts Department. It is important that the serial number of your vehicle and its model number be supplied to Service Parts when ordering any replacement components.

Locate the serial number plate (see BODY located in the Illustrated Parts Breakdown section of this manual for its location) and note the complete number shown on the plate.

# HOW TO USE THE SERVICE PARTS MANUAL



## 1. WHEN THE PART NUMBER IS NOT KNOWN

- Determine the function and application of the part required. Turn to the General Index and select the most appropriate title.
- Turn to the page number indicated and locate the desired part on the illustration.
- From the illustration, obtain the item number as signed to the desired part. Refer to the accompanying description for specific information regarding the part.

## 2. IF YOU KNOW THE PART NUMBER

- Locate the part number or description in the appropriate column on the parts list page.

NOTE: It is suggested that you confirm that the part selected is correct by verifying it with the pictorial representation on the illustrated page.

Should an asterisk (\*) appear in the part number column on the parts list page, read upwards until a part number is found. The part number is the lowest assembly sold by Service Parts and the asterisk (\*) indicates that the part depicted is not available for purchase.

NOTE: Descriptions are indented under the assembly that they are used on. That assembly is, in turn listed under the assembly that it is used on. This process is repeated until the highest final assembly is reached.

**To facilitate the maintenance and repair of the vehicle, a Technician's Repair and Service Manual is available from the Service Parts Department.**



# HOW TO USE THE SERVICE PARTS MANUAL

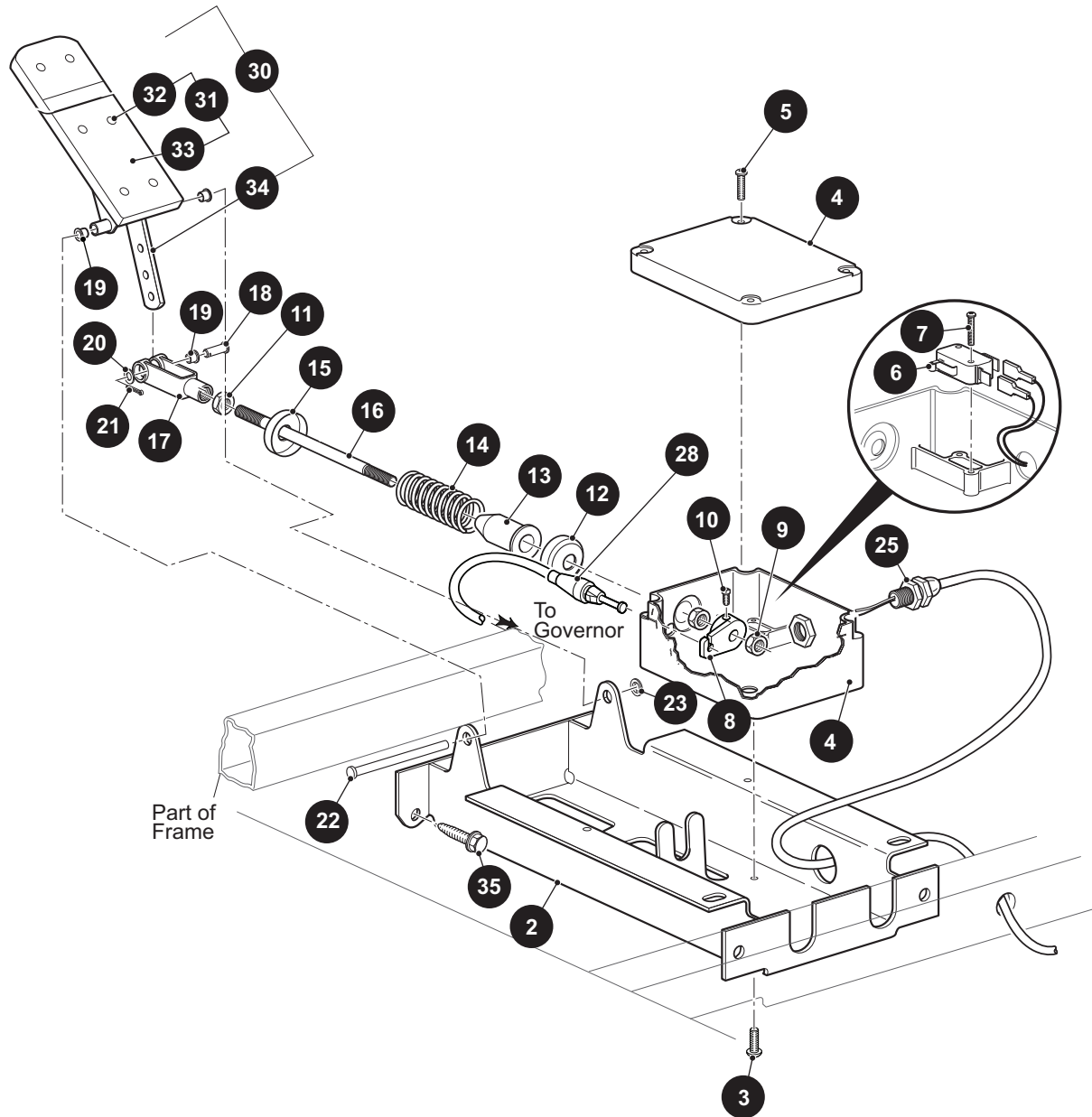
## 3. COLOR CODE FOR BODY COMPONENTS

The last two digits of the part number for the body part will denote the color code, locate the part number for the cowl, rear body, seat pod, side panel or seat wrap then locate your color in the list below, replace the last \*\* or XX with the two digit color code.

<u>CODE #</u>	<u>DESCRIPTION</u>	<u>CODE #</u>	<u>DESCRIPTION</u>
01	NO PAINT	53	MOSSY OAK NEW BREAK UP - DIPPED
02	SPECIAL COLOR	54	MOSSY OAK OBSESSION - DIPPED
05	JACOBSEN ORANGE	55	REALTREE ADVANTAGE MAX 4 - DIPPED
06	LIGHT GOLD PEARL	56	REALTREE HARDWOOD BROWN - DIPPED
07	SILVER PEARL METALIC	57	REALTREE AP HOT PINK - DIPPED
11	BLACK	58	BLACK / SILVER MARBLE - DIPPED
12	EMERALD GREEN PEARL	59	RED / SILVER MARBLE - DIPPED
13	CLOUD GRAY	60	HOT PINK / SILVER MARBLE - DIPPED
14	VIPER BLUE METALLIC	61	REALTREE AP
19	PATRIOT BLUE PEARL	62	REALTREE MAX 4
20	INFERNO RED METALLIC	63	MOSSY OAK BREAKUP
23	ADVANTAGE CLASSIC CAMO	64	MOSSY OAK TREESTAND
24	NATURAL	65	REALTREE APG
25	VIVID NEW HOLLAND BLUE	66	REALTREE MAX 1
26	STEEL BLUE PEARL	67	REALTREE AP PINK
27	BRIGHT SILVER METALLIC	68	REALTREE AP - DIPPED
29	PRIMER ONLY		
30	HD ADVANTAGE CAMO		
31	METALLIC CHARCOAL		
32	LIGHT ALMOND PEARL		
33	TIMBERLINE GREEN		
34	DEEP MOLTEN RED		
35	SAFETY YELLOW		
36	IVORY		
37	FOREST GREEN		
38	BRIGHT WHITE		
39	FLAME RED		
40	BLACK		
41	ELECTRIC BLUE		
42	PLATINUM		
43	BURGUNDY		
44	ALMOND		
45	BLACK		
46	FLAME RED		
47	BURLINGTON GREEN		
48	BLACK		
49	FLAME RED		
50	RECON GREEN		
51	SUNBURST ORANGE		
52	BRITISH RACING GREEN		

# ACCELERATOR

1 PEDAL BOX ASSEMBLY includes items 2 - 34

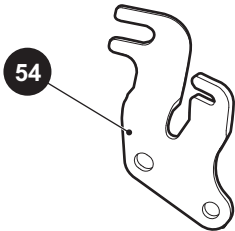


**WARNING**

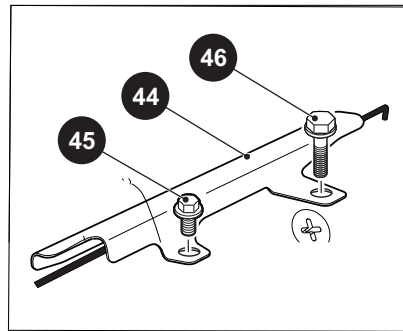
DO NOT TAMPER WITH OR ATTEMPT TO CHANGE THE ADJUSTMENT OF THE GOVERNOR. GOVERNOR TAMPERING CAN RESULT IN SERIOUS PERSONAL INJURY AND WILL VOID THE VEHICLE WARRANTY.

50

FOR VEHICLES MANUFACTURED FROM APRIL 2014



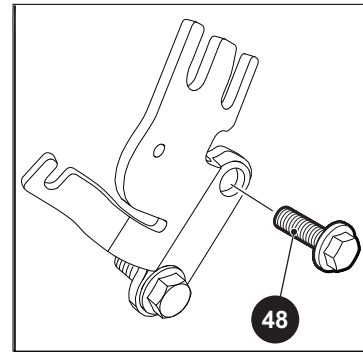
54



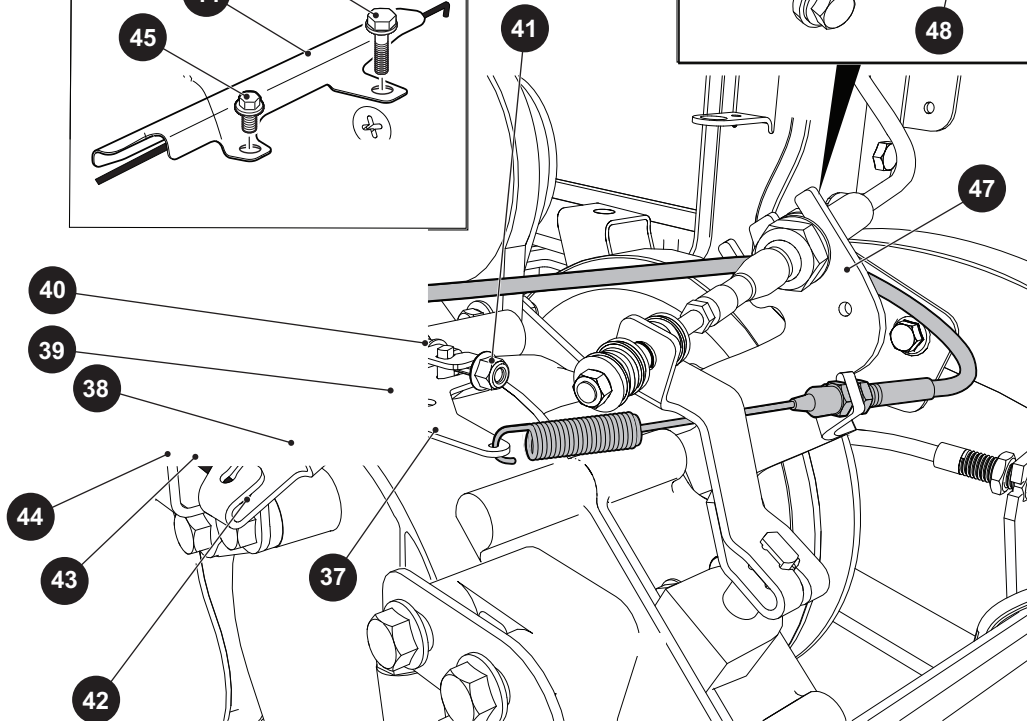
45

44

46



48



41

47

40

39

38

44

43

42

37

Differential

# ACCELERATOR

When ordering parts, please specify the model and serial number of the product.

\* Indicates a component that is not available as an individual part.

\*\*\* Indicates consult Customer Service Department for additional information.

ITEM	PART NO.	1 2 3 4 5	DESCRIPTION	QTY.
1	606991		PEDAL BOX ASSEMBLY (INCLUDES ITEMS 2 - 34) .....	1
2	70116G02		ACCELERATOR PEDAL BRACKET .....	1
3	01051G01		PAN HEAD PHILIPS SCREW, #8 - 16 X 1/2" LG .....	4
4	25853G03		PEDAL BOX AND COVER .....	1
5	00684G6		HEX HEAD BOLT (SS), #8 - 32 X 3/4" LG .....	2
6	25861G01		MICRO SWITCH .....	1
7	01050G01		PAN HEAD TORX SCREW, #4 - 20 X 5/8" LG .....	2
8	72716G01		MICRO SWITCH CAM .....	1
9	15126G1		LOCK NUT, 5/16" - 24 .....	1
10	00487G3		SET SCREW, 1/4" - 20 X 3/8" LG .....	1
11	00532G4		HEX NUT, 5/16" - 24 .....	2
12	17677G1		SPRING RETAINER .....	1
13	17979G1		ACCELERATOR ROD BUSHING .....	1
14	73046G01		COMPRESSION SPRING .....	1
15	17677G2		SPRING RETAINER .....	1
16	72072G01		ACCELERATOR ROD .....	1
17	10385G4		CLEVIS YOKE (ADJUSTABLE) .....	1
18	10386G3		CLEVIS PIN, 5/16" X 13/16" LG .....	1
19	17838G1		NYLON BUSHING .....	3
20	17255G1		TEFLON WASHER, 5/16" .....	1
21	10387G3		COTTER PIN, 3/32" X 3/4" LG .....	1
22	74432G01		PEDAL PIVOT PIN .....	1
23	12064G6		PUSH NUT, 9/32" .....	1
24				
25	72201G04		WIRE HARNESS (PEDAL BOX) .....	1
26				
27				
28	608614		ACCELERATOR CABLE .....	1
29				
30	25799G03		ACCELERATOR PEDAL ASSEMBLY (INCLUDES ITEMS 31- 34) .....	1
31	27844G01		ACCELERATOR PEDAL PAD KIT (INCLUDES ITEMS 32- 33) .....	1

# ACCELERATOR

When ordering parts, please specify the model and serial number of the product.

\* Indicates a component that is not available as an individual part.

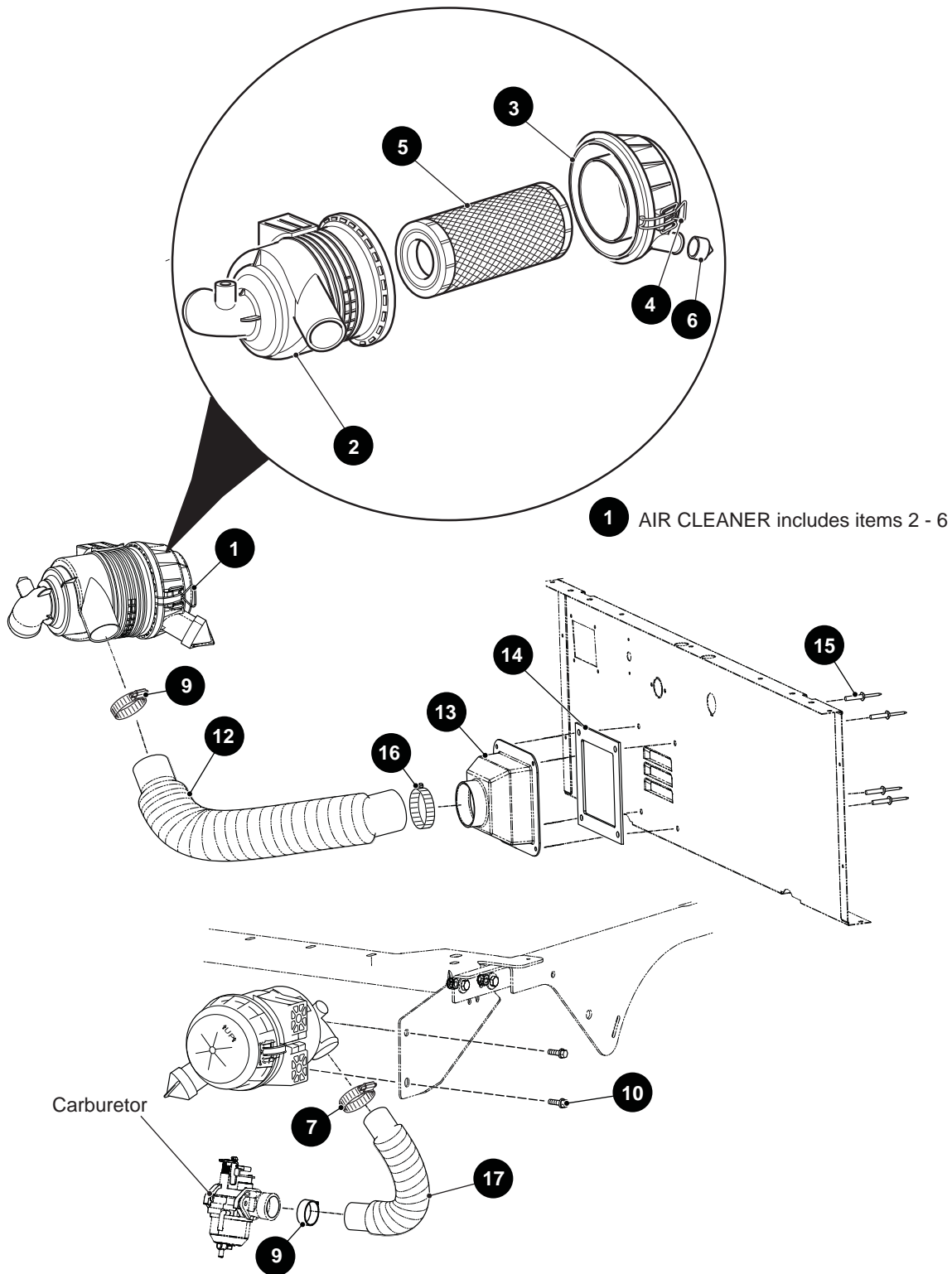
\*\*\* Indicates consult Customer Service Department for additional information.

ITEM	PART NO.	1	2	3	4	5	DESCRIPTION	QTY.
32	16409G1						OVAL RIVET, 3/16" X 7/16" LG.....	6
33	27512G01						ACCELERATOR PEDAL PAD .....	1
34	70125G04						ACCELERATOR PEDAL.....	1
35	00715G2						HEX HEAD BOLT, 5/16" -18 X 4/5" LG .....	4
36								
37	606083						UPPER GOVERNOR BRACKET.....	1
38	606005						LOWER GOVERNOR BRACKET .....	1
39	606265						FLANGED HEX HEAD BOLT, M6 - 1 X 12 MM LG.....	1
40	606421						FLANGED HEX HEAD BOLT, M6 - 1 X 30 MM LG.....	1
41	450452						HEX NUT, M6 - 1.0.....	1
42	606283						GOVERNOR LEVER BUSHING .....	1
43	606284						GOVERNOR ROD .....	1
44	603890						GOVERNOR ROD GUARD .....	1
45	606264						FLANGED HEX HEAD BOLT, M6 - 1 X 20 MM LG.....	1
46	606262						FLANGED HEX HEAD BOLT, M8 - 1.25 X 16 MM LG.....	1
47	606074						GOVERNOR CABLE / DIRECTION SELECTOR BRACKET .....	1
48	606256						FLANGED HEX HEAD BOLT, M10 - 1.25 X 16 MM LG.....	2
49								
50	608527						GOVERNOR WARNING DECAL.....	1
51								
52								
53	17618G1						NYLON CLAMP .....	2
54	632936						GOVERNOR CABLE / DIRECTION SELECTOR BRACKET (FOR VEHICLES MANUFACTURED FROM APRIL 2014) .....	1





# AIR FILTER





# AIR FILTER

When ordering parts, please specify the model and serial number of the product.

\* Indicates a component that is not available as an individual part.

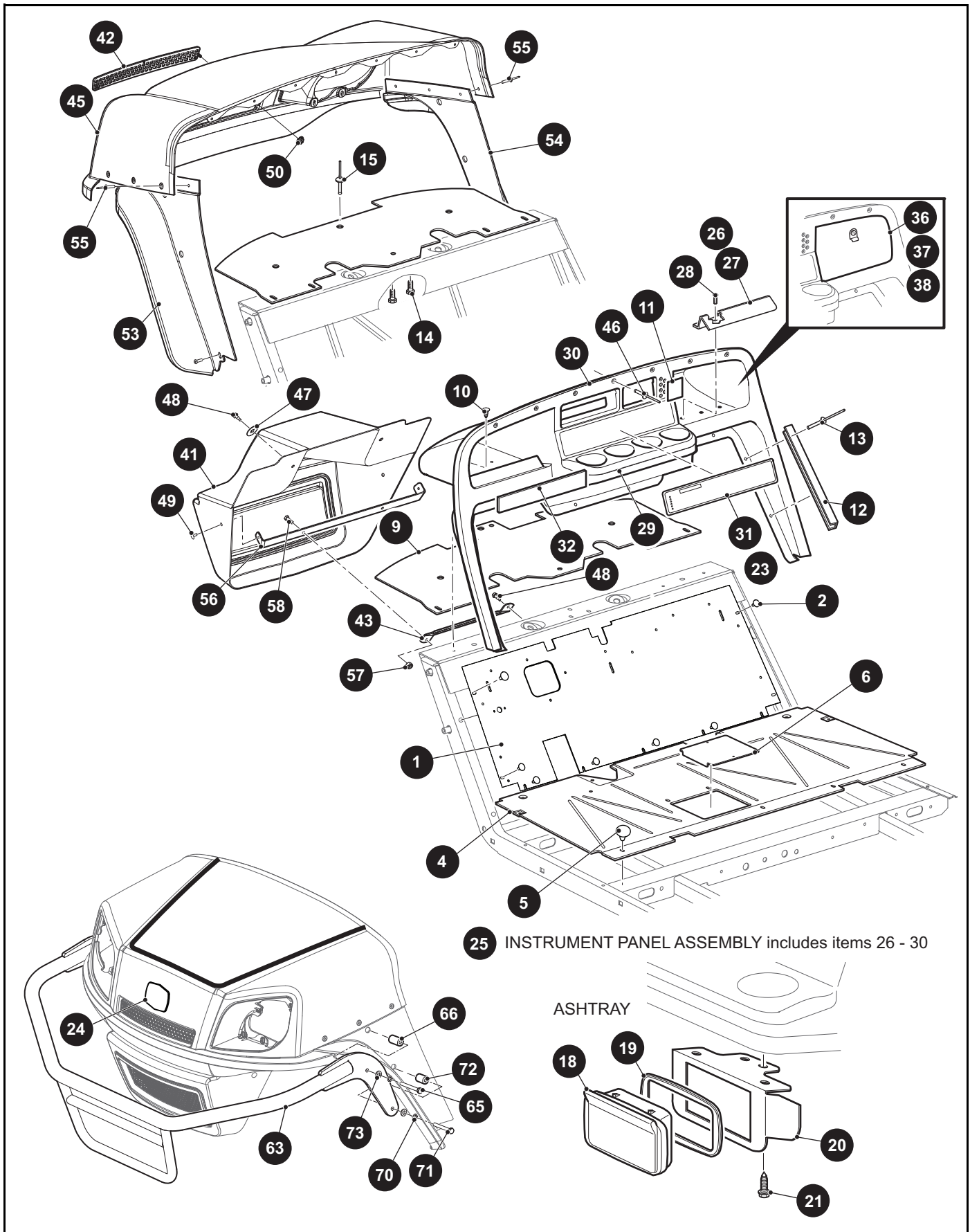
\*\*\* Indicates consult Customer Service Department for additional information.

ITEM	PART NO.	1 2 3 4 5	DESCRIPTION	QTY.
1	614852		AIR CLEANER (INCLUDES ITEMS 2 - 6) .....	1
2	615390		BODY & BRACKET ASSEMBLY .....	1
3	72599G01		AIR CLEANER COVER .....	1
4	72604G01		AIR CLEANER CLIP .....	2
5	28463G01		AIR FILTER .....	1
6	28462G01		DUST EJECTOR VALVE .....	1
7	111391G7		HOSE CLAMP, 1.56 - 2.50 DIA .....	1
8	607950		HOSE, 10" LONG .....	1
9	11391G1		HOSE CLAMP, 1.31 - 2.25 DIA .....	3
10	25532G1		BOLT AND WASHER, M8 X 1.25 X 18 MM .....	4
11				
12	72637G03		AIR INTAKE HOSE, 16" LONG .....	1
13	72416G01		REMOTE AIR INTAKE ASSEMBLY .....	1
14	72415G01		REMOTE AIR INTAKE GASKET .....	1
15	71055G01		RIVET, 3/16 DIA .....	4
16	11391G2		HOSE CLAMP, 2.06 - 3.00 DIA .....	1
17	601910		HOSE, 14' LONG .....	1





# BODY



When ordering parts, please specify the model and serial number of the product.

\* Indicates a component that is not available as an individual part.

\*\*\* Indicates consult Customer Service Department for additional information.

ITEM	PART NO.	1 2 3 4 5	DESCRIPTION	QTY.
1	637534		UPPER FLOORPAN .....	1
2	14601G11		RIVET (ALUMINUM), 3/16" X 9/16" .....	9
3				
4	70451G01		LOWER FLOORPAN .....	1
5	14601G11		RIVET (ALUMINUM), 3/16" X 9/16" .....	7
6	70452G01		ACCESS COVER.....	1
7				
8				
9	71413G01		SPLASH PANEL .....	1
10	16816G2		RATCHET FASTENER, 1/4" X 3/4" .....	4
11	35968G01		T-HOLDER COVER LABEL.....	1
12	71115G01		VINYL TRIM .....	2
13	71055G01		RIVET (ALUMINUM), 3/16" X 1" .....	10
14	71102G02		SELF TAPPING SCREW, 1/4" - 20 X 1/2" LG .....	3
15	71055G01		RIVET (ALUMINUM), 3/16" X 1 1/8" LG .....	1
16				
17				
18	27731G01		ASH TRAY .....	1
19	27736G01		GASKET.....	1
20	75108G02		BRACKET .....	1
21	00100G4		SELF TAPPING SCREW, #10 - 16 X 1/2" LG .....	4
22				
23	625743		SAFETY AND OPERATION LABEL, CE .....	1
24	619135		DECAL, CUSHMAN COWL .....	1
25	71151G03		INSTRUMENT PANEL ASSEMBLY (INCLUDES ITEMS 26 - 30) .....	1
26	71153P01		DEFLECTOR (PASSENGER SIDE) .....	1
27	71154P01		DEFLECTOR (DRIVER SIDE).....	1
28	00614P5		SELF TAPPING SCREW, #8 - 18 X 5/8" LG .....	4
29	71158P01		INSTRUMENT PANEL INSERT (FOUR CUP) .....	1
30	71152P01		INSTRUMENT PANEL.....	1
31	601781		LABEL (SAFETY).....	1

# BODY

When ordering parts, please specify the model and serial number of the product.

\* Indicates a component that is not available as an individual part.

\*\*\* Indicates consult Customer Service Department for additional information.

ITEM	PART NO.	1 2 3 4 5	DESCRIPTION	QTY.
32	74443G01		LABEL (ANTI-ROLLBACK) .....	1
33				
34				
35				
36	75459G01		GLOVE BOX DOORS (BOTH SIDES) .....	1
37	75459G02		GLOVE BOX DOOR (DRIVER SIDE) .....	1
38	75459G03		GLOVE BOX DOOR (PASSENGER SIDE) .....	1
39				
40				
41	613273		FRONT FASCIA .....	1
42	617643		COWL GRILL COVER.....	1
43	70725G02		FRONT SHIELD BRACE .....	2
44				
45	613036G**		COWL (See COLOR CODE in HOW TO USE Section of Manual) .....	1
46	71055G01		RIVET (ALUMINUM), 3/16" X 1" .....	7
47	16469G1		FENDER WASHER, 9/32" .....	2
48	01038G01		SWAGEFORM SCREW, 1/4" - 20 X .7" LG.....	4
49	15058G1		RIVET (ALUMINUM), .87" .....	2
50	71597G01		SELF THREADING NUT, 5 X 10 X 15MM.....	2
51				
52				
53	614378		FENDER FLARE (DRIVER SIDE).....	1
54	613274		FENDER FLARE (PASSENGER SIDE) .....	1
55	71055G01		RIVET (ALUMINUM), 3/16" X 1" LG.....	6
56	618653		FASCIA BRACKET .....	1
57	14390G4		LOCK NUT, 1/4" - 20 .....	2
58	00414G6		HEX HEAD BOLT, 1/4" - 20 X 3/4" LG.....	2
59				
60				
61				
62				

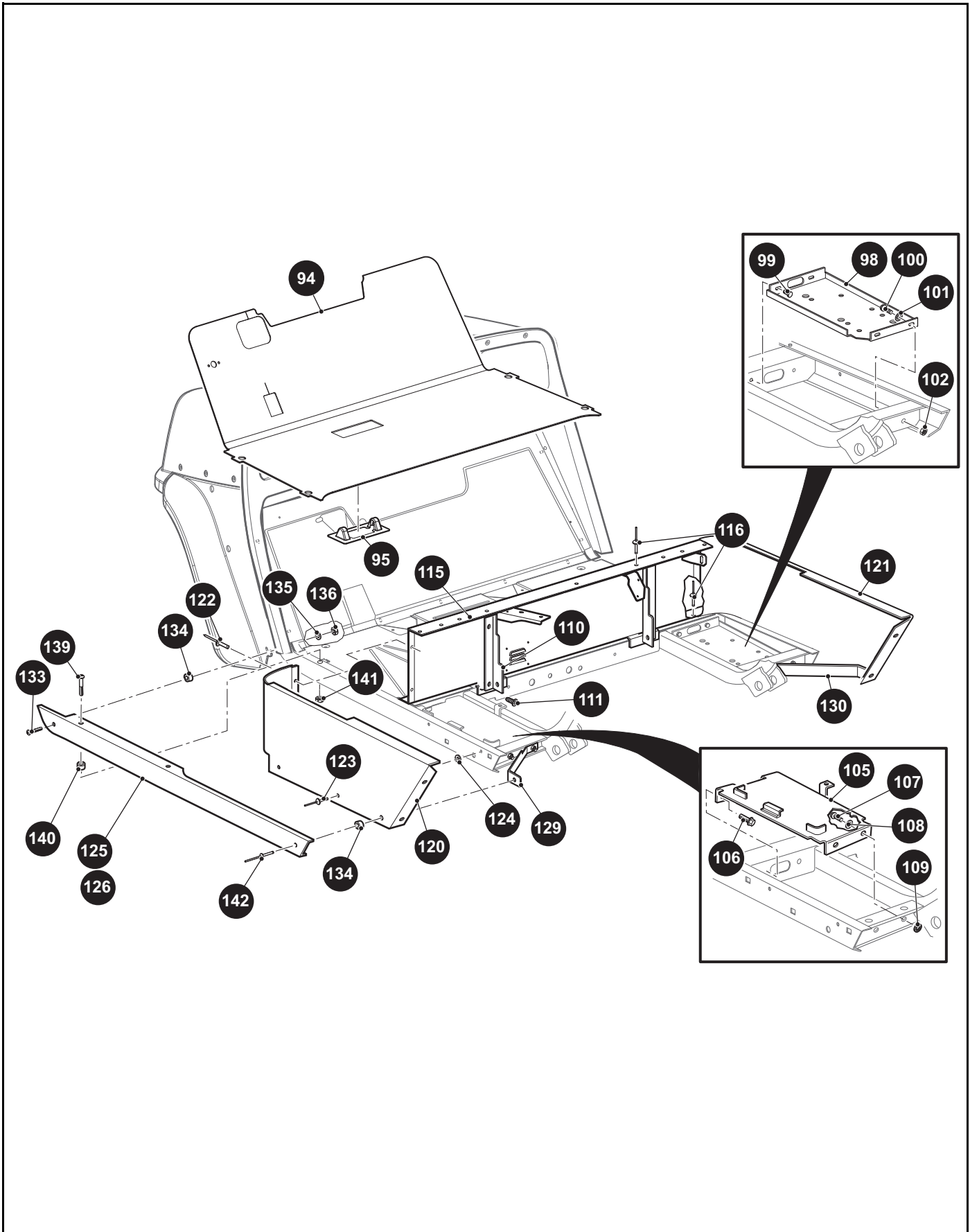
When ordering parts, please specify the model and serial number of the product.

\* Indicates a component that is not available as an individual part.

\*\*\* Indicates consult Customer Service Department for additional information.

ITEM	PART NO.	1 2 3 4 5	DESCRIPTION	QTY.
63	617620		BRUSHGUARD.....	1
64				
65	00440G6		HEX HEAD BOLT 5/16" - 18 X 2 3/4" LG.....	2
66	75048G02		SPACER, .328" X 1.31".....	2
67				
68				
69				
70	00565G8		LOCK WASHER, 5/16" .....	4
71	00440G2		HEX HEAD BOLT, 5/16" - 18 X 2 3/4" LG .....	4
72	75048G04		SPACER, .328" X 3/4".....	2
73	00559G8		FLAT WASHER, .339".....	4
74				
75				
76				
77				
78				
79				
80				
81				
82				
83				
84				
85				
86				
87				
88				
89				
90				
91				
92				
93				

# BODY





When ordering parts, please specify the model and serial number of the product.

\* Indicates a component that is not available as an individual part.

\*\*\* Indicates consult Customer Service Department for additional information.

ITEM	PART NO.	1 2 3 4 5	DESCRIPTION	QTY.
94	70663G06		FLOORMAT WITH HORN HOLES, DIAMOND PLATE .....	1
95	70135G01		PEDAL PIVOT COVER.....	1
96				
97				
98	70244G03		SPLASH PANEL .....	1
99	00715G2		HEX HEAD BOLT, 5/16" - 18 X 4/5" LG .....	4
100	00438G8		HEX HEAD BOLT, 5/16" - 18 X 1" LG .....	2
101	00559G8		FLAT WASHER, 5/16".....	2
102	11098G6		LOCK NUT (SS), 5/16" - 18 .....	2
103				
104				
105	600496		BATTERY TRAY.....	1
106	00715G2		HEX HEAD BOLT, 5/16" - 18 X 4/5" LG .....	1
107	00438G8		HEX HEAD BOLT, 5/16" - 18 X 1" LG .....	2
108	00571G2		FLAT WASHER, 5/16".....	1
109	00565G8		LOCK WASHER, 5/16" .....	1
110	605694		SEAT FRAME .....	1
111	00715G2		HEX HEAD BOLT, 5/16" - 18 X 3/4" LG .....	2
112				
113				
114				
115	609143G**		SEAT WRAP WITH LOUVERS (See COLOR CODE in HOW TO USE Section) .....	1
116	10570G10		RIVET (SS), 5/32" X 9/16" LG.....	8
117				
118				
119				
120	609168G1**		SIDE PANEL (DRIVER SIDE) (See COLOR CODE in HOW TO USE Section) .....	1
121	609168G2**		SIDE PANEL (PASSENGER SIDE) (See COLOR CODE in HOW TO USE Section) .....	1
122	10570G10		RIVET (SS), 5/32" X 9/16" LG.....	4

# BODY

When ordering parts, please specify the model and serial number of the product.

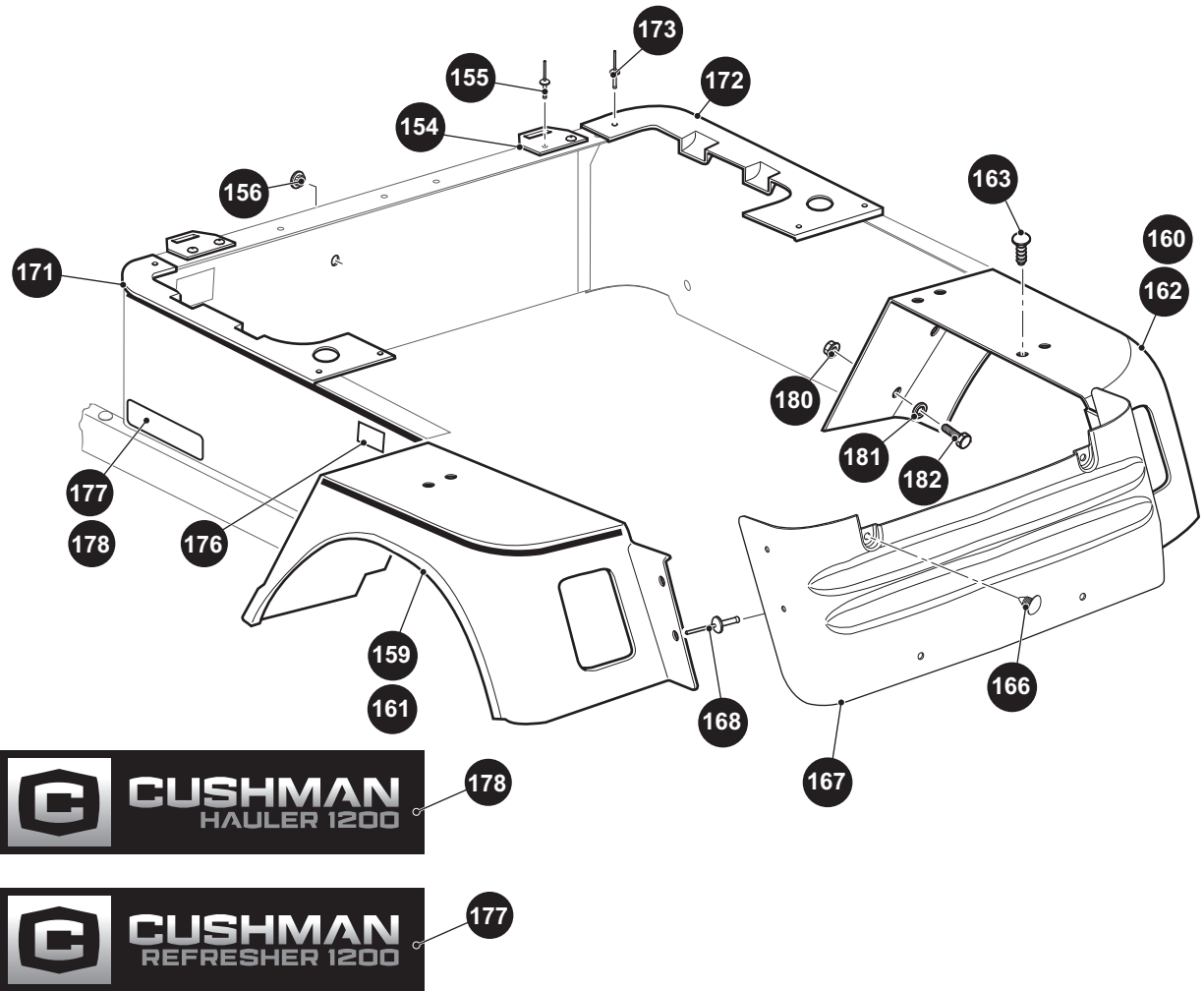
\* Indicates a component that is not available as an individual part.

\*\*\* Indicates consult Customer Service Department for additional information.

ITEM	PART NO.	1 2 3 4 5	DESCRIPTION	QTY.
123	10570G12		RIVET (ALUMINUM), 1/4" X 9/16" LG.....	4
124	16469G1		FLAT WASHER, 1/4" .....	4
125	618886		ROCKER PANEL (DRIVER SIDE) .....	1
126	618885		ROCKER PANEL (PASSENGER SIDE).....	1
127				
128				
129	71440G03		BRACE (DRIVER SIDE).....	1
130	71440G04		BRACE (PASSENGER SIDE) .....	1
131				
132				
133	00789G2		PHILLIPS HEAD SCREW, #10 - 24 X 1 1/4" LG .....	2
134	23726G4		SPACER, 1/4" .....	4
135	00660G5		FLAT WASHER (SS), #10 .....	2
136	14390G10		LOCK NUT, #10 - 24.....	2
137				
138				
139	16705G1		PAN HEAD SCREW (SS), 1/4" - 20 X 1" LG .....	4
140	23726G4		SPACER, 1/4" .....	4
141	14390G4		LOCK NUT, 1/4" - 20 .....	4
142	15058G6		RIVET (ALUMINUM), 3/16" X 15/16" LG.....	2
143				
144				
145				
146				
147				
148				
149				
150				
151				
152				
153				



# BODY



When ordering parts, please specify the model and serial number of the product.

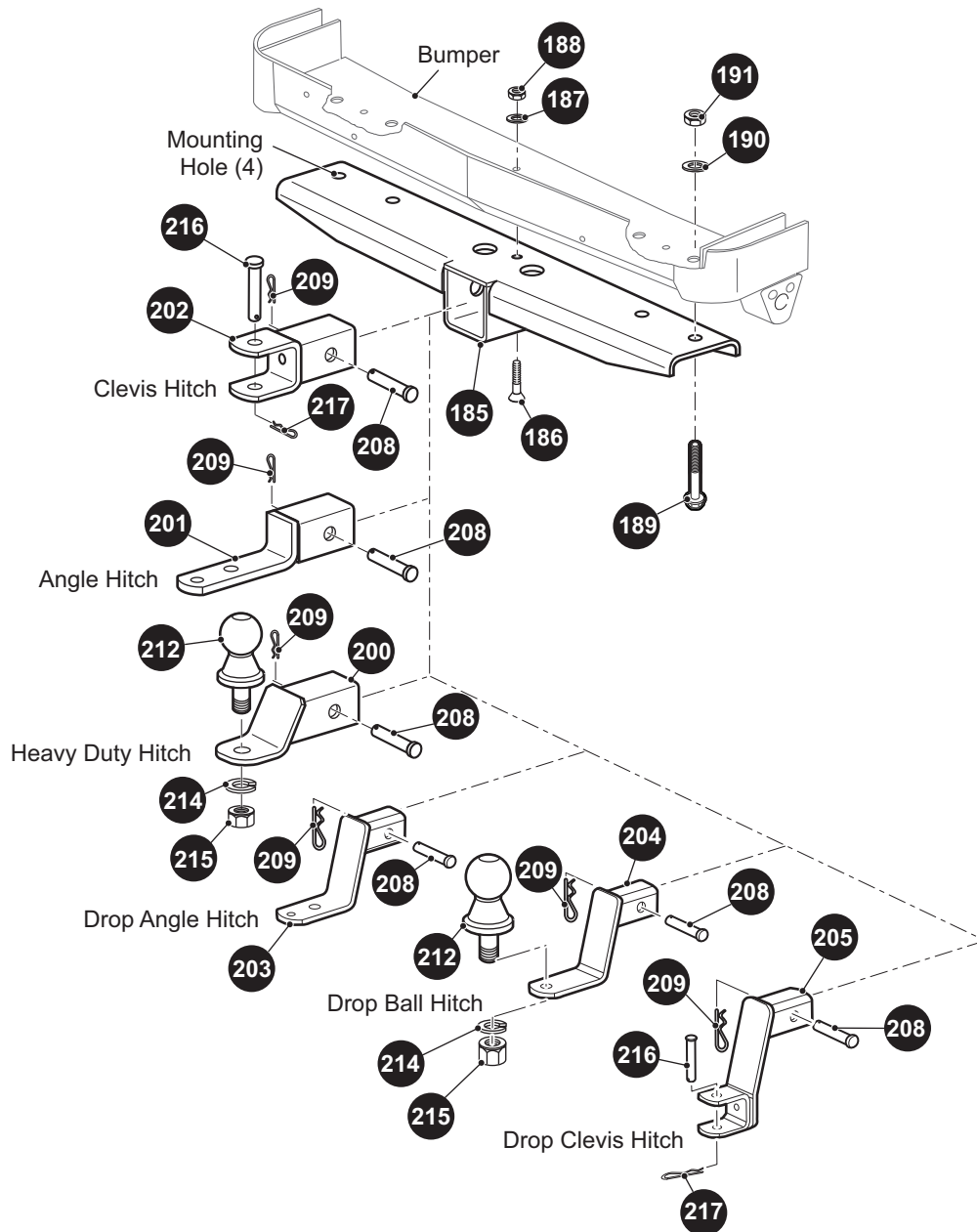
\* Indicates a component that is not available as an individual part.

\*\*\* Indicates consult Customer Service Department for additional information.

ITEM	PART NO.	1 2 3 4 5	DESCRIPTION	QTY.
154	71609G01		SEAT HINGE PLATE .....	2
155	10570G11		RIVET (SS), 3/16" X 3/4" .....	4
156	20271G02		HOLE PLUG.....	1
157				
158				
159	74893G01		FENDER (DRIVER SIDE) .....	1
160	74893G02		FENDER (PASSENGER SIDE) .....	1
161	74893G03		FENDER WITH TAILLIGHT OPENING (DRIVER SIDE) .....	1
162	74893G04		FENDER WITH TAILLIGHT OPENING (PASSENGER SIDE) .....	1
163	16816G2		RATCHET FASTENER, 1/4" X 3/4" LG.....	10
164				
165				
166	16816G2		RATCHET FASTENER, 1/4" X 3/4" .....	8
167	74890G01		REAR PANEL.....	1
168	71055G01		RIVET (ALUMINUM), 3/16" X 1" .....	4
169				
170				
171	74891G01		SEAT FILLER PANEL (DRIVER SIDE).....	1
172	74891G02		SEAT FILLER PANEL (PASSENGER SIDE) .....	1
173	10570G10		RIVET (SS), 5/32" X 9/16" LG.....	6
174				
175				
176	74099G01		DECAL, WARNING BED LATCH.....	2
177	619140		DECAL, CUSHMAN LOGO (REFRESHER 1200).....	2
178	619139		DECAL, CUSHMAN LOGO (HAULER 1200).....	2
179				
180	14390G4		LOCK NUT, 1/4" - 20 .....	4
181	00642G7		FLAT WASHER, 1/4" .....	8
182	00414G6		HEX HEAD BOLT, 1/4" - 20 X 3/4" LG .....	4
183				
184				

## HITCHES

- 192** HEAVY DUTY BALL HITCH KIT includes items 200, 208 - 215
- 193** ANGLE HITCH KIT includes items 201, 208, 209
- 194** CLEVIS HITCH KIT includes items 202, 208, 209, 216, 217
- 195** DROP ANGLE HITCH KIT includes items 203, 208, 209
- 196** DROP BALL HITCH KIT includes items 204, 208 - 215
- 197** DROP CLEVIS HITCH KIT includes items 205, 208, 209, 216, 217



When ordering parts, please specify the model and serial number of the product.

\* Indicates a component that is not available as an individual part.

\*\*\* Indicates consult Customer Service Department for additional information.

ITEM	PART NO.	1 2 3 4 5	DESCRIPTION	QTY.
185	74348G02		HITCH RECEIVER.....	1
186	00198G8		FLAT SLOTTED HEAD SCREW, 5/16" - 18 X 1" LG.....	1
187	00571G2		FLAT WASHER, 5/16".....	1
188	11098G6		LOCK NUT (SS), 5/16" - 18.....	1
189	00463G4		HEX HEAD BOLT, 7/16" - 14 X 1 1/2" LG.....	4
190	00922G3		FLAT WASHER, 7/16".....	4
191	00734G1		LOCK NUT, 7/16" - 14.....	4
192	74492G02		HEAVY DUTY BALL HITCH KIT (INCLUDES ITEMS 200, 208 - 215) .....	1
193	74492G04		ANGLE HITCH KIT (INCLUDES ITEMS 201, 208, 209).....	1
194	74492G06		CLEVIS HITCH KIT (INCLUDES ITEMS 202, 208, 209, 216, 217) .....	1
195	74492G08		DROP ANGLE HITCH KIT (INCLUDES ITEMS 203, 208, 209) .....	1
196	74492G10		DROP BALL HITCH KIT (INCLUDES ITEMS 204, 208 - 215).....	1
197	74492G12		DROP CLEVIS HITCH KIT (INCLUDES ITEMS 205, 208, 209, 216, 217).....	1
198				
199				
200	74351G02		HEAVY DUTY HITCH.....	1
201	74339G02		ANGLE HITCH .....	1
202	74338G02		CLEVIS HITCH.....	1
203	74489G02		DROP ANGLE HITCH .....	1
204	74491G02		DROP BALL HITCH .....	1
205	74495G02		DROP CLEVIS HITCH .....	1
206				
207				
208	21317G01		CLEVIS PIN, 5/8" X 3" LG .....	1
209	21683G1		COTTER PIN, 15/32" X 2 11/16" LG .....	1
210				
211				
212	31757G1		HITCH BALL, 1 7/8".....	1
213				
214	00566G6		LOCK WASHER, 3/4".....	1
215	00702G11		HEX NUT, 3/4" - 16.....	1

# BODY

When ordering parts, please specify the model and serial number of the product.

\* Indicates a component that is not available as an individual part.

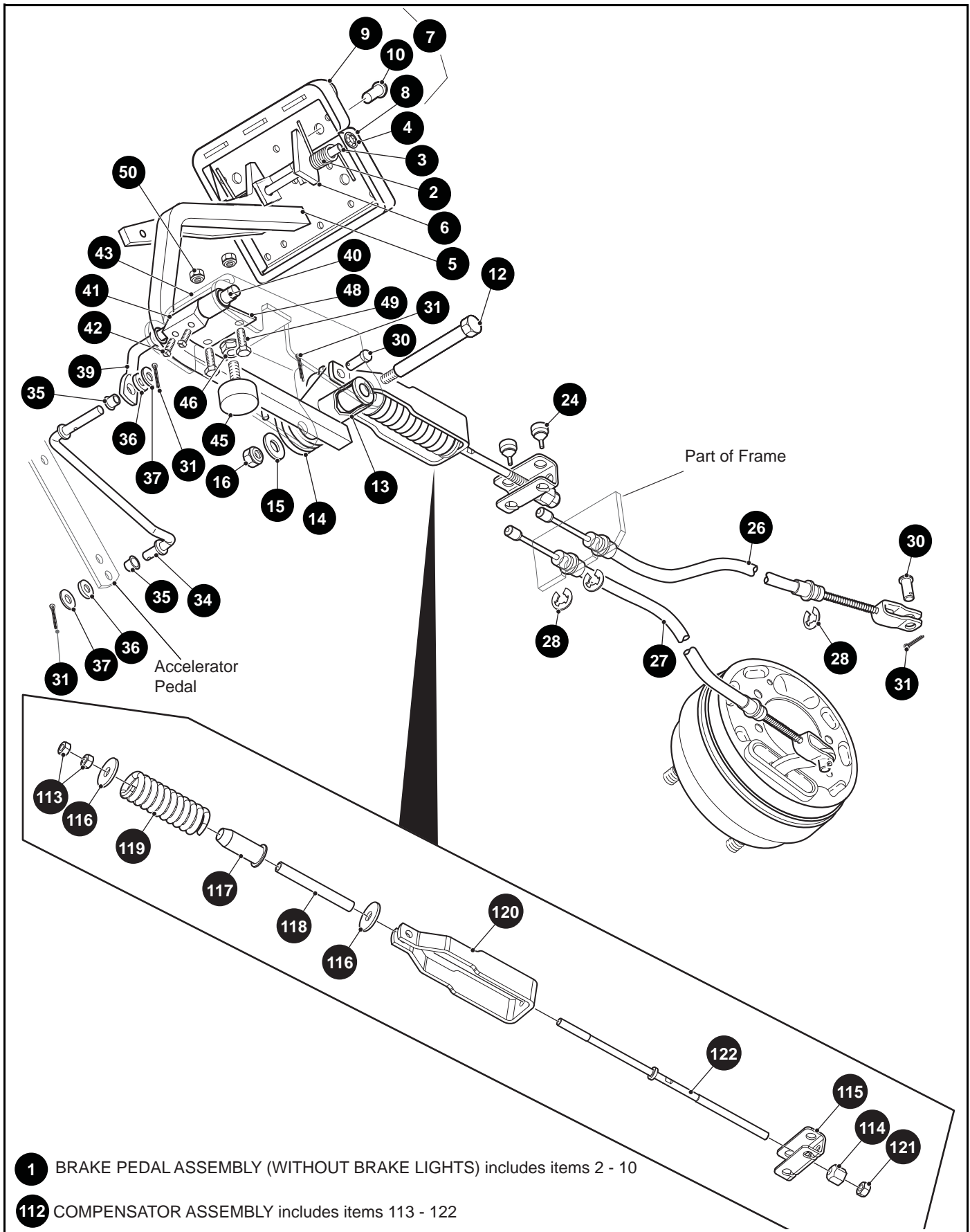
\*\*\* Indicates consult Customer Service Department for additional information.

ITEM	PART NO.	1	2	3	4	5	DESCRIPTION	QTY.
216	14443G10						CLEVIS PIN, 1/2" X 3" LG.....	1
217	19314G1						COTTER PIN, 2 1/2" LG .....	1





# BRAKES - MECHANICAL

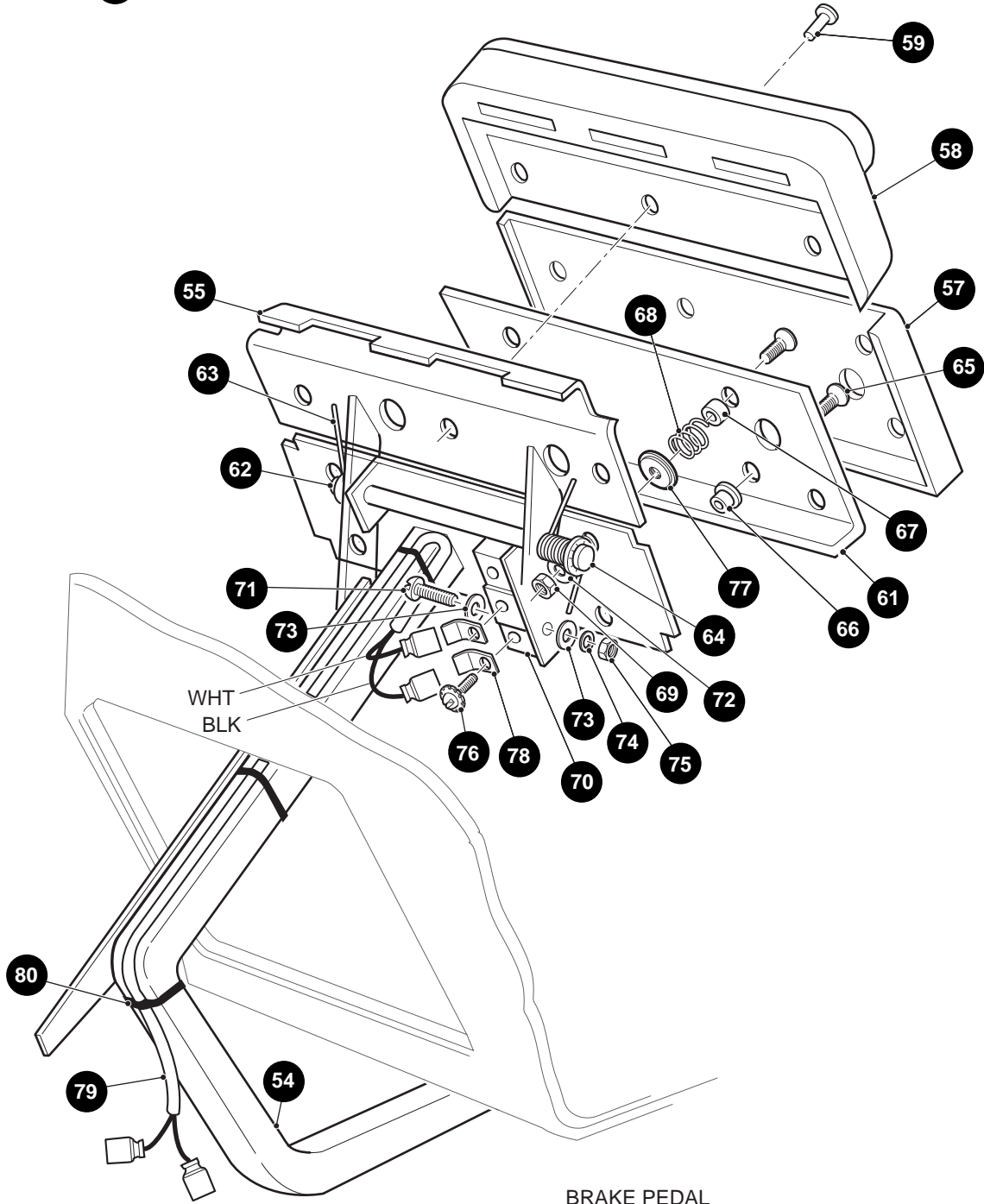


**1** BRAKE PEDAL ASSEMBLY (WITHOUT BRAKE LIGHTS) includes items 2 - 10

**112** COMPENSATOR ASSEMBLY includes items 113 - 122

**53** BRAKE PEDAL ASSEMBLY (WITH BRAKE LIGHTS) includes items 54 - 80

**56** BRAKE/PARK BRAKE PEDAL PAD KIT includes items 57 - 59



**BRAKE PEDAL**  
(VEHICLE WITH BRAKE LIGHTS)

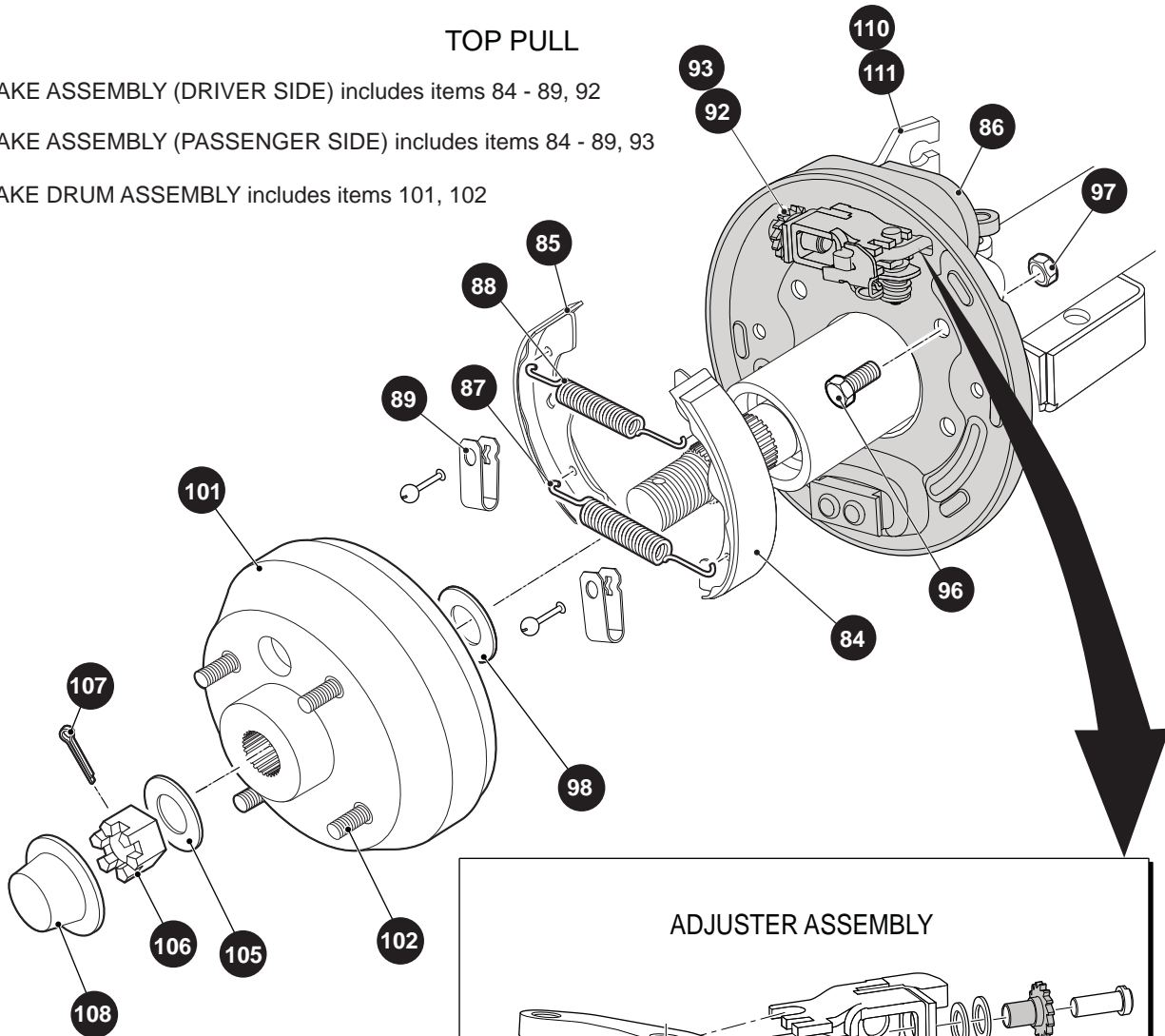
# BRAKES - MECHANICAL

## TOP PULL

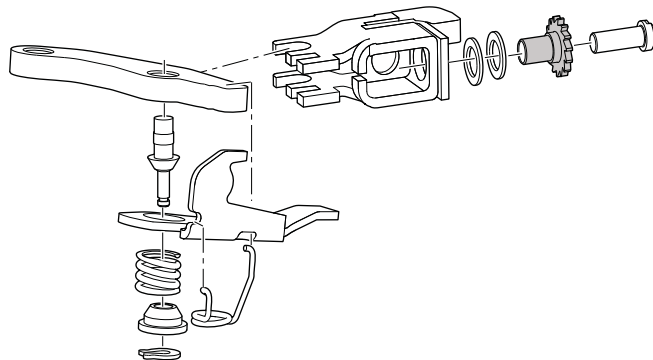
**82** BRAKE ASSEMBLY (DRIVER SIDE) includes items 84 - 89, 92

**83** BRAKE ASSEMBLY (PASSENGER SIDE) includes items 84 - 89, 93

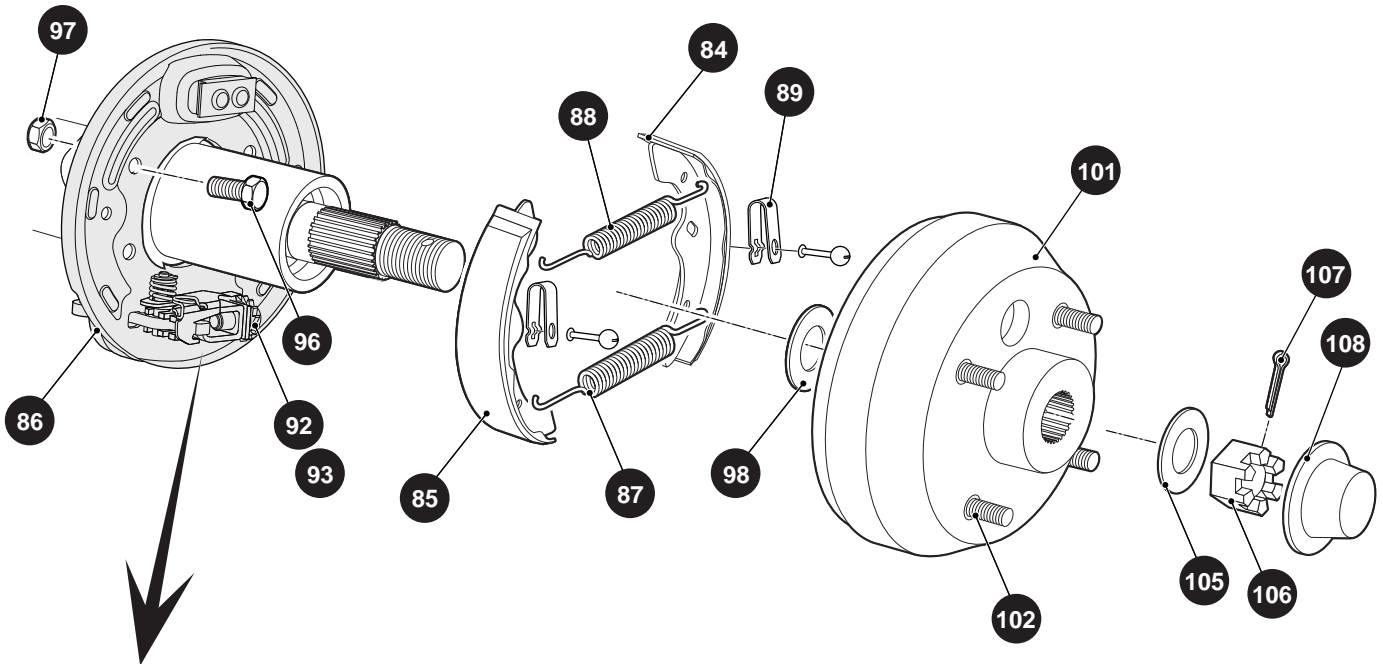
**100** BRAKE DRUM ASSEMBLY includes items 101, 102



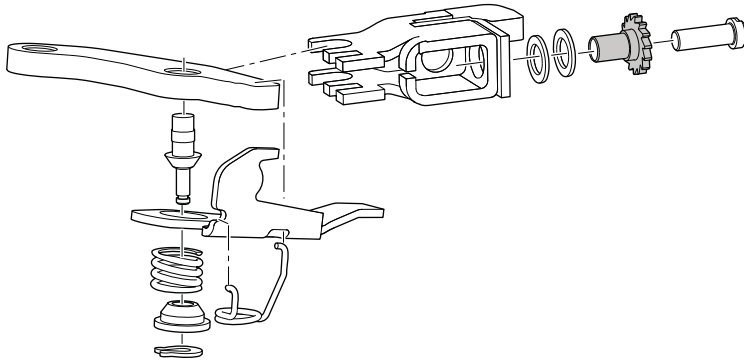
## ADJUSTER ASSEMBLY



## BOTTOM PULL



## ADJUSTER ASSEMBLY



- 82** BRAKE ASSEMBLY (DRIVER SIDE) includes items 84 - 89, 92
- 83** BRAKE ASSEMBLY (PASSENGER SIDE) includes items 84 - 89, 93
- 100** BRAKE DRUM ASSEMBLY includes items 101, 102

# BRAKES - MECHANICAL

When ordering parts, please specify the model and serial number of the product.

\* Indicates a component that is not available as an individual part.

\*\*\* Indicates consult Customer Service Department for additional information.

ITEM	PART NO.	1 2 3 4 5	DESCRIPTION	QTY.
1	70612G02		BRAKE PEDAL ASSEMBLY (WITHOUT BRAKE LIGHTS) (INCLUDES ITEMS 2 - 10).....	1
2	70681G01		TORSION SPRING .....	2
3	70682G01		PIVOT PIN .....	1
4	01071G01		PUSH NUT, 5/16".....	2
5	70259G02		BRAKE PEDAL .....	1
6	70611G02		PARK BRAKE PEDAL.....	1
7	70274G01		BRAKE/PARK BRAKE PEDAL PAD KIT (INCLUDES ITEMS 8 - 10) .....	1
8	70257G01		SERVICE BRAKE PAD.....	1
9	70256G01		PARK BRAKE PAD .....	1
10	15766G1		OVAL RIVET, 3/16" X 7/16" LG .....	9
11				
12	70582G01		STAINLESS STEEL SHOULDER BOLT, 3/8 - 16 X 4" LG .....	1
13	70581G01		FLANGED BUSHING .....	2
14	70676G01		TORSION SPRING .....	1
15	00643G1		FLAT WASHER, 3/8" .....	1
16	11098G5		LOCK NUT, 3/8 - 16.....	1
17				
18				
19				
20	12416G2		NYLON WEDGE LOCK CLAMP (NOT ILLUSTRATED) .....	5
21				
22				
23				
24	28083G01		BRAKE COMPENSATOR BUMPER .....	2
25				
26	624697		BRAKE CABLE DRIVER SIDE.....	1
27	624698		BRAKE CABLE PASSENGER SIDE .....	1
28	01111G01		STAINLESS STEEL RETAINING RING, 13/32" .....	4
29				
30	10386G3		CLEVIS PIN, 5/16" X 13/16" LG .....	3

# BRAKES - MECHANICAL

When ordering parts, please specify the model and serial number of the product.

\* Indicates a component that is not available as an individual part.

\*\*\* Indicates consult Customer Service Department for additional information.

ITEM	PART NO.	1 2 3 4 5	DESCRIPTION	QTY.
31	10387G3		COTTER PIN, 3/32" X 3/4" LG.....	5
32				
33				
34	70601G01		KICK-OFF LINK .....	1
35	17838G1		NYLON BUSHING .....	2
36	20835G1		TEFLON WASHER, 3/8" .....	2
37	00559G8		FLAT WASHER, 5/16" .....	2
38				
39	70098G01		KICK-OFF CAM PIVOT.....	1
40	10097G6		FLANGED BEARING .....	2
41	70587G01		KICK-OFF CAM .....	1
42	71215G01		SET SCREW, 1/4 - 20 X 1/2" LG .....	2
43	14134G4		SPACER.....	1
44				
45	70113G01		ADJUSTABLE BUMPER.....	1
46	11027G1		LOCK NUT, 5/16 - 18 .....	1
47				
48	70080G02		CATCH BRACKET .....	1
49	00414G6		HEX HEAD BOLT, 1/4 - 20 X 3/4" LG .....	2
50	14390G4		STAINLESS STEEL LOCK NUT, 1/4 - 20 .....	2
51				
52				
53	70690G02		BRAKE PEDAL ASSEMBLY (WITH BRAKE LIGHTS) (INCLUDES ITEMS 54 - 80) .....	1
54	70686G02		BRAKE PEDAL.....	1
55	70611G02		PARK BRAKE PEDAL .....	1
56	70274G01		BRAKE/PARK BRAKE PEDAL PAD KIT (INCLUDES ITEMS 57 - 59) ....	1
57	70257G01		SERVICE BRAKE PAD .....	1
58	70256G01		PARK BRAKE PAD .....	1
59	16409G1		OVAL RIVET, 3/16" x 7/16" LG .....	9
60				

# BRAKES - MECHANICAL

When ordering parts, please specify the model and serial number of the product.

\* Indicates a component that is not available as an individual part.

\*\*\* Indicates consult Customer Service Department for additional information.

ITEM	PART NO.	1	2	3	4	5	DESCRIPTION	QTY.
61	70258G03						BRAKE PEDAL PLATE .....	1
62	70682G01						PIVOT PIN .....	1
63	70681G01						TORSION SPRING .....	2
64	01071G01						PUSH NUT, 5/16" .....	1
65	00737G8						FLAT HEAD PHILLIPS SCREW, #10 - 24 X 7/8" LG .....	4
66	00739G1						RUBBER NUT, #10 - 24 .....	2
67	74535G01						BRAKE PEDAL STANDOFF .....	2
68	27137G01						CONICAL SPRING .....	2
69	14390G10						LOCK NUT, #10 - 24 .....	2
70	10606G8						MICRO SWITCH .....	1
71	00645G2						PAN HEAD PHILLIPS SCREW, #6 - 32 X 1 1/4" LG .....	2
72	00559G5						FLAT WASHER, #10 .....	2
73	00559G3						FLAT WASHER, #6 .....	4
74	00565G3						LOCK WASHER, #6 .....	2
75	00525G5						HEX NUT, #6 - 32 .....	2
76	13514G1						SCREW AND LOCK WASHER, #6 .....	2
77	00642G8						FLAT WASHER, 5/16 .....	2
78	14628G1						FASTON TAB .....	2
79	24605G1						WIRE HARNESS (BRAKE LIGHT) .....	1
80	17618G1						WIRE TIE .....	4
81								
82	612211						BRAKE ASSEMBLY (DRIVER SIDE) (INCLUDES ITEMS 84 - 89, 92) .....	1
83	612189						BRAKE ASSEMBLY (PASSENGER SIDE) (INCLUDES ITEMS 84 - 89, 93) .....	1
84	612411						BRAKE SHOE L .....	2
85	612412						BRAKE SHOE T .....	2
86	612413						DUST COVER .....	2
87	612415						BRAKE SPRING .....	1
88	612414						BRAKE SPRING .....	1
89	612416						SHOE CLAMP .....	2
90								
91								



# BRAKES - MECHANICAL

When ordering parts, please specify the model and serial number of the product.

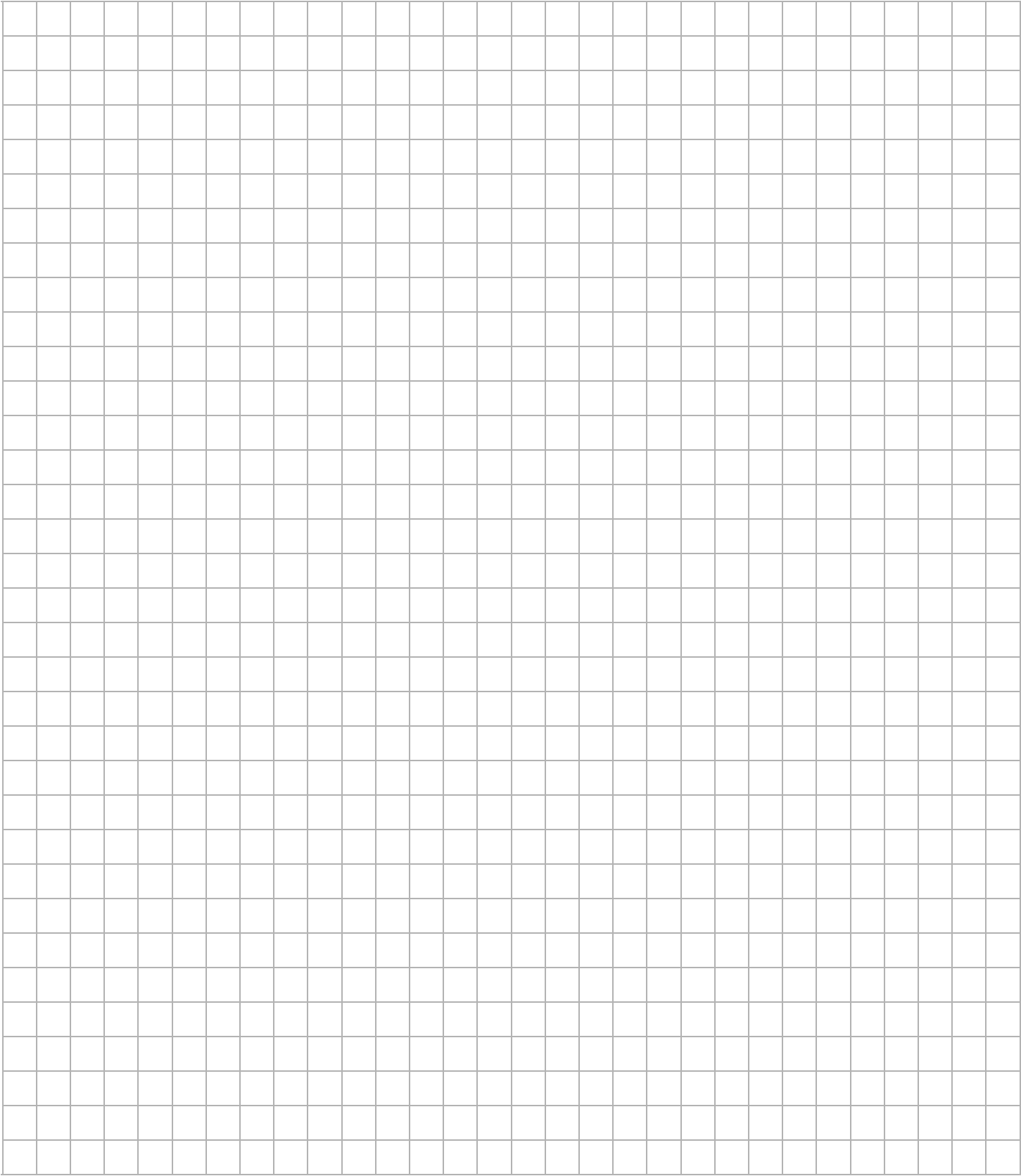
\* Indicates a component that is not available as an individual part.

\*\*\* Indicates consult Customer Service Department for additional information.

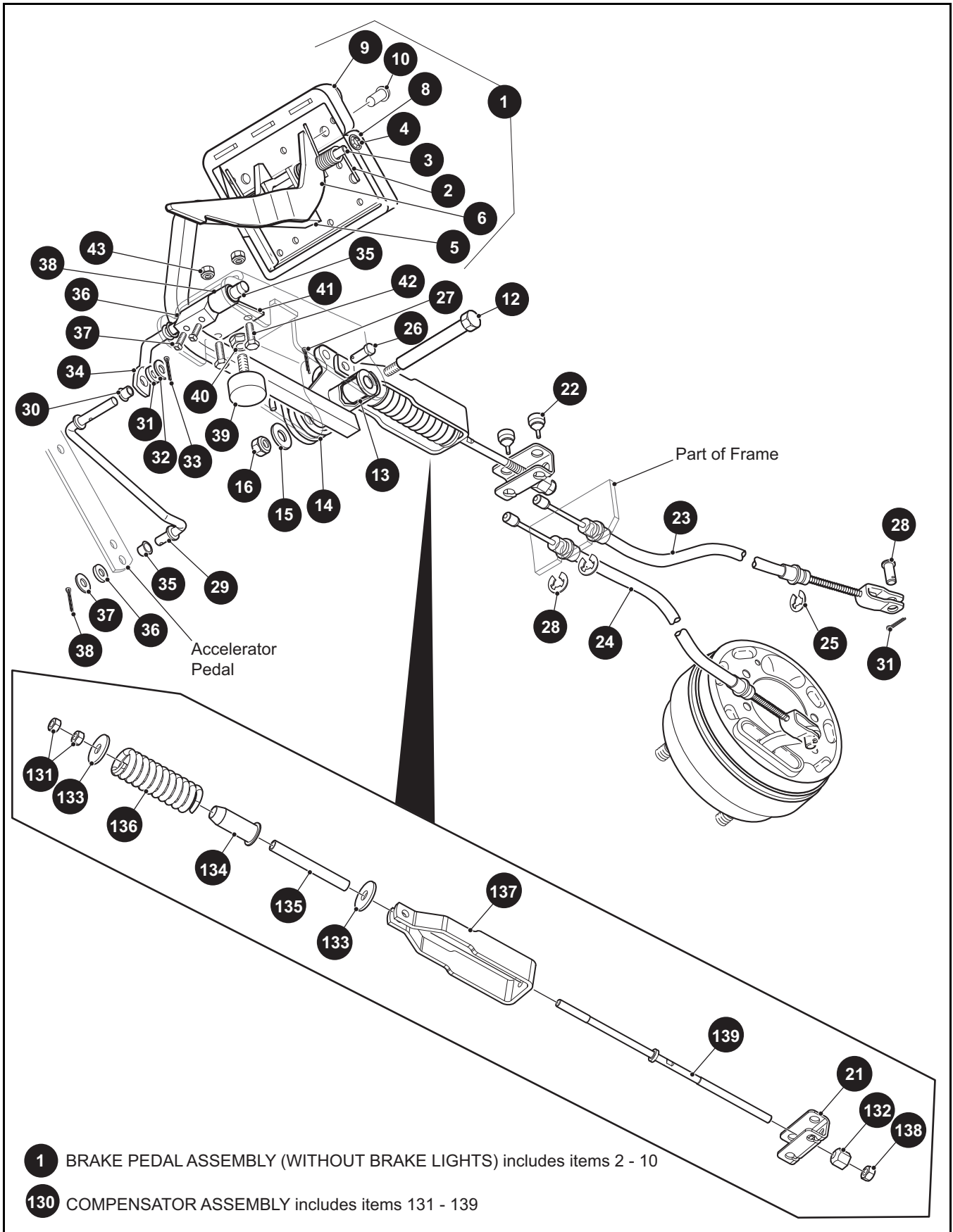
ITEM	PART NO.	1 2 3 4 5	DESCRIPTION	QTY.
92	612418		GEAR ADJUSTER .....	1
93	612417		GEAR ADJUSTER .....	1
94				
95				
96	17083G2		HEX HEAD BOLT, 5/16 - 24 X 1" LG .....	8
97	15126G1		LOCK NUT, 5/16 - 24 .....	8
98	21809G1		INNER BRAKE DRUM WASHER, 1 5/16" OD X 1" ID X 1/32" .....	2
99				
100	21807G2		BRAKE DRUM ASSEMBLY (INCLUDES ITEMS 101 - 102) .....	2
101	*		BRAKE DRUM.....	1
102	19862G2		LUG BOLT, 1/2 - 20 X 1 3/16" LG .....	4
103				
104				
105	606945		OUTER BRAKE DRUM WASHER.....	2
106	606403		SLOTTED NUT, M22 X 1.5 .....	2
107	10387G1		COTTER PIN, 1/8" X 1 1/2" LG.....	2
108	74175G01		SPINDLE CAP .....	2
109				
110	608200		BRAKE CABLE BRACKET (PASSENGER SIDE) .....	1
111	608201		BRAKE CABLE BRACKET (DRIVER SIDE).....	1
112	612558		COMPENSATOR ASSEMBLY (INCLUDES ITEMS 113 - 122).....	1
113	00532G4		HEX NUT .....	2
114	629486		HEX NUT, 5/16 - 24 .....	1
115	28082G01		EQUALIZER BRACKET .....	1
116	15121G1		FLAT WASHER - 5/16 .....	2
117	17979G1		ACCELERATOR ROD BUSHING.....	1
118	23061G2		TUBE .....	1
119	23463G1		COMPRESSION SPRING .....	1
120	27330G01		BRAKE YOKE .....	1
121	11098G9		HEX LOCK NUT, 5/16 - 24 .....	1
122	612557		COMPENSATOR LINK ROD.....	1



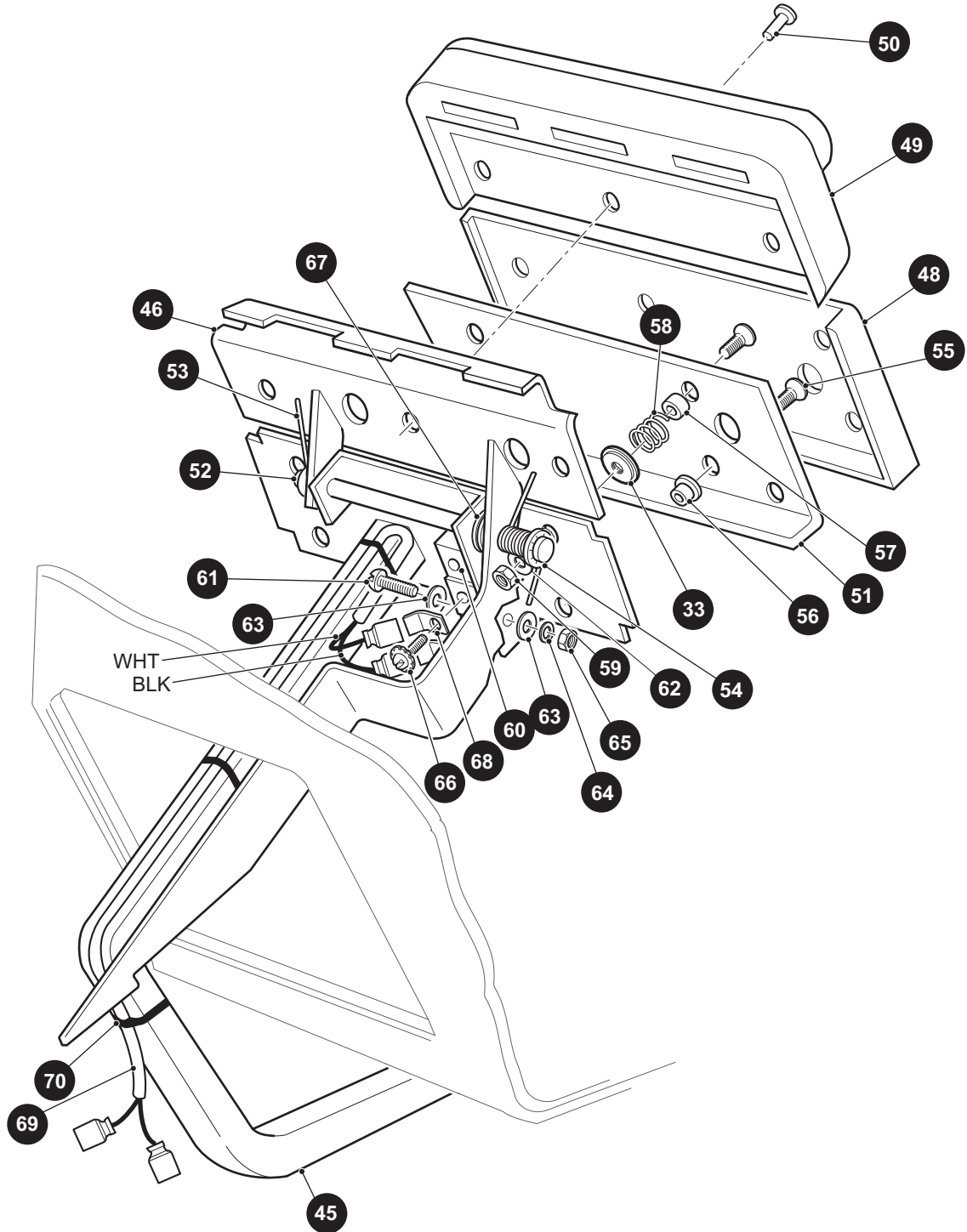
Notes:



# BRAKES - FRONT DISC

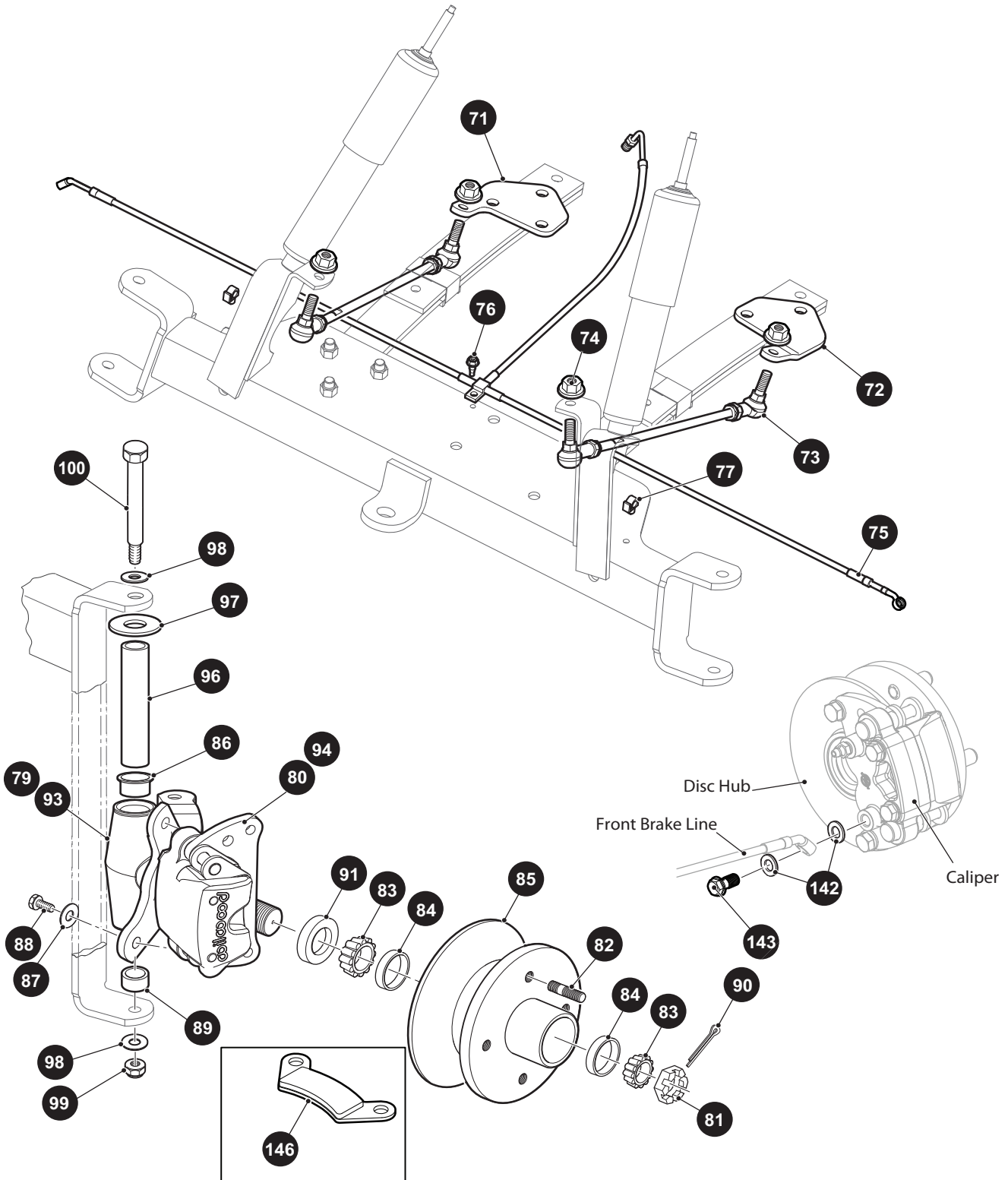


44 BRAKE PEDAL ASSEMBLY (WITH BRAKE LIGHTS) includes items 45 - 70

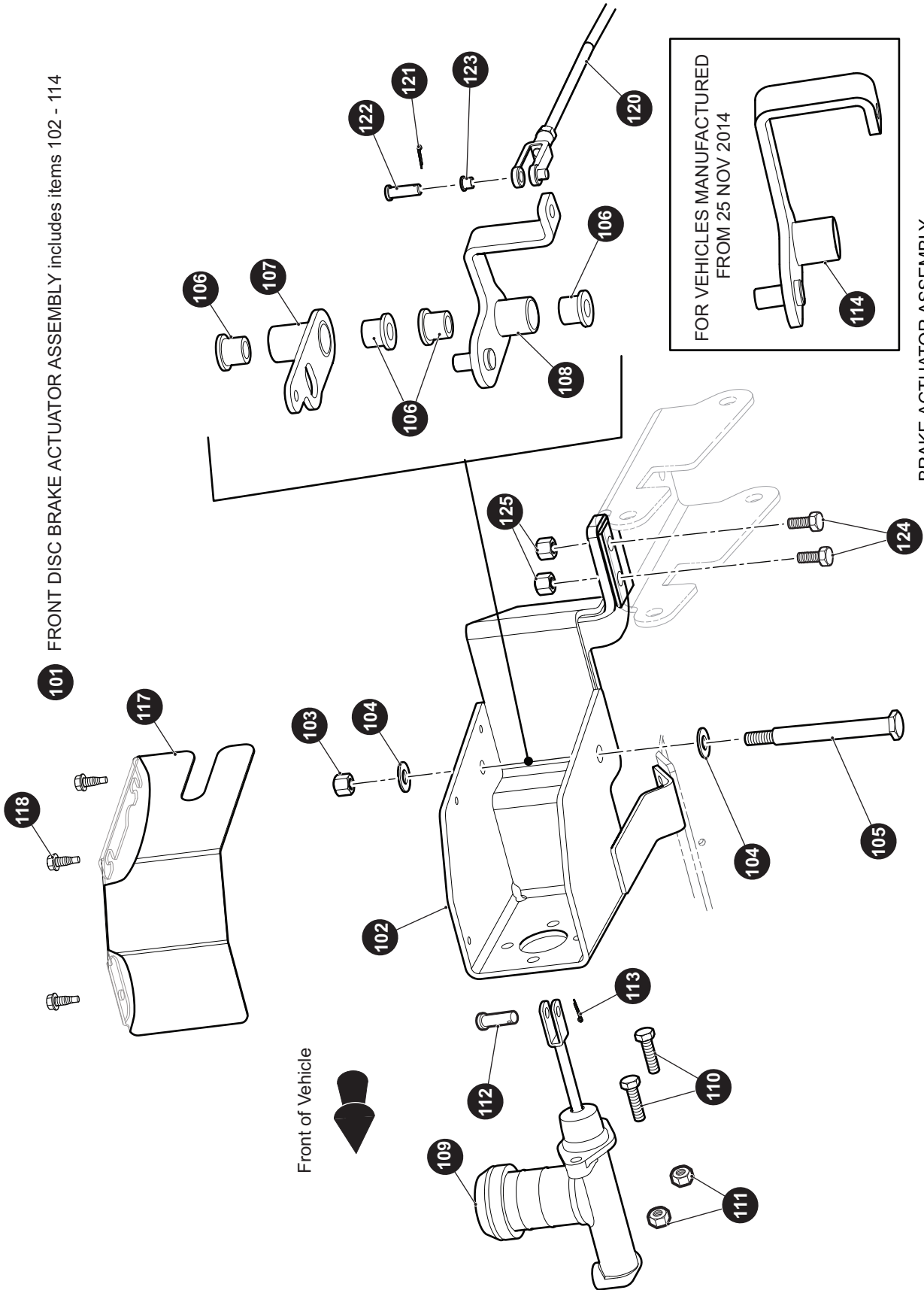


# BRAKES - FRONT DISC

- 78 SPINDLE, CALIPER AND DISC HUB ASSEMBLY (DRIVER SIDE) includes items 79 - 91
- 92 SPINDLE, CALIPER AND DISC HUB ASSEMBLY (PASSENGER SIDE) includes items 81 - 91, 93, 94
- 95 DISC BRAKE SERVICE HUB ASSEMBLY includes items 82 - 85, 91



101 FRONT DISC BRAKE ACTUATOR ASSEMBLY includes items 102 - 114



# BRAKES - FRONT DISC

When ordering parts, please specify the model and serial number of the product.

\* Indicates a component that is not available as an individual part.

\*\*\* Indicates consult Customer Service Department for additional information.

ITEM	PART NO.	1 2 3 4 5	DESCRIPTION	QTY.
1	74723G01		BRAKE PEDAL ASSEMBLY (WITHOUT BRAKE LIGHTS) (INCLUDES ITEMS 2 - 10).....	1
2	70681G01		TORSION SPRING .....	2
3	70682G01		PARKING BRAKE PEDAL PIN .....	1
4	01071G01		PUSH NUT, 5/16" .....	2
5	74721G01		BRAKE PEDAL .....	1
6	607395		PARK BRAKE PEDAL.....	1
7				
8	70257G01		BRAKE PAD .....	1
9	70256G01		PARK BRAKE PAD.....	1
10	16409G1		OVAL RIVET, 3/16" X 15/32" LG .....	9
11				
12	70582G01		SHOULDER BOLT, 3/8" - 16 X 4" LG .....	1
13	70581G01		FLANGED BUSHING, 1" LG .....	2
14	70676G01		TORSION SPRING .....	1
15	00643G1		FLAT WASHER, 3/8" .....	1
16	11098G5		LOCK NUT, 3/8" - 16 .....	1
17				
18	12416G2		NYLON WEDGE LOCK CLAMP (NOT ILLUSTRATED) .....	5
19				
20				
21	28082G01		EQUALIZER BRACKET .....	1
22	28083G01		BRAKE COMPENSATOR BUMPER .....	2
23	624697		BRAKE CABLE (DRIVER SIDE) .....	1
24	624698		BRAKE CABLE (PASSENGER SIDE).....	1
25	01111G01		RETAINING RING (SS). .....	4
26	10386G3		CLEVIS PIN, 5/16" X 1" .....	5
27	10387G3		COTTER PIN, 3/32" X 3/4" .....	3
28				
29	70601G01		KICK-OFF LINK.....	1
30	17838G1		NYLON BUSHING, .3" LG.....	2
31	20835G1		TEFLON WASHER, 3/8" .....	2



# BRAKES - FRONT DISC

When ordering parts, please specify the model and serial number of the product.

\* Indicates a component that is not available as an individual part.

\*\*\* Indicates consult Customer Service Department for additional information.

ITEM	PART NO.	1 2 3 4 5	DESCRIPTION	QTY.
32	00559G8		FLAT WASHER, 5/16".....	2
33	00642G8		FLAT WASHER, #4.....	2
34	70098G01		KICK-OFF CAM PIVOT.....	1
35	10097G6		FLANGED BEARING.....	2
36	70587G01		KICK-OFF CAM.....	1
37	71215G01		SETSCREW WITH PATCH LOCK, 1/4" - 20 X 1/2" LG.....	2
38	14134G4		SPACER, 1.25".....	1
39	70113G01		ADJUSTABLE BUMPER.....	1
40	11027G1		LOCK NUT, 5/16" - 18.....	1
41	70080G02		CATCH BRACKET.....	1
42	00414G6		HEX HEAD BOLT, 1/4" - 20 X 1/2" LG.....	2
43	14390G4		LOCK NUT, 1/4" - 20.....	2
44	74874G01		BRAKE PEDAL ASSEMBLY (WITH BRAKE LIGHTS) (INCLUDES ITEMS 45 - 70).....	1
45	74870G01		BRAKE PEDAL.....	1
46	607395		PARK BRAKE PEDAL.....	1
47				
48	70257G01		BRAKE PAD.....	1
49	70256G01		PARK BRAKE PAD.....	1
50	16409G1		OVAL RIVET, 3/16" X 15/32" LG.....	9
51	70258G03		BRAKE PEDAL PLATE.....	1
52	70682G01		PARKING BRAKE PEDAL PIN.....	1
53	70681G01		TORSION SPRING.....	2
54	01071G01		PUSH NUT, 5/16".....	2
55	00737G8		PHILLIPS FLAT HEAD MACHINE SCREW, #10 - 24 X 1" LG.....	4
56	00739G1		RUBBER NUT, #10 - 24.....	2
57	74535G01		BRAKE PEDAL STANDOFF.....	2
58	27137G01		CONICAL SPRING.....	2
59	14390G10		LOCK NUT, #10 - 24.....	2
60	10606G8		LIMIT SWITCH (3 POLE).....	1
61	00645G2		PHILLIPS PAN HEAD MACHINE SCREW, #6 - 32 X 1 1/4" LG.....	2

# BRAKES - FRONT DISC

When ordering parts, please specify the model and serial number of the product.

\* Indicates a component that is not available as an individual part.

\*\*\* Indicates consult Customer Service Department for additional information.

ITEM	PART NO.	1	2	3	4	5	DESCRIPTION	QTY.
62	00559G5						FLAT WASHER, #10 .....	2
63	00559G3						FLAT WASHER, #6 .....	4
64	00565G3						LOCK WASHER, #6.....	2
65	00525G5						HEX NUT, #6 - 32.....	2
66	13514G1						PHILLIPS PAN HEAD MACHINE SCREW, #6 - 32 X 7/32" LG.....	2
67	20835G1						TEFLON WASHER, 3/8" .....	2
68	14628G1						FASTON TAB .....	2
69	24605G1						WIRE HARNESS (BRAKE LIGHT) .....	1
70	17618G1						WIRE TIE .....	3
71	74731G02						SPRING PLATE (PASSENGER SIDE).....	1
72	74731G01						SPRING PLATE (DRIVER SIDE) .....	1
73	74730G01						FOUR LINK ROD .....	2
74	606279						HEX NUT, M10 - 1.25 .....	4
75	630766						BRAKE LINE .....	1
76	01038G01						SWAGEFORM SCREW, 1/4" - 20 X 1/2" LG.....	1
77	74875G01						WIRE RETAINER .....	2
78	602281						SPINDLE, CALIPER AND DISC HUB ASSEMBLY (DRIVER SIDE) (INCLUDES ITEMS 79 - 91).....	1
79	602176						DISC BRAKE SPINDLE (DRIVER SIDE).....	1
80	633918G02						CALIPER (DRIVER SIDE) .....	1
81	12093G1						SLOTTED NUT, 17/32" .....	1
82	74864G01						DRIVE FLANGE STUD.....	4
83	11750G2						ROLLER BEARING.....	2
84	51141G1						BEARING RACE .....	2
85	630672						DISC BRAKE HUB.....	1
86	70648G01						FLANGED BEARING .....	1
87	00566G1						LOCK WASHER, 3/8" .....	2
88	00426G8						HEX HEAD BOLT, 3/8" - 16 X 1" LG .....	2
89	70749G01						BEARING .....	1
90	00798G8						COTTER PIN, 5/32" X 1 3/4" LG.....	1
91	25146G1						GREASE SEAL.....	1

# BRAKES - FRONT DISC

When ordering parts, please specify the model and serial number of the product.

\* Indicates a component that is not available as an individual part.

\*\*\* Indicates consult Customer Service Department for additional information.

ITEM	PART NO.	1 2 3 4 5	DESCRIPTION	QTY.
92	602288		SPINDLE, CALIPER AND DISC HUB ASSEMBLY (PASSENGER SIDE) (INCLUDES ITEMS 81 - 91, 93, 94) .....	1
93	602158		DISC BRAKE SPINDLE (PASSENGER SIDE).....	1
94	633918G01		CALIPER (PASSENGER SIDE) .....	1
95	74948G01		DISC BRAKE SERVICE HUB (INCLUDES ITEMS 82 - 85, 91) .....	1
96	70745G01		KINGPIN TUBE .....	2
97	70754G01		THRUST WASHER, 0.995" I.D X 1.38" O.D .....	2
98	00560G3		FLAT WASHER, 1/2" .....	4
99	14390G6		LOCK NUT, 1/2" - 13 .....	2
100	00407G6		HEX HEAD BOLT, 1/2" - 13 X 6" LG .....	2
101	608706		FRONT DISC BRAKE BRAKE ACTUATOR ASSEMBLY (INCLUDES ITEMS 102 - 114).....	1
102	612706		MASTER CYLINDER MOUNT WELDMENT .....	1
103	11098G5		LOCK NUT, 3/8" - 16 .....	1
104	00679G1		FLAT WASHER (SS), 3/8" .....	1
105	74711G01		ACTUATOR PIVOT BOLT, 3/8" - 16 X 4 1/2" LG .....	1
106	70581G02		ACETAL BUSHING, .75" LG.....	4
107	608122		UPPER ACTUATOR PIVOT .....	1
108	608118		LOWER ACTUATOR PIVOT (FOR VEHICLES MANUFACTURED BEFORE 25 NOV 2014).....	1
109	887364		MASTER CYLINDER .....	1
110	00439G1		HEX HEAD BOLT, 1/2" - 13 X 6" LG.....	2
111	11098G6		LOCK NUT, 5/16" - 18 .....	2
112	10386G3		CLEVIS PIN, 5/16" X 1" LG .....	1
113	10387G3		COTTER PIN, 3/32" X 3/4" .....	1
114	641826		LOWER ACTUATOR PIVOT (FOR VEHICLES MANUFACTURED FROM 25 NOV 2014) .....	1
115	00771G5		FLAT WASHER, 3/8" (NOT ILLUSTRATED).....	1
116	21504G1		BRAKE FLUID (NOT ILLUSTRATED) .....	A/R
117	612704		ACTUATOR COVER.....	1
118	01038G01		SWAGEFORM SCREW WITH DOGPOINT, 1/4" - 20 X 1/2" LG .....	3
119				

# BRAKES - FRONT DISC

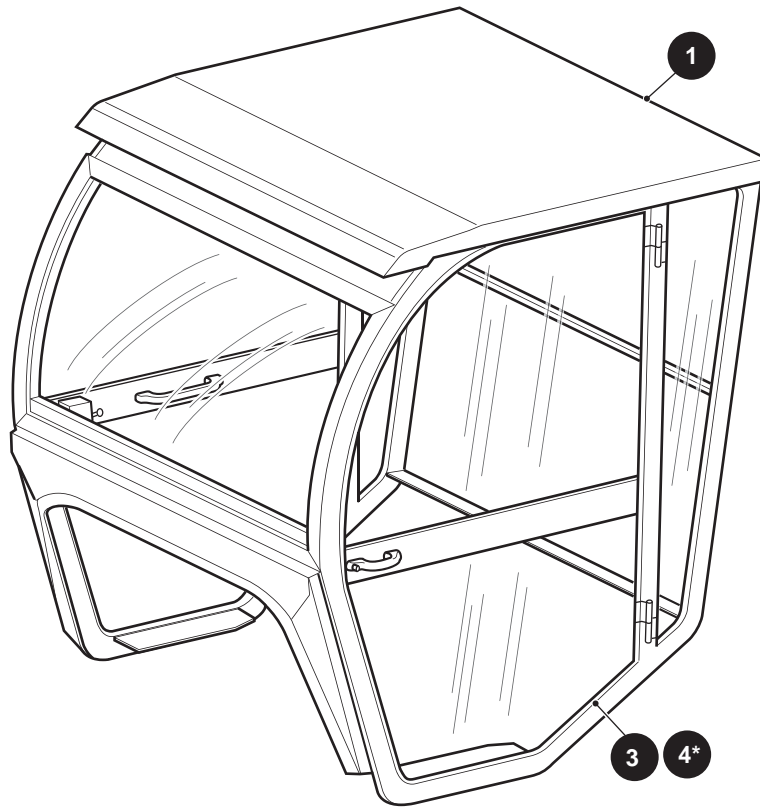
When ordering parts, please specify the model and serial number of the product.

\* Indicates a component that is not available as an individual part.

\*\*\* Indicates consult Customer Service Department for additional information.

ITEM	PART NO.	1 2 3 4 5	DESCRIPTION	QTY.
120	608943		ACTUATOR LINKAGE.....	1
121	10387G3		COTTER PIN, 3/32" X 3/4" .....	2
122	10386G3		CLEVIS PIN, 5/16" X 1" .....	4
123	17838G1		NYLON BUSHING, .3" LG.....	2
124	00414G6		HEX HEAD BOLT, 1/4" - 20 X 1/2" LG.....	4
125	14390G4		LOCK NUT, 1/4" - 20 .....	2
126	74917G01		DISC BRAKE PAD AND PIN KIT (SERVICES ONE CORNER) (INCLUDES ITEMS 127 - 128) (NOT ILLUSTRATED).....	1
127	*		BRAKE PADS (NOT ILLUSTRATED) .....	2
128	*		BRAKE PAD RETAINER PINS (NOT ILLUSTRATED) .....	2
129				
130	612558		COMPENSATOR ASSEMBLY (INCLUDES ITEMS 131 - 139) .....	1
131	00532G4		HEX NUT, 1/4" - 20 .....	2
132	629486		HEX NUT, 5/16" - 24 .....	1
133	15121G1		FLAT WASHER, 5/16" .....	2
134	17979G1		ACCELERATOR ROD BUSHING, 2" LG .....	1
135	23061G2		TUBE.....	1
136	23463G1		COMPRESSION SPRING .....	1
137	27330G01		BRAKE YOKE .....	1
138	11098G9		LOCK NUT, 5/16" - 24.....	1
139	612557		COMPENSATOR LINK ROD .....	1
140				
141				
142	613293		CRUSH WASHER, M10 .....	4
143	616459		BANJO BOLT, M10 - 1" X 20" LG .....	2
144				
145				
146	649167		BRAKE PAD .....	2





CAB

\*Steel Doors Shown

When ordering parts, please specify the model and serial number of the product.

\* Indicates a component that is not available as an individual part.

\*\*\* Indicates consult Customer Service Department for additional information.

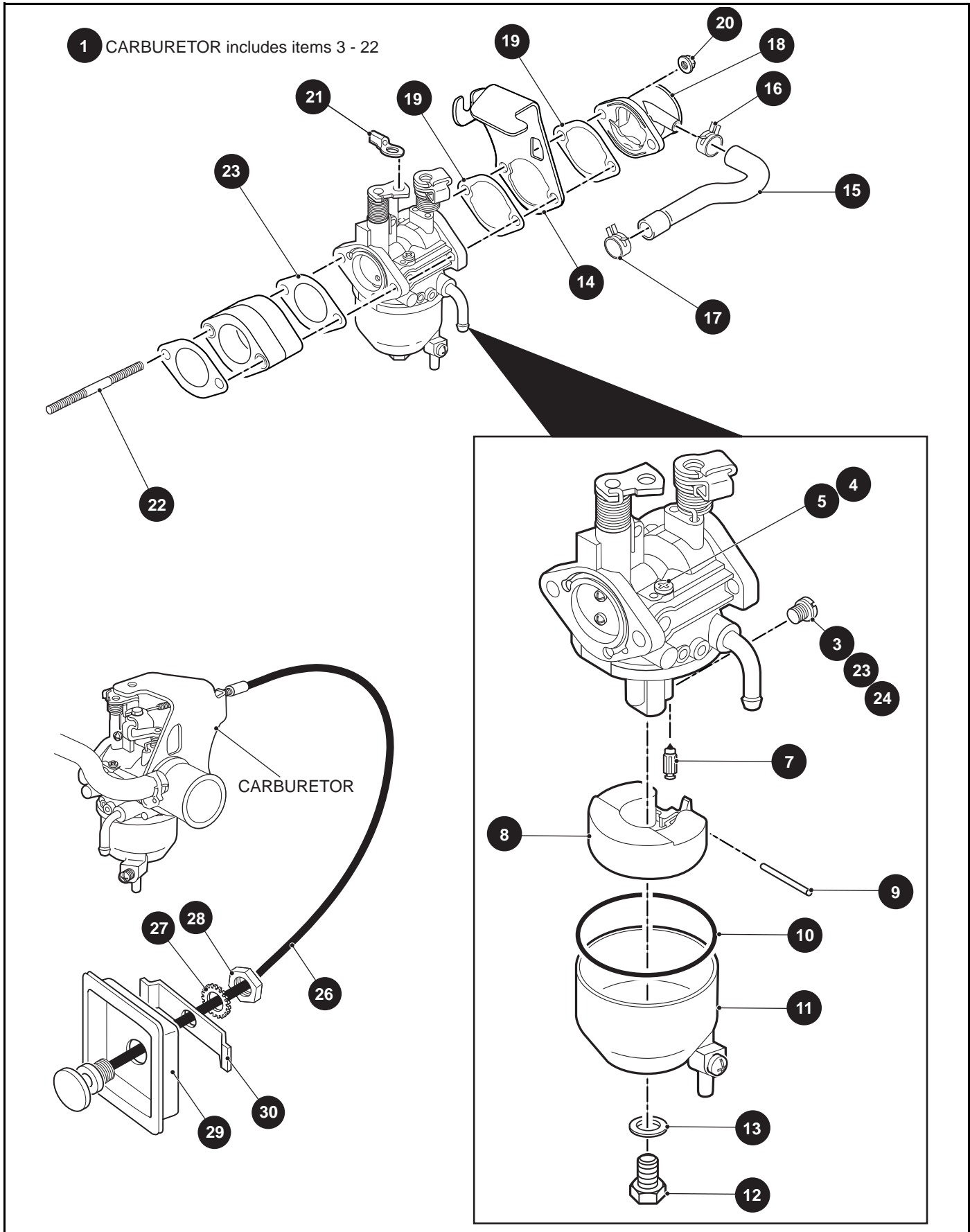
ITEM	PART NO.	1 2 3 4 5	DESCRIPTION	QTY.
1	72684G**		STEEL CAB (WITHOUT DOORS) REPACEMENT PARTS AND ACCESSORIES MAY BE OBTAINED FROM CURTIS CAB, INC. ....	1
2				
3	75855G01		VINYL DOOR KIT .....	1
4	75856G**		STEEL DOOR KIT .....	1
5				
6	74250G01		CAB SWITCH PANEL (NOT SHOWN) .....	1
7	74248G01		DEFROSTER/COOLING FAN (NOT SHOWN).....	1
8	74245G01		STROBE LIGHT KIT (NOT SHOW) .....	1
9	74244G01		WIPER COMPLETE KIT (NOT SHOWN) .....	1
10	74247G01		WORK LIGHT KIT (NOT SHOWN).....	1
<p>For Cab replacement parts and accessories, contact Curtis Cab at:            Curtis Cab, Inc. 111 Higgins Street, Worcester, Massachusetts, 01606.            Tel.: 508-853-2200. Toll free: 800-343-7676.  <a href="http://www.curtiscab.com">www.curtiscab.com</a></p>				







# CARBURETOR AND CHOKE



# CARBURETOR AND CHOKE

When ordering parts, please specify the model and serial number of the product.

\* Indicates a component that is not available as an individual part.

\*\*\* Indicates consult Customer Service Department for additional information.

ITEM	PART NO.	1 2 3 4 5	DESCRIPTION	QTY.
1	607955		CARBURETOR (INCLUDES ITEMS 3 - 22) .....	1
2				
3	607956		MAIN JET (#106).....	1
4	607957		PILOT JET (#52) .....	1
5	603585		PLUG.....	1
6				
7	603586		NEEDLE VALVE .....	1
8	603587		FLOAT .....	1
9	603588		FLOAT PIN .....	1
10	603589		FLOAT BOWL GASKET .....	1
11	603590		FLOAT CHAMBER .....	1
12	603592		BOWL SCREW.....	1
13	603591		BOWL GASKET .....	1
14	603583		CHOKE BRACKET.....	1
15	603598		BREATHER TUBE.....	1
16	603596		CLAMP, INTAKE TUBE .....	1
17	603597		CLAMP CYLINDER HEAD TUBE .....	1
18	603594		INTAKE TUBE .....	1
19	603593		CHOKE GASKET .....	2
20	603595		NUT, M6 X 1.0 .....	2
21	608023		THROTTLE ROD ATTACHMENT BUSHING .....	1
22	603584		STUD BOLT.....	2
23	607684		MAIN JET (#102) (FOR ELEVATIONS OF 6000 FT - 10000 FT) .....	1
24	607983		MAIN JET (#104) (FOR ELEVATIONS OF 3000 FT - 6000 FT) .....	1
25				
26	605868		CHOKE CABLE (SWB).....	1
27	00568G4		LOCK WASHER, 9/16" .....	1
28	00545G4		JAM NUT, 9/16 - 18.....	1
29	72155G01		RETAINER .....	1
30	72154G01		CHOKE CABLE ADAPTER.....	1

Notes:

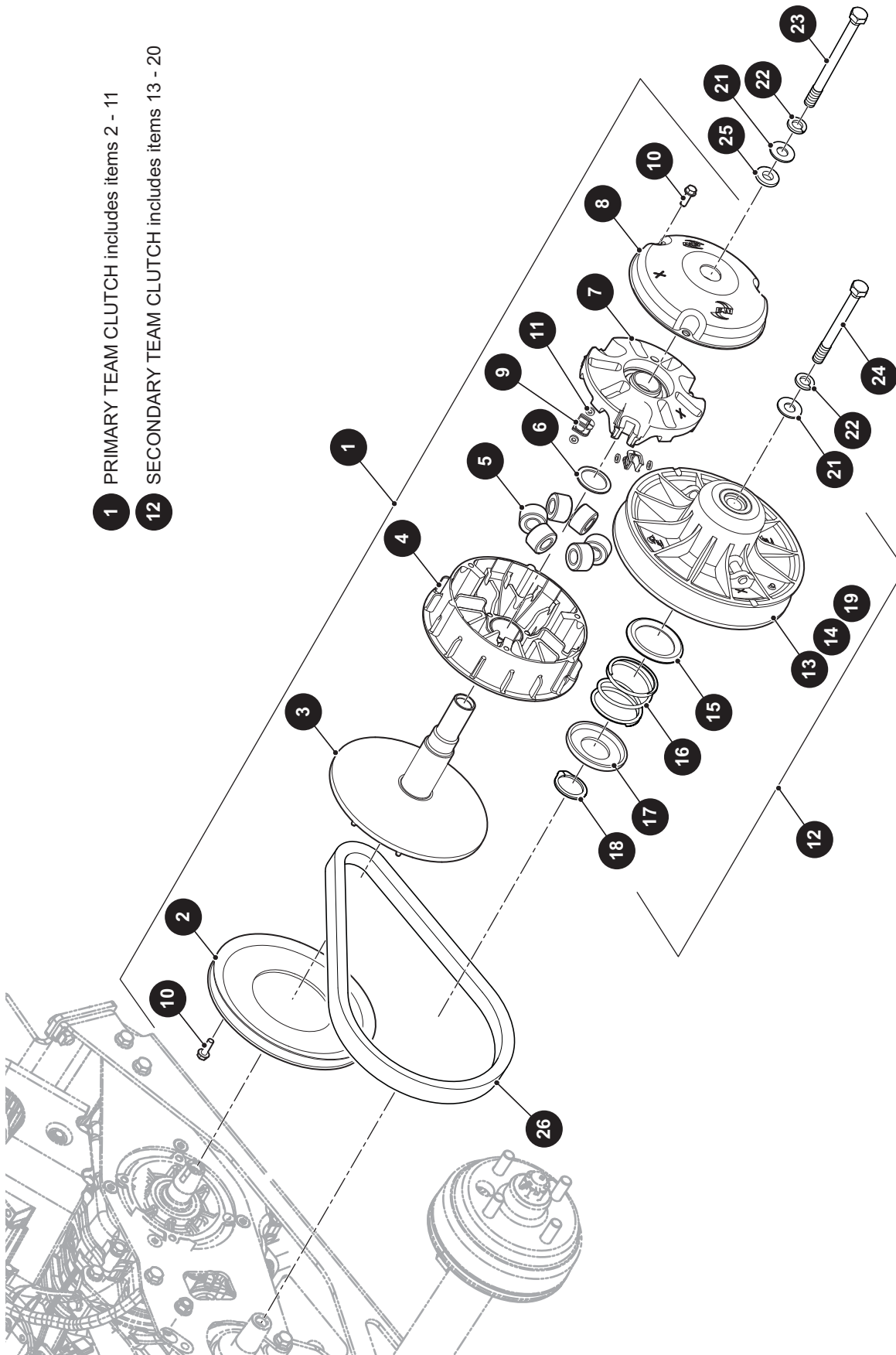
A large rectangular grid with approximately 30 columns and 25 rows, intended for handwritten notes. The grid is empty and occupies the majority of the page's vertical space below the 'Notes:' header.



# CLUTCH

1 PRIMARY TEAM CLUTCH includes items 2 - 11

12 SECONDARY TEAM CLUTCH includes items 13 - 20



When ordering parts, please specify the model and serial number of the product.

\* Indicates a component that is not available as an individual part.

\*\*\* Indicates consult Customer Service Department for additional information.

ITEM	PART NO.	1 2 3 4 5	DESCRIPTION	QTY.
1	644301		PRIMARY TEAM CLUTCH (INCLUDES ITEMS 2 - 11).....	1
2	619333		PRIMARY STARTER PULLY, 195 - SVC.....	1
3	619334		STATIONARY ASSEMBLY .....	1
4	619335		MOVEABLE PRIMARY ASSEMBLY .....	1
5	624112		SHIFT ROLLER ASSEMBLY.....	6
6	619337		SHIM, 39.5MM X 31.75MM .....	1
7	644303		PRIMARY SPIDER ASSEMBLY .....	1
8	619339		PRIMARY DUST COVER ASSEMBLY.....	1
9	644305		BUTTON, TORQUE PRIMARY .....	6
10	619332		HEX WASHER HEAD BOLT, 1/4" - 20 X 3/4" LG .....	7
11	644306		PLUG, TORQUE PRIMARY .....	6
12	623949		SECONDARY TEAM CLUTCH (INCLUDES ITEMS 13 - 20).....	1
13	*		SECONDARY STATIONARY, 9.5.....	1
14	*		MOVEABLE SECONDARY, 9.5.....	1
15	619327		INNER RETAINER SPRING.....	1
16	624111		COMPRESSION SPRING, 2.70 O.D.....	1
17	619329		OUTER SPRING RETAINER .....	1
18	619330		RETAINER RING.....	1
19	619331		THRUST WASHER, 1.53" x 1.83" x 1 .....	1
20				
21	606239		CONICAL WASHER, M12 .....	2
22	00566G3		LOCK WASHER (SPRING TYPE), 3/8".....	2
23	606245		HEX HEAD BOLT, M12 - 1 25 X 160MM LG.....	1
24	606243		HEX HEAD BOLT, M12 - 1 25 X 120MM LG.....	1
25	606230		CLUTCH WASHER, 27 5MM O.D. X 13 06MM I.D. ....	1
26	618630		DRIVE BELT .....	1



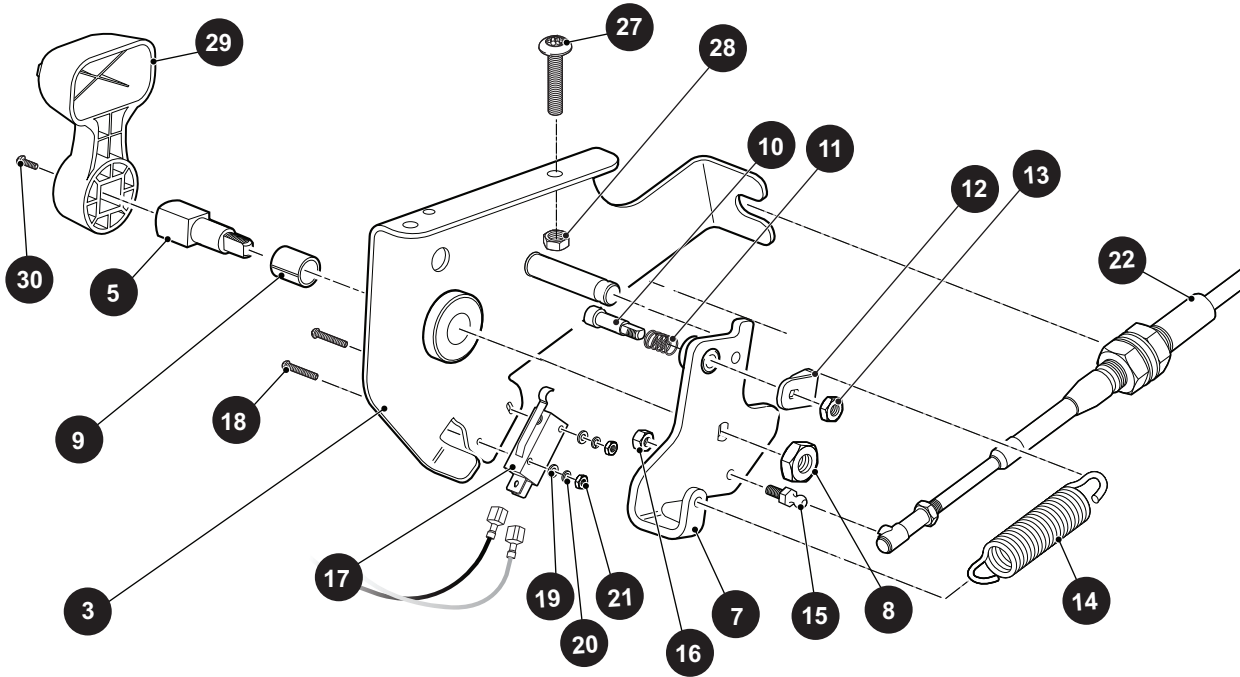




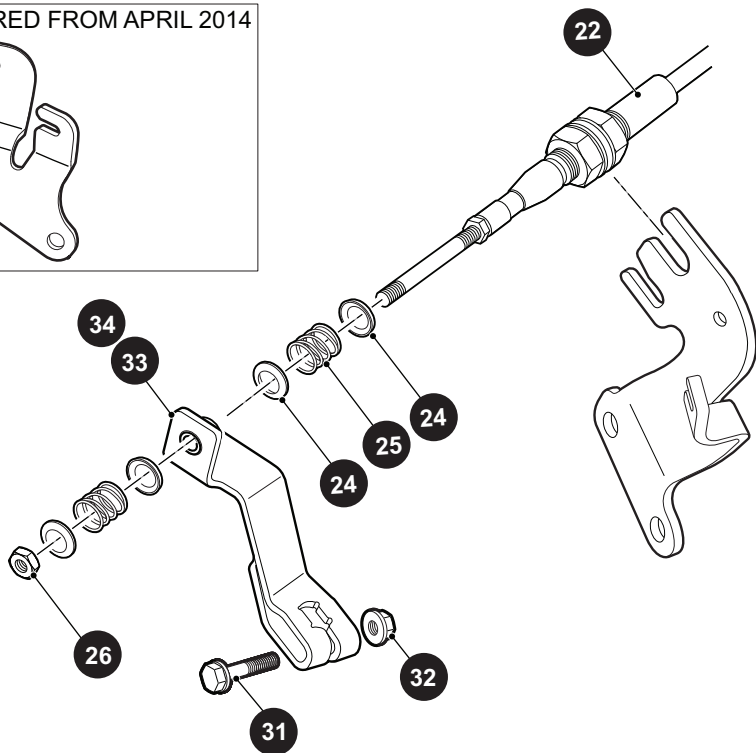
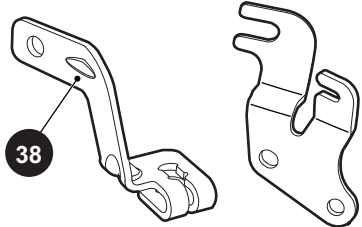
# DIRECTION SELECTOR

**1** DIRECTION SELECTOR ASSEMBLY includes items 3, 5, 7 - 26

**33** SHIFTER ARM includes item 34



FOR VEHICLES MANUFACTURED FROM APRIL 2014



# DIRECTION SELECTOR

When ordering parts, please specify the model and serial number of the product.

\* Indicates a component that is not available as an individual part.

\*\*\* Indicates consult Customer Service Department for additional information.

ITEM	PART NO.	1 2 3 4 5	DESCRIPTION	QTY.
1	606173		DIRECTION SELECTOR ASSEMBLY (INCLUDES ITEMS 3, 5, 7 - 26) .....	1
2				
3	608831		DIRECTION SELECTOR BRACKET WITH BUSHING .....	1
4				
5	70233G01		DIRECTION SELECTOR SHAFT .....	1
6				
7	603700		DIRECTION SELECTOR CAM .....	1
8	14390G1		LOCK NUT, 3/8" - 24 .....	1
9	*		BUSHING .....	1
10	72724G01		NEUTRAL LOCK PIN .....	1
11	72733G01		COMPRESSION SPRING, 3/8" X 5/8" LG .....	1
12	72729G01		NEUTRAL LOCK BRACKET .....	1
13	00734G2		LOCK NUT, 1/4" - 28 .....	1
14	28574G01		EXTENSION SPRING .....	1
15	72732G01		BALL STUD, 1/4" .....	1
16	00734G5		LOCK NUT, #10 - 32 .....	1
17	72736G01		MICRO SWITCH .....	1
18	01062G01		ROUND HEAD SCREW, #4 - 40 X 1" LG .....	2
19	00559G1		FLAT WASHER, #4 .....	2
20	00565G1		LOCK WASHER, #4 .....	2
21	00526G2		HEX NUT, #4 - 40 .....	2
22	605807		PUSH / PULL SHIFTER CABLE .....	1
23				
24	25727G01		CUP WASHER, 1/4" .....	4
25	72735G01		COMPRESSION SPRING, 19/32" X 1" LG .....	2
26	00734G5		LOCK NUT, #10 - 32 .....	1
27	70227G01		SOCKET HEAD BOLT, 1/4" - 20 X 7/8" LG .....	2
28	11027G2		LOCK NUT, 1/4" - 20 .....	2
29	71205G01		DIRECTION SELECTOR HANDLE .....	1
30	00740G4		TRUSS HEAD PHILLIPS SCREW (SS), #10 - 32 X 1/2" LG .....	1

# DIRECTION SELECTOR

When ordering parts, please specify the model and serial number of the product.

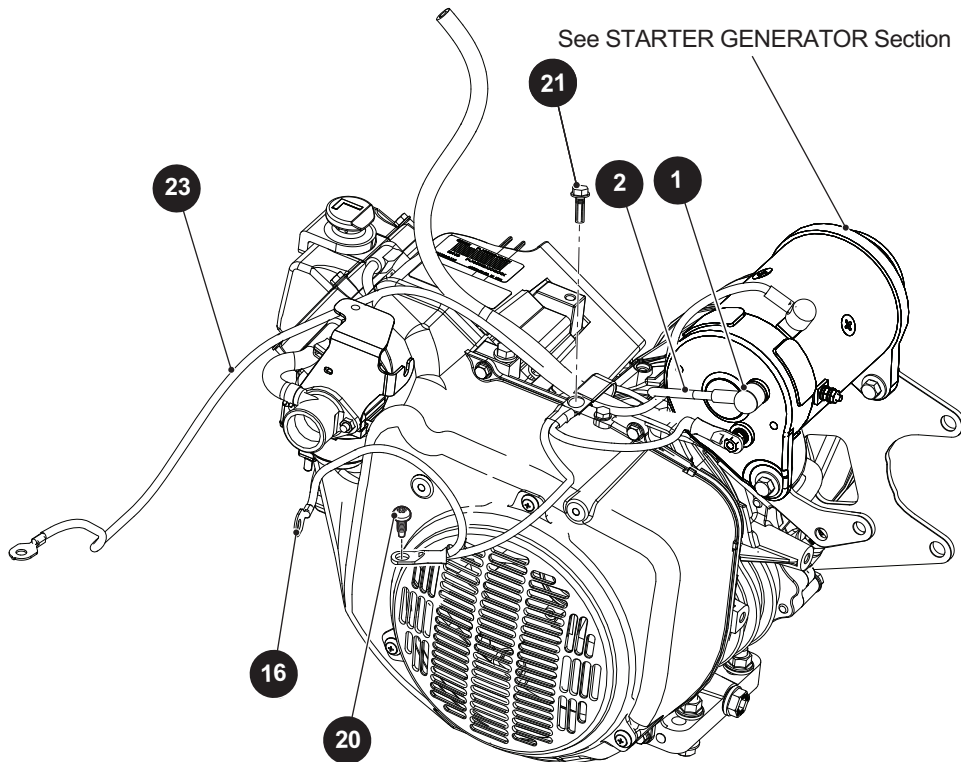
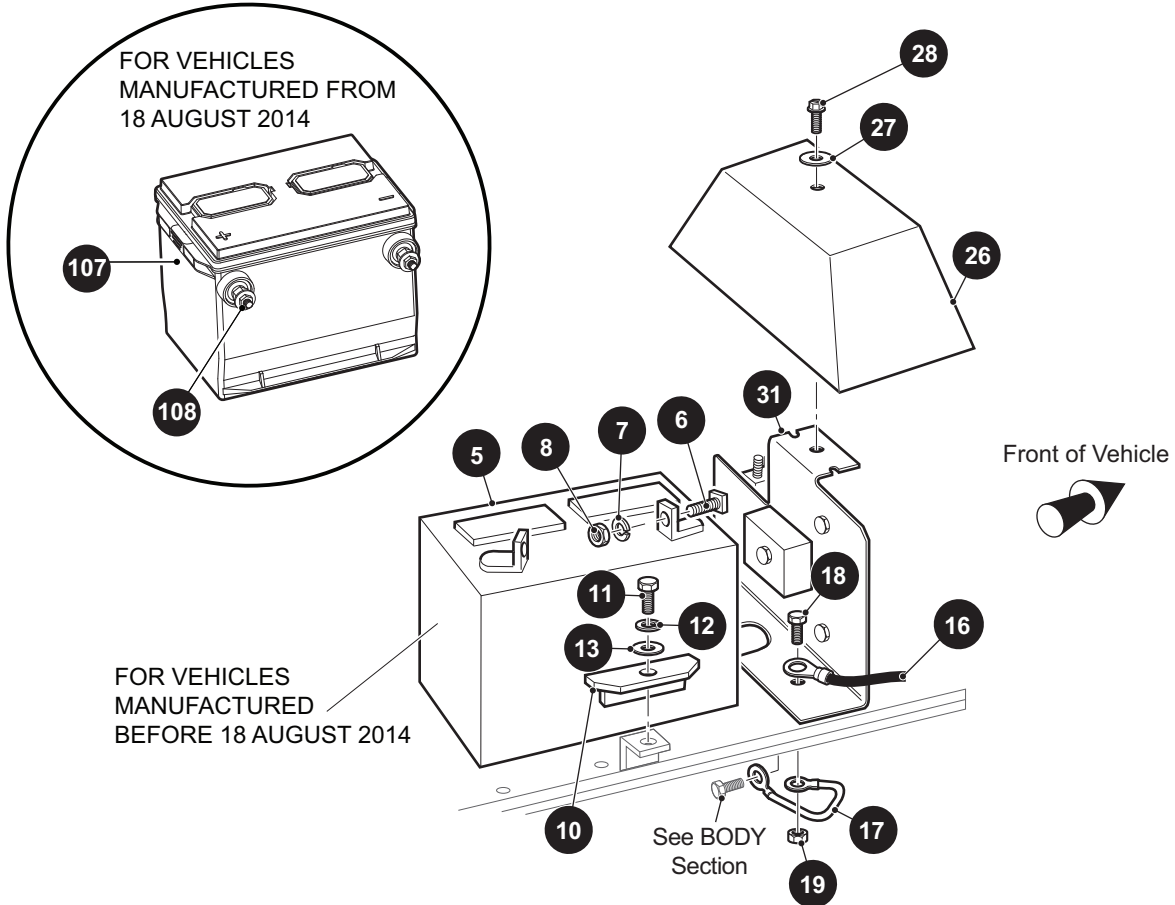
\* Indicates a component that is not available as an individual part.

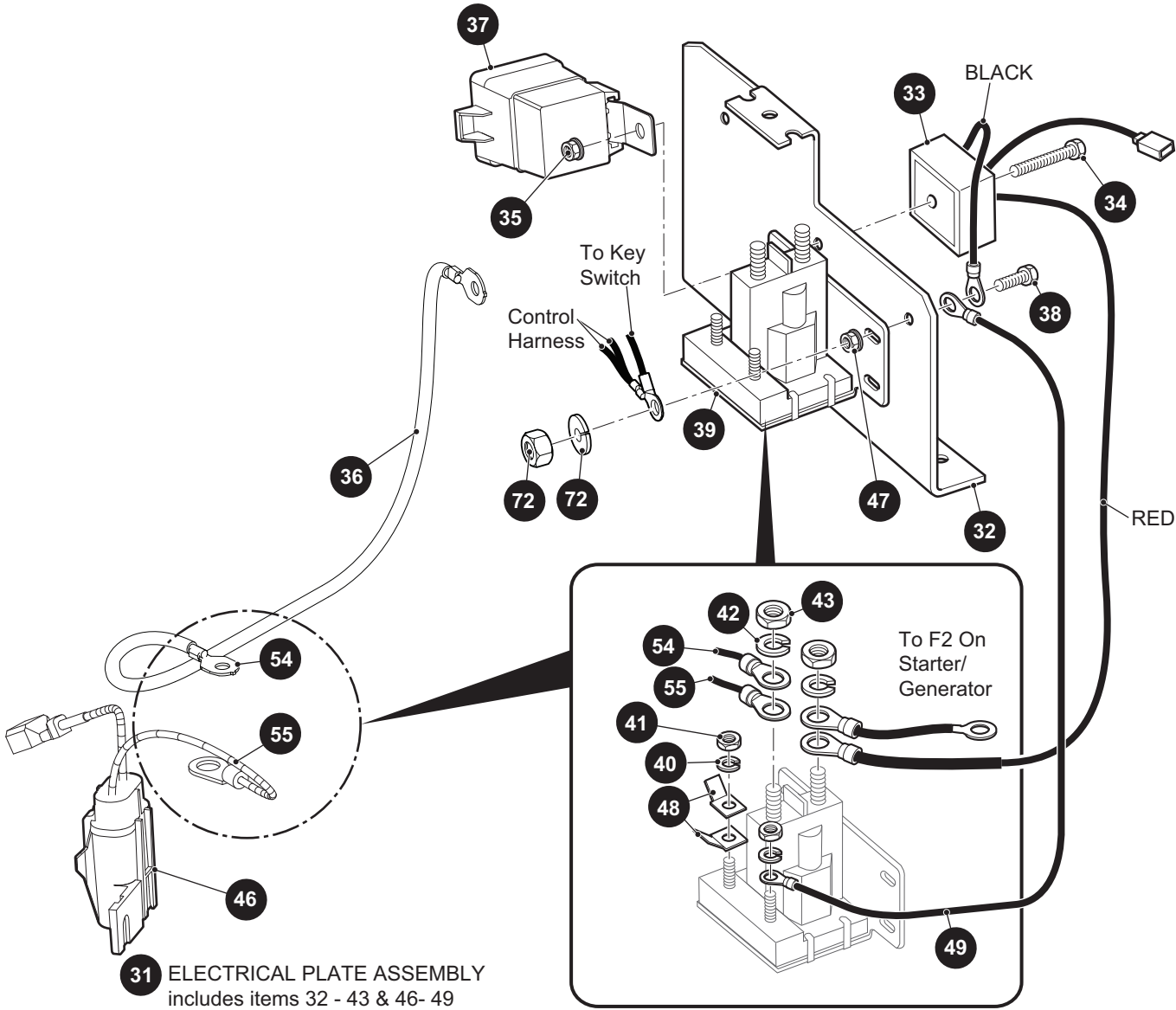
\*\*\* Indicates consult Customer Service Department for additional information.

ITEM	PART NO.	1 2 3 4 5	DESCRIPTION	QTY.
31	606421		FLANGED HEX HEAD BOLT, M6 - 1 X 30 MM LG .....	1
32	450452		HEX NUT, M6 - 1 .....	1
33	608832		SHIFTER ARM ( INCLUDES ITEM 34 ) .....	1
34	*		BUSHING, FLIP LOCK, 0.25.....	1
35	31539G1		WIRE TIE (NOT ILLUSTRATED) .....	1
36	01072G01		CABLE CLIP (NOT ILLUSTRATED).....	1
37				
38	632891		DIRECTION SELECTOR PIVOT BRACKET (FOR VEHICLES MANUFACTURED FROM APRIL 2014).....	1

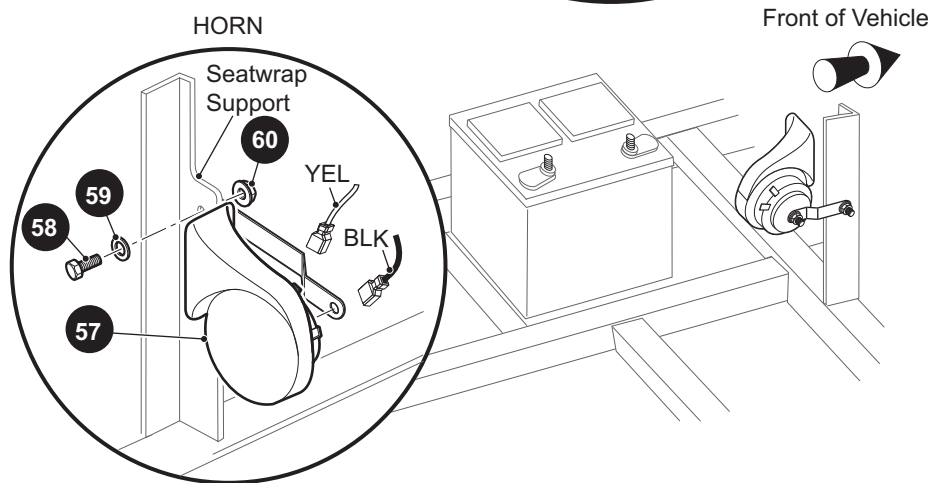
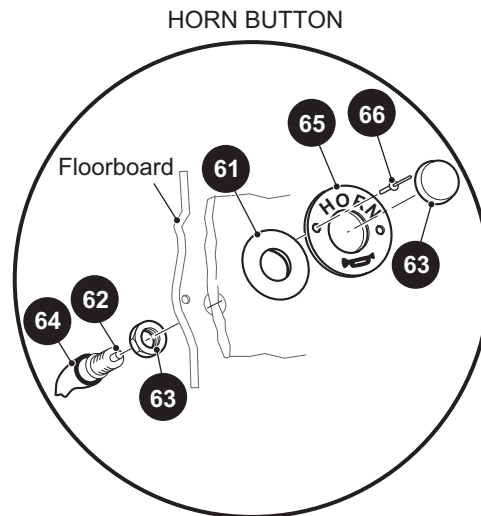
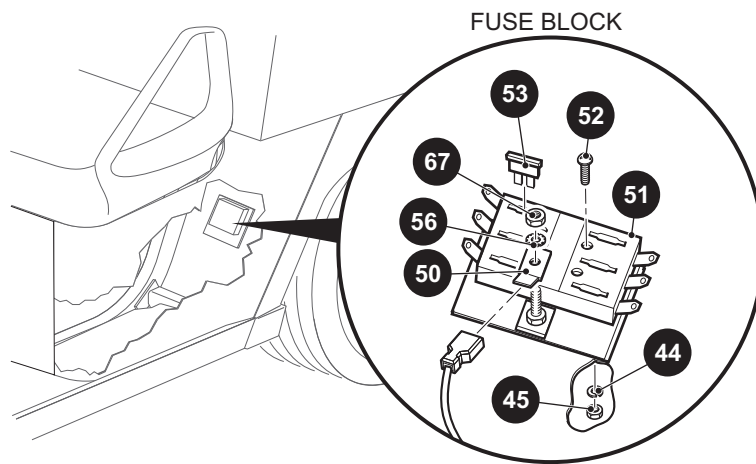


# ELECTRICAL SYSTEM

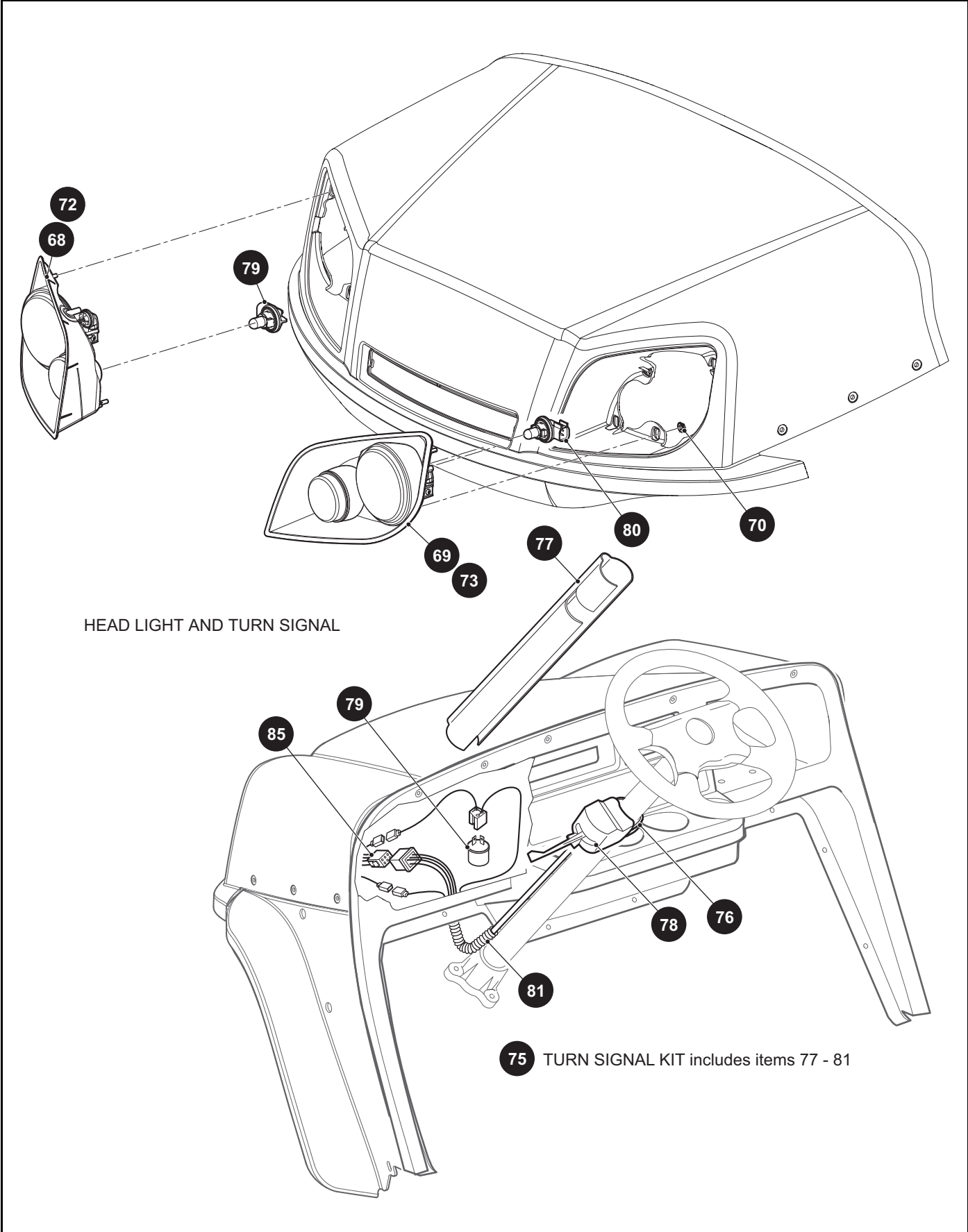




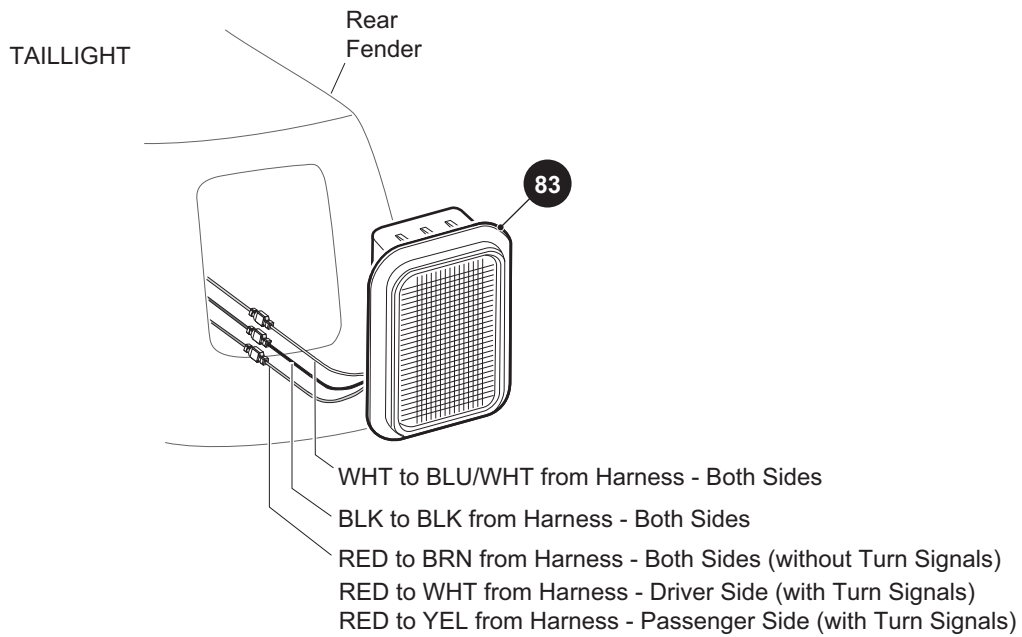
# ELECTRICAL SYSTEM



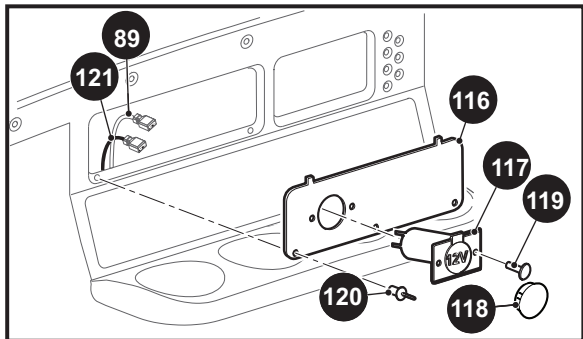




# ELECTRICAL SYSTEM



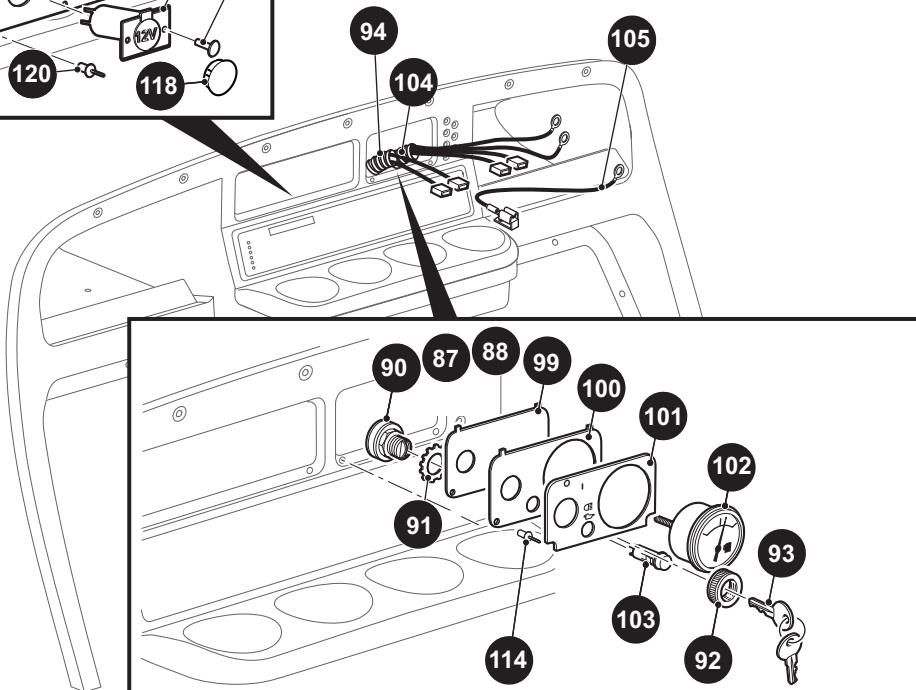
## CONSOLE INSERT PLATE



115 CONSOLE INSERT ASSEMBLY includes items 116 - 119

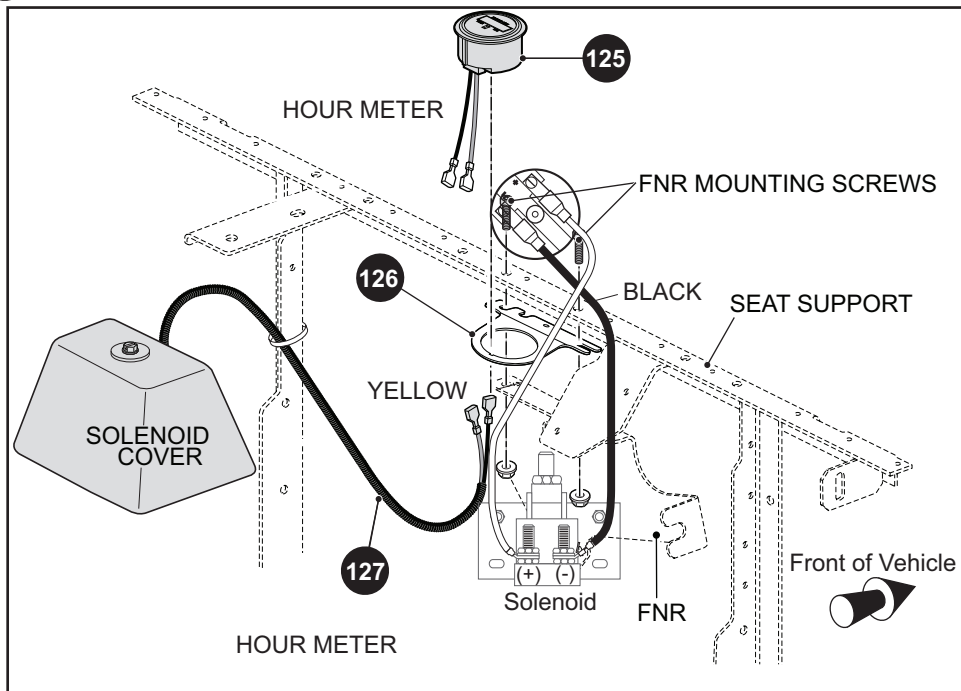
113 CONSOLE INSERT ASSEMBLY includes items 116,118

Front of Vehicle



KEY SWITCH, INDICATOR LIGHT(S), AND FUEL GAUGE

124 128 HOUR METER KIT includes items 125 - 127



Front of Vehicle



# ELECTRICAL SYSTEM

When ordering parts, please specify the model and serial number of the product.

\* Indicates a component that is not available as an individual part.

\*\*\* Indicates consult Customer Service Department for additional information.

ITEM	PART NO.	1 2 3 4 5	DESCRIPTION	QTY.
1	607053		6 GA WIRE (BLACK 6", F1 - A2).....	1
2	25682G1		TERMINAL COVER.....	3
3				
4				
5	24775G*		BATTERY, 12V (FOR VEHICLES MANUFACTURED BEFORE 18 AUGUST 2014) .....	1
6	*		BOLT, 5/16" - 18 X 1 1/4" LG .....	2
7	*		LOCK WASHER, 5/16" (SILICON BRONZE).....	2
8	*		HEX NUT, 5/16" - 18 (SILICON BRONZE) .....	2
9				
10	72101G02		BATTERY HOLD DOWN .....	1
11	00438G6		HEX HEAD BOLT, 5/16" - 18 X 3/4" LG.....	3
12	00565G8		LOCK WASHER, 5/16" .....	1
13	00571G2		STAINLESS STEEL FLAT WASHER, 5/16" .....	1
14				
15				
16	27044G03		GROUND CABLE.....	1
17	25976G19		14 GA WIRE (BLACK 6").....	1
18	00438G6		HEX HEAD BOLT, 5/16" - 18 X 3/4" LG.....	2
19	11027G1		LOCK NUT, 5/16" - 18 .....	2
20	26676G01		FLANGED BOLT, M6 - 1 X 23 LG .....	1
21	606264		FLANGED HEX HEAD BOLT, M6-1 X 20.....	1
22				
23	25972G85		6 GA WIRE (BLACK 23", F2 - SOL).....	1
24	605821		WIRE HARNESS (CONTROL).....	1
25	17618G1		WIRE TIE (NOT ILLUSTRATED ) .....	AR
26	73049G01		COVER FNR .....	1
27	16469G1		FENDER WASHER, 1/4" .....	1
28	00114G6		HEX HEAD SCREW, 1/4 - 14 X 3/4" LG .....	1
29				
30				

# ELECTRICAL SYSTEM

When ordering parts, please specify the model and serial number of the product.

\* Indicates a component that is not available as an individual part.

\*\*\* Indicates consult Customer Service Department for additional information.

ITEM	PART NO.	1 2 3 4 5	DESCRIPTION	QTY.
31	605563		ELECTRICAL PLATE ASSEMBLY (INCLUDES ITEMS 32 - 49) .....	1
32	73057G01		BRACKET .....	1
33	27739G01		VOLTAGE REGULATOR .....	1
34	00415G4		BOLT, 1/4 - 20 X 1 1/4" LG .....	1
35	11027G2		LOCK NUT, 1/4 - 20.....	1
36	25972G33		WIRE ASSEMBLY 6 GA.....	1
37	603282		RELAY .....	1
38	00661G08		HEX HEAD BOLT, 1/4 - 20 X 1" LG.....	1
39	612813		SOLENOID .....	1
40	*		LOCK WASHER, #10.....	2
41	*		NUT, #10 - 32 .....	2
42	*		LOCK WASHER, 5/16" .....	2
43	*		NUT, 5/16 - 24.....	2
44	00559G5		LOCK WASHER, # 10 .....	2
45	14390G10		LOCK NUT, #10-24.....	2
46	600418G01		FUSE HOLDER ASSEMBLY .....	1
47	11027G2		LOCK NUT, 1/4 - 20.....	1
48	73446G01		FASTON TAB, 90° .....	2
49	25978G56		18 GA WIRE (BLACK 5 3/4").....	1
50	12914G01		PUSH ON MALE TERMINAL.....	1
51	35211G01		FUSE BLOCK .....	1
52	00379G2		RIVET, 1/8" X 13/16" LG .....	2
53	35212G01		15 AMP FUSE.....	3
54	25972G33		#6 GA WIRE ASSEMBLY .....	1
55	20216G1		16 GA WIRE (RED).....	1
56	00567G5		LOCK WASHER, #10.....	1
57	32860G1		HORN.....	1
58	00414G5		BOLT, 1/4 - 20 x 5/8" LG .....	1
59	00559G7		STAINLESS STEEL FLAT WASHER, 1/4".....	1
60	14390G4		LOCK NUT, 1/4 - 20 .....	1
61	608397		HORN PLATE .....	1

# ELECTRICAL SYSTEM

When ordering parts, please specify the model and serial number of the product.

\* Indicates a component that is not available as an individual part.

\*\*\* Indicates consult Customer Service Department for additional information.

ITEM	PART NO.	1 2 3 4 5	DESCRIPTION	QTY.
62	17318G1		HORN SWITCH.....	1
63	17318G2		HORN SWITCH CAP AND NUT .....	1
64	27068G01		HORN SWITCH BOOT.....	1
65	19233G1		HORN SWITCH LABEL.....	1
66	71055G01		ALUMINUM RIVET, 3/16" X 1" LG .....	2
67	00526G4		HEX NUT, #10-32 .....	1
68	614497		RIGHT HEAD LIGHT ASSEMBLY.....	1
69	614501		LEFT HEADLIGHT ASSEMBLY .....	1
70	71597G01		SELF THREADING NUT, .19 X 1.39 X .59" .....	8
71				
72	618556		LED HEADLIGHT W/O TURN SIGNAL (RH ASSEMBLY).....	1
73	618555		LED HEADLIGHT W/O TURN SIGNAL (LH ASSEMBLY) .....	1
74				
75	622712		TURN SIGNAL KIT (INCLUDES ITEMS 77 - 81) .....	1
76	17618G1		NYLON CLAMP.....	2
77	20965G3		STEERING COLUMN COVER .....	1
78	611810		TURN SIGNAL SWITCH ASSEMBLY (INDCLUDES ITEM 79).....	1
79	21640G1		TURN SIGNAL FLASHER.....	1
80	619102		TURN SIGNAL ASSEMBLY BULB .....	2
81	32307G3		FLEX ZIP LOOVM.....	1
82				
83	32739G2		TAILLIGHT ASSEMBLY (COMPLETE) .....	2
84				
85				
86				
87	33639G01		IGNITION SWITCH (WITH LIGHTS, FLEET).....	1
88	33639G03		IGNITION SWITCH (WITH LIGHTS, INDIVIDUAL).....	1
89	619153		WIRE HARNESS (ACCESSORY).....	1
90	18602G1		IGNITION SWITCH (WITH LIGHTS, INDIVIDUALLY KEYED) .....	1
91	00568G6		LOCK WASHER, 3/4" .....	1
92	17137G1		FACE NUT, 3/4 - 20 .....	1

# ELECTRICAL SYSTEM

When ordering parts, please specify the model and serial number of the product.

\* Indicates a component that is not available as an individual part.

\*\*\* Indicates consult Customer Service Department for additional information.

ITEM	PART NO.	1 2 3 4 5	DESCRIPTION	QTY.
93	33636G02		IGNITION KEY .....	1
94	605830		WIRE HARNESS (KEY SWITCH).....	1
95				
96				
97				
98				
99	601015		CONSOLE PLATE .....	1
100	73030G04		PLATE (FUEL GAUGE AND OIL LIGHT) .....	1
101	71131G01		LABEL (OIL LIGHT AND FUEL GAUGE WITH HEADLIGHTS) .....	1
102	21553G1		FUEL GAUGE .....	1
103	23474G1		INDICATOR LIGHT .....	1
104	74311G01		HARNESS (OIL LIGHT/FUEL GAUGE).....	1
105	25978G122		18 GA WIRE (RED 6") .....	1
106				
107	637484		BATTERY, 12V (FOR VEHICLES MANUFACTURED FROM 18 AUGUST 2014).....	1
108	610428		BATTERY BOLT EXTENDER (FOR VEHICLES MANUFACTURED FROM 18 AUGUST 2014).....	2
109				
110				
111				
112				
113	74693G02		CONSOLE INSERT ASSEMBLY (INCLUDES ITEMS 116, 118)	
114	33623G02		DRIVE RIVET, 3/16" X 3/8" LG .....	2
115	74693G01		CONSOLE INSERT ASSEMBLY (INCLUDES ITEMS 116 - 119).....	1
116	73522G03		CONSOLE INSERT PLATE.....	1
117	71078G01		POWER OUTLET (12V) .....	1
118	20271G10		HOLE PLUG .....	1
119	14601G10		ALUMINUM RIVET, 5/32" .....	2
120	33623G02		DRIVE RIVET, 3/16" X 3/8" LG .....	3
121	71081G01		WIRE HARNESS .....	1
122				

# ELECTRICAL SYSTEM

When ordering parts, please specify the model and serial number of the product.

\* Indicates a component that is not available as an individual part.

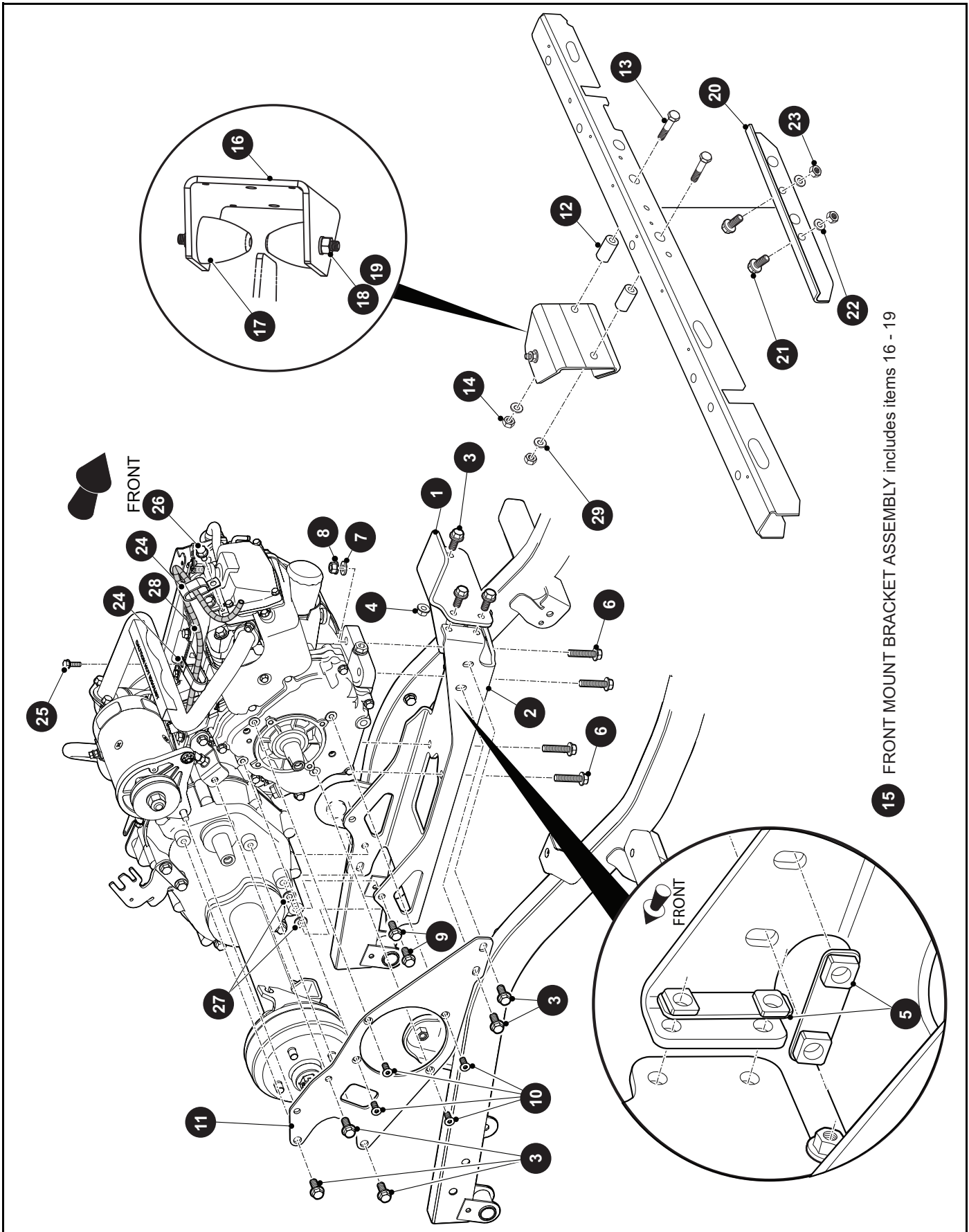
\*\*\* Indicates consult Customer Service Department for additional information.

ITEM	PART NO.	1	2	3	4	5	DESCRIPTION	QTY.
123								
124	607285						HOUR METER KIT (INCLUDES ITEMS 125 - 127) .....	1
125	617074						HOUR METER .....	1
126	635649						HOUR METER BRACKET .....	1
127	606254						WIRE HARNESS (HOUR METER) .....	1
128	607284						HOUR METER KIT (INCLUDES ITEMS 125 - 127) .....	1
129	31539G1						NYLON CLAMP 15.5" (NOT ILLUSTRATED) .....	AR
130	73290G03						CONTINUOUS TONE POTTED BUZZER (NOT ILLUSTRATED) .....	1



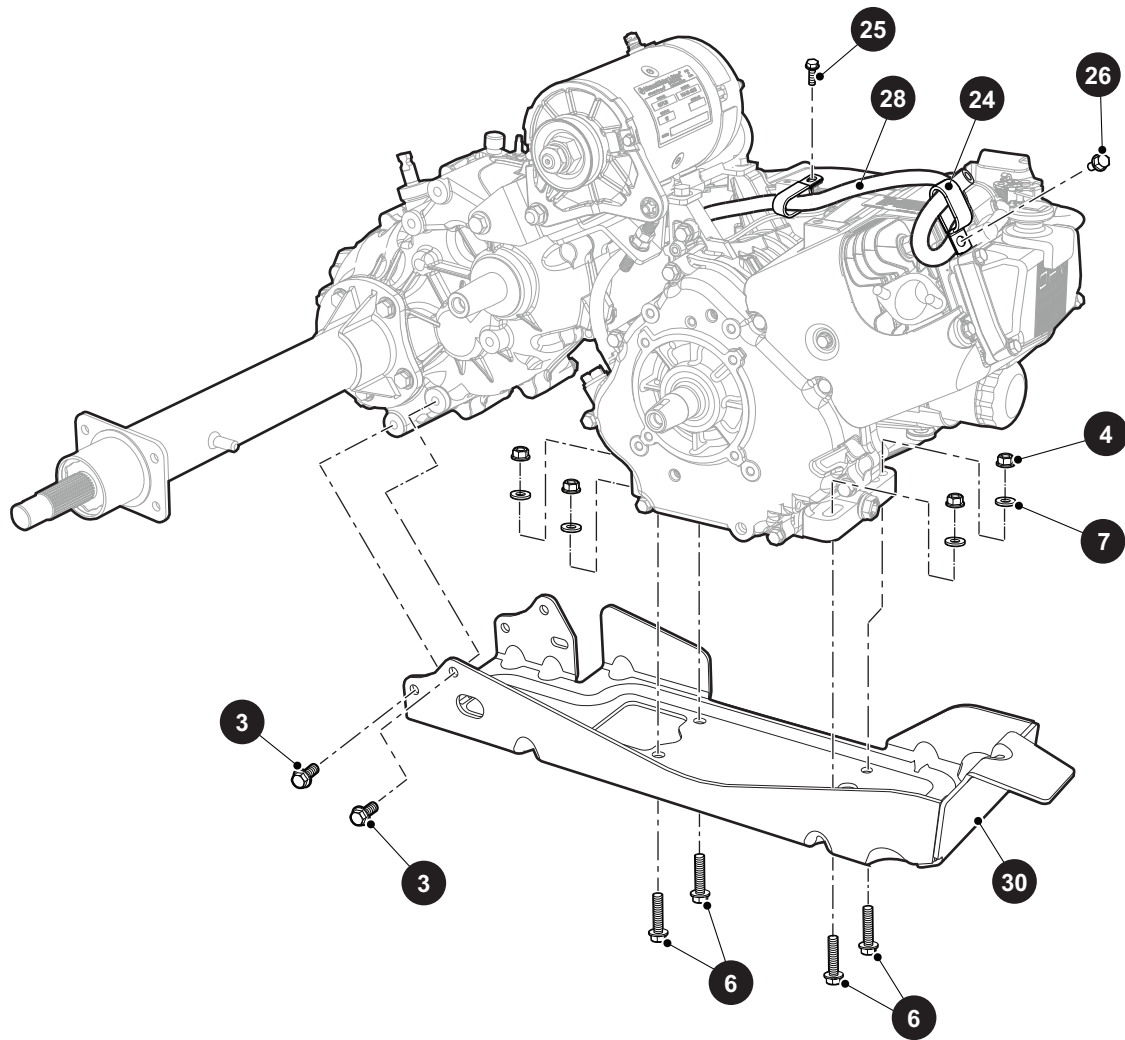


# ENGINE MOUNTING



15 FRONT MOUNT BRACKET ASSEMBLY includes items 16 - 19

FOR VEHICLES MANUFACTURED FROM APRIL 2014



# ENGINE MOUNTING

When ordering parts, please specify the model and serial number of the product.

\* Indicates a component that is not available as an individual part.

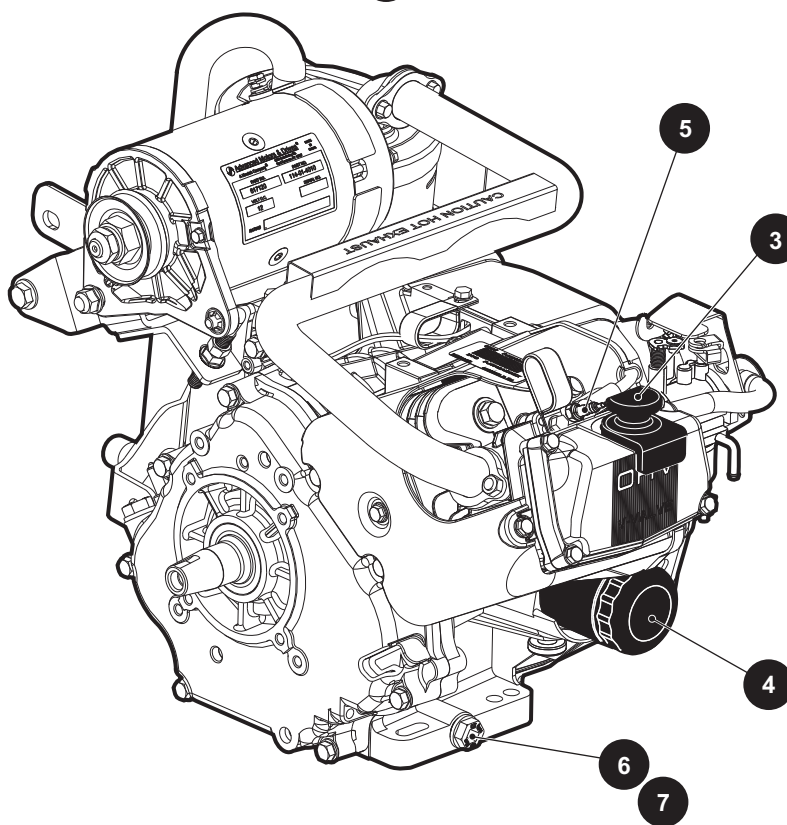
\*\*\* Indicates consult Customer Service Department for additional information.

ITEM	PART NO.	1 2 3 4 5	DESCRIPTION	QTY.
1	606007		FRONT ENGINE MOUNT .....	1
2	603101		ENGINE PAN MOUNT .....	1
3	606256		HEX HEAD BOLT, M10 - 1.25 X 25 MM LG .....	8
4	606279		HEX NUT, M10 - 1.25 .....	1
5	606096		NUT PLATE .....	2
6	606259		HEX HEAD BOLT, M10 - 1.25 X 45 MM LG .....	4
7	603823		FLAT WASHER, M10 X 22 - 2.5 .....	4
8	606279		HEX NUT, M10 - 1.25 .....	4
9	608020		HEX HEAD BOLT, M10 - 1.25 X 34 MM LG .....	4
10	606246		TORX HEAD FLAT SCREW, M6 - 1 X 12 MM LG .....	4
11	602146		DIFFERENTIAL PLATE .....	1
12	72016G01		TUBE SPACER .....	2
13	00428G8		HEX HEAD BOLT, 3/8" - 16 X 2.75" LG .....	2
14	11098G5		PLASTIC INSERT LOCK NUT, 3/8" - 16 .....	2
15	627627		FRONT MOUNT BRACKET ASSEMBLY (INCLUDES ITEMS 16 - 19) .....	1
16	625345		FRONT MOUNT BRACKET .....	1
17	605757		RUBBER BUMPER .....	2
18	00974G01		HEX NUT, M10 X 1.5 .....	2
19	608654		SPLIT LOCK WASHER, 10MM .....	2
20	70269G02		CROSSMEMBER BRACE .....	1
21	00438G7		HEX HEAD BOLT, 5/16" - 18 X 7/8" LG .....	2
22	00559G8		FLAT WASHER, 5/16" .....	2
23	01109G01		PLASTIC INSERT LOCK NUT, 5/16" - 18 UNC .....	2
24	606962		TUBE CLAMP, DBL - 0.72 .....	2
25	606264		HEX HEAD BOLT, M6 - 1 X 20 MM LG .....	1
26	606265		HEX HEAD BOLT, M6 - 1 X 12 MM LG .....	1
27	00560G2		B TYPE NARROW FLAT WASHER, 7/16" .....	2
28	27184G12		TUBE, (FUEL SYSTEM) .....	1
29	00643G1		FLAT WASHER, 3/8" X 1 X .063 .....	2
30	630776		ENGINE PAN (FOR VEHICLES MANUFACTURED FROM APRIL 2014) .....	1

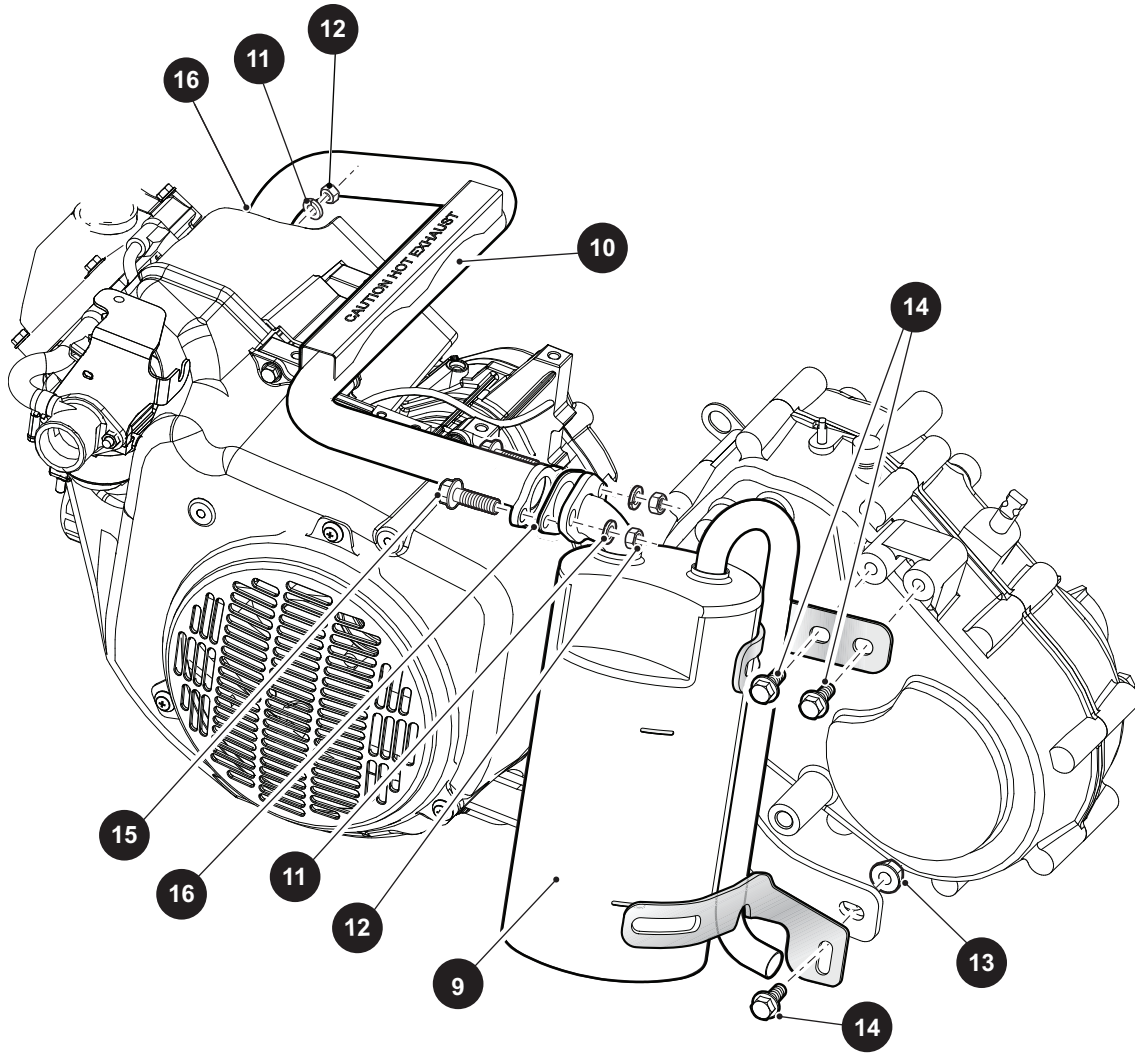


# ENGINE AND MUFFLER

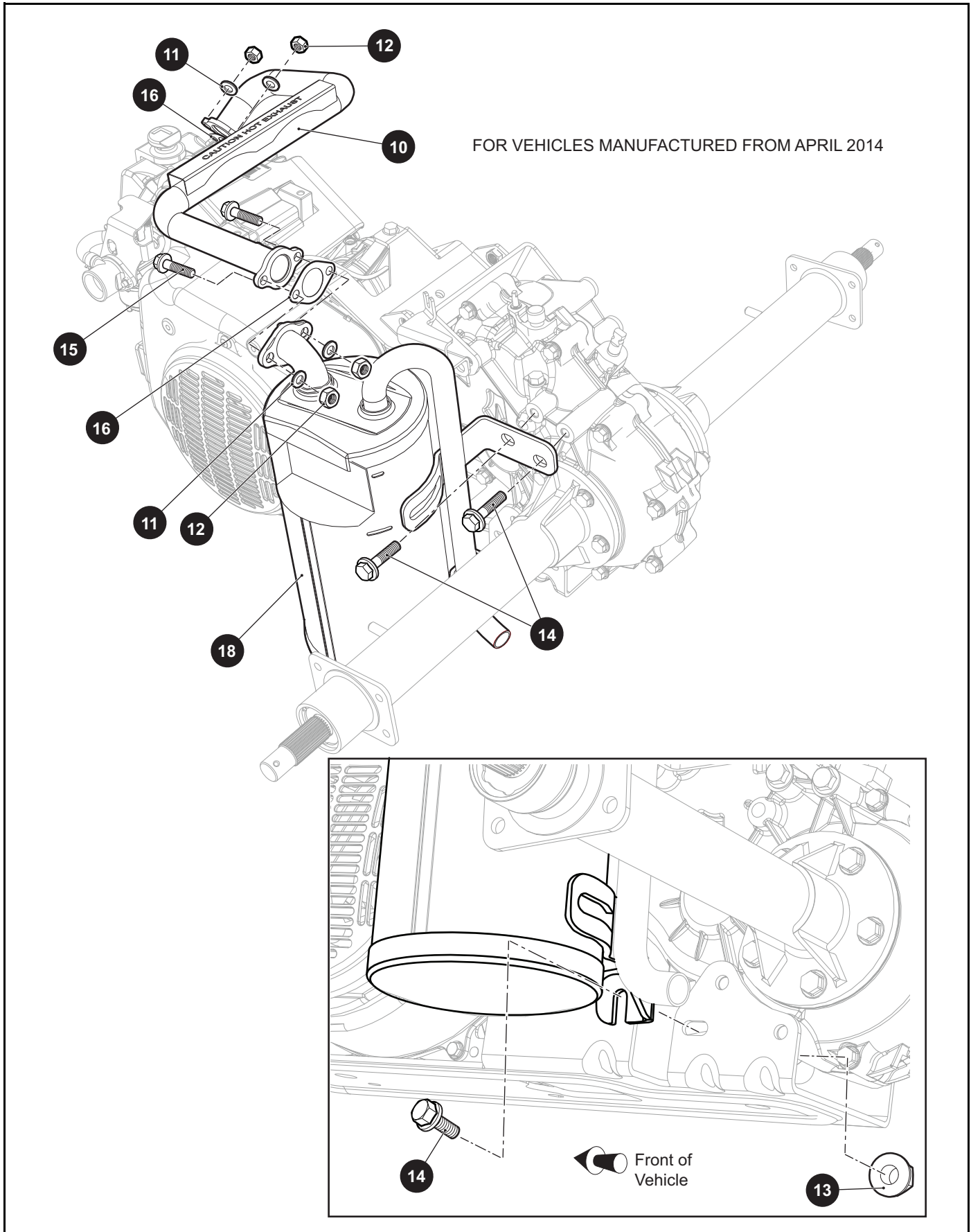
**1** GAS ENGINE includes items 3 - 7



# ENGINE AND MUFFLER



# ENGINE AND MUFFLER





# ENGINE AND MUFFLER

When ordering parts, please specify the model and serial number of the product.

\* Indicates a component that is not available as an individual part.

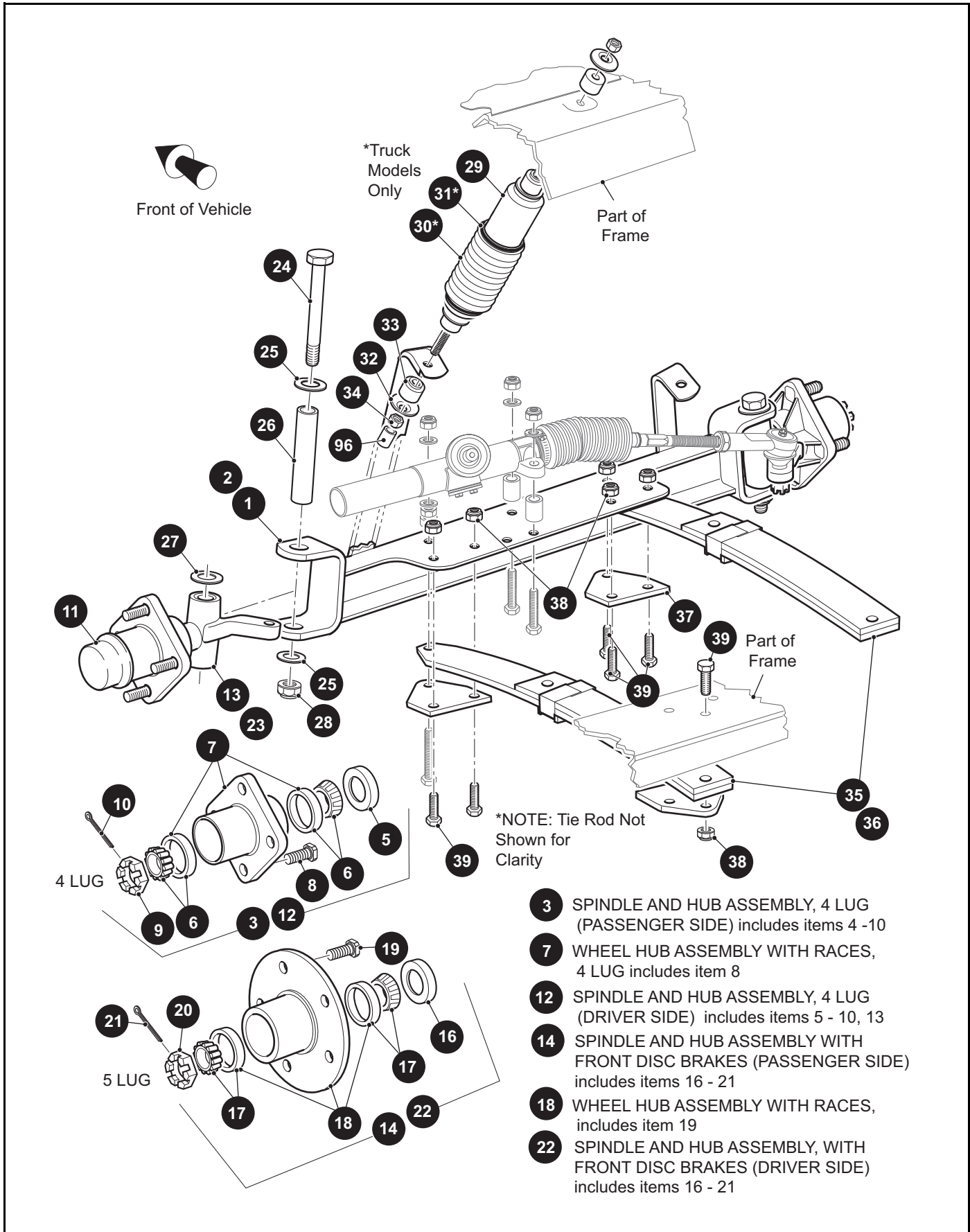
\*\*\* Indicates consult Customer Service Department for additional information.

ITEM	PART NO.	1 2 3 4 5	DESCRIPTION	QTY.
1	633740		GAS ENGINE, 13HP, NON-GOLF (INCLUDES ITEMS 3 - 7) .....	1
2				
3	606390		DIP STICK .....	1
4	607454		OIL FILTER .....	1
5	607462		SPARK PLUG (BPR2ES) .....	1
6	603557		OIL DRAIN PLUG .....	1
7	603562		'O' RING, 16MM.....	1
8				
9	612266		MUFFLER .....	1
10	606982		EXHAUST PIPE .....	1
11	606272		LOCK WASHER, 8MM.....	4
12	606267		HEX NUT, M8 X 1.25 .....	4
13	606279		FLANGED HEX NUT, M10 - 1.25.....	1
14	606256		FLANGED HEX HEAD BOLT, M10 - 1.25 X 25MM LG.....	3
15	602330		FLANGED HEX HEAD BOLT, M8 - 1.25 X 30MM LG.....	2
16	603599		EXHAUST GASKET.....	2
17				
18	630970		MUFFLER (FOR VEHICLES MANUFACTURED FROM APRIL 2014) .....	1



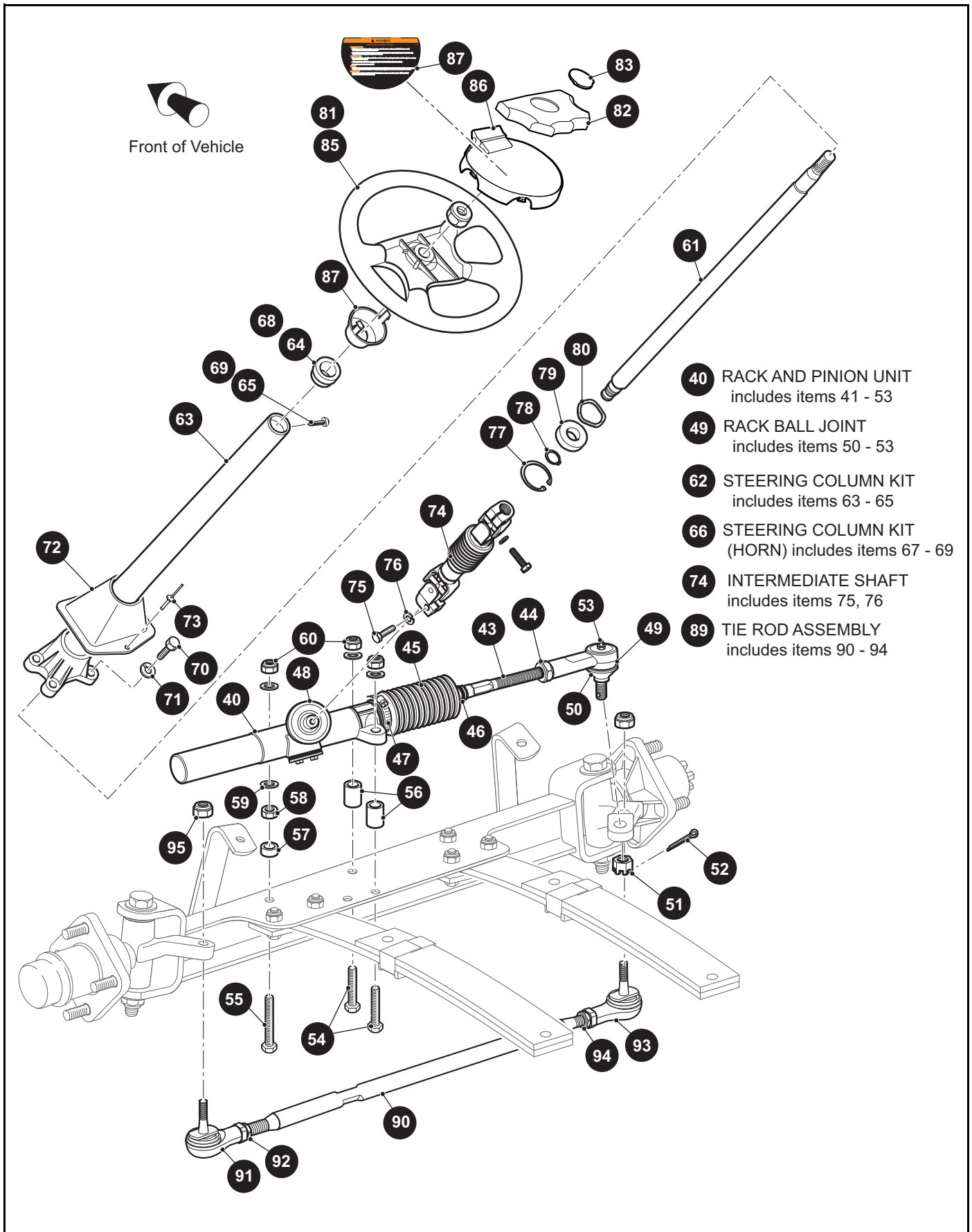


# FRONT SUSPENSION / STEERING



- 3 SPINDLE AND HUB ASSEMBLY, 4 LUG (PASSENGER SIDE) includes items 4 - 10
- 7 WHEEL HUB ASSEMBLY WITH RACES, 4 LUG includes item 8
- 12 SPINDLE AND HUB ASSEMBLY, 4 LUG (DRIVER SIDE) includes items 5 - 10, 13
- 14 SPINDLE AND HUB ASSEMBLY WITH FRONT DISC BRAKES (PASSENGER SIDE) includes items 16 - 21
- 18 WHEEL HUB ASSEMBLY WITH RACES, includes item 19
- 22 SPINDLE AND HUB ASSEMBLY, WITH FRONT DISC BRAKES (DRIVER SIDE) includes items 16 - 21

# FRONT SUSPENSION / STEERING



# FRONT SUSPENSION / STEERING

When ordering parts, please specify the model and serial number of the product.

\* Indicates a component that is not available as an individual part.

\*\*\* Indicates consult Customer Service Department for additional information.

ITEM	PART NO.	1 2 3 4 5	DESCRIPTION	QTY.
1	602513		FRONT AXLE .....	1
2	602327		FRONT AXLE WITH FRONT DISC BRAKES .....	1
3	70942G03		SPINDLE AND HUB ASSEMBLY, 4 LUG (PASSENGER SIDE) (INCLUDES ITEMS 4 - 10).....	1
4	70942G04		SPINDLE ASSEMBLY (PASSENGER SIDE).....	1
5	25146G1		GREASE SEAL.....	1
6	50892G1		ROLLER BEARING AND RACE ASSEMBLY .....	2
7	70589G01		WHEEL HUB ASSEMBLY WITH RACES, 4 LUG (INCLUDES ITEM 8) ..	1
8	19862G1		LUG BOLT, 1/2" - 20 X 1 3/16" LG.....	4
9	12093G1		CASTELLATED NUT, 1" - 14 .....	1
10	00798G8		COTTER PIN, 5/32" X 1 3/4" LG.....	1
11	12091G2		SPINDLE CAP .....	2
12	70673G03		SPINDLE AND HUB ASSEMBLY, 4 LUG (DRIVER SIDE) (INCLUDES ITEMS 5 - 10, 13).....	1
13	70673G04		SPINDLE ASSEMBLY (DRIVER SIDE) .....	1
14	602288		SPINDLE AND HUB ASSEMBLY WITH FRONT DISC BRAKES (PASSENGER SIDE)(INCLUDES ITEMS 15 - 20).....	1
15				
16	12092G1		GREASE SEAL.....	1
17	50892G1		ROLLER BEARING AND RACE ASSEMBLY .....	2
18	630672		WHEEL HUB ASSEMBLY WITH RACES, (INCLUDES ITEM 19).....	1
19	30143G1		LUG BOLT, 1/2" - 20 X 1 7/32" LG.....	5
20	12093G1		CASTELLATED NUT, 1" - 14 .....	1
21	00798G8		COTTER PIN, 5/32" X 1 3/4" LG.....	1
22	602281		SPINDLE AND HUB ASSEMBLY, WITH FRONT DISC BRAKES (DRIVER SIDE)(INCLUDES ITEMS 15 - 20) .....	1
23				
24	00407G6		HEX HEAD BOLT, 1/2" - 13 X 6" LG.....	2
25	00560G3		FLAT WASHER, 1/2" .....	4
26	70745G01		KING PIN TUBE .....	2
27	70754G01		THRUST WASHER (SS), 1" .....	2
28	14390G6		LOCK NUT, 1/2" - 13 .....	2
29	76419G01		SHOCK ABSORBER.....	2

# FRONT SUSPENSION / STEERING

When ordering parts, please specify the model and serial number of the product.

\* Indicates a component that is not available as an individual part.

\*\*\* Indicates consult Customer Service Department for additional information.

ITEM	PART NO.	1 2 3 4 5	DESCRIPTION	QTY.
30	70509G01		SHOCK ABSORBER BOOT .....	2
31	31539G1		WIRE TIE .....	4
32	10435G1		SHOCK ABSORBER WASHER.....	8
33	10194G1		RUBBER BUSHING .....	8
34	00532G6		HEX NUT, 3/8" - 24 .....	4
35	70989G03		LEAF SPRING (SEE PART NUMBER ON SPRING).....	2
36	70664G03		LEAF SPRING (HEAVY DUTY) (SEE PART NUMBER ON SPRING).....	2
37	70163G03		SPRING PLATE .....	4
38	00734G1		LOCK NUT, 7/16" - 14.....	11
39	00463G11		HEX HEAD BOLT, 7/16" - 14 X 1 3/4" LG .....	11
40	70964G01		RACK AND PINION UNIT (COMPLETE) (INCLUDES ITEMS 41 - 53).....	1
41	70965G01		STEERING RACK COVER & BEARING .....	1
42	*		STEERING BOX INSTALLATION TAG .....	1
43	70694G01		RACK EXTENSION.....	1
44	*		JAM NUT, 1/2" - 20 .....	1
45	70961G01		RACK BOOT .....	1
46	12416G2		WIRE TIE.....	1
47	11391G8		CLAMP, 1 13/16" - 2 3/8" .....	1
48	70638G01		PINION SEAL .....	1
49	70695G01		RACK BALL JOINT (INCLUDES ITEMS 50 - 53).....	1
50	50641G1		RUBBER BOOT .....	1
51	50209G2		CASTELLATED NUT, 7/16 - 20.....	1
52	10387G2		COTTER PIN, 3/32" X 1" LG.....	1
53	10389G3		GREASE FITTING, STRAIGHT .....	1
54	00464G8		HEX HEAD BOLT, 7/16" - 14 X 2 3/4" LG .....	2
55	01068G01		HEX HEAD BOLT, 7/16" - 14 X 3 1/2" LG .....	1
56	70667G02		SPACER, 1.21" LG .....	2
57	70667G04		STEERING HOUSING SPACER .....	1
58	00532G7		HEX NUT, 7/16" - 14 .....	1
59	00560G2		FLAT WASHER, 7/16".....	7
60	00734G1		LOCK NUT, 7/16" - 14.....	3

# FRONT SUSPENSION / STEERING

When ordering parts, please specify the model and serial number of the product.

\* Indicates a component that is not available as an individual part.

\*\*\* Indicates consult Customer Service Department for additional information.

ITEM	PART NO.	1 2 3 4 5	DESCRIPTION	QTY.
61	70607G01		STEERING SHAFT .....	1
62	70758G06		STEERING COLUMN KIT (INCLUDES ITEMS 63 - 65) .....	1
63	70610G03		STEERING COLUMN .....	1
64	28569G01		STEERING COLUMN BUSHING .....	1
65	01022G01		HEX HEAD SCREW, #6 - 20 X 5/16" LG .....	1
66	70758G08		STEERING COLUMN KIT (HORN) (INCLUDES ITEMS 67 - 69) .....	1
67	70610G04		STEERING COLUMN .....	1
68	28569G01		STEERING COLUMN BUSHING .....	1
69	01022G01		HEX HEAD SCREW, #6 - 20 X 5/16" LG .....	1
70	01006G01		HEX HEAD BOLT, 3/8" - 16 X 1 1/4" LG .....	4
71	00879G1		LOCK WASHER, 3/8" .....	4
72	70997G01		COVER .....	1
73	71055G01		ALUMINUM RIVET, 3/16" X 1" LG .....	1
74	70580G01		INTERMEDIATE SHAFT (INCLUDES ITEMS 75, 76) .....	1
75	01055G01		HEX HEAD BOLT, M8 X 1.25 - 6G .....	2
76	00565G8		LOCK WASHER, 5/16" .....	2
77	70751G01		RETAINING RING (INTERNAL) .....	1
78	70888G01		RETAINING RING (EXTERNAL) .....	1
79	15112G1		BALL BEARING .....	1
80	70887G01		WAVE WASHER .....	1
81	602980		STEERING WHEEL PREMIUM (FOR VEHICLES HAULER 1200) .....	1
82	71147G01		STEERING WHEEL COVER (FOR VEHICLES HAULER 1200) .....	1
83	605435		STEERING WHEEL DECAL .....	1
84				
85	602979		STEERING WHEEL .....	1
86	607925		CLIPBOARD (FOR VEHICLE REFRESHER 1200) .....	1
87	608529		STEERING WHEEL LABEL .....	1
88	14390G2		LOCK NUT, 5/8" - 18 .....	1
89	70876G02		TIE ROD ASSEMBLY (INCLUDES ITEMS 90 - 94) .....	1
90	70897G02		THREADED ROD (24" LG) .....	1
91	70902G01		TIE ROD END (LEFT HAND THREADS) .....	1



# FRONT SUSPENSION / STEERING

When ordering parts, please specify the model and serial number of the product.

\* Indicates a component that is not available as an individual part.

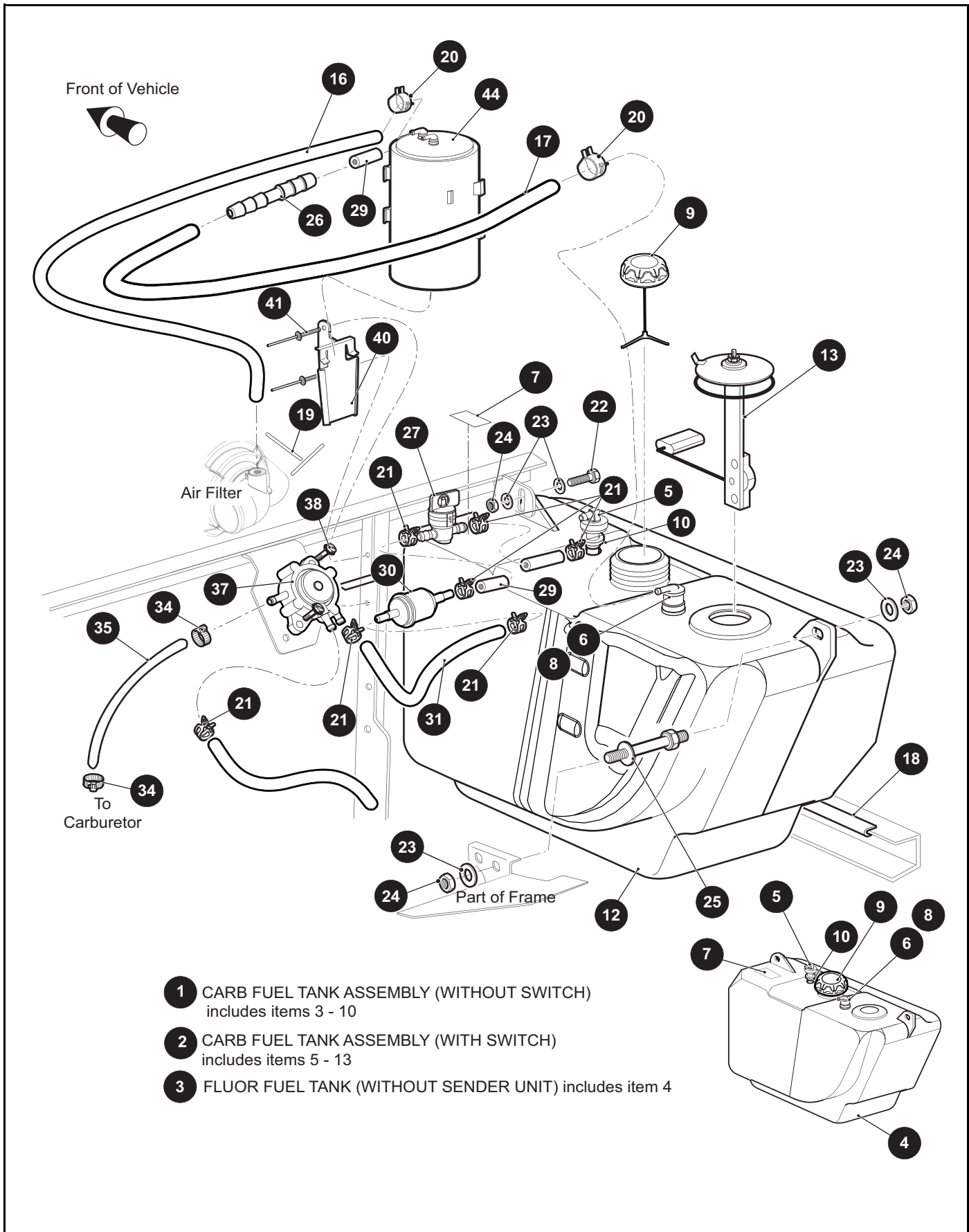
\*\*\* Indicates consult Customer Service Department for additional information.

ITEM	PART NO.	1 2 3 4 5	DESCRIPTION	QTY.
92	01069G01		JAM NUT, M12 X 1.25 - 05 (LEFT HAND THREADS) .....	1
93	70902G02		TIE ROD END (RIGHT HAND THREADS) .....	1
94	01069G02		JAM NUT, M12 X 1.25 - 05 (RIGHT HAND THREADS).....	1
95	00734G1		LOCK NUT, 7/16" - 14.....	2
96	10044G01		CAP, VINYL.....	2





# FUEL SYSTEM



# FUEL SYSTEM

When ordering parts, please specify the model and serial number of the product.

\* Indicates a component that is not available as an individual part.

\*\*\* Indicates consult Customer Service Department for additional information.

ITEM	PART NO.	1 2 3 4 5	DESCRIPTION	QTY.
1	645033		CARB FUEL TANK ASSEMBLY (WITHOUT SWITCH) (INCLUDES ITEMS 3 - 10) .....	1
2	645034		CARB FUEL TANK ASSY (WITH SWITCH) (INCLUDES ITEMS 5 - 13) .....	1
3	645022		FLUOR FUEL TANK (WITHOUT SENDER UNIT) (INCLUDES ITEM 4) .	1
4	645026		FUEL TANK (WITHOUT SENDER UNIT) .....	1
5	18287G3		SIPHON TUBE ASSEMBLY .....	1
6	606068		ROLLOVER VALVE GROMMET .....	1
7	625826		EPA FUEL TANK LABEL .....	1
8	606067		ROLLOVER VALVE .....	1
9	633423		FUEL TANK CAP (RATCHET).....	1
10	70988G01		SIPHON TUBE GROMMET .....	1
11				
12	645023		NON FLUOR FUEL TANK (WITH SENDER UNIT) .....	1
13	633024G02		PRESS FIT FUEL SENDER.....	1
14				
15				
16	606966		LOW PRESSURE FUEL HOSE (CARB), 3/16" I.D X 3/8" O.D X 34" LG .....	1
17	607546		LOW PRESSURE FUEL HOSE (CARB), 3/16" I.D X 3/8" O.D X 17" LG .....	1
18	32372G6		BLACK TRIM, 6.25" LG .....	1
19	17618G1		NYLON CLAMP .....	2
20	606963		TUBING CLAMP, 3/16" I.D.....	2
21	18292G1		HOSE CLAMP, .50 DIA.....	7
22	00438G8		HEX HEAD BOLT, 5/16" - 18 X 1" LG .....	1
23	00559G8		FLAT WASHER, 5/16".....	4
24	11098G6		LOCK NUT, 5/16" - 18.....	3
25	70483G01		SPACER, 5/16" - 18 .....	1
26	615346		HOSE REDUCER, 1/4" I.D X 3/16".....	1
27	611181		FUEL SHUT-OFF VALVE .....	1
28				
29	615350		FUEL SYSTEM HOSE, 2" LG .....	3

# FUEL SYSTEM

When ordering parts, please specify the model and serial number of the product.

\* Indicates a component that is not available as an individual part.

\*\*\* Indicates consult Customer Service Department for additional information.

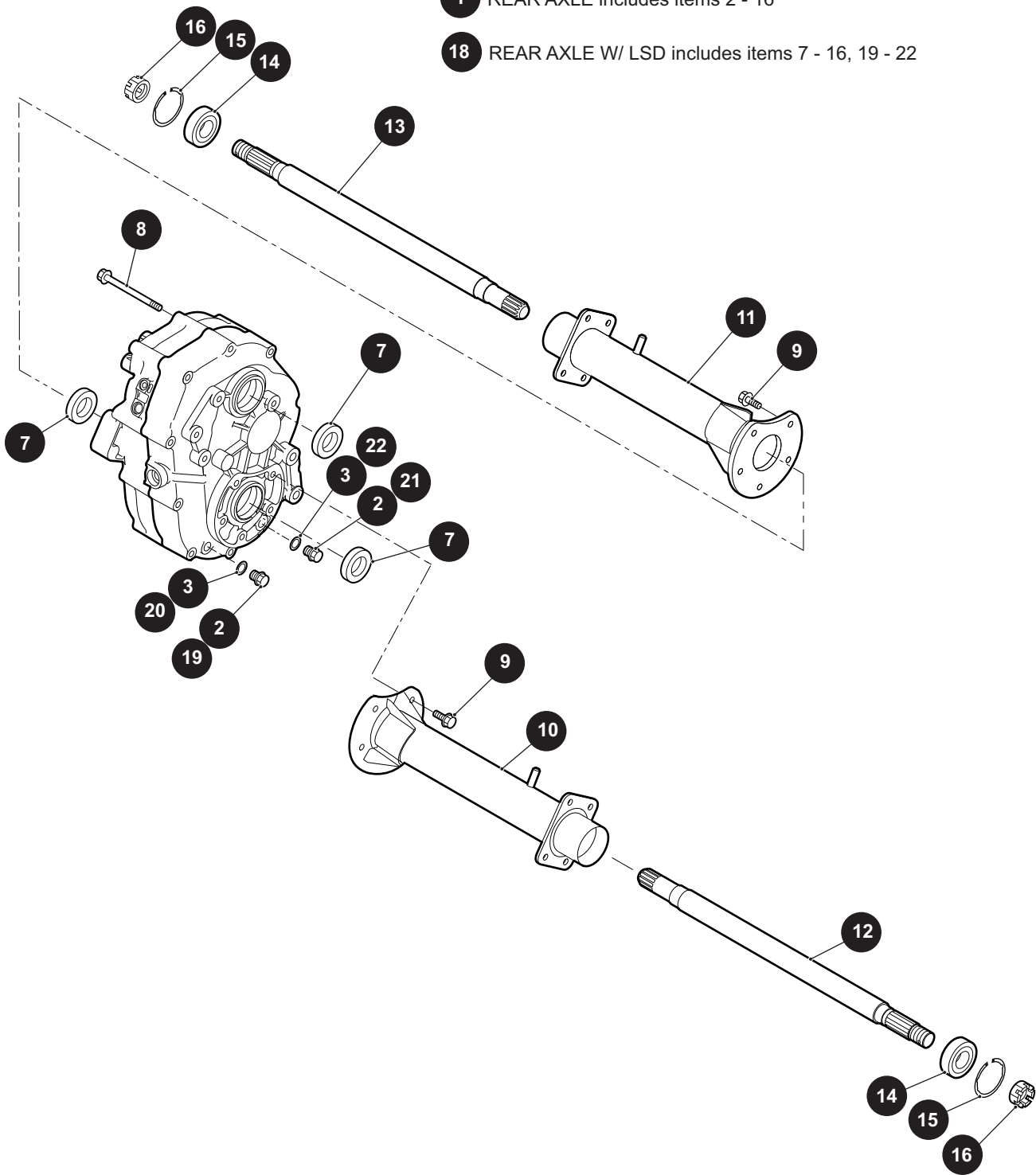
ITEM	PART NO.	1 2 3 4 5	DESCRIPTION	QTY.
30	72084G01		FUEL LINE FILTER .....	1
31	606969		FUEL SYSTEM HOSE, .25 I.D X .50 O.D X 8" LG.....	1
32				
33				
34	11391G4		HOSE CLAMP, .25 - .63 DIA .....	2
35	604597		CARB FUEL SYSTEM HOSE, .25 I.D X.50 O.D X 26" LG.....	1
36				
37	602061		FUEL PUMP .....	1
38	00114G6		HEX WASHER HEAD SLOTTED TAPPING SCREW, 1/4" - 14 X .75" LG .....	2
39				
40	606310		CARBON CANISTER MOUNTING BRACKET .....	1
41	10570G11		RIVET, 3/16" DIA X .70.....	2
42				
43				
44	606071		CARBON CANISTER .....	1



# REAR AXLE

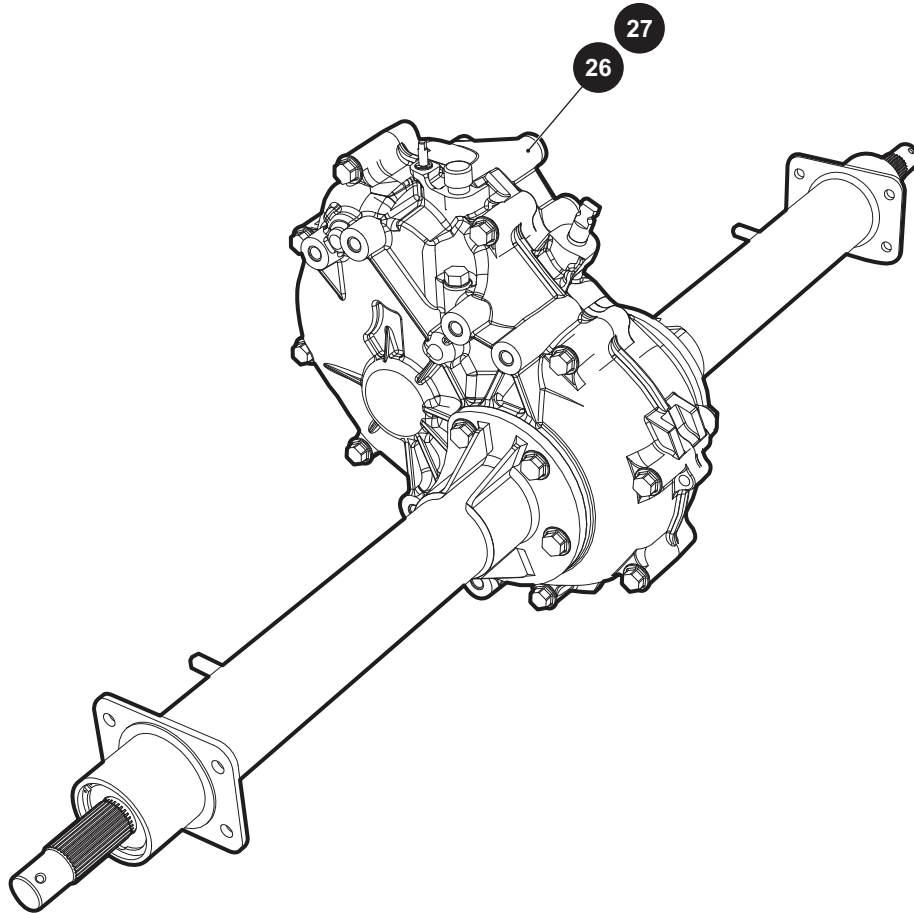
1 REAR AXLE includes items 2 - 16

18 REAR AXLE W/ LSD includes items 7 - 16, 19 - 22

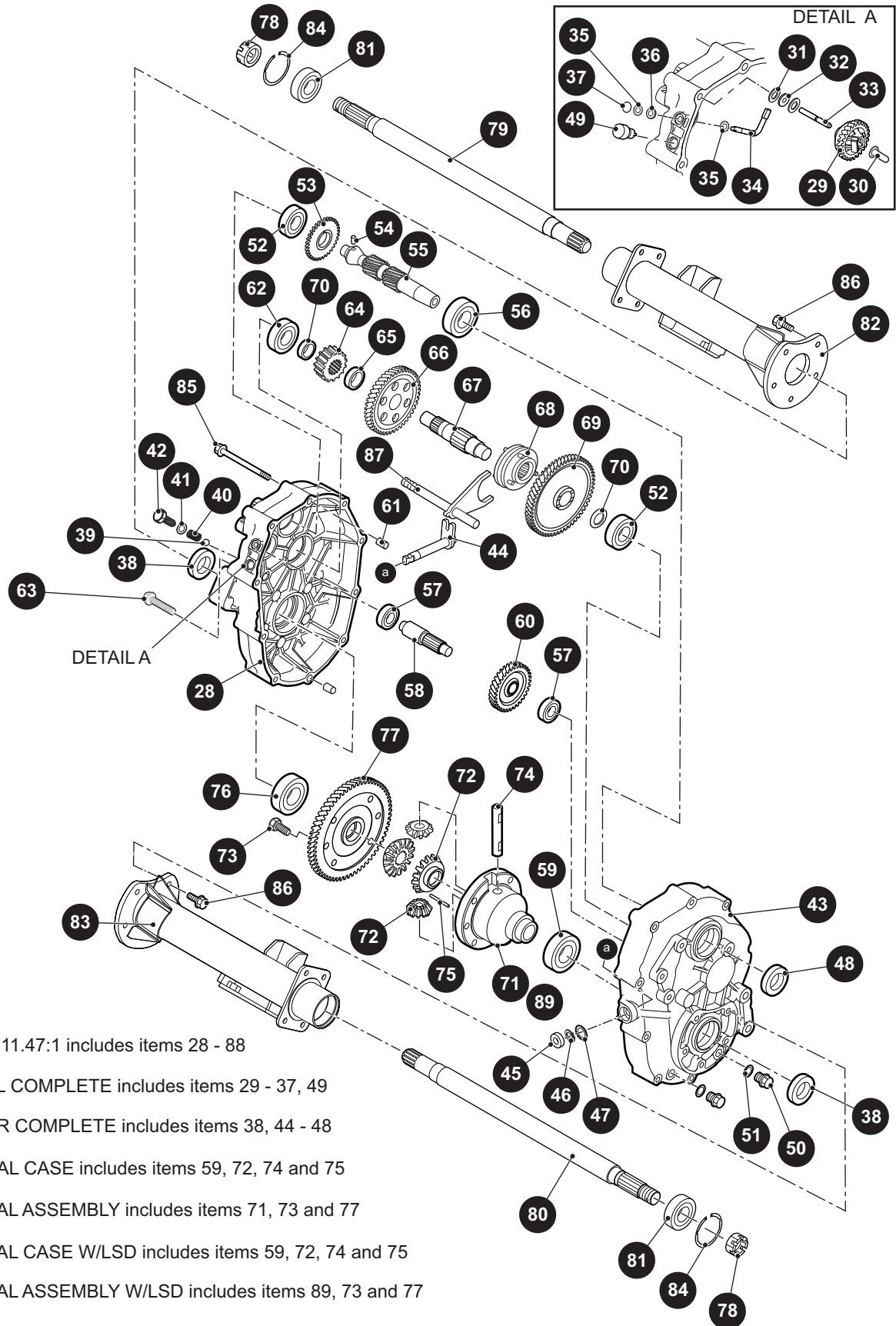




FOR VEHICLES MANUFACTURED FROM APRIL 2014



# REAR AXLE



# REAR AXLE

When ordering parts, please specify the model and serial number of the product.

\* Indicates a component that is not available as an individual part.

\*\*\* Indicates consult Customer Service Department for additional information.

ITEM	PART NO.	1 2 3 4 5	DESCRIPTION	QTY.
1	627891		REAR AXLE (INCLUDES ITEMS 2 - 16) .....	1
2	26770G01		OIL DRAIN PLUG .....	2
3	26771G01		GASKET, 14 MM .....	2
4				
5				
6				
7	72259G01		OIL SEAL 28 X 47 X 9 MM .....	3
8	26823G01		FLANGED HEX HEAD BOLT, M8 X 1.25 X 100 MM LG .....	10
9	72260G01		FLANGED HEX HEAD BOLT, M10 X 1.5 X 23 MM LG .....	10
10	607940		AXLE TUBE (PASSENGER SIDE) .....	1
11	607939		AXLE TUBE (DRIVER SIDE) .....	1
12	607946		AXLE SHAFT (PASSENGER SIDE) .....	1
13	607945		AXLE SHAFT (DRIVER SIDE) .....	1
14	26811G01		BALL BEARING .....	2
15	26814G01		SNAP RING, 52 MM .....	2
16	606403		SLOTTED NUT, M22 X 1.5 .....	2
17				
18	617488		REAR AXLE W/ LSD (INCLUDES ITEMS 7 - 16, 19 - 22) .....	1
19	630835		OIL DRAIN PLUG W/MAGNET .....	1
20	630836		GASKET, 18 MM .....	1
21	26770G01		OIL DRAIN PLUG .....	1
22	26771G01		GASKET, 14 MM .....	1
23				
24				
25				
26	632513		REAR AXLE, 11.47:1 (INCLUDES ITEMS 28 - 88) (FOR VEHICLES MANUFACTURED FROM APRIL 2014) .....	1
27	637674		REAR AXLE W/LSD, 11.47:1 (INCLUDES ITEMS 28 - 70, 72 - 87, 89 - 90) (FOR VEHICLES MANUFACTURED FROM APRIL 2014) .....	1
28	639859		AXLE CASE L COMPLETE (INCLUDES ITEMS 29 - 37, 49) .....	1
29	639686		GOVERNOR GEAR .....	1
30	639689		GOVERNOR SLEEVE .....	1

# REAR AXLE

When ordering parts, please specify the model and serial number of the product.

\* Indicates a component that is not available as an individual part.

\*\*\* Indicates consult Customer Service Department for additional information.

ITEM	PART NO.	1	2	3	4	5	DESCRIPTION	QTY.
31	607904						FLAT WASHER .....	2
32	607905						THRUST BEARING .....	1
33	639698						GOVERNOR GEAR SHAFT .....	1
34	639707						GOVERNOR SHAFT .....	1
35	639736						FLAT WASHER, 6MM .....	2
36	607911						OIL SEAL, 6 x 10 x 2.5 MM .....	1
37	607913						RETAINING RING E5 .....	1
38	639738						OIL SEAL, 24 x 40 x 9MM .....	2
39	26818G01						STEEL BALL .....	1
40	26819G01						SPRING .....	1
41	26831G01						GASKET, 10 .....	1
42	26820G01						FLANGED HEX HEAD BOLT, M10 x 1.25 x 12 MM LG.....	1
43	639865						AXLE CASE R COMPLETE (INCLUDES ITEMS 38, 44 - 48) .....	1
44	639746						SELECT SHAFT .....	1
45	607915						OIL SEAL, 13 x 22 x 5MM .....	1
46	607916						SNAP RING, 13MM .....	1
47	607917						SPACER, 13 x 1MM .....	1
48	640093						OIL SEAL, 28 x 47 x 9MM .....	1
49	607919						AIR BREATHER .....	1
50	639747						OIL DRAIN PLUG .....	2
51	639748						GASKET, 14MM .....	2
52	26785G01						BALL BEARING (6204).....	2
53	607921						GOVERNOR GEAR, 34 .....	1
54	607920						PIN, 6 x 12L .....	1
55	639750						INPUT SHAFT.....	1
56	607922						BALL BEARING (62/28).....	1
57	639868						BALL BEARING (TMB202) .....	2
58	639755						COUNTER SHAFT.....	1
59	640744						BALL BEARING (6006).....	1
60	639758						GEAR, 34 .....	1
61	639869						KNOCK PIPE .....	2

# REAR AXLE

When ordering parts, please specify the model and serial number of the product.

\* Indicates a component that is not available as an individual part.

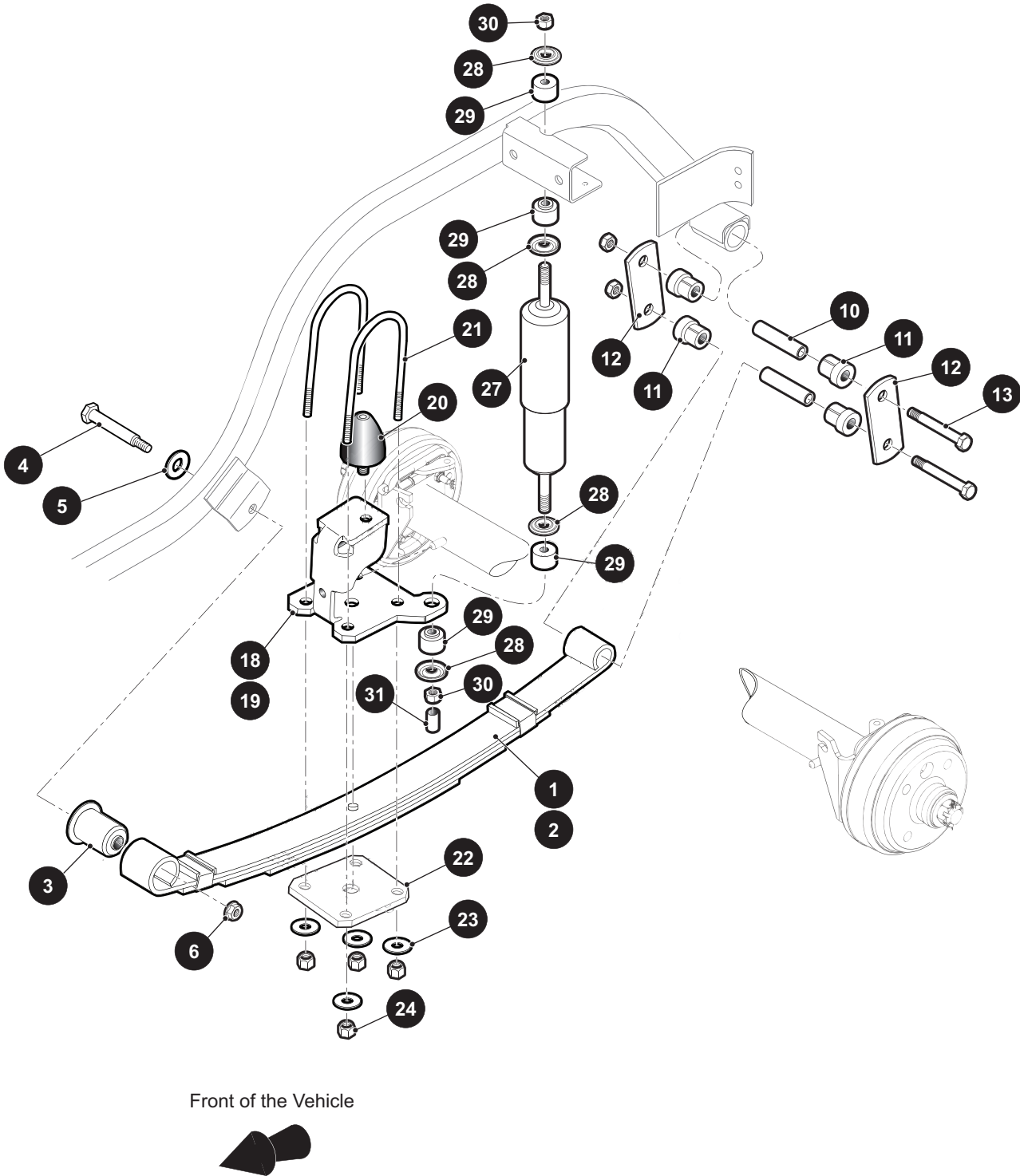
\*\*\* Indicates consult Customer Service Department for additional information.

ITEM	PART NO.	1 2 3 4 5	DESCRIPTION	QTY.
62	639760		BALL BEARING (6304) .....	2
63	639768		FLANGED HEX HEAD BOLT, M8 - 1.25 X 40MM LG .....	1
64	639769		GEAR, 17 .....	1
65	28689G01		COLLAR, 24 x 7.5MM .....	1
66	639771		GEAR, 52 .....	1
67	639772		CENTER SHAFT .....	1
68	639774		CLUTCH PIN .....	1
69	639777		GEAR, 61 .....	1
70	639797		SPACER, 20 x 2MM .....	2
71	639872		DIFFERENTIAL CASE (INCLUDES ITEMS 59, 72, 74 AND 75).....	1
72	639800		DIFFERENTIAL PAIR GEAR.....	1
73	26808G01		HEX HEAD BOLT, M10 x 1.25 x 26 MM LG.....	6
74	28723G01		DIFFERENTIAL SHAFT .....	1
75	28697G01		SPRING PIN, 4 x 40L .....	1
76	639801		BALL BEARING (6007) .....	1
77	640739		GEAR, 60 COMPLETE (INCLUDES ITEM 76).....	1
78	607938		CASTLED NUT, M22 - 1.5 .....	2
79	639876		AXLE SHAFT L COMPLETE (INCLUDES ITEM 81).....	1
80	639881		AXLE SHAFT R COMPLETE (INCLUDES ITEM 81) .....	1
81	639836		BALL BEARING (6205DD).....	2
82	607939		AXLE CASE L COMPLETE .....	1
83	607940		AXLE CASE R COMPLETE .....	1
84	26814G01		SNAP RING, 52MM .....	2
85	639839		FLANGED HEX HEAD BOLT, M8 x 1.25 x 60MM LG .....	9
86	639840		FLANGED HEX HEAD BOLT, M10 x 1.25 x 25MM LG .....	10
87	639844		SHIFT SHAFT COMPLETE.....	1
88	639847		DIFFERENTIAL ASSEMBLY (INCLUDES ITEMS 71, 73 AND 77).....	1
89	640098		DIFFERENTIAL CASE W/LSD (INCLUDES ITEMS 59, 72, 74 AND 75).....	1
90	639847		DIFFERENTIAL ASSEMBLY W/LSD (INCLUDES ITEMS 89, 73 AND 77) .....	1





# REAR SUSPENSION





# REAR SUSPENSION

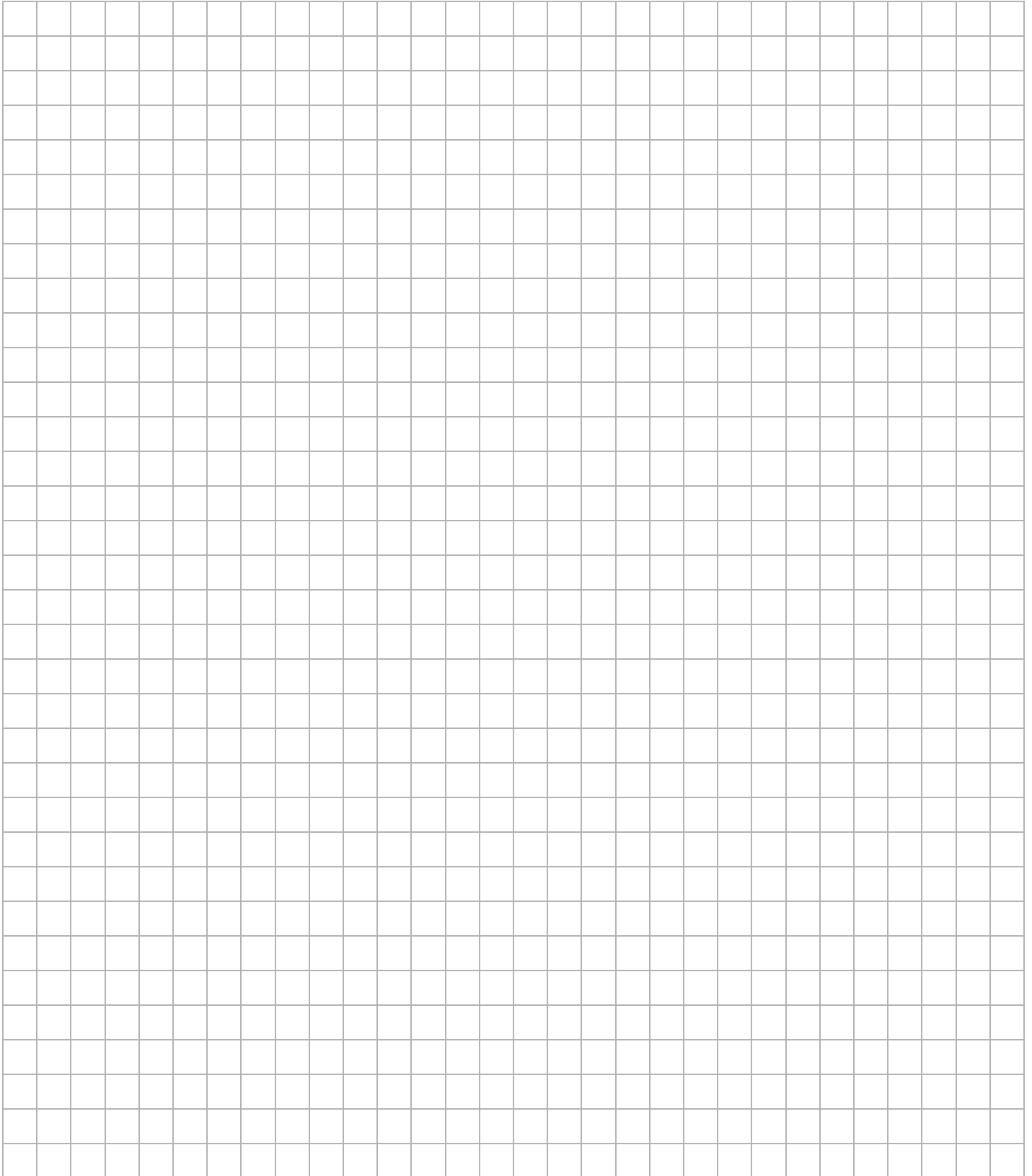
When ordering parts, please specify the model and serial number of the product.

\* Indicates a component that is not available as an individual part.

\*\*\* Indicates consult Customer Service Department for additional information.

ITEM	PART NO.	1 2 3 4 5	DESCRIPTION	QTY.
1	605722		HEAVY DUTY LEAF SPRING, HAULER 1200 .....	2
2	620413		HEAVY DUTY LEAF SPRING, REFRESHER 1200.....	2
3	605445		LEAF SPRING BUSHING, FRONT .....	2
4	00665G9		HEX HEAD BOLT (SS), 3/8" - 16 X 3.5" LG .....	2
5	00643G1		FLAT WASHER, 3/8".....	2
6	12262G1		FLANGED LOCK NUT, 3/8" - 16.....	2
7				
8				
9				
10	70289G02		SPLIT STEEL SPACER .....	4
11	624030		FLANGED BUSHING.....	8
12	70290G02		SHACKLE PLATE .....	4
13	00665G9		HEX HEAD BOLT (SS), 3/8" - 16 X 3.5" LG .....	4
14	11098G5		LOCK NUT, 3/8" - 16.....	4
15				
16				
17				
18	605952		AXLE BRACKET, DRIVER SIDE .....	1
19	605959		AXLE BRACKET, PASSENGER SIDE.....	1
20	70492G01		RUBBER BUMPER.....	2
21	32195G3		U-BOLT, 3/8" - 16 X 5" X 2.875" X 2" .....	4
22	605956		REAR SUSPENSION PLATE .....	2
23	00643G1		FLAT WASHER, 3/8".....	8
24	11098G5		LOCK NUT, 3/8" - 16.....	8
25				
26				
27	642085		SHOCK ABSORBER .....	2
28	10435G1		SHOCK ABSORBER WASHER, 1.25" O.D X .406" I.D.....	8
29	10194G1		RUBBER BUSHING.....	8
30	00532G6		HEX NUT, 3/8" - 24 .....	4
31	10044G01		VINYL CAP .....	2

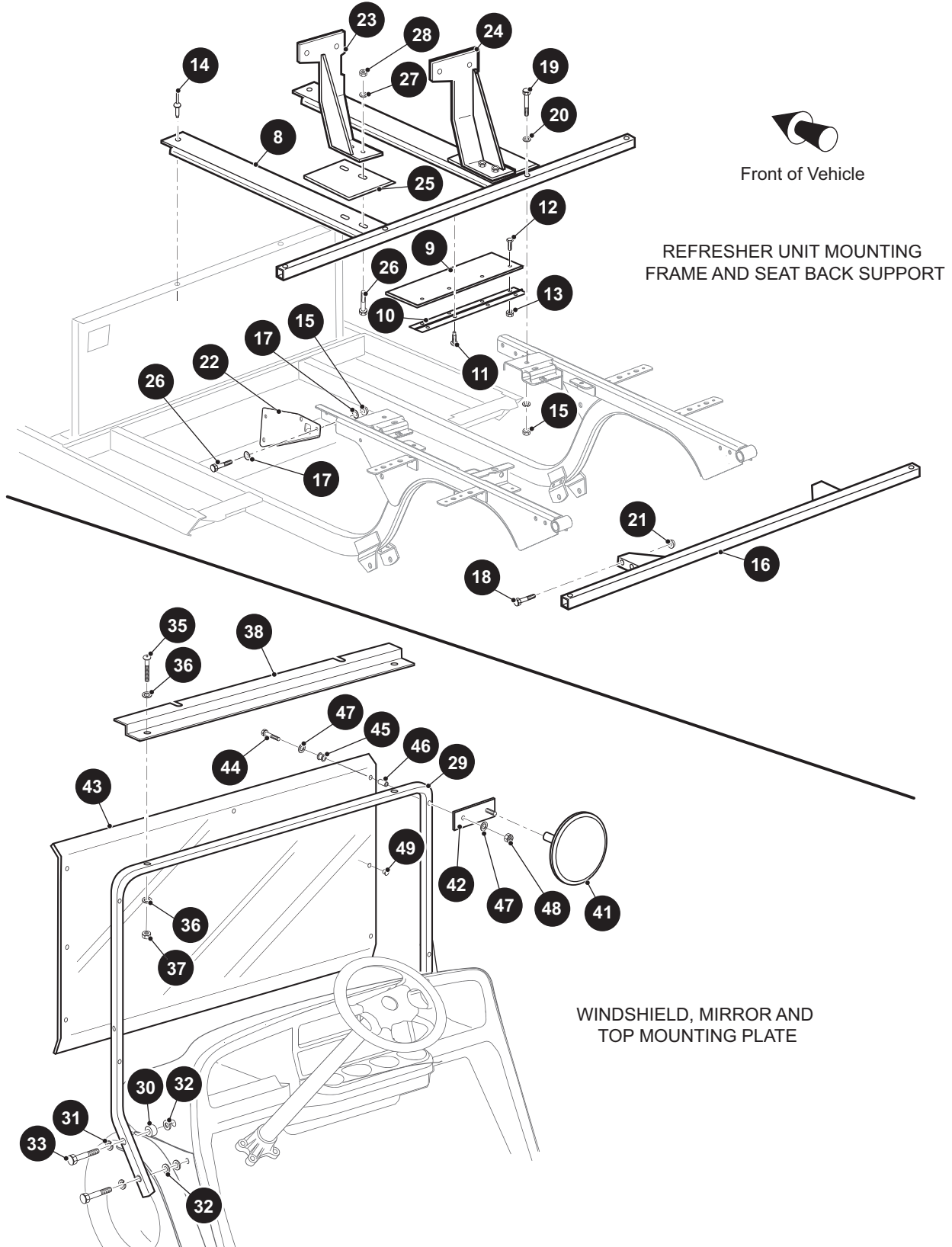
Notes:





# REFRESHER UNIT

- 1 REFRESHER UNIT (COMPLETE) includes items 8 - 49
- 2 REFRESHER UNIT NSF (COMPLETE) includes items 8 - 49



# REFRESHER UNIT

When ordering parts, please specify the model and serial number of the product.

\* Indicates a component that is not available as an individual part.

\*\*\* Indicates consult Customer Service Department for additional information.

ITEM	PART NO.	1 2 3 4 5	DESCRIPTION	QTY.
1	608825		REFRESHER UNIT (COMPLETE) (INCLUDES ITEMS 8 - 49).....	1
2	635617		REFRESHER UNIT NSF (COMPLETE) (INCLUDES ITEMS 8 - 49) .....	1
3				
4				
5				
6				
7				
8	609223		REFRESHER UNIT MOUNTING FRAME (FRONT) .....	1
9	74392G02		ENGINE ACCESS DOOR .....	1
10	33121G01		ACCESS DOOR HINGE.....	1
11	00106G6		PAN HEAD PHILLIPS SCREW, #12 - 24 X 3/4" LG.....	4
12	00414G5		HEX HEAD BOLT, 1/4" - 20 X 1/2" LG.....	4
13	14390G4		LOCK NUT, 1/4" - 20 .....	4
14	10570G10		RIVET (SS), 5/32".....	2
15	11098G6		LOCK NUT, 5/16" - 18 .....	2
16	608827		REFRESHER UNIT MOUNTING FRAME (REAR) .....	1
17	00571G2		FLAT WASHER, 5/16" .....	3
18	00427G8		HEX HEAD BOLT, 3/8" - 16 X 2" LG.....	4
19	00439G8		HEX HEAD BOLT, 5/16" - 18 X 2" LG.....	2
20	00559G8		FLAT WASHER, 5/16" .....	4
21	11027G5		LOCK NUT, 5/16" - 18 .....	4
22	634703		AIR CLEANER BRACKET.....	1
23	70008G01		SEAT BACK SUPPORT (DRIVER SIDE).....	1
24	70008G02		SEAT BACK SUPPORT (PASSENGER SIDE) .....	1
25	74855G01		SIDE COVER .....	2
26	00438G8		HEX HEAD BOLT, 5/16" - 18 X 1" LG.....	4
27	00559G8		FLAT WASHER, 5/16" .....	4
28	11098G6		LOCK NUT, 5/16" - 18 .....	4
29	75045G06		FRONT STRUT .....	1
30	75048G01		SPACER, .75" O.D. X .328" I.D. X .50" LG.....	2
31	00565G8		LOCK WASHER, 5/16" .....	4

# REFRESHER UNIT

When ordering parts, please specify the model and serial number of the product.

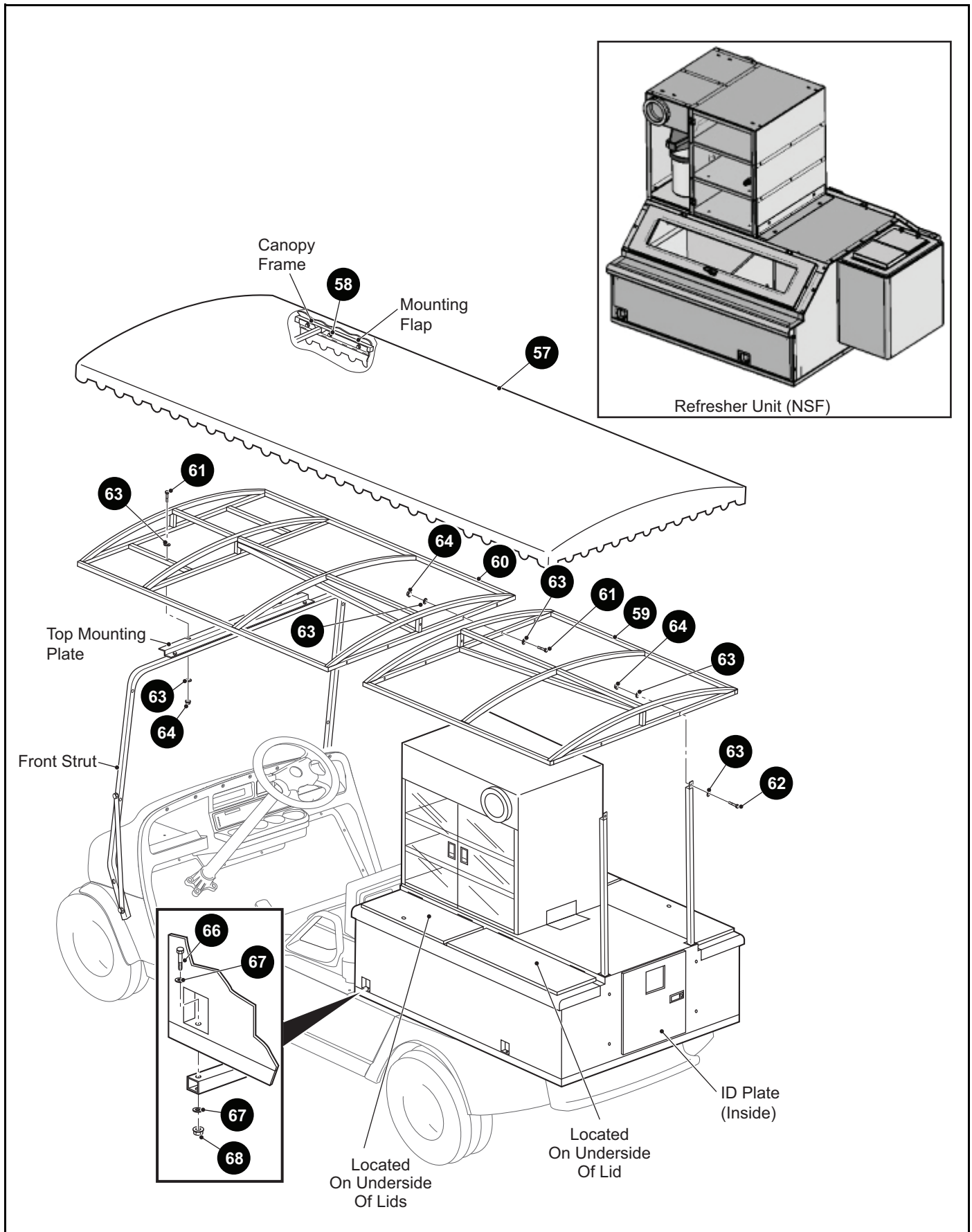
\* Indicates a component that is not available as an individual part.

\*\*\* Indicates consult Customer Service Department for additional information.

ITEM	PART NO.	1	2	3	4	5	DESCRIPTION	QTY.
32	00879G1						FLAT WASHER, 3/8" .....	6
33	01035G02						HEX HEAD BOLT, 5/16" - 18 X 2 1/2" LG .....	4
34								
35	16705G6						TRUSS HEAD MACHINE SCREW (SS), 1/4" - 20 X 1" LG .....	2
36	00559G7						FLAT WASHER, 1/4" .....	4
37	14390G4						LOCK NUT, 1/4" - 20 .....	2
38	74191G02						TOP MOUNTING PLATE .....	1
39	36002G01						DECAL (WARNING) (NOT ILLUSTRATED) .....	3
40	35991G01						DECAL (WARNING) (NOT ILLUSTRATED) .....	1
41	74202G01						MIRROR, 6" .....	2
42	74203G02						MIRROR MOUNTING BRACKET .....	2
43	75021G03						WINDSHIELD.....	1
44	16705G6						TRUSS HEAD PHILLIPS SCREW (SS), 1/4" - 20 X 1" LG .....	4
45	72147G01						RUBBER GROMMET .....	4
46	23726G7						SPACER, .298" .....	4
47	00660G7						FLAT WASHER, 1/4" .....	8
48	14390G4						LOCK NUT, 1/4" - 20 .....	4
49	75124G01						BUMPER PLUG .....	2
50								
51								
52								
53								
54								
55								



# REFRESHER UNIT





# REFRESHER UNIT

When ordering parts, please specify the model and serial number of the product.

\* Indicates a component that is not available as an individual part.

\*\*\* Indicates consult Customer Service Department for additional information.

ITEM	PART NO.	1 2 3 4 5	DESCRIPTION	QTY.
56			<b>THE FOLLOWING SERVICE PARTS AND ACCESORIES ARE AVAILABLE FROM 19TH HOLE MARKETING, INC, 400 E. COMSTOCK DRIVE, CHANDLER, AZ 85225, PHONE: (480) 497 - 8280</b>	
57	EZRAM10064		CANOPY .....	1
58	H1092		SELF TAPPING SCREW, #10 X 1/2" LG .....	40
59	EZRAM10060		CANOPY FRAME (REAR).....	1
60	EZRAM10061		CANOPY FRAME (FRONT).....	1
61	H1075		HEX HEAD BOLT, 1/4" - 20 X 2" LG .....	7
62	H1077		HEX HEAD BOLT, 1/4" - 20 X 1 1/4" LG .....	2
63	H1079		FLAT WASHER, 1/4" .....	18
64	H1078		LOCK NUT, 1/4" - 20 .....	9
65				
66	H1083		HEX HEAD BOLT, 5/16" - 18 X 1 1/4" LG .....	4
67	H1019		FLAT WASHER, 5/16" .....	8
68	H1017		LOCK NUT, 5/16" - 18 .....	4
69				
70				
71			<b>ITEMS 72 - 125 NOT SHOWN</b>	
72	74346G01		SIGN BOARD.....	2
73	75793G01		CONDIMENT TRAY .....	1
74	75794G01		BOTTLE CADDY .....	1
75	75795G01		CASH DRAWER .....	1
76	75796G01		MINI BOTTLE CARRIER .....	1
77	75797G01		HUMIDOR .....	1
78	75798G01		CREDIT CARD MACHINE MOUNT .....	1
79	75891G01		FOOD WARMER .....	1
80	611800		CONDIMENT TRAY .....	1
81	611806		CUP DISPENSERS .....	1
82	611802		DRY GOODS STORAGE.....	1
83	611808		REAR VIEW MIRROR .....	1
84	611795		FOOD WARMER .....	1
85	611803		SUNDRIES CABINET .....	1

# REFRESHER UNIT

When ordering parts, please specify the model and serial number of the product.

\* Indicates a component that is not available as an individual part.

\*\*\* Indicates consult Customer Service Department for additional information.

ITEM	PART NO.	1	2	3	4	5	DESCRIPTION	QTY.
86	611796						HUMIDOR .....	1
87	611797						MINI BOTTLE CARRIER.....	1
88	611798						CASH DRAWER.....	1
89	611799						BOTTLE CADDY .....	1
90	611801						SIGN BOARDS.....	1
91	611805						AIRPOT RACK .....	1
92	611804						AIRPOT-3.0 LITER.....	1
93								
94	EZRAM10033						COLD STORAGE DOOR (FRONT) .....	1
95	EZRAM10037						COLD STORAGE DOOR (REAR).....	1
96	EZRAM10041						CONSUMABLE ICE DOOR.....	1
97	EZRAM10022						CANOPY UPRIGHT .....	1
98	EZRAM10069						HOSE MOUNTING BRACKET .....	1
99	H4007						COMPRESSION HINGE .....	1
100	EZRAM10075						TRASH DOOR HINGE .....	1
101	B6001						TRASH BIN .....	1
102	H4008						TRASH DOOR LATCH .....	1
103	EZRAM10045						TRASH DOOR COMPARTMENT .....	1
104	M6003						DOOR SEAL GASKET .....	1
105	H2006						LOCK (COLD STORAGE DOOR).....	1
106								
107	EZRAM10069						HOSE MOUNTING BRACKET .....	2
108	H5012						SPIGOT VALVE .....	2
109	H5000						DRAIN HOSE, 36" .....	1
110	H5007						HOSE ADAPTER, 3/4" X 1/2" .....	2
111	H5006						COMBINATION ELBOW .....	3
112	H5005						COMBINATION TEE .....	1
113	H1070						HOSE CLAMP .....	1
114								
115	B10000						TOUCH UP PAINT REPAIR KIT .....	1
116	EZRAM100010						DOOR ACCESSORY MODULE (LEFT).....	1

# REFRESHER UNIT

When ordering parts, please specify the model and serial number of the product.

\* Indicates a component that is not available as an individual part.

\*\*\* Indicates consult Customer Service Department for additional information.

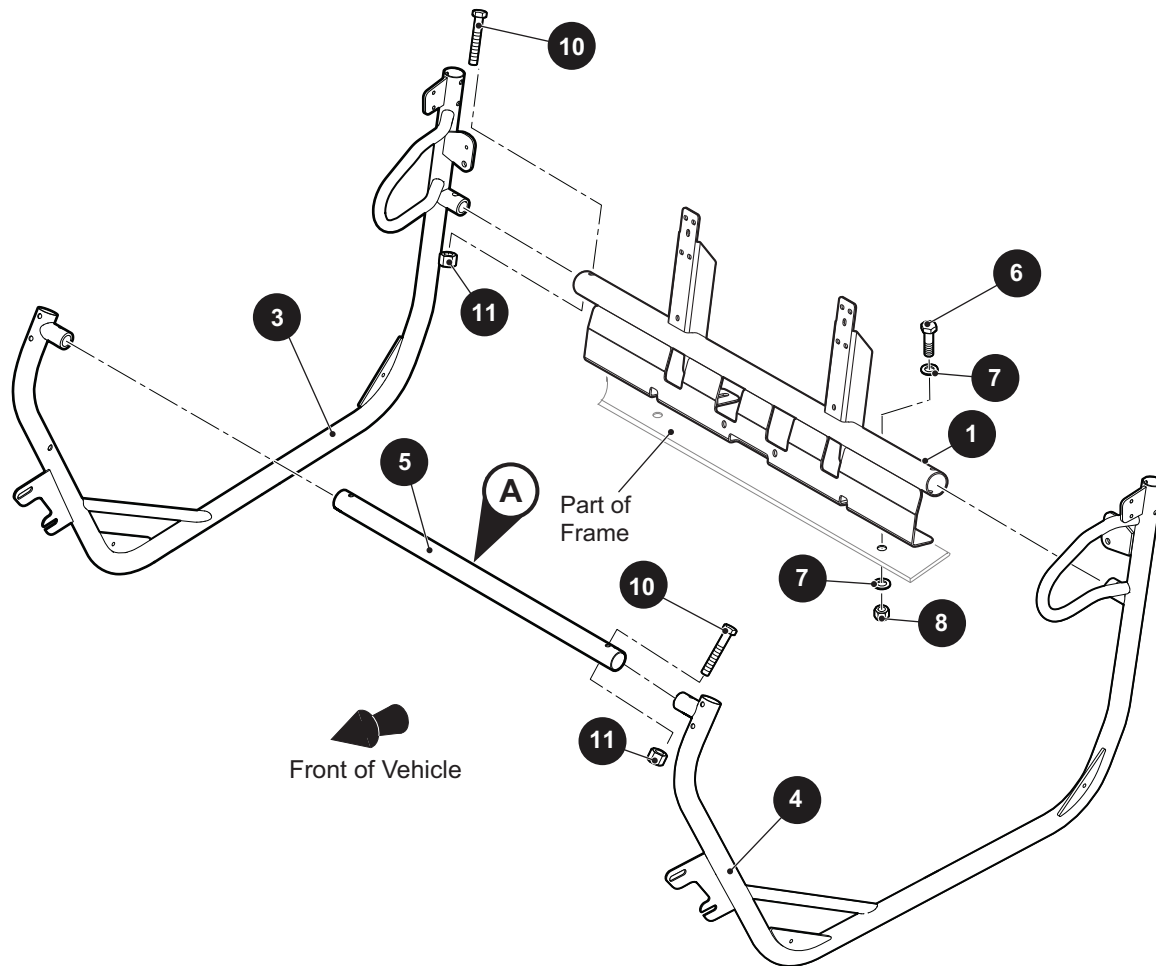
ITEM	PART NO.	1 2 3 4 5	DESCRIPTION	QTY.
117	EZRAM100012		DOOR ACCESSORY MODULE (RIGHT).....	1
118	H4009		LOCKING LATCH .....	1
119	B9001		CUP DISPENSER.....	1
120	B9002		CUP DISPENSOR COVER RING.....	1
121	B9003		CUP DISPENSOR COVER SPRING.....	1
122	B6011		AIRPOT (SS), 3.75 LITER .....	1
123	EZRAM100020		AIRPOT RACK ASSEMBLY.....	1
124	H600		DOOR HINGE (SS).....	1
125	M1002		CUSHIONING ADHESIVE TAPE.....	1
126				

## Notes:

A large grid for taking notes, consisting of 30 columns and 30 rows.



# ROPS - HAULER 1200



Front of Vehicle

Part of Frame

A

**13**

This ROPS was tested in accordance with the requirements of ISO 3471 per ANSI/ROHVA 1

**CUSHMAN**

**EZGO**

A Textron Company 642582

Textron Specialized Vehicles  
1451 Marvin Griffin Rd  
Augusta, GA 30906  
USA

Test GVW: 700 kgs (1545 lbs)  
Vehicle Models:  
Hauler 900 and 1200 G, E, XG, XE  
Hauler Pro, Pro X, 4X4  
E-Z-GO Terrain 250 and 1000 G, E  
E-Z-GO Terrain 1500 G

**WARNING**

The protection offered by this ROPS will be impaired if it has been subjected to any modification or structural damage. This ROPS must be replaced after a rollover.

# ROPS - HAULER 1200

When ordering parts, please specify the model and serial number of the product.

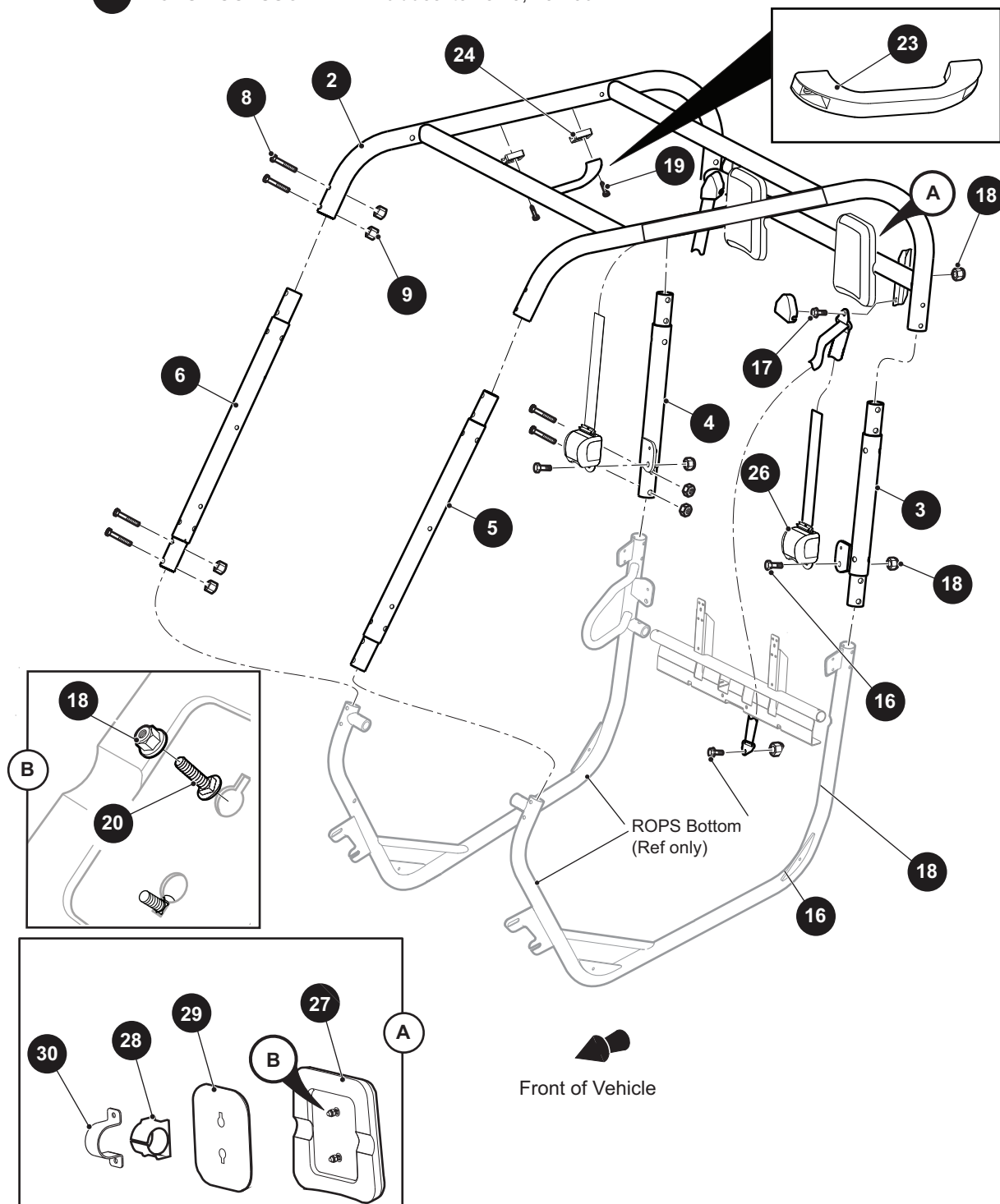
\* Indicates a component that is not available as an individual part.

\*\*\* Indicates consult Customer Service Department for additional information.

ITEM	PART NO.	1 2 3 4 5	DESCRIPTION	QTY.
1	640293		ROPS SEAT SUPPORT .....	1
2				
3	640183		ROPS BOTTOM (PASSENGER SIDE).....	1
4	640182		ROPS BOTTOM (DRIVER SIDE) .....	1
5	629023		FRONT CROSSBAR TUBE .....	1
6	00427G2		HEX HEAD BOLT, 3/8" - 16 X 1 1/4" LG .....	4
7	00571G2		FLAT WASHER, 5/16" .....	8
8	11098G5		LOCK NUT, 3/8" - 16 .....	4
9				
10	630642		HEX HEAD BOLT, 3/8" - 16 X 2 1/2" LG .....	4
11	630643		LOCK NUT, 3/8" - 16 .....	4
12				
13	642582		ROPS CERTIFICATION DECAL.....	1

# ROPS - HAULER 1200

- 1 ROPS UPPER KIT includes items 2 - 7
- 7 ROPS UPPER HARDWARE KIT includes items 8 - 9
- 15 ROPS ACCESSORY HARDWARE KIT includes items 16 - 20
- 22 ROPS ACCESSORY KIT includes items 15, 23 - 30





# ROPS - HAULER 1200

When ordering parts, please specify the model and serial number of the product.

\* Indicates a component that is not available as an individual part.

\*\*\* Indicates consult Customer Service Department for additional information.

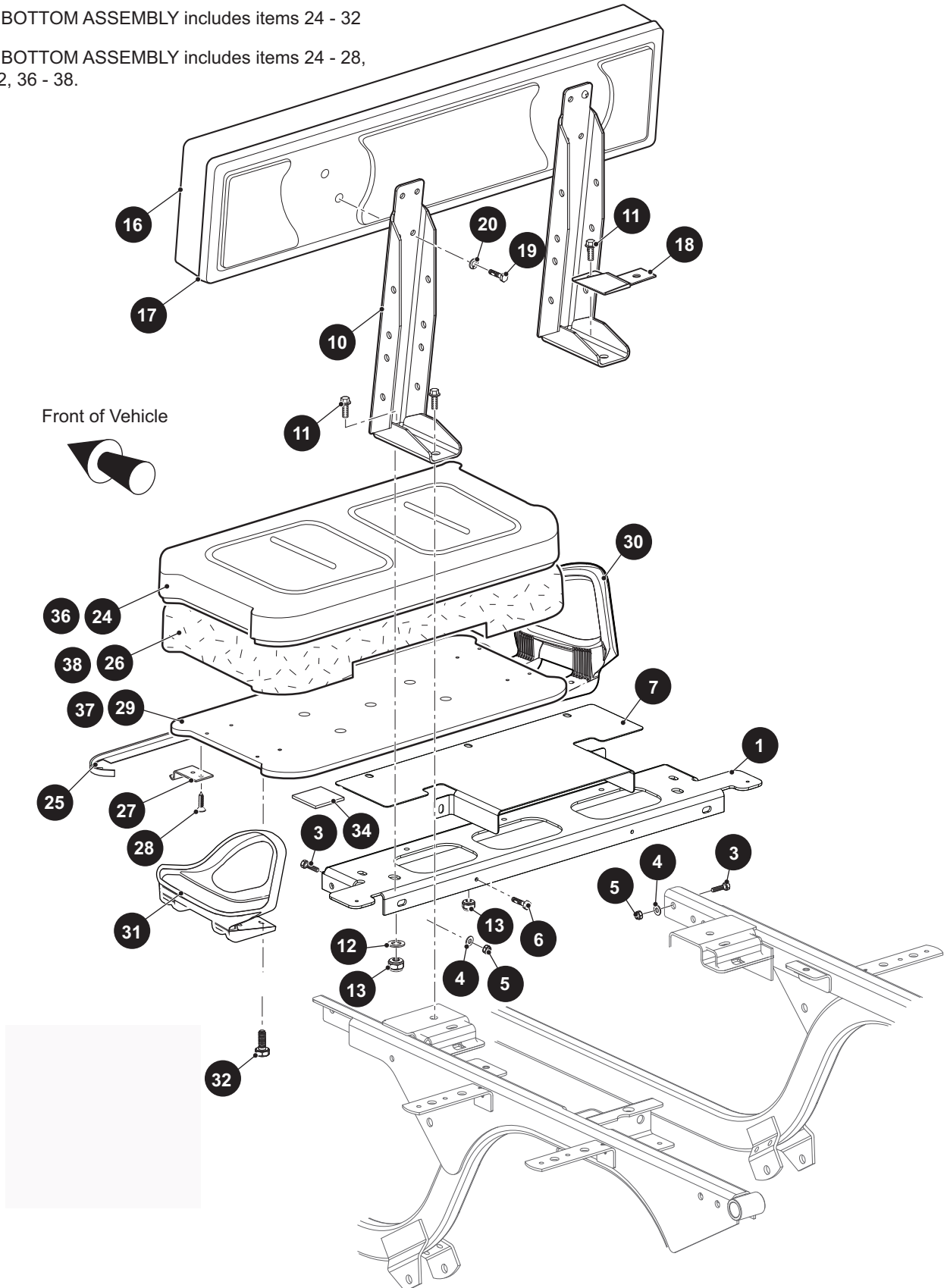
ITEM	PART NO.	1 2 3 4 5	DESCRIPTION	QTY.
1	631578		ROPS UPPER KIT (INCLUDES ITEMS 2 - 7) .....	1
2	631576		ROPS TOP WELDMENT.....	1
3	629080		CONNECTOR REAR (DRIVER SIDE) .....	1
4	629079		CONNECTOR REAR (PASSENGER SIDE).....	1
5	629082		CONNECTOR FRONT (DRIVER SIDE).....	1
6	629081		CONNECTOR FRONT (PASSENGER SIDE) .....	1
7	629328		ROPS UPPER HARDWARE KIT (INCLUDES ITEMS 8 - 9).....	1
8	630642		HEX HEAD BOLT, 3/8" - 16 X 2 1/2" LG .....	16
9	630643		LOCK NUT, 3/8" - 16.....	16
10				
11				
12				
13				
14				
15	640434		ROPS ACCESSORY HARDWARE KIT (INCLUDES ITEMS 16 - 20).....	1
16	610753		HEX HEAD BOLT, 7/16" - 20 X 1" LG .....	4
17	609569		HEX HEAD BOLT, 7/16" - 20 X 3/4" LG .....	4
18	00734G3		LOCK NUT, 7/16" - 20.....	8
19	612255		PAN HEAD TORX SCREW, 12 - 14 X 1" LG .....	2
20	630763		CARRIAGE BOLT (SS), 1/4" - 20 X .75" LG .....	4
21				
22	640436		ROPS ACCESSORIES KIT (INCLUDES ITEMS 15, 23 - 30).....	1
23	611774		GRAB HANDLE .....	1
24	612254		GRAB HANDLE MOUNT.....	2
25	629454		SIDE DOOR NET (PAIR) (NOT ILLUSTRATED).....	1
26	635789		SEAT BELT RETRACTOR .....	2
27	628577		HEADREST .....	2
28	629642		CLAMP GUARD .....	2
29	629666		HEADREST PLATE .....	2
30	627786		CLAMP .....	2





# SEATING

- 15 SEAT BACK ASSEMBLY includes items 16, 17
- 23 SEAT BOTTOM ASSEMBLY includes items 24 - 32
- 35 SEAT BOTTOM ASSEMBLY includes items 24 - 28, 30 - 32, 36 - 38.



When ordering parts, please specify the model and serial number of the product.

\* Indicates a component that is not available as an individual part.

\*\*\* Indicates consult Customer Service Department for additional information.

ITEM	PART NO.	1 2 3 4 5	DESCRIPTION	QTY.
1	609567		SEAT BACK SUPPORT .....	1
2	00715G2		HEX HEAD BOLT, 5/16 - 18 X 13/16" LG .....	1
3	00438G8		HEX HEAD BOLT, 5/16 - 18 X 1" LG .....	4
4	00571G2		LOCK WASHER .....	4
5	11098G6		LOCK NUT, 5/16 - 18 .....	4
6	00114G6		SCREW TAPPING HEX WASH - HD - SLOTTED .....	2
7	609575		ACCESS COVER.....	1
8	00414G5		HEX HEAD BOLT, 1/4 - 20 X 1/2" LG .....	8
9	14382G7		NOISE SUPPRESSOR.....	2
10	646274		SEAT BACK SUPPORT BRACKET .....	2
11	00427G2		HEX HEAD BOLT, 3/8 - 16 X 1 1/4" LG .....	4
12	00560G1		FLAT WASHER, 3/8" .....	4
13	11098G5		LOCK NUT, 3/8 - 16 .....	4
14				
15	71274G**		SEAT BACK ASSEMBLY (INCLUDES ITEMS 16, 17) ..... 71274G01 WHITE 71274G03 TAN 71274G04 GRAY 71274G05 OYSTER	1
16	18144G**		VINYL SEAT BACK COVER..... 18144G2 WHITE 18144G6 OYSTER 18144G4 TAN 18144G5 GRAY	1
17	74889G01		PLASTIC SEAT BACK COVER (BLACK) .....	1
18	74947G01		BED BUMPER BRACKET .....	2
19	605056		HEX HEADBOLT, 1/4 - 20 X 1" LG .....	4
20	00664G7		LOCK WASHER, 1/4" .....	4
21				
22				
23	629269G***		SEAT BOTTOM ASSEMBLY (INCLUDES ITEMS 24 - 34)..... 629269G0101 OYSTER 629269G0103 TAN 629269G0105 WHITE 629269G0104 GRAY	1

# SEATING

When ordering parts, please specify the model and serial number of the product.

\* Indicates a component that is not available as an individual part.

\*\*\* Indicates consult Customer Service Department for additional information.

ITEM	PART NO.	1	2	3	4	5	DESCRIPTION	QTY.
24	71602G**						VINYL SEAT BOTTOM COVER ..... 71602G03 OYSTER 71602G04 TAN 71602G01 WHITE 71602G02 GRAY	1
25	71012G01						VINYL TRIM (SEAT BOTTOM) .....	1
26	71603G02						SEAT BOTTOM FOAM PADDING .....	1
27	71610G01						SEAT HINGE.....	2
28	00720G08						FLAT HEAD PHILLIPS SCREW, #12 - 14 X 1" LG. ....	6
29	645492						SEAT BOTTOM ASSEMBLY .....	1
30	617644						HIP RESTRAINT (PASSENGER SIDE).....	1
31	617645						HIP RESTRAINT (DRIVER SIDE) .....	1
32	615417						BUTTON HEAD TORX BOLT, M10 - 1.5 X 25MM LG .....	8
33								
34	17074G1						RUBBER PAD .....	2
35	629629G**						SEAT BOTTOM ASSEMBLY (INCLUDES ITEMS 24 - 28, 30 - 32, 36 - 38)... 629269G0501 OYSTER 629269G0503 TAN 629269G0505 WHITE 629269G0504 GRAY	1
36	71624G**						VINYL SEAT BOTTOM COVER ..... 71624G03 OYSTER 71624G04 TAN 71624G01 WHITE 71624G02 GRAY	1
37	629302						SEAT BOTTOM ASSEMBLY (PMAX).....	1
38	71625G01						SEAT BOTTOM FOAM PADDING .....	1

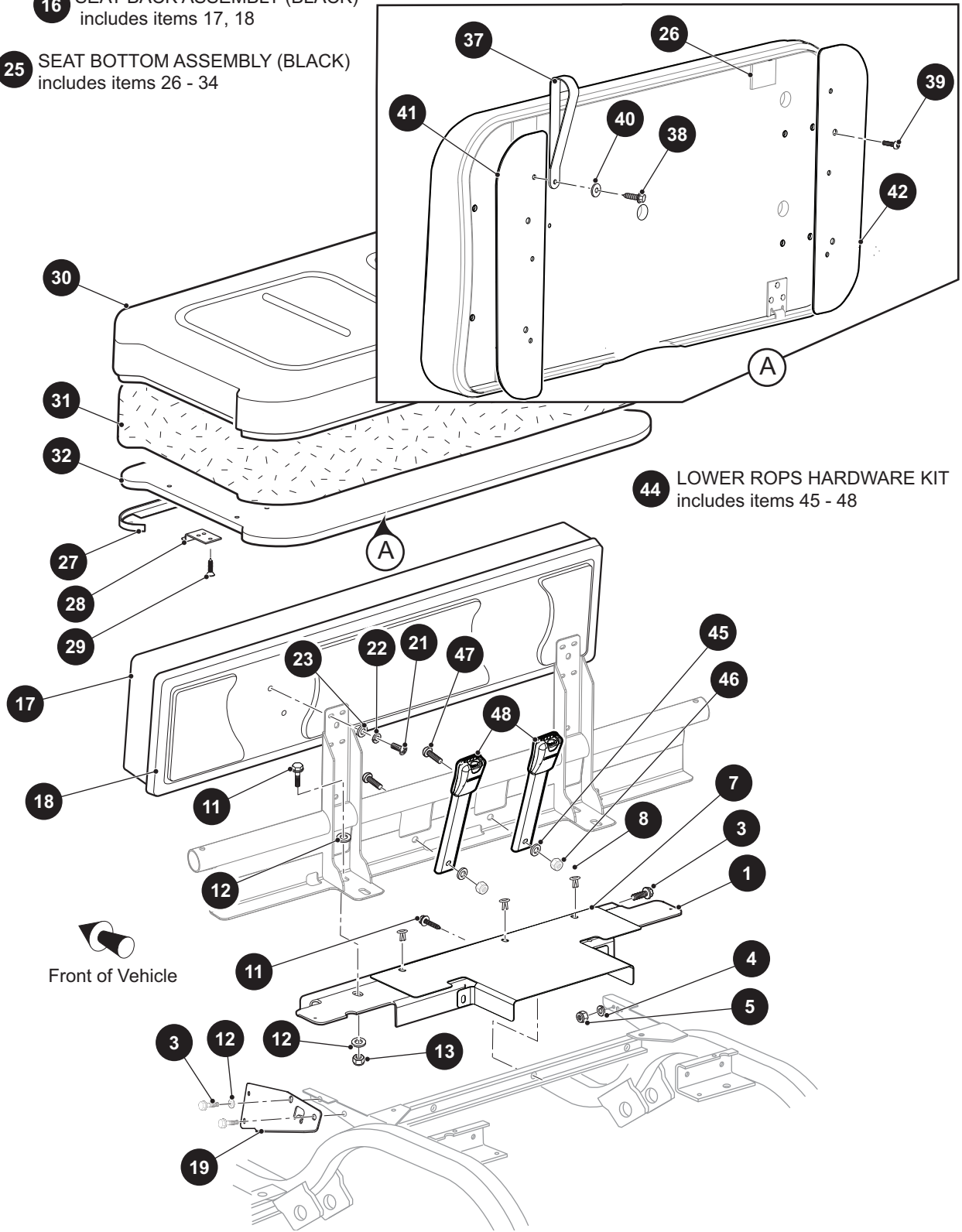


# SEATING - HAULER 1200

FOR HAULER 1200 ONLY

**16** SEAT BACK ASSEMBLY (BLACK)  
includes items 17, 18

**25** SEAT BOTTOM ASSEMBLY (BLACK)  
includes items 26 - 34



**44** LOWER ROPS HARDWARE KIT  
includes items 45 - 48



# SEATING - HAULER 1200

When ordering parts, please specify the model and serial number of the product.

\* Indicates a component that is not available as an individual part.

\*\*\* Indicates consult Customer Service Department for additional information.

ITEM	PART NO.	1 2 3 4 5	DESCRIPTION	QTY.
1	71262G04		SEAT BACK SUPPORT .....	1
2	00715G2		FLANGED HEX HEAD BOLT, 5/16" - 18 X .8" LG .....	1
3	00438G8		HEX HEAD BOLT, 5/16" - 18 X 1" LG .....	5
4	00642G8		LOCK WASHER, 5/16" .....	2
5	11098G6		LOCK NUT, 5/16" - 18.....	2
6				
7	609575		BED CLOSEOUT COVER .....	1
8	18436G1		DRIVE RIVET.....	3
9				
10				
11	00427G2		FLANGED HEX HEAD BOLT, 3/8" - 16 X 1 1/4" LG .....	4
12	00571G2		LOCK WASHER, 5/16" .....	14
13	11098G5		LOCK NUT, 3/8" - 16.....	4
14				
15				
16	71274G02		SEAT BACK ASSEMBLY (BLACK) (INCLUDES ITEMS 17, 18) .....	1
17	18144G3		VINYL COVER .....	1
18	74889G01		SEAT BACK COVER (PLASTIC) .....	1
19	634703		AIR CLEANER BRACKET .....	1
20				
21	16705G1		HEX HEAD BOLT (WITH PATCH LOCK), 1/4" - 20 X 1" LG.....	4
22	01110G01		FLAT WASHER (SS), 1/4" .....	4
23	00664G7		LOCK WASHER (SS), 1/4" .....	4
24				
25	629269G1306		SEAT BOTTOM ASSEMBLY (BLACK) (INCLUDES ITEMS 26 - 34).....	1
26	17074G1		SOILING SLAB (NOT ILLUSTRATED).....	2
27	71012G01		VINYL TRIM (SEAT BOTTOM).....	1
28	71610G01		SEAT HINGE .....	1
29	00720G08		FLAT HEAD PHILLIPS SCREW, #12 - 14 X 1" LG .....	3
30	615169		VINYL SEAT BOTTOM COVER (BLACK).....	1
31	605503		SEAT BOTTOM PADDING (FOAM) .....	1

# SEATING - HAULER 1200

When ordering parts, please specify the model and serial number of the product.

\* Indicates a component that is not available as an individual part.

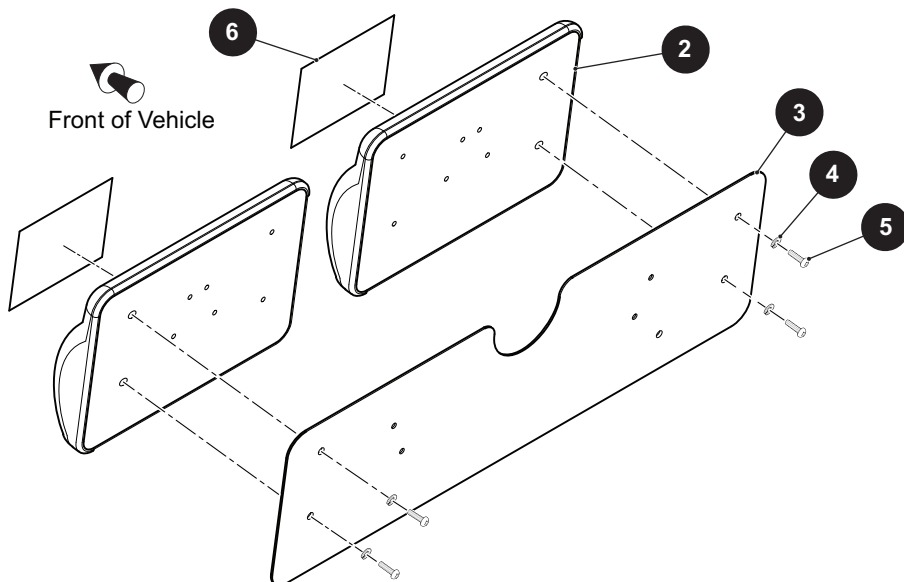
\*\*\* Indicates consult Customer Service Department for additional information.

ITEM	PART NO.	1	2	3	4	5	DESCRIPTION	QTY.
32	645492						WOOD SEAT BOTTOM .....	1
33	23222G1						FLAT STAPLE, 3/8" (NOT ILLUSTRATED).....	AR
34	23223G1						FLAT STAPLE (NOT ILLUSTRATED) .....	AR
35								
36								
37	617402						SEAT STRAP .....	1
38	71398G01						FLANGED HEX HEAD SCREW, 1/4" - 20 X 1 1/4" LG .....	1
39	615417						BUTTON HEAD TORX BOLT, M10 - 1.5 X 25MM LG .....	4
40	16469G1						FENDER WASHER, 1/4" .....	1
41	640674G01						SEAT SIDE COVER (DRIVER SIDE).....	1
42	640674G02						SEAT SIDE COVER (PASSENGER SIDE) .....	1
43								
44	642823						LOWER ROPS HARDWARE KIT (INCLUDES ITEMS 45 - 48) .....	1
45	00560G3						FLAT WASHER, 1/2" .....	2
46	00734G3						LOCK NUT, 7/16" - 20 .....	2
47	635630						BUTTON HEAD TORX BOLT, 7/16" - 20 X 1 1/4" LG .....	2
48	631973						BUCKLE AND BRACKET ASSEMBLY .....	2

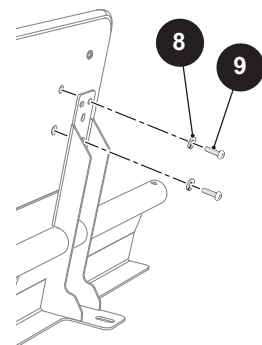


# SEATING - HAULER 1200

- 1** SEAT BACK ASSEMBLY includes items 2 - 6



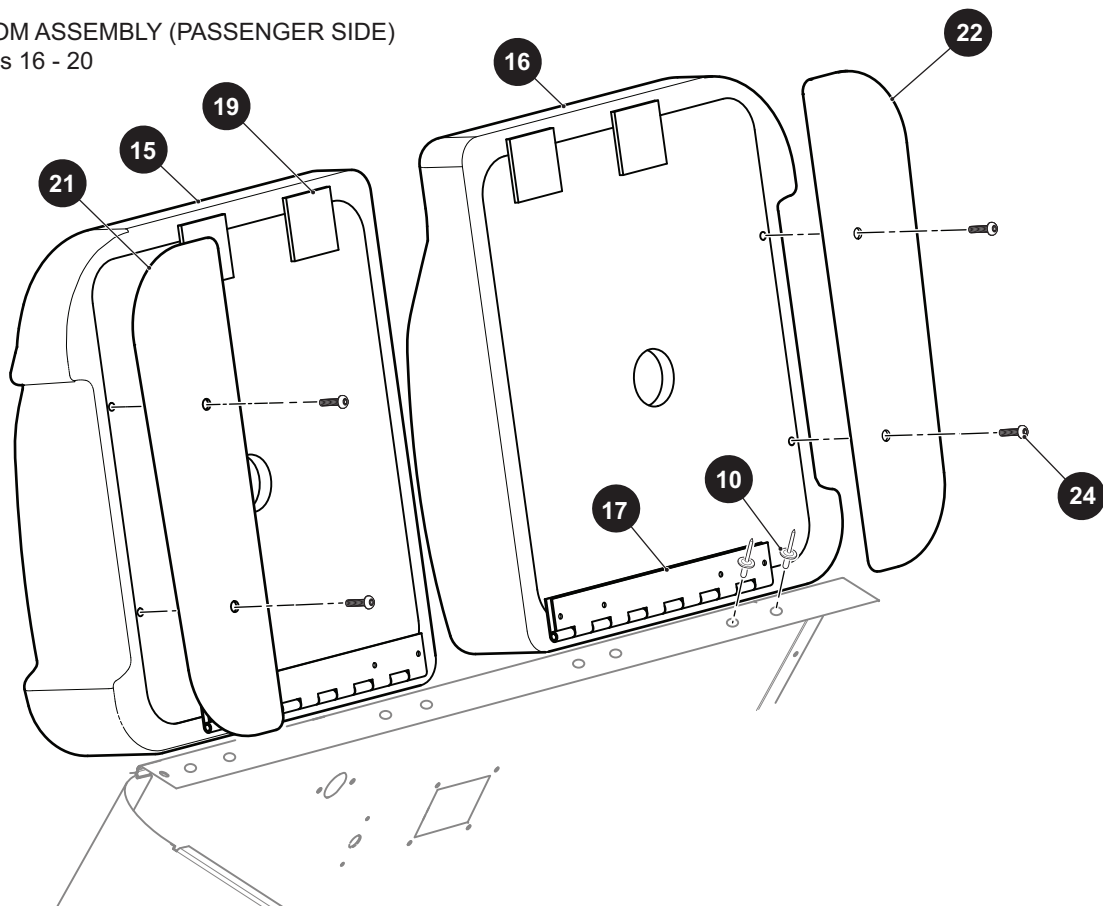
FOR HAULER 1200 ONLY



- 12** SPLIT SEAT BOTTOM ASSEMBLY includes items 13 - 14

- 13** SEAT BOTTOM ASSEMBLY (DRIVER SIDE) includes items 15, 17 - 20

- 14** SEAT BOTTOM ASSEMBLY (PASSENGER SIDE) includes items 16 - 20



# SEATING - HAULER 1200

When ordering parts, please specify the model and serial number of the product.

\* Indicates a component that is not available as an individual part.

\*\*\* Indicates consult Customer Service Department for additional information.

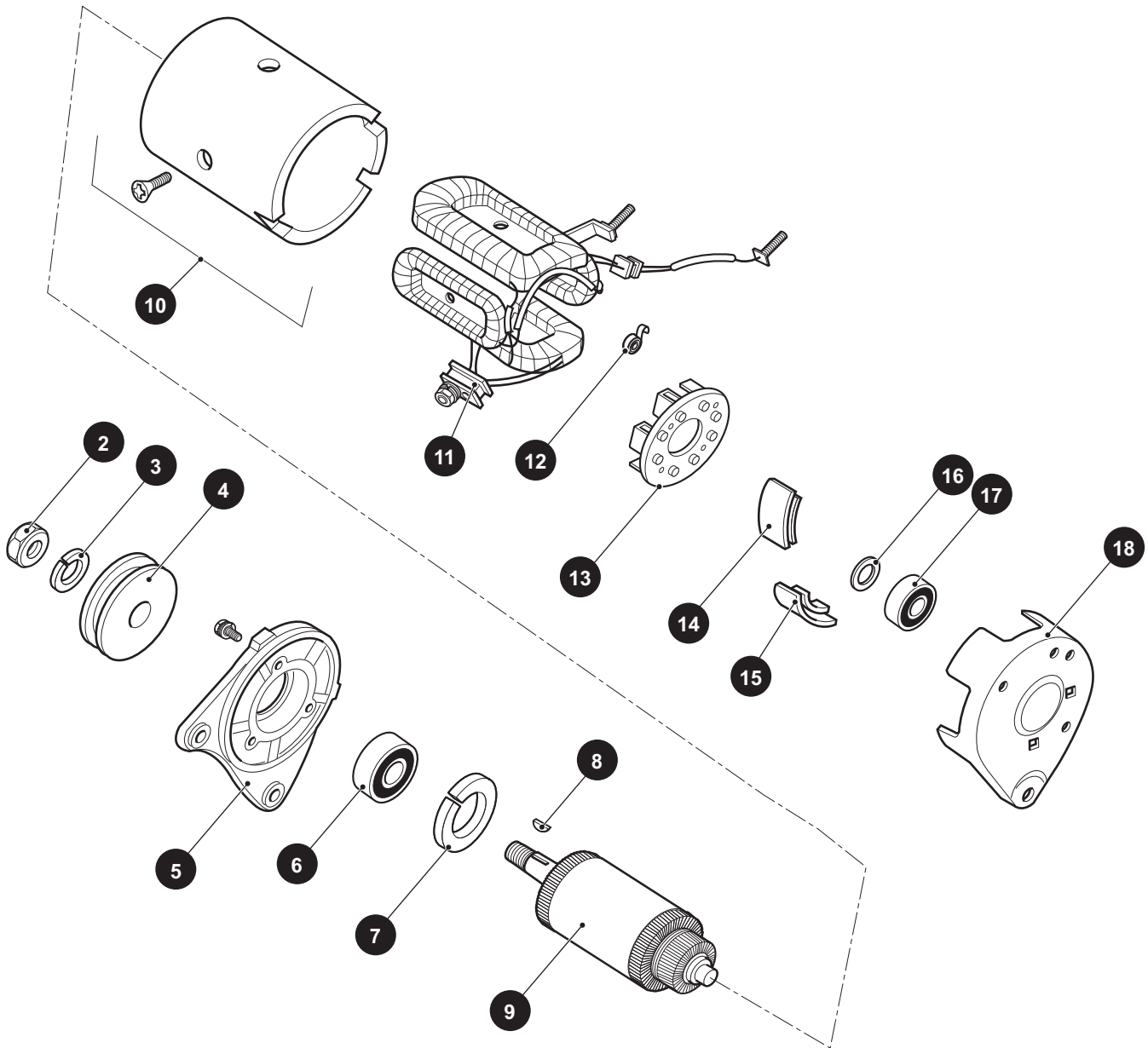
ITEM	PART NO.	1 2 3 4 5	DESCRIPTION	QTY.
1	626618G05		SEAT BACK ASSEMBLY (INCLUDES ITEMS 2 - 6) .....	1
2	75840G**		SEAT BACK CUSHION .....	2
3	626607		SEAT BACK PLATE.....	1
4	00664G7		LOCK WASHER (SS), 1/4".....	4
5	16705G3		TRUSS HEAD PHILLIPS SCREW (SS), 1/4" - 20 X 3/4" LG .....	4
6	27336G01		WARINING DECAL .....	2
7				
8	00664G7		LOCK WASHER (SS), 1/4" .....	4
9	16705G1		TRUSS HEAD PHILLIPS SCREW (SS), 1/4" - 20 X 1" LG.....	4
10	10570G11		RIVET, 3/16" X .70" .....	8
11				
12	642838		SPLIT SEAT BOTTOM ASSEMBLY (INCLUDES ITEMS 13 - 14).....	1
13	628111G05		SEAT BOTTOM ASSEMBLY (DRIVER SIDE) (INCLUDES ITEMS 15, 17 - 20).....	1
14	628112G05		SEAT BOTTOM ASSEMBLY (PASSENGER SIDE) (INCLUDES ITEMS 16 - 20).....	1
15	75833G**		SEAT BOTTOM (DRIVER SIDE) .....	1
16	75834G**		SEAT BOTTOM (PASSENGER SIDE).....	1
17	75847G01		SEAT HINGE .....	1
18	16705G1		TRUSS HEAD PHILLIPS SCREW (SS), 1/4" - 20 X 1" LG.....	3
19	17074G1		SOILING SLAB .....	2
20	23223G1		STAPLE (NOT ILLUSTRATED).....	8
21	640674G01		SEAT SIDE COVER (DRIVER SIDE) .....	1
22	640674G02		SEAT SIDE COVER (PASSENGER SIDE).....	1
23				
24	615417		BUTTON HEAD TORX BOLT, M10 - 1.5 X 25MM LG .....	4





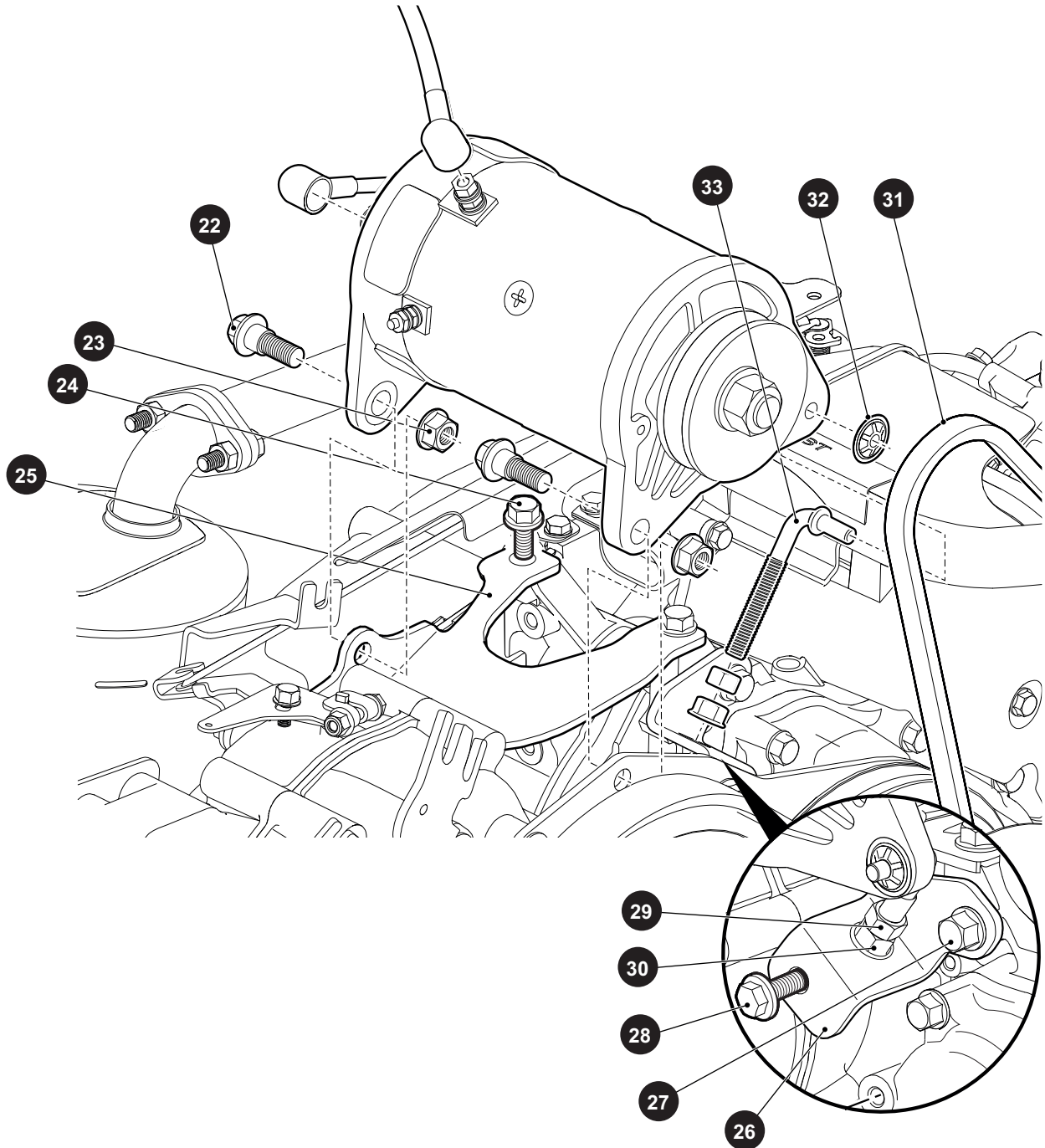
# STARTER / GENERATOR

**1** STARTER / GENERATOR includes items 2 - 18



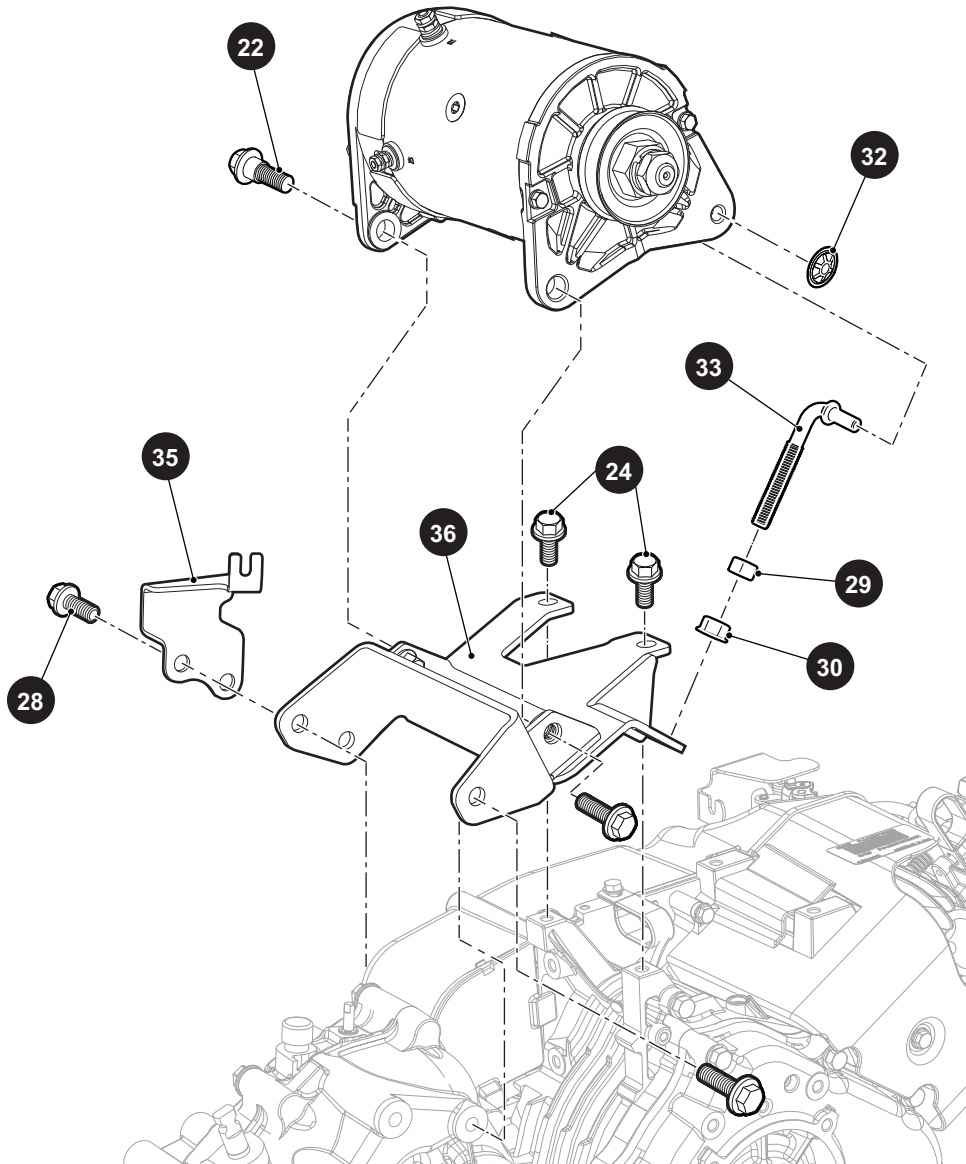


# STARTER / GENERATOR



# STARTER / GENERATOR

FOR VEHICLES MANUFACTURED FROM APRIL 2014



# STARTER / GENERATOR

When ordering parts, please specify the model and serial number of the product.

\* Indicates a component that is not available as an individual part.

\*\*\* Indicates consult Customer Service Department for additional information.

ITEM	PART NO.	1 2 3 4 5	DESCRIPTION	QTY.
1	625715		STARTER / GENERATOR (INCLUDES ITEMS 2 - 18) .....	1
2	612029		HEX NUT .....	1
3	612030		LOCK WASHER .....	1
4	625716		PULLEY .....	1
5	612032		FRONT COVER .....	1
6	612033		BEARING .....	1
7	612034		RETAINING RING .....	1
8	612035		KEY .....	1
9	612036		ARMATURE ASSEMBLY .....	1
10	612037		FRAME & FIELD ASSEMBLY .....	1
11	612038		BRUSH LEAD & TERMINAL PKG .....	1
12	612039		BRUSH SPRING .....	4
13	612040		BRUSH BOX ASSEMBLY .....	1
14	612041		BRUSH 1 COVER .....	3
15	612042		BRUSH 2 COVER .....	2
16	612043		WAVY WASHER .....	1
17	612044		BEARING .....	1
18	612045		REAR COVER .....	1
19				
20				
21				
22	606235		FLANGED HEX HEAD BOLT, M10 - 1.25 X 20 MM LG .....	2
23	606279		HEX NUT, M10 - 1.25 .....	2
24	606261		HEX HEAD BOLT, M8 - 1.25 X 20 MM LG .....	3
25	602141		STARTER / GENERATOR BRACKET .....	1
26	602145		TENSIONER BRACKET .....	1
27	606261		HEX HEAD BOLT, M8 - 1.25 X 20 MM LG .....	1
28	606256		HEX HEAD BOLT, M10 - 1.25 X 25 MM LG .....	1
29	606255		HEX JAM NUT, M10 - 1.25 .....	1
30	606274		HEX FLANGE NUT, M10 - 1.25 .....	1
31	630587		STARTER / GENERATOR BELT .....	1

# STARTER / GENERATOR

When ordering parts, please specify the model and serial number of the product.

\* Indicates a component that is not available as an individual part.

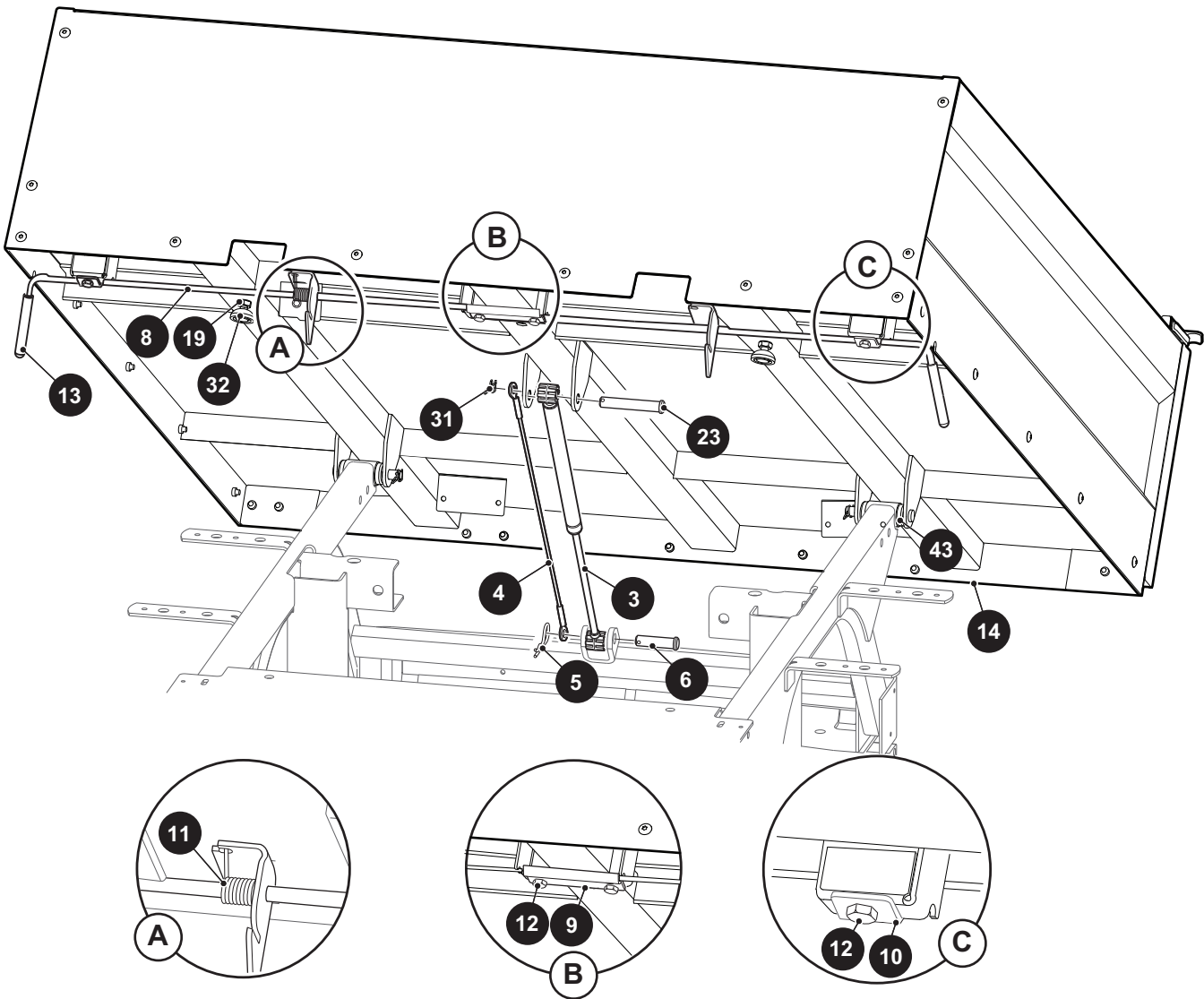
\*\*\* Indicates consult Customer Service Department for additional information.

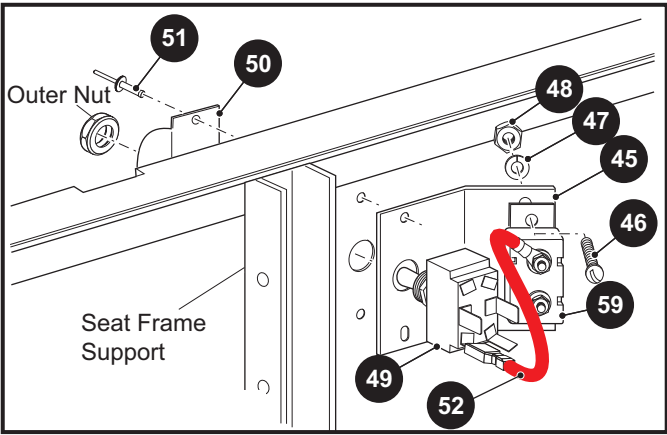
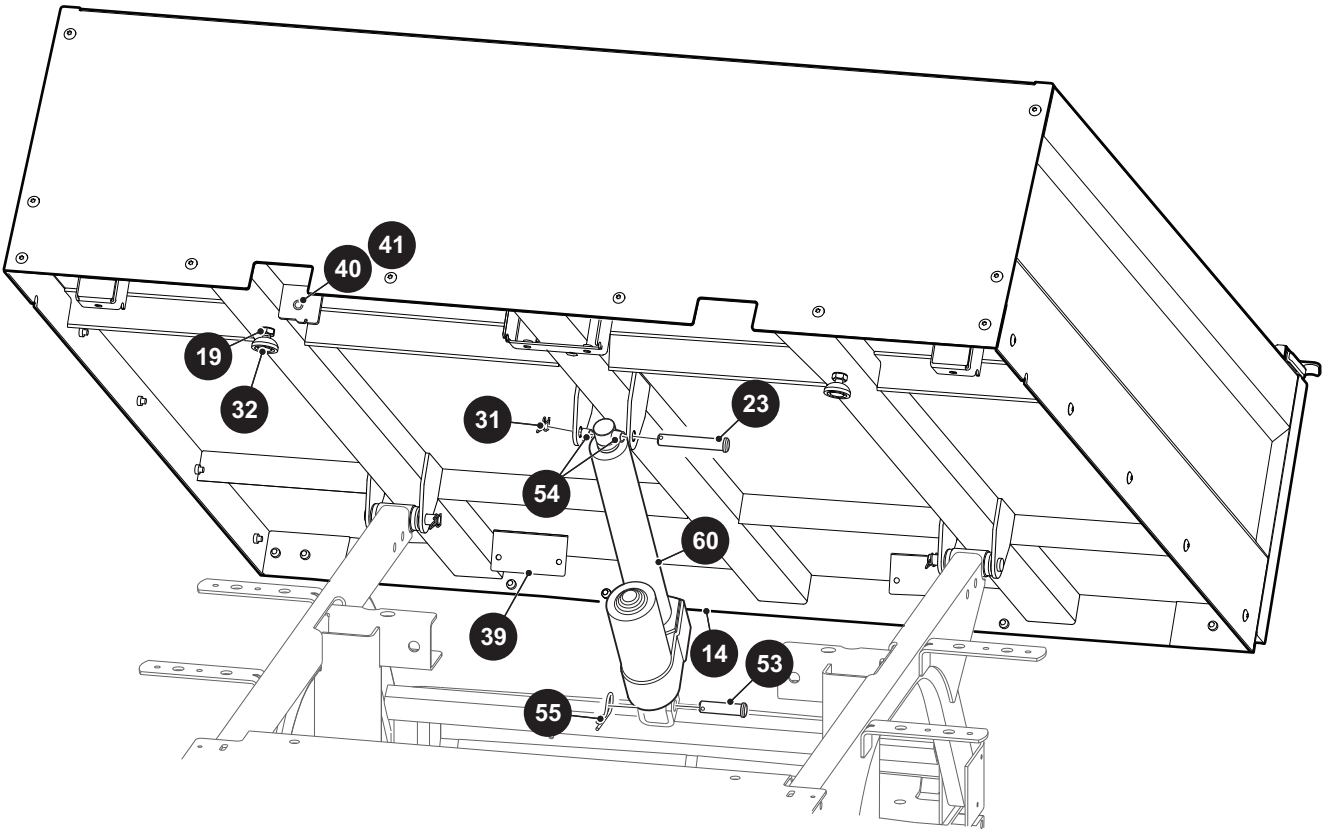
ITEM	PART NO.	1 2 3 4 5	DESCRIPTION	QTY.
32	12064G6		PUSH NUT, 5/16" .....	1
33	629763		TENSIONER BOLT .....	1
34				
35	603884		CABLE GUIDE BRACKET (FOR VEHICLES MANUFACTURED FROM APRIL 2014).....	1
36	631972		STARTER / GENERATOR SUPPORT BRACKET (FOR VEHICLES MANUFACTURED FROM APRIL 2014).....	1



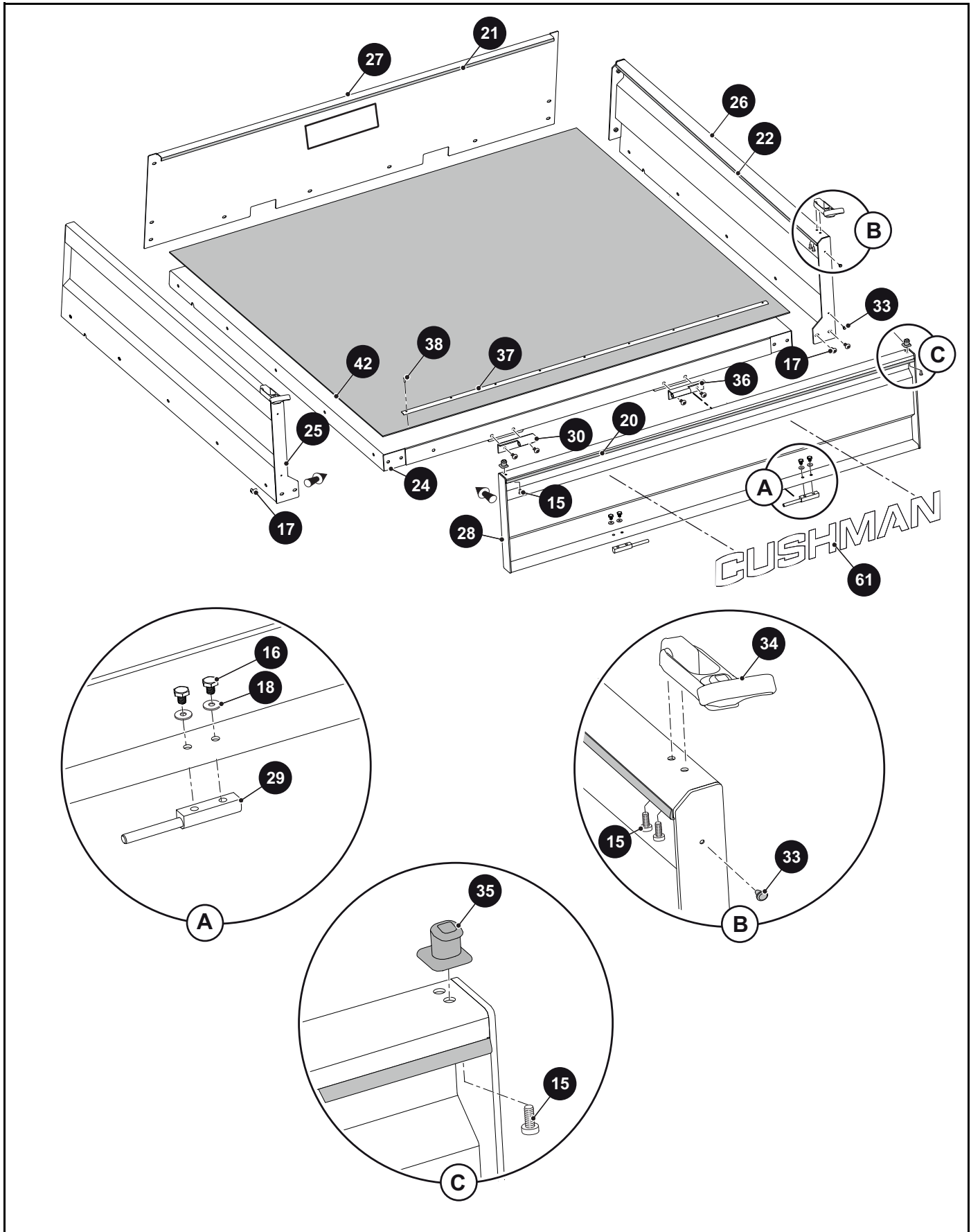
# TRUCK BED - METAL

- 1 ALUMINUM BED, ELECTRIC LIFT includes items 14, 43 - 60
- 2 ALUMINUM BED, MANUAL LIFT includes items 3 - 6, 14, 43
- 14 ALUMINUM BED, LARGE includes items 15 - 42





# TRUCK BED - METAL





# TRUCK BED - METAL

When ordering parts, please specify the model and serial number of the product.

\* Indicates a component that is not available as an individual part.

\*\*\* Indicates consult Customer Service Department for additional information.

ITEM	PART NO.	1 2 3 4 5	DESCRIPTION	QTY.
1	620482		ALUMINUM BED, ELECTRIC LIFT (INCLUDES ITEMS 14, 43 - 60) .....	1
2	620481		ALUMINUM BED, MANUAL LIFT ( INCLUDES ITEMS 3 - 6, 14, 43) .....	1
3	71537G02		GAS SPRING .....	1
4	602904		TETHER CABLE ASSEMBLY .....	1
5	21683G1		COTTER PIN.....	1
6	14443G12		CLEVIS PIN, 1/2" x 2.22" .....	1
7				
8	74962G01		BED LATCH.....	1
9	71477G02		LATCH RETAINER BRACKET .....	1
10	71099G02		LATCH KEEPER PLATE .....	2
11	71538G01		LATCH TORSION SPRING .....	1
12	01118G01		HEX SCREW, 1/4-20UNC 2A X 5 X 8".....	4
13	71704G01		HANDLE GRIP .....	2
14	612612		ALUMINUM BED, LARGE ( INCLUDES ITEMS 15 - 42) .....	1
15	612957		PAN HEAD SCREW 10 - 24 X.500 .....	6
16	*		HEX HEAD BOLT, 1/4" - 20 X 3/8 .....	4
17	612959		TORX SCREW, 1/4" - 20 X 56 .....	28
18	*		FLAT WASHER, .550 X .250.....	4
19	*		HEX NUT, 3/8" - 16 .....	2
20	*		EDGE PROTECTOR .....	1
21	*		EDGE PROTECTOR .....	1
22	*		EDGE PROTECTOR .....	2
23	612965		CLEVIS PIN .....	3
24	*		BED BOTTOM .....	1
25	*		SIDE PANEL (DRIVER SIDE).....	1
26	*		SIDE PANEL (PASSENGER SIDE) .....	1
27	*		FRONT PANEL .....	1
28	612970		TAILGATE .....	1
29	612971		PIVOT PIN .....	2
30	612972		TAILGATE HINGE (DRIVER SIDE).....	1
31	612973		PIVOT RING CLIP, RUE .....	3

# TRUCK BED - METAL

When ordering parts, please specify the model and serial number of the product.

\* Indicates a component that is not available as an individual part.

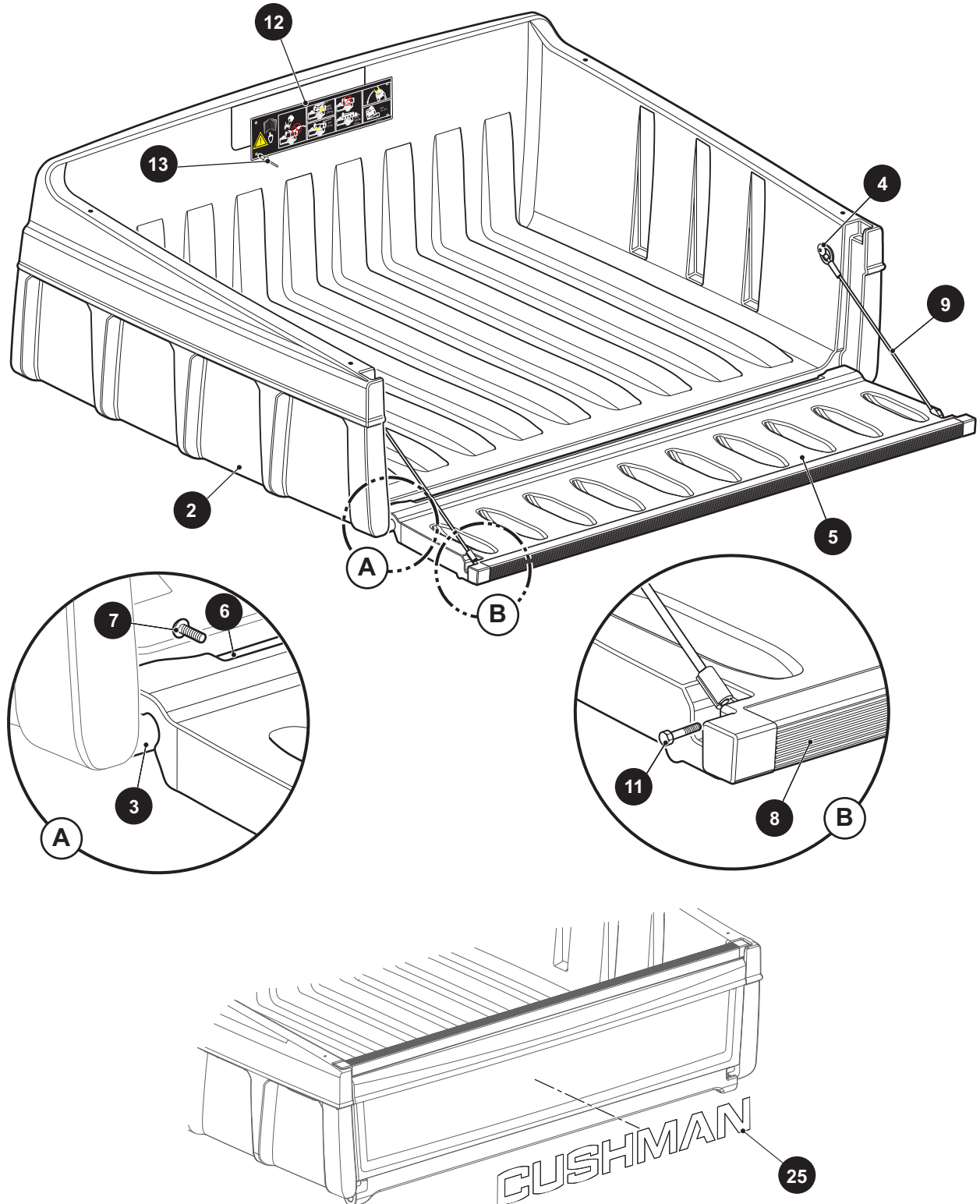
\*\*\* Indicates consult Customer Service Department for additional information.

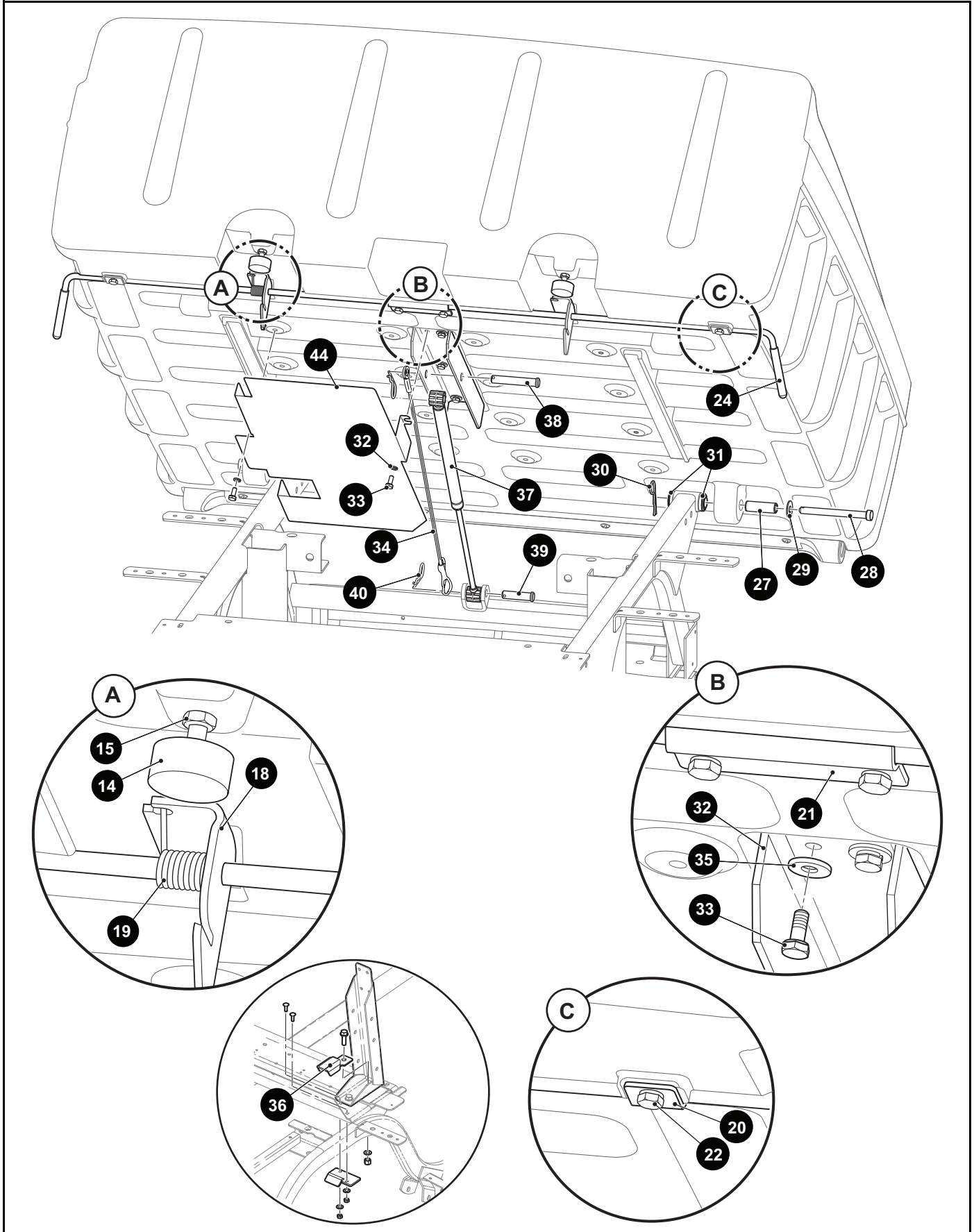
ITEM	PART NO.	1	2	3	4	5	DESCRIPTION	QTY.
32	612974						LEVELING PAD .....	2
33	*						BUMPER INSERT,RUBBER .....	4
34	612976						DRAW LATCH ASSY.....	2
35	612977						DRAW LATCH KEEPER.....	2
36	612978						TAILGATE HINGE, (PASSENGER SIDE) .....	1
37	614440						MAT RETAINER .....	1
38	*						ALUMINUM BED RIVET .....	9
39	*						HINGE SUPPORT.....	2
40	*						NUT .....	2
41	*						ALUMINUM BED BOLT .....	1
42	*						RUBBER MAT .....	1
43	624030						FLANGED BUSHING.....	4
44	17618G1						NYLON CLAMP (NOT SHOWN).....	8
45	74165G02						CIRCUIT BREAKER MOUNTING BRACKET .....	1
46	00150G4						ROUND HEAD SCREW, #10 - 24 X 1/2" LG .....	2
47	00565G5						LOCK WASHER, #10.....	2
48	00526G3						HEX NUT, #10 - 24.....	2
49	27680G01						TOGGLE SWITCH .....	1
50	27447G01						TOGGLE GUARD ASSEMBLY .....	1
51	10570G9						ALUMINUM RIVET, 1/8" X 11/32" LG .....	2
52	25976G14						14 GA WIRE (RED 5") .....	1
53	14443G11						CLEVIS PIN, 1/2" X 1 3/4" LG.....	1
54	27613G01						SPACER.....	2
55	21683G1						COTTER PIN, 15/32" X 2 13/16" LG.....	1
56	74163G01						DUMP HARNESS (48V) (NOT SHOWN).....	1
57	11845G3						INSULATED CABLE CLAMP, 11/16" (NOT SHOWN).....	2
58	00532G3						HEX NUT, 5/16" - 18 (NOT SHOWN) .....	2
59	21320G3						CIRCUIT BREAKER (30 AMP 12V).....	1
60	27612G02						ELECTRIC ACTUATOR, 12V .....	1
61	618088						CUSHMAN REAR BED DECAL.....	1



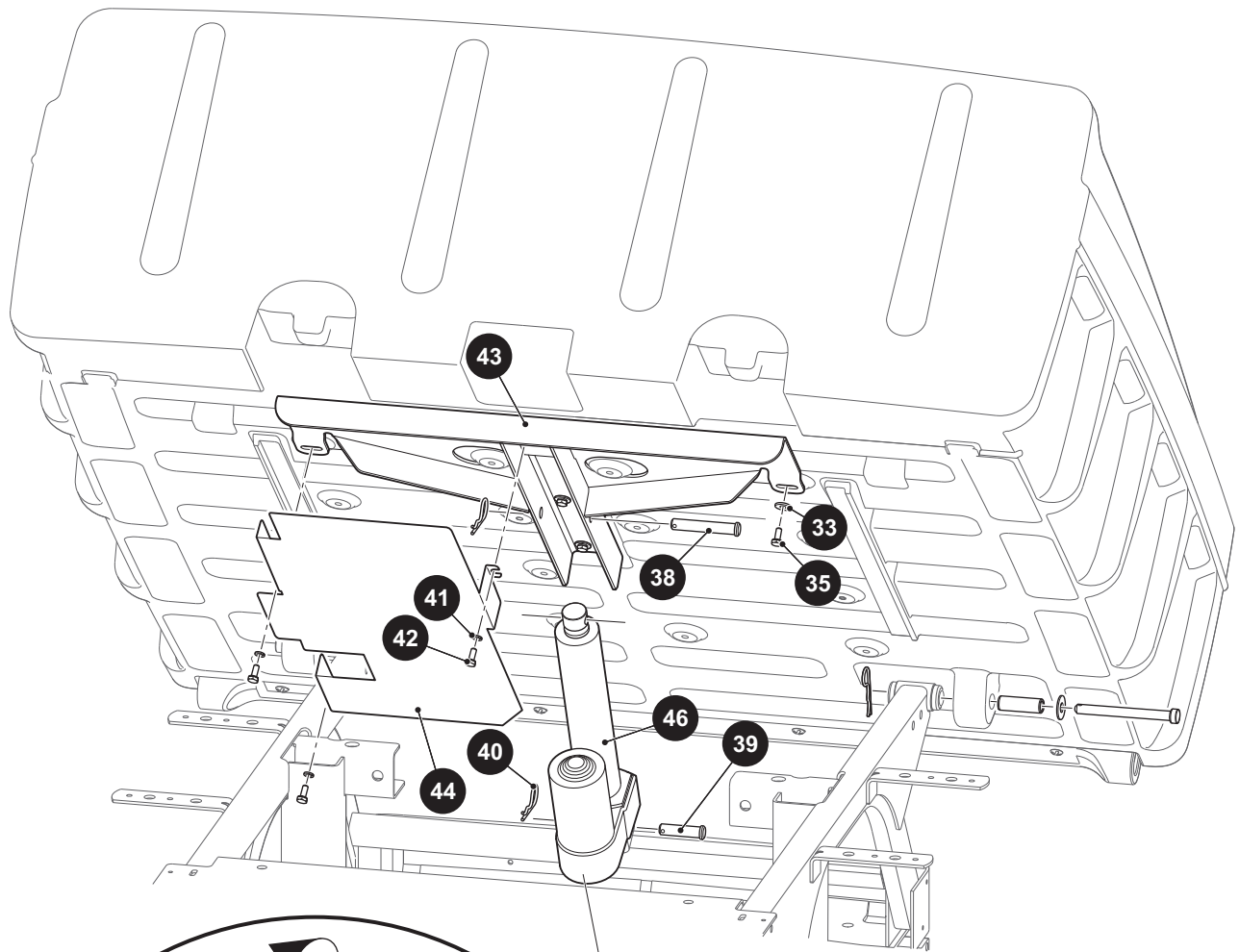
# TRUCK BED - PLASTIC

1 40" PLASTIC BED ASSEMBLY includes items 2 - 11

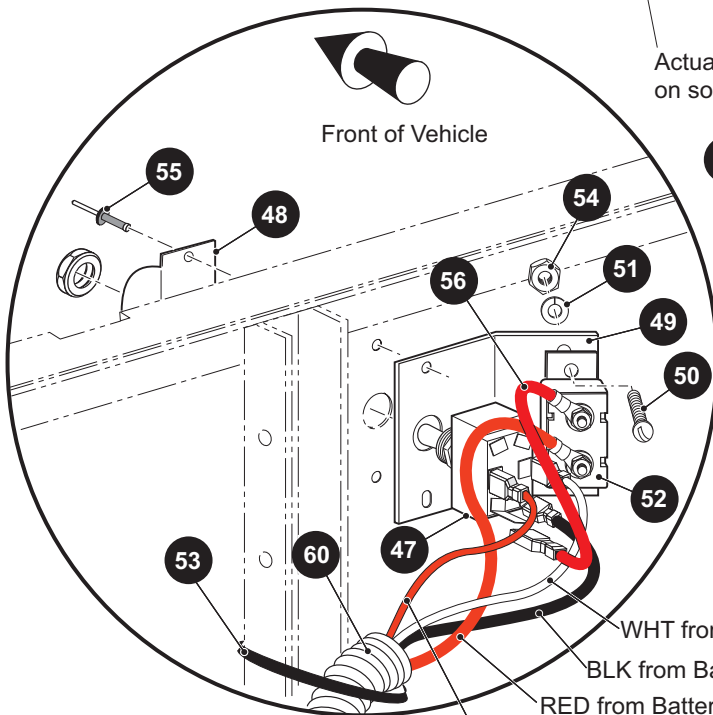




# TRUCK BED - PLASTIC

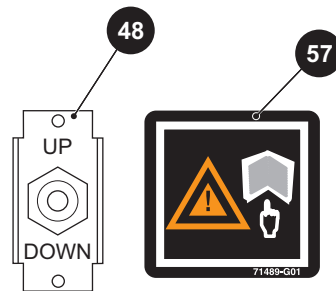


Actuator may be rotated 90° on some models



WHT from Actuator  
 BLK from Battery  
 RED from Battery  
 RED from Actuator

45 ELECTRIC DUMP KIT includes items 46 - 56



# TRUCK BED - PLASTIC

When ordering parts, please specify the model and serial number of the product.

\* Indicates a component that is not available as an individual part.

\*\*\* Indicates consult Customer Service Department for additional information.

ITEM	PART NO.	1 2 3 4 5	DESCRIPTION	QTY.
1	73451G01		BED ASSEMBLY, 40" (INCLUDES ITEMS 2 -11) .....	1
2	*		PLASTIC BED, 40" .....	1
3	73454G01		PIVOT SHAFT .....	2
4	73460G01		SHOULDER BOLT, 1/4" - 20 X 3/4" LG .....	2
5	73455G01		TAILGATE CABLE .....	1
6	73450G01		BOWED ANGLE .....	1
7	16705G2		STAINLESS STEEL SCREW, 1/4" - 20 X 5/8" LG .....	4
8	73449G01		TAILGATE CAP .....	1
9	16816G5		RATCHET FASTENER, .187 X .550.....	4
10				
11	00415G2		HEX HEAD BOLT, 1/4" - 20 X 5/8" LG .....	2
12	74821G03		BED CAPACITY LABEL.....	1
13	71055G01		ALUMINUM RIVET, 3/16" X 1" LG .....	5
14	70113G01		ADJUSTABLE RUBBER BUMPER.....	2
15	11027G1		LOCK NUT, 5/16" - 18.....	2
16				
17				
18	74962G01		BED LATCH .....	1
19	71538G01		LATCH TORSION SPRING .....	1
20	71099G02		LATCH PLATE .....	2
21	71477G02		RETAINER BRACKET .....	1
22	01118G01		HEX HEAD BOLT W/PATCHLOCK, 1/4" - 20 X 5/8" LG .....	4
23				
24	71704G01		HANDLE GRIP.....	2
25	618088		CUSHMAN REAR BED DECAL.....	1
26				
27	71570G01		BUSHING.....	2
28	71571G01		CLEVIS PIN, .50 DIA X 5.25" LG .....	2
29	00571G5		FLAT WASHER, 1 1/4" X 7/16" .....	2
30	21683G1		HAIR CLIP, 2.9 X .84 X .53 .....	2
31	624030		FLANGED BUSHING.....	4

# TRUCK BED - PLASTIC

When ordering parts, please specify the model and serial number of the product.

\* Indicates a component that is not available as an individual part.

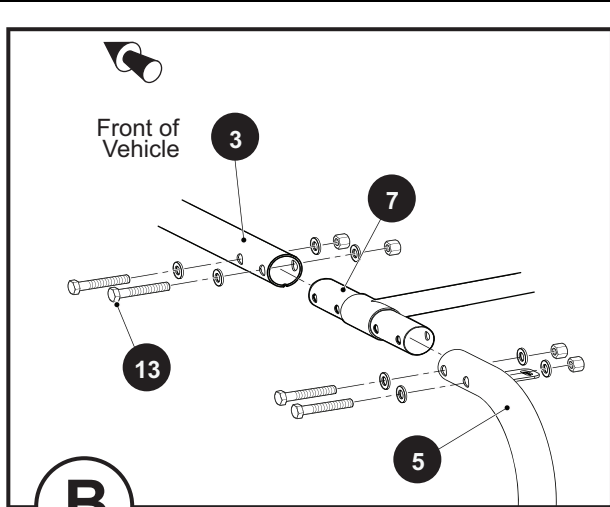
\*\*\* Indicates consult Customer Service Department for additional information.

ITEM	PART NO.	1 2 3 4 5	DESCRIPTION	QTY.
32	71569G02		SPRING CHANNEL.....	1
33	01118G01		HEX HEAD BOLT W/PATCHLOCK, 1/4" - 20 X 5/8" LG .....	8
34	602904		BED TETHER CABLE .....	1
35	00642G7		FLAT WASHER, 1/4" .....	8
36	74947G01		BRACKET, BUMPER.....	2
37	71537G02		GAS SPRING .....	2
38	14443G10		CLEVIS PIN, 1/2" X 2 27/32" LG .....	1
39	14443G12		CLEVIS PIN, 1/2" X 1 3/4" LG .....	1
40	21683G1		HAIR CLIP, 2.9 X .84 X .53 .....	2
41	00642G7		FLAT WASHER, 1/4" .....	8
42	01118G01		HEX HEAD BOLT W/PATCHLOCK, 1/4" - 20 X 5/8" LG .....	8
43	71547G02		OUTRIGGER CHANNEL.....	1
44	72339G02		PLASTIC BED HEAT SHIELD (GASLONE VEHICLES ONLY).....	1
45	74164G01		ELECTRIC DUMP KIT ( INCLUDES ITEMS 46 - 56 ).....	1
46	27612G02		ELECTRIC ACTUATOR, 12 VOLT, 1500 LBS .....	1
47	27680G01		TOGGLE SWITCH.....	1
48	27447G01		TOGGLE GUARD .....	1
49	74165G02		CIRCUIT BREAKER MOUNTING BRACKET.....	1
50	00150G4		ROUND HEAD SCREW, 10 - 24 X 1/2" LG .....	2
51	00565G5		LOCK WASHER, #10.....	2
52	21320G3		CIRCUIT BREAKER 30A 12V.....	1
53	17618G1		WIRE TIE .....	8
54	00526G3		HEX NUT, #10 - 24.....	2
55	10570G9		RIVET, 5/32 X .55.....	2
56	25976G14		14 GA WIRE (RED 5") .....	1
57	71489G01		READ INSTRUCTION DECAL.....	1
58				
59	27613G01		SPACER.....	2
60	74613G01		HARNESS.....	1



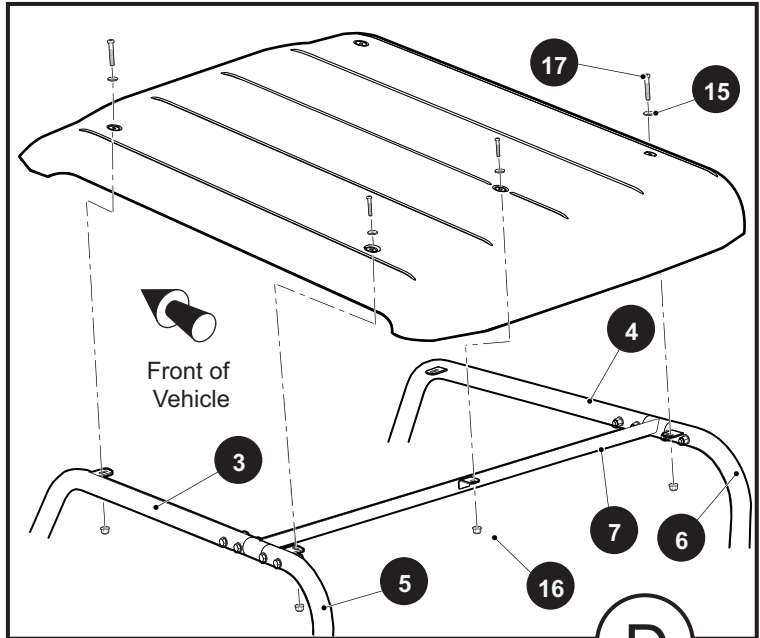


# WEATHER PROTECTION



**B**

**2** CANOPY STRUT KIT includes item 3 - 8

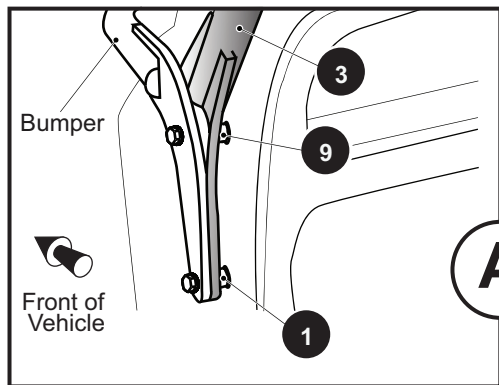
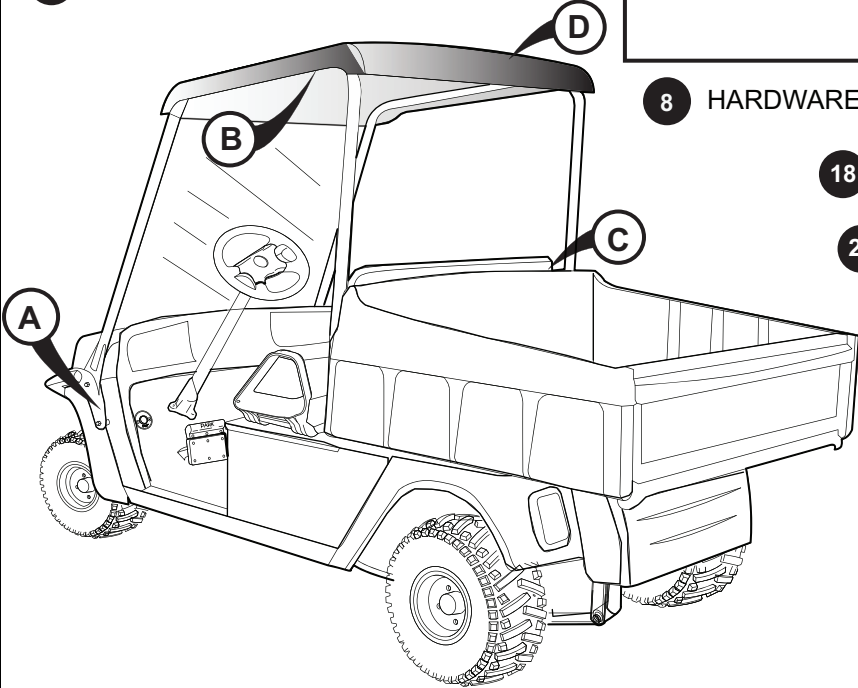
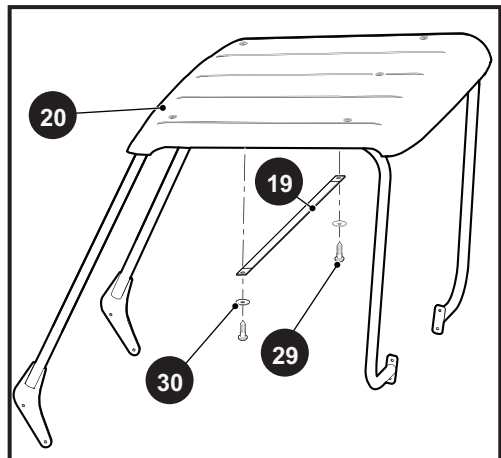


**D**

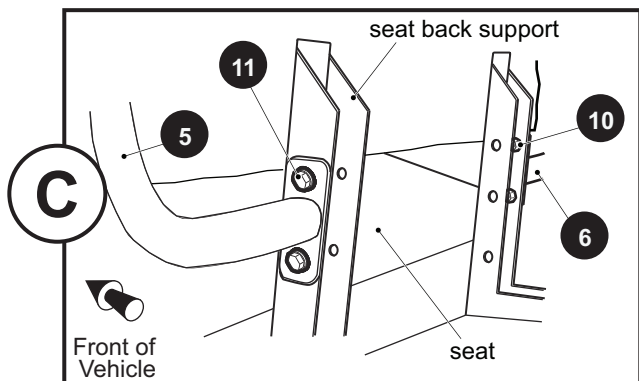
**8** HARDWARE KIT includes item 9 - 17

**18** CANOPY ASSEMBLY, REINFORCED (BLACK) includes items 19 - 21

**21** REINFORCED CANOPY HARDWARE KIT includes items 29, 30



**A**

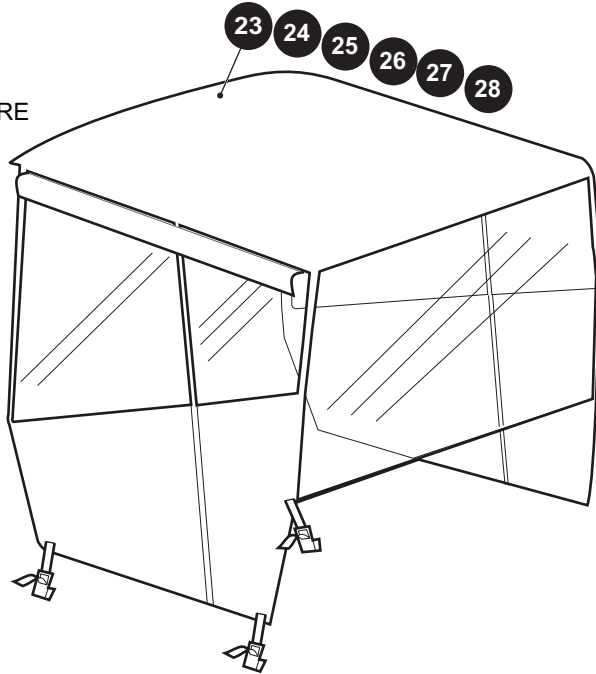


**C**

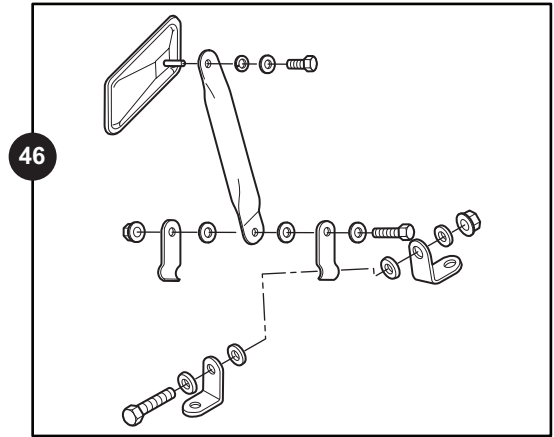
32 FULL WINDSHIELD KIT includes items 33 - 38

41 SPLIT WINDSHIELD KIT includes items 34 - 37, 42, 43

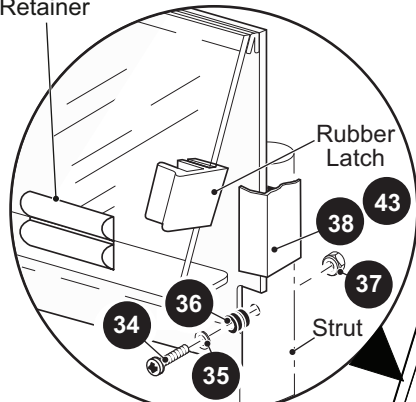
ENCLOSURE



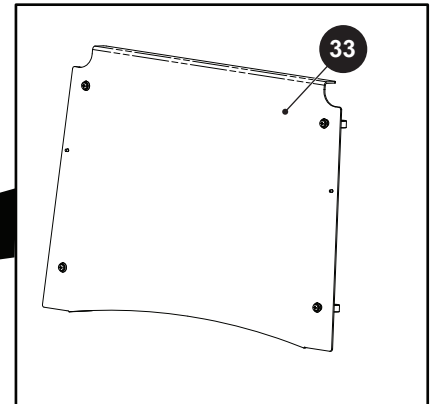
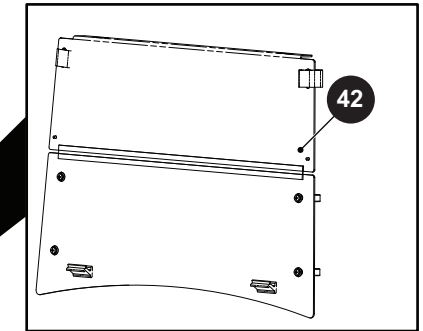
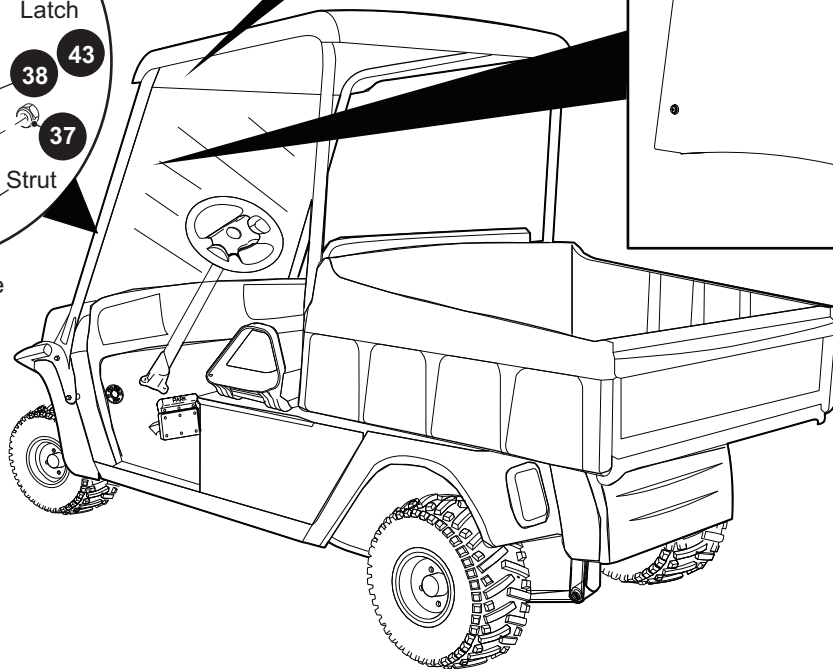
REAR VIEW MIRROR



Windshield Retainer

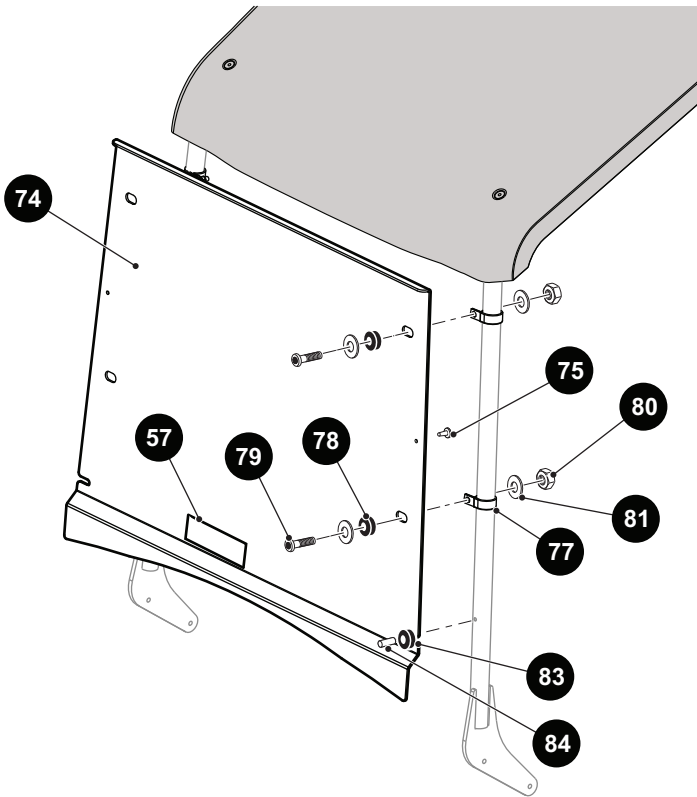


Front of Vehicle

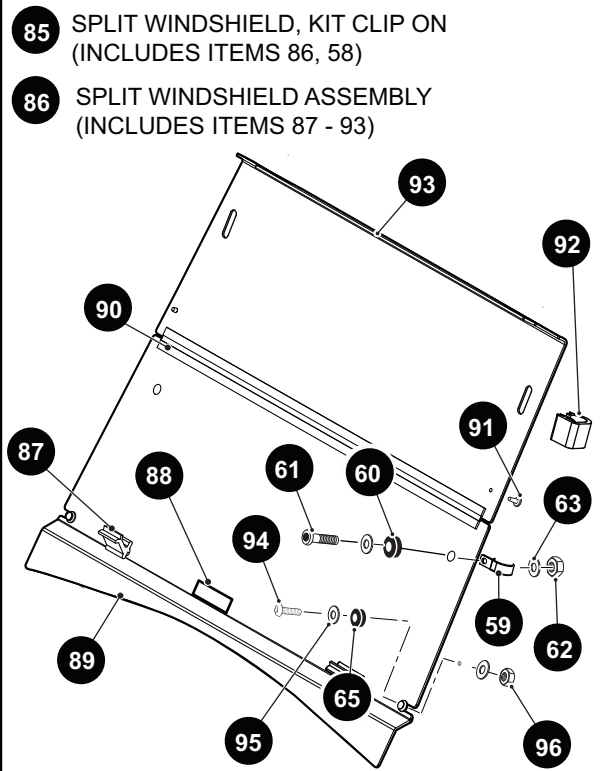


# WEATHER PROTECTION

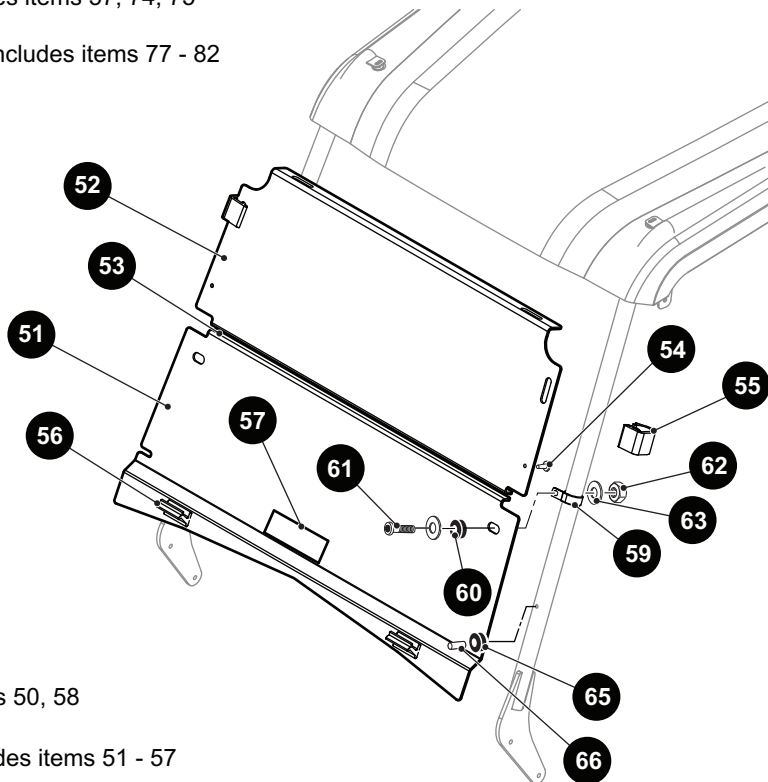
FOR VEHICLES MANUFACTURED FROM  
1<sup>ST</sup> DECEMBER 2014



- 72 FULL WINDSHIELD KIT includes items 73, 76
- 73 FULL WINDSHIELD ASSEMBLY includes items 57, 74, 75
- 76 FULL WINDSHIELD HARDWARE KIT includes items 77 - 82



- 85 SPLIT WINDSHIELD, KIT CLIP ON  
(INCLUDES ITEMS 86, 58)
- 86 SPLIT WINDSHIELD ASSEMBLY  
(INCLUDES ITEMS 87 - 93)



- 49 SPLIT WINDSHIELD KIT includes items 50, 58
- 50 SPLIT WINDSHIELD ASSEMBLY includes items 51 - 57
- 58 SPLIT WINDSHIELD HARDWARE KIT includes items 59 - 64, 94 - 96

# WEATHER PROTECTION

When ordering parts, please specify the model and serial number of the product.

\* Indicates a component that is not available as an individual part.

\*\*\* Indicates consult Customer Service Department for additional information.

ITEM	PART NO.	1 2 3 4 5	DESCRIPTION	QTY.
1	75048G01		SPACER, 1/2" .....	2
2	638362		CANOPY STRUTS KIT (INCLUDES ITEMS 3 - 8) .....	1
3	638092G01		CANOPY SUPPORT (DRIVER SIDE FRONT) .....	1
4	638092G02		CANOPY SUPPORT (PASSENGER SIDE FRONT).....	1
5	626084		CANOPY SUPPORT (DRIVER SIDE REAR).....	1
6	626085		CANOPY SUPPORT (PASSENGER SIDE REAR) .....	1
7	617641		CANOPY SUPPORT, CROSS TUBE .....	1
8	624119		HARDWARE KIT (INCLUDES ITEMS 9 - 17) .....	1
9	619586		SPACER, 3/4" .....	2
10	11098G6		LOCK NUT, 5/16" - 18.....	4
11	00438G7		HEX HEAD BOLT, 5/16" - 18 X 7/8" LG .....	4
12	11098G5		LOCK NUT, 3/8" - 16.....	8
13	00428G2		HEX HEAD BOLT, 3/8" - 16 X 2 1/4" LG .....	8
14	00560G1		FLAT WASHER, 3/8" .....	16
15	00915G1		FLAT WASHER, 1/4" .....	5
16	601476		LOCK NUT, M6 - 1 .....	5
17	*		TORX BOLT, M6 - 1 X 40MM LG .....	5
18	639612		CANOPY ASSEMBLY, REINFORCED (BLACK) (INCLUDES ITEMS 19 - 21) .....	1
19	639438		REINFORCEMENT CANOPY .....	1
20	639044		CANOPY (BLACK) .....	1
21	639614		REINFORCED CANOPY HARDWARE KIT (INCLUDES ITEMS 29, 30).	1
22				
23	624829		TOP ENCLOSURE (BLACK) .....	1
24	624830		TOP ENCLOSURE (GRAY) .....	1
25	624831		TOP ENCLOSURE (GREEN) .....	1
26	624832		TOP ENCLOSURE (WHITE) .....	1
27	624833		TOP ENCLOSURE (TAN).....	1
28	*		VELCRO .....	AR
29	608290		PHILLIPS HEAD SELF TAPPING SCREW, #10 - 16 X .72" LG .....	1
30	00559G4		FLAT WASHER, O.D .45" X I.D .19" .....	1

# WEATHER PROTECTION

When ordering parts, please specify the model and serial number of the product.

\* Indicates a component that is not available as an individual part.

\*\*\* Indicates consult Customer Service Department for additional information.

ITEM	PART NO.	1	2	3	4	5	DESCRIPTION	QTY.
31								
32	71966G03						FULL WINDSHIELD KIT (INCLUDES ITEMS 33 - 38).....	1
33	71960G01						FULL WINDSHIELD.....	1
34	*						HEX HEAD BOLT, 1/4" - 20 X 1 3/4" LG .....	2
35	*						FLAT WASHER (SS), 1/4" .....	4
36	*						RUBBER GROMMET .....	2
37	*						LOCK NUT (SS), 1/4" - 20 .....	2
38	615662						SASH, 26" LG .....	2
39								
40								
41	71966G04						SPLIT WINDSHIELD KIT (INCLUDES ITEMS 34 - 37, 42, 43).....	1
42	617544						SPORT WINDSHIELD .....	1
43	615661						SASH, 12" LG .....	2
44								
45								
46	27924G01						MIRROR ASSEMBLY .....	1
47								
48								
49	625932						SPLIT WINDSHIELD KIT, CLIP - ON (INCLUDES ITEMS 50, 58) (FOR VEHICLES MANUFACTURED BEFORE 1ST DECEMBER 2014) .....	1
50	625930						SPLIT WINDSHIELD ASSEMBLY (INCLUDES ITEMS 51 - 57).....	1
51	625898						WINDSHIELD (LOWER) .....	1
52	625899						WINDSHIELD (UPPER) .....	1
53	603705						HINGE .....	1
54	604115						GROMMET .....	2
55	619621						UPPER LATCH.....	2
56	603201						LOWER LATCH.....	2
57	71963G01						WARNING DECAL .....	1
58	625928						HARDWARE KIT, SPLIT WINDSHIELD (INCLUDES ITEMS 59 - 64, 94 - 96) .....	1
59	619078						TUBE CLAMP, 1.5" DIA.....	2
60	604116						FASTENER GROMMET .....	2

# WEATHER PROTECTION

When ordering parts, please specify the model and serial number of the product.

\* Indicates a component that is not available as an individual part.

\*\*\* Indicates consult Customer Service Department for additional information.

ITEM	PART NO.	1	2	3	4	5	DESCRIPTION	QTY.
61	619082						PAN HEAD BOLT, 3/8" - 16 X 1 1/2" LG .....	2
62	11098G5						LOCK NUT, 3/8" - 16 .....	2
63	306981						FLAT WASHER, 3/8" .....	4
64	624785						GROMMET ASSEMBLY, 1/4" (INCLUDES ITEMS 65, 66) .....	2
65	624780						GROMMET, 1/4" .....	1
66	624778						SLEEVE, 1/4" .....	1
67								
68								
69								
70								
71								
72	625931						FULL WINDSHIELD KIT, CLIP - ON (INCLUDES ITEMS 73, 76) .....	1
73	625927						FULL WINDSHIELD ASSEMBLY (INCLUDES ITEMS 57, 74, 75) .....	1
74	625904						FULL WINDSHIELD .....	1
75	604115						GROMMET .....	2
76	625929						HARDWARE KIT, FULL WINDSHIELD (INCLUDES ITEMS 77 - 82) .....	1
77	619078						TUBE CLAMP, 1.5" DIA .....	4
78	604116						FASTENER GROMMET .....	4
79	619082						PAN HEAD BOLT, 3/8" - 16 X 1 1/2" LG .....	4
80	11098G5						LOCK NUT, 3/8" - 16 .....	4
81	306981						FLAT WASHER, 3/8" .....	8
82	624785						GROMMET ASSEMBLY, 1/4" (INCLUDES ITEMS 83, 84) .....	2
83	624780						GROMMET, 1/4" .....	1
84	624778						SLEEVE, 1/4" .....	1
85	638372						SPLIT WINDSHIELD KIT, CLIP ON (INCLUDES ITEMS 86, 58) (FOR VEHICLES MANUFACTURED FROM 1ST DECEMBER 2014) .....	1
86	638120						SPLIT WINDSHIELD ASSEMBLY (INCLUDES ITEMS 87 - 93) .....	1
87	603201						LOWER WINDSHIELD LATCH .....	2
88	71963G01						DECAL .....	1
89	638054						LOWER SPLIT WINDSHIELD .....	1
90	638070						HINGE .....	1

# WEATHER PROTECTION

When ordering parts, please specify the model and serial number of the product.

\* Indicates a component that is not available as an individual part.

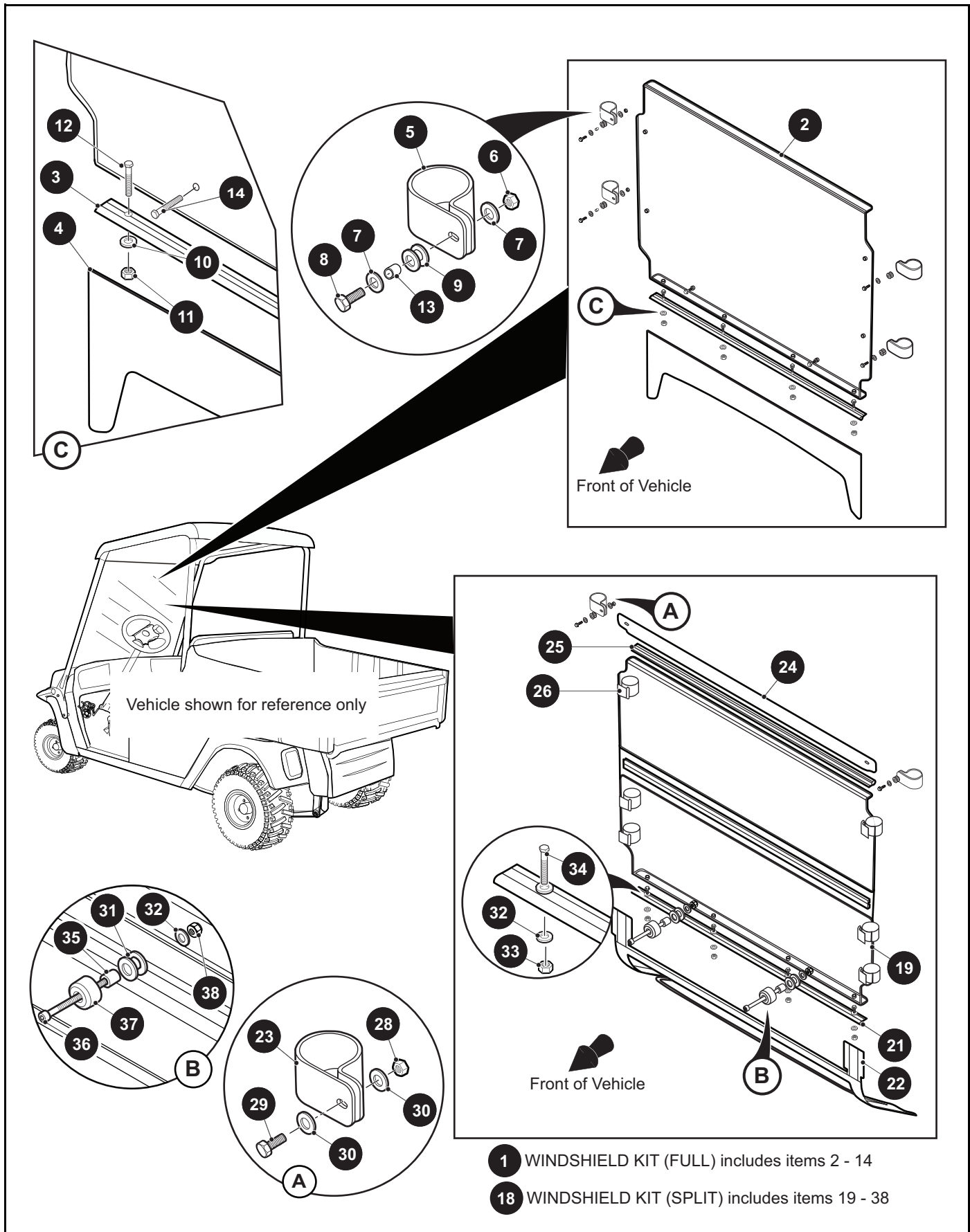
\*\*\* Indicates consult Customer Service Department for additional information.

ITEM	PART NO.	1	2	3	4	5	DESCRIPTION	QTY.
91	604115						GROMMET .....	2
92	619621						UPPER WINDSHIELD LATCH .....	2
93	638053						UPPER SPLIT WINDSHIELD.....	1
94	00753G7						TRUSS HEAD PHILLIPS SCREW, 1/4" - 20 X 2.5" LG .....	2
95	00650G7						FLAT WASHER, 1/4" .....	4
96	00550G1						HEX NUT, 1/4" - 20.....	2





# WEATHER PROTECTION - HAULER 1200



# WEATHER PROTECTION - HAULER 1200

When ordering parts, please specify the model and serial number of the product.

\* Indicates a component that is not available as an individual part.

\*\*\* Indicates consult Customer Service Department for additional information.

ITEM	PART NO.	1 2 3 4 5	DESCRIPTION	QTY.
1	627079		WINDSHIELD KIT (FULL) (INCLUDES ITEMS 2 - 14) .....	1
2	*		WINDSHIELD .....	1
3	*		AWNING MOLDING (ALUMINUM).....	1
4	*		TEXTILE SKIRT PLACEHOLDER.....	1
5	*		PLASTIC CLAMP .....	4
6	*		HEX NUT .....	6
7	*		FLAT WASHER .....	12
8	*		HEX HEAD BOLT .....	4
9	*		WINDSHIELD GROMMET .....	6
10	*		FLAT WASHER .....	8
11	*		HEX NUT .....	4
12	*		HEX HEAD BOLT .....	4
13	*		CRUSH SLEEVE .....	6
14	*		HEX HEAD BOLT .....	2
15				
16				
17				
18	627080		WINDSHIELD KIT (SPLIT) (INCLUDES ITEMS 19 - 38).....	1
19	*		WINDSHIELD .....	1
20				
21	*		AWNING MOLDING (ALUMINUM).....	1
22	*		TEXTILE SKIN PLACEHOLDER.....	1
23	*		PLASTIC CLAMP .....	2
24	*		UPPER METAL SEAL .....	1
25	*		UNIGRIP.....	1
26	*		TEXTILE STRAP .....	6
27				
28	*		HEX NUT .....	2
29	*		HEX HEAD BOLT .....	2
30	*		FLAT WASHER .....	4
31	*		GROMMET .....	2

# WEATHER PROTECTION - HAULER 1200

When ordering parts, please specify the model and serial number of the product.

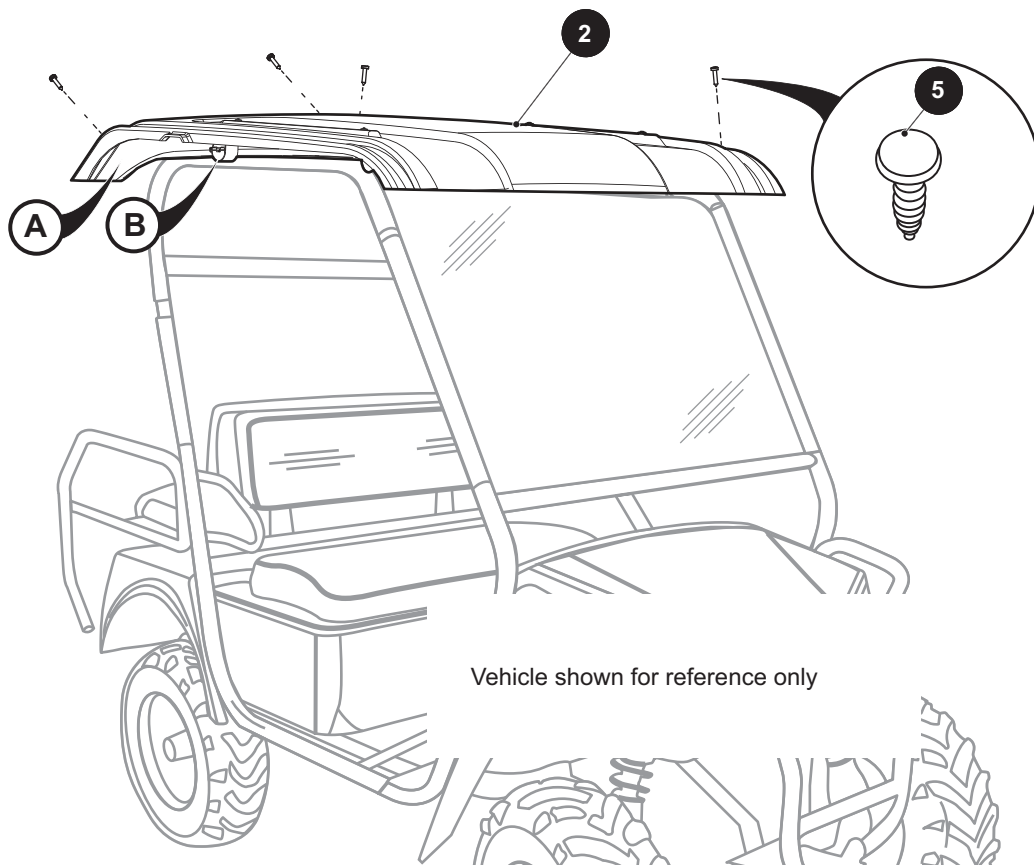
\* Indicates a component that is not available as an individual part.

\*\*\* Indicates consult Customer Service Department for additional information.

ITEM	PART NO.	1	2	3	4	5	DESCRIPTION	QTY.
32	*						FLAT WASHER .....	10
33	*						HEX NUT .....	4
34	*						HEX HEAD BOLT.....	4
35	*						CRUSH SLEEVE .....	2
36	*						HEX HEAD BOLT.....	2
37	*						BUMPER.....	2
38	*						HEX NUT .....	2



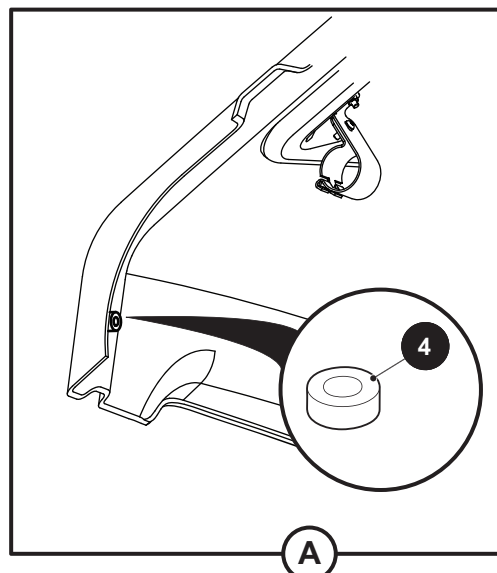
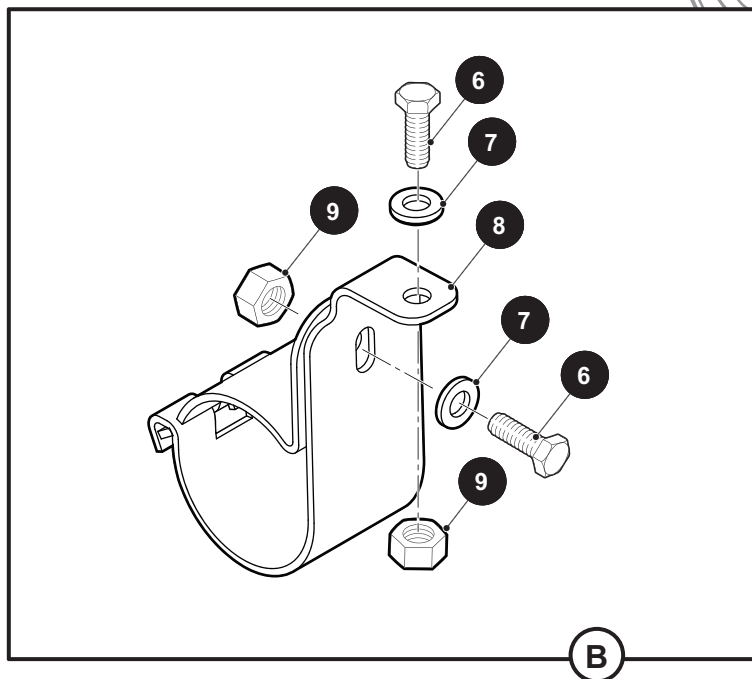
# WEATHER PROTECTION - HAULER 1200



Vehicle shown for reference only

1 TOP CANOPY KIT includes items 2, 3

3 HARDWARE KIT includes items 4 - 9



# WEATHER PROTECTION - HAULER 1200

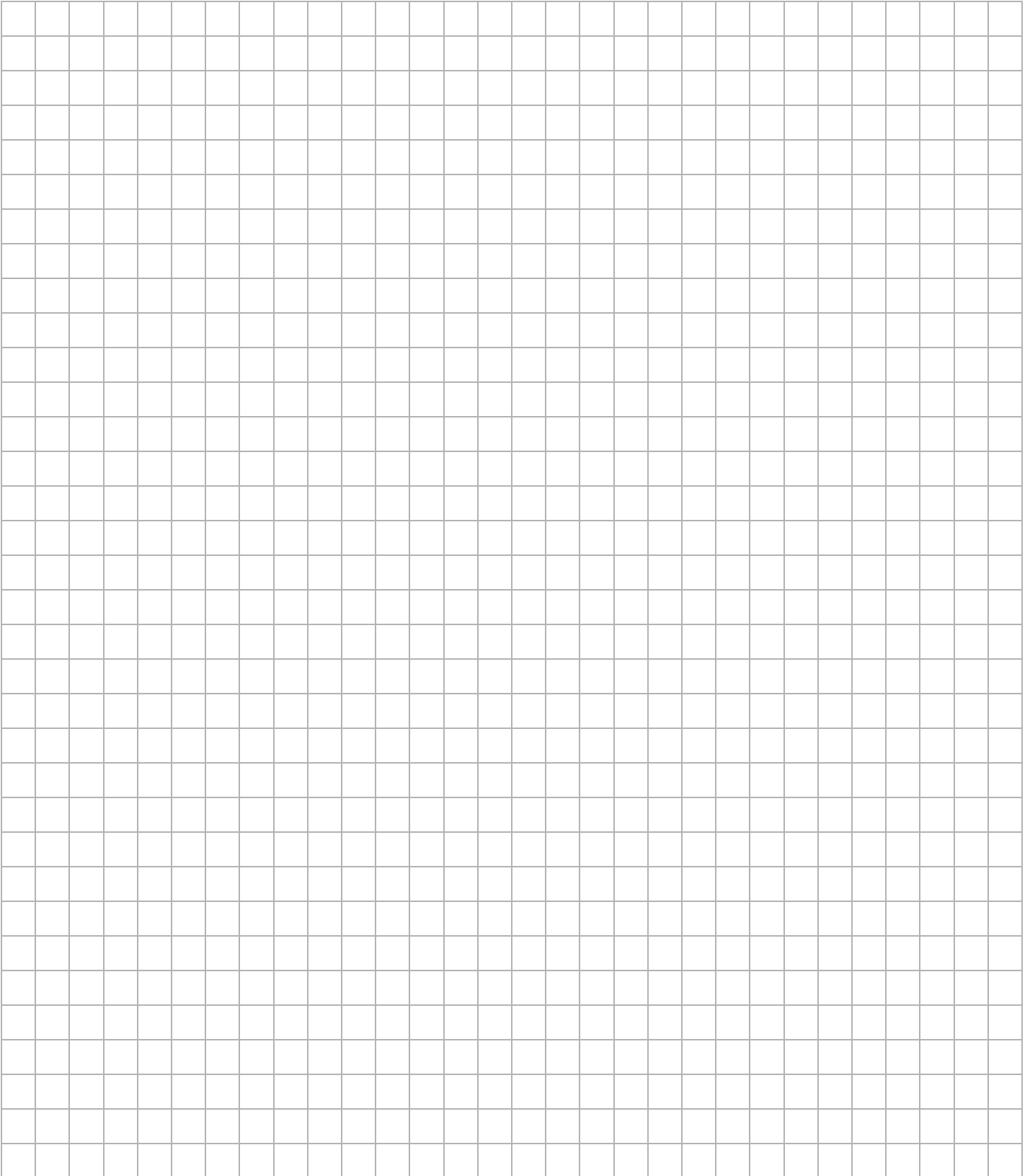
When ordering parts, please specify the model and serial number of the product.

\* Indicates a component that is not available as an individual part.

\*\*\* Indicates consult Customer Service Department for additional information.

ITEM	PART NO.	1 2 3 4 5	DESCRIPTION	QTY.
1	628584		TOP CANOPY KIT (INCLUDES ITEMS 2, 3) .....	1
2	627077		TOP CANOPY .....	1
3	628585		HARDWARE KIT (INCLUDES ITEMS 4 - 9) .....	1
4	*		RUBBER SPACER.....	4
5	*		CHRISTMAS TREE PUSH RIVET.....	4
6	*		HEX HEAD BOLT, M6 - 1 X 20MM LG.....	8
7	*		FLAT WASHER, 1/4" .....	8
8	*		CLAMP (2 PIECE).....	4
9	*		HEX NUT, M6 - 1.....	8

Notes:

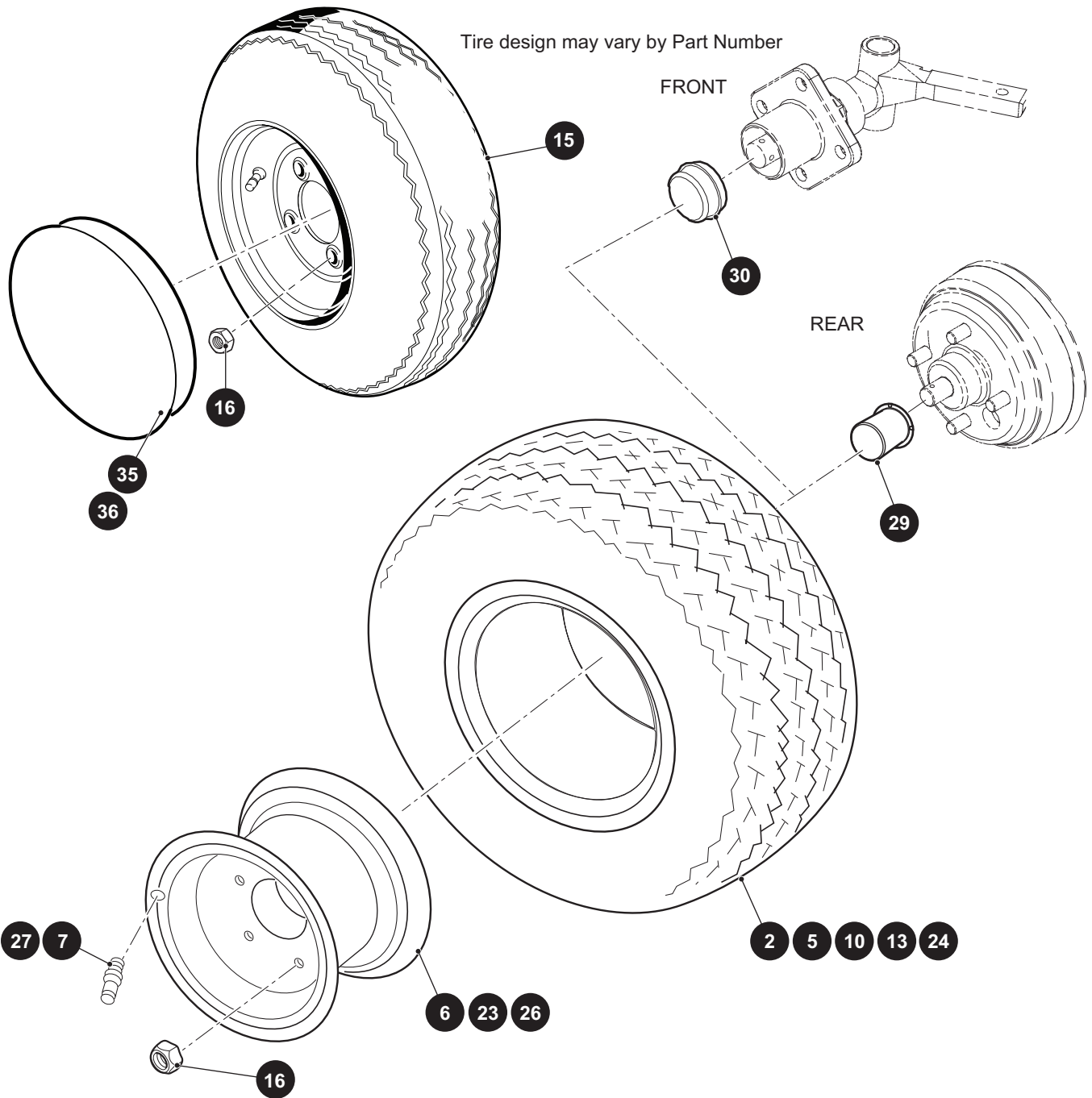
A large grid of graph paper, consisting of 20 columns and 30 rows of small squares, intended for taking notes.





# WHEELS AND TIRES

- 1 TIRE AND WHEEL ASSEMBLY (LINKS 18 X 8.5 - 8) includes items 2, 26, 27
- 4 TIRE AND WHEEL ASSEMBLY (TURF SAVER 20 X 10 - 10) includes items 5 - 7
- 9 WHEEL & TIRE ASSEMBLY (TURF SAVER 18 X 8.5 - 8) includes items 10, 26, 27
- 12 WHEEL AND TIRE ASSEMBLY (USA TRAIL 18 X 8.5 - 8) includes items 13, 26, 27
- 22 WHEEL AND TIRE ASSEMBLY (HOLE-N-HOLE) includes items 23, 24, 27
- 33 HUBCAP ASSEMBLY (GOLD) includes items 35, 37
- 34 HUBCAP ASSEMBLY (SILVER) includes items 36, 37



# WHEELS AND TIRES

When ordering parts, please specify the model and serial number of the product.

\* Indicates a component that is not available as an individual part.

\*\*\* Indicates consult Customer Service Department for additional information.

ITEM	PART NO.	1 2 3 4 5	DESCRIPTION	QTY.
1	28757G01		TIRE AND WHEEL ASSEMBLY (LINKS 18 X 8.5 - 8) (INCLUDES ITEMS 2, 26, 27).....	1
2	28764G01		TIRE (LINKS 18 X 8.5 - 8).....	1
3				
4	28442G01		TIRE AND WHEEL ASSEMBLY (TURF SAVER 20 X 10 - 10) (INCLUDES ITEMS 5 - 7).....	1
5	28442G02		CARLISLE TIRE (TURF SAVER 20 X 10 - 10).....	1
6	15172G01		WHEEL RIM.....	1
7	11657G1		VALVE STEM.....	1
8				
9	28757G03		WHEEL & TIRE ASSEMBLY (TURF SAVER 18 X 8.5 - 8) (INCLUDES ITEMS 10, 26, 27).....	1
10	28764G03		TIRE (TURF-SAVER 18 X 8.5 - 8).....	1
11				
12	28842G01		WHEEL AND TIRE ASSEMBLY (USA TRAIL 18 X 8.5 - 8) (INCLUDES ITEMS 13, 26, 27).....	1
13	28764G06		CARLISLE TIRE (18.5 X 8.5 - 8 LOAD RANGE C).....	1
14				
15	614437		LOAD STAR WHEEL AND TIRE ASSEMBLY.....	2
16	14723G1		LUG NUT, 1/2" - 20.....	A/R
17				
18				
19				
20				
21				
22	612772		WHEEL AND TIRE ASSEMBLY (HOLE-N-HOLE) (INCLUDES ITEMS 23, 24, 27).....	2
23	612770		WHEEL, 8".....	1
24	612771		TIRE (HOLE-N-HOLE).....	1
25				
26	28759G01		WHEEL RIM (4 LUG).....	1
27	11657G2		VALVE STEM.....	1
28				

# WHEELS AND TIRES

When ordering parts, please specify the model and serial number of the product.

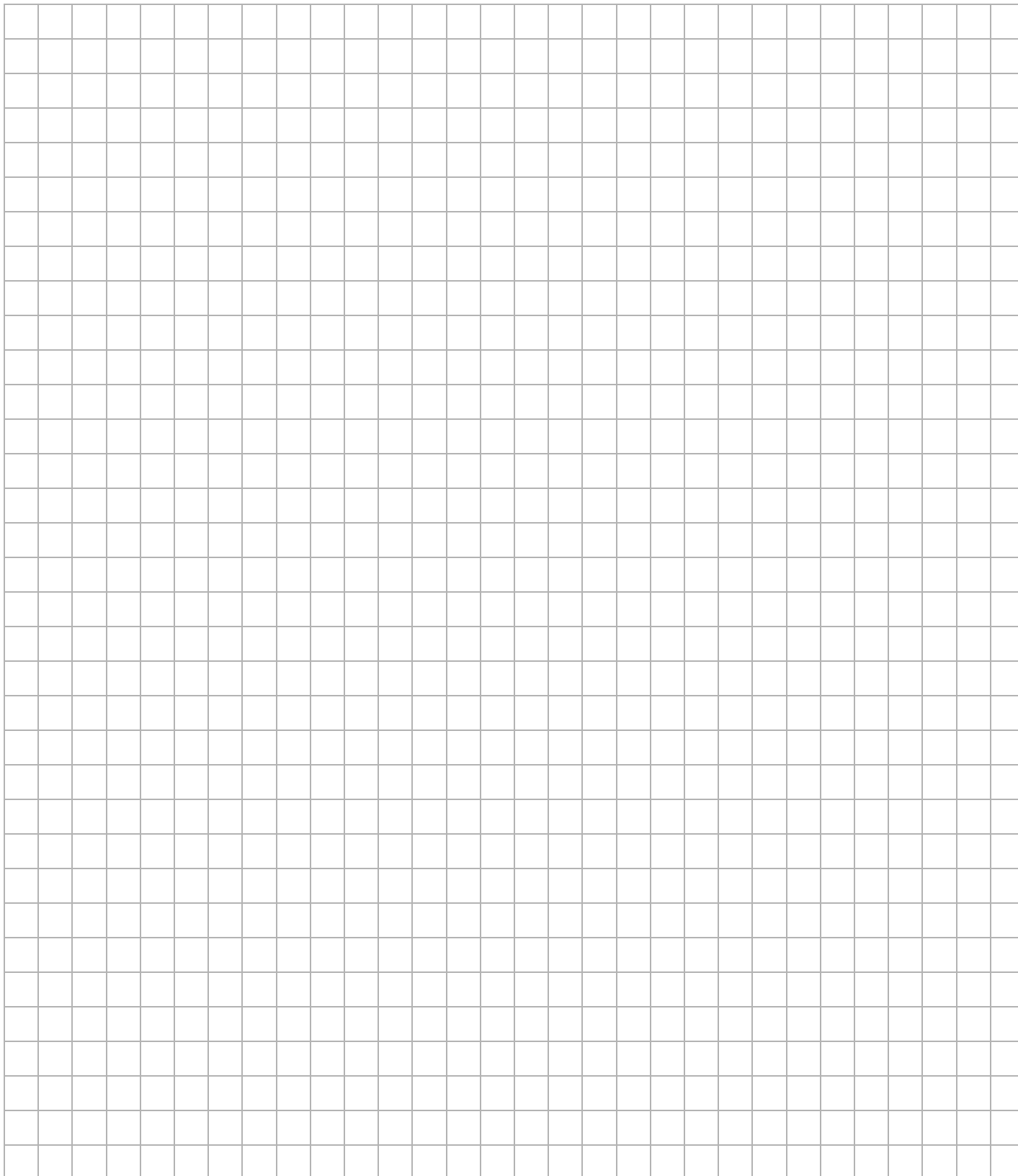
\* Indicates a component that is not available as an individual part.

\*\*\* Indicates consult Customer Service Department for additional information.

ITEM	PART NO.	1 2 3 4 5	DESCRIPTION	QTY.
29	601353		WHEEL CAP .....	2
30	12091G2		SPINDLE CAP .....	2
31				
32				
33	615617		HUBCAP ASSEMBLY (GOLD) (INCLUDES ITEMS 35, 37) .....	1
34	615618		HUBCAP ASSEMBLY (SILVER) (INCLUDES ITEMS 36, 37) .....	1
35	*		HUBCAP (GOLD).....	1
36	*		HUBCAP (SILVER) .....	1
37	*		HUBCAP CLIP (NOT ILLUSTRATED) .....	4



Notes:







# CUSHMAN™

**E-Z-GO Division of Textron Inc.,**  
1451 Marvin Griffin Road, Augusta, Georgia 30906 - 3852 USA

**TO CONTACT US...**

North America:

**Technical Assistance & Warranty** Phone: 1-800-774-3946, FAX: 1-800-448-8124

**Service Parts** Phone: 1-888-GET-E-Z-GO (1-888-438-3946), FAX: 1-800-752-6175

International: Phone: 001-706-798-4311, FAX: 001-706-771-4609

Service Parts Manuals, as well as Repair and Service Manuals  
are available from a local Distributor, an authorized Branch,  
Genuine E-Z-GO Parts & Accessories Department or at [www.shopezgo.com](http://www.shopezgo.com).

Copyrighted Material  
This manual may not be reproduced in whole or  
in part without the express permission of  
E-Z-GO Division of Textron Inc.  
Technical Communications Department