



CUSHMAN™

HAULER™ PRO Service Parts Manual

72V ELECTRIC POWERED VEHICLE



634470-W

ISSUED MAY 2014

REVISED JULY 2016

SERVICE PARTS MANUAL

72V ELECTRIC POWERED VEHICLES

HAULER PRO

HAULER PRO - CE

HAULER PRO X

STARTING MODEL YEAR 2014

CALIFORNIA Proposition 65 Warning

WARNING: Engine exhaust, some of its constituents, and certain vehicle components contain or emit chemicals known to the State of California to cause cancer and birth defects or other reproductive harm. In addition, certain fluids contained in vehicles and certain products of component wear contain or emit chemicals known to the State of California to cause cancer and birth defects or other reproductive harm.

DISCLAIMER: The E-Z-GO Division of Textron Inc. (E-Z-GO) reserves the right to incorporate engineering and design changes to products in this Manual, without obligation to include these changes on units leased/sold previously.

The information contained in this Manual may be revised periodically E-Z-GO, and therefore is subject to change without notice.

E-Z-GO DISCLAIMS LIABILITY FOR ERRORS IN THIS MANUAL, and E-Z-GO SPECIFICALLY DISCLAIMS LIABILITY FOR INCIDENTAL AND CONSEQUENTIAL DAMAGES RESULTING FROM THE USE OF THE INFORMATION AND MATERIALS IN THIS MANUAL.

TO CONTACT US

NORTH AMERICA:

TECHNICAL ASSISTANCE & WARRANTY PHONE: 1-800-774-3946, FAX: 1-800-448-8124

SERVICE PARTS PHONE: 1-888-GET-EZGO (1-888-438-3946), FAX: 1-800-752-6175

INTERNATIONAL: PHONE: 001-706-798-4311, FAX: 001-706-771-4609

E-Z-GO DIVISION OF TEXTRON INC., 1451 MARVIN GRIFFIN RD., AUGUSTA, GEORGIA USA 30906-3852

GENERAL INFORMATION

This vehicle has been designed and manufactured in the United States of America (USA). The Standards and Specifications listed in the following text originate in the USA unless otherwise indicated.

The use of non-Original Equipment Manufacturer (OEM) approved parts may void the warranty.

Failure to properly maintain batteries may void the warranty. Refer to the battery manual for instructions on the proper maintenance and care of the batteries.

BATTERY PROLONGED STORAGE

Batteries self-discharge over time. The rate of self-discharge varies depending on the ambient temperature, the age and condition of the batteries.

Fully charged batteries will not freeze in winter temperatures unless the temperature falls below -75°F (-60°C).

For winter storage, the batteries must be clean, fully charged and disconnected from any source of electrical drain.

The battery charger may be left connected to the vehicle to maintain a full charge on the batteries, provided the charger is plugged into an active electrical source. If power to the electrical source is disconnected or interrupted, the battery charger will continue to check the charge on the battery pack. This will draw power from the battery pack and eventually drain the batteries if power is not restored in a timely manner.

As with all electric vehicles, the batteries must be checked and recharged as required or at a minimum of 30 day intervals.

Check and maintain the proper fluid level in all battery cells during the storage period. Proper fluid level is required for maximum battery performance.

BATTERY DISPOSAL

Lead-acid batteries are recyclable. Return whole scrap batteries to distributor, manufacturer or lead smelter for recycling. For neutralized spills, place residue in acid-resistant containers with absorbent material, sand or earth and dispose of in accordance with local, state and federal regulations for acid and lead compounds. Contact local and/or state environmental officials regarding disposal information.

TABLE OF CONTENTS

SECTION	Page No.
HOW TO USE THE SERVICE PARTS MANUAL.....	v
ACCELERATOR.....	A
BATTERY CHARGER.....	B
BODY.....	C
BRAKES.....	D
CAB.....	E
ELECTRICAL SYSTEM.....	F
ELECTRONIC SPEED CONTROL.....	G
FRONT SUSPENSION AND STEERING.....	H
MOTOR.....	J
REAR AXLE.....	K
REAR SUSPENSION.....	L
ROPS.....	M
SEATING.....	N
TRUCK BED.....	P
WEATHER PROTECTION.....	Q
WHEELS AND TIRES.....	R

NOTES

A large grid of graph paper for taking notes, consisting of 20 columns and 30 rows of small squares.

HOW TO USE THE SERVICE PARTS MANUAL

This manual is divided into several sections:

- GENERAL INFORMATION
- ILLUSTRATED PARTS BREAKDOWN
- APPENDIX

The first section, GENERAL INFORMATION, contains the following information:

- WARRANTY INFORMATION
- GENERAL INDEX
- HOW TO USE THE SERVICE PARTS MANUAL

The second section, ILLUSTRATED PARTS BREAKDOWN, contains illustrations and parts lists for all systems of your vehicle.

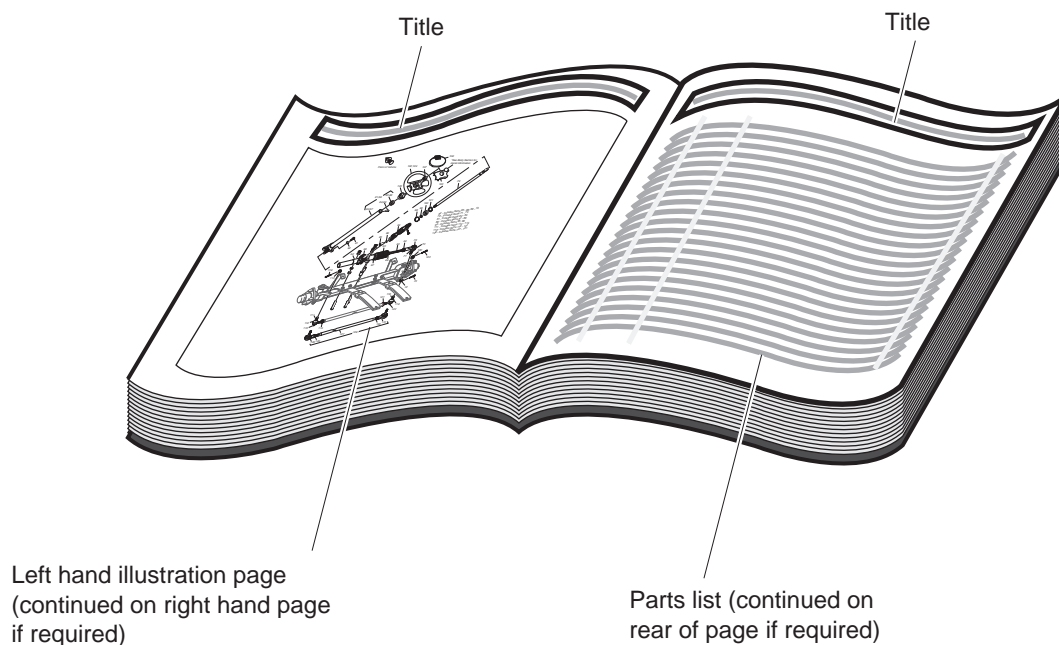
The third section, APPENDIX, contains a listing of specialty products and accessories.

USE OF THE MANUAL

To use this manual, consult the GENERAL INDEX to locate the information or illustration required.

Introduction of some revisions varies due to supply of components; therefore, it is possible that various combinations of components may be found that are not directly reflected by each illustration. Consult the illustration that best suits your situation and then contact the Service Parts Department. It is important that the serial number of your vehicle and its model number be supplied to Service Parts when ordering any replacement components.

Locate the serial number plate (see BODY located in the Illustrated Parts Breakdown section of this manual for its location) and note the complete number shown on the plate.



HOW TO USE THE SERVICE PARTS MANUAL

1. WHEN THE PART NUMBER IS NOT KNOWN

- Determine the function and application of the part required. Turn to the General Index and select the most appropriate title.
- Turn to the page number indicated and locate the desired part on the illustration.
- From the illustration, obtain the item number assigned to the desired part. Refer to the accompanying description for specific information regarding the part.

2. IF YOU KNOW THE PART NUMBER

- Locate the part number or description in the appropriate column on the parts list page.

NOTE: It is suggested that you confirm that the part selected is correct by verifying it with the pictorial representation on the illustrated page.

Should an asterisk (*) appear in the part number column on the parts list page, read upwards until a part number is found. The part number is the lowest assembly sold by Service Parts and the asterisk (*) indicates that the part depicted is not available for purchase.

NOTE: Descriptions are indented under the assembly that they are used on. That assembly is, in turn listed under the assembly that it is used on. This process is repeated until the highest final assembly is reached.

To facilitate the maintenance and repair of the vehicle, a Technician's Repair and Service Manual is available from the Service Parts Department.

HOW TO USE THE SERVICE PARTS MANUAL

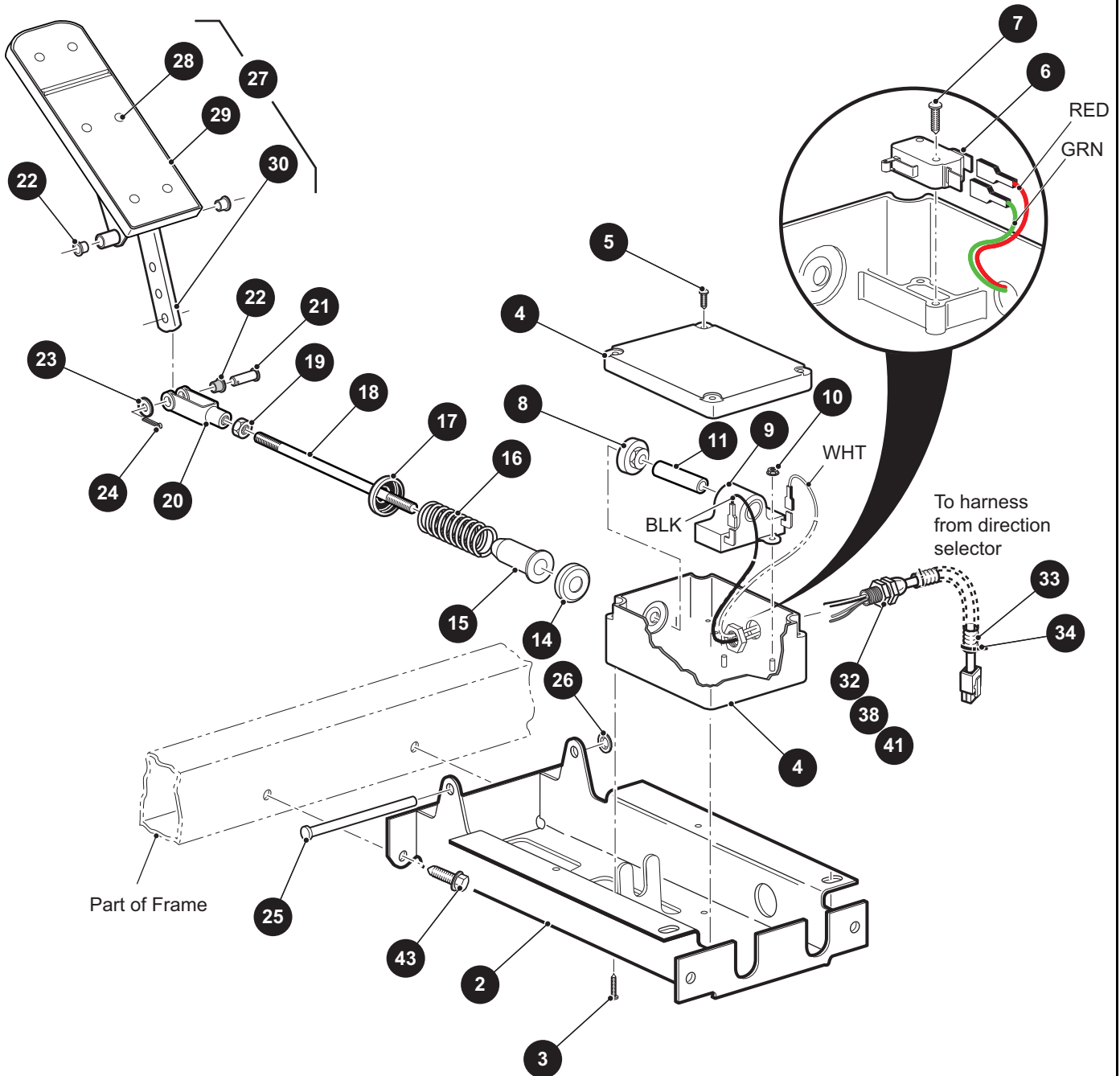
3. COLOR CODE FOR BODY COMPONENTS

The last two digits of the part number for the body part will denote the color code. Locate the part number for the cowl, rear body, seat pod, side panel or seat wrap then locate your color in the list below. Replace the last ** or XX with the two digit color code.

<u>CODE #</u>	<u>DESCRIPTION</u>
02	SPECIAL COLOR
11	BLACK
19	PATRIOT BLUE PEARL
20	INFERNO RED METALLIC
26	STEEL BLUE PEARL
31	METALLIC CHARCOAL
35	SAFETY YELLOW
36	IVORY
37	FOREST GREEN
38	BRIGHT WHITE
39	FLAME RED
41	ELECTRIC BLUE
42	PLATINUM
43	BURGUNDY
44	ALMOND
51	SUNBURST ORANGE
61	REALTREE AP
79	JACOBSEN ORANGE

ACCELERATOR

- 1 PEDAL BOX ASSEMBLY (PDS) includes items 2 - 34
- 27 ACCELERATOR PEDAL ASSEMBLY includes items 28 - 30
- 37 PEDAL BOX ASSEMBLY (ITS) includes items 2 - 30, 38
- 40 PEDAL BOX ASSEMBLY includes items 2 - 30, 41



THE USE OF NON U.L. PARTS WILL VOID ANY U.L. LISTING.

When ordering parts, please specify the model and serial number of the product.

* Indicates a component that is not available as an individual part.

*** Indicates consult Customer Service Department for additional information.

ITEM	PART NO.	1 2 3 4 5	DESCRIPTION	QTY.
1	73333G11		PEDAL BOX ASSEMBLY (PDS) (INCLUDES ITEMS 2 - 34)	1
2	70116G02		ACCELERATOR PEDAL BRACKET	1
3	01051G01		PAN HEAD PHILLIPS SCREW, #8 - 10 X 1/2" LG	4
4	25853G01		PEDAL BOX AND COVER	1
5	00684G6		TRUSS HEAD SCREW (SS), #8 - 32 X 3/4" LG	2
6	25861G01		MICRO SWITCH	1
7	01050G01		PAN HEAD SCREW, #4 - 20 X 5/8" LG	2
8	28444G01		ACCELERATOR ROD CAM	1
9	25854G01		INDUCTIVE THROTTLE SENSOR	1
10	00983G01		SELF THREADING NUT, .38"	2
11	602484		PLUNGER	1
12				
13				
14	17677G1		SPRING RETAINER	1
15	17979G1		BUSHING, .75" X 2" LG	1
16	73046G01		COMPRESSION SPRING	1
17	17677G2		SPRING RETAINER, 3/8"	1
18	73332G01		ACCELERATOR ROD	1
19	00532G4		HEX NUT, 5/16" - 24	1
20	10385G4		CLEVIS YOKE (ADJUSTABLE)	1
21	10386G3		CLEVIS PIN, 5/16" X 13/16" LG	1
22	17838G1		NYLON BUSHING, .37" X .31" LG	3
23	17255G1		TEFLON WASHER, 5/16"	1
24	10387G3		COTTER PIN, 3/32" X 3/4" LG	1
25	74432G01		PEDAL PIVOT PIN	1
26	12064G6		PUSH NUT, 5/16"	1
27	25799G03		ACCELERATOR PEDAL ASSEMBLY (INCLUDES ITEMS 28 - 30)	1
28	16409G1		OVAL RIVET, 3/16" X 7/16" LG	6
29	27512G01		ACCELERATOR PEDAL PAD	1
30	652824		ACCELERATOR PEDAL	1
31				

ACCELERATOR

THE USE OF NON U.L. PARTS WILL VOID ANY U.L. LISTING.

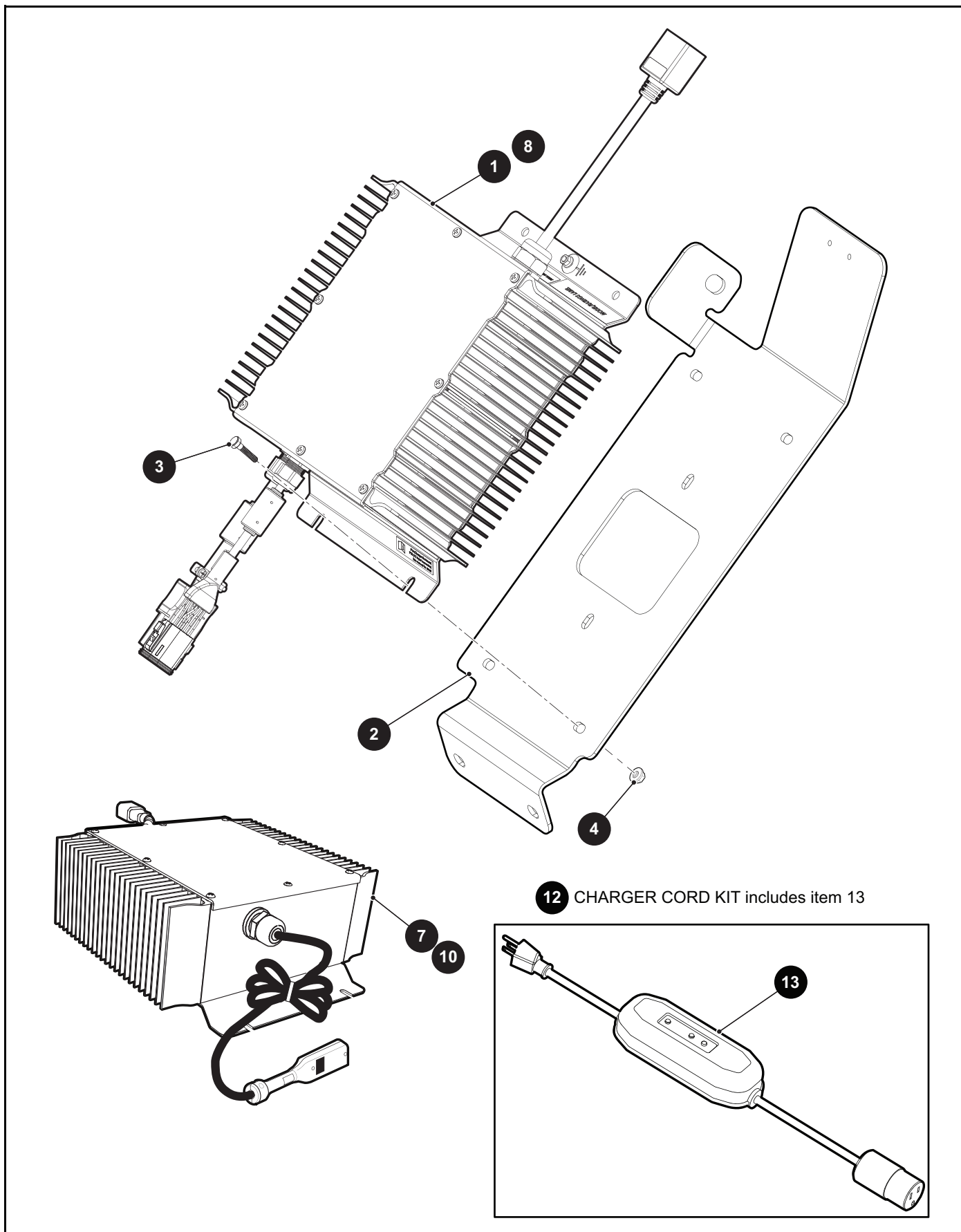
When ordering parts, please specify the model and serial number of the product.

* Indicates a component that is not available as an individual part.

*** Indicates consult Customer Service Department for additional information.

ITEM	PART NO.	1	2	3	4	5	DESCRIPTION	QTY.
32	25879G08						PEDAL HARNESS (INCLUDES ITEMS 33 - 34)	1
33	17313G1						LOOM FLEX (BULK), 3/8"	1
34	17618G1						WIRE TIE.....	2
35								
36								
37	613163						PEDAL BOX ASSEMBLY (ITS) (INCLUDES ITEMS 2 - 30, 38).....	1
38	620418						PEDAL HARNESS (INCLUDES ITEMS 33 - 34)	1
39								
40	626530						PEDAL BOX ASSEMBLY (INCLUDES ITEMS 2 - 30, 41).....	1
41	626529						PEDAL HARNESS (INCLUDES ITEMS 33 - 34)	1
42								
43	00715G2						HEX HEAD BOLT, 5/16" - 18 X 3/4" LG.....	4

BATTERY CHARGER



BATTERY CHARGER

THE USE OF NON U.L. PARTS WILL VOID ANY U.L. LISTING.

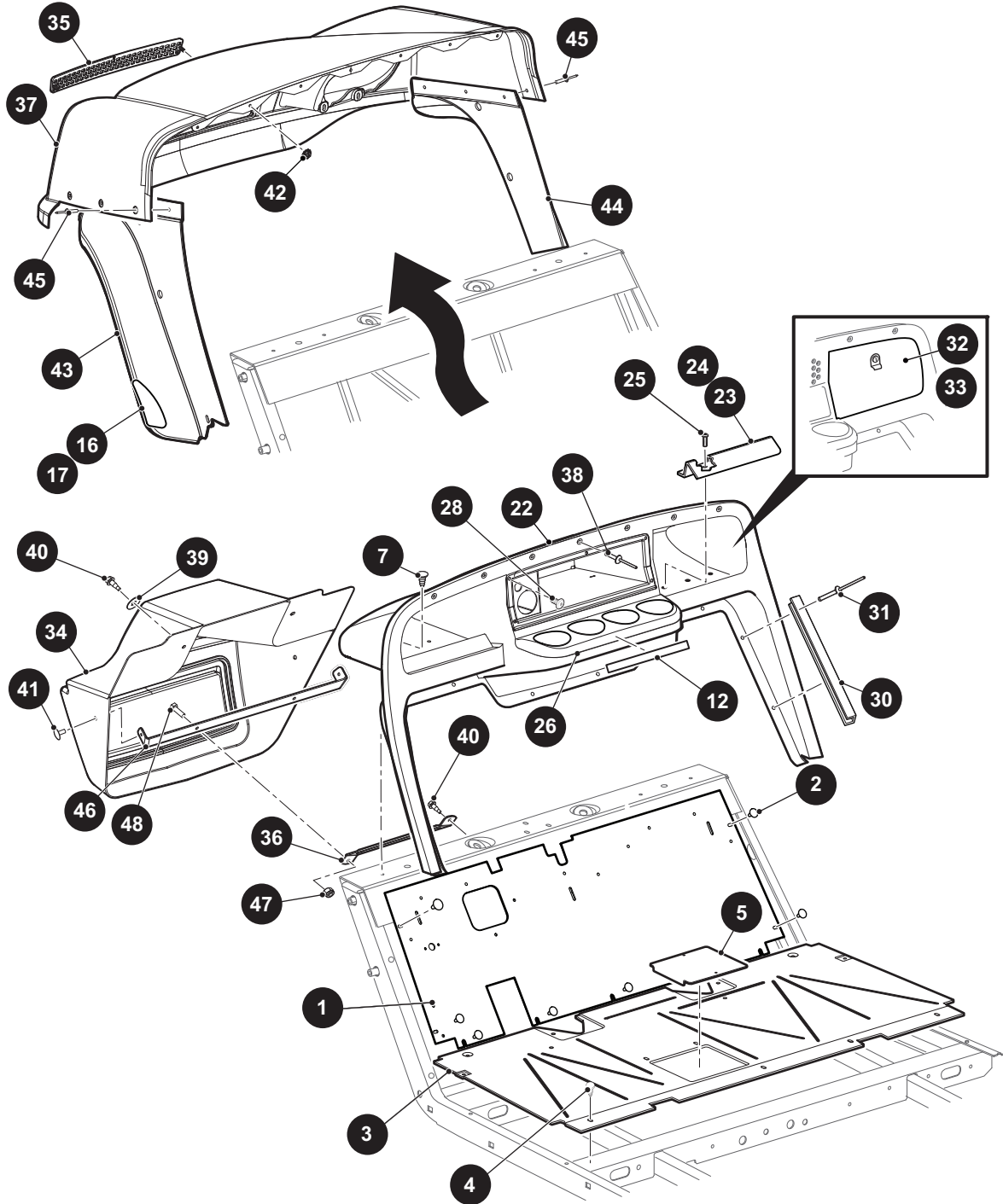
When ordering parts, please specify the model and serial number of the product.

* Indicates a component that is not available as an individual part.

*** Indicates consult Customer Service Department for additional information.

ITEM	PART NO.	1 2 3 4 5	DESCRIPTION	QTY.
1	640261		QUIQ ON-BOARD BATTERY CHARGER, 72 VOLT	1
2	633627		BATTERY CHARGER BRACKET	1
3	00414G6		HEX HEAD BOLT, 1/2" - 20 X 3/4" LG	4
4	11027G2		FLANGED LOCK NUT, 1/2" - 20.....	4
5				
6				
7	634567		BATTERY CHARGER, 72 VOLT	1
8	633313		QUIQ ON-BOARD BATTERY CHARGER, 72 VOLT	1
9				
10	645743		BATTERY CHARGER, 72 VOLT	1
11				
12	652608		CHARGER CORD KIT, 5 METER DC CORD (INCLUDES ITEM 13).....	1
13	652503		ON BOARD CHARGER CORD, 5 METER DC CORD	1

BODY



THE USE OF NON U.L. PARTS WILL VOID ANY U.L. LISTING.

When ordering parts, please specify the model and serial number of the product.

* Indicates a component that is not available as an individual part.

*** Indicates consult Customer Service Department for additional information.

ITEM	PART NO.	1 2 3 4 5	DESCRIPTION	QTY.
1	637534		UPPER FLOORPAN	1
2	14601G11		RIVET (ALUMINUM), 3/16" X 9/16" LG	9
3	70451G01		LOWER FLOORPAN	1
4	14601G11		RIVET (ALUMINUM), 3/16" X 9/16" LG	7
5	70452G01		ACCESS COVER.....	1
6				
7	16816G2		RATCHET FASTENER, 1/4" X 3/4" LG.....	4
8				
9				
10	625743		SAFETY AND OPERATION LABEL, CE (NOT ILLUSTRATED).....	1
11				
12	634229		OPERATION INSTRUCTION DECAL.....	1
13				
14				
15				
16	627561		FRONT AMBER REFLECTOR (DRIVER SIDE)	1
17	627562		FRONT AMBER REFLECTOR (PASSENGER SIDE).....	1
18				
19				
20				
21				
22	71917G01		INSTRUMENT PANEL ASSEMBLY	1
23	71153G01		DEFLECTOR (PASSENGER SIDE)	1
24	71154G01		DEFLECTOR (DRIVER SIDE)	1
25	00614G5		SELF DRILL SCREW, #8 - 18 X 5/8" LG	6
26	628023		CUP HOLDER.....	1
27	71364G02		SPEED NUT "J" TYPE, #8 (NOT ILLUSTRATED).....	5
28	608290		SELF TAPPING SCREW, #10 - 16 X 3/4" LG	5
29				
30	71115G01		VINYL TRIM	2
31	71055G01		RIVET (ALUMINUM), 3/16" X 1" LG	10

BODY

THE USE OF NON U.L. PARTS WILL VOID ANY U.L. LISTING.

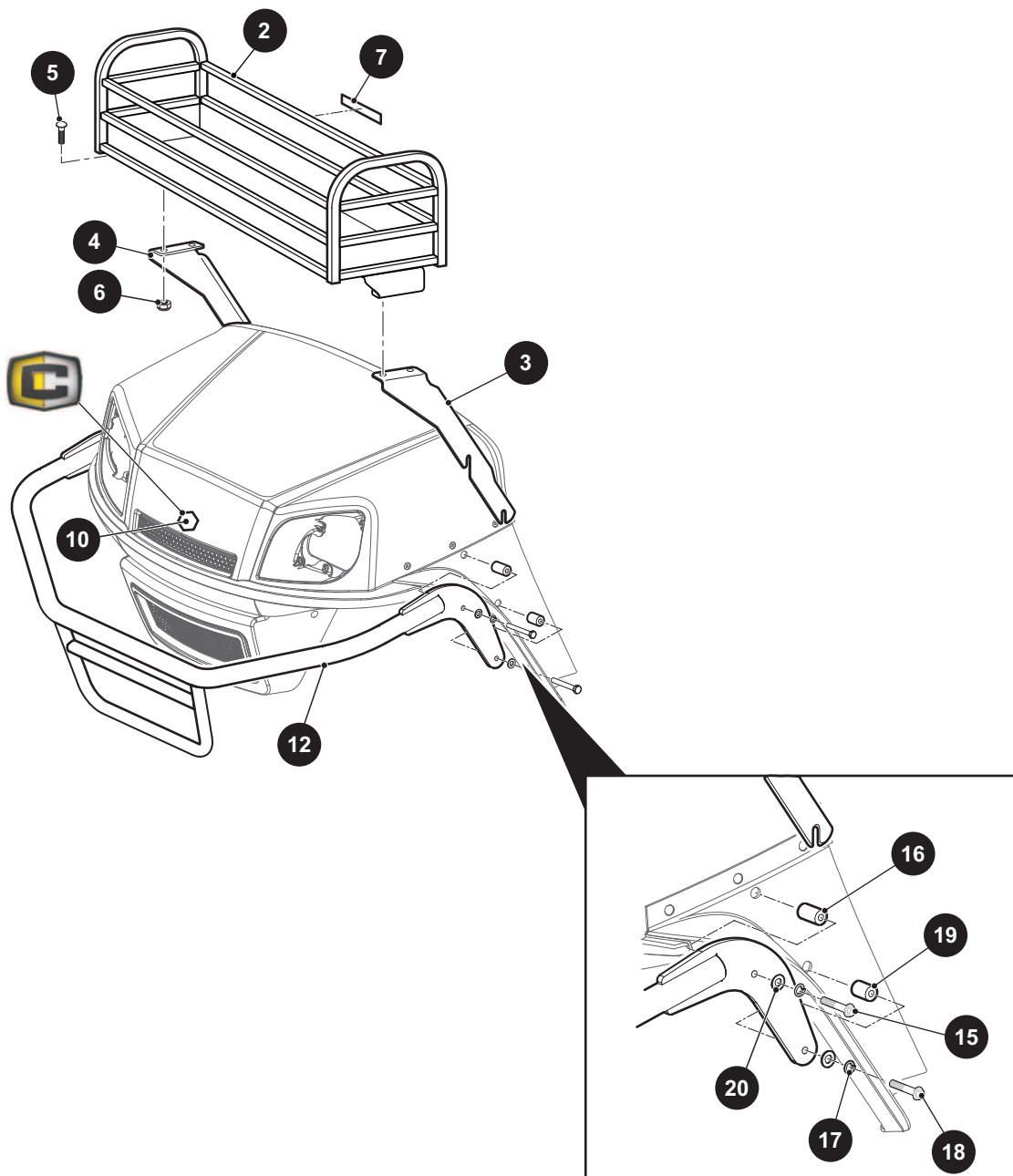
When ordering parts, please specify the model and serial number of the product.

* Indicates a component that is not available as an individual part.

*** Indicates consult Customer Service Department for additional information.

ITEM	PART NO.	1	2	3	4	5	DESCRIPTION	QTY.
32	75456G02						GLOVE BOX DOOR (DRIVER SIDE)	1
33	75456G03						GLOVE BOX DOOR (PASSENGER SIDE)	1
34	613273						FRONT FASCIA.....	1
35	617643						COWL GRILL COVER	1
36	70725G02						FRONT SHIELD BRACE	2
37	613036GXXX						COWL (See COLOR CODE in HOW TO USE Section of Manual)	1
38	71055G01						RIVET (ALUMINUM), 3/16" X 1" LG	7
39	16469G1						FENDER WASHER, 9/32".....	2
40	01038G01						SWAGEFORM SCREW, 1/4" - 20 X .7" LG	4
41	15058G1						RIVET (ALUMINUM), .87" LG	2
42	71597G01						SELF THREADING NUT	2
43	614378						FENDER FLARE (DRIVER SIDE).....	1
44	613274						FENDER FLARE (PASSENGER SIDE)	1
45	71055G01						RIVET (ALUMINUM), 3/16" X 1" LG.....	6
46	618653						FASCIA BRACKET	1
47	14390G4						LOCK NUT, 1/4" - 20	2
48	00414G6						HEX HEAD BOLT, 1/4" - 20 X 3/4" LG.....	2

1 FRONT BASKET ASSEMBLY includes items 2 - 7



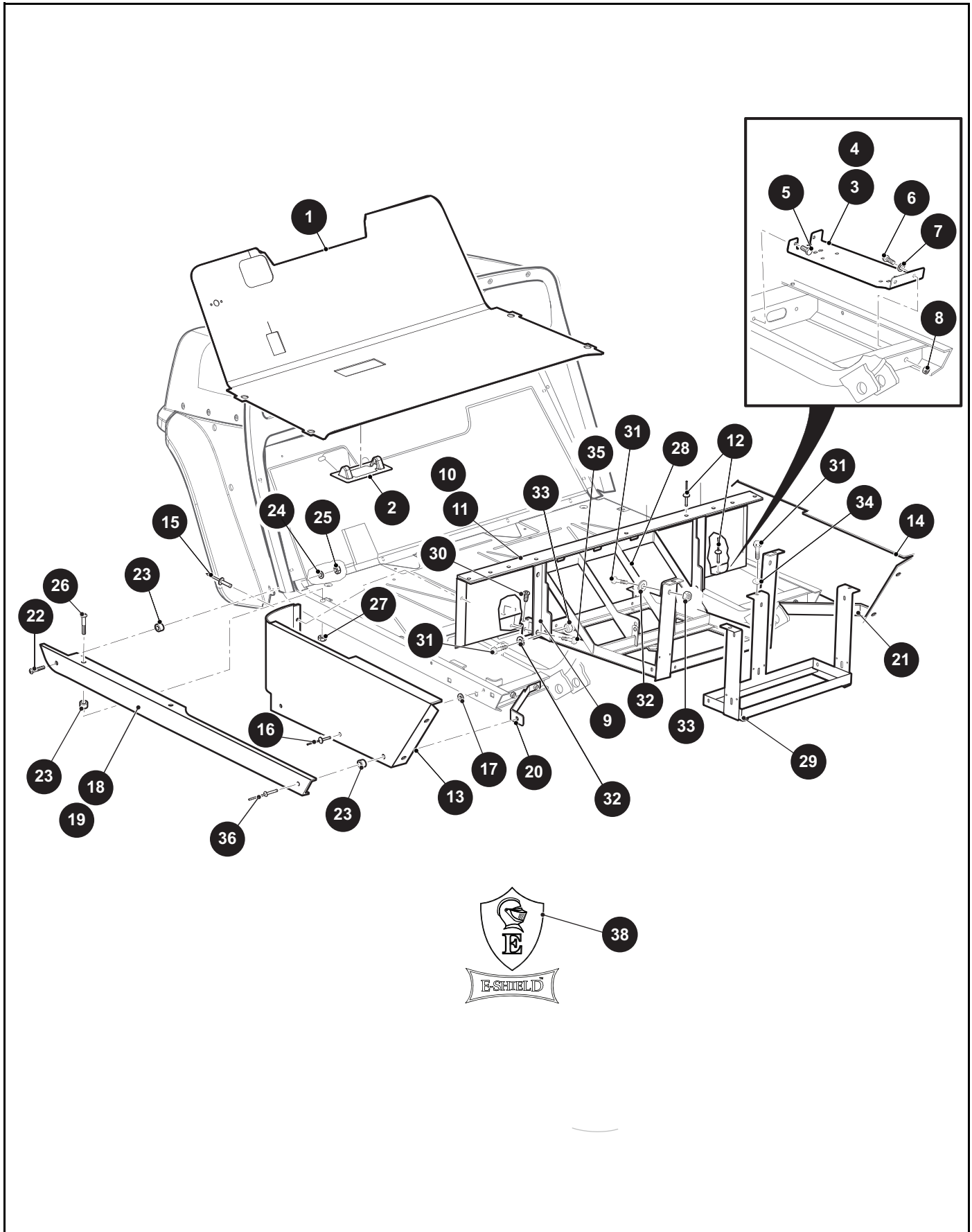
THE USE OF NON U.L. PARTS WILL VOID ANY U.L. LISTING.

When ordering parts, please specify the model and serial number of the product.

* Indicates a component that is not available as an individual part.

*** Indicates consult Customer Service Department for additional information.

ITEM	PART NO.	1 2 3 4 5	DESCRIPTION	QTY.
1	74521G02		FRONT BASKET ASSEMBLY (INCLUDES ITEMS 13 - 18)	1
2	74523G01		FRONT BASKET	1
3	74522G01		BASKET MOUNTING BRACKET (DRIVER SIDE).....	1
4	74522G02		BASKET MOUNTING BRACKET (PASSENGER SIDE)	1
5	00725G1		CARRIAGE BOLT (SS), 3/8" - 16 X 1" LG.....	4
6	11098G5		LOCK NUT, 3/8" - 16	4
7	71931G01		FRONT BASKET DECAL (WARNING).....	1
8				
9				
10	619135		CUSHMAN COWL DECAL	1
11				
12	617620		BRUSHGUARD.....	1
13				
14				
15	00440G6		HEX HEAD BOLT, 5/16" - 18 X 2 3/4" LG	2
16	75048G02		SPACER, .328" X 1.31"	2
17	00565G8		LOCK WASHER, 5/16"	4
18	00440G2		HEX HEAD BOLT, 5/16" - 18 X 2 3/4" LG	4
19	75048G04		SPACER, .328" X .75"	2
20	00559G8		FLAT WASHER, 5/16"	4



THE USE OF NON U.L. PARTS WILL VOID ANY U.L. LISTING.

When ordering parts, please specify the model and serial number of the product.

* Indicates a component that is not available as an individual part.

*** Indicates consult Customer Service Department for additional information.

ITEM	PART NO.	1 2 3 4 5	DESCRIPTION	QTY.
1	70663G06		FLOOR MAT WITH HORN HOLES, DIAMOND PLATE	1
2	70135G01		PEDAL PIVOT COVER.....	1
3	629688G01		BATTERY TRAY (DRIVER SIDE)	1
4	629688G02		BATTERY TRAY (PASSENGER SIDE).....	1
5	00715G2		HEX HEAD BOLT, 5/16" - 18 X 4/5" LG	4
6	00439G2		HEX HEAD BOLT, 5/16" - 18 X 1" LG	4
7	00559G8		FLAT WASHER, 5/16".....	4
8	11098G6		LOCK NUT (SS), 5/16" - 18	4
9	70441G01		SEAT FRAME	1
10	635627GXX		SEAT WRAP CE WITHOUT LOUVERS (See COLOR CODE in HOW TO USE Section)	1
11	633720GXX		SEAT WRAP WITH LOUVERS (See COLOR CODE in HOW TO USE Section)	1
12	10570G10		RIVET (SS), 5/32" X 9/16" LG.....	8
13	609168G1XX		SIDE PANEL (DRIVER SIDE) (See COLOR CODE in HOW TO USE Section)	1
14	609168G2XX		SIDE PANEL (PASSENGER SIDE) (See COLOR CODE in HOW TO USE Section)	1
15	10570G10		RIVET (SS), 5/32" X 9/16" LG.....	4
16	10570G12		RIVET (ALUMINUM), 1/4" X 9/16" LG	4
17	16469G1		FENDER WASHER, 1/4"	4
18	618886		ROCKER PANEL (DRIVER SIDE).....	1
19	618885		ROCKER PANEL (PASSENGER SIDE)	1
20	71440G03		BRACE (DRIVER SIDE)	1
21	71440G04		BRACE (PASSENGER SIDE).....	1
22	00789G2		PHILLIPS TRUSS HEAD SCREW, #10 - 24 X 1 1/4" LG	2
23	23726G4		SPACER, 1/4"	8
24	00660G5		FLAT WASHER (SS), #10.....	2
25	14390G10		LOCK NUT, #10 - 24	2
26	16705G1		PHILLIPS TRUSS HEAD SCREW (SS), 1/4" - 20 X 1" LG.....	4
27	14390G4		LOCK NUT, 1/4" - 20.....	4
28	652254G03		FRONT BATTERY RACK.....	1

BODY

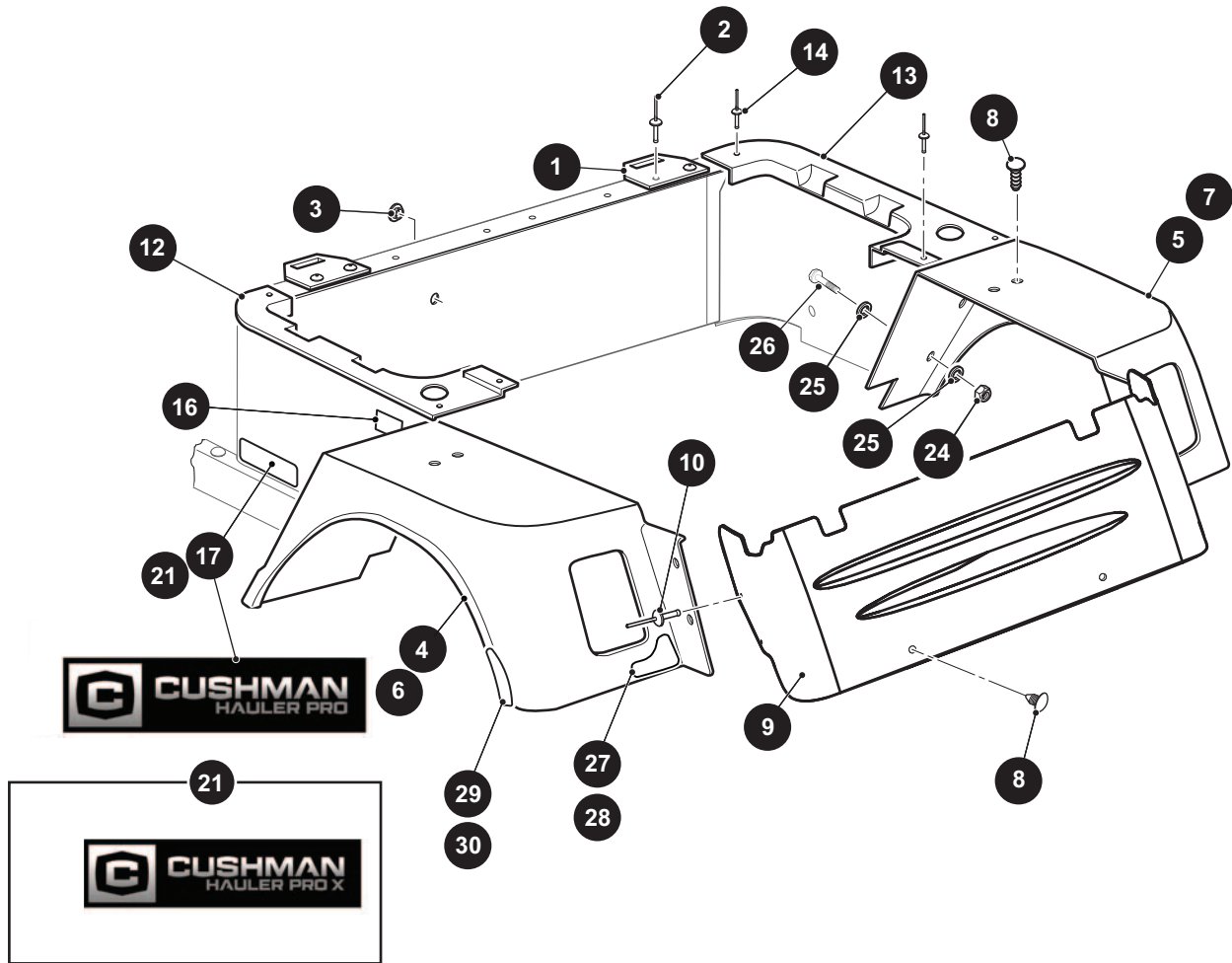
THE USE OF NON U.L. PARTS WILL VOID ANY U.L. LISTING.

When ordering parts, please specify the model and serial number of the product.

* Indicates a component that is not available as an individual part.

*** Indicates consult Customer Service Department for additional information.

ITEM	PART NO.	1	2	3	4	5	DESCRIPTION	QTY.
29	652572G03						REAR BATTERY RACK	1
30	70200G01						TRUSS HEAD TORX SCREW, 3/8" - 16 X 3/4" LG	2
31	00438G6						HEX HEAD BOLT, 5/16" - 18 X 3/4" LG.....	7
32	00559G8						FLAT WASHER, 5/16"	4
33	11098G6						LOCK NUT, 5/16" - 18	4
34	00565G8						LOCK WASHER, 5/16"	3
35	00715G2						HEX HEAD BOLT, 5/16" - 16 X .8" LG.....	2
36	15058G6						RIVET (ALUMINUM), 3/16" X 15/16" LG.....	2
37								
38	74755G01						E-SHIELD DECAL	1



THE USE OF NON U.L. PARTS WILL VOID ANY U.L. LISTING.

When ordering parts, please specify the model and serial number of the product.

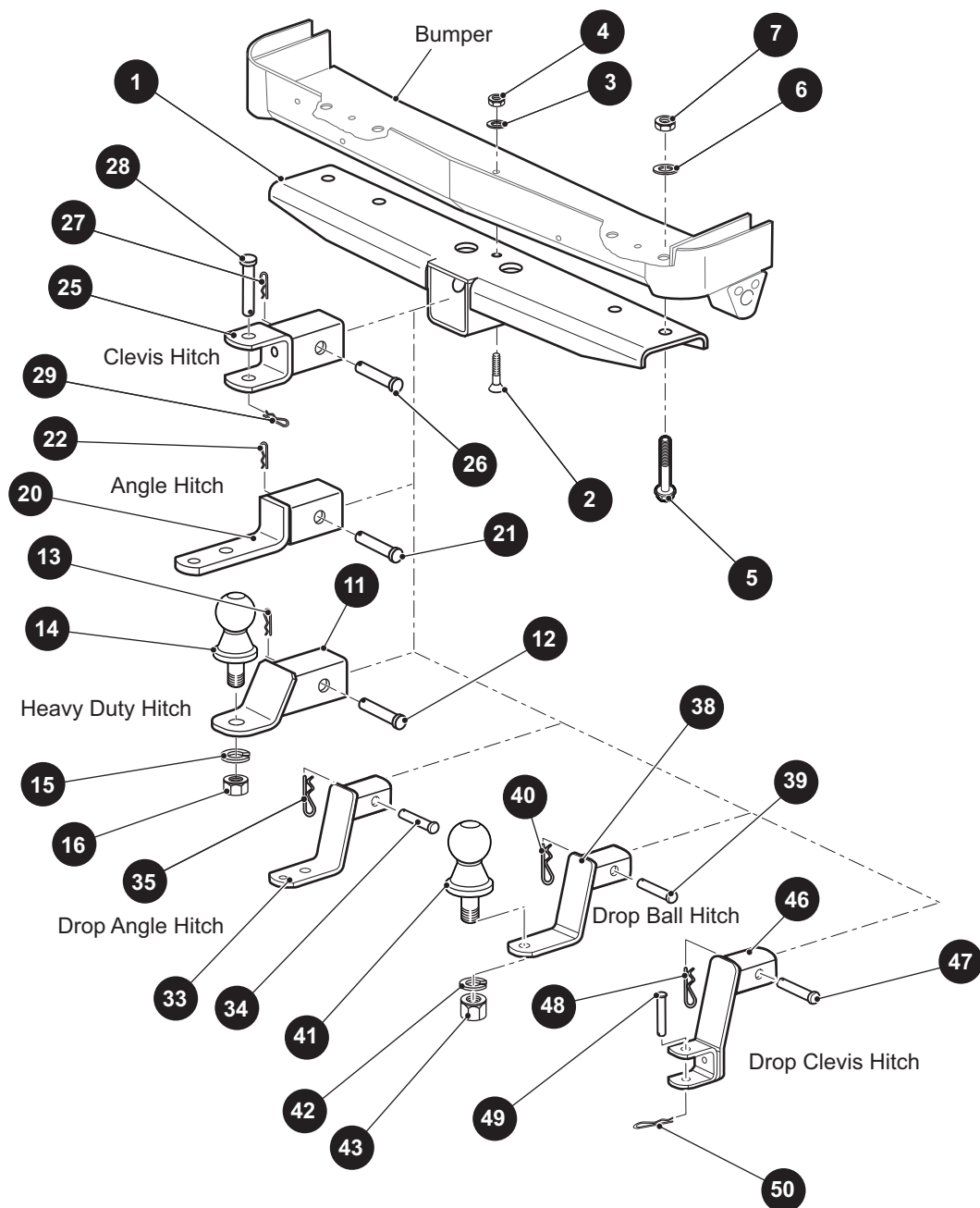
* Indicates a component that is not available as an individual part.

*** Indicates consult Customer Service Department for additional information.

ITEM	PART NO.	1 2 3 4 5	DESCRIPTION	QTY.
1	71609G01		SEAT HINGE PLATE.....	2
2	10570G11		RIVET (SS), 3/16" X 3/4" LG.....	4
3	20271G2		HOLE PLUG.....	1
4	74893G01		REAR FENDER (DRIVER SIDE).....	1
5	74893G02		REAR FENDER (PASSENGER SIDE)	1
6	74893G03		REAR FENDER WITH TAILLIGHT OPENING (DRIVER SIDE)	1
7	74893G04		REAR FENDER WITH TAILLIGHT OPENING (PASSENGER SIDE).....	1
8	16816G2		RATCHET FASTENER, 1/4" X 3/4" LG.....	10
9	74890G01		REAR PANEL.....	1
10	71055G01		RIVET (ALUMINUM), 3/16" X 1" LG	4
11				
12	74891G01		SEAT FILLER PANEL (DRIVER SIDE)	1
13	74891G02		SEAT FILLER PANEL (PASSENGER SIDE).....	1
14	10570G10		RIVET (SS), 5/32" X 9/16" LG.....	6
15				
16	74099G01		LABEL (TILT WARNING)	2
17	634669		CUSHMAN LOGO DECAL, HAULER PRO	2
18				
19				
20				
21	637735		CUSHMAN LOGO DECAL, HAULER PRO X.....	2
22				
23				
24	14390G4		LOCK NUT, 1/4" - 20	4
25	00642G7		FLAT WASHER, 1/4".....	8
26	00414G6		HEX HEAD BOLT, 1/4" - 20 X 3/4" LG	4
27	625244		REAR REFLECTOR (DRIVER SIDE) (RED).....	1
28	625246		REAR REFLECTOR (PASSENGER SIDE) (RED)	1
29	627563		SIDE REFLECTOR (DRIVER SIDE) (RED).....	1
30	627564		SIDE REFLECTOR (PASSENGER SIDE) (RED).....	1

HITCHES

- 10 HEAVY DUTY HITCH KIT includes items 11 - 16
- 19 ANGLE HITCH KIT includes items 20 - 22
- 24 CLEVIS HITCH KIT includes items 25 - 29
- 32 DROP ANGLE HITCH KIT includes items 33 - 35
- 37 DROP BALL HITCH KIT includes items 38 - 43
- 45 DROP CLEVIS HITCH KIT includes items 46 - 50



THE USE OF NON U.L. PARTS WILL VOID ANY U.L. LISTING.

When ordering parts, please specify the model and serial number of the product.

* Indicates a component that is not available as an individual part.

*** Indicates consult Customer Service Department for additional information.

ITEM	PART NO.	1 2 3 4 5	DESCRIPTION	QTY.
1	74348G02		HITCH RECEIVER.....	1
2	00198G8		HEX HEAD BOLT, 5/16" - 18 X 1" LG	1
3	00571G2		FLAT WASHER, 1/4"	1
4	11098G6		LOCK NUT (SS), 5/16" - 18	1
5	00463G4		HEX HEAD BOLT, 7/16" - 14 X 1 1/2" LG	2
6	00922G3		FLAT WASHER, 7/16"	2
7	00734G1		LOCK NUT, 7/16" - 14.....	2
8				
9				
10	74492G01		HEAVY DUTY BALL HITCH KIT (INCLUDES ITEMS 11 - 16)	1
11	74351G02		HEAVY DUTY HITCH	1
12	21317G1		CLEVIS PIN, 5/8" X 3" LG	1
13	21683G1		COTTER PIN, 15/32" X 2 1/16" LG	1
14	31757G1		HITCH BALL, 1 7/8".....	1
15	00566G6		LOCK WASHER, 3/4"	1
16	00702G2		HEX NUT, 5/16" - 18.....	1
17				
18				
19	74492G04		ANGLE HITCH KIT (INCLUDES ITEMS 20 - 22).....	1
20	74339G02		ANGLE HITCH	1
21	21317G1		CLEVIS PIN, 5/8" X 3" LG	1
22	21683G1		COTTER PIN, 15/32" X 2 1/16" LG	1
23				
24	74492G05		CLEVIS HITCH KIT (INCLUDES ITEMS 25 - 29)	1
25	74338G02		CLEVIS HITCH	1
26	21317G1		CLEVIS PIN, 5/8" X 3" LG	1
27	21683G1		COTTER PIN, 15/32" X 2 1/16" LG	1
28	14443G10		CLEVIS PIN, 1/2" X 3" LG	1
29	19314G1		COTTER PIN, 5/2" LG.....	1
30				
31				

BODY

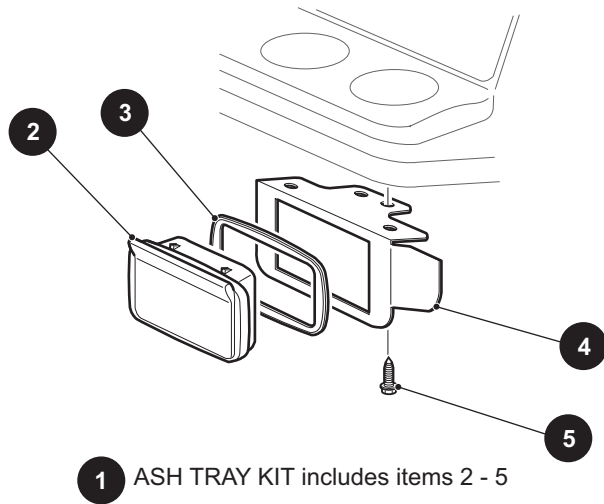
THE USE OF NON U.L. PARTS WILL VOID ANY U.L. LISTING.

When ordering parts, please specify the model and serial number of the product.

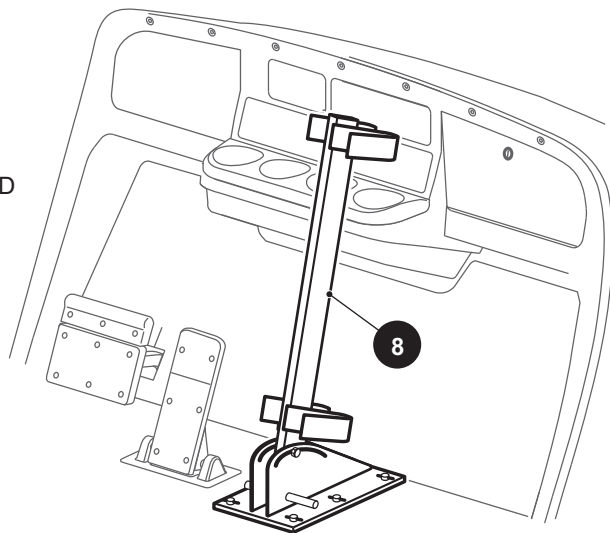
* Indicates a component that is not available as an individual part.

*** Indicates consult Customer Service Department for additional information.

ITEM	PART NO.	1	2	3	4	5	DESCRIPTION	QTY.
32	74492G08						DROP ANGLE HITCH KIT (INCLUDES ITEMS 33 - 35)	1
33	74489G02						DROP ANGLE HITCH.....	1
34	21317G1						CLEVIS PIN, 5/8" X 3" LG.....	1
35	21683G1						COTTER PIN, 15/32" X 2 1/16" LG.....	1
36								
37	74492G10						DROP BALL HITCH KIT (INCLUDES ITEMS 38 - 43)	1
38	74491G02						DROP BALL HITCH	1
39	21317G1						CLEVIS PIN, 5/8" X 3" LG.....	1
40	21683G1						COTTER PIN, 15/32" X 2 1/16" LG.....	1
41	31757G1						HITCH BALL, 1 7/8"	1
42	00566G6						LOCK WASHER, 3/4"	1
43	00702G2						HEX NUT, 5/16" - 18	1
44								
45	74492G12						DROP CLEVIS HITCH KIT (INCLUDES ITEMS 46 - 50)	1
46	74495G02						DROP CLEVIS HITCH.....	1
47	21317G1						CLEVIS PIN, 5/8" X 3" LG.....	1
48	21683G1						COTTER PIN, 15/32" X 2 1/16" LG.....	1
49	14443G10						CLEVIS PIN, 1/2" X 3" LG.....	1
50	19314G1						COTTER PIN, 5/2" LG	1



FLOOR MOUNTED
GUN HOLDER



THE USE OF NON U.L. PARTS WILL VOID ANY U.L. LISTING.

When ordering parts, please specify the model and serial number of the product.

* Indicates a component that is not available as an individual part.

*** Indicates consult Customer Service Department for additional information.

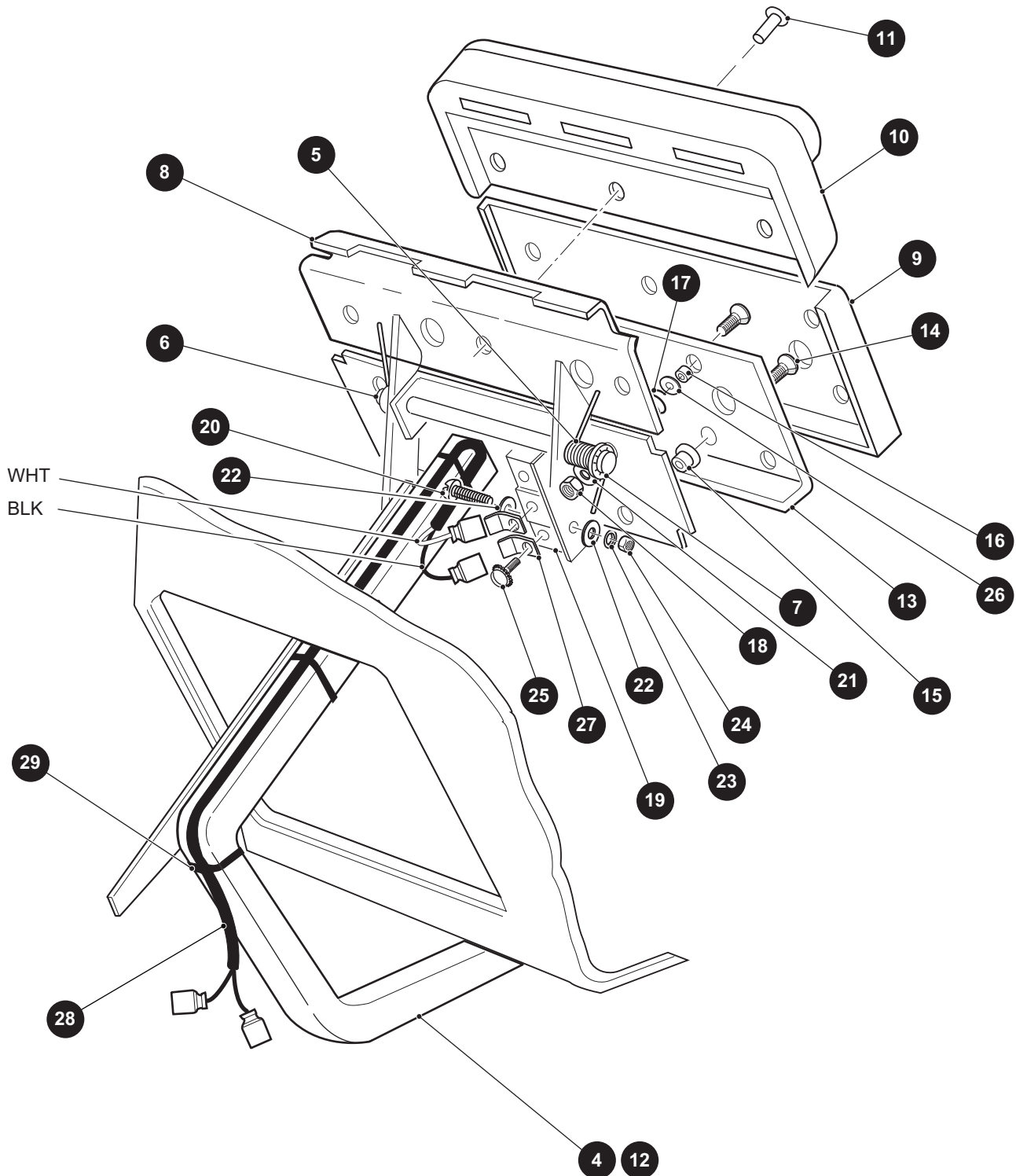
ITEM	PART NO.	1 2 3 4 5	DESCRIPTION	QTY.
1	75109G03		ASHTRAY KIT (INCLUDES ITEMS 2 - 5)	1
2	27731G01		ASHTRAY	1
3	27736G01		ASHTRAY GASKET	1
4	75108G02		ASHTRAY BRACKET	1
5	00100G4		HEX HEAD BOLT, #10 - 16 X 1/2" LG	4
6				
7				
8	74365G01		REMOVABLE FLOOR MOUNTED GUN HOLDER	1

Notes:

A large grid of graph paper for taking notes, consisting of 30 columns and 25 rows.

BRAKES

- 1 BRAKE PEDAL ASSEMBLY (WITHOUT BRAKE LIGHTS) includes items 4 - 11
- 2 BRAKE PEDAL ASSEMBLY (WITH BRAKE LIGHTS) includes items 5 - 29



BRAKES

THE USE OF NON U.L. PARTS WILL VOID ANY U.L. LISTING.

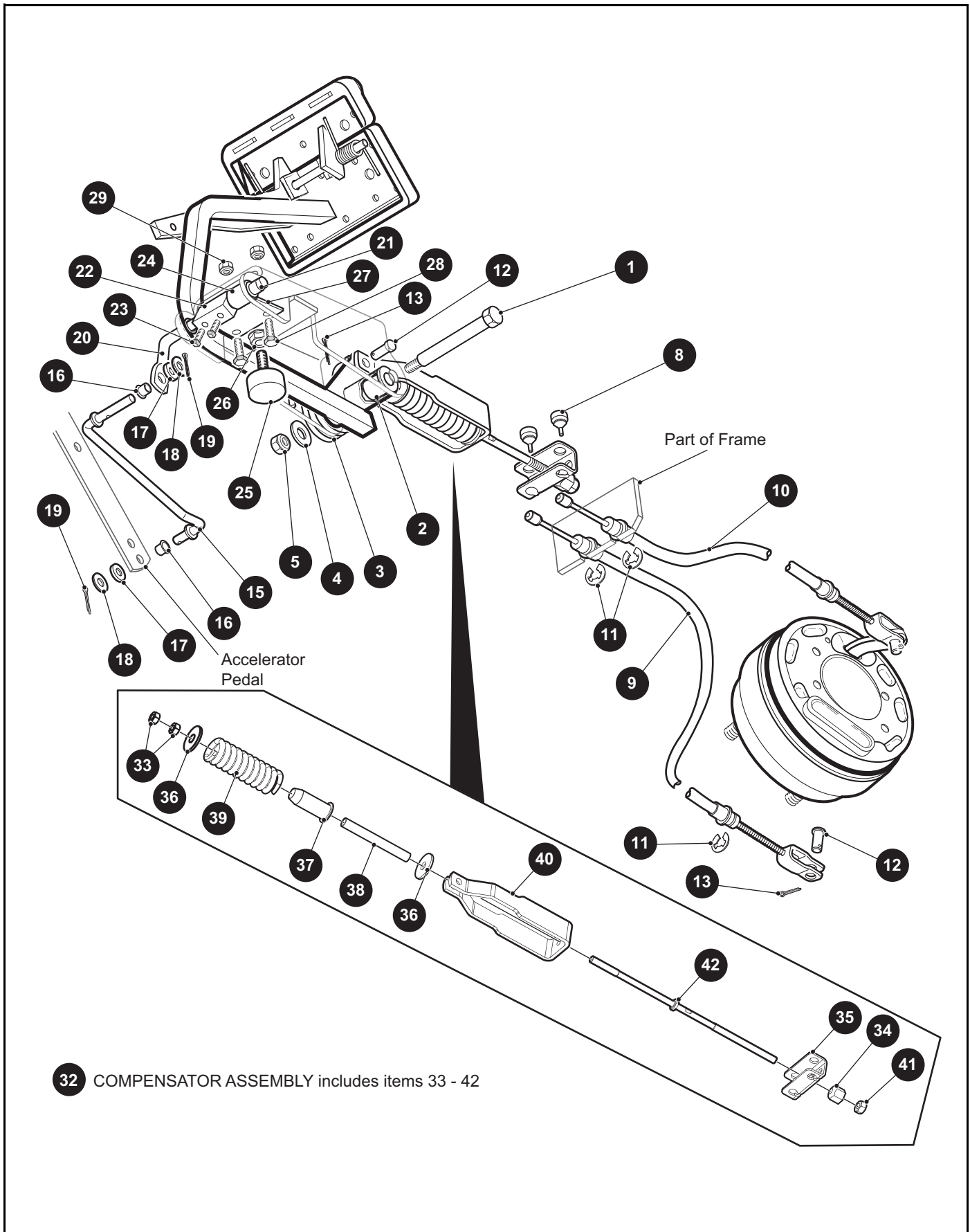
When ordering parts, please specify the model and serial number of the product.

* Indicates a component that is not available as an individual part.

*** Indicates consult Customer Service Department for additional information.

ITEM	PART NO.	1 2 3 4 5	DESCRIPTION	QTY.
1	70612G02		BRAKE PEDAL ASSEMBLY (WITHOUT BRAKE LIGHTS) (INCLUDES ITEMS 4 - 11).....	1
2	70690G02		BRAKE PEDAL ASSEMBLY (WITH BRAKE LIGHTS) (INCLUDES ITEMS 5 - 29)	1
3				
4	70259G02		BRAKE PEDAL (WITHOUT LIGHTS).....	1
5	70681G01		TORSION SPRING.....	2
6	70682G01		PIVOT PIN.....	1
7	01071G01		PUSHNUT, 5/16" - 24	2
8	641748		PARK BRAKE PEDAL	1
9	70257G01		SERVICE BRAKE PAD.....	1
10	70256G01		PARK BRAKE PEDAL PAD	1
11	16409G1		OVAL RIVET, 3/16" X 7/16" LG	9
12	70686G02		BRAKE PEDAL (WITH LIGHTS)	1
13	70258G03		SERVICE BRAKE PEDAL PLATE	1
14	00737G8		FLAT HEAD PHILLIPS SCREW, #10 - 24 X 7/8" LG.....	4
15	00739G1		RUBBER NUT, #10 - 24	2
16	652355		BRAKE PEDAL SPACER	2
17	27137G01		CONICAL SPRING	2
18	14390G10		LOCK NUT, #10 - 24.....	2
19	10606G8		MICRO SWITCH	1
20	00645G2		HEX HEAD BOLT, #6 - 32 X 1 1/4" LG.....	2
21	00559G5		FLAT WASHER, #10	2
22	00559G3		FLAT WASHER, #6	4
23	00565G3		LOCK WASHER, #6	2
24	00525G5		LOCK NUT, #6 - 32.....	2
25	13514G1		SCREW AND LOCK WASHER, #6 - 32 X 7/32" LG.....	2
26	00642G8		FLAT WASHER, 5/16"	2
27	14628G1		FASTON TAB.....	2
28	24605G1		WIRE HARNESS (BRAKE LIGHT).....	1
29	17618G1		WIRE TIE.....	2

BRAKES



THE USE OF NON U.L. PARTS WILL VOID ANY U.L. LISTING.

When ordering parts, please specify the model and serial number of the product.

* Indicates a component that is not available as an individual part.

*** Indicates consult Customer Service Department for additional information.

ITEM	PART NO.	1 2 3 4 5	DESCRIPTION	QTY.
1	70582G01		SHOULDER BOLT (SS), 3/8" - 16 X 4" LG	1
2	70581G01		FLANGED BUSHING, .8" O.D. X .5" I.D.....	2
3	70676G01		TORSION SPRING	1
4	00643G1		LOCK WASHER, 3/8"	1
5	11098G5		LOCK NUT, 3/8" - 16.....	1
6	01038G01		SWAGEFORM SCREW - 1/4" - 20 X .7" LG (NOT ILLUSTRATED).....	1
7	12416G2		NYLON WEDGE LOCK CLAMP (NOT ILLUSTRATED).....	3
8	28083G01		BRAKE COMPENSATOR BUMPER.....	2
9	624700		BRAKE CABLE (DRIVER SIDE).....	1
10	624698		BRAKE CABLE (PASSENGER SIDE)	1
11	01111G01		RETAINING RING (SS), 13/32"	4
12	10386G3		CLEVIS PIN, 5/16" X 13/16" LG.....	3
13	10387G3		COTTER PIN, 3/32" X 3/4" LG.....	3
14				
15	70601G01		KICK-OFF LINK	1
16	17838G1		NYLON BUSHING, .37" O.D. X .31" I.D.	2
17	20835G1		TEFLON WASHER, 3/8"	2
18	00559G8		FLAT WASHER, 5/16"	2
19	10387G3		COTTER PIN, 3/32" X 3/4" LG.....	2
20	70098G01		KICK-OFF CAM PIVOT.....	1
21	10097G6		FLANGED BEARING	2
22	70587G01		KICK-OFF CAM	1
23	71215G01		SETSCREW, 1/4" - 20 X 1/2" LG	2
24	14134G4		SPACER, .76" O.D. X .395" I.D. X 1.25" LG	1
25	70113G01		ADJUSTABLE BUMPER.....	1
26	11027G1		LOCK NUT, 5/16 - 18"	1
27	70080G02		CATCH BRACKET	1
28	00414G6		HEX HEAD BOLT, 1/4" - 20 X 3/4" LG	2
29	14390G4		LOCK NUT (SS), 1/4" - 20	2
30				
31				

BRAKES

THE USE OF NON U.L. PARTS WILL VOID ANY U.L. LISTING.

When ordering parts, please specify the model and serial number of the product.

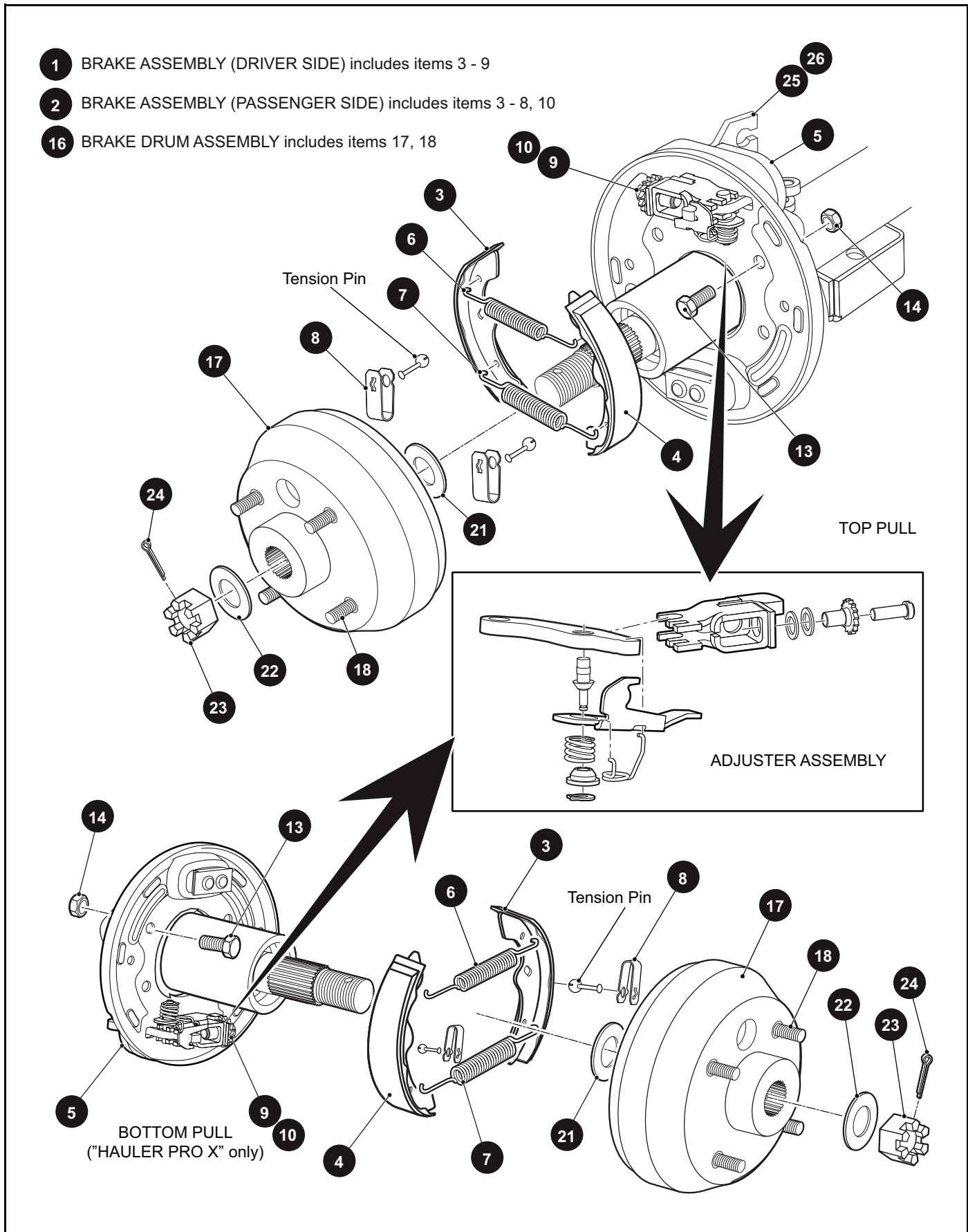
* Indicates a component that is not available as an individual part.

*** Indicates consult Customer Service Department for additional information.

ITEM	PART NO.	1	2	3	4	5	DESCRIPTION	QTY.
32	612558						COMPENSATOR ASSEMBLY (INCLUDES ITEMS 33 - 42)	1
33	00532G4						HEX NUT, 5/16" - 48	2
34	629486						HEX NUT, 5/16" - 24	1
35	28082G01						EQUALIZER BRACKET	1
36	15121G1						FLAT WASHER - 5/16".....	2
37	17979G1						ACCELERATOR ROD BUSHING, .75" O.D. X 2" LG	1
38	23061G2						TUBE.....	1
39	23463G1						COMPRESSION SPRING	1
40	27330G01						BRAKE YOKE	1
41	11098G9						HEX LOCK NUT, 5/16" - 24	1
42	612557						COMPENSATOR LINK ROD	1

BRAKES

- 1 BRAKE ASSEMBLY (DRIVER SIDE) includes items 3 - 9
- 2 BRAKE ASSEMBLY (PASSENGER SIDE) includes items 3 - 8, 10
- 16 BRAKE DRUM ASSEMBLY includes items 17, 18



THE USE OF NON U.L. PARTS WILL VOID ANY U.L. LISTING.

When ordering parts, please specify the model and serial number of the product.

* Indicates a component that is not available as an individual part.

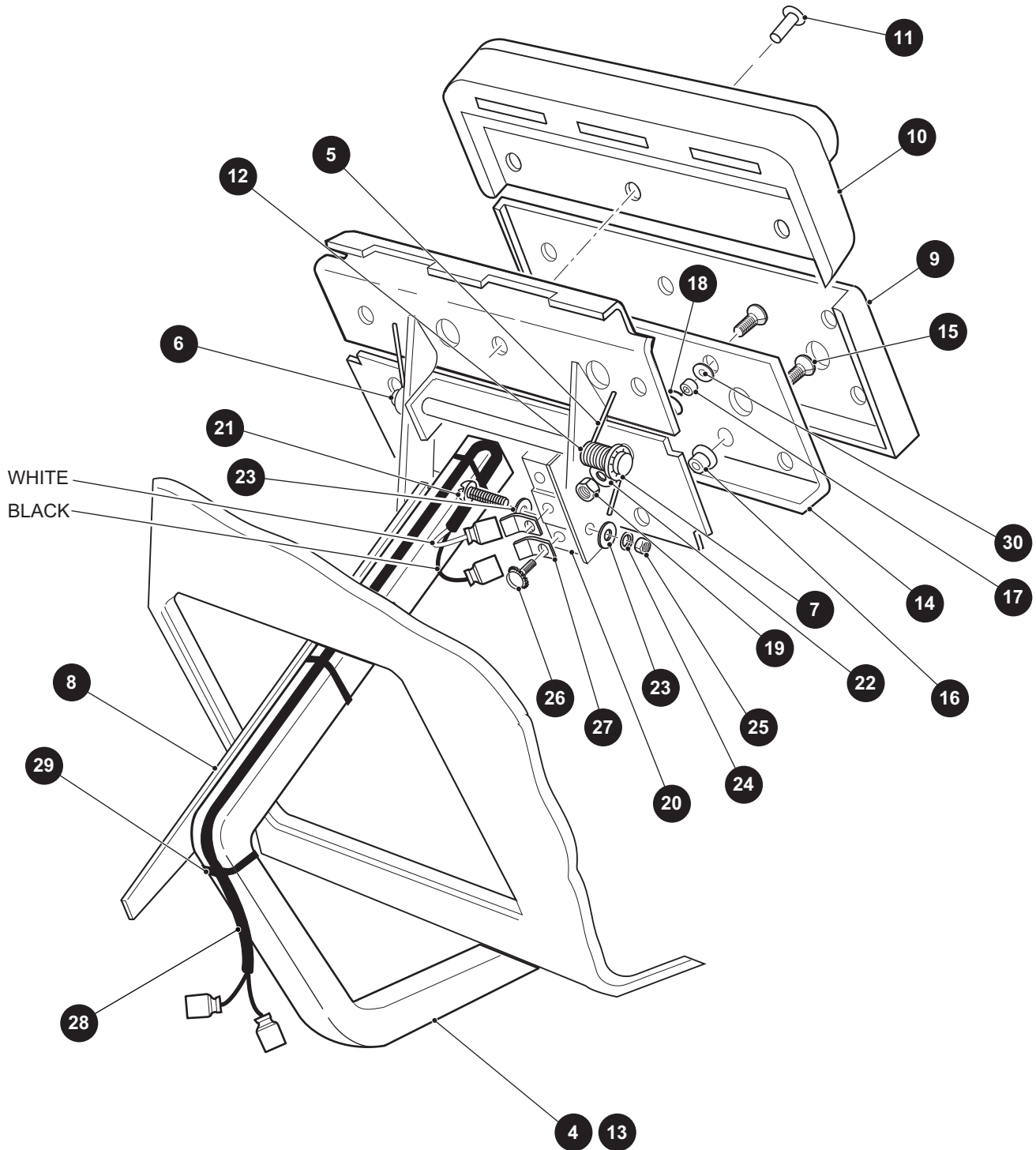
*** Indicates consult Customer Service Department for additional information.

ITEM	PART NO.	1 2 3 4 5	DESCRIPTION	QTY.
1	612211		BRAKE ASSEMBLY (DRIVER SIDE) (INCLUDES ITEMS 3 - 9)	1
2	612189		BRAKE ASSEMBLY (PASSENGER SIDE) (INCLUDES ITEMS 3 - 8, 10)	1
3	612411		BRAKE SHOE, LEADING	1
4	612412		BRAKE SHOE, TRAILING	1
5	612413		DUST COVER	1
6	612415		BRAKE SPRING, TOP	1
7	612414		BRAKE SPRING, BOTTOM	1
8	612416		SHOE CLAMP	2
9	612418		GEAR ADJUSTER (DRIVER SIDE)	1
10	612417		GEAR ADJUSTER (PASSENGER SIDE)	1
11				
12				
13	17083G2		HEX HEAD BOLT, 5/16" - 24 X 1" LG	8
14	15126G1		LOCK NUT, 5/16" - 24	8
15				
16	21807G2		BRAKE DRUM ASSEMBLY (INCLUDES ITEMS 17, 18)	2
17	20947G1		BRAKE DRUM	1
18	19862G2		LUG BOLT, 1/2" - 20 X 1 3/16" LG	4
19				
20				
21	21809G1		FLAT WASHER, INNER WHEEL RIM, 1.31" O.D. X .85" I.D.	2
22	21830G1		FLAT WASHER - BRAKE DRUM, 1.5" O.D. X .76" I.D.	2
23	12093G1		SLOTTED HEX NUT, 3/4" - 16	2
24	00798G8		COTTER PIN, 5/32" X 1 3/4" LG	2
25	608200		BRAKE CABLE BRACKET (PASSENGER SIDE)	1
26	608201		BRAKE CABLE BRACKET (DRIVER SIDE)	1

BRAKES - FRONT DISC

1 BRAKE PEDAL ASSEMBLY (WITHOUT BRAKE LIGHTS) includes items 4 - 12

2 BRAKE PEDAL ASSEMBLY (WITH BRAKE LIGHTS) includes items 5 - 30



BRAKES - FRONT DISC

THE USE OF NON U.L. PARTS WILL VOID ANY U.L. LISTING.

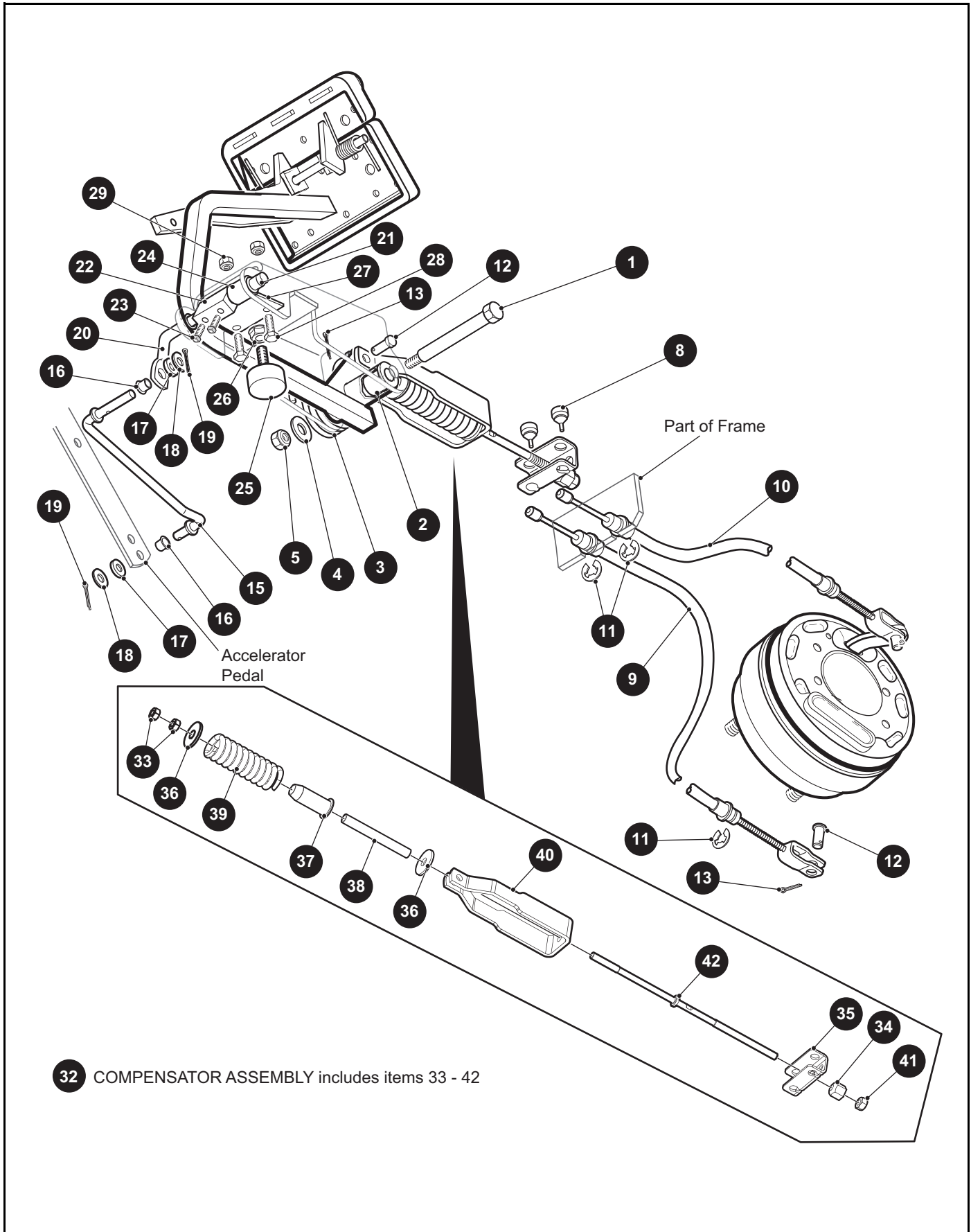
When ordering parts, please specify the model and serial number of the product.

* Indicates a component that is not available as an individual part.

*** Indicates consult Customer Service Department for additional information.

ITEM	PART NO.	1 2 3 4 5	DESCRIPTION	QTY.
1	74723G01		BRAKE PEDAL ASSEMBLY (WITHOUT BRAKE LIGHTS) (INCLUDES ITEMS 4 - 12)	1
2	74874G01		BRAKE PEDAL ASSEMBLY (WITH BRAKE LIGHTS) (INCLUDES ITEMS 5 - 30)	1
3				
4	74721G01		BRAKE PEDAL (WITHOUT LIGHTS).....	1
5	70681G01		TORSION SPRING.....	2
6	70682G01		PARKING BRAKE PEDAL PIN.....	1
7	01071G01		PUSHNUT, 5/16" - 24	2
8	641760		PARK BRAKE PEDAL	1
9	70257G01		BRAKE PAD	1
10	70256G01		PARK BRAKE PEDAL PAD	1
11	16409G1		OVAL RIVET, 3/16" X 15/32" LG	9
12	20835G1		NYLON WASHER, 3/8"	2
13	74870G01		BRAKE PEDAL (WITH LIGHTS)	1
14	70258G03		BRAKE PEDAL PLATE.....	1
15	00737G8		FLAT HEAD PHILLIPS SCREW, #10 - 24 X 1" LG.....	4
16	00739G1		RUBBER NUT, #10 - 24	2
17	652355		BRAKE PEDAL SPACER	2
18	27137G01		CONICAL SPRING	2
19	14390G10		LOCK NUT, #10 - 24.....	2
20	10606G8		LIMIT SWITCH (3 POLE)	1
21	00645G2		HEX HEAD CAP SCREW, #6 - 32 X 1 1/4" LG	2
22	00559G5		FLAT WASHER, #10	2
23	00559G3		FLAT WASHER, #6	4
24	00565G3		LOCK WASHER, #6	2
25	00525G5		HEX NUT, #6 - 32	2
26	13514G1		BRASS LIMIT SWITCH SCREW, #6 - 32 X 7/32" LG	2
27	14628G1		FASTON TAB.....	2
28	24605G1		WIRE HARNESS (BRAKE LIGHT).....	1
29	17618G1		WIRE TIE.....	3
30	00642G8		FLAT WASHER, 5/16"	2

BRAKES - FRONT DISC



BRAKES - FRONT DISC

THE USE OF NON U.L. PARTS WILL VOID ANY U.L. LISTING.

When ordering parts, please specify the model and serial number of the product.

* Indicates a component that is not available as an individual part.

*** Indicates consult Customer Service Department for additional information.

ITEM	PART NO.	1 2 3 4 5	DESCRIPTION	QTY.
1	70582G01		SHOULDER BOLT (SS), 3/8" - 16 X 4" LG	1
2	70581G01		FLANGED BUSHING, .8" O.D. X .5" I.D.....	2
3	70676G01		TORSION SPRING	1
4	00643G1		LOCK WASHER, 3/8"	1
5	11098G5		LOCK NUT, 3/8" - 16.....	1
6	01038G01		SWAGEFORM SCREW, 1/4" - 20 X .7" LG (NOT ILLUSTRATED)	1
7	12416G2		NYLON WEDGE LOCK CLAMP (NOT ILLUSTRATED)	3
8	28083G01		BRAKE COMPENSATOR BUMPER.....	2
9	624700		BRAKE CABLE (DRIVER SIDE).....	1
10	624698		BRAKE CABLE (PASSENGER SIDE)	1
11	01111G01		RETAINING RING (SS).....	4
12	10386G3		CLEVIS PIN, 5/16" X 13/16" LG.....	2
13	10387G3		COTTER PIN, 3/32" X 3/4" LG.....	2
14				
15	70601G01		KICK-OFF LINK	1
16	17838G1		NYLON BUSHING	2
17	20835G1		TEFLON WASHER, 3/8"	2
18	00559G8		FLAT WASHER, 5/16"	2
19	10387G3		COTTER PIN, 3/32" X 3/4" LG.....	2
20	70098G01		KICK-OFF CAM PIVOT.....	1
21	10097G6		FLANGED BEARING	2
22	70587G01		KICK-OFF CAM	1
23	71215G01		SET SCREW WITH PATCH LOCK, 1/4" - 20 X 1/2" LG	2
24	14134G4		SPACER, 1.25"	1
25	70113G01		ADJUSTABLE BUMPER.....	1
26	11027G1		LOCK NUT, 5/16" - 18.....	1
27	70080G02		CATCH BRACKET	1
28	00414G6		HEX HEAD BOLT, 1/4" - 20 X 1/2" LG	2
29	14390G4		LOCK NUT, 1/4" - 20".....	2
30				
31				

BRAKES - FRONT DISC

THE USE OF NON U.L. PARTS WILL VOID ANY U.L. LISTING.

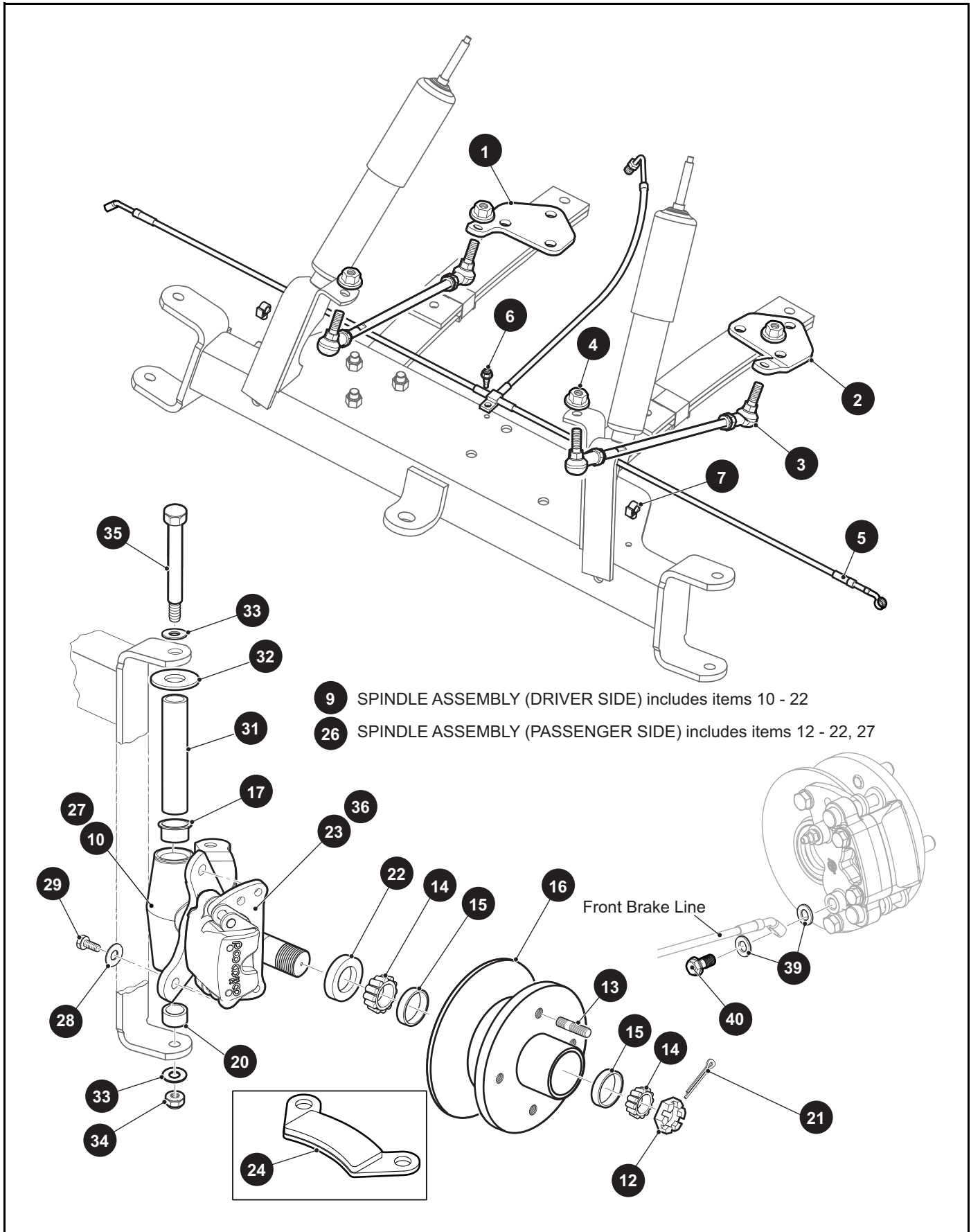
When ordering parts, please specify the model and serial number of the product.

* Indicates a component that is not available as an individual part.

*** Indicates consult Customer Service Department for additional information.

ITEM	PART NO.	1	2	3	4	5	DESCRIPTION	QTY.
32	612558						COMPENSATOR ASSEMBLY (INCLUDES ITEMS 33 - 42)	1
33	00532G4						HEX NUT, 1/4" - 20	2
34	629486						HEX NUT, 5/16" - 24	1
35	28082G01						EQUALIZER BRACKET	1
36	15121G1						FLAT WASHER, 5/16"	2
37	17979G1						ACCELERATOR ROD BUSHING	1
38	23061G2						TUBE.....	1
39	23463G1						COMPRESSION SPRING	1
40	27330G01						BRAKE YOKE	1
41	11098G9						HEX LOCK NUT, 5/16" - 24	1
42	612557						COMPENSATOR LINK ROD	1

BRAKES - FRONT DISC



BRAKES - FRONT DISC

THE USE OF NON U.L. PARTS WILL VOID ANY U.L. LISTING.

When ordering parts, please specify the model and serial number of the product.

* Indicates a component that is not available as an individual part.

*** Indicates consult Customer Service Department for additional information.

ITEM	PART NO.	1 2 3 4 5	DESCRIPTION	QTY.
1	74731G02		SPRING PLATE (PASSENGER SIDE)	1
2	74731G01		SPRING PLATE (DRIVER SIDE).....	1
3	74730G01		FOUR LINK ROD.....	2
4	606279		HEX NUT, M10 - 1.25.....	4
5	630766		BRAKE LINE.....	1
6	01038G01		SWAGEFORM SCREW, 1/4" - 20 X 1/2" LG	1
7	74875G01		WIRE RETAINER.....	2
8				
9	602281		SPINDLE ASSEMBLY (DRIVER SIDE) (INCLUDES ITEMS 10 - 22).....	1
10	602176		DISC BRAKE SPINDLE (DRIVER SIDE).....	1
11				
12	12093G1		SLOTTED NUT, 1" - 14.....	1
13	74864G01		DRIVE FLANGE STUD, 1.5"	4
14	11750G2		ROLLER BEARING	2
15	51141G1		BEARING RACE	2
16	630672		DISC BRAKE HUB	1
17	632925		FLANGED BEARING	1
18				
19				
20	632926		BEARING	1
21	00798G8		COTTER PIN, 5/32" X 1 3/4" LG	1
22	25146G1		GREASE SEAL.....	1
23	633918G01		CALIPER (DRIVER SIDE)	1
24	649167		BRAKE PAD.....	2
25				
26	602288		SPINDLE ASSEMBLY (PASSENGER SIDE) (INCLUDES ITEMS 12 - 22, 27)	1
27	602158		DISC BRAKE SPINDLE (PASSENGER SIDE).....	1
28	00566G1		FLAT WASHER, 3/8"	2
29	00426G8		HEX HEAD BOLT, 3/8" - 16 X 1" LG	2
30				

BRAKES - FRONT DISC

THE USE OF NON U.L. PARTS WILL VOID ANY U.L. LISTING.

When ordering parts, please specify the model and serial number of the product.

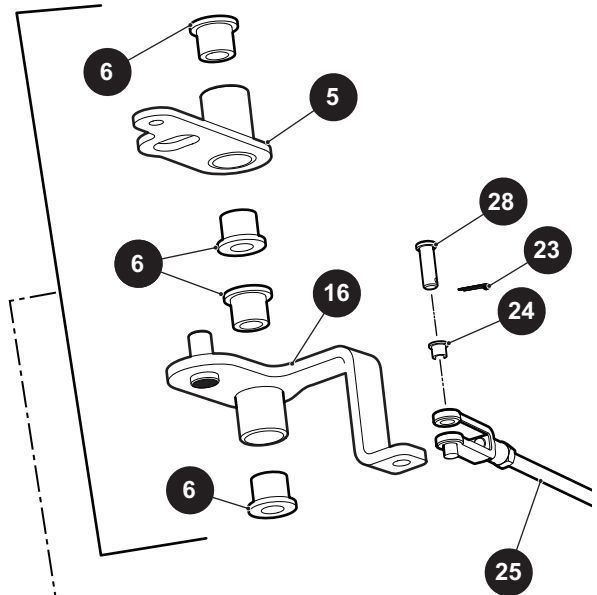
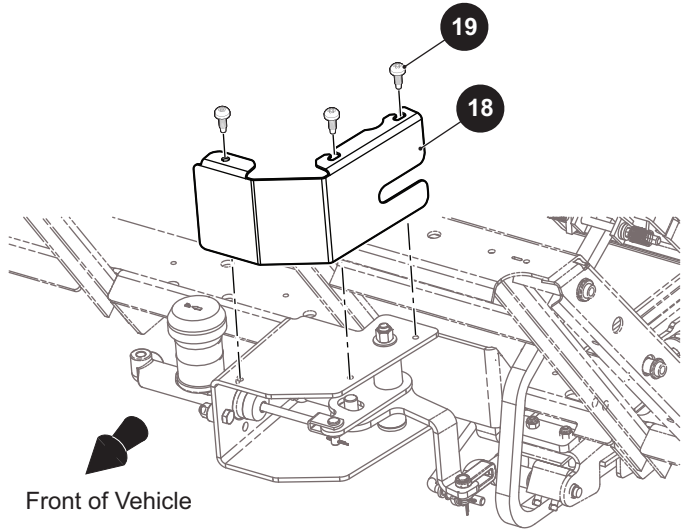
* Indicates a component that is not available as an individual part.

*** Indicates consult Customer Service Department for additional information.

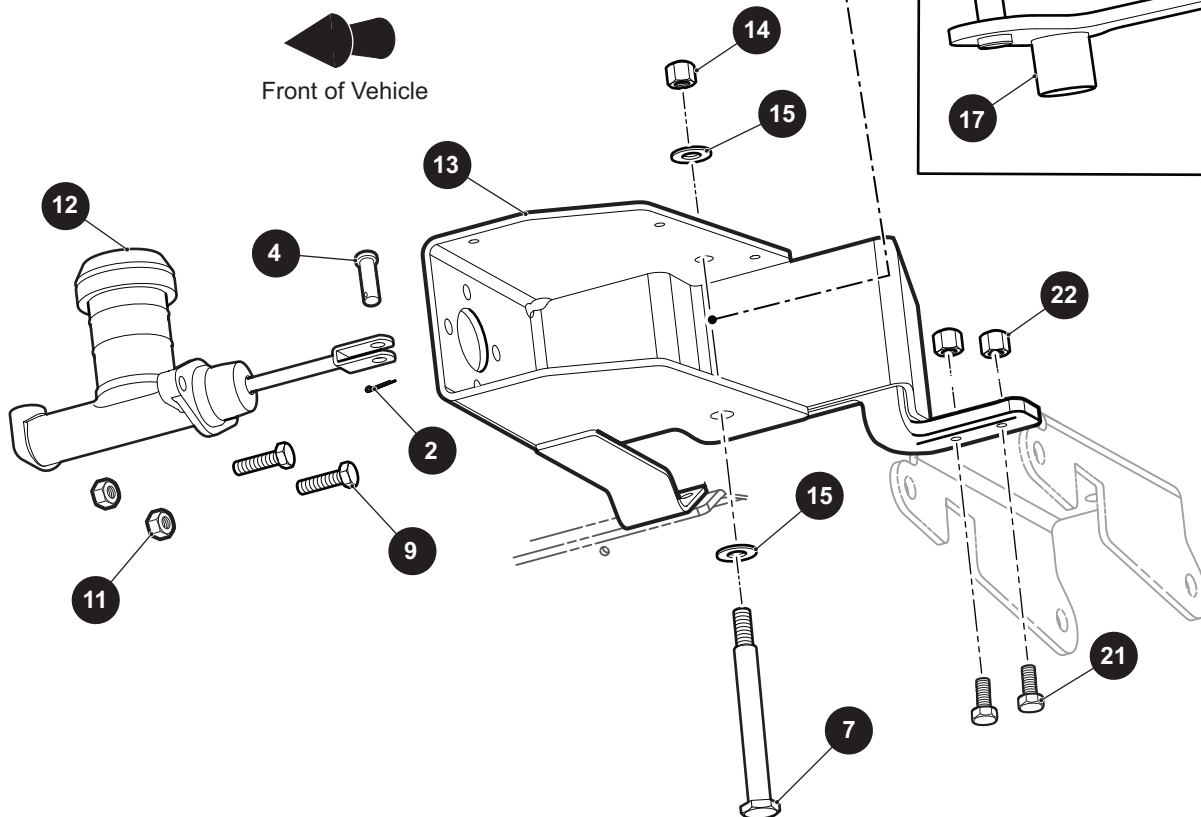
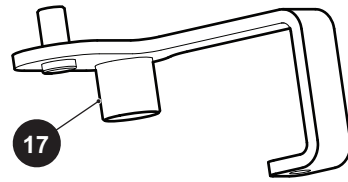
ITEM	PART NO.	1	2	3	4	5	DESCRIPTION	QTY.
31	70745G01						KINGPIN TUBE	2
32	70754G01						THRUST WASHER, 1.38" O.D. X .995" I.D.	2
33	00560G3						LOCK WASHER, 1/2"	4
34	14390G6						LOCK NUT, 1/2" - 13	2
35	00407G6						HEX HEAD BOLT, 1/2" - 13 X 6" LG.....	2
36	633918G02						CALIPER (PASSENGER SIDE)	1
37								
38								
39	613293						CRUSH WASHER, M10	4
40	616459						BANJO BOLT, M10 - 1" X 20MM LG	2

BRAKES - FRONT DISC

1 FRONT DISC BRAKE ACTUATOR ASSEMBLY includes items 2 - 17



FOR VEHICLES MANUFACTURED FROM 25 NOV 2014



BRAKES - FRONT DISC

THE USE OF NON U.L. PARTS WILL VOID ANY U.L. LISTING.

When ordering parts, please specify the model and serial number of the product.

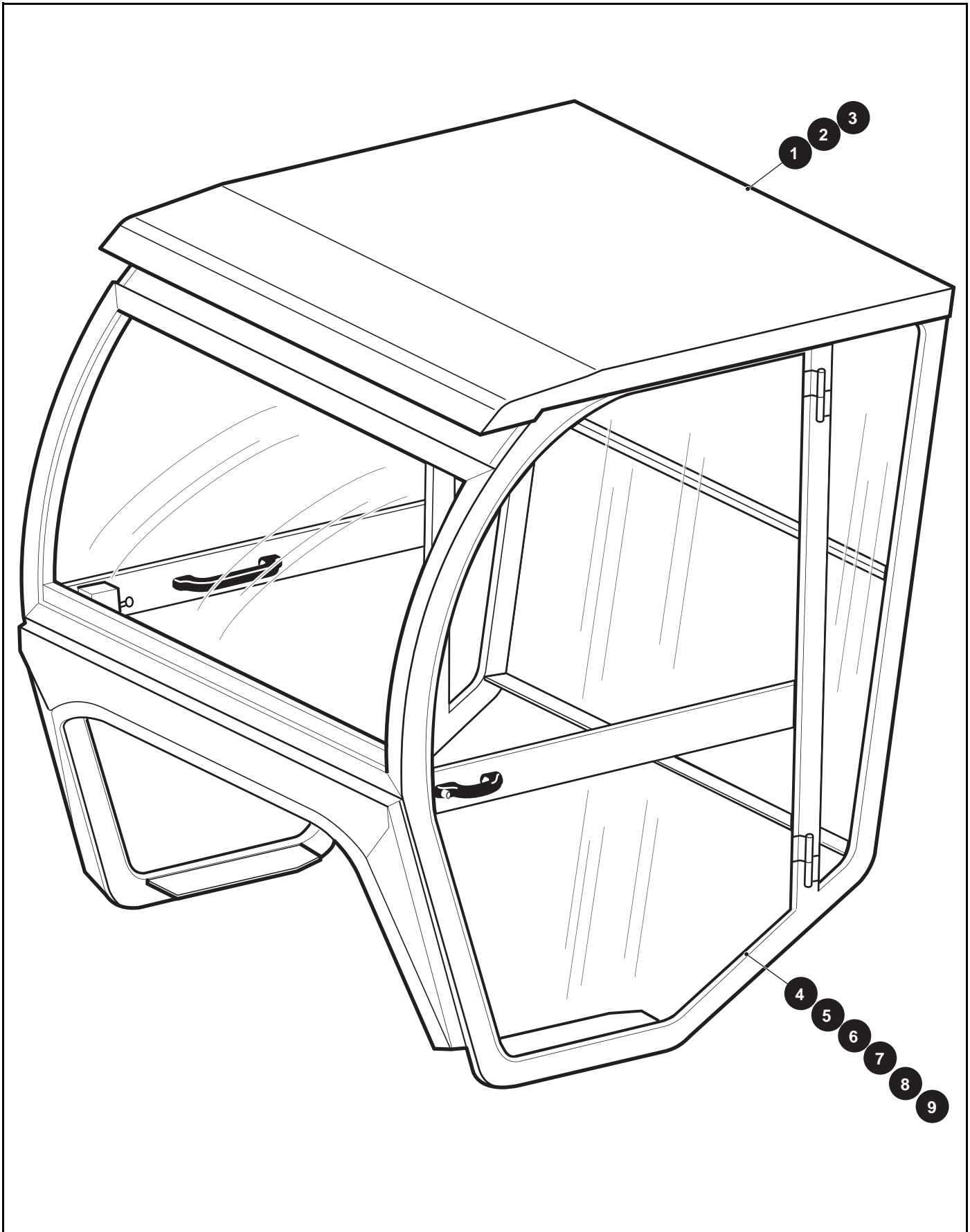
* Indicates a component that is not available as an individual part.

*** Indicates consult Customer Service Department for additional information.

ITEM	PART NO.	1 2 3 4 5	DESCRIPTION	QTY.
1	608706		FRONT DISC BRAKE ACTUATOR ASSEMBLY (INCLUDES ITEMS 2 - 17)	1
2	10387G3		COTTER PIN, 3/32" X 3/4" LG	1
3				
4	10386G3		CLEVIS PIN, 5/16" X 1" LG	1
5	608122		UPPER ACTUATOR PIVOT BRACKET	1
6	70581G02		ACETAL BUSHING, .79" O.D. X .5" I.D. X .75" LG	4
7	74711G01		ACTUATOR PIVOT BOLT, 3/4" - 16 X 3/4" LG	1
8				
9	00439G1		HEX HEAD BOLT, 1/2" - 13 X 6" LG.....	2
10				
11	11098G6		LOCK NUT, 5/16" - 18	2
12	887364		MASTER CYLINDER	1
13	612706		MASTER CYLINDER WELDMENT MOUNT.....	1
14	11098G5		LOCK NUT, 3/8" - 16	1
15	00679G1		LOCK WASHER (SS), 3/8".....	2
16	608118		LOWER ACTUATOR PIVOT (FOR VEHICLES MANUFACTURED BEFORE 25 NOV 2014).....	1
17	641826		LOWER ACTUATOR PIVOT (FOR VEHICLES MANUFACTURED FROM 25 NOV 2014).....	1
18	612704		ACTUATOR ASSEMBLY COVER	1
19	01038G01		SWAGEFORM SCREW, 1/4" - 20 X 1/2" LG	3
20				
21	00414G6		HEX HEAD BOLT, 1/4" - 20 X 1/2" LG	2
22	14390G4		LOCK NUT, 1/4" - 20.....	2
23	10387G3		COTTER PIN, .094" X .75" LG.....	2
24	17838G1		NYLON BUSHING, .37" O.D. X .31" I.D.	2
25	608943		ACTUATOR LINKAGE	1
26	00771G5		FLAT WASHER, 3/8" (NOT ILLUSTRATED).....	1
27	21504G1		BRAKE FLUID (NOT ILLUSTRATED)	AR
28	10386G3		CLEVIS PIN, 5/16" X 13/16" LG.....	2

Notes:

Grid for notes



THE USE OF NON U.L. PARTS WILL VOID ANY U.L. LISTING.

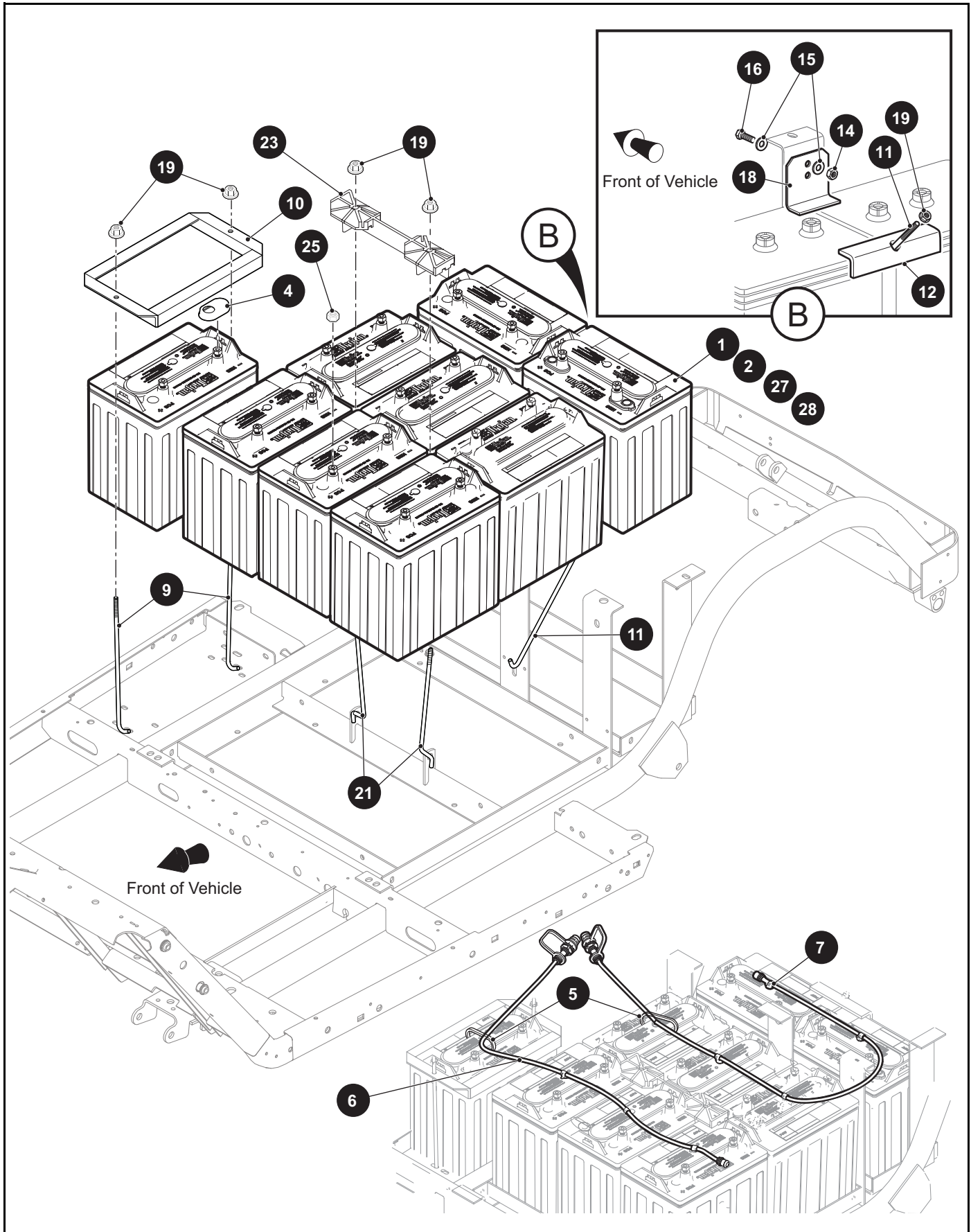
When ordering parts, please specify the model and serial number of the product.

* Indicates a component that is not available as an individual part.

*** Indicates consult Customer Service Department for additional information.

ITEM	PART NO.	1 2 3 4 5	DESCRIPTION	QTY.
1	72684G01		STEEL CAB (WITHOUT DOORS) (TAN)	1
2	72684G02		STEEL CAB (WITHOUT DOORS) (WHITE)	1
3	72684G03		STEEL CAB (WITHOUT DOORS) (OTHER)	1
4	75855G01		VINYL DOOR KIT (TAN)	1
5	75855G02		VINYL DOOR KIT (WHITE).....	1
6	75855G03		VINYL DOOR KIT (OTHER).....	1
7	75856G01		STEEL DOOR KIT (TAN)	1
8	75856G02		STEEL DOOR KIT (WHITE).....	1
9	75856G03		STEEL DOOR KIT (OTHER).....	1

ELECTRICAL SYSTEM



ELECTRICAL SYSTEM

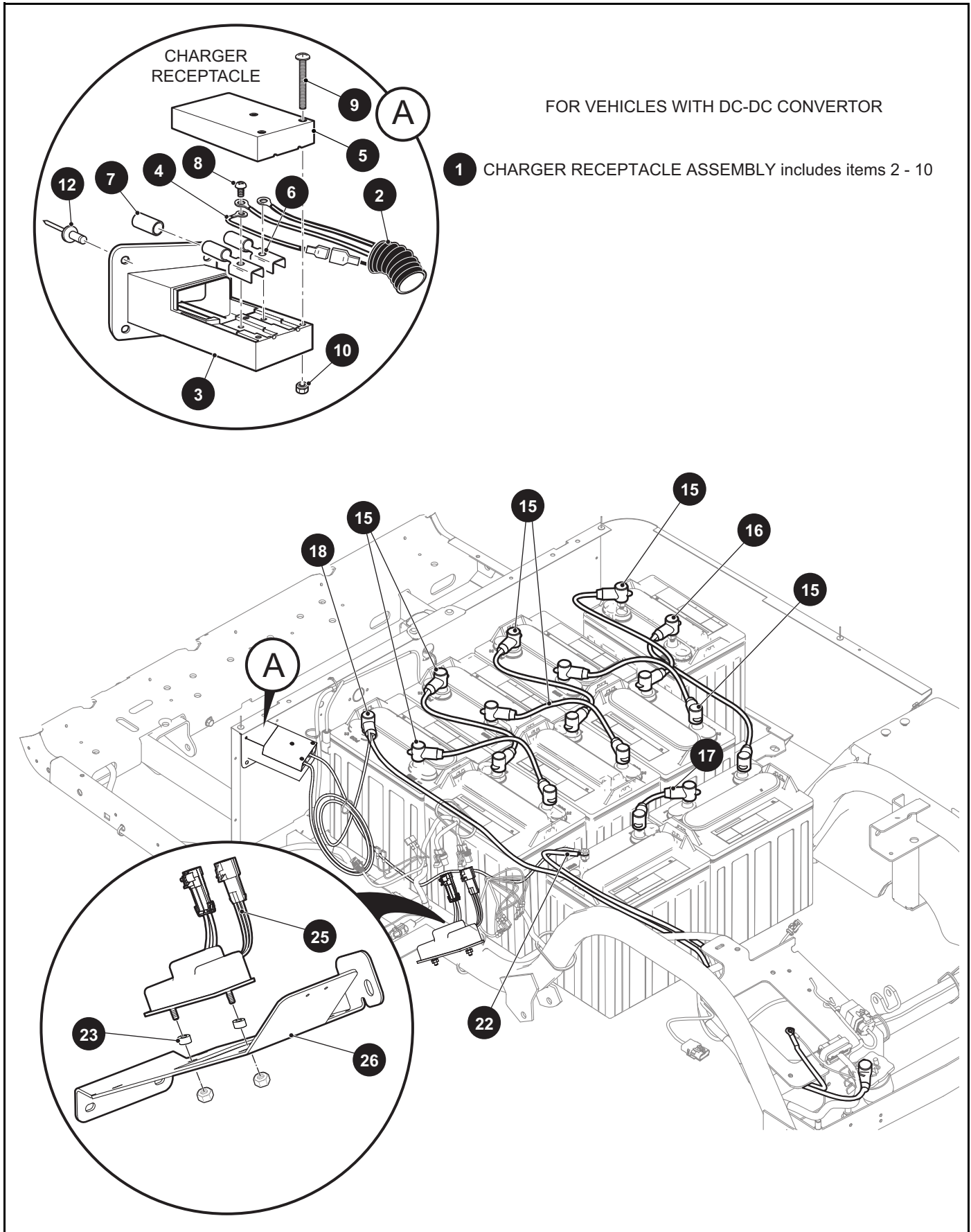
THE USE OF NON U.L. PARTS WILL VOID ANY U.L. LISTING.

When ordering parts, please specify the model and serial number of the product.

* Indicates a component that is not available as an individual part.

*** Indicates consult Customer Service Department for additional information.

ITEM	PART NO.	1 2 3 4 5	DESCRIPTION	QTY.
1	614015		8 VOLT BATTERY - T890.....	9
2	612626		8 VOLT BATTERY - T875.....	9
3				
4	631156		TERMINAL PROTECTOR.....	17
5	615352		POLYPROPYLENE CLAMP.....	2
6	624372		HYDROLINK, SNAKE (SHORT)	1
7	624371		HYDROLINK, SNAKE (LONG).....	1
8				
9	70386G01		TIE DOWN BOLT	2
10	616229		BATTERY HOLD DOWN WELDMENT	1
11	01087G01		BATTERY HOLD DOWN ROD.....	1
12	11841G1		BATTERY HOLD DOWN ANGLE	1
13				
14	11098G6		LOCK NUT, 5/16" - 18	1
15	00559G8		FLAT WASHER, 5/16"	2
16	00438G6		HEX HEAD BOLT, 5/16" - 18 X 5/8" LG	1
17				
18	73218G02		BATTERY RETAINER ANGLE	1
19	11027G1		FLANGED LOCK NUT, 5/16" - 18	5
20				
21	01101G01		TIE DOWN BOLT	2
22				
23	612867		BATTERY RETAINER	1
24				
25	00702G2		HEX NUT, 5/16" - 18.....	18
26				
27	614381		8 VOLT BATTERY - T890, HYDROLINK.....	9
28	614382		8 VOLT BATTERY - T875, HYDROLINK.....	9



ELECTRICAL SYSTEM

THE USE OF NON U.L. PARTS WILL VOID ANY U.L. LISTING.

When ordering parts, please specify the model and serial number of the product.

* Indicates a component that is not available as an individual part.

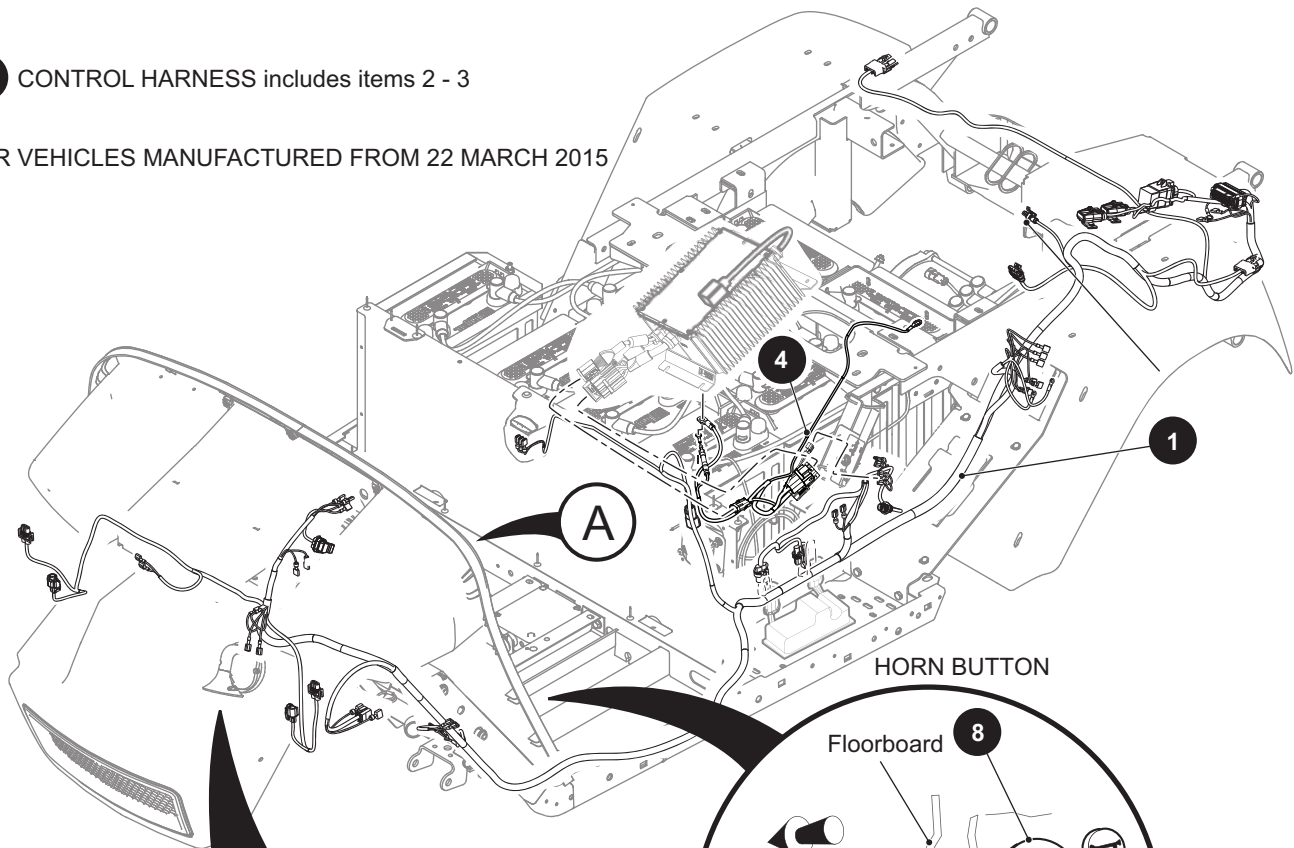
*** Indicates consult Customer Service Department for additional information.

ITEM	PART NO.	1 2 3 4 5	DESCRIPTION	QTY.
1	73063G01		CHARGER RECEPTACLE ASSEMBLY (INCLUDES ITEMS 2 - 10)	1
2	602594		CHARGER WIRE HARNESS WITH FUSE	1
3	73051G29		CHARGING RECEPTACLE	1
4	25978G25		18 GA WIRE (RED).....	1
5	*		RECEPTACLE COVER	1
6	*		FEMALE CONNECTOR	2
7	*		INSULATOR SLEEVE.....	1
8	*		BRASS SCREW, #10 - 32 X 1/2" LG	2
9	*		PAN HEAD SCREW (SS), #6 - 32 X 1 3/4" LG.....	3
10	*		LOCK NUT, #6 - 32	3
11				
12	14601G10		RIVET (ALUMINUM), 5/32"	4
13				
14				
15	634270G03		4 AWG BATTERY WIRE, 15" LG	6
16	634270G04		4 AWG BATTERY WIRE, 22" LG	1
17	634270G01		4 AWG BATTERY WIRE, 6" LG	1
18	634210G08		4 AWG BATTERY WIRE, 60" LG	1
19				
20	27619G01		BATTERY TERMINAL SPRAY (NOT ILLUSTRATED)	AR
21				
22	634210G09		4 AWG BATTERY WIRE, 38" LG	1
23	23726G11		SPACER, .30" LG	2
24				
25	633778		DC-DC CONVERTOR (72V)	1
26	633627		DC-DC SUPPORT BRACKET.....	1

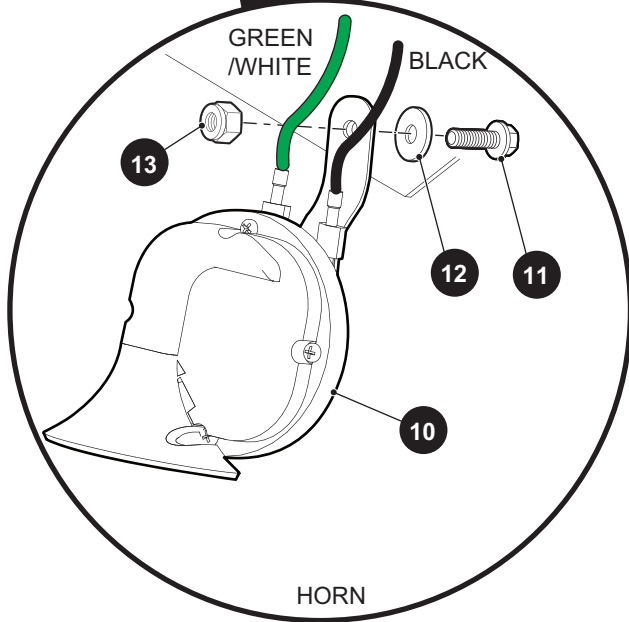
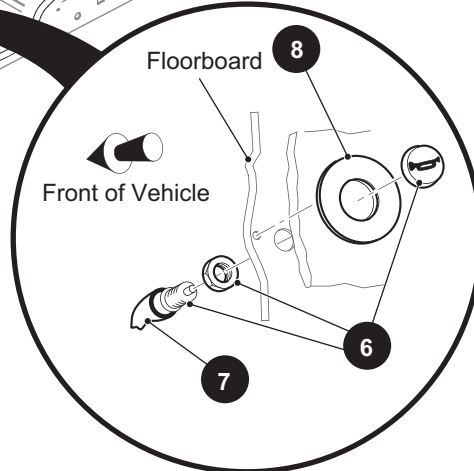
ELECTRICAL SYSTEM

1 CONTROL HARNESS includes items 2 - 3

FOR VEHICLES MANUFACTURED FROM 22 MARCH 2015



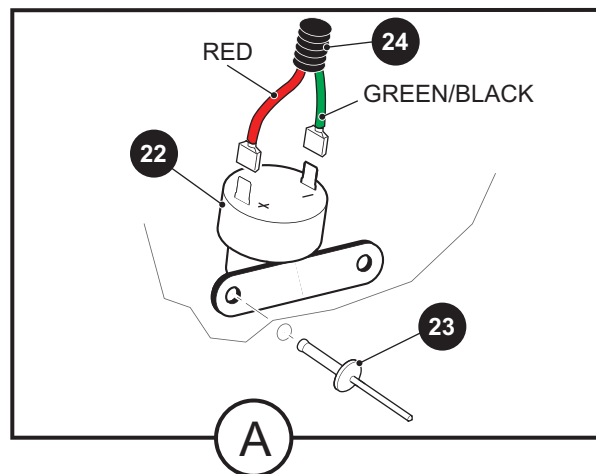
HORN BUTTON



HORN

10 HORN includes items 11 - 13

REVERSE BUZZER



A

ELECTRICAL SYSTEM

THE USE OF NON U.L. PARTS WILL VOID ANY U.L. LISTING.

When ordering parts, please specify the model and serial number of the product.

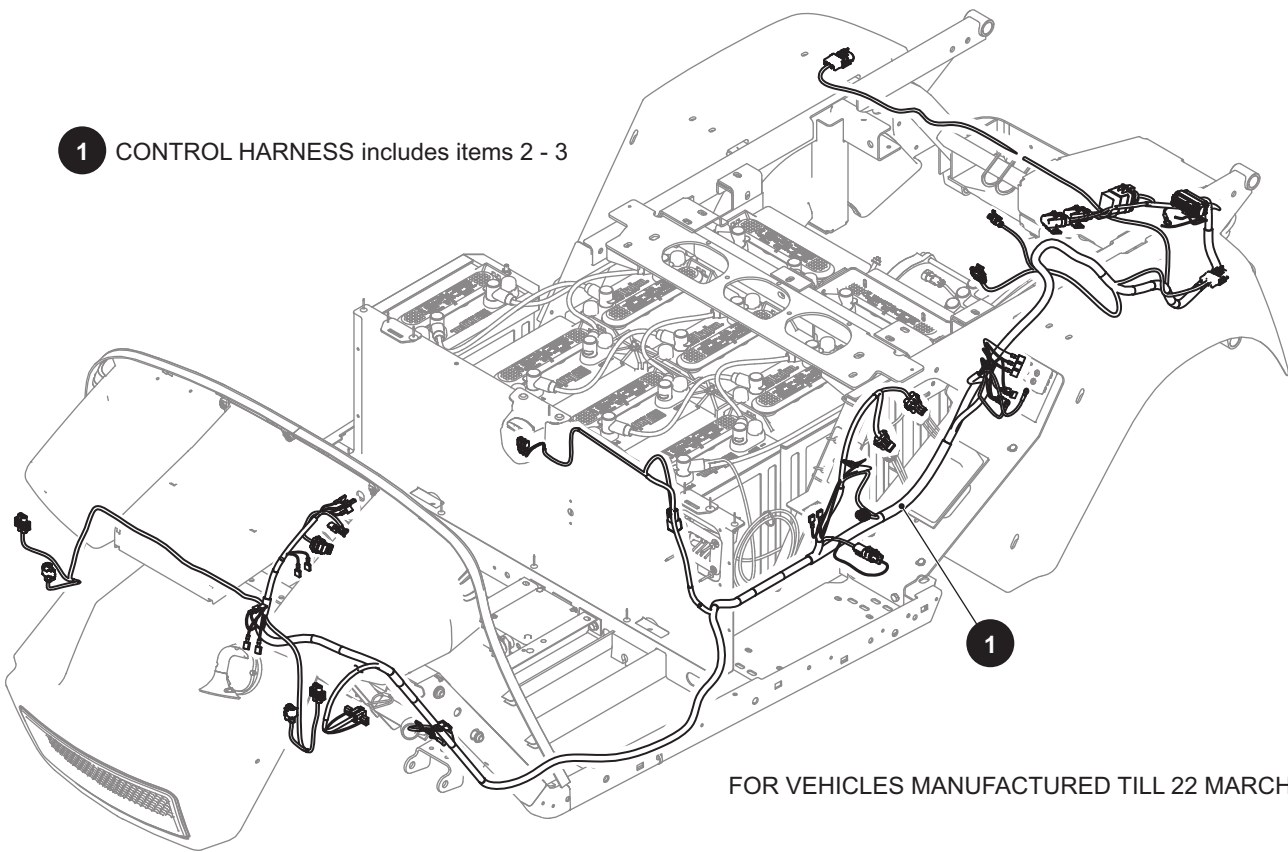
* Indicates a component that is not available as an individual part.

*** Indicates consult Customer Service Department for additional information.

ITEM	PART NO.	1 2 3 4 5	DESCRIPTION	QTY.
1	640265		CONTROL HARNESS (INCLUDES ITEMS 2 - 3) (FOR VEHICLES MANUFACTURED FROM 22 MARCH 2015).....	1
2	614870		RELAY, 24V (NOT ILLUSTRATED)	1
3	634056G05		FUSE, 80V 10 AMP (NOT ILLUSTRATED)	2
4	640264		HARNESS (ON-BOARD CHARGER) (FOR VEHICLES MANUFACTURED FROM 22 MARCH 2015).....	1
5				
6	17318G1		MOMENTARY SWITCH	1
7	27068G01		BOOT (HORN SWITCH)	1
8	608397		HORN PLATE.....	1
9				
10	32860G1		HORN (INCLUDES ITEM 11 - 13).....	1
11	*		HEX HEAD BOLT	1
12	*		FLAT WASHER.....	1
13	*		LOCK NUT.....	1
14				
15				
16				
17	17618G1		NYLON CLAMP (NOT ILLUSTRATED).....	14
18				
19				
20				
21				
22	613271		REVERSE BUZZER.....	1
23	01041G01		RIVET (BULBEX), 5/32"	2
24	634272		REVERSE BUZZER JUMPER	1

ELECTRICAL SYSTEM

1 CONTROL HARNESS includes items 2 - 3



FOR VEHICLES MANUFACTURED TILL 22 MARCH 2015

ELECTRICAL SYSTEM

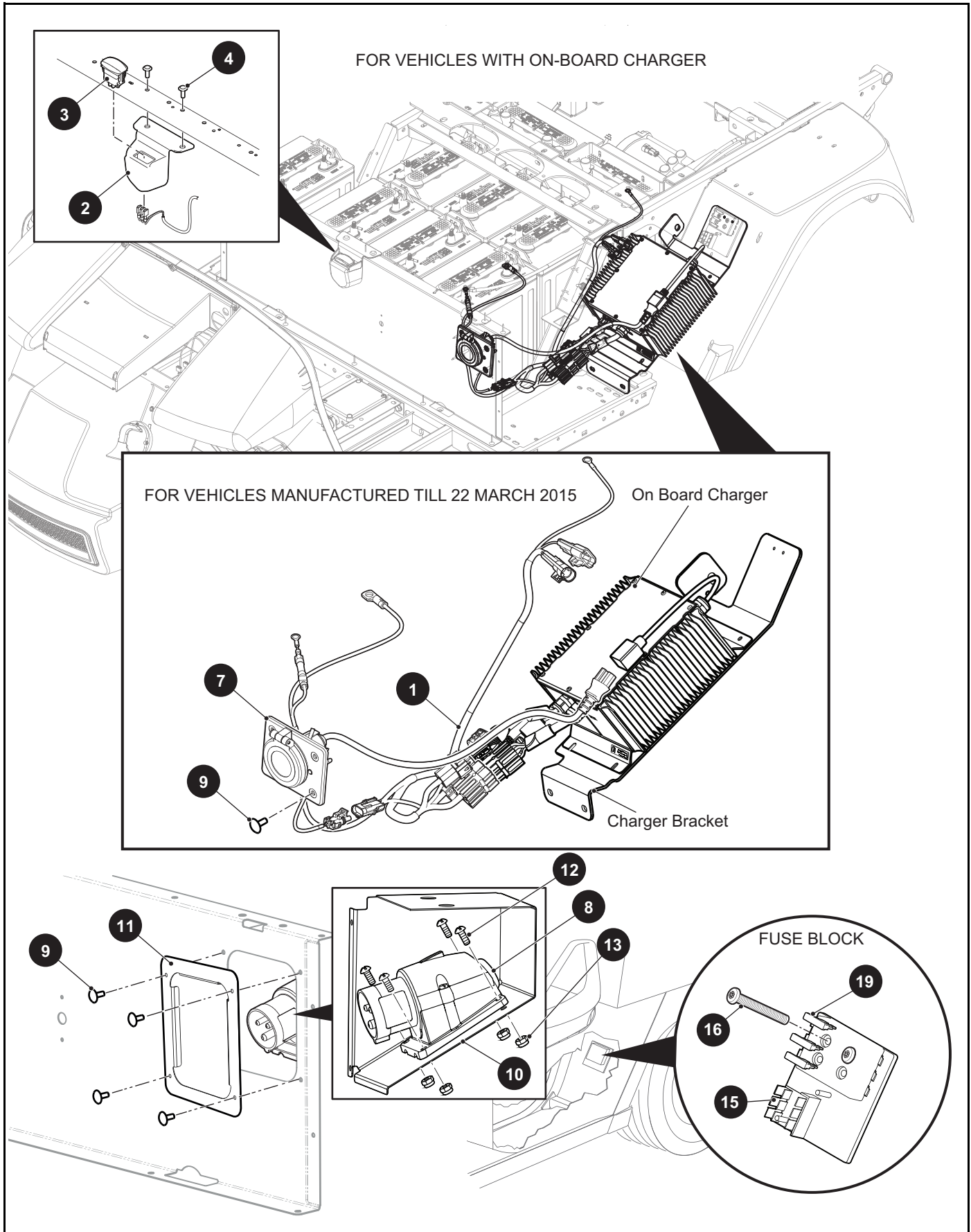
THE USE OF NON U.L. PARTS WILL VOID ANY U.L. LISTING.

When ordering parts, please specify the model and serial number of the product.

* Indicates a component that is not available as an individual part.

*** Indicates consult Customer Service Department for additional information.

ITEM	PART NO.	1 2 3 4 5	DESCRIPTION	QTY.
1	634964		CONTROL HARNESS (INCLUDES ITEMS 2 - 3) (FOR VEHICLES MANUFACTURED TILL 22 MARCH 2015)	1
2	604110		RELAY, 24V (NOT ILLUSTRATED)	1
3	634056G05		FUSE, 80V 10 AMP (NOT ILLUSTRATED)	2



ELECTRICAL SYSTEM

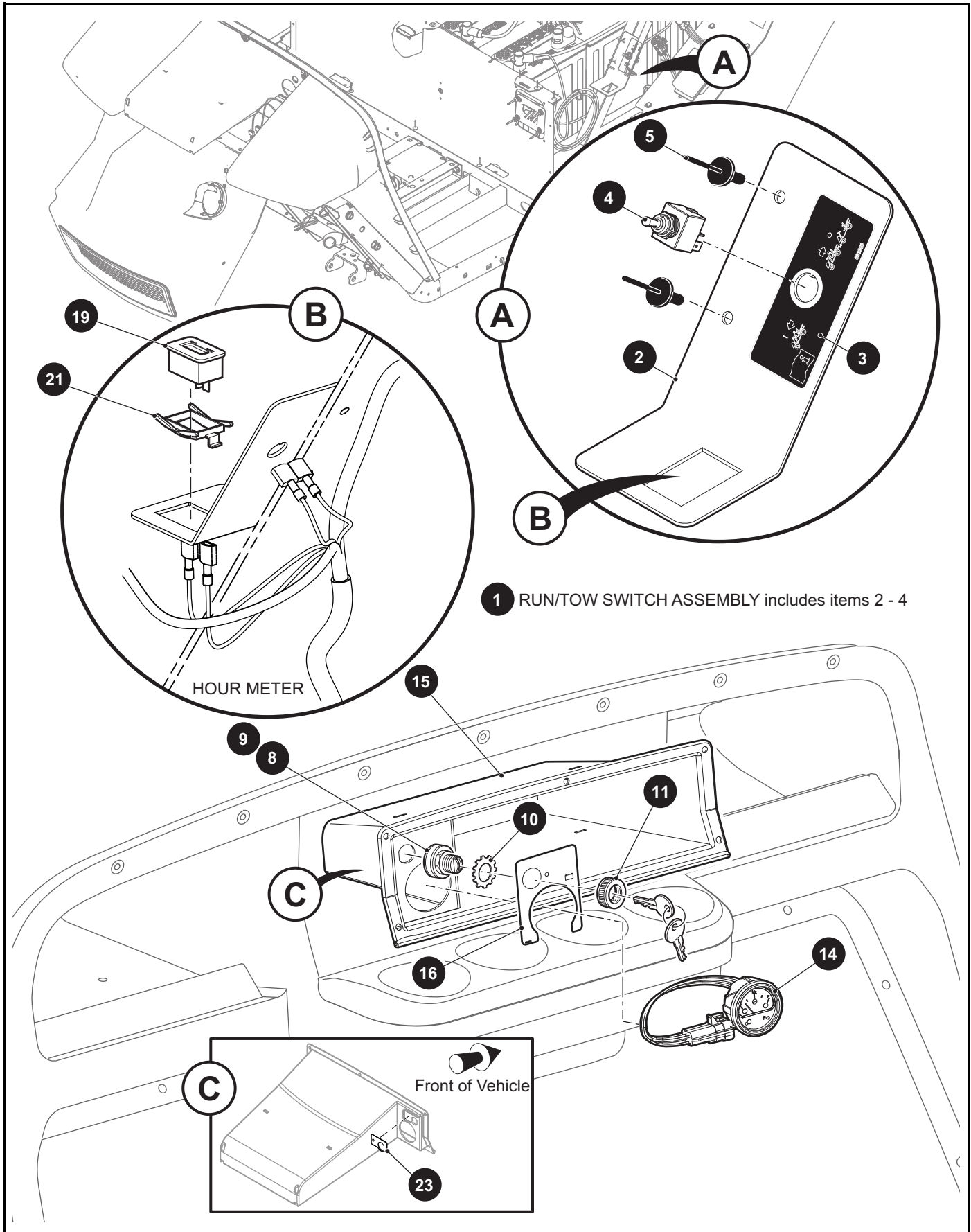
THE USE OF NON U.L. PARTS WILL VOID ANY U.L. LISTING.

When ordering parts, please specify the model and serial number of the product.

* Indicates a component that is not available as an individual part.

*** Indicates consult Customer Service Department for additional information.

ITEM	PART NO.	1 2 3 4 5	DESCRIPTION	QTY.
1	633505		HARNESS (ON-BOARD CHARGER) (FOR VEHICLES MANUFACTURED TILL 22 MARCH 2015)	1
2	628027		DIRECTION SELECTOR SWITCH HOLDER	1
3	624514G03		ROCKER SWITCH (DIRECTION SELECTOR)	1
4	18436G1		RIVET (PLASTIC)	2
5				
6				
7	610536		RECEPTACLE (ON-BOARD CHARGER)	1
8	638478		RECEPTACLE (AC - INTERNATIONAL).....	1
9	14601G10		RIVET (ALUMINUM), 5/32"	4
10	639167		RECEPTACLE BRACKET - CE (ON-BOARD CHARGER).....	1
11	639412		RECEPTACLE COVER PLATE - CE (ON-BOARD CHARGER).....	1
12	00379G4		PAN HEAD PHILLIPS SCREW, #10 - 24 X 1/2" LG.....	1
13	14390G10		LOCK NUT, #10 - 24	1
14				
15	630034		FUSE PANEL	1
16	635806		PAN HEAD TAPPING SCREW, #10 - 16 X 1" LG	2
17				
18				
19	35212G01		FUSE, 15A.....	3



ELECTRICAL SYSTEM

THE USE OF NON U.L. PARTS WILL VOID ANY U.L. LISTING.

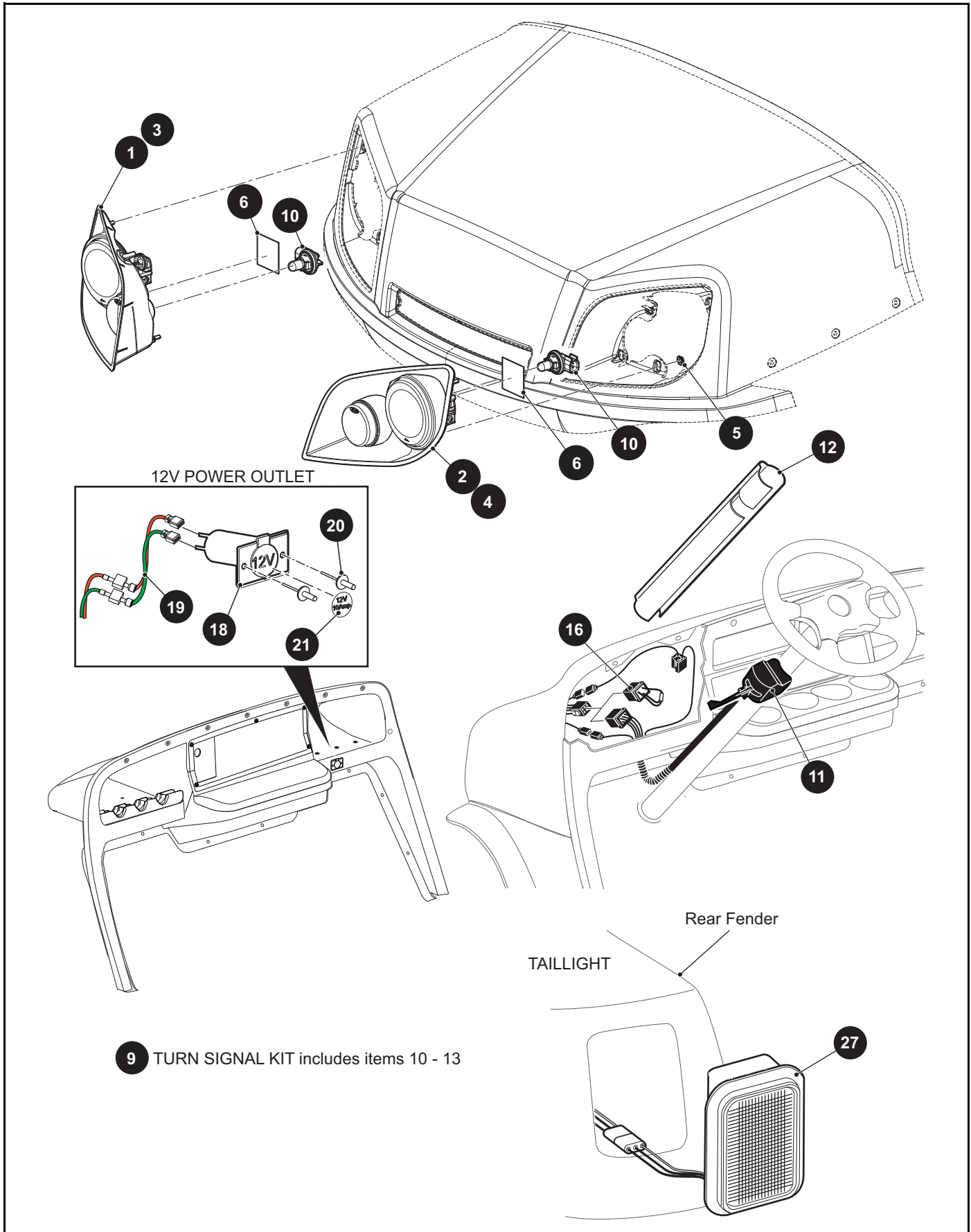
When ordering parts, please specify the model and serial number of the product.

* Indicates a component that is not available as an individual part.

*** Indicates consult Customer Service Department for additional information.

ITEM	PART NO.	1 2 3 4 5	DESCRIPTION	QTY.
1	634537		RUN/TOW SWITCH ASSEMBLY (INCLUDES ITEMS 2 - 4)	1
2	633745		BRACKET	1
3	633950		DECAL	1
4	650304G01		TOGGLE SWITCH.....	1
5	71055G01		RIVET, 3/16"	2
6				
7				
8	33639G01		KEY SWITCH (WITH LIGHTS)	1
9	33639G03		KEY SWITCH (WITH LIGHTS - INDIVIDUALLY KEYED)	1
10	00568G6		LOCK WASHER, 3/4"	1
11	17137G1		FACE NUT, 3/4" - 20.....	1
12				
13				
14	631656		STATE OF CHARGE METER	1
15	633783		CENTER COMPARTMENT	1
16	634221		STATE OF CHARGE DECAL (ON - OFF).....	1
17				
18				
19	620133		HOUR METER	1
20				
21	74696G01		RETAINER CLIP.....	2
22				
23	637081G01		PLATE, KEYSWITCH	1

ELECTRICAL SYSTEM



ELECTRICAL SYSTEM

THE USE OF NON U.L. PARTS WILL VOID ANY U.L. LISTING.

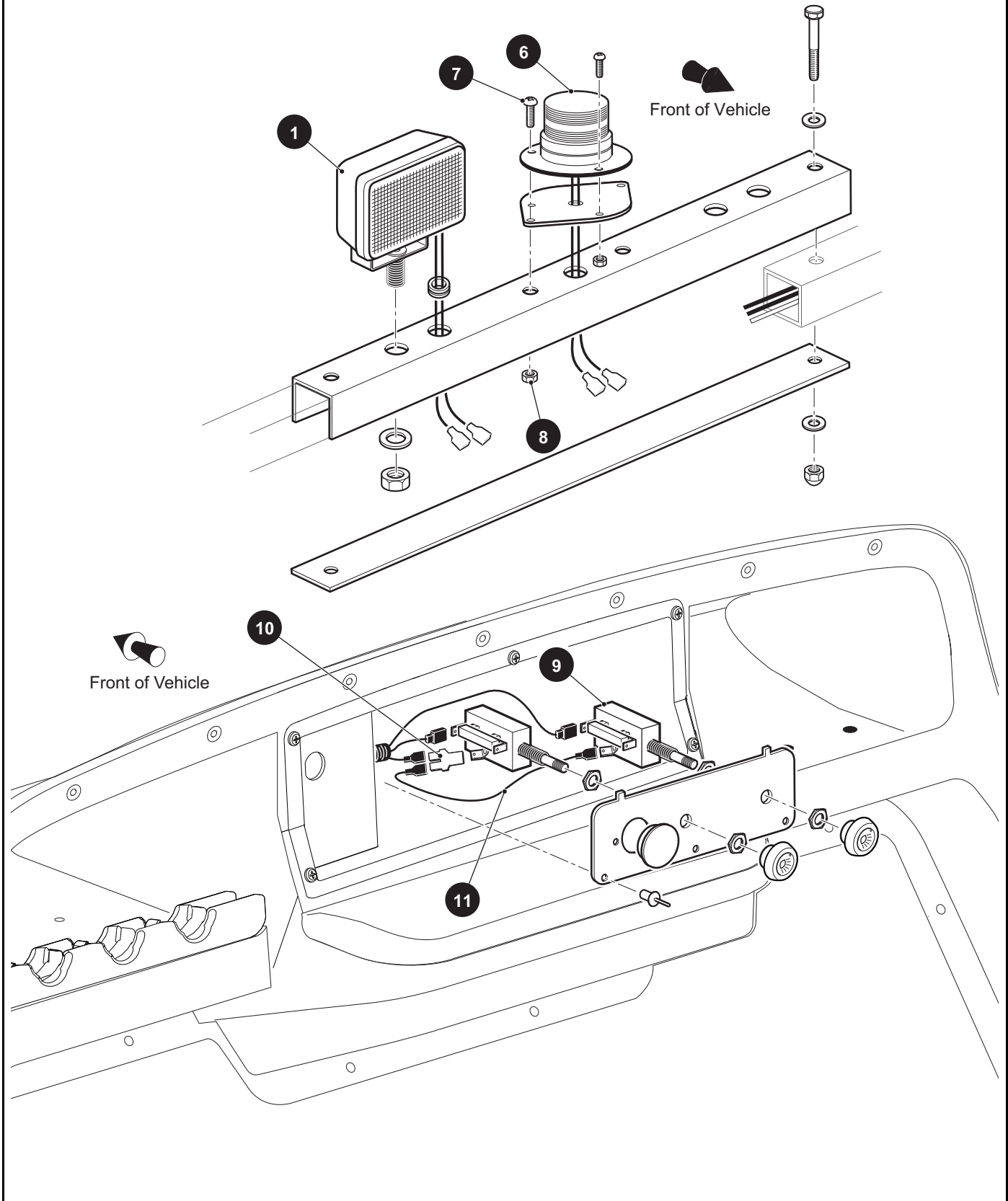
When ordering parts, please specify the model and serial number of the product.

* Indicates a component that is not available as an individual part.

*** Indicates consult Customer Service Department for additional information.

ITEM	PART NO.	1 2 3 4 5	DESCRIPTION	QTY.
1	614497		HEADLIGHT W/O TURN SIGNAL (PASSENGER SIDE).....	1
2	614501		HEADLIGHT W/O TURN SIGNAL (DRIVER SIDE)	1
3	618556		LED HEADLIGHT W/O TURN SIGNAL (PASSENGER SIDE).....	1
4	618555		LED HEADLIGHT W/O TURN SIGNAL (DRIVER SIDE)	1
5	71597G01		SELF THREADING NUT, 5 X 10 X 15MM	8
6	71781G02		VINYL TAPE	2
7				
8				
9	634691		TURN SIGNAL KIT (INCLUDES ITEMS 10 - 13)	1
10	619102		BULB ASSEMBLY.....	2
11	17867G1		TURN SIGNAL SWITCH ASSEMBLY	1
12	20965G3		STEERING COLUMN COVER	1
13	17618G1		NYLON CLAMP (NOT ILLUSTRATED)	2
14				
15				
16	75711G01		JUMPER PLUG (TAILLIGHT)	1
17				
18	71078G01		POWER OUTLET (12V).....	1
19	634277		JUMPER (12V OUTLET).....	1
20	71055G01		RIVET, 3/16"	2
21	637067		LABEL CE (12V).....	1
22				
23				
24				
25				
26				
27	32739G2		TAILLIGHT.....	2

5 STROBE LIGHT KIT includes items 6 - 11



ELECTRICAL SYSTEM

THE USE OF NON U.L. PARTS WILL VOID ANY U.L. LISTING.

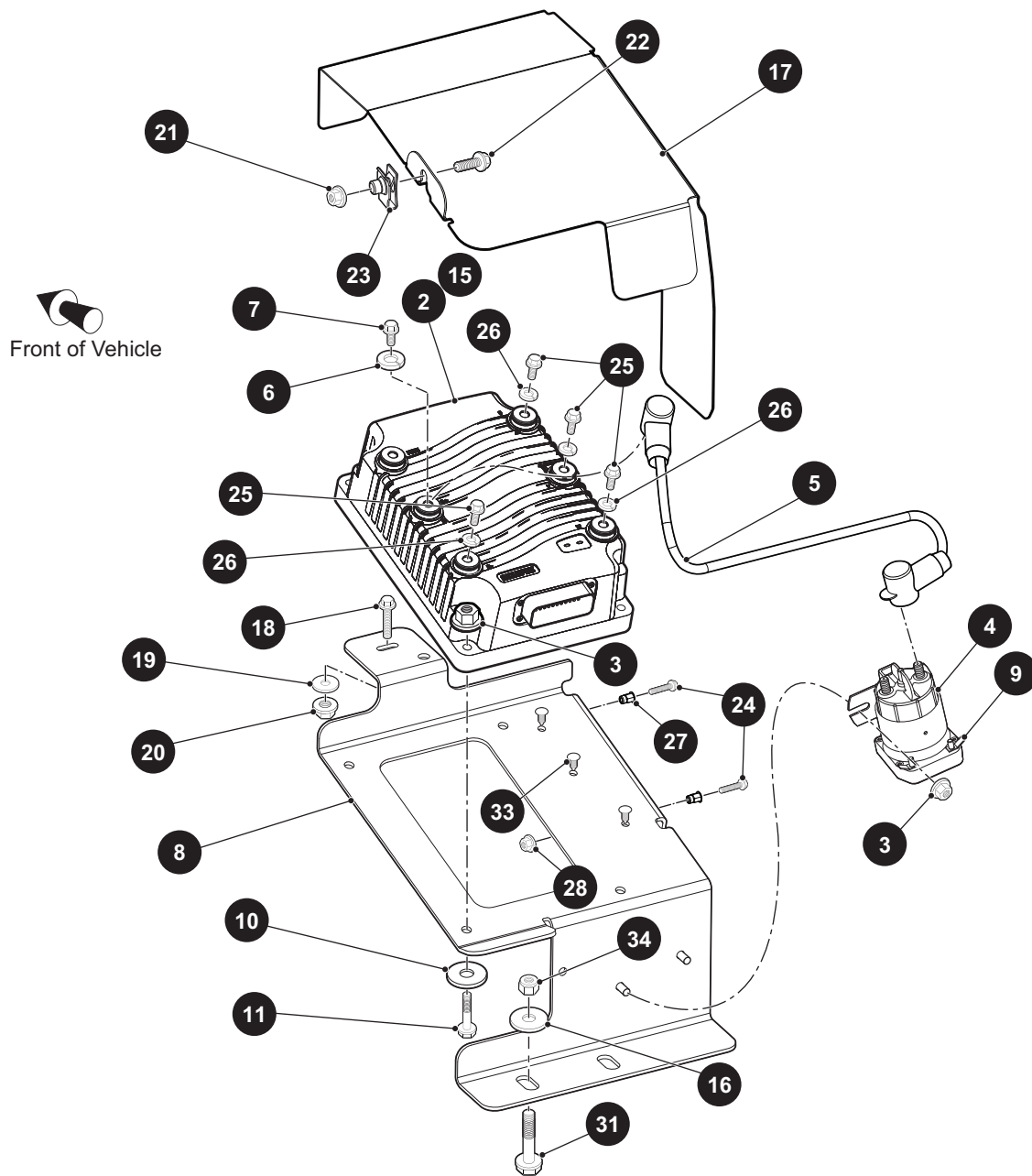
When ordering parts, please specify the model and serial number of the product.

* Indicates a component that is not available as an individual part.

*** Indicates consult Customer Service Department for additional information.

ITEM	PART NO.	1 2 3 4 5	DESCRIPTION	QTY.
1	74247G01		WORK LIGHT	1
2				
3				
4				
5	74245G01		STROBE LIGHT KIT (INCLUDES ITEMS 6 - 11)	1
6	*		STROBE LIGHT	1
7	00379G4		PAN HEAD PHILLIPS SCREW, #10 - 24 X 1/2" LG	3
8	14390G10		LOCK NUT, #10 - 24	3
9	17317G1		LIGHT SWITCH	1
10	17902G1		TAB ADAPTER	1
11	20053G1		16 GA WIRE (RED 5 3/8")	1

ELECTRONIC SPEED CONTROL



1 ELECTRONIC SPEED CONTROL ASSEMBLY includes items 2 - 13

14 ELECTRONIC SPEED CONTROL ASSEMBLY includes items 3 - 13, 15

ELECTRONIC SPEED CONTROL

THE USE OF NON U.L. PARTS WILL VOID ANY U.L. LISTING.

When ordering parts, please specify the model and serial number of the product.

* Indicates a component that is not available as an individual part.

*** Indicates consult Customer Service Department for additional information.

ITEM	PART NO.	1 2 3 4 5	DESCRIPTION	QTY.
1	634515		ELECTRONIC SPEED CONTROL ASSEMBLY (INCLUDES ITEMS 2 - 13)....	1
2	633806		CONTROLLER, 350A.....	1
3	11027G2		FLANGED LOCK NUT, 1/4" - 20.....	6
4	621330		SOLENOID	1
5	634270G05		4 AWG BATTERY WIRE, 18".....	1
6	606272		LOCK WASHER, 8MM	1
7	606262		HEX HEAD BOLT, M8 - 1.25 X 16MM LG	1
8	635406		BRACKET (CONTROLLER WELDMENT)	1
9	12914G1		FASTON TAB.....	2
10	00642G7		FLAT WASHER, 5/16".....	4
11	00797G2		HEX HEAD CAP SCREW, 1/4" - 20 X 1 1/4" LG	4
12	22281G3		TRIM (BLACK), 1.5" (NOT ILLUSTRATED).....	1
13	32372G8		TRIM (VINYL), 4" (NOT ILLUSTRATED).....	1
14	637724		ELECTRONIC SPEED CONTROL ASSEMBLY (INCLUDES ITEMS 3 - 13, 15) (FOR HAULER PRO X ONLY).....	1
15	637729		CONTROLLER, 350A (LIFT)	1
16	00922G3		FLAT WASHER, 7/16".....	2
17	635407		CONTROLLER COVER.....	1
18	00414G7		HEX HEAD CAP SCREW, 1/4" - 20 X 1/2" LG.....	1
19	00559G7		FLAT WASHER, 1/4"	1
20	11027G2		LOCK NUT, 1/4" - 20	1
21	600525		LOCK NUT, M10 - 1.5	1
22	627579		HEX HEAD BOLT, M10 - 1.5 X 35MM LG	1
23	635363		U-NUT (BARREL), M10 X 1.5	1
24	606421		HEX HEAD BOLT, M6 - 1 X 30MM LG	2
25	606262		HEX HEAD BOLT, M8 - 1.25 X 16MM LG	4
26	606272		LOCK WASHER, 8MM.....	4
27	635402		HEX INSERT NUT, M6 X 1.....	2
28	601476		LOCK NUT, M6 - 1	2
29				
30				

ELECTRONIC SPEED CONTROL

THE USE OF NON U.L. PARTS WILL VOID ANY U.L. LISTING.

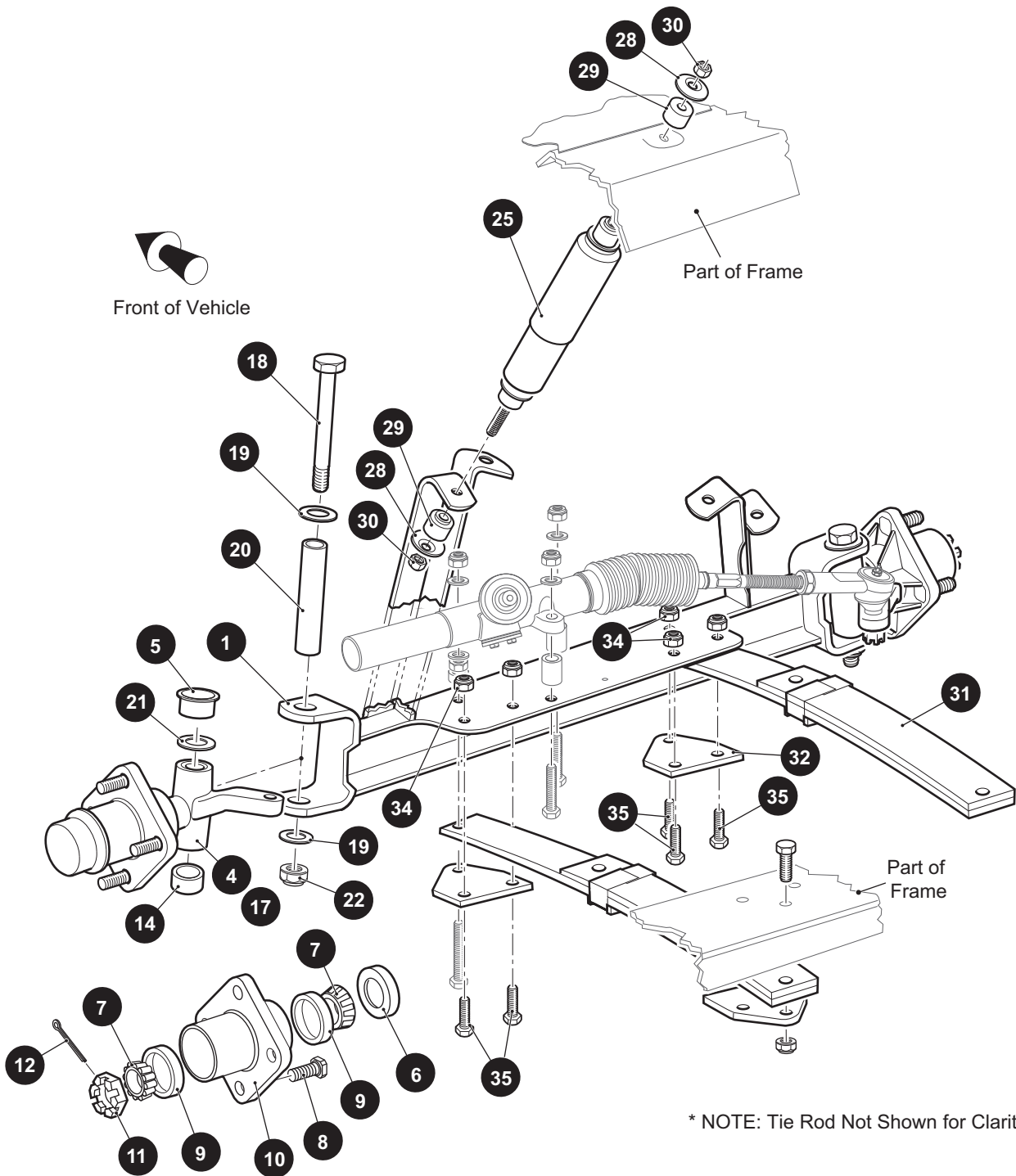
When ordering parts, please specify the model and serial number of the product.

* Indicates a component that is not available as an individual part.

*** Indicates consult Customer Service Department for additional information.

ITEM	PART NO.	1 2 3 4 5	DESCRIPTION	QTY.
31	00463G4		HEX HEAD BOLT, 7/16" - 14 X 1 1/2" LG.....	2
32				
33	16816G2		RATCHET RIVET, .25" X .887".....	3
34	00734G1		LOCK NUT, 7/16" - 14.....	2

FRONT SUSPENSION AND STEERING - HAULER PRO



3 SPINDLE AND HUB ASSEMBLY (PASSENGER SIDE) includes items 4 - 14

16 SPINDLE AND HUB ASSEMBLY (DRIVER SIDE) includes items 5 - 14, 17

FRONT SUSPENSION AND STEERING - HAULER PRO

THE USE OF NON U.L. PARTS WILL VOID ANY U.L. LISTING.

When ordering parts, please specify the model and serial number of the product.

* Indicates a component that is not available as an individual part.

*** Indicates consult Customer Service Department for additional information.

ITEM	PART NO.	1 2 3 4 5	DESCRIPTION	QTY.
1	633753		FRONT AXLE	1
2				
3	70942G03		SPINDLE AND HUB ASSEMBLY, 4 LUG (PASSENGER SIDE) (INCLUDES ITEMS 4 - 14).....	1
4	70940G02		SPINDLE ASSEMBLY (PASSENGER SIDE).....	1
5	632925		FLANGED BUSHING.....	1
6	25146G1		GREASE SEAL.....	1
7	11750G2		ROLLER BEARING	1
8	19862G1		LUG BOLT, 1/2" - 20 X 1 7/32" LG	2
9	51141G1		RACE BEARING.....	2
10	70589G01		WHEEL HUB.....	4
11	12093G1		SLOTTED NUT, 1" - 14.....	1
12	00798G8		COTTER PIN, 5/32" X 1 3/4" LG	1
13				
14	632926		SLEEVE BUSHING.....	1
15				
16	70673G03		SPINDLE AND HUB ASSEMBLY, 4 LUG (DRIVER SIDE) (INCLUDES ITEMS 5 - 14, 17).....	1
17	70742G02		SPINDLE ASSEMBLY (DRIVER SIDE)	1
18	00407G6		HEX HEAD BOLT, 1/2" - 13 X 6" LG	2
19	00560G3		FLAT WASHER, 1/2"	4
20	70745G01		KING PIN TUBE	2
21	70754G01		THRUST WASHER (SS)	2
22	14390G6		LOCK NUT, 1/2" - 13	2
23				
24				
25	76419G01		SHOCK ABSORBER.....	2
26				
27				
28	10435G1		SHOCK ABSORBER WASHER	8
29	10194G1		RUBBER BUSHING	8
30	00532G6		HEX NUT, 3/8" - 24.....	4

FRONT SUSPENSION AND STEERING - HAULER PRO

THE USE OF NON U.L. PARTS WILL VOID ANY U.L. LISTING.

When ordering parts, please specify the model and serial number of the product.

* Indicates a component that is not available as an individual part.

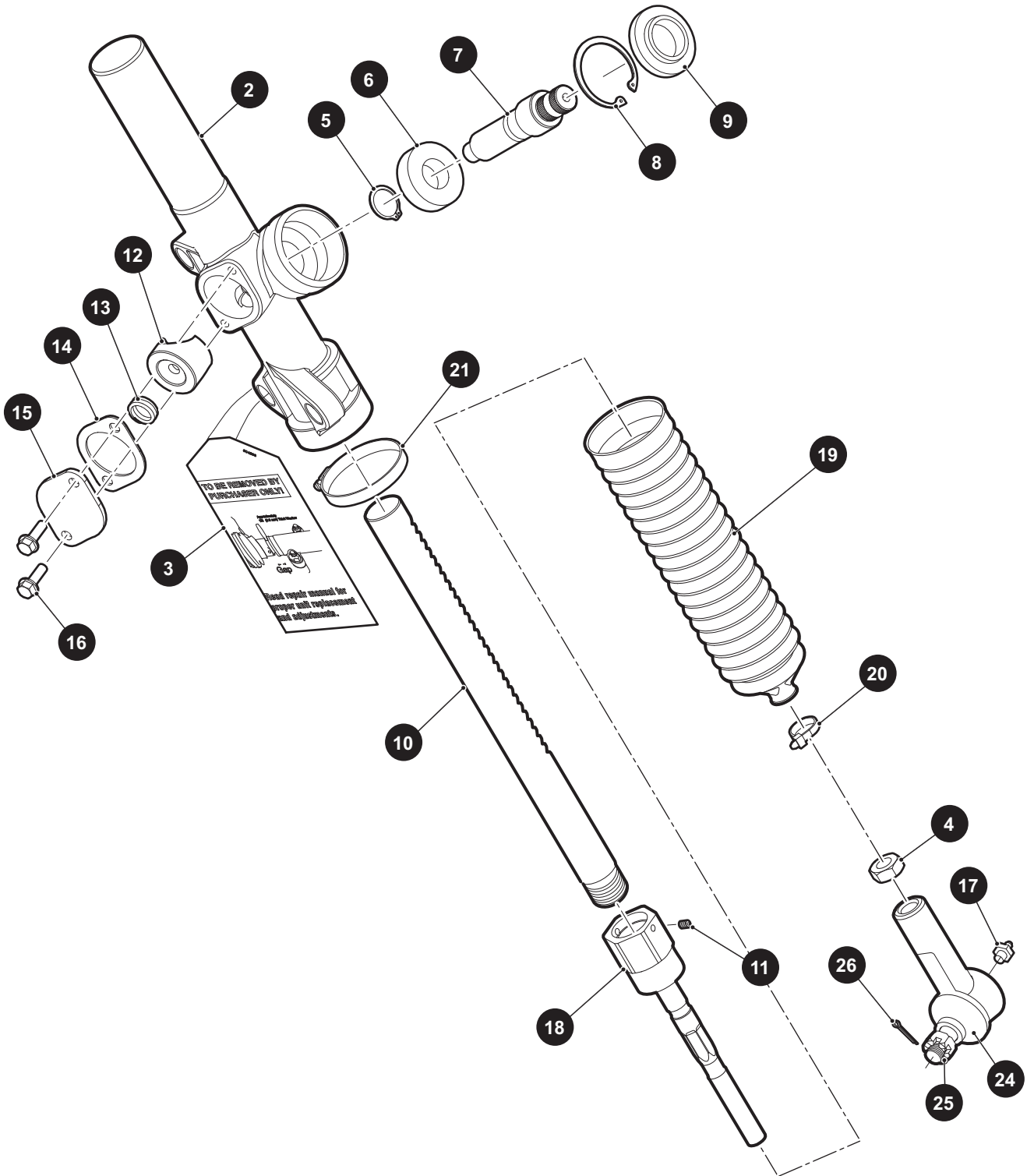
*** Indicates consult Customer Service Department for additional information.

ITEM	PART NO.	1 2 3 4 5	DESCRIPTION	QTY.
31	70664G03		LEAF SPRING	2
32	652258		SPRING PLATE	4
33				
34	00734G1		LOCK NUT, 7/16" - 14.....	11
35	00463G11		HEX HEAD BOLT, 7/16" - 14 X 1 3/4" LG.....	11

FRONT SUSPENSION AND STEERING - HAULER PRO

1 RACK AND PINION UNIT (COMPLETE) includes items 2 - 26

23 RACK BALL JOINT includes items 24 - 25



FRONT SUSPENSION AND STEERING - HAULER PRO

THE USE OF NON U.L. PARTS WILL VOID ANY U.L. LISTING.

When ordering parts, please specify the model and serial number of the product.

* Indicates a component that is not available as an individual part.

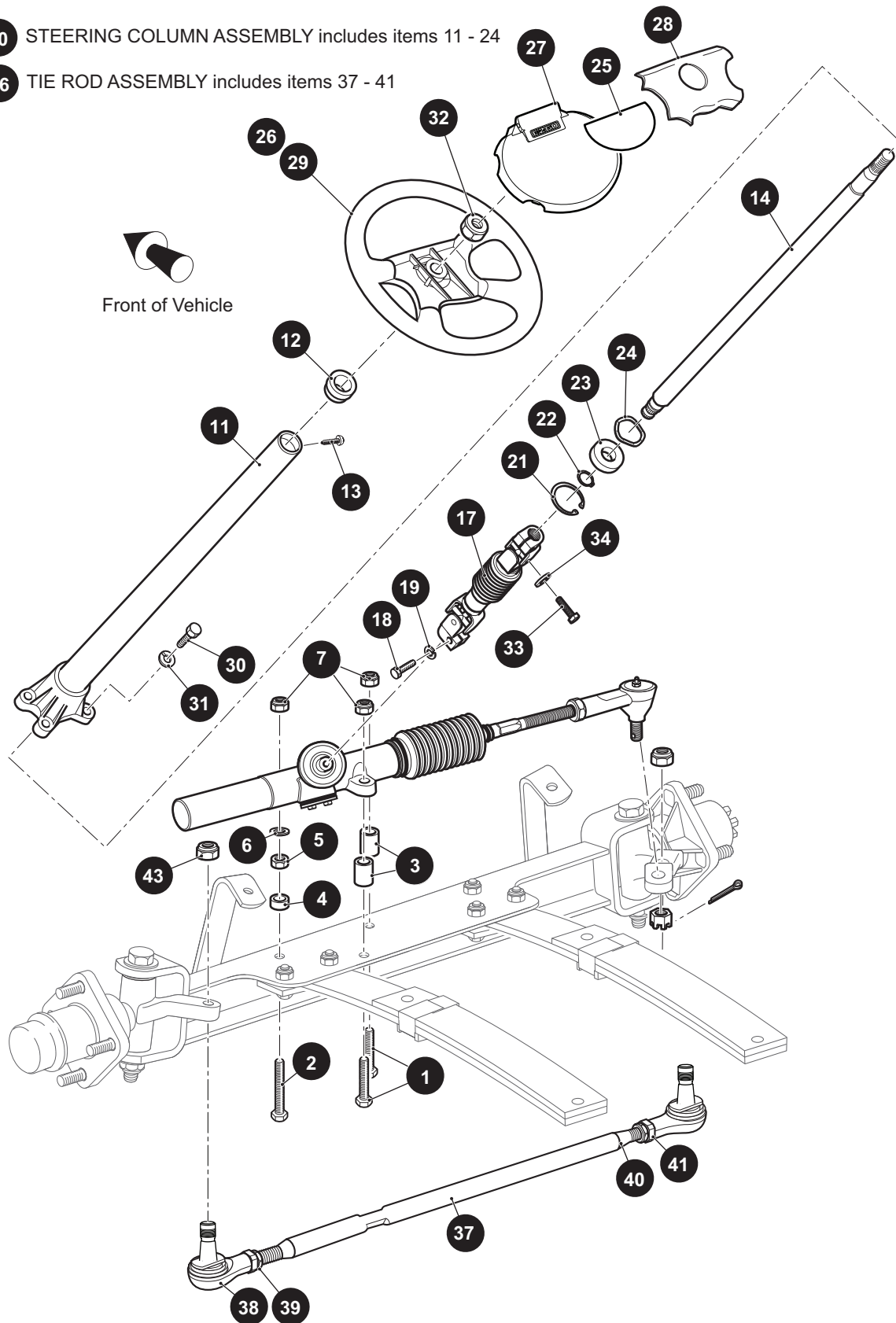
*** Indicates consult Customer Service Department for additional information.

ITEM	PART NO.	1 2 3 4 5	DESCRIPTION	QTY.
1	74605G01		RACK AND PINION UNIT (COMPLETE) (INCLUDES ITEMS 2 - 26)	1
2	70965G01		STEERING RACK COVER & BEARING	1
3	*		STEERING BOX INSTALLATION TAG	1
4	*		JAM NUT, 1/2" - 20	1
5	70750G01		RETAINING RING (EXTERNAL)	1
6	15112G1		BALL BEARING	1
7	70603G01		PINION.....	1
8	70751G01		RETAINING RING (INTERNAL)	1
9	70638G01		SEAL PINION	1
10	70604G01		RACK STEERING.....	1
11	*		SET SCREW, #10 - 32 X .25" LG	1
12	70590G01		RACK LOADER	1
13	70666G01		SPRING COMPRESSION	1
14	70645G01		GASKET (RACK LOADER)	1
15	652259		COVER (RACK LOADER)	1
16	71102G01		HEX HEAD BOLT, 1/4" - 20 X 11/16" LG	2
17	10389G3		GREASE FITTING, STRAIGHT	1
18	74602G01		ROD END (INNER).....	1
19	70961G01		RACK BOOT.....	1
20	12416G2		NYLON CLAMP, 10"	1
21	11391G8		HOSE CLAMP, 1.81".....	1
22				
23	70695G01		RACK BALL JOINT (INCLUDES ITEMS 24 - 25)	1
24	50641G1		RUBBER BOOT	1
25	*		SLOTTED NUT, 7/16" - 20	1
26	10387G2		COTTER PIN, 3/32" X 1"	1

FRONT SUSPENSION AND STEERING - HAULER PRO

10 STEERING COLUMN ASSEMBLY includes items 11 - 24

36 TIE ROD ASSEMBLY includes items 37 - 41



FRONT SUSPENSION AND STEERING - HAULER PRO

THE USE OF NON U.L. PARTS WILL VOID ANY U.L. LISTING.

When ordering parts, please specify the model and serial number of the product.

* Indicates a component that is not available as an individual part.

*** Indicates consult Customer Service Department for additional information.

ITEM	PART NO.	1 2 3 4 5	DESCRIPTION	QTY.
1	00464G8		HEX HEAD BOLT, 7/16" - 14 X 2 3/4" LG	2
2	01068G01		HEX HEAD BOLT, 7/16" - 14 X 3 1/2" LG	1
3	70667G02		SPACER, 1.21" LG	2
4	70667G04		SPACER (SHORT), 0.69" LG	1
5	00532G7		HEX NUT, 7/16" - 14.....	1
6	00560G2		FLAT WASHER, 7/16"	7
7	00734G1		LOCK NUT, 7/16" - 14	3
8				
9				
10	70758G05		STEERING COLUMN ASSEMBLY (INCLUDES ITEMS 11 - 24)	1
11	70610G03		STEERING COLUMN	1
12	28569G01		STEERING COLUMN BUSHING.....	1
13	01022G01		HEX WASHER HEAD SCREW, #6 - 20 X 5/16" LG	1
14	70607G01		STEERING SHAFT	1
15				
16				
17	70580G01		INTERMEDIATE SHAFT.....	1
18	01055G01		HEX HEAD BOLT, M8 X 1.25 - 6MM LG	1
19	00565G8		LOCK WASHER, 5/16"	1
20				
21	70751G01		RETAINING RING (INTERNAL)	1
22	70888G01		RETAINING RING (EXTERNAL)	1
23	15112G1		BALL BEARING	1
24	70887G01		WAVE WASHER	1
25	608529		LABEL	1
26	602980		STEERING WHEEL (PREMIUM)	1
27	607925		SCORE CARD ASSEMBLY	1
28	71147G01		STEERING WHEEL COVER.....	1
29	602979		STEERING WHEEL	1
30	01006G01		HEX HEAD WASHER BOLT, 3/8" - 16 X 1 1/4" LG.....	4
31	00879G1		LOCK WASHER, 3/8"	4

FRONT SUSPENSION AND STEERING - HAULER PRO

THE USE OF NON U.L. PARTS WILL VOID ANY U.L. LISTING.

When ordering parts, please specify the model and serial number of the product.

* Indicates a component that is not available as an individual part.

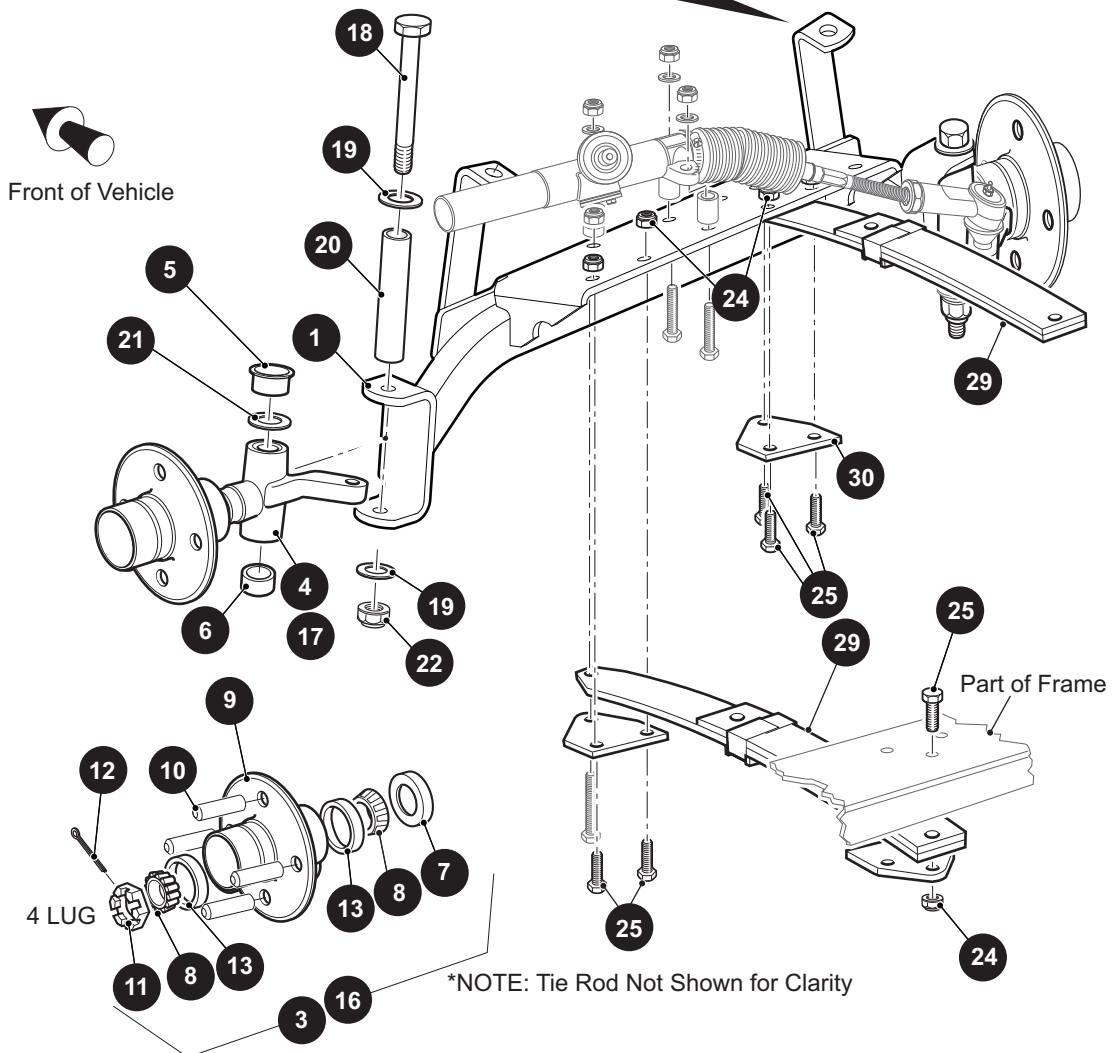
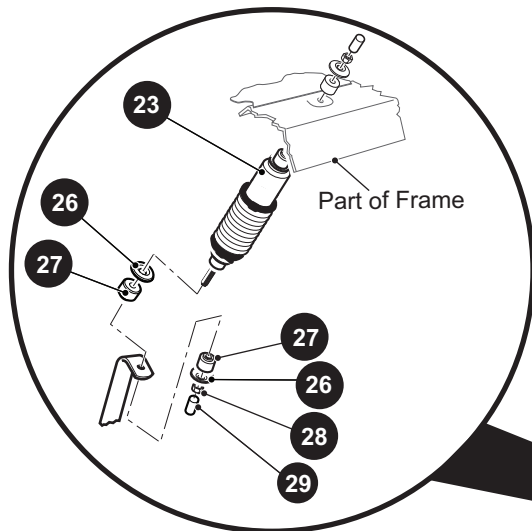
*** Indicates consult Customer Service Department for additional information.

ITEM	PART NO.	1 2 3 4 5	DESCRIPTION	QTY.
32	14390G2		LOCK NUT, 5/8" - 18.....	1
33	01055G01		HEX HEAD BOLT, M8 - 1.25 X 6MM LG	1
34	00565G8		LOCK WASHER, 5/16"	1
35				
36	74604G01		TIE ROD ASSEMBLY (INCLUDES ITEMS 37 - 41).....	1
37	74603G01		THREADED ROD, 24" LG.....	1
38	70902G01		TIE ROD END (LEFT HAND THREADS).....	1
39	01069G01		JAM NUT, M12 X 1.25 - 05 (LEFT HAND THREADS)	1
40	70902G02		TIE ROD END (RIGHT HAND THREADS)	1
41	01069G02		JAM NUT, M12 X 1.25 - 05 (RIGHT HAND THREADS).....	1
42				
43	00734G1		LOCK NUT, 7/16" - 14.....	2

FRONT SUSPENSION AND STEERING - HAULER PRO X

3 SPINDLE AND HUB ASSEMBLY, 4 LUG (PASSENGER SIDE) includes items 4 - 13

16 SPINDLE AND HUB ASSEMBLY (DRIVER SIDE) includes items 7 - 13, 17



FRONT SUSPENSION AND STEERING - HAULER PRO X

THE USE OF NON U.L. PARTS WILL VOID ANY U.L. LISTING.

When ordering parts, please specify the model and serial number of the product.

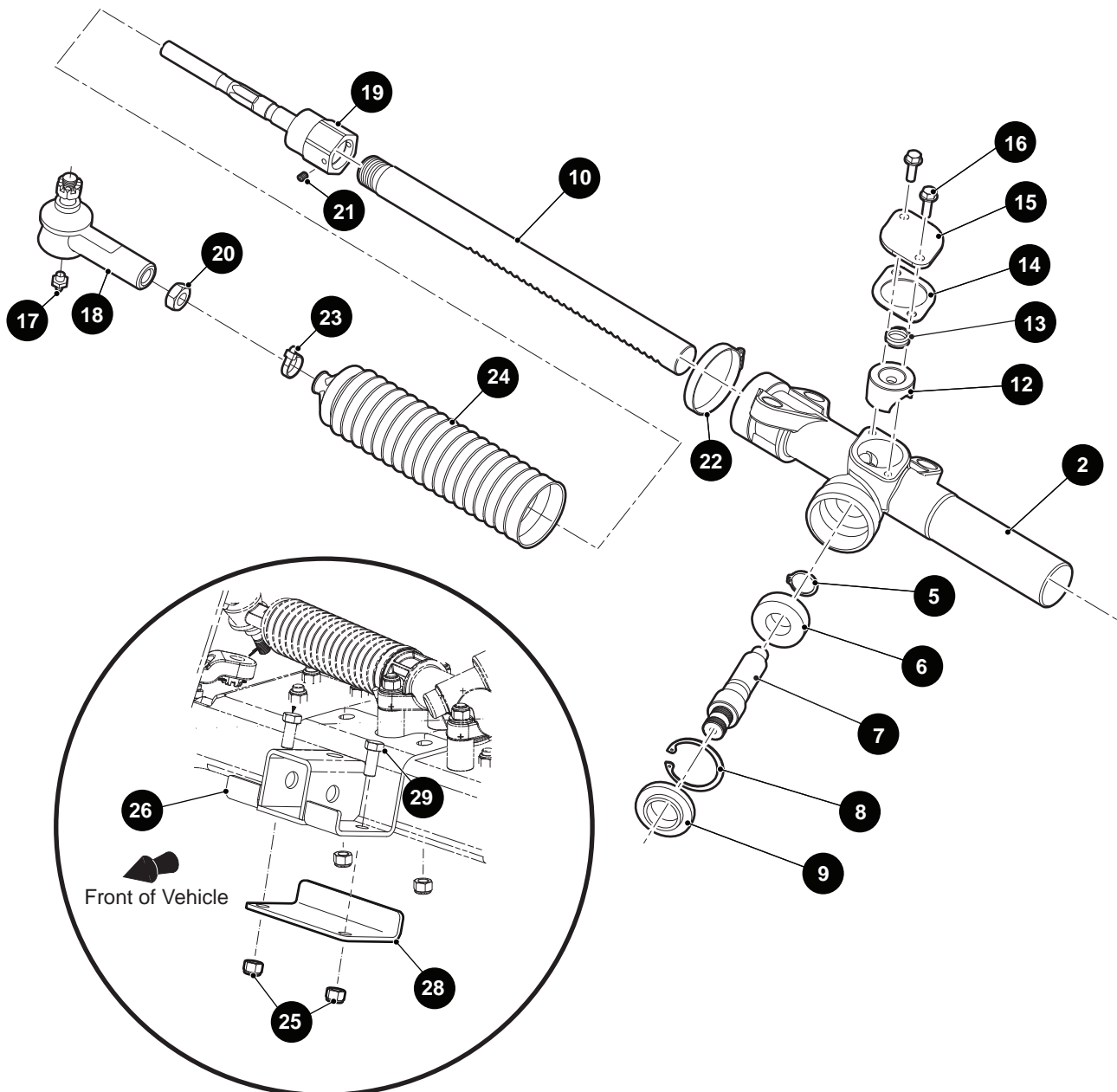
* Indicates a component that is not available as an individual part.

*** Indicates consult Customer Service Department for additional information.

ITEM	PART NO.	1 2 3 4 5	DESCRIPTION	QTY.
1	652823		FRONT AXLE.....	1
2				
3	70930G01		SPINDLE AND HUB ASSEMBLY, 4 LUG (PASSENGER SIDE) (INCLUDES ITEMS 4 - 13)	1
4	70802G01		SPINDLE ASSEMBLY (PASSENGER SIDE)	1
5	70648G01		FLANGED BEARING	1
6	70749G01		BEARING	1
7	25146G1		GREASE SEAL.....	1
8	11750G2		ROLLER BEARING AND RACE ASSEMBLY.....	2
9	74332G01		WHEEL HUB	1
10	34117G02		HEX HEAD BOLT, 1/2" - 20 X 2" LG.....	4
11	12093G1		SLOTTED NUT, 1" - 14.....	1
12	00798G8		COTTER PIN, 5/32" X 1 3/4" LG	1
13	51141G1		RACE BEARING	2
14				
15				
16	70931G01		SPINDLE AND HUB ASSEMBLY, 4 LUG (DRIVER SIDE) (INCLUDES ITEMS 5 - 13 & 17)	1
17	70803G01		SPINDLE ASSEMBLY (DRIVER SIDE)	1
18	00407G6		HEX HEAD BOLT, 1/2" - 13 X 6" LG	2
19	00560G3		FLAT WASHER, 1/2"	4
20	70745G01		KING PIN TUBE	2
21	70754G01		THRUST WASHER (SS), 1.3"	2
22	14390G6		LOCK NUT, 1/2" - 13.....	2
23	76419G01		SHOCK ABSORBER.....	2
24	00734G1		LOCK NUT, 7/16" - 14.....	11
25	00463G11		HEX HEAD BOLT, 7/16" - 14 X 1 1/2" LG	11
26	10435G1		SHOCK ABSORBER WASHER.....	8
27	10194G1		RUBBER SHOCK ABSORBER BUSHING	8
28	00532G6		HEX NUT, 1/4" - 20	4
29	70990G03		CANTALEVER LEAF SPRING	2
30	652258		SPRING PLATE	4

FRONT SUSPENSION AND STEERING - HAULER PRO X

1 STEERING BOX ASSEMBLY includes items 2 - 24



FRONT SUSPENSION AND STEERING - HAULER PRO X

THE USE OF NON U.L. PARTS WILL VOID ANY U.L. LISTING.

When ordering parts, please specify the model and serial number of the product.

* Indicates a component that is not available as an individual part.

*** Indicates consult Customer Service Department for additional information.

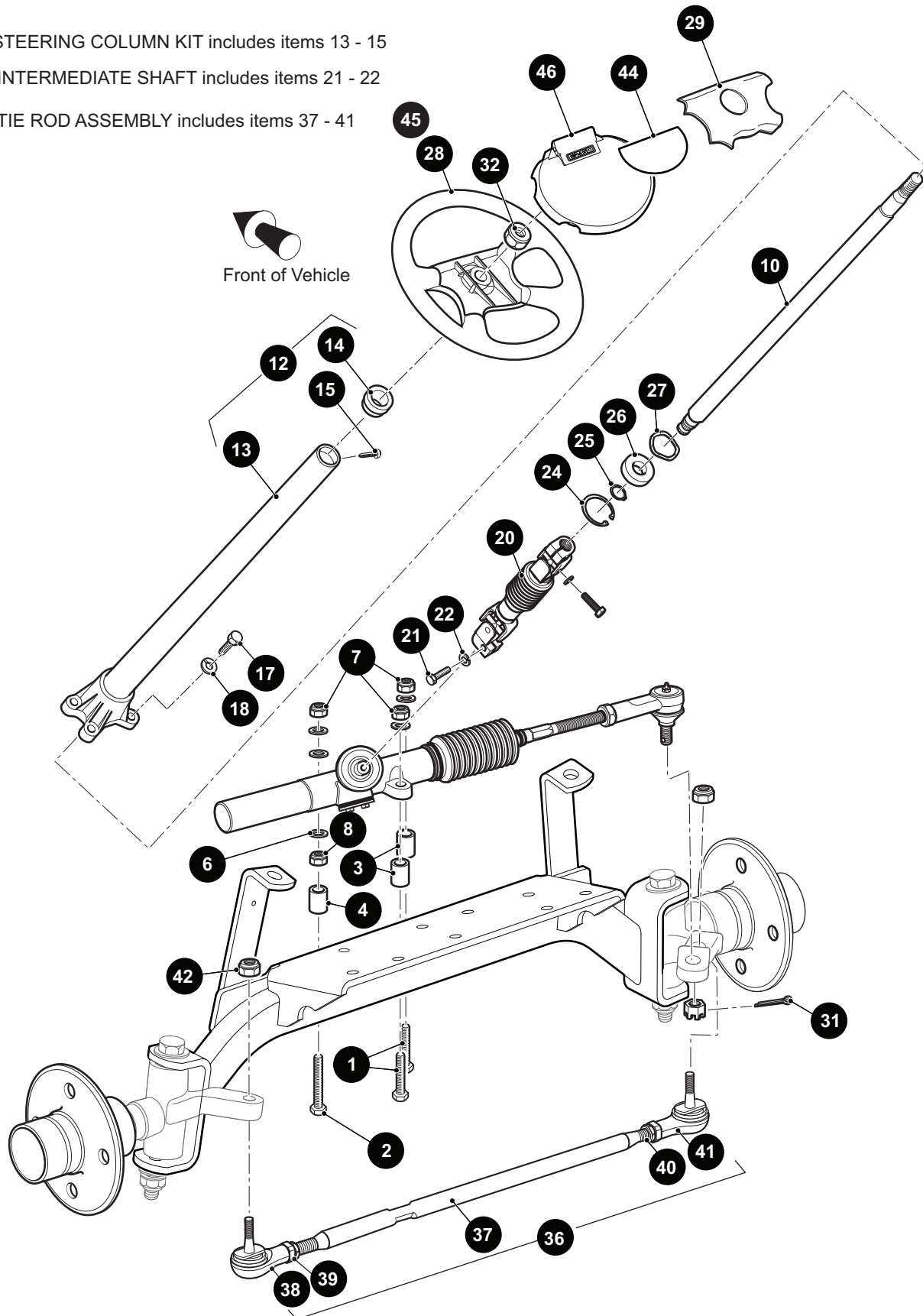
ITEM	PART NO.	1 2 3 4 5	DESCRIPTION	QTY.
1	70964G01		STEERING BOX ASSEMBLY (COMPLETE) (INCLUDES ITEMS 2 - 24).....	1
2	70965G01		STEERING RACK COVER & BEARING	1
3				
4				
5	70750G01		RETAINING RING (EXTERNAL)	1
6	15112G1		BALL BEARING	1
7	70603G01		PINION.....	1
8	70751G01		RETAINING RING (INTERNAL)	1
9	70638G01		SEAL PINION	1
10	70604G01		RACK STEERING.....	1
11				
12	70590G01		RACK LOADER	1
13	70666G01		SPRING COMPRESSION	1
14	70645G01		GASKET (RACK LOADER)	1
15	652259		COVER (RACK LOADER)	1
16	71102G01		HEX WASHER HEAD BOLT, 1/4" - 20 X .90" LG	2
17	10389G3		GREASE FITTING, STRAIGHT	1
18	70695G01		TIE ROD END - OUTER	1
19	70694G01		ROD END (INNER) (INCLUDES ITEMS 20 & 21).....	1
20	*		JAM NUT, 1/2" - 20	1
21	*		SOCKET HEAD SCREW, #10 - 32 X .25" LG.....	1
22	11391G8		WIRE TIE	1
23	12416G2		NYLON CLAMP	1
24	70961G01		RACK BOOT	1
25	00734G1		LOCK NUT, 7/16" - 14	4
26	635202		WINCH RECEIVER WELDMENT	1
27				
28	604572		WINCH RECEIVER RETAINER PLATE.....	1
29	00462G8		HEX HEAD BOLT, 7/16" - 14.....	4

FRONT SUSPENSION AND STEERING - HAULER PRO X

12 STEERING COLUMN KIT includes items 13 - 15

20 INTERMEDIATE SHAFT includes items 21 - 22

36 TIE ROD ASSEMBLY includes items 37 - 41



FRONT SUSPENSION AND STEERING - HAULER PRO X

THE USE OF NON U.L. PARTS WILL VOID ANY U.L. LISTING.

When ordering parts, please specify the model and serial number of the product.

* Indicates a component that is not available as an individual part.

*** Indicates consult Customer Service Department for additional information.

ITEM	PART NO.	1 2 3 4 5	DESCRIPTION	QTY.
1	00464G8		HEX HEAD BOLT, 7/16" - 14 X 2 3/4" LG	2
2	01068G01		HEX HEAD BOLT, 7/16" - 14 X 3.5" LG	1
3	70667G02		SPACER, O.D, 1" X I.D .46" X 1.2" LG	2
4	70667G04		SPACER, O.D 1" X I.D .46" X .69" LG	1
5				
6	00560G2		FLAT WASHER, 7/16"	7
7	00734G1		LOCK NUT, 7/16" - 14	3
8	00532G7		HEX NUT, 1/4" - 20.....	1
9				
10	70607G01		STEERING SHAFT	1
11				
12	70758G05		STEERING COLUMN KIT (INCLUDES ITEMS 13 - 15)	1
13	70610G03		STEERING COLUMN	1
14	28569G01		STEERING COLUMN BUSHING.....	1
15	01022G01		HEX WASHER HEAD BOLT, #6 - 20 X 5/16" LG	1
16				
17	01006G01		HEX WASHER HEAD BOLT, 3/8" - 16 X 1 1/4" LG.....	4
18	00879G1		LOCK WASHER, 3/8"	4
19				
20	70580G01		INTERMEDIATE SHAFT (INCLUDES ITEMS 21 - 22)	1
21	01055G01		METRIC BOLT, M8 X 1 1/4" LG	2
22	00565G8		LOCK WASHER, 5/16"	2
23				
24	70751G01		RETAINING RING (INTERNAL)	1
25	70888G01		RETAINING RING (EXTERNAL).....	1
26	15112G1		BALL BEARING.....	1
27	70887G01		WAVE WASHER.....	1
28	602979		STEERING WHEEL	1
29	71147G01		STEERING WHEEL COVER.....	1
30				
31	10387G2		COTTER PIN, 3/32" X 1" LG	1

FRONT SUSPENSION AND STEERING - HAULER PRO X

THE USE OF NON U.L. PARTS WILL VOID ANY U.L. LISTING.

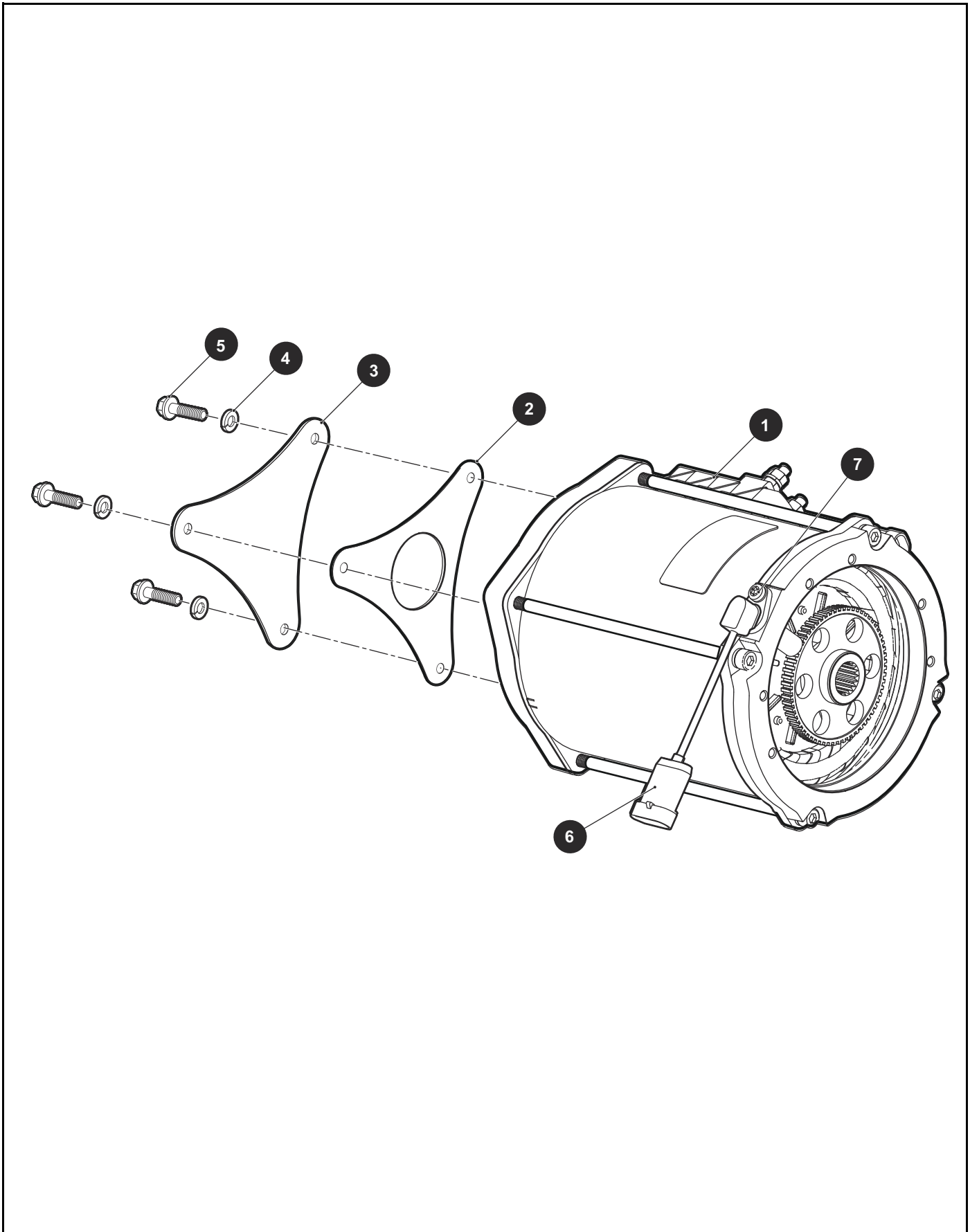
When ordering parts, please specify the model and serial number of the product.

* Indicates a component that is not available as an individual part.

*** Indicates consult Customer Service Department for additional information.

ITEM	PART NO.	1 2 3 4 5	DESCRIPTION	QTY.
32	14390G2		LOCK NUT, 5/8" - 18.....	1
33				
34				
35				
36	70876G02		TIE ROD ASSEMBLY (INCLUDES ITEMS 37 - 41).....	1
37	70897G02		THREADED ROD (24" LG)	1
38	70902G01		TIE ROD END (LEFT HAND THREADS).....	1
39	01069G01		JAM NUT, M12 X 1.25 - 05 (LEFT HAND THREADS)	1
40	70902G02		TIE ROD END (RIGHT HAND THREADS)	1
41	01069G02		JAM NUT, M12 X 1.25 - 05 (RIGHT HAND THREADS).....	1
42	00734G1		LOCK NUT, 7/16" - 14.....	2
43				
44	608529		DECAL.....	1
45	602980		STEERING WHEEL (PREMIUM)	1
46	607925		SCORE CARD ASSEMBLY	1

MOTOR



THE USE OF NON U.L. PARTS WILL VOID ANY U.L. LISTING.

When ordering parts, please specify the model and serial number of the product.

* Indicates a component that is not available as an individual part.

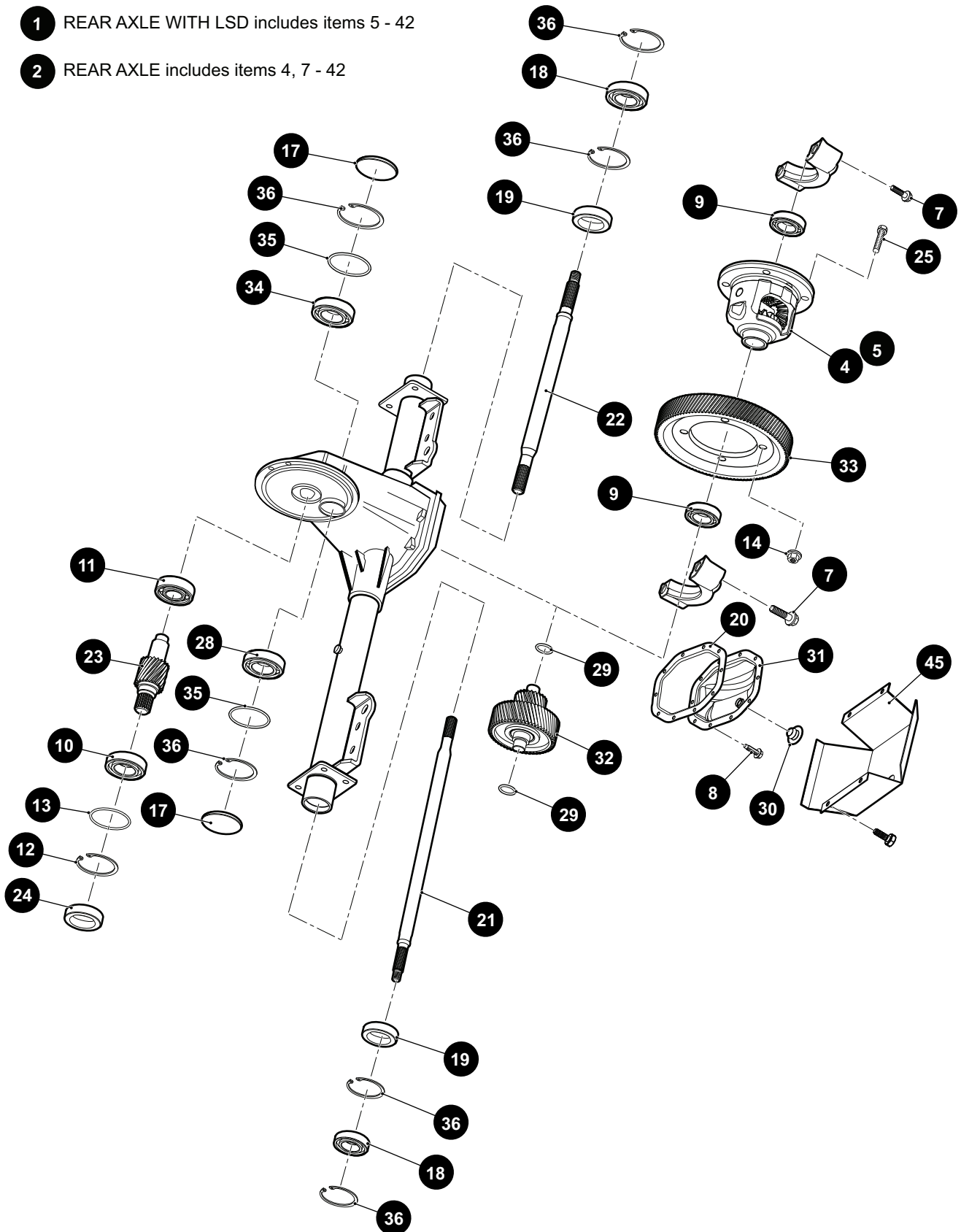
*** Indicates consult Customer Service Department for additional information.

ITEM	PART NO.	1 2 3 4 5	DESCRIPTION	QTY.
1	615557		MOTOR, 72V.....	1
2	629597		MOTOR COVER GASKET.....	1
3	629596		MOTOR COVER	1
4	601327		LOCK WASHER, 6MM.....	9
5	616716		HEX HEAD BOLT, M6 - 1 X 16MM LG.....	3
6	612741		SPEED SENSOR.....	1
7	*		PAN HEAD TORX SCREW, M6 X 1 - 12MM LG.....	1
8				
9				
10				
11				
12	630761		LOOP CLAMP (NOT ILLUSTRATED).....	1
13	605741		HEX HEAD BOLT, M6 - 1 X 25MM LG (NOT ILLUSTRATED).....	6
14	635137G01		MOTOR WIRE, 2AWG, 44" (NOT ILLUSTRATED)	1
15	635137G02		MOTOR WIRE, 2AWG, 41" (NOT ILLUSTRATED)	1
16	635137G03		MOTOR WIRE, 2AWG, 37" (NOT ILLUSTRATED)	1

REAR AXLE

1 REAR AXLE WITH LSD includes items 5 - 42

2 REAR AXLE includes items 4, 7 - 42



REAR AXLE

THE USE OF NON U.L. PARTS WILL VOID ANY U.L. LISTING.

When ordering parts, please specify the model and serial number of the product.

* Indicates a component that is not available as an individual part.

*** Indicates consult Customer Service Department for additional information.

ITEM	PART NO.	1 2 3 4 5	DESCRIPTION	QTY.
1	633600		REAR AXLE WITH LSD, 16.99:1 (INCLUDES ITEMS 5 - 42)	1
2	633599		REAR AXLE, 16.99:1 (INCLUDES ITEMS 4, 7 - 42)	1
3				
4	601082		DIFFERENTIAL ASSEMBLY	1
5	614059		DIFFERENTIAL ASSEMBLY LSD CARRIER W/CC CLUTCH.....	1
6				
7	15118G1		HEX HEAD BOLT, 3/8" - 16 X 2.125" LG	4
8	15558G1		HEX HEAD BOLT, 5/16" - 18 X .75" LG	10
9	17473G1		DIFFERENTIAL BEARING ASSEMBLY	2
10	23519G2		BALL BEARING SINGLE LIP SEAL	1
11	23520G1		BALL BEARING	1
12	23530G1		RETAINER RING	1
13	24628G1		O - RING SEAL.....	1
14	601084		LOCK NUT, 3/8" - 24.....	4
15				
16				
17	608811		END CAP	2
18	611788		BALL BEARING	2
19	612064		OIL SEAL	2
20	612824		GASKET	1
21	617608		AXLE SHAFT (DRIVER SIDE).....	1
22	617609		AXLE SHAFT (PASSENGER SIDE)	1
23	620327		INPUT GEAR	1
24	620328		OIL SEAL	1
25	620335		HEX HEAD BOLT, 3/8" - 24 X 1.25" LG	4
26				
27				
28	620340		BALL BEARING	1
29	620345		O-RING, 18MM	2
30	620347		RUBBER PLUG	1
31	620348		DIFFERENTIAL COVER PLATE	1

REAR AXLE

THE USE OF NON U.L. PARTS WILL VOID ANY U.L. LISTING.

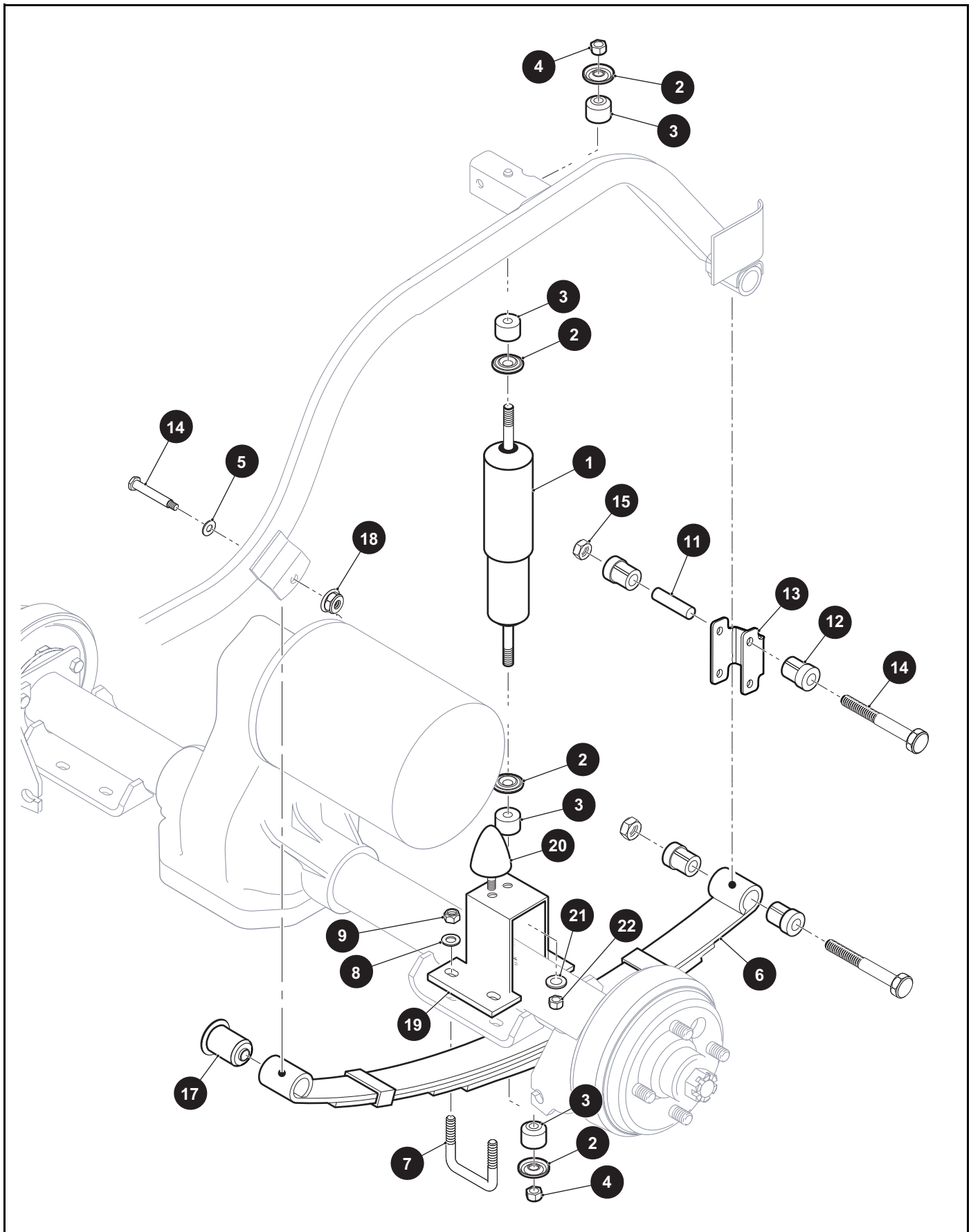
When ordering parts, please specify the model and serial number of the product.

* Indicates a component that is not available as an individual part.

*** Indicates consult Customer Service Department for additional information.

ITEM	PART NO.	1	2	3	4	5	DESCRIPTION	QTY.
32	620349						INTERMEDIATE GEAR ASSEMBLY.....	1
33	620350						DRIVE GEAR	1
34	620355						BALL BEARING	1
35	620358						O-RING, 18MM.....	2
36	620359						RETAINING RING	6
37								
38								
39	620329						INPUT GEARS KIT (NOT ILLUSTRATED)	1
40	620361						INTERNAL GEARS KIT (NOT ILLUSTRATED)	1
41	620362						BALL BEARING KIT (NOT ILLUSTRATED).....	1
42	620363						DIFFERENTIAL COVER ASSEMBLY KIT (NOT ILLUSTRATED)	1
43								
44								
45	72764G02						SCUFF GUARD	1

REAR SUSPENSION



REAR SUSPENSION

THE USE OF NON U.L. PARTS WILL VOID ANY U.L. LISTING.

When ordering parts, please specify the model and serial number of the product.

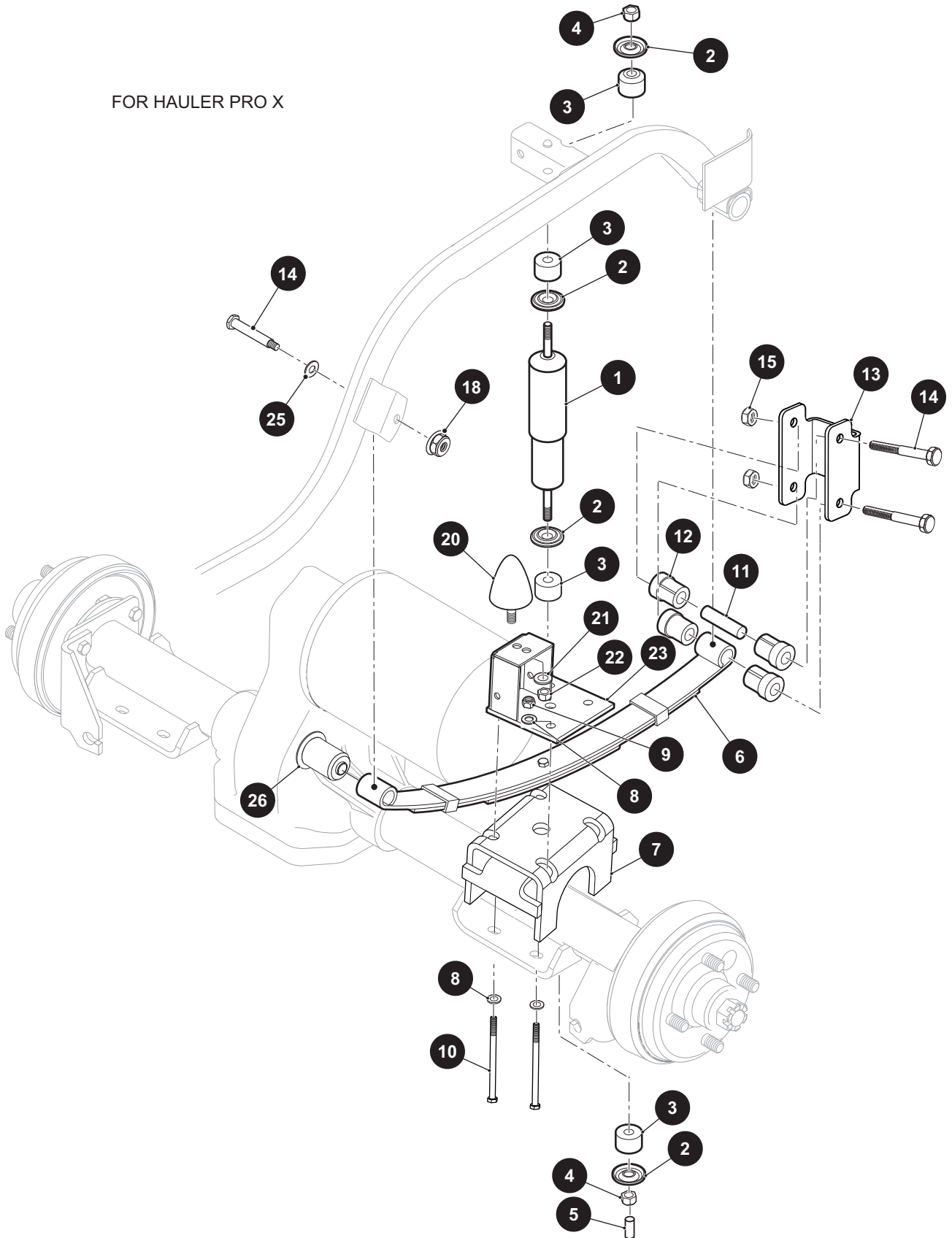
* Indicates a component that is not available as an individual part.

*** Indicates consult Customer Service Department for additional information.

ITEM	PART NO.	1 2 3 4 5	DESCRIPTION	QTY.
1	642085		SHOCK ABSORBER.....	2
2	10435G1		SHOCK ABSORBER WASHER, I.D. .406" X O.D. 1.25"	8
3	10194G1		RUBBER BUSHING	8
4	00532G6		HEX NUT, 3/8" - 24.....	4
5	00643G1		FLAT WASHER, 3/8"	2
6	620413		LEAF SPRING.....	2
7	72618G01		"U" BOLT, 3/8" - 16 X 2.5" LG.....	4
8	00560G1		LOCK WASHER, 3/8"	8
9	11098G5		LOCK NUT, 3/8" - 16	8
10				
11	70289G02		SPLIT STEEL SPACER, I.D. .376" X O.D 1" X 1" LG	4
12	624030		FLANGED BUSHING	8
13	636126		SHACKLE BRACKET.....	2
14	00665G9		HEX HEAD BOLT (SS), 3/8" - 16 X 3 1/2" LG.....	6
15	11098G5		LOCK NUT, 3/8" - 16	4
16				
17	605445		BUSHING, O.D 49MM	2
18	12262G1		LOCK NUT, 3/8" - 16	2
19	71498G01		AXLE BUMPER BRACKET	2
20	70492G01		RUBBER BUMPER	2
21	608654		SPLIT LOCK WASHER, M10	2
22	00974G01		LOCK NUT, M10.....	2

REAR SUSPENSION

FOR HAULER PRO X



REAR SUSPENSION

THE USE OF NON U.L. PARTS WILL VOID ANY U.L. LISTING.

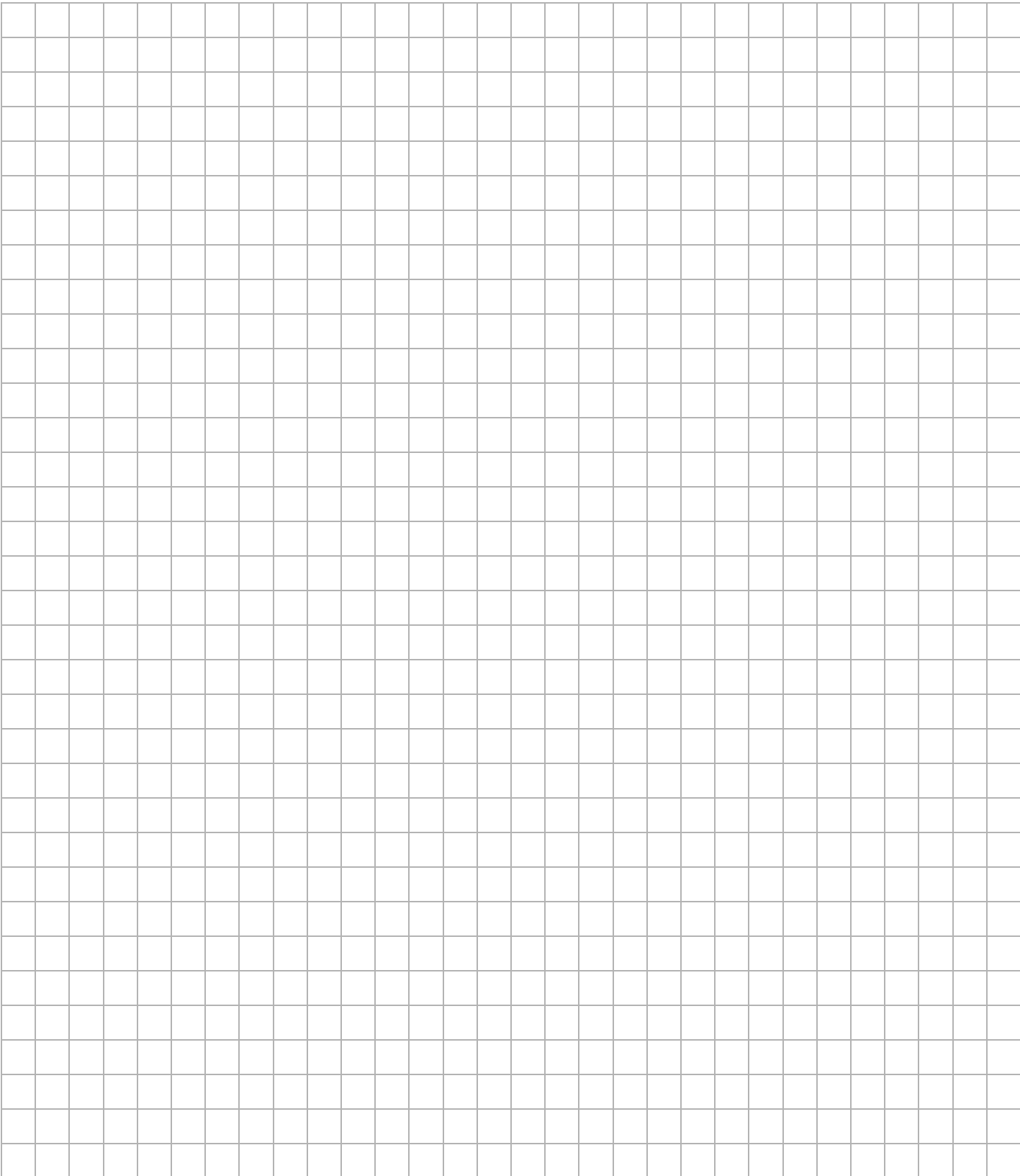
When ordering parts, please specify the model and serial number of the product.

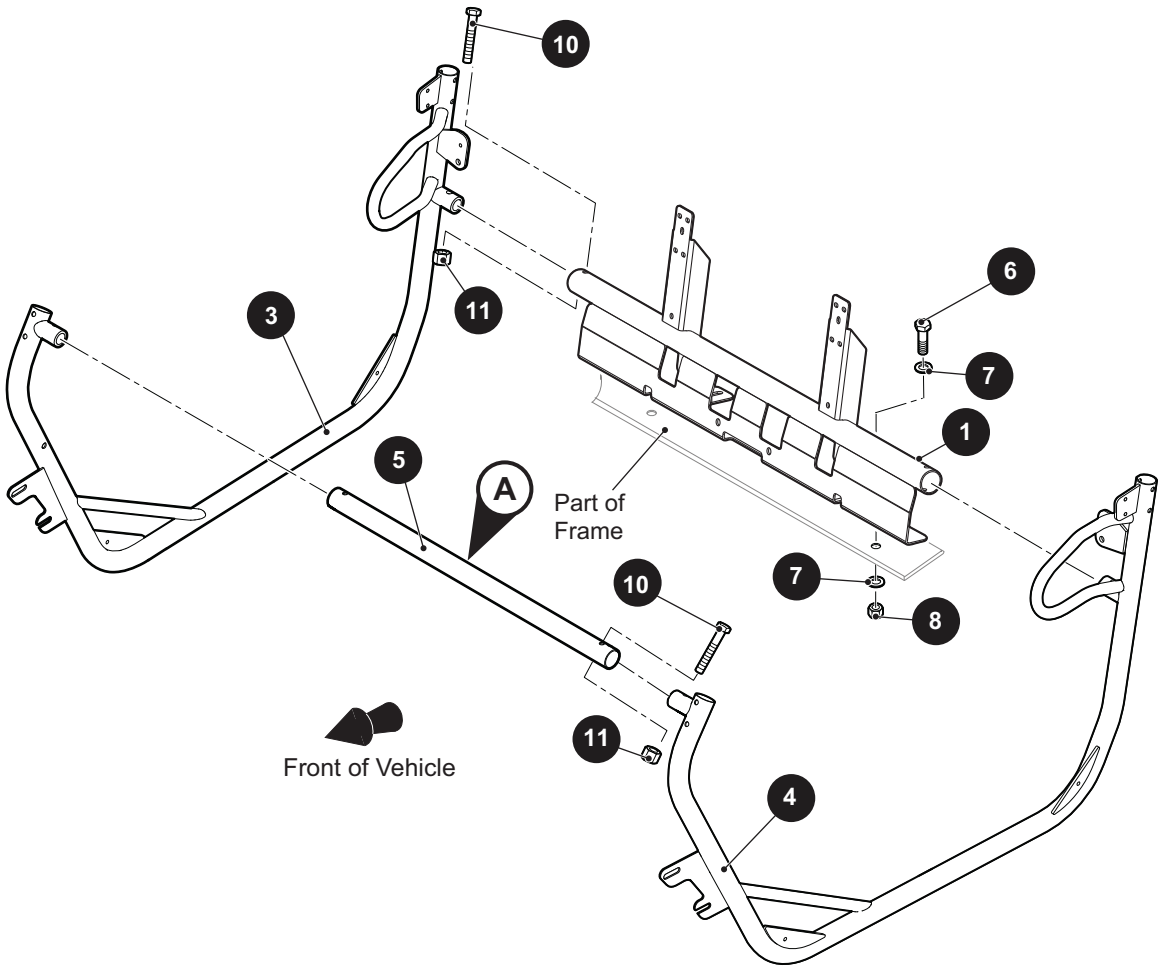
* Indicates a component that is not available as an individual part.

*** Indicates consult Customer Service Department for additional information.

ITEM	PART NO.	1 2 3 4 5	DESCRIPTION	QTY.
1	76418G01		SHOCK ABSORBER.....	2
2	10435G1		SHOCK ABSORBER WASHER	8
3	10194G1		RUBBER BUSHING	8
4	00532G6		HEX NUT, 3/8" - 24.....	4
5	10044G01		VINYL CAP.....	2
6	627738		HEAVY DUTY LEAF SPRING	2
7	620740		LIFT BRACKET	2
8	00560G1		FLAT WASHER, 3/8"	16
9	11098G5		LOCK NUT, 3/8" - 16	8
10	00430G12		HEX HEAD BOLT, 3/8" - 16 X 5 1/2" LG	8
11	70289G02		SPLIT STEEL SPACER	4
12	624030		FLANGED BUSHING	8
13	636126		SHACKLE BRACKET.....	2
14	00665G9		HEX HEAD BOLT (SS), 3/8" - 16 X 3 1/2" LG.....	6
15	11098G5		LOCK NUT, 3/8" - 16	4
16				
17				
18	12262G1		LOCK NUT, 3/8" - 16	2
19				
20	70492G01		RUBBER BUMPER	2
21	608654		SPLIT LOCK WASHER, M10	2
22	00974G01		HEX NUT, M10 X 1.0.....	2
23	72360G02		MOUNTING PLATE (DRIVER SIDE)	1
24	72360G01		MOUNTING PLATE (PASSENGER SIDE) (NOT ILLUSTRATED).....	1
25	00643G1		FLAT WASHER, 3/8"	2
26	605445		BUSHING, 49MM	2

Notes:

A large grid area for notes, consisting of approximately 25 columns and 30 rows of empty square cells. It is intended for users to write down technical notes or observations related to the rear suspension.



A

13

This ROPS was tested in accordance with the requirements of ISO 3471 per ANSI/ROHVA 1

CUSHMAN

EZGO

A Textron Company 642582

Textron Specialized Vehicles
1451 Menden Gaffin Rd
Augusta, GA 30906
USA

Test GVW: 700 kgs (1545 lbs)
Vehicle Models:
Hauler 900 and 1200 G, E, XG, XE
Hauler Pro, Pro X, 4X4
E-Z-GO Terrain 250 and 1000 G, E
E-Z-GO Terrain 1500 G

WARNING

The protection offered by this ROPS will be impaired if it has been subjected to any modification or structural damage. This ROPS must be replaced after a rollover.

THE USE OF NON U.L. PARTS WILL VOID ANY U.L. LISTING.

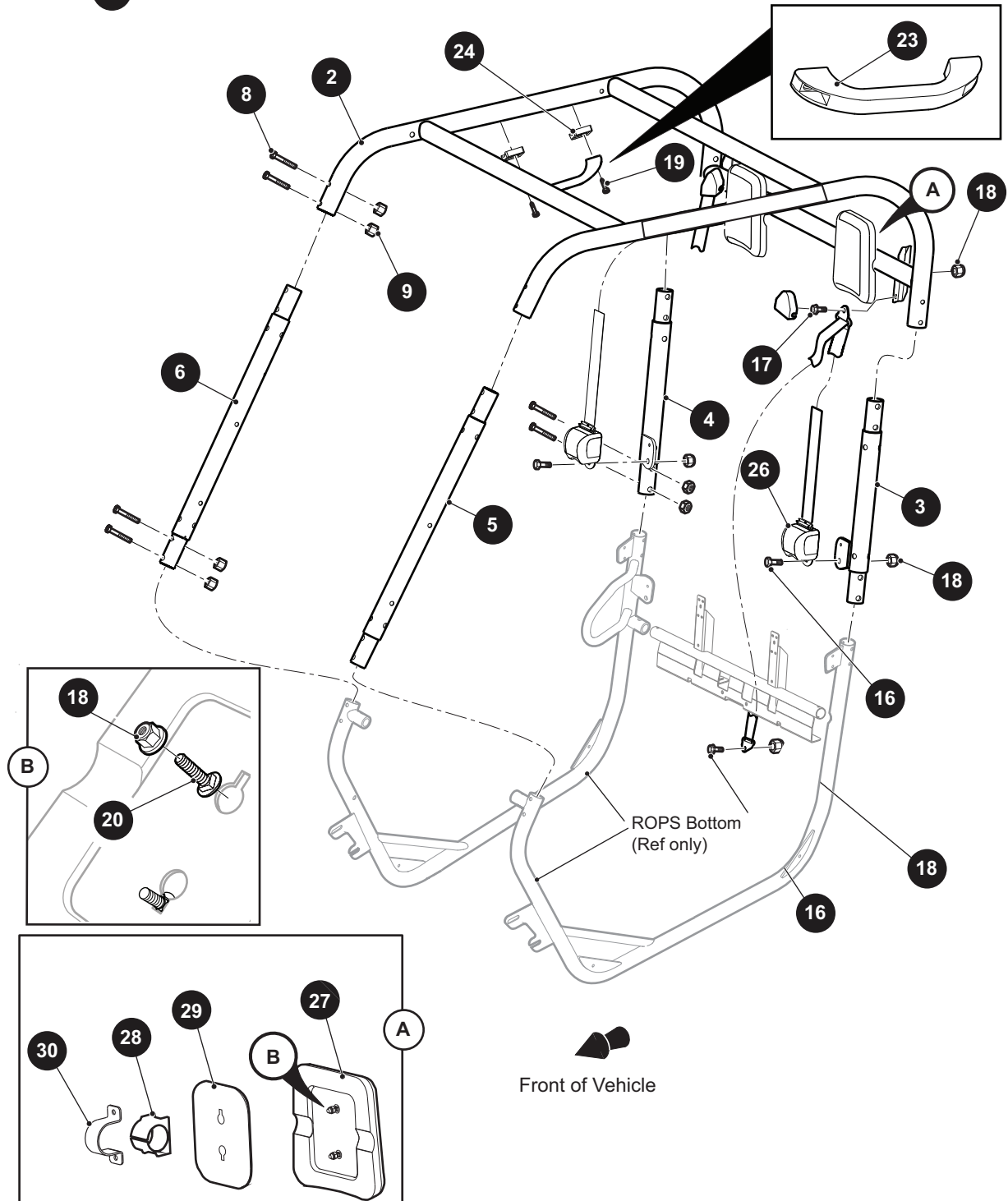
When ordering parts, please specify the model and serial number of the product.

* Indicates a component that is not available as an individual part.

*** Indicates consult Customer Service Department for additional information.

ITEM	PART NO.	1 2 3 4 5	DESCRIPTION	QTY.
1	640293		ROPS SEAT SUPPORT.....	1
2				
3	640183		ROPS BOTTOM (PASSENGER SIDE).....	1
4	640182		ROPS BOTTOM (DRIVER SIDE).....	1
5	629023		FRONT CROSSBAR TUBE.....	1
6	00427G2		HEX HEAD BOLT, 3/8" - 16 X 1 1/4" LG.....	4
7	00571G2		FLAT WASHER, 5/16".....	8
8	11098G5		LOCK NUT, 3/8" - 16.....	4
9				
10	630642		HEX HEAD BOLT, 3/8" - 16 X 2 1/2" LG.....	4
11	630643		LOCK NUT, 3/8" - 16.....	4
12				
13	642582		ROPS CERTIFICATION DECAL.....	1

- 1 ROPS UPPER KIT includes items 2 - 7
- 7 ROPS UPPER HARDWARE KIT includes items 8 - 9
- 15 ROPS ACCESSORY HARDWARE KIT includes items 16 - 20
- 22 ROPS ACCESSORY KIT includes items 15, 23 - 30



THE USE OF NON U.L. PARTS WILL VOID ANY U.L. LISTING.

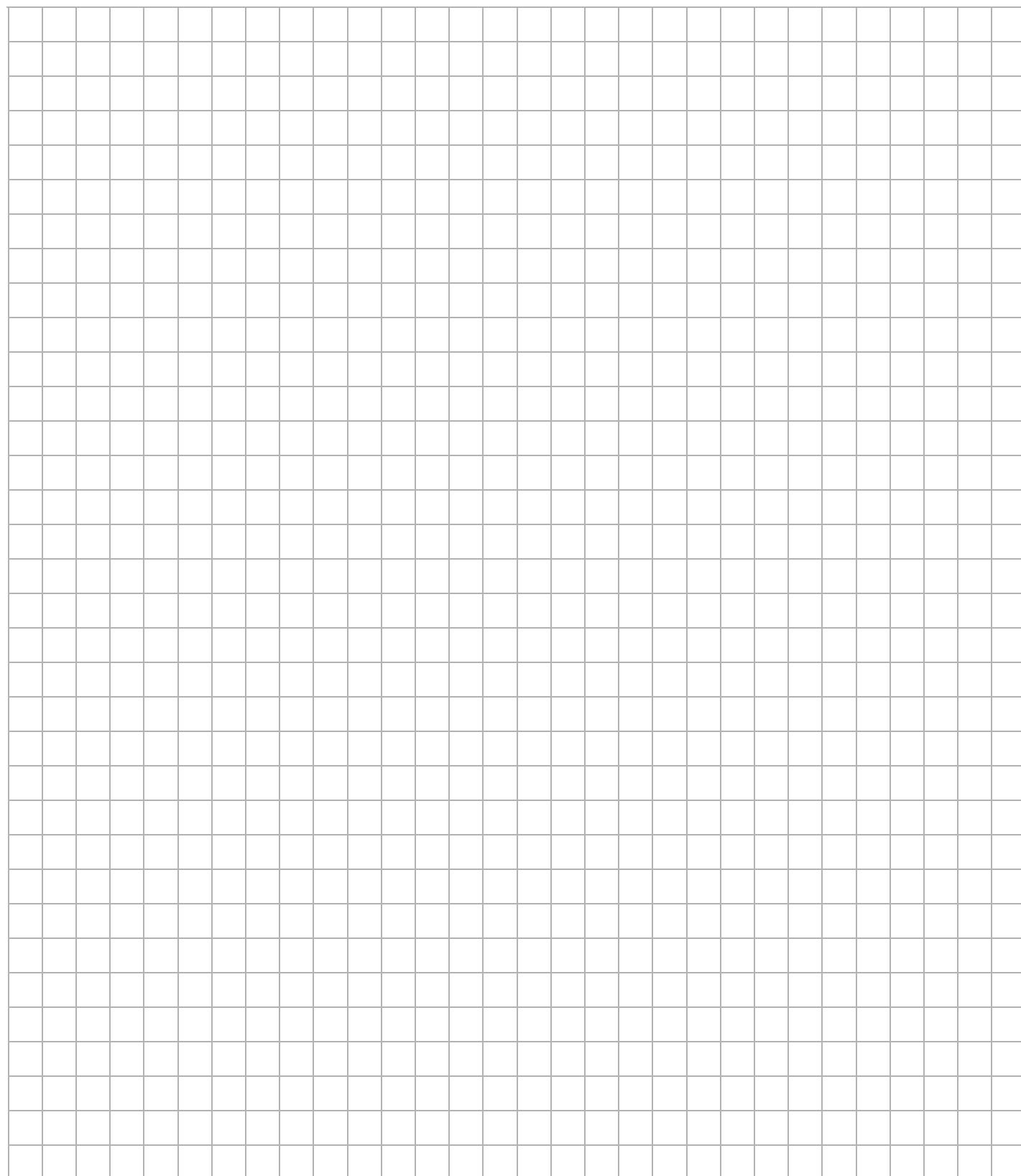
When ordering parts, please specify the model and serial number of the product.

* Indicates a component that is not available as an individual part.

*** Indicates consult Customer Service Department for additional information.

ITEM	PART NO.	1 2 3 4 5	DESCRIPTION	QTY.
1	631578		ROPS UPPER KIT (INCLUDES ITEMS 2 - 7)	1
2	631576		ROPS TOP WELDMENT	1
3	629080		CONNECTOR REAR (DRIVER SIDE)	1
4	629079		CONNECTOR REAR (PASSENGER SIDE)	1
5	629082		CONNECTOR FRONT (DRIVER SIDE)	1
6	629081		CONNECTOR FRONT (PASSENGER SIDE)	1
7	629328		ROPS UPPER HARDWARE KIT (INCLUDES ITEMS 8 - 9)	1
8	630642		HEX HEAD BOLT, 3/8" - 16 X 2 1/2" LG	16
9	630643		LOCK NUT, 3/8" - 16	16
10				
11				
12				
13				
14				
15	640434		ROPS ACCESSORY HARDWARE KIT (INCLUDES ITEMS 16 - 20)	1
16	610753		HEX HEAD BOLT, 7/16" - 20 X 1" LG	4
17	609569		HEX HEAD BOLT, 7/16" - 20 X 3/4" LG	4
18	00734G3		LOCK NUT, 7/16" - 20	8
19	612255		PAN HEAD TORX SCREW, 12 - 14 X 1" LG	2
20	630763		CARRIAGE BOLT (SS), 1/4" - 20 X .75" LG	4
21				
22	640436		ROPS ACCESSORIES KIT (INCLUDES ITEMS 15, 23 - 30)	1
23	611774		GRAB HANDLE	1
24	612254		GRAB HANDLE MOUNT	2
25	629454		SIDE DOOR NET (PAIR) (NOT ILLUSTRATED)	1
26	635789		SEAT BELT RETRACTOR	2
27	628577		HEADREST	2
28	629642		CLAMP GUARD	2
29	629666		HEADREST PLATE	2
30	627786		CLAMP	2

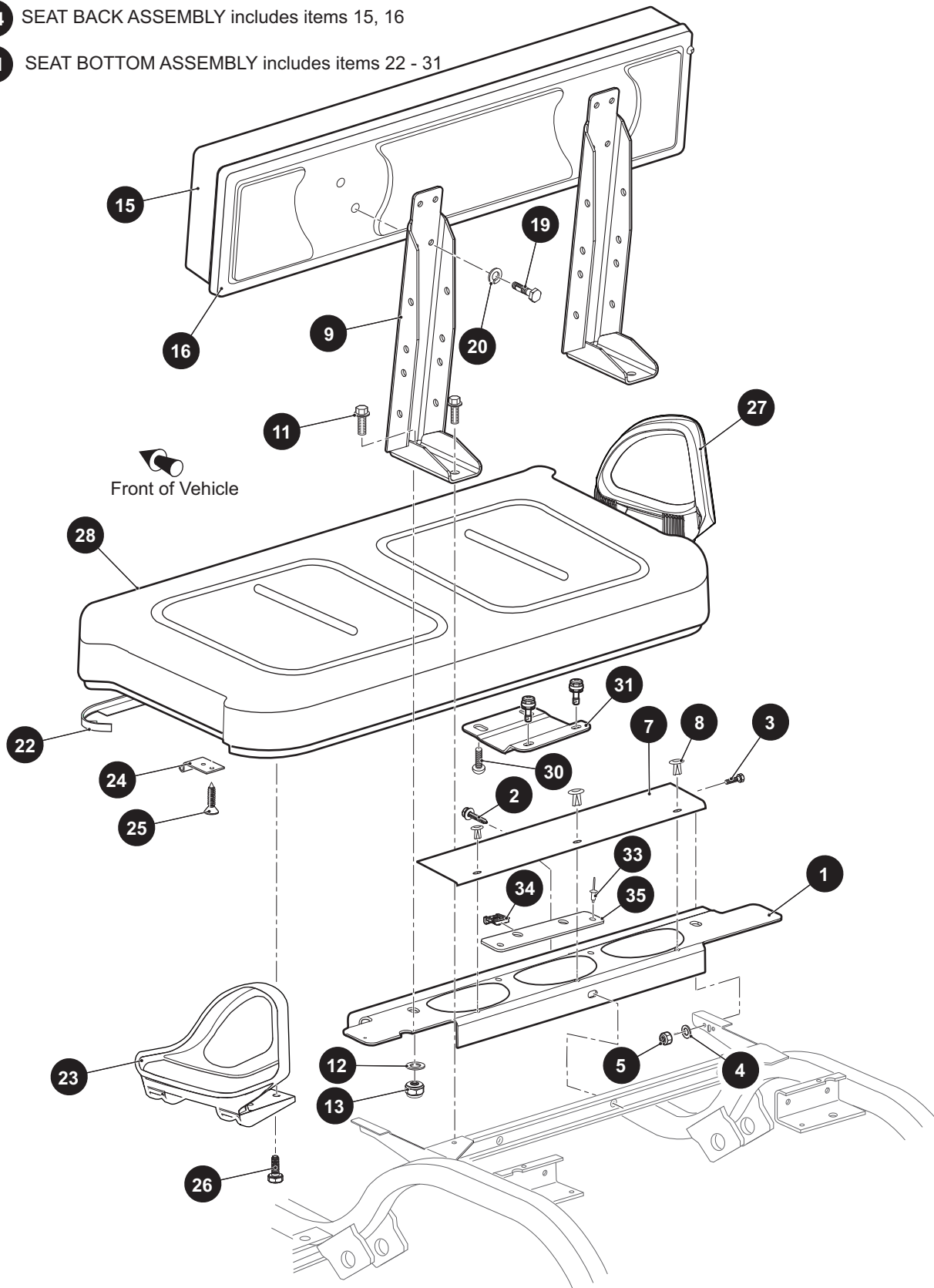
Notes:

A large grid of graph paper for taking notes, consisting of 20 columns and 30 rows of small squares.

SEATING

14 SEAT BACK ASSEMBLY includes items 15, 16

21 SEAT BOTTOM ASSEMBLY includes items 22 - 31



THE USE OF NON U.L. PARTS WILL VOID ANY U.L. LISTING.

When ordering parts, please specify the model and serial number of the product.

* Indicates a component that is not available as an individual part.

*** Indicates consult Customer Service Department for additional information.

ITEM	PART NO.	1 2 3 4 5	DESCRIPTION	QTY.
1	74971G01		SEAT BACK SUPPORT	1
2	00715G2		HEX HEAD BOLT, 5/16" - 18 X 13/16" LG	1
3	00438G8		HEX HEAD BOLT, 5/16" - 18 X 3/4" LG	2
4	00642G8		LOCK WASHER, 5/16"	2
5	11098G6		LOCK NUT, 5/16" - 18	2
6				
7	71263G01		ACCESS COVER	1
8	18436G1		DRIVE RIVET, .25" X .625"	3
9	646274		SEAT BACK SUPPORT BRACKET	2
10				
11	01006G01		HEX HEAD BOLT, 3/8" - 16 X 1 1/4" LG	4
12	00643G1		LOCK WASHER, 3/8"	2
13	11098G5		LOCK NUT, 3/8" - 16	2
14	***		SEAT BACK ASSEMBLY (INCLUDES ITEMS 15, 16) 71274G04 GRAY 71274G01 WHITE 71274G03 TAN 71274G05 OYSTER 71274G02 BLACK 71274G07 BROWN	
15	***		VINYL COVER 18144G5 GRAY 18144G2 WHITE 18144G4 TAN 18144G6 OYSTER 18144G3 BLACK 18144G8 BROWN	
16	74889G01		PLASTIC SEAT BACK COVER	1
17				
18				
19	605056		HEX HEAD BOLT WITH PATCH LOCK, 1/4" - 20 X 1" LG	4
20	00664G7		LOCK WASHER (SS), 1/4"	4
21	***		SEAT BOTTOM ASSEMBLY (INCLUDES ITEMS 22 - 31) 629269G0101 OYSTER 629269G0103 TAN 629269G0104 GRAY 629269G0105 WHITE	

SEATING

THE USE OF NON U.L. PARTS WILL VOID ANY U.L. LISTING.

When ordering parts, please specify the model and serial number of the product.

* Indicates a component that is not available as an individual part.

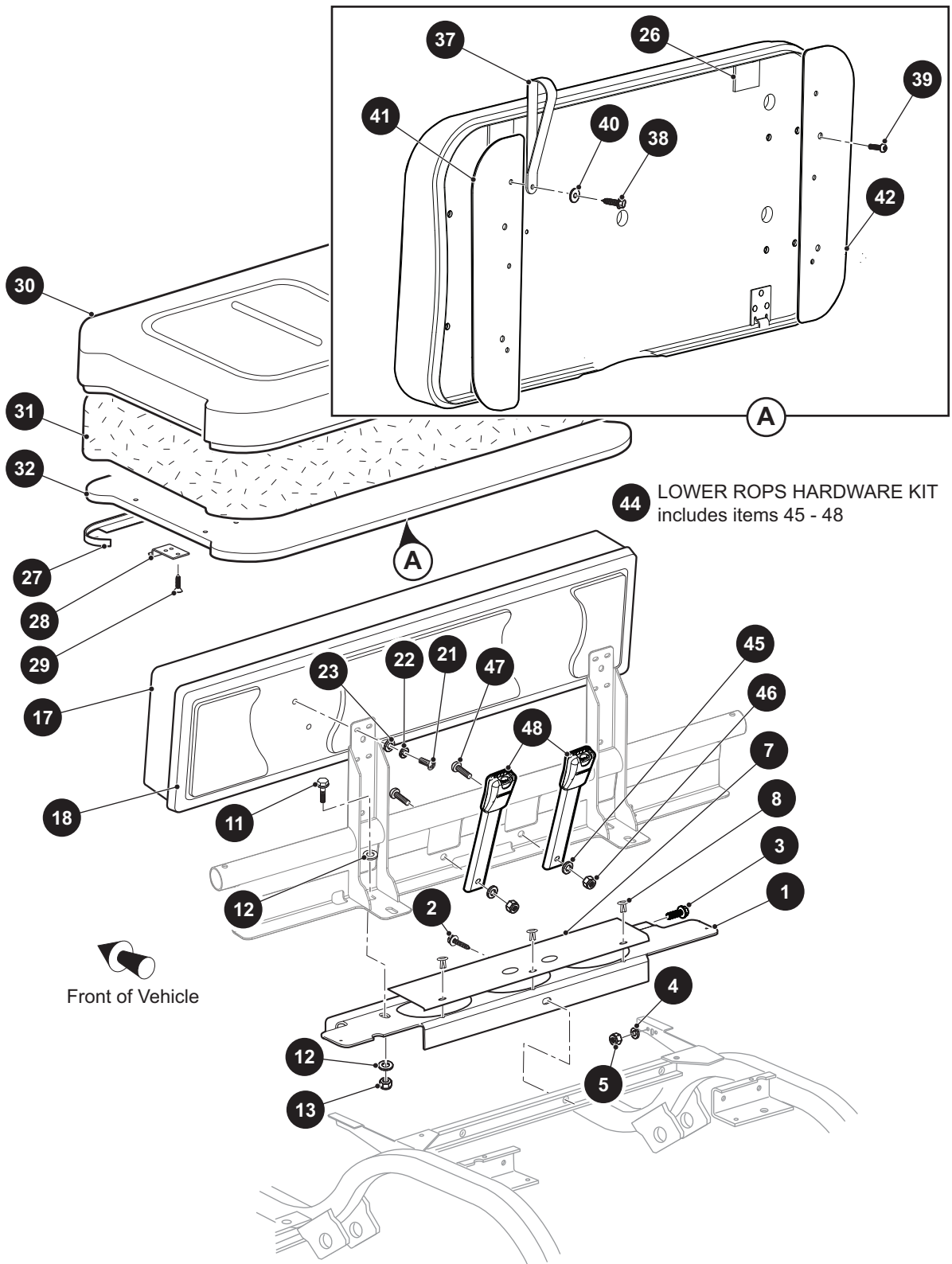
*** Indicates consult Customer Service Department for additional information.

ITEM	PART NO.	1	2	3	4	5	DESCRIPTION	QTY.
							629269G0106 BLACK 629269G0107 BROWN 629269G1401 OYSTER 629269G1403 TAN 629269G1404 GRAY 629269G1405 WHITE 629269G1406 BLACK 629269G1407 BROWN	
22	71012G01						VINYL TRIM (SEAT BOTTOM).....	1
23	617645						HIP RESTRAINT (DRIVER SIDE).....	1
24	71610G01						SEAT HINGE	2
25	00720G08						FLAT HEAD PHILLIPS SCREW, #12 - 14 X 1" LG.	6
26	615417						BUTTON HEAD TORX BOLT, M10 - 1.5 X 25MM LG.....	8
27	617644						HIP RESTRAINT (PASSENGER SIDE)	1
28	***						SEAT BOTTOM COVER 71602G01 WHITE 71602G04 TAN 71602G03 OYSTER 71602G02 GRAY 71602G06 BLACK 71602G07 BROWN	
29								
30	615417						BUTTON HEAD TORX BOLT, M10 - 1.5 X 25MM LG (FOR CE VEHICLES ONLY)	2
31	637082						FRONT SEAT BRACKET ASSEMBLY (FOR CE VEHICLES ONLY).....	1
32								
33	10570G12						RIVET, .257" X .556" (FOR CE VEHICLES ONLY)	2
34	635654						QUARTER TURN RECEPTACLE CLIP-ON (FOR CE VEHICLES ONLY).....	2
35	635660						REAR SEAT LATCH BRACKET CE (FOR CE VEHICLES ONLY)	1

SEATING

16 SEAT BACK ASSEMBLY (BLACK) includes items 17, 18

25 SEAT BOTTOM ASSEMBLY (BLACK) includes items 26 - 34



THE USE OF NON U.L. PARTS WILL VOID ANY U.L. LISTING.

When ordering parts, please specify the model and serial number of the product.

* Indicates a component that is not available as an individual part.

*** Indicates consult Customer Service Department for additional information.

ITEM	PART NO.	1 2 3 4 5	DESCRIPTION	QTY.
1	74971G01		SEAT BACK SUPPORT	1
2	00715G2		FLANGED HEX HEAD BOLT, 5/16" - 18 X .8" LG	1
3	00438G8		HEX HEAD BOLT, 5/16" - 18 X 1" LG	2
4	00642G8		LOCK WASHER, 5/16"	2
5	11098G6		LOCK NUT, 5/16" - 18.....	2
6				
7	71263G01		ACCESS COVER.....	1
8				
9				
10	00734G3		LOCK NUT, 7/16" - 20.....	2
11	00427G2		FLANGED HEX HEAD BOLT, 3/8" - 16 X 1 1/4" LG	4
12	00571G2		LOCK WASHER, 5/16"	8
13	11098G5		LOCK NUT, 3/8" - 16.....	4
14				
15				
16	71274G02		SEAT BACK ASSEMBLY (BLACK) (INCLUDES ITEMS 17, 18).....	1
17	18144G3		VINYL COVER.....	1
18	74889G01		SEAT BACK COVER (PLASTIC)	1
19				
20				
21	16705G1		HEX HEAD BOLT (WITH PATCH LOCK), 1/4" - 20 X 1" LG.....	4
22	01110G01		FLAT WASHER (SS), 1/4".....	4
23	00664G7		LOCK WASHER (SS), 1/4"	4
24				
25	629269G1306		SEAT BOTTOM ASSEMBLY (BLACK) (INCLUDES ITEMS 26 - 34).....	1
26	17074G1		SOILING SLAB (NOT ILLUSTRATED).....	2
27	71012G01		VINYL TRIM (SEAT BOTTOM).....	1
28	71610G01		SEAT HINGE	1
29	00720G08		FLAT HEAD PHILLIPS SCREW, #12 - 14 X 1" LG.....	3
30	615169		VINYL SEAT BOTTOM COVER (BLACK).....	1
31	605503		SEAT BOTTOM PADDING (FOAM)	1

SEATING

THE USE OF NON U.L. PARTS WILL VOID ANY U.L. LISTING.

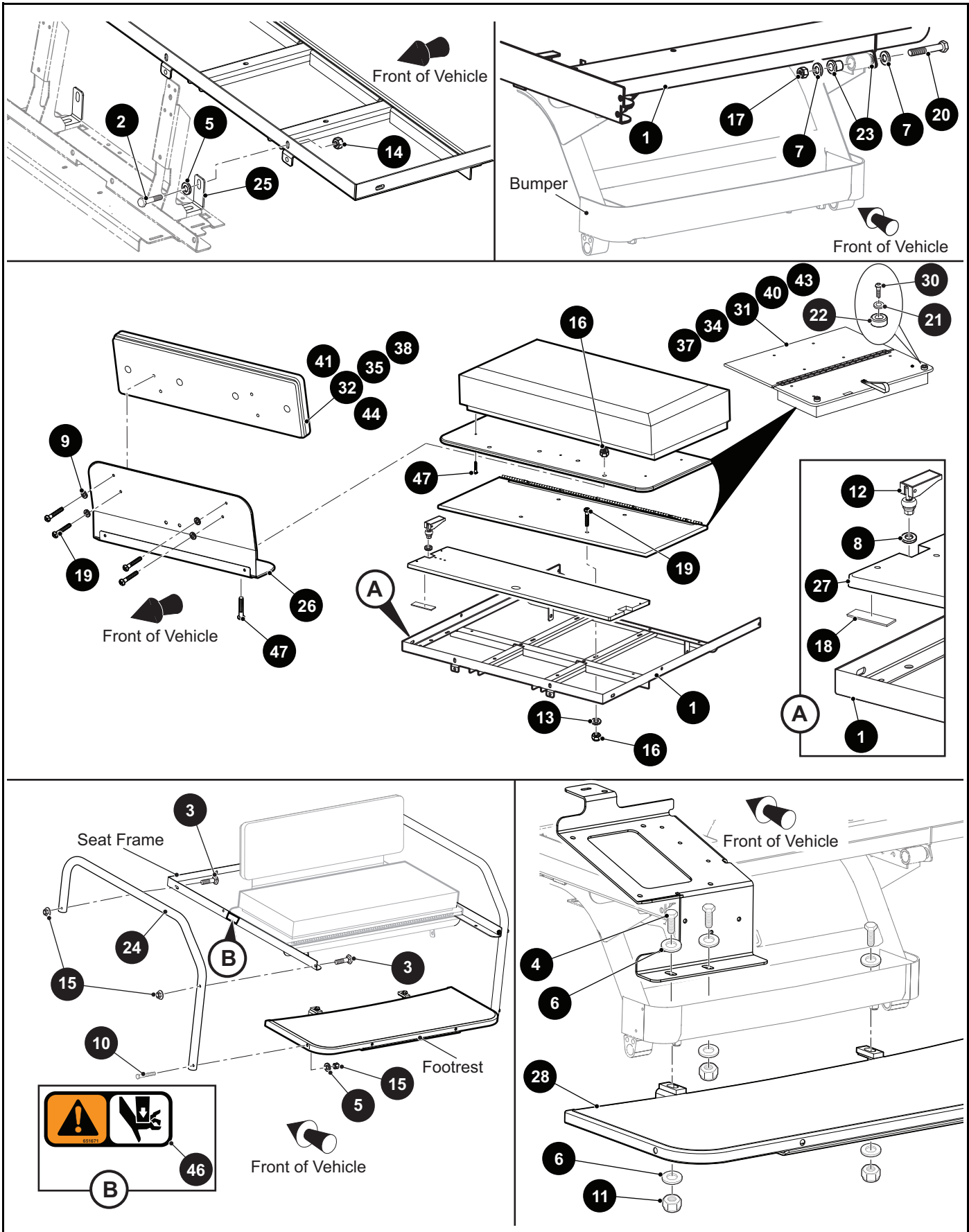
When ordering parts, please specify the model and serial number of the product.

* Indicates a component that is not available as an individual part.

*** Indicates consult Customer Service Department for additional information.

ITEM	PART NO.	1	2	3	4	5	DESCRIPTION	QTY.
32	645492						WOOD SEAT	1
33	23222G1						FLAT STAPLE, 3/8" (NOT ILLUSTRATED).....	AR
34	23223G1						FLAT STAPLE (NOT ILLUSTRATED)	AR
35								
36								
37	617402						SEAT STRAP.....	1
38	71398G01						FLANGED HEX HEAD BOLT, 1/4" - 20 X 1 1/4" LG.....	1
39	615417						BUTTON HEAD TORX BOLT, M10 - 1.5 X 25MM LG	4
40	16469G1						FENDER WASHER, 1/4"	1
41	640674G01						SEAT SIDE COVER (DRIVER SIDE).....	1
42	640674G02						SEAT SIDE COVER (PASSENGER SIDE)	1
43								
44	642823						LOWER ROPS HARDWARE KIT (INCLUDES ITEMS 45 - 48)	1
45	00560G3						FLAT WASHER, 1/2"	2
46	00734G3						LOCK NUT, 7/16" - 20.....	2
47	635630						BUTTON HEAD TORX BOLT, 7/16" - 20 X 1 1/4" LG.....	2
48	631973						BUCKLE AND BRACKET ASSEMBLY.....	2

SEATING



THE USE OF NON U.L. PARTS WILL VOID ANY U.L. LISTING.

When ordering parts, please specify the model and serial number of the product.

* Indicates a component that is not available as an individual part.

*** Indicates consult Customer Service Department for additional information.

ITEM	PART NO.	1 2 3 4 5	DESCRIPTION	QTY.
1	640259		SEAT FRAME.....	1
2	00426G8		HEX HEAD BOLT, 3/8" - 16 X 1" LG	2
3	630673		CARRIAGE BOLT, 3/8" - 16 X 2.25" LG	4
4	00463G4		HEX HEAD BOLT, 7/16" - 14 X 1 1/2" LG	2
5	00560G1		FLAT WASHER, 3/8"	4
6	00560G2		FLAT WASHER, 3/8"	4
7	00560G3		FLAT WASHER, 3/8"	4
8	00793G2		FLAT WASHER (SS), 1/4"	2
9	00664G7		LOCK WASHER, 1/4"	4
10	630674		HEX HEAD BOLT, 3/8" - 16 X 3.25" LG	2
11	00734G1		LOCK NUT, 7/16" - 14	2
12	638060		SWELL LATCH.....	2
13	01110G01		FLAT WASHER, 1/4"	4
14	11027G5		FLANGED LOCK NUT, 3/8" - 16	2
15	630643		LOCK NUT, 3/8" - 16	6
16	14390G4		LOCK NUT, 1/4" - 20	8
17	14390G6		LOCK NUT, 1/2" - 13	2
18	640577		RUBBER PAD	6
19	16705G9		PAN HEAD PHILLIPS SCREW, 1/4" - 20 X 1 1/4" LG	8
20	311398		HEX HEAD BOLT, 1/2" - 13 X 3 1/2" LG	2
21	616671		FLAT WASHER, 15.8MM X 8.5MM X 1.5MM	2
22	619756		RUBBER BUMPER	2
23	624030		FLANGED BUSHING, O.D. 28.7MM X I.D. 13.4MM X 23.7MM LG	4
24	627783		ARMREST	2
25	627797		SEAT FRAME BRACKET.....	2
26	627804		SEAT BACK WELDMENT	1
27	637994		REAR DECK BOARD.....	1
28	628552		FOOTREST WELDMENT	1
29				
30	800344		TAPPING SCREW, #10 - 16 X 5/8" LG	2
31	629654		SEAT BOTTOM ASSEMBLY (BLACK).....	1

SEATING

THE USE OF NON U.L. PARTS WILL VOID ANY U.L. LISTING.

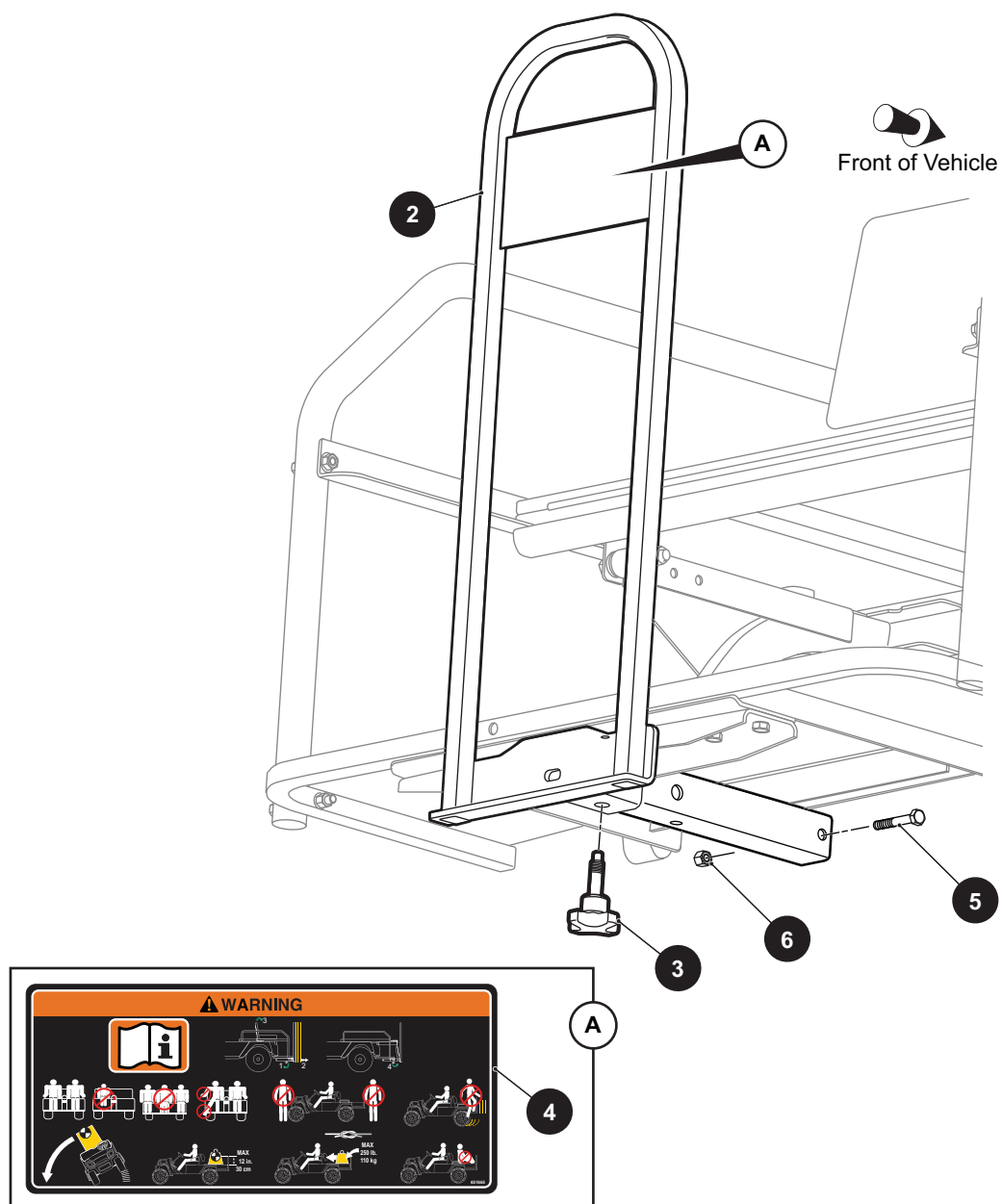
When ordering parts, please specify the model and serial number of the product.

* Indicates a component that is not available as an individual part.

*** Indicates consult Customer Service Department for additional information.

ITEM	PART NO.	1	2	3	4	5	DESCRIPTION	QTY.
32	71274G02						BACK REST ASSEMBLY (BLACK)	1
33								
34	640893G03						SEAT BOTTOM ASSEMBLY (TAN)	1
35	71274G03						BACK REST ASSEMBLY (TAN)	1
36								
37	640893G04						SEAT BOTTOM ASSEMBLY (GRAY)	1
38	71274G04						BACK REST ASSEMBLY (GRAY)	1
39								
40	640893G05						SEAT BOTTOM ASSEMBLY (OYSTER)	1
41	71274G05						BACK REST ASSEMBLY (OYSTER)	1
42								
43	640893G07						SEAT BOTTOM ASSEMBLY (BROWN)	1
44	71274G07						BACK REST ASSEMBLY (BROWN).....	1
45	605834						NYLON CLAMP, 36" (NOT ILLUSTRATED)	2
46	651671						LABEL (PINCH WARNING).....	2
47	16705G1						TRUSS HEAD PHILLIPS SCREW (SS), 1/4" - 20 X 1" LG	4

1 FOOTREST ASSEMBLY includes items 2 - 6



THE USE OF NON U.L. PARTS WILL VOID ANY U.L. LISTING.
 When ordering parts, please specify the model and serial number of the product.
 * Indicates a component that is not available as an individual part.
 *** Indicates consult Customer Service Department for additional information.

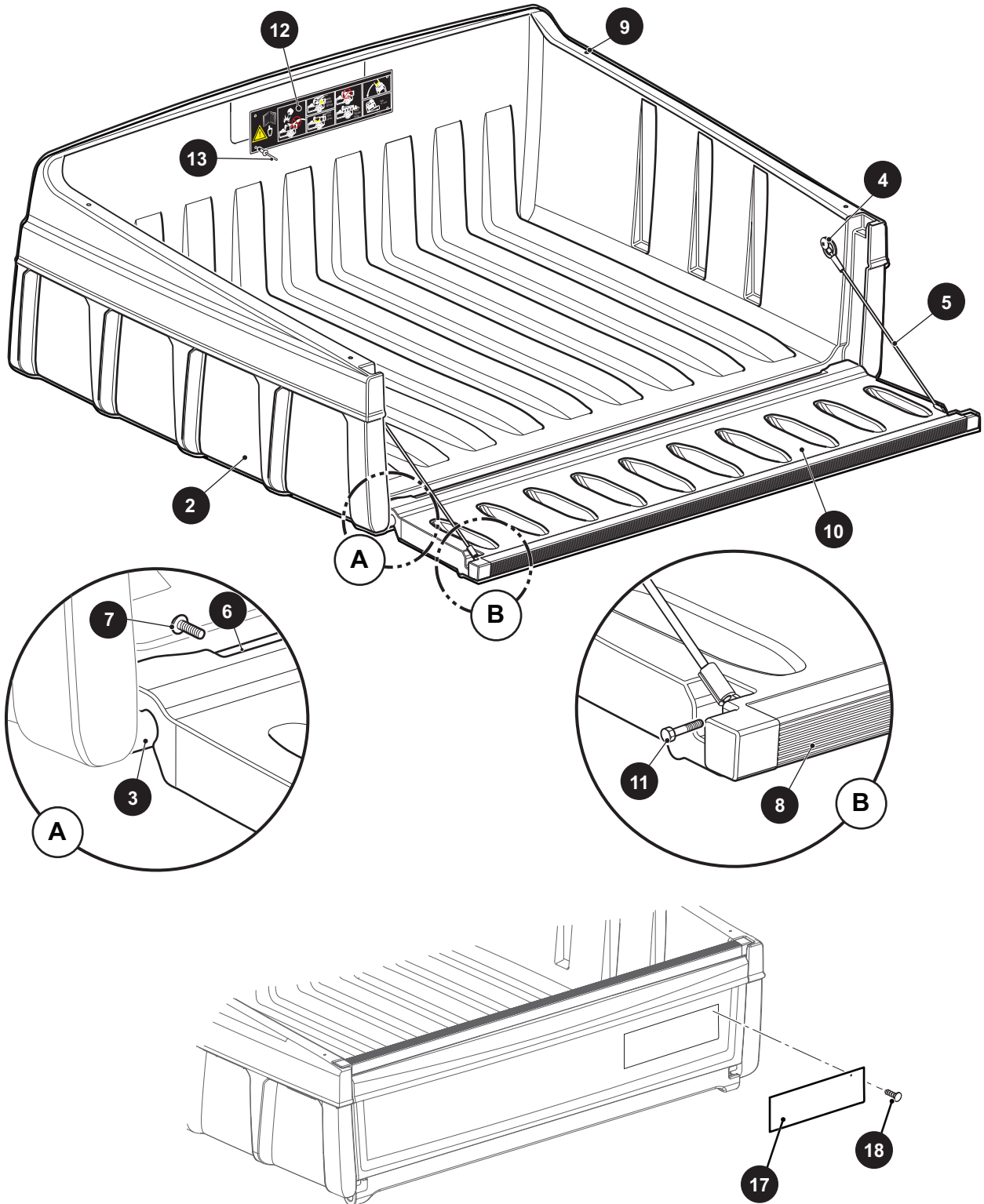
ITEM	PART NO.	1 2 3 4 5	DESCRIPTION	QTY.
1	643451		FOOTREST ASSEMBLY (INCLUDES ITEMS 2 - 6)	1
2	646777		FOOTREST HANDLE WELDMENT	1
3	643468		KNOB.....	1
4	651665		LOADING LABEL (REAR FACING SEAT).....	1
5	00428G4		HEX HEAD BOLT, 3/8" - 16 X 2 1/4" LG.....	1
6	11098G5		LOCK NUT, 3/8" - 16.....	1

Notes:

A large grid of graph paper consisting of 28 columns and 20 rows of small squares, intended for taking notes.

TRUCK BED - PLASTIC

1 40" PLASTIC BED ASSEMBLY includes items 2 - 11



TRUCK BED - PLASTIC

THE USE OF NON U.L. PARTS WILL VOID ANY U.L. LISTING.

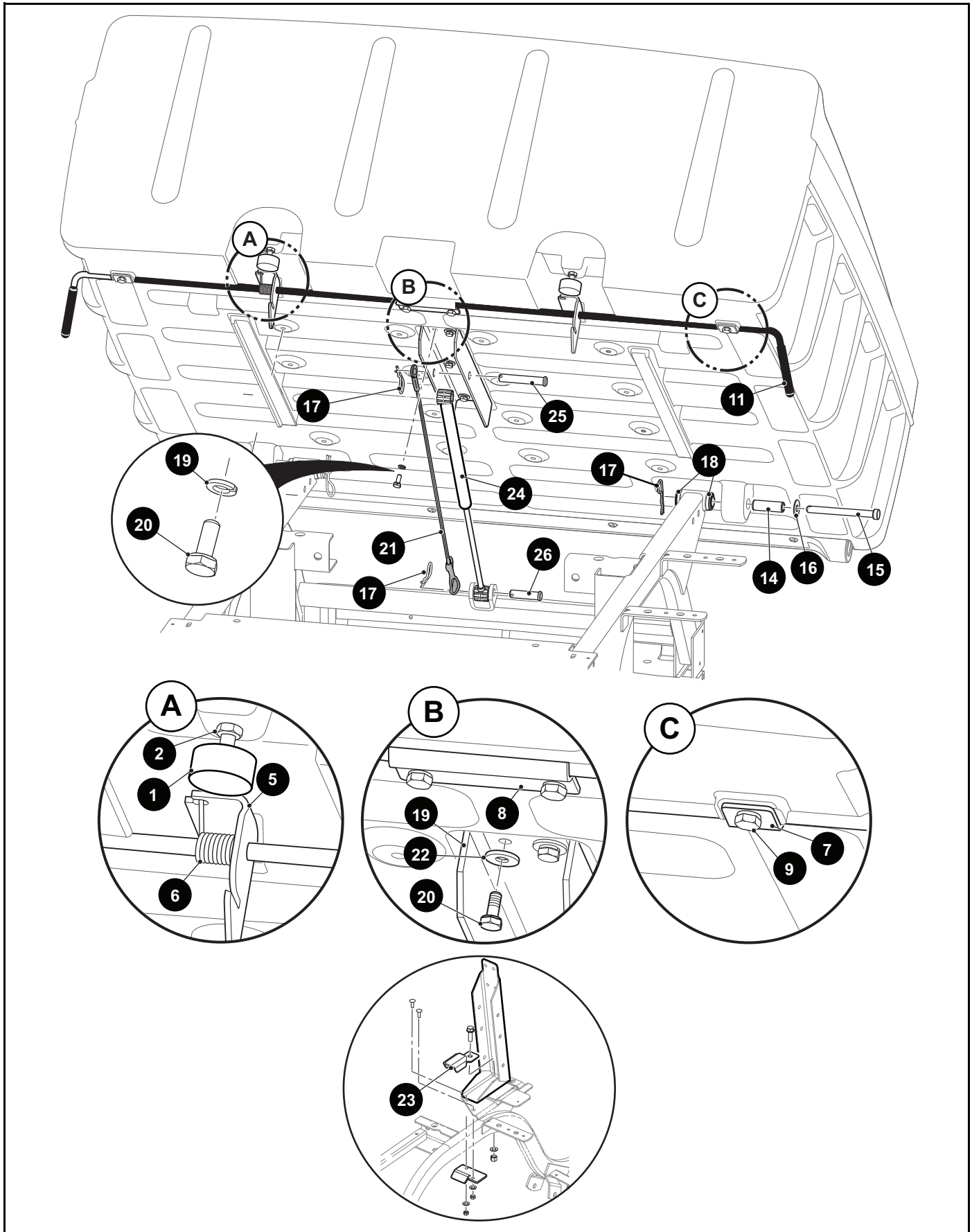
When ordering parts, please specify the model and serial number of the product.

* Indicates a component that is not available as an individual part.

*** Indicates consult Customer Service Department for additional information.

ITEM	PART NO.	1 2 3 4 5	DESCRIPTION	QTY.
1	73451G01		BED ASSEMBLY, 40" (INCLUDES ITEMS 2 -11)	1
2	*		PLASTIC BED, 40"	1
3	73454G01		PIVOT SHAFT	2
4	73460G01		SHOULDER BOLT, 1/4" - 20 X 3/4" LG	2
5	73455G01		TAILGATE CABLE ASSEMBLY	1
6	73450G01		BOWED ANGLE	1
7	16705G2		PAN HEAD SCREW (SS), 1/4" - 20 X 5/8" LG	4
8	73449G01		EXTRUSION CHANNEL	1
9	16816G5		RATCHET FASTENER	4
10	73448G01		TAILGATE ASSEMBLY	1
11	00415G2		HEX HEAD BOLT, 1/4" - 20 X 1 1/4" LG	2
12	74821G02		BED CAPACITY LABEL	1
13	71055G01		RIVET (ALUMINUM), 3/16"	5
14				
15				
16				
17	619207		CUSHMAN TAILGATE PLATE	1
18	16816G2		RATCHET FASTNER	4

TRUCK BED - PLASTIC



TRUCK BED - PLASTIC

THE USE OF NON U.L. PARTS WILL VOID ANY U.L. LISTING.

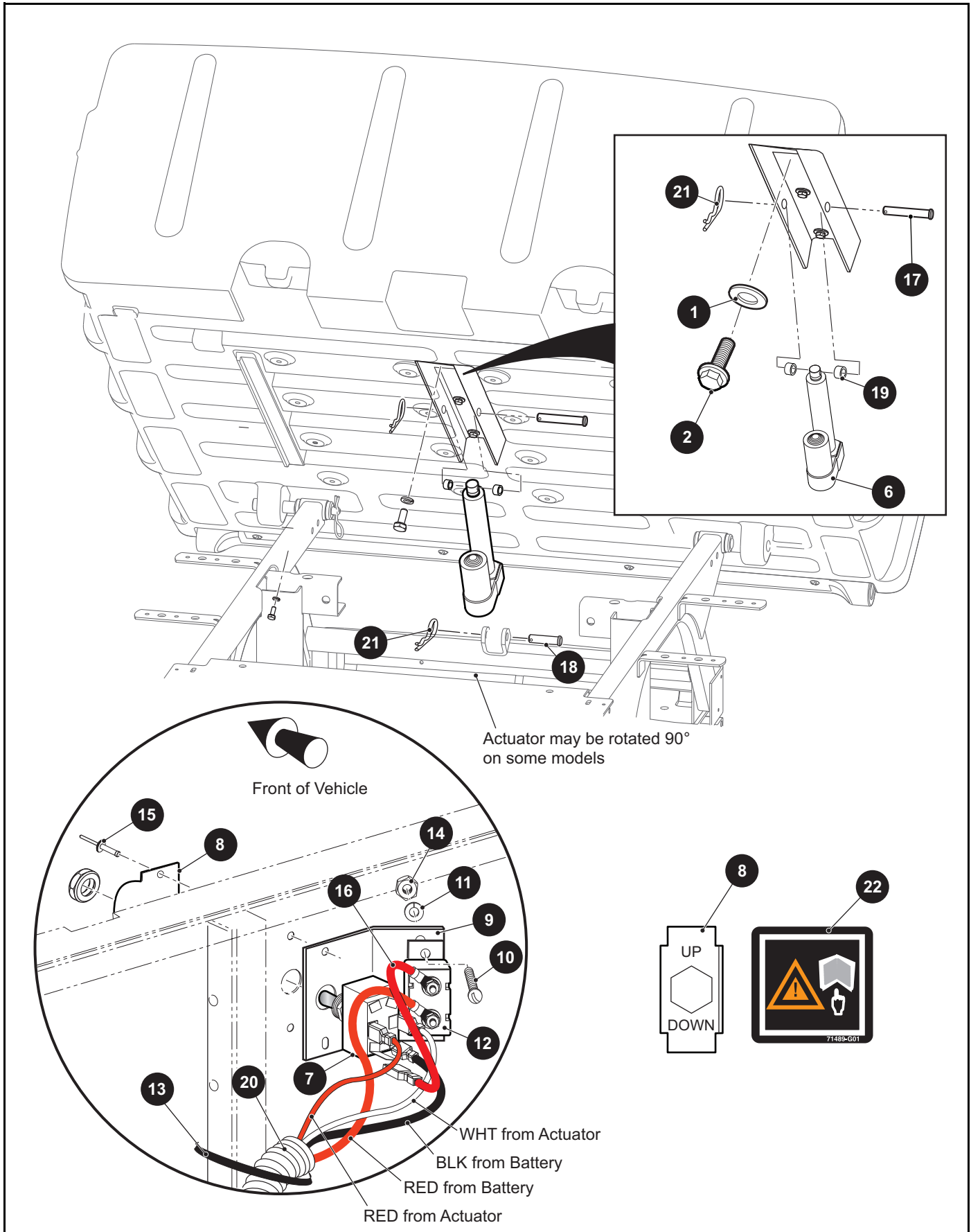
When ordering parts, please specify the model and serial number of the product.

* Indicates a component that is not available as an individual part.

*** Indicates consult Customer Service Department for additional information.

ITEM	PART NO.	1 2 3 4 5	DESCRIPTION	QTY.
1	70113G01		ADJUSTABLE RUBBER BUMPER	2
2	11027G1		LOCK NUT, 5/16" - 18	2
3				
4				
5	74962G01		BED LATCH WELDMENT	1
6	71538G01		LATCH TORSION SPRING	1
7	71099G02		LATCH PLATE	2
8	71477G02		RETAINER BRACKET	1
9	01118G01		HEX HEAD BOLT, 1/4" - 20 X 5/8" LG	4
10				
11	71704G01		HANDLE GRIP	2
12				
13				
14	71570G01		ACETAL BUSHING, O.D .75" X 2.3" LG	2
15	71571G01		CLEVIS PIN, .50" X 5.25" LG	2
16	00571G5		FLAT WASHER, 5/16"	2
17	21683G1		COTTER PIN, 15/32"	4
18	624030		FLANGED BUSHING, O.D 24MM	4
19	71569G02		GAS SPRING CHANNEL	1
20	01118G01		HEX HEAD BOLT, 1/4" - 20 X 5/8" LG	6
21	602904		BED TETHER CABLE	1
22	00642G7		FLAT WASHER, 1/4"	6
23	74947G01		BED BUMPER BRACKET	2
24	71537G02		GAS SPRING	2
25	14443G10		CLEVIS PIN, .625" X 3" LG	1
26	14443G12		CLEVIS PIN, .625" X 2.2" LG	1

TRUCK BED - PLASTIC



TRUCK BED - PLASTIC

THE USE OF NON U.L. PARTS WILL VOID ANY U.L. LISTING.

When ordering parts, please specify the model and serial number of the product.

* Indicates a component that is not available as an individual part.

*** Indicates consult Customer Service Department for additional information.

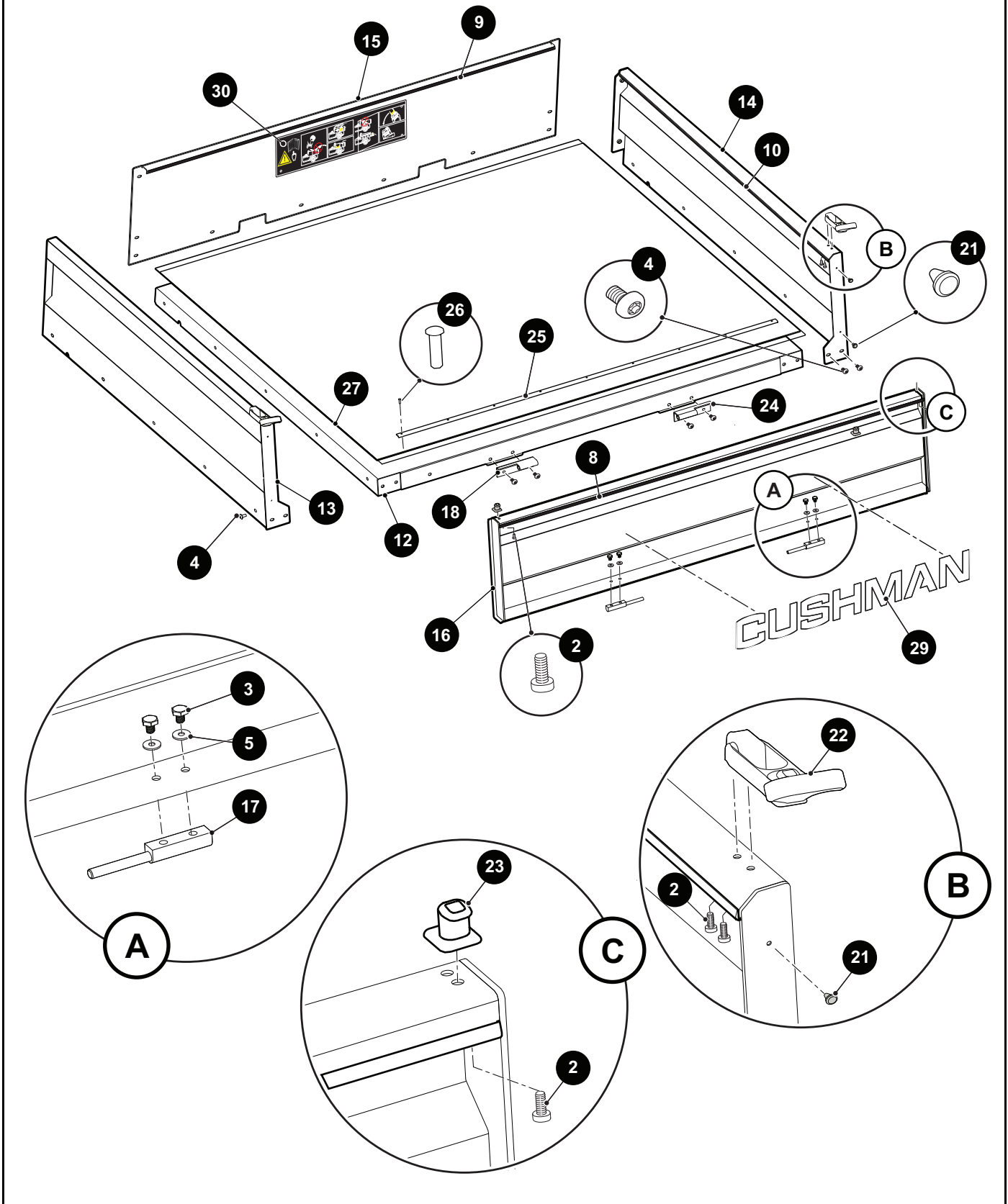
ITEM	PART NO.	1 2 3 4 5	DESCRIPTION	QTY.
1	00642G7		FLAT WASHER, 1/4"	6
2	01118G01		HEX HEAD BOLT, 1/4" - 20 X 5/8" LG	6
3				
4				
5				
6	27612G04		ELECTRIC ACTUATOR, 48V	1
7	27680G01		TOGGLE SWITCH	1
8	27447G01		TOGGLE GUARD ASSEMBLY	1
9	74165G02		CIRCUIT BREAKER MOUNTING BRACKET	1
10	00150G4		ROUND HEAD SLOTTED BOLT, #10 - 24 X 3/8" LG	2
11	00565G5		LOCK WASHER, #10	2
12	21320G4		CIRCUIT BREAKER, 15A, 24V	1
13	17618G1		WIRE TIE	8
14	00526G3		HEX NUT, #10 - 24	2
15	10570G9		RIVET (ALUMINUM), 5/32"	2
16	25976G14		14 GA WIRE (RED 5")	1
17	14443G10		CLEVIS PIN, .50" X 3" LG	1
18	14443G11		CLEVIS PIN, .50" X 1.92" LG	1
19	27613G01		SPACER, .75" O.D. X .50" I.D.	2
20	74054G01		WIRE HARNESS, ELECTRIC DUMP	1
21	21683G1		COTTER PIN, 15/32"	2
22	71489G01		DECAL	1
23	11845G3		INSULATED CABLE CLIP (NOT ILLUSTRATED)	2
24	00532G3		HEX NUT, 5/16" - 18 (NOT ILLUSTRATED)	2

Notes:

Large grid area for notes.

TRUCK BED - METAL

1 ALUMINUM BED LARGE includes items 2 - 27, 31 - 37



TRUCK BED - METAL

THE USE OF NON U.L. PARTS WILL VOID ANY U.L. LISTING.

When ordering parts, please specify the model and serial number of the product.

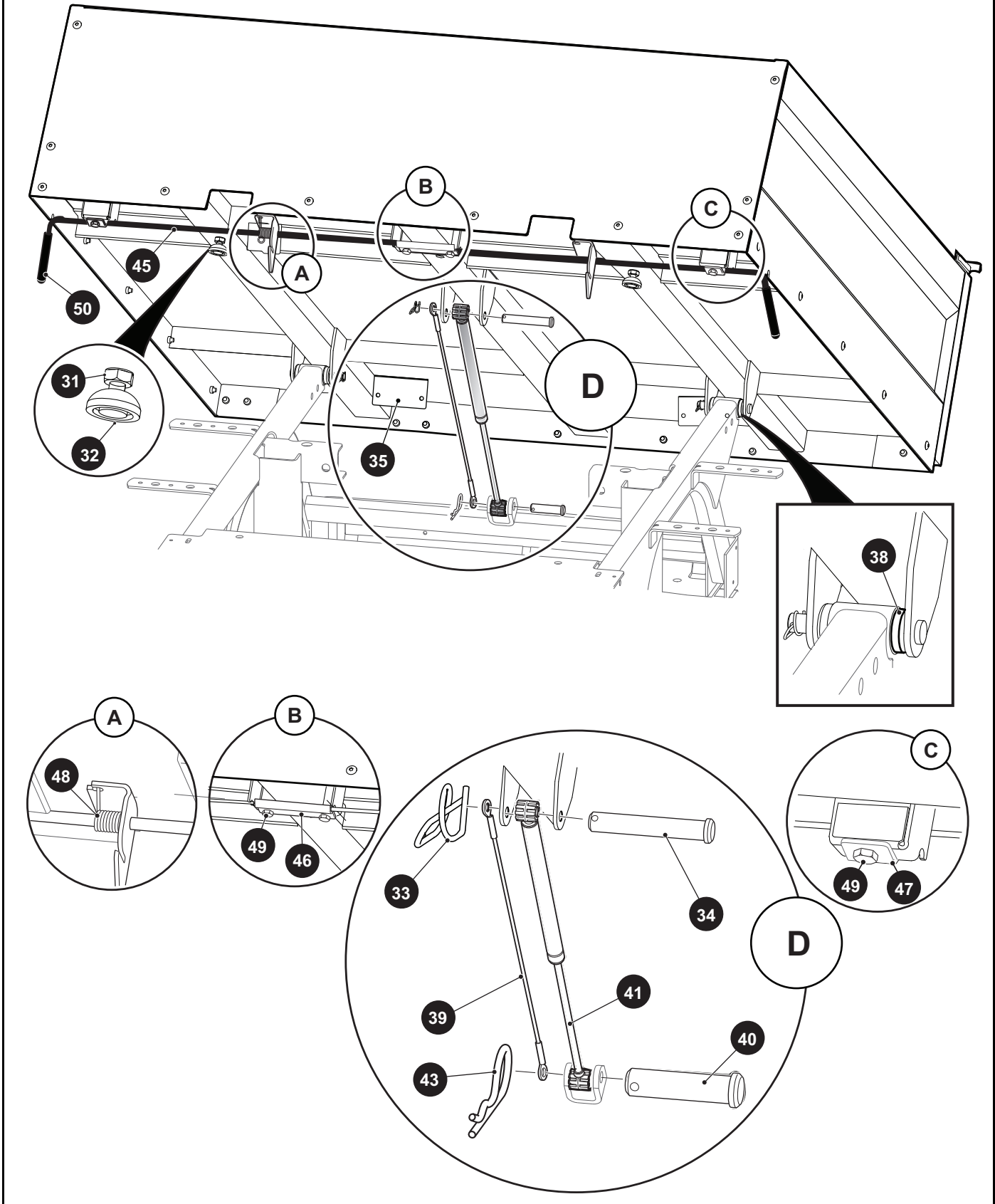
* Indicates a component that is not available as an individual part.

*** Indicates consult Customer Service Department for additional information.

ITEM	PART NO.	1 2 3 4 5	DESCRIPTION	QTY.
1	612612		ALUMINUM BED, LARGE (INCLUDES ITEMS 2 - 27, 31 - 37).....	1
2	612957		PAN HEAD SCREW, #10 - 24 X 1/2" LG	6
3	*		HEX HEAD BOLT, 1/4" - 20 X 3/8" LG	4
4	612959		TORX SCREW, 1/4" - 20 X 1/2" LG	28
5	*		FLAT WASHER, 1/4"	4
6				
7				
8	*		EDGE PROTECTOR	1
9	*		EDGE PROTECTOR	1
10	*		EDGE PROTECTOR	2
11				
12	*		TRUCK BED FLOOR.....	1
13	*		SIDE PANEL WELDMENT (DRIVER SIDE)	1
14	*		SIDE PANEL WELDMENT (PASSENGER SIDE)	1
15	*		FRONT PANEL	1
16	612970		TAILGATE WELDMENT	1
17	612971		TAILGATE PIVOT PIN	2
18	612972		TAILGATE HINGE (DRIVER SIDE)	1
19				
20				
21	*		RUBBER BUMPER.....	4
22	612976		DRAW LATCH ASSY	2
23	612977		DRAW LATCH KEEPER	2
24	612978		TAILGATE HINGE (PASSENGER SIDE).....	1
25	614440		MAT RETAINER.....	1
26	*		RIVET, 3/16"	9
27	*		RUBBER MAT.....	1
28				
29	618088		CUSHMAN REAR BED DECAL.....	1
30	35980G03		BED CAPACITY LABEL (600 LBS).....	1

TRUCK BED - METAL

ALUMINUM BED (MANUAL LIFT)



TRUCK BED - METAL

THE USE OF NON U.L. PARTS WILL VOID ANY U.L. LISTING.

When ordering parts, please specify the model and serial number of the product.

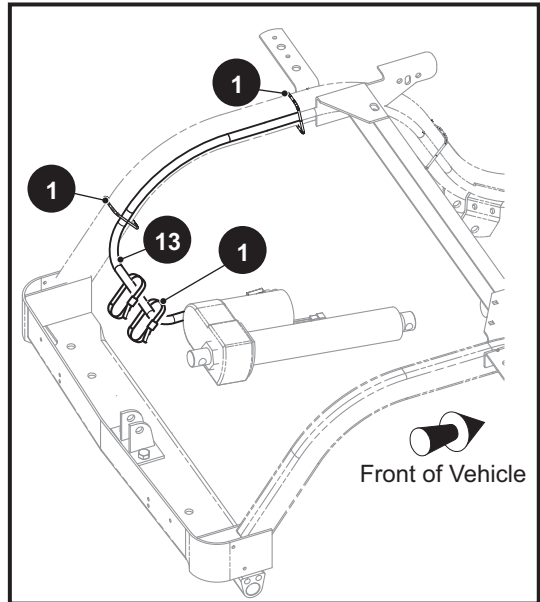
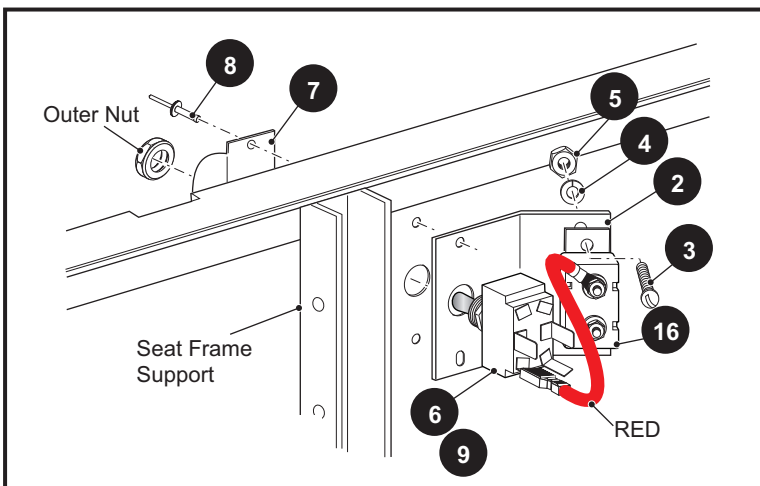
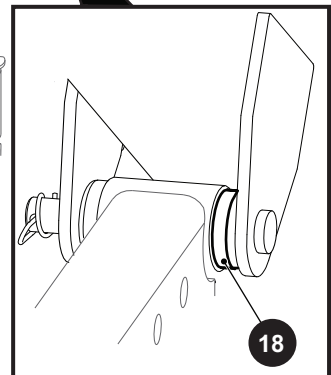
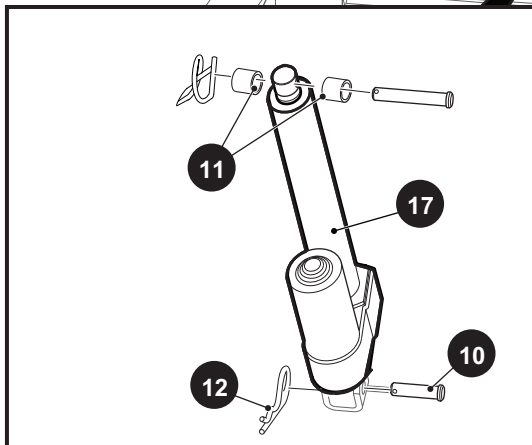
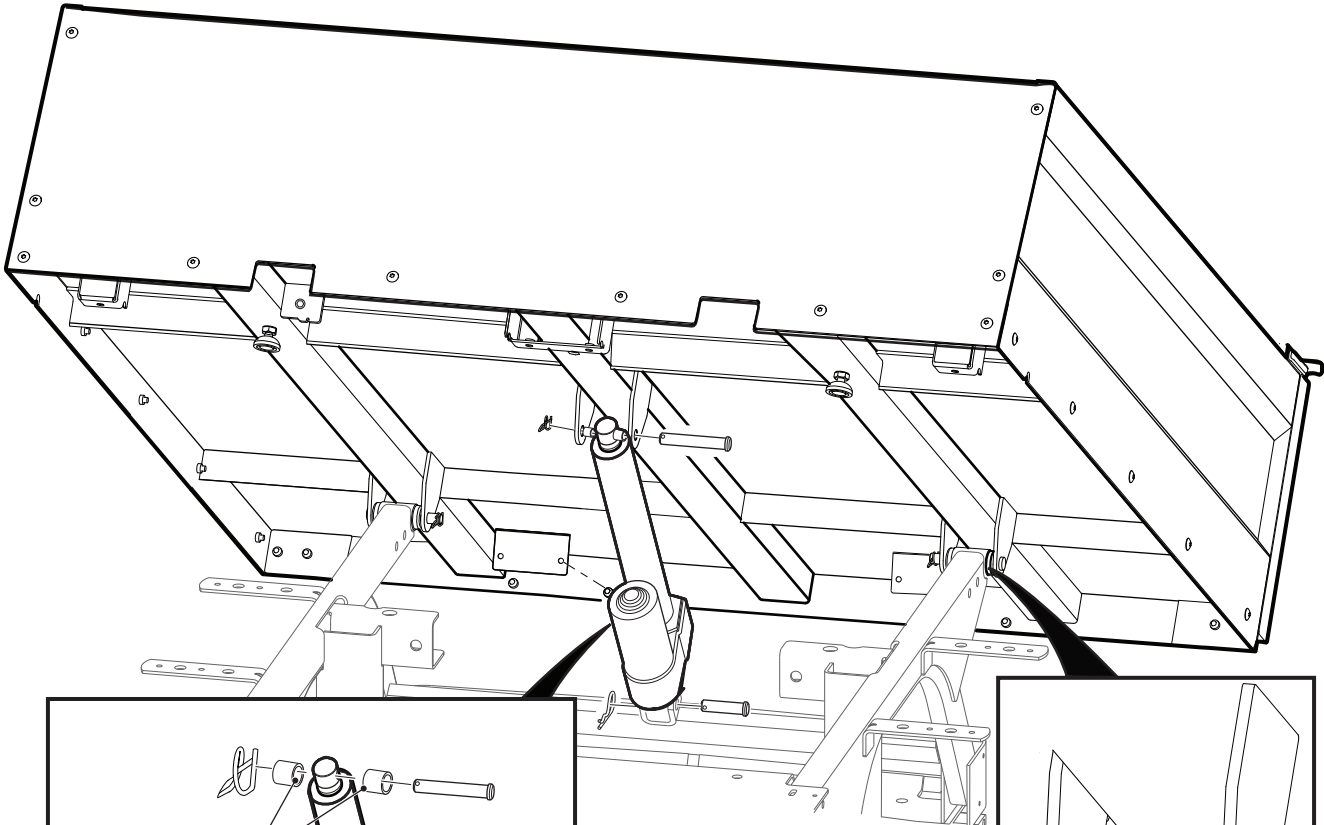
* Indicates a component that is not available as an individual part.

*** Indicates consult Customer Service Department for additional information.

ITEM	PART NO.	1 2 3 4 5	DESCRIPTION	QTY.
31	*		HEX NUT, .375" - 16	2
32	612974		LEVELING PAD	2
33	*		RUE RING PIVOT CLIP	3
34	*		CLEVIS PIN, 1/2" X 3" LG	3
35	*		HINGE SUPPORT	2
36	*		HEX HEAD BOLT, 5/16" - 18 X 7/8" LG (NOT ILLUSTRATED).....	1
37	*		HEX NUT, #10 - 24 (NOT ILLUSTRATED)	2
38	624030		FLANGED BUSHING	4
39	602904		BED TETHER CABLE ASSEMBLY.....	1
40	14443G12		CLEVIS PIN, 5/16" X 1/2" LG	1
41	71537G02		GAS SPRING	1
42				
43	21683G1		COTTER PIN, 15/32"	1
44				
45	74962G01		LATCH BED WELDMENT	1
46	71477G02		LATCH RETAINER BRACKET	1
47	71099G02		LATCH KEEPER PLATE	2
48	71538G01		LATCH TORSION SPRING.....	1
49	01118G01		HEX HEAD BOLT, 1/4" - 20 X 2.25" LG	4
50	71704G01		HANDLE GRIP	2

TRUCK BED - METAL

ALUMINUM BED (ELECTRIC LIFT)



TRUCK BED - METAL

THE USE OF NON U.L. PARTS WILL VOID ANY U.L. LISTING.

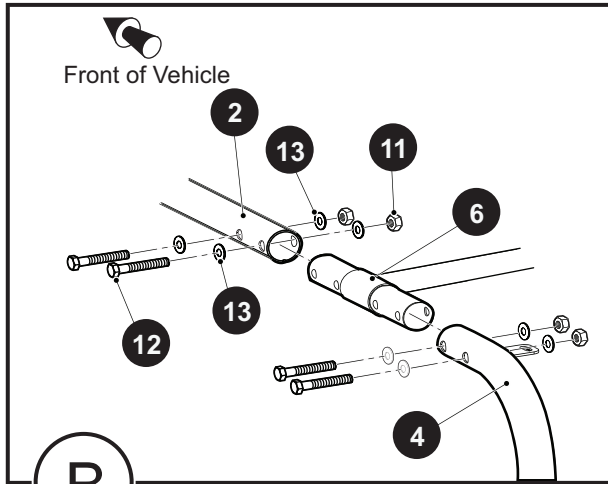
When ordering parts, please specify the model and serial number of the product.

* Indicates a component that is not available as an individual part.

*** Indicates consult Customer Service Department for additional information.

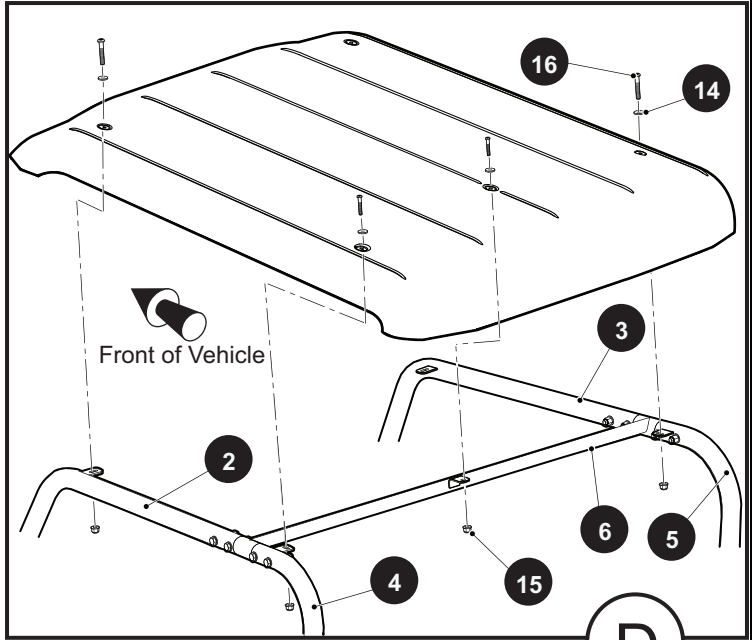
ITEM	PART NO.	1 2 3 4 5	DESCRIPTION	QTY.
1	17618G1		NYLON CLAMP.....	8
2	74165G02		CIRCUIT BREAKER MOUNTING BRACKET	1
3	00150G4		SLOTTED HEAD BOLT, #10 - 24 X 1/2" LG	2
4	00565G5		LOCK WASHER, #10	2
5	00526G3		HEX NUT, #10 - 24.....	2
6	27680G01		TOGGLE SWITCH	1
7	27447G01		TOGGLE GUARD ASSEMBLY	1
8	10570G9		RIVET (ALUMINUM), 1/8"	2
9	25976G14		14 GA WIRE (RED 5").....	1
10	14443G11		CLEVIS PIN, 1/2" X 1 3/4" LG	1
11	27613G01		SPACER O.D .75" X I.D .50",	2
12	21683G1		COTTER PIN, 15/32"	1
13	74054G01		ELECTRIC DUMP HARNESS.....	1
14	11845G3		INSULATED CABLE CLAMP, 11/16" (NOT ILLUSTRATED).....	2
15	00532G3		HEX NUT, 5/16" - 18 (NOT ILLUSTRATED)	2
16	21320G4		CIRCUIT BREAKER (30 A, 12V)	1
17	27612G04		ELECTRIC ACTUATOR	1
18	624030		FLANGED BUSHING	4

WEATHER PROTECTION



B

1 CANOPY STRUTS KIT includes items 2 - 7

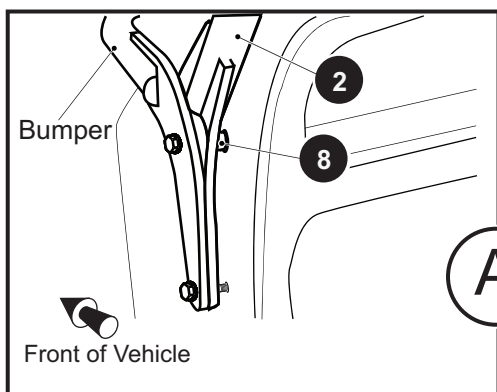
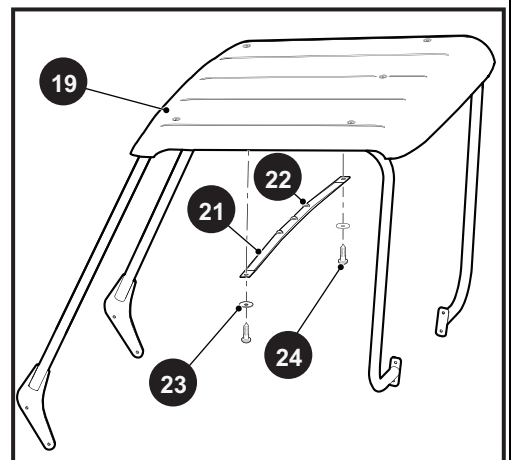
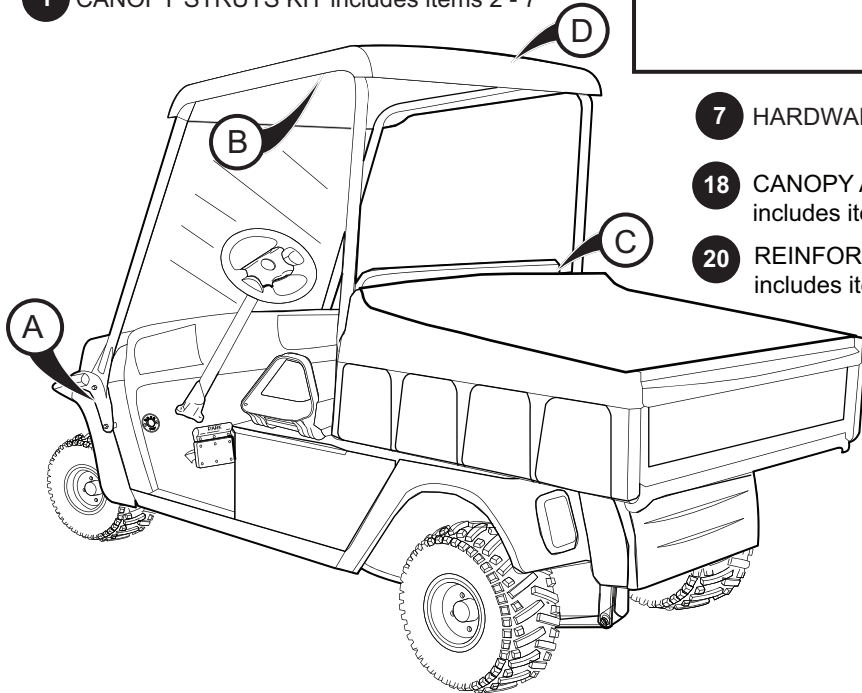


D

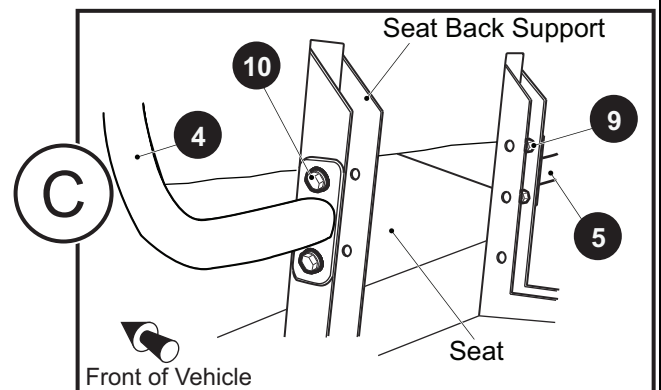
7 HARDWARE KIT includes items 8 - 16

18 CANOPY ASSEMBLY, REINFORCED (BLACK) includes items 19 - 24

20 REINFORCEMENT BAR ASSEMBLY includes items 21 - 22



A



C

WEATHER PROTECTION

THE USE OF NON U.L. PARTS WILL VOID ANY U.L. LISTING.

When ordering parts, please specify the model and serial number of the product.

* Indicates a component that is not available as an individual part.

*** Indicates consult Customer Service Department for additional information.

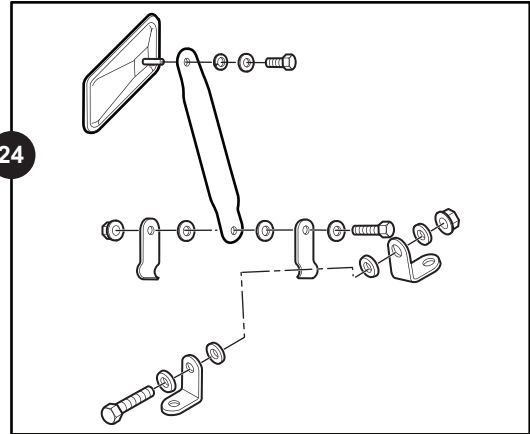
ITEM	PART NO.	1 2 3 4 5	DESCRIPTION	QTY.
1	638362		CANOPY STRUTS KIT (INCLUDES ITEMS 2 - 7).....	1
2	638092G01		CANOPY SUPPORT (DRIVER SIDE FRONT).....	1
3	638092G02		CANOPY SUPPORT (PASSENGER SIDE FRONT)	1
4	626084		CANOPY SUPPORT (DRIVER SIDE REAR)	1
5	626085		CANOPY SUPPORT (PASSENGER SIDE REAR).....	1
6	617641		CANOPY SUPPORT, CROSS TUBE.....	1
7	624119		HARDWARE KIT (INCLUDES ITEMS 8 - 16)	1
8	619586		SPACER, 3/4"	2
9	11098G6		LOCK NUT, 5/16" - 18.....	4
10	00438G7		HEX HEAD BOLT, 5/16" - 18 X 7/8" LG	4
11	11098G5		LOCK NUT, 3/8" - 16.....	8
12	*		HEX HEAD BOLT, 3/8" - 16 X 2 1/4" LG	8
13	*		FLAT WASHER, 3/8".....	16
14	*		BONDED SEAL WASHER, 1/4".....	5
15	*		LOCK NUT, M6 - 1	5
16	*		TORX BOLT, M6 - 1 X 40MM LG	5
17				
18	651139		CANOPY ASSEMBLY, REINFORCED (BLACK) (INCLUDES ITEMS 19 - 24)	1
19	639044		CANOPY (BLACK)	1
20	651138		REINFORCEMENT BAR ASSEMBLY (INCLUDES ITEMS 21 - 22)	1
21	639438		REINFORCEMENT BAR	1
22	820951		BUMPER.....	3
23	00559G4		FLAT WASHER, O.D .45" X I.D .19".....	2
24	608290		PHILLIPS HEAD SELF TAPPING SCREW, #10 - 16 X .72" LG.....	2

WEATHER PROTECTION

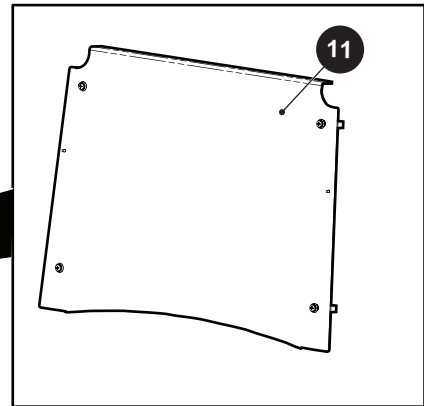
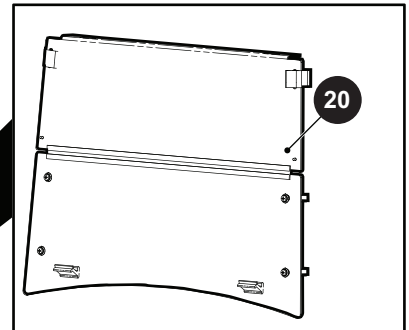
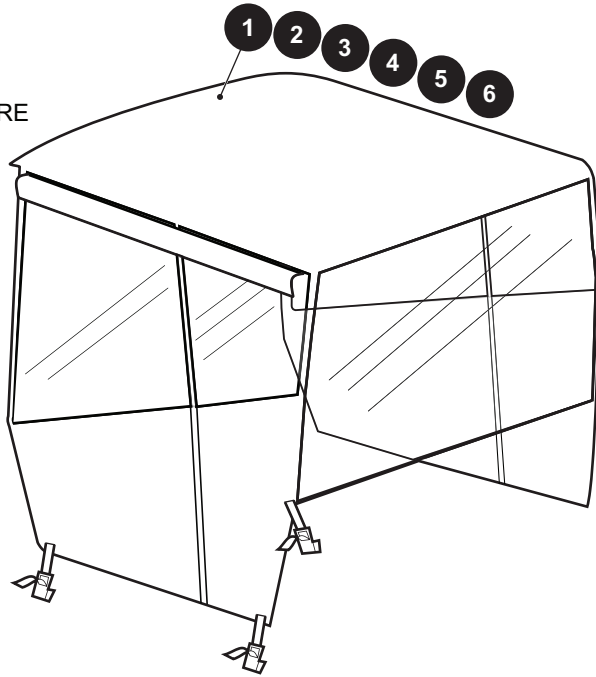
10 FULL WINDSHIELD KIT includes items 11 - 16

19 SPLIT WINDSHIELD KIT includes items 12 - 15, 20, 21

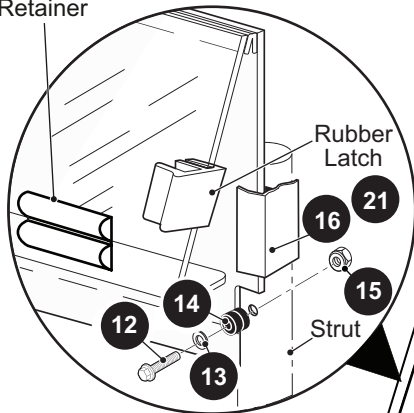
REAR VIEW MIRROR



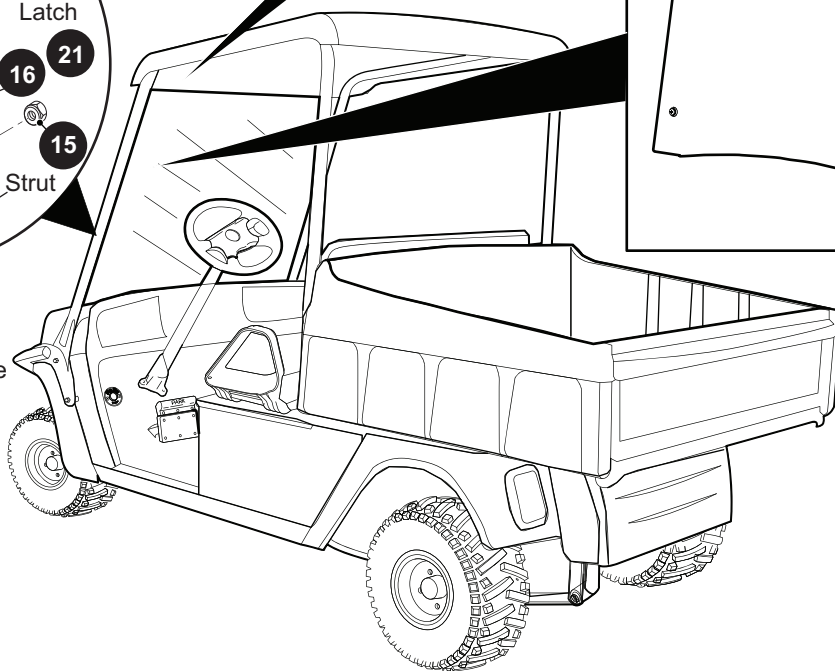
ENCLOSURE



Windshield Retainer



Front of Vehicle



WEATHER PROTECTION

THE USE OF NON U.L. PARTS WILL VOID ANY U.L. LISTING.

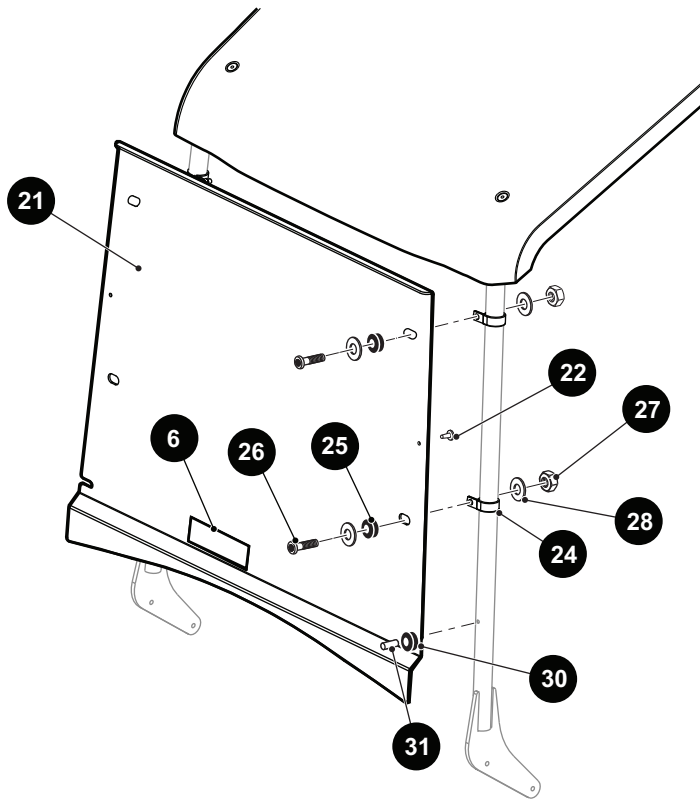
When ordering parts, please specify the model and serial number of the product.

* Indicates a component that is not available as an individual part.

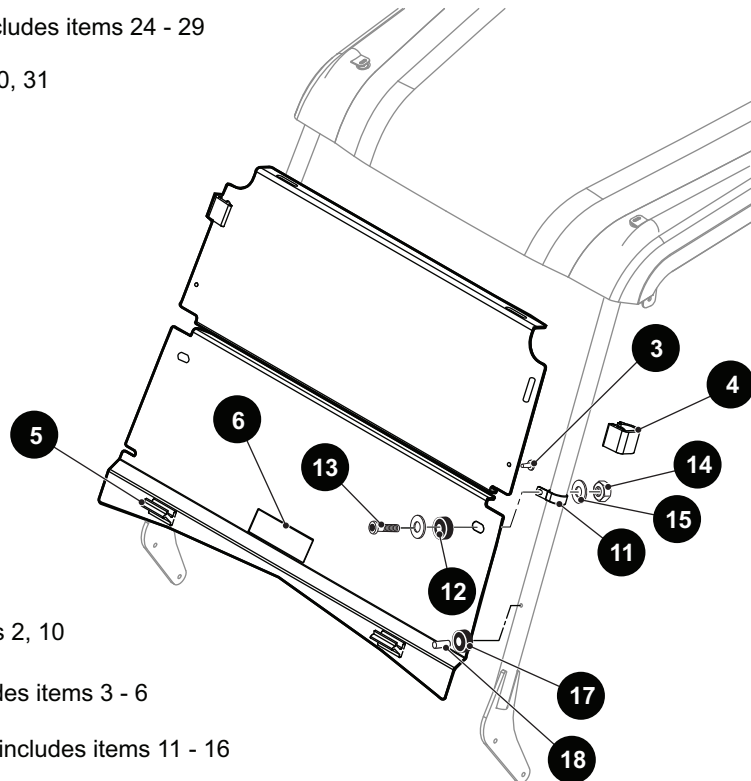
*** Indicates consult Customer Service Department for additional information.

ITEM	PART NO.	1 2 3 4 5	DESCRIPTION	QTY.
1	624829		TOP ENCLOSURE (BLACK)	1
2	624830		TOP ENCLOSURE (GRAY)	1
3	624831		TOP ENCLOSURE (GREEN)	1
4	624832		TOP ENCLOSURE (WHITE)	1
5	624833		TOP ENCLOSURE (TAN)	1
6	*		VELCRO	AR
7				
8				
9				
10	71966G03		FULL WINDSHIELD KIT (INCLUDES ITEMS 11 - 16).....	1
11	71960G01		FULL WINDSHIELD	1
12	*		HEX HEAD BOLT, 1/4" - 20 X 1 3/4" LG.....	2
13	*		FLAT WASHER (SS), 1/4"	2
14	*		RUBBER GROMMET	2
15	*		LOCK NUT (SS), 1/4" - 20.....	2
16	615662		SASH, 26" LG.....	2
17				
18				
19	71966G04		SPLIT WINDSHIELD KIT (INCLUDES ITEMS 12 - 15, 20, 21)	1
20	617544		SPORT WINDSHIELD.....	1
21	615661		SASH, 12" LG.....	2
22				
23				
24	27924G01		MIRROR ASSEMBLY.....	1

WEATHER PROTECTION



- 19 FULL WINDSHIELD KIT includes items 20, 23
- 20 FULL WINDSHIELD ASSEMBLY includes items 6, 21, 22
- 23 HARDWARE KIT FULL WINDSHIELD includes items 24 - 29
- 29 GROMMET ASSEMBLY includes items 30, 31



- 1 SPLIT WINDSHIELD KIT includes items 2, 10
- 2 SPLIT WINDSHIELD ASSEMBLY includes items 3 - 6
- 10 SPLIT WINDSHIELD HARDWARE KIT includes items 11 - 16

WEATHER PROTECTION

THE USE OF NON U.L. PARTS WILL VOID ANY U.L. LISTING.

When ordering parts, please specify the model and serial number of the product.

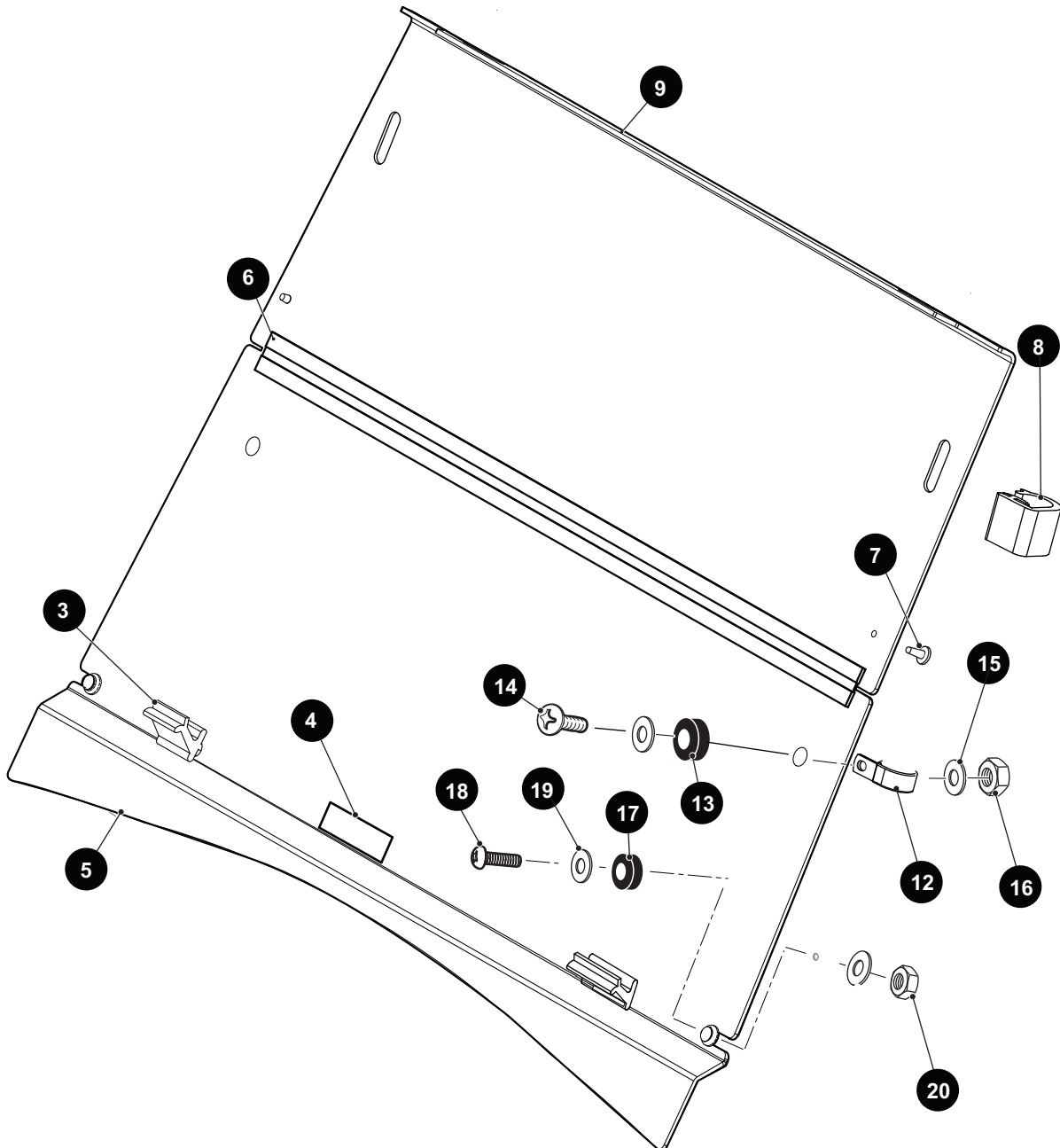
* Indicates a component that is not available as an individual part.

*** Indicates consult Customer Service Department for additional information.

ITEM	PART NO.	1 2 3 4 5	DESCRIPTION	QTY.
1	625932		SPLIT WINDSHIELD KIT, CLIP - ON (INCLUDES ITEMS 2, 10)	1
2	625930		SPLIT WINDSHIELD ASSEMBLY (INCLUDES ITEMS 3 - 6)	1
3	604115		GROMMET	2
4	619621		UPPER LATCH	2
5	603201		LOWER LATCH	2
6	71963G01		WARNING DECAL	1
7				
8				
9				
10	625928		HARDWARE KIT, SPLIT WINDSHIELD (INCLUDES ITEMS 11 - 16).....	1
11	*		TUBE CLAMP, 1.5" DIA.....	2
12	*		FASTENER GROMMET	2
13	*		PAN HEAD BOLT, 3/8" - 16 X 1 1/2" LG	2
14	*		LOCK NUT, 3/8" - 16	2
15	*		FLAT WASHER, 3/8"	4
16	*		GROMMET ASSEMBLY, 1/4" (INCLUDES ITEMS 17, 18)	2
17	*		GROMMET, 1/4"	1
18	*		SLEEVE, 1/4"	1
19	625931		FULL WINDSHIELD KIT, CLIP - ON (INCLUDES ITEMS 20, 23).....	1
20	625927		FULL WINDSHIELD ASSEMBLY (INCLUDES ITEMS 6, 21, 22)	1
21	625904		FULL WINDSHIELD	1
22	604115		GROMMET	2
23	625929		HARDWARE KIT, FULL WINDSHIELD (INCLUDES ITEMS 24 - 29).....	1
24	*		TUBE CLAMP, 1.5" DIA.....	4
25	*		FASTENER GROMMET	4
26	*		PAN HEAD BOLT, 3/8" - 16 X 1 1/2" LG	4
27	*		LOCK NUT, 3/8" - 16	4
28	*		FLAT WASHER, 3/8"	8
29	*		GROMMET ASSEMBLY (INCLUDES ITEMS 30, 31)	2
30	*		GROMMET, 1/4"	1
31	*		SLEEVE, 1/4"	1

WEATHER PROTECTION

- 1 SPLIT WINDSHIELD, KIT CLIP ON includes items 2, 11
- 2 SPLIT WINDSHIELD ASSEMBLY includes items 3 - 9
- 11 HARDWARE KIT,SPLIT WINDSHIELD includes items 12 - 20



FOR VEHICLES MANUFACTURED FROM 1ST DECEMBER 2014

WEATHER PROTECTION

THE USE OF NON U.L. PARTS WILL VOID ANY U.L. LISTING.

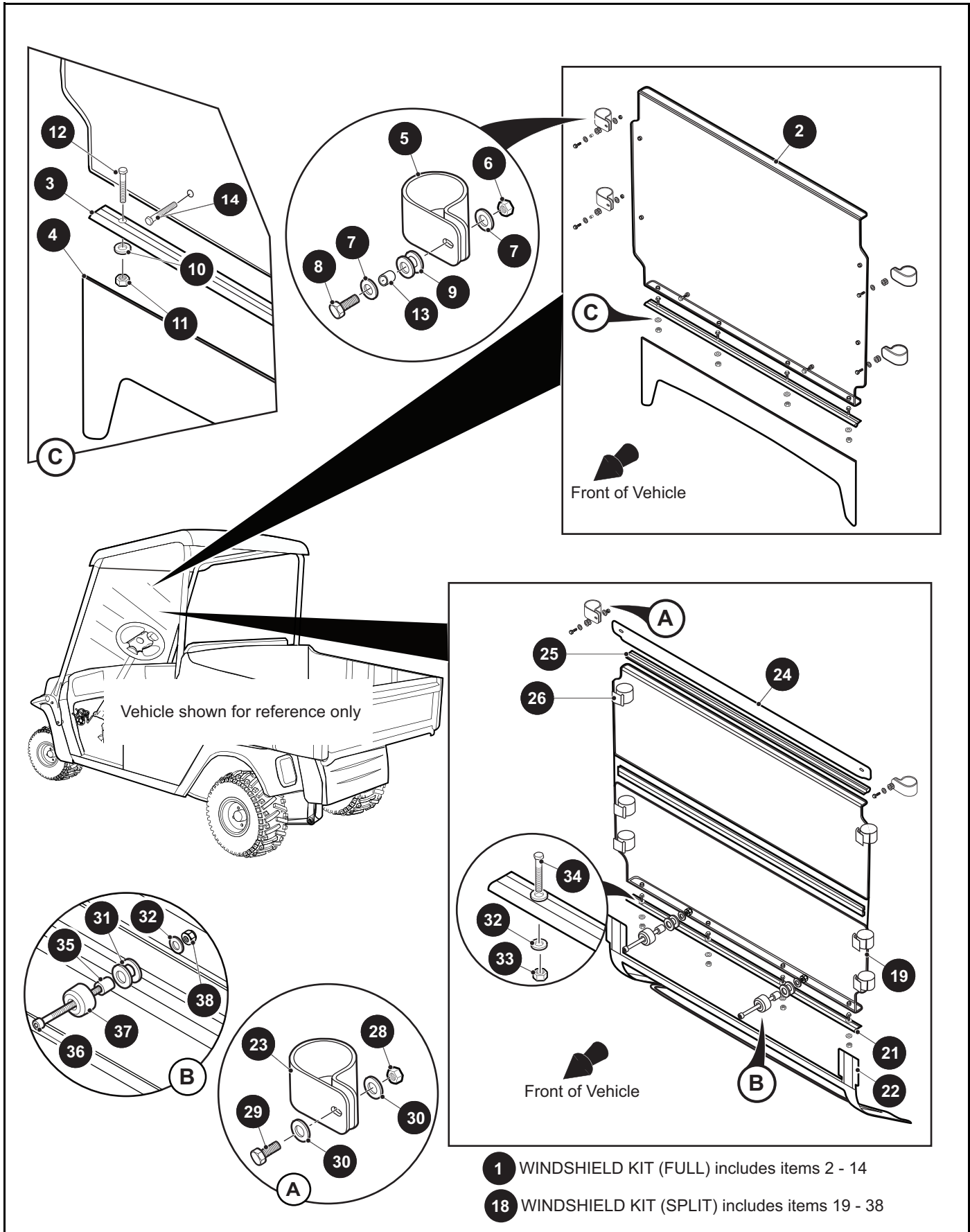
When ordering parts, please specify the model and serial number of the product.

* Indicates a component that is not available as an individual part.

*** Indicates consult Customer Service Department for additional information.

ITEM	PART NO.	1 2 3 4 5	DESCRIPTION	QTY.
1	638372		SPLIT WINDSHIELD KIT, CLIP ON (INCLUDES ITEMS 2, 11) (FOR VEHICLES MANUFACTURED FROM 1ST DECEMBER 2014)	1
2	638120		SPLIT WINDSHIELD ASSEMBLY (INCLUDES ITEMS 3 - 9)	1
3	603201		LOWER WINDSHIELD LATCH	2
4	71963G01		DECAL	1
5	638054		LOWER SPLIT WINDSHIELD	1
6	638070		HINGE	1
7	604115		GROMMET	2
8	619621		UPPER WINDSHIELD LATCH	2
9	638053		UPPER SPLIT WINDSHIELD	1
10				
11	625928		HARDWARE KIT, SPLIT WINDSHIELD (INCLUDES ITEMS 12 - 20)	1
12	619078		TUBE CLAMP, 1.5" DIA	2
13	604116		FASTENER GROMMET	2
14	619082		PAN HEAD BOLT, 3/8" - 16 X 1 1/2" LG	2
15	11098G5		LOCK NUT, 3/8" - 16	2
16	306981		FLAT WASHER, 3/8"	4
17	624780		GROMMET, 1/4"	2
18	00753G7		TRUSS HEAD PHILLIPS SCREW, 1/4" - 20 X 2.5" LG	2
19	00650G7		FLAT WASHER, 1/4"	4
20	00550G1		HEX NUT, 1/4" - 20	2

WEATHER PROTECTION



WEATHER PROTECTION

THE USE OF NON U.L. PARTS WILL VOID ANY U.L. LISTING.

When ordering parts, please specify the model and serial number of the product.

* Indicates a component that is not available as an individual part.

*** Indicates consult Customer Service Department for additional information.

ITEM	PART NO.	1 2 3 4 5	DESCRIPTION	QTY.
1	627079		WINDSHIELD KIT (FULL) (INCLUDES ITEMS 2 - 14)	1
2	*		WINDSHIELD	1
3	*		AWNING MOLDING (ALUMINUM).....	1
4	*		TEXTILE SKIRT PLACEHOLDER.....	1
5	*		PLASTIC CLAMP	4
6	*		HEX NUT.....	6
7	*		FLAT WASHER	12
8	*		HEX HEAD BOLT	4
9	*		WINDSHIELD GROMMET	6
10	*		FLAT WASHER	8
11	*		HEX NUT.....	4
12	*		HEX HEAD BOLT	4
13	*		CRUSH SLEEVE	6
14	*		HEX HEAD BOLT	2
15				
16				
17				
18	627080		WINDSHIELD KIT (SPLIT) (INCLUDES ITEMS 19 - 38).....	1
19	*		WINDSHIELD	1
20				
21	*		AWNING MOLDING (ALUMINUM).....	1
22	*		TEXTILE SKIN PLACEHOLDER.....	1
23	*		PLASTIC CLAMP	2
24	*		UPPER METAL SEAL.....	1
25	*		UNIGRIP.....	1
26	*		TEXTILE STRAP	6
27				
28	*		HEX NUT.....	2
29	*		HEX HEAD BOLT	2
30	*		FLAT WASHER	4
31	*		GROMMET	2

WEATHER PROTECTION

THE USE OF NON U.L. PARTS WILL VOID ANY U.L. LISTING.

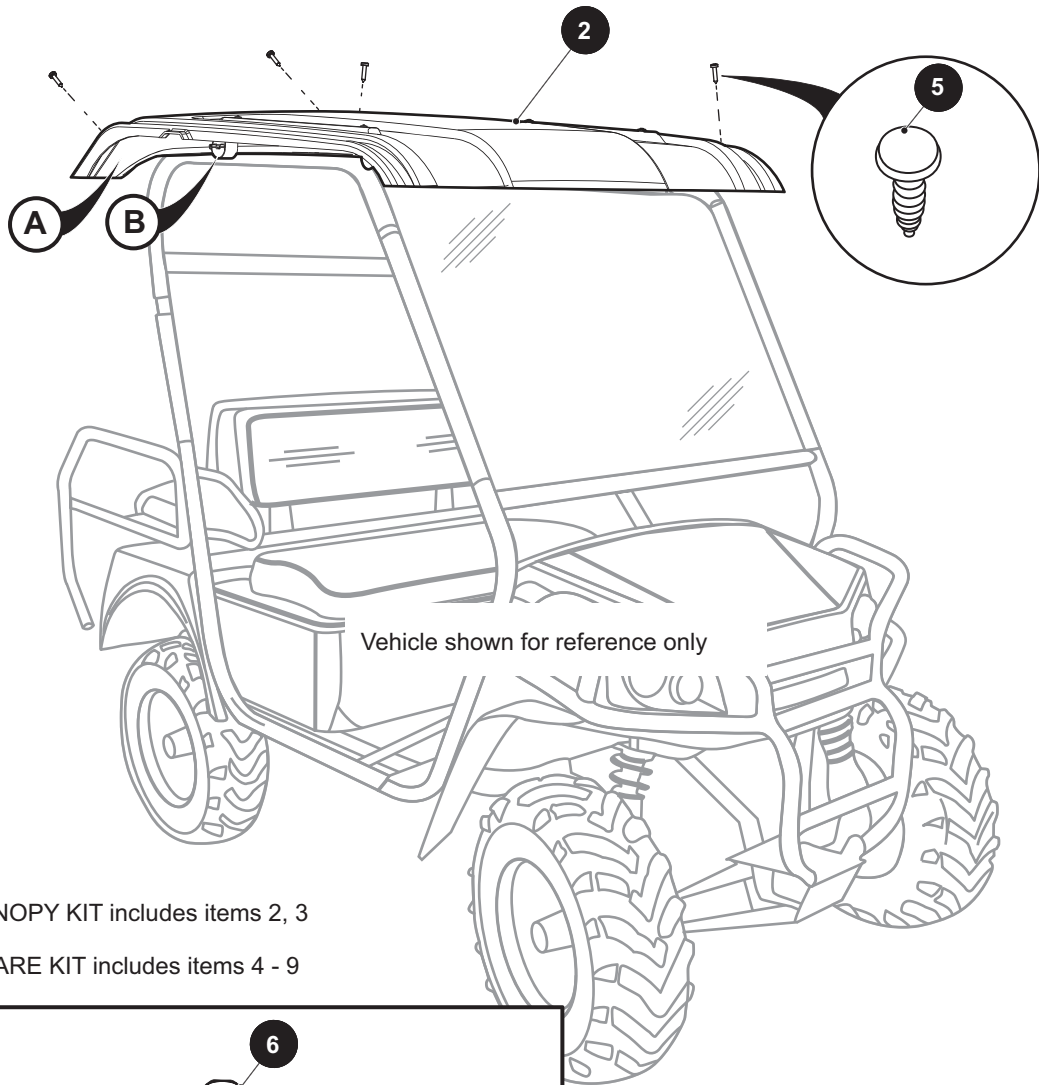
When ordering parts, please specify the model and serial number of the product.

* Indicates a component that is not available as an individual part.

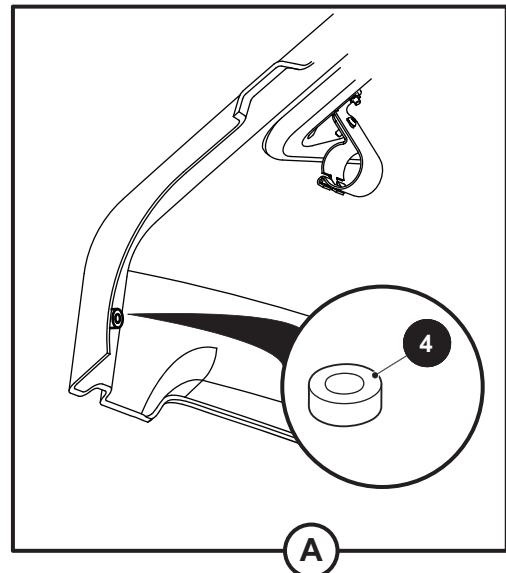
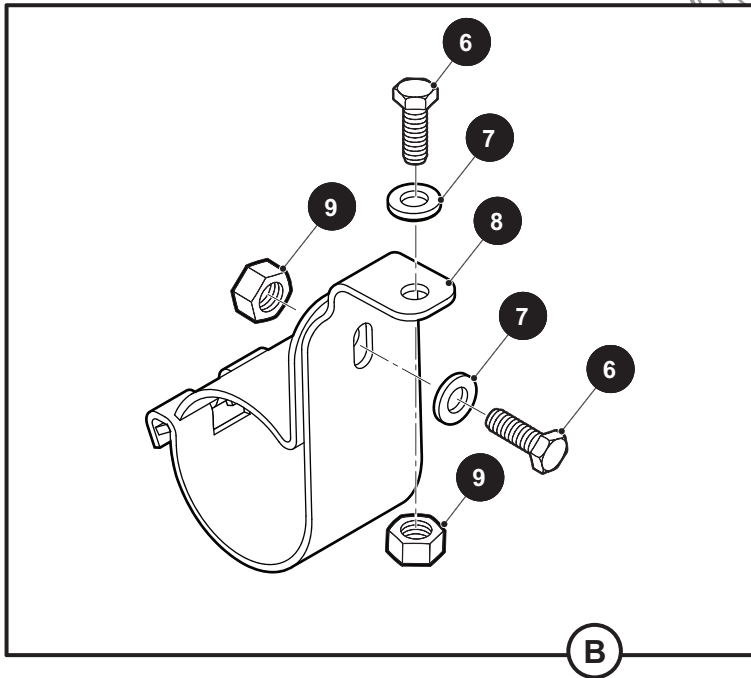
*** Indicates consult Customer Service Department for additional information.

ITEM	PART NO.	1	2	3	4	5	DESCRIPTION	QTY.
32	*						FLAT WASHER	10
33	*						HEX NUT	4
34	*						HEX HEAD BOLT.....	4
35	*						CRUSH SLEEVE	2
36	*						HEX HEAD BOLT.....	2
37	*						BUMPER.....	2
38	*						HEX NUT	2

WEATHER PROTECTION



- 1 TOP CANOPY KIT includes items 2, 3
- 3 HARDWARE KIT includes items 4 - 9



WEATHER PROTECTION

THE USE OF NON U.L. PARTS WILL VOID ANY U.L. LISTING.

When ordering parts, please specify the model and serial number of the product.

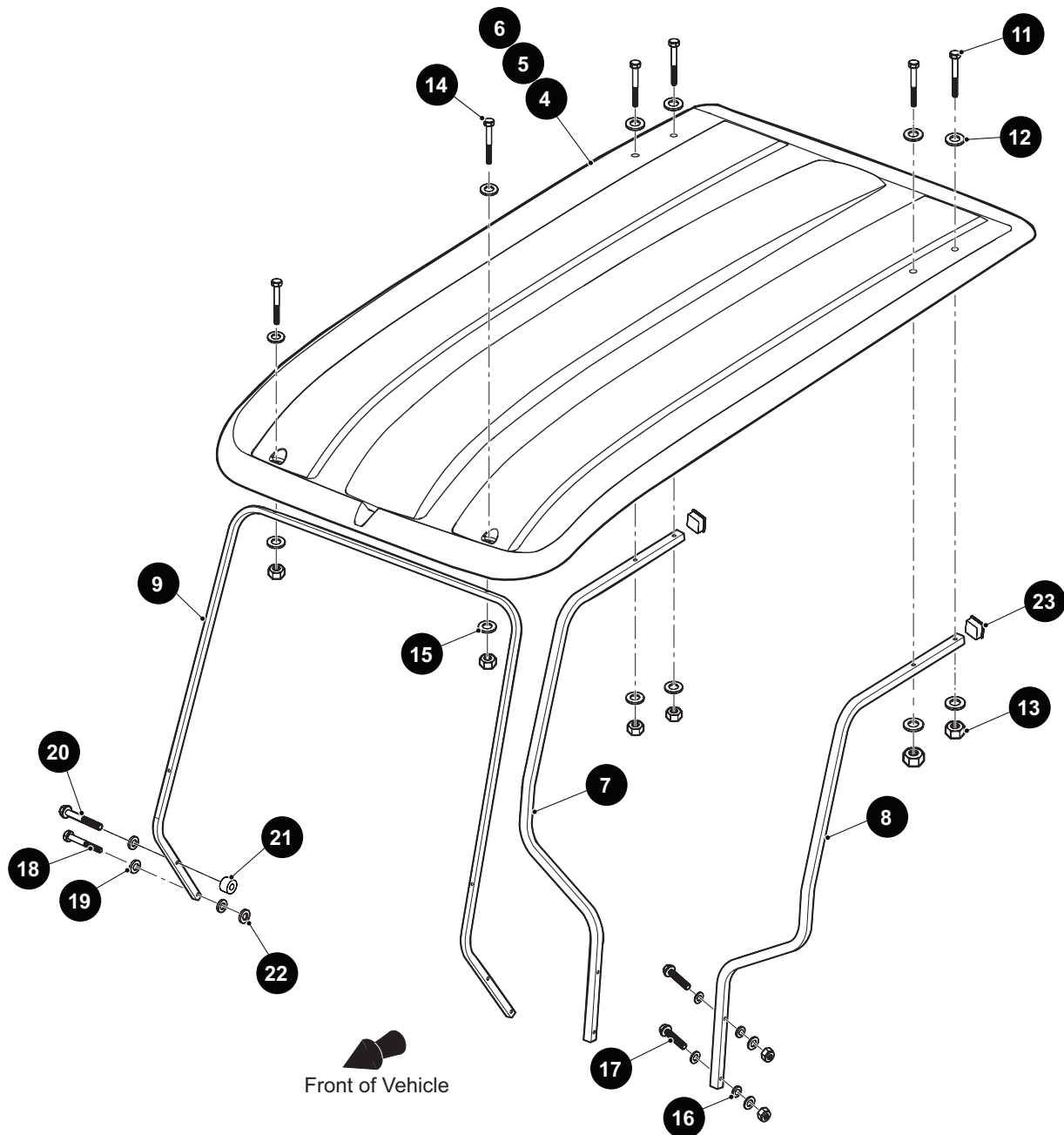
* Indicates a component that is not available as an individual part.

*** Indicates consult Customer Service Department for additional information.

ITEM	PART NO.	1 2 3 4 5	DESCRIPTION	QTY.
1	628584		TOP CANOPY KIT (INCLUDES ITEMS 2, 3).....	1
2	627077		TOP CANOPY	1
3	628585		HARDWARE KIT (INCLUDES ITEMS 4 - 9)	1
4	*		RUBBER SPACER.....	4
5	*		CHRISTMAS TREE PUSH RIVET	4
6	*		HEX HEAD BOLT, M6 - 1 X 20MM LG	8
7	*		FLAT WASHER, 1/4"	8
8	*		CLAMP (2 PIECE).....	4
9	*		HEX NUT, M6 - 1.....	8

WEATHER PROTECTION

- 1 CANOPY TOP KIT, BLACK includes items 4, 7 - 10
- 2 CANOPY TOP KIT, WHITE includes items 5, 7 - 10
- 3 CANOPY TOP KIT, TAN includes items 6, 7 - 10
- 10 HARDWARE KIT includes items 11 - 23



WEATHER PROTECTION

THE USE OF NON U.L. PARTS WILL VOID ANY U.L. LISTING.

When ordering parts, please specify the model and serial number of the product.

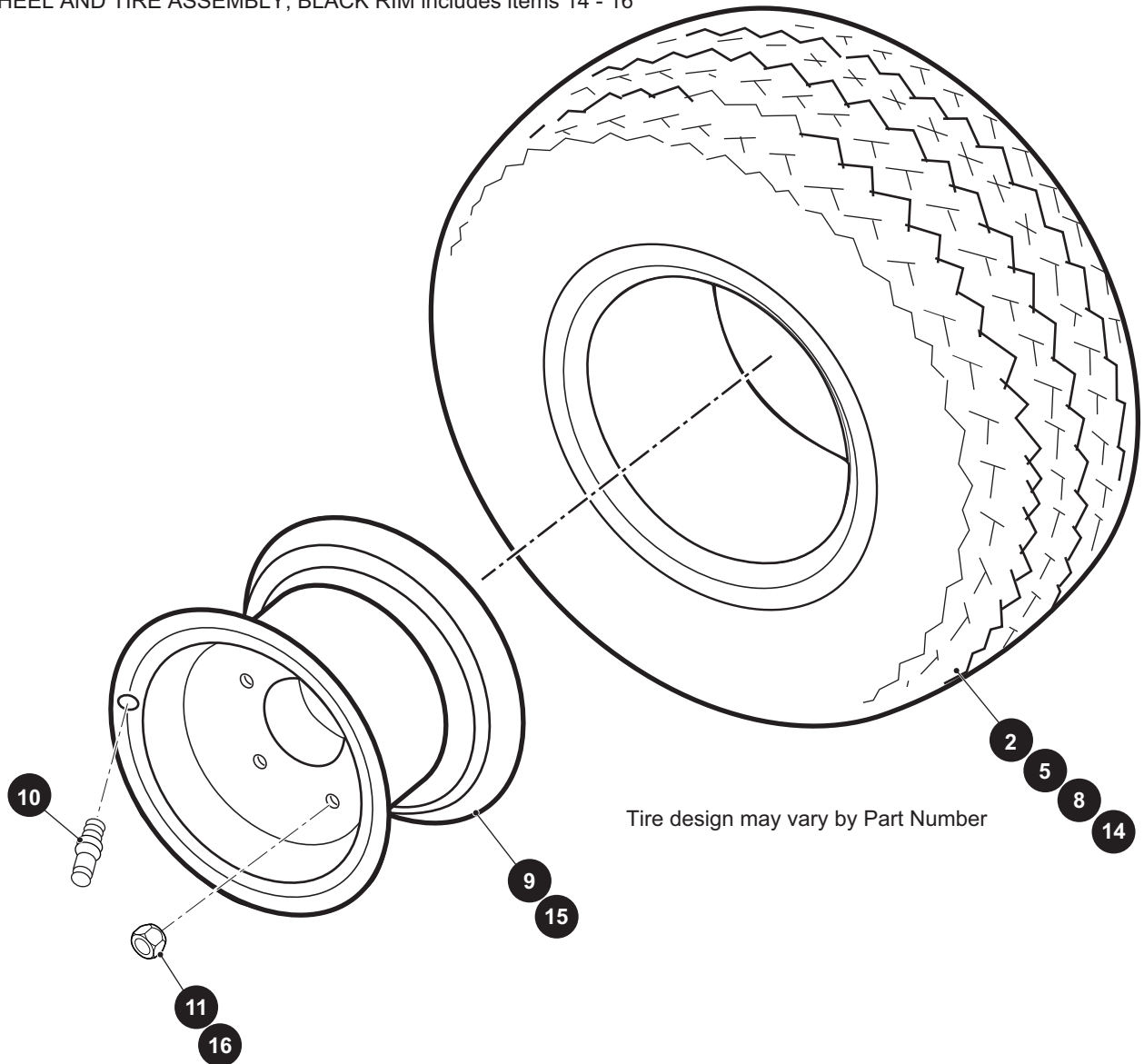
* Indicates a component that is not available as an individual part.

*** Indicates consult Customer Service Department for additional information.

ITEM	PART NO.	1 2 3 4 5	DESCRIPTION	QTY.
1	646660		CANOPY TOP KIT, BLACK (INCLUDES ITEMS 4, 7 - 10)	1
2	646866		CANOPY TOP KIT, WHITE (INCLUDES ITEMS 5, 7 - 10).....	1
3	646867		CANOPY TOP KIT, TAN (INCLUDES ITEMS 6, 7 - 10)	1
4	607258		CANOPY TOP (BLACK)	1
5	607580		CANOPY TOP (WHITE).....	1
6	643212		CANOPY TOP (TAN)	1
7	646148G02		REAR STRUT (PASSENGER SIDE)	1
8	646148G01		REAR STRUT (DRIVER SIDE).....	1
9	75488G01		FRONT STRUT.....	1
10	646661		HARDWARE KIT (INCLUDES ITEMS 11 - 23)	1
11	00685G11		HEX HEAD BOLT, 5/16" - 18 X .875" LG	4
12	00907G2		FLAT WASHER (SS), 5/16"	18
13	11098G6		LOCK NUT, 5/16" - 18	10
14	00685G10		HEX HEAD BOLT (SS), 5/16" - 18 X 7/8" LG.....	2
15	00660G8		FLAT WASHER (SS), 5/16"	2
16	00771G5		NYLON WASHER, 3/8"	4
17	630804G01		FLANGED HEX HEAD BOLT, 5/16" - 18 X 2" LG	4
18	00440G2		HEX HEAD BOLT, 5/16" - 18 X 2 1/4" LG	2
19	00565G8		LOCK WASHER, 5/16"	4
20	01035G02		HEX HEAD BOLT, 5/16" - 18 X 2.5" LG	2
21	75048G01		SPACER, .328 "X .750" X .50".....	2
22	00879G1		FLAT WASHER, 3/8"	4
23	19853G1		TUBE CAP, 1" SQ	2

WHEELS AND TIRES

- 1 WHEEL AND TIRE ASSEMBLY, LINKS includes items 2, 9, 10
- 4 WHEEL AND TIRE ASSEMBLY, TURF SAVER includes items 5, 9, 10
- 7 WHEEL AND TIRE ASSEMBLY, SURE TRAIL includes items 8 - 10
- 13 WHEEL AND TIRE ASSEMBLY, BLACK RIM includes items 14 - 16



WHEELS AND TIRES

THE USE OF NON U.L. PARTS WILL VOID ANY U.L. LISTING.

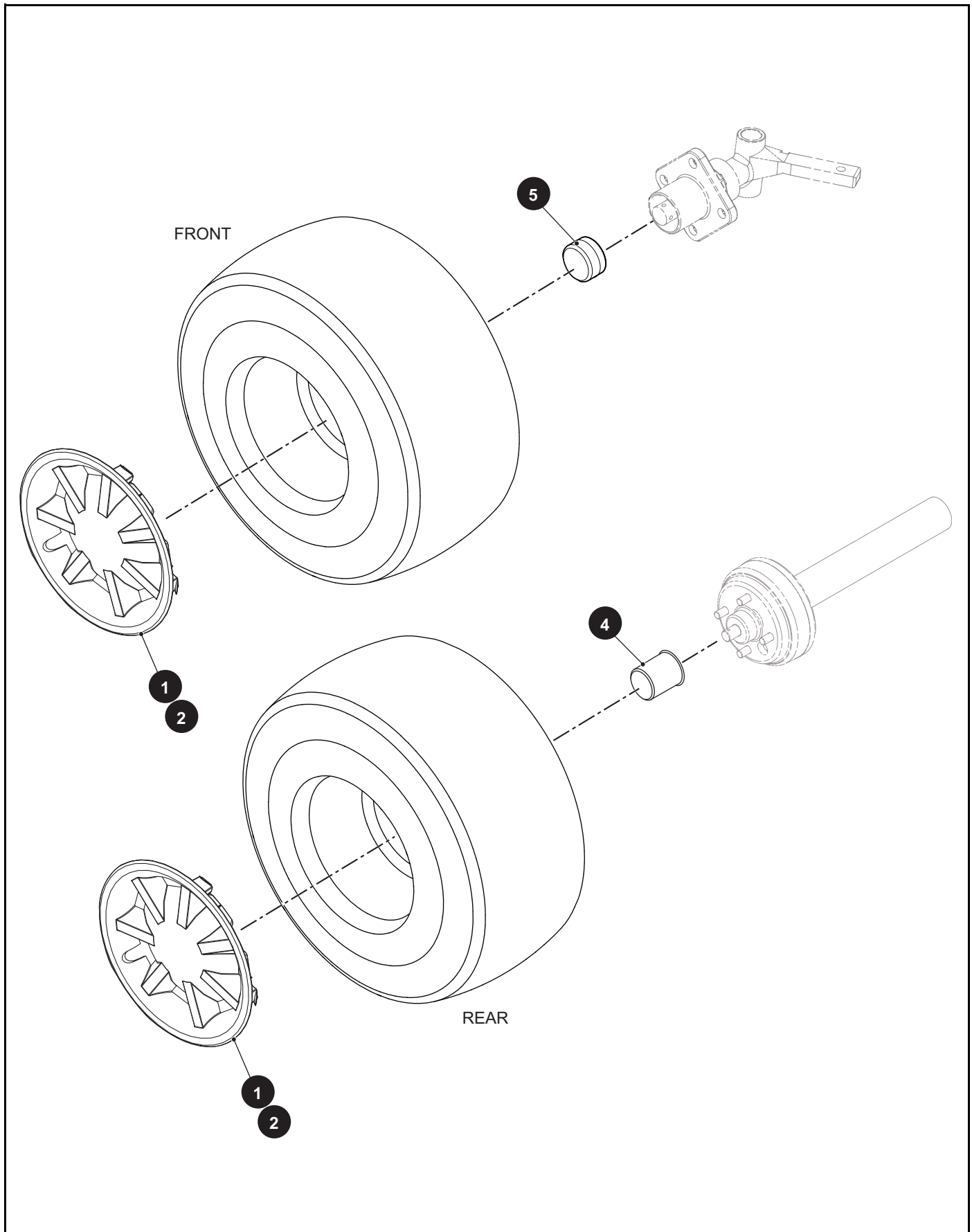
When ordering parts, please specify the model and serial number of the product.

* Indicates a component that is not available as an individual part.

*** Indicates consult Customer Service Department for additional information.

ITEM	PART NO.	1 2 3 4 5	DESCRIPTION	QTY.
1	28757G01		WHEEL AND TIRE ASSEMBLY, LINKS (INCLUDES ITEMS 2, 9, 10)	1
2	28764G01		CARLISLE TIRE (LINKS 18 X 8.5 - 8, 4 PLY RATED)	1
3				
4	28757G03		WHEEL AND TIRE ASSEMBLY, TURF SAVER (INCLUDES ITEMS 5, 9, 10) .	1
5	28764G03		CARLISLE TIRE (TURF SAVER 18 X 8.5 - 8, 4 PLY RATED)	1
6				
7	28842G01		WHEEL AND TIRE ASSEMBLY, SURE TRAIL (INCLUDES ITEMS 8 - 10)	1
8	28764G08		CARLISLE TIRE	1
9	28759G01		WHEEL RIM (4 LUG).....	1
10	11657G2		VALVE STEM.....	1
11	14723G1		LUG NUT, 1/2" - 20.....	AR
12				
13	634495G01		WHEEL AND TIRE ASSEMBLY, BLACK RIM (INCLUDES ITEMS 14 - 16).....	1
14	634495G02		TIRE (TURF SAVER 20 X 8 - 10)	1
15	15172G02		WHEEL GLOSS BLACK (4 BOLT), 10 X 6	1
16	11657G1		VALVE STEM.....	1

WHEELS AND TIRES



WHEELS AND TIRES

THE USE OF NON U.L. PARTS WILL VOID ANY U.L. LISTING.

When ordering parts, please specify the model and serial number of the product.

* Indicates a component that is not available as an individual part.

*** Indicates consult Customer Service Department for additional information.

ITEM	PART NO.	1 2 3 4 5	DESCRIPTION	QTY.
1	615617		HUBCAP ASSEMBLY, GOLD.....	1
2	615618		HUBCAP ASSEMBLY, SILVER	1
3				
4	601353		WHEEL CAP	2
5	12091G2		SPINDLE CAP.....	2



CUSHMAN™

E-Z-GO Division of Textron Inc.,
1451 Marvin Griffin Road, Augusta, Georgia 30906 - 3852 USA

TO CONTACT US...

North America:

Technical Assistance & Warranty Phone: 1-800-774-3946, FAX: 1-800-448-8124

Service Parts Phone: 1-888-GET-E-Z-GO (1-888-438-3946), FAX: 1-800-752-6175

International: Phone: 001-706-798-4311, FAX: 001-706-771-4609

Service Parts Manuals, as well as Repair and Service Manuals
are available from a local Distributor, an authorized Branch,
Genuine E-Z-GO Parts & Accessories Department or at www.shopezgo.com.

Copyrighted Material
This manual may not be reproduced in whole or
in part without the express permission of
E-Z-GO Division of Textron Inc.
Technical Communications Department