



CUSHMAN™

**1600XDR-2
4X4 DIESEL
SERVICE PARTS MANUAL**

**683813
ISSUED JANUARY 2018**

TABLE OF CONTENTS

[ENGINE]

3C100LWU-E010	CYLINDER BLOCK GROUP	1
3C100LWU-E020	OIL PAN GROUP	3
3C100LW-E030	CYLINDER HEAD COVER GROUP	4
3C100LW-E040	GEAR CASE GROUP	5
3C100A-E050	MAIN BEARING CASE GROUP	7
3C100A-E080	VALVE ROCKER ARM GROUP	8
3C093LW-E090	CYLINDER HEAD COVER GROUP	9
3C100A-E100	CAMSHAFT GROUP	10
3C100LWU-E110	PISTON & CRANKSHAFT GROUP	11
3C100LWU-E130	NOZZLE HOLDER GROUP	12
3C100LW-C-E140	FUEL CAMSHAFT GROUP	13
3C100A-E150	SPEED CONTROL LEVER GROUP	15
3C100LW-C-E160	ENGINE STOP LEVER GROUP	16
3C100LF-E170	GROUP,GOVERNOR	18
3C100LWU-E190	WATER HOSE GROUP	19
3C100LF-E200	DYNAMO GROUP	20
3C100LWU-E220	MANIFOLD GROUP	21
3C100LWU-E240	LABEL GROUP	22

[FRONT AXLE]

UD2-G130001	FRONT AXLE CASE GROUP	23
UD2-G131001	FRONT DIFF SYSTEM GROUP	24
UD2-G132001	BEVEL PINION SHAFT GROUP	26

[TRANSMISSION]

UD2-G111001	TRANSMISSION CASE GROUP	27
UD2-G112001	INPUT SHAFT GROUP	29
UD2-G113001	RANGE SHAFT GROUP	30
UD2-G114001	SPRIAL BEVEL GEAR GROUP	31
UD2-G115001	REAR WHEEL DRIVING SHAFT GROUP	32
UD2-G116001	FRONT WHEEL DRIVE SHAFT GROUP	33
UD2-G117001	SHIFT FORK GROUP	34
UD2-G118001	FRONT DRIVE FORK GROUP	35
UD2-G120001	REAR AXLE CASE GROUP	36
UD2-G121001	REAR DIFFERENTIAL GROUP	37

UD2-G122001	REAR DIFFERENTIAL FORK GROUP	40
UD2-G140001	CVT GROUP	41
UD2-G150001	FRONT PROPELLER SHAFT GROUP	42
UD2-G151001	REAR PROPELLER SHAFT GROUP	43
UD2-G160001	4WD CV JOINT GROUP	44
UD2-G161001	2WD CV JOINT GROUP	45

[CHASSIS]

UD2-G210001	LEVER GROUP(CVT)	46
UD2-G220003	STEERING GROUP(EZGO)	50
UD2-G230002	FUEL TANK GROUP	53
UD2-G250001	FRONT SUSPENSION GROUP(CVT)	54
UD2-G270001	REAR SUSPENSION GROUP	57
UD2-G300001	ACCELERATOR PEDAL GROUP(CVT)	61
UD2-G310001	BRAKE PEDAL GROUP	63
UD2-G320002	FRONT BREAK GROUP	64
UD2-G340001	REAR BREAK GROUP	66
UD2-G360001	PARKING BRAKE GROUP(CVT)	68
UD2-G370001	REAR DIFFERENTIAL MOUNT GROUP	69
UD2-G380001	TIRE GROUP(WORK)	70
UD2-G400001	ENGINE MOUNTING GROUP(CVT)	71
UD2-G410001	INRAKE SYSTEM GROUP(CVT)	73
UD2-G420001	EXHAUST SYSTEM GROUP(STD)	74
UD2-G430001	RADIATOR GROUP(CVT)	75
UD2-G440001	CVT COVER GROUP	77
UD2-G624501	REFLECTOR GROUP	79
UD2-G637001	80
UD2-G700001	IP GROUP(STD)	81
UD2-G720002	SEAT GROUP(EU,3P)	83
UD2-G730002	SEAT BELT GROUP(EU,3P)	84
UD2-G740002	MOLDING GROUP	85
UD2-G750003	MAIN FRAME GROUP(CVT)	86
UD2-G750401	SWING DRAWBAR GROUP(EEC)	88
UD2-G750502	FRONT HITCH GROUP(EEC)	89
UD2-G770010	LABEL GROUP	90
UD2-G820001	GUARD GROUP(STD)	92
UD2-G840003	EXTERIOR MOLDING GROUP	93

UD2-G850001	ROPS GROUP(STD)	94
UD2-G850301	MIRROR GROUP	96
UD2-G860001	DECK GROUP	97
UD2-G860101	GAS SPRING GROUP	100
UD2-G880005	HOOD GROUP(BLUE,EZGO)	101

[HYDRAULIC]

UD2-G511001	OIL TANK GROUP	103
UD2-G512001	SUCTION LINE GROUP	104
UD2-G513001	GEAR PUMP GROUP	105
UD2-G514002	HYD. LINE GROUP	107
UD2-G531001	POWER STEERING UNIT GROUP	108
UD2-G591001	DUMP CYLINDER GROUP	109
UD2-G592001	WORK CONTROL VALVE GROUP	112
UD2-G593001	WORK HYDRAULIC HOSE GROUP	113

[ELECTRICAL]

UD2-G611002	ENGINE ELECTRICAL GROUP(1)	114
UD2-G613001	STARTER MOTOR GROUP	115
UD2-G613502	BATTERY GROUP	116
UD2-G614501	GLOW CONTROL GROUP	117
UD2-G615502	SAFETY STARTER GROUP	118
UD2-G621001	HEAD LIGHT GROUP	119
UD2-G622501	REAR COMBINATION LAMP GROUP	120
UD2-G625001	LICENSE LAMP GROUP	121
UD2-G625501	LIGHT CONTROL GROUP	122
UD2-G631005	WIRE HARNESS GROUP	123
UD2-G632001	POWER SOCKET GROUP	124
UD2-G632501	WIRE HARNESS FIXING GROUP	125
UD2-G633001	GROUP FOR DISPLAY CONTROL	126
UD2-G633501	FUEL SENDER GROUP	127
UD2-G634501	HORN GROUP	128
UD2-G637502	PARKING BRAKE BUZZER GROUP	129

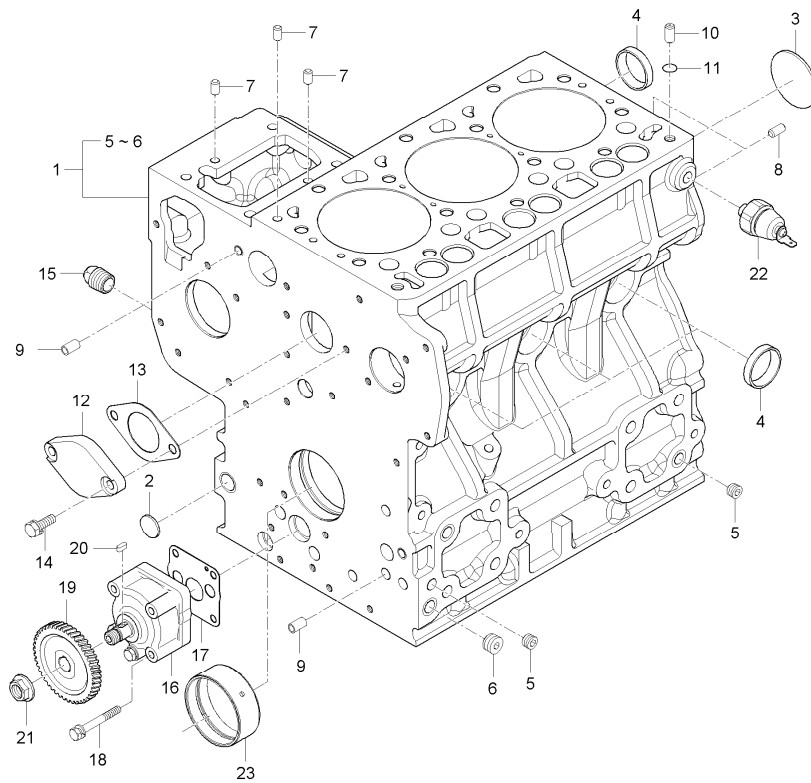
[OPTION]

UD2-G295101	DUST SHIELD GROUP(OTP)	130
UD2-G391001	TIRE GROUP(MUD,OPTION)	131

UD2-G392001	TIRE GROUP(TURF,OPTION)	132
UD2-G394001	TIRE GROUP(AL,WORK-OPTION)	133
UD2-G691001	BEACON GROUP(OPTION)	134
UD2-G691501	7PIN SOCKET GROUP(OPTION)	135
UD2-G692001	FRONT WORKING LAMP GROUP(OPTION)	136
UD2-G693001	FOG LAMP GROUP(OPTION)	137
UD2-G694501	REAR BUZZER GROUP(OPTION)	138
UD2-G794101	STEP MAT GROUP(OTP)	139
UD2-G795101	SKID PLATE GROUP	140
UD2-G795201	WINCH MOUNT GROUP(OPTION)	141
UD2-G795301	HAND THROTTLE GROUP(OPTION)	142
UD2-G795501	FRONT HITCH GROUP-OPT	143
UD2-G795701	FRONT WORKING LAMP GROUP(OPTION)	144
UD2-G890101	SAFTY GLASS GROUP-OTP	145
UD2-G890501	CANOPY GROUP	148
UD2-G890901	HEAD REST GROUP	149
UD2-G891101	HEAD REST GROUP	150
UD2-G891501	REAR SCREAN GROUP	151
UD2-G891701	SEAT COVER GRO-OTP	152
UD2-G892101	HOOD BOX GROUP-OTP	153
UD2-G892501	HALF DOOR GROUP-OTP	154
UD2-G892901	GUARD GROUP-OTP(EXTENDABLE)	156
UD2-G893101	DECK GROUP(OTP)	157
INDEX1	160
INDEX2	168

3C100LWU-E010

CYLINDER BLOCK GROUP



A : 1600XDR-2

No.	Part Number	Description	Qty					I.C	Remark
			A	B	C	D	E		
1	EC11-A0016A	CYLINDER BLOCK ASSY	1						
2	06311-75015	PLUG	6						T1.6*18*18
3	06311-75040	PLUG	2						
4	15321-9626-3	PLUG	12						T1.6*50*50
5	E5900-96022	PLUG	9						-
6	E5900-96032	PLUG	1						
7	05012-00609	PIN, PARALLEL	4						
8	05012-00814	PIN, PARALLEL	2						DIA10*20
9	E5205-33961	TUBE PIN	2						DIA10*18
10	15221-3365-1	PIN, TUBE	1						DIA8*18
11	E5500-33702	O RING	1						
12	E5205-73911	COVER	1						T10*50*60
13	E5700-73922	GASKET	1						T0.5*65*49
14	01023-50618	BOLT, WASHER	2						
15	EF15-0003A	PLUG	1						PT 1/4
16	E5700-35012	OIL PUMP ASSY	1						
17	E5700-35154	GASKET, OIL PUMP	1						T0.3*65*54
18	E5205-91021	BOLT, WASHER	4						HEX10,M6*1.0

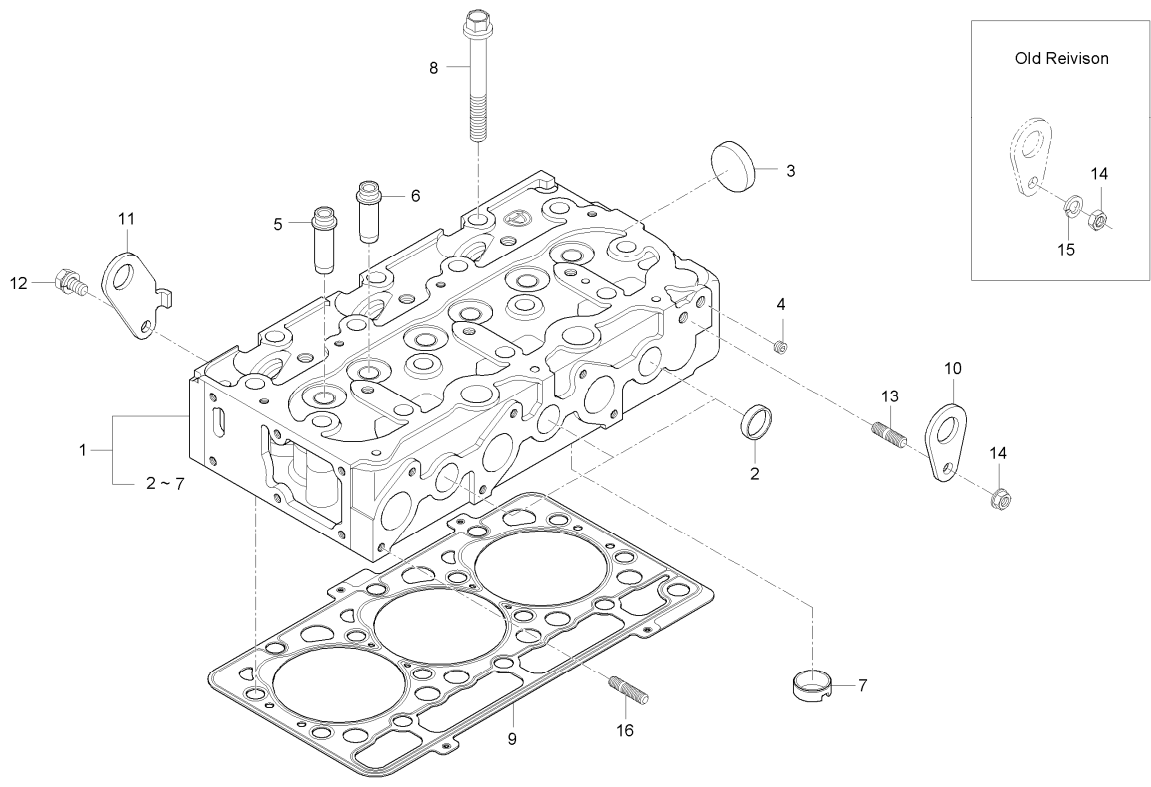
----> Old replace New
 <----> Interchangeable

<---- New replace Old
 <-O-> Interchangeable with another part(s)

<-X-> Not interchangeable

3C100LW-E030

CYLINDER HEAD COVER GROUP



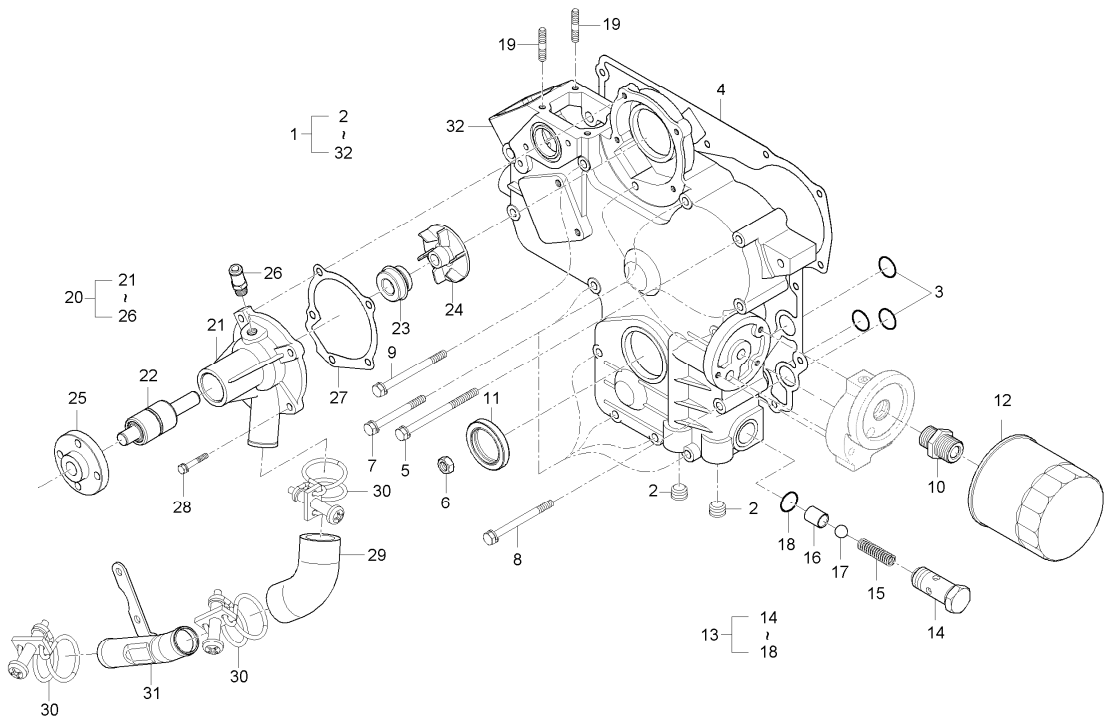
A : 1600XDR-2

No.	Part Number	Description	Qty					I.C	Remark
			A	B	C	D	E		
1	E5763-A0304	TOTAL CYLINDER HEAD ASSY	1						
2	E5205-03371	CAP	5						T1.6*32*32
3	15321-9626-3	PLUG	1						T1.6*50*50
4	E5900-96022	PLUG	2						-
5	E5205-13542	GUIDE, INTAKE VALVE	3						DIA12*10
6	E5205-13562	GUIDE, VALVE	3						DIA16*45
7	E5760-03141	HOT FLUG	3						
8	E5770-03451	BOLT, CYLINDER HEAD	14						
9	E5760-03314	GASKET, HEAD	1						
10	15221-0175-1	ENGINE HOOK	1						T4*40*64
11	E5760-01751	ENGINE HOOK	1						
12	01123-50816	Hex Head Cap Screw	1						M8*P1.25
13	01513-50822	STUD	1						M8*1.25
14	02763-50080	FLANGE NUT	1						M8XP1.25
15	04512-50080	SPRING WASHER	1						M08
16	01513-50620	STUD	6						

----> Old replace New
 <----> Interchangeable
 <----> New replace Old
 <-O-> Interchangeable with another part(s)
 <-X-> Not interchangeable

3C100LW-E040

GEAR CASE GROUP



A : 1600XDR-2

No.	Part Number	Description	Qty					I.C	Remark
			A	B	C	D	E		
1	EC11-A0001B	GEARCASE ASSY	1						
2	E5900-96032	PLUG	2						
3	04811-06130	O RING	3						
4	E5760-04133	GASKET, GEAR CASE	1						
5	E5752-91031	BOLT, WASHER	2						M6*P1.0*85
6	02761-50060	FLANGE NUT	2						M6XP1.0
7	01023-50665	BOLT, WASHER	11						MEX10*76
8	01023-50670	BOLT, WASHER	2						MEX10*81
9	01023-50675	BOLT, WASHER	1						MEX10*86
10	E5205-32291	TUBE, CONNECTING	1						HEX24*39
11	09550-00008	SEAL, OIL	1						
12	E5205-32091	FILTER	1						
13	E5700-36071	RELIFE VALVE ASSY	1						
14	E5700-36911	BODY, RELIEF VALVE	1						
15	15241-3695-2	SPRING	1						DIA1.2
16	E5700-36932	SEAT, VALVE	1						DIA16*21
17	07715-03213	STEEL BALL	1						13/32"(10.3188)
18	04810-00150	O RING	1						

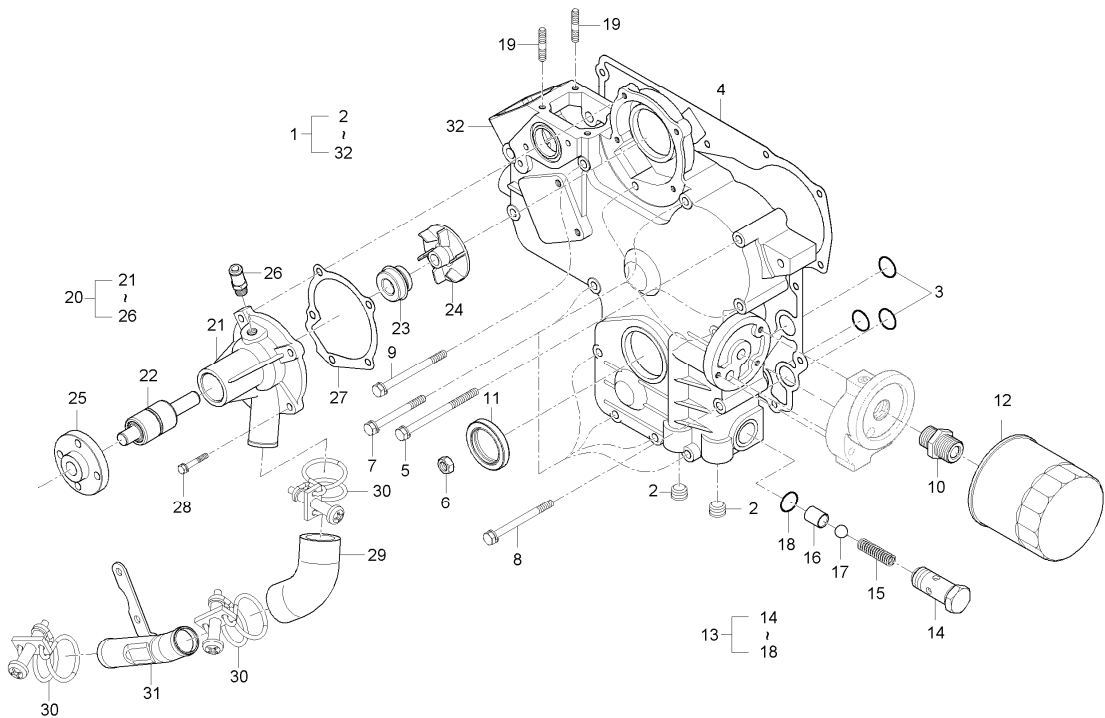
----> Old replace New
 <----> Interchangeable

<---- New replace Old
 <-O-> Interchangeable with another part(s)

<-X-> Not interchangeable

3C100LW-E040

GEAR CASE GROUP



A : 1600XDR-2

No.	Part Number	Description	Qty					I.C	Remark
			A	B	C	D	E		
19	01513-50614	STUD	2						
20	E5760-73033	WATER PUMP ASSY	1						
21	E5760-73043	BODY, WATER PUMP	1						
22	E5760-73551	BEARING	1						
23	E5800-73052	MECHANICAL SEAL ASSY	1						
24	E5760-73512	IMPELLER	1						
25	E5205-73524	FLANGE	1						N
26	E5700-73342	HOSE, COOLING WATER RETURN	1						DIA12*31
27	E5760-73432	GASKET, WATER PUMP	1						t0.5
28	01023-50625	BOLT	4						M6XP1.0
29	E5205-72951	HOSE 3, COOLING WATER	1						
30	E5752-18171	CLAMP, STAINLESS HOSE	3						
31	E5760-72872	HOSE, REFRIGERANT	1						
32	E5775-04114		1						

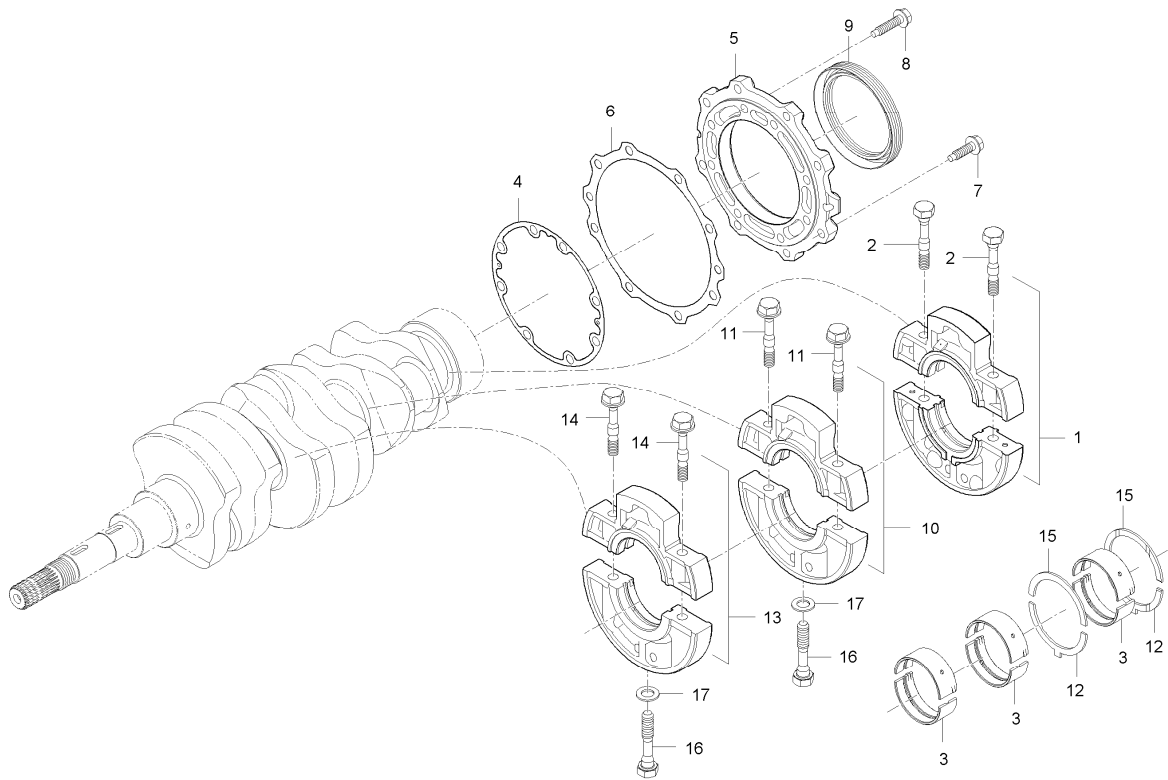
----> Old replace New
 <----> Interchangeable

<---- New replace Old
 <-O-> Interchangeable with another part(s)

<-X-> Not interchangeable

3C100A-E050

MAIN BEARING CASE GROUP



A : 1600XDR-2

No.	Part Number	Description	Qty					I.C	Remark
			A	B	C	D	E		
1	E5760-04043	BEARING CASE ASSY	1						
2	E5761-04541	BOLT 1, BEARING CASE	2						
3	E5760-23481	METAL 2, CRANKSHAFT	6						
4	E5760-04361	GASKET, BEARING CASE	1						
5	E5760-04811	COVER, BEARING CASE	1						
6	E5760-04822	GASKET, COVER	1						
7	01754-50825	FLANGE BOLT	8						M8XP1.25
8	01754-50822	BOLT, FLANGE	9						
9	E5760-04461	SEAL, OIL	1						
10	E5760-04053	MAIN BEARING CASE ASSY, 1	1						
11	E5761-04541	BOLT 1, BEARING CASE	2						
12	E5760-23531	SIDE METAL, 1	2						
13	E5760-04063	MAIN BEARING CASE ASSY, 2	1						
14	E5761-04541	BOLT 1, BEARING CASE	2						
15	E5760-23541	SIDE METAL, 2	2						
16	E5205-04561	BOLT 2, BEARING CASE	2						HEX13M8*1.25
17	04014-50080	WASHER, PLAIN	2						

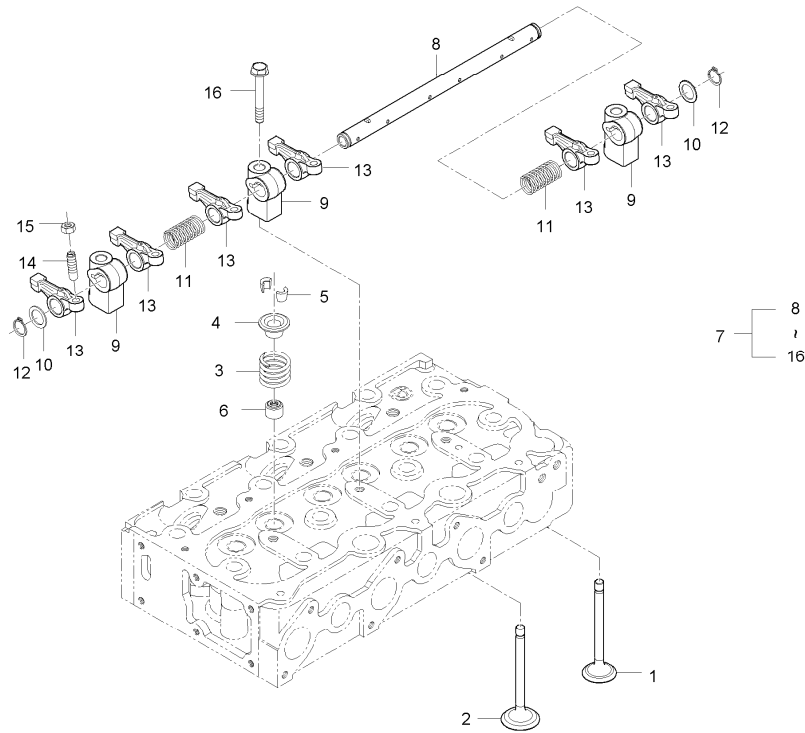
----> Old replace New
 <----> Interchangeable

<---- New replace Old
 <-O-> Interchangeable with another part(s)

<-X-> Not interchangeable

3C100A-E080

VALVE ROCKER ARM GROUP



A : 1600XDR-2

No.	Part Number	Description	Qty					I.C	Remark
			A	B	C	D	E		
1	E5760-13111	VALVE, INTAKE	3						
2	E5760-13121	EXHAUST VALVE	3						
3	E5205-13241	SPRING, VALVE	6						DIA29
4	E5700-13332	RETAINER, VALVE SPRING	6						
5	E5763-13361	COLLET, VALVE SPRING	12						KK7(독일 TRW)
6	E5205-13152	SEAL, VALVE STEM	6						
7	E5753-14001	ROCKER ARM TOTAL ASSY	1						
8	E5753-14051	ROCKER ARM SHAFT ASSY	1						
9	E5753-14351	SUPPORT, ROCKER ARM	3						
10	E5753-14431	WASHER, PLAIN	2						
11	E5753-14311	SPRING, ROCKER ARM	2						
12	04612-00130	SNAP RING	2						
13	E5753-14111	ARM, ROCKER	6						
14	E5700-14232	SCREW, ADJUSTING	6						
15	E5205-14241	NUT, ADJUSTING	6						HEX10*9
16	E5752-91501	BOLT, ROCKER ARM SUPPORT	3						

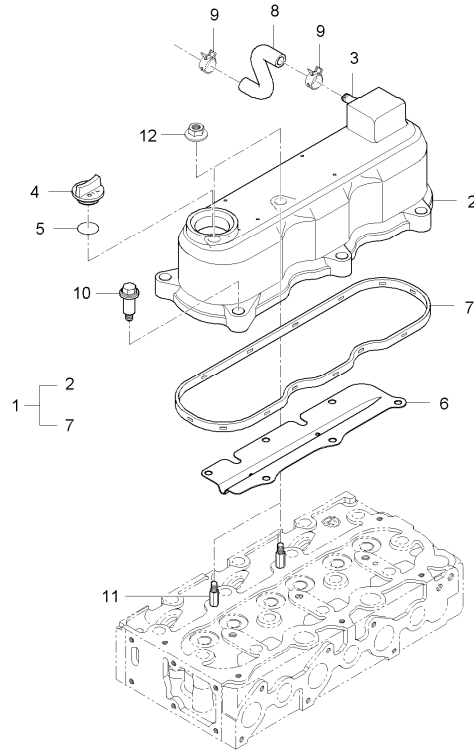
----> Old replace New
 <----> Interchangeable

<---- New replace Old
 <-O-> Interchangeable with another part(s)

<-X-> Not interchangeable

3C093LW-E090

CYLINDER HEAD COVER GROUP



A : 1600XDR-2

No.	Part Number	Description	Qty					I.C	Remark
			A	B	C	D	E		
1	E5770-14502	CYLINDER HEAD COVER ASSY	1						
2	E5760-14511	COVER, CYLINDER HEAD	1						
3	E6510-05552	CONNECTOR, AIR BREATHER HOSE	1						N
4	E5500-33142	PLUG, OIL FILLER	1						
5	04811-50300	O RING	1						G30
6	E5752-14562	PLATE, OIL PROTECTING	1						T1.0
7	E5752-14522	GASKET, CYLINDER HEAD COVER	1						
8	E6510-05511	HOSE, AIR BREATHER	1						
9	09318-88180	CLMAP, HOSE	2						
10	E6510-33661	BOLT, CYLINDER HEAD COVER	5						
11	E5500-33671	STUD, CYLINDER HEAD COVER	2						
12	E5500-35681	NUT, FLANGE	2						HEX10,M6*1.0

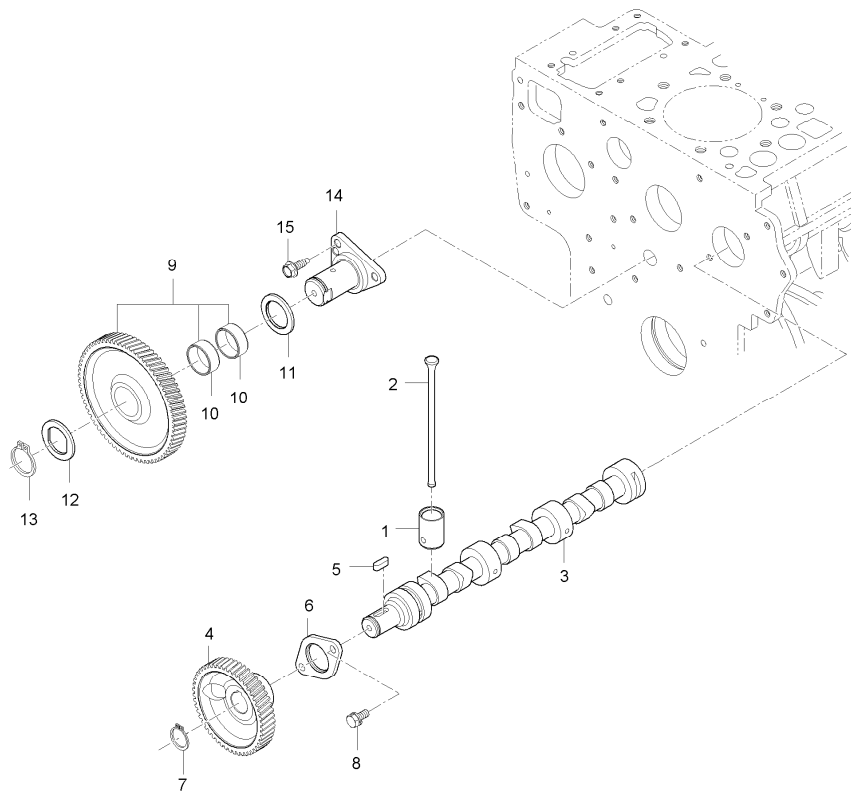
----> Old replace New
 <----> Interchangeable

<---- New replace Old
 <-O-> Interchangeable with another part(s)

<-X-> Not interchangeable

3C100A-E100

CAMSHAFT GROUP



A : 1600XDR-2

No.	Part Number	Description	Qty					I.C	Remark
			A	B	C	D	E		
1	E5700-15552	TAPPET	6						DIA133*35
2	E5760-15111	ROD, PUSH	6						
3	E5760-16011	CAMSHAFT ASSY	1						
4	E5205-16511	GEAR, CAMSHAFT	1						
5	05712-00515	KEY	1						
6	E5205-16272	STOP, CAM SHAFT	1						T4
7	04612-00180	SNAP RING	1						
8	01023-50614	BOLT, WASHER	2						M6P1.0
9	E5205-24012	IDLE GEAR ASSY	1						
10	E5205-24281	BUSH, IDLE GEAR	2						
11	E5205-24361	COLLAR, 1	1						T2.5
12	E5205-24371	COLLAR, 2	1						T2.5
13	E5205-24321	RING, SNAP	1						T2
14	E5700-24252	SHAFT, IDLE GEAR	1						
15	01654-50618	BOLT, FLANGE WITH PIN	3						

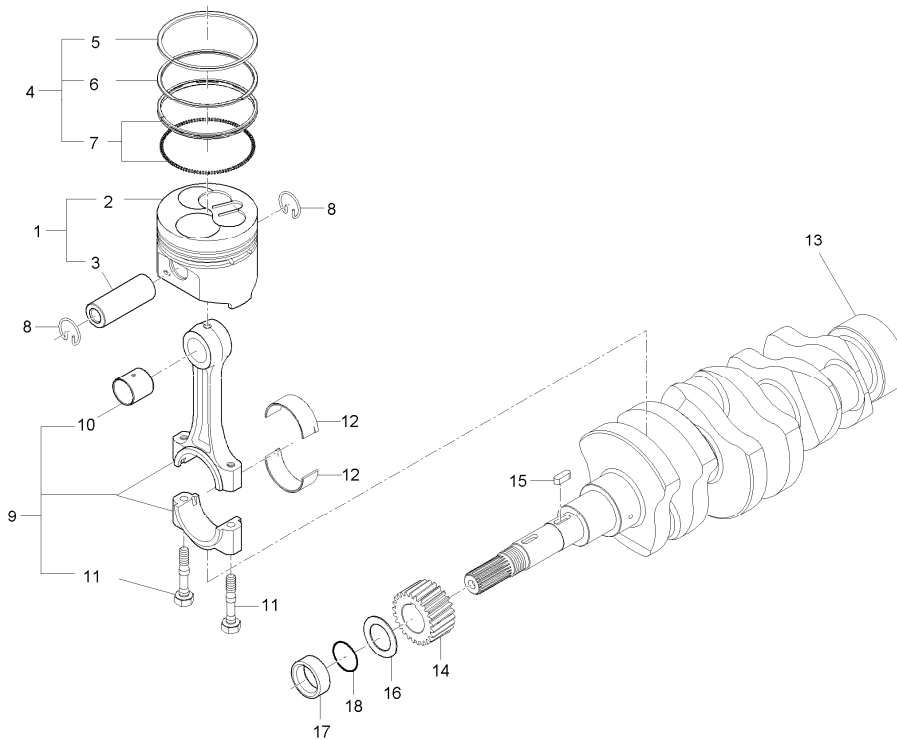
----> Old replace New
 <----> Interchangeable

<---- New replace Old
 <-O-> Interchangeable with another part(s)

<-X-> Not interchangeable

3C100LWU-E110

PISTON & CRANKSHAFT GROUP



A : 1600XDR-2

No.	Part Number	Description	Qty					I.C	Remark
			A	B	C	D	E		
1	E5760-21011	PISTON PIN ASSY	3						
2	E5760-21111	PISTON	1						
3	E5760-21311	PIN, PISTON	3						
4	E5760-21051	PISTON RING ASSY	3						
5	E5760-21001	PISTON RING, 1	3						Ø75
6	E5700-21105	RING 2, PISTON	3						
7	E5760-21151	OIL RING ASSY	3						
8	E5205-21331	RING, SNAP	6						DIA1.6
9	E5760-22015	CONNECTOR ROD ASSY	3						
10	E5205-21354	BUSH, PISTON PIN	3						
11	E5760-22143	BOLT, CONNECTING ROD	6						
12	E5760-22311	METAL, CRANK PIN	6						
13	E5760-23012	CRANKSHAFT ASSY	1						
14	E5205-24112	GEAR, CRANKSHAFT	1						
15	05712-00515	KEY	1						
16	E5205-23311	SLINGER, OIL	1						T1.0*37*37
17	E5700-23252	SPACER	1						
18	04811-10220	O RING	1						

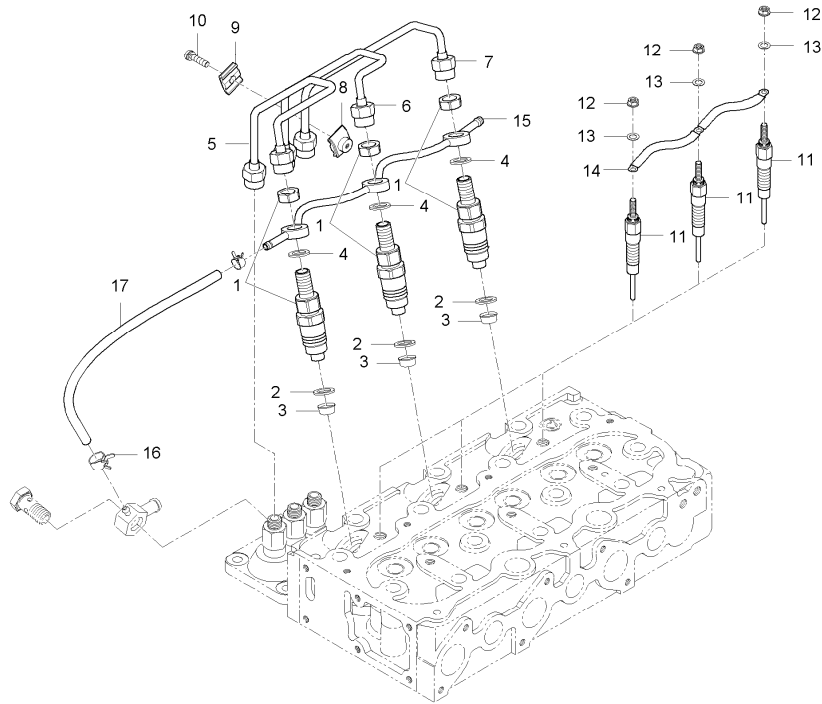
----> Old replace New
 <----> Interchangeable

<---- New replace Old
 <-O-> Interchangeable with another part(s)

<-X-> Not interchangeable

3C100LWU-E130

NOZZLE HOLDER GROUP



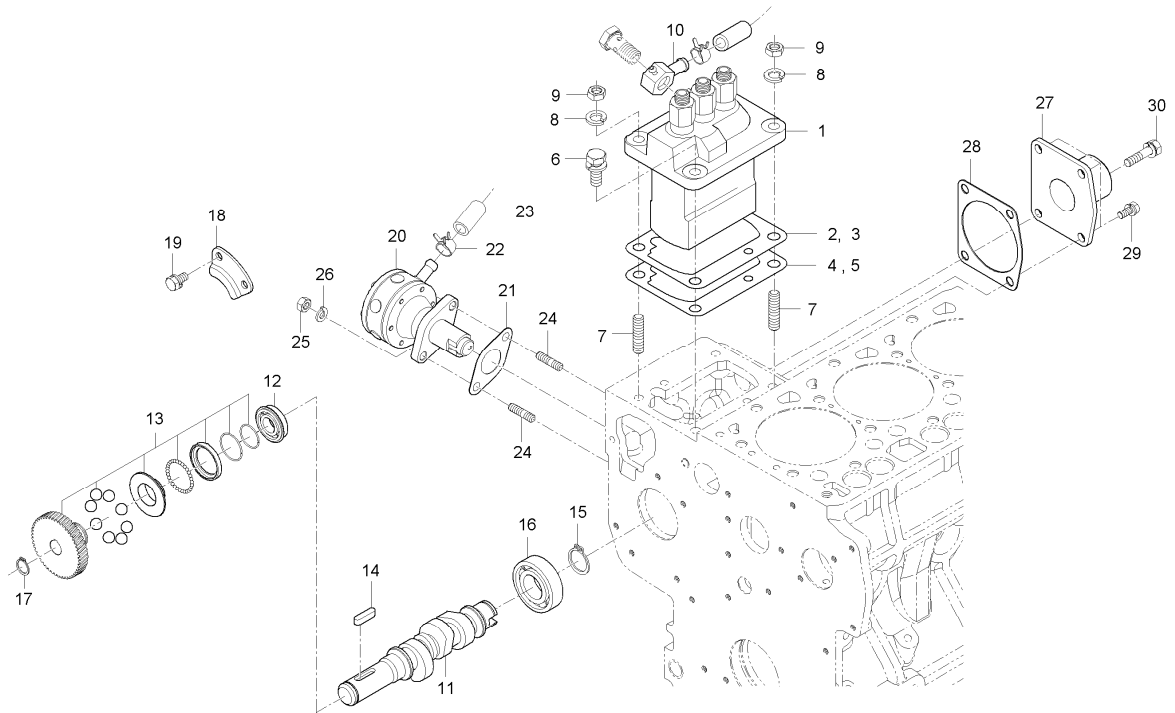
A : 1600XDR-2

No.	Part Number	Description	Qty					I.C	Remark
			A	B	C	D	E		
1	E5760-53001	ASSY HOLDER,NOZZLE 1	3						
2	E6300-53021	GASKET	3						
3	E6300-53651	SEAL, HEAT SHILD	3						T0.8
4	E6300-53621	GASKET	3						
5	E5775-53711	TUBE 1, INJECTION	1						
6	E5775-53721	TUBE 2, INJECTION	1						
7	E5775-53731	TUBE 3, INJECTION	1						
8	15121-5385-2	CLAMP 1, TUBE	2						-
9	T4815-67371	HOLDER, TUBE	2						-
10	03024-50520	SCREW, WASHER	2						DIA10*28
11	E5760-65511	GLOW PLUG	3						
12	02761-50040	NUT, FLANGE	3						
13	04012-50050	WASHER, PLAIN	3						
14	E5760-65562	CORD, GLOW PLUG	2						
15	E5760-42502	OVERFLOW HOSE ASSY	1						
16	09318-88080	CLMAP, HOSE	2						
17	09661-40200	HOSE, FUEL	1						

----> Old replace New
 <----> Interchangeable

<---- New replace Old
 <-O-> Interchangeable with another part(s)

<-X-> Not interchangeable



A : 1600XDR-2

No.	Part Number	Description	Qty					I.C	Remark
			A	B	C	D	E		
1	E5700-51016	ASSY PUMP,INJECTION	1						
2	E5500-52112	SHIM, INJECTION PUMP	99						T0.15*80*10 3
3	E5500-52122	SHIM, INJECTION PUMP	99						T0.3
4	15321-5216-1	SHIM, INJECTION PUMP 10	1						T1.0
5	E5800-52111	SHIM 3, INJECTION PUMP	99						
6	01123-50822	BOLT	2						M8XP1.25
7	01513-50822	STUD	2						M8*1.25
8	04512-50080	SPRING WASHER	2						M08
9	02156-50080	NUT	2						M8XP1.25
10	E6500-42413	JOINT, FUEL PIPE	1						
11	E5760-16171	FUEL CAMSHAFT	1						
12	08153-06004	BALL BEARING	1						#6004
13	E5700-A0022	GOVERNOR SLEEVE ASSY	1						
14	05712-00520	KEY, ROUND	1						
15	04612-00180	SNAP RING	1						
16	08103-06004	BALL BEARING	1						#6004
17	04612-00190	SNAP RING	1						
18	E5205-16321	FUEL CAMSHAFT STOPPER	1						T2.3*46*40

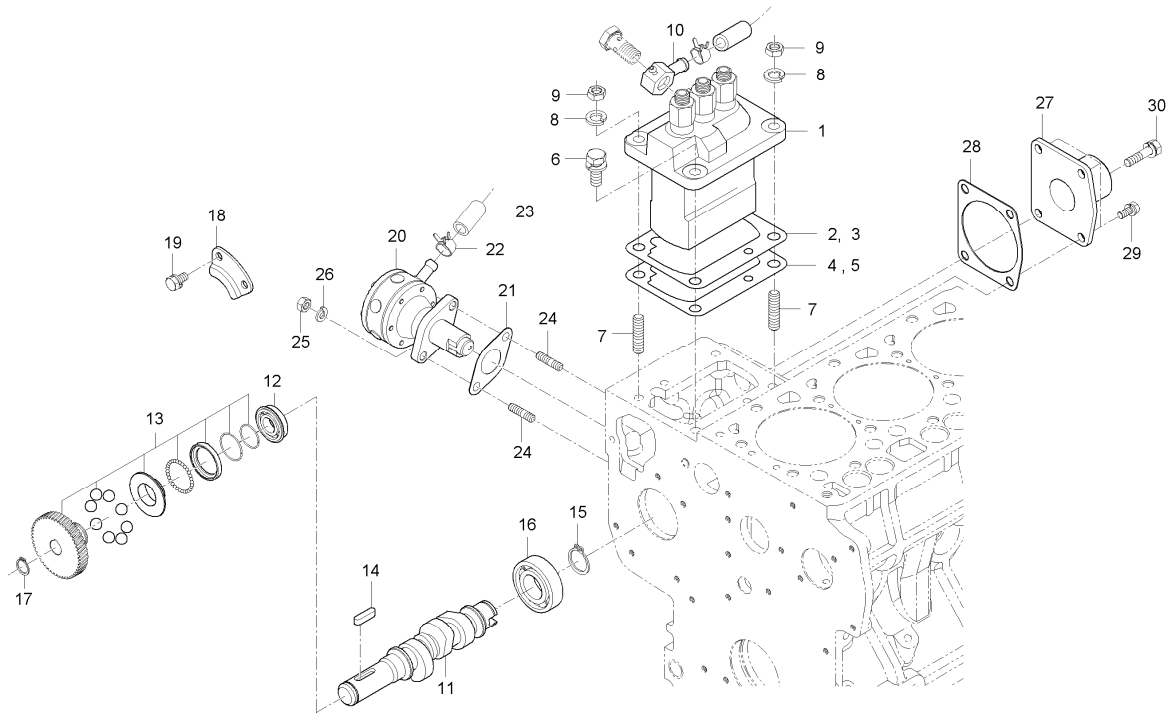
----> Old replace New
<----> Interchangeable

<---- New replace Old
<-O-> Interchangeable with another part(s)

<-X-> Not interchangeable

3C100LW-C-E140

FUEL CAMSHAFT GROUP



A : 1600XDR-2

No.	Part Number	Description	Qty					I.C	Remark
			A	B	C	D	E		
19	01023-50612	BOLT, WASHER	2						M6*P1.0
20	E5775-52031	FUEL PUMP ASSY	1						
21	E6200-52142	GASKET, FUEL PUMP	1						t0.5
22	14911-4275-1	CLIP, TUBE	2						T0.8*#12
23	15371-4217-0	HOSE 1, FUEL	1						
24	01513-50618	STUD	2						M6*1.0
25	02056-50060	NUT	2						M6*P1.0
26	04512-50060	WASHER, SPRING	2						M6
27	E5760-16211	COVER, CAMSHAFT	1						
28	E5760-36332	GASKET, FUEL CAMSHAFT COVER	1						(t 1.0)
29	01123-50818	BOLT, WASHER	3						M8*P1.25
30	01123-50830	BOLT, WASHER	1						M8P1.25*30

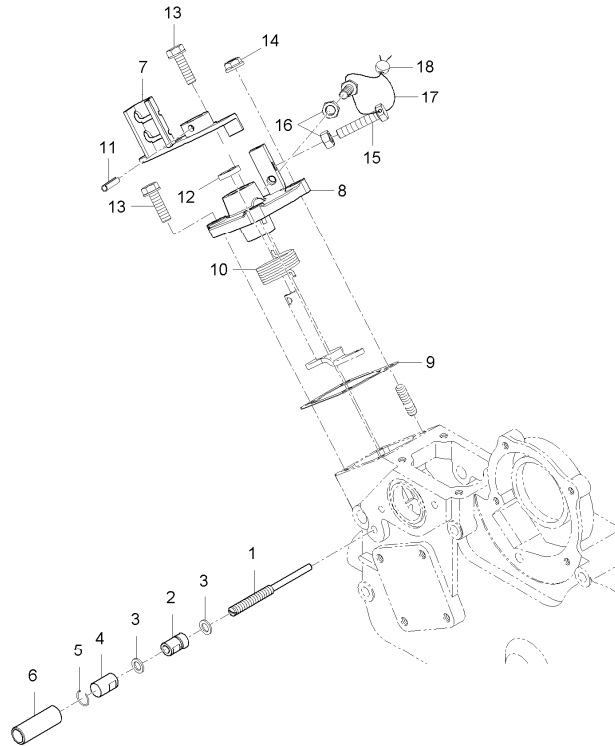
----> Old replace New
 <----> Interchangeable

<---- New replace Old
 <-O-> Interchangeable with another part(s)

<-X-> Not interchangeable

3C100A-E150

SPEED CONTROL LEVER GROUP



A : 1600XDR-2

No.	Part Number	Description	Qty					I.C	Remark
			A	B	C	D	E		
1	E5760-54123	BOLT, FUEL ADJUSTING	1						
2	E6305-92021	NUT	1						
3	E6305-96652	GASKET	2						
4	E6305-54221	CAP NUT	1						
5	E6305-54281	SNAP RING	1						D=0.8
6	E6305-54421	CAP	1						D=12,T=1.0
7	E5760-57151	LEVER, SPEED CONTROL	1						
8	E5850-57112	PLATE, SPEED CONTROL	1						
9	E5850-57212	GASKET, SPEED CONTROL PLATE	1						
10	E5850-57922	SPRING	1						
11	05411-00420	PIN, SPRING	1						
12	15471-5798-1	SEAL, OIL	1						
13	01754-50620	BOLT, FLANGE	3						
14	02751-50060	FLANGE NUT	1						M6*P1.0
15	E5753-57281	SCREW, STOPPER	1						
16	02056-50060	NUT	2						M6*P1.0
17	07811-10820	WIRE	1						
18	07918-00001	LEAD, SEALING	1						

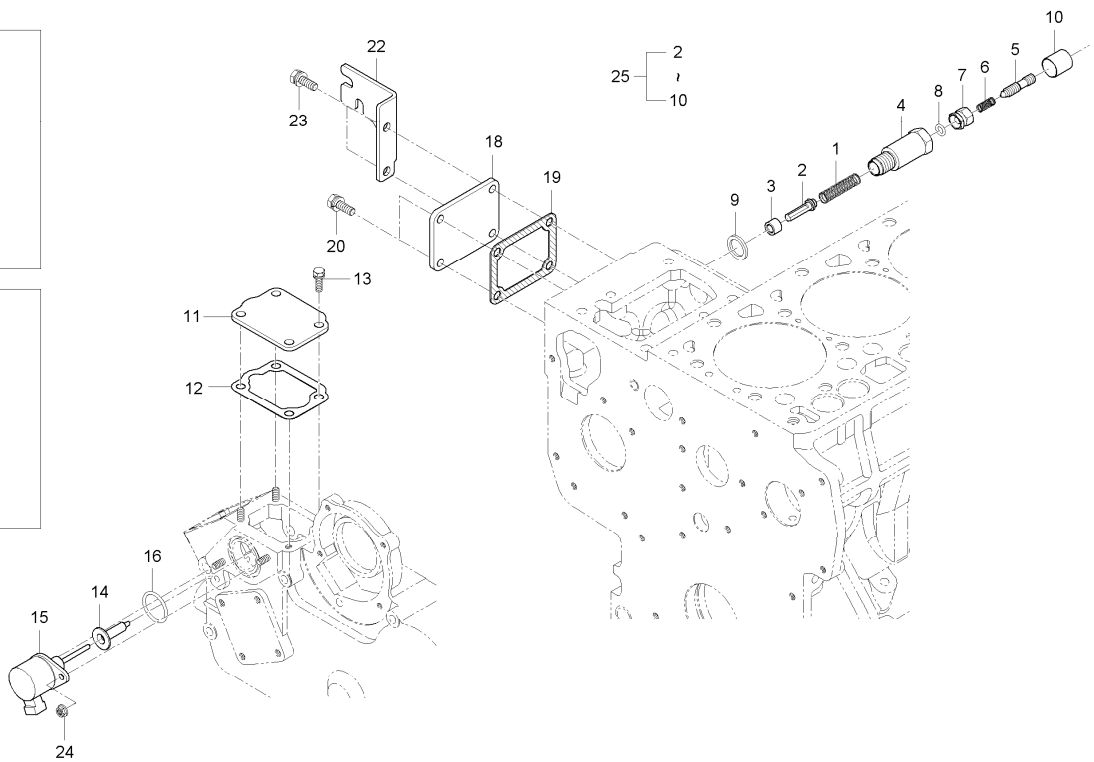
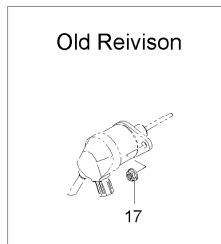
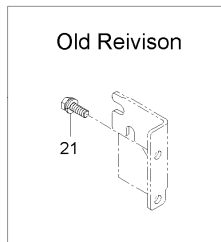
----> Old replace New
 <----> Interchangeable

<---- New replace Old
 <-O-> Interchangeable with another part(s)

<-X-> Not interchangeable

3C100LW-C-E160

ENGINE STOP LEVER GROUP



A : 1600XDR-2

No.	Part Number	Description	Qty					I.C	Remark
			A	B	C	D	E		
1	E5760-56481	START SPRING	1						
2	E5850-54272	SHAFT, IDLE ADJUSTMENT	1						
3	E5850-54282	BUSH	1						
4	E5850-54291	ADJUSTMENT BODY, IDLE	1						
5	E5850-54252	IDEL ADJUSTING BOLT	1						
6	E5760-54263	SPRING, IDLE LIMIT	1						
7	EC11-0049A	NUT	1						
8	04811-00060	O RING	1						
9	04724-00140	PACKING	1						
10	E5205-54271	CAP	1						T0.5*60*60
11	E6850-57313	COVER, ENGINE STOP LEVER	1						
12	E5850-57212	GASKET, SPEED CONTROL PLATE	1						
13	01754-50616	BOLT, FLANGE	2						M6*P1.0
14	E5760-56602	ENGINE STOP SOLENOIDE GUIDE	1						
15	E6820-60011	GROUP,ENGINE STOP SOLENOIDE	1						
16	04814-06310	O RING	1						
17	02751-50060	FLANGE NUT	2						M6*P1.0
18	E5760-33111	COVER, INJECTION PUMP	1						

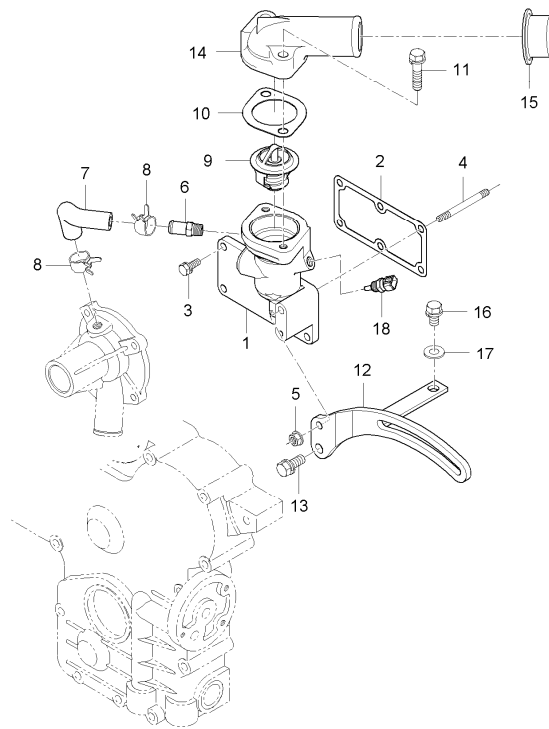
----> Old replace New
 <----> Interchangeable

<---- New replace Old
 <-O-> Interchangeable with another part(s)

<-X-> Not interchangeable

3C100LWU-E190

WATER HOSE GROUP



A : 1600XDR-2

No.	Part Number	Description	Qty					I.C	Remark
			A	B	C	D	E		
1	E5760-72914	FLANGE, COOLING WATER	1						
2	E5700-72922	GASKET, FLANGE	1						T1.0*123*64
3	01023-50616	BOLT, WASHER	5						M6*P1.0
4	01513-50655	STUD	1						
5	02761-50060	FLANGE NUT	1						M6XP1.0
6	E5700-73342	HOSE, COOLING WATER RETURN	1						DIA12*31
7	E5700-73353	WATER PUMP HOSE	1						
8	09318-88140	CLMAP, HOSE	2						
9	E5800-73011	THERMOSTAT ASSY	1						
10	E5500-73272	GASKET	1						t1.0
11	01754-50835	BOLT, FLANGE	2						
12	E5760-64423	SUPPORT 1, ALTERNATOR	1						
13	01754-50816	BOLT, FLANGE	1						M8*P1.25
14	E5775-73062	THERMOSTAT COVER ASSY	1						
15	E5500-74213	COVER, COOLINGWATERPIPE	1						
16	01125-50816	BOLT, WASHER	1						M8*P1.25
17	04013-50080	Plain washer	1						M8
18	E7240-32731	TEMPERATURE SENSOR ASSY	1						

----> Old replace New
 <----> Interchangeable

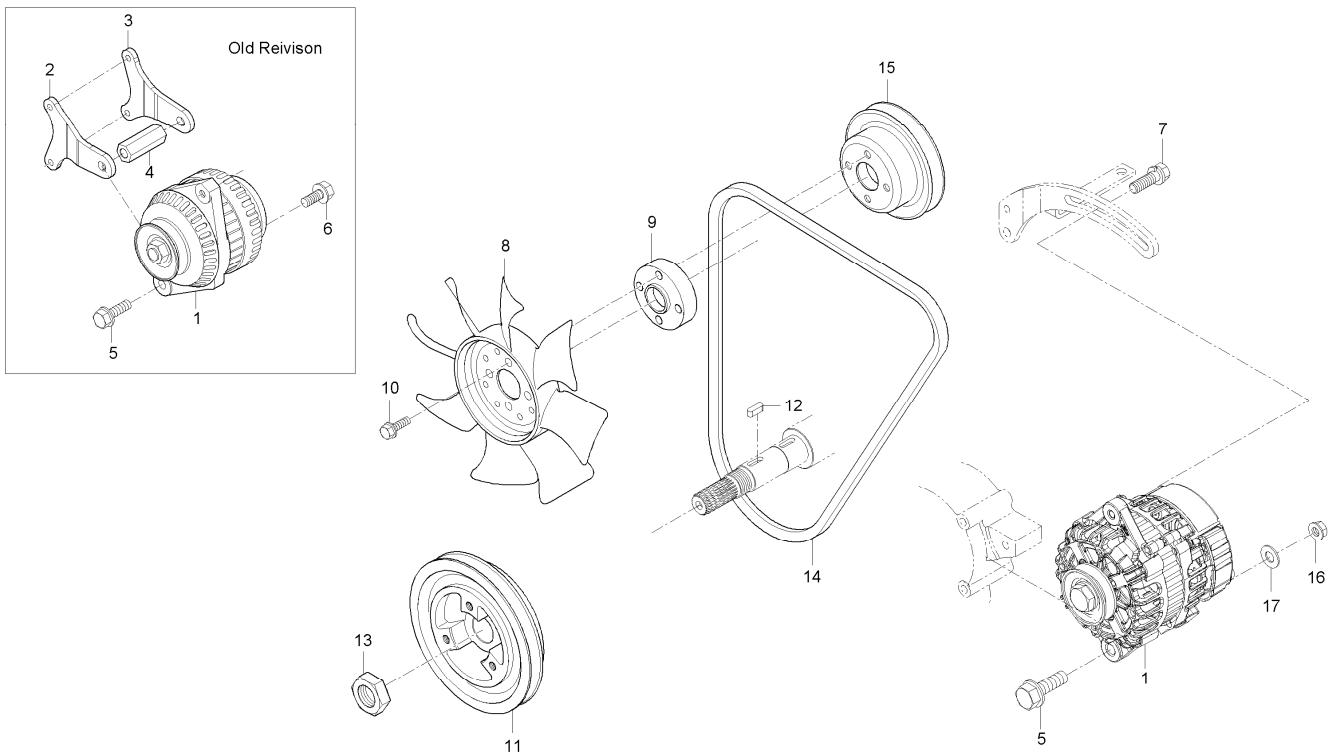
<---- New replace Old
 <-O-> Interchangeable with another part(s)

<-X-> Not interchangeable

ENGINE

3C100LF-E200

DYNAMO GROUP



A : 1600XDR-2

No.	Part Number	Description	Qty					I.C	Remark
			A	B	C	D	E		
1	E7251-64011	ALTERNATOR(75A)	1						
2	01774-51003	FLANGE_BOLT	1						M10XP1.25
3	E5800-64102	COLLAR, AC BATTERY	1						
4	04013-50100	PLAIN WASHER	1						M10
5	04512-50100	SPRING WASHER	1						M10
6	02176-50100	NUT	1						M10XP1.25
7	01127-50825	BOLT	1						
8	E5775-74113	COOLING FAN	1						
9	E5752-74122	FAN COLLAR	1						
10	01754-50625	BOLT, FLANGE	4						7T
11	EC11-0016A	PULLEY, FAN DRIVE	1						
12	05712-00515	KEY	1						
13	E5205-23361	NUT, CRANKSHAFT	1						HEX29,M20*1.5
14	EC11-0025A	BELT, FAN	1						
15	EC11-0017A	PULLEY, FAN	1						
16	02156-50080	NUT	1						M8XP1.25
17	04512-50080	SPRING WASHER	1						M08

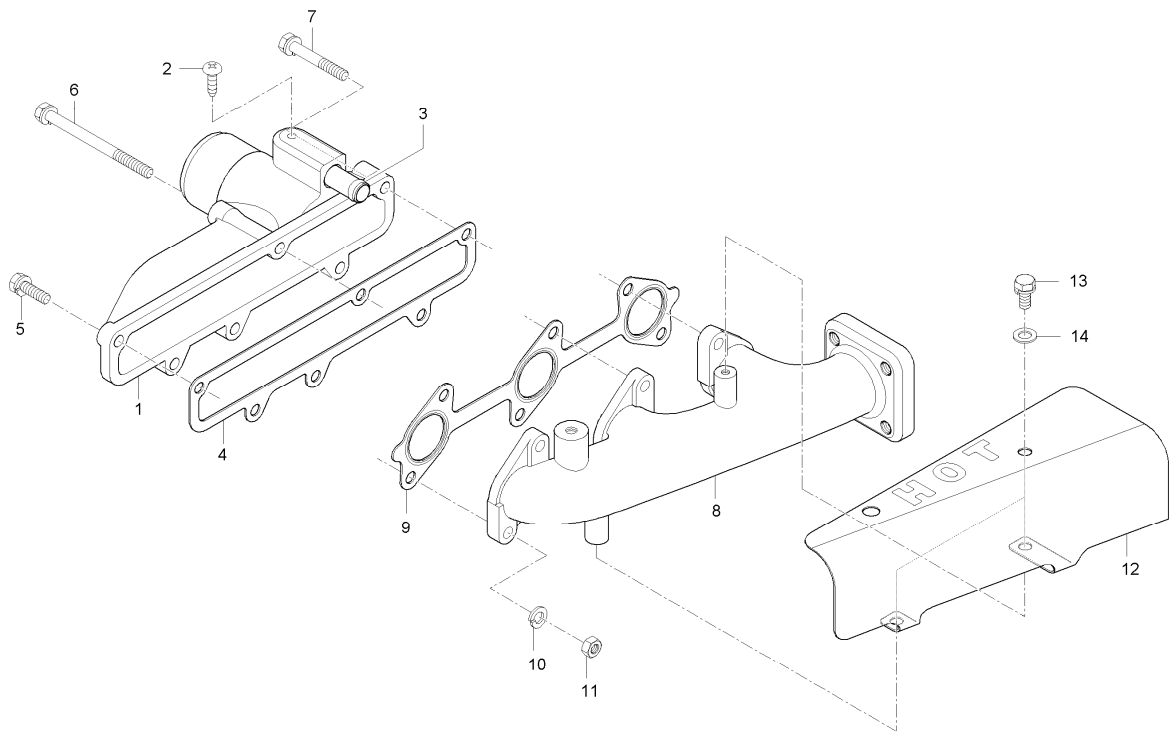
----> Old replace New
 <----> Interchangeable

<---- New replace Old
 <-O-> Interchangeable with another part(s)

<-X-> Not interchangeable

3C100LWU-E220

MANIFOLD GROUP



A : 1600XDR-2

No.	Part Number	Description	Qty					I.C	Remark
			A	B	C	D	E		
1	E5775-11762	MANIFOLD,INLET	1						
2	03014-50608	SCREW	1						
3	E6510-05552	CONNECTOR, AIR BREATHER HOSE	1						N
4	E5770-11821	GASKET, INTAKE MANIFOLD	1						
5	01023-50620	BOLT, WASHER	4						M6*1.0
6	01023-50630	BOLT, WASHER	1						
7	01023-50660	BOLT, WASHER	1						MEX10*71
8	E5775-12311	MANIFOLD,EXHAUST	1						
9	E5700-12362	GASKET, EXHAUST MANIFOLD	1						T0.25*2layer
10	02056-50060	NUT	6						M6*P1.0
11	04512-50060	WASHER, SPRING	6						M6
12	E5775-12211	PLATE,HEAT	1						t=1.0
13	01023-50610	BOLT, WASHER	3						M6*1
14	04013-50060	PLAIN WASHER	3						M6

----> Old replace New
 <----> Interchangeable

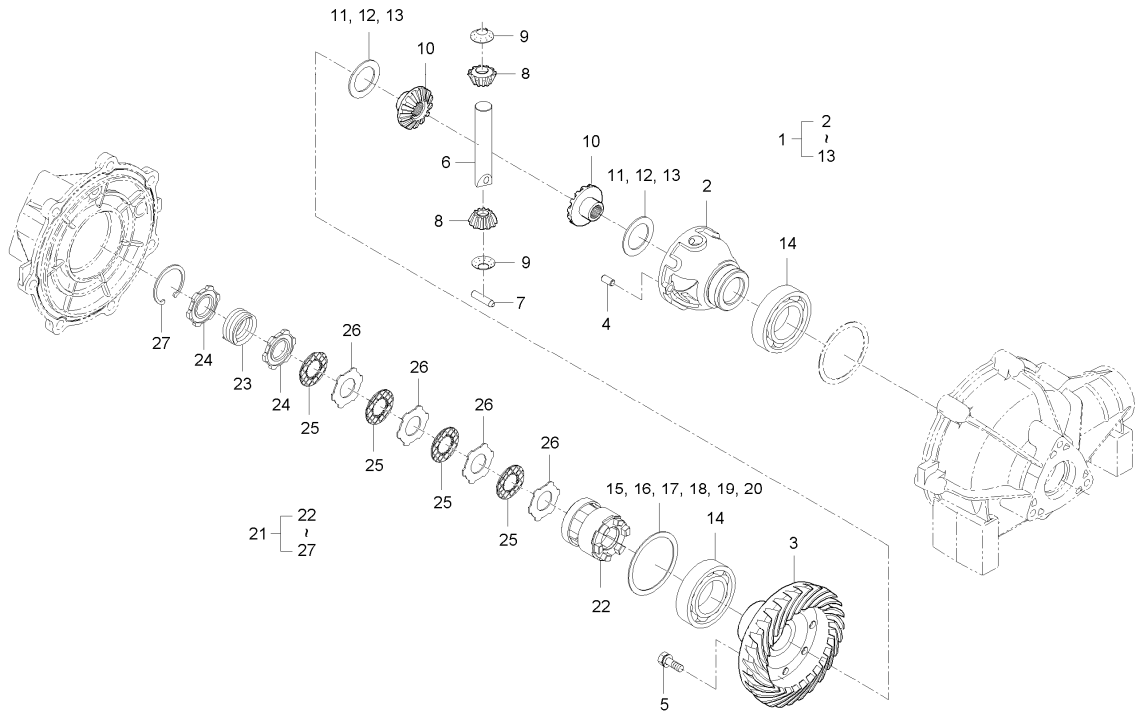
<---- New replace Old
 <-O-> Interchangeable with another part(s)

<-X-> Not interchangeable

FRONT AXLE

UD2-G131001

FRONT DIFF SYSTEM GROUP



A : 1600XDR-2

No.	Part Number	Description	Qty					I.C	Remark
			A	B	C	D	E		
1	U3215-16303	DIFF. GEAR CASE ASSY, FR	1						
2	T4620-43122	CASE, DIFFERENTIAL FR	1						
3	U3215-16311	GEAR, 34BEVEL	1						
4	T4520-43182	PIN, PARALLEL	1						
5	U3215-16161	BOLT, UBS	6						
6	T4520-43111	SHAFT, DIFFERENTIAL PINION	1						
7	T4520-43171	PIN, PARALLEL	1						
8	T4682-43132	PINION, DIFFERENTIAL	2						
9	T4520-43151	WASHER, DIFF PINION	2						
10	U3215-16141	GEAR, DIFF. SIDE	2						
11	T4520-43071	SHIM, 0.8	2						T0.8
12	T4520-43081	SHIM, 1.0	2						T1.0
13	T4520-43091	SHIM, 1.2	2						T1.2
14	T4520-42421	BALL BEARING	2						6010SH
15	T4520-43011	SHIM, 0.1	1						T0.1
16	T4520-43021	SHIM, 0.2	1						T0.2
17	T4520-43031	SHIM, 0.4	1						T0.4
18	T4520-43041	SHIM, 0.8	1						T0.8

----> Old replace New
 <----> Interchangeable

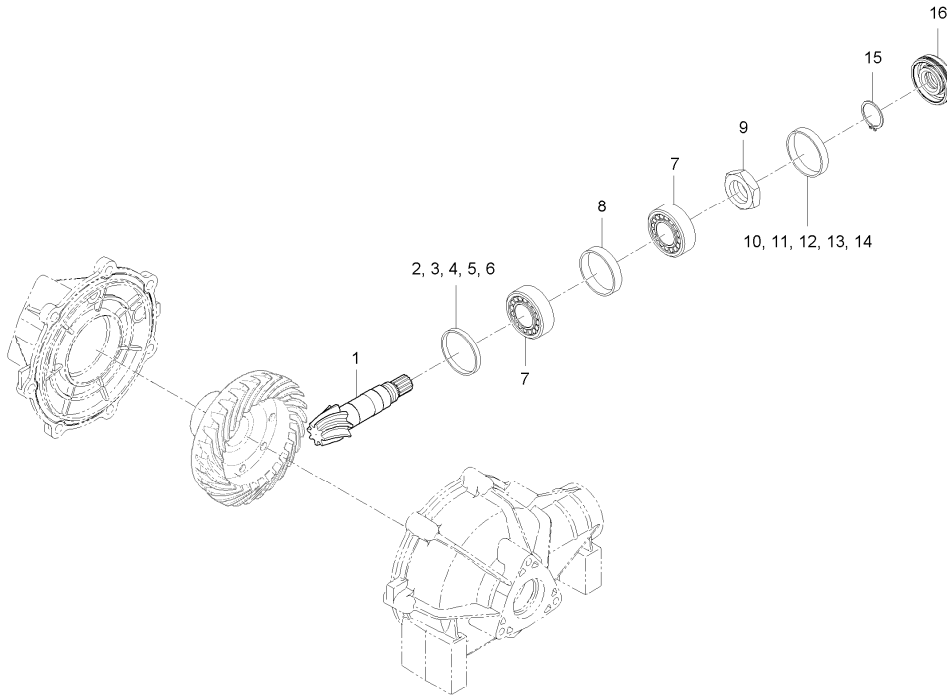
<---- New replace Old
 <-O-> Interchangeable with another part(s)

<-X-> Not interchangeable

FRONT AXLE

UD2-G132001

BEVEL PINION SHAFT GROUP



A : 1600XDR-2

No.	Part Number	Description	Qty					I.C	Remark
			A	B	C	D	E		
1	U3215-16211	BEVEL PINION SHAFT 8	1						
2	T2350-42451	COLLAR, AXLE ADJUSTING FR	1						DIA54*T4
3	T2350-42461	COLLAR, AXLE ADJUSTING FR	1						DIA54*T4
4	T2350-42471	COLLAR, AXLE ADJUSTING FR	1						DIA54*T4
5	T2350-42481	COLLAR, AXLE ADJUSTING FR	1						DIA54*T4
6	T2350-42491	COLLAR, AXLE ADJUSTING FR	1						DIA54*T4
7	08711-30205	TAPER ROLLER BEARING	2						#30205
8	T2350-42751	SPACER, 1 FR AXLE	1						DIA54*T4
9	T2350-25361	NUT, 24	1						HEX36
10	T2350-42761	COLLAR 2, AXLE ADJUSTING FR	1						DIA54*T4
11	T2350-42771	COLLAR 2, AXLE ADJUSTING FR	1						DIA54XT4
12	T2350-42781	COLLAR 2, AXLE ADJUSTING FR	1						DIA54XT4
13	T2350-42791	COLLAR 2, AXLE ADJUSTING FR	1						DIA54XT4
14	T2350-42801	COLLAR 2, AXLE ADJUSTING FR	1						DIA54XT4
15	04611-00520	SNAP RING	1						
16	38440-4424-1	SEAL, OIL	1						

----> Old replace New
<----> Interchangeable

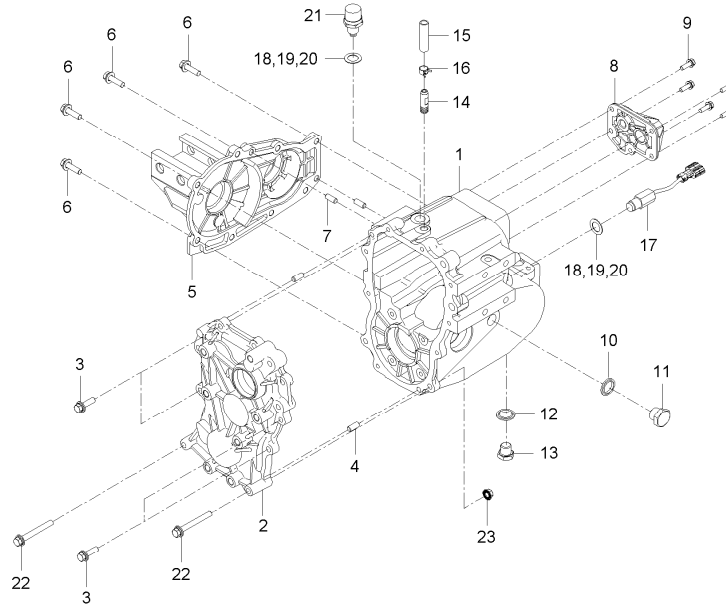
<---- New replace Old
<-O-> Interchangeable with another part(s)

<-X-> Not interchangeable

TRANSMISSION

UD2-G111001

TRANSMISSION CASE GROUP



A : 1600XDR-2

No.	Part Number	Description	Qty					I.C	Remark
			A	B	C	D	E		
1	UD21-0010B		1						
2	UD21-0001A	COVER, T/M CASE	1						
3	01125-50830	BOLT, WASHER	8						M8*P1.25
4	05012-00818	PIN, PARALLEL	2						
5	UD21-0002A	COVER, 4WD	1						
6	01125-50830	BOLT, WASHER	8						M8*P1.25
7	05012-00818	PIN, PARALLEL	2						
8	U3215-11801	COVER, SHIFT	1						
9	01025-50620	BOLT, WASHER	5						M6*P1.0
10	04717-02000	WASHER, SEAL	1						
11	06331-35020	PLUG	1						
12	04717-01600	WASHER, SEAL	1						
13	06331-35016	PLUG	1						HEX22*25,M 16*P1.5
14	U3215-16601	CONNECTOR, AIR BREATHER	1						
15	U3215-16614	HOSE,OVERFLOW	1						-
16	14911-4275-1	CLIP, TUBE	1						T0.8*#12
17	U3215-04931	PICK UP SENSOR	1						
18	T4682-43561	COLLAR 1.8T, ADJUSTING	2						T0.8

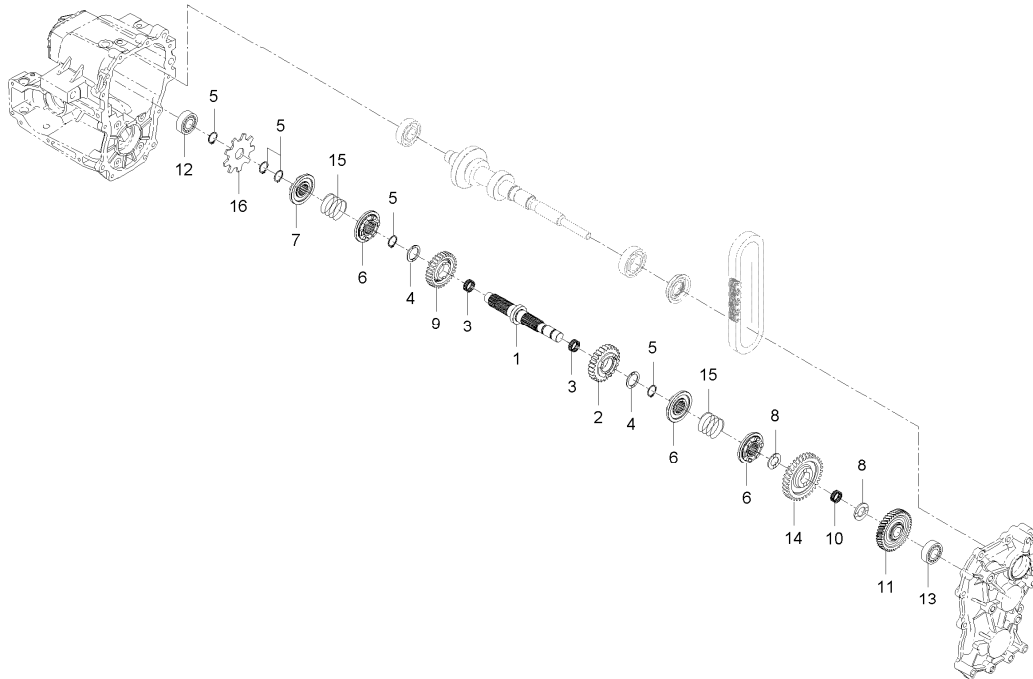
----> Old replace New
<----> Interchangeable

<---- New replace Old
<-O-> Interchangeable with another part(s)

<-X-> Not interchangeable

UD2-G113001

RANGE SHAFT GROUP



A : 1600XDR-2

No.	Part Number	Description	Qty					I.C	Remark
			A	B	C	D	E		
1	UD21-0014A	SHAFT, SHIFT	1						
2	U3215-12221	SPROCKET, 26T	1						
3	08822-52913	BEARING, NIDDLE	2						
4	U3215-12231	COLLAR, THRUST	2						
5	04612-00240	SNAP RING	5						
6	U3215-12244	CLUTCH DOG	3						
7	U3215-12263	CLUTCH DOG	1						
8	T2305-25241	COLLAR, THRUST	2						T2
9	UD21-0016A	GEAR-29	1						
10	08822-02413	BEARING, NIDDLE	1						내경DIA20
11	UD21-0007A	GEAR-50	1						
12	08101-06204	BALL BEARING	1						#6204
13	C7130-23471	BALL BEARING	1						# 6204 R
14	UD21-0008A	GEAR-33	1						
15	U3215-12313	SPRING CLUTCH	2						
16	UD21-0013A	PLATE, SENSOR OPERATION	1						

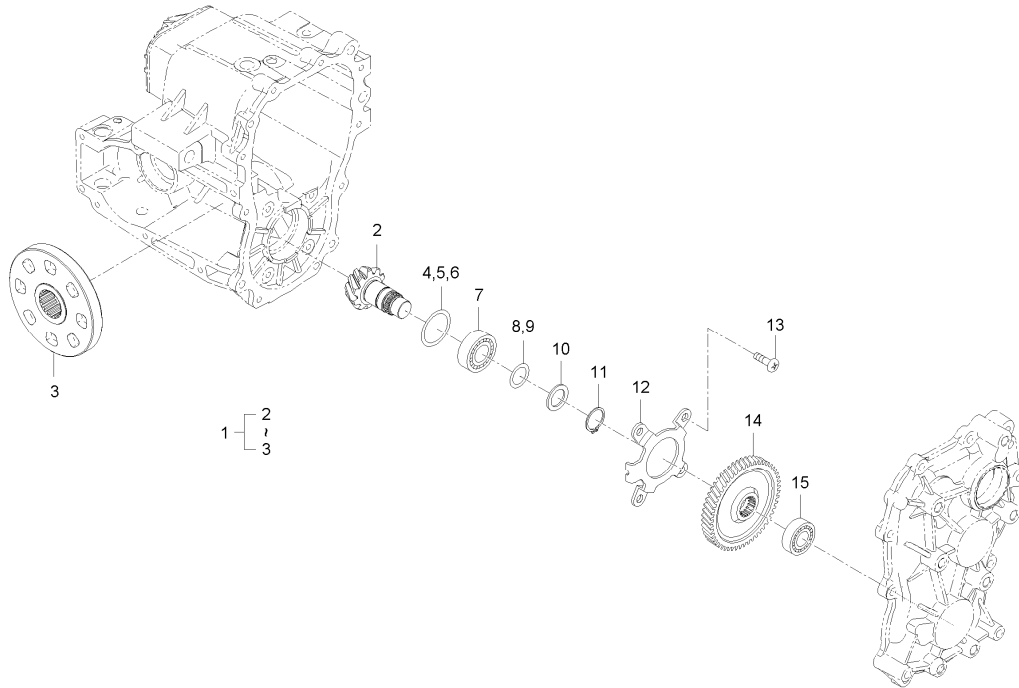
----> Old replace New
 <----> Interchangeable

<---- New replace Old
 <-O-> Interchangeable with another part(s)

<-X-> Not interchangeable

UD2-G114001

SPRIAL BEVEL GEAR GROUP



A : 1600XDR-2

No.	Part Number	Description	Qty					I.C	Remark
			A	B	C	D	E		
1	U3215-12402	SPIRAL BEVEL GEAR ASSY	1						
2	U3215-12411	SHAFT, 10 BEVEL PINION	1						
3	U3215-12422	BEVEL GEAR, 31	1						
4	K5400-14572	SHIM	1						T0.1
5	K5400-14582	SHIM	1						T0.2
6	K5400-14592	SHIM	1						T0.5
7	T2610-22661	BALL BEARING	1						#6305R
8	T2185-21661	SHIM, 0.1	1						
9	T2185-21671	SHIM, 0.2	1						
10	34150-2156-1	COLLAR	1						T2*42*42
11	38430-2155-1	SNAP RING	1						
12	U3215-12452	WINNOW BEARING HOLDER	1						
13	U3215-12461	BOLT	4						
14	UD21-0009A	GEAR-48	1						
15	U3210-06204	BALL BEARING	1						6204

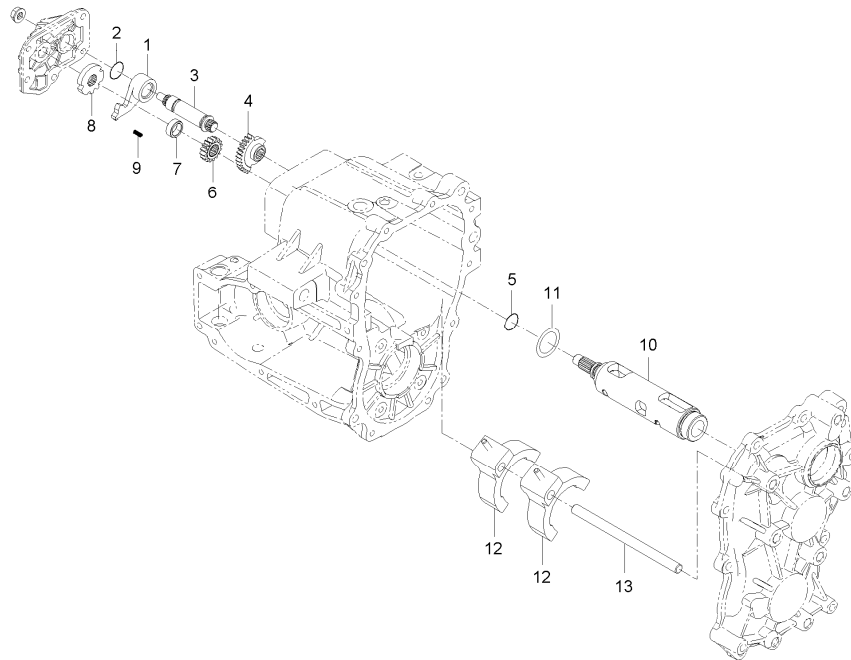
----> Old replace New
 <----> Interchangeable

<---- New replace Old
 <-O-> Interchangeable with another part(s)

<-X-> Not interchangeable

UD2-G117001

SHIFT FORK GROUP



A : 1600XDR-2

No.	Part Number	Description	Qty					I.C	Remark
			A	B	C	D	E		
1	U3215-17211	ARM, LOCK	1						
2	04811-00120	O RING	1						
3	U3215-17232	SHAFT	1						
4	U3215-17251	GEAR 33	1						
5	04811-00150	O RING	1						
6	U3215-17421	GEAR 16	1						
7	U3215-17431	SPACER	1						
8	UD21-0011A	DISC, SHIFT	1						
9	UE11-0029A	SPRING	1						
10	UD21-0012A	GUIDE, SHIFT	1						
11	U3215-18221	SHIM 0.10	1						
12	U3215-18314	FORK	2						
13	U3215-18351	ROD, FORK	1						

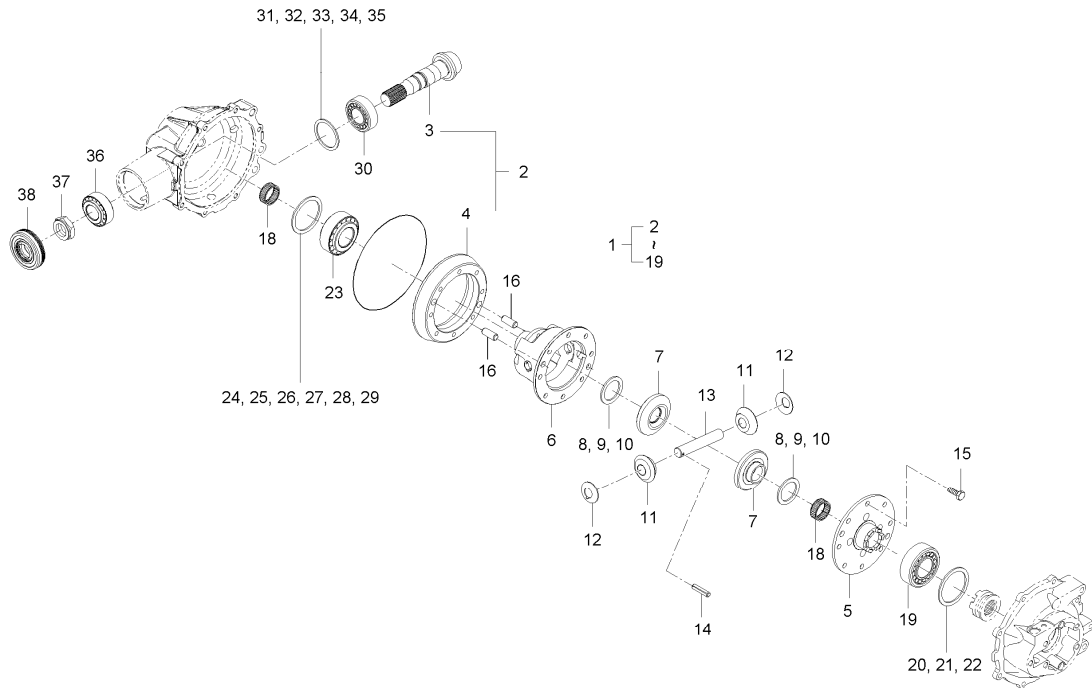
----> Old replace New
 <----> Interchangeable

<---- New replace Old
 <-O-> Interchangeable with another part(s)

<-X-> Not interchangeable

UD2-G121001

REAR DIFFERENTIAL GROUP



A : 1600XDR-2

No.	Part Number	Description	Qty					I.C	Remark
			A	B	C	D	E		
1	U3215-14104	ASSY DIFFERENTIAL	1						
2	U3215-14111	SPIRAL BEVEL GEAR ASSY	1						
3	U3215-14211	PINION, SPIRAL BEVEL	1						
4	U3215-14311	GEAR 37, BEVEL	1						
5	U3215-14122	COVER, DIFFERENTIAL CASE	1						
6	U3215-14132	CASE, DIFFERENTIAL	1						
7	U3215-14171	GEAR, DIFF. SIDE	2						
8	38240-2647-2	WASHER, DIFF.3	99						T1.7
9	37300-2648-1	WASHER 1, DIFF	99						T1.5
10	37300-2649-1	WASHER 2, DIFF	99						T1.6
11	T2240-26355	PINION, DIFFERENTIAL	2						
12	31220-2639-2	WASHER, DIFF PINION	2						T1.5
13	U3215-14201	SHAFT, PINION	1						
14	05411-00430	PIN, SPRING	1						DIA4*30
15	37800-4387-1	BOLT	6						HEX14
16	37300-2817-2	PIN, PARALLEL	2						
17	08812-83520	BEARING, NIDDLE	1						
18	08812-83520	BEARING, NIDDLE	2						

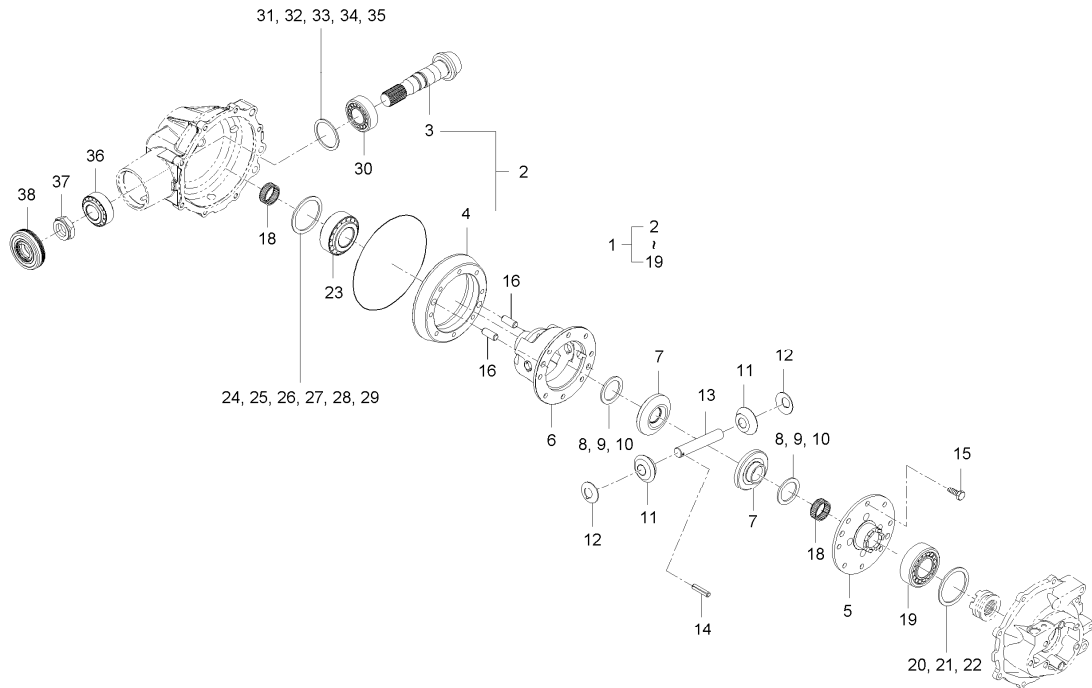
----> Old replace New
 <----> Interchangeable

<---- New replace Old
 <-O-> Interchangeable with another part(s)

<-X-> Not interchangeable

UD2-G121001

REAR DIFFERENTIAL GROUP



17

A : 1600XDR-2

No.	Part Number	Description	Qty					I.C	Remark
			A	B	C	D	E		
19	TG13-0014A	BEARING, TAPER ROLLER	1						32010(일진)
20	T2305-26061	SHIM, 0.1	1						T0.1
21	T2305-26071	SHIM, 0.2	1						T0.2
22	T2305-26081	SHIM, 0.4	1						T0.4
23	T5210-32009	BEARING, TAPE ROLLER	1						32009XJ
24	U3215-14601	SHIM, 0.1	1						
25	U3215-14611	SHIM 0.2	1						
26	U3215-14621	SHIM, 0.4	1						
27	U3215-14631	SHIM	1						
28	U3215-14641	SHIM	1						
29	U3215-14651	SHIM, 1.2	1						
30	38630-4329-2	BEARING, TAPER ROLLER	1						32207J
31	T2185-43861	SHIM, 0.6	1						
32	T2185-43871	SHIM, 0.8	1						
33	T2185-43881	SHIM, 1.0	1						
34	T2185-43891	SHIM, 1.2	1						
35	T2185-43901	SHIM, 1.4	1						
36	38630-4329-2	BEARING, TAPER ROLLER	1						32207J

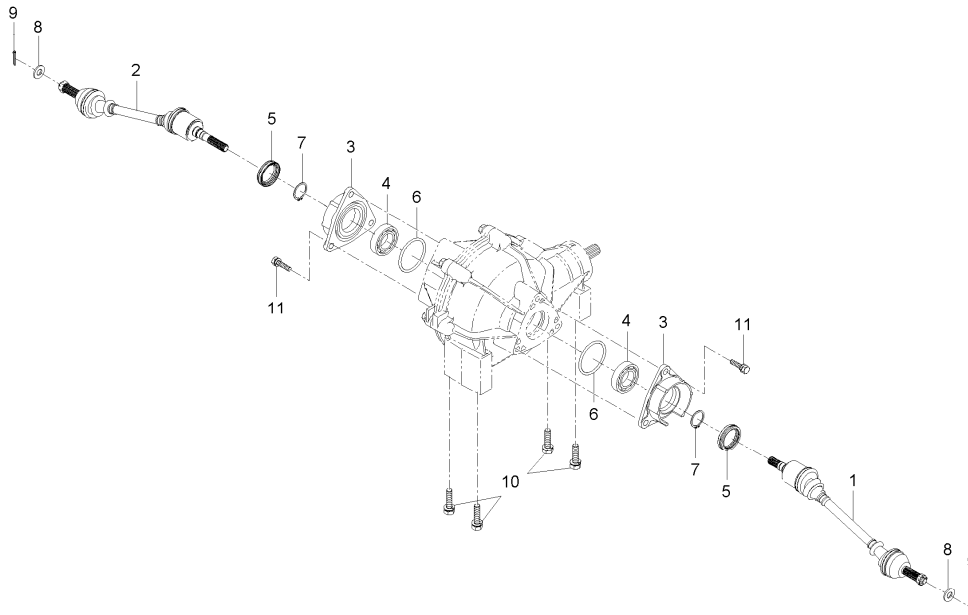
----> Old replace New
 <----> Interchangeable

<---- New replace Old
 <-O-> Interchangeable with another part(s)

<-X-> Not interchangeable

UD2-G160001

4WD CV JOINT GROUP



A : 1600XDR-2

No.	Part Number	Description	Qty					I.C	Remark
			A	B	C	D	E		
1	U3215-19002	Front Drive Shaft_LH	1						
2	U3215-19062	Front Drive Shaft_RH	1						
3	U3210-19041	HOLDER, BEARING	2						
4	08101-06005	BALL BEARING	2						#6005
5	U3215-16411	OIL SEAL(30*40*8)	2						
6	04811-50600	O RING	2						
7	04612-00250	SNAP RING	2						
8	04013-50180	WASHER, PLAIN	2						M18
9	05511-50435	PIN, SPLIT	2						DIA4
10	01135-51025	BOLT	4						M8*1.25
11	01125-50820	BOLT, WASHER	6						M8*P1.25

----> Old replace New
 <----> Interchangeable

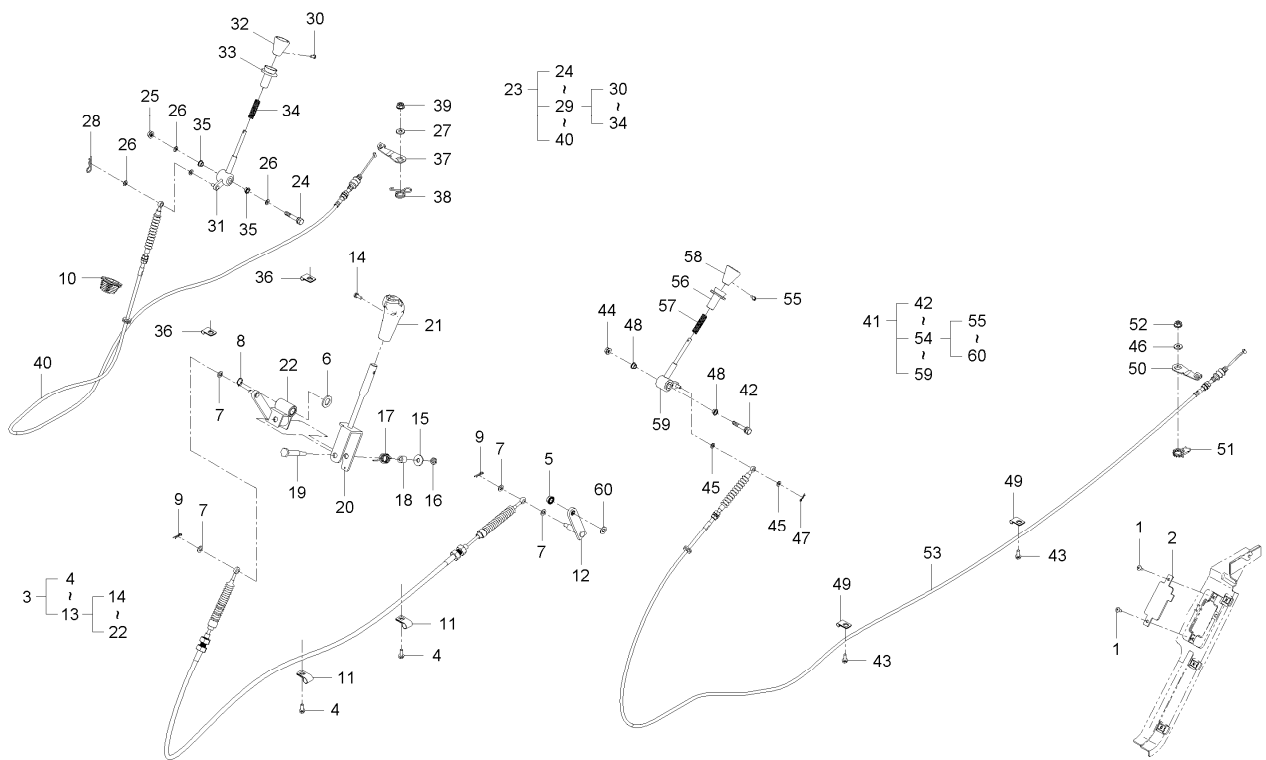
<---- New replace Old
 <-O-> Interchangeable with another part(s)

<-X-> Not interchangeable

CHASSIS

UD2-G210001

LEVER GROUP(CVT)



A : 1600XDR-2

No.	Part Number	Description	Qty					I.C	Remark
			A	B	C	D	E		
1	U3215-81552	Screw (Black)	2						M6
2	UD22-1021A	HYD LEVER COVER(STD)	1						T3.5
3	UD22-10AAA	GEAR SELECT ASSY, COMPLETE	1						
4	01754-50616	BOLT, FLANGE	2						M6*P1.0
5	02783-50100	FLANGE NUT	1						M10XP1.25
6	04011-50160	WASHER	1						M16
7	04012-50080	WASHER	4						DIA18*T1.2
8	04612-00160	SNAP RING	1						
9	05525-50800	PIN, SNAP	2						
10	T4125-65571	BOOT	1						T0.6
11	U3210-64371	CLAMP	2						N
12	U3210-64391	Shift Lever Assy-Gear Selector	1						N
13	UD22-10CAA	GEAR SELECT ASSY	1						-
14	03004-50616	SCREW, WASHER	1						M6*1.0*16
15	04015-50080	PLAIN WASHER	1						T2.6
16	41011-5151-4	U-NUT	1						
17	U3210-64221	Spring-Shift Lever Return	1						
18	U3210-64281	Spacer-Select	1						

----> Old replace New
 <----> Interchangeable

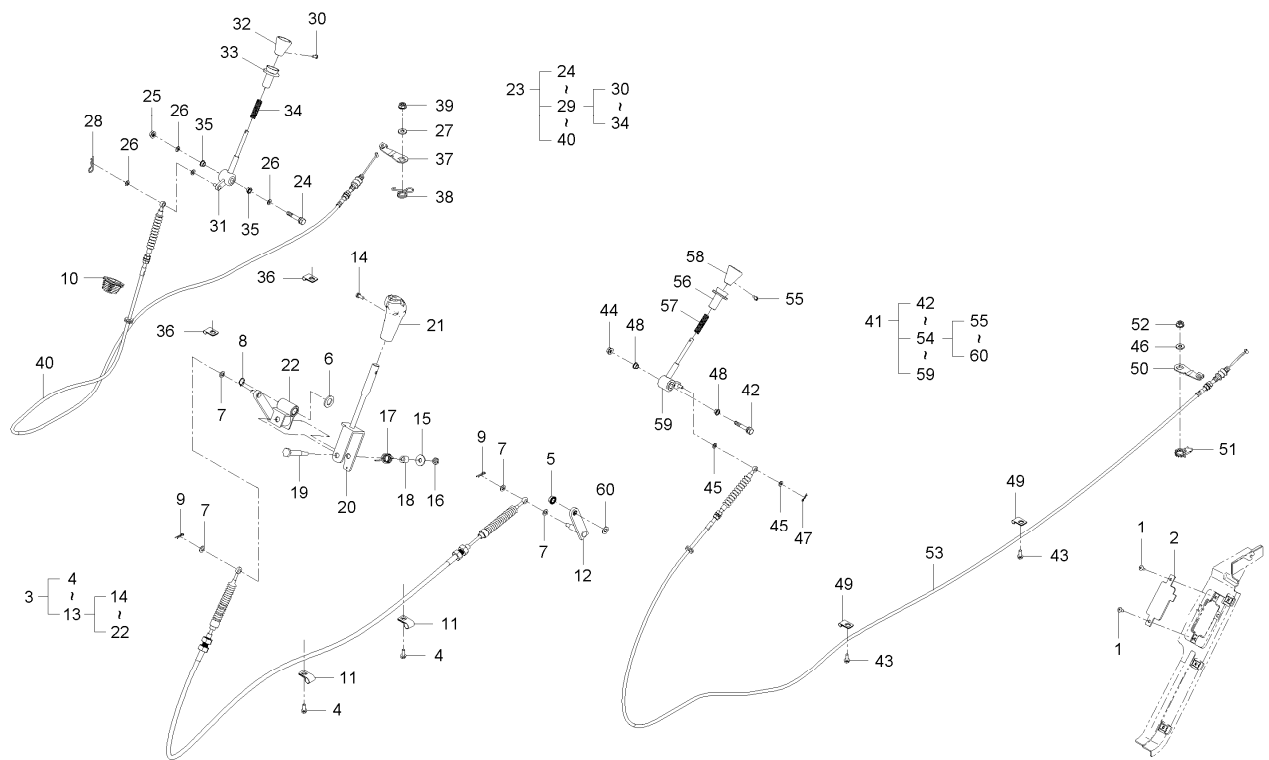
<---- New replace Old
 <-O-> Interchangeable with another part(s)

<-X-> Not interchangeable

CHASSIS

UD2-G210001

LEVER GROUP(CVT)



A : 1600XDR-2

No.	Part Number	Description	Qty					I.C	Remark
			A	B	C	D	E		
19	UD22-1004A	BOLT, ARM SELECTOR	1						-
20	UD22-10EAA	BRACKET ASSY_GEAR SELECTOR	1						-
21	UD22-10EEA	GEAR SHIFT GRIP	1						
22	UD22-10EFA	ARM SELECT ASSY	1						
23	UD22-10ACA	4WD LEVER ASSY, COMPLETE	1						
24	01153-50855	BOLT	1						HEX12.M8P 1.25
25	02763-50080	FLANGE NUT	1						M8XP1.25
26	04013-50060	PLAIN WASHER	4						M6
27	04014-50100	PLAIN WASHER	1						M10
28	05525-50600	PIN, SNAP	1						DIA1.2
29	U3210-64412	SHIFTER ASSY-4WD	1						-
30	03054-50512	SCREW	1						M5*0.8
31	U3210-64432	LEVER ASSY-4WD	1						-
32	U3210-64461	Knob-Shifter	1						N
33	U3210-64481	Pipe-Lock, Lever	1						
34	U3210-64491	Spring-Rod	1						N
35	U3210-64511	BUSHING	2						N
36	U3210-64551	CLAMP	2						N

----> Old replace New
<----> Interchangeable

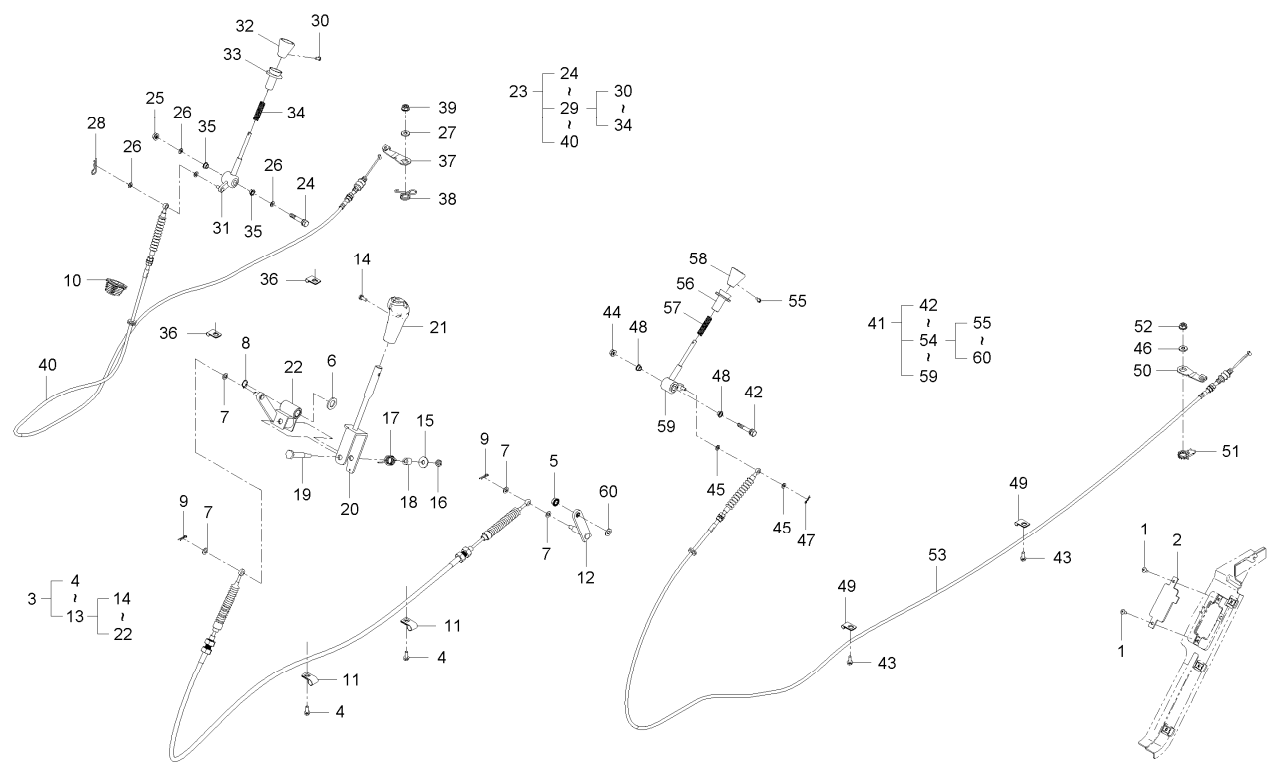
<---- New replace Old
<-O-> Interchangeable with another part(s)

<-X-> Not interchangeable

CHASSIS

UD2-G210001

LEVER GROUP(CVT)



A : 1600XDR-2

No.	Part Number	Description	Qty					I.C	Remark
			A	B	C	D	E		
37	U3210-64571	LEVER, 4WD	1						2.4T
38	U3210-64591	SPRING	1						N
39	U3215-50801	NUT, LOCK	1						
40	UD22-10CCA	4WD CABLE ASSY	1						
41	UD22-10AEA	SELECTOR COMPLETE DIFF ASSY	1						-
42	01153-50855	BOLT	1						HEX12.M8P 1.25
43	01754-50616	BOLT, FLANGE	2						M6*P1.0
44	02763-50080	FLANGE NUT	1						M8XP1.25
45	04013-50060	PLAIN WASHER	2						M6
46	04014-50100	PLAIN WASHER	1						M10
47	05525-50600	PIN, SNAP	1						DIA1.2
48	U3210-64511	BUSHING	2						N
49	U3210-64551	CLAMP	2						N
50	U3210-64711	LEVER, DIFF.	1						2.4t
51	U3210-64731	SPRING	1						N
52	U3215-50801	NUT, LOCK	1						
53	UD22-10CDB	DIFF CABLE ASSY	1						
54	UD22-10CEA	DIFF LEVER ASSY	1						

----> Old replace New
<----> Interchangeable

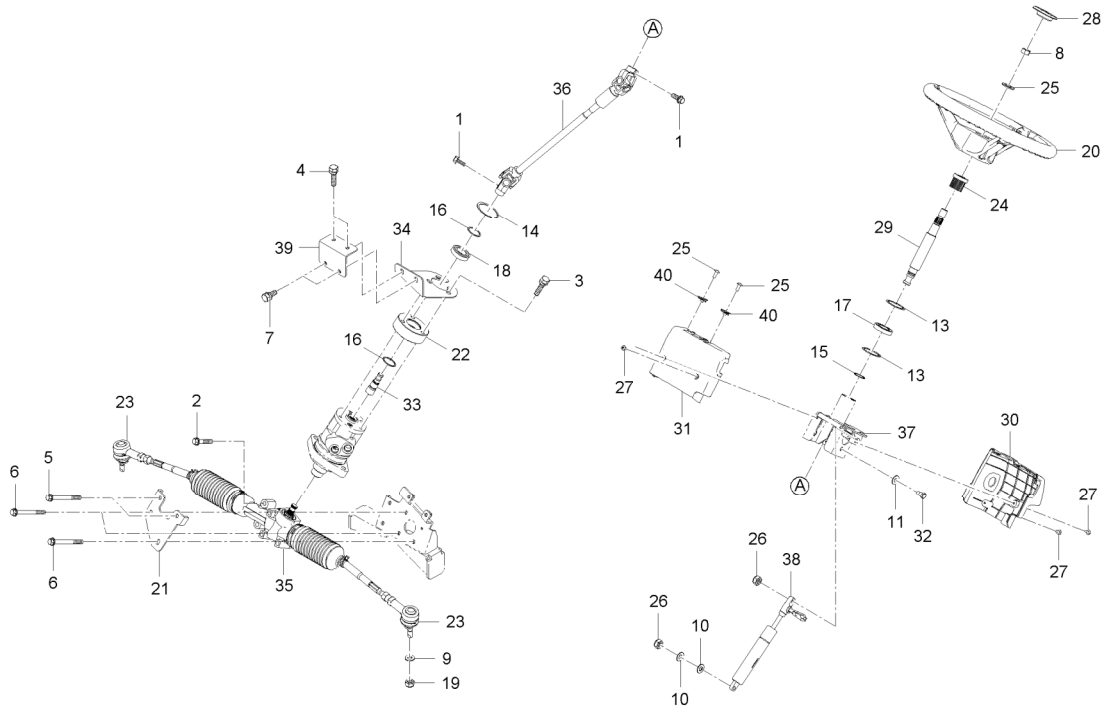
<---- New replace Old
<-O-> Interchangeable with another part(s)

<-X-> Not interchangeable

CHASSIS

UD2-G220003

STEERING GROUP(EZGO)



A : 1600XDR-2

No.	Part Number	Description	Qty					I.C	Remark
			A	B	C	D	E		
1	01123-50825	BOLT WITH WASHER	2						M8*P1.25
2	01125-50820	BOLT, WASHER	2						M8*P1.25
3	01125-50840	BOLT, WASHER	3						
4	01125-50855	BOLT	2						
5	01125-50870	BOLT, WASHER	2						
6	01125-50895	BOLT	3						
7	01754-50818	FLANGE BOLT	2						
8	02176-50120	NUT	1						M12XP1.25
9	04011-50100	WASHER, PLAIN	2						M10
10	04013-50080	PLAIN WASHER 1/4 v	2						M8
11	04013-50100	PLAIN WASHER v	2						M10
12	04512-50120	SPRING WASHER	1						M12
13	04611-00320	CLIP v	2						
14	04611-00400	CIR CLIP, INTERNAL	1						
15	04612-00150	CIR CLIP, EXTERNAL	1						
16	04612-00170	CIR-CLIP	2						
17	08141-06002	BALL BEARING	1						#6002DD
18	08141-06203	BEARING, BALL	1						6203DD

----> Old replace New
 <----> Interchangeable

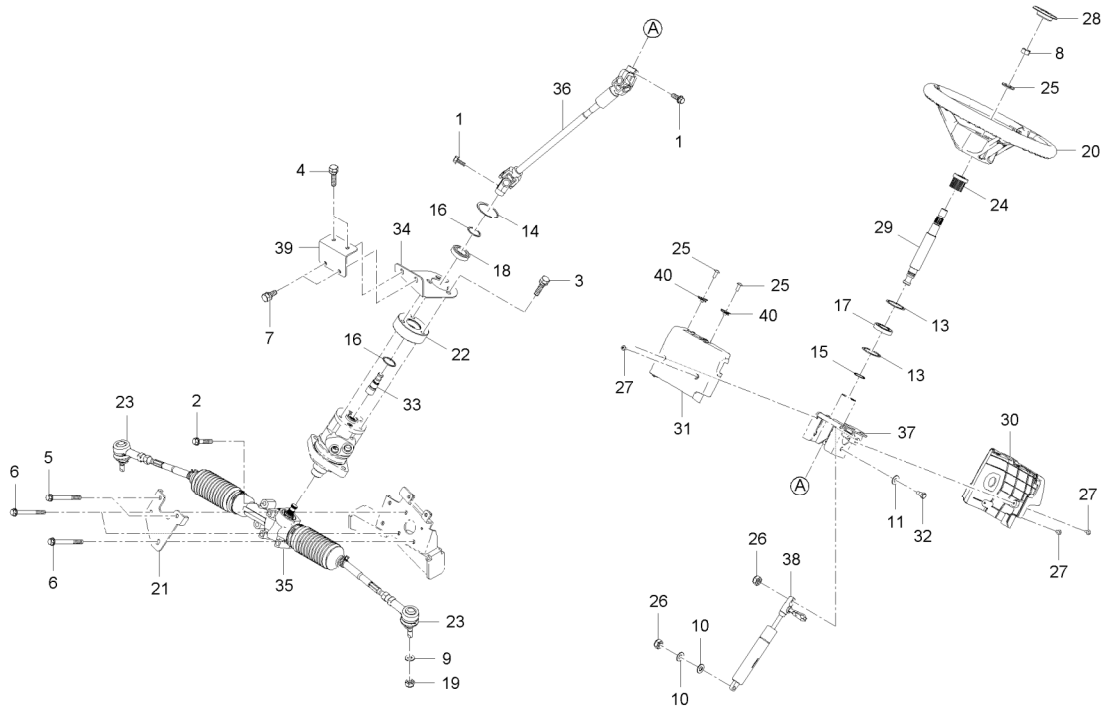
<---- New replace Old
 <-O-> Interchangeable with another part(s)

<-X-> Not interchangeable

CHASSIS

UD2-G220003

STEERING GROUP(EZGO)



A : 1600XDR-2

No.	Part Number	Description	Qty					I.C	Remark
			A	B	C	D	E		
19	41182-5151-1	NUT, REMOVE CHECK v	2						DIA10
20	T2555-55462	STEERING WHEEL v	1						-
21	U3210-59152	STEERING BRKT,FRONT	1						
22	U3210-59442	Bearing Holder	1						
23	U3215-58252	TIE ROD END ASSY	2						
23	U3215-58253		1					<----->	-
24	U3215-59031	CUSHION, RUBBER	1						
25	U3215-81552	Screw Black v	2						M6
26	U3215-96201	Nut, Nylon	2						M6, P1.0
27	U3215-96502	Screw_Meter Cluster Tapping, Black	4						M5x16 (Tapping Scr
28	U3235-55462	CAP.HANDLE	1						
29	UD22-2005A	STEERING SHAFT WHEEL	1						-
30	UD22-2012A	STEERING COVER,LWR	1						T2.5
31	UD22-2013A	STEERING COVER,UPR	1						T2.5
32	UD22-2015A	BOLT	2						M8xP1.25
33	UD22-2019B	STEERING SHAFT	1						
34	UD22-2023A	BRKT, HOLDER BEARING	1						T3.2
35	UD22-20AAA	GEAR BOX ASSY, STEERING	1						

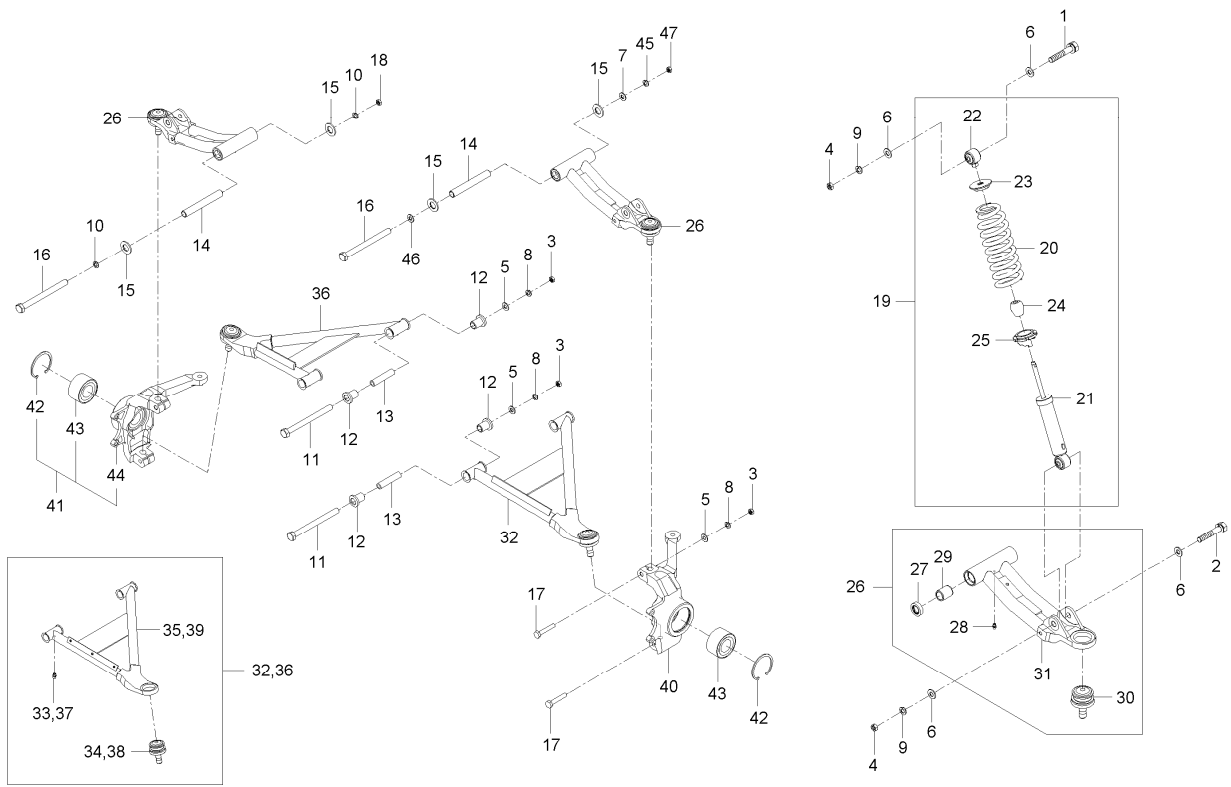
----> Old replace New
<----> Interchangeable

<---- New replace Old
<-O-> Interchangeable with another part(s)

<-X-> Not interchangeable

CHASSIS

UD2-G250001 FRONT SUSPENSION GROUP(CVT)



A : 1600XDR-2

No.	Part Number	Description	Qty					I.C	Remark
			A	B	C	D	E		
1	01133-51270	BOLT, WASHER	2						M12*1.25
2	01133-51280	BOLT, WASHER	2						M12*1.25
3	02176-50100	NUT	8						M10XP1.25
4	02176-50120	Hex Head Nut	4						M12XP1.25
5	04013-50100	PLAIN WASHER	9						M10
6	04013-50120	PLAIN WASHER	9						M12
7	04013-50140	Plain Washer	1						M14
8	04512-50100	SPRING WASHER	8						M10
9	04512-50120	SPRING WASHER	4						M12
10	04512-50140	Spring Washer	2						
11	U3210-50511	BOLT	4						M10x1.25P
12	U3215-52203	BUSHING-ARM	8						-
13	U3215-52301	BUSH	4						-
14	UD22-5004A	ARM PIPE BUSH UPR, INNER	2						
15	UD22-5005A	UPR ARM SPACER	4						OD30 X T3.0
16	UD22-5027A	BOLT(STRUT UPR ARM)	2						
17	UD22-5033A	BOLT	4						M10x1.25x5 6
18	UD22-5037A		1						

----> Old replace New
 <----> Interchangeable

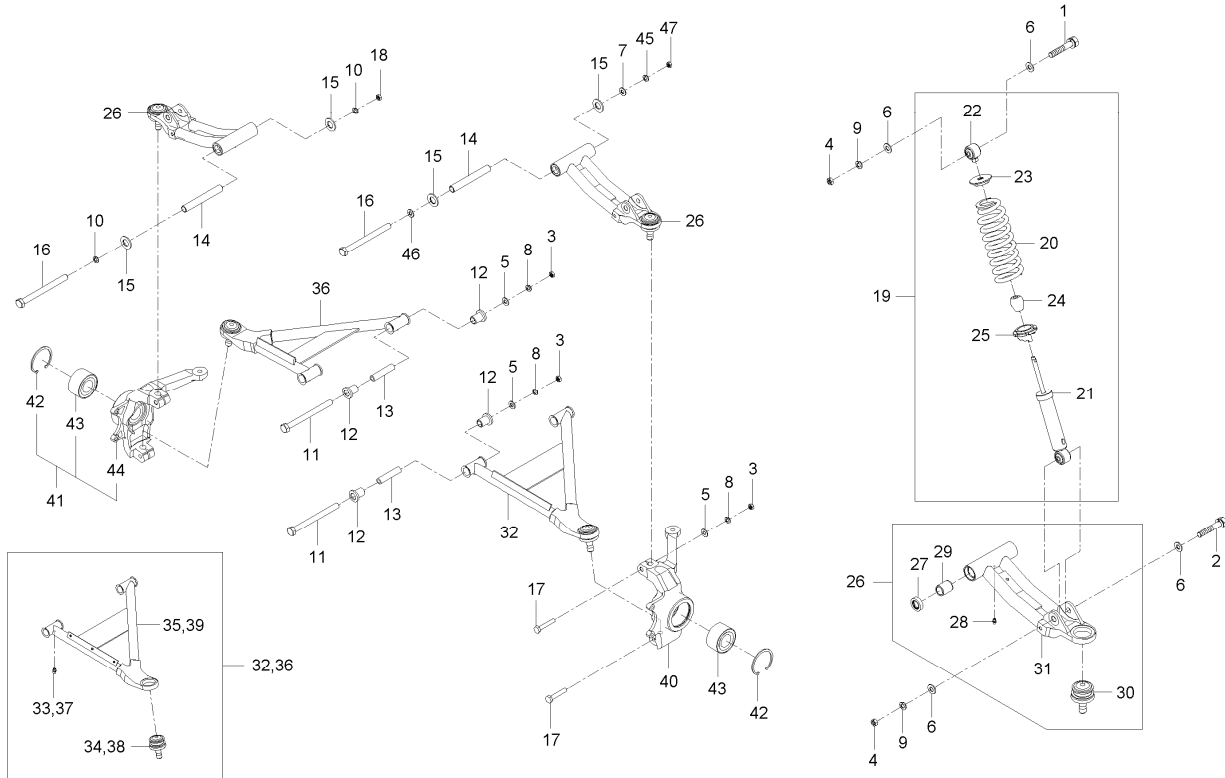
<---- New replace Old
 <-O-> Interchangeable with another part(s)

<-X-> Not interchangeable

CHASSIS

UD2-G250001

FRONT SUSPENSION GROUP(CVT)



A : 1600XDR-2

No.	Part Number	Description	Qty					I.C	Remark
			A	B	C	D	E		
19	UD22-50AAB	STRUT ASSY	2						
20	UD22-5022B	COIL SPRING, FRT	1						
21	UD22-50CAB	STRUT ASSY COMPLETE, FRT	1						
22	UD22-50EDA	SHOCK UPR BUSH ASSY, FRT	1						
23	UD22-5024A	SPRING SEAT, UPR	1						
24	UD22-5025A	BUMPER STOPPER	1						
25	UD22-5023A	SPRING SEAT, LWR	1						
26	UD22-50ABA	ARM ASSY UPR, FRT	2						
27	09500-18308	SEAL, OIL	2						TC18308
28	U3210-52201	NIPPLE	1						M6XP1.0
29	UD22-5007A	UPR ARM METAL BUSH	2						OD 24 X ID 18
30	UD22-5013A	BALL JOINT	1						
31	UD22-50CEA	UPR ARM KNUCKLE ASSY	1						
32	UD22-50ACB	ARM ASSY LWR, LH	1						
33	U3210-52201	NIPPLE	2						M6XP1.0
34	UD22-5013A	BALL JOINT	1						
35	UD22-50CBB	LWR ARM ASSY-LH	1						
36	UD22-50ADB	ARM ASSY LWR, RH	1						

----> Old replace New
<----> Interchangeable

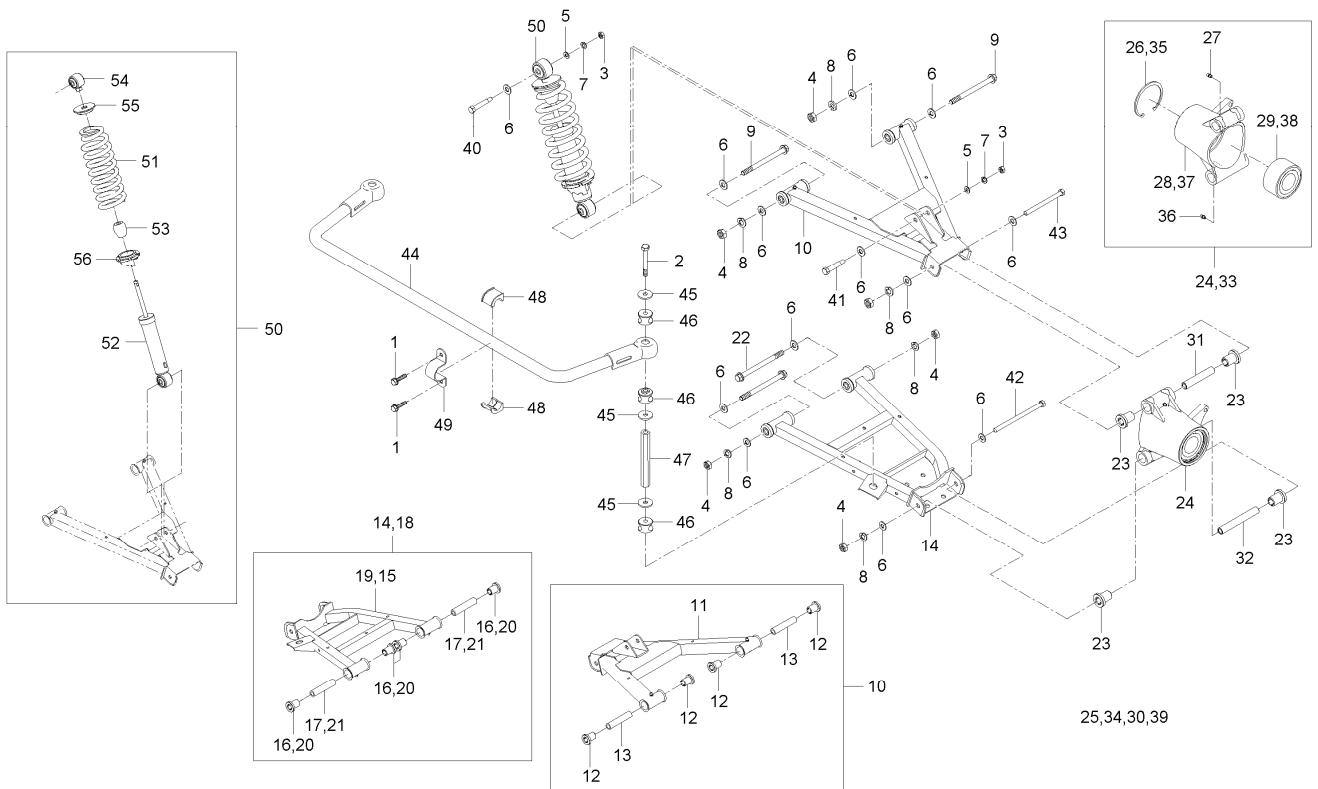
<---- New replace Old
<-O-> Interchangeable with another part(s)

<-X-> Not interchangeable

CHASSIS

UD2-G270001

REAR SUSPENSION GROUP



A : 1600XDR-2

No.	Part Number	Description	Qty					I.C	Remark
			A	B	C	D	E		
1	01125-50820	BOLT, WASHER	4						M8*P1.25
2	01176-51070	BOLT	4						M10*1.25
3	02156-50080	NUT	4						M8XP1.25
4	02176-50100	NUT	12						M10XP1.25
5	04013-50080	Plain washer	4						M8
6	04013-50100	PLAIN WASHER	26						M10
7	04512-50080	SPRING WASHER	4						M08
8	04512-50100	SPRING WASHER	12						M10
9	U3210-50511	BOLT	6						M10x1.25P
10	U3210-54003	ARM ASSY 1,UPR RR	2						-
11	U3210-54102	Arm Assy-Upr-RR	1						-
12	U3215-52203	BUSHING-ARM	4						-
13	U3215-52301	BUSH	2						-
14	U3210-55006	Arm Assy 1-Lwr-RR-LH	1						-
15	U3210-55105	Arm Assy-Lwr-RR-LH	1						-
16	U3215-52203	BUSHING-ARM	4						-
17	U3215-52301	BUSH	2						-
18	U3210-55506	Arm Assy 1-Lwr-RR-RH	1						-

----> Old replace New
 <----> Interchangeable

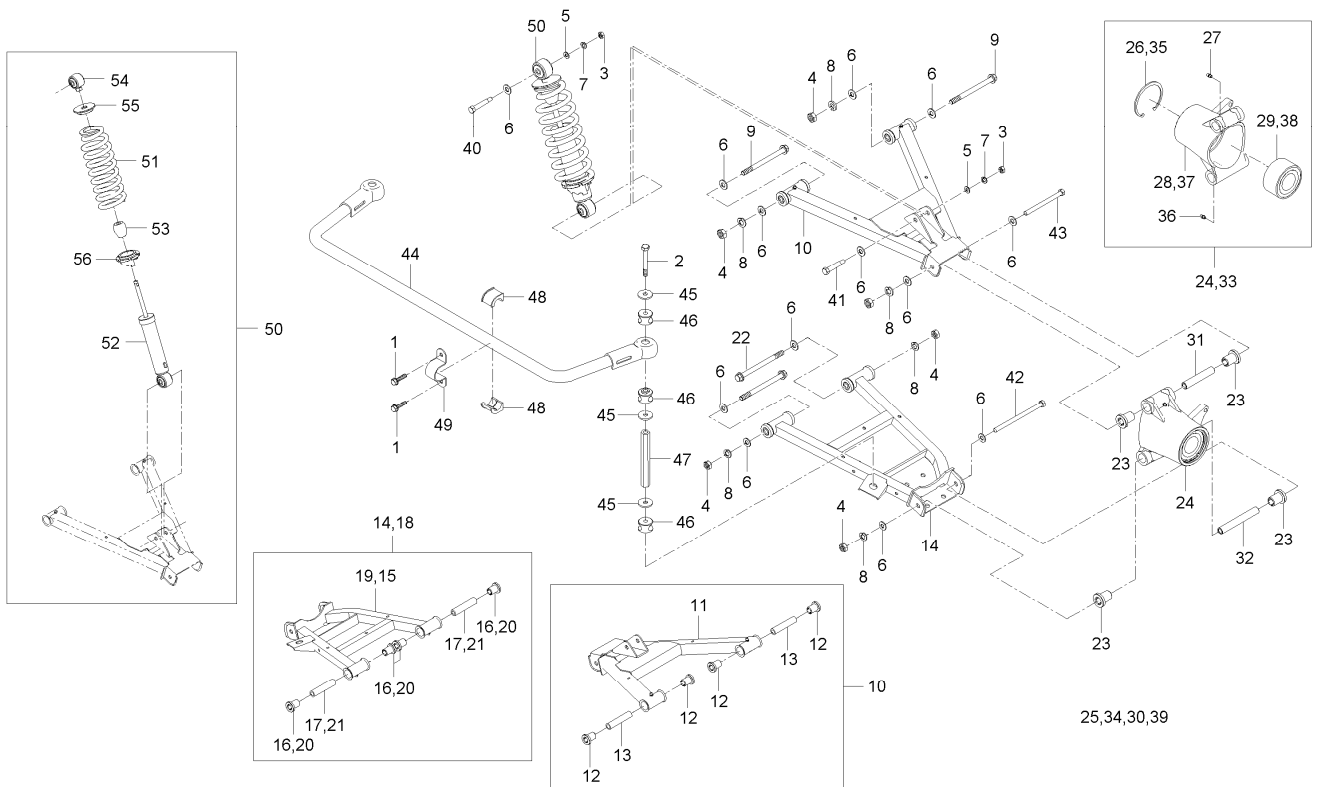
<---- New replace Old
 <-O-> Interchangeable with another part(s)

<-X-> Not interchangeable

CHASSIS

UD2-G270001

REAR SUSPENSION GROUP



A : 1600XDR-2

No.	Part Number	Description	Qty					I.C	Remark
			A	B	C	D	E		
19	U3210-55605	Arm Assy-Lwr-RR-RH	1						
20	U3215-52203	BUSHING-ARM	4						-
21	U3215-52301	BUSH	2						-
22	U3215-10031	BOLT	2						
23	U3215-52203	BUSHING-ARM	8						-
24	U3215-56008	CARRIER ASSY RR LH	1						
25	04611-00750	SNAP RING	1						
26	04611-00800	SNAP RING	1						
27	U3210-52201	NIPPLE	2						M6XP1.0
28	U3215-56107	Carrier-RR-LH	1						-
29	U3217-56201	HUB BEARING, RR	1						DIA80
30	U3400-26511	HUB BEARING, RR	1						
31	U3215-56301	TUBE, CARRIER UPR	2						
32	U3215-56401	TUBE, CARRIER LOW	2						
33	U3215-56508	CARRIER ASSY RR RH	1						-
34	04611-00750	SNAP RING	1						
35	04611-00800	SNAP RING	1						
36	U3210-52201	NIPPLE	2						M6XP1.0

----> Old replace New
 <----> Interchangeable

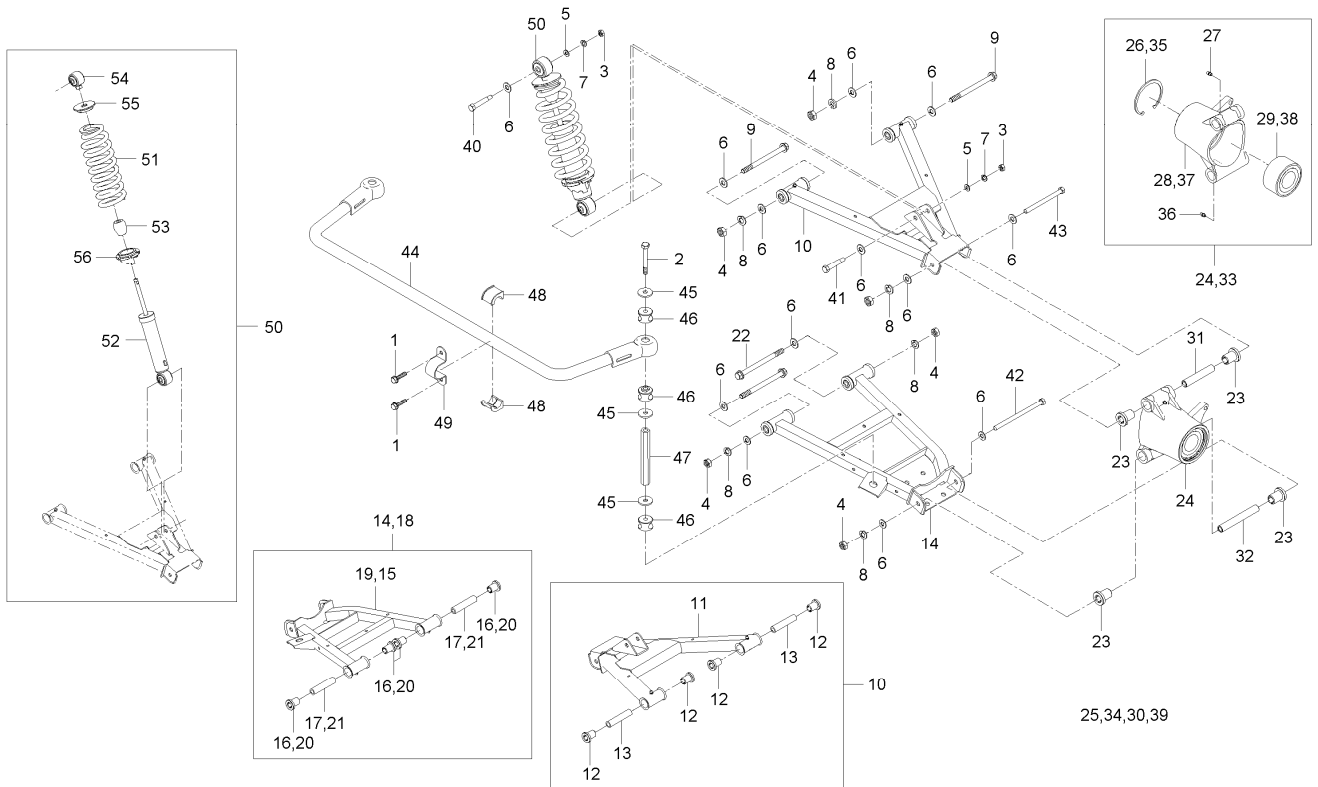
<---- New replace Old
 <-O-> Interchangeable with another part(s)

<-X-> Not interchangeable

CHASSIS

UD2-G270001

REAR SUSPENSION GROUP



A : 1600XDR-2

No.	Part Number	Description	Qty					I.C	Remark
			A	B	C	D	E		
37	U3215-56607	Carrier-RR-RH	1						-
38	U3217-56201	HUB BEARING, RR	1						DIA80
39	U3400-26511	HUB BEARING, RR	1						
40	U3215-56631	REAMER BOLT, SUS UPR, REAR (M8)	2						
41	U3215-56651	REAMER BOLT, SUS LWR, REAR (M8)	2						
42	U3215-56672	BOLT, LWR ARM MTG TO CARRIER (M10X135)	2						
43	U3215-56681	BOLT, UPR ARM MTG TO CARRIER (M10X110)	2						
44	U3215-57103	BAR-STABILIZER	1						N
45	U3215-57211	WASHER, STAB BAR	8						
46	U3215-57221	BUSH, STAB BAR	8						
47	U3215-57231	STAB BAR LINK	2						
48	U3215-57301	BUSHING, STAB BAR MTG.	4						
49	U3215-57401	CLAMP, STAB BAR MTG.	2						
50	UD22-70AAB	STRUT ASSY COMPLETE, RR	1						
51	UD22-7001A	COIL SPRING, RR	1						
52	UD22-70CAB	SHOCK ABSORBER, RR	1						
53	UD22-5025A	BUMPER STOPPER	1						
54	UD22-70ECA	EYE ASSY	1						

----> Old replace New
 <----> Interchangeable

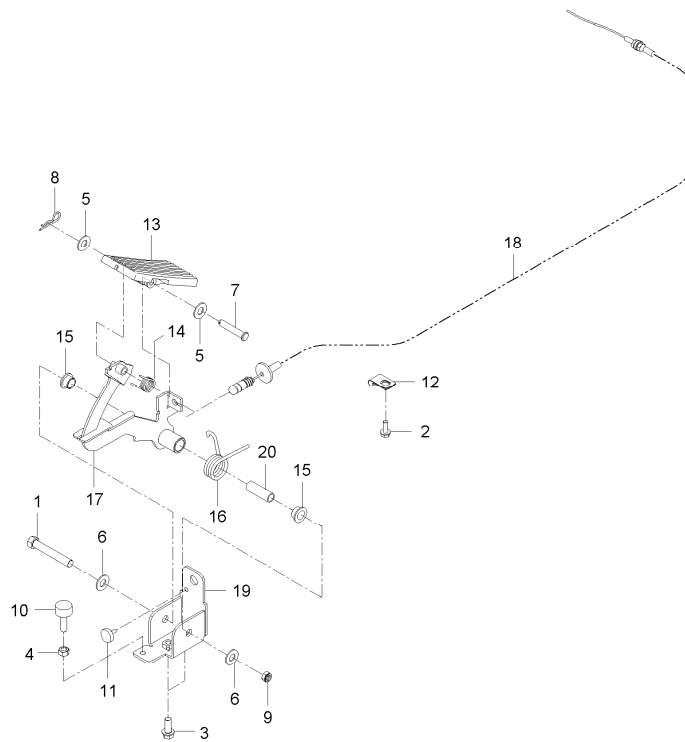
<---- New replace Old
 <-O-> Interchangeable with another part(s)

<-X-> Not interchangeable

CHASSIS

UD2-G300001

ACCELERATOR PEDAL GROUP(CVT)



A : 1600XDR-2

No.	Part Number	Description	Qty					I.C	Remark
			A	B	C	D	E		
1	01173-51065	BOLT	1						M10*P1.25
2	01754-50616	BOLT, FLANGE	1						M6*P1.0
3	01754-50820	FLANGE BOLT	2						M8*P1.25
4	02156-50080	NUT	1						M8XP1.25
5	04012-50080	WASHER	2						DIA18*T1.2
6	04013-50100	PLAIN WASHER	2						M10
7	05122-50845	JOINT PIN	1						
8	05525-50800	PIN, SNAP	1						
9	41182-5151-1	U-NUT	1						DIA10
10	T2350-55881	BOLT, ADJUSTING	1						
11	T2555-55851	RUBBER, CUSHION	1						
12	U3210-64551	CLAMP	1						N
13	U3210-64851	Foot - Accel Pedal	1						
14	U3210-64871	Spring - Accel Pedal	1						
15	U3215-47131	BUSH, BRAKE PEDAL PIVOT	2						
16	UD23-0009B	ACCEL SPRING	1						<O>4
17	UD23-00AAB	ACCEL PEDAL ASSY	1						
18	UD23-00ACB	ACCEL CABLE ASSY	1						

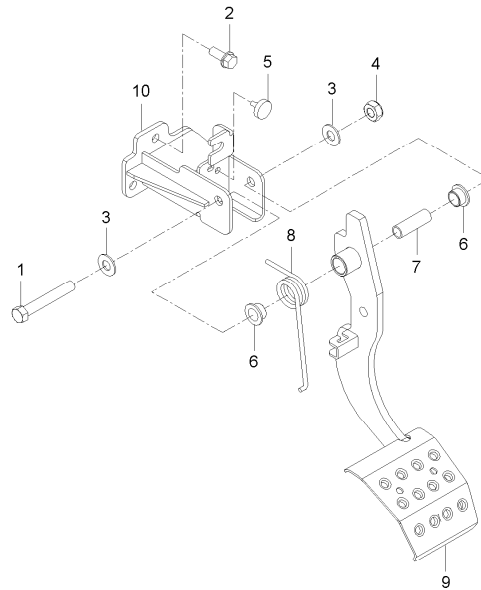
----> Old replace New
 <----> Interchangeable

<---- New replace Old
 <-O-> Interchangeable with another part(s)

<-X-> Not interchangeable

UD2-G310001

BRAKE PEDAL GROUP



A : 1600XDR-2

No.	Part Number	Description	Qty					I.C	Remark
			A	B	C	D	E		
1	01173-51065	BOLT	1						M10*P1.25
2	01754-50820	FLANGE BOLT	3						M8*P1.25
3	04013-50100	PLAIN WASHER	2						M10
4	41182-5151-1	U-NUT	1						DIA10
5	T2555-55851	RUBBER, CUSHION	2						
6	U3215-47131	BUSH, BRAKE PEDAL PIVOT	2						
7	UD23-1006A	BRAKE HINGE SPACER	1						OD12.7*T1.6
8	UD23-1013A	BREAK SPRING	1						<O>4
9	UD23-10AAB	BRAKE PEDAL ASSY	1						
10	UD23-10ABB	BRAKE HINGE ASSY	1						

----> Old replace New
 <----> Interchangeable

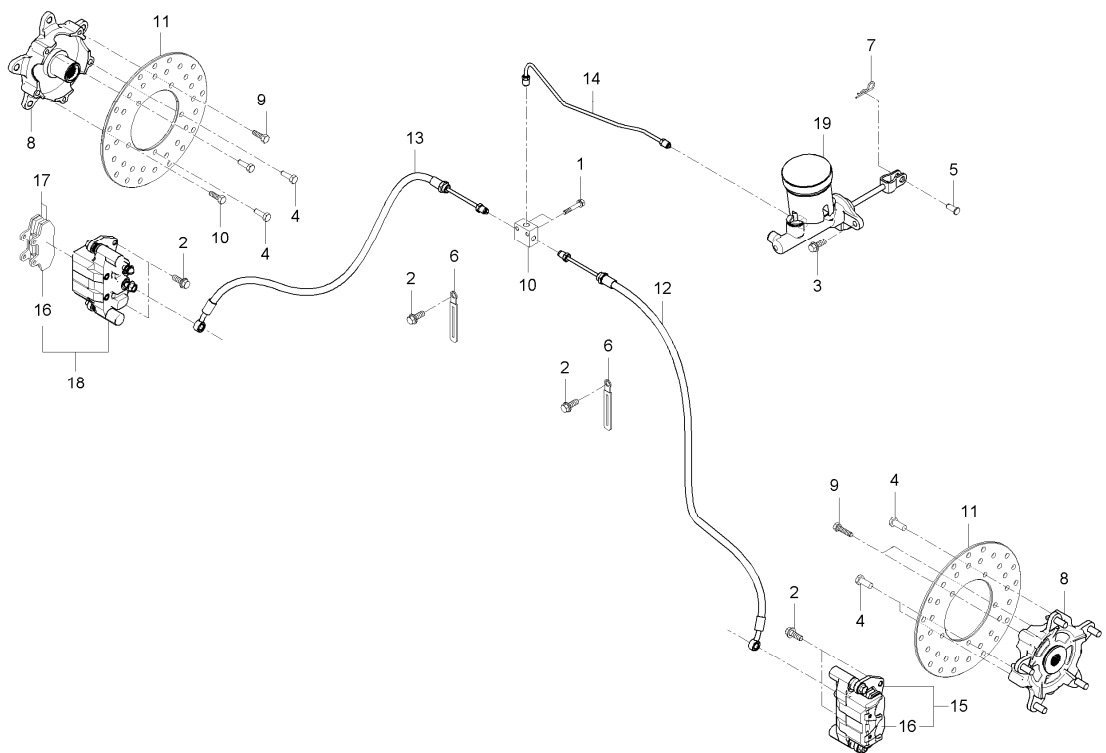
<---- New replace Old
 <-O-> Interchangeable with another part(s)

<-X-> Not interchangeable

CHASSIS

UD2-G320002

FRONT BREAK GROUP



A : 1600XDR-2

No.	Part Number	Description	Qty					I.C	Remark
			A	B	C	D	E		
1	01025-50635	BOLT	2						
2	01123-50820	Hex Head Cap Screw	6						M8*P1.25
3	01125-50825	BOLT, WASHER	2						M8*1.25
4	01153-50822	BOLT	6						M8XP1.25
5	05122-51022	JOINT PIN	1						
6	37150-3447-1	WIR'G CLAMP	2						T0.5
7	52300-3413-1	CIR CLIP	1						DIA1.8
8	U3215-41107	HUB ASSY, FR	2						N
9	U3215-42021	REAMER BOLT, HUB & DISC MTG. (M8X1.25)	4						
10	U3215-46202	FITTING TEE	1						-
11	UD23-2001A	BRAKE DISC	2						T5
12	UD23-2002A	FRONT BRAKE TUBE, LH	1						
13	UD23-2003A	FRONT BRAKE TUBE, RH	1						
14	UD23-2004A	FRONT BRAKE PIPE	1						
15	UD23-20AAB	BRAKE CALLIPER ASSY, LH	1						
16	UD23-20CAB	BRAKE PAD ASSY	1						
17	UD23-2007B	BRAKE PAD	2						
18	UD23-20ABB	BRAKE CALLIPER ASSY, RH	1						

----> Old replace New
 <----> Interchangeable

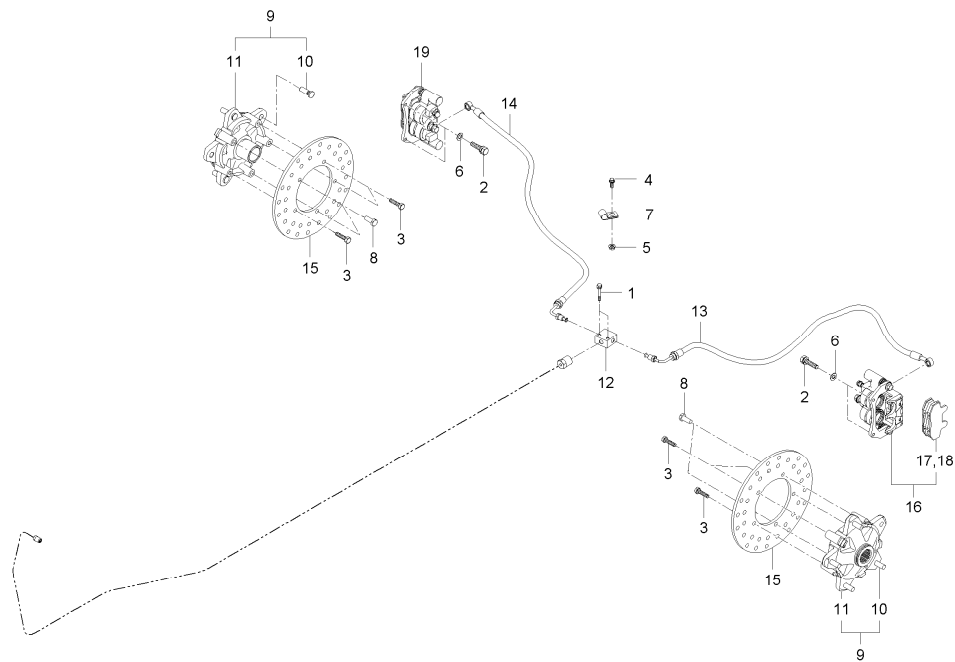
<---- New replace Old
 <-O-> Interchangeable with another part(s)

<-X-> Not interchangeable

CHASSIS

UD2-G340001

REAR BREAK GROUP



A : 1600XDR-2

No.	Part Number	Description	Qty					I.C	Remark
			A	B	C	D	E		
1	01023-50635	BOLT, WASHER	2						M6*P1.0
2	01123-50825	BOLT, WASHER	4						M8*P1.25
3	01153-50822	BOLT	6						M8XP1.25
4	01754-50616	BOLT, FLANGE	2						M6*P1.0
5	02761-50060	FLANGE NUT	1						M6XP1.0
6	04012-50080	WASHER	4						DIA18*T1.2
7	U3210-64371	CLAMP	2						N
8	U3215-42021	REAMER BOLT, HUB & DISC MTG. (M8X1.25)	4						
9	U3215-45107	Hub Assy-RR	2						N
10	U3215-41131	Bolt-Hub(M10x1.25)	4						M10, P1.25
11	U3215-45115	Hub-RR	1						N
12	U3215-46202	FITTING TEE	1						-
13	U3215-46301	TUBE, RR BRAKE,LH	1						
14	U3215-46402	Tube-RR Brake,RH	1						
15	UD23-2001A	BRAKE DISC	2						T5
16	UD23-20AAB	BRAKE CALLIPER ASSY, LH	1						
17	UD23-20CAB	BRAKE PAD ASSY	1						
18	UD23-20CAB	BRAKE PAD ASSY	1						

----> Old replace New
<----> Interchangeable

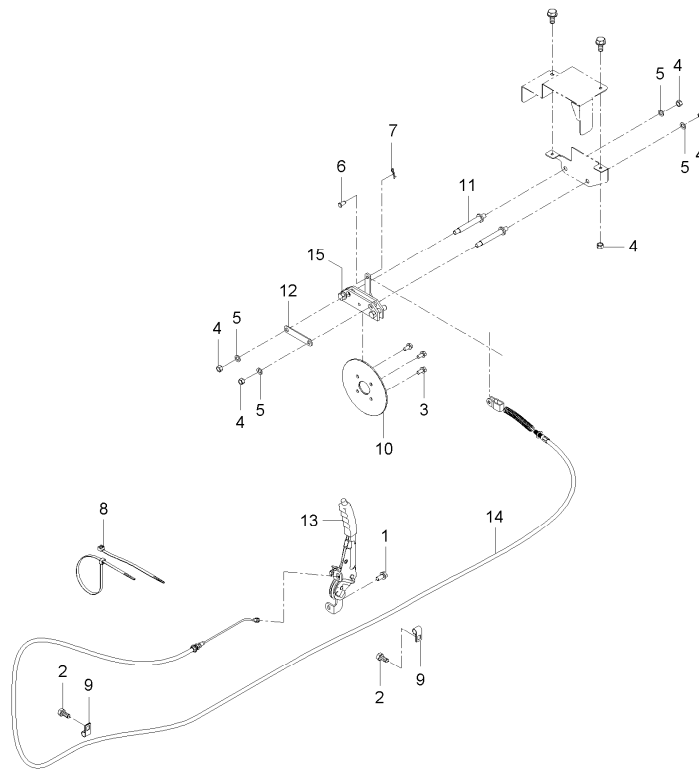
<---- New replace Old
<-O-> Interchangeable with another part(s)

<-X-> Not interchangeable

CHASSIS

UD2-G360001

PARKING BRAKE GROUP(CVT)



A : 1600XDR-2

No.	Part Number	Description	Qty					I.C	Remark
			A	B	C	D	E		
1	01135-51025	BOLT	2						M8*1.25
2	01754-50616	BOLT, FLANGE	2						M6*P1.0
3	01754-50816	BOLT, FLANGE	4						M8*P1.25
4	02118-50100	NUT	4						M10*P1.25
5	04011-50100	PLAIN WASHER	4						M10
6	05122-50818	JOINT PIN	1						
7	05525-50800	PIN, SNAP	1						
8	T2198-82561	BAND, CORD	2						L445
9	U3215-22351	CLIP	2						
10	U3215-49503	DISK,PACKING BRAKE	1						
11	U3215-49571	BOLT, GUIDE	2						
12	U3215-49581	MOUNTING PLATE	1						
13	UD23-60AAA	PARKING BRAKE LEVER ASSY	1						
14	UD23-60ABB	PARKING BRAKE CABLE ASSY	1						
15	UD23-60ACB	CALIPER ASSY, PARK BRAKE	1						

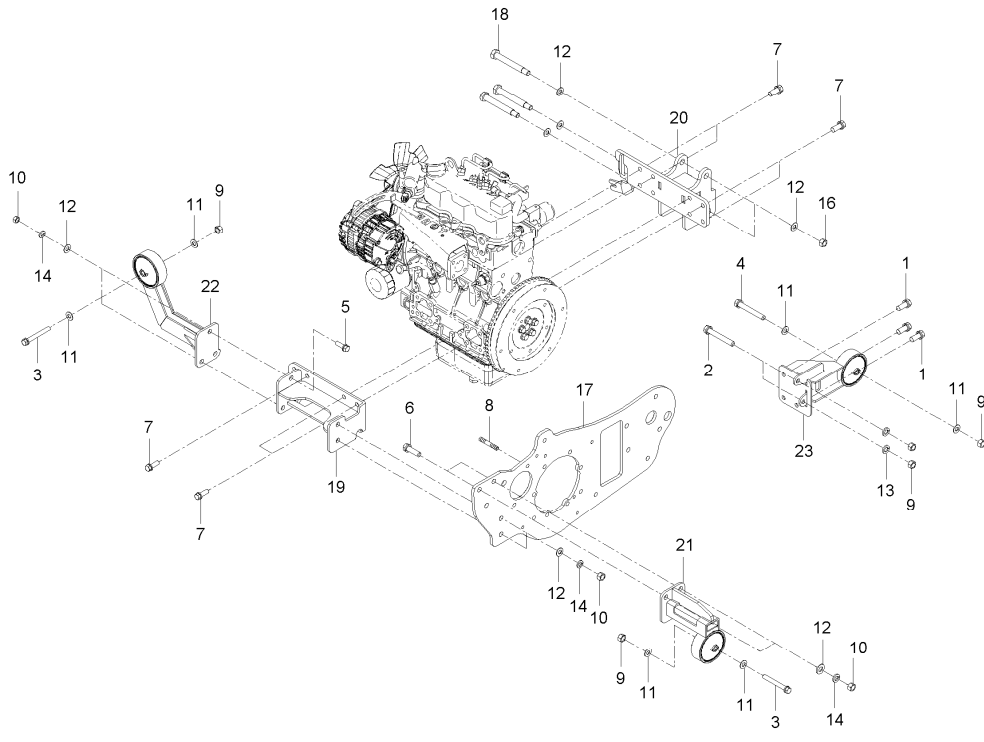
----> Old replace New
 <----> Interchangeable

<---- New replace Old
 <-O-> Interchangeable with another part(s)

<-X-> Not interchangeable

CHASSIS

UD2-G400001 ENGINE MOUNTING GROUP(CVT)



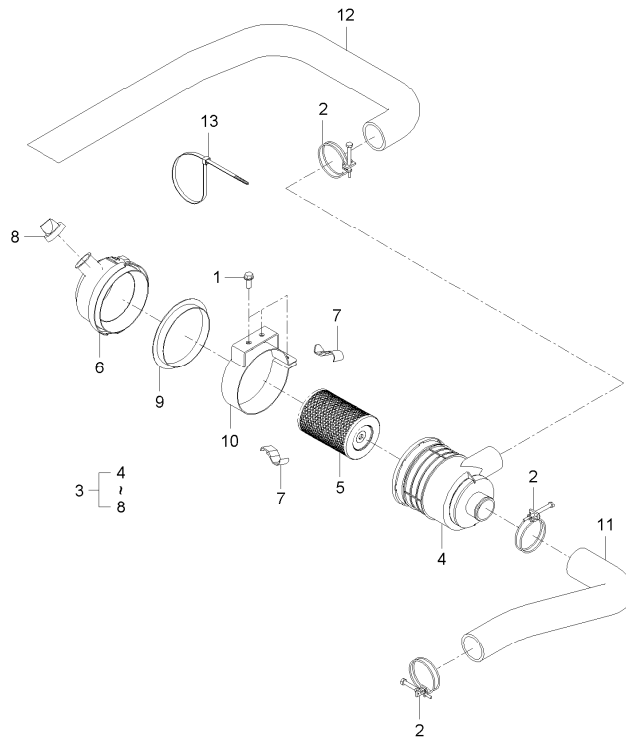
A : 1600XDR-2

No.	Part Number	Description	Qty					I.C	Remark
			A	B	C	D	E		
1	01133-51025	BOLT, WASHER	4						M10XP1.25
2	01133-51070	BOLT, WASHER	2						M10XP1.25
3	01133-51080	BOLT, WASHER	2						M10XP1.25
4	01133-51085	BOLT, WASHER	1						M10XP1.25
5	01133-51235	BOLT, WASHER	3						M12XP1.25
6	01133-51240	BOLT, WASHER	5						M12XP1.25
7	01135-51030	BOLT, WASHER	15						M10XP1.25
8	01517-51028	STUD	1						M10XP1.25
9	02176-50100	NUT	5						M10XP1.25
10	02176-50120	Hex Head Nut	8						M12XP1.25
11	04013-50100	PLAIN WASHER	6						M10
12	04013-50120	PLAIN WASHER	14						M12
13	04512-50100	SPRING WASHER	2						M10
14	04512-50120	SPRING WASHER	8						M12
15	E5752-91141	BOLT, FLANGE WITH PIN	8						M10*1.25
16	U3210-99851	U-NUT	3						M12XP1.25
17	UD24-0001A	PLATE, ENGINE	1						T8.0
18	UD24-0055A	REAMER BOLT, FLANGE	3						-

----> Old replace New <---- New replace Old <-X-> Not interchangeable
 <----> Interchangeable <-O-> Interchangeable with another part(s)

UD2-G410001

INRAKE SYSTEM GROUP(CVT)



A : 1600XDR-2

No.	Part Number	Description	Qty					I.C	Remark
			A	B	C	D	E		
1	01754-50820	FLANGE BOLT	3						M8*P1.25
2	09318-89060	HOSE CLAMP	3						
3	U3210-73102	AIR CLEANER ASS'Y	1						
4	U3210-73111	BODY	1						
5	U3210-73121	ELEMENT ASS'Y	1						
6	U3210-73131	COVER	1						
7	U3210-73141	CLAMP	2						
8	U3210-73151	VACUATE, VALVE	1						
9	U3210-73171	SEAL,DUST	1						
10	U3210-73321	Band Assy - Air Cleaner	1						
11	UD24-1001A	ELBOW HOSE	1						OD54*T5.0
12	UD24-1003A	DUCT, INTAKE	1						OD54XT5
13	T2198-82551	BAND,CORD	1						L445

----> Old replace New
 <----> Interchangeable

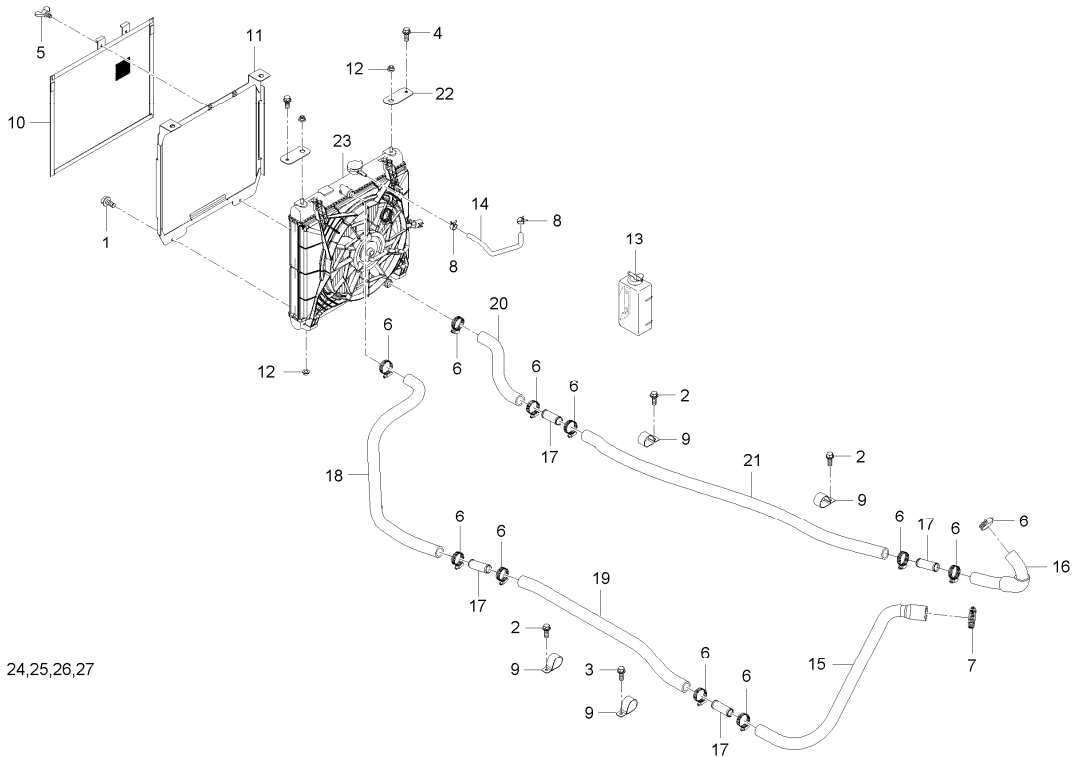
<---- New replace Old
 <-O-> Interchangeable with another part(s)

<-X-> Not interchangeable

CHASSIS

UD2-G430001

RADIATOR GROUP(CVT)



A : 1600XDR-2

No.	Part Number	Description	Qty					I.C	Remark
			A	B	C	D	E		
1	01205-50612	BOLT, WASHER	2						
2	01754-50616	BOLT, FLANGE	3						M6*P1.0
3	01754-50820	FLANGE BOLT	3						M8*P1.25
4	01754-50822	BOLT, FLANGE	2						
5	01811-50610	BOLT, WING	1						
6	09318-87040	CLMAP, HOSE	11						
7	09318-87051	HOSE CLAMP	1						
8	14911-4275-1	CLIP, TUBE	2						T0.8*#12
9	T4686-50963	HOSE CLAMP	4						
10	U3215-77304	NET-RADIATOR	1						-
11	U3215-77354	Bracket Assy-Net, Radiator	1						-
12	U3215-77701	BUSHING-RADIATOR	5						N
13	U3215-77954	RESERVOIR ASSY	1						N
14	U3215-78001	HOSE, OVERFLOW	1						
15	U3215-78301	HOSE, INLET REAR	1						
16	U3215-78501	OUTLET REAR HOSE ASSY	1						
17	U3215-78601	Connector A - Cooling Hose	4						
18	UD24-3001A	INLET HOSE, FRT	1						OD35*T5

----> Old replace New
 <----> Interchangeable

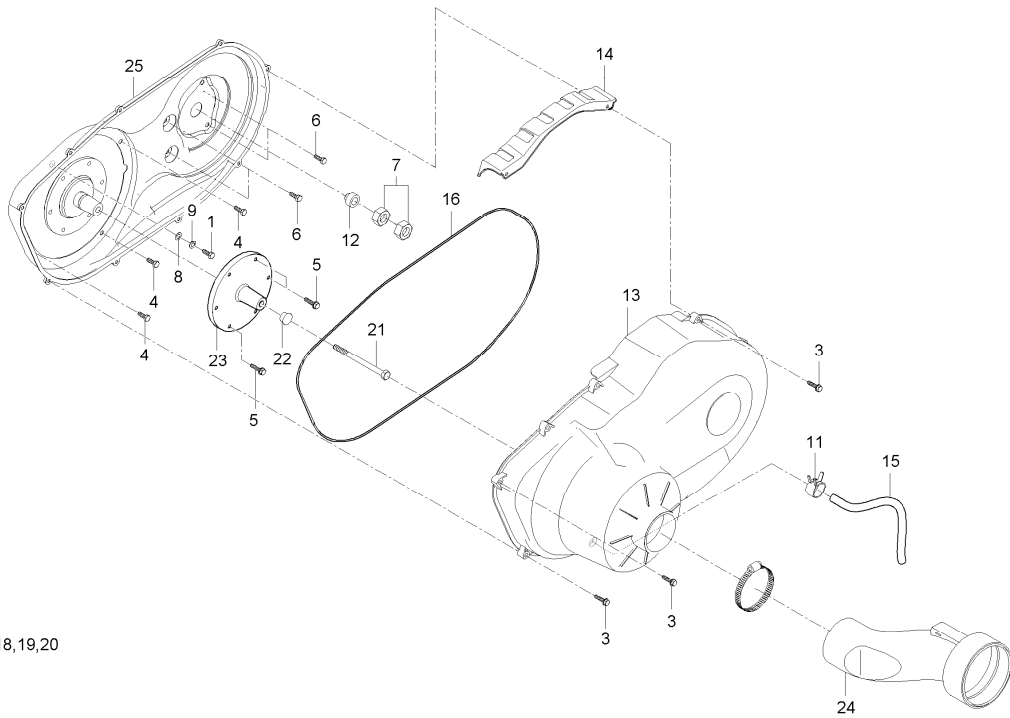
<---- New replace Old
 <-O-> Interchangeable with another part(s)

<-X-> Not interchangeable

CHASSIS

UD2-G440001

CVT COVER GROUP



2,10,17,18,19,20

A : 1600XDR-2

No.	Part Number	Description	Qty					I.C	Remark
			A	B	C	D	E		
1	01153-50812	BOLT	1						
2	01754-50618		2						
3	01754-50625	BOLT, FLANGE	9						7T
4	01754-50812	BOLT, FLANGE	3						M8*P1.25
5	01754-50820	FLANGE BOLT	6						M8*P1.25
6	01754-51020	BOLT	5						
7	02176-50120	Hex Head Nut	2						M12XP1.25
8	04013-50080	Plain washer	1						M8
9	04512-50080	SPRING WASHER	1						M08
10	09318-89063	CLMAP, HOSE	2						철 사64#
11	14911-4275-1	CLIP, TUBE	1						T0.8*#12
12	U3210-29953	WASHER	1						
13	U3214-29303	OUTER	1						T3.0
14	U3214-29341	COVER	1						T1.5
15	U3214-29351	HOSE	1						
16	U3215-29352	GASKET, CVT COVER	1						
17	U3215-29722	BOX ASS'Y - AIR BAFFELING	1						N
18	U3215-29751	BOX-AIR BAFFELING	1						N

----> Old replace New
 <----> Interchangeable

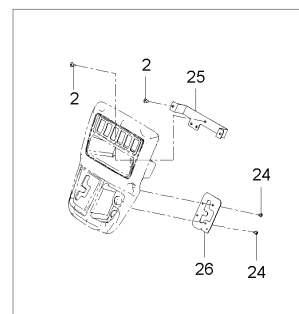
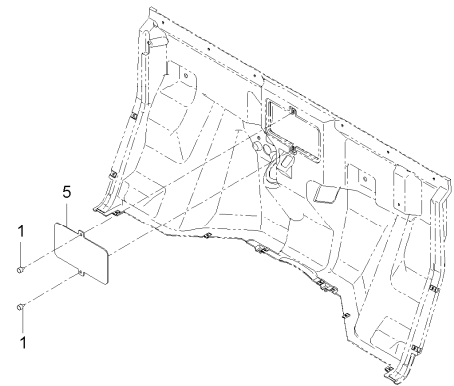
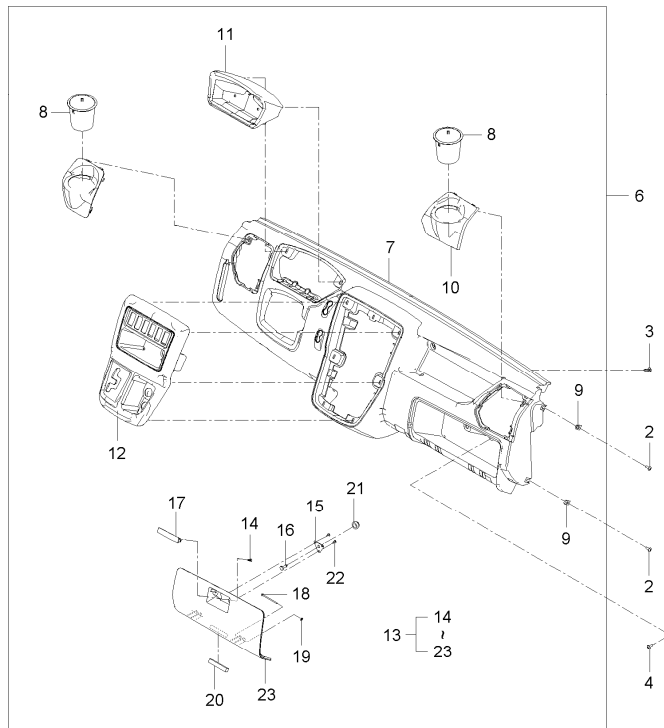
<---- New replace Old
 <-O-> Interchangeable with another part(s)

<-X-> Not interchangeable

CHASSIS

UD2-G700001

IP GROUP(STD)



A : 1600XDR-2

No.	Part Number	Description	Qty					I.C	Remark
			A	B	C	D	E		
1	53415-4128-1	BOLT	2						
2	U3215-81552	Screw (Black)	18						M6
3	U3215-96502	Screw_Meter Cluster(Tapping, Black)	4						M5x16 (Tapping Scr
4	U3215-97161	SCREW	1						N
5	UD27-0015A	FRT FLOOR COVER, CTR	1						T3.5
6	UD27-00AAB	IP ASSY	1						
7	UD27-0001A	MAIN IP	1						T3.5
8	UD27-0004A	CUP HOLDER	2						T2.5
9	UD27-0020A	SPEED NUT(M6)	4						
10	UD27-00CBA	CUP HOLDER COVER ASSY, RH	1						
11	UD27-00CCA	CLUSTER COVER ASSY	1						
12	UD27-00CDA	CENTER BEZEL COVER ASSY	1						
13	UD27-00CEB	GLOVE BOX ASSY	1						
14	38240-1883-1	SCREW	2						M4X16
15	U3215-81321	Plate Catch	1						1.2t
16	U3215-81332	PIN CATCH	1						-
17	U3215-81351	HANDLE	1						2.5t
18	U3215-81361	PIN	2						N

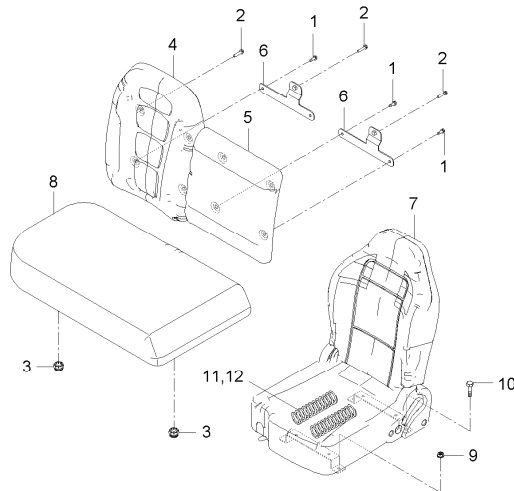
----> Old replace New
<----> Interchangeable

<---- New replace Old
<-O-> Interchangeable with another part(s)

<-X-> Not interchangeable

UD2-G720002

SEAT GROUP(EU,3P)



A : 1600XDR-2

No.	Part Number	Description	Qty					I.C	Remark
			A	B	C	D	E		
1	01754-50816B	FLANGE BOLT	4						
2	01754-50835B	FLANGE_BOLT	6						
3	U3215-83701	SEAT RUBBER MOUNT	2						
4	UD27-20ABA	SEAT BACK ASSY, SIDE	1						
5	UD27-20ACA	SEATBACK ASSY, CENTER	1						
6	UD27-20AEA	ASSY, SEAT BACK BRACKET	2						
7	UD27-2101A	SUSPENSION SEAT(EEC)	1						
8	UD27-21ABA	SEAT CUSHION(2P) ASSY	1						
9	02751-50080	Flange Nut	1						M8X1.25
10	01754-50825	FLANGE BOLT	1						M8XP1.25
11	T5235-70701041	SPRING.RH	1						
12	T5235-70701040	SPRING	1						

----> Old replace New
 <----> Interchangeable

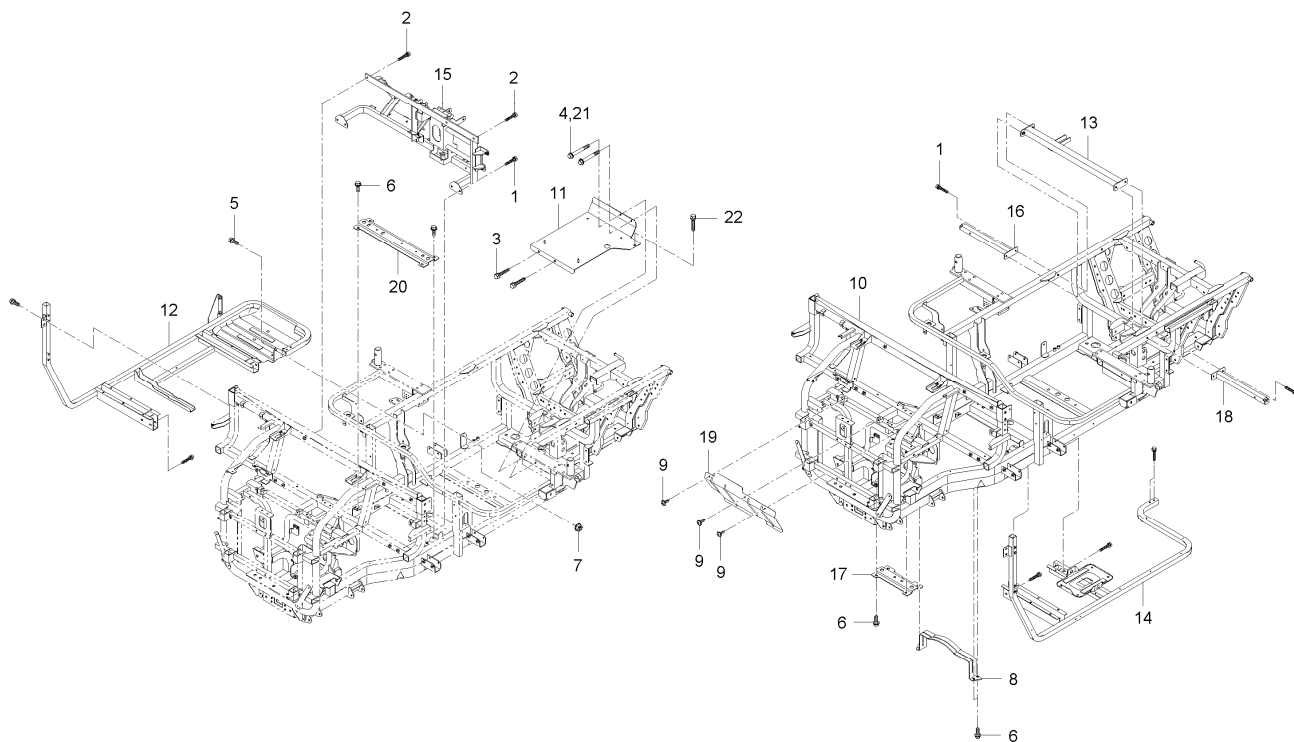
<---- New replace Old
 <-O-> Interchangeable with another part(s)

<-X-> Not interchangeable

CHASSIS

UD2-G750003

MAIN FRAME GROUP(CVT)



A : 1600XDR-2

No.	Part Number	Description	Qty					I.C	Remark
			A	B	C	D	E		
1	01123-50860	BOLT, WASHER	8						M8*1.25
2	01123-50870	BOLT, WASHER	3						
3	01125-50850	BOLT, WASHER	2						M8*P1.25
4	01125-50860	BOLT, WASHER	1						
5	01754-50816	BOLT, FLANGE	1						M8*P1.25
6	01774-51020	BOLT, FLANGE	12						M10P1.25
7	02763-50080	FLANGE NUT	1						M8XP1.25
8	U3210-21641	Main Floor Support	1						4.5T
9	U3215-81552	Screw (Black)	3						M6
10	UD27-530AA	STRUCTURE ASSY(BUCKET-CVT)	1						-
11	UD27-53AGA	UD200-PLATE ASSY, SEAT BOTTOM	1						
12	UD27-51AEA	SUPT FLR FRAME, ASSY-RH	1						-
13	UD27-51BAA	FRAME ASSY, SUB MTG SEAT	1						
14	UD27-51ACA	SUPT FLR FRAME, ASSY-LH	1						-
15	UD27-51AAA	FRAME SUB MTG ASSY, IP	1						
16	UD27-51BEA	BRKT ASSY, MTG FENDER MID	1						
17	UD27-5001A	Member No.1 Lower FRT, ST	1						3.2t
18	UD27-51BCA	BRKT ASSY, MTG FENDER MID-LH	1						

----> Old replace New
 <----> Interchangeable

<---- New replace Old
 <-O-> Interchangeable with another part(s)

<-X-> Not interchangeable

CHASSIS

UD2-G770010 LABEL GROUP

A : 1600XDR-2

No.	Part Number	Description	Qty					I.C	Remark
			A	B	C	D	E		
1	T2611-26693	LABEL	1						
2	T4689-52181	LABEL, BONNET OPEN	1						
3	TC26-0388A	LABEL, WARNING FUELING	1						
4	U3215-85421	DECAL(DECK RR)	1						
5	U3215-85501	LABEL, KEY SWITCH	1						
6	U3215-85651	LABEL WARNING, FAN	2						
7	U3215-85661	LABEL WARNING, EXHAUST	1						
8	U3215-85671	LABEL DANGER, MACHINE RUNAWAY	1						
9	U3215-85701	LABEL WARNING, BATTERY CABLE	1						
10	U3215-85862	LABEL	1						N
11	UD27-7003A	SEAT BELT WARING LABEL(EN)	2						
12	UD27-7004A	DOOR LOCK WARING LABEL(EN)	2						
13	UD27-7005A	ROPS WARING LABEL(EN)	1						
14	UD27-7007A	GEAR SHIFT CAUTION LABEL(EN)	1						
15	UD27-7009A	DECK WORK WARING LABEL(EN)	1						
16	UD27-7011A	DECK REAR LABEL(MEC2450)	1						-
17	UD27-7013A	DECK ROAD WARING LABEL(500kg)	1						-
18	UD27-7025A	STOPPER BRKT	1						-

----> Old replace New
<----> Interchangeable

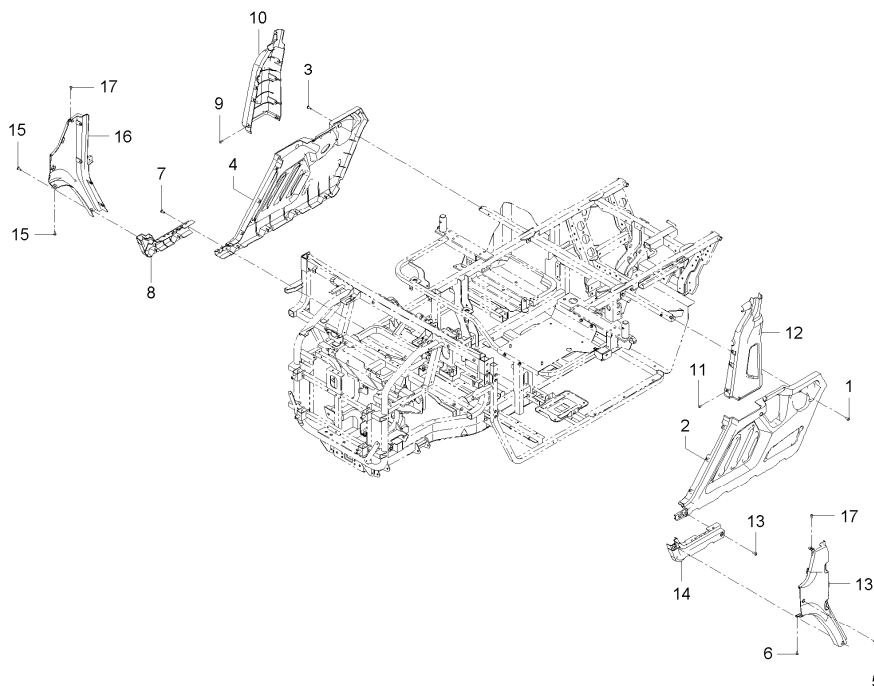
<---- New replace Old
<-O-> Interchangeable with another part(s)

<-X-> Not interchangeable

CHASSIS

UD2-G840003

EXTERIOR MOLDING GROUP



A : 1600XDR-2

No.	Part Number	Description	Qty					I.C	Remark
			A	B	C	D	E		
1	U3215-81552	Screw (Black)	1						M6
2	UD28-4001A	FENDER MIDDLE OUTER, LH	1						T3.0
3	U3215-81552	Screw (Black)	1						M6
4	UD28-4002A	FENDER MIDDLE OUTER, RH	1						T3.0
5	U3215-81552	Screw (Black)	1						M6
6	UD28-4217A	SHROUD COVER-FRT(CREW), LH	1						T3.0
7	U3215-81552	Screw (Black)	1						M6
8	UD28-4004A	SIDE STEP COVER, RH	1						T3.0
9	U3215-81552	Screw (Black)	1						M6
10	UD28-4006A	REAR SHROUD COVER, RH	1						T3.0
11	U3215-81552	Screw (Black)	1						M6
12	UD28-4005A	REAR SHROUD COVER, LH	1						T3.0
13	U3215-81552	Screw (Black)	1						M6
14	UD28-4003A	SIDE STEP COVER, LH	1						3.0T
15	U3215-81552	Screw (Black)	1						M6
16	UD28-4219A	SHROUD COVER-FRT, RH	1						T3.0
17	U3215-81552	Screw (Black)	1						M6

----> Old replace New
 <----> Interchangeable

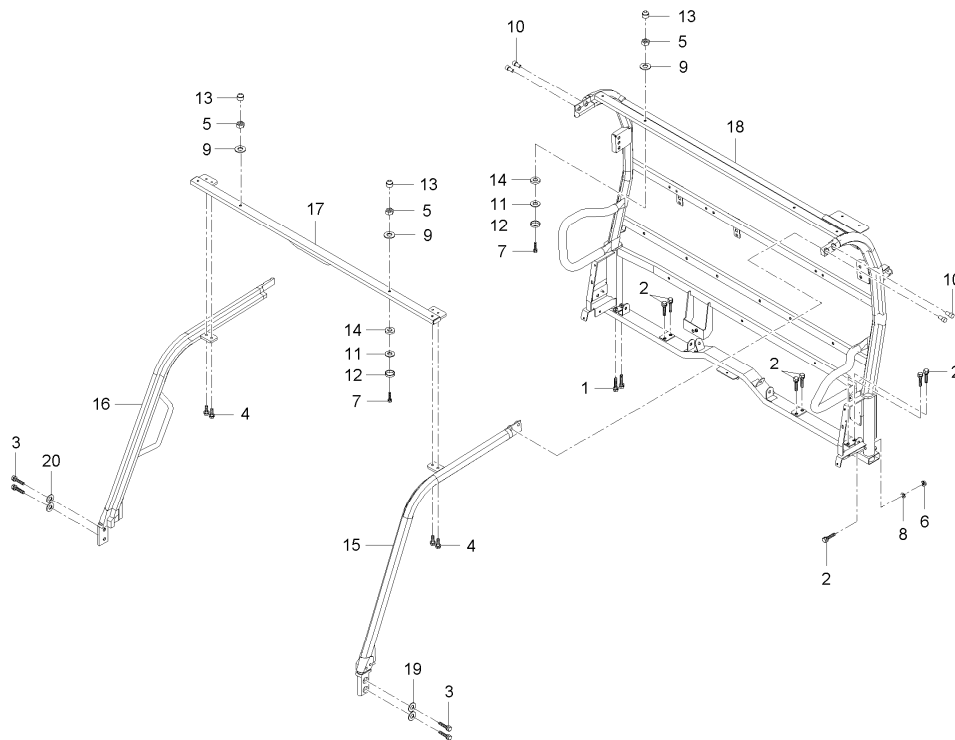
<---- New replace Old
 <-O-> Interchangeable with another part(s)

<-X-> Not interchangeable

CHASSIS

UD2-G850001

ROPS GROUP(STD)



A : 1600XDR-2

No.	Part Number	Description	Qty					I.C	Remark
			A	B	C	D	E		
1	01125-50860B	BOLT	2						
2	01125-51060B	BOLT	8						
3	01133-51270	BOLT, WASHER	4						M12*1.25
4	01754-50820B	FLANGE BOLT	4						M8*P1.25
5	02056-50080B	NUT	4						M8
6	02176-50100B	NUT	2						
7	03016-50845	CROSS-RECESSED HEAD MACHINE SCREW	4						M8XP1.25
8	04013-50100B	WASHER	2						M10
9	04015-50080B	WASHER	4						M8
10	T2350-37351	BOLT, HEXAGEN	4						
11	T4145-83711	COLLAR	4						
12	T4145-83721	CAP,SEALING	4						
13	T4815-93211	NUT	4						
14	T4930-83721	CUSHION, A	4						
15	UD28-50AAA	ASSY, FRAME-FR LH	1						
16	UD28-50ACA	ASSY, FRAME-FRT RH	1						
17	UD28-50AEB	ASSY, FRAME-MID	1						
18	UD28-50AGB	ASSY, FRAME-RR	1						

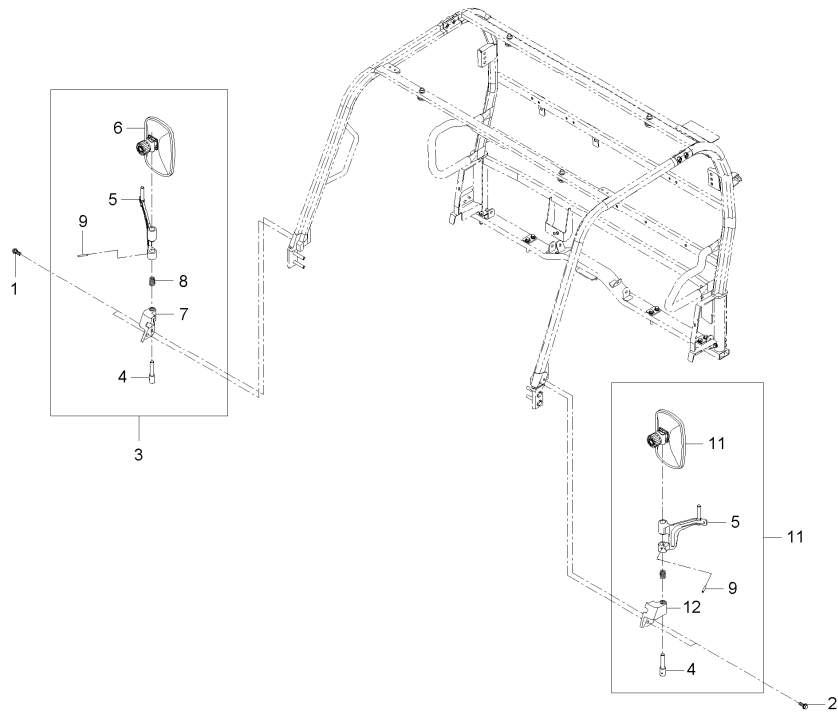
----> Old replace New
 <----> Interchangeable

<---- New replace Old
 <-O-> Interchangeable with another part(s)

<-X-> Not interchangeable

UD2-G850301

MIRROR GROUP



A : 1600XDR-2

No.	Part Number	Description	Qty					I.C	Remark
			A	B	C	D	E		
1	01754-50820	FLANGE BOLT	1						M8*P1.25
2	01754-50820	FLANGE BOLT	1						M8*P1.25
3	UD28-59BGB	ASSY, MIRROR-RH	1						
4	UD28-5909A	PIPE, MTG-ARM, MIRROR	1						OD19
5	UD28-5907B	GUIDE ARM, MIRROR	1						
6	U3215-97831	MIRROR, ENG	1						
7	UD28-5906A	FRAME, CONN MIRROR-RH	1						
8	UD28-5910A	SPRING, ARM-TENSIONER	1						
9	05411-00532	PIN, SPRING	1						
11	UD28-59BEB	ASSY, MIRROR-LH	1						
12	UD28-5905A	FRAME, CONN MIRROR-LH	1						T4.5

----> Old replace New
 <----> Interchangeable

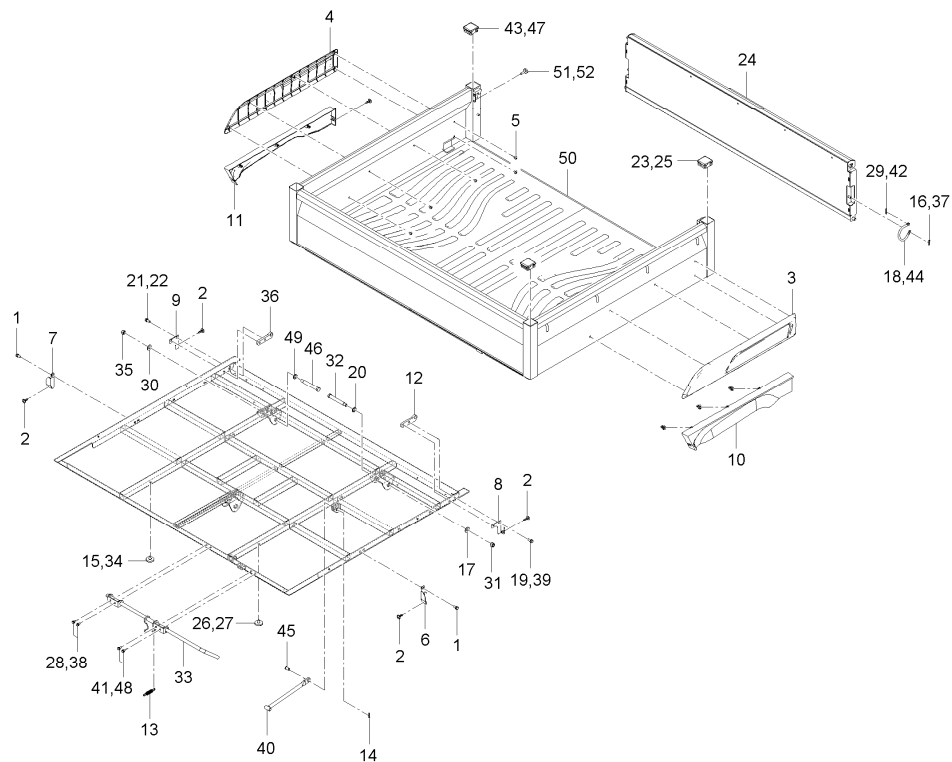
<---- New replace Old
 <-O-> Interchangeable with another part(s)

<-X-> Not interchangeable

CHASSIS

UD2-G860001

DECK GROUP



A : 1600XDR-2

No.	Part Number	Description	Qty					I.C	Remark
			A	B	C	D	E		
1	01123-50818	BOLT, WASHER	2						M8*P1.25
2	U3215-81552	Screw (Black)	4						M6
3	UD28-6020A	DECK LINER, LH	1						T2.0
4	UD28-6021A	DECK LINER, RH	1						T2.0
5	UD28-6050A	SCREW(M6x10,BLACK)	10						M6
6	UD28-60AEA	FENDER REAR BKRT ASSY_1, LH	1						-
7	UD28-60AFA	FENDER REAR BRKT ASSY_1, RH	1						-
8	UD28-60AGA	FENDER REAR BRKT ASSY_2, LH	1						-
9	UD28-60AHA	FENDER RERAR BKRT ASSY_2, RH	1						-
10	UD28-60ABB	FENDER REAR ASSY, LH	1						-
11	UD28-60ACB	FENDER REAR ASSY, RH	1						-
12	UD28-6016A	TAILGATE HINGE BRKT	1						T10.0
13	U3210-99201	Deck Locking Spring	1						
14	05525-50800	PIN, SNAP	1						
15	U3210-99811	BUMPER	1						N
16	05525-50800	PIN, SNAP	1						
17	04013-50120	PLAIN WASHER	1						M12
18	UD28-6077A	DECK STOP ROPE	1						-

----> Old replace New
<----> Interchangeable

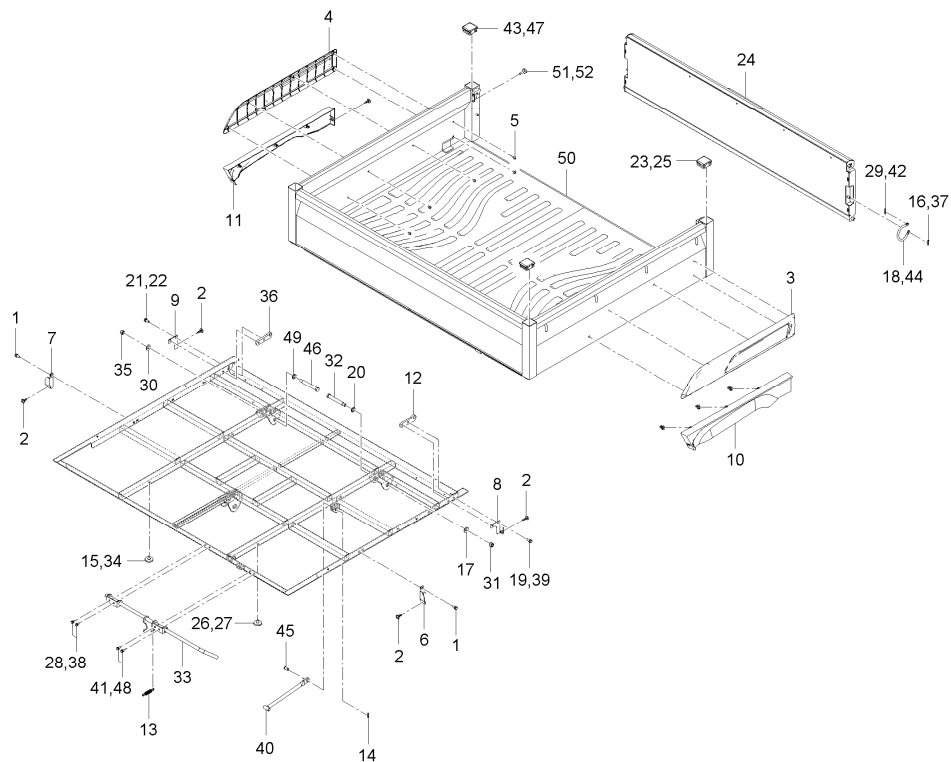
<---- New replace Old
<-O-> Interchangeable with another part(s)

<-X-> Not interchangeable

CHASSIS

UD2-G860001

DECK GROUP



A : 1600XDR-2

No.	Part Number	Description	Qty					I.C	Remark
			A	B	C	D	E		
19	01123-50818	BOLT, WASHER	1						M8*P1.25
20	U3210-99751	REAMER BOLT WASHER	1						T2.3
21	01123-50818	BOLT, WASHER	1						M8*P1.25
22	01123-50818	BOLT, WASHER	1						M8*P1.25
23	U3210-99793	DECK POLE COVER	1						(경 도50%)
24	UD28-60CBA	TAILGATE ASSY	1						-
25	U3210-99793	DECK POLE COVER	1						(경 도50%)
26	U3210-99811	BUMPER	1						N
27	U3210-99811	BUMPER	1						N
28	01025-50614	BOLT, WASHER	1						M6*P1.0
29	05511-50218	PIN, SPLIT	1						DIA2*18
30	04013-50120	PLAIN WASHER	1						M12
31	U3210-99851	U-NUT	1						M12xP1.25
32	U3210-99831	REAMER BOLT, FLANGE	1						N
33	UD28-60CDD	DECK LOCKING LEVER ASSY	1						-
34	U3210-99811	BUMPER	1						N
35	U3210-99851	U-NUT	1						M12xP1.25
36	UD28-6016A	TAILGATE HINGE BRKT	1						T10.0

----> Old replace New
 <----> Interchangeable

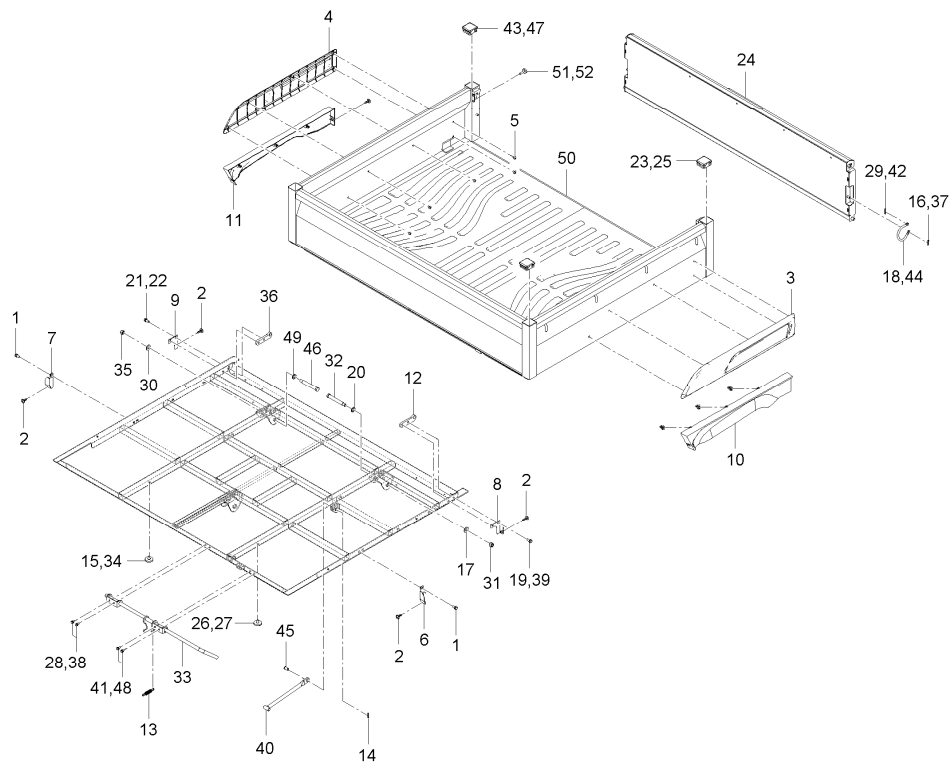
<---- New replace Old
 <-O-> Interchangeable with another part(s)

<-X-> Not interchangeable

CHASSIS

UD2-G860001

DECK GROUP



A : 1600XDR-2

No.	Part Number	Description	Qty					I.C	Remark
			A	B	C	D	E		
37	05525-50800	PIN, SNAP	1						
38	01025-50614	BOLT, WASHER	1						M6*P1.0
39	01123-50818	BOLT, WASHER	1						M8*P1.25
40	UD28-60AJA	DECK STAY ROD ASSY	1						-
41	01025-50614	BOLT, WASHER	1						M6*P1.0
42	05511-50218	PIN, SPLIT	1						DIA2*18
43	U3210-99793	DECK POLE COVER	1						(경 도50%)
44	UD28-6077A	DECK STOP ROPE	1						-
45	05122-51020	JOINT PIN	1						DIA10*20
46	U3210-99831	REAMER BOLT, FLANGE	1						N
47	U3210-99793	DECK POLE COVER	1						(경 도50%)
48	01025-50614	BOLT, WASHER	1						M6*P1.0
49	U3210-99751	REAMER BOLT WASHER	1						T2.3
50	UD28-60CAA	DECK WALL ASSY	1						-
51	K9100-50241	CUSHION	1						
52	K9100-50241	CUSHION	1						

----> Old replace New
 <----> Interchangeable

<---- New replace Old
 <-O-> Interchangeable with another part(s)

<-X-> Not interchangeable

CHASSIS

UD2-G880005 HOOD GROUP(BLUE,EZGO)

A : 1600XDR-2

No.	Part Number	Description	Qty					I.C	Remark
			A	B	C	D	E		
1	01125-50820	BOLT, WASHER	2						M8*P1.25
2	01754-50820	FLANGE BOLT	2						M8*P1.25
3	02763-50080	FLANGE NUT	2						M8XP1.25
4	04012-50060	WASHER, PLAIN	1						M6
5	05525-50600	PIN, SNAP	1						DIA1.2
6	T4145-60582	HANDLE ASSY	1						
7	UD28-8011A	BUMPER, LWR	1						4T
8	UD28-80ABA	FENDER ASSY, RH	1						
9	UD28-80ACA	FENDER ASSY, RH	1						
10	UD28-80ADA	HOOD ASSY	1						
11	04012-50060	WASHER, PLAIN	3						M6
12	05112-50630	DOWEL PIN	1						DIA6XL30
13	05112-50635		2						
14	05525-50600	PIN, SNAP	3						DIA1.2
15	U3215-96502	Screw_Meter Cluster(Tapping, Black)	4						M5x16 (Tapping Scr
16	UD28-8004A	HOOD	1						3.5T
17	UD28-8005A	HOOD HINGE BRACKET	2						T2.0
18	UD28-8006A	HOOD HINGE BUSH	2						<O>12

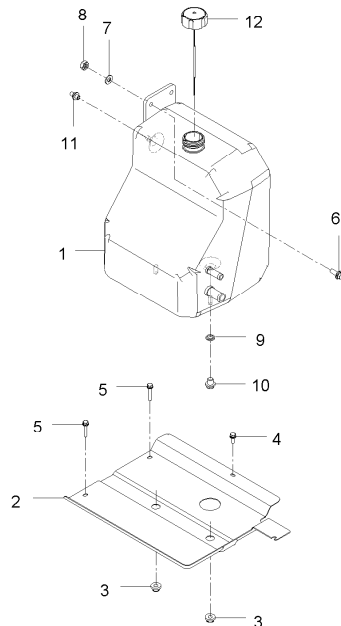
----> Old replace New
<----> Interchangeable

<---- New replace Old
<-O-> Interchangeable with another part(s)

<-X-> Not interchangeable

UD2-G511001

OIL TANK GROUP



A : 1600XDR-2

No.	Part Number	Description	Qty					I.C	Remark
			A	B	C	D	E		
1	UD25-0039A	Tank Assy - Hyd.	1						T5.0
2	U3215-31052	BRACKET HYD. TANK	1						T1.6
3	U3215-77701	BUSHING-RADIATOR	2						N
4	01025-50618	BOLT	1						M6*P1.0
5	01025-50635	BOLT	2						
6	01125-50825	BOLT, WASHER	2						M8*1.25
7	04012-50080	WASHER	2						DIA18*T1.2
8	02054-50080	NUT	2						M8*P1.25
9	04717-01200	WASHER, SEAL	2						
10	06331-45012	PLUG	1						
11	U3210-34041	CONNECTOR	1						
12	U3215-31141	TANK CAP ASS'Y	1						

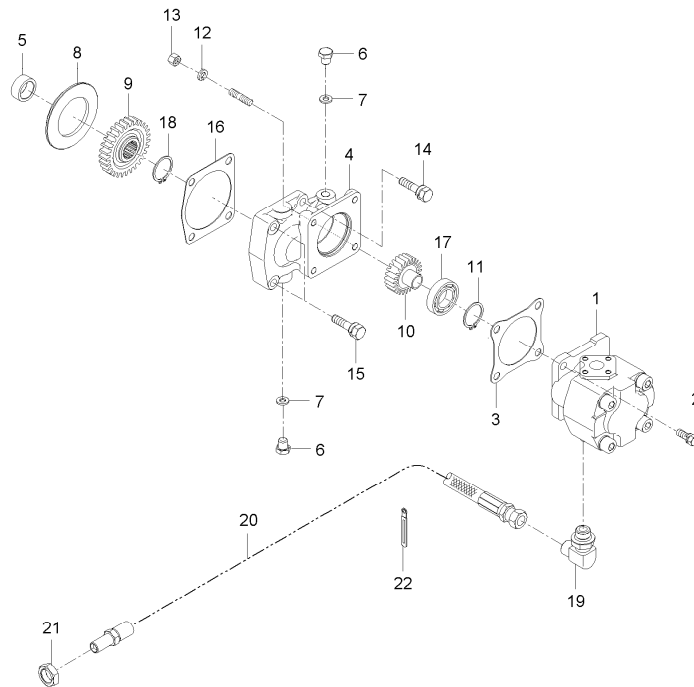
----> Old replace New
 <----> Interchangeable

<---- New replace Old
 <-O-> Interchangeable with another part(s)

<-X-> Not interchangeable

UD2-G513001

GEAR PUMP GROUP



A : 1600XDR-2

No.	Part Number	Description	Qty					I.C	Remark
			A	B	C	D	E		
1	U3215-33301	HYDRAULIC PUMP ASSY	1						
2	01123-50822	BOLT	2						M8XP1.25
3	T2380-87132	GASKET	1						T1.0
4	T2368-76001	HOLDER, HYD. PUMP	1						
5	T2350-76041	SPACER, GEAR PUMP	1						DIA27.2*3.5
6	06331-35010	PLUG	2						M6*P1.0
7	04714-00100	PACKING	2						
8	E5205-36481	BUSH	1						DIA75
9	T2350-76021	GEAR, 29 PUMP	1						
10	T2350-76031	SHAFT, GEAR 18 GEAR PUMP	1						
11	04612-00190	SNAP RING	1						
12	04512-50080	SPRING WASHER	1						M08
13	02156-50080	NUT	1						M8XP1.25
14	01123-50822	BOLT	1						M8XP1.25
15	01123-50835	BOLT, WASHER	2						M8X1.25
16	E5760-36332	GASKET, FUEL CAMSHAFT COVER	1						(t 1.0)
17	08241-05204	BALL BEARING	1						
18	04612-00200	RING, SNAP	1						DIA20

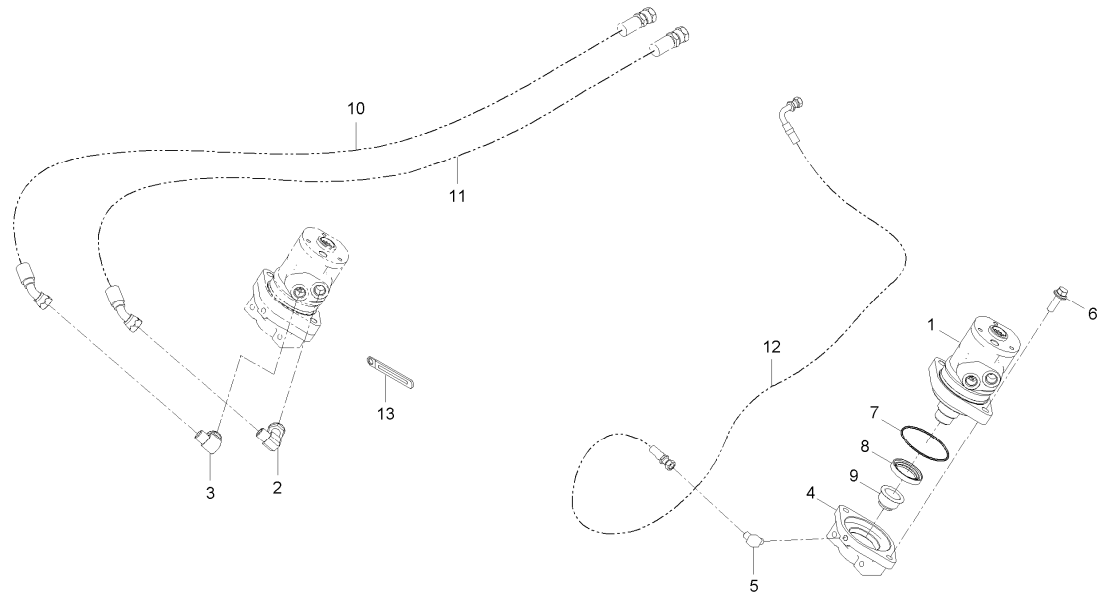
----> Old replace New
 <----> Interchangeable

<---- New replace Old
 <-O-> Interchangeable with another part(s)

<-X-> Not interchangeable

UD2-G531001

POWER STEERING UNIT GROUP



A : 1600XDR-2

No.	Part Number	Description	Qty					I.C	Remark
			A	B	C	D	E		
1	U3210-34012	TORQUE GENERATOR	1						
2	U3210-34061	ELBOW	1						
3	T4850-45161	ELBOW	1						
4	U3210-34021	CASE,MIDDLE	1						
5	U3210-34031	ELBOW	1						
6	01125-51035	BOLT	2						
7	04811-10800	O RING	1						
8	09500-35528	SEAL, OIL	1						TC35*52*8
9	UD15-0004A	POWER END SHAFT BOOT	1						T3.5
10	UD25-0008B	ASSY HOSE, HYD-P2	1						
11	UD25-0009B	ASSY HOSE, HYD-C2	1						
12	UD25-0010B	ASSY HOSE, HYD-T	1						
13	37155-3447-1	CLAMP,CORD	1						-

----> Old replace New
 <----> Interchangeable

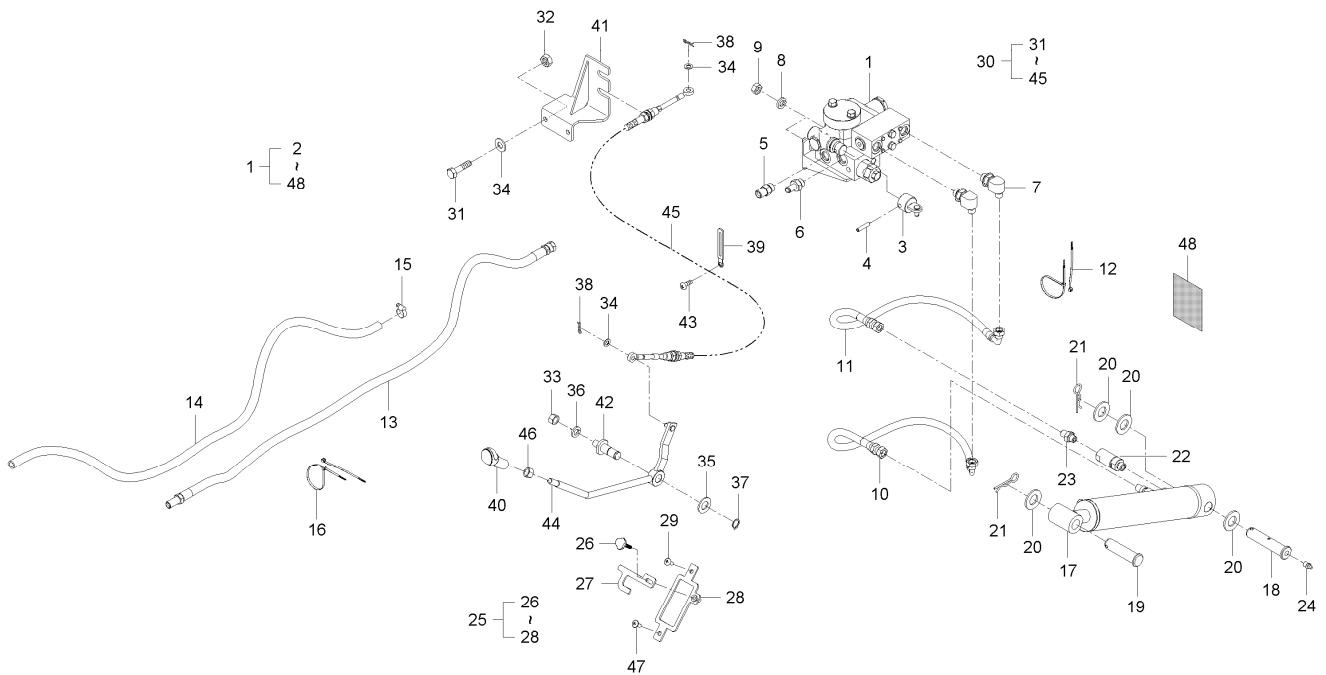
<---- New replace Old
 <-O-> Interchangeable with another part(s)

<-X-> Not interchangeable

HYDRAULIC

UD2-G591001

DUMP CYLINDER GROUP



A : 1600XDR-2

No.	Part Number	Description	Qty					I.C	Remark
			A	B	C	D	E		
1	UD25-A0001A	ASSY, HYD KIT(1)	1						
2	U3210-34212	HYD VALVE ASS'Y B	1						
3	U3215-32252	Adaptor - Control Valve	1						
4	05411-00630	PIN, SPRING	1						DIA6*30
5	T4810-46971	TUBE, CONNECTING	1						
6	T4715-47071	CONNECTOR	1						
7	T2350-66161	ELBOW	2						
8	04512-50100	SPRING WASHER	2						M10
9	02176-50100	NUT	2						M10XP1.25
10	UD25-0012B	ASSY HOSE, CYL HYD-A	1						
11	UD25-0013A	ASSY HOSE, CYL HYD-B	1						
12	T2198-82561	BAND, CORD	1						L445
13	UD25-0007A	ASSY HOSE, HYD-C1	1						
14	UD25-0002A	HOSE, DRAIN	1						
15	F6800-91851	BAND, HOSE	2						12-22mm
16	T2198-82561	BAND, CORD	4						L445
17	UD25-0017A	ASSY CYLINDER, HYD-DUMP	1						
18	UD25-0016A	PIN, CYL	1						

----> Old replace New
 <----> Interchangeable

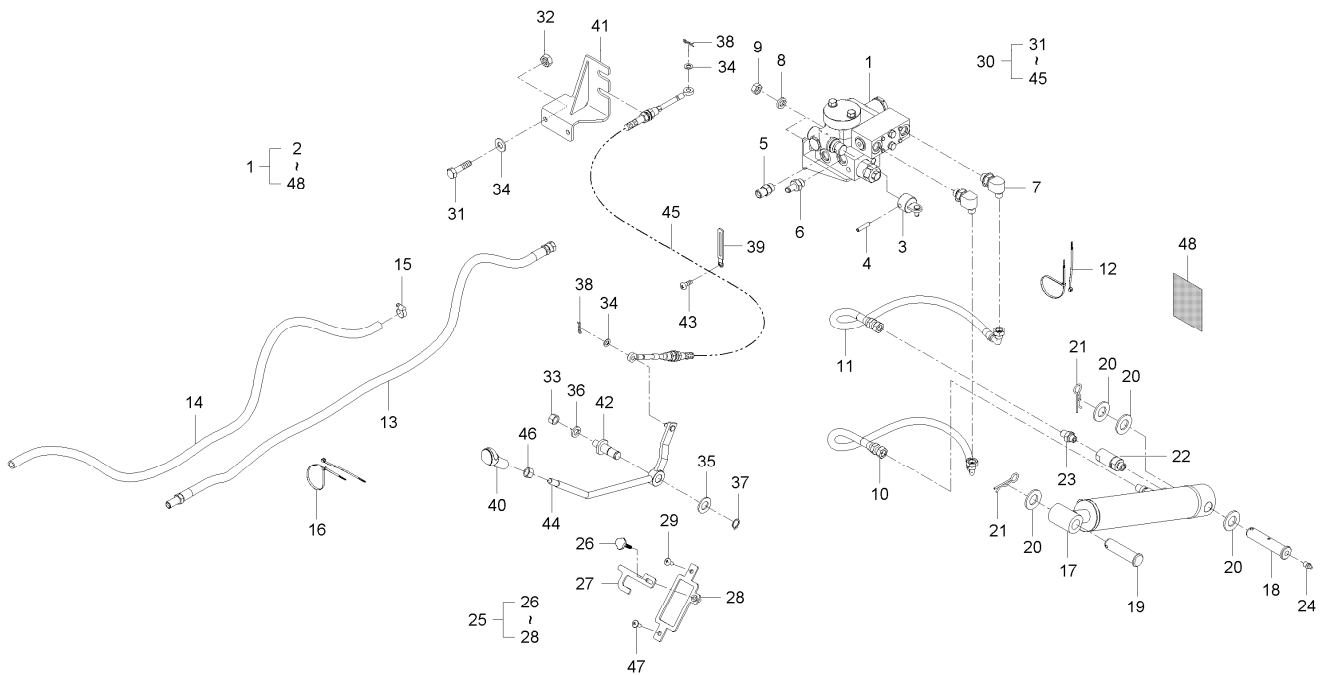
<---- New replace Old
 <-O-> Interchangeable with another part(s)

<-X-> Not interchangeable

HYDRAULIC

UD2-G591001

DUMP CYLINDER GROUP



A : 1600XDR-2

No.	Part Number	Description	Qty					I.C	Remark
			A	B	C	D	E		
19	U3215-32972	Pin, Joint	1						
20	04013-50200	Plain Washer	4						
21	05515-51600	PIN, SNAP	2						
22	U3215-32001	ORIFICE	1						
23	T4620-66161	TUBE, CONNECTING	1						PF1/4
24	06613-10010	Nipple Grease Fitting, PT1/8"T	1						A-M6F
25	UD22-12ACA	HYD LEVER COVER ASSY	1						
26	P4410-98251	BOLT	1						N
27	UD22-1211A	LEVER LOCKING PLATE	1						3.0T
28	UD22-12CCA	HYD LEVER COVER SUB ASSY	1						-
29	U3215-81552	Screw (Black)	1						M6
30	UD22-11AAA	DUMP LEVER ASSY, COMPLETE	1						
31	01053-50825	BOLT	2						
32	02156-50080	NUT	2						M8XP1.25
33	02176-50120	Hex Head Nut	1						M12XP1.25
34	04012-50080	WASHER	4						DIA18*T1.2
35	04013-50160	Plain Washer	1						M16
36	04512-50120	SPRING WASHER	1						M12

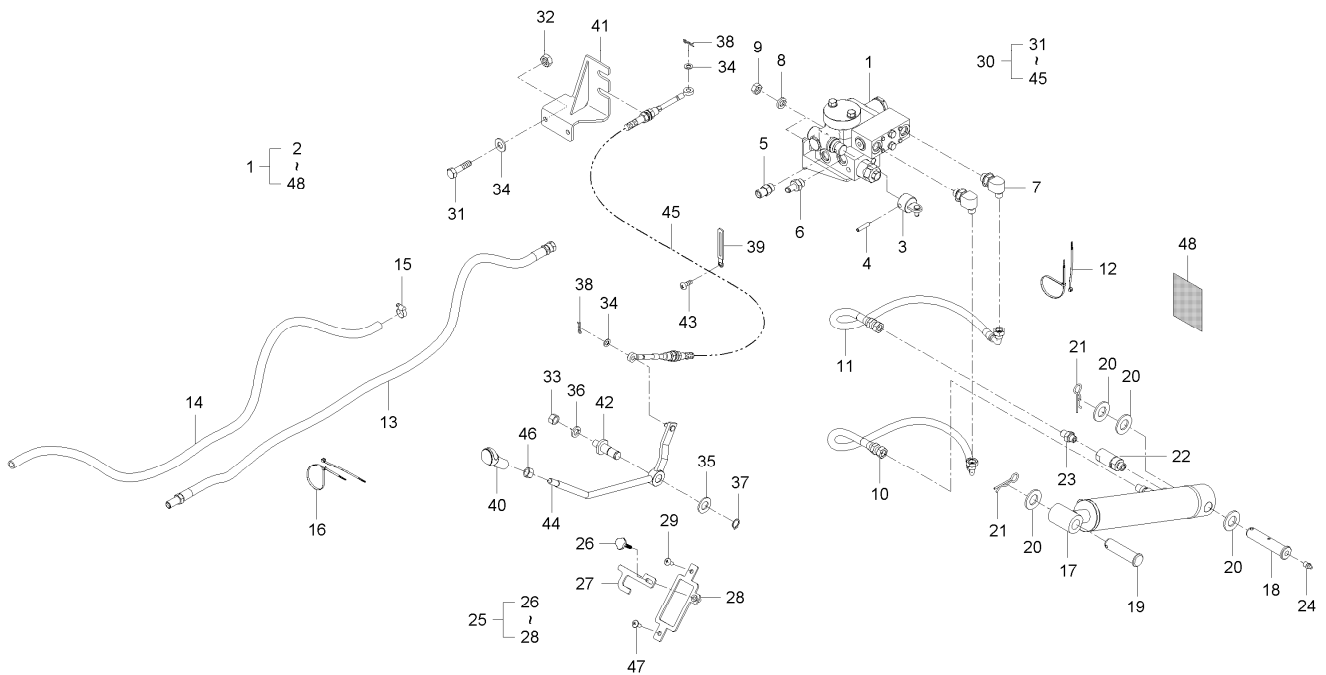
----> Old replace New
 <----> Interchangeable

<---- New replace Old
 <-O-> Interchangeable with another part(s)

<-X-> Not interchangeable

UD2-G591001

DUMP CYLINDER GROUP



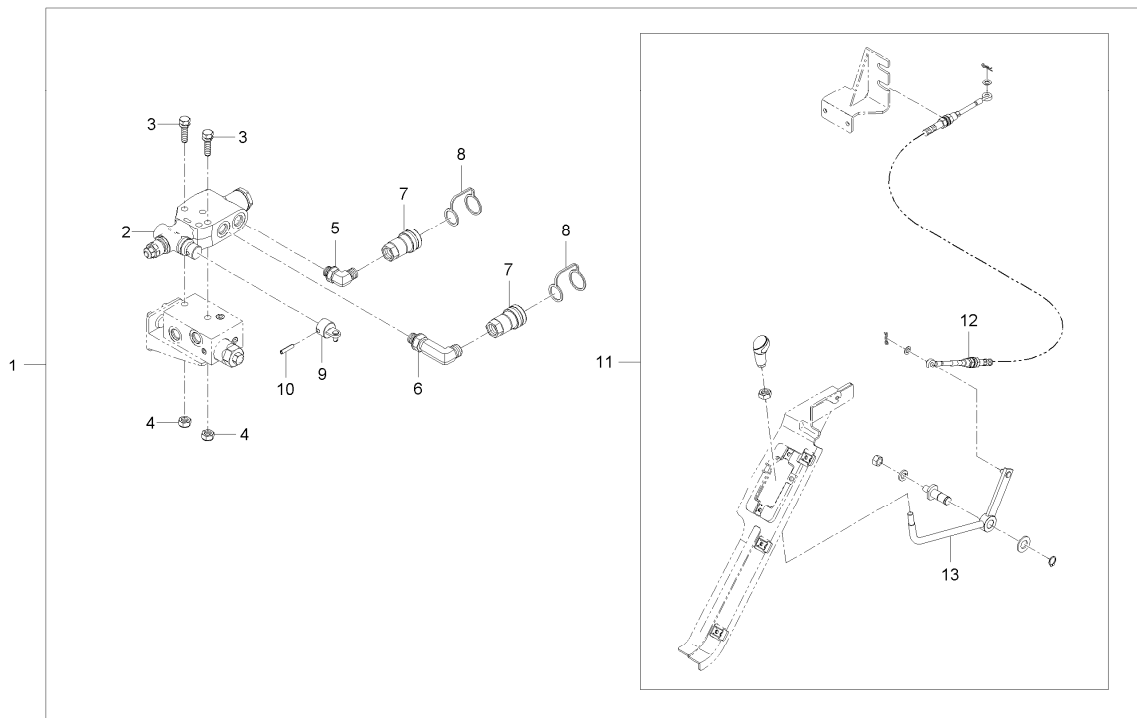
A : 1600XDR-2

No.	Part Number	Description	Qty					I.C	Remark
			A	B	C	D	E		
37	04612-00160	SNAP RING	1						
38	05525-50800	PIN, SNAP	2						
39	34150-2939-1	CLAMP, WIRE	1						-
40	P6470-60931	GRIP	1						
41	U3215-32802	Bracket Assy - Control Valve Cable (Brac	1						
42	U3215-32902	Shaft Lever MTG. HYD.(PIN)	1						
43	U3215-81552	Screw (Black)	1						M6
44	UD22-11CAA	DUMP LEVER ASSY	1						
45	UD22-11CCA	DUMP CABLE ASSY	1						
46	02118-50100	NUT	1						M10*P1.25
47	U3215-81552	Screw (Black)	1						M6
48	U3215-85711	LABEL WARNING, HYD LEVER LOCK	1						

----- Old replace New
 <----- New replace Old
 <----> Interchangeable
 <-O-> Interchangeable with another part(s)
 <-X-> Not interchangeable

UD2-G592001

WORK CONTROL VALVE GROUP



A : 1600XDR-2

No.	Part Number	Description	Qty					I.C	Remark
			A	B	C	D	E		
1	UD25-A0003A	ASSY, WORK CONTROL VALVE KIT	1						
2	U3215-32432	DU-Sectional Valve	1						
3	U3215-32271	BOLT	2						
4	41182-5151-1	U-NUT	2						DIA10
5	U3215-33701	CONNECTOR B	1						
6	U3215-33801	CONNECTOR C	1						
7	U3215-33902	COUPLER	2						
8	U3215-33921	CAP	2						
9	U3215-32252	Adaptor - Control Valve	1						
10	05411-00630	PIN, SPRING	1						DIA6*30
11	UD22-13AAA	WORK LEVER ASSY, COMPLETE	1						
12	UD22-12CBA	DUMP CABLE ASSY	1						
13	UD22-13CAA	WORK LEVER ASSY	1						-

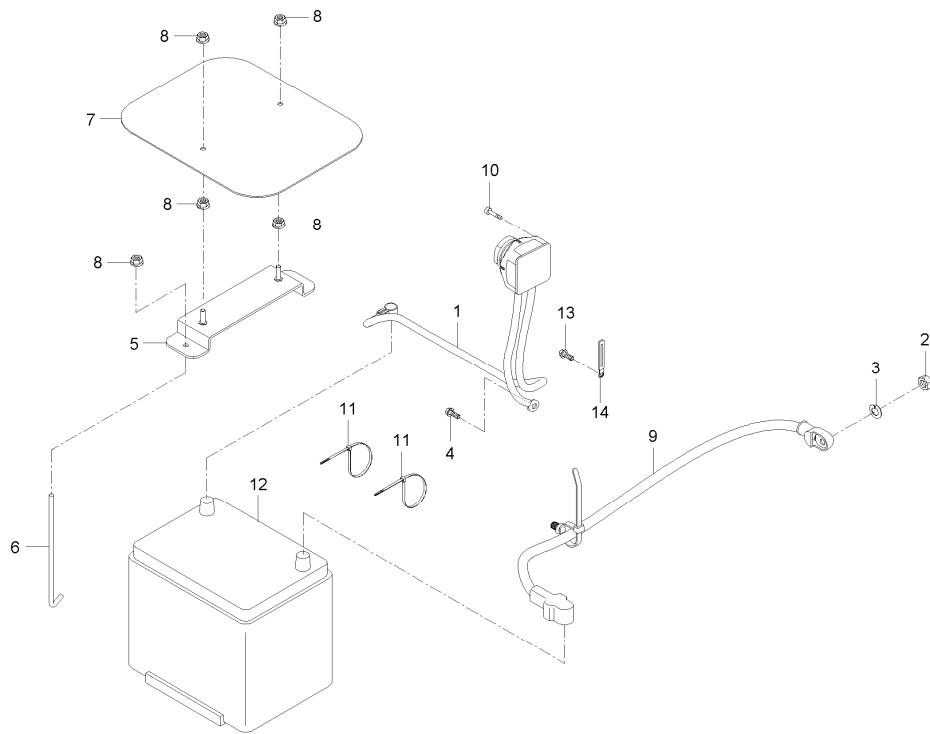
----> Old replace New
 <----> Interchangeable

<---- New replace Old
 <-O-> Interchangeable with another part(s)

<-X-> Not interchangeable

UD2-G613502

BATTERY GROUP



A : 1600XDR-2

No.	Part Number	Description	Qty					I.C	Remark
			A	B	C	D	E		
1	UD26-0003A	ASSY WIRE HARNESS, BATTERY EARTH-(EU1)	1						
2	02156-50080	NUT	1						M8XP1.25
3	04512-50080	SPRING WASHER	1						M08
4	01754-50616	BOLT, FLANGE	1						M6*P1.0
5	U3215-60202	BATTERY CLAMP ASSY	1						-
6	U3215-60213	BATTERY PIN	2						<O>6
7	U3215-60522	BATTERY COVER	1						
8	02761-50060	FLANGE NUT	6						M6XP1.0
9	UD26-0001A	ASSY WIRE HARNESS, BATTERY	1						
10	03054-50430	SCREW	4						
11	T2185-82551	CODE_BAND	2						L290
12	C7910-42205	BATTERY ASS'Y, GB80R	1						
13	01754-50612	BOLT, FLANGE	1						M6*1.0
14	37150-3447-1	WIR'G CLAMP	1						T0.5

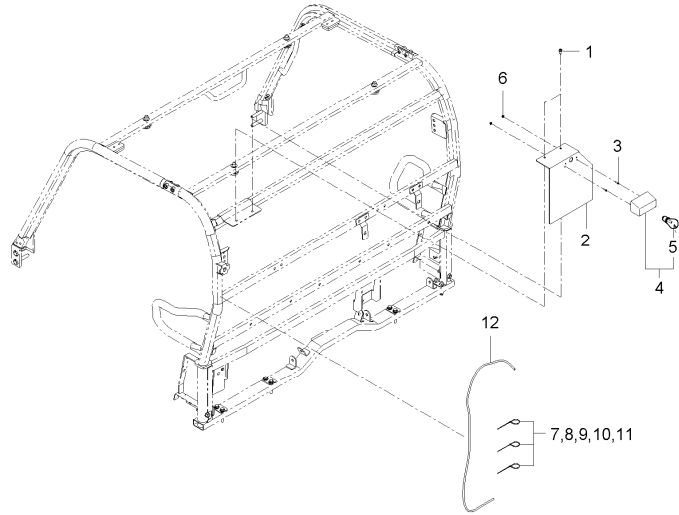
----> Old replace New
 <----> Interchangeable

<---- New replace Old
 <-O-> Interchangeable with another part(s)

<-X-> Not interchangeable

UD2-G625001

LICENSE LAMP GROUP



A : 1600XDR-2

No.	Part Number	Description	Qty					I.C	Remark
			A	B	C	D	E		
1	01754-50612B	FLANGE BOLT	2						M6
2	UD26-0045A	NUMBER BOARD SUPPORT PLATE	1						T3.2
3	03024-50414	SCREW, WASHER	2						
4	T2611-75712	LICENSE PLATE LAMP ASSY	1						
5	T2611-79021	BULB,LIGHT(27W)	1						
6	02761-50040	NUT, FLANGE	2						
7	T2185-82551	CODE_BAND	1						L290
8	T2185-82551	CODE_BAND	1						L290
9	T2185-82551	CODE_BAND	1						L290
10	T2185-82551	CODE_BAND	1						L290
11	T2185-82551	CODE_BAND	1						L290
12	U3215-60191	WIRE HARNESS,PLATE LAMP	1						

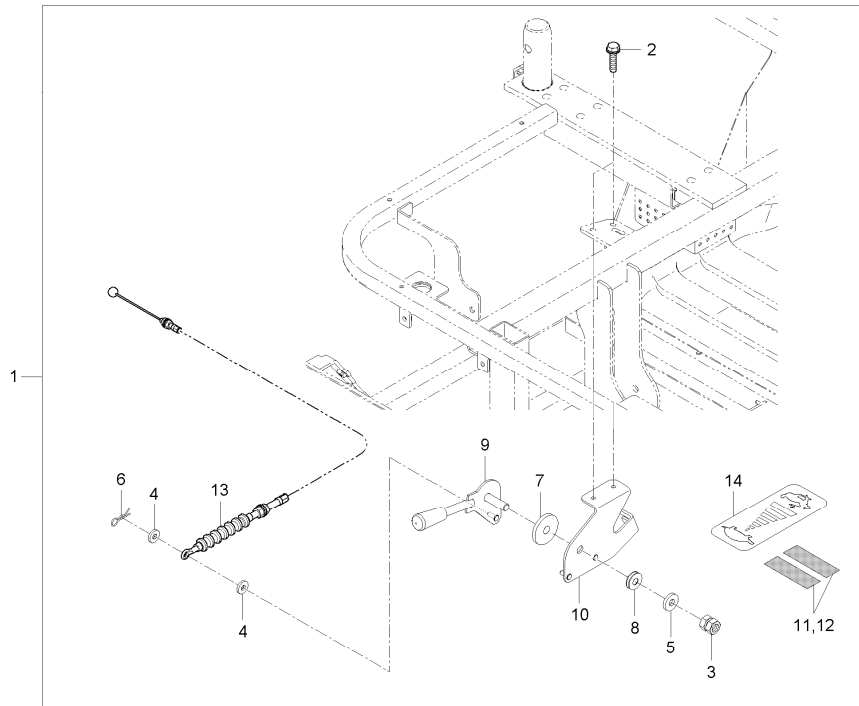
----> Old replace New
<----> Interchangeable

<---- New replace Old
<-O-> Interchangeable with another part(s)

<-X-> Not interchangeable

UD2-G795301

HAND THROTTLE GROUP(OPTION)



A : 1600XDR-2

No.	Part Number	Description	Qty					I.C	Remark
			A	B	C	D	E		
1	U3219-74402	ACCEL ASSY	1						N
2	01754-50616B	FLANGE BOLT	2						M6
3	02176-50120B	NUT	2						M12
4	04013-50060B	WASHER	2						M6
5	04013-50120B	WASHER	1						M12
6	05525-50600	PIN, SNAP	1						DIA1.2
7	T2670-60091	LINING,BRAKE	1						
8	T4835-17241	SPRING	2						
9	U3210-74551	Lever Assy - Hand Accelerator	1						N
10	U3210-74591	Bracket ,Hand Accel Lever Assy	1						N
11	U3210-85591	LABEL	1						N
12	U3214-85591	LABEL	1						N
13	U3215-74501	CABLE, HAND ACCEL	1						N
14	U3215-85211	LABEL, SPEED CONTROL	1						N

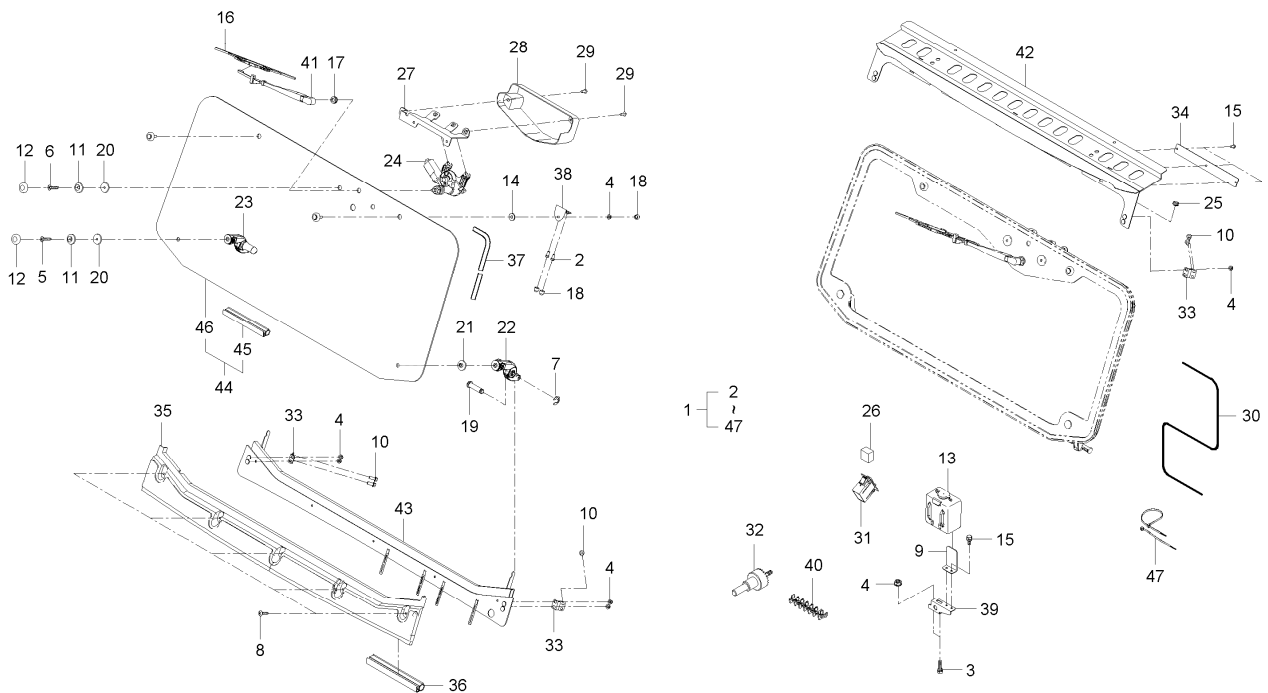
----> Old replace New
 <----> Interchangeable

<---- New replace Old
 <-O-> Interchangeable with another part(s)

<-X-> Not interchangeable

UD2-G890101

SAFTY GLASS GROUP-OTP



A : 1600XDR-2

No.	Part Number	Description	Qty					I.C	Remark
			A	B	C	D	E		
1	UD28-A901AB	WINDSHIELD ASSY(TEMP)	1						
2	01123-50816	Hex Head Cap Screw	4						M8*P1.25
3	01123-50845	BOLT, WASHER	2						M8*P1.25
4	02763-50080B	FLANGE NUT	13						M8
5	03016-50830	BOLT	2						
6	03016-50840	CROSS-RECESSED HEAD MACHINE SCREW	2						M8XP1.25
7	04613-50050	SNAP RING	2						
8	C7210-38511	SCREW	5						M6 X 12
9	C7280-89211	BRACKET	1						N
10	T4125-08201	FLANGE BLOT	8						
11	T4145-83711	COLLAR	4						
12	T4145-83721	CAP,SEALING	4						
13	T4340-87181	ASSY TANK	1						N
14	T4520-87402	PACKING, 1	2						T3
15	T4625-55431	FLANGE BOLT	5						
16	T4815-82431	WIPER, 16-INCH	1						
17	T4815-89171	GROMMET	1						N
18	T4815-93211	NUT	6						

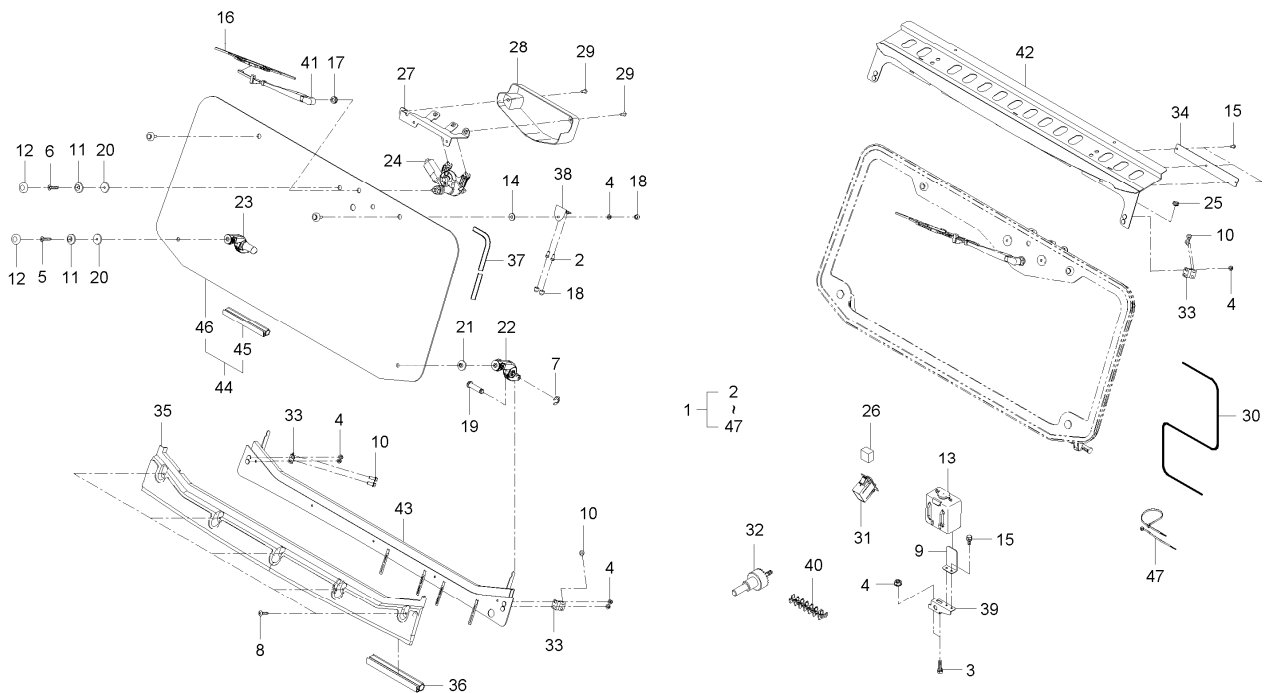
----> Old replace New
 <----> Interchangeable

<---- New replace Old
 <-O-> Interchangeable with another part(s)

<-X-> Not interchangeable

UD2-G890101

SAFTY GLASS GROUP-OTP



A : 1600XDR-2

No.	Part Number	Description	Qty					I.C	Remark
			A	B	C	D	E		
19	T4930-83701	HEAD PIN, SIDE MIRROR	2						
20	T4930-83721	CUSHION, A	4						
21	T4930-83731	CUSHION, B	4						
22	T4930-85081	GRIP, SIDE, LH	1						
23	T4930-85091	GRIP, SIDE, RH	1						
24	T5270-69913	ASS'Y CONT-MULTI	1						3.0t
25	T5525-80331	BOOT	2						N
26	T5710-69971	RELAY, 5P	1						
27	U3210-97221	BRACKET ASSY,FRONT WIPER MOTOR	1						N
28	U3210-97251	COVER,FRONT WIPER MOTOR	1						3.0t
29	U3215-97161	SCREW	2						N
30	UD26-0017A	ASSY WIRE HARNESS, CONNECTING WIPER	1						
31	UD26-0036A	SWITCH, WIPER-FR LED	1						
32	UD27-0022A	GANISH CLIP	7						
33	UD28-5966A	UPR FRAME STAY	4						
34	UD28-5968A	ELEC COVER	1						
35	UD28-5975A	COVER LWR	1						
36	UD28-5976A	LWR COVER RUBBER	1						

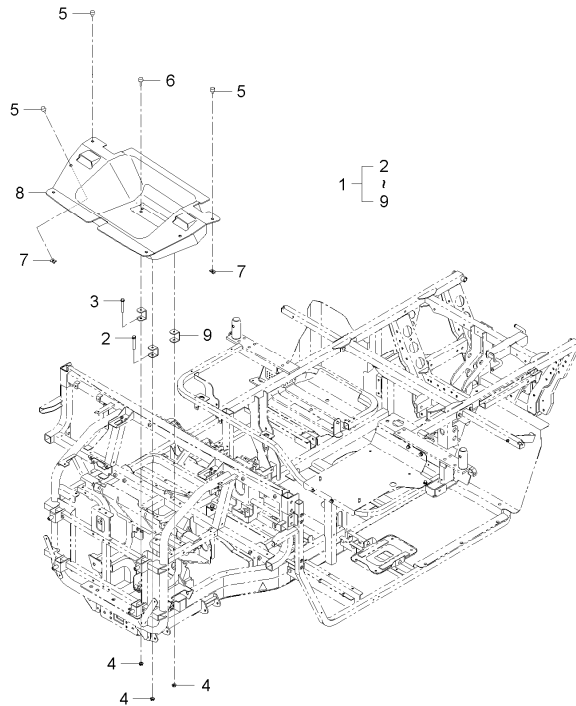
----> Old replace New
 <----> Interchangeable

<---- New replace Old
 <-O-> Interchangeable with another part(s)

<-X-> Not interchangeable

UD2-G892101

HOOD BOX GROUP-OTP



A : 1600XDR-2

No.	Part Number	Description	Qty					I.C	Remark
			A	B	C	D	E		
1	UD28-A921AA	HOOD STORAGE ASSY(PACKING)	1						
2	01123-50845	BOLT, WASHER	1						M8*P1.25
3	01123-50855	BOLT, WASHER	2						
4	02751-50080	Flange Nut	3						M8X1.25
5	53415-4128-1	BOLT	7						
6	55571-3238-1	BOLT	2						
7	UD27-0020A	SPEED NUT(M6)	4						
8	UD28-8031A		1						3.5T
9	UD28-8033A	HOOD BOX BRACKET ASSY	3						

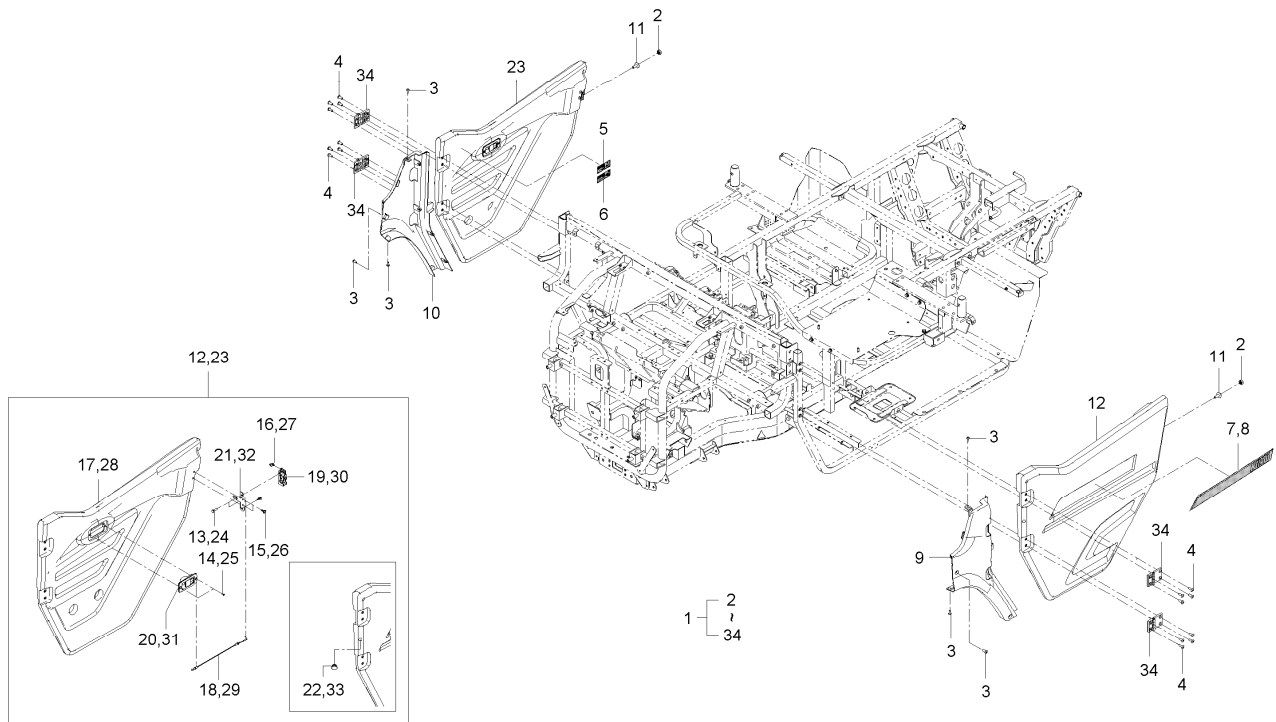
----> Old replace New
 <----> Interchangeable

<---- New replace Old
 <-O-> Interchangeable with another part(s)

<-X-> Not interchangeable

UD2-G892501

HALF DOOR GROUP-OTP



A : 1600XDR-2

No.	Part Number	Description	Qty					I.C	Remark
			A	B	C	D	E		
1	UD28-A925AA	HALF DOOR ASSY,KIOTI(PACKING)	1						
2	02114-50080	NUT	2						M8*P1.25
3	U3215-81552	Screw (Black)	18						M6
4	U3215-97161	SCREW	16						N
5	UD27-7003A	SEAT BELT WARING LABEL(EN)	2						
6	UD27-7004A	DOOR LOCK WARING LABEL(EN)	2						
7	UD27-7031A	HALF DOOR LABEL(KIOTI),LH	1						
8	UD27-7033A	HALF DOOR LABEL(KIOTI),RH	1						
9	UD28-4017A	FRT SHROUD COVER, LH	1						T3.0
10	UD28-4019A	FRONT SHROUD COVER, RH	1						T3.0
11	UD28-4031A	HALF DOOR STRIKER	2						
12	UD28-40ACA	HALF DOOR ASSY,LH	1						
13	01754-50622	BOLT, FLANGE	2						
14	03054-50412B	BOLT	2						M4
15	U3215-81552	Screw (Black)	3						M6
16	UD28-4015A	HALF DOOR CABLE RETAINER	1						
17	UD28-4021A	HALF DOOR, LH	1						
18	UD28-4023A	HALF DOOR ROD, LH	1						

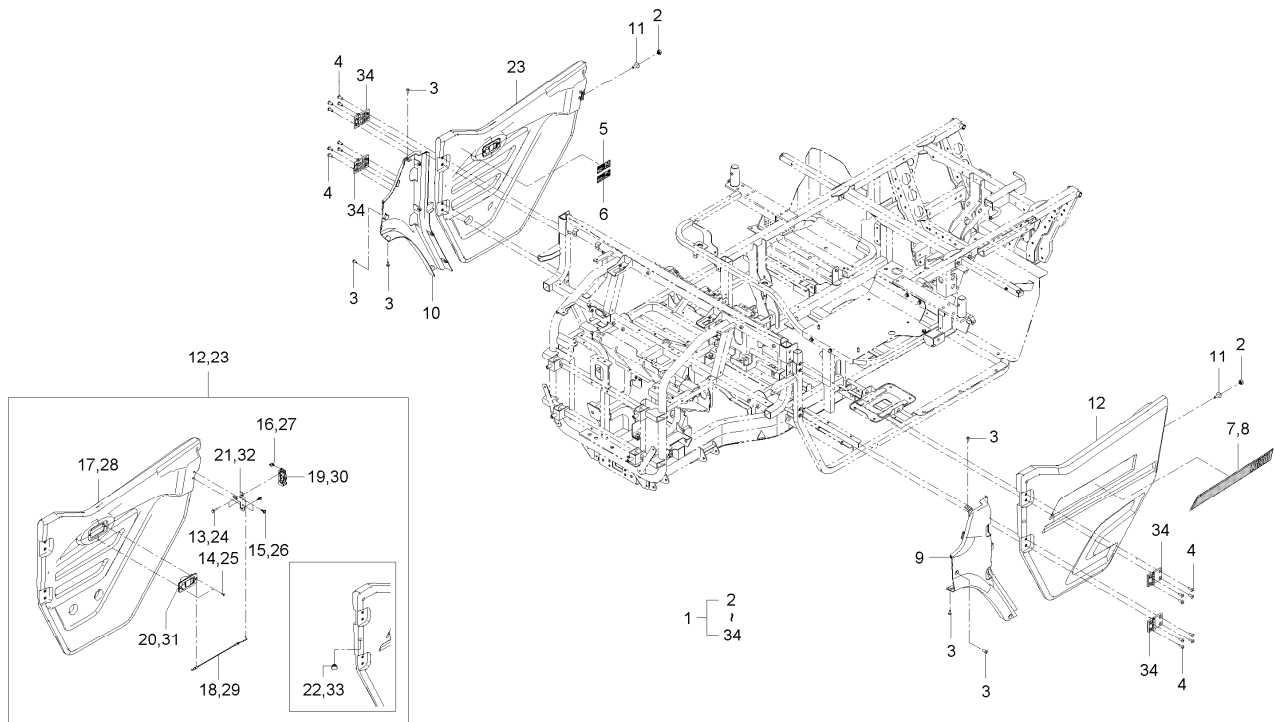
----> Old replace New
 <----> Interchangeable

<---- New replace Old
 <-O-> Interchangeable with another part(s)

<-X-> Not interchangeable

UD2-G892501

HALF DOOR GROUP-OTP



A : 1600XDR-2

No.	Part Number	Description	Qty					I.C	Remark
			A	B	C	D	E		
19	UD28-40CAA	HALF DOOR CATCH ASSY, LH	1						
20	UD28-40CCA	HALF DOOR HANDLE ASSY	1						
21	UD28-40CFA	HALFDOOR MTG BRKT ASSY,LH	1						-
22	UD28-4035A	HALF DOOR CUSHION	1						
23	UD28-40AEA	HALF DOOR ASSY,RH	1						
24	01754-50622	BOLT, FLANGE	2						
25	03054-50412B	BOLT	2						M4
26	U3215-81552	Screw (Black)	3						M6
27	UD28-4023A	HALF DOOR ROD, LH	1						
28	UD28-4029A	HALF DOOR, RH	1						
29	UD28-40CBA	HARF DOOR CATCH,RH	1						
30	UD28-40CCA	HALF DOOR HANDLE ASSY	1						
31	UD28-40CDA	HARF DOOR MT. BRKT. ASSY,RH	1						
32	UD28-4015A	HALF DOOR CABLE RETAINER	1						
33	UD28-4035A	HALF DOOR CUSHION	1						
34	UD28-40AFA	HALF DOOR HINGE ASSY	4						

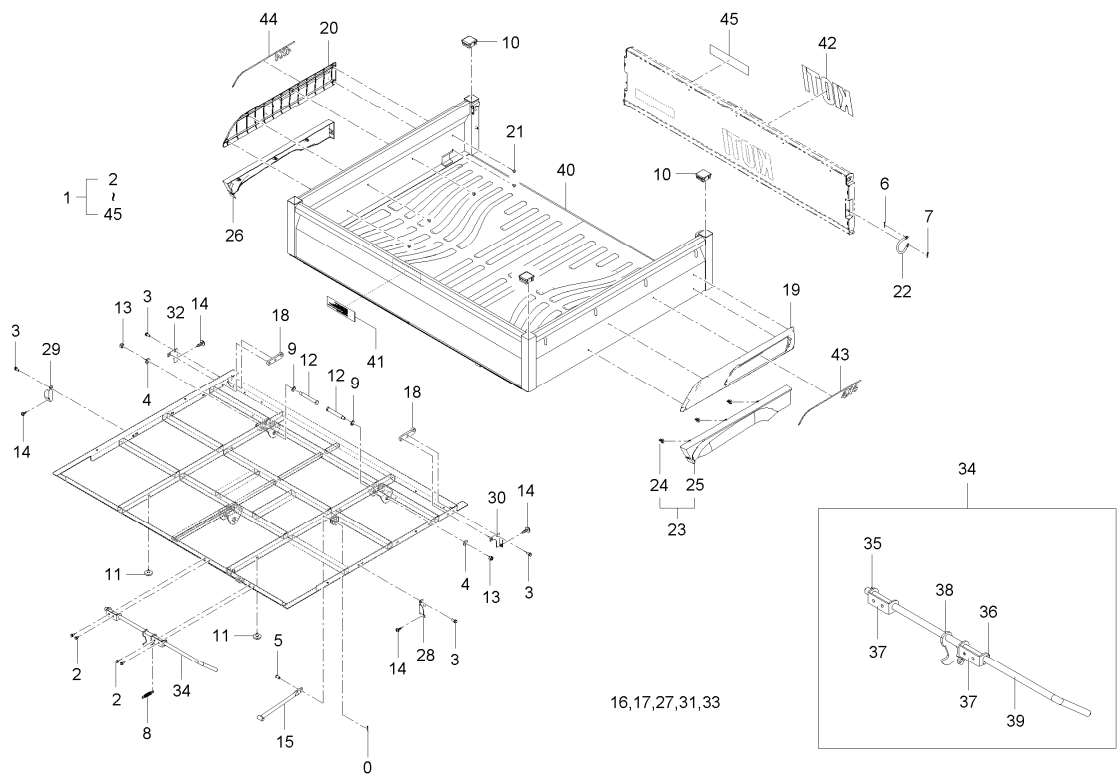
----> Old replace New
<----> Interchangeable

<---- New replace Old
<-O-> Interchangeable with another part(s)

<-X-> Not interchangeable

UD2-G893101

DECK GROUP(OTP)



A : 1600XDR-2

No.	Part Number	Description	Qty					I.C	Remark
			A	B	C	D	E		
1	UD28-A931AA	URETHANE DECK ASSY(PACKING)	1						
2	01025-50614	BOLT, WASHER	4						M6*P1.0
3	01123-50818	BOLT, WASHER	6						M8*P1.25
4	04013-50120	PLAIN WASHER	2						M12
5	05122-51020	JOINT PIN	1						DIA10*20
6	05511-50218	PIN, SPLIT	2						DIA2*18
7	05525-50800	PIN, SNAP	3						
8	U3210-99201	Deck Locking Spring	1						
9	U3210-99751	REAMER BOLT WASHER	2						T2.3
10	U3210-99793	DECK POLE COVER	4						(경 도50%)
11	U3210-99811	BUMPER	4						N
12	U3210-99831	REAMER BOLT, FLANGE	2						N
13	U3210-99851	U-NUT	2						M12xP1.25
14	U3215-81552	Screw (Black)	4						M6
15	U3219-98802	Deck Stay Rod Assy(BLACK)	1						N
16	U3210-98812	Deck Stay Rod	1						D15
17	U3210-98831	Deck Stay Holder	1						D15
18	UD28-6016A	TAILGATE HINGE BRKT	2						T10.0

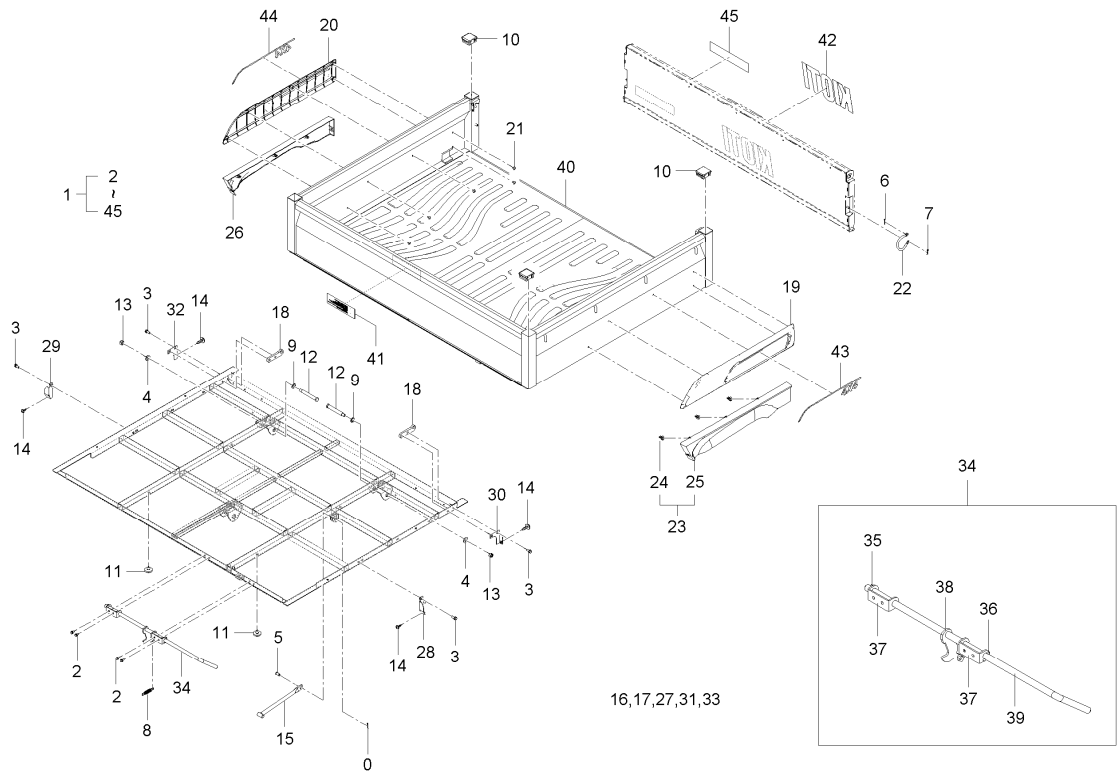
----> Old replace New
 <----> Interchangeable

<---- New replace Old
 <-O-> Interchangeable with another part(s)

<-X-> Not interchangeable

UD2-G893101

DECK GROUP(OTP)



A : 1600XDR-2

No.	Part Number	Description	Qty					I.C	Remark
			A	B	C	D	E		
19	UD28-6020A	DECK LINER, LH	1						T2.0
20	UD28-6021A	DECK LINER, RH	1						T2.0
21	UD28-6050A	SCREW(M6x10,BLACK)	10						M6
22	UD28-6077A	DECK STOP ROPE	2						-
23	UD28-60ABB	FENDER REAR ASSY, LH	1						-
24	UD27-0022A	GANISH CLIP	3						
25	UD28-6022B	FENDER REAR, LH	1						T3.0
26	UD28-60ACB	FENDER REAR ASSY, RH	1						-
27	UD28-6023B	FENDER REAR, RH	1						T3.0
28	UD28-60AEA	FENDER REAR BKRT ASSY_1, LH	1						-
29	UD28-60AFA	FENDER REAR BRKT ASSY_1, RH	1						-
30	UD28-60AGA	FENDER REAR BRKT ASSY_2, LH	1						-
31	UD28-6045A	FENDER REAR MTG BRKT2, LH	1						T1.6
32	UD28-60AHA	FENDER RERAR BKRT ASSY_2, RH	1						-
33	UD28-6046A	FENDER REAR MTG BRKT2, RH	1						T1.6
34	UD28-60CDC	DECK LOCKING LEVER ASSY	1						-
35	03054-50612	BOLT	1						M6XP1.0
36	05411-00525	PIN, SPRING	1						DIA5*25

----> Old replace New
 <----> Interchangeable

<---- New replace Old
 <-O-> Interchangeable with another part(s)

<-X-> Not interchangeable

INDEX 1

PART NO.	PAGE	PART NO.	PAGE	PART NO.	PAGE	PART NO.	PAGE	PART NO.	PAGE
01023-50610	21	01123-50855	153	01173-51085	100	01754-50812	77	02156-50080	61
01023-50612	14	01123-50860	86	01176-51070	57	01754-50816	19	02156-50080	105
01023-50614	10	01123-50870	86	01176-51245	89	01754-50816	53	02156-50080	110
01023-50616	19	01125-50816	19	01176-51245	89	01754-50816	68	02156-50080	116
01023-50618	1	01125-50820	44	01176-51245	89	01754-50816	86	02176-50100	20
01023-50618	134	01125-50820	50	01176-51245	89	01754-50816B	83	02176-50100	54
01023-50620	21	01125-50820	57	01176-51665	88	01754-50818	50	02176-50100	57
01023-50625	6	01125-50820	101	01205-50612	75	01754-50818	135	02176-50100	71
01023-50628	18	01125-50825	64	01513-50614	6	01754-50820	61	02176-50100	109
01023-50630	21	01125-50825	103	01513-50618	14	01754-50820	63	02176-50100	115
01023-50635	66	01125-50830	27	01513-50620	4	01754-50820	73	02176-50100B	94
01023-50645	104	01125-50830	27	01513-50655	19	01754-50820	75	02176-50120	50
01023-50645	140	01125-50830	36	01513-50822	4	01754-50820	77	02176-50120	54
01023-50660	21	01125-50830	53	01513-50822	13	01754-50820	96	02176-50120	71
01023-50665	5	01125-50840	50	01517-51028	71	01754-50820	96	02176-50120	77
01023-50670	5	01125-50845	87	01654-50618	10	01754-50820	101	02176-50120	110
01023-50675	5	01125-50850	86	01654-50820	3	01754-50820	148	02176-50120B	142
01025-50614	98	01125-50855	50	01754-50610	140	01754-50820B	94	02751-50060	15
01025-50614	99	01125-50860	86	01754-50610	144	01754-50822	7	02751-50060	16
01025-50614	99	01125-50860	87	01754-50612	17	01754-50822	75	02751-50060	140
01025-50614	99	01125-50860B	94	01754-50612	116	01754-50825	7	02751-50080	83
01025-50614	157	01125-50870	28	01754-50612	117	01754-50825	83	02751-50080	153
01025-50616	134	01125-50870	50	01754-50612	118	01754-50825	136	02761-50040	12
01025-50618	103	01125-50895	50	01754-50612	140	01754-50825	141	02761-50040	121
01025-50618	130	01125-51035	108	01754-50612B	79	01754-50825	148	02761-50040B	120
01025-50620	27	01125-51060B	94	01754-50612B	121	01754-50825B	151	02761-50050	79
01025-50635	64	01127-50825	20	01754-50612B	149	01754-50835	19	02761-50060	5
01025-50635	103	01133-51025	71	01754-50612B	150	01754-50835B	83	02761-50060	17
01025-50638	130	01133-51030	69	01754-50614B	120	01754-50835B	84	02761-50060	19
01027-50620	156	01133-51030	115	01754-50616	16	01754-50835B	150	02761-50060	66
01053-50516	122	01133-51040	36	01754-50616	17	01754-50835B	151	02761-50060	114
01053-50825	110	01133-51070	71	01754-50616	17	01754-50835BA	149	02761-50060	116
01123-50816	4	01133-51080	71	01754-50616	46	01754-50840B	151	02761-50060	123
01123-50816	35	01133-51085	71	01754-50616	48	01754-51020	77	02761-50060	126
01123-50816	40	01133-51235	71	01754-50616	61	01754-51020	118	02761-50060	129
01123-50816	102	01133-51240	71	01754-50616	66	01774-51003	20	02761-50060	137
01123-50816	145	01133-51270	54	01754-50616	68	01774-51020	86	02761-50060B	80
01123-50818	14	01133-51270	94	01754-50616	75	01811-50610	75	02761-50060B	138
01123-50818	97	01133-51280	54	01754-50616	116	02054-50030	80	02763-50080	4
01123-50818	98	01135-51025	44	01754-50616	123	02054-50030	138	02763-50080	28
01123-50818	98	01135-51025	68	01754-50616	137	02054-50040	127	02763-50080	47
01123-50818	98	01135-51025	92	01754-50616B	142	02054-50080	103	02763-50080	48
01123-50818	99	01135-51025	156	01754-50618	77	02056-50060	14	02763-50080	86
01123-50818	157	01135-51025B	143	01754-50620	15	02056-50060	15	02763-50080	101
01123-50820	64	01135-51030	69	01754-50620	118	02056-50060	21	02763-50080	102
01123-50822	13	01135-51030	71	01754-50622	154	02056-50060	134	02763-50080B	84
01123-50822	105	01135-51035	23	01754-50622	155	02056-50080B	94	02763-50080B	135
01123-50822	105	01135-51035	69	01754-50625	20	02056-50080B	148	02763-50080B	145
01123-50825	50	01153-50812	77	01754-50625	77	02076-50160	88	02763-50080B	149
01123-50825	66	01153-50822	64	01754-50630	129	02114-50080	154	02763-50080B	150
01123-50825	74	01153-50822	66	01754-50640	144	02118-50100	68	02763-50080B	151
01123-50830	14	01153-50855	47	01754-50645	123	02118-50100	111	02771-50100	69
01123-50835	105	01153-50855	48	01754-50655	80	02156-50080	13	02783-50100	46
01123-50845	145	01173-51065	61	01754-50655	138	02156-50080	20	02783-50100	100
01123-50845	153	01173-51065	63	01754-50810B	128	02156-50080	57	03004-50616	46

PART NO.	PAGE	PART NO.	PAGE	PART NO.	PAGE	PART NO.	PAGE	PART NO.	PAGE
03014-50608	21	04013-50120B	142	04612-00160	111	05511-50218	99	08822-53017	33
03016-50830	145	04013-50140	54	04612-00170	50	05511-50218	157	09318-87040	75
03016-50840	145	04013-50140	56	04612-00180	10	05511-50435	44	09318-87051	75
03016-50845	94	04013-50160	110	04612-00180	13	05511-50435	45	09318-88080	12
03024-50414	121	04013-50180	44	04612-00190	13	05515-51600	88	09318-88080	53
03024-50520	12	04013-50200	110	04612-00190	105	05515-51600	110	09318-88140	19
03054-50316	80	04014-50060	140	04612-00200	105	05525-50600	47	09318-88180	9
03054-50316	138	04014-50080	7	04612-00240	30	05525-50600	48	09318-89060	73
03054-50412B	154	04014-50100	47	04612-00250	44	05525-50600	101	09318-89063	77
03054-50412B	155	04014-50100	48	04612-00300	32	05525-50600	101	09500-18308	55
03054-50430	116	04015-50080	46	04613-50050	145	05525-50600	142	09500-35528	108
03054-50512	47	04015-50080B	94	04714-00100	105	05525-50800	46	09550-00008	5
03054-50512	49	04015-50080B	148	04717-01200	103	05525-50800	61	09661-40200	12
03054-50535	135	04015-50100	100	04717-01600	23	05525-50800	68	14911-4275-1	14
03054-50612	158	04111-50080	40	04717-01600	27	05525-50800	97	14911-4275-1	23
04011-50100	50	04512-50030	80	04717-01600	36	05525-50800	97	14911-4275-1	27
04011-50100	68	04512-50040	127	04717-02000	27	05525-50800	99	14911-4275-1	36
04011-50100	79	04512-50060	14	04724-00140	16	05525-50800	111	14911-4275-1	53
04011-50100	92	04512-50060	21	04810-00150	5	05525-50800	157	14911-4275-1	75
04011-50120	49	04512-50080	4	04810-00200	104	05525-51000	100	14911-4275-1	77
04011-50160	46	04512-50080	13	04811-00060	16	05712-00408	2	15121-5385-2	12
04012-50030	80	04512-50080	20	04811-00120	34	05712-00515	10	15221-0175-1	4
04012-50050	12	04512-50080	57	04811-00140	3	05712-00515	11	15221-3365-1	1
04012-50060	101	04512-50080	77	04811-00150	34	05712-00515	20	15241-3695-2	5
04012-50060	101	04512-50080	105	04811-00180	35	05712-00520	13	15321-5216-1	13
04012-50080	46	04512-50080	116	04811-00180	40	06311-75015	1	15321-9626-3	1
04012-50080	61	04512-50100	20	04811-06130	5	06311-75040	1	15321-9626-3	4
04012-50080	66	04512-50100	54	04811-10220	11	06331-35010	105	15371-4217-0	14
04012-50080	103	04512-50100	57	04811-10800	108	06331-35016	23	15471-5798-1	15
04012-50080	110	04512-50100	71	04811-50300	9	06331-35016	27	15521-5642-1	18
04013-50060	21	04512-50100	109	04811-50600	44	06331-35016	36	31220-2639-2	37
04013-50060	47	04512-50100	115	04814-06310	16	06331-35020	27	31365-2278-1	33
04013-50060	48	04512-50120	50	05012-00609	1	06331-45012	103	34150-2156-1	31
04013-50060B	142	04512-50120	54	05012-00814	1	06613-10010	110	34150-2156-1	32
04013-50080	19	04512-50120	71	05012-00818	27	07715-03213	5	34150-2939-1	53
04013-50080	50	04512-50120	89	05012-00818	27	07811-10820	15	34150-2939-1	111
04013-50080	57	04512-50120	89	05112-50630	101	07918-00001	15	34220-1451-2	40
04013-50080	77	04512-50120	89	05112-50635	101	08101-06005	44	37150-3447-1	53
04013-50100	20	04512-50120	89	05122-50818	68	08101-06204	29	37150-3447-1	64
04013-50100	36	04512-50120	110	05122-50845	61	08101-06204	30	37150-3447-1	106
04013-50100	50	04512-50140	54	05122-51020	99	08101-06205	32	37150-3447-1	116
04013-50100	54	04512-50140	56	05122-51020	157	08101-06205	32	37155-3447-1	108
04013-50100	57	04512-50160	88	05122-51022	64	08101-06205	33	37300-2648-1	37
04013-50100	61	04611-00320	50	05122-51025	100	08101-06304	33	37300-2649-1	37
04013-50100	63	04611-00400	50	05122-51880	88	08103-06004	13	37300-2817-2	37
04013-50100	71	04611-00450	25	05411-00420	15	08141-06002	50	37800-4387-1	37
04013-50100	100	04611-00520	26	05411-00430	37	08141-06203	50	38240-1883-1	81
04013-50100B	94	04611-00700	56	05411-00525	158	08153-06004	13	38240-2647-2	37
04013-50120	54	04611-00750	58	05411-00532	96	08241-05204	105	38430-2155-1	31
04013-50120	71	04611-00750	58	05411-00625	35	08711-30205	26	38440-4424-1	26
04013-50120	95	04611-00800	58	05411-00630	109	08812-83520	37	38630-4329-2	38
04013-50120	95	04611-00800	58	05411-00630	112	08812-83520	37	38630-4329-2	38
04013-50120	97	04612-00130	8	05411-00640	42	08822-02413	30	41011-5151-4	46
04013-50120	98	04612-00150	50	05411-00840	43	08822-52913	30	41182-5151-1	51
04013-50120	157	04612-00160	46	05511-50218	98	08822-53013	33	41182-5151-1	61

PART NO.	PAGE	PART NO.	PAGE	PART NO.	PAGE	PART NO.	PAGE	PART NO.	PAGE
41182-5151-1	63	E5700-01624	3	E5760-13121	8	E5775-12311	21	EF15-0003A	1
41182-5151-1	112	E5700-12362	21	E5760-14511	9	E5775-32111	3	F6800-91831	104
52300-3413-1	64	E5700-13332	8	E5760-15111	10	E5775-52031	14	F6800-91851	107
53415-4128-1	81	E5700-14232	8	E5760-16011	10	E5775-53711	12	F6800-91851	109
53415-4128-1	85	E5700-15552	10	E5760-16171	13	E5775-53721	12	K5400-14572	31
53415-4128-1	153	E5700-21105	11	E5760-16211	14	E5775-53731	12	K5400-14582	31
55511-2118-3	118	E5700-23252	11	E5760-21001	11	E5775-73062	19	K5400-14592	31
55571-3238-1	153	E5700-24252	10	E5760-21011	11	E5775-74113	20	K9100-50241	99
AA0000191	76	E5700-35012	1	E5760-21051	11	E5775-A0072	3	K9100-50241	99
C7130-23471	30	E5700-35154	1	E5760-21111	11	E5776-99011	22	P4410-98251	110
C7170-22591	104	E5700-35662	2	E5760-21151	11	E5800-52111	13	P6470-60931	111
C7210-38511	145	E5700-36071	5	E5760-21311	11	E5800-64102	20	T2185-21661	31
C7280-89211	145	E5700-36911	5	E5760-22015	11	E5800-73011	19	T2185-21671	31
C7910-42205	116	E5700-36932	5	E5760-22143	11	E5800-73052	6	T2185-43861	38
E1100-33752	3	E5700-51016	13	E5760-22311	11	E5850-54252	16	T2185-43871	38
E5205-03371	4	E5700-51162	115	E5760-23012	11	E5850-54272	16	T2185-43881	38
E5205-04561	7	E5700-56414	18	E5760-23471	2	E5850-54282	16	T2185-43891	38
E5205-13152	8	E5700-72922	19	E5760-23481	7	E5850-54291	16	T2185-43901	38
E5205-13241	8	E5700-73342	6	E5760-23531	7	E5850-57112	15	T2185-82551	116
E5205-13542	4	E5700-73342	19	E5760-23541	7	E5850-57212	15	T2185-82551	121
E5205-13562	4	E5700-73353	19	E5760-33111	16	E5850-57212	16	T2185-82551	121
E5205-14241	8	E5700-73922	1	E5760-36332	14	E5850-57922	15	T2185-82551	121
E5205-16272	10	E5700-91094	3	E5760-36332	105	E5900-96022	1	T2185-82551	121
E5205-16321	13	E5700-A0022	13	E5760-42502	12	E5900-96022	4	T2185-82551	121
E5205-16511	10	E5706-56051	18	E5760-53001	12	E5900-96032	1	T2185-82551	134
E5205-21331	11	E5752-14522	9	E5760-54095	17	E5900-96032	5	T2185-82551	136
E5205-21354	11	E5752-14562	9	E5760-54123	15	E6200-52142	14	T2185-82561	135
E5205-23311	11	E5752-18171	6	E5760-54263	16	E6300-53021	12	T2185-82561	138
E5205-23361	20	E5752-35692	3	E5760-56021	18	E6300-53621	12	T2185-95612	135
E5205-24012	10	E5752-36413	3	E5760-56481	16	E6300-53651	12	T2198-82551	73
E5205-24112	11	E5752-36422	3	E5760-56602	16	E6303-33661	3	T2198-82551	125
E5205-24281	10	E5752-74122	20	E5760-57151	15	E6305-54221	15	T2198-82561	68
E5205-24321	10	E5752-91031	5	E5760-57482	17	E6305-54281	15	T2198-82561	107
E5205-24361	10	E5752-91141	71	E5760-63011	115	E6305-54421	15	T2198-82561	109
E5205-24371	10	E5752-91501	8	E5760-64423	19	E6305-92021	15	T2198-82561	109
E5205-32091	5	E5753-14001	8	E5760-65511	12	E6305-96652	15	T2198-82571	125
E5205-32291	5	E5753-14051	8	E5760-65562	12	E6500-42413	13	T2198-82571	147
E5205-33961	1	E5753-14111	8	E5760-72872	6	E6510-05511	9	T2240-26355	37
E5205-36481	105	E5753-14311	8	E5760-72914	19	E6510-05552	9	T2305-25241	30
E5205-54271	16	E5753-14351	8	E5760-73033	6	E6510-05552	21	T2305-26061	38
E5205-72951	6	E5753-14431	8	E5760-73043	6	E6510-33661	9	T2305-26071	38
E5205-73524	6	E5753-35681	2	E5760-73432	6	E6820-60011	16	T2305-26081	38
E5205-73911	1	E5753-57281	15	E5760-73512	6	E6820-60011	114	T2305-44281	35
E5205-91021	1	E5760-01751	4	E5760-73551	6	E6850-57313	16	T2305-44281	40
E5500-33142	9	E5760-03141	4	E5761-04541	7	E7240-32731	19	T2350-25361	26
E5500-33671	9	E5760-03314	4	E5761-04541	7	E7240-32731	114	T2350-37351	94
E5500-33702	1	E5760-04043	7	E5761-04541	7	E7251-64011	20	T2350-42451	26
E5500-35681	9	E5760-04053	7	E5763-13361	8	E7310-36431	3	T2350-42461	26
E5500-39013	2	E5760-04063	7	E5763-A0304	4	EC11-0016A	20	T2350-42471	26
E5500-39013	114	E5760-04133	5	E5770-03451	4	EC11-0017A	20	T2350-42481	26
E5500-51662	17	E5760-04361	7	E5770-11821	21	EC11-0025A	20	T2350-42491	26
E5500-52112	13	E5760-04461	7	E5770-14502	9	EC11-0047A	22	T2350-42751	26
E5500-52122	13	E5760-04811	7	E5775-04114	6	EC11-0049A	16	T2350-42761	26
E5500-73272	19	E5760-04822	7	E5775-11762	21	EC11-A0001B	5	T2350-42771	26
E5500-74213	19	E5760-13111	8	E5775-12211	21	EC11-A0016A	1	T2350-42781	26

PART NO.	PAGE	PART NO.	PAGE	PART NO.	PAGE	PART NO.	PAGE	PART NO.	PAGE
T2350-42791	26	T4520-87402	151	T5710-69971	146	U3210-64491	47	U3214-29341	77
T2350-42801	26	T4620-43122	24	T8101-75520	32	U3210-64491	49	U3214-29351	77
T2350-55881	61	T4620-66161	110	T8101-75530	32	U3210-64511	47	U3214-85591	142
T2350-66161	109	T4620-69472	117	T8101-75540	32	U3210-64511	48	U3215-04931	27
T2350-76021	105	T4625-55431	145	TC26-0388A	90	U3210-64551	47	U3215-10031	58
T2350-76031	105	T4682-25732	53	TG13-0014A	38	U3210-64551	48	U3215-11801	27
T2350-76041	105	T4682-43132	24	TG16-1540A	91	U3210-64551	61	U3215-12131	29
T2368-76001	105	T4682-43561	27	U3210-06204	31	U3210-64571	48	U3215-12151	29
T2380-87132	105	T4682-43571	28	U3210-19041	44	U3210-64591	48	U3215-12221	30
T2395-84411	92	T4682-43581	28	U3210-19212	69	U3210-64662	49	U3215-12231	30
T2395-84411	156	T4686-50963	75	U3210-19282	69	U3210-64711	48	U3215-12244	30
T2555-55462	51	T4689-52181	90	U3210-19292	69	U3210-64731	48	U3215-12263	30
T2555-55851	61	T4715-47071	109	U3210-19461	45	U3210-64851	61	U3215-12313	30
T2555-55851	63	T4810-21621	39	U3210-21641	86	U3210-64871	61	U3215-12402	31
T2610-22661	31	T4810-46971	109	U3210-27522	87	U3210-73102	73	U3215-12411	31
T2610-24131	29	T4810-69251	80	U3210-27902	87	U3210-73111	73	U3215-12422	31
T2611-26693	90	T4810-69251	138	U3210-29141	41	U3210-73121	73	U3215-12452	31
T2611-29852	88	T4815-67371	12	U3210-29953	77	U3210-73131	73	U3215-12461	31
T2611-50041	89	T4815-82431	145	U3210-34012	108	U3210-73141	73	U3215-12512	32
T2611-54825	53	T4815-89171	123	U3210-34021	108	U3210-73151	73	U3215-12521	32
T2611-69933	135	T4815-89171	145	U3210-34031	108	U3210-73171	73	U3215-12531	32
T2611-75712	121	T4815-93211	94	U3210-34041	103	U3210-73321	73	U3215-12531	33
T2611-75882	120	T4815-93211	145	U3210-34051	107	U3210-74551	142	U3215-12551	32
T2611-75892	120	T4815-93211	148	U3210-34061	108	U3210-74591	142	U3215-12612	33
T2611-79011	120	T4835-17241	142	U3210-34212	109	U3210-85591	142	U3215-12621	33
T2611-79021	120	T4850-45161	106	U3210-47211	129	U3210-97221	146	U3215-12631	35
T2611-79021	121	T4850-45161	108	U3210-50511	54	U3210-97251	146	U3215-12641	35
T2670-60091	142	T4930-83701	146	U3210-50511	57	U3210-97501	143	U3215-12641	40
T4025-68301	122	T4930-83721	94	U3210-52201	55	U3210-97511	143	U3215-12651	33
T4125-08201	145	T4930-83721	146	U3210-52201	55	U3210-98812	157	U3215-12682	35
T4125-65571	46	T4930-83731	146	U3210-52201	56	U3210-98831	157	U3215-13145	36
T4144-75952	128	T4930-85081	146	U3210-52201	58	U3210-99132	159	U3215-13211	39
T4145-60582	101	T4930-85091	146	U3210-52201	58	U3210-99201	97	U3215-13221	36
T4145-83711	94	T4931-48011	106	U3210-54003	57	U3210-99201	157	U3215-13305	36
T4145-83711	145	T4931-48011	107	U3210-54102	57	U3210-99751	98	U3215-14104	37
T4145-83721	94	T4935-92502	124	U3210-55006	57	U3210-99751	99	U3215-14111	37
T4145-83721	145	T5210-32009	38	U3210-55105	57	U3210-99751	157	U3215-14122	37
T4340-87181	145	T5210-68553	134	U3210-55506	57	U3210-99793	98	U3215-14132	37
T4520-41821	118	T5210-69401	28	U3210-55605	58	U3210-99793	98	U3215-14171	37
T4520-42421	24	T5235-70701040	83	U3210-59152	51	U3210-99793	99	U3215-14201	37
T4520-43011	24	T5235-70701041	83	U3210-59442	51	U3210-99793	99	U3215-14211	37
T4520-43021	24	T5270-69913	146	U3210-63342	70	U3210-99793	157	U3215-14311	37
T4520-43031	24	T5520-31052	123	U3210-63342	131	U3210-99811	97	U3215-14552	40
T4520-43041	24	T5520-50616	119	U3210-63342	132	U3210-99811	98	U3215-14561	40
T4520-43051	25	T5520-69031	122	U3210-63342	133	U3210-99811	98	U3215-14571	40
T4520-43061	25	T5520-75171	118	U3210-64221	46	U3210-99811	98	U3215-14601	38
T4520-43071	24	T5525-80331	146	U3210-64281	46	U3210-99811	157	U3215-14611	38
T4520-43081	24	T5535-54221	136	U3210-64371	46	U3210-99831	98	U3215-14621	38
T4520-43091	24	T5535-69951	117	U3210-64371	66	U3210-99831	99	U3215-14631	38
T4520-43111	24	T5535-69951	118	U3210-64391	46	U3210-99831	157	U3215-14641	38
T4520-43151	24	T5535-69961	80	U3210-64412	47	U3210-99851	71	U3215-14651	38
T4520-43171	24	T5535-69961	136	U3210-64432	47	U3210-99851	98	U3215-15142	23
T4520-43182	24	T5535-69961	137	U3210-64461	47	U3210-99851	98	U3215-15302	23
T4520-87402	145	T5535-69961	138	U3210-64481	47	U3210-99851	157	U3215-16141	24
T4520-87402	148	T5638-85721	79	U3210-64481	49	U3214-29303	77	U3215-16161	24

PART NO.	PAGE	PART NO.	PAGE	PART NO.	PAGE	PART NO.	PAGE	PART NO.	PAGE
U3215-16211	26	U3215-41107	64	U3215-60391	136	U3215-81561	102	UD21-0011A	34
U3215-16303	24	U3215-41131	66	U3215-60522	116	U3215-81561	139	UD21-0012A	34
U3215-16311	24	U3215-42021	64	U3215-69611	134	U3215-83701	83	UD21-0013A	30
U3215-16411	44	U3215-42021	66	U3215-69811	80	U3215-85192	159	UD21-0014A	30
U3215-16501	25	U3215-45107	66	U3215-69811	138	U3215-85211	142	UD21-0015A	29
U3215-16511	25	U3215-45115	66	U3215-69922	127	U3215-85421	90	UD21-0016A	30
U3215-16521	25	U3215-46202	64	U3215-74501	142	U3215-85501	90	UD21-0017A	42
U3215-16531	25	U3215-46202	66	U3215-75471	74	U3215-85532	159	UD21-0018A	43
U3215-16541	25	U3215-46301	66	U3215-75921	74	U3215-85651	90	UD21-0019B	41
U3215-16551	25	U3215-46402	66	U3215-76701	74	U3215-85661	90	UD21-0027A	41
U3215-16601	23	U3215-47131	61	U3215-77201	76	U3215-85671	90	UD22-1004A	47
U3215-16601	27	U3215-47131	63	U3215-77304	75	U3215-85701	90	UD22-1021A	46
U3215-16601	36	U3215-49503	68	U3215-77354	75	U3215-85711	111	UD22-10AAA	46
U3215-16614	27	U3215-49571	68	U3215-77401	76	U3215-85862	90	UD22-10ACA	47
U3215-17211	34	U3215-49581	68	U3215-77501	76	U3215-86161	82	UD22-10AEA	48
U3215-17232	34	U3215-50701	69	U3215-77701	75	U3215-91521	82	UD22-10CAA	46
U3215-17251	34	U3215-50801	48	U3215-77701	103	U3215-93402	85	UD22-10CCA	48
U3215-17421	34	U3215-50801	48	U3215-77954	75	U3215-96201	51	UD22-10CDB	48
U3215-17431	34	U3215-51441	100	U3215-78001	75	U3215-96402	82	UD22-10CEA	48
U3215-18221	34	U3215-52203	54	U3215-78301	75	U3215-96402	82	UD22-10EAA	47
U3215-18314	34	U3215-52203	57	U3215-78501	75	U3215-96502	51	UD22-10EDA	49
U3215-18351	34	U3215-52203	57	U3215-78601	75	U3215-96502	81	UD22-10EEA	47
U3215-19002	44	U3215-52203	58	U3215-81321	81	U3215-96502	101	UD22-10EFA	47
U3215-19062	44	U3215-52203	58	U3215-81332	81	U3215-97161	81	UD22-11AAA	110
U3215-19412	45	U3215-52301	54	U3215-81351	81	U3215-97161	85	UD22-11CAA	111
U3215-19441	45	U3215-52301	57	U3215-81361	81	U3215-97161	146	UD22-11CCA	111
U3215-22351	68	U3215-52301	57	U3215-81371	82	U3215-97161	154	UD22-1211A	110
U3215-29352	77	U3215-52301	58	U3215-81552	46	U3215-97642	149	UD22-12ACA	110
U3215-29722	77	U3215-52354	130	U3215-81552	51	U3215-97642	150	UD22-12CBA	112
U3215-29751	77	U3215-52402	130	U3215-81552	81	U3215-97831	96	UD22-12CCA	110
U3215-29772	78	U3215-52702	130	U3215-81552	85	U3217-50331	56	UD22-13AAA	112
U3215-29901	78	U3215-55201	130	U3215-81552	86	U3217-56201	58	UD22-13CAA	112
U3215-29931	78	U3215-56008	58	U3215-81552	92	U3217-56201	59	UD22-2005A	51
U3215-31052	103	U3215-56107	58	U3215-81552	93	U3219-74402	142	UD22-2012A	51
U3215-31141	103	U3215-56301	58	U3215-81552	93	U3219-98802	157	UD22-2013A	51
U3215-32001	110	U3215-56401	58	U3215-81552	93	U3230-97211	89	UD22-2015A	51
U3215-32252	109	U3215-56508	58	U3215-81552	93	U3230-97313	88	UD22-2019B	51
U3215-32252	112	U3215-56607	59	U3215-81552	93	U3230-97321	88	UD22-2023A	51
U3215-32271	112	U3215-56631	59	U3215-81552	93	U3230-97333	88	UD22-20AAA	51
U3215-32432	112	U3215-56651	59	U3215-81552	93	U3235-55462	51	UD22-20ACA	51
U3215-32802	111	U3215-56672	59	U3215-81552	93	U3300-A1013	148	UD22-20ADA	52
U3215-32902	111	U3215-56681	59	U3215-81552	93	U3400-21511	78	UD22-20AEA	52
U3215-32972	110	U3215-57103	59	U3215-81552	97	U3400-26511	58	UD22-20AFC	52
U3215-33201	113	U3215-57211	59	U3215-81552	102	U3400-26511	59	UD22-3004B	53
U3215-33301	105	U3215-57221	59	U3215-81552	110	UD11-0002A	23	UD22-30AAA	53
U3215-33402	104	U3215-57231	59	U3215-81552	111	UD11-0003A	36	UD22-5004A	54
U3215-33701	112	U3215-57301	59	U3215-81552	111	UD15-0004A	108	UD22-5005A	54
U3215-33801	112	U3215-57401	59	U3215-81552	152	UD21-0001A	27	UD22-5007A	55
U3215-33902	112	U3215-58252	51	U3215-81552	154	UD21-0002A	27	UD22-5013A	55
U3215-33902	113	U3215-59031	51	U3215-81552	154	UD21-0005B	29	UD22-5013A	55
U3215-33912	113	U3215-60162	123	U3215-81552	155	UD21-0006B	29	UD22-5013A	56
U3215-33921	112	U3215-60171	120	U3215-81552	156	UD21-0007A	30	UD22-5021A	56
U3215-33921	113	U3215-60191	121	U3215-81552	157	UD21-0008A	30	UD22-5022B	55
U3215-33931	113	U3215-60202	116	U3215-81561	85	UD21-0009A	31	UD22-5023A	55
U3215-33951	113	U3215-60213	116	U3215-81561	85	UD21-0010B	27	UD22-5023A	60

PART NO.	PAGE	PART NO.	PAGE	PART NO.	PAGE	PART NO.	PAGE	PART NO.	PAGE
UD22-5024A	55	UD23-8005A	132	UD26-0008B	118	UD27-4031A	139	UD28-4005A	93
UD22-5024A	60	UD23-8005A	133	UD26-0010A	119	UD27-42AAC	85	UD28-4006A	93
UD22-5025A	55	UD23-8007A	70	UD26-0011A	119	UD27-5001A	86	UD28-4015A	154
UD22-5025A	59	UD23-8007A	133	UD26-0014C	123	UD27-51AAA	86	UD28-4015A	155
UD22-5027A	54	UD23-80AAA	70	UD26-0017A	146	UD27-51ACA	86	UD28-4017A	154
UD22-5033A	54	UD23-8207A	131	UD26-0022B	126	UD27-51AEA	86	UD28-4019A	154
UD22-5037A	54	UD23-8209A	131	UD26-0035A	122	UD27-51BAA	86	UD28-4021A	154
UD22-5037A	56	UD23-82AAA	131	UD26-0036A	146	UD27-51BCA	86	UD28-4023A	154
UD22-50AAB	55	UD23-82ABA	131	UD26-0040A	79	UD27-51BEA	86	UD28-4023A	155
UD22-50ABA	55	UD23-8307A	132	UD26-0042A	134	UD27-530AA	86	UD28-4029A	155
UD22-50ACB	55	UD23-83AAA	132	UD26-0045A	121	UD27-53AGA	86	UD28-4031A	154
UD22-50ADB	55	UD23-8401A	133	UD26-0047A	137	UD27-5901A	140	UD28-4035A	155
UD22-50AEA	56	UD23-84AAA	133	UD26-0050A	119	UD27-5903B	140	UD28-4035A	155
UD22-50AFA	56	UD23-A910AA	131	UD26-0052B	137	UD27-5905A	140	UD28-40ACA	154
UD22-50CAB	55	UD23-A920AA	132	UD26-0054A	137	UD27-592AA	141	UD28-40AEA	155
UD22-50CBB	55	UD23-A940AA	133	UD26-0056A	124	UD27-5950A	139	UD28-40AFA	155
UD22-50CCB	56	UD24-0001A	71	UD26-0057A	124	UD27-59AEB	144	UD28-40CAA	155
UD22-50CEA	55	UD24-0055A	71	UD26-0058A	136	UD27-59AFB	144	UD28-40CBA	155
UD22-50EDA	55	UD24-00AAA	72	UD26-0061A	136	UD27-59BAA	140	UD28-40CCA	155
UD22-7001A	59	UD24-00ACA	72	UD26-0063A	137	UD27-59BCA	141	UD28-40CCA	155
UD22-70AAB	59	UD24-00AEA	72	UD26-0064A	136	UD27-7003A	90	UD28-40CDA	155
UD22-70CAB	59	UD24-00AGA	72	UD26-0068A	137	UD27-7003A	154	UD28-40CFA	155
UD22-70ECA	59	UD24-00AJA	72	UD26-0074A	137	UD27-7004A	90	UD28-4217A	93
UD23-0009B	61	UD24-1001A	73	UD26-A0001A	134	UD27-7004A	154	UD28-4219A	93
UD23-00AAB	61	UD24-1003A	73	UD26-A0003A	135	UD27-7005A	90	UD28-50AAA	94
UD23-00ACB	61	UD24-2007A	74	UD26-A0004A	136	UD27-7007A	90	UD28-50ACA	94
UD23-00ADB	62	UD24-20AAA	74	UD26-A0005B	137	UD27-7009A	90	UD28-50AEB	94
UD23-1006A	62	UD24-20CAA	74	UD26-A0006A	138	UD27-7011A	90	UD28-50AGB	94
UD23-1006A	63	UD24-20CCA	74	UD27-0001A	81	UD27-7011A	159	UD28-5901B	148
UD23-1013A	63	UD24-3001A	75	UD27-0004A	81	UD27-7013A	90	UD28-5902B	148
UD23-10AAB	63	UD24-3003A	76	UD27-0007A	82	UD27-7025A	82	UD28-5905A	96
UD23-10ABB	63	UD24-3005A	76	UD27-0015A	81	UD27-7025A	90	UD28-5906A	96
UD23-2001A	64	UD24-3007A	76	UD27-0020A	52	UD27-7027A	91	UD28-5907B	96
UD23-2001A	66	UD24-3009A	76	UD27-0020A	81	UD27-7031A	91	UD28-5909A	96
UD23-2002A	64	UD24-30AAA	76	UD27-0020A	153	UD27-7031A	154	UD28-5910A	96
UD23-2003A	64	UD24-4003A	78	UD27-0022A	146	UD27-7033A	91	UD28-5921A	151
UD23-2004A	64	UD24-4005A	78	UD27-0022A	158	UD27-7033A	154	UD28-5923A	151
UD23-2007B	64	UD24-40AAA	78	UD27-00AAB	81	UD27-7039A	91	UD28-5925A	152
UD23-20AAB	64	UD25-0002A	109	UD27-00ACA	82	UD27-7039A	159	UD28-5933A	149
UD23-20AAB	66	UD25-0004A	104	UD27-00CBA	81	UD27-7041A	91	UD28-5933A	150
UD23-20ABB	64	UD25-0006B	106	UD27-00CCA	81	UD27-7041A	159	UD28-5966A	146
UD23-20ABB	67	UD25-0007A	109	UD27-00CDA	81	UD27-7045A	91	UD28-5968A	146
UD23-20ADA	65	UD25-0008B	108	UD27-00CEB	81	UD27-A941AA	139	UD28-5975A	146
UD23-20CAB	64	UD25-0009B	108	UD27-20ABA	83	UD27-A951AB	140	UD28-5976A	146
UD23-20CAB	66	UD25-0010B	108	UD27-20ACA	83	UD27-A956AB	144	UD28-5977A	147
UD23-20CAB	66	UD25-0011A	107	UD27-20AEA	83	UD28-2012A	92	UD28-5980A	147
UD23-60AAA	68	UD25-0012B	109	UD27-2101A	83	UD28-2012A	156	UD28-5981A	147
UD23-60ABB	68	UD25-0013A	109	UD27-21ABA	83	UD28-2013A	92	UD28-5982A	147
UD23-60ACB	68	UD25-0016A	109	UD27-3001A	84	UD28-2013A	156	UD28-5986A	147
UD23-8001A	70	UD25-0017A	109	UD27-30ADA	84	UD28-20AAA	92	UD28-5992A	147
UD23-8001A	131	UD25-0039A	103	UD27-30AEA	84	UD28-21AAA	156	UD28-5993A	147
UD23-8001A	131	UD25-A0001A	109	UD27-4003A	85	UD28-4001A	93	UD28-59AAA	149
UD23-8001A	132	UD25-A0003A	112	UD27-4004A	85	UD28-4002A	93	UD28-59AAA	150
UD23-8005A	70	UD26-0001A	116	UD27-4009A	85	UD28-4003A	93	UD28-59BEB	96
UD23-8005A	131	UD26-0003A	116	UD27-4010A	85	UD28-4004A	93	UD28-59BGB	96

PART NO.	PAGE	PART NO.	PAGE	PART NO.	PAGE	PART NO.	PAGE	PART NO.	PAGE
UD28-59BJB	147	UD28-80CCA	102						
UD28-59BLB	147	UD28-85AAA	102						
UD28-59CCA	147	UD28-A901AB	145						
UD28-6016A	97	UD28-A905AB	148						
UD28-6016A	98	UD28-A909AA	149						
UD28-6016A	157	UD28-A911AA	150						
UD28-6020A	97	UD28-A915AA	151						
UD28-6020A	158	UD28-A917AA	152						
UD28-6021A	97	UD28-A921AA	153						
UD28-6021A	158	UD28-A925AA	154						
UD28-6022B	158	UD28-A929AA	156						
UD28-6023B	158	UD28-A931AA	157						
UD28-6024C	159	UE11-0029A	34						
UD28-6043B	159								
UD28-6045A	158								
UD28-6046A	158								
UD28-6050A	97								
UD28-6050A	158								
UD28-6077A	97								
UD28-6077A	99								
UD28-6077A	158								
UD28-60ABB	97								
UD28-60ABB	158								
UD28-60ACB	97								
UD28-60ACB	158								
UD28-60AEA	97								
UD28-60AEA	158								
UD28-60AFA	97								
UD28-60AFA	158								
UD28-60AGA	97								
UD28-60AGA	158								
UD28-60AHA	97								
UD28-60AHA	158								
UD28-60AJA	99								
UD28-60CAA	99								
UD28-60CBA	98								
UD28-60CDC	158								
UD28-60CDD	98								
UD28-63CAA	159								
UD28-70AAB	100								
UD28-8004A	101								
UD28-8005A	101								
UD28-8006A	101								
UD28-8008A	102								
UD28-8011A	101								
UD28-8019A	102								
UD28-8021A	102								
UD28-8031A	153								
UD28-8033A	153								
UD28-80ABA	101								
UD28-80ACA	101								
UD28-80ADA	101								
UD28-80AEA	102								
UD28-80AFA	102								
UD28-80CBA	102								

INDEX 2

PARTS GROUP	GROUP NO.	PAGE	PARTS GROUP	GROUP NO.	PAGE
<CHASSIS>			STARTER MOTOR GROUP	UD2-G613001	115
	UD2-G637001	80	WIRE HARNESS FIXING GROUP	UD2-G632501	125
ACCELERATOR PEDAL GROUP(CVT)	UD2-G300001	61	WIRE HARNESS GROUP	UD2-G631005	123
BRAKE PEDAL GROUP	UD2-G310001	63	<ENGINE>		
CVT COVER GROUP	UD2-G440001	77	CAMSHAFT GROUP	3C100A-E100	10
DECK GROUP	UD2-G860001	97	CYLINDER BLOCK GROUP	3C100LWU-E010	1
ENGINE MOUNTING GROUP(CVT)	UD2-G400001	71	CYLINDER HEAD COVER GROUP	3C100LW-E030	4
EXHAUST SYSTEM GROUP(STD)	UD2-G420001	74	CYLINDER HEAD COVER GROUP	3C093LW-E090	9
EXTERIOR MOLDING GROUP	UD2-G840003	93	DYNAMO GROUP	3C100LF-E200	20
FRONT BREAK GROUP	UD2-G320002	64	ENGINE STOP LEVER GROUP	3C100LW-C-E160	16
FRONT HITCH GROUP(EEC)	UD2-G750502	89	FUEL CAMSHAFT GROUP	3C100LW-C-E140	13
FRONT SUSPENSION GROUP(CVT)	UD2-G250001	54	GEAR CASE GROUP	3C100LW-E040	5
FUEL TANK GROUP	UD2-G230002	53	GROUP,GOVERNOR	3C100LF-E170	18
GAS SPRING GROUP	UD2-G860101	100	LABEL GROUP	3C100LWU-E240	22
GUARD GROUP(STD)	UD2-G820001	92	MAIN BEARING CASE GROUP	3C100A-E050	7
HOOD GROUP(BLUE,EZGO)	UD2-G880005	101	MANIFOLD GROUP	3C100LWU-E220	21
INRAKE SYSTEM GROUP(CVT)	UD2-G410001	73	NOZZLE HOLDER GROUP	3C100LWU-E130	12
IP GROUP(STD)	UD2-G700001	81	OIL PAN GROUP	3C100LWU-E020	3
LABEL GROUP	UD2-G770010	90	PISTON & CRANKSHAFT GROUP	3C100LWU-E110	11
LEVER GROUP(CVT)	UD2-G210001	46	SPEED CONTROL LEVER GROUP	3C100A-E150	15
MAIN FRAME GROUP(CVT)	UD2-G750003	86	VALVE ROCKER ARM GROUP	3C100A-E080	8
MIRROR GROUP	UD2-G850301	96	WATER HOSE GROUP	3C100LWU-E190	19
MOLDING GROUP	UD2-G740002	85	<FRONT AXLE>		
PARKING BRAKE GROUP(CVT)	UD2-G360001	68	BEVEL PINION SHAFT GROUP	UD2-G132001	26
RADIATOR GROUP(CVT)	UD2-G430001	75	FRONT AXLE CASE GROUP	UD2-G130001	23
REAR BREAK GROUP	UD2-G340001	66	FRONT DIFF SYSTEM GROUP	UD2-G131001	24
REAR DIFFERENTIAL MOUNT GROUP	UD2-G370001	69	<HYDRAULIC>		
REAR SUSPENSION GROUP	UD2-G270001	57	DUMP CYLINDER GROUP	UD2-G591001	109
REFLECTOR GROUP	UD2-G624501	79	GEAR PUMP GROUP	UD2-G513001	105
ROPS GROUP(STD)	UD2-G850001	94	HYD. LINE GROUP	UD2-G514002	107
SEAT BELT GROUP(EU,3P)	UD2-G730002	84	OIL TANK GROUP	UD2-G511001	103
SEAT GROUP(EU,3P)	UD2-G720002	83	POWER STEERING UNIT GROUP	UD2-G531001	108
STEERING GROUP(EZGO)	UD2-G220003	50	SUCTION LINE GROUP	UD2-G512001	104
SWING DRAWBAR GROUP(EEC)	UD2-G750401	88	WORK CONTROL VALVE GROUP	UD2-G592001	112
TIRE GROUP(WORK)	UD2-G380001	70	WORK HYDRAULIC HOSE GROUP	UD2-G593001	113
<ELECTRICAL>			<OPTION>		
BATTERY GROUP	UD2-G613502	116	7PIN SOCKET GROUP(OPTION)	UD2-G691501	135
ENGINE ELECTRICAL GROUP(1)	UD2-G611002	114	BEACON GROUP(OPTION)	UD2-G691001	134
FUEL SENDER GROUP	UD2-G633501	127	CANOPY GROUP	UD2-G890501	148
GLOW CONTROL GROUP	UD2-G614501	117	DECK GROUP(OTP)	UD2-G893101	157
GROUP FOR DISPLAY CONTROL	UD2-G633001	126	DUST SHIELD GROUP(OTP)	UD2-G295101	130
HEAD LIGHT GROUP	UD2-G621001	119	FOG LAMP GROUP(OPTION)	UD2-G693001	137
HORN GROUP	UD2-G634501	128	FRONT HITCH GROUP-OPT	UD2-G795501	143
LICENSE LAMP GROUP	UD2-G625001	121	FRONT WORKING LAMP GROUP(OPTION)	UD2-G692001	136
LIGHT CONTROL GROUP	UD2-G625501	122	FRONT WORKING LAMP GROUP(OPTION)	UD2-G795701	144
PARKING BRAKE BUZZER GROUP	UD2-G637502	129	GUARD GROUP-OTP(EXTENDABLE)	UD2-G892901	156
POWER SOCKET GROUP	UD2-G632001	124	HALF DOOR GROUP-OTP	UD2-G892501	154
REAR COMBINATION LAMP GROUP	UD2-G622501	120	HAND THROTTLE GROUP(OPTION)	UD2-G795301	142
SAFETY STARTER GROUP	UD2-G615502	118	HEAD REST GROUP	UD2-G890901	149



Europe & Rest of The World Except North & South America

Ransomes Jacobsen Limited
West Road, Ransomes Europark, Ipswich, IP3 9TT
English Company Registration No. 1070731
www.ransomesjacobsen.com

North & South America

Jacobsen
1451 Marvin Griffin Road, Augusta,
Georgia 30906 - 3852, USA
www.Jacobsen.com