



CUSHMAN®

LET'S WORK!

Hauler 800X

Service Parts Manual

ELECTRIC POWERED VEHICLE



643789-AA

ISSUED MARCH 2015

REVISED OCTOBER 2018

SERVICE PARTS MANUAL

ELECTRIC POWERED UTILITY VEHICLE

HAULER 800X

STARTING MODEL YEAR 2015

CALIFORNIA Proposition 65 Warning

WARNING: Motor vehicles may contain fuels, oils and fluids, battery posts, terminals, and related accessories which contain lead, lead compounds and other chemicals identified by the State of California to potentially cause cancer, birth defects and other reproductive harm. These chemicals are found in vehicles, vehicle parts and accessories, both new and replacements. During maintenance, these vehicles generate used oil, waste fluids, grease, fumes and particulates, all identified by the State of California to potentially cause cancer, birth defects, and other reproductive harm.

DISCLAIMER: The E-Z-GO Division of Textron Inc. (E-Z-GO) reserves the right to incorporate engineering and design changes to products in this Manual, without obligation to include these changes on units leased/sold previously.

The information contained in this Manual may be revised periodically E-Z-GO, and therefore is subject to change without notice.

E-Z-GO DISCLAIMS LIABILITY FOR ERRORS IN THIS MANUAL, and E-Z-GO SPECIFICALLY DISCLAIMS LIABILITY FOR INCIDENTAL AND CONSEQUENTIAL DAMAGES RESULTING FROM THE USE OF THE INFORMATION AND MATERIALS IN THIS MANUAL.

TO CONTACT US

NORTH AMERICA:

TECHNICAL ASSISTANCE & WARRANTY PHONE: 1-800-774-3946, FAX: 1-800-448-8124

SERVICE PARTS PHONE: 1-888-GET-EZGO (1-888-438-3946), FAX: 1-800-752-6175

INTERNATIONAL: PHONE: 001-706-798-4311, FAX: 001-706-771-4609

E-Z-GO DIVISION OF TEXTRON INC., 1451 MARVIN GRIFFIN RD., AUGUSTA, GEORGIA USA 30906-3852

GENERAL INFORMATION

This vehicle has been designed and manufactured in the United States of America (USA). The Standards and Specifications listed in the following text originate in the USA unless otherwise indicated.

The use of non-Original Equipment Manufacturer (OEM) approved parts may void the warranty.

Failure to properly maintain batteries may void the warranty. Refer to the battery manual for instructions on the proper maintenance and care of the batteries.

BATTERY PROLONGED STORAGE

Batteries self-discharge over time. The rate of self-discharge varies depending on the ambient temperature, the age and condition of the batteries.

Fully charged batteries will not freeze in winter temperatures unless the temperature falls below -75°F (- 60°C).

For winter storage, the batteries must be clean, fully charged and disconnected from any source of electrical drain.

The battery charger may be left connected to the vehicle to maintain a full charge on the batteries, provided the charger is plugged into an active electrical source. If power to the electrical source is disconnected or interrupted, the battery charger will continue to check the charge on the battery pack. This will draw power from the battery pack and eventually drain the batteries if power is not restored in a timely manner.

As with all electric vehicles, the batteries must be checked and recharged as required or at a minimum of 30 day intervals.

Check and maintain the proper fluid level in all battery cells during the storage period. Proper fluid level is required for maximum battery performance.

BATTERY DISPOSAL

Lead-acid batteries are recyclable. Return whole scrap batteries to distributor, manufacturer or lead smelter for recycling. For neutralized spills, place residue in acid-resistant containers with absorbent material, sand or earth and dispose of in accordance with local, state and federal regulations for acid and lead compounds. Contact local and/or state environmental officials regarding disposal information.

TABLE OF CONTENTS

SECTION	Page No.
HOW TO USE THE SERVICE PARTS MANUAL	V
ACCELERATOR	A - 1
BATTERY CHARGER	B - 1
BODY	C - 1
BRAKES	D - 1
ELECTRICAL SYSTEM	E - 1
ELECTRONIC SPEED CONTROL	F - 1
FRONT SUSPENSION AND STEERING	G - 1
MOTOR	H - 1
REAR AXLE	J - 1
REAR SUSPENSION	K - 1
SEATING	L - 1
TRUCK BED	M - 1
ROLL OVER PROTECTIVE SYSTEM	N - 1
WEATHER PROTECTION	P - 1
WHEELS AND TIRES	Q - 1

HOW TO USE THE SERVICE PARTS MANUAL

This manual is divided into several sections:

- GENERAL INFORMATION
- ILLUSTRATED PARTS BREAKDOWN
- APPENDIX

The first section, GENERAL INFORMATION, contains the following information:

- WARRANTY INFORMATION
- GENERAL INDEX
- HOW TO USE THE SERVICE PARTS MANUAL

The second section, ILLUSTRATED PARTS BREAKDOWN, contains illustrations and parts lists for all systems of your vehicle.

The third section, APPENDIX, contains a listing of specialty products and accessories.

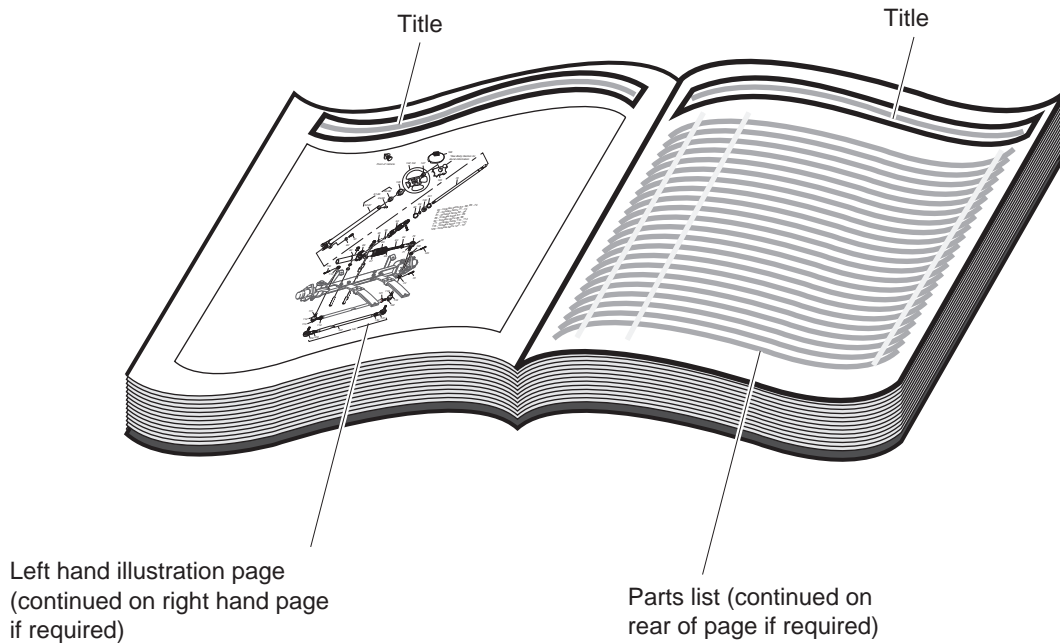
USE OF THE MANUAL

To use this manual, consult the GENERAL INDEX to locate the information or illustration required.

Introduction of some revisions varies due to supply of components; therefore, it is possible that various combinations of components may be found that are not directly reflected by each illustration. Consult the illustration that best suits your situation and then contact the Service Parts Department. It is important that the serial number of your vehicle and its model number be supplied to Service Parts when ordering any replacement components.

Locate the serial number plate (see BODY located in the Illustrated Parts Breakdown section of this manual for its location) and note the complete number shown on the plate.

HOW TO USE THE SERVICE PARTS MANUAL



1. WHEN THE PART NUMBER IS NOT KNOWN

- Determine the function and application of the part required. Turn to the General Index and select the most appropriate title.
- Turn to the page number indicated and locate the desired part on the illustration.
- From the illustration, obtain the item number assigned to the desired part. Refer to the accompanying description for specific information regarding the part.

2. IF YOU KNOW THE PART NUMBER

- Locate the part number or description in the appropriate column on the parts list page.

NOTE: It is suggested that you confirm that the part selected is correct by verifying it with the pictorial representation on the illustrated page.

Should an asterisk (*) appear in the part number column on the parts list page, read upwards until a part number is found. The part number is the lowest assembly sold by Service Parts and the asterisk (*) indicates that the part depicted is not available for purchase.

NOTE: Descriptions are indented under the assembly that they are used on. That assembly is, in turn listed under the assembly that it is used on. This process is repeated until the highest final assembly is reached.

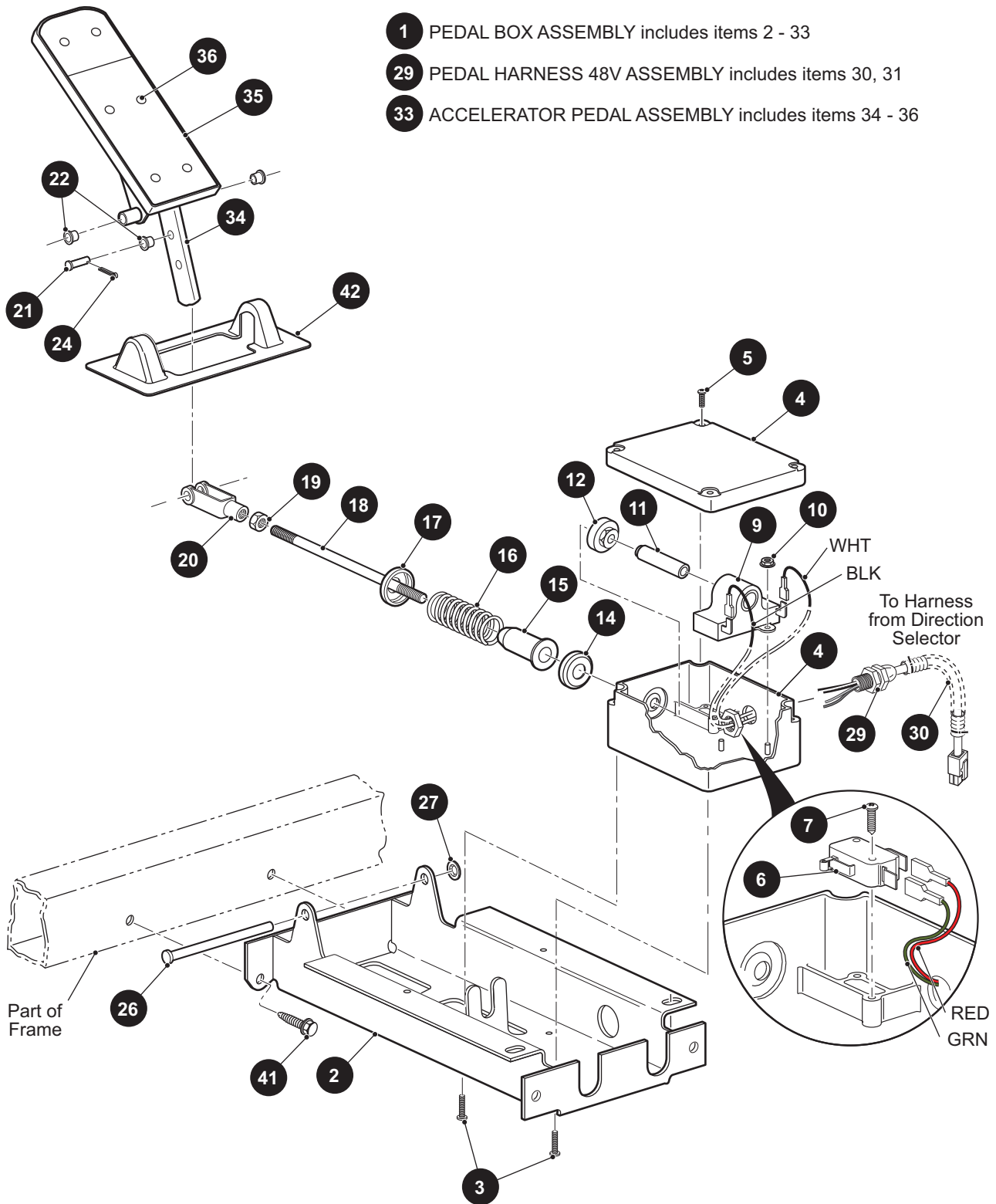
To facilitate the maintenance and repair of the vehicle, a Technician's Repair and Service Manual is available from the Service Parts Department.

3. COLOR CODE FOR BODY COMPONENTS

The last two digits of the part number for the body part will denote the color code, locate the part number for the cowl, rear body, seat pod, side panel or seat wrap then locate your color in the list below, replace the last ** or XX with the two digit color code.

<u>CODE #</u>	<u>DESCRIPTION</u>
11	BLACK
19	PATRIOT BLUE PEARL
20	INFERNO RED METALLIC
26	STEEL BLUE PEARL
31	METALLIC CHARCOAL
35	SAFETY YELLOW
36	IVORY
37	FOREST GREEN
38	BRIGHT WHITE
39	FLAME RED
41	ELECTRIC BLUE
42	PLATINUM
43	BURGUNDY
44	ALMOND
51	SUNBURST ORANGE
52	BRITISH RACING GREEN
79	JACOBSEN ORANGE 172

ACCELERATOR



THE USE OF NON U.L. PARTS WILL VOID ANY U.L. LISTING.

When ordering parts, please specify the model and serial number of the product.

* Indicates a component that is not available as an individual part.

*** Indicates consult Customer Service Department for additional information.

ITEM	PART NO.	1 2 3 4 5	DESCRIPTION	QTY.
1	613163		PEDAL BOX ASSEMBLY (INCLUDES ITEMS 2 - 33)	1
2	652241G03		ACCELERATOR PEDAL BRACKET	1
3	01051G01		PAN HEAD PHILLIPS SCREW, #8 - 10 X 1/2" LG	4
4	25853G01		PEDAL BOX AND COVER	1
5	00684G6		TRUSS HEAD PHILLIPS SCREW (SS), #8 - 32 X 3/4" LG	2
6	25861G01		MICRO SWITCH	1
7	01050G01		PAN HEAD TORX SCREW, #4 - 20 X 5/8" LG	2
8				
9	25854G01		INDUCTIVE THROTTLE SENSOR	1
10	00983G01		SELF THREADING NUT, .187" DIA	2
11	602484		PLUNGER AND SLEEVE ASSEMBLY	1
12	28444G01		ACCELERATOR ROD CAM	1
13				
14	17677G1		SPRING RETAINER	1
15	17979G1		BUSHING, .75" DIA	1
16	73046G01		COMPRESSION SPRING	1
17	17677G2		SPRING RETAINER, 3/8" I.D.	1
18	73332G01		ACCELERATOR ROD	1
19	00532G4		HEX NUT, 1/4" - 20	1
20	10385G4		CLEVIS YOKE (ADJUSTABLE)	1
21	10386G3		CLEVIS PIN, 5/16" X 13/16" LG	1
22	17838G1		NYLON BUSHING, .37" O.D. X.31" I.D.	3
23				
24	10387G3		COTTER PIN, 3/32" X 3/4" LG	1
25				
26	74432G01		PEDAL PIVOT PIN	1
27	12064G6		PUSH NUT, 5/16"	1
28				
29	620418		PEDAL HARNESS 48V (INCLUDES ITEMS 30, 31)	1
30	17313G1		FLEX LOOM, 3/8" X 6" LG	1
31	17618G1		NYLON CLAMP (NOT ILLUSTRATED)	2

ACCELERATOR

THE USE OF NON U.L. PARTS WILL VOID ANY U.L. LISTING.

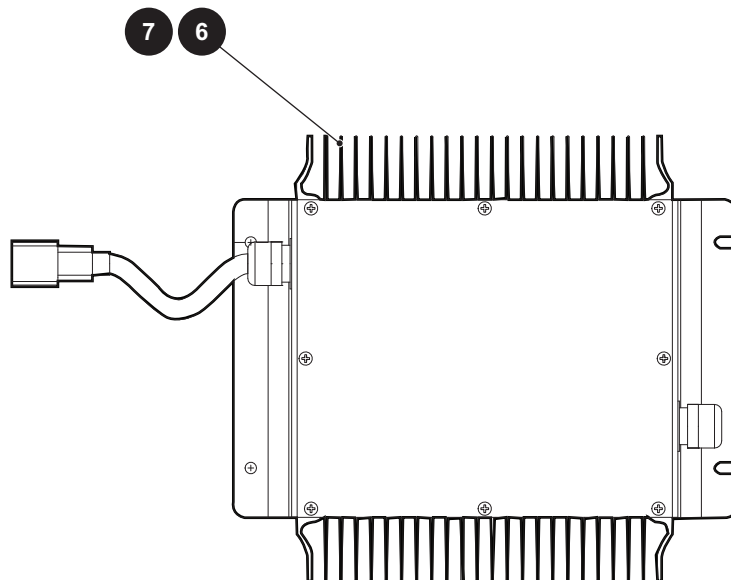
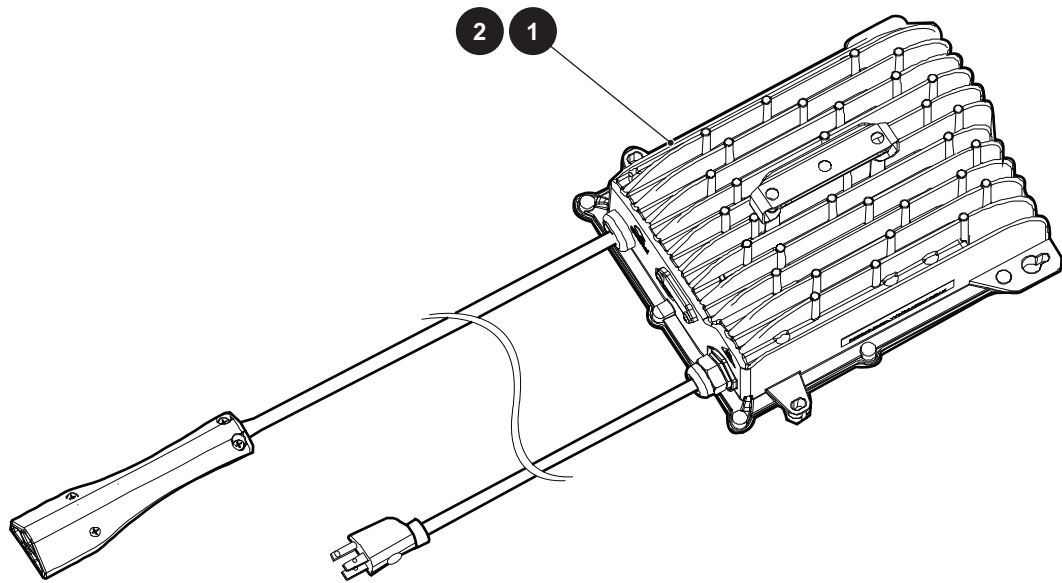
When ordering parts, please specify the model and serial number of the product.

* Indicates a component that is not available as an individual part.

*** Indicates consult Customer Service Department for additional information.

ITEM	PART NO.	1	2	3	4	5	DESCRIPTION	QTY.
32								
33	25799G03						ACCELERATOR PEDAL ASSEMBLY (INCLUDES ITEMS 34 - 36)	1
34	652824						ACCELERATOR PEDAL	1
35	27512G01						ACCELERATOR PEDAL PAD	1
36	16409G1						OVAL RIVET, 3/16" X 7/16" LG	6
37								
38								
39								
40								
41	00715G2						HEX WASHER HEAD BOLT, 5/16" - 18 X 3/4" LG	4
42	70135G01						PEDAL PIVOT COVER	1

BATTERY CHARGER



BATTERY CHARGER

THE USE OF NON U.L. PARTS WILL VOID ANY U.L. LISTING.

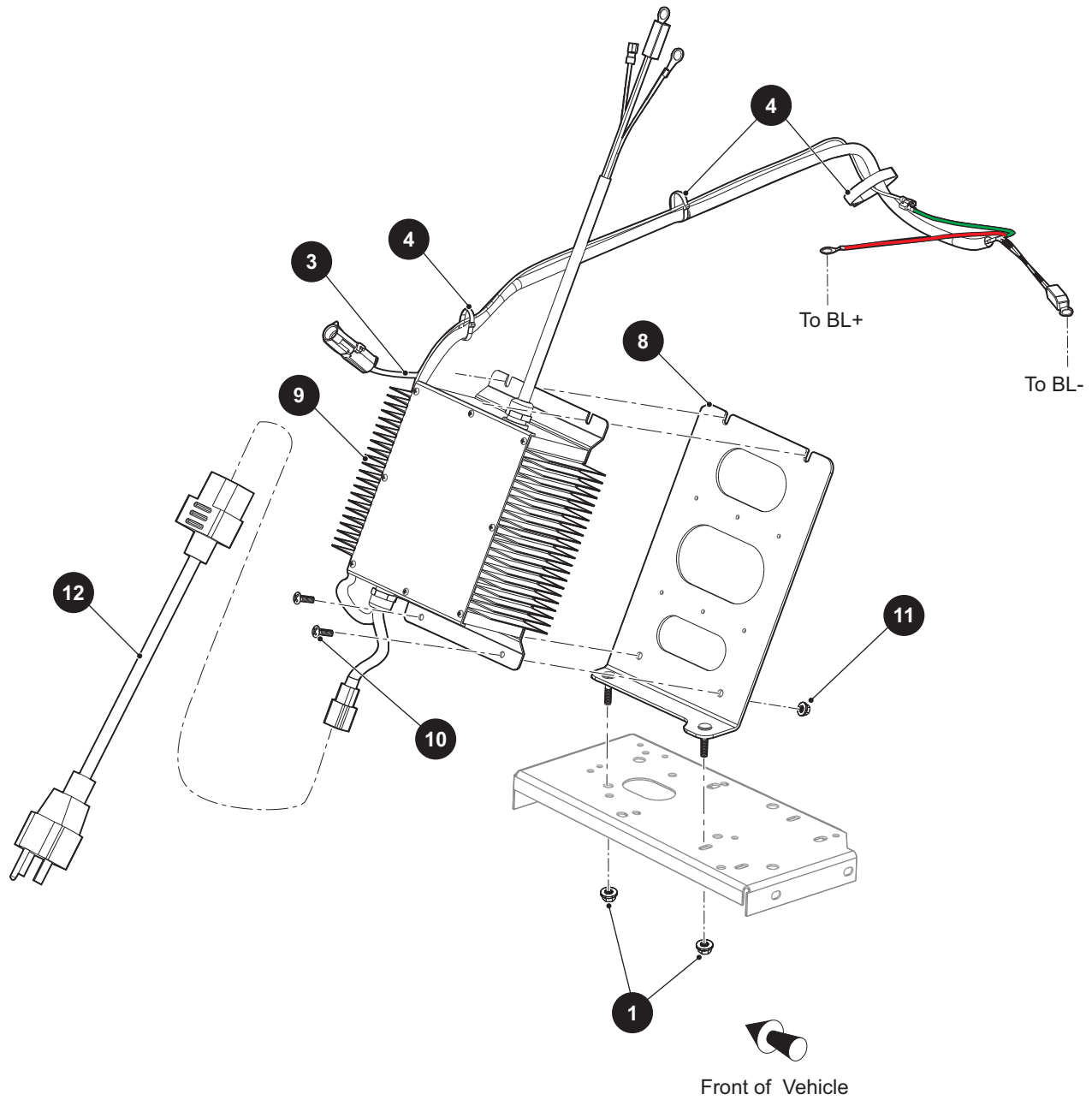
When ordering parts, please specify the model and serial number of the product.

* Indicates a component that is not available as an individual part.

*** Indicates consult Customer Service Department for additional information.

ITEM	PART NO.	1 2 3 4 5	DESCRIPTION	QTY.
1	635669		48V BATTERY CHARGER, 3 METER DC CORD	1
2	635670		48V BATTERY CHARGER, 5.5 METER DC CORD	1
3	605834		NYLON CLAMP, 36" (NOT ILLUSTRATED)	1
4				
5				
6	622419		WORLD CHARGER, 48V, 3 METER DC CORD	1
7	622667		WORLD CHARGER, 48V, 5.5 METER DC CORD	1
8	605834		NYLON CLAMP 36" (NOT ILLUSTRATED)	2

BATTERY CHARGER



7 ON-BOARD CHARGER ASSEMBLY includes items 8 - 12

BATTERY CHARGER

THE USE OF NON U.L. PARTS WILL VOID ANY U.L. LISTING.

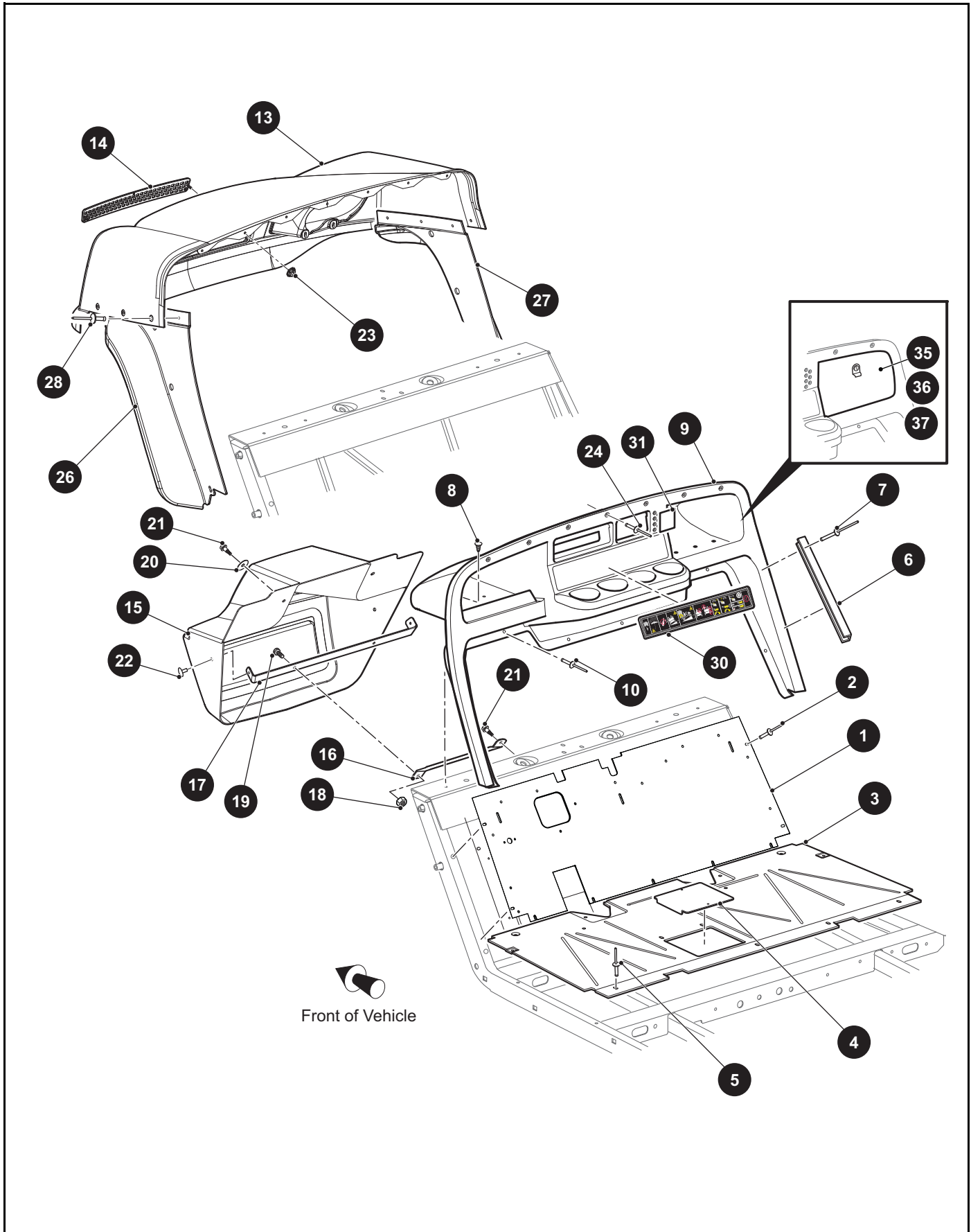
When ordering parts, please specify the model and serial number of the product.

* Indicates a component that is not available as an individual part.

*** Indicates consult Customer Service Department for additional information.

ITEM	PART NO.	1 2 3 4 5	DESCRIPTION	QTY.
1	800706		FLANGED LOCK NUT, 1/4" - 20.....	2
2				
3	631543		CHARGER INTERLOCK JUMPER.....	1
4	17618G1		NYLON CLAMP	3
5				
6				
7	638578		ON-BOARD CHARGER ASSEMBLY (INCLUDES ITEMS 8 - 12).....	1
8	637104		CHARGER BRACKET.....	1
9	632744		ON-BOARD CHARGER, 48V	1
10	16705G3		TRUSS HEAD MACHINE SCREW (SS), 1/4" - 20 X 3/4" LG	4
11	11027G2		FLANGED LOCK NUT, 1/4" - 20	4
12	600462G03		AC CORD, SHIELDED, 6' 7" LG	1

BODY



THE USE OF NON U.L. PARTS WILL VOID ANY U.L. LISTING.

When ordering parts, please specify the model and serial number of the product.

* Indicates a component that is not available as an individual part.

*** Indicates consult Customer Service Department for additional information.

ITEM	PART NO.	1 2 3 4 5	DESCRIPTION	QTY.
1	641260		UPPER FLOORPAN	1
2	14601G11		RIVET (ALUMINUM), 3/16" X 9/16" LG	9
3	70451G01		LOWER FLOORPAN	1
4	70452G01		ACCESS COVER.....	1
5	14601G11		RIVET (ALUMINUM), 3/16" X 9/16" LG	7
6	71115G01		VINYL TRIM	1
7	71055G01		RIVET (ALUMINUM), 3/16" X 1" LG	2
8	16816G2		RATCHET FASTENER, 1/4" X 3/4" LG.....	4
9	71151G03		INSTRUMENT PANEL ASSEMBLY	1
10	71055G01		RIVET (ALUMINUM), 3/16" X 1" LG	6
11				
12				
13	613036GXXX		COWL (See COLOR CODE in HOW TO USE Section of Manual).....	1
14	617643		COWL GRILL COVER	1
15	613273		FRONT FASCIA	1
16	70725G02		FRONT SHIELD BRACE	2
17	618653		FASCIA BRACKET.....	1
18	14390G4		LOCK NUT, 1/4" - 20.....	2
19	00414G6		HEX HEAD BOLT, 1/4" - 20 X 3/4" LG	2
20	16469G1		FENDER WASHER, 9/32"	2
21	01038G01		SWAGEFORM SCREW, 1/4" - 20 X .7" LG	4
22	15058G1		RIVET (ALUMINUM), .87" LG.....	2
23	71597G01		SELF THREADING NUT.....	2
24	71055G01		RIVET (ALUMINUM), 3/16" X 1" LG	7
25				
26	614378		FENDER FLARE (DRIVER SIDE)	1
27	613274		FENDER FLARE (PASSENGER SIDE).....	1
28	71055G01		RIVET (ALUMINUM), 3/16" X 1" LG	3
29				
30	601781		SAFETY AND OPERATION LABEL.....	1
31	35968G01		T-HOLDER COVER DECAL	1

BODY

THE USE OF NON U.L. PARTS WILL VOID ANY U.L. LISTING.

When ordering parts, please specify the model and serial number of the product.

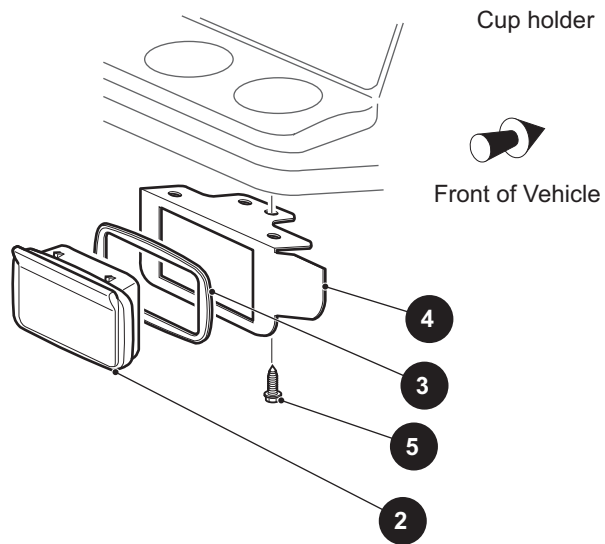
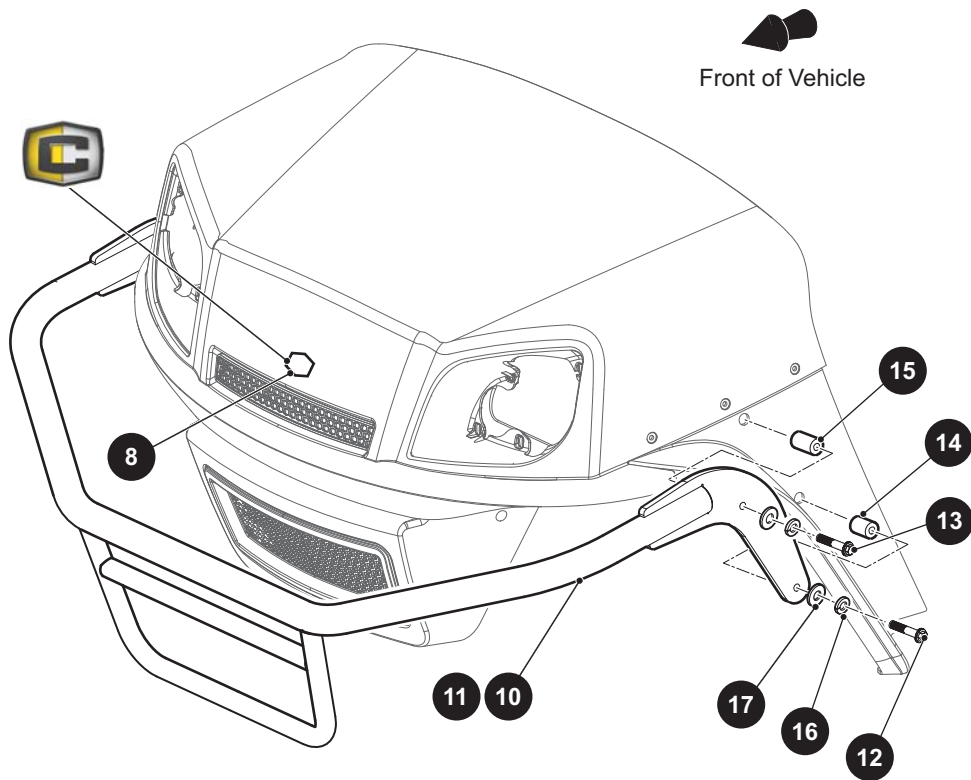
* Indicates a component that is not available as an individual part.

*** Indicates consult Customer Service Department for additional information.

ITEM	PART NO.	1	2	3	4	5	DESCRIPTION	QTY.
32								
33								
34								
35	75456G01						GLOVE BOX DOOR (BOTH SIDES)	1
36	75456G02						GLOVE BOX DOOR (DRIVER SIDE)	1
37	75456G03						GLOVE BOX DOOR (PASSENGER SIDE)	1

Notes:

A large grid of graph paper for taking notes.



1 ASH TRAY KIT includes items 2 - 5

THE USE OF NON U.L. PARTS WILL VOID ANY U.L. LISTING.

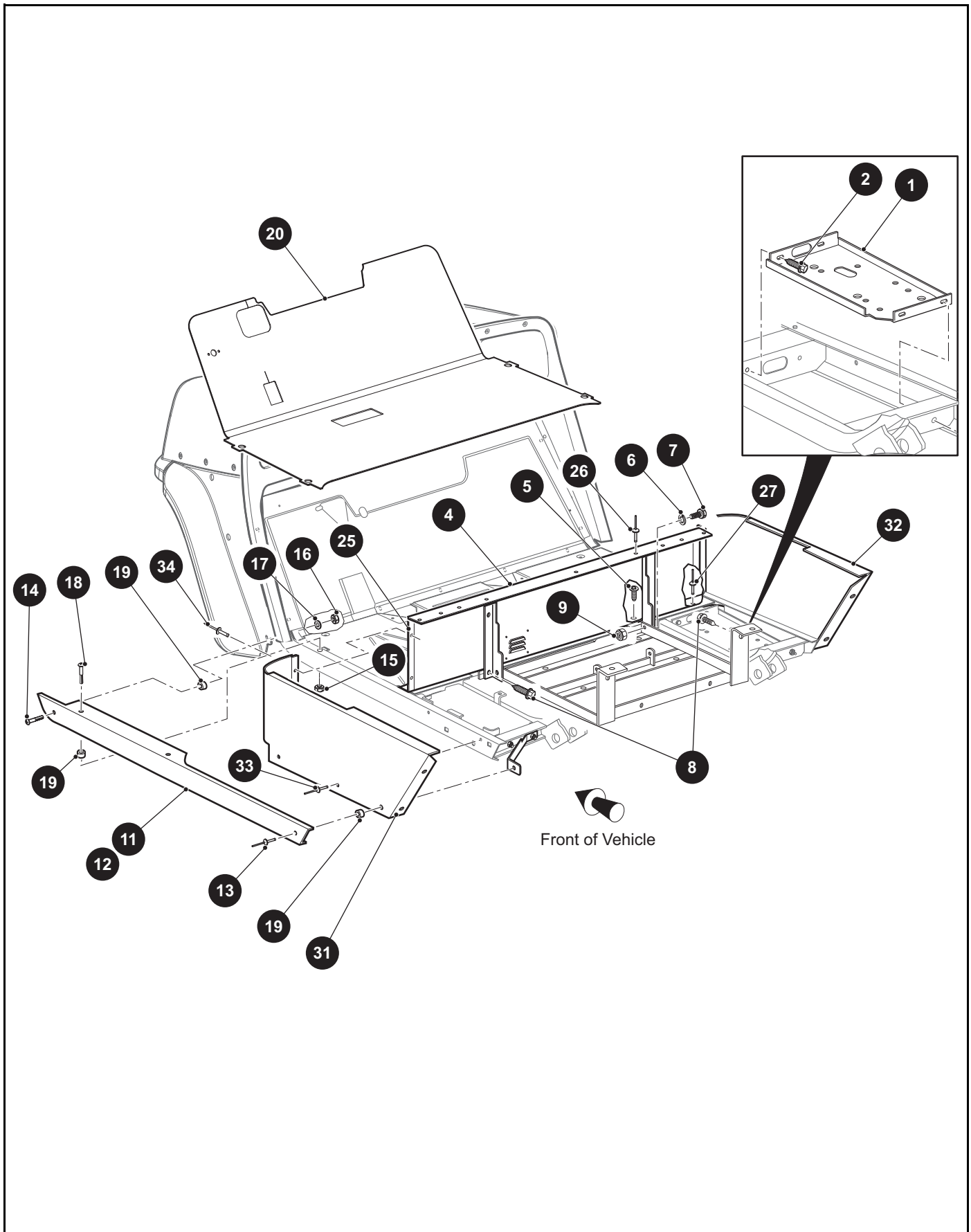
When ordering parts, please specify the model and serial number of the product.

* Indicates a component that is not available as an individual part.

*** Indicates consult Customer Service Department for additional information.

ITEM	PART NO.	1 2 3 4 5	DESCRIPTION	QTY.
1	75109G03		ASHTRAY KIT (INCLUDES ITEMS 2 - 5)	1
2	27731G01		ASHTRAY	1
3	27736G01		ASHTRAY GASKET	1
4	75108G02		ASHTRAY BRACKET	1
5	00106G6		PAN HEAD PHILLIPS TAPPING SCREW, #12 - 14 X 1.07" LG	4
6				
7				
8	619135		CUSHMAN COWL DECAL	1
9				
10	643186		BRUSHGUARD (CHROME)	1
11	617620		BRUSHGUARD.....	1
12	00440G2		HEX WASHER HEAD BOLT, 5/16" - 18 X 2 1/4" LG	2
13	00440G6		HEX WASHER HEAD BOLT, 5/16" - 18 X 2 3/4" LG	2
14	75048G04		SPACER, .328" X 1" LG.....	2
15	75048G02		SPACER, .328" X 1.31" LG.....	2
16	00565G8		LOCK WASHER, 5/16"	4
17	00559G8		FLAT WASHER, 5/16".....	4

BODY



THE USE OF NON U.L. PARTS WILL VOID ANY U.L. LISTING.

When ordering parts, please specify the model and serial number of the product.

* Indicates a component that is not available as an individual part.

*** Indicates consult Customer Service Department for additional information.

ITEM	PART NO.	1 2 3 4 5	DESCRIPTION	QTY.
1	70244G05		SPLASH PAN.....	1
2	00715G2		FLANGED HEX HEAD SCREW, 5/16" - 18 X 4/5" LG.....	4
3				
4	70441G01		SEAT FRAME	1
5	70200G01		TORX HEAD SCREW, 3/8" - 16 X 1/4" LG	2
6	00559G8		FLAT WASHER, 5/16".....	2
7	00438G6		HEX HEAD BOLT, 5/16" - 18 X 3/4" LG	2
8	00715G2		FLANGED HEX HEAD SCREW, 5/16" - 18 X 13/16" LG.....	4
9	11098G6		LOCK NUT, 5/16" -18.....	2
10				
11	618358		ROCKER PANEL (DRIVER SIDE).....	1
12	618359		ROCKER PANEL (PASSENGER SIDE)	1
13	15058G6		RIVET (ALUMINUM), 3/16" X 15/16" LG	1
14	00789G2		PHILLIPS TRUSS HEAD SCREW, #10 - 24 X 1 1/4" LG	1
15	14390G4		LOCK NUT, 1/4" - 20.....	2
16	14390G10		LOCK NUT, #10 - 24	1
17	00660G5		FLAT WASHER (SS), #10.....	1
18	16705G1		PHILLIPS TRUSS HEAD SCREW (SS), 1/4" - 20 X 1" LG.....	2
19	23726G4		SPACER, 1/4"	4
20	70663G06		FLOOR MAT WITH HORN HOLES, DIAMOND PLATE	1
21				
22				
23				
24				
25	609143GXX		SEAT WRAP WITH LOUVERS (See COLOR CODE in HOW TO USE Section)	1
26	10570G10		RIVET (SS), 5/32" X 9/16" LG.....	3
27	10570G10		RIVET (SS), 5/32" X 9/16" LG.....	5
28				
29				
30				

BODY

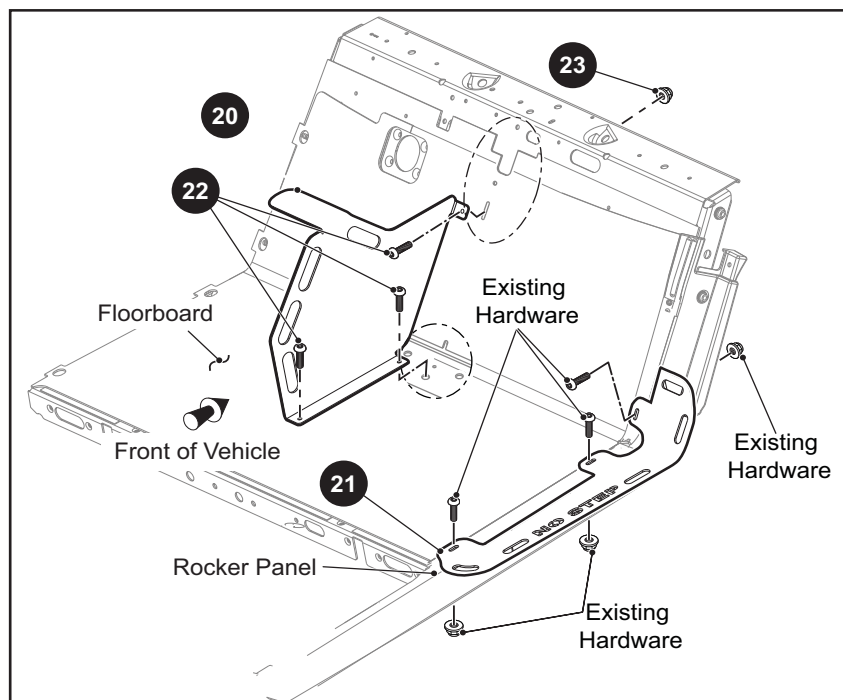
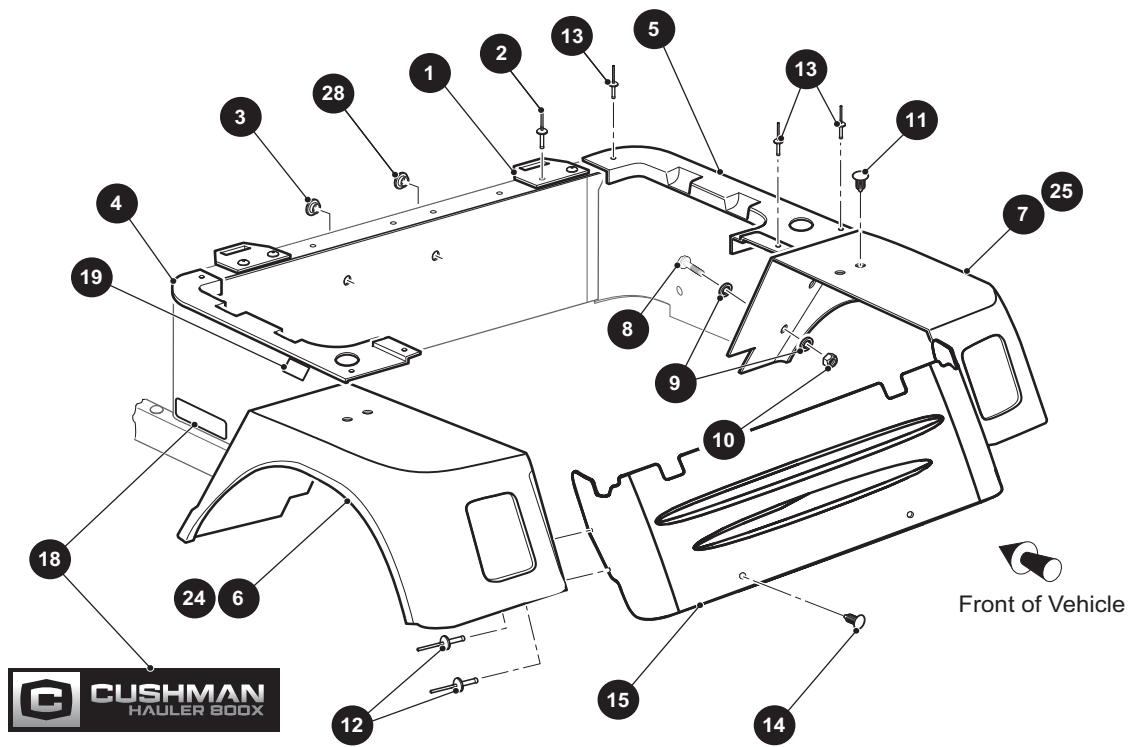
THE USE OF NON U.L. PARTS WILL VOID ANY U.L. LISTING.

When ordering parts, please specify the model and serial number of the product.

* Indicates a component that is not available as an individual part.

*** Indicates consult Customer Service Department for additional information.

ITEM	PART NO.	1 2 3 4 5	DESCRIPTION	QTY.
31	609047G1XX		SIDE PANEL (DRIVER SIDE) (See COLOR CODE in HOW TO USE Section).....	1
32	609047G2XX		SIDE PANEL (PASSENGER SIDE) (See COLOR CODE in HOW TO USE Section).....	1
33	10570G12		RIVET (ALUMINUM), 1/4" X 9/16" LG.....	2
34	10570G10		RIVET (SS), 5/32" X 9/16" LG	2



THE USE OF NON U.L. PARTS WILL VOID ANY U.L. LISTING.

When ordering parts, please specify the model and serial number of the product.

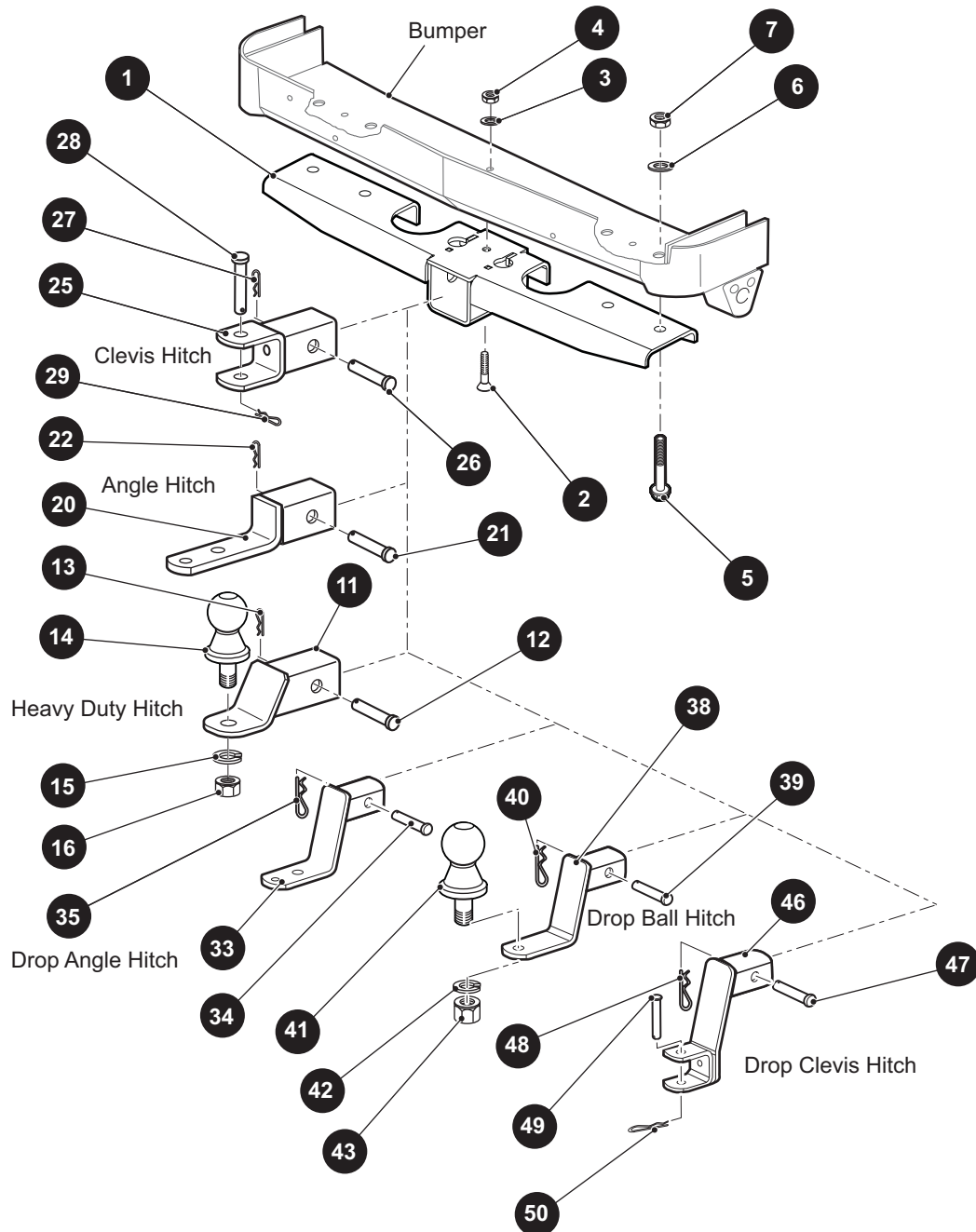
* Indicates a component that is not available as an individual part.

*** Indicates consult Customer Service Department for additional information.

ITEM	PART NO.	1 2 3 4 5	DESCRIPTION	QTY.
1	71609G01		SEAT HINGE PLATE.....	1
2	10570G11		RIVET (SS), 3/16" X 3/4" LG.....	2
3	20271G10		HOLE PLUG.....	1
4	74891G01		SEAT FILLER PANEL (DRIVER SIDE)	1
5	74891G02		SEAT FILLER PANEL (PASSENGER SIDE).....	1
6	74892G01		REAR FENDER (DRIVER SIDE).....	1
7	74892G02		REAR FENDER (PASSENGER SIDE)	1
8	00414G6		HEX HEAD BOLT, 1/4" - 20 X 3/4" LG	2
9	00642G7		FLAT WASHER, 1/4".....	4
10	14390G4		LOCK NUT, 1/4" - 20	2
11	16816G2		RATCHET FASTENER, 1/4" X 3/4" LG.....	2
12	71055G01		RIVET (ALUMINUM), 3/16" X 1" LG	2
13	10570G10		RIVET (SS), 5/32" X 9/16" LG.....	3
14	16816G2		RATCHET FASTENER, 1/4" X 3/4" LG.....	2
15	74890G01		REAR PANEL.....	1
16				
17				
18	619142		CUSHMAN LOGO DECAL.....	1
19	74099G01		BED LATCH WARNING DECAL.....	1
20	662991		ACCELERATOR PEDAL GUARD.....	1
21	661653		FLOORBOARD MOUNT.....	1
22	645323		TORX HEAD SCREW, M6 X 1 - 23.4MM LG.....	3
23	601476		LOCK NUT, M6 - 1	3
24	74892G03		REAR FENDER, WITH TAILLIGHT (DRIVER SIDE).....	1
25	74892G04		REAR FENDER, WITH TAILLIGHT (PASSENGER SIDE)	1
26				
27				
28	71316G01		DIRECTION SELECTOR HOLE PLUG	1

HITCHES

- 10 HEAVY DUTY HITCH KIT includes items 11 - 14
- 19 ANGLE HITCH KIT includes items 20 - 22
- 24 CLEVIS HITCH KIT includes items 25 - 29
- 32 DROP ANGLE HITCH KIT includes items 33 - 35
- 37 DROP BALL HITCH KIT includes items 38 - 41
- 45 DROP CLEVIS HITCH KIT includes items 46 - 50



THE USE OF NON U.L. PARTS WILL VOID ANY U.L. LISTING.

When ordering parts, please specify the model and serial number of the product.

* Indicates a component that is not available as an individual part.

*** Indicates consult Customer Service Department for additional information.

ITEM	PART NO.	1 2 3 4 5	DESCRIPTION	QTY.
1	647080		HITCH RECEIVER.....	1
2	00198G8		HEX HEAD BOLT, 5/16" - 18 X 1" LG	1
3	00571G2		FLAT WASHER, 1/4"	1
4	11098G6		LOCK NUT (SS), 5/16" - 18	1
5	00463G4		HEX HEAD BOLT, 7/16" - 14 X 1 1/2" LG	4
6	00922G3		FLAT WASHER, 7/16"	4
7	00734G1		LOCK NUT, 7/16" - 14	4
8				
9				
10	74492G01		HEAVY DUTY BALL HITCH KIT (INCLUDES ITEMS 11 - 14)	1
11	646730		HEAVY DUTY HITCH	1
12	21317G1		CLEVIS PIN, 5/8" X 3" LG	1
13	21683G1		COTTER PIN, 15/32" X 2 1/16" LG	1
14	31757G1		HITCH BALL WITH HARDWARE, 1 7/8" (INCLUDES ITEMS 15 - 16).....	1
15	00566G6		LOCK WASHER, 3/4"	1
16	00702G2		HEX NUT, 3/4" - 16	1
17				
18				
19	74492G03		ANGLE HITCH KIT (INCLUDES ITEMS 20 - 22).....	1
20	646729		ANGLE HITCH	1
21	21317G01		CLEVIS PIN, 5/8" X 3" LG	1
22	21683G1		COTTER PIN, 15/32" X 2 1/16" LG	1
23				
24	74492G05		CLEVIS HITCH KIT (INCLUDES ITEMS 25 - 29)	1
25	646727		CLEVIS HITCH	1
26	21317G01		CLEVIS PIN, 5/8" X 3" LG	1
27	21683G1		COTTER PIN, 15/32" X 2 1/16" LG	1
28	14443G10		CLEVIS PIN, 1/2" X 3" LG	1
29	19314G1		COTTER PIN, 5/2" LG.....	1
30				
31				

BODY

THE USE OF NON U.L. PARTS WILL VOID ANY U.L. LISTING.

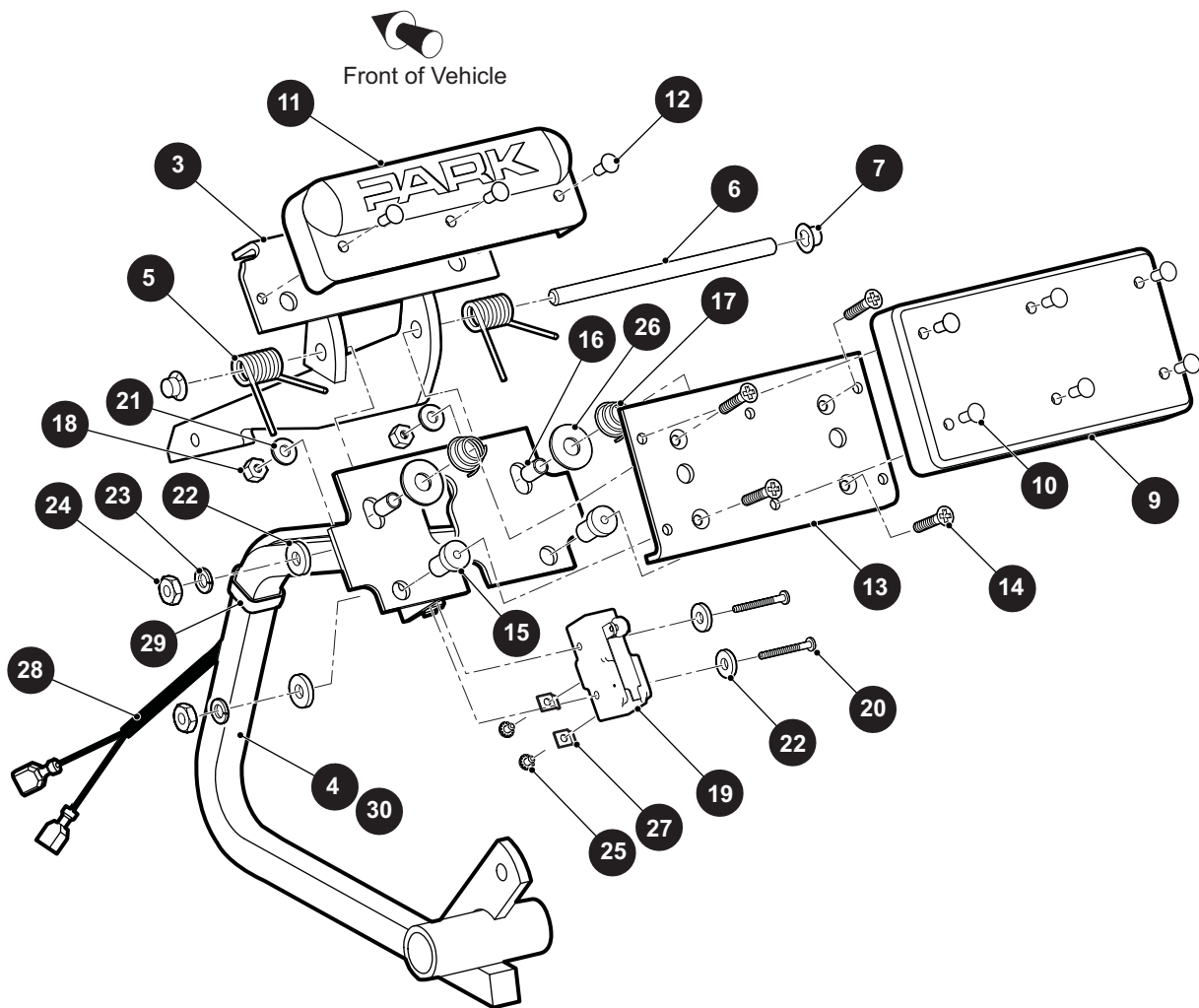
When ordering parts, please specify the model and serial number of the product.

* Indicates a component that is not available as an individual part.

*** Indicates consult Customer Service Department for additional information.

ITEM	PART NO.	1	2	3	4	5	DESCRIPTION	QTY.
32	74492G07						DROP ANGLE HITCH KIT (INCLUDES ITEMS 33 - 35)	1
33	646731						DROP ANGLE HITCH.....	1
34	21317G01						CLEVIS PIN, 5/8" X 3" LG.....	1
35	21683G1						COTTER PIN, 15/32" X 2 1/16" LG.....	1
36								
37	74492G09						DROP BALL HITCH KIT (INCLUDES ITEMS 38 - 41)	1
38	646743						DROP BALL HITCH	1
39	21317G01						CLEVIS PIN, 5/8" X 3" LG.....	1
40	21683G1						COTTER PIN, 15/32" X 2 1/16" LG.....	1
41	31757G1						HITCH BALL WITH HARDWARE, 1 7/8" (INCLUDES ITEMS 42 - 43)	1
42	00566G6						LOCK WASHER, 3/4"	1
43	00702G11						HEX NUT, 3/4" - 16.....	1
44								
45	74492G11						DROP CLEVIS HITCH KIT (INCLUDES ITEMS 46 - 50)	1
46	646744						DROP CLEVIS HITCH.....	1
47	21317G01						CLEVIS PIN, 5/8" X 3" LG.....	1
48	21683G1						COTTER PIN, 15/32" X 2 1/16" LG.....	1
49	14443G10						CLEVIS PIN, 1/2" X 3" LG.....	1
50	19314G1						COTTER PIN, 5/2" LG	1

- 1 BRAKE PEDAL ASSEMBLY (WITHOUT BRAKE LIGHTS) includes items 3 - 11
- 2 BRAKE PEDAL ASSEMBLY (WITH BRAKE LIGHTS) includes items 3, 5 - 30



BRAKES

THE USE OF NON U.L. PARTS WILL VOID ANY U.L. LISTING.

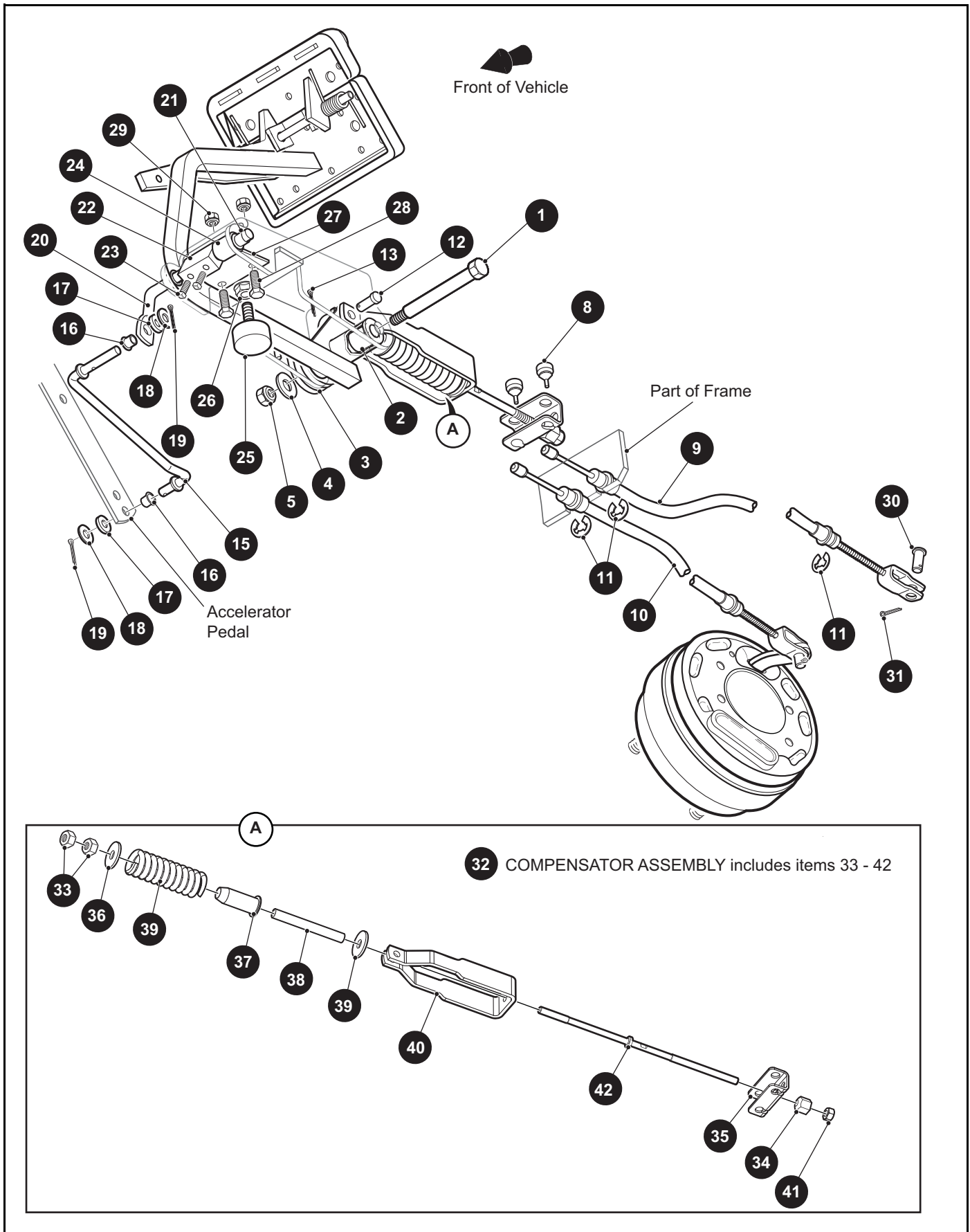
When ordering parts, please specify the model and serial number of the product.

* Indicates a component that is not available as an individual part.

*** Indicates consult Customer Service Department for additional information.

ITEM	PART NO.	1 2 3 4 5	DESCRIPTION	QTY.
1	70612G02		BRAKE PEDAL ASSEMBLY (WITHOUT LIGHTS) (INCLUDES ITEMS 3 - 12)	1
2	70690G02		BRAKE PEDAL ASSEMBLY (WITH LIGHTS) (INCLUDES ITEMS 3, 5 - 30)..	1
3	652253G03		PARK BRAKE PEDAL	1
4	652251G03		BRAKE PEDAL (WITHOUT LIGHTS).....	1
5	70681G01		TORSION SPRING.....	2
6	70682G01		PIVOT PIN.....	1
7	658825		PUSH NUT, 5/16" - 24	2
8				
9	70257G01		SERVICE BRAKE PAD.....	1
10	16409G1		OVAL RIVET, .375" X .468" LG	6
11	70256G01		PARK BRAKE PEDAL PAD	1
12	16409G1		OVAL RIVET, .375" X .468" LG	3
13	652820		SERVICE BRAKE PEDAL PLATE	1
14	00737G8		FLAT HEAD PHILLIPS SCREW, #10 - 24 X .875" LG.....	4
15	00739G1		RUBBER WELL NUT, #10 - 24.....	2
16	652355		BRAKE PEDAL SPACER	2
17	27137G01		CONICAL SPRING	2
18	14390G10		LOCK NUT, #10 - 24.....	2
19	10606G8		MICRO SWITCH	1
20	00645G2		PAN HEAD PHILLIPS SCREW, #6 - 32 X 1.25" LG	1
21	00559G5		FLAT WASHER, #10	2
22	00559G3		FLAT WASHER, #6	2
23	00565G3		LOCK WASHER, #6	1
24	00525G5		LOCK NUT, #6 - 32.....	1
25	13514G1		PAN HEAD PHILLIPS SCREW WITH INTERNAL TOOTH LOCK WASHER, #6 - 32 X .22" LG	1
26	00642G8		FLAT WASHER, 5/16"	2
27	14628G1		FASTON TAB.....	1
28	24605G1		WIRE HARNESS (BRAKE LIGHT).....	1
29	17618G1		WIRE TIE.....	2
30	652791G03		BRAKE PEDAL (WITH LIGHTS)	1

BRAKES



THE USE OF NON U.L. PARTS WILL VOID ANY U.L. LISTING.

When ordering parts, please specify the model and serial number of the product.

* Indicates a component that is not available as an individual part.

*** Indicates consult Customer Service Department for additional information.

ITEM	PART NO.	1 2 3 4 5	DESCRIPTION	QTY.
1	70582G01		SHOULDER BOLT (SS), 3/8" - 16 X 3.406" LG	1
2	70581G01		FLANGED BUSHING, .1.062" O.D. X .795" I.D.....	2
3	70676G01		TORSION SPRING	1
4	00643G1		LOCK WASHER, 3/8"	1
5	11098G5		LOCK NUT, 3/8" - 16.....	1
6	01038G01		HEX WASHER HEAD SCREW, 1/4" - 20 X .7" LG (NOT ILLUSTRATED).....	1
7	12416G2		NYLON WEDGE LOCK CLAMP (NOT ILLUSTRATED).....	3
8	28083G01		BRAKE COMPENSATOR BUMPER.....	2
9	624690		BRAKE CABLE (DRIVER SIDE).....	1
10	624691		BRAKE CABLE (PASSENGER SIDE)	1
11	01111G01		RETAINING RING (SS), DIA .8".....	4
12	10386G3		CLEVIS PIN, .438" X .938" LG.....	1
13	10387G3		COTTER PIN, .094" X .75" LG.....	1
14				
15	70601G01		KICK-OFF LINK	1
16	17838G1		NYLON BUSHING, .37" O.D. X .31" I.D.	2
17	20835G1		TEFLON WASHER, 3/8"	2
18	00559G8		FLAT WASHER, 5/16".....	2
19	10387G3		COTTER PIN, .094" X .75" LG.....	2
20	70098G01		KICK-OFF CAM PIVOT.....	1
21	10097G6		FLANGED BEARING	2
22	70587G01		KICK-OFF CAM	1
23	71215G01		SET SCREW WITH PATCH LOCK, 1/4" - 20 X .5" LG	2
24	14134G4		SPACER, .76" O.D. X .395" I.D. X 1.25" LG	1
25	70113G01		ADJUSTABLE BUMPER.....	1
26	11027G1		LOCK NUT, 5/16 - 18".....	1
27	70080G02		CATCH BRACKET	1
28	00414G6		HEX HEAD CAP SCREW, 1/4" - 20 X .25" LG	2
29	14390G4		LOCK NUT (SS), 1/4" - 20	2
30	10386G3		CLEVIS PIN, .438" X .938" LG.....	1
31	10387G3		COTTER PIN, .094" X .75" LG.....	1

BRAKES

THE USE OF NON U.L. PARTS WILL VOID ANY U.L. LISTING.

When ordering parts, please specify the model and serial number of the product.

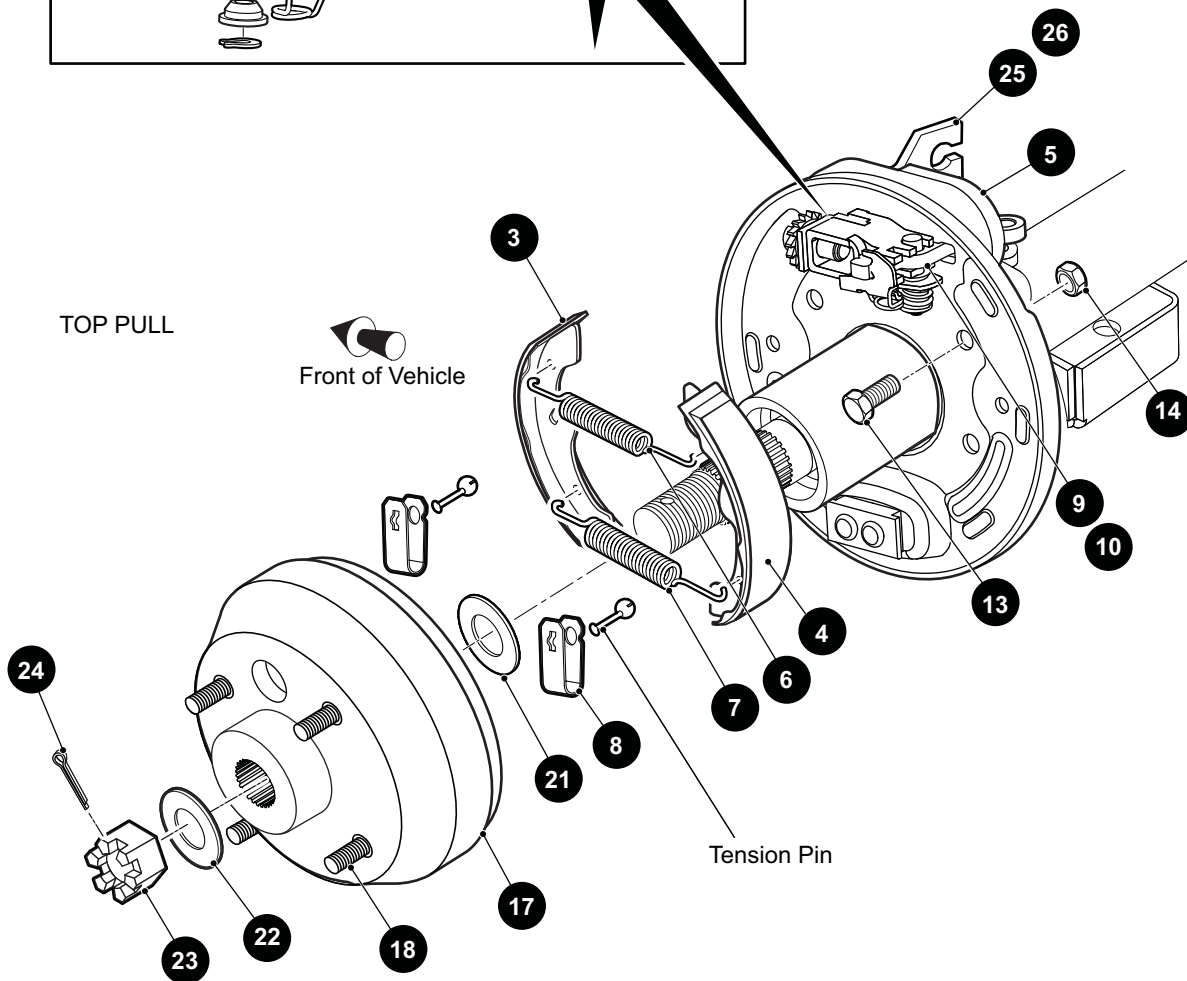
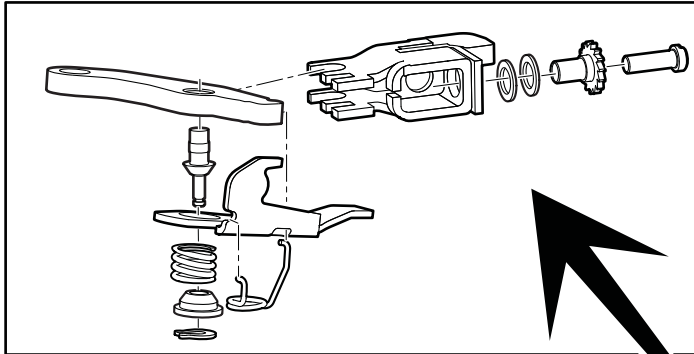
* Indicates a component that is not available as an individual part.

*** Indicates consult Customer Service Department for additional information.

ITEM	PART NO.	1	2	3	4	5	DESCRIPTION	QTY.
32	612558						COMPENSATOR ASSEMBLY (INCLUDES ITEMS 33 - 42)	1
33	00532G4						HEX NUT, 1/4" - 20	2
34	629486						SPHERICAL HEX NUT, 5/16" - 24	1
35	28082G01						EQUALIZER BRACKET	1
36	15121G1						FLAT WASHER, 5/16"	2
37	17979G1						ACCELERATOR ROD BUSHING, .464" I.D. X 1" O.D. X 2" LG.....	1
38	23061G2						TUBE.....	1
39	23463G1						COMPRESSION SPRING	1
40	652256						BRAKE YOKE	1
41	11098G9						HEX LOCK NUT, 5/16" - 24	1
42	612557						COMPENSATOR LINK ROD	1
43	17618G1						NYLON CLAMP (NOT ILLUSTRATED)	1

BRAKES

- 1 BRAKE ASSEMBLY (DRIVER SIDE) includes items 3 - 9
- 2 BRAKE ASSEMBLY (PASSENGER SIDE) includes items 3 - 8, 10
- 16 BRAKE DRUM ASSEMBLY includes items 17, 18



THE USE OF NON U.L. PARTS WILL VOID ANY U.L. LISTING.

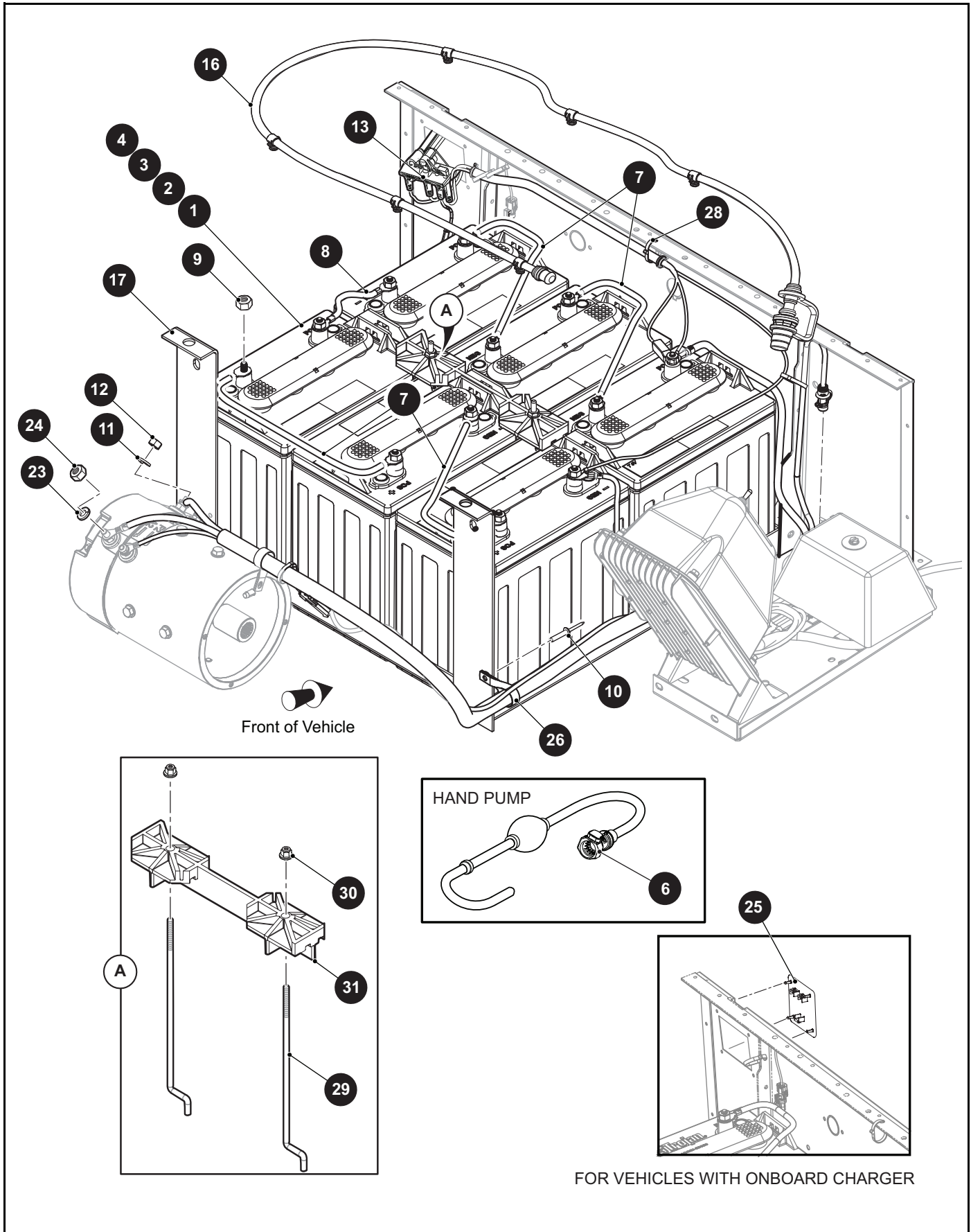
When ordering parts, please specify the model and serial number of the product.

* Indicates a component that is not available as an individual part.

*** Indicates consult Customer Service Department for additional information.

ITEM	PART NO.	1 2 3 4 5	DESCRIPTION	QTY.
1	612189		BRAKE ASSEMBLY (DRIVER SIDE) (INCLUDES ITEMS 3 - 9)	1
2	612211		BRAKE ASSEMBLY (PASSENGER SIDE) (INCLUDES ITEMS 3 - 8, 10)	1
3	612411		BRAKE SHOE, LEADING	1
4	612412		BRAKE SHOE, TRAILING	1
5	612413		DUST COVER	1
6	612415		BRAKE SPRING, TOP	1
7	612414		BRAKE SPRING, BOTTOM	1
8	612416		SHOE CLAMP	2
9	612418		GEAR ADJUSTER (DRIVER SIDE)	1
10	612417		GEAR ADJUSTER (PASSENGER SIDE)	1
11				
12				
13	17083G2		HEX HEAD BOLT, 5/16" - 24 X 1" LG	4
14	15126G1		LOCK NUT, 5/16" - 24	4
15				
16	19186G1		BRAKE DRUM ASSEMBLY (INCLUDES ITEMS 17, 18)	1
17	18500G2		BRAKE DRUM	1
18	19862G1		LUG BOLT, 1/2" - 20 X 1.218" LG	4
19				
20				
21	15485G1		FLAT WASHER (INNER WHEEL RIM), 1.31" O.D. X .85" I.D.	1
22	15487G1		FLAT WASHER (BRAKE DRUM), 1.5" O.D. X .76" I.D.	1
23	612928		SLOTTED HEX NUT, 3/4" - 16	1
24	10387G1		COTTER PIN, 5/32" X 1 3/4" LG	1
25	652248		BRAKE CABLE BRACKET (PASSENGER SIDE)	1
26	652249		BRAKE CABLE BRACKET (DRIVER SIDE)	1

ELECTRICAL SYSTEM



ELECTRICAL SYSTEM

THE USE OF NON U.L. PARTS WILL VOID ANY U.L. LISTING.

When ordering parts, please specify the model and serial number of the product.

* Indicates a component that is not available as an individual part.

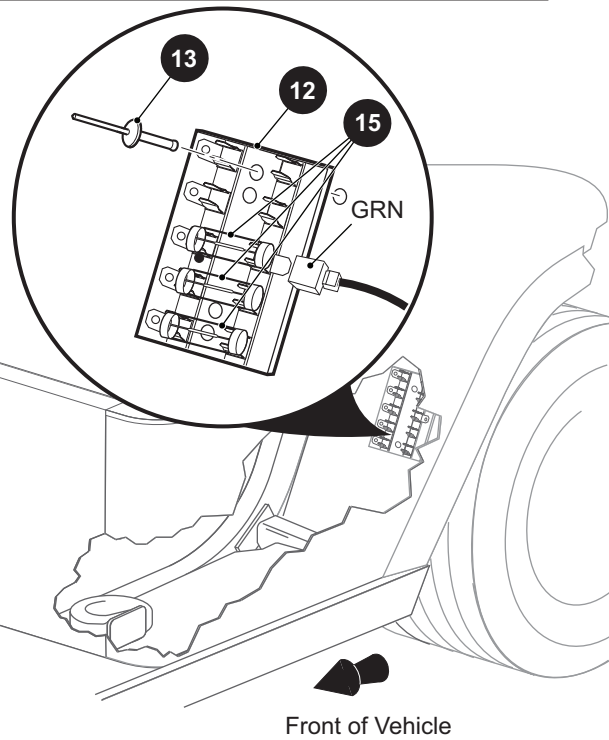
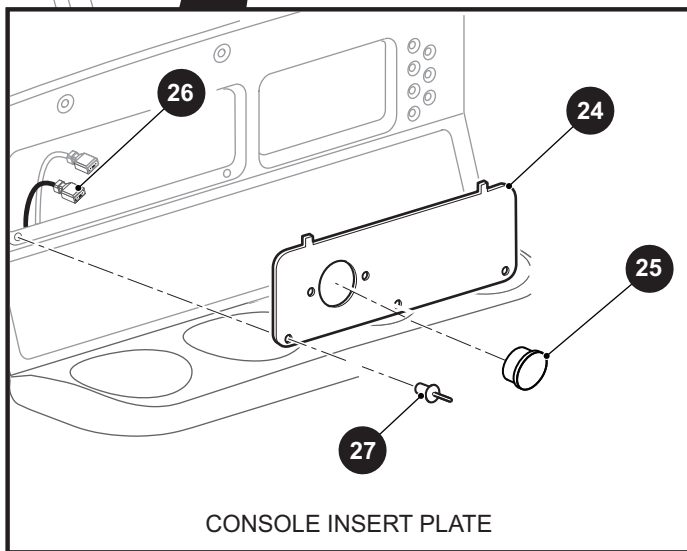
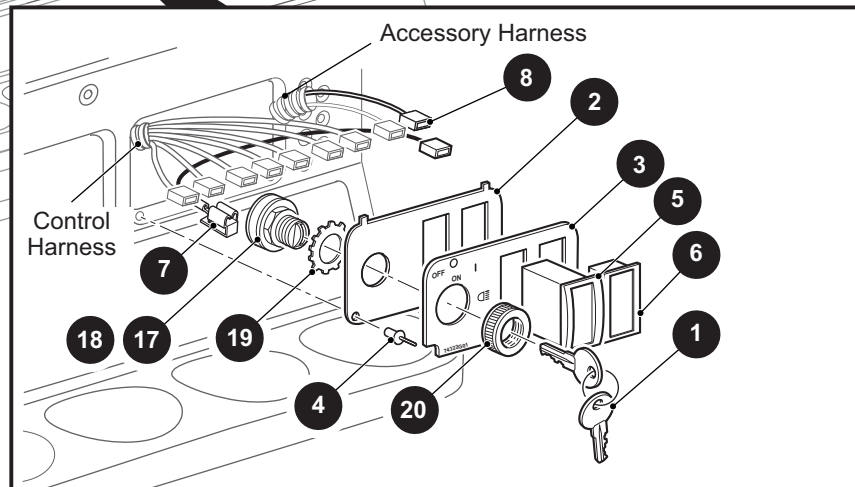
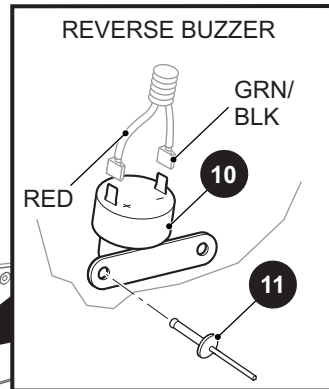
*** Indicates consult Customer Service Department for additional information.

ITEM	PART NO.	1 2 3 4 5	DESCRIPTION	QTY.
1	618594		BATTERY (8V)	6
2	614015		BATTERY (8V)	6
3	618595		BATTERY (8V) (FOR USE WITH HYDROLINK WATERING SYSTEM).....	6
4	614381		BATTERY (8V) (FOR USE WITH HYDROLINK WATERING SYSTEM).....	6
5	615352		CLAMP (POLYPROPYLENE) (NOT ILLUSTRATED)	1
6	676122		TROJAN HAND PUMP KIT	1
7	613236		6 AWG WIRE (BLUE), 15" LG.....	4
8	613237		6 AWG WIRE (BLUE), 5.90" LG.....	1
9	00702G2		HEX NUT, 5/16" - 18	12
10	10570G11		RIVET, 3/16" X .70" LG	1
11	00993G02		LOCK WASHER (SILICON BRONZE), 1/4"	2
12	28418G02		HEX NUT (BRASS), 1/4" - 20	2
13	633149		CHARGER RECEPTACLE, 48V	1
14				
15				
16	614457		SNAKE HYDROLINK.....	1
17	652254G03		BATTERY RACK WELDMENT	1
18				
19				
20	31539G1		CLAMP (NYLON) (NOT ILLUSTRATED)	1
21				
22				
23	00993G01		LOCK WASHER (SILICON BRONZE), 5/16"	2
24	28418G01		HEX NUT (BRASS), 5/16" - 18	2
25	666066		RECEPTACLE COVER.....	1
26	27327G02		TWISTED CLIP CLAMP.....	1
27				
28	17618G1		CLAMP (NYLON)	9
29	01101G01		TIE DOWN BOLT	2
30	11027G1		FLANGED LOCK NUT, 5/16" - 18.....	2
31	612867		BATTERY RETAINER	1

ELECTRICAL SYSTEM

23 CONSOLE INSERT ASSEMBLY WITH PLUG
includes items 24 - 25

Front of Vehicle



ELECTRICAL SYSTEM

THE USE OF NON U.L. PARTS WILL VOID ANY U.L. LISTING.

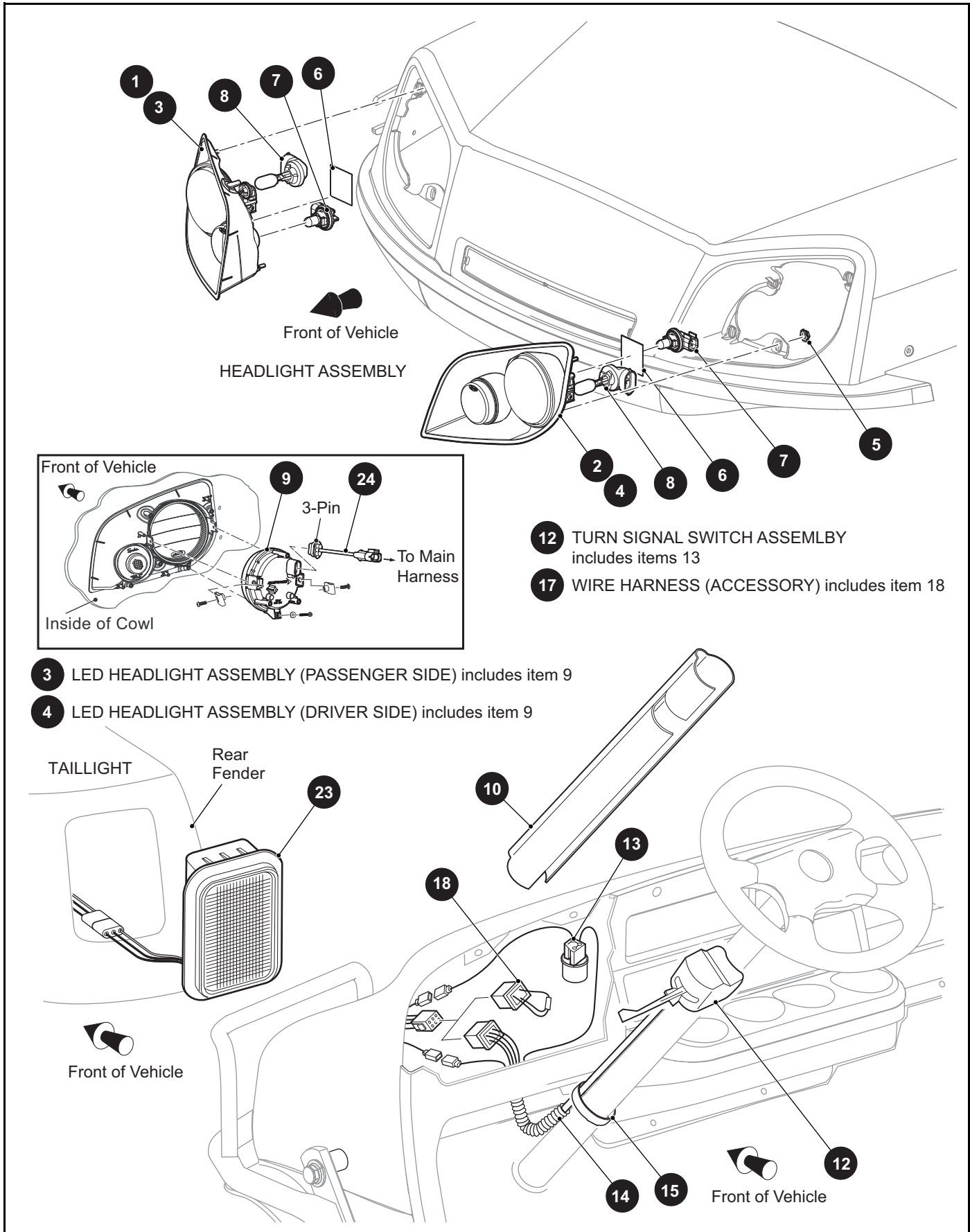
When ordering parts, please specify the model and serial number of the product.

* Indicates a component that is not available as an individual part.

*** Indicates consult Customer Service Department for additional information.

ITEM	PART NO.	1 2 3 4 5	DESCRIPTION	QTY.
1	17063G1		IGNITION KEY	1
2	73030G12		CONSOLE PLATE	1
3	74322G01		CONSOLE PLATE DECAL WITH LIGHTS	1
4	33623G02		DRIVE RIVET, 3/16" X 3/8" LG	2
5	624514G02		DIRECTION SELECTOR SWITCH (F-N-R).....	1
6	33636G05		STATE OF CHARGE METER (SOC), 48V	1
7	25978G74		WIRE HARNESS (SOC)	1
8	645774		FUSE HARNESS (SOC).....	1
9				
10	613271		CONTINUOUS TONE BUZZER.....	1
11	01041G01		RIVET (ALUMINUM), 5/32" X .84" LG	2
12	22674G1		FUSE BLOCK	1
13	01041G01		RIVET (ALUMINUM), 5/32" X .84" LG	2
14	00559G4		FLAT WASHER, #8 (NOT ILLUSTRATED).....	2
15	18392G1		FUSE (15 AMP).....	1
16				
17	33639G01		KEY SWITCH (WITH LIGHTS)	1
18	33639G03		KEY SWITCH (WITH LIGHTS)	1
19	00568G6		LOCK WASHER (TOOTH TYPE), 3/4"	1
20	17137G1		FACE NUT, 3/4" - 20	1
21				
22				
23	74693G02		CONSOLE INSERT ASSEMBLY WITH PLUG (INCLUDES ITEMS 24 - 25)	1
24	73522G03		CONSOLE INSERT PLATE	1
25	20271G10		PLUG, 1.125" DIA.....	1
26	71081G01		WIRE HARNESS (POWER OUTLET)	1
27	33623G02		RIVET (PLASTIC), 3/16" X .421" LG	3
28				
29				
30	17618G1		CLAMP (NYLON) (NOT ILLUSTRATED).....	1

ELECTRICAL SYSTEM



ELECTRICAL SYSTEM

THE USE OF NON U.L. PARTS WILL VOID ANY U.L. LISTING.

When ordering parts, please specify the model and serial number of the product.

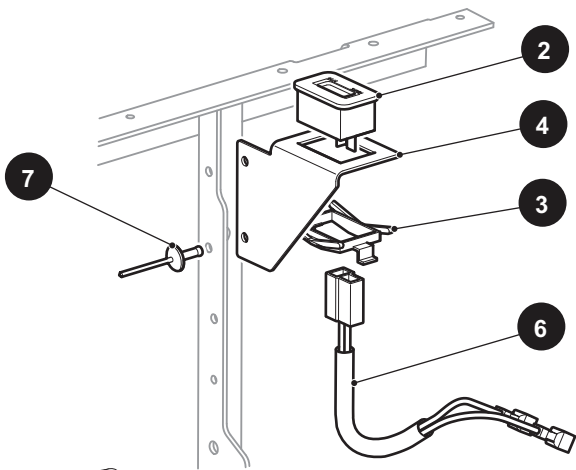
* Indicates a component that is not available as an individual part.

*** Indicates consult Customer Service Department for additional information.

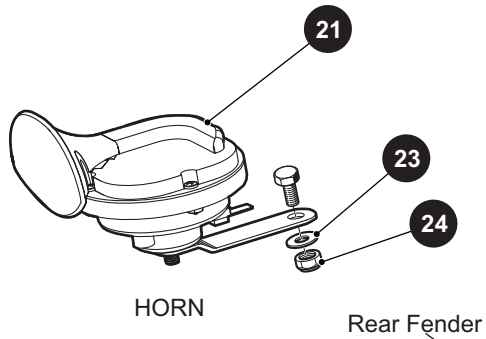
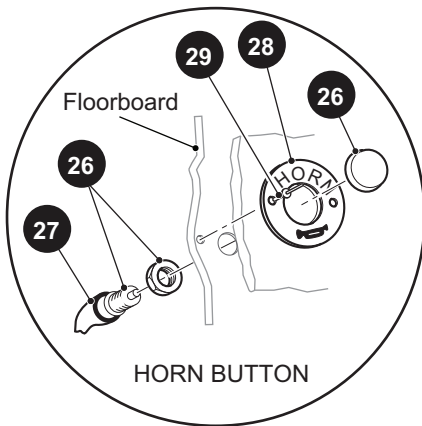
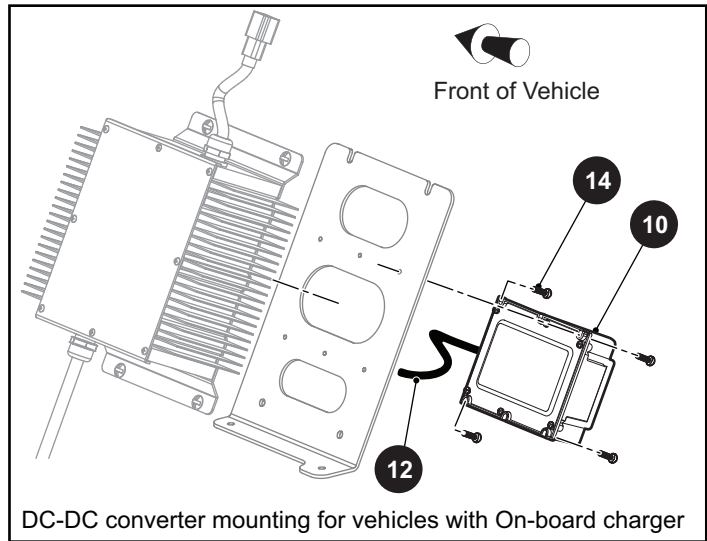
ITEM	PART NO.	1 2 3 4 5	DESCRIPTION	QTY.
1	614497		HEADLIGHT ASSEMBLY (PASSENGER SIDE).....	1
2	614501		HEADLIGHT ASSEMBLY (DRIVER SIDE)	1
3	659008		LED HEADLIGHT ASSEMBLY (PASSENGER SIDE) (INCLUDES ITEM 9)...	1
4	659009		LED HEADLIGHT ASSEMBLY (DRIVER SIDE) (INCLUDES ITEM 9)	1
5	71597G01		SELF THREADING NUT, 5MM X 10MM X 15MM	4
6	71781G02		VINYL TAPE	1
7	619102		TURN SIGNAL BULB ASSEMBLY	1
8	619100		HEADLIGHT BULB	1
9	651411G03		LED HEADLIGHT	1
10	20965G3		STEERING COLUMN COVER	1
11				
12	611810		TURN SIGNAL SWITCH ASSEMBLY (INCLUDES ITEM 13).....	1
13	21640G01		FLASHER UNIT.....	1
14	*		FLEX LOOM.....	1
15	*		CLAMP (NYLON).....	1
16				
17	619151		WIRE HARNESS (ACCESSORY) (INCLUDES ITEM 18)	1
18	618260		TAILLIGHT JUMPER PLUG (FOR VEHICLES WITHOUT TAILLIGHT AND TURN SIGNAL).....	1
19				
20	17618G1		CLAMP (NYLON), 7" LG (NOT ILLUSTRATED).....	AR
21	31539G1		CLAMP (NYLON), 5.5" LG (NOT ILLUSTRATED).....	AR
22				
23	32739G2		TAILLIGHT	1
24	654465		JUMPER HARNESS, LED HEADLIGHT	2

ELECTRICAL SYSTEM

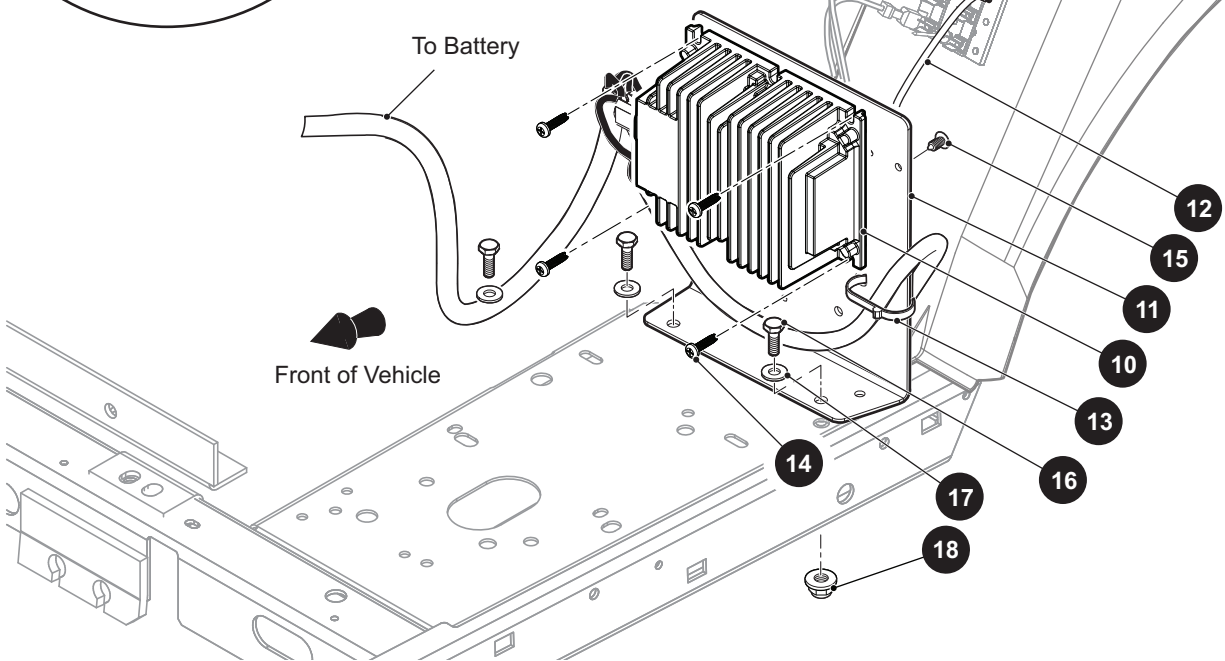
1 HOUR METER KIT includes items 2 - 4



Front of Vehicle
HOUR METER



Rear Fender



ELECTRICAL SYSTEM

THE USE OF NON U.L. PARTS WILL VOID ANY U.L. LISTING.

When ordering parts, please specify the model and serial number of the product.

* Indicates a component that is not available as an individual part.

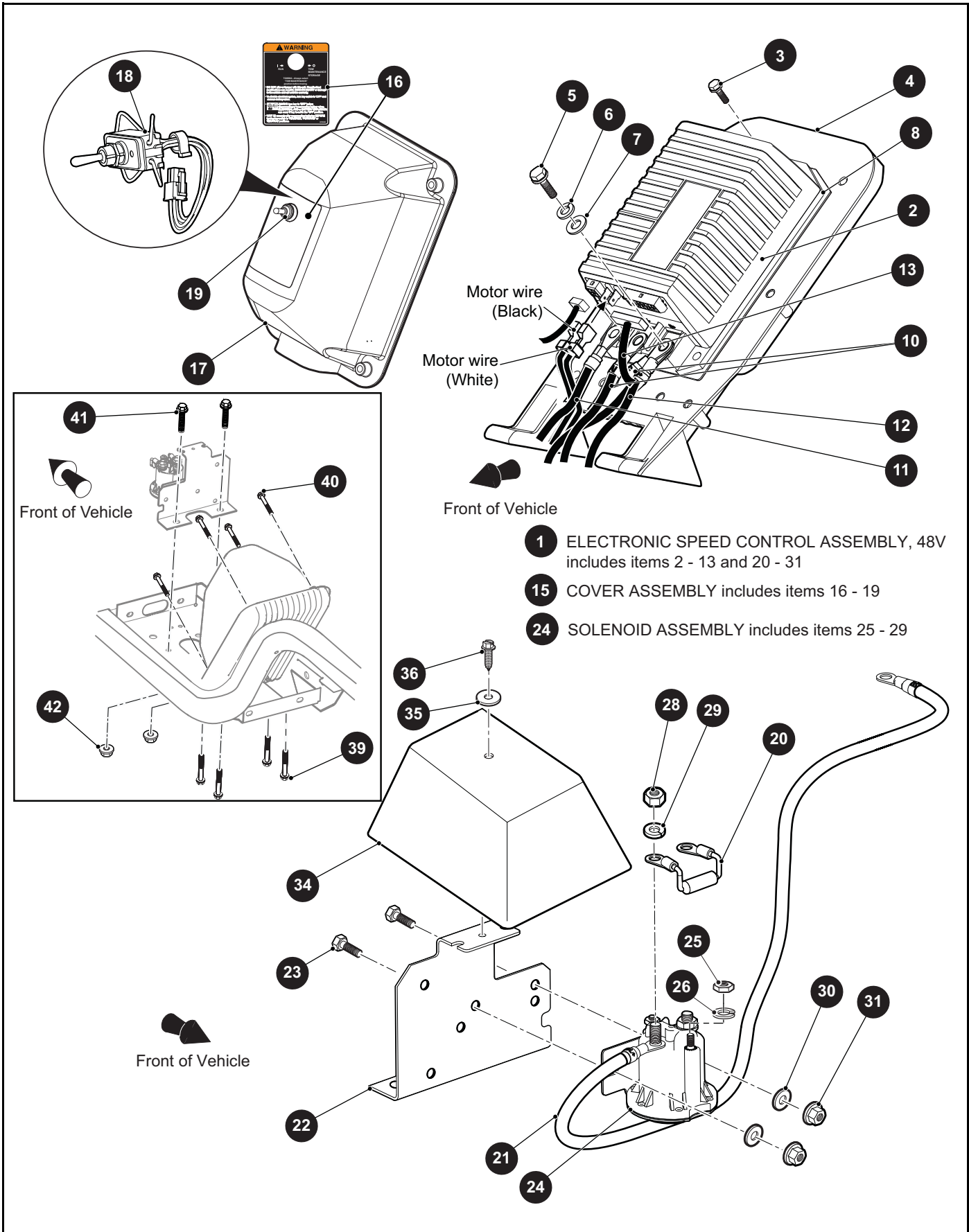
*** Indicates consult Customer Service Department for additional information.

ITEM	PART NO.	1 2 3 4 5	DESCRIPTION	QTY.
1	74720G01		HOUR METER ASSEMBLY (INCLUDES ITEMS 2 - 4)	1
2	620133		HOUR METER	1
3	74696G01		RETAINER CLIP	1
4	74716G01		BRACKET	1
5				
6	75117G01		HOUR METER HARNESS.....	1
7	10570G11		RIVET (SS), 3/16" X .70" LG.....	2
8				
9				
10	632185		DC-DC CONVERTER	1
11	633303		DC-DC CONVERTER BRACKET	1
12	605888		DC-DC HARNESS	1
13	17618G1		CLAMP (NYLON), 7" LG	4
14	632372		SELF TAPPING SCREW, #10 - 32 X .75" LG	4
15	16816G5		RATCHET RIVET, .187" X .550" LG	1
16	00414G6		HEX HEAD BOLT, 1/4" - 20 X .75" LG	2
17	00559G7		FLAT WASHER, 1/4"	2
18	11027G2		FLANGED LOCK NUT, 1/4" - 20	2
19	19344G1		ELECTRICAL VINYL TAPE (NOT ILLUSTRATED).....	1
20				
21	32860G1		HORN.....	1
22	00414G5		HEX HEAD BOLT, 1/4" - 20 X .62" LG	1
23	00559G7		FLAT WASHER, 1/4"	1
24	14390G4		LOCK NUT, 1/4" - 20	1
25				
26	17318G1		HORN SWITCH	1
27	27068G01		HORN SWITCH BOOT	1
28	608397		HORN SWITCH PLATE	1
29	71055G01		RIVET (ALUMINUM), 3/16" X 1" LG	2

Notes:

A large grid for taking notes, consisting of approximately 28 columns and 32 rows.

ELECTRONIC SPEED CONTROL



- 1 ELECTRONIC SPEED CONTROL ASSEMBLY, 48V includes items 2 - 13 and 20 - 31
- 15 COVER ASSEMBLY includes items 16 - 19
- 24 SOLENOID ASSEMBLY includes items 25 - 29

ELECTRONIC SPEED CONTROL

THE USE OF NON U.L. PARTS WILL VOID ANY U.L. LISTING.

When ordering parts, please specify the model and serial number of the product.

* Indicates a component that is not available as an individual part.

*** Indicates consult Customer Service Department for additional information.

ITEM	PART NO.	1 2 3 4 5	DESCRIPTION	QTY.
1	654740		ELECTRONIC SPEED CONTROL ASSEMBLY, 48V (INCLUDES ITEMS 2 - 13 AND 20 - 31).....	1
2	612632		CONTROLLER, 48V.....	1
3	71102G01		FLANGED HEX HEAD BOLT, 1/4" - 20 X .9" LG.....	3
4	73471G01		HEATSINK.....	1
5	73296G01		FLANGED HEX HEAD BOLT, M8 - 1.25 X 16MM LG.....	3
6	00565G8		LOCK WASHER 5/16".....	3
7	00559G8		FLAT WASHER, 5/16".....	3
8	73190G01		THERMAL MOUNTING PAD.....	1
9	31539G1		NYLON CLAMP, 15.5" LG (NOT ILLUSTRATED).....	1
10	617612		WIRE HARNESS (POWER).....	1
11	620437		6 AWG WIRE (BLUE), 6AWG, 675MM.....	1
12	620432		6 AWG WIRE (GREEN), 4AWG, 400MM.....	1
13	620964		MAIN WIRE HARNESS (VPS), 48V.....	1
14				
15	612753		COVER ASSEMBLY (INCLUDES ITEMS 16 - 19).....	1
16	613048		RUN/TOW SWITCH LABEL, 48V.....	1
17	73482G01		COVER (WITH GASKET).....	1
18	633114		RUN/TOW TOGGLE SWITCH.....	1
19	73139G01		SEAL NUT (SWITCH), 15/32" - 32.....	1
20	620430		RESISTOR ASSEMBLY.....	1
21	607592		4 AWG WIRE (GREEN), 28" LG.....	1
22	73057G02		BRACKET.....	1
23	00414G5		HEX HEAD BOLT, 1/4" - 20 X .5" LG.....	2
24	612711		SOLENOID, 48V (INCLUDES ITEMS 25 - 29).....	1
25	00526G4		LOCK NUT, #10 - 32.....	2
26	00565G5		LOCK WASHER, #10.....	2
27				
28	00544G4		LOCK NUT, 5/16" - 24.....	2
29	00565G8		LOCK WASHER, 5/16".....	2
30	01110G01		FLAT WASHER, 1/4".....	2

ELECTRONIC SPEED CONTROL

THE USE OF NON U.L. PARTS WILL VOID ANY U.L. LISTING.

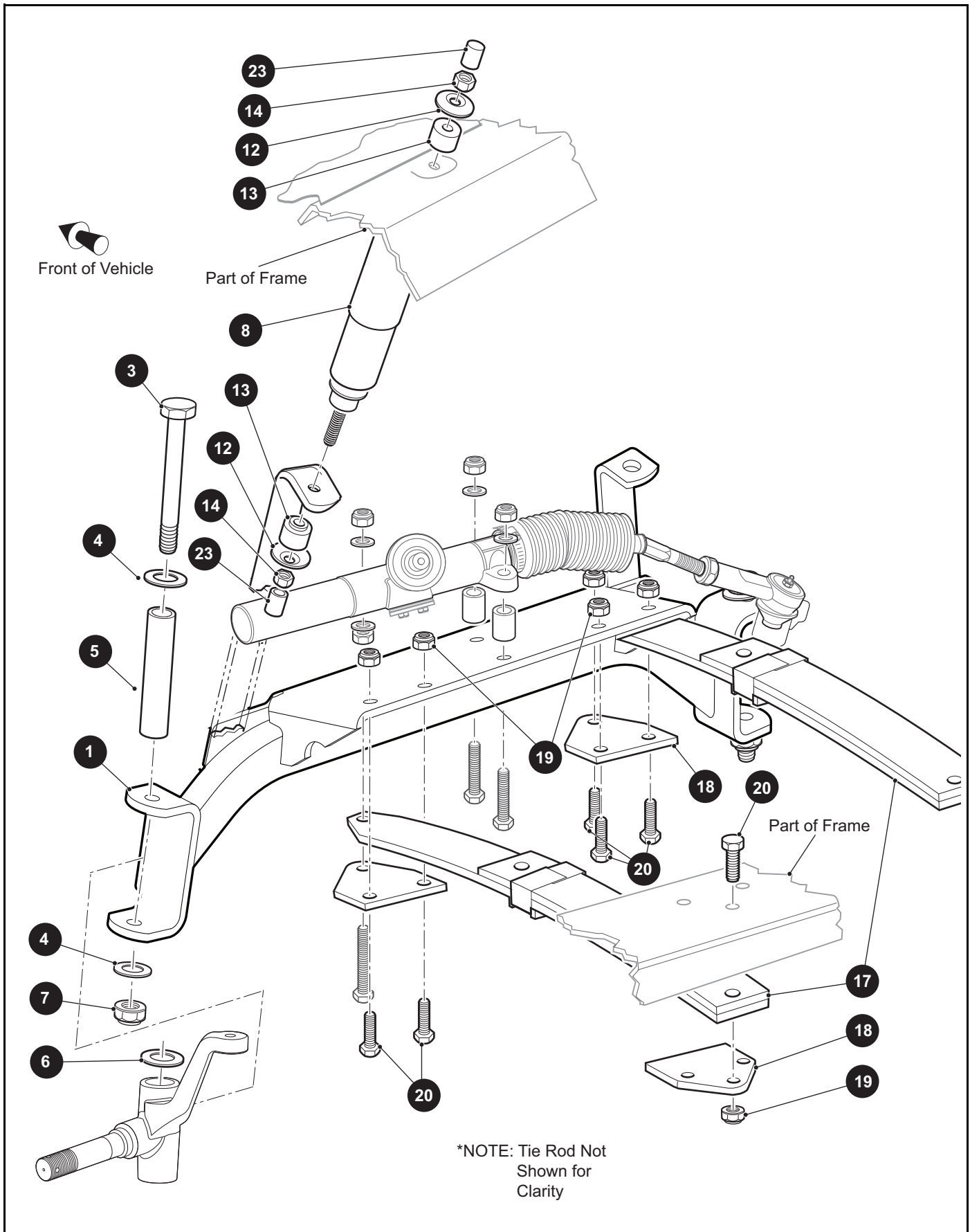
When ordering parts, please specify the model and serial number of the product.

* Indicates a component that is not available as an individual part.

*** Indicates consult Customer Service Department for additional information.

ITEM	PART NO.	1	2	3	4	5	DESCRIPTION	QTY.
31	11027G2						FLANGED LOCK NUT, 1/4" - 20	2
32								
33								
34	73049G01						COVER.....	1
35	16469G1						FLAT WASHER, 1/4"	1
36	00114G6						HEX WASHER HEAD TAPPING SCREW, 1/4" - 14 X .75" LG	1
37								
38								
39	71102G01						HEX HEAD WASHER BOLT, 1/4" - 20 X .75" LG	4
40	71102G03						HEX HEAD WASHER BOLT, 1/4" - 20 X 1.15" LG	4
41	00438G6						HEX HEAD WASHER BOLT, 5/16" - 18 X .75" LG	2
42	11027G1						FLANGED LOCK NUT, 5/16" - 18	2

FRONT SUSPENSION AND STEERING



FRONT SUSPENSION AND STEERING

THE USE OF NON U.L. PARTS WILL VOID ANY U.L. LISTING.

When ordering parts, please specify the model and serial number of the product.

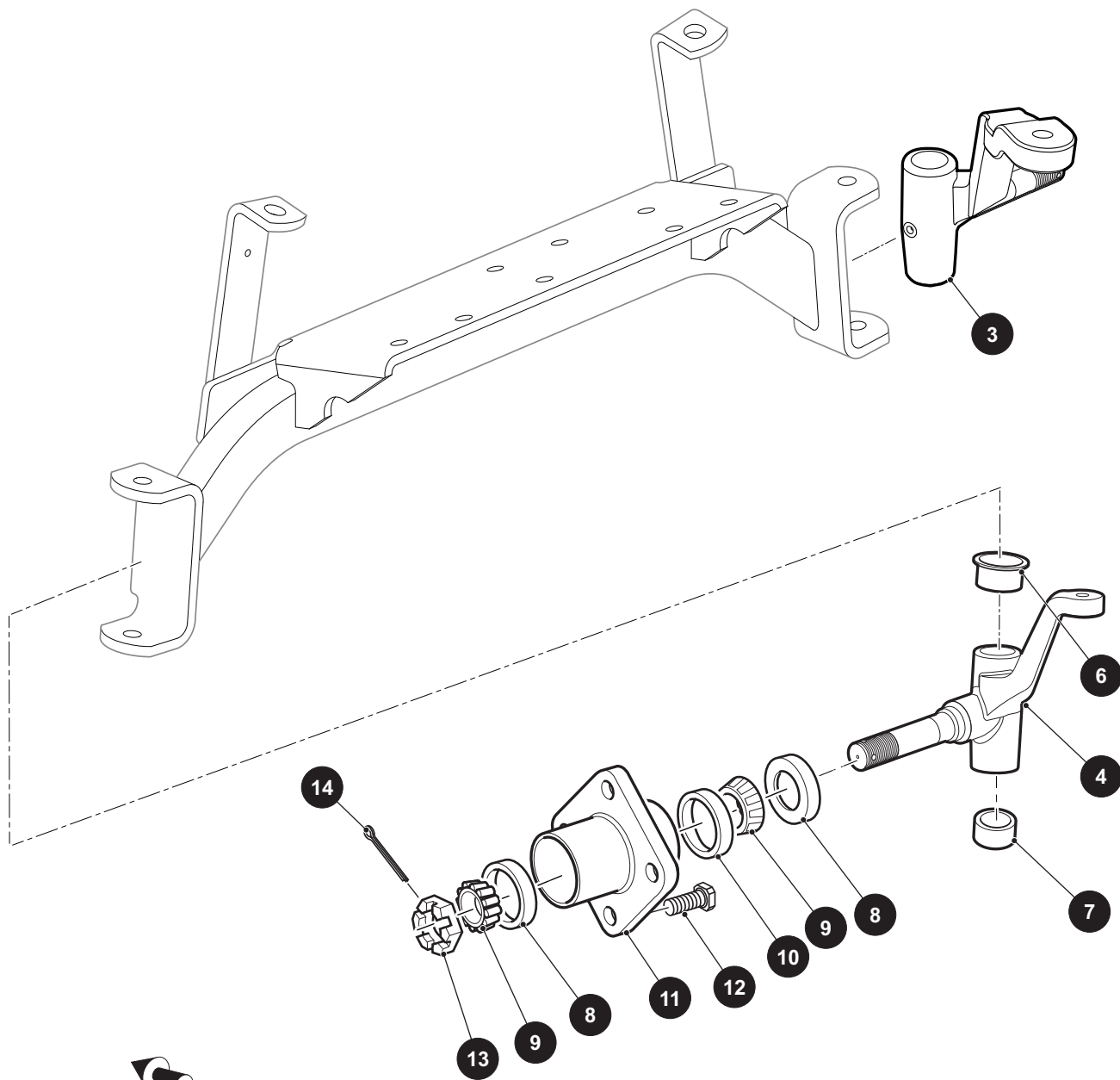
* Indicates a component that is not available as an individual part.

*** Indicates consult Customer Service Department for additional information.

ITEM	PART NO.	1 2 3 4 5	DESCRIPTION	QTY.
1	602512		FRONT AXLE.....	1
2				
3	00407G6		HEX HEAD BOLT, 1/2" - 13 X 6" LG	2
4	00560G3		FLAT WASHER, 1/2".....	4
5	70745G01		KING PIN TUBE.....	2
6	70754G01		THRUST WASHER (SS), 1"	2
7	14390G6		LOCK NUT, 1/2" - 13.....	2
8	76419G01		SHOCK ABSORBER.....	2
9				
10				
11				
12	10435G1		SHOCK ABSORBER WASHER.....	8
13	10194G1		RUBBER BUSHING.....	8
14	00532G6		HEX NUT, 3/8" - 24	4
15				
16				
17	70989G03		LEAF SPRING	2
18	652258		SPRING PLATE	4
19	00734G1		LOCK NUT, 7/16" - 14.....	AR
20	00463G11		HEX HEAD BOLT, 7/16" - 14 X 1 3/4" LG	AR
21				
22				
23	10044G01		VINYL CAP.....	4

FRONT SUSPENSION AND STEERING

- 1 SPINDLE ASSEMBLY (PASSENGER SIDE) includes items 3, 6 - 14
- 2 SPINDLE ASSEMBLY (DRIVER SIDE) includes items 4 - 14



FRONT SUSPENSION AND STEERING

THE USE OF NON U.L. PARTS WILL VOID ANY U.L. LISTING.

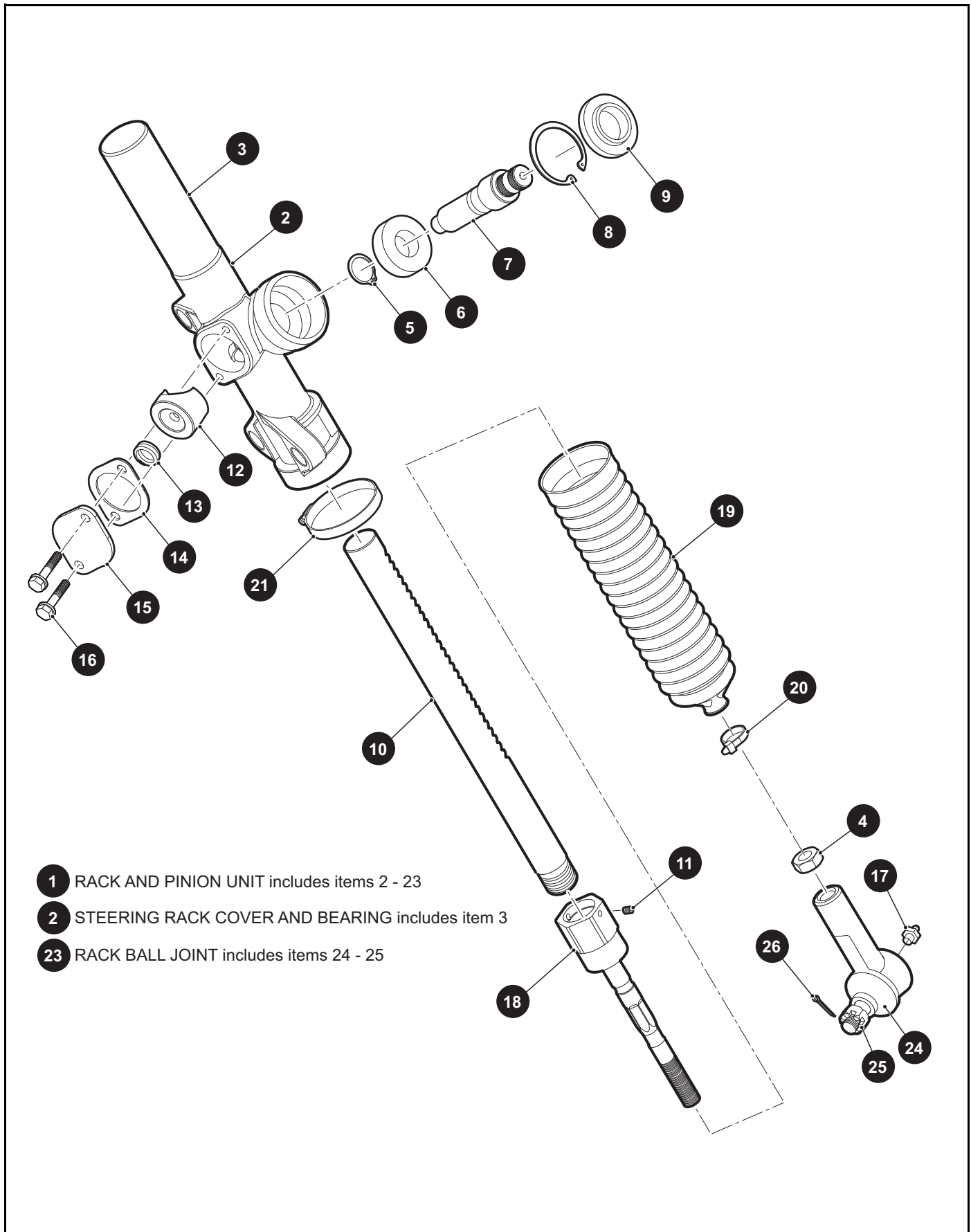
When ordering parts, please specify the model and serial number of the product.

* Indicates a component that is not available as an individual part.

*** Indicates consult Customer Service Department for additional information.

ITEM	PART NO.	1 2 3 4 5	DESCRIPTION	QTY.
1	70942G03		SPINDLE ASSEMBLY (PASSENGER SIDE) (INCLUDES ITEMS 3, 6 - 14) ...	1
2	70673G03		SPINDLE ASSEMBLY (DRIVER SIDE) (INCLUDES ITEMS 4 - 14).....	1
3	70942G02		SPINDLE (PASSENGER SIDE)	1
4	70742G02		SPINDLE (DRIVER SIDE).....	1
5				
6	632925		FLANGED BUSHING	1
7	632926		SLEEVE BUSHING	1
8	25146G1		GREASE SEAL.....	1
9	11750G2		ROLLER BEARING	2
10	51141G1		BEARING RACE	2
11	70589G01		WHEEL HUB	1
12	19862G1		LUG BOLT, 1/2" - 20 X 1 7/32" LG.....	4
13	12093G1		HEX SLOTTED NUT, 17/32"	1
14	00798G8		COTTER PIN, 5/32" X 1 - 3/4".....	1

FRONT SUSPENSION AND STEERING



FRONT SUSPENSION AND STEERING

THE USE OF NON U.L. PARTS WILL VOID ANY U.L. LISTING.

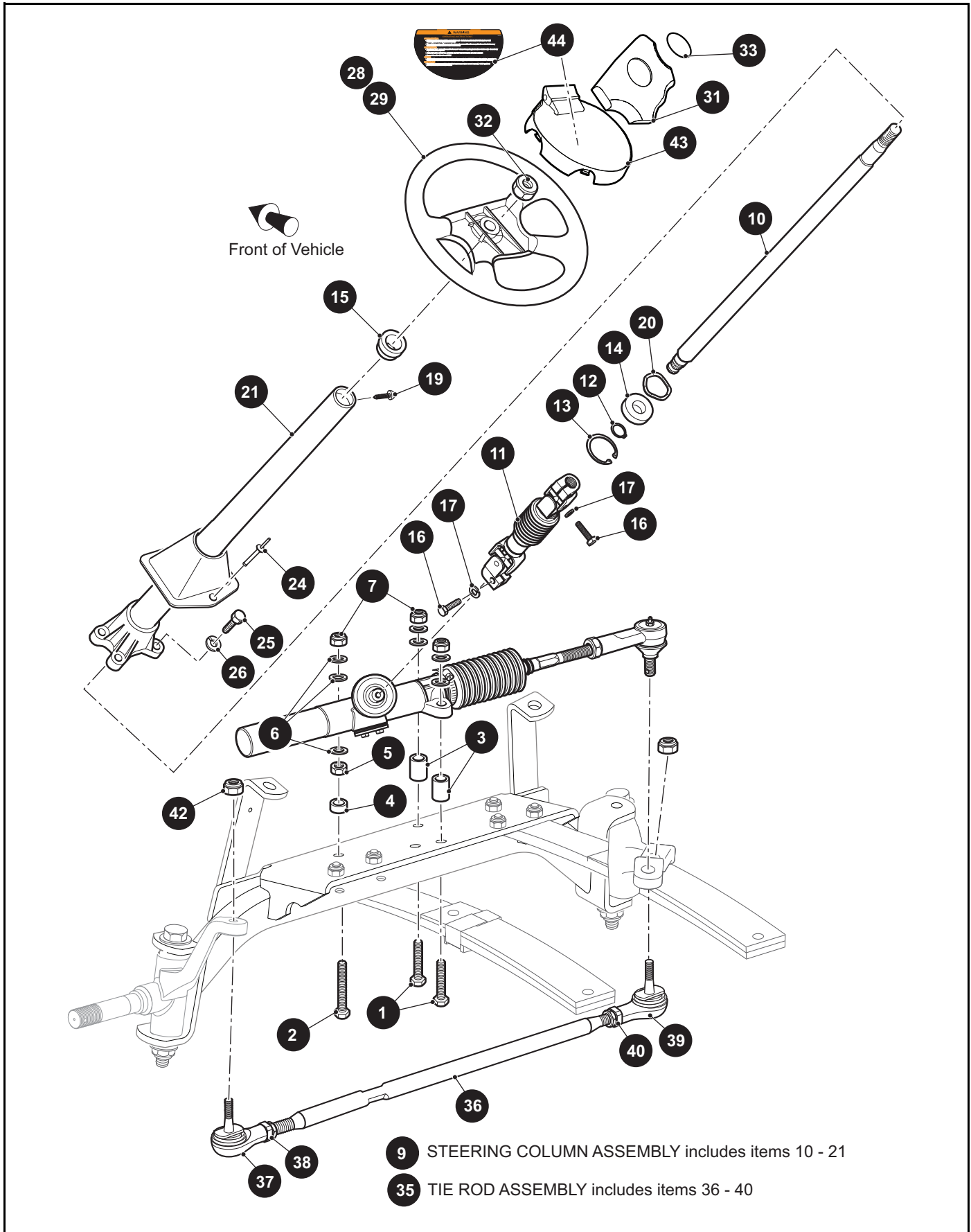
When ordering parts, please specify the model and serial number of the product.

* Indicates a component that is not available as an individual part.

*** Indicates consult Customer Service Department for additional information.

ITEM	PART NO.	1 2 3 4 5	DESCRIPTION	QTY.
1	74605G01		RACK AND PINION UNIT (INCLUDES ITEMS 2 - 23)	1
2	70965G01		STEERING RACK COVER AND BEARING (INCLUDES ITEM 3).....	1
3	70639G01		RACK COVER	1
4	*		JAM NUT, 1/2" - 20	1
5	70750G01		RETAINING RING (EXTERNAL)	1
6	15112G1		BALL BEARING	1
7	70603G01		PINION	1
8	70751G01		RETAINING RING (INTERNAL)	1
9	70638G01		PINION SEAL	1
10	70604G01		STEERING RACK	1
11	*		SET SCREW, #10 - 32 X .25" LG	1
12	70590G01		RACK LOADER	1
13	70666G01		COMPRESSION SPRING	1
14	70645G01		GASKET (RACK LOADER)	1
15	652259		RACK (LOADER COVER)	1
16	71102G01		HEX WASHER HEAD BOLT, 1/4" - 20 X 11/16" LG	2
17	10389G3		GREASE FITTING (STRAIGHT)	1
18	74602G01		ROD END (INNER)	1
19	70961G01		BELLOW RACK COVER	1
20	12416G2		CLAMP (NYLON), 10"	1
21	11391G8		HOSE CLAMP, 1.81"	1
22				
23	70695G01		TIE ROD END (OUTER) (INCLUDES ITEMS 24, 25).....	1
24	50641G1		GROMMET (TIE ROD END).....	1
25	50209G2		HEX SLOTTED NUT, 7/16" - 20.....	1
26	10387G2		COTTER PIN, 3/32" X 1"	1

FRONT SUSPENSION AND STEERING



FRONT SUSPENSION AND STEERING

THE USE OF NON U.L. PARTS WILL VOID ANY U.L. LISTING.

When ordering parts, please specify the model and serial number of the product.

* Indicates a component that is not available as an individual part.

*** Indicates consult Customer Service Department for additional information.

ITEM	PART NO.	1 2 3 4 5	DESCRIPTION	QTY.
1	00464G8		HEX HEAD BOLT, 7/16" - 14 X 2 3/4" LG	2
2	01068G01		HEX HEAD BOLT, 7/16" - 14 X 3 1/2" LG	1
3	70667G02		SPACER, 1.21"	2
4	70667G04		SPACER (SHORT), .69"	1
5	00532G7		HEX NUT, 7/16" - 14	1
6	00560G2		FLAT WASHER, 7/16"	7
7	00734G1		LOCK NUT, 7/16" - 14	3
8				
9	70758G05		STEERING COLUMN ASSEMBLY (INCLUDES ITEMS 10 - 21)	1
10	70607G01		STEERING SHAFT.....	1
11	70580G01		INTERMEDIATE SHAFT	1
12	70888G01		RETAINING RING (EXTERNAL)	1
13	70751G01		RETAINING RING (INTERNAL)	1
14	15112G1		BALL BEARING	1
15	28569G01		BUSHING	1
16	01055G01		HEX HEAD BOLT, M8 - 1.25 X 30MM LG	2
17	00565G8		LOCK WASHER (SPRING TYPE), 5/16"	2
18				
19	01022G01		HEX HEAD BOLT, #6 - 20 X 5/16" LG	1
20	70887G01		WAVE WASHER (SS).....	1
21	70610G03		STEERING COLUMN.....	1
22				
23	70997G01		STEERING COLUMN BASE COVER.....	1
24	71055G01		RIVET, 3/16"	1
25	01006G01		HEX HEAD BOLT, 3/8" - 16 X 1 1/4" LG	4
26	00879G1		LOCK WASHER, 3/8"	4
27				
28	602980		STEERING WHEEL, PREMIUM	1
29	602979		STEERING WHEEL	1
30				
31	71147G01		STEERING WHEEL COVER	1

FRONT SUSPENSION AND STEERING

THE USE OF NON U.L. PARTS WILL VOID ANY U.L. LISTING.

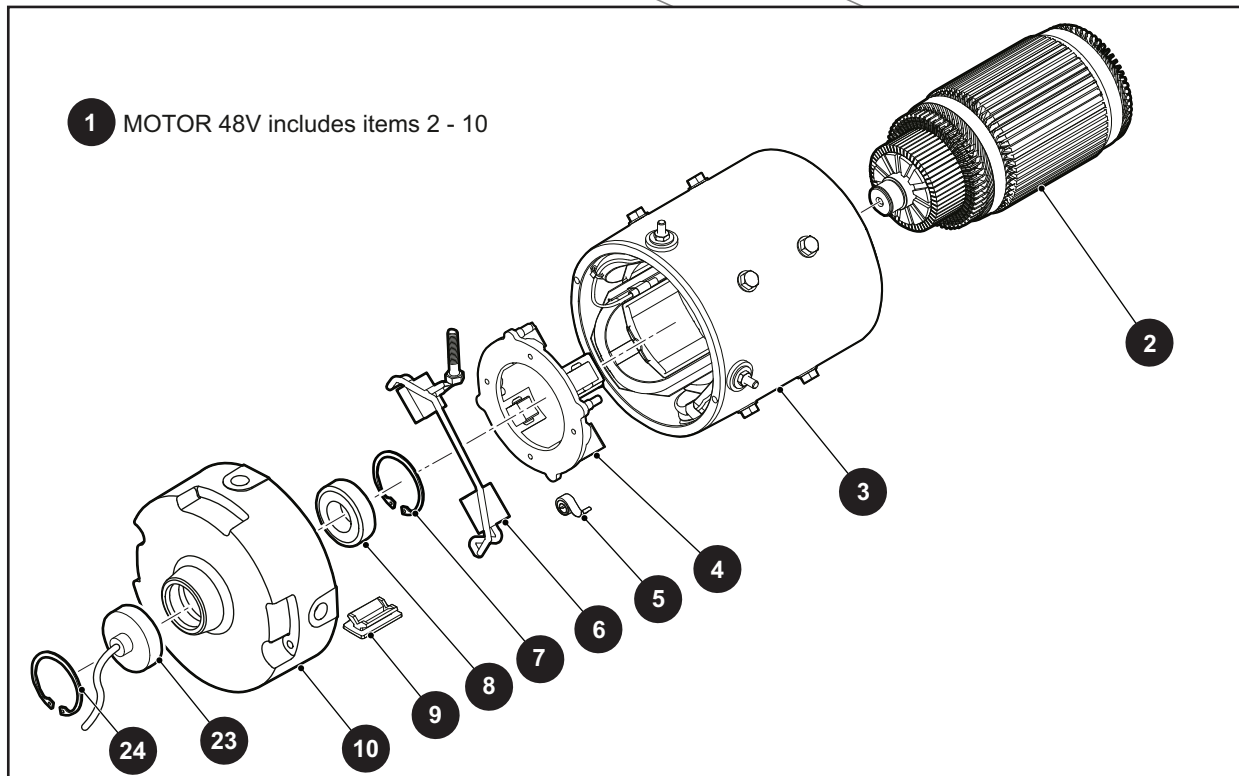
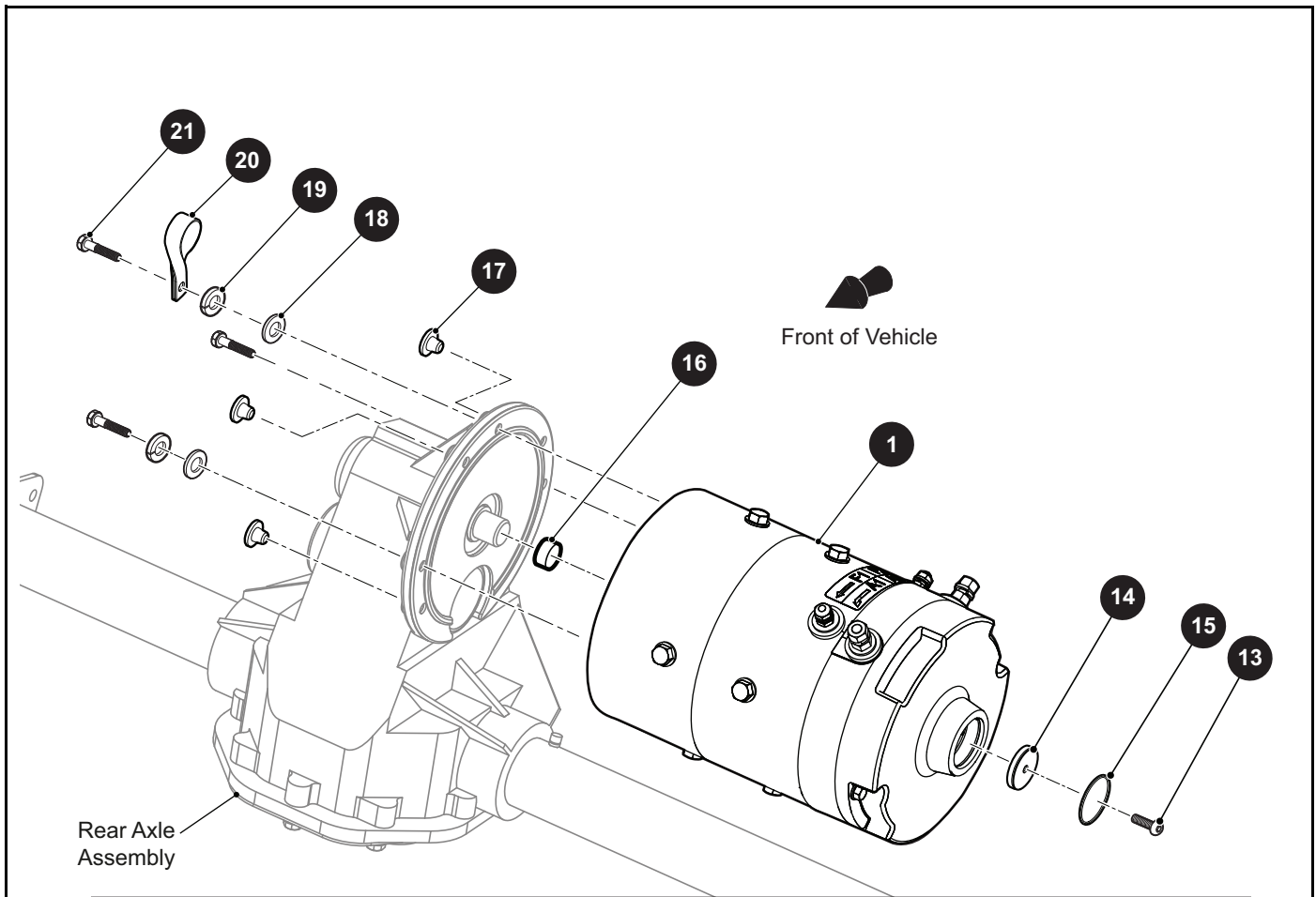
When ordering parts, please specify the model and serial number of the product.

* Indicates a component that is not available as an individual part.

*** Indicates consult Customer Service Department for additional information.

ITEM	PART NO.	1 2 3 4 5	DESCRIPTION	QTY.
32	14390G2		LOCK NUT, 5/8" - 18	1
33	618086		CUSHMAN DECAL (STEERING WHEEL)	1
34				
35	74604G01		TIE ROD ASSEMBLY (INCLUDES ITEMS 36 - 40)	1
36	70897G02		THREADED ROD, 24"	1
37	70902G01		TIE ROD END (LEFT HAND THREADS)	1
38	01069G01		JAM NUT, M12 X 1.25 - 05 (LEFT HAND THREADS)	1
39	70902G02		TIE ROD END (RIGHT HAND THREADS)	1
40	01069G02		JAM NUT, M12 X 1.25 - 05 (RIGHT HAND THREADS)	1
41				
42	00734G1		LOCK NUT, 7/16" - 14	2
43	607925		CLIPBOARD	1
44	608529		STEERING WHEEL LABEL	1

MOTOR



THE USE OF NON U.L. PARTS WILL VOID ANY U.L. LISTING.

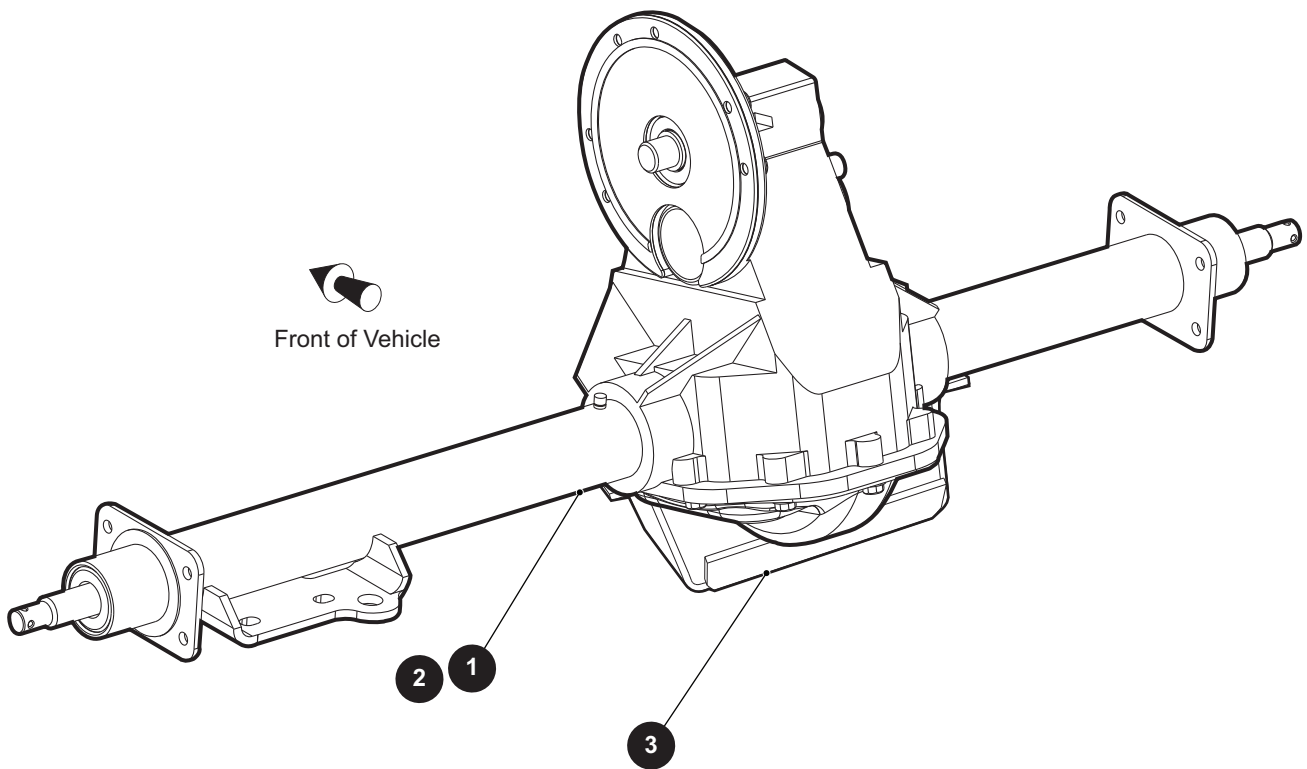
When ordering parts, please specify the model and serial number of the product.

* Indicates a component that is not available as an individual part.

*** Indicates consult Customer Service Department for additional information.

ITEM	PART NO.	1 2 3 4 5	DESCRIPTION	QTY.
1	624105		MOTOR 48V DC (INCLUDES ITEMS 2 - 10)	1
2	626171		ARMATURE ASSEMBLY	1
3	626172		FRAME AND FIELD ASSEMBLY	1
4	625884		BRUSH BOX ASSEMBLY	1
5	73120G03		BRUSH SPRING	4
6	73120G25		BRUSH AND TERMINAL SERVICE KIT	1
7	73120G06		RETAINING RING	1
8	73120G07		BEARING.....	1
9	625885		COVER.....	1
10	625886		COMMUTATOR END HEAD	1
11				
12				
13	01037G02		PAN HEAD TORX SCREW (SS), #10 - 32 X .5" LG.....	1
14	73328G01		SPEED SENSOR MAGNET	1
15	624109		O-RING	1
16	24261G1		BUMPER.....	1
17	624110		PLUG	3
18	01110G01		FLAT WASHER, 1/4"	3
19	00664G7		LOCK WASHER (SS), 1/4"	3
20	27327G02		TWISTED CLAMP.....	1
21	00797G2		HEX HEAD CAP BOLT, 1/4" - 20 X 1.25" LG.....	3
22				
23	620422		SPEED SENSOR HARNESS, 48V	1
24	73277G01		RETAINING RING.....	1

REAR AXLE



REAR AXLE

THE USE OF NON U.L. PARTS WILL VOID ANY U.L. LISTING.

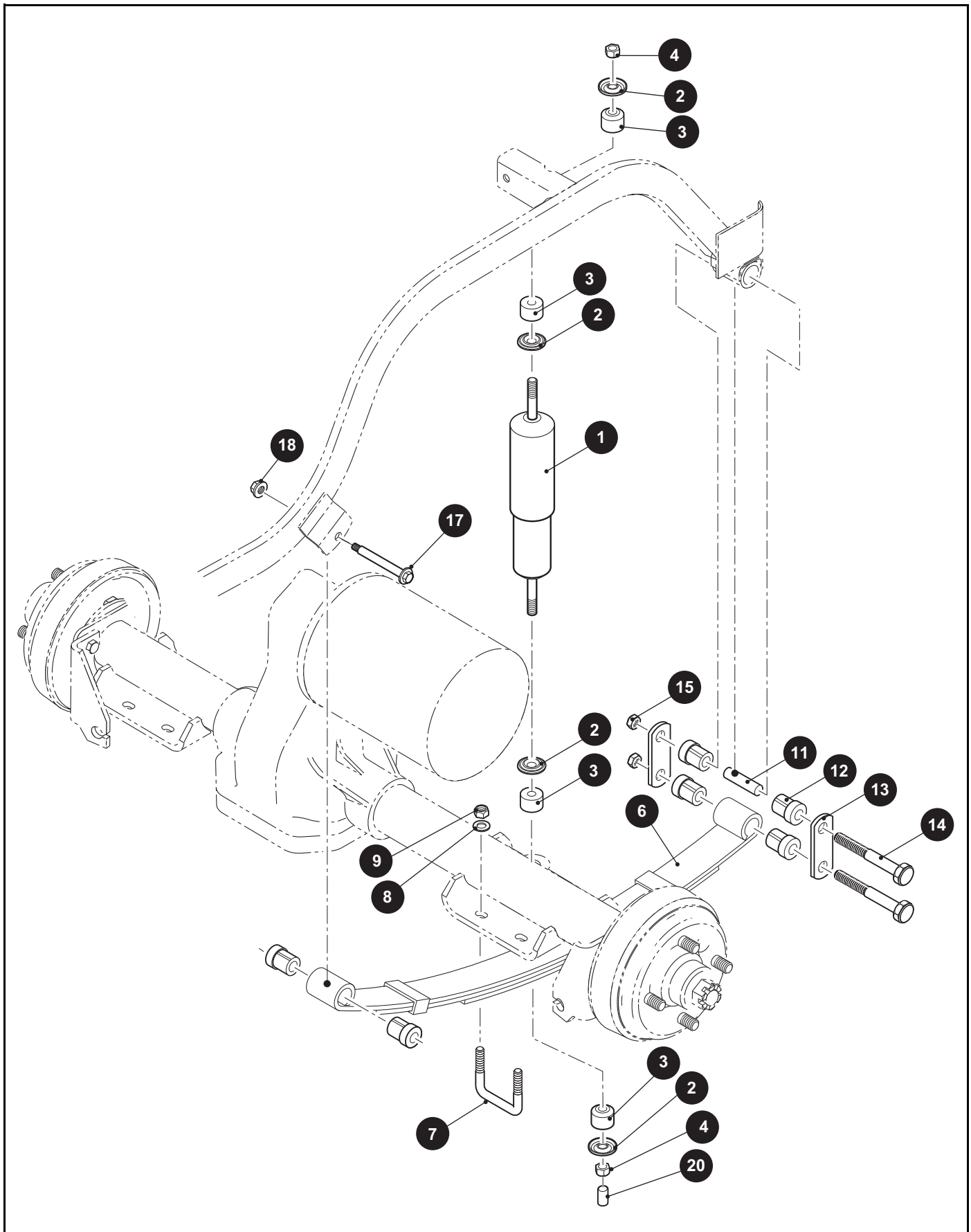
When ordering parts, please specify the model and serial number of the product.

* Indicates a component that is not available as an individual part.

*** Indicates consult Customer Service Department for additional information.

ITEM	PART NO.	1 2 3 4 5	DESCRIPTION	QTY.
1	73500G01		REAR AXLE, 12.44:1	1
2	615154		REAR AXLE WITH LSD, 12.44:1	1
3	72763G02		SCUFF GUARD	1

REAR SUSPENSION



REAR SUSPENSION

THE USE OF NON U.L. PARTS WILL VOID ANY U.L. LISTING.
 When ordering parts, please specify the model and serial number of the product.
 * Indicates a component that is not available as an individual part.
 *** Indicates consult Customer Service Department for additional information.

ITEM	PART NO.	1 2 3 4 5	DESCRIPTION	QTY.
1	642085		SHOCK ABSORBER (HEAVY DUTY)	2
2	10435G1		SHOCK ABSORBER WASHER.....	8
3	10194G1		RUBBER SHOCK ABSORBER BUSHING	8
4	00532G6		HEX NUT, 3/8" - 24	4
5				
6	74207G03		LEAF SPRING (HEAVY DUTY)	2
7	72618G01		U-BOLT, 3/8" - 16 X 2 1/2" LG.....	4
8	00560G1		FLAT WASHER, 3/8"	8
9	11098G5		LOCK NUT, 3/8" - 16	8
10				
11	70289G02		SPLIT STEEL SPACER	4
12	624030		FLANGED BUSHING.....	12
13	604961		SHACKLE PLATE	4
14	00665G9		HEX HEAD BOLT (SS), 3/8" - 16 X 3 1/2" LG.....	4
15	11098G5		LOCK NUT, 3/8" - 16	4
16				
17	14158G1		SHOULDER BOLT, 3/8" - 16 X 2 3/4" LG.....	2
18	12262G1		LOCK NUT, 3/8" - 16	2
19				
20	10044G01		VINYL CAP	2

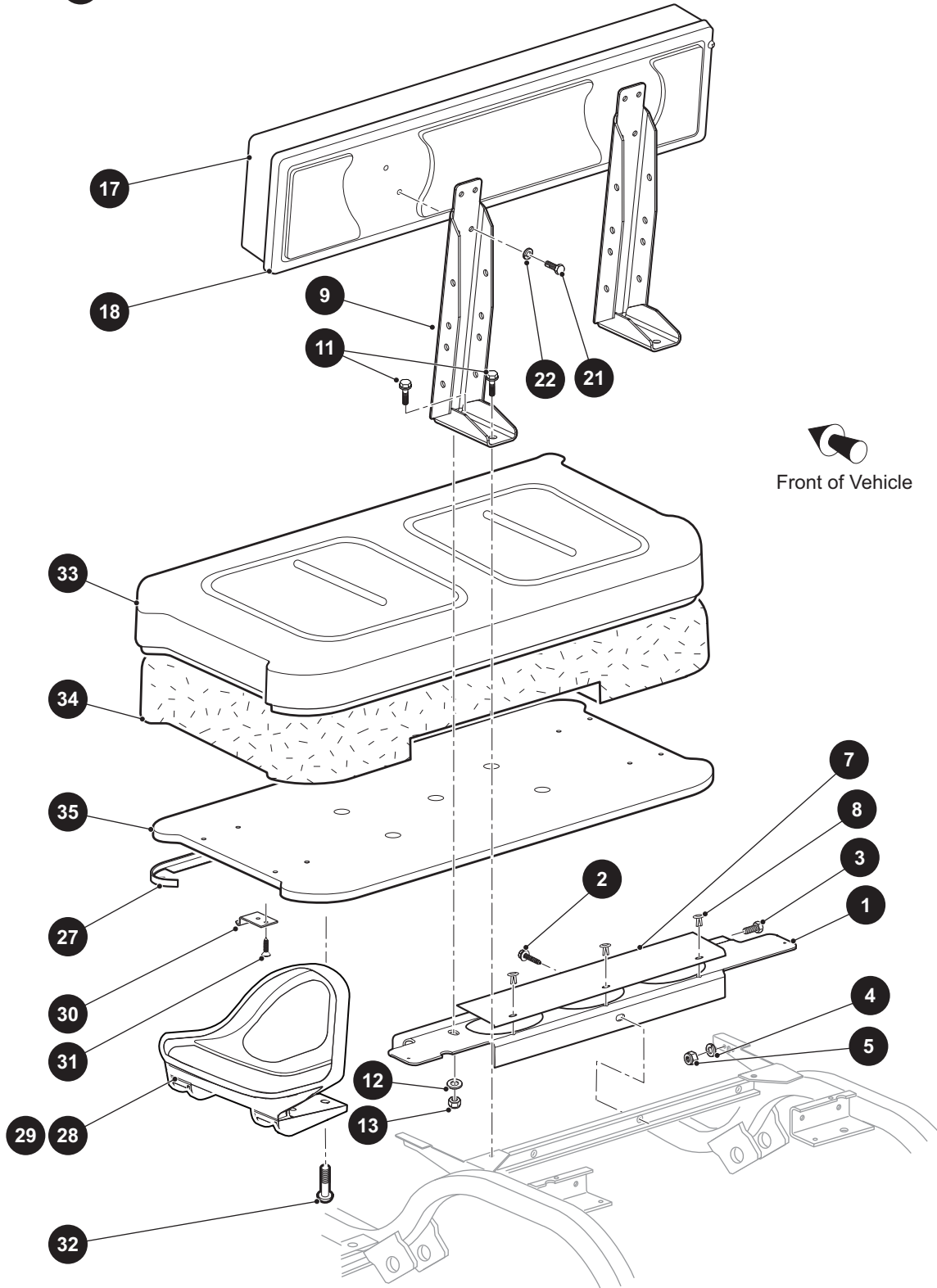
Notes:

Large grid area for taking notes.

SEATING

16 SEAT BACK ASSEMBLY includes items 17, 18

25 SEAT BOTTOM ASSEMBLY Includes Items 26 - 37



THE USE OF NON U.L. PARTS WILL VOID ANY U.L. LISTING.

When ordering parts, please specify the model and serial number of the product.

* Indicates a component that is not available as an individual part.

*** Indicates consult Customer Service Department for additional information.

ITEM	PART NO.	1 2 3 4 5	DESCRIPTION	QTY.
1	71262G04		SEAT BACK SUPPORT	1
2	00715G2		HEX WASHER HEAD SCREW, 5/16" - 18 X .8" LG	1
3	00438G8		HEX HEAD BOLT, 5/16" - 18 X 1" LG	2
4	00642G8		LOCK WASHER, 5/16"	2
5	11098G6		LOCK NUT, 5/16" - 18.....	2
6				
7	71263G01		ACCESS COVER.....	1
8	18436G1		DRIVE RIVET.....	3
9	652243G03		SEAT BACK SUPPORT BRACKET	1
10				
11	00427G2		FLANGED HEX HEAD BOLT, 3/8" - 16 X 1 1/4" LG	2
12	00560G1		LOCK WASHER, 3/8"	2
13	11098G5		LOCK NUT, 3/8" - 16.....	2
14				
15				
16	71274GXX		SEAT BACK ASSEMBLY (INCLUDES ITEMS 17, 18)..... 71274G01 WHITE 71274G02 BLACK 71274G03 TAN 71274G04 GRAY 71274G05 OYSTER 71274G07 BROWN	1
17	18144GX		VINYL COVER..... 18144G2 WHITE 18144G3 BLACK 18144G4 TAN 18144G5 GRAY 18144G6 OYSTER 18144G8 BROWN	1
18	74889G01		SEAT BACK COVER (PLASTIC)	1
19				
20				
21	605056		HEX HEAD BOLT (WITH PATCH LOCK), 1/4" - 20 X 1" LG.....	2
22	00664G7		LOCK WASHER (SS), 1/4"	2
23				
24				

SEATING

THE USE OF NON U.L. PARTS WILL VOID ANY U.L. LISTING.

When ordering parts, please specify the model and serial number of the product.

* Indicates a component that is not available as an individual part.

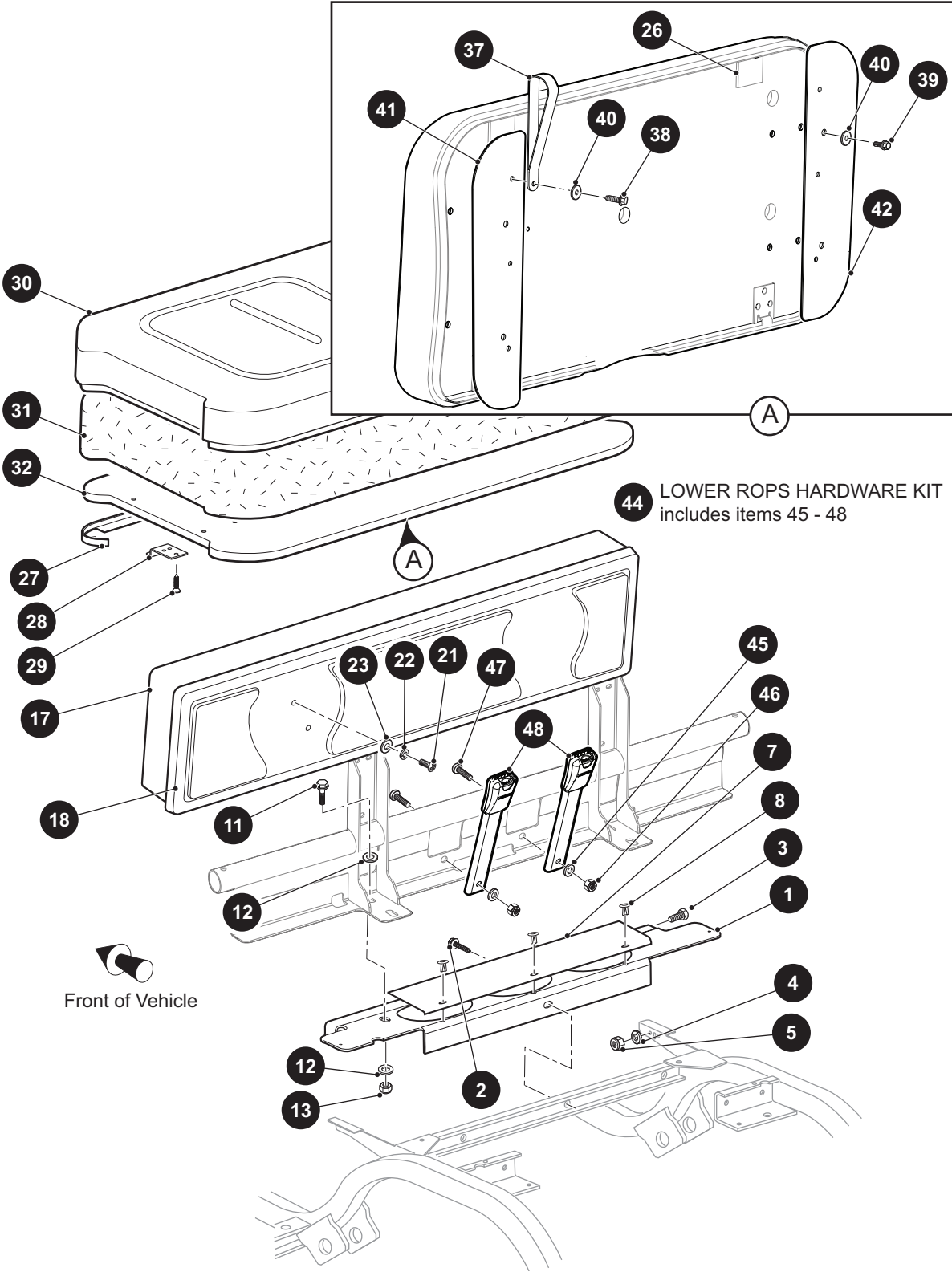
*** Indicates consult Customer Service Department for additional information.

ITEM	PART NO.	1	2	3	4	5	DESCRIPTION	QTY.
25	629269G01XX						SEAT BOTTOM ASSEMBLY (INCLUDES ITEMS 26 - 37)..... 629269G0101 OYSTER 629269G0103 TAN 629269G0104 GRAY 629269G0105 WHITE 629269G0106 BLACK 629269G0107 BROWN	1
26	17074G1						SOILING SLAB (NOT ILLUSTRATED)	2
27	71012G01						VINYL TRIM (SEAT BOTTOM)	1
28	617645						HIP RESTRAINT (DRIVER SIDE)	1
29	617644						HIP RESTRAINT (PASSENGER SIDE).....	1
30	71610G01						SEAT HINGE.....	1
31	00720G08						FLAT HEAD PHILLIPS SCREW, #12 - 14 X 1" LG	3
32	615417						BUTTON HEAD TORX BOLT, M10 - 1.5 X 1" LG	4
33	71602GXX						SEAT BOTTOM COVER	1
							71602G01 WHITE	
							71602G02 GRAY	
							71602G03 OYSTER	
							71602G04 TAN	
							71602G06 BLACK	
							71602G07 BROWN	
34	71603G02						SEAT BOTTOM PADDING (FOAM).....	1
35	645492						SEAT BOTTOM.....	1

SEATING - ROPS

16 SEAT BACK ASSEMBLY (BLACK) includes items 17, 18

25 SEAT BOTTOM ASSEMBLY (BLACK) includes items 26 - 34



44 LOWER ROPS HARDWARE KIT includes items 45 - 48

THE USE OF NON U.L. PARTS WILL VOID ANY U.L. LISTING.

When ordering parts, please specify the model and serial number of the product.

* Indicates a component that is not available as an individual part.

*** Indicates consult Customer Service Department for additional information.

ITEM	PART NO.	1 2 3 4 5	DESCRIPTION	QTY.
1	71262G04		SEAT BACK SUPPORT	1
2	00715G2		HEX WASHER HEAD SCREW, 5/16" - 18 X .8" LG	1
3	00438G8		HEX HEAD BOLT, 5/16" - 18 X 1" LG	2
4	00642G8		LOCK WASHER, 5/16"	2
5	11098G6		LOCK NUT, 5/16" - 18.....	2
6				
7	71263G01		ACCESS COVER.....	1
8	18436G1		DRIVE RIVET.....	3
9				
10				
11	00427G2		FLANGED HEX HEAD BOLT, 3/8" - 16 X 1 1/4" LG	4
12	00571G2		LOCK WASHER, 5/16"	8
13	11098G5		LOCK NUT, 3/8" - 16.....	4
14				
15				
16	71274G02		SEAT BACK ASSEMBLY (BLACK) (INCLUDES ITEMS 17, 18).....	1
17	18144G3		VINYL COVER.....	1
18	74889G01		SEAT BACK COVER (PLASTIC)	1
19				
20				
21	16705G1		HEX HEAD BOLT (WITH PATCH LOCK), 1/4" - 20 X 1" LG.....	4
22	00664G7		LOCK WASHER (SS), 1/4"	4
23	01110G01		FLAT WASHER, 1/4"	4
24				
25	629269G1306		SEAT BOTTOM ASSEMBLY (BLACK) (INCLUDES ITEMS 26 - 34).....	1
26	17074G1		SOILING SLAB	2
27	71012G01		VINYL TRIM (SEAT BOTTOM).....	1
28	71610G01		SEAT HINGE	1
29	00720G08		FLAT HEAD PHILLIPS SCREW, #12 - 14 X 1" LG.....	3
30	615169		VINYL SEAT BOTTOM COVER (BLACK).....	1
31	605503		SEAT BOTTOM PADDING (FOAM)	1

SEATING - ROPS

THE USE OF NON U.L. PARTS WILL VOID ANY U.L. LISTING.

When ordering parts, please specify the model and serial number of the product.

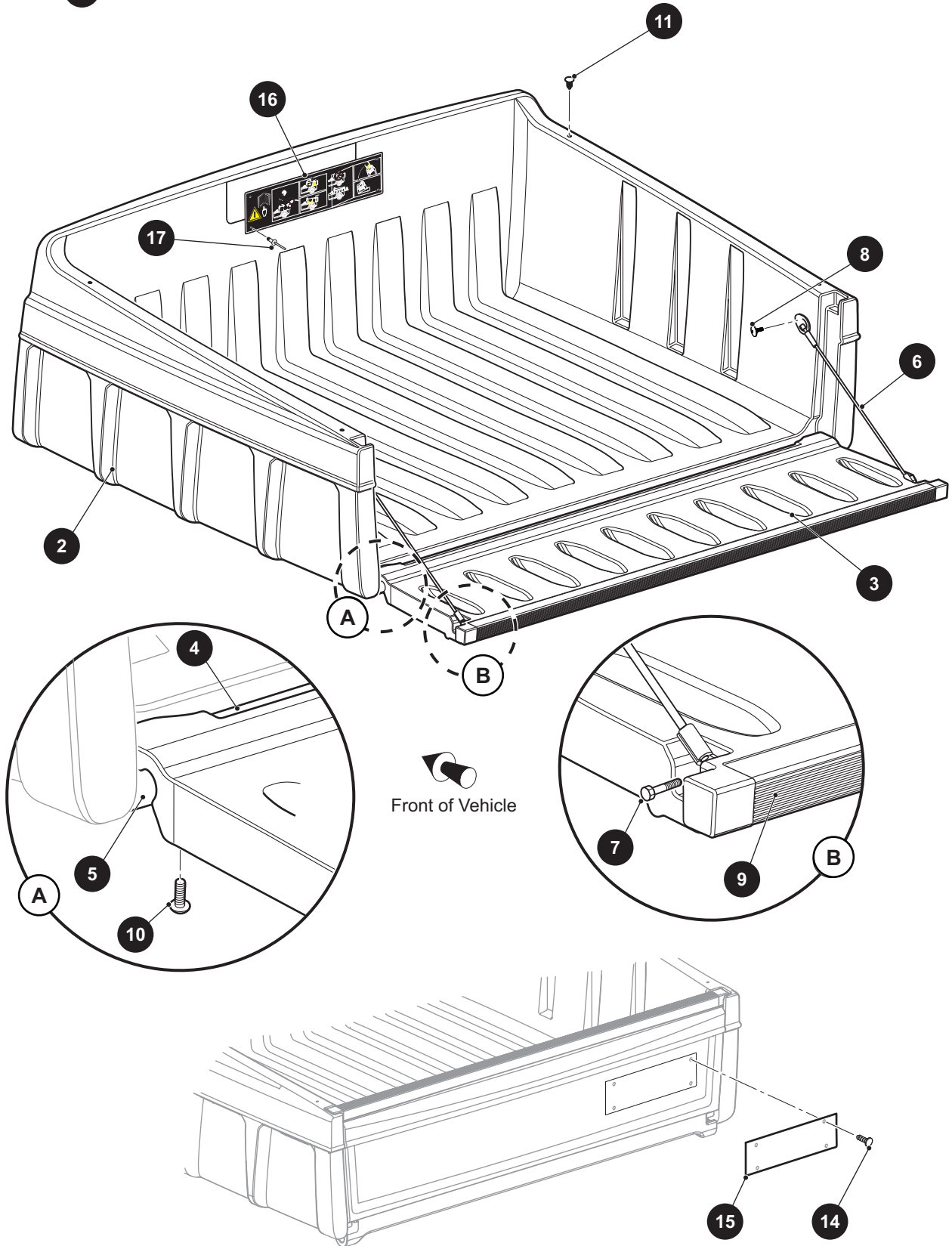
* Indicates a component that is not available as an individual part.

*** Indicates consult Customer Service Department for additional information.

ITEM	PART NO.	1	2	3	4	5	DESCRIPTION	QTY.
32	645492						SEAT BOTTOM.....	1
33								
34								
35								
36								
37	617402						SEAT STRAP.....	1
38	71398G01						FLANGED HEX HEAD SCREW, 1/4" - 20 X 1 1/4" LG.....	1
39	71204G01						FLANGED HEX HEAD BOLT (WITH PATCH LOCK), 1/4" - 20 x .85/.88" LG.	4
40	16469G1						FENDER WASHER, 1/4".....	5
41	640674G01						SEAT SIDE COVER (DRIVER SIDE).....	1
42	640674G02						SEAT SIDE COVER (PASSENGER SIDE).....	1
43								
44	642823						LOWER ROPS HARDWARE KIT (INCLUDES ITEMS 45 - 48).....	1
45	00560G3						FLAT WASHER, 1/2".....	2
46	00734G3						LOCK NUT, 7/16" - 20.....	2
47	635630						BUTTON HEAD TORX BOLT, 7/16" - 20 X 1 1/4" LG.....	2
48	631973						BUCKLE AND BRACKET ASSEMBLY.....	2

TRUCK BED

1 36" PLASTIC BED ASSEMBLY includes items 2 - 11



THE USE OF NON U.L. PARTS WILL VOID ANY U.L. LISTING.

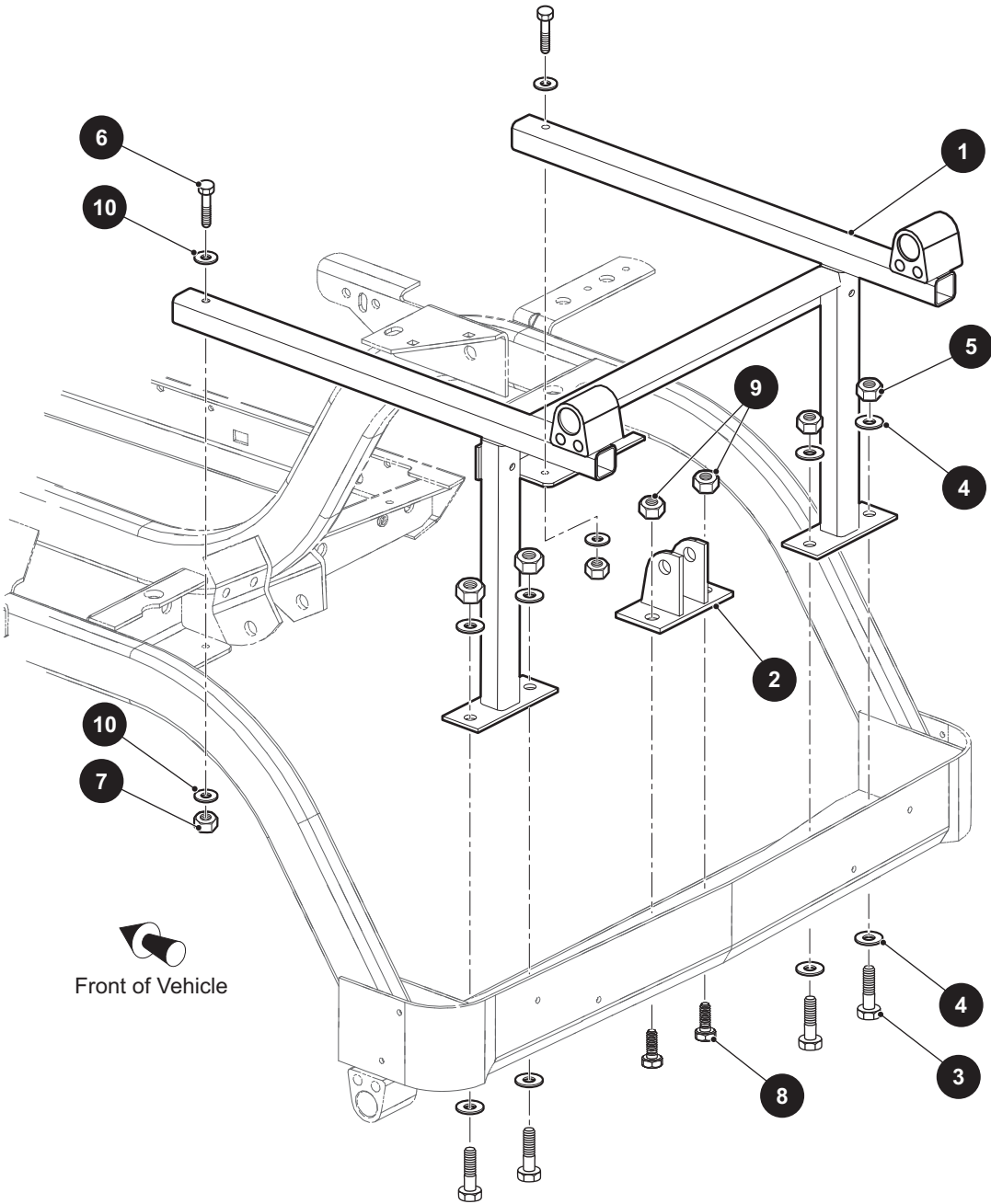
When ordering parts, please specify the model and serial number of the product.

* Indicates a component that is not available as an individual part.

*** Indicates consult Customer Service Department for additional information.

ITEM	PART NO.	1 2 3 4 5	DESCRIPTION	QTY.
1	72647G01		36" PLASTIC TRUCK BED ASSEMBLY (INCLUDES ITEMS 2 - 11).....	1
2	*		36" PLASTIC BED	1
3	72649G01		36" PLASTIC TAILGATE.....	1
4	73450G01		BOWED ANGLE	1
5	73454G01		PIVOT SHAFT	2
6	73455G02		TAILGATE CABLE ASSEMBLY	2
7	00415G2		HEX HEAD BOLT, 1/4" - 20 X 1 1/4" LG.....	2
8	73460G01		SHOULDER BOLT, 1/4" - 20 X 3/4" LG	2
9	73449G01		CHANNEL EXTRUSION.....	1
10	16705G2		PAN HEAD SCREW, 1/4" - 20 X 5/8" LG	4
11	16816G5		RATCHET FASTENER, .187" X .550" LG	4
12				
13				
14	16816G2		RATCHET FASTENER, .25" X .887" LG.....	4
15	619207		CUSHMAN TAILGATE PLATE	1
16	74821G01		BED CAPACITY LABEL (500 LB)	1
17	71055G01		RIVET (ALUMINUM), 3/16".....	5

TRUCK BED



THE USE OF NON U.L. PARTS WILL VOID ANY U.L. LISTING.

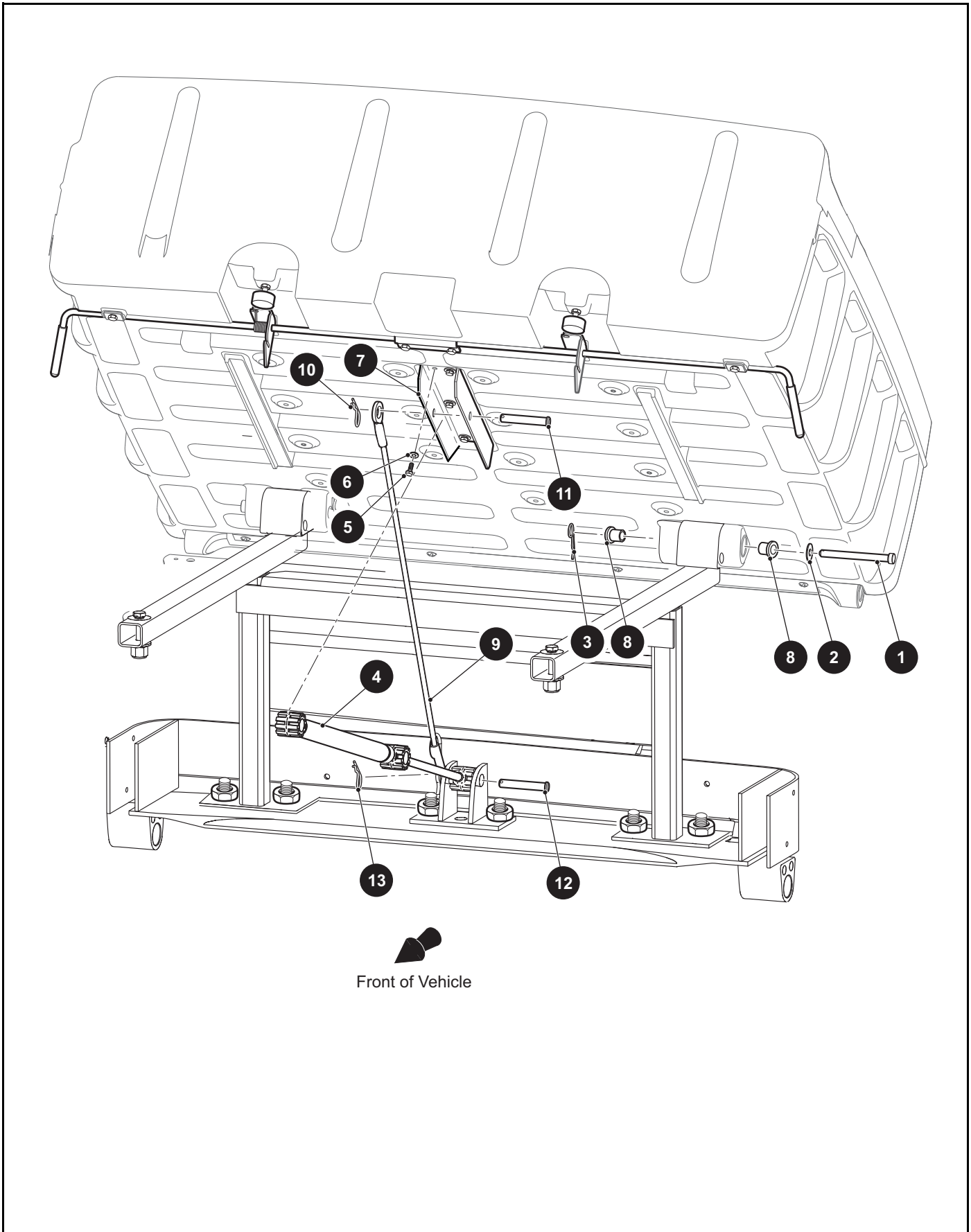
When ordering parts, please specify the model and serial number of the product.

* Indicates a component that is not available as an individual part.

*** Indicates consult Customer Service Department for additional information.

ITEM	PART NO.	1 2 3 4 5	DESCRIPTION	QTY.
1	76423G01		TRUCK BED FRAME.....	1
2	71283G02		ELECTRIC LIFT BRACKET	1
3	00439G2		HEX HEAD BOLT, 5/16" - 18 X 1 1/4" LG	4
4	00642G8		FLAT WASHER, 5/16"	8
5	11098G6		LOCK NUT, 5/16"- 18.....	2
6	00415G6		HEX HEAD BOLT, 1/4" - 20 X 1 3/4" LG	2
7	14390G4		LOCK NUT, 1/4" - 20.....	2
8	00462G7		HEX HEAD BOLT, 7/16" - 14 X .88" LG	2
9	00734G1		LOCK NUT, 7/16" - 14.....	2
10	00642G7		FLAT WASHER, 1/4"	8

TRUCK BED



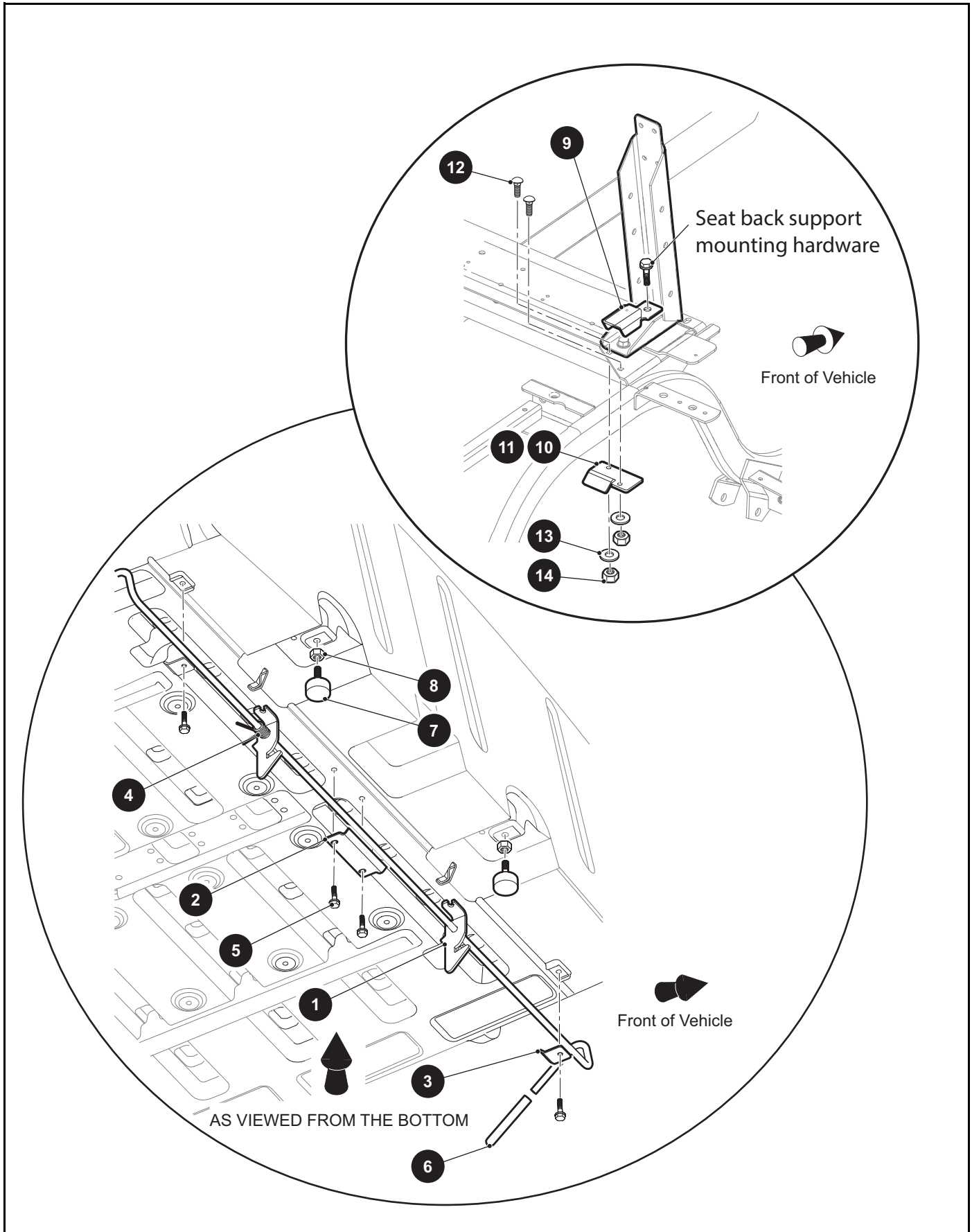
THE USE OF NON U.L. PARTS WILL VOID ANY U.L. LISTING.

When ordering parts, please specify the model and serial number of the product.

* Indicates a component that is not available as an individual part.

*** Indicates consult Customer Service Department for additional information.

ITEM	PART NO.	1 2 3 4 5	DESCRIPTION	QTY.
1	71571G01		CLEVIS PIN, .50" X 5.25" LG.....	2
2	00571G5		FLAT WASHER, 5/16".....	2
3	21683G1		COTTER PIN, 15/32" X 2 11/16".....	2
4	71537G02		GAS SPRING.....	1
5	01118G01		HEX HEAD BOLT WITH PATCHLOCK, 1/4" - 20 X .62" LG.....	8
6	00642G7		FLAT WASHER, 1/4".....	8
7	71569G02		GAS SPRING CHANNEL.....	1
8	624030		FLANGED BUSHING.....	4
9	602904		CABLE ASSEMBLY.....	1
10	21683G1		COTTER PIN, 15/32" X 2 11/16".....	1
11	14443G10		CLEVIS PIN, .50" X 3" LG.....	1
12	14443G12		CLEVIS PIN, .50" X 2.22" LG.....	1
13	21683G1		COTTER PIN, 15/32" X 2 11/16".....	1



THE USE OF NON U.L. PARTS WILL VOID ANY U.L. LISTING.

When ordering parts, please specify the model and serial number of the product.

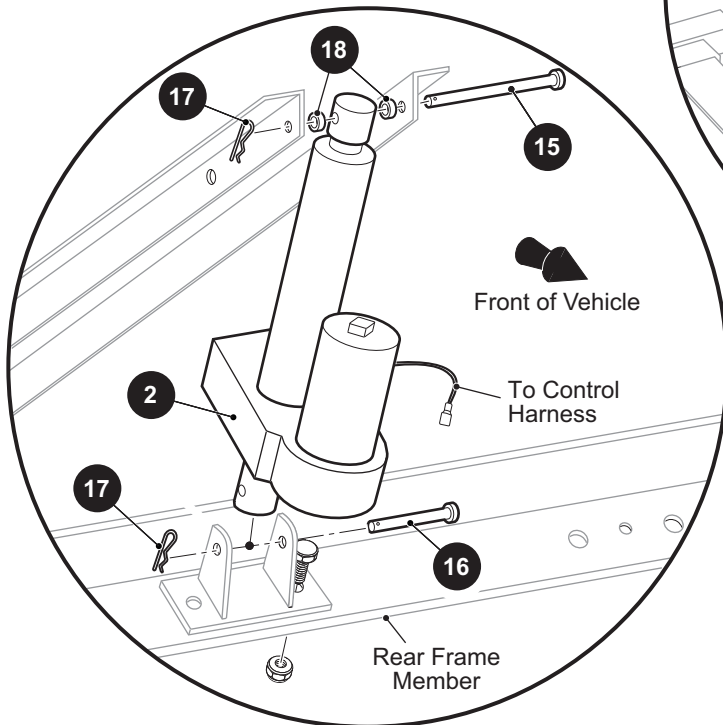
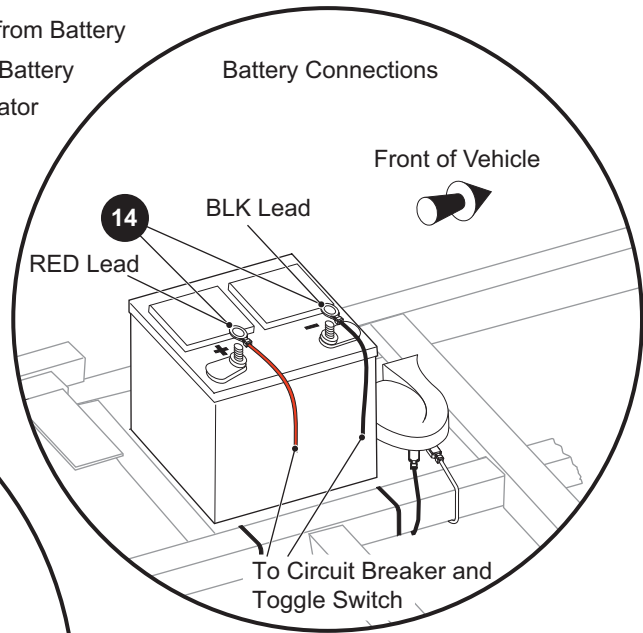
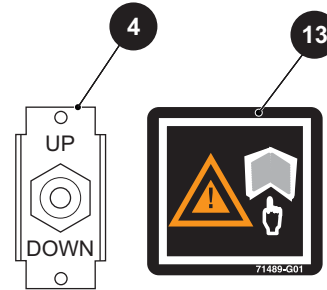
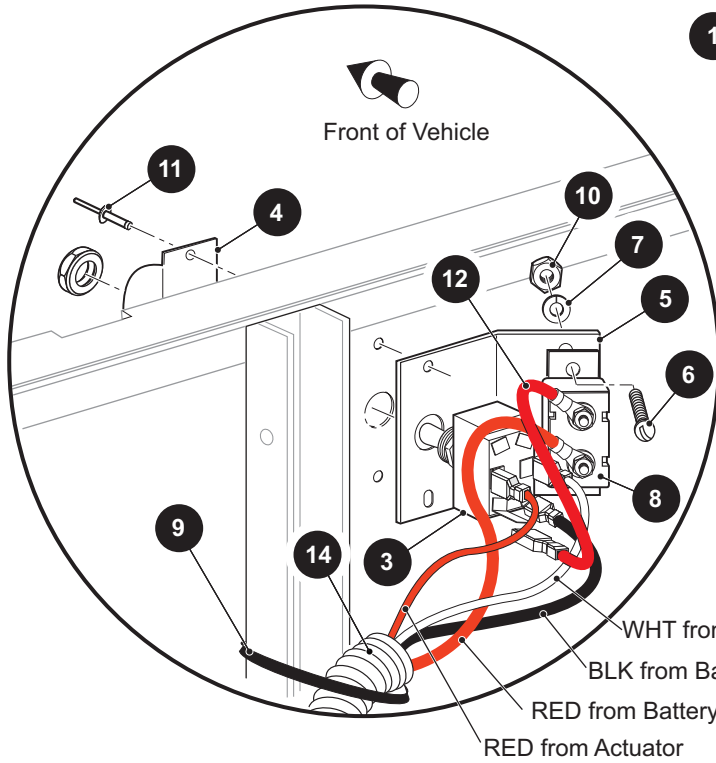
* Indicates a component that is not available as an individual part.

*** Indicates consult Customer Service Department for additional information.

ITEM	PART NO.	1 2 3 4 5	DESCRIPTION	QTY.
1	74962G01		BED LATCH WELDMENT.....	1
2	652440G03		BRACKET	1
3	652442G03		LATCH PLATE	2
4	71538G01		TORSION SPRING	1
5	01118G01		HEX HEAD BOLT (WITH PATCH LOCK), 1/4" - 20 X .62" LG.....	4
6	71704G01		HANDLE GRIP.....	2
7	70113G01		ADJUSTABLE BUMPER.....	2
8	11027G1		LOCK NUT, 5/16" - 18.....	2
9	652444G03		BUMPER BRACKET.....	2
10	602977		LATCH PLATE (DRIVER SIDE).....	1
11	602978		LATCH PLATE (PASSENGER SIDE).....	1
12	01014G03		CARRIAGE BOLT, 1/4" - 20 X .75" LG.....	4
13	00559G7		FLAT WASHER, 1/4".....	4
14	14390G4		LOCK NUT, 1/4" - 20.....	4

TRUCK BED

1 ELECTRIC DUMP KIT includes items 2 - 20



THE USE OF NON U.L. PARTS WILL VOID ANY U.L. LISTING.

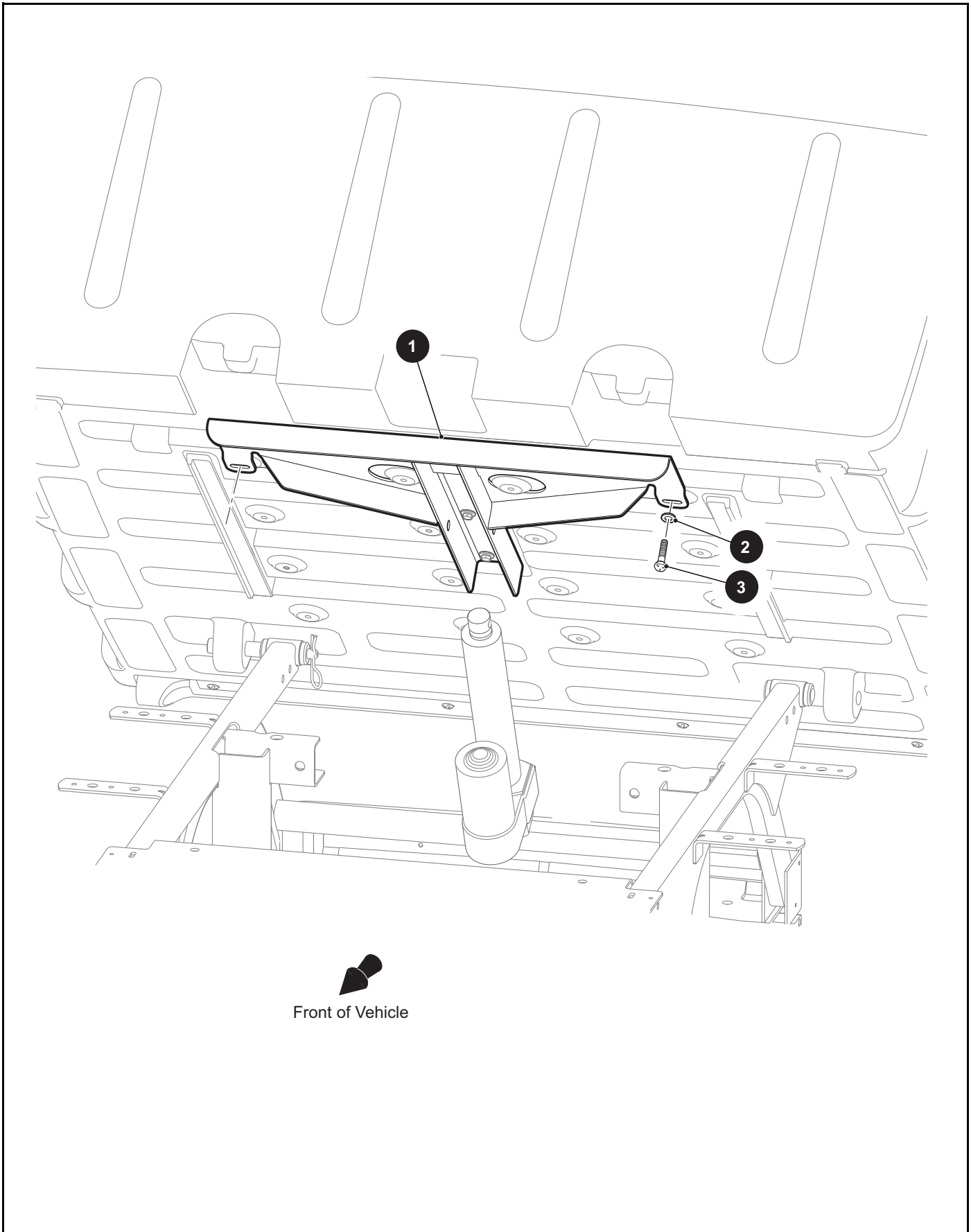
When ordering parts, please specify the model and serial number of the product.

* Indicates a component that is not available as an individual part.

*** Indicates consult Customer Service Department for additional information.

ITEM	PART NO.	1 2 3 4 5	DESCRIPTION	QTY.
1	74637G03		ELECTRIC DUMP KIT (INCLUDES ITEMS 2 - 20)	1
2	27612G04		ELECTRIC ACTUATOR	1
3	27680G01		TOGGLE SWITCH.....	1
4	27447G01		TOGGLE GUARD.....	1
5	74165G02		CIRCUIT BREAKER MOUNTING BRACKET	1
6	00150G4		ROUND HEAD SLOTTED SCREW, #10 - 24 X 1/2" LG.....	2
7	00565G5		LOCK WASHER, #10	2
8	21320G4		CIRCUIT BREAKER 15A, 24V	1
9	17618G1		CLAMP (NYLON).....	AR
10	00526G3		HEX NUT, #10 - 24	2
11	10570G9		RIVET (ALUMINUM), 1/8" X 11/32"	2
12	25976G14		14 GA WIRE ASSEMBLY (RED 5")	1
13	71489G01		DECAL.....	1
14	74054G01		WIRE HARNESS (ELECTRIC DUMP)	1
15	14443G10		CLEVIS PIN, .50" X 3" LG	1
16	14443G11		CLEVIS PIN, .50" X 1.92" LG	1
17	21683G1		COTTER PIN, 15/32" X 2 11/16"	2
18	27613G01		SPACER, .75" O.D. X .50" I.D.	2
19	11845G3		INSULATED CABLE CLIP (NOT ILLUSTRATED)	2
20	00532G3		HEX NUT, 5/16" - 18 (NOT ILLUSTRATED).....	2

TRUCK BED



THE USE OF NON U.L. PARTS WILL VOID ANY U.L. LISTING.

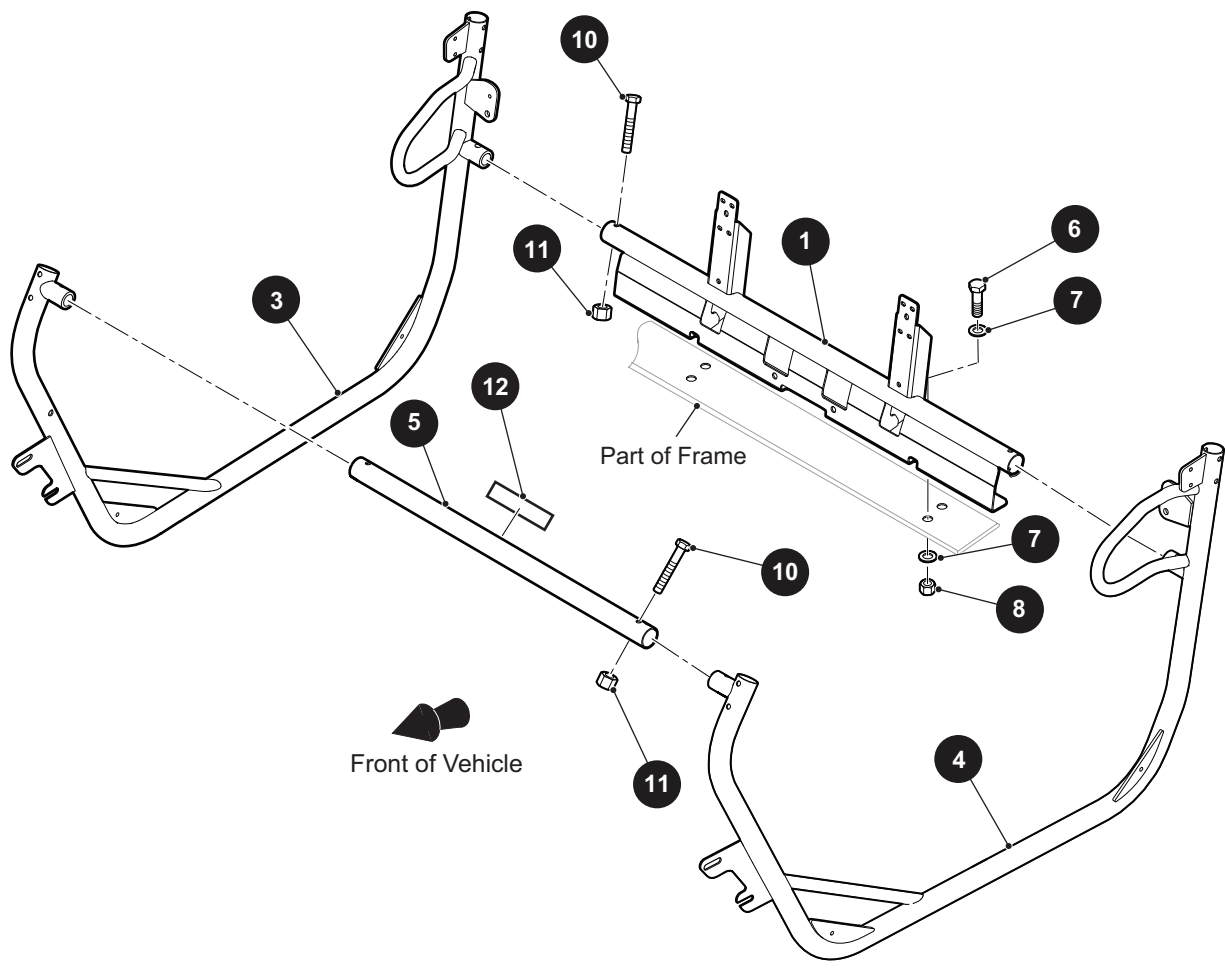
When ordering parts, please specify the model and serial number of the product.

* Indicates a component that is not available as an individual part.

*** Indicates consult Customer Service Department for additional information.

ITEM	PART NO.	1 2 3 4 5	DESCRIPTION	QTY.
1	71547G02		OUTRIGGER CHANNEL	1
2	00642G7		FLAT WASHER, 1/4"	8
3	01118G01		HEX HEAD BOLT (WITH PATCH LOCK), 1/4" - 20 X .77" LG.....	8

ROLL OVER PROTECTIVE SYSTEM



ROLL OVER PROTECTIVE SYSTEM

THE USE OF NON U.L. PARTS WILL VOID ANY U.L. LISTING.

When ordering parts, please specify the model and serial number of the product.

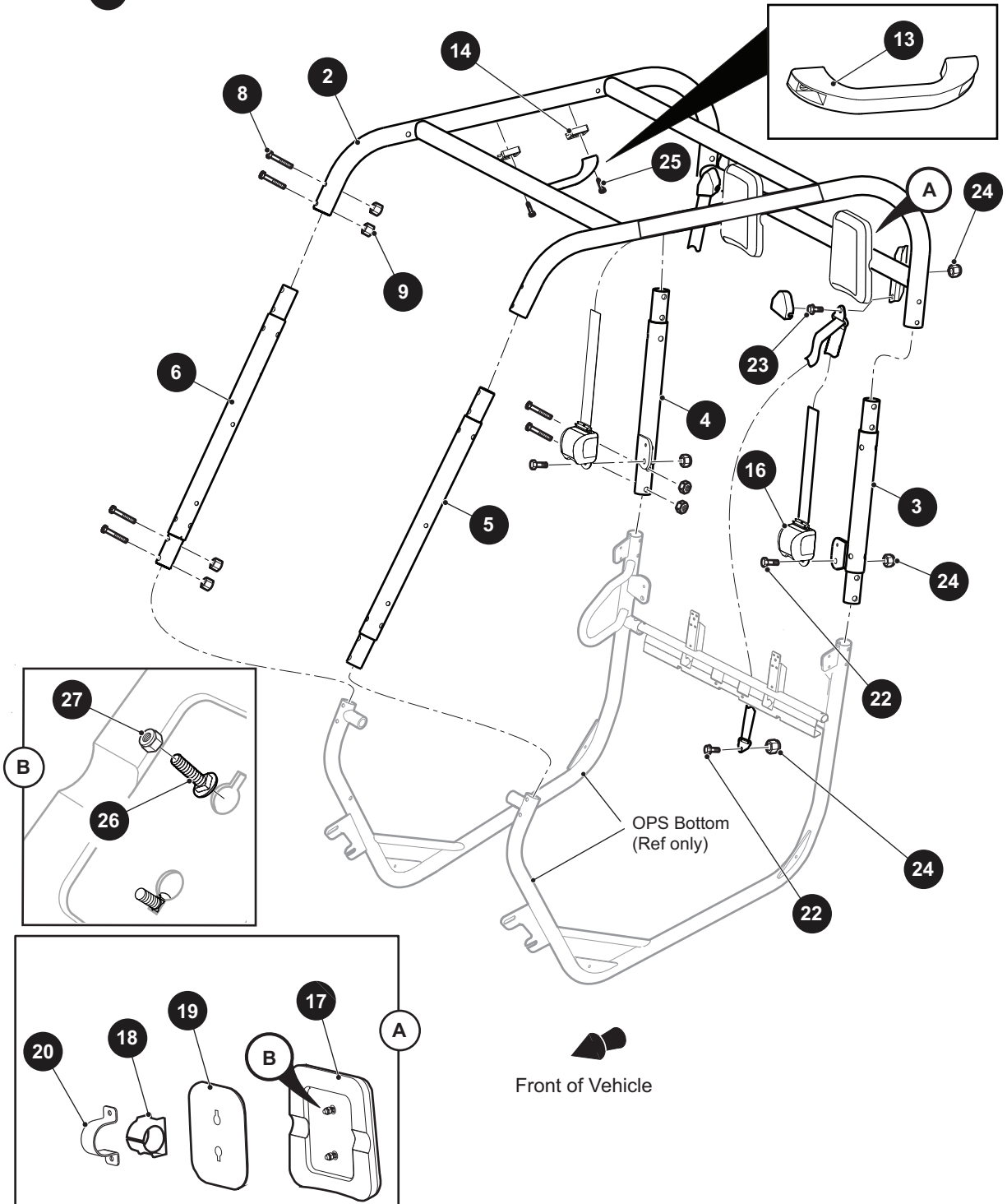
* Indicates a component that is not available as an individual part.

*** Indicates consult Customer Service Department for additional information.

ITEM	PART NO.	1 2 3 4 5	DESCRIPTION	QTY.
1	640293		ROPS SEAT SUPPORT	1
2				
3	640183		ROPS BOTTOM (PASSENGER SIDE).....	1
4	640182		ROPS BOTTOM (DRIVER SIDE)	1
5	629023		FRONT CROSSBAR TUBE	1
6	00427G2		HEX HEAD BOLT, 3/8" - 16 X 1 1/4" LG	4
7	00571G2		FLAT WASHER, 5/16"	8
8	11098G5		LOCK NUT, 3/8" - 16	4
9				
10	630642		HEX HEAD BOLT, 3/8" - 16 X 2 1/2" LG	4
11	630643		LOCK NUT, 3/8" - 16	4
12	*		ROPS CERTIFIED LABEL	1

ROLL OVER PROTECTIVE SYSTEM

- 1 OPS UPPER KIT includes items 2 - 7
- 7 OPS UPPER HARDWARE KIT includes items 8 - 9
- 12 OPS ACCESSORY KIT includes items 13 - 21
- 21 OPS ACCESSORY HARDWARE KIT includes items 22 - 27



ROLL OVER PROTECTIVE SYSTEM

THE USE OF NON U.L. PARTS WILL VOID ANY U.L. LISTING.

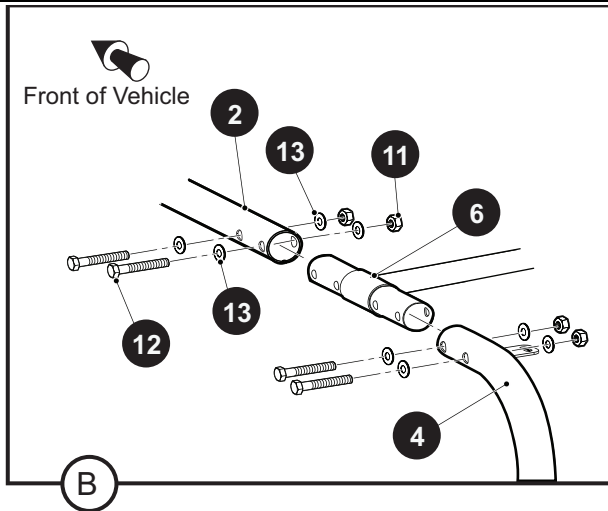
When ordering parts, please specify the model and serial number of the product.

* Indicates a component that is not available as an individual part.

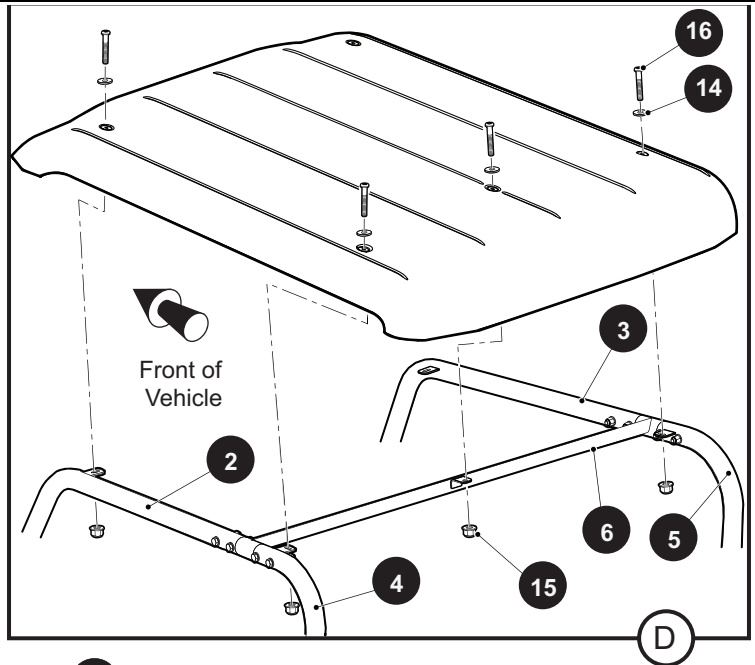
*** Indicates consult Customer Service Department for additional information.

ITEM	PART NO.	1 2 3 4 5	DESCRIPTION	QTY.
1	631578		ROPS UPPER KIT (INCLUDES ITEMS 2 - 7)	1
2	631576		ROPS TOP WELDMENT.....	1
3	629080		CONNECTOR REAR (DRIVER SIDE).....	1
4	629079		CONNECTOR REAR (PASSENGER SIDE).....	1
5	629082		CONNECTOR FRONT (DRIVER SIDE).....	1
6	629081		CONNECTOR FRONT (PASSENGER SIDE)	1
7	629328		ROPS UPPER HARDWARE KIT (INCLUDES ITEMS 8 - 9).....	1
8	630642		HEX HEAD BOLT, 3/8" - 16 X 2 1/2" LG	16
9	630643		LOCK NUT, 3/8" - 16.....	16
10				
11				
12	640436		ROPS ACCESSORIES KIT (INCLUDES ITEMS 13 - 21).....	1
13	611774		GRAB HANDLE	1
14	612254		GRAB HANDLE MOUNT.....	2
15	629454		SIDE DOOR NET (PAIR) (NOT ILLUSTRATED).....	1
16	635789		SEAT BELT RETRACTOR	2
17	628577		HEADREST	2
18	629642		CLAMP GUARD	2
19	629666		HEADREST PLATE.....	2
20	627786		CLAMP	2
21	640434		ROPS ACCESSORY HARDWARE KIT (INCLUDES ITEMS 22 - 27).....	1
22	610753		HEX HEAD BOLT, 7/16" - 20 X 1" LG	4
23	609569		HEX HEAD BOLT, 7/16" - 20 X 3/4" LG	4
24	00734G3		LOCK NUT, 7/16" - 20.....	8
25	612255		PAN HEAD TORX SCREW, 12 - 14 X 1" LG	2
26	630763		CARRIAGE BOLT (SS), 1/4" - 20 X .75" LG	4
27	14390G4		LOCK NUT, 1/4" - 20	4

WEATHER PROTECTION



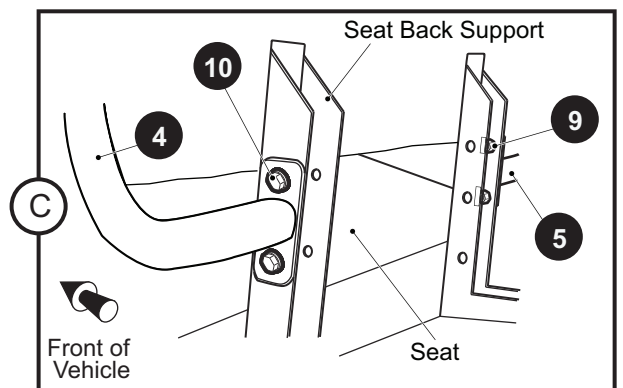
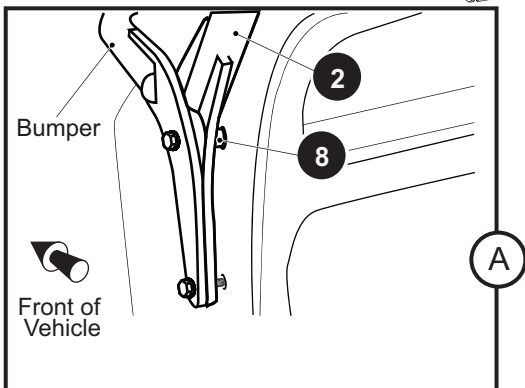
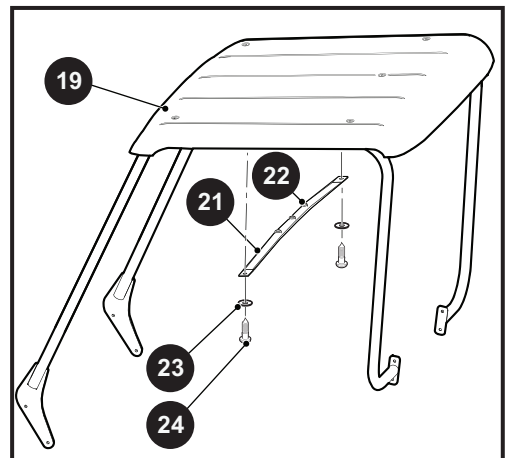
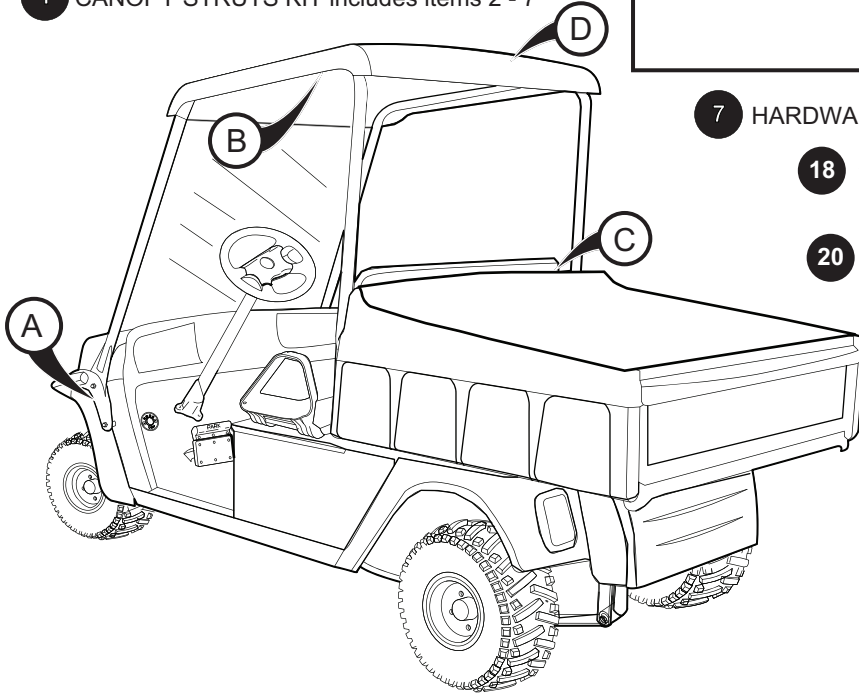
1 CANOPY STRUTS KIT includes items 2 - 7



7 HARDWARE KIT includes items 8 - 17

18 CANOPY ASSEMBLY, REINFORCED (BLACK) includes items 19 - 24

20 REINFORCEMENT BAR ASSEMBLY includes items 21 - 22



WEATHER PROTECTION

THE USE OF NON U.L. PARTS WILL VOID ANY U.L. LISTING.

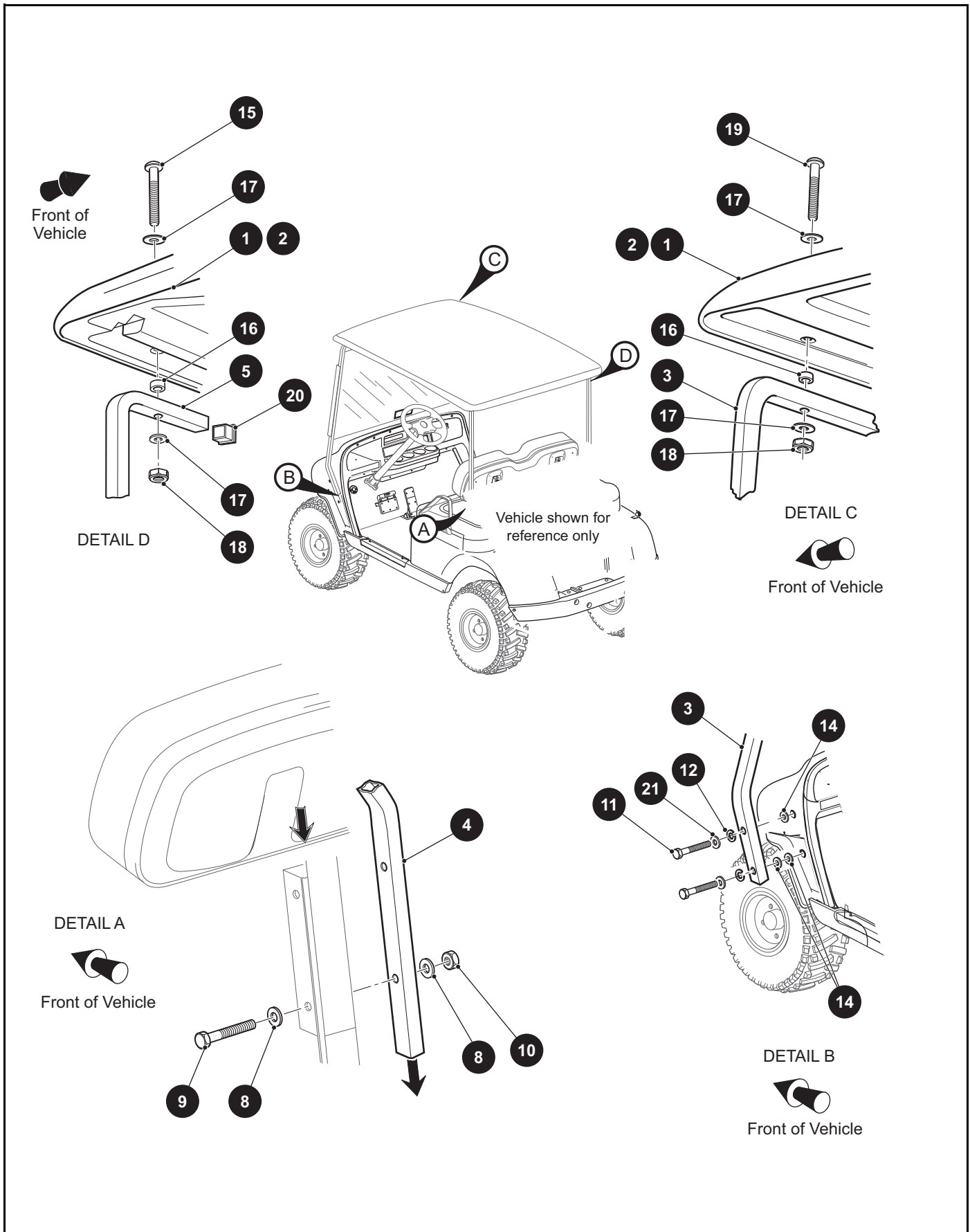
When ordering parts, please specify the model and serial number of the product.

* Indicates a component that is not available as an individual part.

*** Indicates consult Customer Service Department for additional information.

ITEM	PART NO.	1 2 3 4 5	DESCRIPTION	QTY.
1	638362		CANOPY STRUTS KIT (INCLUDES ITEMS 2 - 7)	1
2	638092G01		CANOPY SUPPORT (DRIVER SIDE FRONT)	1
3	638092G02		CANOPY SUPPORT (PASSENGER SIDE FRONT)	1
4	626084		CANOPY SUPPORT (DRIVER SIDE REAR)	1
5	626085		CANOPY SUPPORT (PASSENGER SIDE REAR)	1
6	617641		CANOPY SUPPORT, CROSS TUBE	1
7	624119		HARDWARE KIT (INCLUDES ITEMS 8 - 16)	1
8	619586		SPACER, 3/4"	2
9	11098G6		LOCK NUT, 5/16" - 18	4
10	00438G7		HEX HEAD BOLT, 5/16" - 18 X 7/8" LG	4
11	11098G5		LOCK NUT, 3/8" - 16	8
12	*		HEX HEAD BOLT, 3/8" - 16 X 2 1/4" LG	8
13	*		FLAT WASHER, 3/8"	16
14	*		BONDED SEAL WASHER, 1/4"	5
15	*		LOCK NUT, M6 - 1	5
16	*		TORX BOLT, M6 - 1 X 40MM LG	5
17				
18	651139		CANOPY ASSEMBLY, REINFORCED (BLACK) (INCLUDES ITEMS 19 - 24)	1
19	639044		CANOPY (BLACK)	1
20	651138		REINFORCEMENT BAR ASSEMBLY (INCLUDES ITEMS 21 - 22)	1
21	639438		REINFORCEMENT BAR	1
22	820951		BUMPER	3
23	00559G4		FLAT WASHER, O.D .45" X I.D .19"	2
24	608290		PHILLIPS HEAD SELF TAPPING SCREW, #10 - 16 X .72" LG	2

WEATHER PROTECTION



WEATHER PROTECTION

THE USE OF NON U.L. PARTS WILL VOID ANY U.L. LISTING.

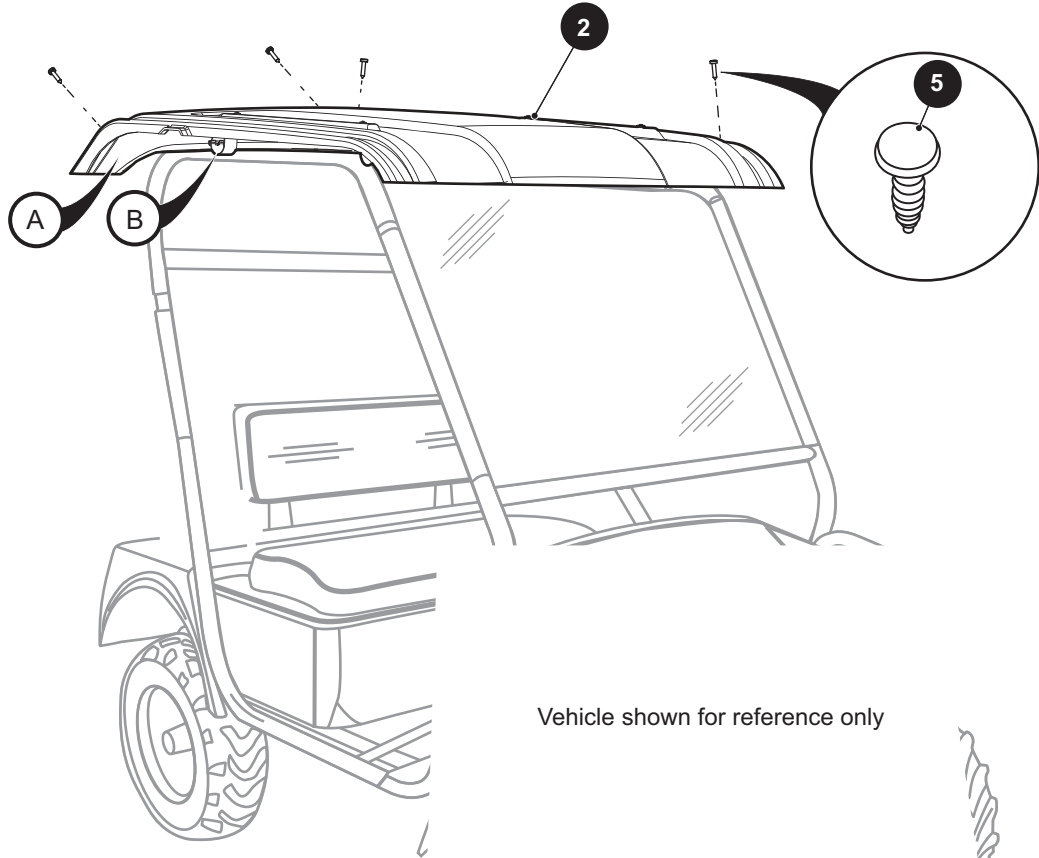
When ordering parts, please specify the model and serial number of the product.

* Indicates a component that is not available as an individual part.

*** Indicates consult Customer Service Department for additional information.

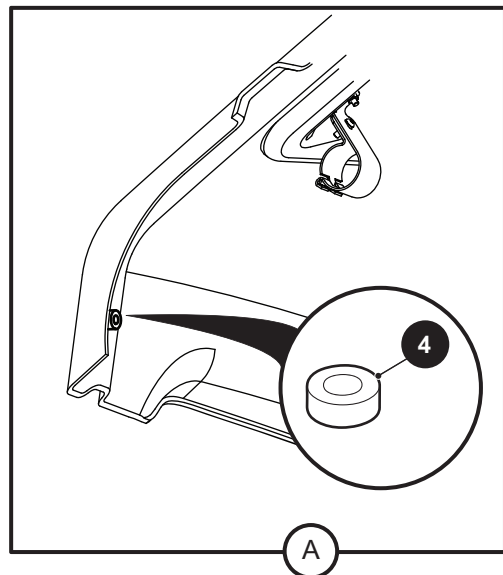
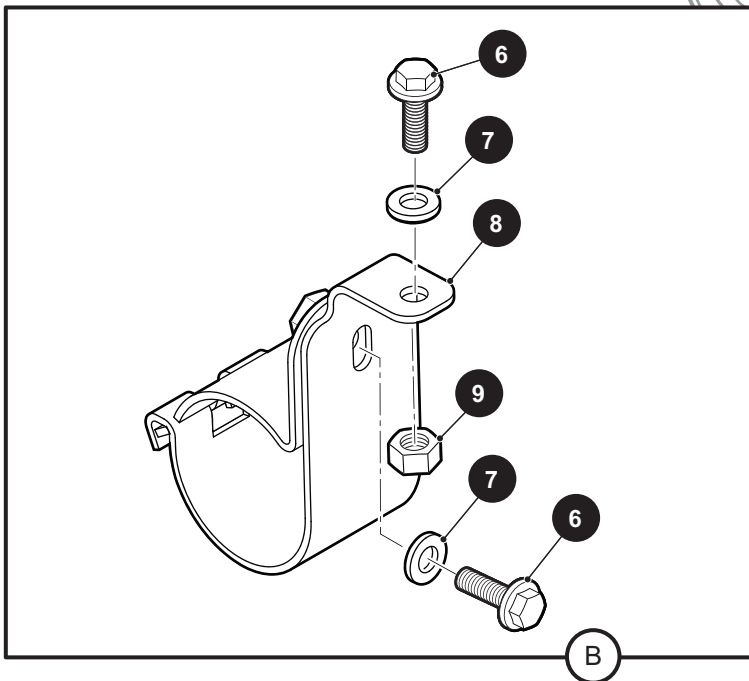
ITEM	PART NO.	1 2 3 4 5	DESCRIPTION	QTY.
1	27069G01		SUN TOP (CHAMPAGNE BEIGE).....	1
2	27069G07		SUN TOP (TAN).....	1
3	75045G05		FRONT STRUT, 3/4" SQ.....	1
4	75838G03		REAR STRUT (DRIVER SIDE).....	1
5	75838G04		REAR STRUT (PASSENGER SIDE).....	1
6				
7				
8	01110G03		FLAT WASHER, 5/16".....	8
9	00685G7		HEX HEAD BOLT (SS), 5/16" - 18 X 1 3/4" LG.....	4
10	11098G6		LOCK NUT, 5/16" - 18.....	4
11	00440G2		HEX HEAD BOLT, 5/16" - 18 X 2 1/4" LG.....	4
12	00905G8		LOCK WASHER, 5/16".....	4
13				
14	00570G2		FLAT WASHER, 7/8".....	6
15	00753G6		TRUSS HEAD PHILLIPS SCREW (SS), 1/4" - 20 X 2.25" LG.....	2
16	75051G01		SPACER, .56" O.D. X .28" I.D. X .5" LG.....	4
17	01110G01		FLAT WASHER, 1/4".....	8
18	14390G4		LOCK NUT, 1/4" -20.....	4
19	00753G5		TRUSS HEAD PHILLIPS SCREW (SS), 1/4" - 20 X 2" LG.....	2
20	19853G1		END CAP, 1" SQ.....	2
21	00559G8		FLAT WASHER, 5/16".....	4

WEATHER PROTECTION



Vehicle shown for reference only

- 1 BAD BOY TOP KIT, 43" LG includes items 2, 3
- 3 CANOPY TOP HARDWARE KIT includes items 4 - 9



WEATHER PROTECTION

THE USE OF NON U.L. PARTS WILL VOID ANY U.L. LISTING.

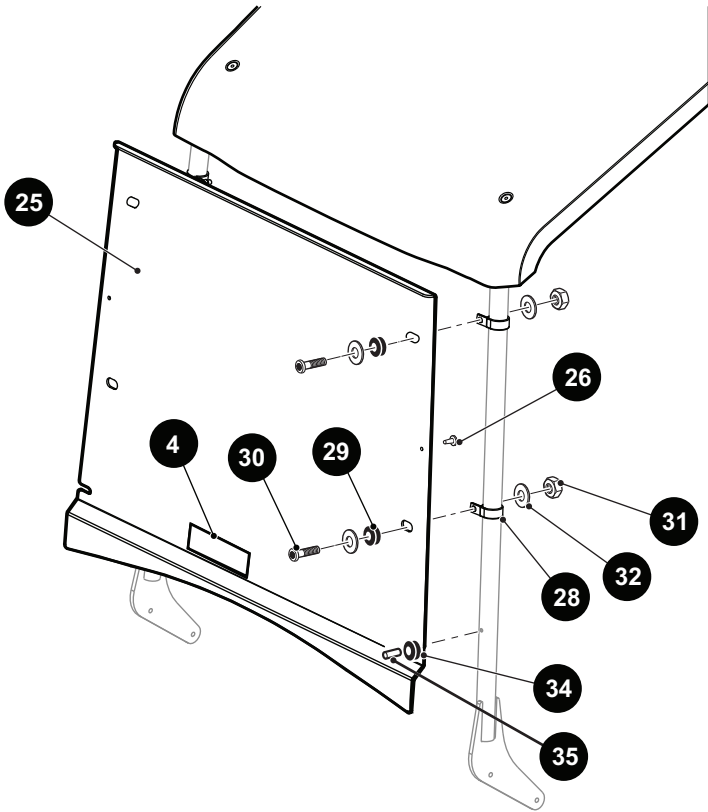
When ordering parts, please specify the model and serial number of the product.

* Indicates a component that is not available as an individual part.

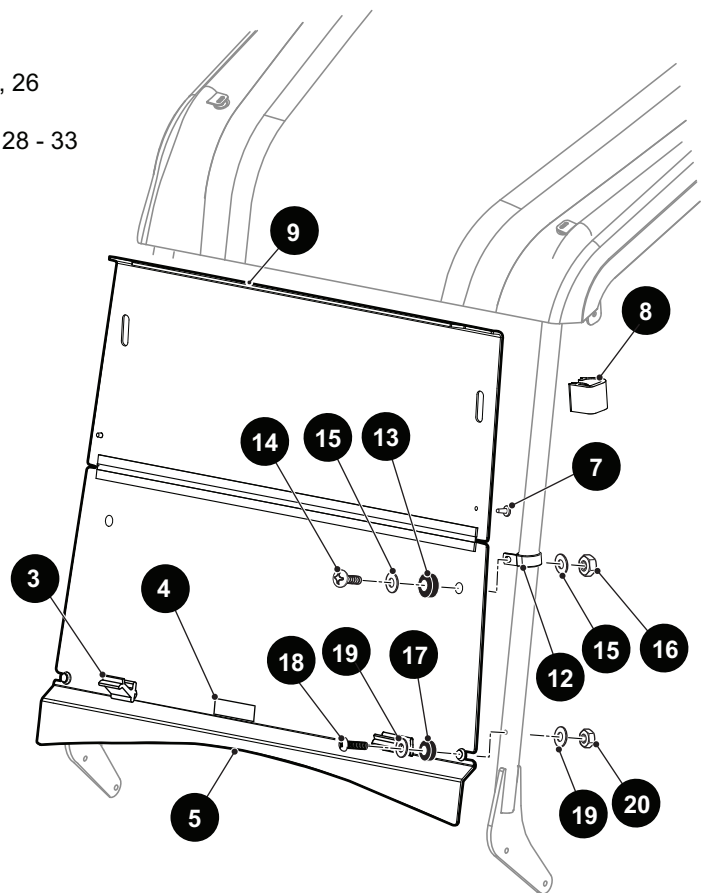
*** Indicates consult Customer Service Department for additional information.

ITEM	PART NO.	1 2 3 4 5	DESCRIPTION	QTY.
1	628584		BAD BOY TOP KIT, 43" LG (INCLUDES ITEMS 2, 3)	1
2	*		CANOPY TOP	1
3	628585		CANOPY TOP HARDWARE KIT (INCLUDES ITEMS 4 - 9)	1
4	*		RUBBER SPACER.....	4
5	*		CHRISTMAS TREE PUSH RIVET	4
6	*		FLANGED HEX HEAD BOLT, M6 - 1 X 20MM LG.....	8
7	*		FLAT WASHER, 1/4"	12
8	*		CLAMP (2 PIECE).....	4
9	*		HEX NUT, M6 - 1.....	4

WEATHER PROTECTION



- 23** FULL WINDSHIELD KIT includes items 24, 27
- 24** FULL WINDSHIELD ASSEMBLY includes items 4, 25, 26
- 27** FULL WINDSHIELD HARDWARE KIT includes items 28 - 33



- 1** SPLIT WINDSHIELD, KIT CLIP ON
(INCLUDES ITEMS 2, 11)
- 2** SPLIT WINDSHIELD ASSEMBLY
(INCLUDES ITEMS 3 - 9)
- 11** HARDWARE KIT, SPLIT WINDSHIELD
(INCLUDES ITEMS 12 - 20)

WEATHER PROTECTION

THE USE OF NON U.L. PARTS WILL VOID ANY U.L. LISTING.

When ordering parts, please specify the model and serial number of the product.

* Indicates a component that is not available as an individual part.

*** Indicates consult Customer Service Department for additional information.

ITEM	PART NO.	1 2 3 4 5	DESCRIPTION	QTY.
1	638372		SPLIT WINDSHIELD KIT, CLIP ON (INCLUDES ITEMS 2, 11).....	1
2	638120		SPLIT WINDSHIELD ASSEMBLY (INCLUDES ITEMS 3 - 9)	1
3	603201		LOWER WINDSHIELD LATCH	2
4	71963G01		DECAL	1
5	638054		LOWER SPLIT WINDSHIELD	1
6	638070		HINGE.....	1
7	604115		GROMMET	2
8	619621		UPPER WINDSHIELD LATCH.....	2
9	638053		UPPER SPLIT WINDSHIELD	1
10				
11	625928		HARDWARE KIT, SPLIT WINDSHIELD (INCLUDES ITEMS 12 - 20).....	1
12	619078		TUBE CLAMP, 1.5" DIA.....	2
13	604116		FASTENER GROMMET	2
14	619082		PAN HEAD BOLT, 3/8" - 16 X 1 1/2" LG	2
15	11098G5		LOCK NUT, 3/8" - 16	2
16	306981		FLAT WASHER, 3/8"	4
17	624780		GROMMET, 1/4"	2
18	00753G7		TRUSS HEAD PHILLIP SCREW, 1/4" - 20 X 2.5" LG	2
19	00650G7		FLAT WASHER, 1/4"	4
20	00550G1		HEX NUT, 1/4" - 20	2
21				
22				
23	625931		FULL WINDSHIELD KIT, CLIP - ON (INCLUDES ITEMS 24, 27).....	1
24	625927		FULL WINDSHIELD ASSEMBLY (INCLUDES ITEMS 4, 25, 26)	1
25	625904		FULL WINDSHIELD	1
26	604115		GROMMET	2
27	625929		HARDWARE KIT, FULL WINDSHIELD (INCLUDES ITEMS 28 - 33).....	1
28	*		TUBE CLAMP, 1.5" DIA.....	4
29	*		FASTENER GROMMET	4
30	*		PAN HEAD BOLT, 3/8" - 16 X 1 1/2" LG	4

WEATHER PROTECTION

THE USE OF NON U.L. PARTS WILL VOID ANY U.L. LISTING.

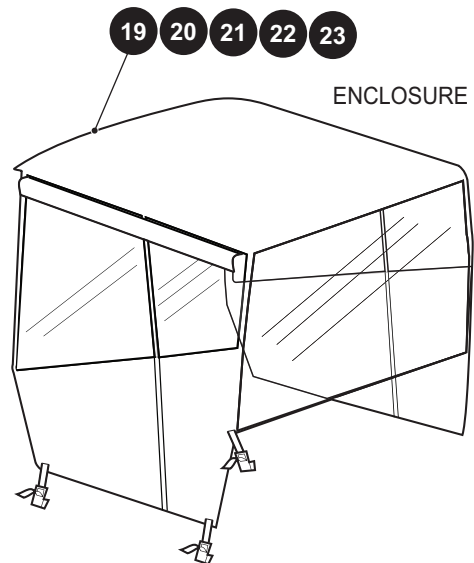
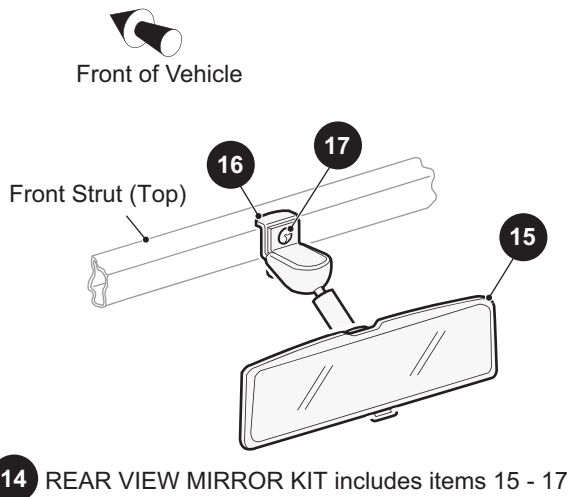
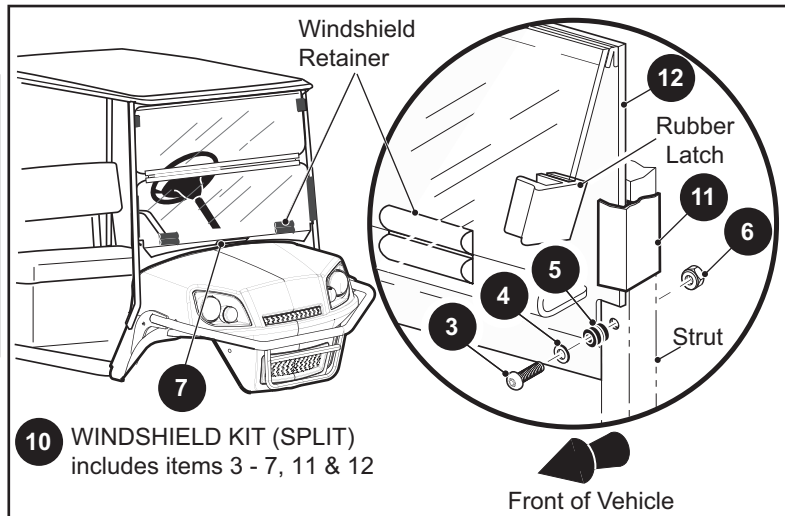
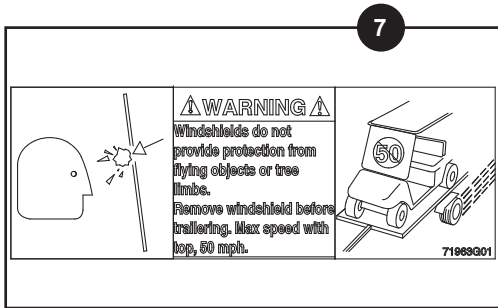
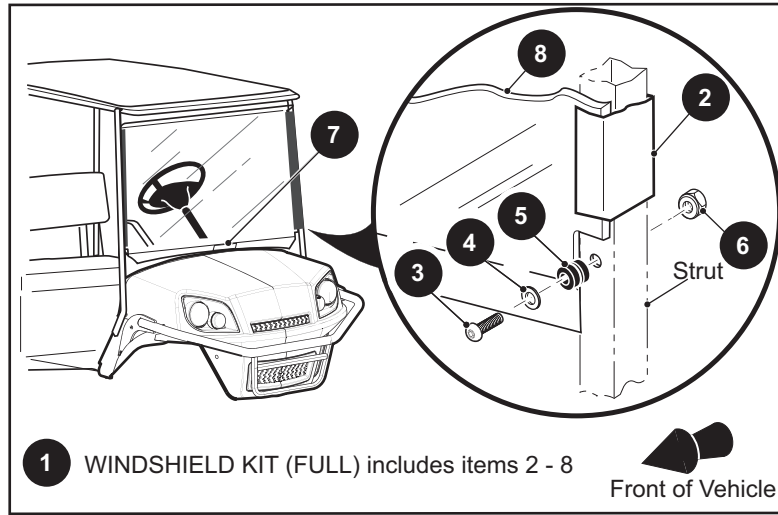
When ordering parts, please specify the model and serial number of the product.

* Indicates a component that is not available as an individual part.

*** Indicates consult Customer Service Department for additional information.

ITEM	PART NO.	1	2	3	4	5	DESCRIPTION	QTY.
31	*						LOCK NUT, 3/8" - 16	4
32	*						FLAT WASHER, 3/8"	8
33	*						GROMMET ASSEMBLY, 1/4" (INCLUDES ITEMS 34, 35).....	2
34	*						GROMMET, 1/4"	1
35	*						SLEEVE, 1/4"	1

WEATHER PROTECTION



WEATHER PROTECTION

THE USE OF NON U.L. PARTS WILL VOID ANY U.L. LISTING.

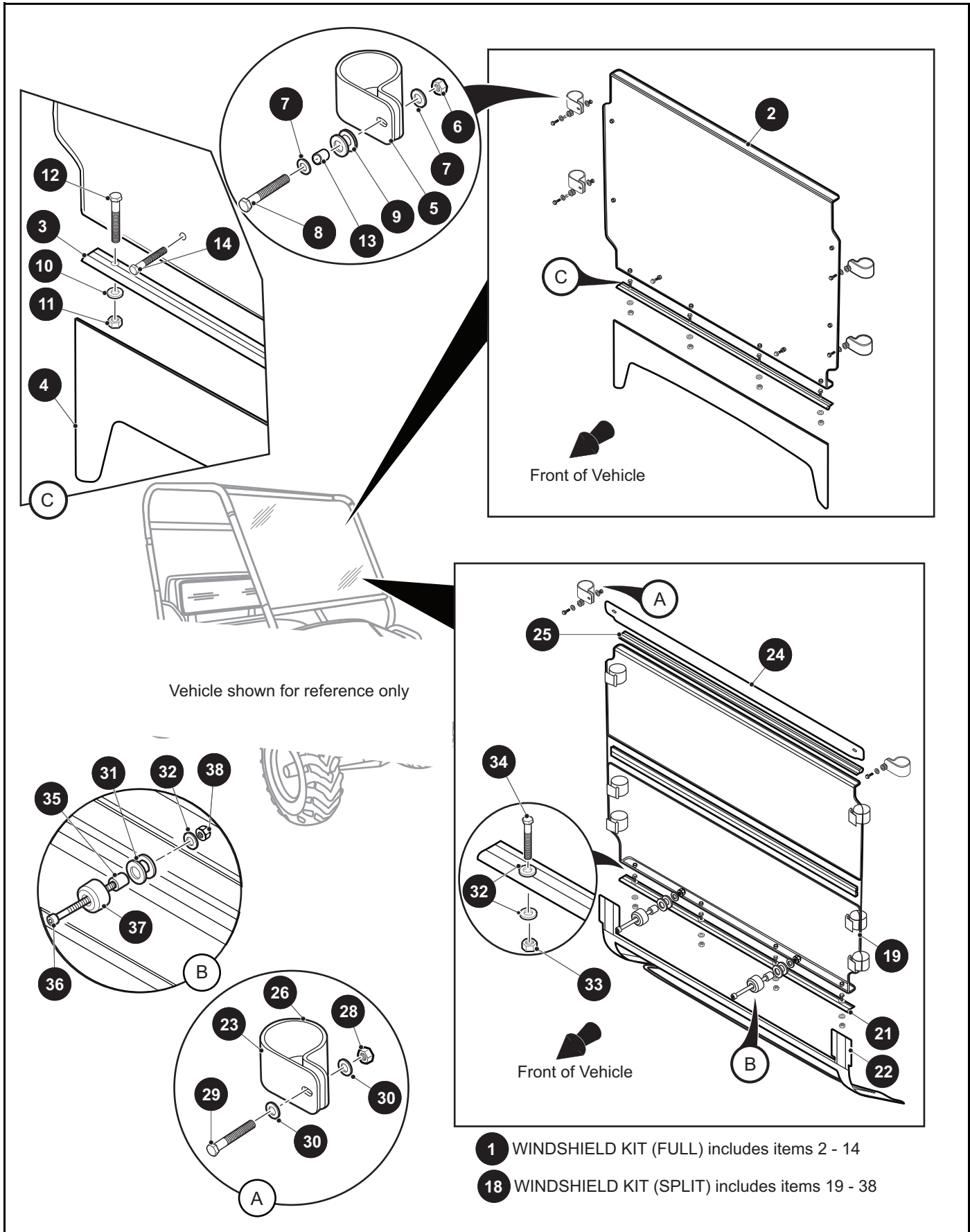
When ordering parts, please specify the model and serial number of the product.

* Indicates a component that is not available as an individual part.

*** Indicates consult Customer Service Department for additional information.

ITEM	PART NO.	1 2 3 4 5	DESCRIPTION	QTY.
1	71966G03		WINDSHIELD KIT (FULL) (INCLUDES ITEMS 2 - 8)	1
2	615662		SASH, 26" LG	2
3	*		HEX HEAD BOLT (SS), 1/4" - 20 X 1 3/4" LG	2
4	*		FLAT WASHER (SS), 1/4"	4
5	*		RUBBER GROMMET	2
6	*		LOCK NUT (SS), 1/4" - 20	2
7	71963G01		SAFETY LABEL	1
8	71960G01		WINDSHIELD (FULL)	1
9				
10	71966G04		WINDSHIELD KIT (SPLIT) (INCLUDES ITEMS 3 - 7, 11, 12)	1
11	615661		SASH, 12" LG	2
12	617544		SPORT WINDSHIELD	1
13				
14	19528G2		REAR VIEW MIRROR KIT (INCLUDES ITEMS 15 - 17)	1
15	19496G1		REAR VIEW MIRROR	1
16	19502G2		SUPPORT BRACKET	1
17	19527G1		PAN HEAD SCREW, #8 - 32 X 5/8" LG	1
18				
19	624829		TOP ENCLOSURE (BLACK)	1
20	624830		TOP ENCLOSURE (GRAY)	1
21	624831		TOP ENCLOSURE (GREEN)	1
22	624832		TOP ENCLOSURE (WHITE)	1
23	624833		TOP ENCLOSURE (TAN)	1

WEATHER PROTECTION - ROPS



WEATHER PROTECTION - ROPS

THE USE OF NON U.L. PARTS WILL VOID ANY U.L. LISTING.

When ordering parts, please specify the model and serial number of the product.

* Indicates a component that is not available as an individual part.

*** Indicates consult Customer Service Department for additional information.

ITEM	PART NO.	1 2 3 4 5	DESCRIPTION	QTY.
1	627079		WINDSHIELD KIT (FULL) (INCLUDES ITEMS 2 - 14).....	1
2	*		WINDSHIELD	1
3	*		AWNING MOLDING (ALUMINUM).....	1
4	*		TEXTILE SKIRT PLACEHOLDER.....	1
5	*		PLASTIC CLAMP	4
6	*		HEX NUT	6
7	*		FLAT WASHER	12
8	*		HEX HEAD BOLT	4
9	*		WINDSHIELD GROMMET	6
10	*		FLAT WASHER	8
11	*		HEX NUT	4
12	*		HEX HEAD BOLT	4
13	*		CRUSH SLEEVE	6
14	*		HEX HEAD BOLT	2
15				
16				
17				
18	627080		WINDSHIELD KIT (SPLIT) (INCLUDES ITEMS 19 - 38).....	1
19	*		WINDSHIELD	1
20				
21	*		AWNING MOLDING (ALUMINUM).....	1
22	*		TEXTILE SKIN PLACEHOLDER.....	1
23	*		PLASTIC CLAMP	2
24	*		UPPER METAL SEAL.....	1
25	*		UNIGRIP.....	1
26	*		TEXTILE STRAP	6
27				
28	*		HEX NUT	2
29	*		HEX HEAD BOLT	2
30	*		FLAT WASHER	4
31	*		GROMMET	2

WEATHER PROTECTION - ROPS

THE USE OF NON U.L. PARTS WILL VOID ANY U.L. LISTING.

When ordering parts, please specify the model and serial number of the product.

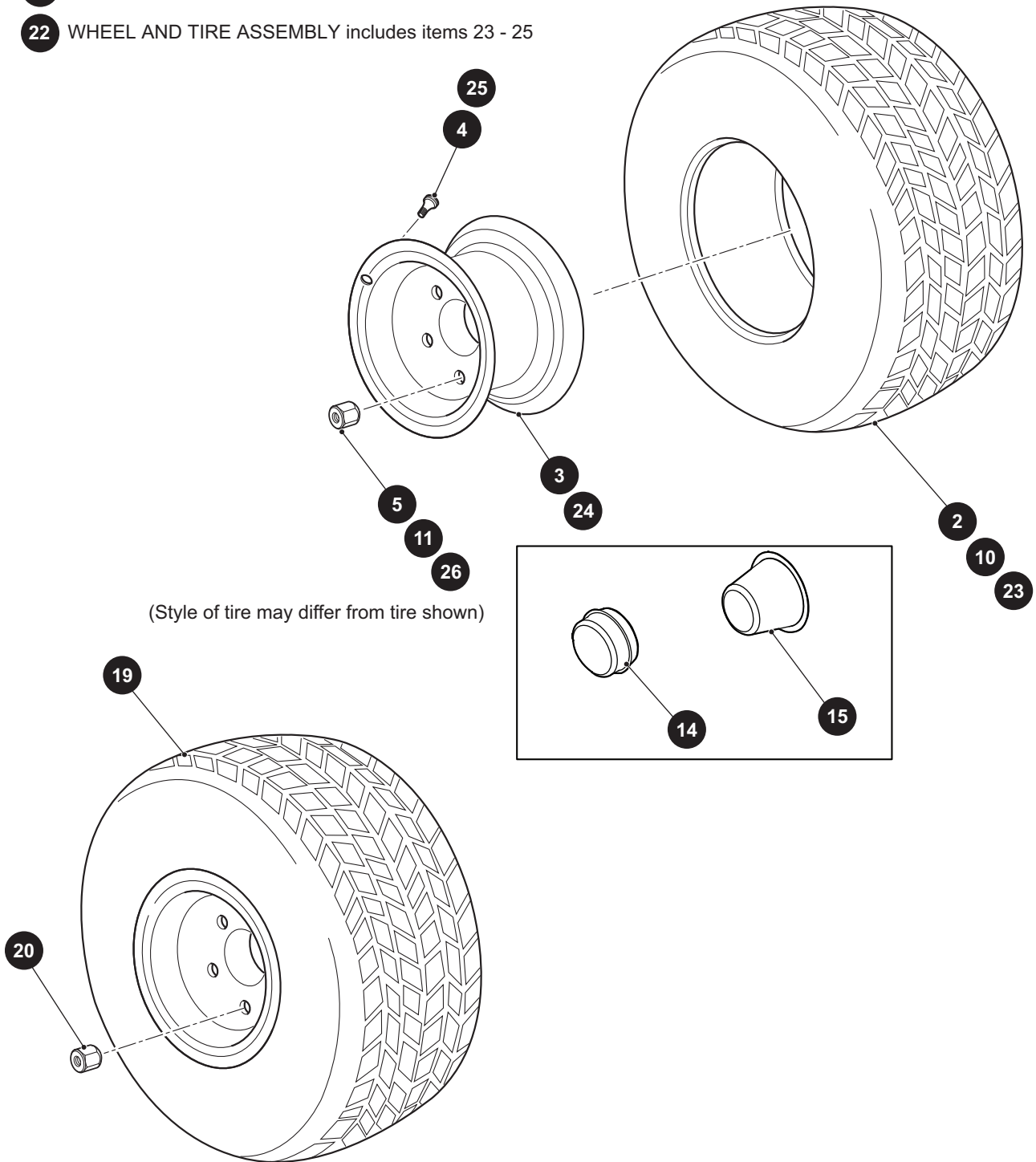
* Indicates a component that is not available as an individual part.

*** Indicates consult Customer Service Department for additional information.

ITEM	PART NO.	1	2	3	4	5	DESCRIPTION	QTY.
32	*						FLAT WASHER	10
33	*						HEX NUT	4
34	*						HEX HEAD BOLT.....	4
35	*						CRUSH SLEEVE	2
36	*						SOCKET HEAD BOLT	2
37	*						BUMPER.....	2
38	*						HEX NUT	2

WHEELS AND TIRES

- 1 WHEEL AND TIRE ASSEMBLY, 20 X 10 - 10 (TURF SAVER) includes items 2 - 4
- 8 WHEEL AND TIRE ASSEMBLY, 20 X 11 - 10 (TRAIL WOLF) (BLACK) (DRIVER SIDE) includes item 10
- 9 WHEEL AND TIRE ASSEMBLY, 20 X 11 - 10 (TRAIL WOLF) (BLACK) (PASSENGER SIDE) includes item 10
- 18 WHEEL AND TIRE ASSEMBLY includes items 19, 20
- 22 WHEEL AND TIRE ASSEMBLY includes items 23 - 25



WHEELS AND TIRES

THE USE OF NON U.L. PARTS WILL VOID ANY U.L. LISTING.

When ordering parts, please specify the model and serial number of the product.

* Indicates a component that is not available as an individual part.

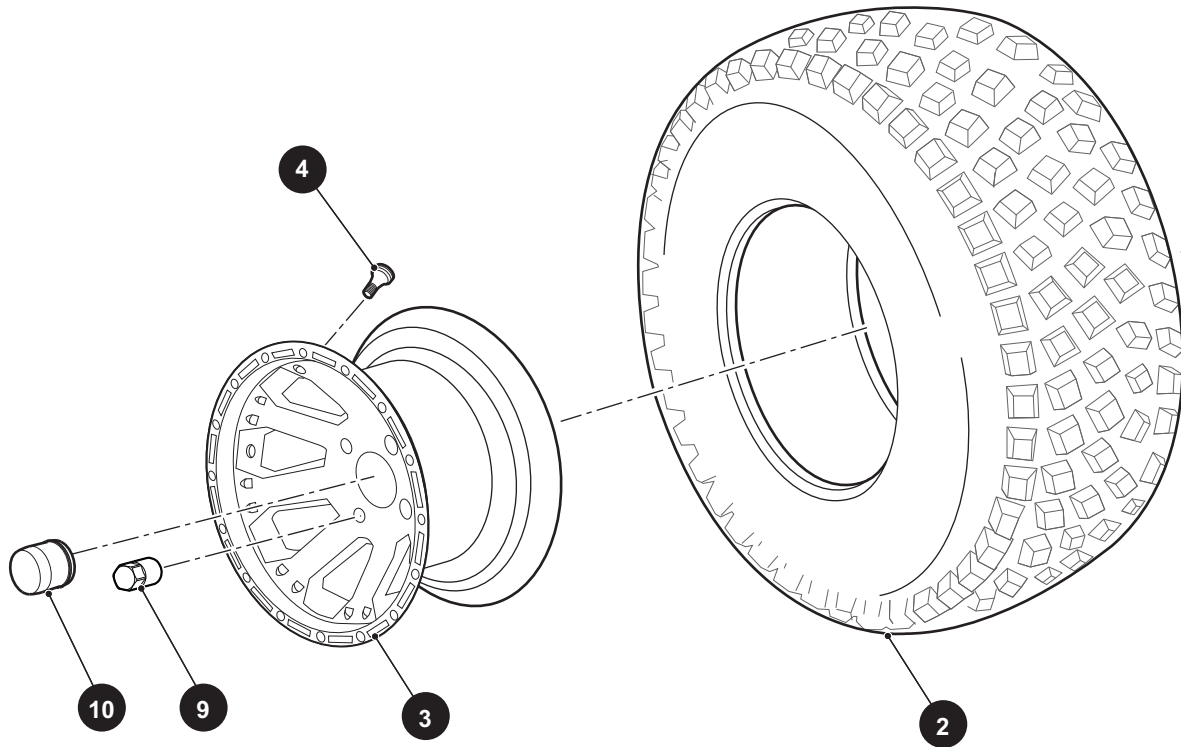
*** Indicates consult Customer Service Department for additional information.

ITEM	PART NO.	1 2 3 4 5	DESCRIPTION	QTY.
1	28442G03		WHEEL AND TIRE ASSEMBLY, 20 X 10 - 10 (TURF SAVER) (INCLUDES ITEMS 2 - 4) (FOR VEHICLES MANUFACTURED UNTIL 14OCT2016)	AR
2	28442G02		TIRE (TURF SAVER).....	1
3	15172G02		WHEEL RIM (BLACK)	1
4	11657G1		VALVE STEM.....	1
5	14723G1		LUG NUT, 1/2" - 20	AR
6				
7				
8	74842G03		WHEEL AND TIRE ASSEMBLY, 20 X 11 -10 (TRAIL WOLF) (BLACK) (DRIVER SIDE) (INCLUDES ITEMS 10)	AR
9	74842G04		WHEEL AND TIRE ASSEMBLY, 20 X 11 -10 (TRAIL WOLF) (BLACK) (PASSENGER SIDE) (INCLUDES ITEMS 10).....	AR
10	74842G05		TIRE ASSEMBLY (TRAIL WOLF).....	1
11	14723G1		LUG NUT, 1/2" - 20	AR
12				
13				
14	12091G2		SPINDLE CAP	1
15	74175G01		DUST CAP	1
16				
17				
18	624819G02		WHEEL AND TIRE ASSEMBLY (INCLUDES ITEMS 19, 20)	AR
19	623939		WHEEL AND TIRE	1
20	14723G1		LUG NUT, 1/2" - 20.....	4
21				
22	652263		WHEEL AND TIRE ASSEMBLY (INCLUDES ITEMS 23 - 25) (FOR VEHICLES MANUFACTURED FROM 15OCT2016)	AR
23	652986		KENDA TIRE, K500, 20 X 8 - 10, 6PLY	1
24	643934		WHEEL, 10 X 6	1
25	643948		VALVE STEM.....	1
26	14723G1		LUG NUT, 1/2" - 20	AR

WHEELS AND TIRES

1 SPEEDRACER TIRE AND WHEEL ASSEMBLY, 10 X 7 (DRIVER SIDE) includes items 2 - 4

6 SPEEDRACER TIRE AND WHEEL ASSEMBLY, 10 X 7 (PASSENGER SIDE) includes items 2 - 4



(Style of tire may differ from tire shown)

WHEELS AND TIRES

THE USE OF NON U.L. PARTS WILL VOID ANY U.L. LISTING.

When ordering parts, please specify the model and serial number of the product.

* Indicates a component that is not available as an individual part.

*** Indicates consult Customer Service Department for additional information.

ITEM	PART NO.	1 2 3 4 5	DESCRIPTION	QTY.
1	606240		SPEEDRACER TIRE AND WHEEL ASSEMBLY, 10 X 7 (DRIVER SIDE) (INCLUDES 2- 4) (MUST USE ITEM 6, ORDER SEPARATELY)	AR
2	606139		SPEEDRACER, 10 X 7	1
3	606152		WHEEL, 10" DIAMOND FINISHED WHEEL	1
4	604915		VALVE STEM (CHROME)	1
5				
6	606179		SPEEDRACER TIRE AND WHEEL ASSEMBLY, 10 X 7 (PASSENGER SIDE) (INCLUDES 2 - 4) (MUST USE ITEM 6, ORDER SEPARATELY)	AR
7				
8				
9	605310		LUG NUT, 1/2" - 20	4
10	608910		DIAMOND WHEEL CAP	1



CUSHMAN®
LET'S WORK.®

E-Z-GO Division of Textron Inc.,
1451 Marvin Griffin Road, Augusta, Georgia 30906 - 3852 USA

TO CONTACT US...

North America:

Technical Assistance & Warranty Phone: 1-800-774-3946, FAX: 1-800-448-8124

Service Parts Phone: 1-888-GET-E-Z-GO (1-888-438-3946), FAX: 1-800-752-6175

International: Phone: 001-706-798-4311, FAX: 001-706-771-4609

Service Parts Manuals, as well as Repair and Service Manuals
are available from a local Distributor, an authorized Branch,
Genuine E-Z-GO Parts & Accessories Department or at www.shopezgo.com.

Copyrighted Material
This manual may not be reproduced in whole or
in part without the express permission of
E-Z-GO Division of Textron Inc.
Technical Communications Department