



**CUSHMAN™**  
**Service Parts Manual**  
**GASOLINE POWERED VEHICLE**



**634473**

ISSUED SEPTEMBER 2013

REVISED JULY 2015



# SERVICE PARTS MANUAL

## GASOLINE POWERED UTILITY VEHICLE

### REFRESHER FS2

### STARTING MODEL YEAR 2013

DISCLAIMER: The E-Z-GO Division of Textron Inc. (E-Z-GO) reserves the right to incorporate engineering and design changes to products in this Manual, without obligation to include these changes on units leased/sold previously.

The information contained in this Manual may be revised periodically E-Z-GO, and therefore is subject to change without notice.

E-Z-GO DISCLAIMS LIABILITY FOR ERRORS IN THIS MANUAL, and E-Z-GO SPECIFICALLY DISCLAIMS LIABILITY FOR INCIDENTAL AND CONSEQUENTIAL DAMAGES RESULTING FROM THE USE OF THE INFORMATION AND MATERIALS IN THIS MANUAL.

#### TO CONTACT US

##### NORTH AMERICA:

**TECHNICAL ASSISTANCE & WARRANTY PHONE: 1-800-774-3946, FAX: 1-800-448-8124**

**SERVICE PARTS PHONE: 1-888-GET-EZGO (1-888-438-3946), FAX: 1-800-752-6175**

**INTERNATIONAL: PHONE: 001-706-798-4311, FAX: 001-706-771-4609**

**E-Z-GO DIVISION OF TEXTRON INC., 1451 MARVIN GRIFFIN RD., AUGUSTA, GEORGIA USA 30906-3852**

## GENERAL INFORMATION

To obtain a copy of the limited warranty applicable to the vehicle, call or write a local Distributor, authorized Branch or the Warranty Department with vehicle serial number and manufacturer code.

The use of non Original Equipment Manufacturer (OEM) approved parts may void the warranty.

Tampering with or adjusting the governor to permit vehicle to operate at above factory specifications will void the vehicle warranty.

When servicing engines, all adjustments and replacement components must be per original vehicle specifications in order to maintain the United States of America Federal and State emission certification applicable at the time of manufacture.

### BATTERY PROLONGED STORAGE

All batteries will self discharge over time. The rate of self discharge varies depending on the ambient temperature and the age and condition of the batteries.

A fully charged battery will not freeze in winter temperatures unless the temperature falls below -75° F (-60° C).

### BATTERY DISPOSAL

Lead-acid batteries are recyclable. Return whole scrap batteries to distributor, manufacturer or lead smelter for recycling. For neutralized spills, place residue in acid-resistant containers with absorbent material, sand or earth and dispose of in accordance with local, state and federal regulations for acid and lead compounds. Contact local and/or state environmental officials regarding disposal information.

# TABLE OF CONTENTS

<b>SECTION</b>	<b>Page No.</b>
HOW TO USE THE SERVICE PARTS MANUAL.....	V
ACCELERATOR.....	A - 1
AIR FILTER.....	B - 1
BODY.....	C - 1
<b>BRAKES</b>	
FRONT DISC.....	D - 1
MECHANICAL.....	D-11
CARBURATOR AND CHOKE.....	E - 1
CLUTCH.....	F - 1
DIRECTION SELECTOR.....	G - 1
ELECTRICAL SYSTEM.....	H - 1
ENGINE MOUNTING.....	J - 1
ENGINE AND MUFFLER.....	K - 1
FRONT SUSPENSION AND STEERING.....	L - 1
FUEL SYSTEM.....	M - 1
REAR AXLE.....	N - 1
REAR SUSPENSION.....	P - 1
REFRESHER UNIT.....	Q - 1
SEATING SYSTEM.....	R - 1
STARTER / GENERATOR.....	S - 1
WHEELS AND TIRES.....	T - 1



# HOW TO USE THE SERVICE PARTS MANUAL

This manual is divided into several sections:

- GENERAL INFORMATION
- ILLUSTRATED PARTS BREAKDOWN
- APPENDIX

The first section, GENERAL INFORMATION, contains the following information:

- WARRANTY INFORMATION
- GENERAL INDEX
- HOW TO USE THE SERVICE PARTS MANUAL

The second section, ILLUSTRATED PARTS BREAKDOWN, contains illustrations and parts lists for all systems of your vehicle.

The third section, APPENDIX, contains a listing of specialty products and accessories.

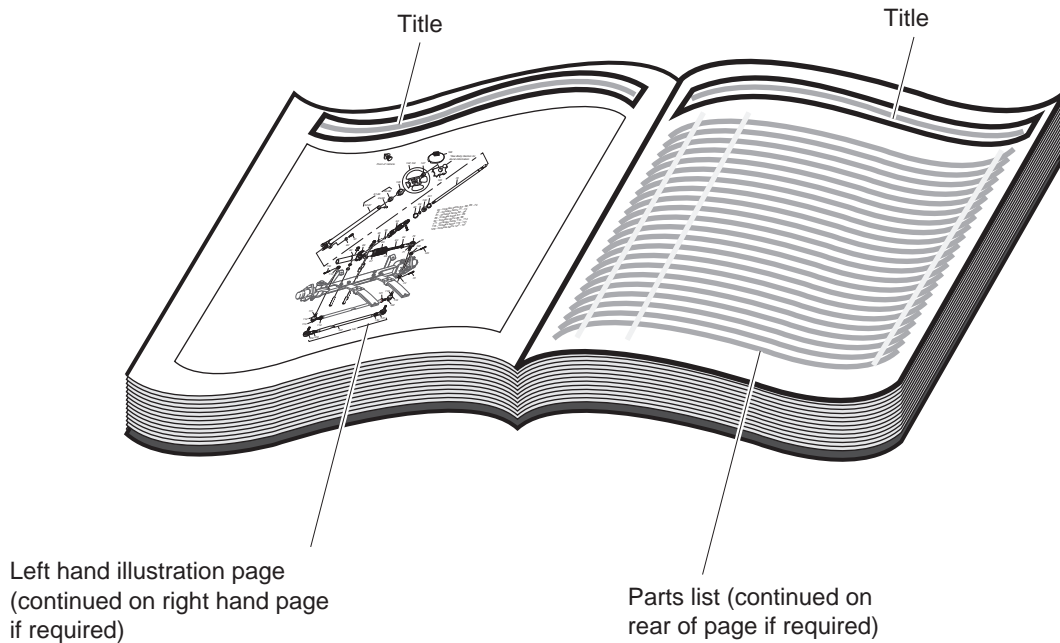
## USE OF THE MANUAL

To use this manual, consult the GENERAL INDEX to locate the information or illustration required.

Introduction of some revisions varies due to supply of components; therefore, it is possible that various combinations of components may be found that are not directly reflected by each illustration. Consult the illustration that best suits your situation and then contact the Service Parts Department. It is important that the serial number of your vehicle and its model number be supplied to Service Parts when ordering any replacement components.

Locate the serial number plate (see BODY located in the Illustrated Parts Breakdown section of this manual for its location) and note the complete number shown on the plate.

# HOW TO USE THE SERVICE PARTS MANUAL



## 1. WHEN THE PART NUMBER IS NOT KNOWN

- Determine the function and application of the part required. Turn to the General Index and select the most appropriate title.
- Turn to the page number indicated and locate the desired part on the illustration.
- From the illustration, obtain the item number as signed to the desired part. Refer to the accompanying description for specific information regarding the part.

## 2. IF YOU KNOW THE PART NUMBER

- Locate the part number or description in the appropriate column on the parts list page.

NOTE: It is suggested that you confirm that the part selected is correct by verifying it with the pictorial representation on the illustrated page.

Should an asterisk (\*) appear in the part number column on the parts list page, read upwards until a part number is found. The part number is the lowest assembly sold by Service Parts and the asterisk (\*) indicates that the part depicted is not available for purchase.

NOTE: Descriptions are indented under the assembly that they are used on. That assembly is, in turn listed under the assembly that it is used on. This process is repeated until the highest final assembly is reached.

**To facilitate the maintenance and repair of the vehicle, a Technician's Repair and Service Manual is available from the Service Parts Department.**



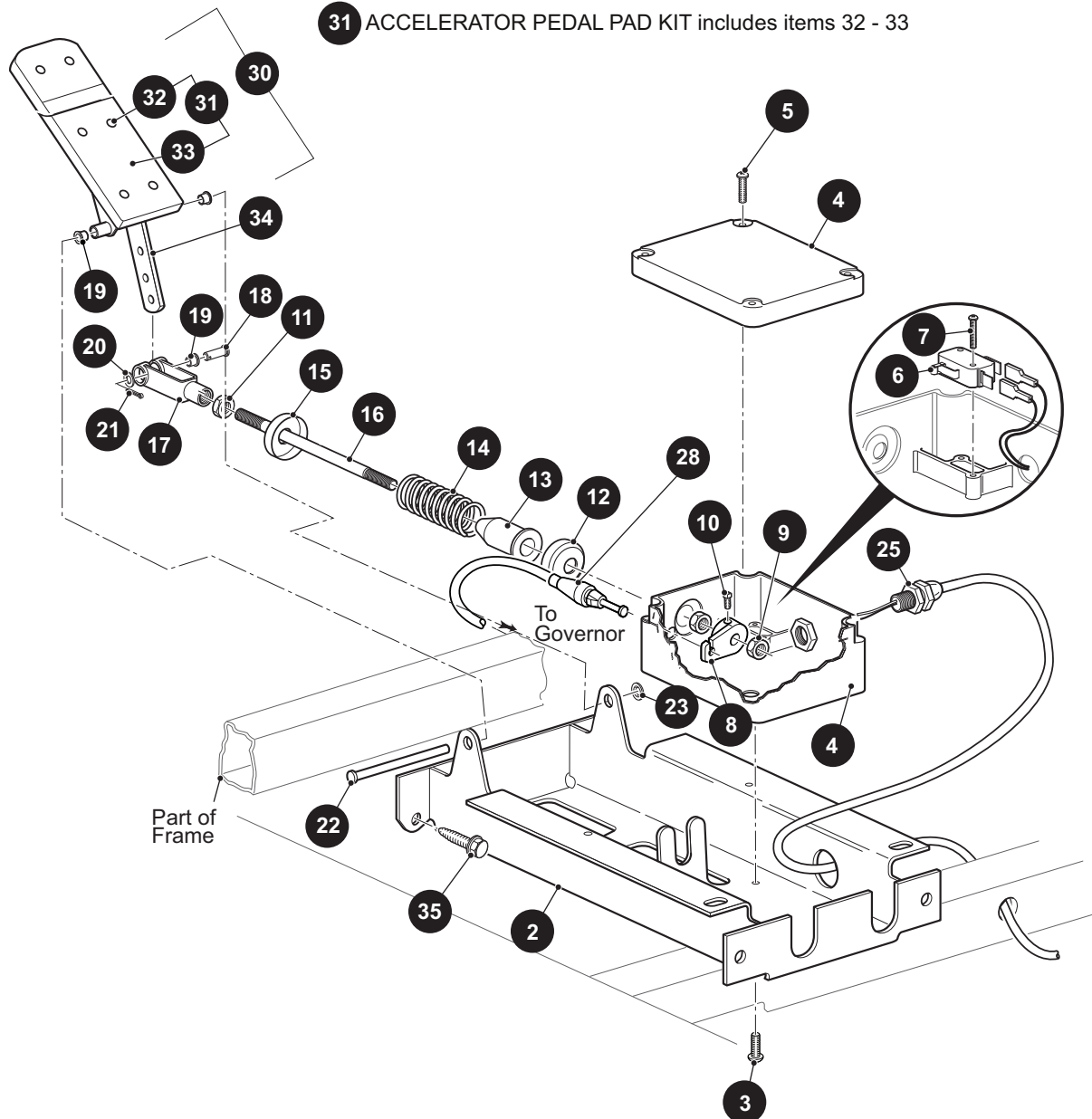
## 3. COLOR CODE FOR BODY COMPONENTS

The last two digits of the part number for the body part will denote the color code, locate the part number for the cowl, rear body, seat pod, side panel or seat wrap then locate your color in the list below, replace the last \*\* or XX with the two digit color code.

<b><u>CODE #</u></b>	<b><u>DESCRIPTION</u></b>
01	NO PAINT
02	SPECIAL COLOR
06	LIGHT GOLD PEARL
11	BLACK
19	PATRIOT BLUE PEARL
20	INFERNO RED METALLIC
23	ADVANTAGE CLASSIC CAMO
25	VIVID NEW HOLLAND BLUE
26	STEEL BLUE PEARL
30	HD ADVANTAGE CAMO
31	METALLIC CHARCOAL
35	SAFETY YELLOW
36	IVORY
37	FOREST GREEN
38	BRIGHT WHITE
39	FLAME RED
41	ELECTRIC BLUE
42	PLATINUM
43	BURGUNDY
44	ALMOND
47	BURLINGTON GREEN
50	RECON GREEN
51	SUNBURST ORANGE
52	BRITISH RACING GREEN
68	REALTREE AP - DIPPED
79	JACOBSEN ORANGE 172

# ACCELERATOR

- 1** PEDAL BOX ASSEMBLY includes items 2 - 34
- 30** ACCELERATOR PEDAL ASSEMBLY includes items 31 - 34
- 31** ACCELERATOR PEDAL PAD KIT includes items 32 - 33





# ACCELERATOR

When ordering parts, please specify the model and serial number of the product.

\* Indicates a component that is not available as an individual part.

\*\*\* Indicates consult Customer Service Department for additional information.

ITEM	PART NO.	1 2 3 4 5	DESCRIPTION	QTY.
1	606991		PEDAL BOX ASSEMBLY (INCLUDES ITEMS 2 - 34) .....	1
2	70116G02		ACCELERATOR PEDAL BRACKET .....	1
3	01051G01		PAN HEAD PHILIPS SCREW, #8 - 16 X 1/2" LG .....	4
4	25853G03		PEDAL BOX AND COVER .....	1
5	00684G6		TRUSS HEAD PHILLIPS SCREW, #8 - 32 X 3/4" LG .....	2
6	25861G01		MICRO SWITCH .....	1
7	01050G01		PAN HEAD TORX SCREW, #4 - 20 X 5/8" LG .....	2
8	72716G01		MICRO SWITCH CAM .....	1
9	15126G1		LOCK NUT, 5/16" - 24 .....	1
10	00487G3		SOCKET HEAD SCREW, 1/4" - 20 X 3/8" LG .....	1
11	00532G4		HEX NUT, 5/16" - 24 .....	2
12	17677G1		SPRING RETAINER .....	1
13	17979G1		ACCELERATOR ROD BUSHING .....	1
14	73046G01		COMPRESSION SPRING .....	1
15	17677G2		SPRING RETAINER .....	1
16	72072G01		ACCELERATOR ROD .....	1
17	10385G4		CLEVIS YOKE (ADJUSTABLE) .....	1
18	10386G3		CLEVIS PIN, 5/16" X 13/16" LG .....	1
19	17838G1		NYLON BUSHING .....	3
20	17255G1		TEFLON WASHER, 5/16" .....	1
21	10387G3		COTTER PIN, 3/32" X 3/4" LG .....	1
22	74432G01		PEDAL PIVOT PIN .....	1
23	12064G6		PUSH NUT, 9/32" .....	1
24				
25	72201G04		WIRE HARNESS (PEDAL BOX) .....	1
26				
27				
28	608614		ACCELERATOR CABLE .....	1
29				
30	25799G03		ACCELERATOR PEDAL ASSEMBLY (INCLUDES ITEMS 31 - 34) .....	1
31	27844G01		ACCELERATOR PEDAL PAD KIT (INCLUDES ITEMS 32 - 33) .....	1

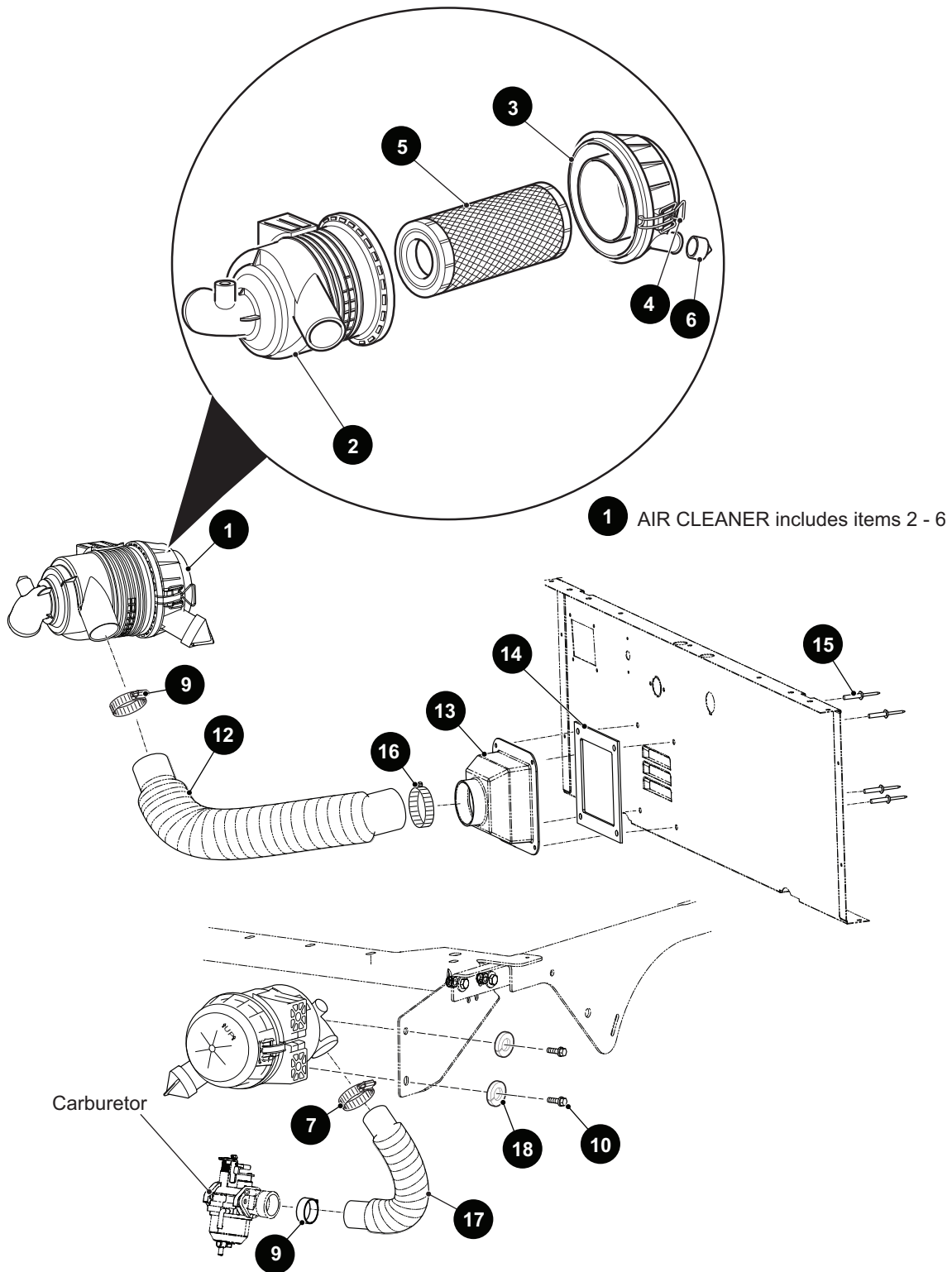
When ordering parts, please specify the model and serial number of the product.

\* Indicates a component that is not available as an individual part.

\*\*\* Indicates consult Customer Service Department for additional information.

ITEM	PART NO.	1	2	3	4	5	DESCRIPTION	QTY.
32	16409G1						OVAL RIVET, 3/16" X 7/16" LG .....	6
33	27512G01						ACCELERATOR PEDAL PAD .....	1
34	70125G04						ACCELERATOR PEDAL.....	1
35	00715G2						HEX HEAD BOLT, 5/16" -18 X 4/5" LG .....	4
36								
37	606083						UPPER GOVERNOR BRACKET.....	1
38	606005						LOWER GOVERNOR BRACKET .....	1
39	606265						HEX HEAD BOLT, M6 - 1 X 12MM LG.....	1
40	606421						HEX HEAD BOLT, M6 - 1 X 30MM LG.....	1
41	450452						FLANGED NUT, M6 - 1.0.....	1
42	606283						GOVERNOR LEVER BUSHING .....	1
43	606284						GOVERNOR ROD .....	1
44	603890						GOVERNOR ROD GUARD .....	1
45	606264						HEX HEAD BOLT, M6 - 1 X 20MM LG.....	1
46	606262						HEX HEAD BOLT, M8 - 1.25 X 16MM LG.....	1
47	606074						GOVERNOR CABLE / DIRECTION SELECTOR BRACKET .....	1
48	606256						FLANGED HEX HEAD BOLT, M10 - 1.25 X 16MM LG.....	2
49								
50	608527						GOVERNOR WARNING DECAL.....	1
51								
52								
53	17618G1						NYLON CLAMP .....	2

# AIR FILTER

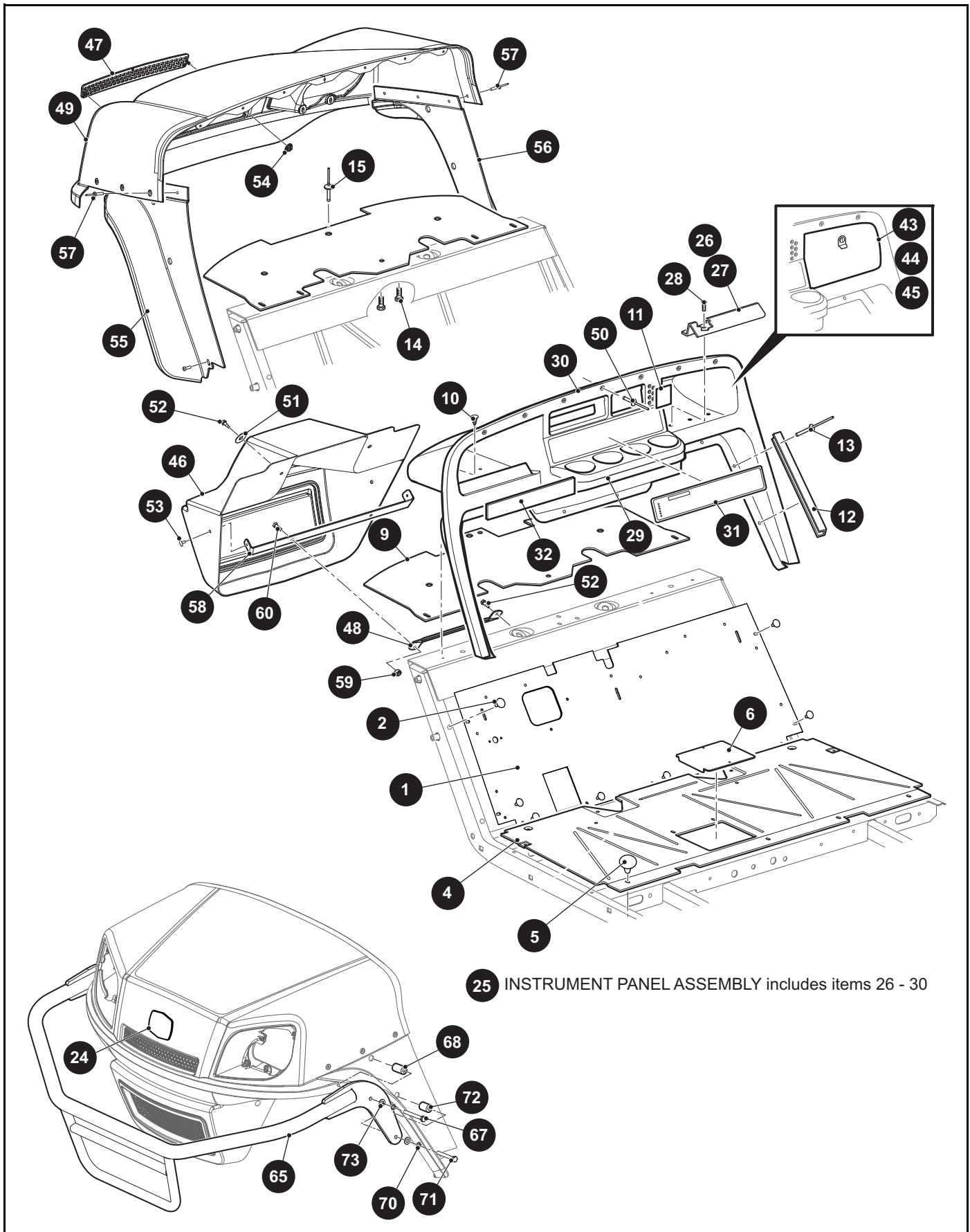


When ordering parts, please specify the model and serial number of the product.

\* Indicates a component that is not available as an individual part.

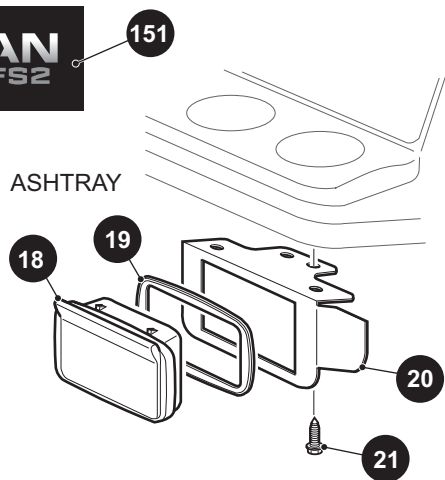
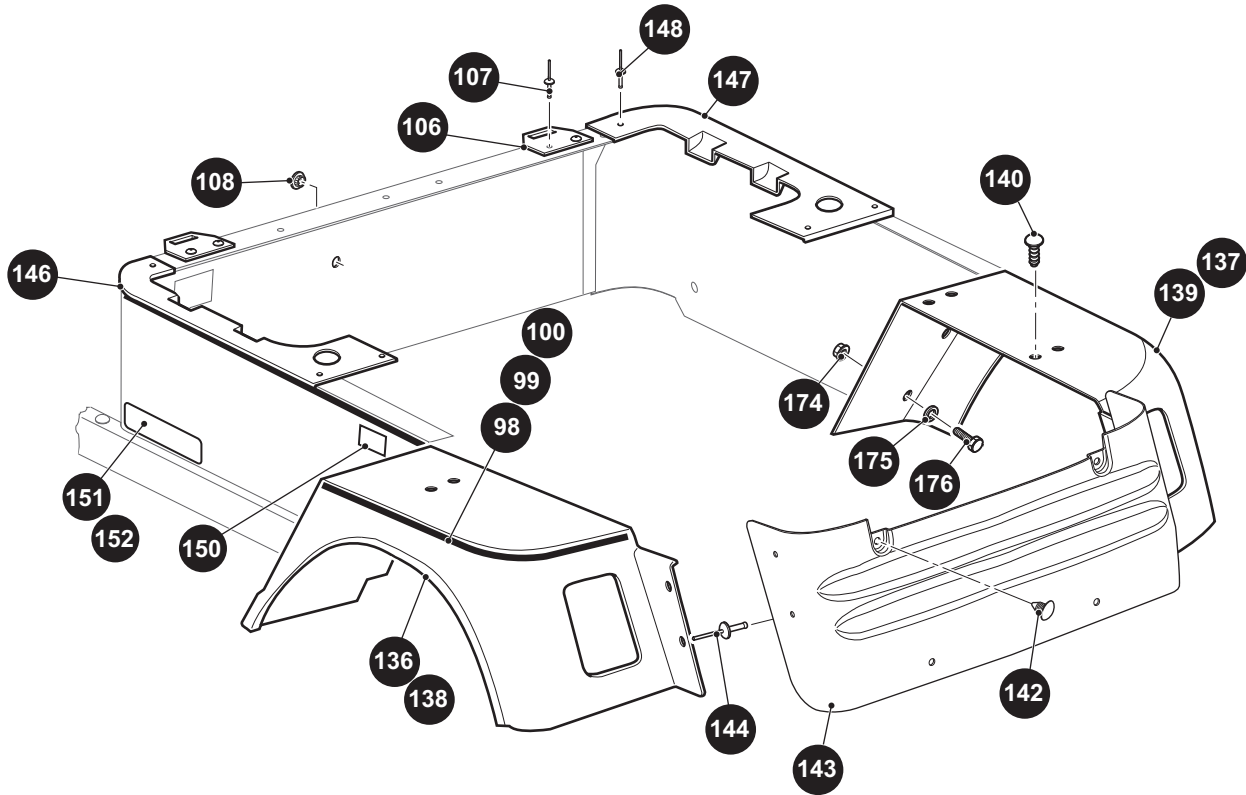
\*\*\* Indicates consult Customer Service Department for additional information.

ITEM	PART NO.	1 2 3 4 5	DESCRIPTION	QTY.
1	614852		AIR CLEANER (INCLUDES ITEMS 2 - 6) .....	1
2	615390		BODY & BRACKET ASSEMBLY .....	1
3	72599G01		AIR CLEANER COVER .....	1
4	72604G01		AIR CLEANER CLIP .....	2
5	28463G01		AIR FILTER .....	1
6	28462G01		DUST EJECTOR VALVE .....	1
7	11391G7		HOSE CLAMP, 1.56" - 2.50" DIA .....	1
8				
9	11391G1		HOSE CLAMP, 1.31" - 2.25" DIA .....	3
10	606261		HEX HEAD BOLT, M8 - 1.25 X 20MM LG .....	2
11				
12	72637G03		AIR INTAKE HOSE, 16" LONG .....	1
13	72416G01		REMOTE AIR INTAKE ASSEMBLY .....	1
14	72415G01		REMOTE AIR INTAKE GASKET .....	1
15	71055G01		RIVET, 3/16" DIA .....	4
16	11391G2		HOSE CLAMP, 2.06" - 3" DIA .....	1
17	601910		HOSE, 14' LONG .....	1
18	606272		LOCK WASHER, 8MM .....	2



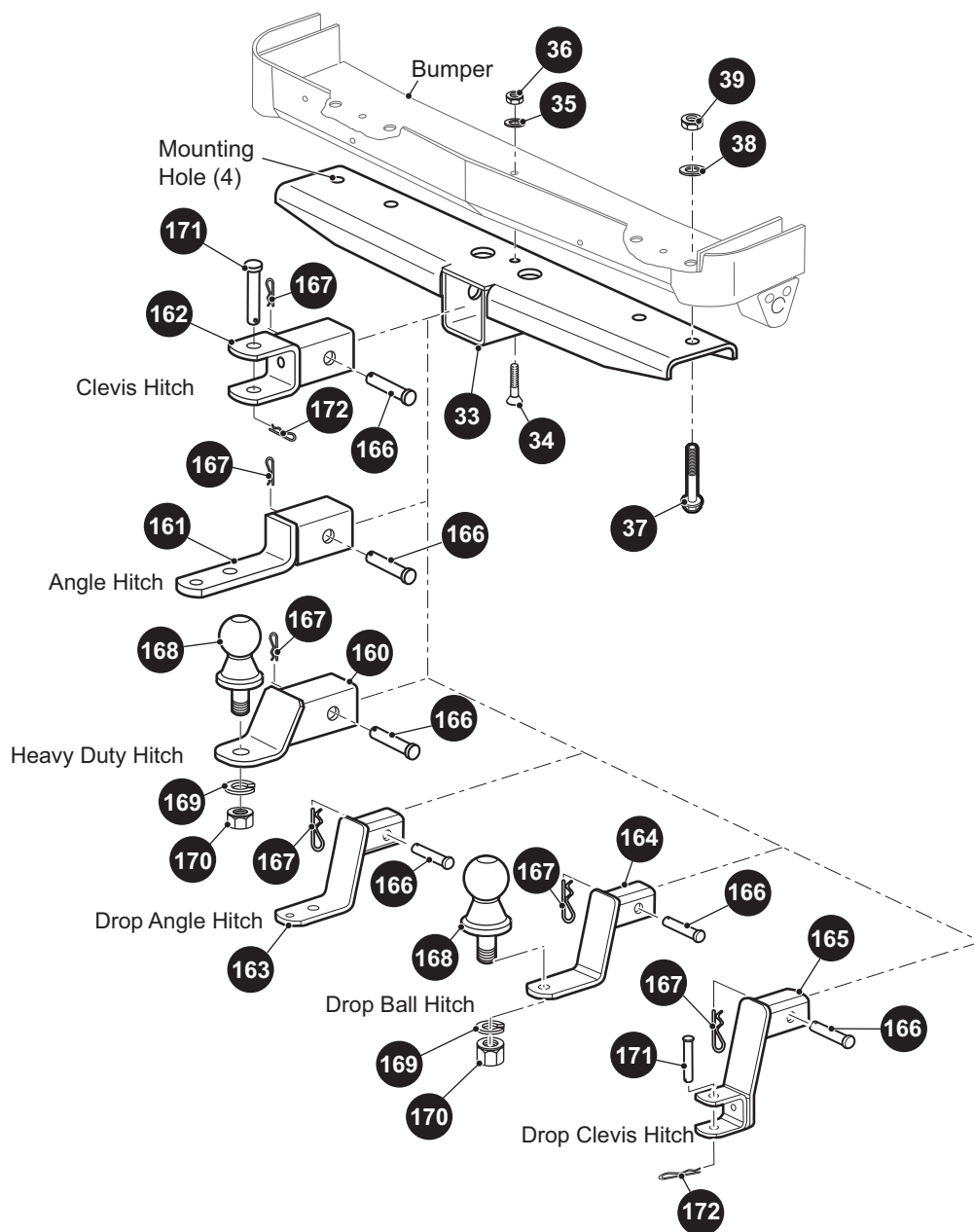






HITCHES

- 154 HEAVY DUTY HITCH KIT includes items 160, 166 - 170
- 155 ANGLE HITCH KIT includes items 161, 166, 167
- 156 CLEVIS HITCH KIT includes items 162, 166, 167, 171, 172
- 157 DROP ANGLE HITCH KIT includes items 163, 166, 167
- 158 DROP BALL HITCH KIT includes items 164, 160 - 170
- 159 DROP CLEVIS HITCH KIT includes items 165, 166, 167, 171, 172



# BODY

When ordering parts, please specify the model and serial number of the product.

\* Indicates a component that is not available as an individual part.

\*\*\* Indicates consult Customer Service Department for additional information.

ITEM	PART NO.	1 2 3 4 5	DESCRIPTION	QTY.
1	637534		UPPER FLOORPAN.....	1
2	14601G11		RIVET (ALUMINUM), 3/16" X 9/16" LG.....	9
3				
4	70451G01		LOWER FLOORPAN.....	1
5	14601G11		RIVET (ALUMINUM), 3/16" X 9/16" LG.....	7
6	70452G01		ACCESS COVER.....	1
7				
8				
9	71413G01		SPLASH PANEL.....	1
10	16816G2		RATCHET FASTENER, 1/4" X 3/4" LG.....	4
11	35968G01		T-HOLDER COVER LABEL.....	1
12	71115G01		VINYL TRIM.....	2
13	71055G01		RIVET (ALUMINUM), 3/16" X 1" LG.....	10
14	71102G02		SELF TAPPING SCREW, 1/4" - 20 X 0.9" LG.....	3
15	71055G01		RIVET (ALUMINUM), 3/16" X 1 1/8" LG.....	1
16				
17				
18	27731G01		ASH TRAY.....	1
19	27736G01		GASKET.....	1
20	75108G02		BRACKET.....	1
21	00100G4		SELF TAPPING SCREW, #10 - 16 X 1/2" LG.....	4
22				
23				
24	619135		DECAL, CUSHMAN COWL.....	1
25	71151G03		INSTRUMENT PANEL ASSEMBLY (INCLUDES ITEMS 26 - 30).....	1
26	71153P01		DEFLECTOR (PASSENGER SIDE).....	1
27	71154P01		DEFLECTOR (DRIVER SIDE).....	1
28	00614G5		SELF TAPPING SCREW, #8 - 18 X 1/2" LG.....	4
29	71158G01		INSTRUMENT PANEL INSERT (FOUR CUP).....	1
30	71152G01		INSTRUMENT PANEL.....	1
31	601781		LABEL (SAFETY).....	1

When ordering parts, please specify the model and serial number of the product.

\* Indicates a component that is not available as an individual part.

\*\*\* Indicates consult Customer Service Department for additional information.

ITEM	PART NO.	1 2 3 4 5	DESCRIPTION	QTY.
32	74443G01		LABEL (ANTI-ROLLBACK).....	1
33	74348G02		HITCH RECEIVER.....	1
34	00198G8		FLAT SLOTTED HEAD SCREW, 5/16" - 18 X 3/4" LG.....	1
35	00571G2		FLAT WASHER, 5/16".....	1
36	11098G6		LOCK NUT (SS), 5/16" - 18.....	1
37	00463G4		HEX HEAD BOLT, 7/16" - 14 X 1 1/2" LG.....	4
38	00922G3		FLAT WASHER, 7/16".....	4
39	00734G1		LOCK NUT, 7/16" - 14.....	4
40				
41				
42				
43	75459G01		GLOVE BOX DOORS (BOTH SIDES).....	1
44	75459G02		GLOVE BOX DOOR (DRIVER SIDE).....	1
45	75459G03		GLOVE BOX DOOR (PASSENGER SIDE).....	1
46	613273		FRONT FASCIA.....	1
47	617643		COWL GRILL COVER.....	1
48	70725G02		FRONT SHIELD BRACE.....	2
49	613036G**		COWL (See COLOR CODE in HOW TO USE Section of Manual).....	1
50	71055G01		RIVET (ALUMINUM), 3/16" X 1" LG.....	7
51	16469G1		FENDER WASHER, 9/32".....	2
52	01038G01		SWAGEFORM SCREW, 1/4" - 20" X 0.7" LG.....	4
53	15058G1		RIVET (ALUMINUM), 0.87".....	2
54	71597G01		SELF THREADING NUT, 5 X 10 X 15MM.....	2
55	614378		FENDER FLARE (DRIVER SIDE).....	1
56	613274		FENDER FLARE (PASSENGER SIDE).....	1
57	71055G01		RIVET (ALUMINUM), 3/16" X 1" LG.....	6
58	618653		FASCIA BRACKET.....	1
59	14390G4		LOCK NUT, 1/4" - 20.....	2
60	00414G6		HEX HEAD BOLT, 1/4" - 20 X 3/4" LG.....	2
61				
62				

# BODY

When ordering parts, please specify the model and serial number of the product.

\* Indicates a component that is not available as an individual part.

\*\*\* Indicates consult Customer Service Department for additional information.

ITEM	PART NO.	1	2	3	4	5	DESCRIPTION	QTY.
63								
64								
65	617620						BRUSHGUARD .....	1
66								
67	00440G6						HEX HEAD BOLT 5/16" - 18 X 2 1/4" LG .....	2
68	75048G02						SPACER, 0.328" X 0.75" X 1.31" .....	2
69								
70	00565G8						LOCK WASHER, 5/16" .....	4
71	00440G2						HEX HEAD BOLT, 5/16" - 18 X 2 1/4" LG .....	4
72	75048G04						SPACER, 0.328" X 0.75" X 1" .....	2
73	00559G8						FLAT WASHER, 5/16" .....	4
74	70663G06						FLOORMAT WITH HORN HOLES (DIAMOND PLATE) .....	1
75	70135G01						PEDAL PIVOT COVER .....	1
76								
77	70244G03						SPLASH PANEL .....	1
78	00715G2						HEX HEAD BOLT, 5/16" - 18 X 0.80" LG .....	4
79	00438G8						HEX HEAD BOLT, 5/16" - 18 X 5/8" LG .....	2
80	00559G8						FLAT WASHER, 5/16" .....	2
81	11098G6						LOCK NUT (SS), 5/16" - 18 .....	2
82								
83								
84	600496						BATTERY TRAY .....	1
85	00715G2						HEX HEAD BOLT, 5/16" - 18 X 0.80" LG .....	1
86	00438G8						HEX HEADBOLT, 5/16" - 18 X 5/8" LG .....	2
87	00571G2						FLAT WASHER, 5/16" .....	1
88	00565G8						LOCK WASHER, 5/16" .....	1
89								
90								
91								
92								
93								

When ordering parts, please specify the model and serial number of the product.

\* Indicates a component that is not available as an individual part.

\*\*\* Indicates consult Customer Service Department for additional information.

ITEM	PART NO.	1 2 3 4 5	DESCRIPTION	QTY.
94				
95				
96	605694		SEAT FRAME .....	1
97	00715G2		HEX HEAD BOLT, 5/16" - 18 X 0.875" LG .....	2
98				
99				
100				
101				
102				
103				
104	609143G**		SEAT WRAP W/LOUVERS (See COLOR CODE in HOW TO USE Section)	1
105	10570G10		RIVET (SS), 5/32" X 9/16" LG.....	8
106	71609G01		SEAT HINGE PLATE .....	2
107	10570G11		RIVET (SS), 3/16" X 3/4" LG.....	4
108	20271G02		HOLE PLUG.....	1
109				
110				
111	609168G1**		SIDE PANEL (DRIVER SIDE) (See COLOR CODE in HOW TO USE Section) .....	1
112	609168G2**		SIDE PANEL (PASSENGER SIDE) (See COLOR CODE in HOW TO USE Section) .....	1
113	10570G10		RIVET (SS), 5/32" X 9/16" LG.....	4
114	10570G12		RIVET (ALUMINUM), 1/4" X 9/16" LG .....	4
115	16469G1		FLAT WASHER, 1/4" .....	4
116				
117				
118	618886		ROCKER PANEL (DRIVER SIDE) .....	1
119	618885		ROCKER PANEL (PASSENGER SIDE) .....	1
120	71440G03		BRACE PANEL (DRIVER SIDE).....	1
121	71440G04		BRACE PANEL (PASSENGER SIDE) .....	1
122	00789G2		PHILLIPS HEAD SCREW, #10 - 24 X 1 1/4" LG .....	2
123	23726G4		SPACER, 1/4" .....	4

# BODY

When ordering parts, please specify the model and serial number of the product.

\* Indicates a component that is not available as an individual part.

\*\*\* Indicates consult Customer Service Department for additional information.

ITEM	PART NO.	1 2 3 4 5	DESCRIPTION	QTY.
124	00660G5		FLAT WASHER (SS), #10 .....	2
125	14390G10		LOCK NUT, #10 - 24.....	2
126				
127				
128				
129	16705G1		PAN HEAD SCREW (SS), 1/4" - 20 X 1" LG .....	4
130	23726G4		SPACER, 1/4".....	4
131				
132	14390G4		LOCK NUT, 1/4" - 20 .....	4
133				
134				
135				
136	74893G01		FENDER (DRIVER SIDE) .....	1
137	74893G02		FENDER (PASSENGER SIDE) .....	1
138	74893G03		FENDER W/TAIL LIGHT OPENING (DRIVER SIDE) .....	1
139	74893G04		FENDER W/TAIL LIGHT OPENING (PASSENGER SIDE) .....	1
140	16816G2		RATCHET FASTENER, 1/4" X 3/4" LG .....	10
141				
142	16816G2		RATCHET FASTENER, 1/4" X 3/4" LG .....	8
143	74890G01		REAR PANEL .....	1
144	71055G01		RIVET (ALUMINUM), 3/16" X 1" LG.....	4
145				
146	74891G01		SEAT FILLER PANEL (DRIVER SIDE) .....	1
147	74891G02		SEAT FILLER PANEL (PASSENGER SIDE).....	1
148	10570G10		RIVET (SS), 5/32" X 9/16" LG .....	6
149				
150	74099G01		DECAL WARNING BED LATCH .....	2
151	633897		DECAL, CUSHMAN LOGO, REFRESHER FS2 .....	2
152				
153				
154	74492G02		HEAVY DUTY BALL HITCH KIT (INCLUDES ITEMS 160, 166 - 170) .....	1



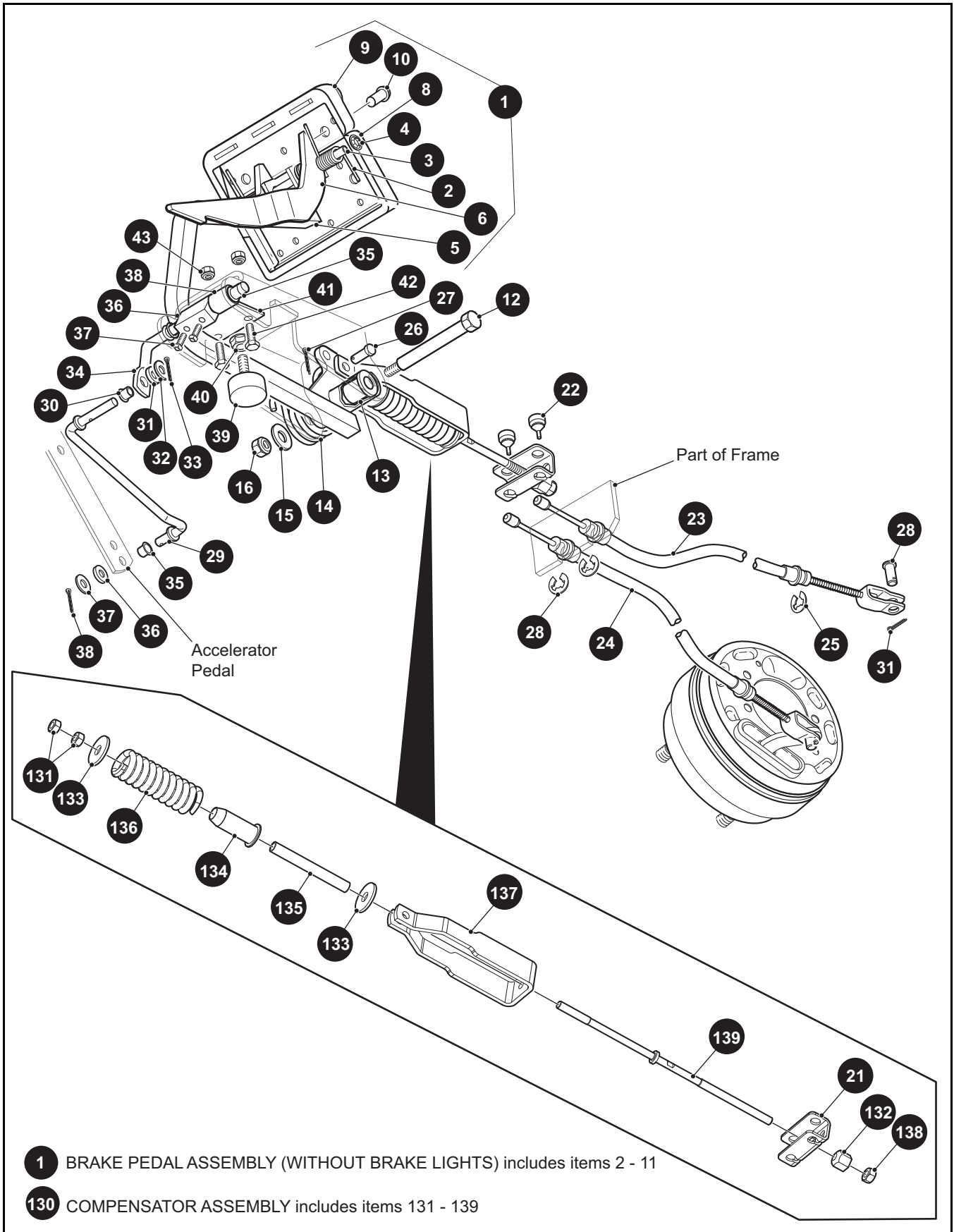
When ordering parts, please specify the model and serial number of the product.

\* Indicates a component that is not available as an individual part.

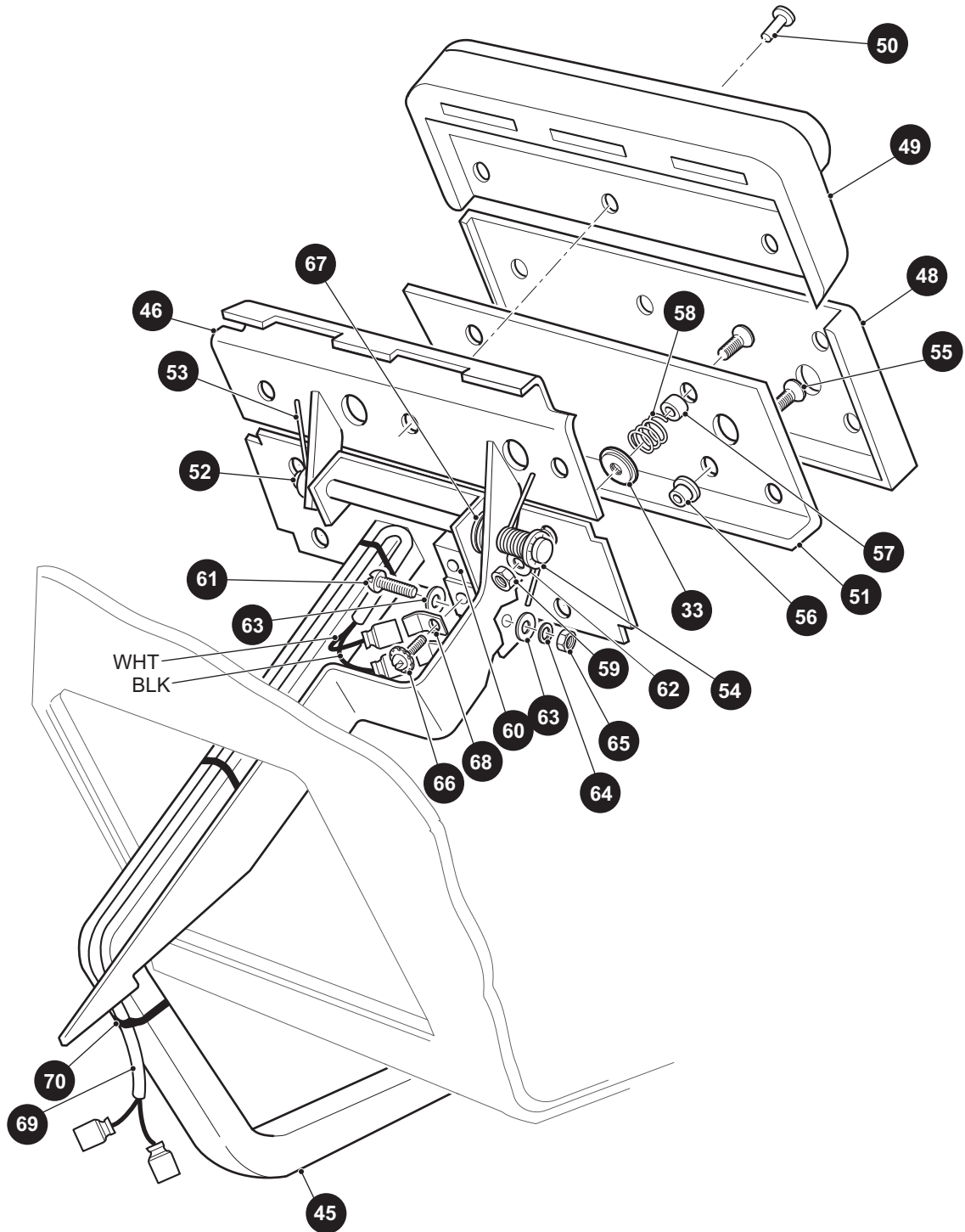
\*\*\* Indicates consult Customer Service Department for additional information.

ITEM	PART NO.	1 2 3 4 5	DESCRIPTION	QTY.
155	74492G04		ANGLE HITCH KIT (INCLUDES ITEMS 161, 166, 167).....	1
156	74492G06		CLEVIS HITCH KIT (INCLUDES ITEMS 162, 166, 167, 171, 172) .....	1
157	74492G08		DROP ANGLE HITCH KIT (INCLUDES ITEMS 163, 166, 167) .....	1
158	74492G10		DROP BALL HITCH KIT (INCLUDES ITEMS 164, 160 - 170).....	1
159	74492G12		DROP CLEVIS HITCH KIT (INCLUDES ITEMS 165, 166, 167, 171, 172).....	1
160	74351G02		HEAVY DUTY HITCH .....	1
161	74339G02		ANGLE HITCH .....	1
162	74338G02		CLEVIS HITCH .....	1
163	74489G02		DROP ANGLE HITCH .....	1
164	74491G02		DROP BALL HITCH .....	1
165	74495G02		DROP CLEVIS HITCH .....	1
166	21317G01		CLEVIS PIN, 5/8" X 3" LG .....	1
167	21683G1		COTTER PIN, 15/32" X 2 11/16" LG .....	1
168	31757G1		HITCH BALL, 1 7/8".....	1
169	00566G6		LOCK WASHER, 3/4" .....	1
170	00702G11		HEX NUT, 3/4" - 16.....	1
171	14443G7		CLEVIS PIN, 1/2" X 2 1/2" LG .....	1
172	19314G1		COTTER PIN, 2 1/2" LG .....	1
173				
174	14390G4		LOCK NUT, 1/4" - 20 .....	4
175	00642G7		FLAT WASHER, 1/4".....	8
176	00414G6		HEX HEAD BOLT, 1/4" - 20 X 1/2" LG .....	4
177	15058G6		RIVET (ALUMINUM), 3/16" X 15/16" LG .....	2

# BRAKES - FRONT DISC

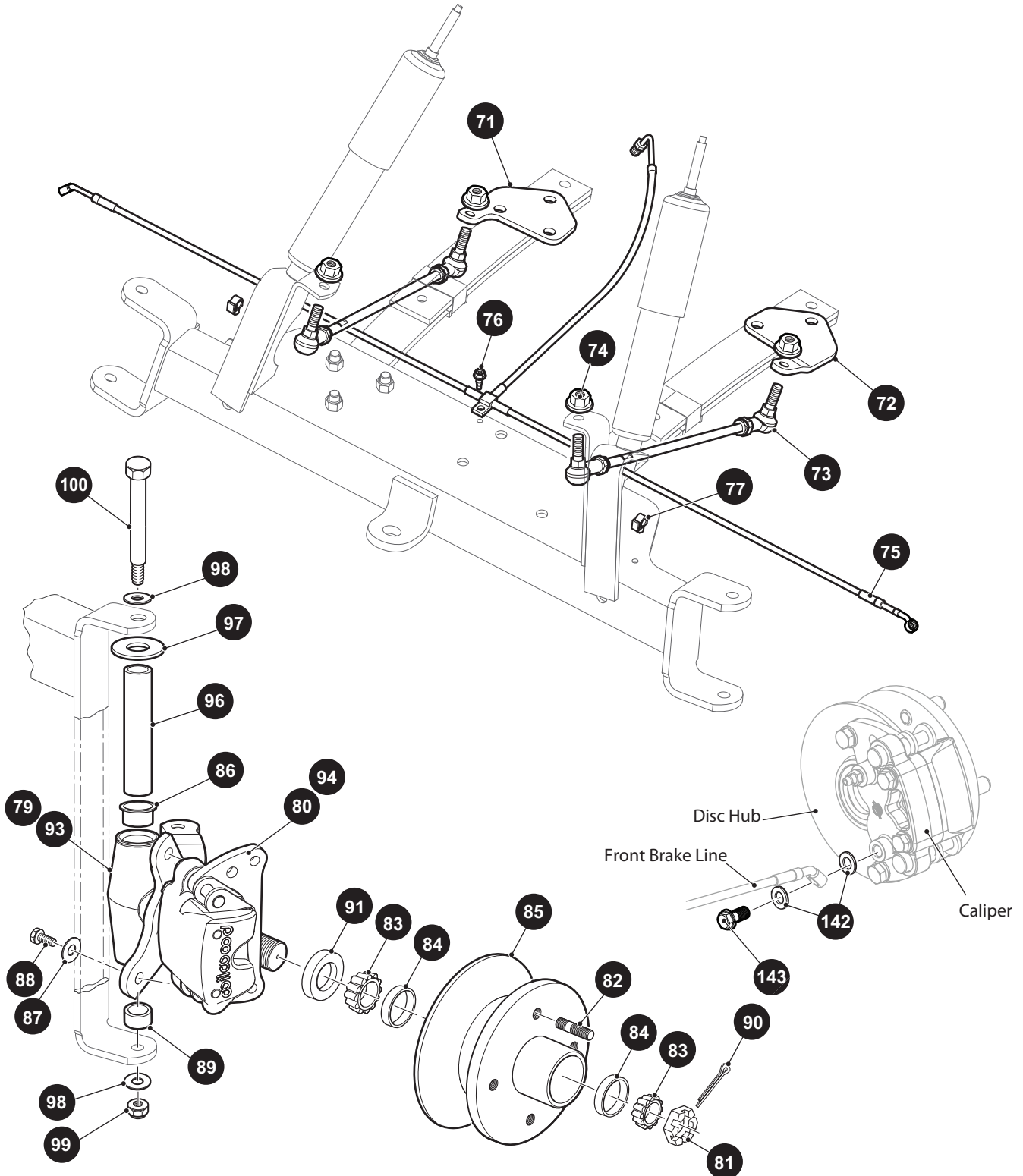


**44** BRAKE PEDAL ASSEMBLY (WITH BRAKE LIGHTS) includes items 45 - 70

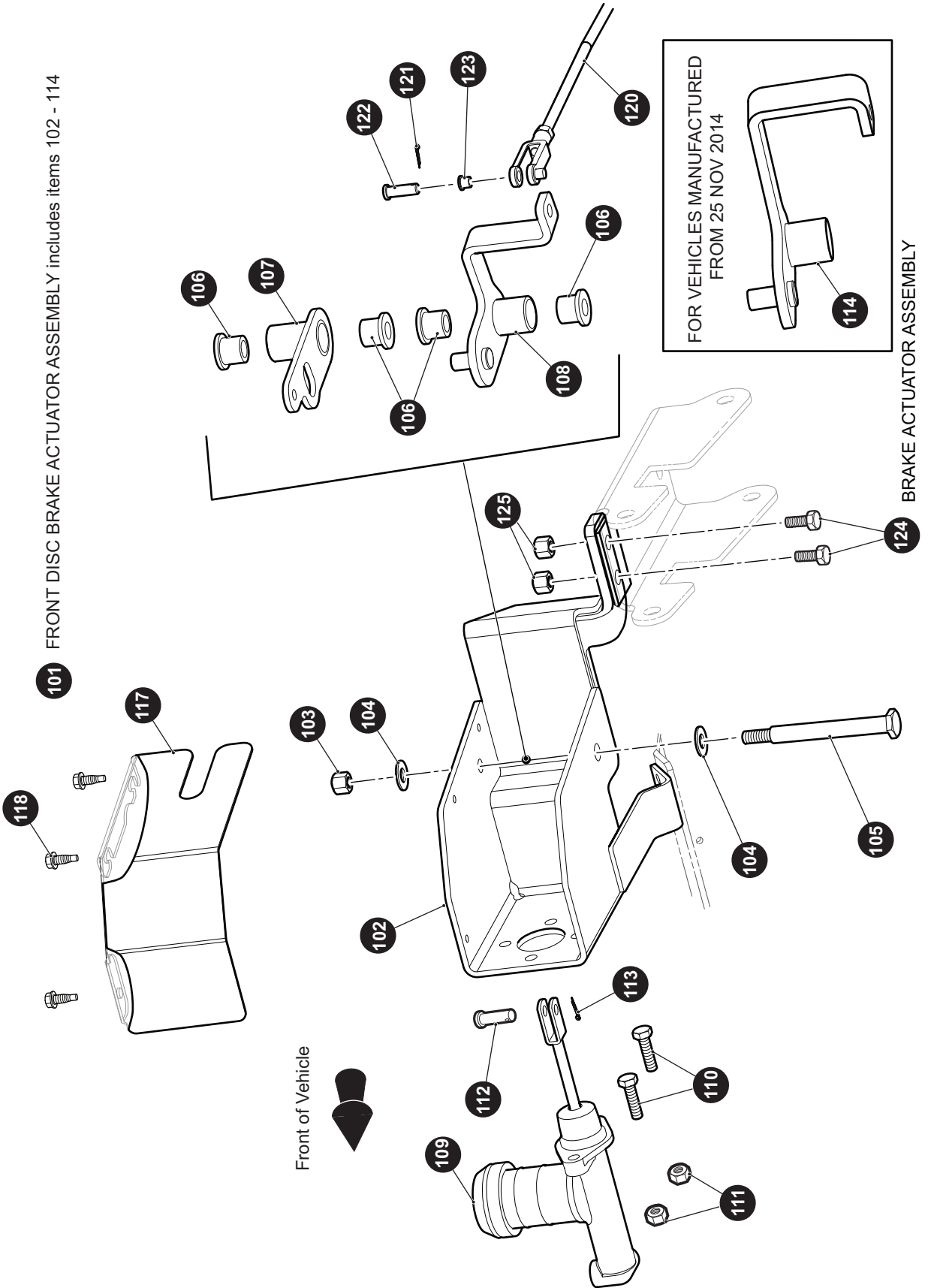


# BRAKES - FRONT DISC

- 78 SPINDLE, CALIPER AND DISC HUB ASSEMBLY (DRIVER SIDE) includes items 79 - 91
- 92 SPINDLE, CALIPER AND DISC HUB ASSEMBLY (PASSENGER SIDE) includes items 81 - 91, 93, 94
- 95 DISC BRAKE SERVICE HUB ASSEMBLY includes items 82 - 85, 91



101 FRONT DISC BRAKE ACTUATOR ASSEMBLY includes items 102 - 114



# BRAKES - FRONT DISC

When ordering parts, please specify the model and serial number of the product.

\* Indicates a component that is not available as an individual part.

\*\*\* Indicates consult Customer Service Department for additional information.

ITEM	PART NO.	1	2	3	4	5	DESCRIPTION	QTY.
1	74723G01						BRAKE PEDAL ASSEMBLY (WITHOUT BRAKE LIGHTS) (INCLUDES ITEMS 2 - 11) .....	1
2	70681G01						TORSION SPRING .....	2
3	70682G01						PARKING BRAKE PEDAL PIN .....	1
4	01071G01						PUSH NUT, 5/16" .....	2
5	74721G01						BRAKE PEDAL .....	1
6	607395						PARK BRAKE PEDAL.....	1
7								
8	70257G01						BRAKE PAD.....	1
9	70256G01						PARK BRAKE PAD .....	1
10	16409G1						OVAL RIVET, 3/16" X 15/32" LG.....	9
11								
12	70582G01						SHOULDER BOLT, 3/8" - 16 X 4" LG .....	1
13	70581G01						FLANGED BUSHING, 1" LG.....	2
14	70676G01						TORSION SPRING .....	1
15	00643G1						FLAT WASHER, 3/8" .....	1
16	11098G5						LOCK NUT, 3/8" - 16 .....	1
17								
18	12416G2						NYLON WEDGE LOCK CLAMP (NOT ILLUSTRATED) .....	5
19								
20								
21	28082G01						EQUALIZER BRACKET .....	1
22	28083G01						BRAKE COMPENSATOR BUMPER .....	2
23	624697						BRAKE CABLE (DRIVER SIDE) .....	1
24	624698						BRAKE CABLE (PASSENGER SIDE).....	1
25	01111G01						RETAINING RING (SS). .....	4
26	10386G3						CLEVIS PIN, 5/16" X 1" .....	5
27	10387G3						COTTER PIN, 3/32" X 3/4" .....	3
28								
29	70601G01						KICK-OFF LINK.....	1
30	17838G1						NYLON BUSHING, .3" LG .....	2
31	20835G1						TEFLON WASHER, 3/8" .....	2

# BRAKES - FRONT DISC

When ordering parts, please specify the model and serial number of the product.

\* Indicates a component that is not available as an individual part.

\*\*\* Indicates consult Customer Service Department for additional information.

ITEM	PART NO.	1 2 3 4 5	DESCRIPTION	QTY.
32	00559G8		FLAT WASHER, 5/16".....	2
33	00642G8		FLAT WASHER, 5/16".....	2
34	70098G01		KICK-OFF CAM PIVOT.....	1
35	10097G6		FLANGED BEARING.....	2
36	70587G01		KICK-OFF CAM.....	1
37	71215G01		SET SCREW WITH PATCH LOCK, 1/4" - 20 X 1/2" LG.....	2
38	14134G4		SPACER, 1.25".....	1
39	70113G01		ADJUSTABLE BUMPER.....	1
40	11027G1		LOCK NUT, 5/16" - 18.....	1
41	70080G02		CATCH BRACKET.....	1
42	00414G6		HEX HEAD BOLT, 1/4" - 20 X 1/2" LG.....	2
43	14390G4		LOCK NUT, 1/4" - 20.....	2
44	74874G01		BRAKE PEDAL ASSEMBLY (WITH BRAKE LIGHTS) (INCLUDES ITEMS 45 - 70).....	1
45	74870G01		BRAKE PEDAL.....	1
46	607395		PARK BRAKE PEDAL.....	1
47				
48	70257G01		BRAKE PAD.....	1
49	70256G01		PARK BRAKE PAD.....	1
50	16409G1		OVAL RIVET, 3/16" X 15/32" LG.....	9
51	70258G03		BRAKE PEDAL PLATE.....	1
52	70682G01		PARKING BRAKE PEDAL PIN.....	1
53	70681G01		TORSION SPRING.....	2
54	01071G01		PUSH NUT, 5/16".....	2
55	00737G8		PHILLIPS FLAT HEAD MACHINE SCREW, #10 - 24 X 1" LG.....	4
56	00739G1		RUBBER NUT, #10 - 24.....	2
57	74535G01		BRAKE PEDAL STANDOFF.....	2
58	27137G01		CONICAL SPRING.....	2
59	14390G10		LOCK NUT, #10 - 24.....	2
60	10606G8		LIMIT SWITCH (3 POLE).....	1
61	00645G2		PHILLIPS PAN HEAD MACHINE SCREW, #6 - 32 X 1 1/4" LG.....	2

# BRAKES - FRONT DISC

When ordering parts, please specify the model and serial number of the product.

\* Indicates a component that is not available as an individual part.

\*\*\* Indicates consult Customer Service Department for additional information.

ITEM	PART NO.	1	2	3	4	5	DESCRIPTION	QTY.
62	00559G5						FLAT WASHER, #10 .....	2
63	00559G3						FLAT WASHER, #6 .....	4
64	00565G3						LOCK WASHER, #6.....	2
65	00525G5						HEX NUT, #6 - 32.....	2
66	13514G1						PHILLIPS PAN HEAD MACHINE SCREW, #6 - 32 X 7/32" LG.....	2
67	20835G1						TEFLON WASHER, 3/8" .....	2
68	14628G1						FASTON TAB .....	2
69	24605G1						WIRE HARNESS (BRAKE LIGHT) .....	1
70	17618G1						WIRE TIE .....	3
71	74731G02						SPRING PLATE (PASSENGER SIDE).....	1
72	74731G01						SPRING PLATE (DRIVER SIDE) .....	1
73	74730G01						LINK ROD ASSEMBLY .....	2
74	606279						HEX NUT, M10 - 1.25 .....	4
75	630766						BRAKE LINE .....	1
76	01038G01						SWAGEFORM SCREW, 1/4" - 20 X 1/2" LG.....	1
77	74875G01						WIRE RETAINER .....	2
78	602281						SPINDLE, CALIPER AND DISC HUB ASSEMBLY (DRIVER SIDE) (INCLUDES ITEMS 79 - 91).....	1
79	602176						DISC BRAKE SPINDLE (DRIVER SIDE).....	1
80	633918G02						CALIPER (DRIVER SIDE) .....	1
81	12093G1						SLOTTED NUT, 17/32" .....	1
82	74864G01						DRIVE FLANGE STUD.....	4
83	11750G2						ROLLER BEARING.....	2
84	51141G1						BEARING RACE .....	2
85	630672						DISC BRAKE HUB.....	1
86	70648G01						FLANGED BEARING .....	1
87	00566G1						LOCK WASHER, 3/8" .....	2
88	00426G6						HEX HEAD BOLT, 3/8" - 16 X 3/4" LG .....	2
89	70749G01						BEARING .....	1
90	00798G8						COTTER PIN, 5/32" X 1 3/4" .....	1
91	25146G1						GREASE SEAL.....	1



# BRAKES - FRONT DISC

When ordering parts, please specify the model and serial number of the product.

\* Indicates a component that is not available as an individual part.

\*\*\* Indicates consult Customer Service Department for additional information.

ITEM	PART NO.	1 2 3 4 5	DESCRIPTION	QTY.
92	602288		SPINDLE, CALIPER AND DISC HUB ASSEMBLY (PASSENGER SIDE) (INCLUDES ITEMS 81 - 91, 93, 94) .....	1
93	602158		DISC BRAKE SPINDLE (PASSENGER SIDE).....	1
94	633918G01		CALIPER (PASSENGER SIDE) .....	1
95	74948G01		DISC BRAKE SERVICE HUB (INCLUDES ITEMS 82 - 85, 91) .....	1
96	70745G01		KINGPIN TUBE.....	2
97	70754G01		THRUST WASHER, 0.995" I.D X 1.38" O.D .....	2
98	00560G3		FLAT WASHER, 1/2" .....	4
99	14390G6		LOCK NUT, 1/2" - 13 .....	2
100	00407G6		HEX HEAD BOLT, 1/2" - 13 X 6" LG .....	2
101	608706		FRONT DISC BRAKE BRAKE ACTUATOR ASSEMBLY (INCLUDES ITEMS 102 - 114).....	1
102	612706		MASTER CYLINDER MOUNT WELDMENT.....	1
103	11098G5		LOCK NUT, 3/8" - 16 .....	1
104	00679G1		FLAT WASHER (SS), 3/8" .....	1
105	74711G01		ACTUATOR PIVOT BOLT, 3/8" - 16 X 4 1/2" LG.....	1
106	70581G02		ACETAL BUSHING, .75" LG.....	4
107	608122		ACTUATOR PIVOT (UPPER).....	1
108	608118		ACTUATOR PIVOT (LOWER) (FOR VEHICLES MANUFACTURED BEFORE 25 NOV 2014).....	1
109	887364		MASTER CYLINDER .....	1
110	00439G1		HEX HEAD BOLT, 5/16" X 18 X 1 1/8" LG .....	2
111	11098G6		LOCK NUT, 5/16" - 18 .....	2
112	10386G3		CLEVIS PIN, 5/16" X 1" .....	1
113	10387G3		COTTER PIN, 3/32" X 3/4" .....	1
114	641826		LOWER ACTUATOR PIVOT (FOR VEHICLES MANUFACTURED FROM 25 NOV 2014) .....	1
115	00771G5		FLAT WASHER, 3/8" (NOT ILLUSTRATED).....	1
116	21504G1		BRAKE FLUID (NOT ILLUSTRATED) .....	A/R
117	612704		ACTUATOR COVER.....	1
118	01038G01		SWAGEFORM SCREW WITH DOGPOINT, 1/4" - 20 X 1/2" LG .....	3
119				

# BRAKES - FRONT DISC

When ordering parts, please specify the model and serial number of the product.

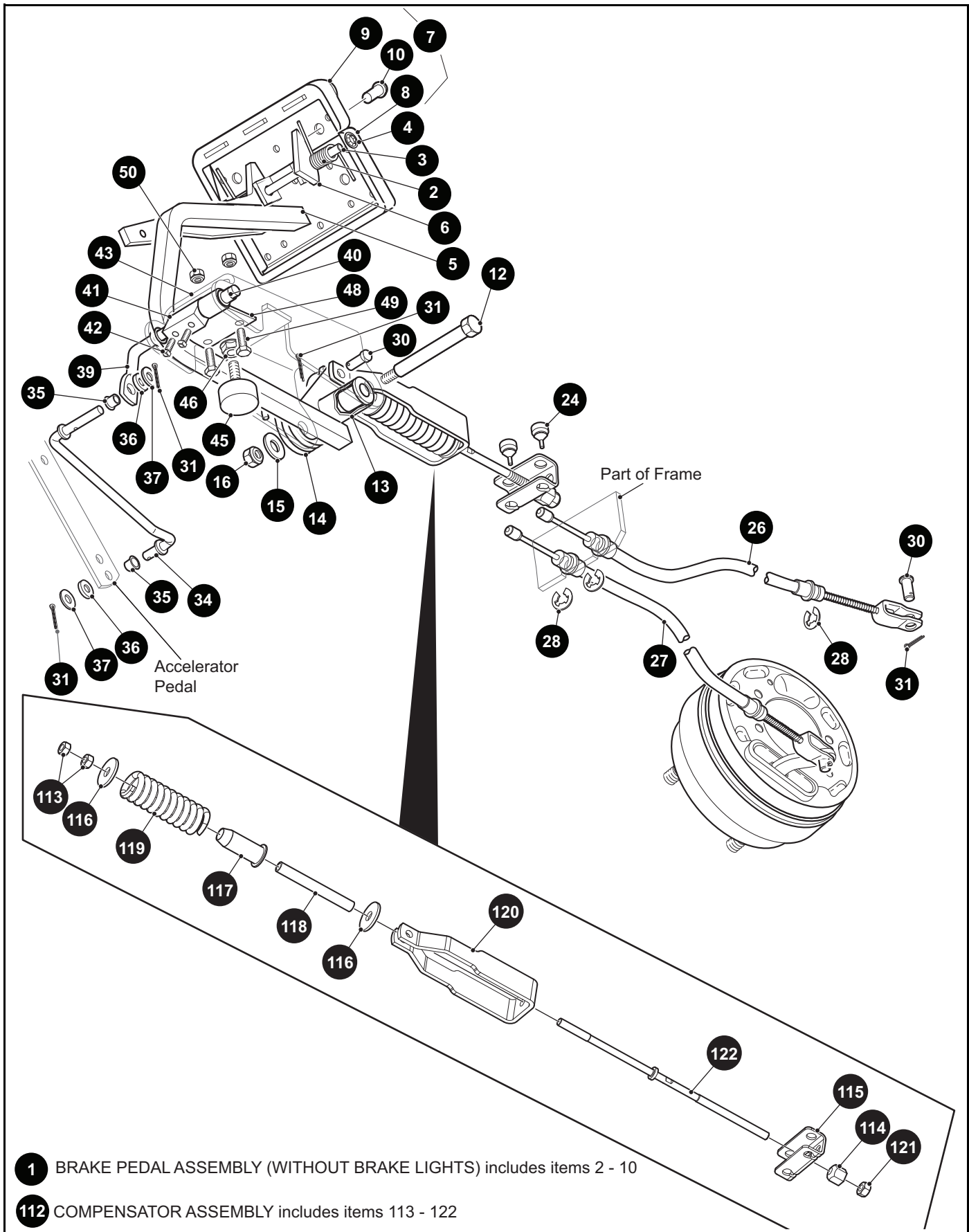
\* Indicates a component that is not available as an individual part.

\*\*\* Indicates consult Customer Service Department for additional information.

ITEM	PART NO.	1	2	3	4	5	DESCRIPTION	QTY.
120	608943						ACTUATOR LINKAGE.....	1
121	10387G3						COTTER PIN, 3/32" X 3/4" .....	2
122	10386G3						CLEVIS PIN, 5/16" X 1" .....	4
123	17838G1						NYLON BUSHING, .3" LG .....	2
124	00414G6						HEX HEAD BOLT, 1/4" - 20 X 1/2" LG.....	4
125	14390G4						LOCK NUT, 1/4" - 20 .....	2
126	74917G01						DISC BRAKE PAD AND PIN KIT (SERVICES ONE CORNER) (INCLUDES ITEMS 127 - 128) (NOT ILLUSTRATED).....	1
127	*						BRAKE PADS (NOT ILLUSTRATED) .....	2
128	*						BRAKE PAD RETAINER PINS (NOT ILLUSTRATED) .....	2
129								
130	612558						COMPENSATOR ASSEMBLY (INCLUDES ITEMS 131 - 139).....	1
131	00532G4						HEX NUT, 1/4" - 20 .....	2
132	629486						HEX NUT, 5/16" - 24 .....	1
133	15121G1						FLAT WASHER, 5/16" .....	2
134	17979G1						ACCELERATOR ROD BUSHING .....	1
135	23061G2						TUBE.....	1
136	23463G1						COMPRESSION SPRING .....	1
137	27330G01						BRAKE YOKE .....	1
138	11098G9						LOCK NUT, 5/16" - 24.....	1
139	612557						COMPENSATOR LINK ROD .....	1
140								
141								
142	613293						CRUSH WASHER, M10 .....	4
143	616459						BANJO BOLT, M10 - 1" X 20" LG .....	2

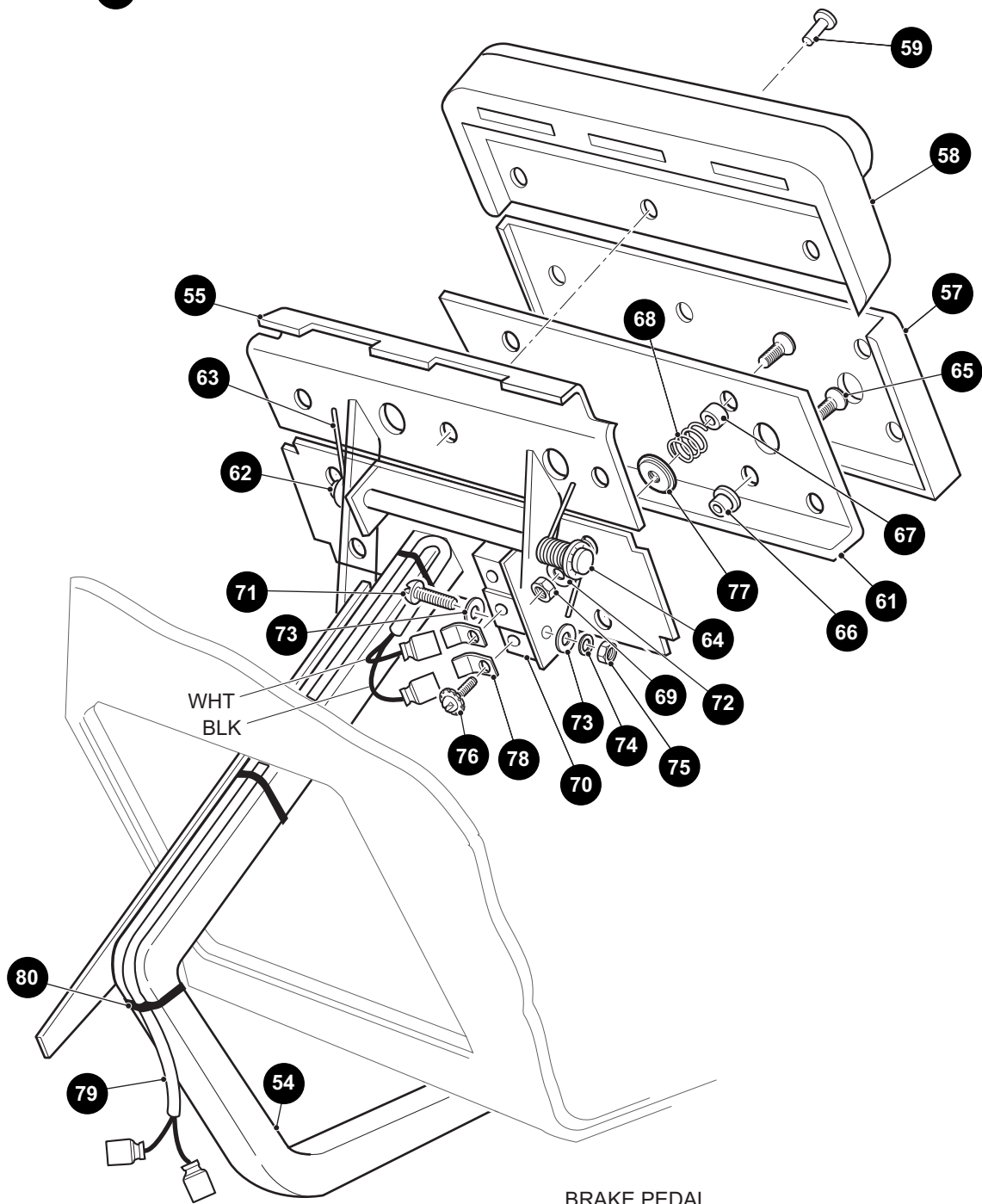


# BRAKES - MECHANICAL



**53** BRAKE PEDAL ASSEMBLY (WITH BRAKE LIGHTS) includes items 54 - 80

**56** BRAKE/PARK BRAKE PEDAL PAD KIT includes items 57 - 59



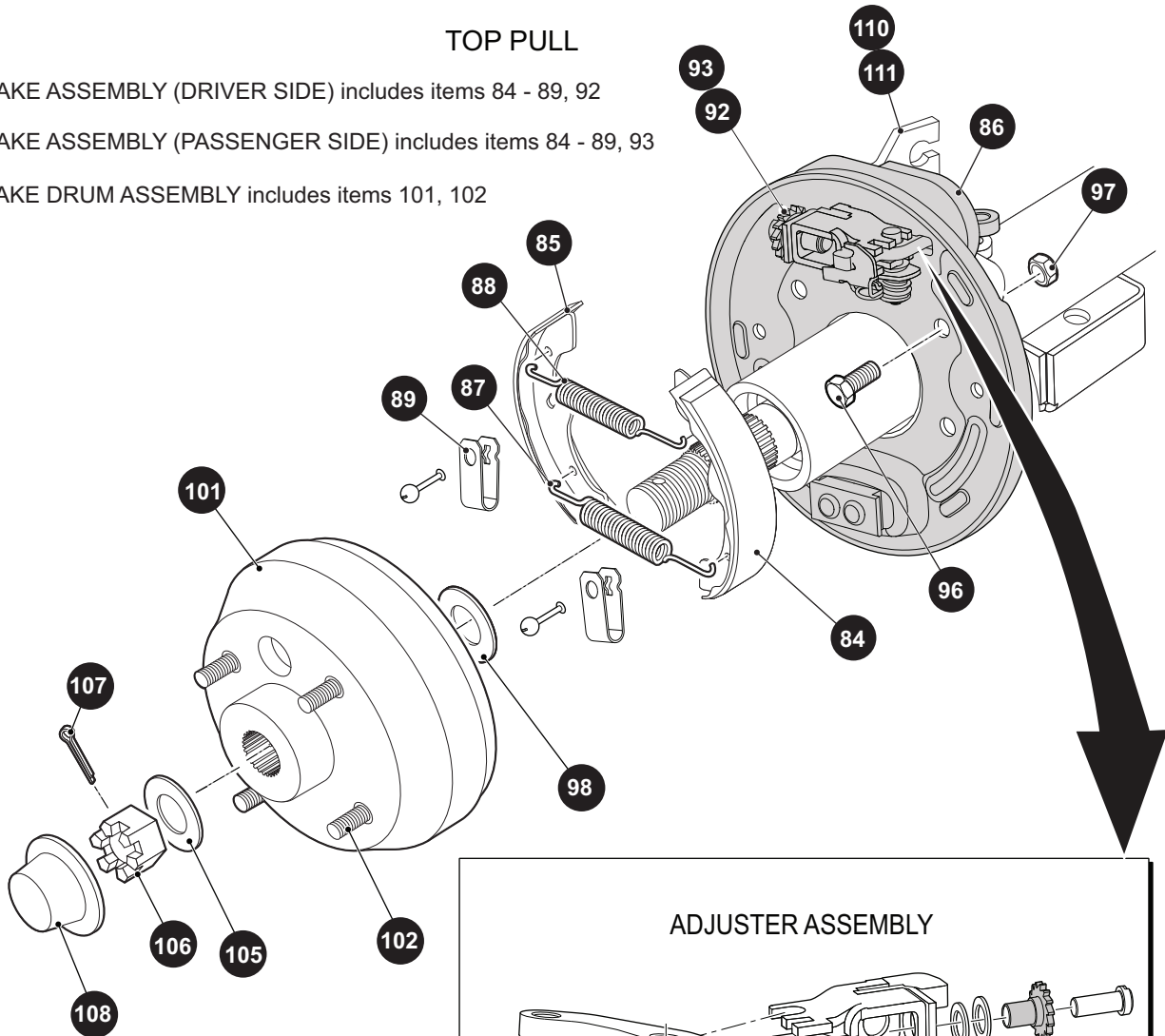
**BRAKE PEDAL  
(VEHICLE WITH BRAKE LIGHTS)**

## TOP PULL

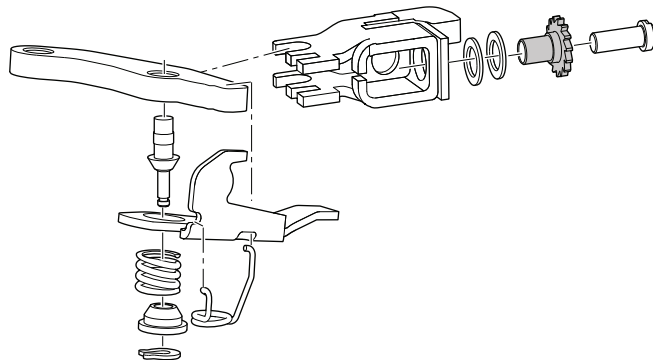
**82** BRAKE ASSEMBLY (DRIVER SIDE) includes items 84 - 89, 92

**83** BRAKE ASSEMBLY (PASSENGER SIDE) includes items 84 - 89, 93

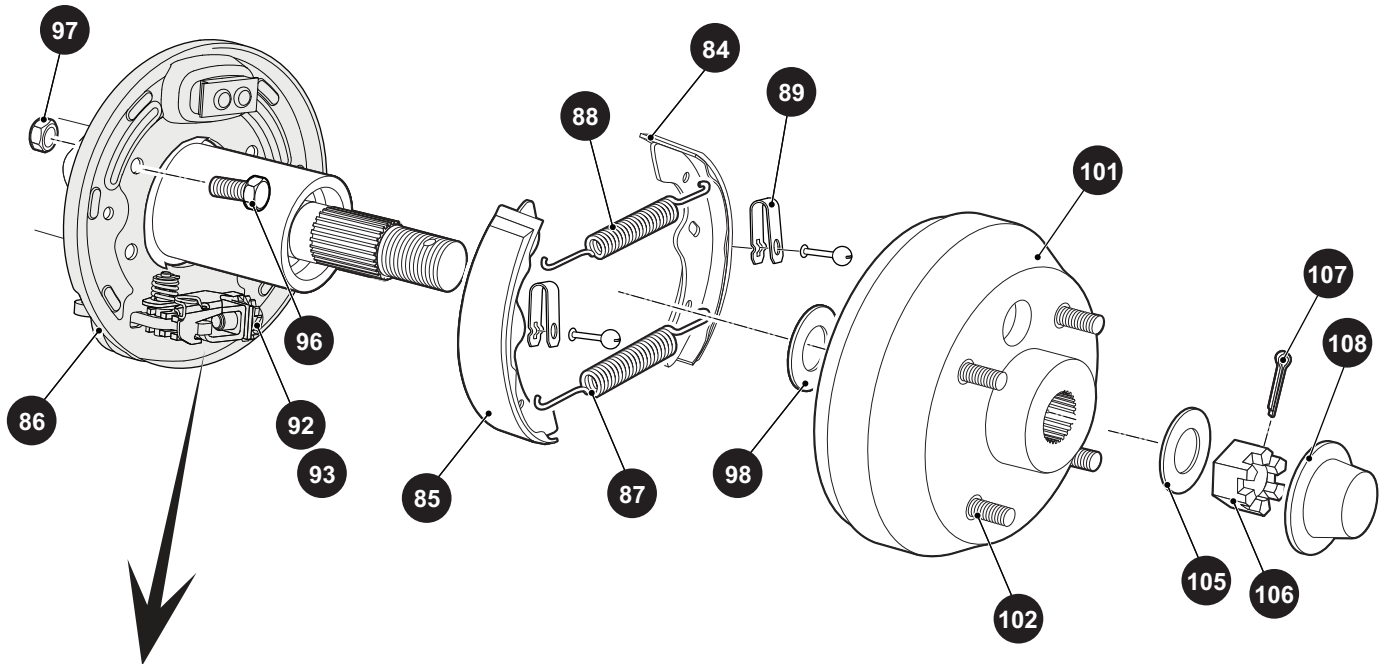
**100** BRAKE DRUM ASSEMBLY includes items 101, 102



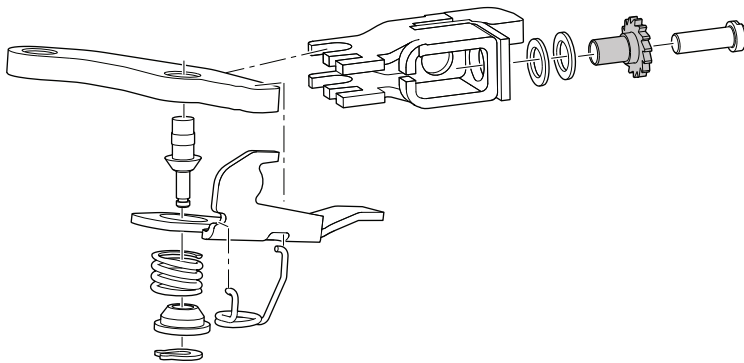
## ADJUSTER ASSEMBLY



## BOTTOM PULL



## ADJUSTER ASSEMBLY



- 82** BRAKE ASSEMBLY (DRIVER SIDE) includes items 84 - 89, 92
- 83** BRAKE ASSEMBLY (PASSENGER SIDE) includes items 84 - 89, 93
- 100** BRAKE DRUM ASSEMBLY includes items 101, 102

# BRAKES - MECHANICAL

When ordering parts, please specify the model and serial number of the product.

\* Indicates a component that is not available as an individual part.

\*\*\* Indicates consult Customer Service Department for additional information.

ITEM	PART NO.	1 2 3 4 5	DESCRIPTION	QTY.
1	70612G02		BRAKE PEDAL ASSEMBLY (WITHOUT BRAKE LIGHTS) (INCLUDES ITEMS 2 - 10).....	1
2	70681G01		TORSION SPRING .....	2
3	70682G01		PIVOT PIN .....	1
4	01071G01		PUSH NUT, 5/16" .....	2
5	70259G02		BRAKE PEDAL .....	1
6	70611G02		PARK BRAKE PEDAL.....	1
7	70274G01		BRAKE/PARK BRAKE PEDAL PAD KIT (INCLUDES ITEMS 8 - 10) .....	1
8	70257G01		SERVICE BRAKE PAD.....	1
9	70256G01		PARK BRAKE PAD .....	1
10	15766G1		OVAL RIVET, 3/16" X 7/16" LG .....	9
11				
12	70582G01		SHOULDER BOLT (SS), 3/8" - 16 X 4" LG .....	1
13	70581G01		FLANGED BUSHING .....	2
14	70676G01		TORSION SPRING .....	1
15	00643G1		FLAT WASHER, 3/8" .....	1
16	11098G5		LOCK NUT, 3/8" - 16 .....	1
17				
18				
19				
20	12416G2		NYLON WEDGE LOCK CLAMP (NOT ILLUSTRATED) .....	5
21				
22				
23				
24	28083G01		BRAKE COMPENSATOR BUMPER .....	2
25				
26	624697		BRAKE CABLE (DRIVER SIDE) .....	1
27	624698		BRAKE CABLE (PASSENGER SIDE).....	1
28	01111G01		RETAINING RING(SS), 13/32" .....	4
29				
30	10386G3		CLEVIS PIN, 5/16" X 13/16" LG .....	3



# BRAKES - MECHANICAL

When ordering parts, please specify the model and serial number of the product.

\* Indicates a component that is not available as an individual part.

\*\*\* Indicates consult Customer Service Department for additional information.

ITEM	PART NO.	1 2 3 4 5	DESCRIPTION	QTY.
31	10387G3		COTTER PIN, 3/32" X 3/4" LG.....	5
32				
33				
34	70601G01		KICK-OFF LINK .....	1
35	17838G1		NYLON BUSHING .....	2
36	20835G1		TEFLON WASHER, 3/8" .....	2
37	00559G8		FLAT WASHER, 5/16".....	2
38				
39	70098G01		KICK-OFF CAM PIVOT.....	1
40	10097G6		FLANGED BEARING .....	2
41	70587G01		KICK-OFF CAM .....	1
42	71215G01		SET SCREW WITH PATCH LOCK, 1/4" - 20 X 1/2" LG .....	2
43	14134G4		SPACER.....	1
44				
45	70113G01		ADJUSTABLE BUMPER.....	1
46	11027G1		LOCK NUT, 5/16" - 18.....	1
47				
48	70080G02		CATCH BRACKET .....	1
49	00414G6		HEX HEAD BOLT, 1/4" - 20 X 3/4" LG .....	2
50	14390G4		LOCK NUT(SS), 1/4" - 20 .....	2
51				
52				
53	70690G02		BRAKE PEDAL ASSEMBLY (WITH BRAKE LIGHTS) (INCLUDES ITEMS 54 - 80) .....	1
54	70686G02		BRAKE PEDAL.....	1
55	70611G02		PARK BRAKE PEDAL .....	1
56	70274G01		BRAKE/PARK BRAKE PEDAL PAD KIT (INCLUDES ITEMS 57 - 59) ....	1
57	70257G01		SERVICE BRAKE PAD .....	1
58	70256G01		PARK BRAKE PAD .....	1
59	16409G1		OVAL RIVET, 3/16" X 7/16" LG .....	9
60				

# BRAKES - MECHANICAL

When ordering parts, please specify the model and serial number of the product.

\* Indicates a component that is not available as an individual part.

\*\*\* Indicates consult Customer Service Department for additional information.

ITEM	PART NO.	1	2	3	4	5	DESCRIPTION	QTY.
61	70258G03						BRAKE PEDAL PLATE .....	1
62	70682G01						PIVOT PIN .....	1
63	70681G01						TORSION SPRING .....	2
64	01071G01						PUSH NUT, 5/16" .....	1
65	00737G8						FLAT HEAD PHILLIPS SCREW, #10 - 24 X 7/8" LG .....	4
66	00739G1						RUBBER NUT, #10 - 24 .....	2
67	74535G01						BRAKE PEDAL STANDOFF .....	2
68	27137G01						CONICAL SPRING .....	2
69	14390G10						LOCK NUT, #10 - 24 .....	2
70	10606G8						MICRO SWITCH .....	1
71	00645G2						PAN HEAD PHILLIPS SCREW, #6 - 32 X 1 1/4" LG .....	2
72	00559G5						FLAT WASHER, #10 .....	2
73	00559G3						FLAT WASHER, #6 .....	4
74	00565G3						LOCK WASHER, #6 .....	2
75	00525G5						HEX NUT, #6 - 32 .....	2
76	13514G1						SCREW AND LOCK WASHER, #6 .....	2
77	00642G8						FLAT WASHER, 5/16" .....	2
78	14628G1						FASTON TAB .....	2
79	24605G1						WIRE HARNESS (BRAKE LIGHT) .....	1
80	17618G1						WIRE TIE .....	4
81								
82	612211						BRAKE ASSEMBLY (DRIVER SIDE) (INCLUDES ITEMS 84 - 89, 92) .....	1
83	612189						BRAKE ASSEMBLY (PASSENGER SIDE) (INCLUDES ITEMS 84 - 89, 93) .....	1
84	612411						BRAKE SHOE L .....	2
85	612412						BRAKE SHOE T .....	2
86	612413						DUST COVER .....	2
87	612415						BRAKE SPRING .....	1
88	612414						BRAKE SPRING .....	1
89	612416						SHOE CLAMP .....	2
90								
91								

# BRAKES - MECHANICAL

When ordering parts, please specify the model and serial number of the product.

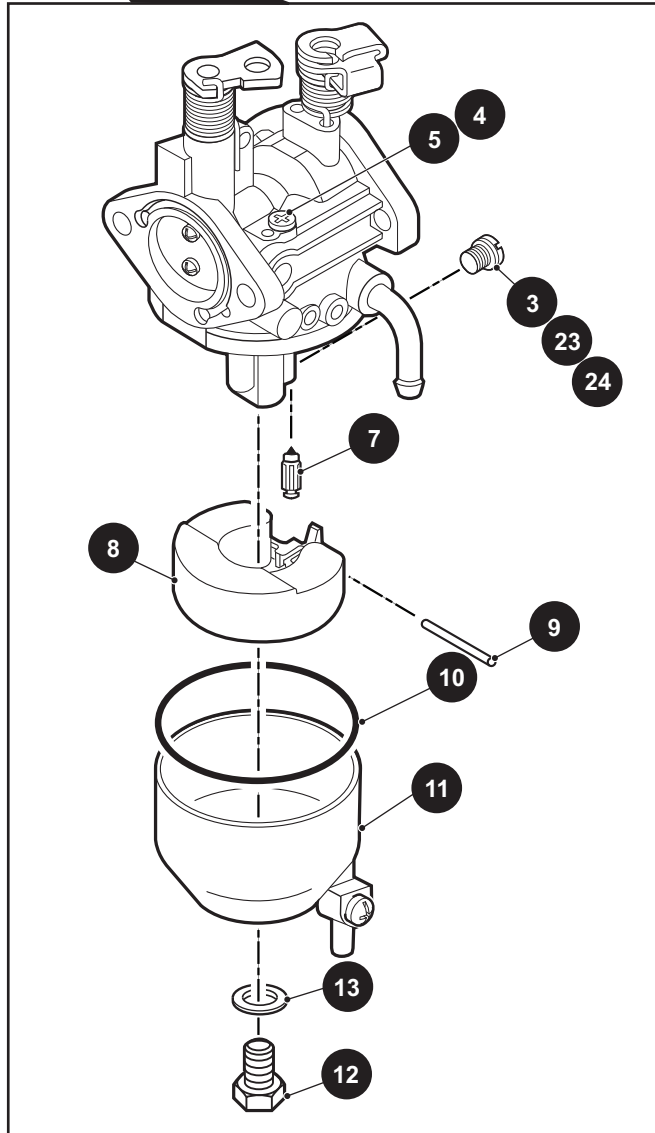
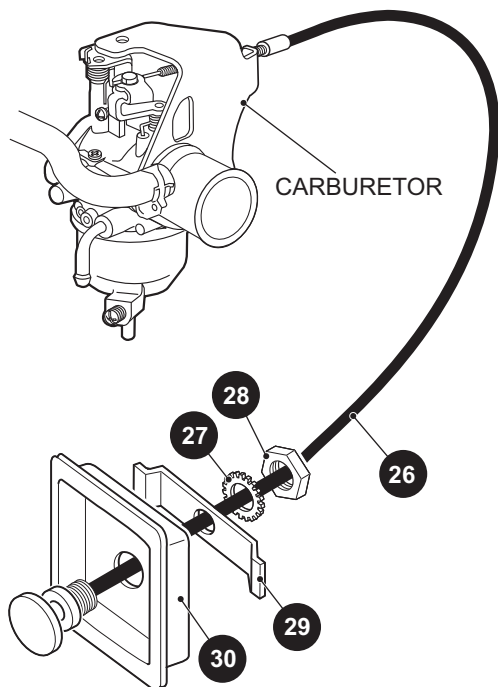
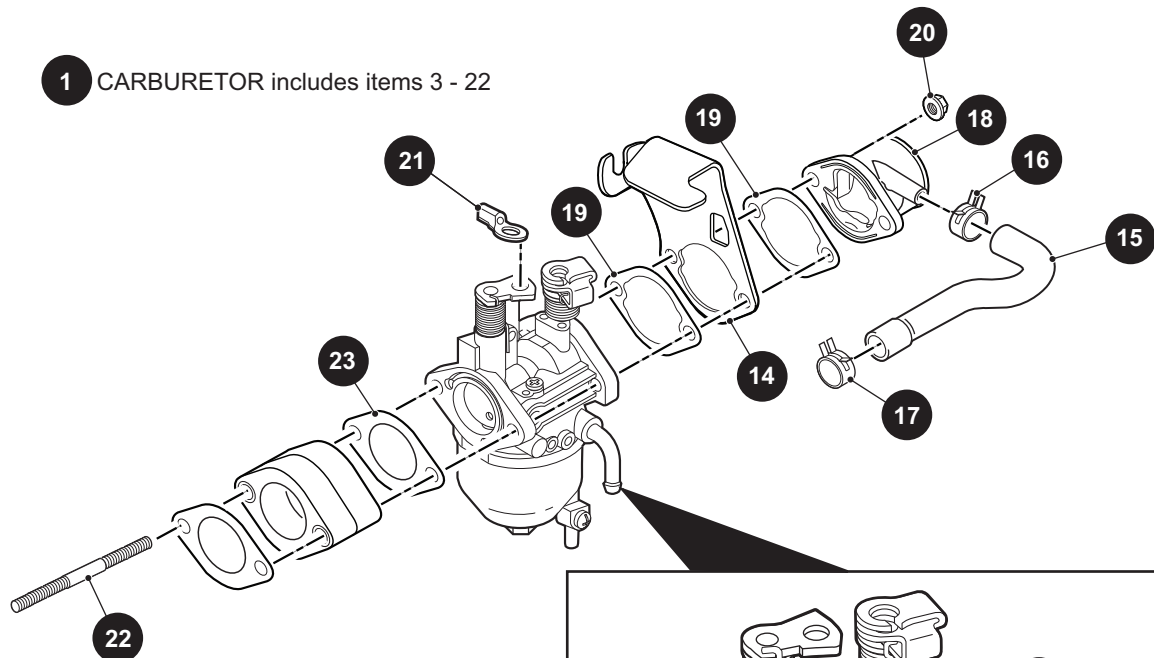
\* Indicates a component that is not available as an individual part.

\*\*\* Indicates consult Customer Service Department for additional information.

ITEM	PART NO.	1 2 3 4 5	DESCRIPTION	QTY.
92	612418		GEAR ADJUSTER .....	1
93	612417		GEAR ADJUSTER .....	1
94				
95				
96	17083G2		HEX HEAD BOLT, 5/16" - 24 X 1" LG .....	8
97	15126G1		LOCK NUT, 5/16" - 24 .....	8
98	21809G1		INNER BRAKE DRUM WASHER, 1 5/16" O.D X 1" I.D X 1/32" .....	2
99				
100	21807G2		BRAKE DRUM ASSEMBLY (INCLUDES ITEMS 101 - 102) .....	2
101	*		BRAKE DRUM .....	1
102	19862G2		LUG BOLT, 1/2" - 20 X 1 3/16" LG .....	4
103				
104				
105	606945		OUTER BRAKE DRUM WASHER .....	2
106	606403		SLOTTED NUT, M22 X 1.5 .....	2
107	10387G1		COTTER PIN, 1/8" X 1 1/2" LG .....	2
108	74175G01		SPINDLE CAP .....	2
109				
110	608200		BRAKE CABLE BRACKET (PASSENGER SIDE) .....	1
111	608201		BRAKE CABLE BRACKET (DRIVER SIDE) .....	1
112	612558		COMPENSATOR ASSEMBLY (INCLUDES ITEMS 113 - 122) .....	1
113	00532G4		HEX NUT, 1/4" - 20 .....	2
114	629486		HEX NUT, 5/16" - 24 .....	1
115	28082G01		EQUALIZER BRACKET .....	1
116	15121G1		FLAT WASHER, 5/16" .....	2
117	17979G1		ACCELERATOR ROD BUSHING .....	1
118	23061G2		TUBE .....	1
119	23463G1		COMPRESSION SPRING .....	1
120	27330G01		BRAKE YOKE .....	1
121	11098G9		HEX LOCK NUT, 5/16" - 24 .....	1
122	612557		COMPENSATOR LINK ROD .....	1

# CARBURETOR AND CHOKE

1 CARBURETOR includes items 3 - 22



# CARBURETOR AND CHOKE

When ordering parts, please specify the model and serial number of the product.

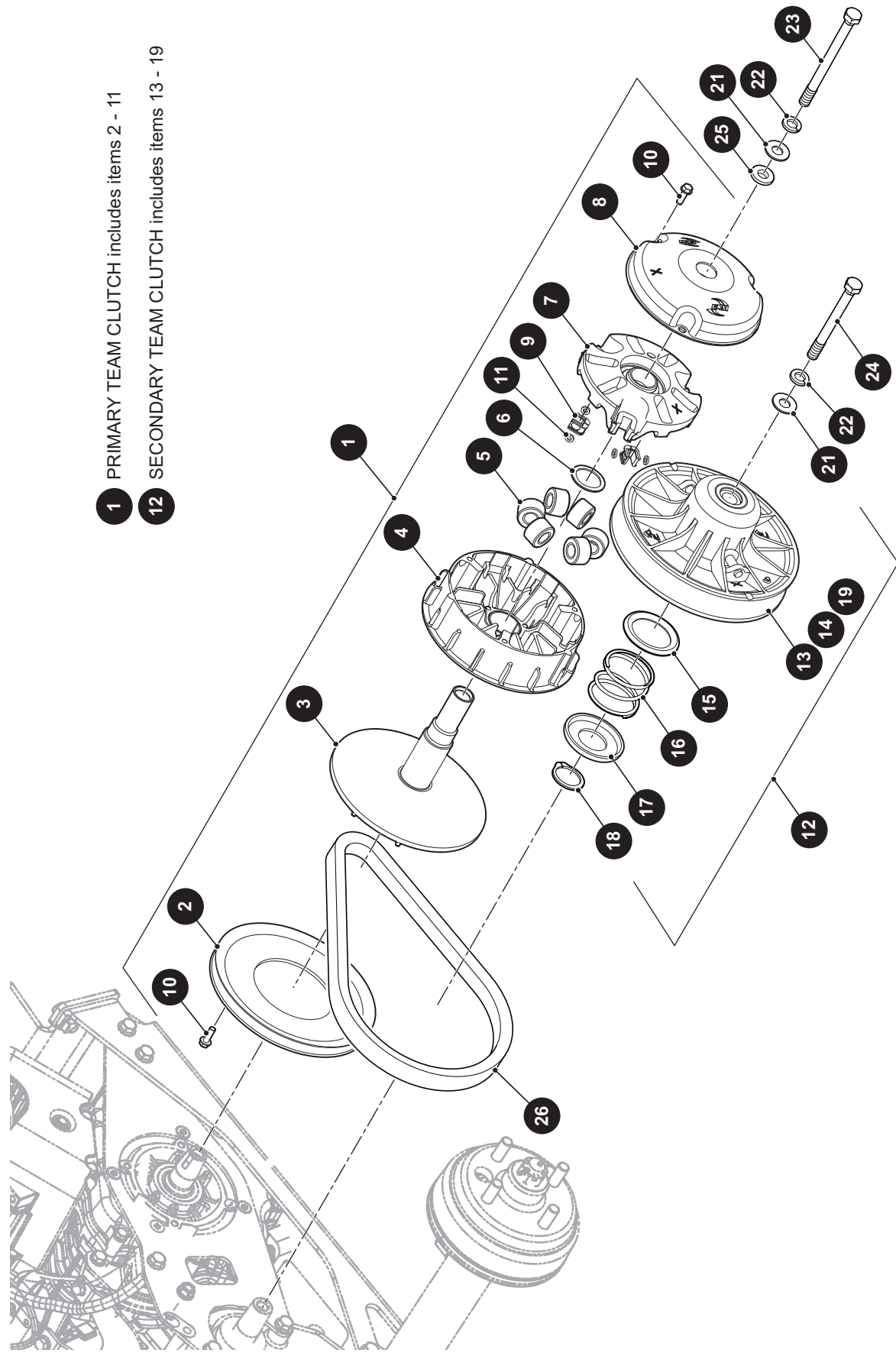
\* Indicates a component that is not available as an individual part.

\*\*\* Indicates consult Customer Service Department for additional information.

ITEM	PART NO.	1 2 3 4 5	DESCRIPTION	QTY.
1	607955		CARBURETOR (INCLUDES ITEMS 3 - 22) .....	1
2				
3	607956		MAIN JET (#106).....	1
4	607957		PILOT JET (#52) .....	1
5	603585		PLUG.....	1
6				
7	603586		NEEDLE VALVE .....	1
8	603587		FLOAT .....	1
9	603588		FLOAT PIN .....	1
10	603589		FLOAT BOWL GASKET .....	1
11	603590		FLOAT CHAMBER .....	1
12	603592		CHAMBER PLUG .....	1
13	603591		BOWL GASKET .....	1
14	603583		CHOKE BRACKET .....	1
15	603598		BREATHER TUBE.....	1
16	603596		CLAMP, INTAKE TUBE .....	1
17	603597		CLAMP CYLINDER HEAD TUBE .....	1
18	603594		INTAKE TUBE .....	1
19	603593		CHOKE GASKET .....	2
20	603595		HEX NUT, M6 X 1.0.....	2
21	608023		THROTTLE ROD ATTACHMENT BUSHING .....	1
22	603584		STUD BOLT.....	2
23	607684		MAIN JET (#102) (FOR ELEVATIONS OF 6000 FT - 10000 FT) .....	1
24	607983		MAIN JET (#104) (FOR ELEVATIONS OF 3000 FT - 6000 FT) .....	1
25				
26	605793		CHOKE CABLE (MWB) .....	1
27	00568G4		LOCK WASHER, 9/16" .....	1
28	00545G4		JAM NUT, 9/16" - 18 .....	1
29	72155G02		RETAINER .....	1
30	72154G01		CHOKE CABLE ADAPTER.....	1

# CLUTCH

- 1 PRIMARY TEAM CLUTCH includes items 2 - 11
- 12 SECONDARY TEAM CLUTCH includes items 13 - 19



When ordering parts, please specify the model and serial number of the product.

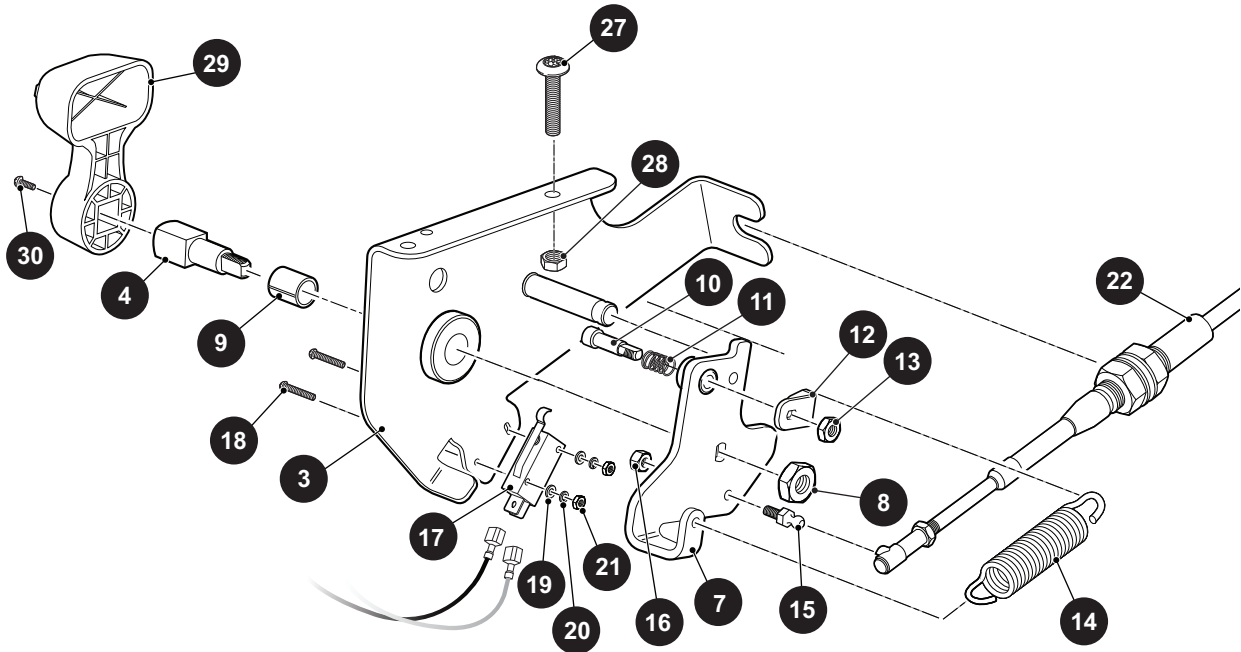
\* Indicates a component that is not available as an individual part.

\*\*\* Indicates consult Customer Service Department for additional information.

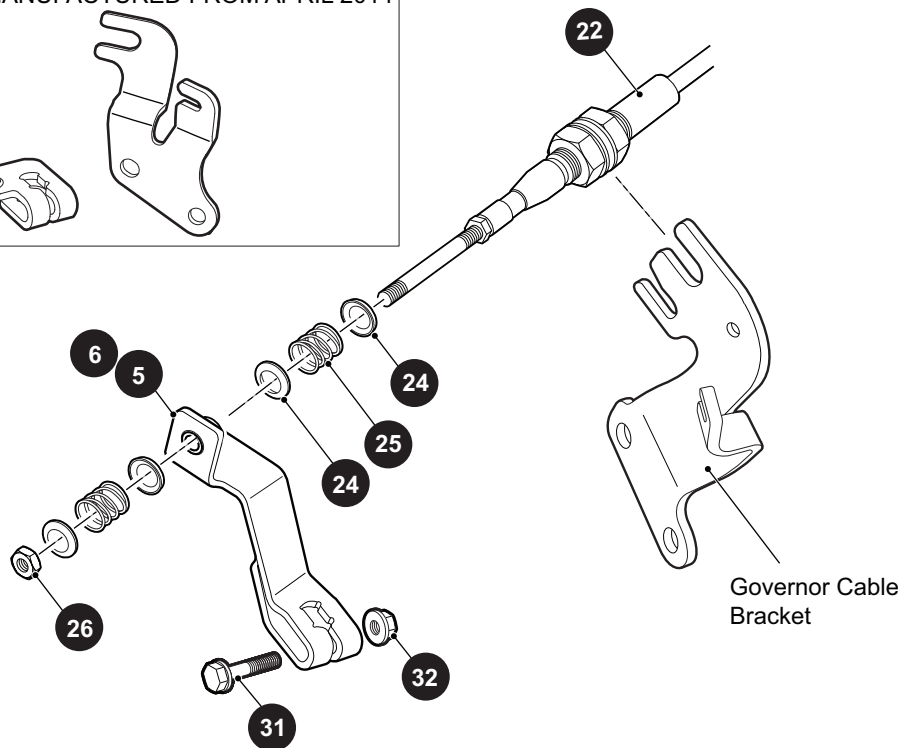
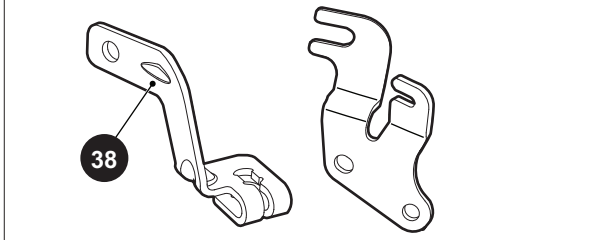
ITEM	PART NO.	1 2 3 4 5	DESCRIPTION	QTY.
1	644301		PRIMARY TEAM CLUTCH (INCLUDES ITEMS 2 - 11).....	1
2	619333		PRIMARY STARTER PULLY, 195 - SVC.....	1
3	619334		STATIONARY ASSEMBLY .....	1
4	619335		MOVEABLE PRIMARY ASSEMBLY .....	1
5	624112		SHIFT ROLLER ASSEMBLY.....	6
6	619337		SHIM, 39 5MM X 31 75MM .....	1
7	644303		PRIMARY SPIDER ASSEMBLY .....	1
8	619339		PRIMARY DUST COVER ASSEMBLY.....	1
9	644305		BUTTON, TORQUE PRIMARY .....	6
10	619332		HEX WASHER HEAD BOLT, 1/4" - 20 X 3/4" LG .....	7
11	644306		PLUG, TORQUE PRIMARY .....	6
12	623949		SECONDARY TEAM CLUTCH (INCLUDES ITEMS 13 - 19).....	1
13	*		SECONDARY STATIONARY, 9.5.....	1
14	*		MOVEABLE SECONDARY, 9.5.....	1
15	619327		INNER RETAINER SPRING.....	1
16	624111		COMPRESSION SPRING .....	1
17	619329		OUTER SPRING RETAINER .....	1
18	619330		RETAINER RING.....	1
19	619331		THRUST WASHER, 1 53" x 1 83" x 1" .....	1
20				
21	606239		CONICAL WASHER, M12 .....	2
22	00566G3		LOCK WASHER (SPRING TYPE), 3/8".....	2
23	606245		HEX HEAD BOLT, M12 - 1.25 X 160MM LG.....	1
24	606243		HEX HEAD BOLT, M12 - 1.25 X 120MM LG.....	1
25	606230		CLUTCH WASHER, 27.5Ø O.D X 13.06Ø I.D.....	1
26	618630		DRIVE BELT .....	1

# DIRECTION SELECTOR

1 DIRECTION SELECTOR ASSEMBLY includes items 3 - 26



FOR VEHICLES MANUFACTURED FROM APRIL 2014





# DIRECTION SELECTOR

When ordering parts, please specify the model and serial number of the product.

\* Indicates a component that is not available as an individual part.

\*\*\* Indicates consult Customer Service Department for additional information.

ITEM	PART NO.	1 2 3 4 5	DESCRIPTION	QTY.
1	606173		DIRECTION SELECTOR ASSEMBLY (INCLUDES ITEMS 3 - 26) .....	1
2				
3	606077		DIRECTION SELECTOR BRACKET.....	1
4	70233G01		DIRECTION SELECTOR SHAFT.....	1
5	632891		PIVOT BRACKET.....	1
6	22754G4		FLIP LOK BUSHING, .25".....	1
7	603700		DIRECTION SELECTOR CAM.....	1
8	14390G1		LOCK NUT, 3/8" - 24 .....	1
9	25664G2		BUSHING, 1/2" X .75" LG.....	1
10	72724G01		NEUTRAL LOCK PIN.....	1
11	72733G01		COMPRESSION SPRING, 3/8" X 5/8" LG .....	1
12	72729G01		NEUTRAL LOCK BRACKET .....	1
13	00734G2		LOCK NUT, 7/16" - 14 .....	1
14	28574G01		EXTENSION SPRING .....	1
15	72732G01		BALL STUD, 1/4".....	1
16	00734G5		LOCK NUT, #10 - 32.....	1
17	72736G01		MICRO SWITCH .....	1
18	01062G01		ROUND HEAD SCREW, #4 - 40 X 1" LG.....	2
19	00559G1		FLAT WASHER, #4 .....	2
20	00565G1		LOCK WASHER, #4 .....	2
21	00526G2		HEX NUT, #4 - 40 .....	2
22	605807		PUSH/PULL SHIFTER CABLE .....	1
23				
24	25727G01		CUP WASHER, 1/4" .....	4
25	72735G01		COMPRESSION SPRING, 19/32" X 1" LG .....	2
26	00734G5		LOCK NUT, #10 - 32.....	1
27	70227G01		SOCKET HEAD SCREW, 1/4" - 20 X 7/8" LG .....	2
28	11027G2		LOCK NUT, 1/4" - 20 .....	2
29	71205G01		DIRECTION SELECTOR HANDLE .....	1
30	00740G4		TRUSS HEAD PHILLIPS SCREW (SS), #10 - 32 X 1/2" LG.....	1
31	606421		FLANGED HEX HEAD BOLT, M6 - 1 X 30MM LG.....	1

# DIRECTION SELECTOR

When ordering parts, please specify the model and serial number of the product.

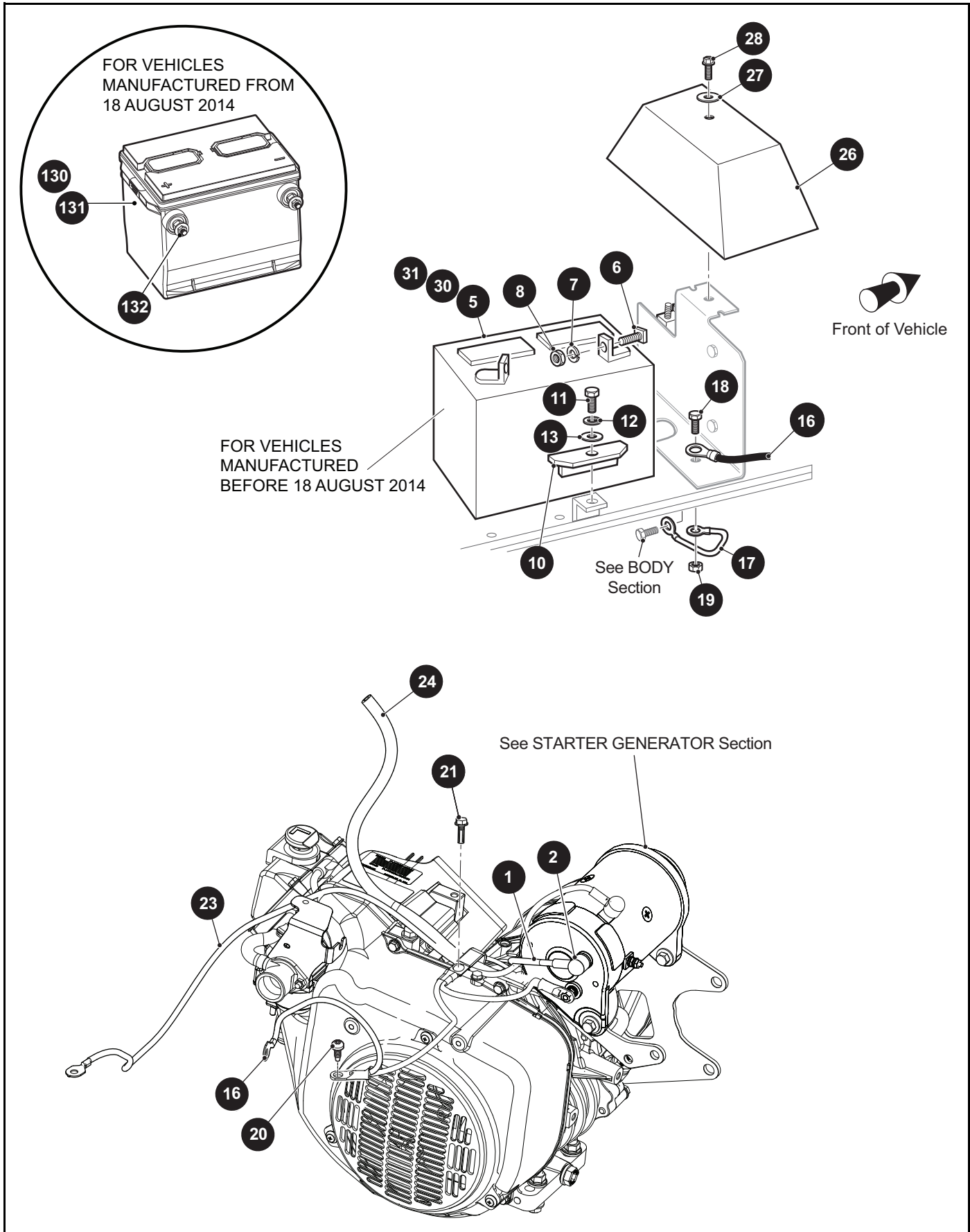
\* Indicates a component that is not available as an individual part.

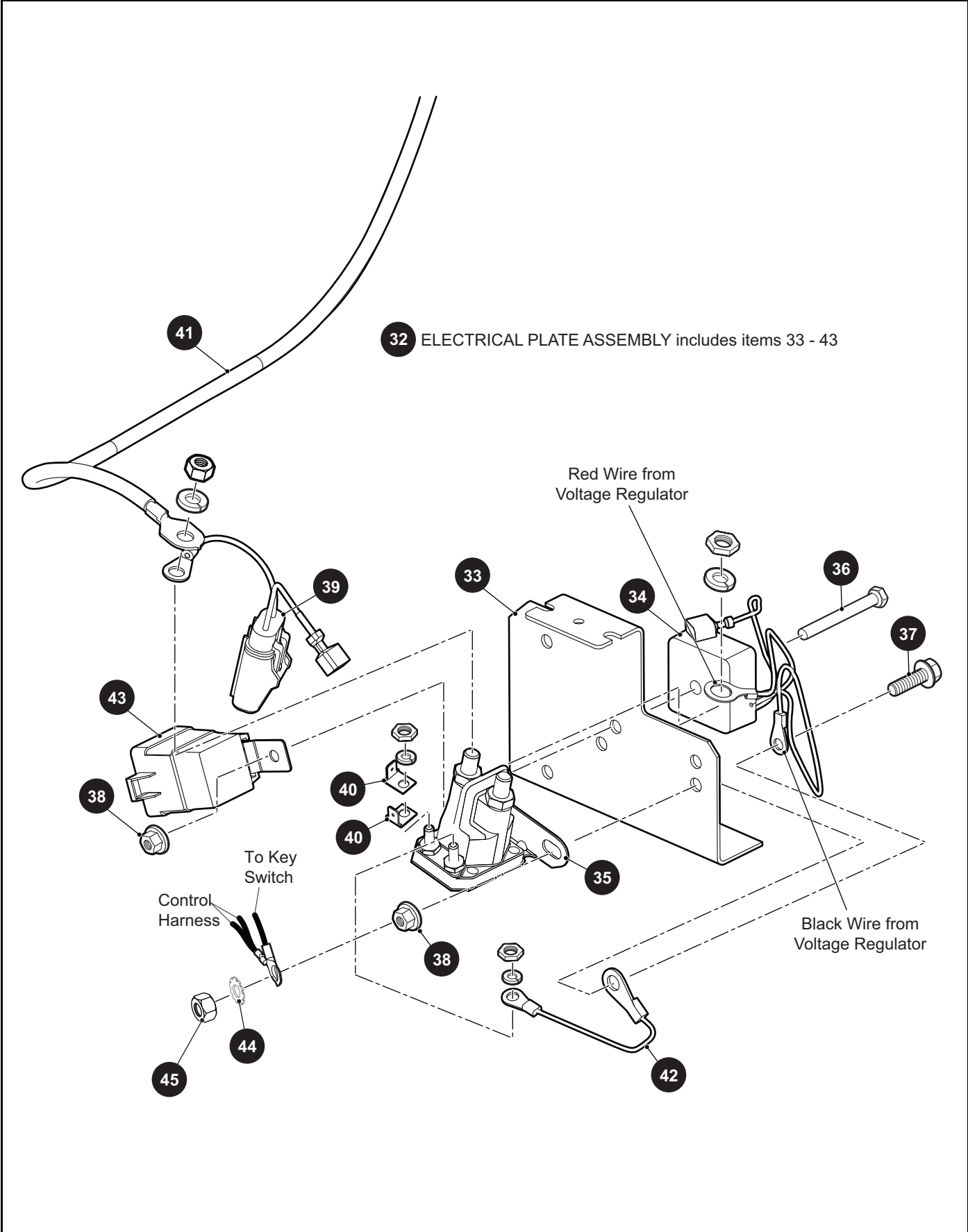
\*\*\* Indicates consult Customer Service Department for additional information.

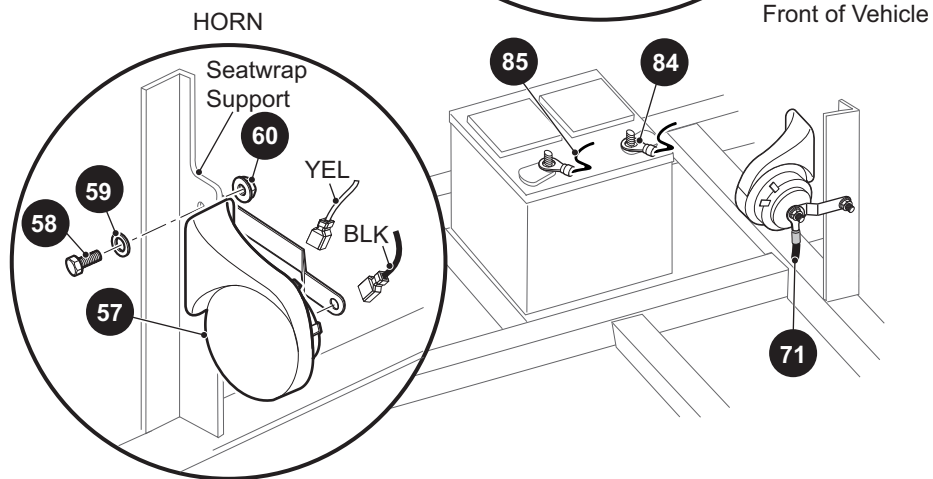
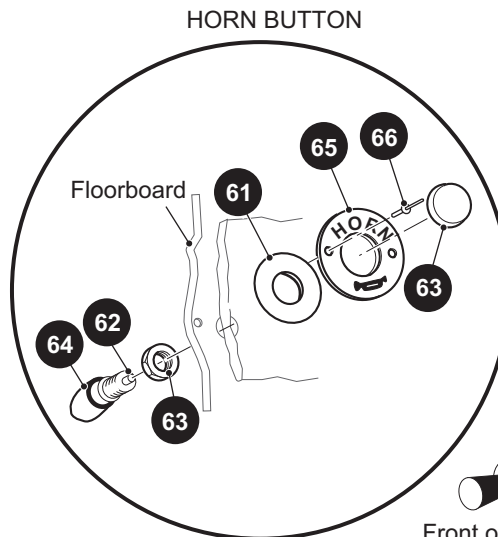
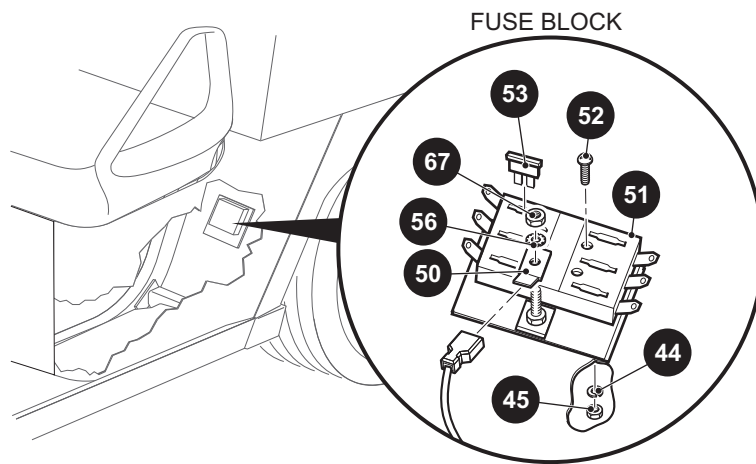
ITEM	PART NO.	1 2 3 4 5	DESCRIPTION	QTY.
32	450452		HEX NUT, M6 - 1 .....	1
33				
34				
35	31539G1		WIRE TIE (NOT ILLUSTRATED) .....	1
36	01072G01		CABLE CLIP (NOT ILLUSTRATED).....	1
37				
38	632891		DIRECTION SELECTOR PIVOT BRACKET (FOR VEHICLES MANUFACTURED FROM APRIL 2014).....	1

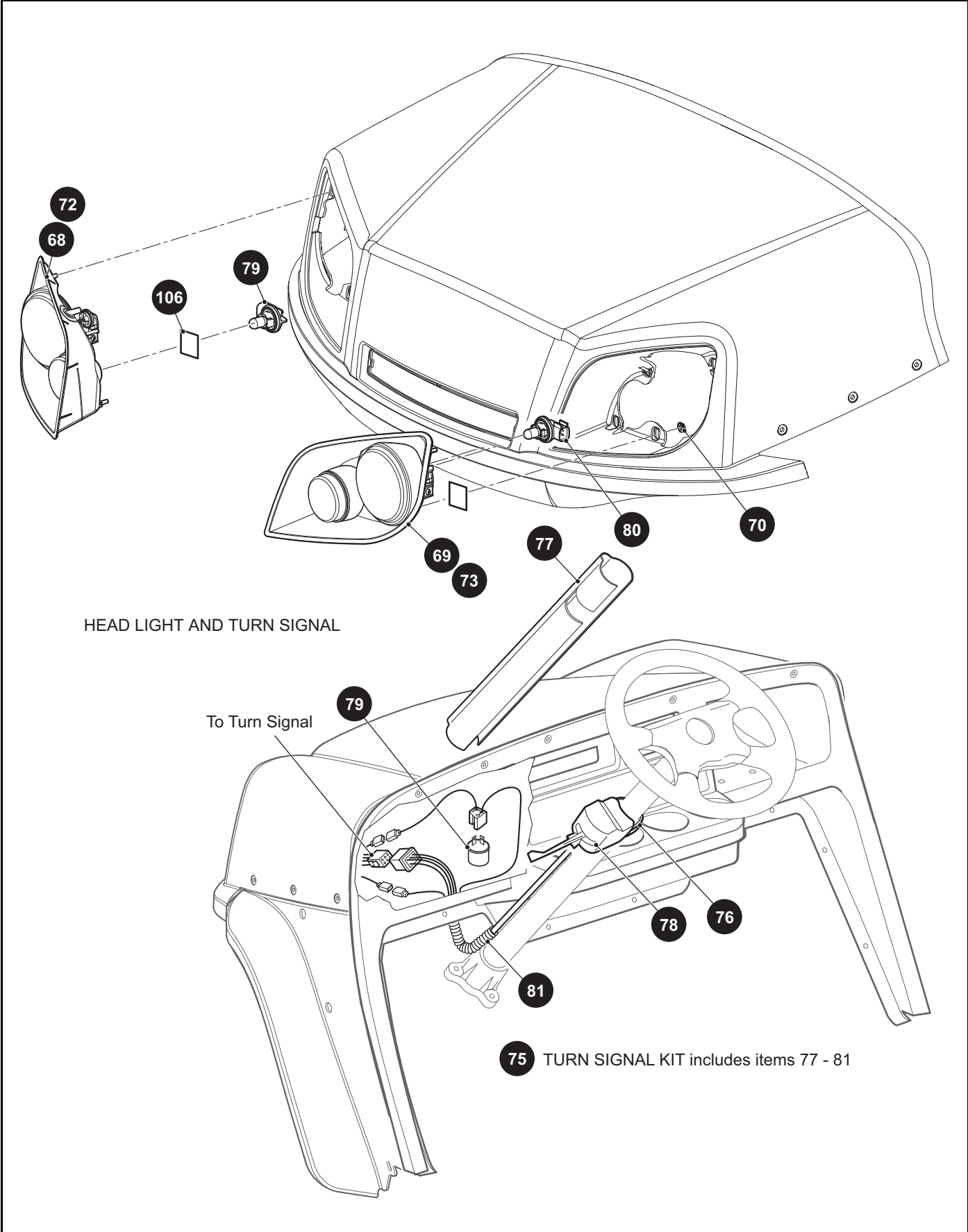


# ELECTRICAL SYSTEM









# ELECTRICAL SYSTEM

TAILLIGHT

Rear  
Fender

83

WHT to BLU/WHT from Harness - Both Sides

BLK to BLK from Harness - Both Sides

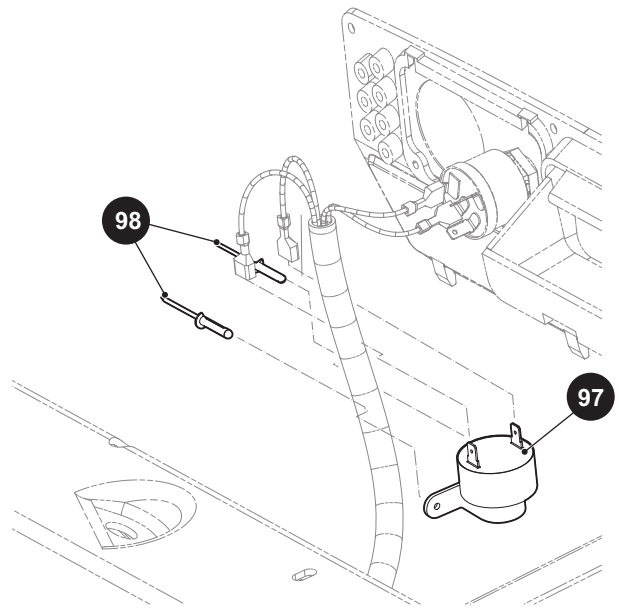
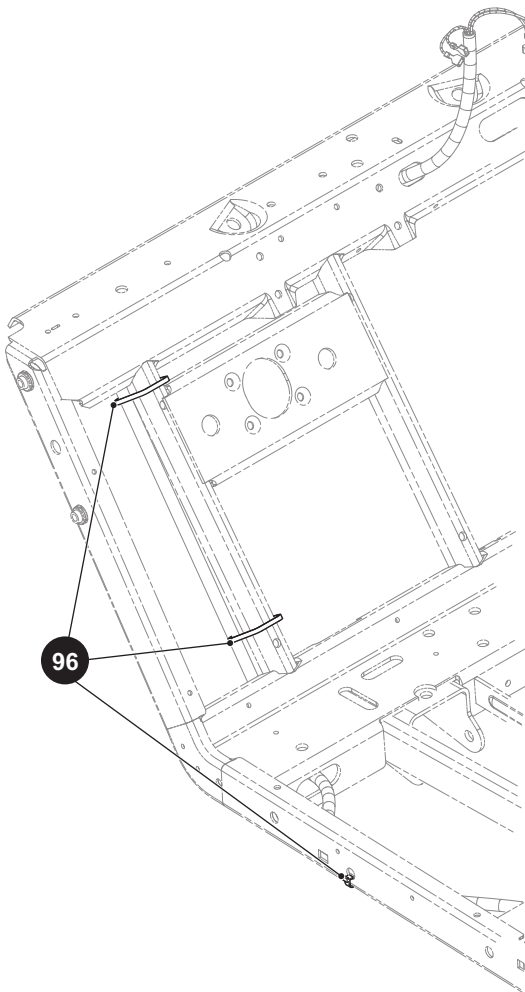
RED to BRN from Harness - Both Sides (without Turn Signals)

RED to WHT from Harness - Driver Side (with Turn Signals)

RED to YEL from Harness - Passenger Side (with Turn Signals)

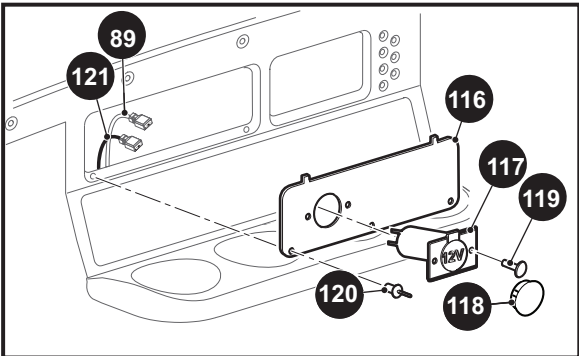


Front of Vehicle





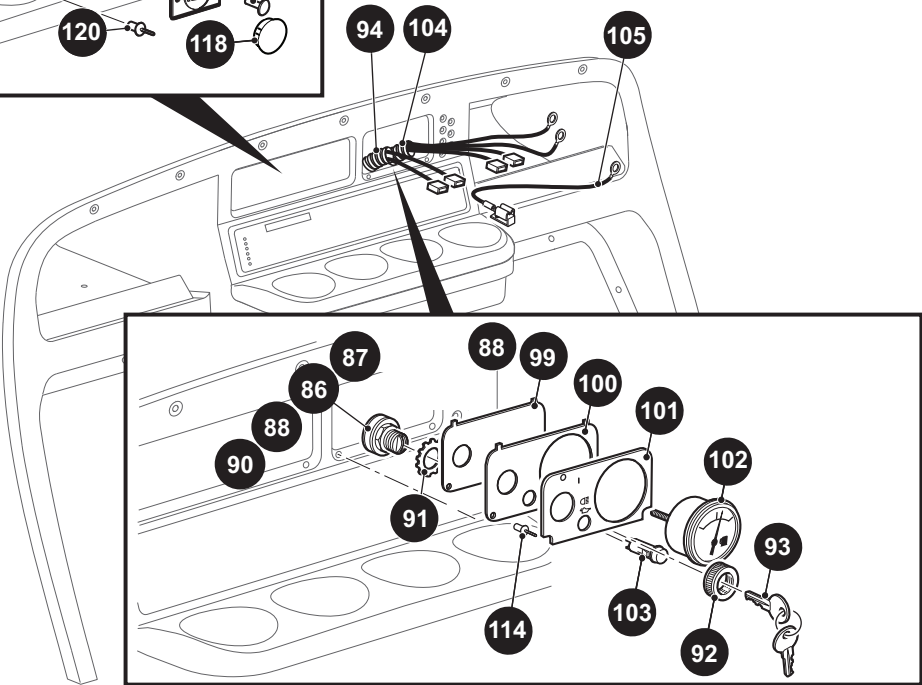
CONSOLE INSERT PLATE



115 CONSOLE INSERT ASSEMBLY includes items 116 - 119

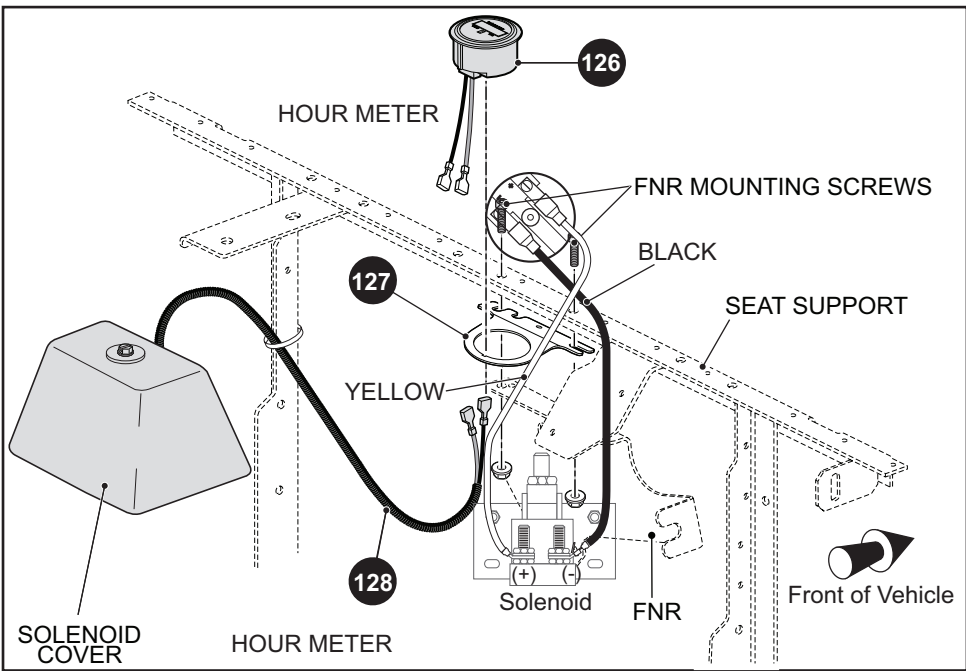
113 CONSOLE INSERT ASSEMBLY includes items 116, 118

Front of Vehicle



KEY SWITCH, INDICATOR LIGHT(S), AND FUEL GAUGE

125 HOUR METER KIT includes items 126 - 128



# ELECTRICAL SYSTEM

When ordering parts, please specify the model and serial number of the product.

\* Indicates a component that is not available as an individual part.

\*\*\* Indicates consult Customer Service Department for additional information.

ITEM	PART NO.	1 2 3 4 5	DESCRIPTION	QTY.
1	607053		6 GA WIRE (BLACK 6", F1 - A2).....	1
2	25682G1		TERMINAL COVER.....	3
3				
4				
5	24775G1		BATTERY, 12V (FOR VEHICLES MANUFACTURED BEFORE 18 AUGUST 2014) .....	1
6	*		HEX HEAD BOLT, 5/16" - 18 X 1 1/4" LG .....	2
7	*		LOCK WASHER, 5/16" (SILICON BRONZE).....	2
8	*		HEX NUT, 5/16" - 18 (SILICON BRONZE) .....	2
9				
10	72101G02		BATTERY HOLD DOWN .....	1
11	00438G6		HEX HEAD BOLT, 5/16" - 18 X 3/4" LG.....	1
12	00565G8		LOCK WASHER, 5/16" .....	1
13	00571G2		FLAT WASHER (SS), 5/16" .....	1
14				
15	610428		BATTERY BOLT EXTENDER (NOT ILLUSTRATED) .....	2
16	27044G03		GROUND CABLE.....	1
17	25976G19		14 GA WIRE (BLACK 6").....	1
18	00438G6		HEX HEAD BOLT, 5/16" - 18 X 3/4" LG.....	2
19	11027G1		LOCK NUT, 5/16" - 18 .....	2
20	26676G01		FLANGED BOLT, M6 - 1.0 X 23MM LG .....	1
21	606264		HEX HEAD BOLT, M6 - 1.0 X 20MM LG .....	1
22				
23	25972G85		6 GA WIRE (BLACK 23", F2 - SOL).....	1
24	605821		WIRE HARNESS (CONTROL).....	1
25	17618G1		WIRE TIE (NOT ILLUSTRATED) .....	A/R
26	73049G01		COVER FNR .....	1
27	16469G1		FENDER WASHER, 1/4" .....	1
28	00114G6		HEX HEAD BOLT, 1/4" - 14 X 3/4" LG.....	1
29				
30	600497		BATTERY, 12V HD (FOR VEHICLES MANUFACTURED BEFORE 18 AUGUST 2014) .....	1

# ELECTRICAL SYSTEM

When ordering parts, please specify the model and serial number of the product.

\* Indicates a component that is not available as an individual part.

\*\*\* Indicates consult Customer Service Department for additional information.

ITEM	PART NO.	1 2 3 4 5	DESCRIPTION	QTY.
31	25917GXX		BATTERY (EXIDE).....	1
32	605563		ELECTRICAL PLATE ASSEMBLY (INCLUDES ITEMS 33 - 43).....	1
33	73057G01		BRACKET.....	1
34	27739G01		VOLTAGE REGULATOR.....	1
35	612813		SOLENOID.....	1
36	303459		HEX HEAD BOLT, 1/4" - 20 X 1 1/2" LG.....	1
37	00661G8		HEX HEAD BOLT (SS), 1/4" - 20 X 1" LG.....	1
38	11027G2		LOCK NUT, 1/4" - 20.....	2
39	600418G01		FUSE HOLDER ASSEMBLY.....	1
40	73446G01		FASTON TAB, 90°.....	2
41	25972G33		6 GA WIRE ASSEMBLY.....	1
42	25978G56		18 GA WIRE ASSEMBLY (BLACK).....	1
43	603282		RELAY, 12V.....	1
44	00567G7		LOCK WASHER (EXTERNAL TOOTH TYPE), 1/4".....	1
45	00532G1		HEX NUT, 1/4" - 20.....	1
46				
47				
48				
49				
50	12914G1		PUSH ON MALE TERMINAL.....	1
51	35211G01		FUSE BLOCK.....	1
52	00379G2		RIVET, 1/8" X 13/16" LG.....	2
53	35212G01		FUSE (15 AMP).....	3
54				
55	20216G1		16 GA WIRE (RED).....	1
56	00567G5		LOCK WASHER, #10.....	1
57	32860G1		HORN.....	1
58	00414G5		HEX HEAD BOLT, 1/4" - 20 X 1/2" LG.....	1
59	00559G8		FLAT WASHER, 1/4".....	1
60	14390G4		LOCK NUT, 1/4" - 20.....	1
61	608397		HORN PLATE.....	1

# ELECTRICAL SYSTEM

When ordering parts, please specify the model and serial number of the product.

\* Indicates a component that is not available as an individual part.

\*\*\* Indicates consult Customer Service Department for additional information.

ITEM	PART NO.	1 2 3 4 5	DESCRIPTION	QTY.
62	17318G1		HORN SWITCH.....	1
63	17318G2		HORN SWITCH CAP AND NUT .....	1
64	27068G01		HORN SWITCH BOOT.....	1
65	19233G1		HORN SWITCH LABEL.....	1
66	71055G01		RIVET (ALUMINUM), 3/16" X 1" LG.....	2
67	00526G4		HEX NUT, #10 - 32.....	1
68	614497		HEAD LIGHT ASSEMBLY (PASSENGER SIDE).....	1
69	614501		HEAD LIGHT ASSEMBLY (DRIVER SIDE) .....	1
70	71597G01		SELF THREADING NUT, 15MM .....	8
71	73214G01		HARNESS (HORN) .....	1
72	618556		LED HEADLIGHT WITHOUT TURN SIGNAL (PASSENGER SIDE) .....	1
73	618555		LED HEADLIGHT WITHOUT TURN SIGNAL (DRIVER SIDE).....	1
74				
75	622712		TURN SIGNAL KIT (INCLUDES ITEMS 77 - 81) .....	1
76	17618G1		NYLON CLAMP.....	2
77	20965G3		STEERING COLUMN COVER .....	1
78	611810		TURN SIGNAL SWITCH ASSEMBLY (INCLUDES ITEM 79) .....	1
79	21640G1		TURN SIGNAL FLASHER.....	1
80	619102		TURN SIGNAL ASSEMBLY BULB .....	2
81	32307G3		FLEX ZIP LOOM.....	1
82				
83	32739G2		TAILLIGHT ASSEMBLY (COMPLETE) .....	2
84	25977G40		WIRE ASSEMBLY (BLACK).....	1
85	25974G22		WIRE ASSEMBLY (WHITE) .....	1
86	33639G02		IGNITION SWITCH (WITH LIGHTS, GROUP KEY) .....	1
87	33639G01		IGNITION SWITCH (WITH LIGHTS, FLEET).....	1
88	33639G03		IGNITION SWITCH (WITH LIGHTS, INDIVIDUAL).....	1
89	619153		WIRE HARNESS (ACCESSORY).....	1
90	18602G1		IGNITION SWITCH (WITH LIGHTS, INDIVIDUALLY KEYED) .....	1
91	00568G6		LOCK WASHER, 3/4" .....	1
92	17137G1		FACE NUT, 3/4" - 20.....	1

# ELECTRICAL SYSTEM

When ordering parts, please specify the model and serial number of the product.

\* Indicates a component that is not available as an individual part.

\*\*\* Indicates consult Customer Service Department for additional information.

ITEM	PART NO.	1 2 3 4 5	DESCRIPTION	QTY.
93	33636G02		IGNITION KEY .....	1
94	605830		WIRE HARNESS (KEY SWITCH).....	1
95				
96	31539G1		NYLON CLAMP, 15.5" .....	3
97	73290G03		BUZZER.....	1
98	01041G01		RIVET, 5/32".....	2
99	601015		CONSOLE PLATE .....	1
100	73030G04		PLATE (FUEL GAUGE AND OIL LIGHT) .....	1
101	71131G01		LABEL (OIL LIGHT AND FUEL GAUGE WITH HEADLIGHTS) .....	1
102	21553G1		FUEL GAUGE .....	1
103	23474G1		INDICATOR LIGHT .....	1
104	74311G01		HARNESS (OIL LIGHT/FUEL GAUGE).....	1
105	25978G122		18 GA WIRE (RED 6") .....	1
106	71781G02		VINYL TAPE.....	2
107	00439G1		HEX HEAD BOLT, 5/16" - 18 X 1 1/8" LG (NOT ILLUSTRATED).....	1
108	75048G01		SPACER, .328" X .75" X .50" (NOT ILLUSTRATED).....	1
109	11098G6		LOCK NUT, 5/16" - 18 (NOT ILLUSTRATED).....	1
110				
111				
112				
113	74693G02		CONSOLE INSERT ASSEMBLY (INCLUDES ITEMS 116, 118) .....	1
114	33623G02		DRIVE RIVET, 3/16" X 3/8" LG .....	2
115	74693G01		CONSOLE INSERT ASSEMBLY (INCLUDES ITEMS 116 - 119).....	1
116	73522G03		CONSOLE INSERT PLATE.....	1
117	71078G01		POWER OUTLET (12V) .....	1
118	20271G10		HOLE PLUG .....	1
119	14601G10		ALUMINUM RIVET, 5/32" .....	2
120	33623G02		DRIVE RIVET, 3/16" X 3/8" LG .....	3
121	71081G01		WIRE HARNESS .....	1
122				
123				

# ELECTRICAL SYSTEM

When ordering parts, please specify the model and serial number of the product.

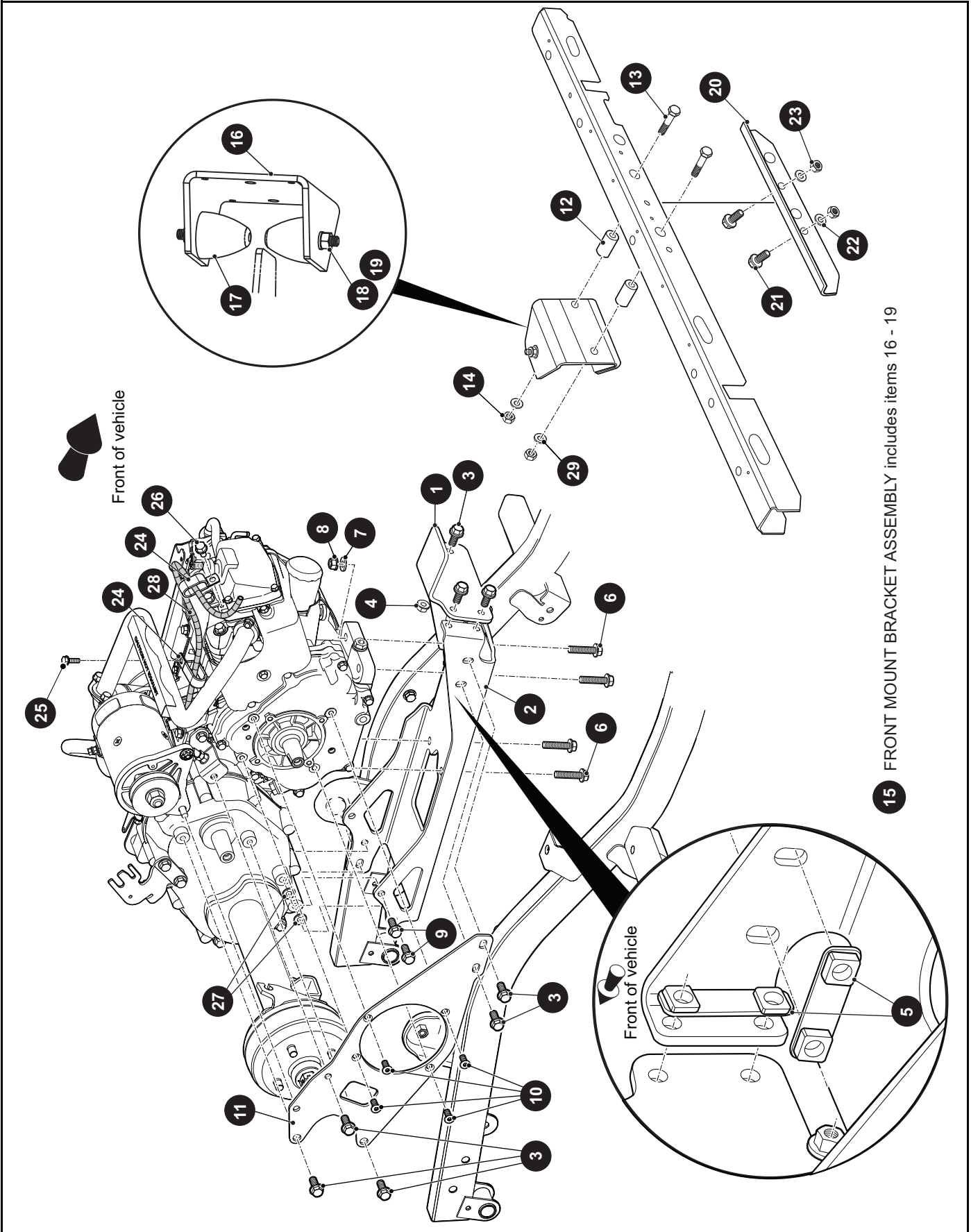
\* Indicates a component that is not available as an individual part.

\*\*\* Indicates consult Customer Service Department for additional information.

ITEM	PART NO.	1	2	3	4	5	DESCRIPTION	QTY.
124								
125	607284						HOUR METER KIT (INCLUDES ITEMS 126 - 128) .....	1
126	617074						HOUR METER .....	1
127	635649						HOUR METER BRACKET .....	1
128	606254						WIRE HARNESS (HOUR METER) .....	1
129								
130	637484						BATTERY, 12V (FOR VEHICLES MANUFACTURED FROM 18 AUGUST 2014) .....	1
131	638433						BATTERY, 12V HD (FOR VEHICLES MANUFACTURED FROM 18 AUGUST 2014) .....	1
132	610428						BATTERY BOLT EXTENDER (FOR VEHICLES MANUFACTURED FROM 18 AUGUST 2014) .....	2



# ENGINE MOUNTING



15 FRONT MOUNT BRACKET ASSEMBLY includes items 16 - 19



# ENGINE MOUNTING

When ordering parts, please specify the model and serial number of the product.

\* Indicates a component that is not available as an individual part.

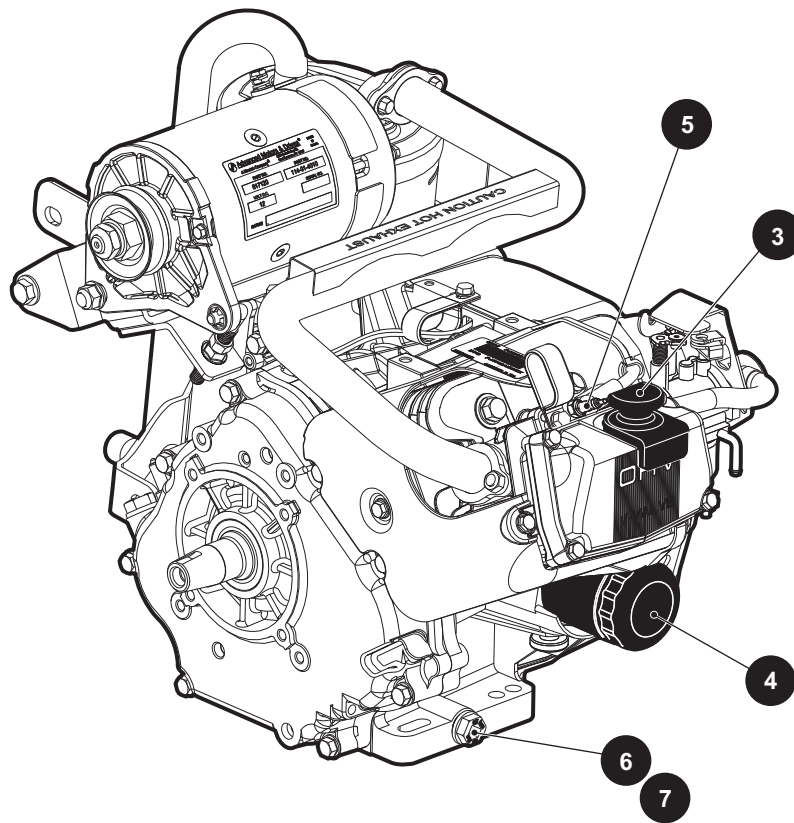
\*\*\* Indicates consult Customer Service Department for additional information.

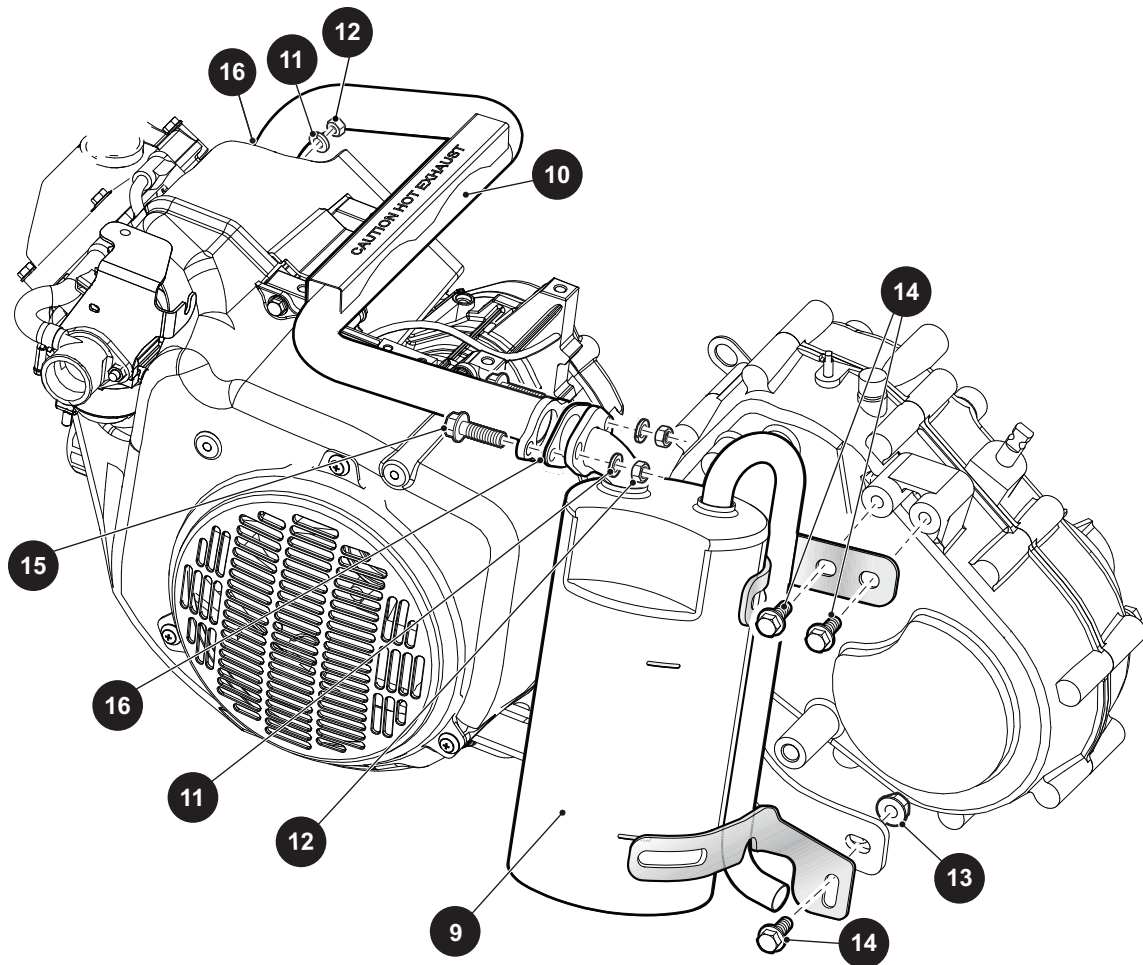
ITEM	PART NO.	1 2 3 4 5	DESCRIPTION	QTY.
1	606007		ENGINE MOUNTING BRACKET, FRONT .....	1
2	603101		ENGINE PAN MOUNT .....	1
3	606256		HEX HEAD BOLT, M10 - 1.25 X 25MM LG.....	8
4	606279		HEX NUT, M10 - 1.25.....	1
5	606096		NUT PLATE.....	2
6	606259		HEX HEAD BOLT, M10 - 1.25 X 45MM LG.....	4
7	603823		FLAT WASHER, M10 X 22MM - 2.5MM .....	4
8	606279		HEX NUT, M10 - 1.25.....	4
9	608020		HEX HEAD BOLT, M10 - 1.25 X 34MM LG.....	4
10	606246		FLAT HEAD TORX SCREW, M6 - 1 X 12MM LG .....	4
11	602146		DIFFERENTIAL PLATE .....	1
12	72016G01		TUBE SPACER .....	2
13	00428G8		HEX HEAD CAP SCREW, 3/8" - 16 X 2 1/4" LG .....	2
14	11098G5		LOCK NUT, 3/8" - 16.....	2
15	627627		FRONT MOUNT BRACKET ASSEMBLY (INCLUDES ITEMS 16 - 19).....	1
16	625345		FRONT MOUNT BRACKET .....	1
17	605757		RUBBER BUMPER .....	2
18	00974G01		HEX NUT, M10 X 1.5.....	2
19	608654		SPLIT LOCK WASHER, 10MM .....	2
20	70269G02		CROSSMEMBER BRACE .....	1
21	00438G7		HEX HEAD CAP SCREW, 5/16" - 18 X 5/8" LG .....	2
22	00559G8		FLAT WASHER, 5/16".....	2
23	01109G01		LOCK NUT, 5/16" - 18.....	2
24	606962		TUBE CLAMP, 0.75" Ø .....	2
25	606264		HEX HEAD BOLT, M6 - 1 X 20MM LG.....	1
26	606265		HEX HEAD BOLT, M6 - 1 X 12MM LG.....	1
27	00560G2		FLAT WASHER, 3/8".....	2
28	27184G12		TUBE (FUEL SYSTEM) .....	1
29	00643G1		FLAT WASHER, 3/8".....	2





1 GAS ENGINE includes items 3 - 7





# ENGINE AND MUFFLER

When ordering parts, please specify the model and serial number of the product.

\* Indicates a component that is not available as an individual part.

\*\*\* Indicates consult Customer Service Department for additional information.

ITEM	PART NO.	1	2	3	4	5	DESCRIPTION	QTY.
1	633740						GAS ENGINE, 13HP, NON-GOLF (INCLUDES ITEMS 3 - 7) .....	1
2								
3	606390						DIP STICK.....	1
4	607454						OIL FILTER .....	1
5	607462						SPARK PLUG .....	1
6	603557						OIL DRAIN PLUG .....	1
7	603562						O - RING, 16MM.....	1
8								
9	612266						MUFFLER.....	1
10	606982						EXHAUST PIPE .....	1
11	606272						LOCK WASHER, 8MM .....	4
12	606267						HEX JAM NUT, M8 X 1.25.....	4
13	606279						HEX NUT, M12 - 1.25 .....	1
14	606256						HEX HEAD BOLT, M10 - 1.25 X 25MM LG .....	3
15	602330						HEX HEAD BOLT, M8 - 1.25 X 30MM LG .....	2
16	603599						EXHAUST GASKET .....	2

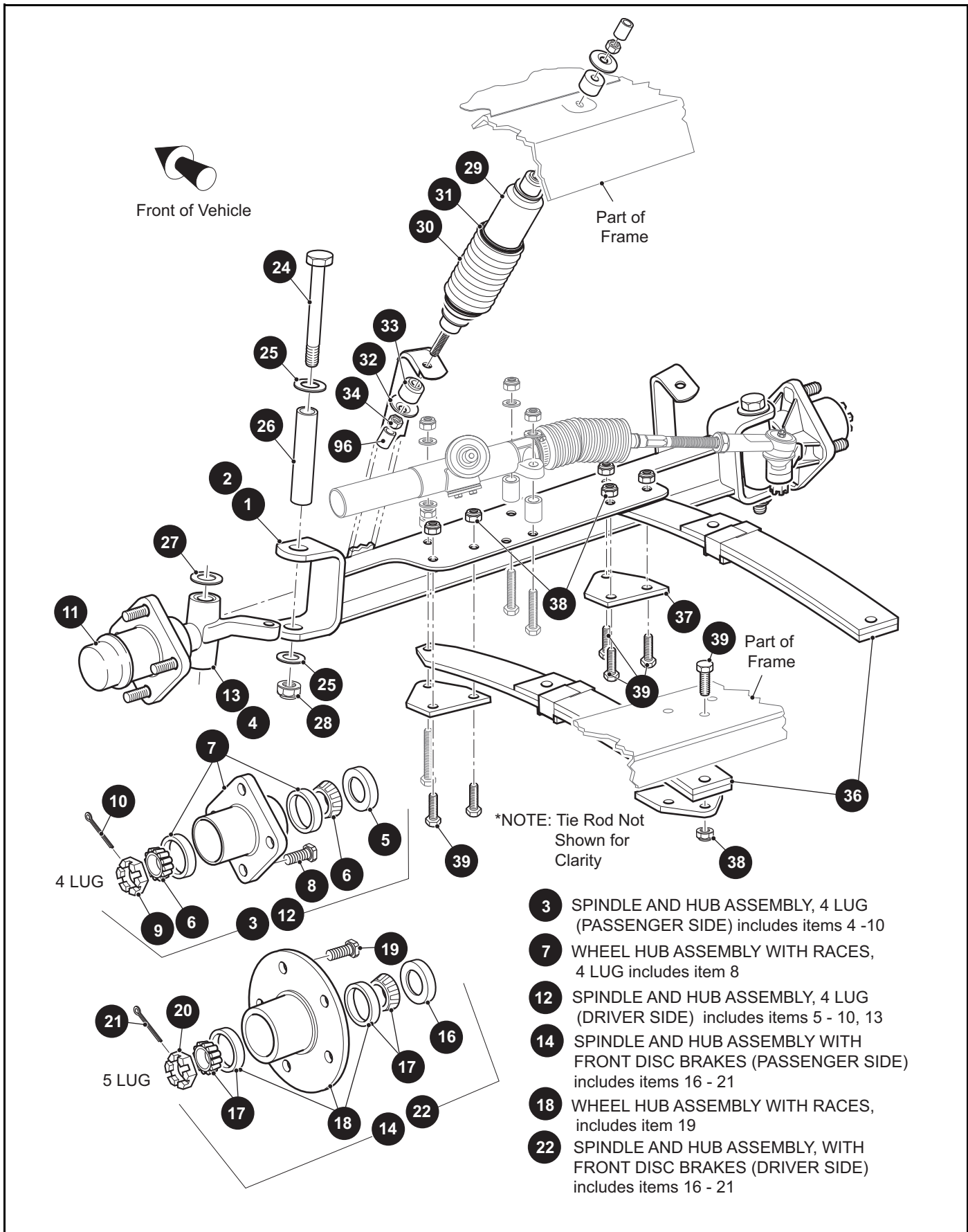






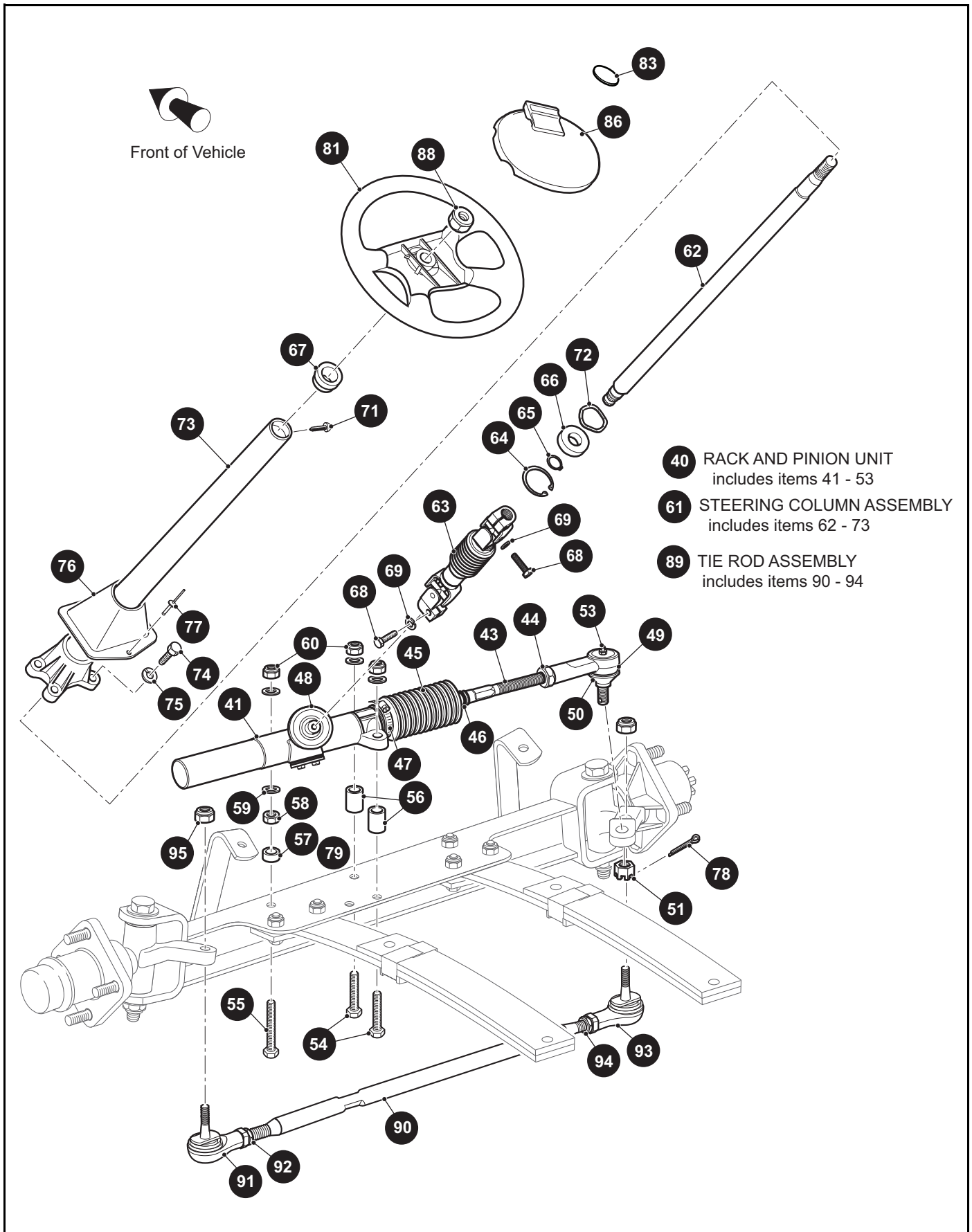


# FRONT SUSPENSION AND STEERING



- 3 SPINDLE AND HUB ASSEMBLY, 4 LUG (PASSENGER SIDE) includes items 4 - 10
- 7 WHEEL HUB ASSEMBLY WITH RACES, 4 LUG includes item 8
- 12 SPINDLE AND HUB ASSEMBLY, 4 LUG (DRIVER SIDE) includes items 5 - 10, 13
- 14 SPINDLE AND HUB ASSEMBLY WITH FRONT DISC BRAKES (PASSENGER SIDE) includes items 16 - 21
- 18 WHEEL HUB ASSEMBLY WITH RACES, includes item 19
- 22 SPINDLE AND HUB ASSEMBLY, WITH FRONT DISC BRAKES (DRIVER SIDE) includes items 16 - 21

# FRONT SUSPENSION AND STEERING



# FRONT SUSPENSION AND STEERING

When ordering parts, please specify the model and serial number of the product.

\* Indicates a component that is not available as an individual part.

\*\*\* Indicates consult Customer Service Department for additional information.

ITEM	PART NO.	1 2 3 4 5	DESCRIPTION	QTY.
1	602513		FRONT AXLE .....	1
2	602327		FRONT AXLE WITH FRONT DISC BRAKES .....	1
3	70942G03		SPINDLE AND HUB ASSEMBLY, 4 LUG (PASSENGER SIDE) (INCLUDES ITEMS 4 - 10).....	1
4	70942G04		SPINDLE ASSEMBLY (PASSENGER SIDE).....	1
5	25146G1		GREASE SEAL.....	1
6	50892G1		ROLLER BEARING.....	2
7	70589G01		WHEEL HUB ASSEMBLY WITH RACES, 4 LUG (INCLUDES ITEM 8) ..	1
8	19862G1		LUG BOLT, 1/2" - 20 X 1 3/16" LG.....	4
9	12093G1		CASTELLATED NUT, 1" - 14 .....	1
10	00798G8		COTTER PIN, 5/32" X 1 3/4" LG.....	1
11	12091G2		SPINDLE CAP .....	2
12	70673G03		SPINDLE AND HUB ASSEMBLY, 4 LUG (DRIVER SIDE) (INCLUDES ITEMS 5 - 10, 13).....	1
13	70673G04		SPINDLE ASSEMBLY (DRIVER SIDE) .....	1
14	602288		SPINDLE AND HUB ASSEMBLY WITH FRONT DISC BRAKES (PASSENGER SIDE) (INCLUDES ITEMS 16 - 21).....	1
15				
16	12092G1		GREASE SEAL.....	1
17	50892G1		ROLLER BEARING AND RACE ASSEMBLY.....	2
18	74673G01		WHEEL HUB ASSEMBLY WITH RACES (INCLUDES ITEM 19).....	1
19	30143G1		LUG BOLT, 1/2" - 20 X 1 7/32" LG.....	5
20	12093G1		CASTELLATED NUT, 1" - 14 .....	1
21	00798G8		COTTER PIN, 5/32" X 1 3/4" LG.....	1
22	602281		SPINDLE AND HUB ASSEMBLY, WITH FRONT DISC BRAKES (DRIVER SIDE) (INCLUDES ITEMS 16 - 21) .....	1
23				
24	00407G6		HEX HEAD BOLT, 1/2" - 13 X 6" LG.....	2
25	00560G3		FLAT WASHER, 1/2" .....	4
26	70745G01		KING PIN TUBE .....	2
27	70754G01		THRUST WASHER (SS), 1" .....	2
28	14390G6		LOCK NUT, 1/2" - 13 .....	2
29	76419G01		SHOCK ABSORBER.....	2

# FRONT SUSPENSION AND STEERING

When ordering parts, please specify the model and serial number of the product.

\* Indicates a component that is not available as an individual part.

\*\*\* Indicates consult Customer Service Department for additional information.

ITEM	PART NO.	1 2 3 4 5	DESCRIPTION	QTY.
30	70509G01		SHOCK ABSORBER BOOT .....	2
31	31539G1		WIRE TIE .....	4
32	10435G1		SHOCK ABSORBER WASHER.....	8
33	10194G1		RUBBER BUSHING .....	8
34	00532G6		HEX NUT, 3/8" - 24 .....	4
35				
36	70664G03		LEAF SPRING (HEAVY DUTY) (SEE PART NUMBER ON SPRING).....	2
37	70163G03		SPRING PLATE .....	4
38	00734G1		LOCK NUT, 7/16" - 14.....	11
39	00463G11		HEX HEAD BOLT, 7/16" - 14 X 1 3/4" LG .....	11
40	70964G01		RACK AND PINION UNIT (COMPLETE) (INCLUDES ITEMS 41 - 53).....	1
41	70965G01		STEERING RACK COVER & BEARING ASSEMBLY.....	1
42	*		STEERING BOX INSTALLATION TAG (NOT ILLUSTRATED) .....	1
43	70694G01		RACK EXTENSION.....	1
44	*		JAM NUT, 1/2" - 20 .....	1
45	70961G01		RACK BOOT .....	1
46	12416G2		WIRE TIE.....	1
47	11391G8		HOSE CLAMP, 1.81" .....	1
48	70638G01		PINION SEAL .....	1
49	70695G01		TIE ROD END - OUTER.....	1
50	*		GROMMET - TIE ROD END .....	1
51	*		CASTELLATED NUT, 7/16" - 20.....	1
52				
53	10389G3		GREASE FITTING (STRAIGHT) .....	1
54	00464G8		HEX HEAD BOLT, 7/16" - 14 X 2 3/4" LG .....	2
55	01068G01		HEX HEAD BOLT, 7/16" - 14 X 3 1/2" LG .....	1
56	70667G02		SPACER, 1.21" LG .....	2
57	70667G04		STEERING HOUSING SPACER .....	1
58	00532G7		HEX NUT, 7/16" - 14 .....	1
59	00560G2		FLAT WASHER, 7/16".....	7
60	00734G1		LOCK NUT, 7/16" - 14.....	3

# FRONT SUSPENSION AND STEERING

When ordering parts, please specify the model and serial number of the product.

\* Indicates a component that is not available as an individual part.

\*\*\* Indicates consult Customer Service Department for additional information.

ITEM	PART NO.	1	2	3	4	5	DESCRIPTION	QTY.
61	70758G05						STEERING COLUMN ASSEMBLY (INCLUDES ITEMS 62 - 73).....	1
62	70607G01						STEERING SHAFT .....	1
63	70580G01						INTERMEDIATE SHAFT .....	1
64	70888G01						RETAINING RING (EXTERNAL) .....	1
65	70751G01						RETAINING RING (INTERNAL).....	1
66	15112G1						BALL BEARING .....	1
67	28569G01						BUSHING.....	1
68	01055G01						CAP SCREW, M8 - 1.25 X 30MM LG .....	2
69	00565G8						LOCK WASHER (SPRING TYPE), 5/16" .....	2
70								
71	01022G01						HEX HEAD BOLT, #6 - 20 X 5/16" LG .....	1
72	70887G01						WAVE WASHER (SS) .....	1
73	70610G03						STEERING COLUMN .....	1
74	01006G01						HEX HEAD BOLT, 3/8" - 16 X 1 1/4" LG.....	4
75	00879G1						LOCK WASHER, 3/8" .....	4
76	70997G01						COVER.....	1
77	71055G01						RIVET (ALUMINUM), 3/16" X 1" LG.....	1
78	10387G2						COTTER PIN, 3/32" X 1" LG .....	1
79	70667G03						SPACER, 1" LG .....	1
80								
81	602979						STEERING WHEEL .....	1
82								
83	618086						STEERING WHEEL DECAL .....	1
84								
85								
86	607925						SCORECARD HOLDER ASSEMBLY .....	1
87								
88	14390G2						LOCK NUT, 5/8" - 18 .....	1
89	70876G02						TIE ROD ASSEMBLY (INCLUDES ITEMS 90 - 94) .....	1
90	70897G02						THREADED ROD (24" LG).....	1
91	70902G01						TIE ROD END (LEFT HAND THREADS) .....	1

# FRONT SUSPENSION AND STEERING

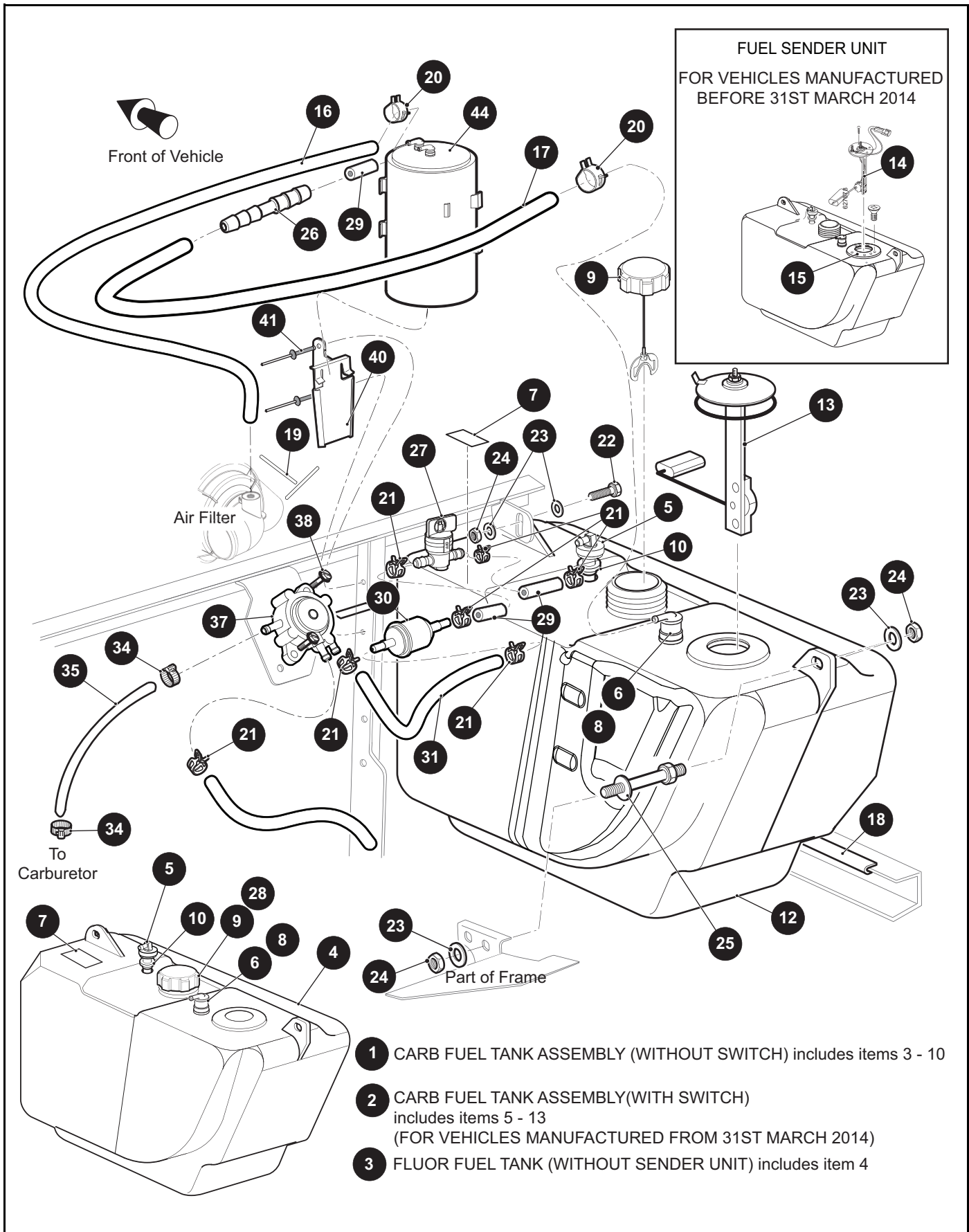
When ordering parts, please specify the model and serial number of the product.

\* Indicates a component that is not available as an individual part.

\*\*\* Indicates consult Customer Service Department for additional information.

ITEM	PART NO.	1 2 3 4 5	DESCRIPTION	QTY.
92	01069G01		JAM NUT, M12 X 1.25 - 05 (LEFT HAND THREADS) .....	1
93	70902G02		TIE ROD END (RIGHT HAND THREADS) .....	1
94	01069G02		JAM NUT, M12 X 1.25 - 05 (RIGHT HAND THREADS).....	1
95	00734G1		LOCK NUT, 7/16" - 14.....	2
96	10044G01		VINYL CAP .....	4

# FUEL SYSTEM



- 1** CARB FUEL TANK ASSEMBLY (WITHOUT SWITCH) includes items 3 - 10
- 2** CARB FUEL TANK ASSEMBLY(WITH SWITCH)  
includes items 5 - 13  
(FOR VEHICLES MANUFACTURED FROM 31ST MARCH 2014)
- 3** FLUOR FUEL TANK (WITHOUT SENDER UNIT) includes item 4



# FUEL SYSTEM

When ordering parts, please specify the model and serial number of the product.

\* Indicates a component that is not available as an individual part.

\*\*\* Indicates consult Customer Service Department for additional information.

ITEM	PART NO.	1 2 3 4 5	DESCRIPTION	QTY.
1	620180		CARB FUEL TANK ASSEMBLY (WITHOUT SWITCH) (INCLUDES ITEMS 3 - 10) .....	1
2	620181		CARB FUEL TANK ASSY (WITH SWITCH) (INCLUDES ITEMS 5 - 13) ..... (FOR VEHICLES MANUFACTURED FROM 31ST MARCH 2014)	1
3	620179		FLUOR FUEL TANK (WITHOUT SENDER UNIT) (INCLUDES ITEM 4) .	1
4	618668		FUEL TANK (WITHOUT SENDER UNIT) .....	1
5	18287G3		SIPHON TUBE ASSEMBLY .....	1
6	606068		ROLLOVER VALVE GROMMET .....	1
7	625826		EPA FUEL TANK LABEL .....	1
8	606067		ROLLOVER VALVE .....	1
9	635688		FUEL TANK CAP (RATCHET).....	1
10	70988G01		SIPHON TUBE GROMMET .....	1
11				
12	637496		NON FLUOR FUEL TANK (WITH SENDER UNIT) .....	1
13	633024G02		PRESS FIT FUEL SENDER .....	1
14	20048G2		FUEL LEVEL SENDER .....	1
15	72229G01		FUEL TANK ADAPTER.....	1
16	606966		LOW PRESSURE FUEL HOSE (CARB), 3/16" I.D X 3/8" O.D X 34" LG .....	1
17	607546		LOW PRESSURE FUEL HOSE (CARB), 3/16" I.D X 3/8" O.D X 17" LG .....	1
18	32372G6		VINYL TRIM, 6.25" LG .....	1
19	17618G1		NYLON CLAMP .....	2
20	606963		TUBING CLAMP, 3/16" I.D.....	2
21	18292G1		TUBING CLAMP, .50" O.D.....	7
22	00438G8		HEX HEAD BOLT, 5/16" - 18 X 1" LG .....	1
23	00559G8		FLAT WASHER, 5/16" .....	4
24	11098G6		LOCK NUT, 5/16" - 18 .....	3
25	70483G01		SPACER, 5/16" - 18 .....	1
26	615346		HOSE REDUCER, 1/4" I.D X 3/16" O.D .....	1
27	611181		FUEL SHUT OFF VALVE .....	1
28				
29	615350		FUEL SYSTEM HOSE, 2" LG .....	3
30	72084G01		FUEL LINE FILTER.....	1

# FUEL SYSTEM

When ordering parts, please specify the model and serial number of the product.

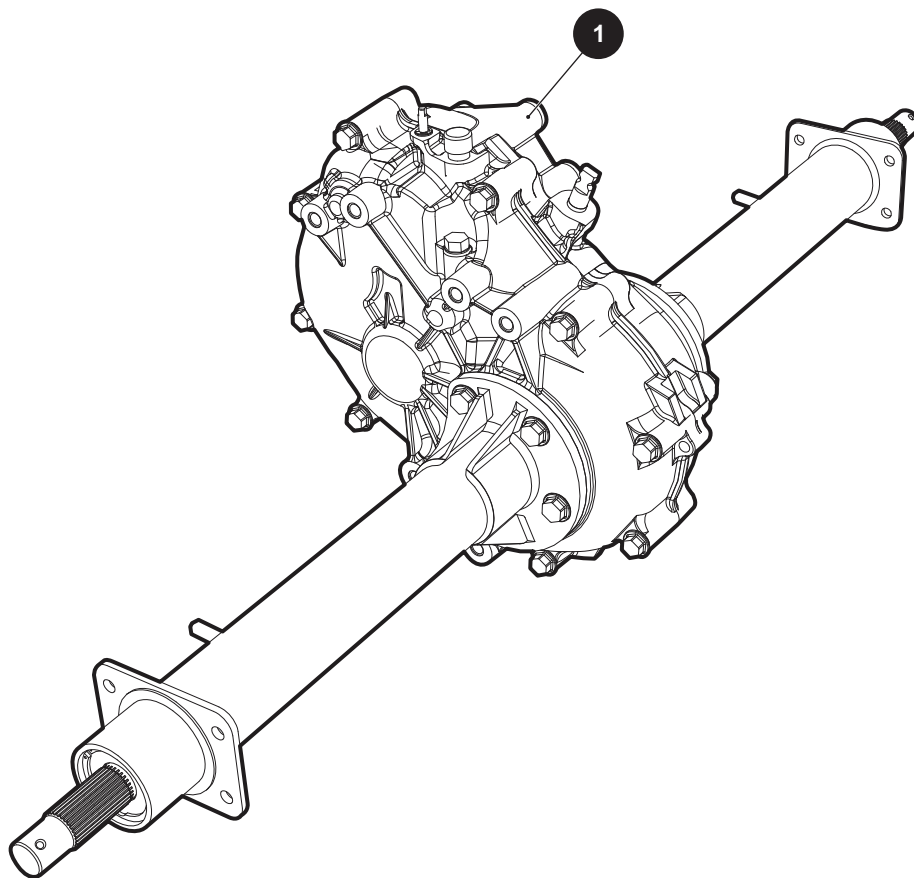
\* Indicates a component that is not available as an individual part.

\*\*\* Indicates consult Customer Service Department for additional information.

ITEM	PART NO.	1 2 3 4 5	DESCRIPTION	QTY.
31	606969		FUEL SYSTEM HOSE, 8" LG .....	1
32				
33				
34	11391G4		HOSE CLAMP, .25" .....	2
35	604597		CARB FUEL SYSTEM HOSE, .25" I.D X .50" O.D X 26" LG .....	1
36				
37	602061		FUEL PUMP .....	1
38	00114G6		HEX WASHER HEAD SLOTTED TAPPING SCREW, 1/4" - 10 X 3/4" LG .....	2
39				
40	606310		CARBON CANISTER MOUNTING BRACKET .....	1
41	10570G11		RIVET, 3/16" DIA X .70" .....	2
42				
43				
44	606071		CARBON CANISTER .....	1
45				



# REAR AXLE



When ordering parts, please specify the model and serial number of the product.

\* Indicates a component that is not available as an individual part.

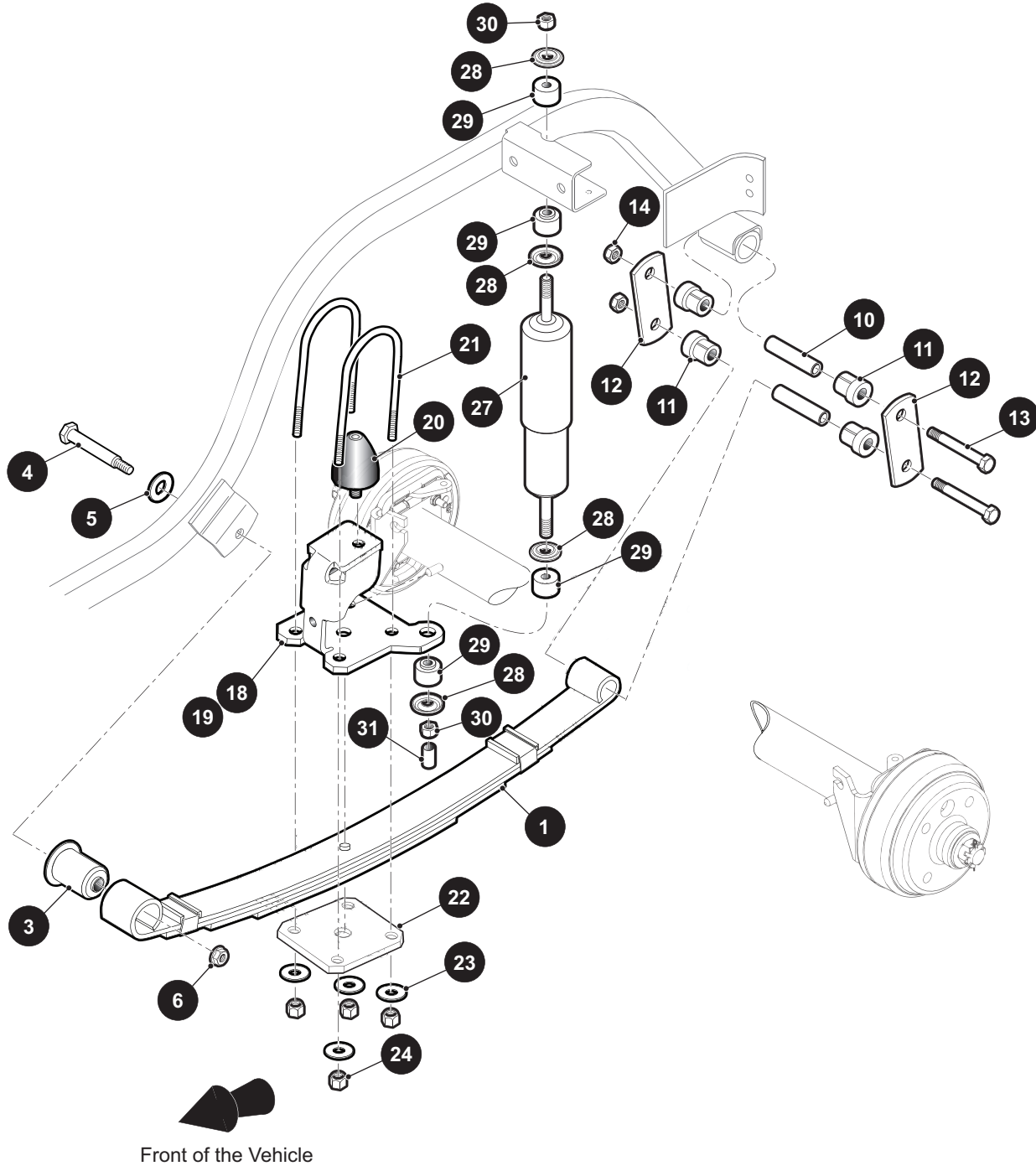
\*\*\* Indicates consult Customer Service Department for additional information.

ITEM	PART NO.	1 2 3 4 5 DESCRIPTION	QTY.
1	633941	REAR AXLE, 17:1 GEAR RATIO.....	1





# REAR SUSPENSION





# REAR SUSPENSION

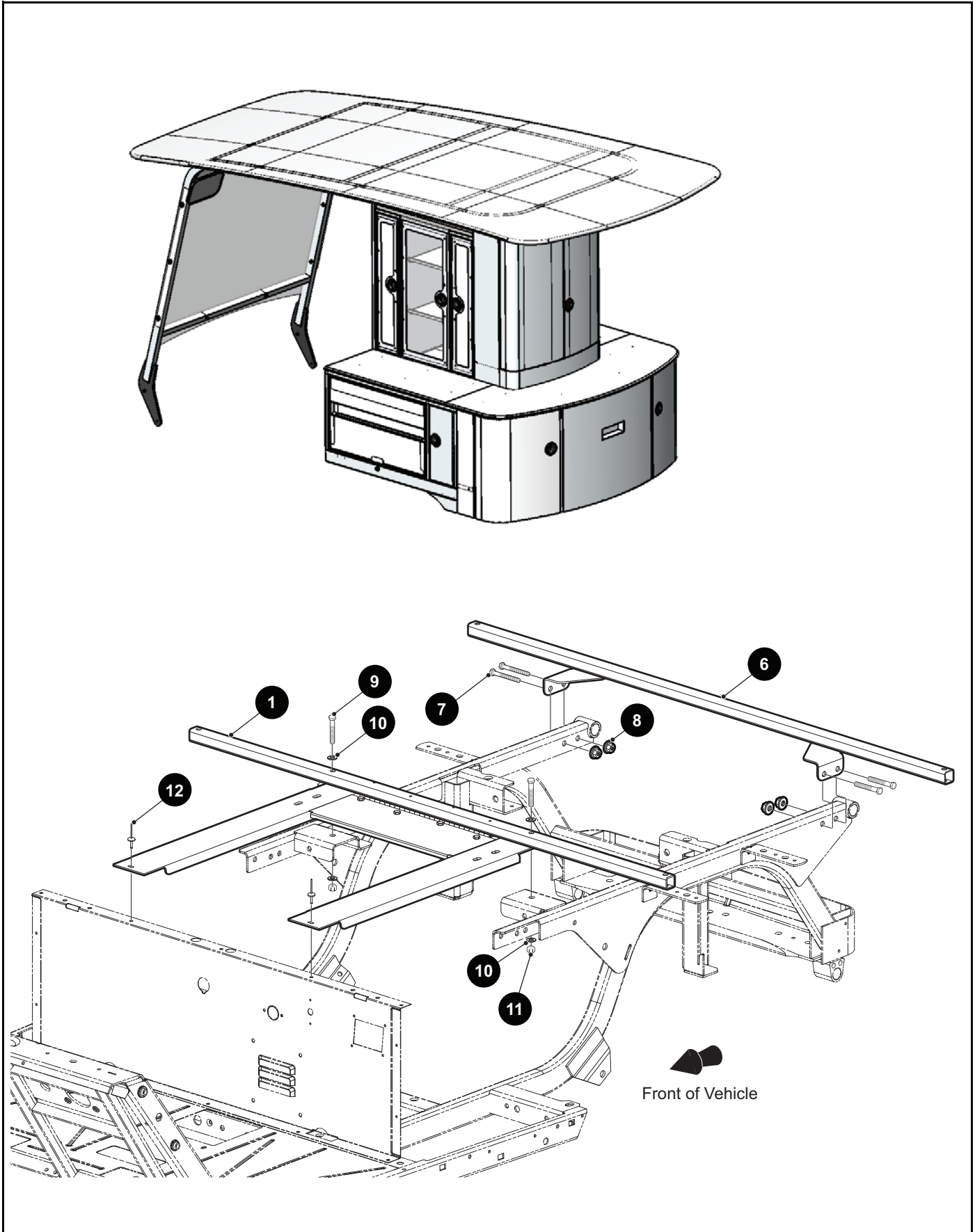
When ordering parts, please specify the model and serial number of the product.

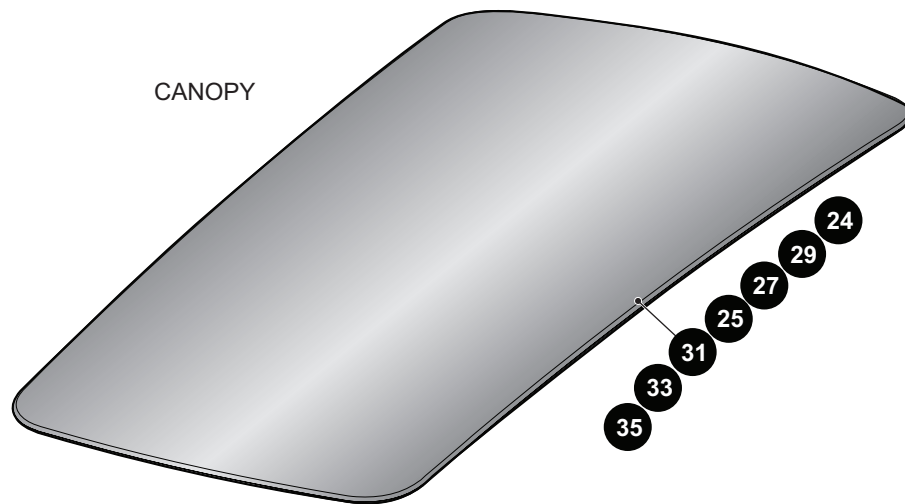
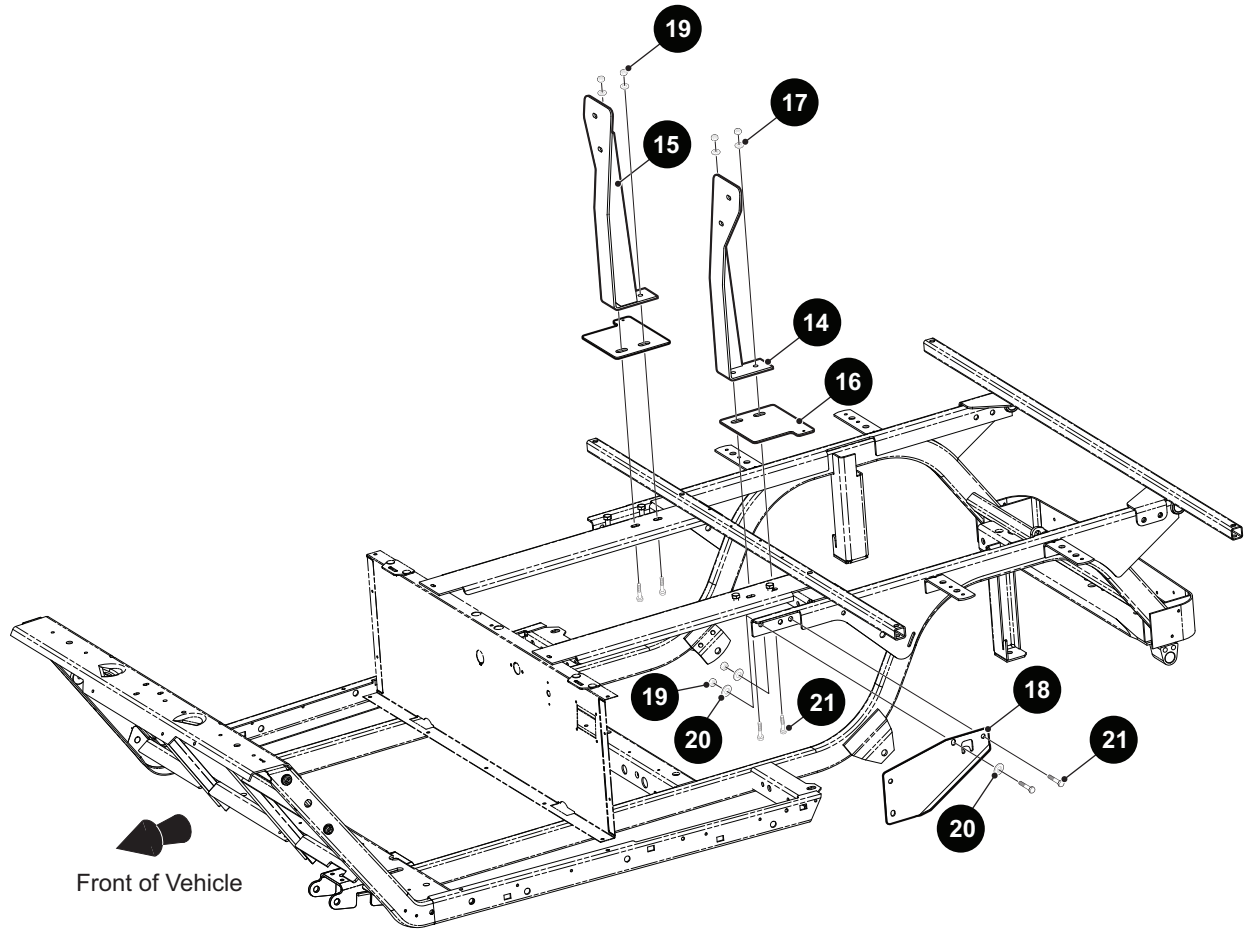
\* Indicates a component that is not available as an individual part.

\*\*\* Indicates consult Customer Service Department for additional information.

ITEM	PART NO.	1 2 3 4 5	DESCRIPTION	QTY.
1	620413		HEAVY DUTY LEAF SPRING.....	2
2				
3	605445		LEAF SPRING BUSHING (FRONT) .....	2
4	00665G9		HEX HEAD BOLT (SS), 3/8" - 16 X 1" LG .....	2
5	00643G1		FLAT WASHER, 3/8".....	2
6	12262G1		FLANGED LOCK NUT, 3/8" - 16.....	2
7				
8				
9				
10	70289G02		SPLIT SPACER (STEEL).....	4
11	624030		FLANGED BUSHING.....	8
12	604961		SHACKLE PLATE .....	4
13	00665G9		HEX HEAD BOLT (SS), 3/8" - 16 X 1" LG .....	4
14	11098G5		LOCK NUT, 3/8" - 16.....	4
15				
16				
17				
18	605938		AXLE BRACKET (DRIVER SIDE).....	1
19	605958		AXLE BRACKET (PASSENGER SIDE).....	1
20	70492G01		RUBBER BUMPER.....	2
21	32195G3		U-BOLT, 2 3/8" .....	4
22	605956		REAR SUSPENSION PLATE .....	2
23	00643G1		FLAT WASHER, 3/8".....	8
24	11098G5		LOCK NUT, 3/8" - 16.....	8
25				
26				
27	642085		SHOCK ABSORBER .....	2
28	10435G1		SHOCK ABSORBER WASHER, 0.406" I.D X 1.25" O.D.....	8
29	10194G1		RUBBER SHOCK BUSHING .....	8
30	00532G6		HEX NUT, 1/4" - 20 .....	4
31	10044G01		VINYL CAP .....	2

# REFRESHER UNIT





# REFRESHER UNIT

When ordering parts, please specify the model and serial number of the product.

\* Indicates a component that is not available as an individual part.

\*\*\* Indicates consult Customer Service Department for additional information.

ITEM	PART NO.	1	2	3	4	5	DESCRIPTION	QTY.
1	74421G02						FRONT SUPPORT AND ACCESS DOOR ASSEMBLY.....	1
2								
3								
4								
5								
6	608827						REFRESHER MOUNT WELDMENT.....	1
7	00427G8						HEX HEAD BOLT, 3/8" - 16 X 2" LG.....	4
8	11027G5						LOCK NUT, 3/8" - 16 .....	4
9	00439G8						HEX HEAD BOLT, 5/16" - 18 X 2" LG.....	2
10	00559G8						FLAT WASHER, 5/16" .....	4
11	11098G6						LOCK NUT, 5/16" - 18 .....	2
12	10570G10						RIVET (SS), 5/32".....	2
13								
14	70008G01						FRONT SUPPORT WELDMENT (DRIVER SIDE).....	1
15	70008G02						FRONT SUPPORT WELDMENT (PASSENGER SIDE) .....	1
16	74855G01						SIDE COVER .....	2
17	00559G8						FLAT WASHER, 5/16" .....	4
18	634703						AIR CLEANER BRACKET.....	1
19	11098G6						LOCK NUT, 5/16" - 18 .....	6
20	00571G2						FLAT WASHER, 5/16" .....	3
21	00438G8						HEX HEAD BOLT, 5/16" - 18 X 1" LG.....	6
22								
23								
24	634410						CANOPY (STANDARD SLATE) .....	1
25	634436						CANOPY (STRIPED PARADE OLIVE) .....	1
26								
27	634437						CANOPY (STRIPED CLINTON GRANITE).....	1
28								
29	634438						CANOPY (CLASSIC REGIMENTAL) .....	1
30								
31	634440						CANOPY (SOLID MOTIVE) .....	1

When ordering parts, please specify the model and serial number of the product.

\* Indicates a component that is not available as an individual part.

\*\*\* Indicates consult Customer Service Department for additional information.

ITEM	PART NO.	1 2 3 4 5	DESCRIPTION	QTY.
32				
33	634441		CANOPY (SOLID TRESKO).....	1
34				
35	634439		CANOPY (WALLNUT BROWN TWEED).....	1
36				
37				
38				
39				
40			<b>ITEMS 41 - 161 NOT SHOWN</b>	
41	634407		TOUCHUP PAINT (6 PIECE KIT) (PEBBLE PLATINUM).....	1
42	634408		TOUCHUP PAINT (1 PIECE KIT) (PEBBLE PLATINUM).....	1
43				
44	634418		SNACK MODULE WITH HOOKS (PEBBLE PLATINUM), 6".....	1
45	634419		SNACK MODULE WITH HOOKS (PEBBLE PLATINUM), 12".....	1
46	634420		CUP HOLDER MODULE (PEBBLE PLATINUM), 6".....	1
47	634421		STANDARD MODULE SHELVES (PEBBLE PLATINUM), 12".....	1
48	634422		STANDARD MODULE SHELVES (PEBBLE PLATINUM), 18".....	1
49				
50	634423		AIRPOT HOLDER (2 PIECE KIT).....	1
51				
52	634434		TOUCHUP PAINT, 6 PIECE KIT (DESERT STONE).....	1
53	634435		TOUCHUP PAINT, 1 PIECE KIT (DESERT STONE).....	1
54				
55	634442		6" STANDARD CANDY AND SANDWICH TRAYS INSERT (2 PIECE KIT)...	1
56				
57	634446		SNACK MODULE WITH HOOK (DESERT STONE), 6".....	1
58	634447		SNACK MODULE WITH HOOK (DESERT STONE), 12".....	1
59	634448		CUP HOLDER MODULE (DESERT STONE), 6".....	1
60	634449		12" MODULE WITH 4 ADJUSTABLE SHELVES (DESERT STONE).....	1
61	634450		18" MODULE WITH 4 ADJUSTABLE SHELVES (DESERT STONE).....	1

# REFRESHER UNIT

When ordering parts, please specify the model and serial number of the product.

\* Indicates a component that is not available as an individual part.

\*\*\* Indicates consult Customer Service Department for additional information.

ITEM	PART NO.	1	2	3	4	5	DESCRIPTION	QTY.
62	634451						12" AIRPOT HOLDER (GREEN).....	1
63	634452						12" AIRPOT HOLDER (BLUE) .....	1
64	634453						12" AIRPOT HOLDER (YELLOW).....	1
65	634454						12" AIRPOT HOLDER (RED) .....	1
66								
67	634455						18" DUAL AIRPOT HOLDER (GREEN) .....	1
68	634456						18" DUAL AIRPOT HOLDER (BLUE).....	1
69	634457						18" DUAL AIRPOT HOLDER (YELLOW).....	1
70	634458						18" DUAL AIRPOT HOLDER (RED) .....	1
71	634424						18" DUAL AIRPOT HOLDER (POLAR WHITE) .....	1
72								
73	635142						DOOR LOCK KEY (2 PACK).....	1
74	634640						DRAWER LOCK KEY (2 PACK).....	1
75								
76	634141						FOOD WARMING BAGS.....	1
77	*						24" KEG MODULE .....	1
78	*						18" FOOD WARMER MODULE.....	1
79	*						18" CUP AND DISPLAY MODULE .....	1
80	634139						MINI TRAY SET (3 PACK).....	1
81	634135						SNACK MODULE KIT (FOR USE WITH PULL OUT MODULE).....	1
82	634249						CONSUMABLE ICE INSERT .....	1
83	634147						3 LITER SS AIRPOT .....	1
84	634148						AIRPOT BOTTLE REVERSIBLE INSERT .....	1
85	634150G01						NAPKIN & BOTTLE HOLDER SHELVES (PEBBLE PLATINUM) .....	1
86	634150G02						NAPKIN & BOTTLE HOLDER SHELVES (DESERT STONE) .....	1
87	634149G01						COFFEE & CREAMER TRAY (PEBBLE PLATINUM) .....	1
88	634149G02						COFFEE & CREAMER TRAY (DESERT STONE) .....	1
89	634151G01						MINI BOTTLE HOLDER (PEBBLE PLATINUM).....	1
90	634151G02						MINI BOTTLE HOLDER (DESERT STONE).....	1
91	634133						CANDY & SANDWICH DRAWER INSERTS.....	1
92								

When ordering parts, please specify the model and serial number of the product.

\* Indicates a component that is not available as an individual part.

\*\*\* Indicates consult Customer Service Department for additional information.

ITEM	PART NO.	1 2 3 4 5	DESCRIPTION	QTY.
93	634137		12" STANDARD SHELVES .....	1
94	634138		12" WEDGE SHELVES .....	1
95	634143		18" STANDARD SHELVES .....	1
96	634144		18" WEDGE SHELVES .....	1
97				
98	636431		DRAWER DIVIDERS (2 PACK) .....	1
99				
100	634244G01		DROP SHIP COUNTERTOP (BEIGE) ..... 1	
101	634245G07		CANOPY DROP SHIP, STRIPED (VAUGHN GLOW) .....	1
102	634245G08		CANOPY DROP SHIP, STRIPED (GREEN BEIGE) .....	1
103	634245G09		CANOPY DROP SHIP, STRIPED (GINZA ONYX) .....	1
104	634245G10		CANOPY DROP SHIP, STRIPED (CUSTOM) .....	1
105	634245G11		CANOPY DROP SHIP, STRIPED (SOLID STATE) .....	1
106	640543		CANOPY DROP SHIP, CRAFTING .....	1
107	640064		COUNTERTOP, 3 PIECE KIT (GREY) .....	1
108	640065		CANOPY CLOTH, STRIPED (VAUGHN GLOW) .....	1
109	640066		CANOPY CLOTH, STRIPED (FOREST GREEN) .....	1
110	640067		CANOPY CLOTH, STRIPED (GINZA ONYX) .....	1
111	640548		18" CUP & DISPLAY STORAGE MODULE .....	1
112	640549		12" CUP & DISPLAY STORAGE MODULE .....	1
113	634148G06		DROP SHIP, REVERSIBLE INSERT (GREY) .....	1
114	634251G06		18" DUAL AIRPOT HOLDER (GREY) .....	1
115	640547		DROP SHIP, DRAWER SLIDES .....	2
116				
117			<b>THE FOLLOWING SERVICE PARTS AND ACCESSORIES ARE AVAILABLE FROM 19TH HOLE MARKETING, INC, 400 E. COMSTOCK DRIVE, CHANDLER, AZ 85225, PHONE: (480) 497 - 8280</b>	
118				
119			DOOR LOCKS (12 PACK) .....	1
120			DOOR LOCKS (2 PACK) .....	1
121			STANDARD COUNTER TOP (3 PIECE KIT) .....	1
122			LRC DOOR KIT (PP) .....	1

# REFRESHER UNIT

When ordering parts, please specify the model and serial number of the product.

\* Indicates a component that is not available as an individual part.

\*\*\* Indicates consult Customer Service Department for additional information.

ITEM	PART NO.	1	2	3	4	5	DESCRIPTION	QTY.
123							SLIDING TRASH BIN ASSEMBLY .....	1
124							CANOPY FRAME WITH HARDWARE, 110" .....	1
125							CLEAR WINDSHIELD PANEL .....	1
126							WINDSHIELD WITH FRAME .....	1
127							CHASSIS DRAWER LOCK (12 PIECE KIT) .....	1
128							CHASSIS DRAWER LOCK (2 PIECE KIT) .....	1
129							BUMPER LOCKS (18 PIECES) .....	1
130							UPPER CAB DOOR PP KIT .....	1
131							DRAWER FRONT FACIA .....	1
132							DOOR WITH HARDWARE (PEBBLE PLATINUM), 6" .....	1
133							DOOR WITH HARDWARE (PEBBLE PLATINUM), 12" .....	1
134							DOOR WITH HARDWARE (PEBBLE PLATINUM), 18" .....	1
135							LOCK SYSTEM MODULE (PEBBLE PLATINUM) .....	1
136							DROP SHIP COUNTERTOP (MERCURY GREY) .....	1
137								
138							DROP SHIP COUNTERTOP (GREEN).....	1
139							DROP SHIP COUNTERTOP (BLUE) .....	1
140							DROP SHIP COUNTERTOP (YELLOW) .....	1
141							DROP SHIP COUNTERTOP (RED).....	1
142							UPPER CAB DOOR KIT (LH & RH) (DESERT STONE).....	1
143							LOWER CAB DOOR KIT (LH & RH) (DESERT STONE).....	1
144							DRAWER FRONT FACIA .....	1
145							DOOR WITH HARDWARE (DESERT STONE), 6" .....	1
146							DOOR WITH HARDWARE (DESERT STONE), 12" .....	1
147							DOOR WITH HARDWARE (DESERT STONE), 18" .....	1
148							LOCK SYSTEM MODULE (DESERT STONE) .....	1
149							DRAWER LOCK TO CHASSIS .....	1
150							PEGBOARD WITH 24" EXTENSION SLIDE.....	1
151							DUAL ACTION 24" EXTENSION SLIDE .....	1
152							DRAWER KIT (PEBBLE PLATINUM).....	1
153							DRAWER KIT (DESERT STONE).....	1



# REFRESHER UNIT

When ordering parts, please specify the model and serial number of the product.

\* Indicates a component that is not available as an individual part.

\*\*\* Indicates consult Customer Service Department for additional information.

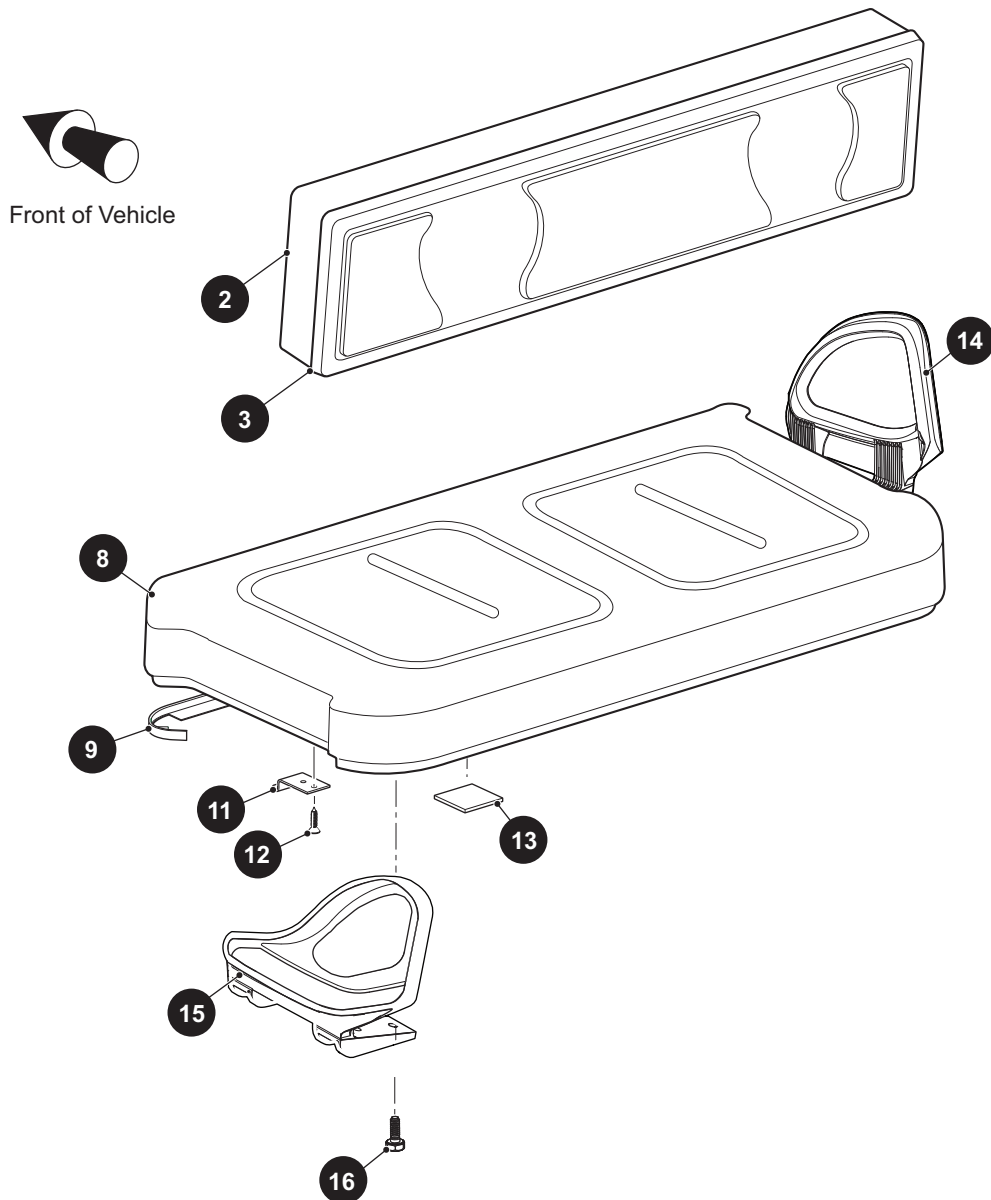
ITEM	PART NO.	1	2	3	4	5	DESCRIPTION	QTY.
154							WATER DRAIN PLUGS (2 PACK) .....	1
155							WATER DRAIN PLUGS (12 PACK) .....	1
156							MIRRORS WITH HARDWARE .....	1
157							TOP U - FRAME (3 PIECE KIT).....	1
158							TRASHBIN, 12".....	1
159							SLIDING TRASHBIN.....	1
160							TRASH CAN (GREEN).....	1
161							TRASH CAN (BLUE).....	1





# SEATING SYSTEM

- 1 SEAT BACK ASSEMBLY includes items 2, 3
- 7 SEAT BOTTOM ASSEMBLY includes items 8 - 16



# SEATING SYSTEM

When ordering parts, please specify the model and serial number of the product.

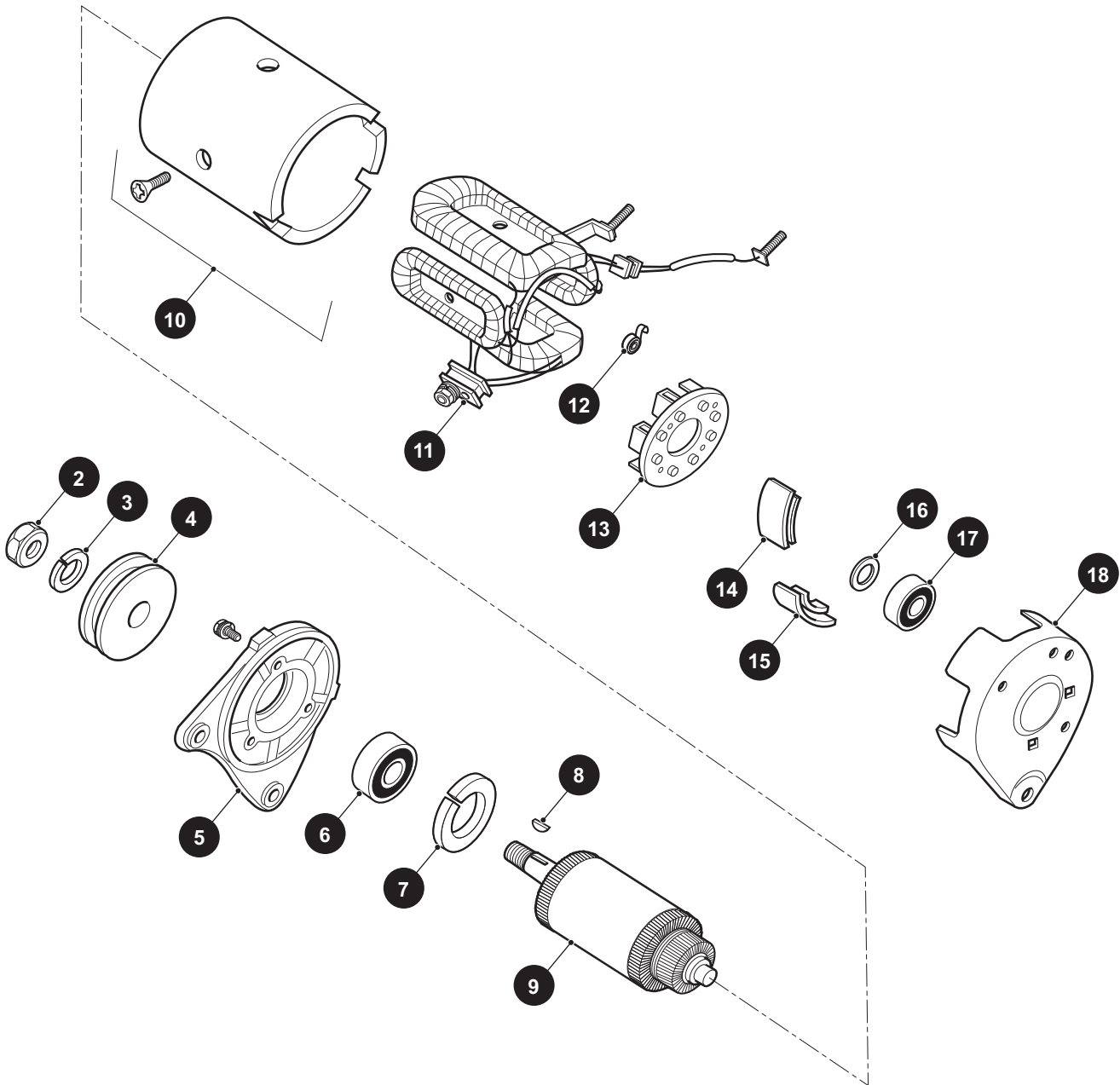
\* Indicates a component that is not available as an individual part.

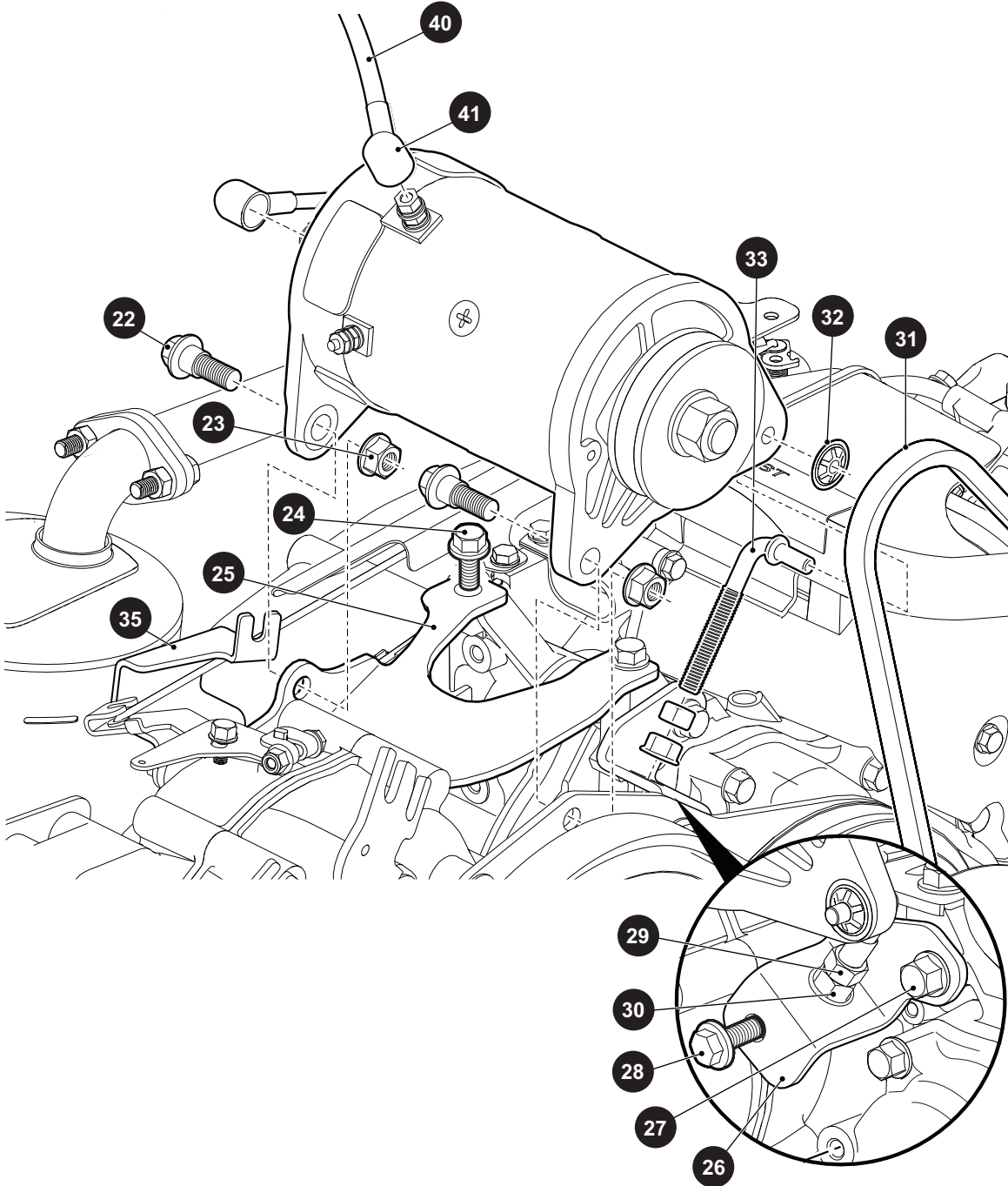
\*\*\* Indicates consult Customer Service Department for additional information.

ITEM	PART NO.	1 2 3 4 5	DESCRIPTION	QTY.
1	71274G**		SEAT BACK ASSEMBLY (INCLUDES ITEMS 2, 3) ..... 71274G01 WHITE 71274G03 TAN 71274G04 GRAY 71274G05 OYSTER	1
2	18144G**		VINYL SEAT BACK COVER..... 18144G2 WHITE 18144G6 OYSTER 18144G4 TAN 18144G5 GRAY	1
3	74889G01		PLASTIC SEAT BACK COVER (BLACK) .....	1
4				
5				
6				
7	629269G**		SEAT BOTTOM ASSEMBLY (INCLUDES ITEMS 8 - 16)..... 629269G0501 OYSTER 629269G0503 TAN 629269G0505 WHITE 629269G0504 GRAY	1
8	71624G**		VINYL SEAT BOTTOM COVER..... 71624G03 OYSTER 71624G04 TAN 71624G01 WHITE 71624G02 GRAY	1
9	71012G01		VINYL TRIM (SEAT BOTTOM).....	1
10				
11	71610G01		SEAT HINGE .....	2
12	00720G8		FLAT HEAD PHILLIPS SCREW, #12 - 14 X 1" LG. ....	6
13	17074G1		SOILING SLAB.....	2
14	617644		HIP RESTRAINT (PASSENGER SIDE) .....	1
15	617645		HIP RESTRAINT (DRIVER SIDE).....	1
16	615417		BUTTON HEAD TORX BOLT, M10 - 1.5 X 25MM LG. ....	8

# STARTER / GENERATOR

1 STARTER / GENERATOR includes items 2 - 18





# STARTER / GENERATOR

When ordering parts, please specify the model and serial number of the product.

\* Indicates a component that is not available as an individual part.

\*\*\* Indicates consult Customer Service Department for additional information.

ITEM	PART NO.	1 2 3 4 5	DESCRIPTION	QTY.
1	625715		STARTER / GENERATOR (INCLUDES ITEMS 2 - 18).....	1
2	612029		HEX NUT .....	1
3	612030		LOCK WASHER.....	1
4	625716		PULLEY, 2.5" O.D .....	1
5	612032		FRONT COVER.....	1
6	612033		BEARING .....	1
7	612034		RETAINING RING.....	1
8	612035		KEY .....	1
9	612036		ARMATURE ASSEMBLY .....	1
10	612037		FRAME & FIELD ASSEMBLY .....	1
11	612038		BRUSH LEAD & TERMINAL PKG .....	1
12	612039		BRUSH SPRING.....	4
13	612040		BRUSH BOX ASSEMBLY.....	1
14	612041		BRUSH 1 COVER.....	3
15	612042		BRUSH 2 COVER.....	2
16	612043		WAVY WASHER .....	1
17	612044		BEARING.....	1
18	612045		REAR COVER .....	1
19				
20				
21				
22	606235		HEX FLANGED SHOULDER BOLT, M10 - 1.25 X 20MM LG .....	2
23	606279		HEX NUT, M10 - 1.25 .....	2
24	606261		HEX HEAD BOLT, M8 - 1.25 X 20MM LG .....	3
25	602141		STARTER / GENERATOR BRACKET .....	1
26	602145		TENSIONER BRACKET.....	1
27	606261		HEX HEAD BOLT, M8 - 1.25 X 20MM LG .....	1
28	606256		HEX HEAD BOLT, M10 - 1.25 X 25MM LG .....	1
29	606255		HEX JAM NUT, M10 - 1.25.....	1
30	606274		HEX FLANGE NUT, M10 - 1.25.....	1
31	630587		STARTER / GENERATOR BELT .....	1



# STARTER / GENERATOR

When ordering parts, please specify the model and serial number of the product.

\* Indicates a component that is not available as an individual part.

\*\*\* Indicates consult Customer Service Department for additional information.

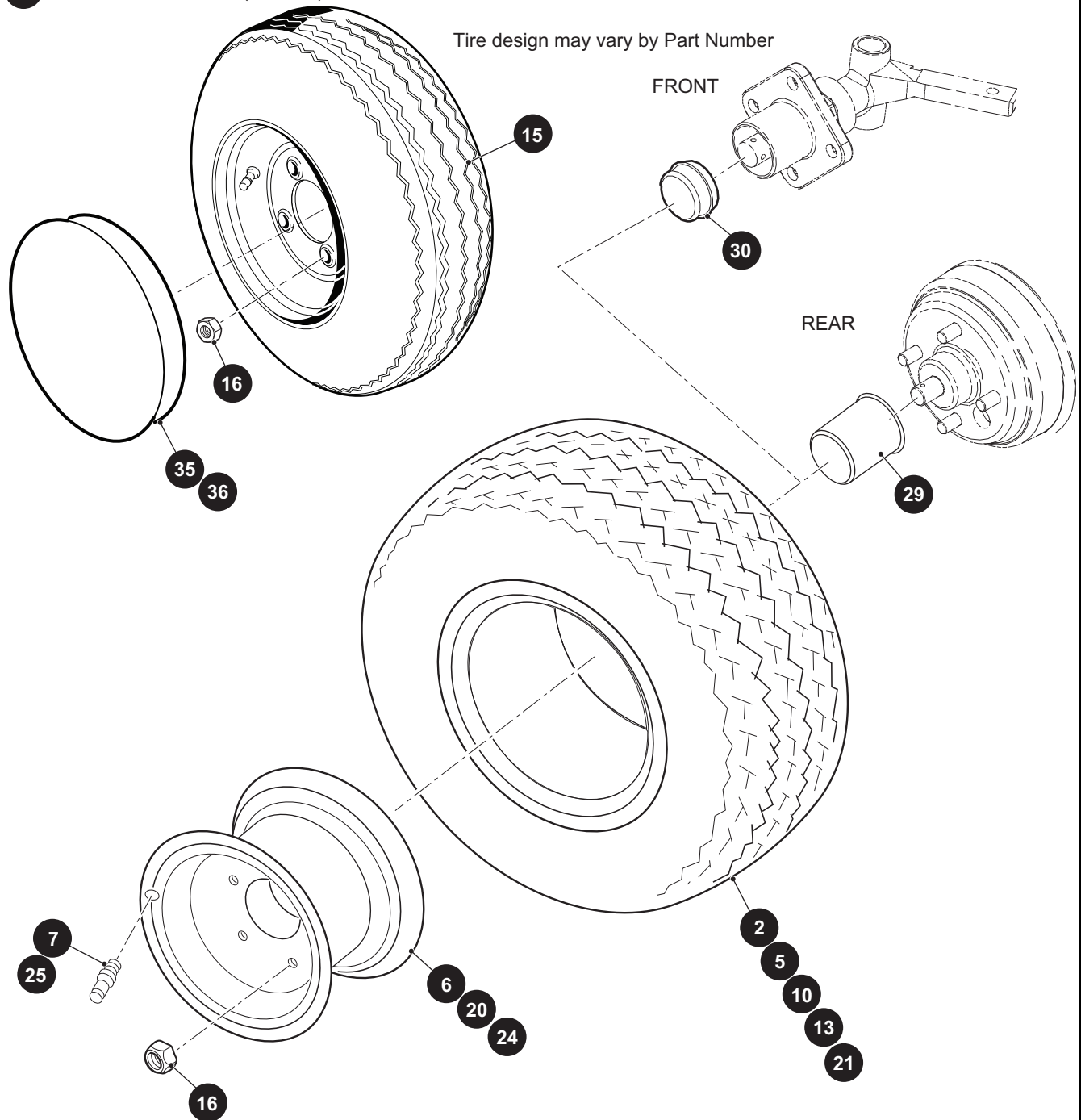
ITEM	PART NO.	1 2 3 4 5	DESCRIPTION	QTY.
32	12064G6		PUSH NUT, 5/16" .....	1
33	629763		TENSIONER BOLT .....	1
34				
35	603884		BRACKET (GUIDE CABLE).....	1
36	18292G1		TUBING CLAMP (NOT ILLUSTRATED) .....	1
37				
38				
39				
40	607103		WIRE ASSEMBLY, 6 AWG, 42" LG .....	1
41	25682G01		RUBBER BOOT .....	3





# WHEELS AND TIRES

- 1 WHEEL AND TIRE ASSEMBLY (LINKS 18 X 8.5 - 8) includes items 2, 24, 25
- 4 WHEEL AND TIRE ASSEMBLY (TURF SAVER 20 X 10 - 10) includes items 5 - 7
- 9 WHEEL AND TIRE ASSEMBLY (TURF SAVER 18 X 8.5 - 8) includes items 10, 24, 25
- 12 WHEEL AND TIRE ASSEMBLY (USA TRAIL 18 X 8.5 - 8) includes items 13, 24, 25
- 19 WHEEL AND TIRE ASSEMBLY (HOLE-N-ONE) includes items 20 - 21, 25
- 33 HUBCAP ASSEMBLY(GOLD) includes items 35, 37
- 34 HUBCAP ASSEMBLY(SILVER) includes items 36, 37



# WHEELS AND TIRES

When ordering parts, please specify the model and serial number of the product.

\* Indicates a component that is not available as an individual part.

\*\*\* Indicates consult Customer Service Department for additional information.

ITEM	PART NO.	1 2 3 4 5	DESCRIPTION	QTY.
1	28757G01		WHEEL AND TIRE ASSEMBLY (LINKS 18 X 8.5 - 8) (INCLUDES ITEMS 2, 24, 25).....	1
2	28764G01		TIRE (CARLISLE LINKS 18 X 8.5 - 8).....	1
3				
4	28442G01		WHEEL AND TIRE ASSEMBLY (TURF SAVER 20 X 10 - 10) (INCLUDES ITEMS 5 - 7) .....	1
5	28442G02		TIRE (TURF SAVER 20 X 10 - 10).....	1
6	15172G01		WHEEL RIM .....	1
7	11657G1		VALVE STEM.....	1
8				
9	28757G03		WHEEL AND TIRE ASSEMBLY (TURF SAVER 18 X 8.5 - 8) (INCLUDES ITEMS 10, 24, 25).....	1
10	28764G03		TIRE (CARLISLE LINKS 18 X 8.5 - 8).....	1
11				
12	28842G01		WHEEL AND TIRE ASSEMBLY (USA TRAIL 18 X 8.5 - 8) (INCLUDES ITEMS 13, 24, 25).....	1
13	28764G06		TIRE (CARLISLE LINKS 18.5 X 8.5 - 8).....	1
14				
15	614437		WHEEL AND TIRE ASSEMBLY (LOAD STAR).....	2
16	14723G1		LUG NUT, 1/2" - 20 .....	A/R
17				
18				
19	612772		WHEEL AND TIRE ASSEMBLY (HOLE-N-ONE) (INCLUDES ITEMS 20 - 21, 25) .....	2
20	612770		WHEEL, 8".....	1
21	612771		TIRE (HOLE-N-ONE) .....	1
22				
23				
24	28759G01		WHEEL (4 LUG) .....	1
25	11657G2		VALVE STEM.....	1
26				
27				
28				

# WHEELS AND TIRES

When ordering parts, please specify the model and serial number of the product.

\* Indicates a component that is not available as an individual part.

\*\*\* Indicates consult Customer Service Department for additional information.

ITEM	PART NO.	1 2 3 4 5	DESCRIPTION	QTY.
29	601353		WHEEL CAP .....	2
30	12091G2		SPINDLE CAP .....	2
31				
32				
33	615617		HUBCAP ASSEMBLY (GOLD) (INCLUDES ITEMS 35, 37) .....	1
34	615618		HUBCAP ASSEMBLY (SILVER) (INCLUDES ITEMS 36, 37) .....	1
35	*		HUBCAP (GOLD).....	1
36	*		HUBCAP (SILVER) .....	1
37	*		HUBCAP CLIP (NOT ILLUSTRATED) .....	4





**CUSHMAN™**

**E-Z-GO Division of Textron Inc.,**  
1451 Marvin Griffin Road, Augusta, Georgia 30906 - 3852 USA

TO CONTACT US...

North America:

**Technical Assistance & Warranty** Phone: 1-800-774-3946, FAX: 1-800-448-8124

**Service Parts** Phone: 1-888-GET-E-Z-GO (1-888-438-3946), FAX: 1-800-752-6175

International: Phone: 001-706-798-4311, FAX: 001-706-771-4609

Service Parts Manuals, as well as Repair and Service Manuals  
are available from a local Distributor, an authorized Branch,  
Genuine E-Z-GO Parts & Accessories Department or at [www.shopezgo.com](http://www.shopezgo.com).

Copyrighted Material  
This manual may not be reproduced in whole or  
in part without the express permission of  
E-Z-GO Division of Textron Inc.  
Technical Communications Department