



CUSHMAN[®]
LET'S WORK.[®]

SERVICE PARTS MANUAL

Truckster[®] XD

672241-A

ISSUED APRIL 2018

CALIFORNIA Proposition 65

WARNING

Operating, servicing and maintaining a passenger vehicle or off-road vehicle can expose you to chemicals including engine exhaust, carbon monoxide, phthalates, and lead, which are known to the State of California to cause cancer and birth defects or other reproductive harm. To minimize exposure, avoid breathing exhaust, do not idle the engine except as necessary, service your vehicle in a well-ventilated area and wear gloves or wash your hands frequently when servicing your vehicle. For more information go to www.P65Warnings.ca.gov/passenger-vehicle.

SERVICE PARTS MANUAL

Truckster[®] XD Diesel

Truckster[®] XD Gas

STARTING MODEL YEAR 2018

Never modify the vehicle in any way that will alter the weight distribution of the vehicle, decrease its stability or increase the speed beyond the factory specifications. Such modifications can cause serious personal injury or death. Textron Specialized Vehicles Division of Textron Inc. prohibits and disclaims responsibility for any such modifications or any other alteration which would adversely affect the safety of the vehicle.

Textron Specialized Vehicles Division of Textron Inc. reserves the right to incorporate engineering and design changes to products in this manual, without obligation to include these changes on units sold previously.

The information contained in this manual may be revised periodically by Textron Specialized Vehicles, and therefore is subject to change without notice.

Textron Specialized Vehicles DISCLAIMS LIABILITY FOR ERRORS IN THIS MANUAL, and SPECIFICALLY DISCLAIMS LIABILITY FOR INCIDENTAL AND CONSEQUENTIAL DAMAGES resulting from the use of the information and materials in this Manual.

These are the original instructions as defined by 2006/42/EC.

CONTACT US:

Textron Specialized Vehicles Division of Textron Inc.
1451 Marvin Griffin Road.
Augusta, Georgia, USA 30906-3852

North America:

Technical Assistance & Warranty PHONE: 1-800-774-3946 FAX: 1-800-448-8124

Service Parts PHONE: 1-888-GET-EZGO (1-888-438-3946) FAX: 1-800-752-6175

International: PHONE: 001-706-798-4311 FAX: 001-706-771-4609

cushmancomm@textron.com

GENERAL INFORMATION

To obtain a copy of the limited warranty applicable to the vehicle, call or write a local Distributor, authorized Branch or the Warranty Department with vehicle serial number and manufacturer code.

The use of non Original Equipment Manufacturer (OEM) approved parts may void the warranty.

Tampering with or adjusting the governor to permit vehicle to operate at above factory specifications will void the vehicle warranty.

When servicing engines, all adjustments and replacement components must be per original vehicle specifications in order to maintain the United States of America Federal and State emission certification applicable at the time of manufacture.

BATTERY PROLONGED STORAGE

All batteries will self discharge over time. The rate of self discharge varies depending on the ambient temperature and the age and condition of the batteries.

A fully charged battery will not freeze in winter temperatures unless the temperature falls below -75° F (-60° C).

BATTERY DISPOSAL

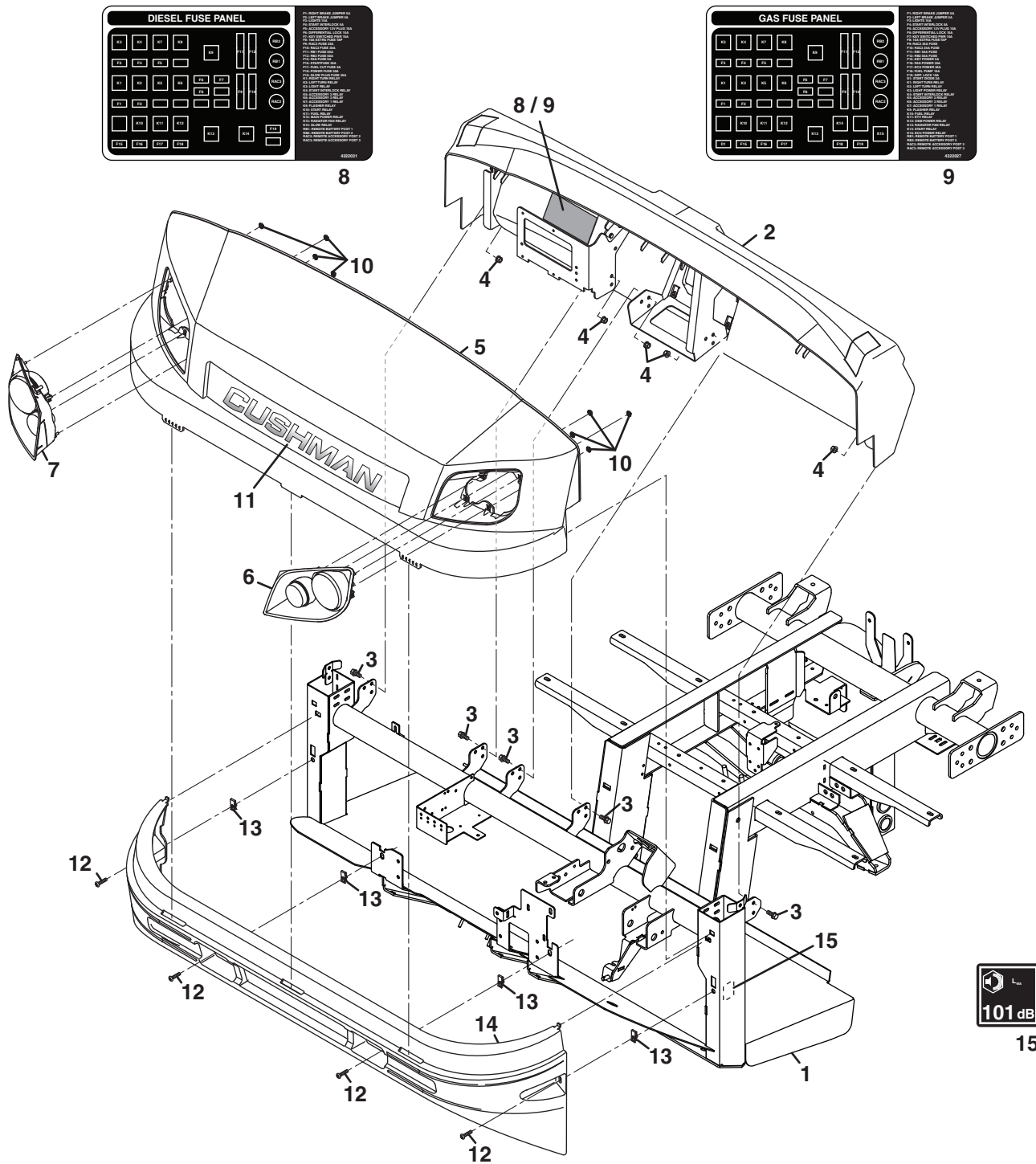
Lead-acid batteries are recyclable. Return whole scrap batteries to distributor, manufacturer or lead smelter for recycling. For neutralized spills, place residue in acid-resistant containers with absorbent material, sand or earth and dispose of in accordance with local, state and federal regulations for acid and lead compounds. Contact local and/or state environmental officials regarding disposal information.

Table of Contents

| | | | |
|---|-----|-------------------------------|-----|
| Front Panels | 1 | Input and Main Shaft..... | 109 |
| Dashboard | 3 | Gear Shift Fork Linkage | 111 |
| Operator Platform | 5 | | |
| Standard Seat Option | 7 | | |
| Premium Seat Option..... | 9 | | |
| Control Levers..... | 11 | | |
| Transmission Cables..... | 13 | | |
| Parking Brake Cables | 15 | | |
| Diesel Accelerator Pedal | 17 | | |
| Gas Accelerator Pedal | 18 | | |
| Diesel Throttle Cable Routing..... | 19 | | |
| Brake and Clutch Pedals..... | 21 | | |
| Brake Calipers and Wheels..... | 23 | | |
| Brake Hose Routing..... | 25 | | |
| Frame | 27 | | |
| ROPS..... | 29 | | |
| Rear Axle | 31 | | |
| Front Axle Assembly | 33 | | |
| 2WD Front Axle | 35 | | |
| 4WD Front Axle | 37 | | |
| Steering Column | 39 | | |
| Air Filter | 41 | | |
| Radiator..... | 43 | | |
| Diesel Radiator Hoses | 45 | | |
| Gas Radiator Hoses..... | 46 | | |
| Diesel Engine and Transmission Mount..... | 47 | | |
| Gas Engine and Transmission Mount..... | 49 | | |
| Diesel Engine..... | 51 | | |
| Gas Engine | 53 | | |
| Diesel Exhaust..... | 55 | | |
| Gas Exhaust | 57 | | |
| Diesel Fuel System | 59 | | |
| Gas Fuel System | 61 | | |
| Suction and Return Hydraulics..... | 63 | | |
| Bed Cylinder Hydraulics..... | 65 | | |
| Steering Hydraulics | 67 | | |
| Hi-Lo Hydraulic Tank | 69 | | |
| Hi-Lo Hydraulics..... | 71 | | |
| Fuse/Relay Panel..... | 73 | | |
| Harness Routing | 75 | | |
| No Bed Option..... | 77 | | |
| Bed with Box Sides Option | 78 | | |
| Bed and Box Sides..... | 79 | | |
| Front Dual Piston Calipers..... | 81 | | |
| Rear Single Piston Caliper | 82 | | |
| Parking Brake Caliper..... | 83 | | |
| Hi/Lo Control Valve..... | 84 | | |
| Single Section Gear Pump | 85 | | |
| Two Section Gear Pump..... | 86 | | |
| Accessory Cylinder..... | 87 | | |
| Steering Cylinders | 88 | | |
| Lift Valve | 89 | | |
| Steering Valve | 91 | | |
| Front Axle Breakdown..... | 93 | | |
| Front and Rear Axle Cover..... | 95 | | |
| Axle Shafts..... | 97 | | |
| Input Shaft | 99 | | |
| Differential | 101 | | |
| 4WD Output Shaft | 103 | | |
| Transmission Clutch Release-Shift Selector..... | 105 | | |
| Transmission Case | 107 | | |

TRUCKSTER XD

Front Panels

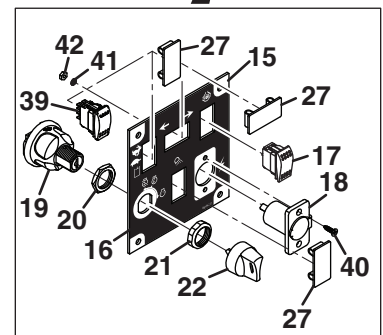
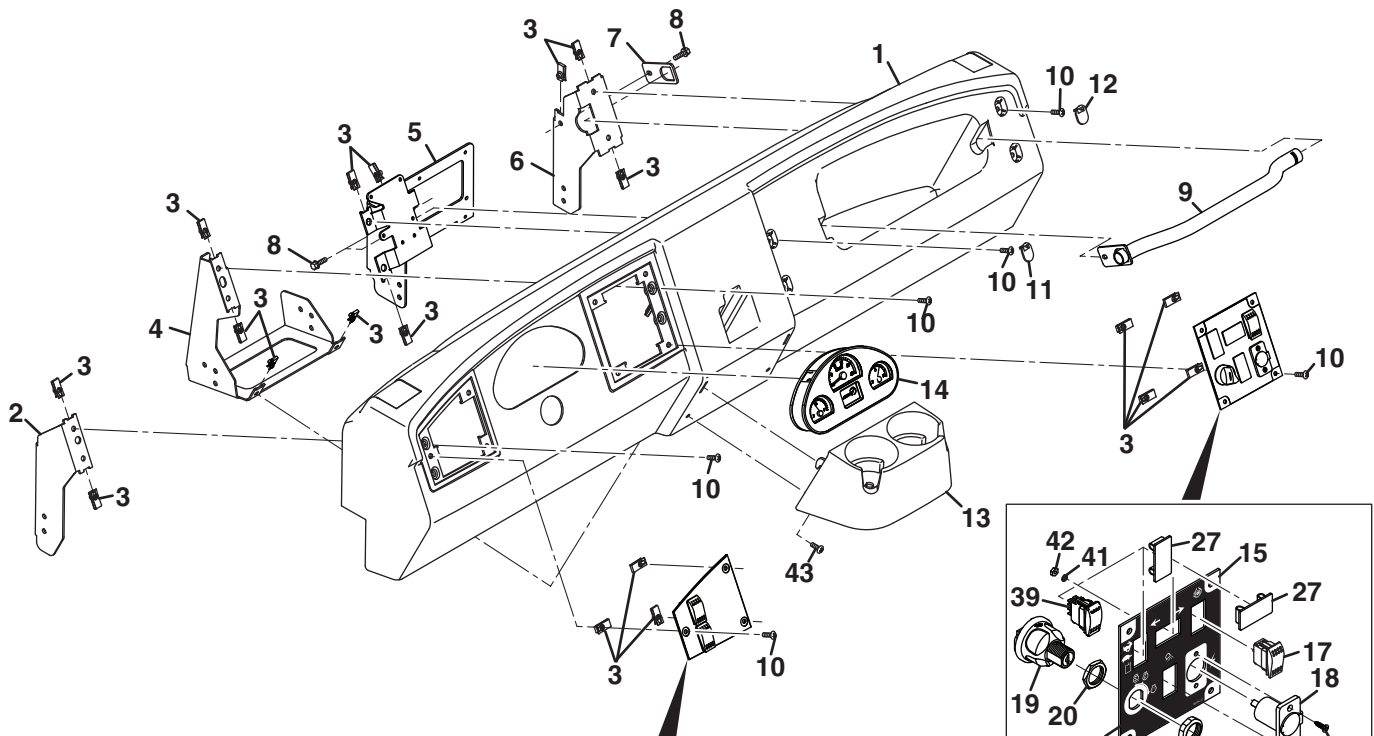
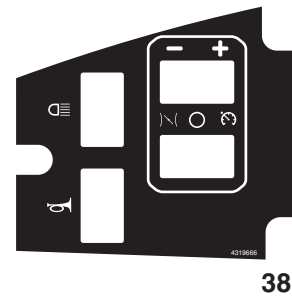
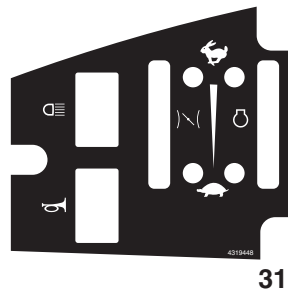
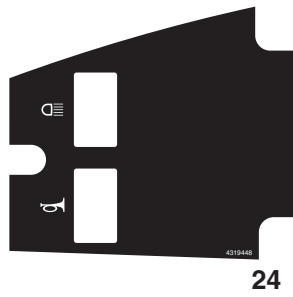


TRUCKSTER XD

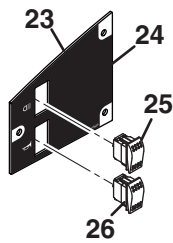
| Item | Part No. | Qty. | Description |
|------|-----------|------|----------------------------------|
| 1 | 4349167 | 1 | Frame, Front |
| 2 | REF | 1 | Dash Board Assembly |
| 3 | 548971 | 12 | Screw, 5/16-18 x 5/8" Hex Flange |
| 4 | 548911 | 12 | Nut, 5/16-18 Hex Flange |
| 5 | 671150GXX | 1 | Front Cowl |
| 6 | 644877 | 1 | Headlight, Driver Side |
| 7 | 644876 | 1 | Headlight, Passenger Side |
| 8 | 4322031 | 1 | Decal, Diesel Fuse Panel |
| 9 | 4322027 | 1 | Decal, Gasoline Fuse Panel |
| 10 | 4316150 | 8 | Nut, Self Threading |
| 11 | 671177 | 1 | Decal, Cushman |
| 12 | 800582 | 4 | Screw, 1/4-20 x 3/4" Truss Head |
| 13 | 4315646 | 4 | Nut, 1/4-20 U-Type |
| 14 | 4313486 | 1 | Bumper, Front |
| 15 | 4131531 | 1 | Decal, 101 DB Noise |

TRUCKSTER XD

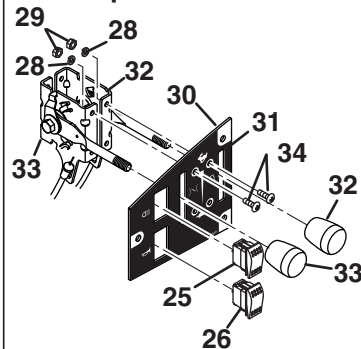
Dashboard



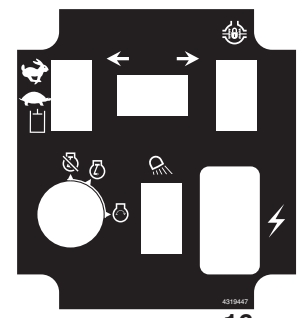
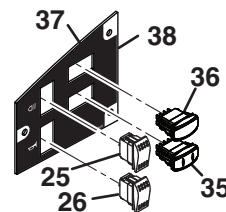
Standard Panel



Diesel Speed Control Panel Option



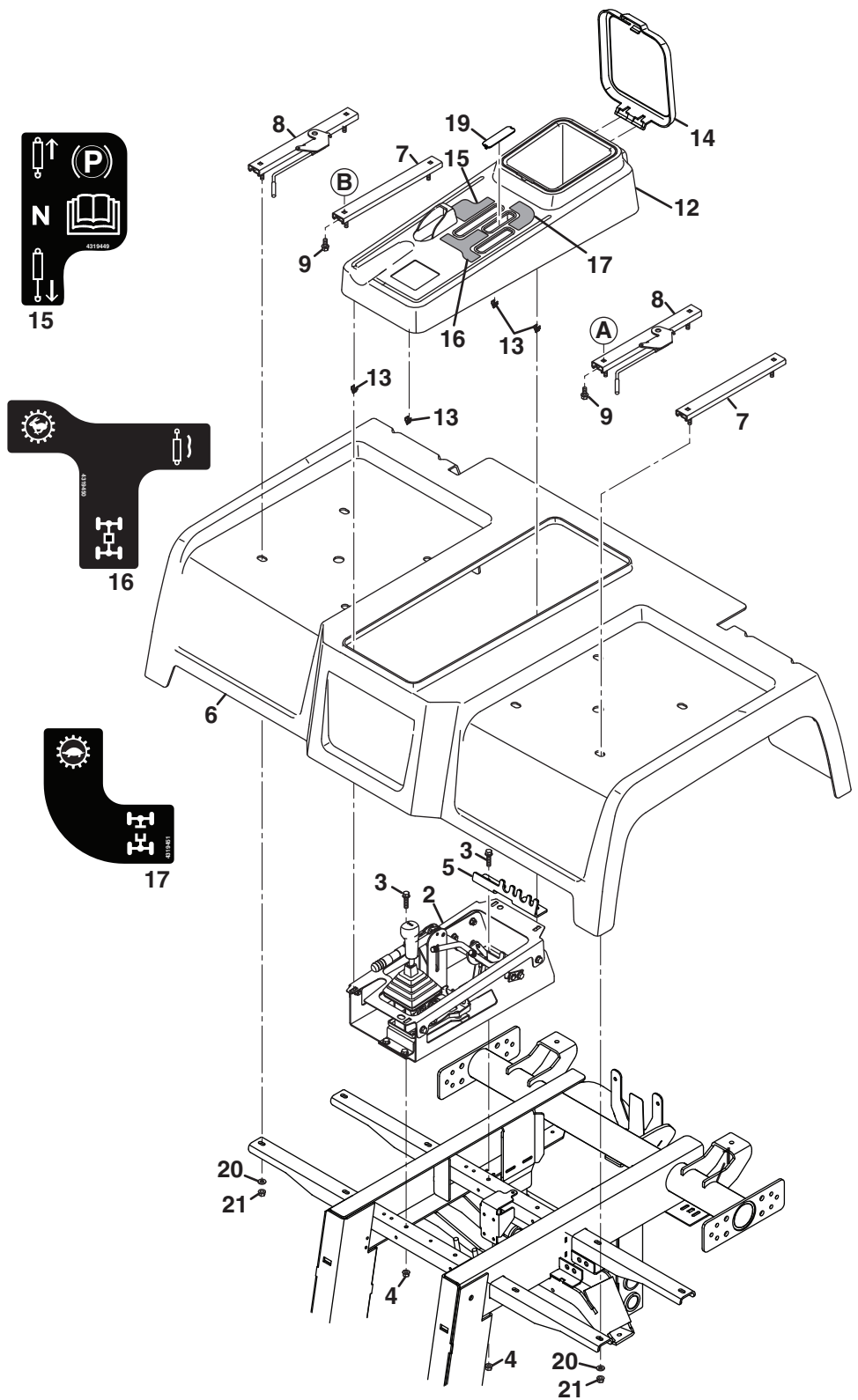
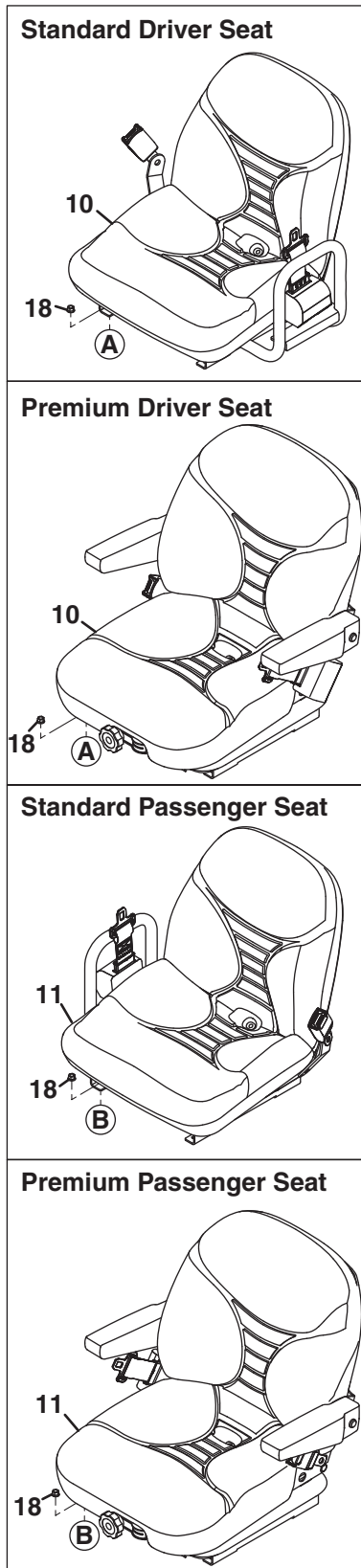
Gas Speed Control Panel Option



| Item | Part No. | Qty. | Description |
|------|----------|------|--|
| 1 | 671853 | 1 | Dashboard |
| 2 | 4317266 | 1 | Support, Left Side Dash |
| 3 | 4315646 | 19 | Nut, 1/4-20 U-Type |
| 4 | 4317267 | 1 | Support, Center Dash |
| 5 | 4308960 | 1 | Support, Dash |
| 6 | 4308959 | 1 | Support, Right Side Dash |
| 7 | 4308956 | 1 | Bracket, Handle Support |
| 8 | 548045 | 2 | Screw, 1/4-20 x 3/4" Hex Flange |
| 9 | 4326289 | 1 | Handle, Grab |
| 10 | 404016 | 16 | Screw, 1/4-20 x 5/8" Truss Head |
| 11 | 4315826 | 2 | Cover, Left Side Screw |
| 12 | 4315827 | 2 | Cover, Right Side Screw |
| 13 | 4314266 | 1 | Holder, Cup |
| 14 | 669954 | 1 | Cluster, Instrument |
| 15 | 4313708 | 1 | Plate, Control Panel |
| 16 | 4319447 | 1 | Decal, Control Panel |
| 17 | 4324687 | 1 | Switch, Differential Lock |
| 18 | 843942 | 1 | Socket, 12V Accessory Plug |
| 19 | 4283269 | 1 | Switch, 3 Position Ignition (Includes Items 20 - 22) |
| 20 | 4283653 | 1 | • Nut, Backing |
| 21 | 4283652 | 1 | • Nut, Switch Face |
| 22 | 4283654 | 1 | • Key |
| 23 | 4308964 | 1 | Panel, Left Side Dash |
| 24 | 4319606 | 1 | Decal, Left Side Dash |
| 25 | 4130132 | 1 | Switch, Lights |
| 26 | 4130133 | 1 | Switch, Horn |
| 27 | 4225220 | 3 | Plug, Panel |
| 28 | 446118 | 4 | Lockwasher, #10 |
| 29 | 444310 | 4 | Nut, #10-24 Hex Flange |
| 30 | 4308875 | 1 | Panel, Diesel Speed Control |
| 31 | 4319448 | 1 | Decal, Diesel Speed Control |
| 32 | 4305936 | 1 | Cable, Governor Control |
| 33 | 4302212 | 1 | Cable, Hand Throttle |
| 34 | 800271 | 4 | Screw, #10-24 x 1/2" Pan Head |
| 35 | 4324708 | 1 | Switch, Stationary/Cruise |
| 36 | 4324707 | 1 | Switch, Set/Resume |
| 37 | 4319627 | 1 | Panel, Gas Speed Control |
| 38 | 4319666 | 1 | Decal, Gas Speed Control |
| 39 | 4324706 | 1 | Switch, Hi-Lo Control |
| 40 | 4201880 | 2 | Screw, #6-32 x 1/2" Flat Head |
| 41 | 447002 | 2 | Lockwasher, #6 External Tooth |
| 42 | 444304 | 2 | Nut, #6-32 Hex |
| 43 | 800582 | 2 | Screw, 1/4-20 x 3/4" Truss Head |

TRUCKSTER XD

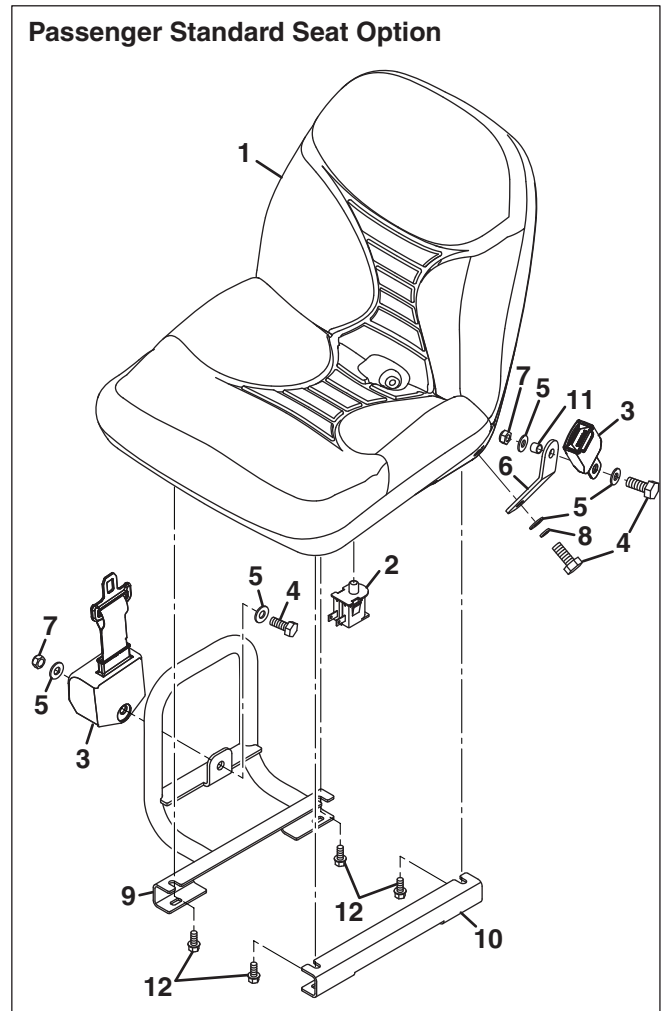
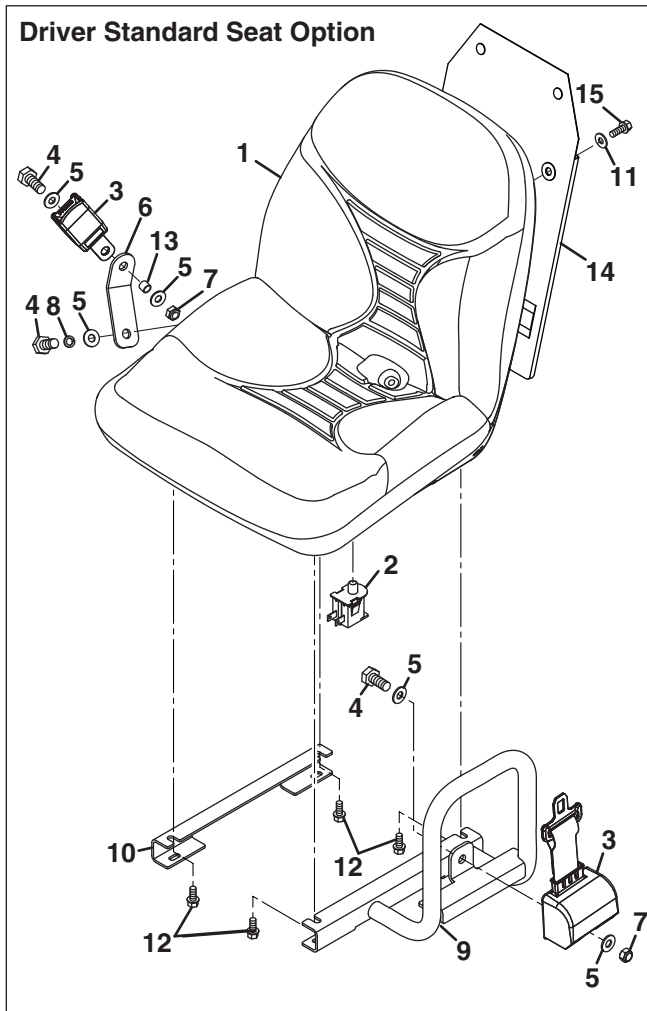
Operator Platform



| Item | Part No. | Qty. | Description |
|-------------|-----------------|-------------|----------------------------------|
| 1 | 4349167 | 1 | Frame, Front |
| 2 | REF | 1 | Control Lever Assembly |
| 3 | 548902 | 4 | Screw, 5/16-18 x 1" Hex Flange |
| 4 | 548911 | 4 | Nut, 5/16-18 Hex Flange |
| 5 | 4316846 | 1 | Bracket, Control Cable |
| 6 | 671854 | 1 | Front Fender |
| 7 | 523357 | 2 | Adjuster, Slave |
| 8 | 523356 | 2 | Adjuster, Latching |
| 9 | 3001328 | 8 | Screw, 5/16-18 x 5/8" Hex Flange |
| 10 | REF | 1 | Seat, Standard Driver |
| 10 | REF | 1 | Seat, Premium Driver |
| 11 | REF | 1 | Seat, Standard Passenger |
| 11 | REF | 1 | Seat, Premium Passenger |
| 12 | 4312006 | 1 | Center Console |
| 13 | 4316446 | 4 | Clip, High Retention |
| 14 | 4299378 | 1 | Lid, Center Console |
| 15 | 4319449 | 1 | Decal, Lift/Lower |
| 16 | 4319450 | 1 | Decal, Front Console |
| 17 | 4319451 | 1 | Decal, Rear Console |
| 18 | 445795 | 8 | Nut, 5/16-18 Spirallock Flange |
| 19 | 4313709 | 1 | Plug, Hole (2WD Only) |
| 20 | 453009 | 8 | Flat Washer, 5/16 |
| 21 | 445802 | 8 | Nut, 5/16-18 Nylon Insert Hex |

TRUCKSTER XD

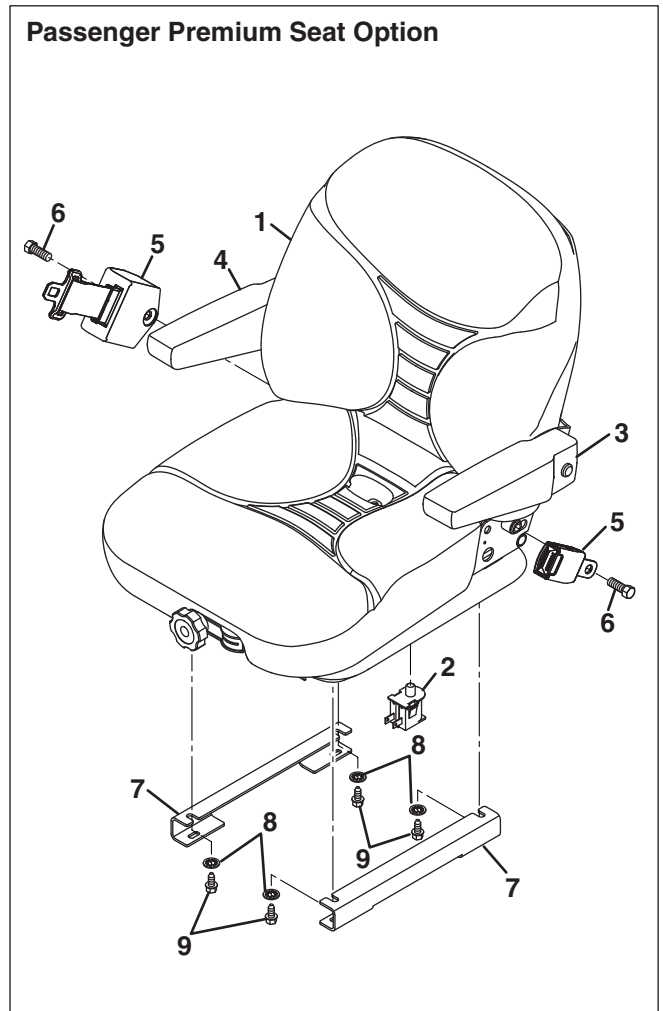
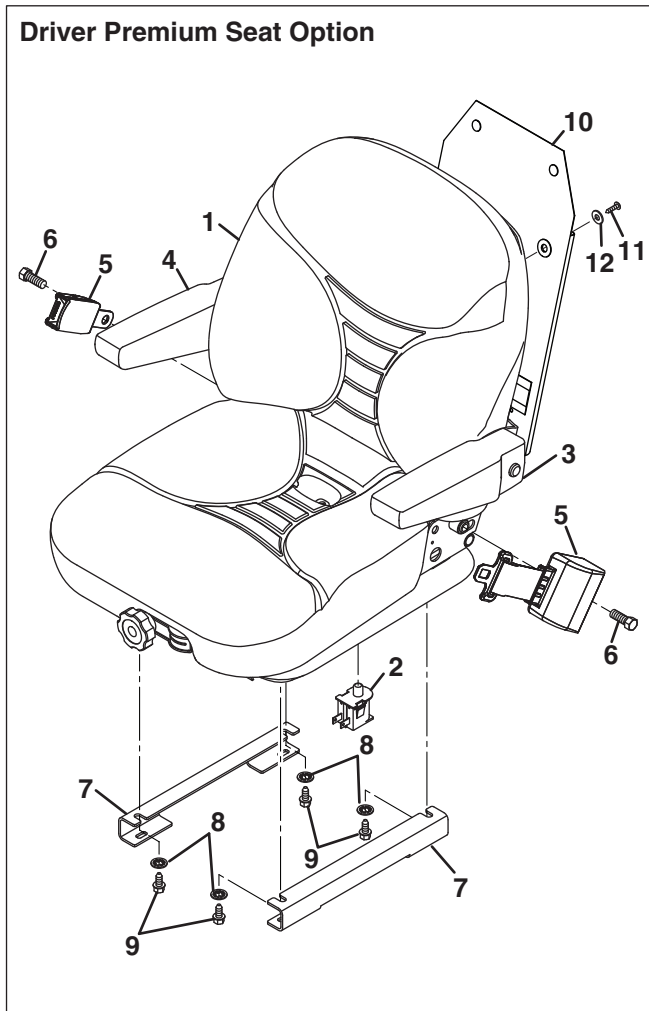
Standard Seat Option



| Item | Part No. | Qty. | Description |
|--------------------------------|----------|------|--|
| Driver Standard Seat Option | | | |
| 1 | 4202462 | 1 | Seat, V2853 |
| 2 | 4217502 | 1 | • Switch, Seat |
| 3 | 4257812 | 1 | Seat Belt (Latching and Retracting Components) |
| 4 | 450214 | 3 | Screw, M10-1.5 x 25 mm Hex Head |
| 5 | 450401 | 5 | Flat Washer, M10 |
| 6 | 4307258 | 1 | Bracket, Buckle |
| 7 | 450379 | 2 | Nut, M10-1.5 Nylon Insert |
| 8 | 450412 | 2 | Lockwasher, M10 |
| 9 | 4299090 | 1 | Support, Driver Seat |
| 10 | 4319947 | 1 | Support, Seat |
| 11 | 450400 | 2 | Flat Washer, M8 |
| 12 | 450190 | 4 | Screw, M8-1.25 x 16 mm Hex Head |
| 13 | 4205942 | 1 | Spacer, 1/2 x 11/32 |
| 14 | 3003928 | 1 | Pouch, Product Literature |
| 15 | 452388 | 2 | Screw, M8-1.25 x 20 mm Hex Flange |
| Passenger Standard Seat Option | | | |
| 1 | 4202462 | 1 | Seat, V2853 |
| 2 | 4217502 | 1 | • Switch, Seat |
| 3 | 4257812 | 1 | Seat Belt (Latching and Retracting Components) |
| 4 | 450214 | 3 | Screw, M10-1.5 x 25 mm Hex Head |
| 5 | 450401 | 5 | Flat Washer, M10 |
| 6 | 4307258 | 1 | Bracket, Buckle |
| 7 | 450379 | 2 | Nut, M10-1.5 Nylon Insert |
| 8 | 450412 | 2 | Lockwasher, M10 |
| 9 | 4299091 | 1 | Support, Passenger Seat |
| 10 | 4319947 | 1 | Support, Seat |
| 11 | 4205942 | 1 | Spacer, 1/2 x 11/32 |
| 12 | 450190 | 4 | Screw, M8-1.25 x 16 mm Hex Head |

TRUCKSTER XD

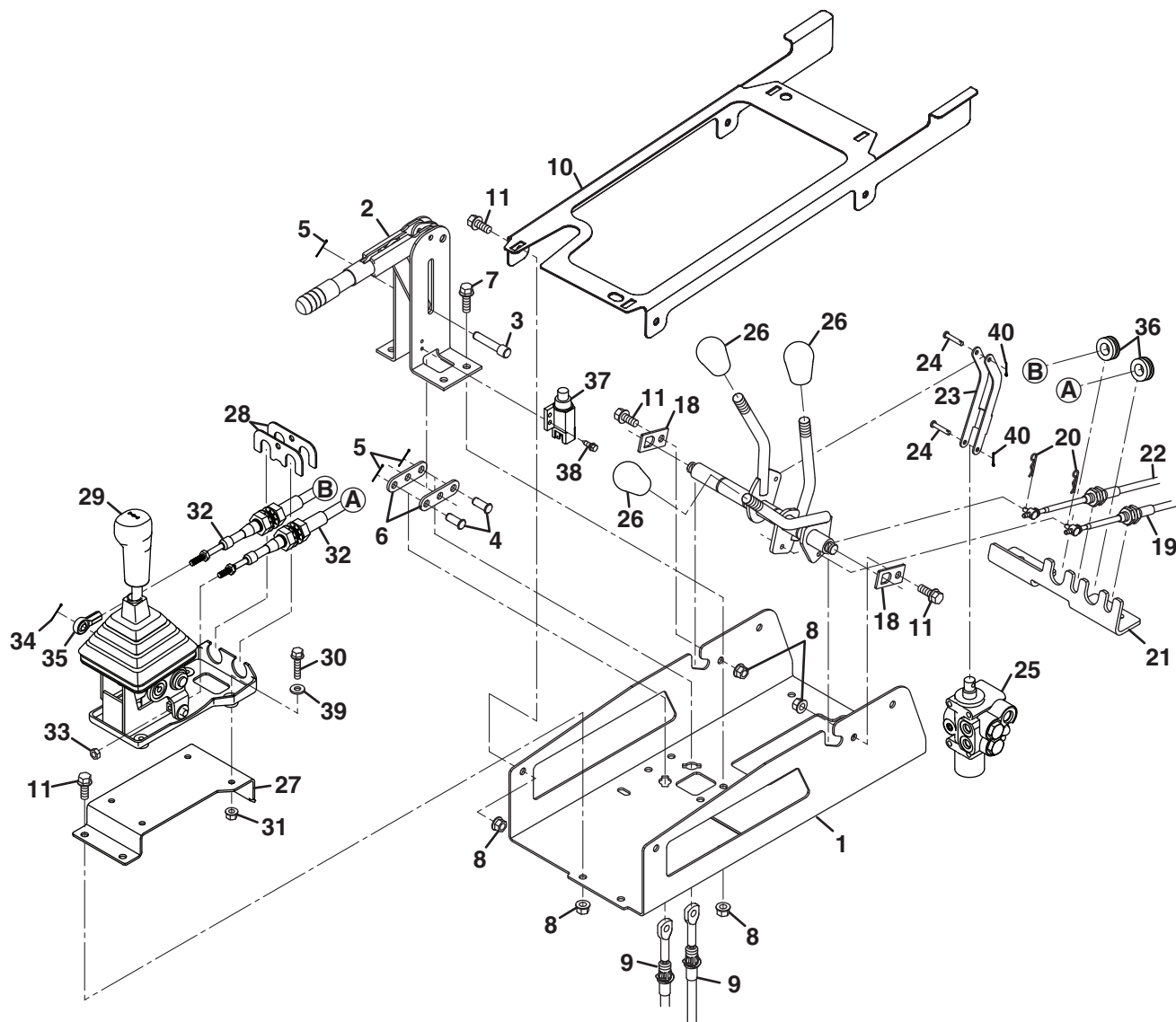
Premium Seat Option



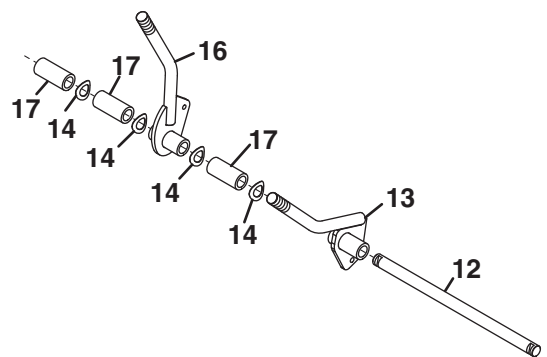
| Item | Part No. | Qty. | Description |
|-------------------------------|----------|------|--|
| Driver Premium Seat Option | | | |
| 1 | 4139433 | 1 | Seat, V5300 Suspension |
| 2 | 4139450 | 1 | • Switch, Seat |
| | 4139436 | 1 | • Kit, Arm Rest |
| 3 | 4139434 | 1 | • • Arm Rest, Driver Side |
| 4 | 4139435 | 1 | • • Arm Rest, Passenger Side |
| 5 | 4257812 | 1 | Seat Belt (Latching and Retracting Components) |
| 6 | 400370 | 2 | Screw, 7/16-20 x 1" Hex Head |
| 7 | 4319947 | 2 | Support, Seat |
| 8 | 447216 | 4 | Lockwasher, 3/8 Internal Tooth |
| 9 | 409812 | 4 | Screw, 5/16-18 x 3/4" Thread Cutting |
| 10 | 3003928 | 1 | Pouch, Product Literature |
| 11 | 800943 | 2 | Screw, #10-16 x 3/4" Thread Cutting |
| 12 | 452004 | 2 | Flat Washer, 1/4 |
| Passenger Premium Seat Option | | | |
| 1 | 4139433 | 1 | Seat, V5300 Suspension |
| 2 | 4139450 | 1 | • Switch, Seat |
| | 4139436 | 1 | • Kit, Arm Rest |
| 3 | 4139434 | 1 | • • Arm Rest, Driver Side |
| 4 | 4139435 | 1 | • • Arm Rest, Passenger Side |
| 5 | 4257812 | 1 | Seat Belt (Latching and Retracting Components) |
| 6 | 400370 | 2 | Screw, 7/16-20 x 1" Hex Head |
| 7 | 4319947 | 2 | Support, Seat |
| 8 | 447216 | 4 | Lockwasher, 3/8 Internal Tooth |
| 9 | 409812 | 4 | Screw, 5/16-18 x 3/4" Thread Cutting |

TRUCKSTER XD

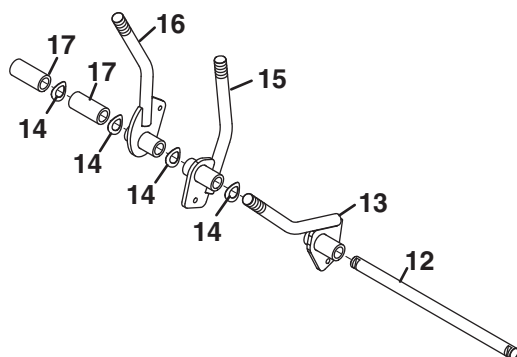
Control Levers



2WD Option Control Levers



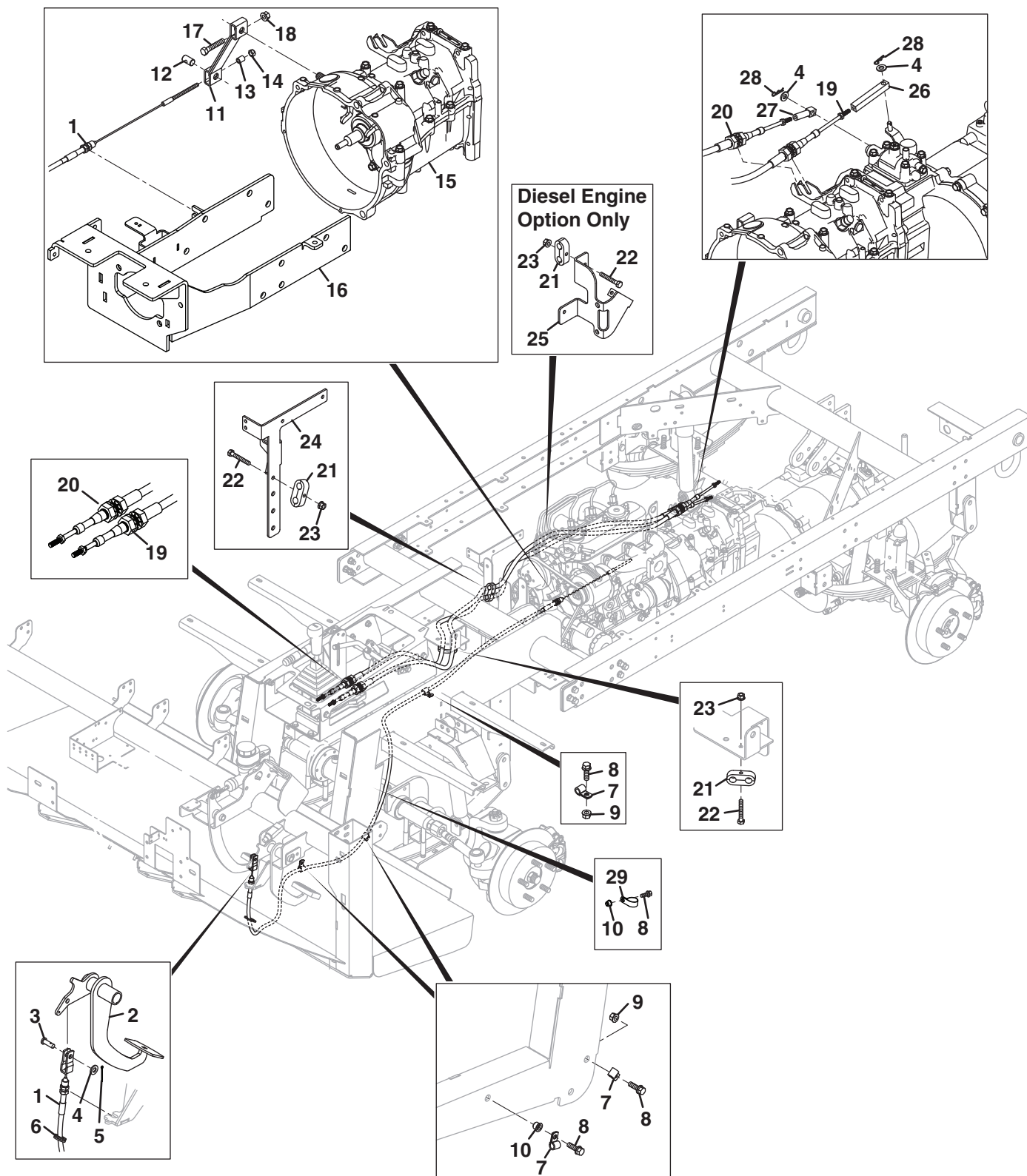
4WD Option Control Levers



| Item | Part No. | Qty. | Description |
|------|----------|------|--|
| 1 | 4312068 | 1 | Bracket, Center Base |
| 2 | 4302854 | 1 | Parking Brake Lever (Includes Items 3 - 6) |
| 3 | N/S | 1 | • Clevis Pin |
| 4 | 545234 | 2 | • Clevis Pin |
| 5 | 460004 | 2 | • Cotter Pin, 1/16 x 3/4" |
| 6 | N/S | 2 | • Spacer Plate |
| 7 | 403751 | 4 | Screw, 5/16-18 x 3/4" Hex Flange |
| 8 | 548911 | 12 | Nut, 5/16-18 Hex Flange |
| 9 | 4304018 | 2 | Cable, Parking Brake |
| 10 | 4312072 | 1 | Bracket, Console |
| 11 | 548971 | 8 | Screw 5/16-18 x 5/8" Hex Flange |
| 12 | 4312066 | 1 | Pin, Pivot |
| 13 | 4306206 | 1 | Lever, Hi/Lo Rear Axle |
| 14 | 454025 | 4 | Washer, 1/2" Spring |
| 15 | 4306205 | 1 | Lever (4WD Only) |
| 16 | 4306204 | 1 | Lever, Lift/Lower |
| 17 | 4312073 | 3 | Spacer, Lever (2WD Only) |
| 17 | 4312073 | 2 | Spacer, Lever (4WD Only) |
| 18 | 4312069 | 2 | Plate, Pivot Hold Down |
| 19 | 4316308 | 1 | Cable, Hi-Lo Control |
| 20 | 821164 | 2 | Hair Pin, 1/4 x 1-1/8 x 1/16" |
| 21 | 4316846 | 1 | Bracket, Control Cable |
| 22 | 4316308 | 1 | Cable, Control (4WD Only) |
| 23 | 4312070 | 1 | Shackle, Lift/Lower |
| 24 | 823225 | 2 | Clevis Pin, 3/16 x 1" |
| 25 | 886270 | 1 | Valve, Lift |
| | 884599 | 1 | • Seal Kit |
| 26 | 4127340 | 2 | Knob, Lever (2WD Only) |
| 26 | 4127340 | 3 | Knob, Lever (4WD Only) |
| 27 | 4316926 | 1 | Bracket, Shifter Mount |
| 28 | 4325086 | 2 | Plate, Shifter Cable |
| 29 | 4314746 | 1 | Shifter Assembly |
| 30 | 452379 | 4 | Screw, M6-1 x 25 mm Hex Head |
| 31 | 452435 | 4 | Locknut, M6-1 Hex Flange Insert |
| 32 | 4317968 | 2 | Cable, Shifter |
| 33 | 400148 | 1 | Nut, M6-1 Hex Jam |
| 34 | 460004 | 1 | Cotter Pin, 1/16 x 3/4" |
| 35 | 4317654 | 1 | Rod End, M6-1 Thread |
| 36 | 809231 | 2 | Grommet |
| 37 | 4208074 | 1 | Switch, Parking Brake |
| 38 | 409804 | 2 | Screw, #10-24 x 1/2" Thread Cutting |
| 39 | 453023 | 4 | Flat Washer, 1/4" |
| 40 | 460010 | 2 | Cotter Pin, 3/32 x 1/2" |

TRUCKSTER XD

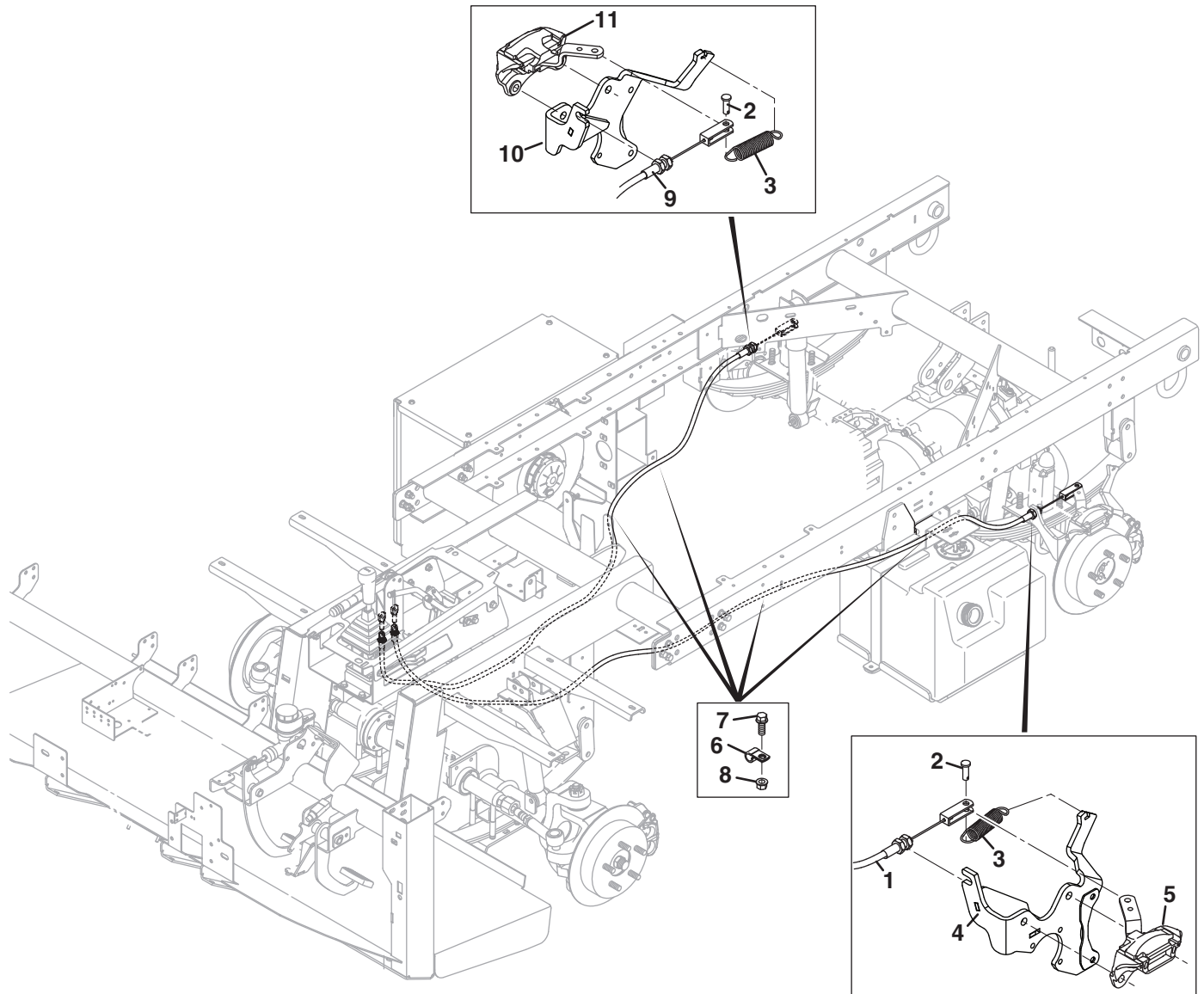
Transmission Cables



| Item | Part No. | Qty. | Description |
|-------------|-----------------|-------------|---|
| 1 | 4314189 | 1 | Cable, Clutch |
| 2 | 4306676 | 1 | Pedal, Clutch |
| 3 | 806714 | 1 | Clevis Pin, 5/16 x 15/16" |
| 4 | 453009 | 3 | Flat Washer, 5/16 |
| 5 | 306328 | 1 | Cotter Pin, 3/32 x 3/4" |
| 6 | 813997 | 1 | Grommet, 7/8 x 1-3/8 x 3/8" |
| 7 | 3003773 | 3 | Clamp, 1/4" |
| 8 | 403751 | 4 | Screw, 5/16-18 x 3/4" Hex Flange |
| 9 | 548911 | 2 | Nut, 5/16-18 Hex Flange |
| 10 | 400150 | 2 | Nut, 5/16-18 Insert |
| 11 | 23266-85002 | 1 | Arm, Clutch Release |
| 12 | 842010 | 1 | Bushing, Clutch Arm |
| 13 | 833273 | 1 | Bushing |
| 14 | 450377 | 1 | Nut, M6-1 Nylon Insert |
| 15 | 4317490 | 1 | Transmission, 5 Speed Manual |
| 16 | 4307840 | 1 | Mount, Diesel Engine |
| 16 | 4307841 | 1 | Mount, Gas Engine |
| 17 | 01550-08353 | 1 | Screw |
| 18 | 2703002 | 1 | Nut |
| 19 | 4317968 | 1 | Cable, Left Side Shifter |
| 20 | 4317968 | 1 | Cable, Right Side Shifter |
| 21 | 364741 | 3 | Clamp, Double Hose (Diesel Only) |
| 21 | 364741 | 2 | Clamp, Double Hose (Gas Only) |
| 22 | 400116 | 3 | Screw, 1/4-20 x 1-1/2" Hex Head (Diesel Only) |
| 22 | 400116 | 2 | Screw, 1/4-20 x 1-1/2" Hex Head (Gas Only) |
| 23 | 548910 | 3 | Nut, 1/4-20 Hex Flange (Diesel Only) |
| 23 | 548910 | 2 | Nut, 1/4-20 Hex Flange (Gas Only) |
| 24 | 4307842 | 1 | Bracket, Throttle Cable |
| 25 | 4316347 | 1 | Bracket, Throttle |
| 26 | 2703707 | 1 | Connector, Shift Cable |
| 27 | 843778 | 1 | Connector, Shift Cable |
| 28 | 821164 | 2 | Hair Pin, 1/4 x 1-1/8 x 1/16" |
| 29 | 354080 | 1 | Clamp, 1" Hose |

TRUCKSTER XD

Parking Brake Cables

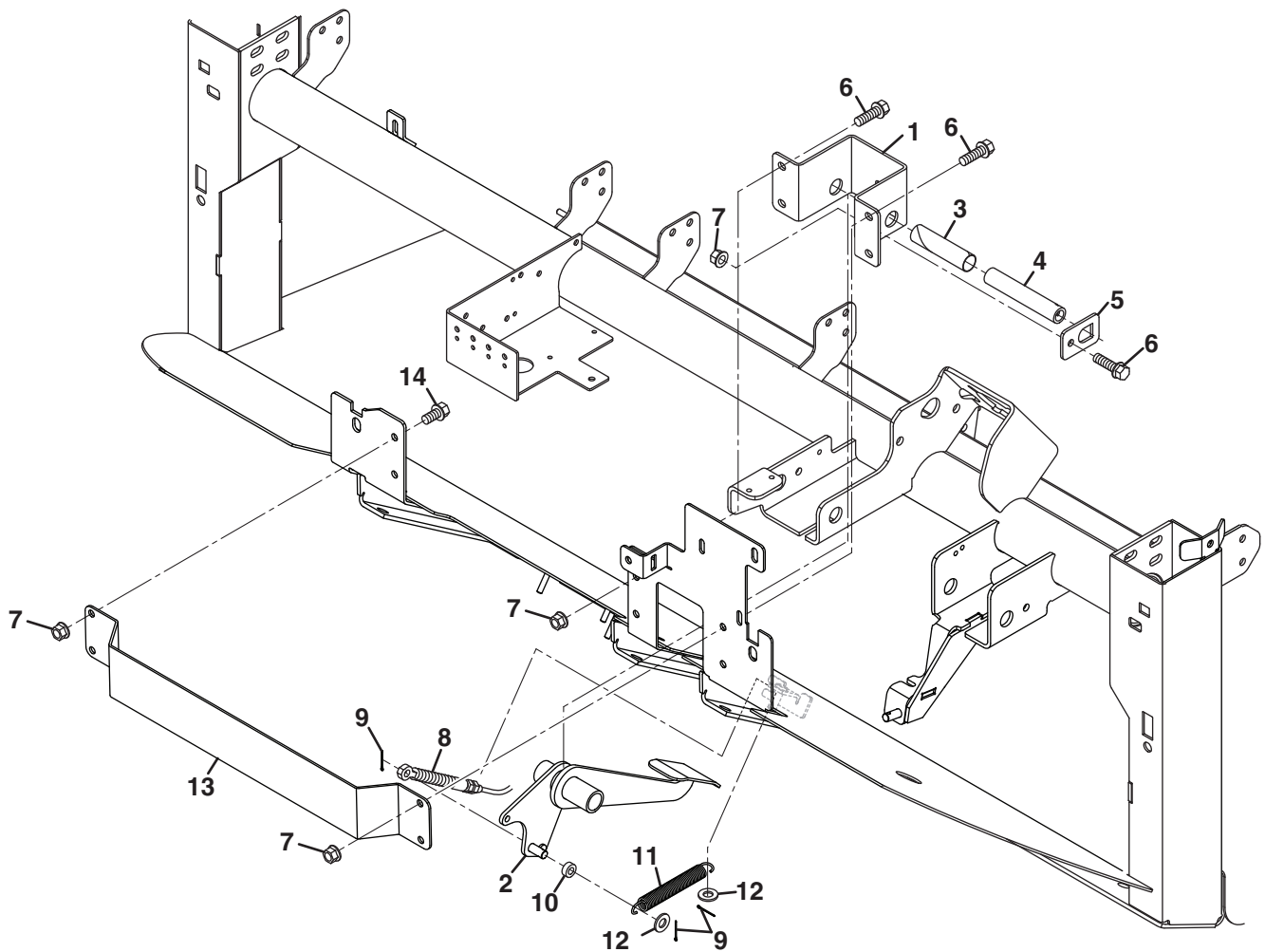


| Item | Part No. | Qty. | Description |
|-------------|-----------------|-------------|---------------------------------------|
| 1 | 4304018 | 1 | Cable, Driver Side Parking Brake |
| 2 | 64188-03 | 2 | Clevis Pin, 3/8 x 1-1/8" |
| 3 | 353767 | 2 | Spring, Extension |
| 4 | 4324169 | 1 | Bracket, Left Side Rear Caliper |
| 5 | 4310731 | 1 | Caliper, Driver Side Parking Brake |
| 6 | 345666 | 6 | Clamp, 1/2" |
| 7 | 403751 | 6 | Screw, 5/16-18 x 3/4" Hex Flange |
| 8 | 548911 | 6 | Nut, 5/16-18 Hex Flange |
| 9 | 4304018 | 1 | Cable, Passenger Side Parking Brake |
| 10 | 4324167 | 1 | Bracket, Right Side Rear Caliper |
| 11 | 4310746 | 1 | Caliper, Passenger Side Parking Brake |

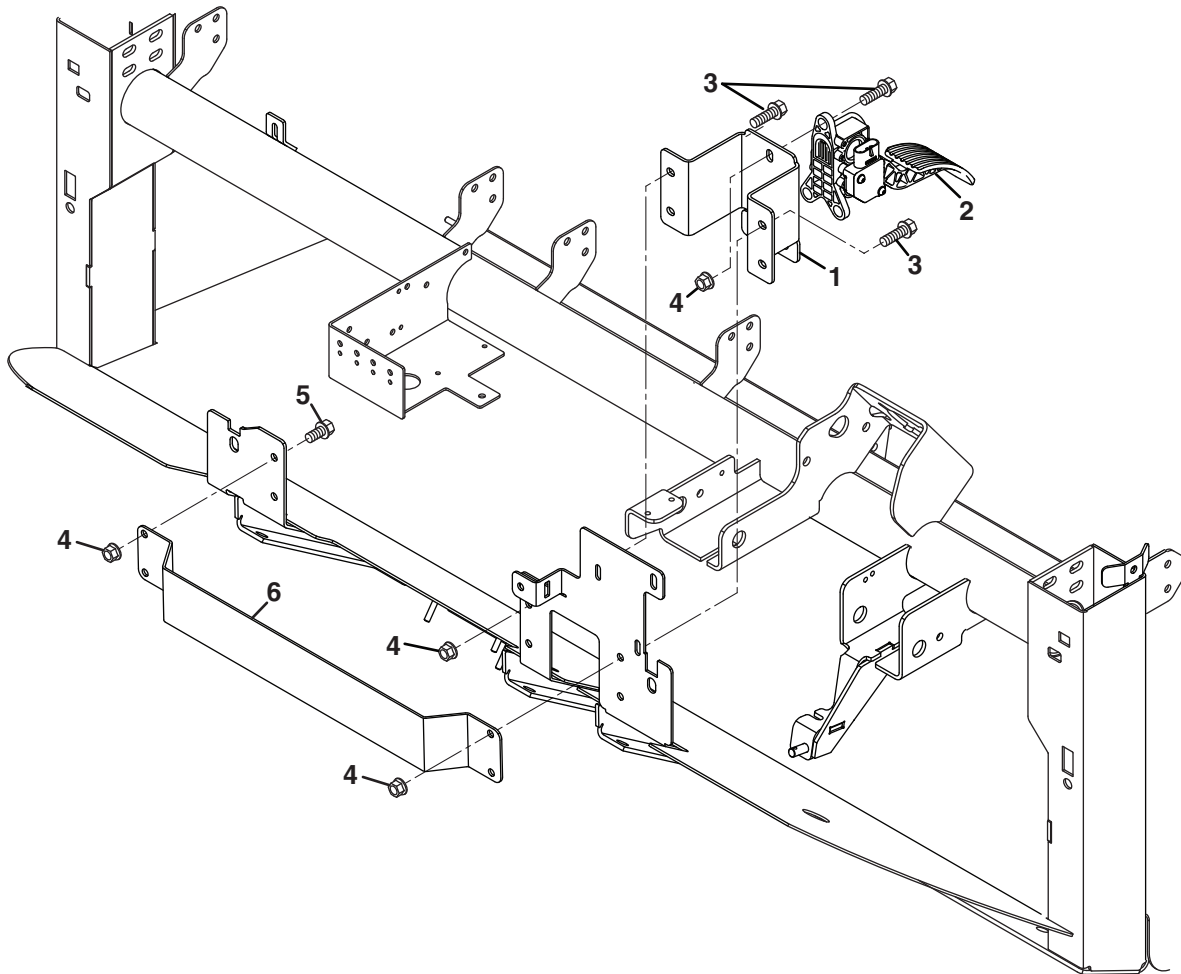
TRUCKSTER XD

Diesel Accelerator Pedal

Diesel Engine Option



| Item | Part No. | Qty. | Description |
|------|----------|------|----------------------------------|
| 1 | 4305758 | 1 | Bracket, Accelerator Pedal |
| 2 | 4306088 | 1 | Pedal, Accelerator |
| 3 | 4317566 | 1 | Bearing, Pivot |
| 4 | 840725 | 1 | Pin, Pivot |
| 5 | 842935 | 1 | Tab, Locking |
| 6 | 800710 | 5 | Screw, 5/16-18 x 1" Hex Flange |
| 7 | 548911 | 7 | Nut, 5/16-18 Hex Flange |
| 8 | 4306075 | 1 | Cable, Accelerator |
| 9 | 306328 | 3 | Cotter Pin, 3/32 x 3/4" |
| 10 | 4205942 | 1 | Spacer, |
| 11 | 4328206 | 1 | Spring, Pedal Return |
| 12 | 453011 | 2 | Flat Washer, 3/8 |
| 13 | 4299379 | 1 | Guard, Steering Tube |
| 14 | 548971 | 2 | Screw, 5/16-18 x 5/8" Hex Flange |

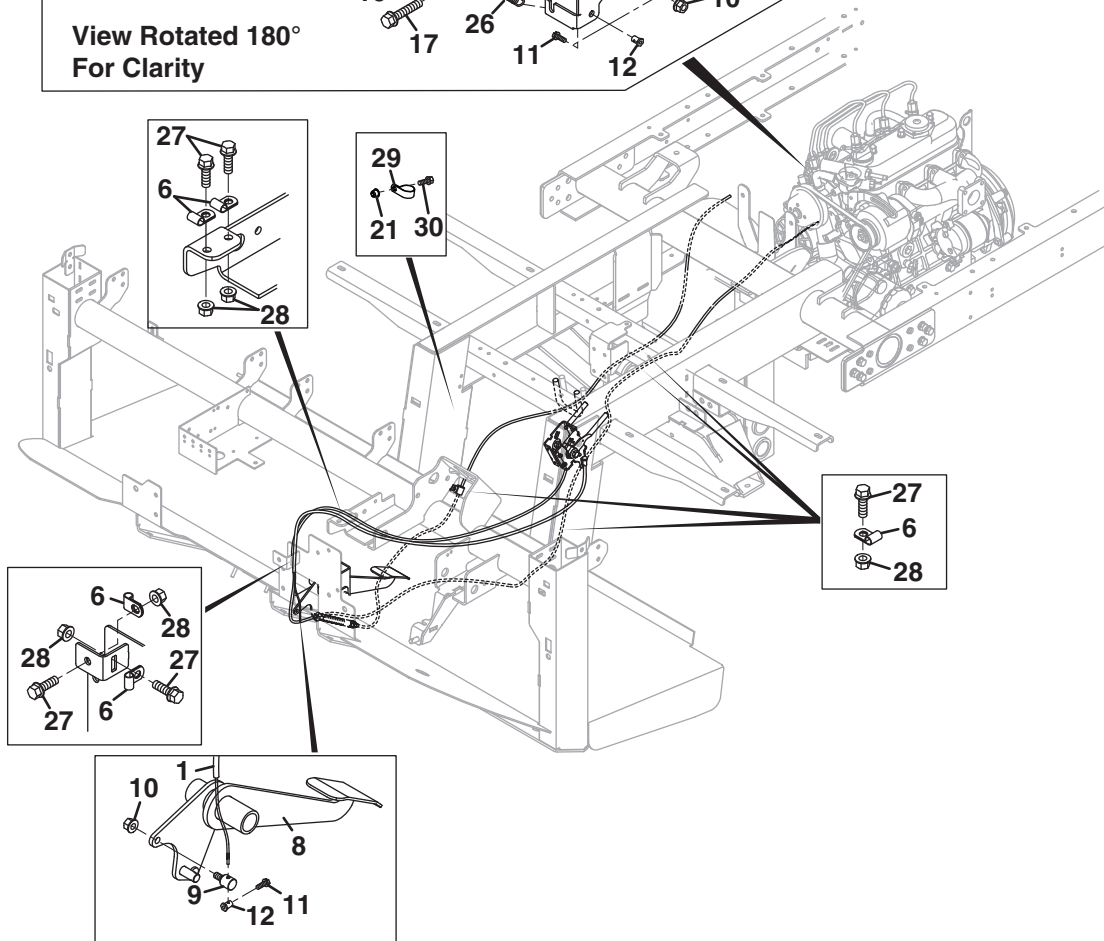
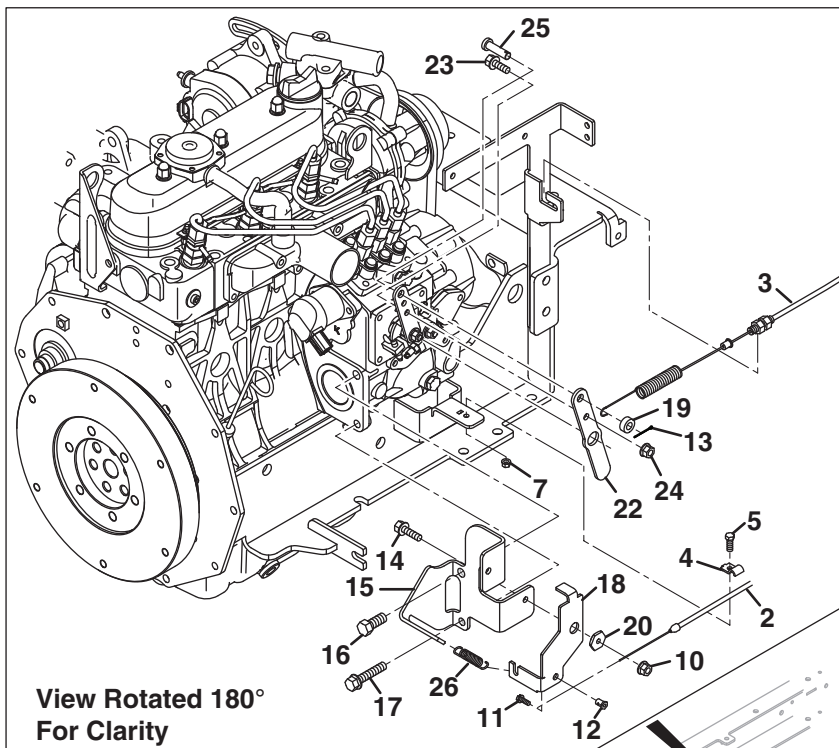


| Item | Part No. | Qty. | Description |
|------|----------|------|----------------------------------|
| 1 | 4305379 | 1 | Bracket, Pedal |
| 2 | 4305075 | 1 | Pedal, Accelerator |
| 3 | 800710 | 7 | Screw, 5/16-18 x 1" Hex Flange |
| 4 | 548911 | 9 | Nut, 5/16-18 Hex Flange |
| 5 | 548971 | 2 | Screw, 5/16-18 x 5/8" Hex Flange |
| 6 | 4299379 | 1 | Guard, Steering Tube |

TRUCKSTER XD

Diesel Throttle Cable Routing

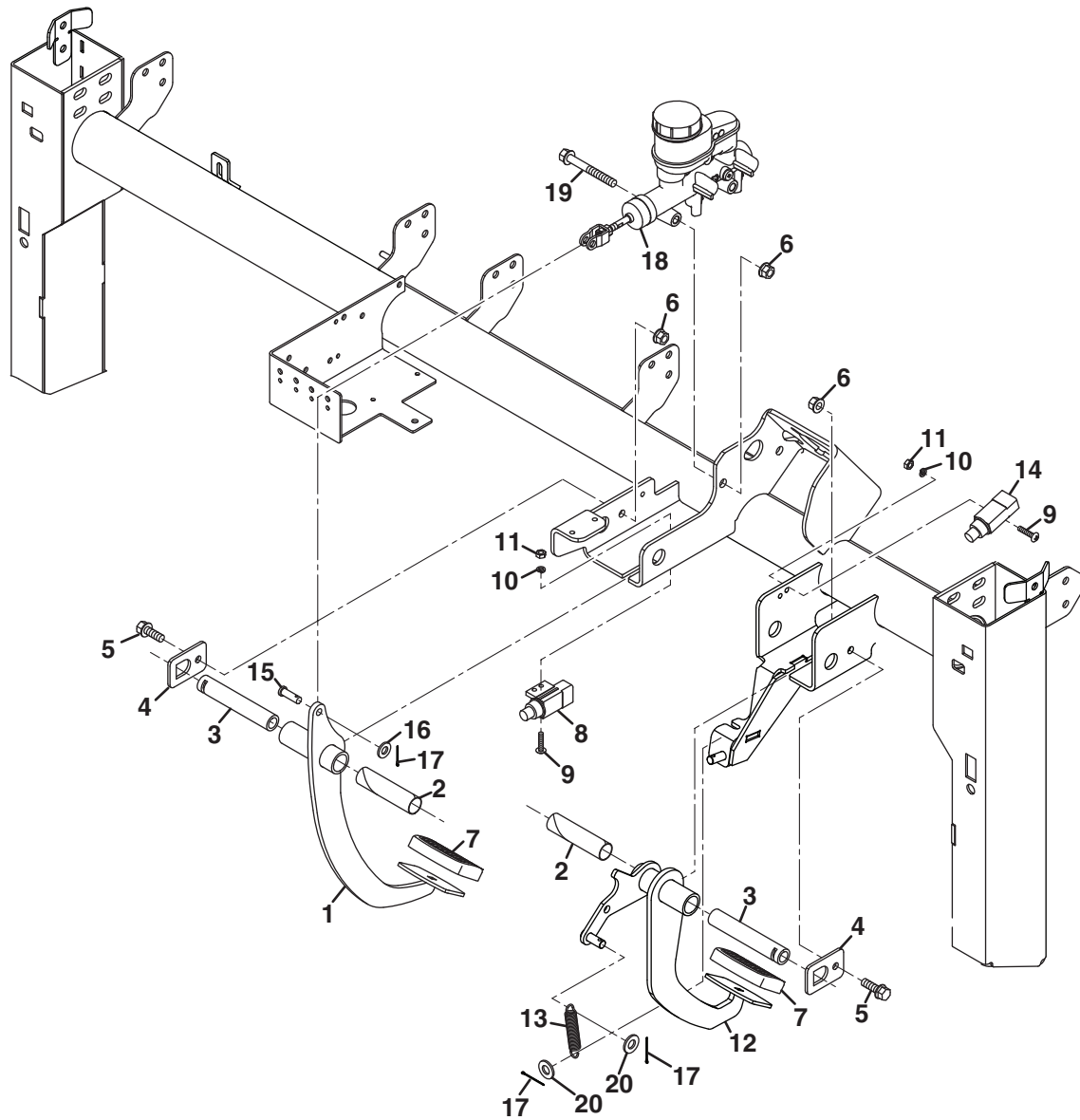
Diesel Engine Option



| Item | Part No. | Qty. | Description |
|------|----------------------------------|------|-----------------------------------|
| ● 1 | 4302212 | 1 | Cable, Hand Throttle |
| ● 2 | 4305936 | 1 | Cable, Governor Control |
| 3 | 4306075 | 1 | Cable, Accelerator |
| ● 4 | 111898 | 1 | Clamp, Cable |
| ● 5 | 403745 | 1 | Screw, #10-24 x 5/8" Hex Head |
| 6 | 3003773 | 7 | Clamp, 1/4" |
| ● 7 | 800521 | 1 | Nut, #10-24 Hex |
| 8 | 4306088 | 1 | Pedal, Accelerator |
| ● 9 | 554988 | 1 | Pivot, Throttle |
| ● 10 | 800706 | 2 | Nut, 1/4-20 Crownlock Flange |
| ● 11 | 831890 | 2 | Screw, #8-32 x 3/8" Slotted Hex |
| ● 12 | 831888 | 2 | Swivel |
| 13 | 306328 | 1 | Cotter Pin, 3/32 x 3/4" |
| 14 | 548045 | 1 | Screw, 1/4-20 x 3/4" Hex Flange |
| 15 | 4316347 | 1 | Bracket, Throttle |
| 16 | 4322626 | 1 | Screw, M10-1.25 x 20 mm Hex Head |
| 17 | 452390 | 1 | Screw, M8-1.25 x 30 mm Hex Flange |
| ● 18 | 4316352 | 1 | Lever, Governor |
| 19 | 364528 | 1 | Spacer |
| ● 20 | 835271 | 1 | Nut, Governor Arm |
| 21 | 400150 | 1 | Nut, 5/16-18 Insert |
| ● 22 | 4316354 | 1 | Plate, Throttle |
| ● 23 | 800934 | 1 | Screw, M6-1 x 16 mm Hex Flange |
| ● 24 | 450452 | 1 | Nut, M6-1 Hex Flange |
| 25 | 806714 | 1 | Clevis Pin, 5/16 x 15/16" |
| ● 26 | 840473 | 1 | Spring, Extension |
| 27 | 403751 | 6 | Screw, 5/16-18 x 3/4" Hex Flange |
| 28 | 548911 | 8 | Nut, 5/16-18 Hex Flange |
| 29 | 354080 | 1 | Clamp, 1" Hose |
| 30 | 403751 | 1 | Screw, 5/16-18 x 3/4" Hex Flange |
| ● | Diesel Speed Control Option Only | | |

TRUCKSTER XD

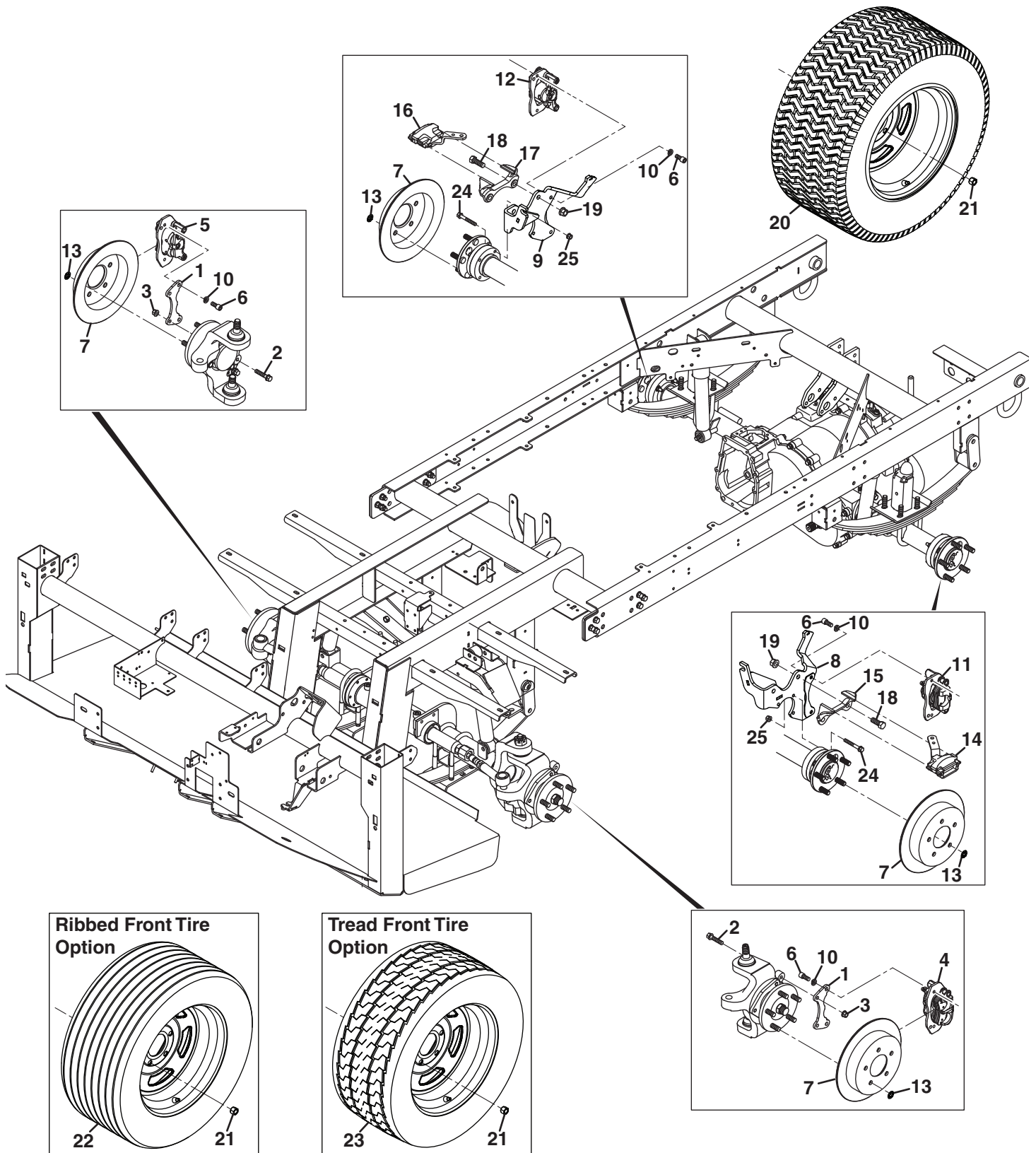
Brake and Clutch Pedals



| Item | Part No. | Qty. | Description |
|-------------|-----------------|-------------|------------------------------------|
| 1 | 4306679 | 1 | Pedal, Brake |
| 2 | 4317566 | 2 | Bearing, Pivot |
| 3 | 840725 | 2 | Pin, Pivot |
| 4 | 842935 | 2 | Tab, Locking |
| 5 | 403751 | 3 | Screw, 5/16-18 x 3/4" Hex Flange |
| 6 | 548911 | 4 | Nut, 5/16-18 Hex Flange |
| 7 | 810152 | 2 | Pad, Pedal |
| 8 | 4208074 | 1 | Switch, Brake Pedal |
| 9 | 403914J | 4 | Screw, #10-24 x 3/4" Truss Head |
| 10 | 446116 | 4 | Lockwasher, #10 |
| 11 | 444310 | 4 | Nut, #10-24 Hex |
| 12 | 4306676 | 1 | Pedal, Clutch |
| 13 | 4328207 | 1 | Spring, Extension |
| 14 | 4208074 | 1 | Switch, Clutch Pedal |
| 15 | 806714 | 1 | Clevis Pin, 5/16 x 31/32" |
| 16 | 453009 | 1 | Flat Washer, 5/16 |
| 17 | 306328 | 3 | Cotter Pin, 3/32 x 3/4" |
| 18 | 4301838 | 1 | Brake Master Cylinder |
| 19 | 800715 | 2 | Screw, 5/16-18 x 2-1/4" Hex Flange |
| 20 | 453011 | 2 | Flat Washer, 3/8 |

TRUCKSTER XD

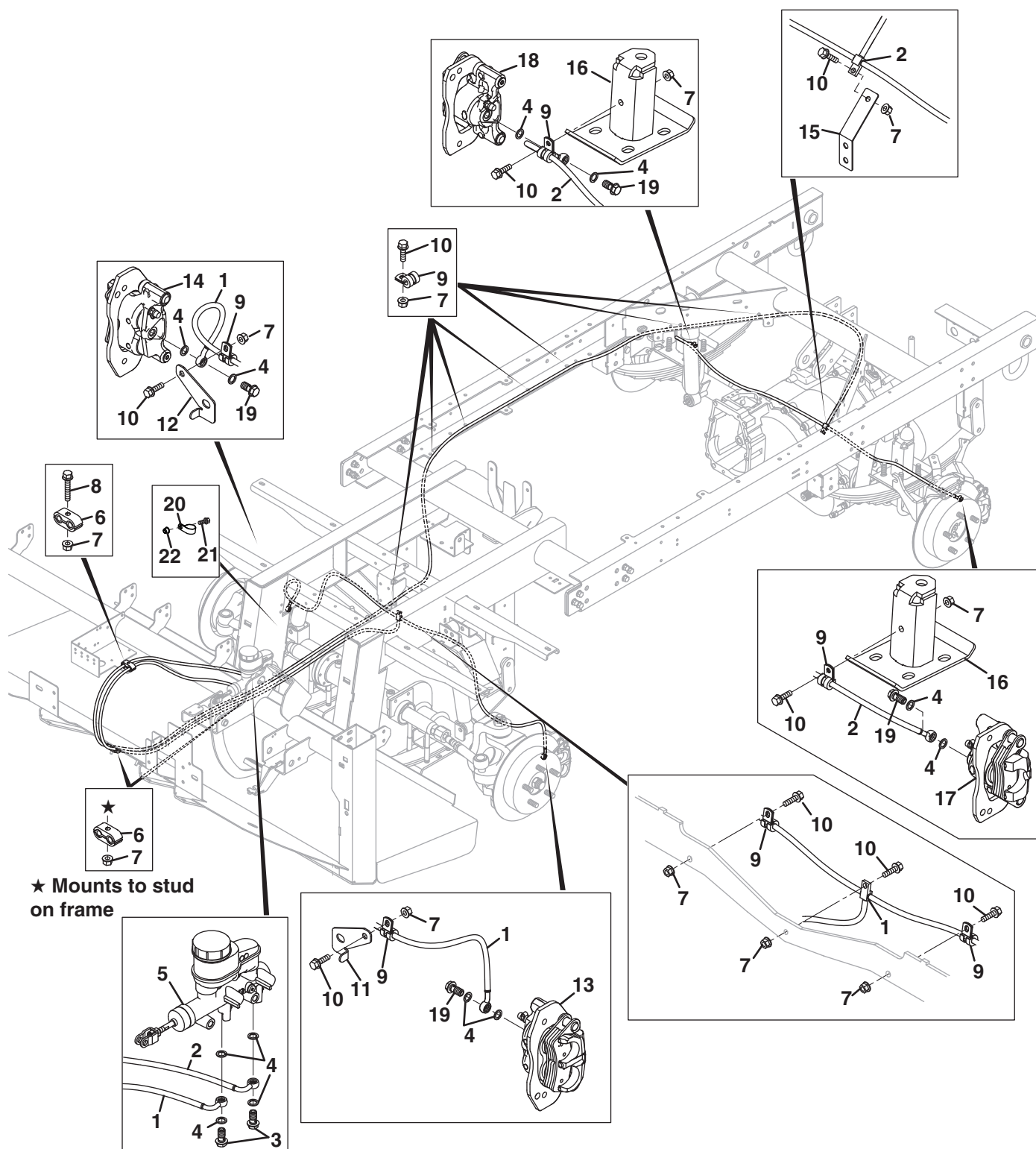
Brake Calipers and Wheels



| Item | Part No. | Qty. | Description |
|------|----------|------|--|
| 1 | 4314147 | 2 | Bracket, Brake Caliper |
| 2 | 400078 | 4 | Screw, 3/8-16 x 1-1/2" Hex Head |
| 3 | 548804 | 4 | Nut, 3/8-16 Whizlock Flange |
| 4 | 4307716 | 1 | Caliper, Left Front Dual Piston |
| 5 | 4313706 | 1 | Caliper, Right Front Dual Piston |
| 6 | 400318 | 8 | Screw, M10-1.25 x 20 mm Socket Head |
| 7 | 4307718 | 4 | Rotor |
| 8 | 4324169 | 1 | Bracket, Left Side Rear Caliper |
| 9 | 4324167 | 1 | Bracket, Right Side Front Caliper |
| 10 | 363485 | 8 | Lockwasher, M10 Heavy |
| 11 | 4313707 | 1 | Caliper, Left Rear Single Piston |
| 12 | 4309515 | 1 | Caliper, Right Rear Single Piston |
| 13 | 4329530 | 4 | Washer, 1/2" Push |
| 14 | 4310731 | 1 | Caliper, Driver Side Parking Brake |
| 15 | 4317652 | 1 | • Bracket, Caliper |
| 16 | 4310746 | 1 | Caliper, Passenger Side Parking Brake |
| 17 | 4317652 | 1 | • Bracket, Caliper |
| 18 | 400406 | 4 | Screw, 1/2-13 x 1-1/4" Hex Head |
| 19 | 800379 | 4 | Nut, 1/2-13 Hex Flange |
| 20 | 671868 | 2 | Rear Tire Assembly |
| | 671863 | 1 | • Tire, 26 x 12 - 14 6 Ply (Ultra Chevron Tread) |
| | 4309644 | 1 | • Wheel, 14 x 10 |
| | 360111 | 1 | • Valve, Inflation |
| 21 | 4317106 | 20 | Nut, 1/2-20 Lug |
| 22 | 671866 | 2 | Front Ribbed Tire Assembly |
| | 671861 | 1 | • Tire, 23 x 10.5 - 14 6 Ply (Ribbed Tire) |
| | 4309676 | 1 | • Wheel, 14 x 8 |
| | 360111 | 1 | • Valve, Inflation |
| 23 | 671867 | 2 | Front Treaded Tire Assembly |
| | 671862 | 1 | • Tire, 23 x 10.5 - 14 6 Ply (Gotrax Tire) |
| | 4309676 | 1 | • Wheel, 14 x 8 |
| | 360111 | 1 | • Valve, Inflation |

TRUCKSTER XD

Brake Hose Routing

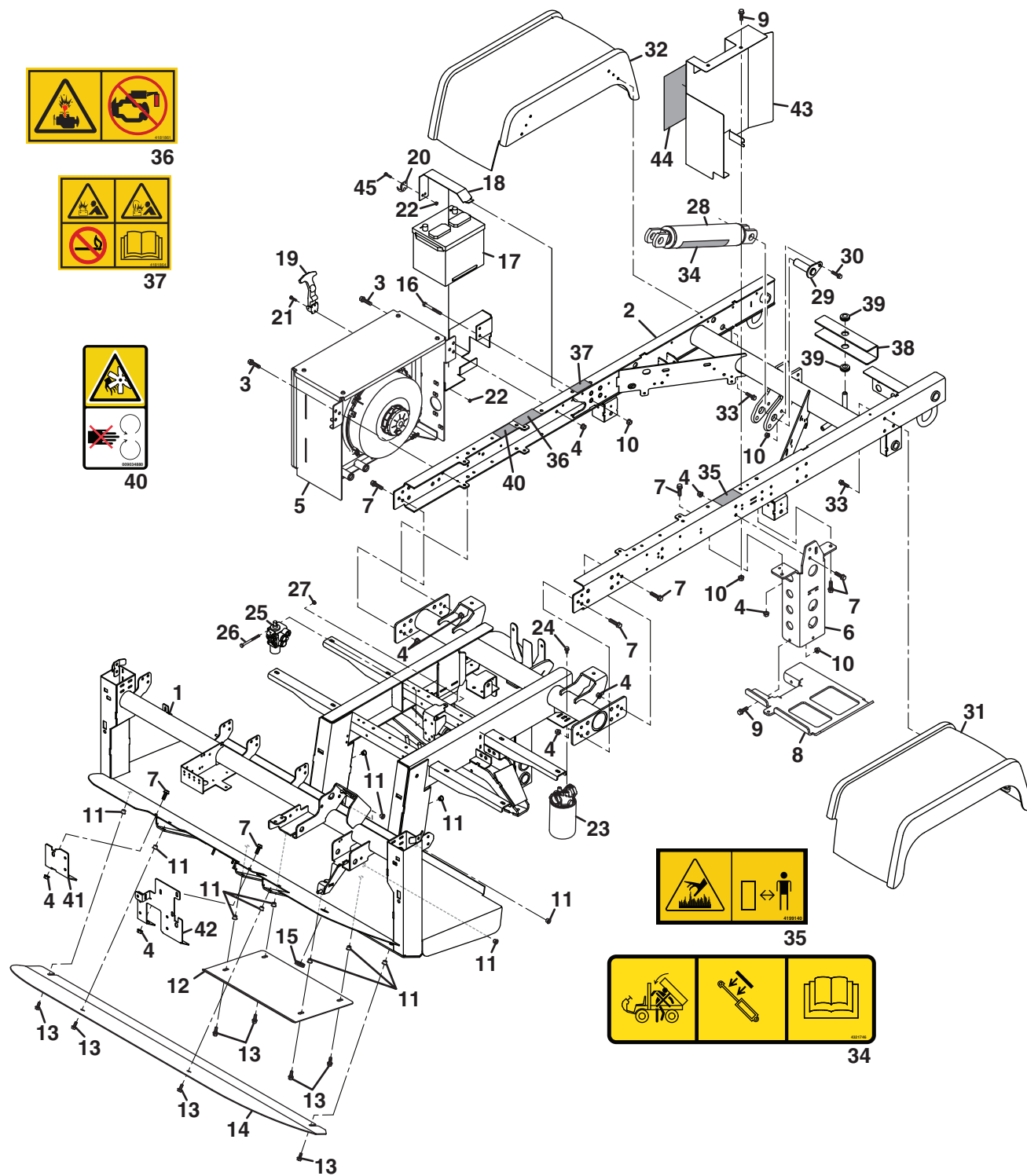


★ Mounts to stud on frame

| Item | Part No. | Qty. | Description |
|-------------|-----------------|-------------|-----------------------------------|
| 1 | 4306208 | 1 | Hose, Front Brakes |
| 2 | 4306456 | 1 | Hose, Rear Brakes |
| 3 | 4319206 | 2 | Bolt, M10-1 Banjo |
| 4 | 400154 | 12 | Washer, Copper |
| 5 | 4301838 | 1 | Master Cylinder |
| 6 | 4317492 | 3 | Clamp, Double Hose |
| 7 | 548910 | 18 | Nut, 1/4-20 Hex Flange |
| 8 | 800871 | 1 | Screw, 1/4-20 x 1-1/4" Hex Flange |
| 9 | 48228-04 | 13 | Clip, 5/16" Cable |
| 10 | 548045 | 15 | Screw, 1/4-20 x 3/4" Hex Flange |
| 11 | 4318187 | 1 | Bracket, Left Side Hose Clamp |
| 12 | 4318186 | 1 | Bracket, Right Side Hose Clamp |
| 13 | 4307716 | 1 | Caliper, Left Front Dual Piston |
| 14 | 4313706 | 1 | Caliper, Right Front Dual Piston |
| 15 | 4318806 | 1 | Bracket, Brake Line Tee |
| 16 | 4389135 | 2 | Stop, Rear Suspension |
| 17 | 4313707 | 1 | Caliper, Left Rear Single Piston |
| 18 | 4309515 | 1 | Caliper, Right Rear Single Piston |
| 19 | 4319206 | 4 | Bolt, M10-1.25 Banjo |
| 20 | 354080 | 1 | Clamp, 1" Hose |
| 21 | 403751 | 1 | Screw, 5/16-18 x 3/4" Hex Flange |
| 22 | 400150 | 1 | Nut, 5/16-18 Insert |

TRUCKSTER XD

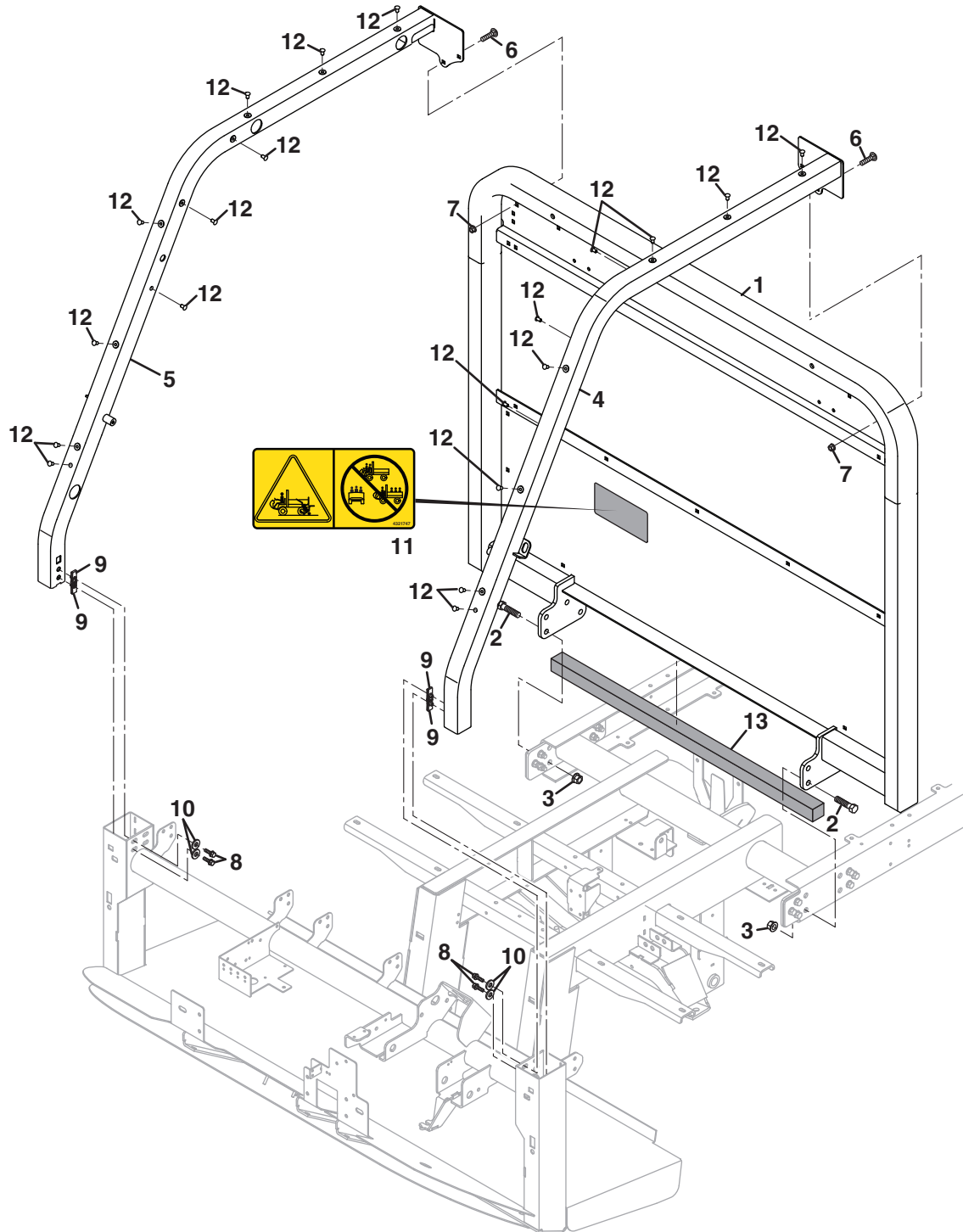
Frame



| Item | Part No. | Qty. | Description |
|------|-----------|------|---|
| 1 | 4349167 | 1 | Frame, Front |
| 2 | 4349208 | 1 | Frame, Rear |
| 3 | 548907 | 9 | Screw, 3/8-16 x 1-1/4" Hex Flange |
| 4 | 548804 | 22 | Nut, 3/8-16 Whizlock |
| 5 | REF | 1 | Radiator Assembly |
| 6 | 4320827 | 1 | Mount, Fuel Tank (Diesel Engine Only) |
| 6 | 4319006 | 1 | Mount, Fuel Tank (Gas Engine Only) |
| 7 | 548905 | 17 | Screw, 3/8-16 x 1" Hex Flange |
| 8 | 4314268 | 1 | Bracket, Fuel Tank |
| 9 | 800710 | 5 | Screw, 5/16-18 x 1" Hex Flange |
| 10 | 548911 | 7 | Nut, 5/16-18 Hex Flange |
| 11 | 400150 | 13 | Nut, 5/16-18 Insert |
| 12 | 4304975 | 1 | Skid Plate, Lower |
| 13 | 403751 | 8 | Screw, 5/16-18 x 3/4" Hex Flange |
| 14 | 4304337 | 1 | Skid Plate, Upper |
| 15 | 813997 | 1 | Grommet, 7/8 x 1-3/8 x 3/8" |
| 16 | 400200J | 2 | Screw, 5/16-18 x 2-1/2" Hex Head |
| 17 | N/S | 1 | Battery, 12V |
| 18 | 4305939 | 1 | Brace, Battery Tray |
| 19 | 1004686 | 1 | Latch, Flexible |
| 20 | N/S | 1 | • Keeper, Latch |
| 21 | 403914J | 2 | Screw, #10-24 x 3/4" Truss Head |
| 22 | 444310 | 4 | Nut, #10-24 Hex |
| 23 | 4274293 | 1 | Filter, Return |
| | 885249 | 1 | • Cartridge, Filter |
| 24 | 403753 | 2 | Screw, 1/4-20 x 1/2" Hex Flange |
| 25 | 886270 | 1 | Valve, Lift |
| | 884599 | 1 | • Seal Kit |
| 26 | 400132 | 4 | Screw, 1/4-20 x 2-3/4" Hex Head |
| 27 | 445794 | 4 | Locknut, 1/4-20 Hex Center |
| 28 | 4314366 | 1 | Cylinder, Accessory |
| | 4329200 | 1 | • Seal Kit |
| 29 | 4279250 | 1 | Pin, Cylinder |
| 30 | 548902 | 1 | Screw, 5/16-18 x 1" Hex Flange |
| 31 | 671865 | 1 | Fender, Left Rear |
| 32 | 671864 | 1 | Fender, Right Rear |
| 33 | 548045 | 8 | Screw, 1/4-20 X 3/4" Hex Flange |
| 34 | 4321746 | 1 | Decal, Piston Warning |
| 35 | 4199140 | 1 | Decal, Heat Warning |
| 36 | 4181861 | 1 | Decal, Start Fluids |
| 37 | 4181864 | 1 | Decal, Battery |
| 38 | 4310766 | 1 | Support, Lift Cylinder |
| 39 | 4207480 | 2 | Grommet, Rubber |
| 40 | 009034880 | 1 | Decal, Fan Warning |
| 41 | 4331988 | 1 | Bracket, Right Side Bumper |
| 42 | 4331989 | 1 | Bracket, Left Side Bumper |
| 43 | 4324366 | 1 | Shield, Gas Exhaust (Gas Engine Only) |
| 44 | 4336326 | 1 | Shield, Adhesive Heat (Gas Engine Only) |
| 45 | 403908 | 2 | Screw, #10-24 x 3/8" Truss Head |

TRUCKSTER XD

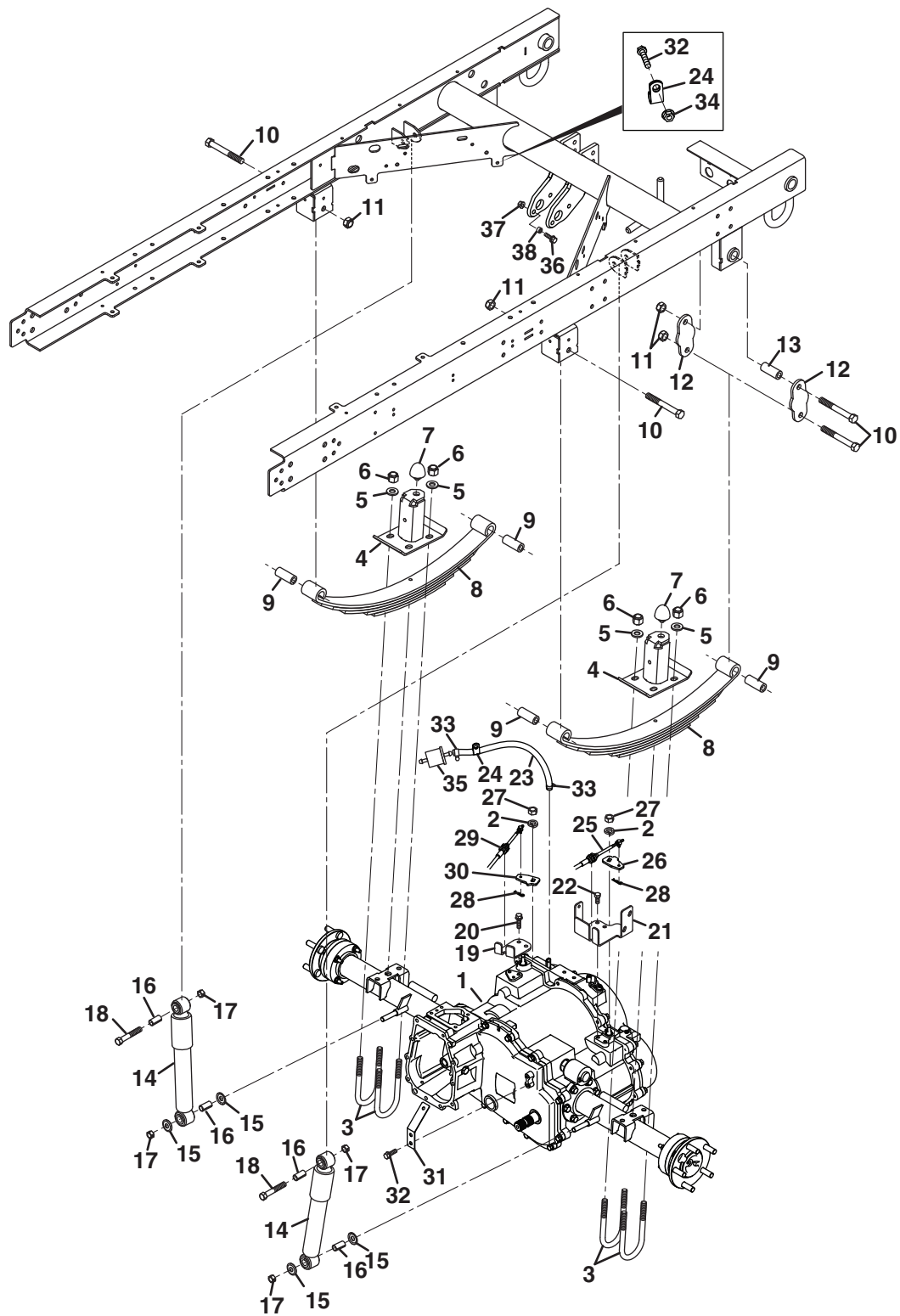
ROPS



| Item | Part No. | Qty. | Description |
|-------------|-----------------|-------------|--|
| 1 | 4294692 | 1 | ROPS, 2 Post |
| 2 | 400411 | 8 | Screw, 1/2-13 x 1-3/4" Hex Grade 8 |
| 3 | 800379 | 8 | Nut, 1/2-13 Hex Flange |
| 4 | 4319026 | 1 | Post, Driver Side ROPS (4 Post ROPS Only) |
| 5 | 4319027 | 1 | Post, Passenger Side ROPS (4 Post ROPS Only) |
| 6 | 441602 | 4 | Carriage Bolt, 1/4-20 x 3/4" (4 Post ROPS Only) |
| 7 | 548911 | 4 | Nut, 5/16-18 Hex Flange (4 Post ROPS Only) |
| 8 | 548045 | 4 | Screw, 1/4-20 x 3/4" Hex Flange (4 Post ROPS Only) |
| 9 | 4315646 | 4 | Nut, 1/4-20 U-Type (4 Post ROPS Only) |
| 10 | 453023 | 4 | Flat Washer, 1/4 (4 Post ROPS Only) |
| 11 | 4321747 | 1 | Decal, Capacity Warning |
| 12 | 4331767 | 20 | Plug, 5/16 x 1/2" Fir Tree |
| 13 | 4138359 | AR | Foam, 36" Lg |

TRUCKSTER XD

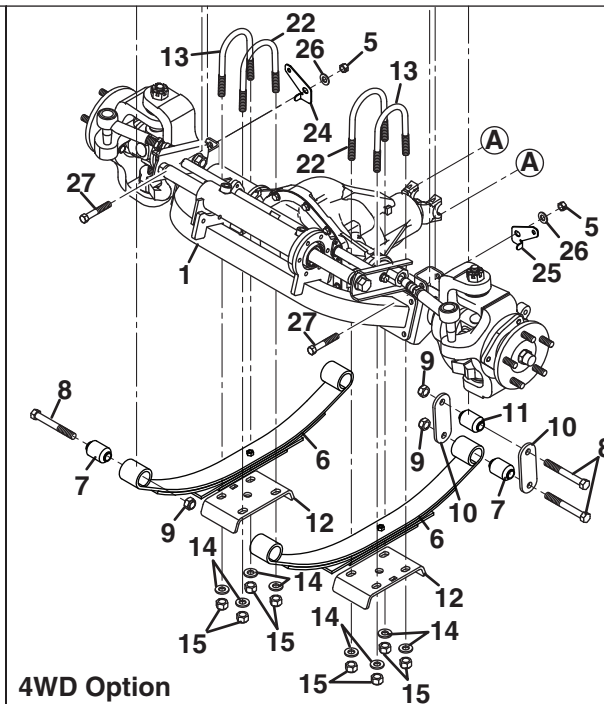
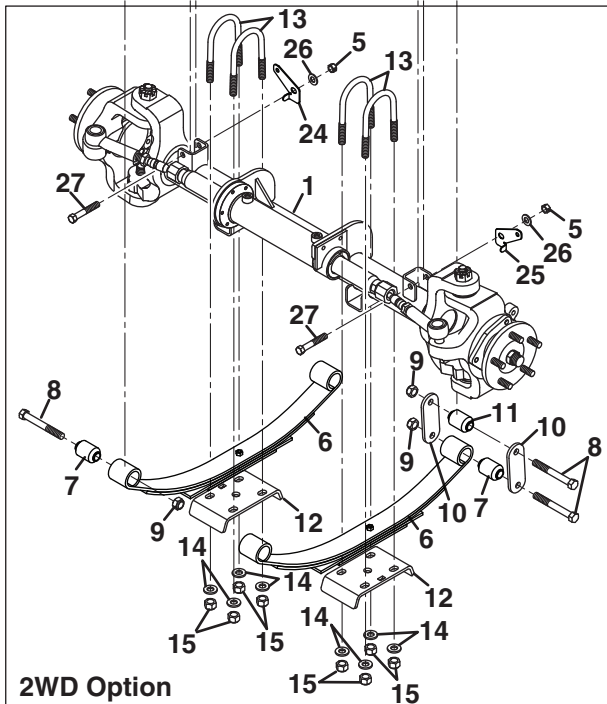
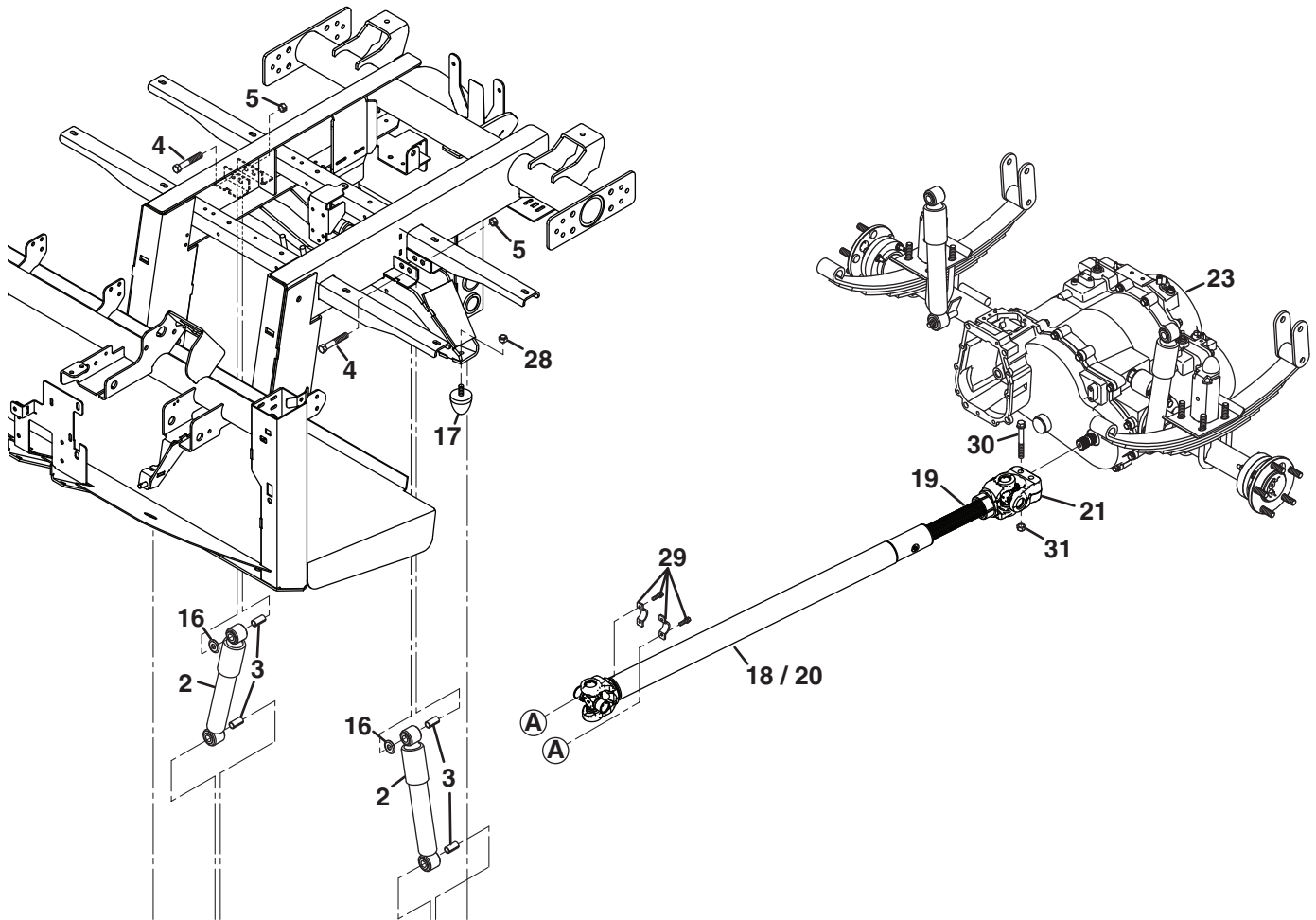
Rear Axle



| Item | Part No. | Qty. | Description |
|------|----------|------|---|
| 1 | 4395475 | 1 | Rear Axle, 2WD |
| 1 | 4395476 | 1 | Rear Axle, 4WD |
| 2 | 450424 | 2 | Lockwasher, M12 |
| 3 | 4389134 | 4 | U-Bolt, 2.88 ID x 5.81" x 1/2-20 |
| 4 | 4389135 | 2 | Stop, Rear Suspension |
| 5 | 453017 | 8 | Flat Washer, 1/2 |
| 6 | 445667 | 8 | Nut, 1/2-20 Elastic Stop Hex |
| 7 | 813850 | 2 | Bumper, Travel Limiting |
| 8 | 4349129 | 2 | Spring, Rear Leaf |
| 9 | 4329786 | 2 | • Bushing, Steel Sleeve Rubber |
| 10 | 400626 | 6 | Screw, 5/8-11 x 3-1/2" Hex Head |
| 11 | 4330109 | 6 | Nut, 5/8-11 Crownlock Hex |
| 12 | 4329666 | 4 | Shackle, Leaf Spring |
| 13 | 4329786 | 2 | Bushing, Steel Sleeve Rubber |
| 14 | 4316627 | 2 | Shock, Rear Axle |
| 15 | 825500 | 4 | Washer, 7/16 Cupped |
| 16 | 823621 | 4 | Bushing |
| 17 | 800294 | 4 | Locknut, 7/16-14 Hex Center |
| 18 | 311396 | 2 | Screw, 7/16-14 x 2-1/4" Hex Head |
| 19 | 4316306 | 1 | Bracket, Hi-Lo Cable |
| 20 | 548971 | 2 | Screw, 5/16-18 x 5/8" Hex Flange |
| 21 | 4316526 | 1 | Bracket, 2WD/4WD Cable/Exhaust (Diesel Engine Only) |
| 21 | 4325447 | 1 | Bracket, 2WD/4WD Cable/Exhaust (Gas Engine Only) |
| 22 | 548901 | 2 | Screw, 5/16-18 x 1/2" Hex Flange |
| 23 | 4218620 | AR | Hose, 6.4 mm I.D. Fuel |
| 24 | 345666 | 1 | Clamp, 1/2" Hose |
| 25 | 4316308 | 1 | Cable, Control (4WD Only) |
| 26 | 4316307 | 1 | Plate, Shift (4WD Only) |
| 27 | 800875 | 1 | Nut, M12-1.25 Hex (2WD Only) |
| 27 | 800875 | 2 | Nut, M12-1.25 Hex Flange (4WD Only) |
| 28 | 821164 | 1 | Hair Pin, 1/4 x 1-1/8 x 1/16" (2WD Only) |
| 28 | 821164 | 2 | Hair Pin, 1/4 x 1-1/8 x 1/16" (4WD Only) |
| 29 | 4316308 | 1 | Cable, Hi-Lo Control |
| 30 | 4318767 | 1 | Plate, Hi-Lo Shift |
| 31 | 4318806 | 1 | Bracket, Brake Line Tee |
| 32 | 403751 | 3 | Screw, 5/16-18 x 3/4" Hex Flange |
| 33 | 48540-01 | 2 | Hose Clamp |
| 34 | 548911 | 1 | Nut, 5/16-18 Hex Flange |
| 35 | 5001182 | 1 | Filter, Breather |
| 36 | 548907 | 2 | Screw, 3/8-16 x 1-1/4" Hex Flange |
| 37 | 548804 | 2 | Nut, 3/8-16 Whizlock |
| 38 | 4367074 | 2 | Stop, Cylinder |

TRUCKSTER XD

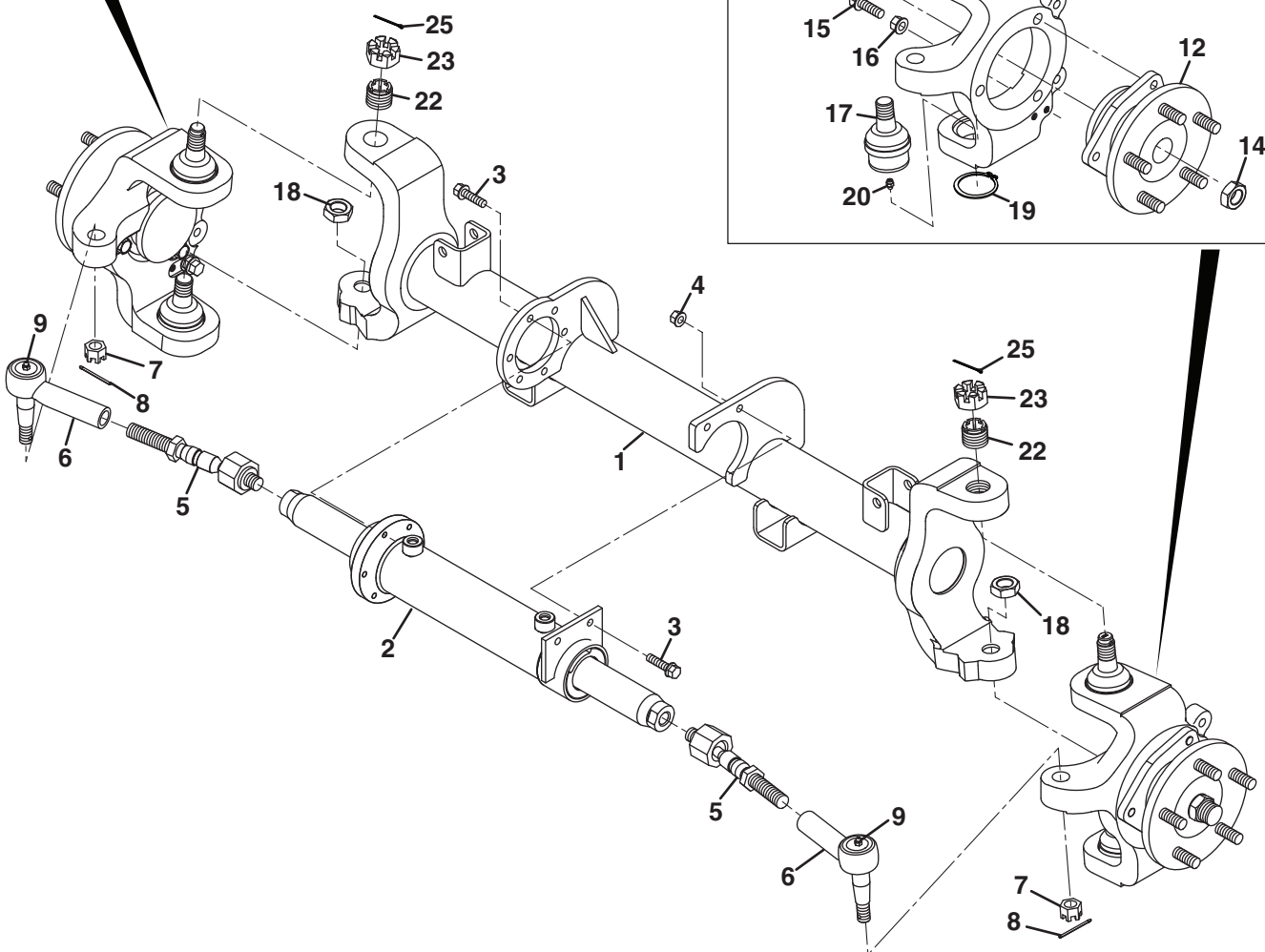
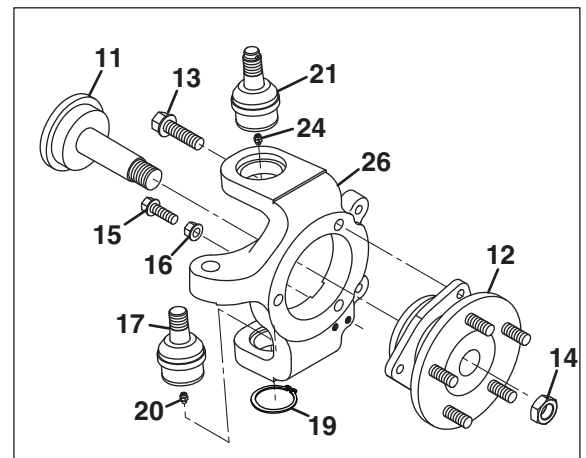
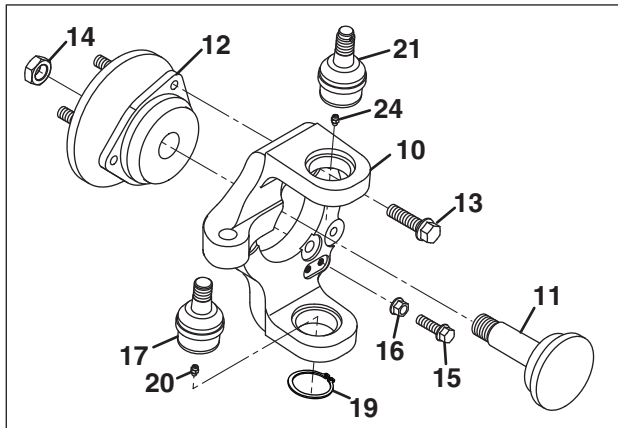
Front Axle Assembly



| Item | Part No. | Qty. | Description |
|------|----------|------|--|
| 1 | REF | 1 | Front Axle (2WD) |
| 1 | REF | 1 | Front Axle (4WD) |
| 2 | 4316626 | 2 | Shock, Front Axle |
| 3 | 823621 | 4 | Bushing |
| 4 | 311396 | 2 | Screw, 7/16-14 x 2-1/4" Hex Head |
| 5 | 800294 | 4 | Locknut, 7/16-14 Hex Center |
| 6 | 4330100 | 2 | Spring, Front Leaf |
| 7 | 4329786 | 2 | • Bushing, Steel Sleeve Rubber |
| 8 | 400626 | 6 | Screw, 5/8-11 x 3-1/2" Hex Head |
| 9 | 4330109 | 6 | Nut, 5/8-11 Crownlock Hex |
| 10 | 4329666 | 4 | Shackle, Leaf Spring |
| 11 | 4329786 | 2 | Bushing, Steel Sleeve Rubber |
| 12 | 4316888 | 2 | Mount, 2WD Leaf Spring |
| 12 | 4317909 | 2 | Mount, 4WD Leaf Spring |
| 13 | 4329808 | 4 | U-Bolt, 2-3/4 x 5-3/4" x 1/2-20 (2WD Only) |
| 13 | 4329808 | 2 | U-Bolt, 2-3/4 x 5-3/4" x 1/2-20 (4WD Only) |
| 14 | 453017 | 8 | Flat Washer, 1/2 |
| 15 | 445667 | 8 | Nut, 1/2-20 Elastic Stop Hex |
| 16 | 825500 | 2 | Washer, 7/16 Cupped |
| 17 | 4345666 | 2 | Bumper |
| 18 | 4305440 | 1 | Driveshaft, 4WD |
| | 4323786 | 2 | • Kit, Cross and Bearing |
| 19 | 4323787 | 1 | • Splined Shaft with U-Joint |
| 20 | 4323790 | 1 | • Driveshaft, 2-1/8" Diameter |
| 21 | 4323791 | 1 | • U-Joint, 1310E |
| 22 | 4329810 | 2 | U-Bolt, 3-1/4 x 6" x 1/2-20 |
| 23 | REF | 1 | Rear Axle |
| 24 | 4318187 | 1 | Bracket, Left Side Hose Clamp |
| 25 | 4318186 | 1 | Bracket, Right Side Hose Clamp |
| 26 | 453013 | 2 | Flat Washer, 7/16" |
| 27 | 400352 | 2 | Screw, 7/16-14 x 2-3/4" Hex Head |
| 28 | 452437 | 2 | Nut, M10-1.5 Nylon Insert |
| 29 | 4319288 | 1 | Kit, 1310 Strap (4WD Only) |
| 30 | 452404 | 2 | Screw, M10-1.5 x 70 mm Hex Flange (4WD Only) |
| 31 | 452437 | 2 | Nut, M10-1.5 Nylon Insert (4WD Only) |

TRUCKSTER XD

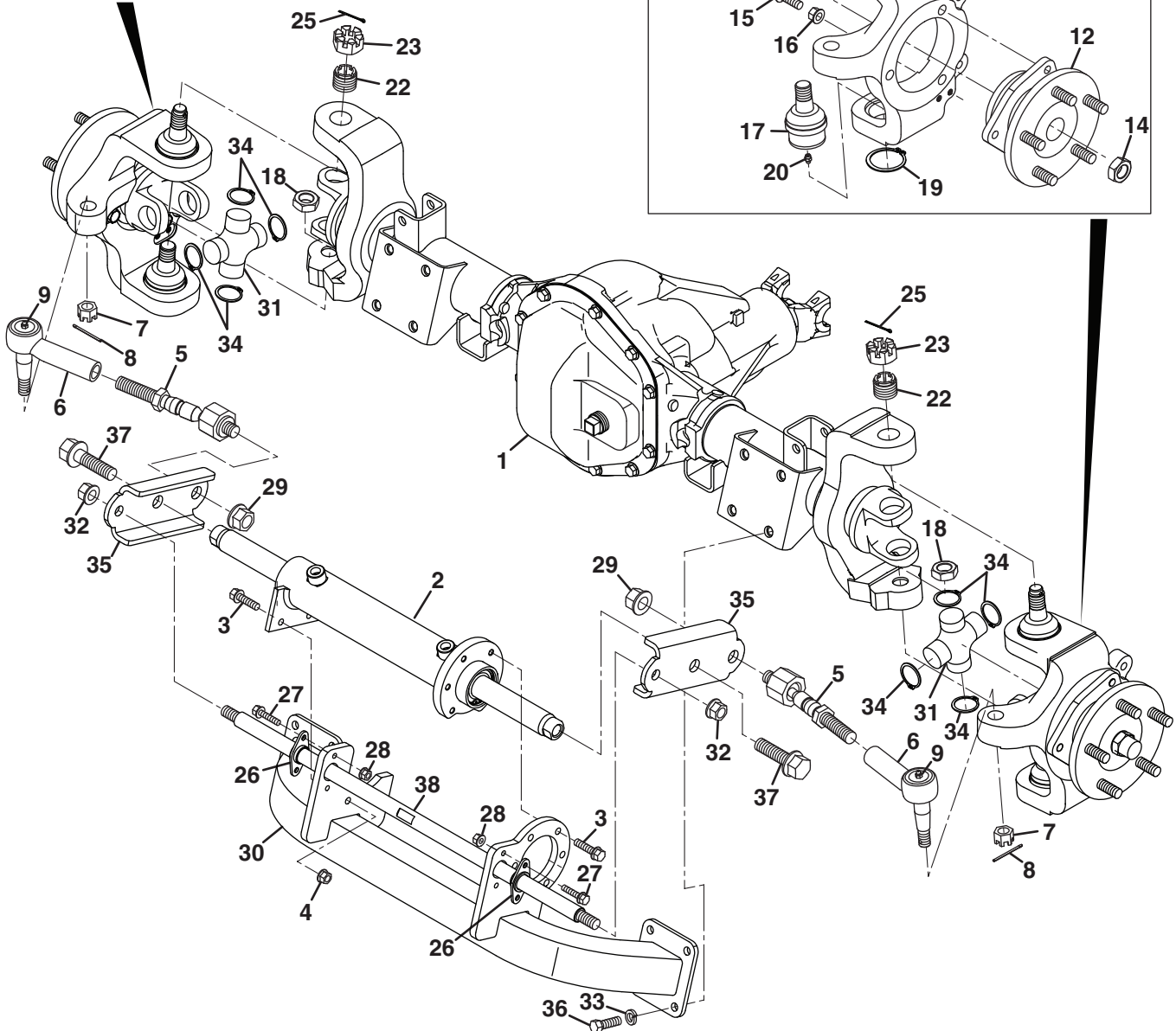
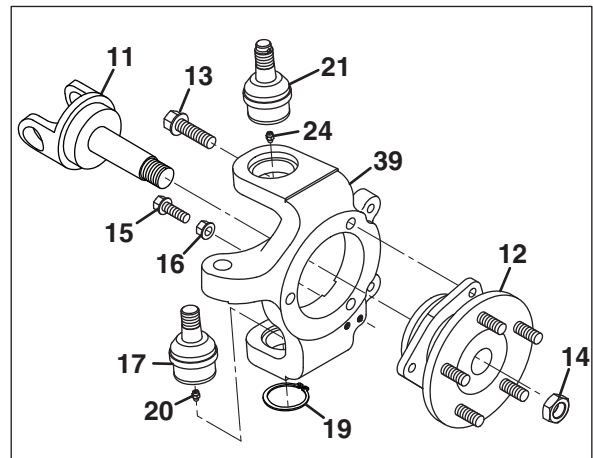
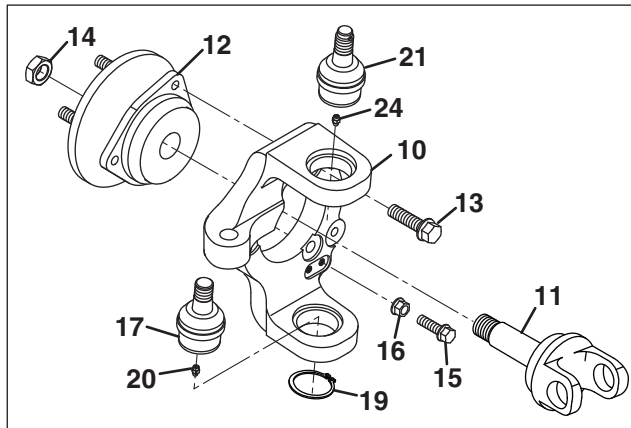
2WD Front Axle



| Item | Part No. | Qty. | Description |
|------|----------|------|--|
| 1 | 4358446 | 1 | Tube, 2WD Front Axle |
| 2 | 4303015 | 1 | Cylinder, 2WD Steering |
| | 4329207 | 1 | • Seal Kit |
| 3 | 548902 | 8 | Screw, 5/16-18 x 1" Hex Flange |
| 4 | 548911 | 2 | Nut, 5/16-18 Hex Flange |
| | 4316154 | 2 | Assembly, Tie Rod (Includes Items 5 - 9) |
| 5 | 4316155 | 2 | • Rod, Axial |
| 6 | 4316156 | 2 | • Ball Joint, Tie Rod |
| 7 | 4331847 | 1 | • Nut, M14-1.5 Slotted Hex |
| 8 | 460016 | 1 | • Cotter Pin, 3/32 x 1" |
| 9 | 548224 | 1 | • Grease Fitting, 1/4 Straight |
| 10 | 4316692 | 1 | Knuckle, Right Side Steering |
| 11 | 4317606 | 2 | Shaft, 2WD Front Axle |
| 12 | 4312789 | 2 | Hub, Wheel |
| 13 | 4317651 | 6 | Screw, M12-1.75 x 40 mm Hex Head |
| 14 | 4317626 | 2 | Nut, M24-1.5 Hex Flange |
| 15 | 800709 | 2 | Screw, 3/8-16 x 1" Hex Flange |
| 16 | 548804 | 2 | Nut, 3/8-16 Hex |
| 17 | 4312790 | 2 | Ball Joint, Lower (Includes Items 18 - 20) |
| 18 | N/S | 1 | • Nut, Hex |
| 19 | 548329 | 1 | • Retaining Ring |
| 20 | 548224 | 1 | • Grease Fitting, 1/4 Straight |
| 21 | 4313710 | 2 | Ball Joint, Upper (Includes Items 22 - 25) |
| 22 | 4325289 | 1 | • Insert, Threaded |
| 23 | 4325290 | 1 | • Nut, 3/4-16 Slotted Hex |
| 24 | 471227 | 1 | • Grease Fitting, Straight |
| 25 | 460030 | 1 | • Cotter Pin, 1/8 x 1-1/4" |
| 26 | 4312906 | 1 | Knuckle, Left Side Steering |

TRUCKSTER XD

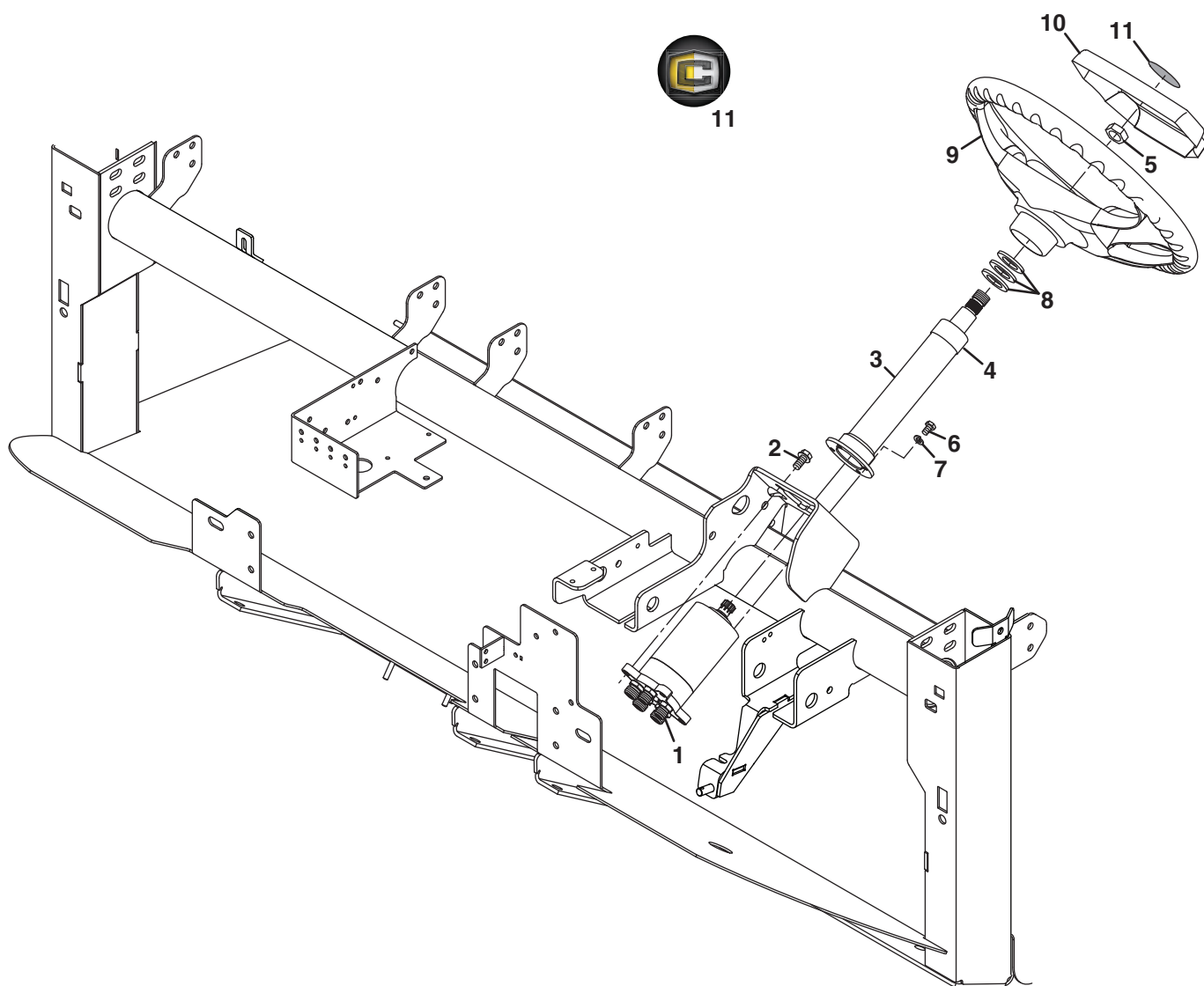
4WD Front Axle



| Item | Part No. | Qty. | Description |
|------|----------|------|--|
| 1 | N/S | 1 | 4WD Front Axle |
| 2 | 4316270 | 1 | Cylinder, 4WD Steering |
| | 4329207 | 1 | • Seal Kit |
| 3 | 548902 | 8 | Screw, 5/16-18 x 1" Hex Flange |
| 4 | 548911 | 2 | Nut, 5/16-18 Hex Flange |
| 5 | 4316155 | 2 | Rod, Axial |
| 6 | 4316156 | 2 | Ball Joint, Tie Rod (Includes Items 7 - 9) |
| 7 | 4331847 | 1 | • Nut, M14-1.5 Slotted Hex |
| 8 | 460016 | 1 | • Cotter Pin, 3/32 x 1" |
| 9 | 548224 | 1 | • Grease Fitting, 1/4 Straight |
| 10 | 4316692 | 1 | Knuckle, Right Side Steering |
| 11 | 4321248 | 2 | Stub, Axle Shaft |
| 12 | 4312789 | 2 | Hub, Wheel |
| 13 | 4317651 | 6 | Screw, M12-1.75 x 40 mm Hex Head |
| 14 | 4317626 | 2 | Locknut, M24 x 1.5 Hex Flange |
| 15 | 800709 | 2 | Screw, 3/8-16 x 1" Hex Flange |
| 16 | 548804 | 2 | Nut, 3/8-16 Hex |
| 17 | 4312790 | 2 | Ball Joint, Lower (Includes Items 18 - 20) |
| 18 | N/S | 1 | • Nut, Hex |
| 19 | 548329 | 1 | • Retaining Ring |
| 20 | 548224 | 1 | • Grease Fitting, 1/4 Straight |
| 21 | 4313710 | 2 | Ball Joint, Upper (Includes Items 22 - 25) |
| 22 | 4325289 | 1 | • Insert, Threaded |
| 23 | 4325290 | 1 | • Nut, 3/4-16 Slotted Hex |
| 24 | 471217 | 1 | • Grease Fitting, Straight |
| 25 | 460030 | 1 | • Cotter Pin, 1/8 x 1-1/4" |
| 26 | 4317715 | 2 | Bearing, 3/4" Shaft Flanged |
| 27 | 548898 | 4 | Screw, 1/4-20 x 1" Hex Flange |
| 28 | 800706 | 4 | Locknut, 1/4-20 Flange Crown |
| 29 | 400320 | 2 | Nut, M16-1.5 Hex Flange |
| 30 | 4317069 | 1 | Mount, 4WD Steering |
| 31 | 4321249 | 2 | U-Joint Cross and Bearing |
| 32 | 800379 | 2 | Nut, 1/2-13 Hex Flange |
| 33 | 446142 | 8 | Lockwasher, 3/8 Heavy |
| 34 | 4321379 | 8 | Clip, U-Joint |
| 35 | 4306175 | 2 | Plate, 4WD Steering |
| 36 | 400262 | 8 | Screw, 3/8-16 x 1" Hex Head |
| 37 | 400152 | 2 | Screw, M16-1.5 x 45 mm Hex Flange |
| 38 | 4306157 | 1 | Rod, 4WD Steering Support |
| 39 | 4312906 | 1 | Knuckle, Left Side Steering |

TRUCKSTER XD

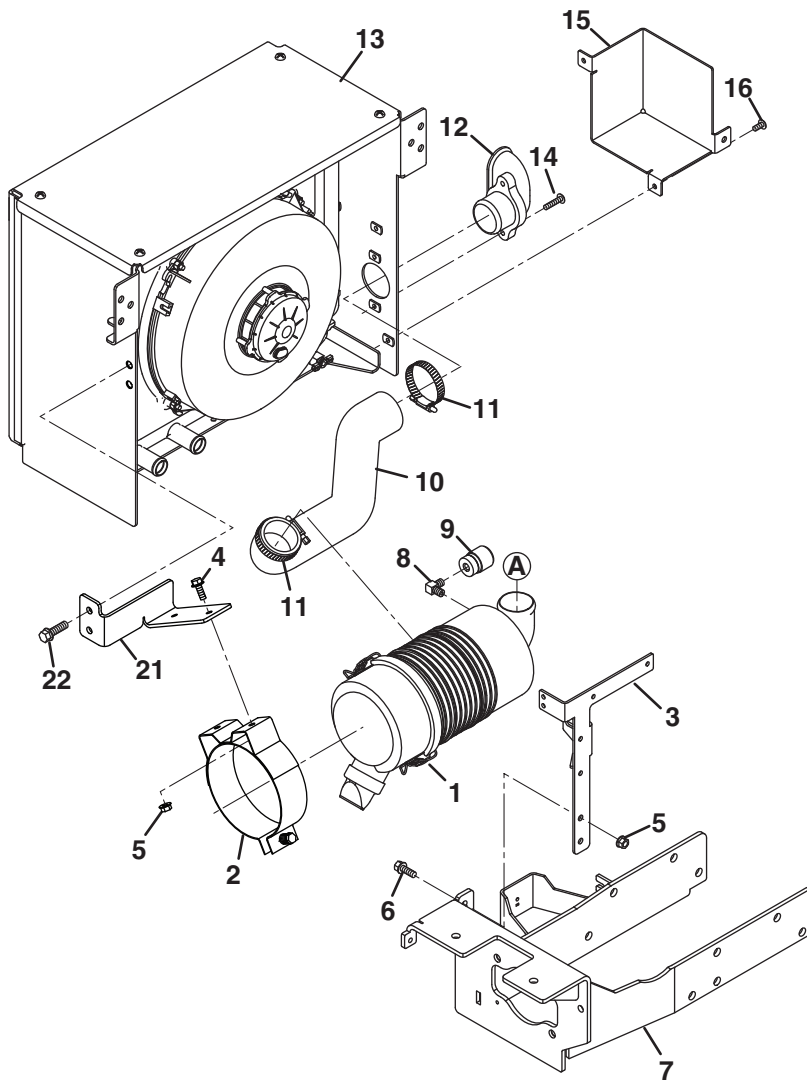
Steering Column



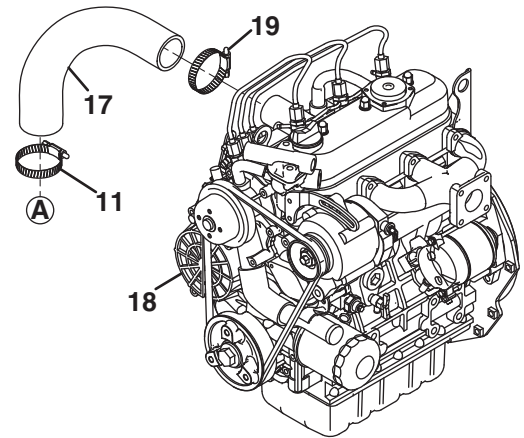
| Item | Part No. | Qty. | Description |
|-------------|-----------------|-------------|--|
| 1 | 4303996 | 1 | Valve, Steering |
| | 4197940 | 1 | • Seal Kit |
| | 339909 | 3 | • O-Ring, -6 ORFS |
| | 339908 | 2 | • O-Ring, -4 ORFS |
| 2 | 450471 | 4 | Screw, M8-1.25 x 20 mm Hex Flange |
| 3 | 4210420 | 1 | Shaft, Steering (Includes Items 4 - 5) |
| 4 | 4201840 | 1 | • Seal |
| 5 | 443828 | 1 | • Nut, 5/8-18 Hex Jam |
| 6 | 450168 | 4 | Screw, M6-1 x 12 mm Hex Head |
| 7 | 450410 | 4 | Lockwasher, M6 |
| 8 | 2811547 | 3 | Flat Washer |
| 9 | 4310966 | 1 | Wheel, Steering |
| 10 | 4319207 | 1 | • Cover, Steering Wheel |
| 11 | 618086 | 1 | Decal, Cushman Steering Wheel |

TRUCKSTER XD

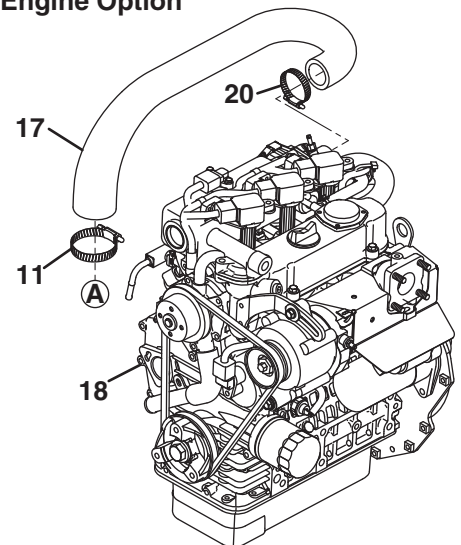
Air Filter



Diesel Engine Option



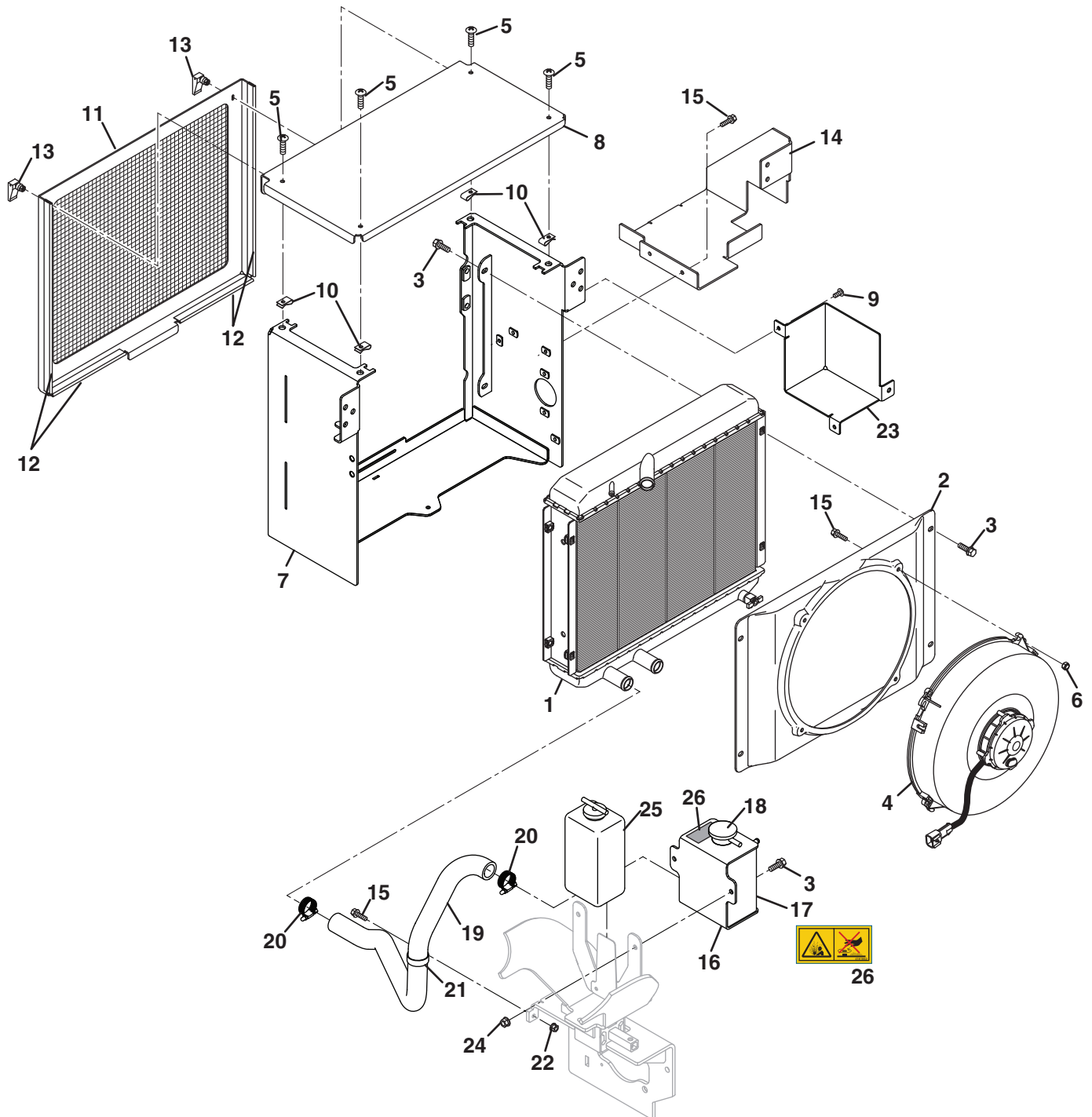
Gas Engine Option



| Item | Part No. | Qty. | Description |
|------|----------|------|--|
| 1 | 3001965 | 1 | Air Filter |
| | 5000919 | 1 | • Element, Filter |
| | 5000920 | 1 | • Cover, Filter |
| | 5000921 | 1 | • Valve, Vactuato |
| 2 | 3001388 | 1 | Bracket, Air Filter |
| 3 | 4307842 | 1 | Bracket, Throttle Cable |
| 4 | 400025 | 2 | Screw, 5/16-18 x 7/8" Hex Flange |
| 5 | 548911 | 3 | Nut, 5/16-18 Hex Flange |
| 6 | 403571 | 1 | Screw, 5/16-18 x 3/4" Hex Flange |
| 7 | 4307840 | 1 | Mount, Diesel Engine |
| 7 | 4307841 | 1 | Mount, Gas Engine |
| 8 | 3002195 | 1 | Fitting, 1/8 NPT 90° |
| 9 | 365398 | 1 | Indicator, Service |
| 10 | 4315008 | 1 | Hose, Air Filter Intake |
| 11 | 359615 | 3 | Clamp, 1-1/8 - 3" Hose |
| 12 | 4316047 | 1 | Scoop, Air Intake |
| 13 | REF | 1 | Radiator Assembly |
| 14 | 404022 | 2 | Screw, 1/4-20 x 1" Truss Head |
| 15 | 4316127 | 1 | Shield, Air Intake |
| 16 | 404014 | 2 | Screw, 1/4-20 x 1/2" Truss Head |
| 17 | 4315007 | 1 | Hose, Diesel Engine Air Intake |
| 17 | 4315006 | 1 | Hose, Gas Engine Air Intake |
| 18 | 4293417 | 1 | Diesel Engine, Kubota D1105-E4B |
| 18 | REF | 1 | Gas Engine, Kubota WG972 EFI |
| 19 | 326799 | 1 | Clamp, 1-9/16 - 2-1/2" Hose (Diesel Engine Only) |
| 20 | 4319953 | 1 | Clamp, 1-1/16 - 2" Hose (Gas Engine Only) |
| 21 | 4327326 | 1 | Bracket, Air Filter |
| 22 | 548905 | 2 | Screw, 3/8-16 x 1" Hex Flange |

TRUCKSTER XD

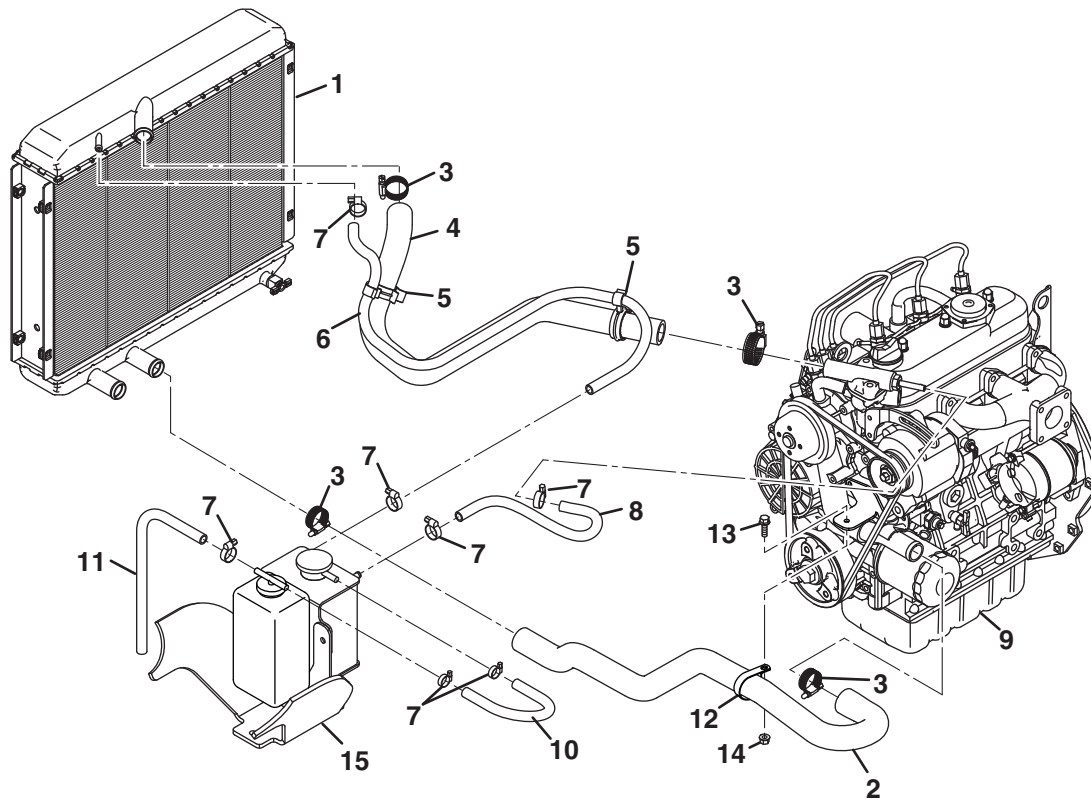
Radiator



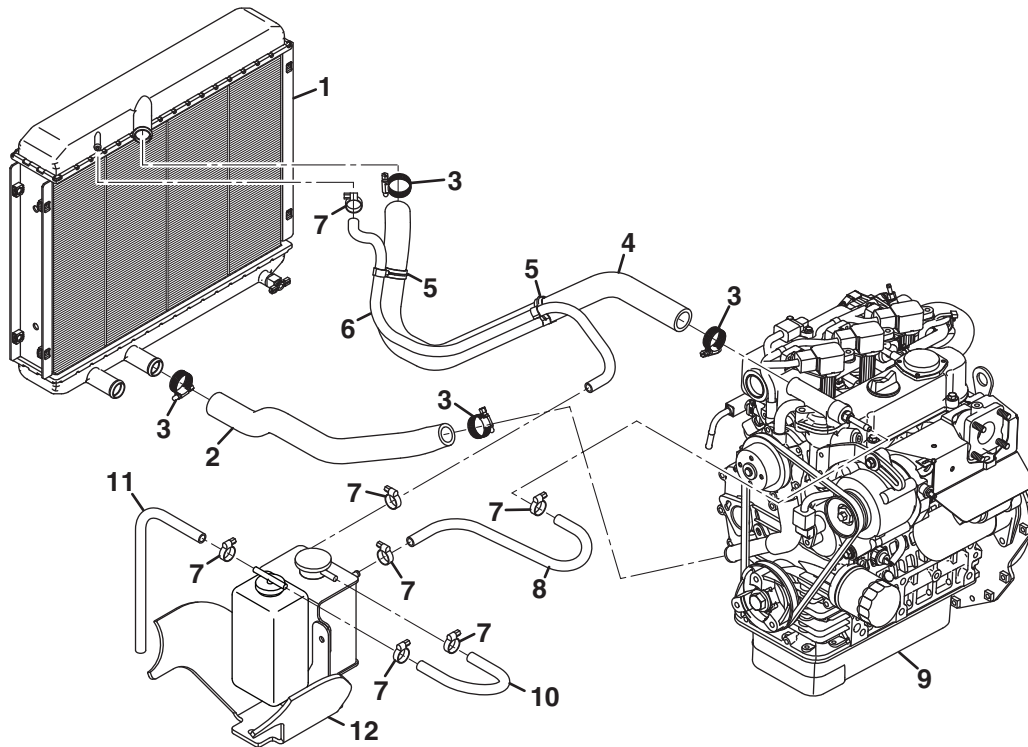
| Item | Part No. | Qty. | Description |
|-------------|-----------------|-------------|--|
| 1 | 4315435 | 1 | Radiator |
| 2 | 4313106 | 1 | Shroud, Fan |
| 3 | 403770 | 10 | Screw, 5/16-18 x 3/4" Hex Flange |
| 4 | 4315426 | 1 | Fan, 12" Puller |
| 5 | 800582 | 4 | Screw, 1/4-20 x 3/4" Truss Head |
| 6 | 445770 | 4 | Nut, 1/4-20 Nylon Insert Hex |
| 7 | 4315436 | 1 | Frame, Radiator Enclosure |
| 8 | 4315439 | 1 | Cover, Radiator Enclosure |
| 9 | 404014 | 2 | Screw, 1/4-20 x 1/2" Truss Head |
| 10 | 4315646 | 4 | Nut, 1/4-20 Speed |
| 11 | 4315447 | 1 | Screen, Radiator |
| 12 | 108194A3 | AR | Channel, Flex Trim, 38" Lg |
| 13 | 3002098 | 2 | Latch, Swell |
| 14 | 4306775 | 1 | Tray, Battery |
| 15 | 548045 | 7 | Screw, 1/4-20 x 3/4" Hex Flange |
| 16 | 4314968 | 1 | Tank, Expansion (Includes Items 17 - 18) |
| 17 | 4329568 | 1 | • Kit, Tank Expansion |
| 18 | 4329587 | 1 | • Cap, 13 psi |
| 19 | 4345747 | 1 | Hose, Coolant |
| 20 | 319914 | 2 | Clamp, Hose |
| 21 | 2700757 | 1 | Clamp, Tube |
| 22 | 548910 | 1 | Nut, 1/4-20 Hex Flange |
| 23 | 4316127 | 1 | Shield, Air Intake |
| 24 | 548911 | 2 | Nut, 5/16-18 Hex Flange |
| 25 | 553926 | 1 | Tank, Overflow |
| 26 | 4181862 | 1 | Decal, Radiator Cap |

TRUCKSTER XD

Diesel Radiator Hoses



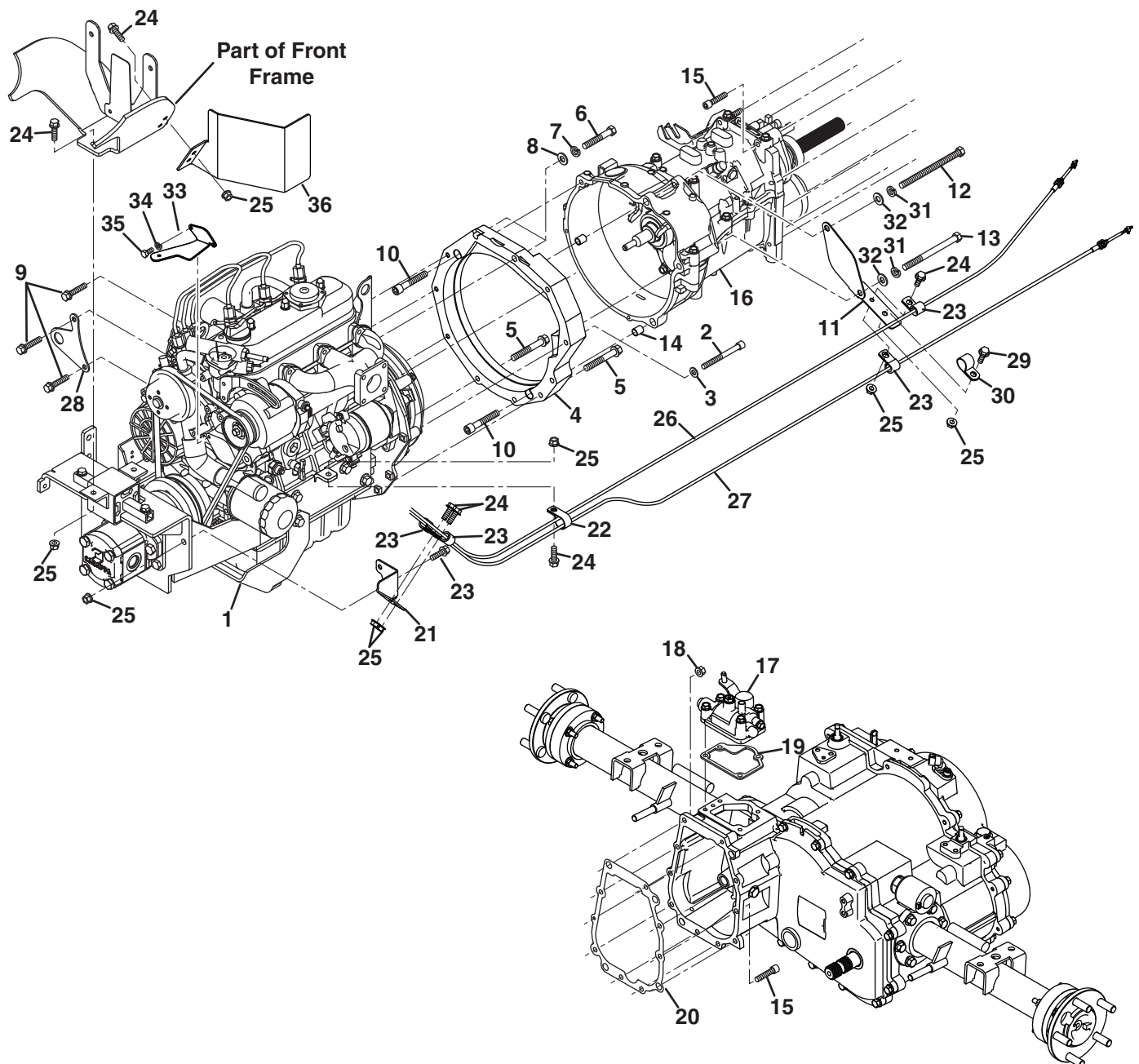
| Item | Part No. | Qty. | Description |
|------|----------|------|--|
| 1 | 4315435 | 1 | Radiator |
| 2 | 4303615 | 1 | Hose, Lower Radiator |
| 3 | 319914 | 4 | Clamp, Hose |
| 4 | 4303677 | 1 | Hose, Upper Radiator |
| 5 | 4320566 | 2 | Hose Clamp |
| 6 | 554748 | AR | Hose, Radiator to Expansion Tank, 28" Lg |
| 7 | 48540-01 | 7 | Clamp, Worm Gear |
| 8 | 554748 | AR | Hose, Engine to Expansion Tank, 13" Lg |
| 9 | 4293417 | 1 | Engine, Kubota D1105-E4B |
| 10 | 554748 | AR | Hose, Expansion Tank to Tank, 7.5" Lg |
| 11 | 554748 | AR | Hose, Overflow Tank Drain, 11.5" Lg |
| 12 | 2700757 | 1 | Clamp, Tube |
| 13 | 548045 | 1 | Screw, 1/4-20 x 3/4" Hex Flange |
| 14 | 548910 | 2 | Nut, 1/4-20 Hex Flange |
| 15 | REF | 1 | Tank Assembly |



| Item | Part No. | Qty. | Description |
|------|----------|------|--|
| 1 | 4315435 | 1 | Radiator |
| 2 | 4303676 | 1 | Hose, Lower Radiator |
| 3 | 319914 | 4 | Clamp, Hose |
| 4 | 4304000 | 1 | Hose, Upper Radiator |
| 5 | 4320566 | 2 | Hose Clamp |
| 6 | 554748 | AR | Hose, Radiator to Expansion Tank, 28" Lg |
| 7 | 48540-01 | 7 | Clamp, Worm Gear |
| 8 | 554748 | AR | Hose, Engine to Expansion Tank, 13" Lg |
| 9 | 4357326 | 1 | Engine, Kubota WG972 EFI |
| 10 | 554748 | AR | Hose, Expansion Tank to Tank, 7.5" Lg |
| 11 | 554748 | AR | Hose, Overflow Tank Drain, 11.5" Lg |
| 12 | REF | 1 | Tank Assembly |

TRUCKSTER XD

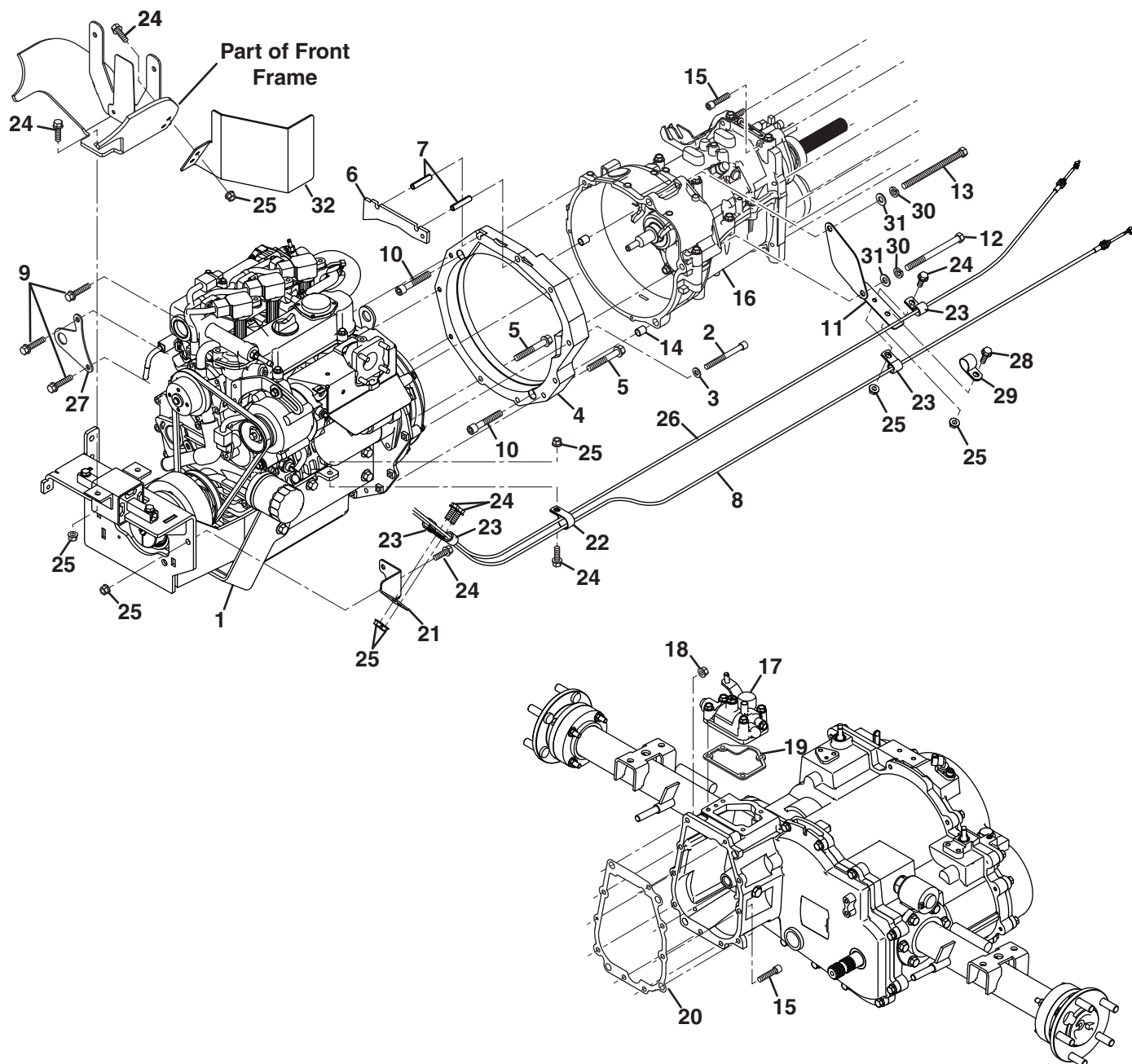
Diesel Engine and Transmission Mount



| Item | Part No. | Qty. | Description |
|------|----------|------|---|
| 1 | REF | 1 | Diesel Engine |
| 2 | 450020 | 1 | Screw, M8-1.25 x 60 mm Hex Socket (Grade 8) |
| 3 | 450390 | 1 | Flat Washer, M8 |
| 4 | 4318768 | 1 | Adapter, Transmission |
| 5 | 452393 | 5 | Screw, M8-1.25 x 60 mm Hex Flange |
| 6 | 838602 | 2 | Screw, M10-1.25 x 50 mm Hex Head |
| 7 | 446146 | 2 | Lockwasher, 7/16 |
| 8 | 453011 | 2 | Flat Washer, 3/8 |
| 9 | 452390 | 3 | Screw, M8-1.25 x 30 mm Hex Flange |
| 10 | 800949 | 2 | Screw, M10-1.25 x 50 mm Hex Soc |
| 11 | 4318026 | 1 | Bracket, Starter Cover |
| 12 | 401213 | 1 | Screw, 3/8-16 x 4-1/2" Hex Head |
| 13 | 548849 | 1 | Screw, 3/8-16 x 4-3/4" Hex Head |
| 14 | 842961 | 2 | Sleeve, Alignment |
| 15 | 4324749 | 9 | Screw, M8-1.25 x 30 mm Hex Socket (Grade 8) |
| 16 | 4317490 | 1 | Transmission, 5 Speed Manual (Includes Items 17 - 20) |
| 17 | REF | 1 | • Case, Gear Lever |
| 18 | 450324 | 1 | • Nut, M8-1.25 Hex Flange |
| 19 | 845223 | 1 | • Gasket, Shift Case |
| 20 | 2700121 | 1 | • Gasket, Housing to Trasmision |
| 21 | 4318766 | 1 | Bracket, Control Cables |
| 22 | 48228-1A | 1 | Clip, 7/8" Insulated Cable |
| 23 | 366424 | 2 | Clamp, 1/2" (2WD Only) |
| 23 | 366424 | 4 | Clamp, 1/2" (4WD Only) |
| 24 | 400025 | 9 | Screw, 5/16-18 x 7/8" Hex Flange (2WD Only) |
| 24 | 400025 | 11 | Screw, 5/16-18 x 7/8" Hex Flange (4WD Only) |
| 25 | 548911 | 9 | Nut, 5/16-18 Hex Flange (2WD Only) |
| 25 | 548911 | 11 | Nut, 5/16-18 Hex Flange (4WD Only) |
| 26 | 4316308 | 1 | Cable, Hi-Lo Control |
| 27 | 4316308 | 1 | Cable, Control (4WD Only) |
| 28 | 4317766 | 1 | Bracket, Bulkhead |
| 29 | 548902 | 1 | Screw, 5/16-18 x 1" Hex Flange |
| 30 | 345671 | 1 | Clamp, 3/4" |
| 31 | 446140 | 2 | Lockwasher, 3/8 Heavy |
| 32 | 453011 | 2 | Flat Washer, 3/8 |
| 33 | 4332848 | 1 | Bracket, Radiator Hose |
| 34 | 450168 | 2 | Screw, M6-1 x 12 mm Hex Head |
| 35 | 450421 | 2 | Lockwasher, M6 |
| 36 | 4333746 | 1 | Deflector, Engine Cooling |

TRUCKSTER XD

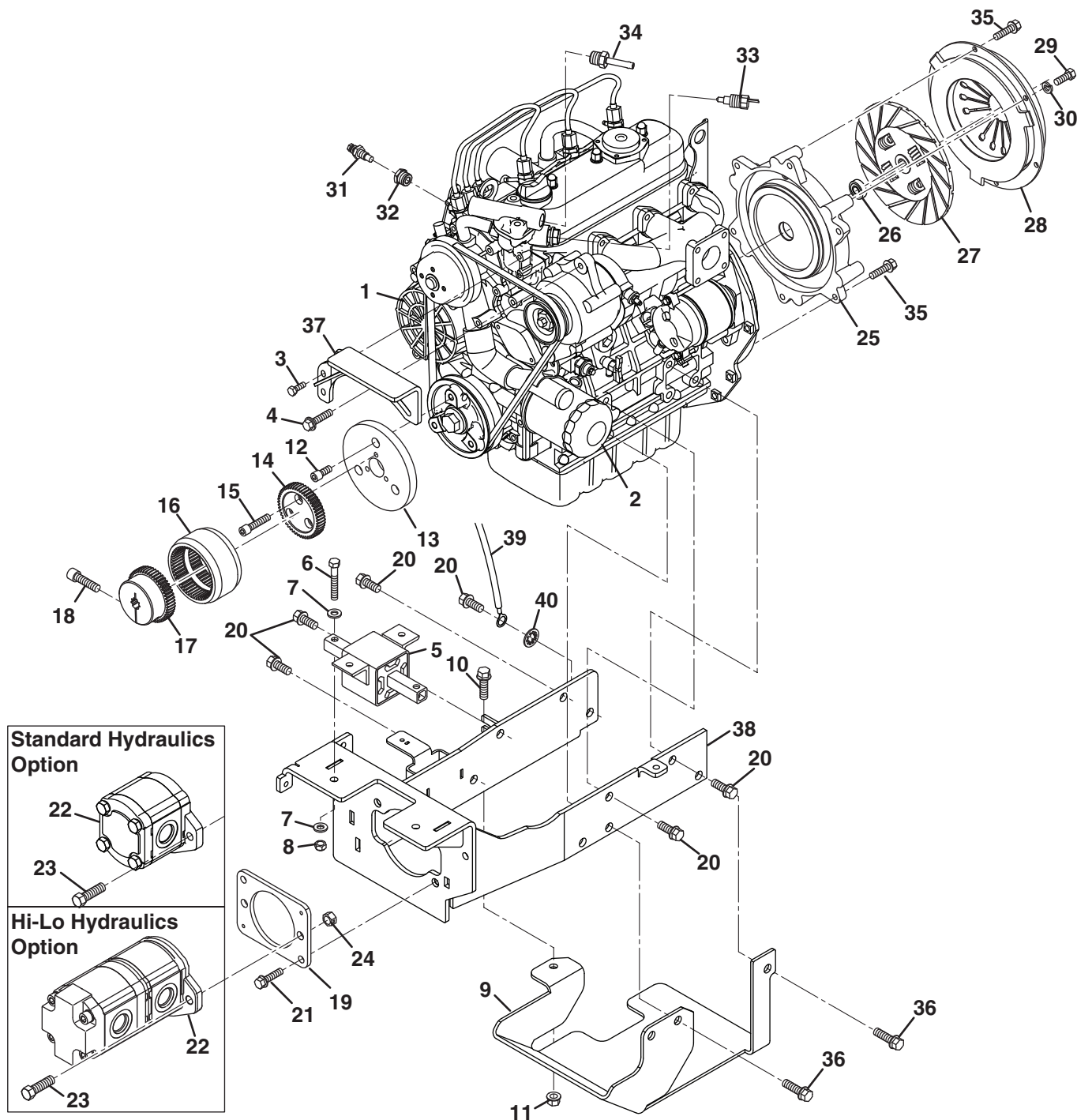
Gas Engine and Transmission Mount



| Item | Part No. | Qty. | Description |
|------|----------|------|---|
| 1 | REF | 1 | Gas Engine |
| 2 | 450020 | 1 | Screw, M8-1.25 x 60 mm Hex Socket (Grade 8) |
| 3 | 450390 | 1 | Flat Washer, M8 |
| 4 | 4318768 | 1 | Adapter, Transmission |
| 5 | 452393 | 5 | Screw, M8-1.25 x 60 mm Hex Flange |
| 6 | 4320086 | 1 | Plate, Spacer |
| 7 | 461406 | 2 | Roll Pin, 3/8 x 1-3/4" |
| 8 | 4316308 | 1 | Cable, Control (4WD Only) |
| 9 | 452390 | 3 | Screw, M8-1.25 x 30 mm Hex Flange |
| 10 | 800949 | 2 | Screw, M10-1.25 x 50 mm Hex Soc |
| 11 | 4318026 | 1 | Bracket, Starter Cover |
| 12 | 401213 | 1 | Screw, 3/8-16 x 4-1/2" Hex Head |
| 13 | 548849 | 1 | Screw, 3/8-16 x 4-3/4" Hex Head |
| 14 | 842961 | 2 | Sleeve, Alignment |
| 15 | 4324749 | 9 | Screw, M8-1.25 x 30 mm Hex Socket (Grade 8) |
| 16 | 4317490 | 1 | Transmission, 5 Speed Manual (Includes Items 17 - 20) |
| 17 | REF | 1 | • Case, Gear Lever |
| 18 | 450324 | 1 | • Nut, M8-1.25 Hex Flange |
| 19 | 845223 | 1 | • Gasket, Shift Case |
| 20 | 2700121 | 1 | • Gasket, Housing to Trasmision |
| 21 | 4318766 | 1 | Bracket, Control Cables |
| 22 | 48228-1A | 1 | Clip, 7/8" Insulated Cable |
| 23 | 366424 | 2 | Clamp, 1/2" (2WD Only) |
| 23 | 366424 | 4 | Clamp, 1/2" (4WD Only) |
| 24 | 400025 | 9 | Screw, 5/16-18 x 7/8" Hex Flange (2WD Only) |
| 24 | 400025 | 11 | Screw, 5/16-18 x 7/8" Hex Flange (4WD Only) |
| 25 | 548911 | 9 | Nut, 5/16-18 Hex Flange (2WD Only) |
| 25 | 548911 | 11 | Nut, 5/16-18 Hex Flange (4WD Only) |
| 26 | 4316308 | 1 | Cable, Hi-Lo Control |
| 27 | 4317766 | 1 | Bracket, Bulkhead |
| 28 | 548902 | 1 | Screw, 5/16-18 x 1" Hex Flange |
| 29 | 345671 | 1 | Clamp, 3/4" |
| 30 | 446140 | 2 | Lockwasher, 3/8 Heavy |
| 31 | 453011 | 2 | Flat Washer, 3/8 |
| 32 | 4333746 | 1 | Deflector, Engine Cooling |

TRUCKSTER XD

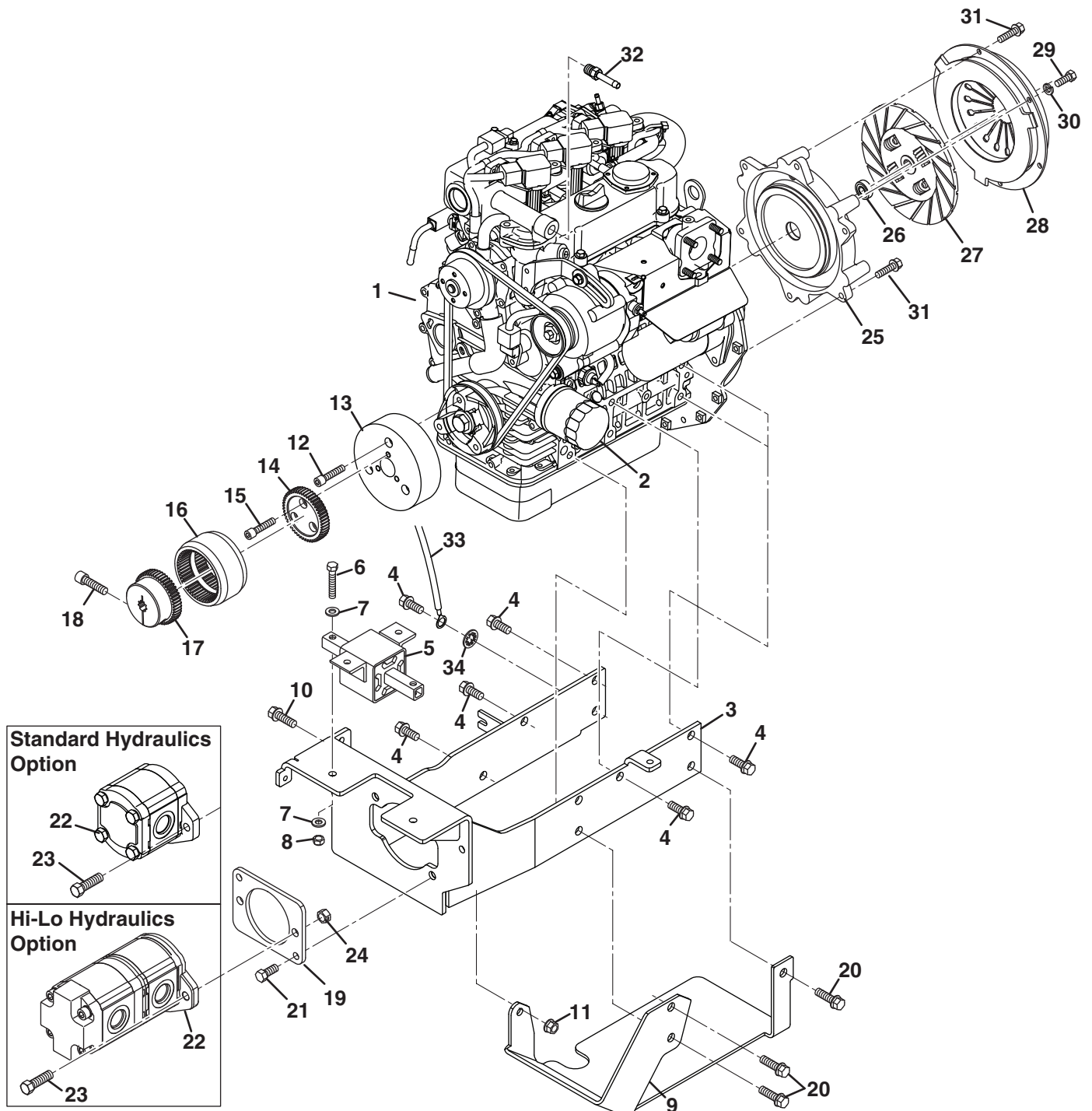
Diesel Engine



| Item | Part No. | Qty. | Description |
|------|-------------|------|--|
| 1 | 4293417 | 1 | Engine, Kubota D1105-E4B (Includes Items 1 - 3) |
| 2 | 4177262 | 1 | • Oil Filter |
| 3 | 550362 | 2 | • Screw, M6 x 16 mm Hex |
| 4 | 4134321 | 1 | • Screw, M8 x 30 mm with Washer |
| 5 | 4314326 | 1 | Isolator, Vibration |
| 6 | 400194 | 2 | Screw, 5/16-18 x 1-3/4" Hex Head |
| 7 | 453009 | 4 | Flat Washer, 5/16 |
| 8 | 445802 | 2 | Nut, 5/16-18 Nylon Insert |
| 9 | 4297771 | 1 | Shield, Oil Pan |
| 10 | 452399 | 1 | Screw, M10-1.5 x 25 mm Hex Flange |
| 11 | 452437 | 1 | Nut, M10-1.5 Nylon Insert Hex Flange |
| 12 | 450722 | 3 | Screw, M8-1.25 x 16 mm Hex Socket |
| | 4303756 | 1 | Coupler, M48 Bowex |
| 13 | 4315226 | 1 | • Adapter, Diesel Engine |
| 14 | 4315148 | 1 | • Hub, Coupler |
| 15 | 450726 | 3 | • Screw, M8-1.25 x 25 mm Hex Soc |
| 16 | 4315146 | 1 | • Sleeve |
| 17 | 4315147 | 1 | • Hub, Splined |
| 18 | 450739 | 1 | • • Screw, M10-1.5 x 30 mm Soc |
| 19 | 4299382 | 1 | Adapter, Hydraulic Pump |
| 20 | 4322626 | 6 | Screw, M10-1.25 x 20 mm Hex Flange |
| 21 | 548905 | 2 | Screw, 3/8-16 x 1" Hex Flange |
| 22 | 4346446 | 1 | Pump, Single Section Gear (Std Hydraulics) |
| | 4380397 | 1 | • Seal Kit |
| 22 | 4346426 | 1 | Pump, Two Section Gear (Hi-Lo Hydraulics Option) |
| | 4380398 | 1 | • Seal Kit |
| 23 | 400336 | 2 | Screw, 7/16-14 x 1-1/4" Hex Head |
| 24 | 444753 | 2 | Locknut, 7/16-14 Hex Center |
| 25 | 4173262 | 1 | Ring, Pressure Plate |
| 26 | 842960 | 1 | • Bearing, Sealed Ball |
| 27 | 22400-85141 | 1 | Disc, Clutch |
| 28 | 22100-85200 | 1 | Cover, Clutch |
| 29 | 09111-08035 | 2 | Screw, M8-1.25 Special |
| 30 | 450422 | 2 | Lockwasher, M8 |
| 31 | 843857 | 1 | Sender, Water Temperature |
| 32 | 4174260 | 1 | Reducer, 3/8 NPSF to 1/8 BPT |
| 33 | 4319607 | 1 | Switch, Temperature |
| 34 | 4316892 | 1 | Fitting, 3/8 NPT to Hose Barb |
| 35 | 452389 | 10 | Screw, M8-1.25 x 25 mm Hex Flange |
| 36 | 4322627 | 3 | Screw, M10-1.25 x 25 mm Hex Flange |
| 37 | 4326526 | 1 | Stay, Alternator |
| 38 | 4307840 | 1 | Mount, Diesel Engine |
| 39 | 4271132 | 1 | Cable, Engine Ground |
| 40 | 447218 | 1 | Lockwasher, 7/16 Internal Tooth |

TRUCKSTER XD

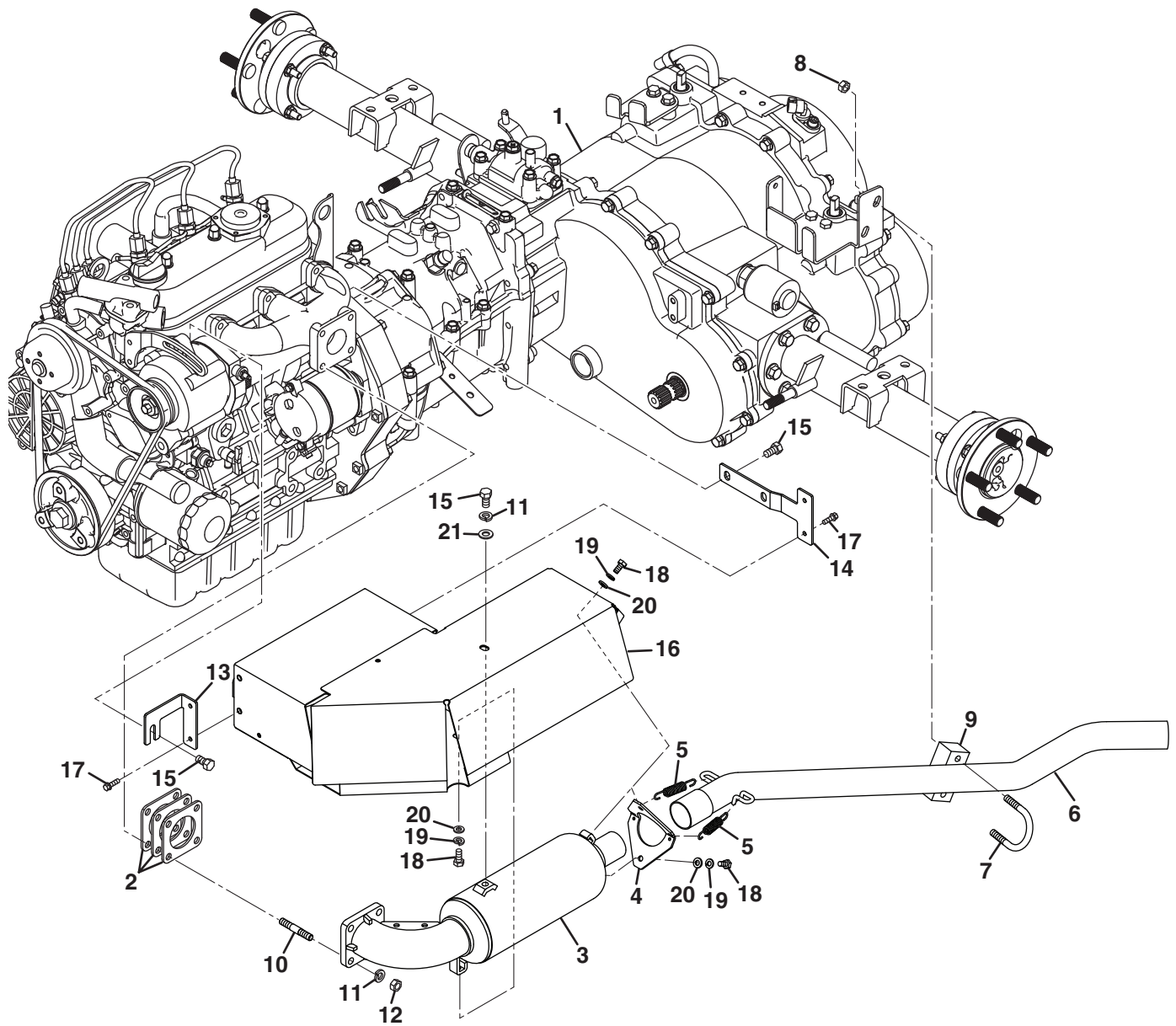
Gas Engine



| Item | Part No. | Qty. | Description |
|------|-------------|------|---|
| 1 | 4357326 | 1 | Engine, Kubota WG972 EFI |
| 2 | 5002644 | 1 | • Oil Filter |
| 3 | 4307841 | 1 | Mount, Gas Engine |
| 4 | 4322626 | 6 | Screw, M10-1.25 x 20 mm Hex Flange |
| 5 | 4314326 | 1 | Isolator, Vibration |
| 6 | 400194 | 2 | Screw, 5/16-18 x 1-3/4" Hex Head |
| 7 | 453009 | 4 | Flat Washer, 5/16 |
| 8 | 445802 | 2 | Nut, 5/16-18 Nylon Insert |
| 9 | 4303424 | 1 | Shield, Oil Pan |
| 10 | 452399 | 1 | Screw, M10-1.5 x 25 mm Hex Flange |
| 11 | 450454 | 1 | Nut, M10-1.5 Hex Flange |
| 12 | 450727 | 3 | Screw, M8-1.25 x 40 mm Hex Socket |
| | 4306998 | 1 | Coupler, M48 Bowex |
| 13 | 4315127 | 1 | • Adapter, Gas Engine |
| 14 | 4315148 | 1 | • Hub, Coupler |
| 15 | 450726 | 3 | • Screw, M8-1.25 x 25 mm Hex Soc |
| 16 | 4315146 | 1 | • Sleeve |
| 17 | 4315147 | 1 | • Hub, Splined |
| 18 | 450739 | 1 | • • Screw, M10-1.5 x 30 mm Soc |
| 19 | 4299382 | 1 | Adapter, Hydraulic Pump |
| 20 | 4322627 | 3 | Screw, M10-1.25 x 25 mm Hex Flange |
| 21 | 548905 | 2 | Screw, 3/8-16 x 1" Hex Flange |
| 22 | 4346446 | 1 | Pump, Single Section Gear |
| | 4380397 | 1 | • Seal Kit |
| 22 | 4346426 | 1 | Pump, Two Section Gear (Std Hydraulics) |
| | 4380398 | 1 | • Seal Kit |
| 23 | 400336 | 2 | Screw, 7/16-14 x 1-1/4" Hex Head (Hi-Lo Hydraulics) |
| 24 | 444753 | 2 | Locknut, 7/16-14 Hex Center |
| 25 | 4173262 | 1 | Ring, Pressure Plate |
| 26 | 842960 | 1 | • Bearing, Sealed Ball |
| 27 | 22400-85141 | 1 | Disc, Clutch |
| 28 | 22100-85200 | 1 | Cover, Clutch |
| 29 | 09111-08035 | 2 | Screw, M8-1.25 Special |
| 30 | 450422 | 2 | Lockwasher, M8 |
| 31 | 452389 | 10 | Screw, M8-1.25 x 25 mm Hex Flange |
| 32 | 4316891 | 1 | Fitting, 1/4 NPT to Hose Barb |
| 33 | 4271132 | 1 | Cable, Engine Ground |
| 34 | 447218 | 1 | Lockwasher, 7/16 Internal Tooth |

TRUCKSTER XD

Diesel Exhaust

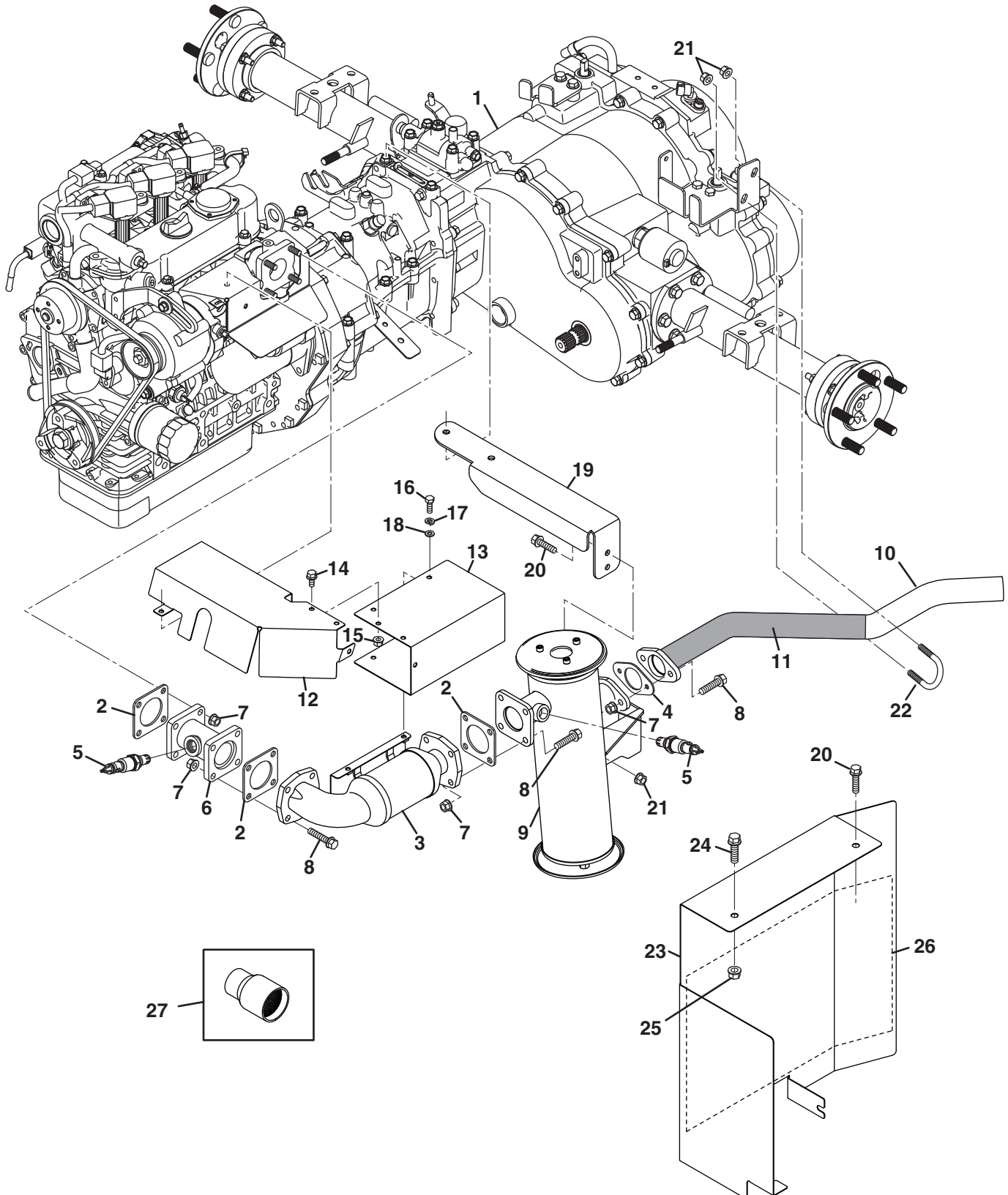


| Item | Part No. | Qty. | Description |
|-------------|-----------------|-------------|---------------------------------|
| 1 | REF | 1 | Engine-Transmission Mount |
| 2 | 553020 | 3 | Gasket, Exhaust |
| 3 | 554482 | 1 | Muffler, Diesel Engine |
| 4 | 4324326 | 1 | Plate, Spring |
| 5 | 2700335 | 2 | Spring, Extension |
| 6 | 4316286 | 1 | Tailpipe, Diesel Exhaust |
| 7 | 4333846 | 1 | Clamp, Exhaust |
| 8 | 548910 | 2 | Nut, 1/4-20 Hex Flange |
| 9 | 4324466 | 1 | Isolator, Metal Mesh |
| 10 | 4324287 | 4 | Stud, M8-1.25 |
| 11 | 450422 | 6 | Lockwasher, M8 Heavy |
| 12 | 450324 | 4 | Nut, M8-1.25 Hex |
| 13 | 4325206 | 1 | Bracket, Front Exhaust Shield |
| 14 | 4325193 | 1 | Bracket, Rear Exhaust Shield |
| 15 | 450188 | 3 | Screw, M8-1.25 x 12 mm Hex Head |
| 16 | 4333047 | 1 | Heat Shield, Diesel Exhaust |
| 17 | 403753 | 4 | Screw, #10-24 x 1/2" Hex Flange |
| 18 | 450169 | 3 | Screw, M6-1 x 14 mm Hex Head |
| 19 | 450421 | 3 | Lockwasher, M6 Heavy |
| 20 | 450399 | 3 | Flat Washer, M6 |
| 21 | 450390 | 2 | Flat Washer, 5/16 |

TRUCKSTER XD

Gas Exhaust

Gas Engine Option

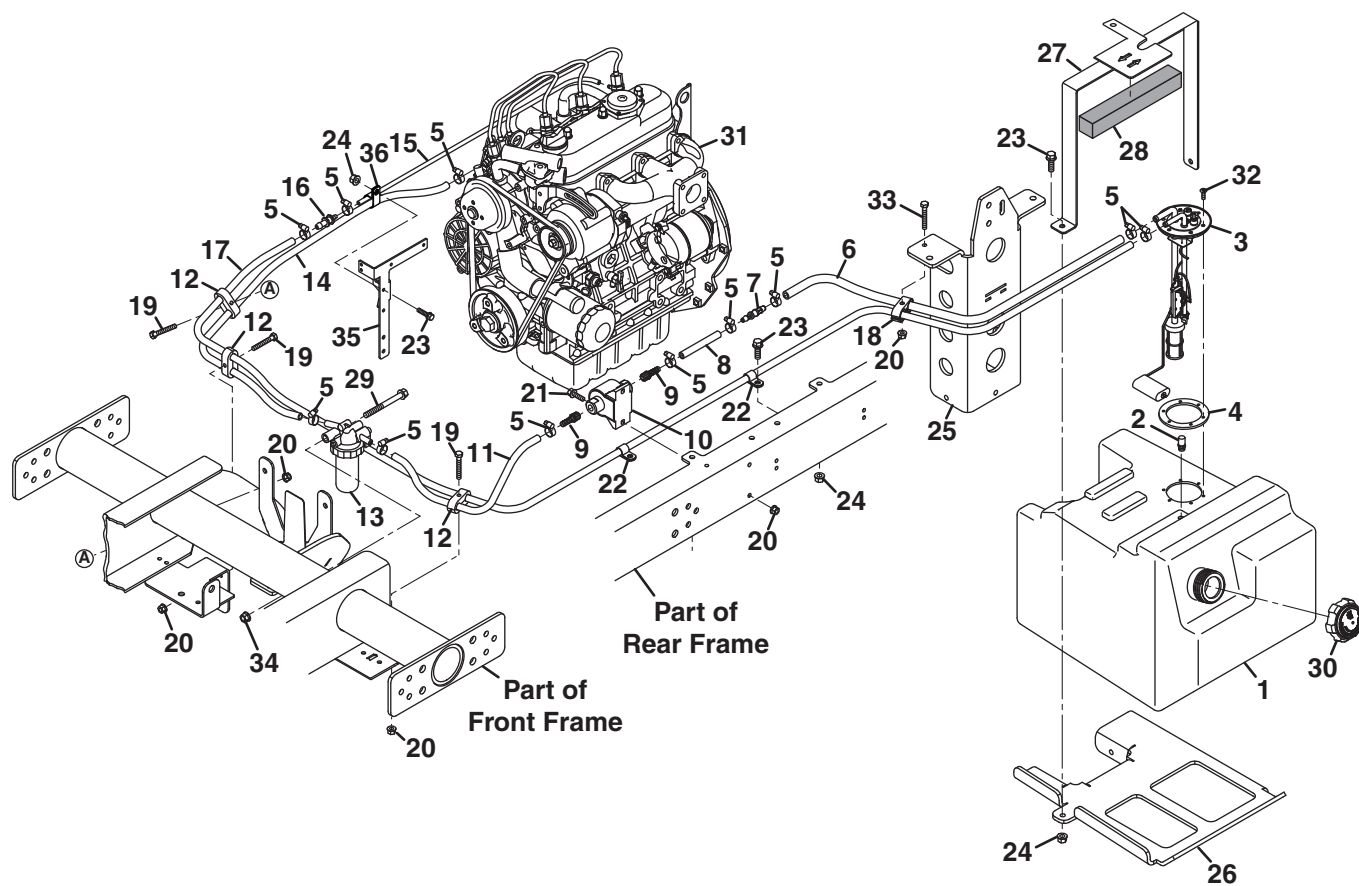


| Item | Part No. | Qty. | Description |
|------|----------|------|------------------------------------|
| 1 | REF | 1 | Engine and Transmission Mount |
| 2 | 4308957 | 2 | • Gasket, Exhaust |
| 3 | 4357286 | 1 | • Catalyst |
| 4 | 4308965 | 1 | • Gasket, Exhaust |
| 5 | 4308963 | 2 | • Sensor, O ₂ |
| 6 | 4304525 | 1 | Spacer, Exhaust Manifold |
| 7 | 450453 | 14 | Nut, M8-1.25 Hex Flange |
| 8 | 450473 | 10 | Screw, M8-1.25 x 30 mm Hex Flange |
| 9 | 4357346 | 1 | Muffler |
| | 4359166 | 2 | • Heat Shield |
| | 2811566 | 6 | • Screw, 1/4-20 x 1/2" Socket Head |
| | 446128 | 6 | • Lockwasher, 1/4 |
| | 453023 | 6 | • Flat Washer, 1/4 |
| 10 | 4348248 | 1 | Tailpipe, Gas Exhaust |
| 11 | 4357366 | 1 | Sleeve, Insulating |
| 12 | 4349027 | 1 | Shield, Manifold Spacer |
| 13 | 4349026 | 1 | Shield, Catalyst |
| 14 | 450464 | 3 | Screw, M6-1 x 14 mm Hex Flange |
| 15 | 450452 | 3 | Nut, M6-1 Hex Flange |
| 16 | 450170 | 4 | Screw, M6-1 x 16 mm Hex Head |
| 17 | 450421 | 4 | Lock Washer, M6 |
| 18 | 450389 | 4 | Flat Washer, M6 |
| 19 | 4357466 | 1 | Brace, Muffler |
| 20 | 800710 | 4 | Screw, 5/16-18 x 1" Hex Flange |
| 21 | 548911 | 4 | Nut, 5/16-18 Hex Flange |
| 22 | 3008385 | 1 | U-Bolt |
| 23 | 4324366 | 1 | Shield, Heat |
| 24 | 548905 | 1 | Screw, 3/8-16 x 1" Hex Flange |
| 25 | 548804 | 1 | Nut, 3/8-16 Whizlock Flange |
| 26 | 4336326 | 1 | Shield, Adhesive Heat |
| 27 | 4304421 | 1 | Optional Spark Arrestor |

TRUCKSTER XD

Diesel Fuel System

Diesel Engine Option

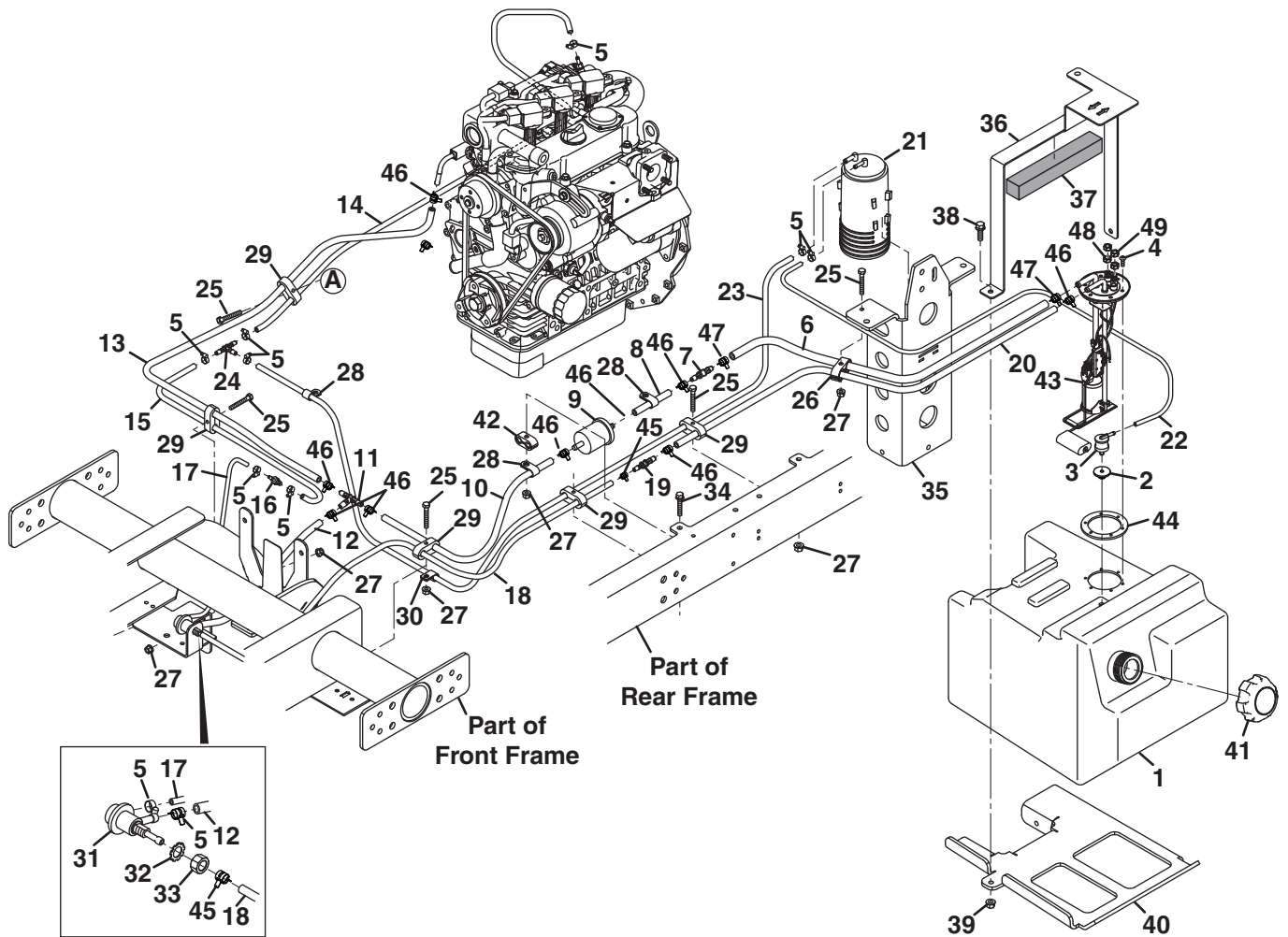


| Item | Part No. | Qty. | Description |
|------|----------|------|---|
| 1 | 4322846 | 1 | Tank, Diesel Fuel |
| 2 | 836852 | 1 | • Breather, Tank |
| 3 | 4316346 | 1 | Sender, Fuel Level |
| 4 | 4331468 | 1 | • Gasket |
| 5 | 48540-01 | 12 | Clamp, Fuel Hose |
| 6 | 4317207 | 1 | Hose, Tank to Reducer 3/8", 17" Lg |
| 7 | 4316026 | 1 | Reducer, 3/8 to 5/16" Hose |
| 8 | 554748 | 1 | Hose, Reducer to Fuel Pump 5/16", 7" Lg |
| 9 | 4316146 | 2 | Fitting, 1/8 NPTF x 5/16" Hose Barb |
| 10 | 4272290 | 1 | Fuel Pump, 12V |
| 11 | 554748 | 1 | Hose, Fuel Pump to Filter 5/16", 18" Lg |
| 12 | 364741 | 3 | Clamp, Double Hose |
| 13 | 4209363 | 1 | Filter, Fuel |
| | 550489 | 1 | • Element, Fuel Filter |
| 14 | 554748 | 1 | Hose, Filter to Engine 5/16", 27" Lg |
| 15 | 363958 | 1 | Hose, Engine to Reducer 3/16", 21" Lg |
| 16 | 4139967 | 1 | Reducer, 5/16 to 3/16" Hose |
| 17 | 554748 | 1 | Hose, Reducer to Tank, 61" Lg |
| 18 | 3003110 | 1 | Clamp, Double Hose |
| 19 | 400116 | 3 | Screw, 1/4-20 x 1-1/2" Hex Head |
| 20 | 548910 | 6 | Nut, 1/4-20 Hex Flange |
| 21 | 548045 | 2 | Screw, 1/4-20 x 3/4" Hex Flange |
| 22 | 345666 | 2 | Clamp, 1/2" Hose |
| 23 | 800710 | 3 | Screw, 5/16-18 x 3/4" Hex Flange |
| 24 | 548911 | 5 | Nut, 5/16-18 Hex Flange |
| 25 | 4320827 | 1 | Mount, Fuel Tank |
| 26 | 4314268 | 1 | Bracket, Fuel Tank |
| 27 | 4314267 | 1 | Strap, Fuel Tank |
| 28 | 4138359 | AR | Foam, Seal, 7.5" Lg |
| 29 | 452394 | 1 | Screw, M8-1.25 x 70 mm Hex Flange |
| 30 | 4244793 | 1 | Cap, Diesel Fuel |
| 31 | 4293417 | 1 | Engine, Kubota D1105-E4B |
| 32 | 800021 | 6 | Screw, #10-24 x 1/2" Truss Head |
| 33 | 400118 | 1 | Screw, 1/4-20 x 1-3/4" Hex Head |
| 34 | 450453 | 1 | Nut, M8-1.25 Hex Flange |
| 35 | 4307842 | 1 | Bracket, Throttle Cable |
| 36 | 48228-1A | 1 | Clip, Cable |

TRUCKSTER XD

Gas Fuel System

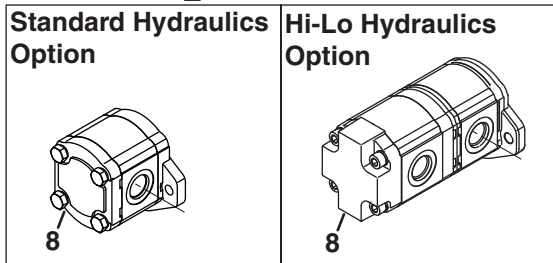
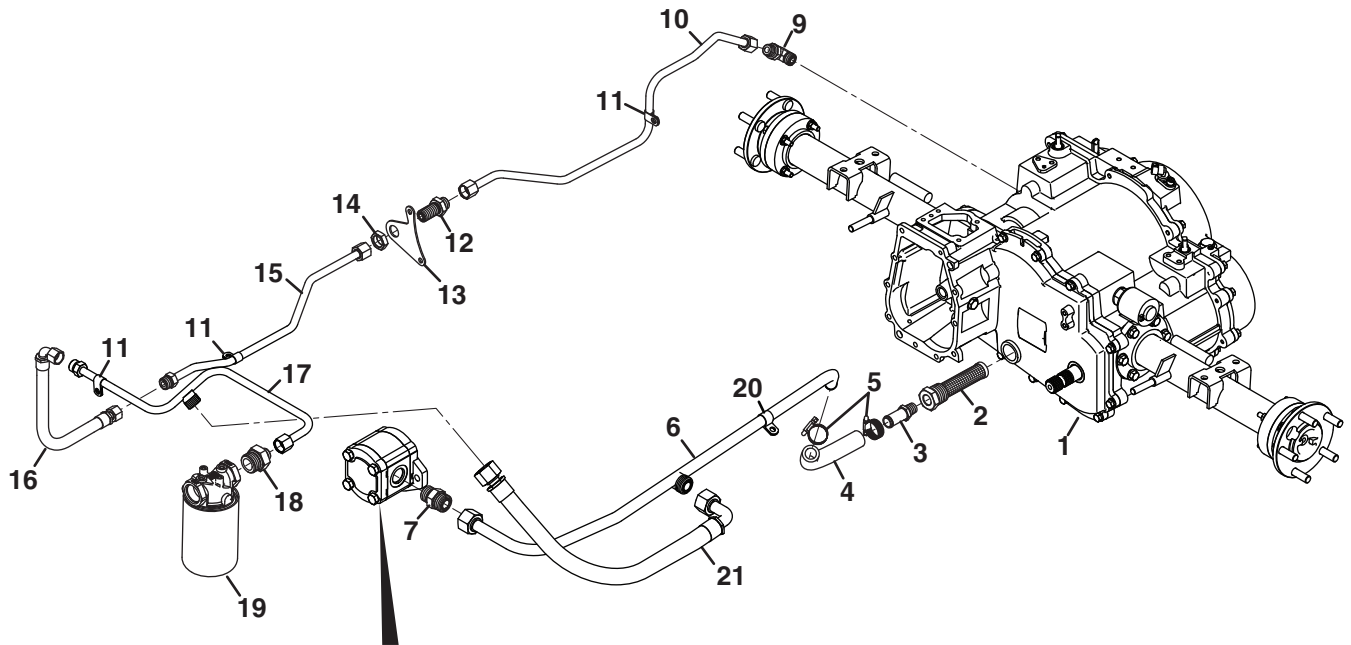
Gas Engine Option



| Item | Part No. | Qty. | Description |
|------|----------|------|---|
| 1 | 4322847 | 1 | Tank, Gas Fuel (Includes Items 2 - 3) |
| 2 | 4168131 | 1 | • Grommet |
| 3 | 4331707 | 1 | • Valve, Rollover |
| 4 | 800021 | 6 | Screw, #10-24 x 1/2" Truss Head |
| 5 | 48540-01 | 10 | Clamp, Fuel Hose |
| 6 | 4331466 | 1 | Hose, Tank to Reducer 3/8", 17" Lg |
| 7 | 4316026 | 1 | Reducer, 3/8 to 5/16" Hose |
| 8 | 4218621 | 1 | Hose, Reducer to Filter 7.9 mm, 6" Lg |
| 9 | 5001182 | 1 | Filter, Fuel |
| 10 | 4218621 | 1 | Hose, Filter to Tee 7.9 mm, 25" Lg |
| 11 | 4113020 | 1 | Tee, 5/16" Hose |
| 12 | 4218621 | 1 | Hose, Tee to Pressure Regulator, 6" Lg |
| 13 | 4218621 | 1 | Hose, Tee to Engine 7.9 mm, 22" Lg |
| 14 | 4218620 | 1 | Hose, Engine to Tee 6.4 mm, 26" Lg |
| 15 | 4218620 | 1 | Hose, Tee to Reducer 6.4 mm |
| 16 | 4316890 | 1 | Reducer, 1/4 to 5/32" Hose |
| 17 | 554752 | 1 | Hose, Reducer to Pressure Regulator, 4" Lg |
| 18 | 4218620 | 1 | Hose, Pressure Regulator to Reducer, 29" Lg |
| 19 | 4113018 | 1 | Reducer, 5/16 to 1/4" Hose |
| 20 | 4218621 | 1 | Hose, Reducer to Tank, 22" Lg |
| 21 | 4221120 | 1 | Canister, 800cc Carbon |
| 22 | 554752 | 1 | Hose, Valve to Canister 5/32", 26" Lg |
| 23 | 4218620 | 1 | Hose, Canister to Tee 1/4", 49" Lg |
| 24 | 4115904 | 1 | Tee, 1/4" Hose |
| 25 | 400118 | 6 | Screw, 1/4-20 x 1-3/4" Hex Head |
| 26 | 3003110 | 1 | Clamp, Double Hose |
| 27 | 548910 | 8 | Nut, 1/4-20 Hex Flange |
| 28 | 345666 | 3 | Clamp, 1/2" Hose |
| 29 | 364741 | 5 | Clamp, Double Hose |
| 30 | 48228A | 1 | Clamp, Hose |
| 31 | 2700177 | 1 | Regulator, Fuel Pressure |
| 32 | 309067 | 1 | Lockwasher, 1/2" External Tooth |
| 33 | 800875 | 1 | Nut, M12-1.25 Hex |
| 34 | 800871 | 2 | Screw, 1/4-20 x 1-1/4" Hex Flange |
| 35 | 4319006 | 1 | Mount, Fuel Tank |
| 36 | 4314267 | 1 | Strap, Fuel Tank |
| 37 | 4138359 | AR | Foam, Seal, 7.5" Lg |
| 38 | 800710 | 2 | Screw, 5/16-18 x 1" Hex Flange |
| 39 | 548911 | 2 | Nut, 5/16-18 Hex Flange |
| 40 | 4314268 | 1 | Bracket, Fuel Tank |
| 41 | 4166840 | 1 | Cap, Unvented Fuel |
| 42 | 364221 | 2 | Clamp, Double Tube |
| 43 | 4315772 | 1 | Fuel Pump/Level Sender |
| 44 | 4331468 | 1 | • Gasket |
| 45 | 4331673 | 2 | Clamp, 1/4" I.D. Hose Spring |
| 46 | 4331675 | 10 | Clamp, 5/16" I.D. Hose Spring |
| 47 | 4331671 | 2 | Clamp, 3/8" I.D. Hose Spring |
| 48 | 444312 | 2 | Nut, #10-32 Hex |
| 49 | 444306 | 4 | Nut, #8-32 Hex |

TRUCKSTER XD

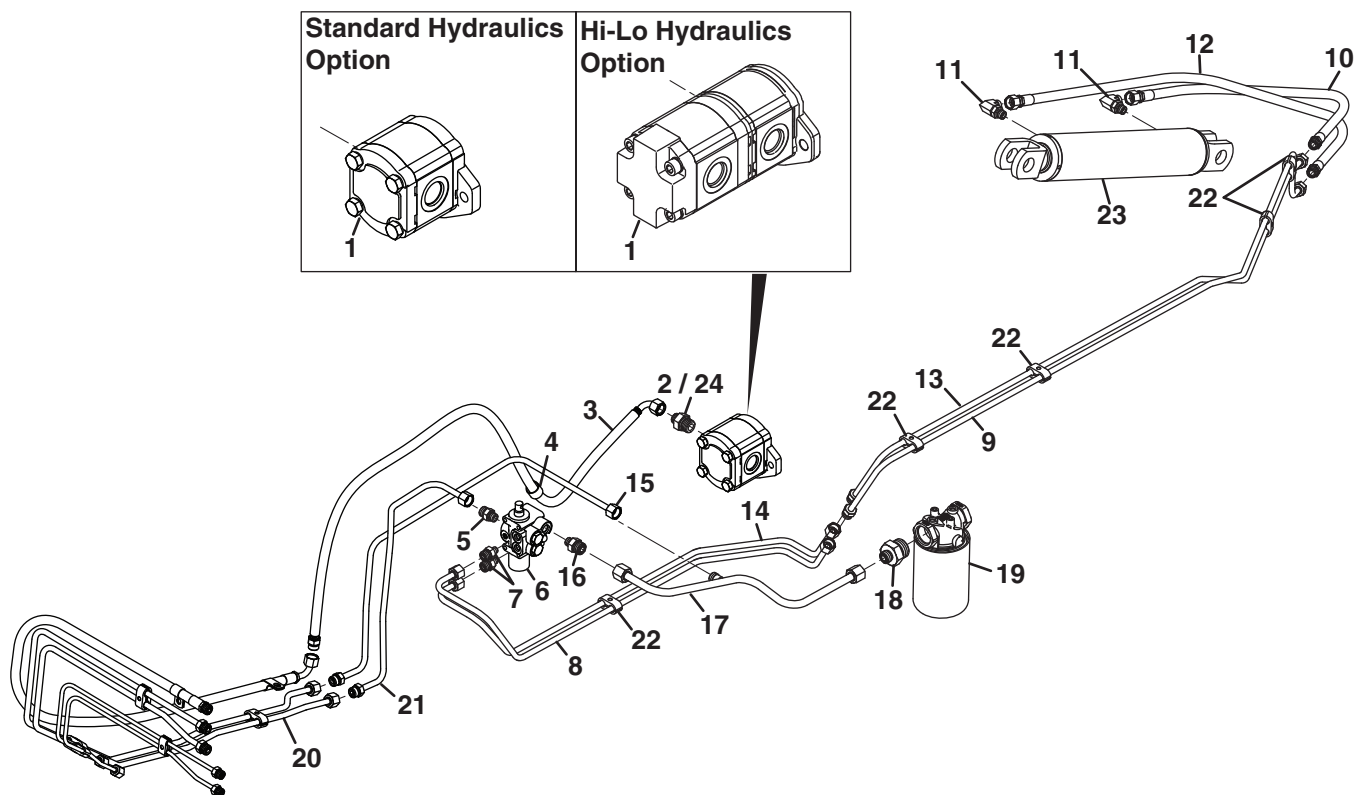
Suction and Return Hydraulics



| Item | Part No. | Qty. | Description |
|------|----------|------|---|
| 1 | 4395476 | 1 | Rear Axle |
| 2 | 4314047 | 1 | Strainer, Suction |
| 3 | 4319570 | 1 | Fitting, 1/2 NPT x 3/4" Hose Barb |
| 4 | 4346206 | 1 | Hose, Suction |
| 5 | 319914 | 2 | Clamp, Hose |
| 6 | 4365026 | 1 | Tube, Suction |
| | 339912 | 1 | • O-Ring, -12 ORFS |
| 7 | 339999 | 1 | Fitting, -16 ORB x -16 ORFS Straight |
| | 339901 | 1 | • O-Ring, -16 ORB |
| | 339913 | 1 | • O-Ring, -16 ORFS |
| 8 | 4346446 | 1 | Pump, Single Section Gear (Standard Hydraulics) |
| 8 | 4346426 | 1 | Pump, Two Section Gear (Hi-Lo Hydraulic Option) |
| 9 | 340066 | 1 | Fitting, -8 ORB x -8 ORFS 90° |
| | 339898 | 1 | • O-Ring, -8 ORB |
| | 339910 | 1 | • O-Ring, -8 ORFS |
| 10 | 4316789 | 1 | Tube, Bulkhead to Rear Axle |
| 11 | 345666 | 3 | Clamp, 1/2" |
| 12 | 340240 | 1 | Fitting, -8 ORFS Union Bulkhead |
| | 339910 | 2 | • O-Ring, -8 ORFS |
| 13 | 4317766 | 1 | Bracket, Bulkhead |
| 14 | 339962 | 1 | Nut, 13/16 Bulkhead |
| 15 | 4317286 | 1 | Tube, Bulkhead to Return Hose |
| | 339910 | 1 | • O-Ring, -8 ORFS |
| 16 | 4303855 | 1 | Hose, Return |
| 17 | 4332526 | 1 | Tube, Filter to Return Hose |
| | 339910 | 1 | • O-Ring, -8 ORFS |
| | 339912 | 1 | • O-Ring, -12 ORFS |
| 18 | 339987 | 1 | Fitting, -16 ORB x -8 ORFS Straight |
| | 339913 | 1 | • O-Ring, -16 ORB |
| | 339910 | 1 | • O-Ring, -8 ORFS |
| 19 | 4274293 | 1 | Filter, Return |
| | 885249 | 1 | • Cartridge, Filter |
| 20 | 345671 | 1 | Clamp, 3/4" Hose |
| 21 | 4331608 | 1 | Hose, Pump Feed |

TRUCKSTER XD

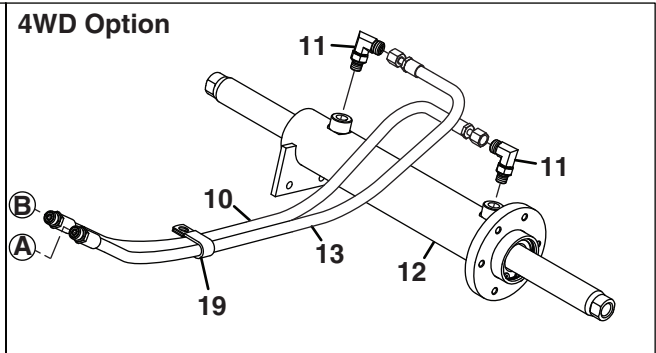
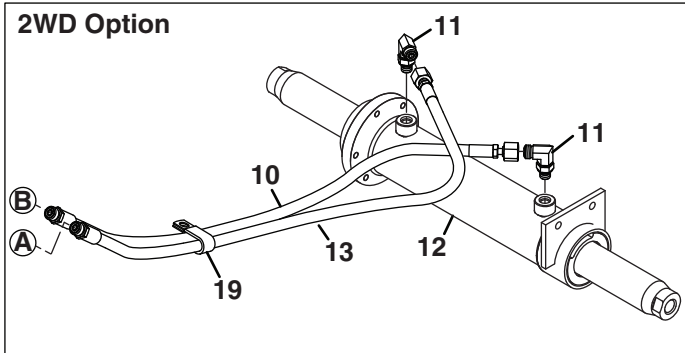
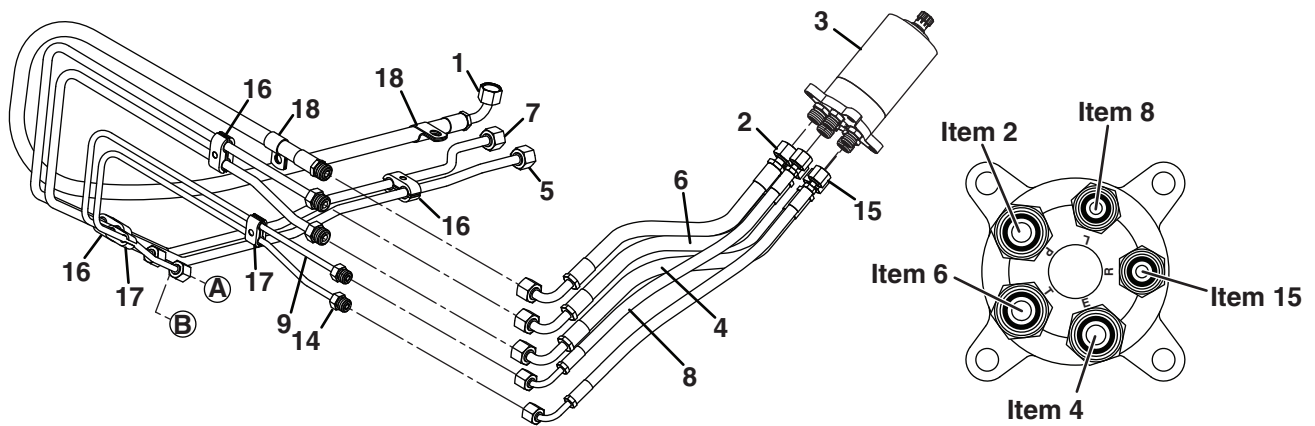
Bed Cylinder Hydraulics



| Item | Part No. | Qty. | Description |
|------|----------|------|--|
| 1 | 4346446 | 1 | Pump, Single Section Gear (Standard Hydraulics) |
| 1 | 4346426 | 1 | Pump, Two Section Gear (Hi-Lo Hydraulics Option) |
| 2 | 339980 | 1 | Fitting, -8 ORB x -6 ORFS |
| | 339898 | 1 | • O-Ring, -10 ORB |
| | 339909 | 1 | • O-Ring, -6 ORFS |
| 3 | 4331846 | 1 | Hose, Pump to Pressure Tube |
| 4 | 345671 | 1 | Clamp, 3/4" |
| 5 | 339979 | 1 | Fitting, -6 ORB x -6 ORFS |
| | 339897 | 1 | • O-Ring, -6 ORB |
| | 339909 | 1 | • O-Ring, -6 ORFS |
| 6 | 886270 | 1 | Valve, Lift |
| | 884599 | 1 | • Seal Kit |
| 7 | 339977 | 2 | Fitting, -4 ORB x -6 ORFS |
| | 339896 | 1 | • O-Ring, -4 ORB |
| | 339909 | 1 | • O-Ring, -6 ORFS |
| 8 | 4316086 | 1 | Tube, Lift Valve to Connecting Tube |
| 9 | 4303827 | 1 | Tube, Lift Pressure Connecting |
| | 339909 | 1 | • O-Ring, -6 ORFS |
| 10 | 4303844 | 1 | Hose, Lift Pressure |
| 11 | 340061 | 2 | Fitting, -6 ORFS x -6 ORB 90° |
| | 339897 | 1 | • O-Ring, -6 ORB |
| | 339909 | 1 | • O-Ring, -6 ORFS |
| 12 | 4303845 | 1 | Hose, Lower Pressure |
| 13 | 4303828 | 1 | Tube, Lower Pressure Connecting |
| | 339909 | 1 | • O-Ring, -6 ORFS |
| 14 | 4316087 | 1 | Tube, Connecting Tube to Lift Valve |
| 15 | 4304336 | 1 | Tube, Steering Return |
| 16 | 339983 | 1 | Fitting, -6 ORB x -8 ORFS |
| | 339897 | 1 | • O-Ring, -6 ORB |
| | 339910 | 1 | • O-Ring, -8 ORFS |
| 17 | 4299375 | 1 | Tube, Lift Valve Return |
| | 339909 | 1 | • O-Ring, -6 ORFS |
| 18 | 339987 | 1 | Fitting, -16 ORB x -8 ORFS Straight |
| | 339913 | 1 | • O-Ring, -16 ORB |
| | 339910 | 1 | • O-Ring, -8 ORFS |
| 19 | 4274293 | 1 | Filter, Return |
| | 885249 | 1 | • Cartridge, Filter |
| 20 | REF | 1 | Steering Tube Assembly |
| 21 | 4303919 | 1 | Tube, Lift Valve Pressure |
| 22 | 364221 | 5 | Clamp, Double 3/8" Tube |
| 23 | 4314366 | 1 | Cylinder, Bed Lift |
| | 4329200 | 1 | • Seal Kit |
| 24 | 339981 | 1 | Fitting, -10 ORB x -6 ORFS (Hi-Lo Hydraulics Option) |
| | 339899 | 1 | • O-Ring, -10 ORB |
| | 339909 | 1 | • O-Ring, -6 ORFS |

TRUCKSTER XD

Steering Hydraulics

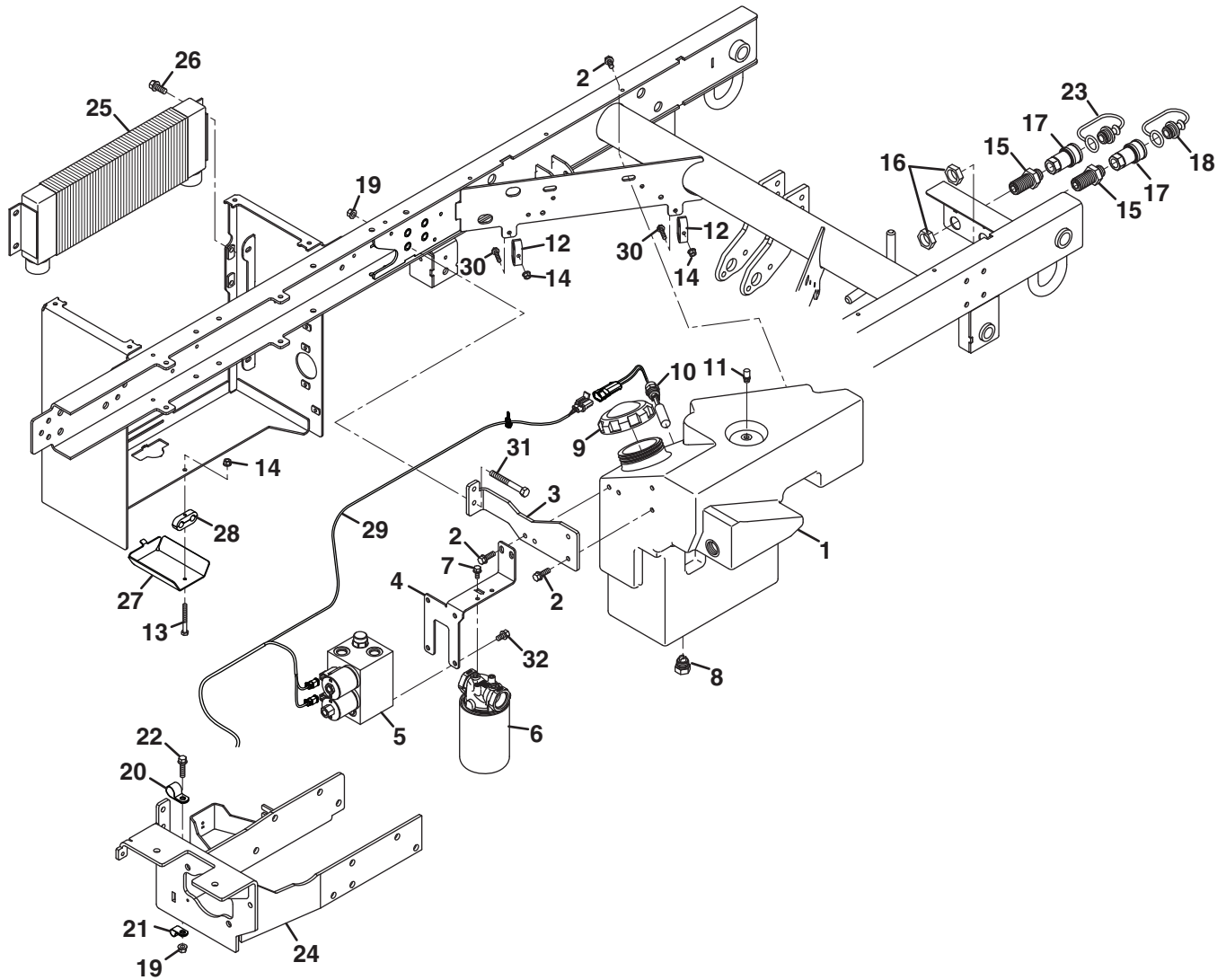


| Item | Part No. | Qty. | Description |
|------|----------|------|--|
| 1 | 4331786 | 1 | Hose, Steering Valve Pressure |
| | 339909 | 1 | • O-Ring, -6 ORFS |
| 2 | 4299385 | 1 | Hose, Steering Valve (Steering Valve Port P) |
| 3 | 4303996 | 1 | Valve, Steering |
| | 4197940 | 1 | • Seal Kit |
| | 339909 | 3 | • O-Ring, -6 ORFS |
| | 339908 | 2 | • O-Ring, -4 ORFS |
| 4 | 4329770 | 1 | Hose, Lift Valve Pressure (Steering Valve Port E) |
| 5 | 4303838 | 1 | Tube, Lift Valve Pressure |
| | 339909 | 1 | • O-Ring, -6 ORFS |
| 6 | 4311542 | 1 | Hose, Steering Return (Steering Valve Port T) |
| 7 | 4303840 | 1 | Tube, Steering Return |
| | 339909 | 1 | • O-Ring, -6 ORFS |
| 8 | 4329769 | 1 | Hose, Left Turn Pressure (Steering Valve Port L) |
| 9 | 4332086 | 1 | Tube, Left Turn Pressure |
| | 339908 | 1 | • O-Ring, -4 ORFS |
| 10 | 4331572 | 1 | Hose, Left Turn Pressure (Right Side Steering Cylinder Port) |
| 11 | 340055 | 2 | Fitting, -4 ORB x -4 ORFS 90° |
| | 339896 | 1 | • O-Ring, -4 ORB |
| | 339908 | 1 | • O-Ring, -4 ORFS |
| 12 | 4303015 | 1 | Cylinder, 2WD Steering |
| | 4329207 | 1 | • Seal Kit |
| 12 | 4316270 | 1 | Cylinder, 4WD Steering |
| | 4329207 | 1 | • Seal Kit |
| 13 | 4331572 | 1 | Hose, Right Turn Pressure (Left Side Steering Cylinder Port) |
| 14 | 4332087 | 1 | Tube, Right Turn Pressure |
| | 339908 | 1 | • O-Ring, -4 ORFS |
| 15 | 4311533 | 1 | Hose, Right Turn Pressure (Steering Valve Port R) |
| 16 | 364221 | 3 | Clamp, Double 3/8" Tube |
| 17 | 4244342 | 2 | Clamp, Double 1/4" Tube |
| 18 | 345671 | 2 | Clamp, 3/4" Hose |
| 19 | 3008820 | 1 | Clamp, Double 1/2" Hose |

TRUCKSTER XD

Hi-Lo Hydraulic Tank

Hi-Lo Hydraulics Option

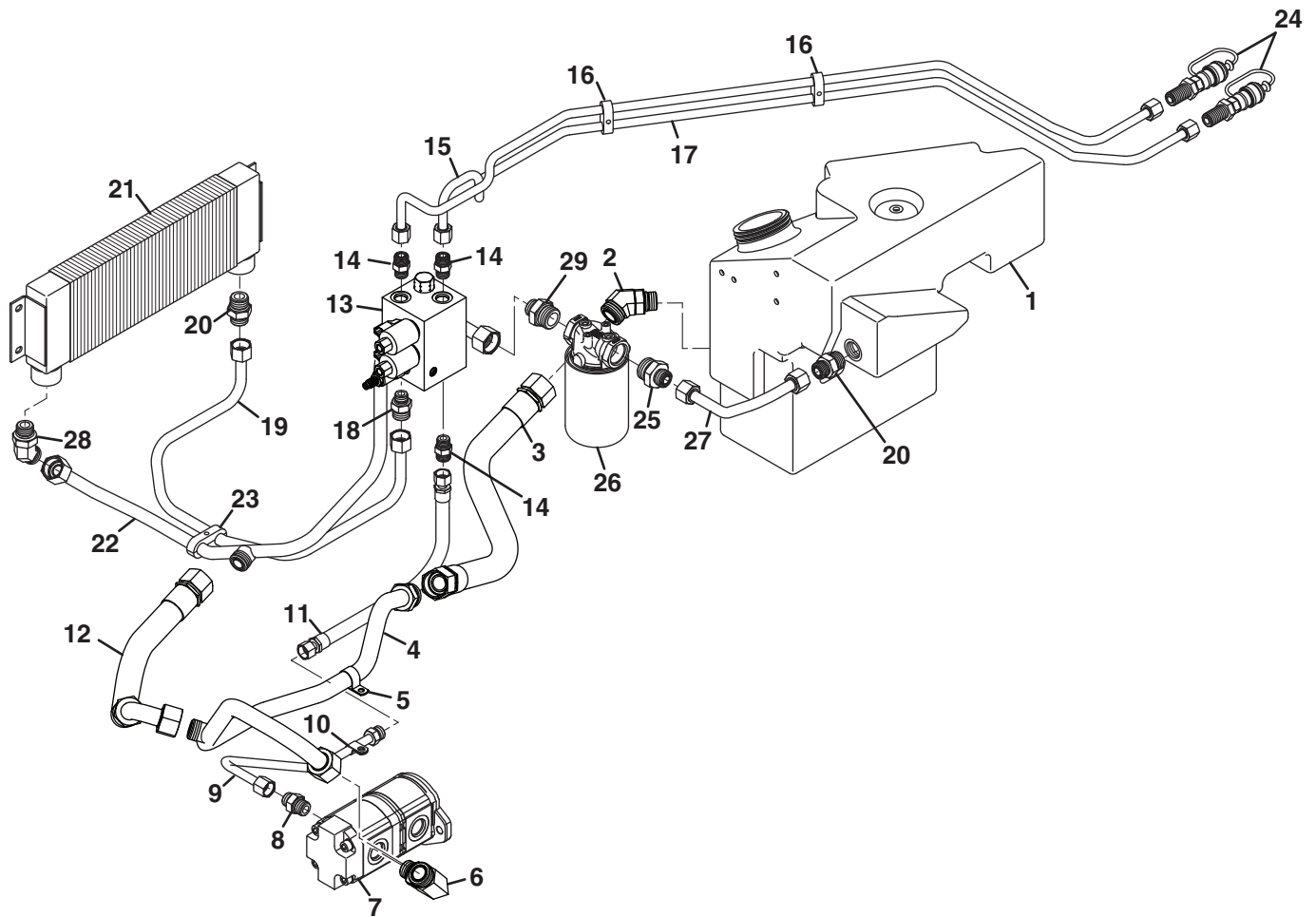


| Item | Part No. | Qty. | Description |
|------|----------|------|------------------------------------|
| 1 | 4316751 | 1 | Tank, Hydraulic |
| 2 | 403770 | 6 | Screw, 5/16-18 x 3/4" Hex Flange |
| 3 | 4307228 | 1 | Support, Tank |
| 4 | 4304417 | 1 | Support, Filter |
| 5 | 4346506 | 1 | Valve, Hi-Lo Control |
| 6 | 4274293 | 1 | Filter, Return |
| | 885249 | 1 | • Cartridge, Filter |
| 7 | 403753 | 2 | Screw, 1/4-20 x 1/2" Hex Flange |
| 8 | 3002397 | 1 | Plug, Magnetic |
| | 339899 | 1 | • O-Ring, -10 ORB |
| 9 | 4316328 | 1 | Cap, Hydraulic Tank |
| 10 | 4316948 | 1 | Switch, Float |
| 11 | 836852 | 1 | Breather, Tank |
| 12 | 364741 | 2 | Clamp, Double 1/2" Tube |
| 13 | 4322727 | 1 | Screw, 1/4-20 x 2" Hex Flange |
| 14 | 548910 | 3 | Nut, 1/4-20 Hex Flange |
| 15 | 4301931 | 2 | Union, -10 ORFS x -10 ORB Bulkhead |
| | 339899 | 1 | • O-Ring, -10 ORB |
| | 339911 | 1 | • O-Ring, -10 ORFS |
| 16 | 339963 | 2 | Locknut, 13/16-16 Hex Bulkhead |
| 17 | 4307272 | 2 | Quick Connect, 1/2" Female |
| 18 | 4124085 | 1 | QRC Bung, Red |
| 19 | 548911 | 3 | Nut, 5/16-18 Hex Flange |
| 20 | 831225 | 1 | Clamp, 1" Tube |
| 21 | 345666 | 1 | Clamp, 1/2" Tube |
| 22 | 548902 | 1 | Screw, 5/16-18 x 1" Hex Flange |
| 23 | 4185262 | 1 | QRC Bung, Yellow |
| 24 | 4307840 | 1 | Mount, Diesel Engine |
| 24 | 4307841 | 1 | Mount, Gas Engine |
| 25 | 4315434 | 1 | Cooler, Hydraulic Oil |
| 26 | 800385 | 4 | Screw, 3/8-16 x 3/4" Hex Flange |
| 27 | 4319906 | 1 | Shield, Oil Cooler Hose |
| 28 | 4333666 | 1 | Clamp, Double 5/8" Hose |
| 29 | 4318288 | 1 | Harness, Hi-Lo Hydraulic Option |
| 30 | 4316689 | 2 | Screw, 1/4-20 x 1-1/2" Hex Flange |
| 31 | 400200 | 2 | Screw, 5/16-18 x 2-1/2" Hex Head |
| 32 | 548901 | 4 | Screw, 5/16-18 x 1/2" Hex Flange |

TRUCKSTER XD

Hi-Lo Hydraulics

Hi-Lo Hydraulics Option

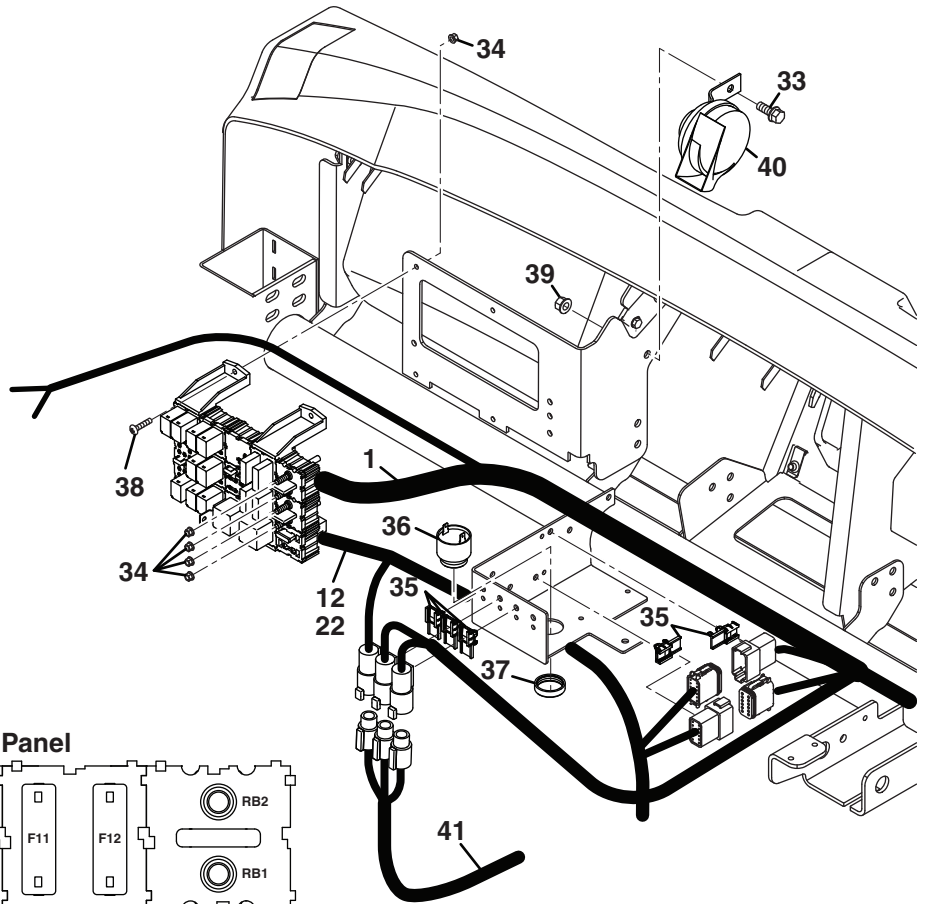
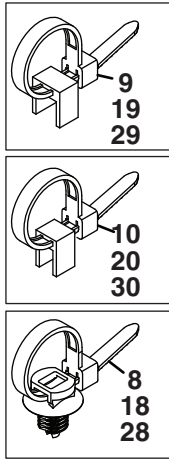


TRUCKSTER XD

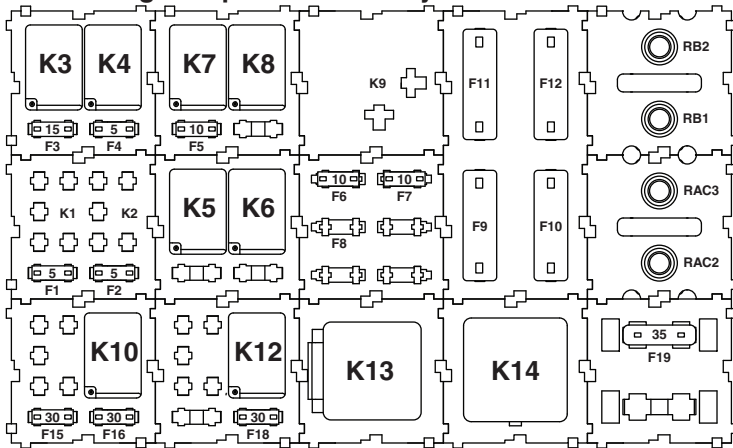
| Item | Part No. | Qty. | Description |
|------|----------|------|---|
| 1 | 4316751 | 1 | Tank, Hydraulic |
| 2 | 340038 | 1 | Fitting, -12 ORB x -16 ORFS 45° |
| | 339900 | 1 | • O-Ring, -12 ORB |
| | 339913 | 1 | • O-Ring, -16 ORFS |
| 3 | 4365627 | 1 | Hose, Pump Suction |
| 4 | 4364986 | 1 | Tube, Pump Suction |
| | 339913 | 2 | • O-Ring, -16 ORFS |
| 5 | 831225 | 1 | Clamp, 1" Tube |
| 6 | 340077 | 1 | Fitting, -16 ORB x -16 ORFS |
| | 339901 | 1 | • O-Ring, -16 ORB |
| | 339913 | 1 | • O-Ring, -16 ORFS |
| 7 | 4346426 | 1 | Pump, Two Section Gear |
| 8 | 339988 | 1 | Fitting, -10 ORB x -8 ORFS |
| | 339899 | 1 | • O-Ring, -10 ORB |
| | 339910 | 1 | • O-Ring, -8 ORFS |
| 9 | 4343826 | 1 | Tube, Pump to Hose Pressure |
| 10 | 345666 | 1 | Clamp, 1/2" Tube |
| 11 | 4365626 | 1 | Hose, Tube to Control Valve Pressure (Control Valve Port P) |
| 12 | 4333131 | 1 | Hose, Pump Feed |
| 13 | 4346506 | 1 | Valve, Hi-Lo Control |
| 14 | 339984 | 3 | Fitting, -8 ORB x -8 ORFS Straight |
| | 339898 | 1 | • O-Ring, -8 ORB |
| | 339910 | 1 | • O-Ring, -8 ORFS |
| 15 | 4304776 | 1 | Tube, Remote Hydraulics Pressure (Control Valve Port A) |
| 16 | 364741 | 2 | Clamp, Double 1/2" Tube |
| 17 | 4304769 | 1 | Tube, Remote Hydraulics Return (Control Valve Port B) |
| 18 | 339985 | 1 | Fitting, -8 ORB x -10 ORFS |
| | 339898 | 1 | • O-Ring, -8 ORB |
| | 339911 | 1 | • O-Ring, -10 ORFS |
| 19 | 4316007 | 1 | Tube, Control Valve to Oil Cooler (Control Valve Port T) |
| 20 | 339990 | 2 | Fitting, -12 ORB x -10 ORFS |
| | 339900 | 1 | • O-Ring, -12 ORB |
| | 339911 | 1 | • O-Ring, -10 ORFS |
| 21 | 4315434 | 1 | Cooler, Hydraulic Oil |
| 22 | 4333391 | 1 | Tube, Oil Cooler Return |
| | 339911 | 1 | • O-Ring, -10 ORFS |
| | 339913 | 1 | • O-Ring, -16 ORFS |
| 23 | 4333666 | 1 | Clamp, Double 5/8" Hose |
| 24 | REF | 1 | Quick Coupler Assembly |
| 25 | 340011 | 2 | Fitting, -16 ORB x -10 ORFS |
| | 339913 | 1 | • O-Ring, -16 ORB |
| | 339911 | 1 | • O-Ring, -10 ORFS |
| 26 | 4274293 | 1 | Filter, Return |
| 27 | 4304684 | 1 | Tube, Filter to Tank |
| 28 | 340036 | 1 | Fitting, -12 ORB x -12 ORFS 45° |
| | 339900 | 1 | • O-Ring, -12 ORB |
| | 339912 | 1 | • O-Ring, -12 ORFS |
| 29 | 339996 | 1 | Fitting, -16 ORB x -12 ORFS |
| | 339901 | 1 | • O-Ring, -16 ORB |
| | 339912 | 1 | • O-Ring, -12 ORFS |

TRUCKSTER XD

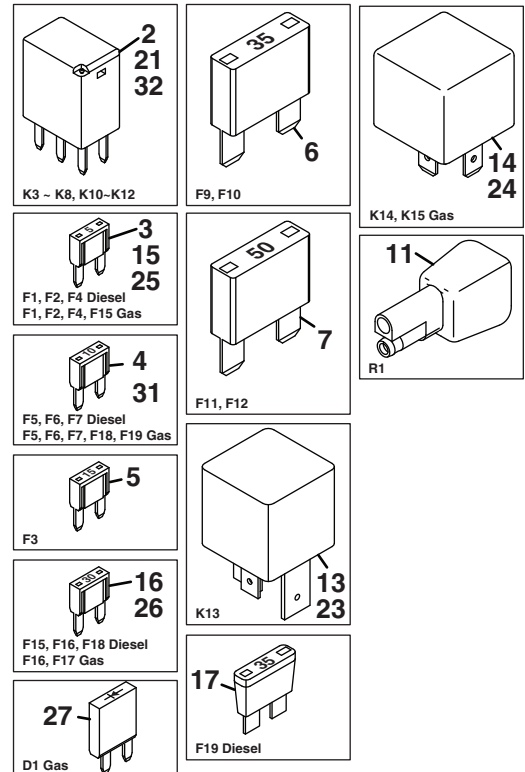
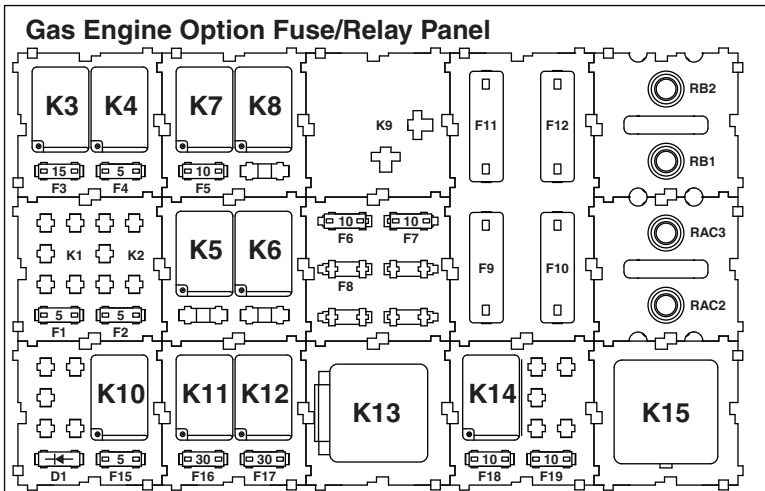
Fuse/Relay Panel



Diesel Engine Option Fuse/Relay Panel



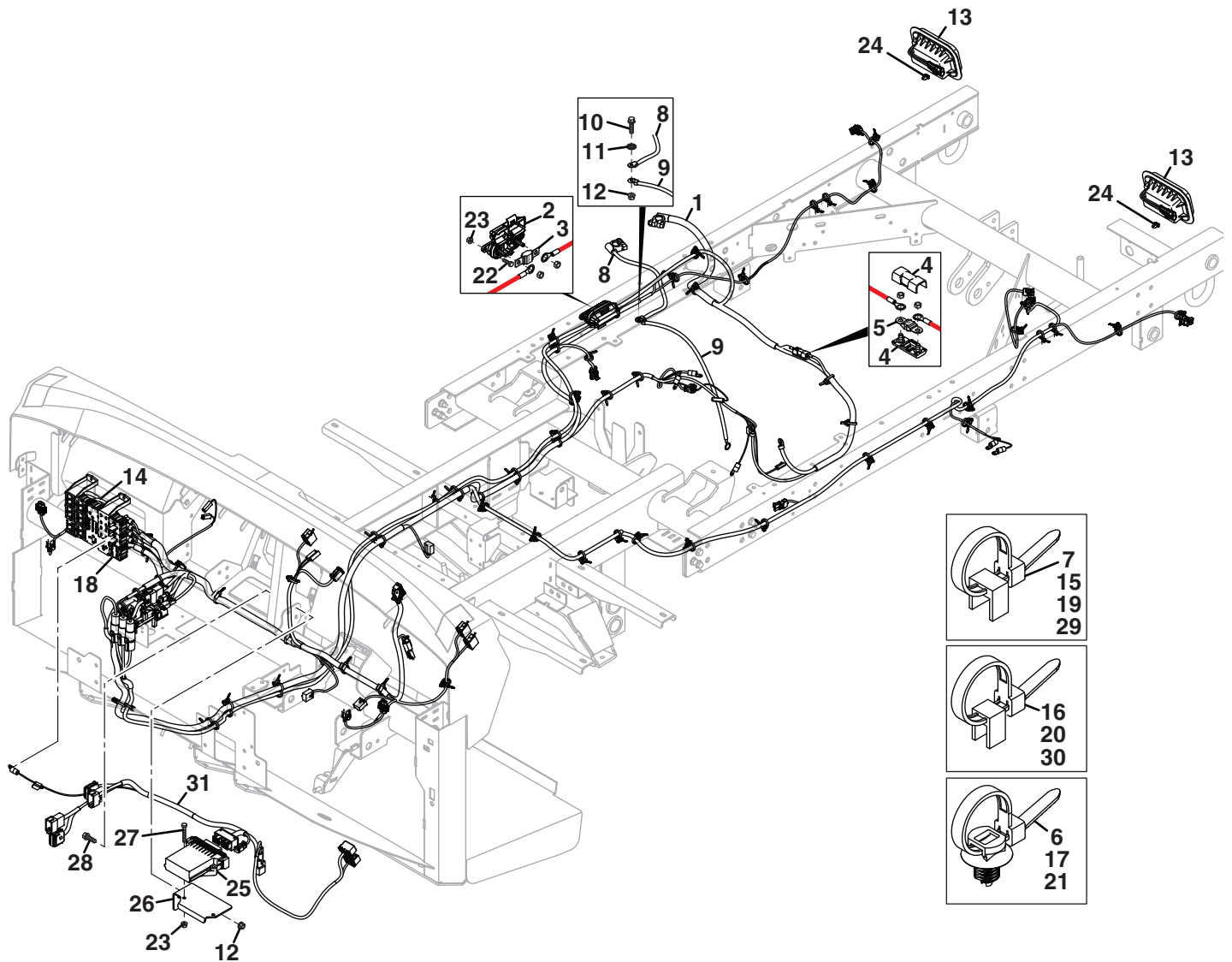
Gas Engine Option Fuse/Relay Panel



| Item | Part No. | Qty. | Description |
|------|----------|------|-------------------------------------|
| 1 | 4294270 | 1 | Harness, Main |
| | 4329271 | 1 | • 10 kΩ Resistor |
| 2 | 4329751 | 6 | • Relay, 12V, 35A, 280 Micro |
| 3 | 4312215 | 3 | • Fuse, 5 Amp Mini |
| 4 | 4312213 | 3 | • Fuse, 10 Amp Mini |
| 5 | 4312246 | 1 | • Fuse, 15 Amp Mini |
| 6 | 4332388 | 2 | • Fuse, 35 Amp Maxi |
| 7 | 4220220 | 2 | • Fuse, 50 Amp Maxi |
| 8 | 4167640 | 6 | • Cable Tie, Fir Tree |
| 9 | 4316368 | 2 | • Cable Tie, 1/8 to 1/4" Edge Clip |
| 10 | 4316369 | 3 | • Cable Tie, 1/32 to 1/8" Edge Clip |
| 11 | 4329271 | 1 | • Resistor, 10 kΩ |
| 12 | 4395847 | 1 | Harness, Diesel Engine Option |
| 13 | 4221100 | 1 | • Relay, 12V, 50 Amp, SPST |
| 14 | 4193880 | 1 | • Relay, 12V, 40 Amp SPDT |
| 15 | 4312215 | 1 | • Fuse, 5 Amp Mini |
| 16 | 4312216 | 3 | • Fuse, 30 Amp Mini |
| 17 | 5003285 | 1 | • Fuse, 35 Amp ATO |
| 18 | 4167640 | 37 | • Cable Tie, Fir Tree |
| 19 | 4316368 | 5 | • Cable Tie, 1/8 to 1/4" Edge Clip |
| 20 | 4316369 | 2 | • Cable Tie, 1/32 to 1/8" Edge Clip |
| 21 | 4329751 | 2 | • Relay, 12V, 35A, 280 Micro |
| 22 | 4395846 | 1 | Harness, Gas Engine Option |
| 23 | 4221100 | 1 | • Relay, 12V, 50 Amp, SPST |
| 24 | 4193880 | 2 | • Relay, 12V, 40 Amp SPDT |
| 25 | 4312215 | 1 | • Fuse, 5 Amp Mini |
| 26 | 4312216 | 2 | • Fuse, 30 Amp Mini |
| 27 | 4312211 | 1 | • Diode, 3 Amp |
| 28 | 4167640 | 43 | • Cable Tie, Fir Tree |
| 29 | 4316368 | 3 | • Cable Tie, 1/8 to 1/4" Edge Clip |
| 30 | 4316369 | 5 | • Cable Tie, 1/32 to 1/8" Edge Clip |
| 31 | 4312213 | 2 | • Fuse, 10 Amp Mini |
| 32 | 4329751 | 3 | • Relay, 12V, 35A, 280 Micro |
| 33 | 548971J | 1 | Screw, 5/16-18 x 5/8" Hex Flange |
| 34 | 800521 | 8 | Nut, #10-24 Hex Flange |
| 35 | 4314186 | 5 | Clip, Connector Retention |
| 36 | 4150539 | 1 | Buzzer |
| 37 | N/S | 1 | • Ring Nut |
| 38 | 403914J | 4 | Screw, #10-24 x 3/4" Truss Head |
| 39 | 548911J | 1 | Nut, 5/16-18 Hex Flange |
| 40 | 886425 | 1 | Horn |
| 41 | 4302494 | 1 | Cable, Positive Battery |

TRUCKSTER XD

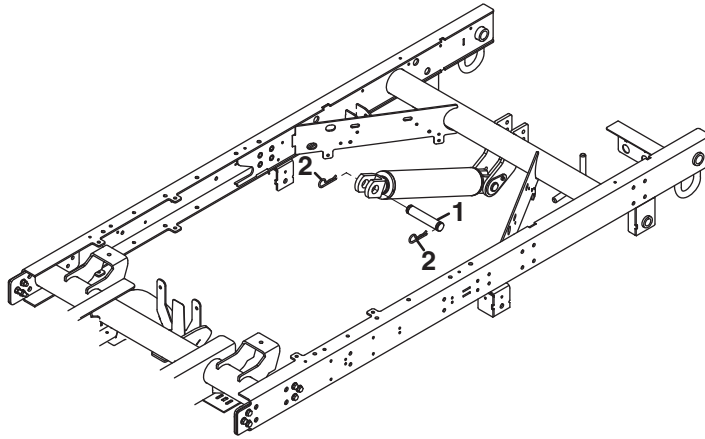
Harness Routing



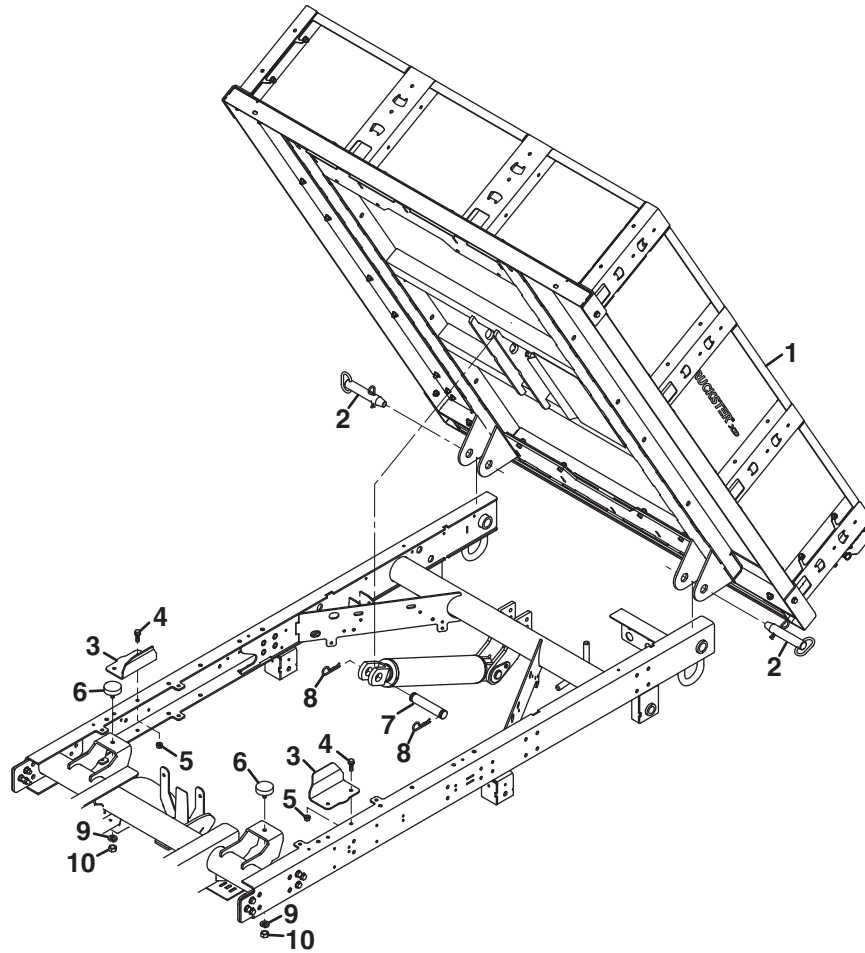
| Item | Part No. | Qty. | Description |
|------|----------|------|--|
| 1 | 4302494 | 1 | Positive Battery Cable |
| 2 | N/S | 1 | • Holder, Fuse |
| 3 | 4317750 | 1 | • Fuse, 175 Amp MIDI HD |
| 4 | 4317748 | 1 | • Holder, Fuse |
| 5 | 4317749 | 1 | • Fuse, 60 Amp MIDI SLO BLO |
| 6 | 4167640 | 16 | • Cable Tie, Fir Tree |
| 7 | 4316368 | 3 | • Cable Tie, 1/8 to 1/4" Edge Clip |
| 8 | 4316867 | 1 | Cable, Negative Battery |
| 9 | 4271132 | 1 | Cable, Engine Ground |
| 10 | 548902J | 1 | Screw, 5/16-18 x 1" Hex Flange |
| 11 | 447216 | 2 | Lockwasher, 3/8" Internal Tooth |
| 12 | 548911J | 4 | Nut, 5/16-18 Hex Flange |
| 13 | 4304863 | 2 | Tail Light |
| | 822049 | 1 | • Bulb, Tail Light |
| 14 | 4294270 | 1 | Harness, Main |
| 15 | 4316368 | 2 | • Cable Tie, 1/8 to 1/4" Edge Clip |
| 16 | 4316369 | 4 | • Cable Tie, 1/32 to 1/8" Edge Clip |
| 17 | 4167640 | 5 | • Cable Tie, Fir Tree |
| 18 | 4395847 | 1 | Harness, Diesel Engine Option |
| 18 | 4395846 | 1 | Harness, Gas Engine Option |
| 19 | 4316368 | 5 | • Cable Tie, 1/8 to 1/4" Edge Clip (Diesel) |
| 19 | 4316368 | 3 | • Cable Tie, 1/8 to 1/4" Edge Clip (Gas) |
| 20 | 4316369 | 2 | • Cable Tie, 1/32 to 1/8" Edge Clip (Diesel) |
| 20 | 4316369 | 5 | • Cable Tie, 1/32 to 1/8" Edge Clip (Gas) |
| 21 | 4167640 | 35 | • Cable Tie, Fir Tree (Diesel) |
| 21 | 4167640 | 41 | • Cable Tie, Fir Tree (Gas) |
| 22 | 548045 | 2 | Screw, 1/4-20 x 3/4" Hex Flange |
| 23 | 548910J | 4 | Nut, 1/4-20 Hex Flange |
| 24 | 4332986 | 2 | Clip, Push On |
| 25 | 4326352 | 1 | Controller, Gas Cruise (Gas Speed Control Option) |
| 26 | 4334929 | 1 | Bracket, Gas Controller (Gas Speed Control Option) |
| 27 | 400116 | 2 | Screw, 1/4-20 x 1-1/2" Hex Head (Gas Speed Control Option) |
| 28 | 400025 | 3 | Screw, 5/16-18 x 7/8" Hex Flange (Gas Speed Control Option) |
| 29 | 4316368 | 2 | Cable Tie, 1/8 to 1/4" Edge Clip (Gas Speed Control Option) |
| 30 | 4316369 | 2 | Cable Tie, 1/32 to 1/8" Edge Clip (Gas Speed Control Option) |
| 31 | 4326350 | 1 | Harness, Gas Cruise (Gas Speed Control Option) |
| | 4312215 | 1 | • Fuse, 5 Amp Mini |

TRUCKSTER XD

No Bed Option



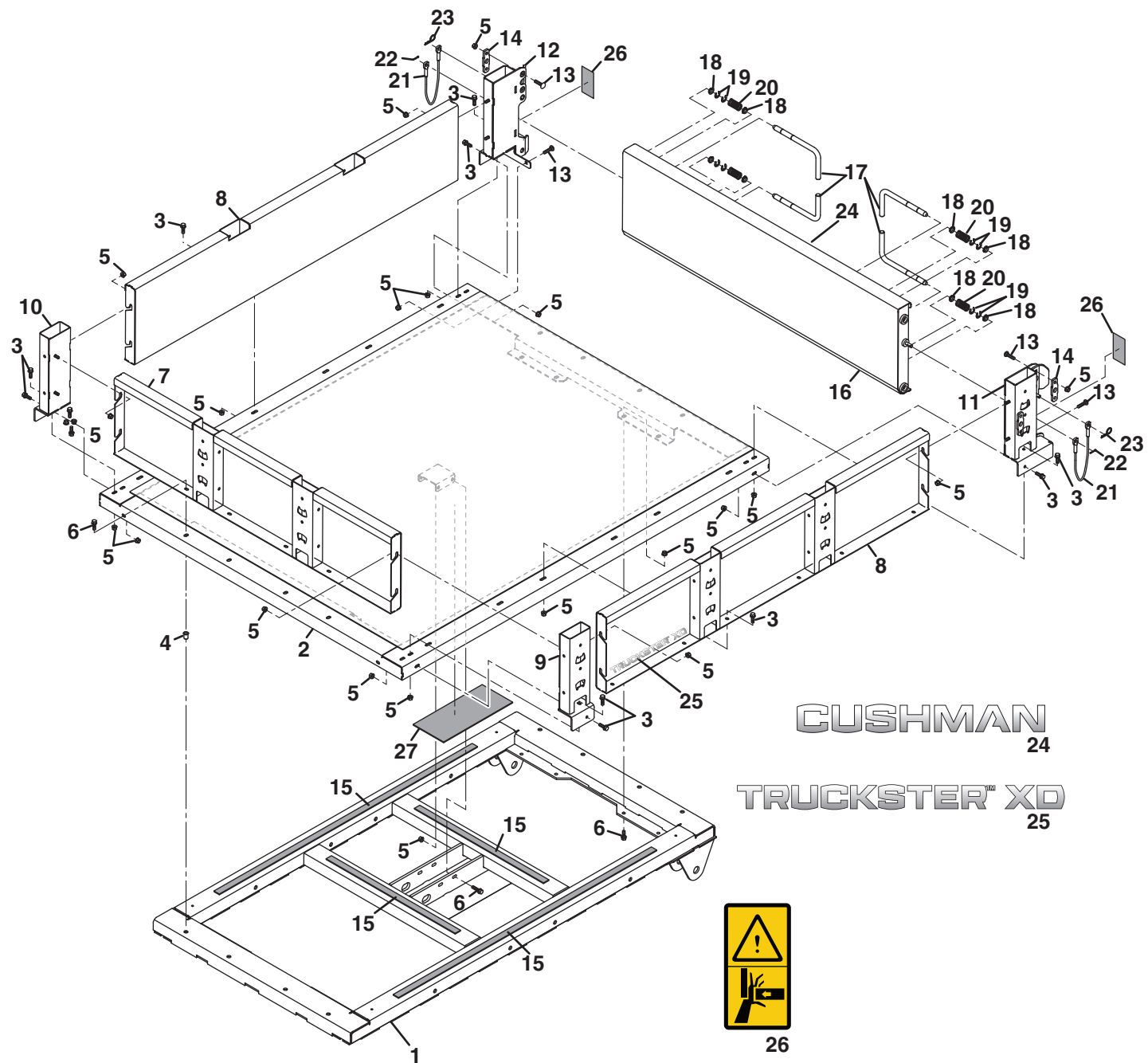
| Item | Part No. | Qty. | Description |
|------|----------|------|---------------------------------|
| 1 | 4316767 | 1 | Pin, Cylinder |
| 2 | 809265 | 2 | Hair Pin, 2-11/16 x 3/4 x 5/32" |



| Item | Part No. | Qty. | Description |
|------|----------|------|----------------------------------|
| 1 | REF | 1 | Bed Assembly |
| 2 | 882971 | 2 | Pin, Disconnect |
| 3 | 4308231 | 2 | Keeper, Truck Bed |
| 4 | 403751 | 4 | Screw, 5/16-18 x 3/4" Hex Flange |
| 5 | 548911 | 4 | Nut, 5/16-18 Hex Flange |
| 6 | 361723 | 2 | Stop, Rubber |
| 7 | 4316767 | 1 | Pin, Cylinder |
| 8 | 809265 | 2 | Hair Pin, 2-11/16 x 3/4 x 5/32" |
| 9 | 446142 | 2 | Lockwasher, 3/8 Heavy |
| 10 | 443110 | 2 | Nut, 3/8-16 Hex |

TRUCKSTER XD

Bed and Box Sides

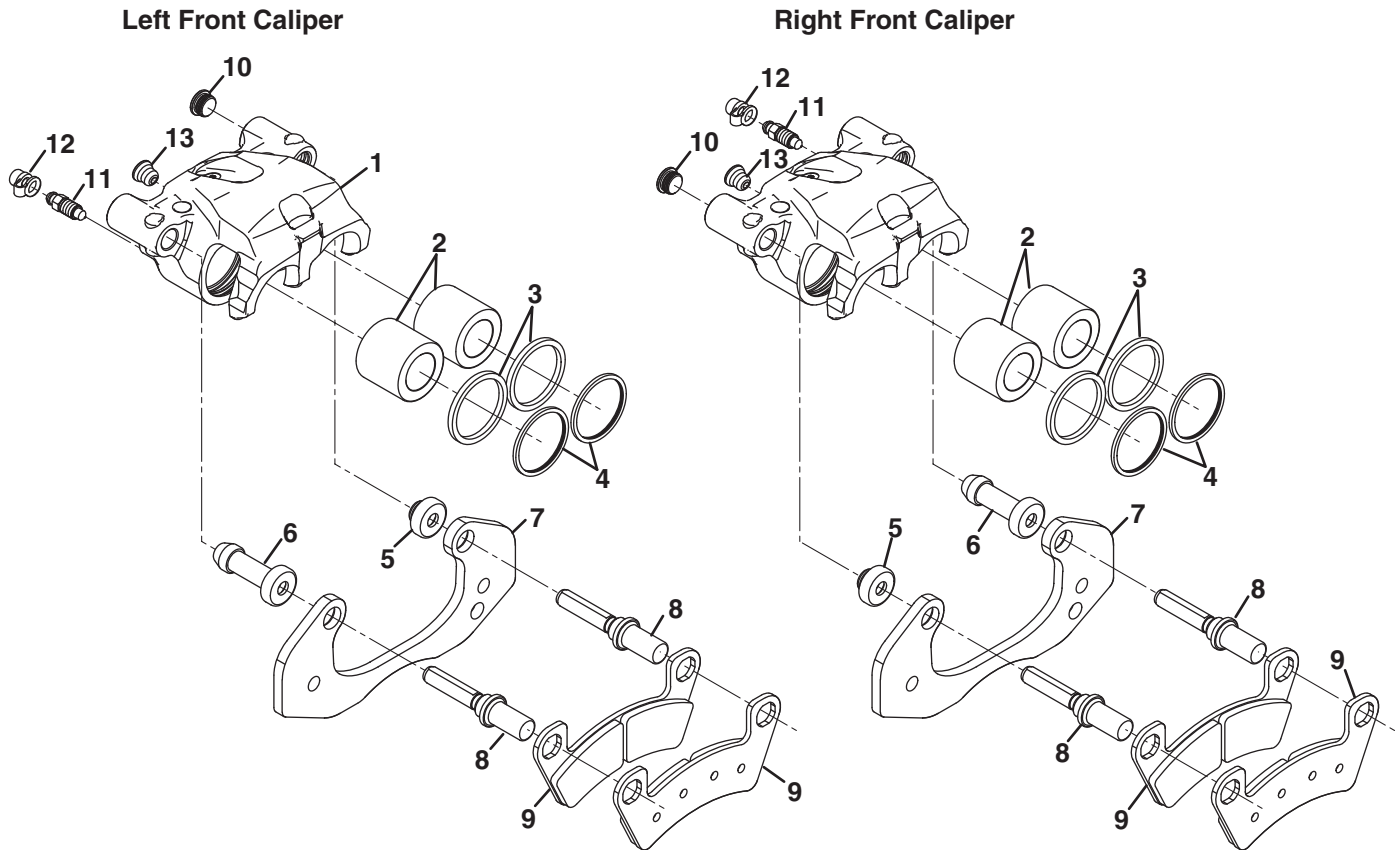


| Item | Part No. | Qty. | Description |
|-------------|-----------------|-------------|----------------------------------|
| 1 | 4316091 | 1 | Support, Bed |
| 2 | 4307056 | 1 | Support, Bed |
| 3 | 403751 | 24 | Screw, 5/16-18 x 3/4" Hex Flange |
| 4 | 400150 | 4 | Nut, 5/16-18 Insert |
| 5 | 548911 | 50 | Nut, 5/16-18 Hex Flange |
| 6 | 548902 | 12 | Screw, 5/16-18 x 1" Hex Flange |
| 7 | 4306821 | 1 | Box Front |
| 8 | 4306818 | 2 | Box Side |
| 9 | 4306876 | 1 | Corner, Left Front |
| 10 | 4306878 | 1 | Corner, Right Front |
| 11 | 4322786 | 1 | Corner, Left Rear |
| 12 | 4322792 | 1 | Corner, Right Rear |
| 13 | 440082 | 6 | Carriage Bolt, 5/16-18 x 1" |
| 14 | 4324748 | 2 | Pin, Plate |
| 15 | 359979 | AR | Pad |
| 16 | 4324666 | 1 | Tailgate |
| 17 | 4324670 | 4 | Pin, Tailgate |
| 18 | 4325486 | 8 | Bushing, 5/8" Clip In |
| 19 | 4324673 | 8 | Retaining Ring, E-Clip |
| 20 | 4324671 | 4 | Spring, Tailgate |
| 21 | 4317967 | 2 | Cable, Tailgate |
| 22 | 460026 | 2 | Cotter Pin, 1/8 x 3/4" |
| 23 | 460312 | 2 | Hair Pin, 1-7/8 x 1/8 x 3/32" |
| 24 | 671177 | 1 | Decal, Cushman |
| 25 | 671823 | 2 | Decal, Truckster XD |
| 26 | 845027 | 2 | Decal, Pinch Point |
| 27 | 4357946 | 1 | Shield, Adhesive Heat |

TRUCKSTER XD

Front Dual Piston Calipers

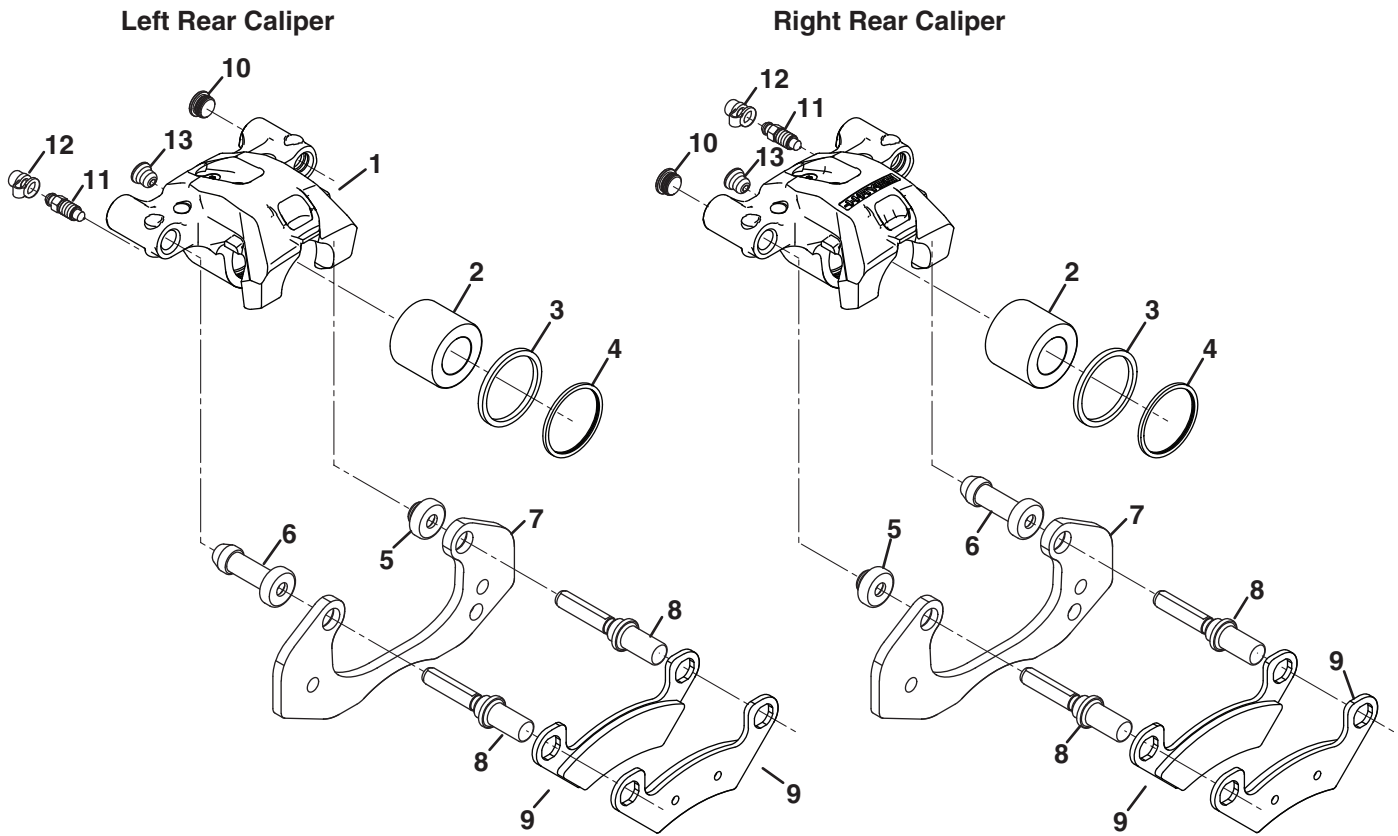
Part Number 4307716 (Left Side) and 4313706 (Right Side)



| Item | Part No. | Qty. | Description |
|------|----------|------|--------------------------|
| 1 | N/S | 1 | Housing, Caliper |
| 2 | N/S | 2 | Piston, 1-3/8 |
| 3 | N/S | 2 | Seal, Square |
| 4 | N/S | 2 | Seal, 1-3/8" Wiper |
| 5 | N/S | 1 | Guide Hole Boot |
| 6 | N/S | 1 | Clearance Hole Boot |
| 7 | N/S | 1 | Bracket, Mounting |
| 8 | N/S | 2 | Pin, Caliper |
| 9 | 4318729 | 2 | Pad, Brake |
| 10 | N/S | 1 | Jaw Screw |
| | 4318735 | 1 | Kit, Bleeder and Cap |
| 11 | N/S | 1 | • Fitting, Bleeder Screw |
| 12 | N/S | 1 | • Cap, Bleeder |
| 13 | N/S | 1 | Cap Plug, Inlet |

Rear Single Piston Caliper

Part Number 4313707 (Left Side) and 4309515 (Right Side)

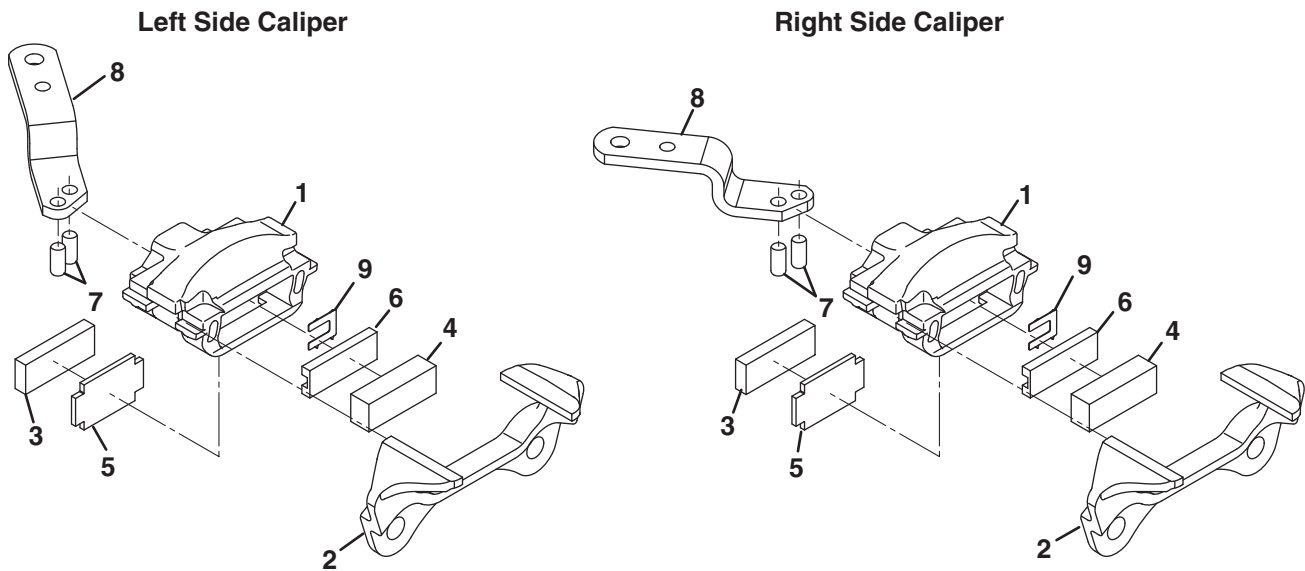


| Item | Part No. | Qty. | Description |
|------|----------|------|--------------------------|
| 1 | N/S | 1 | Housing, Caliper |
| 2 | N/S | 1 | Piston, 1-1/2" |
| 3 | N/S | 1 | Seal, Square |
| 4 | N/S | 1 | Seal, 1-1/2" Wiper |
| 5 | N/S | 1 | Guide Hole Boot |
| 6 | N/S | 1 | Clearance Hole Boot |
| 7 | N/S | 1 | Bracket, Mounting |
| 8 | N/S | 2 | Pin, Caliper |
| 9 | 4318730 | 2 | Pad, Brake |
| 10 | N/S | 1 | Jaw Screw |
| | 4318735 | 1 | Kit, Bleeder and Cap |
| 11 | N/S | 1 | • Fitting, Bleeder Screw |
| 12 | N/S | 1 | • Cap, Bleeder |
| 13 | N/S | 1 | Cap Plug, Inlet |

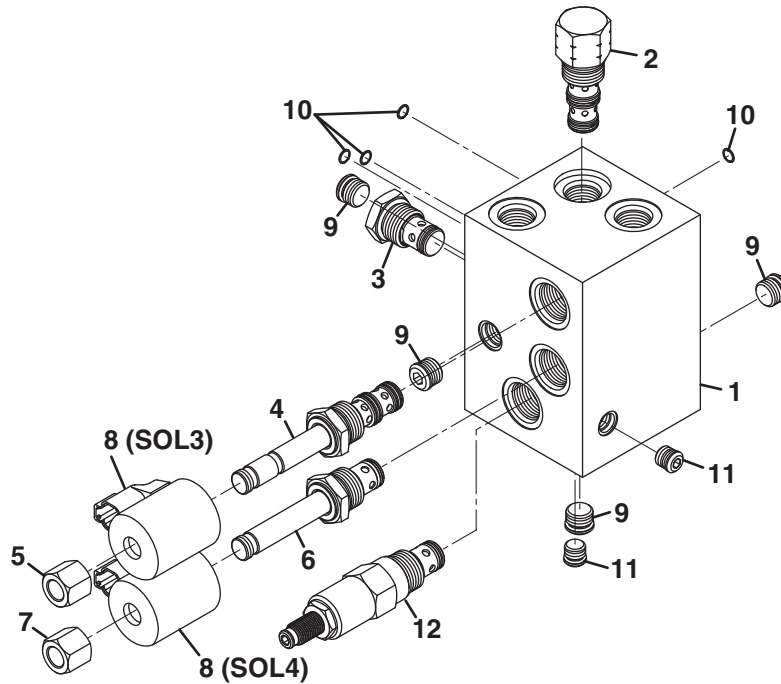
TRUCKSTER XD

Parking Brake Caliper

Part Number 4310731 (Left Side) and 4310746 (Right Side)



| Item | Part No. | Qty. | Description |
|------|----------|------|-----------------------------|
| 1 | N/S | 1 | Housing, Parking Brake |
| 2 | 4317652 | 1 | Bracket, Mounting |
| | 4317653 | 1 | Brake Pad Service Kit |
| | 503660 | 1 | • Brake Pads |
| 3 | N/S | 1 | • • Bracket Side Pad |
| 4 | N/S | 1 | • • Lever Side Pad |
| 5 | 557824 | 1 | • Support, Bracket Side Pad |
| 6 | N/S | 1 | • Support, Lever Side Pad |
| 7 | 557823 | 2 | Pivot Pin |
| 8 | N/S | 1 | Lever, Cam |
| 9 | N/S | 1 | Spring, Lever Retainer |

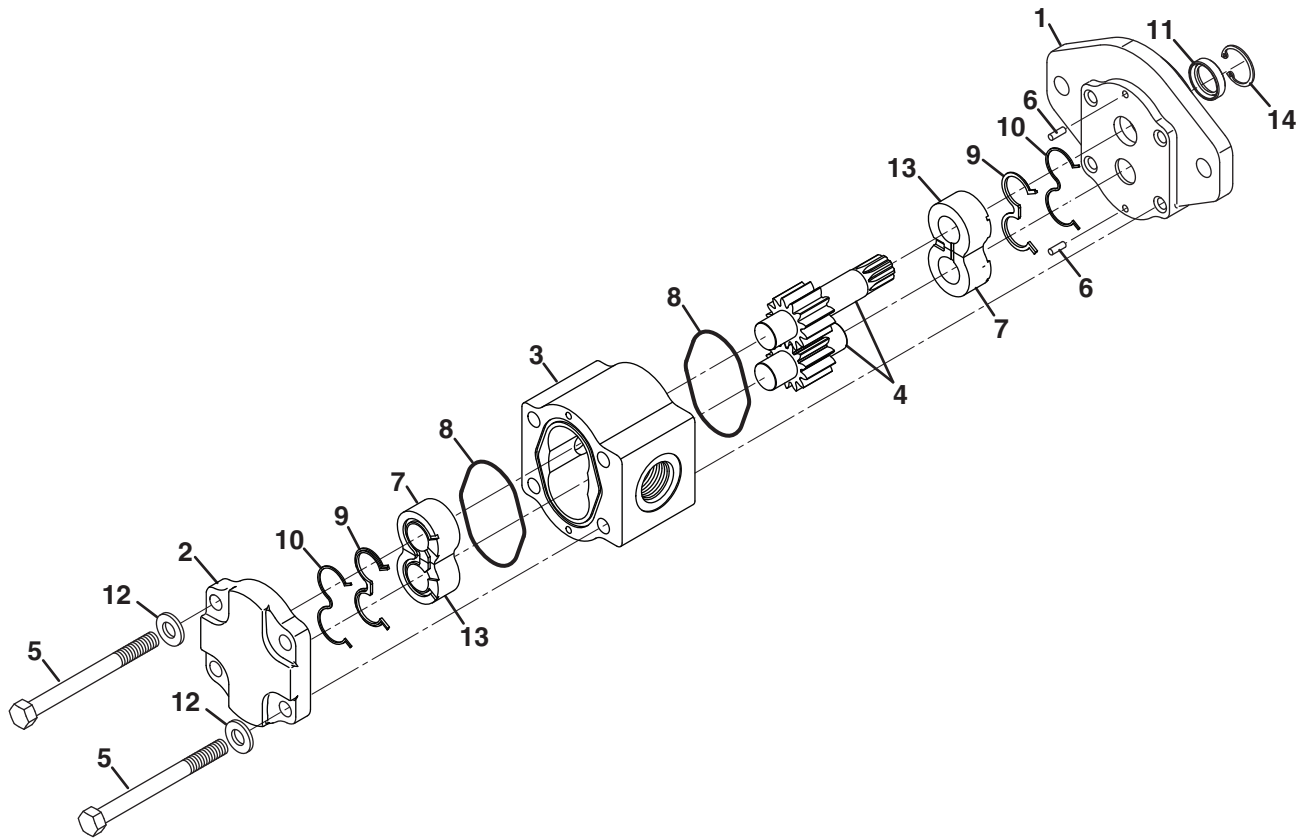


| Item | Part No. | Qty. | Description |
|------|----------|------|-----------------------------------|
| 1 | N/S | 1 | Block, Control Valve |
| 2 | 4380386 | 1 | 5 GPM Flow Regulator |
| | 4380392 | 1 | • Seal Kit |
| 3 | 4380387 | 1 | Check Valve |
| | 4380393 | 1 | • Seal Kit |
| 4 | 4380388 | 1 | Solenoid Valve, 3-Way, 2 Position |
| | 4380394 | 1 | • Seal Kit |
| 5 | N/S | 1 | • Nut, Coil |
| 6 | 4380389 | 1 | Solenoid Valve, Poppet Type NO |
| | 4380395 | 1 | • Seal Kit |
| 7 | N/S | 1 | • Nut, Coil |
| 8 | 4380390 | 2 | Coil |
| 9 | N/S | 4 | Plug, Zero-Leak Gold |
| 10 | N/S | 4 | Plug, Expander |
| 11 | N/S | 2 | Plug, Zero-Leak Gold |
| 12 | 4380391 | 1 | Relief Valve, 2500 psi |
| | 4380396 | 1 | • Seal Kit |

TRUCKSTER XD

Single Section Gear Pump

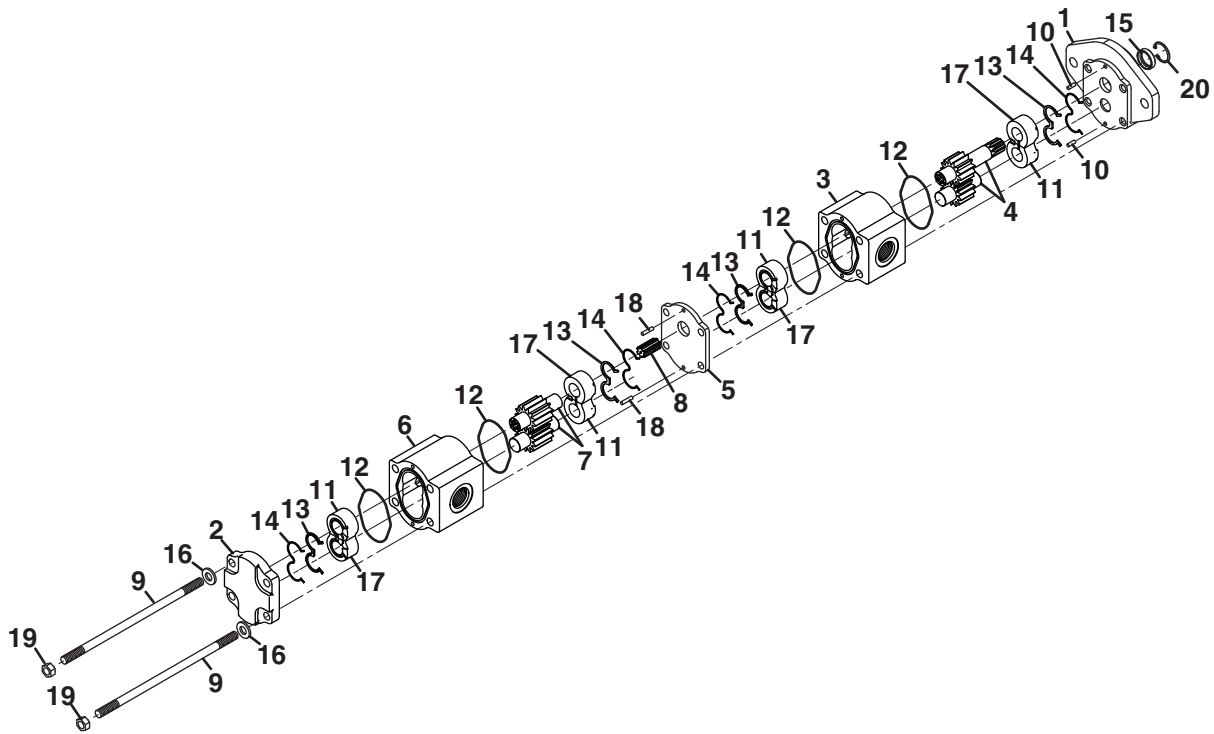
Part Number 4346446



| Item | Part No. | Qty. | Description |
|------|----------|------|-------------------------------------|
| 1 | N/S | 1 | Housing, Front |
| 2 | N/S | 1 | Housing, Rear |
| 3 | N/S | 1 | Housing, Gear |
| 4 | N/S | 1 | Set, 0.37 in ³ Gearshaft |
| 5 | N/S | 2 | Cap Screw, 80mm |
| 6 | N/S | 2 | Pin, Dowel |
| 7 | N/S | 2 | Thrust Bushing Block |
| | 4380397 | 1 | Seal Kit |
| 8 | N/S | 2 | • Seal, O-Ring Section |
| 9 | N/S | 2 | • Seal, Channel |
| 10 | N/S | 2 | • Seal Back-Up |
| 11 | N/S | 1 | • Seal, Inner Lip |
| 12 | N/S | 4 | Washer |
| 13 | N/S | 2 | Thrust Bushing Block |
| 14 | N/S | 1 | Snap Ring |

Two Section Gear Pump

Part Number 4346426

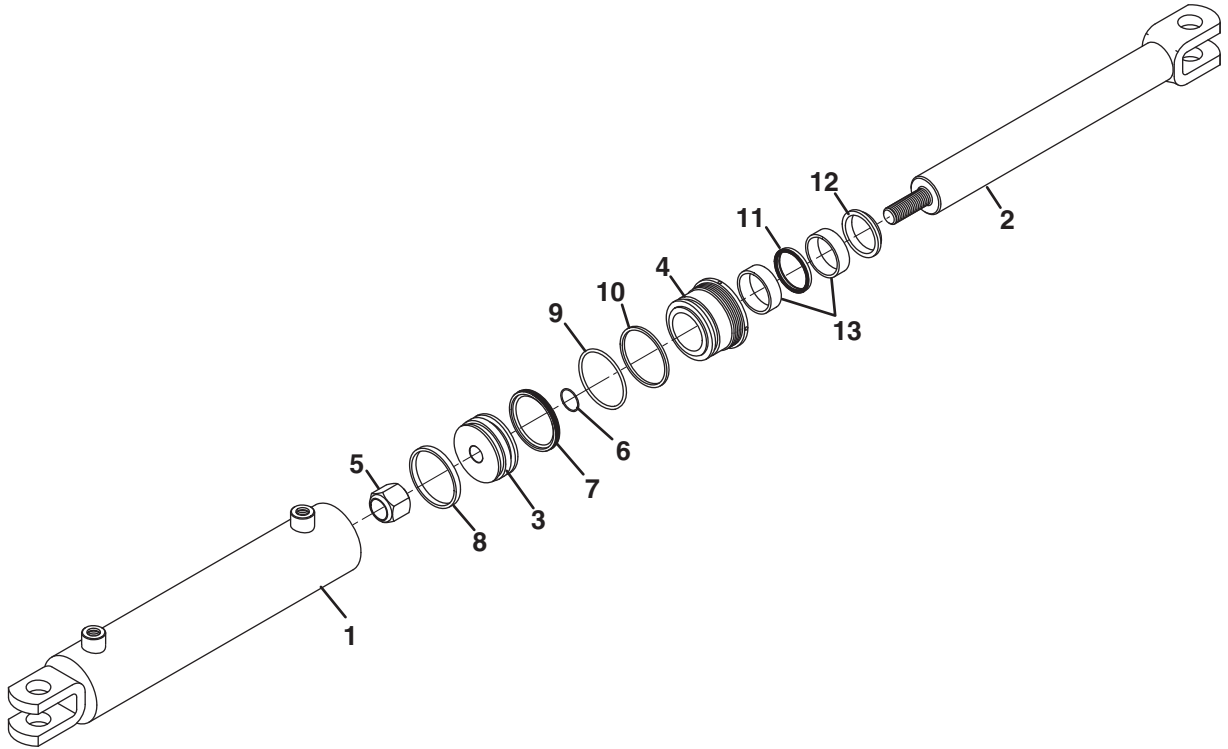


| Item | Part No. | Qty. | Description |
|------|----------|------|-------------------------------------|
| 1 | N/S | 1 | Housing, Front |
| 2 | N/S | 1 | Housing, Rear |
| 3 | N/S | 1 | Housing, Gear |
| 4 | N/S | 1 | Set, 0.43 in ³ Gearshaft |
| 5 | N/S | 1 | Plate |
| 6 | N/S | 1 | Housing, Gear |
| 7 | N/S | 1 | Set, 0.67 in ³ Gearshaft |
| 8 | N/S | 1 | Shaft, Connector |
| 9 | N/S | 4 | Stud, 160mm |
| 10 | N/S | 2 | Pin, Dowel |
| 11 | N/S | 4 | Thrust Bushing Block |
| | 4380398 | 1 | Seal Kit |
| 12 | N/S | 4 | • Seal, O-Ring Section |
| 13 | N/S | 4 | • Seal, Channel |
| 14 | N/S | 4 | • Seal Back-Up |
| 15 | N/S | 1 | • Seal, Inner Lip |
| 16 | N/S | 4 | Washer |
| 17 | N/S | 4 | Thrust Bushing Block |
| 18 | N/S | 2 | Pin, Dowel |
| 19 | N/S | 4 | Nut |
| 20 | N/S | 1 | Snap Ring |

TRUCKSTER XD

Accessory Cylinder

Part Number 4314366

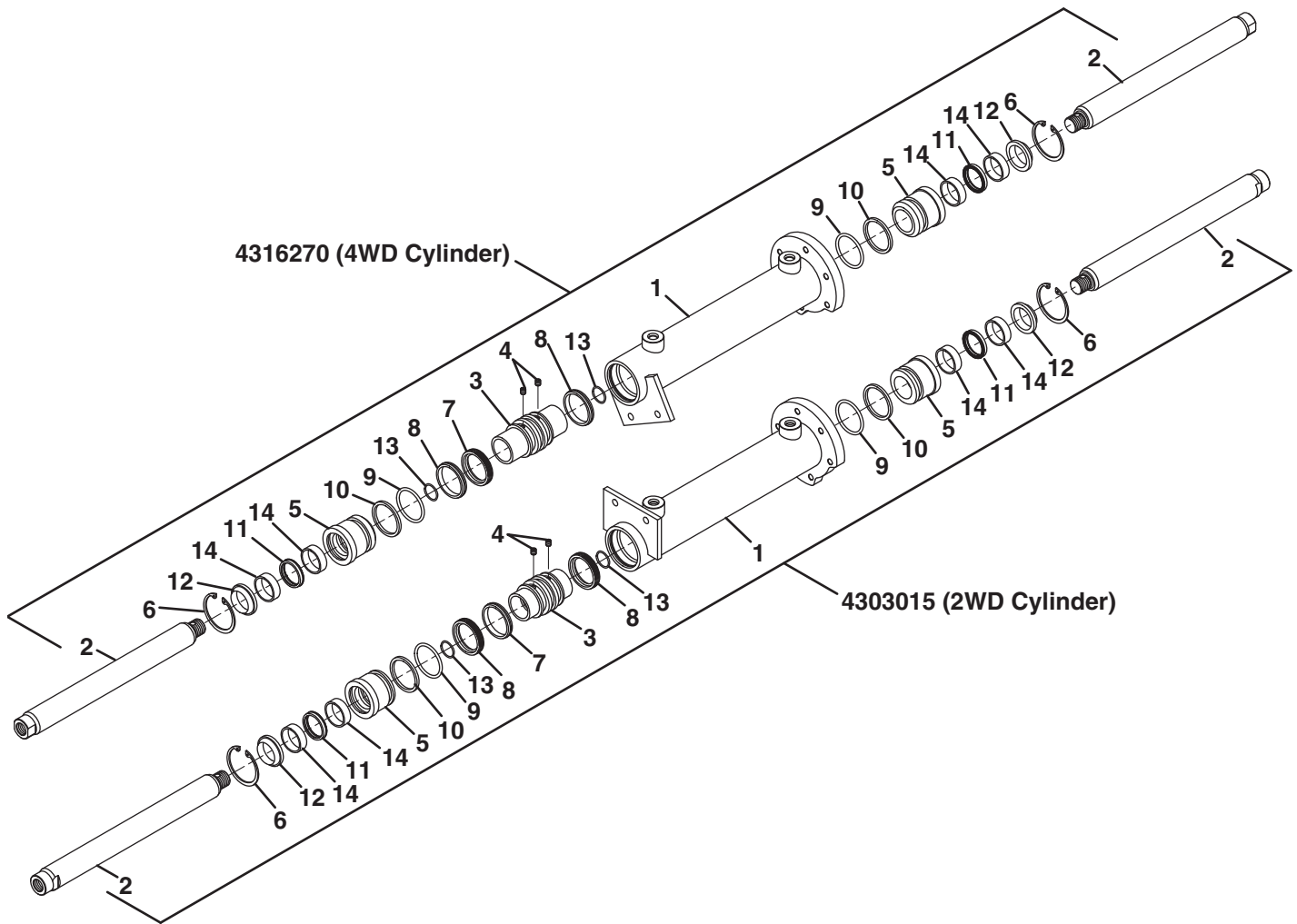


| Item | Part No. | Qty. | Description |
|------|----------|------|----------------------------------|
| 1 | N/S | 1 | Body, Cylinder |
| 2 | N/S | 1 | Shaft, Cylinder |
| 3 | N/S | 1 | Piston, Cylinder |
| 4 | N/S | 1 | Gland, Threaded |
| 5 | N/S | 1 | Nut |
| | 4329200 | 1 | Seal Kit (Includes items 6 - 13) |
| 6 | N/S | 1 | • O-Ring |
| 7 | N/S | 1 | • Seal, Piston |
| 8 | N/S | 1 | • Wear Ring |
| 9 | N/S | 1 | • Seal, Gland |
| 10 | N/S | 1 | • Backup Ring |
| 11 | N/S | 1 | • Seal, Shaft |
| 12 | N/S | 1 | • Wiper, Shaft |
| 13 | N/S | 2 | • Wear Ring, Shaft |

TRUCKSTER XD

Steering Cylinders

Part Numbers 4303015 and 4316270



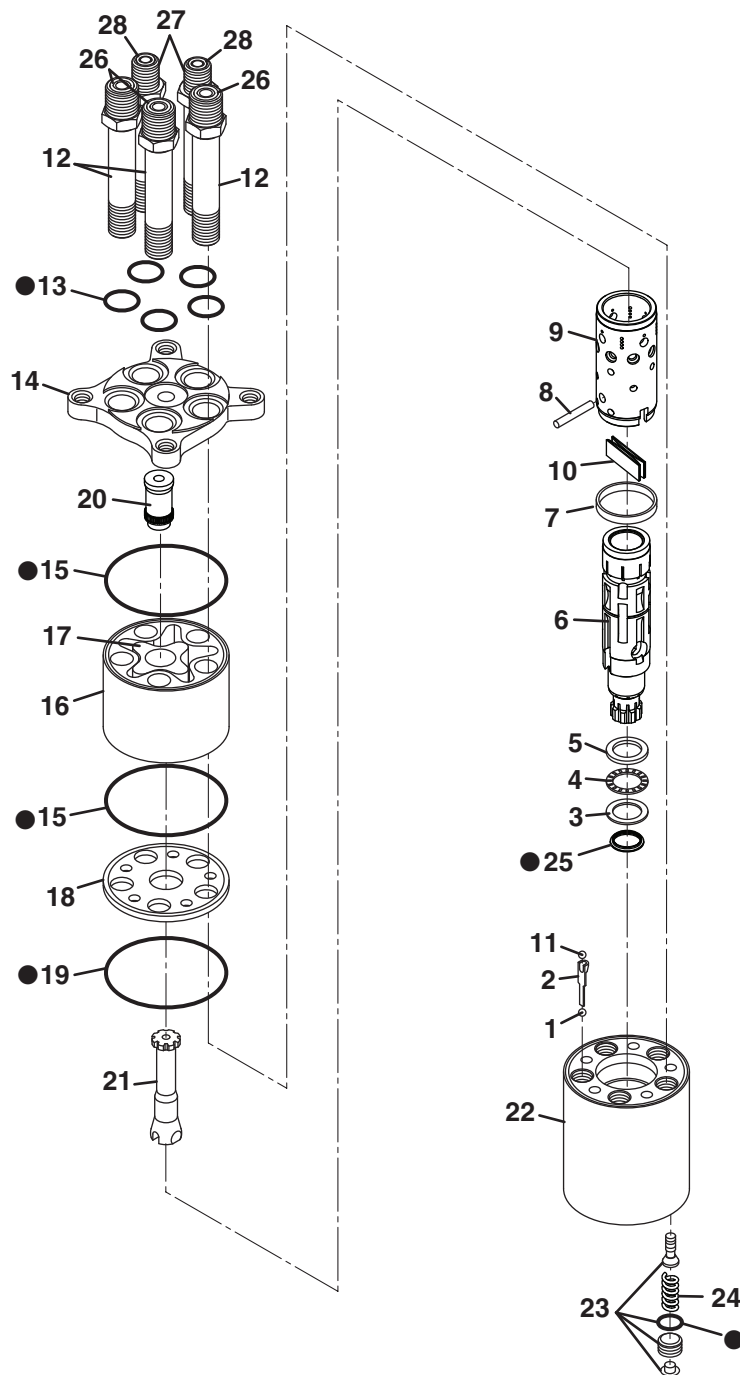
| Item | Part No. | Qty. | Description |
|------|----------|------|----------------------------------|
| 1 | N/S | 1 | Body, Cylinder |
| 2 | N/S | 2 | Shaft, Cylinder |
| 3 | N/S | 1 | Piston, Cylinder |
| 4 | N/S | 4 | Set Screws |
| 5 | N/S | 2 | Gland, Snap Ring |
| 6 | N/S | 2 | Snap Ring |
| | 4329207 | 1 | Seal Kit (Includes items 7 - 14) |
| 7 | N/S | 1 | • Seal, Piston |
| 8 | N/S | 2 | • Wear Ring |
| 9 | N/S | 2 | • O-Ring, Gland |
| 10 | N/S | 2 | • Backup Ring |
| 11 | N/S | 2 | • Seal, Shaft |
| 12 | N/S | 2 | • Wiper, Shaft |
| 13 | N/S | 2 | • O-Ring |
| 14 | N/S | 4 | • Wear Ring, Shaft |

| Item | Part No. | Qty. | Description |
|------|----------|------|-----------------------------------|
| 1 | N/S | 1 | Body, Lift Valve |
| 2 | N/S | 1 | Spool, Valve |
| 3 | N/S | 2 | O-Ring, Spool |
| 4 | N/S | 1 | Seat, Spool |
| 5 | N/S | 1 | Spring Retainer |
| 6 | N/S | 1 | Spring, Compression |
| 7 | N/S | 1 | Seat |
| 8 | N/S | 1 | Spool Retaining Ring |
| 9 | N/S | 1 | Seat Retaining Ring |
| 10 | N/S | 2 | Plug, Check Valve |
| 11 | 339897 | 2 | O-Ring, -6 ORB |
| 12 | N/S | 2 | Spring, Check Valve |
| 13 | N/S | 2 | Ball, Check Valve |
| 14 | N/S | 2 | Seat, Check Valve |
| 15 | N/S | 2 | Spool Cam Pin |
| 16 | N/S | 1 | Relief Valve (1800 psi (124 BAR)) |
| 17 | 339897 | 1 | O-Ring, -6 ORB |
| 18 | N/S | 1 | Plug, Body |
| | 884599 | 1 | Seal Kit (Includes item 3) |

TRUCKSTER XD

Steering Valve

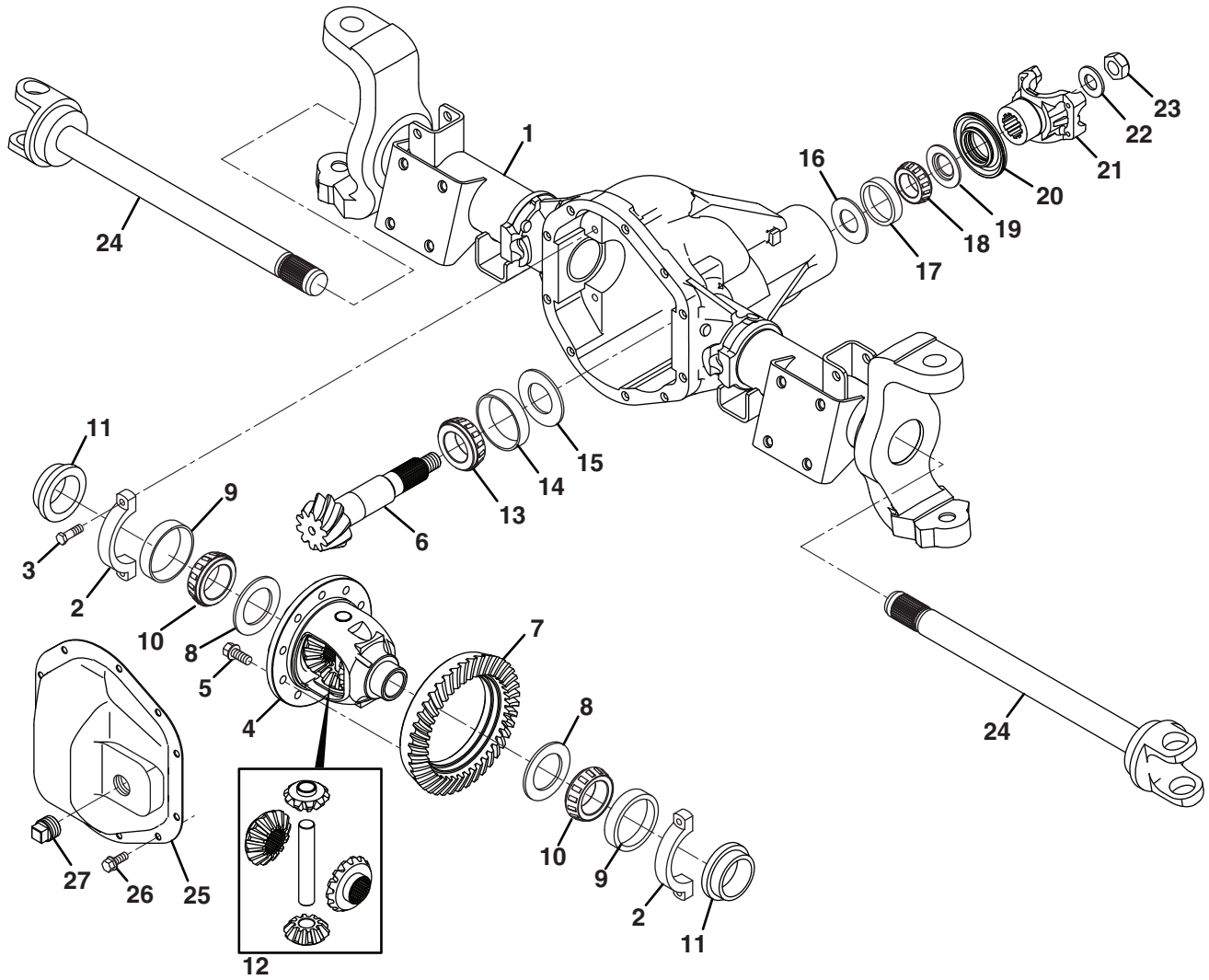
Part No. 4303996



| Item | Part No. | Qty. | Description |
|-------------|-----------------|-------------|--|
| 1 | N/S | 1 | Ball, Emergency Steering |
| 2 | N/S | 1 | Stop, Ball |
| 3 | N/S | 1 | Thin Bearing Race |
| 4 | N/S | 1 | Bearing |
| 5 | N/S | 1 | Thick Bearing Race |
| 6 | N/S | 1 | Spool |
| 7 | N/S | 1 | Spring Retaining Ring |
| 8 | N/S | 1 | Cross Pin |
| 9 | N/S | 1 | Sleeve |
| 10 | N/S | 1 | Set, Spring |
| 11 | N/S | 1 | Check Valve, Ball |
| 12 | N/S | 3 | Screw, -6 ORFS Special |
| 13 | N/S | 5 | O-Ring |
| 14 | N/S | 1 | End Cover |
| 15 | N/S | 2 | O-Ring |
| 16 | N/S | 1 | Rim, Gearwheel |
| 17 | N/S | 1 | Gearwheel |
| 18 | N/S | 1 | Distributor Plate |
| 19 | N/S | 1 | O-Ring |
| 20 | N/S | 1 | Spacer |
| 21 | N/S | 1 | Cardan Shaft |
| 22 | N/S | 1 | Housing |
| 23 | N/S | 1 | Relief Valve |
| 24 | N/S | 1 | Spring, Relief Valve |
| 25 | N/S | 1 | Seal, Shaft |
| 26 | 339909 | 3 | O-Ring, -6 ORFS |
| 27 | N/S | 2 | Screw, -4 ORFS Special |
| 28 | 339908 | 2 | O-Ring, -4 ORFS |
| 29 | 4197940 | 1 | Seal Kit (Includes items 13, 15, 19, 25) |

TRUCKSTER XD

Front Axle Breakdown

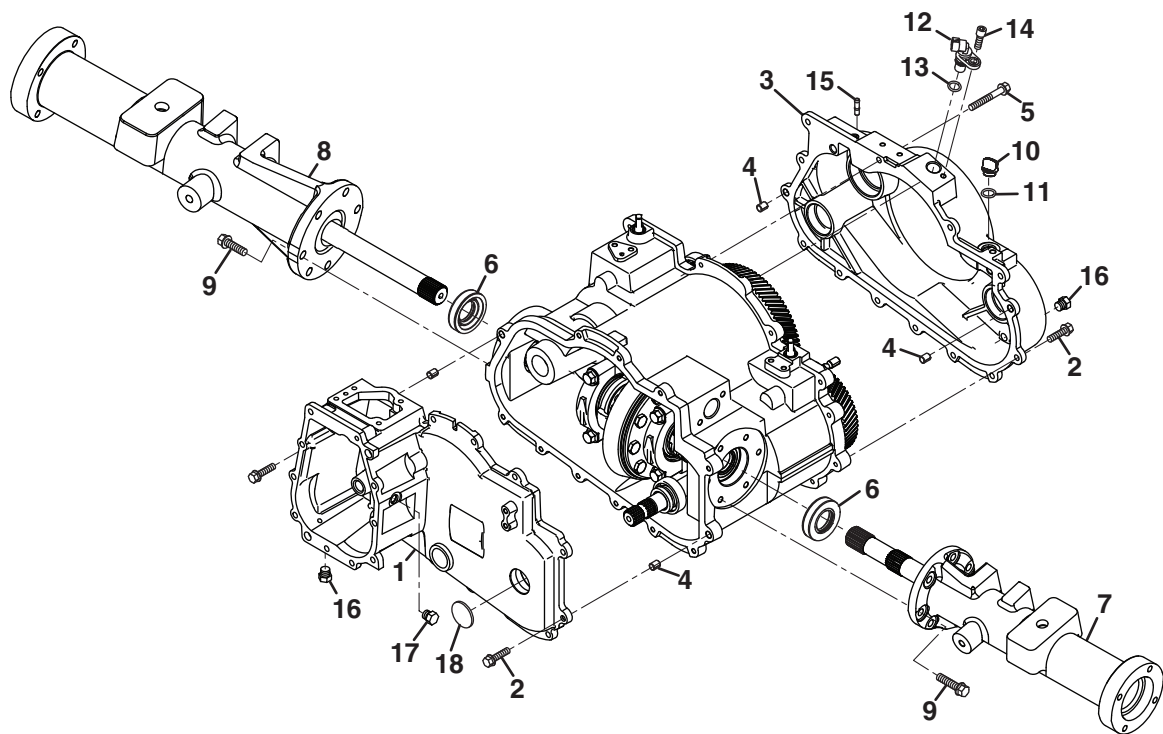


| Item | Part No. | Qty. | Description |
|-------------|-----------------|-------------|--|
| 1 | 4358426 | 1 | Front Axle |
| 2 | N/S | 2 | Cap, Bearing |
| 3 | N/S | 2 | Screw, Bearing Cap |
| 4 | 4321306 | 1 | Carrier, Differential |
| 5 | 4321346 | 10 | Screw, 3/8-24 x 7/8" Hex Flange |
| | 4321247 | 1 | Set, Ring and Pinion Gear |
| 6 | N/S | 1 | • Gear, Pinion |
| 7 | N/S | 1 | • Gear, Ring |
| 8 | 4321375 | 1 | Kit, Carrier Shim |
| 9 | 4321367 | 2 | Race, Carrier Bearing |
| 10 | 4321366 | 2 | Bearing, Carrier |
| 11 | 4321046 | 2 | Seal, Axle Shaft |
| 12 | 4321307 | 1 | Gear Set, Differential Spider |
| 13 | 4321368 | 1 | Bearing, Inner Pinion |
| 14 | 4321369 | 1 | Race, Inner Pinion Bearing |
| 15 | 4321376 | 1 | Kit, Pinion Depth Shim |
| 16 | 4321377 | 1 | Kit, Pinion Preload Shim |
| 17 | 4321371 | 1 | Race, Outer Pinion Bearing |
| 18 | 4321370 | 1 | Bearing, Outer Pinion |
| 19 | 4321374 | 1 | Baffle, Outer |
| 20 | 4321286 | 1 | Seal, Pinion |
| 21 | 4321252 | 1 | Yoke |
| 22 | 4321251 | 1 | Washer, Pinion |
| 23 | 4321250 | 1 | Nut, 3/4-16 Crimp |
| 24 | 4317586 | 2 | Shaft, Axle |
| 25 | 4321086 | 1 | Cover, Transfer Case |
| 26 | 4321186 | 10 | Screw, 5/16-18 x 5/8" Hex Flange |
| 27 | 4321087 | 1 | Plug, Drain |
| 28 | 836852 | 1 | Breather |
| 29 | 4321347 | 1 | Kit, Master Bearing (Includes items 8-10, 13-18, 20, 22, 23) |
| 30 | 4330932 | 1 | Kit, Pinion Seal (Includes 20, 22, 23) |

TRUCKSTER XD

Front and Rear Axle Cover

Rear Axle Part No. 4395476 and 4395475

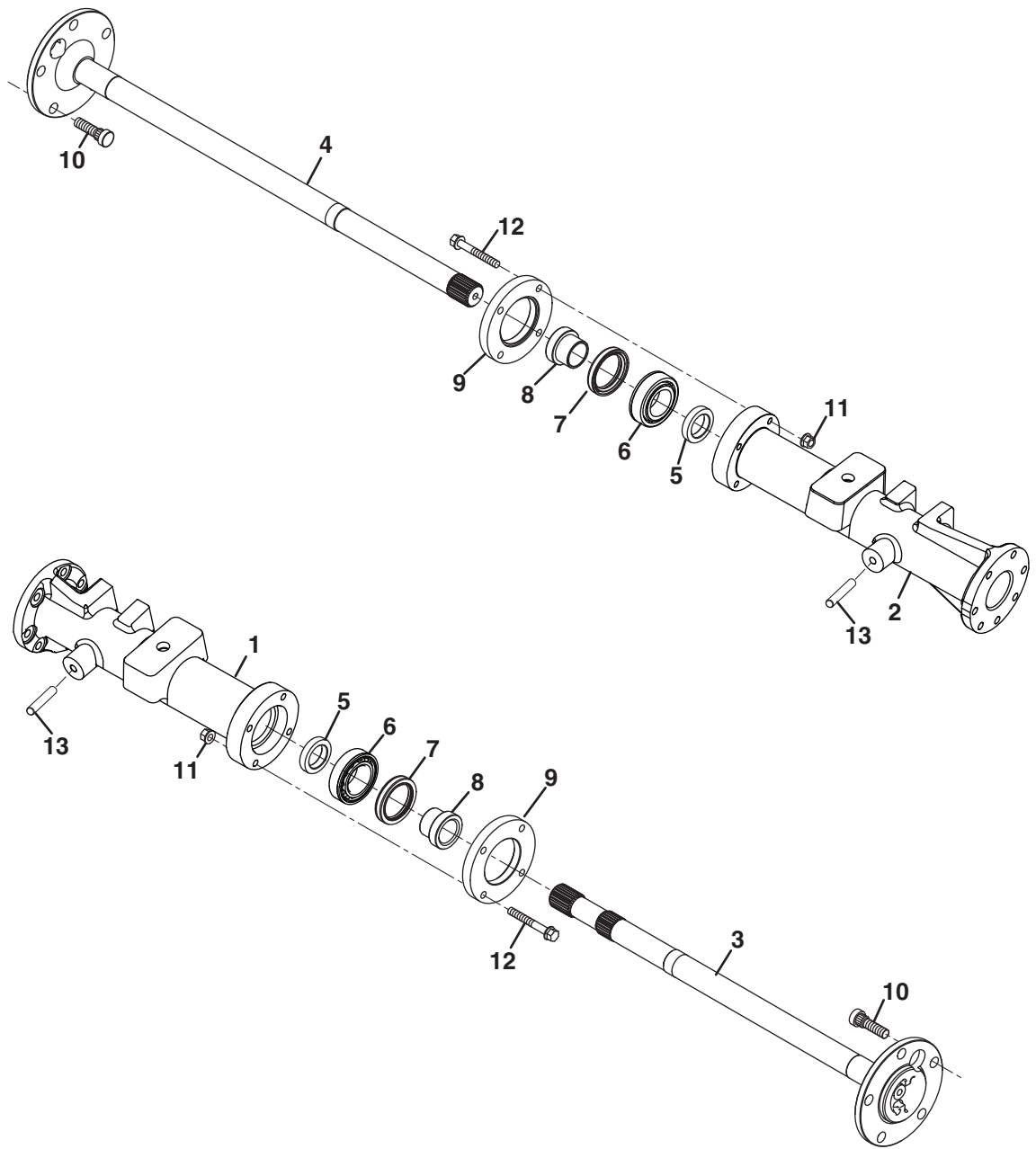


| Item | Part No. | Qty. | Description |
|-------------|-----------------|-------------|------------------------------------|
| 1 | 4397467 | 1 | Cover, Front |
| 2 | 4332629 | 25 | Screw, 5/16-18 x 1-1/8" Hex Flange |
| 3 | 4397637 | 1 | Cover, Rear |
| 4 | 4332752 | 4 | Dowel, Alignment |
| 5 | 4332628 | 1 | Screw, 5/16-18 x 2-1/8" Hex Flange |
| 6 | 4332749 | 2 | Seal, 30 mm x 57 mm Axle Shaft |
| 7 | REF | 1 | Left Side Axle Assembly |
| 8 | REF | 1 | Right Side Axle Assembly |
| 9 | 4332750 | 12 | Screw, 3/8 x 1-1/8" Hex Flange |
| 10 | 4397687 | 1 | Plug, Finger Grip |
| 11 | 339898 | 1 | • O-Ring, -8 ORB |
| 12 | 4326371 | 1 | Sensor, Speed |
| 13 | 4332652 | 1 | O-Ring |
| 14 | 4332651 | 1 | Screw, 5/16-18 x 3/4" Hex Socket |
| 15 | 4332649 | 1 | Tube, Vent |
| 16 | 4332627 | 2 | Plug, 1/2-20 Magnetic Drain |
| 17 | 4332630 | 1 | Plug, 1/2-20 Hex Head |
| 18 | N/S | 1 | Plug (4395475, 2WD Axle Only) |

TRUCKSTER XD

Axle Shafts

Rear Axle Part No. 4395476 and 4395475



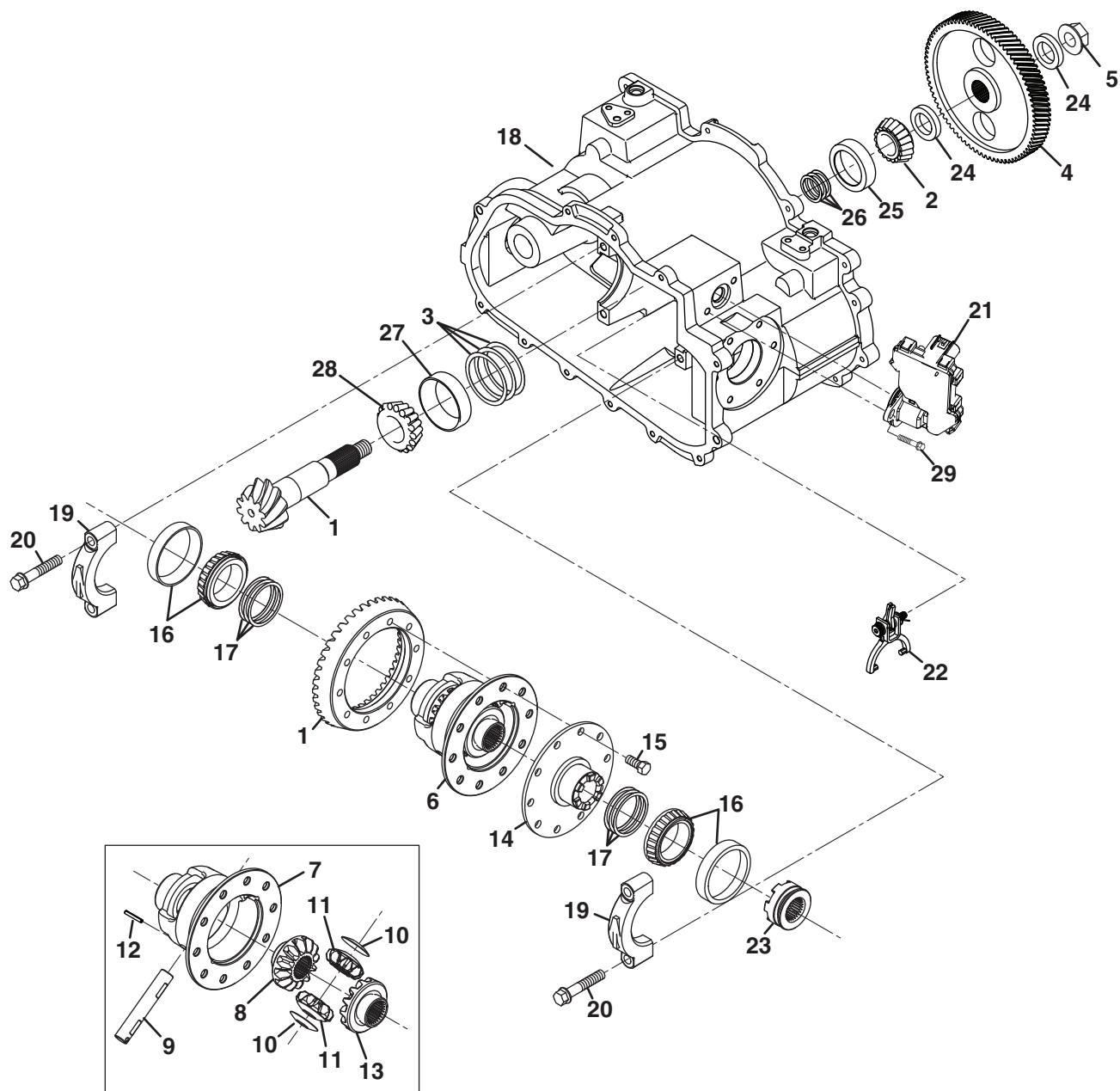
| Item | Part No. | Qty. | Description |
|-------------|-----------------|-------------|------------------------------------|
| 1 | 4397707 | 1 | Tube, Left Side Axle |
| 2 | 4397708 | 1 | Tube, Right Side Axle |
| 3 | 4332728 | 1 | Shaft, Left Side Axle |
| 4 | 4332729 | 1 | Shaft, Right Side Axle |
| | 4346490 | 1 | • Axle Shaft Bearing and Seal Kit |
| 5 | 4346490 | 1 | • • Retaining Ring |
| 6 | 4346491 | 1 | • • Tapered Bearing Assembly |
| 7 | 4346495 | 1 | • • Seal, Outer Shaft |
| 8 | N/S | 1 | • Bushing, Shaft |
| 9 | N/S | 1 | • Cover, Shaft |
| 10 | N/S | 5 | • Wheel Bolt, 1/2-20 |
| 11 | 4332751 | 8 | Nut, 5/16-18 Hex Flange |
| 12 | 4332628 | 8 | Screw, 5/16-18 x 2-1/8" Hex Flange |
| 13 | 4397688 | 2 | Shock Mount Stud |

| Item | Part No. | Qty. | Description |
|------|----------|------|---|
| 1 | 4397709 | 1 | Housing, Carrier |
| 2 | 4397631 | 1 | Assembly, Input Shaft (24 Tooth Gear) |
| 3 | N/S | 1 | • Plate, Input Shaft Retainer |
| 4 | N/S | 1 | • Retaining Ring |
| 5 | N/S | 2 | • Bearing, Ball |
| 6 | 4332686 | 3 | Screw, 1/4-20 x 1/2" Hex Socket |
| 7 | 4332709 | 1 | Seal, 35 mm x 55 mm Input Shaft |
| 8 | 4397632 | 1 | Assembly, Idler & Intermediate Shaft (Includes Items 9 - 15, 19 - 23) |
| 9 | N/S | 1 | • Retainer, Hi/Lo Shaft |
| 10 | N/S | 2 | • Washer, Shaft |
| 11 | N/S | 1 | • Gear, 42 Tooth Low Speed |
| 12 | N/S | 1 | • Bushing |
| 13 | N/S | 1 | • Retaining Ring |
| 14 | N/S | 1 | • Bearing, Ball |
| 15 | N/S | 1 | • Bearing, Ball |
| 16 | 4332629 | 3 | Screw, 5/16 x 1-1/8" Hex Flange |
| 17 | 4332752 | 2 | Pin, Alignment |
| 18 | | | |
| 19 | N/S | 1 | • Spacer |
| 20 | N/S | 1 | • Gear, 20 Tooth |
| 21 | 4332653 | 2 | • Bearing, Ball |
| 22 | N/S | 1 | • Gear, 35 Tooth |
| 23 | N/S | 1 | • Spacer, Shaft |
| 24 | 4332661 | 1 | Shaft, Hi/Lo Detent |
| 25 | 4397686 | 1 | Clutch, Shifting |
| 26 | 4332753 | 1 | Shaft, Hi/Lo Shift |
| 27 | 4332610 | 1 | Seal, 12 mm x 0.718" Shaft |
| 28 | 4332607 | 1 | Ball, 5/16" Detent |
| 29 | 4332608 | 1 | Spring, Detent |
| 30 | 4332609 | 1 | Set Screw |
| 31 | 4397637 | 1 | Cover, Rear |

TRUCKSTER XD

Differential

Rear Axle Part No. 4395476 and 4395475

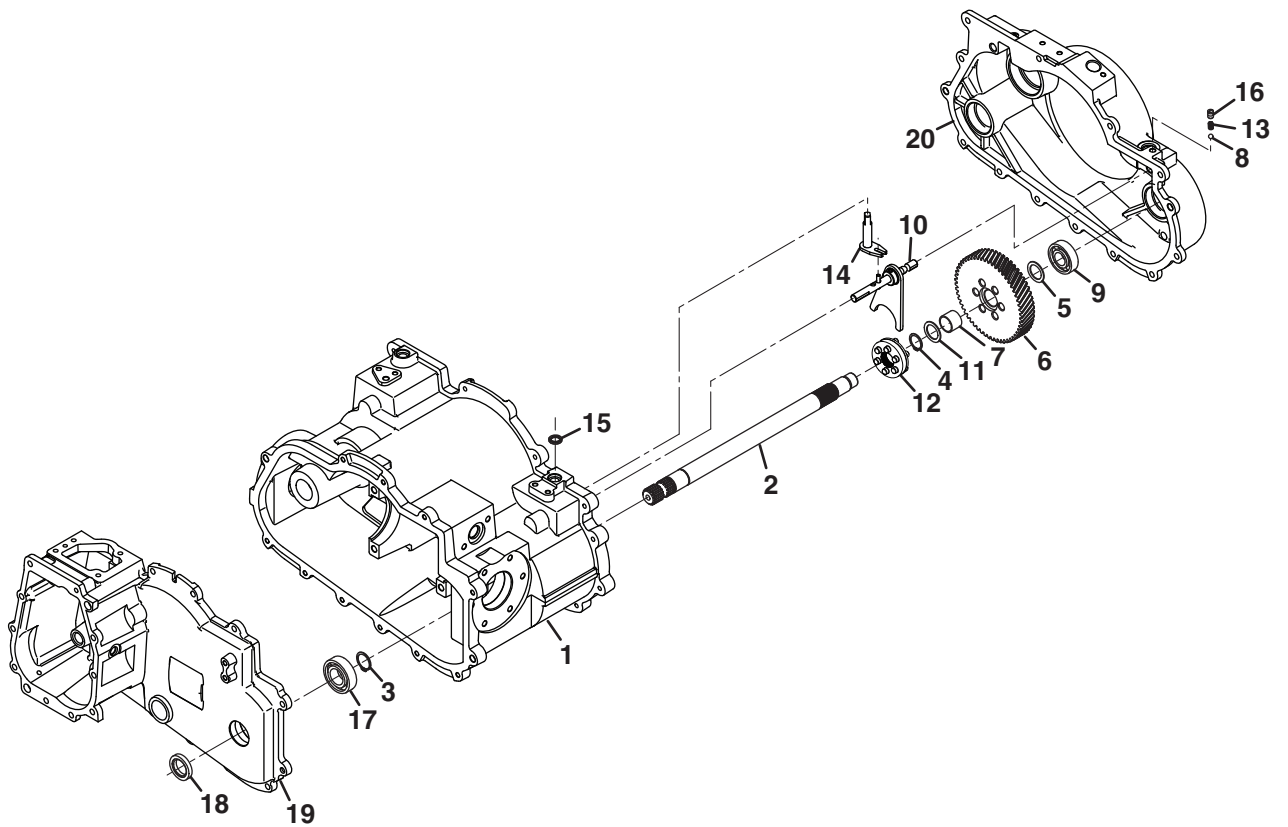


| Item | Part No. | Qty. | Description |
|------|----------|------|---|
| 1 | 4332762 | 1 | Gear Set, Gear and Pinion |
| 2 | 4332663 | 1 | Bearing, Cone |
| 3 | 4392639 | 1 | Shim Pack, Pinion |
| 4 | 4332666 | 1 | Gear, 80 Tooth |
| 5 | 4332664 | 1 | Nut, 3/4 Hex Flange |
| 6 | 4332761 | 1 | Differential Assembly (Includes Items 7 - 12) |
| 7 | N/S | 1 | • Housing, Differential |
| 8 | 4332760 | 1 | • Gear, Differential Side |
| 9 | N/S | 1 | • Shaft, Pinion |
| 10 | N/S | 2 | • Cup, Pinion |
| 11 | N/S | 2 | • Gear, Pinion |
| 12 | N/S | 1 | • Roll Pin |
| 13 | 4332760 | 1 | Gear, Differential Side |
| 14 | 4332759 | 1 | Flange, Differential Half |
| 15 | 4332758 | 10 | Screw, 3/8 x 3/4" |
| 16 | 4332757 | 2 | Bearing, Cup and Cone |
| 17 | 4392637 | 2 | Shim Pack |
| 18 | 4397709 | 1 | Housing, Carrier |
| 19 | N/S | 2 | • Cap, Bearing |
| 20 | N/S | 4 | • Screw, 7/16 x 2-1/4" Hex Flange |
| 21 | 4397706 | 1 | Actuator, Disconnect |
| 22 | 4332755 | 1 | Differential Lock Assembly |
| 23 | 4332756 | 1 | Clutch, Differential Lock |
| 24 | 4332665 | 2 | Spacer, Gear |
| 25 | 4332727 | 1 | Bearing, Cup |
| 26 | 4292638 | 1 | Shim Pack, |
| 27 | 4332764 | 1 | Bearing, Cup |
| 28 | 4332763 | 1 | Bearing, Cone |
| 29 | 403753J | 2 | Screw, 1/4 x 20-1/2" Hex Flange |

TRUCKSTER XD

4WD Output Shaft

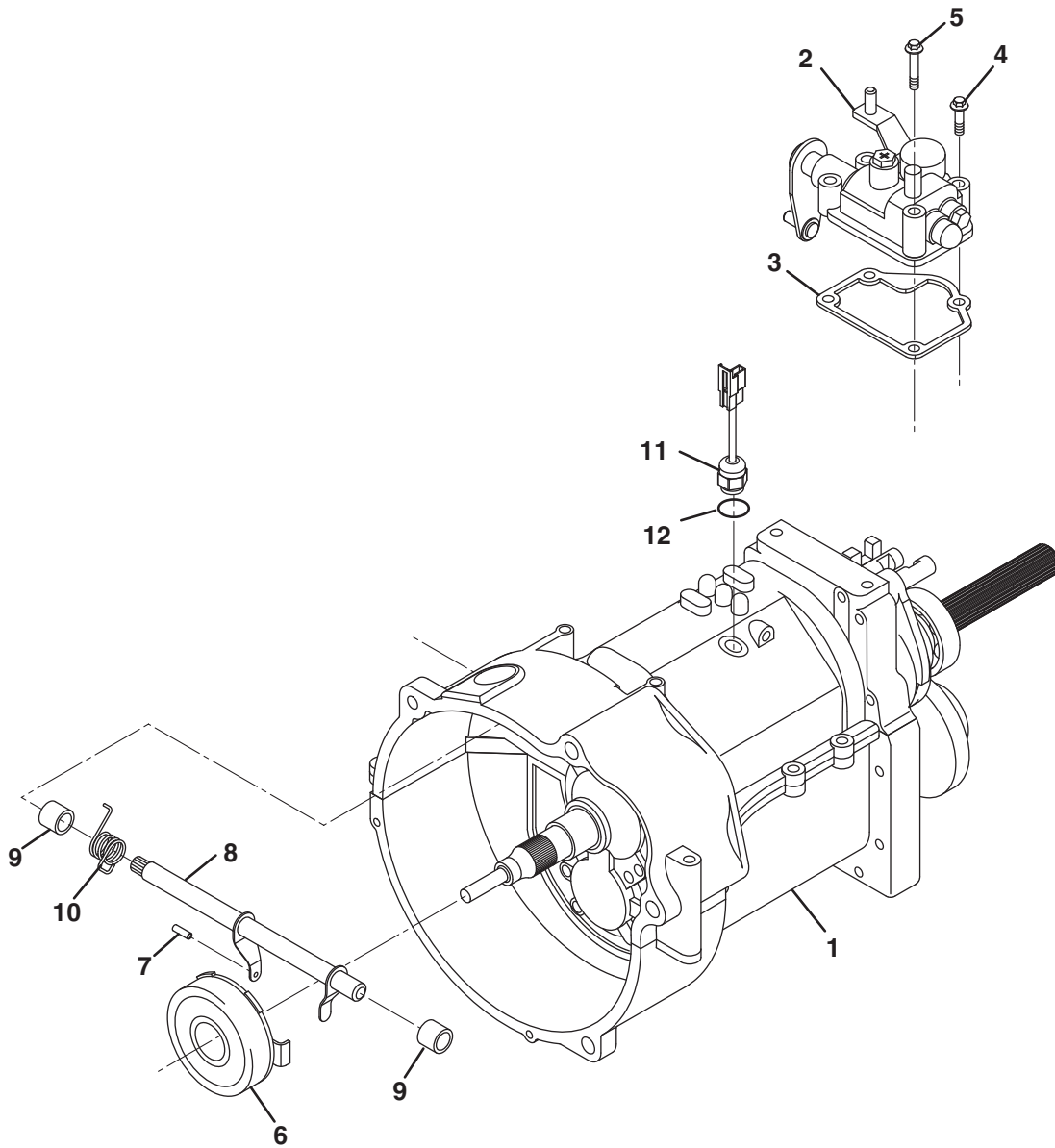
Rear Axle Part No. 4395476 Only



| Item | Part No. | Qty. | Description |
|-------------|-----------------|-------------|--------------------------|
| 1 | 4397709 | 1 | Housing, Carrier |
| 2 | 4332660 | 1 | Shaft, 4WD Output |
| 3 | N/S | 1 | • Retaining Ring |
| 4 | 4332629 | 1 | Retaining Ring |
| 5 | 4332654 | 1 | Spacer, Flat |
| 6 | 4332655 | 1 | Gear, 55 Tooth |
| 7 | N/S | 1 | • Bushing, Gear |
| 8 | 4332607 | 1 | Ball, 516" Detent |
| 9 | 4332653 | 1 | Bearing, Ball |
| 10 | 4332658 | 1 | Fork, Shift |
| 11 | 4332656 | 1 | Washer, Flat |
| 12 | 4397686 | 1 | Clutch, Shifting |
| 13 | 4332608 | 1 | Spring, Dentent |
| 14 | 4332753 | 1 | Shaft, Shift |
| 15 | 4332610 | 1 | Seal, Shaft |
| 16 | 4332609 | 1 | Set Screw, 3/8-16 x 3/8" |
| 17 | 4332765 | 1 | Bearing, Ball |
| 18 | 4332766 | 1 | Seal, 4WD Shaft |
| 19 | 4397467 | 1 | Cover, Front |
| 20 | 4397637 | 1 | Cover, Rear |

TRUCKSTER XD

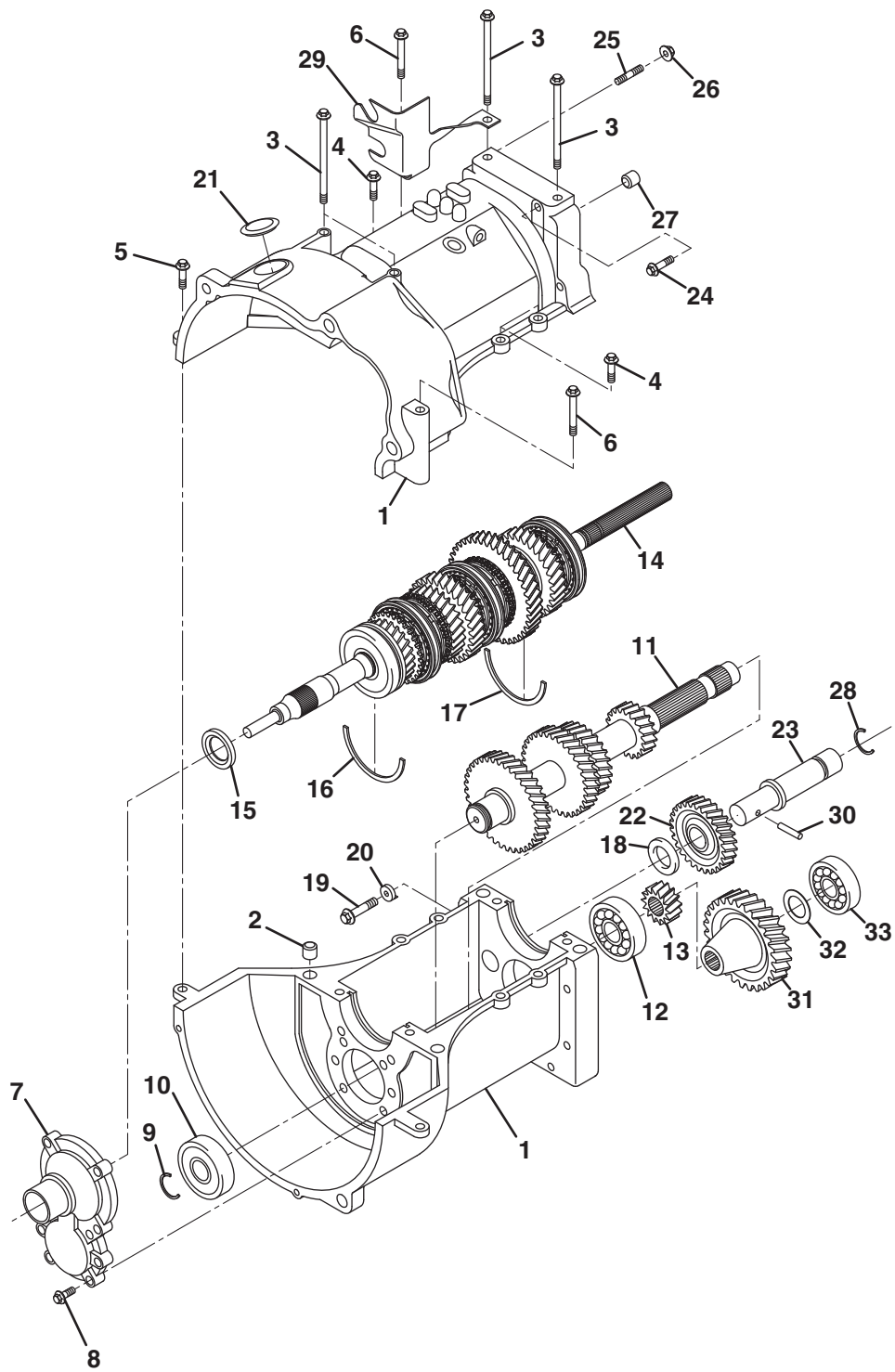
Transmission Clutch Release-Shift Selector



| Item | Part No. | Qty. | Description |
|-------------|-----------------|-------------|-------------------------|
| 1 | REF | 1 | Transmission Case |
| 2 | REF | 1 | Shift Assembly |
| 3 | 845223 | 1 | Gasket, Shift Case |
| 4 | 2702659 | 3 | Screw, M8-1.25 x 40 mm |
| 5 | 01550-08553 | 1 | Screw, M8-1.25 x 55 mm |
| 6 | 23265-85200 | 1 | Bearing, Clutch Release |
| 7 | 09205-03019 | 1 | Roll Pin |
| 8 | 23260-85203 | 1 | Shaft, Clutch Release |
| 9 | 09300-14017 | 2 | Bushing, Clutch Release |
| 10 | 09448-20007 | 1 | Spring, Clutch Release |
| 11 | 37610-80043 | 1 | Switch, Backup Light |
| 12 | 09280-11002 | 1 | • O-Ring |

TRUCKSTER XD

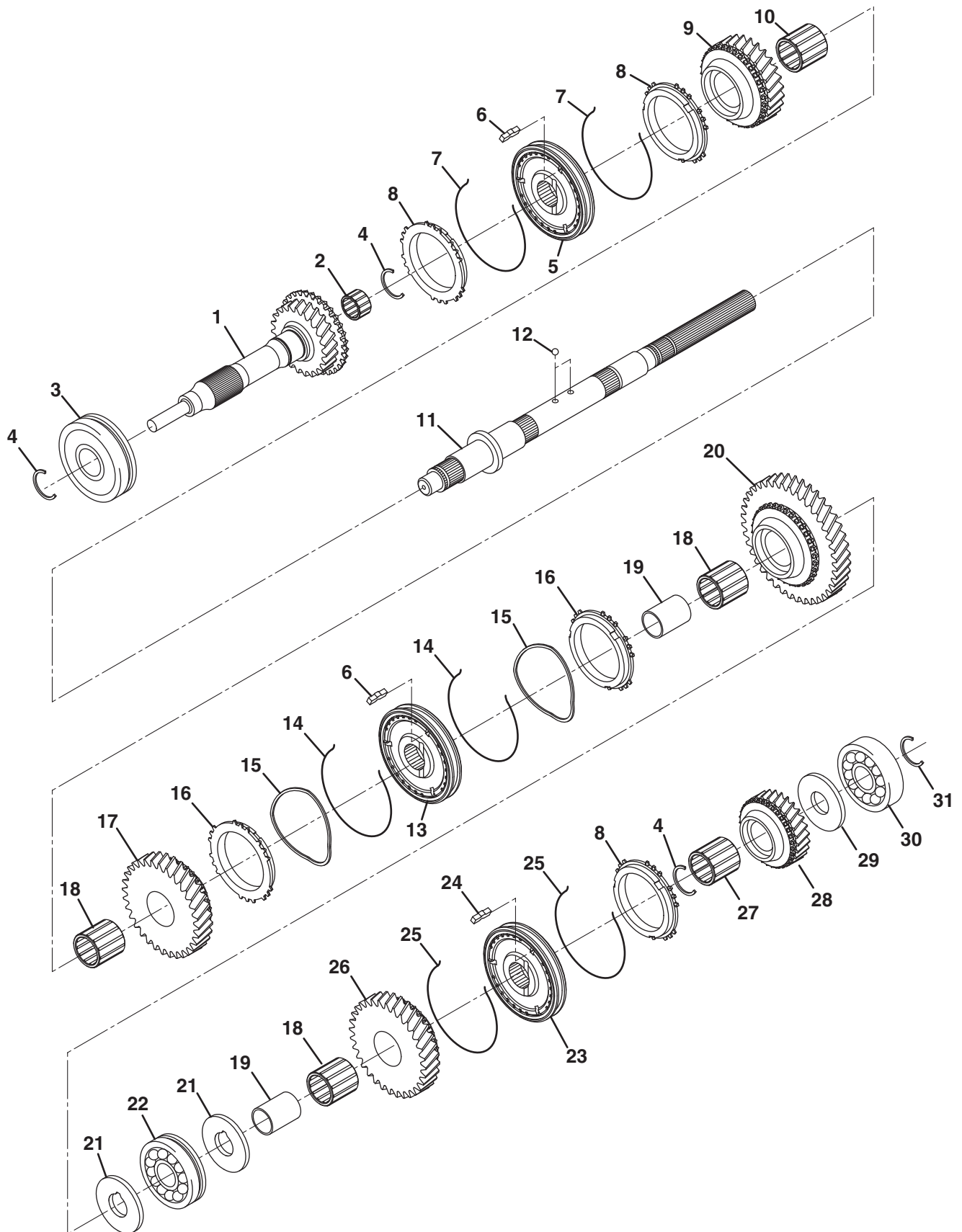
Transmission Case



| Item | Part No. | Qty. | Description |
|------|-------------|------|--------------------------------------|
| 1 | 24700-85200 | 1 | Case, Transmission (Upper and Lower) |
| 2 | 2702690 | 2 | • Pin, Alignment |
| 3 | 2702665 | 4 | • Screw, M8-1.25 x 120 mm Flange |
| 4 | 2702470 | 3 | • Screw, M8-1.25 x 30 mm Flange |
| 5 | 2702659 | 1 | • Screw, M8-1.25 x 40 mm Flange |
| 6 | 2702471 | 2 | • Screw, M8-1.25 Flange |
| 7 | 24741-83001 | 1 | Retainer, Input Shaft Bearing |
| 8 | 09103-08152 | 8 | Screw, M8-1.25 x 25 mm Flange |
| 9 | 09380-28007 | 1 | Cir Clip |
| 10 | 09262-28019 | 1 | Bearing, Front |
| 11 | 24131-83002 | 1 | Counter Shaft |
| 12 | 09262-28020 | 1 | Bearing, Center |
| 13 | 24671-83000 | 1 | Gear, Countershaft Reverse |
| 14 | REF | 1 | Input and Main Shaft |
| 15 | 09283-25088 | 1 | Seal, Oil |
| 16 | 09390-68002 | 1 | C-Ring |
| 17 | 09390-62010 | 1 | C-Ring |
| 18 | 09166-16014 | 1 | Washer |
| 19 | 452381 | 1 | Screw, M6-1 x 40 mm Flange |
| 20 | 844186 | 1 | Washer, Special |
| 21 | 2702662 | 1 | Plug, Inspection Timing |
| 22 | 24560-83001 | 1 | Gear, Reverse Idle |
| 23 | 24551-83010 | 1 | Shaft, Reverse Idle Gear |
| 24 | 452390 | 1 | Screw, M8-1.25 x 30 mm Flange |
| 25 | 01421-08303 | 1 | Stud, M8-1.25 |
| 26 | 450324 | 1 | Nut, M8-1.25 Hex Flange |
| 27 | 2702690 | 2 | Pin, Alignment |
| 28 | 2702586 | 1 | Cir Clip |
| 29 | 28391-85202 | 1 | Bracket, Shift Cables |
| 30 | 09261-06003 | 1 | Pin |
| 31 | 24351-60A10 | 1 | Gear, Counter Shaft 5th |
| 32 | 09164-20008 | 1 | Washer |
| 33 | 09262-20073 | 1 | Bearing, Rear |

TRUCKSTER XD

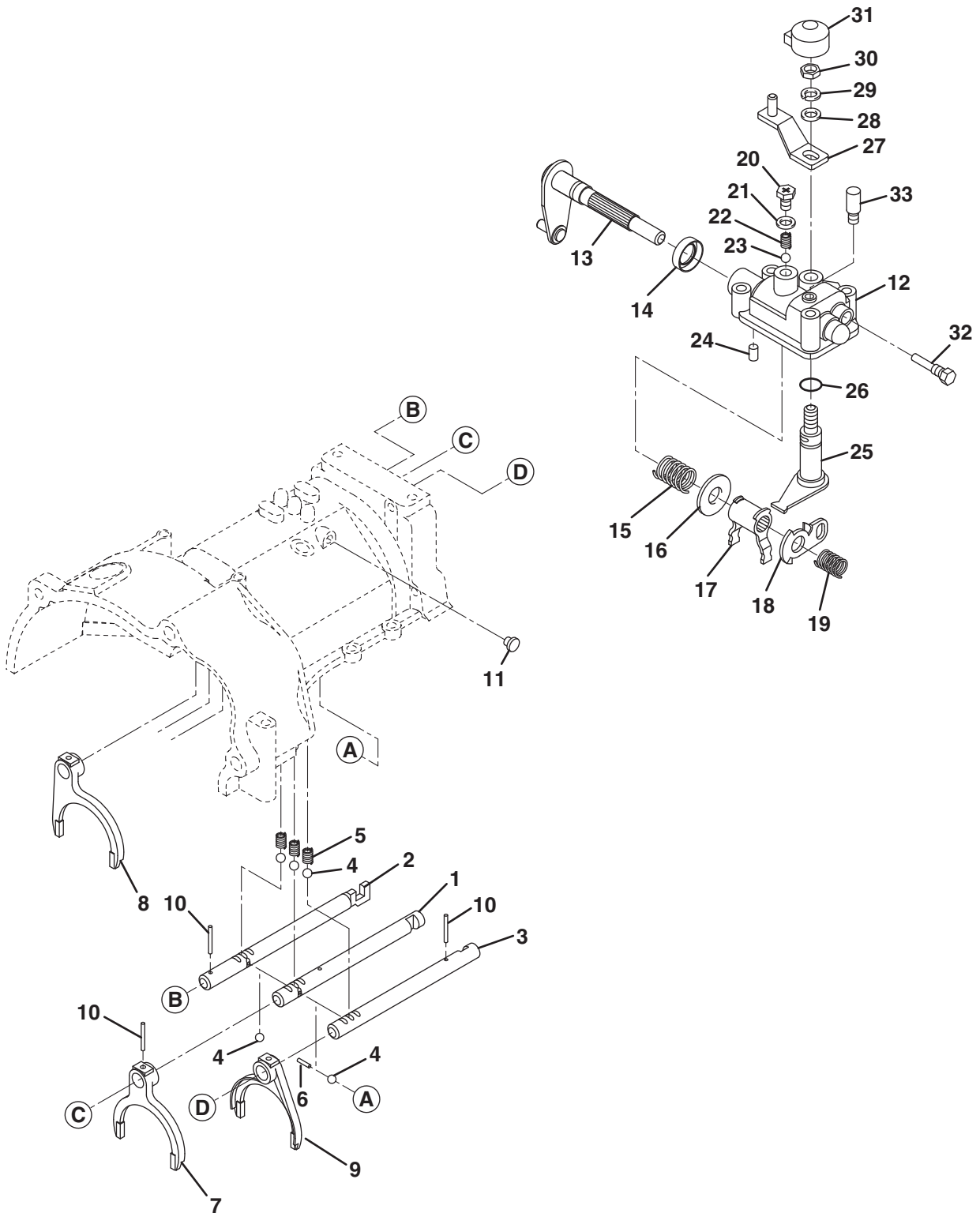
Input and Main Shaft



| Item | Part No. | Qty. | Description |
|-------------|-----------------|-------------|---|
| 1 | 24110-80410 | 1 | Shaft, Input (4th Gear) |
| 2 | 2702561 | 1 | Bearing, Needle |
| 3 | 4141037 | 1 | Bearing, Input Shaft Ball |
| 4 | 09380-28007 | 3 | Cir Clip |
| 5 | 24410-83000 | 1 | High Speed Synchroniser (Includes Hub and Sleeve) |
| 6 | 24471-60A00 | 6 | Key, Synchronizer |
| 7 | 2703581 | 2 | Spring, High Speed Synchronizer |
| 8 | 24432-83001 | 3 | Ring, Synchronizer |
| 9 | 2703453 | 1 | Gear, Main Shaft 3rd |
| 10 | 09263-30031 | 1 | Bearing, Needle |
| 11 | 24121-85252 | 1 | Shaft, Main |
| 12 | 06111-06003 | 2 | Ball |
| 13 | 24400-83002 | 1 | Low Speed Synchronizer (Includes Hub and Sleeve) |
| 14 | 24436-83000 | 2 | Spring, Low Speed Synchronizer |
| 15 | 2703580 | 2 | Spring, Low Speed |
| 16 | 24431-83001 | 2 | Ring, Low Speed Synchronizer |
| 17 | 24220-60A01 | 1 | Gear, Main Shaft 2nd |
| 18 | 09263-35015 | 3 | Bearing, Needle |
| 19 | 09300-30003 | 2 | Bushing |
| 20 | 24211-83011 | 1 | Gear, Main Shaft Low (1st Gear) |
| 21 | 09166-30007 | 2 | Washer |
| 22 | 09262-30086 | 1 | Bearing, Ball |
| 23 | 24420-83000 | 1 | Synchronizer, Reverse Drive (Includes Hub and Sleeve) |
| 24 | 24473-70D10 | 3 | Key, Synchronizer |
| 25 | 2703581 | 1 | Spring, Reverse Synchronizer |
| 26 | 4119000 | 1 | Gear, Main Shaft Reverse |
| 27 | 24801-60810 | 1 | Bearing, Needle |
| 28 | 24250-83020 | 1 | Gear, Main Shaft 5th |
| 29 | 24255-60A00 | 1 | Washer |
| 30 | 09262-25073 | 1 | Bearing |
| 31 | 09380-25011 | 1 | Cir Clip |


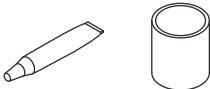
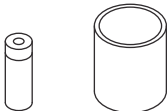

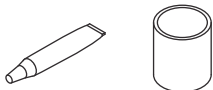

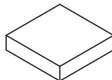
TRUCKSTER XD

Gear Shift Fork Linkage



| Item | Part No. | Qty. | Description |
|-------------|-----------------|-------------|---|
| 1 | 25411-85201 | 1 | Shaft, Low Speed Fork (1st and 2nd Gear) |
| 2 | 25420-85201 | 1 | Shaft, High Speed Fork (3rd and 4th Gear) |
| 3 | 25451-85261 | 1 | Shaft, Reverse Fork |
| 4 | 06111-12004 | 5 | Ball |
| 5 | 25415-83000 | 3 | Spring, Detent |
| 6 | 09261-03017 | 1 | Roller |
| 7 | 2703699 | 1 | Fork, Low Gear Shift (1st and 2nd Gear) |
| 8 | 2703699 | 1 | Fork, High Gear Shift (3rd and 4th Gear) |
| 9 | 2703582 | 1 | Fork, Reverse Gear Shift |
| 10 | 09205-05012 | 3 | Pin, 4 x 25 mm Spring |
| 11 | 09250-10006 | 1 | Plug, Locating |
| 12 | 2703454 | 1 | Case, Gear Shift Lever |
| 13 | 25520-85203 | 1 | Shaft, Grear Shift Lever |
| 14 | 09284-17004 | 1 | Seal, Oil |
| 15 | 25576-70D00 | 1 | Spring |
| 16 | 09160-17035 | 1 | Washer, 17 x 32 x 1.2 mm |
| 17 | 25541-85201 | 1 | Lever, Gear Select |
| 18 | 25545-85055 | 1 | Dog, Reverse Shift Limit |
| 19 | 25546-60C01 | 1 | Spring |
| 20 | 09128-10002 | 1 | Bolt, M10 x 9 mm Retaining |
| 21 | 09168-10007 | 1 | Gasket |
| 22 | 25547-70D00 | 1 | Spring |
| 23 | 09135-08005 | 1 | Ball |
| 24 | 2701953 | 1 | Pin |
| 25 | 25530-79501 | 1 | Shaft, Gear Select |
| 26 | 09286-09001 | 1 | Seal, Oil |
| 27 | 25535-85412 | 1 | Arm, Gear Select |
| 28 | 09162-08008 | 1 | Washer |
| 29 | 2702883 | 1 | Washer |
| 30 | 2702494 | 1 | Nut, M8-1.25 Hex |
| 31 | 25536-84200 | 1 | Boot, Gear Select |
| 32 | 09135-08005 | 1 | Bolt, Retaining |
| 33 | 24821-09001 | 1 | Plug, Breather |

Fluids and Compounds

| | | |
|---------------------------------------|--|---|
| Hydraulic Fluid* | |  |
| 5001405 | Two 2-1/2 Gallon Container of ISO VG68 Oil | |
| 5001404 | One 5 Gallon Pail of ISO VG68 Oil | |
| 2500548 | Two 2-1/2 Gallon Container of 10W30 Oil | |
| 2500546 | One 5 Gallon Pail of 10W30 Oil | |
| 503409 | Two 2-1/2 Gallon Container of ATF Fluid | |
| 503407 | One 5 Gallon Pail of ATF Fluid | |
| Grease | |  |
| 5000067 | One 5 Gallon Pail OO-Grease | |
| 5000068 | Twenty Four 8 Ounce Tube OO-Grease | |
| Paint | |  |
| 4184140 | 12 Ounce Orange Aerosol Can | |
| 838140 | 16 Ounce Ransomes Green Aerosol Can | |
| 4112764 | 1 Quart Can Ransomes Green | |
| Lapping Compound | |  |
| 5002488 | One 10 Pound Pail of 80 Grit | |
| 5002490 | One 25 Pound Pail of 80 Grit | |
| 5002489 | One 10 Pound Pail of 120 Grit | |
| 5002491 | One 25 Pound Pail of 120 Grit | |
| Specialty Compound | |  |
| 365422 | 5.3 Ounce Tube of Electrical Insulating Gel | |
| 5001581 | 14 Ounce Can of Lubriplate Multi Lube A | |
| Biodegradable Hydraulic Fluid* | |  |
| 5003102 | One 55 Gallon Drum GreensCare 68 | |
| 5003103 | One 5 Gallon Pail GreensCare 68 | |
| 4294332 | One 55 Gallon Drum GreensCare 68 Plus | |
| 4219840 | One 5 Gallon Pail GreensCare Plus 68 | |
| 5003105 | One 55 Gallon Drum GreensCare 46 | |
| 5003104 | One 5 Gallon Pail GreensCare 46 | |
| 4294331 | One 55 Gallon Drum GreensCare 46 Plus | |
| 4219860 | One 5 Gallon Pail GreensCare Plus 46 | |
| 4115977 | One 5 Gallon Pail Greens Care 32 | |
| 4114701 | GreensCare Bio-Flush | |
| 5003106 | Twenty Four 14 Ounce Tube Greens Care Grease | |
| O-Ring Kit | |  |
| 5002452 | SAE O-Ring Boss (3/32 ~ 2" Tube O.D.) | |
| 5002453 | Common O-Ring Kit | |
| 5002454 | O-Ring Face Seal ORFS (-4 ~ -24 ORS Tube Size) | |
| On-Time Maintenance Kit | | |
| See your local TSV Dealer | | |



CUSHMAN®
LET'S WORK.®

Textron Specialized Vehicles, Inc.
1451 Marvin Griffin Road
Augusta, Georgia 30906 - 3852 USA

CONTACT US:

North America:

Technical Assistance & Warranty Phone: 1-800-774-3946, FAX: 1-800-448-8124
Service Parts Phone: 1-888-438-3946, FAX: 1-800-752-6175

International:

Phone: 001-706-798-4311, FAX: 001-706-771-4609

Service Parts Manuals and Repair and Service Manuals
are available from a local Distributor, or an authorized Branch,
TSV Parts & Accessories Department or at www.cushman.com.

Copyrighted Material

This manual may not be reproduced in whole
or in part without the express permission of
TSV Technical Communications Department