



**Part Number
#07104**

Installation & Operations Manual
Armory X Rack- Full Size Universal Patent Pending



Installation information:

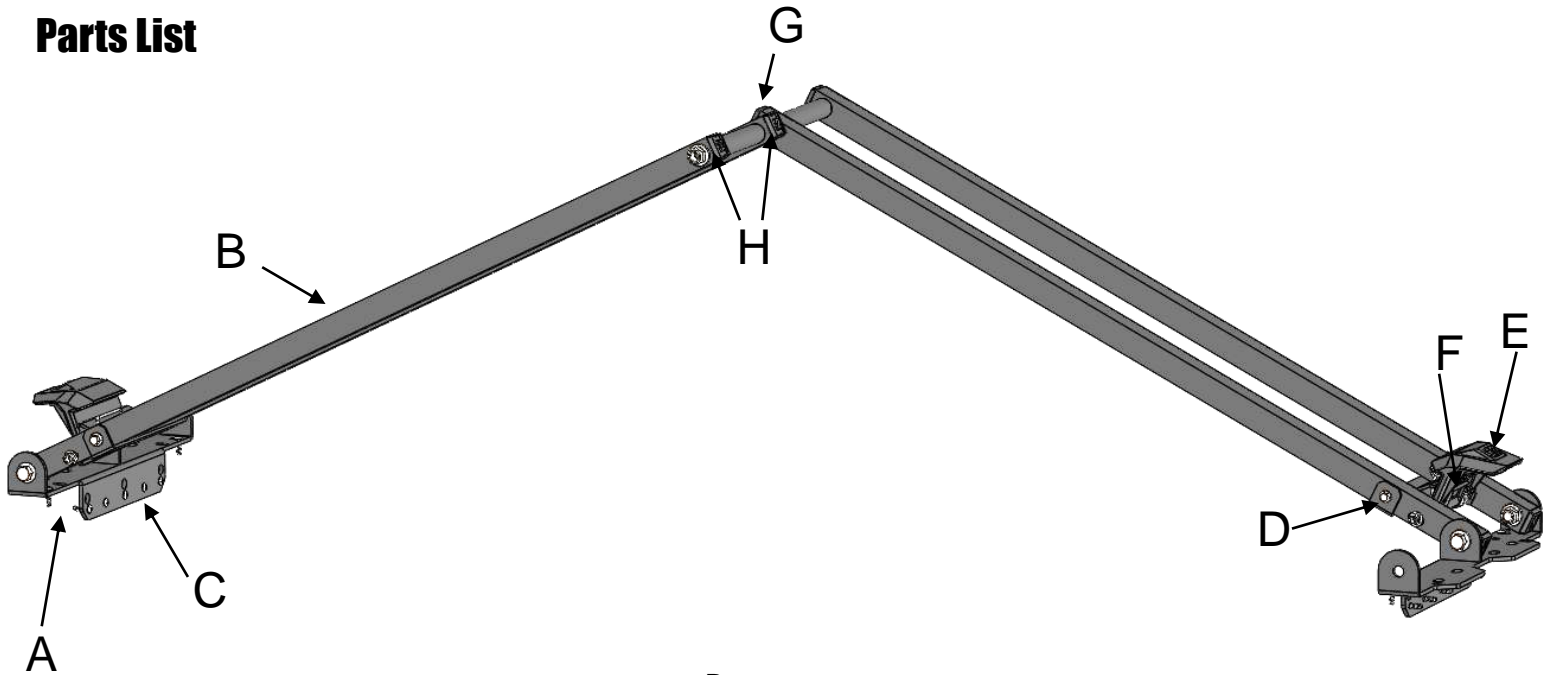
- This product has an installation rating of: **Easy**
- Approximate installation time: **30 Minutes**
- This product is easiest to install with: **2 people**

Seizmik makes Windshields, Doors, Tops, Hood Racks, Brush Guards, and other great accessories for utility vehicles & side x sides. Our products are engineered tough for long life and tested under the harshest of conditions.

Always observe the warnings and precautions in this manual when using your Seizmik products. For best results, carefully follow the instructions in this manual and make no modifications.

Seizmik products are designed, developed and manufactured by Vialink Corp. If you have any questions, comments, need assistance, or are missing parts, please call 1-866-838-3366 between 9:00AM and 5:00PM EST. You can email us at support@seizmik.com

Parts List



Parts:

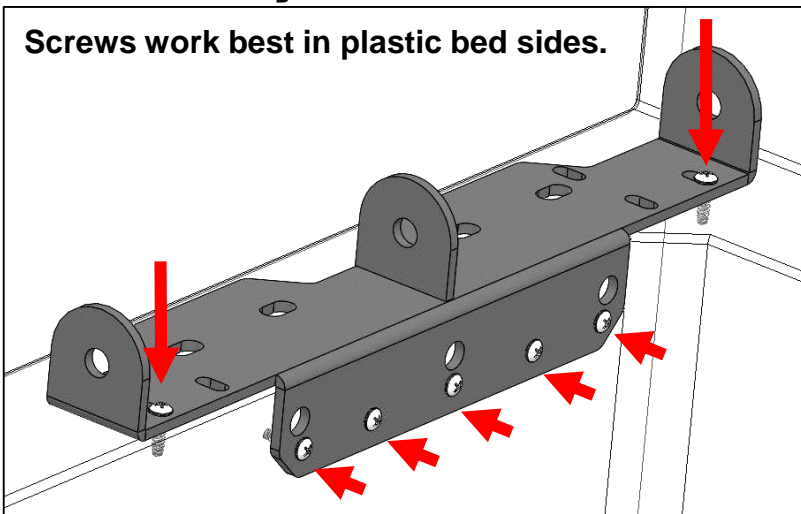
- A. Bed Attachment Screws (14)
- B. Gun Rail (2)
- C. Base Plate (2)
- D. Spring Plate (2)
- E. Paddle Latch (2)
- F. Paddle Latch Spring (2)
- G. Top Spacer
- H. End Caps (8)

Hardware:

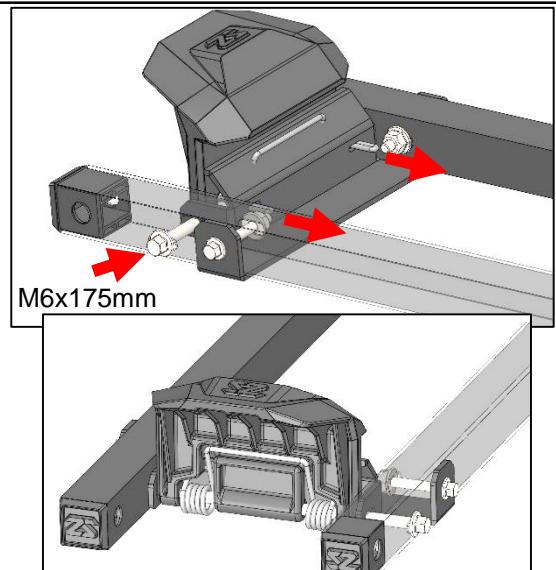
- (1) M10 350mm Flange Head Bolt
- (2) M6 175mm Flange Head Bolt
- (4) M10 40mm Hex Head Bolt
- (4) M6 40mm Flange Head Bolt
- (14) M5 15mm self forming screws
- (5) M10 nylock nut
- (6) M6 Flange nylock nut

X Rack Assembly

Screws work best in plastic bed sides.

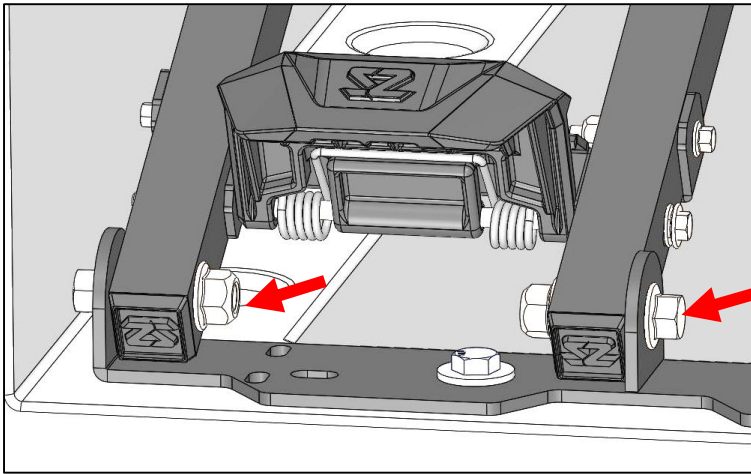


1. First we recommend the Base Plate (C) to be located as far forward on the bed as possible. Using a 7/64" drill bit, drill the pilot holes for the Bed Attachment Screws (A) in the location of your choosing. We recommend the configuration in the image above. Be sure the Base Plates (C) are symmetrical from the left and right sides of the bed. Screw in the 14 Bed Attachment Screws (A) securing the Base Plates (C).

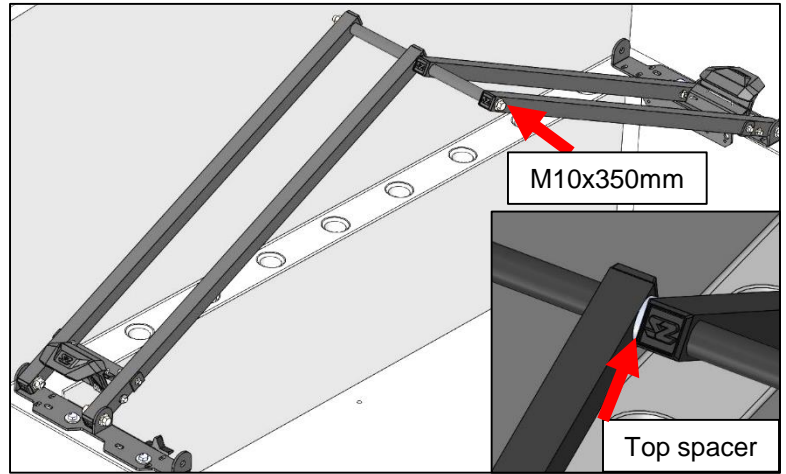


2. The Gun Rail Assembly should be loosely bolted together as shown above using an M6x175mm bolt and 2 M6x35mm bolts. The Spring Plate (D) slides forwards and backwards to ensure every gun case fits securely in the rails. Make sure the assembly slides forwards and backwards easily, it will be adjusted in step 7.

X Rack Assembly



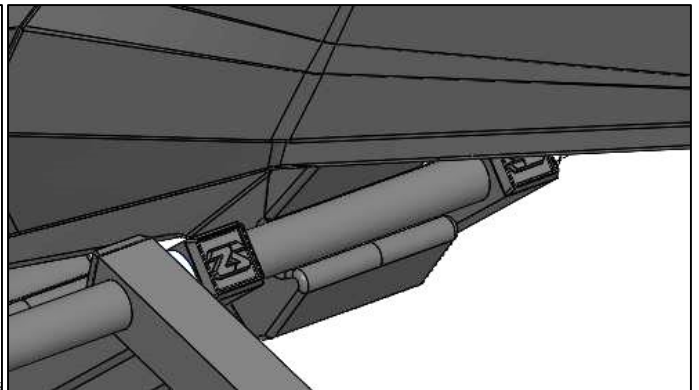
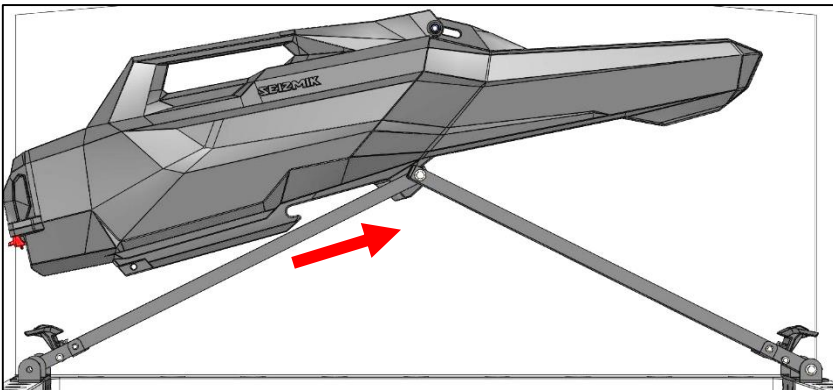
3. Loosely bolt the gun rail assembly to the base plate using 2 M10x40mm bolts and flange nuts per side. The driver side rail should be mounted in the forward most position while the passenger side rail should be mounted in the rearward position so that the rails may be bolted together at the top. Do not tighten down at this point.



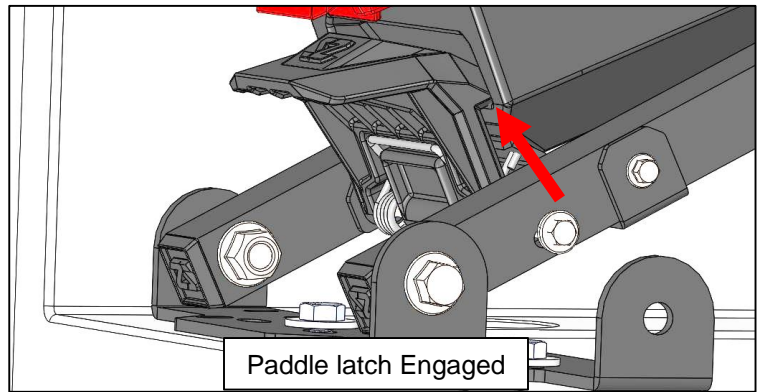
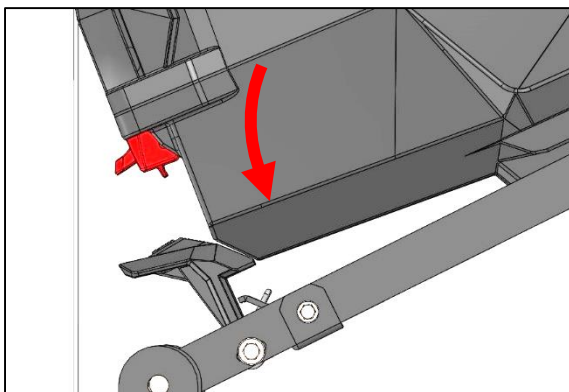
4. Pivot the Gunrails (B) upward and bolt together as shown using the M10x350mm flange bolt and locking flange nut. Be sure to place the Top Spacer (G) in between the Gunrails (B) to maintain proper alignment. Tighten the M10x350mm bolt until snug. Over tightening may cause square tubing to deform.

Armory SST Installation and Adjustment

At this point, the Armory SST Gun Case must be placed in the rack and the spring plate(s) (D) must be adjusted.

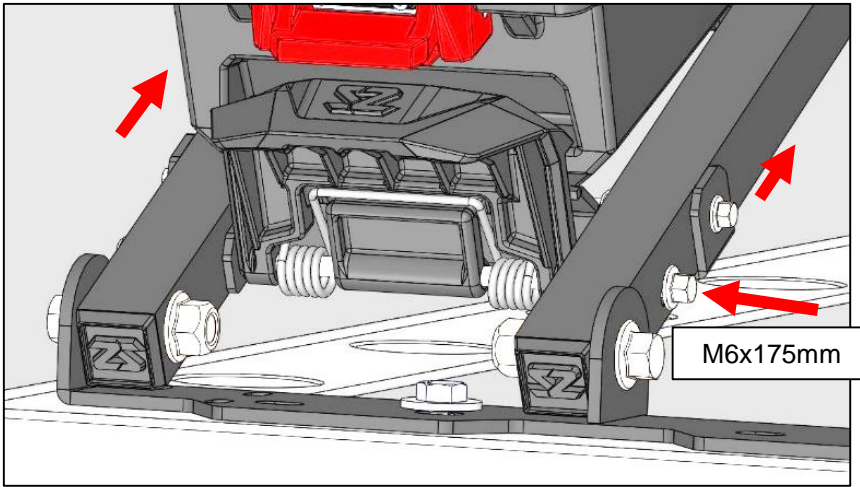


5. Using the front hook of your Armory SST Gun Case, capture the upper tubing of the Gun rail pushing firmly to ensure full engagement.

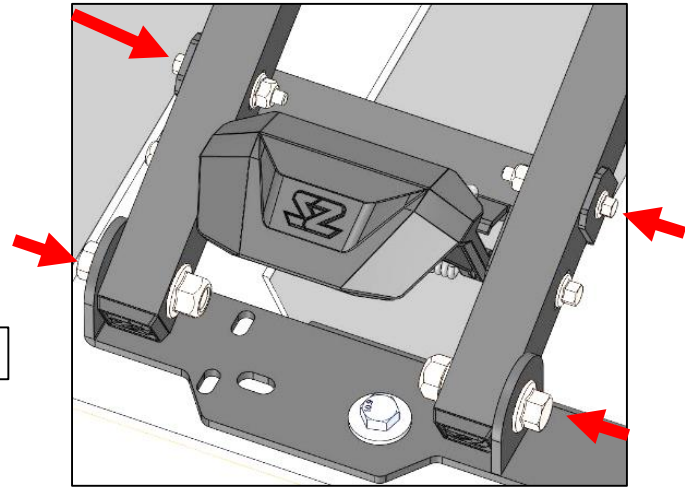


6. While keeping the front hook engaged, pivot the rear of the Armory SST Gun Case downward and push firmly to move and snap the paddle latch (E) into place.

Armory SST Installation and Adjustment



7. To ensure the Armory SST Gun Case is secure in the X Rack, push the spring plate assembly (Should still be only loosely bolted in) forward into the rear of the gun case so that the paddle latch is fully engaged and that the case does not rattle or move around. With the Spring plate assembly pushed forward, tighten down the M6x175mm Flange bolt snugly so that the spring plate does not slide away from the gun case.



8. At this point, remove the gun case from the X rack making sure you don't move the spring plate upon removal. With the gun case out of the rack, snug down the other 2 M6x35mm flange bolts and locking nuts. You may now also snug down the 2 M10x40mm bolts at this time. Do not over tighten. Over tightening may cause square tubing to deform.



Armory X Rack Shown with 1 Armory SST Gun Case



Armory X Rack Shown with 2 Armory SST Gun Cases

Congratulations – You have now finished the installation of your Seizmik Armory X Rack.

How to get Help - If you have any questions, comments, need assistance, or are missing parts, please call 1-866-838-3366 between 9:00AM and 5:00PM EST. You can email us at support@seizmik.com, visit www.seizmik.com to download installation guides and product info, or contact your powersports dealer where you purchased your Seizmik product if you need additional assistance.