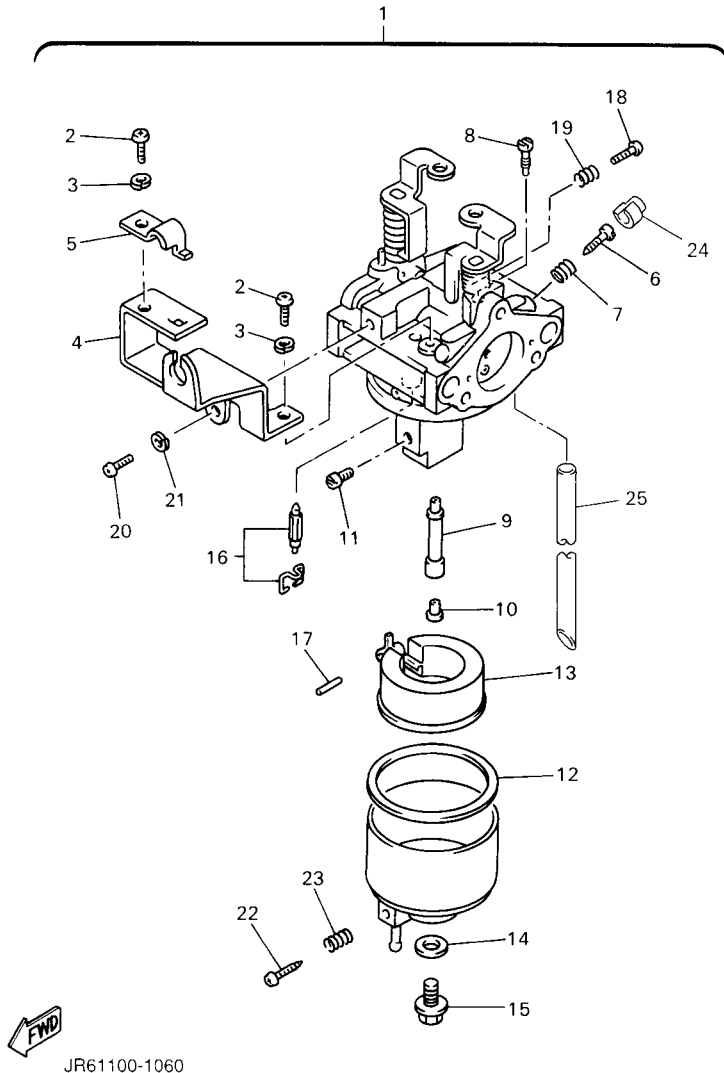


JU0100-5050

FIG. 6 INTAKE

REF. NO.	PART NO.	DESCRIPTION	JW11				REMARKS
1	JN6-13595-00	JOINT	1				
2	95707-08500	NUT, FLANGE	2				
3	JN6-13567-00	GASKET	3				
4	90119-06838	BOLT, WITH WASHER	2				
5	91701-05010	PIN, CLEVIS	2				
6	90468-10049	CLIP	2				
7	99001-07600	CIRCLIP	1				
8	91701-05010	PIN, CLEVIS	1				
9	90468-10049	CLIP	1				
10	JU0-E4411-00	CASE, AIR CLEANER 1	1				
11	JU0-E4412-00	CAP, CLEANER CASE 1	1				
12	JU0-E4450-00	ELEMENT ASSY, AIR CLEANER	1				
13	JU0-E445E-00	FILTER 1	1				
14	JU0-E3586-00	JOINT, CARBURETOR 1	1				
15	5UH-E4424-00	CLIP, CAP FITTING	5				
16	93210-398D6	O-RING	1				
17	90105-06862	BOLT, FLANGE	3				
18	JW1-F6312-00	CABLE, THROTTLE 2	1				
19	JW1-F6331-00	CABLE, STARTER 1	1				
20	JU0-F6333-00	NUT	1				

FIG. 7 CARBURETOR



REF. NO.	PART NO.	DESCRIPTION	JW11				REMARKS
1	JR6-14101-00	CARBURETOR ASSY 1	1				
2	98507-05008	.SCREW, PAN HEAD	2				
3	92990-05100	.WASHER, SPRING	2				
4	JN6-14291-00	.BRACKET 1	1				
5	J10-14227-00	.PLATE	1				
6	7NJ-14211-00	.SCREW, PILOT ADJUSTING	1				
7	73A-14212-10	.SPRING	1				
8	732-14142-65-A0	.JET, PILOT (# 65)	1				
9	JN6-1495H-3B	.NOZZLE, MAIN	1				
10	73A-1414G-00	.PIPE, MAIN BLEED	1				
11	3G2-1423A-68-A0	.JET, MAIN (# 87.5)	1				STD
	3G2-1423A-67	.JET, MAIN (# 82.5)	1				AP
	3G2-1423E-33-A0	.JET, MAIN (#83.8)	1				AP
12	796-14184-00	.GASKET, FLOAT CHAMBER	1				
13	JN6-14185-00	.FLOAT	1				
14	127-14198-00	.GASKET	1				
15	7R1-14162-00	.BOLT, HOLDING	1				
16	JN5-14150-00	.NEEDLE ASSY (WITH CLIP)	1				
17	22F-14186-00	.PIN, FLOAT	1				
18	1WG-14922-00	.SCREW, THROTTLE	1				
19	73A-14212-10	.SPRING	1				
20	98507-04010	.SCREW, PAN HEAD	1				
21	92902-04100	.WASHER, SPRING	1				
22	7E1-14191-00	.PLUG, DRAIN	1				
23	73A-14212-00	.SPRING	1				
24	7LV-14118-00	.CAP	1				
25	1KT-14197-01	.PIPE	1				