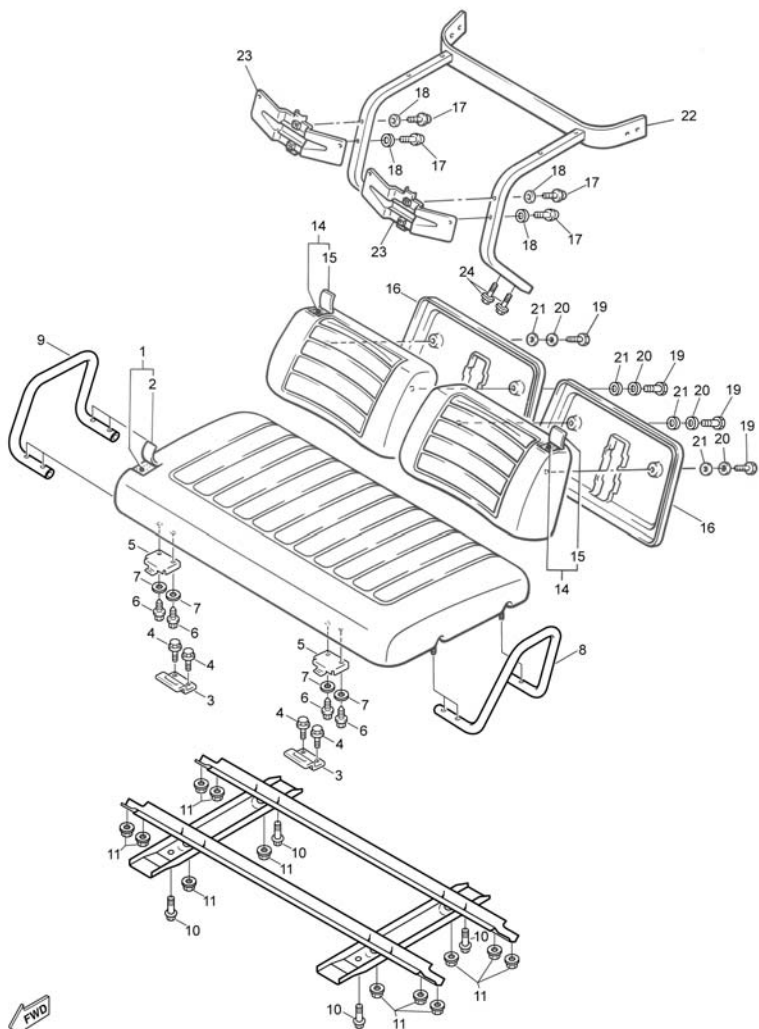


FIG. 16 SEAT



REF NO.	PART NUMBER	DESCRIPTION	QTY	REMARKS
1	JN6-K8401-10-00	CUSHION SEAT	1	
2	JN6-K8404-10-00	.COVER, SEAT 2	1	
3	JF2-K8427-00-00	HINGE, SEAT FEMALE	2	
4	90105-06903-00	BOLT, FLANGE	4	
5	JN3-K8426-01-00	HINGE, SEAT MALE	2	
6	90111-06810-00	BOLT, HEX. SOCKET BUTTON	4	
7	90204-06870-00	WASHER, SPRG.	4	
8	JN6-K8361-00-00	ARM REST 1	1	
9	JU0-K8362-00-00	ARMREST 2	1	
10	90167-04815-00	SCREW, P/H TAPPING	4	
11	9560P-08200-00	NUT, U-FLANGE	12	
12	JN6-K8121-00-00	REINFORCEMENT 1	2	
13	JN6-K8122-01-00	REINFORCEMENT 2	2	
14	JN3-K8402-00-00	BACK, SEAT SUB.	2	
15	JN3-K841G-09-00	.COVER, SEAT BACK 2	1	
16	JN3-K8413-00-00	COVER, SEAT BACK	2	
17	90119-08820-00	BOLT, HEX. W/WASHER	4	
18	90201-098J4-00	WASHER, PLAIN	4	
19	95895-06025-00	BOLT, FLANGE	4	
20	90201-068G0-00	WASHER, PLAIN	4	
21	90201-068G6-00	WASHER, PLAIN	4	
22	JU0-K8423-00-00	SUPPORT, SEAT BACK	1	
23	JN3-K842H-00-00	RETAINER, SEAT	2	
24	90105-08871-00	BOLT, FLANGE	4	