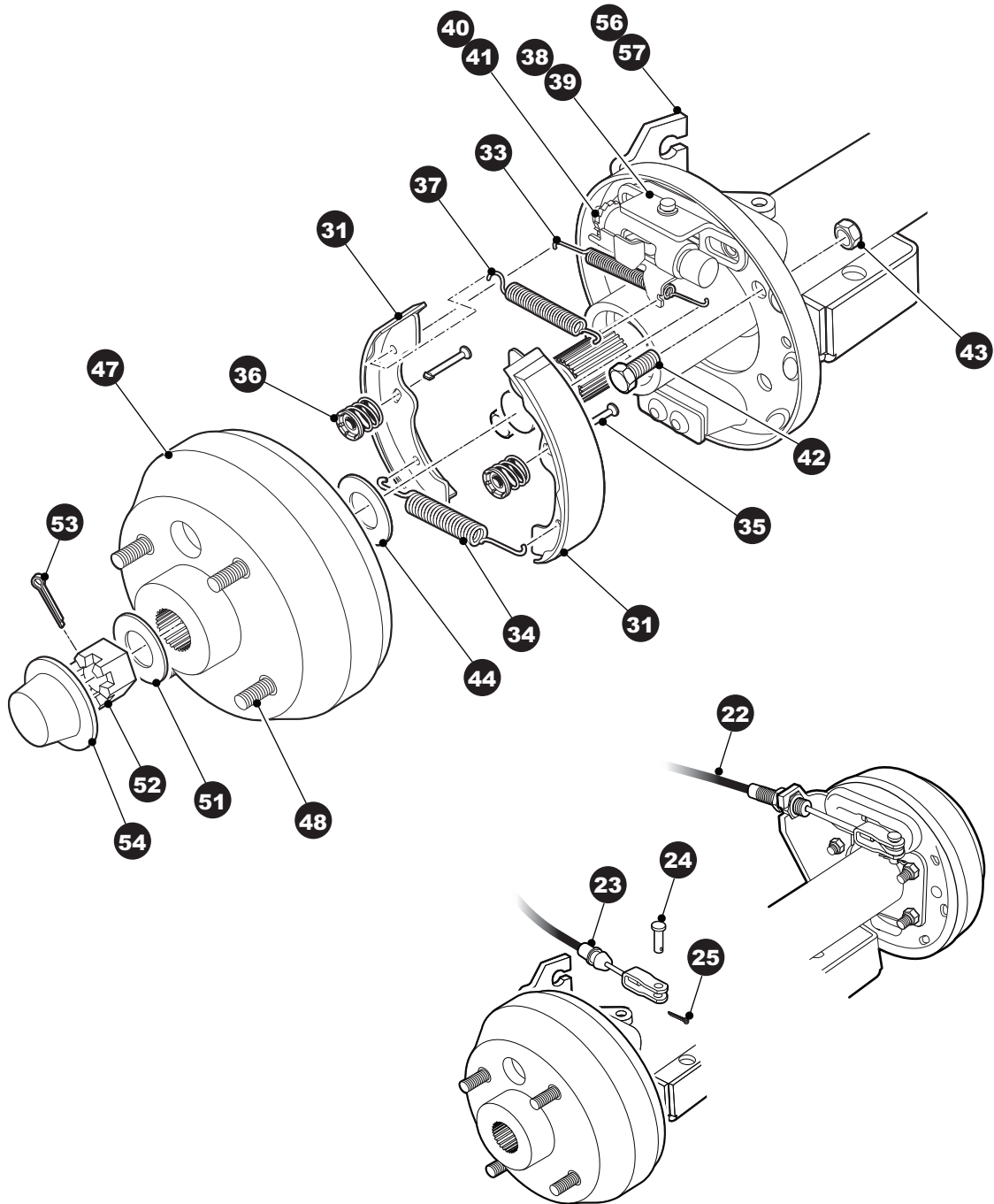


BRAKES



BRAKES

Where applicable, THE USE OF NON UL PARTS WILL VOID ANY UL LISTING.

When ordering parts, please specify the model and serial number of the product.

* Indicates a component that is not available as an individual part.

G** Indicates consult Customer Service Department for additional information.

ITEM	PART NO.	1 2 3 4 5	DESCRIPTION	QTY.
1	604990		BRAKE PEDAL ASSEMBLY	
2	605254		SOCKET HEAD SCREW, M8 - 1.25 X 90.....	4
3	605688		BRAKE PEDAL COVER.....	1
4	600252		BRAKE PEDAL RUBBER COVER.....	1
5	601406		PARK BRAKE PEDAL RUBBER COVER.....	1
6	600543		BOLT, M4 - .7 X 12.....	2
7			PARK BRAKE KICK-OFF LINKAGE.....	1
8				
9				
10				
11	606711		BRAKE LIGHT SWITCH.....	1
12	606814		S-CLIP.....	1
13	17618G1		NYLON CLAMP.....	2
14				
15				
16	604458		EQUALIZER.....	1
17	604459		BRAKE CABLE CLIP.....	1
18	601894		CLEVIS PIN, 8MM X 21.5MM.....	1
19	601835		E CLIP RING, 8 MM.....	2
20	601895		CLEVIS PIN, 8MM X 27.0MM.....	1
21				
22	601286		BRAKE CABLE, PASSENGER SIDE.....	1
23	600323		BRAKE CABLE, DRIVER SIDE.....	1
24	10386G3		CLEVIS PIN.....	2
25	10387G3		COTTER PIN .94 X .75.....	2
26				
27				
28	70998-G01		BRAKE ASSEMBLY (PASSENGER SIDE) (INCLUDES ITEMS 30 - 38).....	1
29	70998-G02		BRAKE ASSEMBLY (DRIVER SIDE) (INCLUDES ITEMS 30 - 37, 39).....	1
30	70795G01		BRAKE SHOE.....	4