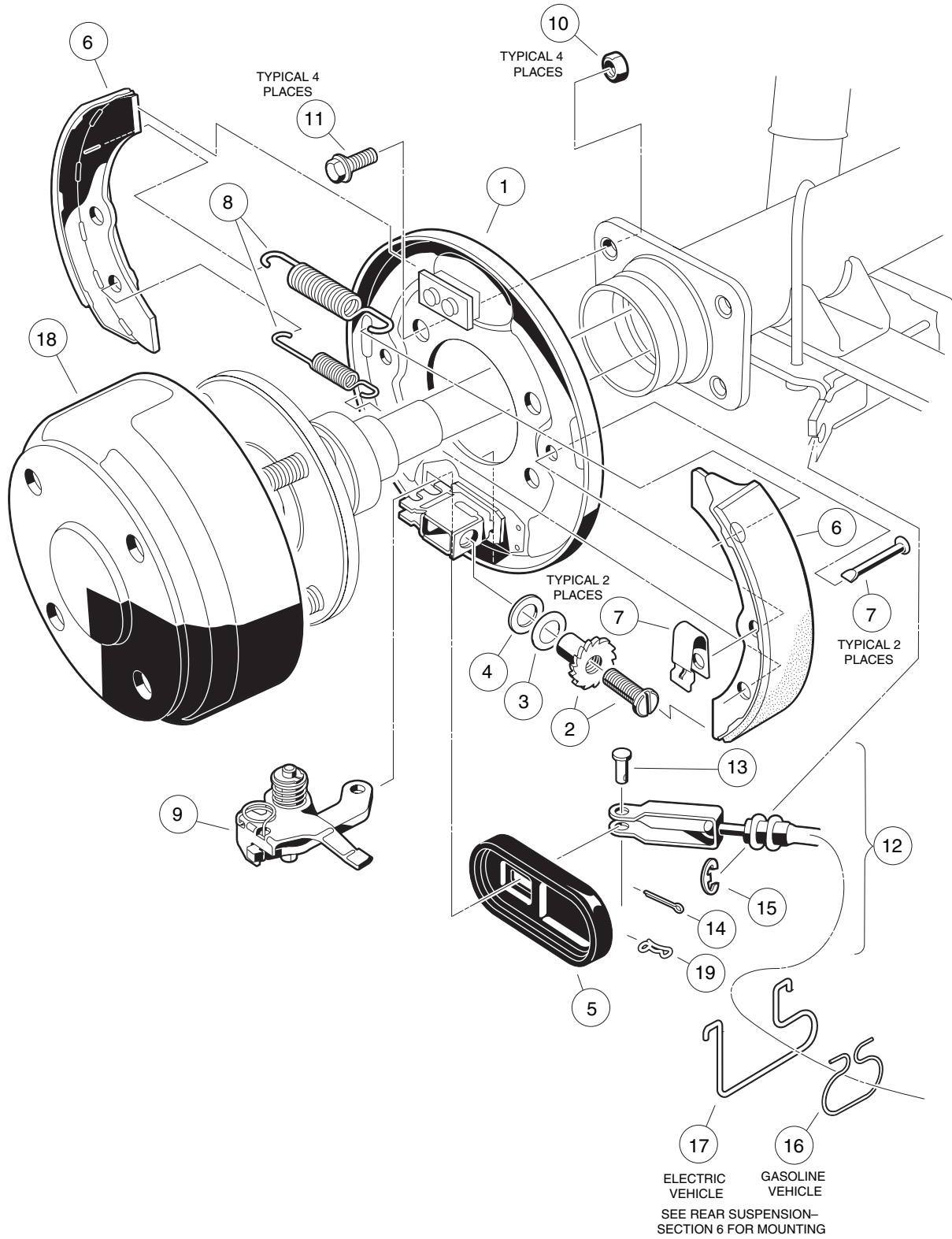


**4**  
**G**  
**E**



# BRAKE ASSEMBLY

ITEM	PART NO.	DESCRIPTION	QTY GAS	QTY ELEC
		1 2 3 4		
	101823301	Cluster, Brake, Passenger-Side (includes items 1 - 9) .....	1	1
	101823302	Cluster, Brake, Driver-Side (includes items 1 - 9) .....	1	1
1	101824001	Assembly, Backing Plate, Passenger-Side (includes items 2 - 4) .....	1	1
1	101824002	Assembly, Backing Plate, Driver-Side (includes items 2 - 4) .....	1	1
2	101816501	Mechanism, Adjusting, Passenger-Side .....	1	1
2	101816502	Mechanism, Adjusting, Driver-Side .....	1	1
3	101823901	Washer .....	1	1
4	101823801	Washer, Plate .....	1	1
5	1010850	Cover, Dust .....	1	1
6	101823201	Package, Brake Shoe (four pieces) .....	1	1
7	1011466	Kit, Shoe Retainer (four pieces) .....	1	1
8	101816301	Package, Brake Spring (four pieces) .....	1	1
9	101815501	Assembly, Lever, Passenger-Side .....	1	1
9	101815502	Assembly, Lever, Driver-Side .....	1	1
10	1013924	Nut, Hex Lock, Grade 8, 5/16-24 .....	8	8
11	1014153	Bolt, Brake Cluster Mounting, Grade 8, 5/16-24 x 7/8 .....	8	8
12	102022101	Kit, Brake Cable (includes items 13 -15) .....	2	2
13	1010829	Pin, Clevis, 5/16 .....	2	2
14	1035	Pin, Cotter .....	2	2
15	1011779	E-Clip, 1/2 .....	2	2
16	101900801	Hanger, Brake Cable (gasoline vehicle only) .....	2	
17	1013207	Hanger, Brake Cable (electric vehicle only) .....		2
18	101791101	Drum, Brake .....	2	2
19	102292801	Pin, Bow Tie Locking.....		22

4  
G  
E