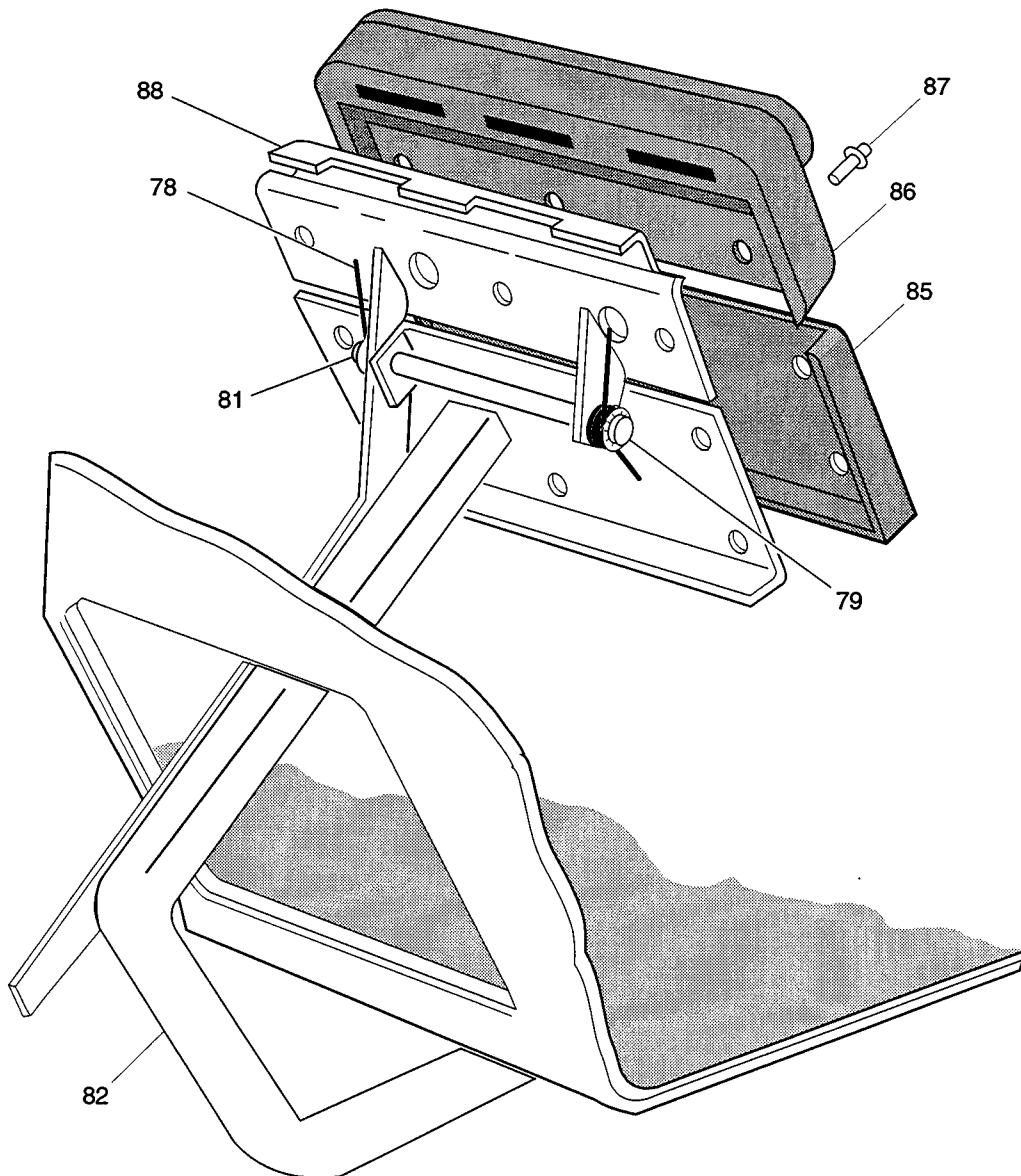


- 1 - INCLUDES ITEMS 2 - 27
- 4 - INCLUDES ITEMS 5 - 7
- 40 - INCLUDES ITEMS 42 - 52
- 55 - INCLUDES ITEMS 56 - 59
- 77 - INCLUDES ITEMS 78 - 89



THE USE OF NON UL PARTS WILL VOID ANY UL LISTING.

When ordering parts, please specify the model and serial number of the product.

* Indicates a component that is not available as an individual part.

G** Indicates a consult Customer Service Department for additional information.

ITEM	PART NO.	1	2	3	4	5	DESCRIPTION	QTY.
59	28083-G01						BUMPER, BRAKE COMPENSATOR	2
60								
61	12305-G1						RING, RETAINING	4
62								
63	10097-G6						BEARING, FLANGED	2
64	25103-G1						CAM, KICK-OFF	1
65								
66	14134-G4						SPACER.....	1
67	00491-G4						SET SCREW, 1/4 - 20 X 1/2 LG.....	2
68								
69								
70								
71								
72	11027-G1						NUT, LOCK, 5/16 - 18	1
73	70113-G01						ADJUSTABLE BUMPER.....	1
74	10386-G3						PIN, CLEVIS, 5/16 X 15/16 LG.	3
75	10387-G3						PIN, COTTER, 3/32 X 3/4 LG.	5
76	12416-G1						NYLON CLAMP	2
77	70264-G01						BRAKE PEDAL ASSEMBLY (INCLUDES ITEMS 78 - 88) VEHICLES WITHOUT BRAKE LIGHTS	1
78	11737-G1						SPRING, TORSION PARK BRAKE.....	2
79	12064-G1						PUSHNUT, 5/16.....	1
80								
81	15932-G2						PIN, PARK BRAKE	1
82	70259-G01						BRAKE PEDAL.....	1
83								
84	70274-G01						BRAKE/PARK BRAKE PEDAL PAD KIT (INCLUDES ITEMS 85 - 87).....	1
85	*						PAD, BRAKE PEDAL	1
86	*						PAD, PARK BRAKE PEDAL.....	1
87	16409-G1						RIVET, 3/8 X 15/32 LG.....	9