

FIG. 16 ELECTRICAL 1

REF. NO.	PART NO.	DESCRIPTION	JW21				REMARKS
1	JW2-H2136-00	PLATE, BATTERY FITTING	2				
2	JW2-H2133-00	SCREW, FITTING	4				
3	90201-08310	WASHER, PLATE	4				
4	95707-08500	NUT, FLANGE	4				
5	JW2-H2115-00	WIRE, PLUS LEAD	1				
6	JW2-H2127-00	WIRE, LEAD 2	2				
7	JW2-H2149-00	WIRE, LEAD 3	1				
8	JU2-H2917-00	SWITCH	1				
9	JU2-H2521-20	WIRE, LEAD	1				(F1)
10	JU2-H2531-20	WIRE, LEAD	1				(F2)
11	JU2-H6171-20	WIRE, LEAD 1	1				(A1)
12	JW2-H6172-00	WIRE, LEAD 2	1				(A2)
13	JU2-H7196-20	TUBE 1	1				
14	90464-25826	CLAMP	2				
15	JW2-H2590-00	WIRE HARNESS ASSY	1				
16	JU6-H1950-00	RELAY ASSY	1				
17	90179-05886	.NUT	2				
18	90179-08887	.NUT	2				
19	JN6-H2105-00	WIRE HARNESS	1				
20	90163-06005	SCREW, TAPPING	2				
21	JR1-H3383-01	BUZZER	1				
22	JN6-H3386-01	STAY, BUZZER	1				
23	JW2-H6181-00	RECEPTACLE	1				
24	JW2-F8382-00	SCREW, SPECIAL	4				
25	JF7-82817-20	SWITCH	1				
26	98507-05025	SCREW, PAN HEAD	2				
27	92907-05100	WASHER, SPRING	2				

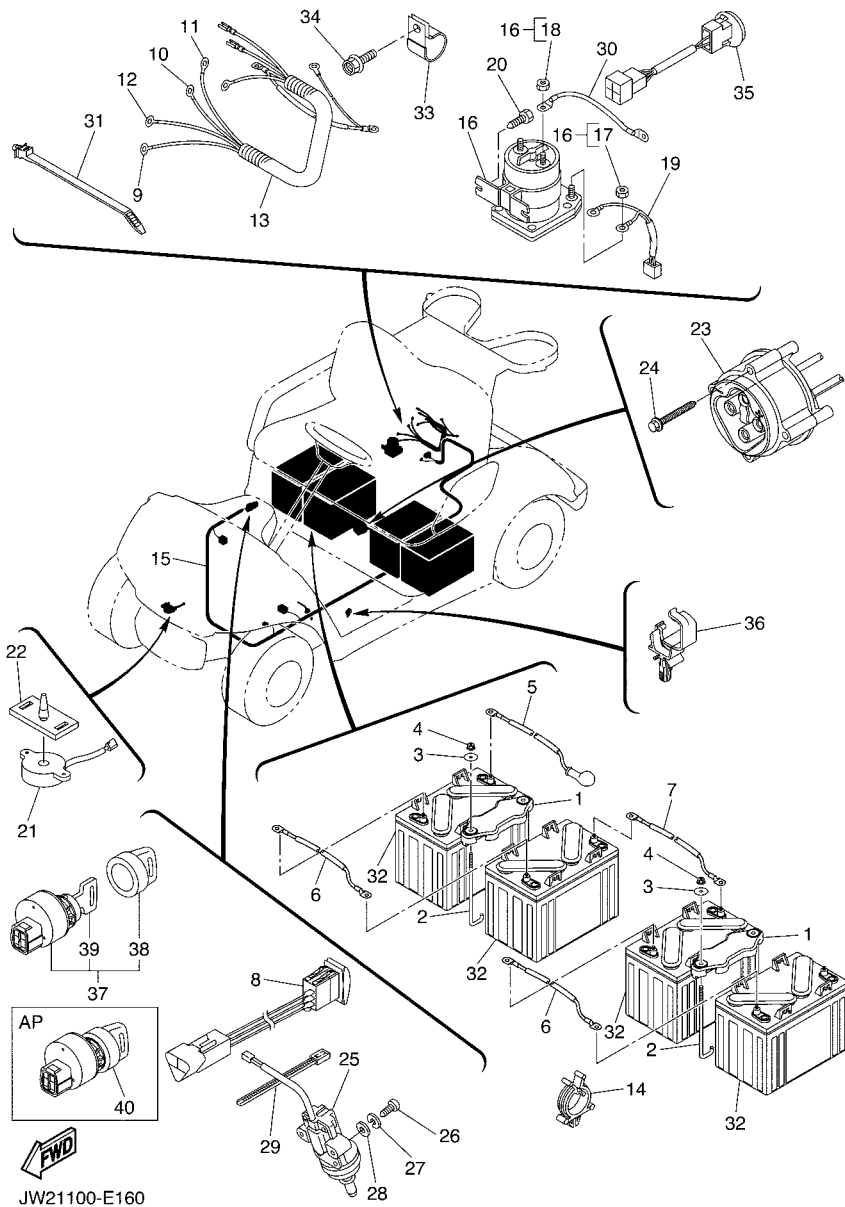


FIG. 16 ELECTRICAL 1

REF. NO.	PART NO.	DESCRIPTION	JW21				REMARKS
28	92907-05600	WASHER, PLATE	2				
29	90464-40825	CLAMP	8				
30	JW2-H6527-00	WIRE 7	1				
31	90464-38800	CLAMP	7				
32	*	BATTERY ASSY (12 VOLT T-1275)	4				LM
33	90461-14108	CLAMP	1				
34	90105-08867	BOLT, FLANGE	1				
35	JU2-HA2F0-00	TRANSMITTER UNIT	1				AP
36	90464-20237	CLAMP	3				
37	JU2-H2510-10	MAIN SWITCH ASSY	1				STD
38	5UG-H2579-00	.CAP, KEY	1				
39	JU2-H2511-00	.KEY, MAIN SWITCH	1				
40	JU2-H2510-20	MAIN SWITCH ASSY	1				AP RANDOMKEY