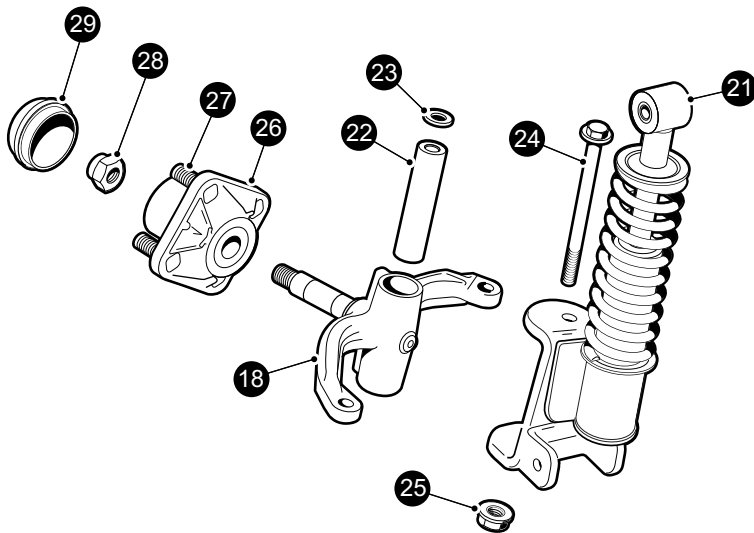
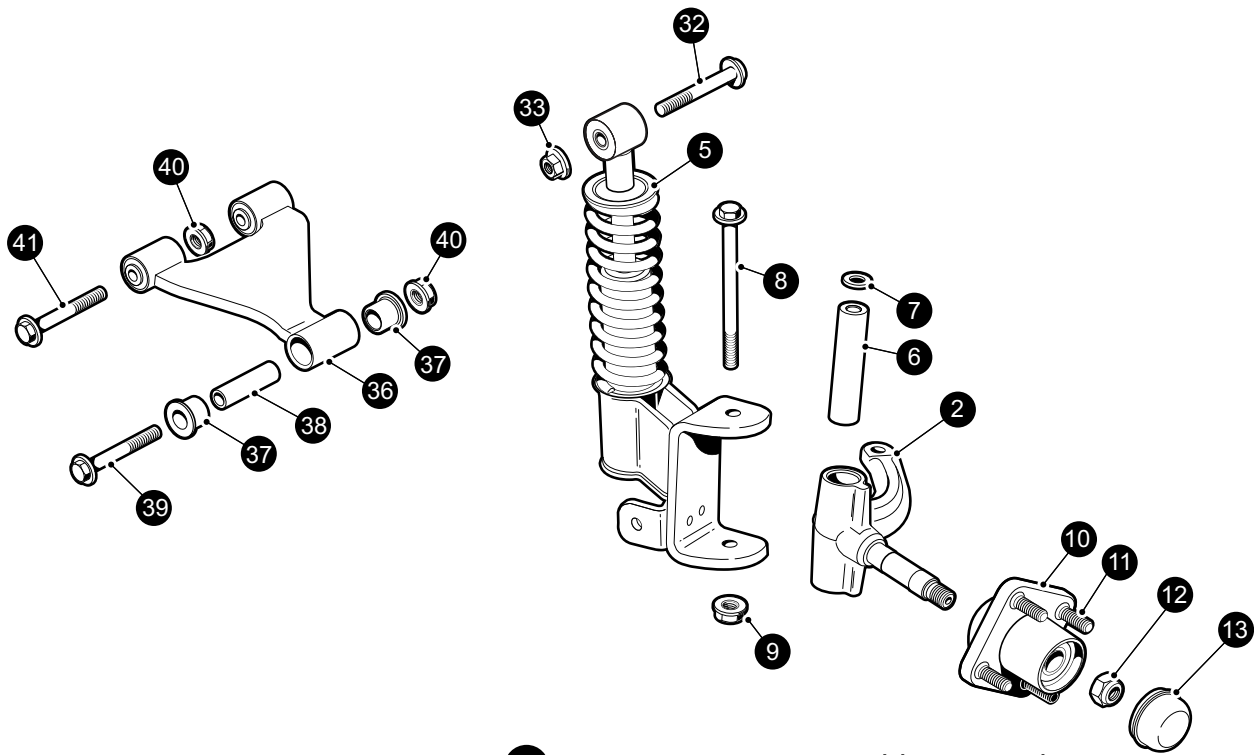


FRONT SUSPENSION



17 Front Suspension Assembly Passenger Side includes items 18, 21 - 29



1 Front Suspension Assembly Driver Side includes items 2, 5 - 13

FRONT SUSPENSION

When ordering parts, please specify the model and serial number of the product.

* Indicates a component that is not available as an individual part.

*** Indicates consult Customer Service Department for additional information.

ITEM	PART NO.	1 2 3 4 5	DESCRIPTION	QTY.
1	609605		SHOCK ABSORBER ASSEMBLY, DRIVER SIDE (includes items 2 - 13)	1
2	607413		SPINDLE ASSEMBLY, DRIVER SIDE.....	1
3				
4				
5	601246		STRUT ASSEMBLY, DRIVER SIDE	1
6	601707		KINGPIN TUBE	1
7	601920		THRUST WASHER	1
8	620380		KINGPIN, HEX HEAD FLANGED BOLT, M12 - 1.25 X 145	1
9	600549		HEX NUT, FLANGED, M12 - 1.25	1
10	609603		HUB ASSEMBLY (includes item 11).....	1
11	19862G1		WHEEL STUD.....	4
12	601709		LOCKING HEX NUT, M16 - 2.....	1
13	12091G3		SPINDLE CAP.....	1
14				
15				
16				
17	609604		SHOCK ABSORBER ASSEMBLY, PASSENGER SIDE (inc items 18 - 29) ...	1
18	607411		SPINDLE ASSEMBLY, PASSENGER SIDE	1
19				
20				
21	603024		STRUT ASSEMBLY, PASSENGER SIDE	1
22	601707		KINGPIN TUBE	1
23	601920		THRUST WASHER	1
24	620380		KINGPIN, HEX HEAD FLANGED BOLT, M12 - 1.25 X 145	1
25	600549		HEX NUT, FLANGED, M12 - 1.25	1
26	609603		HUB ASSEMBLY (includes item 27).....	1
27	19862G1		WHEEL STUD.....	4
28	601709		LOCKING HEX NUT, M16 - 2.....	1
29	12091G3		SPINDLE CAP.....	1
30				
31				

FRONT SUSPENSION

When ordering parts, please specify the model and serial number of the product.

* Indicates a component that is not available as an individual part.

*** Indicates consult Customer Service Department for additional information.

ITEM	PART NO.	1 2 3 4 5	DESCRIPTION	QTY.
32	602415		HEX HEAD FLANGED BOLT, M10 - 1.5 X 80.....	2
33	600525		HEX NUT, FLANGED LOCK, M10 - 1.5	2
34				
35				
36	608089		A-ARM ASSEMBLY	2
37	601340		A-ARM BUSHING.....	4
38	602085		A-ARM CARRIER TUBE	2
39	601754		HEX HEAD FLANGED BOLT, M10 - 1.5 X 90.....	2
40	600525		HEX NUT, FLANGED LOCK, M10 - 1.5	6
41	602415		HEX HEAD FLANGED BOLT, M10 - 1.5 X 80.....	4